

9000 Series Self-Propelled Windrowers
MUFFLER KIT (MD #306947)
INSTALLATION INSTRUCTIONS

This muffler kit is used to service old or damaged mufflers on 9000 Series Self-Propelled Windrowers with naturally aspirated (non-turbocharged) Cummins engines.

A list of parts included in the kit is provided.

NOTE: Keep your MacDon publications up-to-date. The most current version of this instruction can be downloaded from our Dealer-only site (<https://portal.macdon.com>) (login required).

NOTE: This document is currently available in English only.

Installation Time

Installation time for this kit is approximately 30 minutes.

Conventions

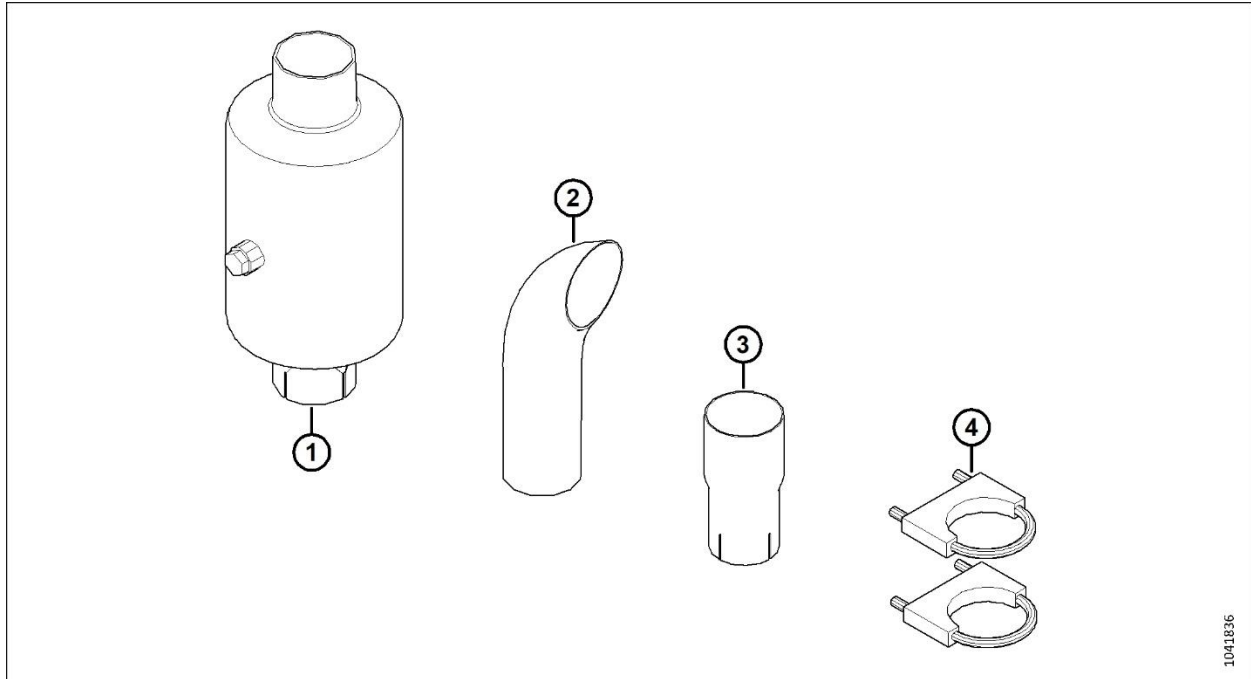
The following conventions are used in this document:

- Right and left are determined from the operator's position, facing forward with the windrower in cab-forward position.
- Unless otherwise noted, use the standard torque values provided in the windrower operator's manual and technical manual.

**9000 Series Self-Propelled Windrowers
MUFFLER KIT (MD #306947)
INSTALLATION INSTRUCTIONS**

Parts List

A parts list is provided in this instruction so that you can confirm that you have received all required parts before you begin installation.



Ref	Part Number	Description	Quantity
1	306946	MUFFLER – SPARK ARRESTER	1
2	167893	MUFFLER – TURNDOWN TIP	1
3	306949	MUFFLER – 3 IN. X 2.5 IN. REDUCER	1
4	42469	CLAMP – PIPE	2

**9000 Series Self-Propelled Windrowers
MUFFLER KIT (MD #306947)
INSTALLATION INSTRUCTIONS**

Installation Instructions

To install the Muffler kit (MD #306947), follow these steps:

NOTE: Throughout these instructions, when parts included in the kit are initially referenced, the part name is followed by its MacDon part number (MD #xxxxxx). If the part is not sold separately, the part name is followed by (MD #NSS). For more information, cross reference the part number to the parts list description and illustration.



DANGER

To prevent bodily injury or death from the unexpected startup of the machine, always stop the engine and remove the key from the ignition before leaving the operator's seat for any reason.



CAUTION

To avoid burns, do NOT touch the muffler while the engine is running. Allow sufficient cooling time after shutting down the engine before touching the muffler.

1. Shut down the engine, and remove the key from the ignition.
2. Ensure that muffler (A) is **NOT** hot to the touch.
3. Open the hood. For instructions, refer to the windrower operator's manual or technical manual.
4. Loosen and remove the muffler clamp at the base of muffler (A). Retain the muffler clamp for reinstallation.
5. Remove muffler (A) from the engine exhaust tube. Discard the muffler.



Figure 1: Muffler Removal

9000 Series Self-Propelled Windrowers
MUFFLER KIT (MD #306947)
INSTALLATION INSTRUCTIONS

NOTE: Some parts have been removed from the illustration at right for clarity.

6. Install the 2.5-inch (64 mm) end of reducer (B) (MD #306949) onto engine exhaust tube (A).
7. Reinstall muffler clamp (C) removed in Step 4 to secure the reducer to the engine exhaust tube.

NOTE: Ensure that the clamp is positioned at the slots of the 2.5-inch (64 mm) end of the reducer.

8. Install muffler (D) (MD #306946) onto the 3-inch (76 mm) end of the reducer.

NOTE: Ensure the muffler end marked "INLET" is connected to the reducer.

9. Install pipe clamp (E) (MD #42469) to secure the muffler inlet to the reducer.

NOTE: Ensure that the clamp is positioned at the slots of the muffler inlet.

10. Install turndown tip (F) (MD #167893) into the muffler outlet. Position the tip outlet to face rearward.
11. Install pipe clamp (G) (MD #42469) to secure the turndown tip to the muffler outlet.

12. Close the hood. For instructions, refer to the windrower operator's manual or technical manual.

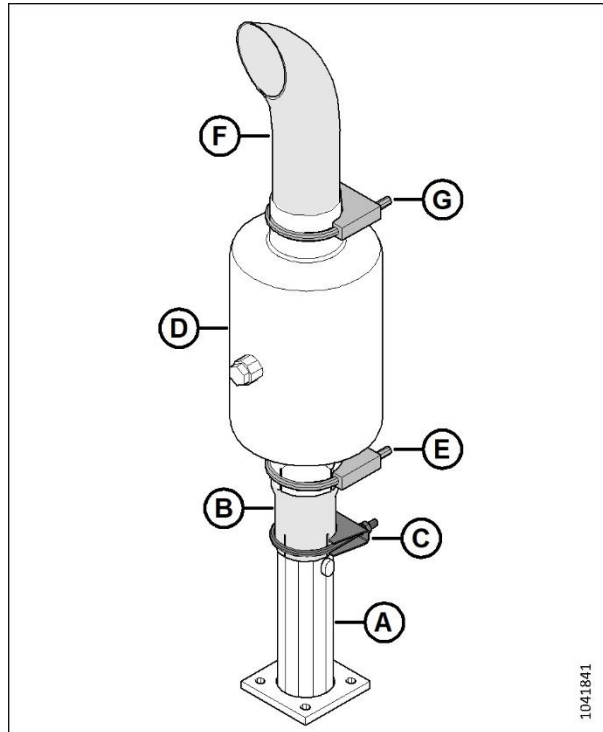


Figure 2: Muffler Installation

© 2023 MacDon Industries, Ltd.

The information in this publication is based on the information available and in effect at the time of printing. MacDon Industries, Ltd. makes no representation or warranty of any kind, whether expressed or implied, with respect to the information in this publication. MacDon Industries, Ltd. reserves the right to make changes at any time without notice.