

**FD2 Series FlexDraper® Header EasyMove™ Transport
Hitch Support Rework (MD #327777)
INSTALLATION INSTRUCTIONS**

The purpose of the kit is to replace the hitch support.

A list of parts included in the kit is provided.

NOTE: Keep your MacDon publications up-to-date. The most current version of this instruction can be downloaded from our Dealer-only site (<https://portal.macdon.com>) (login required).

Installation Time

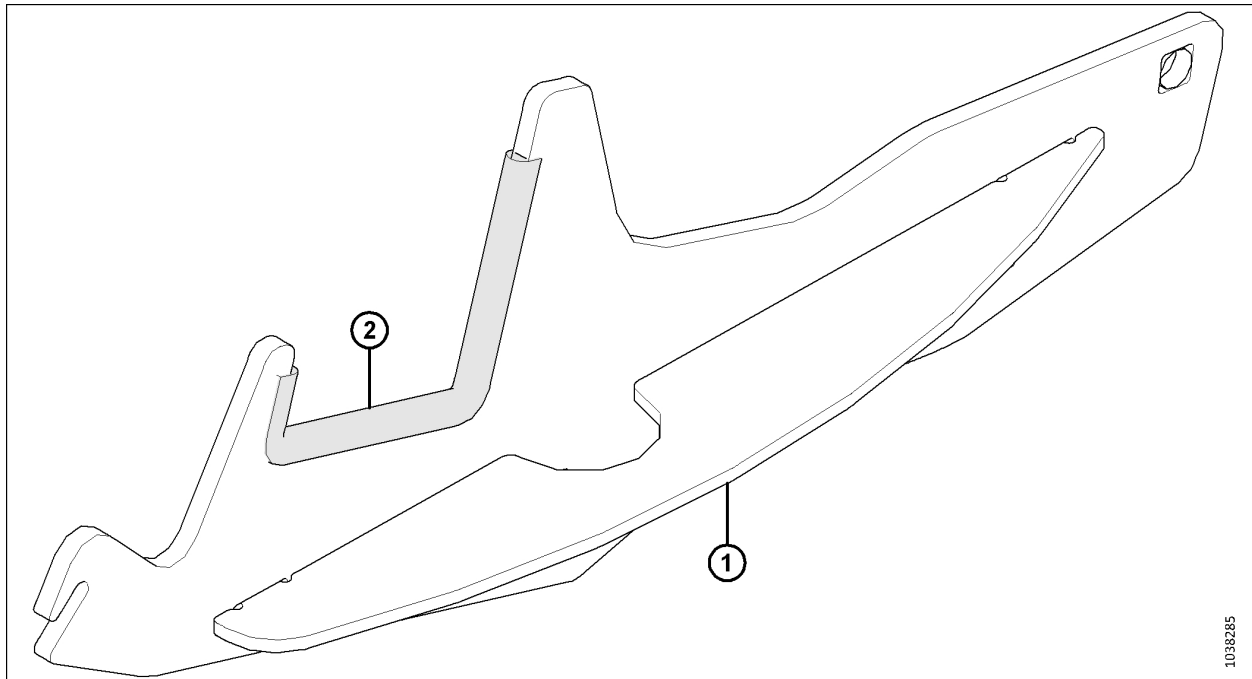
Installation time is 20 minutes.

Conventions

The following conventions are used in this document:

- Right and left are determined from the operator’s position. The front of the header is the side that faces the crop; the back of the header is the side that connects to the combine.
- Unless otherwise noted, use the standard torque values provided in the Parts List

A parts list is provided in this instruction so that you can confirm that you have received all required parts before you begin installation.



Ref	Part Number	Description	Quantity
1	327771	SUPPORT	1
2	141220	SEAL-EDGE TRIM	1

**FD2 Series FlexDraper® Header EasyMove™ Transport
Hitch Support Rework (MD #327777)
INSTALLATION INSTRUCTIONS**

Installation Instructions

To install the hitch support rework kit, follow these steps:

NOTE: throughout these instructions, when parts included in the kit are initially referenced, the part name is followed by its MacDon part number (MD #xxxxxx). If the part is not sold separately, the part name is followed by (MD #NSS). For more information, cross reference the part number to the parts list description and illustration.



DANGER

To prevent injury or death from the unexpected start-up of the machine, always stop the engine and remove the key from the ignition before leaving the operator's seat for any reason.

1. Shut down the engine, and remove the key from the ignition.
2. Remove strap (A) from cradle (B) to free tow-bar extension (C) from the storage location behind the back tube on the left side of the header.
3. Rotate tow-bar extension to unlock from pin (D).
4. Lift tow-bar extension away (C) from pin (D).

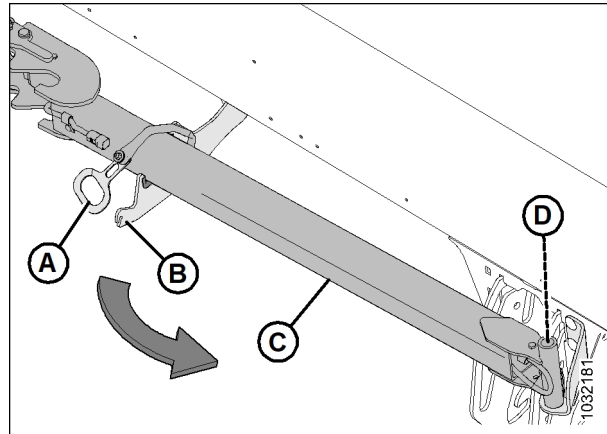


Figure 1: Tow-Bar Extension in Storage

5. Remove outer hitch support (A). Retain hardware (B), and (C) for reinstallation.

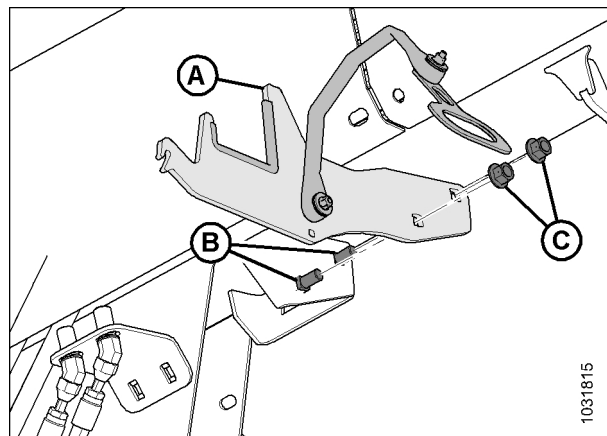


Figure 2: Outer Hitch Support – FD230 and FD235

**FD2 Series FlexDraper® Header EasyMove™ Transport
Hitch Support Rework (MD #327777)
INSTALLATION INSTRUCTIONS**

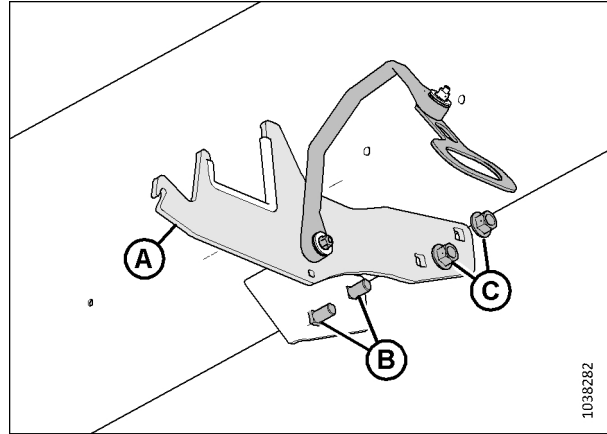


Figure 3: Outer Hitch Support – FD240, FD241, FD245, and FD250

6. Remove rubber strap handle (A). Retain the hardware and removed part. Discard the support.

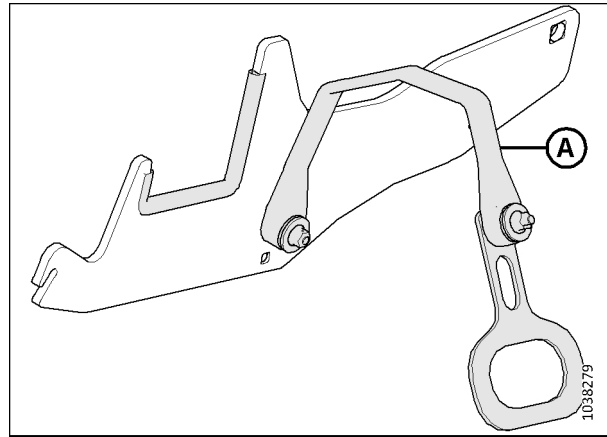


Figure 4: Outer Hitch Support

7. Install previously rubber strap handle (A) onto the new outer hitch support. Tighten the rubber strap until the rubber begins to compress.

NOTE: The manufacturer's logos should be visible on the outside of the rubber strap.

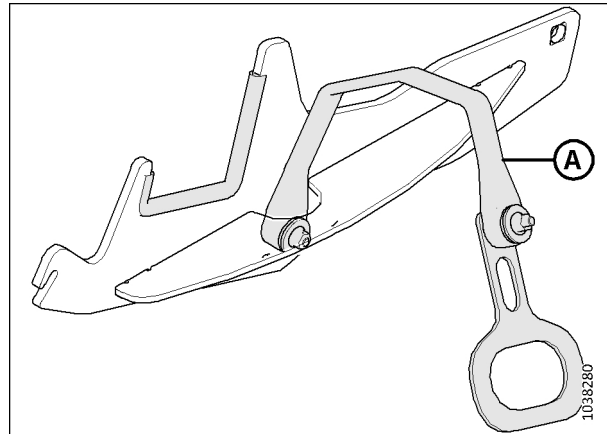


Figure 5: New Outer Hitch Support

**FD2 Series FlexDraper® Header EasyMove™ Transport
Hitch Support Rework (MD #327777)
INSTALLATION INSTRUCTIONS**

8. Attach new outer hitch support (A) to the brace with retained bolts (B) and nuts (C).
9. Torque nuts (C) to 69 Nm (51 lbf-ft).

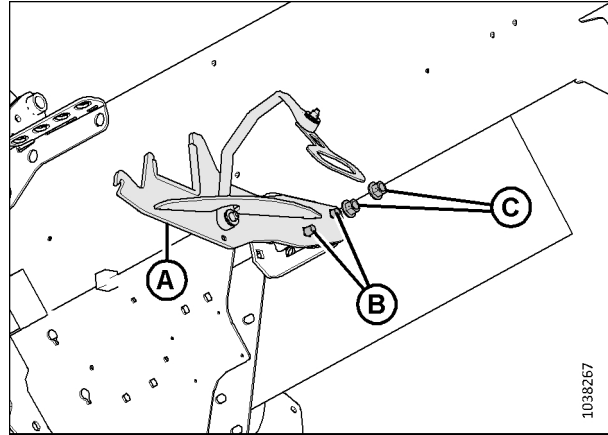


Figure 6: Outer Hitch Support – FD230, FD235

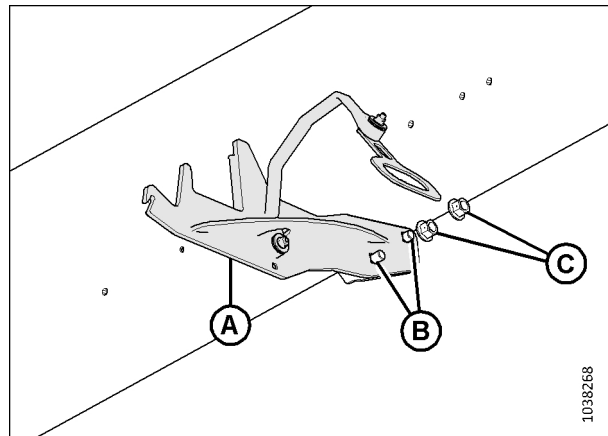


Figure 7: Outer Hitch Support – FD240, FD241, FD245, and FD250

10. Insert tube end (B) of tow-bar extension (A) onto pin (C).
11. Rotate tow-bar extension to cradle (D).

NOTE: To prevent tow-bar extension from shaking loose, ensure extension bar engages groove in bracket (E).

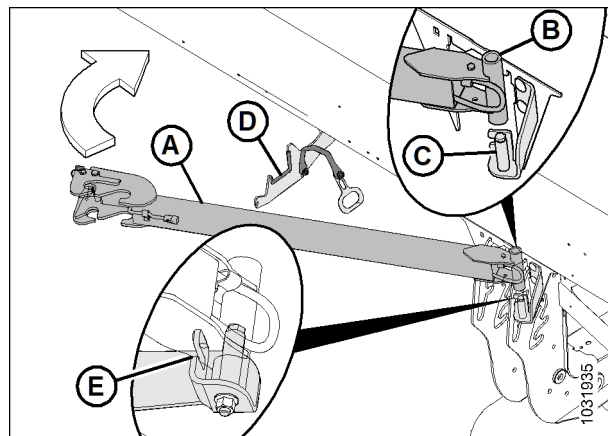


Figure 8: Tow-Bar Extension Storage

**FD2 Series FlexDraper® Header EasyMove™ Transport
Hitch Support Rework (MD #327777)
INSTALLATION INSTRUCTIONS**

12. Secure tow-bar extension by hooking strap handle (A) onto notch in cradle (B).

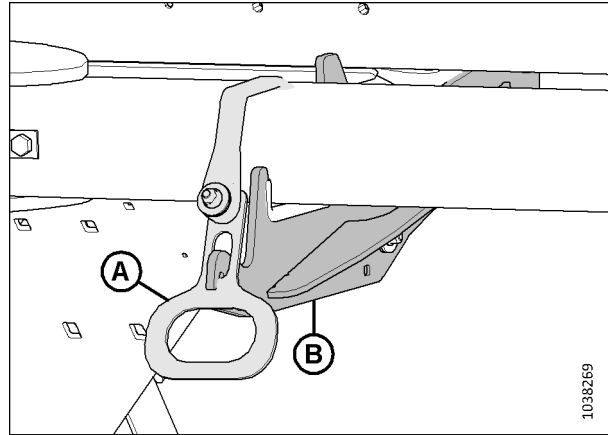


Figure 9: Tow-Bar Extension Storage

**FD2 Series FlexDraper® Header EasyMove™ Transport
Hitch Support Rework (MD #327777)
INSTALLATION INSTRUCTIONS**

© 2022 MacDon Industries, Ltd.

The information in this publication is based on the information available and in effect at the time of printing. MacDon Industries, Ltd. makes no representation or warranty of any kind, whether expressed or implied, with respect to the information in this publication. MacDon Industries, Ltd. reserves the right to make changes at any time without notice.