

**R216 Rotary Disc Header  
PULLEY MOUNT HARDWARE KIT (MD #359005)  
INSTALLATION INSTRUCTIONS**

The Pulley Mount Hardware Kit (MD #359005) will help prevent the pulley bracket mount from slipping out of position. This instruction explains how to replace the existing hardware with the Pulley Mount Hardware kit.

A list of parts included in the kit is provided.

**NOTE:** Keep your MacDon publications up-to-date. The most current version of this instruction can be downloaded from our Dealer-only site (<https://portal.macdon.com>) (login required).

**Installation Time**

- If the bracket doesn't need adjusting, this kit will take approximately 30 minutes to install.
- If the bracket needs to be adjusted, this kit will take approximately 1 hour to install.

**Conventions**

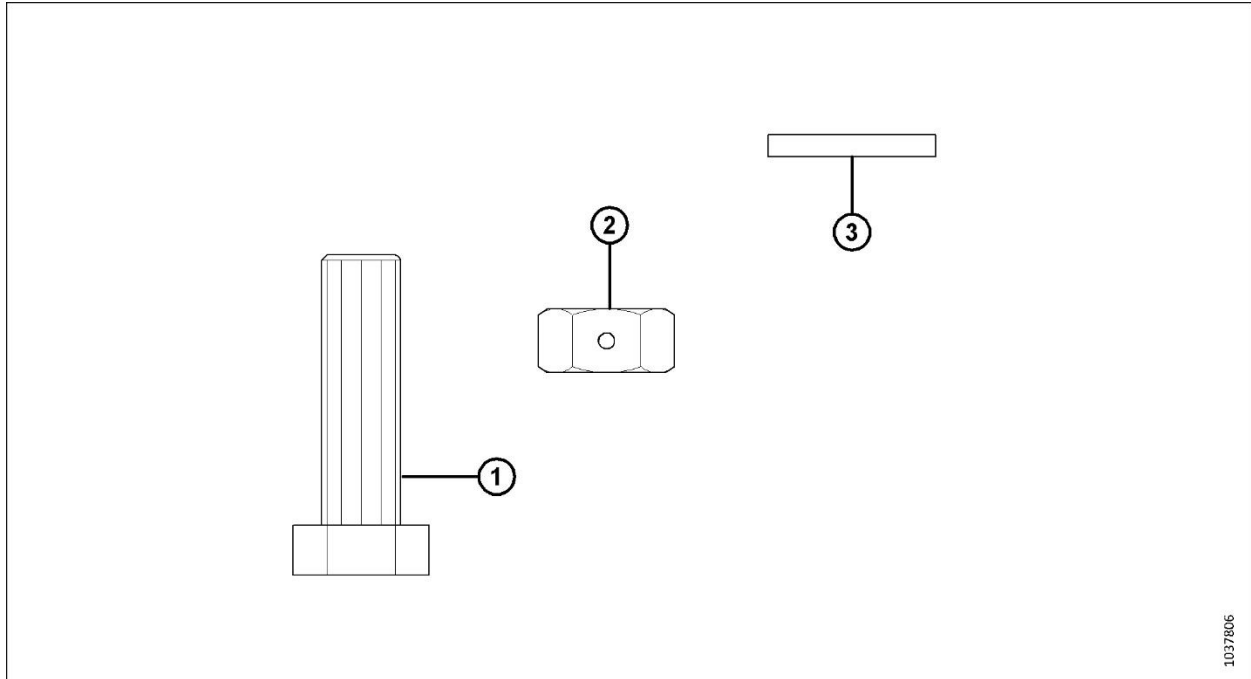
The following conventions are used in this document:

- Right and left are determined from the operator's position, facing forward with the windrower in cab-forward position.
- Unless otherwise noted, use the standard torque values provided in the rotary disc header operator's manual and technical manual.

**R216 Rotary Disc Header  
PULLEY MOUNT HARDWARE KIT (MD #359005)  
INSTALLATION INSTRUCTIONS**

**Parts List**

A parts list is provided in this instruction so that you can confirm that you have received all required parts before you begin installation.



1037806

Ref	Part Number	Description	Quantity
1	320311	BOLT-HEX HD M16X2X55-12.9 ZINC	3
2	320208	NUT-HEX CTR LOCK M16X2-12 ZINC	3
3	120901	WASHER-HARD 5/8-82/85HR15N	6

**R216 Rotary Disc Header  
PULLEY MOUNT HARDWARE KIT (MD #359005)  
INSTALLATION INSTRUCTIONS**

**Installation Instructions**

To install the Pulley Mount Hardware kit, follow these steps:

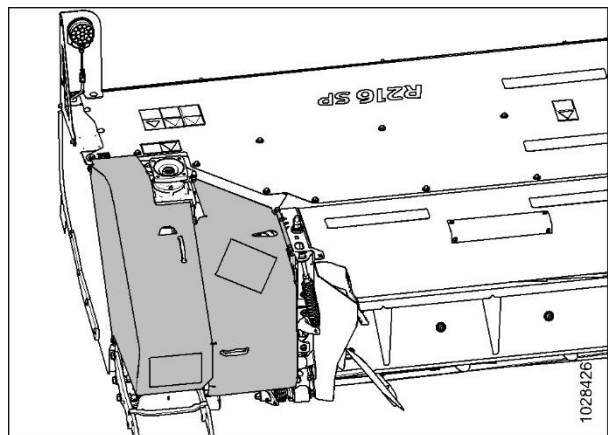
**NOTE:** throughout these instructions, when parts included in the kit are initially referenced, the part name is followed by its MacDon part number (MD #xxxxxx). If the part is not sold separately, the part name is followed by (MD #NSS). For more information, cross reference the part number to the parts list description and illustration.



**DANGER**

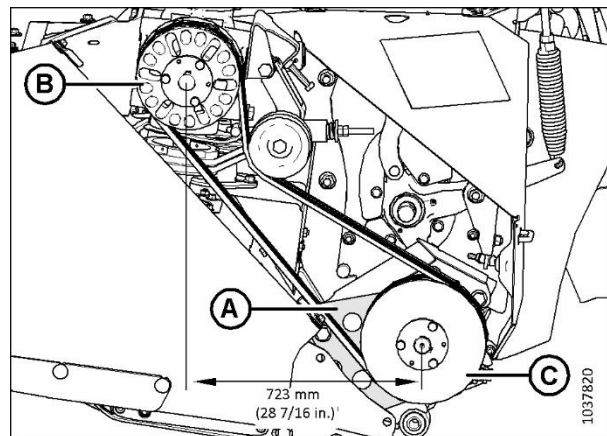
**To prevent bodily injury or death from the unexpected start-up or fall of a raised machine, always stop the engine and remove the key before leaving the operator's seat, and always engage the safety props before going under the machine for any reason.**

1. Lower the header fully.
2. Shut down the engine, and remove the key from the ignition.
3. Open the left driveshield.



**Figure 1: Left Driveshield**

4. Check the position of bracket (A) by measuring the distance between center of drive pulley (B) and center of driven pulley (C). The distance should be 723 mm (28 7/16 in.).
5. If the distance is correct, proceed to Step 19. If the distance is incorrect, proceed to the next step.



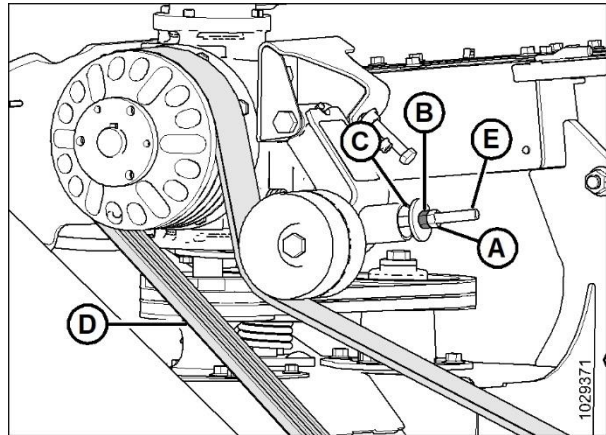
**Figure 2: Conditioner Drive**

**R216 Rotary Disc Header  
PULLEY MOUNT HARDWARE KIT (MD #359005)  
INSTALLATION INSTRUCTIONS**

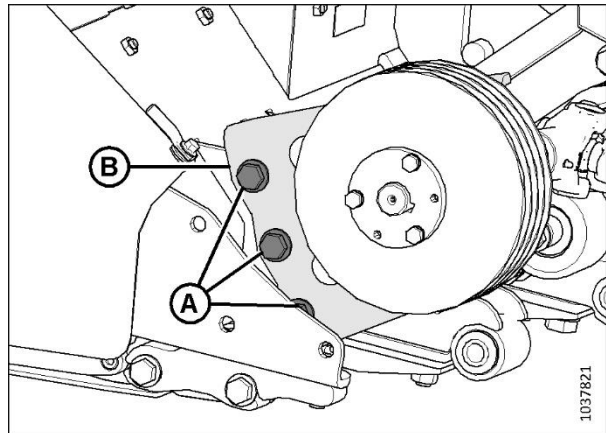
6. Remove the conditioner drive belt as follows:
- a. Turn jam nut (A) counterclockwise to unlock the tension adjustment.
  - b. Turn jam nut (A) and adjuster nut (B) counterclockwise to fully extend tensioner spring (C), and release the tension from conditioner drive belt (D).
  - c. Fully loosen hardware, then slide threaded rod (E) forward and down to disengage the rod pivot point from the disc speed sensor bracket.

**NOTE:** The threaded rod pivot must be disengaged from the disc speed sensor bracket to allow the tensioner assembly to rotate enough to remove the drive belt.

- d. Remove drive belt (D).
7. Remove the three existing bolts, nuts, and washers (A) securing pulley mount bracket (B) to the left leg.



**Figure 3: Conditioner Drive Belt**

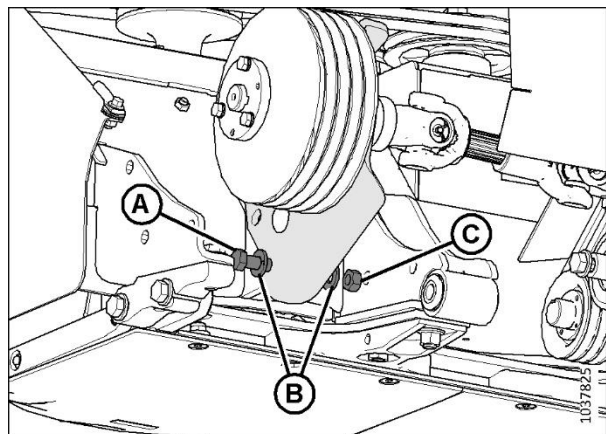


**Figure 4: Left Conditioner Drive**

8. Loosely install M16 hex head bolt (MD #320311) (A), two washers (MD #120901) (B), and one lock nut (MD #320208) (C).

**NOTE:** Each washer is positioned on each side of the pulley mount bracket and the left leg.

9. Repeat Step 8 for the other two sets of bolts, washers, and nuts.

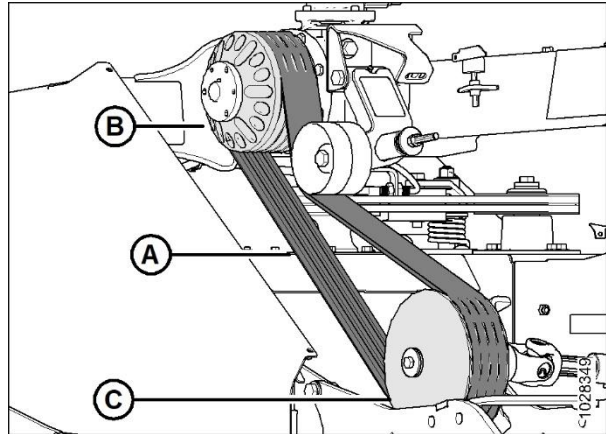


**Figure 5: Left Conditioner Drive**

**R216 Rotary Disc Header  
PULLEY MOUNT HARDWARE KIT (MD #359005)  
INSTALLATION INSTRUCTIONS**

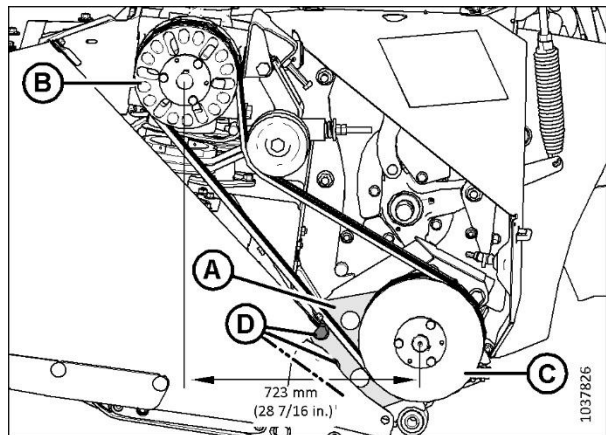
10. Install drive belt (A) onto driven pulley (C) first, and then onto drive pulley (B), ensuring that the belt is in the pulley grooves.

**NOTE:** If necessary, loosen the jam nut and adjuster nut to relieve the spring tension.



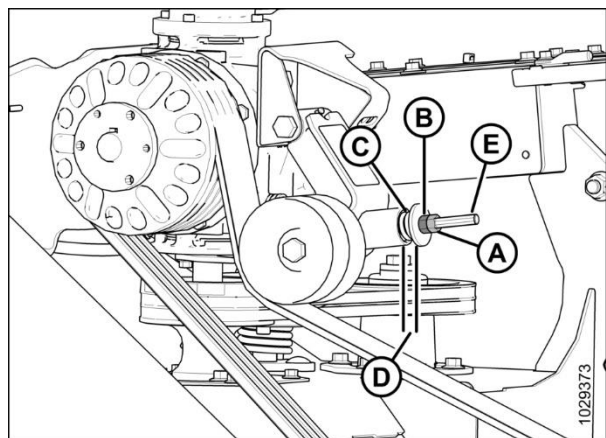
**Figure 6: Conditioner Drive Belt**

11. Adjust position of bracket (A) so the distance between center of drive pulley (B) and center of driven pulley (C) is 723 mm (28 7/16 in.).
12. Tighten hardware (D) to 275 Nm (203 lbf·ft).



**Figure 7: Conditioner Drive Belt**

13. With the hardware fully loosened, slide the threaded rod (E) up and backward into the disc speed sensor bracket, then snug the hardware to engage the rod pivot point with the bracket.
14. Measure the length of tensioner spring (C). For proper belt tension, dimension (D) should be set to 17.5 mm (11/16 in.).
15. To adjust spring tension, loosen jam nut (A) by turning it counterclockwise.
16. Turn adjuster nut (B) clockwise to increase tensioner spring/belt tension or turn adjuster nut (B) counterclockwise to decrease tensioner spring/belt tension.

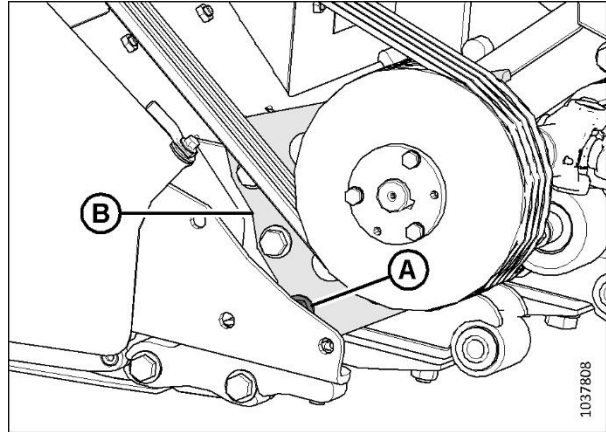


**Figure 8: Conditioner Drive**

17. Once the correct spring measurement has been achieved, hold adjuster nut (B) in place and tighten jam nut (A) against it by turning the jam nut clockwise.
18. Proceed to Step 23.

**R216 Rotary Disc Header  
PULLEY MOUNT HARDWARE KIT (MD #359005)  
INSTALLATION INSTRUCTIONS**

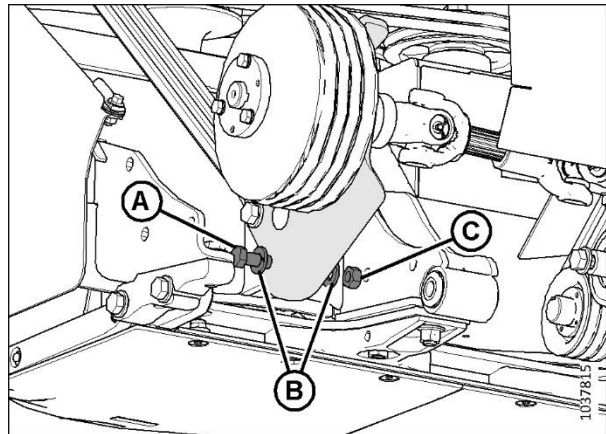
19. Remove existing bolt (A), nut, and washer securing pulley mount bracket (B) to the left leg.



**Figure 9: Left Conditioner Drive**

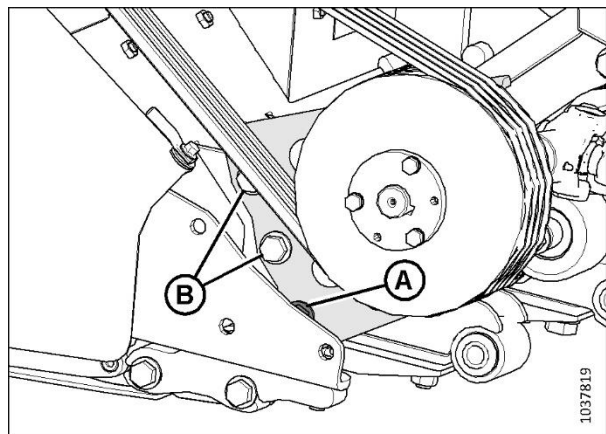
20. Install one M16 hex head bolt (MD #320311) (A), two washers (MD #120901) (B), and one lock nut (MD #320208) (C).

**NOTE:** Each washer is positioned on each side of the pulley mount bracket and the left leg.



**Figure 10: Left Conditioner Drive**

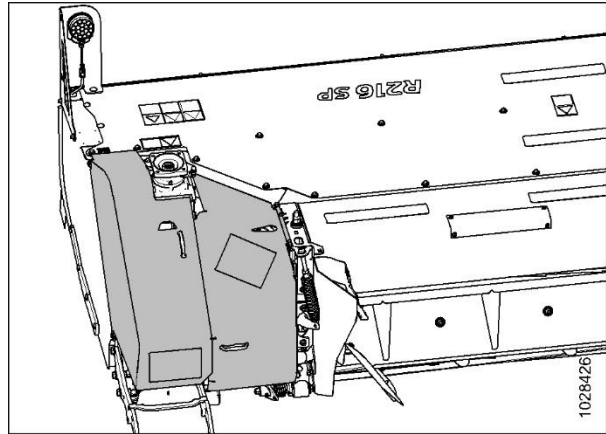
21. Torque hardware (A) to 275 Nm (203 lbf-ft).
22. Repeat Step 19 to Step 21 for two remaining bolts, washers, and nuts (B). Remove, install, and tighten one bolt at a time.



**Figure 11: Left Conditioner Drive**

**R216 Rotary Disc Header  
PULLEY MOUNT HARDWARE KIT (MD #359005)  
INSTALLATION INSTRUCTIONS**

23. Close the left driveshield.



**Figure 12: Left Driveshield**

© 2021 MacDon Industries, Ltd.

The information in this publication is based on the information available and in effect at the time of printing. MacDon Industries, Ltd. makes no representation or warranty of any kind, whether expressed or implied, with respect to the information in this publication. MacDon Industries, Ltd. reserves the right to make changes at any time without notice.