

**D60, D65, D1, and D1XL Draper Headers, FD70, FD75, and FD1 FlexDraper® Headers
DRAPER CLIPS (MD #294858 and 294859)
INSTALLATION INSTRUCTIONS**

Draper clips help reduce draper wear. This instruction explains how to install either of the following draper clip options on a MacDon D60, D65, D1 Series, or D1XL Series Draper Header or on an FD70, FD75 or FD1 Series FlexDraper® Header.

- Draper Clip (Pack of 25) MD #294858 – for tapered cleats
- Draper Clip (Pack of 25) MD #294859 – for square cleats

Each pack contains 25 clips. The number of clips required for a particular header will depend on the header size. Refer to the following table to determine how many clips are needed for your header.

Header Width	Cleats per Draper	Clips Required	Packs Required
4.6 m (15 ft.)	8	16	1
6.1 m (20 ft.)	13	26	2
7.6 m (25 ft.)	18	36	2
9.1 m (30 ft.)	23	46	2
10.7 m (35 ft.)	27/28	54/56	3
12.2 m (40 ft.)	32/33	64/66	3
13.7 m (45 ft.)	37/38	74/76	3–4

NOTE: Keep your MacDon publications up-to-date. The most current version of this instruction can be downloaded from our Dealer-only site (<https://portal.macdon.com>) (login required).

NOTE: This document is currently available in English only.

Installation Time

It takes approximately 1 hour to install one pack of draper clips (25 clips). Actual installation time will depend on the total number of clips installed.

Conventions

The following conventions are used in this document:

- Right and left are determined from the operator’s position. The front of the header is the side that faces the crop; the back of the header is the side that connects to the windrower or combine.
- Unless otherwise noted, use the standard torque values provided in the header operator’s manual and technical manual.

**D60, D65, D1, and D1XL Draper Headers, FD70, FD75, and FD1 FlexDraper® Headers
 DRAPER CLIPS (MD #294858 and 294859)
 INSTALLATION INSTRUCTIONS**

Parts List

Draper clip pack contains:

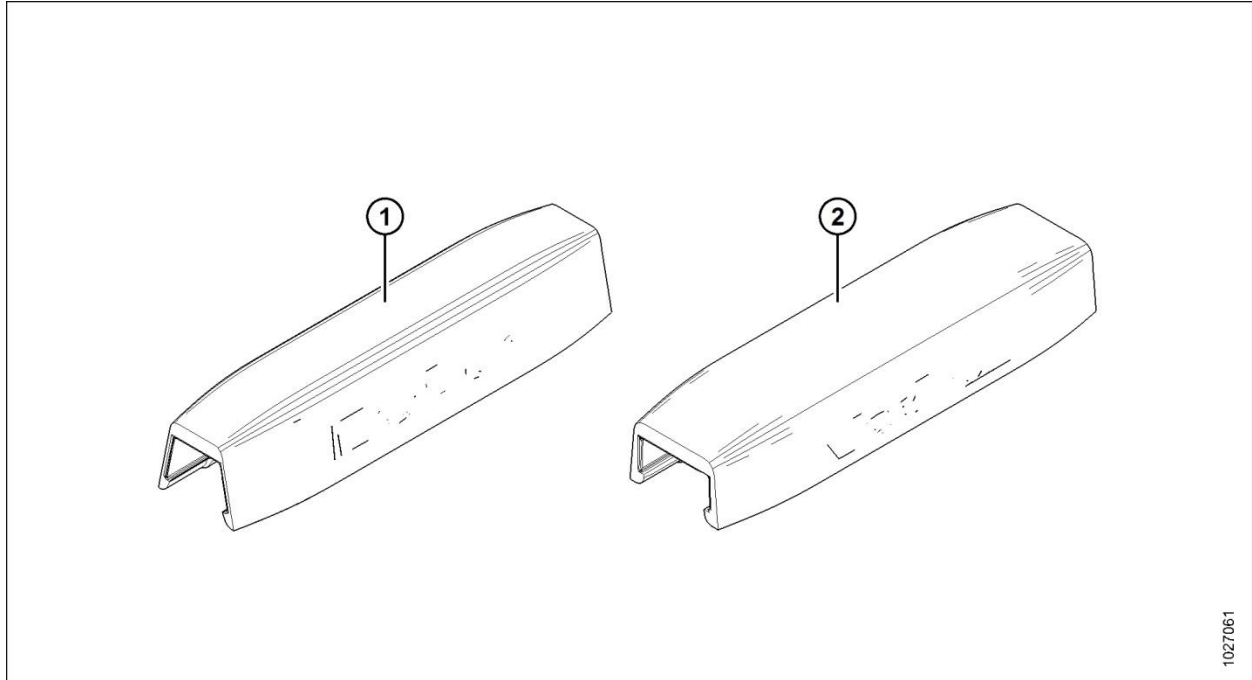


Figure 1: Parts Included in Draper Clip Packs

Ref	Part Number	Description	Quantity
	294858	DRAPER CLIPS, TAPERCLEAT 25 PK	
1	NSS ¹	DRAPER CLIP, TAPERCLEAT	25
	294859	DRAPER CLIPS, SQUARECLEAT 25 PK	
2	NSS ¹	DRAPER CLIP, SQUARECLEAT	25

¹ Not sold separately.

**D60, D65, D1, and D1XL Draper Headers, FD70, FD75, and FD1 FlexDraper® Headers
DRAPER CLIPS (MD #294858 and 294859)
INSTALLATION INSTRUCTIONS**

Installation Instructions

To install the draper clips, follow these steps:



WARNING

To avoid bodily injury or death from unexpected start-up of machine, always stop engine and remove key from ignition before leaving operator's seat for any reason.

NOTE: Illustration views are from the left end of the header.

1. Lower the header to the ground.



DANGER

To avoid bodily injury from fall of raised reel, always engage reel safety props before going under raised reel for any reason.

2. Raise the reel fully and engage the reel safety props. Refer to the header operator's manual or technical manual for procedure.
3. Shut down the engine and remove the key.
4. Measure distance (A) from the end of the draper cleat to the middle of the draper support track (B). Make a mark on the cleat at this location.

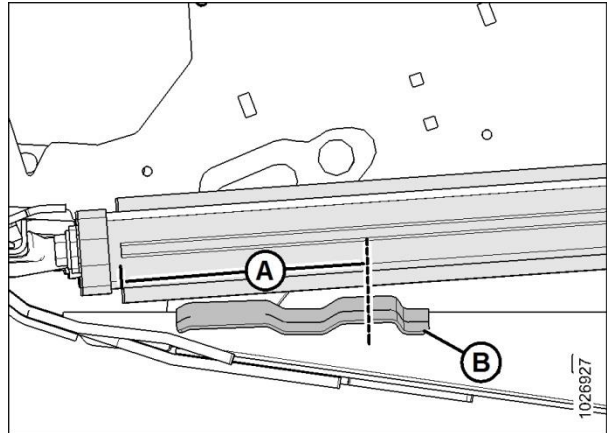


Figure 2: Clip Installation Area

**D60, D65, D1, and D1XL Draper Headers, FD70, FD75, and FD1 FlexDraper® Headers
DRAPER CLIPS (MD #294858 and 294859)
INSTALLATION INSTRUCTIONS**

- From mark (A) on the cleat, measure and mark 40 mm (1.6 in.) on either side of the cleat. This is the area where the clip will be installed.

NOTE: If the cleats at the front of the draper are too worn to hold the draper clips, reverse the drapers so that the lesser worn rear cleats are at the front. Refer to the header operator's manual or technical manual for draper removal and installation procedures.

- Clean the area with water and a rag. Coat the installation surface of the clip with a small amount of dish soap to allow the clip to slide on.

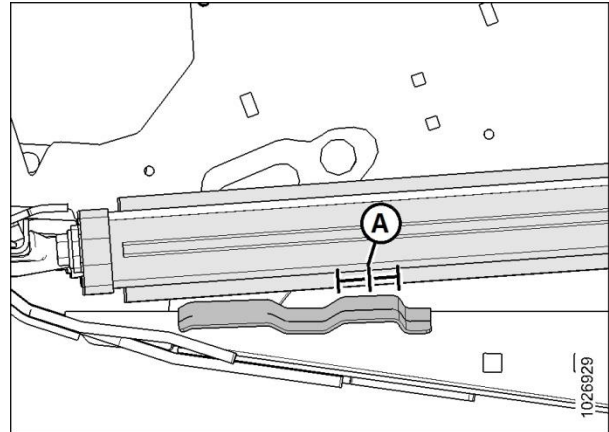


Figure 3: Clip Installation Area

- Rotate the draper cleat to align it with a roller.
- Using a rubber mallet, hit the clip (A) directly down onto the cleat. It may take a few hits to achieve the desired fit.

NOTE: Do **NOT** hit too hard as the clips may break.

- Repeat this for each cleat on both drapers.

NOTE: The clips may have a small gap (approximately 1 mm [0.04 in.]) between the draper cleat and the clip.

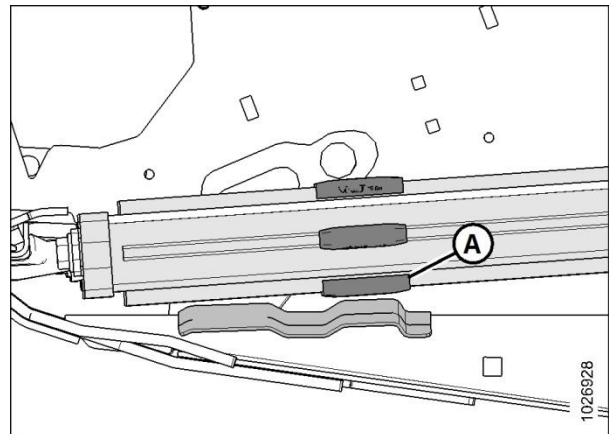


Figure 4: Clip Installation

© 2019 MacDon Industries, Ltd.

The information in this publication is based on the information available and in effect at the time of printing. MacDon Industries, Ltd. makes no representation or warranty of any kind, whether expressed or implied, with respect to the information in this publication. MacDon Industries, Ltd. reserves the right to make changes at any time without notice.