

**M1 Series Windrowers**  
**DWA SHUT-OFF KIT (MD #299704)**  
**INSTALLATION INSTRUCTIONS**

The Double Windrow Attachment (DWA) is a conveyor deck that can be mounted beneath a MacDon Windrower. When engaged, it deposits the windrow to the right of the vehicle, giving the Operator the ability to place two or three windrows of conditioned material close together.

If a DWA has been installed on an M1 Series Windrower configured for both rotary disc and draper headers, it can only be used in conjunction with the rotary header. If the Operator wishes to use a draper header on an M1 Windrower with this configuration, the DWA draper must first be shut off, which requires this DWA Shut-Off kit (MD #299704). This kit is thus intended for M1 Series Windrowers configured for both rotary disc and draper headers, and where a DWA has been installed. It includes a valve and other parts that allow the Operator to shut off hydraulic power to the DWA draper and direct power to, and thereby operate, the draper header.

This document explains how to install the Shut-Off kit on a MacDon M1 Series Windrower.

A list of parts included in the kit is provided.

**NOTE:** Keep your MacDon publications up-to-date. The most current version of this instruction can be downloaded from our Dealer-only site (<https://portal.macdon.com>) (login required).

**Installation Time**

The approximate installation time for this kit is 0.5 hours.

**Conventions**

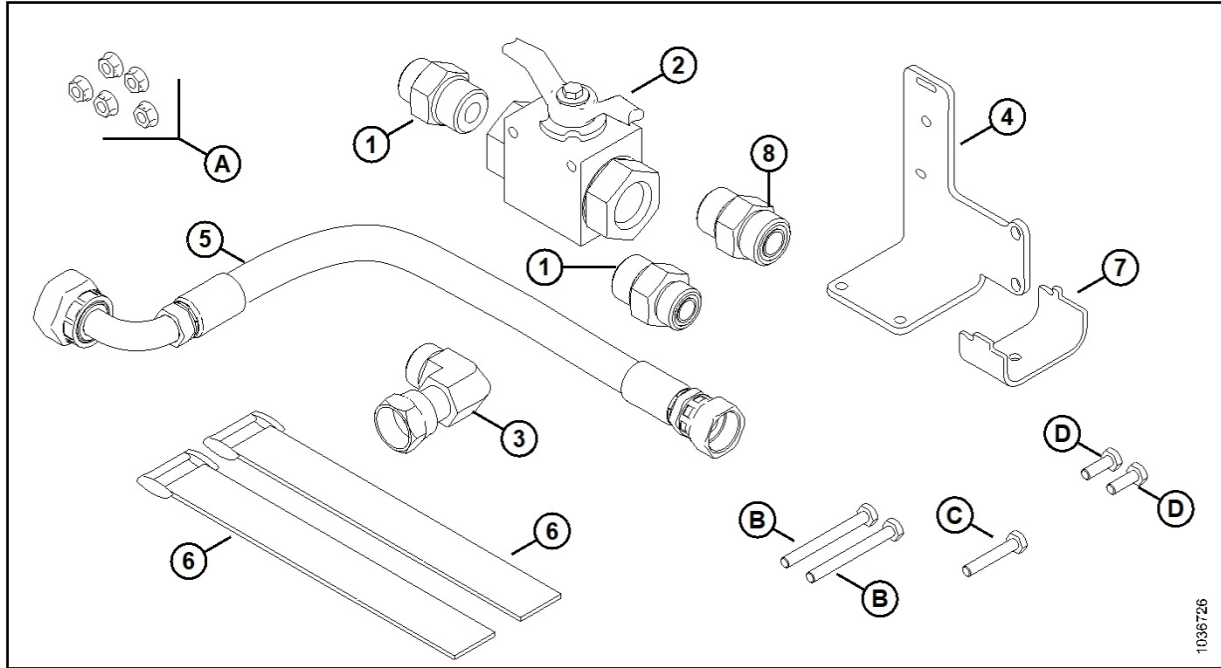
The following conventions are used in this document:

- Right and left are determined from the operator's position, facing forward with the windrower in cab-forward position.
- Unless otherwise noted, use the standard torque values provided in the windrower operator's manual and technical manual.

**M1 Series Windrowers  
DWA SHUT-OFF KIT (MD #299704)  
INSTALLATION INSTRUCTIONS**

**Parts List**

A parts list is provided in this instruction so that you can confirm that you have received all required parts before you begin installation.



**Figure 1: Parts Included in Kit**

Ref	Part Number	Description	Quantity
1	135786	FITTING – ADAPTER	2
2	294263	VALVE – BALL	1
3	136846	FITTING – ELBOW 90° HYD	1
4	299820	BRACKET – BV MOUNT, DWA	1
5	299822	HOSE – HYDRAULIC	1
6	135444	CINCH STRAP 6" LG	2
7	299898	HOLDER – HOSES	1
8	135788	FITTING – ADAPTER (LARGE, FOR POST-2019 DWAs ONLY) <sup>1</sup>	1
A	135248	NUT – HEX FLG CTR LOC 1/4-20	5
B	21854	BOLT – HEX HD 1/4-20 X 2.5	2
C	21574	BOLT – HEX HD 1/4-20 X 1.5	1
D	21566	BOLT – HEX HD 1/4-20 X 0.75	2

<sup>1</sup> This large fitting (MD #135788) accommodates the larger drive hose fitting size on DWAs produced after model year 2019. It replaces one of the two standard fittings (MD #135786) on the post-2019 DWA models.

**M1 Series Windrowers  
DWA SHUT-OFF KIT (MD #299704)  
INSTALLATION INSTRUCTIONS**

**Installation Instructions**

To install the DWA Shut-Off kit, follow these steps:



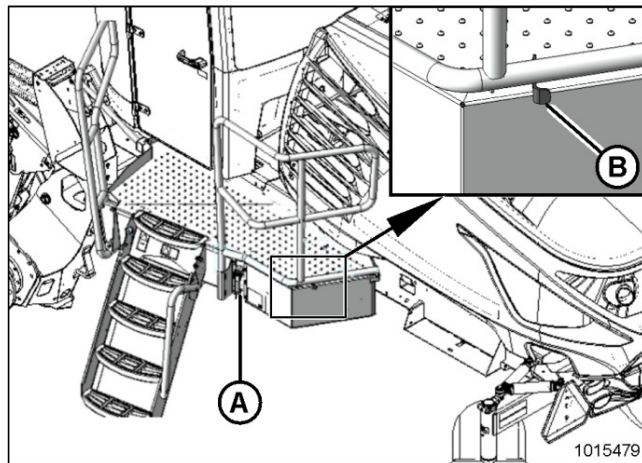
**DANGER**

**To avoid bodily injury or death from unexpected startup of the machine, always stop the engine and remove the key from the ignition before leaving the operator's seat for any reason.**

**NOTE:** Throughout these instructions, when parts included in the kit are initially referenced, the part name is followed by its MacDon part number (MD #xxxxxx). If the part is not sold separately, the part name is followed by (MD #NSS). For more information, cross reference the part number to the parts list description and illustration.

**NOTE:** Retain all parts and hardware for reinstallation unless otherwise stated. Some parts have been removed from the illustrations for improved clarity.

1. Shut down the engine and remove the key from the ignition.
2. To access the DWA hydraulics, push latch (B), and pull left platform (A) toward the walking beam until it stops and the latch engages.

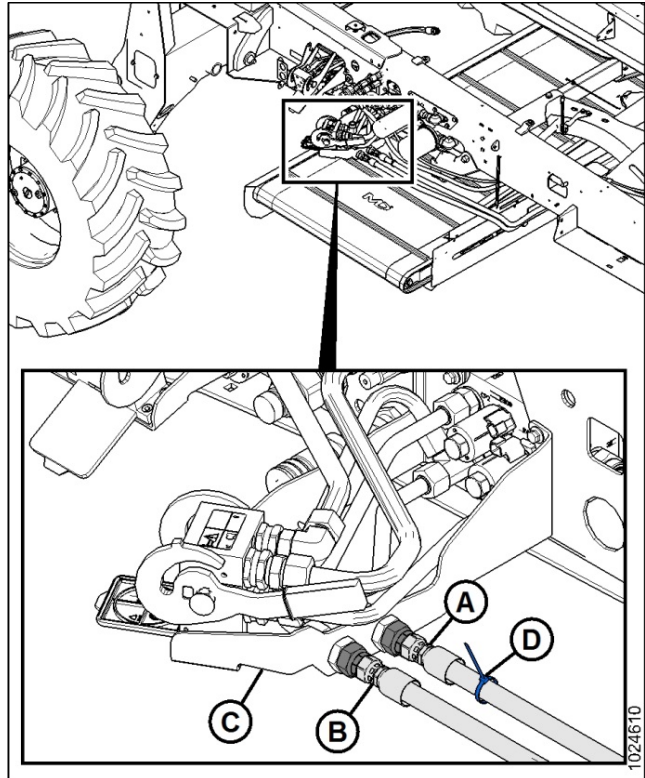


**Figure 2: Left Cab-Forward Platform**

**M1 Series Windrowers**  
**DWA SHUT-OFF KIT (MD #299704)**  
**INSTALLATION INSTRUCTIONS**

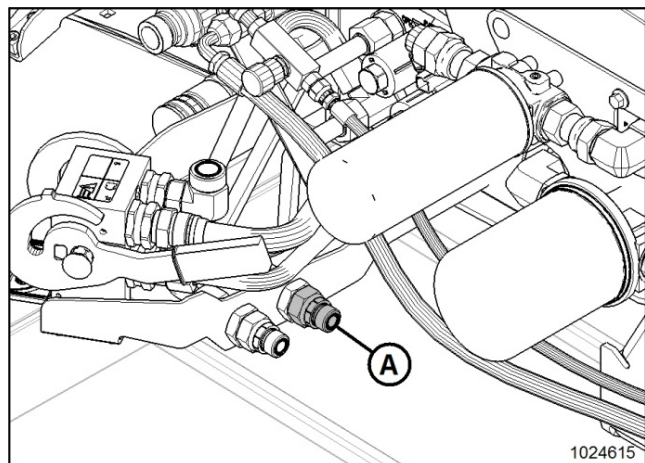
3. Remove DWA pressure hose (A) and return hose (B) from the reducer fittings at bulkhead mount (C). Cap the hoses.

**NOTE:** The pressure hose is marked by blue cable tie (D). If the cable tie is not present, mark the hoses to ensure correct reassembly.



**Figure 3: DWA Linkage Hydraulics**

4. Remove inboard reducer fitting (A) and discard it.

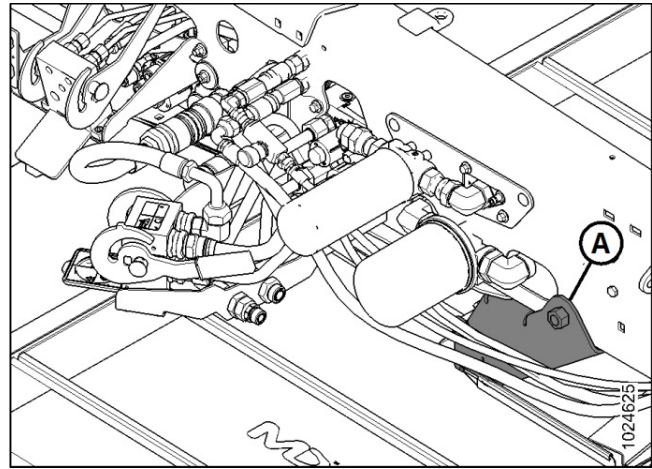


**Figure 4: DWA Linkage Hydraulics**

**M1 Series Windrowers  
DWA SHUT-OFF KIT (MD #299704)  
INSTALLATION INSTRUCTIONS**

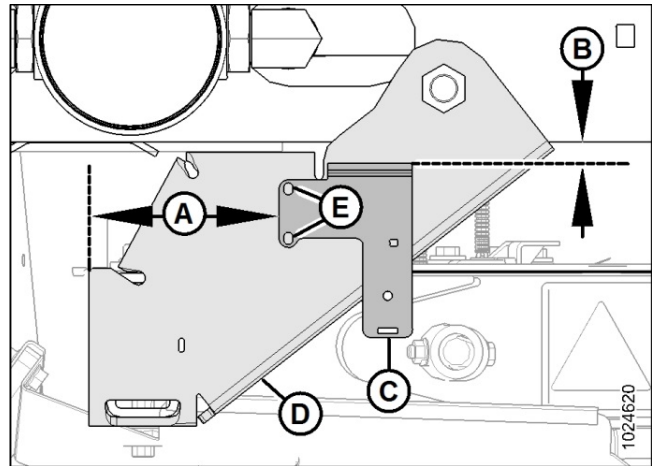
5. **DWAs of model year 2017 and older:** Front support (A) will not have pre-drilled holes for installing the valve mount bracket, as shown at right. Proceed to Step 6 for drilling locations and instructions.

**DWAs of model year 2018 and newer:** Front support (A) will have pre-drilled holes for installing the valve mount bracket. Locate these holes on front support bracket (A) and proceed to Step 8.



**Figure 5: DWA Front Support – 2017 and Prior**

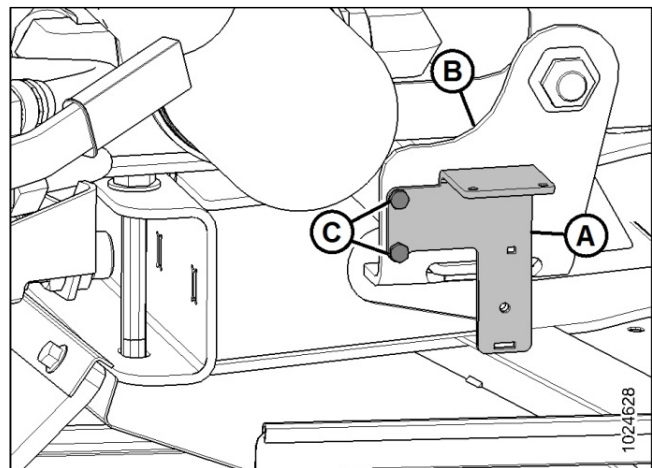
6. Position valve mount bracket (C) onto front support (D) using the following dimensions:
- (A) 135 mm (5-5/16 in.) from the left side of the DWA front support.
  - (B) 15 mm (9/16 in.) below the windrower frame.
7. Mark drilling locations (E), remove mount bracket (C), and drill two 6.8 mm (1/4 in.) holes.



**Figure 6: DWA Front Support – 2017 and Prior**

8. Install valve mount bracket (A) (MD #299820) onto DWA front support (B) using two 3/4 in. bolts (C) (MD #21566) and two nuts (MD #135248).

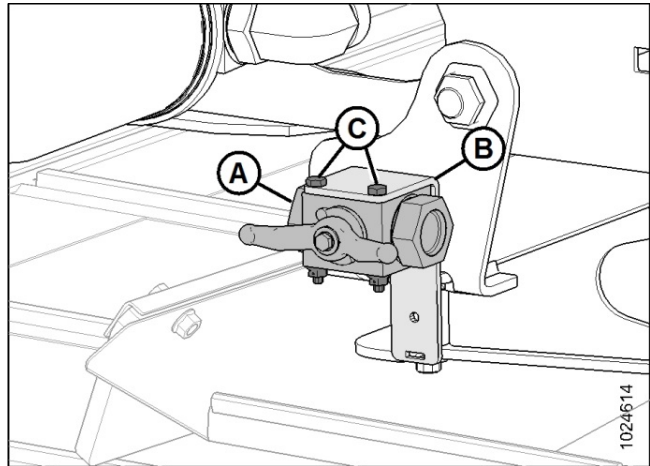
**NOTE:** Model year 2018 front support shown.



**Figure 7: DWA Ball Valve Mount Bracket**

**M1 Series Windrowers  
DWA SHUT-OFF KIT (MD #299704)  
INSTALLATION INSTRUCTIONS**

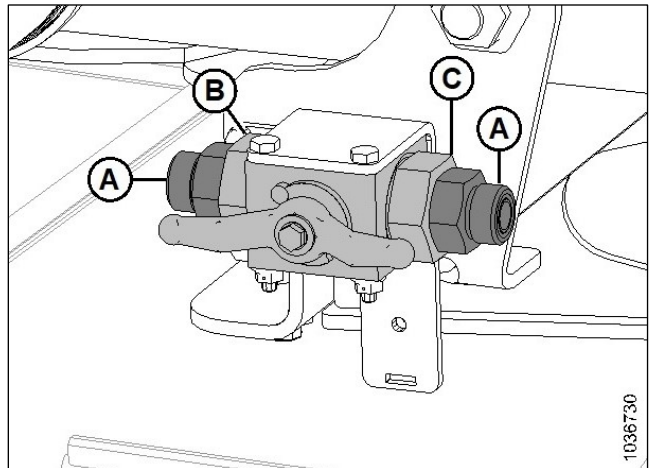
9. Install ball valve (A) (MD #294263) onto mount bracket (B) using two 2-1/2 in. bolts (C) (MD #21854) and two nuts (MD #135248).



**Figure 8: DWA Ball Valve**

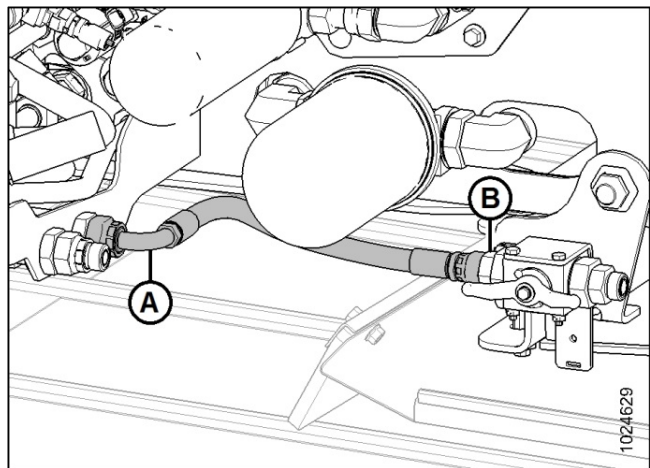
10. **DWAs of model year 2019 and older:** Install two reducer fittings (A) (MD #135786) into valve ports (B) and (C).

**DWAs of model year 2020 and newer:** The standard reducer fitting is not compatible with the DWA pressure hose. Insert one of the standard fittings (MD #135786) into valve port (B) and the large fitting (MD #135788) into valve port (C).



**Figure 9: DWA Ball Valve and Reducer Fittings**

11. Install short hose (A) (MD #299822) between the pressure connection (inboard) and the ball valve at fitting (B). Orient the elbow end of hose (A) as shown at right.

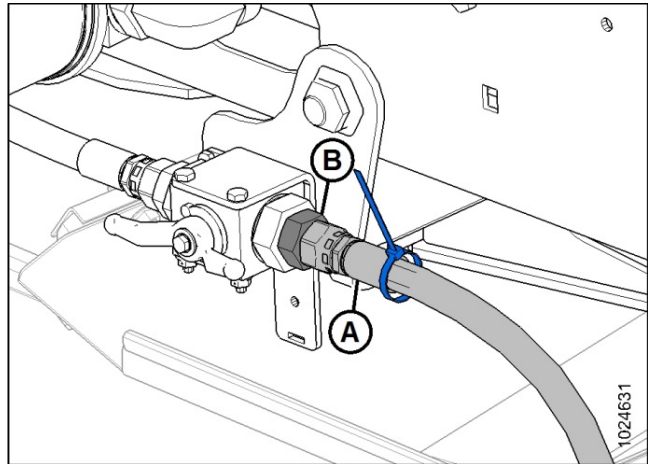


**Figure 10: Ball Valve Hose Installed**



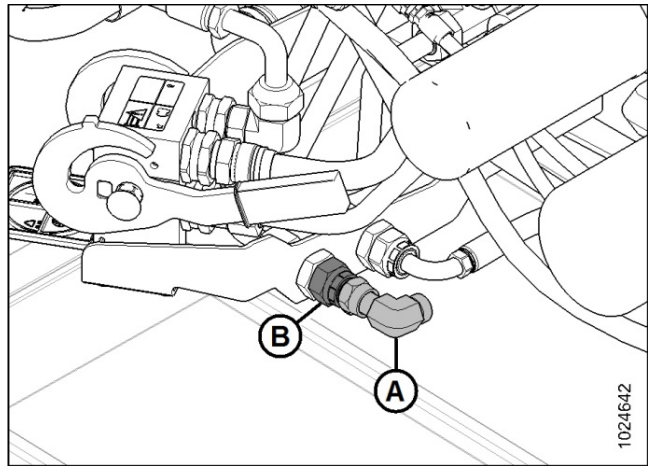
**M1 Series Windrowers  
DWA SHUT-OFF KIT (MD #299704)  
INSTALLATION INSTRUCTIONS**

12. Install DWA pressure hose (A) (marked with a blue cable tie) to the other side of the ball valve at fitting (B).



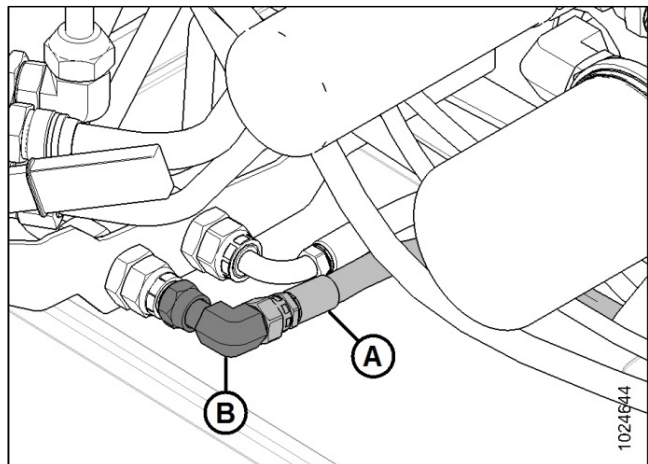
**Figure 11: DWA Pressure Hose Installed**

13. Return to the bulkhead mount. Install 90° elbow fitting (A) (MD #136846) onto return fitting (B) (outboard). Orient the elbow fitting as shown.



**Figure 12: M1 Series Bulkhead Mount**

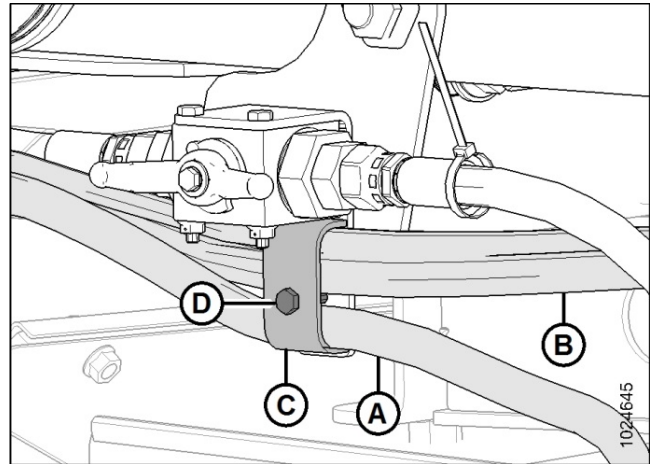
14. Connect DWA return hose (A) to elbow fitting (B).



**Figure 13: DWA Return Hose Installed**

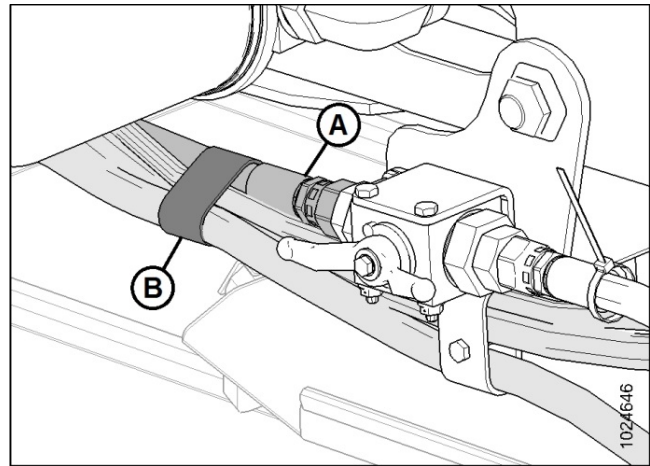
**M1 Series Windrowers**  
**DWA SHUT-OFF KIT (MD #299704)**  
**INSTALLATION INSTRUCTIONS**

15. Clamp DWA return hose (A) and DWA deck lift/lower hoses (B) to the valve mount bracket using hose holder (C) (MD #299898), 1-1/2 in. bolt (D) (MD #21574), and a nut.



**Figure 14; DWA Hydraulic Hoses**

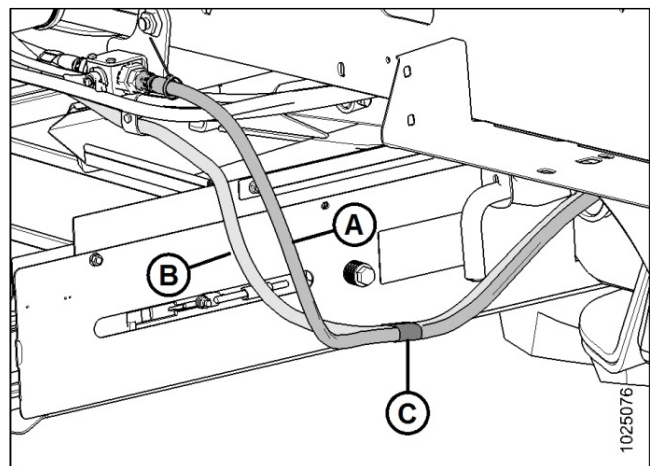
16. Bundle short hose (A) with the clamped hoses using cinch strap (B) (MD #135444) as shown.



**Figure 15: DWA Hydraulic Hoses**

17. Midway between the new ball valve and the hose support tube, bundle together DWA pressure hose (A) and return hose (B) using cinch strap (C) (MD #135444) as shown. This will prevent the pressure hose from catching on anything under the windrower while the DWA is in the storage position.

**NOTE:** When operating the windrower with a draper header, close the ball valve to shut off the DWA draper.



**Figure 16: Hydraulic Hoses**



**M1 Series Windrowers  
DWA SHUT-OFF KIT (MD #299704)  
INSTALLATION INSTRUCTIONS**

**M1 Series Windrowers  
DWA SHUT-OFF KIT (MD #299704)  
INSTALLATION INSTRUCTIONS**

© 2021 MacDon Industries, Ltd.

The information in this publication is based on the information available and in effect at the time of printing. MacDon Industries, Ltd. makes no representation or warranty of any kind, whether expressed or implied, with respect to the information in this publication. MacDon Industries, Ltd. reserves the right to make changes at any time without notice.