

FD1 Series FlexDraper® Header CONVERSION KIT FOR INSTALLING CA25 COMBINE ADAPTER (MD #295709) INSTALLATION INSTRUCTIONS

Kit (MD #295709) is used to modify a MacDon FD1 Series FlexDraper® Header so that it can be used with a MacDon CA25 Combine Adapter. This document explains how to install the kit. A list of parts included in the kit is provided.

NOTE: This document is currently available in English only.

NOTE: Keep your MacDon publications up-to-date. The most current version of this instruction can be downloaded from our Dealer-only site (<https://portal.macdon.com>) (login required).

To install a CA25 on an FD1 Series header you will also need to follow the procedure provided in instruction MD #214507. MD #214507 can be downloaded from our Dealer-only site (<https://portal.macdon.com>) (login required).

Installation Time

Installation time for this kit is approximately 1 hour.

Conventions

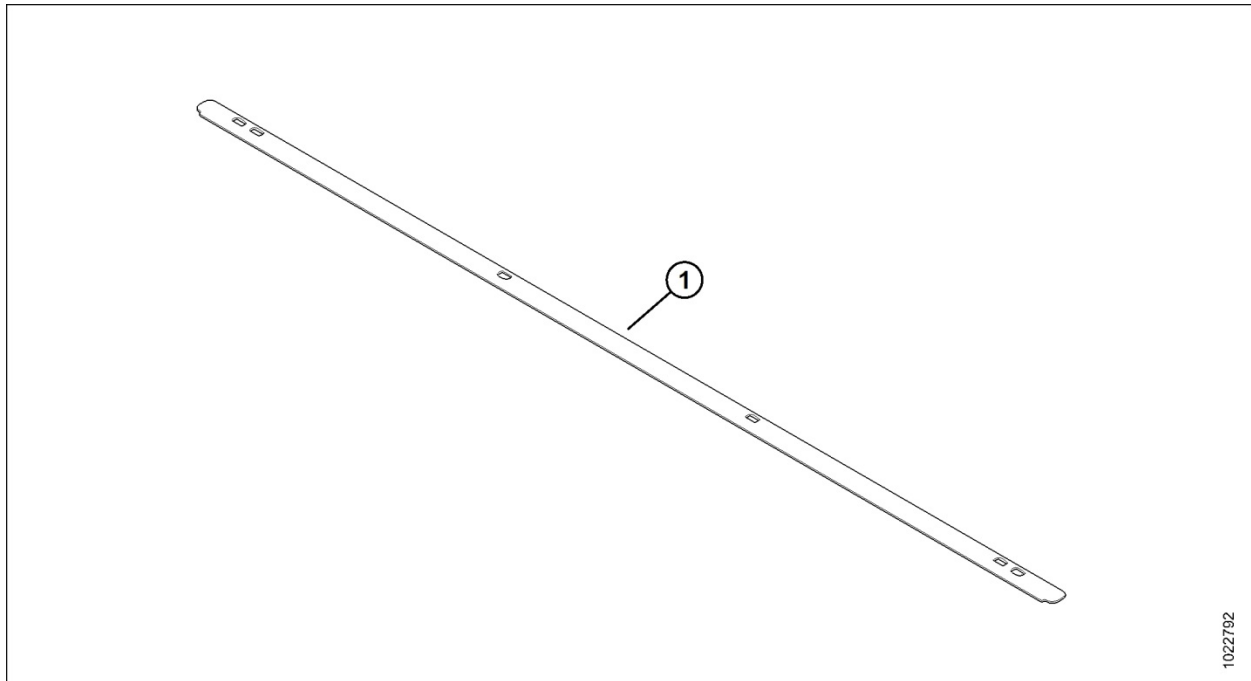
The following conventions are used in this document:

- Right and left are determined from the operator's position. The front of the header is the side that faces the crop; the back of the header is the side that connects to the combine.
- Unless otherwise noted, use the standard torque values provided in the header operator's manual and technical manual.

**FD1 Series FlexDraper® Header
CONVERSION KIT FOR INSTALLING CA25 COMBINE ADAPTER (MD #295709)
INSTALLATION INSTRUCTIONS**

Parts List

This kit includes the following parts:



Ref	Part Number	Description	Quantity
1	NSS ¹	PLATE – TRANSITION PAN SEAL	1

¹ Not sold separately.

**FD1 Series FlexDraper® Header
CONVERSION KIT FOR INSTALLING CA25 COMBINE ADAPTER (MD #295709)
INSTALLATION INSTRUCTIONS**

Installation Instructions

To install the kit, follow these steps:

1. At the front of the header, behind the cutterbar and between the inner header legs, locate the transition pan seal plate (A).

NOTE: For the sake of clarity, only the relevant section of the header frame is shown in the illustrations.

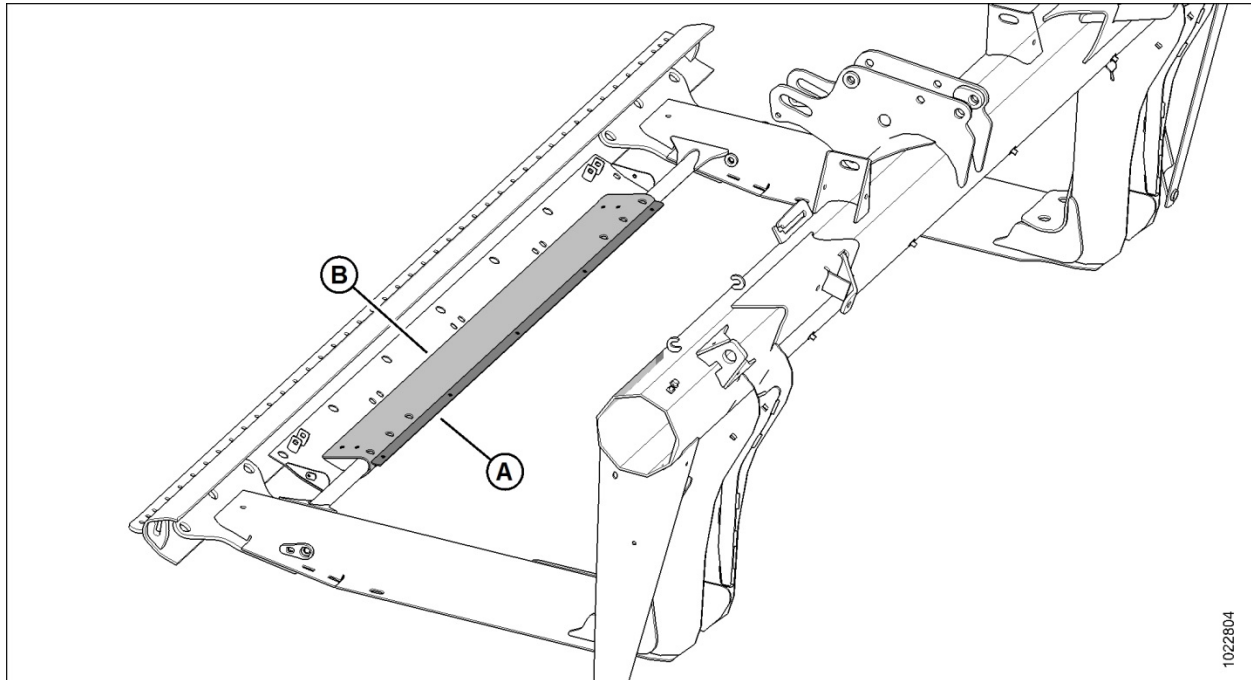


Figure 1: Transition Pan Seal Plate between Inner Header Legs

2. Cut the transition pan seal plate (A) off of the transition pan support angle (B), and discard.

FD1 Series FlexDraper® Header CONVERSION KIT FOR INSTALLING CA25 COMBINE ADAPTER (MD #295709) INSTALLATION INSTRUCTIONS

3. Remove the new transition pan seal plate from the kit.
4. Position the new transition pan seal plate (A) along the rear of the transition pan support angle (B) as shown at right. The holes in the plate should be on the side away from the pan as shown below.
5. Weld the transition pan seal plate to the transition pan support angle as shown at right and below.
6. To install the CA25, follow the procedure provided in instruction MD #214507. You can download the instruction from our Dealer-only site (<https://portal.macdon.com>) (login required).

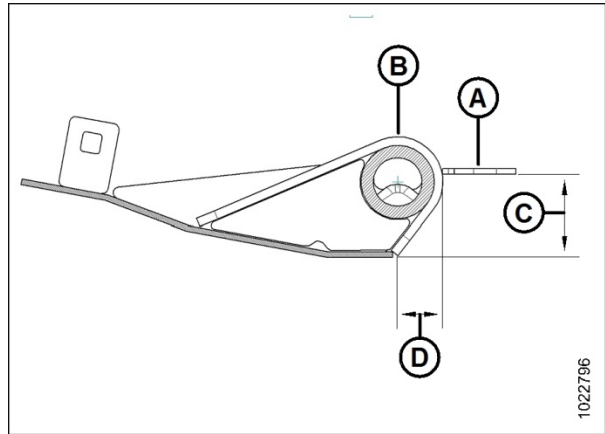


Figure 2: Side View of Transition Flex Pan with Transition Pan Seal Plate Attached

A – Transition Pan Seal Plate

B – Transition Pan Support Angle

C – 43 mm (1-11/16 in.)

D – 24 mm (15/16 in.)

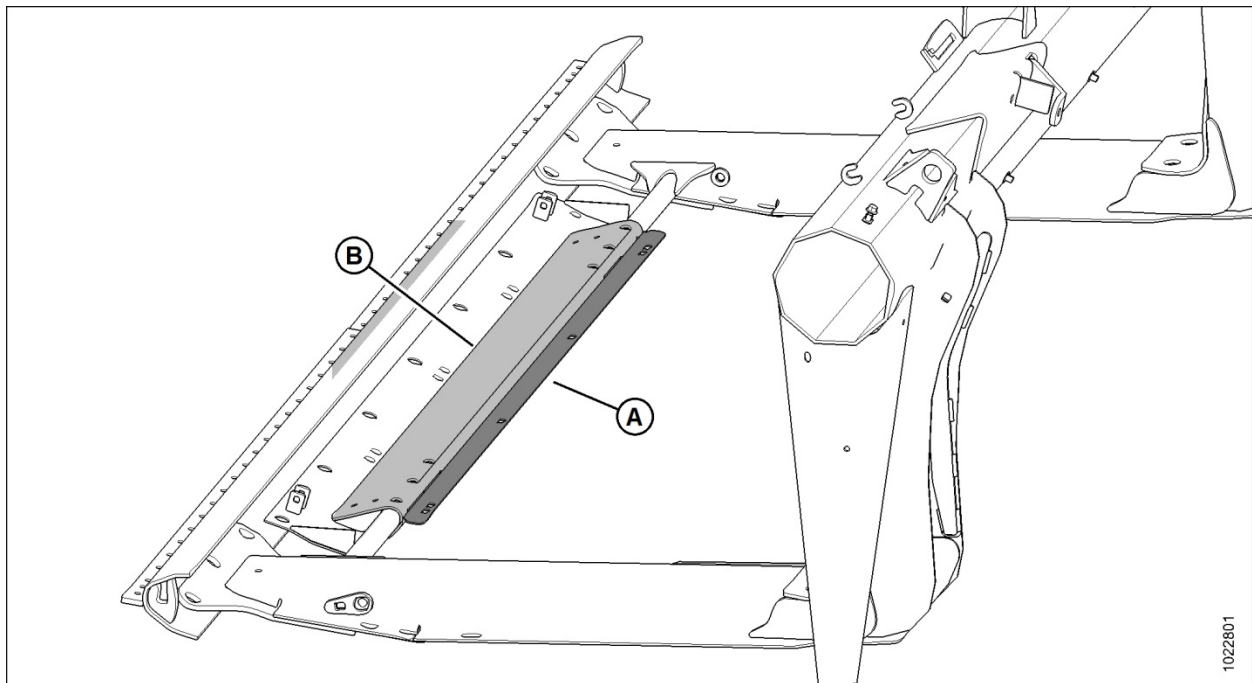


Figure 3: New Transition Pan Seal Plate Installed

A – Transitions Pan Seal Plate

B – Transition Pan Support Angle