

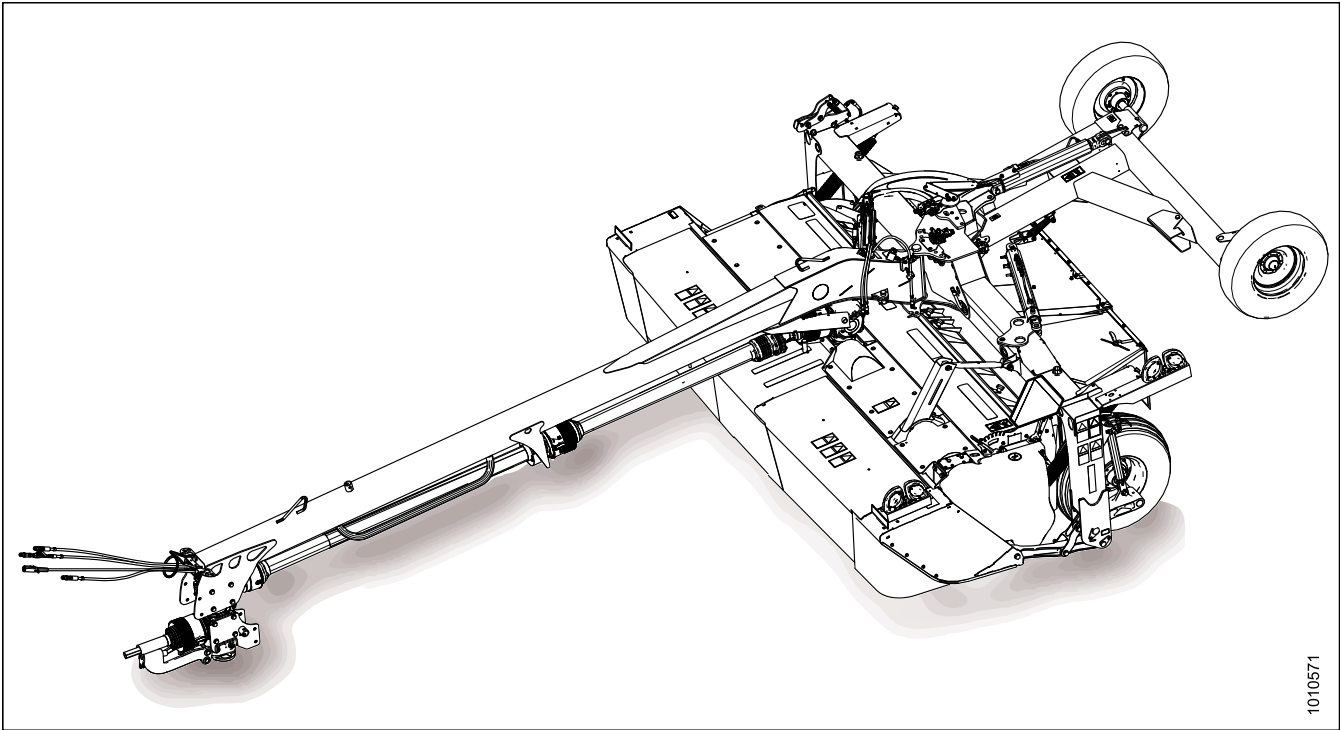
R1 Series Pull-Type Disc Mowers

**Driveline Extension Kit (B6390 and B6391)
Installation Instructions**

214229 Revision B

Original Instruction

R1 Series Pull-Type Disc Mower



1010571

Published in October 2017

Introduction

Some tractor models using a two-point hitch may require a longer primary driveline than the one shipped from the factory with MacDon R1 Series Pull-Type Disc Mowers. Driveline Extension kits (MD #B6390 and B6391) can be used to extend the primary driveline by an additional 152 mm (6 in.) in length. Install the kit that is sized for the relevant tractor model:

- B6390 – 1-3/8 in. driveline shaft size with 21-tooth spline
- B6391 – 1-3/4 in. driveline shaft size with 20-tooth spline

This document explains how to install the kit. A list of parts included in the kit is provided in Chapter *2 Parts List*, *page 5*.

Installation Time

Installation time for this kit is approximately 20 minutes.

Conventions

The following conventions are used in this document:

- Right and left are determined from the operator's position. The front of the mower is the side that faces the crop.
- Unless otherwise noted, use the standard torque values provided in the mower operator's manual and technical manual.

NOTE:

Keep your MacDon publications up-to-date. The most current version of this instruction can be downloaded from our Dealer-only site (<https://portal.macdon.com>) (login required).

NOTE:

This document is not currently available in any language except English.

List of Revisions

At MacDon, we're continuously making improvements, and occasionally these improvements affect product documentation. The following list provides an account of major changes from the previous version of this document.

Summary of Change	Location
Fixed parts list description.	<i>2 Parts List, page 5</i>
Revised procedure.	<i>3 Installation Instructions, page 7</i>

TABLE OF CONTENTS

Introduction.....	i
List of Revisions	ii
Chapter 1: Safety	1
1.1 Signal Words	1
1.2 General Safety.....	2
Chapter 2: Parts List	5
Chapter 3: Installation Instructions	7

1 Safety

1.1 Signal Words

Three signal words, **DANGER**, **WARNING**, and **CAUTION**, are used to alert you to hazardous situations. Signal words are selected using the following guidelines:

DANGER

Indicates an imminently hazardous situation that, if not avoided, will result in death or serious injury.

WARNING

Indicates a potentially hazardous situation that, if not avoided, could result in death or serious injury. It may also be used to alert against unsafe practices.

CAUTION

Indicates a potentially hazardous situation that, if not avoided, may result in minor or moderate injury. It may be used to alert against unsafe practices.

1.2 General Safety

CAUTION

The following are general farm safety precautions that should be part of your operating procedure for all types of machinery.

Protect yourself.

- When assembling, operating, and servicing machinery, wear all protective clothing and personal safety devices that could be necessary for job at hand. Do **NOT** take chances. You may need the following:
 - Hard hat
 - Protective footwear with slip resistant soles
 - Protective glasses or goggles
 - Heavy gloves
 - Wet weather gear
 - Respirator or filter mask
- Be aware that exposure to loud noises can cause hearing impairment or loss. Wear suitable hearing protection devices such as earmuffs or earplugs to help protect against loud noises.

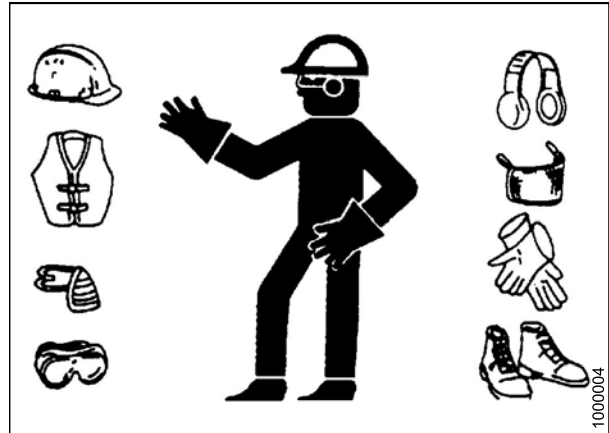


Figure 1.1: Safety Equipment



Figure 1.2: Safety Equipment

- Provide a first aid kit for use in case of emergencies.
- Keep a fire extinguisher on the machine. Be sure fire extinguisher is properly maintained. Be familiar with its proper use.
- Keep young children away from machinery at all times.
- Be aware that accidents often happen when Operator is tired or in a hurry. Take time to consider safest way. Never ignore warning signs of fatigue.

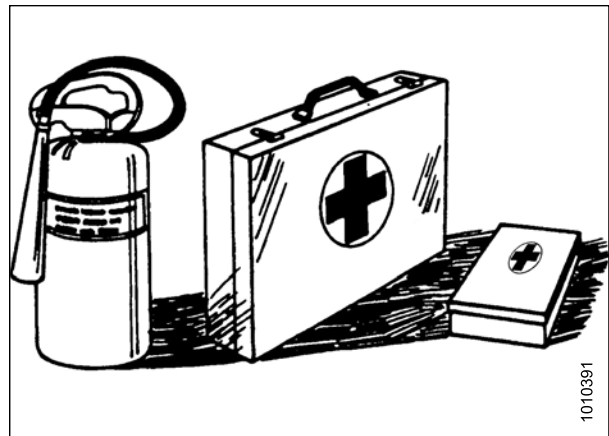


Figure 1.3: Safety Equipment

SAFETY

- Wear close-fitting clothing and cover long hair. Never wear dangling items such as scarves or bracelets.
- Keep all shields in place. **NEVER** alter or remove safety equipment. Make sure driveline guards can rotate independently of shaft and can telescope freely.
- Use only service and repair parts made or approved by equipment manufacturer. Substituted parts may not meet strength, design, or safety requirements.



Figure 1.4: Safety around Equipment

- Keep hands, feet, clothing, and hair away from moving parts. **NEVER** attempt to clear obstructions or objects from a machine while engine is running.
- Do **NOT** modify machine. Unauthorized modifications may impair machine function and/or safety. It may also shorten machine's life.
- To avoid bodily injury or death from unexpected startup of machine, **ALWAYS** stop the engine and remove the key from the ignition before leaving the operator's seat for any reason.

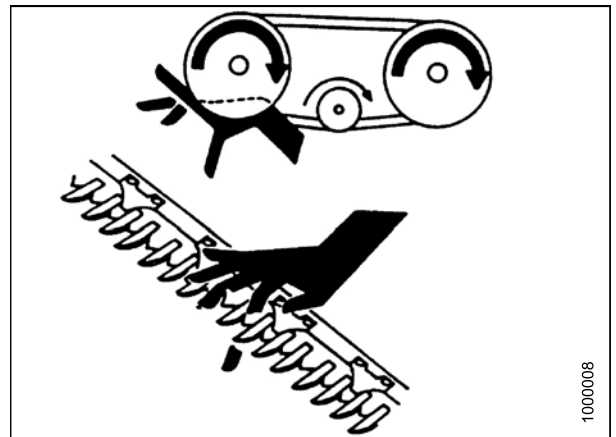


Figure 1.5: Safety around Equipment

- Keep service area clean and dry. Wet or oily floors are slippery. Wet spots can be dangerous when working with electrical equipment. Be sure all electrical outlets and tools are properly grounded.
- Keep work area well lit.
- Keep machinery clean. Straw and chaff on a hot engine is a fire hazard. Do **NOT** allow oil or grease to accumulate on service platforms, ladders, or controls. Clean machines before storage.
- **NEVER** use gasoline, naphtha, or any volatile material for cleaning purposes. These materials may be toxic and/or flammable.
- When storing machinery, cover sharp or extending components to prevent injury from accidental contact.

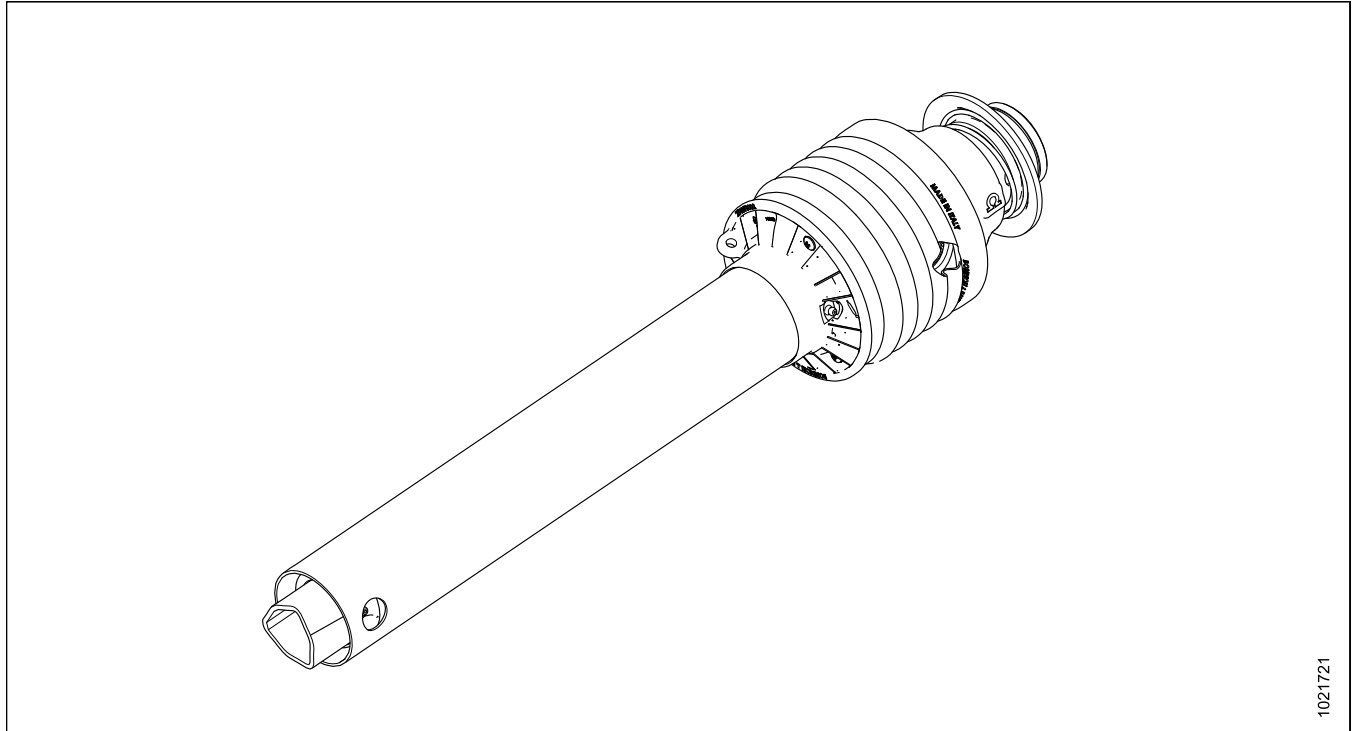


Figure 1.6: Safety around Equipment

2 Parts List

The following parts are included in the kits.

Figure 2.1: Driveline Half



Kit	Part Number	Description	Quantity
B6390	281575	DRIVELINE – 1.375 IN., 21 TOOTH, HALF	1
B6391	281576	DRIVELINE – 1.75 IN., 20 TOOTH, HALF	1

3 Installation Instructions

CAUTION

To avoid bodily injury or death from unexpected startup of machine, always stop engine and remove key from ignition before leaving operator's seat for any reason.

1. Park machine on flat level surface.
2. Lower mower conditioner onto blocks or leave mower conditioner raised.
3. If leaving mower conditioner in raised position, engage lift cylinder lock-out valves.
4. Stop engine, and remove key from ignition.
5. Locate primary driveline (A).

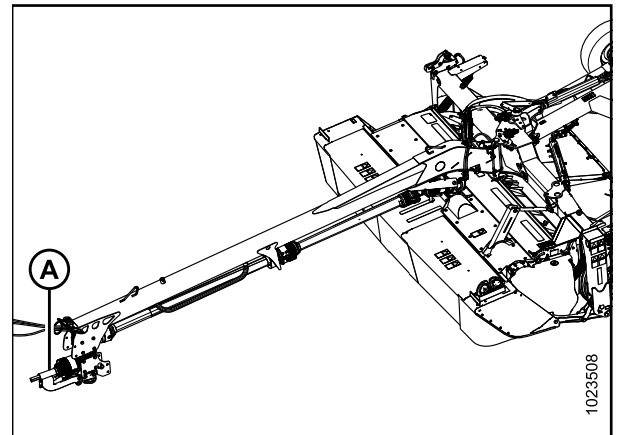


Figure 3.1: Mower Conditioner

6. Pull back collar (A) on driveline, and slide coupler off tractor power take-off shaft.
7. Pull out half part of the driveline and store for future use.

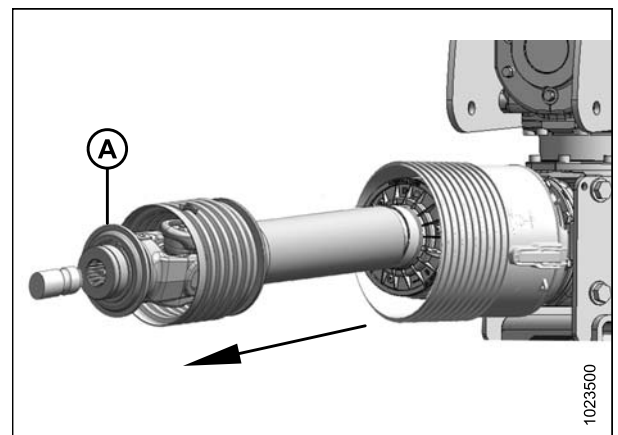


Figure 3.2: Primary Driveline

INSTALLATION INSTRUCTIONS

8. Install the new driveline half (B) (MD #281575 or MD #281576) to the tractor, as shown.
9. Mark (C) the new driveline shield (B) at end of mower conditioner's driveline half (A).
10. Measure and mark a 200 mm (8 in.) overlap (D) from the mark (C) on the new driveline shield.
11. Remove the driveline shield of the new driveline half (B) (MD #281575 or MD #281576).
12. Mark (C) tractor's driveline shaft (B) at end of mower conditioner's driveline half (A).
13. Measure and mark a 150 mm (6 in.) overlap (D) from the mark (C) on the tractor's driveline shield.
14. Cut the tractor's driveline shaft and shield at the overlap marks.
15. If you have cut more than 26 mm (1 in.) off the end of the new driveline half, you will need to relocate the grease fitting (A). Cut a 26 mm (1 in.) access hole (B) in the driveline's outer shield.
16. Through the access hole, drill/tap a hole in the shaft, 26 mm (1 in.) back from the newly cut end of the shaft, and move the grease fitting (A) there.
17. Connect the trimmed driveline half (A) to the existing driveline half, then position to storage hook (B) or connect to tractor power take-off (PTO).

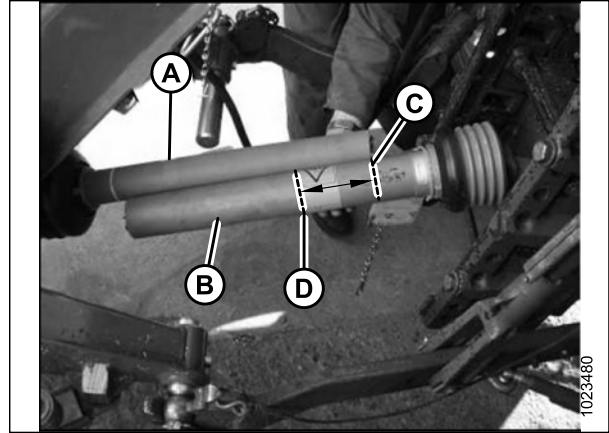


Figure 3.3: Driveline with Shield On

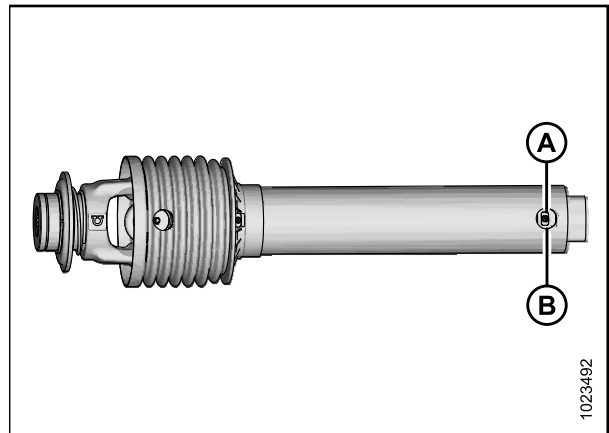


Figure 3.4: Uncut Driveline

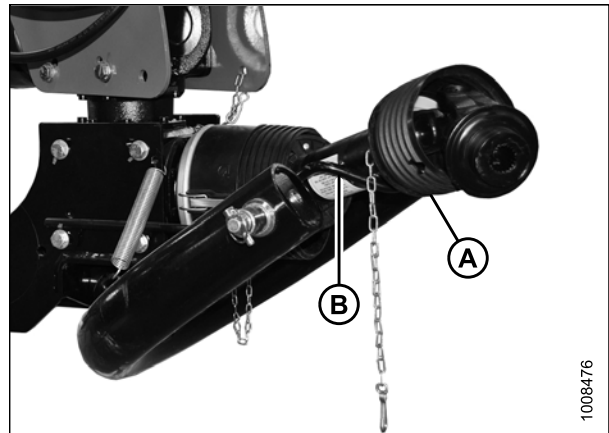


Figure 3.5: Primary Driveline

MacDon Industries Ltd.

680 Moray Street
Winnipeg, Manitoba
Canada R3J 3S3
t. (204) 885-5590
f. (204) 832-7749

MacDon, Inc.

10708 N. Pomona Avenue
Kansas City, Missouri
United States 64153-1924
t. (816) 891-7313
f. (816) 891-7323

MacDon Australia Pty. Ltd.

A.C.N. 079 393 721
P.O. Box 243, Suite 3, 143 Main Street
Greensborough, Victoria, Australia 3088
t. 03 9432 9982
f. 03 9432 9972

MacDon Brasil Agribusiness Ltda.

Rua Grã Nicco, 113, sala 202, B. 02
Mossunguê, Curitiba, Paraná
CEP 81200-200 Brasil
t. +55 (41) 2101-1713
f. +55 (41) 2101-1699

LLC MacDon Russia Ltd.

123317 Moscow, Russia
10 Presnenskaya nab, Block C
Floor 5, Office No. 534, Regus Business Centre
t. +7 495 775 6971
f. +7 495 967 7600

CUSTOMERS

MacDon.com

DEALERS

Portal.MacDon.com

Trademarks of products are the marks of their respective manufacturers and/or distributors.

Printed in Canada