

FM100 Float Module GEAR PULLER TOOL (MD #276857) INSTRUCTIONS

The Gear Puller Tool (MD #276857) is designed to assist Dealers with installing the Gearset 89/36 kit (B6191) or Gearset 97/28 kit (B6192) on the FM100 Float Module. This document explains how to use the tool.

A list of parts included in the kit is provided.

NOTE: Keep your MacDon publications up-to-date. The most current version of this instruction can be downloaded from our Dealer-only site (<https://portal.macdon.com>) (login required).

NOTE: This instruction is available only in English.

Conventions

The following conventions are followed in this document:

- Right and left are determined from the operator's position. The front of the header is the side that faces the crop; the back of the header is the side that connects to the combine.
- Unless otherwise noted, use the standard torque values provided in the header operator's manual and technical manual.

**FM100 Float Module
GEAR PULLER TOOL (MD #276857)
INSTRUCTIONS**

Parts List

This kit includes the following parts:

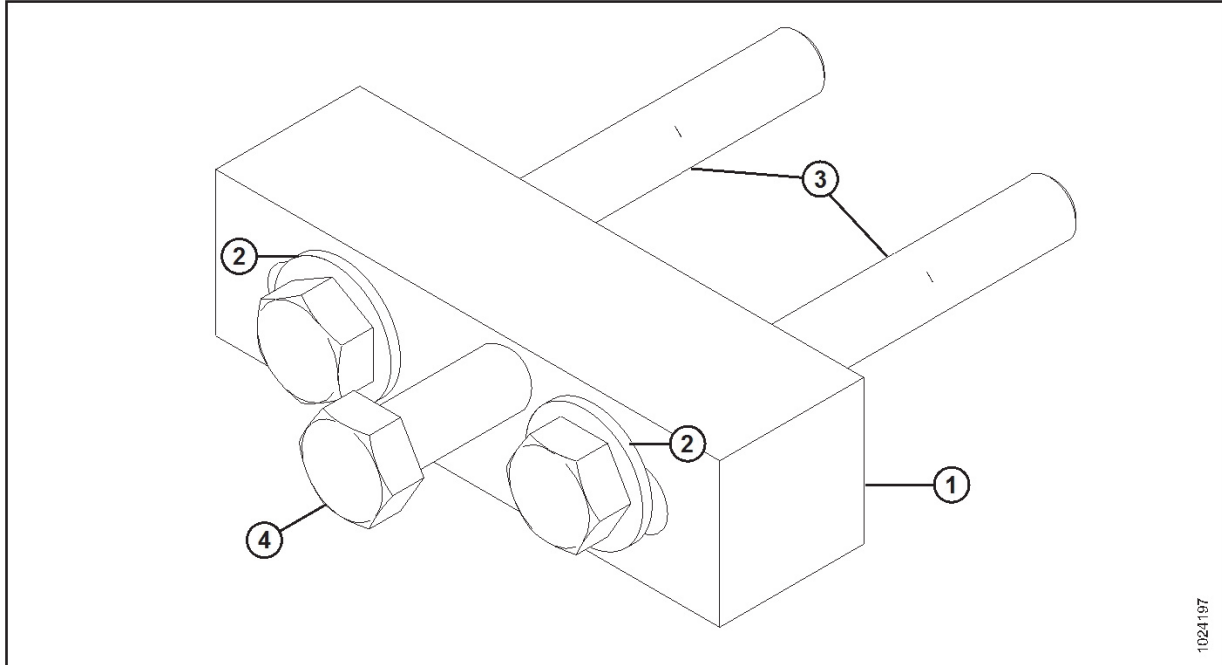


Figure 1: Parts Included in Kit

Ref	Part Number	Description	Quantity
1	276858	BAR	1
2	18598	WASHER – SAE FLAT 13/32 ID X 13/16 IN OD ZP	2
3	21579	BOLT – HH 3/8 NC X 3.25 LG GR 5 ZP	2
4	30190	BOLT – HH 3/8 NF X 1.875 GR 8 ZP	1

FM100 Float Module GEAR PULLER TOOL (MD #276857) INSTRUCTIONS

Instructions



DANGER

To avoid bodily injury or death from unexpected start-up or fall of raised machine, always stop engine, remove key, and engage safety props before going under header for any reason.

To use the Gear Puller Tool (MD #276857), follow these steps:

1. Remove cotter pin and castle nut from pump output shaft (D).
2. Line up outer bolts (A) on gear puller with holes in gear (B), and line up center 3/8 in. bolt (C) with output shaft (D).

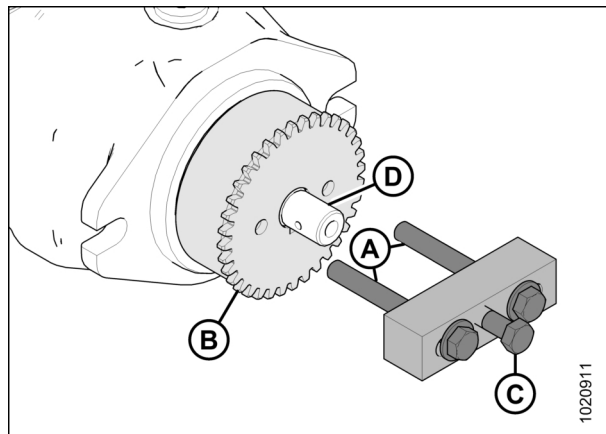


Figure 2: Gear Puller Tool

3. Hand-tighten outer bolts (A) on gear puller, making sure the bolts go completely through the gear.
4. Tighten center 3/8 in. bolt (B) to remove gear from shaft. If the gear does not loosen, give the center bolt a tap with a hammer.

NOTE: The key may or may not come off with the gear. Do **NOT** lose the key.

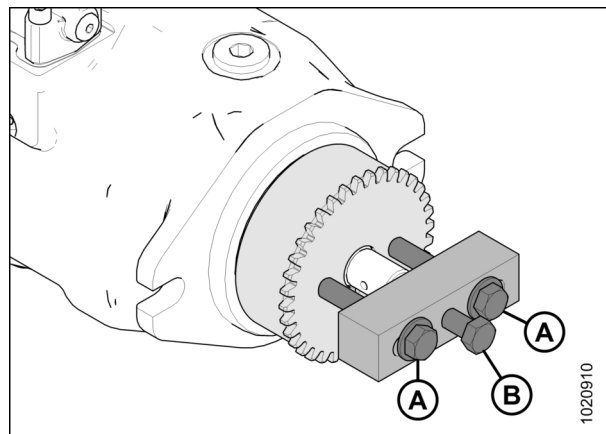


Figure 3: Gear Puller Tool