

# MacDon®

## CA25 Combine Adapter Converting from Bosch to Parker Manifold Installation Instructions

### Contents

Installation Instructions.....	2
Removing the Bosch Manifold Components .....	2
Installing the Parker Manifold.....	4
Part List .....	8

## Installation Instructions

The following instructions apply to CA25 Combine Adapters originally fitted with the Bosch hydraulic manifold. Follow these steps to replace a Bosch manifold with a Parker hydraulic manifold.

- NOTES:**
- Unless otherwise noted, use the standard torque values provided in the D65 Draper Header for Combines Operator's Manual (169593 Rev. C) or the FD75 Flex-Draper® Combine Header Operator's Manual (169595 Rev. D).
  - This procedure requires two people.
  - This procedure is best done with the adapter on the combine.
  - Minimize oil spillage by using caps or plugs when disconnecting hoses and placing a container under the work area to catch oil.
  - If the Bosch manifold is being replaced due to contamination, refer to the flushing process to clear all contamination.

### Removing the Bosch Manifold Components

1. To minimize oil loss, tilt the feeder house to the right (when sitting in the cab).
2. Extend header tilt all the way forward to provide the maximum access between the head and the adapter.
3. Remove the manifold cover by removing the five bolts (A).



Figure 1

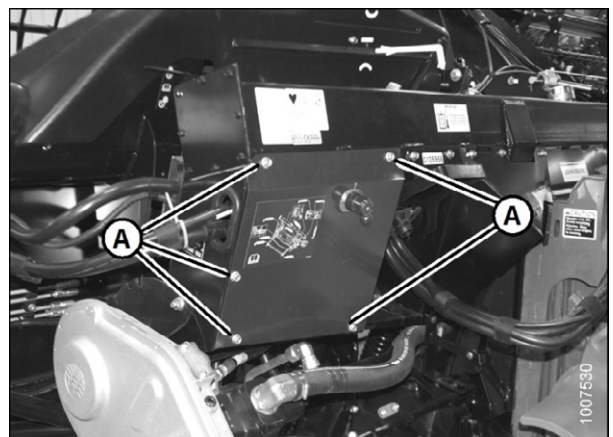


Figure 2

4. Mark the M1 hose (A) from the feed draper motor with tape to make it easy to identify later.
5. Disconnect all hoses from the Bosch manifold using hose caps to minimize oil spillage.

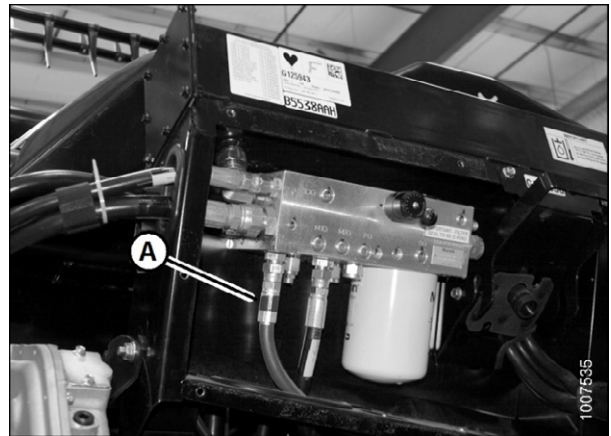


Figure 3

6. To improve access to the fitting between the manifold and the oil reservoir, remove bolt (A) and loosen the other two bolts (B) that secure the Bosch manifold to the adapter.

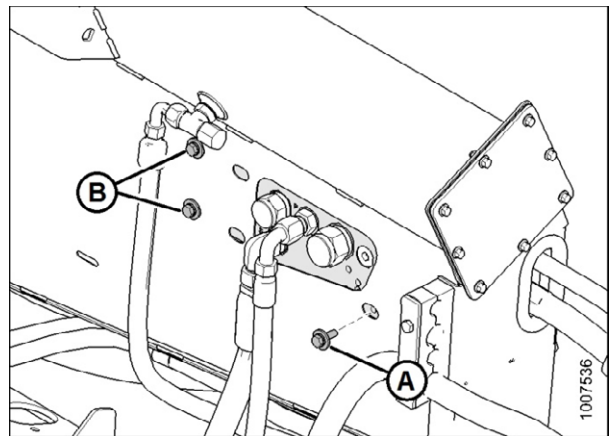


Figure 4

**NOTES:** To minimize oil spillage, have a plug ready to cap the reservoir.

7. Remove the fitting (A) to the reservoir.
8. Have a second person remove the two remaining bolts while you lift the Bosch manifold away.

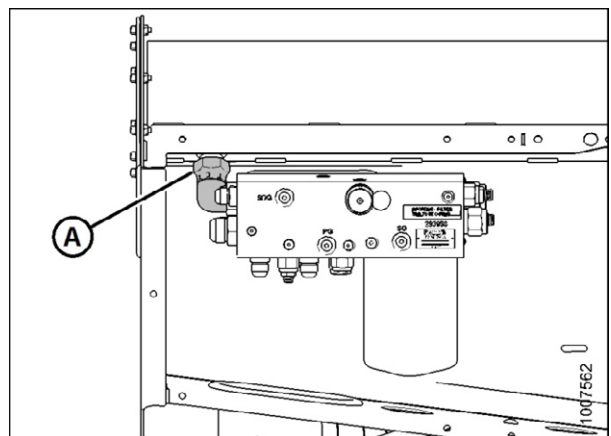


Figure 5

9. Remove the steel line (A), the tee (T), and the relief cartridge (B).
10. Connect the 1 in. hose (D) to fitting (E) on the pump.

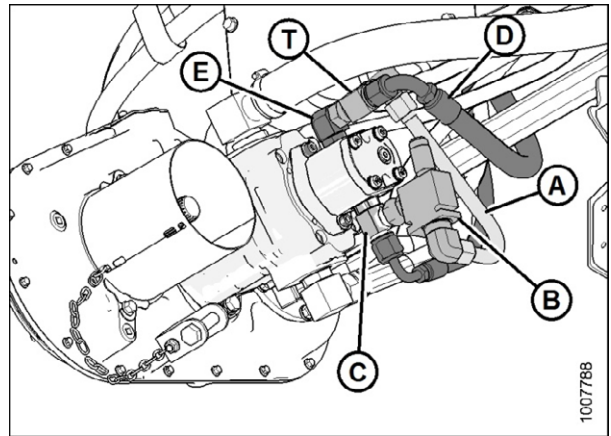


Figure 6

### Installing the Parker Manifold

**NOTE:** The Parker manifold bolts to the adapter through two holes (A) and (B).

1. On models built prior to 2014, drill a hole to accommodate the inside bolt (A). Use the template (C) included with this kit to locate the inside hole (A).

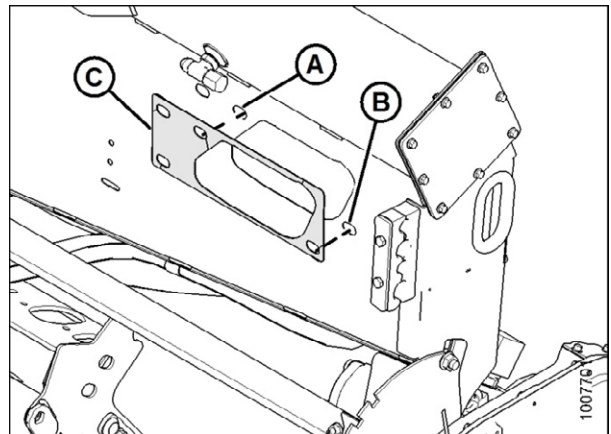


Figure 7

2. Set the Parker manifold in place while a second person installs the inside bolt. Keep the bolt loose to allow for alignment.

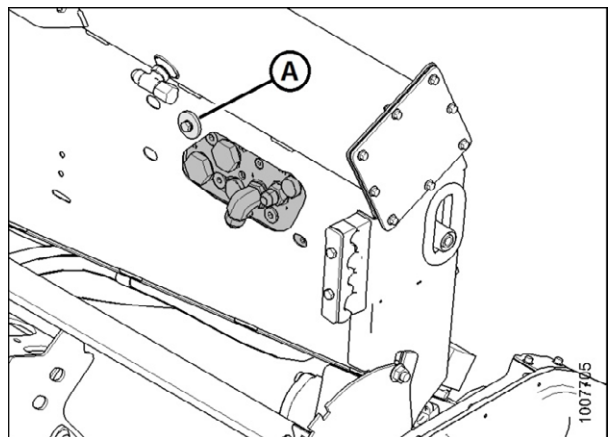


Figure 8

3. Connect the reservoir fitting (A) to the tank and tighten by hand to allow for alignment.
4. Install the second bolt securing the Parker to the adapter.
5. Tighten the reservoir fitting (A) to the specified torque.
6. Tighten both bolts securing the manifold to the adapter.

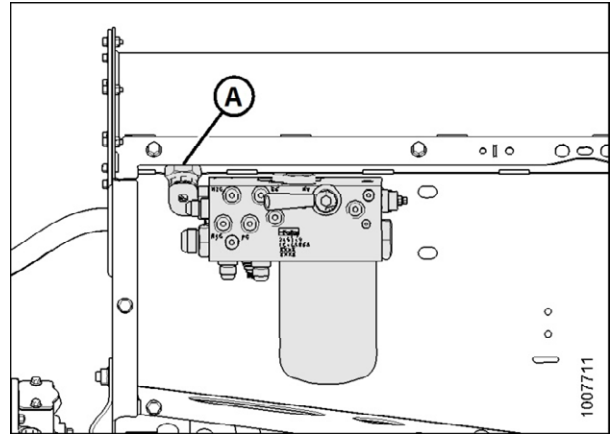


Figure 9

7. Install the elbow fitting (A) MD# 50221 (supplied in the kit) to the side draper pump. Keep the fitting loose to allow for alignment.
8. Connect hose (B) MD# 187950 (supplied in the kit) to the elbow fitting at the pump and port (P) on the Parker manifold. Keep loose to allow for alignment.

**NOTE:** Position the new hose (suction from the side draper pump) perpendicular to the pump. Make sure it doesn't contact the drive shield cover or the other hoses. Vibration over time can cause wear to the hose.

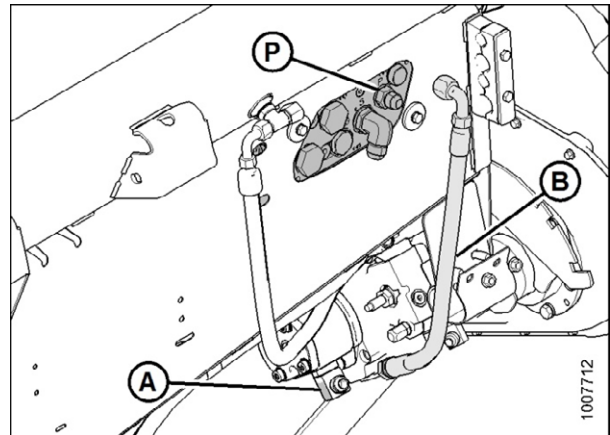


Figure 10

9. Reconnect the 1 in. hose (A) to port (S) on the manifold.
10. Tighten hose (A) at the pump fitting connected previously. Refer to Figure 6.

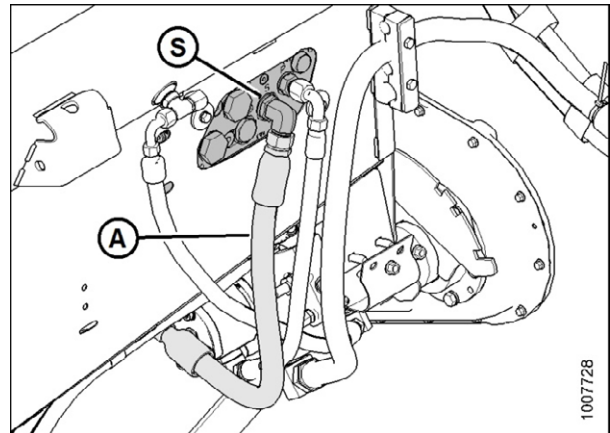


Figure 11

11. Connect the larger hose (A) to port (R) on the outward side of the manifold.

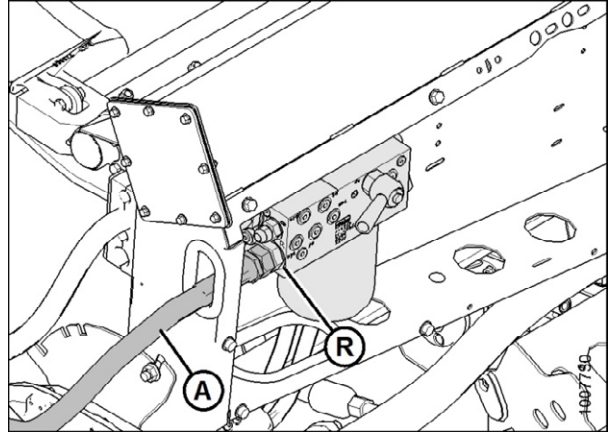


Figure 12

12. Connect the smaller side draper hose (A) to the SD port on the outward side of the manifold.

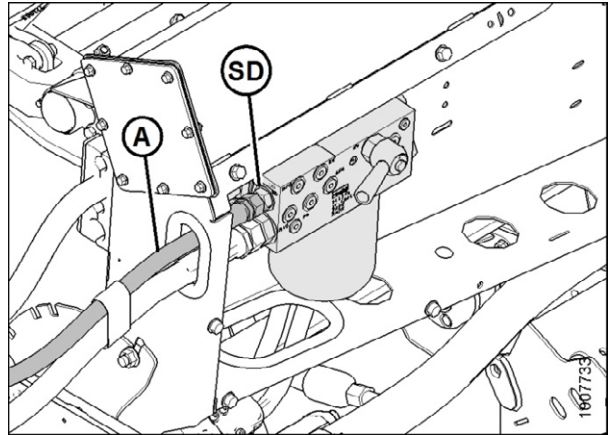


Figure 13

13. Connect the line with tape (A) from the feed draper motor to the M1 port on the manifold.
14. Connect the line without tape (B) from the feed draper motor to the M2 port on the manifold.

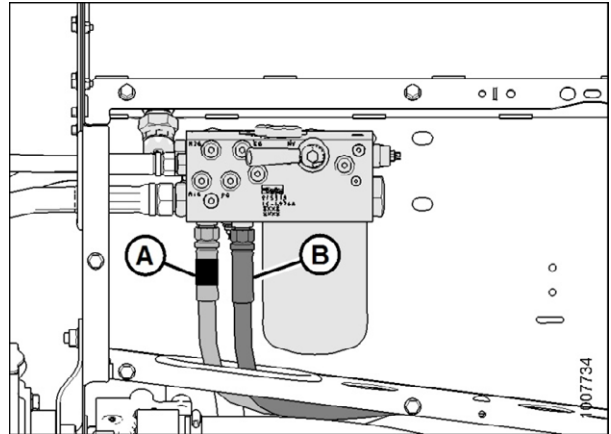


Figure 14

- 15. Remove the hose clamp (A) under the adapter and reorganize the hoses (B) so they don't overlap.

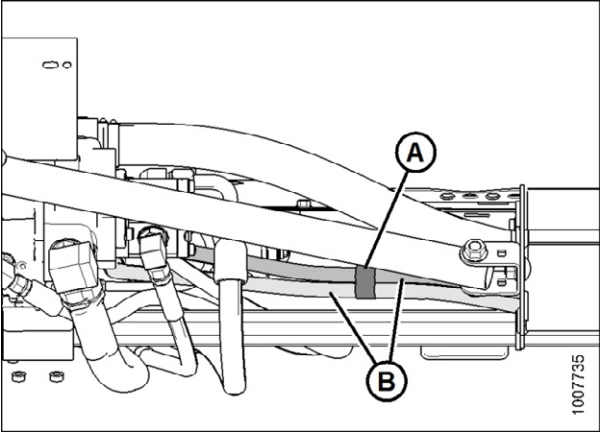


Figure 15

- 16. Tighten all hose connections to the torque values specified in the header's operator's manual.
- 17. Engage the combine feeder house to check for leaks.
- 18. Check the oil level in the combine adapter. If necessary, follow the procedure for replacing hydraulic oil found in the combine header's operator's manual.
- 19. Install the manifold cover and tighten the five bolts (A).

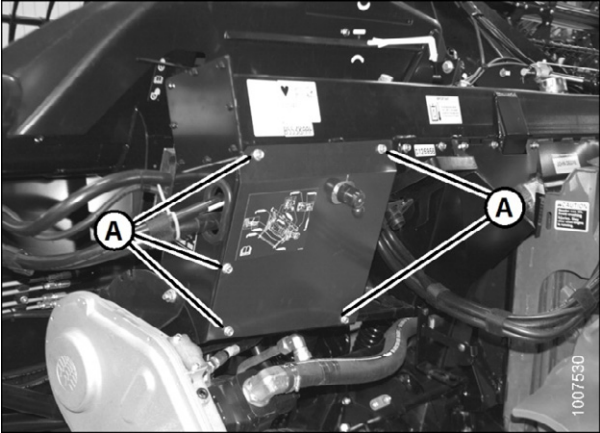
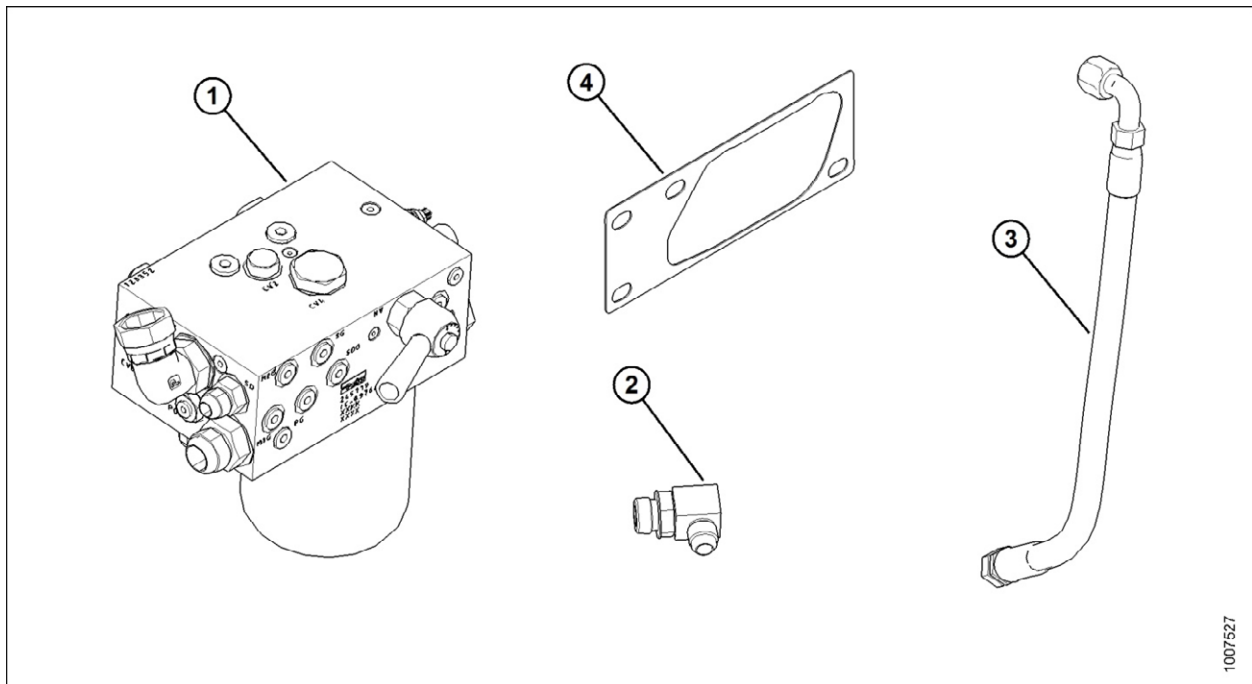


Figure 16

## Part List

This kit includes the following parts:



REF	PART NUMBER	DESCRIPTION	QTY
1	245119	MANIFOLD — PARKER C/W FITTINGS	1
2	187950	HOSE	1
3	50221	FITTING	1
4	245213	TEMPLATE	1





# MacDon®

**MacDon Industries Ltd.**

680 Moray Street  
Winnipeg, Manitoba  
Canada R3J 3S3  
t. (204) 885-5590  
f. (204) 832-7749

**MacDon Inc.**

10708 N. Pomona Avenue  
Kansas City, Missouri  
United States, 64153-1924  
t. (816) 891-7313  
f. (816) 891-7323

**MacDon Australia Pty. Ltd.**

A.C.N. 079 393 721  
P.O. Box 243  
Suite 3, 143 Main Street  
Greensborough, Victoria  
Australia 3088  
t. 03 9432 9982  
f. 03 9432 9972

**LLC MacDon Russia Ltd.**

123317 Moscow, Russia  
10 Presnenskaya nab. Block C,  
Floor 5, Office No. 534  
Regus Business Centre  
t. +7 495 775 6971 direct line  
f. +7 495 967 7600

**CUSTOMERS**

[www.macdon.com](http://www.macdon.com)

**DEALERS**

[www.macdondealers.com](http://www.macdondealers.com)

Trademarks of products are the marks of their  
respective manufacturers and/or distributors.

Printed in Canada