

## M150/M155/M200/M205 Self-Propelled Windrower TRACTION HOSE SERVICE KIT INSTRUCTIONS

Older self-propelled windrowers used traction hoses MD # 166165 (M150/M155) and MD # 166164 (M200/M205). Those hoses are no longer available. The Traction Hose kit can be used to replace those hoses if they are damaged. One kit is required for each hose that needs to be replaced.

**NOTE:** If one of the new hoses (MD # 183173 on the M150/M155 and MD #183172 on the M200/M205) is damaged, you can replace the hose without using this kit.

### Installation Instructions



#### WARNING

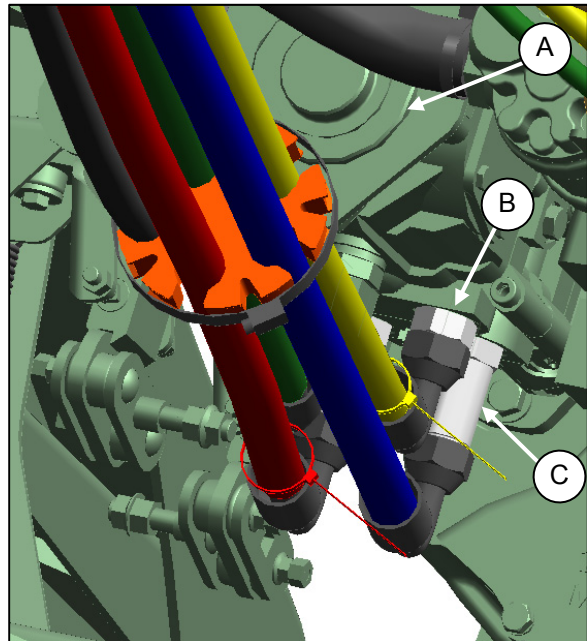
**Avoid high pressure fluids. Escaping fluid can penetrate the skin causing serious injury. Relieve pressure before disconnecting hydraulic lines. Tighten all connections before applying pressure. Keep hands and body away from pin-holes and nozzles which eject fluids under high pressure. Use a piece of cardboard or paper to search for leaks. If ANY fluid is injected into the skin, it must be surgically removed within a few hours by a doctor familiar with this type of injury or gangrene may result.**

**IMPORTANT:** Dirt, dust, water and foreign material are the major causes of trouble developing in the hydraulic system. If the hydraulic system should be disconnected for service, protect the ends of hoses, tubing and ports of components from contamination with clean, lint-free towels or clean plastic bags.

Before installing any replacement hose, flush the inside of it with unused diesel fuel or unused commercial petroleum cleaning solvent for ten seconds minimum. Do not use water, water soluble cleaners, or compressed air.

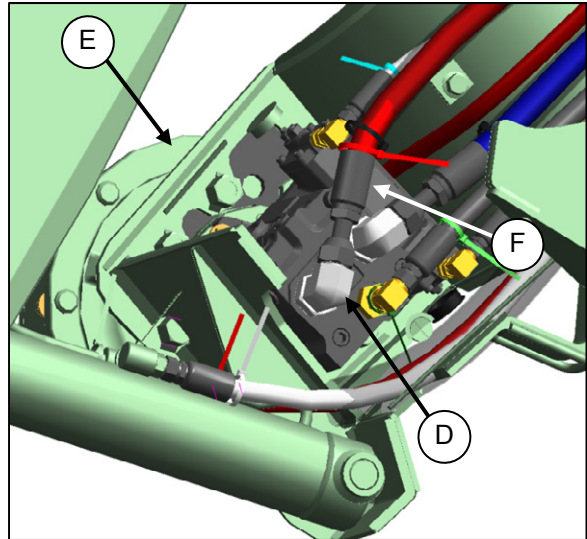
To install the Traction Hose kit, follow these steps:

1. Note whether the damaged hose connects to the traction drive pump (A) with a short (B) or long (C) connector fitting. (Some parts removed from illustration for clarity.)
2. Disconnect both ends of the hose, draining oil in hose into container. Discard hose as well as the fittings at each end.

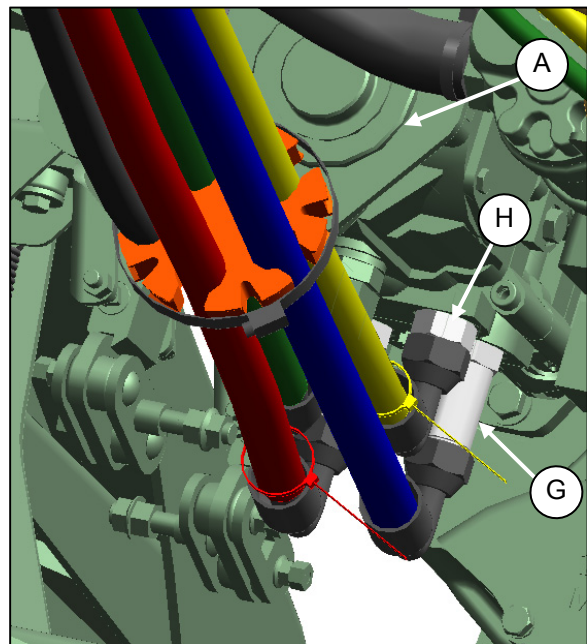


## M150/M155/M200/M205 Self-Propelled Windrower TRACTION HOSE SERVICE KIT INSTRUCTIONS

3. Connect the elbow fitting (D) provided in the kit to the drive wheel motor (E). Torque to 111–122 ft·lbf (151–166 Nm). (Some parts removed from illustration for clarity.)
4. Connect the elbow fitting (D) to the straight end of the hose (F) provided in the kit. Torque to 66–70 ft·lbf (90–95 Nm).



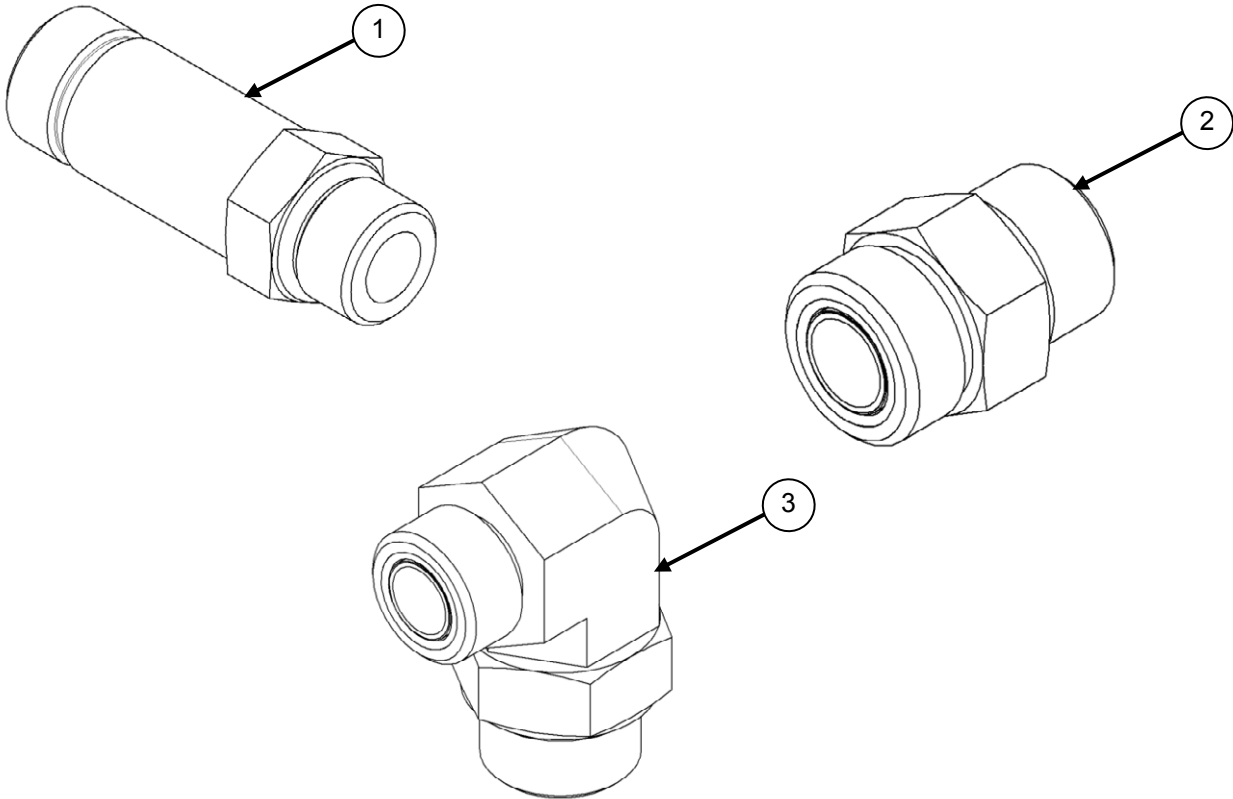
5. Install in the traction drive pump (A) either the long connector fitting (G) or the short adapter fitting (H) provided in the kit, whichever is needed (see Parts List on next page for an illustration of each one). If the old hose connected to a long connector fitting, the new one should use a long connector fitting. If the old hose connected to a short adapter fitting, the new one should use a short adapter fitting. Torque to 69–75 ft·lbf (93–102 Nm). (Some parts removed from illustration for clarity.)
6. Connect the 90 degree end of the hose to the fitting you installed in step 5. Torque to 66–70 ft·lbf (90–95 Nm).



## M150/M155/M200/M205 Self-Propelled Windrower TRACTION HOSE SERVICE KIT INSTRUCTIONS

### Parts List

The kit includes the following parts. Note that the parts included differ slightly depending on the windrower model.



REF	PART NUMBER	DESCRIPTION	QUANTITY	
			M150/M155	M200/M205
1	183174	FITTING - CONNECTOR HYD LONG	1	1
2	135788	FITTING - ADAPTER	1	1
3	135901	FITTING - ELBOW 90° HYD	1	1
	183172	HOSE - HYDRAULIC	0	1
	183173	HOSE - HYDRAULIC	1	0