

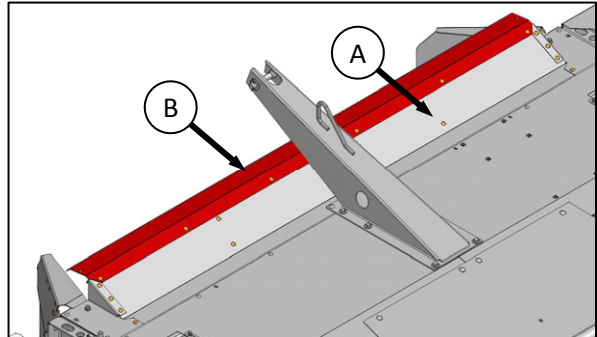
R85 Rotary Disc Header CONDITIONER HOOD SERVICE KIT INSTALLATION INSTRUCTIONS

This kit is intended for R85 rotary disc headers, model year 2012 and earlier.

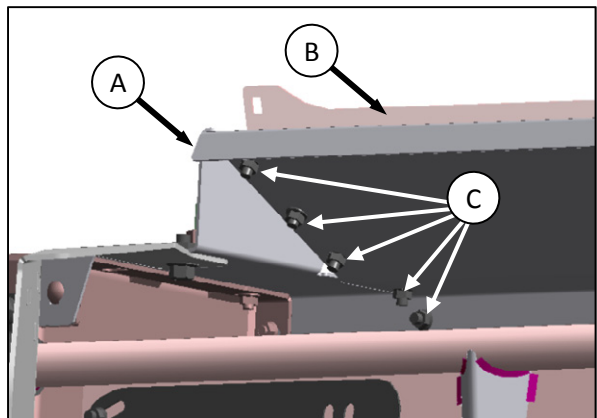
Installation Instructions

To install the Conditioner Hood Service kit, follow these steps:

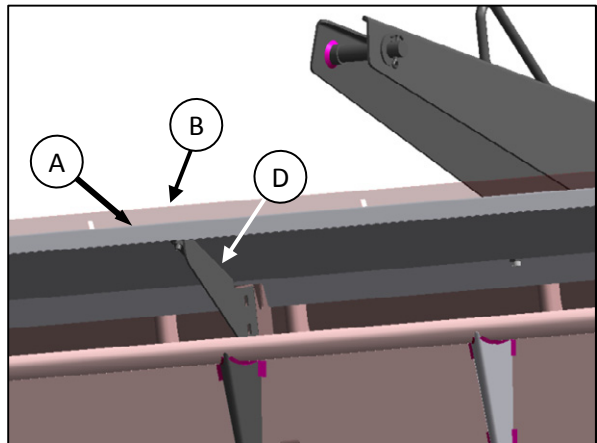
1. Remove conditioner shield (A) and shield extension (B) from header as follows:



- a. Remove five bolts (C) on each end of the shield as shown.

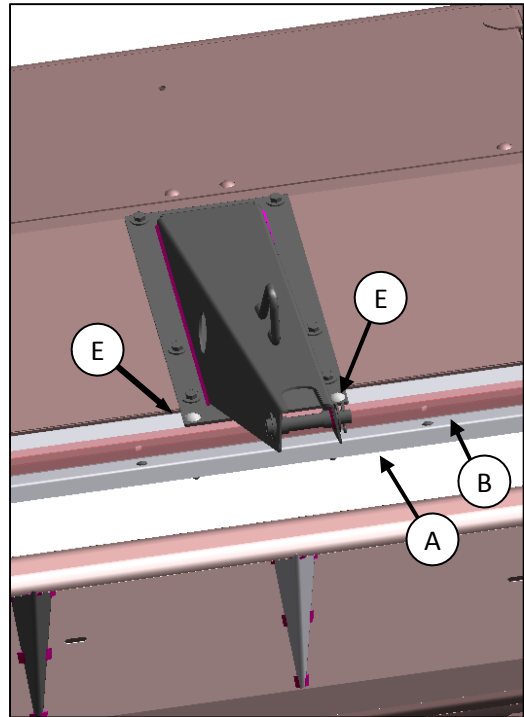


- b. Disconnect right- and left-hand conditioner cover angles (D) from header (two bolts must be removed from each angle). Retain hardware.

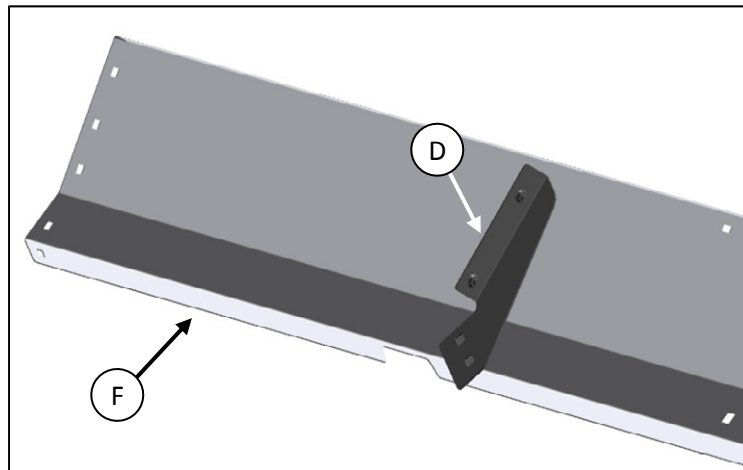


R85 Rotary Disc Header CONDITIONER HOOD SERVICE KIT INSTALLATION INSTRUCTIONS

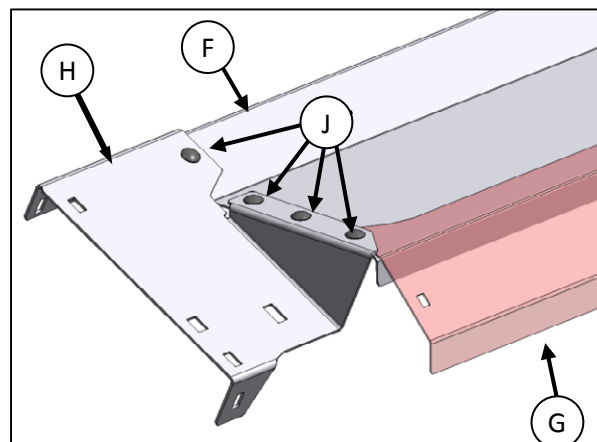
- c. Loosen two bolts (E) connecting center tower and conditioner shield (A), and then remove conditioner shield and shield extension (B) from header.
- d. Disconnect right- and left-hand conditioner cover angles from conditioner shield. Retain hardware. Discard shield and shield extension; retain conditioner cover angles.



2. Attach right- and left-hand conditioner cover angles (D) to the conditioner shield (F) provided in the kit using the hardware removed in step 1. d.

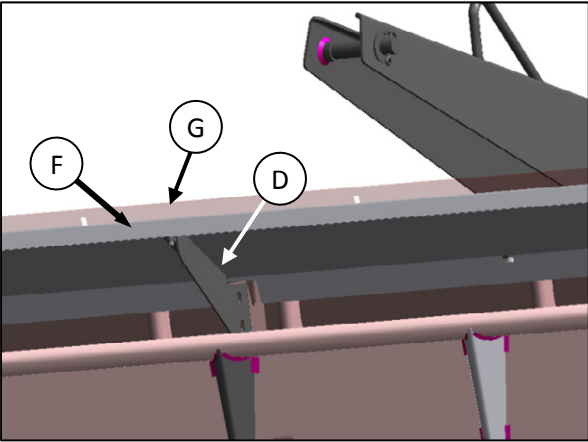


3. Sandwich the tabs on the shield extension provided in the kit (G) in between the new shield provided in the kit (F) and the existing conditioner covers (H) installed on the header. Attach with two of the carriage bolts (J) and flange nuts included in the kit.

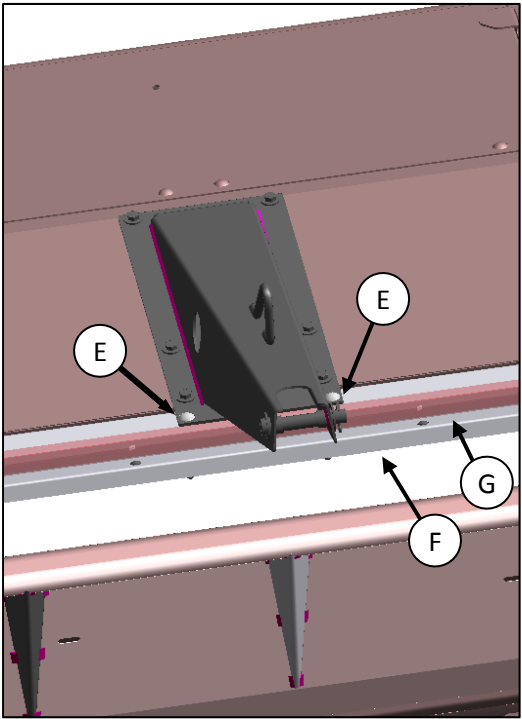


R85 Rotary Disc Header
CONDITIONER HOOD SERVICE KIT INSTALLATION INSTRUCTIONS

- 4. Reattach the right- and left-hand conditioner cover angles (D) to the header using the hardware removed in step 1. b.



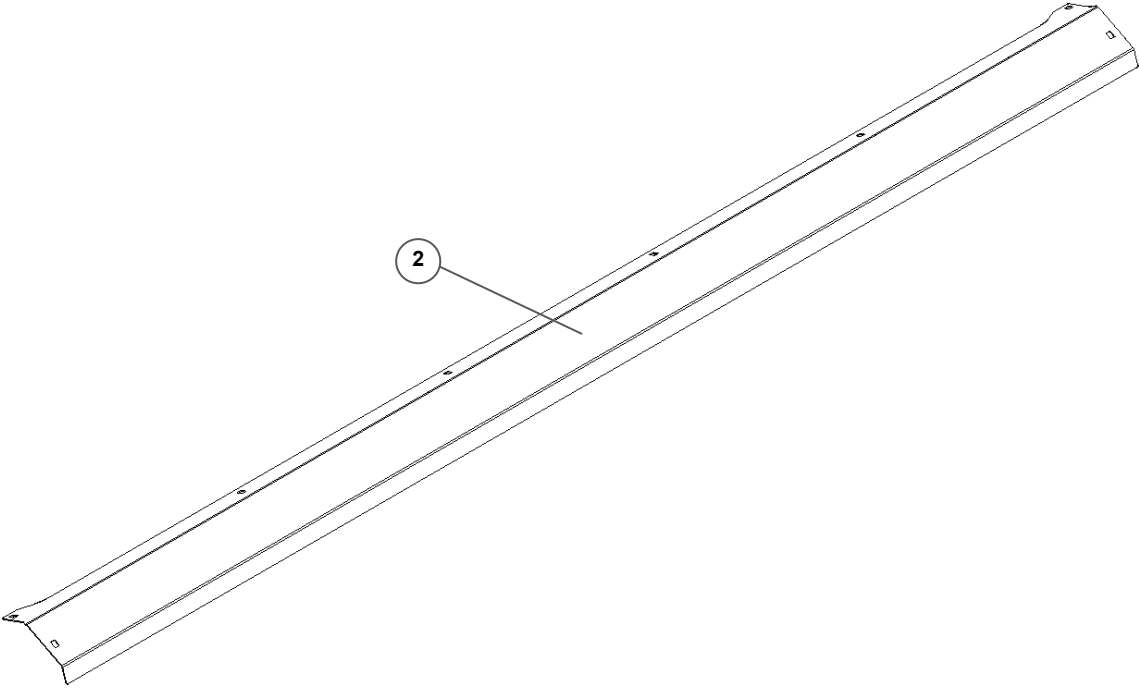
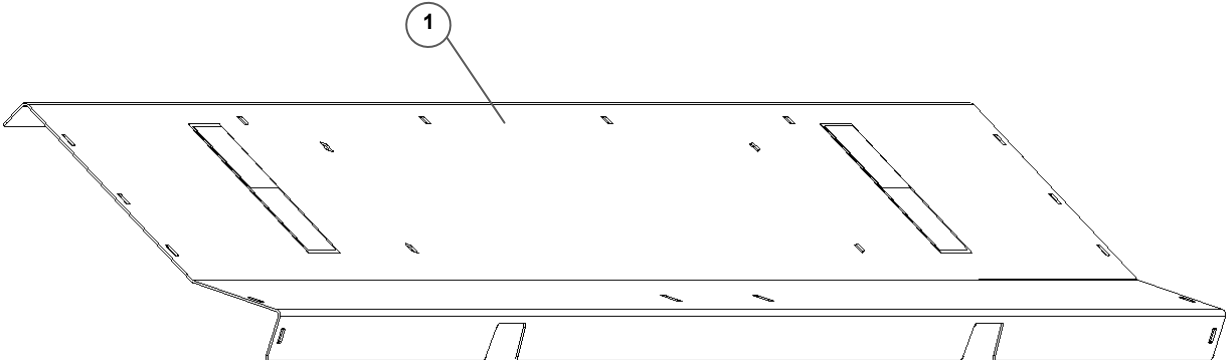
- 5. Connect center tower to the new conditioner shield (F) using the bolts already in place (E).



R85 Rotary Disc Header CONDITIONER HOOD SERVICE KIT INSTALLATION INSTRUCTIONS

Parts List

The Conditioner Hood Service kit includes the following parts:



REF	PART NUMBER	DESCRIPTION	QUANTITY
1	236259	SHIELD – C/W DECALS	1
2	236794	SHIELD – EXTENSION	1
	21863	BOLT – RHSSN 3/8 NC X 0.75 LG GR 5 ZN PL	18
	30228	NUT – FLANGE DT SMOOTH FACE 0.375-16UNC	18