

9000 Series Self-Propelled Windrowers SCREEN CLEANER MOTOR KIT (MD #167773) INSTALLATION INSTRUCTIONS

This document explains how to install the Screen Cleaner Motor kit on 9000 Series Self-Propelled Windrowers with serial number 82886 and later. This kit is not compatible with 9000 Series Self-Propelled Windrowers using screen cleaner motor MD #42138.

A list of parts included in the kit is provided.

NOTE: Keep your MacDon publications up-to-date. The most current version of this instruction can be downloaded from our Dealer-only site (<https://portal.macdon.com>) (login required).

NOTE: This document is not currently available in any language except English.

Installation Time

This kit will take approximately one hour to install.

Conventions

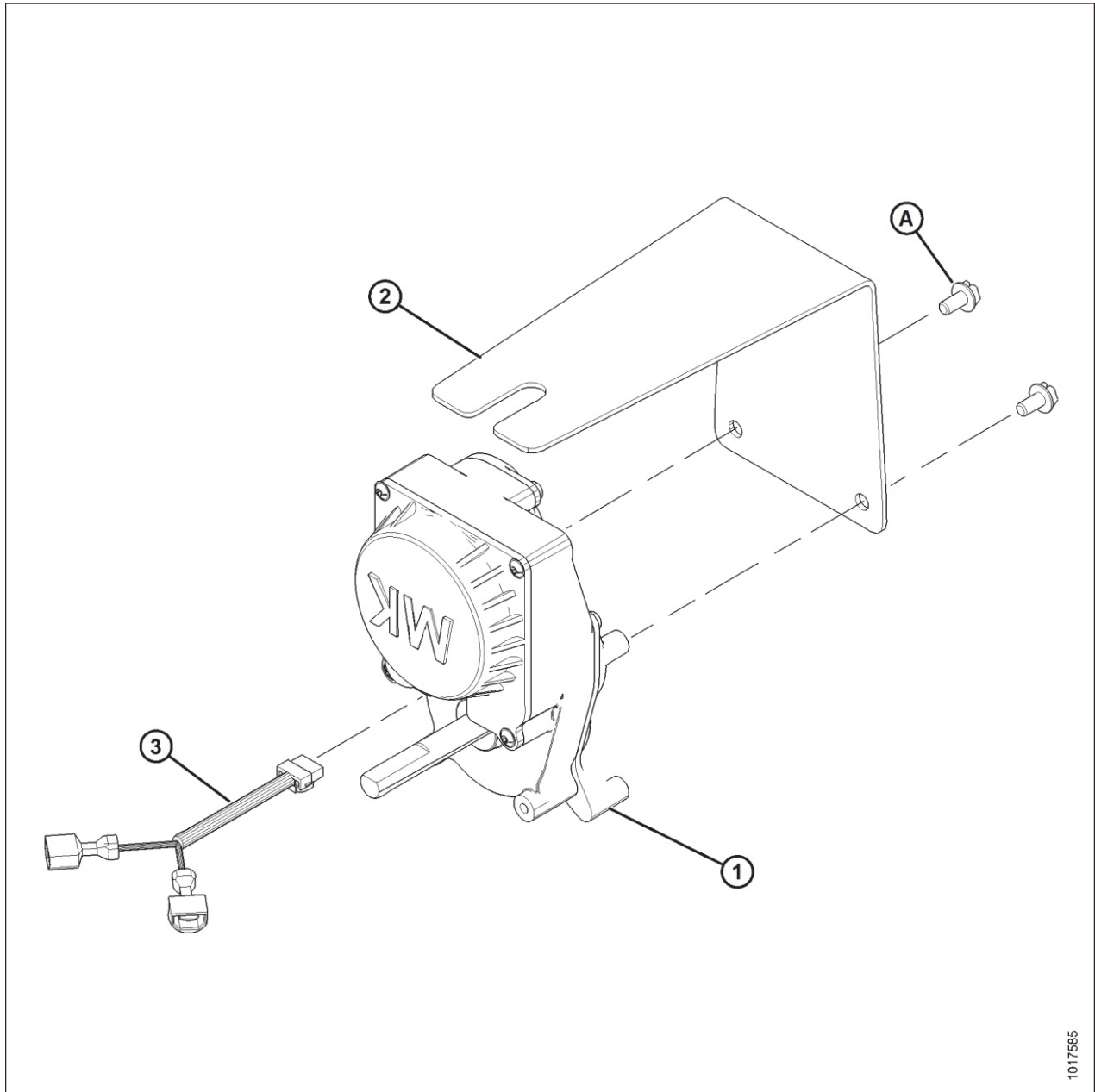
The following conventions are followed in this document:

- Right-hand (RH) and left-hand (LH) are determined from the operator's position, facing forward with the windrower in cab-forward position.
- Unless otherwise noted, use the standard torque values provided in the windrower operator's manual and technical manual.

**9000 Series Self-Propelled Windrowers
SCREEN CLEANER MOTOR KIT (MD #167773)
INSTALLATION INSTRUCTIONS**

Part List

This kit includes the following parts:



Ref	Part Number	Description	Qty
1	167570	MOTOR – ELECTRIC	1
2	167735	STOP – MOTOR	1
3	167736	ADAPTER – SCREEN CLEANER WIRE	1
A	252261	SCREW – MACHINE HEX HD W SLOT #10-24 UNC X 3 X 8 GR2 AA3L	2

**9000 Series Self-Propelled Windrowers
SCREEN CLEANER MOTOR KIT (MD #167773)
INSTALLATION INSTRUCTIONS**

Installation Instructions

To replace a damaged screen cleaner motor, use the following procedures:



CAUTION

To avoid bodily injury or death from unexpected startup of machine, always stop engine and remove key from ignition before leaving operator's seat for any reason.

Removing Screen Cleaner Motor

1. Turn off engine and remove key.
2. Open the hood. Refer to windrower operator's manual.
3. Disconnect main screen cleaner wiring harness connection.
4. Remove cable tie (A), black motor cover (B), and O-rings from motor (C).

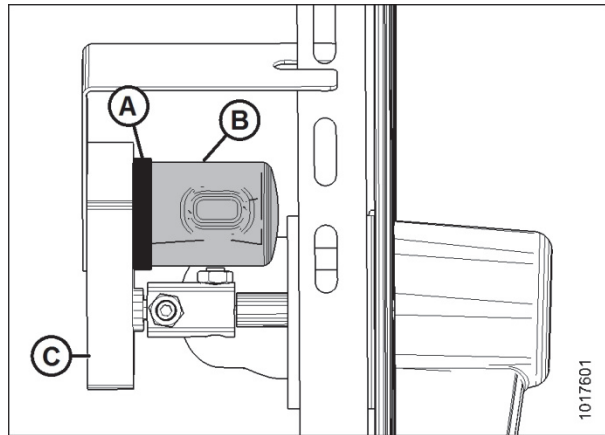


Figure 1: Screen Cleaner Motor

5. Disconnect the two wires (A) connected to motor.

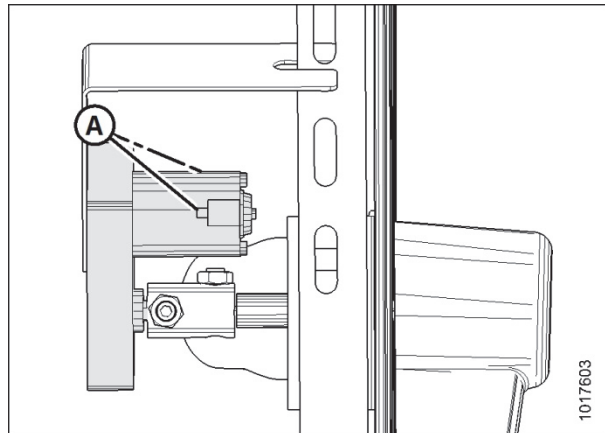


Figure 2: Screen Cleaner Motor

9000 Series Self-Propelled Windrowers
SCREEN CLEANER MOTOR KIT (MD #167773)
INSTALLATION INSTRUCTIONS

- Loosen the jam nut (A) then setscrew (B), and remove the screen cleaner motor and motor-stop assembly (C).

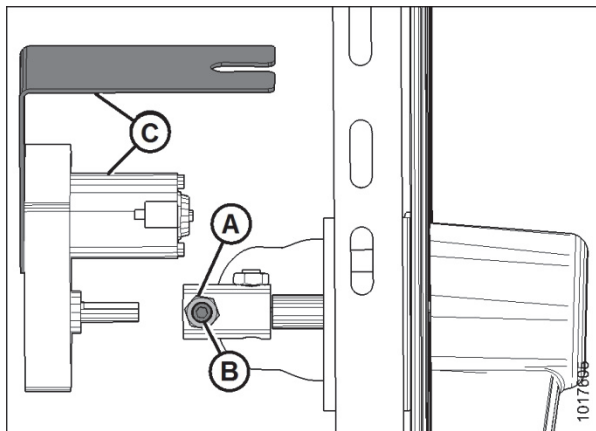


Figure 3: Screen Cleaner Assembly

Installing Replacement Screen Cleaner Motor and Wiring Adapter

- Attach motor (MD #167570) (A) to motor stop (MD #167735) (B) using two screws (MD #252261) (C). All parts provided in the kit.

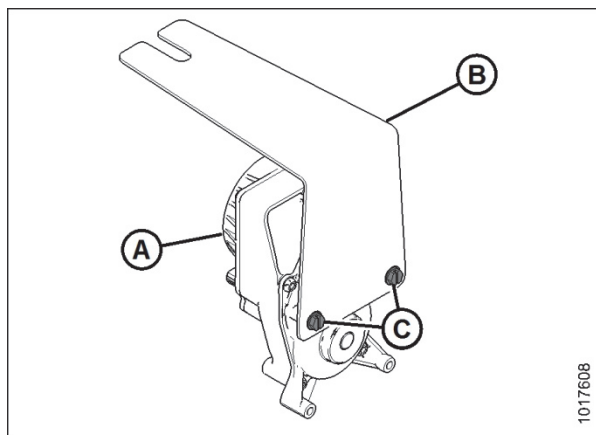


Figure 4: Screen Cleaner Motor Assembly

- Align motor-stop (A) with screen cleaner mounting bar (B), and slide motor shaft (C) into coupler (D).

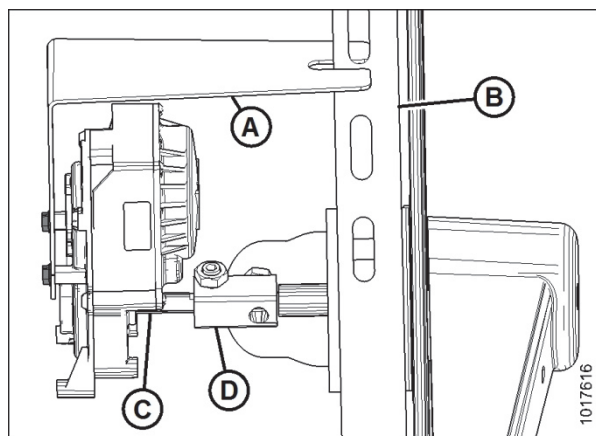


Figure 5: Installed Screen Cleaner Motor Assembly

9000 Series Self-Propelled Windrowers
SCREEN CLEANER MOTOR KIT (MD #167773)
INSTALLATION INSTRUCTIONS

3. Tighten setscrew (A) and jam nut (B).

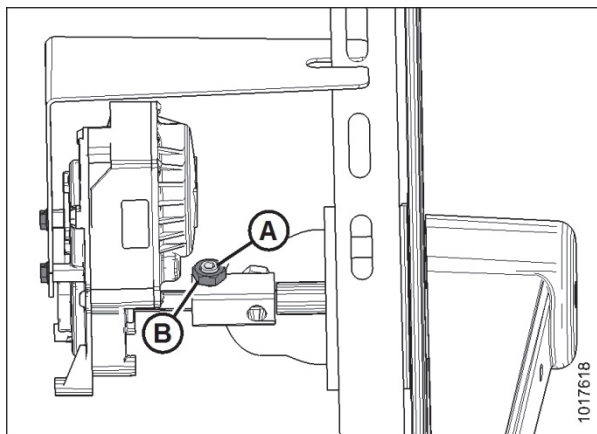


Figure 6: Installed Screen Cleaner Motor Assembly

4. Connect the two wires of the screen cleaner wire adapter (MD #167736) (A) to existing wiring harness.
5. Connect adapter plug end (C) to screen cleaner motor (B).
6. Reconnect main harness connection.
7. Close the hood. For instructions, refer to your windrower operator's manual.

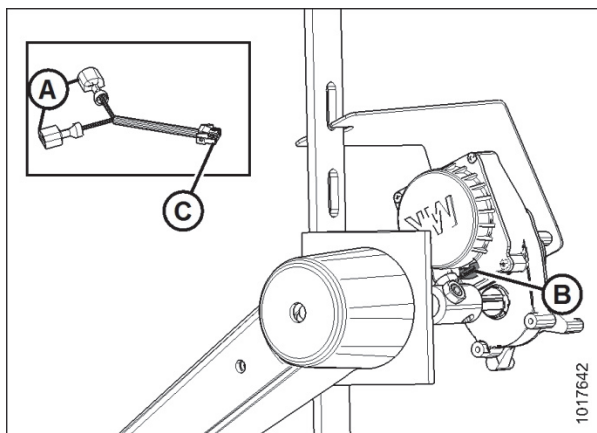


Figure 7: Screen Cleaner Motor Wiring Harness Connections — Some Parts Removed for Clarity