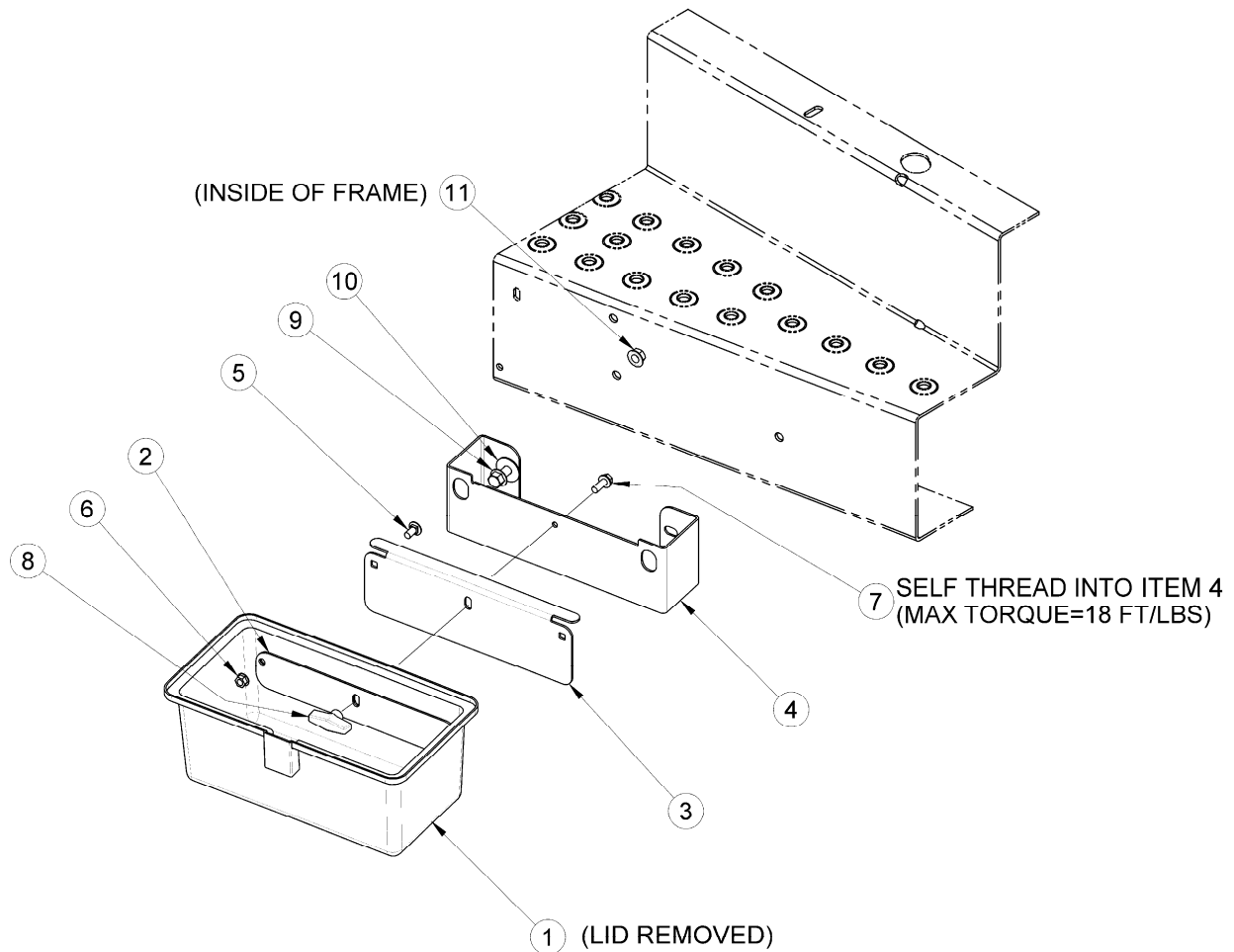


MODEL 9250/9350/9352/9352i WINDROWER TRACTOR TOOL BOX REPLACEMENT KIT INSTALLATION INSTRUCTIONS

The toolbox you ordered is no longer available. This replacement kit has been substituted. Assemble as shown below. Hardware items 9, 10 and 11 are not included in this kit (use existing hardware).



11	021383	NUT - FLANGE .500-13UNC (SERR. FACE)	2
10	032247	WASHER - FLAT	2
9	021449	BOLT - HH FLG (SERR FACE) 1/2 NC X 1.0 GR 5 ZP	2
8	042075	KNOB	1
7	135193	SCREW - HEX WASH HD THD ROLLING 3/8 NC X 1.0	1
6	030228	NUT - FLANGE DT SMOOTH FACE 0.375-16UNC	2
5	021863	BOLT-RHSSN 3/8 NC X 0.75 LG GR 5 ZP	2
4	167016	BRACKET-TOOLBOX HOLDER	1
3	167017	BRACKET-TOOLBOX	1
2	167019	PLATE-TOOLBOX	1
1	167047	TOOLBOX-PLASTIC (C/W MOUNT HOLES)	1
#	PART #	TITLE	QTY