

MODEL 9250/9350/9352/9352i SELF-PROPELLED WINDROWER REEL/CONVEYOR HYDRAULIC BLOCK UPGRADE KIT (MD #111607) INSTALLATION INSTRUCTIONS

This document explains how to install the Reel/Conveyor Hydraulic Block Upgrade kit for model 9250, 9350, 9352, and 9352i Self-Propelled Windrowers. Crops with heavy loads on drapers such as canola or other high yielding, heavy, irrigated crops, will benefit most from this kit.

A list of parts included in the kit is provided.

Conventions

The following conventions are used in this document:

- Right and left are determined from the operator's position, facing forward with the windrower in cab-forward position.
- Unless otherwise noted, use the standard torque values provided in the operator's manual and technical manual.

NOTE: This kit should only be installed on machines made prior to 2004. For later models, reel/conveyor issues may require new flow controls (MD #49725). To install and test flow controls, follow the procedure outlined in the 9352i Technical Manual Supplement (MD #147331).

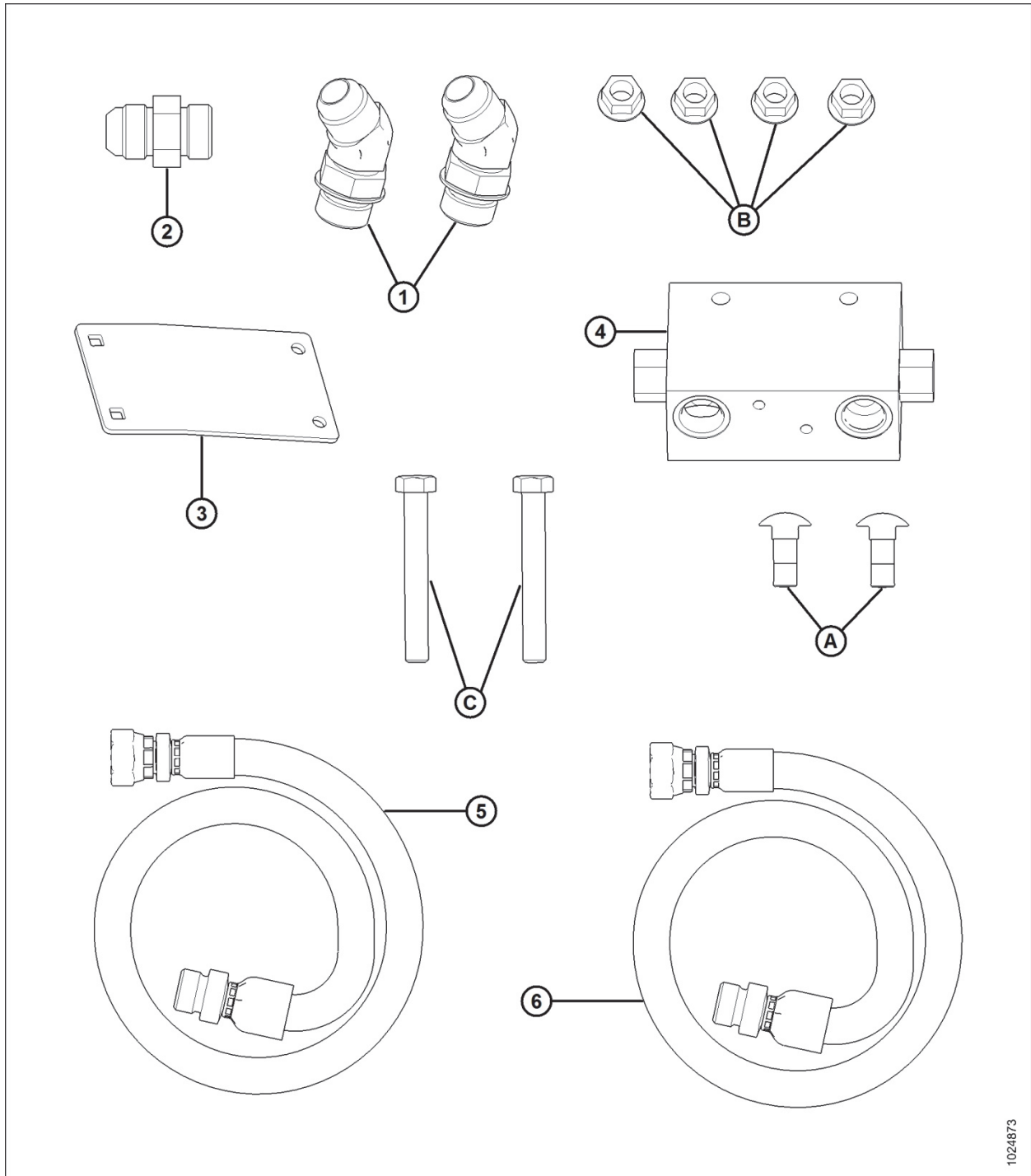
NOTE: Keep your MacDon publications up-to-date. The most current version of this instruction can be downloaded from our Dealer-only site (<https://portal.macdon.com>) (login required).

NOTE: This document is available in English only.

**MODEL 9250/9350/9352/9352i SELF-PROPELLED WINDROWER
REEL/CONVEYOR HYDRAULIC BLOCK UPGRADE KIT (MD #111607)
INSTALLATION INSTRUCTIONS**

Parts List

This kit includes the following parts:



1024873

**MODEL 9250/9350/9352/9352i SELF-PROPELLED WINDROWER
REEL/CONVEYOR HYDRAULIC BLOCK UPGRADE KIT (MD #111607)
INSTALLATION INSTRUCTIONS**

Ref	Part Number	Description	Qty
1	50103	FITTING – ELBOW #10 ORB - JIC (45°)	2
2	30695	FITTING - #10 ORB - JIC (STR)	1
3	110599	PLATE – MANIFOLD MOUNTING	1
4	111602	MANIFOLD – REEL/CONVEYOR	1
5	111605	HOSE – HYDRAULIC (255 mm)	1
6	111606	HOSE – HYDRAULIC (490 mm)	1
A	19965	BOLT – RHSN 0.375 X 1.0 IN. GR 5 ZN PL (Carriage head)	2
B	21452	NUT – FLANGE 0.375 IN. (Locknuts)	4
C	30035	BOLT – HH 0.375 X 2.75 IN. GR 5 ZN PL	2

MODEL 9250/9350/9352/9352i SELF-PROPELLED WINDROWER REEL/CONVEYOR HYDRAULIC BLOCK UPGRADE KIT (MD #111607) INSTALLATION INSTRUCTIONS

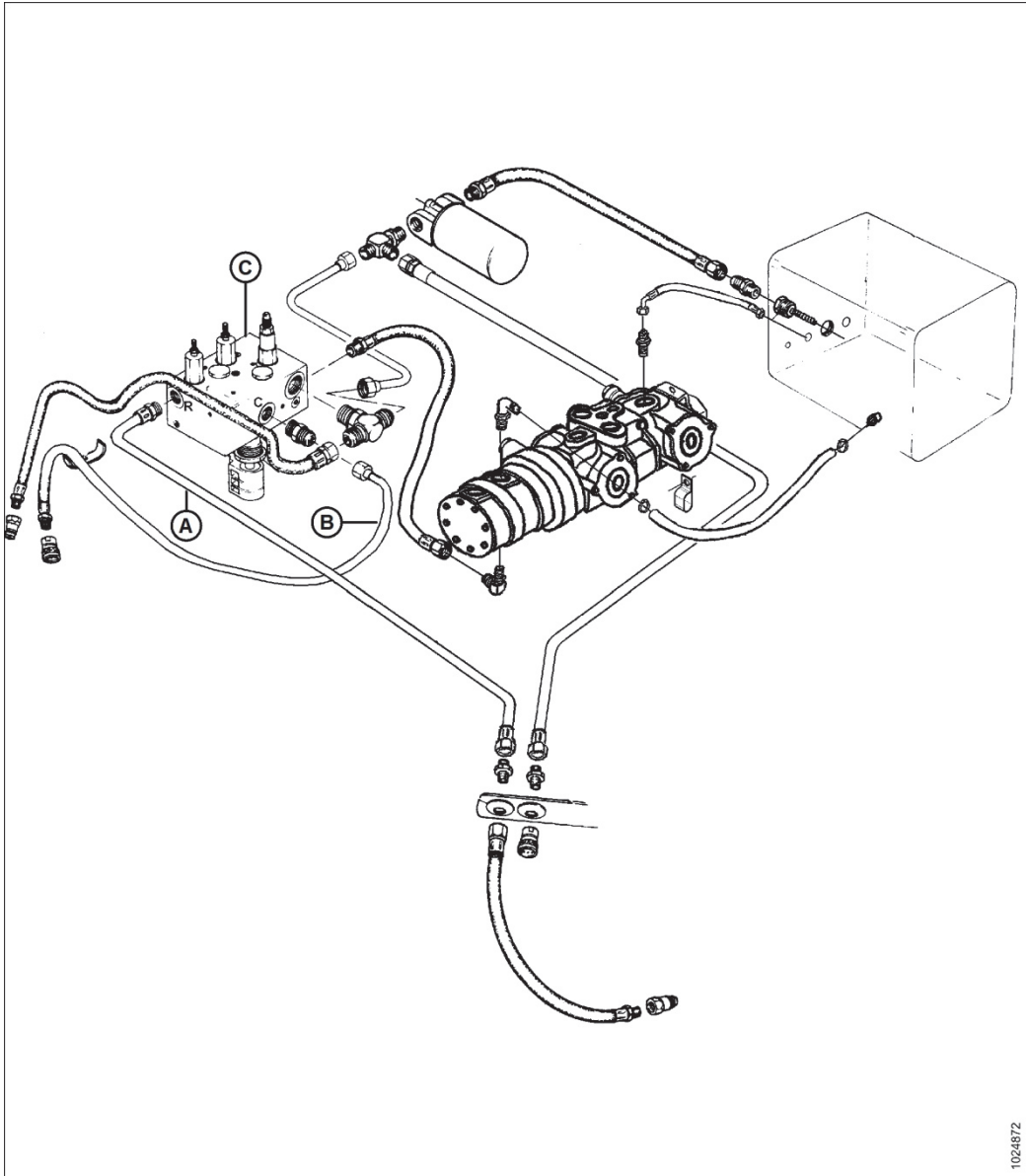
Installation Instructions

To install the Reel/Conveyor Hydraulic Block Upgrade kit, follow these steps:

1. Detach existing hose (A) from port R of existing header drive manifold (C). Detach existing hose (B) from port C of existing header drive manifold (C).

NOTE: Leave other ends of hoses in place. These hoses will be reattached at new locations.

Figure 1: Hose Disconnect



**MODEL 9250/9350/9352/9352i SELF-PROPELLED WINDROWER
REEL/CONVEYOR HYDRAULIC BLOCK UPGRADE KIT (MD #111607)
INSTALLATION INSTRUCTIONS**

2. Install manifold mounting plate (A) (MD #110599) using two 3/8 NC x 1 in. carriage head bolts (B) (MD #19965) and two locknuts (C) (MD #21452) supplied in kit to the front cab cross member.
3. Install two 45° elbow fittings (D) (MD #50103) and one straight fitting (E) (MD #30695) supplied in kit into new manifold (F) (MD #111602).

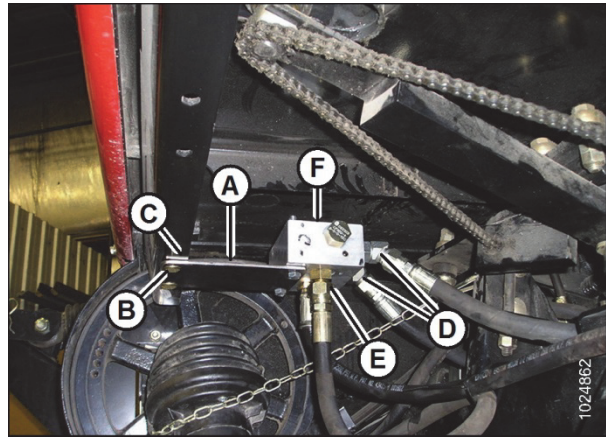


Figure 2: Manifold Mounting and Fitting Locations

4. Attach new manifold (A) (MD #111602) to mounting plate (B) (MD #110599) using two 3/8 NC x 2-3/4 in. hex head bolts (C) (MD #30035) and lock nuts (D) (MD #21452) supplied in kit.

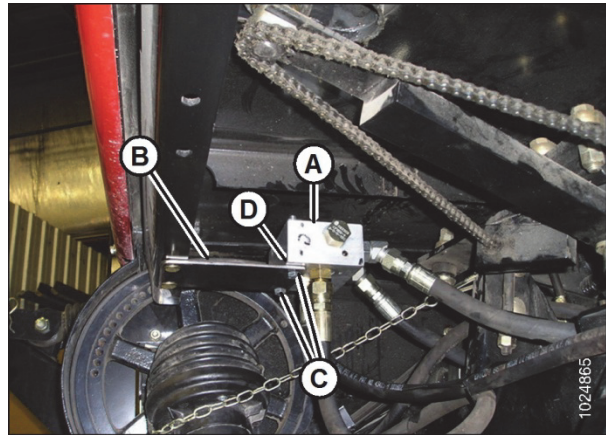


Figure 3: Attaching New Manifold

**MODEL 9250/9350/9352/9352i SELF-PROPELLED WINDROWER
REEL/CONVEYOR HYDRAULIC BLOCK UPGRADE KIT (MD #111607)
INSTALLATION INSTRUCTIONS**

5. Attach new hose (A) (MD #111605) from port R on new manifold (B) (MD #111602) to port R of existing header drive manifold (C).
6. Attach new hose (D) (MD #111606) from port C on new manifold (B) (MD #111602) to port C of existing header drive manifold (C).

NOTE: Make sure hoses do not interfere with the steering linkage. To adjust, change angle of elbow fittings (E).

7. Attach hose (F) removed in Step 1 to output port R of new manifold (B) (MD #111602).
8. Attach hose (G) removed in Step 1 to straight fitting (H) installed in Step 3.

Figure 4: Hoses, New Manifold, and Header Drive Manifold

