

PARTS CATALOG

Series III

AUGER HEADER for Model 7000 Self Propelled Windrower



FORM NO. 12867

7/92

MacDon Industries Ltd.

680 Moray Street, Winnipeg, Manitoba
Canada R3J 3S3
(204) 885-5590, Fax 832-7749
Telex 07-57849



AUGER HEADER PARTS CATALOG

CONTENTS:

AUGER HEADER

Main Frame, Lights & Shields	2-5
Skid Shoes	6
Gauge Rollers	7
Auxiliary Float Spring	8
Drive Line	9
Drives Group - Single Knife	10,11
Drives Group - Double Knife	12,13
Knife Drive Group	14,15
Cutting Components: Standard Guards	16
Cutting Components: Stub Guards	17
Wobble Box	18,19
Auger Drive Group	20,21
Reel Drive Group	22-25
Hydraulics	26,27

HAY CONDITIONER

Frame & Rolls Group	28,29
Drive Group	30,31
Roll Tension Group	32,33
Winch Group	34,35
Forming Shields	36,37

DECALS & PAINT

38,39

ACCESSORIES

Divider Rods	40
--------------------	----

NUMERICAL LIST

41-43

NOTE: References throughout to "Grass Seed" refer to the Grass Seed Special Headers which are available in:
 12 foot single knife drive
 14 foot double knife drive
 16 foot double knife drive

ABBREVIATIONS:

- S/K - Single Knife Drive
- D/K - Double Knife Drive

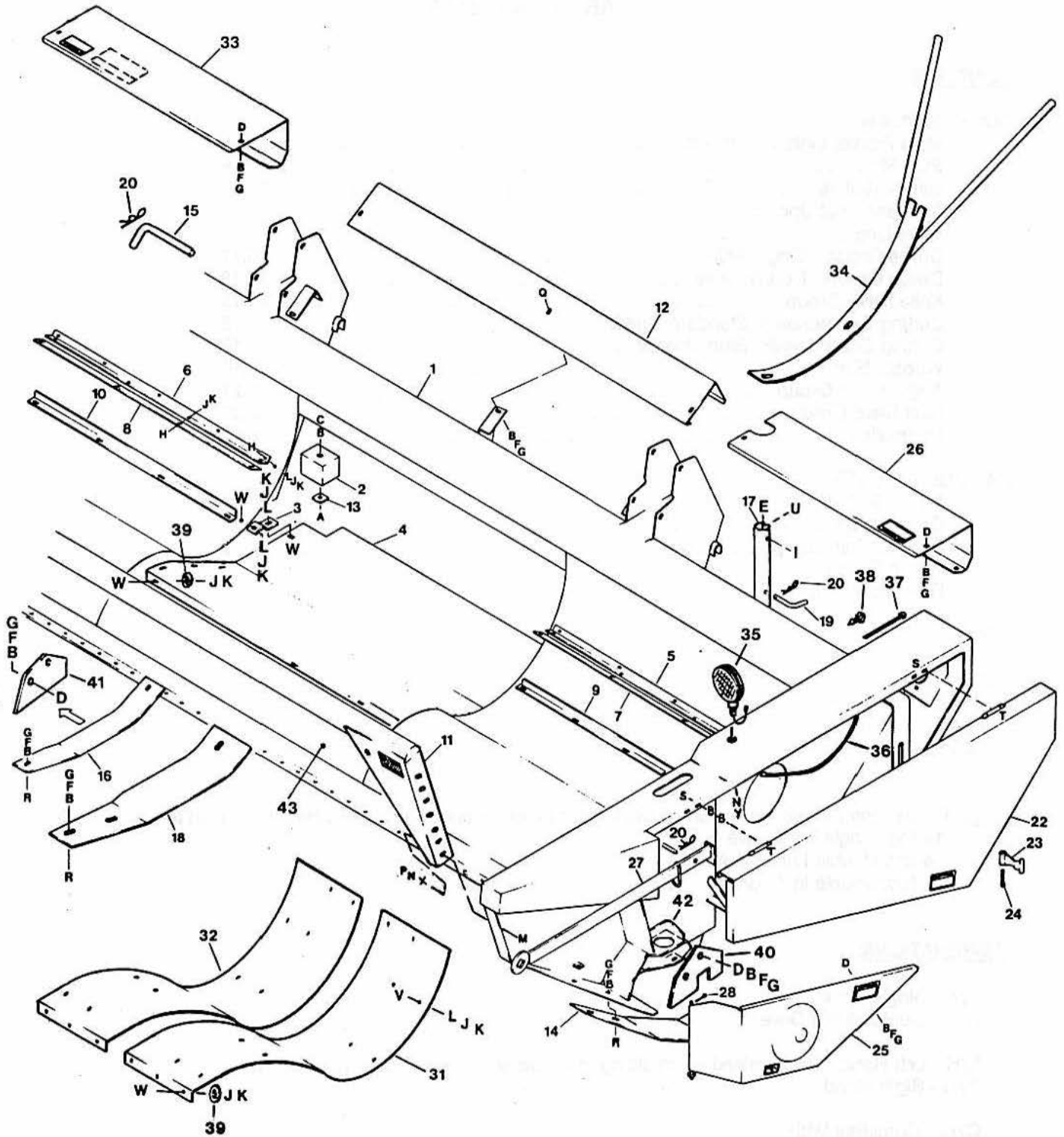
- L/H - Left Hand (Determined when sitting in Operator's Position, facing forward.)
- R/H - Right Hand

- C/W - Complete With
- G/S - Grass Seed Special
- A/R - As Required (Qty. varies with header size, etc.)

SERIAL NUMBER BREAKS:

The side of the serial number on which the dash (-) appears determines whether the part is used "up to" or "after" the serial number given.
 Example: - 73102 Used on machines up to and including serial number 73102.
 73103 - Used on machines including and after serial number 73103.

MAIN FRAME, LIGHTS & SHIELDS

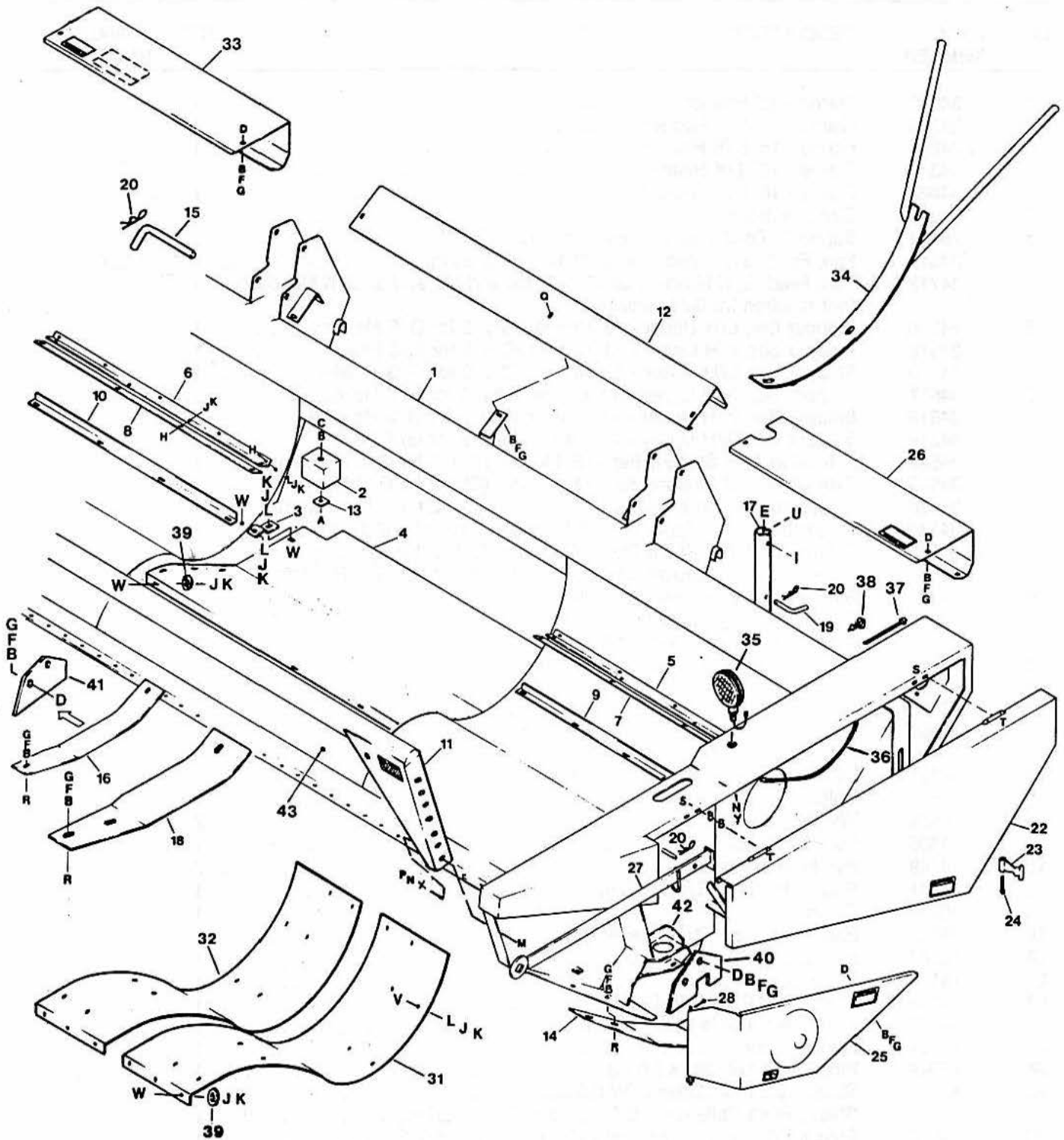


MAIN FRAME, LIGHTS & SHIELDS

REF	PART NUMBER	DESCRIPTION	QTY	SERIAL NUMBER
1	34345	Frame - 12' Header	1	
	34346	Frame - 14' S/K Header	1	
	34865	Frame - 14' D/K Header	1	
	34347	Frame - 16' S/K Header	1	
	34866	Frame - 16' D/K Header	1	
2	26878	Block, Rubber	2	
3	28732	Support - Feed Pan (not req'd. for Grass Seed)	2	
4	34512	Pan, Feed (S/K Headers Except 12' Grass Seed)	1	- 75989
	34712	Pan, Feed (S/K Headers serial # 75990 and up, and all D/K Headers) (not required for G/S Headers)	1	
5	34516	Stripper Bar, L/H Upper - 12' Header (Qty. 2 for G/S Header)	1	
	34518	Stripper Bar, L/H Upper - 14' Header (Qty. 2 for G/S Header)	1	
	34519	Stripper Bar, L/H Upper - 16' Header (Qty. 2 for G/S Header)	1	
6	34517	Stripper Bar, R/H Upper - 12' Header (Qty. 2 for G/S Header)	1	
	34518	Stripper Bar, R/H Upper - 14' Header (Qty. 2 for G/S Header)	1	
	34519	Stripper Bar, R/H Upper - 16' Header (Qty. 2 for G/S Header)	1	
7	34523	Extension, L/H Stripper Bar - 12' Header (Qty. 2 for G/S Header)	1	
	34525	Extension, L/H Stripper Bar - 14' Header (Qty. 2 for G/S Header)	1	
	34526	Extension, L/H Stripper Bar - 16' Header (Qty. 2 for G/S Header)	1	
8	34524	Extension, R/H Stripper Bar - 12' Header (Qty. 2 for G/S Header)	1	
	34525	Extension, R/H Stripper Bar - 14' Header (Qty. 2 for G/S Header)	1	
	34526	Extension, R/H Stripper Bar - 16' Header (Qty. 2 for G/S Header)	1	
9	34530	Stripper Bar, L/H Lower - 12' Header	1	
	34532	Stripper Bar, L/H Lower - 14' Header	1	
	34533	Stripper Bar, L/H Lower - 16' Header	1	
10	34531	Stripper Bar, R/H Lower - 12' Header	1	
	34532	Stripper Bar, R/H Lower - 14' Header	1	
	34533	Stripper Bar, R/H Lower - 16' Header	1	
11	34555	Lean Bar C/W Reflectors - 12' Header	1	
	34556	Lean Bar C/W Reflectors - 14' Header	1	
	34557	Lean Bar C/W Reflectors - 16' Header	1	
12	34562	Shield	1	
13	19588	Washer	2	
14	34636	Pad, L/H Shoe	1	
15	28749	Pin, Header Retaining	2	
16	34641	Pad, R/H Shoe (S/K Headers)	1	
17	28245	Stand	1	
18	34635	Pad, R/H Shoe (D/K Headers)	1	
19	13747	Pin, "L"	1	
20	13125	Pin, Hair	4	
22	34593	Shield, Left Side C/W Decal	1	
	34317	Shield, Right Side C/W Decal (D/K Headers)	1	
23	21021	Latch, Rubber	1	
24	18609	Pin, Cotter 1/4 Dia. x 2.0 Lg.	1	
25	47174	Shield, Left Knife Drive C/W Decals	1	
	47175	Shield, Right Knife Drive C/W Decals (D/K Headers)	1	
26	34610	Shield, L/H Rear C/W Decal - 12' Header (Except G/S)	1	
	34611	Shield, L/H Rear C/W Decal - 14' S/K Header	1	
	34612	Shield, L/H Rear C/W Decal - 16' S/K Header	1	
	34926	Shield, L/H Rear C/W Decals - 12' G/S Header.	1	
	34927	Shield, L/H Rear C/W Decals - 14' D/K Header.	1	
	34928	Shield, L/H Rear C/W Decals - 16' D/K Header.	1	
27	34625	Wrench, Rocking	1	
28	18605	Pin, Cotter 1/8 Dia. x 1.0 Lg.	1	
31	34283	Extension, Pan - L/H (Grass Seed Headers)	1	
32	34284	Extension, Pan - R/H (Grass Seed Headers)	1	

TURN Page
for PAN
Replacement

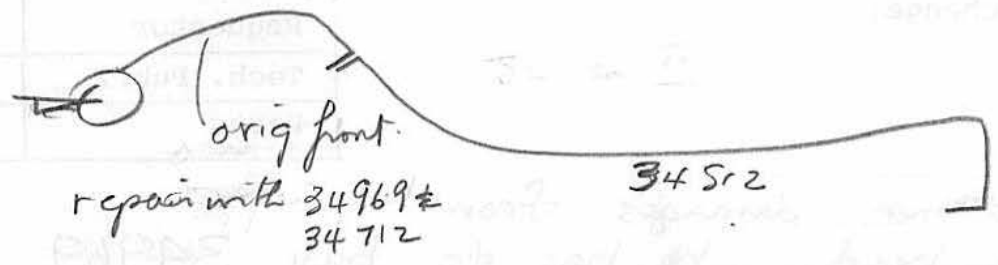
MAIN FRAME, LIGHTS & SHIELDS



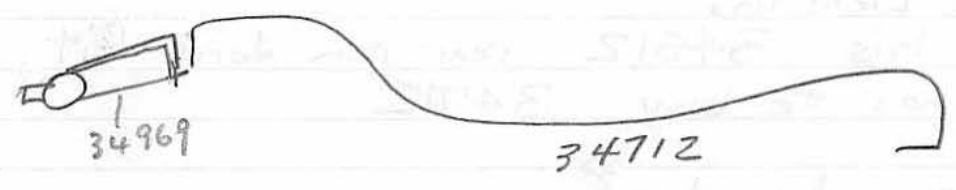
Have to sell em both parts!
 Russ

Russ Henderson (Re over)

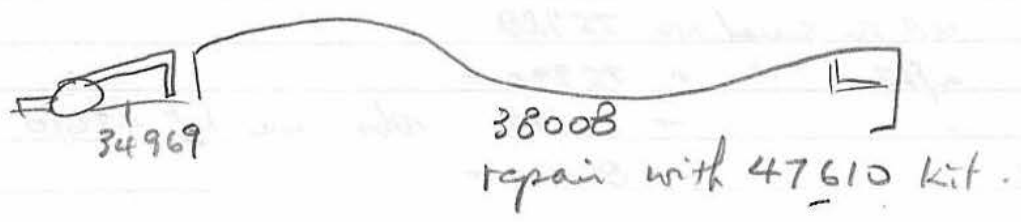
34969 is a heavy part that I doubt will ever be replaced on the Headers it was welded into at factory. However, it was made salable so that Series II ⁷⁰⁰⁰ Auger hds could have been replaced.



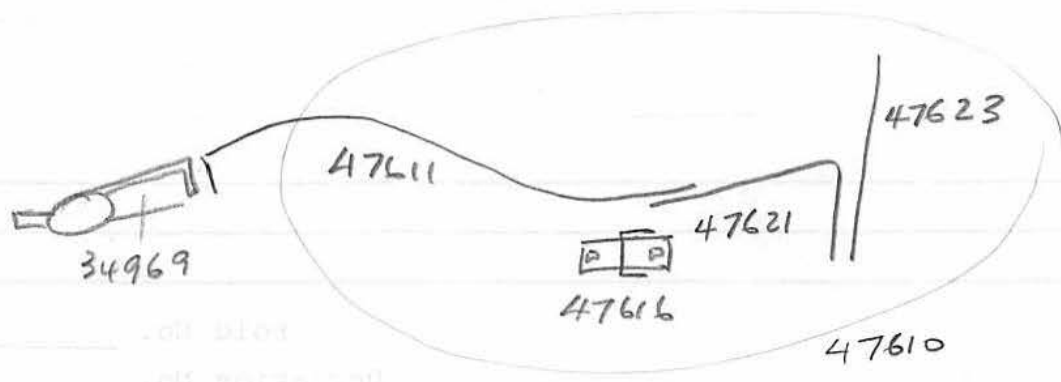
7000 Series II



7000 Series III



Obsolete 920



Current 920

Handwritten signature

REQUEST FOR: Deviation from dwg. or HOLD
Engineering Change or

DISTRIBUTION	
COPIES TO:	QTY.
Dir. of Mfg.	1
Prod. Control	5
Mfg. Plant 2	1
Dir. of P.I.	1
Q.C. Assy.	2
Q.C. Mfg.	3
Q.C. Plant 2	1
Q.C. Warehouse	1
Purchasing	1
Purch. Vendor	1
Requestor	1
Tech. Publ.	1
Parts	1

- 1. Product: Augur-Series III header
- 2. Requested by: RBT Appd. by: _____
- 3. Date: April 21/94 Appd. date: _____
W.O. # _____ Effective _____
P.O. # _____

4. Description of Change:

When customer damages from
pan on head, he has to buy 34969
panel to weld in.
Now his 34512 rear pan don't fit,
so he has to buy 34712

What can be done?

34512 USED UP TO serial no 75989
34712 " after " " 75990 -
38008 " " " 86399 Obs use kit 47610
47611 # 47621 86400 -

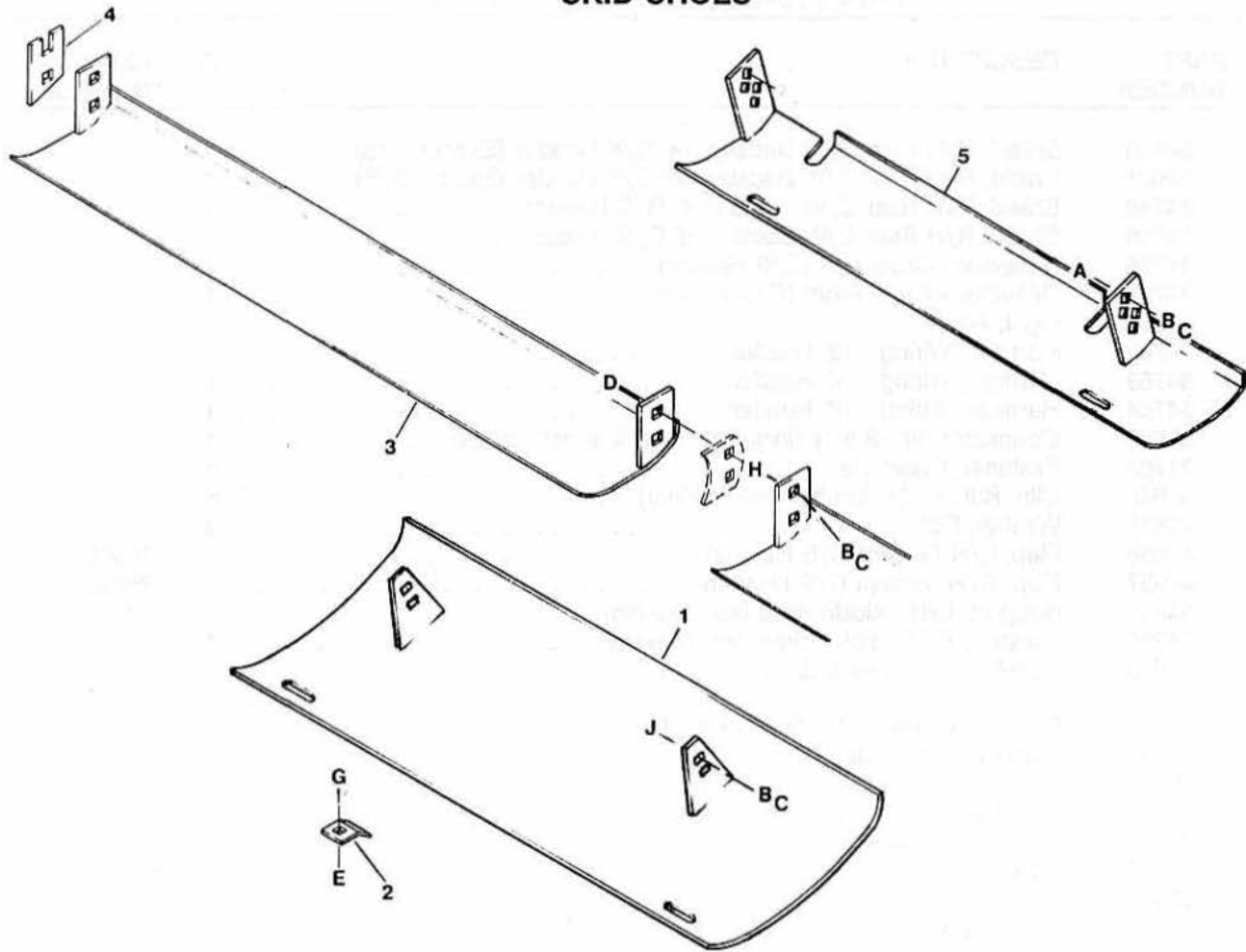
5. Reason: _____

Hold No. _____
Deviation No. _____

MAIN FRAME, LIGHTS & SHIELDS

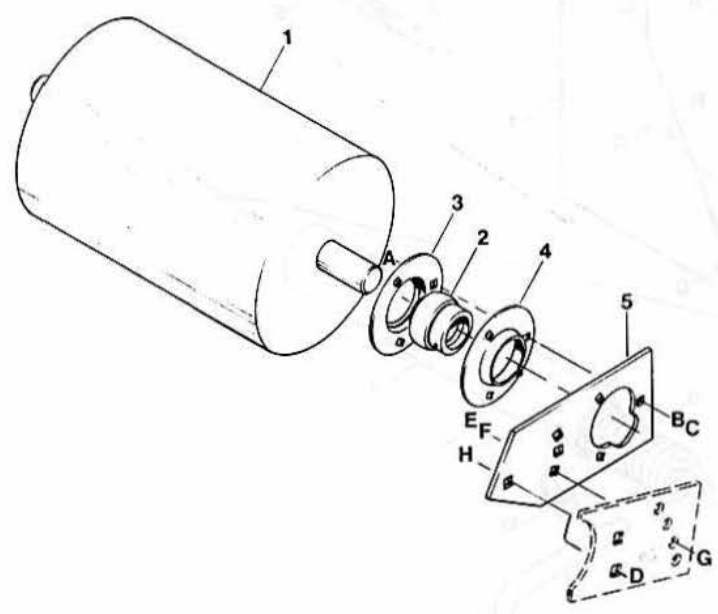
REF	PART NUMBER	DESCRIPTION	QTY	SERIAL NUMBER
33	34930	Shield, R/H Rear C/W Decals - 14' D/K Header (Except G/S)	1	
	34931	Shield, R/H Rear C/W Decals - 16' D/K Header (Except G/S)	1	
	34748	Shield, R/H Rear C/W Decal - 14' G/S Header	1	
	34749	Shield, R/H Rear C/W Decal - 16' G/S Header	1	
34	34725	Deflector - Crop, Left (G/S Header)	1	
	34726	Deflector - Crop, Right (G/S Header)	1	
35	16539	Light, Amber	2	
36	34762	Harness, Wiring - 12' Header	1	
	34763	Harness, Wiring - 14' Header	1	
	34764	Harness, Wiring - 16' Header	1	
	31062	Connector Kit - 3 way (includes male & female plugs)	1	
37	21763	Fastener, Cable Tie	5	
38	30542	Clip, Rubber (wiring harness retainer)	A/R	
39	20535	Washer, Flat	18	
40	34656	Flap, L/H (except G/S Header)	1	75990 -
41	34657	Flap, R/H (except G/S Header)	1	75990 -
42	34438	Support, L/H - sickle drive box (welded)	1	
	34268	Support, R/H - sickle drive box (welded)	1	
43	34969	Panel - center (welded)	1	
A	21593	Capscrew, Hex. Hd. 3/8 NC x 4.0 Lg.		
B	18598	Washer, Flat 13/32 I.D.		
C	18669	Nut, Lock 3/8 NC Distorted Thread		
D	21863	Bolt, Carriage, Short Sq. Neck 3/8 NC x 3/4 Lg.		
E	21558	Capscrew, Hex Hd. 5/16 NC x 3/4 Lg.		
F	18637	Washer, Lock 3/8		
G	18590	Nut, Hex. 3/8 NC		
H	21281	Bolt, Carriage 5/16 NC x 3/4 Lg.		
I	18690	Nut, Lock 5/16 NC Distorted Thread		
J	18636	Washer, Lock 5/16		
K	18589	Nut, Hex. 5/16 NC		
L	18597	Washer, Flat 11/32 I.D.		
M	21491	Capscrew, Hex. Hd. 1/2 NC x 1 1/4 Lg.		
N	18638	Washer, Lock 1/2		
P	18591	Nut, Hex. 1/2 NC		
Q	21472	Bolt, Carriage 3/8 NC x 3/4 Lg.		
R	19966	Bolt, Carriage 3/8 NC x 1 1/4 Lg.		
S	21821	Bolt, Flange Hd. 3/8 NC x 3/4 Lg.		
T	21452	Nut, Flange 3/8 NC		
U	18723	Capscrew, Hex. Hd. 1/2 NC x 1 1/2 Lg.		
V	21473	Bolt, Carriage 5/16 NC x 1 1/4 Lg.		
W	21282	Bolt, Carriage 5/16 NC x 1.0 Lg.		
X	18599	Washer, Flat 17/32 ID		
Y	6771	Nut, Hex 1/2 NF		

SKID SHOES



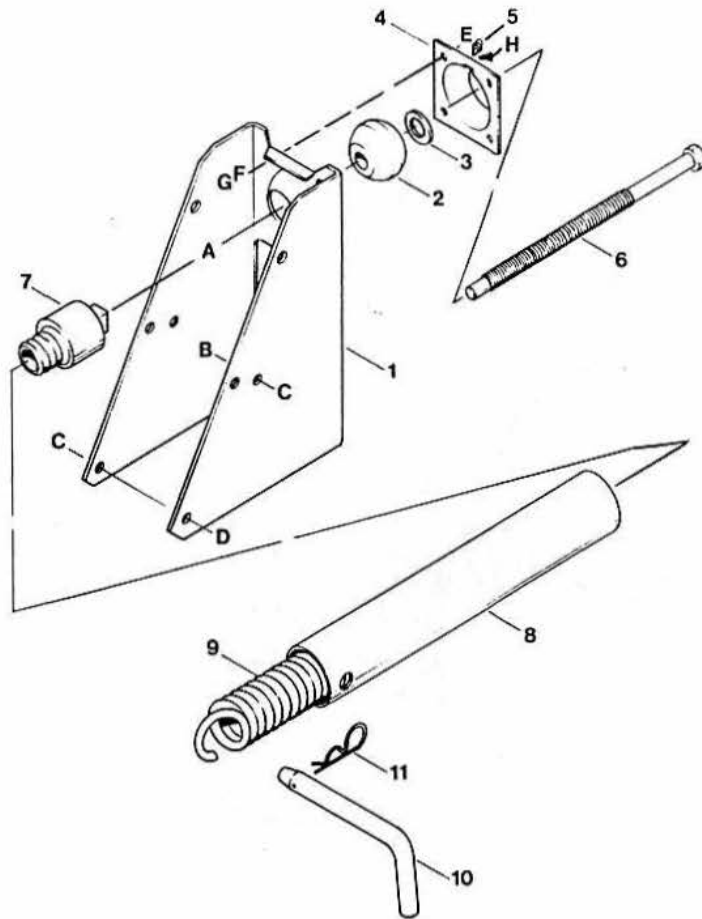
REF	PART NUMBER	DESCRIPTION	QTY	SERIAL NUMBER
1	34035	Shoe, Adjustable Skid (for use without gauge rollers)	2	
	34036	Shoe, Adjustable Skid - R/H (D/K Only, without gauge rollers)	1	
2	34845	Bracket, Retaining	4	
3	34834	Shoe, Center Skid - 12' Header	2	
	34835	Shoe, Center Skid - 14' Header (See Note)	4	
	34836	Shoe, Center Skid - 16' Header (See Note)	4	
		NOTE: FOR HEADERS WITH SERIAL NUMBERS UP TO AND INCLUDING 69758 ALSO ORDER ITEM 4		
4	34844	Shim	A/R	
5	34575	Shoe, Adjustable Skid (for use with gauge rollers)	2	
	34838	Shoe, Adjustable Skid - R/H (D/K Only, with gauge rollers)	1	
A	21469	Bolt, Carriage 1/2 NC x 1 1/2 Long		
B	18638	Washer, Lock 1/2		
C	18591	Nut, Hex. 1/2 NC		
D	30515	Bolt, Carriage 1/2 NC x 1 3/4 Long		
E	8218	Bolt, Carriage 7/16 NC x 1 1/2 - Standard Guard		
	21665	Bolt, Carriage 7/16 NC x 2 3/4 - Stub Guard		
G	18654	Nut, Hex. 7/16 NC		
H	18599	Washer, Flat 17/32 I.D. (If Required)		
J	21471	Bolt, Carriage 1/2 NC x 1 1/4 Long		

GAUGE ROLLERS



REF	PART NUMBER	DESCRIPTION	QTY	SERIAL NUMBER
1	34566	Roller, Gauge	2	
2	21859	Bearing C/W Lock Collar	4	
3	30601	Flangette	4	
4	21860	Flangette C/W Grease Fitting	4	
5	34574	Bracket	4	
A	19965	Bolt, Carriage 3/8 NC x 1.0 Long		
B	18637	Washer, Lock 3/8		
C	18590	Nut, Hex. 3/8 NC		
D	21471	Bolt, Carriage 1/2 NC x 1 1/4 Long		
E	18591	Nut, Hex. 1/2 NC		
F	18638	Washer, Lock 1/2		
G	21491	Bolt, Hex. Hd. 1/2 NC x 1 1/4 Long		
H	18697	Nut, Lock 1/2 NC Distorted Thread		

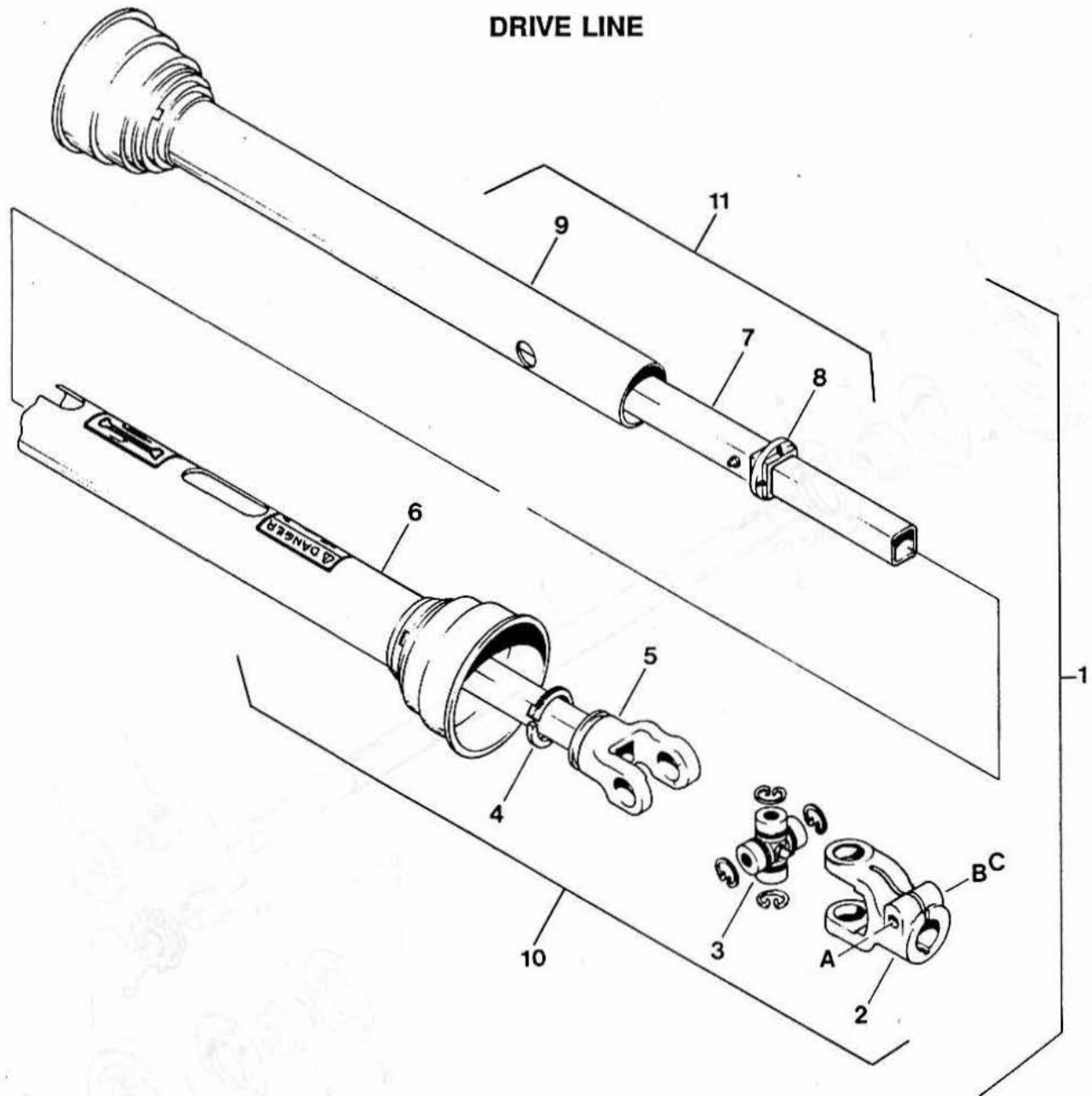
AUXILIARY FLOAT SPRING



REF	PART NUMBER	DESCRIPTION	QTY	SERIAL NUMBER
-----	-------------	-------------	-----	---------------

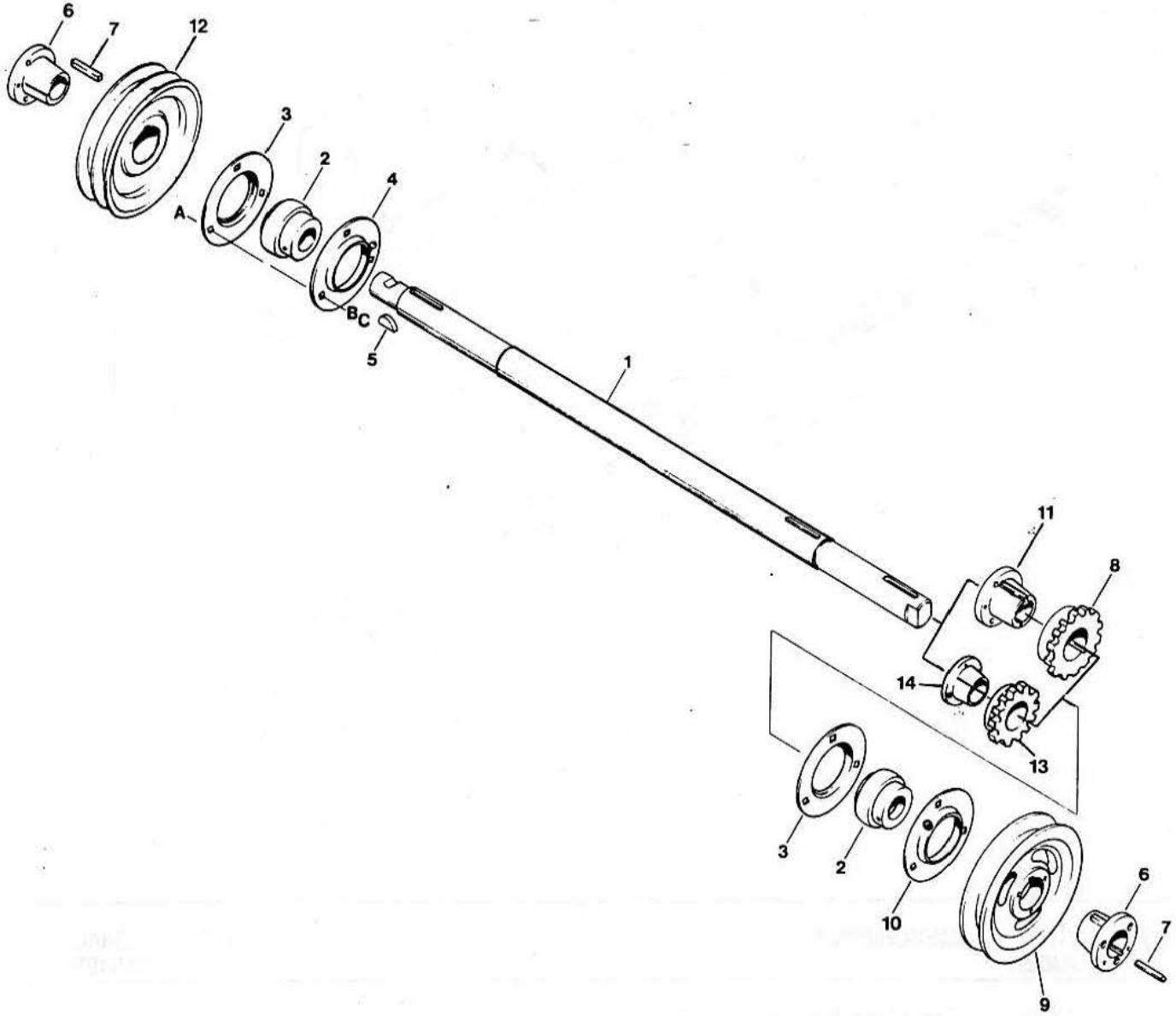
NOTE: 12' HEADER - REQUIRED LEFT SIDE ONLY
 14' S/K HEADER - REQUIRED LEFT SIDE ONLY
 14' D/K HEADER - REQUIRED BOTH SIDES
 16' HEADER - REQUIRED BOTH SIDES

1	33288	Anchor	1	(SEE NOTE)
2	34651	Ball	1	
3	21540	Washer, Hardened	1	
4	34650	Flange C/W Grease Fitting	1	
5	21299	Grease Fitting	1	
6	24934	Drawbolt, Spring	1	
7	33275	Insert, Spring	1	
8	33276	Tube, Plastic	1	
9	24319	Spring	1	
10	32275	Pin	1	
11	13125	Pin, Hair	1	
A	21378	Nut, Hex. Jam 3/4 NC		
B	21575	Capscrew, Hex. Hd. 1/2 NC x 1.0 Lg.		
C	18697	Nut, Lock 1/2 NC Distorted Thread		
D	30267	Capscrew, Hex. Hd. 1/2 NC x 6.0 Lg.		
E	21558	Capscrew, Hex. Hd. 5/16 NC x 3/4 Lg.		
F	18636	Washer, Lock 5/16		
G	18589	Nut, Hex. 5/16 NC		
H	18596	Washer, Flat 9/32 inch I.D.		



REF	PART NUMBER	DESCRIPTION	QTY	SERIAL NUMBER
1	34361	Drive Line, Includes Items 2-9	1	
2	30621	Yoke, Clamp	2	
3	30622	Cross & Bearing Kit	2	
4	30623	Bearing, Shield (Consists of 2 Halves)	2	
5	30617	Yoke With Shaft	1	
6	34362	Shield, Outer C/W Decal	1	
7	30618	Yoke With Tube, Includes Item 8	1	
8	30167	Support, Shield	1	
9	30619	Shield, Inner	1	
10	34366	Male Assembly (Includes Items 2-6)	1	
11	34367	Female Assembly (Includes Items 2-4, 7 & 9)	1	
A	21880	Capscrew, Hex. Hd. 1/2 NC x 2 3/4 Lg.		
B	18638	Washer, Lock 1/2		
C	18591	Nut, Hex. 1/2 NC		

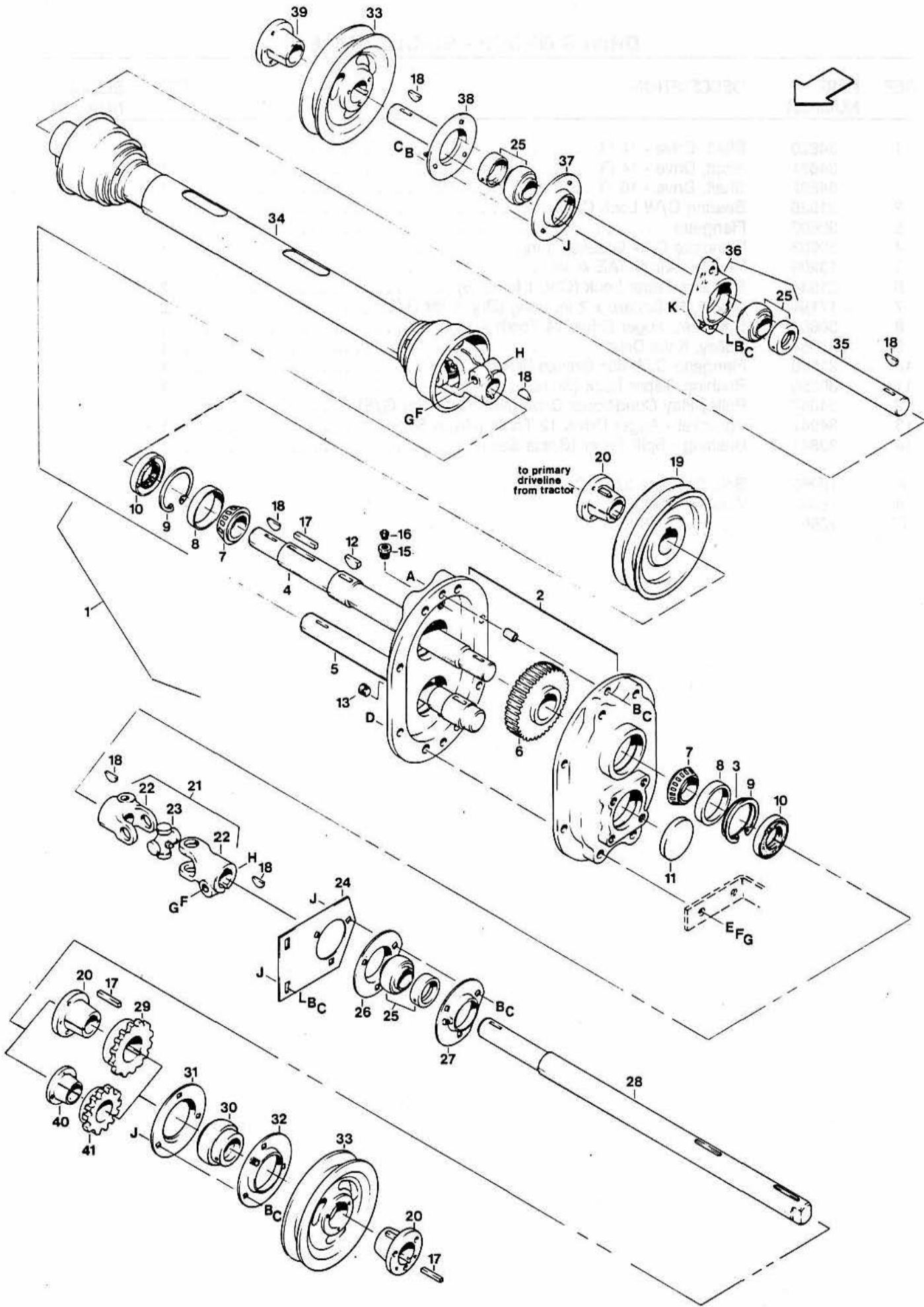
DRIVES GROUP - SINGLE KNIFE



DRIVES GROUP - SINGLE KNIFE

REF	PART NUMBER	DESCRIPTION	QTY	SERIAL NUMBER
1	34620	Shaft, Drive - 12 Ft.	1	
	34621	Shaft, Drive - 14 Ft.	1	
	34622	Shaft, Drive - 16 Ft.	1	
2	21936	Bearing C/W Lock Collar	2	
3	30602	Flangette	2	
4	30603	Flangette C/W Grease Fitting	1	
5	13298	Key, Woodruff SAE # 18	1	
6	21934	Bushing, Taper Lock (Qty. 1 for G/S)	2	
7	17194	Key, 5/16 Square x 2 in. Long (Qty. 1 for G/S)	2	
8	30604	Sprocket, Auger Drive, 14 Tooth (Standard)	1	
9	34364	Pulley, Knife Drive	1	
10	21938	Flangette C/W 45° Grease Fitting	1	
11	30256	Bushing, Taper Lock (Standard)	1	
12	34047	Pulley-Hay Conditioner Drive (Not Req'd. for G/S)	1	
13	34947	Sprocket - Auger Drive, 12 Tooth (Grass Seed)	1	
14	30841	Bushing - Split Taper (Grass Seed)	1	
A	19965	Bolt, Carriage 3/8 NC x 1.0 Lg.		
B	18637	Washer, Lock 3/8		
C	18590	Nut, Hex. 3/8 NC		

DRIVES GROUP - DOUBLE KNIFE

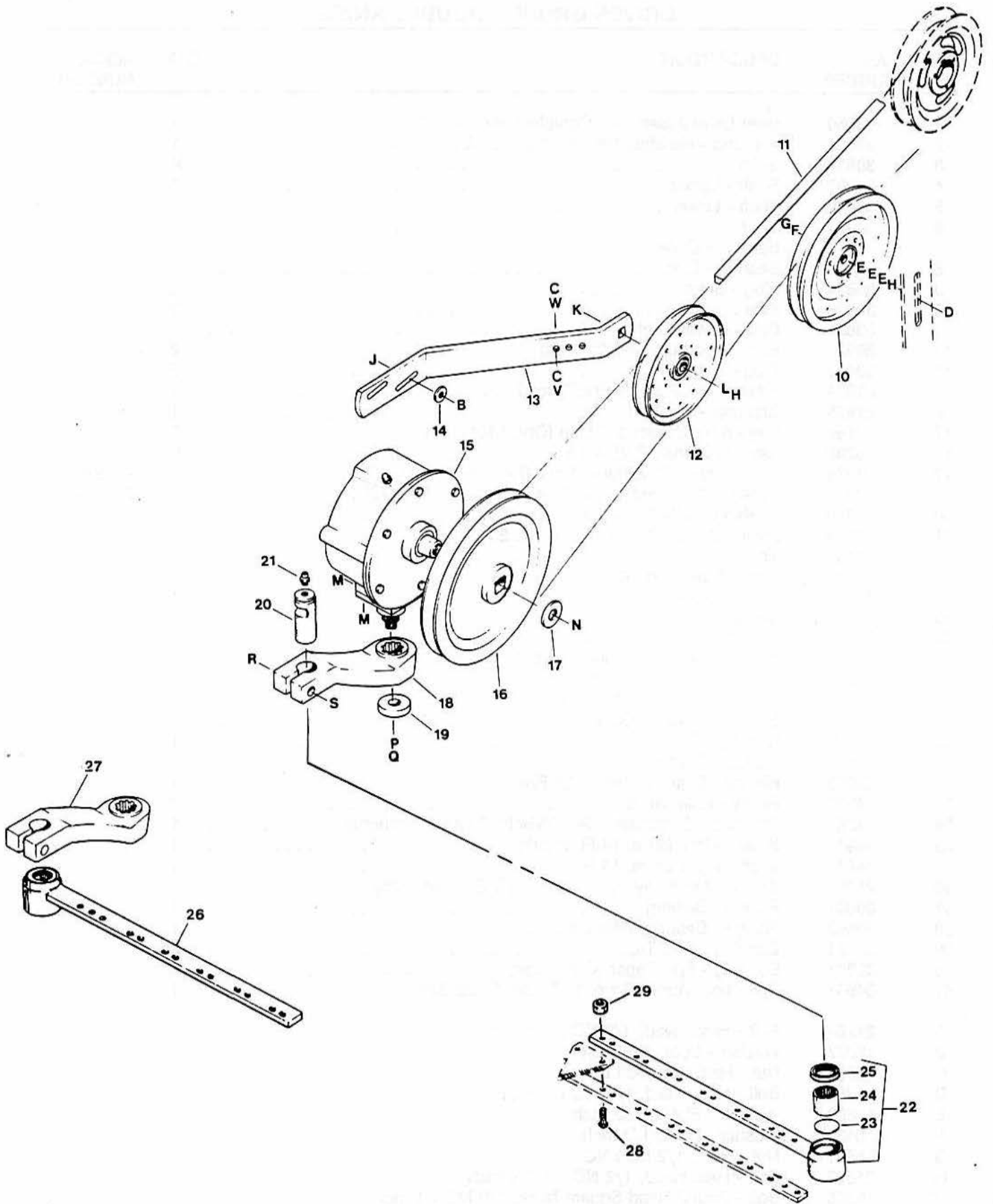


KNIFE DRIVE GROUP

DRIVES GROUP - DOUBLE KNIFE

REF	PART NUMBER	DESCRIPTION	QTY	SERIAL NUMBER
1	34950	Gear Drive Assembly - Complete, Incl. #2-13	1	
2	34951	Housing - Matched Halves, Incl. #14 & Hardware	1	
3	30838	Shim	A/R	
4	34997	Shaft - Upper	1	
5	34998	Shaft - Lower	1	
6	34958	Gear	2	
7	611	Bearing - Cone	4	
8	616	Bearing - Cup	4	
9	30834	Ring - Snap	4	
10	30835	Seal	3	
11	30837	Cap - Lower Shaft	1	
12	30836	Key - Woodruff, SAE "E" Hard	2	
13	30590	Plug - 3/8 NPT	2	
15	21024	Adapter - 3/8 x 1/8 Pipe Thread	1	
16	21425	Breather - 1/8 NPT	1	
17	17194	Key - 5/16 Square x 2 inch (Qty. 1 for G/S)	3	
18	13298	Key - Woodruff, SAE # 18	6	
19	34053	Pulley - Hay Conditioner Drive (Not Req'd. for G/S)	1	- 75980
	34047	Pulley - Hay Conditioner Drive (Not Req'd. for G/S)	1	75981 -
20	21934	Bushing - Split Taper (Qty. 1 for G/S)	3	
21	33529	Joint - Universal, Includes #22 & 23	1	
22	30166	Yoke	2	
23	15406	Cross & Bearing Kit	1	
24	34286	Plate - Bearing	1	
25	21859	Bearing - Ball	3	
26	34341	Flange - Bearing, Cropped	1	
27	34340	Flange - Bearing, Cropped With Lube Fitting	1	
28	34942	Shaft - Left Drive, 14 Ft. Header	1	
	34943	Shaft - Left Drive, 16 Ft. Header	1	
29	30604	Sprocket - Auger Drive, 14 Tooth (Standard)	1	
30	21936	Bearing - Ball	1	
31	30602	Flange - Bearing	1	
32	21938	Flange - Bearing, With Lube Fitting	1	
33	34364	Pulley - Knife Drive	2	
34	34361	Driveline - Secondary, See "Driveline" for components	1	
35	34945	Shaft - Right Drive, 14 Ft. Header	1	
	34946	Shaft - Right Drive, 16 Ft. Header	1	
36	21935	Bearing Assembly - Incl. Housing & Bearing (#25)	1	
37	30601	Flange - Bearing	1	
38	30362	Flange - Bearing, With Lube Fitting	1	
39	30034	Bushing - Split Taper	1	
40	30841	Bushing - Split Taper (Grass Seed)	1	
41	34947	Sprocket - Auger Drive, 12 Tooth (Grass Seed)	1	
A	21264	Bolt - Hex. Head, 3/8 NC x 1 1/4 Inch		
B	18637	Washer - Lock, 3/8 Inch		
C	18590	Nut - Hex., 3/8 Inch NC		
D	21859	Bolt - Hex. Head, 1/2 NC x 4 Inch		
E	18599	Washer - Flat, 17/32 Inch I.D.		
F	18638	Washer - Lock, 1/2 Inch		
G	18591	Nut - Hex., 1/2 Inch NC		
H	21880	Bolt - Hex. Head, 1/2 NC x 2 3/4 Inch		
J	19965	Bolt - Round Head Square Neck, 3/8 NC x 1 Inch		
K	21484	Bolt - Round Head Square Neck, 3/8 NC x 1 1/2 Inch		
L	18598	Washer - Flat, 13/32 Inch I.D.		

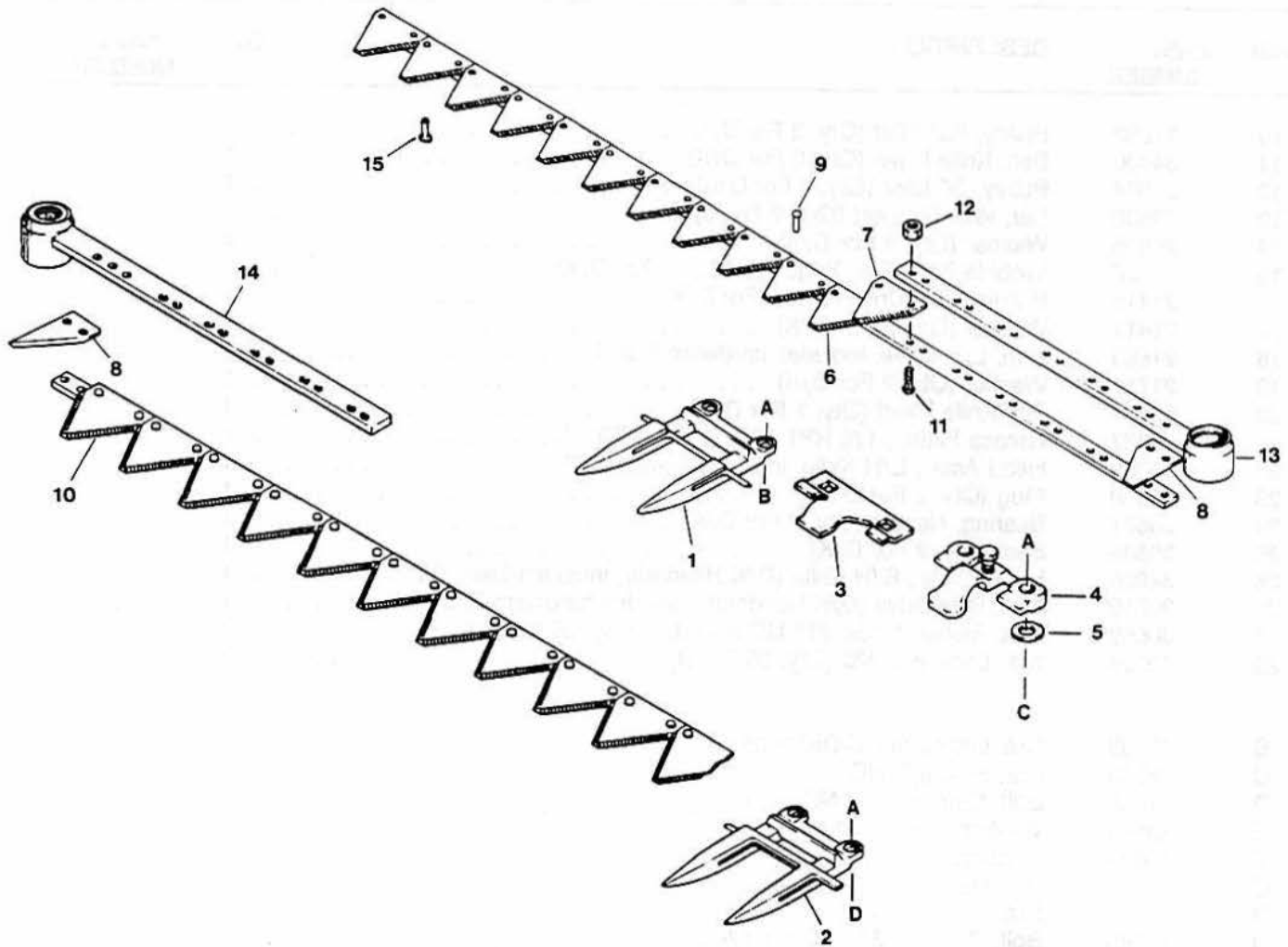
KNIFE DRIVE GROUP



KNIFE DRIVE GROUP

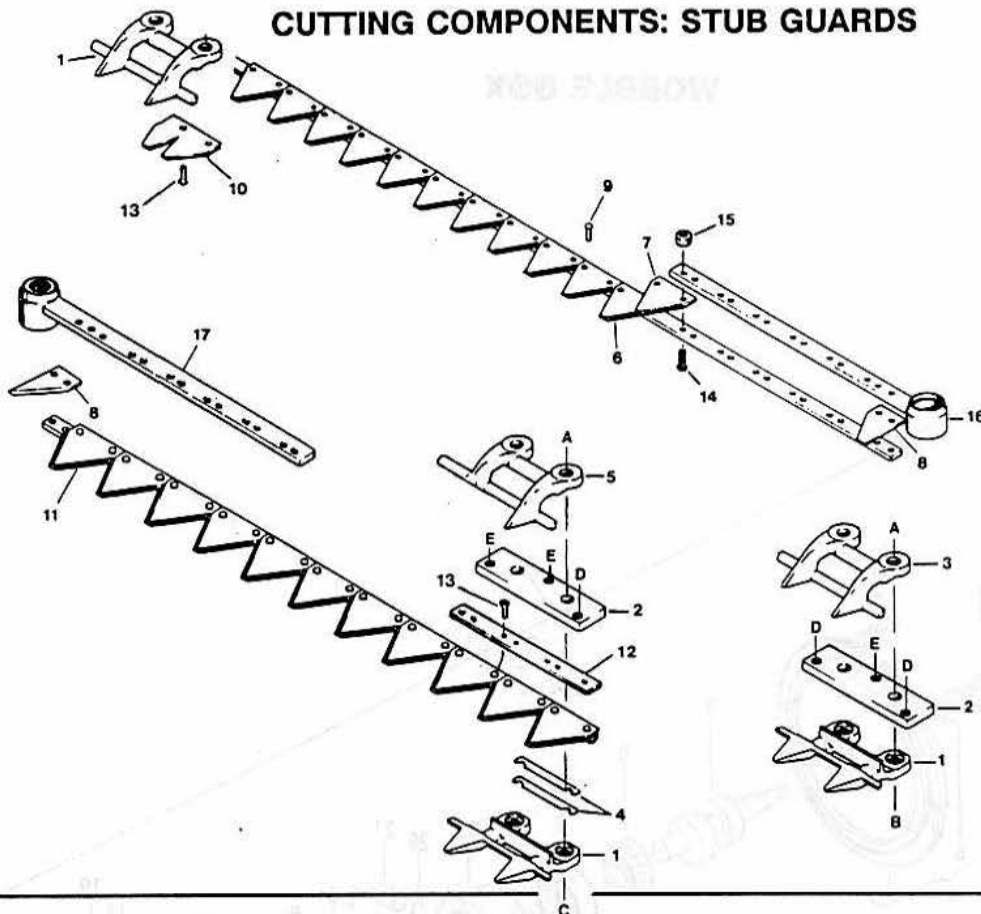
REF	PART NUMBER	DESCRIPTION	QTY	SERIAL NUMBER
10	21862	Pulley, Flat Idler (Qty. 2 For D/K)	1	
11	34400	Belt, Knife Drive (Qty. 2 For D/K)	1	
12	21054	Pulley, "V" Idler (Qty. 2 For D/K)	1	
13	34600	Bar, Idler Support (Qty. 2 For D/K)	1	
14	20535	Washer (Qty. 4 For D/K)	2	
15	REF	Wobble Box, (See Page 19) (Qty. 2 For D/K)	1	
16	21418	Pulley, Knife Drive (Qty. 2 For D/K)	1	
17	21417	Washer (Qty. 2 For D/K)	1	
18	21865	Arm, L/H Drive, includes hardware R & S	1	
19	21717	Washer (Qty. 2 For D/K)	1	
20	26321	Pin, Knife Head (Qty. 2 For D/K)	1	
21	21887	Grease Fitting, 1/8 NPT (Qty. 2 For D/K)	1	
22	34388	Head Assy., L/H Knife, includes items 23-25	1	
23	34389	Plug (Qty. 2 For D/K)	1	
24	30607	Bearing, Needle (Qty. 2 For D/K)	1	
25	30608	Seal (Qty. 2 For D/K)	1	
26	34895	Head Ass'y., R/H Knife (D/K Headers), includes items 23-25	1	
27	30510	Arm, R/H Drive (D/K Headers), includes hardware R & S	1	
28	30668	Bolt, Ribbed Neck #12 NC x 1.0 Lg. (Qty. 26 for D/K)	13	
29	30669	Nut, Lock #12 NC (Qty. 26 For D/K)	13	
B	18669	Nut, Lock 3/8 NC Distorted Thread		
C	18590	Nut, Hex. 3/8 NC		
D	21489	Bolt, Carriage 1/2 NC x 2 1/2 Lg.		
E	18599	Washer, Flat 17/32 I.D.		
F	18638	Washer, Lock 1/2		
G	18591	Nut, Hex. 1/2 NC		
H	18592	Nut, Hex. 5/8 NC		
J	19966	Bolt, Carriage 3/8 NC x 1 1/4 Lg.		
K	18524	Bolt, Carriage 5/8 NC x 2.0 Lg.		
L	18639	Washer, Lock 5/8		
M	30809	Capscrew, Hex. Hd. 5/8 NC x 2.0 Lg. Gr. 8		- 73972
	30861	Capscrew, Hex. Hd. 5/8 NF x 2.0 Lg. Gr. 8		73973 -
N	18689	Nut, Lock 3/4 NC Distorted Thread		
P	5440	Nut, Slotted Hex. 3/4 NC		
Q	18648	Pin, Cotter 3/16 Dia. x 1 1/4 Lg.		
R	30922	Capscrew, Hex. Hd. 5/8 NC x 2 3/4 Lg.		
S	18666	Nut, Lock 5/8 NC Distorted Thread		
V	20078	Capscrew, Hex. Hd. 3/8 NC x 1 3/4 Lg. Gr. 5 (SPARE SHEAR BOLTS - SEE AUGER DRIVE)		
W	18637	Washer, Lock 3/8		

CUTTING COMPONENTS: STANDARD GUARDS



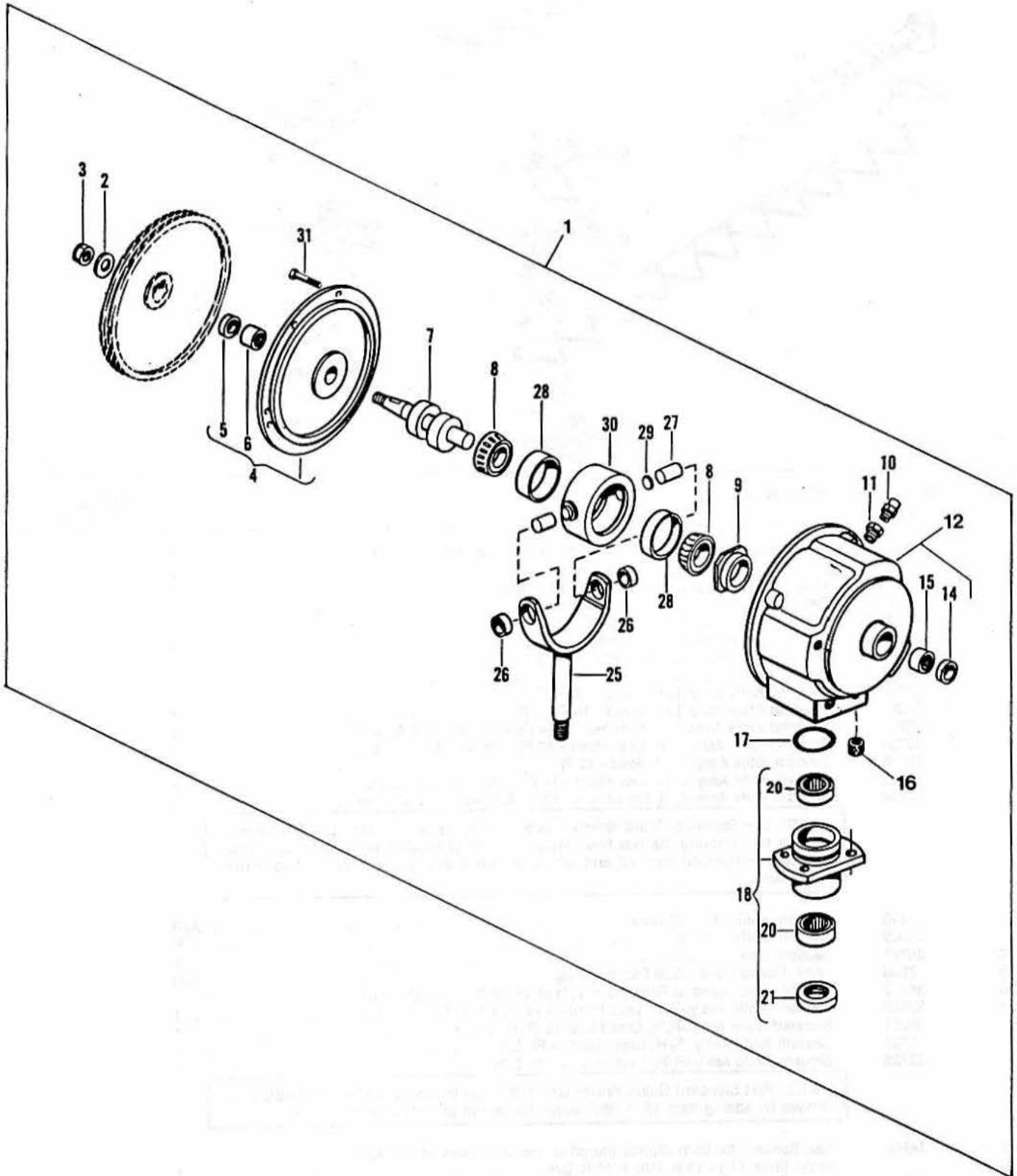
REF	PART NUMBER	DESCRIPTION	QTY	SERIAL NUMBER
1	28014	Guard, Standard (First 2 At Drive End, Qty. 4 For D/K)	2	
	28013	Guard, Standard	A/R	
2	33114	Guard-Center, Standard (D/K Headers)	1	
3	28815	Clip, Hold-Down	A/R	- 73102
4	34618	Guide-Knife, C/W Setscrew	A/R	73103 -
5	18599	Washer-Flat, 17/32 Inch I.D. (2/Guide)	A/R	73103 -
6	34392	Serrated Knife Assy. Less Head - 12 Ft.	1	
	34393	Serrated Knife Assy. Less Head - 14 Ft. S/K	1	
	34394	Serrated Knife Assy. Less Head - 16 Ft. S/K	1	
	33715	Serrated Knife Assy.-L/H, Less Head - 14 Ft. D/K with Standard Guards	1	
	33716	Serrated Knife Assy.-L/H, Less Head - 16 Ft. D/K with Standard Guards	1	
7	34390	Section, Knife - Over-Serrated	A/R	
8	34391	Section, End	2	
9	7258	Rivet, Round Head 0.208 Dia. x 5/8 Lg.	A/R	
10	33718	Serrated Knife Ass'y.-R/H, Less Head-14 Ft. D/K with Standard Guards	1	
	33719	Serrated Knife Ass'y.-R/H, Less Head-16 Ft. D/K with Standard Guards	1	
11-14	REF	Knife Heads and Hardware - See Knife Drive Group		
15	8639	Rivet, Countersunk Head, 0.208 Dia. x 5/8 Lg.	4	
A	18654	Nut, Hex. 7/16 NC		
B	8219	Bolt, Carriage 7/16 NC x 1 1/4 Lg. (THRU GUARD ONLY)		
	8218	Bolt, Carriage 7/16 NC x 1 1/2 Lg. (THRU GUARD & CLIP)		
C	21254	Bolt, Carriage 7/16 NC x 2.0 Lg.		
D	30862	Bolt, Carriage 7/16 NC x 2 1/2 Lg., Used at Center Guard (D/K) Only		

CUTTING COMPONENTS: STUB GUARDS



REF	PART NUMBER	DESCRIPTION	QTY	SERIAL NUMBER
1	34975	Guard-Stub: D/K Qty. 5: 2 Each End & 1 Inverted At Top Center.	5	
		S/K Qty. 2: 2 At Left End	2	
	34974	Guard-Stub, use all locations except as noted above	A/R	
2	34976	Bar-Adjuster	A/R	
3	34359	Guide-Knife	A/R	
4	34833	Shim - used at center of D/K only	2	
5	23918	Guide, Knife - used at center of D/K only	1	
6	34392	Serrated Knife Ass'y. Less Head - 12 Ft.	1	
	34393	Serrated Knife Ass'y. Less Head - 14 Ft. S/K	1	
	34394	Serrated Knife Ass'y. Less Head - 16 Ft. S/K	1	
	33730	Serrated Knife Ass'y.-L/H, Less Head - 14 Ft. D/K with Stub Guards	1	
	33731	Serrated Knife Ass'y.-L/H, Less Head - 16 Ft. D/K with Stub Guards	1	
	33726	Smooth Knife Ass'y. Less Head - 12 Ft.	1	
	33733	Smooth Knife Ass'y.-L/H, Less Head - 14 Ft. D/K with Stub Guards	1	
	33734	Smooth Knife Ass'y.-L/H, Less Head - 16 Ft. D/K with Stub Guards	1	
<p>NOTE: L/H Standard Guard Knives (see p.16) may be converted to L/H StubGuard Knives by removing the last two inboard (center of header) sections, adding one inverted end section, item 10, and adding 58 mm (2-9/32") to the inboard end of the knife back.</p>				
7	34390	Section, Knife - Over-Serrated	A/R	
	23009	Section, Knife - Smooth	A/R	
8	34391	Section, End	2	
9	7258	Rivet, Round Head 0.208 Dia. x 5/8 Lg.	A/R	
10	34893	Section, End - used at R/H end of L/H knife, Stub Guard D/K only	1	
11	33920	Serrated Knife Ass'y.-R/H, Less Head-14 Ft. D/K with Stub Guards	1	
	33921	Serrated Knife Ass'y.-R/H, Less Head-16 Ft. D/K with Stub Guards	1	
	33724	Smooth Knife Ass'y.-R/H, Less Head-14 Ft. D/K	1	
	33725	Smooth Knife Ass'y.-R/H, Less Head-16 Ft. D/K	1	
<p>NOTE: R/H Standard Guard Knives (see p.16) may be converted to R/H StubGuard Knives by adding item 12, 34968 Spacer Bar to top of knife at inboard end.</p>				
12	34968	Bar, Spacer - for Stub Guards (install on top of left end of R/H knife ass'y. [item 11]) - 14 ft. D/K & 16 ft. D/K	1	
13	8639	Rivet, Countersunk Head, 0.208 dia. x 5/8 Lg.	7	
14-17	REF	Knife Heads and Hardware - See Knife Drive Group		
A	18654	Nut, Hex. 7/16 NC		
B	30862	Bolt, Carriage 7/16 NC x 2 1/2 Lg.		
C	30866	Bolt, Carriage 7/16 NC x 3.0 Lg. (Used At Center Of Double Knife Headers)		
D	21567	Capscrew - Hex. Hd. 3/8 NC x 3/4 Lg.		
E	20077	Capscrew - Hex. Hd. 3/8 NC x 1.0 Lg.		

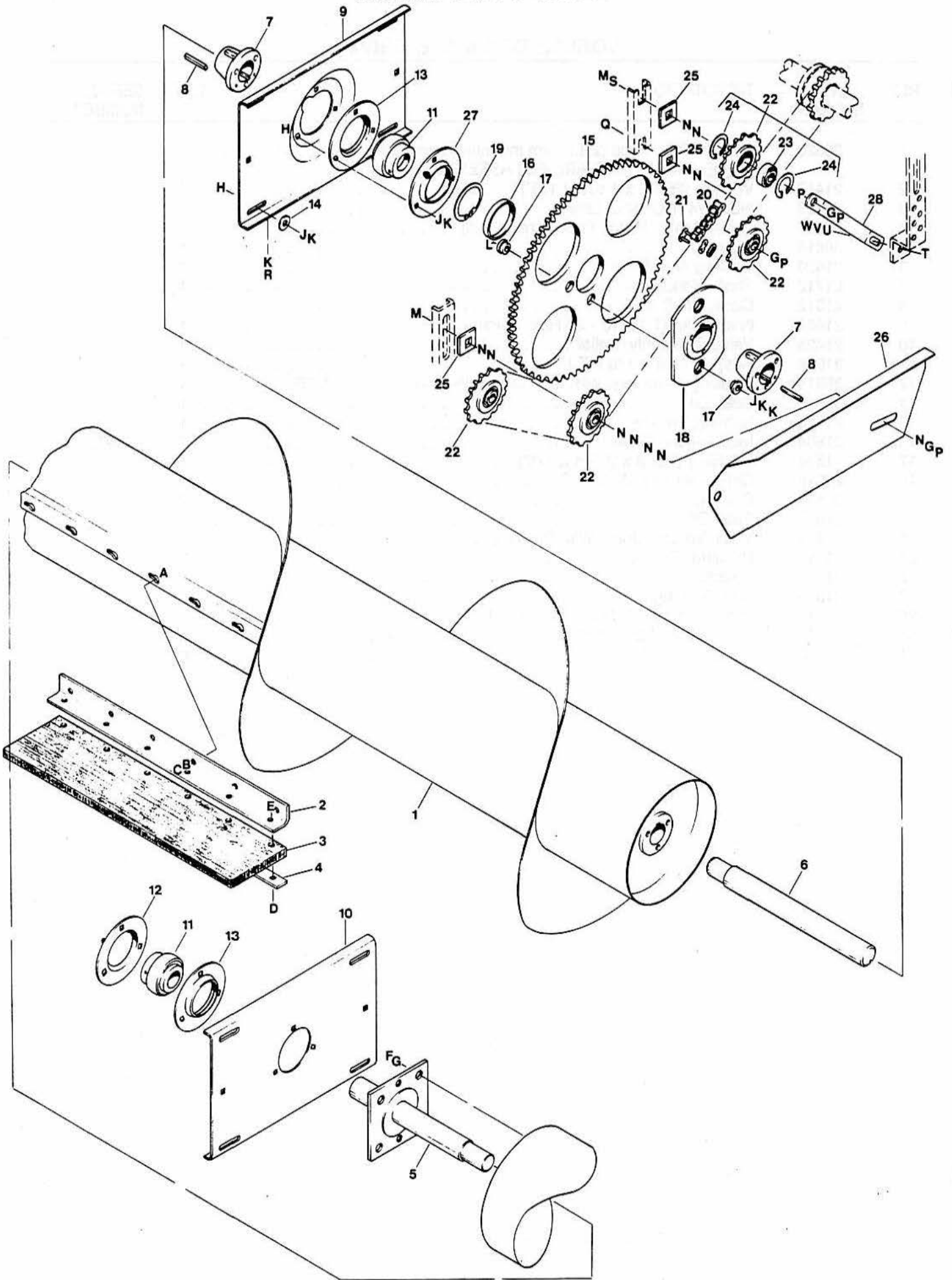
WOBBLE BOX



WOBBLE BOX KNIFE DRIVE

REF	PART NUMBER	DESCRIPTION	QTY	SERIAL NUMBER
1	26320	Wobble Box - Complete, with mounting bolts (Qty. 2 For D/K)	1	
		<u>NOTE: QUANTITIES ARE PER ASSEMBLY</u>		
2	21417	Washer (25/32 x 1 5/8 x 1/8")	1	
3	18689	Nut (3/4" NC Hex., Lock)	1	
4	21421	Cover Ass'y., Pulley (Incl. Items 5 & 6)	1	
5	30814	Seal Oil	1	
6	21420	Bearing Needle	1	
7	21712	Shaft Wobble	1	
8	21512	Cone, Shaft	2	
9	21424	Nut, Stake (1 15/16 - 20 Hex. Spiral)	1	
10	21425	Valve, Assembly, Relief	1	
11	21024	Adapter (3/8 x 1/8 P.T.)	1	
12	26319	Housing Assembly, with mounting bolts (Incl. Items 14 & 15)	1	
14	30815	Seal, Oil	1	
15	21513	Bearing, Needle	1	
16	21864	Insert, Metal Thread, 5/8 NC	2	- 73972
17	21514	"O" Ring (2 5/8 x 2 7/8 x 1/8")	1	
18	26318	Cap Assembly, Wobble Box	1	
20	21516	Bearing, Needle	2	
21	21517	Seal, Oil	1	
25	21429	Yoke, Wobble Joint, With Bushings	1	
26	21715	Bushing, Bronze	2	
27	21713	Spindle	2	
28	21519	Cup, Bearing	2	
29	21716	Plug, Nylon (7/8" Dia. x 1/64 Thk.)	2	
30	21714	Housing, Wobble Joint	1	
31	21520	Bolt (5/16 x 1" Special, Grade 8)	6	

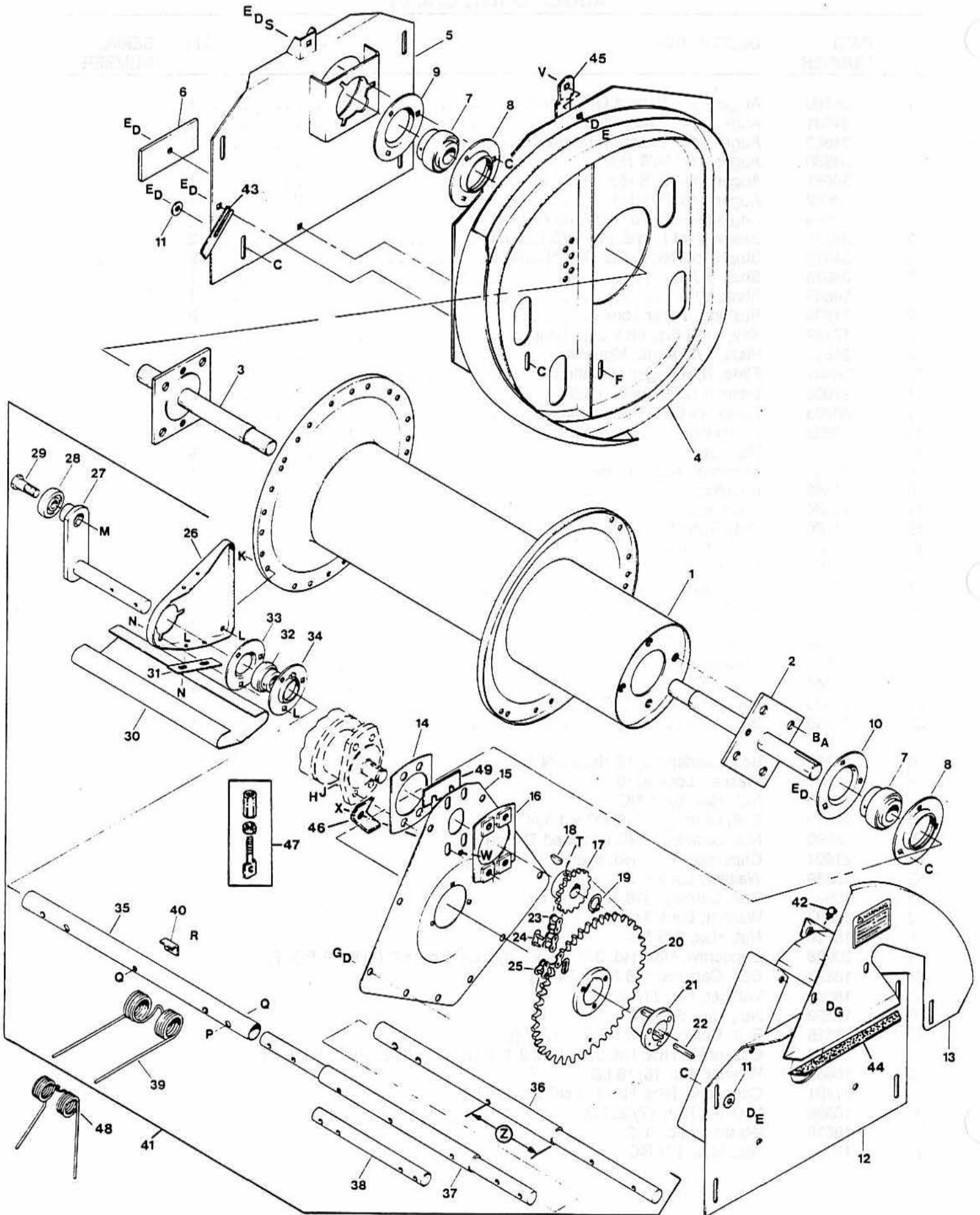
AUGER DRIVE GROUP



AUGER DRIVE GROUP

REF	PART NUMBER	DESCRIPTION	QTY	SERIAL NUMBER
1	34680	Auger - 12', Except G/S Header	1	
	34681	Auger - 14', Except G/S Header	1	
	34682	Auger - 16', Except G/S Header	1	
	34960	Auger - 12' G/S Hdr.	1	
	34961	Auger - 14' G/S Hdr.	1	
	34962	Auger - 16' G/S Hdr.	1	
2	34669	Angle (Not Req'd. For G/S Header)	2	
3	34360	Beater (Not Req'd. For G/S Header)	2	
4	34670	Strip (Not Req'd. For G/S Header)	2	
5	34675	Shaft, R/H	1	
6	34665	Shaft, L/H	1	
7	21934	Bushing, Taper Lock	2	
8	17194	Key, 5/16 Square x 2 In. Long	2	
9	34646	Plate, L/H Auger Mounting	1	
10	34647	Plate, R/H Auger Mounting	1	
11	21936	Bearing C/W Lock Collar	2	
12	30603	Flangette C/W Grease Fitting	1	
13	30602	Flangette	2	
14	20535	Washer	8	
15	34358	Sprocket, Auger Drive	1	
16	34353	Bushing	1	
17	34354	Bushing	2	
18	34356	Hub, Sprocket	1	
19	30605	Ring, Retaining	1	
20	30606	Chain, Roller #60 x 131 Links	1	
21	6636	Link, Connecting	1	
22	9333	Sprocket, Idler Ass'y. (Includes Items 23 & 24)	4	
23	9213	Bearing, Ball	4	
24	795	Ring, Snap	8	
25	34581	Washer	4	
26	34644	Shield, Chain	1	
27	21938	Flangette C/W 45° Grease Fitting	1	
28	34645	Bar	1	
A	21281	Bolt, Carriage 5/16 NC x 3/4 Lg.		
B	18636	Washer, Lock 5/16		
C	18589	Nut, Hex. 5/16 NC		
D	21473	Bolt, Carriage 5/16 NC x 1 1/4 Lg.		
E	18690	Nut, Lock 5/16 NC Distorted Thread		
F	21594	Capscrew, Hex. Hd. 5/8 NC x 1 1/2 Lg.		
G	18639	Washer, Lock 5/8		
H	19965	Bolt, Carriage 3/8 NC x 1.0 Lg.		
J	18637	Washer, Lock 3/8		
K	18590	Nut, Hex. 3/8 NC		
L	20078	Capscrew, Hex. Hd. 3/8 NC x 1 3/4 Lg. Grade 5 (SHEAR BOLT)		
M	18526	Bolt, Carriage 5/8 NC x 3.0 Lg.		
N	18600	Washer, Flat 21/32 I.D.		
P	18592	Nut, Hex. 5/8 NC		
Q	18525	Bolt, Carriage 5/8 NC x 2 1/2 Lg.		
R	21262	Capscrew, Hex. Hd. 3/8 NC x 2 1/2 Lg. - THREAD FULL LENGTH		
S	18602	Washer, Flat 15/16 I.D.		
T	21491	Capscrew, Hex. Hd. 1/2 NC x 1 1/4 Lg.		
U	18599	Washer, Flat, 17/32 I.D.		
V	18638	Washer, Lock 1/2		
W	18591	Nut, Hex. 1/2 NC		

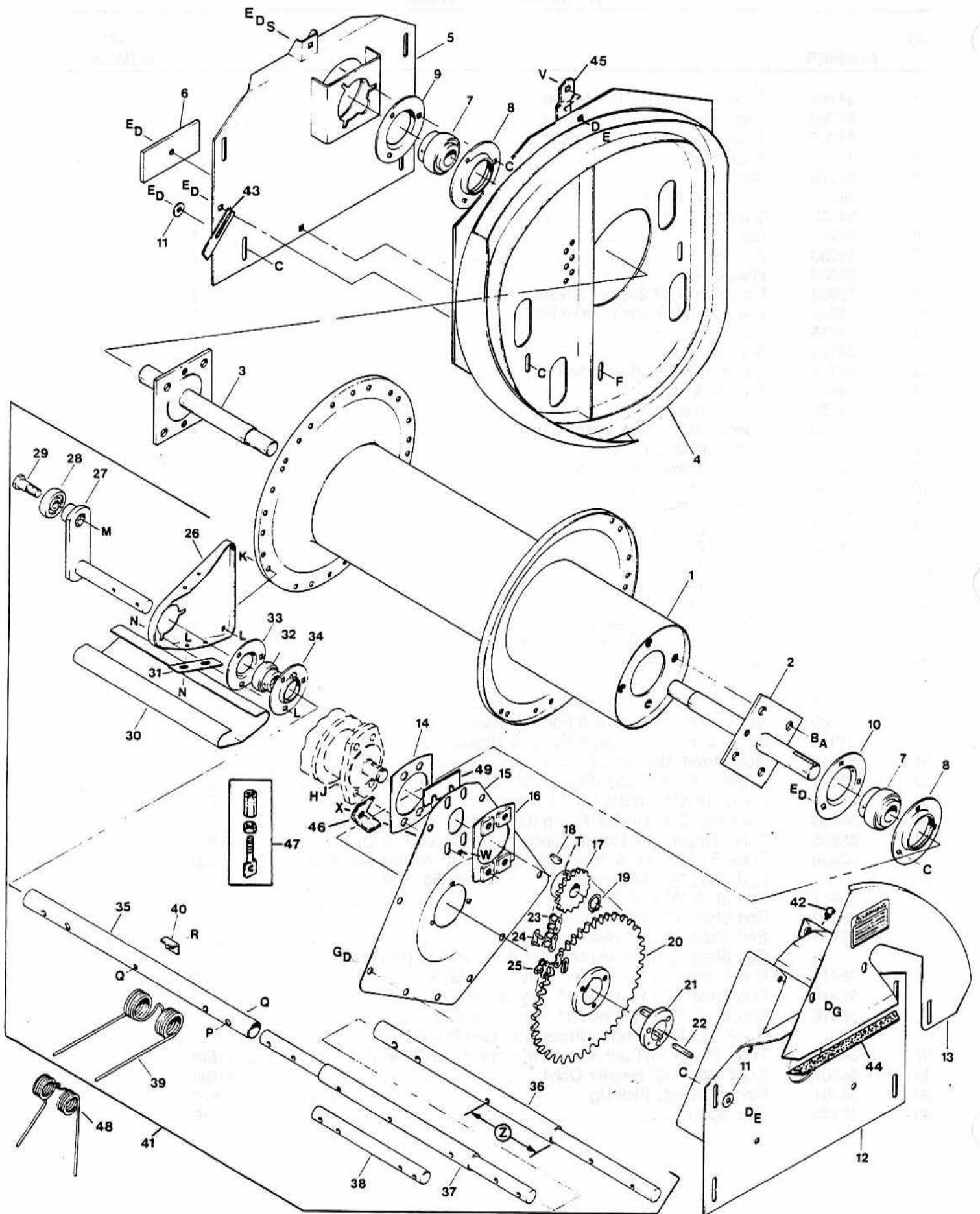
REEL DRIVE GROUP



REEL DRIVE GROUP

REF	PART NUMBER	DESCRIPTION	QTY	SERIAL NUMBER
1	34755	Tube, Reel Main - 12' Header	1	
	34756	Tube, Reel Main - 14' Header	1	
	34757	Tube, Reel Main - 16' Header	1	
2	34671	Shaft, L/H	1	
3	34675	Shaft, R/H	1	
4	34536	Cam C/W Decal	1	
5	34730	Support, R/H	1	
6	34745	Bar	1	
7	21936	Bearing	2	
8	30602	Flangette	2	
9	30603	Flangette C/W Straight Grease Fitting	1	
10	21938	Flangette C/W 45° Grease Fitting	1	
11	20535	Washer	8	
12	34736	Support, L/H	1	
13	34744	Cover C/W Decal and Seal	1	
14	34747	Spacer, Motor	1	
15	34750	Cover, Reel Drive	1	
16	34746	Spacer, Motor With Weld Nuts	1	
17	34379	Sprocket, Motor	1	
18	2149	Key, Woodruff SAE # 15	1	
19	18898	Snap Ring	1	
20	34352	Sprocket, Reel	1	
21	21934	Bushing, Taper Lock	1	
22	17194	Key 5/16 Sq. x 2" Lg	1	
23	30613	Chain, Roller #60 x 49 Links	1	
24	6636	Link, Connecting	1	
25	6637	Link, Offset	1	-72608
26	34752	Arm, Reel (Qty. 3/Bat For 12' Header)	4/Bat	
27	38804	Shaft, Cam (includes hardware P & Q)	1/Bat	
28	21940	Bearing, Cam Follower	1/Bat	
29	28346	Bolt, Cam Follower	1/Bat	
30	34808	Bat - 12' Header - Qty. 6 For G/S Headers	5	
	34809	Bat - 14' Header - Qty. 6 For G/S Headers	5	
	34812	Bat - 16' Header - Qty. 6 For G/S Headers	5	
31	34813	Hold-Down, Bat (Qty. 3/Bat For 12' Header)	4/Bat	
32	30614	Bearing, Finger Tube (Qty. 3/Bat For 12' Header)	4/Bat	
33	30600	Flangette (Qty. 3/Bat For 12' Header)	4/Bat	
34	30596	Flangette C/W Grease Fitting (Qty. 3/Bat For 12' Header)	4/Bat	
35	38805	Tube, Finger - 14' Header, (includes hardware P & Q)	1/Bat	
	38806	Tube, Finger - 12' & 16' Headers, (includes hardware P & Q)	1/Bat	
36		<u>End Shaft "A" - Dimension "Z" = 2 inches (50 mm)</u>		
	38411	End Shaft "A" - 12' Header*	3	
	38412	End Shaft "A" - 14' Header*	3	
	38413	End Shaft "A" - 16' Header*	3	
		<u>End Shaft "B" - Dimension "Z" = 4-3/8 inches (110 mm)</u>		
	38414	End Shaft "B" - 12' Header*, Qty. 3 For G/S	2	
	38415	End Shaft "B" - 14' Header*, Qty. 3 For G/S	2	
	38416	End Shaft "B" - 16' Header*, Qty. 3 For G/S	2	
		* - NOTE: End Shaft includes hardware P & Q.		
37	34800	Tube, Finger W/Connector Shafts (14' & 16' Only)	1/Bat	
38	34806	Shaft, Stub (12' Header Only)	1/Bat	
39	34351	Finger, Double Pick-Up	A/R	
40	19183	Clip, Spring	A/R	

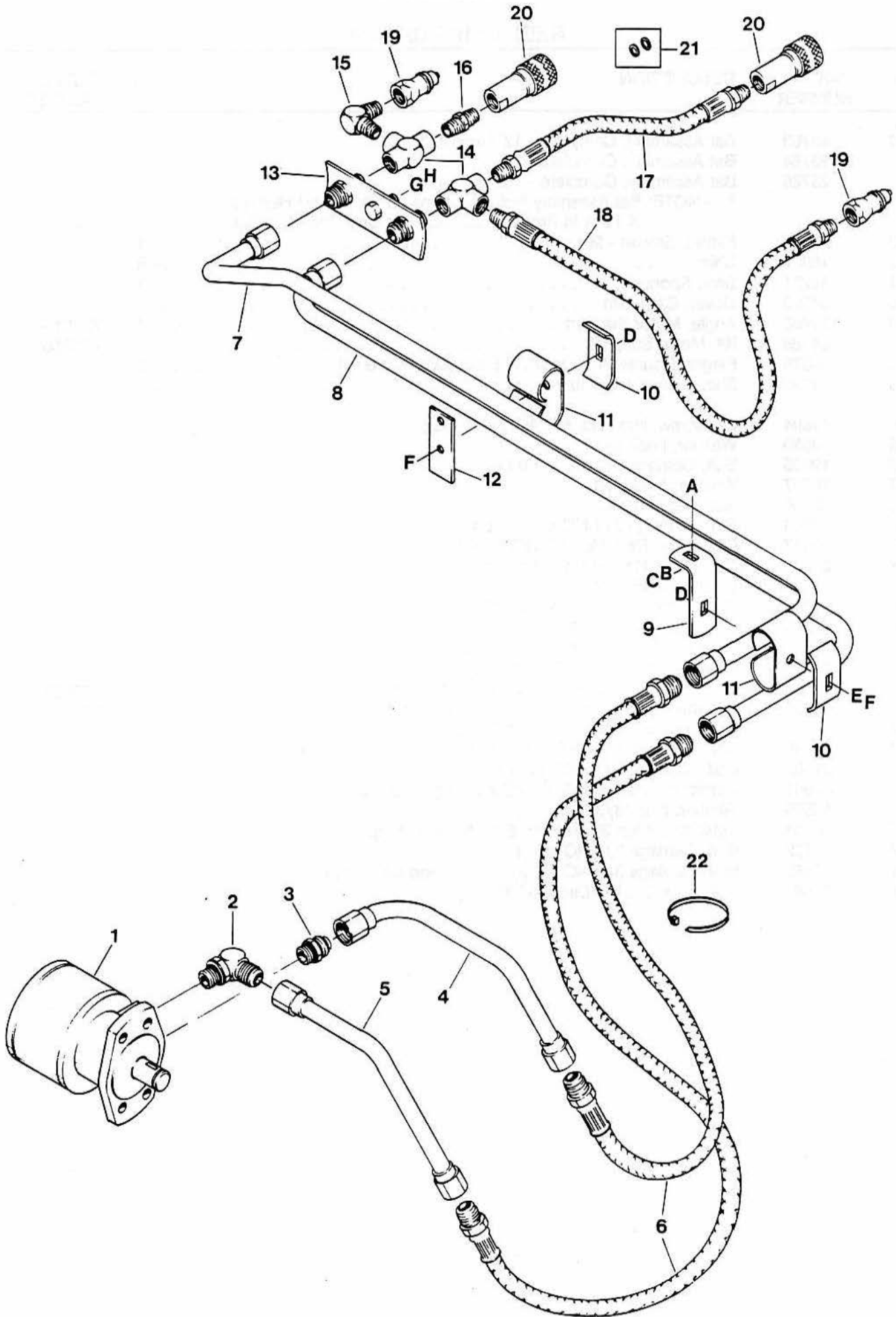
REEL DRIVE GROUP



REEL DRIVE GROUP

REF	PART NUMBER	DESCRIPTION	QTY	SERIAL NUMBER
41	23783	Bat Assembly, Complete - 12' Header**		
	23784	Bat Assembly, Complete - 14' Header**		
	23785	Bat Assembly, Complete - 16' Header**		
		** - NOTE: Bat Assembly Includes Items 26 To 40 And Hardware K To R In Proper Quantities For One Complete Bat.		
42	21010	Fitting, Grease - 90°	1	
43	16837	Shim	A/R	
44	34751	Seal, Sponge	1	
45	34583	Cover, Cam Arm	1	
46	34768	Angle, Motor Support	1	75981 -
47	34788	Kit, Motor Support	1	- 75980
48	34378	Finger, Double Pick-Up, R/H End (Qty. 3 for G/S)	2	
49	34753	Shim, Chain Alignment	A/R	
A	21594	Capscrew, Hex. Hd. 5/8 NC x 1 1/2 Lg.		
B	18639	Washer, Lock 5/8		
C	19965	Bolt, Carriage 3/8 NC x 1.0 Lg.		
D	18637	Washer, Lock 3/8		
E	18590	Nut, Hex. 3/8 NC		
F	19966	Bolt, Carriage 3/8 NC x 1 1/4 Lg.		
G	20077	Capscrew, Hex. Hd. 3/8 NC x 1.0 Lg.		
H	21565	Capscrew, Hex. Hd. 1/2 NC x 1 3/4 Lg.		
J	18638	Washer, Lock 1/2		
K	21755	Bolt, Flange Hd. 5/16 NC x 1/2 Lg.		
L	21403	Nut, Flange Hd. 5/16 NC		
M	21941	Nut, Jam 5/8 NC Distorted Thread		
N	21281	Bolt, Carriage 5/16 NC x 3/4 Lg.		
P	30616	Capscrew, Socket Hd. 5/16 NC x 1 1/2 Lg.		- 75980
	30961	Capscrew, Hex. Hd. 5/16 NC x 2.0 Lg. Grade 8		75981 -
Q	18690	Nut, Lock 5/16 NC Distorted Thread		
R	21488	Bolt, Carriage 5/16 NC x 1 3/4 Lg.		
	21480	Bolt, Carriage 5/16 NC x 2.0 Lg.		
	30961	Capscrew, Hex. Hd. 5/16 NC x 2.0 Lg. Grade 8		
S	18598	Washer, Flat 13/32 I.D.		
T	18584	Setscrew, Allen Socket Hd. 5/16 NC x 3/8 Lg.		
V	21472	Bolt, Carriage 3/8 NC x 3/4 Lg.		
W	30853	Bolt, Carriage 3/8 NC x 1 3/4 Lg., thread full length		
X	18669	Nut, Lock 3/8 NC Distorted Thread		

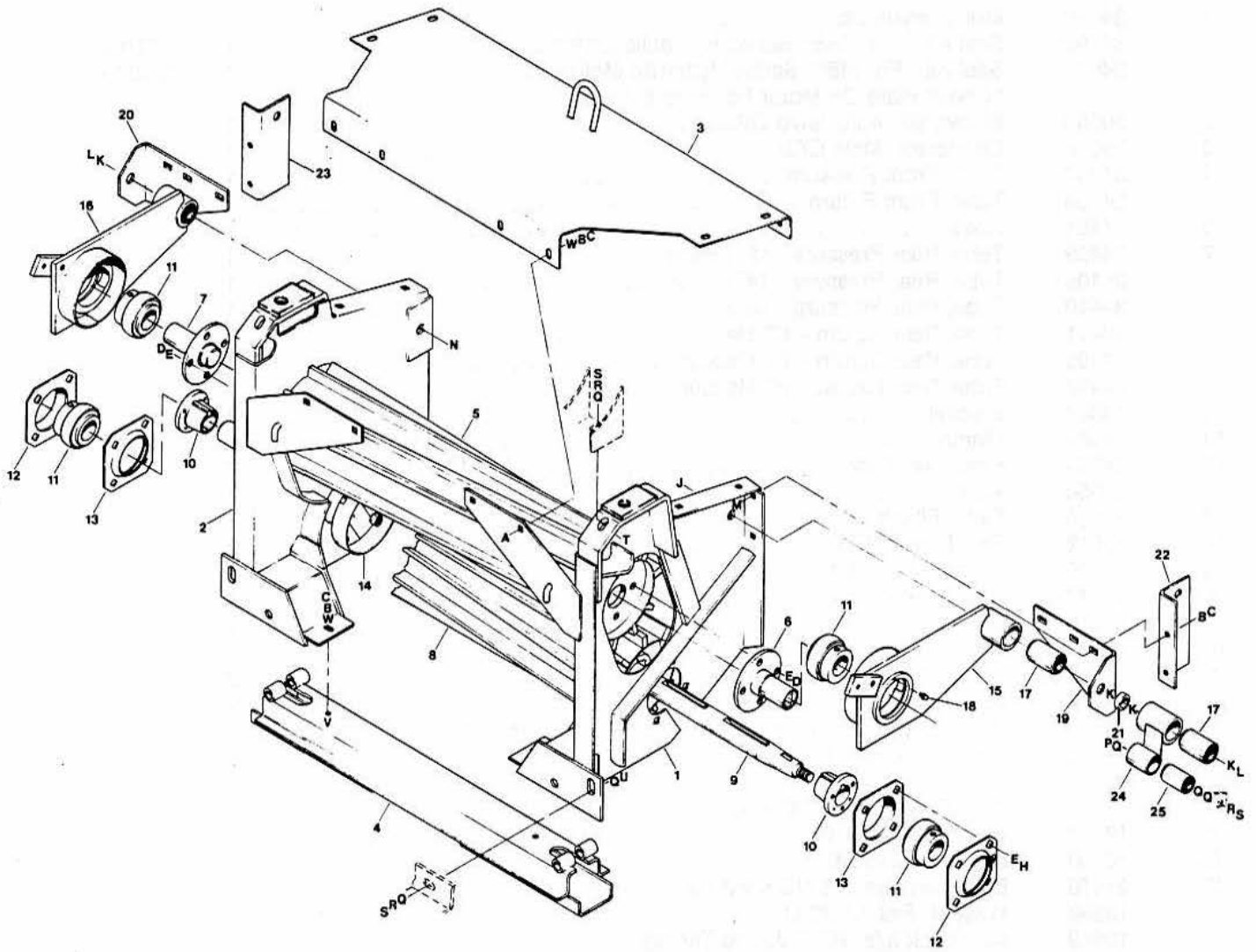
HYDRAULICS



HYDRAULICS

REF	PART NUMBER	DESCRIPTION	QTY	SERIAL NUMBER
1	34528	Motor, Hydraulic	1	
	34382	Seal Kit - For MAB* Series Hydraulic Motor	1	- 73102
	34527	Seal Kit - For MB* Series Hydraulic Motor	1	73103 -
		*Check Plate On Motor For Proper Series		
2	30609	Elbow, 90° Adjustable ORB	1	
3	30610	Connector, Male ORB	1	
4	34407	Tube, Front Pressure	1	
5	34408	Tube, Front Return	1	
6	34421	Hose	2	
7	34409	Tube, Rear Pressure - 12' Header	1	
	34405	Tube, Rear Pressure - 14' Header	1	
	34410	Tube, Rear Pressure - 16' Header	1	
8	34411	Tube, Rear Return - 12' Header	1	
	34406	Tube, Rear Return - 14' Header	1	
	34412	Tube, Rear Return - 16' Header	1	
9	34660	Bracket	1	
10	34661	Clamp	2	
11	24359	Protector, Tube	2	
12	24056	Washer	1	
13	34666	Plate; Fitting	1	
14	30612	Tee, Female Pipe	2	
15	21849	Elbow, Male Pipe	1	
16	21976	Nipple, Hex. Pipe	1	
17	24217	Hose	1	
18	34420	Hose	1	
19	21855	Coupler, Quick Disconnect - Male	2	
20	21857	Coupler, Quick Disconnect - Female	2	
21	33005	Shim Kit (For Tractor Control Valve) - 16' Header Only	1	
22	21763	Fastener, Cable Tie	2	
A	21863	Bolt, Carriage 3/8 NC x 3/4 Lg.		
B	18637	Washer, Lock 3/8		
C	18590	Nut, Hex. 3/8 NC		
D	21470	Bolt, Carriage 3/8 NC x 2.0 Lg.		
E	18598	Washer, Flat 13/32 I.D.		
F	18669	Nut, Lock 3/8 NC Distorted Thread		
G	18638	Washer, Lock 1/2		
H	18591	Nut, Hex. 1/2 NC		

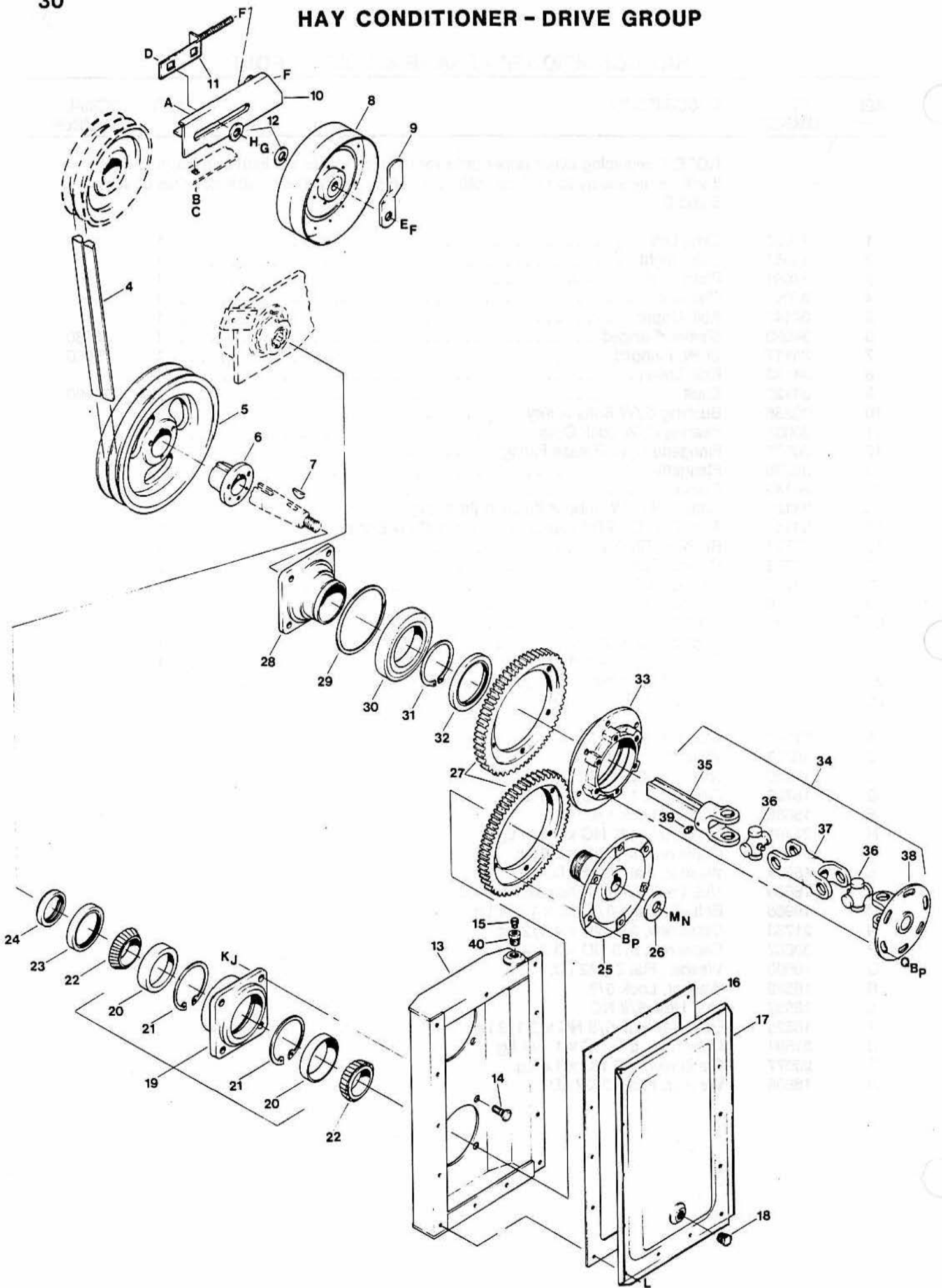
HAY CONDITIONER - FRAME & ROLLS GROUP



HAY CONDITIONER - FRAME & ROLLS GROUP

REF	PART NUMBER	DESCRIPTION	QTY	SERIAL NUMBER
NOTE: If replacing either upper or lower roll having 3/8 x 1 inch conditioning bars it will be necessary to replace both rolls. Order Kit #23909, which consists of items 5 and 8.				
1	34063	Side, Left	1	
2	34064	Side, Right	1	
3	34091	Plate, Top	1	
4	34095	Channel	1	
5	34147	Roll, Upper	1	
6	34023	Sleeve, Flanged	1	- 75980
7	34117	Shaft, Flanged	1	- 75980
8	34148	Roll, Lower	1	
9	34125	Shaft	1	- 75980
10	30256	Bushing C/W Bolts & Key	2	
11	30031	Bearing C/W Lock Collar	4	
12	30575	Flangette C/W Grease Fitting	2	
13	30576	Flangette	2	
14	34145	Guard	2	
15	34127	Arm, L/H C/W Rubber Bushing (Item 17)	1	
16	34140	Arm, R/H C/W Rubber Bushing (Item 17) & Decal	1	
17	30574	Bushing, Rubber	3	
18	7782	Grease Fitting	2	
19	34155	Support, L/H	1	
20	34156	Support, R/H	1	
21	1961	Spacer	1	
22	34233	Support, L/H Shield	1	
23	34234	Support, R/H Shield	1	
24	34085	Link C/W Rubber Bushings (Items 17 & 25)	1	
25	13626	Bushing, Rubber	1	
A	21863	Bolt, Carriage 3/8 NC x 3/4 Lg.		
B	18637	Washer, Lock 3/8		
C	18590	Nut, Hex. 3/8 NC		
D	18723	Capscrew, 1/2 NC x 1 1/2		
E	18638	Washer, Lock 1/2		
H	21491	Capscrew, 1/2 NC x 1 1/4 Lg.		
J	30597	Capscrew, 3/4 NC x 8.0 Lg.		
K	18601	Washer, Flat 13/16 I.D.		
L	18689	Nut, Lock 3/4 NC Distorted Thread		
M	19966	Bolt, Carriage 3/8 NC x 1 1/4 Lg.		
N	21733	Capscrew, 3/4 NC x 4 1/2 Lg.		
P	30687	Capscrew, 5/8 NC x 3 3/4 Lg.		
Q	18600	Washer, Flat 21/32 I.D.		
R	18639	Washer, Lock 5/8		
S	18592	Nut, Hex. 5/8 NC		
T	18525	Bolt, Carriage 5/8 NC x 2 1/2 Lg.		
U	21594	Capscrew, 5/8 NC x 1 1/2 Lg.		
V	20077	Capscrew, 3/8 NC x 1.0 Lg.		
W	18598	Washer, Flat, 13/32 I.D.		

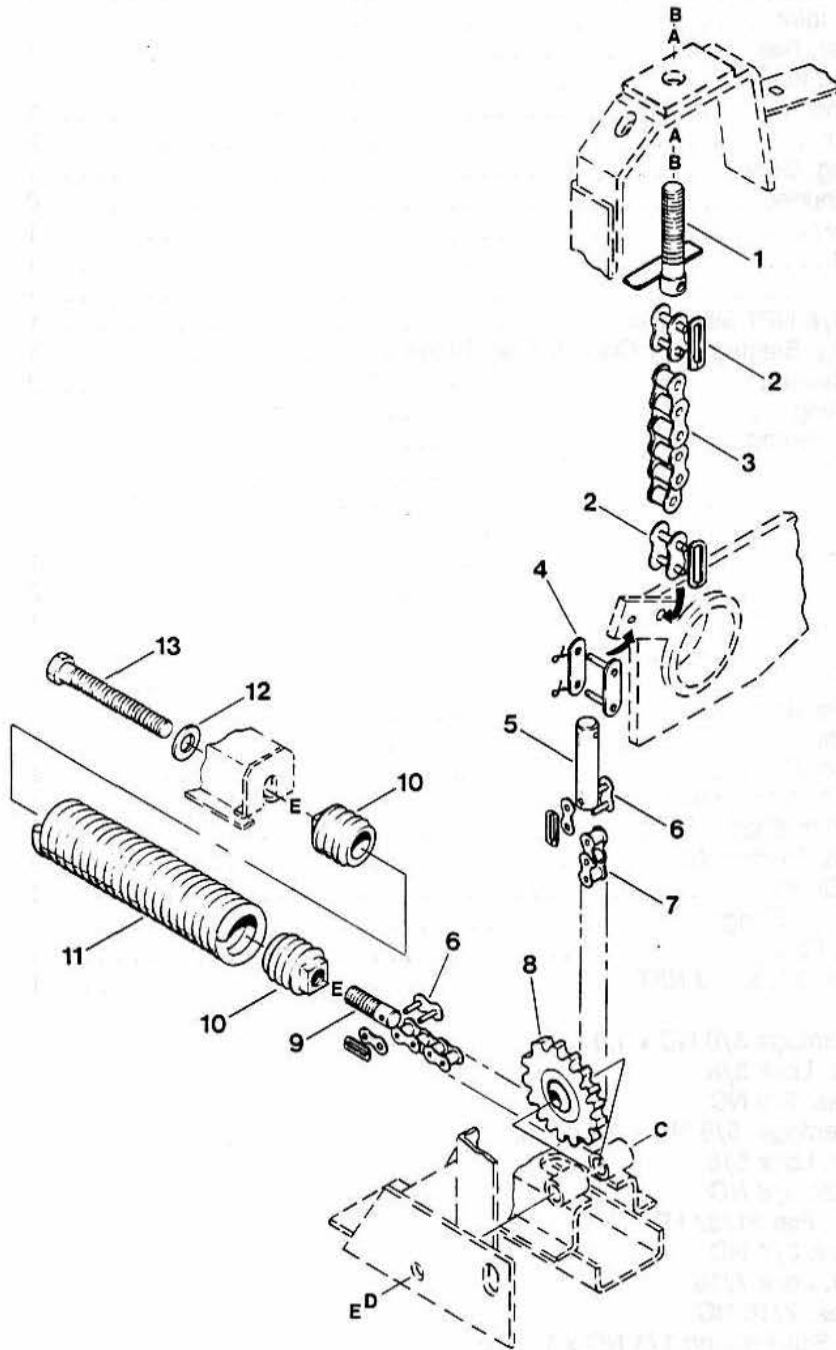
HAY CONDITIONER - DRIVE GROUP



HAY CONDITIONER DRIVE GROUP

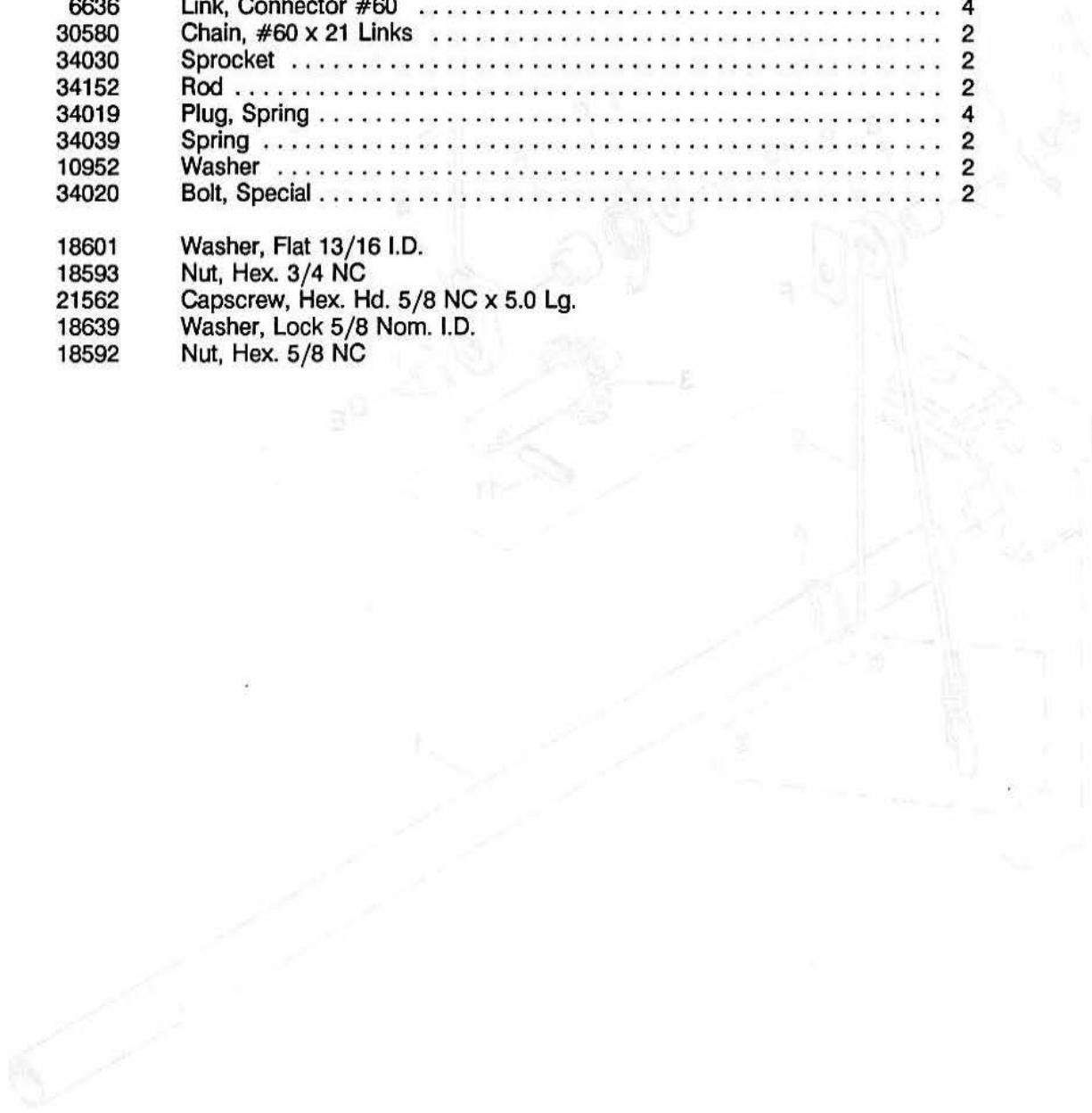
REF	PART NUMBER	DESCRIPTION	QTY	SERIAL NUMBER
4	34055	Belt, Matched Set	1	
5	34049	Pulley, Driven	1	
6	30256	Bushing, Taper Lock	1	
7	11142	Key, Woodruff	1	
8	21970	Pulley, Idler	1	
9	34171	Retainer, Belt	1	
10	34278	Bracket, Idler	1	
11	34238	Tightener	1	
12	10952	Washer	2	
13	34184	Housing, Gear	1	
14	34056	Bolt, Knurled	8	
15	21425	Breather	1	
16	34022	Gasket	1	
17	34195	Cover	1	
18	30688	Plug, 3/8 NPT Magnetic	1	
19	34044	Housing, Bearing C/W Cups & Snap Rings	1	
20	30583	Cup, Bearing	2	
21	30582	Snap Ring	2	
22	30584	Cone, Bearing	2	
23	30585	Seal, Oil	1	
24	34906	Nut	1	
25	34015	Hub	1	
26	6647	Washer	1	
27	34031	Gear	2	
28	34040	Support, Bearing	1	
29	30588	Ring, Bearing	1	
30	30586	Bearing	1	
31	30587	Ring, Retaining	1	
32	30589	Seal, Oil	1	
33	34033	Housing, Bearing	1	
34	34013	Drive Shaft Assembly	1	
35	34005	Yoke With Shaft	1	
36	18922	Cross & Bearing Kit	2	
37	34002	Yoke, Double	1	
38	34010	Yoke With Flange	1	
39	18671	Grease Fitting	1	
40	21024	Adapter, 3/8 x 1/8 NPT	1	
A	19965	Bolt, Carriage 3/8 NC x 1.0 Lg.		
B	18637	Washer, Lock 3/8		
C	18590	Nut, Hex. 3/8 NC		
D	30829	Bolt, Carriage, 5/8 NC x 3 1/2 Lg.		
E	18639	Washer, Lock 5/8		
F	18592	Nut, Hex. 5/8 NC		
G	18600	Washer, Flat 21/32 I.D.		
H	18593	Nut, Hex. 3/4 NC		
J	18652	Washer, Lock 7/16		
K	18651	Nut, Hex. 7/16 NC		
L	21055	Screw, Self-Tapping 1/4 NC x 1/2 Lg.		
M	5512	Nut, Slotted 3/4 NF		
N	18607	Pin, Cotter 5/32 Dia. x 1 1/2 Lg.		
P	20077	Capscrew, 3/8 NC x 1.0 Lg.		
Q	18598	Washer, Flat 13/32 I.D.		

HAY CONDITIONER - ROLL TENSION GROUP

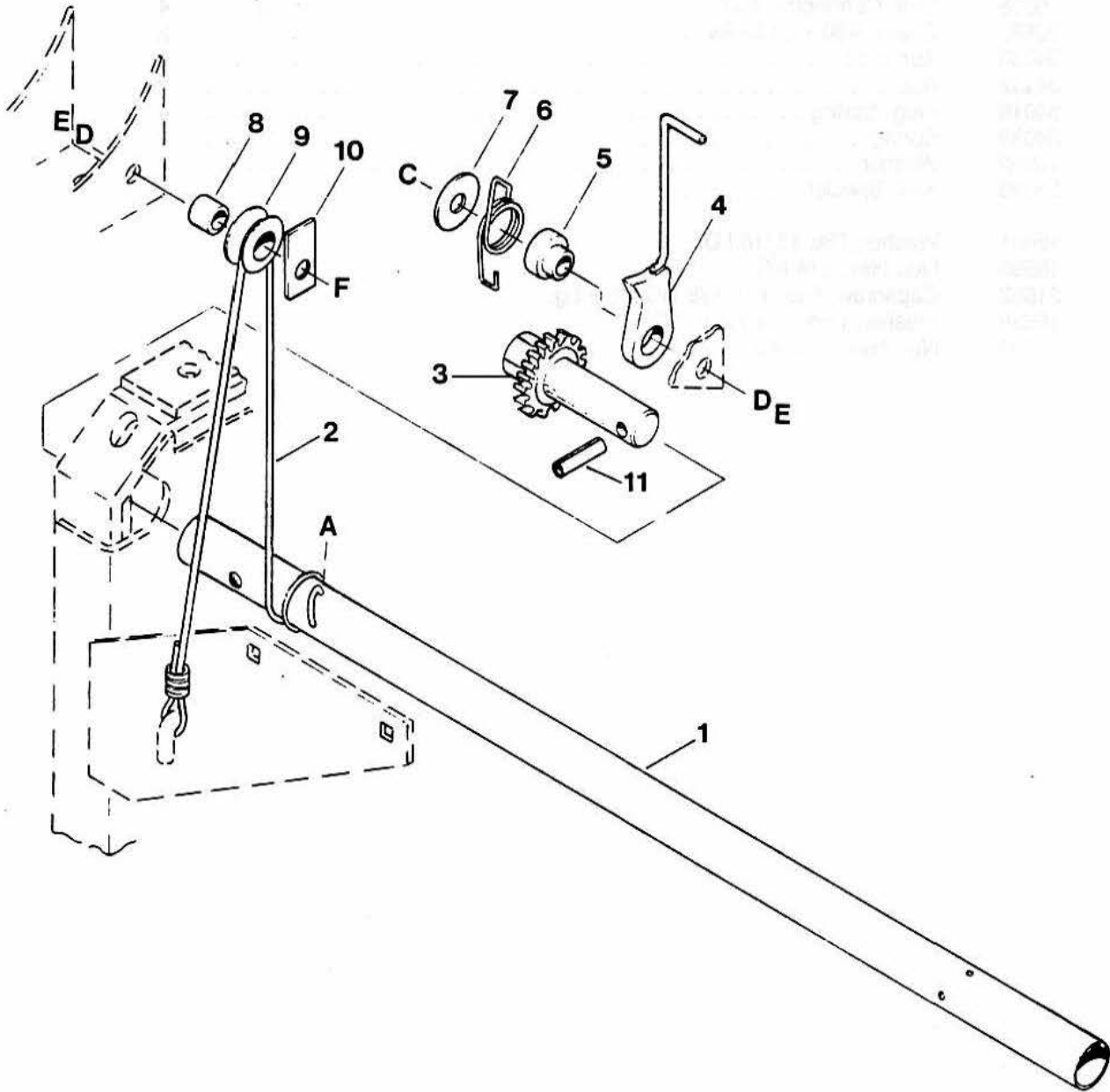


HAY CONDITIONER - ROLL TENSION GROUP

REF	PART NUMBER	DESCRIPTION	QTY	SERIAL NUMBER
1	34150	Bolt, Special	2	
2	30578	Link, Connector #80	4	
3	30577	Chain, #80 x 5 Links	2	
4	30579	Link, Connector #2060	2	
5	34151	Link	2	
6	6636	Link, Connector #60	4	
7	30580	Chain, #60 x 21 Links	2	
8	34030	Sprocket	2	
9	34152	Rod	2	
10	34019	Plug, Spring	4	
11	34039	Spring	2	
12	10952	Washer	2	
13	34020	Bolt, Special	2	
A	18601	Washer, Flat 13/16 I.D.		
B	18593	Nut, Hex. 3/4 NC		
C	21562	Capcrew, Hex. Hd. 5/8 NC x 5.0 Lg.		
D	18639	Washer, Lock 5/8 Nom. I.D.		
E	18592	Nut, Hex. 5/8 NC		

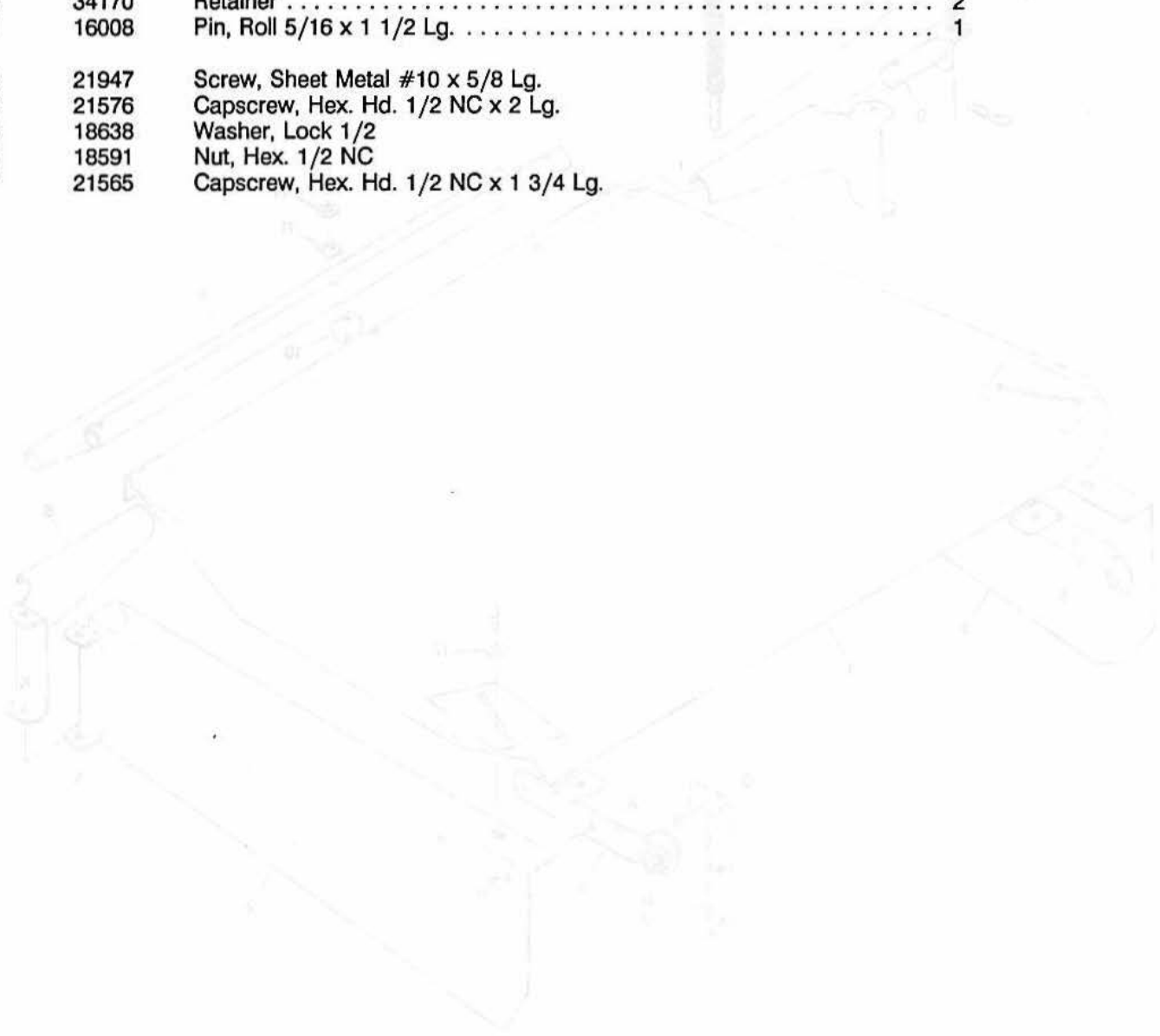


HAY CONDITIONER - WINCH GROUP

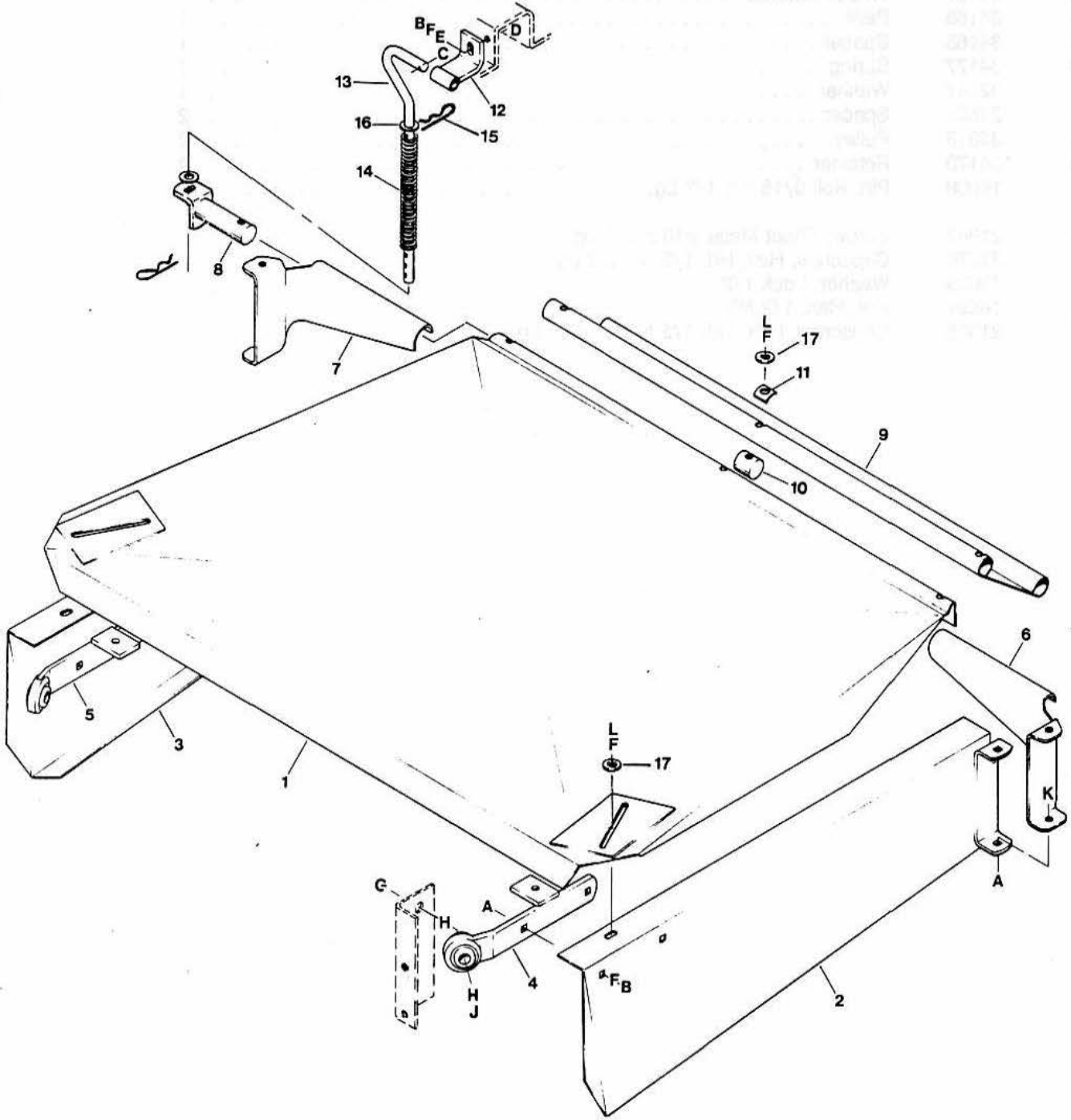


HAY CONDITIONER WINCH GROUP

REF	PART NUMBER	DESCRIPTION	QTY	SERIAL NUMBER
1	34161	Tube, Winch	1	
2	34042	Cable	2	
3	34037	Wheel, Ratchet	1	
4	34168	Pawl	1	
5	34165	Spacer	1	
6	34177	Spring	1	
7	32247	Washer	1	
8	24620	Spacer	2	
9	34018	Pulley	2	
10	34170	Retainer	2	
11	16008	Pin, Roll 5/16 x 1 1/2 Lg.	1	
A	21947	Screw, Sheet Metal #10 x 5/8 Lg.		
C	21576	Capscrew, Hex. Hd. 1/2 NC x 2 Lg.		
D	18638	Washer, Lock 1/2		
E	18591	Nut, Hex. 1/2 NC		
F	21565	Capscrew, Hex. Hd. 1/2 NC x 1 3/4 Lg.		



HAY CONDITIONER - FORMING SHIELDS GROUP



HAY CONDITIONER - FORMING SHIELD GROUP

REF	PART NUMBER	DESCRIPTION	QTY	SERIAL NUMBER
1	34200	Shield, Top	1	
2	34205	Deflector, Left Side	1	
3	34206	Deflector, Right Side	1	
4	34213	Arm, Left	1	
5	34214	Arm, Right	1	
6	34220	Support, Left	1	
7	34221	Support, Right	1	
8	34223	Pin	2	
9	34236	Baffle	1	
10	34228	Pin	1	
11	34226	Spacer	1	
12	34229	Angle	2	
13	34237	Rod	2	
14	31084	Spring	2	
15	13125	Pin, Hair	4	
16	18599	Washer, Flat 17/32 I.D.	4	
17	20535	Washer, Flat	5	
A	19965	Bolt, Carriage 3/8 NC x 1.0 Lg.		
B	18590	Nut, Hex. 3/8 NC		
C	18606	Pin, Cotter 1/8 Dia. x 1 1/2 Lg.		
D	20077	Capscrew, 3/8 NC x 1 Lg.		
E	18598	Washer, Flat 13/32 I.D.		
F	18637	Washer, Lock 3/8 I.D.		
G	21587	Capscrew, 5/8 NC x 2 Lg.		
H	18639	Washer, Lock 5/8 I.D.		
J	18592	Nut, Hex. 5/8 NC		
K	18669	Nut, Lock 3/8 NC Distorted Thread		
L	21264	Capscrew, 3/8 NC x 1 1/4 Lg.		



Technical drawing area containing multiple diagrams and text blocks, including a large diagram of a component assembly and various descriptive text blocks.

DECALS

! DANGER




**ROTATING DRIVELINE CONTACT CAN CAUSE DEATH
KEEP AWAY!**

DO NOT OPERATE WITHOUT —

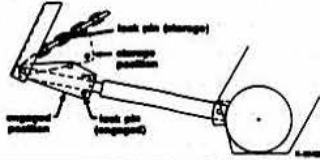
- ALL DRIVELINE, TRACTOR AND EQUIPMENT SHIELDS IN PLACE
- DRIVELINES SECURELY ATTACHED AT BOTH ENDS
- DRIVELINE SHIELDS THAT TURN FREELY ON DRIVELINE

14

! WARNING



To avoid bodily injury from fall of raised header, completely raise header, stop engine, remove ignition key, and engage both header safety locks before working on or under header. Safety locks are located on each header lift cylinder.

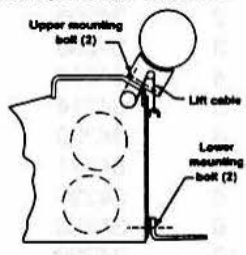


1

! WARNING

AVOID POSSIBLE INJURY OR DEATH FROM FALL OF HAY CONDITIONER.

- 1) Stand clear of hay conditioner whenever it is suspended from lift cables only.
- 2) Ensure that upper mounting bolts are securely tightened before installing or removing lower mounting bolts. Hay conditioner weighs approx. 800 lbs. (270 Kg.) and will fall suddenly if lift system becomes disengaged.
- 3) Refer to operator's manual for proper procedure.



2

! WARNING



To avoid bodily injury, stop engine before opening power drive system shield. **KEEP ALL SHIELDS AND GUARDS IN PLACE.** 32736

3

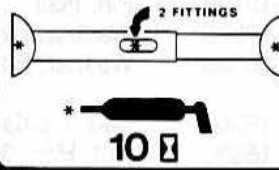
! WARNING

STAY CLEAR OF THE MACHINE WHILE IT IS RUNNING. Contact with rotating reel, moving knife or conveying components can cause injury or death. Stop engine and remove key to perform any inspection, maintenance or repair work. K-28403-1

4

SHEAR BOLT
3/8 in. dia. X 1 3/4 in. lg.
SAE Grade 5

15



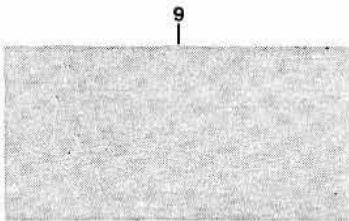
5



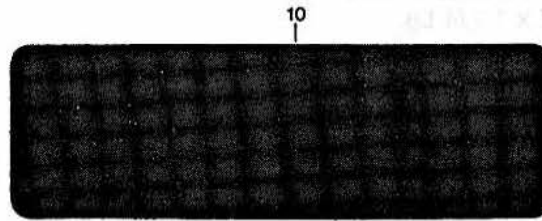
6



7



9

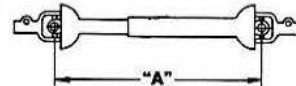


10

12

IMPORTANT

Drive shaft compressed length "A" must be 44 inches (1118mm) maximum. Shorten tube and shield if required.



K-2888-1

IMPORTANT

INSTRUCTIONS FOR INSTALLATION AND REMOVAL OF HEADER

The following procedure is the easiest and safest method of installing and removing the header. For full details refer to the Operator's Manual.


HEADER INSTALLATION:

1. Draper header cutterbar must be supported on 6 in. (150 mm) blocks near each end. Auger header cutterbar must be directly on ground.
2. Position support stand as shown by location decal. Install "L" pin through stand tube.
3. With header lift cylinders fully retracted, drive tractor forward until the linkage hook-up pins are directly below the lift lugs. **STOP ENGINE.** Do not activate the header lift valve.
4. With safety "L" pin still in place, loosen support stand tightener so that back of header lowers onto hook-up pins.
5. Start engine and raise header fully up. **STOP ENGINE.** Install float springs and header retaining pins. Return support stand to its storage position.

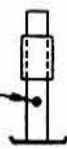
HEADER REMOVAL:

1. With engine stopped, disconnect P.T.O. shaft at tractor, and uncouple all hydraulic lines.
2. Raise header fully up. **STOP ENGINE.** Remove header retaining pins. Remove float spring front pins and set springs in storage position.
3. Set 6 in. (150 mm) blocks beneath cutterbar. (draper header only)
4. Lower support stand as shown by location decal. Secure stand position with tightener. Install "L" pin through stand tube.
5. Lower header to the ground. Hold header lift pedal in down position and slowly rock tractor back and forth to fully retract cylinders and disengage hook-up pins from header legs.
6. Slowly back tractor away from header.

K-28401-1



Align top of stand tube with arrow.



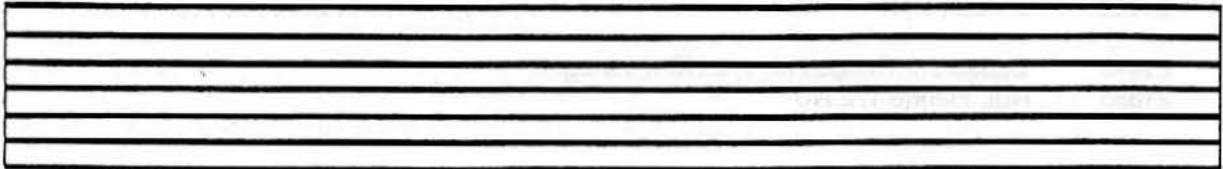
13

DECALS

REF	PART NUMBER	DESCRIPTION	QTY	SERIAL NUMBER
1	32740	Warning: Header Lift Cylinder Stop		
2	34093	Warning: Hay Conditioner Winch Use		
3	32738	Warning: Shields & Guards In Place		
4	28403	Warning: Clear While Running		
5	24777	Drive Line Grease		
6	23163	10 Hour Grease		
7	23165	50 Hour Grease		
9	26697	Tape, Amber Reflective		
10	26694	Tape, Red Reflective		
11	28401	Important: Header Attach & Detach Inst.		
12	26698	Important: Drive Line Length		
13	28416	Stand Tube		
14	30316	Danger: Rotating Drive		
15	34630	Auger Drive Shear Bolt		

PRODUCT IDENTIFICATION DECALS

REF	PART NUMBER	DESCRIPTION	QTY	SERIAL NUMBER
16	25874	DECAL - rainbow, side panel		
17	25894	DECAL - "Grass Seed Special"		



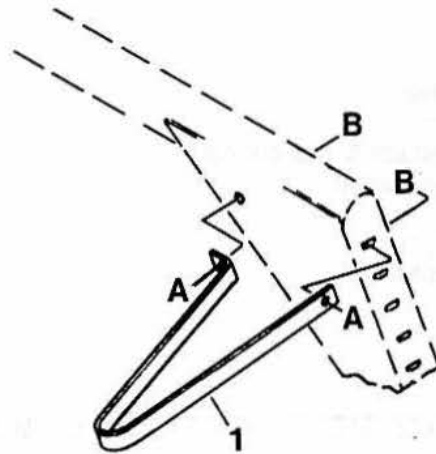
16

grass seed special —17

PAINT

23955	Paint - Black, 1 Litre
23956	Paint - Red, 1 Litre
23957	Paint - White, 1 Litre

DIVIDER RODS (ACCESSORY)



REF	PART NUMBER	DESCRIPTION	QTY	SERIAL NUMBER
1	34842	Divider, L/H	1	
	34843	Divider, R/H	1	
A	21449	Capscrew, Flange Hd. 1/2 NC x 1.0 Lg.		
B	21383	Nut, Flange 1/2 NC		

NUMERICAL LIST

<u>PART NO.</u>	<u>PAGE</u>	<u>PART NO.</u>	<u>PAGE</u>	<u>PART NO.</u>	<u>PAGE</u>	<u>PART NO.</u>	<u>PAGE</u>
611	13	21517	19	26694	39	30610	27
616	13	21519	19	26697	39	30612	27
795	21	21520	19	26698	39	30613	23
1961	29	21540	8	26878	3	30614	23
2149	23	21712	19	28013	16	30617	9
6636	21,23,33	21713	19	28014	16	30618	9
6637	23	21714	19	28245	3	30619	9
6647	31	21715	19	28346	23	30621	9
7258	16,17	21716	19	28401	39	30622	9
7782	29	21717	15	28403	39	30623	9
8639	17	21763	5,27	28416	39	30668	15
9213	21	21849	27	28732	3	30669	15
9333	21	21855	27	28749	3	30688	31
10952	31,33	21857	27	28815	16	30814	19
11142	31	21859	7,13	30031	29	30815	19
13125	3,8,37	21860	7	30034	13	30834	13
13298	11,13	21862	15	30166	13	30835	13
13626	29	21864	19	30167	9	30836	13
13747	3	21865	15	30256	11,29,31	30837	13
15406	13	21887	15	30316	39	30838	13
16008	35	21934	11,13,21,23	30362	13	30841	11,13
16539	5	21936	11,13,21,23	30510	15		
16837	25	21938	11,12,21,23	30542	5	31062	5
17194	11,13,21,23	21940	23	30574	29	31084	37
18599	16,37	21970	31	30575	29	32247	35
18605	5	21976	27	30576	29	32275	8
18609	3	23009	17	30577	33	32738	39
18671	31	23163	39	30578	33	32740	39
18689	19	23165	39	30579	33	33005	27
18898	23	23783	25	30580	33	33114	16
18922	31	23784	25	30582	31	33275	8
19183	23	23785	25	30583	31	33276	8
19588	3	23909	29	30584	31	33288	8
20535	5,15,21,23,37	23918	17	30585	31	33529	13
21010	25	23955	39	30586	31	33715	16
21021	3	23956	39	30587	31	33716	16
21024	13,19,31	23957	39	30588	31	33718	16
21054	15	24056	27	30589	31	33719	16
21299	8	24217	27	30590	13	33724	17
21417	15,19	24319	8	30596	23	33725	17
21418	15	24359	27	30600	23	33726	17
21420	19	24620	35	30601	7,13	33730	17
21421	19	24777	39	30602	11,13,21,23	33731	17
21424	19	24934	8	30603	11,21,23	33733	17
21425	13,19,31	25874	39	30604	11,13	33734	17
21429	19	25894	39	30605	21	33920	17
21512	19	26318	19	30606	21	33921	17
21513	19	26319	19	30607	15	34002	31
21514	19	26320	19	30608	15	34005	31
21516	19	26321	15	30609	27	34010	31

NUMERICAL LIST

<u>PART NO.</u>	<u>PAGE</u>	<u>PART NO.</u>	<u>PAGE</u>	<u>PART NO.</u>	<u>PAGE</u>	<u>PART NO.</u>	<u>PAGE</u>
34013	31	34213	37	34407	27	34645	21
34015	31	34214	37	34408	27	34646	21
34018	35	34220	37	34409	27	34647	21
34019	33	34221	37	34410	27	34650	8
34020	33	34223	37	34411	27	34651	8
34022	31	34226	37	34412	27	34656	5
34023	29	34228	37	34420	27	34657	5
34030	33	34229	37	34421	27	34660	27
34031	31	34233	29	34438	5	34661	27
34033	31	34234	29	34512	3	34665	21
34035	6	34236	37	34516	3	34666	27
34036	6	34237	37	34517	3	34669	21
34037	35	34238	31	34518	3	34670	21
34039	33	34268	5	34519	3	34671	23
34040	31	34278	31	34523	3	34675	21,23
34042	35	34283	5	34524	3	34680	21
34044	31	34284	5	34525	3	34681	21
34047	11,13	34286	13	34526	3	34682	21
34049	31	34317	3	34527	27	34712	3
34053	13	34340	13	34528	27	34725	5
34055	31	34341	13	34530	3	34726	5
34056	31	34345	3	34531	3	34730	23
34063	29	34346	3	34532	3	34736	23
34064	29	34347	3	34533	3	34744	23
34085	29	34351	23	34536	23	34745	23
34091	29	34352	23	34555	3	34746	23
34093	35	34353	21	34556	3	34747	23
34095	29	34354	21	34557	3	34748	5
34117	29	34356	21	34562	3	34749	5
34125	29	34358	21	34566	7	34750	23
34127	29	34359	17	34574	7	34751	25
34140	29	34360	21	34575	6	34752	23
34145	29	34361	9,13	34581	21	34753	25
34147	29	34362	9	34583	25	34755	23
34148	29	34364	11,13	34593	3	34756	23
34150	33	34366	9	34600	15	34757	23
34151	33	34367	9			34762	5
34155	29	34378	25	34610	5	34763	5
34156	29	34379	23	34611	5	34764	5
34161	35	34382	27	34612	5	34768	25
34165	35	34388	15	34618	16	34788	25
34168	35	34389	15	34620	11	34800	23
34170	35	34390	16,17	34621	11	34806	23
34171	31	34391	16,17	34622	11	34808	23
34177	35	34392	16,17	34625	5	34809	23
34184	31	34393	16,17	34630	39	34812	23
34195	31	34394	16,17	34635	3	34813	23
34200	37	34400	15	34636	3	34833	17
34205	37	34405	27	34641	3	34834	6
34206	37	34406	27	34644	21	34835	6

NUMERICAL LIST

<u>PART NO.</u>	<u>PAGE</u>
34836	6
34838	6
34842	40
34843	40
34844	6
34845	6
34865	3
34866	3
34893	17
34895	15
34906	31
34926	5
34927	5
34928	5
34930	5
34931	5
34942	13
34943	13
34945	13
34946	13
34947	11,13
34950	13
34951	13
34958	13
34960	21
34961	21
34962	21
34968	17
34969	5
34974	17
34975	17
34976	17
34997	13
34998	13
38411	23
38412	23
38413	23
38414	23
38415	23
38416	23
38804	23
38805	23
38806	23
47174	3
47175	3

MacDon

Designed to Deliver!