

# PARTS CATALOG

Series II 1983-1985

## AUGER HEADER

(Chain-Driven Hay Conditioner)  
for Model 7000 Self Propelled Windrower



FORM NO. 12923

1/89

**MacDon Industries Ltd.**

680 Moray Street, Winnipeg, Manitoba  
Canada R3J 3S3  
(204) 885-5590, Fax 832-7749  
Telex 07-57849



MAIN FRAME (AUGER HEADER)

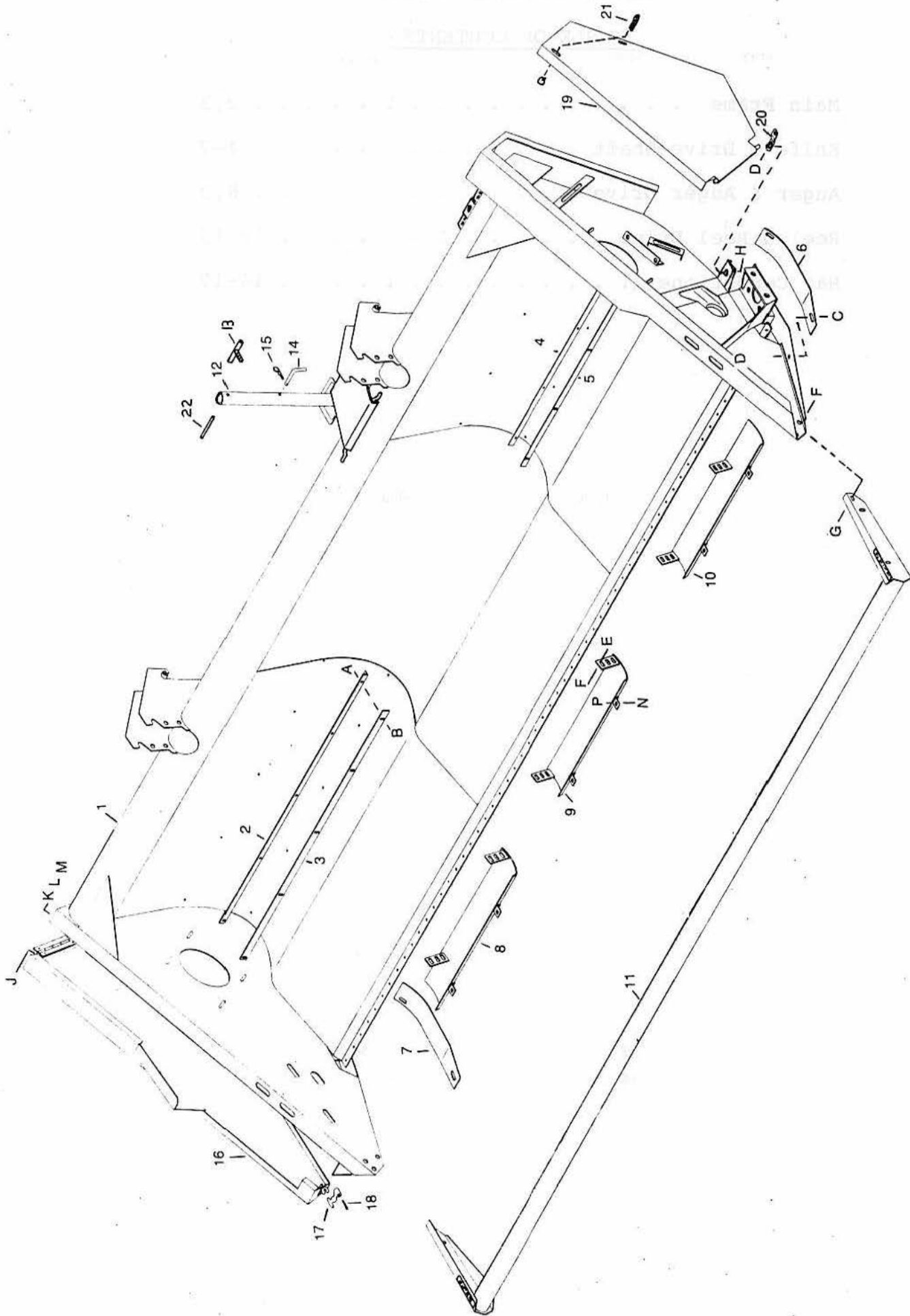
SERIES II AUGER HEADER

TABLE OF CONTENTS

Main Frame . . . . . 2,3  
Knife & Drive Shaft . . . . . 4-7  
Auger & Auger Drive . . . . . 8,9  
Reel & Reel Drive . . . . . 10-13  
Hay Conditioner . . . . . 14-17



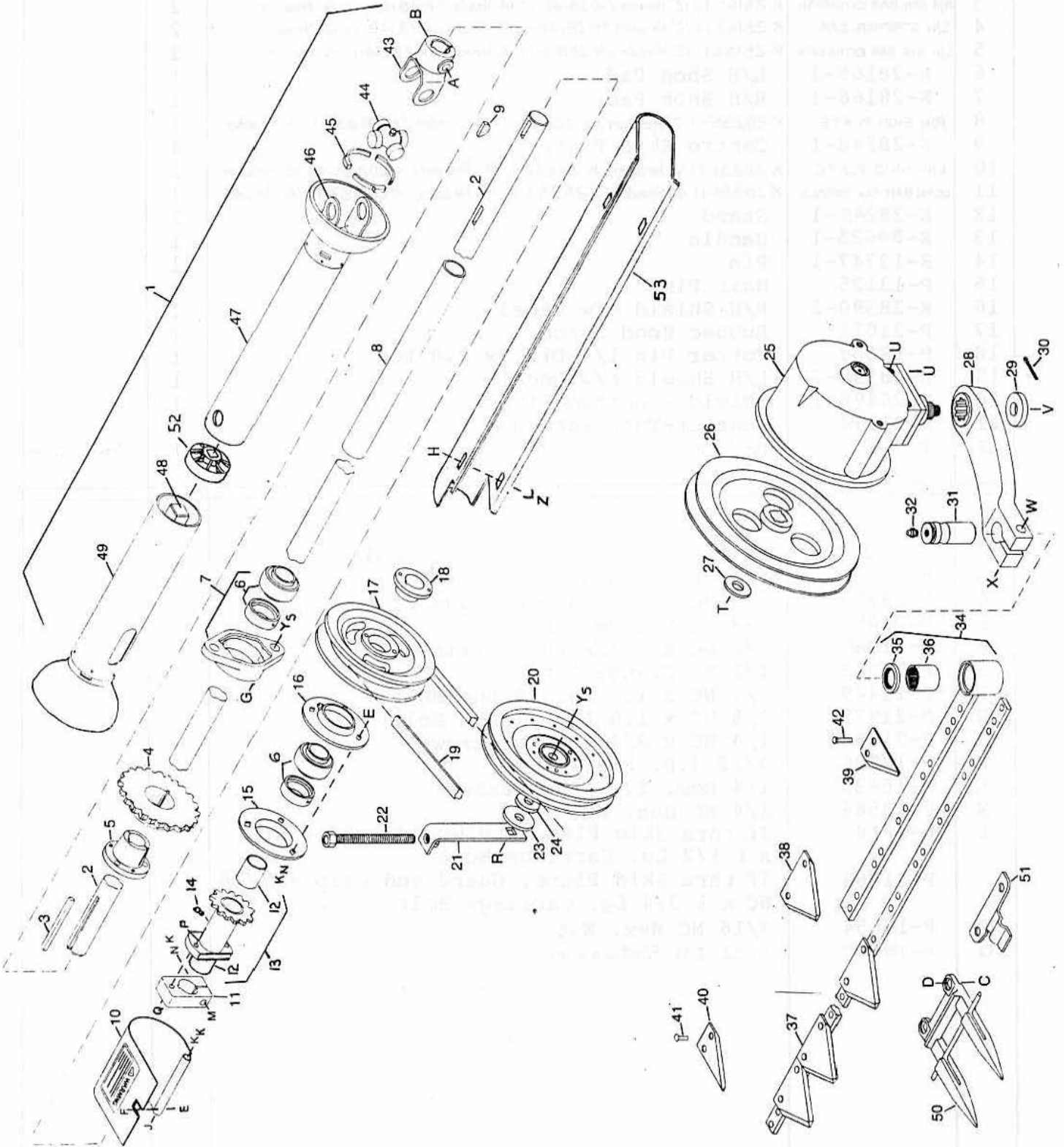
# MAIN FRAME (AUGER HEADER)



## MAIN FRAME (AUGER HEADER)

REF.	PART NO.	DESCRIPTION	QTY.	SERIAL NUMBER
1	AUGER HEADER FRAME	K-28171-1: 12' Header/K-28172-1: 14' Header/K-28173-1: 16' Header	1	
2	R/H STRIPPER BAR	K-28157-1: 12' Header/K-28158-1: 14' Header/K-28159-1: 16' Header	2	
3	R/H STR. BAR EXTENSION	K-28161-1: 12' Header/K-28162-1: 14' Header/K-28163-1: 16' Header	2	
4	L/H STRIPPER BAR	K-28147-1: 12' Header/K-28148-1: 14' Header/K-28149-1: 16' Header	2	
5	L/H STR. BAR EXTENSION	K-28152-1: 12' Header/K-28153-1: 14' Header/K-28154-1: 16' Header	2	
6	K-28165-1	L/H Shoe Pad	1	
7	K-28166-1	R/H Shoe Pad	1	
8	R/H SKID PLATE	K-28235-1: 12' Header/K-28236-1: 14' Header/K-28237-1: 16' Header	1	
9	K-28240-1	Centre Skid Plate	4	
10	L/H SKID PLATE	K-28231-1: 12' Header/K-28232-1: 14' Header/K-28233-1: 16' Header	1	
11	LEAN BAR c/w DECALS	K-28381-1: 12' Header/K-28382-1: 14' Header/K-28383-1: 16' Header	1	
12	K-28245-1	Stand	1	
13	K-34623-1	Handle	1	
14	K-13747-1	Pin	1	
15	P-13125	Hair Pin	1	
16	K-28390-2	R/H Shield c/w Decal	1	
17	P-21021	Rubber Hood Latch	1	
18	P-18609	Cotter Pin 1/4 Dia. x 2.0 Long	1	
19	K-28398-2	L/H Shield c/w Decal	1	
20	K-26498-1	Shield - Bottom Pivot	1	
21	P-21874	Quarter-Turn Fastener	2	
22	P-728	Roll Pin	1	56090 →
A	P-21281	5/16 NC x 3/4 Lg. Carriage Bolt		
B	P-21403	5/16 NC Flange Nut		
C	P-19965	3/8 NC x 1.0 Lg. Carriage Bolt		
D	P-21452	3/8 NC Flange Nut		
E	P-21469	1/2 NC x 1 1/2 Lg. Carriage Bolt		
F	P-21383	1/2 NC Flange Nut		
G	P-21449	1/2 NC x 1.0 Lg. Flange Bolt		
H	P-21975	3/8 NC x 1.0 Lg. Flange Bolt		
J	P-21566	1/4 NC x 3/4 Lg. Capscrew		
K	P-18596	9/32 I.D. Flatwasher		
L	P-18635	1/4 Nom. I.D. Lockwasher		
M	P-18588	1/4 NC Hex. Nut		
N	P-8218	If thru Skid Plate and Guard - 7/16 NC x 1 1/2 Lg. Carriage Bolt		
	P-21468	If thru Skid Plate, Guard and Clip - 7/16 NC x 1 3/4 Lg. Carriage Bolt		
P	P-18654	7/16 NC Hex. Nut		
Q	P-18597	11/32 I.D. Flatwasher		

# KNIFE & DRIVE SHAFT (AUGER HEADER)

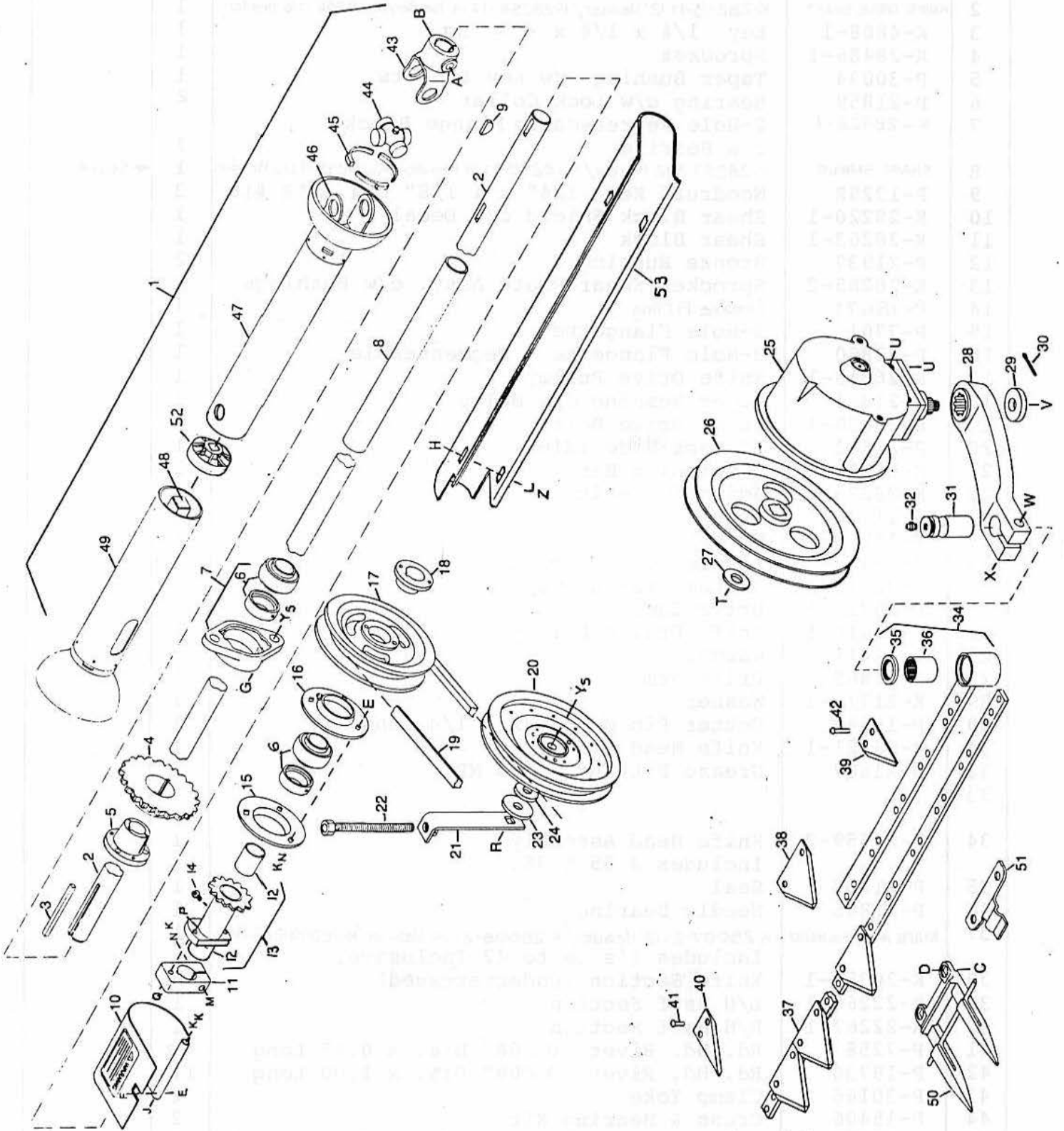


## KNIFE &amp; DRIVE SHAFT (AUGER HEADER)

REF.	PART NO.	DESCRIPTION	QTY.	SERIAL NUMBER
1	K-26690-2	P.T.O. Shaft - Includes Items 43-49 & 52	1	
2	KNIFE DRIVE SHAFT	K-28253-1: 12' Header/K-28254-1: 14' Header/K-28255-1: 16' Header	1	
3	K-4808-1	Key 1/4 x 1/4 x 4 1/4 Lg.	1	
4	K-28486-1	Sprocket	1	
5	P-30034	Taper Bushing c/w Key & Bolts	1	
6	P-21859	Bearing c/w Lock Collar	2	
7	K-28426-1	2-Hole Regreaseable Flange Block c/w Bearing	1	
8	SHAFT SHIELD	K-28257-1: 12' Header/K-28258-1: 14' Header/K-28259-1: 16' Header	1	←56114
9	P-13298	Woodruff Key 1/4" x 1 1/8" Dia. SAE #18	2	
10	K-28220-1	Shear Block Shield c/w Decal	1	
11	K-28263-1	Shear Block	1	
12	P-21937	Bronze Bushing	2	
13	K-28265-2	Sprocket-Shear Plate Assy. c/w Bushings	1	
14	P-18671	Grease Fitting	1	
15	P-7701	3-Hole Flangette	1	
16	P-21860	3-Hole Flangette - Regreaseable	1	
17	K-26313-1	Knife Drive Pulley	1	
18	P-21861	Taper Bushing c/w Bolts	1	
19	K-28030-1	Knife Drive Belt	1	
20	P-21862	8" Back-Side Idler	1	
21	K-28278-1	Tensioning Bar	1	
22	K-28275-1	Adjusting Bolt	1	
23	K-11695-1	Washer	1	
24	K-18770-1	Washer	1	
25	K-26320-2	Wobble Box (Complete)	1	
	K-26318-1	Bottom Bearing Cap		
	K-26319-1	Drive Case		
26	K-21418-1	Knife Driven Pulley	1	
27	P-21417	Washer		
28	P-21865	Drive Arm	1	
29	K-21717-1	Washer	1	
30	P-18648	Cotter Pin $\phi$ 3/16 x 1 1/4 Long	1	
31	K-26321-1	Knife Head Pin	1	
32	P-21887	Grease Fitting - 1/8 NPT	1	
33				
34	K-26359-2	Knife Head Assembly Includes # 35 & 36.	1	
35	P-21867	Seal	1	
36	P-21866	Needle Bearing	1	
37	KNIFE ASSY less HEAD	K-28007-2: 12' Header/K-28008-2: 14' Header/K-28009-2: 16' Hdr. Includes #'s 38 to 42 Inclusive.	1	
38	K-26355-1	Knife Section (Underserrated)	A/R	
39	K-22266-1	L/H Half Section	1	
40	K-22267-1	R/H Half Section	1	
41	P-7258	Rd. Hd. Rivet 0.208" Dia. x 0.63 Long	A/R	
42	P-18730	Rd. Hd. Rivet 0.208" Dia. x 1.00 Long	11	
43	P-30166	Clamp Yoke	2	
44	P-15406	Cross & Bearing Kit	2	
45	P-16582	Nylon Bearing Kit (Consists of 6 pieces)	1	
46	P-30163	Yoke - Tube Weld't. c/w Plastic Support (item 52)	1	
47	P-30164	Inner Plastic Shield	1	
48	P-30162	Yoke - Shaft Weld't.	1	



# KNIFE & DRIVE SHAFT (AUGER HEADER)

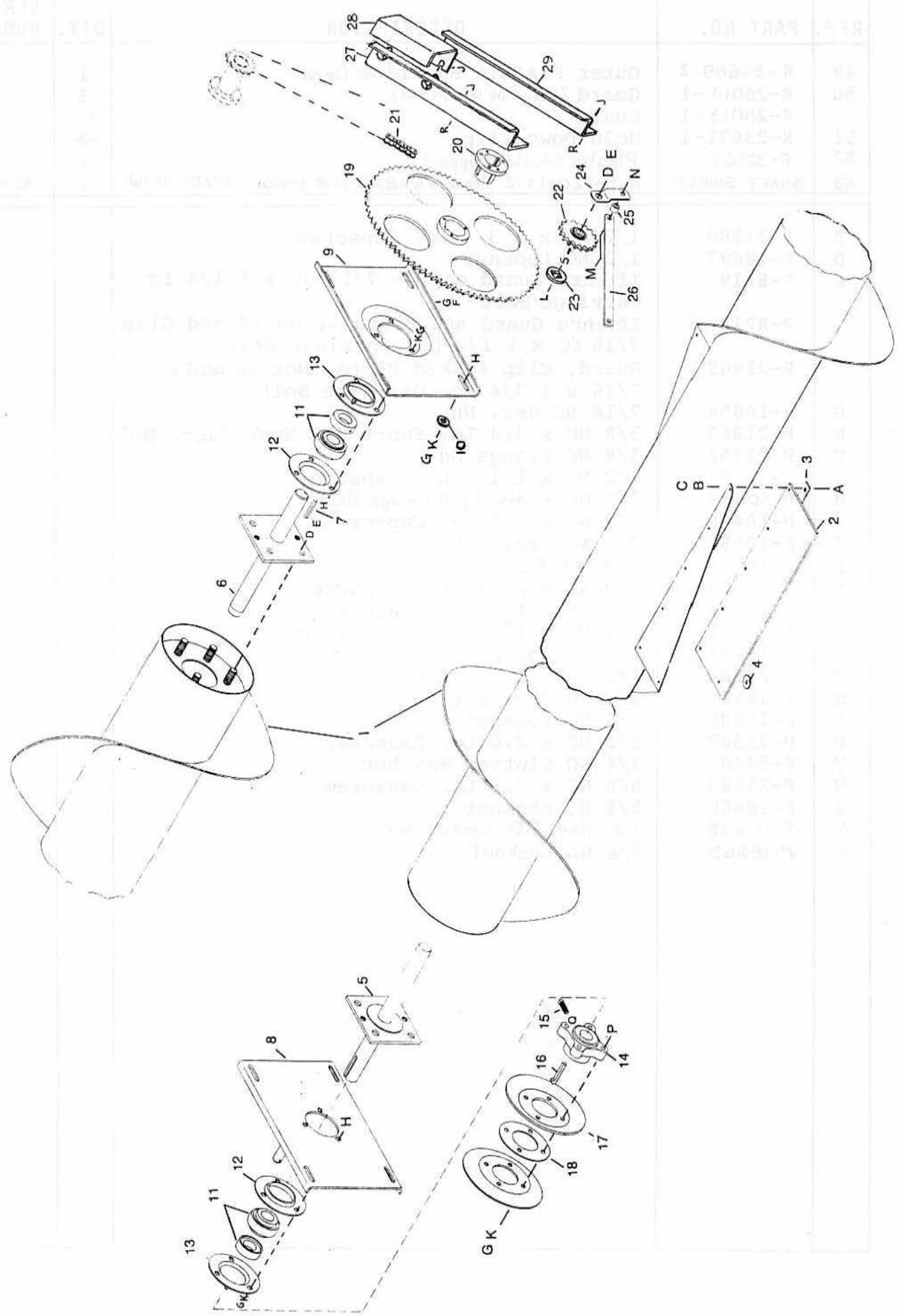




### KNIFE & DRIVE SHAFT (AUGER HEADER)

REF.	PART NO.	DESCRIPTION	QTY.	SERIAL NUMBER
49	K-26689-2	Outer Plastic Shield w/ Decal	1	
50	K-28014 -1	Guard (first two @ L/H end)	2	
	K-28013 -1	Guard	A/R	
51	K-23071-1	Hold-Down Clip	A/R	
52	P-30167	Plastic Shield Support	1	
53	SHAFT SHIELD	K-28720-1: 12' Header/K-28721-1: 14' Header/K-28722-1: 16' Hdr.	1	56115 →
A	P-21880	1/2 NC x 2 3/4 Lg. Capscrew		
B	P-18697	1/2 NC Locknut		
C	P-8219	If thru Guard only - 7/16 NC x 1 1/4 Lg. Carriage Bolt		
	P-8218	If thru Guard and Plate or Guard and Clip		
	P-21468	7/16 NC x 1 1/2 Lg. Carriage Bolt Guard, Clip & Skid Plate (Not Shown): 7/16 x 1 3/4 Lg. Carriage Bolt		
D	P-18654	7/16 NC Hex. Nut		
E	P-21863	3/8 NC x 3/4 Lg. Short Sq. Neck Carr. Bolt		
F	P-21452	3/8 NC Flange Nut		
G	P-18723	1/2 NC x 1 1/2 Lg. Capscrew		
H	P-30307	3/8 NC x 3.0 Lg. Carriage Bolt		
J	P-10498	3/8 NC x 5.5 Lg. Capscrew		
K	P-18590	3/8 NC Hex. Nut		
L	P-18598	13/32 I.D. Flatwasher		
M	P-20055	3/8 NC x 2 1/4 Lg. Capscrew		
N	P-18637	3/8 Nom. I.D. Lockwasher		
P	P-21952	1/4 NC x 1 3/4 Long Capscrew		
Q	P-18724	1/4 NC Locknut		
R	P-21489	1/2 NC x 2 1/2 Long Carriage Bolt		
S	P-18591	1/2 NC Hex. Nut		
T	P-18689	3/4 NC Locknut		
U	P-21587	5/8 NC x 2.0 Lg. Capscrew		
V	P-5440	3/4 NC Slotted Hex Nut		
W	P-21583	5/8 NC x 3.0 Lg. Capscrew		
X	P-18666	5/8 NC Locknut		
Y	P-18638	1/2 Nom. I.D. Lockwasher		
Z	P-18669	3/8 NC Locknut		

### AUGER & AUGER DRIVE

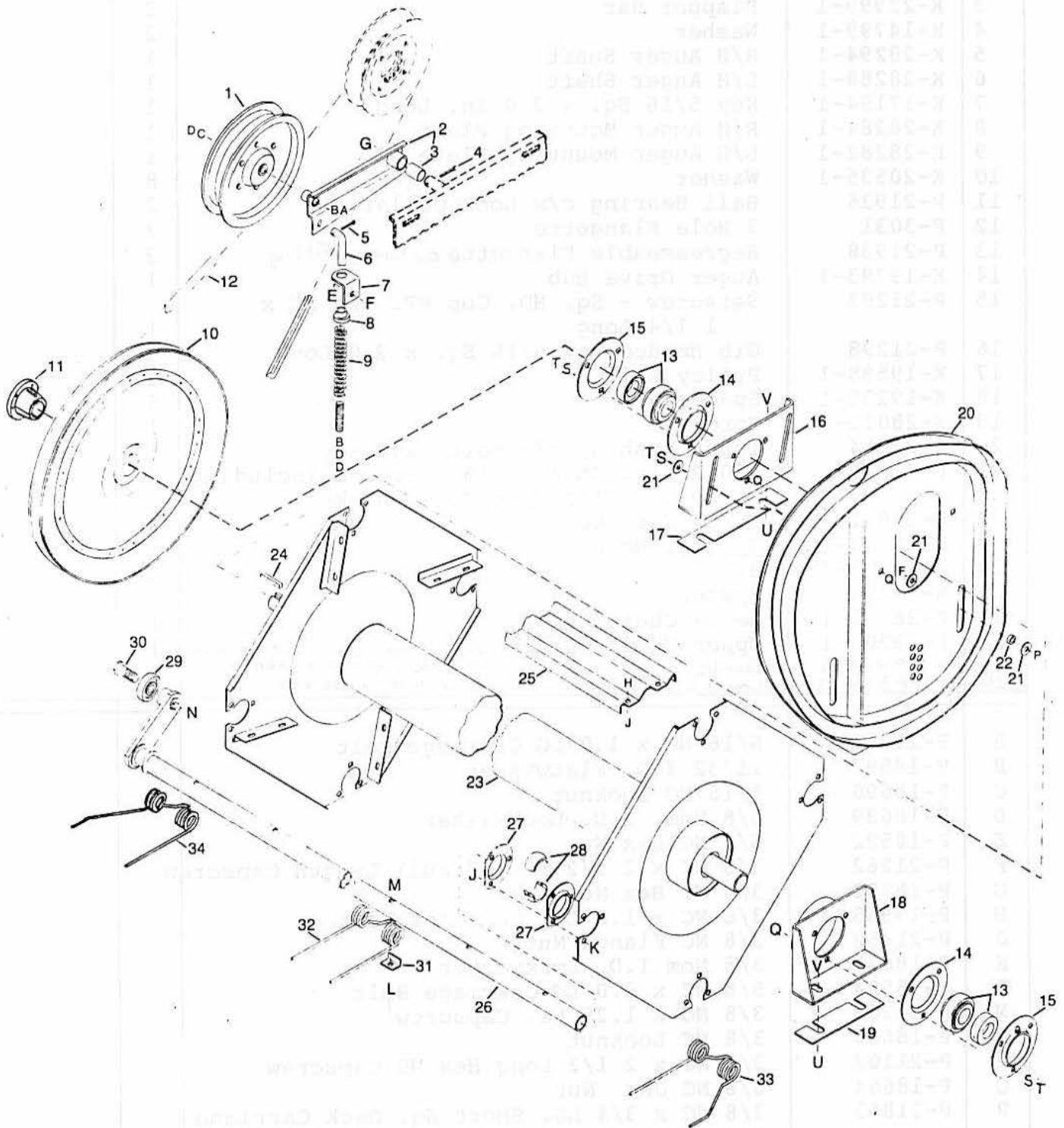


REF. PART NO.	QTY.	DESCRIPTION
4-25010-1	1	Auger
4-25011-1	1	Auger Drive
4-25012-1	1	Auger Wheel
4-25013-1	1	Auger Shaft
4-25014-1	1	Auger Housing
4-25015-1	1	Auger Gear
4-25016-1	1	Auger Gear
4-25017-1	1	Auger Gear
4-25018-1	1	Auger Gear
4-25019-1	1	Auger Gear
4-25020-1	1	Auger Gear
4-25021-1	1	Auger Gear
4-25022-1	1	Auger Gear
4-25023-1	1	Auger Gear
4-25024-1	1	Auger Gear
4-25025-1	1	Auger Gear
4-25026-1	1	Auger Gear
4-25027-1	1	Auger Gear
4-25028-1	1	Auger Gear
4-25029-1	1	Auger Gear
4-25030-1	1	Auger Gear
4-25031-1	1	Auger Gear
4-25032-1	1	Auger Gear
4-25033-1	1	Auger Gear
4-25034-1	1	Auger Gear
4-25035-1	1	Auger Gear
4-25036-1	1	Auger Gear
4-25037-1	1	Auger Gear
4-25038-1	1	Auger Gear
4-25039-1	1	Auger Gear
4-25040-1	1	Auger Gear
4-25041-1	1	Auger Gear
4-25042-1	1	Auger Gear
4-25043-1	1	Auger Gear
4-25044-1	1	Auger Gear
4-25045-1	1	Auger Gear
4-25046-1	1	Auger Gear
4-25047-1	1	Auger Gear
4-25048-1	1	Auger Gear
4-25049-1	1	Auger Gear
4-25050-1	1	Auger Gear

# AUGER & AUGER DRIVE

REF.	PART NO.	DESCRIPTION	QTY.	SERIAL NUMBER
1	K-28001-1	12' Auger	1	
	K-28002-1	14' Auger	1	
	K-28003-1	16' Auger	1	
2	K-28004-1	Beater	2	
3	K-22999-1	Flapper Bar	2	
4	K-14799-1	Washer	2	
5	K-28294-1	R/H Auger Shaft	1	
6	K-28288-1	L/H Auger Shaft	1	
7	K-17194-1	Key 5/16 Sq. x 2.0 In. Long	1	
8	K-28284-1	R/H Auger Mounting Plate	1	
9	K-28282-1	L/H Auger Mounting Plate	1	
10	K-20535-1	Washer	8	
11	P-21936	Ball Bearing c/w Lock Collar	2	
12	P-3031	3 Hole Flangette	2	
13	P-21938	Regreaseable Flangette c/w Grease Fitting	2	
14	K-19793-1	Auger Drive Hub	1	
15	P-21293	Setscrew - Sq. HD. Cup PT. 3/8 NC x 1 1/4 Long	1	
16	P-21298	Gib Headed Key 5/16 Sq. x 2.0 Long	1	
17	K-19598-1	Pulley Half	2	
18	K-19255-1	Spacer	5	
19	K-28025-1	Sprocket	1	
20	P-21934	Taper Bushing c/w Bolts and Key	1	
21	P-21939	#50 Roller Chain x 150 Pitches including Spring Clip Type Conn. Link	1	
22	P-21942	Idler Sprocket	2	
23	K-28308-1	Special Washer	2	
24	K-28302-1	Bar	2	
25	K-18440-1	Spacer	2	
26	K-28301-1	Bottom Chain Guide	1	
27	K-28305-1	Upper Chain Guide	1	
28	K-28306-1	Guide	1	
29	K-28304-1	Lower Chain Guide	1	
				NOTE: When replacing chain guide on headers up to ser. no. 56089, order items 27, 28, & 29
A	P-21282	5/16 NC x 1.0 LG Carriage Bolt		
B	P-18597	11/32 I.D. Flatwasher		
C	P-18690	5/16 NC Locknut		
D	P-18639	5/8 Nom. I.D. Lockwasher		
E	P-18592	5/8 NC Hex Nut		
F	P-21262	3/8 NC x 2 1/2 Thread Full Length Capscrew		
G	P-18590	3/8 NC Hex Nut		
H	P-19965	3/8 NC x 1.0 LG. Carriage Bolt		
J	P-21452	3/8 NC Flange Nut		
K	P-18637	3/8 Nom I.D. Lockwasher		
L	P-18524	5/8 NC x 2.0 LG Carriage Bolt		
M	P-21264	3/8 NC x 1.25 LG. Capscrew		
N	P-18669	3/8 NC Locknut		
P	P-21102	3/8 NC x 2 1/2 Long Hex HD Capscrew		
Q	P-18664	3/8 NC Jam Nut		
R	P-21863	3/8 NC x 3/4 LG. Short Sq. Neck Carriage Bolt		
S	P-18600	21/32 I.D. Flatwasher		

REEL & REEL DRIVE (AUGER HEADER)

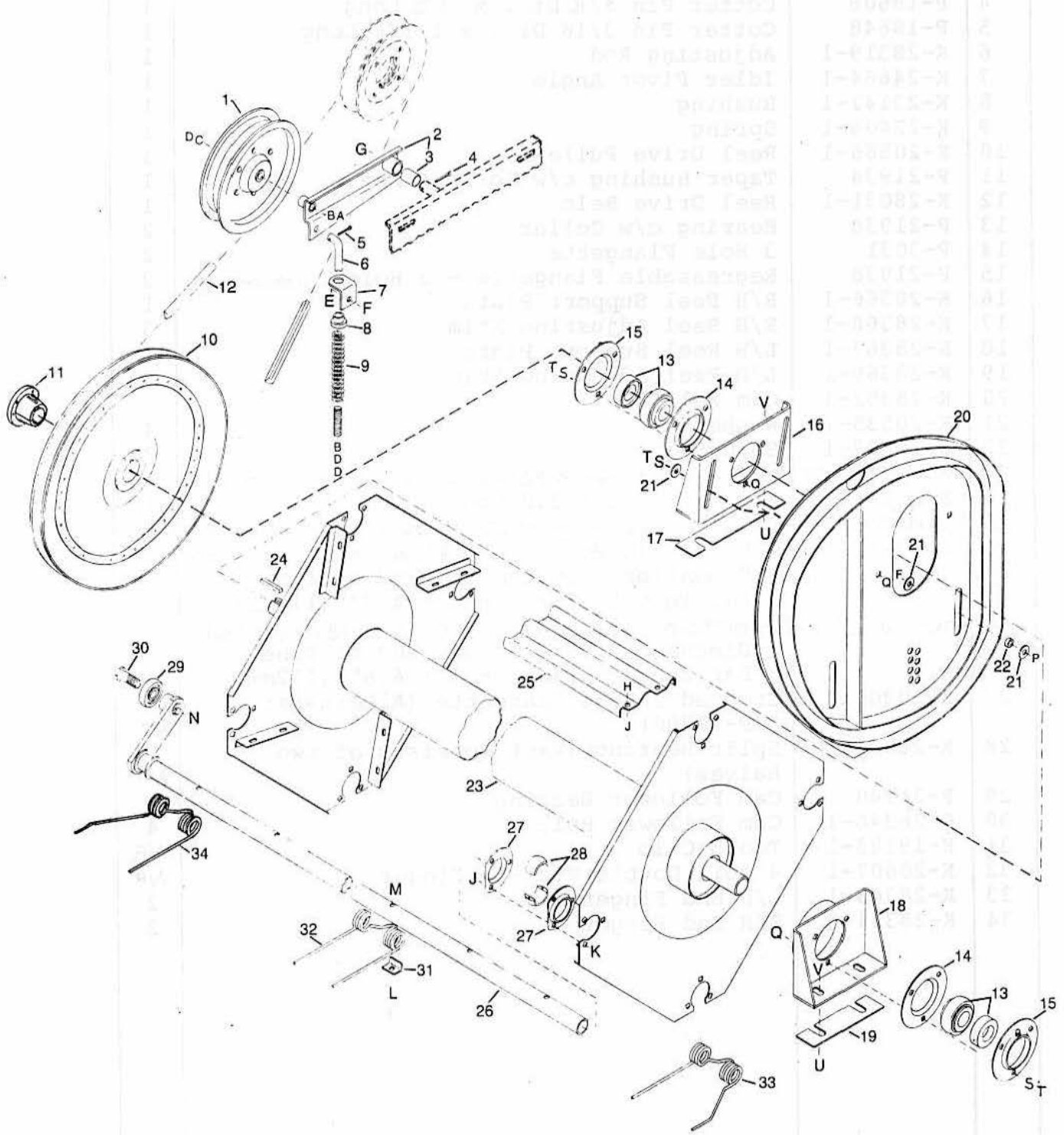


PART NO.	QTY.	DESCRIPTION
1	1	GEAR
2	1	SHAFT
3	1	SHAFT
4	1	SHAFT
5	1	SHAFT
6	1	SHAFT
7	1	SHAFT
8	1	SHAFT
9	1	SHAFT
10	1	GEAR
11	1	GEAR
12	1	SHAFT
13	1	BEARING
14	1	BEARING
15	1	BEARING
16	1	BRACKET
17	1	BRACKET
18	1	BRACKET
19	1	BRACKET
20	1	HOUSING
21	1	BEARING
22	1	BEARING
23	1	SHAFT
24	1	BRACKET
25	1	BRACKET
26	1	SHAFT
27	1	GEAR
28	1	BEARING
29	1	BRACKET
30	1	BRACKET
31	1	BRACKET
32	1	BRACKET
33	1	BRACKET
34	1	BRACKET

REEL & REEL DRIVE (AUGER HEADER)

REF.	PART NO.	DESCRIPTION	QTY.	SERIAL NUMBER
1	P-21862	Back-side Idler	1	
2	K-28309-2	Idler Arm c/w Bushing	1	
3	P-5447	Bronze Bushing	1	
4	P-18608	Cotter Pin 3/16 Dia. x 1 1/2 Long	1	
5	P-18648	Cotter Pin 3/16 Dia. x 1 1/4 Long	1	
6	K-28319-1	Adjusting Rod	1	
7	K-24664-1	Idler Pivot Angle	1	
8	K-23142-1	Bushing	1	
9	K-22405-1	Spring	1	
10	K-20566-1	Reel Drive Pulley	1	
11	P-21934	Taper Bushing c/w Bolts & Key	1	
12	K-28031-1	Reel Drive Belt	1	
13	P-21936	Bearing c/w Collar	2	
14	P-3031	3 Hole Flangette	2	
15	P-21938	Regreasable Flangette - 3 Hole (c/w Grease Ftg.)	2	
16	K-28366-1	R/H Reel Support Plate	1	
17	K-28368-1	R/H Reel Adjusting Shim	3	
18	K-28367-1	L/H Reel Support Plate	1	
19	K-28369-1	L/H Reel Adjusting Shim	3	
20	K-28352-1	Cam Weld't	1	
21	K-20535-1	Washer	4	
22	K-10627-1	Spacer	2	
23	REEL TUBE WELD'T.	K-28065-1: 12' Header/ K-28066-1: 14' Header/ K-28067-1: 16' Hdr.	1	
24	K-17194-1	Key 5/16 Sq. x 2.0 Long	1	
25	REEL BAT	K-28061-1: 12' Header/ K-28062-1: 14' Header/ K-28063-1: 16' Hdr.	4	
26	TINE BAR "A"	K-28071-1: 12' Header/ K-28072-1: 14' Header/ K-28073-1: 16' Hdr. Dimension from cam arm end of Tine Bar Tube to first hole: 4.7" (119mm)	2	
	TINE BAR "B"	K-28074-1: 12' Header/ K-28075-1: 14' Header/ K-28076-1: 16' Header Dimension from cam arm end of Tine Bar Tube to first hole: 6.8" (172mm)	2	
27	K-1090-1	Cropped 3-Hole Flangette (Alternate: P-21700)	A/R	
28	K-28038-1	Split Bearing (Part consists of two halves)	A/R	
29	P-21940	Cam Follower Bearing	4	
30	K-28346-1	Cam Follower Bolt	4	
31	K-19183-1	Tooth Clip	A/R	
32	K-20607-1	4 Coil Double Pick-Up Finger	A/R	
33	K-28343-1	L/H End Finger	2	
34	K-28344-1	R/H End Finger	2	

REEL & REEL DRIVE (AUGER HEADER)



REF.	PART NO.	DESCRIPTION
1	7-21882	Back-side flange
2	8-20202-2	Edler Arm w/ Bushing
3	8-2117	Bronze Bushing
4	9-11658	Locking Pin 3/16 Dia
5	9-11658	Locking Pin 3/16 Dia
6	8-21821-1	Adjusting Rod
7	8-21821-1	Edler Flange
8	8-21821-1	Edler Flange
9	8-21821-1	Edler Flange
10	8-21821-1	Edler Flange
11	8-21821-1	Edler Flange
12	8-21821-1	Edler Flange
13	8-21821-1	Edler Flange
14	8-21821-1	Edler Flange
15	8-21821-1	Edler Flange
16	8-21821-1	Edler Flange
17	8-21821-1	Edler Flange
18	8-21821-1	Edler Flange
19	8-21821-1	Edler Flange
20	8-21821-1	Edler Flange
21	8-21821-1	Edler Flange
22	8-21821-1	Edler Flange
23	8-21821-1	Edler Flange
24	8-21821-1	Edler Flange
25	8-21821-1	Edler Flange
26	8-21821-1	Edler Flange
27	8-21821-1	Edler Flange
28	8-21821-1	Edler Flange
29	8-21821-1	Edler Flange
30	8-21821-1	Edler Flange
31	8-21821-1	Edler Flange
32	8-21821-1	Edler Flange
33	8-21821-1	Edler Flange
34	8-21821-1	Edler Flange

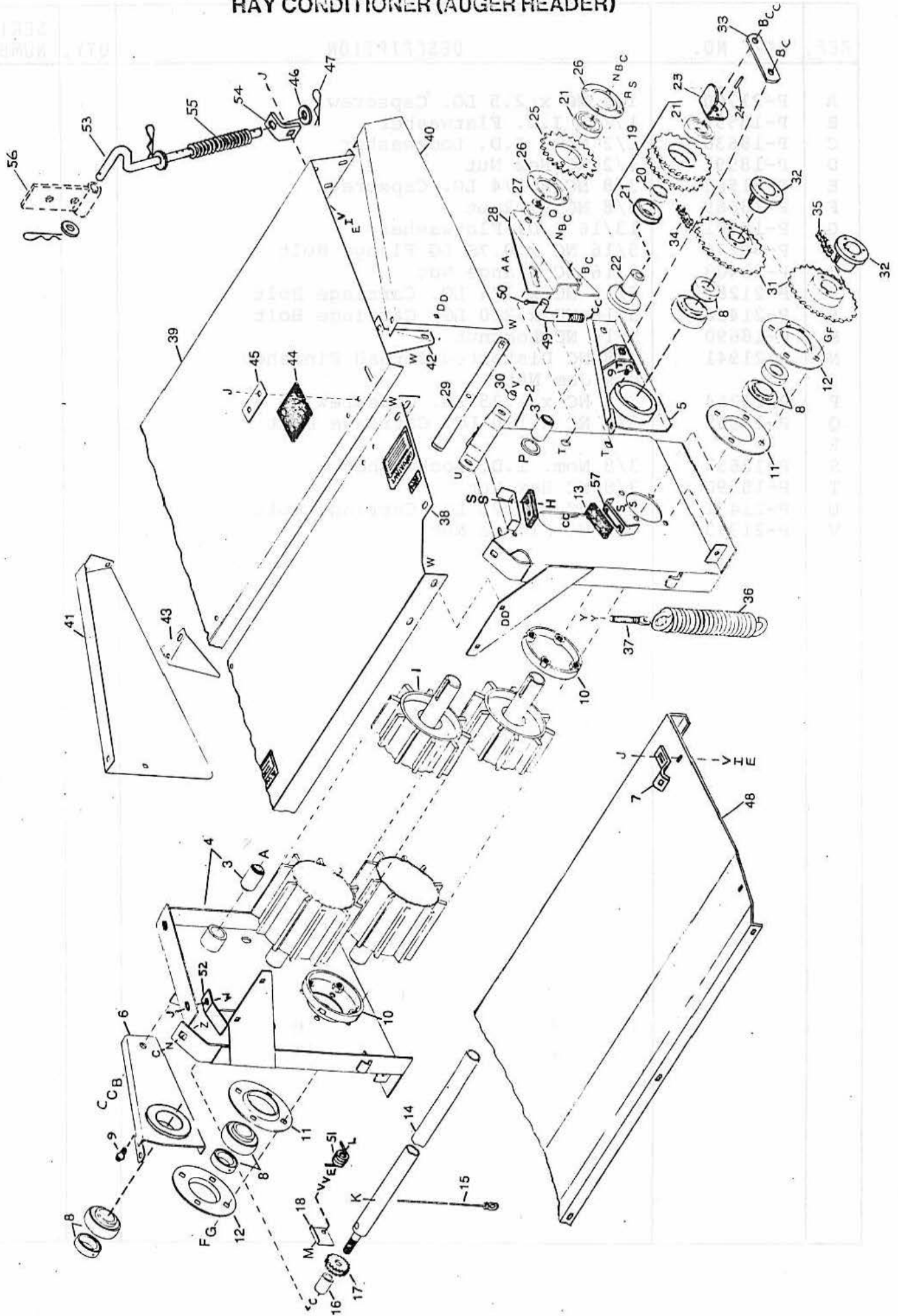


REEL & REEL DRIVE (AUGER HEADER)

REF.	PART NO.	DESCRIPTION	QTY.	SERIAL NUMBER
A	P-21760	1/2 NC x 2.5 LG. Capscrew		
B	P-18599	17/32 I.D. Flatwasher		
C	P-18638	1/2 Nom. I.D. Lockwasher		
D	P-18591	1/2 NC Hex Nut		
E	P-21567	3/8 NC x 3/4 LG. Capscrew		
F	P-18669	3/8 NC Locknut		
G	P-18601	13/16 I.D. Flatwasher		
H	P-30278	5/16 NC x 0.75 LG Flange Bolt		
J	P-21403	5/16 NC Flange Nut		
K	P-21281	5/16 NC x 3/4 LG. Carriage Bolt		
L	P-21480	5/16 NC x 2.0 LG. Carriage Bolt		
M	P-18690	5/16 NC Locknut		
N	P-21941	5/8 NC Distorted Thread Finished Hex Jam Nut		
P	P-21264	3/8 NC x 1.25 LG. Capscrew		
Q	P-19965	3/8 NC x 1.0 LG. Carriage Bolt		
R				
S	P-18637	3/8 Nom. I.D. Lockwasher		
T	P-18590	3/8 NC Hex Nut		
U	P-21471	1/2 NC x 1.25 LG. Carriage Bolt		
V	P-21383	1/2 NC Flange Nut		



# HAY CONDITIONER (AUGER HEADER)

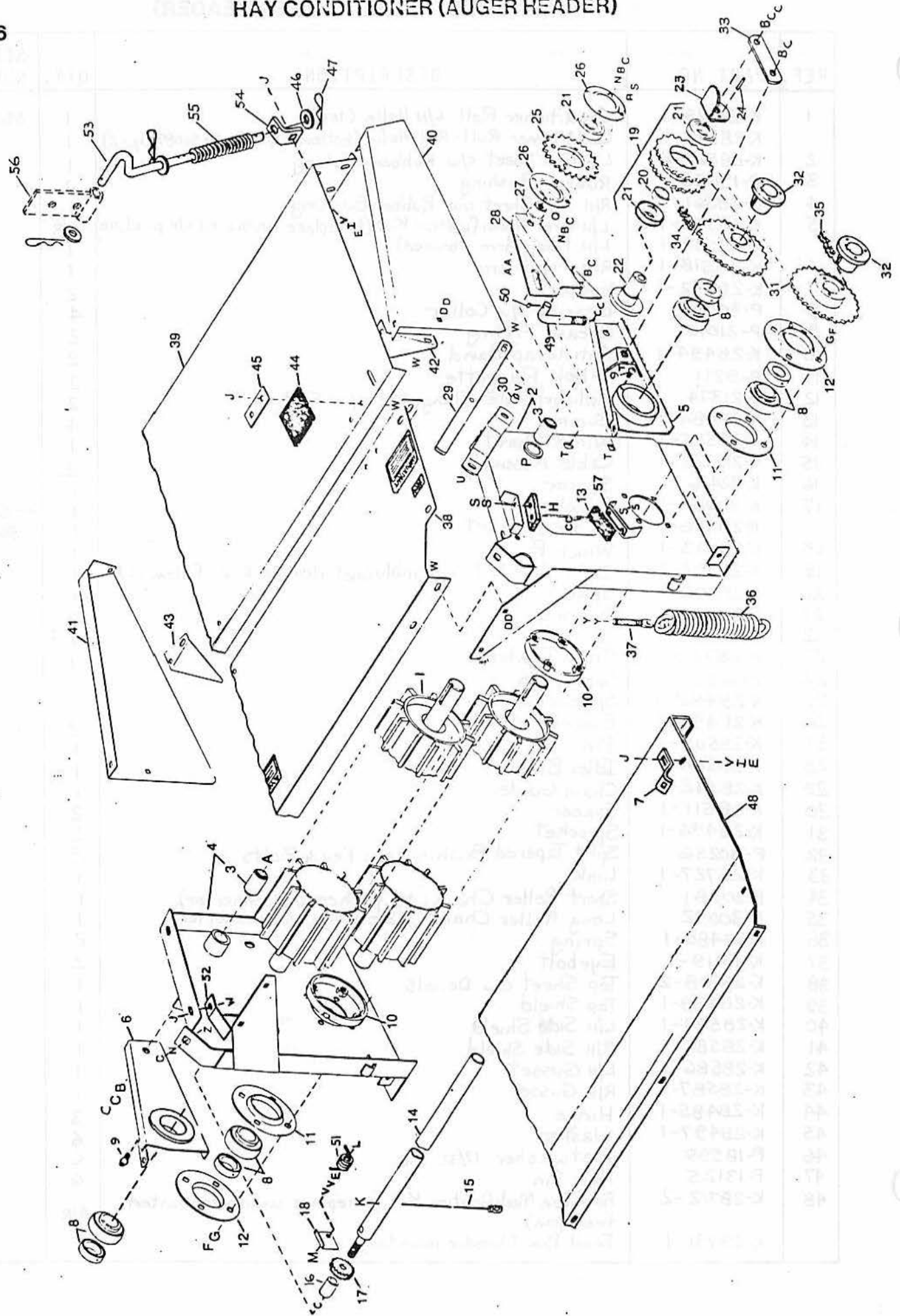


## HAY CONDITIONER (AUGER HEADER)

REF.	PART NO.	DESCRIPTION	QTY.	SERIAL NUMBER
1	K-28529-1	Conditioner Roll- L/H Helix (top)	1	56090 →
	K-28528-1	Conditioner Roll- R/H Helix (bottom) (up to Ser No 56089, qty.=2)	1	
2	K-28560-2	L/H End Sheet c/w Rubber Bushing	1	
3	P-13626	Rubber Bushing	2	
4	K-28561-2	R/H End Sheet c/w Rubber Bushing	1	
5	K-28517-1	L/H Arm Modification Kit (to replace un-braced L/H pivot arm)	A/R	
	K-28539-1	L/H Pivot Arm (braced)	1	
6	K-28518-1	R/H Pivot Arm	1	
7	K-28732-1	Support	2	
8	P-30031	Bearing c/w Collar	4	
9	P-21010	Grease Fitting	2	
10	K-28494-1	Anti-Wrap Band	2	
11	P-9211	4-Hole Flangette	2	
12	P-21374	Relubricable Flangette c/w Fitting	2	
13	K-28484-1	Bumper	4	
14	K-28525-1	Winch Shaft	1	
15	K-28575-1	Cable Assembly	2	
16	K-22416-1	Spacer	1	
17	K-20060-1	Sprocket	1	
	K-28506-1	Double Sprocket	1	← 56089 56090 →
18	K-28513-1	Winch Pawl	1	
19	K-28507-2	Idler Sprocket Assembly (incl. item 20 & 2 of item 21)	1	
20	K-28493-1	Spacer	1	
21	P-30090	Bearing	3	
22	K-28498-1	Spindle	1	
23	K-28728-1	Chain Tightener	1	
24	P-16061	Spring Pin	1	
25	K-28482-1	Sprocket	1	
26	K-28491-1	Bearing Retainer	2	
27	K-28505-1	Pin	1	
28	K-28504-1	Idler Bracket	1	
29	K-28512-1	Chain Guide	1	
30	K-28511-1	Spacer	2	
31	K-28496-1	Sprocket	2	
32	P-30256	Split Tapered Bushing c/w Key & Bolts	2	
33	K-28727-1	Link	1	
34	P-30091	Short Roller Chain (48 pitches c/w connector)	1	
35	P-30092	Long Roller Chain (122 pitches c/w connector)	1	
36	K-28480-1	Spring	2	
37	K-19119-1	Eyebolt	2	
38	K-28708-2	Top Sheet c/w Decals	1	
39	K-28488-1	Top Shield	1	
40	K-28584-1	L/H Side Shield	1	
41	K-28585-1	R/H Side Shield	1	
42	K-28586-1	L/H Gusset	1	
43	K-28587-1	R/H Gusset	1	
44	K-28485-1	Hinge	3	
45	K-28497-1	Washer	6	
46	P-18599	Flatwasher 17/32 I.D.	6	
47	P-13125	Hair Pin	6	
48	K-28712-2	Feed Pan Modification Kit (to replace conditioner mounted feed pan)	A/R	
	K-28731-1	Feed Pan (header mounted)	1	

# HAY CONDITIONER (AUGER HEADER)

16



## HAY CONDITIONER (AUGER HEADER)

REF.	PART NO.	DESCRIPTION	QTY.	SERIAL NUMBER
49	K-28574-1	Draw Bolt	1	56090 →
50	P-18648	Cotter Pin 3/16 dia. x 1 1/4 lg.	1	56090 →
51	K-28510-1	Torsion Spring	1	
52	K-28621-1	Bolt Stop	2	
53	K-28623-1	Rod	2	
54	K-28624-1	Support	2	
55	K-31084-1	Spring	2	
56		See Tractor Hydraulics, Page 26 Ref. #70		
57	K-28703-1	Shim	6	
A	P-19634	5/8 NC x 4-0 lg. Hex. Hd. Capscrew		
B	P-18639	5/8 Nom. I.D. Lockwasher		
C	P-18592	5/8 NC Hex Nut		
D	P-20078	3/8 NC x 1-75 lg. Hex. Hd. Capscrew		
E	P-18590	3/8 NC Hex Nut		
F	P-21575	1/2 NC x 1-0 lg. Hex Hd. Capscrew		
G	P-18638	1/2 Nom I.D. Lockwasher		
H	P-21282	5/16 NC x 1-0 lg. Carriage Bolt		
I	P-18637	3/8 Nom. I.D. Lockwasher		
J	P-19965	3/8 NC x 1-0 lg. Carriage Bolt		
K	P-21947	#10 x .63 lg. Hex Washer Head Type "A" Self-Tapping Screw		
L	P-21264	3/8 NC x 1-25 lg. Hex. Hd. Capscrew		
M	P-18669	3/8 NC Locknut		
N	P-18600	21/32 I.D. Flatwasher		
P	P-21591	5/8 NC x 7-5 lg. Hex. Hd. Capscrew		
Q	P-21087	5/16 NC x 1-0 lg. Hex. Hd. Capscrew		
R	P-18636	5/16 Nom. I.D. Lockwasher		
S	P-18589	5/16 NC Hex Nut		
T	P-18523	5/8 NC x 1-5 lg. Carriage Bolt		
U	P-21484	3/8 NC x 1-5 lg. Carriage Bolt		
V	P-18598	13/32 I.D. Flatwasher		
W	P-21452	3/8 NC Flange Nut		
X	P-18664	3/8 NC Jam Nut		
Y	P-18591	1/2 NC Hex Nut		
Z	P-18525	5/8 NC x 2-5 lg. Carriage Bolt		
AA	P-21587	5/8 NC x 2-0 lg. Hex. Hd. Capscrew		
BB	P-20077	3/8 NC x 1-0 lg. Hex Hd. Capscrew		
CC	P-21479	5/16 NC x 1-5 lg. Carriage Bolt		
DD	P-21863	3/8 NC x .75 lg. Short Square Neck Carriage Bolt		





**MacDon . . .** "cutting a wide swath towards  
more profitable farming."