

R80
**Rotary Disc Pull-Type Mower
Conditioner and Self-Propelled
Windrower Header**

Parts Catalog
169054 Revision C

R80 Rotary Disc Pull-Type Mower Conditioner and Self-Propelled Windrower Header



Published: April, 2015

NOTE:

Keep your MacDon publications up-to-date. The most current version can be downloaded from our website (www.macdon.com) or from our Dealer-only site (<https://portal.macdon.com>) (login required).

SUMMARY OF CHANGES – R80 (169054 REV. C)

For internal company use only.

Section	Summary of Change	As Per
<i>Cutterbar Assembly, page 4</i>	148009 superseded by 198300.	ECN 43659
	149863 and 150024 superseded by 236954 and 236955.	ECN 50101
	149439, 149437, 149438, and 149436 made service code 5; now serviced by 194570, 194568, 194569, and 194567.	ECN 43866
<i>Cutterbar, page 6</i>	Spindle assembly 150850 superseded by 198278 and gear 194176 replaced by 198516 (complete with key 198280).	ECN 45041
<i>SP Header Forming Shields, page 12</i>	Added B5225 to list; all service parts listed are part of B5225.	Tech. Pubs.
	Enlarged callouts P, Q, and R in upper-left corner of illustration.	
<i>Header Drives, page 16</i>	124540 superseded by 198329.	ECN 43665
	Corrected quantities for bearing 150853 and yoke 198329. Removed note #2.	Tech. Pubs.
	Added callouts 8 and 9 between callouts S and 36, updated illustration.	
<i>Suspended Rotary Cages Drives, page 24</i>	135416 superseded by 135363.	ECN 43950
<i>Carrier Assembly, page 32</i>	Corrected quantities of 149817 and 149818 from 2 to 0 for 16 ft and added 150656 and 150657.	Tech. Pubs.
	Corrected description of item #6 to include item #11, not item #9.	Parts
<i>Carrier Frame Components, page 34</i>	Replaced all 4 of 135235 with 103738 (7 total of 103738) and then replaced 3 of 103738 with 3 of 50022.	ECN 43679 ECN 45646
<i>Hitch Hydraulic Drive, page 42</i>	150048 and 194530 superseded by 146351 and 171277.	ECN 46945 ECN 49620
<i>Front Half Drivelines, page 46</i>	Added service parts for 3-point hitch drivelines.	Tech. Pubs.
	194350 superseded by 171277.	ECN 46945 ECN 49620
<i>Header Hydraulics & Electrical 16 FT – SP, page 62</i>	Rotated items #18–21 inboard 90°, updated illustration.	ECN 43543
	Added insulated clip 39272 (quantity of four for 16 ft, zero for 13 ft).	G150783
	149734 superseded by 198344, updated illustration.	ECN 43725
<i>Header Hydraulics & Electrical 13 FT – SP (M200), page 66</i>	149734 superseded by 198344, updated illustration.	ECN 43725
<i>Header Hydraulics & Electrical 13 FT – SP (M150), page 68</i>	149734 superseded by 198344, updated illustration.	ECN 43725
<i>Decals & Reflectors, page 72</i>	Removed 194521 as it was added to the 2-Panel Decals chapter. Refer to <i>2-Panel (Non-Text) Decals – CE (European) Units</i> , page 116.	Tech. Pubs.

SUMMARY OF CHANGES – R80 (169054 REV. C)

Section	Summary of Change	As Per
<i>Options, page 86</i>	Added "16 FT ONLY" to descriptions of B4896 and B4906. Removed 13 ft quantities for both B4896 and B4906.	Tech. Pubs.
	B4900 superseded by B5509. 148793 and 148958 replaced by 198491 and 198492 in B5509, updated illustration.	ECN 43958
<i>Options, page 90</i>	Added new section for B5647 (grass seed cradle conversion kit)	ECN 50430
<i>Converging Drums – Grass Seed, page 92</i>	Added note to refer to <i>Cutterbar & Rolls Assembly, page 14</i> , for location of nut Q (MD #135367).	Tech. Pubs.
<i>Suspended Drives – Grass Seed, page 96</i>	135416 superseded by 135363.	ECN 43950
<i>16 Ft Grass Seed to Hay Conversion Kit, page 102</i>	Created new sections for B5646 (16 ft grass seed to hay conversion kit). Refer to pages 104–113 for service parts.	ECN 46351 ECN 47226
<i>Numerical List, page 118</i>	Updated numerical index.	Tech. Pubs.
<i>Suggested Stocking List, page 124</i>	Replaced superseded parts with new.	Tech. Pubs.

R80 Rotary Disc Pull-Type Mower Conditioner and Self-Propelled Windrower Header PARTS CATALOG

<u>CONTENTS</u>	<u>PAGE</u>
Index - Alphabetical	2
Abbreviations & Serial Number Breaks	3
Cutterbar Assembly	4, 5
Cutterbar	6, 7
Conditioner and Crop Lifting Roll Assembly	8, 9
Pull-Type Forming Shields	10, 11
SP Header Forming Shields	12, 13
Cutterbar & Rolls Assembly	14, 15
Header Drives	16–19
Header Drive Gearbox	20, 21
Crop Lift Roll Drive Idler Assembly	22, 23
Suspended Rotary Cages Drives	24, 25
Header Front Shields	26, 27
Header Rear Shields	28, 29
Self-Propelled Configuration	30, 31
Carrier Assembly	32, 33
Carrier Frame Components	34, 35
Carrier Springs	36, 37
Articulating Hitch Hydraulic Drive	38–43
Articulating Hitch Drive Gearbox	44, 45
Front Half Drivelines	46, 47
Articulating Hitch Hydraulics & Electrical	48–59
Articulating Hitch Assembly	60, 61
Header Hydraulics & Electrical 16 Ft – SP	62–65
Header Hydraulics & Electrical 13 Ft – SP (M200)	66, 67
Header Hydraulics & Electrical 13 Ft – SP (M150)	68, 69
Lift Boots	70, 71
Decals, Reflectors & Paint	72, 73
Product Identification Decals	74, 75
Mechanical Header Angle	76, 77
Hydraulic Header Angle Kit	78, 79
Drawbar Hitch	80, 81
Temporary Transport Hitch	82, 83
3-Point Hitch Linkage	84, 85
Options:	
Shoe Lift, Gauge Rollers, Tall Crop Dividers, Feed Assisting Plates, Adjustable Shoes, Accelerators, Pulltype Drive Pressure Gauge, Grass Seed Cradle Conversion	86–91
Grass Seed:	
Converging Drums	92, 93
Drive Drum Hydraulics	94, 95
Suspended Drive Drums	96, 97
Forming Rods	98, 99
Tall Crop Transition Shield	100, 101
16 Ft Grass Seed to Hay Conversion	102–113
CE (European Unit) Special Components	
Tool Operated Shield Latches	114, 115
2-Panel (Non-Text) Decals	116, 117
NUMERICAL LIST	118–123
SUGGESTED STOCKING LIST	124

BOLD TEXT IS USED TO INDICATE UPDATES MADE AT THE CURRENT REVISION LEVEL.

ALPHABETICAL INDEX

<u>A</u>		<u>H</u>	
Accelerators.....	86	Header Drive Gearbox.....	20
Adjustable Shoes.....	86	Header Drives.....	16
Articulating Hitch Assembly.....	60	Header Hydraulics & Electrical 13 Ft–SP (M150)..	68
Articulating Hitch Drive Gearbox	44	Header Hydraulics & Electrical 13 Ft–SP (M200)..	66
Articulating Hitch Hydraulic Drive	38	Header Hydraulics & Electrical 16 Ft – SP	64
Articulating Hitch Hydraulics & Electrical.....	48	Header Shields, Front.....	26
<u>C</u>		Header Shields, Rear	28
Carrier Assembly.....	32	Hitch Assembly	60
Carrier Frame Components.....	34	Hitch Drive Gearbox	44
Carrier Springs	36	Hitch Linkage – 3-Point.....	84
Conditioner and Crop Lifting Roll Assembly	8	Hydraulic Header Angle Kit.....	78
Converging Drum, Grass Seed	92	Hydraulics – Drive Drum, Grass Seed.....	92
Crop Lift Roll Drive Idler Assembly.....	22	<u>L</u>	
Cutterbar.....	6	Lift Boot.....	70
Cutterbar & Rolls Assembly.....	14	<u>M</u>	
Cutterbar Assembly	4	Mechanical Header Angle.....	76
<u>D</u>		<u>P</u>	
Decals & Reflectors	72	Product Identification Decals	74
Decals – 2-Panel (CE Units).....	102	Pull-Type Forming Shields.....	10
Decals – Product Identification	74	<u>S</u>	
Drawbar Hitch.....	80	Self-Propelled Configuration.....	30
Drive Drum Hydraulics, Grass Seed.....	94	Shoes – Adjustable.....	86
Drive Pressure Gauge	88	Shoe Lift.....	86
Drivelines, Front Half	46	SP Header Forming Shields	12
<u>F</u>		Suspended Drive Drums.....	96
Frame Components – Carrier.....	34	Suspended Rotary Cages Drives	24
Feed Assisting Plates	86	<u>T</u>	
Forming Rods	98	Tall Crop Dividers	86
<u>G</u>		Temporary Transport Hitch	82
Gauge Rollers.....	86	Tool Operated Shield Latches (CE Units).....	114
		Transition Shield, Tall Crop – Grass Seed	100

ABBREVIATIONS

A/R – as required (quantity varies)

GS – grass seed

I.D. – inside diameter

LH – left-hand (determined from Operator's position, facing forward)

NC – national coarse thread

NF – national fine thread

NSS – not serviced separately

O.D. – outside diameter

OPT – optional

PT – pull type (mower conditioner)

REF – reference, part number called up elsewhere in catalog

RH – right-hand (determined from Operator's position, facing forward)

S.N. – serial number

SP – self-propelled (windrower) header

SERIAL NUMBER BREAKS

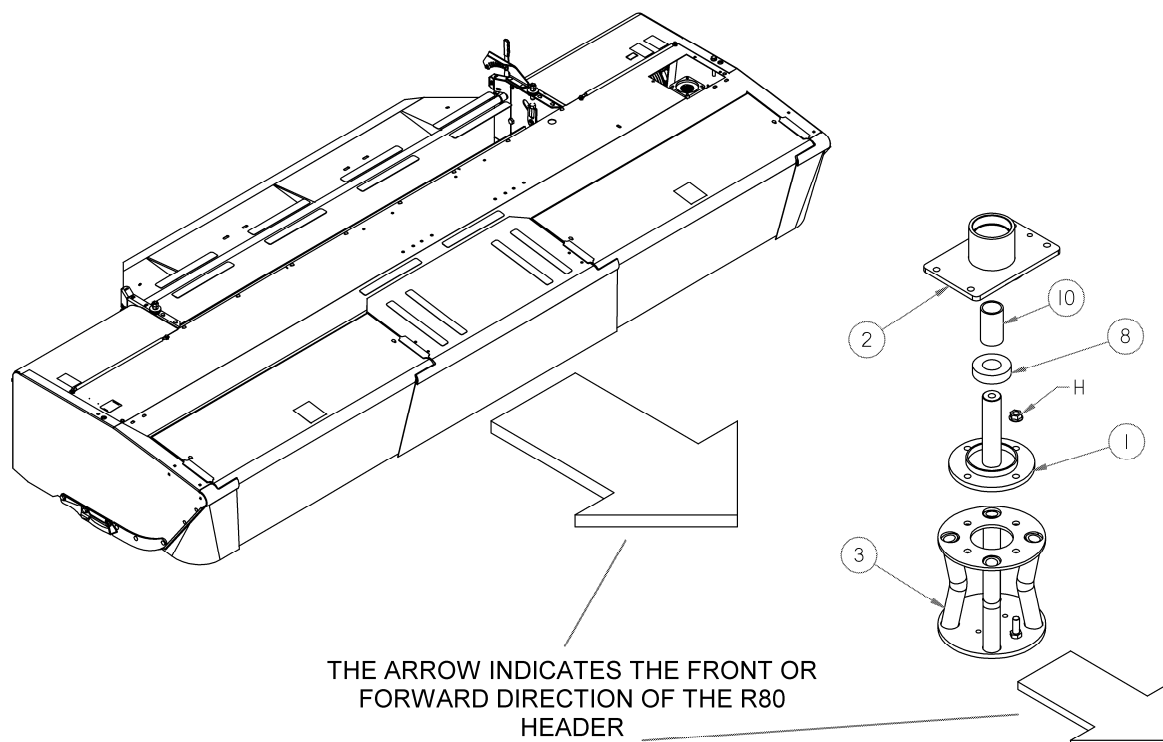
The side of the serial number on which the dash (–) appears determines whether the part is used "up to" or "after" the serial number given.

Example: –162249 Used on machines up to and including serial number 166249.
 166250– Used on machines including and after serial number 166250.

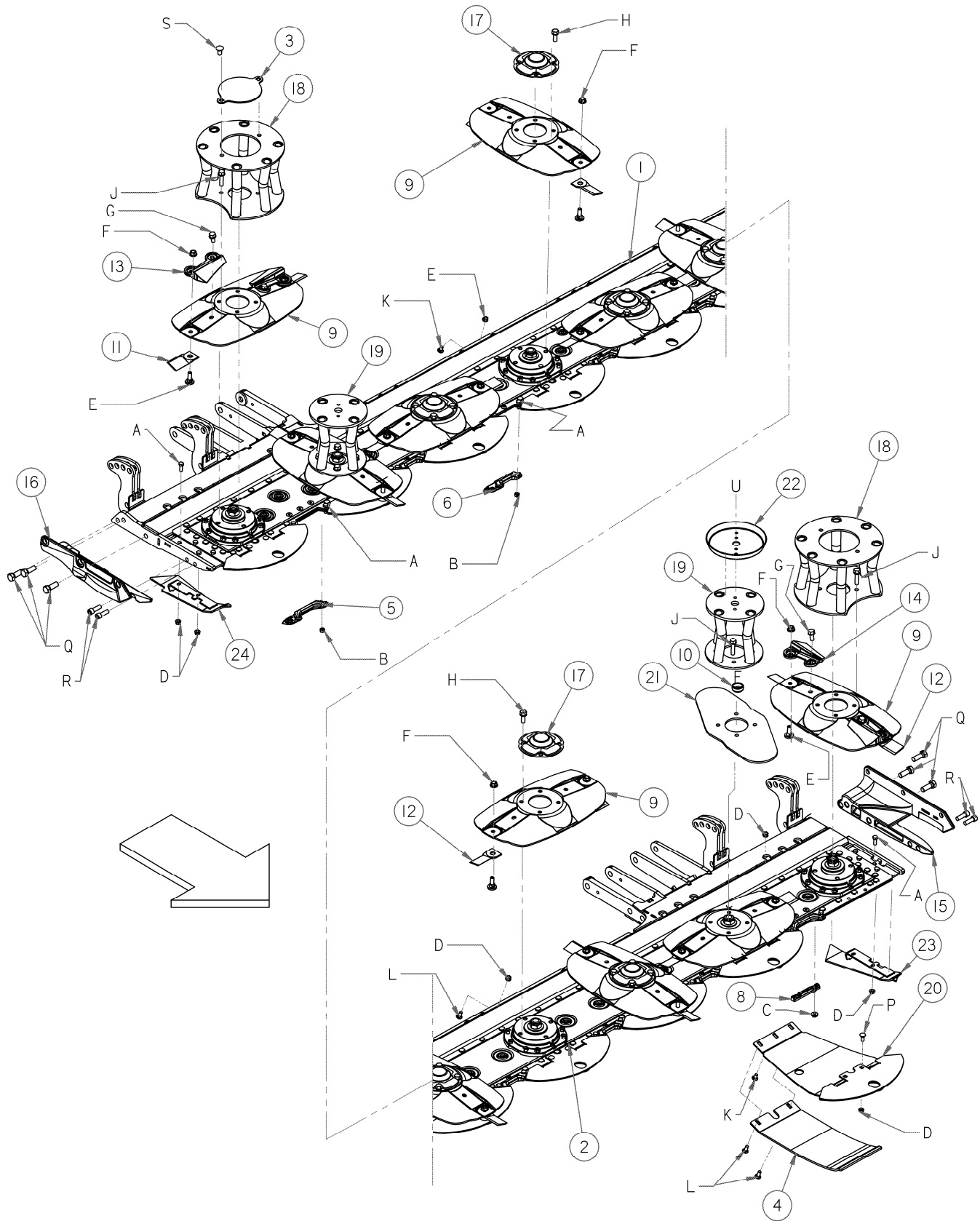
NOTE:

When ordering, be sure the complete and proper part number is given. Some parts vary with header size; be sure you are ordering the correct part number for your unit.

In this catalog, right-hand (RH) and left-hand (LH) are determined from the Operator's seated driving position in the tractor or windrower cab. An arrow is sometimes used in illustrations to indicate forward position as shown below.



CUTTERBAR ASSEMBLY

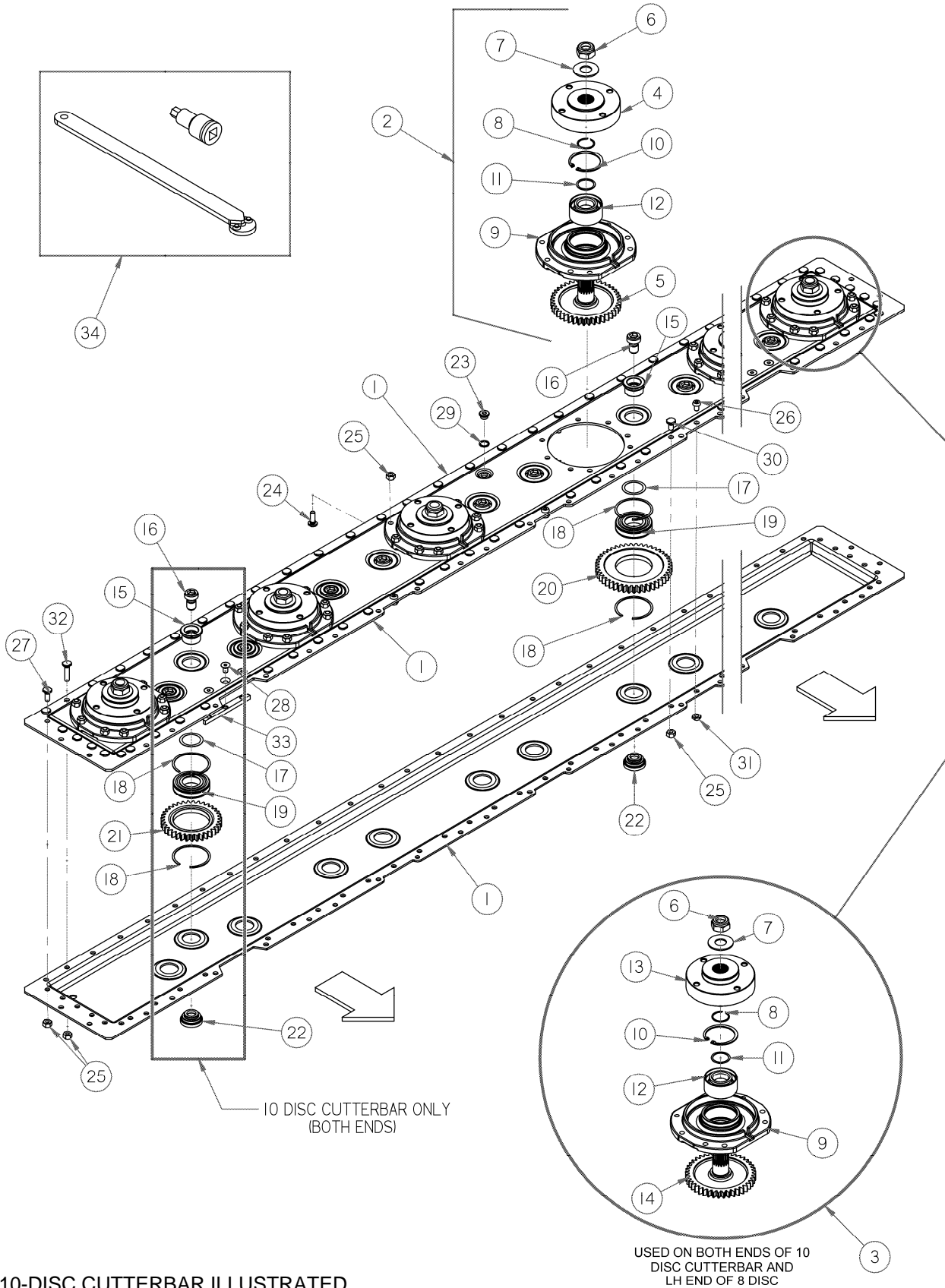


10-DISC CUTTERBAR ILLUSTRATED
SEE LIST FOR 8-DISC CUTTERBAR PARTS

CUTTERBAR ASSEMBLY

REF	PART NUMBER	DESCRIPTION	QTY		SERIAL NUMBER
			16FT	13FT	
1	149005	SUPPORT – CUTTERBAR CRADLE WELDT, 16 FT	1	-	-185859
	194347	SUPPORT – CUTTERBAR CRADLE WELDT, 16 FT	1	-	185860–
	148087	SUPPORT – CUTTERBAR CRADLE WELDT, 13 FT	-	1	-185859
	194388	SUPPORT – CUTTERBAR CRADLE WELDT, 13 FT	-	1	185860–
2	149012	CUTTERBAR ASSEMBLY 16 FT – 10 DISC	1	-	
	198300	KIT – 13 FT CUTTERBAR, SERVICE (See Note 1)	-	1	
3	150730	PLATE (13 FT Only)	-	1	
4	148496	PLATE – SKID	10	8	
5	149977	NOTCH GUARD – WIDE	2	-	
6	149766	GUARD – NARROW	7	7	
8	194072	PLATE	10	8	
9	148730	DISC – WELDT	10	8	
10	148646	SHIELD – NUT (qty 13 FT and 16 FT regular = 16 for 2008 and prior)	GS	GS	GS=12
11	194570	BLADE – CCW-47 X 108 X 4 X 18° BEVEL DOWN (BOX OF 25)	10	8	
	194568	BLADE – CCW-47 X 108 X 4 X 11° BEVEL UP (BOX OF 25).....	OPT	OPT	
12	194569	BLADE – CW-47 X 108 X 4 X 18° BEVEL DOWN (BOX OF 25).....	10	8	
	194567	BLADE – CW-47 X 108 X 4 X 11° BEVEL UP (BOX OF 25)	OPT	OPT	
13	150734	ACCELERATOR – CCW	10	8	GS=4
14	150413	ACCELERATOR – CW	10	8	GS=4
15	236954	SUPPORT – CRADLE, LH	1	1	
16	236955	SUPPORT – CRADLE, RH.....	1	1	
17	148735	COVER.....	6	6	
18	150682	DEFLECTOR – DRIVEN, CAGE	2	2	
19	150727	DEFLECTOR – DRIVEN (16 FT ONLY)	2	-	
20	148494	GUARD – ROCK WELDT	10	8	
21	148220	PLATE – TALL CROP FEED – 16 FT (See Note 2).....	2	-	
22	194162	PLATE – TOP (16 FT Only).....	2	-	
23	194390	SHOE – LH WELDMENT	1	1	
24	194391	SHOE – RH WELDMENT	1	1	
	194496	SHOE REPAIR KIT (Includes LH And RH Shoes, welding required).....	A/R	A/R	-185859
A	20077	BOLT – HEX HD 3/8 NC X 1.0 LG GR 5 ZP			
B	135511	NUT – CENTER LOCK .375-16 UNC GR 5 ZP			
C	50101	NUT – FLG LOCK PREV TORQUE SM FACE M10-1.5			
D	30228	NUT – FLANGE DT SMOOTH FACE 0.375-16 UNC			
E	148644	BOLT – SHOULDER, BLADE PIVOT			
F	148645	NUT – FLANGE, STOVER LOCK, M12			
G	148800	BOLT – HH FLANGE M12 X 1.75 X 25 LG ZP			
H	148798	BOLT – HH FLANGE M12 X 1.75 X 30 LG ZP			
J	148799	BOLT – HH FLANGE M12 X 1.75 X 45 LG ZP			
K	21472	BOLT – RHSN 3/8 NC X 0.75 GR 5 ZP			
L	19965	BOLT – RHSN 3/8 NC X 1.0 GR 5 ZP			
M	21470	BOLT – RHSN 3/8 NC X 2.0 LG GR 5 ZP			
P	100456	BOLT – RHSSN 3/8 NC X 1.0 GR 5 ZP			
Q	21583	BOLT – HH 5/8 NC X 1.75 LG GR 5 ZP WITH PATCH			
R	135686	BOLT – SOCKET HD 1/2 NC X 1.5 GR 8 ZP			
S	21868	BOLT – RHSSN 1/2 NC X 1.0 GR 5 ZP			
T	50186	NUT – FLANGE LOCK SM FACE DT 0.500-13 UNC GR 5			
U	21975	BOLT – FLANGE HD 3/8 NC x 1.0 GR 5 ZP			
		NOTE:			
		1. Use kit MD #198300 to service MD #148009 cutterbars.			
		2. Two tall crop feed plates (MD #148220) are shipped with the 16 ft. stored at the RH end panel.			

CUTTERBAR



10 DISC CUTTERBAR ONLY
(BOTH ENDS)

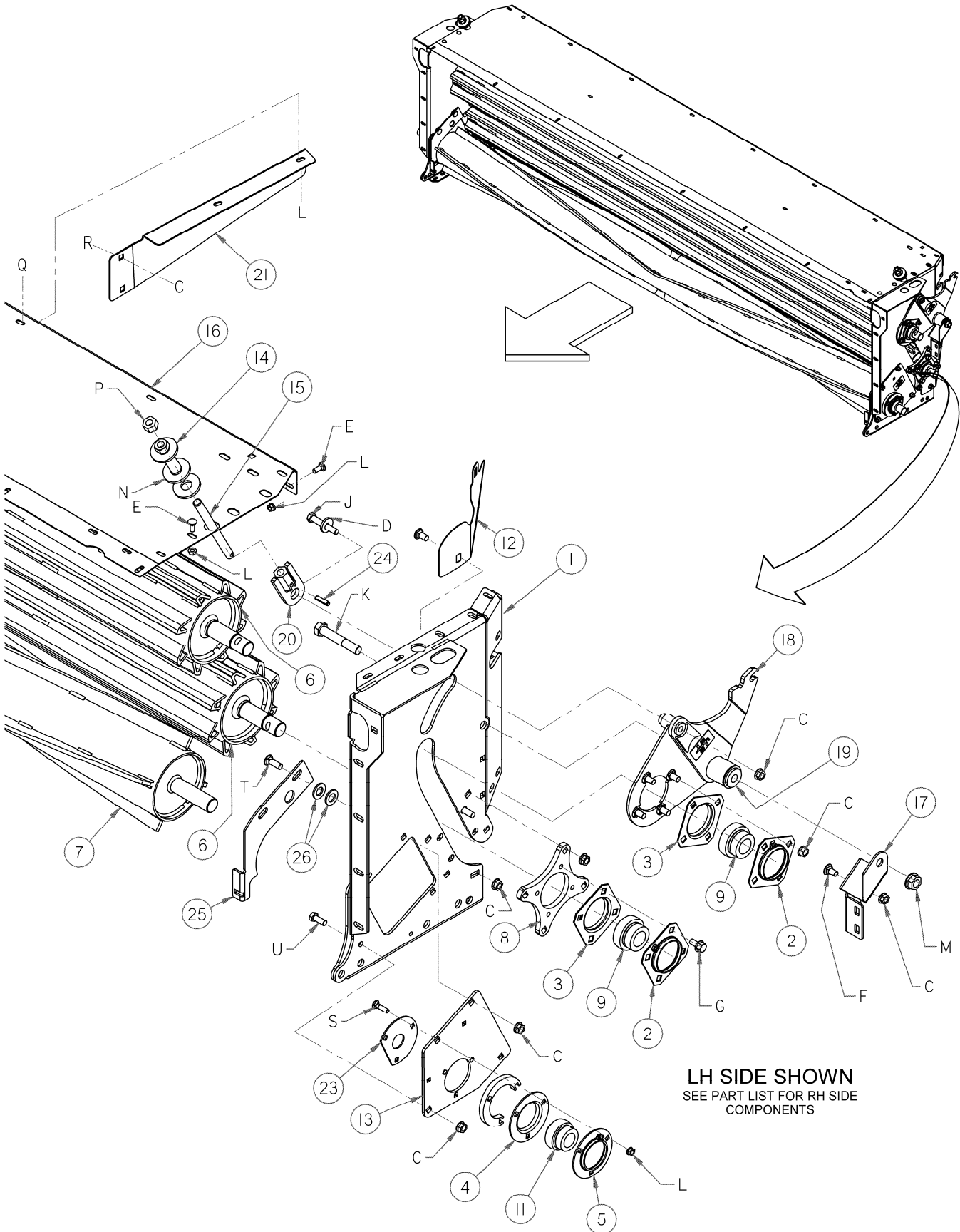
USED ON BOTH ENDS OF 10
DISC CUTTERBAR AND
LH END OF 8 DISC

10-DISC CUTTERBAR ILLUSTRATED
SEE LIST FOR 8-DISC CUTTERBAR PARTS

CUTTERBAR

REF	PART NUMBER	DESCRIPTION	QTY		SERIAL NUMBER
			16FT	13FT	
1	NSS	CUTTERBED – COVER.....	1	1	
2	150849	SPINDLE ASSEMBLY, SHORT (Includes items #4–12).....	8	7	
3	198278	SPINDLE ASSEMBLY, TALL C/W KEY (Incl. items #6–14)	2	1	
4	NSS	FLANGE – SPINDLE, SHORT	8	7	
5	194175	GEAR – SPINDLE, SHORT	8	1	
6	150842	LOCKNUT	10	8	
7	150837	BELLEVILLE SPRING.....	10	8	
8	150845	SNAP RING.....	10	8	
9	NSS	MOUNTING – SPINDLE	10	8	
10	150844	SNAP RING.....	10	8	
11	150832	SPACER.....	10	8	
12	150838	BEARING	10	8	
13	NSS	FLANGE – SPINDLE, TALL	2	1	
14	198516	GEAR – SPINDLE, TALL	2	1	
	198280	KEY – SPINDLE SHEAR (NOT ILLUSTRATED)			
15	150834	PIN	20	14	
16	150828	BOLT	20	14	
17	150826	SHIM	40	28	
18	150829	SNAP RING.....	40	28	
19	150833	BEARING	20	14	
20	150852	GEAR ASSEMBLY, 45T (Includes item #19)	14	14	
21	150851	GEAR ASSEMBLY, 35T (Includes item #19)	6	-	
22	150835	PIN	20	14	
23	150830	PLUG.....	4	3	
24	150827	SCREW	80	64	
25	150840	HEX. NUT.....	191	153	
26	150839	BOLT	7	7	
27	150831	SCREW	39	31	
28	150847	BOLT	6	-	
29	150843	BOLT WASHER	4	3	
30	150846	SCREW	52	42	
31	150841	HEX NUT.....	7	7	
32	150836	SCREW.....	20	16	
33	150848	BAR – TAPPED.....	2	-	
34	B4905	KIT – CUTTERBAR REPAIR TOOL (Kits available through Whole Goods only)			

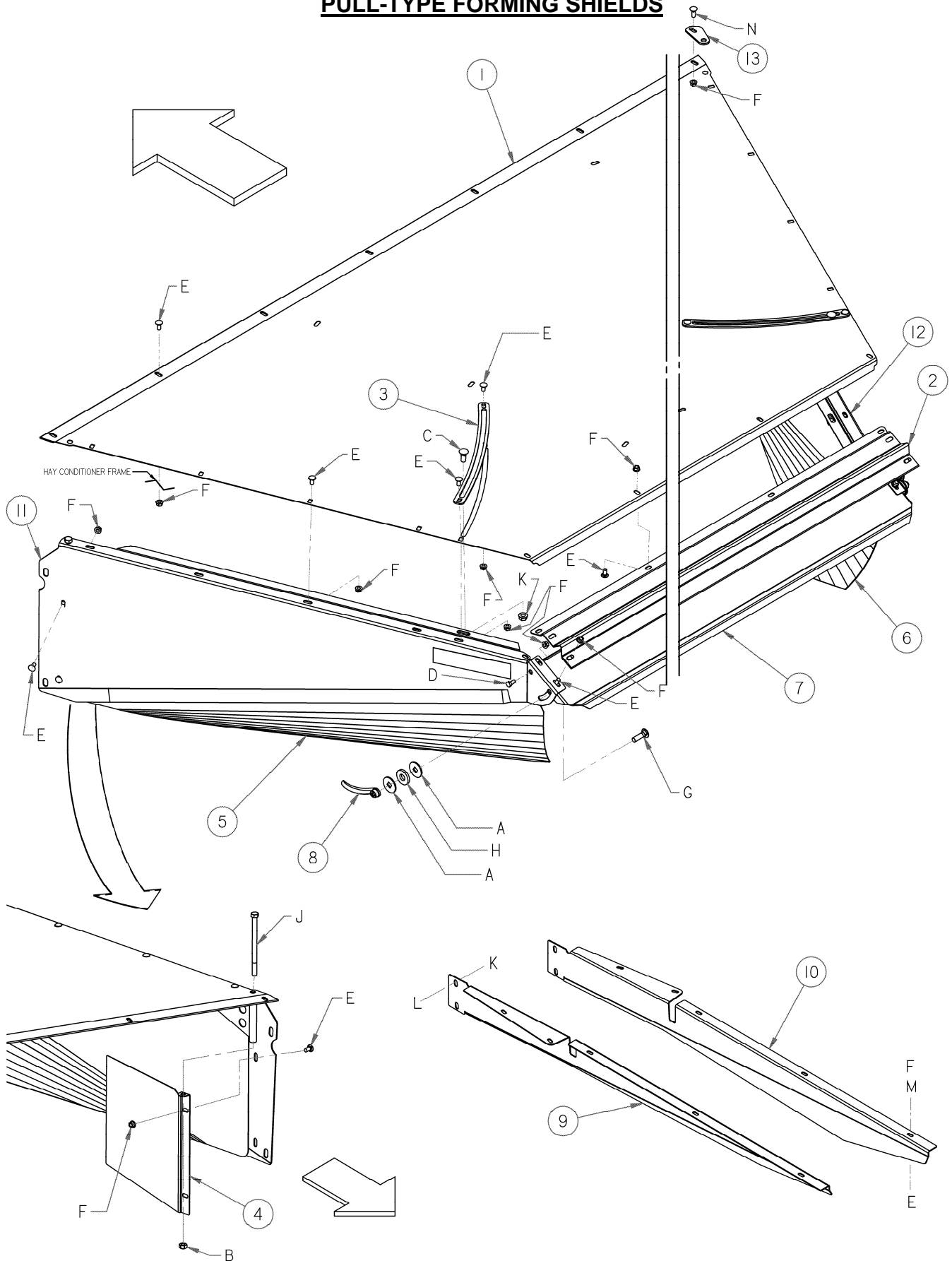
CONDITIONER & CROP LIFTING ROLL ASSEMBLY



CONDITIONER & CROP LIFTING ROLL ASSEMBLY

REF	PART NUMBER	DESCRIPTION	QTY		SERIAL NUMBER
			16FT	13FT	
1	NSS	ASSEMBLY – COND. PANEL.....	-	-	
2	30575	FLANGE.....	4	4	
3	30576	FLANGE.....	4	4	
4	30602	FLANGE.....	2	2	
5	30603	FLANGE.....	2	2	
6	149038	ROLL WELDT, BALANCED.....	2	2	
	194443	SHAFT WELDMENT – LH.....	2	2	
	194444	SHAFT WELDMENT – RH.....	2	2	
7	150697	ROLL – CROP LIFTING, BALANCED.....	1	1	
	150527	SHAFT – LH SUB-WELDT.....	1	1	
	150529	SHAFT – RH SUB-WELDT.....	1	1	
8	149675	PLATE – MACHINING.....	2	2	
9	149950	BEARING – SPH OD CW COLLAR 1.5 IN. BORE.....	4	4	
11	150438	BEARING – BALL SPH OD CW LC (1 3/8 IN. BORE).....	2	2	
12	150759	SHIELD – LH.....	1	1	-185859
	194359	SHIELD – LH.....	1	1	185860-
	150760	SHIELD – RH.....	1	1	-185859
	194360	SHIELD – RH.....	1	1	185860-
13	150542	PLATE – ROLL MOUNT.....	2	2	
14	194426	STOP – CONDITIONER ROLL WELDT.....	2	2	
15	194430	STUD.....	2	2	
16	150549	COVER – CONDITIONER, ROTARY.....	1	1	
17	150565	SUPPORT – LH.....	1	1	
	150566	SUPPORT – RH.....	1	1	
18	150949	ARM – LH C/W BUSHING, DECAL.....	1	1	
	150950	ARM – RH C/W BUSHING, DECAL.....	1	1	
19	149342	BUSHING.....	2	2	
20	194428	PIVOT – ROLL ADJUSTMENT.....	2	2	
21	150938	SUPPORT – LH, SP HEADER ONLY.....	1	1	
	150939	SUPPORT – RH, SP HEADER ONLY.....	2	2	
22	194340	PLATE – BEARING SHIELD, OUTER.....	2	2	
23	194341	PLATE – BEARING SHIELD, INNER.....	2	2	
24	103886	PIN – ROLL.....	2	2	
25	194336	ANGLE – SHIELD, LH.....	1	1	
	194344	ANGLE – SHIELD, LH.....	1	1	
26	18601	WASHER – FLAT.....	8	8	
A	21066	BOLT – RHSN 1/2 NC X 1 GR 5 ZP			
B	21471	BOLT – RHSN 1/2 NC X 1.25 GR 5 ZP			
C	50186	NUT – FLANGE LOCK SM FACE DT 0.500-13 UNC GR 5			
D	4761	WASHER – FLAT			
E	19965	BOLT – RHSN 3/8 NC X 1.0 GR 5 ZP			
F	21066	BOLT – RHSN 1/2 NC X 1 GR 5 ZP			
G	21449	BOLT – HH FLG (SERR FACE) 1/2 NC X 1.0 GR 5 ZP			
H	21471	BOLT – RHSN 1/2 NC X 1.25 GR 5 ZP			
J	21560	BOLT – HH 1/2 NC X 3.0 LG GR 5 ZP			
K	21733	BOLT – HH 3/4 NC X 4.5 LG GR 5 ZP			
L	30228	NUT – FLANGE DT SMTH FACE 0.375-16 UNC			
M	135367	NUT – FLANGE DT SMTH FACE 0.75-10 UNC GR. G			
N	150224	WASHER – PLASTIC			
P	18593	NUT – HEX 3/4-10 UNC GR 5 ZP			
Q	21863	BOLT – RHSSN 3/8 NC X 3/4 GR 5 ZP			
R	21868	BOLT – RHSSN 1/2 NC X 1 GR 5 ZP			
S	21484	BOLT – RHSN 3/8 NC X 1.5			
T	21469	BOLT – RHSN 1/2 NC X 1.5			
U	21491	BOLT – HH 1/2 NC x 1.25 GR 5 ZP			

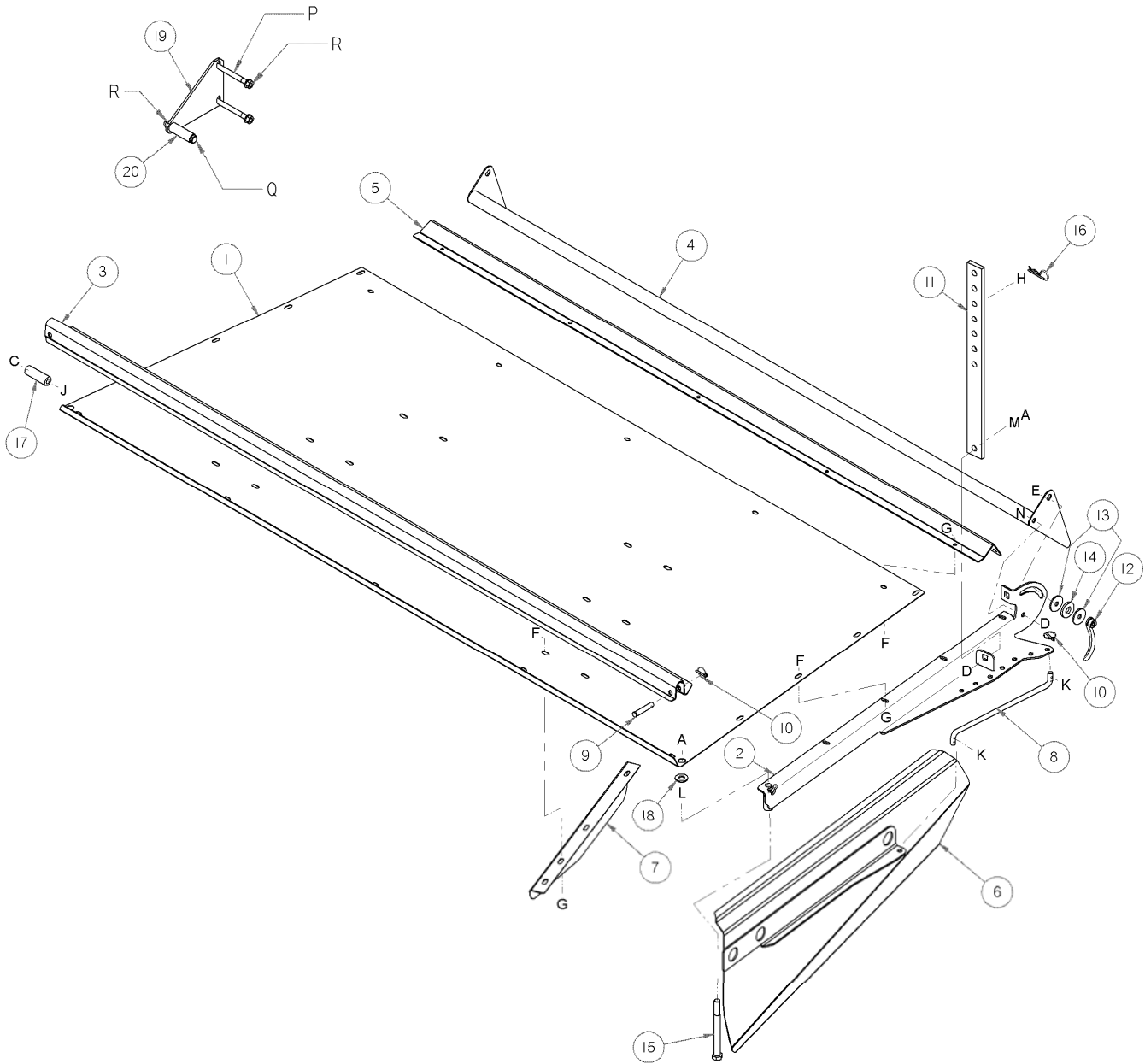
PULL-TYPE FORMING SHIELDS



PULL-TYPE FORMING SHIELDS

REF	PART NUMBER	DESCRIPTION	QTY		SERIAL NUMBER
			16FT	13FT	
1	148718	COVER – TOP FORMING SHIELD	1	1	
2	149857	DEFLECTOR – REAR.....	1	1	
3	150488	PLATE	2	2	
4	148893	DEFLECTOR – LH FRONT.....	1	1	
	148900	DEFLECTOR – RH FRONT	1	1	
5	148956	DEFLECTOR – LH SIDE, INNER	1	1	
6	148859	DEFLECTOR – RH SIDE, INNER.....	1	1	
7	149777	BAFFLE.....	1	1	
8	149317	HANDLE.....	4	4	
9	149176	DEFLECTOR – FIN, LH.....	1	1	
10	149184	DEFLECTOR – FIN, RH.....	1	1	
11	150626	DEFLECTOR – LH SIDE, OUTER C/W REFLECTOR	1	1	
12	150627	DEFLECTOR – RH SIDE, OUTER C/W REFLECTOR	1	1	
13	194425	PLATE – REINFORCEMENT.....	2	2	
A	150151	WASHER – FLAT, 14 MM SQ HOLE, 47 MM O.D., 3 MM THK			
B	18697	NUT – HEX LOCK DT .500-13 UNC			
C	21471	BOLT – RHSN 1/2 NC X 1.25 GR 5 ZP			
D	21567	BOLT – HEX HD .375-16 UNC X 0.75 LG			
E	21863	BOLT– RHSSN 3/8 NC X 0.75 LG GR 5 ZP			
F	30228	NUT – FLANGE DT SMOOTH FACE 0.375-16 UNC			
G	30515	BOLT – RHSN 1/2 NC X 1.75 LG GR 5 ZP			
H	42045	WASHER – RUBBER, 20 MM I.D., 45 MM O.D., 6.4 MM THK			
J	50009	BOLT – HH 1/2 NC X 7.0 LG GR 5 ZP			
K	50186	NUT – FLANGE LOCK SM FACE DT 0.500-13 UNC GR 5			
L	21868	BOLT – RHSN 1/2 NC X 1.0 GR 5 ZP			
M	180207	WASHER – FLAT, 10 MM I.D., 32 MM O.D., 3 MM THK			
N	19965	BOLT – RHSN 3/8 NC X 1.0 GR 5 ZP			

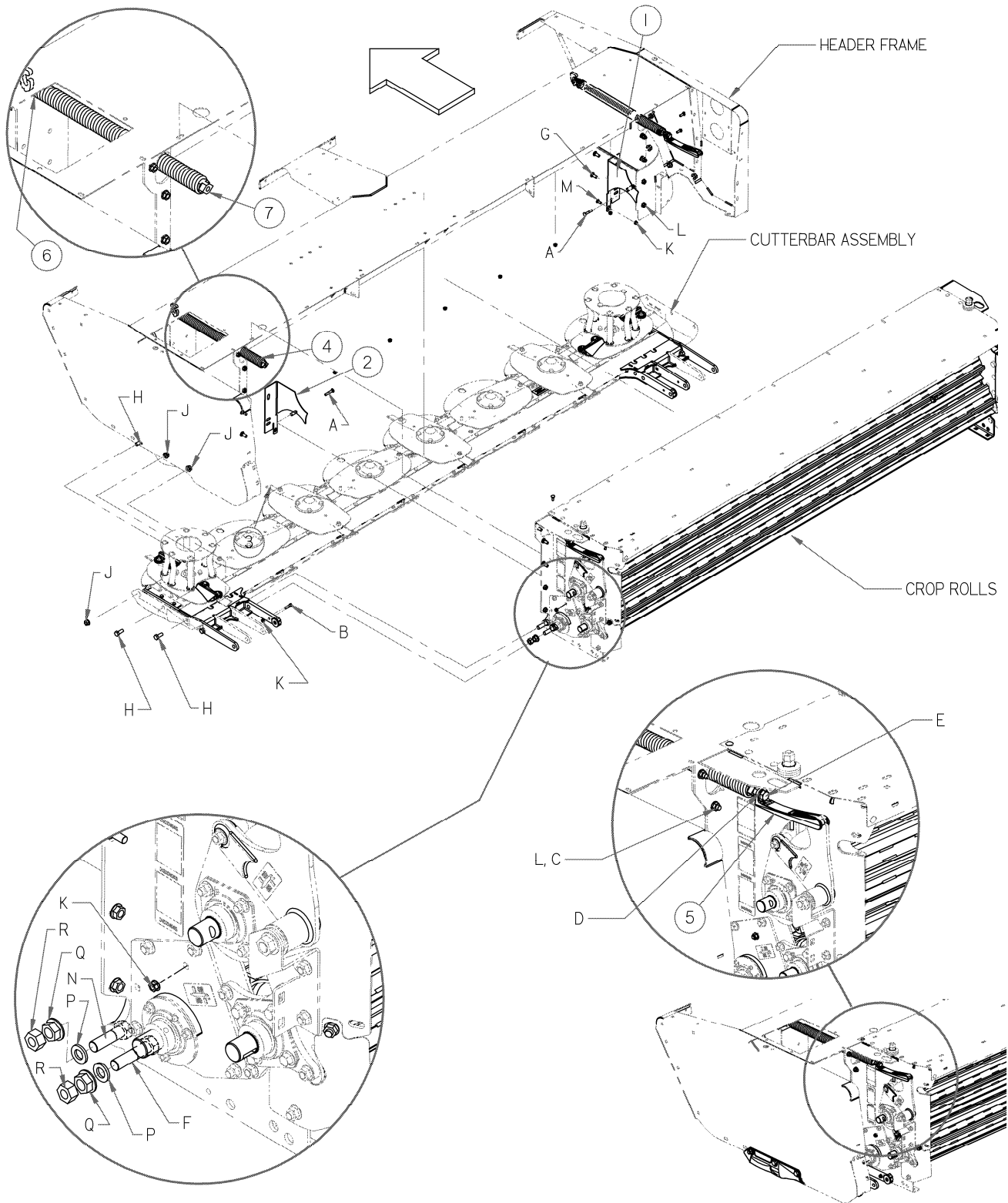
SP HEADER FORMING SHIELDS



SP HEADER FORMING SHIELDS

REF	PART NUMBER	DESCRIPTION	QTY		SERIAL NUMBER
			16FT	13FT	
	B5225	KIT – FORMING SHIELD, SP WINDROWER (Kits available through Whole Goods only)			
1	149169	COVER – FORMING SHIELD	1	1	
2	194193	BRACKET – FORMING SHIELD, LH	1	1	
	194194	BRACKET – FORMING SHIELD, RH	1	1	
3	149998	CHANNEL – FRONT MOUNTING	1	1	
4	149173	BAFFLE – REAR	1	1	
5	150211	ANGLE – REAR	1	1	
6	194197	DEFLECTOR – SIDE, LH	1	1	
	194198	DEFLECTOR – SIDE, RH	1	1	
7	194199	DEFLECTOR – INNER, LH	1	1	
	194200	DEFLECTOR – INNER, RH	1	1	
8	150018	ROD – ADJUSTER	2	2	
9	19809	PIN – CLEVIS, 1/2 X 2 INCH EFFECTIVE LENGTH	2	2	
10	50193	PIN – LYNCH	6	6	
11	149743	STRAP – RUBBER	2	2	
12	149317	HANDLE – BAFFLE ADJUSTMENT	2	2	
13	42592	WASHER – FLAT, 13.5 MM I.D., 47 MM O.D., 3 MM THICK	4	4	
14	42045	WASHER – RUBBER	2	2	
15	30015	BOLT – HEX HEAD, 5/8 NC X 7 INCH, GR 5	2	2	
16	13125	PIN – HAIR	2	2	
17	149168	SPACER – TUBE, TRACTOR MOUNTED	2	2	
18	30441	WASHER – FLAT HARDENED	2	2	
19	149167	PLATE	2	2	
20	149168	SPACER.....	2	2	
A	50225	NUT – SMOOTH FLANGE, 5/8 NC, DT			
B	103562	BOLT – RHSN, 5/8 NC X 1-1/4 INCH, GR 5			
C	50186	NUT – SMOOTH FLANGE, 1/2 NC, DT			
D	21575	BOLT – HEX HEAD, 1/2 NC X 1 INCH, GR 5			
E	21469	BOLT – RHSN, 1/2 NC X 1-1/2 INCH, GR 5			
F	21863	BOLT – RHSN, 3/8 NC X 3/4 INCH, GR 5			
G	30228	NUT – SMOOTH FLANGE, 3/8 NC, DT			
H	18600	WASHER – FLAT, 21/32 INCH I.D.			
J	30947	BOLT – HEX HEAD, 1/2 NC X 7-1/2 INCH, GR 5			
K	18607	PIN – COTTER 5/32 X 1-1/2 INCH			
L	21345	NUT – HEX JAM, 5/8 NC			
M	18601	WASHER – FLAT, 13/16 INCH I.D.			
N	18697	NUT – LOCK, 1/2 NC, DT			
P	21597	BOLT – HH 1/2 NC X 3.25 LG GR 5 ZP			
Q	30011	NUT – FLANGE LOCK SM FACE DT 0.500-13 UNC GR 5			
R	50186	BOLT – HH 1/2 NC X 5.0 LG GR 5 ZP			

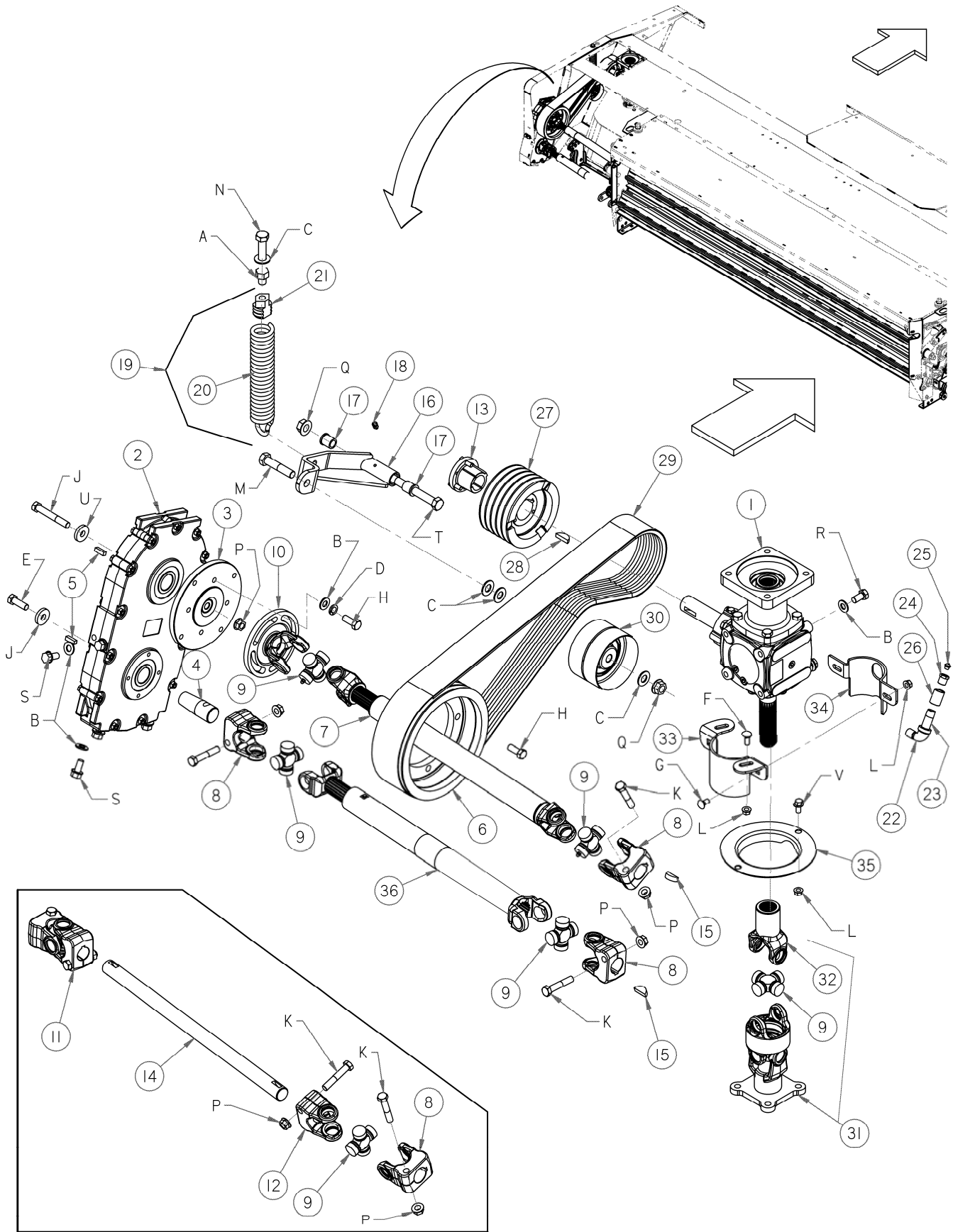
CUTTERBAR & ROLLS ASSEMBLY



CUTTERBAR & ROLLS ASSEMBLY

REF	PART NUMBER	DESCRIPTION	QTY		SERIAL NUMBER
			16FT	13FT	
1	194345	GUARD – RH	1	1	
2	194342	GUARD – LH	1	1	
3	17675	SPACER.....	2	2	
4	101878	SPRING – EXTENSION.....	2	2	
5	150900	BRACKET	2	2	
6	150350	INSERT – SPRING BAR	2	2	
7	130529	INSERT – SPRING BAR	2	2	
A	21485	BOLT – RHSN 3/8 NC X 2.25 LG GR 5 ZP			
B	21561	BOLT – HH 3/8 NC X 1.5 LG GR 5 ZP			
C	21471	BOLT – RHSN 1/2 NC X 1.25 GR 5 ZP			
D	30441	WASHER – HARDENED			
E	50190	BOLT– HH (MIN THD) 5/8 NC X 7.5 LG GR 5 ZP			
F	30448	BOLT – HH 3/4 NC X 3			
G	21471	BOLT – RHSN 1/2 NC X 1.25 GR 5 ZP			
H	21594	BOLT – HEX HD 0.625-11 UNC X 1.50			
J	50225	NUT – FLANGE DT SMOOTH FACE .625-11 UNC			
K	30228	NUT – FLANGE DT SMOOTH FACE 0.375-16 UNC			
L	50186	NUT – FLANGE LOCK SM FACE DT 0.500-13 UNC GR 5			
M	19965	BOLT – RHSN 3/8 NC x 1			
N	184541	BOLT – HH 3/4 x 2.5			
P	21540	WASHER – HARDENED			
Q	135367	NUT – FLANGE DT SM FACE 3/4 NC			
R	18593	NUT – HEX 3/4 NC			

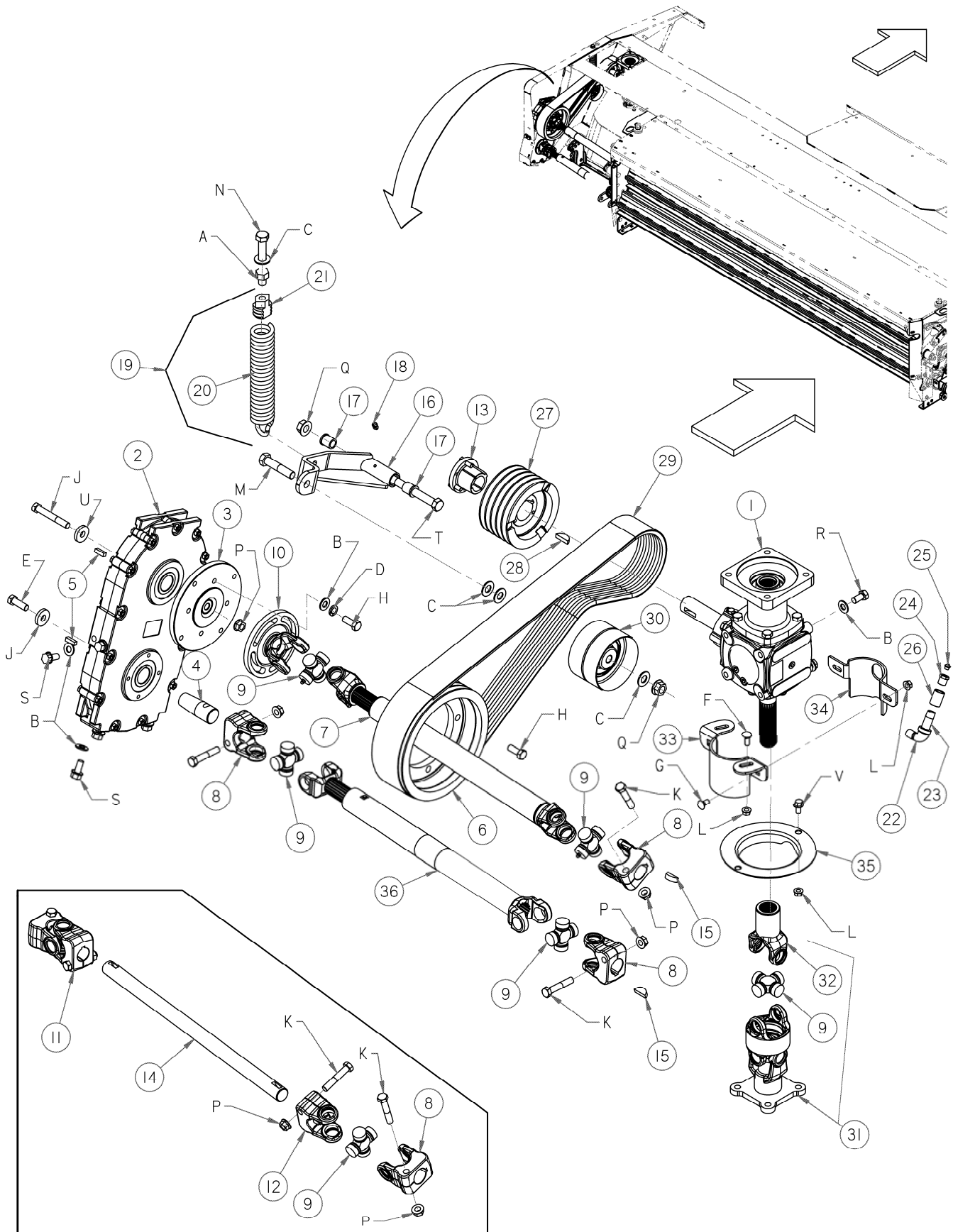
HEADER DRIVES



HEADER DRIVES

REF	PART NUMBER	DESCRIPTION	QTY		SERIAL NUMBER
			16FT	13FT	
1	149545	GEARBOX (See following pages for service parts)	1	1	
2	149672	GEARBOX	1	1	
	150853	BEARING	4	4	
	150854	SEAL	4	4	
	150855	SHIM	2	2	
	150856	GEAR	2	2	
3	150588	HUB – MACHINING	1	1	
4	150274	SHAFT – TAPERED	1	1	
5	4889	KEY	2	2	
6	149764	PULLEY– MACHINING	1	1	
7	149006	DRIVELINE UPPER – 16 FT (Includes items #8–10)	1	-	
	148262	DRIVELINE UPPER – 13 FT (Includes items #8–10)	-	1	
8	198329	YOKE CLAMP	3	3	
9	124541	CROSS JOURNAL	4	4	
10	149399	YOKE FLANGE	1	1	
11	148263	JOINT ASSEMBLY (Includes items #8, #9, #12)	2	2	See Note
12	149096	YOKE CLAMP	2	2	See Note
13	115074	BUSHING – SPLIT TAPER	1	1	
14	149652	SHAFT – 16 FT ROTARY	1	-	See Note
	149635	SHAFT – 13 FT ROTARY	-	1	See Note
15	30836	KEY – WOODRUFF (3/8 X 1-1/4 NOM.).....	3	3	
16	149182	IDLER ARM ASSY (Includes item #17).....	1	1	
17	150437	BUSHING – FLANGED 5/8 X 7/8 X 1L	2	2	
18	21301	FITTING – LUBRICATION	1	1	
19	150381	SPRING ASSEMBLY (Includes item #20, #21).....	1	1	
20	150382	SPRING.....	1	1	
21	130529	INSERT – MACHINED	1	1	
22	5735	FITTING – 90° STREET ELBOW 3/8 NPT	1	1	
23	5734	FITTING – SHORT NIPPLE 3/8 NPT	1	1	
24	21024	FITTING – REDUCER BUSHING	1	1	
25	21425	VALVE – RELIEF	1	1	
26	30946	FITTING – COUPLING 3/8 NPT	1	1	
27	149077	PULLEY	1	1	
28	135485	KEY – WOODRUFF (5/16 X 1-3/8 NOM.).....	1	1	
29	150763	BELT – CONDITIONER DRIVE	1	1	
30	149183	PULLEY – IDLER	1	1	
31	149875	UNIVERSAL JOINT (Includes items #9, #32)	2	1	
32	150898	YOKE	2	2	
33	150242	GUARD	2	1	
34	150243	GUARD	2	1	
35	150821	SHIELD – ROTARY DEFLECTOR.....	2	1	
36	194335	DRIVELINE, LOWER TELESCOPING – 16 FT (Includes items #8, #9, and decal).....	1	-	185860–
	194334	DRIVELINE, LOWER TELESCOPING – 13 FT	-	1	185860–
		NOTE: For units with serial number 185859 and prior: if items #11, #12, or #14 are not available through Service Parts, item #36 will be substituted. See next page for hardware.			

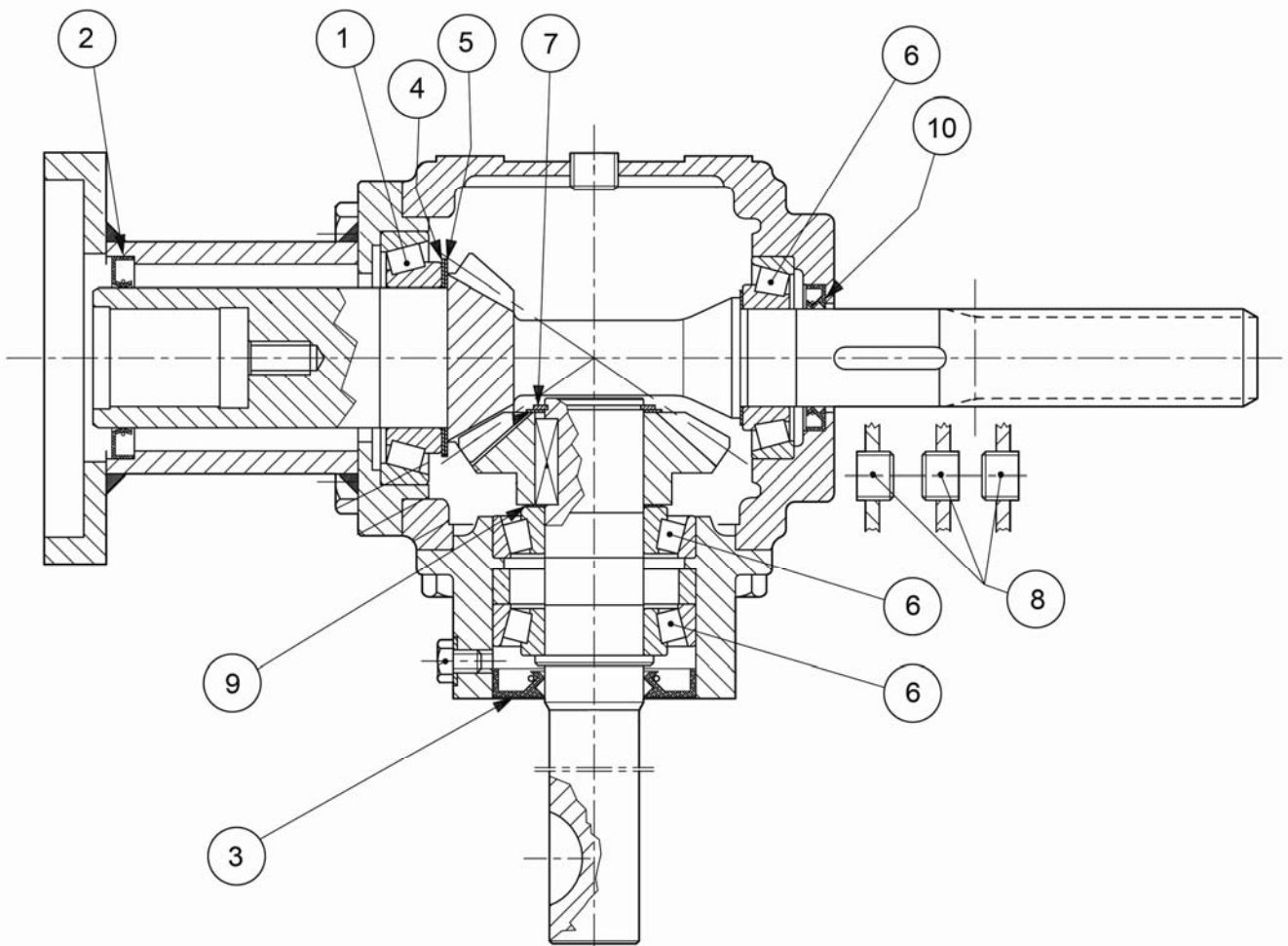
HEADER DRIVES (Continued)



HEADER DRIVES (Continued)

REF	PART NUMBER	DESCRIPTION	QTY		SERIAL NUMBER
			16FT	13FT	
A	18592	NUT – HEX 5/8-11 UNC GR 5 ZP			
B	18599	WASHER – SAE FLAT 17/32 I.D. X 1-1/16 IN. O.D. ZP			
C	18600	WASHER – SAE FLAT 21/32 I.D. X 1-5/16 IN. O.D. ZP			
D	18638	WASHER – REG. LOCK 1/2 IN. NOM. I.D. ZP			
E	18723	BOLT – HH 1/2 NC X 1.5 LG TFL GR 5 ZP			
F	19965	BOLT – RHSN 3/8 NC X 1.0 GR 5 ZP			
G	21472	BOLT – RHSN 3/8 NC X 0.75 GR 5 ZP			
H	21491	BOLT – HH 1/2 NC X 1.25 LG GR 5 ZP			
J	21581	BOLT – HH 1/2 NC X 3.5 LG GR 5 ZP			
K	21880	BOLT – HH 1/2 NC X 2.75 LG GR 5 ZP			
L	30228	NUT – FLANGE DT SMOOTH FACE 0.375-16 UNC			
M	21583	BOLT – HH 5/8 NC X 3.0 GR 5 ZP			
N	50080	BOLT – HH 5/8 NC X 4.5 TFL GR 5 ZP			
P	50186	NUT – FLANGE LOCK SM FACE DT 0.500-13 UNC GR 5			
Q	50225	NUT – FLANGE DT SMOOTH FACE .625-11 UNC			
R	135548	BOLT – HH 1/2 NC X 1.0 LG GR 8 ZP WITH PATCH			
S	148800	BOLT – HH FLANGE M12 X 1.75 X 25 LG ZP			
T	21586	BOLT – HH 5/8 NC X 6.0 LG GR 5 ZP			
U	149757	WASHER			
V	21821	BOLT – HH FLG (SERR FACE) 3/8 NC X 0.75 GR 5 ZP			

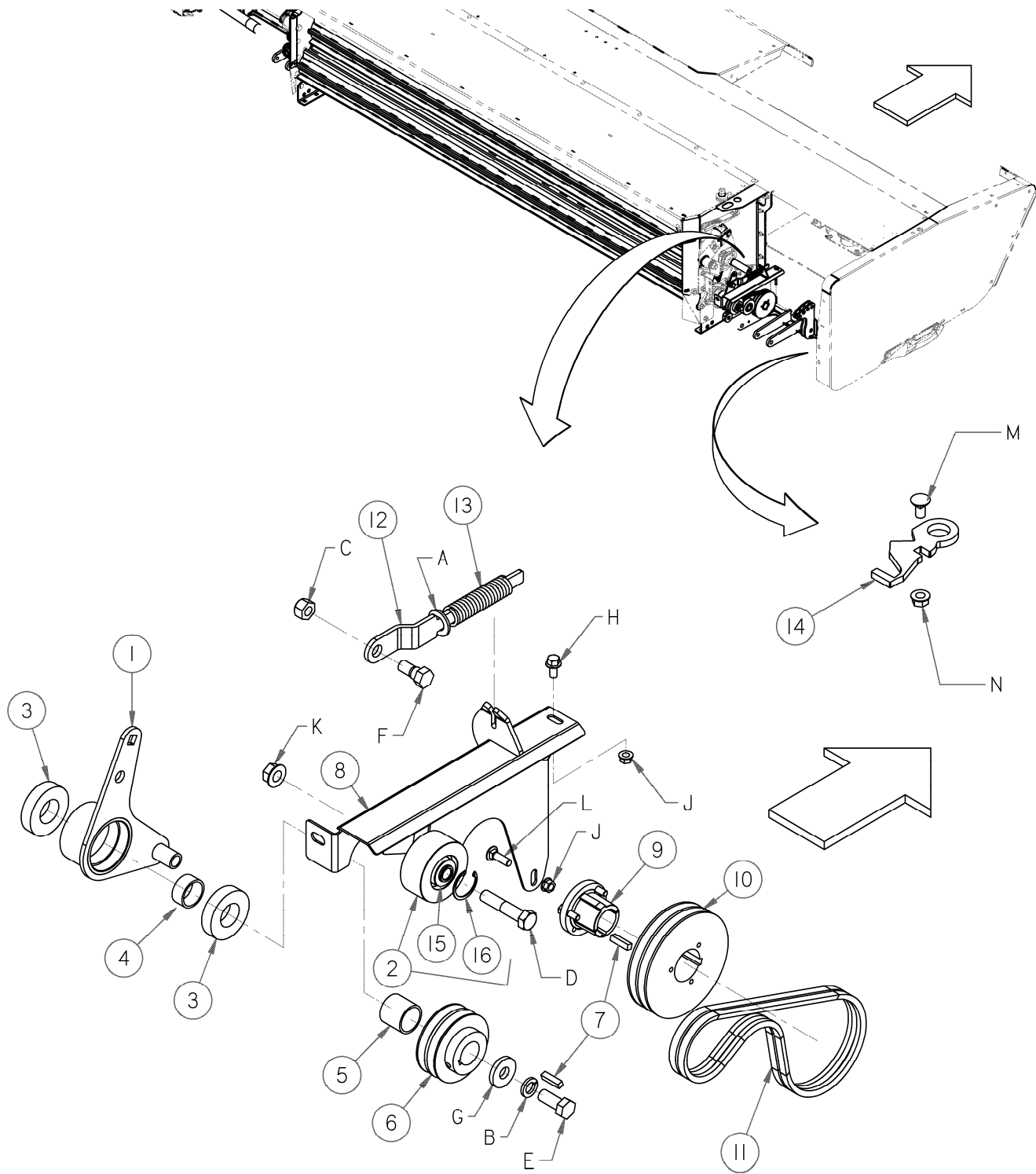
HEADER DRIVE GEARBOX



HEADER DRIVE GEARBOX

REF	PART NUMBER	DESCRIPTION	QTY		SERIAL NUMBER
			16FT	13FT	
1	150871	BEARING	1	1	
2	150872	SEAL	1	1	
3	111961	SEAL	1	1	
4	150873	SHIM	1	1	
5	150874	SHIM	1	1	
6	50091	BEARING	3	3	
7	150875	RING	1	1	
8	150864	FITTING	4	4	
9	150877	SHIM	3	3	
10	150878	SEAL	1	1	

CROP LIFT ROLL DRIVE IDLER ASSEMBLY

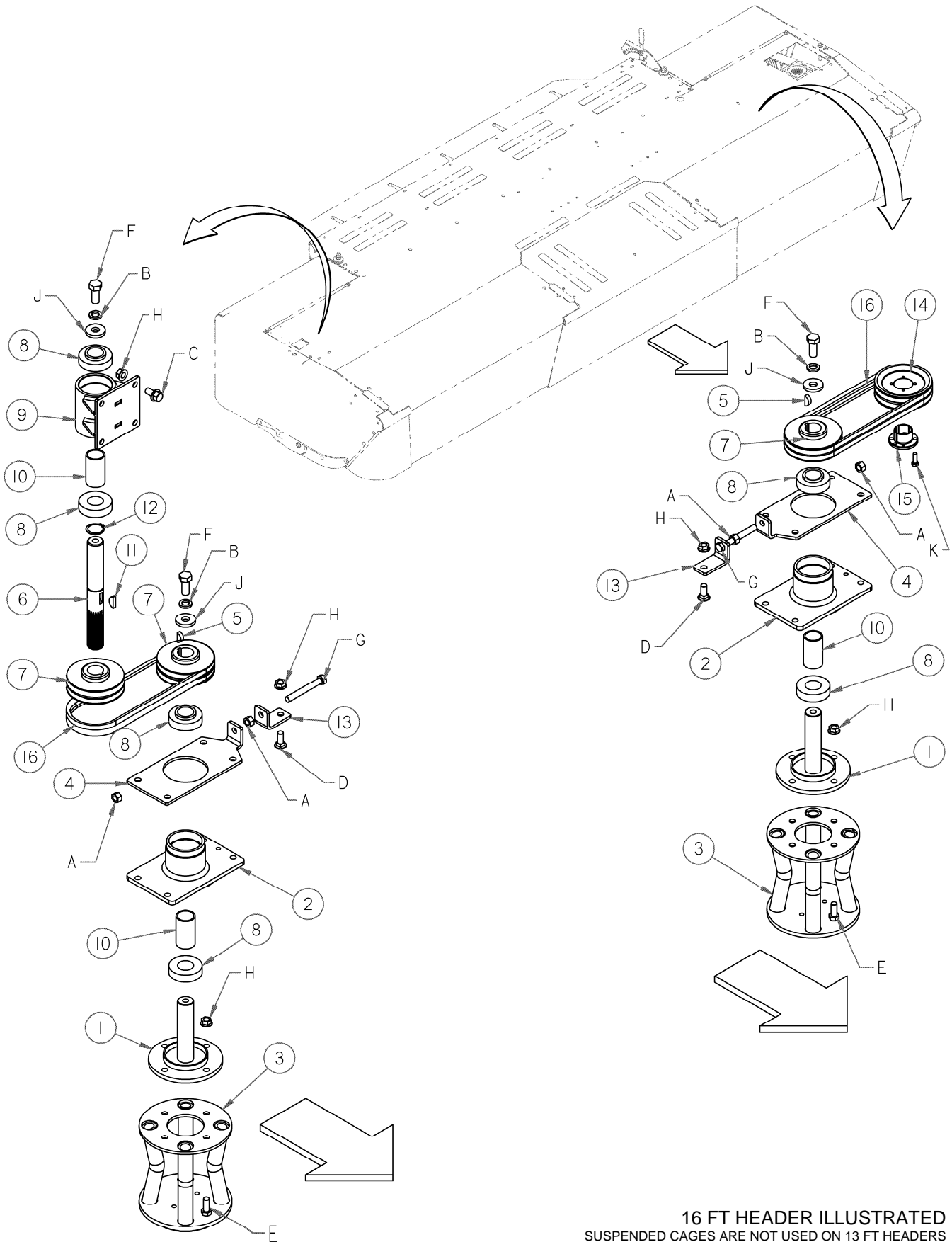


16 FT HEADER ILLUSTRATED
 SEE LIST FOR 13 FT HEADER PARTS

CROP LIFT ROLL DRIVE IDLER ASSEMBLY

REF	PART NUMBER	DESCRIPTION	QTY		SERIAL NUMBER
			16FT	13FT	
1	150638	ARM – MACHINING	1	1	
2	149955	PULLEY – IDLER ASSY (Includes items #15 and #16)	1	1	
3	14911	BEARING – BALL CYL	2	2	
4	150571	SPACER.....	1	1	
5	150402	SPACER.....	1	1	
6	150401	PULLEY – STRAIGHT BORE	1	1	
7	19736	KEY	2	2	
8	194554	GUARD – WELDMENT.....	1	1	
9	115074	BUSHING – SPLIT TAPER TYPE P1 C/W OUTER KEY AND BOLTS.....	1	1	
10	194559	PULLEY KIT – UPGRADE (Incl. pulley 194553 and items #7–9)	1	1	-195759
	194553	PULLEY.....	1	1	195760-
11	194357	BELT – V, MATCHED SET OF 2	1	1	
12	150615	PLATE	1	1	
13	150934	SPRING – COMPRESSION.....	1	1	
14	150572	PLATE – ROLL TIMING GAGE.....	1	1	
15	9213	BEARING – BALL	1	1	
16	795	RING – RETAINING	1	1	
A	18601	WASHER – SAE FLAT 13/16 I.D. X 1.5 IN. O.D. ZP			
B	18639	WASHER – REG. LOCK 5/8 IN. NOM. I.D. ZP			
C	18666	NUT – HEX LOCK DT 5/8-11 UNC ZP			
D	21583	BOLT – HH 5/8 NC X 3.0 LG GR 5 ZP			
E	21594	BOLT – HEX HD 0.625-11 UNC X 1.50			
F	48050	BOLT – SHOULDER .625-11 UNC			
G	135545	WASHER – FLAT, PLATED			
H	21821	BOLT – HH FLG (SERR FACE) 3/8 NC X 0.75 GR 5 ZP			
J	30228	NUT – FLANGE DT SMOOTH FACE 0.375-16 UNC			
K	50225	NUT – FLANGE DT SMOOTH FACE .625-11 UNC			
L	19966	BOLT – RHSN 3/8 NC X 1.25 GR 5 ZP			
M	21066	BOLT – RHSN 1/2 NC X 1 GR 5 ZP			
N	50186	NUT – FLANGE LOCK SM FACE DT 0.500-13 UNC GR 5			

SUSPENDED ROTARY CAGES DRIVES

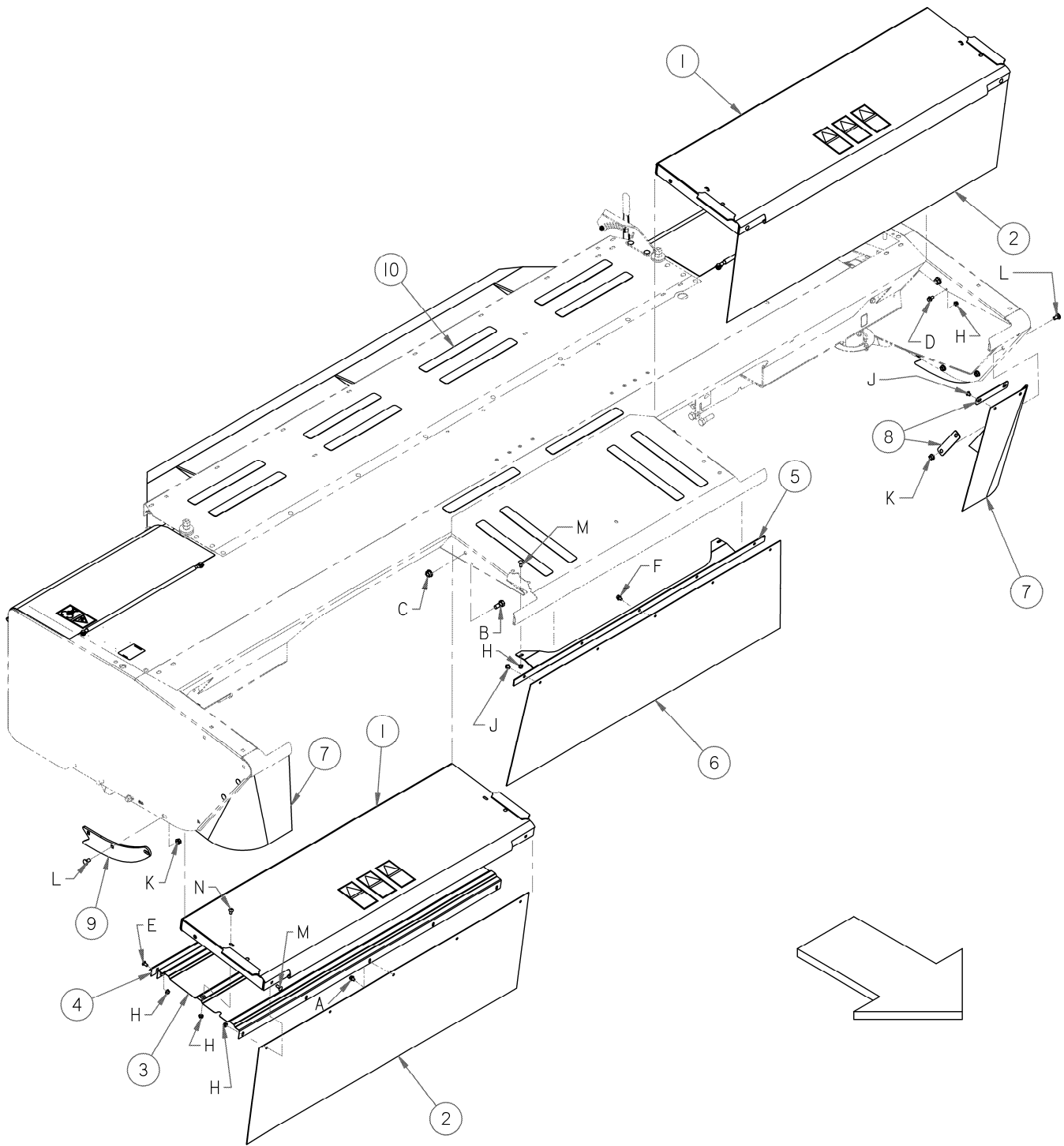


16 FT HEADER ILLUSTRATED
SUSPENDED CAGES ARE NOT USED ON 13 FT HEADERS

SUSPENDED ROTARY CAGES DRIVES

REF	PART NUMBER	DESCRIPTION	QTY		SERIAL NUMBER
			16FT	13FT	
1	149695	SHAFT – MACHINING	2	-	
2	150964	HOUSING – WELDT C/W BOLTS	2	-	
3	150727	DEFLECTOR – DRIVEN	2	-	
4	150740	ANGLE	2	-	
5	4098	KEY – WOODRUFF (5/16 X 1 NOM.).....	2	-	
6	149534	SHAFT – SPLINED	1	-	
7	149074	PULLEY – STR BOR.....	3	-	
8	149696	BEARING – RADIAL BALL 72MM O.D. X 1.375 BORE	6	-	
9	194423	HOUSING – MACHINING	1	-	
10	149558	SPACER.....	3	-	
11	11142	KEY – WOODRUFF (5/16 X 1-1/8 NOM.).....	1	-	
12	135363	RING – RETAINING EXTERNAL (1.375 DIA. SHAFT).....	1	-	
13	149529	ANGLE	2	-	
14	194562	PULLEY– KIT (Includes pulley 194560, hub 194561, and two of bolt K)	1	-	-195759
	194560	PULLEY – MODIFIED, 4-HOLE	1	-	195760–
15	30841	BUSHING – SPLIT TAPER TYPE H C/W KEY AND BOLTS (See Note 1).....	1	-	-195759
	194561	BUSHING – SPLIT TAPER TYPE H C/W KEY AND BOLTS (Modified)	1	-	195760–
16	194357	BELT – V, MATCHED SET OF 2	2	-	
A	18591	NUT – HEX 1/2-13 UNC GR 5 ZP			
B	18639	WASHER – REG. LOCK 5/8 IN. NOM. I.D. ZP			
C	21449	BOLT – HH FLG (SERR FACE) 1/2 NC X 1.0 GR 5 ZP			
D	21471	BOLT – RHSN 1/2 NC X 1.25 GR 5 ZP			
E	21491	BOLT – HH 1/2 NC X 1.25 LG GR 5 ZP			
F	21594	BOLT – HEX HD 0.625-11 UNC X 1.50			
G	30299	BOLT – HH 1/2 NC X 4.0 TFL GR 5 ZP			
H	50186	NUT – FLANGE LOCK SM FACE DT 0.500-13 UNC GR 5			
J	135545	WASHER – FLAT, PLATED			
K	21087	BOLT – HH 5/16 NC X 1.0 LG GR 5 ZP			
		NOTE: 1. For item #15, order bushing hub 30841 for units with serial number 195759 and below only if original pulley, #item 14, remains in use. If new pulley is also required order pulley kit 194562, which includes new design pulley and hub.			

HEADER FRONT SHIELDS

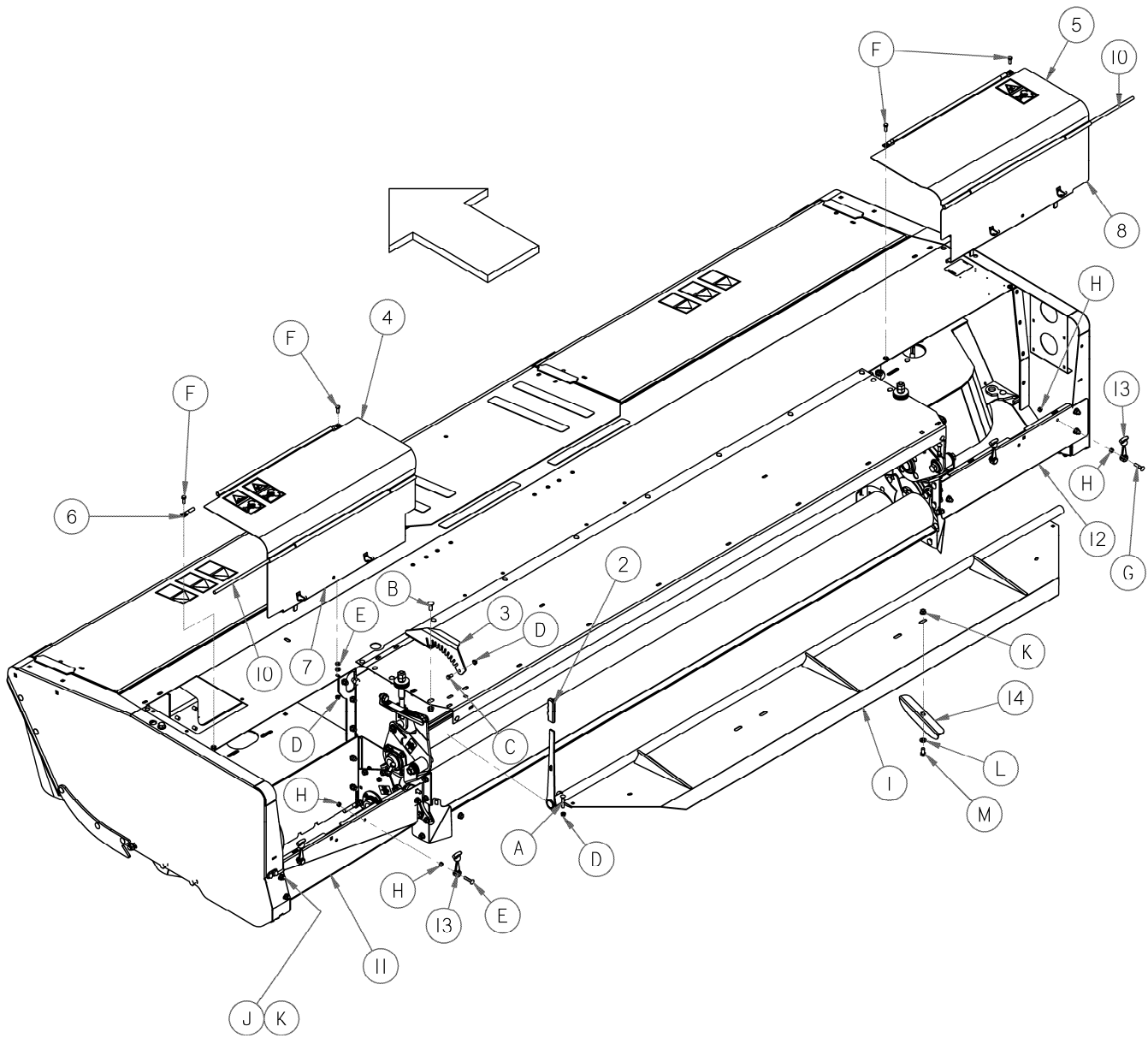


16 FT HEADER ILLUSTRATED
SEE LIST FOR 13 FT HEADER PARTS

HEADER FRONT SHIELDS

REF	PART NUMBER	DESCRIPTION	QTY		SERIAL NUMBER
			16FT	13FT	
1	150431	COVER C/W DECALS	2	2	
2	150128	SHIELD – DOOR.....	2	2	
3	148311	LINER – COVER.....	2	2	
4	150943	ANGLE	2	2	
5	148548	SUPPORT – CENTER SHIELD, 16 FT.....	1	-	
	149310	SUPPORT – CENTER SHIELD, 13 FT.....	-	1	
6	148550	SHIELD – RUBBER CENTER, 16 FT	1	-	
	150130	SHIELD – RUBBER CENTER, 13 FT	-	1	
7	148136	SHIELD – CORNER.....	2	2	
8	149073	PLATE – CLAMP.....	4	4	
9	148096	SUPPORT – DIVIDER	2	2	
10	132117	STRIP – ANTI SLIP.....	14	11	
A	30693	BOLT – FLANGE (SERR FACE) .375-16 UNC X 0.50 LG			
B	48050	BOLT – SHOULDER .625-11 UNC			
C	50225	NUT – FLANGE DT SMOOTH FACE .625-11 UNC			
D	21821	BOLT – HH FLG (SERR FACE) 3/8 NC X 0.75 GR 5 ZP			
E	21863	BOLT– RHSSN 3/8 NC X 0.75 LG GR 5 ZP			
F	30693	BOLT – FLANGE (SERR FACE) .375-16 UNC X 0.50 LG			
H	30228	NUT – FLANGE DT SMOOTH FACE 0.375-16 UNC			
J	105137	SCREW – MACHINE, 3/8 X 0.50 LG ZP			
K	50186	NUT – FLANGE LOCK SM FACE DT 0.500-13 UNC GR 5			
L	21066	BOLT – RHSN 1/2 NC X 1 GR 5 ZP			
M	100456	BOLT – RHSSN, 3/8 NC X 1 GR 5 ZP			
N	135157	SCREW – MACHINE, TORX TRUSS HEAD, 3/8 X 0.75 LG			
		NOTE: For special components required for CE (European) units, refer to Section "Tool Operated Shield Latches", page 114.			

HEADER REAR SHIELDS

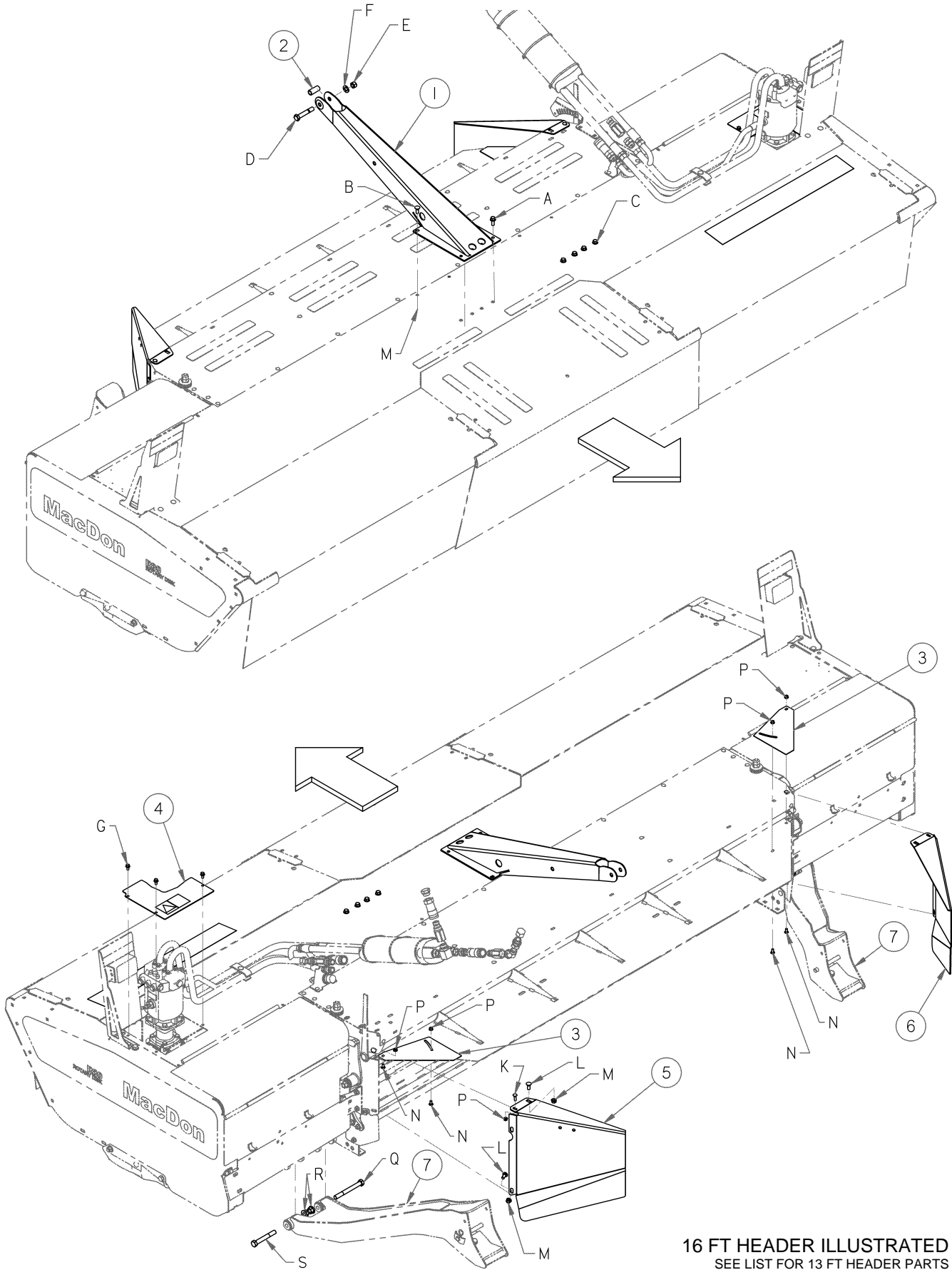


16 FT HEADER ILLUSTRATED
SEE LIST FOR 13 FT HEADER PARTS

HEADER REAR SHIELDS

REF	PART NUMBER	DESCRIPTION	QTY		SERIAL NUMBER
			16FT	13FT	
1	148237	SHIELD – SWATH BAFFLE WELDT	1	1	
2	150392	HANDLE – VINYL	1	1	
3	150755	BRACKET – SWATH BAFFLE.....	1	1	
4	194051	SHIELD – C/W DECALS, UPPER REAR, 16 FT ROTARY, LH	1	-	
	194061	SHIELD – C/W DECALS, UPPER REAR, 13 FT ROTARY, LH	-	1	
5	194052	SHIELD – C/W DECAL UPPER REAR, 16 FT ROTARY, RH	1	-	
	194062	SHIELD – C/W DECAL, UPPER REAR, 13 FT ROTARY, RH	-	1	
6	112624	RETAINER – PIN	4	4	
7	194055	SHIELD WELDT – REAR HINGED, 16 FT ROTARY, LH.....	1	-	
	194065	SHIELD WELDT – REAR HINGED, 13 FT ROTARY, LH.....	-	1	
8	194056	SHIELD WELDT – REAR HINGED, 16 FT ROTARY, RH.....	1	-	
	194066	SHIELD WELDT – REAR HINGED, 13 FT ROTARY, RH.....	-	1	
10	194069	PIN – DRIVELINE SHIELD, 16 FT ROTARY	2	-	
	194070	PIN – SHIELD, 13 FT ROTARY.....	-	2	
11	194057	SHIELD – LOWER REAR, 16 FT ROTARY, LH.....	1	-	-185859
	194433	SHIELD – LOWER REAR, 16 FT ROTARY, LH.....	1	-	185860-
	194067	SHIELD – LOWER REAR, 13 FT ROTARY, LH.....	-	1	-185859
	194432	SHIELD – LOWER REAR, 13 FT ROTARY, LH.....	-	1	185860-
12	194058	SHIELD – LOWER REAR, 16 FT ROTARY, RH.....	1	-	
	194068	SHIELD – LOWER REAR, 13 FT ROTARY, RH.....	-	1	
13	38894	LATCH – RUBBER.....	4	2	
14	150733	FIN – SWATH BAFFLE	4	4	
A	21485	BOLT – RHSN 3/8 NC X 2.25 LG GR 5 ZP			
B	21471	BOLT – RHSN 1/2 NC X 1.25 GR 5 ZP			
C	21567	BOLT – HEX HD .375-16 UNC X 0.75 LG			
D	30228	NUT – FLANGE DT SMOOTH FACE 0.375-16 UNC			
E	18598	WASHER – SAE FLAT 13/32 I.D. X 13/16 IN. O.D. ZP			
F	20077	BOLT – HEX HD 3/8 NC X 1.0 LG GR 5 ZP			
G	50197	BOLT – RHSN 3/8 NC X 1.75 LG GR 5 ZP			
H	18590	NUT – HEX 3/8-16 UNC GR 5 ZP			
J	21868	BOLT – RHSSN 1/2 NC X 1.0 GR 5 ZP			
K	50186	NUT – FLANGE LOCK SM FACE DT 0.500-13 UNC GR 5			
L	18599	WASHER – SAE FLAT 17/32 I.D. X 1-1/16 IN. O.D. ZP			
M	21575	BOLT – HH 1/2 NC X 1.0 LG GR 5 ZP			
		NOTE:			
		1. For 2006 and 2007 units (serial number 179759 and prior) when replacing any of items #4, #7, #11, or #5, #6, #12, also replace the other two shields.			
		2. For special components required for CE (European) units, refer to Section “Tool Operated Shield Latches” on page 114.			

SELF-PROPELLED CONFIGURATION

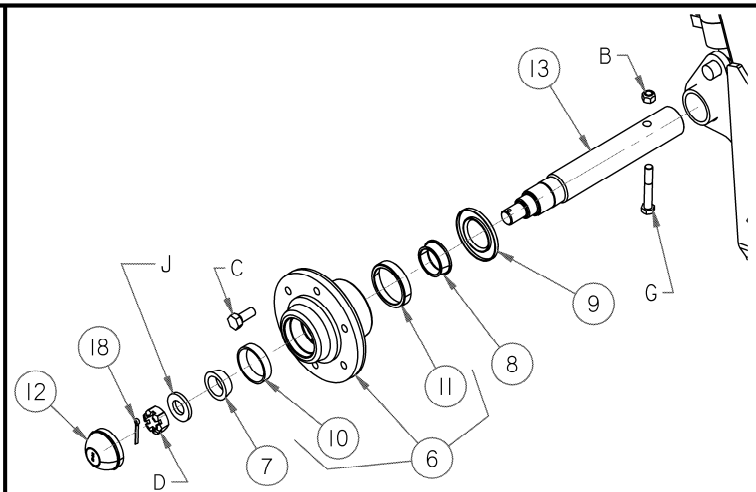
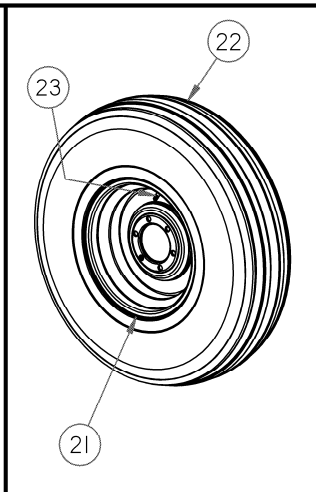
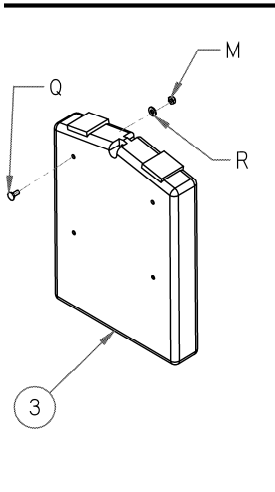
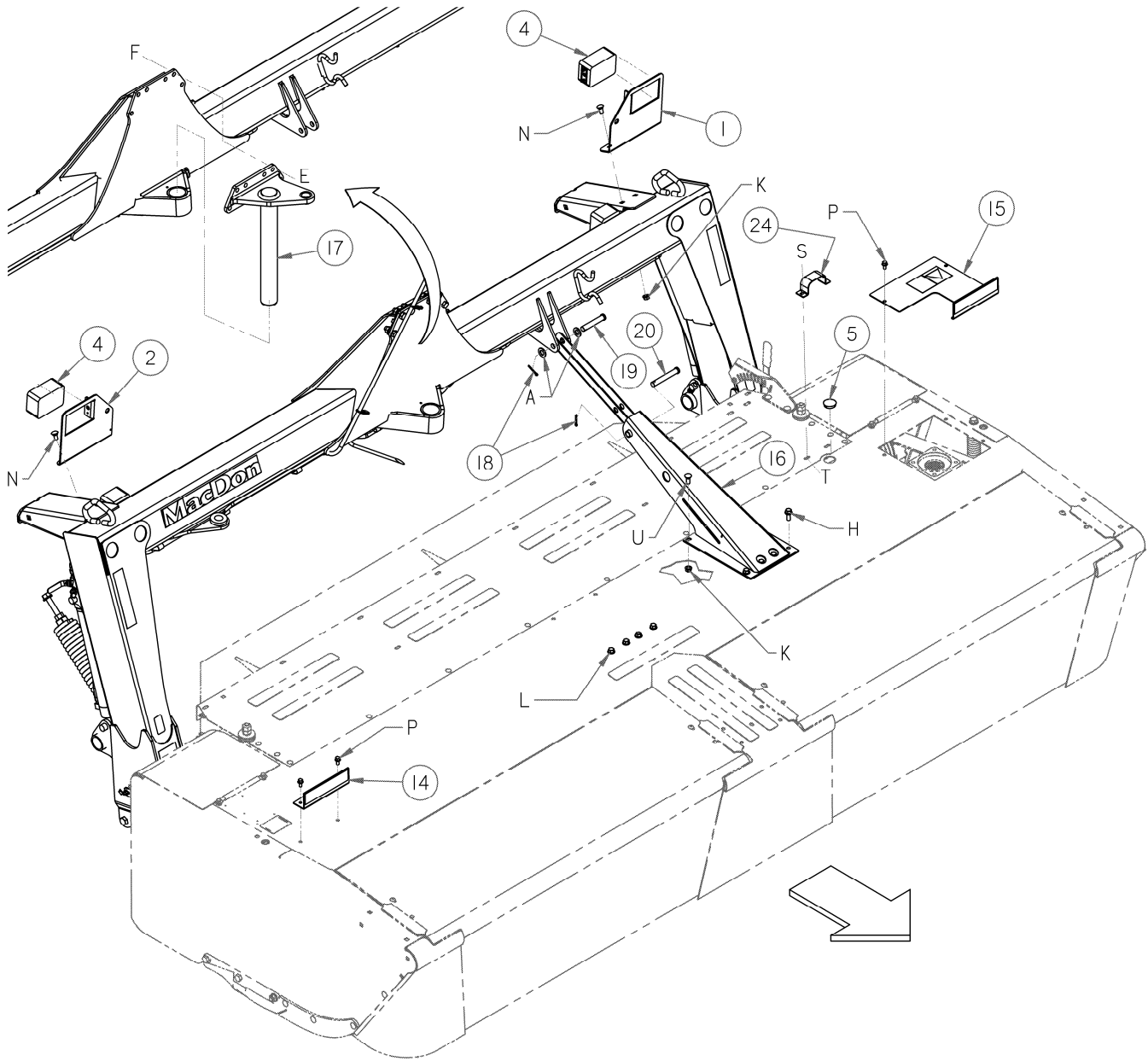


16 FT HEADER ILLUSTRATED
SEE LIST FOR 13 FT HEADER PARTS

SELF-PROPELLED CONFIGURATION

REF	PART NUMBER	DESCRIPTION	QTY		SERIAL NUMBER
			16FT	13FT	
1	150756	SUPPORT WELDMENT	1	1	
2	149975	SPACER.....	1	1	
3	150731	PLATE	2	2	
4	150662	SHIELD – LH C/W DECAL.....	1	1	
5	150582	DEFLECTOR – LH	1	1	
6	150570	DEFLECTOR – RH	1	1	
7	REF	Refer to Section “Lift Boots”, page 70.			
A	30368	BOLT – HH FLG (SERR FACE) 1/2 NC X 1.25 GR 5 ZP			
B	21066	BOLT – RHSN 1/2 NC X 1 GR 5 ZP			
C	105066	BOLT – HH FLG (SERR FACE) 1/2 NC X 0.75 GR 5 ZP			
D	137036	BOLT – HEX HD 3/4 NC, SPECIAL			
E	18689	NUT – HEX LOCK DT .750-10 UNC			
F	18601	WASHER – SAE FLAT 13/16 I.D. X 1.5 IN. O.D. ZP			
G	21821	BOLT – HH FLG (SERR FACE) 3/8 NC X 0.75 GR 5 ZP			
K	19966	BOLT – RHSN 3/8 NC X 1.25 LG GR 5 ZP			
L	21471	BOLT – RHSN 1/2 NC X 1.25 GR 5 ZP			
M	50186	NUT – FLANGE LOCK SM FACE DT 0.500-13 UNC GR 5			
N	21863	BOLT– RHSSN 3/8 NC X 0.75 LG GR 5 ZP			
P	30228	NUT – FLANGE DT SMOOTH FACE 0.375-16 UNC			
Q	135576	BOLT – HH 3/4 NC X 7.0 LG GR 5 ZP			
R	135367	NUT – FLANGE DT SMTH FACE 0.75-10 UNC GR. G			
S	30549	BOLT – HH 3/4 NC X 5.5 LG GR 5 ZP			

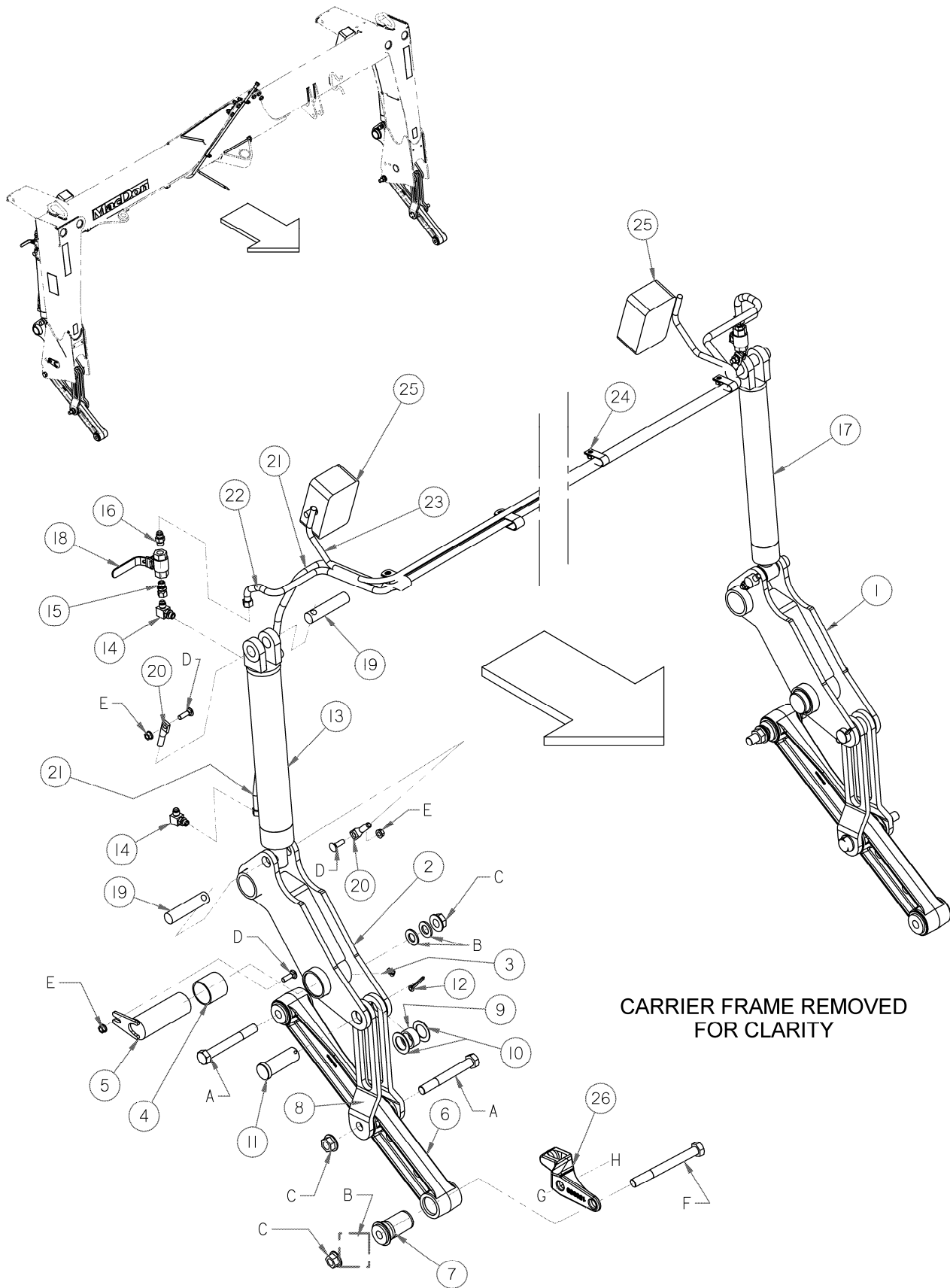
CARRIER ASSEMBLY



CARRIER ASSEMBLY

REF	PART NUMBER	DESCRIPTION	QTY		SERIAL NUMBER
			16FT	13FT	
1	150992	ASSEMBLY – LIGHT BRACKET, LH 13 FT (SHOWN)	-	1	
	150996	ASSEMBLY – LIGHT BRACKET, LH 16 FT	1	-	
2	150993	ASSEMBLY – LIGHT BRACKET, RH 13 FT (SHOWN)	-	1	
	150997	ASSEMBLY – LIGHT BRACKET, RH 16 FT	1	-	
3	118234	CASE – MANUALS	1	1	
4	120416	LAMP – AMBER	2	2	
	NSS	REPLACEMENT BULB #1156 (See retailer)			
	160359	LENS – AMBER, REPLACEMENT			
5	135613	PLUG – PLASTIC SNAP-IN	1	1	
6	140246	HUB C/W BEARING CUPS (Items #10–11) & GREASE FITTING ..	2	2	
7	30702	BEARING – CONE	2	2	
8	140247	BEARING CONE ROLLER	2	2	
9	140248	SEAL – GREASE	2	2	
10	30701	OUTER CUP	2	2	
11	140249	INNER CUP	2	2	
12	140250	CAP – DUST	2	2	
13	148067	SPINDLE – 13 FT	-	2	
	150990	SPINDLE – 16 FT	2	-	
14	150133	BRACKET WITH REFLECTOR, 13 FT	-	1	
15	194494	SHIELD – LH C/W DECAL & REFLECTOR 13 FT (SHOWN)	-	1	
	150662	SHIELD – LH C/W DECAL 16 FT	1	-	
16	150817	SUPPORT – PT ROTARY CENTER LINK	1	1	
17	148163	HITCH PIN WELDMENT	1	1	-185859
	194419	HITCH PIN WELDMENT	1	1	185860–
18	18608	PIN – COTTER 3/16 DIA X 1.5 ZP	2	2	
19	18629	PIN – CLEVIS	1	1	
20	103579	PIN – CLEVIS	1	1	
21	149817	WHEEL – 16 X 8, 6-BOLT	-	2	
	150656	WHEEL – WIIC 16.1, 6-BOLT	2	-	
22	149818	TIRE – 10.00 X 16, F2 FRONT STEER TIRE, 8 PLY	-	2	
	150657	TIRE – 14L X 16.1 SL, I1, 8 PLY	2	-	
23	21153	STEM – TIRE VALVE ASSEMBLY #TR-415	2	2	
24	194169	CLAMP – HOSES, 16 FT ONLY	1	-	
A	18601	WASHER – SAE FLAT 13/16 I.D. X 1.5 IN. O.D. ZP			
B	18697	NUT – HEX LOCK DT .500-13 UNC			
C	18916	BOLT – 90° WHEEL 9/16 NF X 1.75 OL			
D	19878	NUT – HEX SLOTTED 1.00-14 UNF			
E	135340	BOLT – HH 5/8 NC X 1.75 LG GR 8 ZP			
F	135341	NUT – FLANGE DT SMOOTH FACE .625-11 UNC GR. G			
G	30011	BOLT – HH 1/2 NC X 3.25 LG GR 5 ZP			
H	30368	BOLT – HH FLG (SERR FACE) 1/2 NC X 1.25 GR 5 ZP			
J	31774	WASHER – FLAT			
K	50186	NUT – FLANGE LOCK SM FACE DT 0.500-13 UNC GR 5			
L	105066	BOLT – HH FLG (SERR FACE) 1/2 NC X 0.75 GR 5 ZP			
M	18724	NUT – HEX LOCK DT 1/4-20 UNC ZP			
N	21066	BOLT – RHSN 1/2 NC X 1 GR 5 ZP			
P	21821	BOLT – HH FLG (SERR FACE) 3/8 NC X 0.75 GR 5 ZP			
Q	30242	BOLT – RHSN 1/4 NC X 0.625 GR 5 ZP			
R	18596	WASHER – SAE FLAT 9/32 I.D. X 5/8 IN. O.D. ZP			
S	21863	BOLT – RHSSN 3/8 x 3/4			
T	30228	NUT – FLANGE, 3/8-16 UNC, ZN PL, GR 5			
U	21471	BOLT – RHSSN 1/2 x 1.25 GR 5 ZP			

CARRIER FRAME COMPONENTS

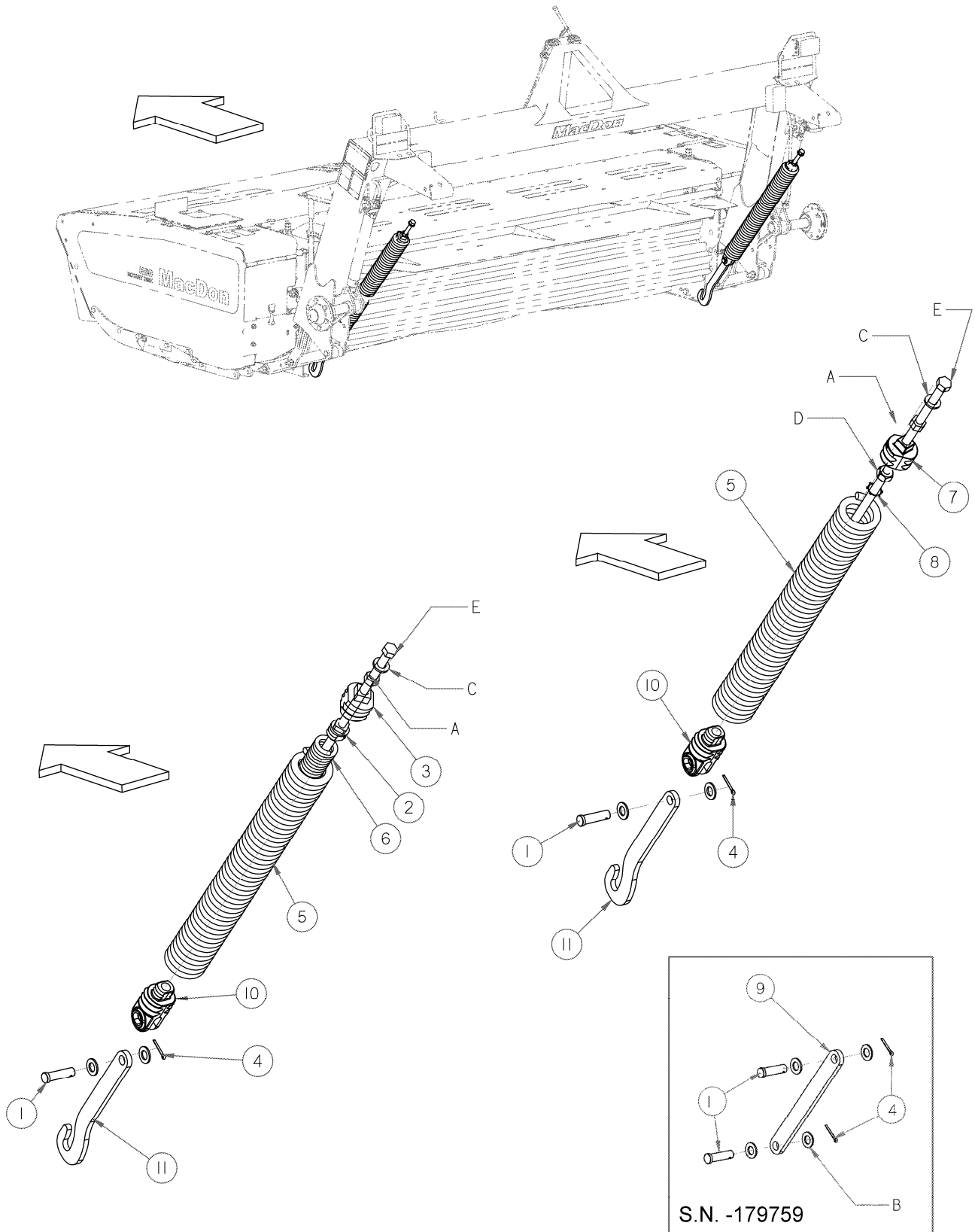


CARRIER FRAME REMOVED FOR CLARITY

CARRIER FRAME COMPONENTS

REF	PART NUMBER	DESCRIPTION	QTY		SERIAL NUMBER
			16FT	13FT	
1	149825	ARM – LH (Includes items #3, #4)	1	1	
2	149826	ARM – RH (Includes items #3, #4)	1	1	
3	18671	FTG – LUBE 1/4-28 UNF, 90°	2	2	
4	25579	BUSHING – STEEL	4	4	
5	148078	PIN – WELDT, WHEEL ARM	2	2	
6	149820	ARM C/W BUSHINGS	2	2	
7	149342	BUSHING – RUBBER	6	6	
8	149615	ARM – LINK	4	4	
9	150298	SPACER	2	2	
10	150346	WASHER	4	4	
11	135414	PIN – CLEVIS	2	2	
12	18609	PIN – COTTER 1/4 DIA X 2 ZP	2	2	
13	150306	CYLINDER – HYDRAULIC	1	1	
	150339	SEAL KIT	1	1	
14	30282	FITTING – ELBOW 90° HYD	3	3	
15	135015	FITTING – ADAPTER HYD	2	2	
16	15903	FITTING – CONNECTOR HYD	2	2	
17	150307	CYLINDER – 2.0 X 13	1	1	
	150338	SEAL KIT	1	1	
18	148852	VALVE – BALL	2	2	
19	142376	PIN – CYLINDER	4	4	
20	112624	RETAINER – PIN	4	4	
21	148961	HOSE – LIFT	1	1	
22	148962	HOSE – LIFT	1	1	
23	150971	HARNESS – WIRING	1	1	
24	103738	CLAMP – DOUBLE HOSE INSULATED, 13/16 IN.	4	4	
	50022	CLAMP – INSULATED 15/16 INCH	3	3	
25	171093	LIGHT – RED TAIL	2	2	
	NSS	REPLACEMENT BULB – #1157 (See your MacDon Dealer)			
	160358	LENS – RED, REPLACEMENT			
	160360	LENS – BLACK, REPLACEMENT			
26	150959	HOOK – SPRING	2	2	179760–
A	135577	BOLT – HH 3/4 NC X 6.0 LG GR 8 ZP			
B	18601	WASHER – SAE FLAT 13/16 I.D. X 1.5 IN. O.D. ZP			
C	135367	NUT – FLANGE DT SMTH FACE 0.75-10 UNC GR. G			
D	19966	BOLT – RHSN 3/8 NC X 1.25 LG GR 5 ZP			
E	30228	NUT – FLANGE DT SMOOTH FACE 0.375-16 UNC			
F	135576	BOLT – HH 3/4 NC X 7.0 LG GR 5 ZP			
G	135004	BOLT – HH 3/4 NC X 1.5 LG GR 5 ZP			
H	135490	NUT – HEX, HEAVY 3/4-10 UNC GR 5 ZP			

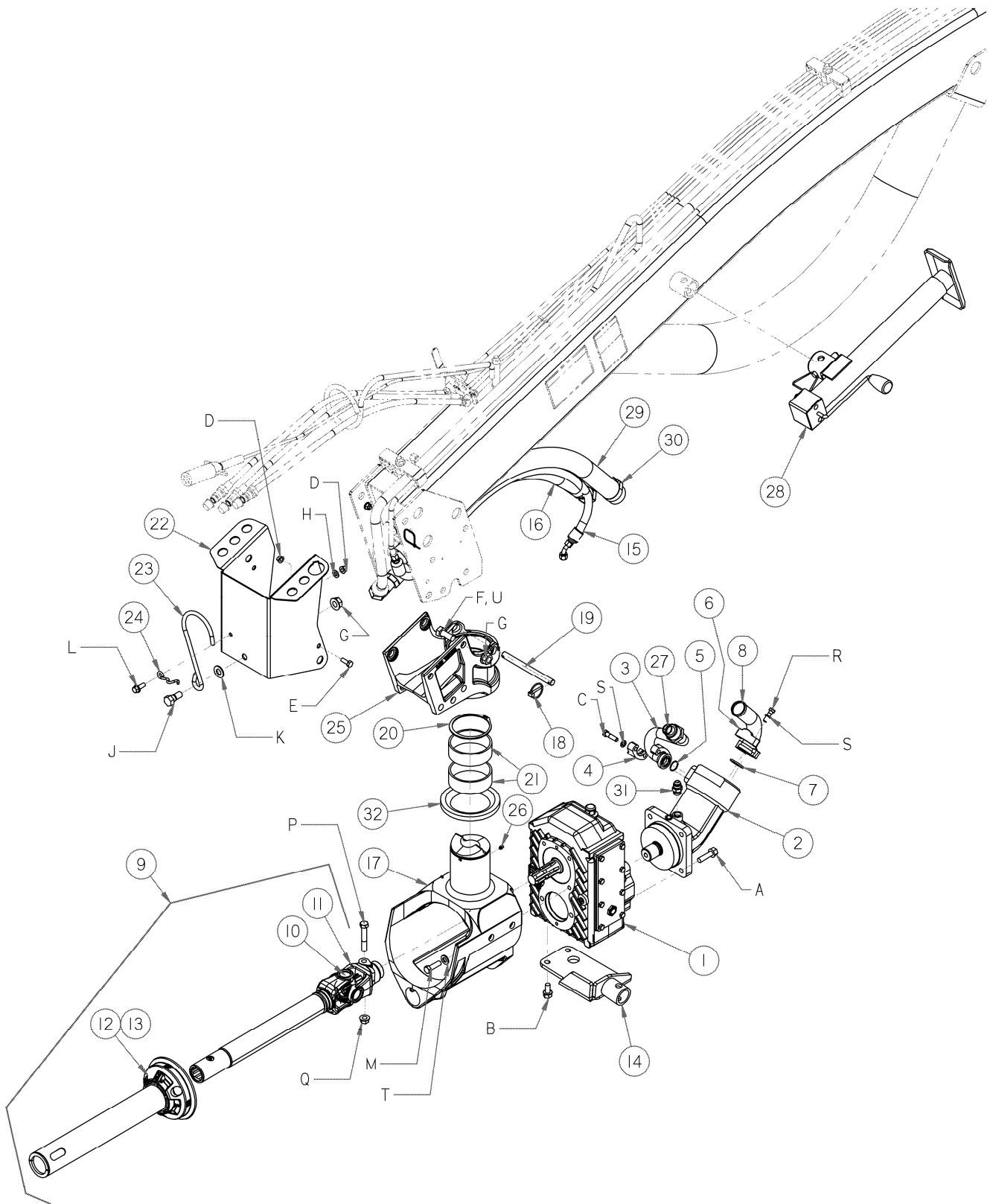
CARRIER SPRINGS



CARRIER SPRINGS

REF	PART NUMBER	DESCRIPTION	QTY		SERIAL NUMBER
			16FT	13FT	
1	30463	PIN – CLEVIS.....	4	4	
2	41357	INSERT – MACH.....	2	1	
3	41358	INSERT – SPRING MACH.....	2	1	
4	18608	HAIR PIN.....	4	4	
5	112694	SPRING – EXTENSION.....	2	2	
6	112886	SPRING – EXTENSION, 3/8 WIRE	2	1	
7	133195	INSERT – SPRING, CASTING	-	1	
8	133207	RING – RETAINING, INTERNAL	-	1	
9	149916	ARM – LINK	2	2	-179759
10	156213	INSERT – SPRING, YOKE	2	2	
11	194177	ARM – LINK	2	2	179760-
A	18593	NUT – HEX 3/4-10 UNC GR 5 ZP			
B	18601	WASHER – SAE FLAT 13/16 I.D. X 1.5 IN. O.D. ZP			
C	21540	WASHER – HARDENED			
D	135490	NUT – HEX, HEAVY 3/4-10 UNC GR 5 ZP			
E	153291	BOLT – HEX HD 0.75-10 UNC X 20.5 TFL GR 5			

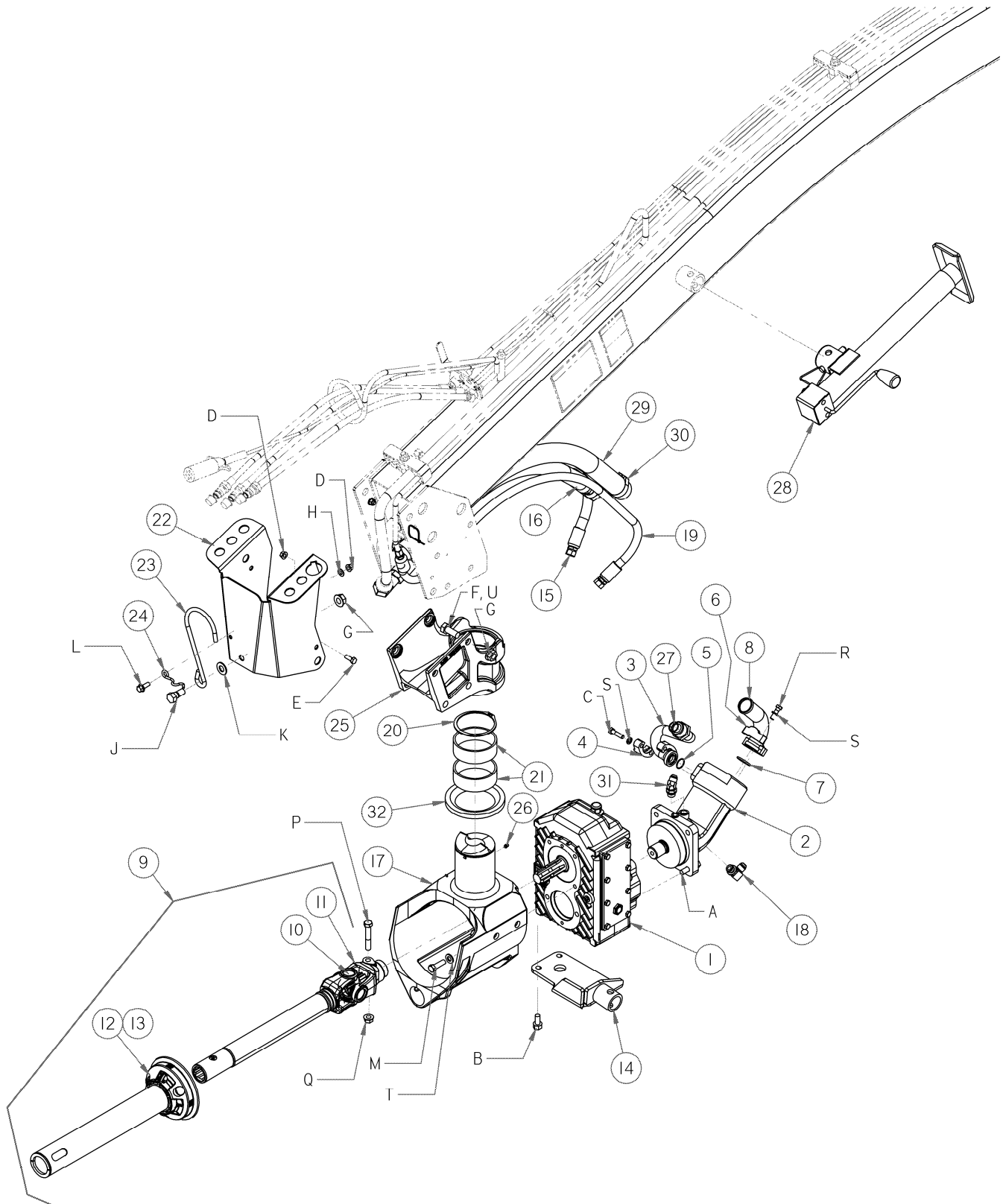
HITCH HYDRAULIC DRIVE
(S.N. 179759 & BELOW)



HITCH HYDRAULIC DRIVE (S.N. 179759 & BELOW)

REF	PART NUMBER	DESCRIPTION	QTY		SERIAL NUMBER
			16FT	13FT	
1	150152	DRIVE – GEARBOX (Refer to following pages for service parts).....	-	1	
2	150147	PUMP – BENT AXIS PISTON.....	-	1	
	150901	SEAL KIT.....	-	1	
3	150709	FITTING – ADAPTER, HYDRAULIC.....	-	1	
4	194026	FLANGE – HALF SPLIT, 3/4.....	-	2	
5	150595	O-RING	-	1	
6	194033	FLANGE – HALF SPLIT, 1 INCH.....	-	2	
7	112868	O-RING	-	1	
8	150177	FITTING – BARBED, 90 DEGREE	-	1	
9	150048	DRIVELINE – MAIN (Includes items #10–13 C/W decal)	-	1	
10	150886	CROSS.....	-	1	
11	150887	YOKE	-	1	
12	150888	DRIVELINE SHIELD	-	1	
13	150889	SHIELD REPAIR KIT	-	1	
14	150692	BRACKET WELDMENT.....	-	1	
15	150712	HOSE – CASE DRAIN.....	-	1	
16	150710	HOSE – HIGH PRESSURE	-	1	
17	150630	PIVOT – MACHINING.....	-	1	
18	102264	PIN – LYNCH, 3/16 X 1-9/16 IN.....	-	2	
19	13094	PIN – STRAIGHT	-	1	
20	30884	RING – EXT RETAINING.....	-	1	
21	150633	BUSHING – 102 I.D. X 111 O.D. X 38 LONG	-	2	
22	150790	CHANNEL	-	1	
23	150135	HOOK.....	-	1	
24	150138	CLIP	-	1	
25	150632	PIVOT – MACHINING.....	-	1	
26	18671	FITTING – LUBE 1/4-28 UNF	-	1	
27	135554	O-RING	-	2	
28	140269	JACK	-	1	
29	150711	HOSE – SUCTION.....	-	1	
30	107037	CLAMP – T-BOLT	-	2	
31	21030	FITTING – CONNECTOR HYD.....	-	1	
32	150634	WASHER – THRUST.....	-	1	
A	148799	BOLT – HH FLANGE M12 X 1.75 X 45 LG ZP			
B	148800	BOLT – HH FLANGE M12 X 1.75 X 25 LG ZP			
C	21561	BOLT – HEX HD 3/8 NC X 1.5 LG GR 5 ZP			
D	30228	NUT – FLANGE DT SMOOTH FACE 0.375-16 UNC			
E	20077	BOLT – HEX HD 3/8 NC X 1.0 LG GR 5 ZP			
F	21582	BOLT – HEX HD 0.625-11 UNC X 1.75 GR 5 ZP			
G	50225	NUT – FLANGE DT SMOOTH FACE .625-11 UNC			
H	18598	WASHER – SAE FLAT 13/32 I.D. X 13/16 IN. O.D. ZP			
J	48050	BOLT – SHOULDER .625-11 UNC			
K	18600	WASHER – SAE FLAT 21/32 I.D. X 1-5/16 IN. O.D. ZP			
L	21975	BOLT – HH FLG (SERR FACE) 3/8 NC X 1.0 GR 5 ZP			
M	184669	BOLT – HH M12 X 1.75 X 40 LG ZP			
N	150777	WASHER ASSEMBLY – SPHERICAL 12 MM			
P	21560	BOLT – HH 1/2 NC X 3.0 LG GR 5 ZP			
Q	50186	NUT – FLANGE LOCK SM FACE DT 0.500-13 UNC GR 5			
R	21264	BOLT – HEX HD 3/8 NC X 1.25 LG GR 5 ZP			
S	18637	WASHER – REG. LOCK 3/8 IN. NOM. I.D. ZP			
T	30636	WASHER – FLAT			
U	120901	WASHER – HARDENED			

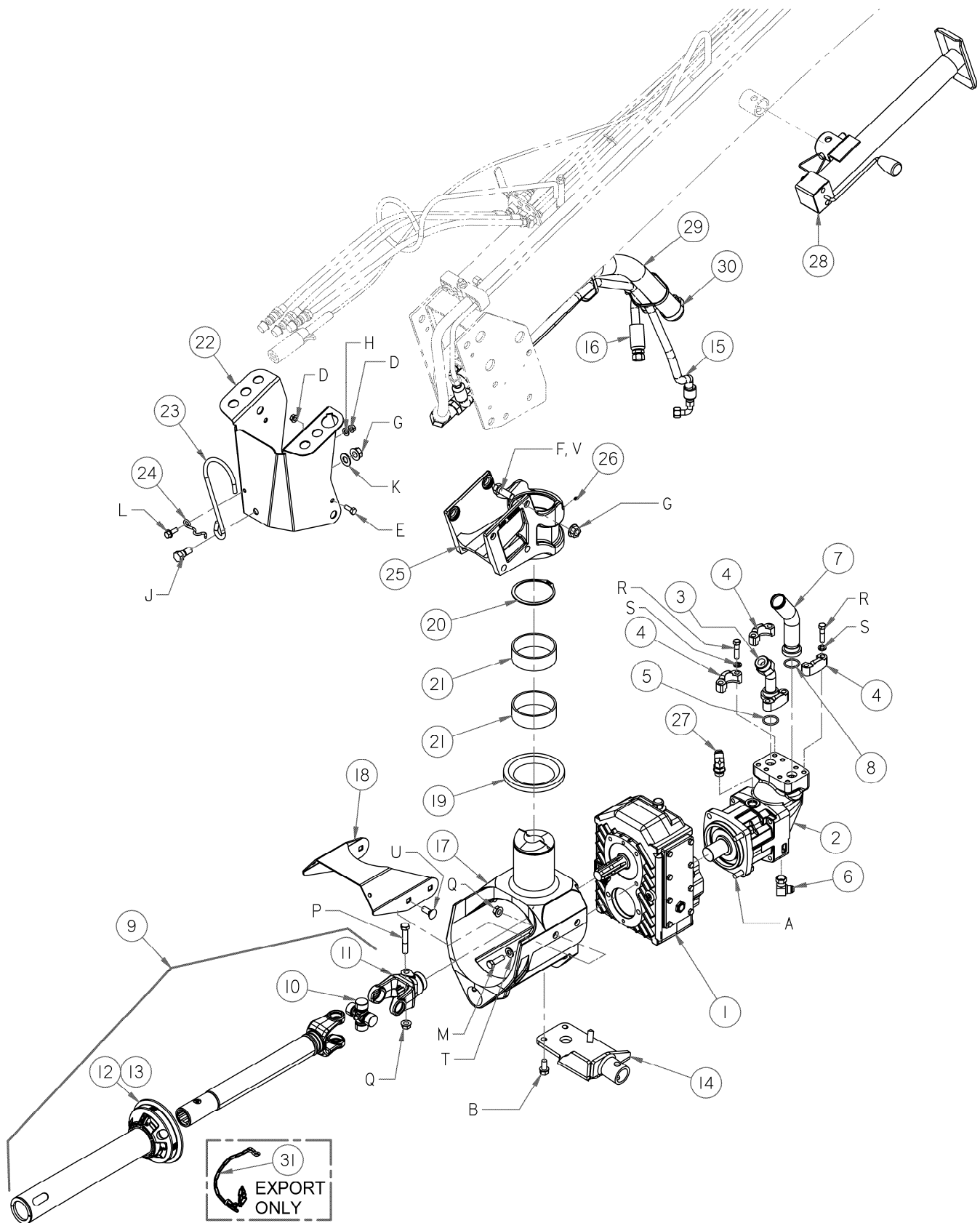
HITCH HYDRAULIC DRIVE S.N. 179760 & ABOVE with BOSCH PUMP



HITCH HYDRAULIC DRIVE
S.N. 179760 & ABOVE with BOSCH PUMP

REF	PART NUMBER	DESCRIPTION	QTY		SERIAL NUMBER
			16FT	13FT	
1	150152	DRIVE – GEARBOX (Refer to following pages for service parts)	-	1	
2	150147	PUMP – BENT AXIS PISTON	-	1	
	150901	SEAL KIT	-	1	
3	150709	FITTING – ADAPTER, HYDRAULIC	-	1	
4	194026	FLANGE – HALF SPLIT, 3/4	-	2	
5	150595	O-RING	-	1	
6	194033	FLANGE – HALF SPLIT, 1 INCH	-	2	
7	112868	O-RING	-	1	
8	150177	FITTING – BARBED, 90 DEGREE	-	1	
9	150048	DRIVELINE – MAIN (Includes items #10–13 C/W decal)	-	1	
10	150886	CROSS	-	1	
11	150887	YOKE	-	1	
12	150888	DRIVELINE SHIELD	-	1	
13	150889	SHIELD REPAIR KIT	-	1	
14	150692	BRACKET WELDMENT	-	1	
15	194092	HOSE – CASE DRAIN (Pump to port into front of hitch)	-	1	
16	150710	HOSE – HIGH PRESSURE	-	1	
17	150630	PIVOT – MACHINING	-	1	
18	21076	FITTING – HYD 90° ELBOW (Connects to item #19)	-	1	
19	194093	HOSE – CASE DRAIN (Pump to hyd. line at front of hitch)	-	1	
20	30884	RING – EXT RETAINING	-	1	
21	150633	BUSHING – 102 I.D. X 111 O.D. X 38 LONG	-	2	
22	150790	CHANNEL	-	1	
23	150135	HOOK	-	1	
24	150138	CLIP	-	1	
25	150632	PIVOT – MACHINING	-	1	
26	18671	FITTING – LUBE 1/4-28 UNF	-	1	
27	135554	O-RING	-	2	
28	140269	JACK	-	1	
29	150711	HOSE – SUCTION	-	1	
30	107037	CLAMP – T-BOLT	-	2	
31	30315	FITTING – HYD 45° ELBOW (Connects to item #15)	-	1	
32	150634	WASHER – THRUST	-	1	
A	148799	BOLT – HH FLANGE M12 X 1.75 X 45 LG ZP			
B	148800	BOLT – HH FLANGE M12 X 1.75 X 25 LG ZP			
C	21561	BOLT – HEX HD 3/8 NC X 1.5 LG GR 5 ZP			
D	30228	NUT – FLANGE DT SMOOTH FACE 0.375-16 UNC			
E	20077	BOLT – HEX HD 3/8 NC X 1.0 LG GR 5 ZP			
F	21582	BOLT – HEX HD 0.625 -11 UNC X 175 GR 5 ZP			
G	50225	NUT – FLANGE DT SMOOTH FACE .625-11 UNC			
H	18598	WASHER – SAE FLAT 13/32 I.D. X 13/16 IN. O.D. ZP			
J	48050	BOLT – SHOULDER .625-11 UNC			
K	18600	WASHER – SAE FLAT 21/32 I.D. X 1-5/16 IN. O.D. ZP			
L	21975	BOLT – HH FLG (SERR FACE) 3/8 NC X 1.0 GR 5 ZP			
M	184669	BOLT – HH M12 X 1.75 X 40 LG ZP			
N	150777	WASHER ASSEMBLY – SPHERICAL 12 MM			
P	21560	BOLT – HH 1/2 NC X 3.0 LG GR 5 ZP			
Q	50186	NUT – FLANGE LOCK SM FACE DT 0.500-13 UNC GR 5			
R	21264	BOLT – HEX HD 3/8 NC X 1.25 LG GR 5 ZP			
S	18637	WASHER – REG. LOCK 3/8 IN. NOM. I.D. ZP			
T	30636	WASHER – FLAT			
U	120901	WASHER – HARDENED			

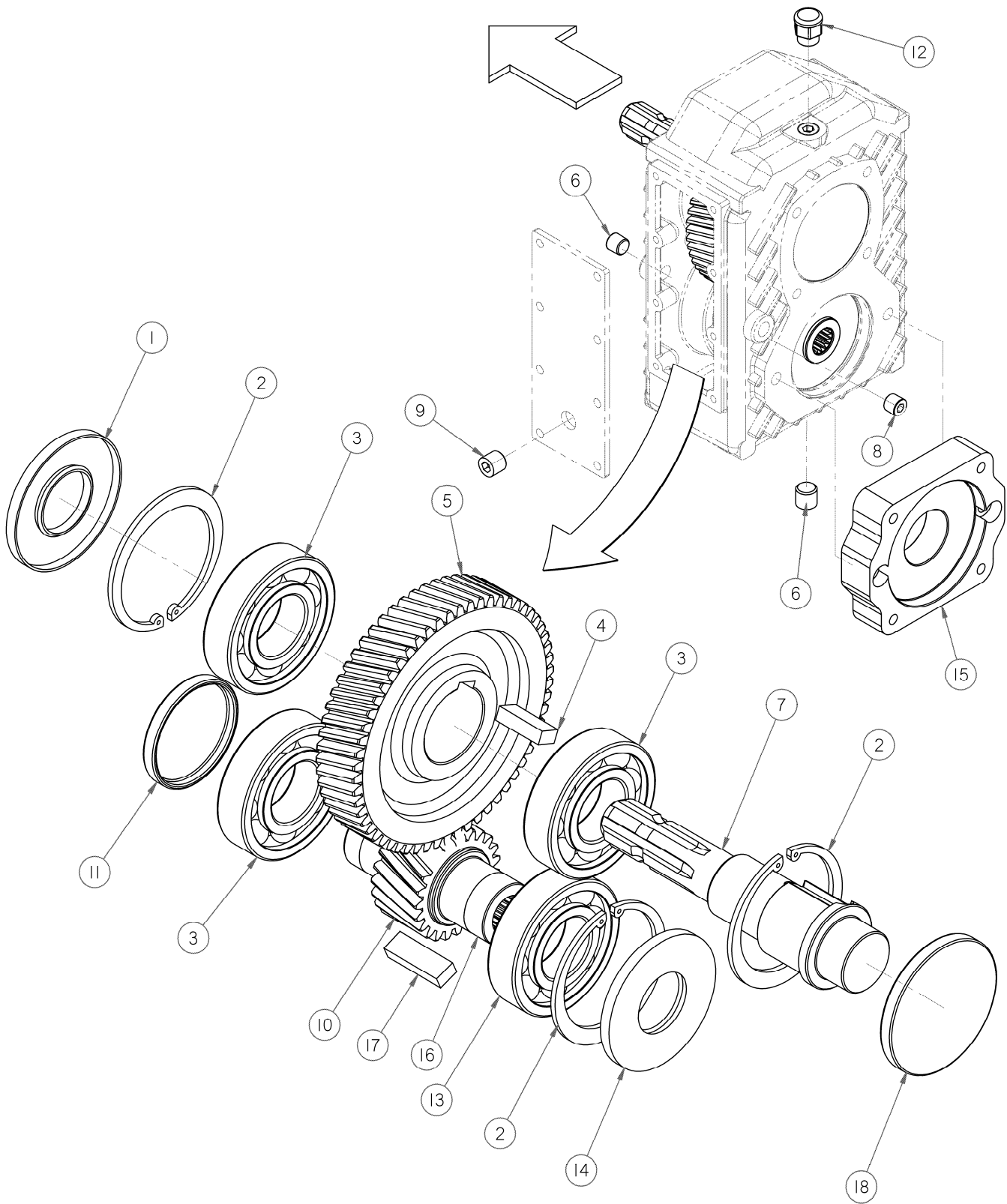
HITCH HYDRAULIC DRIVE S.N. 179760 & ABOVE with PARKER HANNIFIN PUMP



HITCH HYDRAULIC DRIVE
S.N. 179760 & ABOVE with PARKER HANNIFIN PUMP

REF	PART NUMBER	DESCRIPTION	QTY		SERIAL NUMBER
			16FT	13FT	
1	194039	DRIVE – GEARBOX (Refer to following pages for service parts).....	1	1	
2	194073	PUMP – BENT AXIS PISTON	1	1	
	194183	SEAL KIT	1	1	
3	194075	FITTING – ADAPTER, HYDRAULIC	1	1	
4	194043	FLANGE – HALF SPLIT, 3/4	4	4	
5	112868	O-RING	1	1	
6	30314	FITTING – ELBOW 90° HYD	1	1	
7	194090	ADAPTER – SUCTION.....	1	1	
8	112868	O-RING	1	1	
9	146351	DRIVELINE – HITCH (Incl. items #10–13. C/W decal, North America)	1	1	
	194525	DRIVELINE – MAIN (Incl. items #10–13. C/W decal and shield chain, Export only)	1	1	
10	150886	CROSS	1	1	
11	150887	YOKE	1	1	
12	150888	DRIVELINE SHIELD	1	1	
13	150889	SHIELD REPAIR KIT	1	1	
14	150692	BRACKET WELDMENT	1	1	
15	194104	HOSE – CASE	1	1	
16	194083	HOSE – HIGH PRESSURE	1	1	
17	150630	PIVOT – MACHINING	1	1	
18	194531	GUARD	1	1	
19	150634	WASHER – THRUST.....	1	1	
20	30884	RING – EXT RETAINING	1	1	
21	150633	BUSHING – 102 I.D. X 111 O.D. X 38 LONG.....	2	2	
22	194202	CHANNEL.....	1	1	
23	150135	HOOK	1	1	
24	150138	CLIP.....	1	1	
25	150632	PIVOT – MACHINING	1	1	
26	18671	FITTING – LUBE 1/4-28 UNF.....	1	1	
27	50103	FITTING – CONNECTOR HYD	1	1	
28	140269	JACK.....	1	1	
29	150711	HOSE – SUCTION	1	1	
30	107037	CLAMP – T-BOLT.....	2	2	
31	171277	KIT – CE CONVERSION, EXPORT ONLY (Includes 2 chains, decals, instructions, and user manual).....	1	1	
A	148799	BOLT – HH FLANGE M12 X 1.75 X 45 LG ZP			
B	148800	BOLT – HH FLANGE M12 X 1.75 X 25 LG ZP			
C	21561	BOLT – HEX HD 3/8 NC X 1.5 LG GR 5 ZP			
D	30228	NUT – FLANGE DT SMOOTH FACE 0.375-16 UNC			
E	20077	BOLT – HEX HD 3/8 NC X 1.0 LG GR 5 ZP			
F	21582	BOLT – HEX HD 0.625-11UNC X 1.75 GR 5 ZP			
G	50225	NUT – FLANGE DT SMOOTH FACE .625-11 UNC			
H	18598	WASHER – SAE FLAT 13/32 I.D. X 13/16 IN. O.D. ZP			
J	48050	BOLT – SHOULDER .625-11 UNC			
K	18600	WASHER – SAE FLAT 21/32 I.D. X 1-5/16 IN. O.D. ZP			
L	21975	BOLT – HH FLG (SERR FACE) 3/8 NC X 1.0 GR 5 ZP			
M	184669	BOLT – HH M12 X 1.75 X 40 LG ZP			
N	150777	WASHER ASSEMBLY – SPHERICAL 12 MM			
P	21560	BOLT – HH 1/2 NC X 3.0 LG GR 5 ZP			
Q	50186	NUT – FLANGE LOCK SM FACE DT 0.500-13 UNC GR 5			
R	21564	BOLT – HEX HD 7/16 NC X 1.75 LG GR 5 ZP			
S	18652	WASHER – REG. LOCK 7/16 IN. NOM. I.D. ZP			
T	30636	WASHER – FLAT			
U	21471	BOLT – RHSN, 1/2 NC x 1-1/4			
V	120901	WASHER – HARDENED			

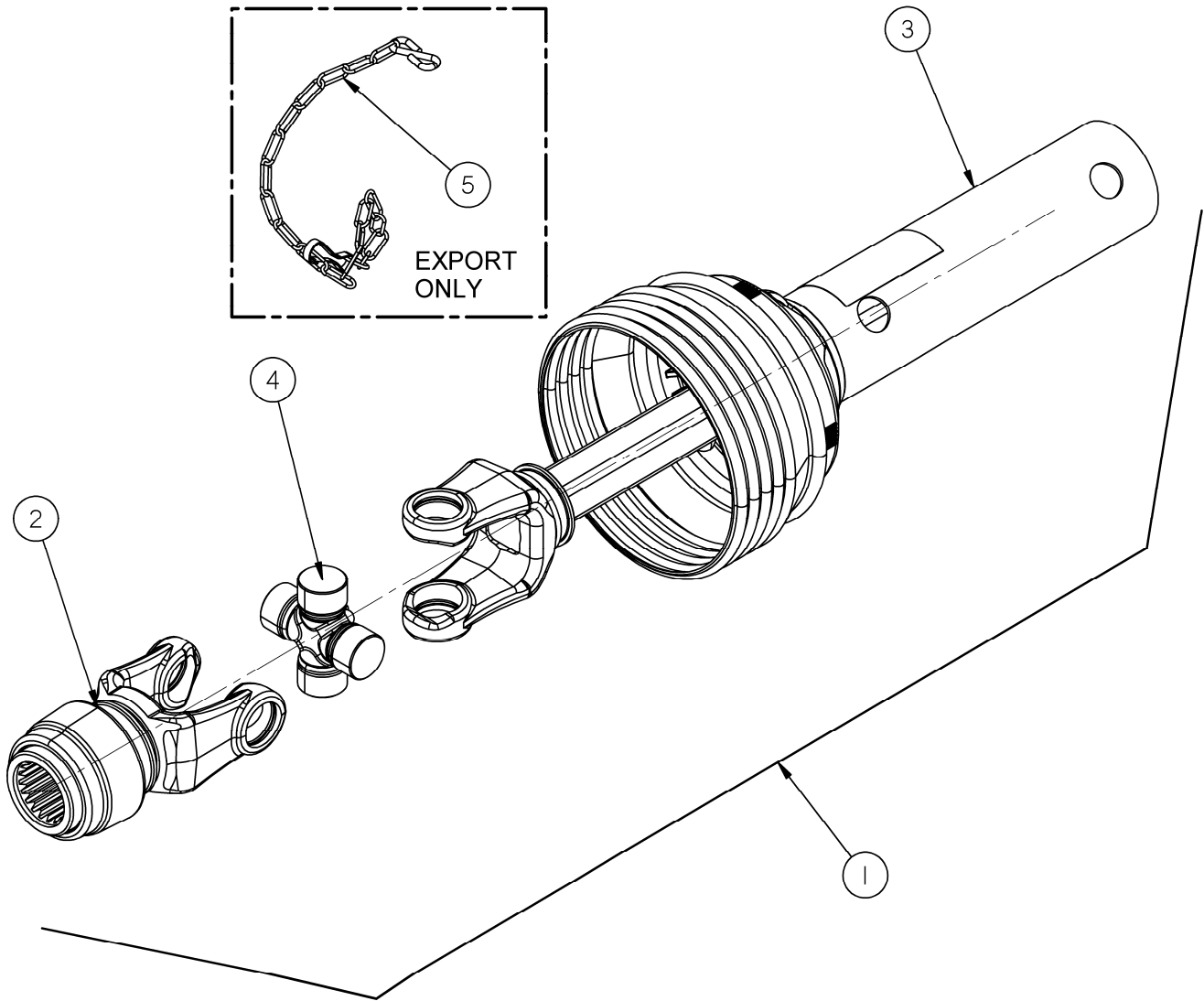
HITCH DRIVE GEARBOX



HITCH DRIVE GEARBOX

REF	PART NUMBER	DESCRIPTION	QTY		SERIAL NUMBER
			194039 See Note 1	150152 See Note 2	
1	150857	SEAL	1	1	
2	150858	RING	3	3	
3	150859	BEARING	3	3	
4	150860	KEY (For upper shaft and gear connection)	1	1	
5	150861	GEAR	0	1	
	194185	GEAR	1	0	
6	150862	FITTING – PLUG, 1/2 IN. GAS	2	2	
7	150863	SHAFT	1	1	
8	150864	FITTING – PLUG, 3/8 IN. GAS	2	2	
9	150865	INDICATOR – OIL LEVEL	1	1	
10	150866	GEAR WITH SHAFT	0	1	
	194186	GEAR	1	0	
11	150867	CAP	1	1	
12	150868	BREATHER	1	1	
13	150869	BEARING	1	1	
14	150870	SEAL	1	1	
15	NSS	MOUNTING FLANGE	-	-	
16	194211	SHAFT – LOWER	1	0	
17	194212	KEY (For lower shaft and gear connection)	1	0	
18	194541	CAP	1	1	
		NOTE:			
		1. Gearbox 194039 used Serial Number 179760 and above with Parker Hannifin pump.			
		2. Gearbox 150152 used Serial Number 179760 and above with Bosch pump and Serial Number 179759 and below.			

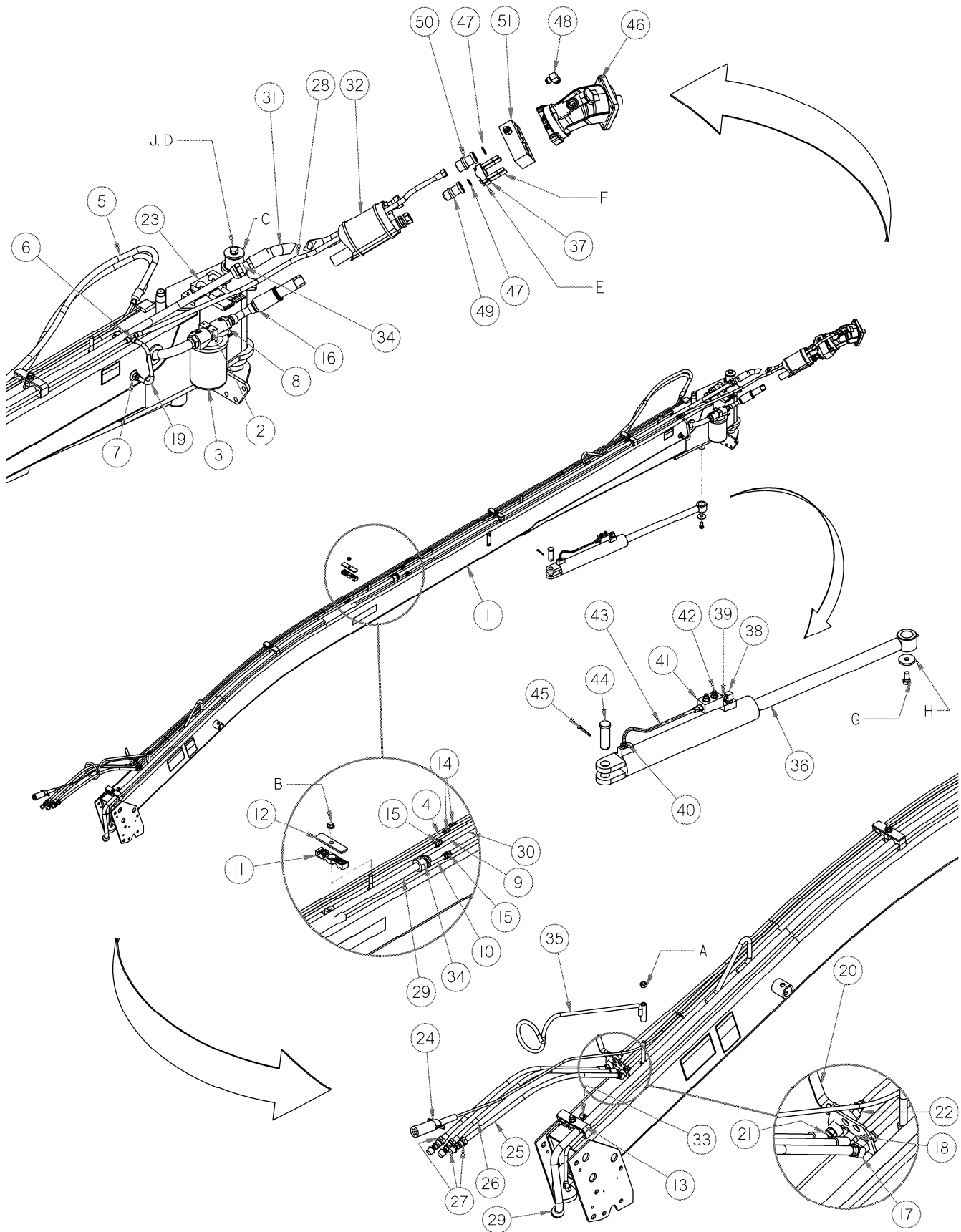
FRONT HALF DRIVELINES



FRONT HALF DRIVELINES

REF	PART NUMBER	DESCRIPTION	QTY		SERIAL NUMBER
			16FT	13FT	
1	150049	DRIVELINE – 1.75 IN 20 T FRONT HALF (FOR STANDARD DRAWBAR HITCH)			
	194527	DRIVELINE, C/W DECALS – NORTH AMERICA.....	1	1	
2	150890	DRIVELINE, C/W DECALS AND SHIELD CHAIN – EXPORT	1	1	
	150891	YOKE	1	1	
	150891	YOKE REPAIR KIT	1	1	
3	150892	SHIELD, C/W DECAL	1	1	
	150889	SHIELD REPAIR KIT	1	1	
4	150886	CROSS.....	1	1	
5	171277	KIT – CE CONVERSION (EXPORT ONLY) (Includes 2 chains, decals, instructions, and user manual)	A/R	A/R	
1	150620	DRIVELINE – 1.375 IN 21 T FRONT HALF (FOR STANDARD DRAWBAR HITCH)			
	194526	DRIVELINE, C/W DECALS – NORTH AMERICA.....	1	1	
2	150893	DRIVELINE, C/W DECALS AND SHIELD CHAIN – EXPORT	1	1	
	133632	YOKE	1	1	
	133632	YOKE REPAIR KIT	1	1	
3	150895	SHIELD, C/W Decal	1	1	
	150889	SHIELD REPAIR KIT	1	1	
4	150886	CROSS.....	1	1	
5	171277	KIT – CE CONVERSION (EXPORT ONLY) (Includes 2 chains, decals, instructions, and user manual)	A/R	A/R	
1	146555	DRIVELINE – 1.75 IN 20 T FRONT HALF (FOR 3-POINT HITCH)			
	146574	DRIVELINE, C/W DECALS – NORTH AMERICA.....	1	1	
2	150890	DRIVELINE, C/W DECALS AND SHIELD CHAIN – EXPORT	1	1	
	150891	YOKE	1	1	
	150891	YOKE REPAIR KIT.....	1	1	
3	146556	SHIELD, C/W DECAL.....	1	1	
	150889	SHIELD REPAIR KIT.....	1	1	
4	150886	CROSS.....	1	1	
5	171277	KIT – CE CONVERSION (EXPORT ONLY) (Includes 2 chains, decals, instructions, and user manual)	A/R	A/R	
1	196141	DRIVELINE – 1.375 IN 21 T FRONT HALF (FOR 3-POINT HITCH)			
	146367	DRIVELINE, C/W DECALS – NORTH AMERICA.....	1	1	
2	150893	DRIVELINE, C/W DECALS AND SHIELD CHAIN – EXPORT	1	1	
	133632	YOKE	1	1	
	133632	YOKE REPAIR KIT.....	1	1	
3	146352	SHIELD, C/W Decal.....	1	1	
	150889	SHIELD REPAIR KIT.....	1	1	
4	150886	CROSS.....	1	1	
5	171277	KIT – CE CONVERSION (EXPORT ONLY) (Includes 2 chains, decals, instructions, and user manual)	A/R	A/R	

HITCH HYDRAULICS & ELECTRICAL
S.N. 179759 & BELOW

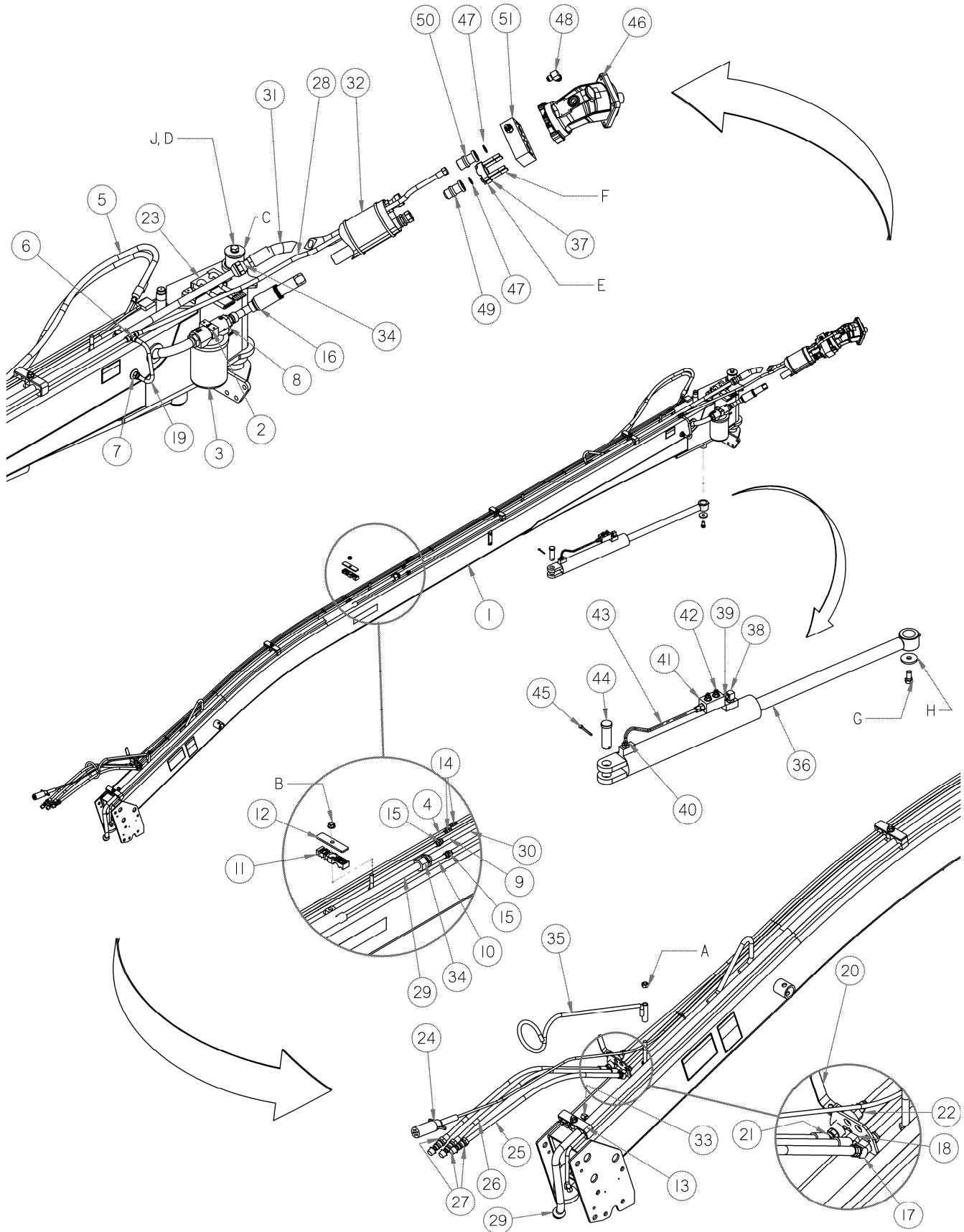


**HITCH HYDRAULICS & ELECTRICAL
S.N. 179759 & BELOW**

REF	PART NUMBER	DESCRIPTION	QTY		SERIAL NUMBER
			16FT	13FT	
1	REF	HITCH ASSEMBLY	-	1	
2	151974	FILTER HEAD 1-5/8 IN-12 SAE (#20)	-	1	
3	151975	FILTER ELEMENT 10 MICRON NOMINAL	-	1	
4	150104	LINE – HYDRAULIC.....	-	4	
5	150101	HOSE	-	2	
6	30694	FITTING – TEE HYD.....	-	1	
7	21030	FITTING – CONNECTOR HYD.....	-	1	
8	135619	FITTING – CONNECTOR HYD.....	-	1	
9	150105	LINE – HYDRAULIC.....	-	3	
10	150123	LINE – HYDRAULIC.....	-	1	
11	149866	CLAMP	-	10	
12	149810	PLATE	-	3	
13	150899	PLATE	-	2	
14	30375	FITTING – UNION HYD	-	2	
15	30846	FITTING – UNION HYD	-	2	
16	148214	HOSE – RETURN	-	1	
17	150255	FITTING – ELBOW, BULKHEAD UNION HYD.....	-	1	
18	150256	FITTING – ELBOW, BULKHEAD UNION HYD.....	-	1	
19	149806	LINE – HYDRAULIC.....	-	1	
20	148852	VALVE – BALL	-	1	
21	30284	FITTING – ELBOW 45° HYD CW O-RING	-	1	
22	15903	FITTING – CONNECTOR HYD.....	-	1	
23	171068	RELAY – TRANSPORT LIGHTING MODULE	-	1	
24	171069	HARNESS – WIRING.....	-	1	
25	150075	HOSE	-	1	
26	148968	HOSE	-	2	
27	135563	FITTING – COUPLING HYD	-	3	
28	148498	HOSE – CASE DRAIN	-	1	
29	150732	LINE – HYDRAULIC.....	-	1	
30	150714	LINE – HYDRAULIC.....	-	1	
31	150715	HOSE – HIGH PRESSURE	-	1	
32	150311	SLEEVE	-	1	
33	30813	CAP – 3/8 IN. TUBE	-	1	
34	135554	O-RING	-	2	
35	150287	ARM WELDMENT	-	1	
36	149829	CYLINDER – HYDRAULIC	-	1	
	150331	SEAL KIT.....	-	1	
37	194026	FLANGE – HALF SLIT	-	4	
38	30283	FITTING – ELBOW HYD.....	-	1	
39	135015	FITTING – ADAPTER HYD.....	-	1	
40	21804	FITTING – CONNECTOR HYD.....	-	1	
41	148851	VALVE – PRESSURE BALANCE	-	1	
42	15903	FITTING – CONNECTOR HYD.....	-	3	
43	148918	LINE– HYDRAULIC.....	-	1	
44	135414	PIN – CLEVIS.....	-	1	
45	18609	PIN – COTTER 1/4 DIA X 2 ZP.....	-	1	
46	148748	MOTOR – HYDRAULIC, BENT AXIS PISTON.....	-	1	
	150901	SEAL KIT.....	-	1	
		NOTE: Continued on next page.			

HITCH HYDRAULICS & ELECTRICAL (Continued)

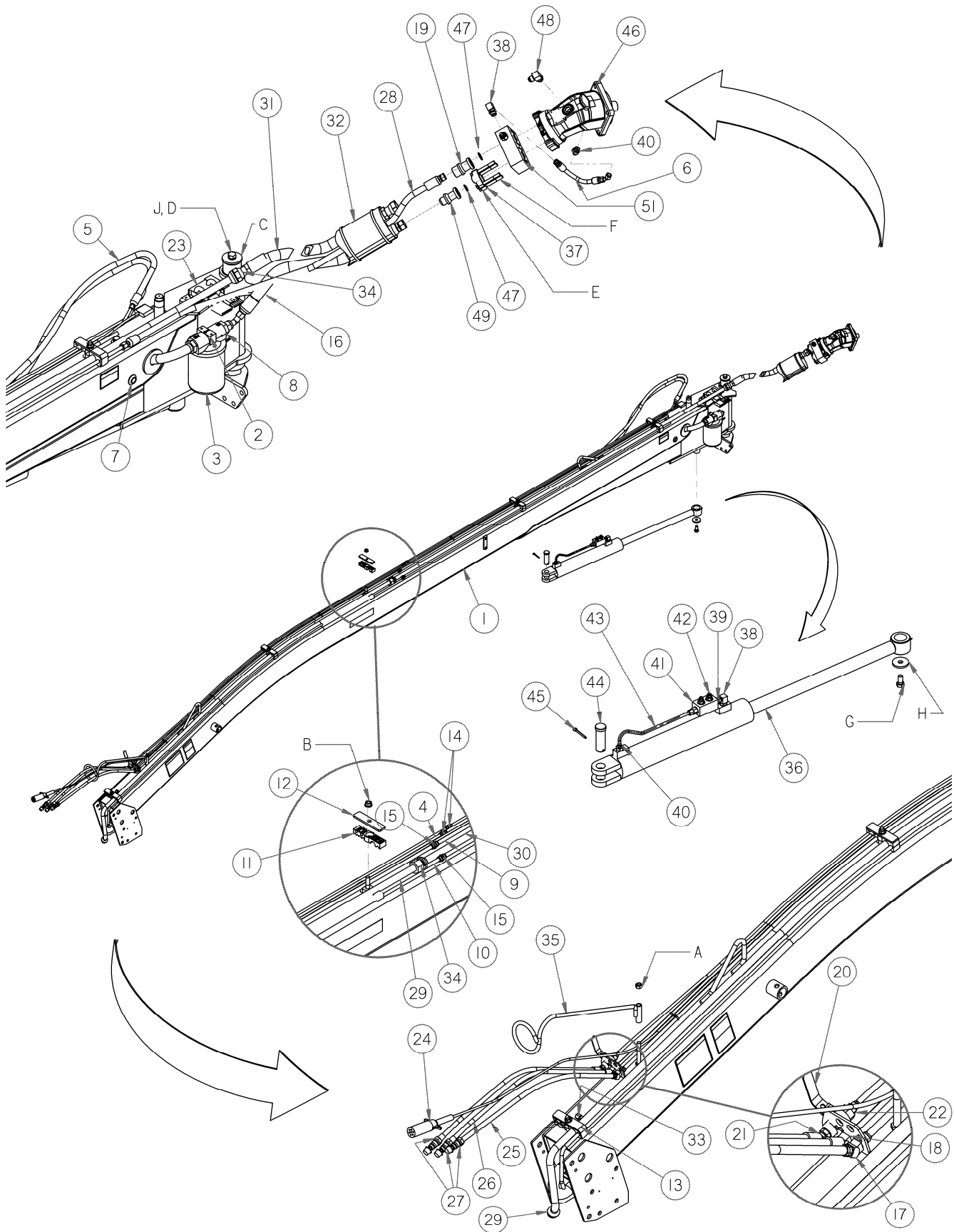
S.N. 179759 & BELOW



HITCH HYDRAULICS & ELECTRICAL (Continued)
S.N. 179759 & BELOW

REF	PART NUMBER	DESCRIPTION	QTY		SERIAL NUMBER
			16FT	13FT	
47	150595	O-RING	-	2	
48	21076	FITTING – ELBOW HYD.....	-	1	
50	135550	FITTING – 3/4 IN. CD 62 X #16 MALE ORS C/W O-RING.....	-	1	
49	135618	FITTING	-	1	
51	149703	VALVE ASSEMBLY	-	1	
	150904	VALVE – RELIEF		1	
	150906	SEAL KIT (For valve 150904)		1	
	150905	VALVE – CHECK		1	
	150907	SEAL KIT (For valve 150905)		1	
	158174	PLUG – CW O-RING.....		2	
	44209	O-RING		1	
	150595	O-RING		1	
A	18697	NUT – HEX LOCK DT .500-13 UNC			
B	50186	NUT – FLANGE LOCK SM FACE DT 0.500-13 UNC GR 5			
C	49464	WASHER – FLAT			
D	18639	WASHER – REG. LOCK 5/8 IN. NOM. I.D. ZP			
E	18637	WASHER – REG. LOCK 3/8 IN. NOM. I.D. ZP			
F	21592	BOLT – HH 3/8 NC X 3.5 LG GR 5 ZP			
G	135547	BOLT – HH 5/8 NC X 1.25 LG GR 5 ZP WITH PATCH			
H	150093	WASHER			
J	21594	BOLT – HEX HEAD 5/8 NC X 1-1/2			

HITCH HYDRAULICS & ELECTRICAL S.N. 179760 & ABOVE with BOSCH MOTOR

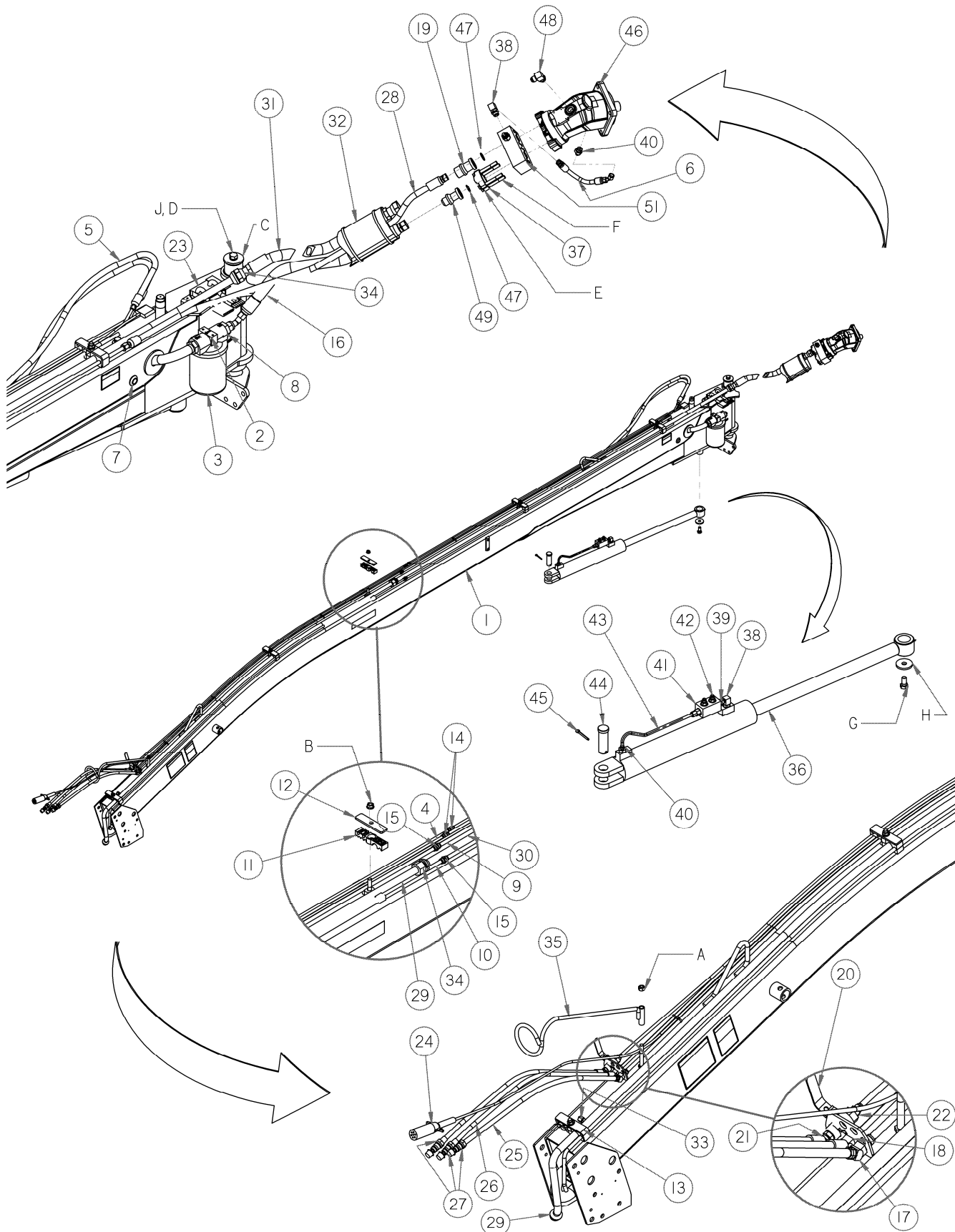


HITCH HYDRAULICS & ELECTRICAL
S.N. 179760 & ABOVE with BOSCH MOTOR

REF	PART NUMBER	DESCRIPTION	QTY		SERIAL NUMBER
			16FT	13FT	
1	REF	HITCH ASSEMBLY	-	1	
2	151974	FILTER HEAD 1-5/8 IN-12 SAE (#20)	-	1	
3	151975	FILTER ELEMENT 10 MICRON NOMINAL	-	1	
4	150104	LINE – HYDRAULIC.....	-	4	
5	150101	HOSE	-	2	
6	194094	HOSE – DRAIN.....	-	1	
7	21030	FITTING – CONNECTOR HYD.....	-	1	
8	135619	FITTING – CONNECTOR HYD.....	-	1	
9	150105	LINE – HYDRAULIC.....	-	3	
10	150123	LINE – HYDRAULIC.....	-	1	
11	149866	CLAMP	-	10	
12	149810	PLATE	-	3	
13	150899	PLATE	-	2	
14	30375	FITTING – UNION HYD	-	2	
15	30846	FITTING – UNION HYD	-	2	
16	194097	HOSE – RETURN	-	1	
17	150255	FITTING – ELBOW, BULKHEAD UNION HYD.....	-	1	
18	150256	FITTING – ELBOW, BULKHEAD UNION HYD.....	-	1	
19	135550	FITTING – 3/4 IN. CD 62 X #16 MALE ORS C/W O-RING.....	-	1	
20	148852	VALVE – BALL	-	1	
21	30284	FITTING – ELBOW 45° HYD CW O-RING	-	1	
22	15903	FITTING – CONNECTOR HYD.....	-	1	
23	171068	RELAY – TRANSPORT LIGHTING MODULE	-	1	
24	171069	HARNESS – WIRING.....	-	1	
25	150075	HOSE	-	1	
26	148968	HOSE	-	2	
27	135563	FITTING – COUPLING HYD	-	3	
28	194098	HOSE – CASE DRAIN	-	1	
29	150732	LINE – HYDRAULIC.....	-	1	
30	150714	LINE – HYDRAULIC.....	-	1	
31	150715	HOSE – HIGH PRESSURE	-	1	
32	150311	SLEEVE	-	1	
33	30813	CAP – 3/8 IN. TUBE.....	-	1	
34	135554	O-RING	-	2	
35	150287	ARM WELDMENT.....	-	1	
36	149829	CYLINDER – HYDRAULIC	-	1	
	150331	SEAL KIT.....	-	1	
37	194026	FLANGE – HALF SLIT	-	4	
38	30283	FITTING – ELBOW HYD.....	-	2	
39	135015	FITTING – ADAPTER HYD.....	-	1	
40	21804	FITTING – CONNECTOR HYD.....	-	2	
41	148851	VALVE – PRESSURE BALANCE	-	1	
42	15903	FITTING – CONNECTOR HYD.....	-	3	
43	148918	LINE – HYDRAULIC.....	-	1	
44	135414	PIN – CLEVIS.....	-	1	
45	18609	PIN – COTTER 1/4 DIA X 2 ZP.....	-	1	
46	148748	MOTOR – HYDRAULIC, BENT AXIS PISTON.....	-	1	
	150901	SEAL KIT.....	-	1	
		NOTE: Continued on next page.			

HITCH HYDRAULICS & ELECTRICAL (Continued)

S.N. 179760 & ABOVE with BOSCH MOTOR

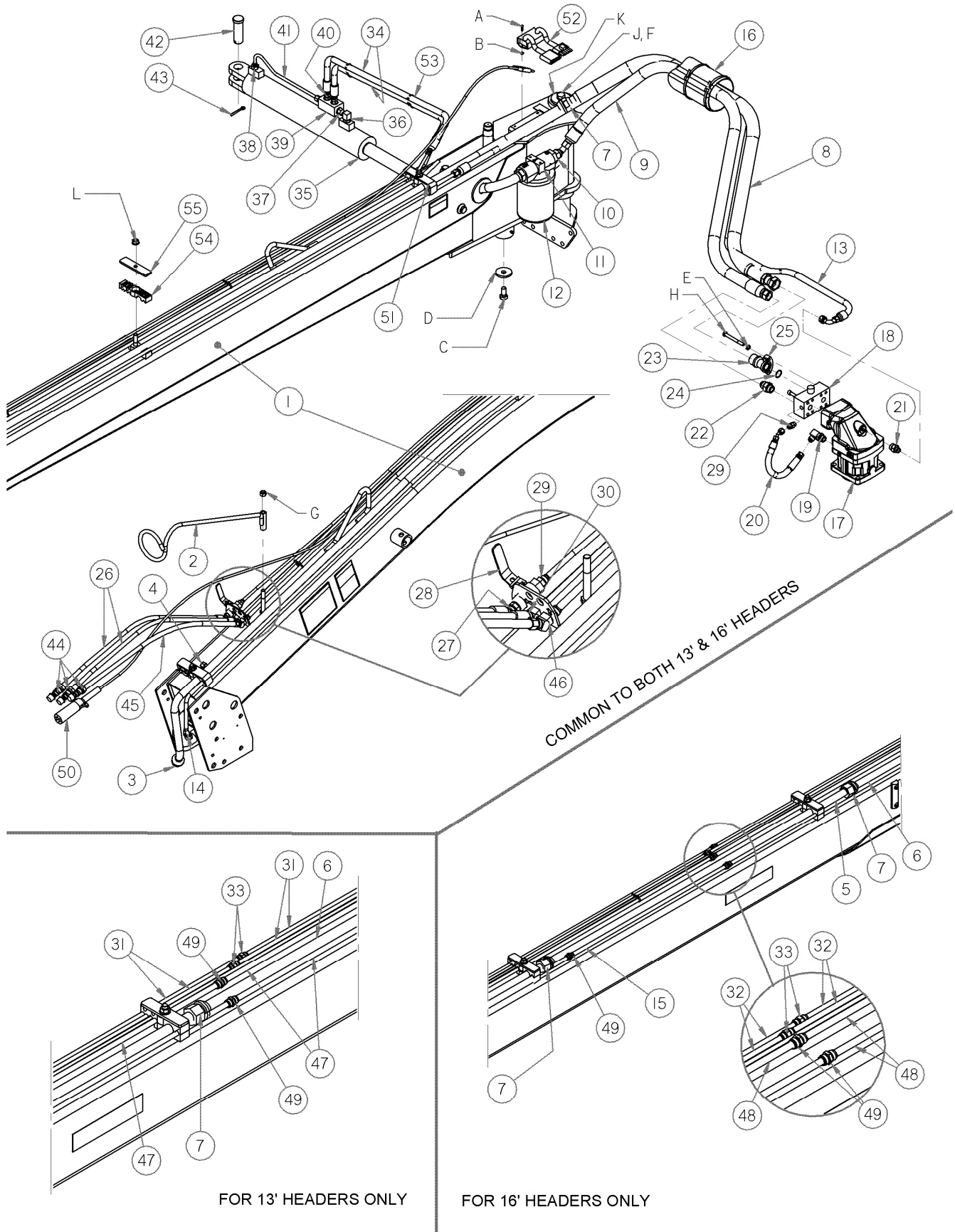


HITCH HYDRAULICS & ELECTRICAL (Continued)
S.N. 179760 & ABOVE with BOSCH MOTOR

REF	PART NUMBER	DESCRIPTION	QTY		SERIAL NUMBER
			16FT	13FT	
47	150595	O-RING	-	2	
48	21076	FITTING – ELBOW HYD.....	-	1	
49	135618	FITTING	-	1	
51	149703	VALVE ASSEMBLY	-	1	
	150904	VALVE – RELIEF		1	
	150906	SEAL KIT (For valve 150904)		1	
	150905	VALVE – CHECK		1	
	150907	SEAL KIT (For valve 150905)		1	
	158174	PLUG – CW O-RING.....		2	
	44209	O-RING		1	
	150595	O-RING		1	
A	18697	NUT – HEX LOCK DT .500-13 UNC			
B	50186	NUT – FLANGE LOCK SM FACE DT 0.500-13 UNC GR 5			
C	49464	WASHER – FLAT			
D	18639	WASHER – REG. LOCK 5/8 IN. NOM. I.D. ZP			
E	18637	WASHER – REG. LOCK 3/8 IN. NOM. I.D. ZP			
F	21592	BOLT – HH 3/8 NC X 3.5 LG GR 5 ZP			
G	135547	BOLT – HH 5/8 NC X 1.25 LG GR 5 ZP WITH PATCH			
H	150093	WASHER			
J	21594	BOLT – HEX HEAD 5/8 NC X 1-1/2			

HITCH HYDRAULICS & ELECTRICAL

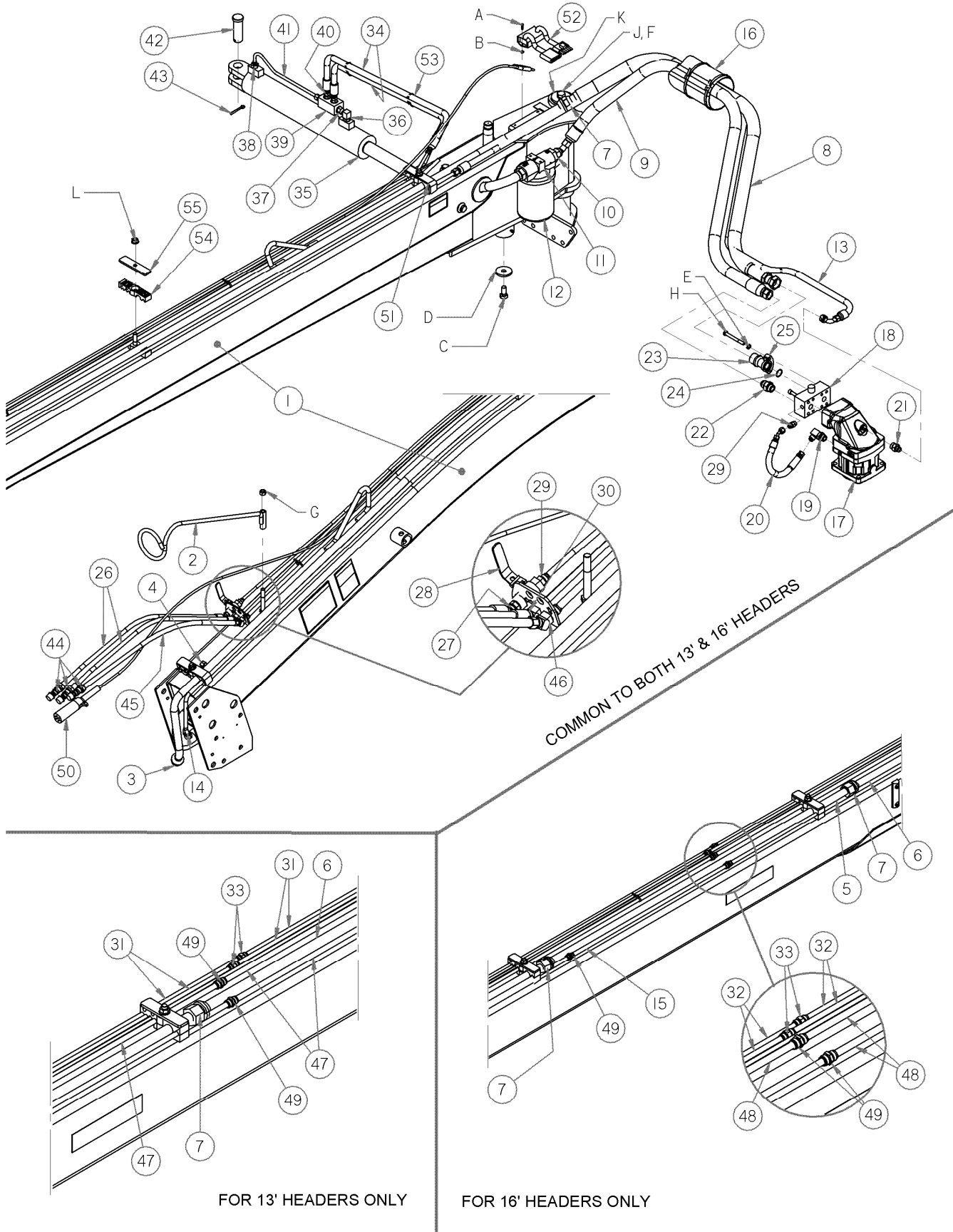
S.N. 179760 & ABOVE with PARKER HANNIFIN MOTOR



HITCH HYDRAULICS & ELECTRICAL
S.N. 179760 & ABOVE with PARKER HANNIFIN MOTOR

REF	PART NUMBER	DESCRIPTION	QTY		SERIAL NUMBER
			16FT	13FT	
1	REF	HITCH ASSEMBLY	1	1	
2	150287	ARM WELDMENT	1	1	
3	150732	LINE – HYDRAULIC.....	1	1	
4	30813	CAP – 3/8 IN. TUBE.....	1	1	
5	150713	LINE – HYDRAULIC.....	1	-	
6	150714	LINE – HYDRAULIC.....	1	1	
7	135554	O-RING	3	2	
8	150715	HOSE – HIGH PRESSURE	1	1	
9	194097	HOSE – RETURN	1	1	
10	135619	FITTING – CONNECTOR HYD.....	1	1	
11	151974	FILTER HEAD 1-5/8 IN-12 SAE (#20)	1	1	
12	151975	FILTER ELEMENT 10 MICRON NOMINAL	1	1	
13	194103	HOSE – DRAIN	1	1	
14	150123	LINE – HYDRAULIC.....	1	1	
15	194004	LINE – HYDRAULIC.....	1	-	
16	150311	SLEEVE	1	1	
17	194100	MOTOR – HYDRAULIC	1	1	
	194184	SEAL KIT	1	1	
18	194101	VALVE – C/W MOUNTING HARDWARE (Refer to serviced components on next page)	1	1	
19	135352	FITTING – ELBOW 90° HYD	1	1	
20	194094	HOSE – DRAIN	1	1	
21	21881	FITTING – ADAPTER HYD	1	1	
22	21830	FITTING – CONNECTOR HYD.....	1	1	
23	135550	FITTING – 3/4 IN. CD 62 X #16 MALE ORS C/W O-RING.....	1	1	
24	150595	O-RING (Two included with valve, item #18)	3	3	
25	194026	FLANGE – HALF SPLIT 3/4 IN., CODE 62.....	2	2	
26	148968	HOSE	2	2	
27	30284	FITTING – ELBOW 45° HYD CW O-RING	1	1	
28	148852	VALVE – BALL	1	1	
29	15903	FITTING – CONNECTOR HYD.....	2	2	
30	150256	FITTING – ELBOW, BULKHEAD UNION HYD.....	1	1	
31	150104	LINE – HYDRAULIC.....	-	4	
32	150476	LINE – HYDRAULIC.....	4	-	
33	30375	FITTING – UNION HYD	2	2	
34	150101	HOSE	2	2	
35	149829	CYLINDER – HYDRAULIC	1	1	
	150331	SEAL KIT	-	-	
36	30283	FITTING – ELBOW HYD.....	1	1	
37	135015	FITTING – ADAPTER HYD	1	1	
38	21804	FITTING – CONNECTOR HYD.....	1	1	
39	148851	VALVE–PRESSURE BALANCE	1	1	
40	15903	FITTING – CONNECTOR HYD.....	3	3	
41	148918	LINE– HYDRAULIC.....	1	1	
42	135414	PIN – CLEVIS.....	1	1	
43	18609	PIN – COTTER 1/4 DIA X 2 ZP.....	1	1	
44	135563	FITTING – COUPLING HYD	3	3	
45	150075	HOSE	1	1	
46	150255	FITTING – ELBOW, BULKHEAD UNION HYD.....	1	1	
47	150105	LINE – HYDRAULIC.....	-	3	
		NOTE: Continued on next page.			

HITCH HYDRAULICS & ELECTRICAL (Continued) S.N. 179760 & ABOVE with PARKER HANNIFIN MOTOR



COMMON TO BOTH 13' & 16' HEADERS

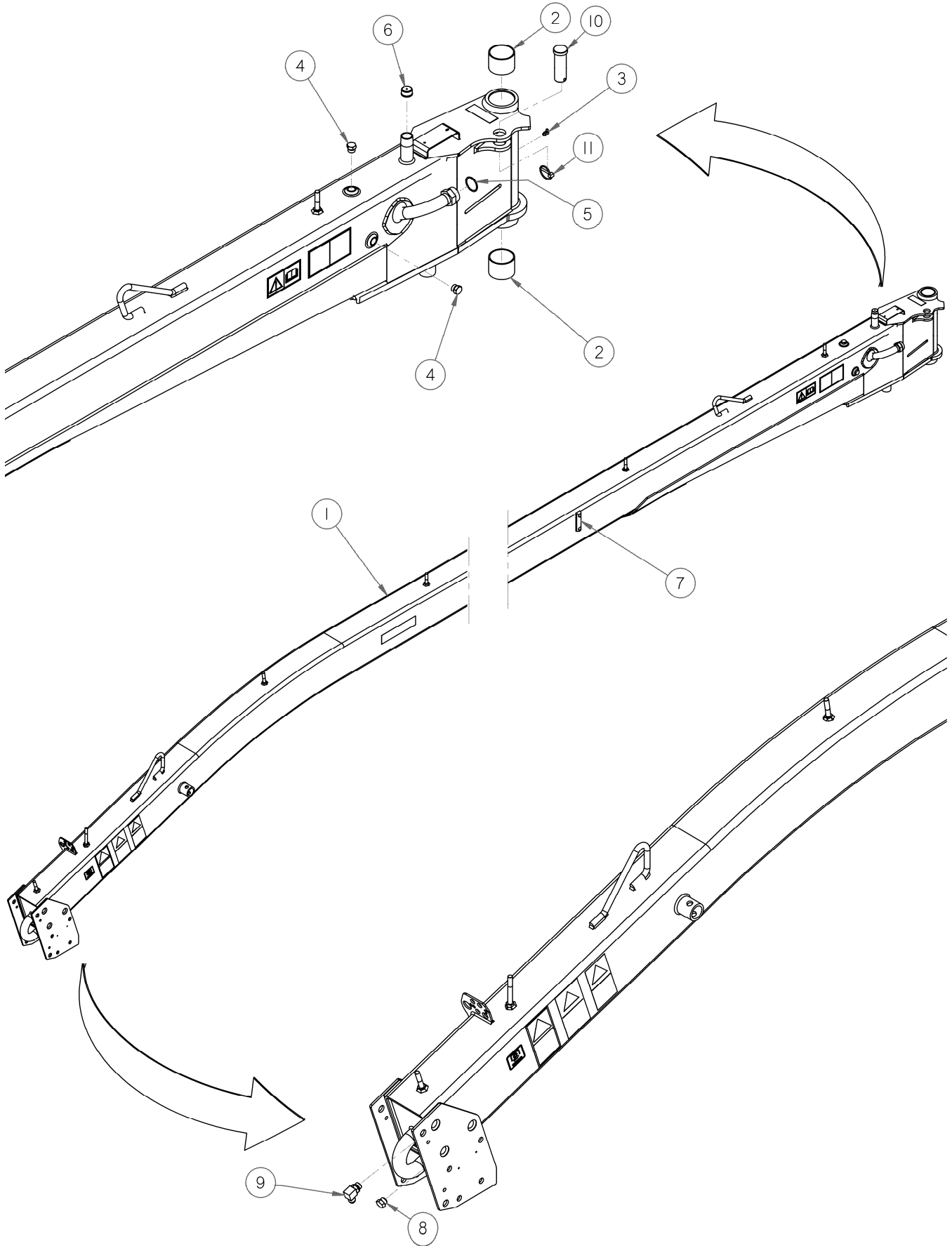
FOR 13' HEADERS ONLY

FOR 16' HEADERS ONLY

HITCH HYDRAULICS & ELECTRICAL (Continued)
S.N. 179760 & ABOVE with PARKER HANNIFIN MOTOR

REF	PART NUMBER	DESCRIPTION	QTY		SERIAL NUMBER
			16FT	13FT	
48	150475	LINE – HYDRAULIC.....	3	-	
49	30846	FITTING – UNION HYD	3	2	
50	171069	HARNESS – WIRING.....	-	1	
	142965	HARNESS – WIRING.....	1	-	
51	150899	PLATE	2	2	
52	171068	RELAY – TRANSPORT LIGHTING MODULE	1	1	
53	21763	FASTENER – CABLE TIE (BLACK).....	5	4	
54	149866	CLAMP	12	10	
55	149810	PLATE	4	3	
A	135020	SCREW – MACHINE			
B	135021	NUT – SPECIAL			
C	135547	BOLT – HH 5/8 NC X 1.25 LG GR 5 ZP WITH PATCH			
D	150093	WASHER			
E	18637	WASHER – REG. LOCK 3/8 IN. NOM. I.D. ZP			
F	18639	WASHER – REG. LOCK 5/8 IN. NOM. I.D. ZP			
G	18697	NUT – HEX LOCK DT .500-13 UNC			
H	REF	(Refer to hardware listed with valve service parts below)			
J	21594	BOLT – HEX HD 0.625-11 UNC X 1.50			
K	49464	WASHER – FLAT			
L	50186	NUT – FLANGE LOCK SM FACE DT 0.500-13 UNC GR 5			
18	REF	VALVE (MD #194101) – SERVICED COMPONENTS:			
		PARKER HANNIFIN VALVE			
	194187	VALVE – PRESSURE RELIEF	1	1	
	150595	O-RING, ITEM #24.....	2	2	
	18637	WASHER – REG. LOCK 3/8 IN. NOM. I.D. ZP	4	4	
		SUN HYDRAULICS VALVE			
	150904	VALVE – RELIEF	1	1	
	150906	SEAL KIT (For relief valve 150904)			
	150905	VALVE – CHECK	1	1	
	150907	SEAL KIT (For check valve 150905)			
	150595	O-RING, ITEM #24.....	2	2	
	135705	BOLT – SOCKET HEAD, 3/8-16 UNC, 3.75 IN. LG, BLACK, GR 5	4	4	
	21596	BOLT – HEX HEAD, 3/8 NC X 5.0 IN. LG, ZN PL, GR 5.....	4	4	
	18637	WASHER – REG. LOCK 3/8 IN. NOM. I.D. ZP	4	4	

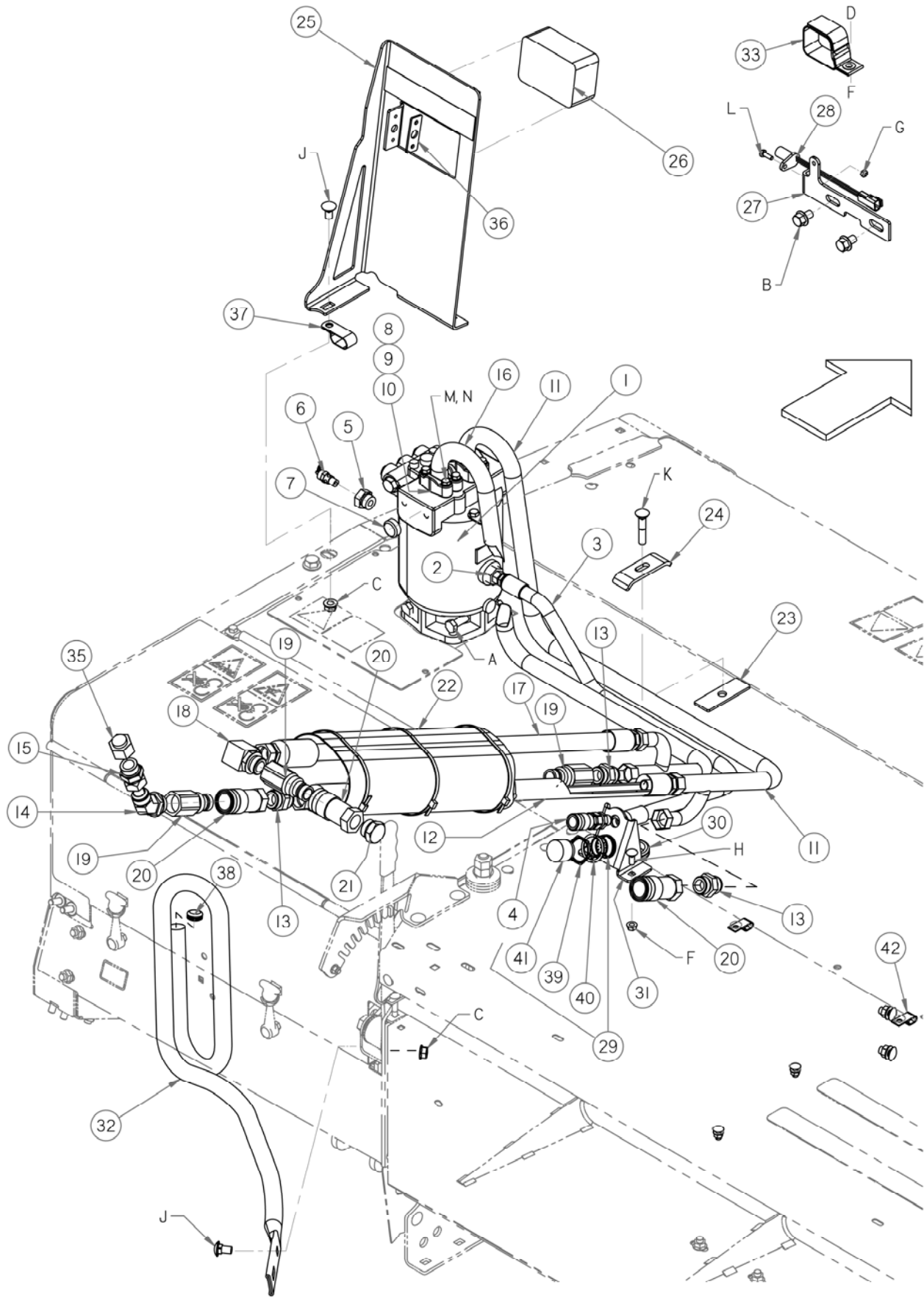
HITCH ASSEMBLY



HITCH ASSEMBLY

REF	PART NUMBER	DESCRIPTION	QTY		SERIAL NUMBER
			16FT	13FT	
1	194475	HITCH ASSEMBLY, 13 FT (Includes items #2-9 and decals).....	-	1	
	194476	HITCH ASSEMBLY, 16 FT (Includes items #2-9 and decals).....	1	-	
2	107201	BUSHING – SLEEVE	2	2	
3	21010	FTG – LUBE 90 DEG 1/4-28 TAPER THD	1	1	
4	30977	PLUG – HEX CW O-RING	2	2	
5	50222	O-RING	1	1	
6	6006	CAP 1 IN. NPT	1	1	
7	156696	GAUGE – LEVEL	1	1	
8	44207	PLUG C/W O-RING.....	1	1	
	44209	O-RING	2	2	
9	21076	FITTING – ELBOW HYD.....	1	1	
10	135414	PIN – CLEVIS.....	1	1	
11	102264	PIN – LYNCH	1	1	

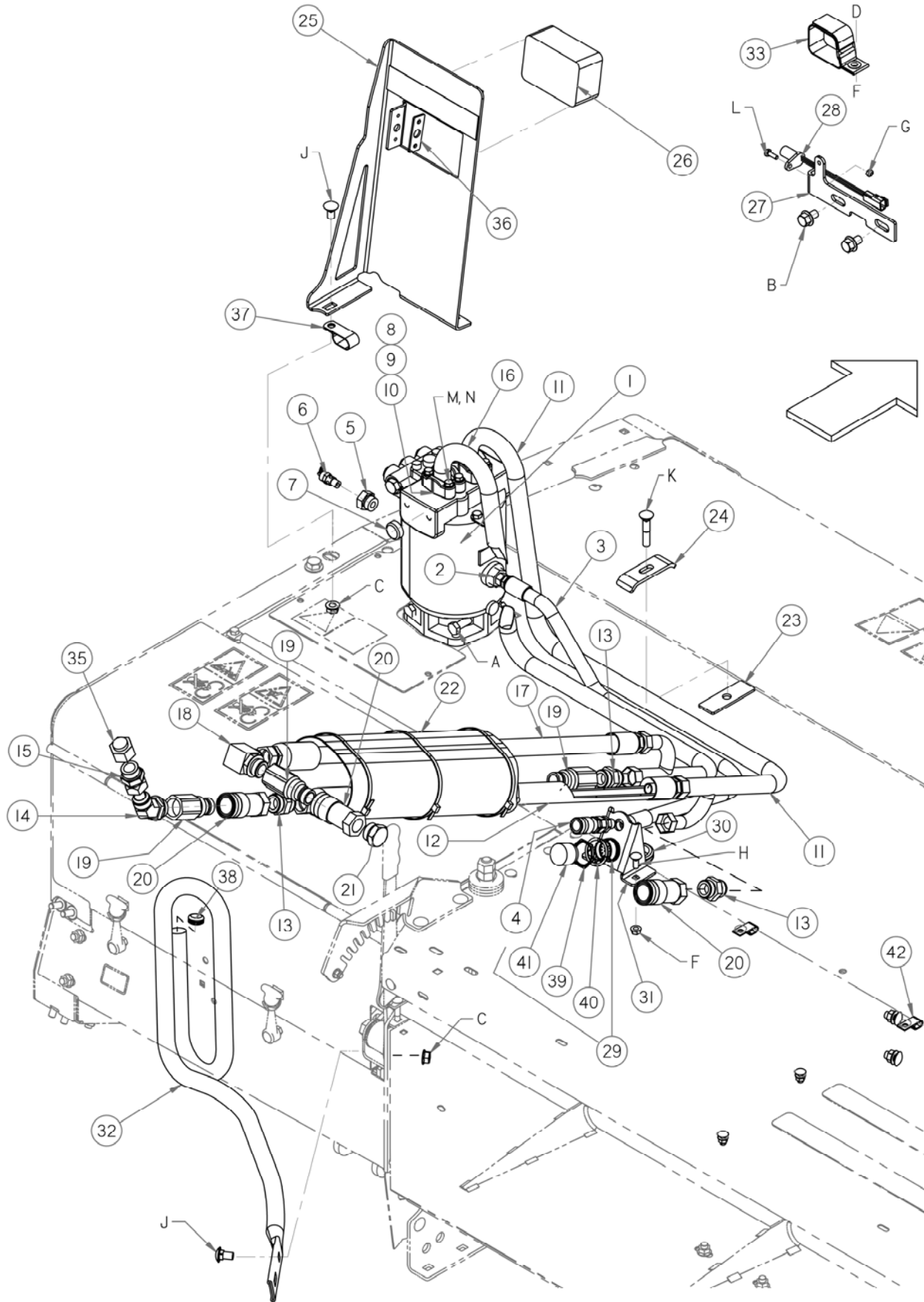
HEADER HYDRAULICS & ELECTRICAL 16 FT – SP



HEADER HYDRAULICS & ELECTRICAL 16 FT – SP

REF	PART NUMBER	DESCRIPTION	QTY		SERIAL NUMBER
			16FT	13FT	
1	149318	MOTOR – HYD	1	-	
	150879	SHAFT SEAL	1	-	
2	30939	FITTING – ADAPTER HYD, #8 JIC male x #12 ORB male	1	-	
3	150511	HOSE – SP ROTARY CASE DRAIN	1	-	
4	135213	COUPLING – FEMALE HYD. 3/8 FLAT FACE BULKHEAD.....	1	-	
5	135560	FITTING – ADAPTER HYD CW O-RING, 1/4 NPTF x #12 ORB male.....	1	-	
	30971	O-RING, SAE #12-1 (For items #2, #5)			
6	120377	VALVE – RELIEF	1	-	
7	135614	CAP	1	-	
8	112866	FLANGE – SPLIT (Includes items #9, #10, M, N).....	2	-	
9	112868	O-RING, SAE #219	2	-	
10	194033	FLANGE – SPLIT HALF	4	-	
11	150505	LINE – HIGH PRESSURE.....	1	-	
12	149553	HOSE – 16 FT 40 GPM.....	1	-	
13	21828	FITTING – ADAPTER HYD cw O-RING, #16 JIC male x #16 ORB male....	3	-	
14	112936	FITTING – ELBOW 45° HYD cw O-RING, #16 JIC male x #16 ORB male	1	-	
15	135316	FITTING – ADAPTER HYD cw O-RING, #16 JIC fem. x #16 ORB male ...	1	-	
16	150764	LINE – RETURN	1	-	
17	149554	HOSE – SECONDARY RETURN	1	-	
18	21827	FITTING – ELBOW HYD cw O-RING, #16 JIC male x #16 ORB male	1	-	
19	135544	COUPLER – MALE HYD. 3/4 IN FLAT FACE 1 IN THD., FASTER	3	-	
	135479	SEAL KIT (For 3/4 male coupler)			
20	135313	COUPLER – FEMALE HYD. 3/4 IN. FLAT FACE, FASTER.....	3	-	
	111977	SEAL KIT (For 3/4 female coupler)			
21	156051	PLUG #16 ORB cw O-RING	1	-	
	50220	O-RING, SAE #16-1 (For items #13–15, #18, #21)			
22	150311	SLEEVE	1	-	
23	150924	PAD – RUBBER	1	-	
24	150766	SUPPORT – HYDRAULIC LINE	1	-	
25	148761	BRACKET – LIGHT, WITH REFLECTORS, LH.....	1	-	
	150060	BRACKET – LIGHT, WITH REFLECTORS, RH	1	-	
26	120416	LAMP – AMBER	2	-	
	NSS	REPLACEMENT BULB #1156 (See retailer)			
	160359	LENS – AMBER, REPLACEMENT			
27	198344	BRACKET	1	-	
28	143875	SENDER – SPEED	1	-	
29	149338	HARNESS – WIRING, 16 FT SP R80 (Includes items #39–41)	1	-	
30	111713	GROMMET – 1.50 IN. I.D.	1	-	
31	150669	BRACKET – WIRING PLUG SUPPORT.....	1	-	
32	194365	SUPPORT WELDMENT	1	-	
33	163585	STRAP – VELCRO, HANGING 8 IN.	3	-	
35	30905	NUT – CAP, 1 IN. TUBE	1	-	
36	194201	PAD – RUBBER	2	-	
37	103738	CLAMP – PVC INSULATED, 13/16 IN. TUBE SIZE	1	-	
38	194389	PLUG – TUBE FINISHING	1	-	
39	134010	NUT – PANEL, DEUTSCH, HD30, SIZE 24.....	1	-	
40	134011	WASHER – LOCK SPRING, DEUTSCH, HD30, SIZE 24	1	-	
41	135365	CAP – WIRE HARNESS	1	-	
42	39272	CLIP – INSULATED.....	4	-	
		NOTE: See next page for hardware.			

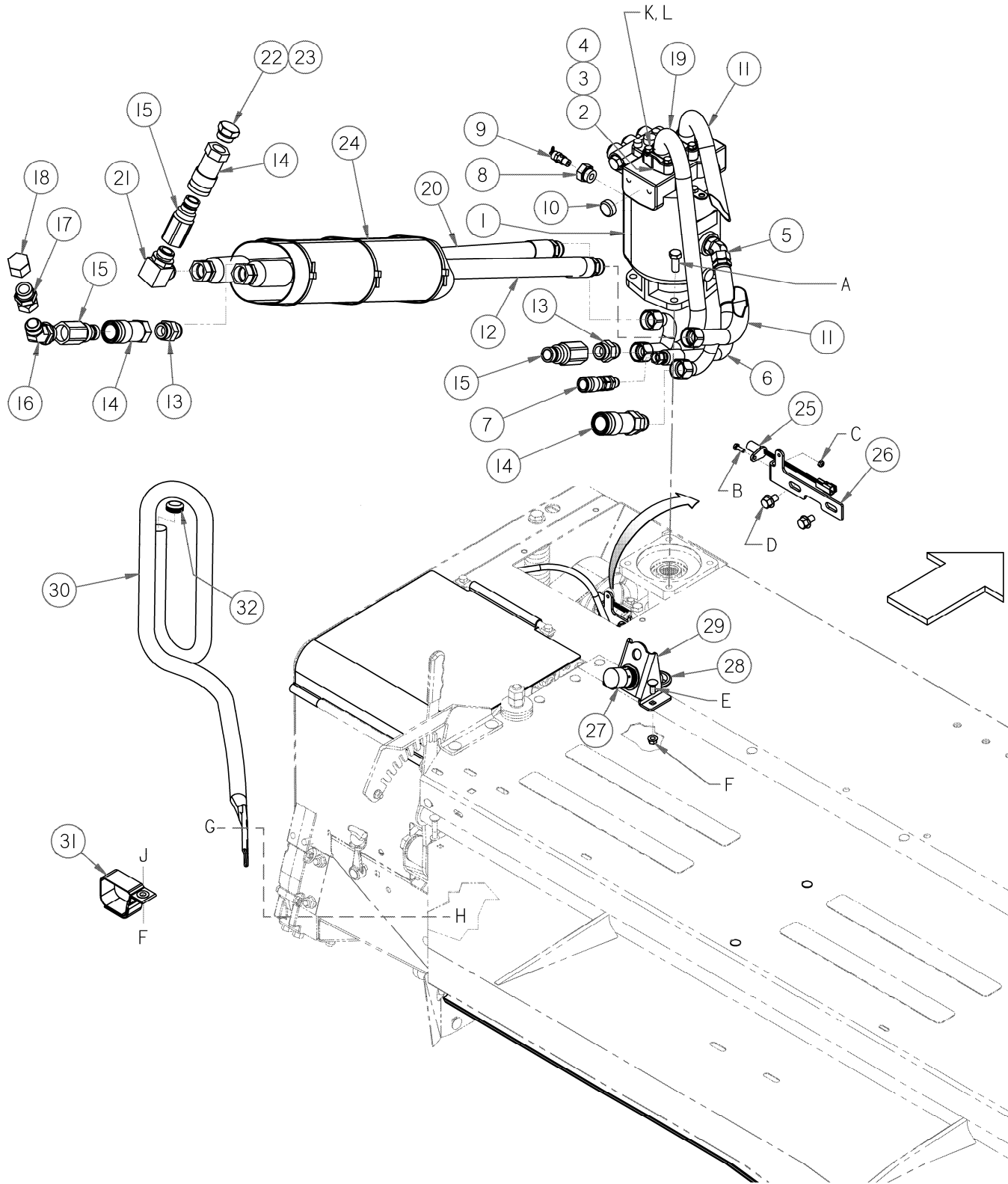
HEADER HYDRAULICS & ELECTRICAL 16 FT – SP (Continued)



HEADER HYDRAULICS & ELECTRICAL 16 FT – SP (Continued)

REF	PART NUMBER	DESCRIPTION	QTY		SERIAL NUMBER
			16FT	13FT	
A	135491	BOLT – HH M14 X 2 X 35 LG ZP			
B	105066	BOLT – HH FLG (SERR FACE) 1/2 NC X 0.75 GR 5 ZP			
C	50186	NUT – FLANGE LOCK SM FACE DT 0.500-13 UNC GR 5			
D	21863	BOLT– RHSSN 3/8 NC X 0.75 LG GR 5 ZP			
F	30228	NUT – FLANGE DT SMOOTH FACE 0.375-16 UNC			
G	18724	NUT – HEX LOCK DT 1/4-20 UNC ZP			
H	19965	BOLT – RHSN 3/8 NC X 1.0 GR 5 ZP			
J	21066	BOLT – RHSN 1/2 NC X 1 GR 5 ZP			
K	21489	BOLT – RHSN 1/2 NC X 2.5 LG GR 5 ZP			
L	21566	BOLT – HEX HD 1/4 NC X 0.75 LG GR 5 ZP			
M	21264	BOLT – HH 3/8 NC X 1.25 LG GR 5 ZP			
N	18637	WASHER – REG. LOCK 3/8 IN. NOM. I.D. ZP			

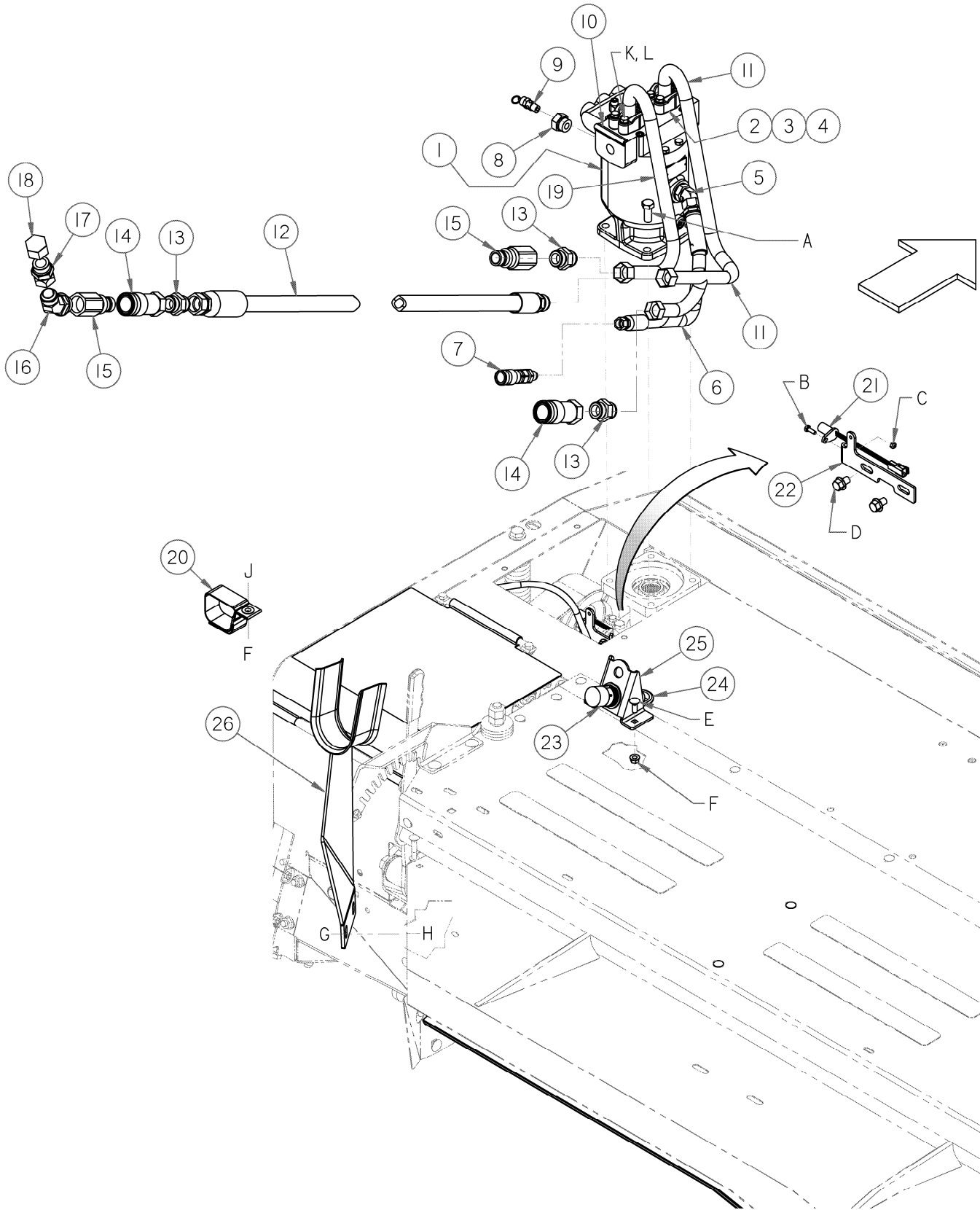
HEADER HYDRAULICS & ELECTRICAL 13 FT – SP (M200)



HEADER HYDRAULICS & ELECTRICAL 13 FT – SP (M200)

REF	PART NUMBER	DESCRIPTION	QTY		SERIAL NUMBER
			16FT	13FT	
1	149318	MOTOR – HYD	-	1	
	150879	SHAFT SEAL	-	1	
2	112866	FLANGE – SPLIT, 1 IN. C/W HARDWARE (Incl. items #3, #4, K, L)...	-	2	
3	112868	O-RING, SAE #219	-	2	
4	194033	FLANGE – SPLIT HALF	-	4	
5	50098	FITTING – ELBOW 45° HYD cw O-RING, #12 JIC male x #12 ORB male	-	1	
6	150797	HOSE – 13 SP ROTARY CASE DRAIN	-	1	
7	135213	COUPLING – FEMALE HYD. 3/8 FLAT FACE BULKHEAD.....	-	1	
8	135560	FITTING – ADAPTER HYD CW O-RING, 1/4 NPTF x #12 ORB male.....	-	1	
	30971	O-RING, SAE #12-1 (For items #5, #8)			
9	120377	VALVE – RELIEF	-	1	
10	135614	CAP	-	1	
11	150941	LINE – HIGH PRESSURE (M200 TO 13 FT ROTARY).....	-	1	
12	149553	HOSE – 16 FT 40 GPM.....	-	1	
13	21828	FITTING – ADAPTER HYD cw O-RING, #16 JIC male x #16 ORB male....	-	3	
14	135313	COUPLER – FEMALE HYD. 3/4 IN. FLAT FACE, FASTER.....	-	3	
	111977	SEAL KIT (For 3/4 female coupler)			
15	135544	COUPLER – MALE HYD. 3/4 IN FLAT FACE 1 IN THD., FASTER ..	-	3	
	135479	SEAL KIT (For 3/4 male coupler)	-		
16	112936	FITTING – ELBOW 45° HYD cw O-RING, #16 JIC male x #16 ORB male	-	1	
17	135316	FITTING – ADAPTER HYD cw O-RING, #16 JIC fem. x #16 ORB male ...	-	1	
18	30905	NUT – CAP, 1 IN. TUBE	-	1	
19	150942	LINE – RETURN (M200 TO 13 FT ROTARY).....	-	1	
20	149554	HOSE – SECONDARY RETURN	-	1	
21	21827	FITTING – ELBOW HYD cw O-RING, #16 JIC male x #16 ORB male	-	1	
22	156051	PLUG #16 ORB CW O-RING.....	-	1	
23	50220	O-RING, SAE #16-1 (For items #13, #16, #17, #21, #22)	-		
24	150311	SLEEVE	-	1	
25	143875	SENDER – SPEED	-	1	
26	198344	BRACKET	-	1	
27	150791	HARNESS – WIRING, 13 FT. SP ROTARY DISC HEADER.....	-	1	
	134010	NUT – PANEL, DEUTSCH, HD30, SIZE 24	-	1	
	134011	WASHER – LOCK SPRING, DEUTSCH, HD30, SIZE 24	-	1	
	135365	CAP – WIRE HARNESS	-	1	
28	111713	GROMMET – 1.50 IN. I.D.	-	1	
29	150669	BRACKET – WIRING PLUG SUPPORT	-	1	
30	194365	SUPPORT WELDMENT	-	1	
31	163585	STRAP – VELCRO, HANGING, 8 IN.	-	3	
32	194389	PLUG – TUBE, FINISHING.....	-	1	
A	135491	BOLT – HH M14 X 2 X 35 LG ZP			
B	21566	BOLT – HEX HD 1/4 NC X 0.75 LG GR 5 ZP			
C	18724	NUT – HEX LOCK DT 1/4-20 UNC ZP			
D	105066	BOLT – HH FLG (SERR FACE) 1/2 -NC X 0.75 GR 5 ZP			
E	19965	BOLT – RHSN 3/8 NC X 1.0 GR 5 ZP			
F	30228	NUT – FLANGE DT SMOOTH FACE 0.375-16 UNC			
G	21066	BOLT – RHSN 1/2 NC X 1.0 GR 5 ZP			
H	50186	NUT – FLANGE LOCK SM FACE DT 0.500-13 UNC GR 5			
J	21863	BOLT – RHSSN 3/8 NC X 0.75 LG GR 5 ZP			
K	21264	BOLT – HH 3/8 NC X 1.25 LG GR 5 ZP			
L	18637	WASHER – REG. LOCK 3/8 IN. NOM. I.D. ZP			

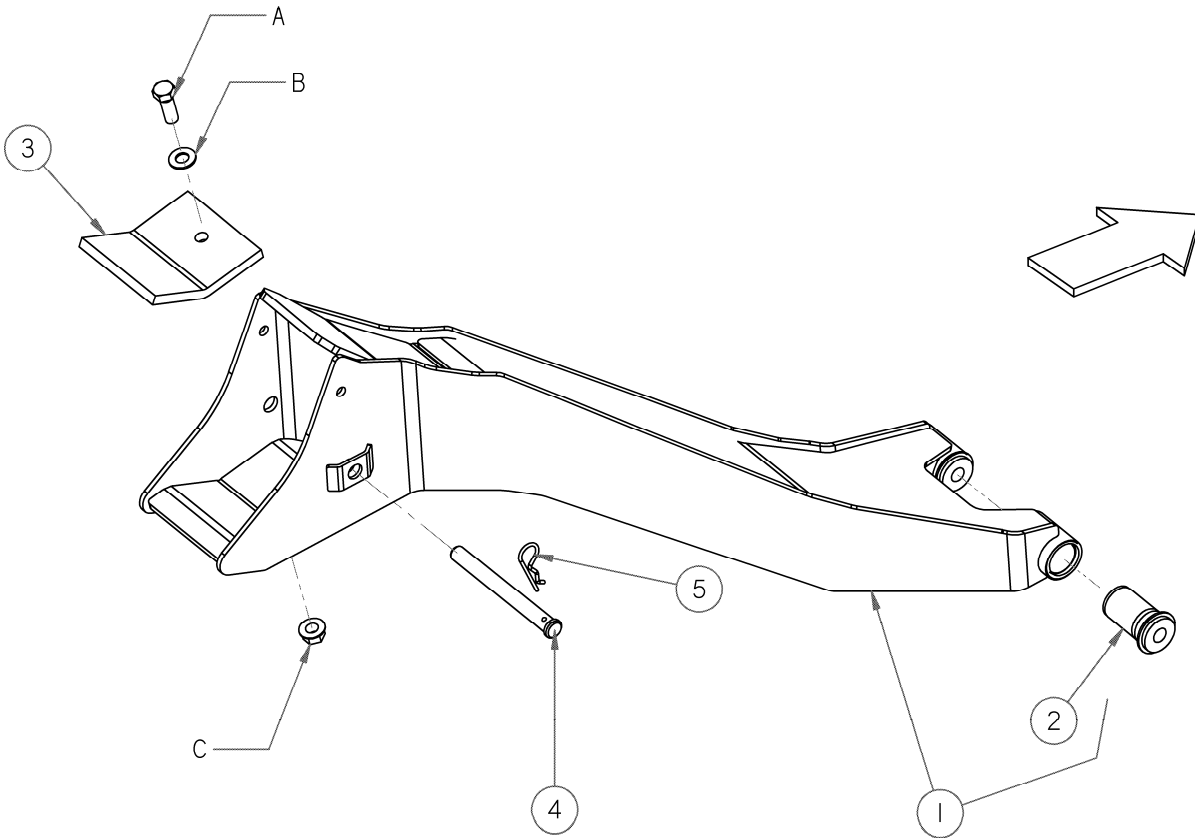
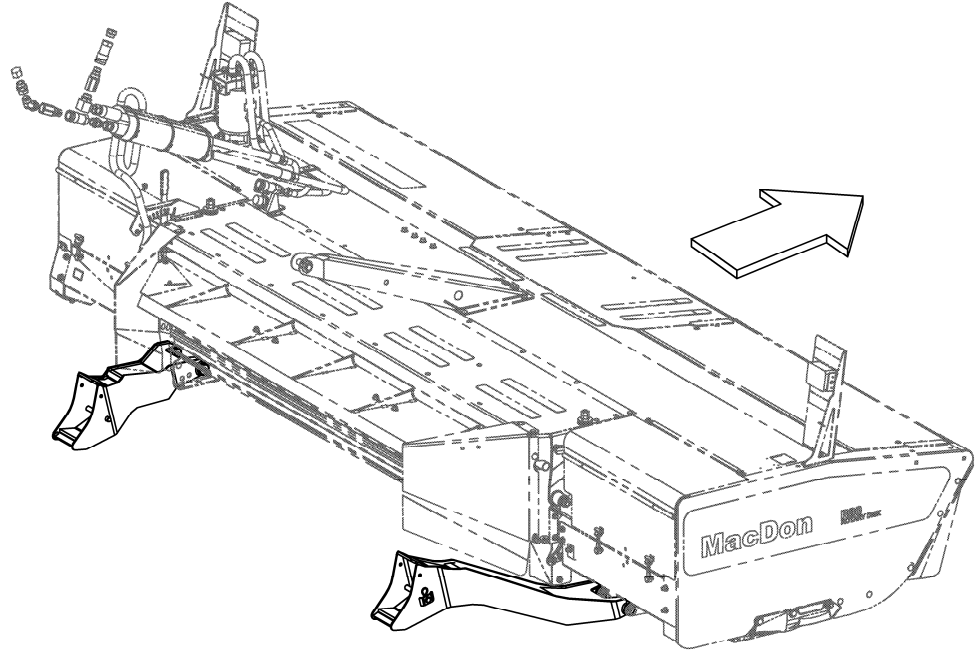
HEADER HYDRAULICS & ELECTRICAL 13 FT – SP (M150)



HEADER HYDRAULICS & ELECTRICAL 13 FT – SP (M150)

REF	PART NUMBER	DESCRIPTION	QTY		SERIAL NUMBER
			16FT	13FT	
1	150487	MOTOR – HYD	-	1	
	150879	SHAFT SEAL	-	1	
2	112866	FLANGE – SPLIT, 1 IN. (Includes items #3, #4, K, L).....	-	2	
3	112868	O-RING, SAE # 219	-	2	
4	194033	FLANGE – SPLIT HALF	-	4	
5	50098	FITTING – ELBOW 45° HYD cw O-RING, #12 JIC male x #12 ORB male	-	1	
6	150797	HOSE – 13 SP ROTARY CASE DRAIN	-	1	
7	135213	COUPLING – FEMALE HYD. 3/8 FLAT FACE BULKHEAD.....	-	1	
8	135560	FITTING – ADAPTER HYD CW O-RING, 1/4 NPTF x #12 ORB male.....	-	1	
	30971	O-RING, SAE #12-1 (For items #5, #8)			
9	120377	VALVE – RELIEF	-	1	
10	194082	MOULDING	-	1	
11	150795	LINE – HIGH PRESSURE.....	-	1	
12	150796	HOSE – 13 FT PRESSURE	-	1	
13	21828	FITTING – ADAPTER HYD cw O-RING, #16 JIC male x #16 ORB male....	-	3	
14	135313	COUPLER – FEMALE HYD. 3/4 IN. FLAT FACE, FASTER.....	-	2	
	111977	SEAL KIT (For 3/4 female coupler)			
15	135544	COUPLER – MALE HYD. 3/4 IN FLAT FACE 1 IN THD., FASTER .	-	2	
	135479	SEAL KIT (For 3/4 male coupler)	-		
	112936	FITTING – ELBOW 45° HYD cw O-RING, #16 JIC male x #16 ORB male	-	1	
16					
17	135316	FITTING – ADAPTER HYD cw O-RING, #16 JIC fem. x #16 ORB male ...	-	1	
	50220	O-RING, SAE #16-1 (For items #13, #16, #17).....			
18	30905	NUT – CAP, 1 IN. TUBE	-	1	
19	150794	LINE – RETURN	-	1	
20	163585	STRAP – VELCRO, HANGING, 8 IN.	-	3	
21	143875	SENDER – SPEED	-	1	
22	198344	BRACKET	-	1	
23	150791	HARNESS – WIRING, 13 FT SP ROTARY DISC HEADER.....	-	1	
	134010	NUT – PANEL, DEUTSCH, HD30, SIZE 24	-	1	
	134011	WASHER – LOCK SPRING, DEUTSCH, HD30, SIZE 24	-	1	
	135365	CAP – WIRE HARNESS	-	1	
24	111713	GROMMET – 1.50 IN. I.D.	-	1	
25	150669	BRACKET – WIRING PLUG SUPPORT.....	-	1	
26	194205	SUPPORT WELDMENT	-	1	
A	135491	BOLT – HH M14 X 2 X 35 LG ZP			
B	21566	BOLT – HEX HD 1/4 NC X 0.75 LG GR 5 ZP			
C	18724	NUT– HEX LOCK DT 1/4-20 UNC ZP			
D	105066	BOLT – HH FLG (SERR FACE) 1/2 NC X 0.75 GR 5 ZP			
E	19965	BOLT – RHSN 3/8 NC X 1.0 GR 5 ZP			
F	30228	NUT – FLANGE DT SMOOTH FACE 0.375-16 UNC			
G	21066	BOLT – RHSN 1/2 NC X 1.0 GR 5 ZP			
H	50186	NUT – FLANGE LOCK SM FACE DT 0.500-13 UNC GR 5			
J	21863	BOLT– RHSSN 3/8 NC X 0.75 LG GR 5 ZP			
K	21264	BOLT – HH 3/8 NC X 1.25 LG GR 5 ZP			
L	18637	WASHER – REG. LOCK 3/8 IN. NOM. I.D. ZP			

LIFT BOOTS



RH BOOT SHOWN

LIFT BOOTS

REF	PART NUMBER	DESCRIPTION	QTY		SERIAL NUMBER
			16FT	13FT	
1	150664	MEMBER – BOOT C/W BUSHINGS, RH	1	1	
	150665	MEMBER – BOOT C/W BUSHINGS, LH (NOT ILLUSTRATED)	1	1	
2	149342	BUSHING – RUBBER	4	4	
3	150454	PAD – RUBBER	2	2	
4	135408	PIN – CLEVIS.....	2	2	
5	13125	PIN – HAIR	2	2	
A	21582	BOLT – HH 5/8 NC X 1.75 LG GR 5 ZP			
B	18600	WASHER – SAE FLAT 21/32 I.D. X 1-5/16 IN. O.D. ZP			
C	50225	NUT – FLANGE DT SMOOTH FACE .625-11 UNC			

DECALS & REFLECTORS

WARNING

DO NOT GO NEAR LEAKS

- High pressure oil easily punctures skin causing serious injury, gangrene or death.
- If injured, seek emergency medical help. Immediate surgery is required to remove oil.
- Do not use finger or skin to check for leaks.
- Lower load or relieve hydraulic pressure before loosening fittings.

* 46944

DANGER

LOCKED

OPEN

Rest header on ground or engage hydraulic lockout valves before going under unit. See Operator's Manual

* 171029

DANGER

SHIELD MISSING. DO NOT OPERATE.

* 142909

WARNING

To avoid injury, stop engine before opening power drive system shield. Keep all shields in place.

* 32738

DANGER

ROTATING DRIVELINE

- Stop engine and remove key before opening shield.
- Keep all shields and guards serviced and in place.

Failure to comply will result in death or serious injury.

* 170281

WARNING

To avoid bodily injury from contact with hot oil, do not remove dipstick when system is hot. See Operator's Manual for proper venting procedure when system is cold.

* 116100

DANGER

STAY CLEAR ROTATING BLADES

- Contact with blades or thrown objects can result in serious injury or death.
- Do not stand on or near machine when in operation.
- Do not operate with covers or curtains open or removed.
- Shut off tractor and remove key before opening covers.

* 148829

WARNING

transport position

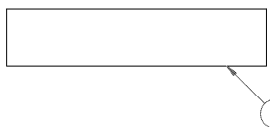
field position

BEFORE TOWING

- Charge cylinder with oil.
- Rotate valve handle to lock in transport position.
- Maximum towing speed 20 mph (32 kph).

Failure to comply could result in death or serious injury.

* 142905



CAUTION

To avoid injury or death from improper or unsafe machine operation:

- Read the Operator's Manual, and follow all safety instructions.
- If you do not have a manual, obtain one from your dealer.
- Do not allow untrained persons to operate the machine.
- Review safety instructions with all operators annually.
- Ensure that all safety signs are installed and legible.
- Make certain everyone is clear of machine before starting engine and during operation.
- Keep riders off the machine.
- Keep all shields in place, and stay clear of moving parts.
- Disengage header drive, put transmission in neutral and wait for all movement to stop before leaving operator's position.
- Shut off engine and remove key from ignition before servicing, adjusting, lubricating, cleaning, or unplugging machine.
- Engage locks to prevent lowering of header or reel before servicing in the raised position.
- Use slow moving vehicle emblem and flashing warning lights when operating on roadways unless prohibited by law.

* 109843

DANGER

ROTATING DRIVELINE CONTACT CAN CAUSE DEATH KEEP AWAY!

DO NOT OPERATE WITHOUT —

- ALL DRIVELINE TRACTOR AND EQUIPMENT SHIELDS IN PLACE
- DRIVELINES SECURELY ATTACHED AT BOTH ENDS
- DRIVELINE SHIELDS THAT TURN FREELY ON DRIVELINE

30316

This product may be covered by one or more of the following patents:

CDN. # 1075914	U.S. # 35543
CDN. # 1228739	U.S. # 4346909
CDN. # 1240168	U.S. # 4573309
CDN. # 1244248	U.S. # 4660361
CDN. # 1267292	U.S. # 4662161
CDN. # 1322104	U.S. # 4909026
AUSTRALIA # 615149	U.S. # 5086613
AUSTRALIA # 617821	U.S. # 5157905
KAZAKHSTAN # 4372	U.S. # 5243810
RUSSIA # 1828389	U.S. # 5261290
UKRAINE # 3440	U.S. # 5435239
ITALY # 0717922	U.S. # 5459806
FRANCE # 0717922	U.S. # 5473872
GERMANY # 0717922	U.S. # 5678398
U.K. # 0717922	U.S. # 5791128
	U.S. # 5927606
	U.S. # 5970895
	U.S. # 5992759
	U.S. # 6029429

Other patents pending.

DANGER

GUARD MISSING DO NOT OPERATE

DANGER

GUARD MISSING DO NOT OPERATE

DANGER

GUARD MISSING DO NOT OPERATE

* 36951

CAUTION

TO AVOID INJURY AND/OR MACHINE DAMAGE CAUSED BY LOSS OF CONTROL WHEN TRANSPORTING:

- Read Operator's Manual before transporting.
- Ensure the capacity of the towing vehicle is sufficient to maintain control. Do not tow with a vehicle weighing less than 7500 lbs. (3400 kg).
- Place tongue in transport position and engage steering cylinder lock-out valve.
- Raise header and engage both lift cylinder lock-out valves.
- Do not transport at speeds greater than 20 m.p.h. (30 km/h).
- Reduce transport speed for corners and slippery conditions.
- Obey all highway traffic regulations in your area when transporting on public roads.
- Use slow moving vehicle emblem and flashing warning lights unless prohibited by law.

* 142912

WARNING

DO NOT GO NEAR LEAKS

- High pressure oil easily punctures skin causing serious injury, gangrene or death.
- If injured, seek emergency medical help - Immediate surgery is required to remove oil.
- Do not use finger or skin to check for leaks.
- Lower load or relieve hydraulic pressure before loosening fittings.

* 134070

ICOLOR GREENI ICOLOR ORANGEI ICOLOR REDI

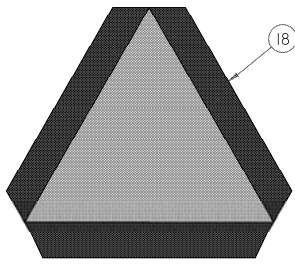
FACTORY FILLED 80W90 EP Gear Lubricant

25

25

09

50



IMPORTANT

Torque wheel bolts to 120 ft.lbs. Retorque after first hour of operation.

WARNING

- Read and understand operator's manual before use.
- Keep all shields in place.
- Shut off engine before inspecting, adjusting, cleaning, servicing or unplugging machine.
- Stay clear of high pressure fluids.

* 84390

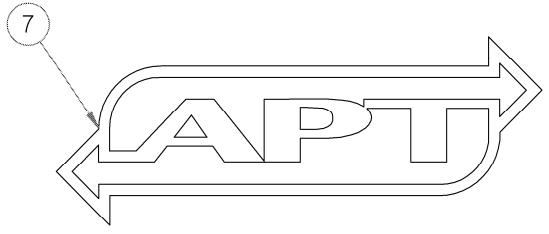
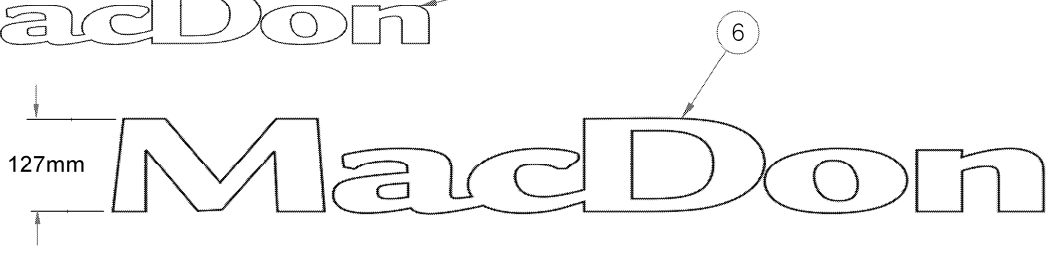
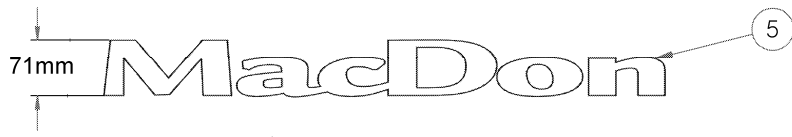
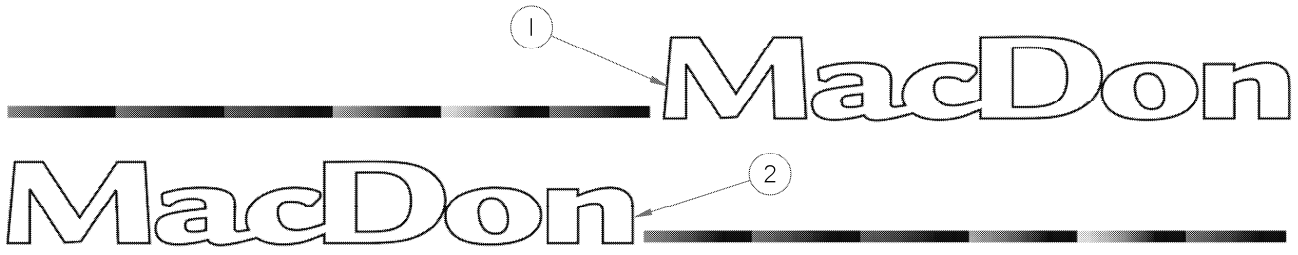
DECALS & REFLECTORS

REF	PART NUMBER	DESCRIPTION	QTY	SERIAL NUMBER
1	44944	DECAL – WARNING, HYDRAULIC PRESSURE, VERTICAL FORMAT		
2	142912	DECAL – CAUTION, TRANSPORTING		
3	115100	DECAL – WARNING, HOT OIL		
4	142908	DECAL – WARNING, TRANSPORT LOCK		
5	115146	REFLECTOR – AMBER		
	115145	REFLECTOR – FLUORESCENT RED-ORANGE		
	115147	REFLECTOR – RED		
6	184390	DECAL – WARNING, READ INSTRUCTION		
7	30316	DECAL – DANGER, ROTATING DRIVELINE		
8	142909	DECAL – DANGER, SHIELD MISSING		
9	36651	DECAL – DANGER, DRIVELINE GUARD MISSING		
10	23165	DECAL – 50 HR LUBE		
11	109843	DECAL – GENERAL CAUTION		
12	171029	DECAL – DANGER, HEADER LOCK		
13	23164	DECAL – 25 HR LUBE		
14	32738	DECAL – WARNING, DRIVE SHIELD		
15	170281	DECAL – DANGER, ROTATING DRIVELINE		
16	148829	DECAL – DANGER, ROTATING BLADES		
17	32070	DECAL – PATENT NUMBERS		
18	115148	DECAL – SMV		
19	150651	DECAL – GAUGE		
20	194174	DECAL – GEAR LUBE		
21	134070	DECAL – WARNING, HYDRAULIC PRESSURE, HORIZONTAL FORMAT		
22	101375	DECAL – WHEEL BOLTS		
		<p>NOTE: For 2-panel (non-text) decals required for CE (European) units, refer to page 116.</p>		

PAINT

REF	PART NUMBER	DESCRIPTION	QTY.	SERIAL NUMBER
	135148	PAINT – BLACK, SPRAY CAN (55 – 65 GLOSS LEVEL)		
	25991	PAINT – BLACK, 1 LITRE (55 – 65 GLOSS LEVEL)		
	32879	PAINT – WHITE, SPRAY CAN		
	23957	PAINT – WHITE, 1 LITRE		
	23950	PAINT – RED, SPRAY CAN		
	32880	PAINT – RED, 1 LITRE		

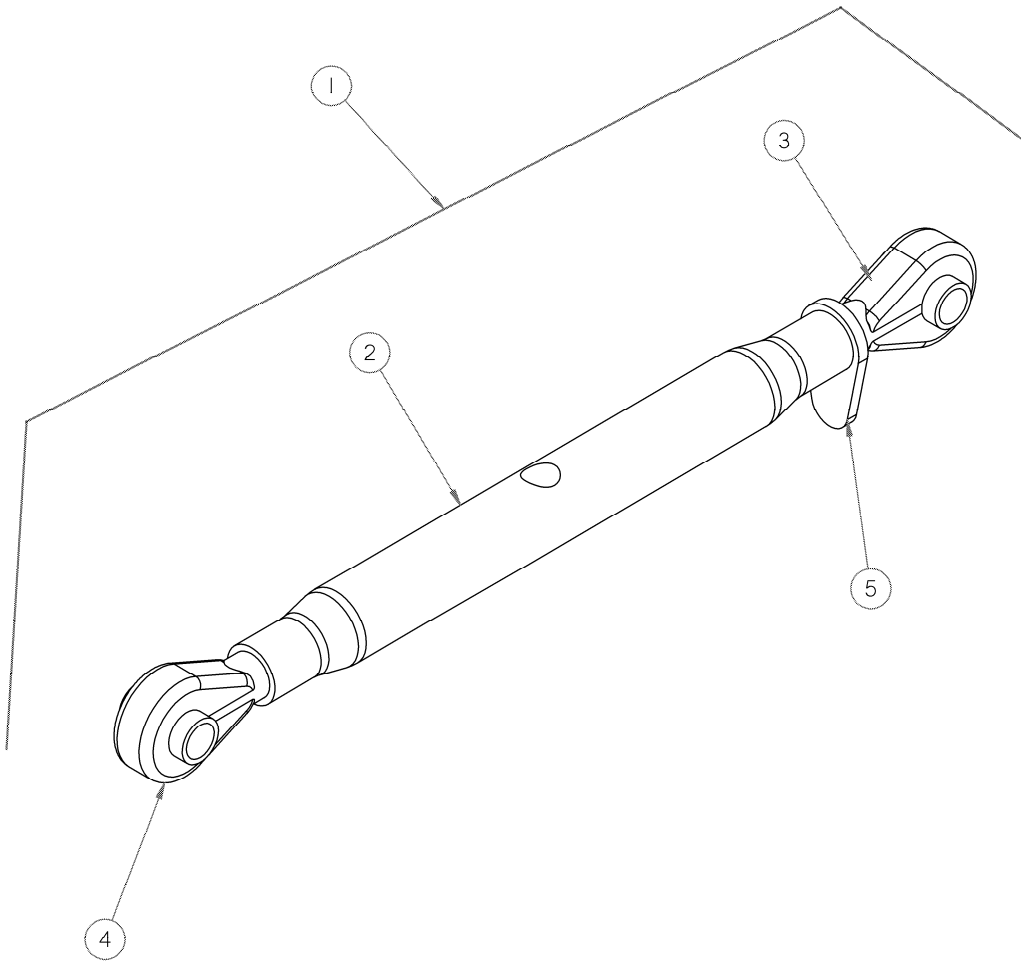
PRODUCT IDENTIFICATION DECALS



PRODUCT IDENTIFICATION DECALS

REF	PART NUMBER	DESCRIPTION	QTY		SERIAL NUMBER
			16FT	13FT	
1	142895	DECAL – "MACDON WITH COLOR BAR" (LH HITCH)	1	1	
2	142896	DECAL – "MACDON WITH COLOR BAR " (RH HITCH).....	1	1	
3	150607	DECAL – LH END PANEL (R80)	1	1	
4	150608	DECAL – RH END PANEL (R80).....	1	1	
5	142730	DECAL – MACDON	1	1	
6	150609	DECAL – MACDON, R80 TABLE	1	1	
7	150823	DECAL – APT	2	2	

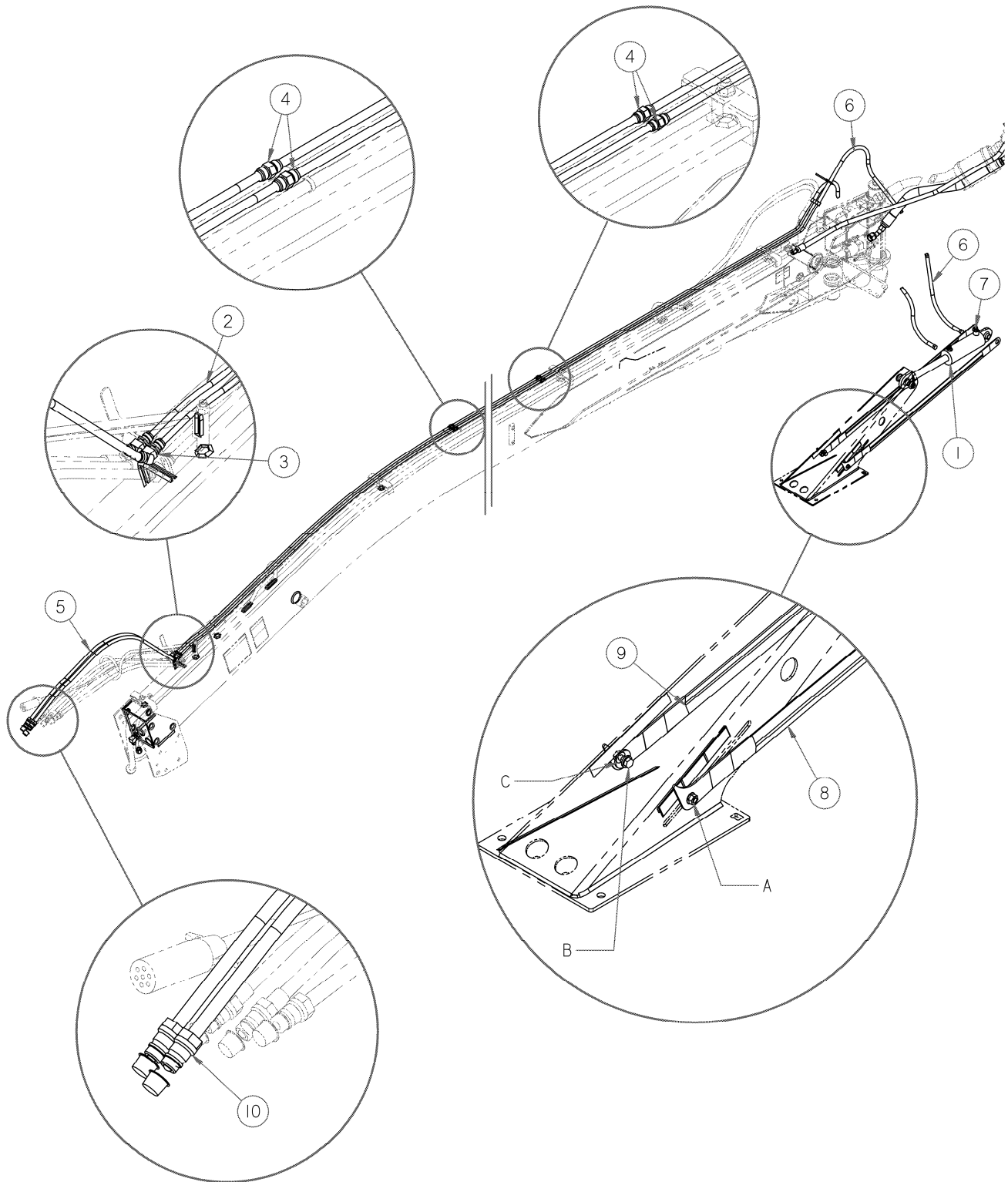
MECHANICAL HEADER ANGLE



MECHANICAL HEADER ANGLE

REF	PART NUMBER	DESCRIPTION	QTY		SERIAL NUMBER
			16FT	13FT	
1	42104	TOP LINK	1	1	
2	42434	TUBE - CENTER	1	1	
3	42432	JOINT - BALL, RH THD.....	1	1	
4	42431	JOINT - BALL, LH THD	1	1	
5	42433	COLLAR - LOCKING	1	1	

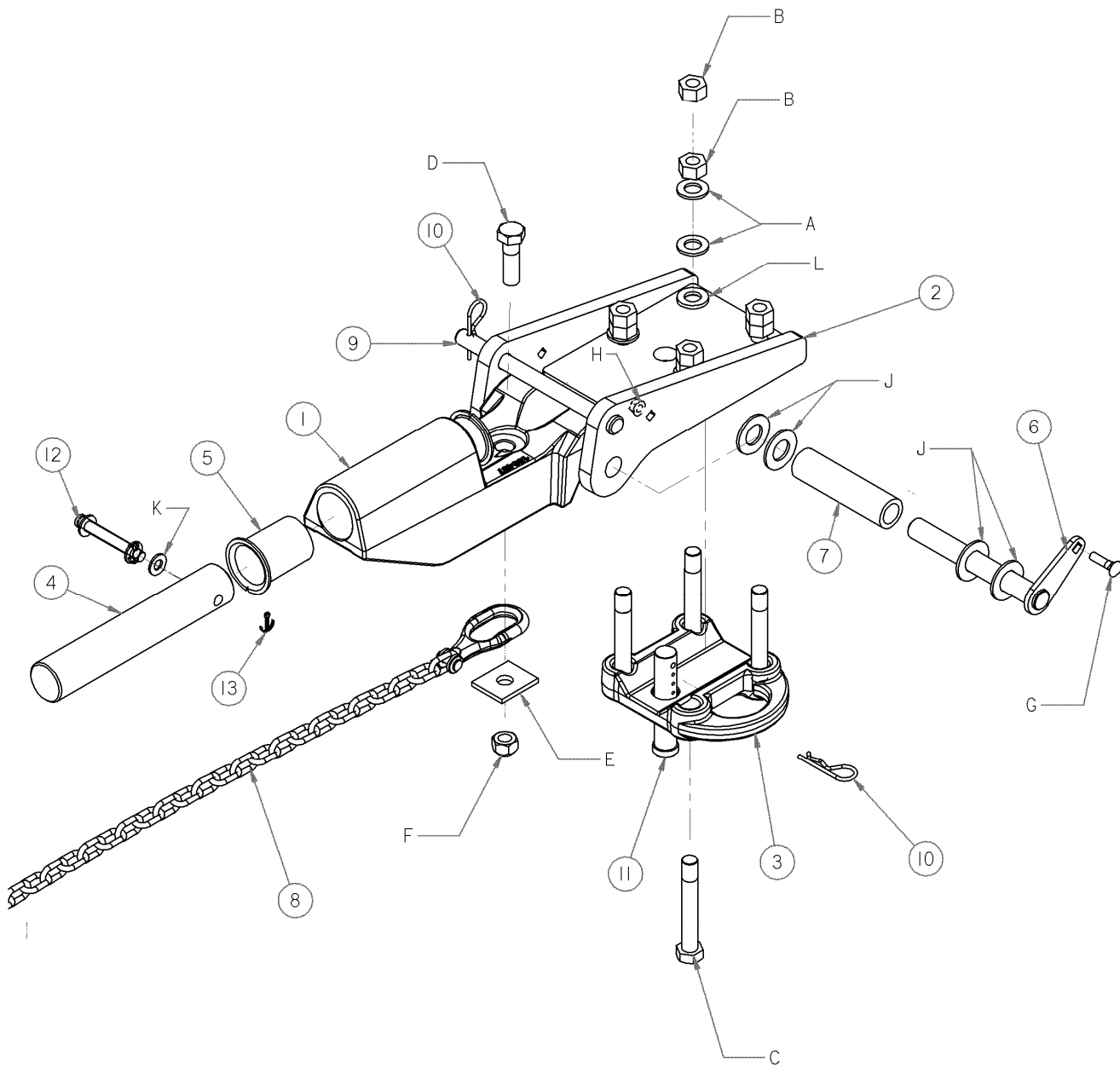
HYDRAULIC HEADER ANGLE KIT



HYDRAULIC HEADER ANGLE KIT

REF	PART NUMBER	DESCRIPTION	QTY		SERIAL NUMBER
			16FT	13FT	
	B4892	KIT – HEADER ANGLE (Kits available through Whole Goods only)			
1	149767	CYLINDER – HYDRAULIC	1	1	
	150519	SEAL KIT	1	1	
2	150124	LINE – HYDRAULIC (13 FT AND 16 FT).....	6	6	
	150483	LINE – HYDRAULIC (16 FT EXTENSION ONLY)	2	0	
3	150256	FITTING – ELBOW, BULKHEAD UNION HYD.....	2	2	
4	30375	FITTING – UNION HYD	6	4	
5	148968	HOSE	2	2	
6	150101	HOSE	2	2	
7	15903	FITTING – CONNECTOR HYD.....	2	2	
8	149914	ARM – LINK	1	1	
9	150820	LINK – INDICATOR, RH	1	1	
10	135563	FITTING – COUPLING HYD	2	2	
A	30228	NUT – FLANGE DT SMOOTH FACE 0.375-16 UNC			
B	135001	BOLT – SHOULDER .375-16 UNC			
C	150819	WASHER – PLASTIC			

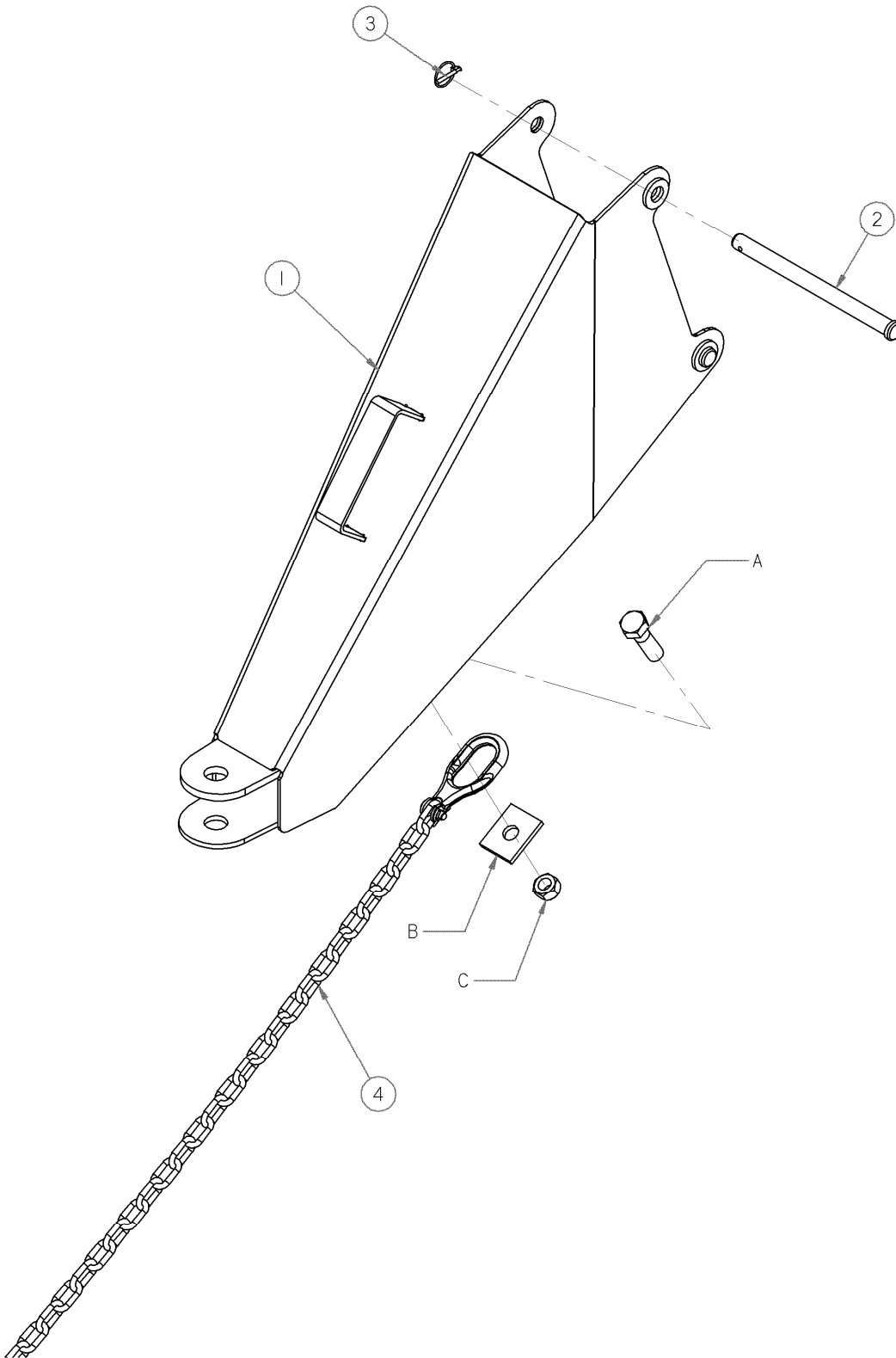
DRAWBAR HITCH



DRAWBAR HITCH

REF	PART NUMBER	DESCRIPTION	QTY		SERIAL NUMBER
			16FT	13FT	
	B4886	KIT – DRAWBAR HITCH (Kits available through Whole Goods only)			
1	150457	ARM – PT HITCH.....	1	1	
2	148388	PLATE – DRAWBAR HITCH ADAPTER WELDT.....	1	1	
3	149655	CLAMP – CASTING.....	1	1	
4	150217	PIN – ROCKSHAFT.....	1	1	
5	31453	TUBE – FLARED.....	2	2	
6	149802	PIN WELDMENT.....	1	1	
7	150082	BUSHING.....	1	1	
8	21404	CHAIN – 59 LINKS.....	1	1	
9	135334	PIN – CLEVIS.....	1	1	
10	13125	PIN – HAIR.....	2	2	
11	135593	PIN – CLEVIS.....	1	1	
12	101007	PIN – CLEVIS.....	1	1	
13	18648	PIN – COTTER 3/16 DIA X 1.25 ZP.....	1	1	
A	18601	WASHER – SAE FLAT 13/16 I.D. X 1.5 IN. O.D. ZP			
B	18593	NUT – HEX 3/4-10 UNC GR 5 ZP			
C	135415	BOLT – HH 3/4 NC X 5.0 LG GR 8 ZP			
D	19957	BOLT – HH 3/4 NC X 2.5 LG GR 5 ZP			
E	29467	WASHER – FLAT RECTANGULAR			
F	18689	NUT – HEX LOCK DT .750-10 UNC			
G	21484	BOLT – RHSN 3/8 NC X 1.5 LG GR 5 ZP			
H	30228	NUT – FLANGE DT SMOOTH FACE 0.375-16 UNC			
J	18603	WASHER – SAE FLAT 1-1/16 I.D. X 2.0 IN. O.D. ZP			
K	18599	WASHER – SAE FLAT 17/32 I.D. X 1-1/16 IN. O.D. ZP			
L	21540	WASHER – HARDENED			

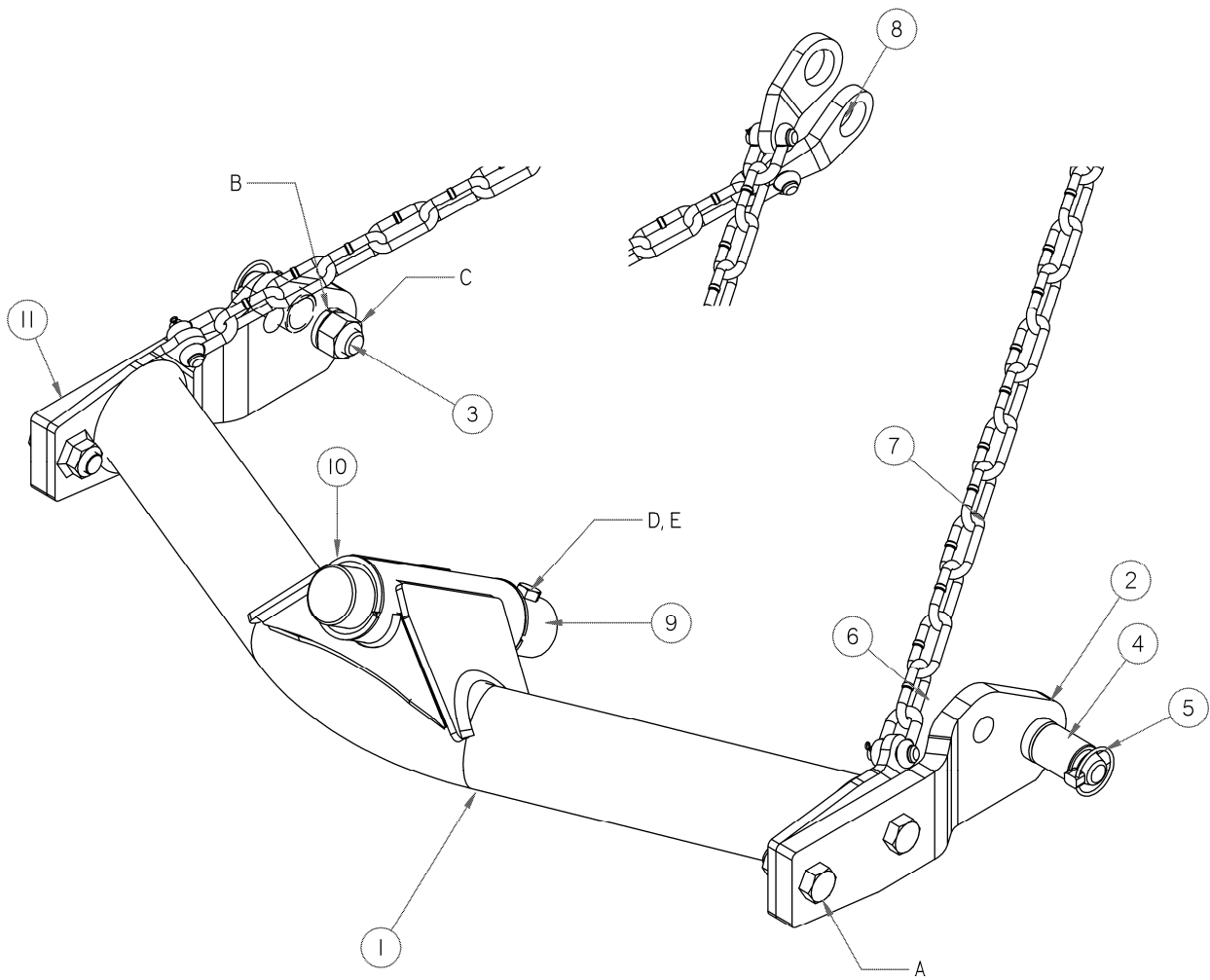
TEMPORARY TRANSPORT HITCH



TEMPORARY TRANSPORT HITCH

REF	PART NUMBER	DESCRIPTION	QTY		SERIAL NUMBER
			16FT	13FT	
	B4897	KIT – PT MOCO TRANSPORT HITCH (Kits available through Whole Goods only)			
1	150314	HITCH – TRANSPORT	1	1	
2	135334	PIN – CLEVIS.....	2	2	
3	50193	PIN – LYNCH	2	2	
4	21404	CHAIN – 59 LINKS.....	1	1	
A	19957	BOLT – HH 3/4 NC X 2.5 LG GR 5 ZP			
B	29467	WASHER – FLAT RECTANGULAR			
C	18689	NUT – HEX LOCK DT .750-10 UNC			

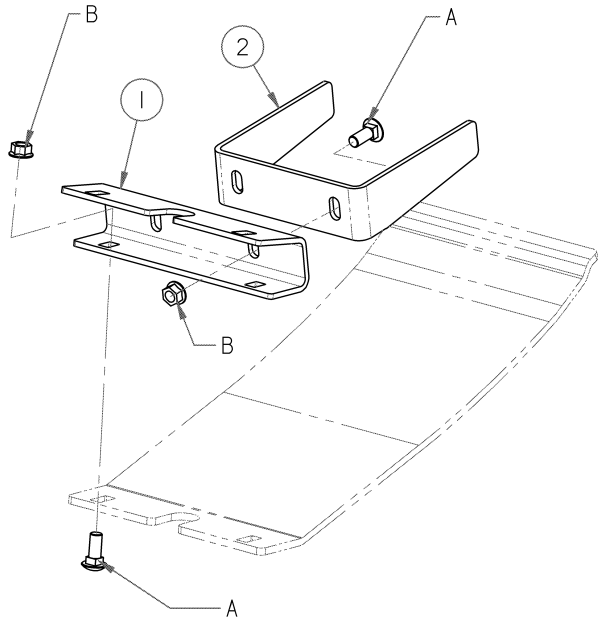
3-POINT HITCH LINKAGE



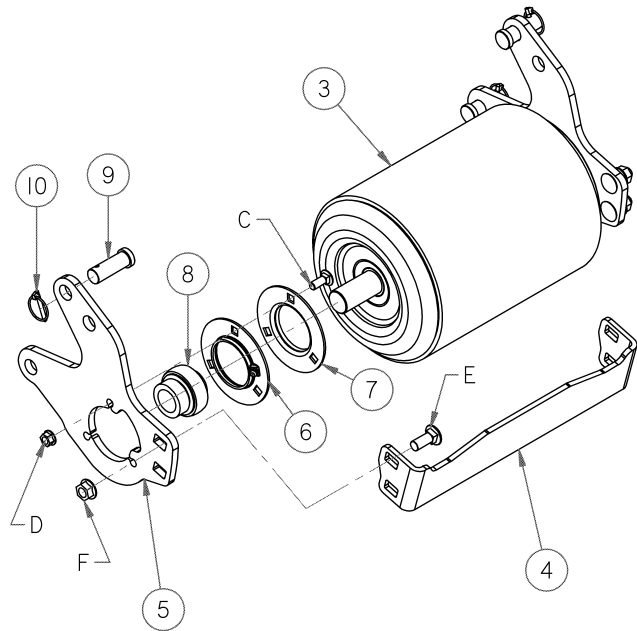
3-POINT HITCH LINKAGE

REF	PART NUMBER	DESCRIPTION	QTY		SERIAL NUMBER
			16FT	13FT	
	B4887	KIT – 3-POINT LINKAGE (Kits available through Whole Goods only)	1	1	
1	149819	YOKE – WELDMENT	1	1	See Note
2	194417	ARM, RH	1	1	
3	30903	LINKAGE PIN	2	2	
4	150972	BUSHING – CAT II TO III	2	2	
5	113561	PIN – LYNCH	2	2	
6	135606	CLEVIS	4	4	
7	150982	CHAIN	2	2	
8	150983	LINK	2	2	
9	150217	PIN – ROCKSHAFT	1	1	
10	31453	TUBE – FLARED	2	2	
11	194418	ARM, LH	1	1	
A	30512	BOLT – HH 3/4 NC X 2.0 LG GR 5 ZP			
B	18641	WASHER – REG. LOCK 7/8 IN. NOM. I.D. ZP			
C	18855	NUT – HEX 7/8-14 UNF GR 5 ZP			
D	21581	BOLT – HH 1/2 NC X 3.5 LG GR 5 ZP			
E	18697	NUT – HEX LOCK DT .500-13 UNC			
<p>NOTE: If replacing arm 194417 or 194418: earlier production used the same arm on both sides. This arm had one hole for location of pin (item #3). Newer design arms have two holes for location of pin. If replacing an arm with one pin location hole, order both arms (items #2 and #11).</p>					

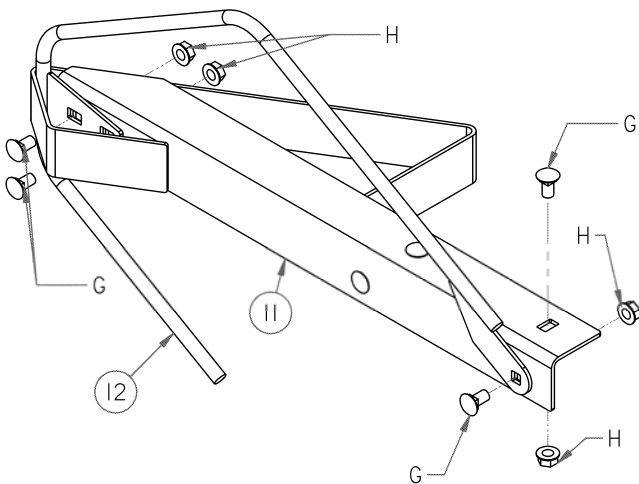
OPTIONS



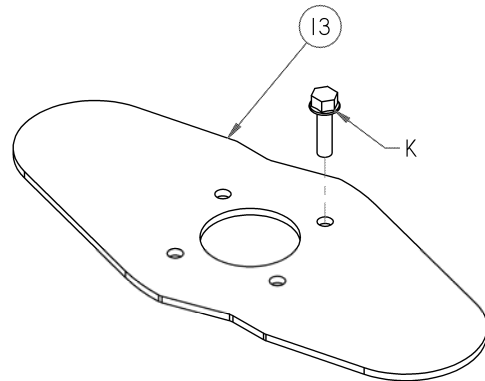
SHOE LIFT



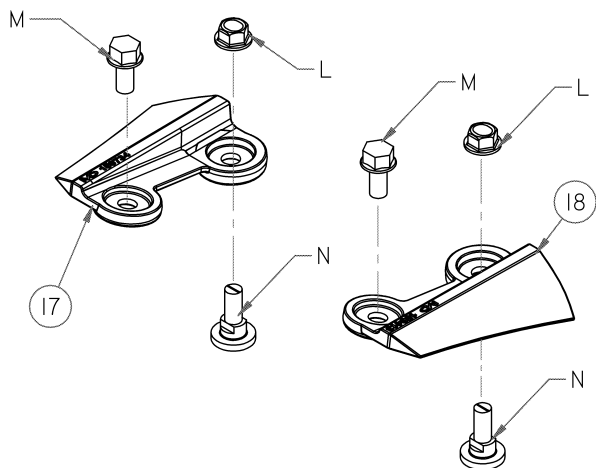
GAUGE ROLLERS



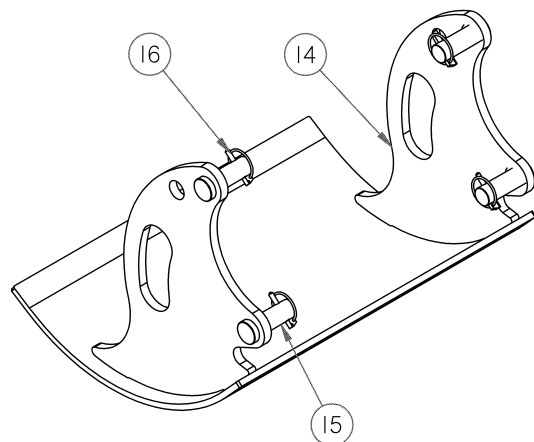
TALL CROP DIVIDERS



FEED ASSISTING PLATES



ACCELERATORS

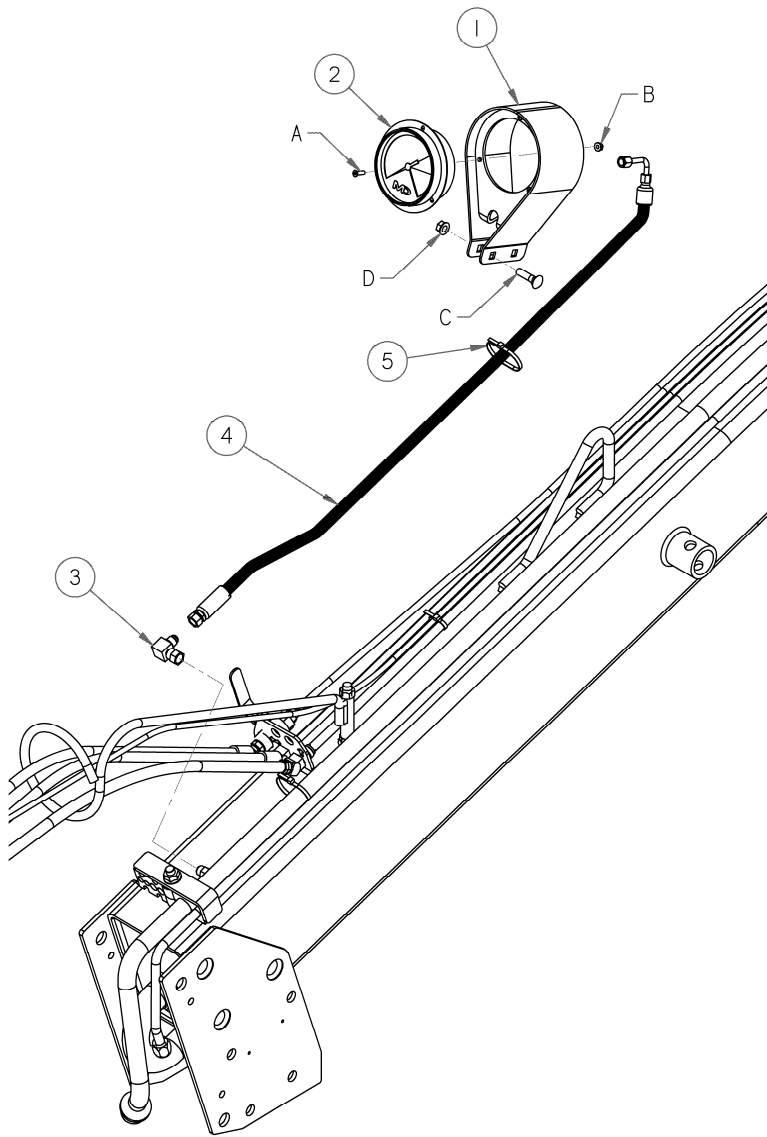


ADJUSTABLE SHOES

OPTIONS

REF	PART NUMBER	DESCRIPTION	QTY		SERIAL NUMBER
			16FT	13FT	
	B4902	KIT – SHOE LIFT (See Note)			
1	150423	CHANNEL	4	4	
2	150424	CHANNEL	4	4	
A	19965	BOLT – RHSN 3/8 NC X 1.0 GR 5 ZP			
B	30228	NUT – FLANGE DT SMOOTH FACE 0.375-16 UNC			
	B4896	KIT – GAUGE ROLLERS, 16 FT ONLY (See Note)			
3	170047	ROLLER – GAUGE WELDT	2	-	
4	150902	BAR	2	-	
5	150897	PLATE	4	-	
6	21860	FLANGE CW LUBE FTG	4	-	
7	49306	FLANGE	4	-	
8	21859	BEARING – SPH O.D. EXT INNER RACE 1-3/16 BORE.....	4	-	
9	158080	PIN – CLEVIS.....	8	-	
10	50193	PIN – LYNCH	8	-	
C	19965	BOLT – RHSN 3/8 NC X 1.0 GR 5 ZP			
D	30228	NUT – FLANGE DT SMOOTH FACE 0.375-16 UNC			
E	21471	BOLT – RHSN 1/2 NC X 1.25 GR 5 ZP			
F	50186	NUT – FLANGE LOCK SM FACE DT 0.500-13 UNC GR 5			
	B5509	KIT – TALL CROP DIVIDERS (See Note)			
11	198491	DIVIDER WELDMENT, LH	1	1	
	198492	DIVIDER WELDMENT, RH.....	1	1	
12	150881	ROD – WELDMENT, CROP DIVIDER.....	2	2	
G	21066	BOLT – RHSN 1/2 NC X 1.0 GR 5 ZP			
H	50186	NUT – FLANGE DT SMOOTH FACE 1/2 NC			
	B4903	KIT – FEED ASSISTING PLATES (See Note)			
13	148220	PLATE	2	2	
K	148799	BOLT – HH FLANGE M12 X 1.75 X 45 LG ZP			
	B4906	KIT – ADJUSTABLE SHOES, 16 FT ONLY (See Note)			
14	194173	WELD'T – SHOE	2	-	
	194171	BOTTOM SHOE, REPLACEABLE (Welding required)	AR	-	
15	158080	PIN – CLEVIS.....	8	-	
16	50193	PIN – LYNCH	8	-	
	B5372	ROTARY HEADER ACCELERATORS (See Note)			
17	150413	ACCELERATOR – CW	4	4	
18	150734	ACCELERATOR – CCW.....	4	4	
L	148645	NUT – FLANGE, STOVER LOCK, M12			
M	148800	BOLT – HH FLANGE M12 X 1.75 X 25 LG ZP			
N	148644	BOLT – SHOULDER, BLADE PIVOT, M12			
		NOTE: Kits available through Whole Goods only.			

OPTIONS (Continued)

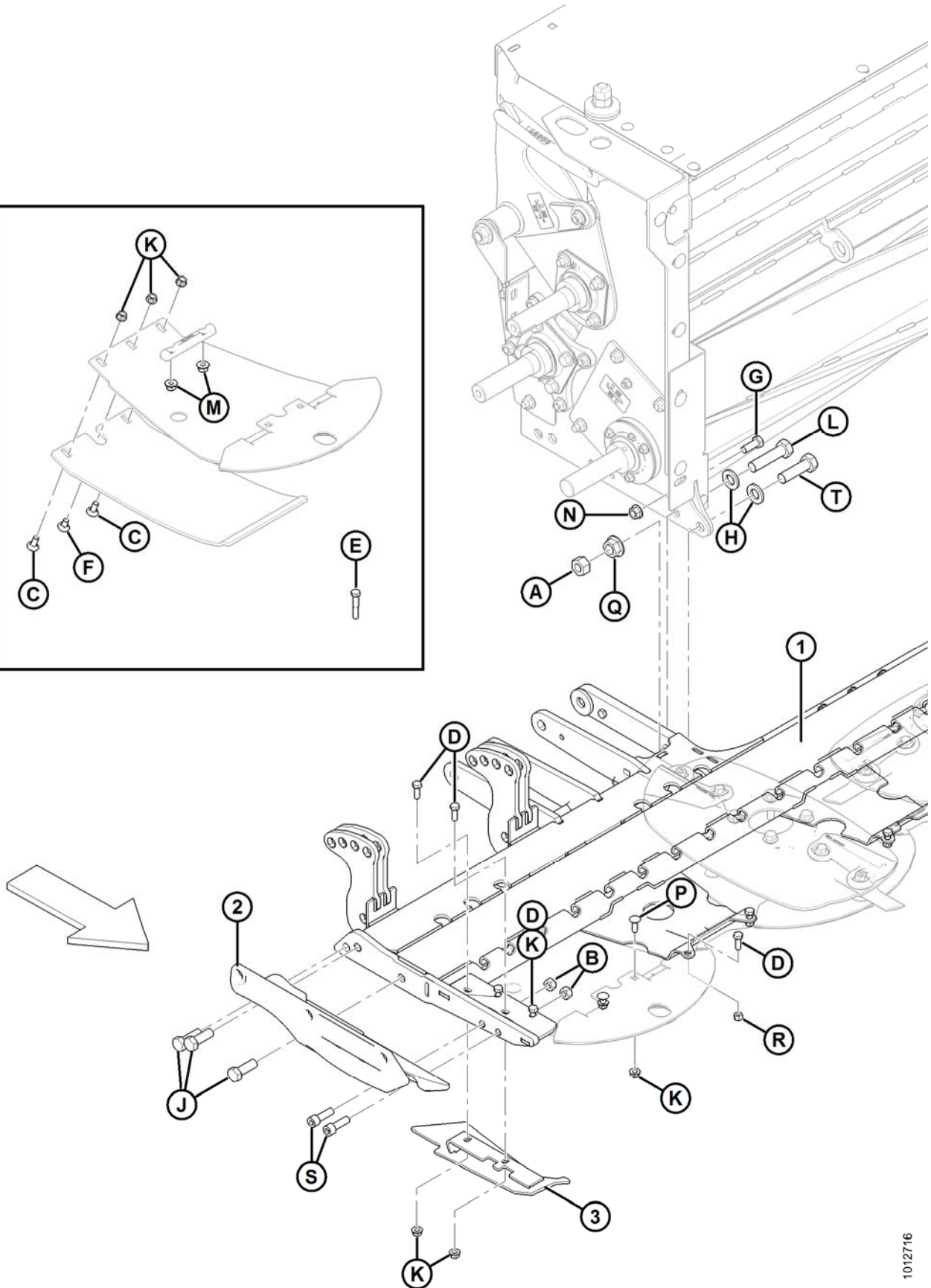
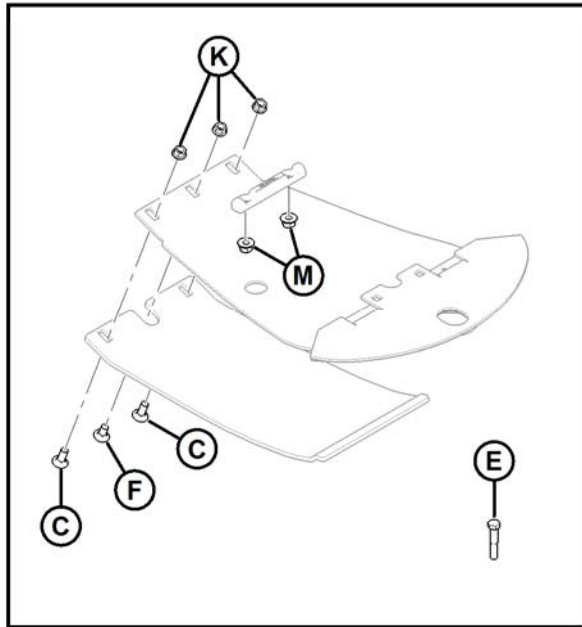


PULLTYPE DRIVE PRESSURE GAUGE

OPTIONS (Continued)

REF	PART NUMBER	DESCRIPTION	QTY		SERIAL NUMBER
			16FT	13FT	
	B4904	KIT – PULLTYPE DRIVE PRESSURE GAUGE (See Note)			
1	194009	SUPPORT – GAUGE	1	1	
2	150453	INDICATOR – PRESSURE GAUGE.....	1	1	
3	106717	FITTING – ELBOW, 90° (#6 JIC male x #6 JIC swivel female).....	1	1	
4	194105	HOSE – HYDRAULIC	1	1	
5	21763	FASTENER – CABLE TIE.....	2	2	
A	21930	SCREW – CSK FLAT SOC HD, #10 NC X 3/4 GR 5 OR GR 8 ZP			
B	21492	NUT – FLANGE (SERR FACE), #10 NC GR 5 ZP			
C	21484	BOLT – RHSN 3/8-16 UNC, 1.5 IN. LG, ZP, GR 5			
D	30228	NUT – LOCK, SMOOTH FLANGE, 3/8 NC DT			
		NOTE: Kits available through Whole Goods only.			

OPTIONS (Continued)



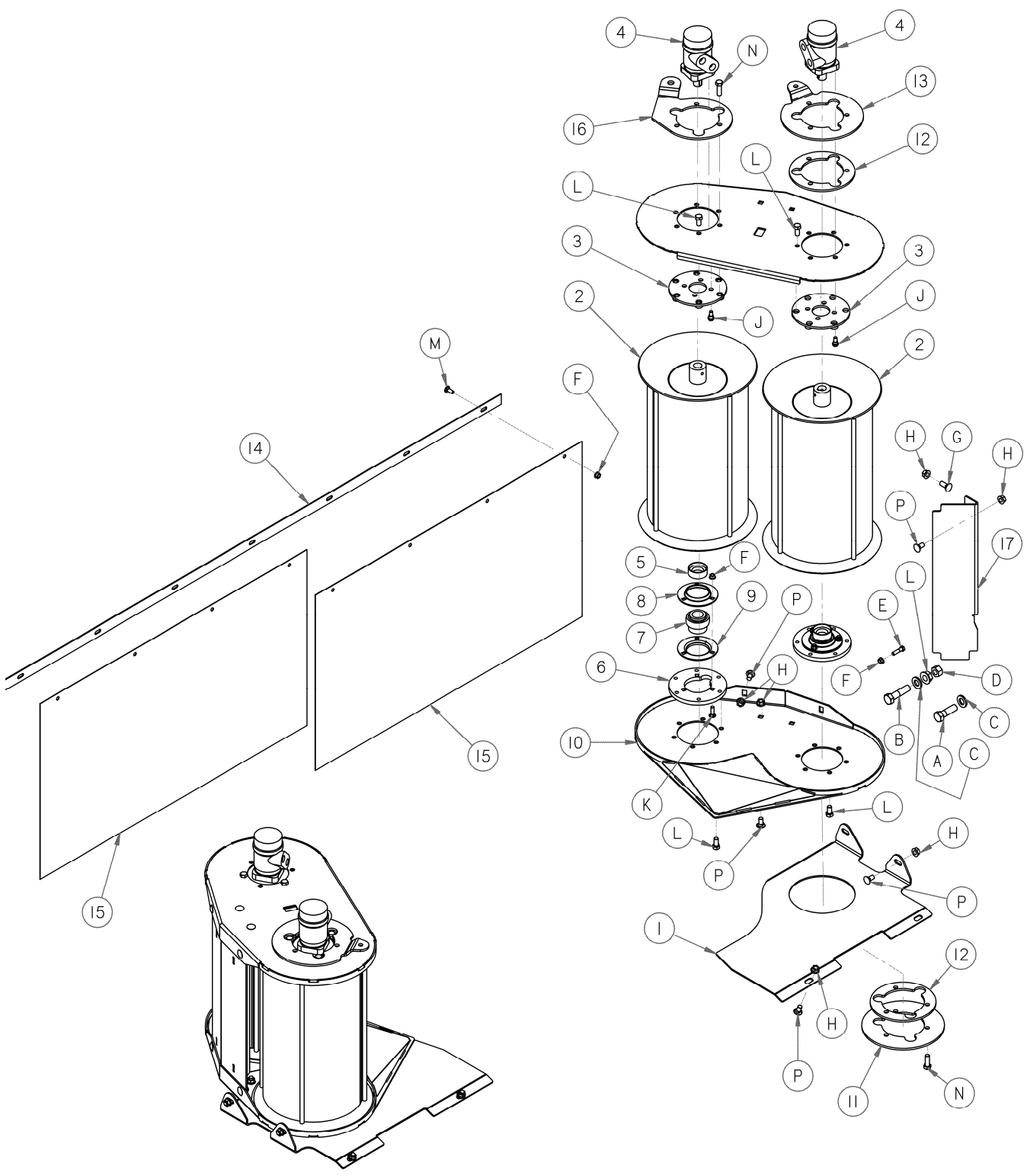
1012716

OPTIONS (Continued)

REF	PART NUMBER	DESCRIPTION	QTY		SERIAL NUMBER
			16FT	13FT	
	B5647	KIT – R80 GRASS SEED CRADLE CONVERSION, 2008 GRASS SEED TO 2009 HAY VERSION (See Note)			
1	194347	SUPPORT – 10 DISC CUTTERBAR WELDT	1	-	
2	236955	SUPPORT – CRADLE, RH.....	1	-	
	236954	SUPPORT – CRADLE, LH	1	-	
3	194391	SHOE – WELDT, RH	1	-	
	194390	SHOE – WELDT, LH.....	1	-	
A	18593	NUT – HEX 3/4-10 UNC GR 5 ZP			
B	18697	NUT – HEX LOCK DT .500-13 UNC			
C	19965	BOLT – RHSN 3/8 NC X 1.0 GR 5 ZP			
D	20077	BOLT – HEX HD 3/8 NC X 1.0 LG GR 5 ZP			
E	21354	BOLT – HEX HD 3/8 NC X 2.0 LG GR 5 ZP			
F	21472	BOLT – RHSN 3/8 NC X 0.75 GR 5 ZP			
G	21491	BOLT – HEX HD 1/2 NC X 1.25 LG GR 5 ZP			
H	21540	WASHER – HARDENED			
J	21582	BOLT – HH 5/8 NC X 1.75 LG GR 5 ZP			
K	30228	NUT – FLANGE DT SMOOTH FACE 0.375-16 UNC			
L	30448	BOLT – HH 3/4 NC X 3.0 LG GR5 ZP			
M	50101	NUT – FLG LOCK PREV TORQUE SM FACE M10-1.5			
N	50186	NUT – FLANGE DT SMOOTH FACE 0.5-13 UNC			
P	100456	BOLT – RHSSN 3/8 NC X 1.0 GR 5 ZP			
Q	135367	NUT – FLANGE DT SMTH FACE 0.75-10 UNC GR. G			
R	135511	NUT – CENTER LOCK .375-16 UNC GR 5 ZP			
S	135686	BOLT – SKT HD 1/2 NC X 1.50 LG GR 5			
T	184541	BOLT – HH 3/4 NC X 2.5 LG GR 8 ZP			
		NOTE: Kits available through Whole Goods only.			

CONVERGING DRUMS – GRASS SEED

LH DRUM SET (EXPLODED)

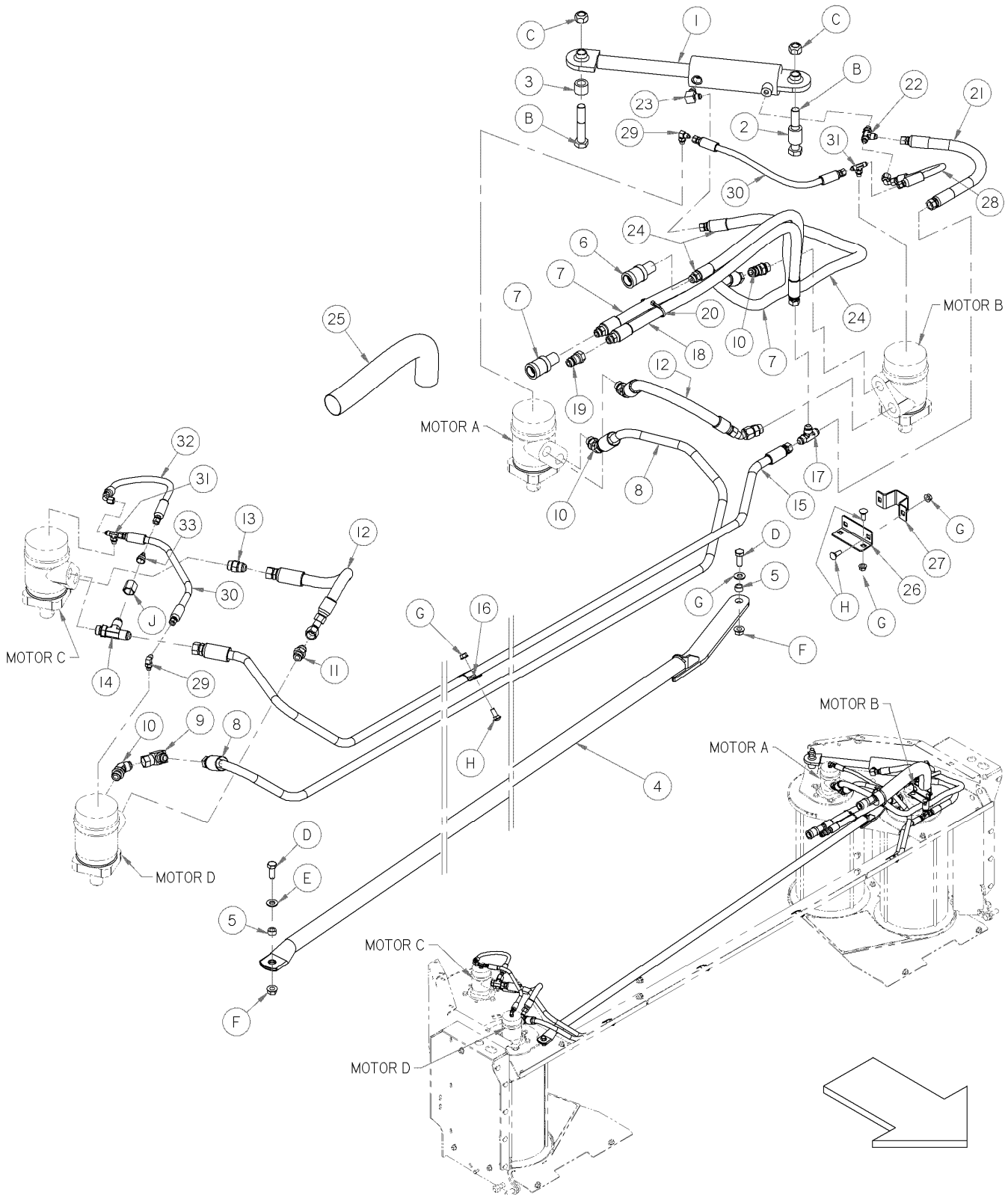


RH DRUM SET

CONVERGING DRUMS – GRASS SEED

REF	PART NUMBER	DESCRIPTION	QTY		SERIAL NUMBER
			16FT	13FT	
1	194140	SUPPORT – LOWER, LH	1	-	
	194146	SUPPORT – LOWER, RH.....	1	-	
2	194122	DRUM – GRASS SEED ROTARY, 12 IN. CYL	4	-	
3	194118	PLATE – WELDT	4	-	
4	172471	MOTOR – HYD M AND S 2.44 CI.....	4	-	
	132759	SEAL KIT.....		-	
5	194217	SPACER.....	4	-	
6	194121	PLATE – DRUM SUPPORT.....	4	-	
7	150438	BEARING – BALL SPH O.D. CW LC (1-3/8 IN. BORE)	4	-	
8	30602	FLANGE	4	-	
9	30603	FLANGE	4	-	
10	194131	SUPPORT – WELDT, LOWER	2	-	
11	194232	PLATE – RETAINER.....	2	-	
12	194141	PLATE – PIVOT	4	-	
13	194142	PLATE – PIVOT	2	-	
14	194158	PLATE	1	-	
15	194157	SHIELD – RUBBER	2	-	
16	194231	PLATE – PIVOT	1	-	
17	194144	GUARD – LH.....	1	-	
	194145	GUARD – RH.....	1	-	
A	184541	BOLT – HH 3/4 NC X 2.5 LG GR 8 ZP			
B	30448	BOLT – HH 3/4 NC X 3.0 LG GR 5 ZP			
C	21540	WASHER – HARDENED			
D	18593	NUT – HEX 3/4-10 UNC GR 5 ZP			
E	21561	BOLT – HH 3/8 NC X 1.5 LG GR 5 ZP			
F	30228	NUT – FLANGE DT SMOOTH FACE 0.375-16 UNC			
G	21471	BOLT – RHSN 1/2 NC X 1.25 GR 5 ZP			
H	50186	NUT – FLANGE LOCK SM FACE DT 0.500-13 UNC GR 5			
J	172259	BOLT – SHOULDER .375-16 UNC			
K	19966	BOLT – RHSN 3/8 NC X 1.25 LG GR 5 ZP			
L	21575	BOLT – HH 1/2 NC X 1.0 LG GR 5 ZP			
M	19965	BOLT – RHSN 3/8 NC X 1.0 GR 5 ZP			
N	18723	BOLT – HH 1/2 NC X 1.5 LG TFL GR 5 ZP			
P	21066	BOLT – RHSN 1/2 NC X 1 GR 5 ZP			
Q	135367	NUT – FLG DT SMTH FACE 0.75-10 UNC GR. G (Not Shown)			
		NOTE: Refer to Section “Cutterbar & Rolls Assembly”, page 14, for location of nut Q (MD #135367).			

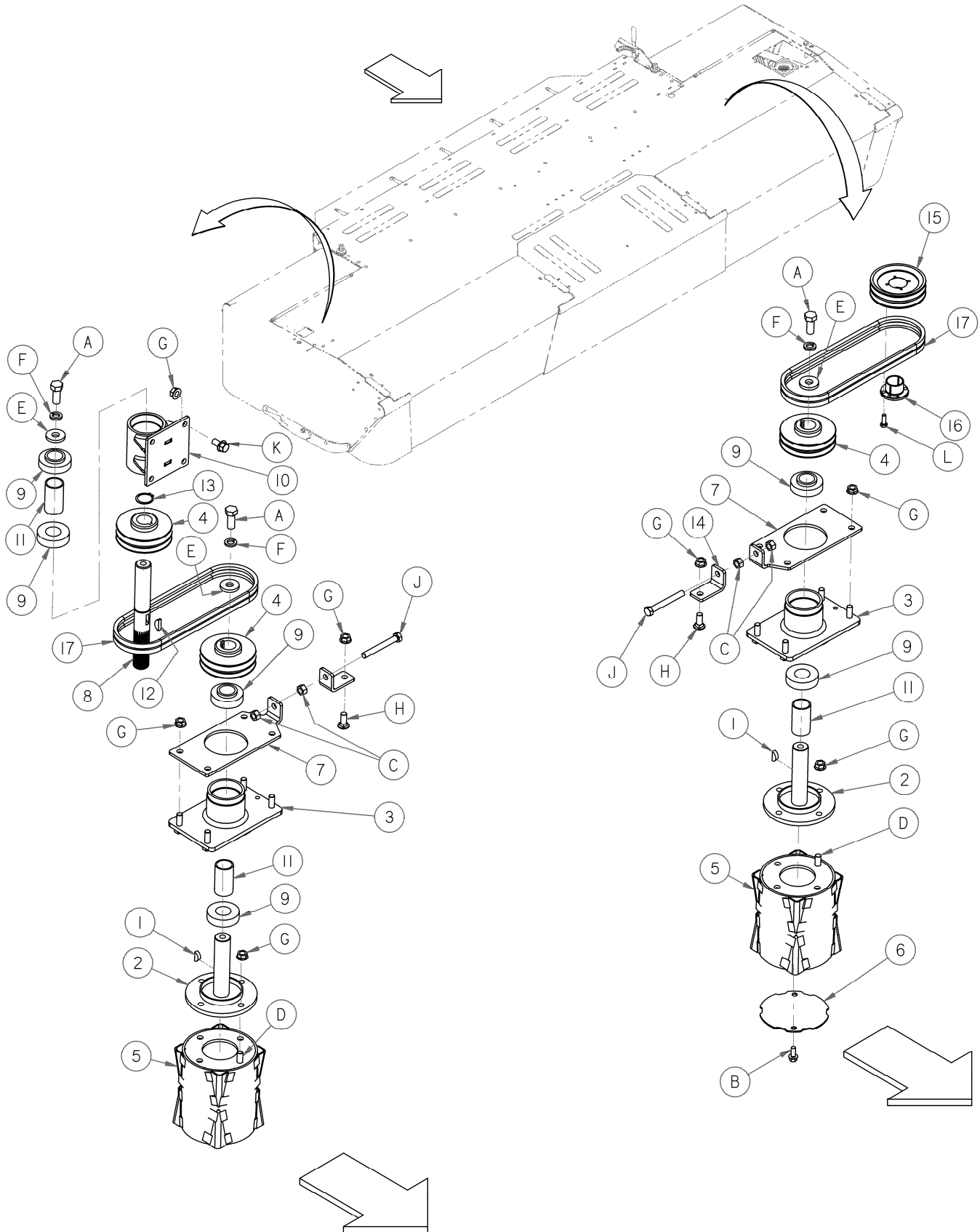
DRUM DRIVE HYDRAULICS – GRASS SEED



DRUM DRIVE HYDRAULICS – GRASS SEED

REF	PART NUMBER	DESCRIPTION	QTY		SERIAL NUMBER
			16FT	13FT	
1	149767	CYLINDER – HYDRAULIC	1	-	
	150519	SEAL KIT			
2	194237	SPACER	1	-	
3	194416	SPACER	1	-	
4	194413	LINK – WELDT	1	-	
5	14294	SPACER	2	-	
6	135645	FITTING – COUPLING HYD, FEMALE	2	-	
7	194166	HOSE	1	-	
8	194245	HOSE	1	-	
9	30556	FITTING – ELBOW 90° HYD	1	-	
10	50103	FITTING – ELBOW 45° HYD CW O-RING	4	-	
11	30695	FITTING – CONNECTOR HYD	2	-	
12	194163	HOSE	2	-	
13	30695	FITTING – CONNECTOR HYD	1	-	
14	50019	FITTING – TEE HYD STR THD RUN TEE CW O-RING	1	-	
15	194244	HOSE	1	-	
16	103738	CLAMP – PVC INSULATED 13/16 IN. TUBE SIZE	4	-	
17	30694	FITTING – TEE HYD	1	-	
18	194168	HOSE – DRAIN	1	-	
19	135563	FITTING – COUPLING HYD	1	-	
20	21763	FASTENER – CABLE TIE (BLACK)	6	-	
21	194167	HOSE	1	-	
22	30286	FITTING – TEE HYD STR THD RUN TEE CW O-RING	1	-	
23	30282	FITTING – ELBOW 90° HYD	1	-	
24	194241	HOSE – DRUM CYLINDER	1	-	
25	124902	SLEEVE – HOSE	1	-	
26	194239	ANGLE	1	-	
27	194240	SUPPORT	1	-	
28	194242	HOSE	1	-	
29	135647	FITTING – ELBOW 90° HYD	2	-	
30	194164	HOSE	2	-	
31	135646	FITTING – TEE HYD STR THD BRANCH TEE CW O-RING	2	-	
32	194243	HOSE	1	-	
33	30561	FITTING – ADAPTER REDUCER 5/8 X 1/4	1	-	
A	21733	BOLT – HH 3/4 NC X 4.5 LG GR 5 ZP			
B	30876	BOLT – HH 3/4 NC X 4.0 LG GR 5 ZP			
C	18689	NUT – HEX LOCK DT .750-10 UNC			
D	21491	BOLT – HH 1/2 NC X 1.25 LG GR 5 ZP			
E	18599	WASHER – SAE FLAT 17/32 I.D. X 1-1/16 IN. O.D. ZP			
F	50186	NUT – FLANGE LOCK SM FACE DT 0.500-13 UNC GR 5			
G	30228	NUT – FLANGE DT SMOOTH FACE 0.375-16 UNC			
H	19965	BOLT – RHSN 3/8 NC X 1.0 GR 5 ZP			
J	21744	NUT – TUBE 37° JIC 5/8 NOM. (7/8-14)			

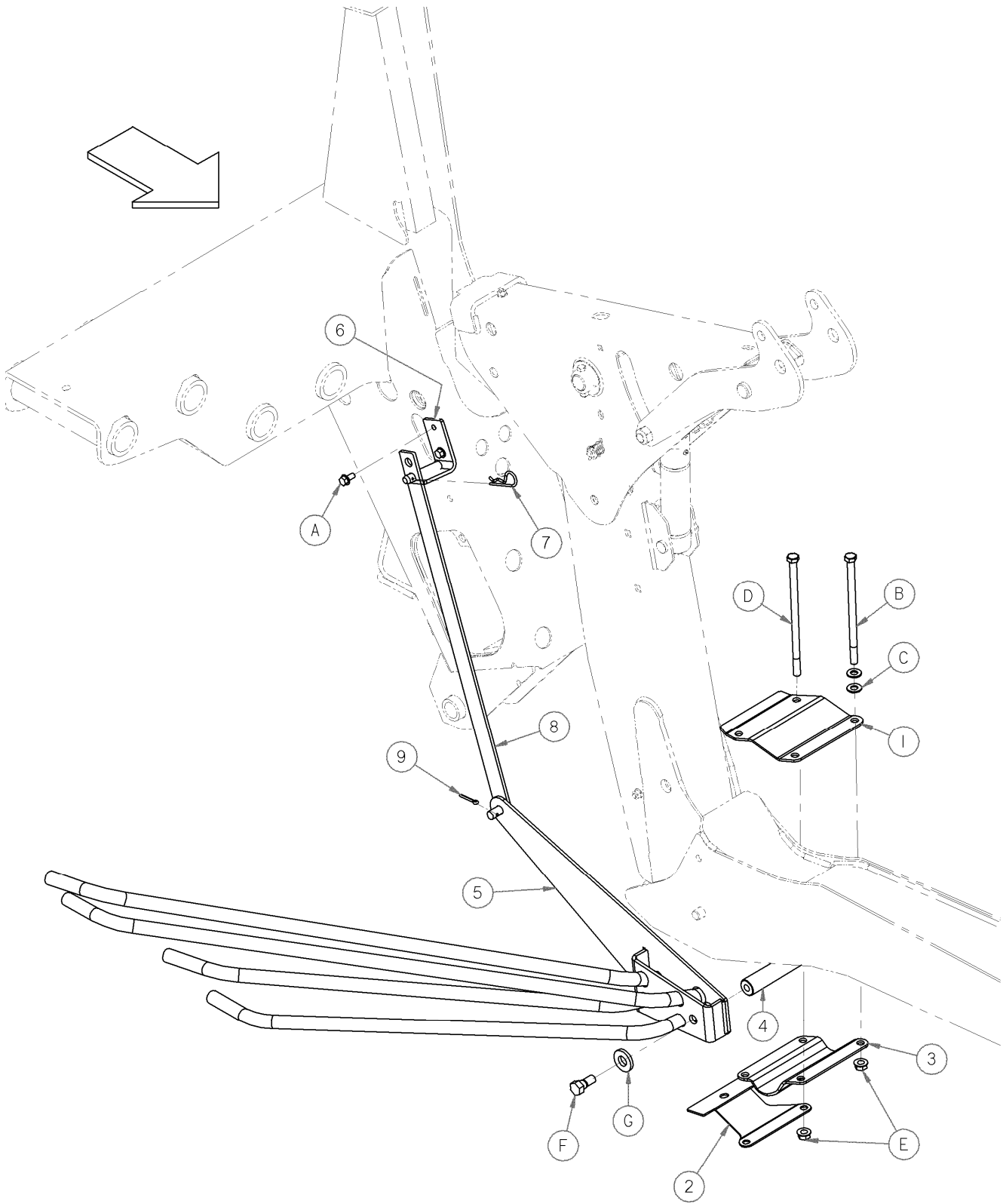
SUSPENDED DRIVES – GRASS SEED



SUSPENDED DRIVES – GRASS SEED

REF	PART NUMBER	DESCRIPTION	QTY		SERIAL NUMBER
			16FT	13FT	
	B5441	KIT – GRASS SEED DRUM KIT (Includes four drums [item #5] and four caps [item #6]. Kits available through Whole Goods only.)			
1	4098	KEY – WOODRUFF (5/16 X 1 NOM.).....	2	-	
2	149695	SHAFT – MACHINING	2	-	
3	150964	HOUSING – WELDT C/W BOLTS	2	-	
4	149074	PULLEY – STR BORE	3	-	
5	194247	DRUM – ROTARY CONVERGING	2	-	
6	194160	PLATE – CAP.....	2	-	
7	150740	ANGLE	2	-	
8	149534	SHAFT – SPLINED	1	-	
9	149696	BEARING – RADIAL BALL 72MM O.D. X 1.375 BORE	6	-	
10	194423	HOUSING – MACHINING	1	-	
11	149558	SPACER.....	3	-	
12	11142	KEY – WOODRUFF (5/16 X 1-1/8 NOM.).....	1	-	
13	135363	RING – RETAINING EXTERNAL (1.375 DIA. SHAFT).....	1	-	
14	149529	ANGLE	2	-	
15	194562	PULLEY– KIT (Incl. pulley 194560, hub 194561, and two of bolt L) .	1	-	-195759
	194560	PULLEY – MODIFIED, 4-HOLE	1	-	195760–
16	30841	BUSHING – SPLIT TAPER TYPE H C/W KEY & BOLTS (See Note)....	1	-	-195759
	194561	BUSHING – SPLIT TAPER TYPE H C/W KEY & BOLTS (Modified)	1	-	195760–
17	194357	BELT – V, MATCHED SET OF 2	2	-	
A	21594	BOLT – HEX HD 0.625-11 UNC X 1.50			
B	21975	BOLT – HH FLG (SERR FACE) 3/8 NC X 1.0 GR 5 ZP			
C	18591	NUT – HEX 1/2-13 UNC GR 5 ZP			
D	21491	BOLT – HH 1/2 NC X 1.25 LG GR 5 ZP			
E	135545	WASHER – FLAT, PLATED			
F	18639	WASHER – REG. LOCK 5/8 IN. NOM. I.D. ZP			
G	50186	NUT – FLANGE LOCK SM FACE DT 0.500-13 UNC GR 5			
H	21471	BOLT – RHSN 1/2 NC X 1.25 GR 5 ZP			
J	30299	BOLT – HH 1/2 NC X 4.0 TFL GR 5 ZP			
K	21449	BOLT – HH FLG (SERR FACE) 1/2 NC X 1.0 GR 5 ZP			
L	21087	BOLT – HH 5/16 NC X 1.0 LG GR 5 ZP			
		NOTE: For item #16, order bushing hub 30841 for units with serial number 195759 and below only if original pulley, item #15, remains in use. If new pulley is also required order pulley kit 194562, which includes new design pulley and hub.			

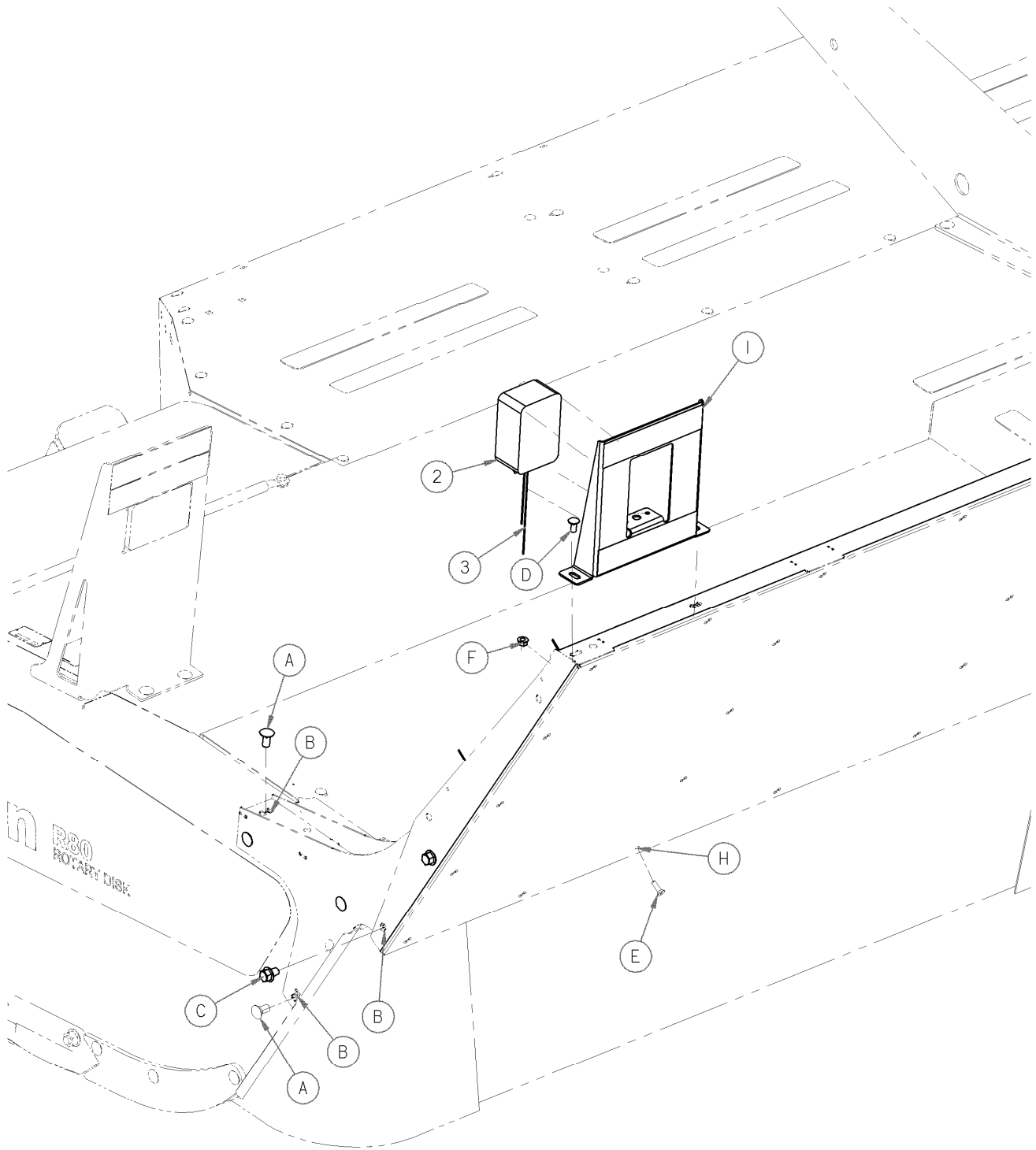
FORMING RODS – GRASS SEED



FORMING RODS – GRASS SEED

REF	PART NUMBER	DESCRIPTION	QTY		SERIAL NUMBER
			16FT	13FT	
	B4913	KIT – WINDROW FORMING RODS, GRASS SEED HEADERS (Kits available through Whole Goods only)			
1	194272	CLAMP – TOP, LH	1	-	
	194273	CLAMP – TOP, RH	1	-	
2	194330	PLATE – LH	1	-	
	194331	PLATE – RH	1	-	
3	194274	CLAMP – BOTTOM, LH	1	-	
	194275	CLAMP – BOTTOM, RH	1	-	
4	194276	SHAFT – FORMING ROD, ROTARY HEADER.....	2	-	
5	194280	ROD WELDMENT – LH	1	-	
	194284	ROD WELDMENT – RH.....	1	-	
6	132101	LUG WELDT – FORMING ROD SUPT	2	-	
7	13125	PIN – HAIR	2	-	
8	194332	BAR – FORMING ROD LINK	2	-	
9	18648	PIN – COTTER 3/16 DIA X 1.25 ZP	2	-	
A	101897	SCREW – HEX WASH HD THD ROLLING 3/8 NC X 3/4			
B	109091	BOLT – HH 1/2 NC X 9.0 LG GR5 ZP			
C	18599	WASHER – SAE FLAT 17/32 I.D. X 1-1/16 IN. O.D. ZP			
D	135652	BOLT – HH 1/2 NC X 10.0 LG GR5 ZP			
E	50186	NUT – FLANGE LOCK SM FACE DT 0.500-13 UNC GR 5			
F	48050	BOLT – SHOULDER .625-11 UNC			
G	16235	WASHER – FLAT			

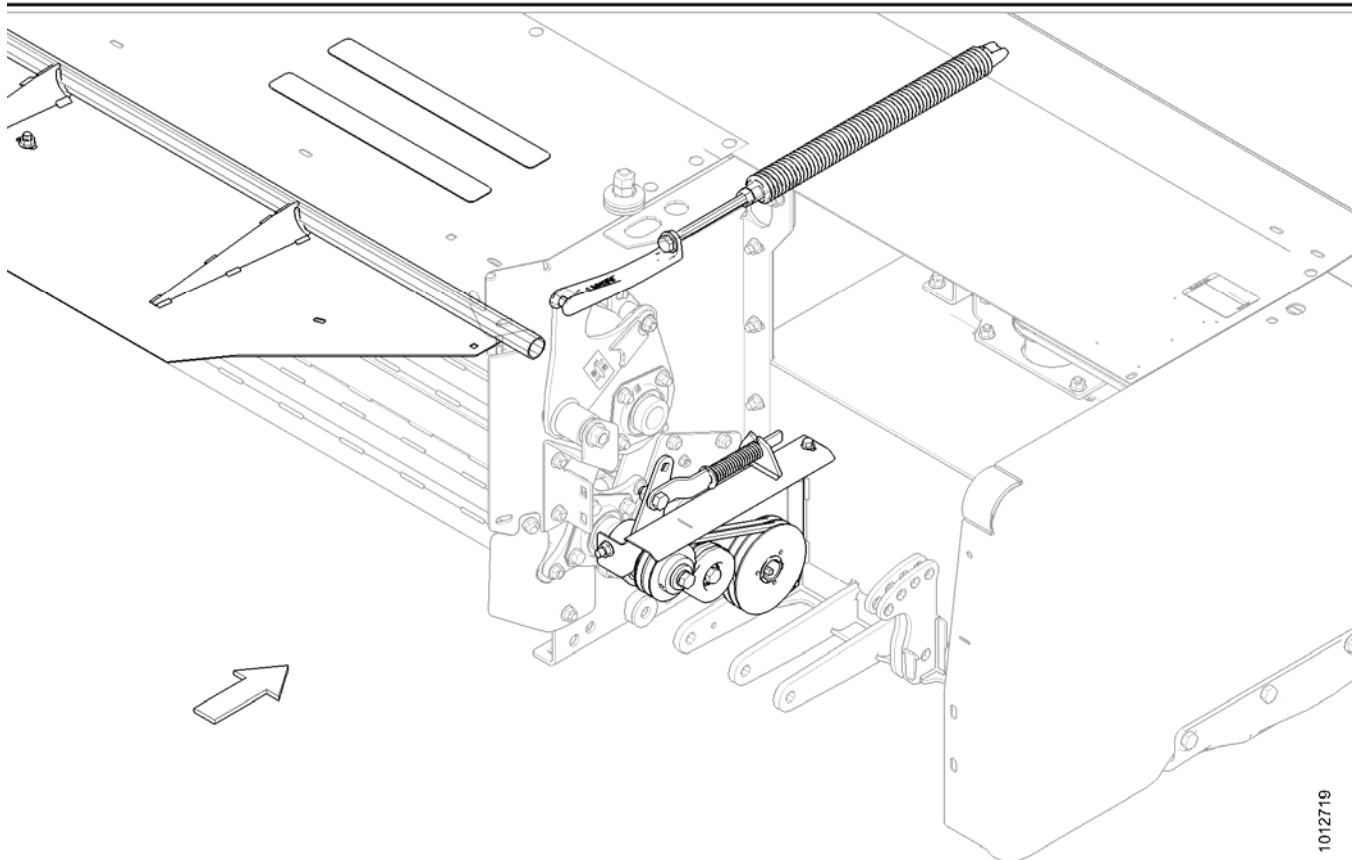
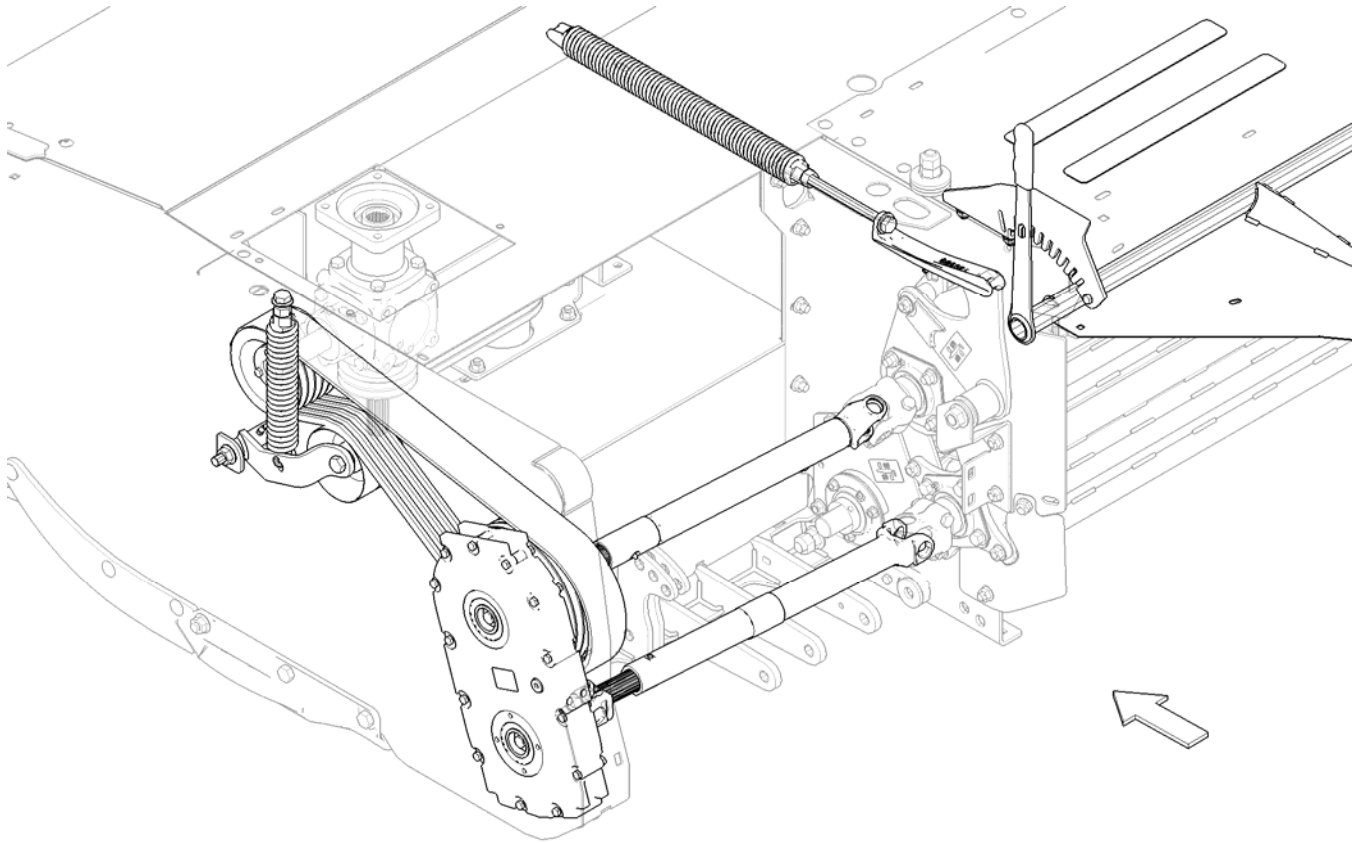
TALL CROP TRANSITION SHIELD – GRASS SEED



TALL CROP TRANSITION SHIELD – GRASS SEED

REF	PART NUMBER	DESCRIPTION	QTY		SERIAL NUMBER
			16FT	13FT	
	B4912	KIT – TALL CROP TRANSITION SHIELD, GRASS SEED HEADERS (Kits available through Whole Goods only)			
1	194307	BRACKET C/W DECALS	2	-	
2	120416	LAMP – AMBER	2	-	
3	194309	HARNESS – EXTENSION	2	-	
A	21868	BOLT – RHSSN 1/2 NC X 1.0 GR 5 ZP			
B	50186	NUT – FLANGE LOCK SM FACE DT 0.500-13 UNC GR 5			
C	105066	BOLT – HH FLG (SERR FACE) 1/2 NC X 0.75 GR 5 ZP			
D	21863	BOLT – RHSSN 3/8 NC X 0.75 LG GR 5 ZP			
E	135302	SCREW – CSK MACH FLAT SOC HD 5/16 NC X 1 GR 5 ZP			
F	30228	NUT – FLANGE DT SMOOTH FACE 0.375-16 UNC			
H	30280	NUT – FLG SIDE LK SMTH FACE 5/16 NC GR 5 ZP			
		NOTE: Major kit components not listed above, such as shields and supports, are not serviced separately.			

16 FT GRASS SEED HEADER TO HAY HEADER CONVERSION KIT

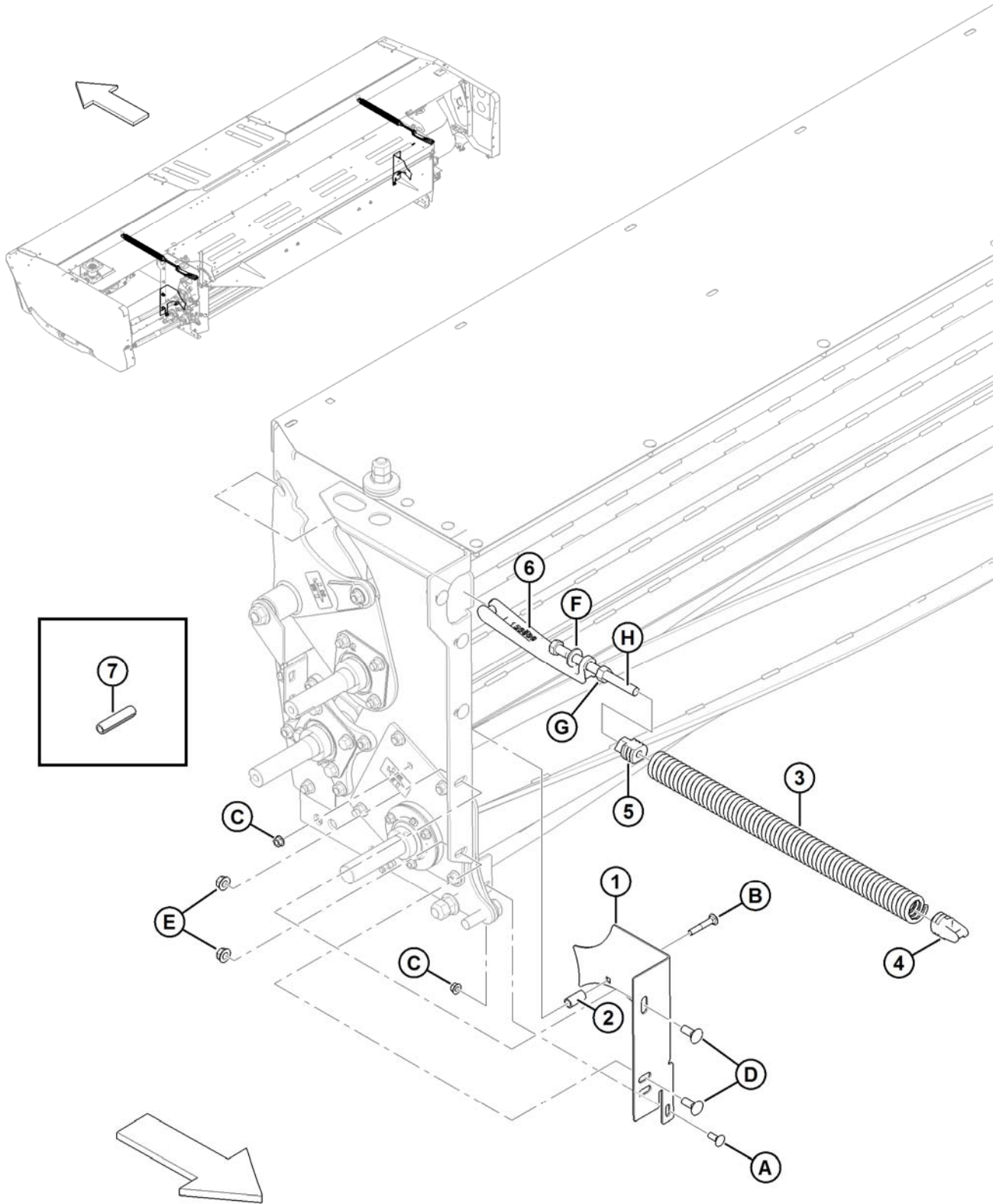


1012719

16 FT GRASS SEED HEADER TO HAY HEADER CONVERSION KIT

REF	PART NUMBER	DESCRIPTION	QTY		SERIAL NUMBER
			16FT	13FT	
	B5646	<p>KIT – 16 FT R80 GRASS SEED TO HAY CONVERSION (Kits available through Whole Goods only)</p> <p>NOTE: Refer to the following pages for kit service parts:</p> <ul style="list-style-type: none"> • Cutterbar and Rolls Assembly, page 104–105 • Header Drives, page 106–107 • Crop Lift Roll Drive Idler Assembly, page 108–109 • Header Rear Shields, page 110–111 • Decals and Reflectors, page 112–113 			

16 FT GRASS SEED HEADER TO HAY HEADER CONVERSION KIT (Continued)

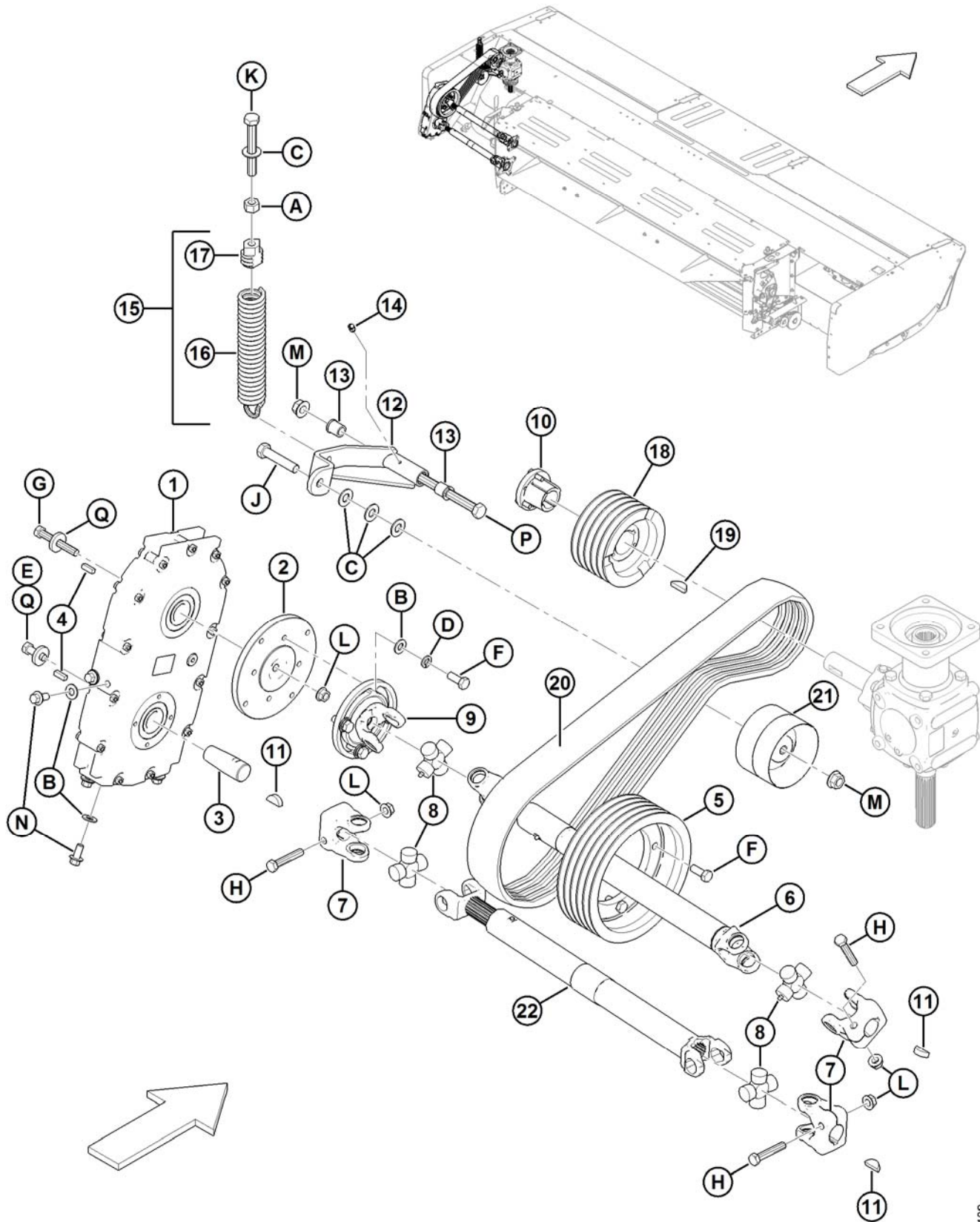


1013108

16 FT GRASS SEED HEADER TO HAY HEADER CONVERSION KIT (Continued)

REF	PART NUMBER	DESCRIPTION	QTY		SERIAL NUMBER
			16FT	13FT	
	B5646	KIT – 16 FT R80 GRASS SEED TO HAY CONVERSION (Kits available through Whole Goods only)			
1	194345	GUARD – RH	1	-	
	194342	GUARD – LH	1	-	
2	17675	SPACER	2	-	
3	101878	SPRING – EXTENSION.....	2	-	
4	150350	INSERT – SPRING BAR.....	2	-	
5	130529	INSERT – MACHINED.....	2	-	
6	150900	BRACKET	2	-	
7	103886	PIN – SPRING 5/16 DIA. X 1.25 LG	2	-	
A	19965	BOLT – RHSN 3/8 NC x 1			
B	21485	BOLT – RHSN 3/8 NC X 2.25 LG GR 5 ZP			
C	30228	NUT – FLANGE DT SMOOTH FACE 0.375-16 UNC			
D	21471	BOLT – RHSN 1/2 NC X 1.25 GR 5 ZP			
E	50186	NUT – FLANGE LOCK SM FACE DT 0.500-13 UNC GR 5			
F	30441	WASHER – HARDENED			
G	18592	NUT – HEX 5/8-11 UNC GR 5 ZP			
H	50190	BOLT– HH (MIN THD) 5/8 NC X 7.5 LG GR 5 ZP			
		NOTE: Service parts for cutterbar and rolls assembly only.			

16 FT GRASS SEED HEADER TO HAY HEADER CONVERSION KIT (Continued)

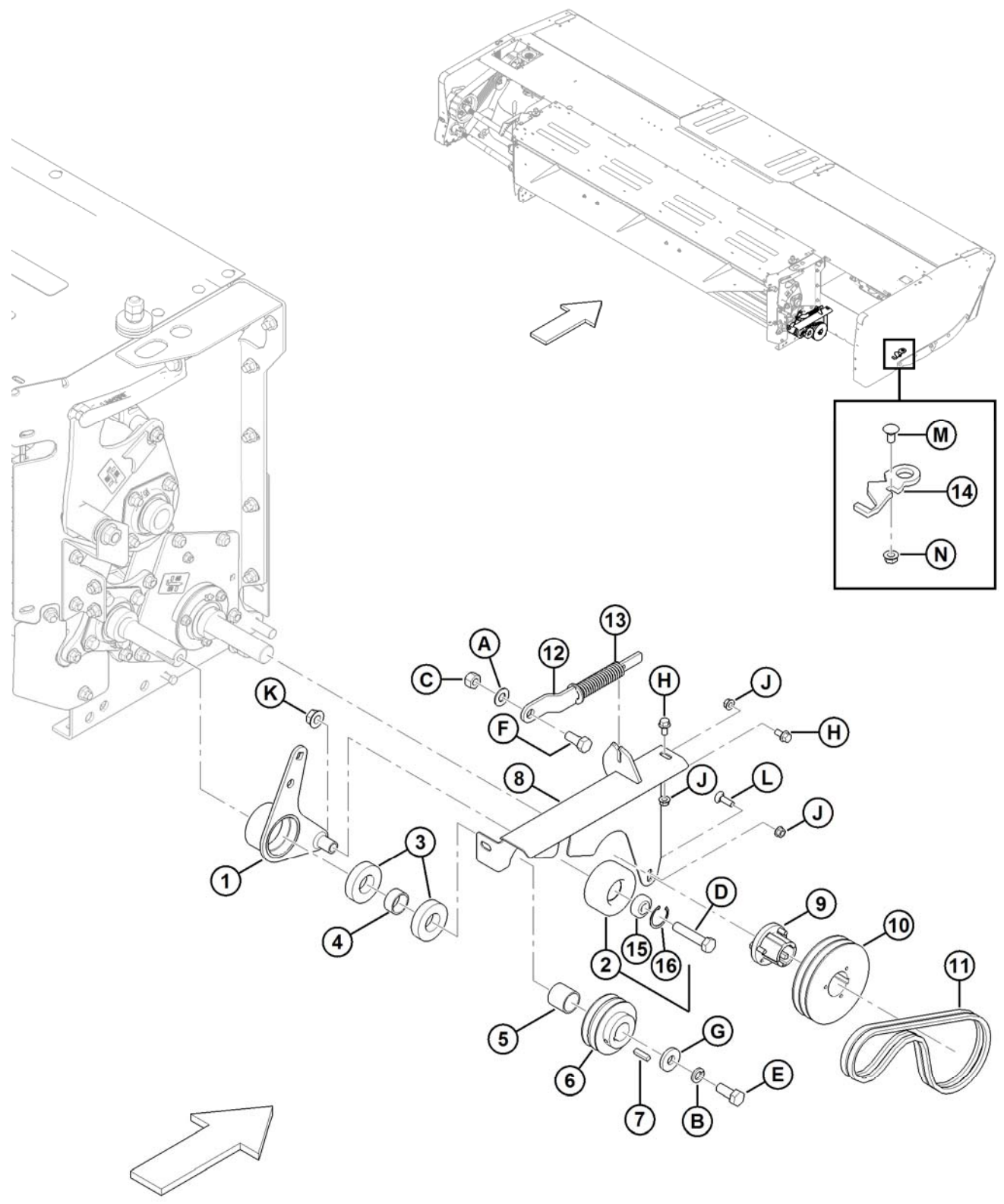


1013109

16 FT GRASS SEED HEADER TO HAY HEADER CONVERSION KIT (Continued)

REF	PART NUMBER	DESCRIPTION	QTY		SERIAL NUMBER
			16FT	13FT	
	B5646	KIT – 16 FT R80 GRASS SEED TO HAY CONVERSION (Kits available through Whole Goods only)			
1	149672	GEARBOX	1	-	
	150853	BEARING.....	4	-	
	150854	SEAL.....	4	-	
	150855	SHIM	2	-	
	150856	GEAR	2	-	
2	150588	HUB – MACHINING.....	1	-	
3	150274	SHAFT – TAPERED	1	-	
4	4889	KEY	2	-	
5	149764	PULLEY– MACHINING	1	-	
6	149006	DRIVELINE UPPER – 16 FT (Includes items #7–9).....	1	-	
7	198329	YOKE CLAMP	3	-	
8	124541	CROSS JOURNAL	4	-	
9	149399	YOKE FLANGE	1	-	
10	115074	BUSHING – SPLIT TAPER	1	-	
11	30836	KEY – WOODRUFF (3/8 X 1-1/4 NOM.)	3	-	
12	149182	IDLER ARM ASSY (Includes item #13)	1	-	
13	150437	BUSHING – FLANGED 5/8 X 7/8 X 1L	2	-	
14	21301	FITTING – LUBRICATION.....	1	-	
15	150381	SPRING ASSEMBLY (Includes item #16, #17)	1	-	
16	150382	SPRING.....	1	-	
17	130529	INSERT – MACHINED.....	1	-	
18	149077	PULLEY	1	-	
19	135485	KEY – WOODRUFF (5/16 X 1-3/8 NOM.)	1	-	
20	150763	BELT – CONDITIONER DRIVE.....	1	-	
21	149183	PULLEY – IDLER	1	-	
22	194335	DRIVELINE, LOWER TELESCOPING – 16 FT (Includes items #7, #8, and decal).....	1	-	
A	18592	NUT – HEX 5/8-11 UNC GR 5 ZP			
B	18599	WASHER – SAE FLAT 17/32 I.D. X 1-1/16 IN. O.D. ZP			
C	18600	WASHER – SAE FLAT 21/32 I.D. X 1-5/16 IN. O.D. ZP			
D	18638	WASHER – REG. LOCK 1/2 IN. NOM. I.D. ZP			
E	18723	BOLT – HH 1/2 NC X 1.5 LG TFL GR 5 ZP			
F	21491	BOLT – HH 1/2 NC X 1.25 LG GR 5 ZP			
G	21581	BOLT – HH 1/2 NC X 3.5 LG GR 5 ZP			
H	21880	BOLT – HH 1/2 NC X 2.75 LG GR 5 ZP			
J	21583	BOLT – HH 5/8 NC X 3.0 GR 5 ZP			
K	50080	BOLT – HH 5/8 NC X 4.5 TFL GR 5 ZP			
L	50186	NUT – FLANGE LOCK SM FACE DT 0.500-13 UNC GR 5			
M	50225	NUT – FLANGE DT SMOOTH FACE .625-11 UNC			
N	148800	BOLT– HH FLANGE M12 X 1.75 X 25 LG ZP			
P	21586	BOLT – HH 5/8 NC X 6.0 LG GR 5 ZP			
Q	149757	WASHER			
		NOTE: Service parts for header drives only.			

16 FT GRASS SEED HEADER TO HAY HEADER CONVERSION KIT (Continued)

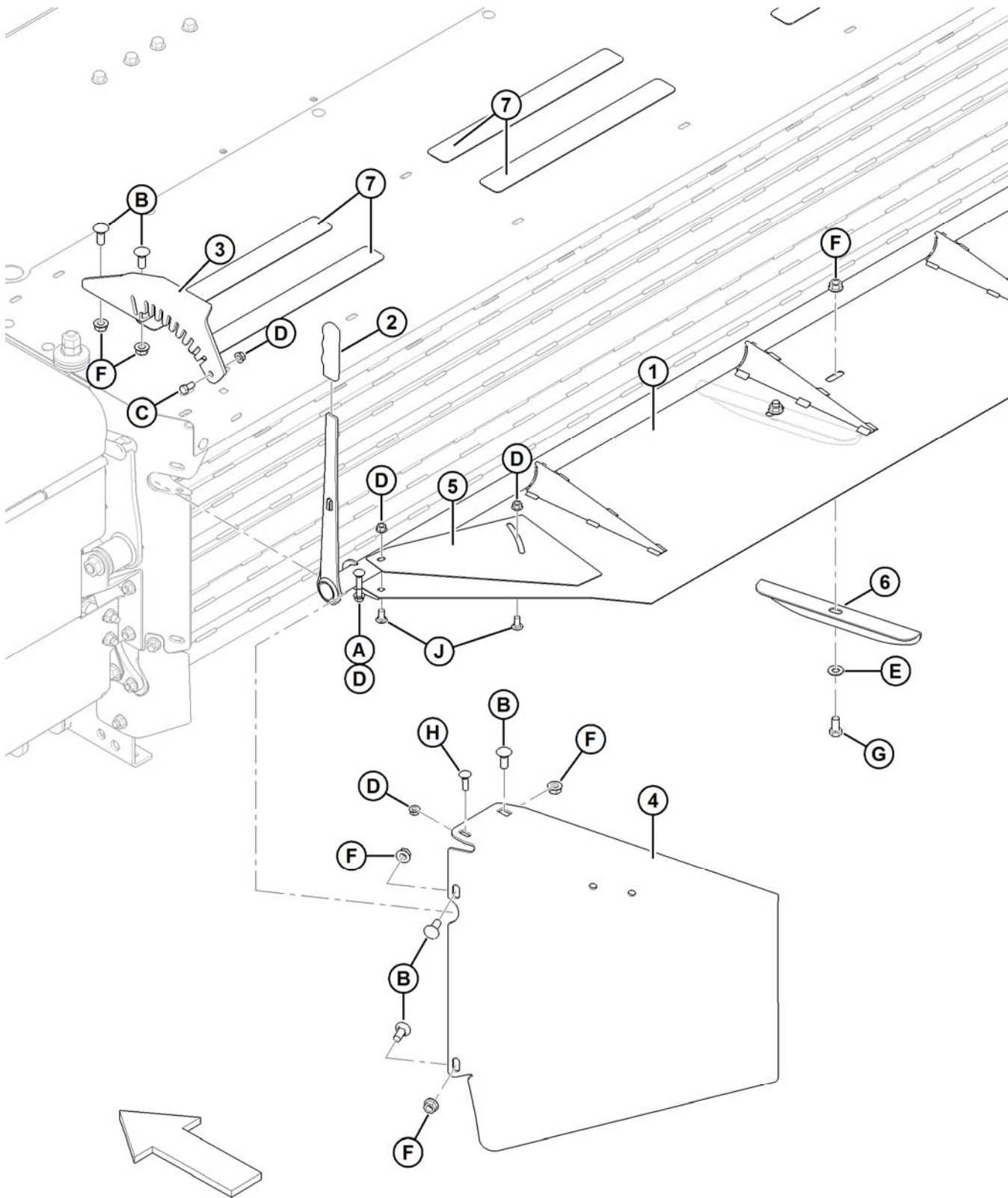


1013110

16 FT GRASS SEED HEADER TO HAY HEADER CONVERSION KIT (Continued)

REF	PART NUMBER	DESCRIPTION	QTY		SERIAL NUMBER
			16FT	13FT	
	B5646	KIT – 16 FT R80 GRASS SEED TO HAY CONVERSION (Kits available through Whole Goods only)			
1	150638	ARM – MACHINING	1	-	
2	149955	PULLEY – IDLER ASSY (Includes items #15 and #16).....	1	-	
3	14911	BEARING – BALL CYL.....	2	-	
4	150571	SPACER	1	-	
5	150402	SPACER	1	-	
6	150401	PULLEY – STRAIGHT BORE	1	-	
7	19736	KEY	2	-	
8	194554	GUARD – WELDMENT	1	-	
9	115074	BUSHING – SPLIT TAPER TYPE P1 C/W OUTER KEY AND BOLTS	1	-	
10	194559	PULLEY KIT – UPGRADE (Incl. pulley 194553 and items #7–9) ..	1	-	-195759 195760-
	194553	PULLEY	1	-	
11	194357	BELT – V, MATCHED SET OF 2.....	1	-	
12	150615	PLATE.....	1	-	
13	150934	SPRING – COMPRESSION.....	1	-	
14	150572	PLATE – ROLL TIMING GAGE.....	1	-	
15	9213	BEARING – BALL	1	-	
16	795	RING – RETAINING.....	1	-	
A	18601	WASHER – SAE FLAT 13/16 I.D. X 1.5 IN. O.D. ZP			
B	18639	WASHER – REG. LOCK 5/8 IN. NOM. I.D. ZP			
C	18666	NUT – HEX LOCK DT 5/8-11 UNC ZP			
D	21583	BOLT – HH 5/8 NC X 3.0 LG GR 5 ZP			
E	21594	BOLT – HEX HD 0.625-11 UNC X 1.50			
F	48050	BOLT – SHOULDER .625-11 UNC			
G	135545	WASHER – FLAT, PLATED			
H	21821	BOLT – HH FLG (SERR FACE) 3/8 NC X 0.75 GR 5 ZP			
J	30228	NUT – FLANGE DT SMOOTH FACE 0.375-16 UNC			
K	50225	NUT – FLANGE DT SMOOTH FACE .625-11 UNC			
L	19966	BOLT – RHSN 3/8 NC X 1.25 GR 5 ZP			
M	21066	BOLT – RHSN 1/2 NC X 1 GR 5 ZP			
N	50186	NUT – FLANGE LOCK SM FACE DT 0.500-13 UNC GR 5			
		NOTE: Service parts for crop lift roll drive idler assembly only.			

16 FT GRASS SEED HEADER TO HAY HEADER CONVERSION KIT (Continued)

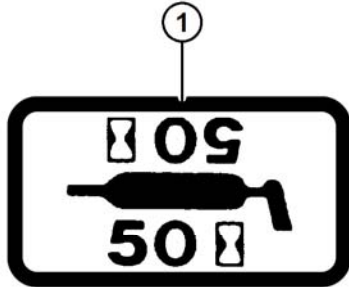


1013111

16 FT GRASS SEED HEADER TO HAY HEADER CONVERSION KIT (Continued)

REF	PART NUMBER	DESCRIPTION	QTY		SERIAL NUMBER
			16FT	13FT	
	B5646	KIT – 16 FT R80 GRASS SEED TO HAY CONVERSION (Kits available through Whole Goods only)			
1	148237	SHIELD – SWATH BAFFLE WELDT	1	-	
2	150392	HANDLE – VINYL	1	-	
3	150755	BRACKET – SWATH BAFFLE	1	-	
4	150582	DEFLECTOR – LH.....	1	-	
	150570	DEFLECTOR – RH	1	-	
5	150731	PLATE.....	2	-	
6	150733	FIN – SWATH BAFFLE	4	-	
7	132117	STRIP – ANTI SLIP	8	-	
A	21485	BOLT – RHSN 3/8 NC X 2.25 LG GR 5 ZP			
B	21471	BOLT – RHSN 1/2 NC X 1.25 GR 5 ZP			
C	21567	BOLT – HEX HD .375-16 UNC X 0.75 LG			
D	30228	NUT – FLANGE DT SMOOTH FACE 0.375-16 UNC			
E	18599	WASHER – SAE FLAT 17/32 I.D. X 1-1/16 IN. O.D. ZP			
F	50186	NUT – FLANGE LOCK SM FACE DT 0.500-13 UNC GR 5			
G	21575	BOLT – HH 1/2 NC X 1.0 LG GR 5 ZP			
H	19966	BOLT – RHSN 3/8 NC X 1.25 LG GR 5 ZP			
J	21863	BOLT– RHSSN 3/8 NC X 0.75 LG GR 5 ZP			
		NOTE: Service parts for header rear shields only.			

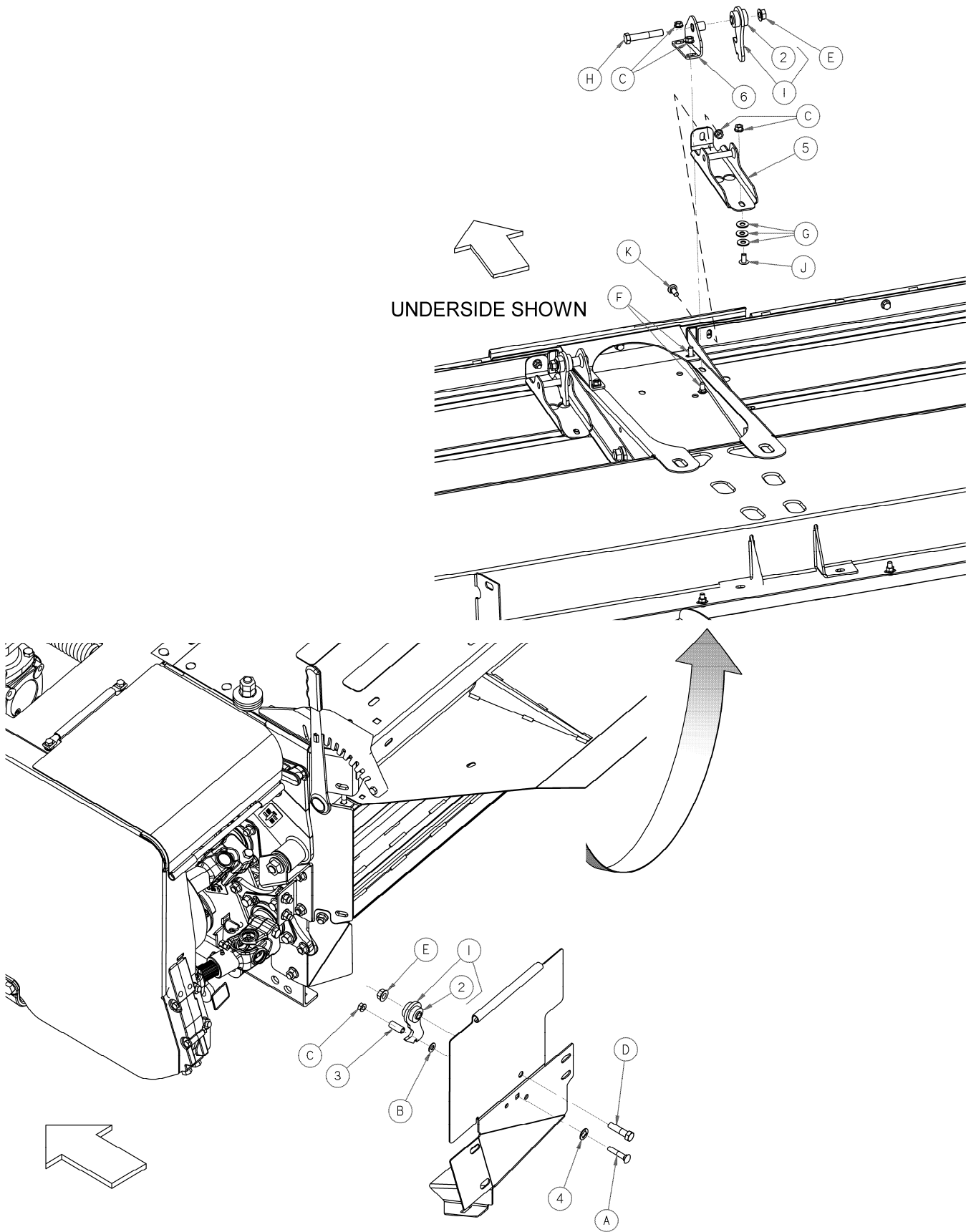
16 FT GRASS SEED HEADER TO HAY HEADER CONVERSION KIT (Continued)



16 FT GRASS SEED HEADER TO HAY HEADER CONVERSION KIT (Continued)

REF	PART NUMBER	DESCRIPTION	QTY		SERIAL NUMBER
			16FT	13FT	
	B5646	KIT – 16 FT R80 GRASS SEED TO HAY CONVERSION (Kits available through Whole Goods only)			
1	23165	DECAL – 50 HR LUBE	1	-	
2	142909	DECAL – DANGER, SHIELD MISSING	2	-	
3	36651	DECAL – DANGER, DRIVELINE GUARD MISSING.....	1	-	
		NOTE: Service parts for decals and reflectors only.			

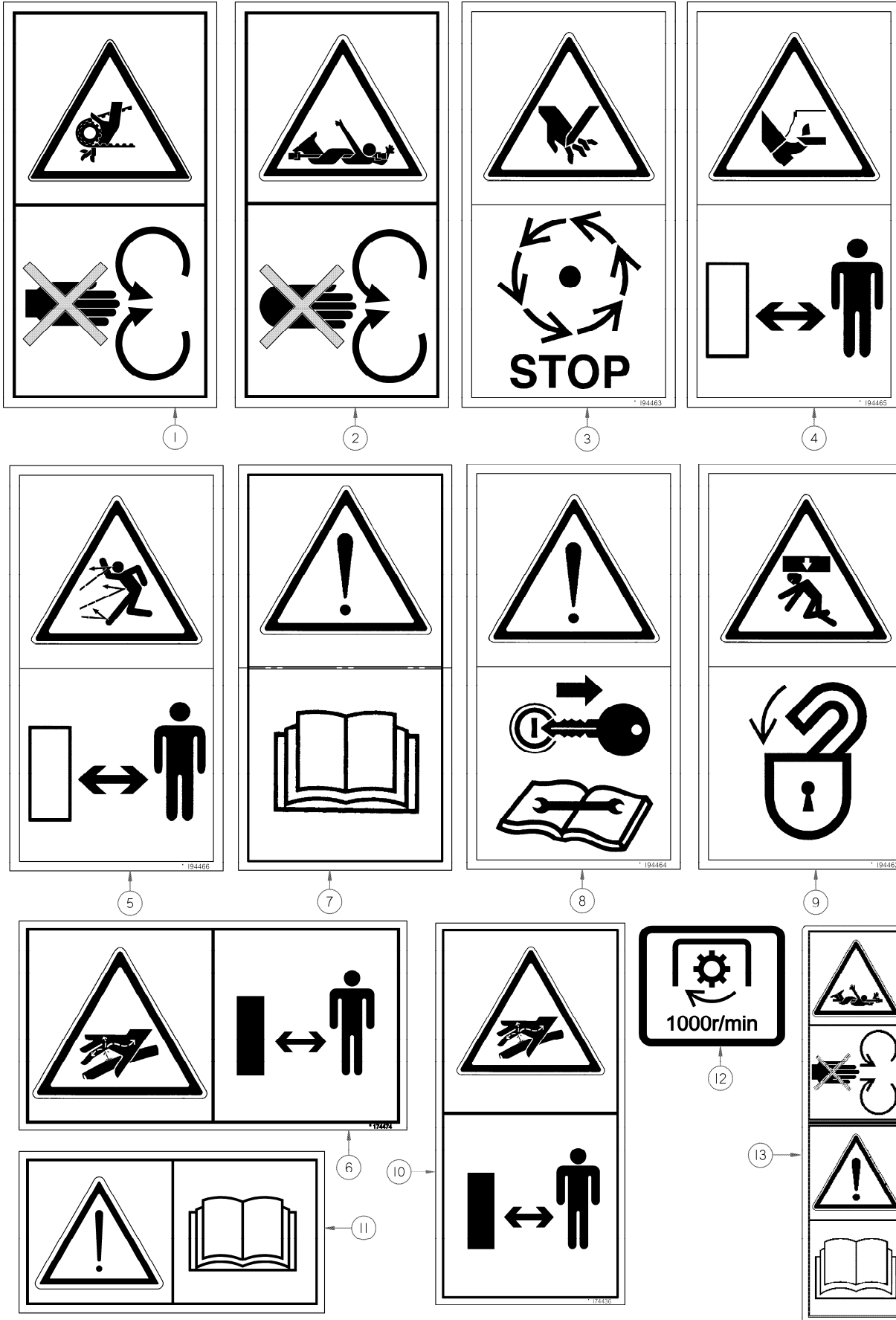
TOOL OPERATED SHIELD LATCHES – CE (European) Units



TOOL OPERATED SHIELD LATCHES – CE (European) Units

REF	PART NUMBER	DESCRIPTION	QTY		SERIAL NUMBER
			16FT	13FT	
1	194481	LATCH – HOOK, C/W BUSHING (MD #50040).....	4	4	
2	50040	BUSHING – RUBBER	4	4	
3	23050	SPACER – TUBE	2	2	
4	163373	WASHER – FLAT, SQUARE BORE	2	2	
5	194484	BRACKET – FRONT COVER	2	2	
6	194486	BRACKET – FRONT COVER LATCH PIN	2	2	
A	21470	BOLT – RHSN, 3/8 NC X 2.0 LG ZP			
B	18598	WASHER – SAE FLAT, 13/32 I.D.			
C	30228	NUT – LOCK, SMOOTH FLANGE, 3/8 NC DT			
D	21576	BOLT – HEX HEAD, 1/2 NC X 2.0 LG, ZP			
E	50186	NUT – LOCK, SMOOTH FLANGE, 1/2 NC DT			
F	21472	BOLT – RHSN 3/8 NC X 0.75 LG ZP			
G	18670	WASHER – SAE FLAT, 7/16 I.D.			
H	21560	BOLT – HEX HEAD, 1/2 NC X 3.0 LG, ZP			
J	135157	SCREW – MACHINE, TORX TRUSS HEAD, 3/8 X 0.75 LG			
K	100456	BOLT – RHSSN, 3/8 NC X 1.0 LG ZP			

2-PANEL (NON-TEXT) DECALS – CE (European) Units



2-PANEL (NON-TEXT) DECALS – CE (European) Units

REF	PART NUMBER	DESCRIPTION	QTY		SERIAL NUMBER
			SP	PT	
1	184371	DECAL – CHAIN ENTANGLEMENT.....	3	3	
2	184385	DECAL – KEEP SHIELDS IN PLACE.....	2	2	
3	194463	DECAL – STOP DRIVE, 2 PANEL.....	2	2	
4	194465	DECAL – STAND CLEAR BLADES, 2 PANEL.....	2	2	
5	194466	DECAL – STAND CLEAR THROWN OBJECTS, 2 PANEL.....	2	2	
6	174474	DECAL – HIGH PRESSURE FLUID (HORIZONTAL FORMAT).....	1	3	
7	113482	DECAL – GENERAL HAZARD.....	1	3	
8	194464	DECAL – SHUT DOWN FOR SERVICE, 2 PANEL.....	1	1	
9	194462	DECAL – INSTALL LOCK, 2 PANEL.....	-	1	
10	174436	DECAL – HIGH PRESSURE FLUID (VERTICAL FORMAT).....	-	2	
11	184372	DECAL – READ MANUAL.....	-	3	
12	194468	DECAL – 1000 RPM.....	-	1	
13	194521	DECAL – CE DRIVELINE.....	2	3	

NUMERICAL LIST

<u>PART NO.</u>	<u>PAGE</u>	<u>PART NO.</u>	<u>PAGE</u>	<u>PART NO.</u>	<u>PAGE</u>	<u>PART NO.</u>	<u>PAGE</u>
795	23	21024	17	30375	49	38894	29
795	109	21030	39	30375	53	39272	63
4098	25	21030	49	30375	57	41357	37
4098	97	21030	53	30375	79	41358	37
4889	17	21076	41	30441	13	42045	13
4889	107	21076	51	30463	37	42104	77
5734	17	21076	55	30556	95	42431	77
5735	17	21076	61	30561	95	42432	77
6006	61	21153	33	30575	9	42433	77
9213	23	21301	17	30576	9	42434	77
9213	109	21301	107	30602	9	42592	13
11142	25	21404	81	30602	93	44207	61
11142	97	21404	83	30603	9	44209	51
13094	39	21425	17	30603	93	44209	55
13125	13	21596	59	30694	49	44209	61
13125	71	21763	59	30694	95	44944	73
13125	81	21763	89	30695	95	49306	87
13125	99	21763	95	30695	95	50019	95
14294	95	21804	49	30701	33	50022	35
14911	23	21804	53	30702	33	50040	115
14911	109	21804	57	30813	49	50091	21
15903	35	21827	63	30813	53	50098	67
15903	49	21827	67	30813	57	50098	69
15903	49	21828	63	30836	17	50103	43
15903	53	21828	67	30836	107	50103	95
15903	53	21828	69	30841	25	50193	13
15903	57	21830	57	30841	97	50193	83
15903	57	21859	87	30846	49	50193	87
15903	79	21860	87	30846	53	50193	87
17675	15	21881	57	30846	59	50220	63
17675	105	23050	115	30884	39	50220	67
18601	9	23164	73	30884	41	50220	69
18608	33	23165	73	30884	43	50222	61
18608	37	23165	113	30903	85	101007	81
18609	35	23950	73	30905	63	101375	73
18609	49	23957	73	30905	67	101878	15
18609	53	25579	35	30905	69	101878	105
18609	57	25991	73	30939	63	102264	39
18629	33	30015	13	30946	17	102264	61
18637	59	30282	35	30971	63	103579	33
18637	59	30282	95	30971	67	103738	35
18648	81	30283	49	30971	69	103738	63
18648	99	30283	53	30977	61	103738	95
18671	35	30283	57	31453	81	103886	9
18671	39	30284	49	31453	85	103886	105
18671	41	30284	53	32070	73	106717	89
18671	43	30284	57	32738	73	107037	39
19736	23	30286	95	32879	73	107037	41
19736	109	30314	43	32880	73	107037	43
19809	13	30315	41	36651	73	107201	61
21010	61	30316	73	36651	113	109843	73

NUMERICAL LIST

119

<u>PART NO.</u>	<u>PAGE</u>	<u>PART NO.</u>	<u>PAGE</u>	<u>PART NO.</u>	<u>PAGE</u>	<u>PART NO.</u>	<u>PAGE</u>
111713	63	132759	93	135554	41	148067	33
111713	67	133195	37	135554	49	148078	35
111713	69	133207	37	135554	53	148087	5
111961	21	133632	47	135554	57	148096	27
111977	63	133632	47	135560	63	148136	27
111977	67	134010	63	135560	67	148163	33
111977	69	134010	67	135560	69	148214	49
112624	29	134010	69	135563	49	148220	5
112624	35	134011	63	135563	53	148220	87
112694	37	134011	67	135563	57	148237	29
112866	63	134011	69	135563	79	148237	111
112866	67	134070	73	135563	95	148262	17
112866	69	135015	35	135593	81	148263	17
112868	39	135015	49	135606	85	148311	27
112868	41	135015	53	135613	33	148388	81
112868	43	135015	57	135614	63	148494	5
112868	43	135148	73	135614	67	148496	5
112868	63	135213	63	135618	51	148498	49
112868	67	135213	67	135618	55	148548	27
112868	69	135213	69	135619	49	148550	27
112886	37	135313	63	135619	53	148646	5
112936	63	135313	67	135619	57	148718	11
112936	67	135313	69	135645	95	148730	5
112936	69	135316	63	135646	95	148735	5
113482	117	135316	67	135647	95	148748	49
113561	85	135316	69	135705	59	148748	53
115074	17	135334	81	140246	33	148761	63
115074	23	135334	83	140247	33	148829	73
115074	107	135352	57	140248	33	148851	49
115074	109	135363	25	140249	33	148851	53
115100	73	135363	97	140250	33	148851	57
115145	73	135365	63	140269	39	148852	35
115146	73	135365	67	140269	41	148852	49
115147	73	135365	69	140269	43	148852	53
115148	73	135408	71	142376	35	148852	57
118234	33	135414	35	142730	75	148859	11
120377	63	135414	49	142895	75	148893	11
120377	67	135414	53	142896	75	148900	11
120377	69	135414	57	142908	73	148918	49
120416	33	135414	61	142909	73	148918	53
120416	63	135479	63	142909	113	148918	57
120416	101	135479	67	142912	73	148956	11
124541	17	135479	69	142965	59	148961	35
124541	107	135485	17	143875	63	148962	35
124902	95	135485	107	143875	67	148968	49
130529	15	135544	63	143875	69	148968	53
130529	17	135544	67	146351	43	148968	57
130529	105	135544	69	146352	47	148968	79
130529	107	135550	51	146367	47	149005	5
132101	99	135550	53	146555	47	149006	17
132117	27	135550	57	146556	47	149006	107
132117	111	135554	39	146574	47	149012	5

NUMERICAL LIST

<u>PART NO.</u>	<u>PAGE</u>	<u>PART NO.</u>	<u>PAGE</u>	<u>PART NO.</u>	<u>PAGE</u>	<u>PART NO.</u>	<u>PAGE</u>
149038	9	149703	51	150104	57	150331	57
149073	27	149703	55	150105	49	150338	35
149074	25	149743	13	150105	53	150339	35
149074	97	149764	17	150105	57	150346	35
149077	17	149764	107	150123	49	150350	15
149077	107	149766	5	150123	53	150350	105
149096	17	149767	79	150123	57	150381	17
149167	13	149767	95	150124	79	150381	107
149168	13	149777	11	150128	27	150382	17
149168	13	149802	81	150130	27	150382	107
149169	13	149806	49	150133	33	150392	29
149173	13	149810	49	150135	39	150392	111
149176	11	149810	53	150135	41	150401	23
149182	17	149810	59	150135	43	150401	109
149182	107	149817	33	150138	39	150402	23
149183	17	149818	33	150138	41	150402	109
149183	107	149819	85	150138	43	150413	5
149184	11	149820	35	150147	39	150413	87
149310	27	149825	35	150147	41	150423	87
149317	11	149826	35	150152	39	150424	87
149317	13	149829	49	150152	41	150431	27
149318	63	149829	53	150177	39	150437	17
149318	67	149829	57	150177	41	150437	107
149338	63	149857	11	150211	13	150438	9
149342	9	149866	49	150217	81	150438	93
149342	35	149866	53	150217	85	150453	89
149342	71	149866	59	150242	17	150454	71
149399	17	149875	17	150243	17	150457	81
149399	107	149914	79	150255	49	150475	59
149529	25	149916	37	150255	53	150476	57
149529	97	149950	9	150255	57	150483	79
149534	25	149955	23	150256	49	150487	69
149534	97	149955	109	150256	53	150488	11
149545	17	149975	31	150256	57	150505	63
149553	63	149977	5	150256	79	150511	63
149553	67	149998	13	150274	17	150519	79
149554	63	150018	13	150274	107	150519	95
149554	67	150048	39	150287	49	150527	9
149558	25	150048	41	150287	53	150529	9
149558	97	150049	47	150287	57	150542	9
149615	35	150060	63	150298	35	150549	9
149635	17	150075	49	150306	35	150565	9
149652	17	150075	53	150307	35	150566	9
149655	81	150075	57	150311	49	150570	31
149672	17	150082	81	150311	53	150570	111
149672	107	150101	49	150311	57	150571	23
149675	9	150101	53	150311	63	150571	109
149695	25	150101	57	150311	67	150572	23
149695	97	150101	79	150314	83	150572	109
149696	25	150104	49	150331	49	150582	31
149696	97	150104	53	150331	53	150582	111

NUMERICAL LIST

<u>PART NO.</u>	<u>PAGE</u>	<u>PART NO.</u>	<u>PAGE</u>	<u>PART NO.</u>	<u>PAGE</u>	<u>PART NO.</u>	<u>PAGE</u>
150588	17	150711	39	150831	7	150879	67
150588	107	150711	41	150832	7	150879	69
150595	39	150711	43	150833	7	150881	87
150595	41	150712	39	150834	7	150886	39
150595	51	150713	57	150835	7	150886	41
150595	51	150714	49	150836	7	150886	43
150595	55	150714	53	150837	7	150886	47
150595	55	150714	57	150838	7	150886	47
150595	57	150715	49	150839	7	150886	47
150595	59	150715	53	150840	7	150886	47
150595	59	150715	57	150841	7	150887	39
150607	75	150727	5	150842	7	150887	41
150608	75	150727	25	150843	7	150887	43
150609	75	150730	5	150844	7	150888	39
150615	23	150731	31	150845	7	150888	41
150615	109	150731	111	150846	7	150888	43
150620	47	150732	49	150847	7	150889	39
150626	11	150732	53	150848	7	150889	41
150627	11	150732	57	150849	7	150889	43
150630	39	150733	29	150851	7	150889	47
150630	41	150733	111	150852	7	150889	47
150630	43	150734	5	150853	17	150889	47
150632	39	150734	87	150853	107	150889	47
150632	41	150740	25	150854	17	150890	47
150632	43	150740	97	150854	107	150890	47
150633	39	150755	29	150855	17	150891	47
150633	41	150755	111	150855	107	150891	47
150633	43	150756	31	150856	17	150892	47
150634	39	150759	9	150856	107	150893	47
150634	41	150760	9	150857	45	150893	47
150634	43	150763	17	150858	45	150895	47
150638	23	150763	107	150859	45	150897	87
150638	109	150764	63	150860	45	150898	17
150651	73	150766	63	150861	45	150899	49
150656	33	150790	39	150862	45	150899	53
150657	33	150790	41	150863	45	150899	59
150662	31	150791	67	150864	21	150900	15
150662	33	150791	69	150864	45	150900	105
150664	71	150794	69	150865	45	150901	39
150665	71	150795	69	150866	45	150901	41
150669	63	150796	69	150867	45	150901	49
150669	67	150797	67	150868	45	150901	53
150669	69	150797	69	150869	45	150902	87
150682	5	150817	33	150870	45	150904	51
150692	39	150820	79	150871	21	150904	55
150692	41	150821	17	150872	21	150904	59
150692	43	150823	75	150873	21	150905	51
150697	9	150826	7	150874	21	150905	55
150709	39	150827	7	150875	21	150905	59
150709	41	150828	7	150877	21	150906	51
150710	39	150829	7	150878	21	150906	55
150710	41	150830	7	150879	63	150906	59

NUMERICAL LIST

<u>PART NO.</u>	<u>PAGE</u>	<u>PART NO.</u>	<u>PAGE</u>	<u>PART NO.</u>	<u>PAGE</u>	<u>PART NO.</u>	<u>PAGE</u>
150907	51	171068	53	194090	43	194205	69
150907	55	171068	59	194092	41	194211	45
150907	59	171069	49	194093	41	194212	45
150924	63	171069	53	194094	53	194217	93
150934	23	171069	59	194094	57	194231	93
150934	109	171093	35	194097	53	194232	93
150938	9	171277	43	194097	57	194237	95
150939	9	171277	47	194098	53	194239	95
150941	67	171277	47	194100	57	194240	95
150942	67	171277	47	194101	57	194241	95
150943	27	171277	47	194103	57	194242	95
150949	9	172471	93	194104	43	194243	95
150950	9	174436	117	194105	89	194244	95
150959	35	174474	117	194118	93	194245	95
150964	25	184371	117	194121	93	194247	97
150964	97	184372	117	194122	93	194272	99
150971	35	184385	117	194131	93	194273	99
150972	85	184390	73	194140	93	194274	99
150982	85	194004	57	194141	93	194275	99
150983	85	194009	89	194142	93	194276	99
150990	33	194026	39	194144	93	194280	99
150992	33	194026	41	194145	93	194284	99
150993	33	194026	49	194146	93	194307	101
150996	33	194026	53	194157	93	194309	101
150997	33	194026	57	194158	93	194330	99
151974	49	194033	39	194160	97	194331	99
151974	53	194033	41	194162	5	194332	99
151974	57	194033	63	194163	95	194334	17
151975	49	194033	67	194164	95	194335	17
151975	53	194033	69	194166	95	194335	107
151975	57	194039	43	194167	95	194336	9
156051	63	194043	43	194168	95	194340	9
156051	67	194051	29	194169	33	194341	9
156213	37	194052	29	194171	87	194342	15
156696	61	194055	29	194173	87	194342	105
158080	87	194056	29	194174	73	194344	9
158080	87	194057	29	194175	7	194345	15
158174	51	194058	29	194177	37	194345	105
158174	55	194061	29	194183	43	194347	5
160358	35	194062	29	194184	57	194347	91
160359	33	194065	29	194185	45	194357	23
160359	63	194066	29	194186	45	194357	25
160360	35	194067	29	194187	59	194357	97
163373	115	194068	29	194193	13	194357	109
163585	63	194069	29	194194	13	194359	9
163585	67	194070	29	194197	13	194360	9
163585	69	194072	5	194198	13	194365	63
170047	87	194073	43	194199	13	194365	67
170281	73	194075	43	194200	13	194388	5
171029	73	194082	69	194201	63	194389	63
171068	49	194083	43	194202	43	194389	67

NUMERICAL LIST

<u>PART NO.</u>	<u>PAGE</u>	<u>PART NO.</u>	<u>PAGE</u>	<u>PART NO.</u>	<u>PAGE</u>	<u>PART NO.</u>	<u>PAGE</u>
194390	5	194569	5				
194390	91	194570	5				
194391	5	196141	47				
194391	91	198278	7				
194413	95	198280	7				
194416	95	198300	5				
194417	85	198329	17				
194418	85	198329	107				
194419	33	198344	63				
194423	25	198344	67				
194423	97	198344	69				
194425	11	198491	87				
194426	9	198492	87				
194428	9	198516	7				
194430	9	236954	5				
194432	29	236954	91				
194433	29	236955	5				
194443	9	236955	91				
194444	9	B4886	81				
194462	117	B4887	85				
194463	117	B4892	79				
194464	117	B4896	87				
194465	117	B4897	83				
194466	117	B4902	87				
194468	117	B4903	87				
194475	61	B4904	89				
194476	61	B4905	7				
194481	115	B4906	87				
194484	115	B4912	101				
194486	115	B4913	99				
194494	33	B5225	13				
194496	5	B5372	87				
194521	117	B5441	97				
194525	43	B5509	87				
194526	47	B5646	103				
194527	47	B5646	105				
194531	43	B5646	107				
194541	45	B5646	109				
194553	23	B5646	111				
194553	109	B5646	113				
194554	23	B5647	91				
194554	109						
194559	23						
194559	109						
194560	25						
194560	97						
194561	25						
194561	97						
194562	25						
194562	97						
194567	5						
194568	5						

SUGGESTED STOCKING LIST

MacDon Part #	Description	Suggested Qty. (2 Units)	Suggested Qty. (5 Units)
Cutterbar Assembly			
148496	SKID PLATE	2	5
149977	GUARD – NOTCH, WIDE	2	5
149766	GUARD – NOTCH, NARROW	2	5
148730	DISC – BLADE	2	5
148646	SHIELD – NUT, DISC	25	75
194570	BLADE – CCW, 18° BEVEL DOWN (STD.)	100	200
194568	BLADE – CCW, 11° BEVEL UP (OPT.)	25	50
194569	BLADE – CW, 18° BEVEL DOWN (STD.)	100	200
194567	BLADE – CW, 11° BEVEL UP (OPT.)	25	50
150734	ACCELERATOR – CCW	2	10
150413	ACCELERATOR – CW	2	10
150682	DEFLECTOR CAGE	1	2
150727	DEFLECTOR CAGE (16 FT ONLY)	1	2
148494	ROCK GUARD	2	5
148220	PLATE – FEED ASSIST (16 FT ONLY)	1	2
194390	SHOE – LH	1	2
194391	SHOE – RH	1	2
20077	BOLT – HEX, 3/8 NC X 1.0 LG.	2	5
135511	NUT – CENTER LOCK, 3/8 NC	2	5
50101	NUT – FLANGE, SMOOTH FACE, M10 DT	10	25
148644	BOLT – SHOULDER, BLADE PIVOT	50	100
148645	NUT – FLANGE, STOVER LOCK, M12	50	100
148800	BOLT – MTG, ACCELERATORS	10	25
148798	BOLT – MTG, DISC COVERS	30	50
148799	BOLT – MTG, FEED ASSIST PLATE	4	12
Cutterbar			
150849	SPINDLE ASSEMBLY – SHORT	1	2
198278	SPINDLE ASSEMBLY – TALL C/W KEY	1	1
150838	BEARING – SPINDLE	1	2
Belts			
150763	BELT – CONDITIONER DRIVE	1	3
194357	BELT – V, CROP LIFT ROLL & SUSP CAGES	4	10
Seal Kits and Miscellaneous			
150339	SEAL KIT – CYLINDER, CARRIER FRAME	1	1
150338	SEAL KIT – CYLINDER, CARRIER FRAME	1	1
194183	SEAL KIT – PARKER HANNIFIN PUMP	1	1
194184	SEAL KIT – PARKER HANNIFIN MOTOR	1	1
150331	SEAL KIT – CYLINDER, HITCH	1	1
150519	SEAL KIT – CYLINDER, HEADER ANGLE	1	1
151975	FILTER ELEMENT – HITCH HYDRAULICS	1	3
135547	BOLT – HEX, 5/8 NC X 1.25 LG GR 5 W PATCH	2	5
135548	BOLT – HEX, 1/2 NC X 1.0 LG GR 8 W PATCH	2	5