

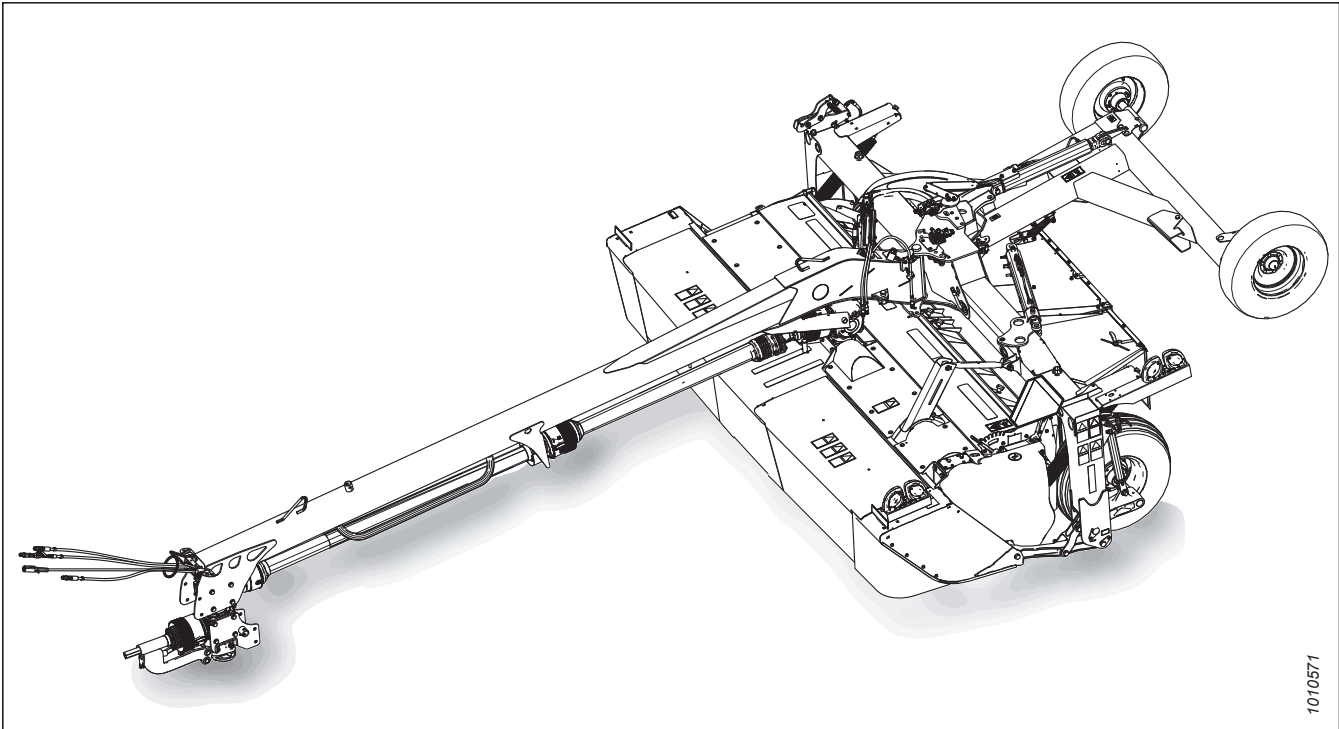
R113/R116 Rotary Disc Pull-Type

Parts Catalog

262635 Revision A

Original Instruction

R113/R116 Rotary Disc Pull-Type



1010571

Published: May 2024

NOTE:

Keep your MacDon publications up-to-date. The most current version can be downloaded from our website (www.macdon.com) or from our Dealer-only site (<https://portal.macdon.com>) (login required).

English and French versions of this document can be ordered from MacDon, downloaded from the MacDon Dealer Portal (<https://portal.macdon.com>) (login required), or downloaded from the MacDon website (www.macdon.com).

© 2024 MacDon Industries, Ltd.

The information in this publication is based on the information available and in effect at the time of printing. MacDon Industries, Ltd. makes no representation or warranty of any kind, whether expressed or implied, with respect to the information in this publication. MacDon Industries, Ltd. reserves the right to make changes at any time without notice.

Introduction

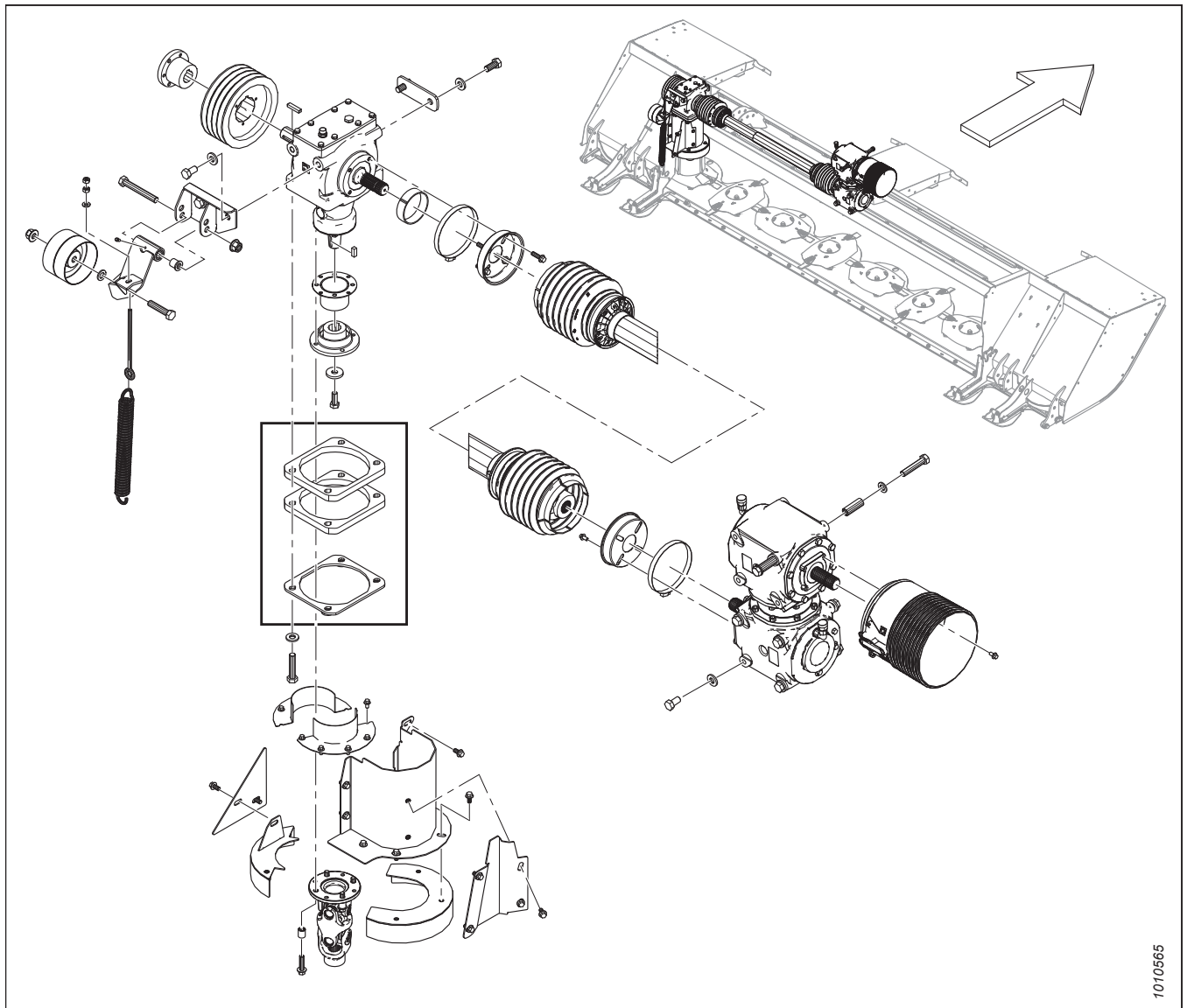
This Parts Catalog lists all the replacement parts that can be ordered for a MacDon R113 or R116 Rotary Disc Pull-Type.

When ordering, be sure to use the complete and proper part number. Some parts vary with header size; be sure you are ordering the correct part number for your unit.

Bold text is used to indicate updates made at the current revision level. With each new revision of the catalog, previous revisions are returned to regular text.

Electrical connectors used on MacDon products are available for sale but not listed in this catalog. For the list of available connectors, refer to the Electrical Connectors Parts Catalog (MD #169641).

In this catalog, right-hand (RH) and left-hand (LH) are determined from the operator's seated driving position in the tractor cab. An arrow is sometimes used in illustrations to indicate forward position as shown below.



1010565

Abbreviations

A/R – as required (quantity varies)	ASSY – assembly	BHRN – button head rib neck
BV – ball valve	CCW – counterclockwise	CON – conical (spring washer)
CSK – countersink	C/W – complete with	CW – clockwise
DBLE – double	DK – double knife	DR – double reel
DT – distorted thread	FLG – flange	GA – gauge
GR – grade	GS – grass seed	HD – head
HDR – header	HFA – hydraulic fore-aft	HH – hex head
HNBR – hydrogenated nitrile butadiene rubber	HYD – hydraulic	I.D. – inside diameter
IP – internal plus (torx plus)	KP – knife pressure	KR – knife return
LG – long	LH – left hand (determined from Operator's position, facing forward)	LK – lock
MACH – machine	MD – MacDon	MFA – manual fore-aft
MY – model year	NC – national coarse thread	NF – national fine thread
NSS – not sold separately	NT – narrow transport	O.D. – outside diameter
OPT – optional	PO – pilot operated	PT – pull-type (mower conditioner)
RC – roller chain	REF – reference, part number called up elsewhere in catalog	REG – regular
RH – right hand (determined from Operator's position, facing forward)	RHSN – round head, square neck or square neck carriage bolt	RHSSN – round head, short, square neck
RTD – rotating tine drum	SAE – Society of Automotive Engineers (part produced to comply with)	SD – side draper
SER – serrated	SK – single knife	SKT HD – socket head
SMTH – smooth	SMV – slow moving vehicle	SOCK – socket
SP – self-propelled (windrower) header	SPCL – special	SPH – spherical
SPI – serrations per inch (knife Sections)	SR – single reel	STL – steel (stainless)
STR – standard	STVR – Stover	TFL – thread full length
THD – thread	TR – triple reel	UCA – upper cross auger
UDK – untimed double knife	UNC – unified coarse thread	UNEF – unified extra fine thread
UNF – unified fine thread	UNS – unified special thread series	VK – vertical knife
WF – wide frame	ZP – zinc plated	

Serial Number Breaks

The side of the serial number on which the dash (–) appears determines whether the part is used "up to" or "after" the serial number given.

Example:

- –451189 Used on machines up to and including serial number 451189
- 451190– Used on machines including and after serial number 451190

Summary of Changes – R113/R116 (262635 Rev. A)

This list covers changes made since the last revision (262306 Rev. A).

Section	Summary of Change	Internal Use Only
<i>3 Cutterbar Components (Large Drum) – Eight and Ten Disc (2017 and Prior), page 9</i>	Changed MD #259517 and MD #259416 to MD #238195 and MD #259518 respectively.	ECN 58773 ECN 60195
<i>4 Cutterbar Components (Small Drum) – Eight and Ten Disc (2018 and Later), page 13</i>	Removed MD #259517 and MD #259416, updated part description and serial numbers of MD #238195 and MD #259518.	ECN 58773 ECN 60195
<i>17 Roll Conditioner – Gear Drive Service Parts, page 51</i>	Updated illustration from 1030416 to 1044806 to show locations of sight glass and breather hole simultaneously.	ECN 65369
<i>18 Roll Conditioner – Shields, page 53</i>	Updated illustration to show pop rivet MD #113799 that fastens the latch assembly to the stud weldment. Updated illustration from 1042645 to 1044836.	Technical Publications
<i>19 Roll Conditioner – Header Attachment, page 55</i>	Moved assemblies MD #257093 and MD #224562 into kits MD #259613 and MD #259614. Updated illustration from 1042659 to 1044719.	ECN 64794 ECN 65061
<i>21 Finger Conditioner – Shields, page 63</i>	Added missing pop rivet MD #113799 to the parts list. Updated illustration from 1042644 to 1044840.	Technical Publications
<i>22 Finger Conditioner – Header Attachment, page 65</i>	Moved assembly MD #257093 into kit MD #259613. Updated illustration from 1042580 to 1044722.	ECN 64794 ECN 65061
<i>25 Carrier Wheels, page 75</i>	Updated part name of MD #30889.	ECN 55483
<i>29 Hitch – Mechanical Drive, page 85</i>	Removed MD #259232 (stock has run out). Removed serial number for MD #259461.	Parts
<i>34 Paint, page 99</i>	Removed MD #23957.	Parts

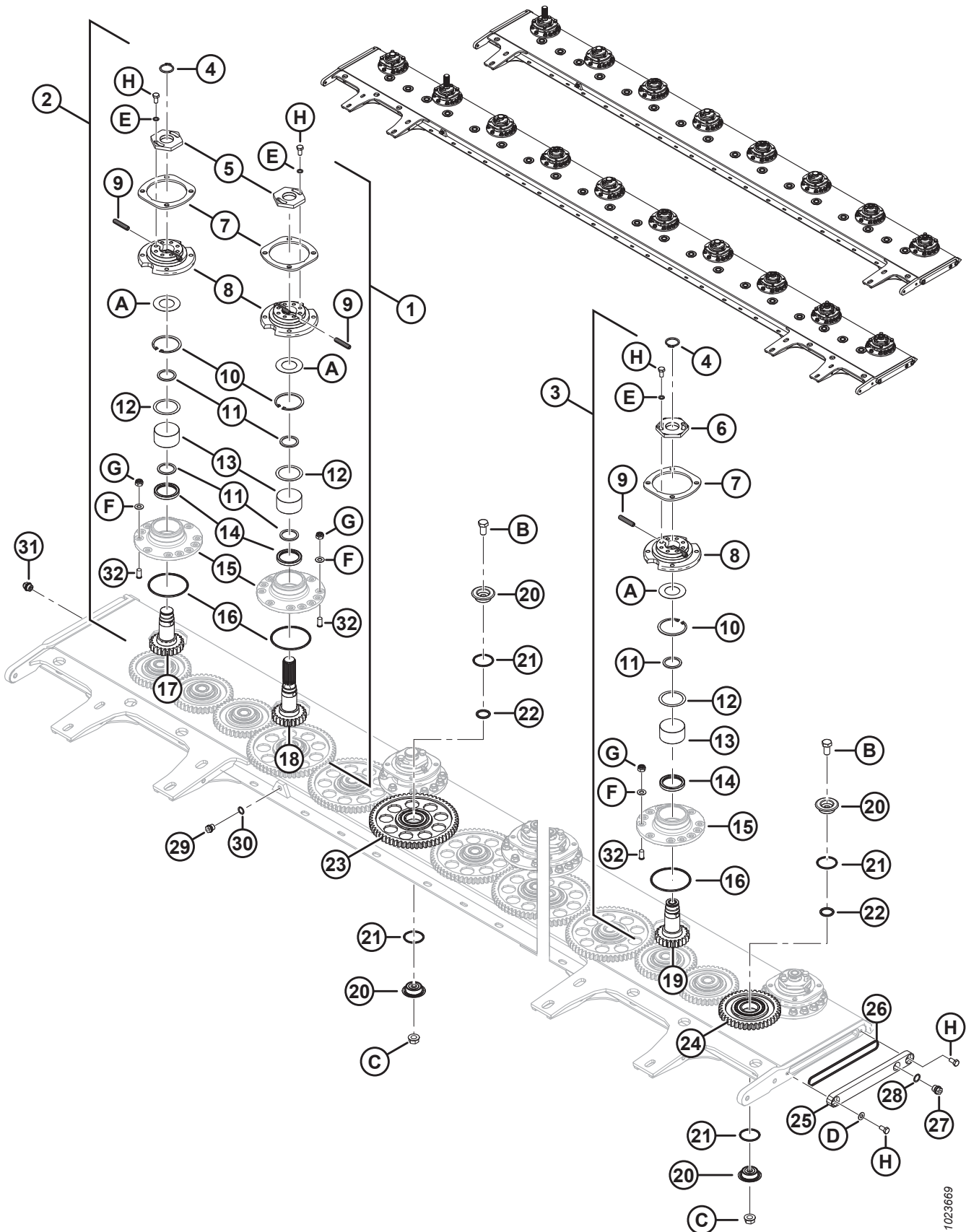
TABLE OF CONTENTS

Introduction	i
Abbreviations.....	ii
Serial Number Breaks	iii
Summary of Changes – R113/R116 (262635 Rev. A)	iv
1 Cutterbar – Eight and Ten Disc (2015)	1
2 Cutterbar – Eight and Ten Disc (2016 and Later)	5
3 Cutterbar Components (Large Drum) – Eight and Ten Disc (2017 and Prior)	9
4 Cutterbar Components (Small Drum) – Eight and Ten Disc (2018 and Later).....	13
5 Cutterbar Components – Eight and Ten Disc with Quick Change Blades	17
6 Cutterbar – Disc Timing Tool	21
7 Cutterbar to Frame (2017 and Prior).....	23
8 Cutterbar to Frame (2018 and Later).....	25
9 Mechanical Drives	27
10 Cross Shaft Driveline – Service Parts.....	31
11 T-Gearbox – Service Parts	33
12 Drive and Swivel Gearbox – Service Parts.....	35
13 Header Shields	37
14 Roll Conditioner – Polyurethane/Steel (2015)	41
15 Roll Conditioner – Polyurethane/Steel (2016 and Later)	45
16 Roll Conditioner – Roll Arms and Stops	49
17 Roll Conditioner – Gear Drive Service Parts	51
18 Roll Conditioner – Shields	53
19 Roll Conditioner – Header Attachment.....	55
20 Finger Conditioner	59
21 Finger Conditioner – Shields.....	63
22 Finger Conditioner – Header Attachment	65
23 No Conditioner Option – Shields	69
24 Carrier Frame Components	71
25 Carrier Wheels	75
26 Carrier to Header Connections.....	77
27 Hitch.....	79
28 Hitch – Hydraulic/Electrical	81
29 Hitch – Mechanical Drive	85
30 Hitch Driveline – Service Parts	87
31 Front Half Drivelines	91
32 Decals and Reflectors	93
33 Decals – Product Identification	97
34 Paint.....	99
35 Tool Operated Latches – Export Only.....	101
36 (Option) Blade Lowering Kit	103
37 (Option) Blade Update	105
38 (Option) Drawbar Hitch (2018 and Prior).....	107
39 (Option) Drawbar Hitch (2019–2021)	109

TABLE OF CONTENTS

40	(Option) Drawbar Hitch (2022 and Later).....	113
41	(Option) Driveline Extension Kit (2017 and Prior).....	117
42	(Option) Driveline Extension Kit (2018 and Later)	119
43	(Option) Tractor Utility Hitch Adapter.....	121
44	(Option) Hydraulic Header Angle (2015).....	123
45	(Option) Hydraulic Header Angle (2016 and Later).....	125
46	(Option) Quick Change Blade Kit	127
47	(Option) R1 Service Kit	129
48	(Option) R116 Small Drum Kit.....	131
49	(Option) Tall Crop Dividers	133
50	(Option) Transport – Wheel Frame.....	135
51	(Option) Transport – Deploy/Swing Mechanism (2015)	139
52	(Option) Transport – Deploy/Swing Mechanism (2016–2017)	143
53	(Option) Transport – Deploy/Swing Mechanism (2018 and Later)	147
54	(Option) Transport – Alignment Mechanism (2015)	151
55	(Option) Transport – Alignment Mechanism (2016 and Later).....	155
56	(Option) Transport – Swing Completion / Selector Valve (2015).....	159
57	(Option) Transport – Swing Completion / Selector Valve (2016–2018)	161
58	(Option) Transport – Swing Completion / Selector Valve (2019 and Later).....	163
59	(Option) Transport – Tongue to Hitch Latch	167
60	(Option) Two-Point Hitch Adapter (2018 and Prior).....	169
61	(Option) Two-Point Hitch Adapter (2019 and Later)	171
	Index	174

1 Cutterbar – Eight and Ten Disc (2015)

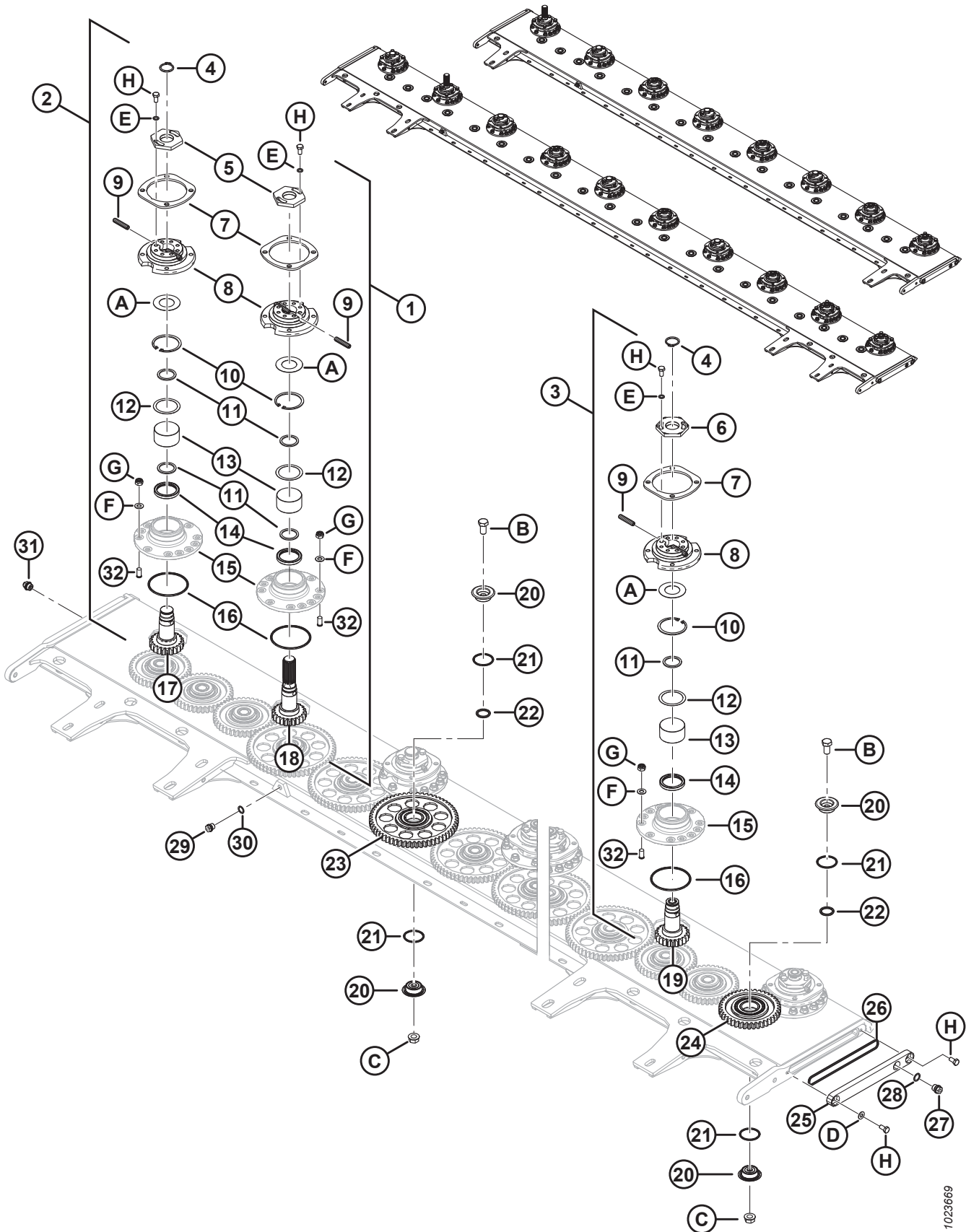


CUTTERBAR – EIGHT AND TEN DISC (2015)

Ref	Part Number	Description	8/10 Disc Qty	Serial Number
1	359040	SPINDLE – DRIVE ¹	1/1	266820–285419
2	359026	SPINDLE – CLOCKWISE ¹	3/4	266820–285419
3	359027	SPINDLE – COUNTER CLOCKWISE ¹	4/5	266820–285419
4	259048	RING – RETAINING	7/9	266820–285419
5	246612	NUT – SPECIAL (RH THREAD) ²	4/5	266820–285419
6	246613	NUT – SPECIAL (LH THREAD) ²	4/5	266820–285419
7	247616	PLATE – SPACER	8/10	266820–285419
8	246614	HUB – SPINDLE	8/10	266820–285419
9	246295	PIN – SHEAR	16/20	266820–285419
10	246617	RING – SNAP	8/10	266820–285419
11	246616	SPACER (2015 ONLY)	8/10	266820–285419
12	246618	SHIM (2015 ONLY)	8/10	266820–285419
13	246328	BEARING – TAPER ROLLER	8/10	266820–285419
14	246621	SEAL (2015 ONLY)	8/10	266820–285419
15	NSS	HOUSING – BEARING ³		
16	246316	O-RING – SPINDLE	8/10	266820–285419
17	281332	GEAR – DRIVE, CLOCKWISE (RH THREAD, 2015 ONLY) ⁴	1/1	266820–285419
18	281331	GEAR – CLOCKWISE (RH THREAD, 2015 ONLY) ⁴	3/4	266820–285419
19	281333	GEAR – COUNTER CLOCKWISE (LH THREAD, 2015 ONLY) ⁵	4/5	266820–285419
20	246330	PIN – IDLER GEAR	32/40	266820–285419
21	246315	O-RING – IDLER PIN	32/40	266820–285419
22	246331	O-RING – IDLER PIN	16/20	266820–285419
23	246308	GEAR – IDLER, LARGE, C/W BEARING ⁶	10/14	266820–285419
24	246307	GEAR – IDLER, SMALL, C/W BEARING ⁶	6/6	266820–285419
25	246309	PLATE – CUTTERBAR END	2/2	266820–285419
26	247637	O-RING – END PLATE, 170 X 5 MM (2015 ONLY)	2/2	266820–285419
27	246631	PLUG – SIDE, M18 X 1.5	1/1	266820–285419
28	246632	GASKET	1/1	266820–285419
29	246627	PLUG	1/1	266820–285419
30	246628	GASKET	1/1	266820–285419
31	246318	BREATHER – CUTTERBAR	1/1	266820–285419
32	246991	STUD – M12 X 25	88/110	266820–285419

1. Spindle does not include spacer plate (MD #247616 or 247923), O-ring (MD #246316), stud (MD #246991), or hardware (MD #246332, 246630).
2. Wrench (MD #246314) is attached to the header, and it is used to loosen/tighten the nut. For the location of the wrench, refer to Section *8 Cutterbar to Frame (2018 and Later)*, page 25.
3. Not sold separately. Comes included with spindles (MD #246236, 246293, and 246294).
4. RH thread.
5. LH thread.
6. The idler gear includes a bearing and snap ring; the bearing and snap ring are not sold separately.

CUTTERBAR – EIGHT AND TEN DISC (2015)

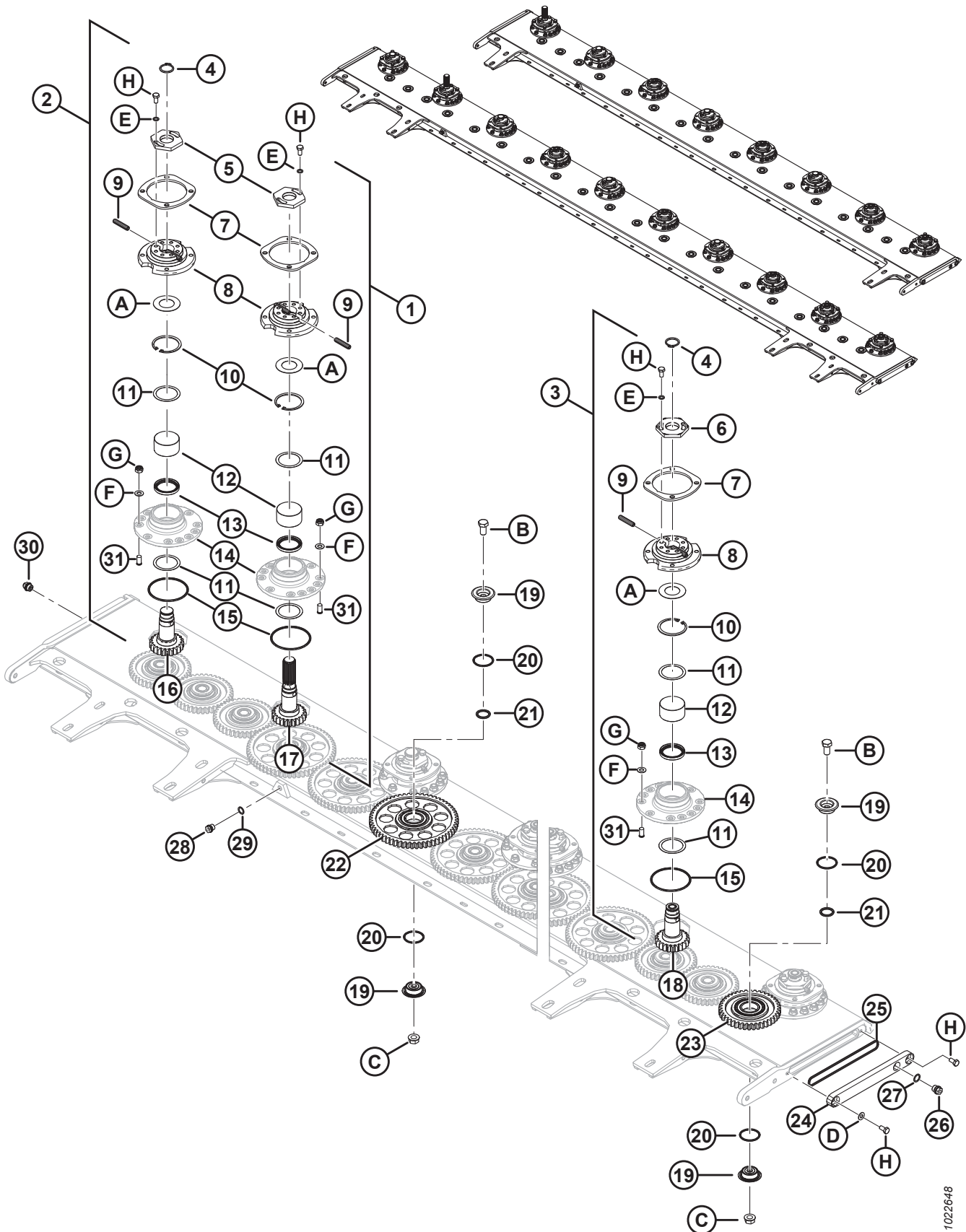


1023669

CUTTERBAR – EIGHT AND TEN DISC (2015)

Ref	Part Number	Description	8/10 Disc Qty	Serial Number
A	246615	WASHER – SPECIAL, BELLEVILLE		
B	246310	BOLT – M16, IDLER PIN		
C	246311	NUT – IDLER PIN		
D	246313	WASHER – END CAP		
E	246625	WASHER – SPECIAL		
F	246630	WASHER – SPECIAL		
G	246332	NUT – M12, LOCKING		
H	246872	BOLT – M10, SPECIAL		

2 Cutterbar – Eight and Ten Disc (2016 and Later)



1022648

CUTTERBAR – EIGHT AND TEN DISC (2016 AND LATER)

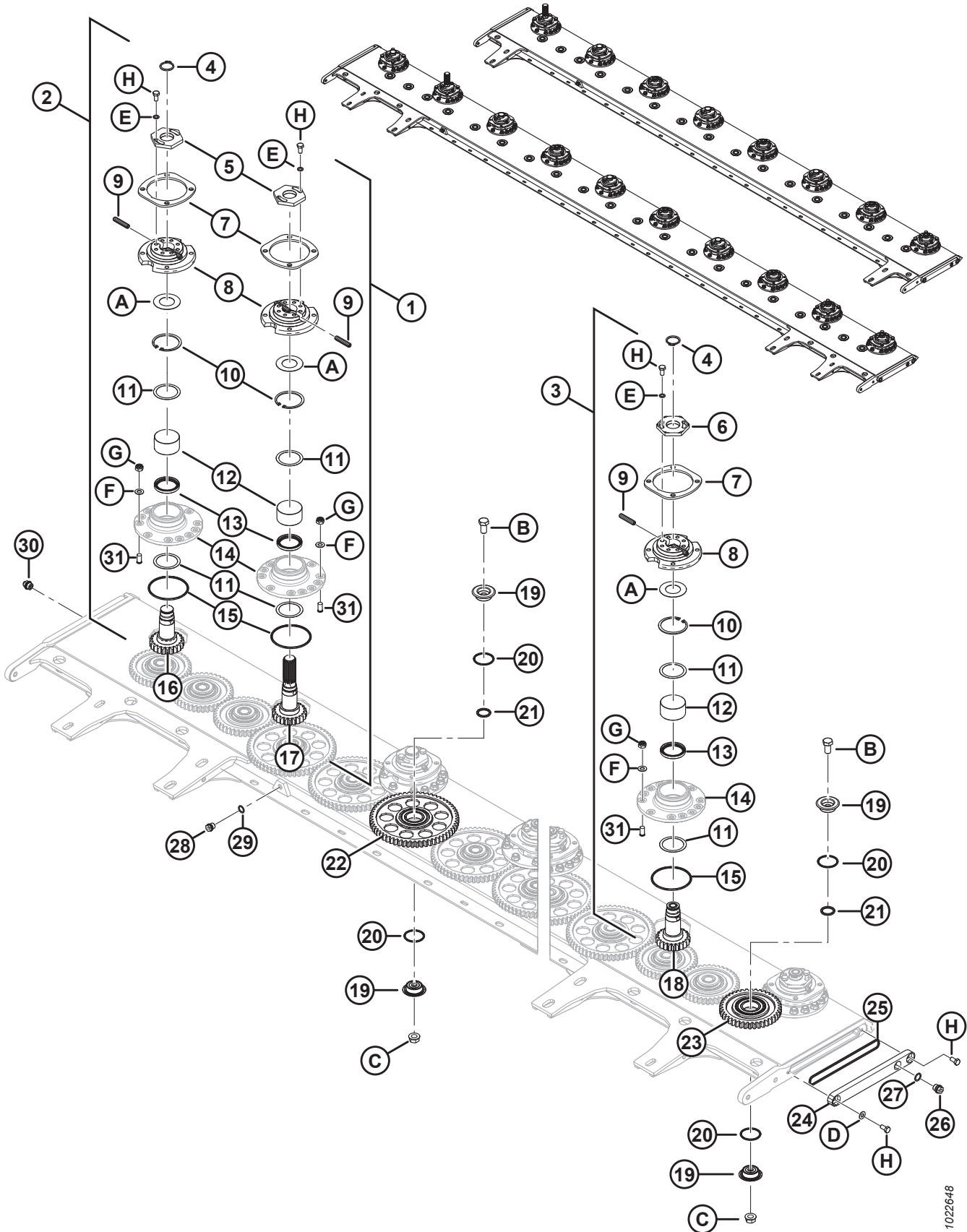
NOTE:

Quantities listed are for 8/10 disc unless otherwise noted.

Ref	Part Number	Description	8/10 Disc Qty	Serial Number
1	359040	SPINDLE – DRIVE ⁷	1/1	285420–
2	359026	SPINDLE – CLOCKWISE ⁷	3/4	285420–
3	359027	SPINDLE – COUNTER CLOCKWISE ⁷	4/5	285420–
4	259048	RING – RETAINING	7/9	285420–
5	246612	NUT – SPECIAL (RH THREAD) ⁸	4/5	285420–
6	246613	NUT – SPECIAL (LH THREAD) ⁸	4/5	285420–
7	247923	PLATE – SPACER	8/10	285420–
8	246614	HUB – SPINDLE	8/10	285420–
9	246295	PIN – SHEAR	16/20	285420–
10	246617	RING – SNAP	8/10	285420–
11	247936	SHIM	8/10	285420–
12	246328	BEARING – TAPER ROLLER	8/10	285420–
13	247937	SEAL	8/10	285420–
14	NSS	HOUSING – BEARING ⁹		
15	246316	O-RING – SPINDLE	8/10	285420–
16	246623	GEAR – CLOCKWISE (RH THREAD) ¹⁰	3/4	285420–
17	246622	GEAR – DRIVE, CLOCKWISE (RH THREAD) ¹⁰	1/1	285420–
18	246624	GEAR – COUNTER CLOCKWISE (LH THREAD) ¹¹	4/5	285420–
19	246330	PIN – IDLER GEAR	32/40	285420–
20	246315	O-RING – IDLER PIN	32/40	285420–
21	246331	O-RING – IDLER PIN	16/20	285420–
22	246308	GEAR – IDLER, LARGE, C/W BEARING ¹²	10/14	285420–
23	246307	GEAR – IDLER, SMALL, C/W BEARING ¹²	6/6	285420–
24	307175	PLATE – CUTTERBAR END ¹³	2/2	346190–
	246309	PLATE – CUTTERBAR END ¹⁴	2/2	285420–346189
25	247924	O-RING – END PLATE, 170 X 4.5 MM	2/2	285420–
26	246631	PLUG – SIDE, M18 X 1.5	1/1	285420–
27	246632	GASKET	1/1	285420–
28	246627	PLUG	1/1	285420–

7. Spindle does not include spacer plate (MD #247616 or 247923), O-ring (MD #246316), stud (MD #246991), or hardware (MD #246332, 246630).
8. Wrench (MD #246314) is attached to the header, and it is used to loosen/tighten the nut. For the location of the wrench, refer to Section [8 Cutterbar to Frame \(2018 and Later\)](#), page 25.
9. Not sold separately. Comes included with spindles (MD #246236, 246293, and 246294).
10. RH thread.
11. LH thread.
12. The idler gear includes a bearing and snap ring; the bearing and snap ring are not sold separately.
13. For model year 2019 and later units.
14. For model year 2016–2018 units.

CUTTERBAR – EIGHT AND TEN DISC (2016 AND LATER)



10226-48

CUTTERBAR – EIGHT AND TEN DISC (2016 AND LATER)

Ref	Part Number	Description	8/10 Disc Qty	Serial Number
29	246628	GASKET	1/1	285420–
30	246318	BREATHER – CUTTERBAR	1/1	285420–
31	246991	STUD – M12 X 25	88/110	285420–
A	246615	WASHER – SPECIAL, BELLEVILLE		
B	246310	BOLT – M16, IDLER PIN		
C	246311	NUT – IDLER PIN		
D	238016	WASHER – END CAP ¹³		346190–
	246313	WASHER – END CAP ¹⁴		285420–346189
E	246625	WASHER – SPECIAL		
F	246630	WASHER – SPECIAL		
G	246332	NUT – M12, LOCKING		
H	238015	BOLT – M12, SPECIAL ¹³		346190–
	246872	BOLT – M10, SPECIAL ¹⁴		285420–346189

CUTTERBAR COMPONENTS (LARGE DRUM) – EIGHT AND TEN DISC (2017 AND PRIOR)

IMPORTANT:

All cutting components, blades, and hardware should be replaced in pairs to maintain balance. Avoid mixing blades from different model years. 5 mm blade plate (MD #246301) requires accelerator bolt (MD #281965) and blade bolt (MD #246299). If Blade Lowering kit (MD #257123) or R116 small drum kit (MD #259140) has been installed, refer to Section 4 *Cutterbar Components (Small Drum) – Eight and Ten Disc (2018 and Later)*, page 13 for parts.

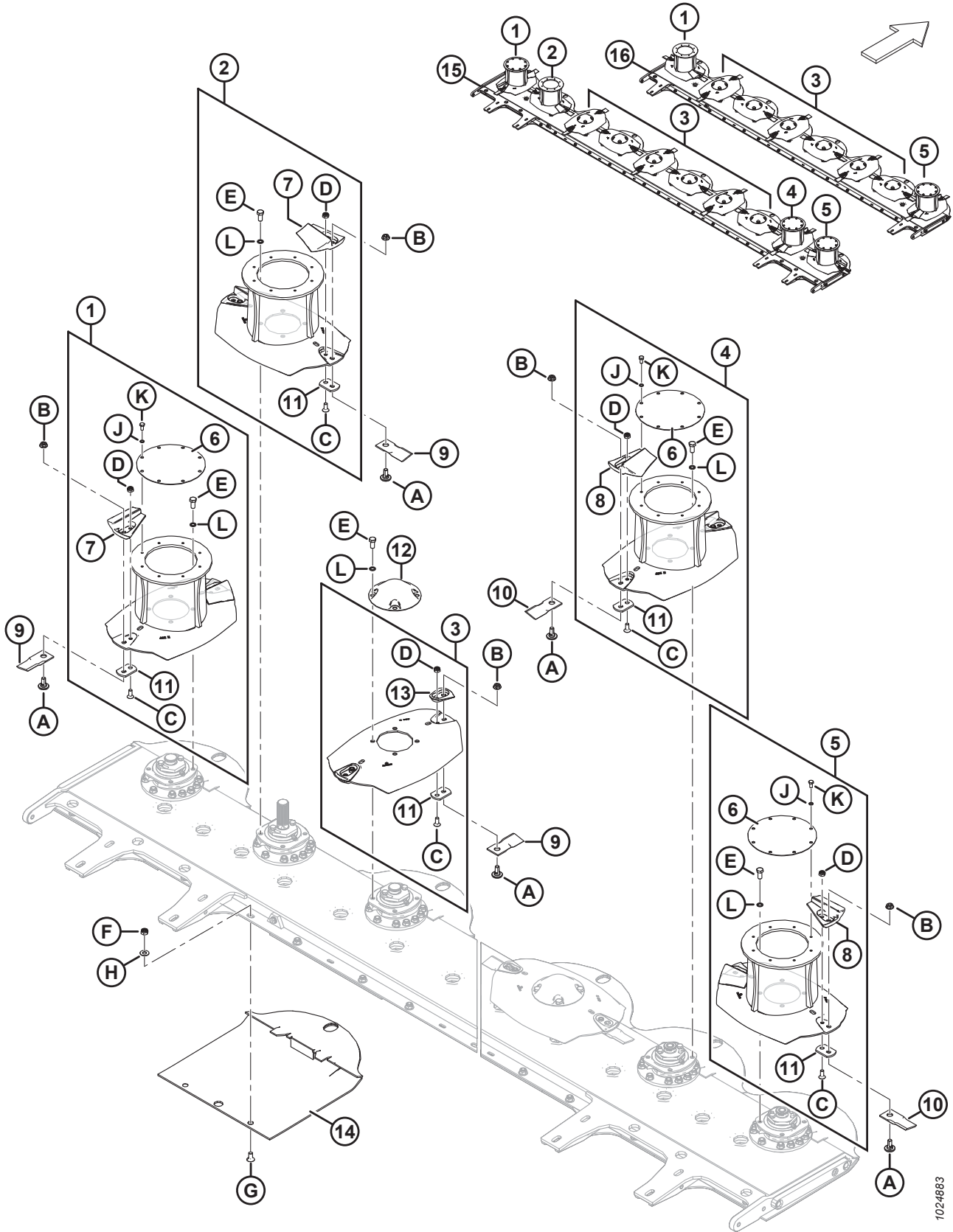
NOTE:

Kits available for blade lowering and converting to small drums. Refer to Sections 36 (Option) *Blade Lowering Kit*, page 103 or 48 (Option) *R116 Small Drum Kit*, page 131.

Ref	Part Number	Description	8/10 Disc Qty	Serial Number
1	247242	ASSEMBLY – CW DRUM, 402 MM ¹⁵	1/1	–321189
2	247239	ASSEMBLY – CW DRUM, 425 MM (DRIVE) ¹⁶	0/1	–321189
3	247950	ASSEMBLY – DISC, 425 MM ¹⁶	6/6	–321189
4	247240	ASSEMBLY – CCW DRUM, 425 MM ¹⁶	0/1	–321189
5	247243	ASSEMBLY – CCW DRUM, 402 MM ¹⁶	1/1	–321189
6	246291	PLATE – DRUM COVER	1/3	–321189
7	281966	ACCELERATOR – CW (PAIR)	2/4	–321189
8	281967	ACCELERATOR – CCW (PAIR)	2/4	–321189
9	281446	BLADE – 11° CW BEVEL DOWN (QTY 6)	2/2	–321189
10	281447	BLADE – 11° CCW BEVEL DOWN (QTY 6)	2/2	–321189
11	246301	PLATE – BLADE, 5 MM	16/20	–321189
12	246305	COVER – DISC	6/6	–321189
13	238227	KIT – 2 GUARDS C/W HARDWARE ¹⁷	6/6	–321189
14	281609	ROCKGUARD	8/10	–321189
	359024	ROCKGUARD (LIGHT CROP – FLAT TOP) ¹⁸	OPT	
15	238195	KIT – CUTTERBAR 10 DISC ^{19, 20}	0/1	–321189
16	259518	KIT – CUTTERBAR 8 DISC ²¹	1/0	–321189
A	246299	BOLT – BLADE		
B	246300	NUT – BLADE		
C	281965	BOLT – ACCELERATOR		
D	246303	NUT – ACCELERATOR		

15. This assembly does not include blades (MD #281446, 281447) or blade hardware (MD #246299, 246300). The drum assembly will come with a top cover plate for use on the R116. The cover will need to be removed for the R113.
16. This assembly does not include blades (MD #281446, 281447) or blade hardware (MD #246299, 246300).
17. This kit includes a matched pair of disc guards (NSS), two accelerator bolts (MD #281965), two accelerator nuts (MD #246303), and two accelerator bolts (MD #281605).
18. The optional rockguard has a flat top which improves header performance when cutting in lighter crop.
19. 10-disc cutterbar kit has small drums installed. When replacing the large drum cutterbar on model year 2017 and prior units, the following small drum shielding parts are also required: MD #281497 (x2), 281981, 281493, 281500, 281501, 281489. Refer to Section 9 *Mechanical Drives*, page 27.
20. The kit comes with Drive Alignment Tool (MD #325683). MD #256192 and 256199 are required when ordering replacement part for 2015 units with roll conditioner.
21. The kit comes with Drive Alignment Tool (MD #307769). MD #256192 and 256199 are required when ordering replacement part for 2015 units with roll conditioner.

CUTTERBAR COMPONENTS (LARGE DRUM) – EIGHT AND TEN DISC (2017 AND PRIOR)

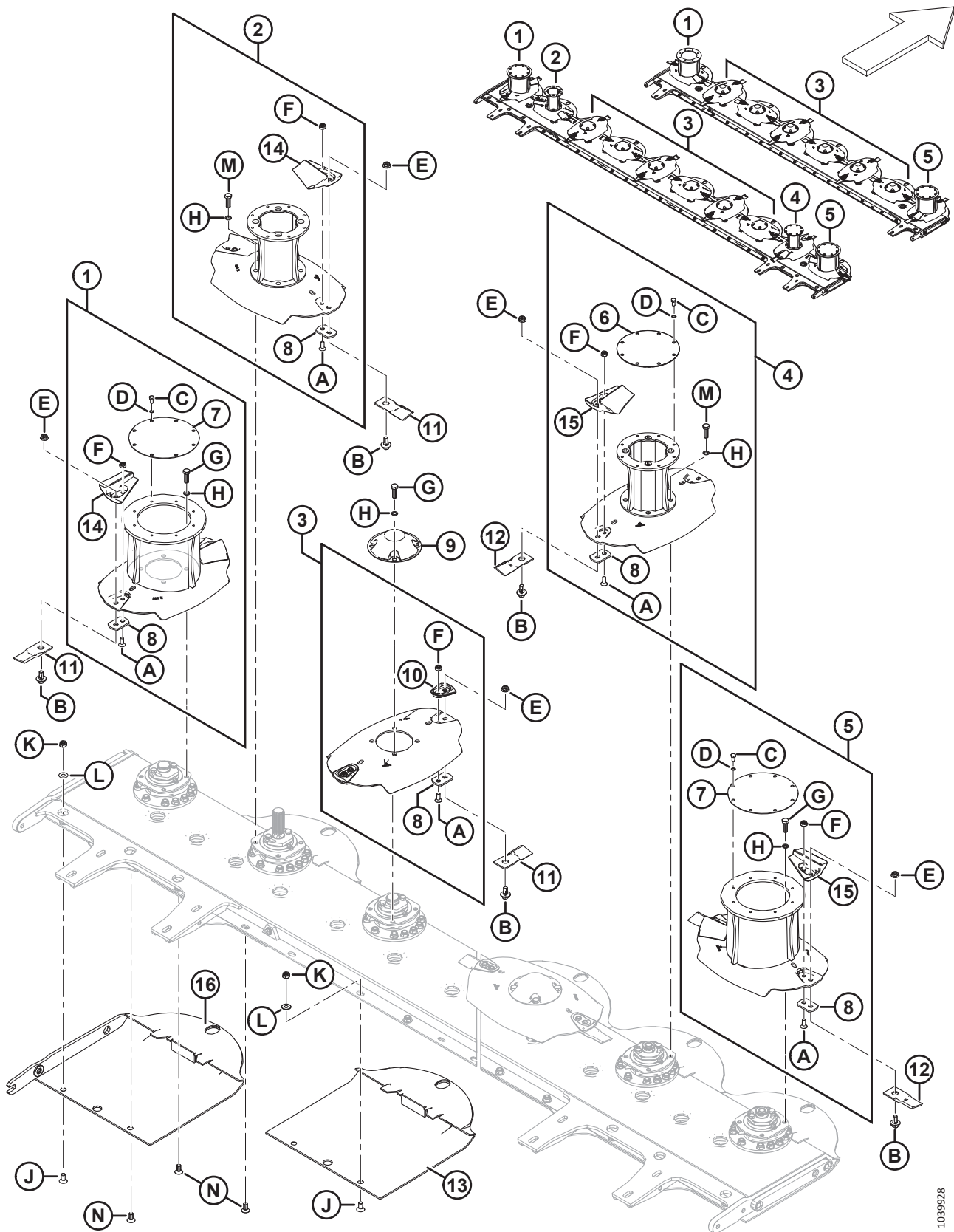


1024883

CUTTERBAR COMPONENTS (LARGE DRUM) – EIGHT AND TEN DISC (2017 AND PRIOR)

Ref	Part Number	Description	8/10 Disc Qty	Serial Number
E	246312	BOLT – M12, DISC COVER		
F	246332	NUT – M12, LOCKING		
G	259099	BOLT – COUNTERSUNK		
H	259100	WASHER – M12, LOCKING		
J	246633	WASHER – SPECIAL, M8		
K	246882	BOLT – M8, SPECIAL		
L	246952	WASHER – M12, LOCKING, DISC		

4 Cutterbar Components (Small Drum) – Eight and Ten Disc (2018 and Later)



1039928

CUTTERBAR COMPONENTS (SMALL DRUM) – EIGHT AND TEN DISC (2018 AND LATER)

IMPORTANT:

All cutting components, blades, and hardware should be replaced in pairs to maintain balance. Avoid mixing blades from different model years. 10 mm blade plate (MD #281606) requires accelerator bolt (MD #281605) and blade bolt (MD #281604).

NOTE:

Quantities listed are for 8/10 disc unless otherwise noted.

Ref	Part Number	Description	8/10 Disc Qty	Serial Number
	238195	KIT – CUTTERBAR 10 DISC ²²	0/1	321190–
	259518	KIT – CUTTERBAR 8 DISC ²³	1/0	321190–
1	281366	ASSEMBLY – CW DRUM, 402 MM ²⁴	1/1	321190–
2	257085	ASSEMBLY – CW DRUM, 425 MM DRIVE ²⁵	0/1	321190–
3	281370	ASSEMBLY – DISC, 425 MM ²⁵	6/6	321190–
4	257086	ASSEMBLY – CCW DRUM, 425 MM ²⁵	0/1	321190–
5	281367	ASSEMBLY – CCW DRUM, 402 MM ²⁵	1/1	321190–
6	280504	PLATE – DRUM COVER	0/1	321190–
7	246291	PLATE – DRUM COVER	1/2	321190–
8	281606	PLATE – BLADE, 10 MM	16/20	321190–
9	246305	COVER – DISC	6/6	321190–
10	238227	KIT – 2 GUARDS C/W HARDWARE ²⁶	12/12	321190–
11	259199	BLADE – 18° CW BEVEL DOWN (QTY 6)	2/2	321190–
	359122	KIT – UPDATED BLADES ²⁷	OPT	
12	259200	BLADE – 18° CCW BEVEL DOWN (QTY 6)	2/2	321190–
	359122	KIT – UPDATED BLADES ²⁷	OPT	
13	281609	ROCKGUARD	6/8	321190–
	359024	ROCKGUARD (LIGHT CROP – FLAT TOP) ²⁸	OPT	
14	281966	ACCELERATOR – CW (PAIR)	2/4	321190–
15	281967	ACCELERATOR – CCW (PAIR)	2/4	321190–

22. The kit comes with drive alignment tool (MD #325683). 10-disc cutterbar kit has small drums installed. If you are replacing the large drum cutterbar on model year 2017 and prior units, the following small drum shielding parts are also required: MD #281497 (x2), 281981, 281493, 281500, 281501, 281489. Refer to Section [9 Mechanical Drives, page 27](#).

23. The kit comes with drive alignment tool (MD #325683).

24. This assembly does not include blades (MD #259199, 259200) or blade hardware (MD #281604, 246300). The drum assembly will come with a top cover plate for use on the R116; the cover will need to be removed for the R113.

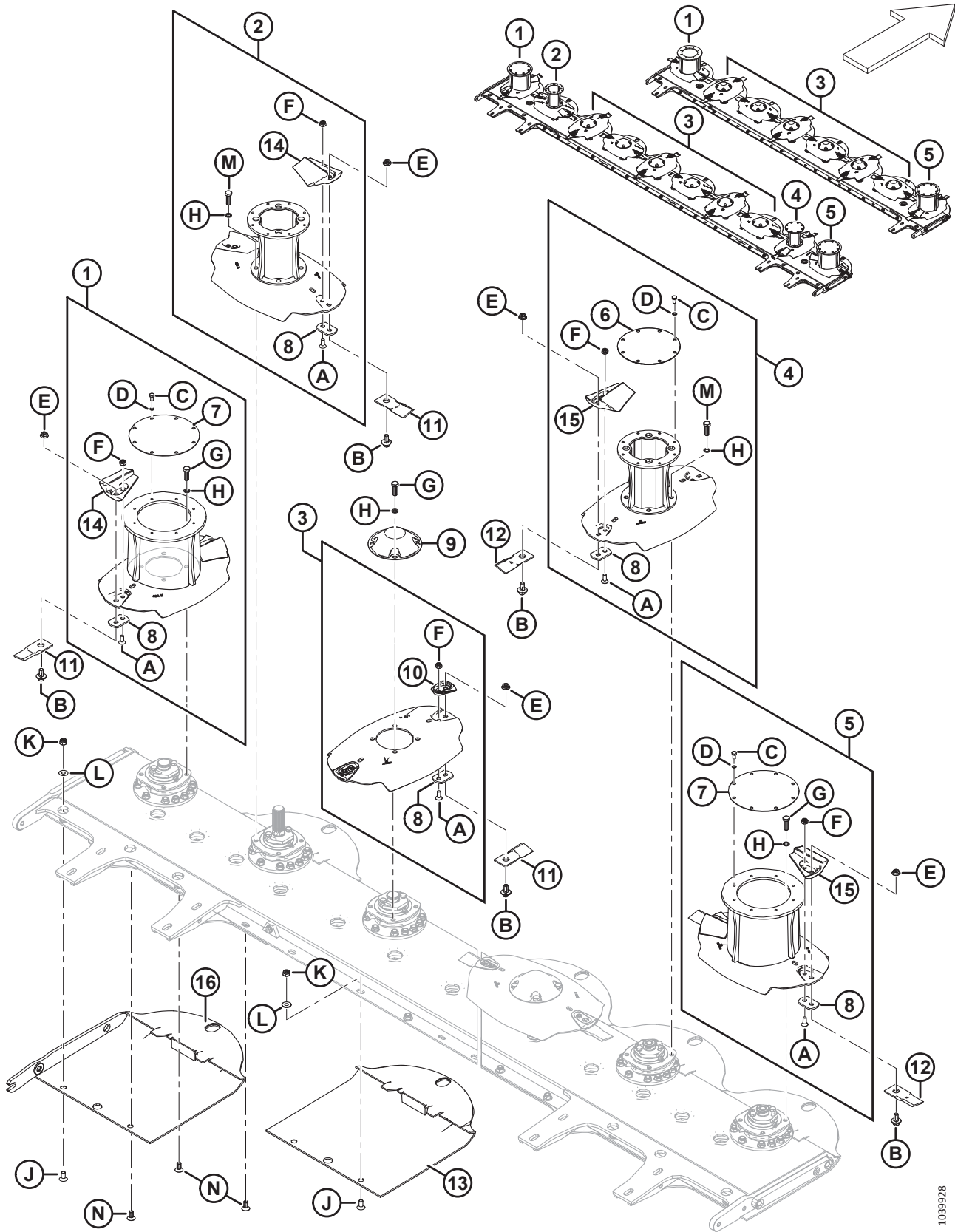
25. This assembly does not include blades (MD #259199, 259200) or blade hardware (MD #281604, 246300).

26. This kit includes a matched pair of disc guards (NSS), two accelerator bolts (MD #281965), two accelerator nuts (MD #246303), and two accelerator bolts (MD #281605).

27. The blades in this kit have a larger cut length, providing a cleaner cut in lighter crops. For service parts, refer to Section [37 \(Option\) Blade Update, page 105](#).

28. The optional rockguard has a flat top, which improves header performance when cutting in lighter crop.

CUTTERBAR COMPONENTS (SMALL DRUM) – EIGHT AND TEN DISC (2018 AND LATER)



1039928

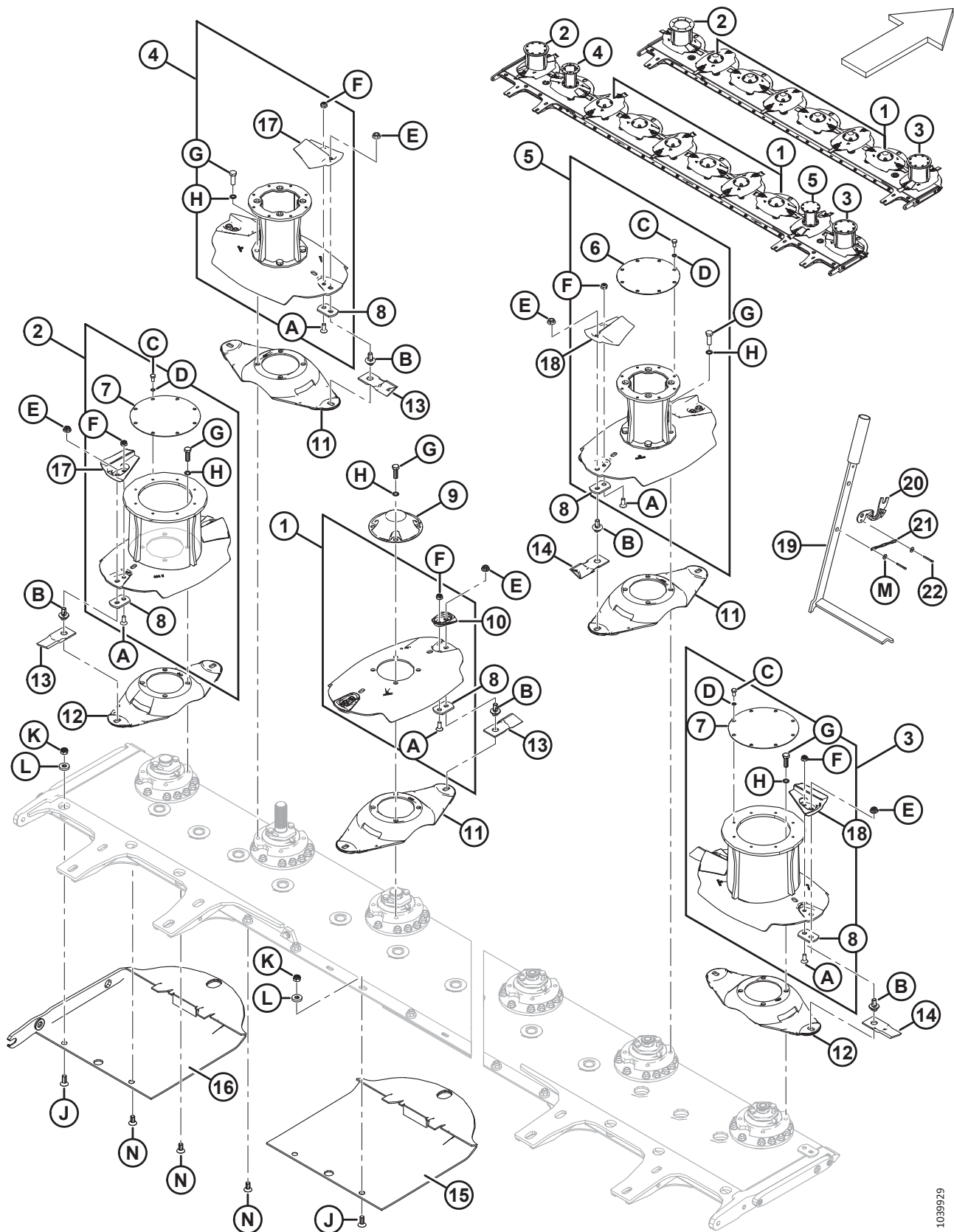
CUTTERBAR COMPONENTS (SMALL DRUM) – EIGHT AND TEN DISC (2018 AND LATER)

Ref	Part Number	Description	8/10 Disc Qty	Serial Number
16	238031	ROCKGUARD – REINFORCED, LH	1/1	321190–
	238032	ROCKGUARD – REINFORCED, RH	1/1	321190–
	238026	KIT – REINFORCED ROCKGUARD ²⁹	A/R	321190–
A	281605	BOLT – ACCELERATOR		
B	281604	BOLT – BLADE		
C	246882	BOLT – HEX HEAD M8 SPECIAL		
D	246633	WASHER – SPECIAL M8 ZN PL		
E	246300	NUT – BLADE		
F	246303	NUT – ACCELERATOR		
G	246312	BOLT – M12 DISC COVER		
H	246952	WASHER – M12 LOCKING DISC		
J	259099	BOLT – COUNTERSUNK (30 MM)		
K	246332	NUT – NYLON INSERT LOCK M12 X 1.75 ZN PL CL-10		
L	259100	WASHER – M12 LOCKING		
M	281697	BOLT – M12 DISC		
N	338800	BOLT – FLAT CSK (25 MM) ³⁰		

29. The kit includes reinforced rockguards (MD #238031 and 238032), lower gearbox mount bracket (MD #238054), and hardware (MD #184681 and 136141).

30. 25 mm countersunk bolts (MD #338800) are used at the second, third, and fourth rockguard bolt locations from the outboard ends of 10-disc cutterbars only; 30 mm countersunk bolts (MD #259099) are used at all other rockguard bolt locations.

5 Cutterbar Components – Eight and Ten Disc with Quick Change Blades



1039929

CUTTERBAR COMPONENTS – EIGHT AND TEN DISC WITH QUICK CHANGE BLADES

IMPORTANT:

All cutting components, blades, and hardware should be replaced in pairs to maintain balance.

NOTE:

Quantities listed are for 8/10 disc unless otherwise noted.

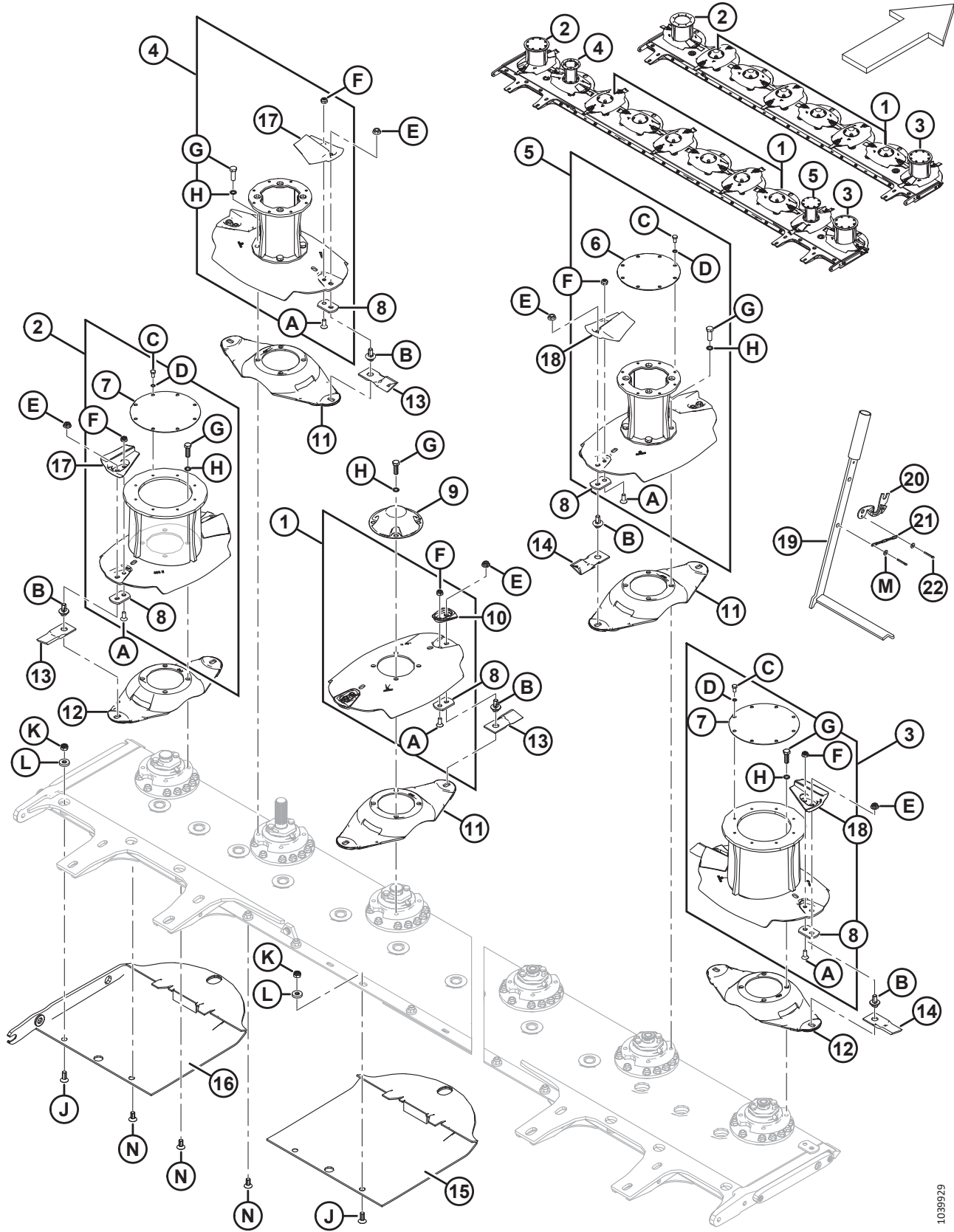
Ref	Part Number	Description	8/10 Disc Qty	Serial Number
1	281753	ASSEMBLY – DISC, 425 MM ³¹	6/6	
2	281865	ASSEMBLY – CW DRUM, 402 MM ³¹	1/1	
3	281866	ASSEMBLY – CCW DRUM, 402 MM ³¹	1/1	
4	257085	ASSEMBLY – CW DRUM, 425 MM DRIVE ³¹	0/1	
5	257086	ASSEMBLY – CCW DRUM, 425 MM ³¹	0/1	
6	280504	PLATE – DRUM COVER	0/1	
7	246291	PLATE – DRUM COVER	1/2	
8	246301	PLATE – BLADE, 5 MM	16/20	
9	246305	COVER – DISC	6/6	
10	238227	KIT – 2 GUARDS C/W HARDWARE ³²	6/6	
11	281364	PLATE – QUICK CHANGE, 425MM	6/8	
12	281365	PLATE – QUICK CHANGE, 402MM	2/2	
13	259199	BLADE – 18° DEG CW BEVEL DOWN (QTY 6)	A/R	
14	259200	BLADE – 18° CCW BEVEL DOWN (QTY 6)	A/R	
15	281609	ROCKGUARD	6/8	
	359024	ROCKGUARD (LIGHT CROP – FLAT TOP) ³³	OPT	
16	238031	ROCKGUARD – REINFORCED, LH	1/1	
	238032	ROCKGUARD – REINFORCED, RH	1/1	
17	281966	ACCELERATOR – CW (PAIR)	1/2	
18	281967	ACCELERATOR – CCW (PAIR)	1/2	
19	281362	TOOL – BLADE CHANGE	1/1	
20	281755	GAUGE – QUICK CHANGE	1/1	
21	259113	CHAIN – QUICK CHANGE	1/1	
22	259117	PIN – COTTER	2/2	
A	281965	BOLT – ACCELERATOR		
B	281363	BOLT – BLADE, QUICK CHANGE		
C	246882	BOLT – M8 SPECIAL		
D	246633	WASHER – SPECIAL M8		
E	246300	NUT – BLADE		
F	246303	NUT – ACCELERATOR		
G	281697	BOLT – M12 DISC COVER		

31. This assembly does not include blades (MD #259199, 259200) or hardware (MD #281363).

32. This kit includes a matched pair of disc guards (NSS), two accelerator bolts (MD #281965), two accelerator nuts (MD #246303), and two accelerator bolts (MD #281605).

33. The optional rockguard has a flat top, which improves header performance when cutting in lighter crop.

CUTTERBAR COMPONENTS – EIGHT AND TEN DISC WITH QUICK CHANGE BLADES



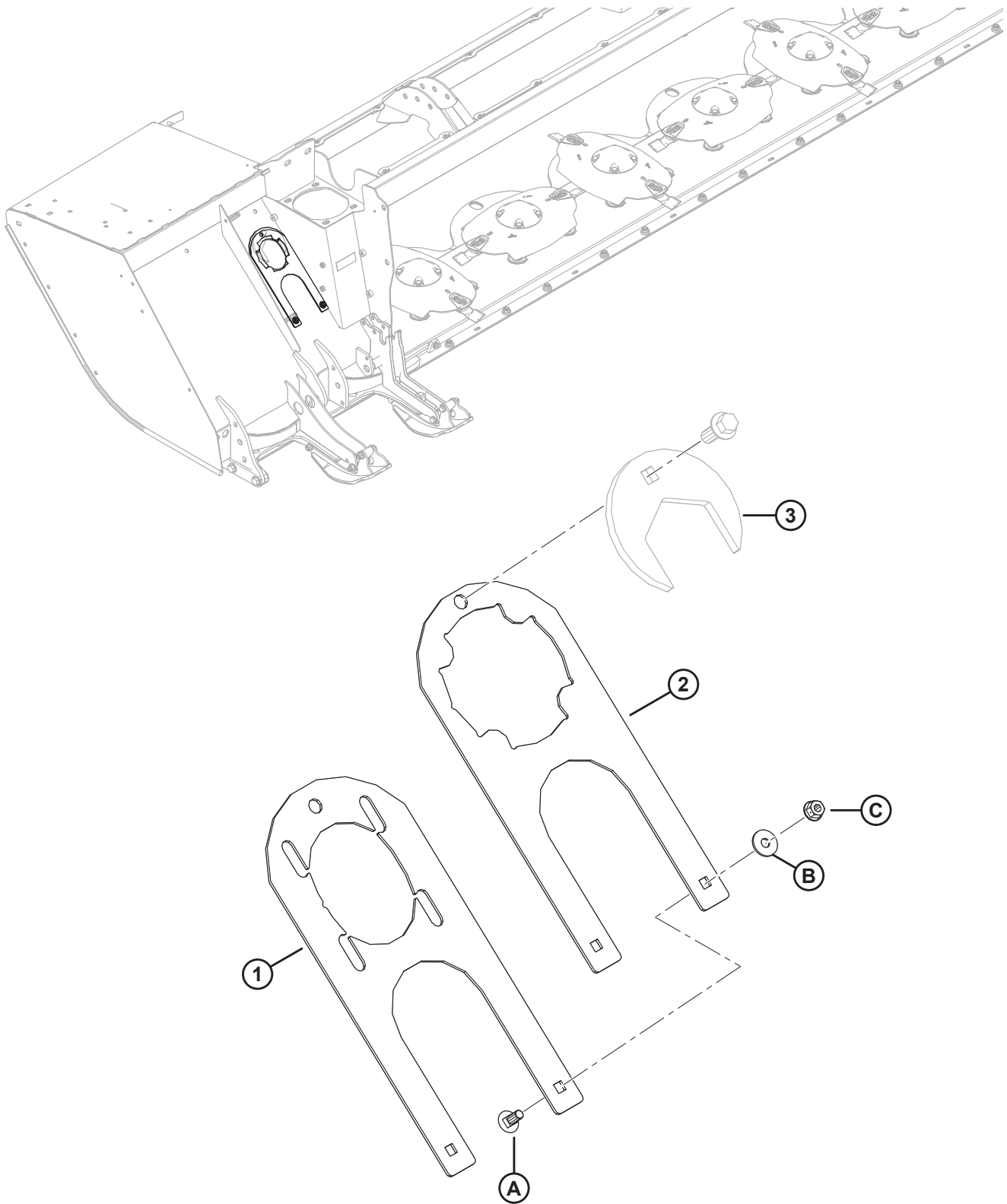
1039929

CUTTERBAR COMPONENTS – EIGHT AND TEN DISC WITH QUICK CHANGE BLADES

Ref	Part Number	Description	8/10 Disc Qty	Serial Number
H	246952	WASHER – M12 LOCKING DISC		
J	259099	BOLT – COUNTERSUNK (30 MM)		
K	246332	NUT – M12 LOCKING		
L	259100	WASHER – M12 LOCKING		
M	184701	WASHER – FLAT LARGE		
N	338800	BOLT – FLAT CSK (25 MM) ³⁴		

34. 25 mm countersunk bolts (MD #338800) are used at the second, third, and fourth rockguard bolt locations from the outboard ends of 10-disc cutterbars only; 30 mm countersunk bolts (MD #259099) are used at all other rockguard bolt locations.

6 Cutterbar – Disc Timing Tool

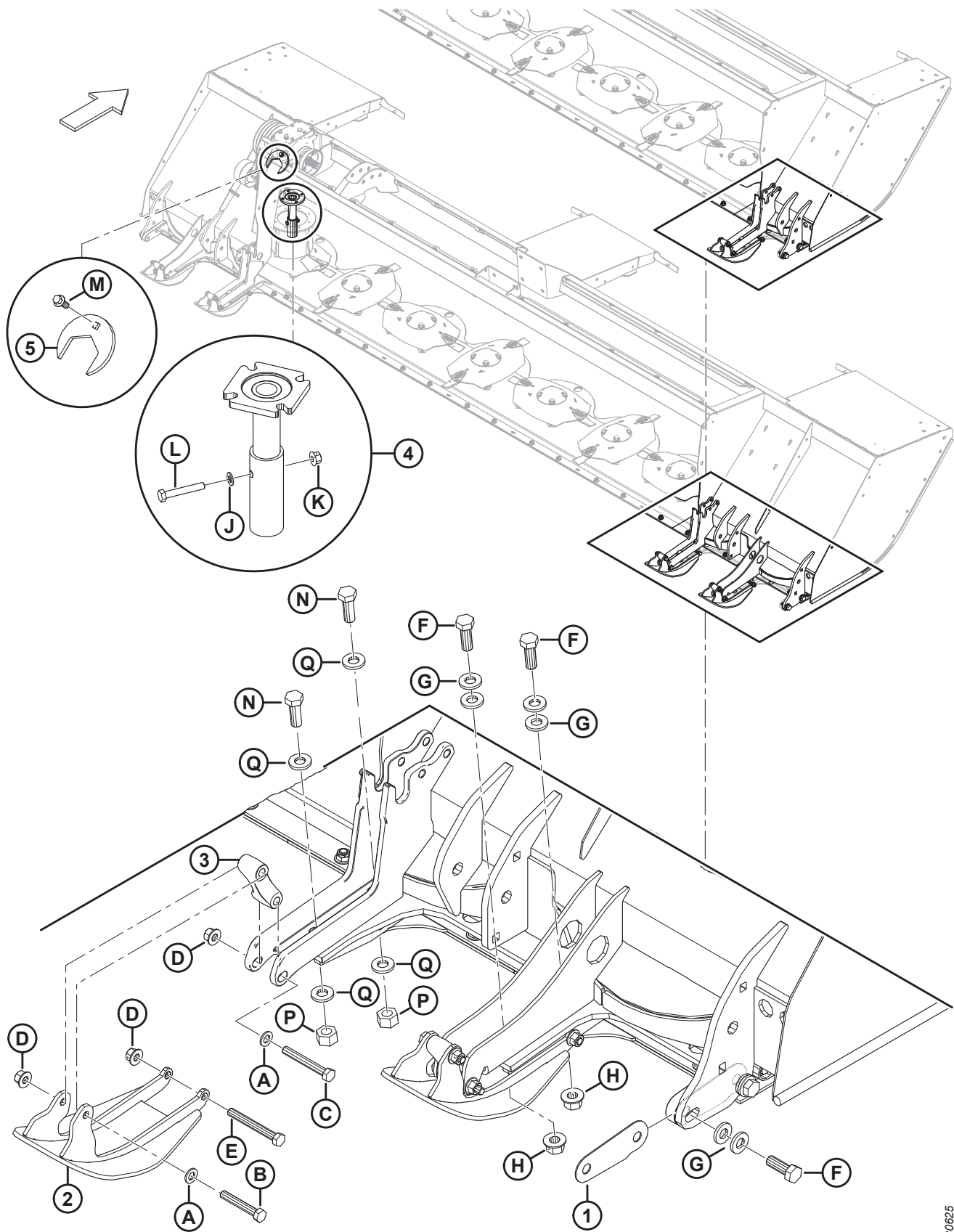


CUTTERBAR – DISC TIMING TOOL

Ref	Part Number	Description	Qty	Serial Number
1	239049	TOOL – DISC TIMING 1	1	
2	338995	TOOL – DISC TIMING 2	1	
3	REF	WRENCH – SAFECUT NUT ³⁵	1	
A	197171	BOLT – RHSN M8 X 1.25 X 20-8.8-ZINC		
B	184709	WASHER – FLAT LARGE		
C	135337	NUT – HEX FLG CTR LK M8 X 1.25-8-AA1J		

35. Refer to Section *7 Cutterbar to Frame (2017 and Prior)*, page 23 or Section *8 Cutterbar to Frame (2018 and Later)*, page 25.

7 Cutterbar to Frame (2017 and Prior)



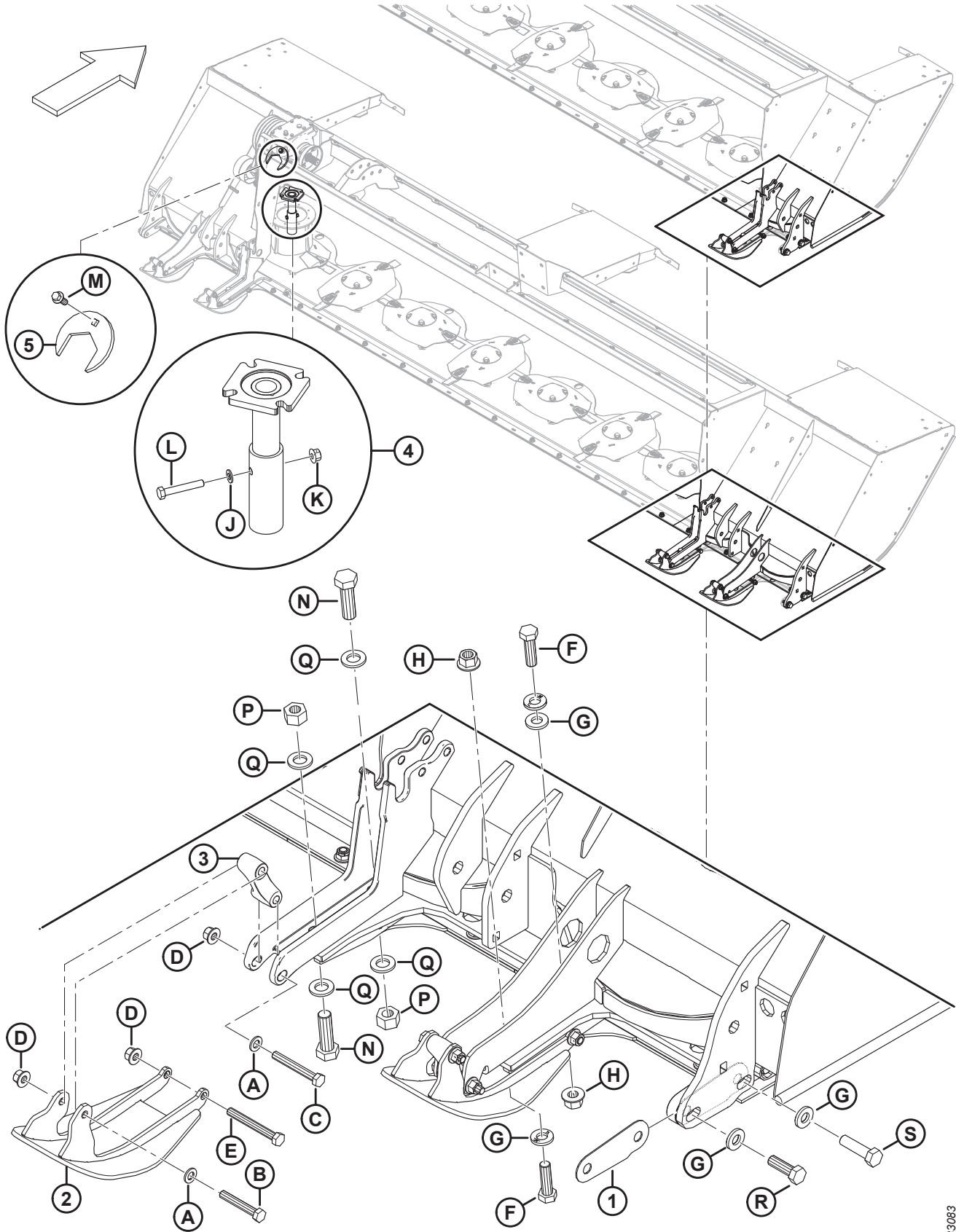
1030625

CUTTERBAR TO FRAME (2017 AND PRIOR)

Ref	Part Number	Description	8/10 Disc Qty	Serial Number
1	247206	SHIM – CUTTERBAR ³⁶	A/R	-321189
2	257096	SHOE – WELDMENT	2/4	-321189
3	238147	LINK – CAST	2/4	-321189
4	325683	ASSEMBLY – TOOL, DRIVE ALIGNMENT ³⁷	A/R	-321189
5	246314	WRENCH – SAFECUT NUT ³⁸	1/1	-321189
A	184714	WASHER – FLAT REG M12-300HV-A3L		
B	135155	BOLT – HEX HD M12 X 1.75 X 75-8.8-A3L		
C	184673	BOLT – HEX HD M12 X 1.75 X 90-10.9-A3L		
D	136431	NUT – HEX FLG CTR LOC M12 X 1.75-10-A3L		
E	184672	BOLT – HEX HD M12 X 1.75 X 100-10.9-A3L		
F	136132	BOLT – HEX HD TFL M16 X 2 X 45-8.8-A3L		
G	320226	WASHER – HARD M16-300HV-ZINC		
H	136440	NUT – HEX FLG CTR LOC M16 X 2-10-A3L		
J	184711	WASHER – FLAT REG M10-200HV-A3L		
K	135799	NUT – HEX FLG CTR LOC M10 X 1.5-10-A3L		
L	108172	BOLT – HEX HD M10 X 1.5 X 65-8.8-A3L		
M	148798	BOLT – HEX FLG HD M12 X 1.75 X 30-10.9-A3L		
N	136082	BOLT – HEX HD TFL M20 X 2.5 X 50-8.8-A3L		
P	136124	NUT – HEX M20 X 2.5-10-A3L (2016 AND LATER)		
Q	320225	WASHER – HARD M20-300HV-ZINC		

-
36. Before tightening the bolts on the cutterbar, shim both sides of the header evenly as required to a maximum gap of 2 mm per side.
37. Align the T-gearbox hub and the cutterbar drive shaft to +/- 3.2 mm or 1/8 in. Use tool (MD #325683, not supplied with header) to achieve proper alignment. This assembly includes hardware (MD #184711, 135799, 108172).
38. The wrench is attached to the header, and it is used to loosen/tighten special nut (MD #246612, 246613). Refer to Section 2 *Cutterbar – Eight and Ten Disc (2016 and Later)*, page 5.

8 Cutterbar to Frame (2018 and Later)



1033083

CUTTERBAR TO FRAME (2018 AND LATER)

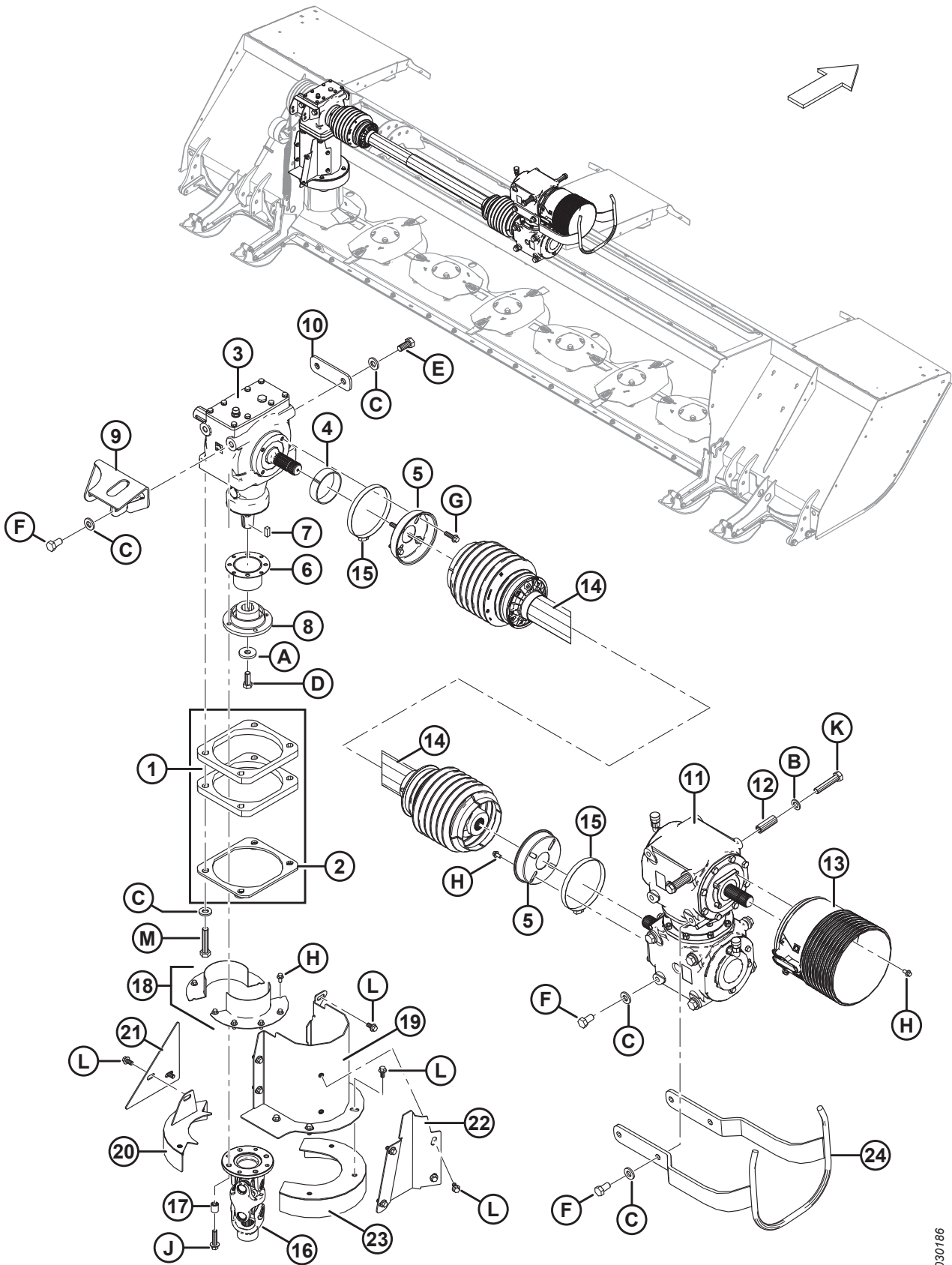
NOTE:

Quantities listed are for 8/10 disc unless otherwise noted.

Ref	Part Number	Description	8/10 Disc Qty	Serial Number
1	247206	SHIM – CUTTERBAR ³⁹	A/R	321190–
2	257096	SHOE – WELDMENT	2/4	321190–
3	238147	LINK – CAST	2/4	321190–
4	325683	ASSEMBLY – TOOL, DRIVE ALIGNMENT ^{40 41}	A/R	321190–
5	246314	WRENCH – SAFECUT NUT ⁴²	1/1	321190–
A	184714	WASHER – FLAT REG M12-300HV-A3L		
B	135155	BOLT – HEX HD M12 X 1.75 X 75-8.8-A3L		
C	184673	BOLT – HEX HD M12 X 1.75 X 90-10.9-A3L		
D	136431	NUT – HEX FLG CTR LOC M12 X 1.75-10-A3L		
E	184672	BOLT – HEX HD M12 X 1.75 X 100-10.9-A3L		
F	136717	BOLT – HEX HD M16 X 2 X 55-10.9		
G	320226	WASHER – HARD M16-300HV-ZINC		
H	136440	NUT – HEX FLG CTR LOC M16 X 2-10-A3L		
J	184711	WASHER – FLAT REG M10-200HV-A3L		
K	135799	NUT – HEX FLG CTR LOC M10 X 1.5-10-A3L		
L	108172	BOLT – HEX HD M10 X 1.5 X 65-8.8-A3L		
M	148798	BOLT – HEX FLG HD M12 X 1.75 X 30-10.9-A3L		
N	136157	BOLT – HEX HD M20 X 2.5 X 65-10.9-AA1J		
P	136124	NUT – HEX M20 X 2.5-10-A3L (2016 AND LATER)		
Q	320225	WASHER – HARD M20-300HV-ZINC		
R	184681	BOLT – HEX HD M16 X 2 X 50-8.8-AA1J		
S	136141	BOLT – HEX HD M16 X 2 X 60-8.8-AA1J		

-
39. Before tightening the bolts on the cutterbar, shim both sides of the header evenly as required to a maximum gap of 2 mm per side.
40. This assembly includes hardware (MD #184711, 135799, 108172).
41. Align the T-gearbox hub and the cutterbar drive shaft to +/- 3.2 mm or 1/8 in. Use tool (MD #325683, not supplied with header) to achieve proper alignment. The drive alignment tool is also supplied in cutterbar kits (MD #238195, 259518) and gearbox kit (MD #259516).
42. The wrench is attached to the header, and it is used to loosen/tighten special nut (MD #246612, 246613). Refer to Section 2 *Cutterbar – Eight and Ten Disc (2016 and Later)*, page 5.

9 Mechanical Drives



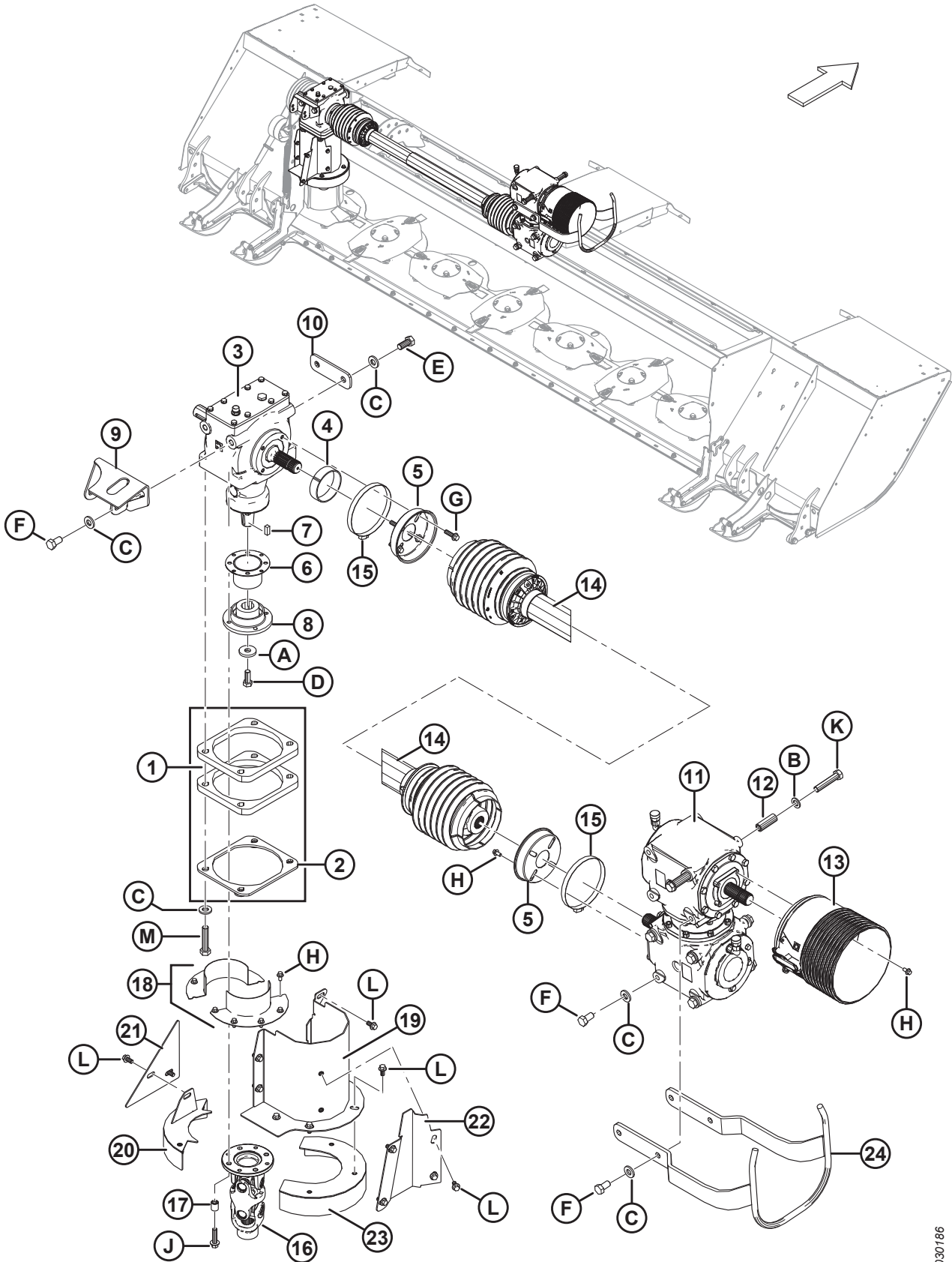
1030786

MECHANICAL DRIVES

Ref	Part Number	Description	Qty	Serial Number
1	246100	PLATE – 19.1 MM WIDTH (2015 ONLY)	2	266820–285419
2	246101	PLATE – 6.4 MM WIDTH (2015 ONLY)	1	266820–285419
3	259516	KIT – GEARBOX ⁴³	1	
4	246196	SPACER – GEARBOX	1	
5	246184	PLATE – SHIELD (CROSS SHAFT)	2	
6	246087	SHIELD – WELDMENT	1	
7	222269	KEY – SQUARE, 0.375 IN. WIDE, 0.75 IN LG	1	
8	247103	HUB – DRIVE	1	
9	256375	BRACKET – WELDT	1	
10	247112	PLATE	1	
11	146783	DRIVE – GEARBOX ⁴⁴	1	
12	246167	SPACER	2	
13	224438	SHIELD – CLUTCH GEARBOX	1	
14	224595	DRIVELINE – CROSS SHAFT ⁴⁵	1	
15	135200	CLAMP – HOSE (4.5-6.5 IN. RANGE)	2	
16	259139	ASSEMBLY – DRIVELINE	1	
	259142	ASSEMBLY – CROSS JOURNAL CENTER GREASE FITTING	1	
	247120	ASSEMBLY – CROSS JOURNAL CAP GREASE FITTING	1	
	247121	YOKE – SPLINED	1	
	247122	YOKE – FLANGE	1	
17	222291	SPACER	4	
18	246691	SHIELD – DRUM WELDT	2	
	281497	SHIELD – DRUM WELDT (SMALL DRUM)	2	
19	281981	SHIELD – VERTICAL WELDT (SMALL DRUM)	1	321190–
	247826	SHIELD – VERTICAL WELDT (2016 AND LATER)	1	285420–
	246785	SHIELD – VERTICAL WELDT (2015 ONLY)	1	266820–285419
20	246687	PLATE – BACK WELDMENT	1	
	281493	PLATE – BACK WELDMENT (SMALL DRUM)	1	
21	281500	PLATE – COVER (SMALL DRUM)	1	
	246770	PLATE – COVER	1	
22	281501	PLATE – SHIELD, VERTICAL DRIVE (SMALL DRUM)	1	321190–
	247827	PLATE – SHIELD, VERTICAL DRIVE (2016 AND LATER)	1	285420–
	247017	PLATE – SHIELD, VERTICAL DRIVE (2015 ONLY)	1	266820–285419
23	281378	DRUM – TOP	1	
	281489	DRUM – TOP (SMALL DRUM)	1	
24	281014	GUARD – WELDMENT, DRIVELINE (2016 AND LATER)	1	285420–
A	4762	WASHER – FLAT		
B	184717	WASHER – FLAT REG M16-200HV-A3L		
C	320226	WASHER – HARD M16-300HV-ZINC		

43. The kit includes T-gearbox (NSS) and cutterbar alignment tool (MD #325683). For service parts, refer to Section [11 T-Gearbox – Service Parts, page 33](#).
44. For service parts, refer to Section [12 Drive and Swivel Gearbox – Service Parts, page 35](#).
45. For service parts, refer to Section [10 Cross Shaft Driveline – Service Parts, page 31](#).

MECHANICAL DRIVES

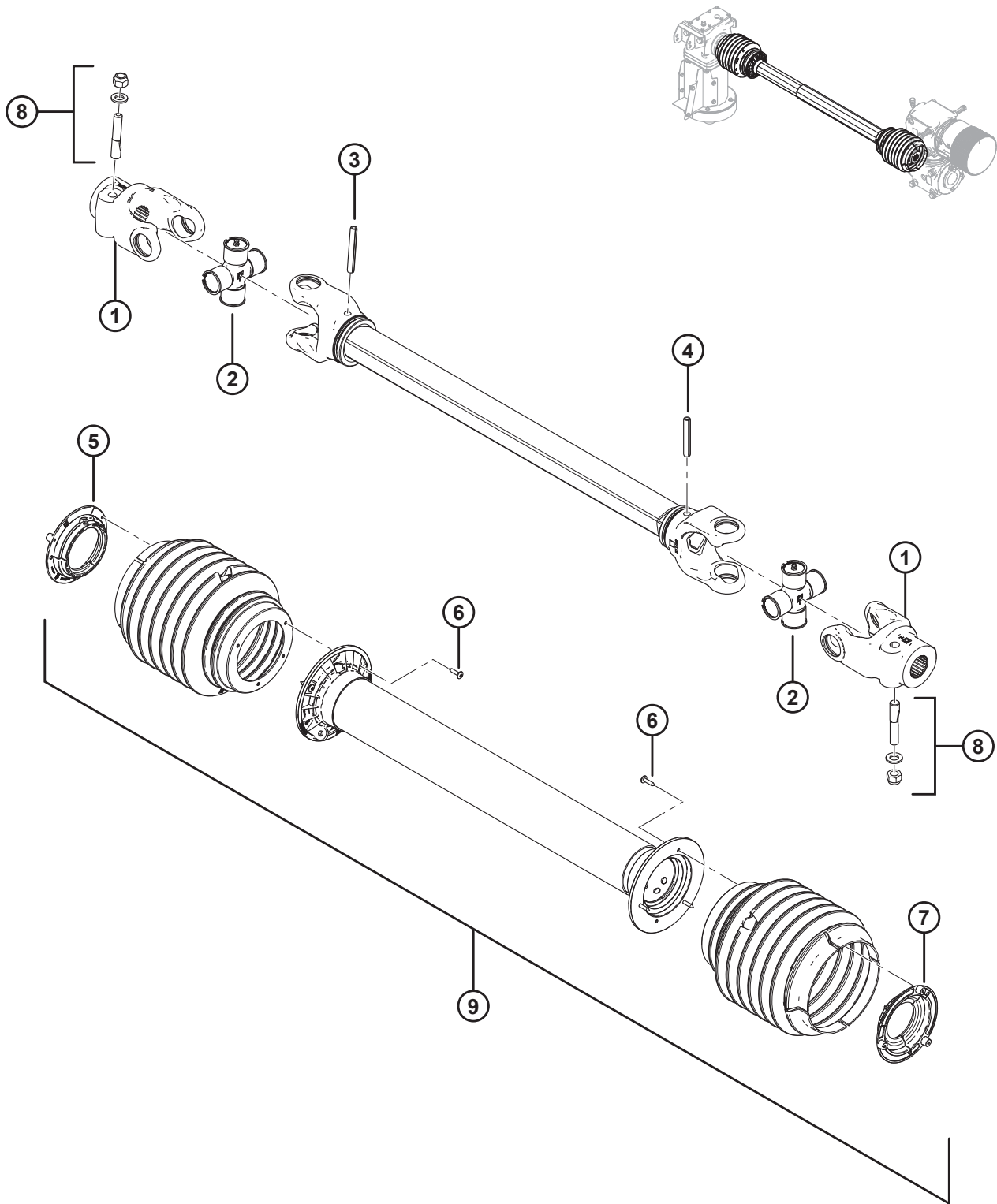


1030186

MECHANICAL DRIVES

Ref	Part Number	Description	Qty	Serial Number
D	135491	BOLT – HEX HD TFL M14 X 2 X 35-8.8-A3L		
E	136137	BOLT – HEX HD TFL M16 X 2 X 35-8.8-A3L		
F	136143	BOLT – HEX HD TFL M16 X 2 X 30-10.9-A3L		
G	136211	BOLT – HEX FLG HD M10 X 1.5 X 35-8.8-A3L		
H	136485	BOLT – HEX FLG HD TFL M8 X 1.25 X 16-8.8-A3L		
J	148799	BOLT – HH FLANGE M12 X 1.75 X 45-10.9-A3L		
K	152602	BOLT – HEX HD M16 X 2 X 80-10.9-A3L		
L	152655	BOLT – HEX FLG HD M10 X 1.5 X 20-8.8-A3L		
M	136143	BOLT – HEX HD TFL M16 X 2 X 30-10.9-A3L (2016 AND LATER)		285420–
	181511	BOLT – HEX HD M16 X 2 X 75-10.9-A3L (2015 ONLY)		266820–285419

10 Cross Shaft Driveline – Service Parts



CROSS SHAFT DRIVELINE – SERVICE PARTS

Ref	Part Number	Description	Qty	Serial Number
	224595	DRIVELINE – CROSS SHAFT ⁴⁶		
1	247124	YOKE ⁴⁷	2	
2	247123	CROSS KIT	2	
3	256663	ROLL PIN (10 X 75) ⁴⁸	1	
4	247126	ROLL PIN (10 X 65) ⁴⁹	1	
5	247127	SHIELD SUPPORT (OUTER) ⁵⁰	1	
6	247128	SCREW	6	
7	247129	SHIELD SUPPORT (INNER) ⁵¹	1	
8	247133	KIT – TAPER PIN (2 SETS)	2	
9	247134	SHIELD KIT	1	
	247132	INSTRUCTION BOOKLET	A/R	

46. Refer to Section 9 *Mechanical Drives*, page 27.

47. Includes taper pins (MD #247133).

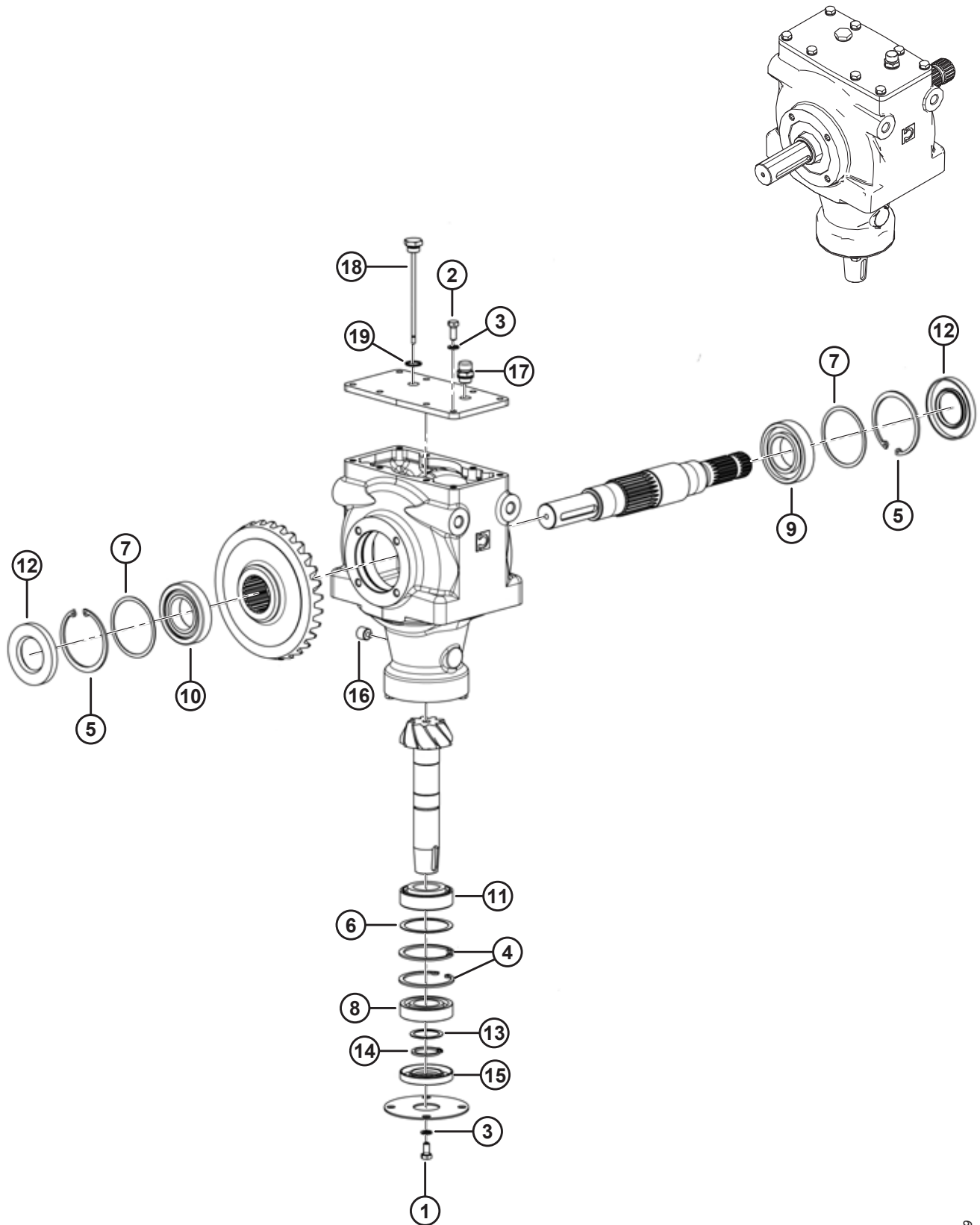
48. 10 x 75 roll pin.

49. 10 x 65 roll pin.

50. Outer support.

51. Inner support.

11 T-Gearbox – Service Parts



T-GEARBOX – SERVICE PARTS

NOTE:

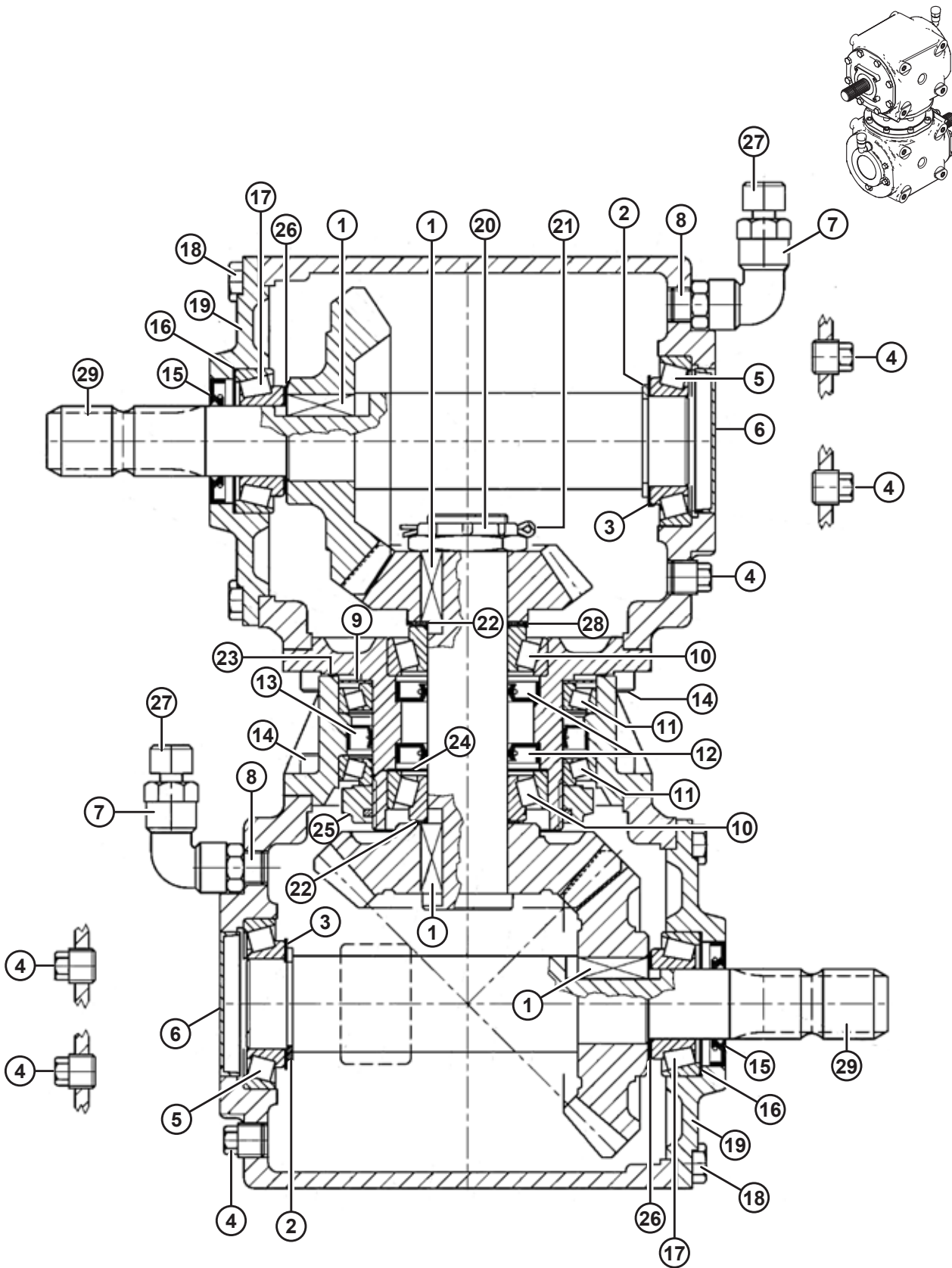
The parts that are illustrated but not listed are non-serviced parts. They have been illustrated for reference only.

Ref	Part Number	Description	Qty	Serial Number
	259516	KIT – T-GEARBOX ⁵² ⁵³		
1	247079	SCREW – M8 X 16 X 1.25	4	
2	247080	SCREW – M8 X 20 X 1.25	1	
3	247081	LOCK WASHER – M8	5	
4	247082	CIRCLIP INTERNAL – 72 X 2.5	2	
5	247083	CIRCLIP INTERNAL – 85 X 3	2	
6	247084	SHIM – 72 MM BORE	1	
7	247085	SHIM – 83 MM BORE	2	
8	246082	BALL BEARING – CYLINDRICAL (45 X 85 X 19)	1	
9	246084	BALL BEARING – CYLINDRICAL (35 X 72 X 17)	1	
10	246080	BEARING – CROSS (45 X 85 X 20.75)	1	
11	246083	BEARING – TAPER (35 X 72 X 24.25)	1	
12	246085	SEAL – CROSS (RUBBER)	2	
13	247091	SHIM – 35 MM	1	
14	247094	CIRCLIP EXTERNAL – 35 X 2.5	1	
15	247095	SEAL – RUBBER (35 X 72 X 10)	1	
16	247096	PLUG – 3/8 IN. MAGNET	1	
17	246086	PLUG – 3/8 IN. BREATHER, C/W GASKET	1	
18	247099	PLUG – DIPSTICK (3/8 IN.)	1	
19	247100	GASKET	1	

52. For a list of service parts, refer to Section *9 Mechanical Drives, page 27*.

53. The kit also includes Drive Alignment Tool (MD #325683); refer to Sections *Cutterbar to Frame (2017 and Prior)* and *Cutterbar to Frame (2018 and Later)*.

12 Drive and Swivel Gearbox – Service Parts



1033079

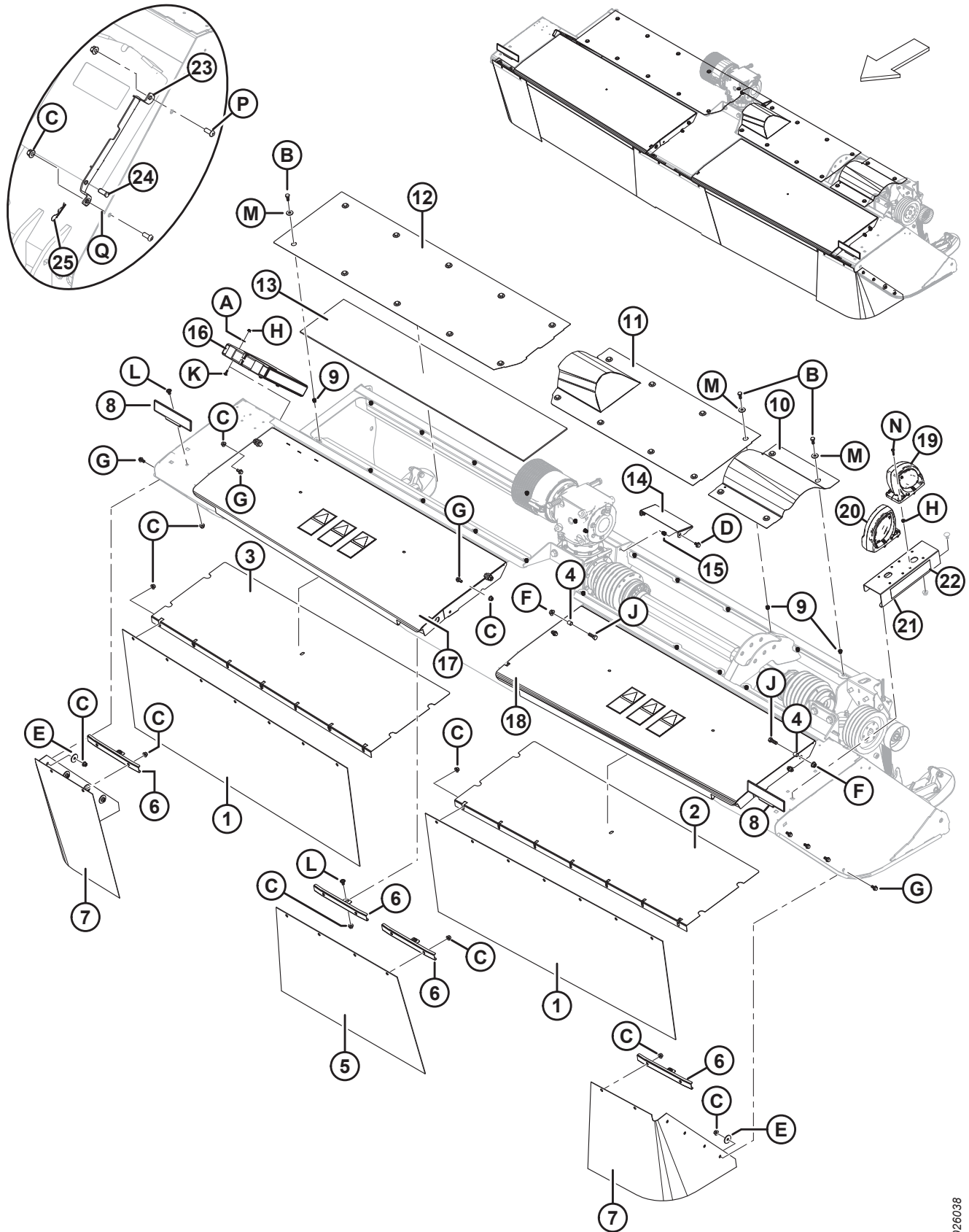
DRIVE AND SWIVEL GEARBOX – SERVICE PARTS

Ref	Part Number	Description	Qty	Serial Number
	146783	DRIVE – GEARBOX ⁵⁴		
	146784	DRIVE – GEARBOX, SWIVEL (HITCH) ⁵⁵		
1	247031	KEY – PARALLEL (12 MM WIDE)	4	
2	247039	RING – RETAINING EXTERNAL	2	
3	247040	SHIM – 45.3 X 65.3	2	
4	247041	PLUG – 3/8 IN.	6	
5	247042	BEARING – BALL	2	
6	247043	CAP – STEEL (72 X 10)	2	
7	247044	ELBOW – 90° (3/8 IN.)	2	
8	247045	CONNECTOR – 3/8 IN.	2	
9	247046	WASHER – PROTECTIVE	1	
10	247047	BEARING – BALL	2	
11	247048	BEARING – BALL	2	
12	247049	SEAL – OIL (RUBBER)	2	
13	247050	SEAL – OIL (RUBBER, 95 X 120 X 12)	1	
14	247051	BOLT – HEX HEAD, M10-1.5, 25 MM LG, ZN PL	16	
15	247053	SEAL – DOUBLE LIP (35 X 62 X 8)	2	
16	247054	SHIM – 60.3 X 70.7	2	
17	247055	BEARING – BALL, CYLINDRICAL	2	
18	247056	BOLT – HEX HEAD, M10-1.5, 22 MM LG, ZN PL	16	
19	247057	COVER	2	
20	247059	NUT – REGULAR HEX, M40-1.5, ZN PL	1	
21	247060	PIN – COTTER (B4 X 60)	1	
22	247061	SHIM – 40.3 X 51.5	2	
23	247063	O-RING	1	
24	247065	SHIM – 69 X 79.9	1	
25	247066	LOCKNUT – M95 X 2 H18.5	1	
26	247067	SHIM – 35.3 X 1.3	2	
27	236994	PLUG – OIL FILLER (3/8 IN.)	2	
28	247071	SHIM (SWIVEL GEARBOX ONLY)	1	
	247135	SHIM (DRIVE GEARBOX ONLY)	1	
29	238103	SHAFT – SPLINED, GEARBOX	2	

54. Refer to Section *9 Mechanical Drives*, page 27.

55. Refer to Section *29 Hitch – Mechanical Drive*, page 85.

13 Header Shields



HEADER SHIELDS

Ref	Part Number	Description	Qty	Serial Number
1	223883	SHIELD – DOOR, RUBBER	2	
2	246388	LINER – COVER LH	1	
3	224471	LINER – COVER RH	1	
4	224313	SPACER	4	
5	223884	SHIELD – CENTER, RUBBER	1	
6	224686	SUPPORT – FRONT SHIELD	4	
7	223904	SHIELD – CORNER, RUBBER 13 FT	2	
	223888	SHIELD – CORNER, RUBBER 16 FT	2	
8	246873	ASSEMBLY – REFLECTOR ⁵⁶	2	
	115146	REFLECTOR – AMBER		
9	136843	RIVNUT – M10 X 1.5 HEX M10 0.7-3.8	22	
10	246858	SHIELD – TOP	1	
11	246878	ASSEMBLY – TOP SHIELD C/W DECALS	1	
12	246880	ASSEMBLY – TOP SHIELD C/W DECALS	1	
13	246346	LINER – FRAME	1	
14	246413	SHIELD – REAR	1	
15	136876	INSERT – HEX M10 (THIN FLANGE)	2	
16	118234	CASE – MANUAL	1	
	184372	DECAL – READ MANUAL	1	
17	246876	ASSEMBLY – RH COVER C/W DECALS ⁵⁷	1	
18	246874	ASSEMBLY – LH COVER C/W DECALS ⁵⁸	1	
19	203547	LAMP – CLEARANCE, DT CONNECTOR	1	
20	203548	LAMP – LH TAIL, DT CONNECTOR	1	
21	223185	ASSEMBLY-SUPPORT, DUAL LAMP, LH ⁵⁹	1	
22	115147	REFLECTOR – RED	1	
23	183866	BRACKET – QCB MOUNT	1	
24	281931	PIN – CLEVIS 7/16 X 1	1	
25	15380	PIN – HAIR	1	
A	18596	WASHER – SAE FLAT 9/32 ID X 5/8 IN OD ZP		
B	30627	BOLT – HEX HD TFL M10 X 1.5 X 25-8.8-A3L		
C	135799	NUT – HEX FLG CTR LOC M10 X 1.5-10-A3L		
D	136151	BOLT – HEX FLG HD TFL M10 X 1.5 X 16-8.8-A3L		
E	42592	WASHER – FLAT 13.5 MM ID x 47 MM OD ZP		
F	148645	NUT – HEX FLG STVR LOC M12 X 1.75-10-A3L		
G	152655	BOLT – HEX FLG HD M10 X 1.5 X 20-8.8-A3L		
H	152668	NUT – HEX FLG CTR LOC M6 X 1-8-A2L		
J	152730	BOLT – HEX HD TFL M12 X 1.75 X 35-10.9-A3L		
K	184641	BOLT – RHSN M6 X 1 X 20-8.8-A2L		

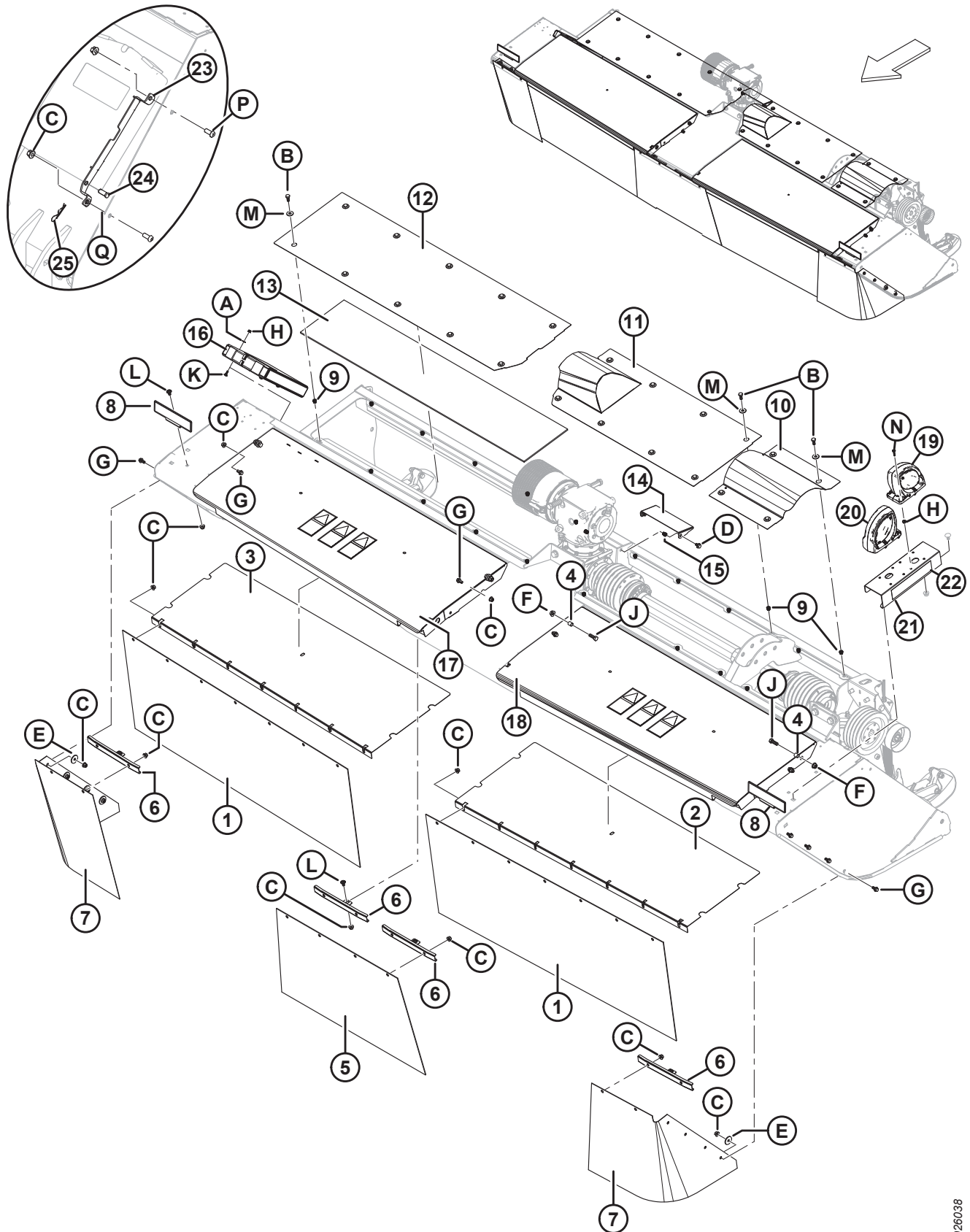
56. Assembly includes amber reflector (MD #115146).

57. Assembly includes decals (MD #246997, 194466, 247167, and 194465).

58. Assembly includes R116 decal (MD #247004) and R113 decal (MD #246998), as well as decals (MD #194466, 247167, and 194465).

59. Assembly includes red reflector (MD #115147).

HEADER SHIELDS

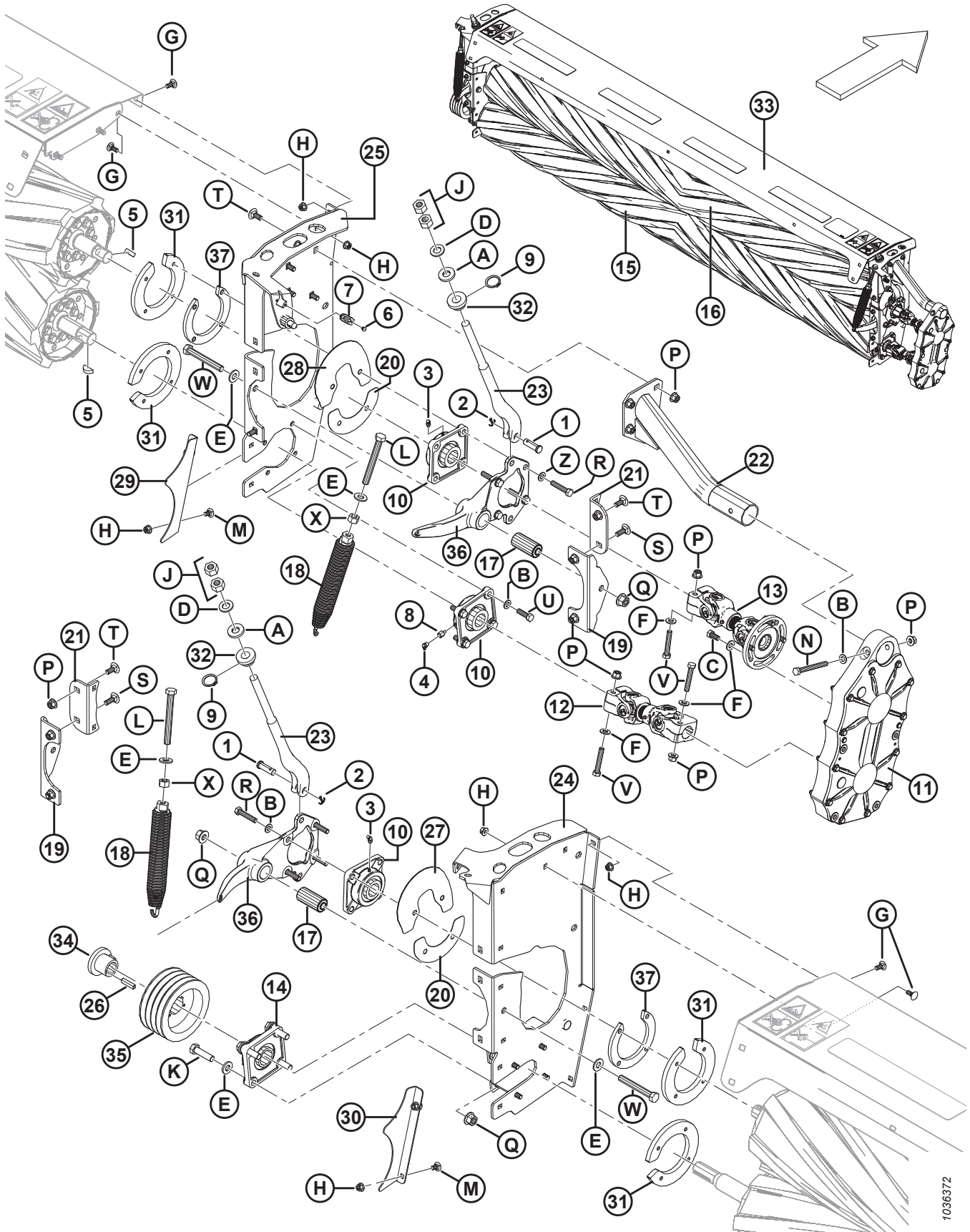


1026038

HEADER SHIELDS

Ref	Part Number	Description	Qty	Serial Number
L	184657	BOLT – RHSSN M10 X 1.5 X 20-8.8-A3L		
M	184712	WASHER – FLAT LARGE M10-200HV-A3L		
N	136252	SCREW – PAN HD M6 X 1 X 25-4.8-H-A2L		
P	135852	SCREW – HEX SOC BTN HD M10 X 1.5 X 25-10.9-AA1J		
Q	184711	WASHER – FLAT REG M10-200 HV-AA1J		

14 Roll Conditioner – Polyurethane/Steel (2015)



1036372

ROLL CONDITIONER – POLYURETHANE/STEEL (2015)

Ref	Part Number	Description	Qty	Serial Number
1	18620	PIN – CLEVIS	2	266820–285419
2	18648	PIN – COTTER 3/16 DIA X 1.25 ZP	2	266820–285419
3	21301	FITTING – LUBRICATION	2	266820–285419
4	30087	FITTING – LUBE 45° 1/8 NPT	1	266820–285419
5	30836	KEY – WOODRUFF (3/8 X 1 1/4 NOM.)	2	266820–285419
6	113799	RIVET – POP	2	266820–285419
7	REF	CLIP – TOLERANCE ⁶⁰	1	266820–285419
8	136616	FITTING – LUBRICATION STRAIGHT ADAPTER	1	266820–285419
9	136832	RING – EXT RETAINING HEAVY DUTY	2	266820–285419
10	221716	HOUSING – FLANGED	3	266820–285419
11	307211	DRIVE – GEAR (CONDITIONER ROLL TIMING) ⁶¹	1	266820–285419
12	221765	DRIVELINE – LOWER	1	266820–285419
13	221768	DRIVELINE – UPPER	1	266820–285419
14	221769	HOUSING – FLANGED	1	266820–285419
15	221937	ASSEMBLY – LOWER (POLY ONLY) ⁶²	1	266820–285419
	247837	KIT – LOWER STEEL ROLL ⁶³	1	266820–285419
16	221938	ASSEMBLY – UPPER (POLY ONLY) ⁶²	1	266820–285419
	247836	KIT – UPPER STEEL ROLL ⁶³	1	266820–285419
17	222658	BUSHING – RUBBER	2	266820–285419
18	222664	ASSEMBLY – SPRING	2	266820–285419
19	222988	BRACKET – PIVOT	2	266820–285419
20	223389	SHIELD – ROLL ARM, LOWER	2	266820–285419
21	223406	ANGLE – COND PANEL	2	266820–285419
22	223467	SUPPORT – WELDMENT	1	266820–285419
23	247259	STOP – MACHINING	2	266820–285419
24	224554	LH PANEL – W/ DECALS	1	266820–285419
25	247856	RH PANEL – W/ DECALS	1	266820–285419
26	246424	KEY – 10 MM X 8 MM X 45 MM	1	266820–285419
27	246509	SHIELD – LH C/W DECAL	1	266820–285419
28	246510	SHIELD – RH C/W DECAL	1	266820–285419
29	246751	GUARD – RH (POLY ONLY) ⁶²	1	266820–285419
	246747	GUARD – RH (STEEL ONLY) ⁶⁴	1	266820–285419
30	246752	GUARD – LH (POLY ONLY) ⁶²	1	266820–285419
	246748	GUARD – LH (STEEL ONLY) ⁶⁴	1	266820–285419
31	281325	PLATE – CLAMP, MACHINED (POLY ONLY) ⁶²	4	266820–285419
	281324	PLATE – CLAMP, MACHINED (STEEL ONLY) ⁶⁴	4	266820–285419

60. Tolerance clip (MD #135813) is superseded by latch assembly (MD #320524), which includes latch (NSS), tolerance clip (NSS), and latch nut (NSS).

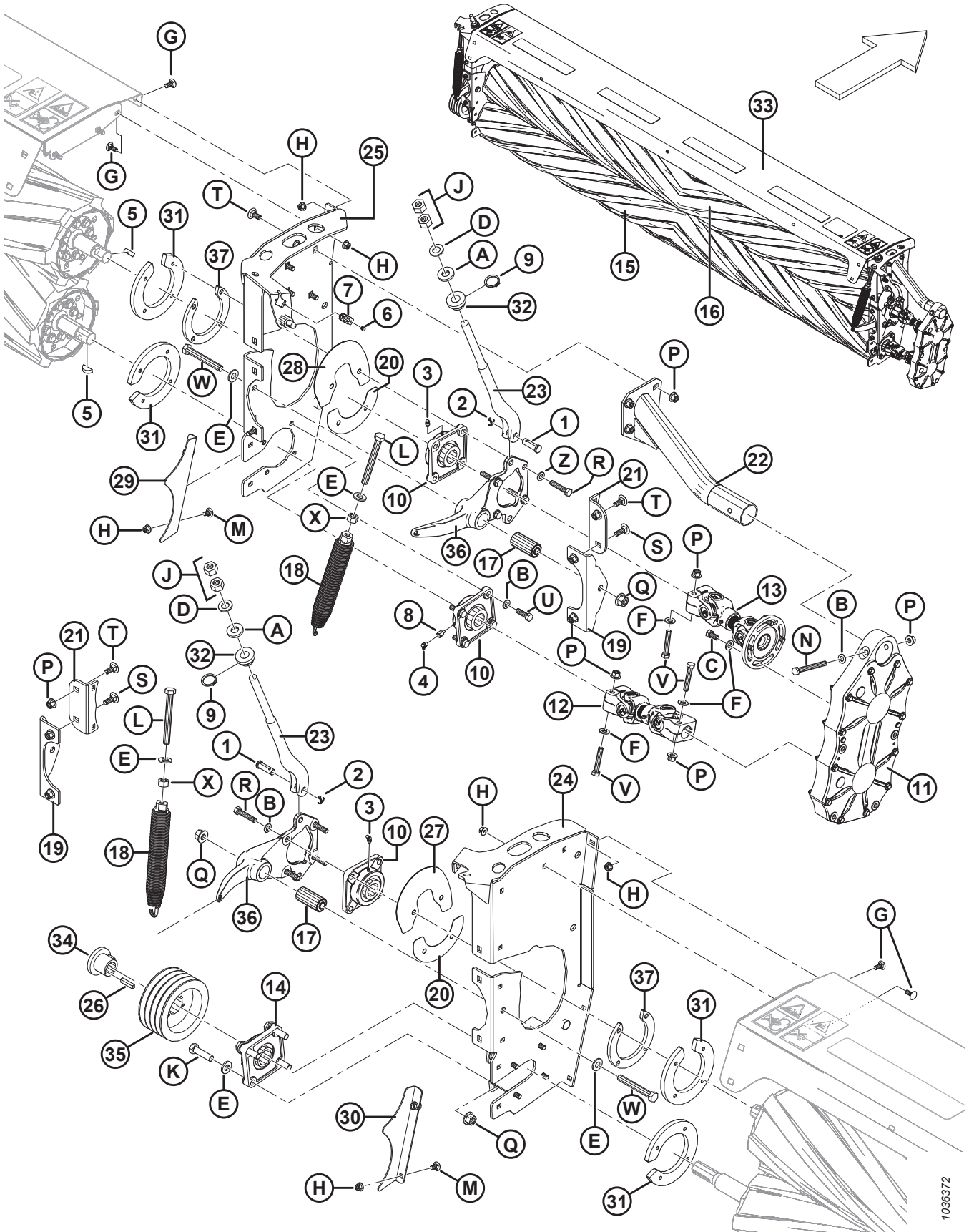
61. For service parts, refer to Section *17 Roll Conditioner – Gear Drive Service Parts, page 51*.

62. For polyurethane roll only.

63. Kit is intended for 2015 model year units only.

64. For steel roll only.

ROLL CONDITIONER – POLYURETHANE/STEEL (2015)



1036372

ROLL CONDITIONER – POLYURETHANE/STEEL (2015)

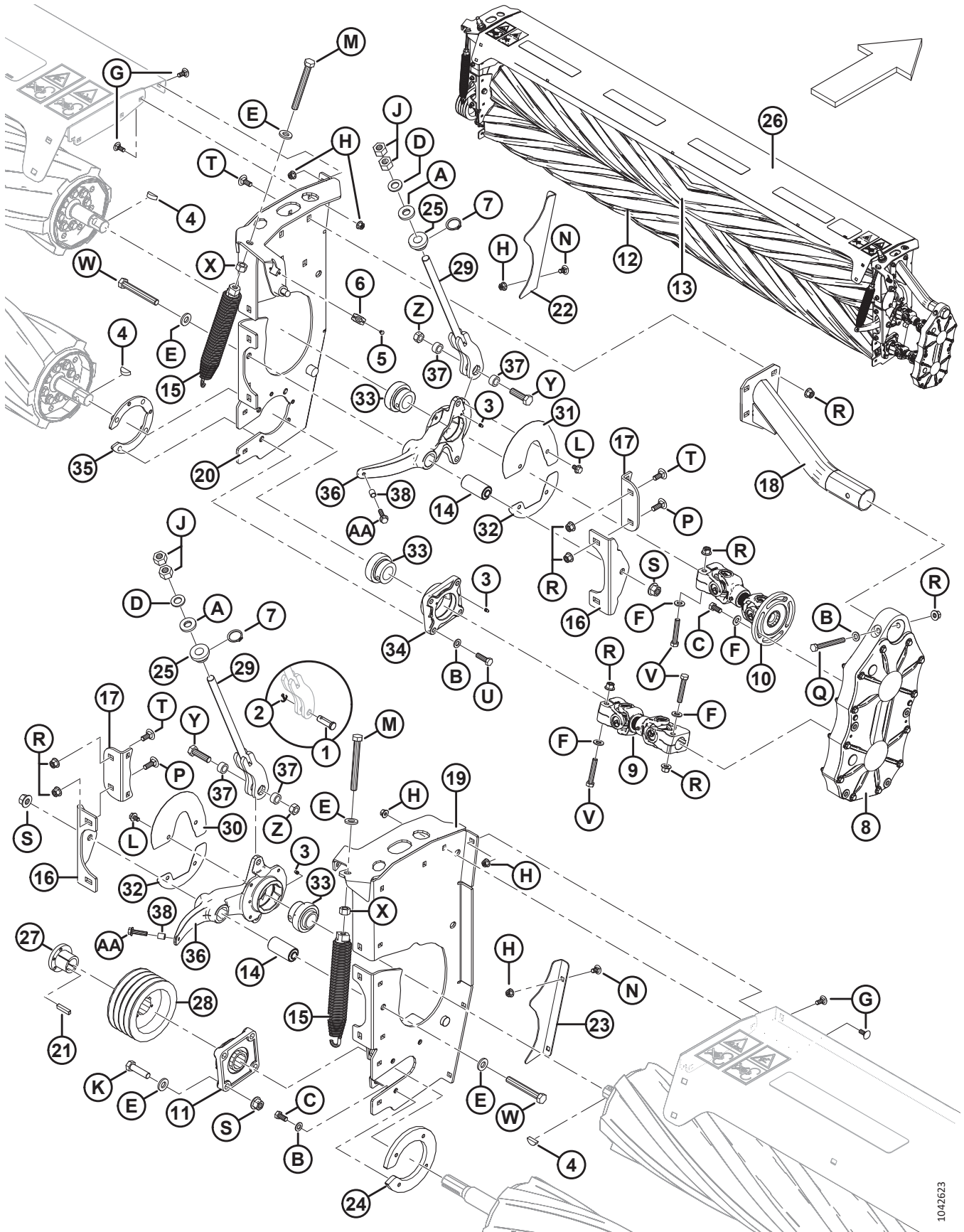
Ref	Part Number	Description	Qty	Serial Number
32	246799	STOP – PLASTIC	2	266820–285419
33	256581	ASSY – ROLL COND COVER W/ ANTI-SLIPS ⁶⁵	1	266820–285419
34	246844	BUSHING	1	266820–285419
35	246847	PULLEY – 4 HB	1	266820–285419
36	247841	KIT – ROLL ARM ⁶⁶	2	266820–285419
37	246762	PLATE – SPACER (BEARING HOUSING) ⁶⁷	2	266820–285419
A	16235	WASHER – FLAT		
B	184714	WASHER – FLAT REG M12-300HV-A3L		
C	50155	BOLT – HEX HD TFL M12 X 1.75 X 25-8.8-A3L		
D	320225	WASHER – HARD M20-300HV-ZINC		
E	320226	WASHER – HARD M16-300HV-ZINC		
F	135369	WASHER – HARDENED		
G	135785	BOLT – RHSN M10 X 1.5 X 25-8.8-A3L		
H	135799	NUT – HEX FLG CTR LOC M10 X 1.5-10-A3L		
J	136124	NUT – HEX M20 X 2.5-10-A3L		
K	136141	BOLT – HEX HD M16 X 2 X 60-8.8-A3L		
L	136172	BOLT – HEX HD TFL M16 X 2 X 140-8.8-A3L		
M	136178	BOLT – RHSN M10 X 1.5 X 20-8.8-A3L		
N	136423	BOLT – HEX HD M12 X 1.75 X 110-8.8-A3L		
P	136431	NUT – HEX FLG CTR LOC M12 X 1.75-10-A3L		
Q	136440	NUT – HEX FLG CTR LOC M16 X 2-10-A3L		
R	152274	BOLT – HEX HD M12 X 1.75 X 60-8.8-A3L		
S	136291	BOLT – RHSN TFL M12 X 1.75 X 35-8.8-A3L		
T	184667	BOLT – RHSN M12 X 1.75 X 30-8.8-A3L		
U	184669	BOLT – HEX HD M12 X 1.75 X 40-8.8-A3L		
V	184675	BOLT – HEX HD M12 X 1.75 X 70-8.8-A3L		
W	184678	BOLT – HEX HD M16 X 2 X 120-8.8-A3L		
X	184699	NUT – HEX M16 X 2-8-A3L		

65. Was previously cover (MD #246831), which has been superseded by cover (MD #256581). Order cover (MD #246831) until stock is depleted, then order cover (MD #256581).

66. Kit is intended for 2015 model year units only.

67. Spacer plate (MD #246762) is for the bearing housing.

15 Roll Conditioner – Polyurethane/Steel (2016 and Later)



ROLL CONDITIONER – POLYURETHANE/STEEL (2016 AND LATER)

Ref	Part Number	Description	Qty	Serial Number
1	18620	PIN – CLEVIS ⁶⁸	2	285420–486189
2	18648	PIN – COTTER 3/16 DIA X 1.25 ZP ⁶⁸	2	285420–486189
3	18671	FITTING – LUBE 1/4, 28 UNF	3	285420–
4	30836	KEY – WOODRUFF (3/8 X 1 1/4 NOM.)	3	285420–
5	113799	RIVET – POP	2	285420–
6	REF	CLIP – TOLERANCE ⁶⁹	1	285420–
7	136832	RING – EXT RETAINING HEAVY DUTY	2	285420–
8	307211	DRIVE – GEAR (CONDITIONER ROLL TIMING) ⁷⁰	1	285420–
9	221765	DRIVELINE – LOWER	1	285420–
10	221768	DRIVELINE – UPPER	1	285420–
11	221769	HOUSING – FLANGED	1	285420–
12	221937	ROLL ASSY – LOWER ROLL POLY ⁷¹	1	285420–
	259592	ROLL ASSY – LOWER ROLL STEEL ⁷²	1	285420–
13	221938	ROLL ASSY – UPPER ROLL POLY ⁷¹	1	285420–
	247832	ROLL ASSY – UPPER ROLL STEEL ⁷³	1	285420–
14	222658	BUSHING – RUBBER	2	285420–
15	222664	ASSEMBLY – SPRING	2	285420–
16	222988	BRACKET – PIVOT	2	285420–
17	223406	ANGLE – COND PANEL	2	285420–
18	223467	SUPPORT – WELDMENT	1	285420–
19	224554	LH PANEL – ASSY W/ DECALS	1	285420–
20	247856	RH PANEL – ASSY W/ DECALS	1	285420–
21	246424	KEY – 10 MM X 8 MM X 45 MM	1	285420–
22	246751	GUARD – RH, POLY ROLL ⁷¹	1	285420–
	246747	GUARD – RH, STEEL ROLL ⁷³	1	285420–
23	246752	GUARD – LH, POLY ROLL ⁷¹	1	285420–
	246748	GUARD – LH, STEEL ROLL ⁷³	1	285420–
24	281325	PLATE – CLAMP, POLY ROLL ⁷¹	1	285420–
	281324	PLATE – CLAMP, STEEL ROLL ⁷³	1	285420–
25	246799	STOP – PLASTIC	2	285420–
26	256581	ASSY – ROLL COND COVER W/ ANTI-SLIPS ⁷⁴	1	285420–
27	246844	BUSHING	1	285420–
28	246847	PULLEY – 4 HB	1	285420–

68. Used on the model year 2023 and prior roll stop (MD #247259).

69. Tolerance clip (MD #135813) is superseded by latch assembly (MD #320524), which includes latch (NSS), tolerance clip (NSS), and latch nut (NSS).

70. For service parts, refer to Section *17 Roll Conditioner – Gear Drive Service Parts, page 51*.

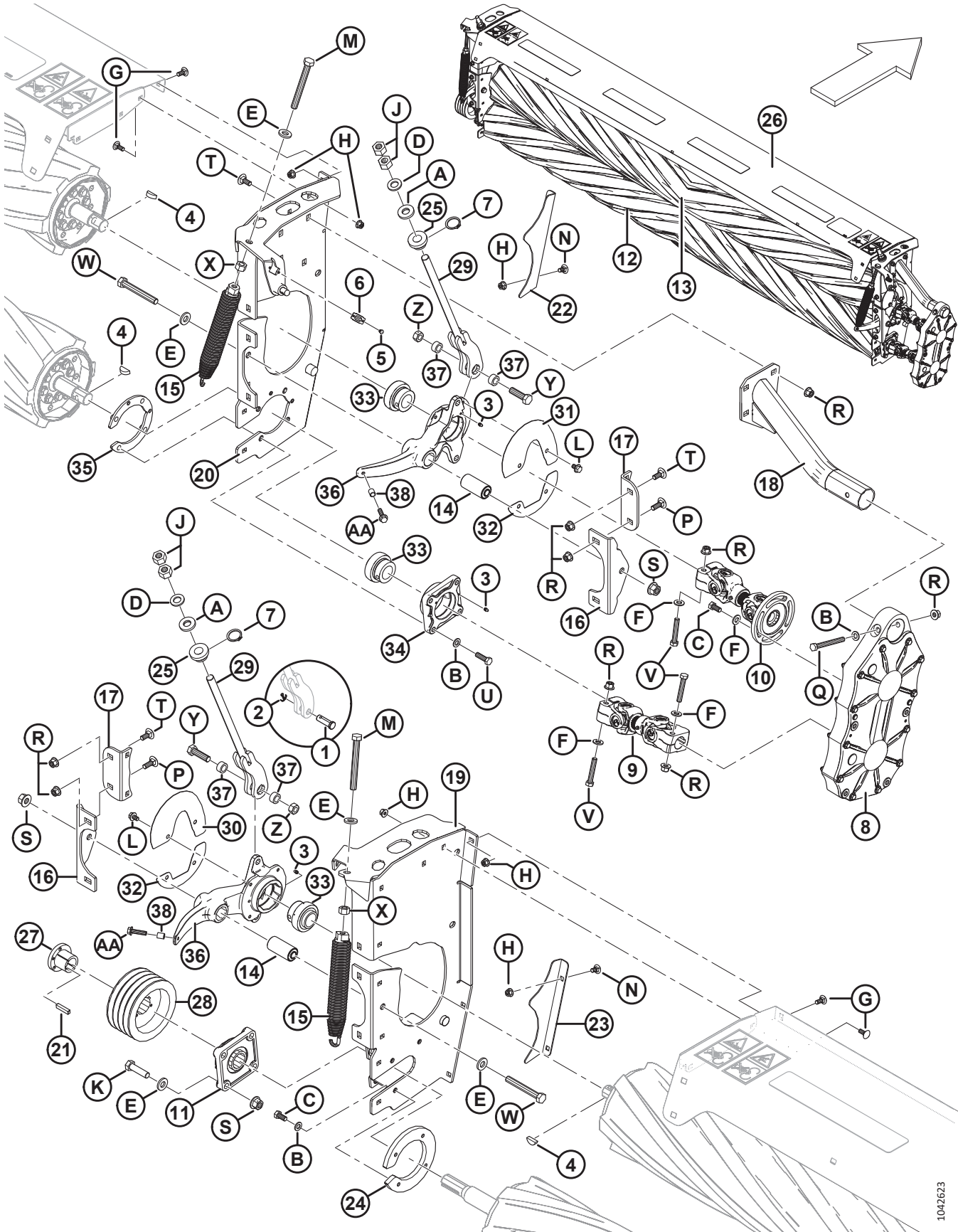
71. For polyurethane roll only.

72. Was previously steel lower roll (MD #307889), which has been superseded by steel lower roll (MD #259592). Order steel lower roll (MD #307889) until stock is depleted, then order steel lower roll (MD #259592).

73. For steel roll only.

74. Was previously cover (MD #246831), which has been superseded by cover (MD #256581). Order cover (MD #246831) until stock is depleted, then order cover (MD #256581).

ROLL CONDITIONER – POLYURETHANE/STEEL (2016 AND LATER)



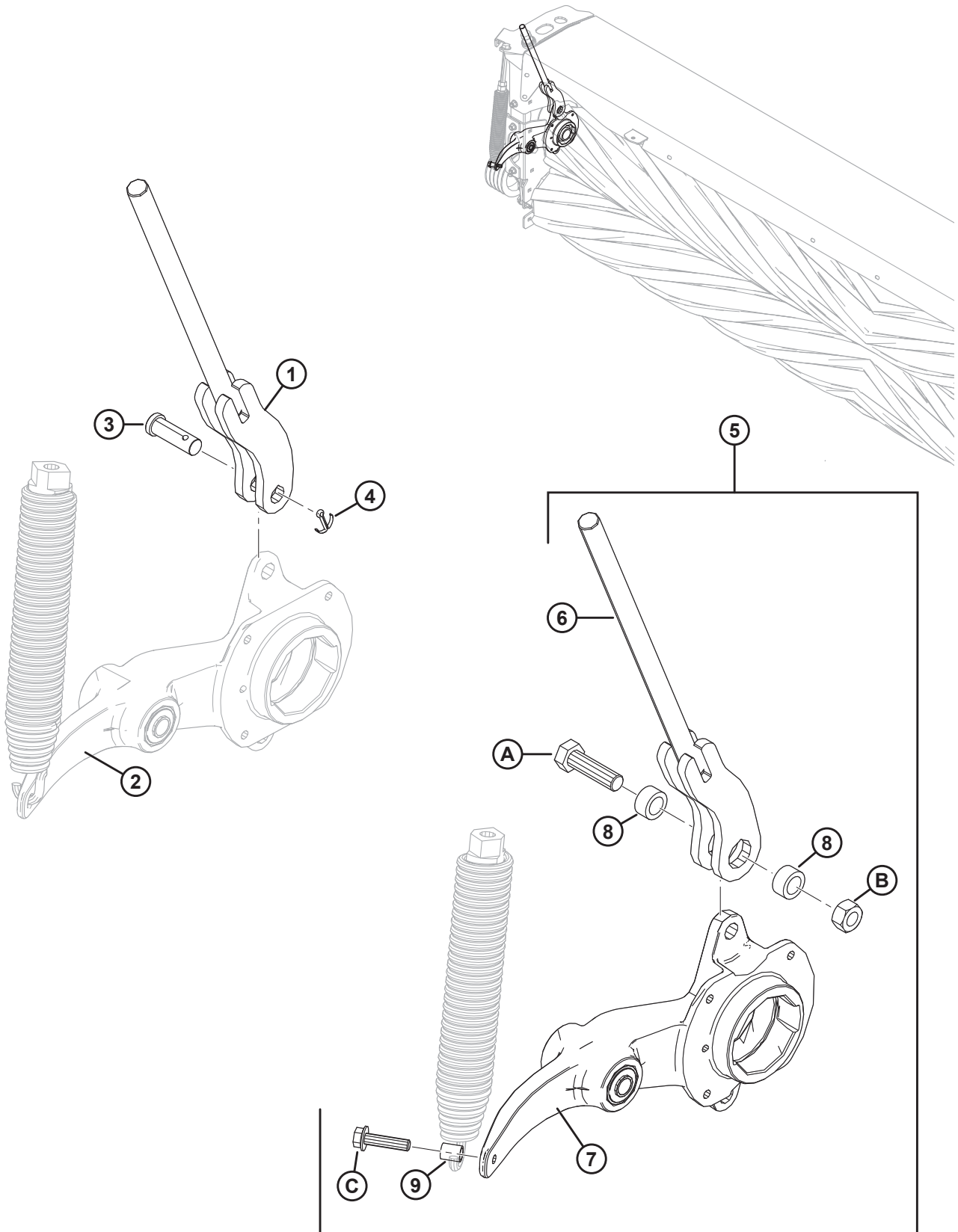
1042623

ROLL CONDITIONER – POLYURETHANE/STEEL (2016 AND LATER)

Ref	Part Number	Description	Qty	Serial Number
29	247259	STOP – WELDT ⁷⁵	2	285420–486189
	259621	STOP – WELDT ⁷⁶	2	486190–
30	247854	SHIELD – LH, W/ DECAL	1	285420–
31	247855	SHIELD – RH, W/ DECAL	1	285420–
32	247305	SHIELD – ROLL ARM, LOWER	2	285420–
33	247307	BEARING – SPH OD C/W COLLAR 1.5 IN BORE	3	285420–
34	247309	HOUSING – MACHINED	1	285420–
35	247420	PLATE – BRG HSG, FLOW DRILLED	1	285420–
36	259622	KIT – ROLL STOP W/ BUSHING R1 ⁷⁷	2	285420–486189
	359253	ARM – ROLL - C/W BUSHING ⁷⁸	2	486190–
37	325857	TUBE – PIVOT	4	486190–
38	338003	SPACER – ROLL ARM	2	486190–
A	16235	WASHER – FLAT		
B	184714	WASHER – FLAT REG M12-300HV-A3L		
C	50155	BOLT – HEX HD TFL M12 X 1.75 X 25-8.8-A3L		
D	320225	WASHER – HARD M20-300HV-ZINC		
E	320226	WASHER – HARD M16-300HV-ZINC		
F	135369	WASHER – HARDENED		
G	135785	BOLT – RHSN M10 X 1.5 X 25-8.8-A3L		
H	135799	NUT – HEX FLG CTR LOC M10 X 1.5-10-A3L		
J	136124	NUT – HEX M20 X 2.5-10-A3L		
K	184681	BOLT – HEX HD M16 X 2 X 50-8.8-AA1J		
L	136151	BOLT – HEX FLG HD TFL M10 X 1.5 X 16-8.8-A3L		
M	136172	BOLT – HEX HD TFL M16 X 2 X 140-8.8-A3L		
N	136178	BOLT – RHSN M10 X 1.5 X 20-8.8-A3L		
P	136291	BOLT – RHSN TFL M12 X 1.75 X 35-8.8-A3L		
Q	136423	BOLT – HEX HD M12 X 1.75 X 110-8.8-A3L		
R	136431	NUT – HEX FLG CTR LOC M12 X 1.75-10-A3L		
S	136440	NUT – HEX FLG CTR LOC M16 X 2-10-A3L		
T	184667	BOLT – RHSN M12 X 1.75 X 30-8.8-A3L		
U	184669	BOLT – HEX HD M12 X 1.75 X 40-8.8-A3L		
V	184675	BOLT – HEX HD M12 X 1.75 X 70-8.8-A3L		
W	184678	BOLT – HEX HD M16 X 2 X 120-8.8-A3L		
X	184699	NUT – HEX M16 X 2-8-A3L		
Y	136717	BOLT – HEX HD M16 X 2 X 55-10.9		486190–
Z	320208	NUT – HEX CTR LOCK M16 X 2-12-ZINC		486190–
AA	152947	BOLT – HEX FLG HD TFL M10 X 1.5 X 40-10.9-AA1J		486190–

75. Service part for model year 2023 and prior headers that haven't already been updated with roll stop kit (MD #259622). For information on the roll stop kit, refer to Section [16 Roll Conditioner – Roll Arms and Stops, page 49](#).
76. Used on model year 2024 and later headers.
77. If you are replacing the superseded roll arm (MD #247828) on model year 2023 and prior headers, you need to order Roll Stop kit (MD #259622), which includes roll arm (MD #359253), roll stop (MD #259621), and hardware. Roll stop (MD #247259) is **NOT** compatible with roll arm (MD #359253). For more information to identify which roll arm and roll stop your header currently has installed, refer to Section [16 Roll Conditioner – Roll Arms and Stops, page 49](#).
78. Includes roll arm (NSS), bolt (MD #152947), spacer (MD #338003), and two bushings (MD #222658).

16 Roll Conditioner – Roll Arms and Stops



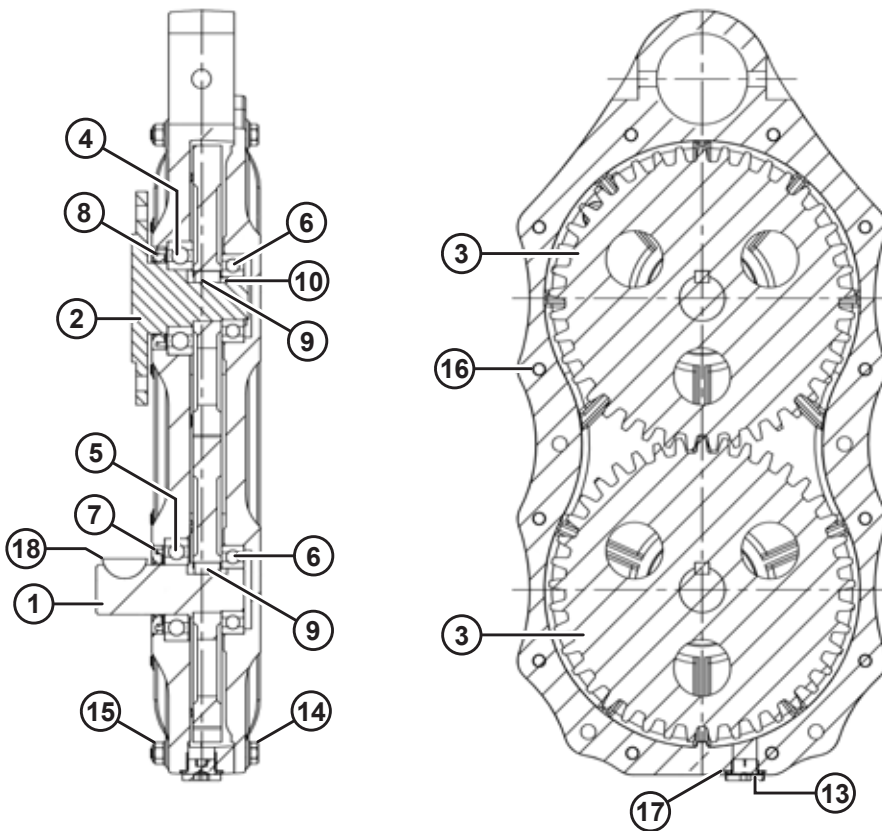
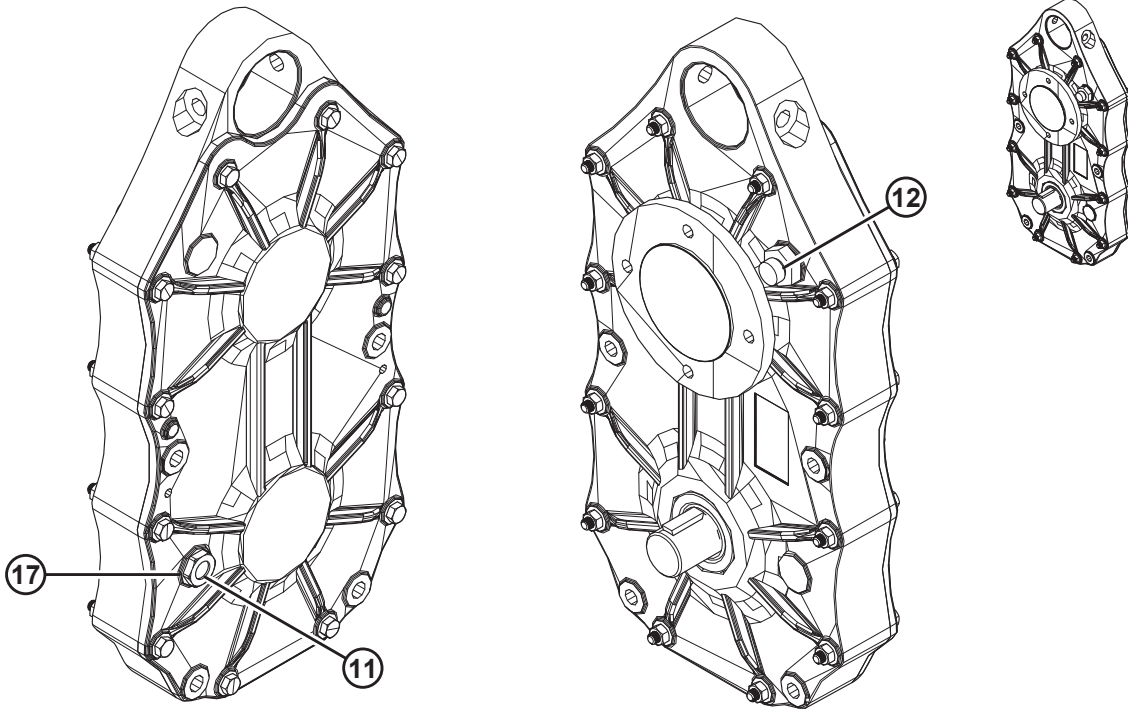
1042651

ROLL CONDITIONER – ROLL ARMS AND STOPS

Ref	Part Number	Description	Qty	Serial Number
1	247259	STOP – WELDT ⁷⁹	1	285420–486189
2	REF	ARM – ROLL, C/W BUSHING ⁸⁰	1	285420–486189
3	18620	PIN – CLEVIS ⁸¹	1	285420–486189
4	18648	PIN – COTTER 3/16 DIA X 1.25 ZP ⁸¹	1	285420–486189
5	259622	KIT – ROLL STOP W/ BUSHING R1 ⁸⁰	1	285420–486189
6	259621	STOP – WELDT ⁸²	1	486190–
7	359253	ARM – ROLL - C/W BUSHING ⁸³	1	486190–
8	325857	TUBE – PIVOT	2	486190–
9	338003	SPACER – ROLL ARM	1	486190–
A	136717	BOLT – HEX HD M16 X 2 X 55-10.9		486190–
B	320208	NUT – HEX CTR LOCK M16 X 2-12-ZINC		486190–
C	152947	BOLT – HEX FLG HD TFL M10 X 1.5 X 40-10.9-AA1J		486190–

-
79. Service part for model year 2023 and prior headers that haven't already been updated with roll stop kit (MD #259622). Stop (MD #247259) is secured to the roll arm using a clevis pin.
80. If you are replacing the superseded roll arm (MD #247828) on model year 2023 and prior headers, you need to order Roll Stop kit (MD #259622), which includes roll arm (MD #359253), roll stop (MD #259621), and hardware. The superseded roll arm is identified by the spring hooking directly into the hole in the arm.
81. Used on the model year 2023 and prior roll stop (MD #247259).
82. Used on model year 2024 and later headers. Stop MD #259621 is secured to the arm using a bolt, nut, and two bushings.
83. Includes roll arm (NSS), bolt (MD #152947), spacer (MD #338003), and two bushings (MD #222658). This roll arm is identified by the spring hooking around the bolt and spacer.

17 Roll Conditioner – Gear Drive Service Parts

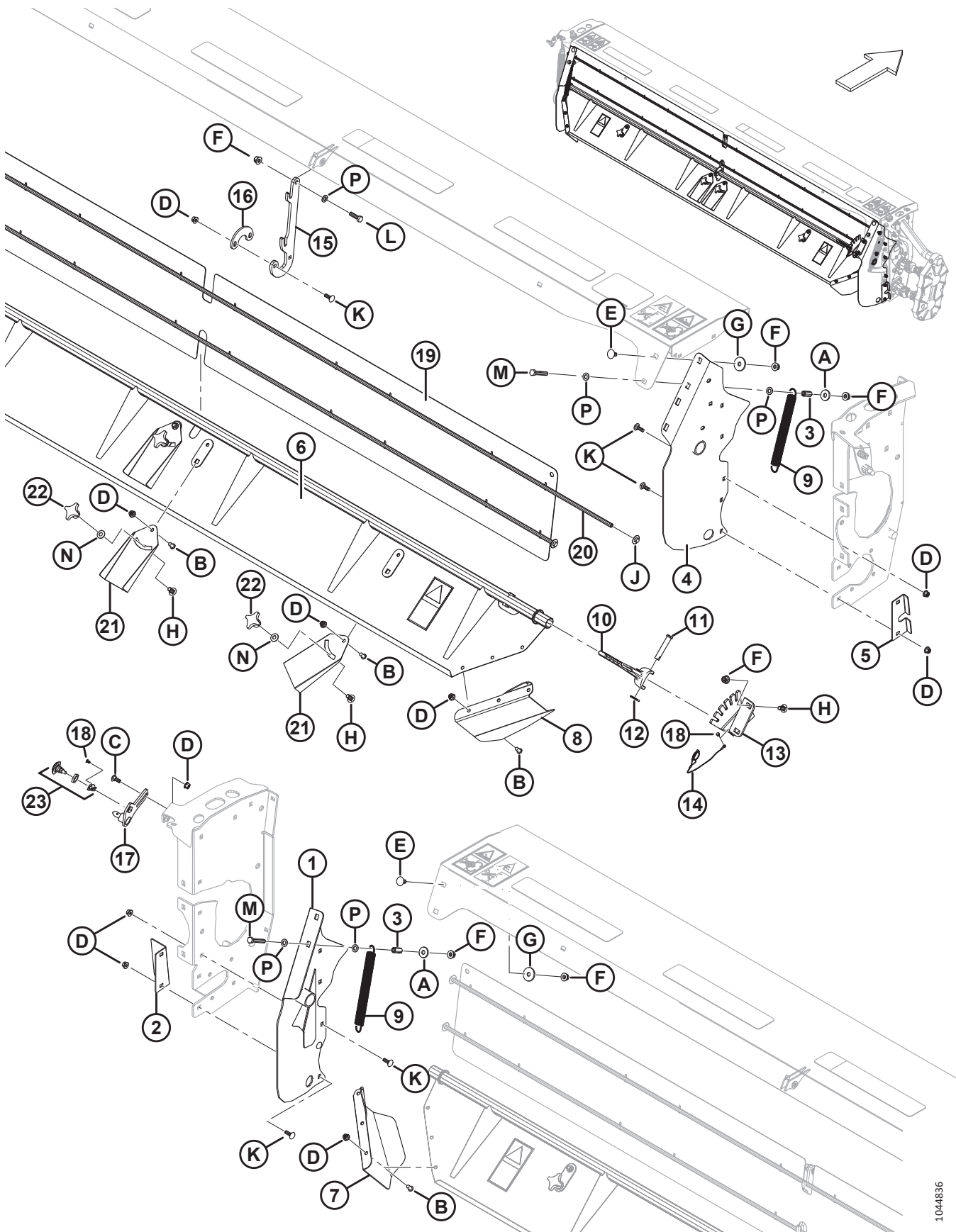


ROLL CONDITIONER – GEAR DRIVE SERVICE PARTS

Ref	Part Number	Description	Qty	Serial Number
	307211	DRIVE – GEAR (CONDITIONER ROLL TIMING) ⁸⁴		
1	247183	SHAFT – INPUT	1	
2	247184	SHAFT – OUTPUT, 4 BOLT FLANGE	1	
3	247185	GEAR – SPUR	2	
4	247186	BEARING – OUTPUT SHAFT	1	
5	247187	BEARING – INPUT SHAFT	1	
6	247188	BEARING	2	
7	247189	SEAL – INPUT SHAFT	1	
8	247190	SEAL – OUTPUT SHAFT	1	
9	247191	KEY – 10 X 8 X 18L, HARDENED	2	
10	247192	RING – SNAP	1	
11	247193	PLUG – OIL LEVEL, 1/2 BSPP	1	
12	247194	BREATHER – 1/2 BSPP	1	
13	247195	PLUG – DRAIN, 1/2 BSPP	1	
14	247196	BOLT – M8 X 70	12	
15	247197	NUT – M8	12	
16	247199	PIN – 6 X 12L	1	
17	247265	WASHER – 21.5 X 26 X 2T	1	
18	30836	KEY – WOODRUFF (3/8 X 1 1/4 NOM)	1	

84. Refer to Section 14 *Roll Conditioner – Polyurethane/Steel (2015)*, page 41 or 15 *Roll Conditioner – Polyurethane/Steel (2016 and Later)*, page 45.

18 Roll Conditioner – Shields



1044836

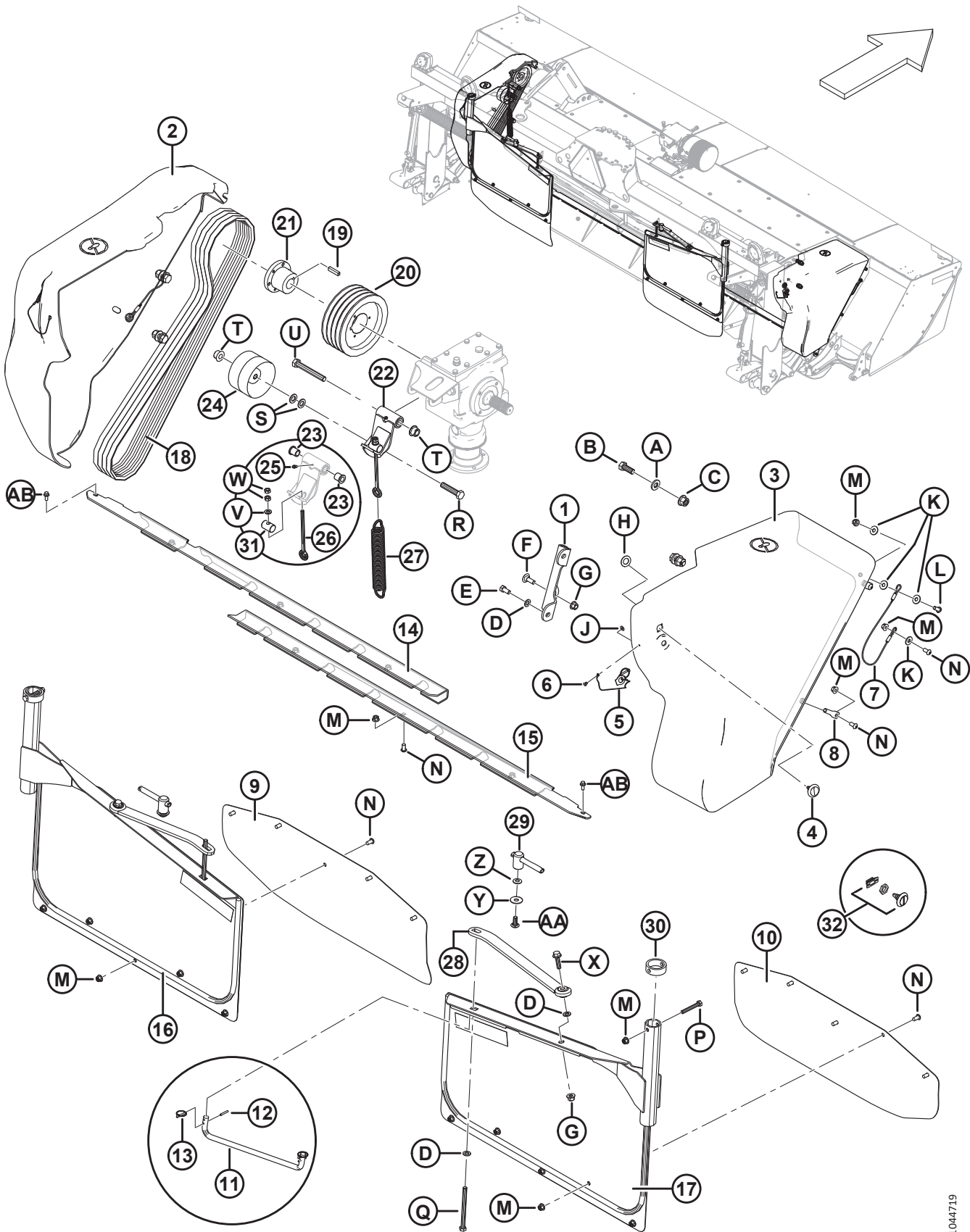
ROLL CONDITIONER – SHIELDS

Ref	Part Number	Description	Qty	Serial Number
1	281338	DEFLECTOR – LH WELDT	1	
2	224039	SHIELD – LH	1	
3	17675	SPACER	2	
4	281339	DEFLECTOR – RH WELDT	1	
5	223014	SHIELD – RH	1	
6	247576	BAFFLE – C/W DECALS, ROLL COND. ⁸⁵	1	
7	281582	DEFLECTOR – LH	1	
8	281583	DEFLECTOR – RH	1	
9	246175	SPRING – EXTENSION	2	
10	281818	HANDLE – BAFFLE, MACHINED	1	
11	19958	PIN – CLEVIS	1	
12	18648	PIN – COTTER 3/16 DIA X 1.25 ZP	1	
13	246224	BRACKET	1	
14	135945	LYNCH PIN – C/W LANYARD 3/16 PIN	1	
15	247323	HOOK – BAFFLE SUPPORT	1	
16	224977	PLATE	1	
17	246226	STUD – WELDMENT	1	
18	113799	RIVET – POP	2	
19	247275	CURTAIN – CONDITIONER	1	
20	247433	LINE – HYDRAULIC, 1/2 IN DIA., 3315 MM LG	2	
21	224869	FIN – BAFFLE	4	
22	246355	KNOB – PLASTIC, M12	4	
23	320524	ASSY – LATCH 3MM SLOT ⁸⁶	2	
A	4761	WASHER – FLAT		
B	135723	BOLT – BUTTON HD HEX SOCKET ZP M10 X 20		
C	135785	BOLT – RHSN M10 X 1.5 X 25-8.8-A3L		
D	135799	NUT – HEX FLG CTR LOC M10 X 1.5-10-A3L		
E	135903	BOLT – RHSN M12 X 1.75 X 25-8.8-A3L		
F	136431	NUT – HEX FLG CTR LOC M12 X 1.75-10-A3L		
G	166747	WASHER – FLAT, 12.95 MM ID, 45 MM OD, 4.5 MM THK		
H	152439	BOLT – RHSSN M12 X 1.75 X 25-8.8-A3L		
J	252219	NUT – PUSH ON CAP 1/2 STUD		
K	184662	BOLT – RHSN TFL M10 X 1.5 X 30-8.8-A3L		
L	184669	BOLT – HEX HD M12 X 1.75 X 40-8.8-A3L		
M	184675	BOLT – HEX HD M12 X 1.75 X 70-8.8-A3L		
N	184596	WASHER – CON SPRING M12 A STL SAE 1050-1075		
P	184714	WASHER – FLAT REG M12-300HV-A3L		

85. Includes decal (MD #190546).

86. Includes latch (NSS), tolerance clip (NSS), and latch nut (NSS).

19 Roll Conditioner – Header Attachment



ROLL CONDITIONER – HEADER ATTACHMENT

Ref	Part Number	Description	Qty	Serial Number
1	238054	BRACKET – LOWER GEAR BOX MOUNT	1	
2	259613	KIT – R1 SHIELD LH ⁸⁷	1	
3	259614	KIT – R1 SHIELD RH ⁸⁷	1	
4	135815	ASSY – LATCH 3 MM SLOT ⁸⁸	2	
5	246583	LYNCH PIN – C/W LANYARD 3/16 PIN	2	
6	113799	RIVET – POP	2	
7	224605	CABLE – SHIELD ANCHOR	2	
8	112624	PIN – RETAINER	2	
9	224762	SHIELD	1	
10	224761	SHIELD	1	
11	224986	ROD – ASSEMBLY (2015 ONLY) ⁸⁹	2	266820–285419
12	13617	PIN – SPRING 3/16 DIA X 1.25 LG (2015 ONLY) ⁸⁹	4	266820–285419
13	50193	PIN – LYNCH (2015 ONLY) ⁸⁹	4	266820–285419
14	256640	PLATE – DEFLECTOR, LH (2020 AND LATER) ⁹⁰	1	371190–
	256192	PLATE – DEFLECTOR, LH (2019 AND PRIOR) ⁹¹	1	–371189
15	256641	PLATE – DEFLECTOR, RH (2020 AND LATER) ⁹⁰	1	371190–
	256199	PLATE – DEFLECTOR, RH (2019 AND PRIOR) ⁹¹	1	–371189
16	223443	DEFLECTOR – LH ASSEMBLY, C/W REFLECTOR	1	
	115146	REFLECTOR – AMBER		
17	223444	DEFLECTOR – RH ASSEMBLY, C/W REFLECTOR	1	
	115146	REFLECTOR – AMBER		
18	222028	BELT – CONDITIONER DRIVE ⁹²	1	
19	246424	KEY – 10 MM X 8 MM X 45 MM	1	
20	246846	PULLEY – 4 HB	1	
21	246845	BUSHING	1	
22	281695	KIT – BELT TENSIONER ⁹³	1	
23	221997	BUSHING – FLANGED 16 X 22 X 25L	2	
24	149183	PULLEY – IDLER	1	
25	7782	FITTING – LUBRICATION 1/4-28 TAPER THD	1	
26	281986	BOLT – EYE, 192 MM LG ⁹⁴	1	
27	245966	SPRING – EXTENSION	1	

87. The kit includes washer (MD #5113), lynch pin (MD #246583), pop rivets (MD #113799), cable (MD #224605), and latch assembly (MD #320524).

88. Order latch (MD #135815) until stock is depleted; then order latch assembly (MD #320524), which includes latch (NSS), tolerance clip (NSS), and latch nut (NSS).

89. Model year 2015 only.

90. Used to service all model year 2020 and later R116.

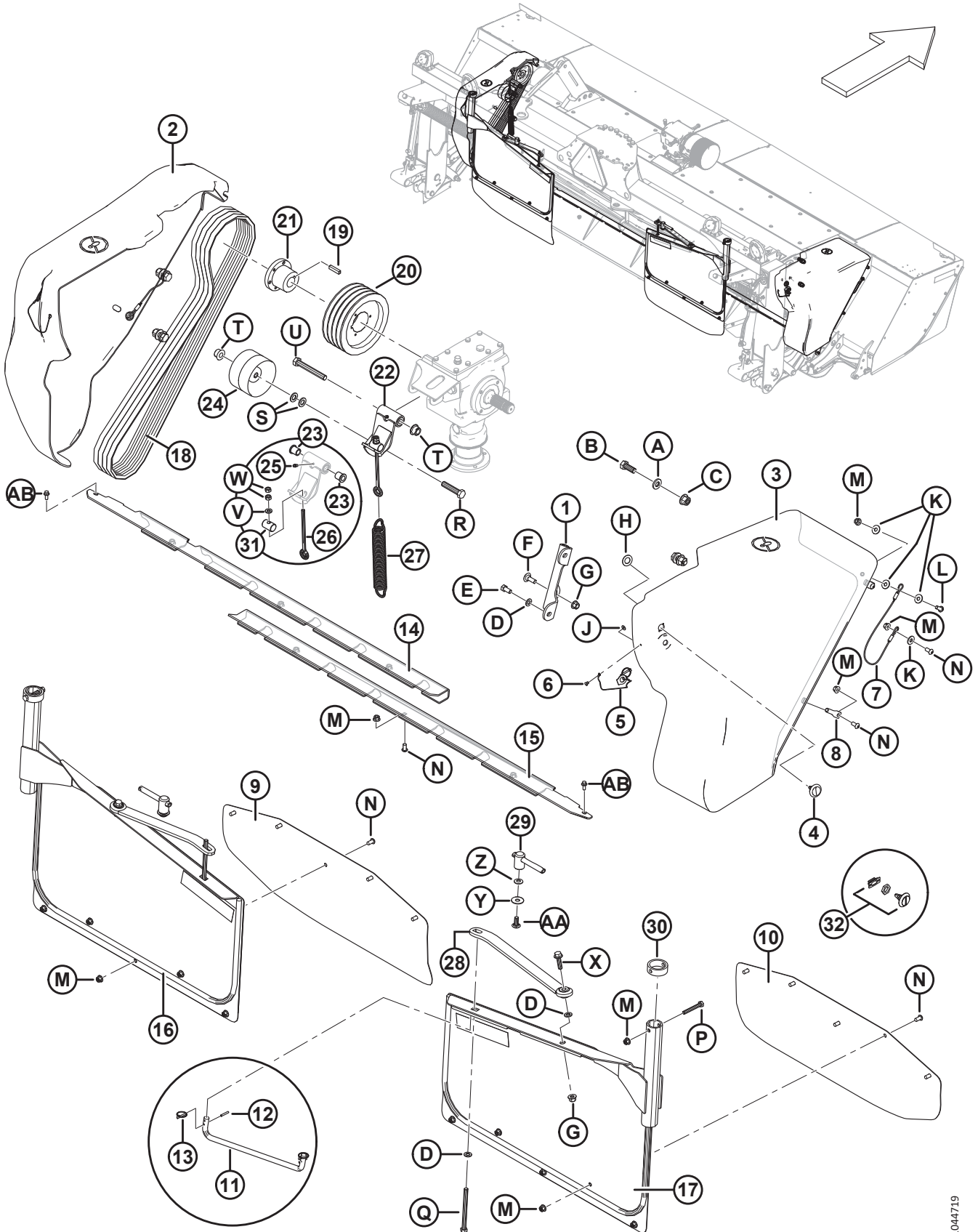
91. Used to service all R113, and model year 2019 and prior R116.

92. Matched set of four belts.

93. The kit includes tensioner weldment (NSS), two bushings (MD #221997), two hex nuts (MD #30505), washer (MD #30655), straight pin (MD #281644), grease fitting (MD #7782), grease decal (MD #23164), and 230 mm eye bolt (MD #281685). Use a 192 mm eye bolt (MD #281986) on a roll conditioner instead of the 230 mm eye bolt included in the kit.

94. Belt tensioner kit (MD #281695) includes a 230 mm eye bolt (MD #281685), but use the 192 mm eye bolt (MD #281986) on a roll conditioner.

ROLL CONDITIONER – HEADER ATTACHMENT



1044719

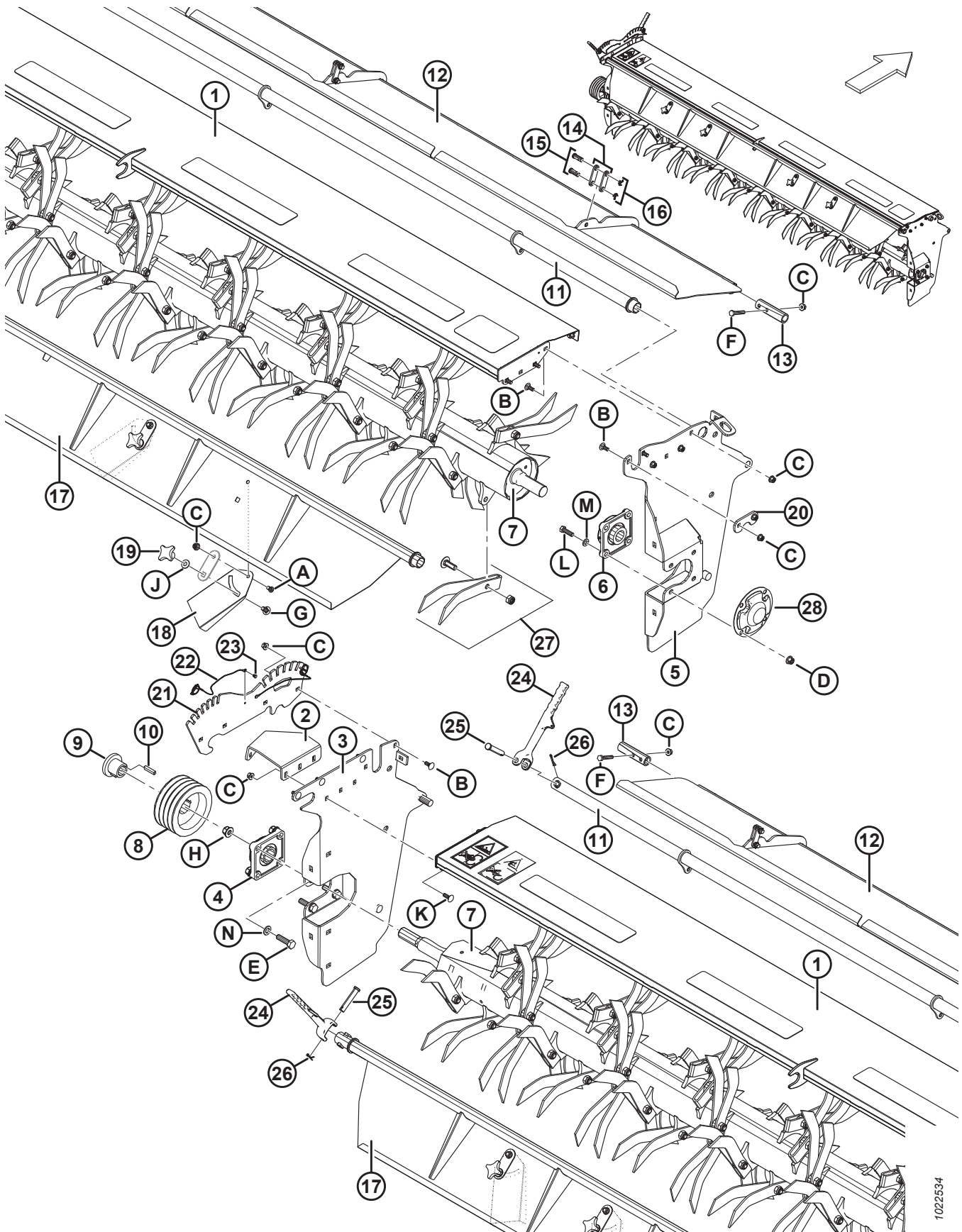
ROLL CONDITIONER – HEADER ATTACHMENT

Ref	Part Number	Description	Qty	Serial Number
28	247445	BAR – ADJUSTMENT, WELDMENT	2	
29	247693	HANDLE – ASSEMBLY	2	
30	257112	TUBE – CAP	2	
31	281644	PIN – STRAIGHT	1	
32	320524	ASSY – LATCH 3 MM SLOT ⁹⁵	2	
A	320226	WASHER – HARD M16-300HV-ZINC		
B	111528	BOLT – HEX HD TFL M16 X 2 X 40-8.8-A3L		
C	136440	NUT – HEX FLG CTR LOC M16 X 2-10-A3L		
D	184714	WASHER – FLAT REG M12-300HV-A3L		
E	50155	BOLT – HEX HD TFL M12 X 1.75 X 25-8.8-A3L		
F	136291	BOLT – RHSSN TFL M12 X 1.75 X 35-8.8-A3L		
G	136431	NUT – HEX FLG CTR LOC M12 X 1.75-10-A3L		
H	5113	WASHER – FLAT		
J	184701	WASHER – FLAT LARGE M5-200HV-A2L		
K	30635	WASHER – FLAT REG M10 ZP		
L	135852	SCREW – HEX SOC BTN HD M10 X 1.5 X 25-12.9-A3L		
M	135799	NUT – HEX FLG CTR LOC M10 X 1.5-10-A3L		
N	135723	BOLT – BUTTON HD HEX SOCKET ZP M10 X 20		
P	184659	BOLT – HEX HD M10 X 1.5 X 75-8.8-A3L		
Q	135696	BOLT – HEX HD M12 X 1.75 X 150-8.8-A3L		
R	181511	BOLT – HEX HD M16 X 2 X 75-10.9-A3L		
S	184717	WASHER – FLAT REG M16-200HV-A3L ⁹⁶		
T	152520	NUT – HEX FLG TECH LOC M16 X 2-10-A3L		
U	184678	BOLT – HEX HD M16 X 2 X 120-8.8-A3L		
V	30655	WASHER – HARDENED		
W	30505	NUT – HEX M10 X 1.5-10-A3L		
X	148799	BOLT – HEX FLG HD M12 X 1.75 X 45-10.9-A3L		
Y	32247	WASHER – FLAT		
Z	184596	WASHER – CON SPRING M12 A STL SAE 1050-1075		
AA	152702	BOLT – RHSSN M12 X 1.75 X 30-8.8-A3L		
AB	136300	BOLT – HEX FLG HD TFL M8 X 1.25 X 20-8.8-AA3L		371190–

95. Includes latch (NSS), tolerance clip (NSS), and latch nut (NSS).

96. Use one or two washers (MD #184717) between pulley (MD #149183) and tensioner weldment (NSS) as required to align the belt drive.

20 Finger Conditioner



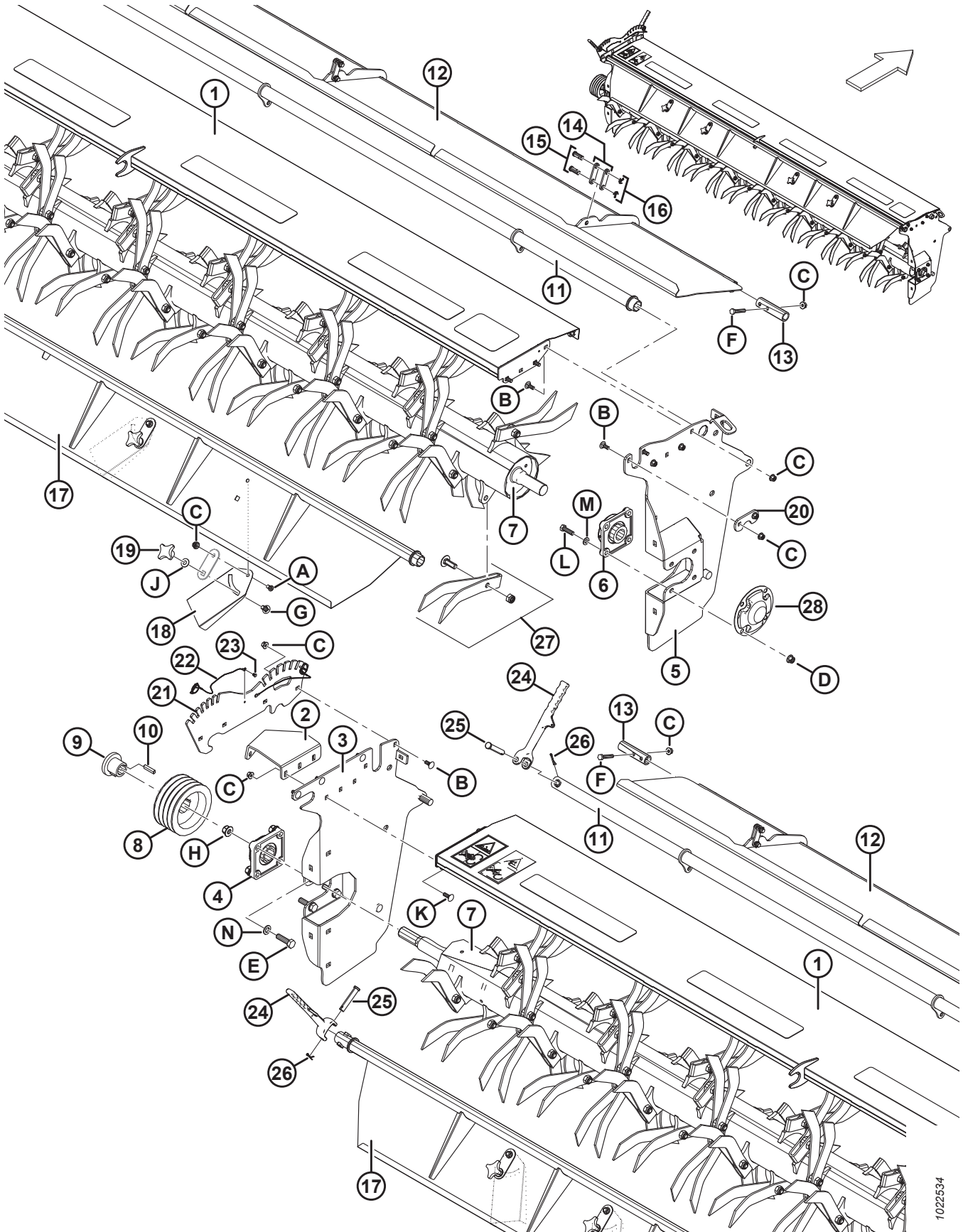
1022534

FINGER CONDITIONER

Ref	Part Number	Description	Qty	Serial Number
1	246841	ASSEMBLY – FINGER COVER C/W DECALS	1	
2	224560	BRACKET – LH	1	
3	224556	LH PANEL – C/W DECALS	1	
4	221769	HOUSING – FLANGED	1	
5	224557	RH PANEL – C/W DECALS	1	
6	221716	HOUSING – FLANGED	1	
7	281784	ASSEMBLY – FINGER ROTOR	1	
8	246847	PULLEY – 4 HB	1	
9	246844	BUSHING	1	
10	246424	KEY – 10 MM X 8 MM X 45 MM	1	
11	223370	TUBE – SUB WELDMENT	1	
12	223973	BAFFLE – WELDMENT, FINGER CONDITIONER	1	
13	223371	TUBE – DRILLED	2	
14	222042	PLATE – LINK	6	
15	187133	PIN – CLEVIS	6	
16	18605	PIN – COTTER 1/8 DIA X 1 ZP	6	
17	247575	BAFFLE – WELDMENT, C/W DECALS	1	
18	224869	FIN – BAFFLE	4	
19	246355	KNOB – PLASTIC, M12	4	
20	223500	PLATE	1	
21	247863	ASSEMBLY – BAFFLE ADJUSTMENT PLATE, C/W DECAL	1	
22	135945	LYNCH PIN – C/W LANYARD 3/16 PIN	2	
23	113799	RIVET – POP	2	
24	281818	HANDLE – BAFFLE, MACHINED	2	
25	19958	PIN – CLEVIS	2	
26	18648	PIN – COTTER 3/16 DIA X 1.25 ZP	2	
27	281782	KIT – FLAIL FINGER WITH HW ⁹⁷	A/R	
	281783	FINGER – CONDITIONER		
	281780	BOLT – RH SHLDR M14 X 2 X 40-12.9		
	281781	NUT – HEX NYLOC M14 CLASS 8		
28	247684	COVER	1	
A	135723	BOLT – BUTTON HD HEX SOCKET ZP M10 X 20		
B	135785	BOLT – RHSN M10 X 1.5 X 25-8.8-A3L		
C	135799	NUT – HEX FLG CTR LOC M10 X 1.5-10-A3L		
D	136431	NUT – HEX FLG CTR LOC M12 X 1.75-10-A3L		
E	184681	BOLT – HEX HD M16 X 2 X 50-8.8-AA1J		
F	152193	BOLT – HEX HD M10 X 1.5 X 55 X 8.8-A3L		
G	152439	BOLT – RHSSN M12 X 1.75 X 25-8.8-A3L		
H	136440	NUT – HEX FLG CTR LK M16 X 2-10-AA1J		
J	184596	WASHER – CON SPRING M12A STL SAE 1050-1075		
K	184662	BOLT – RHSN TFL M10 X 1.5 X 30-8.8-A3L		

97. The kit includes six conditioner fingers (MD #281783), six M14 shoulder bolts (MD #281780), and six M14 hex nuts (MD #281781).

FINGER CONDITIONER

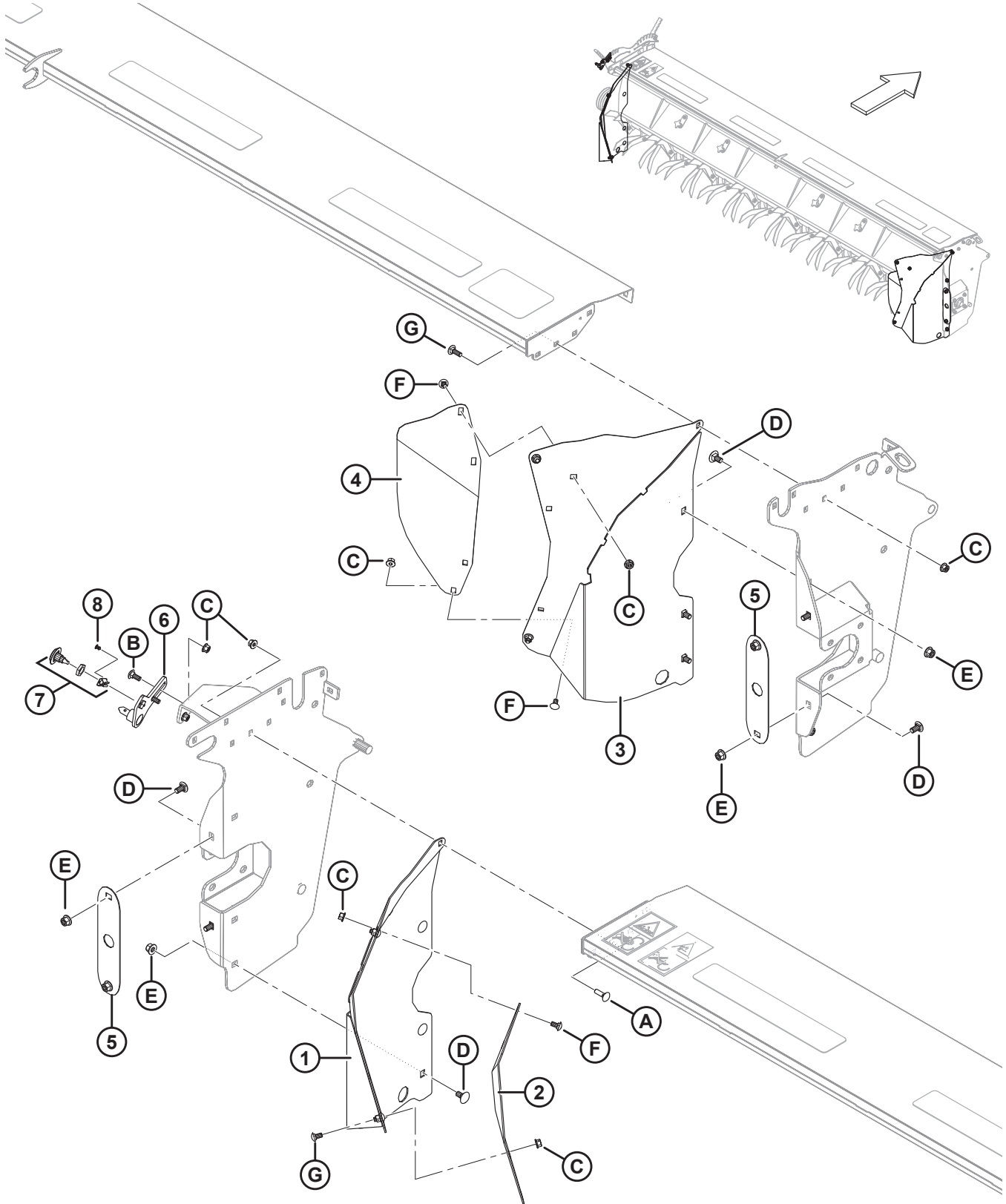


1022534

FINGER CONDITIONER

Ref	Part Number	Description	Qty	Serial Number
L	136881	BOLT – HEX HD M12 X 1.75 X 45-10.9-A3L		
M	184714	WASHER – FLAT REG M12-300HV-A3L		
N	184717	WASHER – FLAT REG M16-200HV-A3L		

21 Finger Conditioner – Shields



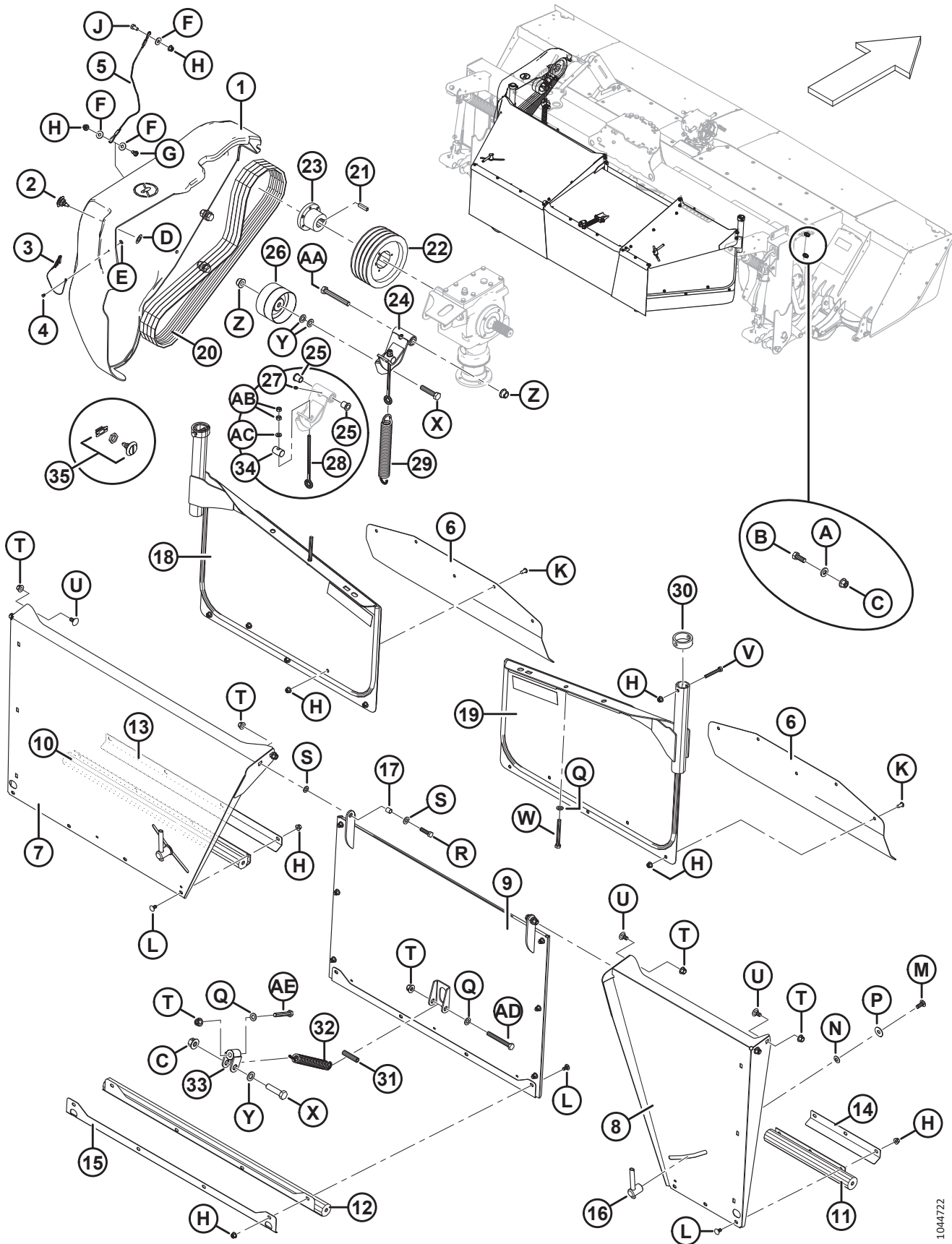
1044840

FINGER CONDITIONER – SHIELDS

Ref	Part Number	Description	Qty	Serial Number
1	224861	DEFLECTOR – LH WELDMENT	1	
2	246363	EXTENSION – DEFLECTOR, LH	1	
3	224862	DEFLECTOR – RH WELDMENT	1	
4	246364	EXTENSION – DEFLECTOR, RH	1	
5	223889	PLATE – SHIELD	2	
6	246226	STUD – WELDMENT	1	
7	320524	ASSY – LATCH 3MM SLOT ⁹⁸	2	
8	113799	RIVET – POP	2	
A	135691	BOLT – RHSN TFL M10 X 1.5 X 35-8.8-A3L		
B	135785	BOLT – RHSN M10 X 1.5 X 25-8.8-A3L		
C	135799	NUT – HEX FLG CTR LOC M10 X 1.5-10-A3L		
D	135903	BOLT – RHSN M12 X 1.75 X 25-8.8-A3L		
E	136431	NUT – HEX FLG CTR LOC M12 X 1.75-10-A3L		
F	184657	BOLT – RHSSN M10 X 1.5 X 20-8.8-A3L		
G	184662	BOLT – RHSN TFL M10 X 1.5 X 30-8.8-A3L		

98. Includes latch (NSS), tolerance clip (NSS), and latch nut (NSS).

22 Finger Conditioner – Header Attachment



1044722

FINGER CONDITIONER – HEADER ATTACHMENT

Ref	Part Number	Description	Qty	Serial Number
1	259613	KIT – R1 SHIELD LH ⁹⁹	1	
2	135815	ASSY – LATCH 3 MM SLOT ¹⁰⁰	1	
3	246583	LYNCH PIN – C/W LANYARD 3/16 PIN	1	
4	113799	RIVET – POP	1	
5	224605	CABLE – SHIELD ANCHOR	1	
6	224892	SHIELD – EXTENSION	2	
7	247971	COVER – TOP LH, C/W DECAL	1	
8	247572	COVER – RH, C/W DECAL	1	
9	259294	COVER – DOOR, C/W DECAL	1	
10	247374	SHIELD – LH CURTAIN	1	
11	246023	SHIELD – CURTAIN, RH	1	
12	247373	SHIELD – CURTAIN, CENTER	1	
13	247377	PLATE – CLAMP, LH	1	
14	246013	PLATE – CLAMP, RH	1	
15	247376	PLATE – CLAMP, CENTER	1	
16	247693	HANDLE – ASSEMBLY	2	
17	224313	SPACER	2	
18	223443	DEFLECTOR – LH ASSEMBLY, C/W REFLECTOR	1	
	115146	REFLECTOR – AMBER		
19	223444	DEFLECTOR – RH ASSEMBLY, C/W REFLECTOR	1	
	115146	REFLECTOR – AMBER		
20	222029	BELT – FLAIL CONDITIONER DRIVE	1	
21	246424	KEY – 10 MM X 8 MM X 45 MM	1	
22	246846	PULLEY – 4 HB	1	
23	246845	BUSHING	1	
24	281695	KIT – BELT TENSIONER ¹⁰¹	1	
25	221997	BUSHING – FLANGED 16 X 22 X 25L	2	
26	149183	PULLEY – IDLER	1	
27	7782	FITTING – LUBRICATION 1/4-28 TAPER THD	1	
28	281685	BOLT – EYE	1	
29	245966	SPRING – EXTENSION	1	
30	257112	TUBE – CAP	2	
31	247634	SPACER (2015 ONLY)	1	272420-285419
32	9423	SPRING – EXTENSION, 216 MM LG, 35 MM DIA	1	
33	247631	JOINT – WELDMENT	1	
34	281644	PIN – STRAIGHT	1	
35	320524	ASSY – LATCH 3 MM SLOT ¹⁰²	1	

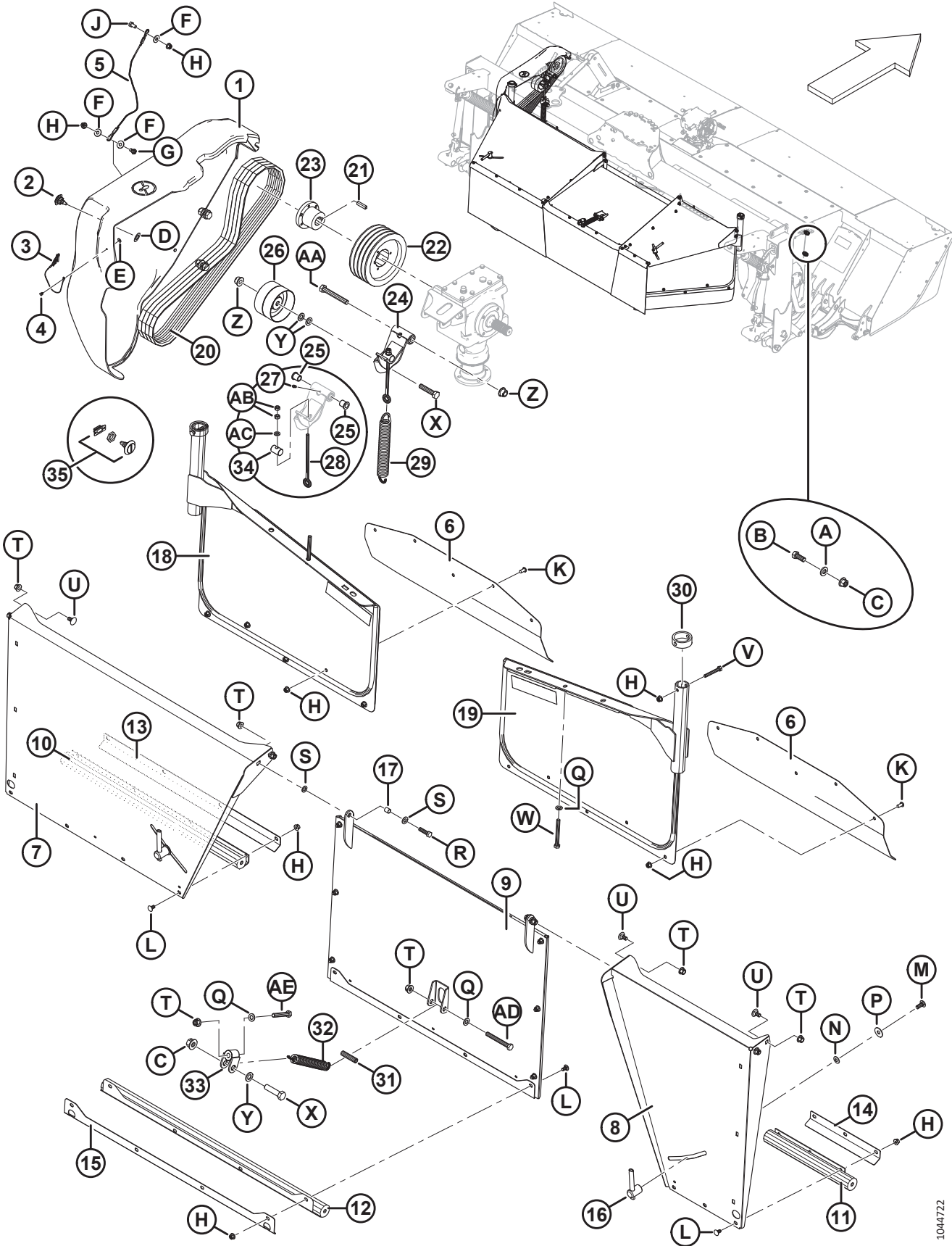
99. The kit includes washer (MD #5113), lynch pin (MD #246583), pop rivets (MD #113799), cable (MD #224605), and latch assembly (MD #320524).

100. Order latch (MD #135815) until stock is depleted; then order latch assembly (MD #320524), which includes latch (NSS), tolerance clip (NSS), and latch nut (NSS).

101. The kit includes tensioner weldment (NSS), two bushings (MD #221997), two hex nuts (MD #30505), washer (MD #30655), straight pin (MD #281644), grease fitting (MD #7782), grease decal (MD #23164), and 230 mm eye bolt (MD #281685).

102. Includes latch (NSS), tolerance clip (NSS), and latch nut (NSS).

FINGER CONDITIONER – HEADER ATTACHMENT



1044722

FINGER CONDITIONER – HEADER ATTACHMENT

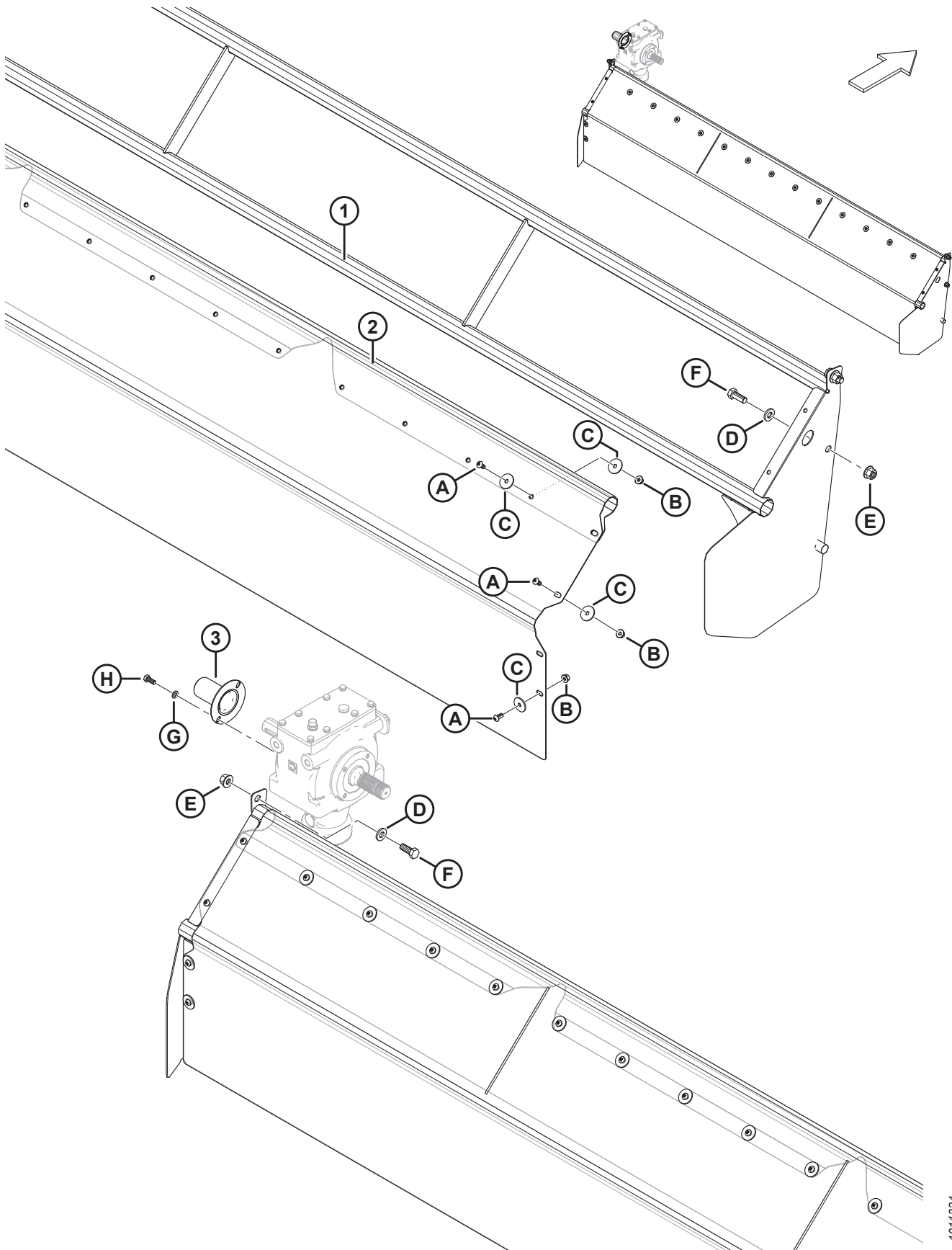
Ref	Part Number	Description	Qty	Serial Number
A	320226	WASHER – HARD M16-300HV-ZINC		
B	111528	BOLT – HEX HD TFL M16 X 2 X 40-8.8-A3L		
C	136440	NUT – HEX FLG CTR LOC M16 X 2-10-A3L		
D	5113	WASHER – FLAT		
E	184701	WASHER – FLAT LARGE M5-200HV-A2L		
F	30635	WASHER – FLAT REG M10 ZP		
G	135852	SCREW – HEX SOC BTN HD M10 X 1.5 X 25-12.9-A3L		
H	135799	NUT – HEX FLG CTR LOC M10 X 1.5-10-A3L		
J	136148	BOLT – HEX HD TFL M10 X 1.5 X 20-8.8-BO		
K	135723	BOLT – BUTTON HD HEX SOCKET ZP M10 X 20		
L	184657	BOLT – RHSSN M10 X 1.5 X 20-8.8-A3L		
M	152702	BOLT – RHSSN M12 X 1.75 X 30-8.8-A3L		
N	184596	WASHER – CON SPRING M12A STL SAE 1050-1075		
P	32247	WASHER – FLAT		
Q	184717	WASHER – FLAT REG M16-200HV-AA1J (2016 AND LATER) ¹⁰³		285420–
	184714	WASHER – FLAT REG M12-300HV-A3L (2015 ONLY) ¹⁰⁴		266820–285419
R	136881	BOLT – HEX HD M12 X 1.75 X 45-10.9-A3L		
S	135369	WASHER – HARDENED		
T	136440	NUT – HEX FLG CTR LOC M16 X 2-10-A3L (2016 AND LATER) ¹⁰³		285420–
	136431	NUT – HEX FLG CTR LOC M12 X 1.75-10-A3L (2015 ONLY) ¹⁰⁴		266820–285419
U	135903	BOLT – RHSN M12 X 1.75 X 25-8.8-A3L		
V	184659	BOLT – HEX HD M10 X 1.5 X 75-8.8-A3L		
W	136423	BOLT – HEX HD M12 X 1.75 X 110-8.8-A3L		
X	181511	BOLT – HEX HD M16 X 2 X 75-10.9-A3L		
Y	184717	WASHER – FLAT REG M16-200HV-A3L ¹⁰⁵		
Z	152520	NUT – HEX FLG TECH LOC M16 X 2-10-A3L		
AA	184678	BOLT – HEX HD M16 X 2 X 120-8.8-A3L		
AB	30505	NUT – HEX M10 X 1.5-10-A3L		
AC	30655	WASHER – HARDENED		
AD	197161	BOLT – HEX HD M16 X 2.0 X 100-8.8-A3L (2016 AND LATER) ¹⁰³		285420–
	184672	BOLT – HEX HD M12 X 1.75 X 100-10.9-A3L (2015 ONLY) ¹⁰⁴		266820–285419
AE	184675	BOLT – HEX HD M12 X 1.75 X 70-8.8-A3L		

103. Model year 2016 and later.

104. Model year 2015 only.

105. Use one or two washers (MD #184717) between pulley (MD #149183) and tensioner weldment (NSS) as required to align the belt drive.

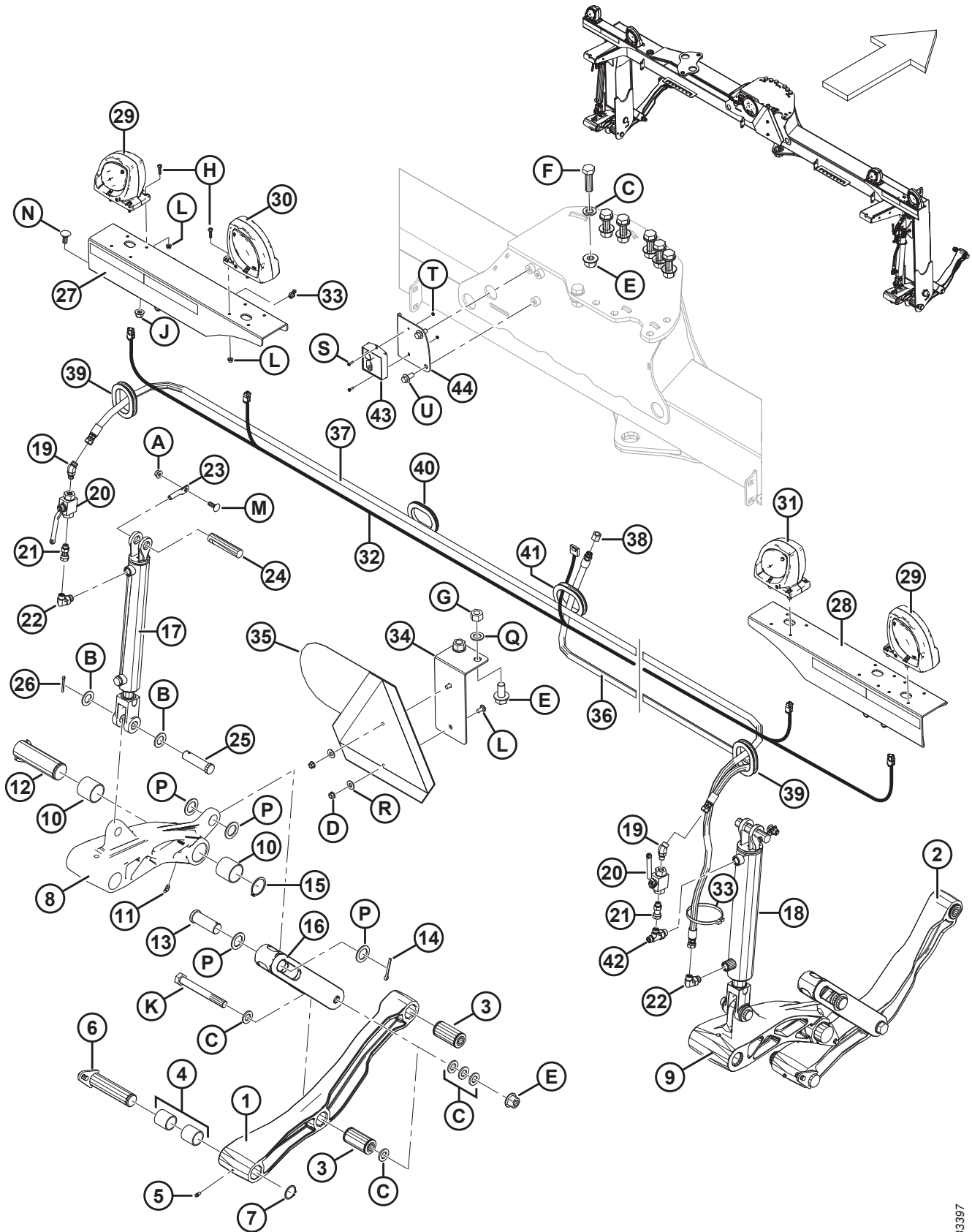
23 No Conditioner Option – Shields



NO CONDITIONER OPTION – SHIELDS

Ref	Part Number	Description	Qty	Serial Number
1	224327	FRAME – NO COND SHIELDS, WELDMENT	1	
2	224320	SHIELD – CURTAIN	1	
3	246581	COVER – SHAFT	1	
A	135723	BOLT – BUTTON HD HEX SOCKET ZP M10 X 20		
B	135799	NUT – HEX FLG CTR LOC M10 X 1.5-10-A3L		
C	136428	WASHER – FLAT LARGE M10-200HV-A3L		
D	320226	WASHER – HARD M16-300HV-ZINC		
E	136440	NUT – HEX FLG CTR LOC M16 X 2-10-A3L		
F	111528	BOLT – HEX HD TFL M16 X 2 X 40-8.8-A3L		
G	184712	WASHER – FLAT LARGE M10-200HV-A3L		
H	30627	BOLT – HEX HD TFL M10 X 1.5 X 25-8.8-A3L		

24 Carrier Frame Components



CARRIER FRAME COMPONENTS

NOTE:

For specific electrical harness parts, refer to Electrical Connector Parts Catalog (MD #169641).

Ref	Part Number	Description	Qty	Serial Number
1	223333	ASSEMBLY – LH LIFT ARM ¹⁰⁶	1	
2	223334	ASSEMBLY – RH LIFT ARM ¹⁰⁶	1	
3	246198	BUSHING – RUBBER	4	
4	281457	BUSHING	4	
5	7782	FITTING – LUBRICATION 1/4-28 TAPER THD	2	
6	247800	PIN – WELDT, LIFT ARM	2	
7	247110	RING – RETAINING EXTERNAL, PLATED	2	
8	238178	ASSEMBLY – WHEEL ARM LH ¹⁰⁷	1	
9	238179	ASSEMBLY – WHEEL ARM RH ¹⁰⁷	1	
10	281458	BUSHING – WHEEL ARM	4	
11	21301	FITTING – LUBRICATION, 45°	2	
12	247801	PIN – WELDT, WHEEL ARM	2	
13	281101	PIN – CLEVIS	2	
14	18609	PIN – COTTER 1/4 DIA X 2 ZP	2	
15	247111	RING – EXT RETAINING, PLATED	2	
16	223321	LINK – FLOAT, CAST	2	
17	223427	CYLINDER – HYDRAULIC (LH) ¹⁰⁸	1	
	247015	SEAL KIT		
	320289	BREATHER – #8 ORB		
18	223425	CYLINDER – HYDRAULIC (RH) ¹⁰⁹	1	
	247014	SEAL KIT		
19	136144	FITTING – ELBOW 45° HYD	2	
	50219	O-RING – SAE #6		
	135865	O-RING – #6 ORFS		
20	238222	VALVE – BALL	2	
21	136147	FITTING – CONNECTOR HYD	2	
	50219	O-RING – SAE #6		
22	136149	FITTING – ELBOW 90° HYD C/W O-RING	2	
	44209	O-RING – SAE #8		
	135865	O-RING – #6 ORFS		
23	112624	PIN – RETAINER	2	
24	142376	PIN – CYLINDER	2	
25	102265	PIN – CLEVIS	2	
26	18608	PIN – COTTER 3/16 DIA X 1.5 ZP	2	
27	223181	BRACKET – LIGHT, LH ¹¹⁰	1	
28	223180	BRACKET – LIGHT, RH ¹¹⁰	1	

106. Includes rubber bushing (MD #246198), bushing (MD #281457), and lube fitting (MD #7782).

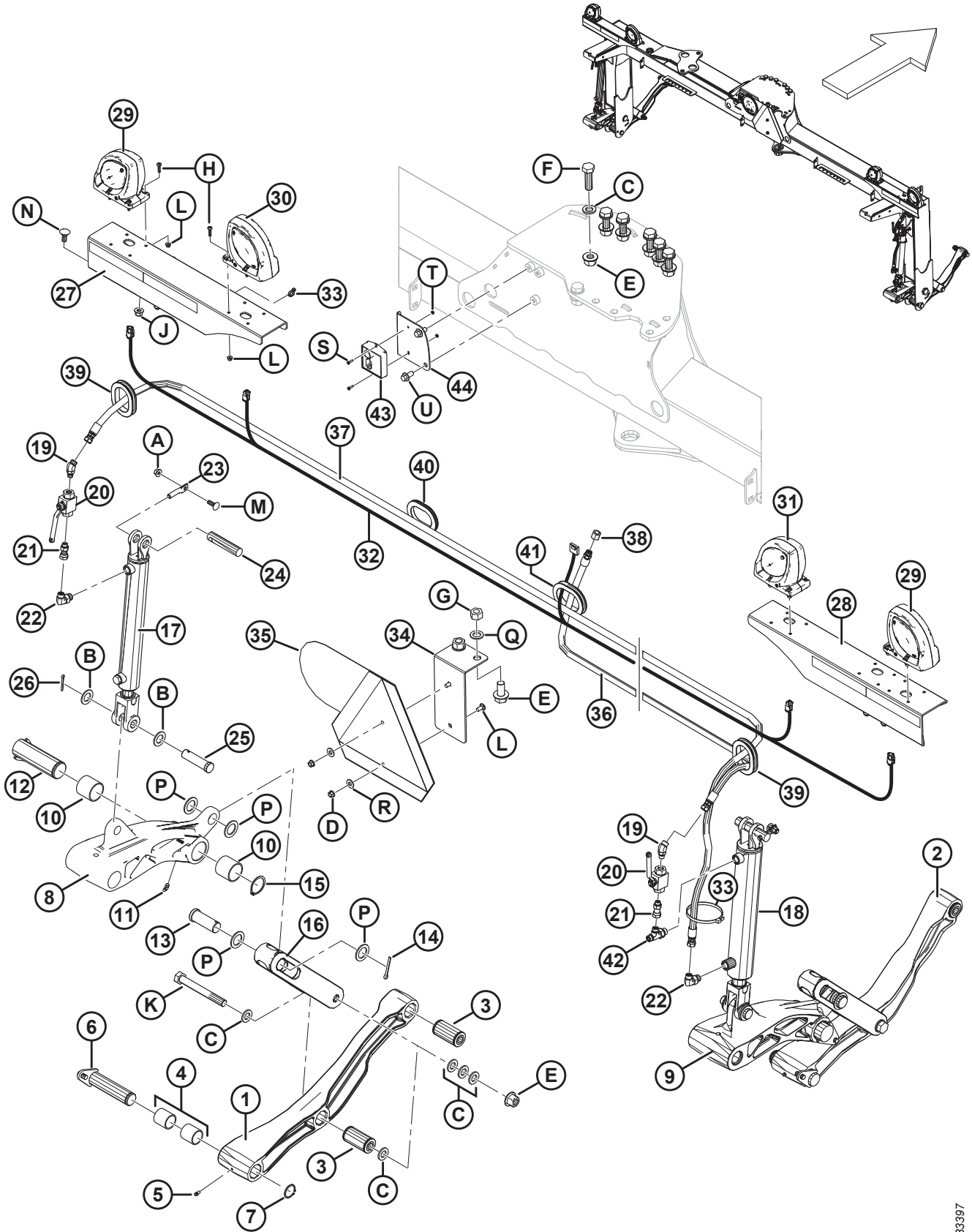
107. Includes two bushings (MD #281458) and lube fitting (MD #21301). For model year 2020 and prior units, a new spindle (MD #238193) must also be ordered when servicing LH or RH wheel arm assemblies.

108. LH cylinder; hose (MD #247106) is required if Road Friendly Transport™ is installed.

109. RH cylinder.

110. Includes reflectors (MD #115145, 115147).

CARRIER FRAME COMPONENTS



1033397

CARRIER FRAME COMPONENTS

Ref	Part Number	Description	Qty	Serial Number
29	203547	LAMP – CLEARANCE, DT CONNECTOR	2	
30	203548	LAMP – LH TAIL, DT CONNECTOR	1	
31	203549	LAMP – RH TAIL, DT CONNECTOR	1	
32	281613	HARNESS – WIRING, LAMPS	1	321190–
	247883	HARNESS – WIRING, LAMPS ¹¹¹	1	–321189
33	21763	FASTENER – CABLE TIE (BLACK)	6	
34	259201	SUPPORT – SMV, SIS (2019 AND LATER) ¹¹²	1	346190–
	223537	SUPPORT – SMV (2018 AND PRIOR) ¹¹³	1	–346189
35	258262	ASSY – BRACKET W/ SMV AND SIS ¹¹⁴	1	346190–
36	224166	HOSE – HYD, 2800 MM LG	1	
37	224167	HOSE – HYD, 4925 MM LG	1	
38	136325	CAP – HYD SAE, 6 ORFS	1	
39	223543	SEAL – EDGE TRIM	2	
40	223544	SEAL – EDGE TRIM	1	
41	223545	SEAL – EDGE TRIM	1	
42	136453	FITTING – TEE HYD	1	
43	281700	MODULE – TRANSPORT LIGHTING ¹¹⁵	1	321190–
44	281813	SUPPORT – MODULE ¹¹⁵	1	321190–
A	50101	NUT – HEX FLG STVR LOC M10 X 1.5-10-A3L		
B	156743	WASHER – FLAT		
C	112130	WASHER – HARDENED		
D	135799	NUT – HEX FLG CTR LOC M10 X 1.5-10		
E	136122	NUT – HEX FLG CTR LOC M20 X 2.5-10-AA1J		
F	136157	BOLT – HEX HD M20 X 2.5 X 65-10.9-A3L		
G	136124	NUT – HEX M20 X 2.5-10-AA1J		
H	136252	SCREW – PAN HD M6 X 25 X 8-4.8-H-A2L		
J	136431	NUT – HEX FLG CTR LOC M12 X 1.75-10-A3L		
K	136650	BOLT – HEX HD M20 X 2.5 X 170-8.8-A3L		
L	184657	BOLT – RHSSN M10 X 1.5 X 20-8.8-AA1J		
M	184662	BOLT – RHSN TFL M10 X 1.5 X 30-8.8-A3L		
N	184667	BOLT – RHSN M12 X 1.75 X 30-8.8-A3L		
P	146487	WASHER – HARDENED FLAT 1 1/4 NOM. ID		
Q	136477	WASHER – FLAT REG M20 - 200HV		
R	18670	WASHER – FLAT SAE 7/16 ID X 1.0 IN OD AA1J		
S	136313	SCREW – PAN HD M4 X 0.7X16-4.8-AA1J		
T	30855	NUT – HEX M4 X 0.7-8-AA1J		
U	136399	BOLT – HEX FLG HD TFL M12 X 1.75 X 25-8.8-AA1J		

111. Service part only for units made prior to 2018. For units made in 2018 and later, order MD #281613.

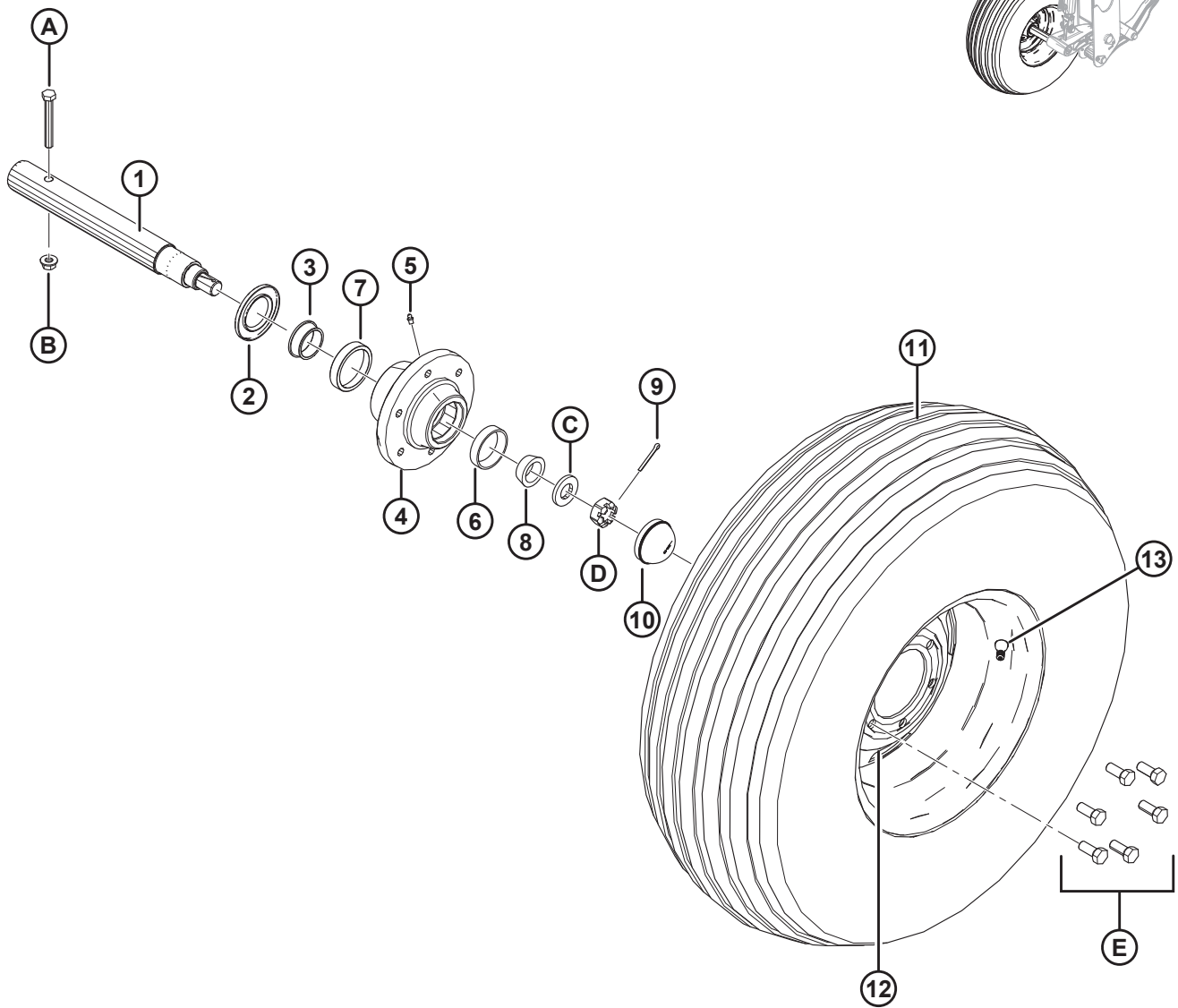
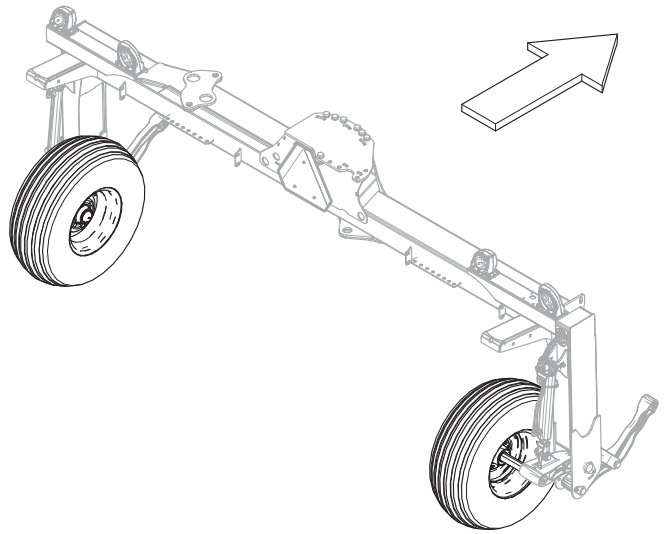
112. Model year 2019 and later.

113. Model year 2018 and prior.

114. Assembly includes SMV decal MD #115148. For SIS decals, refer to Section [32 Decals and Reflectors, page 93](#).

115. Transport lighting module (MD #281700) and support (MD #281813) are installed on model year 2018 and later units only. For model year 2017 and prior units, transport lighting module (MD #171068) is installed on the hitch. Refer to Section [28 Hitch – Hydraulic/Electrical, page 81](#).

25 Carrier Wheels



CARRIER WHEELS

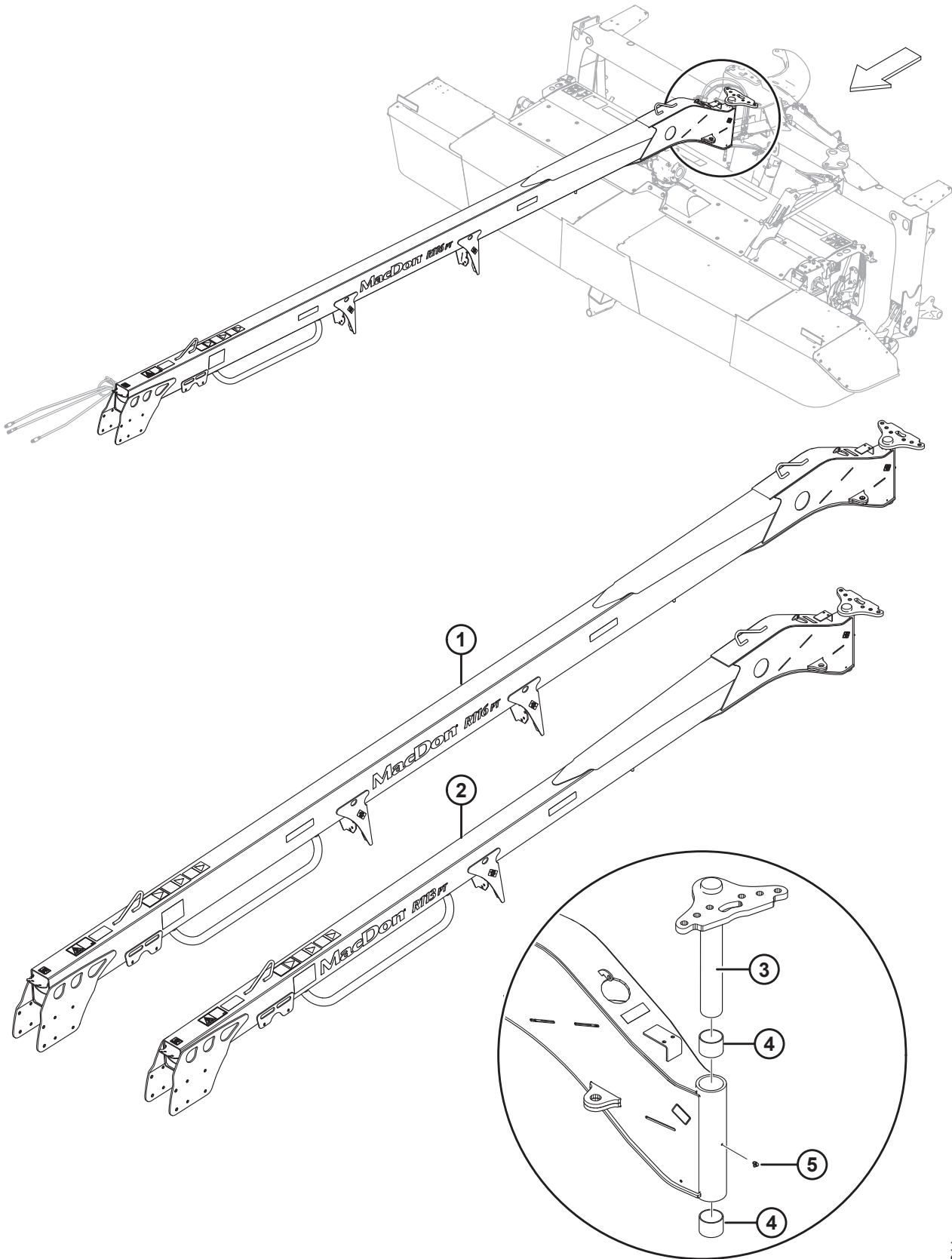
Ref	Part Number	Description	Qty	Serial Number
1	238193	SPINDLE	2	
2	140248	SEAL – GREASE	2	
3	140247	BEARING – CONE ROLLER	2	
4	140246	HUB – C/W BEARING CUPS AND GREASE FITTING ¹¹⁶	2	
5	50174	FITTING – LUBRICATION DRIVE TYPE	2	
6	30701	BEARING – CUP	2	
7	140249	BEARING – CUP	2	
8	30702	BEARING – CONE	2	
9	18608	PIN – COTTER 3/16 DIA X 1.5 ZP	2	
10	140250	CAP – DUST	2	
11	30889	TIRE – 31 X 13.5-15NHS 8PLY	2	
12	247264	WHEEL – SILVER, C/W DECALS	2	
13	21153	STEM – TIRE VALVE ASSEMBLY #TR-415	2	
A	184673	BOLT – HEX HD M12 X 1.75 X 90-10.9-A3L		
B	148645	NUT – HEX FLG STVR LOC M12 X 1.75-10-A3L		
C	31774	WASHER – FLAT		
D	19878	NUT – HEX SLOTTED 1.00-14 UNF		
E	18916	BOLT – 90° WHEEL 9/16 NF X 1.75 OL		

116. Hub includes lube fitting (MD #50174), cup bearing (MD #30701), and bearing cup (MD #140249).

CARRIER TO HEADER CONNECTIONS

Ref	Part Number	Description	Qty	Serial Number
1	224272	ANCHOR – TOP	1	
2	156741	PIN – CLEVIS	2	
3	18608	PIN – COTTER 3/16 DIA X 1.5 ZP	4	
4	42104	JOINT ASSY	1	
	42431	JOINT – BALL LH THD		
	42432	JOINT – BALL RH THD		
	42433	COLLAR – LOCKING		
	42434	TUBE – CENTER		
5	20312	PIN – CLEVIS	1	
6	30464	PIN – CLEVIS	3	
7	222231	SPACER – ZP	1	
8	238003	SPRING ASSEMBLY	2	
9	221833	ARM – LINK	2	
10	30463	PIN – CLEVIS	2	
11	112624	PIN – RETAINER	1	
12	142376	PIN – CYLINDER	1	
13	268350	PLATE – SPRING LOCKS	2	
A	5113	WASHER – FLAT		
B	18601	WASHER – SAE FLAT 13/16 ID X 1.5 IN OD ZP		
C	112130	WASHER – HARDENED		
D	135799	NUT – HEX FLG CTR LOC M10 X 1.5-10-A3L		
E	136088	BOLT – HEX HD TFL M20 X 2.5 X 450 X SPCL-8.8-A3L		
F	136122	NUT – HEX FLG CTR LOC M20 X 2.5-10-A3L		
G	136477	WASHER – FLAT REG M20-200HV-A3L		
H	136650	BOLT – HEX HD M20 X 2.5 X 170-8.8-A3L		
J	184661	BOLT – HEX HD M10 X 1.5 X 30-8.8-A3L		
K	184711	WASHER – FLAT REG M10-200HV-A3L		
L	152655	BOLT – HEX FLG HD M10 X 1.5 X 20-8.8-AA1J		

27 Hitch



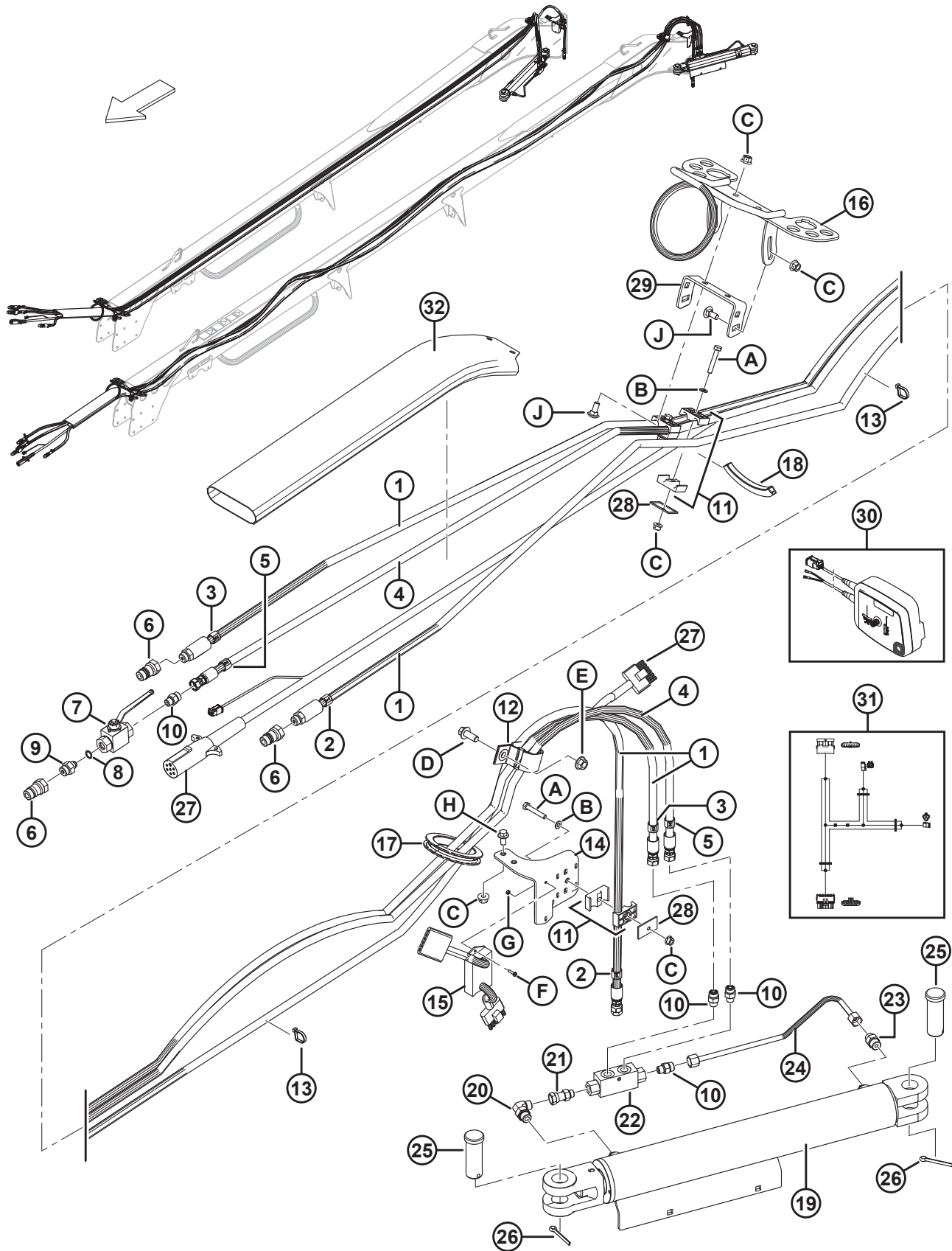
HITCH

Ref	Part Number	Description	Qty	Serial Number
1	259227	HITCH – 16 FT PT ¹¹⁷	1	
2	259226	HITCH – 13 FT PT ¹¹⁸	1	
3	222786	HITCH PIN WELDMENT	1	
4	246574	BUSHING – SLEEVE, POLY	2	
5	21010	FITTING – LUBE 90° 1/4-28 TAPER THD	1	

117. Includes bushings (MD #246574), lube fitting (MD #21010), and decals (MD #194468, 259058, 23165, 194464, 113482, 174436, 246927, 281529, 247182, 23164, 302204). For specific decals, refer to Section [32 Decals and Reflectors, page 93](#) or Section [33 Decals – Product Identification, page 97](#).

118. Includes bushings (MD #246574), lube fitting (MD #21010), and decals (MD #194468, 259058, 23165, 194464, 113482, 174436, 246926, 281529, 247182, 23164, 302204). For specific decals, refer to Section [32 Decals and Reflectors, page 93](#) or Section [33 Decals – Product Identification, page 97](#).

28 Hitch – Hydraulic/Electrical



HITCH – HYDRAULIC/ELECTRICAL

NOTE:

For specific electrical harness parts, refer to Electrical Connector Parts Catalog (MD #169641).

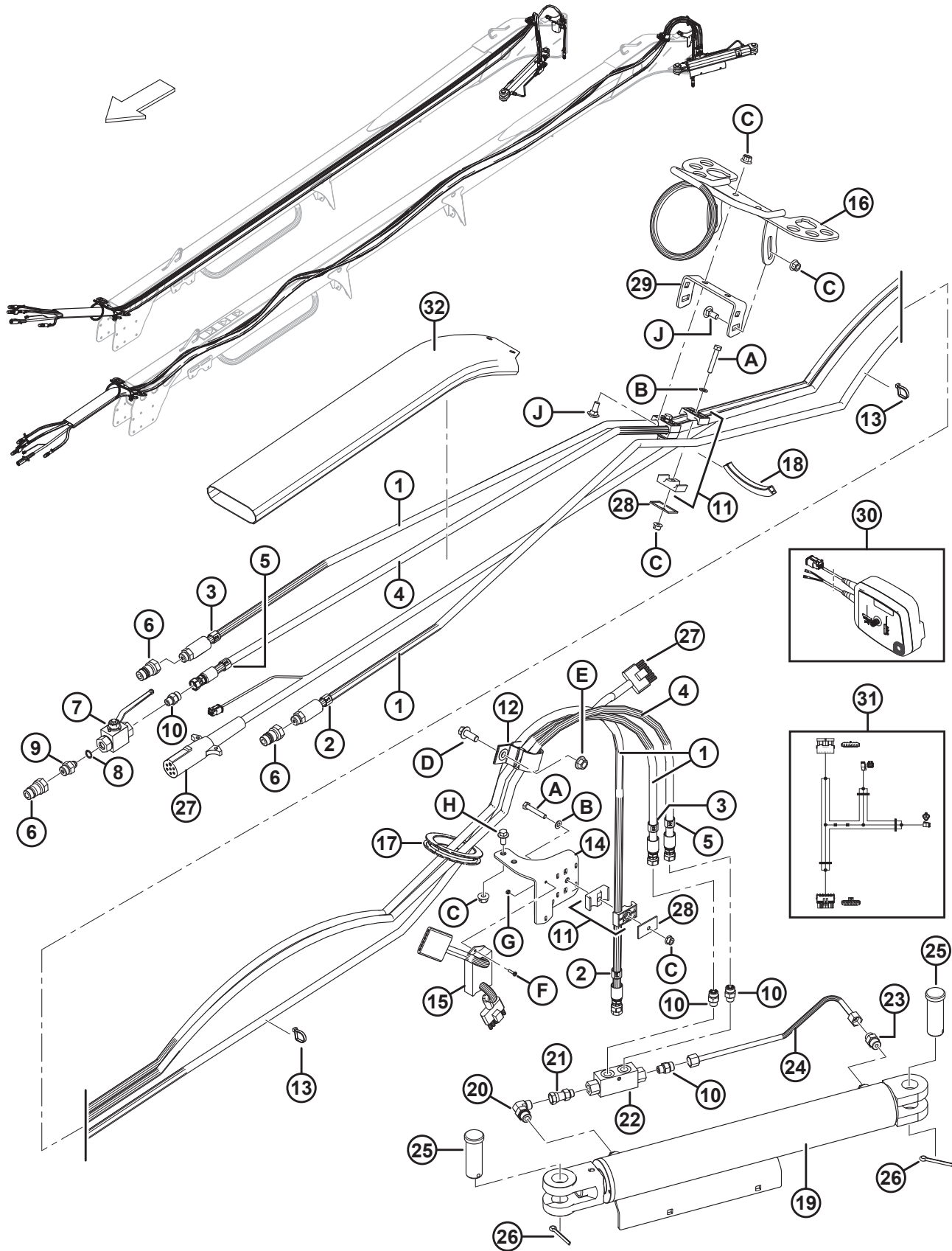
Ref	Part Number	Description	Qty	Serial Number
1	224162	HOSE – HYDRAULIC, 9335 MM (16 FT) ¹¹⁹	2	
	224160	HOSE – HYDRAULIC, 7872 MM (13 FT) ¹²⁰	2	
2	136381	COLLAR – HOSE IDENTIFICATION, RED 1	2	
3	136384	COLLAR – HOSE IDENTIFICATION, BLUE 2	2	
4	224163	HOSE – HYDRAULIC, 9335 MM (16 FT) ¹¹⁹	1	
	224161	HOSE – HYDRAULIC, 7725 MM (13 FT) ¹²⁰	1	
5	136382	COLLAR – HOSE IDENTIFICATION, RED 2	2	
6	135563	FITTING – COUPLING HYDRAULIC	3	
7	238222	VALVE – BALL	1	
8	50219	O-RING – SAE #6	1	
9	21804	FITTING – CONNECTOR HYDRAULIC	1	
10	135778	FITTING – ADAPTER, C/W O-RING	4	
	50219	O-RING – SAE #6		
	135865	O-RING – #6 ORFS		
11	247750	CLAMP – ASSY	3	
12	163598	STRAP – VELCRO, HANGING	1	
13	21763	FASTENER – CABLE TIE (BLACK)	5	
14	224131	SUPPORT – HOSES, HARNESS	1	
15	171068	RELAY – TRANSPORT LIGHTING MODULE ¹²¹	1	-321189
16	247822	SUPPORT – WELDMENT	1	
17	281400	SEAL – EDGE TRIM	1	
18	136162	SEAL – EDGE TRIM, ±5 140 MM LG	1	
19	247899	CYLINDER – HITCH SWING	1	
	247180	SEAL KIT – SWING CYLINDER		
20	136149	FITTING – ELBOW 90° HYD, C/W O-RING	1	
	44209	O-RING – SAE #8		
	135865	O-RING – #6 ORFS		
21	136147	FITTING – CONNECTOR HYD, C/W O-RING	1	
	50219	O-RING – SAE #6		
22	148851	VALVE – PRESSURE BALANCE	1	
23	191705	FITTING – ADAPTER 6 MORFS X 8 MORB, C/W O-RING	1	
	44209	O-RING – SAE #8		
	135865	O-RING – #6 ORFS		
24	223981	LINE – HYDRAULIC	1	
25	281101	PIN – CLEVIS	2	
26	18609	PIN – COTTER 1/4 DIA X 2 ZP	2	

119. For R116 Pull-Types.

120. For R113 Pull-Types.

121. Transport lighting module relay (MD #171068) is installed on model year 2017 and prior units only. For model year 2018 and later units, transport lighting module (MD #281700) is installed on the carrier frame. Refer to Section [24 Carrier Frame Components, page 71](#).

HITCH – HYDRAULIC/ELECTRICAL



1042639

HITCH – HYDRAULIC/ELECTRICAL

Ref	Part Number	Description	Qty	Serial Number
27	281612	HARNESS – WIRING, TRAILER, 16 FT	1	321190–
	246559	HARNESS – WIRING, TRAILER, 16 FT ¹²²	1	–321189
	281611	HARNESS – WIRING, TRAILER, 13 FT	1	321190–
	246950	HARNESS – WIRING, TRAILER (13 FT) ¹²³	1	–321189
	30710	TERMINAL – 7 POLE PLUG PER SAE J560		
	134029	CONNECTOR – PLUG, DEUTSCH, SOLENOID		
28	184303	CLAMP – COVER PLATE	3	
29	247823	BRACKET – SUPPORT FOR HOSE	1	
30	B5949	KIT – TRANSPORT SWITCH, MD ¹²⁴	A/R	
	246558	SWITCH – SWITCH BOX ¹²⁵		
	281615	HARNESS – 3 PIN AUXILIARY CONNECTOR	1	
31	247884	HARNESS – TRANSPORT LIGHTS, REVERSE ¹²⁶	A/R	
32	238184	SLEEVE – HOSE	1	
A	252270	BOLT – HEX HD TFL M8 X 1.25 X 50-8.8-BO		
B	184708	WASHER – FLAT M8-200HV-A2L		
C	135337	NUT – HEX FLG CTR LOC M8 X 1.25-8-A2L		
D	148798	BOLT – HEX FLG HD M12 X 1.75 X 30-10.9-A3L		
E	148645	NUT – HEX FLG STVR LOC M12 X 1.75-10-A3L		
F	136313	SCREW – PAN HD ISO 7045 M4 X 0.7 X 16-4.8-A2L		
G	30855	NUT – HEX M4 X 0.7-8-A2L		
H	152655	BOLT – HEX FLG HD M10 X 1.5 X 20-8.8-A3L		
J	135785	BOLT – RHSN M10 X 1.5 X 25-8.8-A3L		

122. Service part only for units made prior to model year 2018. For units made in model year 2018 and later, order MD #281612.

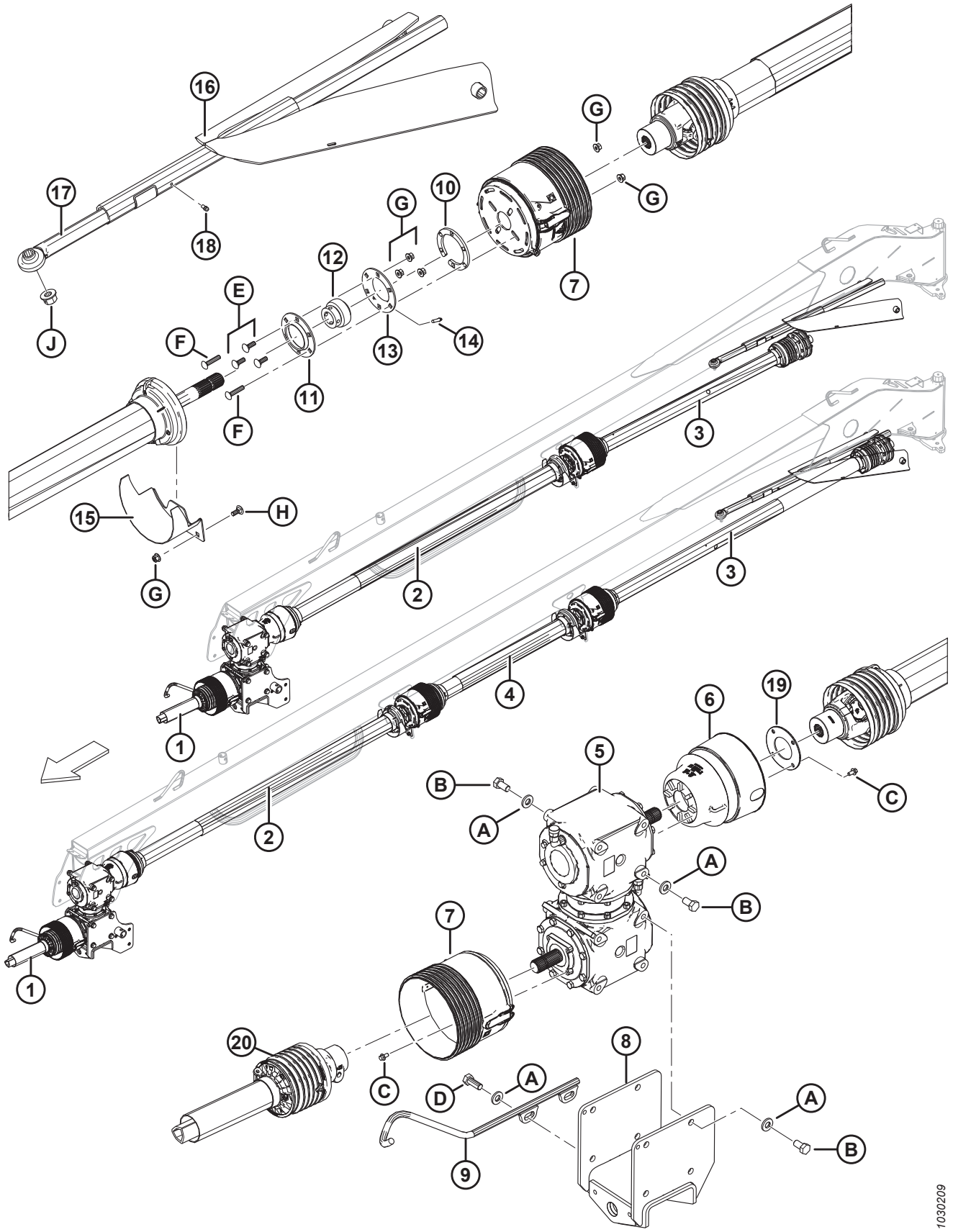
123. Service part only for units made prior to model year 2018. For units made in model year 2018 and later, order MD #281611.

124. Includes switch box (MD #281615), harness (MD #281094), decal (MD #281188), and instructions. Kits are available through Whole Goods only.

125. Decal (MD #281188) not included with switch box. For decal, refer to Section [32 Decals and Reflectors, page 93](#). Switch box uses 10 Amp fuse.

126. The harness is plugged in between the hitch harness the and carrier harness and switches the logic of lights so that the carrier harness doesn't have to be moved.

29 Hitch – Mechanical Drive



HITCH – MECHANICAL DRIVE

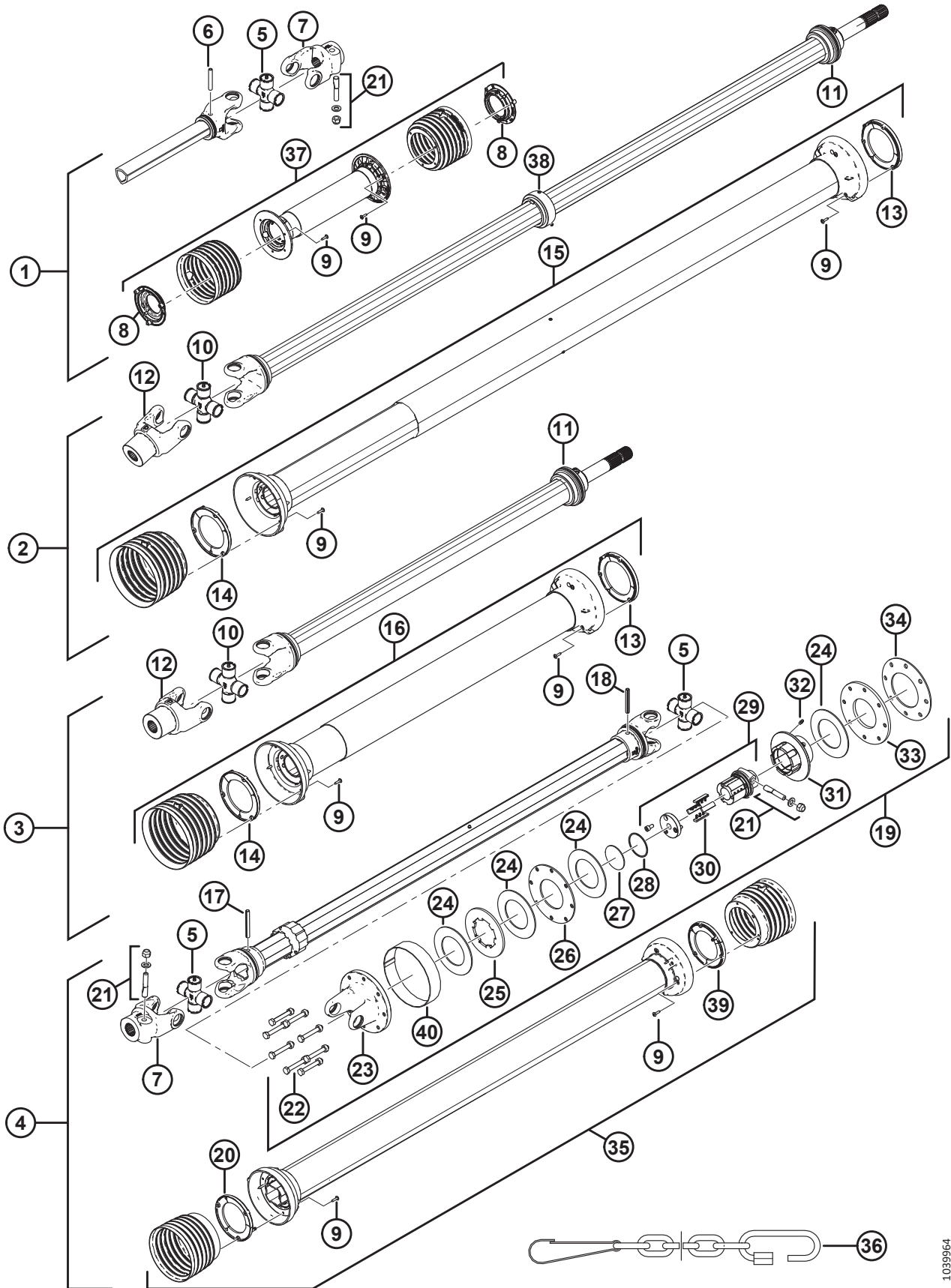
Ref	Part Number	Description	13/16 FT. Qty	Serial Number
1	247813	DRIVELINE – PRIMARY IMPLEMENT ¹²⁷	1/1	
2	281532	DRIVELINE – FRONT ¹²⁷	1/1	
3	239007	DRIVELINE – CLUTCH ¹²⁷	1/1	
4	246166	DRIVELINE – MIDDLE (16 FT ONLY) ¹²⁷	0/1	
5	146784	DRIVE – GEARBOX, SWIVEL ¹²⁸	1/1	
6	224601	SHIELD – COUNTER CONE	1/1	
7	246420	SHIELD – CONE	2/3	
8	259461	GEARBOX SUPPORT – WELDMENT	1/1	
9	281110	HOLDER – WELDMENT	1/1	
10	246207	PLATE	1/2	
11	135773	FLANGE – TYPE 3 72 MM 6 BOLT	1/2	
12	21936	BEARING – BALL SPH OD C/W LC (1 3/8 IN. BORE)	1/2	
13	135774	FLANGE – 6 BOLT C/W GREASE FITTING	1/2	
14	30934	FITTING – LUBRICATION 1/4-28 TAPER THD	1/2	
15	224523	SHIELD – WELD'T	1/2	
16	281380	WELDMENT – STEERING	1/1	
17	224373	ROD – PT STEERING	1/1	
18	7782	FITTING – LUBRICATION 1/4-28 TAPER THD	1/1	
19	247831	PLATE – CLAMP	1/1	
20	247814	KIT – SHIELD 1.75 20T DL (PTO AND IMPLEMENT) ¹²⁹	1/1	
	247815	KIT – SHIELD 1.375 21T DL (PTO AND IMPLEMENT) ¹²⁹	1/1	
A	120901	WASHER – FLAT HARDENED 5/8 IN. NOMINAL (L9)		
B	136143	BOLT – HEX HD TFL M16 X 2 X 30-10.9-A3L		
C	136485	BOLT – HEX FLG HD TFL M8 X 1.25 X 16-8.8-A3L		
D	111528	BOLT – HEX HD TFL M16 X 2 X 40-8.8-A3L		
E	184662	BOLT – RHSN TFL M10 X 1.5 X 30-8.8-A3L		
F	252919	BOLT – RHSN TFL M10 X 1.5 X 50-8.8-AA1J		
G	135799	NUT – HEX FLG CTR LOC M10 X 1.5-10-A3L		
H	135785	BOLT – RHSN M10 X 1.5 X 25-8.8-A3L		
J	136440	NUT – HEX FLG CTR LOC M16 X 2-10-A3L		

127. For service parts, refer to Section *30 Hitch Driveline – Service Parts*, page 87.

128. For service parts, refer to Section *12 Drive and Swivel Gearbox – Service Parts*, page 35.

129. PTO and implement.

30 Hitch Driveline – Service Parts



1039964

HITCH DRIVELINE – SERVICE PARTS

Ref	Part Number	Description	Qty	Serial Number
		PRIMARY DRIVELINE		
1	247813	DRIVELINE – IMPLEMENT	1	
5	247123	CROSS KIT	1	
6	247126	ROLL PIN (10 X 65) ¹³⁰	1	
7	247124	YOKE	1	
8	247129	SHIELD SUPPORT (INNER)	1	
9	247128	SCREW	3	
21	247133	TAPER PIN (2 SETS)	1	
36	111242	SHIELD CHAIN	1	
37	247814	KIT – SHIELD 1.75 20T DL (PTO AND IMPLEMENT)	1	
	247815	KIT – SHIELD 1.375 21T DL (PTO AND IMPLEMENT)	1	
		FRONT DRIVELINE		
2	281532	DRIVELINE – FRONT	1	
9	247128	SCREW	6	
10	247155	CROSS KIT	1	
11	247156	SUPPORT PLATE	1	
12	247157	YOKE	1	
13	247158	SHIELD SUPPORT (OUTER)	1	
14	247159	SHIELD SUPPORT (INNER)	1	
15	281508	SHIELD KIT	1	
36	111242	SHIELD CHAIN	1	
38	281715	STABILIZER	1	
		MIDDLE DRIVELINE		
3	246166	DRIVELINE – MIDDLE, 16 FT ONLY	1	
9	247128	SCREW	6	
10	247155	CROSS KIT	1	
11	247156	SUPPORT PLATE	1	
12	247157	YOKE	1	
13	247158	SHIELD SUPPORT (OUTER)	1	
14	247159	SHIELD SUPPORT (INNER)	1	
16	247160	SHIELD KIT	1	
36	111242	SHIELD CHAIN	1	
		REAR DRIVELINE WITH CLUTCH		
4	239007	DRIVELINE – CLUTCH	1	
5	247123	CROSS KIT	2	
7	247124	YOKE	1	
9	247128	SCREW	6	
17	247136	ROLL PIN (10 X 85) ¹³¹	1	
18	256663	ROLL PIN (10 X 75) ¹³²	1	
19	239009	CLUTCH ASSEMBLY	1	
20	247138	SHIELD SUPPORT (OUTER)	1	

130. 10 x 65 roll pin.
 131. 10 x 85 roll pin.
 132. 10 x 75 roll pin.

HITCH DRIVELINE – SERVICE PARTS

Ref	Part Number	Description	Qty	Serial Number
21	247133	TAPER PIN (2 SETS)	1	
22	247143	M10 BOLT / NUT (PKG 8 BOLT AND NUT) ¹³³	1	
23	247144	YOKE FLANGE	1	
24	224446	FRICTION DISC (PKG OF 4) ¹³⁴	1	
25	247145	DRIVE PLATE	1	
26	247146	INNER PLATE	1	
27	247147	DOMED PLUG	1	
28	247148	EXTERNAL CIRCLIP	1	
29	247149	HUB	1	
30	247150	RATCHET C/W SPRINGS	1	
31	247151	FLANGED HOUSING	1	
32	247152	GREASE FITTING	1	
33	247153	PLATE	1	
34	247154	BELLEVILLE SPRING ¹³⁵	1	
	242381	BELLEVILLE SPRING ¹³⁶	1	
35	246920	SHIELD KIT	1	
36	111242	SHIELD CHAIN	1	
39	247139	SHIELD SUPPORT (INNER)	1	
40	NSS	SHIELD – CLUTCH ¹³⁷	1	

133. Contains eight bolts and nuts.

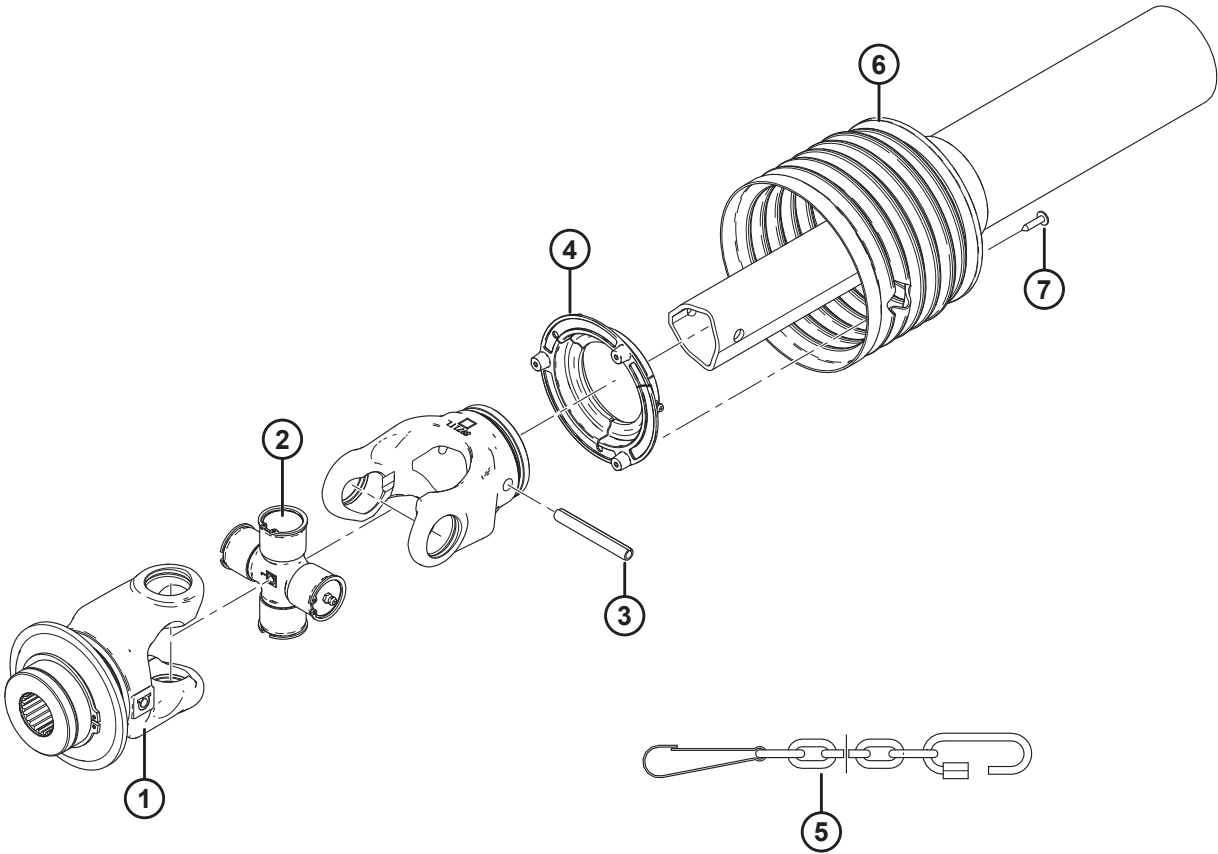
134. Includes four friction discs per package.

135. Used for superseded clutch driveline (MD #224400).

136. Used for clutch driveline (MD #239007), or for rear drivelines that have been serviced with clutch assembly (MD #239009).

137. Not sold separately. Clutch shield is used for rear drivelines that have been serviced with clutch assembly (MD #239009).

31 Front Half Drivelines



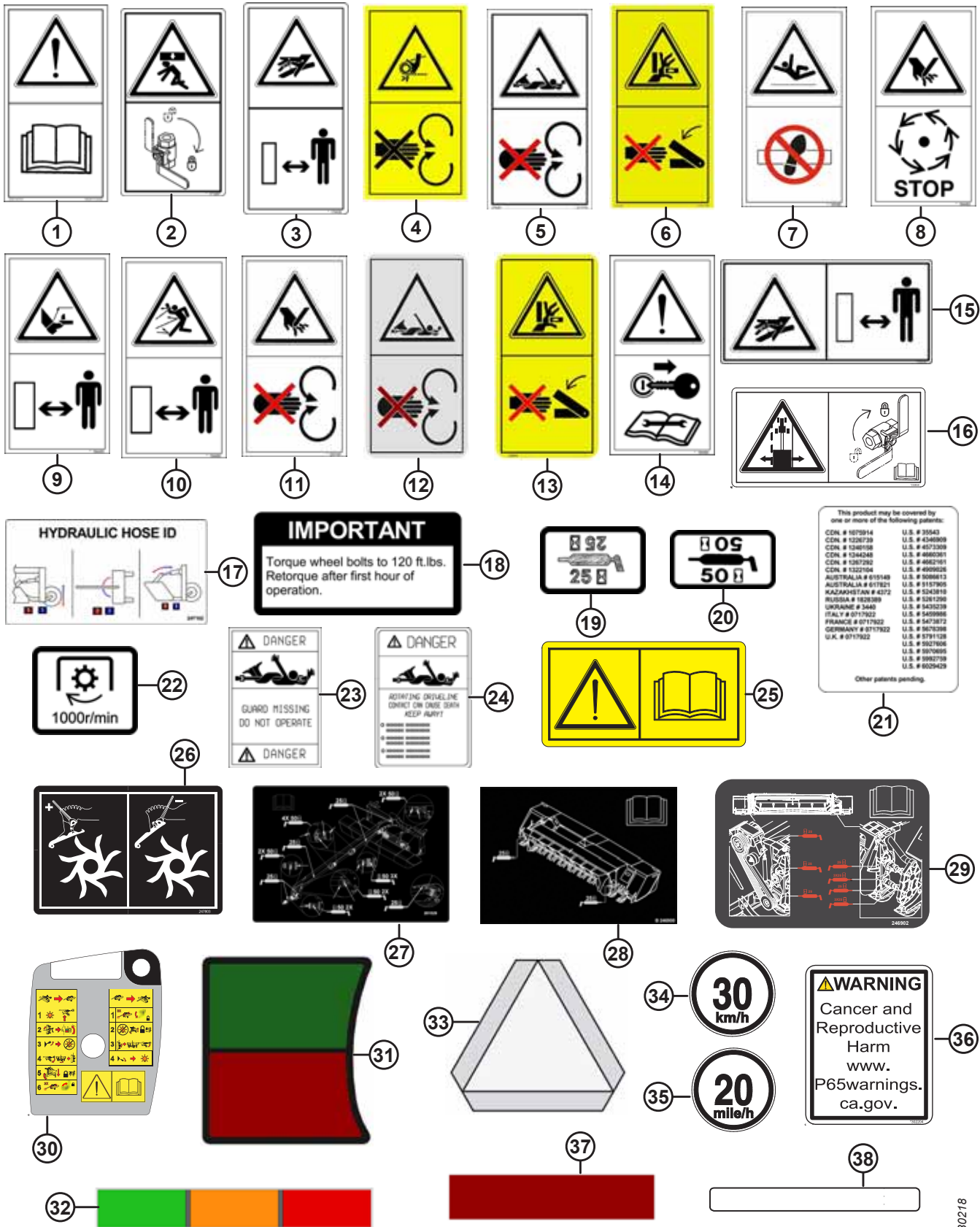
FRONT HALF DRIVELINES

NOTE:

This section lists service parts for standard front-half drivelines. For driveline extension kits, refer to Sections *41 (Option) Driveline Extension Kit (2017 and Prior), page 117* and *42 (Option) Driveline Extension Kit (2018 and Later), page 119*. For additional information, refer to Service Bulletin SB 1708.

Ref	Part Number	Description	Qty	Serial Number
	247811	DRIVELINE – 1.375 IN 21 T FRONT HALF		
1	247162	YOKE	1	
2	247123	CROSS KIT	1	
3	247126	PIN – ROLL	1	
4	247127	SUPPORT – SHIELD (OUTER)	1	
5	111242	SHIELD – CHAIN	1	
6	247815	KIT – SHIELD (PTO AND IMPLEMENT)	1	
7	247128	SCREW	3	
	247812	DRIVELINE – 1.75 IN 20 T FRONT HALF		
1	247161	YOKE	1	
2	247123	CROSS KIT	1	
3	247126	PIN – ROLL	1	
4	247127	SUPPORT – SHIELD (OUTER)	1	
5	111242	SHIELD – CHAIN	1	
6	247814	KIT – SHIELD (PTO AND IMPLEMENT)	1	
7	247128	SCREW	3	

32 Decals and Reflectors



1030218

DECALS AND REFLECTORS

Ref	Part Number	Description	Qty	Serial Number
1	113482	DECAL – GENERAL HAZARD		
2	171287	DECAL – INSTALL LOCK, 2 PANEL		
3	174436	DECAL – HIGH PRESSURE FLUID		
4	184371	DECAL – CHAIN ENTANGLEMENT		
5	184385	DECAL – KEEP SHIELDS IN PLACE		
6	184386	DECAL – PINCH POINT		
7	190546	DECAL – SLIPPERY SURFACE, 2 PANEL		
8	194463	DECAL – STOP DRIVE, 2 PANEL		
9	194465	DECAL – STAND CLEAR BLADES, 2 PANEL		
10	194466	DECAL – STAND CLEAR THROWN OBJECTS, 2 PANEL		
11	247167	DECAL – STOP DRIVE		
12	246956	DECAL – KEEP SHIELDS IN PLACE (PT ROLL CONDITIONER) ¹³⁸		
13	246959	DECAL – PINCH POINT (PT ROLL CONDITIONER) ¹³⁸		
14	194464	DECAL – SHUT DOWN FOR SERVICE, 2 PANEL		
15	166466	DECAL – HIGH PRESSURE FLUID		
16	259058	DECAL – OFF-CENTER TRACKING HAZARD		
17	247182	DECAL – HYDRAULIC HOSE		
18	101375	DECAL – WHEEL BOLTS		
19	23164	DECAL – 25 HR LUBE		
20	23165	DECAL – 50 HR LUBE		
21	32070	DECAL – PATENT NUMBER		
22	194468	DECAL – 1000 RPM		
23	247130	DECAL – DANGER (OUTER DRIVE TUBE) ¹³⁹		
24	247131	DECAL – DANGER (OUTER SHIELD TUBE) ¹⁴⁰		
25	184372	DECAL – READ MANUAL		
26	247803	DECAL – BAFFLE ADJUSTMENT		
27	281529	DECAL – GREASE, PT DRIVES		
28	246900	DECAL – GREASE, FINGER CONDITIONER		
29	246902	DECAL – GREASE, PT ROLLER CONDITIONER		
30	259056	DECAL – TRANSPORT SWITCH, MD		
31	246586	DECAL – GAUGE (TRANSPORT ALIGNMENT)		
32	150651	DECAL – GAUGE (HYDRAULIC TILT)		
33	115148	DECAL – SMV REFLECTOR ¹⁴¹		346190–
	135378	REFLECTOR – SMV ¹⁴²		–346189
34	193241	DECAL – SIS, 30 KM/H		
35	193242	DECAL – SIS, 20 MILE/H		
36	302204	DECAL – CA PROPOSITION 65		

138. Used on roll conditioners.

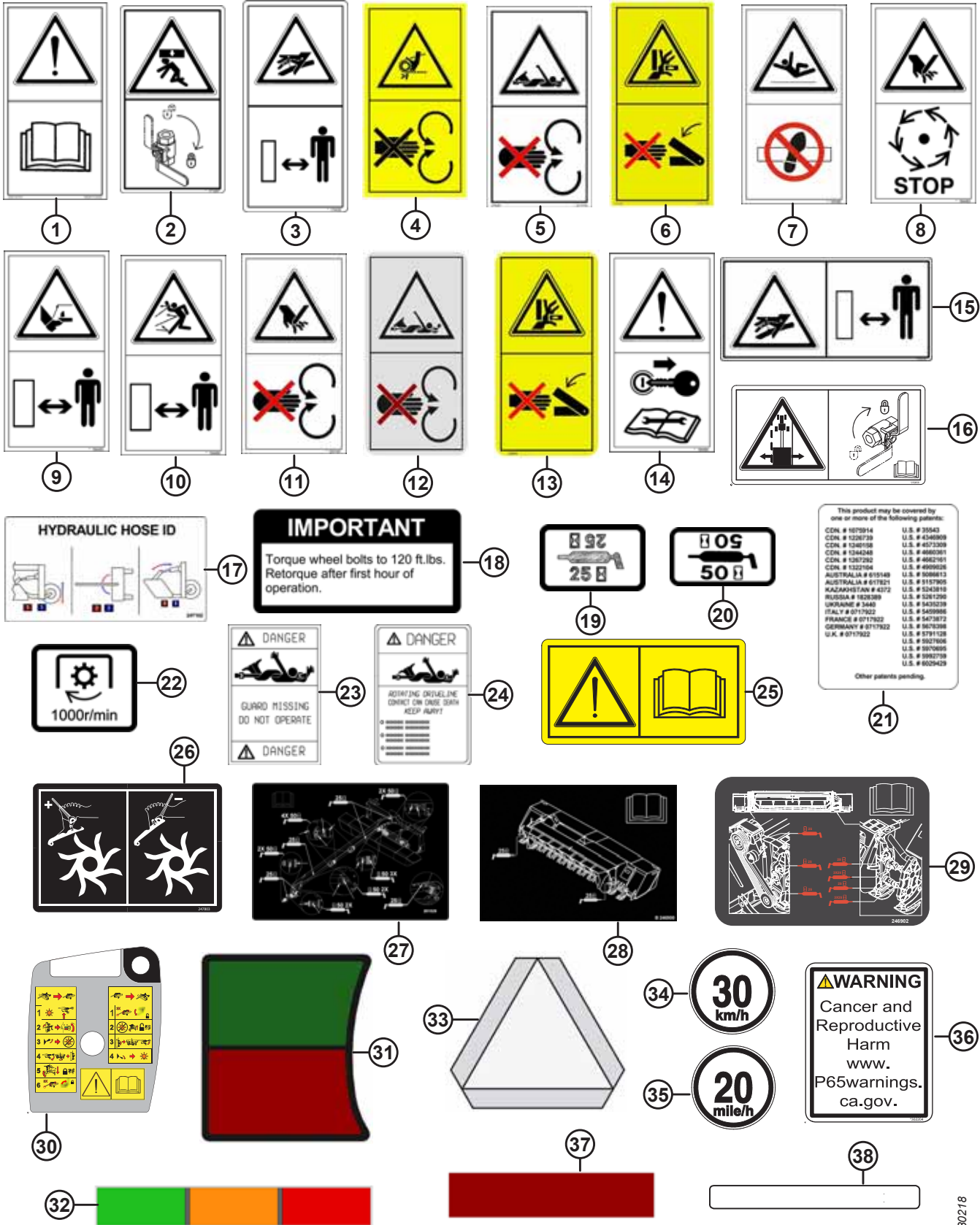
139. Used on outer drive tube.

140. Used on outer shield tube.

141. For model year 2019 and later.

142. For model year 2018 and prior.

DECALS AND REFLECTORS



1030218

DECALS AND REFLECTORS

Ref	Part Number	Description	Qty	Serial Number
37	115145	REFLECTOR – FLUORESCENT RED-ORANGE		
	115146	REFLECTOR – AMBER		
	115147	REFLECTOR – RED		
38	132117	STRIP – ANTI-SLIP (HEADER) ¹⁴³		
	132898	STRIP – ANTI-SLIP (ROLL CONDITIONER) ¹⁴⁴		

143. 450 mm x 50 mm; used on the header.

144. 450 mm x 80 mm; used on the roll conditioner.

33 Decals – Product Identification



1

R116 PT R113 PT

2

3

MacDon[®]

4

MacDon[®] *R116 PT*

5

MacDon[®] *R113 PT*

6

1010622

DECALS – PRODUCT IDENTIFICATION

Ref	Part Number	Description	Qty	Serial Number
1	246896	DECAL – LH, END PANEL		
	246897	DECAL – RH, END PANEL		
2	247004	DECAL – TOP, R116 PT (WHITE, 475 MM LG)		
	246911	DECAL – END PANEL, R116 PT (WHITE, 225 MM LG)		
3	246998	DECAL – TOP, R113 PT (WHITE, 468 MM LG)		
	246910	DECAL – END PANEL, R113 PT (WHITE, 224 MM LG)		
4	246997	DECAL – TOP, MACDON (WHITE, 1140 MM LG)		
5	246927	DECAL – HITCH, R116 PT (WHITE, 1078 MM LG)		
6	246926	DECAL – HITCH, R113 PT (WHITE, 1073 MM LG)		

34 Paint

PREPARATION: WARNING! Removal of old paint by sanding, scraping or other means may generate dust or fumes that contain lead. Exposure to lead dust or fumes may cause brain damage or other adverse health effects, especially in children or pregnant women. Controlling exposure to lead or other hazardous substances requires the use of proper protective equipment, such as a properly fitted respirator (NIOSH Approved) and proper containment and clean up. For more information, call the National Lead Information Center at 1-800-424-LEAD (in US) or contact your local health authority.

Surface must be free of grease, rust, dirt and wax. Mask off or protect other areas from overspray. Product should be sprayed in a well-ventilated area. Use at room temperature 21 °C (70 °F) for best operation.

FOR BEST RESULTS: Shake until ball inside can rattle. Roll can at top, and swing bottom of can in a circle for at least 2 minutes, making ball travel around bottom groove. Shake up and down occasionally. Repeat shaking procedure for 10 seconds after each minute of spraying. Press spray button firmly, with the can 15-25 cm (6-10 inches) from surface. Apply several thin coats. To prevent dripping, clear the valve by holding can upside-down, and spray until only clear gas comes out.

Made in Canada / Fabriqué au Canada
For / Pour
MACDON INDUSTRIES LTD
WINNIPEG, MANITOBA

CANADA: CONSUMER CHEMICALS AND CONTAINERS REGULATIONS (CCCR)
CONTENTS MAY CATCH FIRE - CONTAINER MAY EXPLODE IF HEATED - MAY IRRITATE EYES - MAY IRRITATE SKIN
Do not smoke. Do not puncture or incinerate container. Do not breathe fumes. Do not swallow. Do not get on skin or clothing. Use only in a well-ventilated area. Keep away from flames, such as a pilot light, and any object that sparks, such as an electric motor. Stay away from heat. Keep out of reach of children.

FIRST AID TREATMENT: Contains Xylène, 1,2,4-Triméthylbenzène; Méthyl éthyl kétone; Éthylbenzène. If breathed in, move person to fresh air. If swallowed, call a Poison Control Centre or doctor immediately. Do not induce vomiting. If in eyes, rinse with water for 15 minutes. If on skin, rinse well with water.

USA: CONSUMER PRODUCT SAFETY COMMISSION REGULATIONS (CPSC)
CONTENTS MAY CATCH FIRE - CONTAINER MAY EXPLODE IF HEATED - HARMFUL IF ABSORBED THROUGH SKIN - HARMFUL IF HEAT IS SWALLOWED - CAUSES RESPIRATORY TRACT, EYE AND SKIN IRRITATION - MAY CAUSE SEVERE ALLERGIC RESPIRATORY AND SKIN REACTION - CANCER HAZARD - CAN CAUSE CANCER, DEVELOPMENTAL TOXICITY/TERATOGENIC EFFECTS.

WARNING: This product contains a chemical known to the State of California to cause cancer and birth defects or other reproductive harm.

In a fire or if heated, a pressure increase will occur and the container may burst or explode. Can enter lungs and cause damage. Risk of cancer depends on duration and level of exposure. Contains material which can cause birth defects. Contains material which can cause developmental abnormalities. Do not puncture or incinerate container. Do not expose to heat or store at temperatures above 120°F. Use only with adequate ventilation. Do not breathe vapor or mist. Do not swallow. Do not get on skin or clothing. Avoid contact with eyes. Keep container tightly closed and sealed until ready for use. Wash thoroughly after handling. Avoid exposure during pregnancy. Keep out of reach of children.

FIRST AID TREATMENT: Contains Xylène, 1,2,4-Triméthylbenzène; Méthyl éthyl kétone; Éthylbenzène. If breathed in, move person to fresh air. If swallowed, call a Poison Control Centre or doctor immediately. Do not induce vomiting. If in eyes, rinse with water for 15 minutes. If on skin, rinse well with water.

PREPARATION: MISE EN GARDE! Enlèvement des anciennes peintures par ponçage, décapage ou toute autre méthode risque de dégager des poussières ou des vapeurs contaminées par le plomb. L'exposition à ces poussières ou vapeurs peut entraîner un dysfonctionnement du cerveau ou d'autres effets néfastes sur la santé, surtout chez les femmes enceintes et les enfants. L'utilisation d'équipement de protection approprié, tel qu'un appareil respiratoire bien ajusté et homologué par le NIOSH, ainsi que des moyens de confinement adéquats et un nettoyage soigneux de ces substances dangereuses. Pour obtenir plus de renseignements, communiquer avec le National Lead Information Center au 1-800-424-5123 (aux É.U.) ou avec le service local de santé publique.

Le surface doit être exempte de graisse, de rouille, de saleté et de cire. Manquer ou mouvoir les surfaces avoisinantes pour les protéger des suraspersions. Le produit doit être vaporisé dans un endroit bien aéré. Pour optimiser les résultats, utiliser à température ambiante 21 °C (70 °F).

POUR DES RÉSULTATS OPTIMUM: Agiter le contenu jusqu'à ce que la bille de mélange bouge librement. Ensuite, rouler la canette par le haut et en agiter le fond pendant au moins 2 minutes en faisant des mouvements circulaires pour que la bille se déplace autour du fond de la canette. Agiter de haut en bas de temps à autre. Agiter pendant 10 secondes pour chaque minute de vaporisation. Presser fermement sur le bouton de vaporisation en tenant la canette à 15-25 cm (6-10 pouces) de la surface. Appliquer plusieurs couches minces. Pour empêcher le gicler de substance, le nettoyer en tenant la canette à l'envers et en pressant sur le bouton de vaporisation jusqu'à ce qu'il n'ait rien sorti que du gaz inerte.

Tableau des produits conformes à la réglementation sur les COV de votre région.

CANADA: RÉGLEMENT SUR LES PRODUITS CHIMIQUES ET LES CONTENANTS DE CONSOMMATION (RPGCC)
LE CONTENU PEUT S'ENFLAMMER - CE CONTENANT PEUT EXPLOSER S'IL EST CHAUFFÉ - PEUT IRRITER LES YEUX - PEUT IRRITER LA PEAU
Ne pas fumer. Ne pas perfore. Ne pas brûler le contenant. Ne pas engorger les évents. Ne pas avaler. Éviter tout contact avec les yeux. Éviter tout contact avec la peau ou les vêtements. Éviter que dans un endroit bien aéré. Tenir des flammes, telle une flamme pilote, et de tout objet produisant des étincelles, tel un moteur électrique. Conserver loin des sources de chaleur. Tenir hors de portée des enfants.

PREMIERS SOINS: Contient Xylène, 1,2,4-Triméthylbenzène; Méthyléthylcétone; Éthylbenzène. En cas d'inhalation, transporter à l'air frais la personne exposée. En cas d'ingestion, appeler immédiatement un centre antipoison ou un médecin. Ne pas provoquer le vomissement. En cas de contact avec les yeux, rincer avec de l'eau pendant 15 minutes. En cas de contact avec la peau, bien rincer avec de l'eau.

MacDon Performance Parts

Industrial Touch Up Paint Peinture de retouche industrielle



DANGER!

**FLAMMABLE - CONTENTS UNDER PRESSURE
INFLAMMABLE - CONTENU SOUS PRESSION**



Part number / Numéro de pièce

Net weight with paint / Poids net avec peinture **12 oz / 340 g**

1

2

Read and understand all safety instructions before using this product.
Lire et comprendre toutes les consignes de sécurité avant d'utiliser ce produit.

Made in Canada / Fabriqué au Canada
For / Pour
MACDON INDUSTRIES LTD
WINNIPEG, MANITOBA

CANADA: CONSUMER CHEMICALS AND CONTAINERS REGULATIONS (CCCR)
CONTENTS MAY CATCH FIRE - MAY IRRITATE EYES - MAY IRRITATE SKIN
Do not smoke. Do not puncture or incinerate container. Do not breathe fumes. Do not swallow. Do not get on skin or clothing. Use only in a well-ventilated area. Keep away from flames, such as a pilot light, and any object that sparks, such as an electric motor. Stay away from heat. Keep out of reach of children.

FIRST AID TREATMENT: Contains Xylène, 1,2,4-Triméthylbenzène; Méthyl éthyl kétone; Éthylbenzène. If breathed in, move person to fresh air. If swallowed, call a Poison Control Centre or doctor immediately. Do not induce vomiting. If in eyes, rinse with water for 15 minutes. If on skin, rinse well with water.

USA: CONSUMER PRODUCT SAFETY COMMISSION REGULATIONS (CPSC)
FLAMMABLE LIQUID AND VAPOR. HARMFUL IF ABSORBED THROUGH SKIN. HARMFUL IF HEAT IS SWALLOWED. CAUSES RESPIRATORY TRACT, EYE AND SKIN IRRITATION. MAY CAUSE SEVERE ALLERGIC RESPIRATORY AND SKIN REACTION. CANCER HAZARD - CAN CAUSE CANCER, DEVELOPMENTAL TOXICITY/TERATOGENIC EFFECTS.

WARNING: This product contains a chemical known to the State of California to cause cancer and birth defects or other reproductive harm.

Can enter lungs and cause damage. Risk of cancer depends on duration and level of exposure. Contains material which can cause birth defects. Contains material which can cause developmental abnormalities. Do not puncture or incinerate container. Do not expose to heat or store at temperatures above 120°F. Use only with adequate ventilation. Do not breathe vapor or mist. Do not swallow. Do not get on skin or clothing. Avoid contact with eyes. Keep container tightly closed and sealed until ready for use. Wash thoroughly after handling. Avoid exposure during pregnancy. Keep out of reach of children.

FIRST AID TREATMENT: Contains Xylène, 1,2,4-Triméthylbenzène; Méthyl éthyl kétone; Éthylbenzène. If breathed in, move person to fresh air. If swallowed, call a Poison Control Centre or doctor immediately. Do not induce vomiting. If in eyes, rinse with water for 15 minutes. If on skin, rinse well with water.

MacDon Performance Parts

Industrial Paint / Peinture industrielle



DANGER!
FLAMMABLE / INFLAMMABLE

One US quart

Part number / Numéro de pièce

946 ml

DIRECTIONS FOR USE
THIS PRODUCT IS READY TO USE. NO MIXING IS REQUIRED.

APPLICATION
Spray material at 40 to 55 PSI (2.7 to 3.8 MPa).

USING A PRIMER IS NOT NECESSARY WITH THIS PRODUCT.
Spray medium wet coat, allow to tack and follow with full wet coat.

FOR VOC REGULATED AREAS
These directions refer to the use of products which may be restricted or require special mixing instructions in VOC regulated areas. Follow mixing and usage recommendations in the VOC Compliance Products Chart for your area.

MODE D'EMPLOI
CE PRODUIT EST PRÊT À L'UTILISATION, AUCUN MÉLANGE N'EST REQUIS.

APPLICATION
Pulvériser à une pression de 40 à 55 lb/po (2,7 à 3,8 MPa).

L'UTILISATION D'UN APPRÊT N'EST PAS NÉCESSAIRE AVEC CE PRODUIT.
Appliquez une couche moyennement chargée, laissez sécher jusqu'à ce qu'elle devienne mate, puis appliquez une couche chargée.

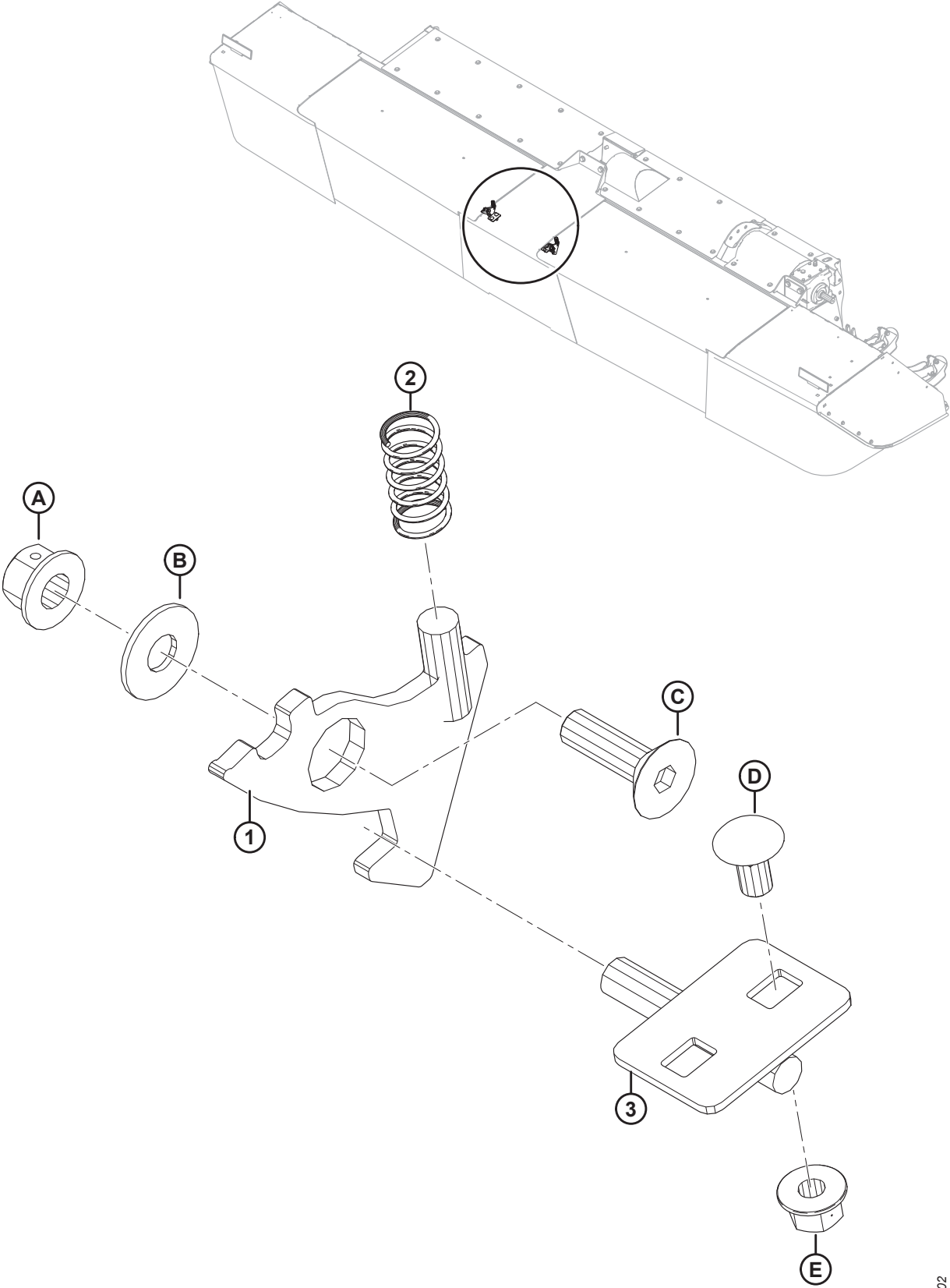
RÉGLEMENTATION SUR LES COV
Ces directives concernent l'utilisation de produits pouvant être réglementés ou soumis à des instructions de mélange spéciales dans les régions où les émissions COV sont réglementées. Suivez les recommandations de mélange et d'emploi indiquées au Tableau des produits conformes à la réglementation sur les COV de votre région.

PAINT

Ref	Part Number	Description	Qty	Serial Number
1	135148	PAINT – BLACK (55-65 GLOSS LEVEL), SPRAY CAN, 12 OZ. (340 G) AEROSOL ¹⁴⁵		
	32879	PAINT – WHITE, SPRAY CAN, 12 OZ. (340 G) AEROSOL ¹⁴⁵		
	23950	PAINT – RED, SPRAY CAN, 12 OZ. (340 G) AEROSOL ¹⁴⁵		
2	25991	PAINT – BLACK (55-65 GLOSS LEVEL), 1 US QUART (946 ML)		
	32880	PAINT – RED, 1 US QUART (946 ML)		

145. To be used for small touch-ups only.

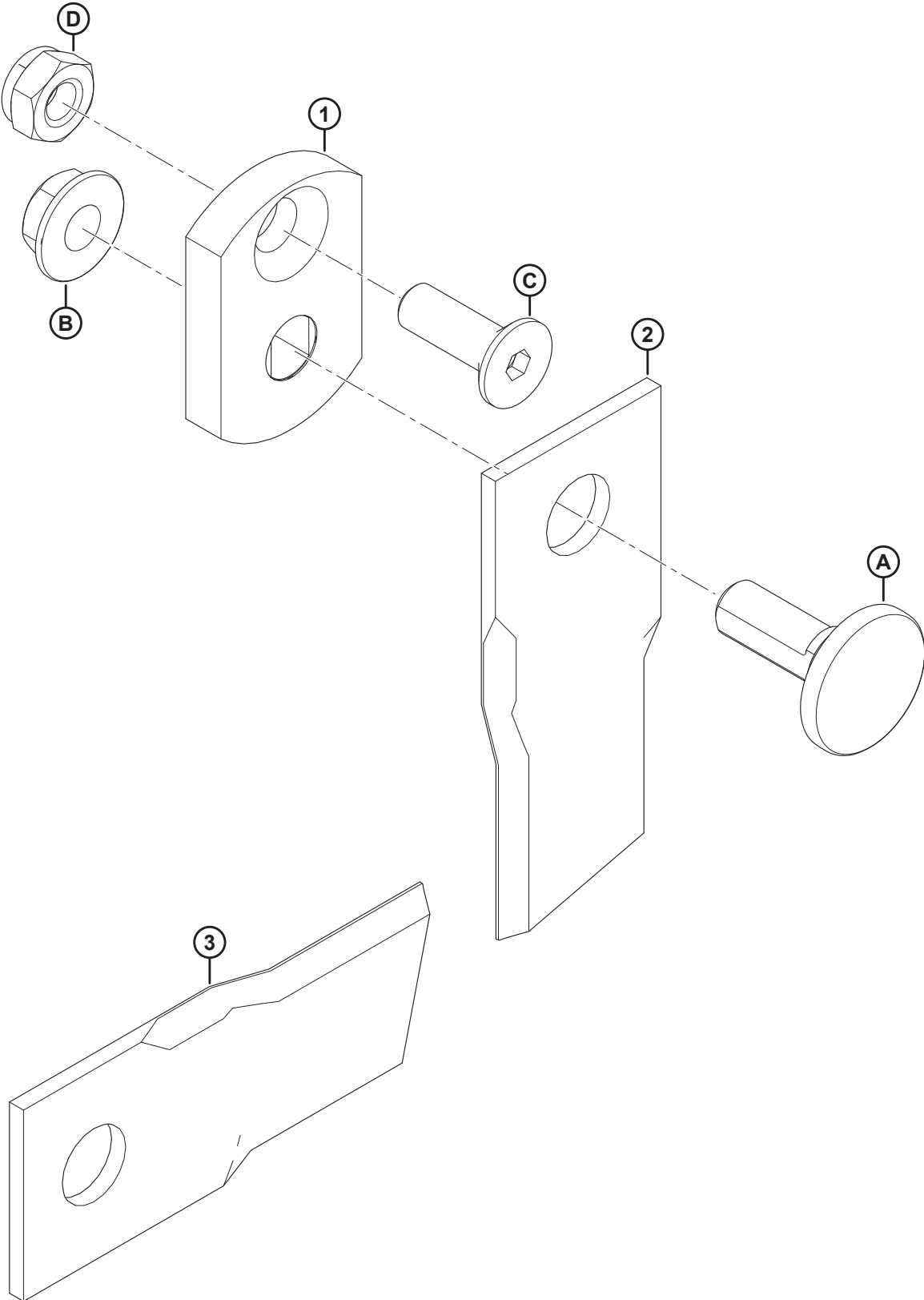
35 Tool Operated Latches – Export Only



TOOL OPERATED LATCHES – EXPORT ONLY

Ref	Part Number	Description	Qty	Serial Number
1	246352	PLATE	2	
2	35618	SPRING – COMPRESSION	2	
3	247315	LATCH – WELDMENT	2	
A	136431	NUT – HEX FLG CTR LOC M12 X 1.75-10-A3L		
B	184587	WASHER – FLAT, 0.5 IN ID, 1.25 IN OD, 0.109 IN THK		
C	136401	SCREW – HEX SOC CSK HD TFL M12 X 1.75 X 40-10.9-AA3L		
D	184657	BOLT – RHSSN M10 X 1.5 X 20-8.8-A3L		
E	135799	NUT – HEX FLG CTR LOC M10 X 1.5-10-A3L		

36 (Option) Blade Lowering Kit

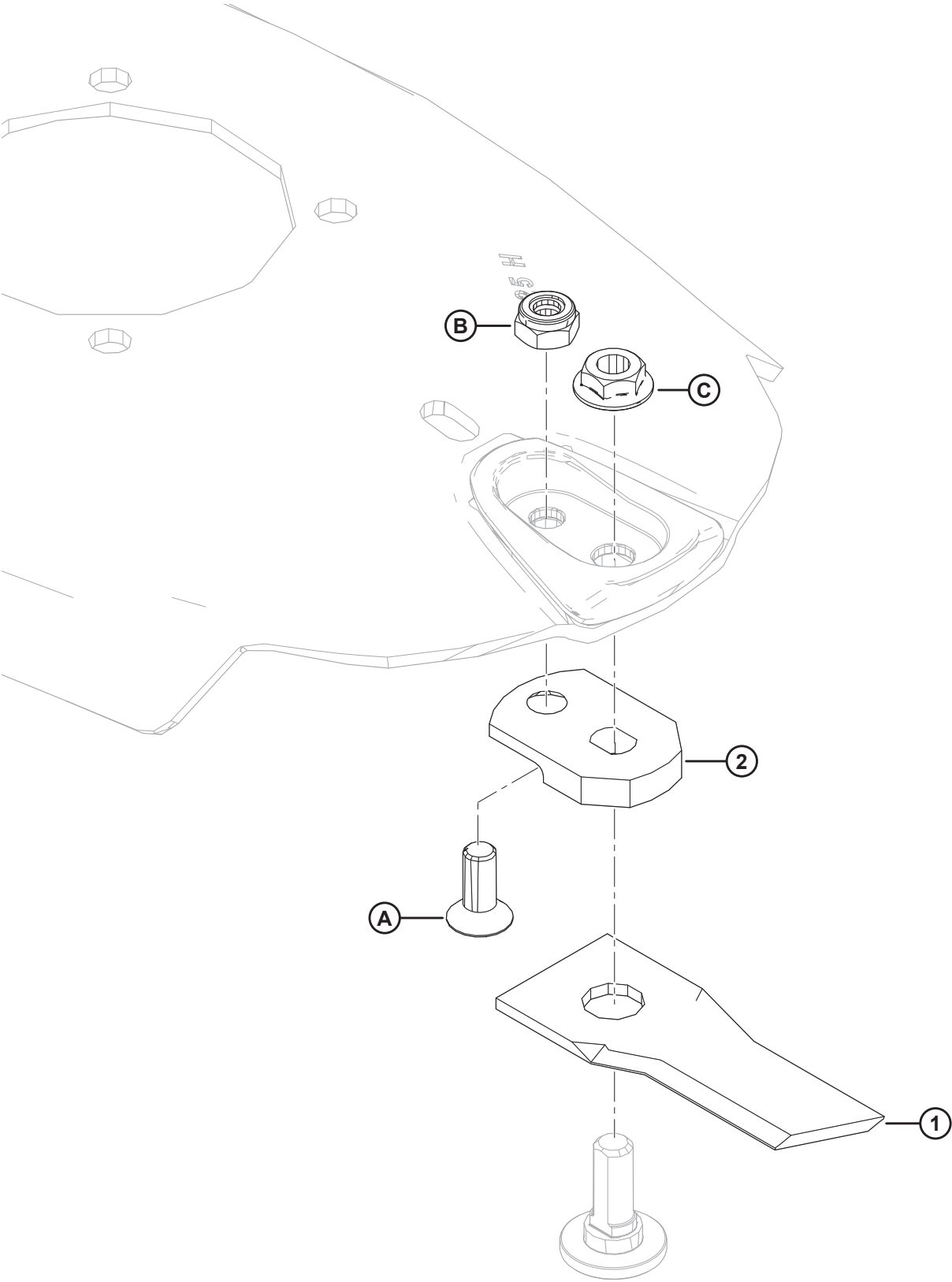


(OPTION) BLADE LOWERING KIT

Ref	Part Number	Description	Qty	Serial Number
	257123	KIT – 18° BLADE LOWERING ¹⁴⁶		
1	281606	PLATE – BLADE, 10 MM	24	
2	259200	BLADE – 18° CCW BEVEL DOWN, QTY 6	4	
3	259199	BLADE – 18° CW BEVEL DOWN, QTY 6	4	
A	281604	BOLT – BLADE		
B	246300	NUT – BLADE		
C	281605	BOLT – ACCELERATOR		
D	246303	NUT – ACCELERATOR		

146. Kit includes all listed parts and hardware.

37 (Option) Blade Update



(OPTION) BLADE UPDATE

Ref	Part Number	Description	Qty	Serial Number
	359122	KIT – UPDATED BLADES ¹⁴⁷		
1	359066	BLADE – CCW 18° BEVEL DOWN QTY 6	4	
	359065	BLADE – CW 18° BEVEL DOWN QTY 6	4	
2	338956	PLATE – BLADE SPACER	20	
A	281965	BOLT – ACCELERATOR		
B	246303	NUT – ACCELERATOR		
C	246300	NUT – BLADE		

147. The blades included in this kit have a larger cut length, providing a cleaner cut in lighter crops. The kit includes all listed parts and instructions.

(OPTION) DRAWBAR HITCH (2018 AND PRIOR)

Ref	Part Number	Description	Qty	Serial Number
	B5808	KIT – DRAWBAR HITCH ASSEMBLY (2018 AND PRIOR) ¹⁴⁸		-346189
1	247237	MACHINED – DRAWBAR	1	-346189
2	259587	HITCH – LOWER ASM ¹⁴⁹	1	-346189
3	247245	ASSEMBLY – DRAWBAR CASTING C/W BUSHINGS ¹⁵⁰	1	-346189
4	281457	BUSHING	2	-346189
5	7782	FITTING – LUBRICATION 1/4-28 TAPER THD	1	-346189
6	197157	PIN – CLEVIS	2	-346189
7	102264	PIN – LYNCH 3/16 X 1 9/16 IN.	2	-346189
8	247246	BUSHING	1	-346189
9	223060	PIN – WELDT	1	-346189
10	21404	CHAIN – SAFETY 59 IN LG	1	-346189
11	224337	PIN – HITCH	1	-346189
12	13125	PIN – HAIR	1	-346189
13	259605	JACK ¹⁵¹	1	-346189
A	18603	WASHER – SAE FLAT 1 1/16 ID X 2.0 IN OD ZP		
B	112130	WASHER – HARDENED		
C	135799	NUT – HEX FLG CTR LOC M10 X 1.5-10-A3L		
D	136122	NUT – HEX FLG CTR LOC M20 X 2.5-10-A3L		
E	136124	NUT – HEX M20 X 2.5-10-A3L		
F	136157	BOLT – HEX HD M20 X 2.5 X 65-10.9-A3L		
G	136248	BOLT – RHSSN TFL M10 X 1.5 X 35-8.8-A3L		
H	136887	BOLT – HEX HD M20 X 2.5 X 140-10.9-A3L		
J	246178	WASHER – FLAT RECTANGULAR		

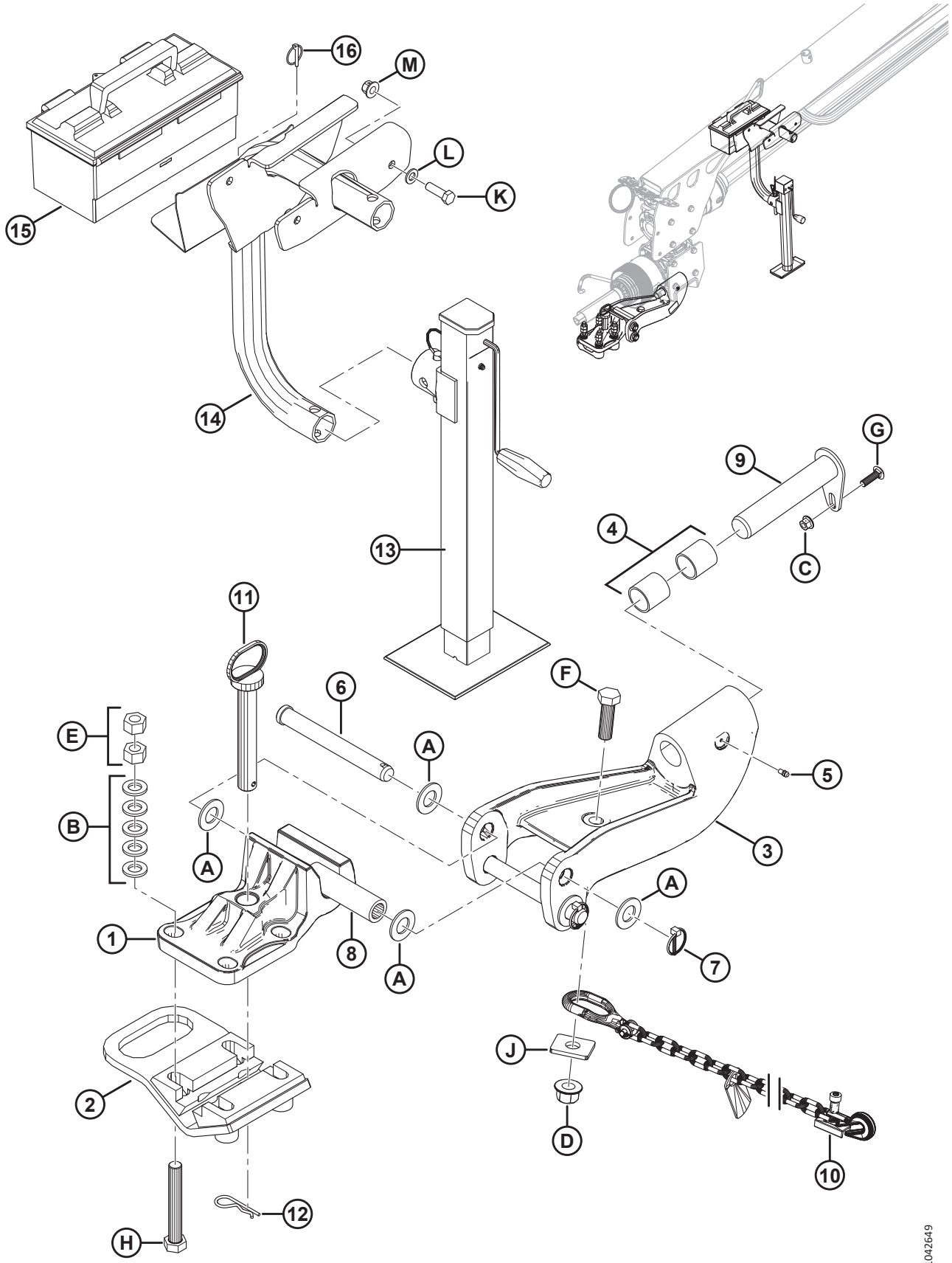
148. Kits are available through Whole Goods only.

149. Was previously casting clamp (MD #246578), which has been superseded by lower hitch assembly (MD #259587). Order casting clamp (MD #246578) until stock is depleted, then order lower hitch assembly (MD #259587). Lower hitch assembly includes lower hitch plate (NSS) and two wedge blocks (NSS).

150. Includes bushing (MD #281457).

151. Was previously jack (MD #246321), which has been superseded by jack (MD #259605). Order jack (MD #246321) until stock is depleted, then order jack (MD #259605).

39 (Option) Drawbar Hitch (2019–2021)



(OPTION) DRAWBAR HITCH (2019–2021)

NOTE:

Two Drawbar Hitch kits (B6633 and B6791) are available for model year 2019 to 2021 units. B6791 includes additional parts (toolbox MD #259419 and lynch pin MD #50193), and a different jack stand tube assembly (MD #259457), which has a mounting location for the toolbox.

Ref	Part Number	Description	Qty	Serial Number
	B6791	KIT – DRAWBAR HITCH ASSEMBLY (2020–2021) ¹⁵²		371190–421189
	B6633	KIT – DRAWBAR HITCH ASSEMBLY (2018–2019) ¹⁵³		346190–371189
1	247237	MACHINED – DRAWBAR	1	
2	259587	HITCH – LOWER ASM ¹⁵⁴	1	
3	247245	ASSEMBLY – DRAWBAR CASTING C/W BUSHINGS ¹⁵⁵	1	
4	281457	BUSHING	2	
5	7782	FITTING – LUBRICATION 1/4-28 TAPER THD	1	
6	197157	PIN – CLEVIS	2	
7	102264	PIN – LYNCH 3/16 X 1 9/16 IN.	2	
8	247246	BUSHING	1	
9	223060	PIN – WELDT	1	
10	21404	CHAIN – SAFETY 59 IN LG	1	
11	224337	PIN – HITCH	1	
12	13125	PIN – HAIR	1	
13	259605	JACK ¹⁵⁶	1	
14	259457	ASSEMBLY – TUBE JACK STAND WELDMENT ¹⁵⁷	1	371190–421189
	259154	ASSEMBLY – TUBE JACK STAND WELDMENT ¹⁵⁸	1	346190–371189
15	259419	TOOL BOX ¹⁵⁷	1	371190–421189
16	50193	PIN – LYNCH ¹⁵⁷	1	371190–421189
A	18603	WASHER – SAE FLAT 1 1/16 ID X 2.0 IN OD ZP		
B	112130	WASHER – HARDENED		
C	135799	NUT – HEX FLG CTR LOC M10 X 1.5-10-A3L		
D	136122	NUT – HEX FLG CTR LOC M20 X 2.5-10-A3L		
E	136124	NUT – HEX M20 X 2.5-10-A3L		
F	136157	BOLT – HEX HD M20 X 2.5 X 65-10.9-A3L		
G	136248	BOLT – RHSSN TFL M10 X 1.5 X 35-8.8-A3L		
H	136887	BOLT – HEX HD M20 X 2.5 X 140-10.9-A3L		
J	246178	WASHER – FLAT RECTANGULAR		
K	184669	BOLT – HEX HD M12 X 1.75 X 40-8.8-AA1J		

152. Assembly includes toolbox (MD #259419). Kits are available through Whole Goods only.

153. Assembly does not include toolbox (MD #259419). Kits are available through Whole Goods only.

154. Was previously casting clamp (MD #246578), which has been superseded by lower hitch assembly (MD #259587). Order casting clamp (MD #246578) until stock is depleted, then order lower hitch assembly (MD #259587). Lower hitch assembly includes lower hitch plate (NSS) and two wedge blocks (NSS).

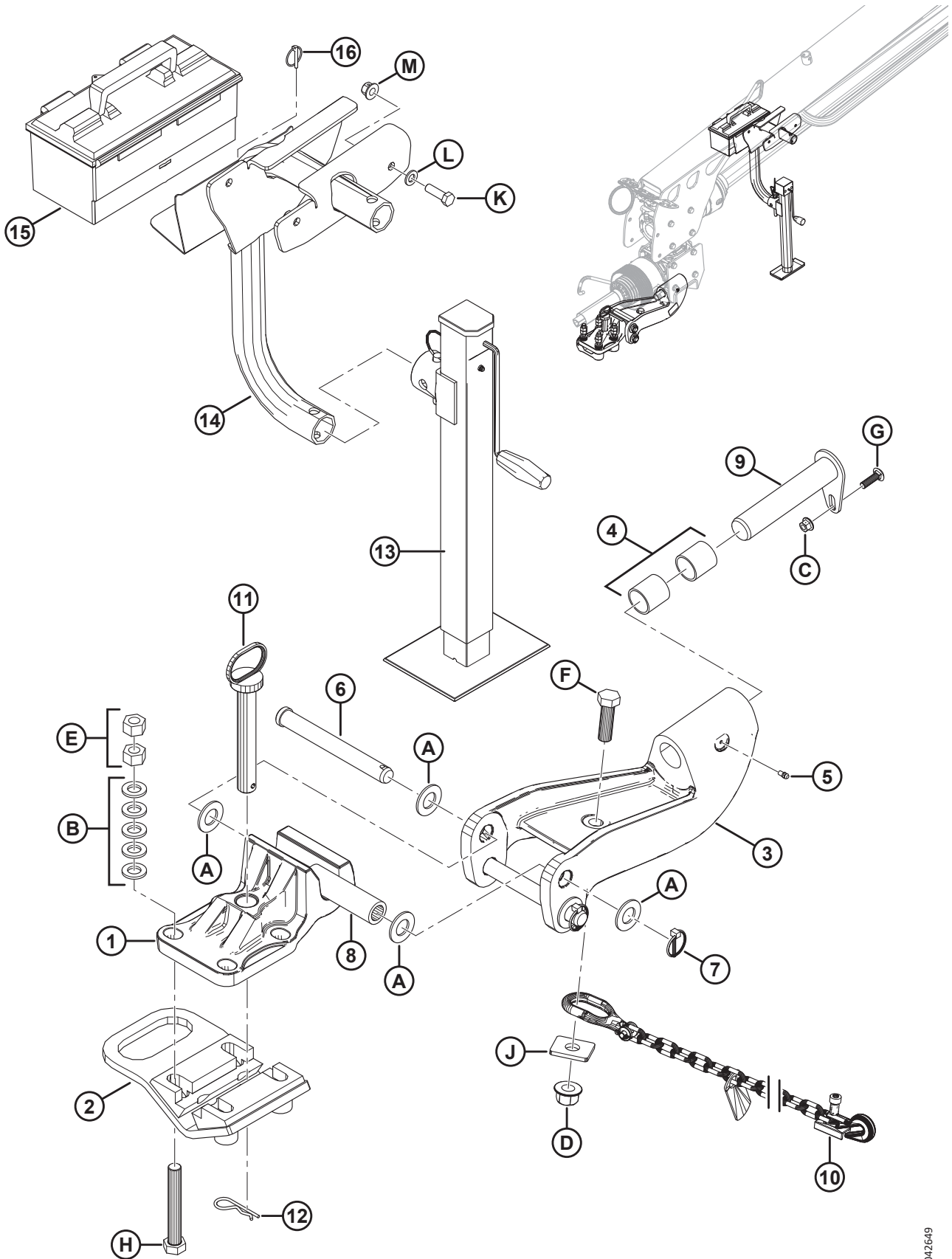
155. Includes bushing (MD #281457).

156. Was previously jack (MD #246321), which has been superseded by jack (MD #259605). Order jack (MD #246321) until stock is depleted, then order jack (MD #259605).

157. Included in B6791 only. Assembly (MD #259457) includes a support mount for toolbox (MD #259419).

158. Included in B6633 only.

(OPTION) DRAWBAR HITCH (2019–2021)

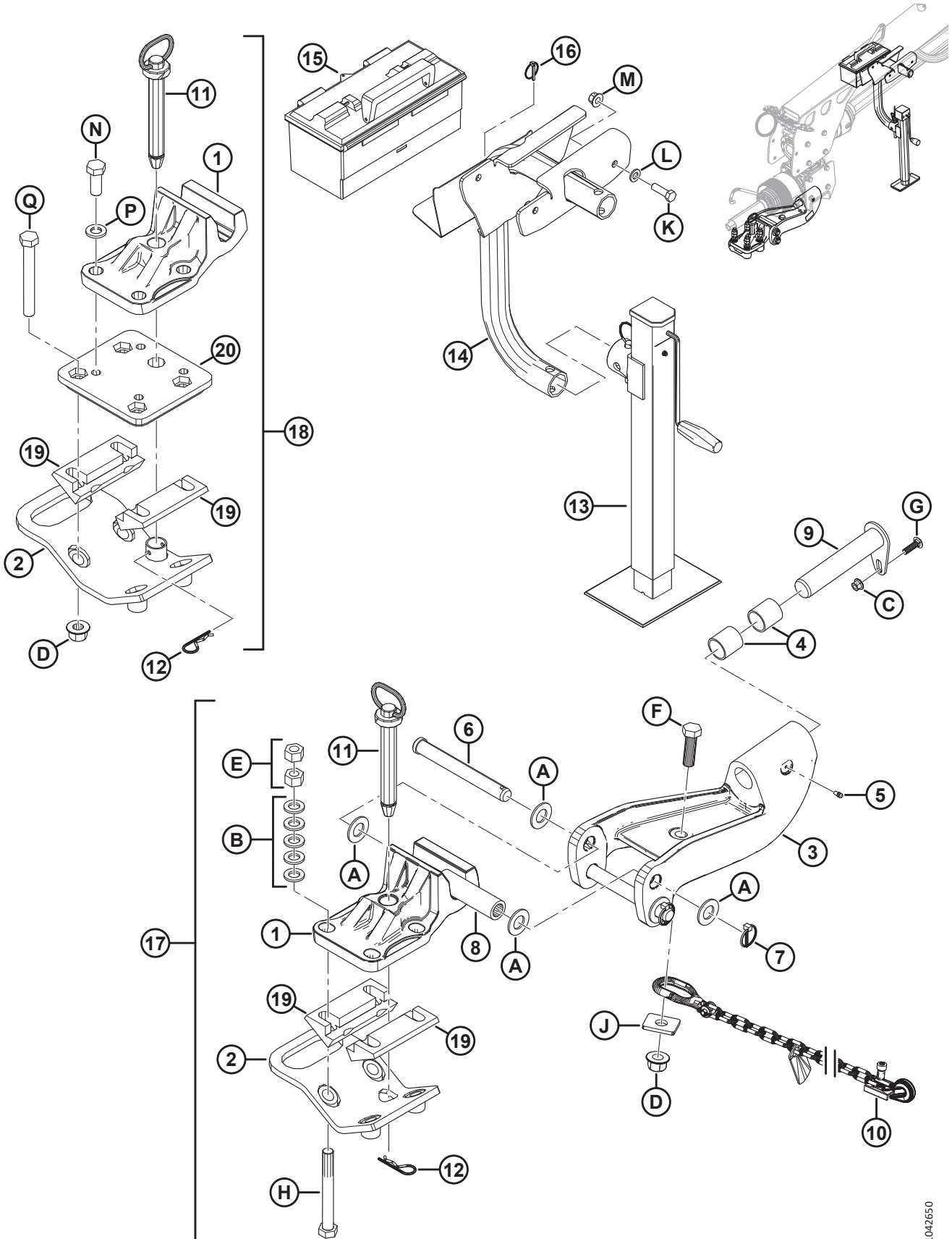


1042649

(OPTION) DRAWBAR HITCH (2019–2021)

Ref	Part Number	Description	Qty	Serial Number
L	184714	WASHER – FLAT REG M12-300HV		
M	136431	NUT – HEX FLG CTR LOC M12 X 1.75-10		

40 (Option) Drawbar Hitch (2022 and Later)



(OPTION) DRAWBAR HITCH (2022 AND LATER)

NOTE:

Two Drawbar Hitch kits (B6997 and B6996) are available for model year 2022 and later units. B6997 includes parts specific to Category 3 drawbar hitches, and B6996 includes parts specific to Category 4 drawbar hitches; Category 3 and Category 4 drawbar hitches are **NOT** interchangeable, ensure that the correct category hitch is selected for the relevant equipment.

Ref	Part Number	Description	Qty	Serial Number
	B6997	KIT – CAT3 DRAWBAR HITCH ASSEMBLY ¹⁵⁹		421190–
	B6996	KIT – CAT4 DRAWBAR HITCH ASSEMBLY ¹⁵⁹		421190–
1	247237	MACHINED – DRAWBAR	1	421190–
2	NSS	HITCH – LOWER WELDT (CAT3) ¹⁶⁰	1	421190–
	NSS	HITCH – LOWER WELDT (CAT4) ¹⁶¹	1	421190–
3	247245	ASSEMBLY – DRAWBAR CASTING C/W BUSHINGS ¹⁶²	1	421190–
4	281457	BUSHING	2	421190–
5	7782	FITTING – LUBRICATION 1/4-28 TAPER THD	1	421190–
6	197157	PIN – CLEVIS	2	421190–
7	102264	PIN – LYNCH 3/16 X 1 9/16 IN.	2	421190–
8	247246	BUSHING	1	421190–
9	223060	PIN – WELDT	1	421190–
10	21404	CHAIN – SAFETY 59 IN LG	1	421190–
11	224337	PIN – HITCH	1	421190–
12	13125	PIN – HAIR	1	421190–
13	259605	JACK	1	421190–
14	259457	ASSEMBLY – TUBE JACK STAND WELDMENT ¹⁶³	1	421190–
15	259419	TOOL BOX	1	421190–
16	50193	PIN – LYNCH	1	421190–
17	259431	HITCH – CAT 3 WEDGE ¹⁶⁴	1	421190–
18	259438	HITCH – CAT 4 WEDGE ¹⁶⁵	1	421190–
19	NSS	BLOCK – WEDGE	2	
20	NSS	PLATE – CAT 4 DRAWBAR MACHINED	1	
A	18603	WASHER – SAE FLAT 1 1/16 ID X 2.0 IN OD ZP		
B	112130	WASHER – HARDENED		
C	135799	NUT – HEX FLG CTR LOC M10 X 1.5-10-A3L		
D	136122	NUT – HEX FLG CTR LOC M20 X 2.5-10-A3L		
E	136124	NUT – HEX M20 X 2.5-10-A3L		
F	136157	BOLT – HEX HD M20 X 2.5 X 65-10.9-A3L		

159. Category 3 and Category 4 drawbar hitches are **NOT** interchangeable. Kits are available through Whole Goods only.

160. Category 3 hitch.

161. Category 4 hitch.

162. Includes bushing (MD #281457).

163. Assembly (MD #259457) includes a support mount for toolbox (MD #259419).

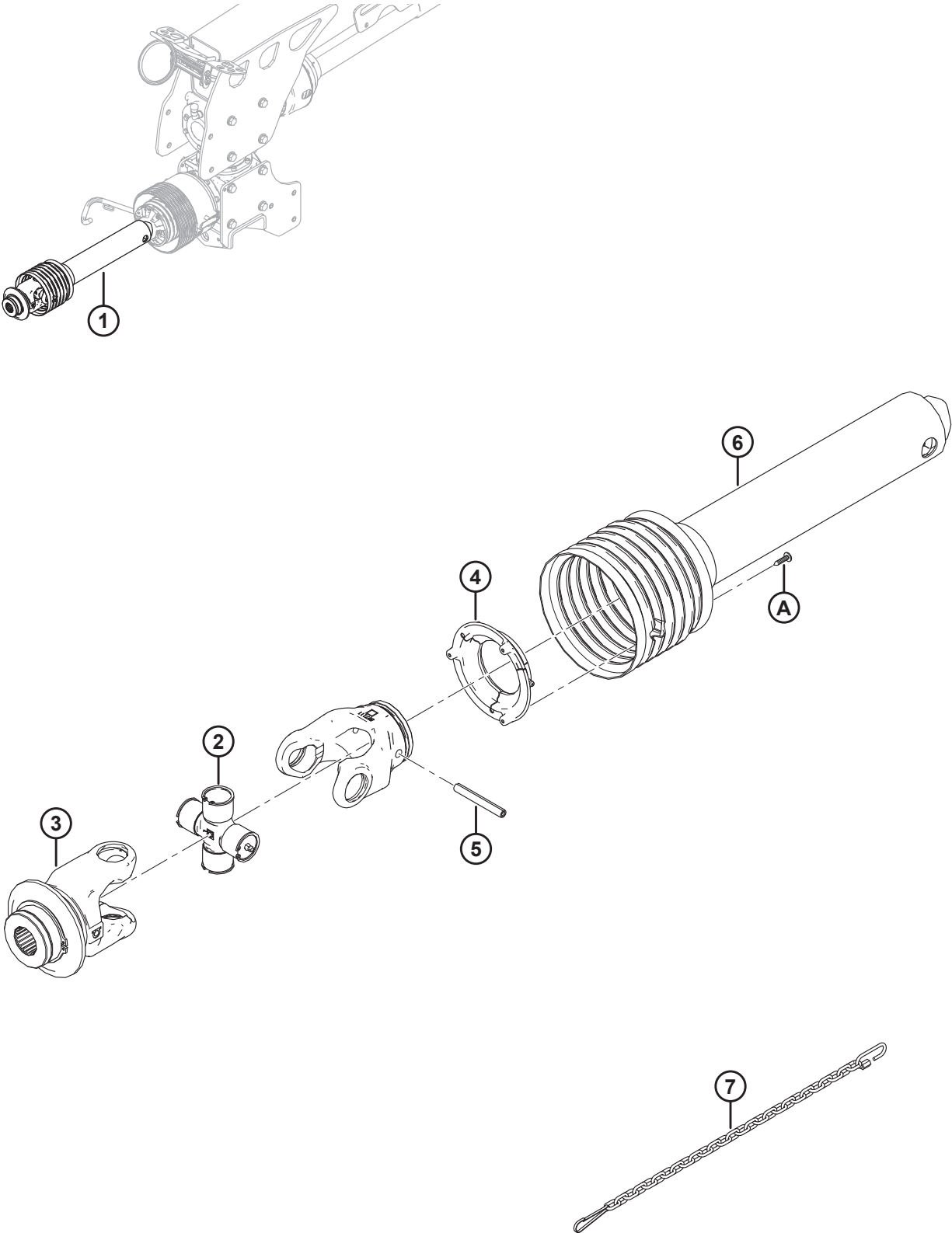
164. Category 3 wedge hitch (MD #259431) includes drawbar (MD #247237), lower hitch plate (NSS), two wedge blocks (NSS), hitch pin (MD #224337), hair pin (MD #13125), four bolts (MD #136650), four washers (MD #112130), and eight nuts (MD #136124).

165. Category 4 wedge hitch (MD #259438) includes drawbar (MD #247237), lower hitch plate (NSS), two wedge blocks (NSS), CAT4 drawbar plate (NSS), hitch pin (MD #224337), hair pin (MD #13125), four bolts (MD #136082), four washers (MD #2140), four nuts (MD #136122), and four bolts (MD #136422).

(OPTION) DRAWBAR HITCH (2022 AND LATER)

Ref	Part Number	Description	Qty	Serial Number
G	136248	BOLT – RHSSN TFL M10 X 1.5 X 35-8.8-A3L		
H	136650	BOLT – HEX HD M20 X 2.5 X 170-8.8		
J	246178	WASHER – FLAT RECTANGULAR		
K	184669	BOLT – HEX HD M12 X 1.75 X 40-8.8-AA1J		
L	184714	WASHER – FLAT REG M12-300HV		
M	136431	NUT – HEX FLG CTR LOC M12 X 1.75-10		
N	136082	BOLT – HEX HD TFL M20 X 2.5 X 50-8.8-AA3L		
P	21540	WASHER – HARD ASTM F436 M20-340HV-AB2C		
Q	136422	BOLT – HEX HD M20 X 2.5 X 160-8.8-AA1J		

41 (Option) Driveline Extension Kit (2017 and Prior)



(OPTION) DRIVELINE EXTENSION KIT (2017 AND PRIOR)

Ref	Part Number	Description	Qty	Serial Number
	B6390	KIT – 1.375 IN. 21T FRONT HALF DRIVELINE EXTENDED ¹⁶⁶		-321189
	B6391	KIT – 1.75 IN. 20T FRONT HALF DRIVELINE EXTENDED ¹⁶⁷		-321189
1	259019	DRIVELINE – 1.375 IN. 21T HALF	1	-321189
	259020	DRIVELINE – 1.75 IN. 20T HALF	1	-321189
2	247123	CROSS KIT	1	-321189
3	247162	YOKE ¹⁶⁸	1	-321189
	247161	YOKE ¹⁶⁹	1	-321189
4	247127	SHIELD SUPPORT (OUTER)	1	-321189
5	256663	ROLL PIN (10 X 75) ¹⁶⁸	1	-321189
	247126	ROLL PIN (10 X 65) ¹⁶⁹	1	-321189
6	281653	SHIELD KIT (PTO AND IMPLEMENT) ¹⁶⁸	1	-321189
	281654	SHIELD KIT (PTO AND IMPLEMENT) ¹⁶⁹	1	-321189
7	111242	SHIELD CHAIN	1	-321189
A	247128	SCREW		

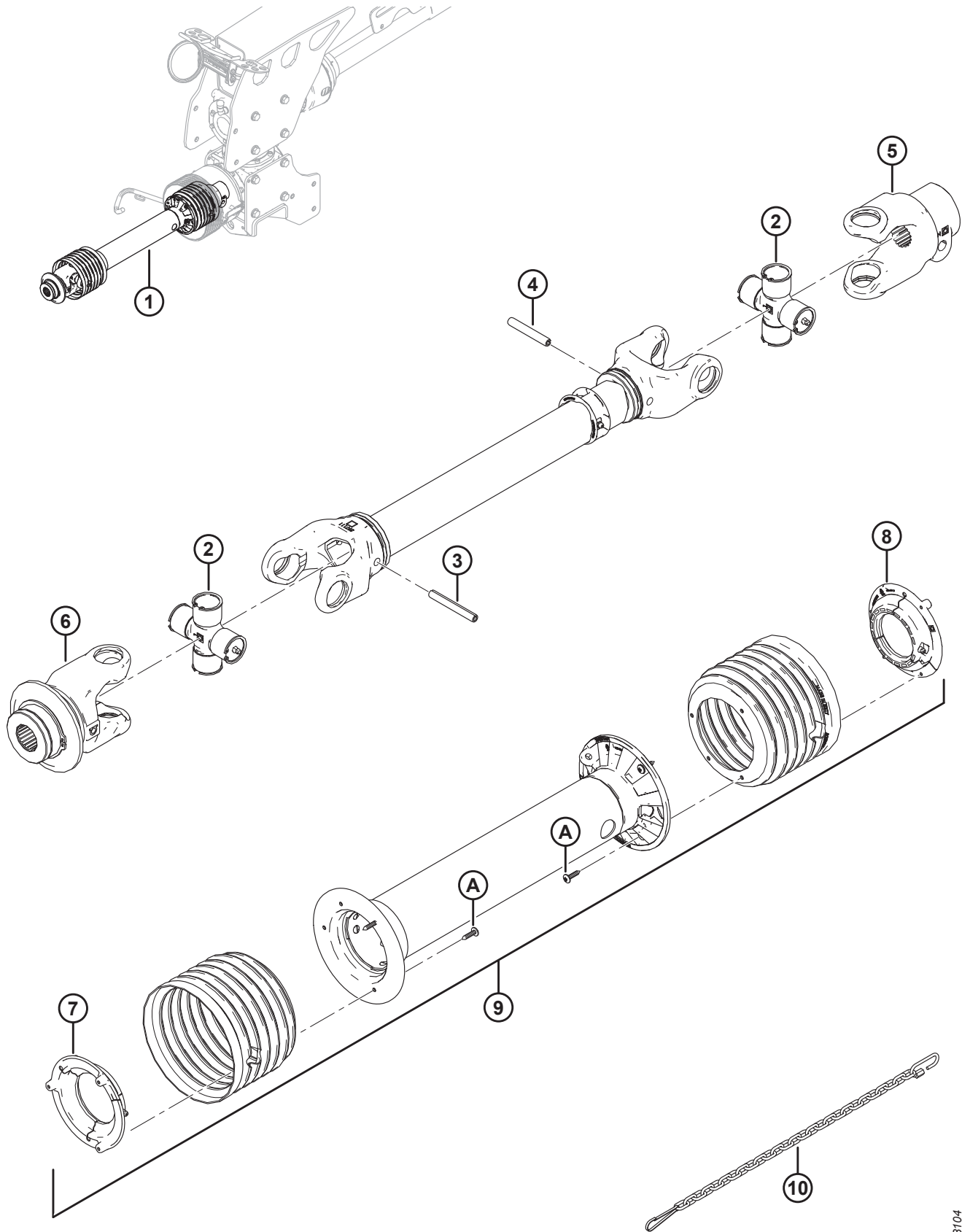
166. The kit includes 21-tooth spline half driveline (MD #259019) and instructions. Kits are available through Whole Goods only.

167. The kit includes 20-tooth spline half driveline (MD #259020) and instructions. Kits are available through Whole Goods only.

168. Kit is for 21-tooth spline half driveline (MD #259019).

169. Kit is for 20-tooth spline half driveline (MD #259020).

42 (Option) Driveline Extension Kit (2018 and Later)



(OPTION) DRIVELINE EXTENSION KIT (2018 AND LATER)

Ref	Part Number	Description	Qty	Serial Number
	B6555	KIT – 1.375 IN. 21T DRIVELINE EXT ¹⁷⁰		321190–
	B6556	KIT – 1.75 IN. 20T DRIVELINE EXT ¹⁷¹		321190–
1	256661	DRIVELINE – 1.375 IN. 21T, EXT	1	321190–
	256666	DRIVELINE – 1.75 IN. 20T, EXT	1	321190–
2	247123	CROSS KIT	2	321190–
3	256663	ROLL PIN (10 X 75)	1	321190–
4	247126	ROLL PIN (10 X 65)	1	321190–
5	247124	YOKE (IMPLEMENT)	1	321190–
6	247162	YOKE (PTO) ¹⁷²	1	321190–
	247161	YOKE (PTO) ¹⁷³	1	321190–
7	247127	SHIELD SUPPORT (OUTER)	1	321190–
8	247129	SHIELD SUPPORT (INNER)	1	321190–
9	256665	SHIELD KIT ¹⁷⁴	1	321190–
	256668	SHIELD KIT ¹⁷⁵	1	321190–
	281653	SHIELD KIT ¹⁷⁶	1	321190–
	281654	SHIELD KIT ¹⁷⁷	1	321190–
10	256674	SHIELD CHAIN ¹⁷⁸	1	321190–
	111242	SHIELD CHAIN ¹⁷⁹	1	321190–
A	247128	SCREW		

170. The kit includes 21-tooth spline driveline (MD #256661) and instructions. Kits are available through Whole Goods only.

171. The kit includes 20-tooth spline driveline (MD #256666) and instructions. Kits are available through Whole Goods only.

172. Kit is for 21-tooth spine driveline (MD #256661) and superseded 21-tooth spline driveline (MD #281975).

173. Kit is for 20-tooth spine driveline (MD #256666) and superseded 20-tooth spline driveline (MD #281977).

174. Kit is for 21-tooth spline driveline (MD #256661).

175. Kit is for 20-tooth spline driveline (MD #256666).

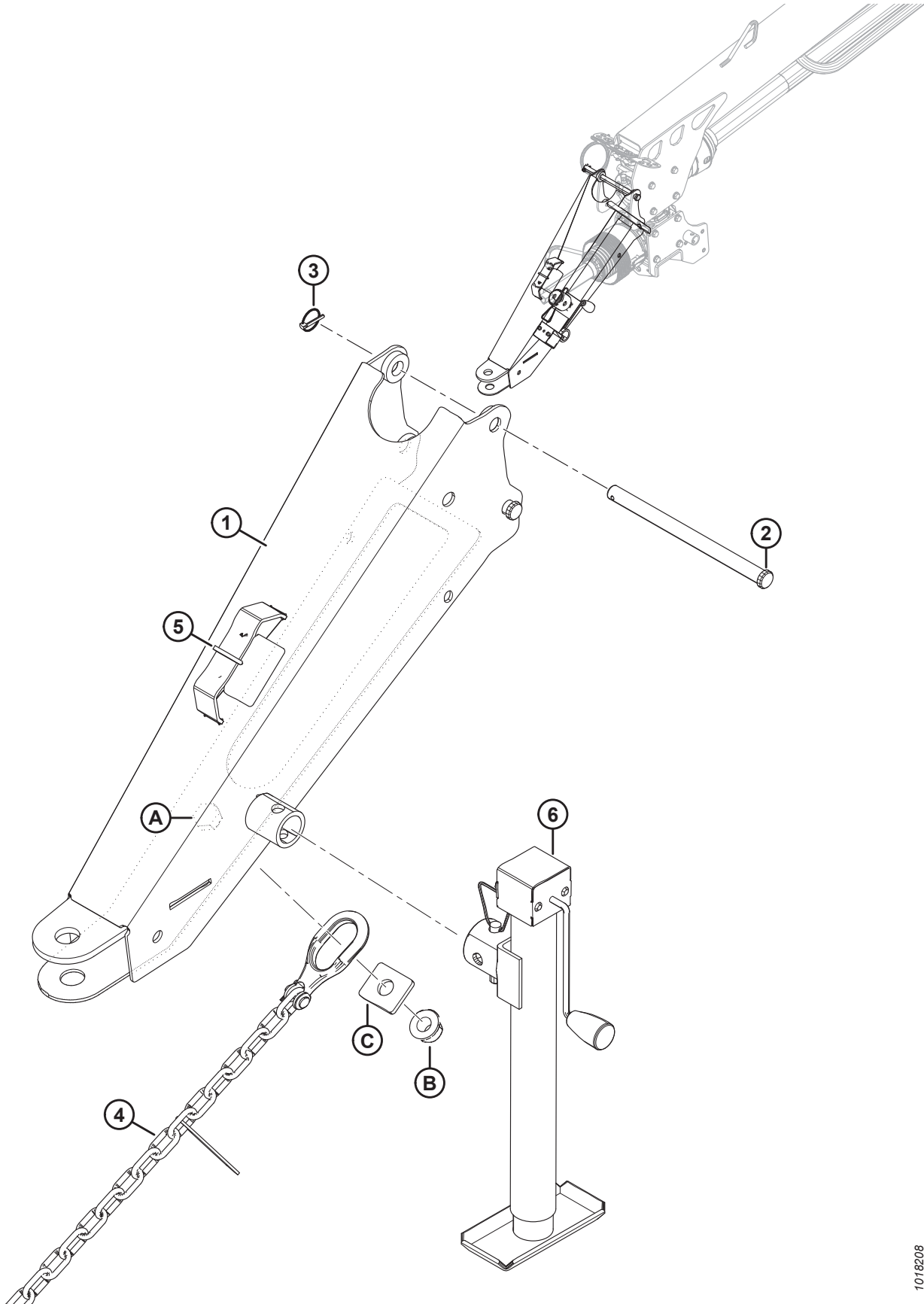
176. Kit is for superseded 21-tooth spline driveline (MD #281975).

177. Kit is for superseded 20-tooth spline driveline (MD #281977).

178. For 21-tooth spline driveline (MD #256661) and 20-tooth spine driveline (MD #256666).

179. For superseded 21-tooth spline driveline (MD #281975) and superseded 20-tooth spline driveline (MD #281977).

43 (Option) Tractor Utility Hitch Adapter



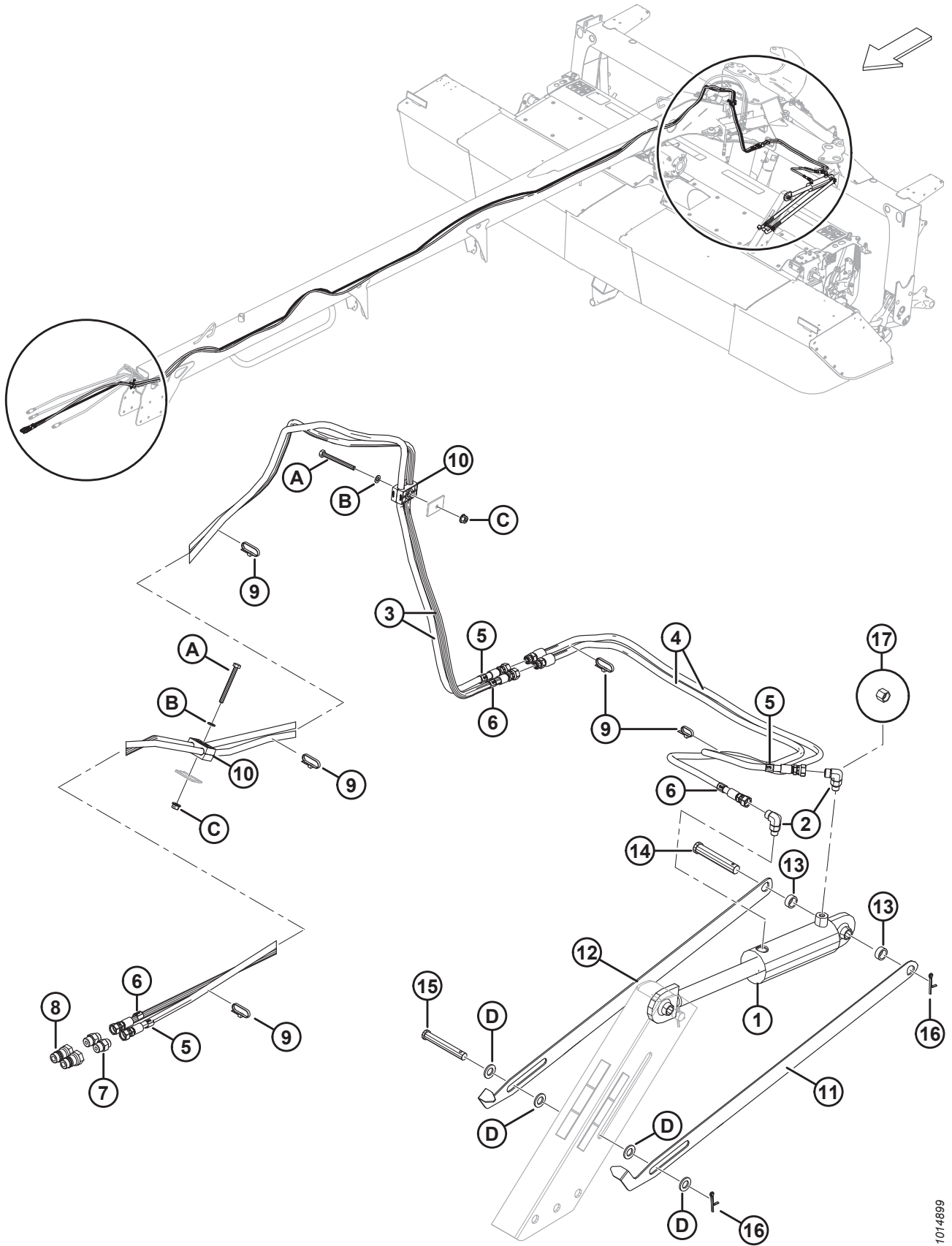
(OPTION) TRACTOR UTILITY HITCH ADAPTER

Ref	Part Number	Description	Qty	Serial Number
	B5802	KIT – TRACTOR UTILITY HITCH ADAPTER ¹⁸⁰		
1	223326	HITCH – TRANSPORT	1	
2	135402	PIN – CLEVIS	2	
3	50193	PIN – LYNCH	2	
4	21404	CHAIN – SAFETY 59 LINK	1	
5	21763	FASTENER – CABLE TIE (BLACK)	1	
6	259605	JACK ¹⁸¹	1	
A	136080	BOLT – HEX HD M20 X 2.5 X 60-8.8-A3L		
B	136122	NUT – HEX FLG CTR LOC M20 X 2.5-10-A3L		
C	246178	WASHER – FLAT RECTANGULAR		

180. Allows for the quick connection of the pull-type to a tractor drawbar regardless of the installed hitch option. Kits are available through Whole Goods only.

181. Was previously jack (MD #246321), which has been superseded by jack (MD #259605). Order jack (MD #246321) until stock is depleted, then order jack (MD #259605).

44 (Option) Hydraulic Header Angle (2015)



(OPTION) HYDRAULIC HEADER ANGLE (2015)

Ref	Part Number	Description	Qty	Serial Number
	B5760	KIT – HYDRAULIC HEADER ANGLE, ROTARY PT ¹⁸²		
1	149767	CYLINDER – HYDRAULIC	1	266820–285419
	150519	SEAL KIT		
2	136095	FITTING – ELBOW 90° HYD	2	266820–285419
	50219	O-RING – SAE #6		
	135865	O-RING – #6 ORFS		
3	224164	HOSE – HYD, 0.25 IN ID, 9250 MM LG ¹⁸³	2	266820–285419
4	224165	HOSE – HYD, 0.25 IN ID, 1460 MM LG ¹⁸⁴	2	266820–285419
5	136317	COLLAR – HOSE IDENTIFICATION, RED 3	3	266820–285419
6	136320	COLLAR – HOSE IDENTIFICATION, BLUE 3	3	266820–285419
7	191705	FITTING – ADAPTER 6 MORFS X 8 MORB	2	266820–285419
	44209	O-RING – SAE #8		
	135865	O-RING – #6 ORFS		
8	135563	FITTING – COUPLING HYD	2	266820–285419
9	21763	FASTENER – CABLE TIE (BLACK)	7	266820–285419
10	232395	CLAMP – ASSEMBLY	2	266820–285419
11	223587	LINK – INDICATOR, LH	1	266820–285419
12	246769	LINK – INDICATOR, RH	1	266820–285419
13	246036	SPACER – 17.5 MM ID, 25.4 MM OD, 10 MM LG	2	266820–285419
14	18629	PIN – CLEVIS, 18.89 MM, 95 MM	1	266820–285419
15	103580	PIN – CLEVIS	1	266820–285419
16	18608	PIN – COTTER 3/16 DIA X 1.5 ZP	2	266820–285419
17	136325	CAP – HYD SAE 6 ORFS ¹⁸⁵	2	266820–285419
A	252421	BOLT – HEX HD M8 X 1.25 X 80-8.8-A2L		
B	184708	WASHER – FLAT M8-200HV-A2L		
C	135337	NUT – HEX FLG CTR LOC M8 X 1.25-8-A2L		
D	184717	WASHER – FLAT REG M16-200HV-A3L		

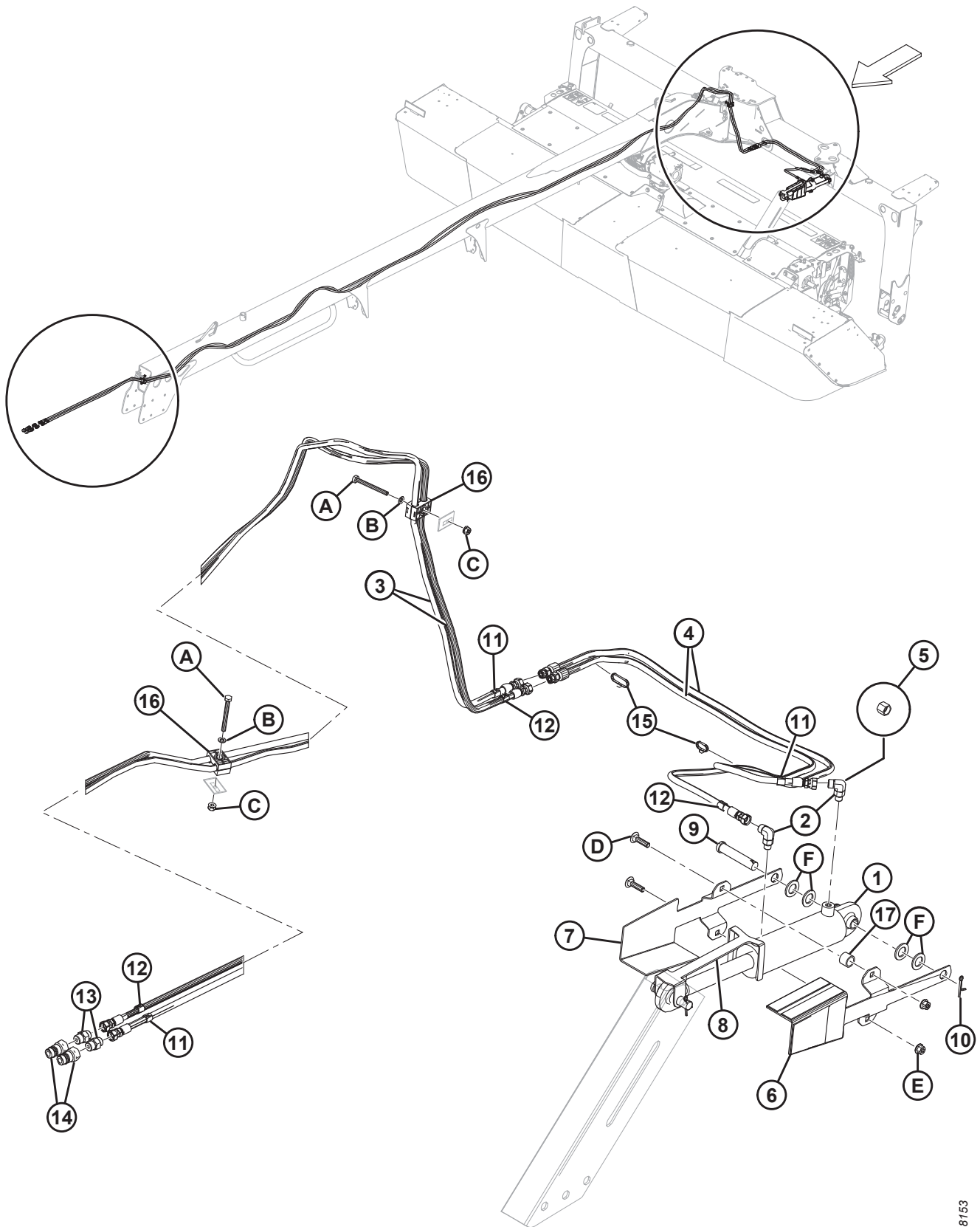
182. Kits are available through Whole Goods only.

183. Connect to hose (MD #224165) on R116 only. On R113, hose (MD #224165) is not required; connect the hose directly to the cylinder fittings (MD #136095). Follow the same path through the carrier frame. Note the collar locations for proper cylinder hookups.

184. Used only on R116. Note the collar locations for proper cylinder hookups.

185. Cap is shipped with cylinder. Remove cap from fitting (MD #136095) before hose installation.

45 (Option) Hydraulic Header Angle (2016 and Later)



1018153

(OPTION) HYDRAULIC HEADER ANGLE (2016 AND LATER)

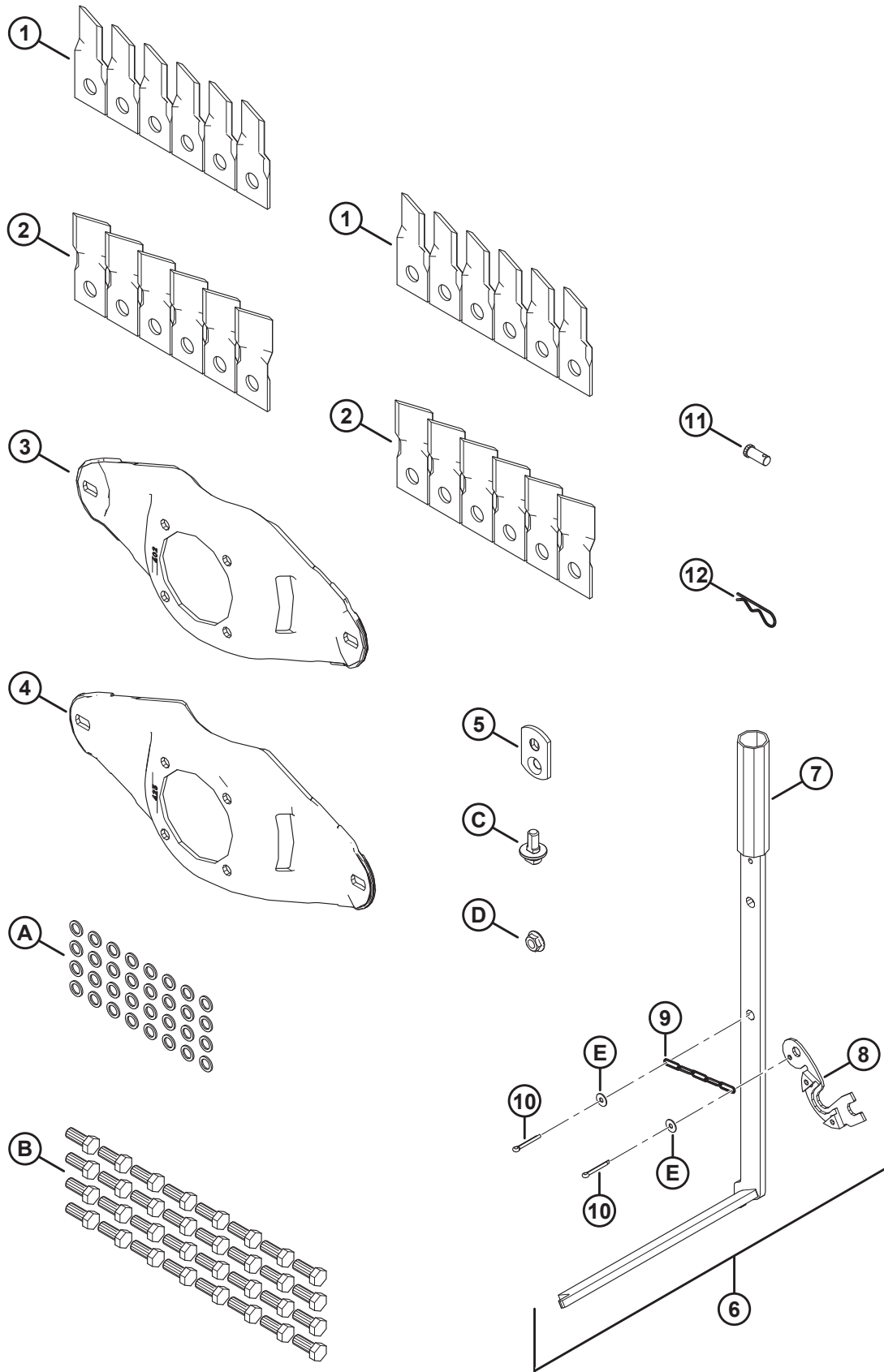
Ref	Part Number	Description	Qty	Serial Number
	B5810	KIT – HYDRAULIC HEADER ANGLE, ROTARY PT ¹⁸⁶		
1	149767	CYLINDER – HYDRAULIC	1	285420–
	150519	SEAL KIT		
2	136095	FITTING – ELBOW 90° HYD	2	285420–
	50219	O-RING – SAE #6		
	135865	O-RING – #6 ORFS		
3	224164	HOSE – HYD, 0.25 IN ID, 9250 MM LG ¹⁸⁷	2	285420–
4	224165	HOSE – HYD, 0.25 IN ID, 1460 MM LG ¹⁸⁸	2	285420–
5	136325	CAP – HYD SAE -6 ORFS	2	285420–
6	281347	ASSY – INDICATOR DECALS, LH	1	285420–
	281111	DECAL – GAUGE	2	
	281112	DECAL – GAUGE	1	
7	281348	ASSY – INDICATOR DECALS, RH	1	285420–
	281112	DECAL – GAUGE	1	
8	281535	INDICATOR – HYDRAULIC TILT, ROD	1	285420–
9	20312	PIN – CLEVIS	1	285420–
10	18608	PIN – COTTER 3/16 DIA X 1.5 ZP	1	285420–
11	136317	COLLAR – HOSE IDENTIFICATION, RED 3	2	285420–
12	136320	COLLAR – HOSE IDENTIFICATION, BLUE 3	2	285420–
13	191705	FITTING – ADAPTER 6 MORFS X 8 MORB	2	285420–
	44209	O-RING – SAE #8		
	135865	O-RING – #6 ORFS		
14	135563	FITTING – COUPLING HYD	2	285420–
15	21763	FASTENER – CABLE TIE (BLACK)	7	285420–
16	232395	CLAMP – ASSEMBLY	2	285420–
17	281349	SPACER	2	285420–
A	252421	BOLT – HEX HD M8 X 1.25 X 80-8.8-AA2L	2	
B	184708	WASHER – FLAT M8-200HV-A2L	2	
C	135337	NUT – HEX FLG CTR LOC M8 X 1.25-8-A2L	2	
D	152732	BOLT – RHSN M10 X 1.5 X 40-8.8-A3L	2	
E	135799	NUT – HEX FLG CTR LOC M10 X 1.5-10-A3L	2	
F	136477	WASHER – FLAT REG M20-200HV-A3L	4	

186. Kits are available through Whole Goods only.

187. Connect to hose (MD #224165) on R116 only. On R113, hose (MD #224165) is not required; connect the hose directly to the cylinder fittings (MD #136095). Follow the same path through the carrier frame. Note the collar locations for proper cylinder hookups.

188. Used only on R116. Note the collar locations for proper cylinder hookups.

46 (Option) Quick Change Blade Kit



(OPTION) QUICK CHANGE BLADE KIT

NOTE:

Quantities listed are for 8/10 disc unless otherwise noted.

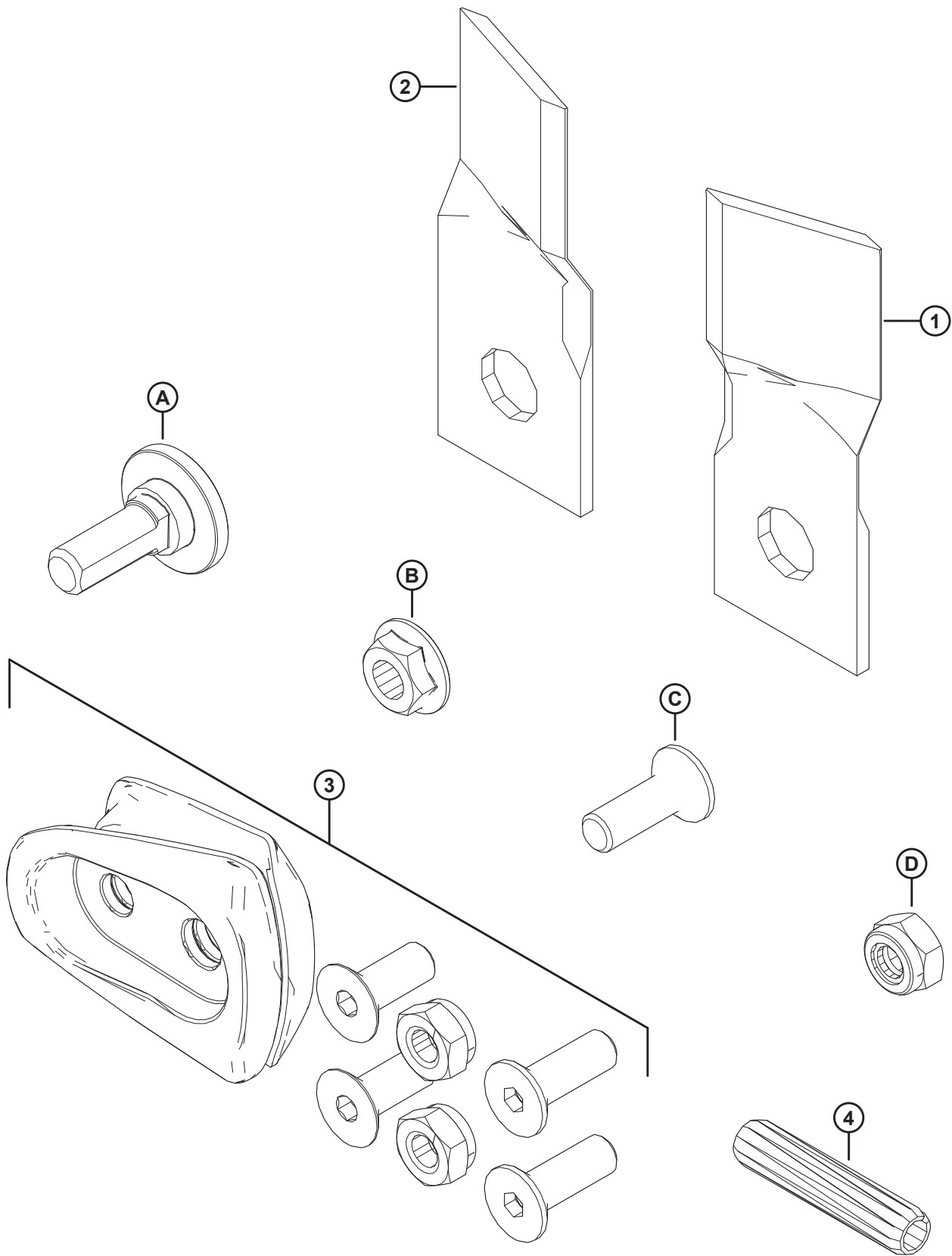
Ref	Part Number	Description	8/10 Disc Qty	Serial Number
	B6699	KIT – QCB, 8 DISC ¹⁸⁹		
	B6700	KIT – QCB, 10 DISC ¹⁸⁹		
	257136	KIT – QCB, 8 DISC ¹⁹⁰		
	257135	KIT – QCB, 10 DISC ¹⁹⁰		
1	259200	BLADE – CCW 18° BEVEL DOWN, QTY 6	2/2	
2	259199	BLADE – CW 18° BEVEL DOWN, QTY 6	2/2	
3	281365	PLATE – QUICK CHANGE, 402 MM	2/2	
4	281364	PLATE – QUICK CHANGE, 425 MM	6/8	
5	246301	PLATE – BLADE	16/20	
6	259112	KIT – BLADE CHANGE ¹⁹¹	1/1	
7	281362	TOOL – BLADE CHANGE	1/1	
8	281755	GAUGE – QUICK CHANGE	1/1	
9	259113	CHAIN – QUICK CHANGE	1/1	
10	259117	PIN – COTTER	2/2	
11	281931	PIN – CLEVIS 7/16 X 1	1/1	
12	15380	PIN – HAIR	1/1	
A	246952	WASHER – M12-LOCKING-DISC		
B	30630	BOLT – HEX HD TFL M12 X 1.75 X 30-8.8-A3L		
C	281363	BOLT – BLADE, QUICK CHANGE		
D	246300	NUT – BLADE		
E	184701	WASHER – FLAT LARGE M5-200HV		

189. The kit includes all listed parts and instructions. Kits are available through Whole Goods only.

190. The kit includes all listed parts and instructions.

191. The kit includes tool (MD #281362), gauge (MD #281755), chain (MD #259113), two pins (MD #259117), and two washers (MD #184701).

47 (Option) R1 Service Kit



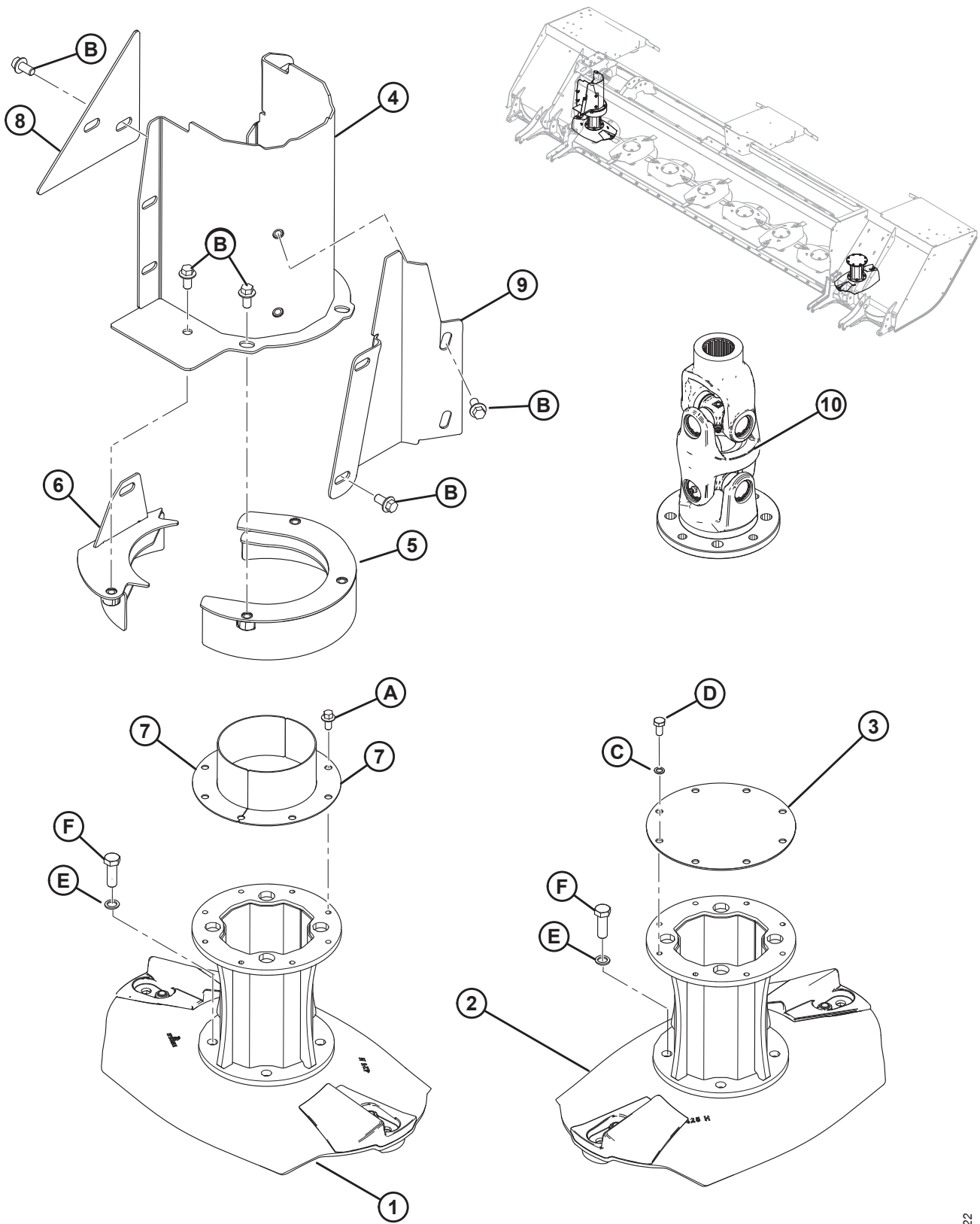
(OPTION) R1 SERVICE KIT

Ref	Part Number	Description	Qty	Serial Number
	259053	KIT – SERVICE R1 ¹⁹²		
1	259199	BLADE – CW 18° BEVEL DN QTY 6	4	
2	259200	BLADE – CCW 18° BEVEL DN QTY 6	4	
3	238227	KIT – 2 GUARDS C/W HARDWARE ¹⁹³	4	
4	246295	PIN – SHEAR	2	
A	281604	BOLT – BLADE		
B	246300	NUT – BLADE		
C	281605	BOLT – ACCELERATOR		
D	246303	NUT – ACCELERATOR		

192. This kit contains blades and hardware to service an R1 Series Rotary Disc Pull-Type.

193. This kit includes a matched pair of disc guards (NSS), two accelerator bolts (MD #281965), two accelerator nuts (MD #246303), and two accelerator bolts (MD #281605).

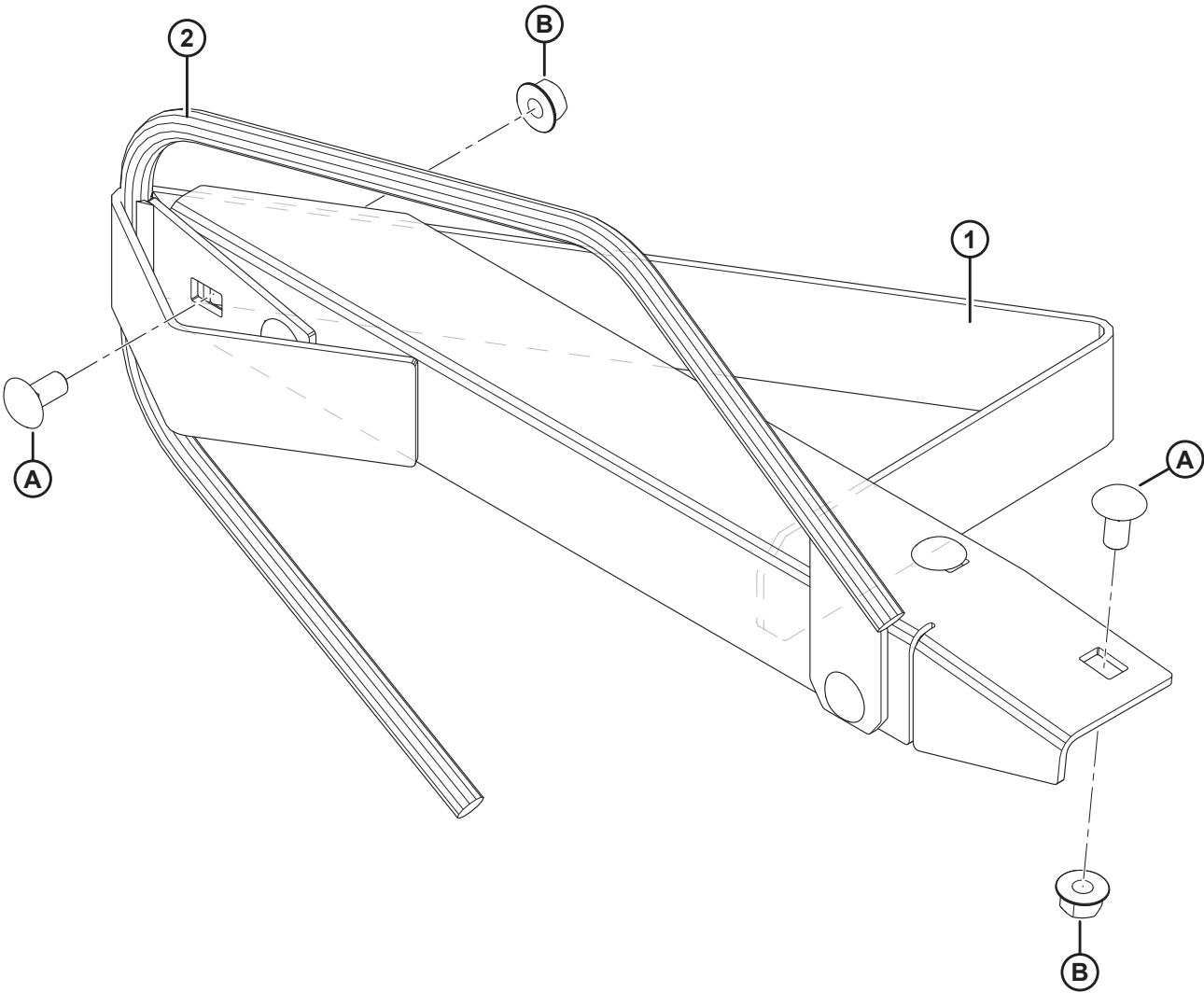
48 (Option) R116 Small Drum Kit



(OPTION) R116 SMALL DRUM KIT

Ref	Part Number	Description	Qty	Serial Number
	259140	KIT – SMALL DRUM		
1	257085	ASSEMBLY – CW DRUM, 425 MM DRIVE	1	
2	257086	ASSEMBLY – CCW DRUM, 425 MM	1	
3	280504	PLATE – DRUM COVER	1	
4	281981	SHIELD – VERTICAL WELD'T	1	
	281911	SHIELD – VERTICAL WELD'T (2015 ONLY)	1	266820–285419
5	281489	DRUM – TOP	1	
6	281493	PLATE WELDMENT – BACK	1	
7	281497	SHIELD WELD'T – DRUM	2	
8	281500	PLATE – COVER	1	
9	281501	PLATE – SHIELD	1	
	299410	PLATE – SHIELD (2015 ONLY)	1	266820–285419
10	259139	ASSEMBLY – DRIVELINE	1	
	247120	ASSEMBLY – CROSS JOURNAL CAP GREASE FITTING	1	
	247121	YOKE – SPLINED	1	
	247122	YOKE – FLANGE	1	
A	136485	BOLT – HEX FLG HD TFL M8 X 1.25 X 16-8.8-A3L		
B	152655	BOLT – HEX FLG HD M10 X 1.5 X 20-8.8-A3L		
C	246633	WASHER – SPECIAL M8		
D	246882	BOLT – SPECIAL M8		
E	246952	WASHER – M12 LOCKING DISC		
F	281697	BOLT – M12 DISC COVER		

49 (Option) Tall Crop Dividers

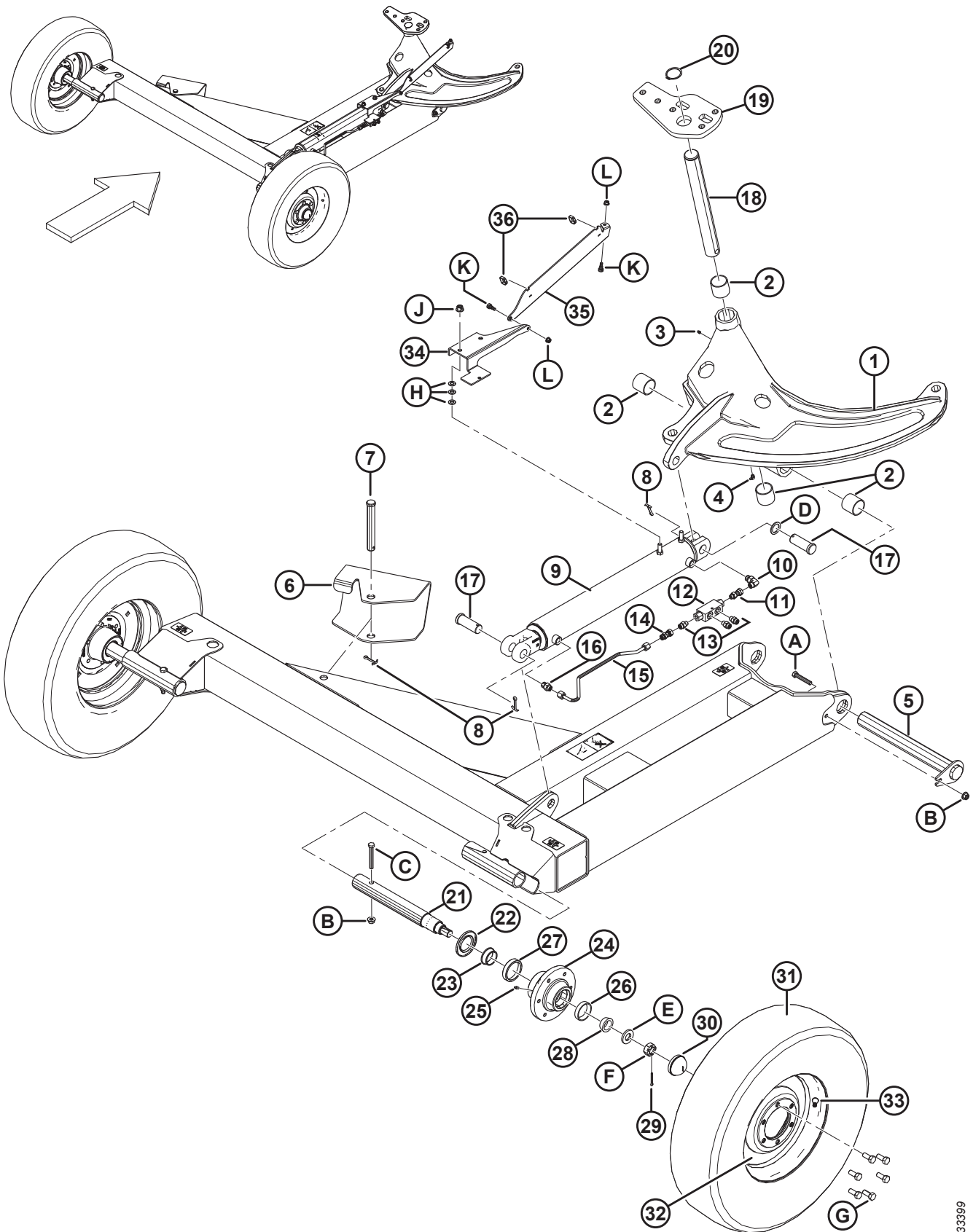


(OPTION) TALL CROP DIVIDERS

Ref	Part Number	Description	Qty	Serial Number
	B5800	KIT – TALL CROP DIVIDERS ¹⁹⁴		
1	223236	DIVIDER WELDMENT – LH	1	
	223248	DIVIDER WELDMENT – RH	1	
2	223232	ROD WELDMENT – CROP DIVIDER	2	
A	152439	BOLT – RHSSN M12 X 1.75 X 25-8.8-A3L		
B	184697	NUT – HEX SER FLG M12 X 1.75-8-A3L		

194. Kits are available through Whole Goods only.

50 (Option) Transport – Wheel Frame



1033399

(OPTION) TRANSPORT – WHEEL FRAME

Ref	Part Number	Description	Qty	Serial Number
	B6622	KIT – ROAD FRIENDLY TRANSPORT, PT ROTARY ¹⁹⁵		
	NSS	FRAME ¹⁹⁶		
1	247810	ARM – REAR LINK, C/W BUSHINGS	1	
2	25579	BUSHING – STEEL	4	
3	18671	FITTING – LUBE 1/4-28 UNF	1	
4	21010	FITTING – LUBE 90° 1/4-28 TAPER THD	1	
5	224106	PIN – WELDT	1	
6	246507	BRACKET – FRONT	1	
7	163921	PIN – CLEVIS	1	
8	18609	PIN – COTTER 1/4 DIA X 2 ZP	1	
9	247900	CYLINDER – HYDRAULIC	1	
	247181	SEAL KIT – TRANSPORT SWING/DEPLOY CYLINDER		
10	136149	FITTING – ELBOW 90° HYD C/W O-RING	1	
	44209	O-RING – SAE #8		
	135865	O-RING – #6 ORFS		
11	136147	FITTING – CONNECTOR HYD	1	
	50219	O-RING – SAE #6		
12	148851	VALVE – PRESSURE BALANCE	1	
13	135778	FITTING – ADAPTER	3	
	50219	O-RING – SAE #6		
	135865	O-RING – #6 ORFS		
14	136226	FITTING – CONNECTOR HYD, 0.062 IN. ORIFICE	1	
15	223982	LINE – HYDRAULIC	1	
16	191705	FITTING – ADAPTER 6 MORFS X 8 MORB	1	
	44209	O-RING – SAE #8		
	135865	O-RING – #6 ORFS		
17	281101	PIN – CLEVIS	2	
18	259086	PIN – MACHINED (2019) ¹⁹⁷	1	
19	259095	PLATE – MACHINED	1	
20	18899	RING – EXTERNAL RETAINING	1	
21	238193	SPINDLE	2	
22	140248	SEAL – GREASE	2	
23	140247	BEARING – CONE ROLLER	2	
24	140246	HUB – C/W BEARING CUPS AND GREASE FITTING ¹⁹⁸	2	
25	50174	FITTING – LUBRICATION DRIVE TYPE	2	
26	30701	BEARING – CUP	2	
27	140249	BEARING CUP	2	
28	30702	BEARING – CONE	2	

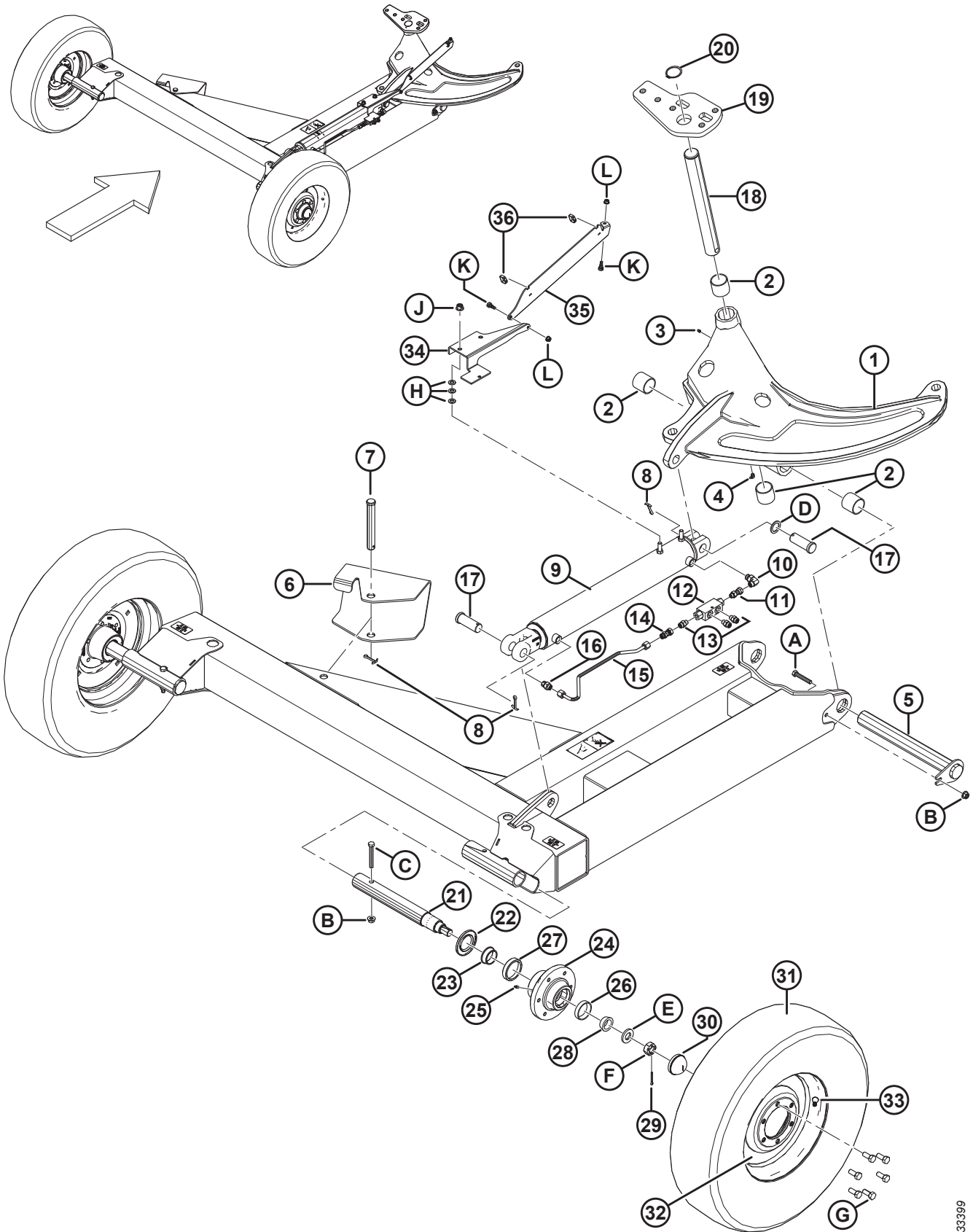
195. Kits are available through Whole Goods only.

196. Included in Rotary Disc Pull-Type Road Friendly Transport™ kit B6622.

197. The machined pins on model year 2018 and prior machines are serviced using Transport Pin Kit (MD #259258). The kit includes pin (MD #259086), plate (MD #259095), and retaining ring (MD #18899). The kit also includes parts for model year 2018 and prior R1 Series Rotary Disc Pull-Types.

198. Hub includes lube fitting (MD #50174), cup bearing (MD #30701), and bearing cup (MD #140249).

(OPTION) TRANSPORT – WHEEL FRAME

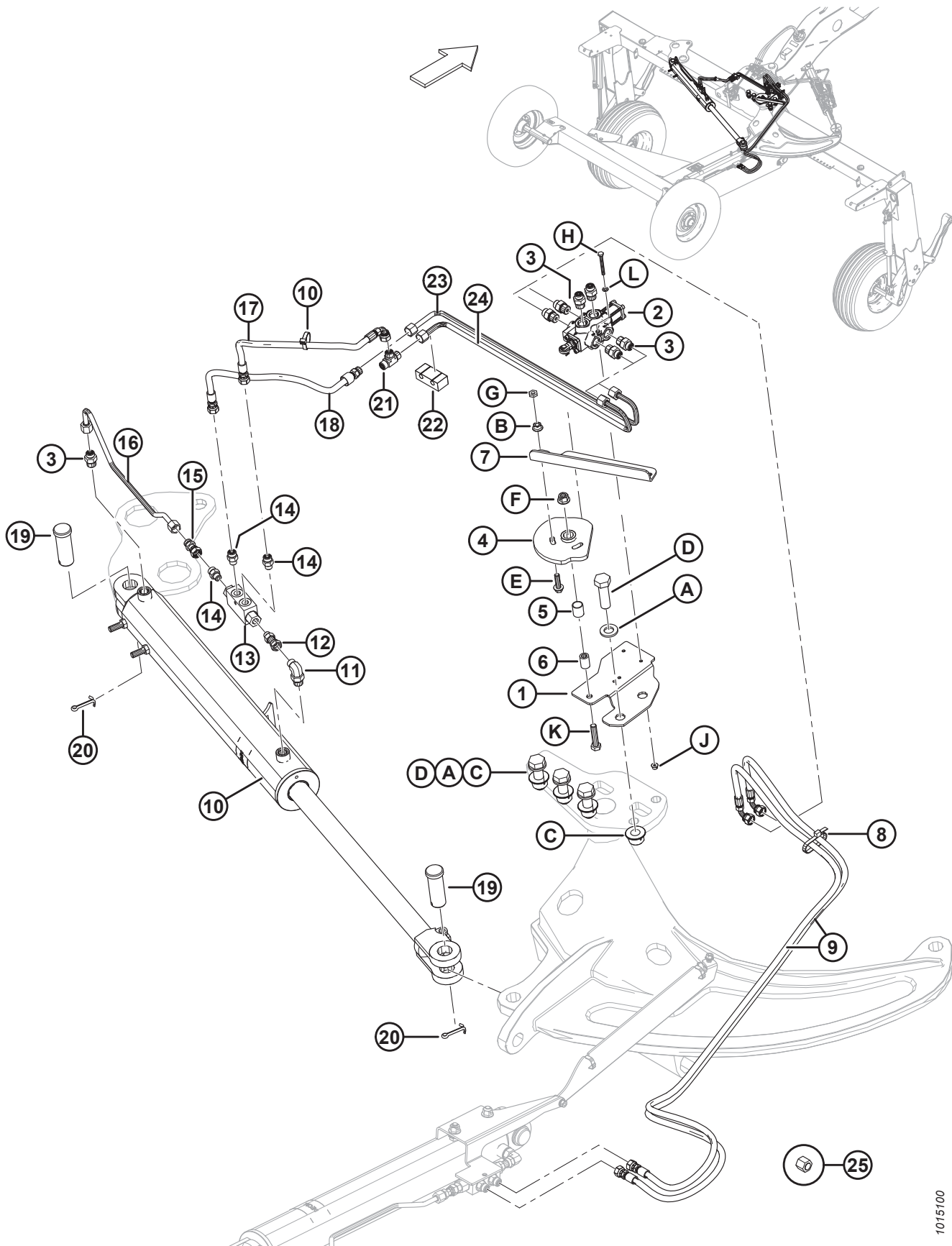


1033399

(OPTION) TRANSPORT – WHEEL FRAME

Ref	Part Number	Description	Qty	Serial Number
29	18608	PIN – COTTER 3/16 DIA X 1.5 ZP	2	
30	140250	CAP – DUST	2	
31	230403	TIRE – ST235/80R16	2	
32	224236	WHEEL – 285-16, SILVER	2	
33	21153	STEM – TIRE VALVE ASSEMBLY #TR-415	2	
34	247726	CHANNEL – CYLINDER	1	
35	246164	BAR – MIDDLE	1	
36	30753	FASTENER – CABLE TIE (BLACK)	2	
A	184675	BOLT – HEX HD M12 X 1.75 X 70-8.8-A3L		
B	148645	NUT – HEX FLG STVR LOC M12 X 1.75-10-A3L		
C	184673	BOLT – HEX HD M12 X 1.75 X 90-10.9-A3L		
D	11460	WASHER – FLAT		
E	31774	WASHER – FLAT		
F	19878	NUT – HEX SLOTTED 1.00-14UNF		
G	18916	BOLT – 90° WHEEL 9/16 NF X 1.75 OL		
H	184714	WASHER – FLAT REG M12-300HV-A3L		
J	136431	NUT – HEX FLG CTR LOC M12 X 1.75-10-A3L		
K	135894	SCREW – HEX SOC HD SHLDR 10 X 10 MM, M8 X 1.25		
L	135337	NUT – HEX FLG CTR LOC M8 X 1.25-8-A2L		

51 (Option) Transport – Deploy/Swing Mechanism (2015)

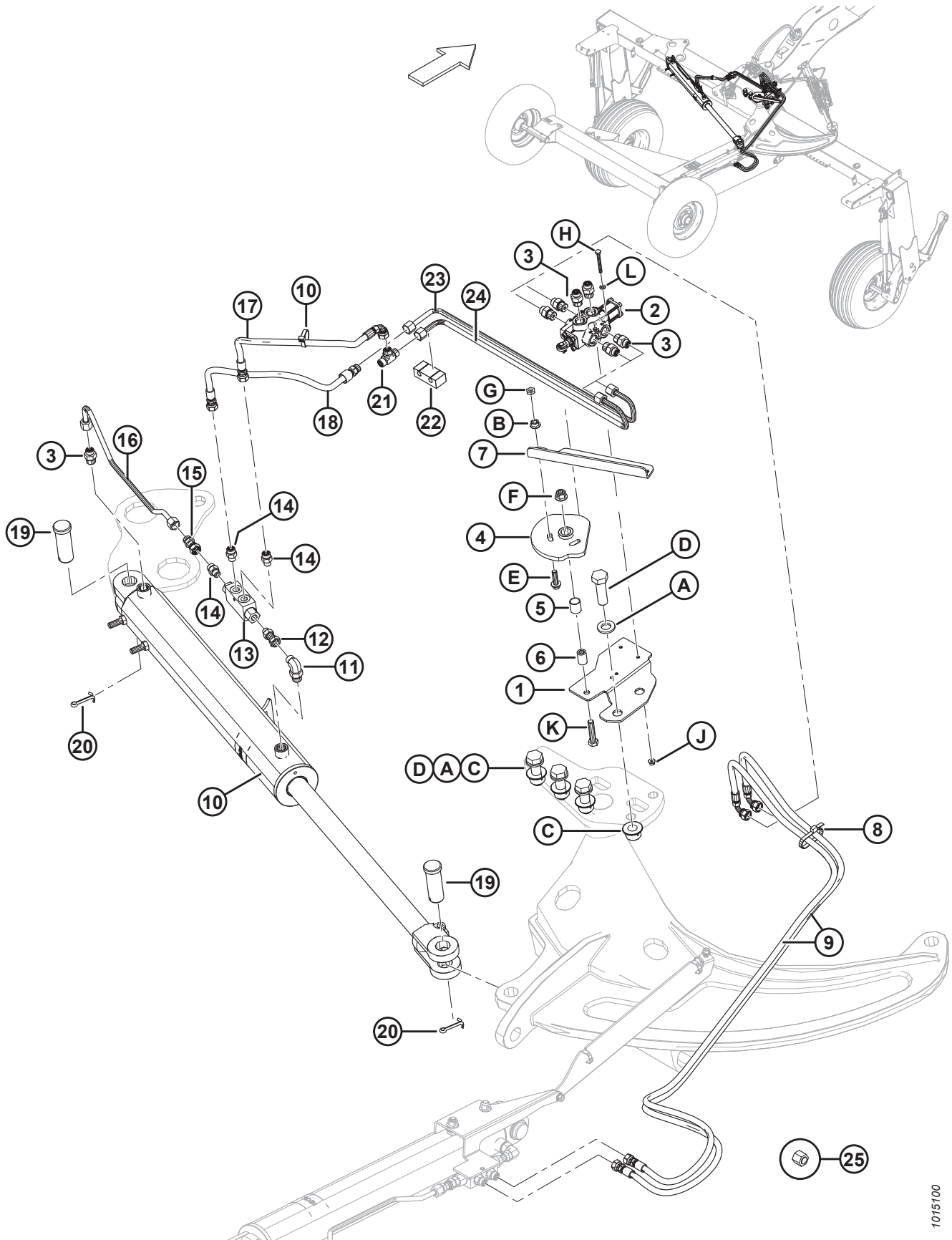


(OPTION) TRANSPORT – DEPLOY/SWING MECHANISM (2015)

Ref	Part Number	Description	Qty	Serial Number
1	246454	BRACKET – CAM MOUNT	1	266820–285419
2	224717	VALVE – 6 WAY 2 POSITION, CAM OPERATED	1	266820–285419
3	191705	FITTING – ADAPTER 6 MORFS X 8 MORB	7	266820–285419
	44209	O-RING – SAE #8		
	135865	O-RING – #6 ORFS		
4	224943	CAM – C/W BUSHING ¹⁹⁹	1	266820–285419
	224944	CAM – MACHINED	1	
5	156501	BUSHING – PLASTIC	1	266820–285419
6	224795	TUBE – SPACER	1	266820–285419
7	224707	BAR – TOP	1	266820–285419
8	30753	FASTENER – CABLE TIE	2	266820–285419
9	246366	HOSE – HYD (1600 MM LG)	2	266820–285419
10	247900	CYLINDER – HYDRAULIC	1	266820–285419
	247181	SEAL KIT – TRANSPORT SWING/DEPLOY CYLINDER		
11	136149	FITTING – ELBOW 90° HYD C/W O-RING	1	266820–285419
	44209	O-RING – SAE #8		
	135865	O-RING – #6 ORFS		
12	136147	FITTING – CONNECTOR HYD	1	266820–285419
	50219	O-RING – SAE #6		
13	148851	VALVE – PRESSURE BALANCE	1	266820–285419
14	135778	FITTING – ADAPTER	3	266820–285419
	50219	O-RING – SAE #6		
	135865	O-RING – #6 ORFS		
15	136226	FITTING – CONNECTOR HYD, 0.062 IN. ORIFICE	1	266820–285419
16	223982	LINE – HYDRAULIC	1	266820–285419
17	246367	HOSE – HYD (425 MM LG)	1	266820–285419
18	246370	HOSE – HYD (500 MM LG)	1	266820–285419
19	281101	PIN – CLEVIS	2	266820–285419
20	18609	PIN – COTTER 1/4 DIA X 2 ZP	2	266820–285419
21	136098	FITTING – TEE HYD	1	266820–285419
	135865	O-RING – #6 ORFS		
22	247250	BLOCK – HOSE SUPPORT	1	266820–285419
23	246951	LINE – HYDRAULIC	1	266820–285419
24	246945	LINE – HYDRAULIC	1	266820–285419
25	136325	CAP – HYD SAE, 6 ORFS (SHIPPING ONLY)	A/R	266820–285419
A	112130	WASHER – HARDENED		
B	135927	NUT – HEX SMTH FLG M10 X 1.5-8-A3L		
C	136122	NUT – HEX FLG CTR LOC M20 X 2.5-10-A3L		
D	136157	BOLT – HEX HD M20 X 2.5 X 65-10.9-A3L		
E	136211	BOLT – HEX FLG HD M10 X 1.5 X 35-8.8-A3L		
F	136431	NUT – HEX FLG CTR LOC M12 X 1.75-10-A3L		
G	136442	NUT – HEX THIN M10 X 1.5-05-A3L		

199. Includes machined cam (MD #224944) and bushing (MD #156501).

(OPTION) TRANSPORT – DEPLOY/SWING MECHANISM (2015)

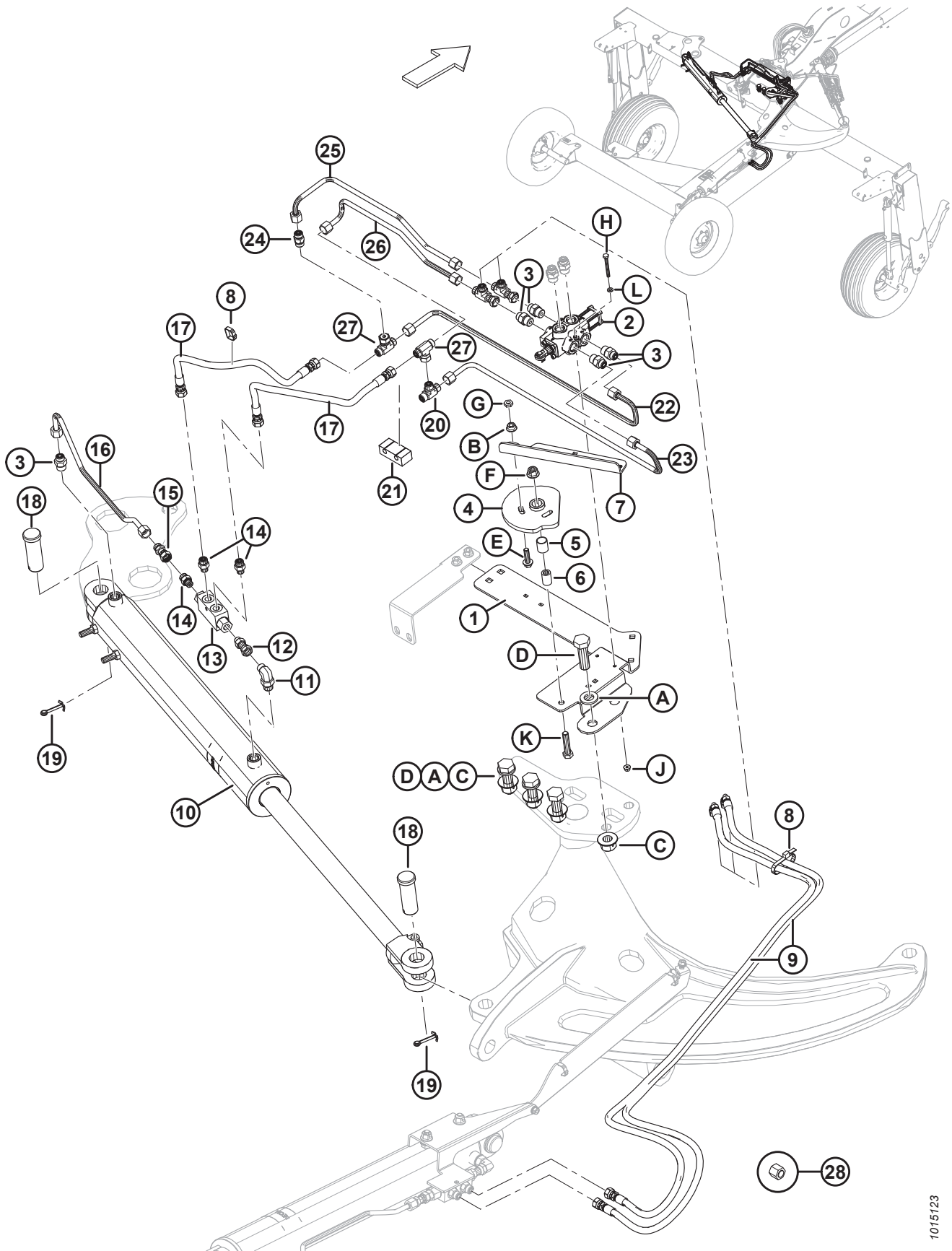


1015100

(OPTION) TRANSPORT – DEPLOY/SWING MECHANISM (2015)

Ref	Part Number	Description	Qty	Serial Number
H	136595	BOLT – HEX HD M6 X 1.25 X 55-8.8-A2L		
J	152668	NUT – HEX FLG CTR LOC M6 X 1-8-A2L		
K	152779	BOLT – HEX HD M12 X 1.75 X 55-8.8-A3L		
L	184705	WASHER – FLAT M6-200HV-A2L		

52 (Option) Transport – Deploy/Swing Mechanism (2016–2017)

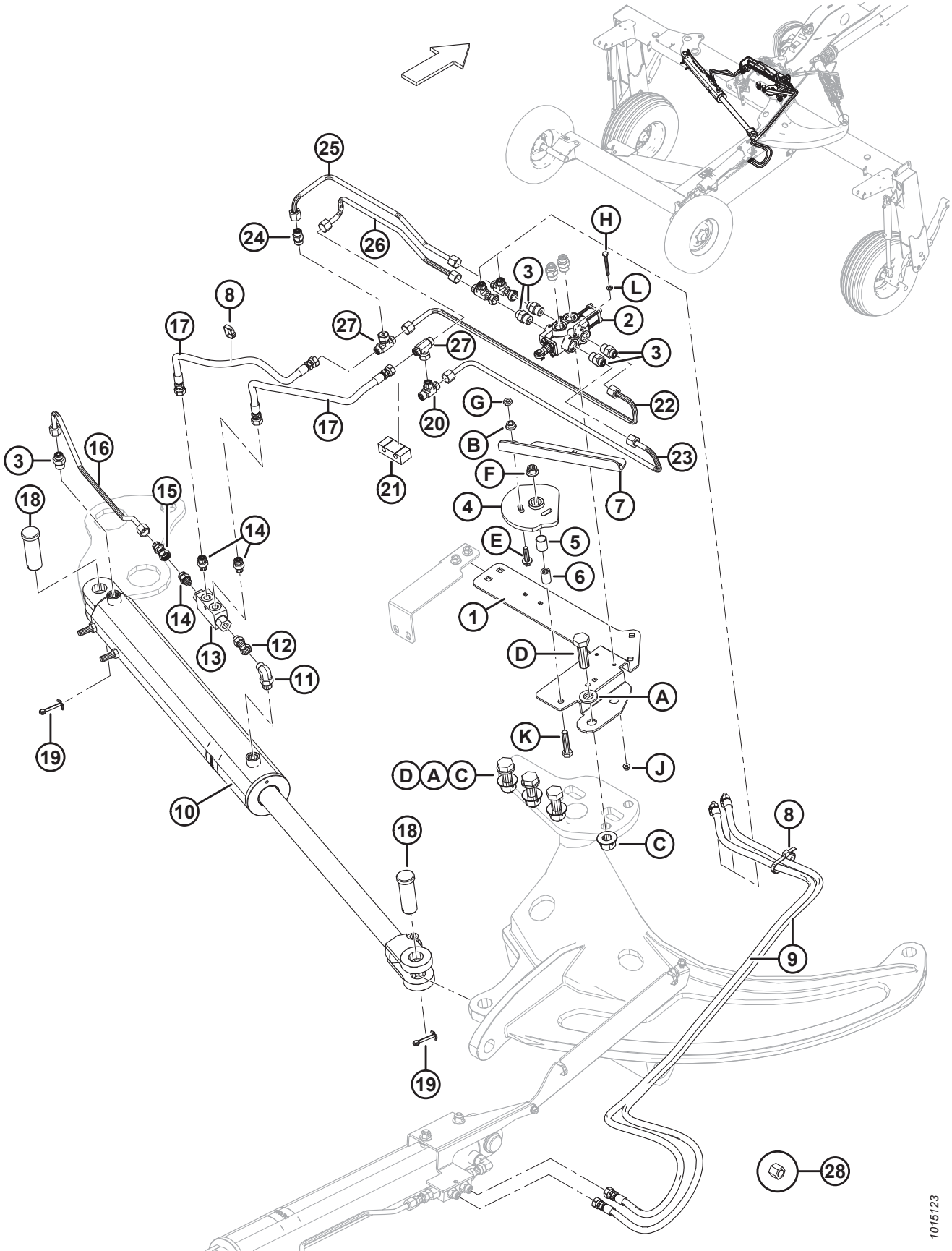


(OPTION) TRANSPORT – DEPLOY/SWING MECHANISM (2016–2017)

Ref	Part Number	Description	Qty	Serial Number
1	247799	PLATE – MOUNT	1	285420–321189
2	224717	VALVE – 6 WAY 2 POSITION, CAM OPERATED	1	285420–321189
3	191705	FITTING – ADAPTER 6 MORFS X 8 MORB	7	285420–321189
	44209	O-RING – SAE #8		
	135865	O-RING – #6 ORFS		
4	224943	CAM – C/W BUSHING ²⁰⁰	1	285420–321189
	224944	CAM – MACHINED	1	
5	156501	BUSHING – PLASTIC	1	285420–321189
6	224795	TUBE – SPACER	1	285420–321189
7	224707	BAR – TOP	1	285420–321189
8	30753	FASTENER – CABLE TIE	2	285420–321189
9	246366	HOSE – HYD (1600 MM LG)	2	285420–321189
10	247900	CYLINDER – HYDRAULIC	1	285420–321189
	247181	SEAL KIT – TRANSPORT SWING/DEPLOY CYLINDER		
11	136149	FITTING – ELBOW 90° HYD C/W O-RING	1	285420–321189
	44209	O-RING – SAE #8		
	135865	O-RING – #6 ORFS		
12	136147	FITTING – CONNECTOR HYD	1	285420–321189
	50219	O-RING – SAE #6		
13	148851	VALVE – PRESSURE BALANCE	1	285420–321189
14	135778	FITTING – ADAPTER	3	285420–321189
	50219	O-RING – SAE #6		
	135865	O-RING – #6 ORFS		
15	136226	FITTING – CONNECTOR HYD, 0.062 IN. ORIFICE	1	285420–321189
16	223982	LINE – HYDRAULIC	1	285420–321189
17	247781	HOSE – HYD, 0.25 IN ID, 425 MM LG	2	285420–321189
18	281101	PIN – CLEVIS	2	285420–321189
19	18609	PIN – COTTER 1/4 DIA X 2 ZP	2	285420–321189
20	136098	FITTING – TEE HYD	1	285420–321189
	135865	O-RING – #6 ORFS		
21	247250	BLOCK – HOSE SUPPORT	1	285420–321189
22	246951	LINE – HYDRAULIC	1	285420–321189
23	246945	LINE – HYDRAULIC	1	285420–321189
24	136659	VALVE – CHECK, ORFS #6 TO ORFS #6	1	285420–321189
25	247793	LINE – HYDRAULIC, 0.375 IN DIA, BENT	1	285420–321189
26	247794	LINE – HYDRAULIC, 0.375 IN DIA, BENT	1	285420–321189
27	136672	FITTING – HYD TEE	2	285420–321189
28	136325	CAP – HYD SAE, 6 ORFS (SHIPPING ONLY)	A/R	285420–321189
29	136097	FITTING – TEE HYD	2	285420–321189
A	112130	WASHER – HARDENED		
B	135927	NUT – HEX SMTH FLG M10 X 1.5-8-A3L		
C	136122	NUT – HEX FLG CTR LOC M20 X 2.5-10-A3L		

200. Includes machined cam (MD #224944) and bushing (MD #156501).

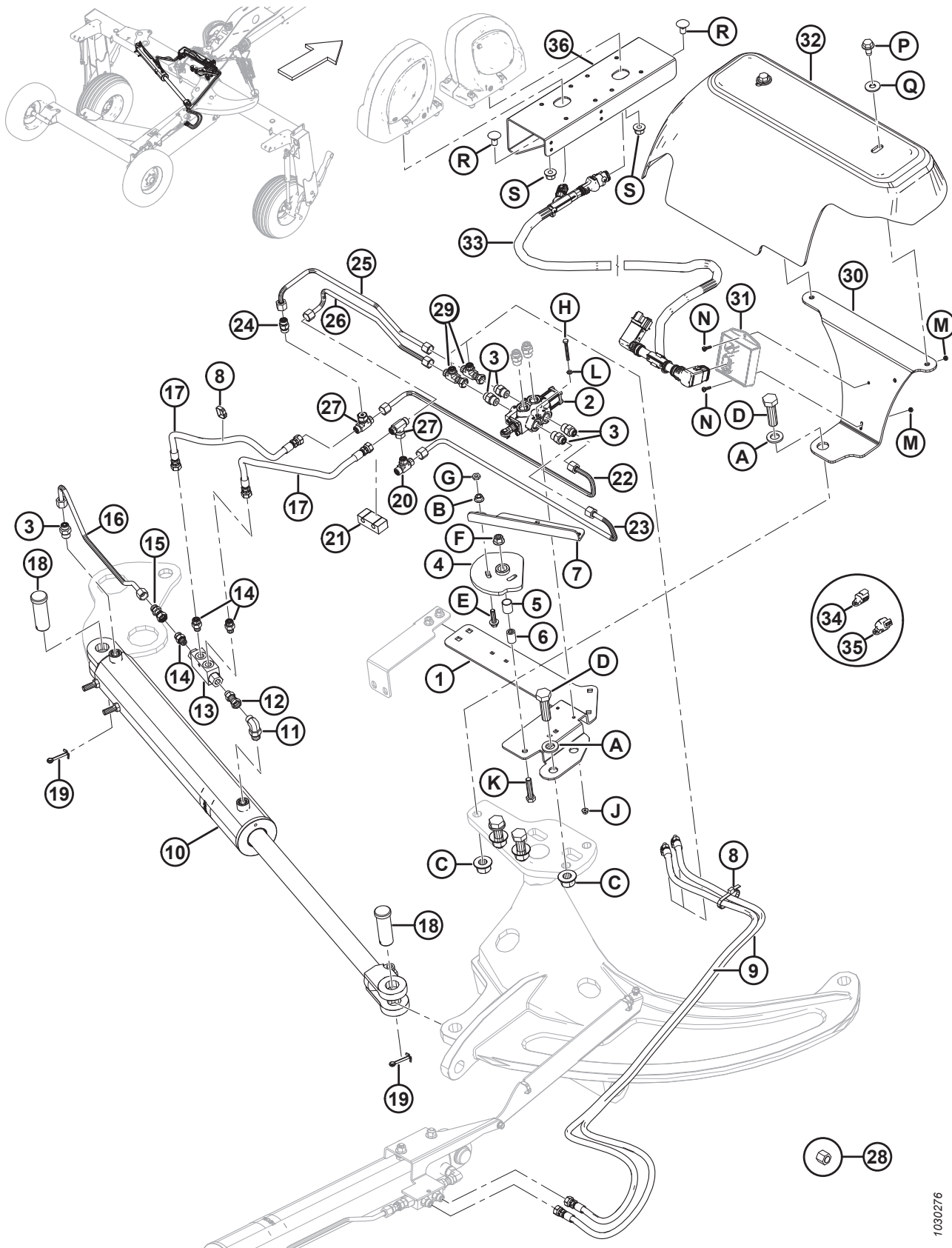
(OPTION) TRANSPORT – DEPLOY/SWING MECHANISM (2016–2017)



(OPTION) TRANSPORT – DEPLOY/SWING MECHANISM (2016–2017)

Ref	Part Number	Description	Qty	Serial Number
D	136157	BOLT – HEX HD M20 X 2.5 X 65-10.9-A3L		
E	136211	BOLT – HEX FLG HD M10 X 1.5 X 35-8.8-A3L		
F	136431	NUT – HEX FLG CTR LOC M12 X 1.75-10-A3L		
G	136442	NUT – HEX THIN M10 X 1.5-05-A3L		
H	136595	BOLT – HEX HD M6 X 1.25 X 55-8.8-A2L		
J	152668	NUT – HEX FLG CTR LOC M6 X 1-8-A2L		
K	152779	BOLT – HEX HD M12 X 1.75 X 55-8.8-A3L		
L	184705	WASHER – FLAT M6-200HV-A2L		

53 (Option) Transport – Deploy/Swing Mechanism (2018 and Later)



1030276

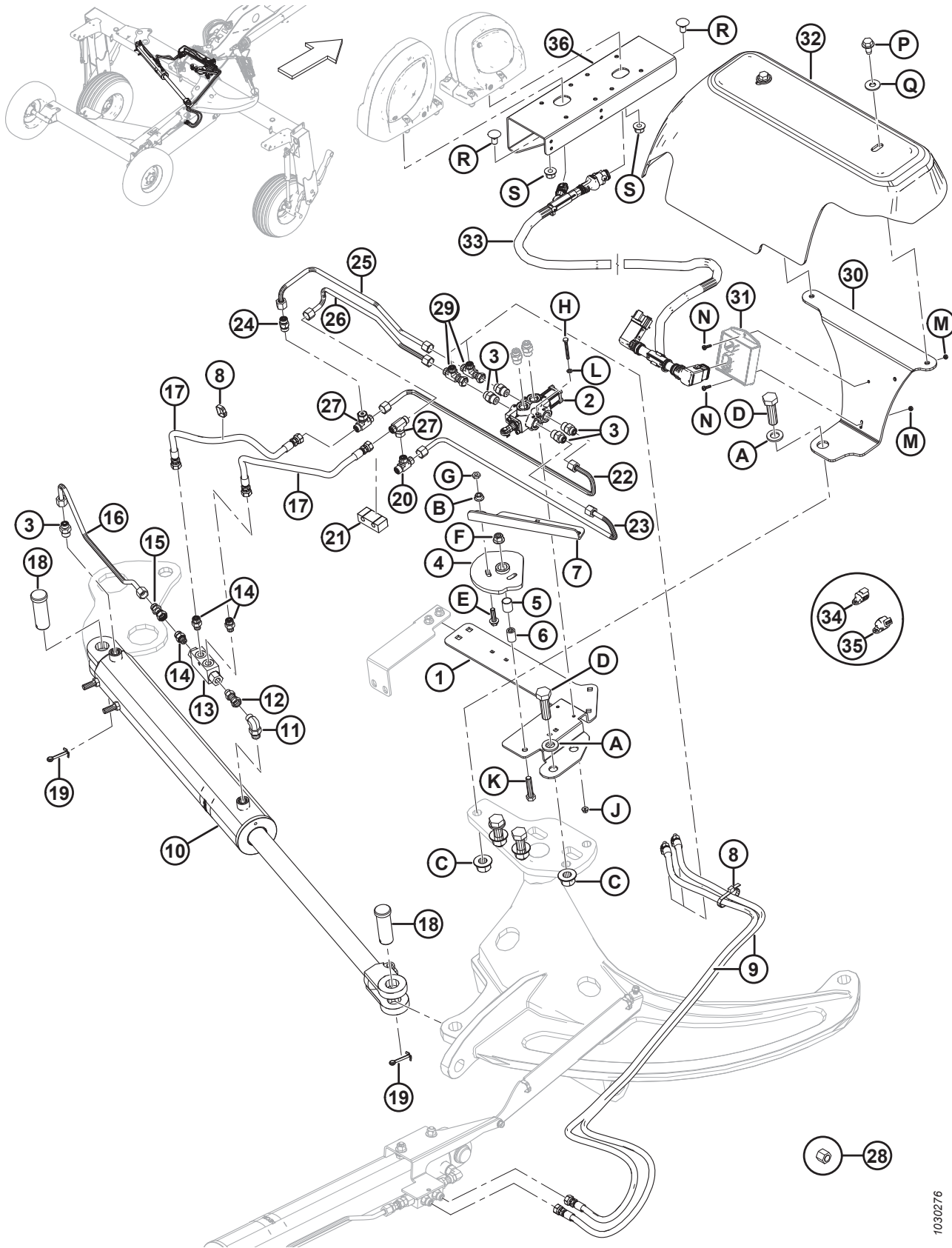
(OPTION) TRANSPORT – DEPLOY/SWING MECHANISM (2018 AND LATER)

Ref	Part Number	Description	Qty	Serial Number
1	247799	PLATE – MOUNT	1	321190–
2	224717	VALVE – 6 WAY 2 POSITION, CAM OPERATED	1	321190–
3	191705	FITTING – ADAPTER 6 MORFS X 8 MORB	7	321190–
	44209	O-RING – SAE #8		
	135865	O-RING – #6 ORFS		
4	224943	CAM – C/W BUSHING ²⁰¹	1	321190–
	224944	CAM – MACHINED	1	
5	156501	BUSHING – PLASTIC	1	321190–
6	224795	TUBE – SPACER	1	321190–
7	224707	BAR – TOP	1	321190–
8	30753	FASTENER – CABLE TIE	2	321190–
9	246366	HOSE – HYD (1600 MM LG)	2	321190–
10	247900	CYLINDER – HYDRAULIC	1	321190–
	247181	SEAL KIT – TRANSPORT SWING/DEPLOY CYLINDER		
11	136149	FITTING – ELBOW 90° HYD C/W O-RING	1	321190–
	44209	O-RING – SAE #8		
	135865	O-RING – #6 ORFS		
12	136147	FITTING – CONNECTOR HYD	1	321190–
	50219	O-RING – SAE #6		
13	148851	VALVE – PRESSURE BALANCE	1	321190–
14	135778	FITTING – ADAPTER	3	321190–
	50219	O-RING – SAE #6		
	135865	O-RING – #6 ORFS		
15	136226	FITTING – CONNECTOR HYD, 0.062 IN. ORIFICE	1	321190–
16	223982	LINE – HYDRAULIC	1	321190–
17	247781	HOSE – HYD, 0.25 IN ID, 425 MM LG	2	321190–
18	281101	PIN – CLEVIS	2	321190–
19	18609	PIN – COTTER 1/4 DIA X 2 ZP	2	321190–
20	136098	FITTING – TEE HYD	1	321190–
	135865	O-RING – #6 ORFS		
21	247250	BLOCK – HOSE SUPPORT	1	321190–
22	246951	LINE – HYDRAULIC	1	321190–
23	246945	LINE – HYDRAULIC	1	321190–
24	136659	VALVE – CHECK, ORFS #6 TO ORFS #6	1	321190–
25	247793	LINE – HYDRAULIC, 0.375 IN DIA, BENT	1	321190–
26	247794	LINE – HYDRAULIC, 0.375 IN DIA, BENT	1	321190–
27	136672	FITTING – HYD TEE	2	321190–
28	136325	CAP – HYD SAE, 6 ORFS (SHIPPING ONLY)	A/R	321190–
29	136097	FITTING – TEE HYD	2	321190–
30	292589	SUPPORT – COVER	1	321190–
31	REF	MODULE – TRANSPORT LIGHTING ²⁰²	1	321190–

201. Includes machined cam (MD #224944) and bushing (MD #156501).

202. Existing lighting module (MD #281700) installed on model year 2018 and later units is used for the transport option. Refer to Section 24 *Carrier Frame Components*, page 71.

(OPTION) TRANSPORT – DEPLOY/SWING MECHANISM (2018 AND LATER)



1030276

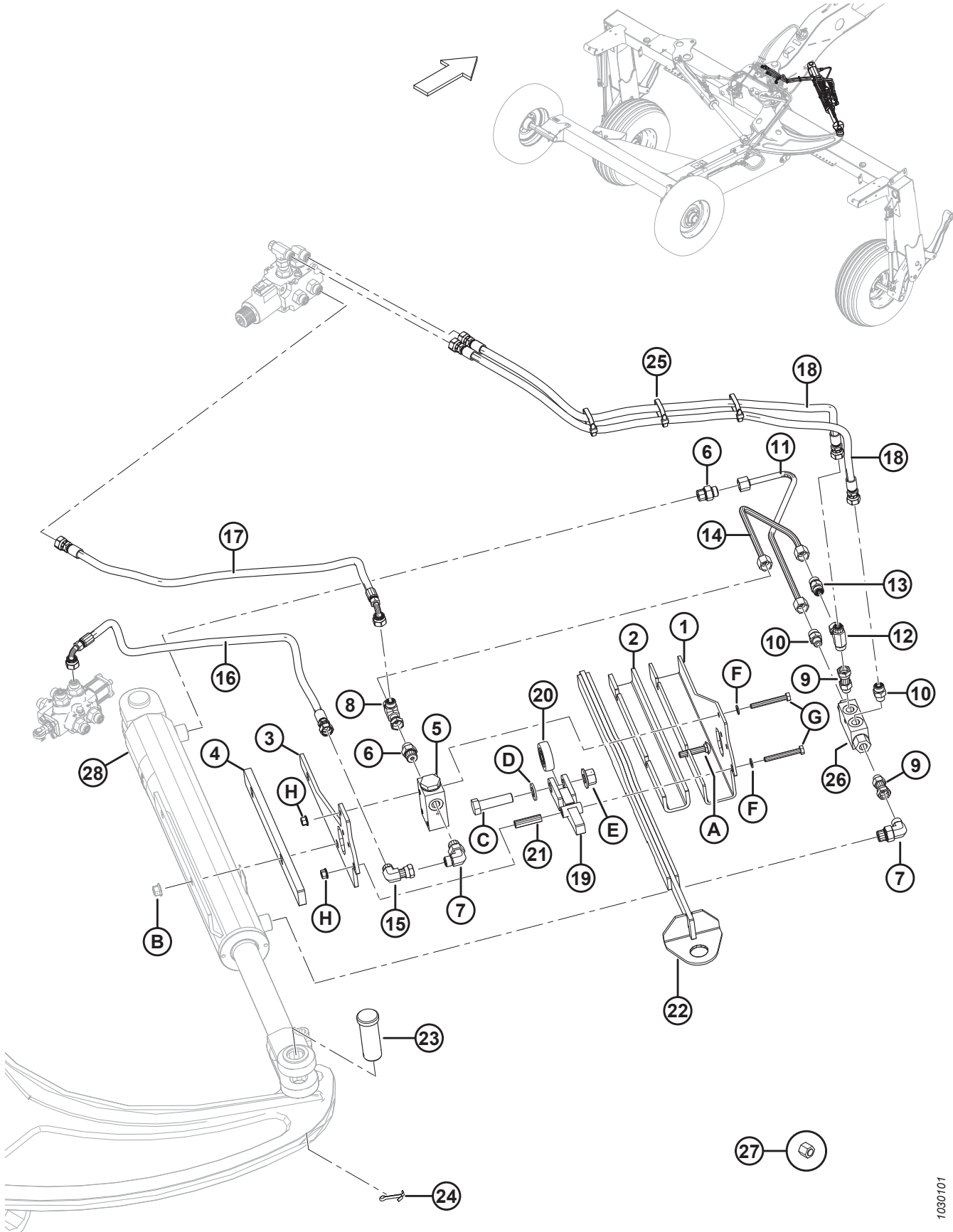
(OPTION) TRANSPORT – DEPLOY/SWING MECHANISM (2018 AND LATER)

Ref	Part Number	Description	Qty	Serial Number
32	238001	COVER – TRANSPORT	1	321190–
33	281614	HARNESS – TRANSPORT LIGHTS	1	321190–
34	134741	CAP – PLUG, DEUTSCH, DT, 2 POS ²⁰³	1	321190–
35	134742	CAP – PLUG, DEUTSCH, DT, 3 POS ²⁰³	1	321190–
36	223185	ASSEMBLY – SUPPORT, DUAL LAMP, LH ²⁰⁴	1	285420–
A	112130	WASHER – HARDENED		
B	135927	NUT – HEX SMTH FLG M10 X 1.5-8-A3L		
C	136122	NUT – HEX FLG CTR LOC M20 X 2.5-10-A3L		
D	136157	BOLT – HEX HD M20 X 2.5 X 65-10.9-A3L		
E	136211	BOLT – HEX FLG HD M10 X 1.5 X 35-8.8-A3L		
F	136431	NUT – HEX FLG CTR LOC M12 X 1.75-10-A3L		
G	136442	NUT – HEX THIN M10 X 1.5-05-A3L		
H	136595	BOLT – HEX HD M6 X 1.25 X 55-8.8-A2L		
J	152668	NUT – HEX FLG CTR LOC M6 X 1-8-A2L		
K	152779	BOLT – HEX HD M12 X 1.75 X 55-8.8-A3L		
L	184705	WASHER – FLAT M6-200HV-A2L		
M	30855	NUT – HEX M4 X 0.7-8-A2L		
N	136313	SCREW – PAN HD ISO 7045 M4 X 0.7 X 16-4.8-A2L		
P	136209	SCREW – HEX WSHR M10 X 1.5X 20-450HV		
Q	30635	WASHER – FLAT REG M10-STL-SOFT-AA1J		
R	136178	BOLT – RHSN M10 X 1.5 X 20-8.8-A3L		
S	50101	NUT – HEX FLG STVR LOC M10X1.5-10-A3L		

203. For capping right end of existing harness (MD #281613) when transport bundle is installed.

204. Includes red reflector (MD #115147).

54 (Option) Transport – Alignment Mechanism (2015)



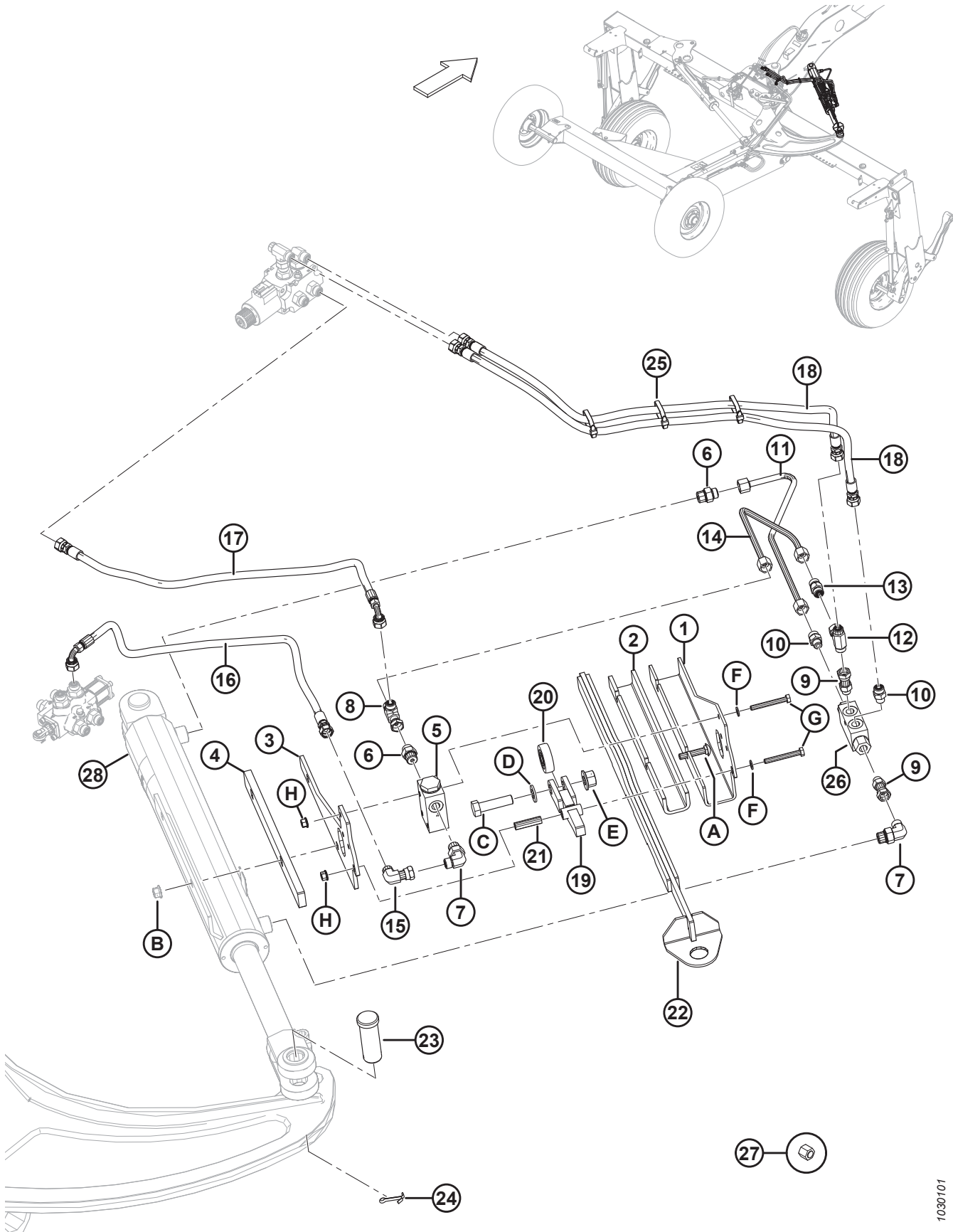
1030101

(OPTION) TRANSPORT – ALIGNMENT MECHANISM (2015)

Ref	Part Number	Description	Qty	Serial Number
1	246562	SUPPORT – CAM TRACK	1	266820–285419
2	246322	CHANNEL – PLASTIC	1	266820–285419
3	246565	SUPPORT – VALVE	1	266820–285419
4	246587	PLATE – SPACER (TRANSPORT ALIGN. VALVE)	1	266820–285419
5	246267	VALVE – HYD LIMIT SWITCH, NC, POPPET	1	266820–285419
6	191705	FITTING – ADAPTER 6 MORFS X 8 MORB	2	266820–285419
	44209	O-RING – SAE #8		
	135865	O-RING – #6 ORFS		
7	136149	FITTING – ELBOW 90° HYD C/W O-RING	2	266820–285419
	44209	O-RING – SAE #8		
	135865	O-RING – #6 ORFS		
8	136097	FITTING – TEE HYD	1	266820–285419
	135865	O-RING – #6 ORFS		
9	136147	FITTING – CONNECTOR HYD	2	266820–285419
	50219	O-RING – SAE #6		
10	135778	FITTING – ADAPTER	2	266820–285419
	50219	O-RING – SAE #6		
	135865	O-RING – #6 ORFS		
11	223981	LINE – HYDRAULIC	1	266820–285419
12	136672	FITTING – HYD TEE	1	266820–285419
	135865	O-RING – #6 ORFS		
13	136659	VALVE – CHECK	1	266820–285419
	135865	O-RING – #6 ORFS		
14	246947	LINE – HYDRAULIC	1	266820–285419
15	136249	FITTING – ELBOW 90° HYD	1	266820–285419
	135865	O-RING – #6 ORFS		
16	246626	HOSE – HYD (600 MM LG)	1	266820–285419
17	246720	HOSE – HYD (950 MM LG)	1	266820–285419
18	246371	HOSE – HYD (950 MM LG)	2	266820–285419
19	246576	WELDMENT – CAM ARM	1	266820–285419
20	50184	BEARING – CAM FOLLOWER	1	266820–285419
21	246444	TUBE – SPACER	1	266820–285419
22	246354	ARM – CAM WELDMENT	1	266820–285419
23	281101	PIN – CLEVIS	2	266820–285419
24	18609	PIN – COTTER 1/4 DIA X 2 ZP	2	266820–285419
25	30753	FASTENER – CABLE TIE	3	266820–285419
26	148851	VALVE – PRESSURE BALANCE	1	266820–285419
27	136325	CAP – HYD SAE, 6 ORFS (SHIPPING ONLY)	A/R	266820–285419
28	REF	CYLINDER – HITCH SWING ²⁰⁵		
A	184658	BOLT – RHSSN M10 X 1.5 X 50-8.8-A3L		
B	135799	NUT – HEX FLG CTR LOC M10 X 1.5-10-A3L		
C	136141	BOLT – HEX HD M16 X 2 X 60-8.8-A3L		
D	184717	WASHER – FLAT REG M16-200HV-A3L		

205. Not included in kit. Refer to Section *28 Hitch – Hydraulic/Electrical*, page 81.

(OPTION) TRANSPORT – ALIGNMENT MECHANISM (2015)



1030101

(OPTION) TRANSPORT – ALIGNMENT MECHANISM (2015)

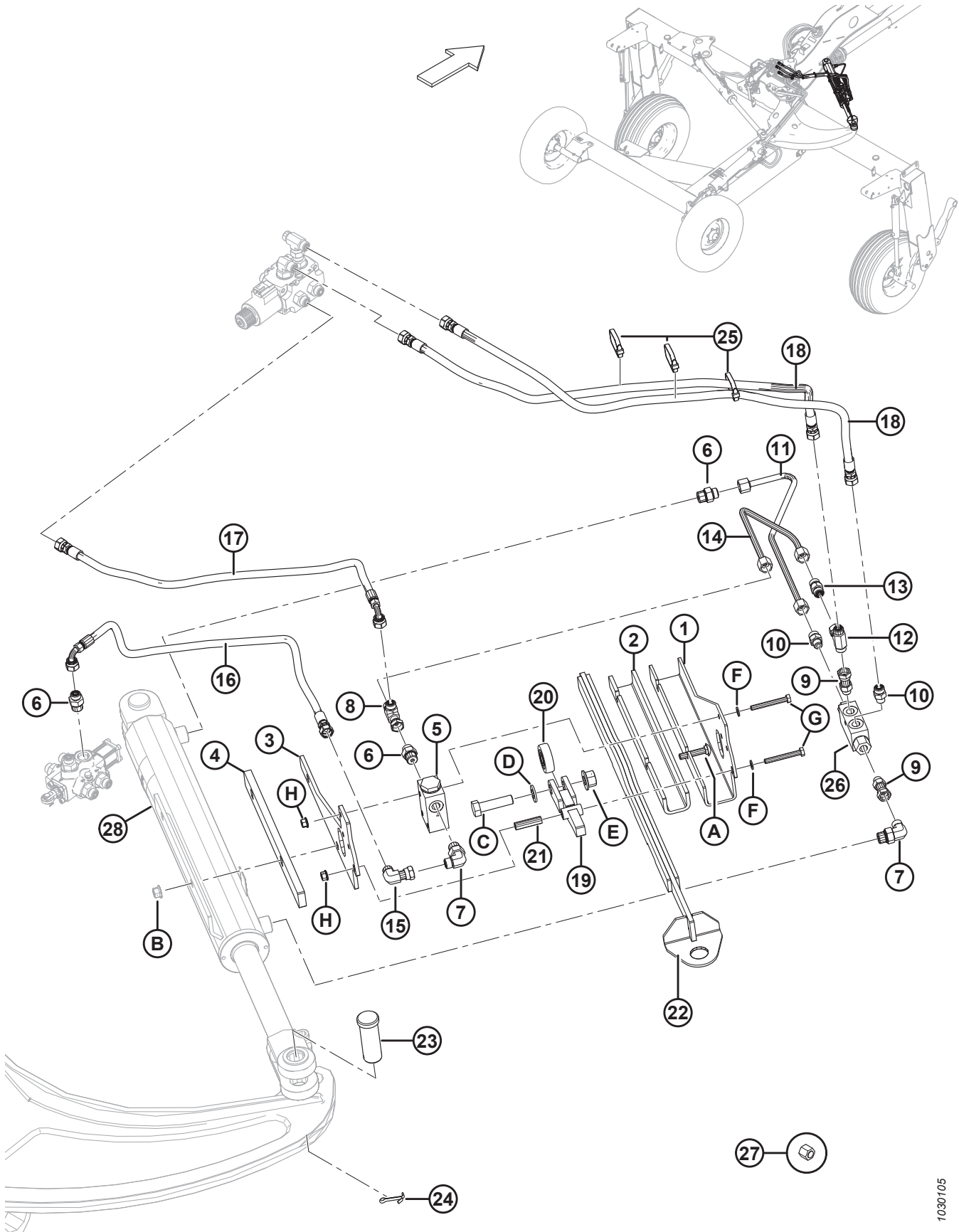
Ref	Part Number	Description	Qty	Serial Number
E	136440	NUT – HEX FLG CTR LOC M16 X 2-10-A3L		
F	184708	WASHER – FLAT M8-200HV-A2L		
G	152775	BOLT – HEX HD M8 X 1.25 X 65-8.8-A2L		
H	135337	NUT – HEX FLG CTR LOC M8 X 1.25-8-A2L		

(OPTION) TRANSPORT – ALIGNMENT MECHANISM (2016 AND LATER)

Ref	Part Number	Description	Qty	Serial Number
1	246562	SUPPORT – CAM TRACK	1	285420–
2	246322	CHANNEL – PLASTIC	1	285420–
3	246565	SUPPORT – VALVE	1	285420–
4	246587	PLATE – SPACER (TRANSPORT ALIGN. VALVE)	1	285420–
5	246267	VALVE – HYD LIMIT SWITCH, NC, POPPET	1	285420–
6	191705	FITTING – ADAPTER 6 MORFS X 8 MORB	2	285420–
	44209	O-RING – SAE #8		
	135865	O-RING – #6 ORFS		
7	136149	FITTING – ELBOW 90° HYD C/W O-RING	2	285420–
	44209	O-RING – SAE #8		
	135865	O-RING – #6 ORFS		
8	136097	FITTING – TEE HYD	1	285420–
	135865	O-RING – #6 ORFS		
9	136147	FITTING – CONNECTOR HYD	2	285420–
	50219	O-RING – SAE #6		
10	135778	FITTING – ADAPTER	2	285420–
	50219	O-RING – SAE #6		
	135865	O-RING – #6 ORFS		
11	223981	LINE – HYDRAULIC	1	285420–
12	136672	FITTING – HYD TEE	1	285420–
	135865	O-RING – #6 ORFS		
13	136659	VALVE – CHECK	1	285420–
	135865	O-RING – #6 ORFS		
14	246947	LINE – HYDRAULIC	1	285420–
15	136249	FITTING – ELBOW 90° HYD	1	285420–
	135865	O-RING – #6 ORFS		
16	259107	HOSE – HYD, 0.25 IN ID, 1150 MM LG	1	285420–
17	246720	HOSE – HYD, 0.25 IN ID, 950 MM LG	1	285420–
18	247628	HOSE – HYD, 0.25 IN ID, 850 MM LG	2	285420–
19	246576	WELDMENT – CAM ARM	1	285420–
20	50184	BEARING – CAM FOLLOWER	1	285420–
21	246444	TUBE – SPACER	1	285420–
22	246354	ARM – CAM WELDMENT	1	285420–
23	281101	PIN – CLEVIS	2	285420–
24	18609	PIN – COTTER 1/4 DIA X 2 ZP	2	285420–
25	30753	FASTENER – CABLE TIE	3	285420–
26	148851	VALVE – PRESSURE BALANCE	1	285420–
27	136325	CAP – HYD SAE, 6 ORFS (SHIPPING ONLY)	A/R	285420–
28	REF	CYLINDER – HITCH SWING ²⁰⁶		
A	184658	BOLT – RHSSN M10 X 1.5 X 50-8.8-A3L		
B	135799	NUT – HEX FLG CTR LOC M10 X 1.5-10-A3L		
C	136141	BOLT – HEX HD M16 X 2 X 60-8.8-A3L		
D	184717	WASHER – FLAT REG M16-200HV-A3L		

206. Not included in kit. Refer to Section 28 Hitch – Hydraulic/Electrical, page 81.

(OPTION) TRANSPORT – ALIGNMENT MECHANISM (2016 AND LATER)

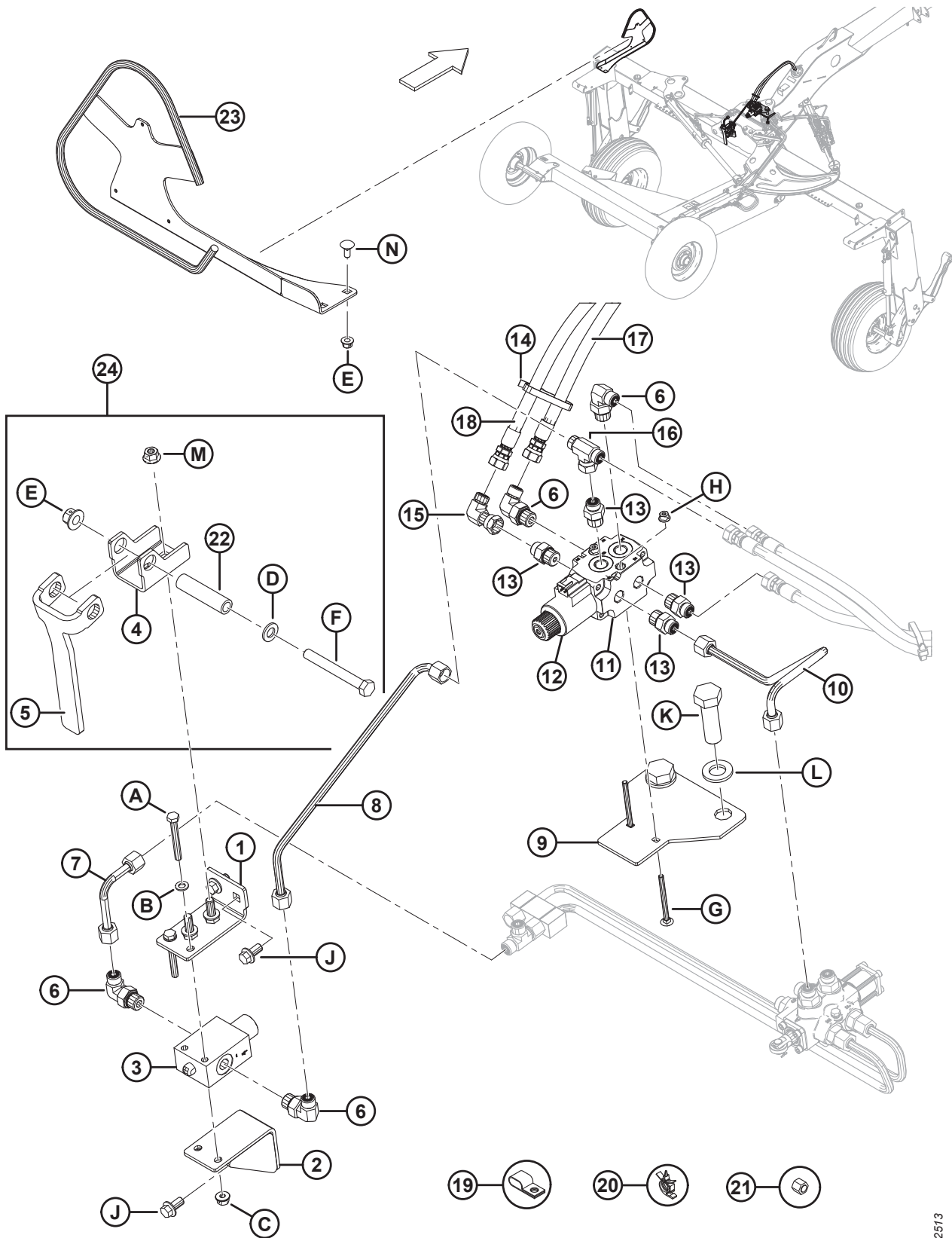


1030705

(OPTION) TRANSPORT – ALIGNMENT MECHANISM (2016 AND LATER)

Ref	Part Number	Description	Qty	Serial Number
E	136440	NUT – HEX FLG CTR LOC M16 X 2-10-A3L		
F	184708	WASHER – FLAT M8-200HV-A2L		
G	152775	BOLT – HEX HD M8 X 1.25 X 65-8.8-A2L		
H	135337	NUT – HEX FLG CTR LOC M8 X 1.25-8-A2L		

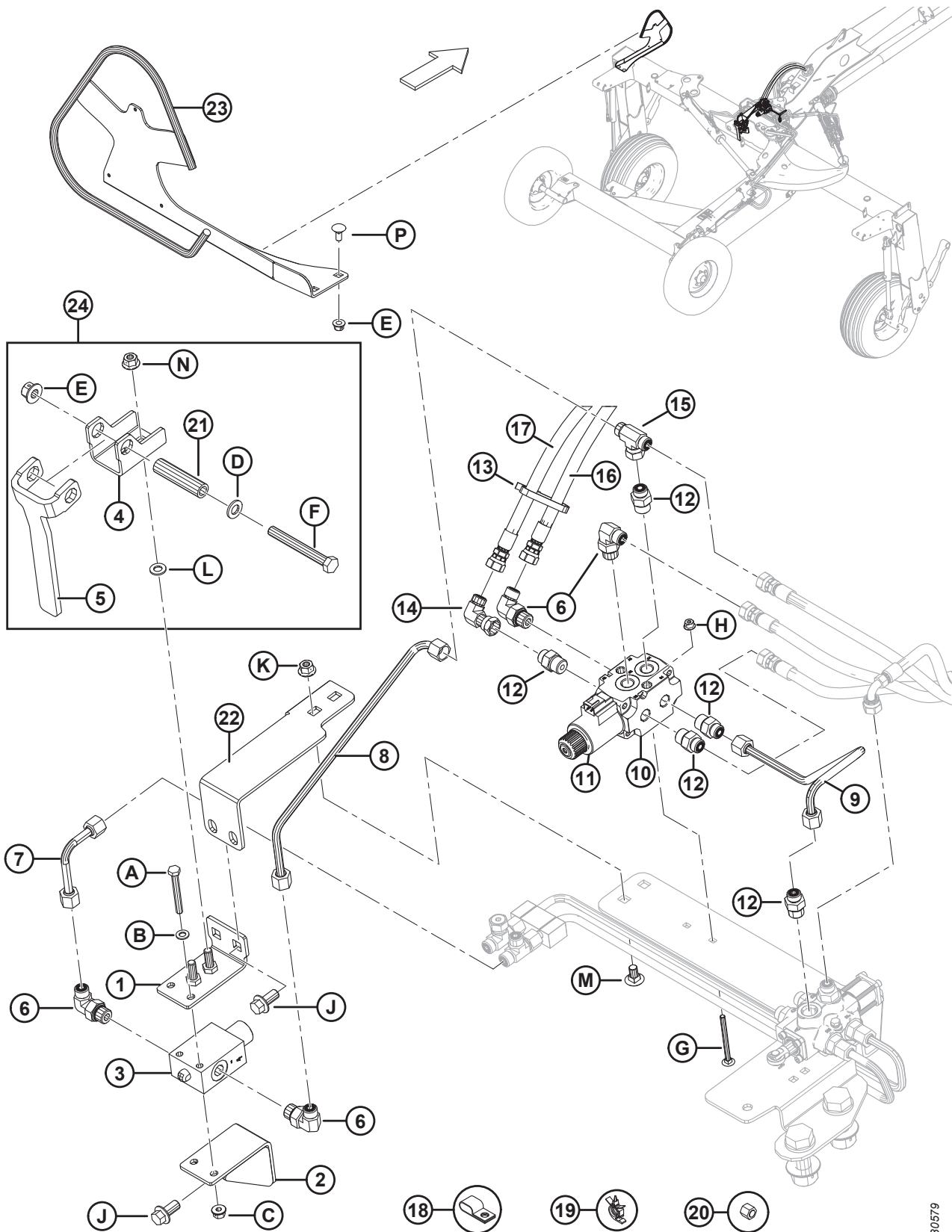
56 (Option) Transport – Swing Completion / Selector Valve (2015)



(OPTION) TRANSPORT – SWING COMPLETION / SELECTOR VALVE (2015)

Ref	Part Number	Description	Qty	Serial Number
1	246277	WELDMENT – VALVE SWITCH SUPPORT, TOP	1	266820-285419
2	246500	WELDMENT – VALVE SWITCH SUPPORT, BOTTOM	1	266820-285419
3	246269	VALVE – LIMIT SWITCH, NC, SPOOL	1	266820-285419
4	247597	BRACKET – PIVOT	1	266820-285419
5	247598	ARM – SWITCH LEVER	1	266820-285419
6	136149	FITTING – ELBOW 90° HYD C/W O-RING	4	266820-285419
	44209	O-RING – SAE #8		
	135865	O-RING – #6 ORFS		
7	246954	LINE – HYDRAULIC	1	266820-285419
8	247335	LINE – HYDRAULIC	1	266820-285419
9	246609	PLATE – MOUNT	1	266820-285419
10	247336	LINE – HYDRAULIC	1	266820-285419
11	246524	VALVE – 6 WAY 2 POSITION, SOLENOID OPERATED	1	266820-285419
	247033	COIL – SOLENOID	1	266820-285419
12	139130	VALVE – SOLENOID	1	266820-285419
	163162	SEAL KIT		
13	191705	FITTING – ADAPTER 6 MORFS X 8 MORB	4	266820-285419
	44209	O-RING – SAE #8		
	135865	O-RING – #6 ORFS		
14	30753	FASTENER – CABLE TIE	4	266820-285419
15	136249	FITTING – ELBOW 90° HYDRAULIC	1	266820-285419
	135865	O-RING – #6 ORFS		
16	136672	FITTING – HYDRAULIC TEE	1	266820-285419
	135865	O-RING – #6 ORFS		
17	224162	HOSE – HYDRAULIC (9335 MM LG)	1	266820-285419
18	224163	HOSE – HYDRAULIC (9335 MM LG)	1	266820-285419
19	135233	CLAMP – DOUBLE HOSE INSULATED	3	266820-285419
20	184301	CLAMP	2	266820-285419
21	136325	CAP – HYD SAE, 6 ORFS (SHIPPING ONLY)	A/R	266820-285419
22	247596	TUBE – SPACER, 0.5 IN ID, 0.75 IN OD	1	266820-285419
23	247675	GUARD – WELDMENT, SUPPORT-SMV	1	266820-285419
24	247625	ASSY – TRANS. COMPLETE PADDLE	1	266820-285419
A	152775	BOLT – HEX HD M8 X 1.25 X 65-8.8-A2L		
B	184708	WASHER – FLAT M8-200HV-A2L		
C	135337	NUT – HEX FLG CTR LOC M8 X 1.25-8-A2L		
D	184714	WASHER – FLAT REG M12-300HV-A3L		
E	136431	NUT – HEX FLG CTR LOC M12 X 1.75-10-A3L		
F	184672	BOLT – HEX HD M12 X 1.75 X 100-10.9-A3L		
G	136788	BOLT – RHSN M6 X 1 X 75-8.8-A2L		
H	152668	NUT – HEX FLG CTR LOC M6 X 1-8-A2L		
J	136399	BOLT – HEX FLG HD TFL M12 X 1.75 X 25-8.8-A3L		
K	136157	BOLT – HEX HD M20 X 2.5 X 65-10.9-A3L		
L	112130	WASHER – HARDENED		
M	50101	NUT – HEX FLG STVR LOC M10 X 1.5-10-A3L		
N	184667	BOLT – RHSN M12 X 1.75 X 30-8.8-A3L		

57 (Option) Transport – Swing Completion / Selector Valve (2016–2018)

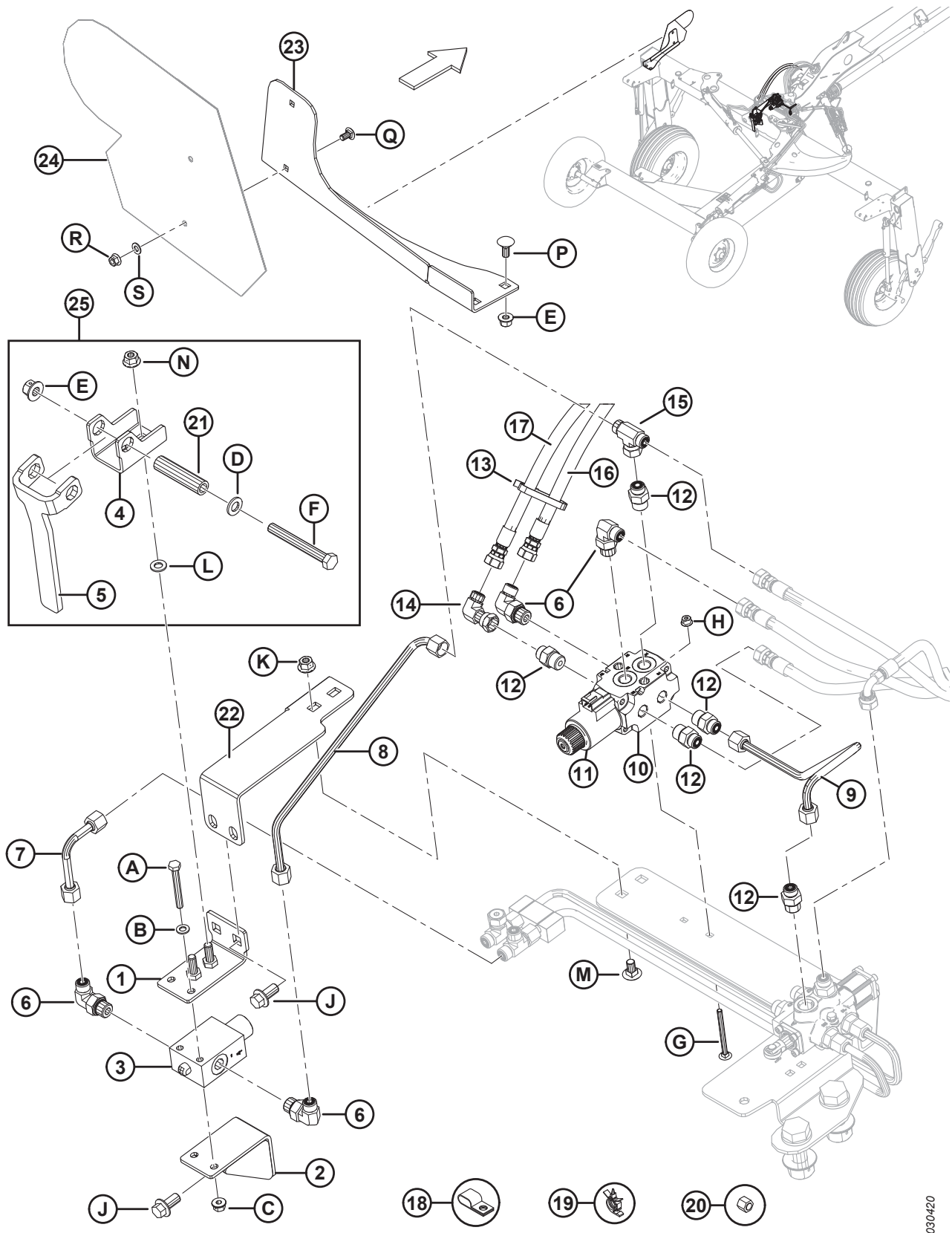


1030579

(OPTION) TRANSPORT – SWING COMPLETION / SELECTOR VALVE (2016–2018)

Ref	Part Number	Description	Qty	Serial Number
1	246277	WELDMENT – VALVE SWITCH SUPPORT, TOP	1	285420–346189
2	246500	WELDMENT – VALVE SWITCH SUPPORT, BOTTOM	1	285420–346189
3	246269	VALVE – LIMIT SWITCH, NC, SPOOL	1	285420–346189
4	247597	BRACKET – PIVOT	1	285420–346189
5	247598	ARM – SWITCH LEVER	1	285420–346189
6	136149	FITTING – ELBOW 90° HYD C/W O-RING	4	285420–346189
	44209	O-RING – SAE #8		
	135865	O-RING – #6 ORFS		
7	246954	LINE – HYDRAULIC	1	285420–346189
8	247335	LINE – HYDRAULIC	1	285420–346189
9	247336	LINE – HYDRAULIC	1	285420–346189
10	246524	VALVE – 6 WAY 2 POSITION, SOLENOID OPERATED	1	285420–346189
11	247033	COIL – SOLENOID	1	285420–346189
12	191705	FITTING – ADAPTER 6 MORFS X 8 MORB	4	285420–346189
	44209	O-RING – SAE #8		
	135865	O-RING – #6 ORFS		
13	30753	FASTENER – CABLE TIE	4	285420–346189
14	136249	FITTING – ELBOW 90° HYDRAULIC	1	285420–346189
	135865	O-RING – #6 ORFS		
15	136672	FITTING – HYDRAULIC TEE	1	285420–346189
	135865	O-RING – #6 ORFS		
16	224162	HOSE – HYDRAULIC (9335 MM LG)	1	285420–346189
17	224163	HOSE – HYDRAULIC (9335 MM LG)	1	285420–346189
18	135233	CLAMP – DOUBLE HOSE INSULATED	3	285420–346189
19	184301	CLAMP	2	285420–346189
20	136325	CAP – HYD SAE, 6 ORFS (SHIPPING ONLY)	A/R	285420–346189
21	247596	TUBE – SPACER, 0.5 IN ID, 0.75 IN OD	1	285420–346189
22	247958	BRACKET – SUPPORT	1	285420–346189
23	247675	GUARD – WELDMENT, SUPPORT-SMV	1	285420–346189
24	247625	ASSY – TRANS. COMPLETE PADDLE	1	285420–346189
A	152775	BOLT – HEX HD M8 X 1.25 X 65-8.8-A2L		
B	184708	WASHER – FLAT M8-200HV-A2L		
C	135337	NUT – HEX FLG CTR LOC M8 X 1.25-8-A2L		
D	184714	WASHER – FLAT REG M12-300HV-A3L		
E	136431	NUT – HEX FLG CTR LOC M12 X 1.75-10-A3L		
F	184672	BOLT – HEX HD M12 X 1.75 X 100-10.9-A3L		
G	136788	BOLT – RHSN M6 X 1 X 75-8.8-A2L		
H	152668	NUT – HEX FLG CTR LOC M6 X 1-8-A2L		
J	136399	BOLT – HEX FLG HD TFL M12 X 1.75 X 25-8.8-A3L		
K	50101	NUT – HEX FLG STVR LOC M10 X 1.5-10-A3L		
L	184711	WASHER – FLAT REG M10-200HV-A3L		
M	136178	BOLT – RHSN M10 X 1.5 X 20-8.8-A3L		
N	135799	NUT – HEX FLG CTR LOC M10 X 1.5-10-A3L		
P	184667	BOLT – RHSN M12 X 1.75 X 30-8.8-A3L		

58 (Option) Transport – Swing Completion / Selector Valve (2019 and Later)

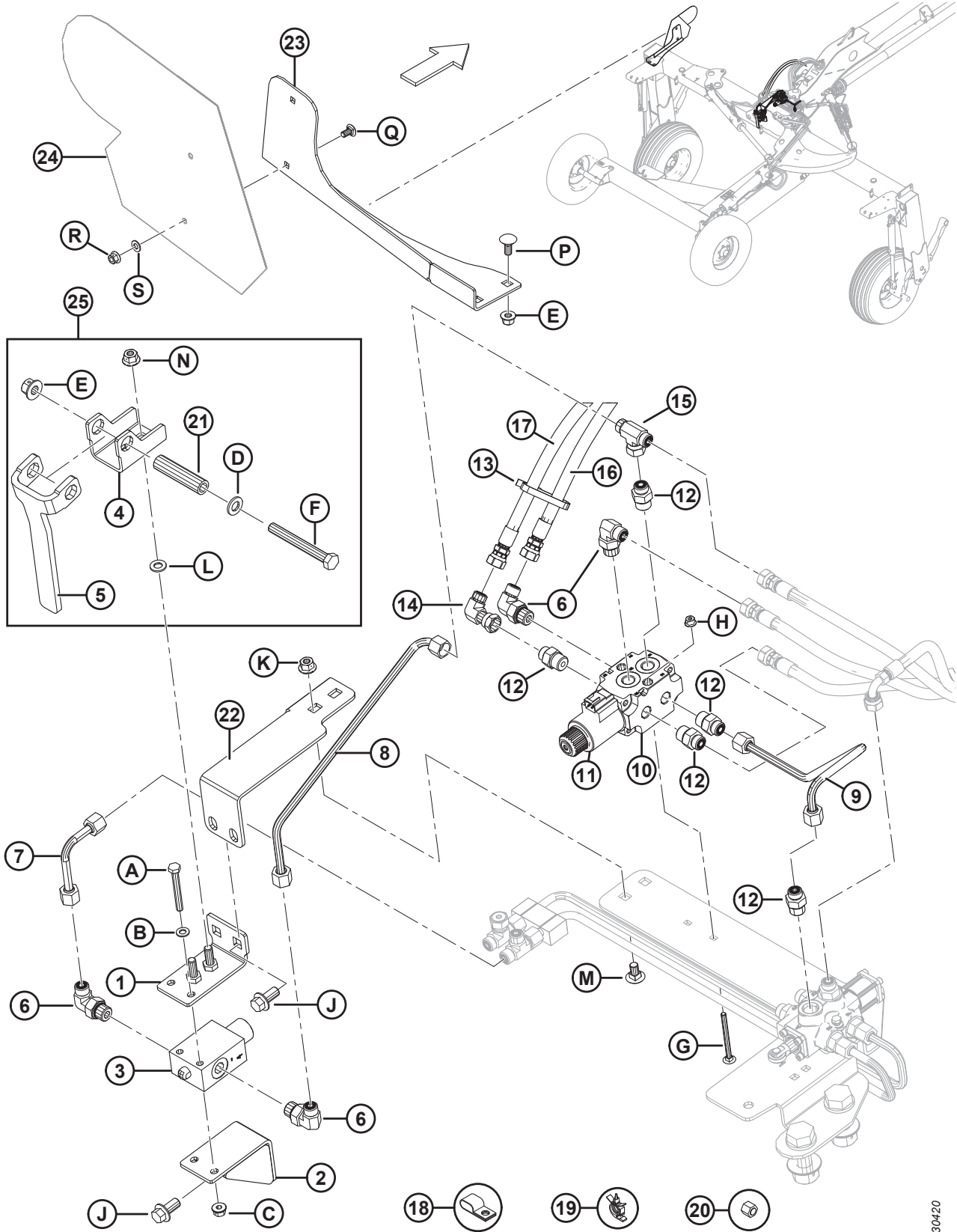


(OPTION) TRANSPORT – SWING COMPLETION / SELECTOR VALVE (2019 AND LATER)

Ref	Part Number	Description	Qty	Serial Number
1	246277	WELDMENT – VALVE SWITCH SUPPORT, TOP	1	346190–
2	246500	WELDMENT – VALVE SWITCH SUPPORT, BOTTOM	1	346190–
3	246269	VALVE – LIMIT SWITCH, NC, SPOOL	1	346190–
4	247597	BRACKET – PIVOT	1	346190–
5	247598	ARM – SWITCH LEVER	1	346190–
6	136149	FITTING – ELBOW 90° HYD C/W O-RING	4	346190–
	44209	O-RING – SAE #8		
	135865	O-RING – #6 ORFS		
7	246954	LINE – HYDRAULIC	1	346190–
8	247335	LINE – HYDRAULIC	1	346190–
9	247336	LINE – HYDRAULIC	1	346190–
10	246524	VALVE – 6 WAY 2 POSITION, SOLENOID OPERATED	1	346190–
11	247033	COIL – SOLENOID	1	346190–
12	191705	FITTING – ADAPTER 6 MORFS X 8 MORB	4	346190–
	44209	O-RING – SAE #8		
	135865	O-RING – #6 ORFS		
13	30753	FASTENER – CABLE TIE	4	346190–
14	136249	FITTING – ELBOW 90° HYDRAULIC	1	346190–
	135865	O-RING – #6 ORFS		
15	136672	FITTING – HYDRAULIC TEE	1	346190–
	135865	O-RING – #6 ORFS		
16	224162	HOSE – HYDRAULIC (9335 MM LG)	1	346190–
17	224163	HOSE – HYDRAULIC (9335 MM LG)	1	346190–
18	135233	CLAMP – DOUBLE HOSE INSULATED	3	346190–
19	184301	CLAMP	2	346190–
20	136325	CAP – HYD SAE, 6 ORFS (SHIPPING ONLY)	A/R	346190–
21	247596	TUBE – SPACER, 0.5 IN ID, 0.75 IN OD	1	346190–
22	247958	BRACKET – SUPPORT	1	346190–
23	259218	WELDMENT – SMV, SIS SIGN BRACKET	1	346190–
24	258262	ASSEMBLY – BRACKET W/ SMV AND SIS ²⁰⁷	1	346190–
25	247625	ASSEMBLY – TRANS. COMPLETE PADDLE	1	346190–
A	152775	BOLT – HEX HD M8 X 1.25 X 65-8.8-A2L		
B	184708	WASHER – FLAT M8-200HV-A2L		
C	135337	NUT – HEX FLG CTR LOC M8 X 1.25-8-A2L		
D	184714	WASHER – FLAT REG M12-300HV-A3L		
E	136431	NUT – HEX FLG CTR LOC M12 X 1.75-10-A3L		
F	184672	BOLT – HEX HD M12 X 1.75 X 100-10.9-A3L		
G	136788	BOLT – RHSN M6 X 1 X 75-8.8-A2L		
H	152668	NUT – HEX FLG CTR LOC M6 X 1-8-A2L		
J	136399	BOLT – HEX FLG HD TFL M12 X 1.75 X 25-8.8-A3L		
K	50101	NUT – HEX FLG STVR LOC M10 X 1.5-10-A3L		
L	184711	WASHER – FLAT REG M10-200HV-A3L		

207. Includes SMV decal MD #115148. For SIS decals, refer to Section [32 Decals and Reflectors, page 93](#).

(OPTION) TRANSPORT – SWING COMPLETION / SELECTOR VALVE (2019 AND LATER)

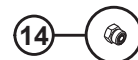
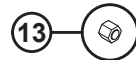
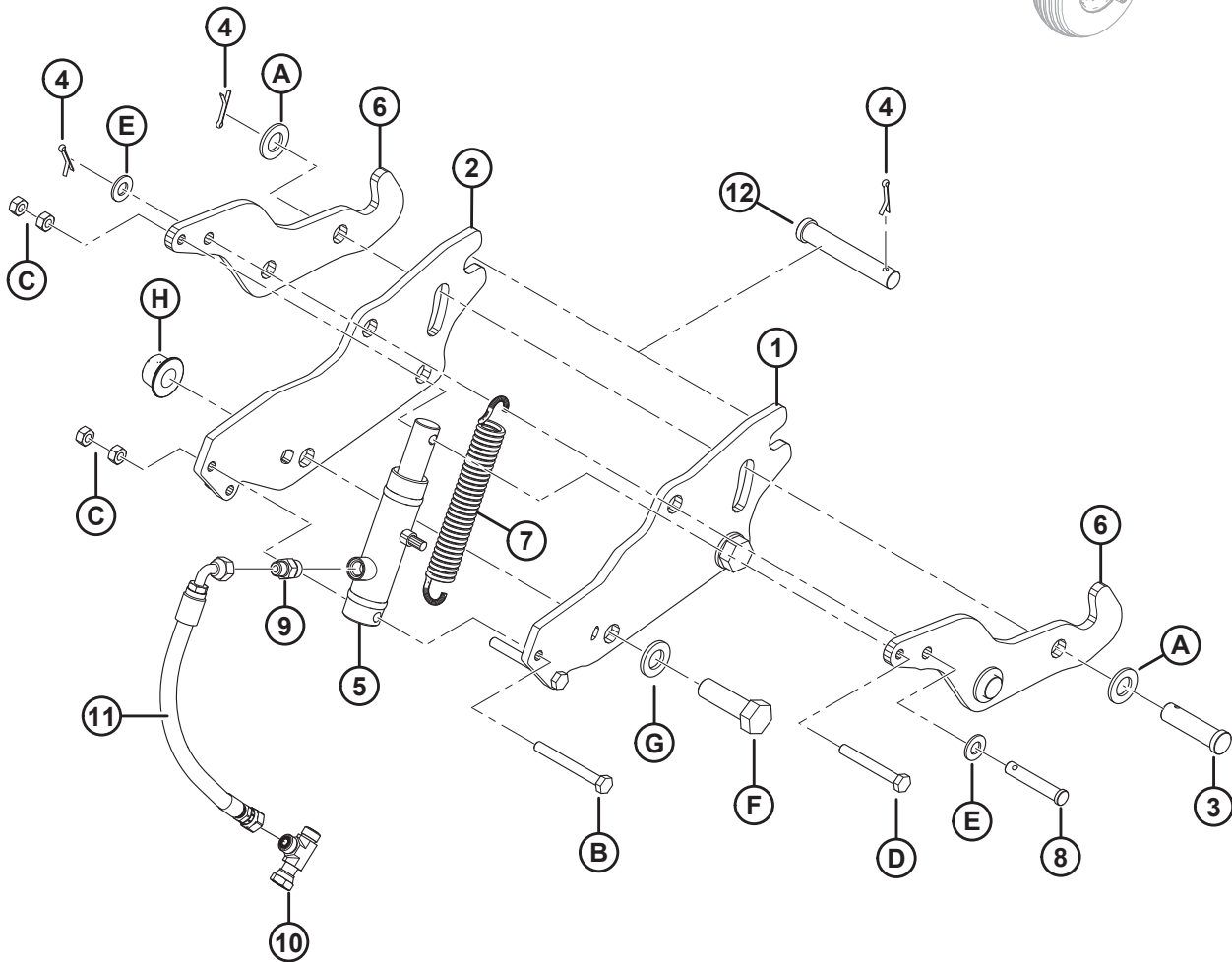
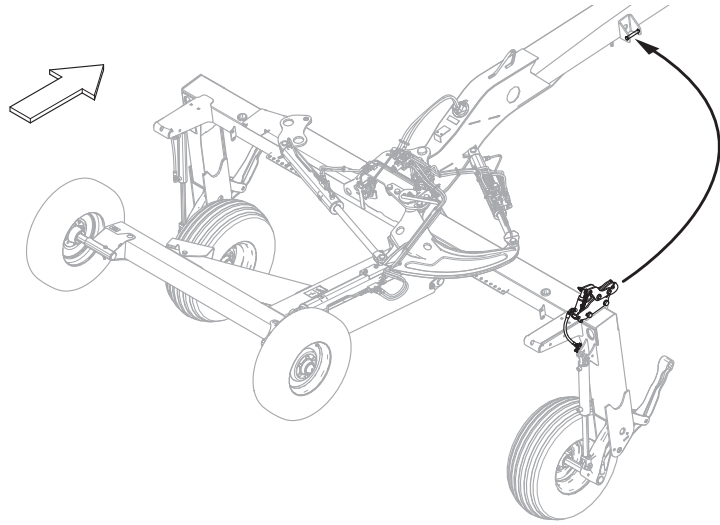


1030420

(OPTION) TRANSPORT – SWING COMPLETION / SELECTOR VALVE (2019 AND LATER)

Ref	Part Number	Description	Qty	Serial Number
M	136178	BOLT – RHSN M10 X 1.5 X 20-8.8-A3L		
N	135799	NUT – HEX FLG CTR LOC M10 X 1.5-10-A3L		
P	184667	BOLT – RHSN M12 X 1.75 X 30-8.8-A3L		
Q	184657	BOLT – RHSSN M10 X 1.5 X 20-8.8-AA1J		
R	135799	NUT – HEX FLG CTR LOC M10 X 1.5-10		
S	18670	WASHER – FLAT SAE 7/16 ID X 1.0 IN OD AA1J		

59 (Option) Transport – Tongue to Hitch Latch



1011243

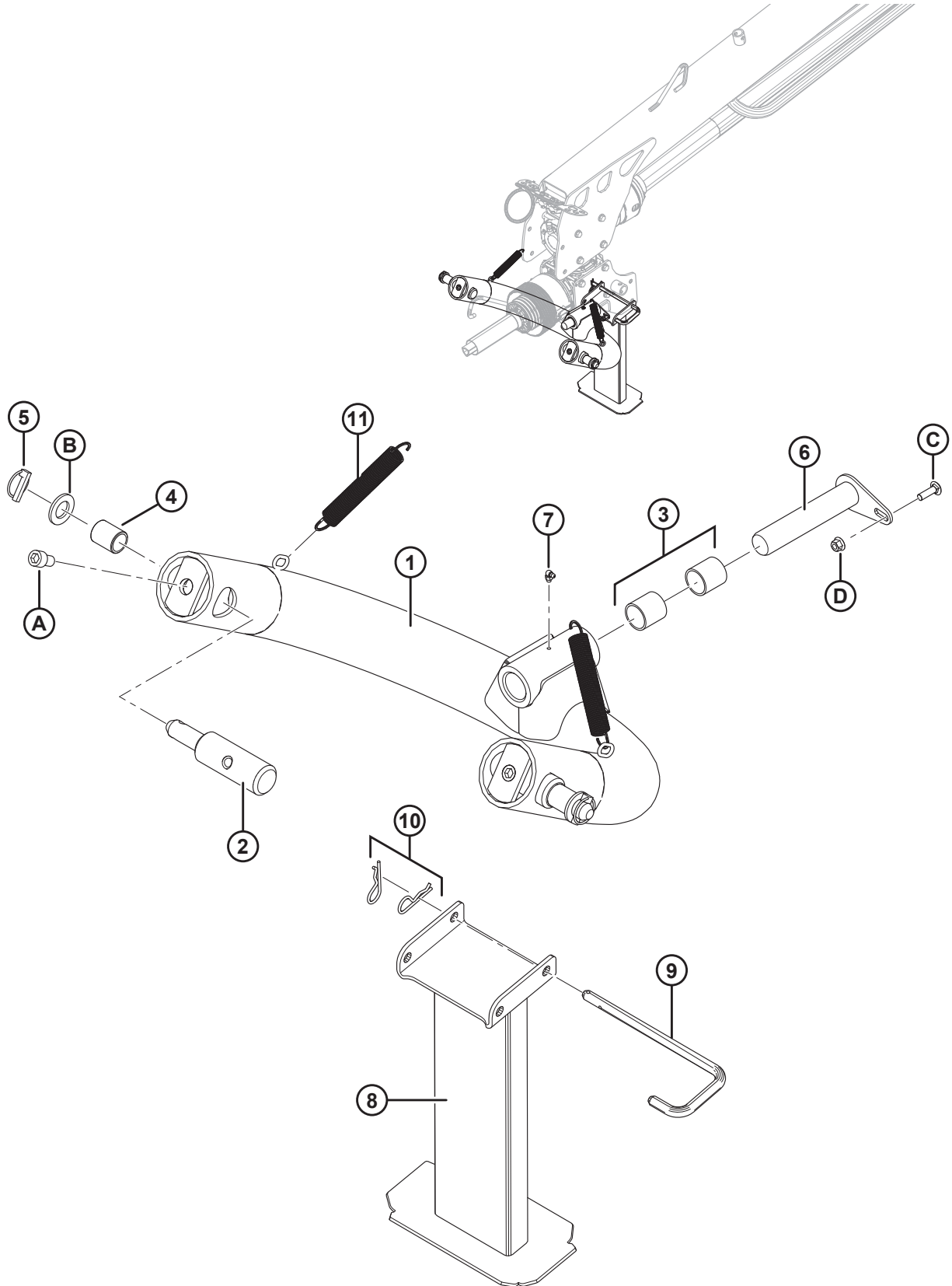
(OPTION) TRANSPORT – TONGUE TO HITCH LATCH

Ref	Part Number	Description	Qty	Serial Number
1	281377	PLATE – LATCH, RH ²⁰⁸	1	
2	223879	PLATE – LATCH, LH	1	
3	30463	PIN – CLEVIS (18.89 MM, 58 MM)	2	
4	18648	PIN – COTTER 3/16 DIA X 1.25 ZP	4	
5	111599	CYLINDER – HYDRAULIC	1	
	166171	SEAL KIT		
6	224014	PLATE – LATCH	2	
7	246754	SPRING – EXTENSION	1	
8	19926	PIN – CLEVIS (12.54 MM, 58 MM)	1	
9	135778	FITTING – ADAPTER	1	
	50219	O-RING		
	135865	O-RING		
10	136097	FITTING – TEE HYDRAULIC	1	
	135865	O-RING – #6 ORFS		
11	259027	HOSE – HYDRAULIC ²⁰⁹	1	
12	18667	PIN – CLEVIS (18.89 MM, 105 MM)	1	
13	136325	CAP – HYD SAE, 6 ORFS (SHIPPING ONLY)	A/R	
14	136326	PLUG – HYD SAE, 6 ORFS (SHIPPING ONLY)	A/R	
	135865	O-RING – #6 ORFS		
A	18601	WASHER – SAE FLAT 13/16 ID X 1.5 IN OD ZP		
B	30682	BOLT – HEX HD M10 X 1.5 X 90-8.8-A3L		
C	30505	NUT – HEX M10 X 1.5-10-A3L		
D	135657	BOLT – HEX HD M10 X 1.5 X 80-8.8-A3L		
E	18599	WASHER – SAE FLAT 17/32 ID X 1 1/16 IN OD ZP		
F	136157	BOLT – HEX HD M20 X 2.5 X 65-10.9-A3L		
G	112130	WASHER – HARDENED		
H	136122	NUT – HEX FLG CTR LOC M20 X 2.5-10-A3L		

208. Includes pinch point decal (MD #246959).

209. On 2017 and prior machines, service hose (MD #224241) with kit MD #259029.

60 (Option) Two-Point Hitch Adapter (2018 and Prior)



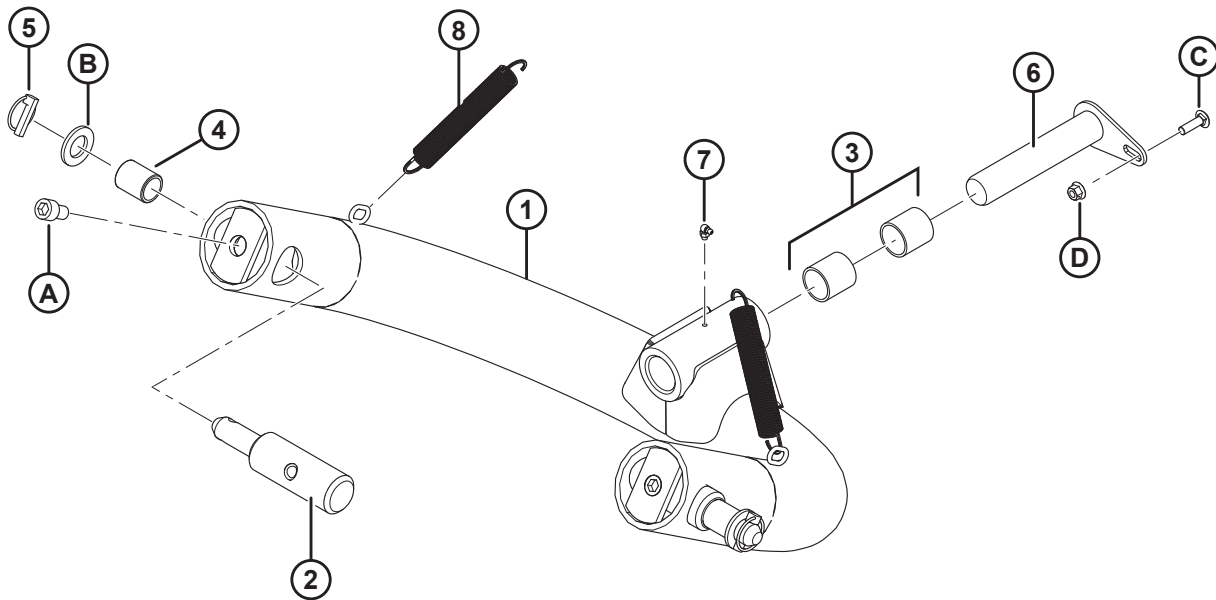
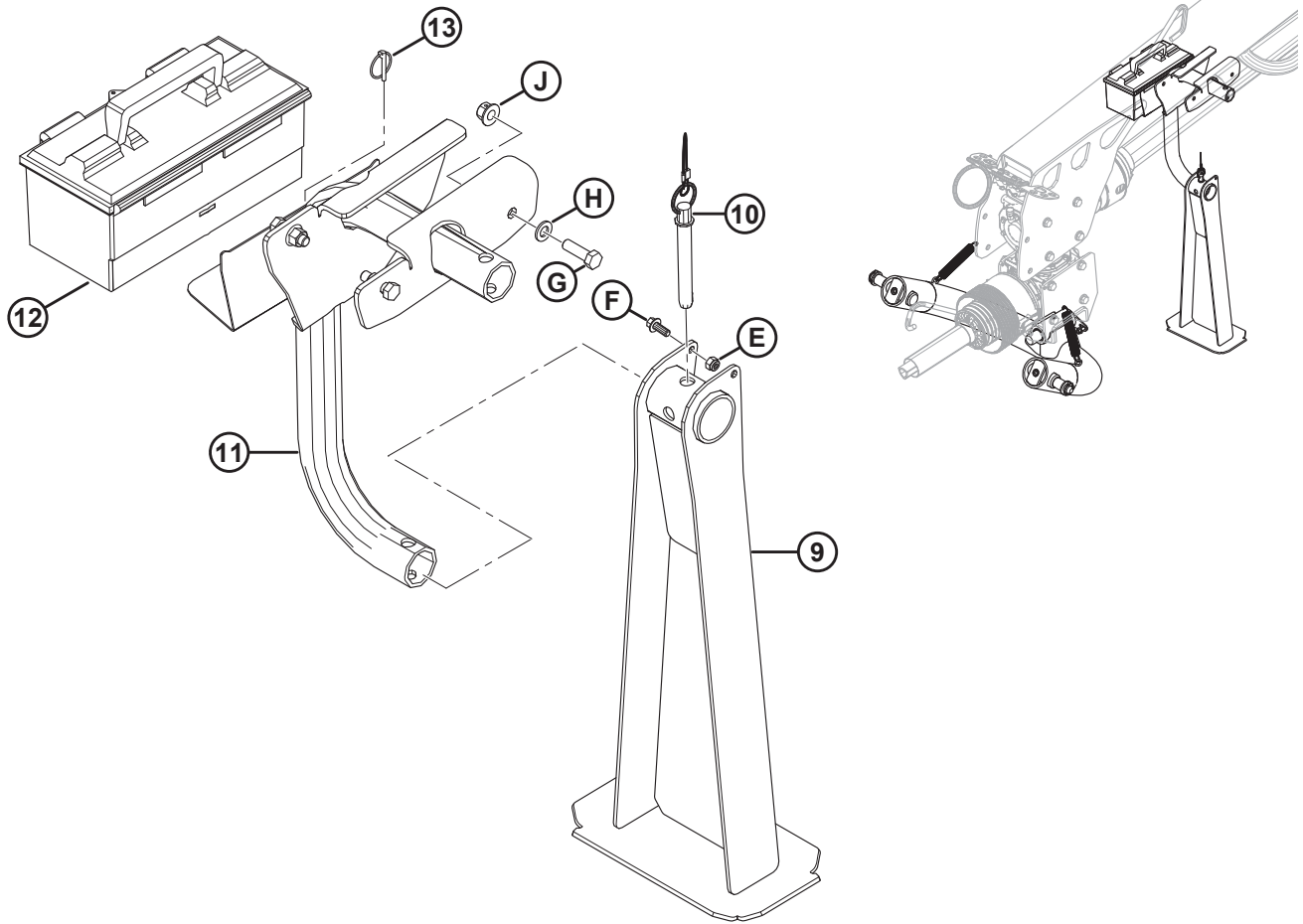
(OPTION) TWO-POINT HITCH ADAPTER (2018 AND PRIOR)

Ref	Part Number	Description	Qty	Serial Number
	B5807	KIT – 2-POINT LINKAGE COUPLING ²¹⁰		
1	247520	ASSEMBLY – 2 PT, C/W BUSHINGS ²¹¹	1	
2	222843	PIN – HITCH	2	
3	281457	BUSHING	2	
4	224322	BUSHING – CAT II TO III	2	
5	113561	PIN – LYNCH	2	
6	223060	PIN – WELD'T	1	
7	252174	FITTING – LUBE 90° M8-1 TAPER THD	1	
8	224571	STAND – WELD'T	1	
9	224573	PIN – HITCH	1	
10	13125	PIN – HAIR	2	
11	247222	SPRING – EXTENSION	2	
A	252169	SCREW – HEX SOC HD M16 X 2 X 25-8.8-A3L		
B	259096	WASHER – FLAT		
C	136248	BOLT – RHSSN TFL M10 X 1.5 X 35-8.8-A3L		
D	135799	NUT – HEX FLG CTR LOC M10 X 1.5-10-A3L		

210. Kits are available through Whole Goods only.

211. Assembly includes two-point hitch (NSS), two bushings (MD #281457), and fitting (MD #252174).

61 (Option) Two-Point Hitch Adapter (2019 and Later)



(OPTION) TWO-POINT HITCH ADAPTER (2019 AND LATER)

Ref	Part Number	Description	Qty	Serial Number
	B6790	KIT – 2-POINT LINKAGE COUPLING ²¹²		
1	247520	ASSEMBLY – 2 PT, C/W BUSHINGS ²¹³	1	
2	222843	PIN – HITCH	2	
3	281457	BUSHING	2	
4	224322	BUSHING – CAT II TO III	2	
5	113561	PIN – LYNCH	2	
6	223060	PIN – WELD'T	1	
7	252174	FITTING – LUBE 90° M8-1 TAPER THD	1	
8	247222	SPRING – EXTENSION	2	
9	259455	ASSEMBLY – 2PT STAND ²¹⁴	1	
10	259327	PIN – 2PT STAND	1	
11	259457	WELDMENT – TUBE JACK STAND	1	
12	259419	TOOL BOX	1	
13	50193	PIN – LYNCH	1	
A	252169	SCREW – HEX SOC HD M16 X 2 X 25-8.8-A3L		
B	259096	WASHER – FLAT		
C	136248	BOLT – RHSSN TFL M10 X 1.5 X 35-8.8-A3L		
D	135799	NUT – HEX FLG CTR LOC M10 X 1.5-10-A3L		
E	184688	NUT – HEX NYLOC M8 X 1.25-8-AA1J		
F	136300	BOLT – HEX FLG HD TFL M8 X 1.25 X 20-8.8-AA3L		
G	184669	BOLT – HEX HD M12 X 1.75 X 40-8.8-AA1J		
H	184714	WASHER – FLAT REG M12-300HV		
J	136431	NUT – HEX FLG CTR LOC M12 X 1.75-10		

212. Kits are available through Whole Goods only.

213. Assembly includes two-point hitch (NSS), two bushings (MD #281457), and fitting (MD #252174).

214. Assembly includes pin (MD #259327), bolt (MD #136300), and nut (MD #184688).

Index

4761	54	30701.....	76, 136
4762	28	30702.....	76, 136
5113	58, 68, 78	30710.....	84
7782	56, 66, 72, 86, 108, 110, 114	30753.....	138, 140, 144, 148, 152, 156, 160, 162, 164
9423	66	30836.....	42, 46, 52
11460.....	138	30855.....	74, 84, 150
13125.....	108, 110, 114, 170	30889.....	76
13617.....	56	30934.....	86
15380.....	38, 128	31774.....	76, 138
16235.....	44, 48	32070.....	94
17675.....	54	32247.....	58, 68
18596.....	38	32879.....	100
18599.....	168	32880.....	100
18601.....	78, 168	35618.....	102
18603.....	108, 110, 114	42104.....	78
18605.....	60	42431.....	78
18608.....	72, 76, 78, 124, 126, 138	42432.....	78
18609.....	72, 82, 136, 140, 144, 148, 152, 156	42433.....	78
18620.....	42, 46, 50	42434.....	78
18629.....	124	42592.....	38
18648.....	42, 46, 50, 54, 60, 168	44209.....	72, 82, 124, 126, 136, 140, 144, 148, 152, 156, 160, 162, 164
18667.....	168	50101.....	74, 150, 160, 162, 164
18670.....	74, 166	50155.....	44, 48, 58
18671.....	46, 136	50174.....	76, 136
18899.....	136	50184.....	152, 156
18916.....	76, 138	50193.....	56, 110, 114, 122, 172
19878.....	76, 138	50219.....	72, 82, 124, 126, 136, 140, 144, 148, 152, 156, 168
19926.....	168	101375.....	94
19958.....	54, 60	102264.....	108, 110, 114
20312.....	78, 126	102265.....	72
21010.....	80, 136	103580.....	124
21153.....	76, 138	108172.....	24, 26
21301.....	42, 72	111242.....	88, 90, 92, 118, 120
21404.....	108, 110, 114, 122	111528.....	58, 68, 70, 86
21540.....	116	111599.....	168
21763.....	74, 82, 122, 124, 126	112130.....	74, 78, 108, 110, 114, 140, 144, 150, 160, 168
21804.....	82	112624.....	56, 72, 78
21936.....	86	113482.....	94
23164.....	94	113561.....	170, 172
23165.....	94	113799.....	42, 46, 54, 56, 60, 64, 66
23950.....	100	115145.....	96
25579.....	136	115146.....	38, 56, 66, 96
25991.....	100	115147.....	38, 96
30087.....	42	115148.....	94
30463.....	78, 168	118234.....	38
30464.....	78	120901.....	86
30505.....	58, 68, 168	132117.....	96
30627.....	38, 70	132898.....	96
30630.....	128	134029.....	84
30635.....	58, 68, 150	134741.....	150
30655.....	58, 68	134742.....	150
30682.....	168		

INDEX

135148	100	136252	40, 74
135155	24, 26	136291	44, 48, 58
135200	28	136300	58, 172
135233	160, 162, 164	136313	74, 84, 150
135337	22, 84, 124, 126, 138, 154, 158, 160, 162, 164	136317	124, 126
135369	44, 48, 68	136320	124, 126
135378	94	136325	74, 124, 126, 140, 144, 148, 152, 156, 160, 162, 164, 168
135402	122	136326	168
135491	30	136381	82
135563	82, 124, 126	136382	82
135657	168	136384	82
135691	64	136399	74, 160, 162, 164
135696	58	136401	102
135723	54, 58, 60, 68, 70	136422	116
135773	86	136423	44, 48, 68
135774	86	136428	70
135778	82, 136, 140, 144, 148, 152, 156, 168	136431	24, 26, 44, 48, 54, 58, 60, 64, 68, 74, 102, 112, 116, 138, 140, 146, 150, 160, 162, 164, 172
135785	44, 48, 54, 60, 64, 84, 86	136440	24, 26, 44, 48, 58, 60, 68, 70, 86, 154, 158
135799	24, 26, 38, 44, 48, 54, 58, 60, 64, 68, 70, 74, 78, 86, 102, 108, 110, 114, 126, 152, 156, 162, 166, 170, 172	136442	140, 146, 150
135852	40, 58, 68	136453	74
135865	72, 82, 124, 126, 136, 140, 144, 148, 152, 156, 160, 162, 164, 168	136477	74, 78, 126
135894	138	136485	30, 86, 132
135903	54, 64, 68	136595	142, 146, 150
135927	140, 144, 150	136616	42
135945	54, 60	136650	74, 78, 116
136080	122	136659	144, 148, 152, 156
136082	24, 116	136672	144, 148, 152, 156, 160, 162, 164
136088	78	136717	26, 48, 50
136095	124, 126	136788	160, 162, 164
136097	144, 148, 152, 156, 168	136832	42, 46
136098	140, 144, 148	136843	38
136122	74, 78, 108, 110, 114, 122, 140, 144, 150, 168	136876	38
136124	24, 26, 44, 48, 74, 108, 110, 114	136881	62, 68
136132	24	136887	108, 110
136137	30	139130	160
136141	26, 44, 152, 156	140246	76, 136
136143	30, 86	140247	76, 136
136144	72	140248	76, 136
136147	72, 82, 136, 140, 144, 148, 152, 156	140249	76, 136
136148	68	140250	76, 138
136149	72, 82, 136, 140, 144, 148, 152, 156, 160, 162, 164	142376	72, 78
136151	38, 48	146487	74
136157	26, 74, 108, 110, 114, 140, 146, 150, 160, 168	146783	28, 36
136162	82	146784	36, 86
136172	44, 48	148645	38, 76, 84, 138
136178	44, 48, 150, 162, 166	148798	24, 26, 84
136209	150	148799	30, 58
136211	30, 140, 146, 150	148851	82, 136, 140, 144, 148, 152, 156
136226	136, 140, 144, 148	149183	56, 66
136248	108, 110, 116, 170, 172	149767	124, 126
136249	152, 156, 160, 162, 164	150519	124, 126
		150651	94
		152193	60

INDEX

152274	44	184712	40, 70
152439	54, 60, 134	184714	24, 26, 44, 48, 54, 58, 62, 68, 112, 116, 138, 160, 162, 164, 172
152520	58, 68	184717	28, 58, 62, 68, 124, 152, 156
152602	30	187133	60
152655	30, 38, 78, 84, 132	190546	94
152668	38, 142, 146, 150, 160, 162, 164	191705	82, 124, 126, 136, 140, 144, 148, 152, 156, 160, 162, 164
152702	58, 68	193241	94
152730	38	193242	94
152732	126	194463	94
152775	154, 158, 160, 162, 164	194464	94
152779	142, 146, 150	194465	94
152947	48, 50	194466	94
156501	140, 144, 148	194468	94
156741	78	197157	108, 110, 114
156743	74	197171	22
163162	160	203547	38, 74
163598	82	203548	38, 74
163921	136	203549	74
166171	168	221716	42, 60
166466	94	221765	42, 46
166747	54	221768	42, 46
171068	82	221769	42, 46, 60
171287	94	221833	78
174436	94	221937	42, 46
181511	30, 58, 68	221938	42, 46
183866	38	221997	56, 66
184301	160, 162, 164	222028	56
184303	84	222029	66
184371	94	222042	60
184372	38, 94	222231	78
184385	94	222269	28
184386	94	222291	28
184587	102	222658	42, 46
184596	54, 58, 60, 68	222664	42, 46
184641	38	222786	80
184657	40, 64, 68, 74, 102, 166	222843	170, 172
184658	152, 156	222988	42, 46
184659	58, 68	223014	54
184661	78	223060	108, 110, 114, 170, 172
184662	54, 60, 64, 74, 86	223180	72
184667	44, 48, 74, 160, 162, 166	223181	72
184669	44, 48, 54, 110, 116, 172	223185	38, 150
184672	24, 26, 68, 160, 162, 164	223232	134
184673	24, 26, 76, 138	223236	134
184675	44, 48, 54, 68, 138	223248	134
184678	44, 48, 58, 68	223321	72
184681	26, 48, 60	223326	122
184688	172	223333	72
184697	134	223334	72
184699	44, 48	223370	60
184701	20, 58, 68, 128	223371	60
184705	142, 146, 150	223389	42
184708	84, 124, 126, 154, 158, 160, 162, 164	223406	42, 46
184709	22		
184711	24, 26, 40, 78, 162, 164		

INDEX

223425	72	224717	140, 144, 148
223427	72	224761	56
223443	56, 66	224762	56
223444	56, 66	224795	140, 144, 148
223467	42, 46	224861	64
223500	60	224862	64
223537	74	224869	54, 60
223543	74	224892	66
223544	74	224943	140, 144, 148
223545	74	224944	140, 144, 148
223587	124	224977	54
223879	168	224986	56
223883	38	230403	138
223884	38	232395	124, 126
223888	38	236994	36
223889	64	238001	150
223904	38	238003	78
223973	60	238015	8
223981	82, 152, 156	238016	8
223982	136, 140, 144, 148	238026	16
224014	168	238031	16, 18
224039	54	238032	16, 18
224106	136	238054	56
224131	82	238103	36
224160	82	238147	24, 26
224161	82	238178	72
224162	82, 160, 162, 164	238179	72
224163	82, 160, 162, 164	238184	84
224164	124, 126	238193	76, 136
224165	124, 126	238195	10, 14
224166	74	238222	72, 82
224167	74	238227	10, 14, 18, 130
224236	138	239007	86, 88
224272	78	239009	88
224313	38, 66	239049	22
224320	70	242381	90
224322	170, 172	245966	56, 66
224327	70	246013	66
224337	108, 110, 114	246023	66
224373	86	246036	124
224438	28	246080	34
224446	90	246082	34
224471	38	246083	34
224523	86	246084	34
224554	42, 46	246085	34
224556	60	246086	34
224557	60	246087	28
224560	60	246100	28
224571	170	246101	28
224573	170	246164	138
224595	28, 32	246166	86, 88
224601	86	246167	28
224605	56, 66	246175	54
224686	38	246178	108, 110, 116, 122
224707	140, 144, 148	246184	28

INDEX

246196..... 28	246565..... 152, 156
246198..... 72	246574..... 80
246207..... 86	246576..... 152, 156
246224..... 54	246581..... 70
246226..... 54, 64	246583..... 56, 66
246267..... 152, 156	246586..... 94
246269..... 160, 162, 164	246587..... 152, 156
246277..... 160, 162, 164	246609..... 160
246291..... 10, 14, 18	246612..... 2, 6
246295..... 2, 6, 130	246613..... 2, 6
246299..... 10	246614..... 2, 6
246300..... 10, 16, 18, 104, 106, 128, 130	246615..... 4, 8
246301..... 10, 18, 128	246616..... 2
246303..... 10, 16, 18, 104, 106, 130	246617..... 2, 6
246305..... 10, 14, 18	246618..... 2
246307..... 2, 6	246621..... 2
246308..... 2, 6	246622..... 6
246309..... 2, 6	246623..... 6
246310..... 4, 8	246624..... 6
246311..... 4, 8	246625..... 4, 8
246312..... 12, 16	246626..... 152
246313..... 4, 8	246627..... 2, 6
246314..... 24, 26	246628..... 2, 8
246315..... 2, 6	246630..... 4, 8
246316..... 2, 6	246631..... 2, 6
246318..... 2, 8	246632..... 2, 6
246322..... 152, 156	246633..... 12, 16, 18, 132
246328..... 2, 6	246687..... 28
246330..... 2, 6	246691..... 28
246331..... 2, 6	246720..... 152, 156
246332..... 4, 8, 12, 16, 20	246747..... 42, 46
246346..... 38	246748..... 42, 46
246352..... 102	246751..... 42, 46
246354..... 152, 156	246752..... 42, 46
246355..... 54, 60	246754..... 168
246363..... 64	246762..... 44
246364..... 64	246769..... 124
246366..... 140, 144, 148	246770..... 28
246367..... 140	246785..... 28
246370..... 140	246799..... 44, 46
246371..... 152	246841..... 60
246388..... 38	246844..... 44, 46, 60
246413..... 38	246845..... 56, 66
246420..... 86	246846..... 56, 66
246424..... 42, 46, 56, 60, 66	246847..... 44, 46, 60
246444..... 152, 156	246858..... 38
246454..... 140	246872..... 4, 8
246500..... 160, 162, 164	246873..... 38
246507..... 136	246874..... 38
246509..... 42	246876..... 38
246510..... 42	246878..... 38
246524..... 160, 162, 164	246880..... 38
246558..... 84	246882..... 12, 16, 18, 132
246559..... 84	246896..... 98
246562..... 152, 156	246897..... 98

INDEX

246900	94	247084	34
246902	94	247085	34
246910	98	247091	34
246911	98	247094	34
246920	90	247095	34
246926	98	247096	34
246927	98	247099	34
246945	140, 144, 148	247100	34
246947	152, 156	247103	28
246950	84	247110	72
246951	140, 144, 148	247111	72
246952	12, 16, 20, 128, 132	247112	28
246954	160, 162, 164	247120	28, 132
246956	94	247121	28, 132
246959	94	247122	28, 132
246991	2, 8	247123	32, 88, 92, 118, 120
246997	98	247124	32, 88, 120
246998	98	247126	32, 88, 92, 118, 120
247004	98	247127	32, 92, 118, 120
247014	72	247128	32, 88, 92, 118, 120
247015	72	247129	32, 88, 120
247017	28	247130	94
247031	36	247131	94
247033	160, 162, 164	247132	32
247039	36	247133	32, 88, 90
247040	36	247134	32
247041	36	247135	36
247042	36	247136	88
247043	36	247138	88
247044	36	247139	90
247045	36	247143	90
247046	36	247144	90
247047	36	247145	90
247048	36	247146	90
247049	36	247147	90
247050	36	247148	90
247051	36	247149	90
247053	36	247150	90
247054	36	247151	90
247055	36	247152	90
247056	36	247153	90
247057	36	247154	90
247059	36	247155	88
247060	36	247156	88
247061	36	247157	88
247063	36	247158	88
247065	36	247159	88
247066	36	247160	88
247067	36	247161	92, 118, 120
247071	36	247162	92, 118, 120
247079	34	247167	94
247080	34	247180	82
247081	34	247181	136, 140, 144, 148
247082	34	247182	94
247083	34	247183	52

INDEX

247184	52	247637	2
247185	52	247675	160, 162
247186	52	247684	60
247187	52	247693	58, 66
247188	52	247726	138
247189	52	247750	82
247190	52	247781	144, 148
247191	52	247793	144, 148
247192	52	247794	144, 148
247193	52	247799	144, 148
247194	52	247800	72
247195	52	247801	72
247196	52	247803	94
247197	52	247810	136
247199	52	247811	92
247206	24, 26	247812	92
247222	170, 172	247813	86, 88
247237	108, 110, 114	247814	86, 88, 92
247239	10	247815	86, 88, 92
247240	10	247822	82
247242	10	247823	84
247243	10	247826	28
247245	108, 110, 114	247827	28
247246	108, 110, 114	247831	86
247250	140, 144, 148	247832	46
247259	42, 48, 50	247836	42
247264	76	247837	42
247265	52	247841	44
247275	54	247854	48
247305	48	247855	48
247307	48	247856	42, 46
247309	48	247863	60
247315	102	247883	74
247323	54	247884	84
247335	160, 162, 164	247899	82
247336	160, 162, 164	247900	136, 140, 144, 148
247373	66	247923	6
247374	66	247924	6
247376	66	247936	6
247377	66	247937	6
247420	48	247950	10
247433	54	247958	162, 164
247445	58	247971	66
247520	170, 172	252169	170, 172
247572	66	252174	170, 172
247575	60	252219	54
247576	54	252270	84
247596	160, 162, 164	252421	124, 126
247597	160, 162, 164	252919	86
247598	160, 162, 164	256192	56
247616	2	256199	56
247625	160, 162, 164	256375	28
247628	156	256581	44, 46
247631	66	256640	56
247634	66	256641	56

INDEX

256661..... 120	259613 66
256663.....32, 88, 118, 120	259622 48, 50
256665..... 120	268350 78
256666..... 120	280504 14, 18, 132
256668..... 120	281014 28
256674..... 120	281101 72, 82, 136, 140, 144, 148, 152, 156
257085..... 14, 18, 132	281110 86
257086..... 14, 18, 132	281111 126
257096..... 24, 26	281112 126
257112..... 58, 66	281324 42, 46
257123..... 104	281325 42, 46
257135..... 128	281331 2
257136..... 128	281332 2
258262..... 74, 164	281333 2
259019..... 118	281338 54
259020..... 118	281339 54
259027..... 168	281347 126
259048..... 2, 6	281348 126
259053..... 130	281349 126
259056..... 94	281362 18, 128
259058..... 94	281363 18, 128
259086..... 136	281364 18, 128
259095..... 136	281365 18, 128
259096..... 170, 172	281366 14
259099..... 12, 16, 20	281367 14
259100..... 12, 16, 20	281370 14
259107..... 156	281377 168
259112..... 128	281378 28
259113..... 18, 128	281380 86
259117..... 18, 128	281400 82
259139..... 28, 132	281446 10
259140..... 132	281447 10
259142..... 28	281457 72, 108, 110, 114, 170, 172
259154..... 110	281458 72
259614..... 56	281489 28, 132
259199..... 14, 18, 104, 128, 130	281493 28, 132
259200..... 14, 18, 104, 128, 130	281497 28, 132
259201..... 74	281500 28, 132
259218..... 164	281501 28, 132
259226..... 80	281508 88
259227..... 80	281529 94
259294..... 66	281532 86, 88
259327..... 172	281535 126
259419..... 110, 114, 172	281582 54
259431..... 114	281583 54
259438..... 114	281604 16, 104, 130
259455..... 172	281605 16, 104, 130
259457..... 110, 114, 172	281606 14, 104
259461..... 86	281609 10, 14, 18
259516..... 28, 34	281611 84
259518..... 10, 14	281612 84
259587..... 108, 110	281613 74
259592..... 46	281614 150
259605..... 108, 110, 114, 122	281615 84
257093..... 56	281644 58, 66

INDEX

281653.....	118, 120	B5802.....	122
281654.....	118, 120	B5807.....	170
281685.....	66	B5808.....	108
281695.....	56, 66	B5810.....	126
281697.....	16, 18, 132	B5949.....	84
281700.....	74	B6390.....	118
281715.....	88	B6391.....	118
281753.....	18	B6555.....	120
281755.....	18, 128	B6556.....	120
281780.....	60	B6622.....	136
281781.....	60	B6633.....	110
281782.....	60	B6699.....	128
281783.....	60	B6700.....	128
281784.....	60	B6790.....	172
281813.....	74	B6791.....	110
281818.....	54, 60	B6996.....	114
281865.....	18	B6997.....	114
281866.....	18		
281911.....	132		
281931.....	38, 128		
281965.....	10, 18, 106		
281966.....	10, 14, 18		
281967.....	10, 14, 18		
281981.....	28, 132		
281986.....	56		
292589.....	148		
299410.....	132		
302204.....	94		
307175.....	6		
307211.....	42, 46, 52		
320208.....	48, 50		
320225.....	24, 26, 44, 48		
320226.....	24, 26, 28, 44, 48, 58, 68, 70		
320289.....	72		
320524.....	54, 56, 58, 64, 66		
325683.....	24, 26		
325854.....	48, 50		
325857.....	48, 50		
338003.....	48, 50		
338800.....	16, 20		
338956.....	106		
338995.....	22		
359024.....	10, 14, 18		
359026.....	2, 6		
359027.....	2, 6		
359040.....	2, 6		
359065.....	106		
359066.....	106		
359122.....	14, 106		
359253.....	48, 50		

B

B5760.....	124
B5800.....	134

MacDon®

CUSTOMERS
MacDon.com

DEALERS
Portal.MacDon.com

Trademarks of products are the marks of their
respective manufacturers and/or distributors.

Printed in Canada