

M2260 Windrower

Parts Catalog
262169 Revision A
Original Instruction

M2260 Windrower, featuring Dual Direction® and Crossflex™ rear suspension



1016391

Published August 2023

NOTE:

Keep your MacDon publications up-to-date. The most current version can be downloaded from our website (www.macdon.com) or from our Dealer-only site (<https://portal.macdon.com>) (login required).

© 2023 MacDon Industries, Ltd.

The information in this publication is based on the information available and in effect at the time of printing. MacDon Industries, Ltd. makes no representation or warranty of any kind, whether expressed or implied, with respect to the information in this publication. MacDon Industries, Ltd. reserves the right to make changes at any time without notice.

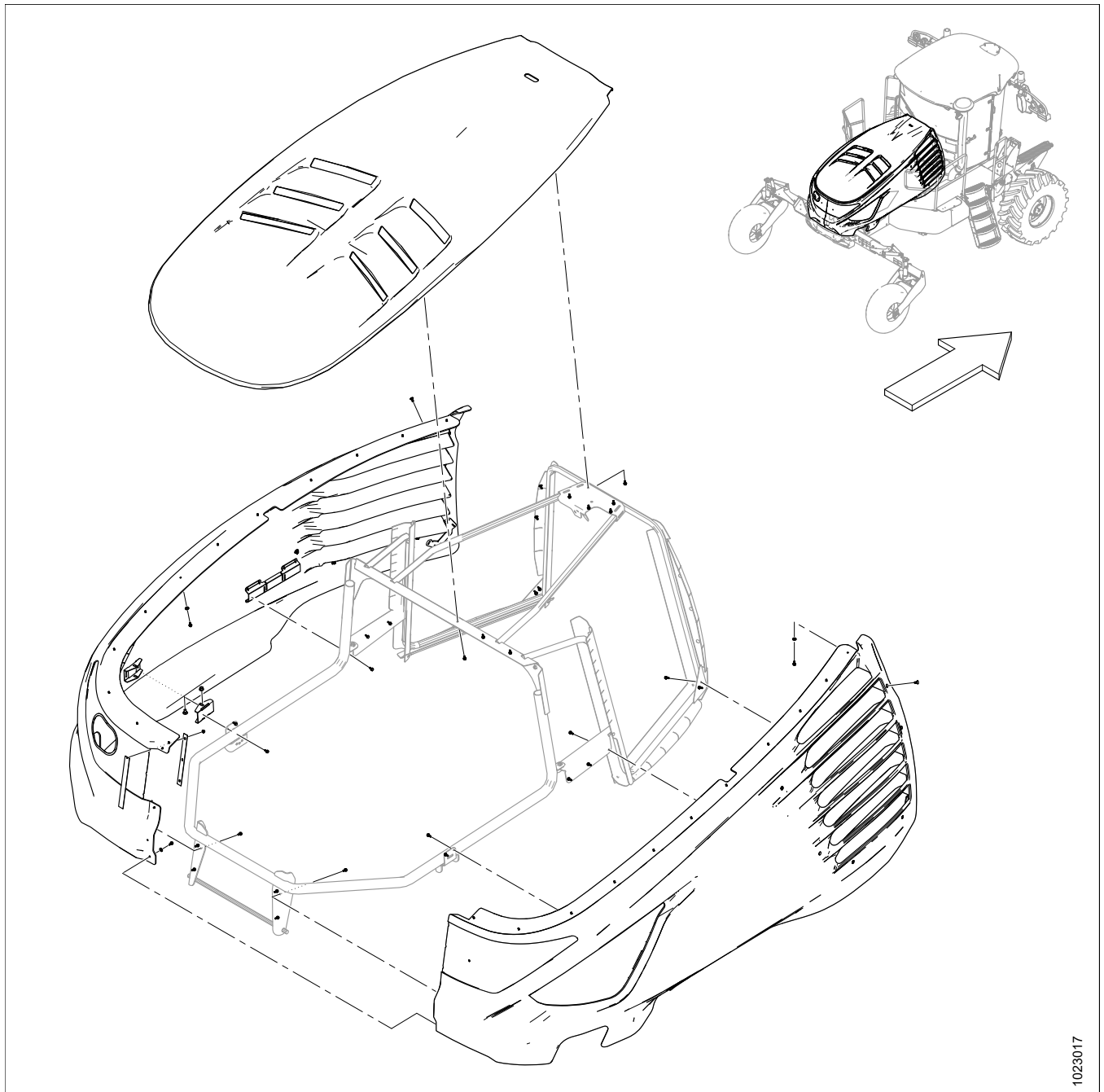
Introduction

This Parts Catalog lists all the replacement parts that can be ordered for a MacDon M2260 Windrower.

Bold text is used to indicate updates made at the current revision level. With each new revision of the catalog, previous revisions are returned to regular text.

Electrical connectors used on MacDon products are available for sale but not listed in this catalog. For the list of available connectors, refer to the Electrical Connectors Parts Catalog (MD #169641).

In this catalog, right-hand (RH) and left-hand (LH) are determined from the operator's position, facing forward with the windrower in cab-forward position. An arrow is sometimes used in illustrations to indicate cab-forward position as shown below.



1023017

Serial Number Breaks

The side of the serial number on which the dash (–) appears determines whether the part is used "up to" or "after" the serial number given.

Example:

- –162249 Used on machines up to and including serial number 166249.
- 166250– Used on machines including and after serial number 166250.

Abbreviations

A/R – as required (quantity varies)	ASSY – assembly	BHRN – button head rib neck
BV – ball valve	CCW – counterclockwise	CON – conical (spring washer)
CSK – countersink	C/W – complete with	CW – clockwise
DBLE – double	DK – double knife	DR – double reel
DT – distorted thread	FLG – flange	GA – gauge
GR – grade	GS – grass seed	HD – head
HDR – header	HFA – hydraulic fore-aft	HH – hex head
HNBR – hydrogenated nitrile butadiene rubber	HYD – hydraulic	I.D. – inside diameter
IP – internal plus (torx plus)	KP – knife pressure	KR – knife return
LG – long	LH – left hand (determined from Operator's position, facing forward)	LK – lock
MACH – machine	MD – MacDon	MFA – manual fore-aft
MY – model year	NC – national coarse thread	NF – national fine thread
NSS – not sold separately	NT – narrow transport	O.D. – outside diameter
OPT – optional	PO – pilot operated	PT – pull-type (mower conditioner)
RC – roller chain	REF – reference, part number called up elsewhere in catalog	REG – regular
RH – right hand (determined from Operator's position, facing forward)	RHSN – round head, square neck or square neck carriage bolt	RHSSN – round head, short, square neck
RTD – rotating tine drum	SAE – Society of Automotive Engineers (part produced to comply with)	SD – side draper
SER – serrated	SK – single knife	SKT HD – socket head
SMTH – smooth	SMV – slow moving vehicle	SOCK – socket
SP – self-propelled (windrower) header	SPCL – special	SPH – spherical
SPI – serrations per inch (knife Sections)	SR – single reel	STL – steel (stainless)
STR – standard	STVR – Stover	TFL – thread full length
THD – thread	TR – triple reel	UCA – upper cross auger
UDK – untimed double knife	UNC – unified coarse thread	UNEF – unified extra fine thread
UNF – unified fine thread	UNS – unified special thread series	VK – vertical knife
WF – wide frame	ZP – zinc plated	

TABLE OF CONTENTS

Introduction	i
Serial Number Breaks	ii
Abbreviations.....	iii
1 Wheel Legs	1
2 Left Platform and Toolbox	3
3 Left Platform Mechanism.....	5
4 Right Platform.....	7
5 Right Support and Tanks.....	9
6 Diesel Exhaust Fluid Tank.....	13
7 Diesel Exhaust Fluid Plumbing	15
8 Walking Beam.....	17
9 Anti-Shimmy.....	19
10 Casters – Suspended 16.5-16.1	21
11 Drive Wheels and Tires – Ten Bolt.....	23
12 Drive Wheels and Tires – Twelve Bolt	25
13 Lift Linkage	27
14 Lift Linkage Cylinders	31
15 Float Sensors	33
16 Center-Link.....	35
17 Engine Sub Assembly	39
18 Fuel System	41
19 Engine Air Intake	43
20 Engine Exhaust.....	45
21 Engine Cooling System.....	47
22 Cooling Module – Left	51
23 Cooling Module – Right	53
24 Charge Air Cooler Plumbing	55
25 Radiator Plumbing	57
26 Hood	59
27 Hood Frame.....	61
28 Hood Latch Mechanism	63
29 Hood Gas Shocks – Standard	65
30 Rear Lights and Bezels.....	67
31 Cab-Forward Lighting and Marking.....	69
32 Roof – Standard and Deluxe Cab.....	71
33 Headliner – Radio, Speakers, and Relay Module.....	73
34 Roof – Lighting.....	77
35 Roof Relay Module – Service Parts	79
36 Cab GPS Bulkhead/Display Mount.....	81
37 Electrical – Autosteer	83
38 Cab Interior and Upholstery	85
39 Cab Exterior and Air Intake Stack	87
40 Cab Suspension	91

TABLE OF CONTENTS

41	Windows.....	93
42	Doors.....	95
43	Wipers	97
44	Mirror Arms, Beacons, and Reflectors.....	99
45	Cab Air Conditioning and Heating.....	101
46	Cab Air Conditioning and Heating – Service Parts	103
47	Heating, Ventilation, and Air Conditioning – Chassis	105
48	Standard Cab Components.....	107
49	Deluxe Cab Components.....	109
50	Standard Operator’s Seat	111
51	Standard Seat Suspension.....	113
52	Deluxe Operator’s Seat	115
53	Deluxe Seat Suspension.....	117
54	Trainer’s Seat.....	119
55	Steering Column and Seat Base.....	121
56	Steering Column – Service Parts.....	125
57	Ground Speed Lever, Cable, and Display.....	127
58	Console Components	131
59	Steering and Ground Speed Control (under Cab)	135
60	Neutral Interlock and Pintle Arms	139
61	Engine Gearbox	141
62	Engine Gearbox – Service Parts.....	143
63	Traction Drive Pump	145
64	Traction Drive Pump – Service Parts	147
65	Left-Hand Pump Stack	149
66	Disc/Knife Drive Pump	153
67	Lift/Fan Pump	155
68	Wheel Drive Assembly – Ten Bolt.....	157
69	Wheel Drive Assembly – Twelve Bolt.....	159
70	Wheel Drive – Service Parts, Ten Bolt	161
71	Wheel Drive – Service Parts, Twelve Bolt.....	163
72	Header Drive (Rotary Disc Only) – Frame Interface	165
73	Header Drive – Frame Interface	167
74	Header Drive – Manifold Multicoupler Assembly.....	169
75	Header Drive – Fitting Manifold Frame Assembly	173
76	Header Drive – Charge Filter Frame Assembly.....	175
77	Header Drive Manifold (Rotary Disc Only)	177
78	Drive Manifold (Except Rotary Disc)	179
79	Float Selector Manifold	181
80	Charge Manifold.....	183
81	Hydraulics – Tank Fittings	185
82	Hydraulics – Fan/Lift Manifold.....	187
83	Lift/Fan Manifold – Valves and Coils.....	189

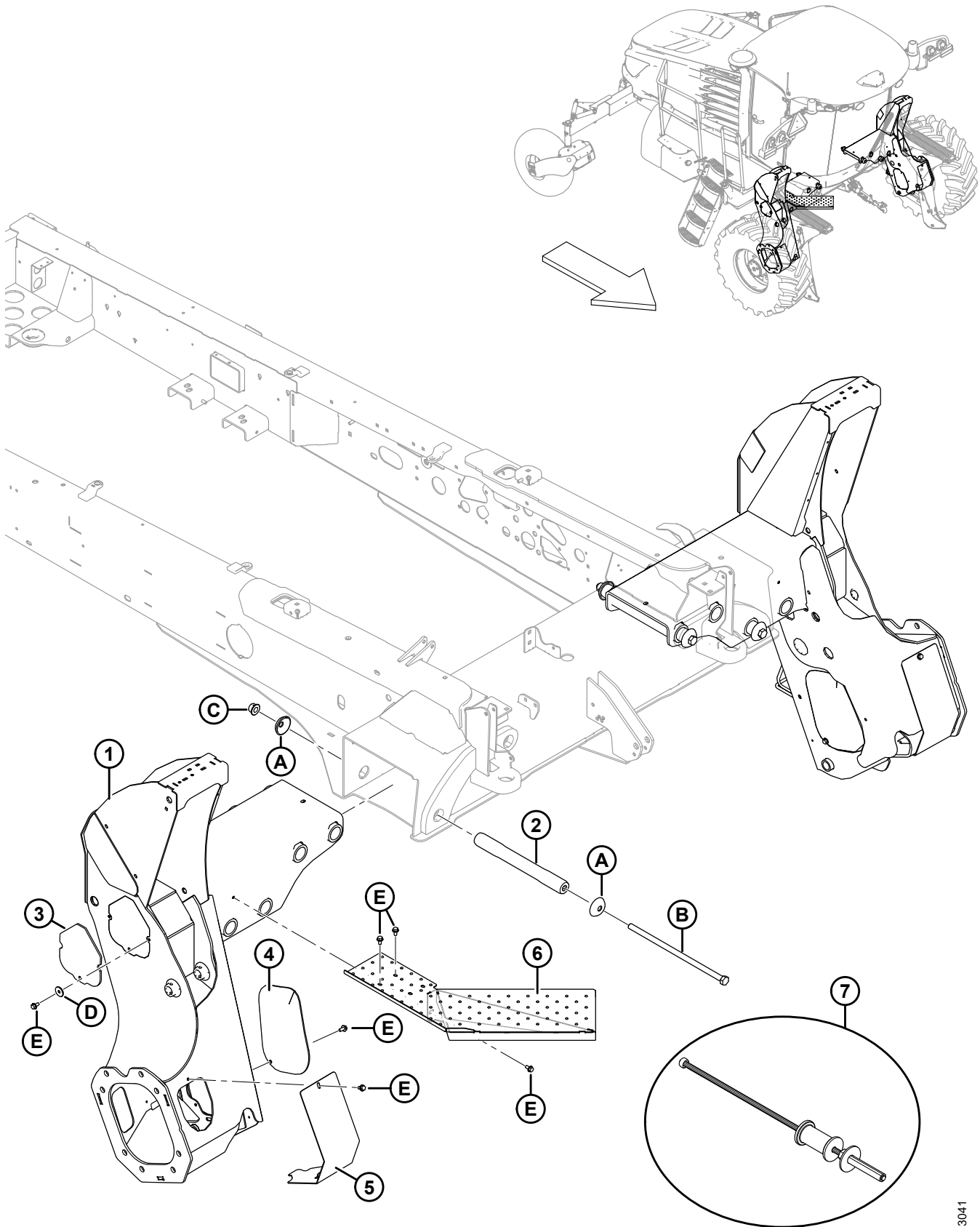
TABLE OF CONTENTS

84	Lift/Fan Manifold – Plugs and Fittings	191
85	Hydraulics – Fan Drive Lines	193
86	Hydraulics – Oil Cooler Lines	195
87	Hydraulics – Frame Fittings	197
88	Junction Manifold – Service Parts.....	199
89	Hydraulics – Charge Lines	201
90	Hydraulics – Open Drive Lines	203
91	Hydraulics – Closed Drive Lines.....	205
92	Hydraulics – Case Drain Cooler Lines	207
93	Hydraulics – Traction Drive	209
94	Hydraulics – Control Lines.....	211
95	Hydraulics – Lift System.....	213
96	Hydraulics – Line Supports	215
97	Electrical – Chassis.....	217
98	Main Fuse Panel	221
99	Electrical – Chassis Components	223
100	Chassis Relay Module and Fuse Panel Assembly.....	225
101	Chassis Relay Module – Service Parts.....	227
102	Electrical – Battery and Cover.....	229
103	Electrical – Battery Cables.....	231
104	Electrical – Engine.....	233
105	Electrical – Firewall Modules	235
106	Electrical – Wheel Legs	237
107	Decals – Safety.....	239
108	Decals – Information and Reflectors	241
109	Decals – Product Identification	243
110	(Option) Bluetooth Software Interface Module	245
111	(Option) Center-Link Self-Alignment	247
112	(Option) Coolant Heater Kit – 6 Cylinder	249
113	(Option) Counterweights – Rear Ballast.....	251
114	(Option) Draper and Auger Conversion	253
115	(Option) DWA Shut-Off Kit	257
116	(Option) Float Booster Spring	259
117	(Option) Float Booster Spring Doubler	261
118	(Option) High Debris Cooler Intake.....	263
119	(Option) Neutral Setting Service Kit.....	265
120	(Option) Quick Couplers	267
121	(Option) Reel Drop Rate Adjustment	269
122	(Option) Trimble® Autopilot™ – Electrical.....	271
123	(Option) Trimble® Autopilot™ – Hydraulics	273
124	(Option) Trimble® IMD-900 Adapter Harness.....	277
125	(Option) Trimble® TMX Compatibility Kit	279
126	(Option) Weight Box	281

TABLE OF CONTENTS

Index 284

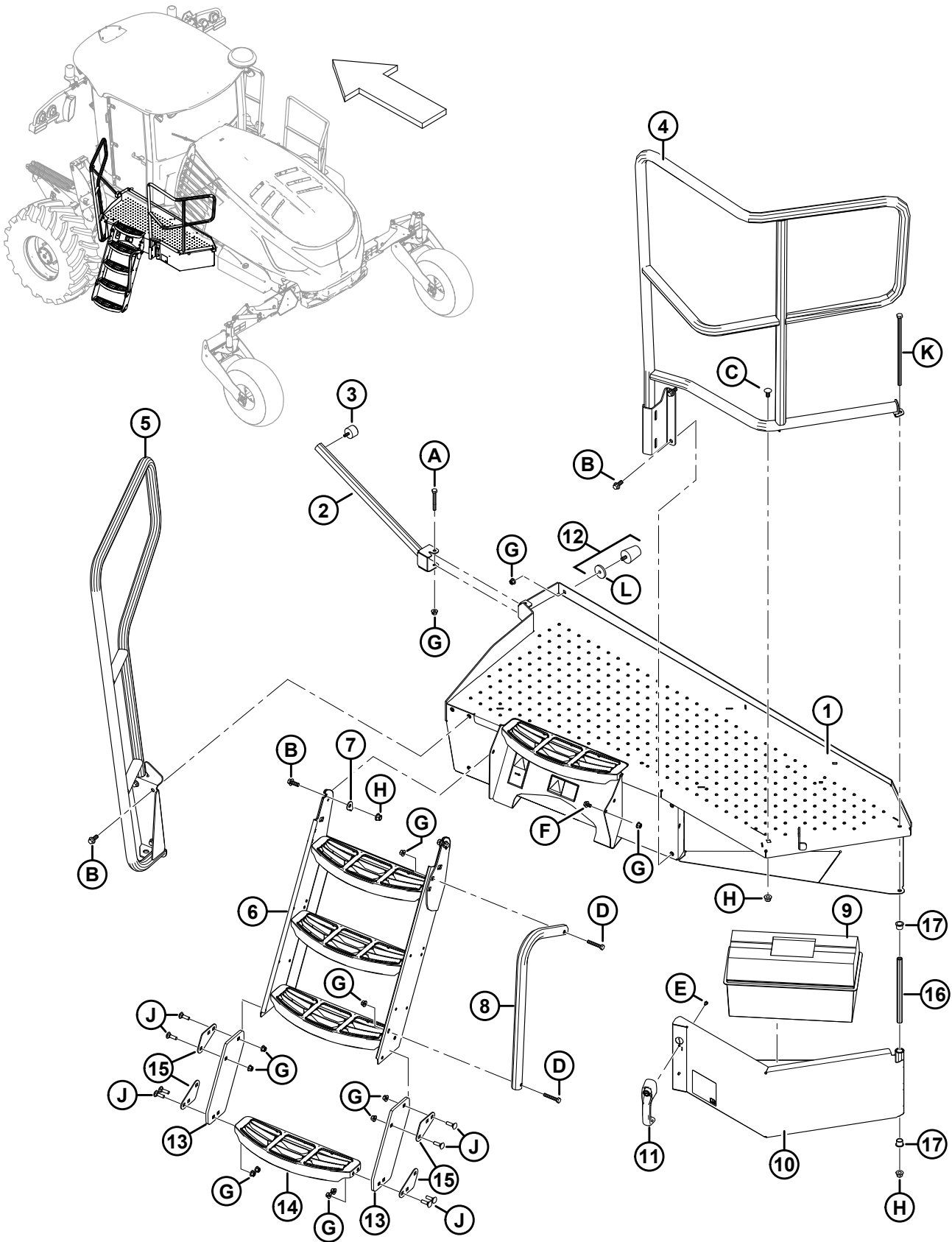
1 Wheel Legs



WHEEL LEGS

Ref	Part Number	Description	Qty	Serial Number
1	207615	LEG – RH	1	
	207616	LEG – LH	1	
2	207585	PIN – LEG TO FRAME	4	
3	207617	COVER – LEG ACCESS	2	
4	207618	COVER – LEG INNER RH	1	
	207619	COVER – LEG INNER LH	1	
5	207620	COVER – LEG LOWER RH	1	
	207621	COVER – LEG LOWER LH	1	
6	208262	STEP – WINDSHIELD ACCESS	1	
7	209816	ASSY – LEG PIN REMOVAL TOOL	A/R	
A	208340	WASHER – FORMED		
B	136134	BOLT – HEX HD M20 X 2.5 X 500 X SPCL-8.8-A3L		
C	136122	NUT – HEX FLG CTR LOC M20 X 2.5-10-A3L		
D	16652	WASHER – FLAT		
E	136209	SCREW – HEX WASHER HD M10 X 1.5 X 20-450HV-A3L		

2 Left Platform and Toolbox



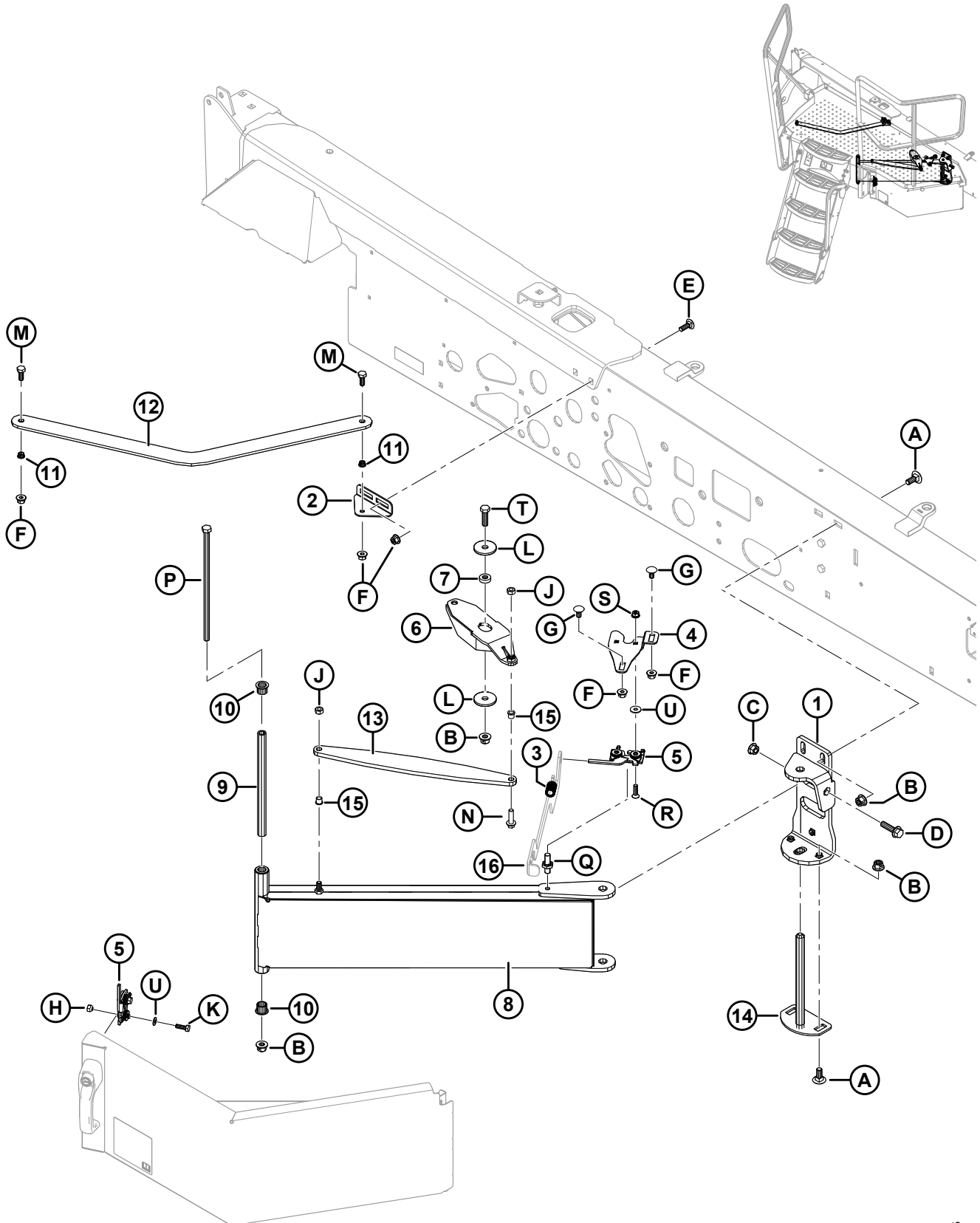
1033617

LEFT PLATFORM AND TOOLBOX

Ref	Part Number	Description	Qty	Serial Number
1	306255	LH PLATFORM, BLACK ¹	1	
2	207763	SUPPORT – DOOR STOP WELDT	1	
3	203350	BUMPER – RUBBER	1	
4	310880	RAIL – REAR LH WELDT	1	
5	207761	RAIL – LH FRONT WELDT	1	
6	209904	STEP – 3 RUNG	1	
7	202946	CLIP – LOCK	2	
8	209933	RAIL – STEP	1	
9	279150	KIT – TOOL BOX W/ TRANSITION ²	1	
10	306579	ASSY – TOOL BOX DOOR ³	1	
11	206709	HANDLE – DOOR	1	
12	306375	KIT – BUMPER ⁴	1	
13	291030	MEMBER – FLEXIBLE STEP	2	
14	209932	STEP	1	
15	209719	PLATE – WASHER FLEX STEP	4	
16	139292	TUBE – HINGE	1	
17	207362	BUSHING	2	
A	135657	BOLT – HEX HD M10 X 1.5 X 80-8.8-A3L		
B	148798	BOLT – HEX FLG HD M12 X 1.75 X 30-10.9-A3L		
C	152439	BOLT – RHSSN M12 X 1.75 X 25-8.8-A3L		
D	184664	BOLT – HEX HD M10 X 1.5 X 60-8.8-A3L		
E	136561	BOLT – HEX HD TFL M6 X 1 X 10-8.8-A3L		
F	136151	BOLT – HEX FLG HD TFL M10 X 1.5 X 16-8.8-A3L		
G	135799	NUT – HEX FLG CTR LOC M10 X 1.5-10-A3L		
H	136431	NUT – HEX FLG CTR LOC M12 X 1.75-10-A3L		
J	184662	BOLT – RHSN TFL M10 X 1.5 X 30-8.8-A3L		
K	152192	BOLT – HEX HD M12 X 1.75 X 300 X SPCL-8.8-A3L		
L	306251	WASHER – FLAT		

1. Includes decals (MD #166425, 166829).
2. Includes tool box with tray, tool box transition kit, and instructions.
3. Includes decal (MD #207933) and amber reflector (MD #346208).
4. Bumper kit (MD #306375) includes rubber bumper (NSS) and flat washer (MD #306251).

3 Left Platform Mechanism



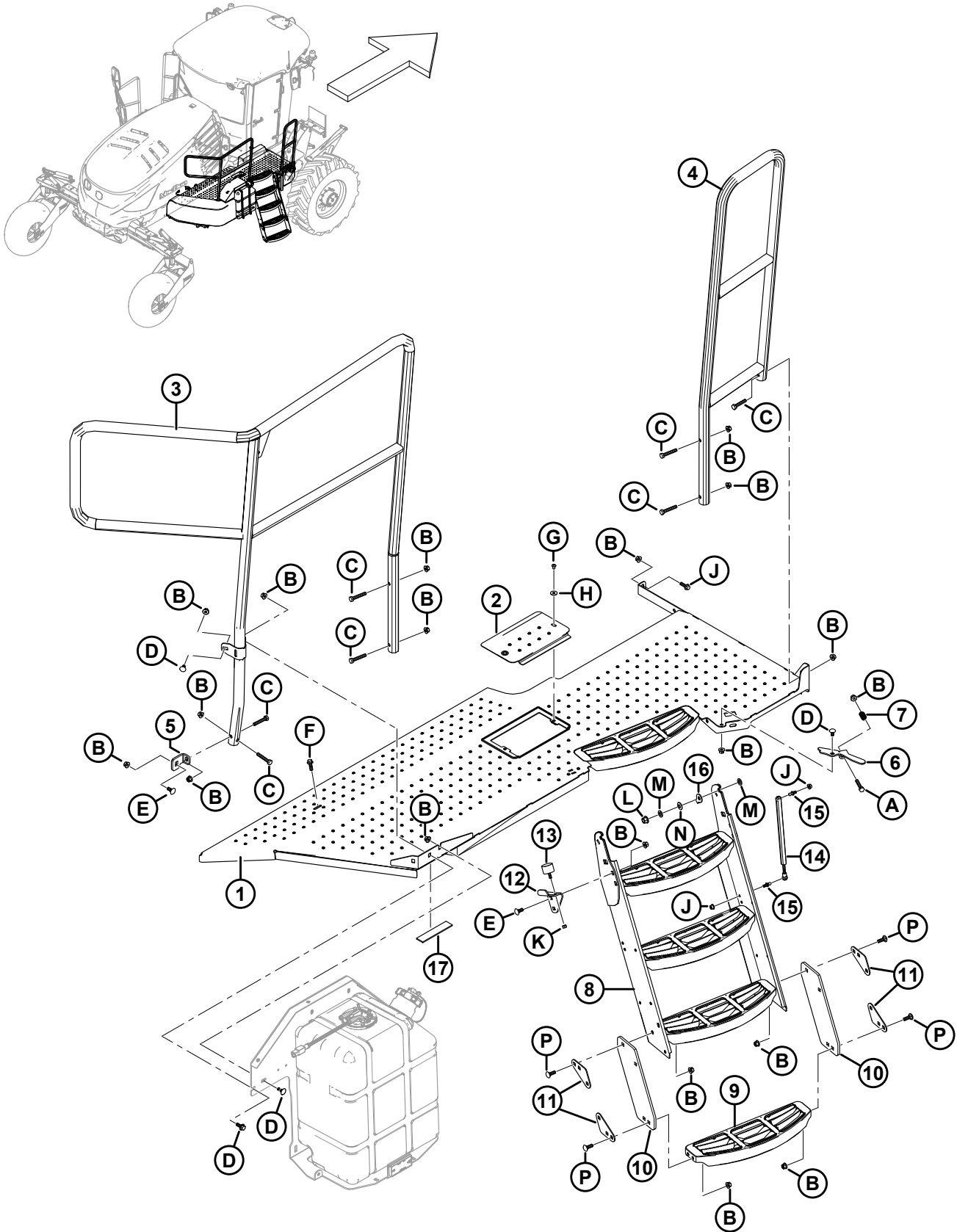
1042326

LEFT PLATFORM MECHANISM

Ref	Part Number	Description	Qty	Serial Number
1	208611	BRACKET – HINGE WELDT	1	
2	203211	SUPPORT – PLATFORM ARM	1	
3	19739	SPRING – COMPRESSION	1	
4	203201	SUPPORT – LATCH, PLATFORM	1	
5	134003	ASSY – STIRRUP LATCH	2	
6	291025	ARM – STRIKER, WELDT	1	
7	291215	SPACER – 12.4-13.0 MM I.D., 25.4 MM O.D., 5-5.4 MM LG	1	
8	203192	SUPPORT – PLATFORM, WELDT	1	
9	139292	TUBE – HINGE	1	
10	207362	BUSHING – .75 IN. I.D., .875 IN. O.D., .75 IN. WIDE	2	
11	203213	BUSHING – BRONZE (SHORT)	2	
12	209811	ARM – PLATFORM	1	
13	209650	LINK – PLATFORM	1	
14	110585	PIN – WELDT	1	
15	271208	BUSHING – BRONZE (LONG)	2	
16	REF	LINK – LATCH RELEASE ⁵		
A	184667	BOLT – RHSN M12 X 1.75 X 30-8.8-A3L		
B	136431	NUT – HEX FLG CTR LOC M12 X 1.75-10-A3L		
C	136036	NUT – HEX SMTH FLG M12 X 1.75-8-A3L		
D	148799	BOLT – HEX FLG HD M12 X 1.75 X 45-10.9-A3L		
E	184662	BOLT – RHSN TFL M10 X 1.5 X 30-8.8-A3L		
F	135799	NUT – HEX FLG CTR LOC M10 X 1.5-10-A3L		
G	136178	BOLT – RHSN M10 X 1.5 X 20-8.8-A3L		
H	136417	NUT – HEX SPCL M8 X 1.25		
J	30505	NUT – HEX M10 X 1.5-10-A3L		
K	50140	BOLT – HEX HD M8 X 1.25 X 30-8.8-A2L		
L	11695	WASHER – FLAT, 13.46 MM I.D., 50 MM O.D., 4.5 MM THK		
M	30627	BOLT – HEX HD TFL M10 X 1.5 X 25-8.8-A3L		
N	136211	BOLT – HEX FLG HD M10 X 1.5 X 35-8.8-A3L		
P	152192	BOLT – HEX HD M12 X 1.75 X 300 X SPCL-8.8-A3L		
Q	136598	BOLT – STRIKER		
R	135336	SCREW – CSK MACH FLAT SOC HD M8 X 30 GR 5 ZP		
S	184688	NUT – HEX NYLOC M8 X 1.25-8-A2L		
T	152730	BOLT – HEX HD TFL M12 X 1.75 X 35-10.9-A3L		
U	184709	WASHER – FLAT LARGE M8-200HV-A2L		

5. The latch release link (NSS) is part of the LH platform support weldment (NSS).

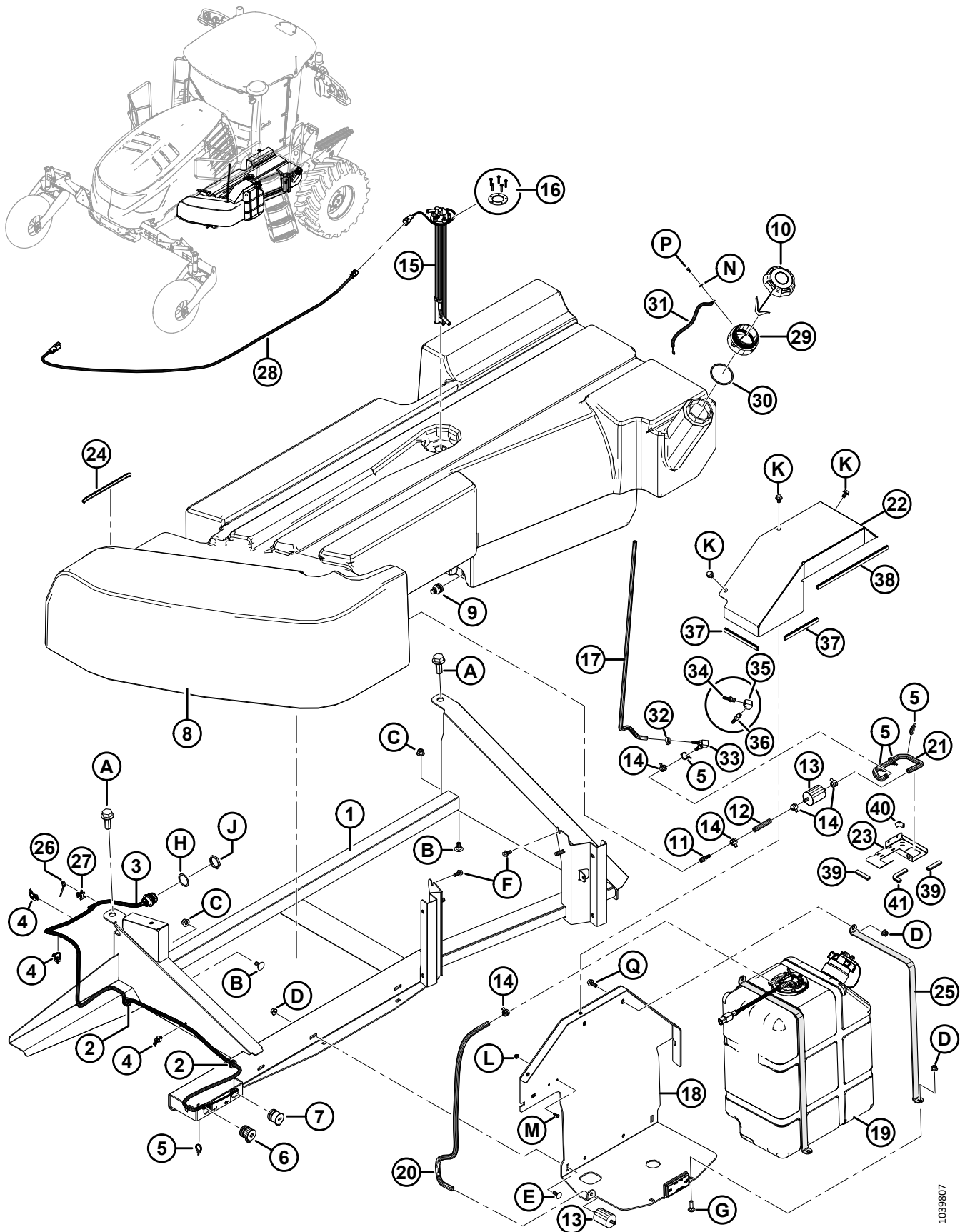
4 Right Platform



RIGHT PLATFORM

Ref	Part Number	Description	Qty	Serial Number
1	271251	SUPPORT – RH PLATFORM BLACK	1	
2	271254	COVER – HATCH FUEL SENDER BLACK	1	
3	310883	RAIL – RH REAR, BLACK	1	
4	207587	RAIL – RH FRONT, BLACK	1	
5	271094	ANGLE – RAIL MOUNT BOTTOM BLACK	1	
6	209722	LATCH – STEP	1	
7	35618	SPRING – COMPRESSION	1	
8	209904	STEP – BLACK 3-RUNG	1	
9	209932	STEP – BLACK	1	
10	291030	MEMBER – FLEXIBLE STEP	2	
11	209719	PLATE – WASHER FLEX STEP	4	
12	206434	SUPPORT – BUMPER	1	
13	203350	BUMPER – RUBBER	1	
14	200653	SPRING – GAS	1	
15	136188	STUD – BALL (10 MM); M8 THREAD	2	
16	202946	CLIP – LOCK	2	
17	248469	FOAM SEAL	1	
A	152193	BOLT – HEX HD M10 X 1.5 X 55 X 8.8-A3L		
B	135799	NUT – HEX FLG CTR LOC M10 X 1.5-10-A3L		
C	184664	BOLT – HEX HD M10 X 1.5 X 60-8.8-A3L		
D	184657	BOLT – RHSSN M10 X 1.5 X 20-8.8-A3L		
E	135785	BOLT – RHSN M10 X 1.5 X 25-8.8-A3L		
F	184665	BOLT – HEX FLG HD M10 X 1.5 X 30-10.9-A3L		
G	252292	SCREW – HEX SOC BTN HD M8 X 1.25 X 12-10.9-AA1J		
H	184709	WASHER – FLAT LARGE M8-200HV		
J	135337	NUT – HEX FLG CTR LOC M8 X 1.25-8-A2L		
K	184687	NUT – HEX M8 X 1.25-8-A2L		
L	136431	NUT – HEX FLG CTR LOC M12 X 1.75-10-A3L		
M	184714	WASHER – FLAT REG M12-300HV-A3L		
N	184596	WASHER – CON SPRING M12 A STL		
P	184662	BOLT – RHSN TFL M10 X 1.5 X 30-8.8-A3L		

5 Right Support and Tanks



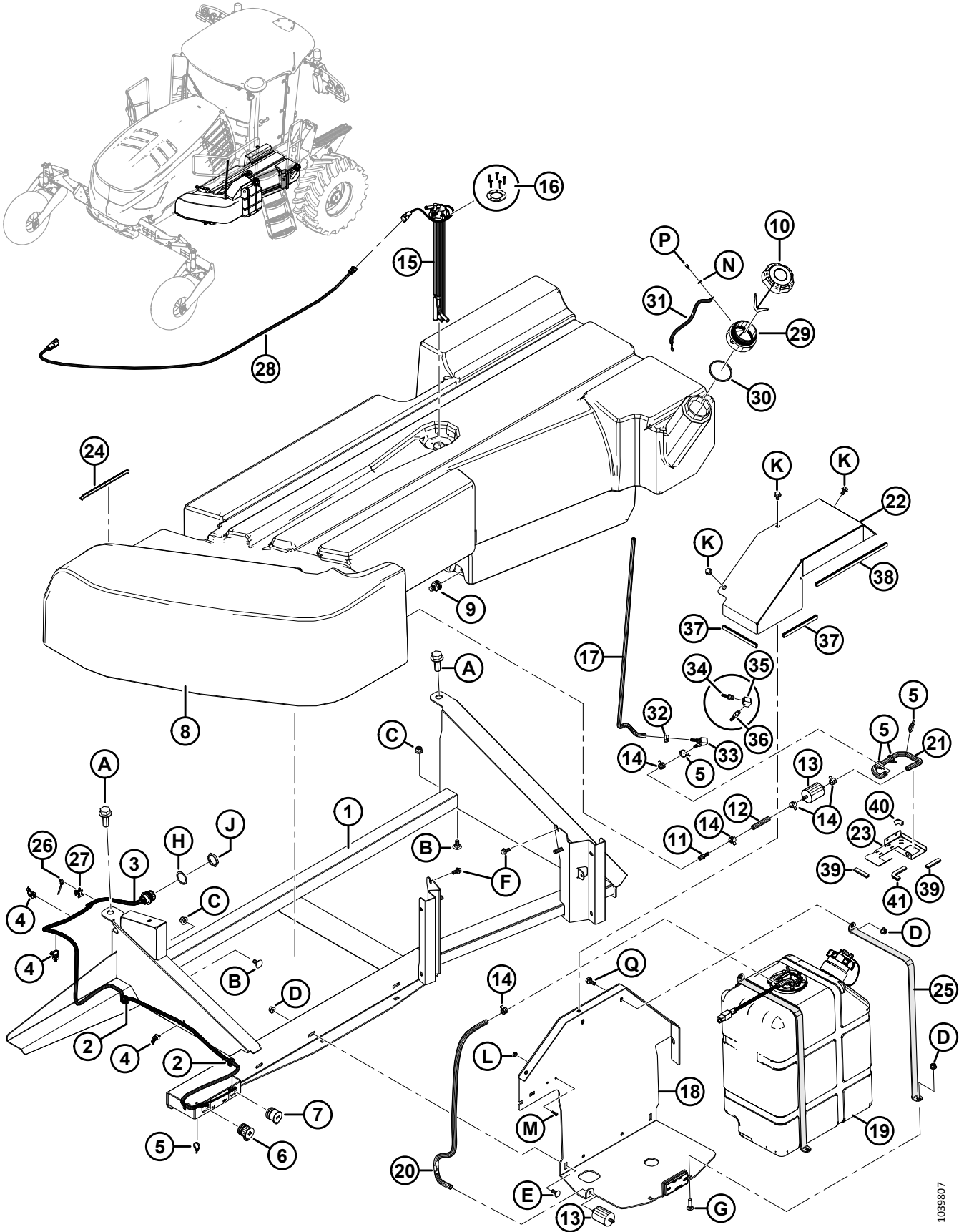
1039807

RIGHT SUPPORT AND TANKS

Ref	Part Number	Description	Qty	Serial Number
1	271083	SUPPORT – FUEL TANK, BLACK	1	
2	206482	GROMMET – 15.9 I.D., 22.2 GROOVE, 28.6 O.D.	2	
3	207294	HARNESS – AUXILIARY POWER	1	
4	136655	FASTENER – FIR TREE MOUNT WITH CABLE TIE	3	
5	21763	FASTENER – CABLE TIE, BLACK, 160 MM LG	5	
6	134622	CONNECTOR – AUX. POWER, 3/8 IN. STUD, (+) RED	1	
7	134623	CONNECTOR – AUX. POWER, 3/8 IN. STUD, (–) BLACK	1	
8	200699	ASSEMBLY – FUEL TANK (EXCLUDING FUEL SENDER) ⁶	1	
9	204080	FITTING – DRAIN	1	
10	207374	CAP – FUEL TANK	1	
11	21046	FITTING – BARBED 1/4 NPT X 3/8 I.D. HOSE	1	
12	310766	HOSE – FUEL, 50 MM LG ±10	1	
13	111608	FILTER – FUEL STRAINER	2	
14	136743	CLAMP – 16 MM I.D., SPRING TYPE	5	
15	271146	SENDER – FUEL, GROUNDED ⁷	1	
16	207988	KIT – HARDWARE, FUEL SENDER	A/R	
17	346193	HOSE – FUEL, 5/16 IN. I.D., 890 MM LG	1	
18	346040	ASSEMBLY – TANK SUPPORT W REFLECTOR	1	
19	REF	ASSEMBLY – DEF TANK ⁸		
20	310764	HOSE – DEF VENT, 875 MM LG	1	
21	310765	HOSE – FUEL VENT, 365 MM LG, 3/8 IN I.D.	1	
22	306305	COVER – DEF TANK	1	
23	306294	GUIDE – VENT HOSE	1	
24	45427	MOULDING – RH (SPEC 31886)	1	
25	306304	STRAP – DEF TANK	2	
26	30753	FASTENER – CABLE TIE, BLACK, 305 MM LG	2	
27	134442	SPACER – DUAL SWIVEL SADDLE	1	
28	271184	HARNESS – FUEL SENDER EXTENSION	1	
29	209833	TUBE – FUEL NECK	1	
30	271238	GASKET – FUEL FILLER EXTENSION	1	
31	310001	CABLE – FUEL FILLER NECK GND	1	
32	30500	CLAMP – HOSE GEAR TYPE	1	
33	346188	ASSEMBLY – CHECK VALVE ⁹	1	
34	30937	FITTING – BARBED 1/4 NPT X 5/16 ID HOSE	1	
35	346189	ELBOW – 1/4 NPT TO 1/4 NPT	1	
36	346187	VALVE – INLINE VENT CHECK	1	
37	NSS	MOULDING – 160 MM	2	
38	NSS	MOULDING – 340 MM	1	

6. Includes drain fitting (MD #204080), cap (MD #207374), barbed fitting (MD #21046), hose (MD #205473), one filter (MD #111608), and two clamps (MD #136743).
7. Includes gasket and five screws.
8. For service parts, refer to Section [6 Diesel Exhaust Fluid Tank, page 13](#).
9. Check valve assembly (MD #346188) includes check valve (MD #346187), elbow fitting (MD #346189), and barbed fitting (MD #30937).

RIGHT SUPPORT AND TANKS



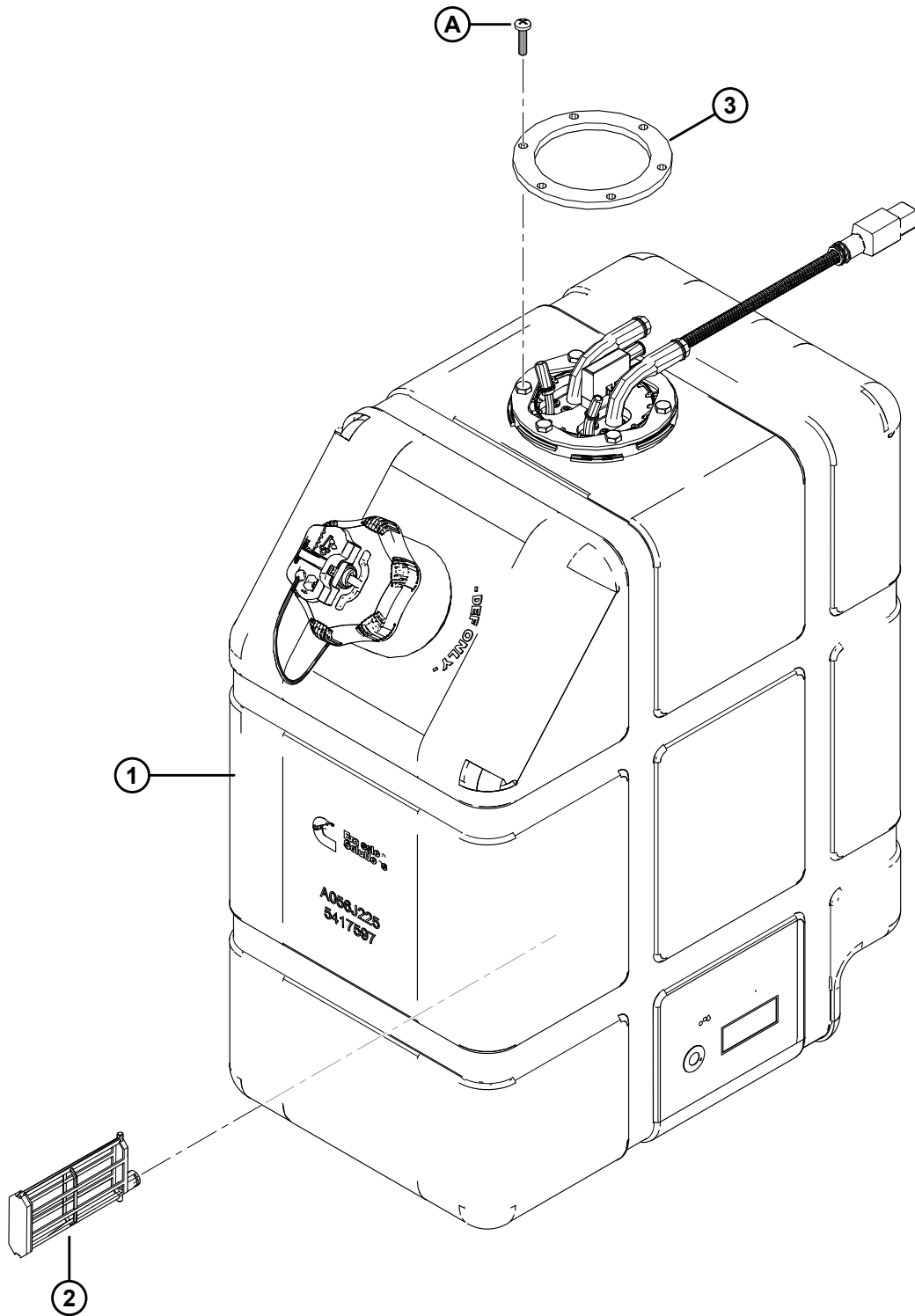
1039807

RIGHT SUPPORT AND TANKS

Ref	Part Number	Description	Qty	Serial Number
39	NSS	MOULDING – 60 MM	2	
40	NSS	MOULDING – 35 MM	1	
41	NSS	MOULDING – 80 MM	1	
A	136662	BOLT – HEX FLG HD TFL M20 X 50-10.9-A3L ASTM568M		
B	135903	BOLT – RHSN M12 X 1.75 X 25-8.8-A3L		
C	136431	NUT – HEX FLG CTR LOC M12 X 1.75-10-A3L		
D	135799	NUT – HEX FLG CTR LOC M10 X 1.5-10-A3L		
E	135785	BOLT – RHSN M10 X 1.5 X 25-8.8-A3L		
F	152655	BOLT – HEX FLG HD M10 X 1.5 X 20-8.8-A3L ¹⁰		
G	135691	BOLT – RHSN TFL M10 X 1.5 X 35-8.8-AA1J		
H	134729	WASHER – LOCK, HDP20, SIZE 18		
J	134727	NUT – PANEL, HDP20, SIZE 18		
K	136151	BOLT – HEX FLG HD TFL M10 X 1.5 X 16-8.8-AA1J		
L	152668	NUT – HEX FLG CTR LOC M6 X 1-8		
M	136886	SCR – HEX SOC BTN M6 X 1 X 16-10.9-AA1T		
N	184701	WASHER – FLAT LARGE M5-200HV		
P	197224	SCREW – HEX SOC HD TFL M5 X 0.8 X 10-8.8-A2L		
Q	135783	BOLT – HEX FLG HD TFL M10 X 1.5 X 25-10.9-AA1J		

10. Bolts attach to RH platform support (MD #271251).

6 Diesel Exhaust Fluid Tank



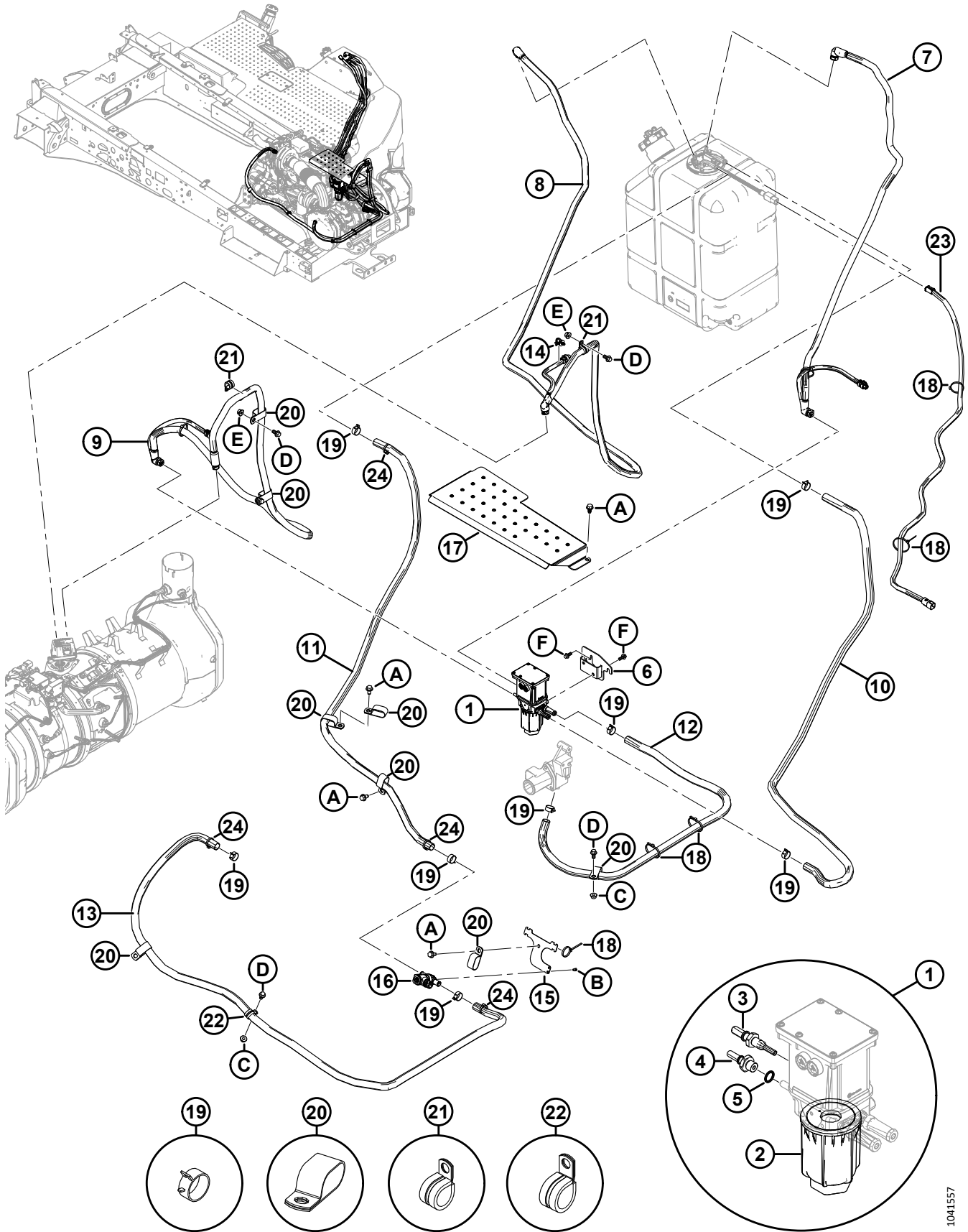
DIESEL EXHAUST FLUID TANK

Ref	Part Number	Description	Qty	Serial Number
1	NSS	ASSEMBLY – DEF TANK CUMMINS W/ HEAD ¹¹	1	
2	291162	HOUSING – LIQUID FILTER, S/A ¹²	1	
3	291158	GASKET – DEF HEAD	1	
A	136252	SCREW – PAN HD M6 X 1 X 25-4.8-H-SS		

11. DEF tank assembly and remaining service parts not listed are serviced through Cummins. Contact your Cummins Dealer.

12. Includes 40 micron filter (NSS), O-ring (NSS), and clip (NSS).

7 Diesel Exhaust Fluid Plumbing



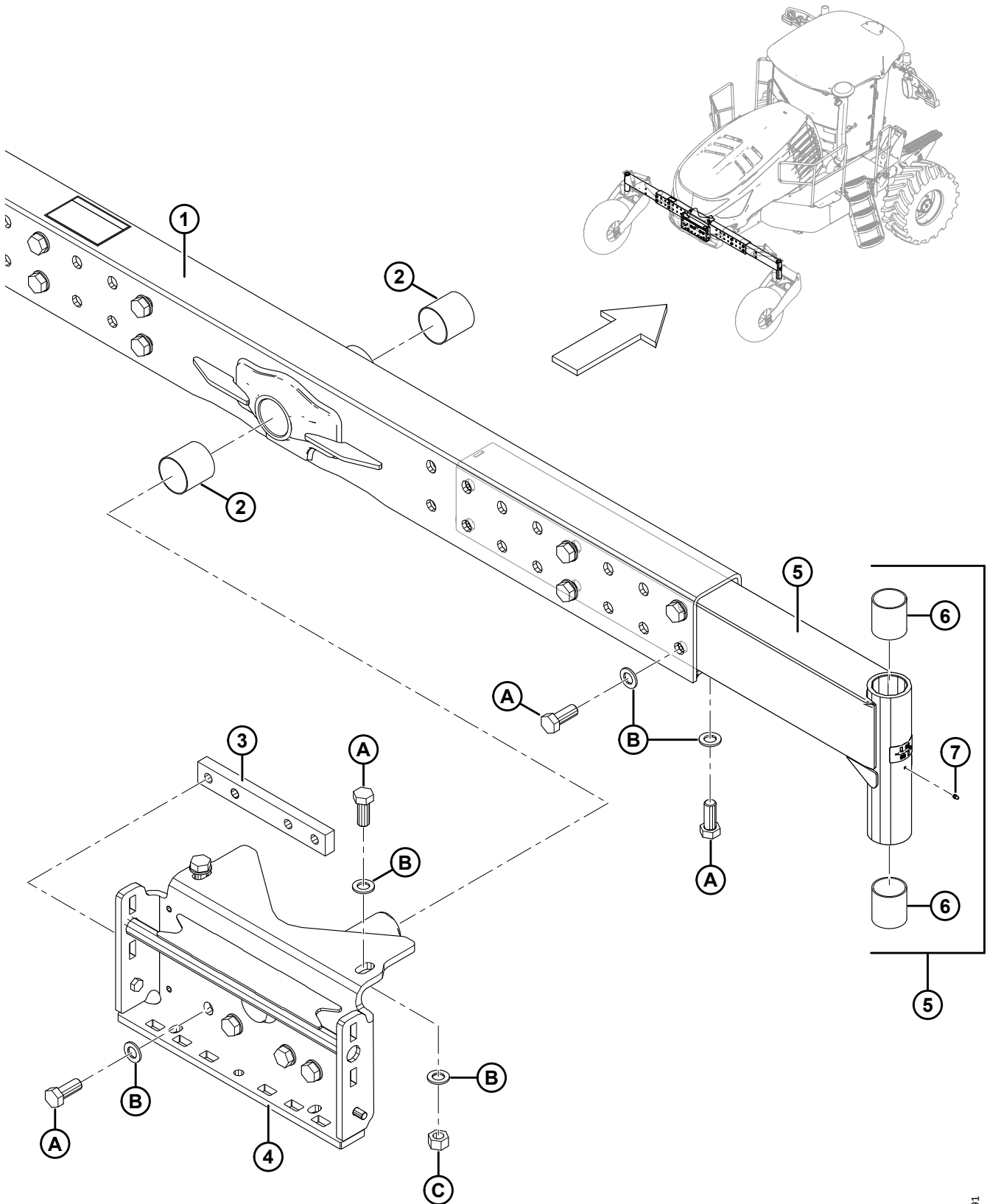
1041557

DIESEL EXHAUST FLUID PLUMBING

Ref	Part Number	Description	Qty	Serial Number
1	NSS	MODULE – DEF SUPPLY, 6 CYL STAGE V ¹³	1	
2	362197	KIT – FILTER	1	
3	362198	KIT – PUMP ADAPTER	1	
4	362227	FITTING – CONNECTOR	1	
5	320502	O-RING – 2.20 X 11.30	1	
6	362052	SUPPORT – SUPPLY MODULE, WELDT	1	
7	362332	HOSE – DEF, SUCTION, 2000 MM LG, SSI	1	
	207961	CLIP – DEF HOSE, 3/8 IN.		
8	362335	HOSE – DEF, BACKFLOW, 2000 MM LG, SSI	1	
	207962	CLIP – DEF HOSE, 5/16 IN.		
9	362333	HOSE – DEF, PRESSURE, 2000 MM LG, SSI	1	
	207962	CLIP – DEF HOSE, 5/16 IN.		
	346216	CLIP – DEF HOSE, 1/4 IN.		
10	203597	HOSE – COOLANT, 5/8 IN. I.D., 2250 MM LG	1	
11	310760	HOSE – COOLANT, 5/8 IN. I.D., 2070 MM LG	1	
12	204875	HOSE – HEATER, 5/8 IN. I.D., 1510 MM LG	1	
13	111784	HOSE – HEATER, 5/8 IN. I.D., 2500 MM LG	1	
14	136655	FASTENER – FIR TREE MOUNT WITH CABLE TIE	1	
15	209867	BRACKET – VALVE	1	
16	203402	VALVE – SCREW-COOLANT	1	
17	205263	COVER – HOSES	1	
18	21763	FASTENER – CABLE TIE, BLACK, 160 MM LG	11	
19	112692	CLAMP – HOSE	8	
20	50022	CLAMP – INSULATED 15/16 IN.	8	
21	135709	CLAMP – INSULATED 3/4 IN.	2	
22	209018	CLAMP – INSULATED 7/8 IN.	1	
23	306295	HARNESS – EXTENSION, DEF TANK, STAGE 5	1	
24	40702	FASTENER – CABLE TIE, RED	4	
A	136209	SCREW – HEX WASHER HD M10 X 1.5 X 20-450HV-A3L		
B	136263	BOLT – HEX HD TFL M5 X 0.8 X 10-8.8-A2L		
C	135927	NUT – HEX SMTH FLG M10 X 1.5-8-A3L		
D	152655	BOLT – HEX FLG HD M10 X 1.5 X 20-8.8-A3L		
E	135799	NUT – HEX FLG CTR LOC M10 X 1.5-10		
F	136300	BOLT – HEX FLG HD TFL M8 X 1.25 X 20-8.8-AA3L		

13. Part serviced through Cummins. Contact your Cummins dealer.

8 Walking Beam



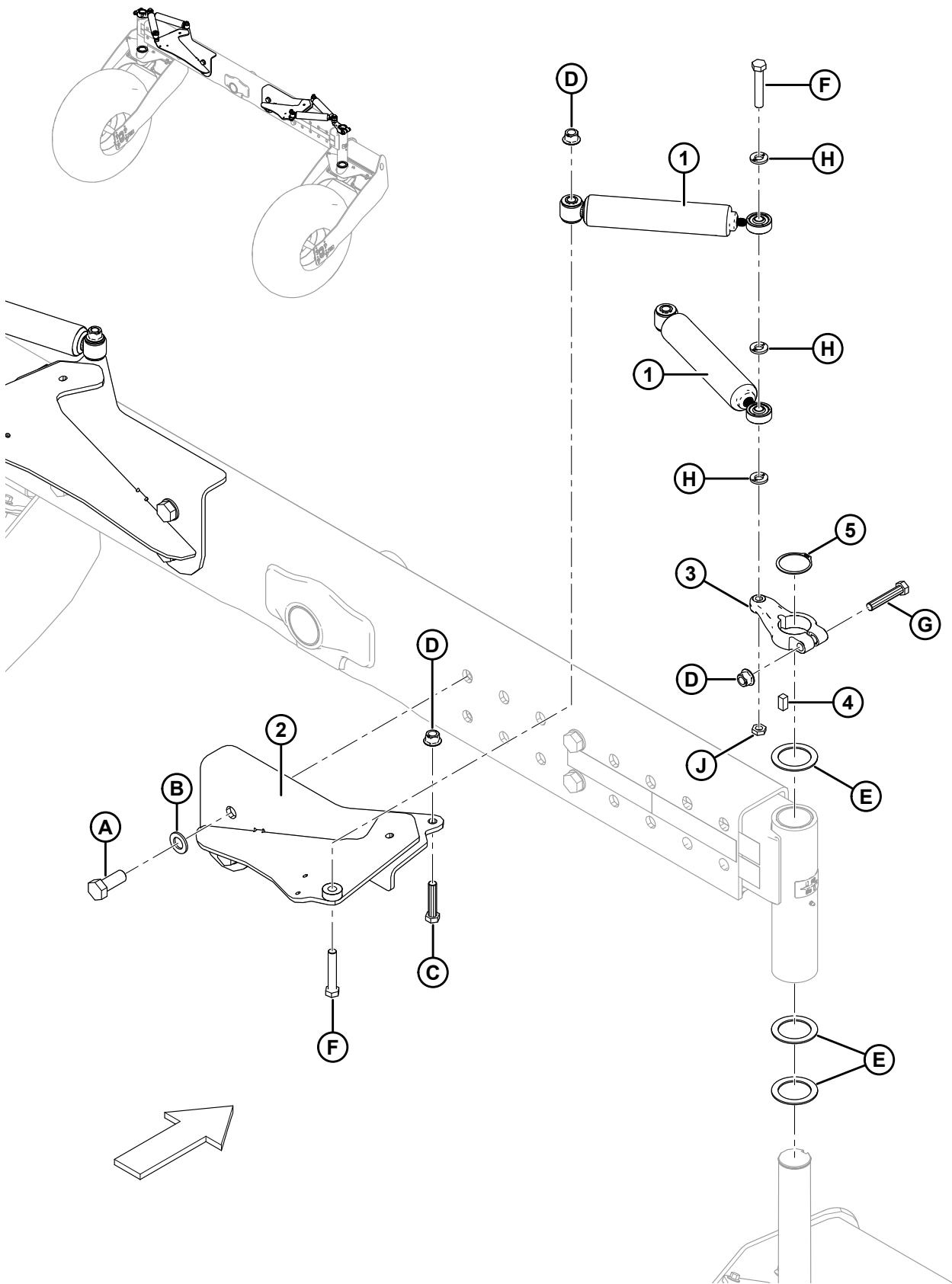
WALKING BEAM

Ref	Part Number	Description	Qty	Serial Number
1	306988	BEAM – CENTER ASSEMBLY ¹⁴	1	
2	291527	BUSHING – 3 IN.	2	
3	204429	BAR – CLAMP	1	
4	207699	PIVOT WELDMENT – BLACK	1	
5	201622	BEAM – LH ASSY BLACK ¹⁵	1	
	201623	BEAM – RH ASSY BLACK ¹⁵	1	
6	202661	BUSHING – SLEEVE	4	
7	18671	FITTING – LUBE 1/4-28 UNF	2	
A	136366	BOLT – HEX HD M24 X 3 X 60-10.9-A3L		
B	136367	WASHER – FLAT REG M24-300HV-A3L		
C	136376	NUT – HEX M24 X 3-10-A3L		

14. Includes two bushings (MD #291527) and decal (MD #207087). Refer to Section [108 Decals – Information and Reflectors, page 241](#).

15. Includes lube fitting (MD #18671), two bushings (MD #202661), and decal (MD #23165). Refer to Section [108 Decals – Information and Reflectors, page 241](#).

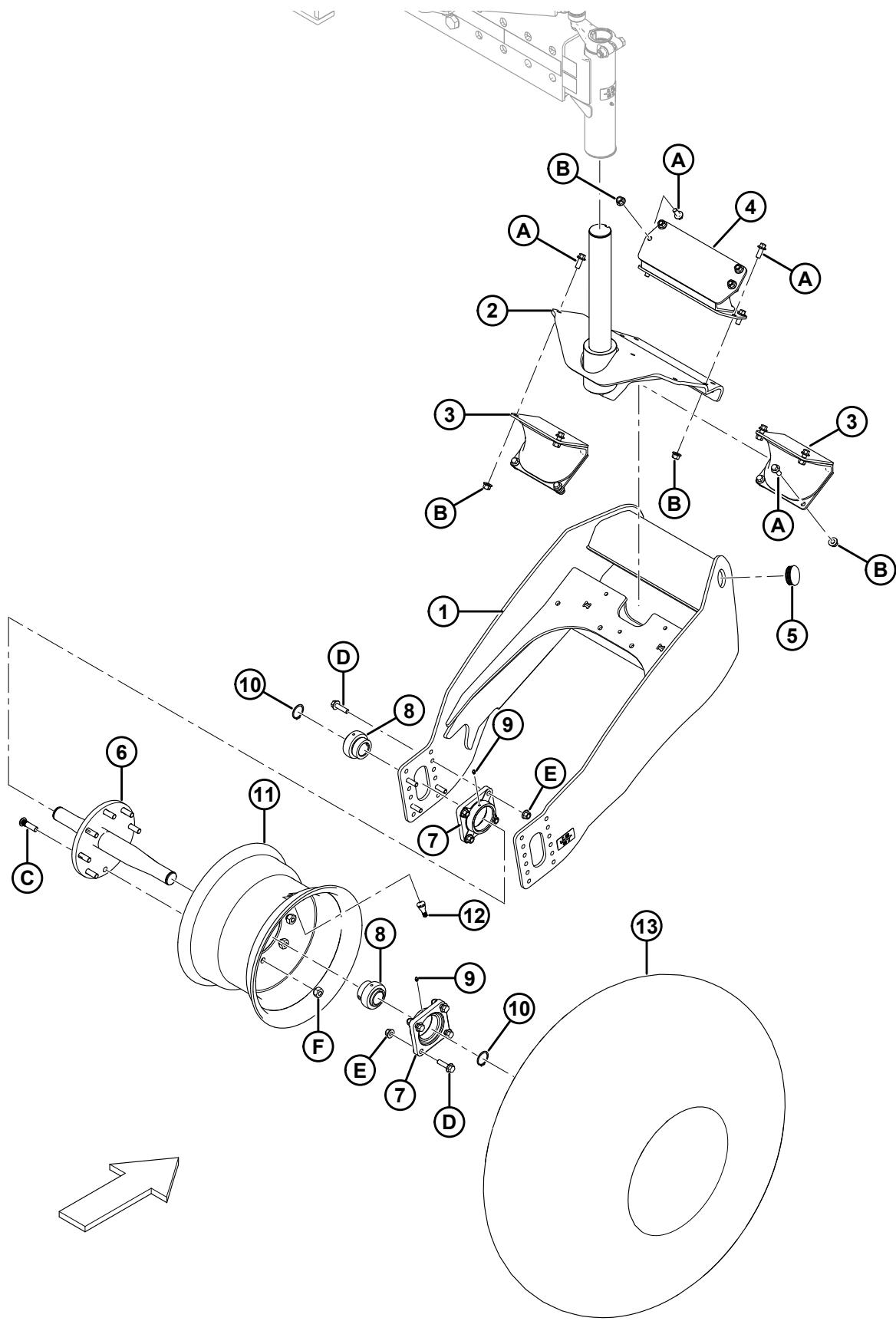
9 Anti-Shimmy



ANTI-SHIMMY

Ref	Part Number	Description	Qty	Serial Number
1	202898	DAMPENER – ANTI-SHIMMY	4	
2	208973	SUPPORT – DUAL SHOCK, LH BLACK	1	
	208979	SUPPORT – DUAL SHOCK, RH BLACK	1	
3	202896	ARM – ANTI-SHIMMY MACHINED	2	
4	135296	KEY	2	
5	30243	RING – EXT RETAINING	2	
A	136366	BOLT – HEX HD M24 X 3 X 60-10.9-A3L		
B	136367	WASHER – FLAT REG M24-300HV-A3L		
C	181511	BOLT – HEX HD M16 X 2 X 75-10.9-A3L		
D	152520	NUT – HEX FLG TECH LOC M16 X 2-10-A3L		
E	110584	WASHER – HARDENED FLAT		
F	252533	BOLT – HEX HD TFL M16 X 2 X 90-10.9-A3L		
G	136455	BOLT – HEX HD M16 X 2 X 85-8.8-A3L		
H	120901	WASHER – FLAT HARDENED 5/8 IN. NOMINAL (L9)		
J	136473	NUT – HEX THIN M16 X 2-05-A3L		

10 Casters – Suspended 16.5-16.1



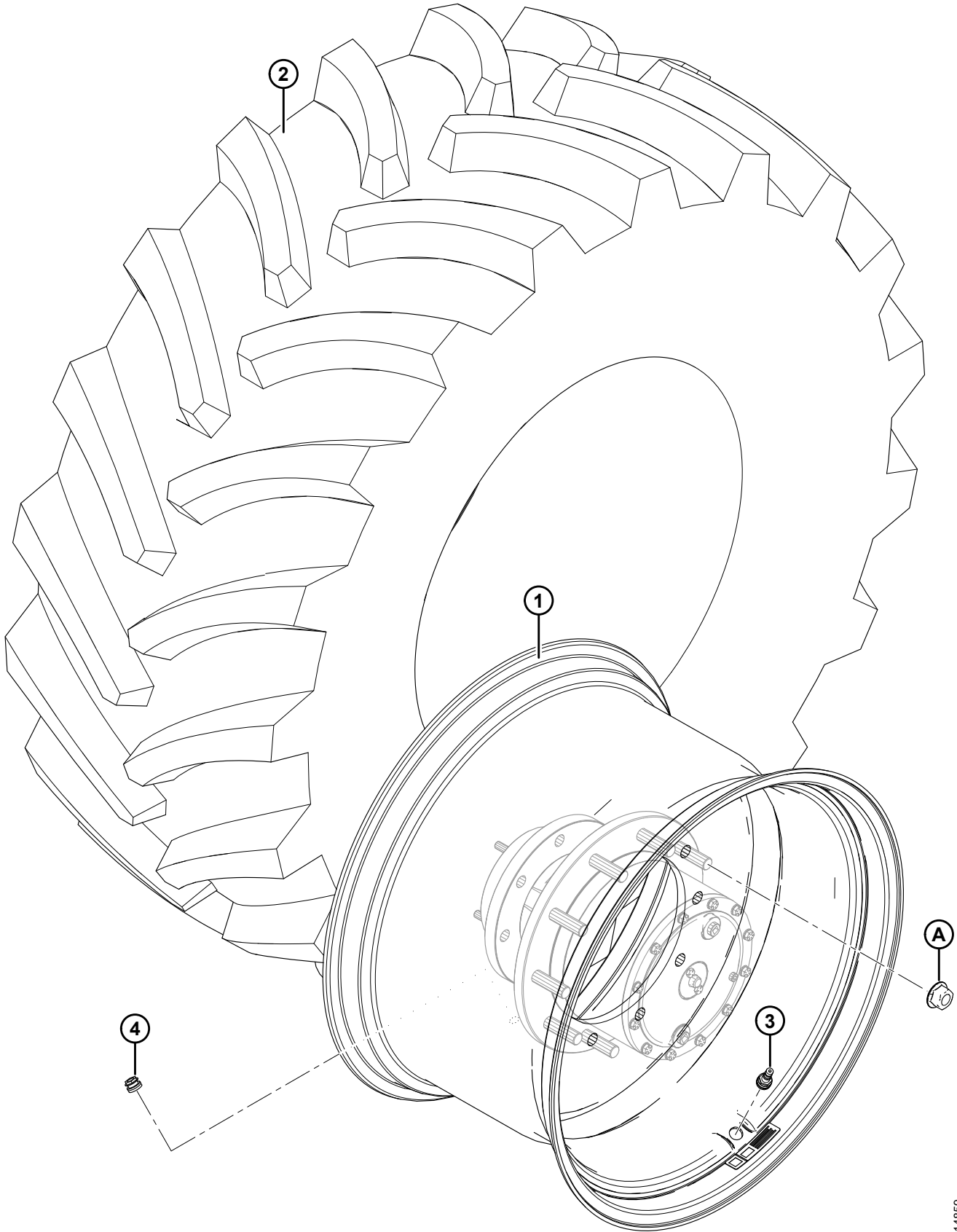
CASTERS – SUSPENDED 16.5-16.1

Ref	Part Number	Description	Qty	Serial Number
	B6016	KIT – CASTERS, SUSPENDED 16.5-16.1 ¹⁶		
1	209712	CASTER FORK WELDMENT	2	
2	207713	NOSE WELDMENT	2	
3	201861	INSULATOR – CASTER, SHORT	4	
4	201836	INSULATOR – CASTER, LONG	2	
5	207783	CAP – 2.25 IN.	4	
6	291192	SHAFT – CASTER, WELDT	2	
7	208686	BEARING FLANGE ASSEMBLY ¹⁷	4	
8	208687	BEARING – BALL, SPHERICAL OD	4	
9	18671	FITTING – LUBE 1/4-28 UNF	4	
10	136385	RING – RETAINING EXTERNAL	4	
11	111216	WHEEL	2	
12	21153	STEM – TIRE VALVE ASSEMBLY #TR-415	2	
13	39273	TIRE	2	
A	148798	BOLT – HEX FLG HD M12 X 1.75 X 30-10.9-A3L		
B	136431	NUT – HEX FLG CTR LOC M12 X 1.75-10-A3L		
C	21357	BOLT – WHEEL (PRESS-IN) 9/16 NF X 53 LG		
D	148799	BOLT – HEX FLG HD M12 X 1.75 X 45-10.9-A3L		
E	136431	NUT – HEX FLG CTR LOC M12 X 1.75-10-A3L		
F	21358	NUT – WHEEL STUD 9/16 NF X 90°		

16. Kits are available through Whole Goods only.

17. Includes ball bearing (MD #208687) and lube fitting (MD #18671).

11 Drive Wheels and Tires – Ten Bolt



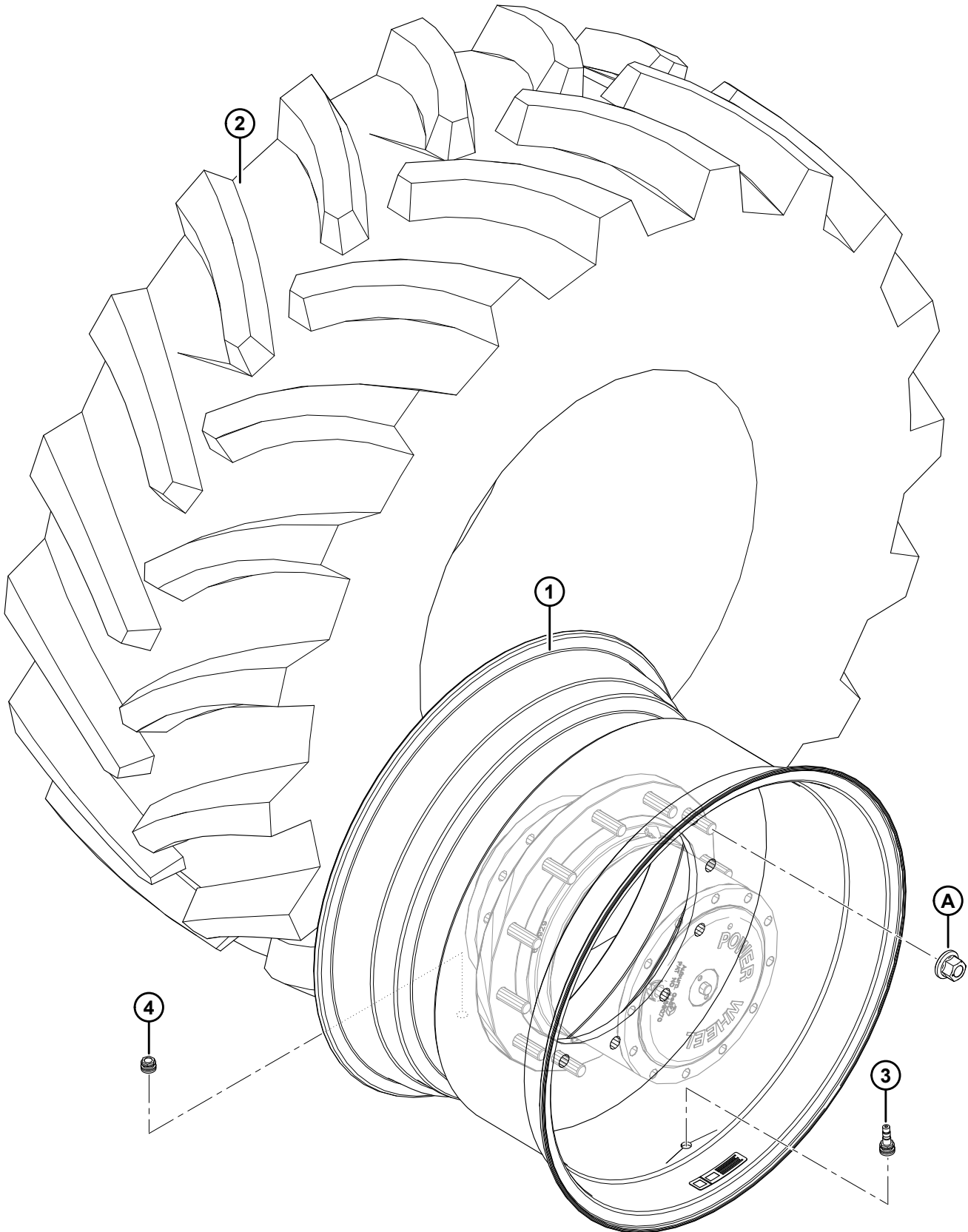
DRIVE WHEELS AND TIRES – TEN BOLT

Ref	Part Number	Description	Qty	Serial Number
	B6012	KIT – DRIVE TIRES, 10 BOLT HUB, BAR 600-65 ¹⁸		
1	207409	WHEEL – 28DW-18 10 BOLT C/W DECALS ¹⁹	2	
2	207406	TIRE – 600-65 R 28, TUBELESS, R1W 160 LR	2	
3	112475	STEM – VALVE	2	
	B6013	KIT – DRIVE TIRES, 10 BOLT HUB, TURF 580/70R26 ¹⁸		
1	205009	WHEEL – 26DW-20L 10 BOLT C/W DECALS ¹⁹	2	
2	207410	TIRE – 580/70R26 155 A8/B ALL WEATHER TL	2	
3	112475	STEM – VALVE	2	
4	162436	PLUG – WHEEL	2	
A	205397	NUT – WHEEL DIN 74361N M20 X 1.5 X GR 10.9		

18. Kits are available through Whole Goods only.

19. Includes decals (MD #111221, 166454, 166727, and 291411).

12 Drive Wheels and Tires – Twelve Bolt



1030948

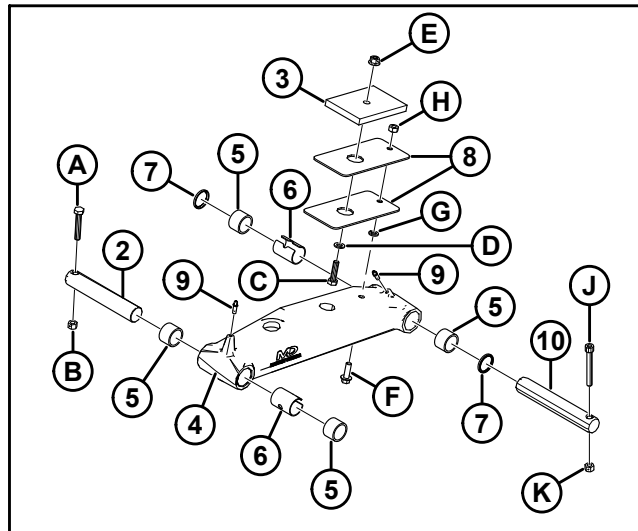
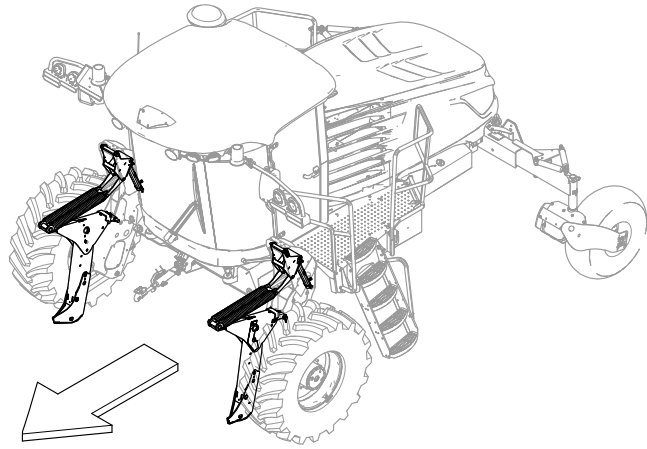
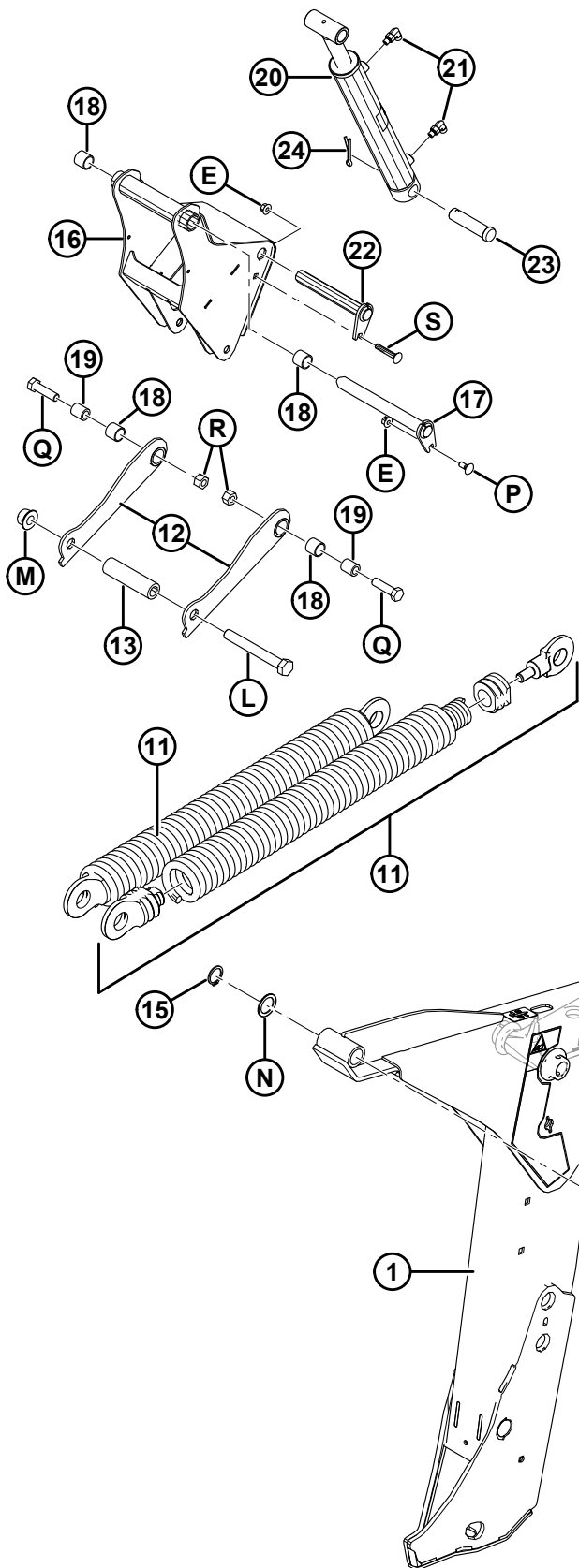
DRIVE WHEELS AND TIRES – TWELVE BOLT

Ref	Part Number	Description	Qty	Serial Number
	B6834	KIT – HD DRIVE TIRES, 12 BOLT HUB, BAR 600-65, MD ²⁰		
1	310556	ASSY – WHEEL AND DECALS, MD ²¹	2	
2	207406	TIRE – 600-65 R 28, R1W 160 LR	2	
3	112475	STEM – VALVE	2	
4	162436	PLUG – WHEEL	2	
A	205397	NUT – WHEEL DIN 74361N M20 X 1.5 X GR 10.9		

20. Kits are available through Whole Goods only.

21. Includes plug (MD #162436) and decals (MD #111221, 166454, 310689, and 291411).

13 Lift Linkage



LIFT LINKAGE

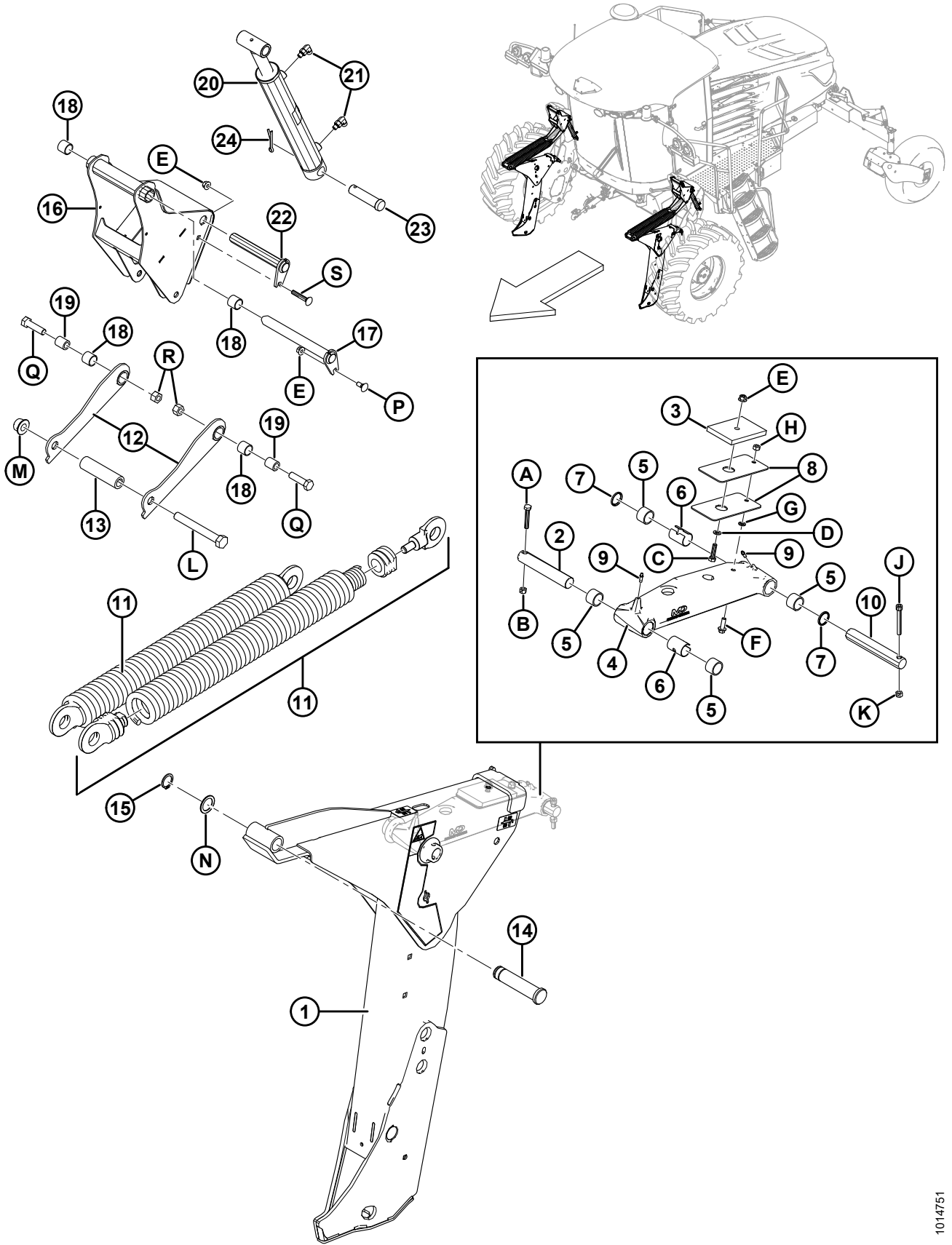
Ref	Part Number	Description	Qty	Serial Number
1	306192	LIFT ARM – LH C/W DECALS ²²	1	
	306193	LIFT ARM – RH C/W DECALS ²³	1	
2	183820	PIN – FLOAT LINK	2	
3	42497	PAD – RUBBER	2	
4	112727	ARM – FLOAT LINK ASSEMBLY ²⁴	2	
5	112789	BEARING – NEEDLE	8	
6	163310	SPACER – SHORT	4	
7	139134	SEAL – 1.25 IN. I.D. X 1.5 IN. O.D. X 0.125 IN.	4	
8	110853	SHIM – LINKAGE	4	
9	7536	FITTING – LUBRICATION 1/4-28 TAPER THD	4	
10	183821	PIN – STRAIGHT	2	
11	306106	ASSEMBLY – SPRING	4	
12	205937	ARM – SPRING LINK WELDT	4	
13	112916	TUBE – PIVOT	2	
14	206038	PIN – CLEVIS	2	
15	136832	RING – EXT RETAINING HEAVY DUTY	2	
16	205979	LEVER – FLOAT TENSIONER WELDT	2	
17	205936	PIN – PIVOT WELDT	2	
18	133992	BUSHING – COMPOSITE	8	
19	205974	SPACER	4	
20	208664	CYLINDER – FLOAT ADJUST	2	
	208118	SEAL KIT – CYL. FLOAT ADJUST		
21	136447	FITTING – ELBOW 90° HYD	4	
	50223	O-RING – #4 ORB		
	135957	O-RING – #4 ORFS		
22	205939	PIN – FLOAT WELDT	2	
23	158635	PIN – CLEVIS	2	
24	18609	PIN – COTTER 1/4 DIA X 2 ZP	2	
A	184664	BOLT – HEX HD M10 X 1.5 X 60-8.8-A3L		
B	135800	NUT – HEX CTR LOC SPCL M10 X 1.5-9-A3L		
C	135319	BOLT – HEX HD M10 X 1.5 X 40-8.8-A3L		
D	184711	WASHER – FLAT REG M10-200HV-A3L		
E	135799	NUT – HEX FLG CTR LOC M10 X 1.5-10-A3L		
F	184665	BOLT – HEX FLG HD M10 X 1.5 X 30-10.9-A3L		
G	30632	WASHER – LOCK SPRING M10-200HV-A3L		
H	30505	NUT – HEX M10 X 1.5-10-A3L		
J	136108	SCREW – HEX SOC HD M10 X 1.5 X 80-12.9-BO		
K	135800	NUT – HEX CTR LOC SPCL M10 X 1.5-9-A3L		
L	136422	BOLT – HEX HD M20 X 2.5 X 160-8.8-A3L		
M	136122	NUT – HEX FLG CTR LOC M20 X 2.5-10-A3L		
N	123071	WASHER – FLAT		

22. Includes decals (MD #23165, 306179, and 306181).

23. Includes decals (MD #23165, 306180, and 306181).

24. Includes four bearings (MD #112789), two spacers (MD #163310), and two seals (MD #139134).

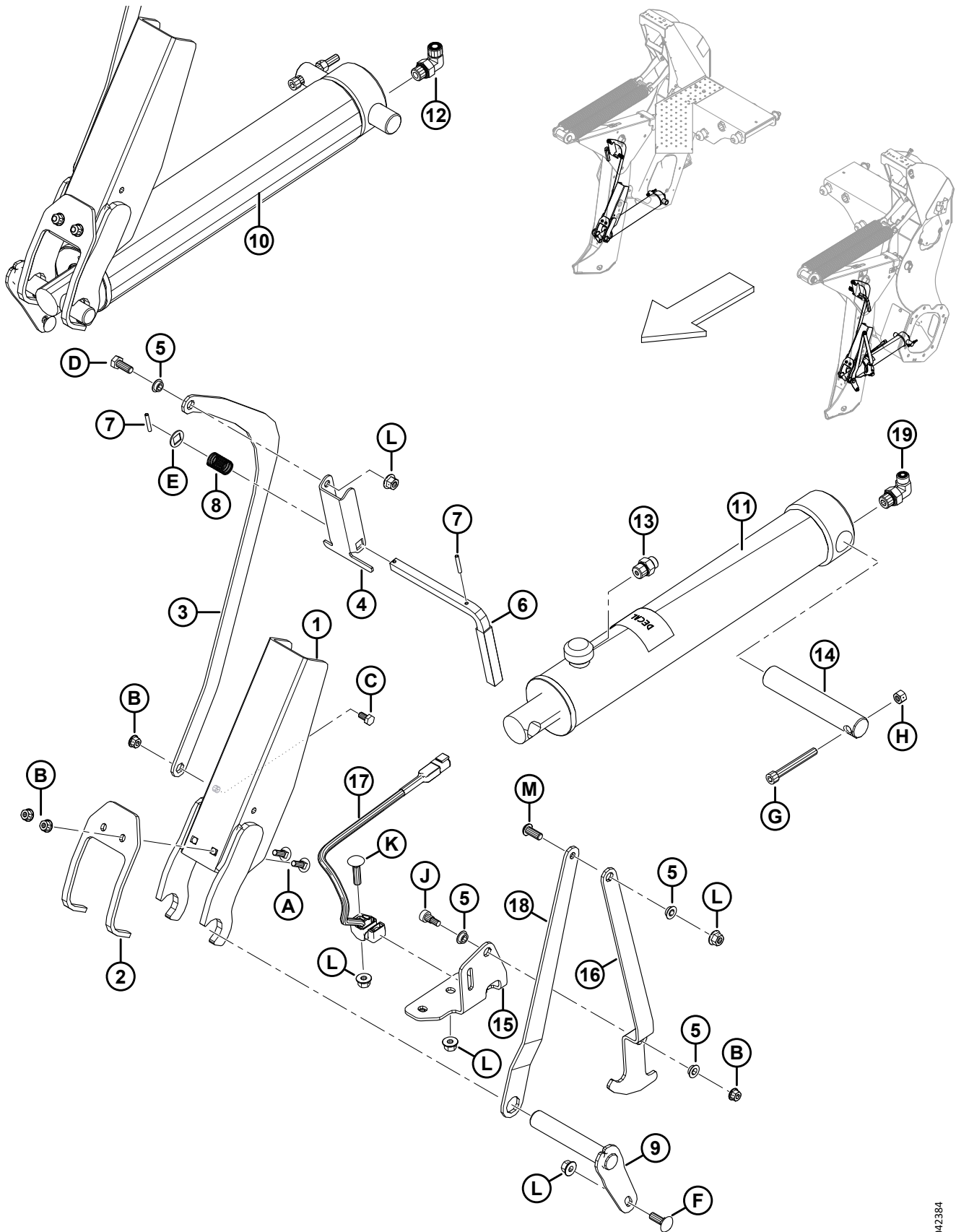
LIFT LINKAGE



LIFT LINKAGE

Ref	Part Number	Description	Qty	Serial Number
P	136209	BOLT – RHSN M10 X 1.5 X 25-8.8-A3L		
Q	136141	BOLT – HEX HD M16 X 2 X 60-8.8-A3L		
R	136476	NUT – HEX CTR LOC M16 X 2-8-A3L		
S	136113	BOLT – RHSN M10 X 1.5 X 60-8.8-A3L		

14 Lift Linkage Cylinders

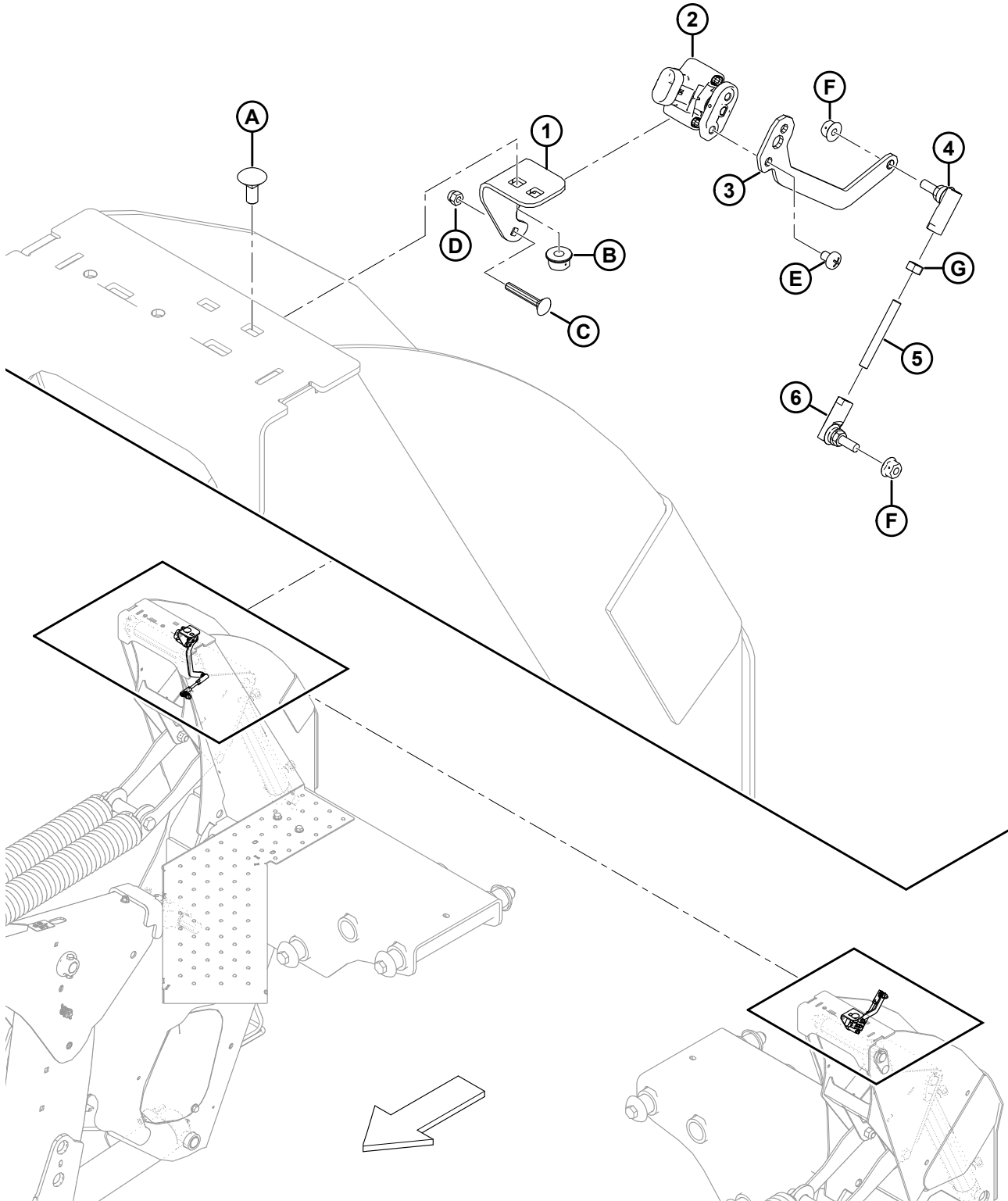


LIFT LINKAGE CYLINDERS

Ref	Part Number	Description	Qty	Serial Number
1	208019	LOCK – CYLINDER STOP WELDMENT	2	
2	208020	RETAINER – CYLINDER STOP	2	
3	206160	ARM – LOCKUP LINK	2	
4	206324	CHANNEL – LOCK RELEASE, M10	2	
5	206340	BUSHING – SHOULDER, M10	4	
6	183543	ASSEMBLY – SHAFT WITH HANDLE GRIP	2	
7	13617	PIN – SPRING 3/16 DIA X 1.25 LG	4	
8	19739	SPRING – COMPRESSION	2	
9	206258	PIN – WELDMENT	2	
10	209789	CYLINDER – LIFT, MASTER	1	
	141184	KIT – LIFT CYL SEALS, MASTER ²⁵		
11	209790	CYLINDER – LIFT, SLAVE	1	
	141185	KIT – LIFT CYL SEALS, SLAVE ²⁵		
12	136220	FITTING – ELBOW 90° HYD	1	
	44209	O-RING – #8 ORB		
	135866	O-RING – #8 ORFS		
13	191705	FITTING – ADAPTER 6 MORFS X 8 MORB	2	
	44209	O-RING – #8 ORB		
	135865	O-RING – #6 ORFS		
14	206350	PIN – STRAIGHT	2	
15	209388	SUPPORT – HEIGHT SENSOR	1	
16	209389	ARM – HEIGHT SENSOR PROFILE	1	
17	206661	SENSOR – ANALOG HALL EFFECT	1	
18	209393	ARM – HEIGHT SENSOR	1	
19	136149	FITTING – ELBOW 90° HYD C/W O-RING	1	
	44209	O-RING – #8 ORB		
	135865	O-RING – #6 ORFS		
A	184648	BOLT – RHSN M8 X 1.25 X 25-8.8-A3L		
B	135337	NUT – HEX FLG CTR LOC M8 X 1.25-8-A2L		
C	50139	BOLT – HEX HD TFL M8 X 1.25 X 16-8.8-A2L		
D	30627	BOLT – HEX HD TFL M10 X 1.5 X 25-8.8-A3L		
E	163373	WASHER – FLAT RD (SQ. BORE)		
F	184662	BOLT – RHSN TFL M10 X 1.5 X 30-8.8-A3L		
G	136108	SCREW – HEX SOC HD M10 X 1.5 X 80-12.9-BO		
H	135800	NUT – HEX CTR LOC SPCL M10 X 1.5-9-A3L		
J	135894	SCREW – HEX SOC HD SHLDR 10 X 10-12.9-A2L		
K	152732	BOLT – RHSN M10 X 1.5 X 40-8.8-A3L		
L	135799	NUT – HEX FLG CTR LOC M10 X 1.5-10-A3L		
M	135852	SCREW – HEX SOC BTN HD M10 X 1.5 X 25-12.9-A3L		

25. Includes seal kit and instructions.

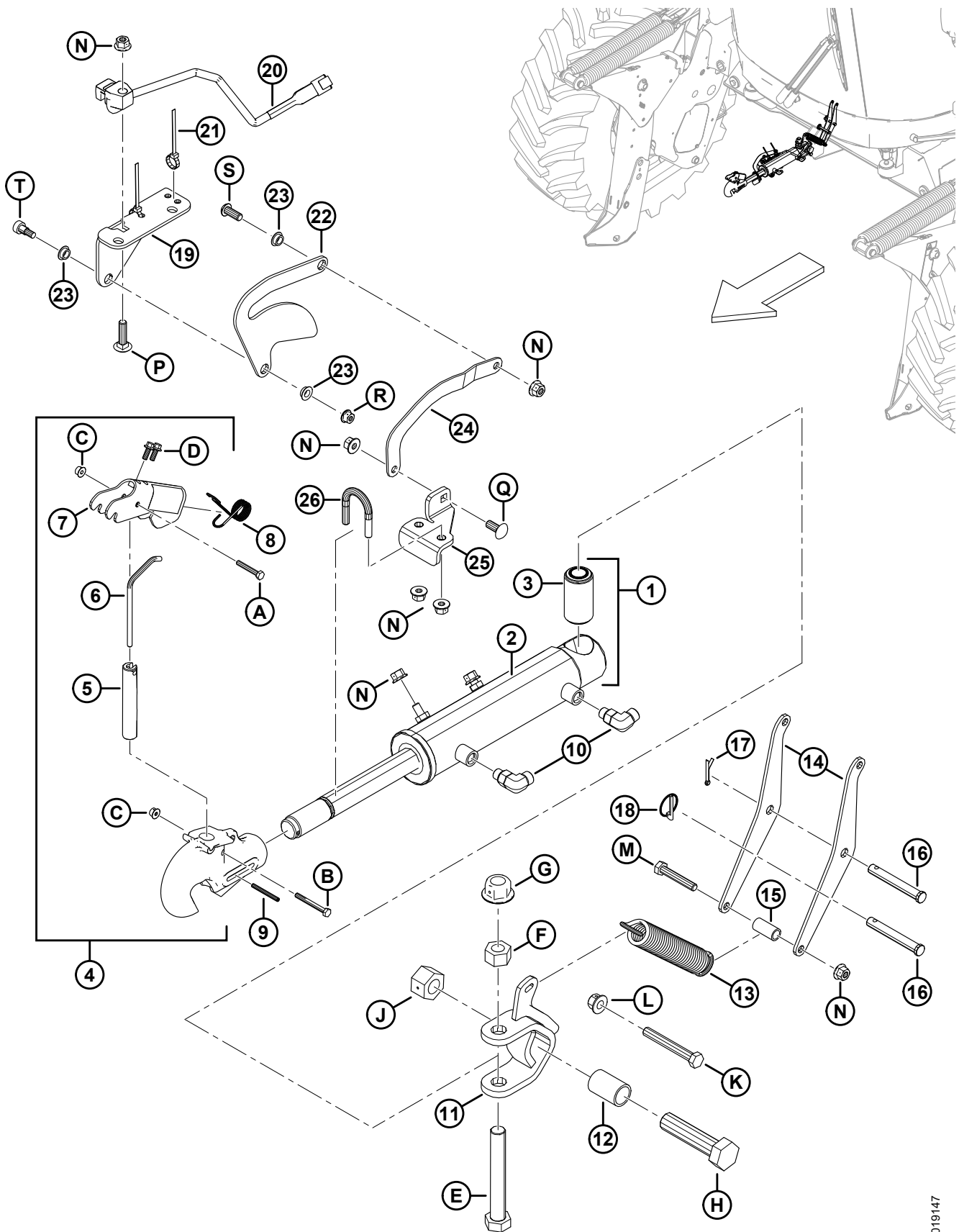
15 Float Sensors



FLOAT SENSORS

Ref	Part Number	Description	Qty	Serial Number
1	207646	SUPPORT – SENSOR MOUNT	2	
2	248643	ROTARY SENSOR – DUAL OUTPUT	2	
3	207219	ARM – FLOAT SENSOR	2	
4	291484	BALL JOINT – RH THREAD	2	
5	232659	ROD – THREADED	2	
6	291485	BALL JOINT – LH THREAD	2	
A	197171	BOLT – RHSN M8 X 1.25 X 20-8.8-A2L		
B	135337	NUT – HEX FLG CTR LOC M8 X 1.25-8-A2L		
C	197229	BOLT – RHSN M5 X 0.8 X 35-4.6-A2L		
D	197230	NUT – HEX NYLOC M5 X 0.8-8-A2L		
E	158704	SCREW – PAN HD M6 X 1 X 8-4.8-A2L		
F	152668	NUT – HEX FLG CTR LOC M6 X 1-8-A2L		
G	184683	NUT – HEX ISO 4032 M6 X 1-8-A2L		

16 Center-Link



1019147

CENTER-LINK

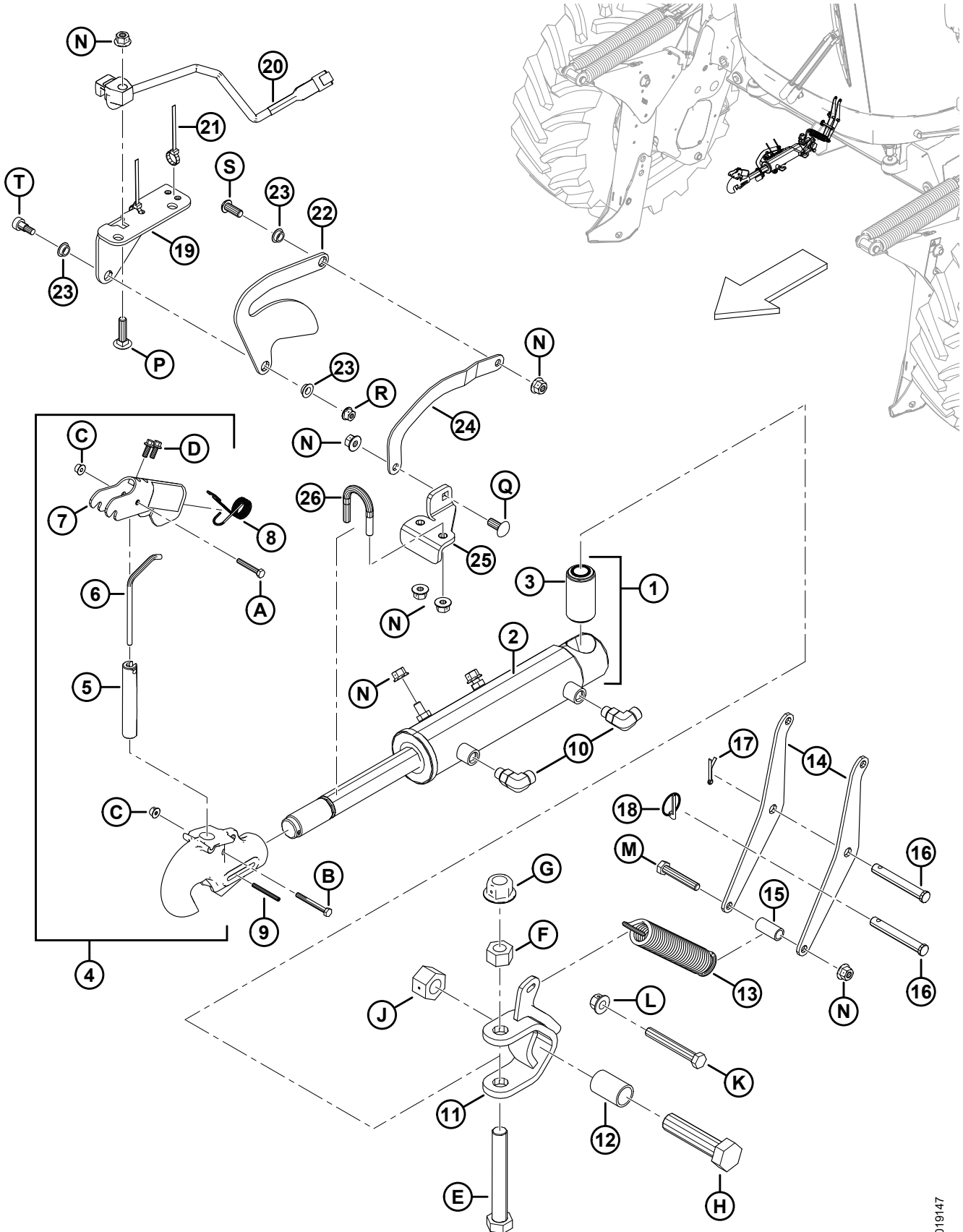
Ref	Part Number	Description	Qty	Serial Number
1	206550	CENTER-LINK CYLINDER ²⁶	1	
2	208667	CYLINDER – CENTER-LINK	1	
	112625	SEAL KIT		
3	206548	BUSHING – RUBBER	1	
4	206560	HOOK – TOP LINK, ASSEMBLY ²⁷	1	
5	156848	PIN – LOCK	1	
6	156886	ROD – ACTUATOR	1	
7	139724	LATCH – HANDLE W/ DECAL ²⁸	1	
8	206559	SPRING – LATCH ASSEMBLY	1	
9	135453	PIN – SPRING 3/16 DIA X 1-7/8 LG	1	
10	136095	FITTING – ELBOW 90° HYD	2	
	50219	O-RING – #6 ORB		
	135865	O-RING – #6 ORFS		
11	209979	CLEVIS – WELDT	1	
12	110971	SPACER – 1.25 O.D. X 1.0 I.D.	1	
13	9423	SPRING – EXTENSION	1	
14	203817	LEVER – SPRING LIFT	2	
15	17675	SPACER	1	
16	101007	PIN – CLEVIS	2	
17	18648	PIN – COTTER 3/16 DIA X 1.25 ZP	1	
18	50193	PIN – LYNCH	1	
19	306423	SUPPORT – TILT SENSOR	1	
20	206661	SENSOR – ANALOG HALL EFFECT	1	
21	21763	FASTENER – CABLE TIE, BLACK, 160 MM LG	2	
22	209410	ARM – TILT SENSOR PROFILE	1	
23	206340	BUSHING – SHOULDER, M10	3	
24	209865	ARM – TILT SENSOR	1	
25	306426	SUPPORT	1	
26	206562	U-BOLT	1	
A	135671	BOLT – HEX HD TFL M6 X 1 X 40-8.8-A2L		
B	136595	BOLT – HEX HD M6 X 1 X 55-8.8-A2L		
C	152668	NUT – HEX FLG CTR LOC M6 X 1-8-A2L		
D	135959	BOLT – HEX FLG HD M6 X 1 X 16-10.9-A2L		
E	136420	BOLT – HEX HD M20 X 2.5 X 140-8.8-A3L		
F	136124	NUT – HEX M20 X 2.5-10-A3L		
G	136122	NUT – HEX FLG CTR LOC M20 X 2.5-10-A3L		
H	136847	BOLT – HEX HD M24 X 3 X 100-10.9-A3L		
J	136848	NUT – HEX CTR LOC M24 X 3-10-A3L		
K	184673	BOLT – HEX HD M12 X 1.75 X 90-10.9-A3L		
L	136431	NUT – HEX FLG CTR LOC M12 X 1.75-10-A3L		

26. Includes cylinder (MD #208667) and rubber bushing (MD #206548).

27. Includes pin (MD #156848), rod (MD #156886), latch (MD #139724), spring assembly (MD #206559), bolts (MD #135671, 136595, 135959), and nut (MD #152668).

28. Includes decal (MD #139723).

CENTER-LINK

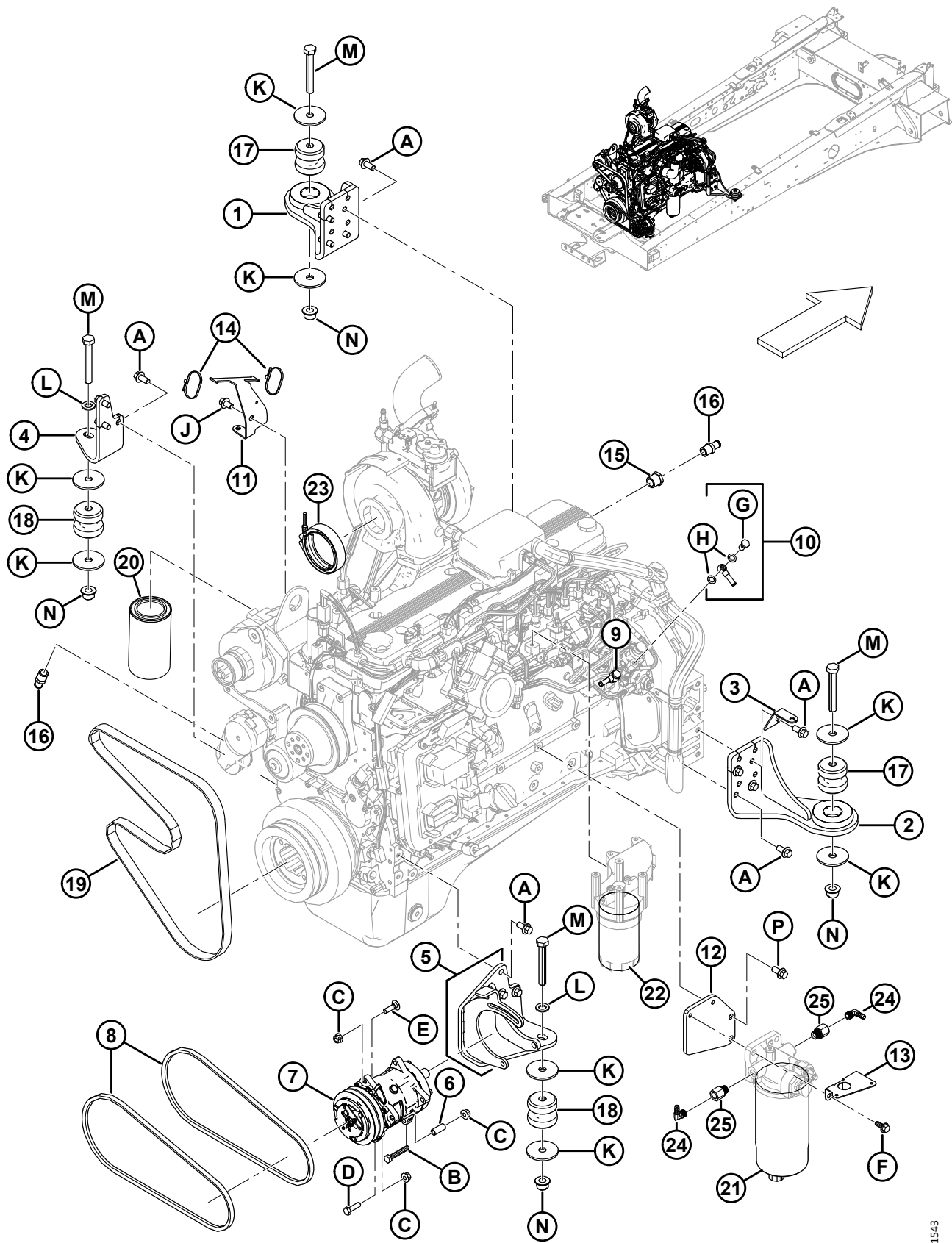


1019147

CENTER-LINK

Ref	Part Number	Description	Qty	Serial Number
M	184664	BOLT – HEX HD M10 X 1.5 X 60-8.8-A3L		
N	135799	NUT – HEX FLG CTR LOC M10 X 1.5-10-A3L		
P	152732	BOLT – RHSN M10 X 1.5 X 40-8.8-A3L		
Q	136506	BOLT – RHSSN M10 X 1.5 X 25-8.8-A3L		
R	135337	NUT – HEX FLG CTR LOC M8 X 1.25-8-A2L		
S	135852	SCREW – HEX SOC BTN HD M10 X 1.5 X 25-12.9-A3L		
T	135894	SCREW – HEX SOC HD SHLDR 10 X 10-12.9-AB0C/AC0C		

17 Engine Sub Assembly



ENGINE SUB ASSEMBLY

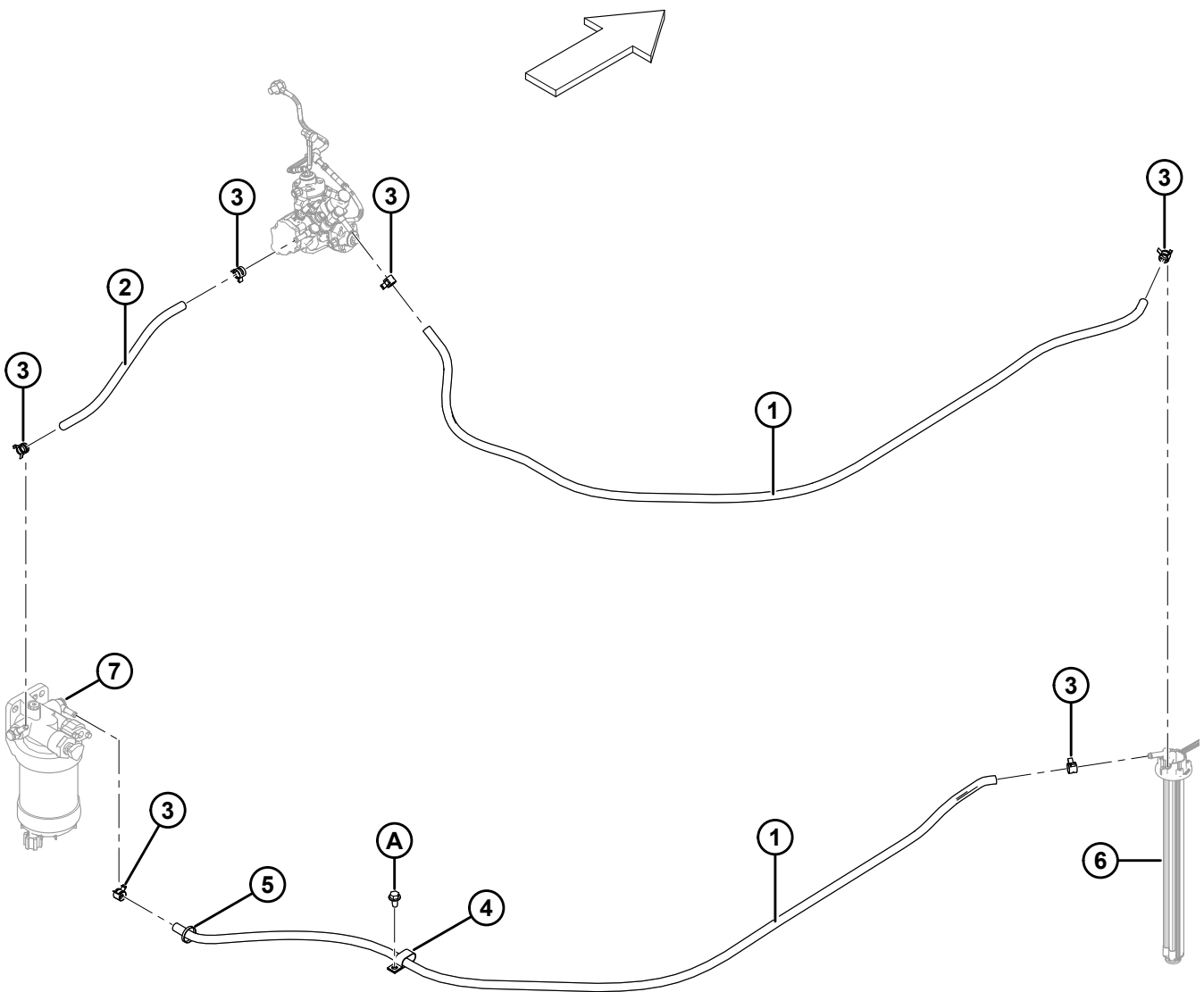
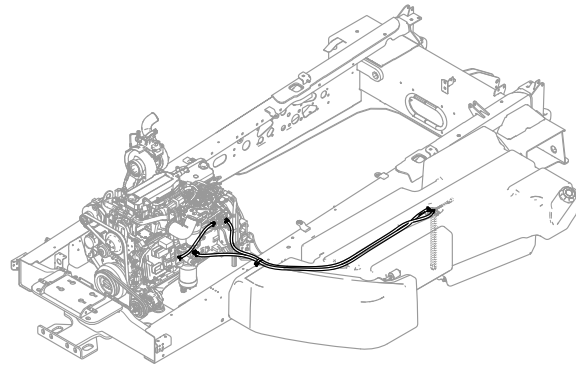
Ref	Part Number	Description	Qty	Serial Number
1	271066	SUPPORT – ENGINE MOUNT, LH	1	
2	271113	SUPPORT – ENGINE MOUNT, RH	1	
3	207414	SUPPORT – HOSES	1	
4	205364	SUPPORT – ENGINE MOUNT, LH	1	
5	209288	ASSY – ENGINE MOUNT C/W SPACER ²⁹	1	
6	23050	SPACER	1	
7	200114	COMPRESSOR – A/C	1	
8	163368	BELT – V SAE 13A (A42)	2	
9	204235	FITTING – BANJO BOLT M14 ³⁰	1	
10	207075	FITTING – BANJO, M12 X 1.5 ³¹	1	
11	209885	SUPPORT – HARNESS	1	
12	362068	PLATE – FUEL FILTER, 6 CYLINDER	1	
13	207170	BRACKET – HARNESS	1	
14	21763	FASTENER – CABLE TIE, BLACK, 160 MM LG	2	
15	5745	FITTING – REDUCER BUSHING	1	
16	112662	FITTING – HEATER 1/2 NPT MALE X 5/8 IN. HOSE	2	
17	202838	ISOLATOR – ENGINE MOUNT	2	
18	205366	ISOLATOR – ENGINE MOUNT	2	
19	202691	BELT – FAN DRIVE, 6-CYL	1	
20	111974	FILTER – OIL	1	
21	362118	FILTER – FUEL, PRIMARY	1	
22	362119	FILTER – FUEL, SECONDARY	1	
23	205574	CLAMP – TURBO EXHAUST	1	
24	320480	FITTING – ELBOW, 90° BARBED	2	
25	320479	ADAPTER – M18 TO 3/8" NPT	2	
A	148798	BOLT – HEX FLG HD M12 X 1.75 X 30-10.9-A3L		
B	184664	BOLT – HEX HD M10 X 1.5 X 60-8.8-A3L		
C	135799	NUT – HEX FLG CTR LOC M10 X 1.5-10-A3L		
D	30628	BOLT – HEX HD M10 X 1.5 X 35-8.8-A3L		
E	135691	BOLT – RHSN TFL M10 X 1.5 X 35-8.8-A3L		
F	136135	SCREW – HEX WASHER HD M10 X 1.5 X 25-450HV-A3L		
G	110995	BOLT – BANJO		
H	110996	WASHER – BANJO (2-PACK)		
J	136398	BOLT – HEX FLG HD TFL M12 X 1.75 X 20-8.8-A3L		
K	203554	WASHER		
L	184717	WASHER – FLAT REG M16-200HV-A3L		
M	184679	BOLT – HEX HD M16 X 2 X 110-10.9-A3L		
N	152520	NUT – HEX FLG TECH LOC M16 X 2-10-A3L		
P	136399	BOLT – HEX FLG HD TFL M12 X 1.75 X 25-8.8-A3L		

29. Includes spacer (MD #23050).

30. Includes bolt (NSS) and washers (NSS); installed on the fuel pump.

31. Includes bolt (MD #110995) and washers (MD #110996); installed on the fuel pump.

18 Fuel System



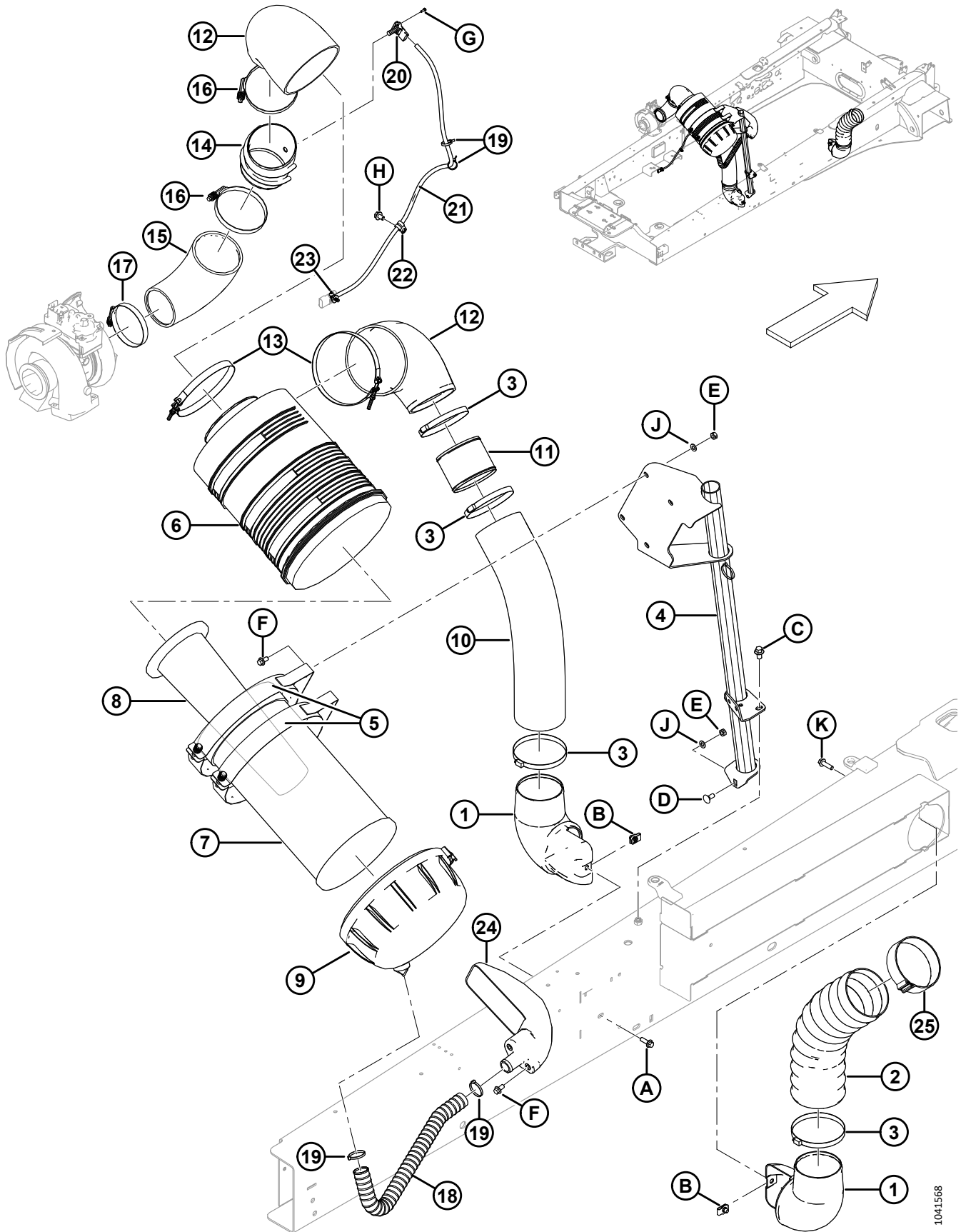
FUEL SYSTEM

Ref	Part Number	Description	Qty	Serial Number
1	203294	HOSE – FUEL, 3/8 IN I.D., 1970 MM LG	2	
2	203293	HOSE – FUEL, 3/8 IN I.D., 430 MM LG	1	
3	136743	CLAMP – 16 MM I.D., CONSTANT TENSION	6	
4	135235	CLAMP – DOUBLE HOSE INSULATED	1	
5	40702	FASTENER – CABLE TIE (RED)	1	
6	REF	SENDER – FUEL ³²		
7	REF	FILTER – FUEL, PRIMARY ³³		
A	136209	SCREW – THREAD ROLLING FLG M10 X 1.5 X 20-A3L		

32. Refer to Section [5 Right Support and Tanks](#), page 9.

33. Refer to Section [17 Engine Sub Assembly](#), page 39.

19 Engine Air Intake



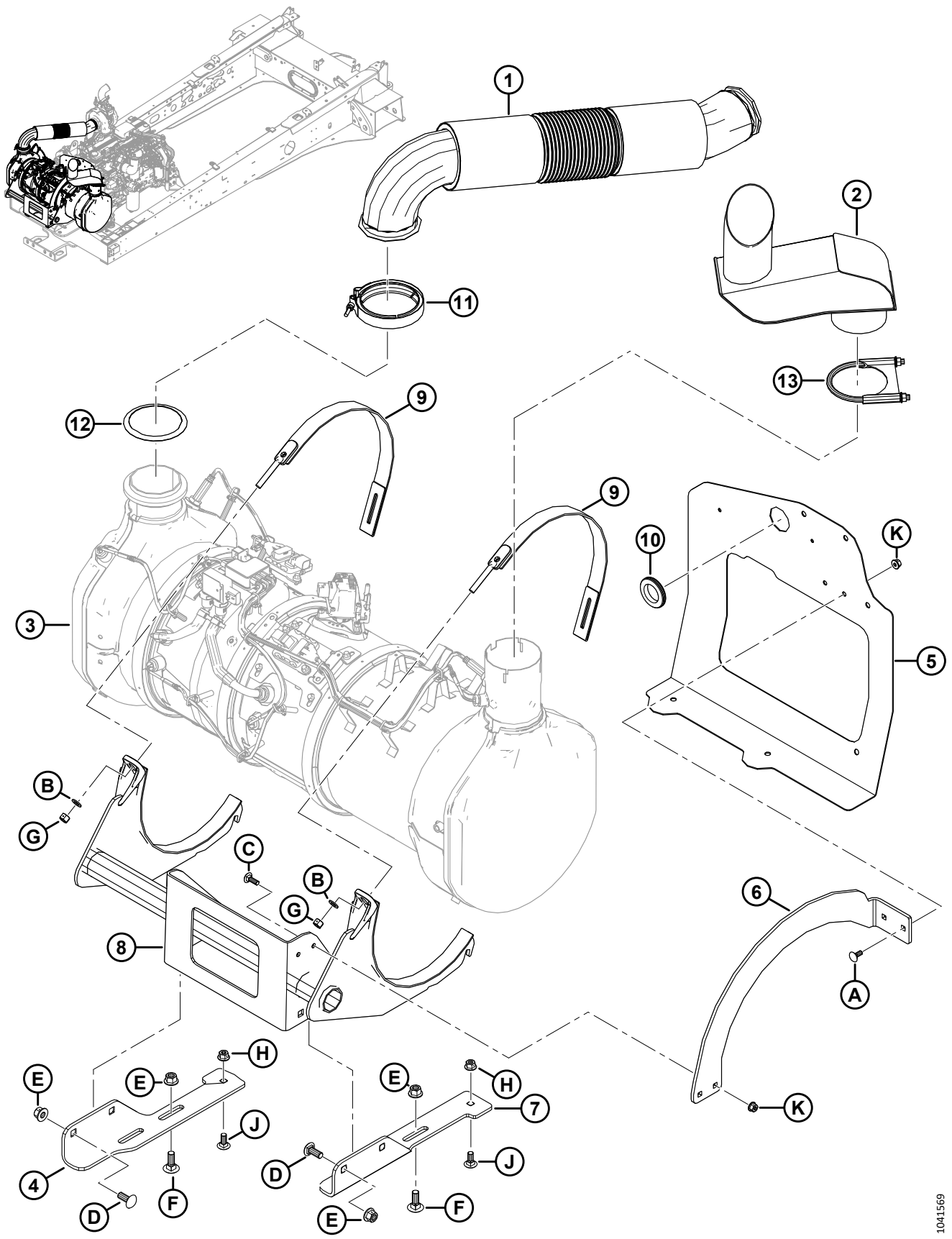
1041568

ENGINE AIR INTAKE

Ref	Part Number	Description	Qty	Serial Number
1	204102	ELBOW – AIR DUCT	2	
2	203108	HOSE – 127 MM ID, 470 MM LG	1	
3	166869	CLAMP – HOSE (89–140 MM)	4	
4	206673	SUPPORT – 6-CYL AIR CLEANER WELDT	1	
5	206648	BRACKET – AIR CLEANER	2	
6	138674	AIR CLEANER 13 IN. ³⁴	1	
7	138685	FILTER – AIR, PRIMARY	1	
8	139077	FILTER – AIR, SECONDARY	1	
9	139078	COVER – AIR CLEANER	1	
10	209884	HOSE – 127 MM I.D., 600 MM LG	1	
11	138501	TUBE – AIR INTAKE, 100 MM LG	1	
12	138847	ELBOW – AIR INTAKE, 7 IN. TO 5 IN.	2	
13	135759	CLAMP – (7.5 IN)	2	
14	306865	TUBE – TBAP, WELDT	1	
15	139042	ELBOW – RUBBER REDUCER (5–4 IN.)	1	
16	135982	CLAMP – CONSTANT TORQUE	2	
17	306738	CLAMP – CONSTANT TORQUE 108-130	1	
18	202446	HOSE – ASPIRATOR, 44.6 MM O.D., 530 MM LG	1	
19	21763	FASTENER – CABLE TIE, BLACK, 160 MM LG	4	
20	207017	SENSOR – TBAP	1	
21	207434	HARNESS – TBAP	1	
22	136410	CLAMP – INSULATED 3/8 IN.	1	
23	136655	FASTENER – FIR TREE MT WITH CABLE TIE	1	
24	207192	ASPIRATOR – AIR CLEANER	1	
25	208576	STRAP – CINCH, 129-162 MM, HD	1	
A	184665	BOLT – HEX FLG HD M10 X 1.5 X 30-10.9-A3L		
B	136620	NUT – U MULTI THREAD		
C	136398	BOLT – HEX FLG HD TFL M12 X 1.75 X 20-8.8-A3L		
D	135785	BOLT – RHSN M10 X 1.5 X 25-8.8-AA1J		
E	320206	NUT – HEX CTR LOC M10 X 1.5-8-ZINC		
F	152655	BOLT – HEX FLG HD M10 X 1.5 X 20-8.8-A3L		
G	135782	BOLT – HH M4 X .7 X 12 LG ZP		
H	136151	BOLT – HEX FLG HD TFL M10 X 1.5 X 16-8.8-A3L		
J	184711	WASHER – FLAT REG M10-200HV-AA1J		
K	136211	BOLT – HEX FLG HD M10 X 1.5 X 35-8.8-AA1J		

34. Includes primary air filter (MD #138685), secondary air filter (MD #139077), and cover (MD #139078).

20 Engine Exhaust

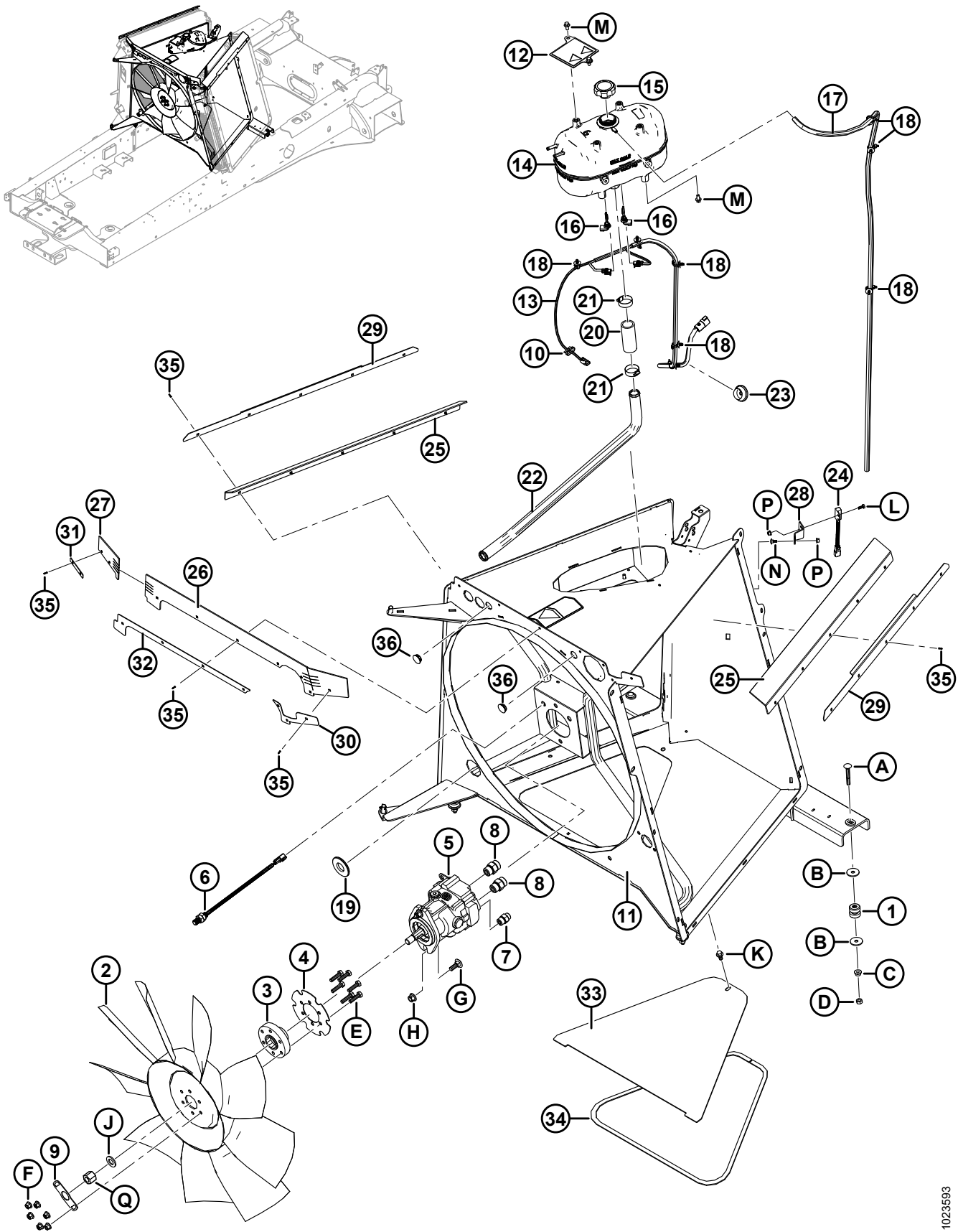


ENGINE EXHAUST

Ref	Part Number	Description	Qty	Serial Number
1	362043	TUBE – EXHAUST, CUMMINS STAGE 5	1	
2	362062	ASSEMBLY – EXHAUST, OUTLET	1	
3	NSS	ASSEMBLY – AFTERTREATMENT MODULE, 10LL ³⁵	1	
4	306315	ANGLE – EXHAUST AT SUPPORT LH	1	
5	362045	SUPPORT – DEF LINES	1	
6	362057	BRACE – DEF LINES	1	
7	306293	ANGLE – EXHAUST AT SUPPORT RH	1	
8	362037	SUPPORT – AFTERTREATMENT WELDMENT, 6 CYL	1	
9	207154	CLAMP – STRAP ASSEMBLY	2	
10	205077	GROMMET	1	
11	204732	CLAMP – 4 IN. MARMON STANDARD	1	
12	203777	GASKET – STD MARMON, 102 MM	1	
13	203870	CLAMP – U-BOLT, 102 MM	1	
A	197171	BOLT – RHSN M8 X 1.25 X 20-8.8-ZINC	2	
B	184711	WASHER – FLAT REG M10-200HV-AA1J	2	
C	184648	BOLT – RHSN M8 X 1.25 X 25-8.8-AA1J	2	
D	152702	BOLT – RHSSN M12 X 1.75 X 30-8.8-AA1J	4	
E	136431	NUT – HEX FLG CTR LOC M12 X 1.75-10	8	
F	136291	BOLT – RHSN TFL M12 X 1.75 X 35-8.8-ZINC	4	
G	135800	NUT – HEX CTR LOC SPCL M10 X 1.5-9-AA1J	2	
H	135799	NUT – HEX FLG CTR LOC M10 X 1.5-10	2	
J	135785	BOLT – RHSN M10 X 1.5 X 25-8.8-AA1J	2	
K	135337	NUT – HEX FLG CTR LK M8 X 1.25-8-AA1J	4	

35. Part serviced through Cummins. Contact your Cummins dealer. Cummins part #5507253.

21 Engine Cooling System



ENGINE COOLING SYSTEM

Ref	Part Number	Description	Qty	Serial Number
1	205159	INSULATOR – RUBBER	4	
2	205269	FAN – 813 MM, 9 BLADE	1	
3	200273	ADAPTER – HYD FAN DRIVE	1	
4	201638	DISC – SPEED SENSOR PICKUP	1	
5	145392	MOTOR – HYDRAULIC C/W KEY	1	
	279003	SEAL KIT		
	111895	KEY – SQUARE		
6	136167	SENSOR – SPEED	1	
7	184463	FITTING – ADAPTER 8 MORFS X 10 MORB	1	
	44210	O-RING – #10 ORB		
	135866	O-RING – #8 ORFS		
8	135788	FITTING – ADAPTER	2	
	30971	O-RING – #12 ORB		
	135868	O-RING – #12 ORFS		
9	201434	LOCK – FAN HUB NUT	1	
10	21763	FASTENER – CABLE TIE, BLACK, 160 MM LG	1	
11	208521	FAN BOX – W/ DECAL ³⁶	1	
	306620	KIT – COOLER BOX LATCH ³⁷		
12	306796	ASSY – PANEL, DECAL ³⁸	1	
13	207284	HARNESS – COOLER BOX	1	
14	202455	ASSY – TANK, COOLANT, PRESSURIZED	1	
15	202325	CAP – SURGE TANK	1	
16	204784	SWITCH – LEVEL	2	
17	205666	HOSE – COOLANT VENT, 5/16 IN. I.D., 1735 MM LG	1	
18	136655	FASTENER – FIR TREE MOUNT W/ TIE, 200 MM LG	3	
19	136638	GROMMET – 31.75 MM I.D.	1	
20	209813	HOSE – STUB, 41 MM O.D., 95 MM LG	1	
21	136646	CLAMP – LINED-SS, 27–51 MM RANGE	2	
22	205201	TUBE – FILL	1	
23	167709	GROMMET – 10 MM I.D. X 38 MM O.D.	1	
24	200974	SWITCH – PROXIMITY	1	
25	206680	SEAL – ANGLE TOP	2	
26	206897	SEAL – ANGLE CENTER	1	
27	206896	SEAL – ANGLE LEFT	1	
28	204553	BRACKET – DOOR SWITCH	1	
29	206679	PLATE – HOOD, UPPER SEAL	2	
30	207447	PLATE – SEAL, RH	1	
31	207452	PLATE – SEAL, LH	1	
32	206899	PLATE – SEAL, CENTER	1	
33	208523	ASSY – ACCESS PANEL ³⁹	1	

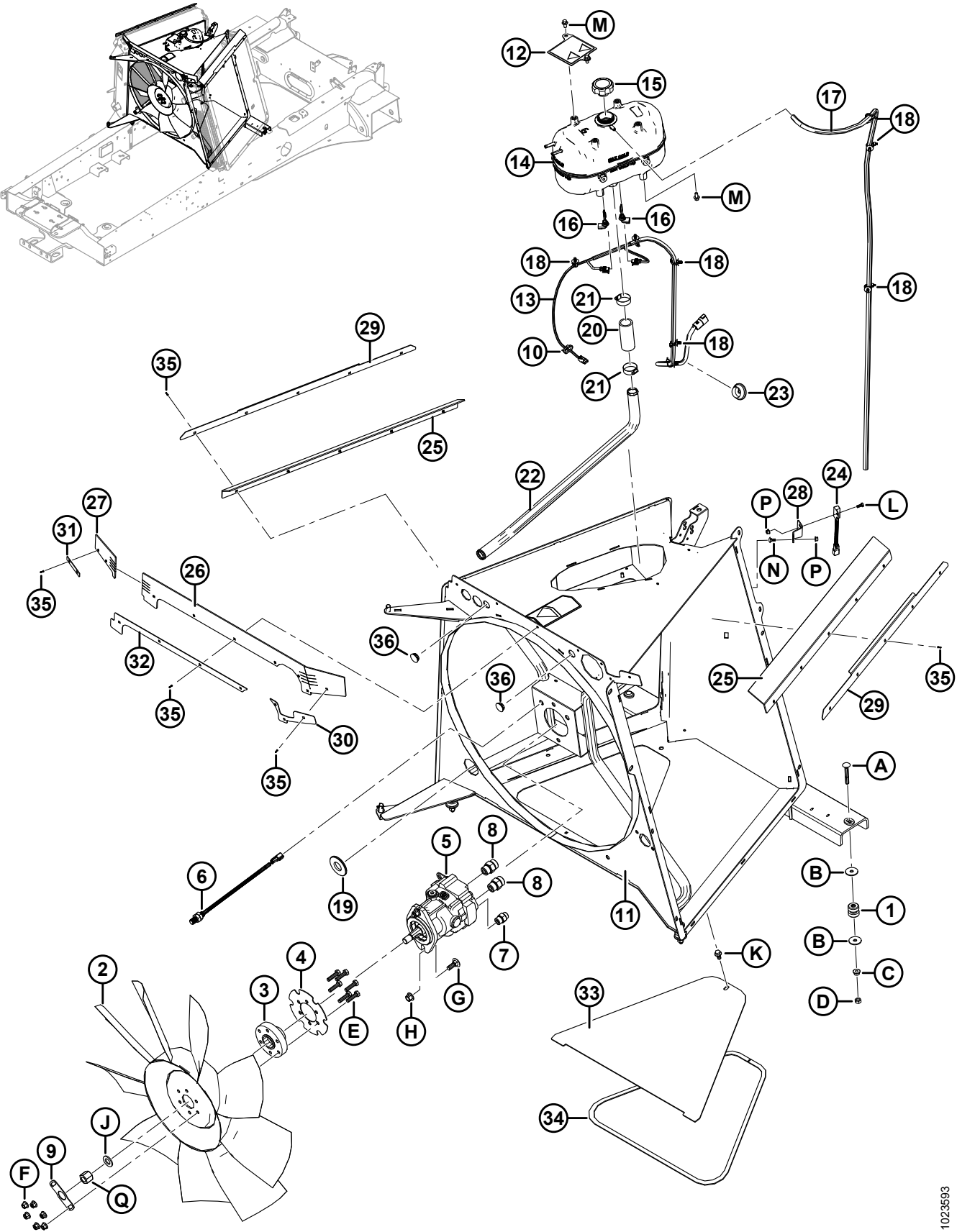
36. Includes access panel (MD #208523), bottom cover seal (MD #208530), and bolt (MD #152655).

37. Kit includes cooler box hood latch (NSS) and instruction decal (NSS).

38. Includes nitrite-free decal (MD #306756).

39. includes seal (MD #208530).

ENGINE COOLING SYSTEM

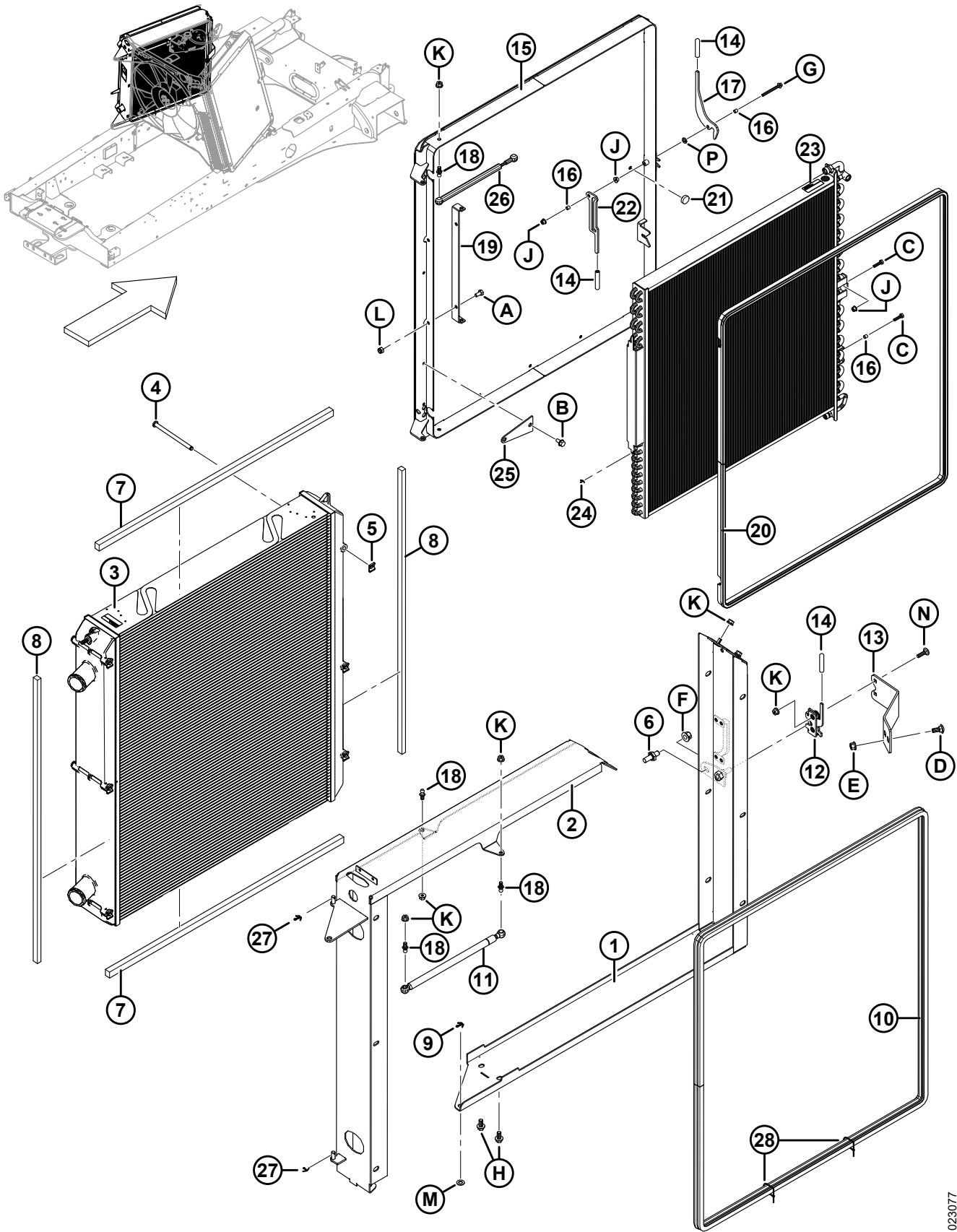


1023593

ENGINE COOLING SYSTEM

Ref	Part Number	Description	Qty	Serial Number
34	208530	SEAL – BOTTOM COVER	1	
35	252667	RIVET – 1/4 IN. X 5/8 IN.	19	
36	200780	PLUG – NYLON, BLACK, 30 MM O.D.	2	
A	136495	BOLT – RHSN M10 X 1.5 X 70-8.8-AA3L		
B	184583	WASHER – FLAT		
C	135927	NUT – HEX SMTH FLG M10 X 1.5-8-A3L		
D	30505	NUT – HEX M10 X 1.5-10-A3L		
E	135319	BOLT – HEX HD M10 X 1.5 X 40-8.8-A3L		
F	135799	NUT – HEX FLG CTR LOC M10 X 1.5-10-A3L		
G	136291	BOLT – RHSN TFL M12 X 1.75 X 35-8.8-A3L		
H	136431	NUT – HEX FLG CTR LOC M12 X 1.75-10-A3L		
J	18601	WASHER – SAE FLAT 13/16 I.D. X 1.5 IN. O.D. ZP		
K	152655	BOLT – HEX FLG HD M10 X 1.5 X 20-8.8-A3L		
L	184642	BOLT – HEX HD TFL M6 X 1 X 16-8.8-A2L		
M	136485	BOLT – HEX FLG HD TFL M8 X 1.25 X 16-8.8-A3L		
N	136774	BOLT – RHSN M6 X 1 X 16-8.8-PLN		
P	152668	NUT – HEX FLG CTR LOC M6 X 1-8-A2L		
Q	135280	NUT – HEX HEAVY 3/4-16 UNF GR 8 BLACK		

22 Cooling Module – Left

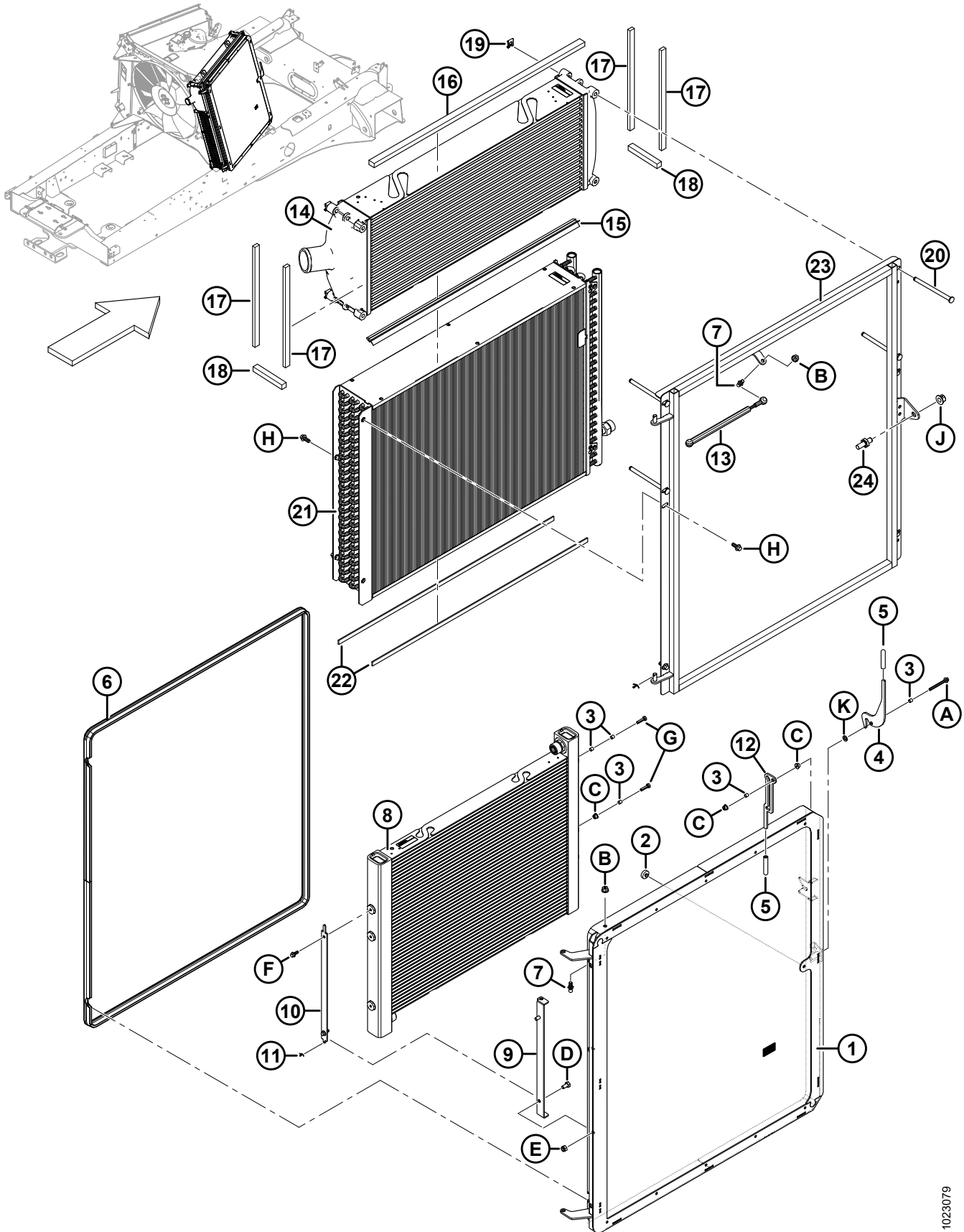


1023077

COOLING MODULE – LEFT

Ref	Part Number	Description	Qty	Serial Number
1	208512	RAD DOOR BASE FRAME – WELDT	1	
2	208513	RAD DOOR TOP FRAME – WELDT	1	
3	203152	RADIATOR	1	
4	205070	PIN – 9.7 MM O.D. X 140 MM	6	
5	205071	CLIP – PIN	6	
6	136598	STRIKER – BOLT	1	
7	208510	SEAL – RAD HORIZONTAL	2	
8	208509	SEAL – RAD VERTICAL	2	
9	18605	PIN – COTTER 1/8 DIA X 1 ZP	1	
10	208553	SEAL – BULB	1	
11	203389	CYLINDER – GAS SPRING	1	
12	134003	ASSY – STIRRUP LATCH	1	
13	208547	BRACKET – LATCH	1	
14	110817	COVER – SOFTEX GRIP	3	
15	208528	SCREEN CHAFF – WELDT	1	
16	291268	BUSHING – STAINLESS STEEL	3	
17	208529	LATCH – SCREEN CHAFF	1	
18	136188	STUD – BALL (10 MM); M8 THREAD	4	
19	208531	BRACKET – FRAME TO COOLER	1	
20	201598	SEAL – BULB	1	
21	208556	BUMPER – RUBBER	1	
22	208533	BRACKET – CLEAN OUT	1	
23	203153	CONDENSER	1	
24	18728	PIN – COTTER 1/16 DIA X 3/4 ZP	1	
25	205374	SUPPORT – A/C HOSE	1	
26	109603	SPRING – GAS	1	
27	18604	PIN – COTTER 3/32 DIA X 3/4 ZP	2	
28	21763	FASTENER – CABLE TIE, BLACK, 160 MM LG	2	
A	50139	BOLT – HEX HD TFL M8 X 1.25 X 16-8.8-A2L		
B	134705	SCREW – HEX WASHER HD M8 X 1.25 X 16-A3L		
C	135301	BOLT – HEX HD M6 X 1 X 25-8.8-A2L		
D	135785	BOLT – RHSN M10 X 1.5 X 25-8.8-A3L		
E	135799	NUT – HEX FLG CTR LOC M10 X 1.5-10-A3L		
F	136431	NUT – HEX FLG CTR LOC M12 X 1.75-10-A3L		
G	136704	BOLT – HEX FLG HD M6 X 1 X 60-8.8-AA2L		
H	152655	BOLT – HEX FLG HD M10 X 1.5 X 20-8.8-A3L		
J	152668	NUT – HEX FLG CTR LOC M6 X 1-8-A2L		
K	152863	NUT – HEX FLG STVR LOC M8 X 1.25-10-AA2L		
L	184688	NUT – HEX NYLOC M8 X 1.25-8-A2L		
M	184711	WASHER – FLAT REG M10-200HV-A3L		
N	190752	BOLT – RHSN M8 X 1.25 X 30-8.8-A2L		
P	30716	WASHER – LOC SPRING M8-CS-1055-1065-A2L		

23 Cooling Module – Right

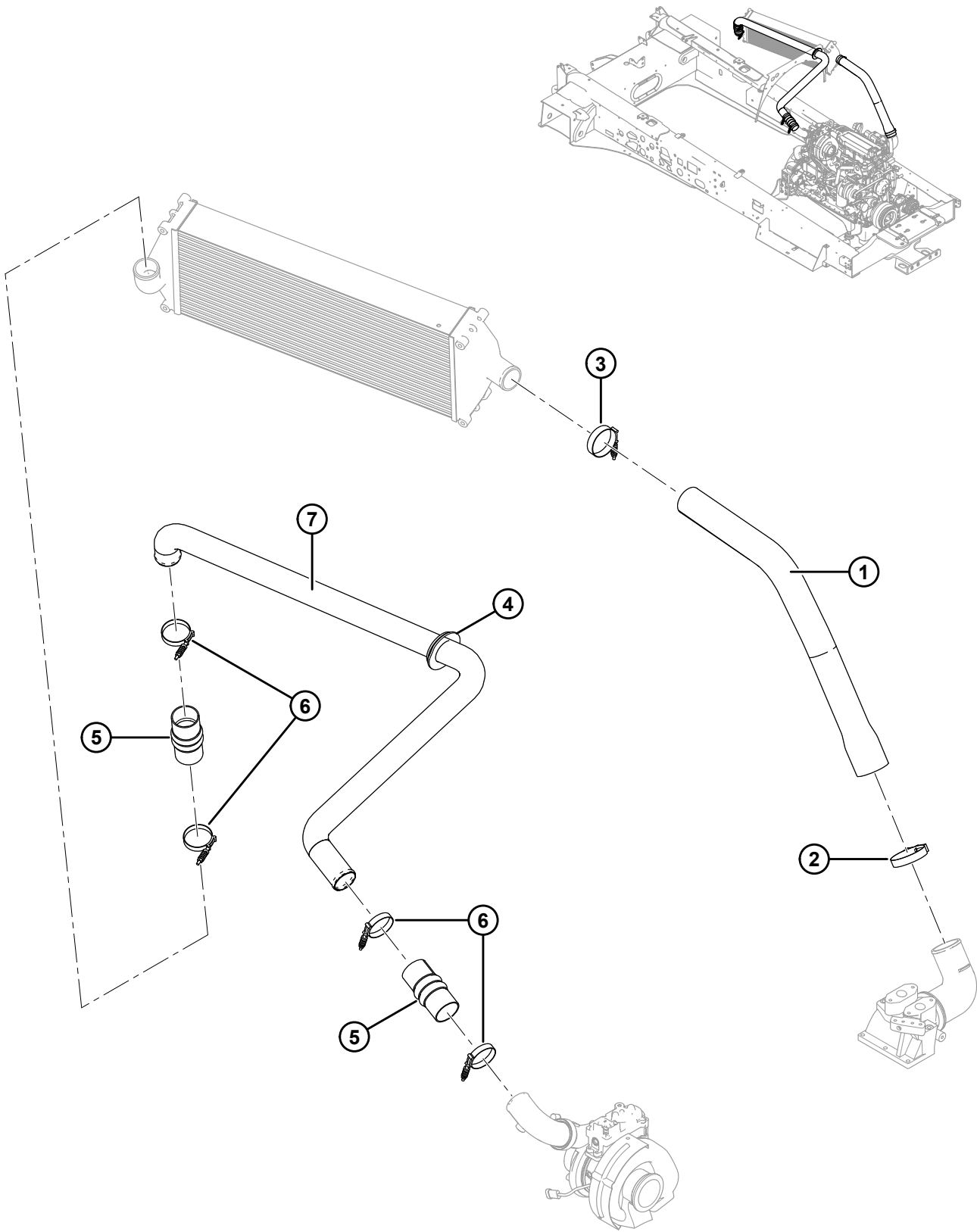


1023079

COOLING MODULE – RIGHT

Ref	Part Number	Description	Qty	Serial Number
1	208528	SCREEN CHAFF – WELDT	1	
2	208556	BUMPER – RUBBER	1	
3	291268	BUSHING – STAINLESS STEEL	5	
4	208529	LATCH – SCREEN CHAFF	1	
5	110817	COVER – SOFTEX GRIP	2	
6	201598	SEAL – BULB	1	
7	136188	STUD – BALL (10MM); M8 THREAD	2	
8	205040	COOLER – OIL CASE DRAIN	1	
	306428	O-RING – OIL COOLER	2	
9	208531	BRACKET – FRAME TO COOLER	1	
10	208543	BRACKET – COOLER TO HINGE	1	
11	18728	PIN – COTTER 1/16 DIA X 3/4 ZP	1	
12	208533	BRACKET – CLEAN OUT	1	
13	109603	SPRING – GAS	1	
14	203151	CHARGE AIR COOLER	1	
15	208554	SEAL – ANCHOR	1	
16	208507	SEAL – CAC, TOP	1	
17	208506	SEAL – CAC, SIDE	4	
18	208508	SEAL – CAC, BOTTOM END	2	
19	205071	CLIP – PIN	4	
20	205070	PIN – 9.7MM O.D. X 140 MM	4	
21	203154	COOLER – HYDRAULIC OIL	1	
22	208541	SEAL – HYDRAULIC OIL COOLER	2	
23	208555	COOLER FACE FRAME – WELDT	1	
24	136598	STRIKER – BOLT	1	
A	136704	BOLT – HEX FLG HD M6 X 1 X 60-8.8-AA2L		
B	152863	NUT – HEX FLG STVR LOC M8 X 1.25-10-AA2L		
C	152668	NUT – HEX FLG CTR LOC M6 X 1-8-A2L		
D	50139	BOLT – HEX HD TFL M8 X 1.25 X 16-8.8-A2L		
E	184688	NUT – HEX NYLOC M8 X 1.25-8-A2L		
F	135959	BOLT – HEX FLG HD M6 X 1 X 16-10.9-A2L		
G	135301	BOLT – HEX HD M6 X 1 X 25-8.8-A2L		
H	136300	BOLT – HEX FLG HD TFL M8 X 1.25 X 20-8.8-AA3L		
J	136431	NUT – HEX FLG CTR LOC M12 X 1.75-10-A3L		
K	30716	WASHER – LOC SPRING M8-CS-1055-1065-A2L		

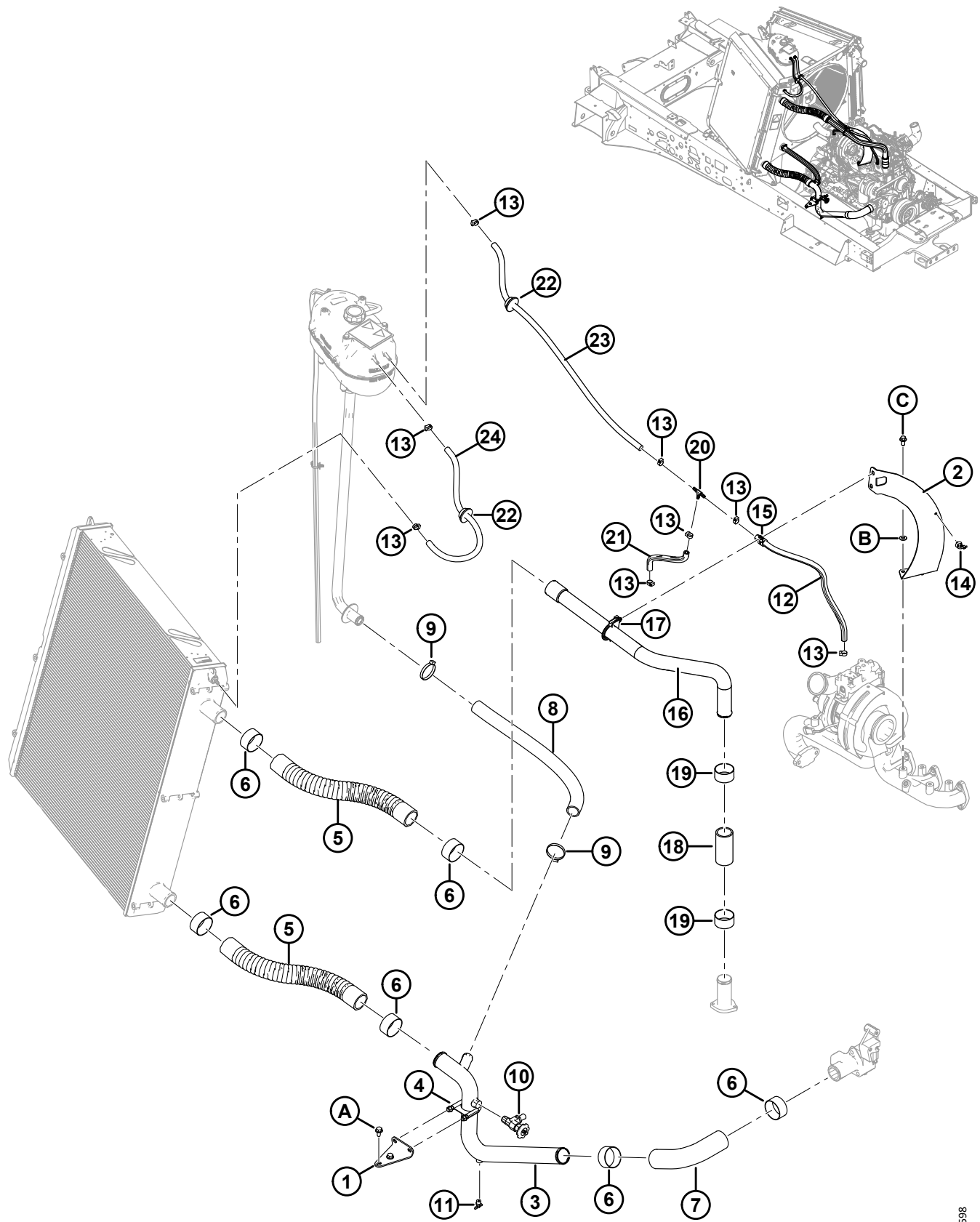
24 Charge Air Cooler Plumbing



CHARGE AIR COOLER PLUMBING

Ref	Part Number	Description	Qty	Serial Number
1	362231	HOSE – CHARGE AIR COOLER, OUTLET 6 CYL	1	
2	162342	CLAMP – CONSTANT TORQUE	1	
3	136480	CLAMP – CONSTANT TORQUE	1	
4	163779	GROMMET – 2.5 IN. SILICONE	1	
5	163904	CONNECTOR – CAC, 2.5 IN.	2	
6	163957	CLAMP – CONSTANT TORQUE	4	
7	202712	TUBE – CHARGE AIR COOLER, INLET	1	

25 Radiator Plumbing

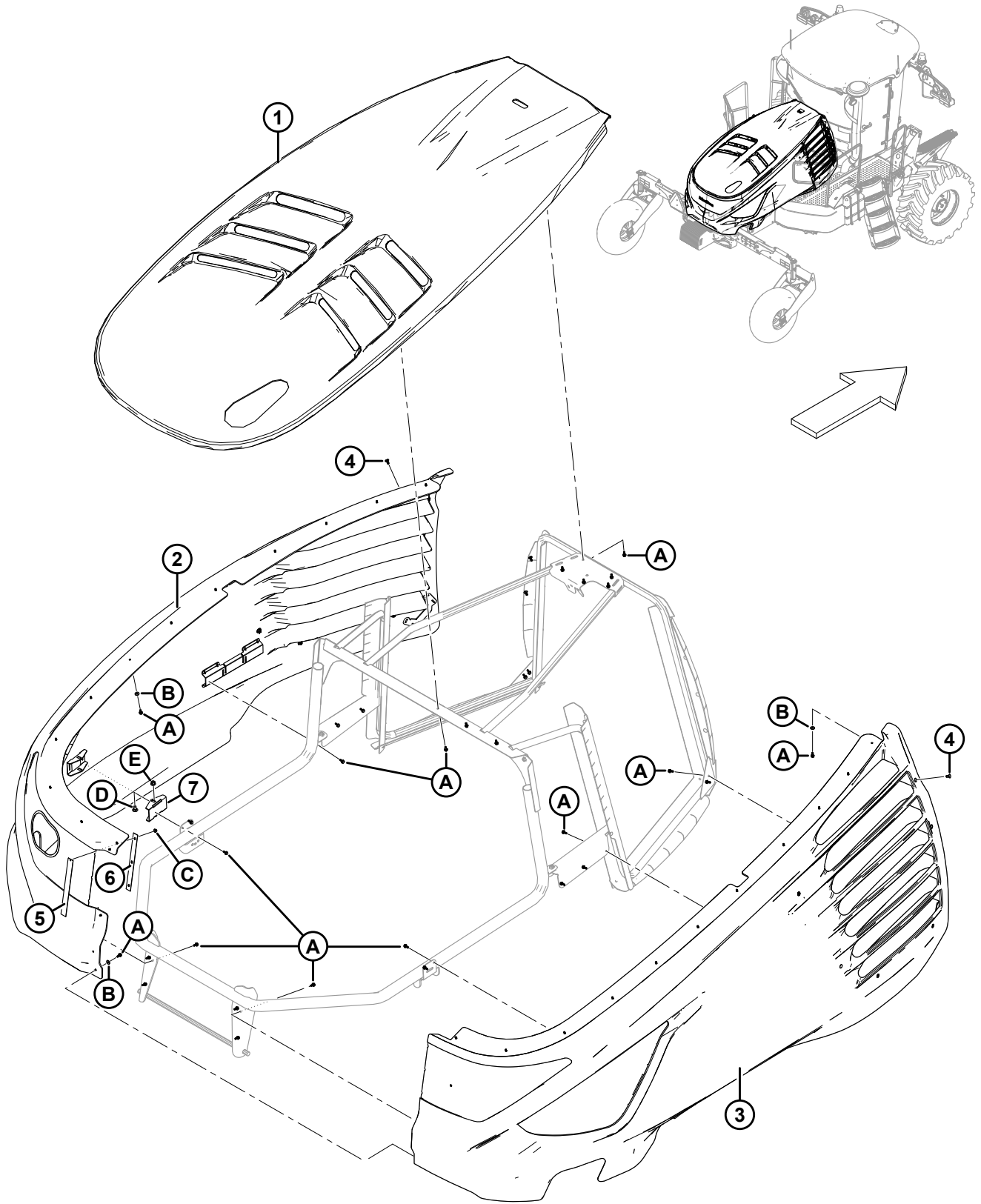


RADIATOR PLUMBING

Ref	Part Number	Description	Qty	Serial Number
1	202734	SUPPORT – TUBE	1	
2	201110	SUPPORT – TUBE	1	
3	202732	TUBE – RAD, INLET, 2 IN O.D.	1	
4	136109	CLAMP – U BOLT	1	
5	206121	HOSE – RADIATOR, FLEX, 61 MM O.D., 508 MM LG	2	
6	306119	KIT – CLAMP, SVC 57.1-63.5 MM ⁴⁰	6	
7	205842	HOSE – RADIATOR, BOTTOM	1	
8	203295	HOSE – RADIATOR FILL, 1.25 IN I.D., 565 MM LG	1	
9	162444	CLAMP – HOSE	2	
10	101904	VALVE – 90 DEGREE	1	
11	20023	FITTING – DRAIN COCK	1	
12	203473	HOSE – COOLANT, TURBO TO SURGE TANK, 570 MM LG	1	
13	30500	CLAMP – HOSE GEAR TYPE	8	
14	136655	FASTENER – FIR TREE MT WITH CABLE TIE	1	
15	135716	CLAMP – INSULATED 5/8 IN.	1	
16	201003	TUBE – RADIATOR, TOP, 1.75 IN O.D.	1	
17	136110	CLAMP – U BOLT, 1.75 IN., 3/8 IN. THREAD W/ NUTS	1	
18	310818	HOSE – 44.5 MM I.D. X 110 MM	1	
19	306120	KIT – CLAMP, SVC 50.8-57.2 MM ⁴⁰	2	
20	200402	FITTING – TEE, 5/16 IN., BARBED	1	
21	206593	HOSE – COOLANT, 190 MM LG	1	
22	42080	GROMMET – RUBBER	2	
23	205242	HOSE – COOLANT, TURBO TO SURGE TANK, 670 MM LG	1	
24	203472	HOSE – COOLANT VENT, 950 MM LG	1	
A	136209	SCREW – HEX WASHER HD M10 X 1.5 X 20-450HV-A3L		
B	184584	WASHER – CON SPRING M10A STL SAE 1050-1075		
C	152655	BOLT – HEX FLG HD M10 X 1.5 X 20-8.8-A3L		

40. Kit includes one heat shrink clamp and instruction.

26 Hood



HOOD

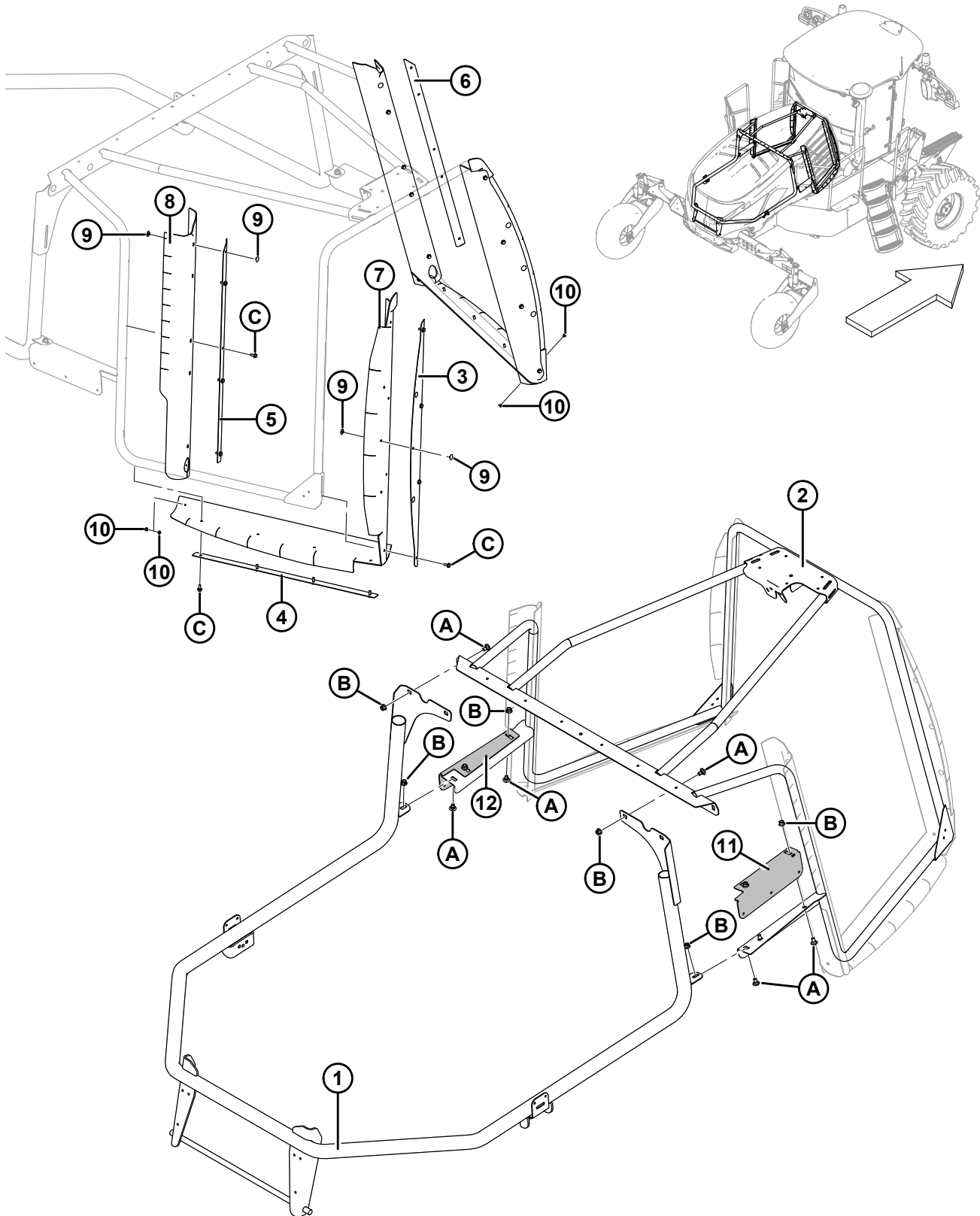
Ref	Part Number	Description	Qty	Serial Number
1	346215	SERVICE KIT – TOP PANEL ⁴¹	1	
2	291608	SERVICE KIT – PANEL, LH ⁴²	1	
	208562	BEZEL – SCREEN	1	
3	291609	SERVICE KIT – PANEL, RH ⁴³	1	
4	208860	CLIP – PUSH IN, RED	12	
5	209947	WELDMENT – SCREEN CENTER	2	
6	209949	STRIP – CENTER, BACKSIDE	2	
7	291799	BRACKET – ADJUSTABLE	2	
A	252284	SCREW – HEX WASHER HD M6 X 1 X 16-450HV-A3L		
B	184706	WASHER – FLAT LARGE M6-200HV-A2L		
C	152668	NUT – HEX FLG CTR LOC M6 X 1-8		
D	136178	BOLT – RHSN M10 X 1.5 X 20-8.8-A3L		
E	135799	NUT – HEX FLG CTR LOC M10 X 1.5-10		

41. Includes hood latch decal (MD #141259).

42. Includes rear screen (NSS), clips (MD #208860), screen weldment (MD #209947), center strip (MD #209949), adjustable bracket (MD #291799), screen bezel (MD #208562), and hardware.

43. Includes rear screen (NSS), clips (MD #208860), screen weldment (MD #209947), center strip (MD #209949), adjustable bracket (MD #291799), and hardware.

27 Hood Frame

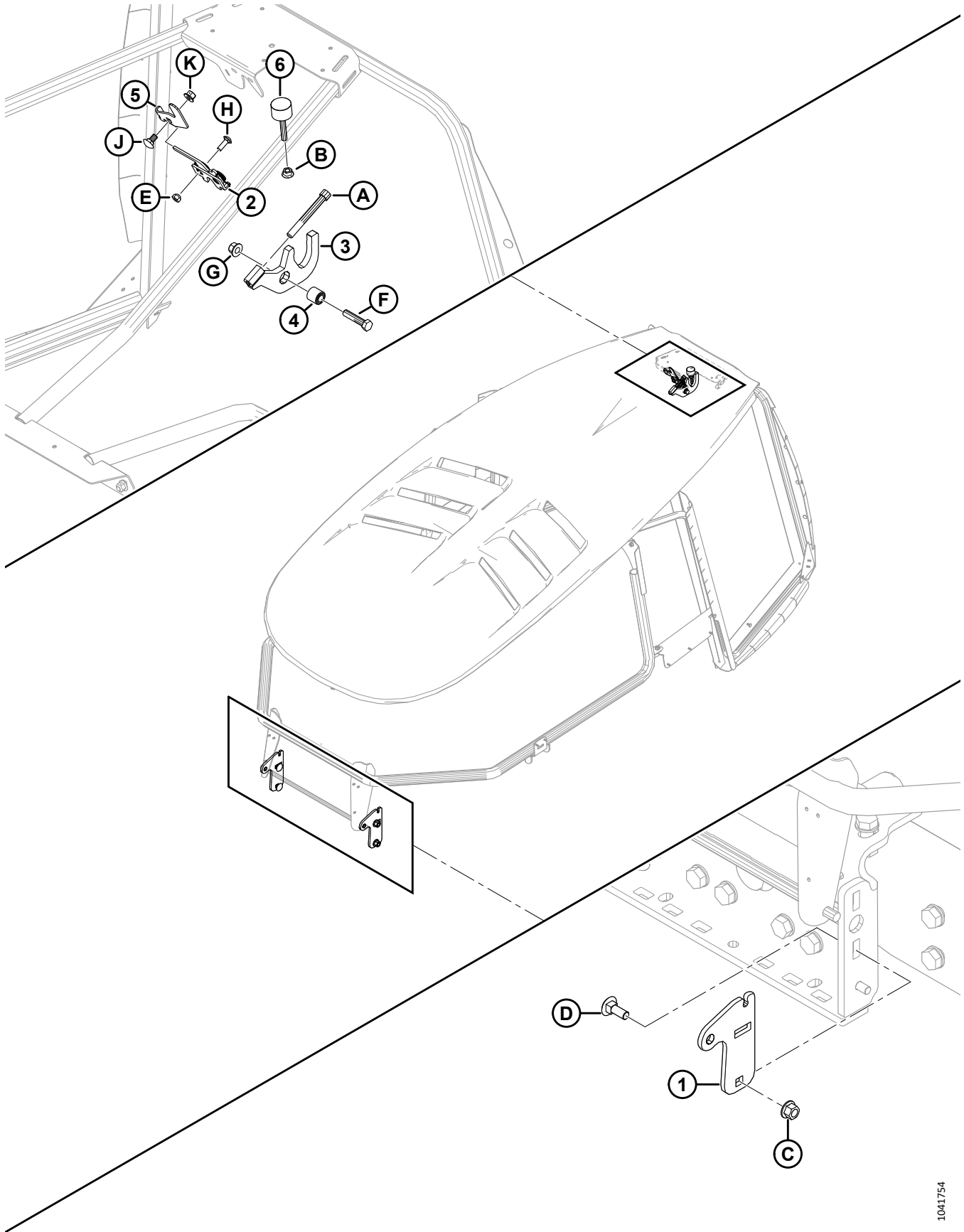


HOOD FRAME

Ref	Part Number	Description	Qty	Serial Number
1	205441	SUPPORT – HOOD REAR, WELDT	1	
2	291937	SERVICE KIT – HOOD FRAME, FRONT ⁴⁴	1	
3	207868	PLATE – HOOD, FRONT SEAL	2	
4	206665	PLATE – HOOD, BOTTOM SEAL	2	
5	207870	PLATE – HOOD, REAR SEAL, RH	1	
6	207869	PLATE – HOOD, REAR SEAL, LH	1	
7	207257	ANGLE – SEAL, FRONT	2	
8	207256	ANGLE – SEAL, REAR	2	
9	207329	CLIP – RATCHET RIVET	16	
10	208321	CLIP – BINDING POST, 1/4 IN.	4	
11	291796	BRACKET – PANEL, RH	1	
12	291795	BRACKET – PANEL, LH	1	
A	136178	BOLT – RHSN M10 X 1.5 X 20-8.8-A3L		
B	135799	NUT – HEX FLG CTR LOC M10 X 1.5-10-A3L		
C	252284	SCREW – HEX WASHER HD M6 X 1 X 16-450HV-A3L		

44. Includes brackets (MD #291795, 291796), four bolts (MD #136178), and four nuts (MD #135799).

28 Hood Latch Mechanism

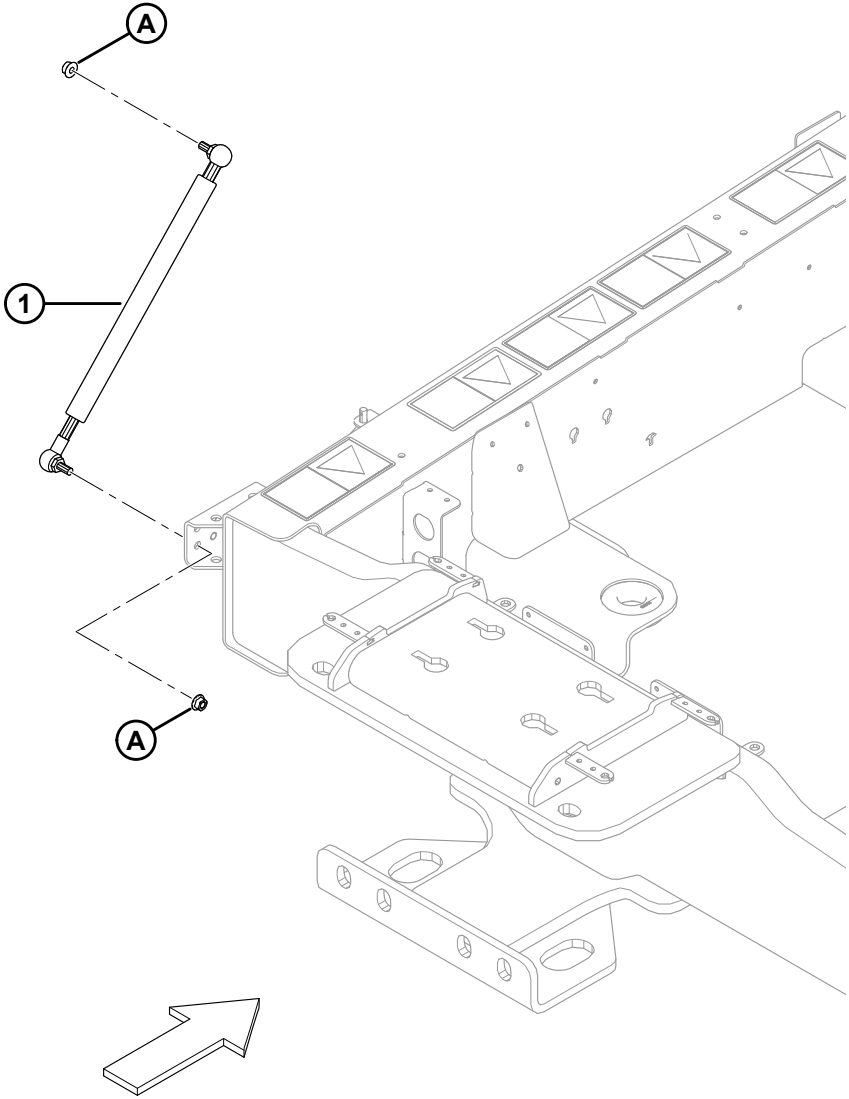
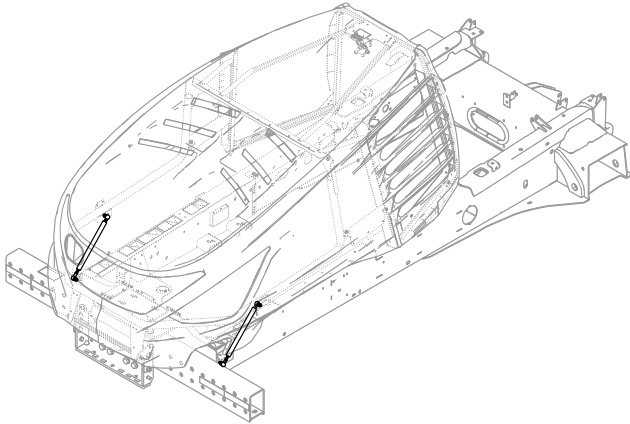


HOOD LATCH MECHANISM

Ref	Part Number	Description	Qty	Serial Number
1	207727	BRACKET – HOOD PIVOT	2	
2	208719	ASSY – STIRRUP LATCH	1	
3	141283	ARM – STRIKER, C/W BUSHING ⁴⁵	1	
4	21810	BUSHING – RUBBER	1	
5	205614	LEVER – HOOD RELEASE	1	
6	207430	BUMPER – RUBBER, M10	1	
A	135926	SCREW – HEX SOC HD M12 X 1.75 X 100-12.9-A3L		
B	135927	NUT – HEX SMTH FLG M10 X 1.5-8-A3L		
C	136440	NUT – HEX FLG CTR LOC M16 X 2-10-A3L		
D	136572	BOLT – RHSN M16 X 2 X 45-10.9-A3L		
E	136417	NUT – HEX SPCL M8 X 1.25		
F	152779	BOLT – HEX HD M12 X 1.75 X 55-8.8-A3L		
G	136431	NUT – HEX FLG CTR LOC M12 X 1.75-10-A3L		
H	136824	BOLT – RHSSN M8 X 1.25 X 25-8.8-A2L		
J	136178	BOLT – RHSN M10 X 1.5 X 20-8.8-A3L		
K	135799	NUT – HEX FLG CTR LOC M10 X 1.5-10-A3L		

45. Includes rubber bushing (MD #21810) and screw (MD #135926).

29 Hood Gas Shocks – Standard



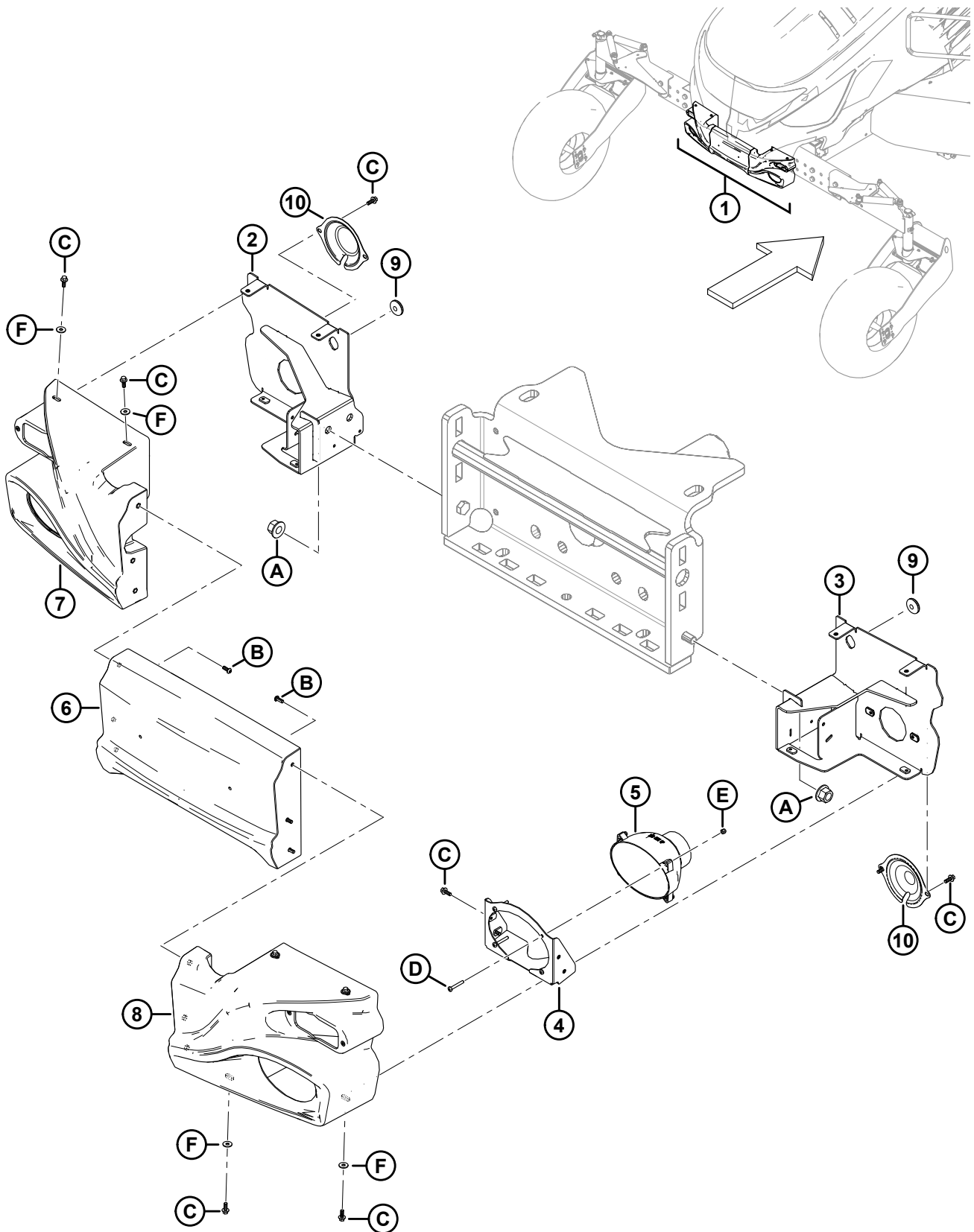
HOOD GAS SHOCKS – STANDARD

NOTE:

Alternative hood gas shocks are available when optional high debris hood scoops are installed. Refer to Section [118 \(Option\) High Debris Cooler Intake, page 263](#).

Ref	Part Number	Description	Qty	Serial Number
1	209688	SHOCK – GAS, HOOD	2	
A	135927	NUT – HEX SMTH FLG M10 X 1.5-8-A3L		

30 Rear Lights and Bezels



1041765

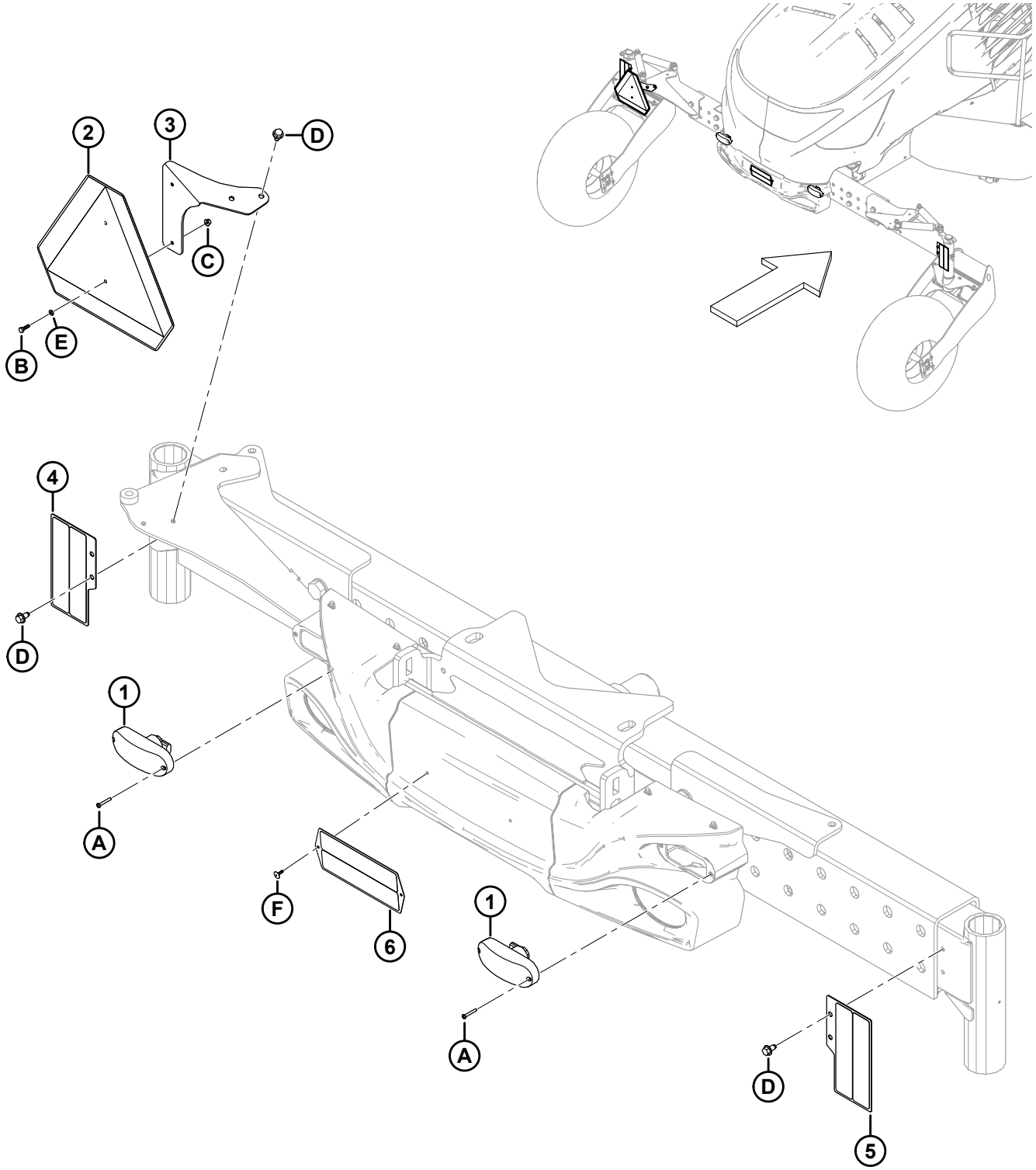
REAR LIGHTS AND BEZELS

Ref	Part Number	Description	Qty	Serial Number
1	310735	BEZEL – ASSEMBLY, REAR LIGHTS ⁴⁶	1	
2	310119	SUPPORT – LH REAR LIGHTS WELDT	1	
3	310120	SUPPORT – RH REAR LIGHTS WELDT	1	
4	207970	SUPPORT – HEADLIGHT	2	
5	201888	HEADLIGHT – FLUSH MOUNT ⁴⁷	2	
	110267	LIGHT – H4 BULB	2	
6	208502	BEZEL – CENTRE BLACK	1	
7	208503	BEZEL – LH BLACK	1	
8	208504	BEZEL – RH BLACK	1	
9	42415	GROMMET – 31.5 MM O.D. X 9.5 MM I.D.	2	
10	291073	COVER – BEZEL LIGHT CONNECTOR	2	
A	136440	NUT – HEX FLG CTR LOC M16 X 2-10-A3L		
B	136886	SCREW – HEX SOC M6 X 1 X 16-10.9-ZB		
C	135959	BOLT – HEX FLG HD M6 X 1 X 16-10.9-A2L		
D	136177	SCREW – PAN HD ISO 7045 M5 X 0.8 X 35-4.8-A2L		
E	197230	NUT – HEX NYLOC M5 X 0.8-8-A2L		
F	184706	WASHER – FLAT LARGE M6-200HV-A2L		

46. Includes center bezel (MD #208502), LH bezel (MD #208503), RH bezel (MD #208504), and screws (MD #136886).

47. Includes bulb (MD #110267).

31 Cab-Forward Lighting and Marking



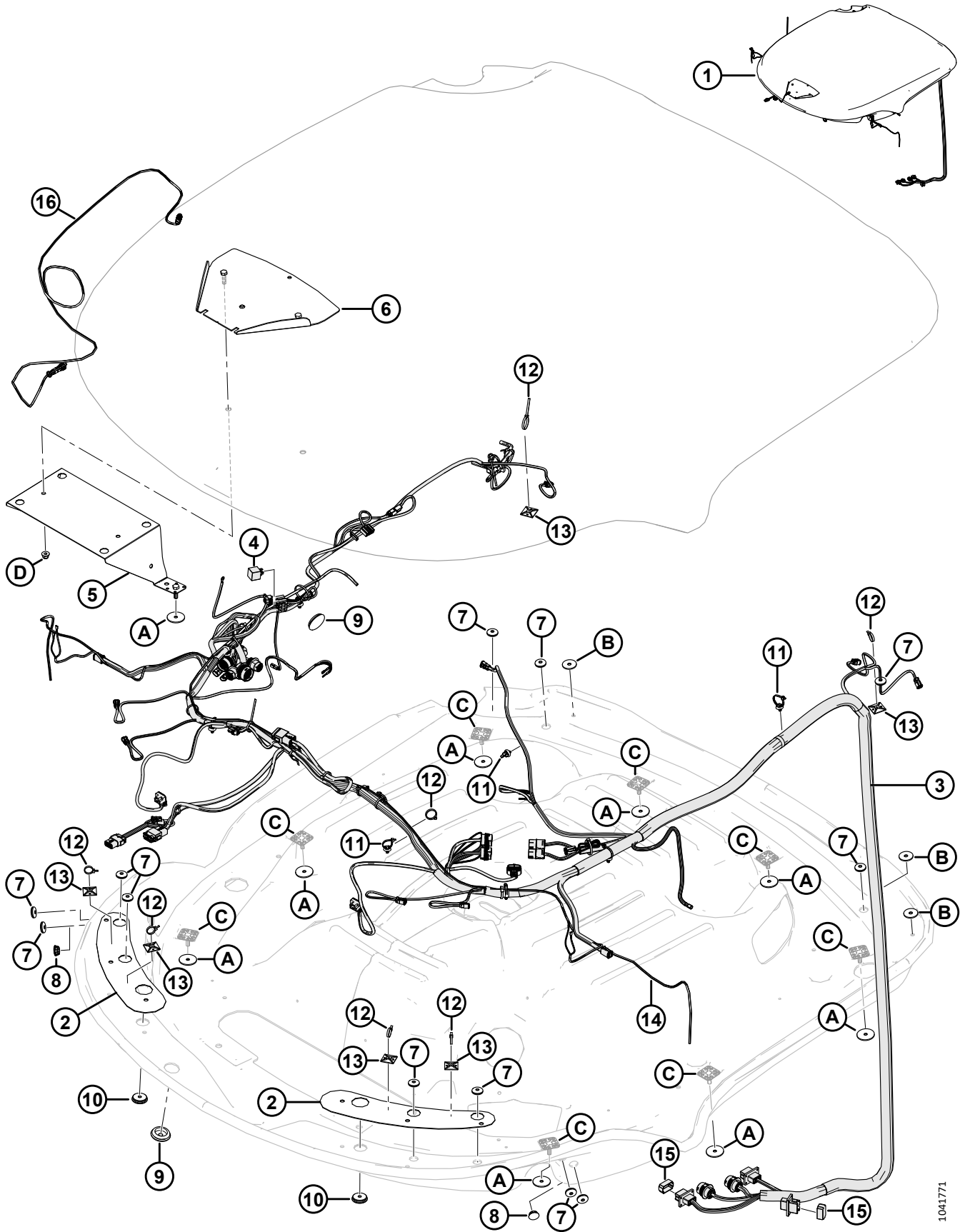
CAB-FORWARD LIGHTING AND MARKING

Ref	Part Number	Description	Qty	Serial Number
1	134079	LIGHT – RED	2	
2	21032	SIGN – METAL, SMV REFLECTOR ⁴⁸	1	
	115148	DECAL – SMV REFLECTOR		
3	291114	SUPPORT – SMV	1	
4	209802	PLATE – REFLECTOR, LH ⁴⁹	1	
5	209803	PLATE – REFLECTOR, RH ⁴⁹	1	
6	209792	ASSEMBLY – REFLECTOR C/W DECALS ⁴⁹	1	
A	136177	SCREW – PAN HD ISO 7045 M5 X 0.8 X 35-4.8-A2L		
B	184646	BOLT – HEX HD TFL M6 X 1 X 20-8.8-A2L		
C	152668	NUT – HEX FLG CTR LOC M6 X 1-8-A2L		
D	136209	SCREW – HEX WASHER HD M10 X 1.5 X 20-450HV-A3L		
E	184705	WASHER – FLAT M6-200HV-AA1J		
F	136536	RIVET – BLIND 3/16 IN X 0.50 IN, BLACK		

48. Includes decal (MD #115148).

49. Includes reflectors (MD #115145 and 115147).

32 Roof – Standard and Deluxe Cab



1041771

ROOF – STANDARD AND DELUXE CAB

NOTE:

Standard roof assembly (MD #306616) and deluxe roof assembly (MD #306617) include lower roof, upper roof, roof harness, and nav control cable only. For the headliner and roof lighting, refer to Section [33 Headliner – Radio, Speakers, and Relay Module, page 73](#) and Section [34 Roof – Lighting, page 77](#).

Ref	Part Number	Description	Qty	Serial Number
1	306616	ROOF ASSY – STRIPPED STANDARD CAB ⁵⁰		
	306617	ROOF ASSY – STRIPPED DELUXE CAB ⁵⁰		
2	201828	PLATE – LIGHTS	2	
3	309056	HARNESS – ROOF ⁵¹	1	
4	30215	RELAY – MINI, 12VDC (GPS)	1	
5	291583	SUPPORT WELDT – ROOF ⁵²	1	
6	291584	SUPPORT – GPS ANTENNA ⁵²	1	
7	42415	GROMMET – 31.5 MM O.D. X 9.5 MM I.D. ⁵³		
8	200780	PLUG – NYLON, BLACK (STANDARD CAB) ⁵⁴	2	
9	183315	PLUG – 1.75 IN. I.D.	2	
10	252237	GROMMET – PLASTIC, 3/8 IN. I.D. X 1.5 IN. O.D.	2	
11	136655	FASTENER – FIR TREE MOUNT WITH CABLE TIE	11	
12	21763	FASTENER – CABLE TIE, BLACK, 160 MM LG	A/R	
13	134572	BASE – MB5, ACRYLIC ADHESIVE MOUNT	6	
14	205396	HARNESS – POWER MIRROR (DELUXE CAB) ⁵⁵	1	
15	134782	DUST CAP – RECPT, 12 POS. DT ⁵⁶	2	
16	309046	CABLE – NAV-900 BROAD REACH	1	
A	136176	WASHER – RUBBER		
B	136428	WASHER – FLAT LARGE M10-200HV-A3L		
C	REF	BOLT – BONDED TO LOWER ROOF		
D	252807	NUT – HEX FLG NYLOC M10 X 1.5 X SPCL-8-AA1J		

50. Includes lower roof, upper roof, roof harness, and nav control cable only. For the headliner and roof lighting, refer to Section [33 Headliner – Radio, Speakers, and Relay Module, page 73](#) and [34 Roof – Lighting, page 77](#).

51. Includes mini relay (MD #30215).

52. Includes two welded 35 mm hex head bolts.

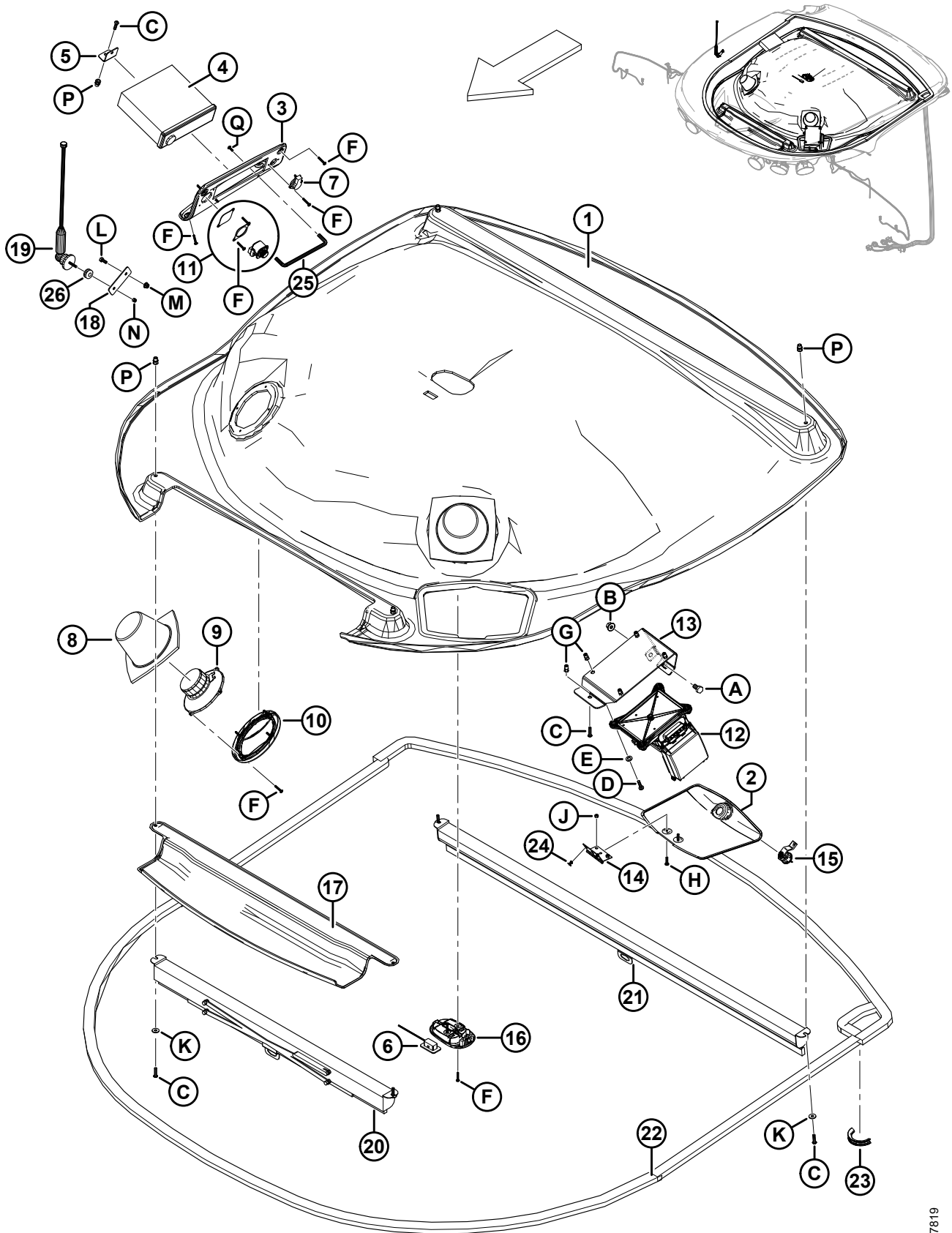
53. Quantity: standard cab = 10; deluxe cab = 12.

54. Used only for standard cab configuration, when no power mirror harness is present.

55. Harness optional for standard cab.

56. Used to protect GPS bulkhead connectors on roof harness.

33 Headliner – Radio, Speakers, and Relay Module



1027819

HEADLINER – RADIO, SPEAKERS, AND RELAY MODULE

Ref	Part Number	Description	Qty	Serial Number
1	201750	HEADLINER	1	
2	209918	COVER – RELAY MODULE	1	
3	291503	COVER – RADIO	1	
4	306453	RADIO – BLUETOOTH	1	
5	207128	SUPPORT – RADIO	1	
6	207135	HARNESS – MICROPHONE	1	
7	205890	HARNESS – USB	1	
8	205948	BAFFLE – SPEAKER	2	
9	205065	SPEAKER – RADIO	2	
10	205211	SCREEN – SPEAKER GRILLE	2	
11	252254	PLUG (STANDARD CAB, NOT ILLUSTRATED) ⁵⁷	A/R	
	291487	PLATE – COVER, MIRROR SWITCH (STANDARD CAB) ⁵⁸	1	
	291486	PLATE – MOUNT, MIRROR SWITCH (DELUXE CAB) ⁵⁸	1	
	205892	SWITCH – POWER MIRROR (DELUXE CAB) ⁵⁸	1	
12	208160	MODULE – RELAY MODULE, 10 RELAY	1	
13	208685	SUPPORT – RELAY MODULE, WELDMENT ⁵⁹	1	
14	204781	HINGE – BUTT	1	
15	204787	LATCH – CAM	1	
16	201707	LIGHT – DOME	1	
	208191	BULB – DOME LIGHT		
17	206071	COVER – ROOF	1	
18	205929	PLATE – WELDT ANTENNA GROUND ⁶⁰	1	
19	201710	ANTENNA – RADIO C/W CABLE	1	
	208245	ANTENNA – MAST ONLY		
20	291490	SHADE – FRONT WINDOW	1	
21	291489	SHADE – REAR WINDOW	1	
22	201522	SEAL – FOAM, 6500 MM LG ±15	1	
23	194082	MOULDING – 80 MM LG	1	
24	113799	RIVET – POP	4	
25	160414	HANDLE – RADIO SUPPORT	1	
26	293129	GROMMET – 3/16 ID, 9/32 OD	1	
A	136148	BOLT – HEX HD TFL M10 X 1.5 X 20-8.8-BO		
B	135799	NUT – HEX FLG CTR LOC M10 X 1.5-10-A3L		
C	252236	SCREW – HEX SOC M6 X 1 X 25-10.9-ZB		
D	136252	SCREW – PAN HD M6 X 1 X 25-4.8-H-A2L		
E	184708	WASHER – FLAT M8-200HV-A2L		
F	252235	SCREW – PAN HD # 8 X 1 LG ZP		
G	252234	RIVNUT – M6 X 1.0 HEX 3.0-5.5		

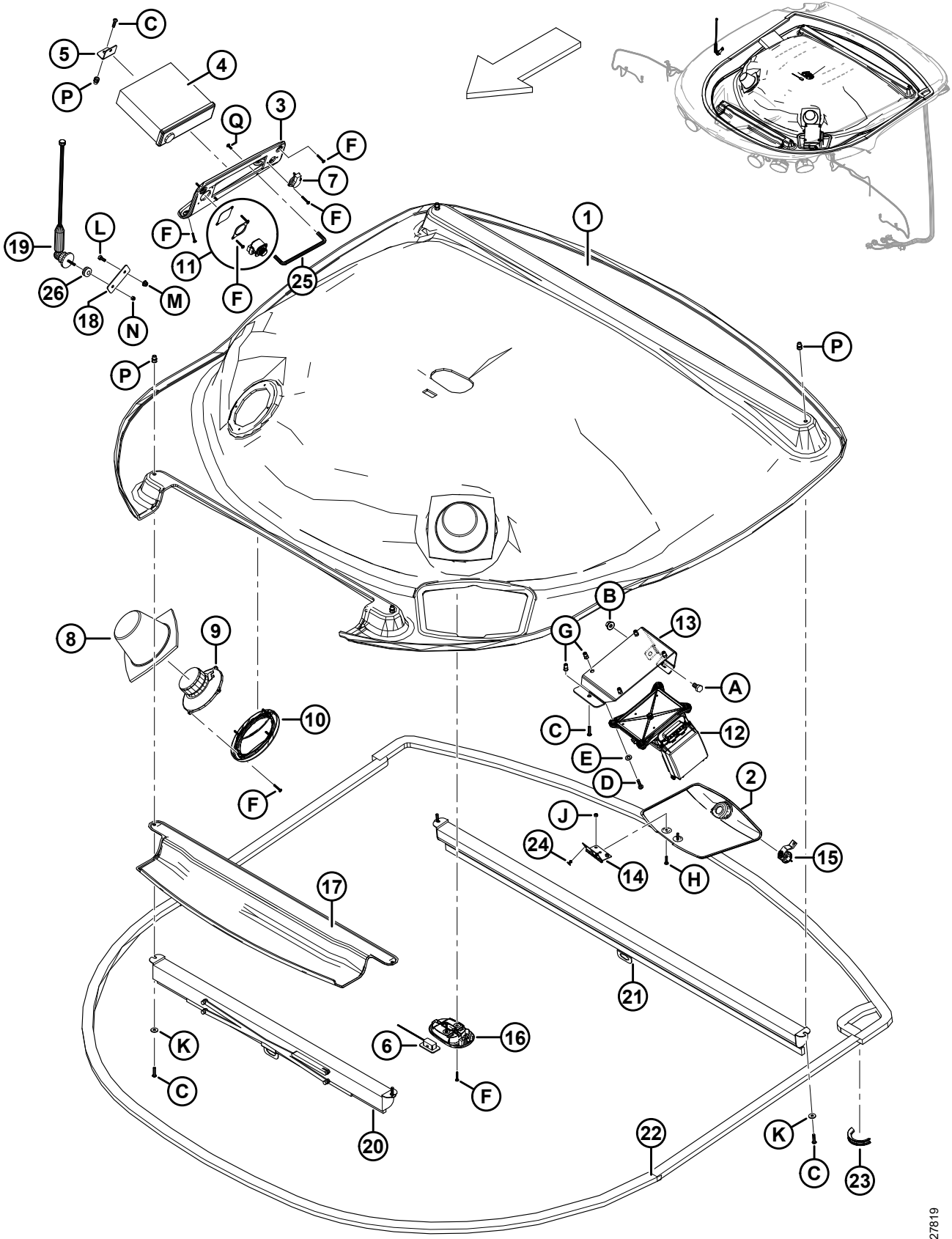
57. Service part only for windrowers with standard roof assemblies and discontinued radio cover (MD #206072). For units that have been serviced with radio cover (MD #291503), order cover plate (MD #291487).

58. For windrowers with standard roof assemblies, order cover plate (MD #291487). For windrowers with deluxe roof assemblies, order switch mount plate (MD #291486) and power mirror switch (MD #205892).

59. Includes bolt (MD #136148).

60. Includes bolt (MD #136707), which is welded in place.

HEADLINER – RADIO, SPEAKERS, AND RELAY MODULE



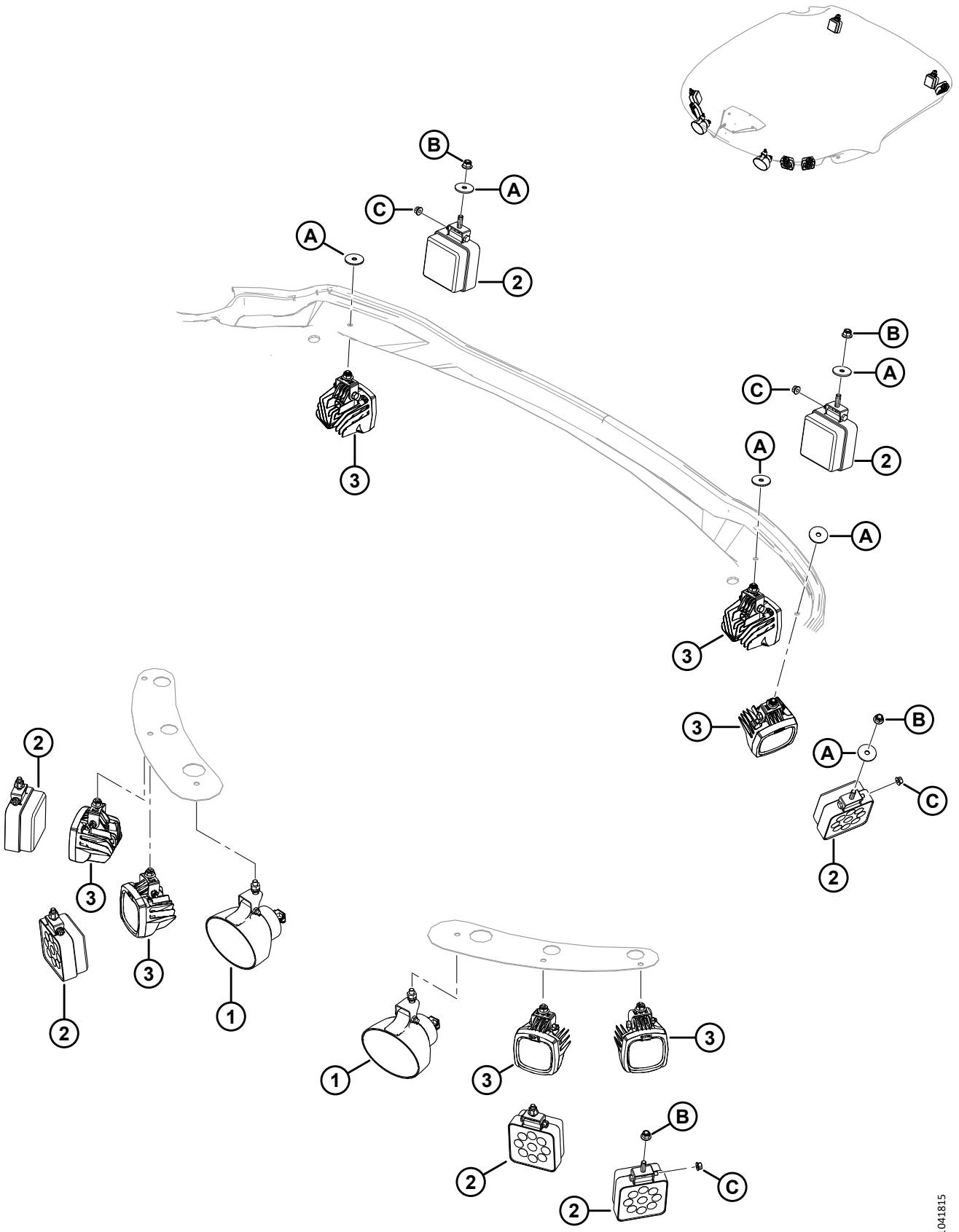
1027819

HEADLINER – RADIO, SPEAKERS, AND RELAY MODULE

Ref	Part Number	Description	Qty	Serial Number
H	252203	SCREW – PAN HD ISO 7045 M5 X 0.8 X 20-SS-PLN		
J	184682	NUT – HEX M5 X 0.8-6-A2L		
K	184706	WASHER – FLAT LARGE M6-200HV-A2L		
L	136707	BOLT – HEX HD M6 X 1 X 16-8.8-BLK		
M	152668	NUT – HEX FLG CTR LOC M6 X 1-8-A2L		
N	197230	NUT – HEX NYLOC M5 X 0.8-8-A2L		
P	252585	RIVNUT – M6 X 1.0 HEX 4.2-6.6 ⁶¹		
Q	109918	SCREW – MACHINE PHILLIPS #8 NC X 0.5 LG GR 2		

61. Used on the front and rear window shades and radio support.

34 Roof – Lighting

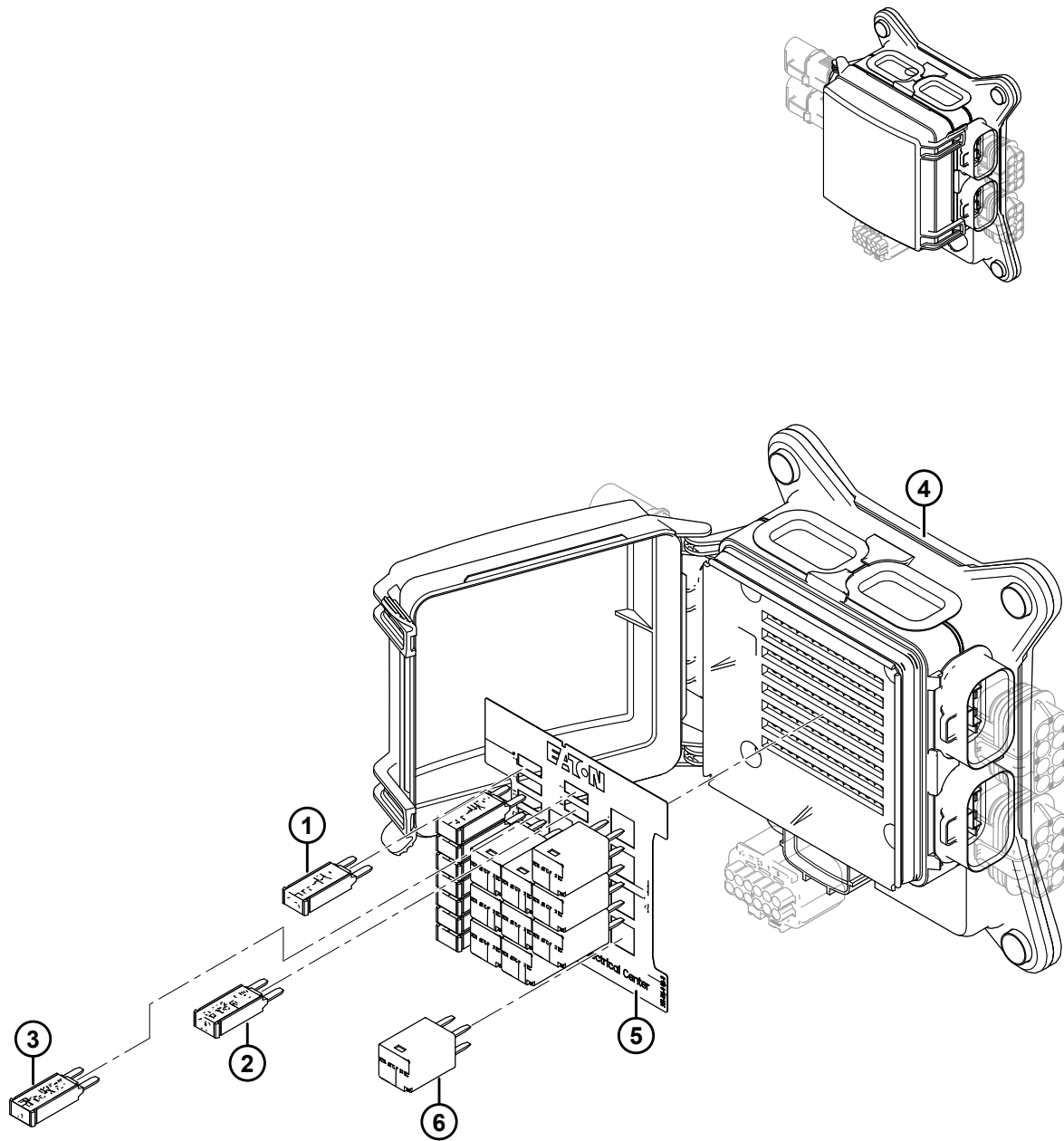


ROOF – LIGHTING

Ref	Part Number	Description	Qty	Serial Number
	B6889	KIT – WINDROWER LIGHTING UPGRADE (8 LED WORKLIGHTS) ⁶²		
1	201401	HEADLIGHT – PENDANT MOUNT	2	
	110267	LIGHT – H4 BULB 12 VOLT 60/55 WATT		
2	306465	LIGHT – FLOOD, LED (STANDARD CAB)	7	
3	306182	LIGHT – WORK, LED (DELUXE CAB)	7	
A	136428	WASHER – FLAT LARGE M10-200HV-A3L		
B	252807	NUT – HEX FLG NYLOC M10 X 1.5 X SPCL-8-AA1J		
C	135337	NUT – HEX FLG CTR LK M8 X 1.25-8-AA1J		

62. Windrower Lighting Upgrade kit (MD #B6889) is optional for standard cab and included with deluxe cab windrowers. Kit includes eight LED flood lights (MD #306182) and instructions. Kits are available through Whole Goods only.

35 Roof Relay Module – Service Parts

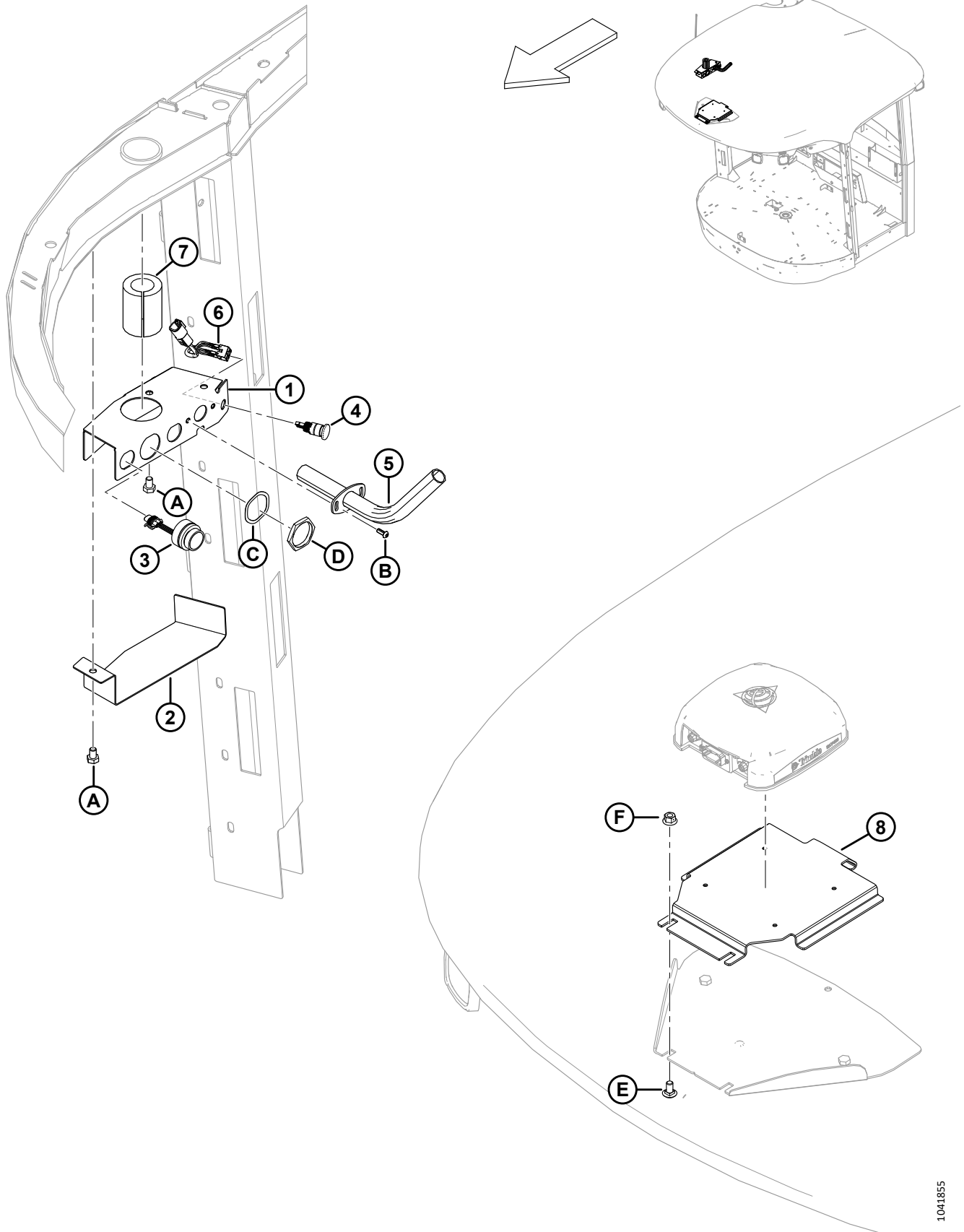


ROOF RELAY MODULE – SERVICE PARTS

Ref	Part Number	Description	Qty	Serial Number
	208160	MODULE – RELAY MODULE, 10 RELAY ⁶³		
1	134452	BREAKER – S21, MINI, 15 AMP, TYPE 1	8	
2	134451	BREAKER – S21, MINI, 10 AMP, TYPE 1	1	
3	134679	BREAKER – S21, MINI, 5 AMP, TYPE 1	1	
4	NSS	MODULE – RELAY MODULE, 10 RELAY	1	
5	NSS	DECAL – RELAY MODULE, 10 RELAY	1	
6	134458	RELAY – ULTRA MICRO, ISO SPST	10	

63. Refer to Section [33 Headliner – Radio, Speakers, and Relay Module](#), page 73.

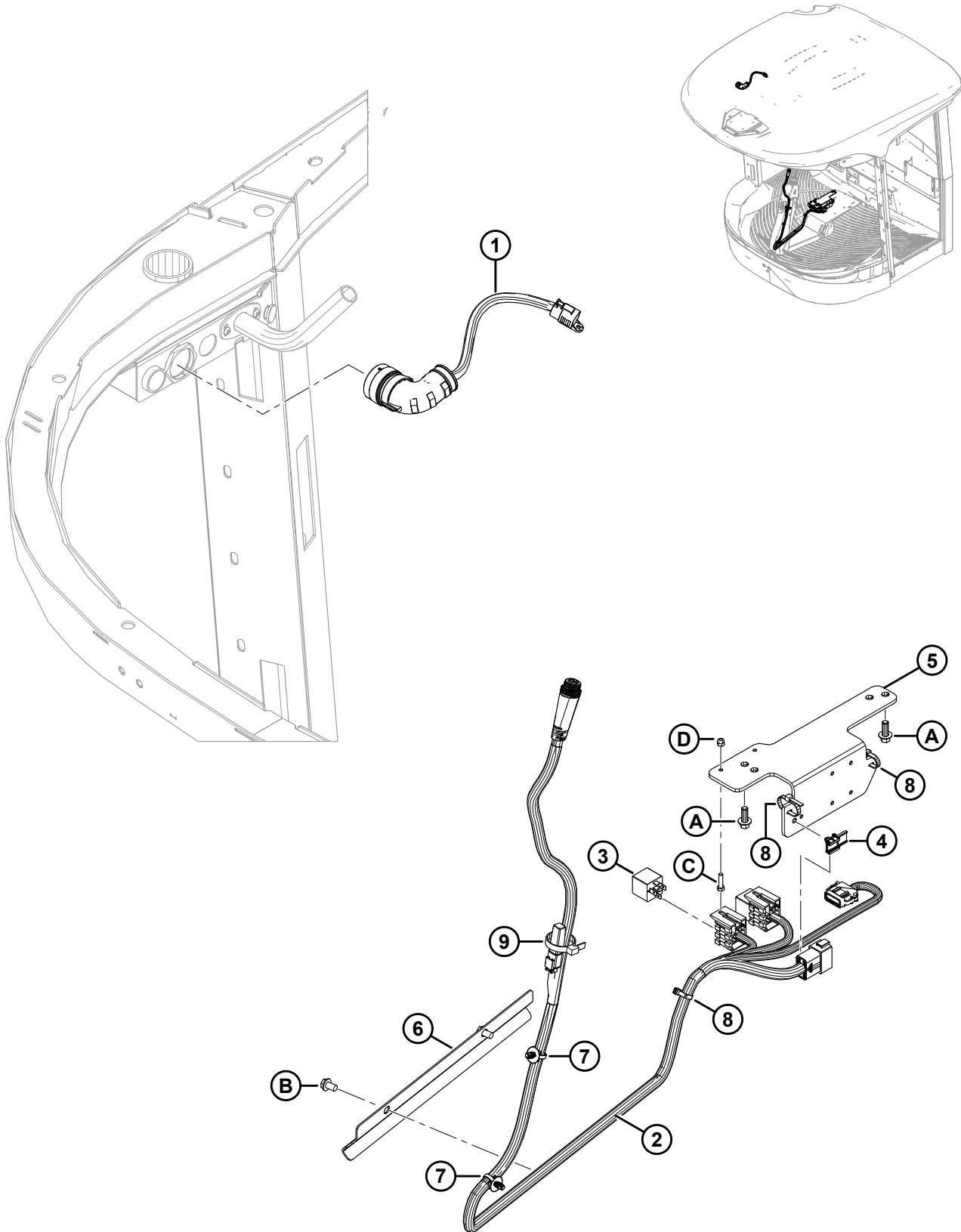
36 Cab GPS Bulkhead/Display Mount



CAB GPS BULKHEAD/DISPLAY MOUNT

Ref	Part Number	Description	Qty	Serial Number
1	306012	PANEL WELDT – GPS BULKHEAD	1	
2	306177	COVER – GPS BULKHEAD	1	
3	183316	BUZZER – SONALERT	1	
4	134929	SWITCH – EMERGENCY STOP, OPERATOR, RED	1	
5	306013	TUBE WELDT – GPS DISPLAY	1	
6	141491	HARNESS – ROADING SWITCH, 4 POS	1	
7	NSS	FOAM – INSULATOR	1	
8	309037	BRACKET – NAV-900 ANTENNA MOUNT	1	
A	50071	BOLT – HEX HD TFL M10 X 1.5 X 15-8.8-A3L		
B	136886	SCREW – HEX SOC M6 X 1 X 16-10.9-ZB		
C	134730	WASHER – LOCK, HDP20, SIZE 24		
D	134728	NUT – PANEL, HDP20, SIZE 24		
E	184657	BOLT – RHSSN M10 X 1.5 X 20-8.8-AA1J		
F	135799	NUT – HEX FLG CTR LOC M10 X 1.5-10		

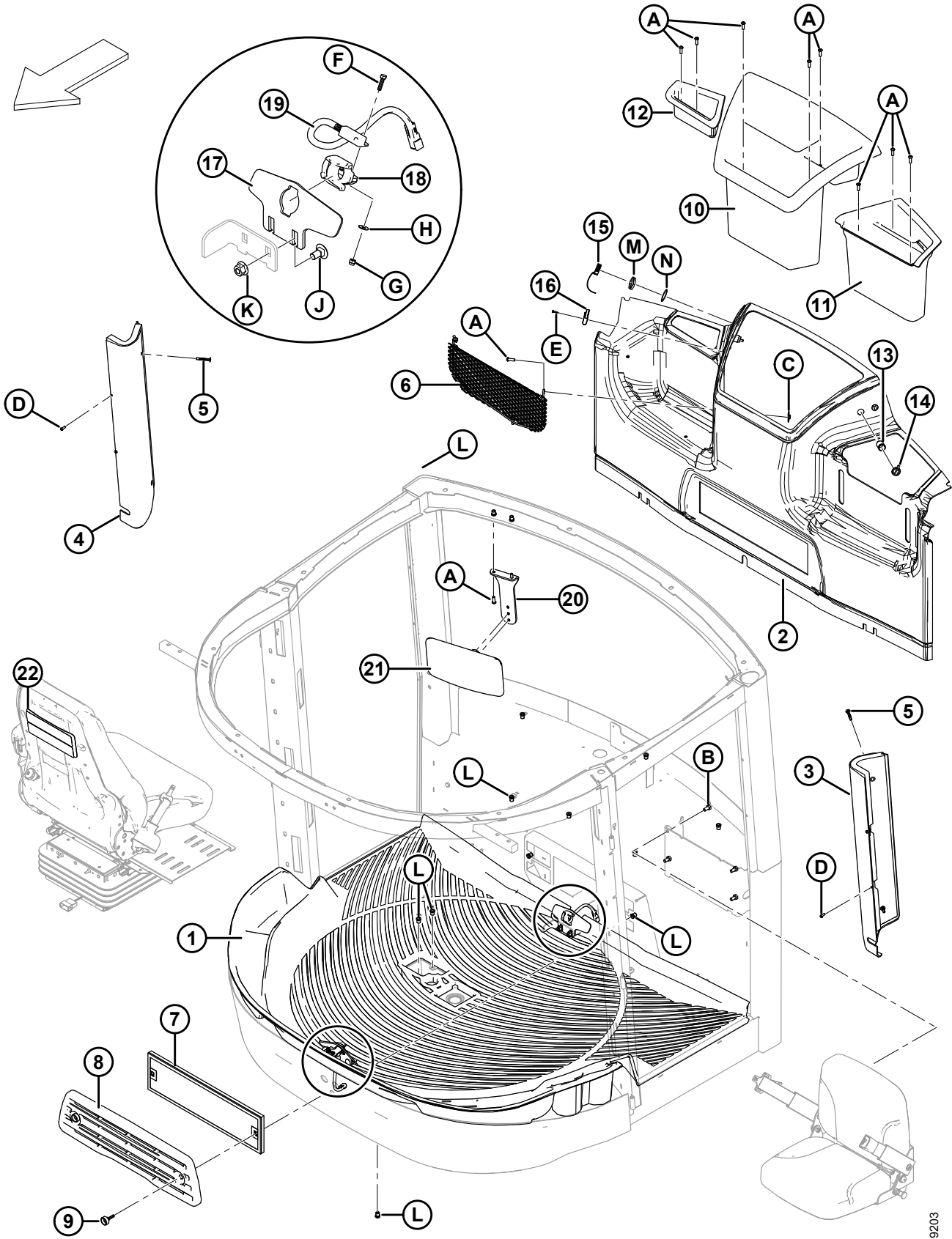
37 Electrical – Autosteer



ELECTRICAL – AUTOSTEER

Ref	Part Number	Description	Qty	Serial Number
1	309045	HARNESS – POWER, GFX DISPLAY	1	
2	207956	HARNESS – TRIMBLE EZ-PILOT GPS	1	
3	30215	RELAY – MINI, 12 VDC	2	
4	134612	CLIP – RECEPTACLE MOUNT	1	
5	291054	SUPPORT – GPS MODULE	1	
6	204769	GUIDE – WIRING	1	
7	136655	FASTENER – FIR TREE MOUNT W/ TIE, 200 MM LG	2	
8	21763	FASTENER – CABLE TIE, BLACK, 160 MM LG	3	
9	30753	FASTENER – CABLE TIE, BLACK, 305 MM LG	1	
A	136300	BOLT – HEX FLG HD TFL M8 X 1.25 X 20-8.8-AA3L		
B	50124	SCREW – HEX WASHER HD THD CUTTING		
C	184640	BOLT – HEX HD M5 X 0.8 X 20-8.8-A2L		
D	197230	NUT – HEX NYLOC M5 X 0.8-8-A2L		

38 Cab Interior and Upholstery

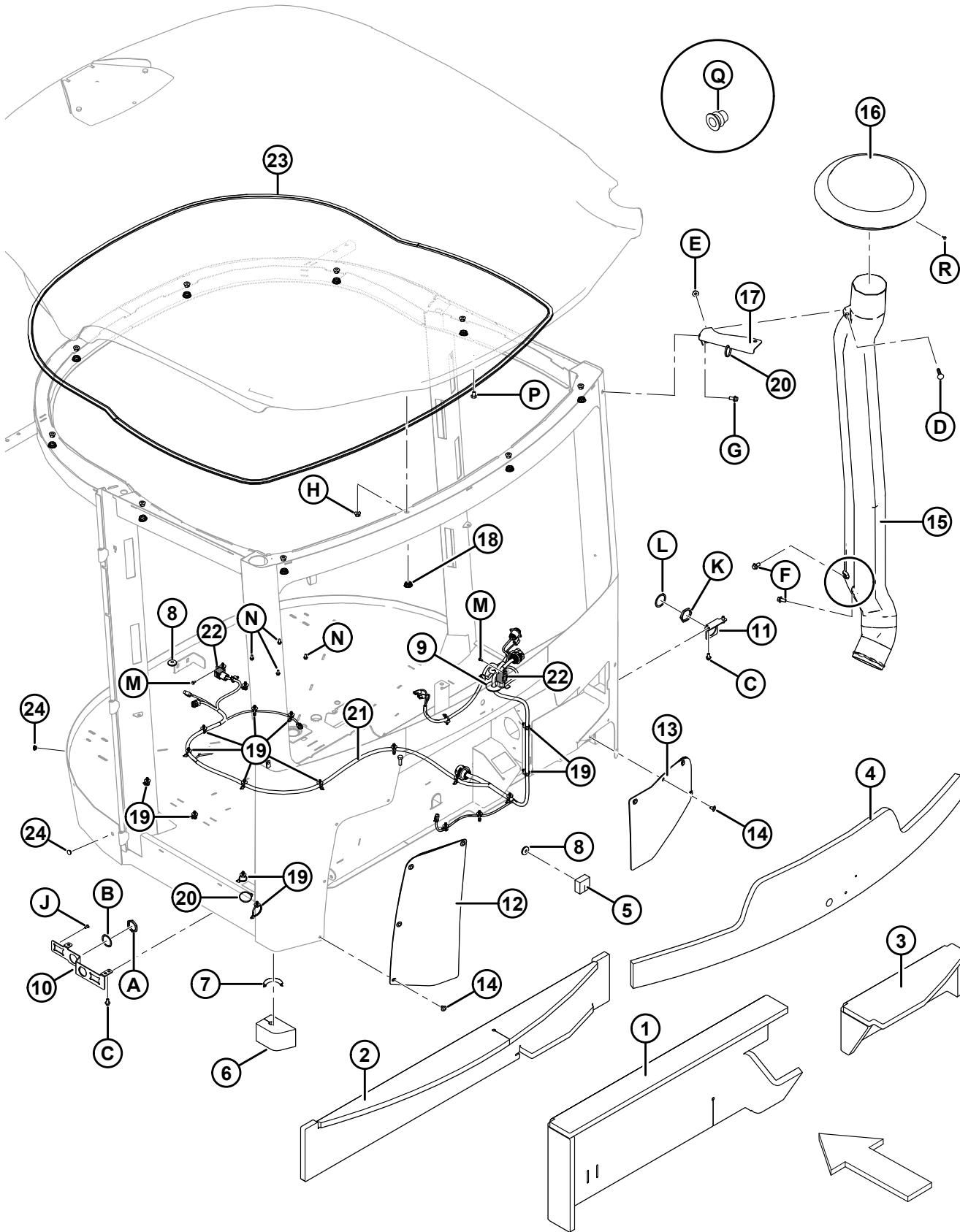


1019203

CAB INTERIOR AND UPHOLSTERY

Ref	Part Number	Description	Qty	Serial Number
1	208239	MAT – FLOOR BROWN	1	
2	207191	PANEL ASSEMBLY – REAR	1	
3	207148	PANEL ASSEMBLY – LH POST	1	
4	207149	PANEL ASSEMBLY – RH POST	1	
5	252613	CHRISTMAS TREE CLIP	4	
6	207570	HOLDER – STORAGE MESH	1	
7	109797	CLEANER – RECIRC AIR ELECTROSTATIC	1	
8	207554	COVER – RECIRCULATION	1	
9	205579	KNOB – M8 X 1.25 X 30 LG	2	
10	203550	CONTAINER – CENTRE	1	
11	203551	CONTAINER – LEFT	1	
12	209917	CONTAINER – RIGHT	1	
13	109080	TERMINAL – POWER OUTLET	3	
14	109081	CAP – POWER OUTLET	3	
15	134777	CAP – DIAGNOSTIC PORT	1	
16	134778	CAP – POWER SUPPLY, SWITCHED AND UNSWITCHED	1	
17	208107	PLATE – LATCH	2	
18	202230	INSERT – LATCH PLATE	2	
19	200974	SWITCH – SEAT	2	
20	202721	SUPPORT – MIRROR INTERIOR	1	
21	208371	MIRROR – INTERIOR REAR VIEW	1	
22	209476	ASSEMBLY – REFLECTOR SEAT	1	
A	184649	SCREW – HEX SOC BTN HD M8 X 1.25 X 25-12.9-A2L		
B	184661	BOLT – HEX HD TFL M10 X 1.5 X 30-8.8-AA1J		
C	252201	NUT – M8 SPECIAL		
D	136886	SCREW – HEX SOC M6 X 1 X 16-10.9-ZB		
E	30492	SCREW – PHILIPS PAN HD #8 X 3/4 LG ZP		
F	184640	BOLT – HEX HD M5 X 0.8 X 20-8.8-A2L		
G	197230	NUT – HEX NYLOC M5 X 0.8-8-A2L		
H	184701	WASHER – FLAT LARGE M5-200HV-A2L		
J	136178	BOLT – RHSN M10 X 1.5 X 20-8.8-A3L		
K	135799	NUT – HEX FLG CTR LOC M10 X 1.5-10-A3L		
L	252179	NUT – RIV M8 X 1.25 HEX X 0.7-3.8		
M	134727	NUT – PANEL, HDP20, SIZE 18		
N	134729	WASHER – LOCK, HDP20, SIZE 18		

39 Cab Exterior and Air Intake Stack



CAB EXTERIOR AND AIR INTAKE STACK

Ref	Part Number	Description	Qty	Serial Number
1	201859	INSULATOR – REAR LOWER	1	
2	141205	INSULATOR – REAR UPPER ⁶⁴	1	
3	201886	INSULATOR – REAR RIGHT	1	
4	204184	INSULATOR – REAR GLASS	1	
5	205191	SEAL – REAR	1	
6	205190	SEAL – CORNER POST	1	
7	194082	MOULDING – 80 MM LG	1	
8	42415	GROMMET – 31.5 MM O.D. X 9.5 MM I.D.	2	
9	252170	GROMMET – PLASTIC, 17 MM I.D. X 2 IN. O.D.	1	
10	209841	SUPPORT – HARNESS	1	
11	207230	SUPPORT – HARNESS	1	
12	207400	FLAP ASSY – LEFT	1	
13	207401	FLAP ASSY – RIGHT	1	
14	252189	FASTENER – SNAP RIVET	8	
15	202604	DUCT – AIR ⁶⁵	1	
16	201838	DUCT – AIR INLET	1	
17	205262	BRACKET – AIR DUCT, FLOOD LIGHT	1	
18	200780	PLUG	10	
19	136655	FASTENER – FIR TREE MOUNT WITH CABLE TIE	22	
20	21763	FASTENER – CABLE TIE, BLACK, 160 MM LG	2	
21	207291	HARNESS – CAB, LOWER ⁶⁶	1	
	500470	CONNECTOR – DEUT, DT, 3/M, J1939 (CAN TERMINATOR)		
22	134706	RELAY – MINI, WITH MOUNTING BRACKET (WIPERS)	A/R	
23	201757	SEAL – HEADLINER TRIM	1	
24	252968	PLUG – PRONGS .500 DIA BLACK	4	
A	134727	NUT – PANEL, HDP20, SIZE 18		
B	134729	WASHER – LOCK, HDP20, SIZE 18		
C	136485	BOLT – HEX FLG HD TFL M8 X 1.25 X 16-8.8-A3L		
D	184658	BOLT – RHSSN M10 X 1.5 X 50-8.8-A3L		
E	184692	NUT – HEX NYLOC M10 X 1.5-8-A3L		
F	152670	BOLT – HEX FLG HD M10 X 1.5 X 20 X SPCL-8.8-A3L		
G	152655	BOLT – HEX FLG HD M10 X 1.5 X 20-8.8-A3L		
H	135799	NUT – HEX FLG CTR LOC M10 X 1.5-10-A3L		
J	252247	SCREW – PAN HD #12-14 X 1/2-RC45-ZP		
K	134728	NUT – PLASTIC, DEUTSCH, HDP, SIZE 24		
L	134011	WASHER – LOCK SPRING, DEUTSCH HD, SIZE 24		
M	42292	SCREW – SELF TAPPING HEX WASH HD #10 X 1/2 ZP		
N	21055	SCREW – SELF TAP HEX WASH HD 1/4 NC X 1/2 ⁶⁷		
P	50071	BOLT – HEX HD TFL M10 X 1.5 X 15-8.8-A3L		

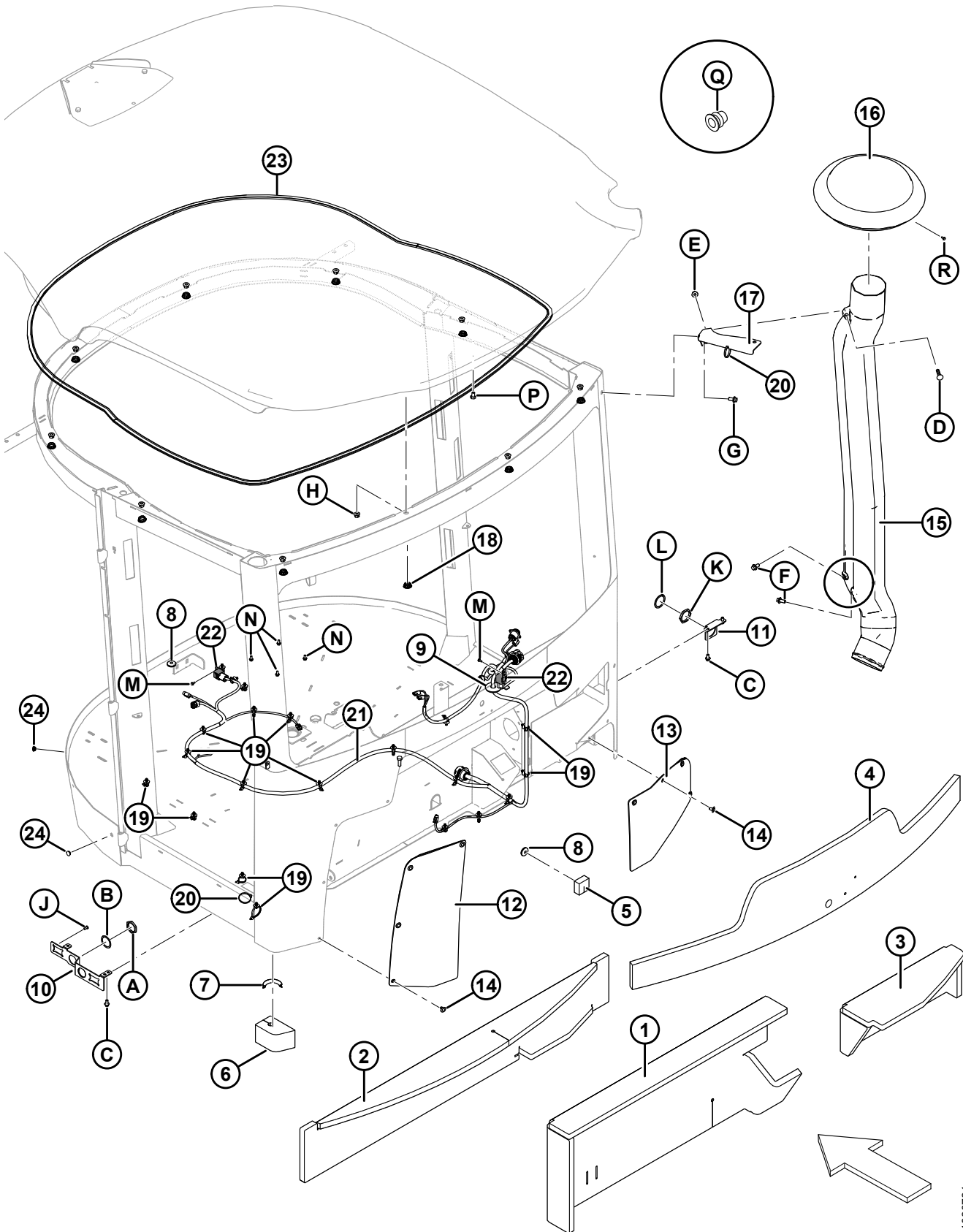
64. Rear upper insulator received in three pieces for easier installation.

65. Includes two riv nuts (MD #232271).

66. Includes mini relay (MD #134706).

67. Installed as placeholders. Used to hold GPS module for windrowers equipped with Trimble® Autopilot™.

CAB EXTERIOR AND AIR INTAKE STACK

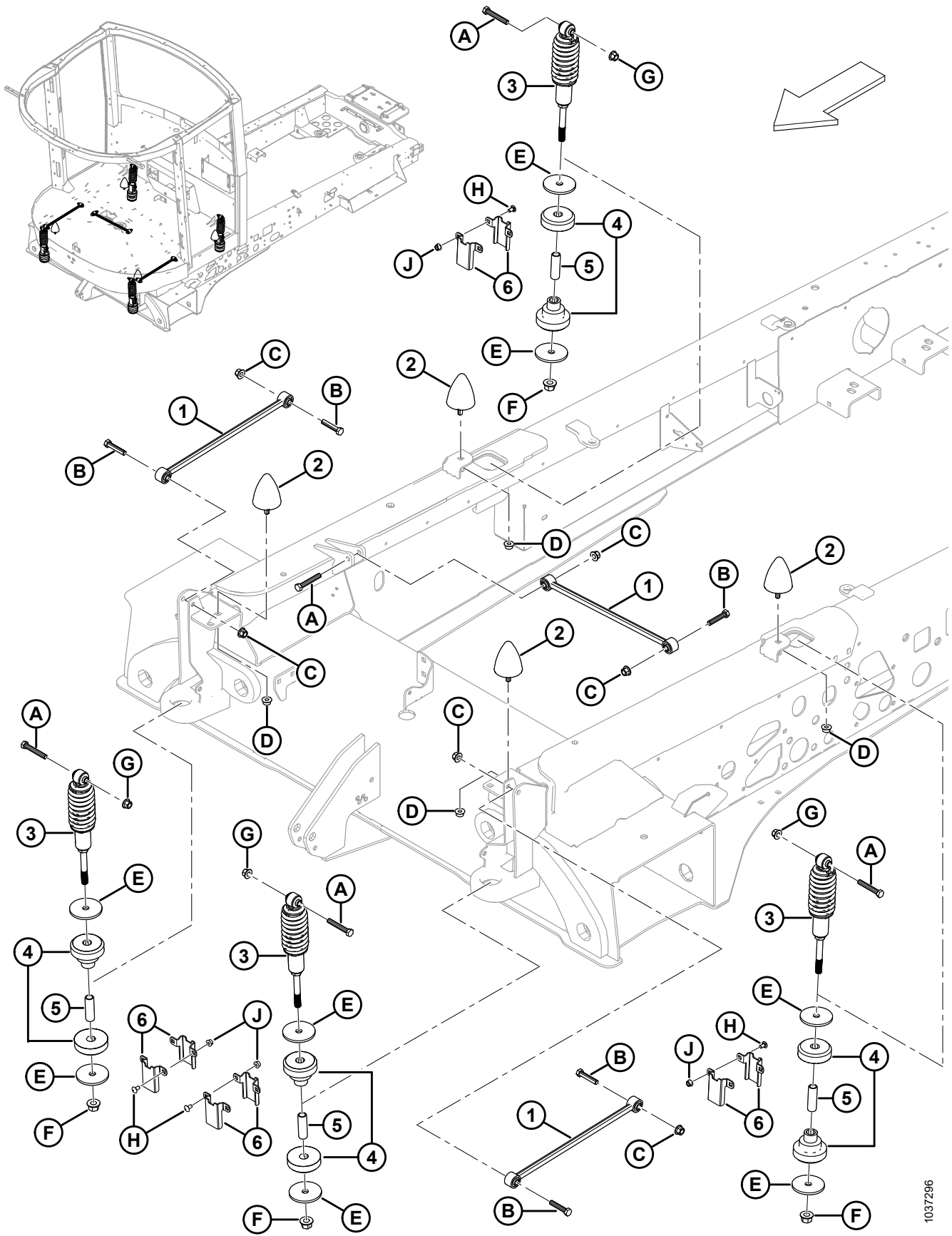


1030781

CAB EXTERIOR AND AIR INTAKE STACK

Ref	Part Number	Description	Qty	Serial Number
Q	232271	NUT – RIV M10 X 1.5 RND 3.8-7.9		
R	42292	SCREW – SELF TAPPING HEX WASH HD #10 X 1/2 ZP		

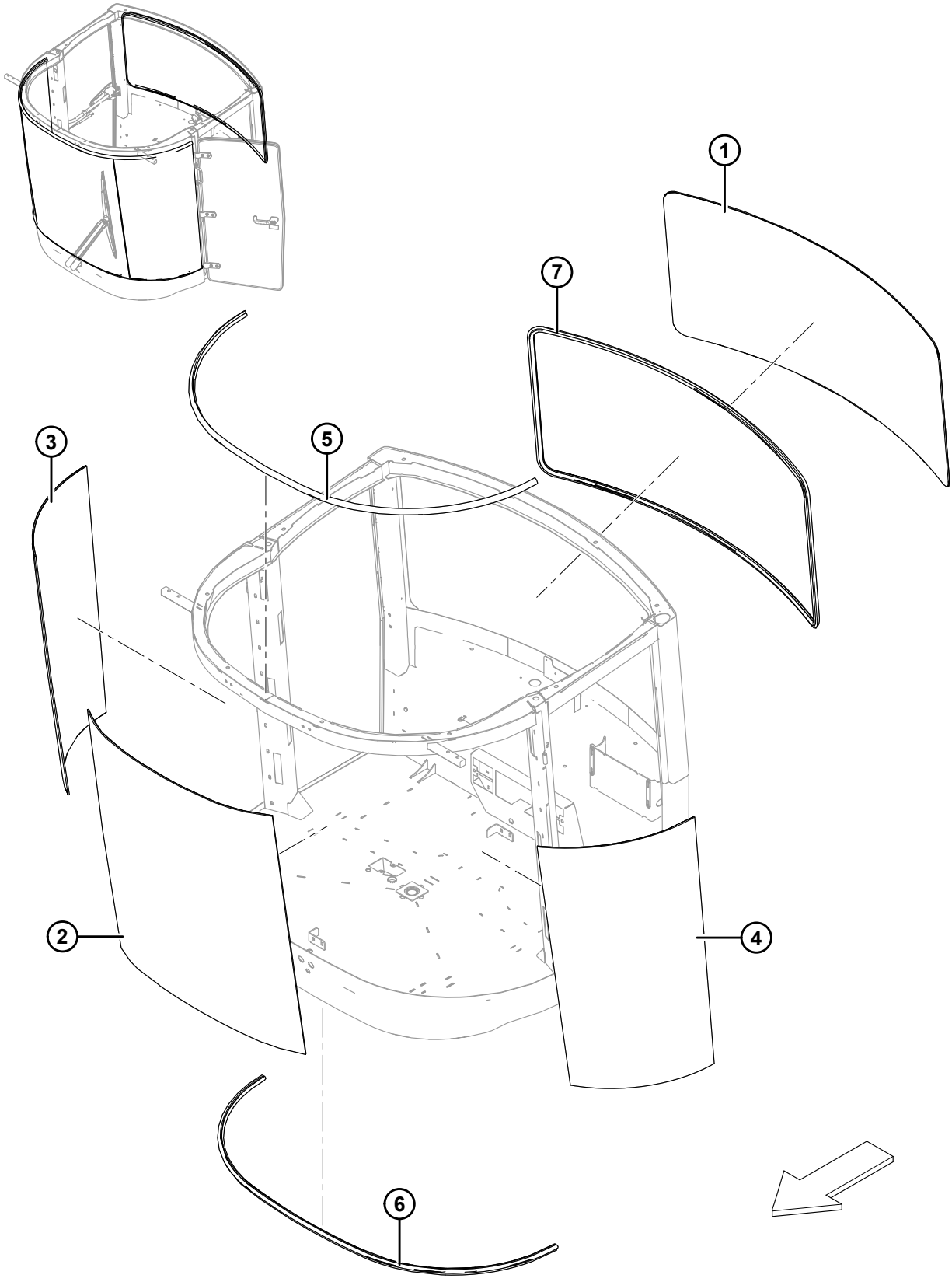
40 Cab Suspension



CAB SUSPENSION

Ref	Part Number	Description	Qty	Serial Number
1	306692	ASSY – STABILIZER LINK	3	
2	208083	BUMPER – RUBBER	4	
3	205950	DAMPENER – CAB	4	
4	166530	INSULATOR	4	
5	166539	SPACER – 16.66 MM I.D., 23.38 MM O.D., 72.7 MM LG	4	
6	291430	SUPPORT – CAB SHOCK CHANNEL	8	
A	135155	BOLT – HEX HD M12 X 1.75 X 75-8.8-A3L		
B	152274	BOLT – HEX HD M12 X 1.75 X 60-8.8-A3L		
C	136431	NUT – HEX FLG CTR LOC M12 X 1.75-10-A3L		
D	136036	NUT – HEX SMTH FLNG M12 X 1.75-8-A3L		
E	206946	WASHER – FLAT		
F	136440	NUT – HEX FLG CTR LOC M16 X 2-10-A3L		
G	136431	NUT – HEX FLG CTR LOC M12 X 1.75-10-A3L		
H	191489	BOLT – RHSSN TFL M8 X 1.25 X 16-8.8-A2L		
J	135337	NUT – HEX FLG CTR LOC M8 X 1.25-8-A2L		

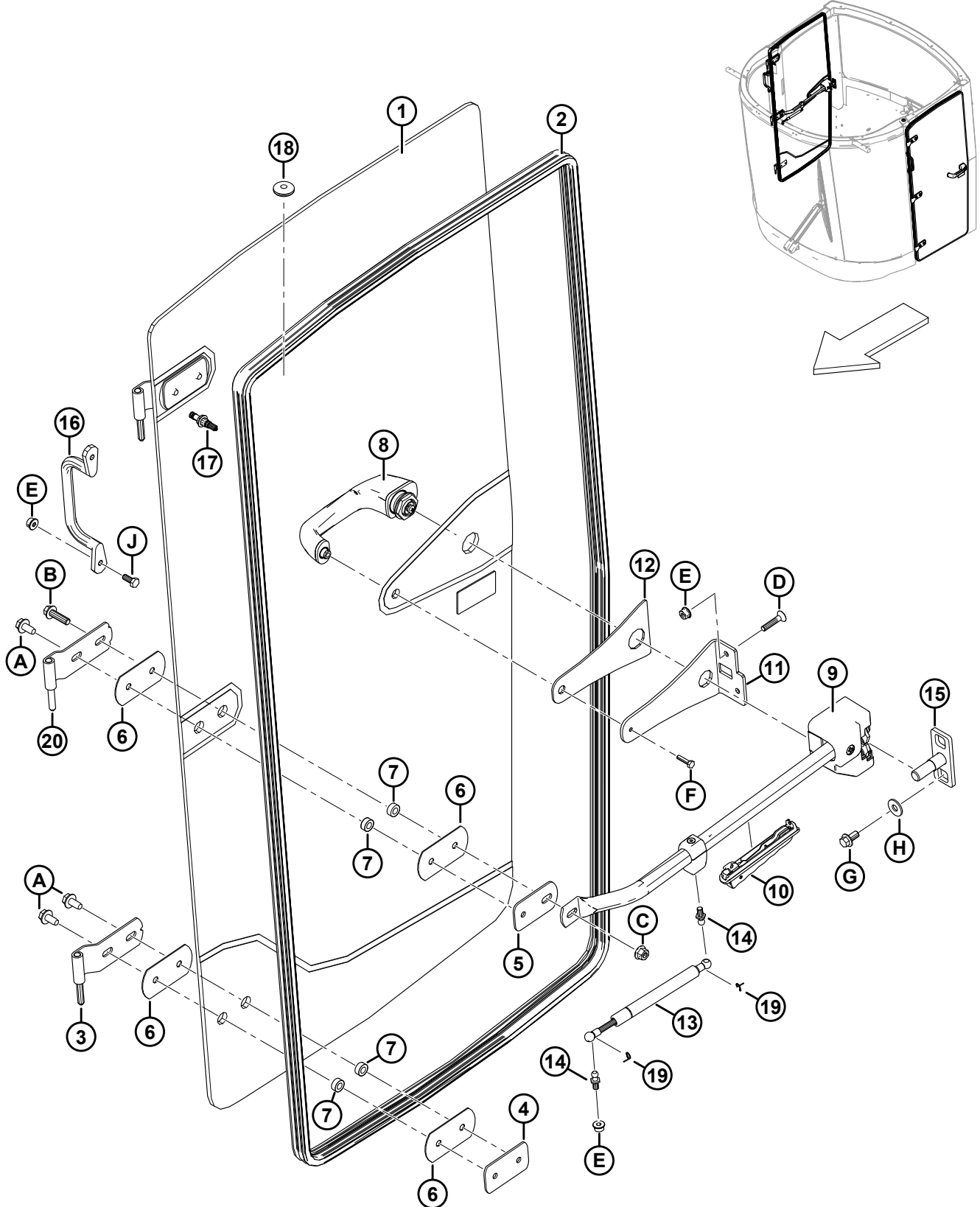
41 Windows



WINDOWS

Ref	Part Number	Description	Qty	Serial Number
1	346132	WINDOW – REAR	1	
2	306600	WINDOW – FRONT	1	
3	306601	WINDOW – FRONT RIGHT	1	
4	306602	WINDOW – FRONT LEFT	1	
5	200783	SEAL – WINDOW TOP	1	
6	200784	SEAL – WINDOW BOTTOM	1	
7	200890	SEAL – WINDOW REAR	1	

42 Doors



DOORS

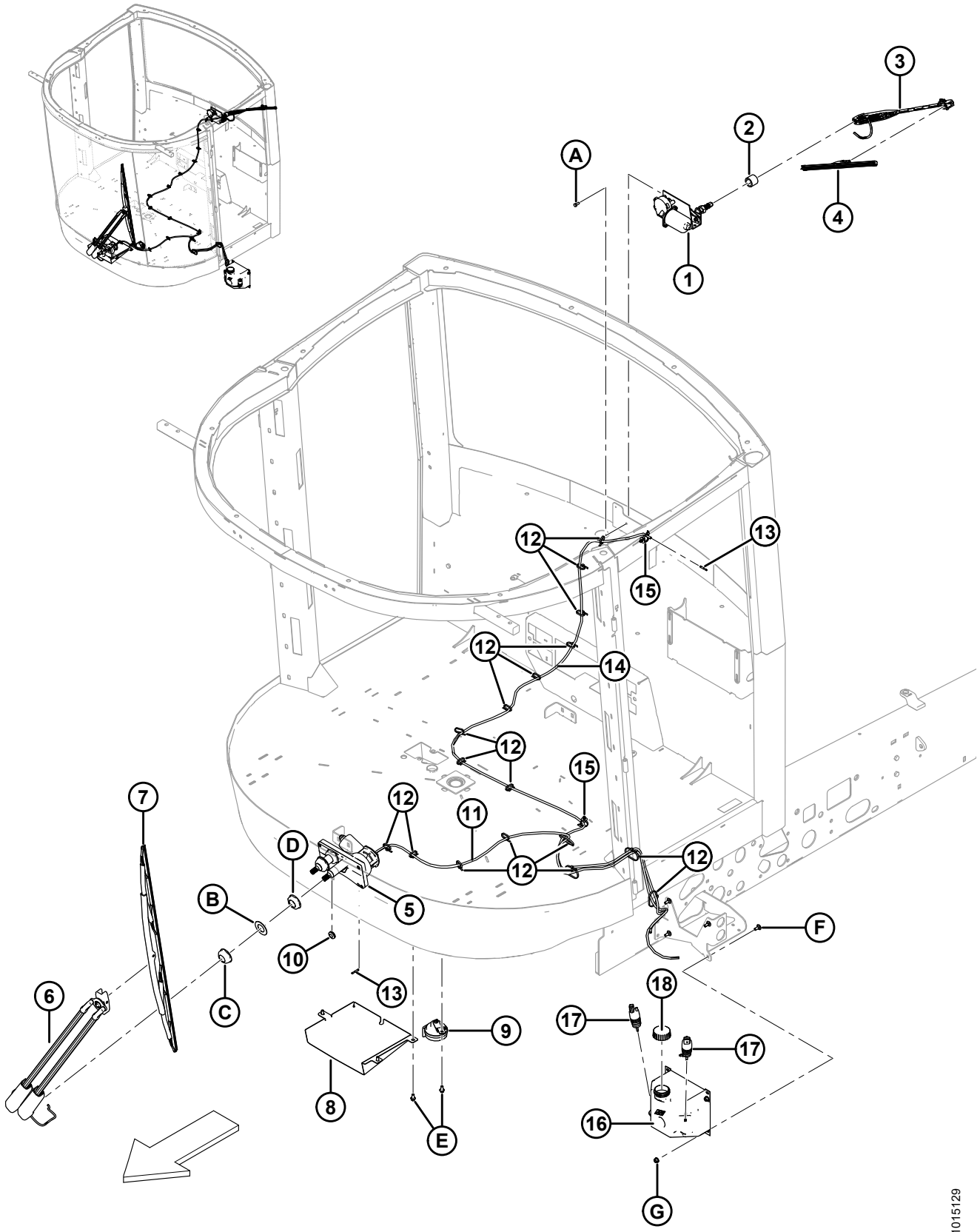
Ref	Part Number	Description	Qty	Serial Number
1	208254	DOOR – GLASS LH C/W DECAL ⁶⁸	1	
	208255	DOOR – GLASS RH C/W DECAL ⁶⁸	1	
2	208125	SEAL – DOOR, LH, 4420 MM LG	1	
	208124	SEAL – DOOR, RH, 4317 MM LG	1	
3	208135	HINGE – LEFT DOOR	2	
	208134	HINGE – RIGHT DOOR	2	
4	201693	BAR – HINGE BACKING	4	
5	202041	BAR – CENTER HINGE BACKING	2	
6	109598	GASKET – HINGE	12	
7	109585	SPACER – 19.05 MM O.D., 10.24 MM I.D., 7.92 MM LG	12	
8	207709	HANDLE – OUTSIDE CAB	2	
	134717	KEY – DOOR ⁶⁹		
9	201595	LATCH – LH CAB DOOR ⁷⁰	1	
	201596	LATCH – RH CAB DOOR ⁷⁰	1	
10	139971	BEZEL – DOOR HANDLE	2	
11	109822	SUPPORT – LEFT LATCH	1	
	109740	SUPPORT – RIGHT LATCH	1	
12	206248	GASKET – DOOR LATCH	2	
13	203847	SPRING – GAS	2	
14	136188	STUD – BALL (10 MM), M8 THREAD	4	
15	306596	CATCH – DOOR, WELDMENT	2	
16	203860	HANDLE	2	
17	209613	SWITCH – DOOR, CAB	2	
18	42415	GROMMET – 31.5 MM O.D. X 9.5 MM I.D.	2	
19	209787	CLIP – RETAINING, GAS SPRING	4	
20	208145	HINGE – LEFT DOOR, CENTER	1	
	208144	HINGE – RIGHT DOOR, CENTER	1	
A	136209	SCREW – HEX WASHER HD M10 X 1.5 X 20-450HV-A3L		
B	136211	BOLT – HEX FLG HD M10 X 1.5 X 35-8.8-A3L		
C	135799	NUT – HEX FLG CTR LOC M10 X 1.5-10-A3L		
D	136212	SCREW – HSH CSK M8 X 1.25 X 40-A2L		
E	135337	NUT – HEX FLG CTR LOC M8 X 1.25-8-A2L		
F	135301	BOLT – HEX HD M6 X 1 X 25-8.8-A2L		
G	152655	BOLT – HEX FLG HD M10 X 1.5 X 20-8.8-A3L		
H	30635	WASHER – FLAT REG M10-STL-SOFT-A2L		
J	30715	BOLT – HEX HD TFL M8 X 1.25 X 20-8.8-A2L		

68. Includes decal (MD #166454).

69. Set of two keys.

70. Includes bezel (MD #139971).

43 Wipers



WIPERS

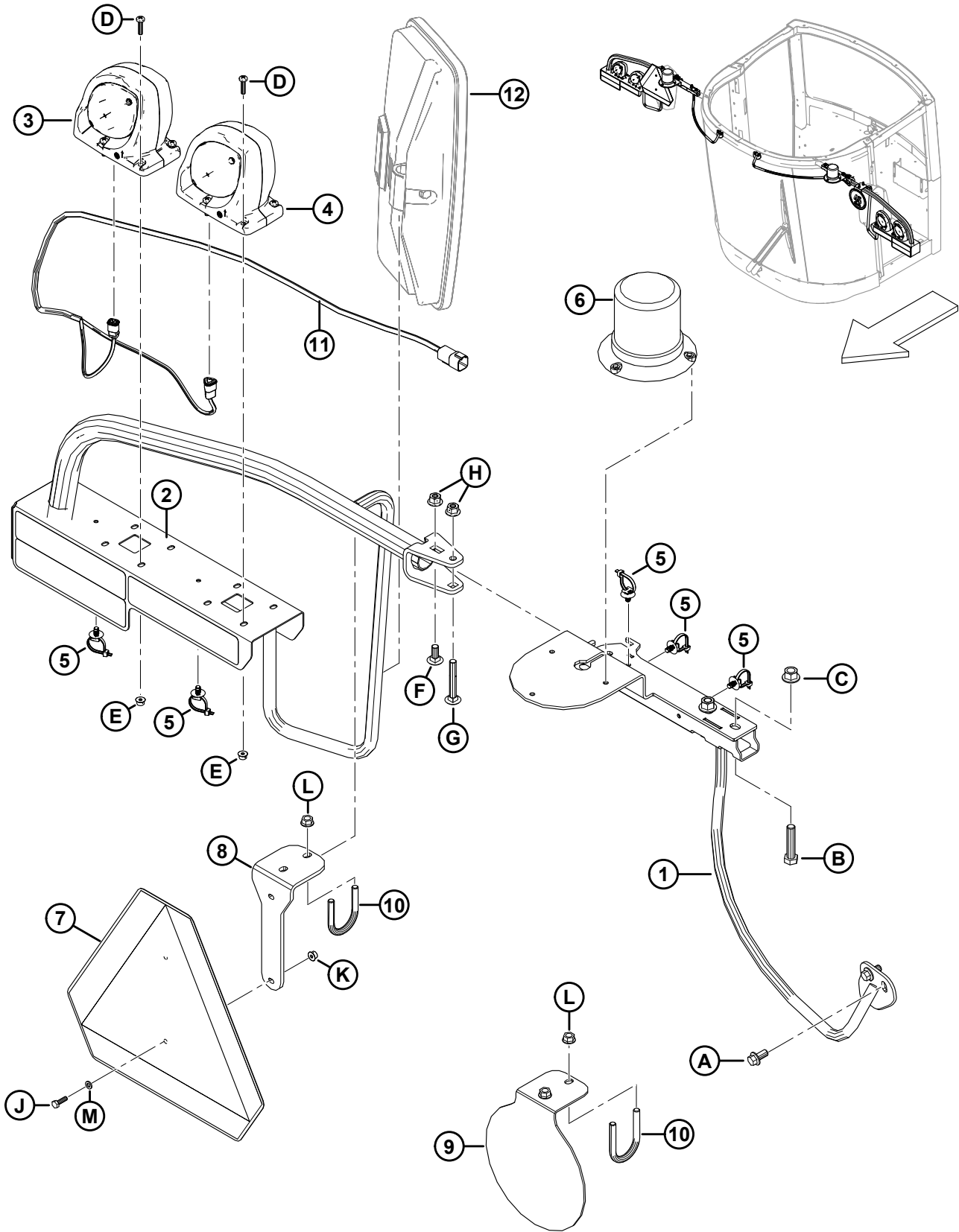
Ref	Part Number	Description	Qty	Serial Number
1	201760	MOTOR – WIPER TAPERED SPLINE ⁷¹	1	
2	205572	GROMMET – REAR WIPER	1	
3	207209	ARM – WIPER 550 MM SADDLE WET	1	
4	207210	BLADE – WIPER FRAMELESS	1	
5	306539	MOTOR – WIPER DUAL DRIVE ⁷²	1	
6	202586	ARM – WIPER 915 MM WET	1	
7	202584	BLADE – WIPER 990 MM	1	
8	205195	COVER – FRONT WIPER MOTOR	1	
9	160373	HORN	1	
10	112824	GROMMET – 14.3 MM I.D., 27 MM O.D.	1	
11	205739	HOSE – WASHER CAB FORWARD, 3.9 MM I.D., 1900 MM LG	1	
12	21763	FASTENER – CABLE TIE, BLACK, 160MM LG	13	
13	204379	FITTING – BARBED STRAIGHT	2	
14	208089	HOSE – WASHER ENG. FORWARD, 3.9 MM I.D., 3510 MM LG	1	
15	136655	FASTENER – FIR TREE MOUNT WITH CABLE TIE	2	
16	206066	ASSY – W/ SHIELD WASHER TANK ⁷³	1	
17	204373	PUMP – W/ SHIELD WASHER	2	
18	204374	CAP – W/ SHIELD WASHER TANK	1	
A	184642	BOLT – HEX HD TFL M6 X 1 X 16-8.8-A2L		
B	208190	WASHER – WIPER COSMETIC		
C	208189	NUT – SPECIAL WIPER COSMETIC		
D	202264	NUT – WIPER MOTOR		
E	136485	BOLT – HEX FLG HD TFL M8 X 1.25 X 16-8.8-A3L		
F	197171	BOLT – RHSN M8 X 1.25 X 20-8.8-A2L		
G	135337	NUT – HEX FLG CTR LOC M8 X 1.25-8-A2L		

71. Includes grommet (MD #205572).

72. Includes washer (MD #208190) and nut (MD #208189).

73. Includes pumps (MD #204373) and cap (MD #204374).

44 Mirror Arms, Beacons, and Reflectors



MIRROR ARMS, BEACONS, AND REFLECTORS

Ref	Part Number	Description	Qty	Serial Number
1	209930	SUPPORT – GRAB RAIL WELDT LH	1	
	209931	SUPPORT – GRAB RAIL WELDT RH	1	
2	209991	ASSY – MIRROR ARM AND DECALS LH ⁷⁴	1	
	209989	ASSY – MIRROR ARM AND DECALS RH ⁷⁴	1	
3	203548	LAMP – LH TAIL ⁷⁵	1	
	203549	LAMP – RH TAIL ⁷⁵	1	
4	203547	LAMP – CLEARANCE ⁷⁶	2	
5	136655	FASTENER – FIR TREE MOUNT WITH CABLE TIE	10	
6	167884	LIGHT – BEACON, LED	2	
7	21032	SIGN – METAL, SMV REFLECTOR (RH) ⁷⁷	1	
	115148	DECAL – SMV		
8	291113	SUPPORT – SMV (RH)	1	
9	291038	BRACKET – SPEED ID SYMBOL (LH) ⁷⁸	1	
10	291724	U-BOLT – 3/8-16, AA1J	2	
11	309032	HARNESS – TURN, TAIL, AND BRK LTS	2	
12	REF	MIRROR ⁷⁹	2	
A	152655	BOLT – HEX FLG HD M10 X 1.5 X 20-8.8-A3L		
B	152779	BOLT – HEX HD M12 X 1.75 X 55-8.8-A3L		
C	136431	NUT – HEX FLG CTR LOC M12 X 1.75-10-A3L		
D	136252	SCREW – PAN HD M6 X 1 X 25-4.8-H-A2L		
E	152668	NUT – HEX FLG CTR LOC M6 X 1-8-A2L		
F	135785	BOLT – RHSN M10 X 1.5 X 25-8.8-A3L		
G	136495	BOLT – RHSN M10 X 1.5 X 70-8.8-A3L		
H	135799	NUT – HEX FLG CTR LOC M10 X 1.5-10-A3L		
J	184646	BOLT – HEX HD TFL M6 X 1 X 20-8.8-A2L		
K	152668	NUT – HEX FLG CTR LOC M6 X 1-8-A2L		
L	30228	NUT – FLANGE DT SMOOTH FACE 0.375-16 UNC		
M	184705	WASHER – FLAT M6-200HV-AA1J		

74. Includes reflectors (MD #115145, 115146, and 115147). Refer to Section [108 Decals – Information and Reflectors](#), page 241.

75. Includes red lens (MD #139631) and black lens (MD #139632).

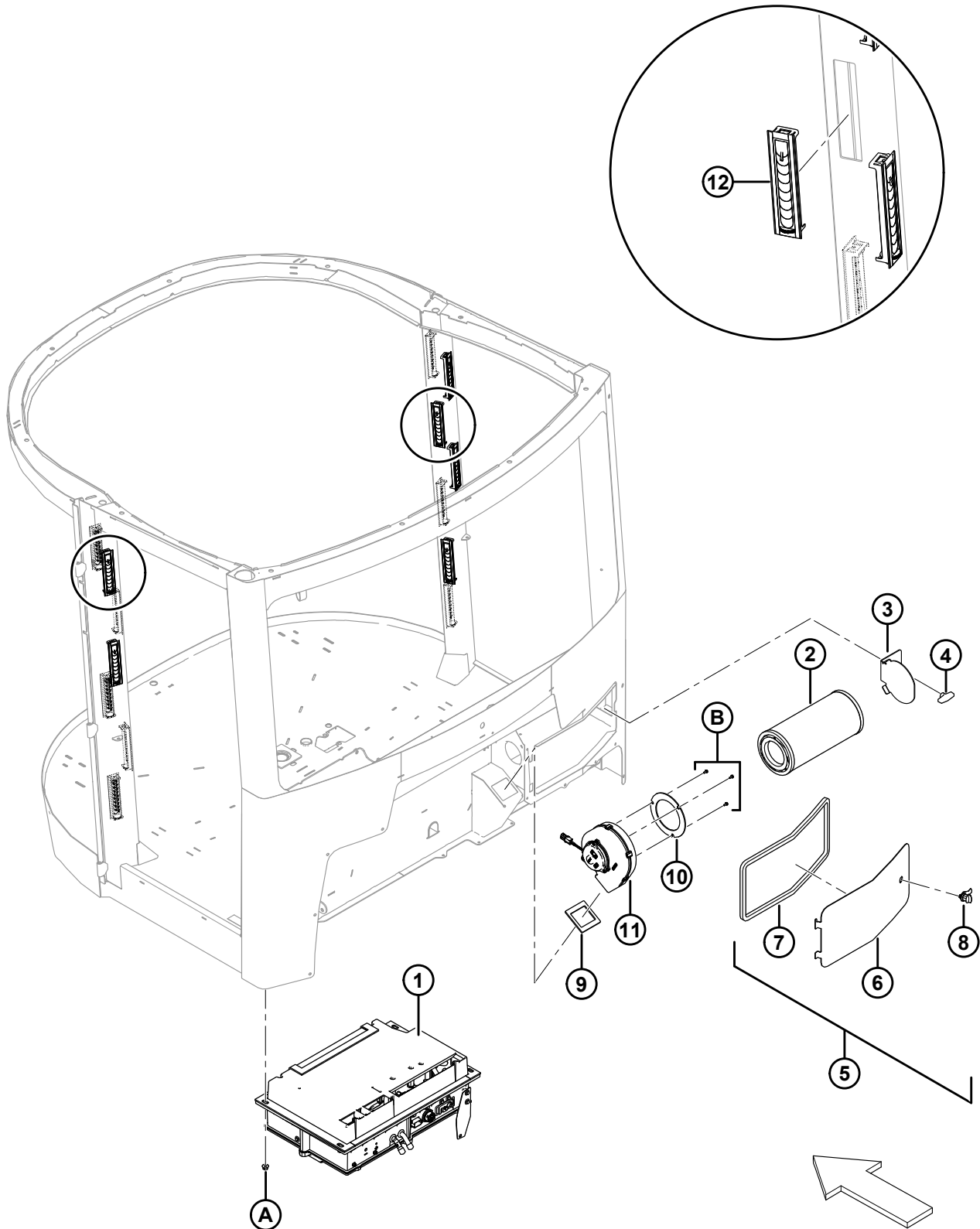
76. Includes amber lens (MD #139630).

77. Includes decal (MD #115148).

78. For decals, refer to Section [108 Decals – Information and Reflectors](#), page 241.

79. For windrowers with standard cab components, refer to Section [48 Standard Cab Components](#), page 107. For windrowers with deluxe cab components, refer to Section [49 Deluxe Cab Components](#), page 109.

45 Cab Air Conditioning and Heating



1022927

CAB AIR CONDITIONING AND HEATING

NOTE:

For TXV and drain hose routing, refer to Section *47 Heating, Ventilation, and Air Conditioning – Chassis, page 105*.

Ref	Part Number	Description	Qty	Serial Number
1	306522	ASSEMBLY – BASIC A/C AND HEATER CORE ⁸⁰	1	
2	111060	ELEMENT – PRIMARY	1	
3	291264	RETAINER – AIR FILTER	1	
4	42075	KNOB	1	
5	201589	DOOR ASSY – FRESH AIR ⁸¹	1	
6	201590	DOOR – FRESH AIR	1	
7	201716	GASKET – FRESH AIR	1	
8	204787	LATCH – CAM	1	
9	202189	SEAL – BLOWER	1	
10	139225	INSULATOR – BLOWER	1	
11	208292	BLOWER – FRESH AIR	1	
12	201746	VENTILATOR – RECTANGULAR LOUVER	14	
A	135799	NUT – HEX FLG CTR LOC M10 X 1.5-10-A3L		
B	42292	SCREW – SELF TAPPING HEX WASH HD #10 X 1/2 ZP		

80. For service parts, refer to Section *46 Cab Air Conditioning and Heating – Service Parts, page 103*.

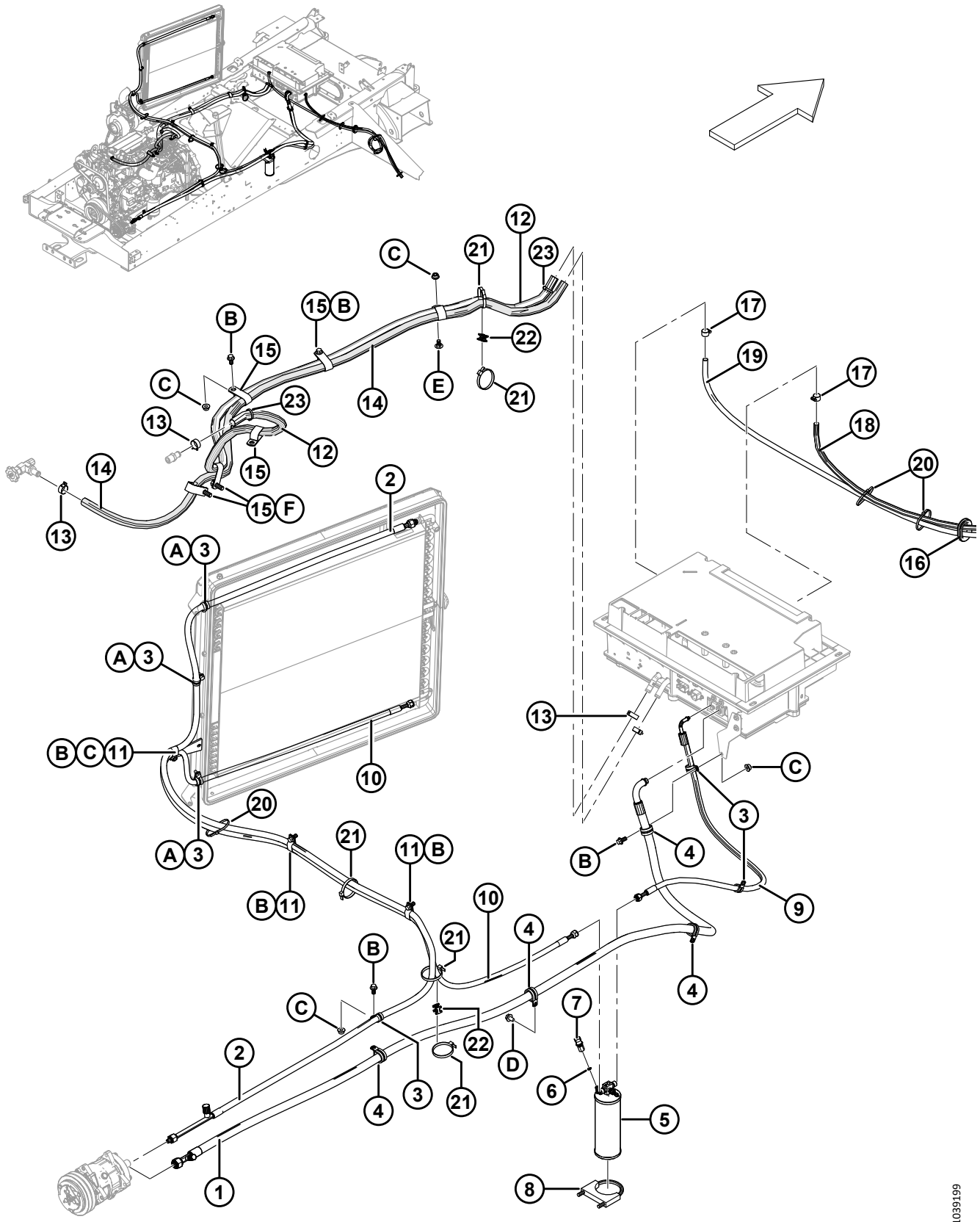
81. Includes door (MD #201590), gasket (MD #201716), and latch (MD #204787).

CAB AIR CONDITIONING AND HEATING – SERVICE PARTS

Ref	Part Number	Description	Qty	Serial Number
	306522	ASSEMBLY – BASIC A/C AND HEATER CORE ⁸²		
1	183386	VALVE – EXPANSION	1	
2	183387	EVAPORATOR – HEATER CORE	1	
3	306523	ASSEMBLY – WATER VALVE	1	
4	183392	GROMMET – TUBE 5/8 IN I.D., 3/16 IN WALL	2	
5	183544	COVER UNIT	1	
6	183394	RELAY – 12 V W/ RESISTOR SUPPRESSION	5	
7	183395	SWITCH – PRESSURE 34-8 PSI	1	
8	183396	HOSE – SILICON 5/8 IN I.D., 57.15 MM LG	1	
9	183397	GASKET – COVER SEAL R-9600	1	
10	183398	SEAL – TXV	1	
11	207225	BRACKET – TXV FITTINGS	1	
12	205456	PLATE – MOUNTING TXV HOSES	1	
13	183506	O-RING – HNBR, GREEN, 7.65 MM I.D., 11.1 MM O.D.	1	
14	183508	O-RING – HNBR, GREEN, 10.82 MM I.D., 14.27. MM O.D.	1	
15	183202	O-RING – HNBR, GREEN, 14 MM I.D., 17.44 MM O.D.	1	
16	208109	EVAPORATOR – PROBE ASSY	1	
17	208110	MODULE ASSY – ATC	1	
18	208111	SPACER	2	
19	208112	THERMISTOR – AIR TEMP PROBE ASSY	2	
20	208784	HARNESS – ATC	1	
21	208114	BLOWER – ATC	1	
22	208179	PLATE – CORE ATTACHMENT	1	
23	208180	GASKET – BLOWER SEAL	1	
24	208181	MOUNT – EXP VALVE BRACKET	1	
25	208182	CLAMP – 5/8 DIA	3	
26	310634	CLAMP – HOSE, CONSTANT TORQUE	2	
27	208184	BRACKET – SUPPORT TXV	1	
28	208185	BRACKET – BLOWER ATTACHMENT	1	
A	136707	BOLT – HEX HD M6 X 1 X 16-8.8-BLK		
B	136708	SCREW – HEX SOC HD M5 X 0.8 X 40-9.8-BLK		
C	136709	BOLT – HEX HD SPCL M6 X 1 X 22 X SPCL-8.8-BLK		
D	NSS	BOLT – HEX HD M6 X 1 X 50-8.8-A3L		
E	183448	NUT – HEX M6 X 1, CONICAL WASHER		
F	134729	WASHER – LOCK, HDP20, SIZE 18		
G	134727	NUT – PANEL, HDP20, SIZE 18		
H	184706	WASHER – FLAT LARGE M6-200HV-A2L		
J	252247	SCREW – PAN HD #12-14 X 1/2-RC45-ZP		

82. Refer to Section [45 Cab Air Conditioning and Heating](#), page 101.

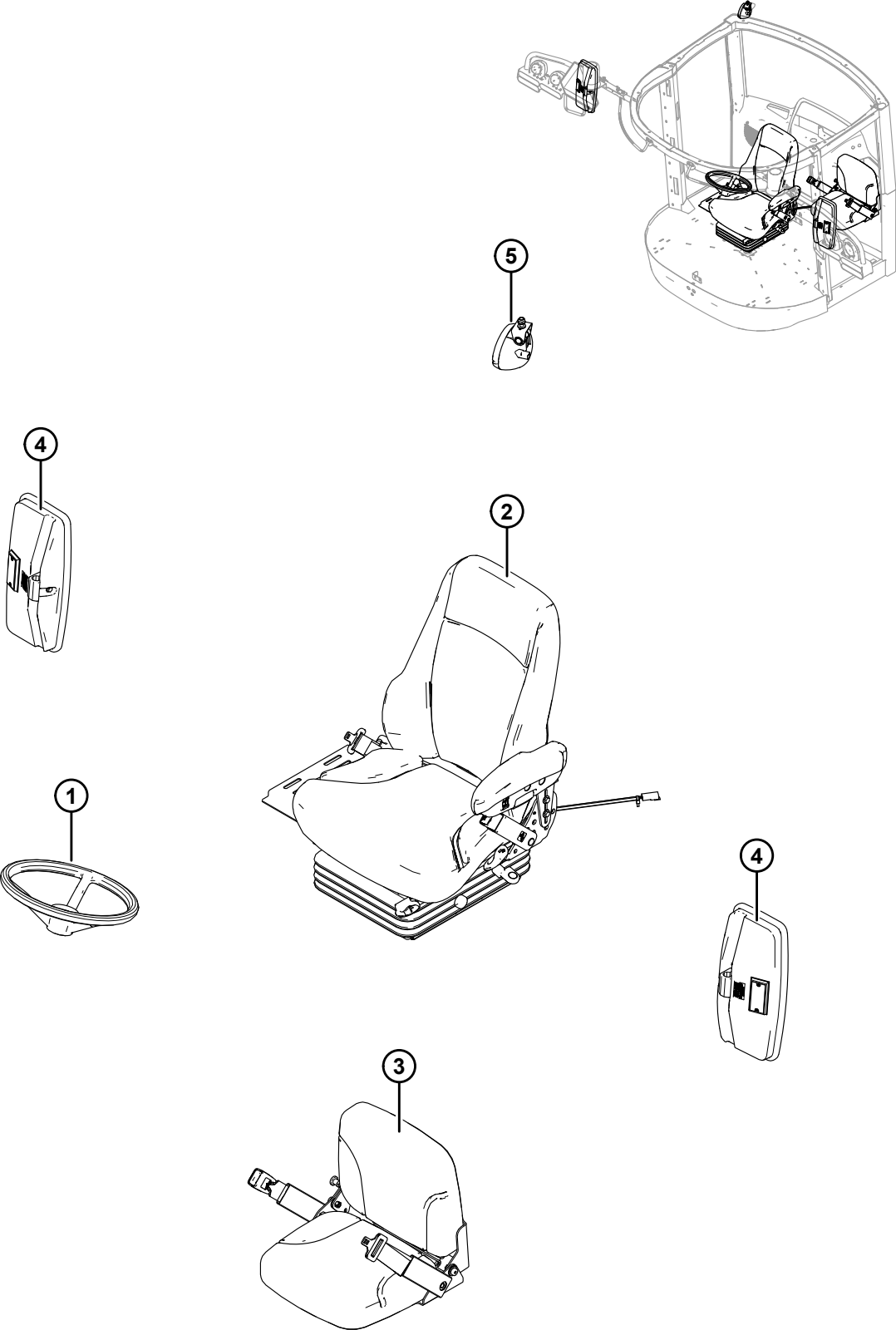
47 Heating, Ventilation, and Air Conditioning – Chassis



HEATING, VENTILATION, AND AIR CONDITIONING – CHASSIS

Ref	Part Number	Description	Qty	Serial Number
1	203017	HOSE – #10 TO #12 HOSE TXV TO COMP SUCTION	1	
	183202	O-RING – HNBR, #10, GREEN		
	183512	O-RING – HNBR, #12, GREEN		
	183264	VALVE – SCHRADER, HF, LOW SIDE, HNBR GREEN		
	183444	CAP – R134A LOW SIDE SERVICE VALVE		
2	306504	HOSE – #8 A/C COMP TO COND	1	
	183443	CAP – R134A HIGH SIDE SERVICE VALVE		
	183265	VALVE – SCHRADER, HF, HIGH SIDE, HNBR GREEN		
	183508	O-RING – HNBR, #8, GREEN		
3	135716	CLAMP – INSULATED 5/8 INCH	6	
4	209032	CLAMP – P-CLIP, INSULATED, 1 INCH	4	
5	183273	KIT – RECEIVER W/DYE	1	
6	183506	O-RING – HNBR, GREEN, 7.65 MM I.D., 11.1 MM O.D.	1	
7	183199	SWITCH – AIR COND HIGH	1	
8	42469	CLAMP – PIPE	1	
9	203018	HOSE – #6 REC DRIER TO TXV	1	
	183506	O-RING – HNBR, #6, GREEN		
10	201948	HOSE – #6 A/C COND TO DRIER	1	
	183506	O-RING – HNBR, #6, GREEN		
11	135224	CLAMP – DOUBLE HOSE INSULATED	3	
12	203597	HOSE – COOLANT, 5/8 IN ID, 2250 MM LG	1	
13	112692	CLAMP – HOSE	4	
14	203596	HOSE – COOLANT, 5/8 IN ID, 2170 MM LG	1	
15	50022	CLAMP – INSULATED 15/16 INCH	6	
16	172899	GROMMET – 1.75 INCH I.D.	1	
17	136541	CLAMP – LINED, SS, 11–20 MM RANGE	2	
18	202275	HOSE – A/C DRAIN, 1/2 IN I.D., 2300 MM LG	1	
19	202274	HOSE – A/C DRAIN, 1/2 IN I.D., 2300 MM LG	1	
20	21763	FASTENER – CABLE TIE, BLACK, 160 MM LG	6	
21	30753	FASTENER – CABLE TIE, BLACK, 305 MM LG	5	
22	134442	SPACER – DUAL SWIVEL SADDLE	2	
23	40702	FASTENER – CABLE TIE, RED	2	
A	134705	SCREW – THREAD ROLLING FLG M8 X 1.25 X 16-A3L		
B	152655	BOLT – HEX FLG HD M10 X 1.5 X 20-8.8-A3L		
C	135927	NUT – HEX SMTH FLG M10 X 1.5-8-A3L		
D	136574	SCREW – HEX WASHER HD M10 X 1.5 X 16-450HV-A3L		
E	136178	BOLT – RHSN M10 X 1.5 X 20-8.8-A3L		
F	148800	BOLT – HEX FLG HD M12 X 1.75 X 25 X SPCL-10.9-A3L		

48 Standard Cab Components



STANDARD CAB COMPONENTS

NOTE:

For roof and headliner components, refer to Sections [32 Roof – Standard and Deluxe Cab, page 71](#) and [33 Headliner – Radio, Speakers, and Relay Module, page 73](#).

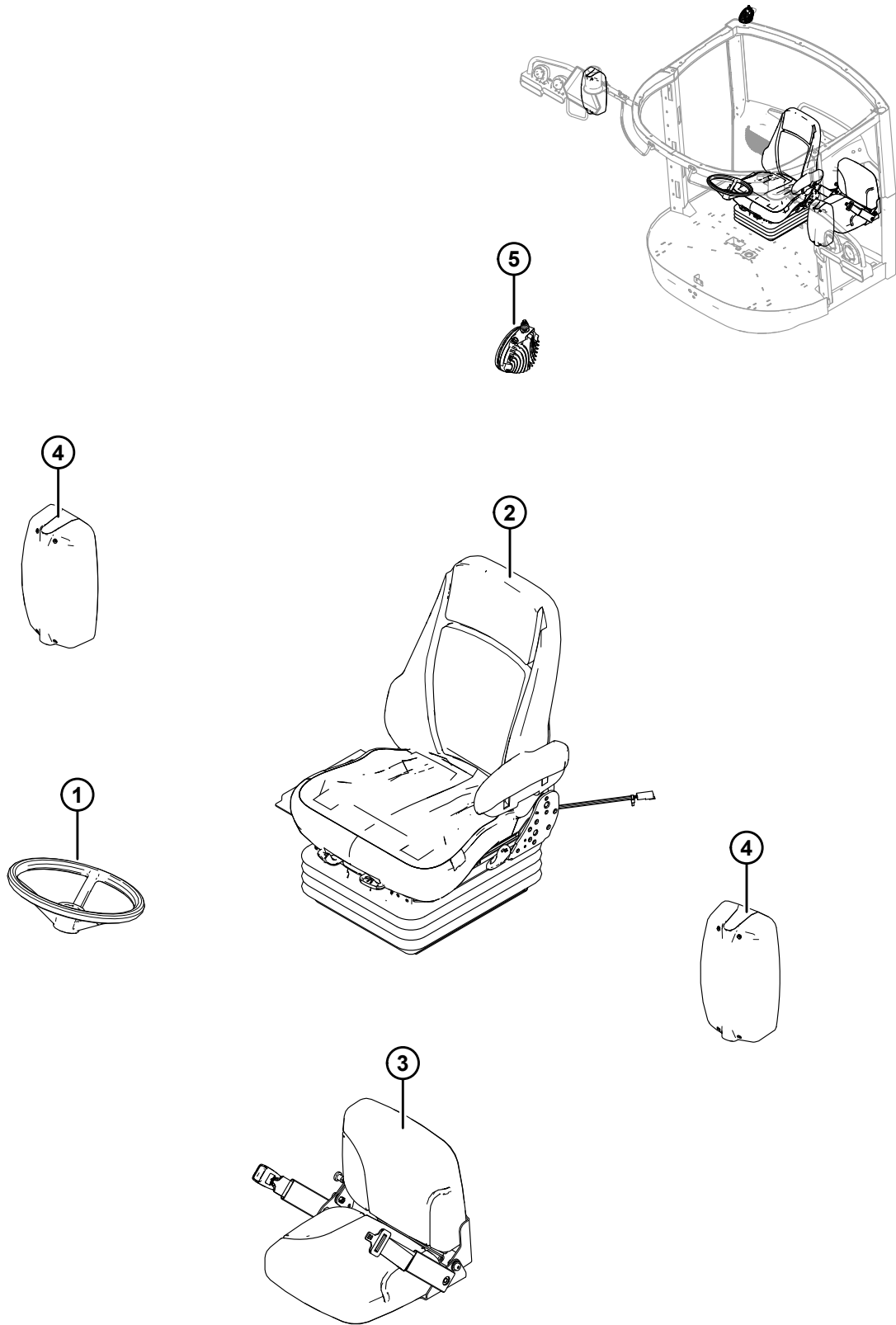
Ref	Part Number	Description	Qty	Serial Number
1	REF	WHEEL – STEERING ⁸³	1	
2	346256	SEAT – STANDARD ⁸⁴	1	
3	346254	SEAT TRAINING – STANDARD ⁸⁵	1	
4	205442	MIRROR – HAND OPERATED	2	
5	201488	LIGHT – FLOOD HALOGEN	1	
	208192	BULB – WORK LIGHT, H3, 12V, 55W		

83. Refer to Section [55 Steering Column and Seat Base, page 121](#).

84. For service parts, refer to Section [50 Standard Operator’s Seat, page 111](#).

85. For service parts, refer to Section [54 Trainer’s Seat, page 119](#).

49 Deluxe Cab Components



DELUXE CAB COMPONENTS

NOTE:

For roof and headliner components, refer to Sections [32 Roof – Standard and Deluxe Cab, page 71](#) and [33 Headliner – Radio, Speakers, and Relay Module, page 73](#).

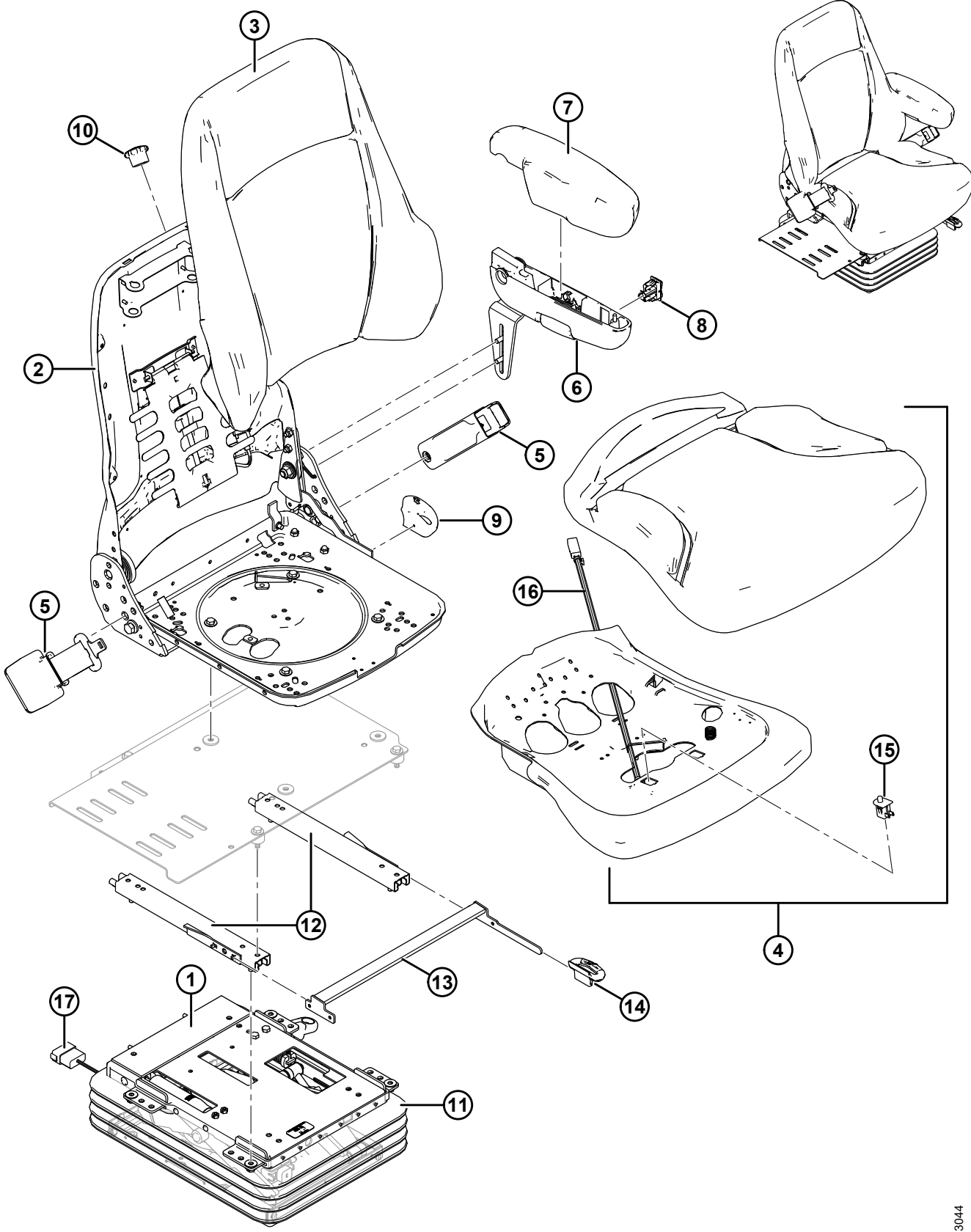
Ref	Part Number	Description	Qty	Serial Number
1	REF	WHEEL – STEERING, LEATHER ⁸⁶	1	
2	346257	SEAT – DELUXE ⁸⁷	1	
3	346255	SEAT TRAINING – DELUXE ⁸⁸	1	
4	206459	MIRROR – POWER	2	
	291464	MIRROR – GLASS W/ TAPE		
5	207062	LIGHT – FLOOD LED	1	

86. Refer to Section [55 Steering Column and Seat Base, page 121](#).

87. For service parts, refer to Section [52 Deluxe Operator’s Seat, page 115](#).

88. For service parts, refer to Section [54 Trainer’s Seat, page 119](#).

50 Standard Operator's Seat



STANDARD OPERATOR'S SEAT

Ref	Part Number	Description	Qty	Serial Number
	346256	SEAT – STANDARD ⁸⁹		
1	208052	ASSY – LPA SUSPENSION COMPLETE ⁹⁰		
	109860	SPRING – AIR		
	109861	ISOLATOR – FORE-AFT		
	109859	KIT – ADJUSTABLE SHOCK ABSORBER		
	109857	KIT – BEARING		
	109856	SHAFT – BEARING		
	208038	KIT – FORE-AFT ISOLATOR SHOCK		
	109812	KIT – AIRLINE AND FITTING SERVICE		
	208040	KIT – COMPRESSOR		
2	208046	ASSY – SEAT, BARE FRAME ONLY		
3	208044	ASSY – BACK CUSHION		
4	208042	ASSY – SEAT CUSHION ⁹¹		
	109971	HARNESS – SEAT SWITCH		
	109968	SWITCH – SEAT, OPERATOR PRESENT		
5	346060	SEAT BELT ⁹²		
6	208048	ASSY – LH ARMREST ⁹³		
7	208049	PAD – LH ARMREST		
8	109850	SWITCH – SEAT		
9	208050	KNOB – RECLINER		
10	208051	KIT – LUMBAR KNOB		
11	109855	KIT – BOOT ⁹⁴		
12	109862	KIT – FORE-AFT SLIDES		
13	208059	HANDLE – SLIDE		
14	208061	KNOB – SLIDE		
15	109968	SWITCH – SEAT, OPERATOR PRESENT		
16	109971	HARNESS – SEAT SWITCH		
17	208126	HARNESS – SEAT		

89. Refer to Section [48 Standard Cab Components](#), page 107.

90. For more detailed illustration of service parts, refer to Section [51 Standard Seat Suspension](#), page 113.

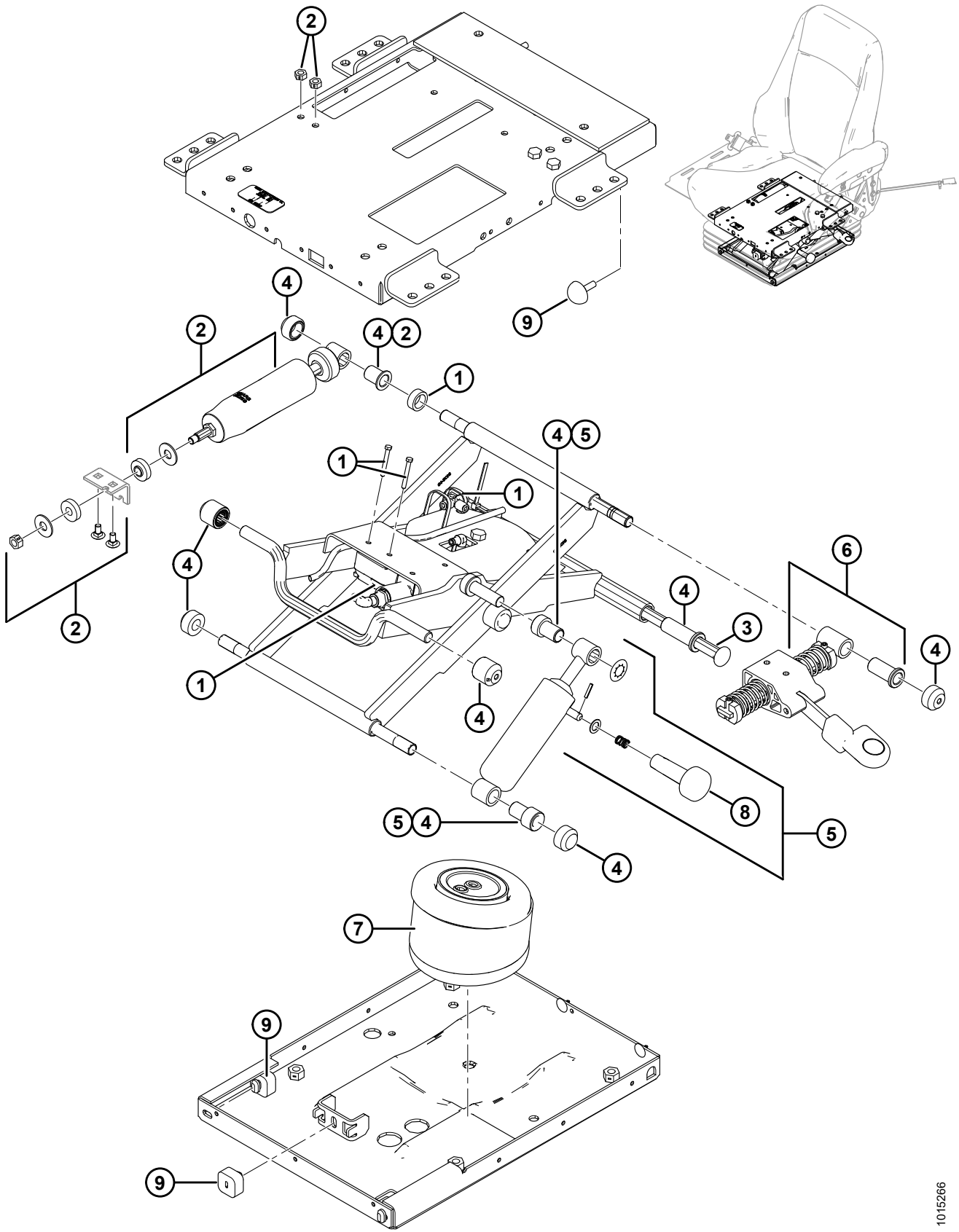
91. Includes operator presence seat switch (MD #109968) and seat switch harness (MD #109971).

92. Kit includes installation instructions from the manufacturer.

93. Includes left-hand armrest pad (MD #208049).

94. Includes boot, clips, and rivets.

51 Standard Seat Suspension



STANDARD SEAT SUSPENSION

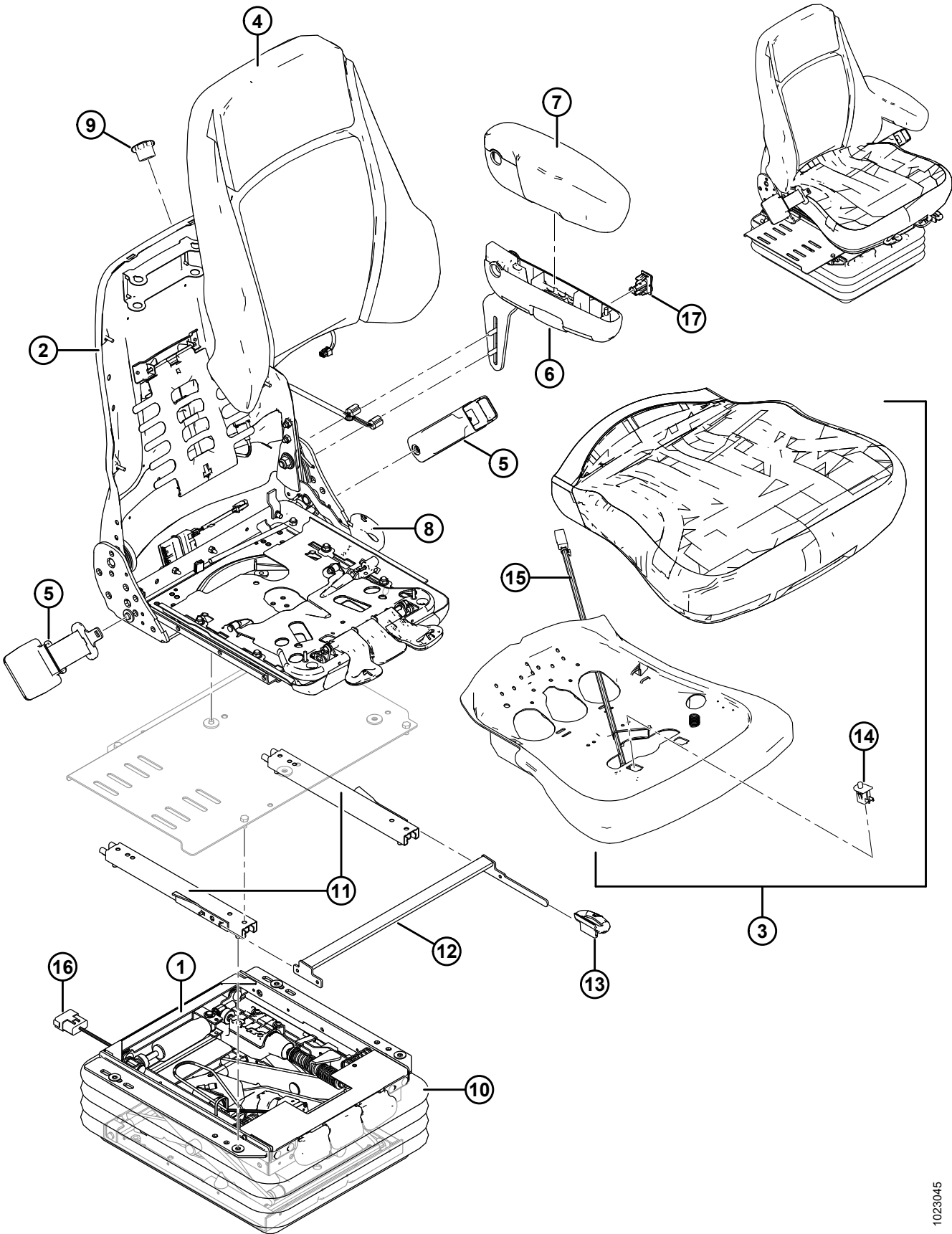
Ref	Part Number	Description	Qty	Serial Number
	208052	ASSY – LPA SUSPENSION COMPLETE		
1	208040	KIT – COMPRESSOR		
	109812	KIT – AIRLINE AND FTG SERV ⁹⁵		
2	208038	KIT – FORE-AFT ISO. SHOCK		
3	109856	SHAFT – BEARING		
4	109857	KIT – BEARING		
5	109859	KIT – ADJUSTABLE SHOCK ABSORBER ⁹⁶		
6	109861	ISOLATOR – FORE-AFT		
7	109860	SPRING – AIR		
8	109865	KNOB – ADJUSTABLE SHOCK		
9	183150	KIT – SUSPENSION BUMPER ⁹⁷		
	109858	BUMPER – SUSPENSION, SQUARE		

95. Includes nylon tube lines, convoluted line, and fittings.

96. Includes adjustable shock knob (MD #109865).

97. Includes three square suspension bumpers (MD #109858) and two spherical bumpers.

52 Deluxe Operator's Seat



DELUXE OPERATOR'S SEAT

Ref	Part Number	Description	Qty	Serial Number
	346257	SEAT – DELUXE ⁹⁸		
1	208053	ASSY – A2K SUSPENSION COMPLETE ⁹⁹		
	109860	SPRING – AIR		
	208041	KIT – COMPRESSOR		
	208062	KIT – AIRLINE		
	208055	KIT – BEARING SHAFT		
	208064	KIT – BEARING AND ROLLER, A2K		
	208056	KIT – SUSPENSION BUMPER		
	208057	KIT – ADJUSTABLE SHOCK ABSORBER		
	208058	KIT – FORE-AFT ISOLATOR		
2	208047	ASSY – SEAT, BARE FRAME ONLY		
3	208043	ASSY – SEAT CUSHION ¹⁰⁰		
	109971	HARNESS – SEAT SWITCH		
	109968	SWITCH – SEAT, OPERATOR PRESENT		
4	208045	ASSY – BACK CUSHION		
5	346060	SEAT BELT ¹⁰¹		
6	208063	ASSY – LH ARMREST		
7	208049	PAD – LH ARMREST		
8	208050	KNOB – RECLINER		
9	208051	KIT – LUMBAR KNOB		
10	208054	KIT – BOOT ¹⁰²		
11	109862	KIT – FORE-AFT SLIDES		
12	208060	HANDLE – SLIDE		
13	208061	KNOB – SLIDE		
14	109968	SWITCH – SEAT, OPERATOR PRESENT		
15	109971	HARNESS – SEAT SWITCH		
16	208126	HARNESS – SEAT		
17	109850	SWITCH – SEAT		

98. Refer to Section [49 Deluxe Cab Components, page 109](#).

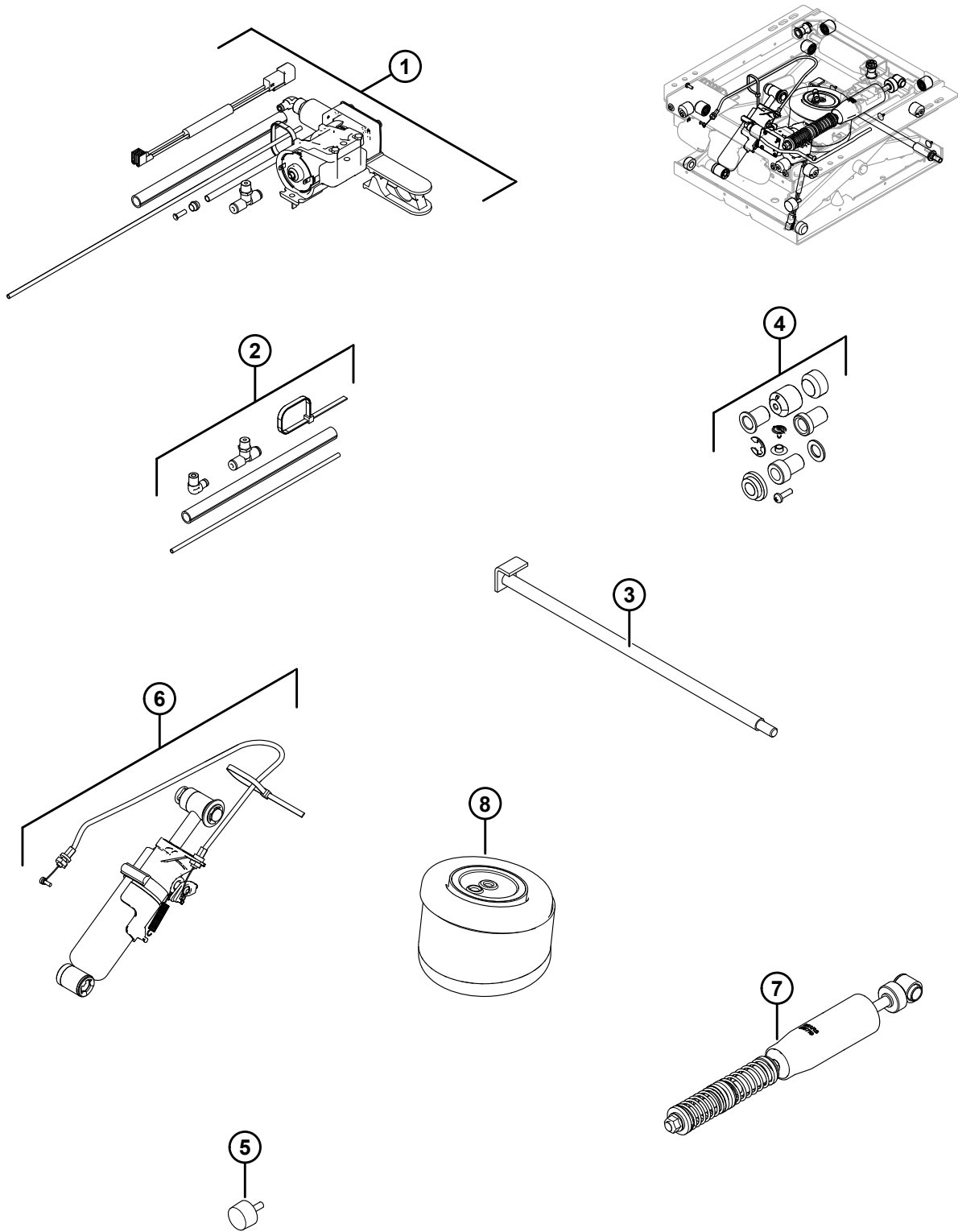
99. For more detailed illustration of service parts, refer to Section [53 Deluxe Seat Suspension, page 117](#).

100. Includes operator presence seat switch (MD #109968) and seat switch harness (MD #109971).

101. Kit includes installation instructions from the manufacturer.

102. Includes boot, clips, and rivets.

53 Deluxe Seat Suspension

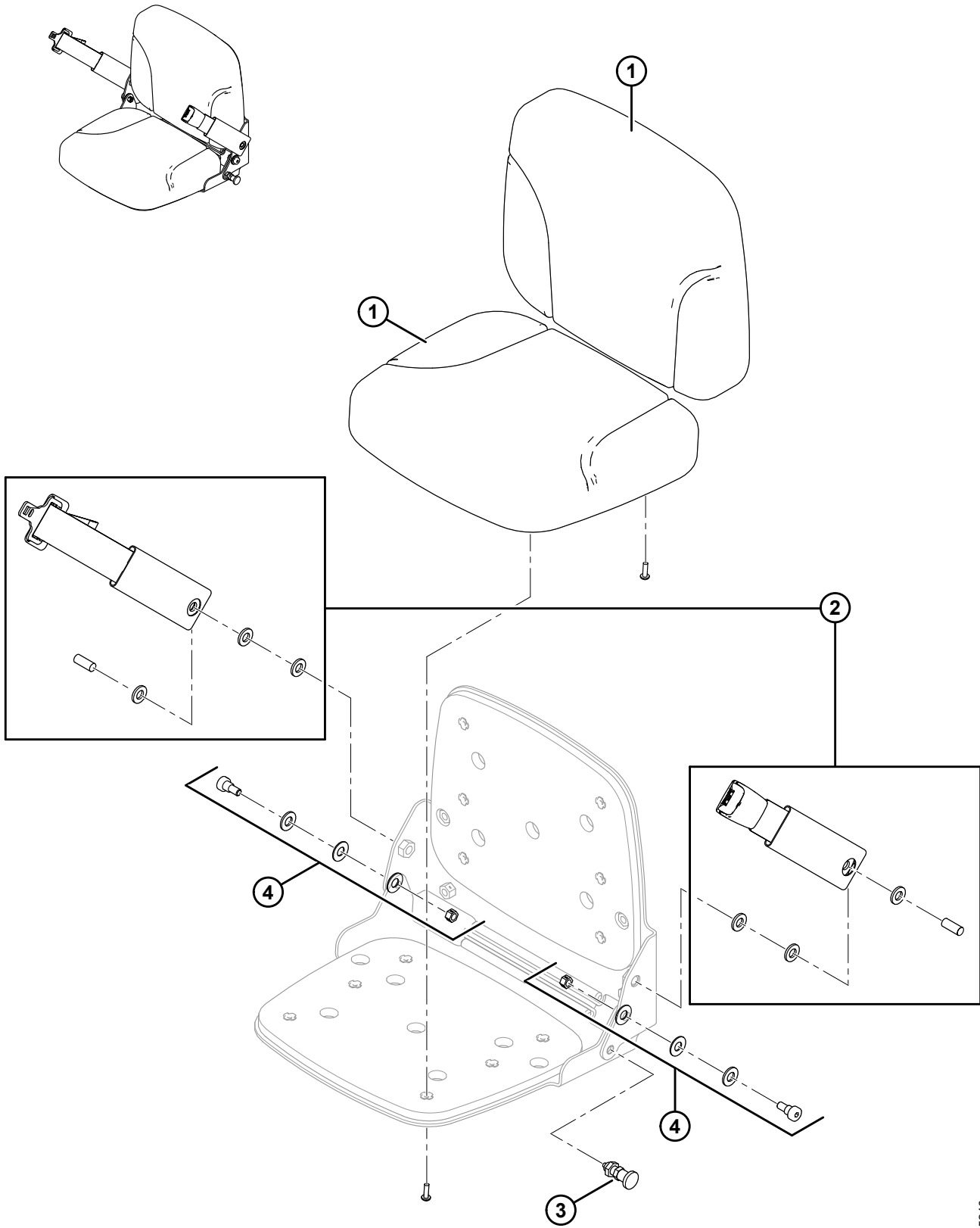


DELUXE SEAT SUSPENSION

Ref	Part Number	Description	Qty	Serial Number
	208053	ASSY – A2K SUSPENSION COMPLETE ¹⁰³		
1	208041	KIT – COMPRESSOR		
2	208062	KIT – AIRLINE		
3	208055	KIT – BEARING SHAFT		
4	208064	KIT – BEARING AND ROLLER, A2K		
5	208056	SUSPENSION BUMPER		
6	208057	KIT – ADJ SHOCK ABSORBER		
7	208058	KIT – FORE-AFT ISOLATOR		
8	109860	SPRING – AIR		

103. Refer to Section [49 Deluxe Cab Components](#), page 109.

54 Trainer's Seat



TRAINER'S SEAT

NOTE:

For trainer's seat placement, refer to Section *38 Cab Interior and Upholstery, page 85*.

Ref	Part Number	Description	Qty	Serial Number
	346254	SEAT TRAINING – STANDARD ¹⁰⁴		
	346255	SEAT TRAINING – DELUXE ¹⁰⁵		
1	208097	KIT – CUSHION, STANDARD ¹⁰⁶	2	
	208098	KIT – CUSHION, DELUXE	2	
2	346061	KIT – SEAT BELT ¹⁰⁷	1	
3	208100	LATCH – SEAT	1	
4	208102	KIT – PIVOT	2	

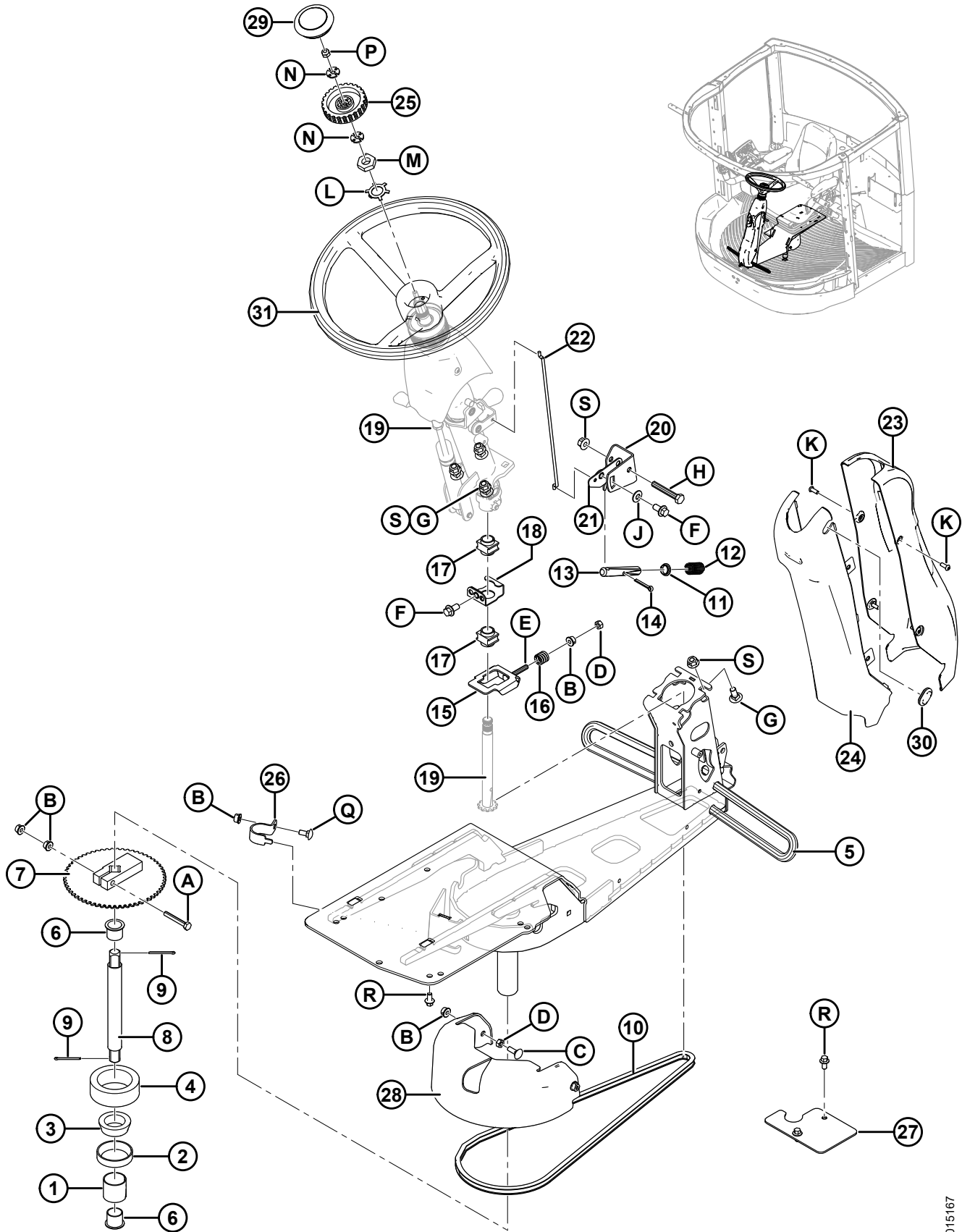
104. Refer to Section *48 Standard Cab Components, page 107*.

105. Refer to Section *49 Deluxe Cab Components, page 109*.

106. For windrowers with standard cab components, order cushion kit (MD #208097). For windrowers with deluxe cab components, order cushion kit (MD #208098). Cushion kits include four pan head screws.

107. Kit includes installation instructions from the manufacturer.

55 Steering Column and Seat Base



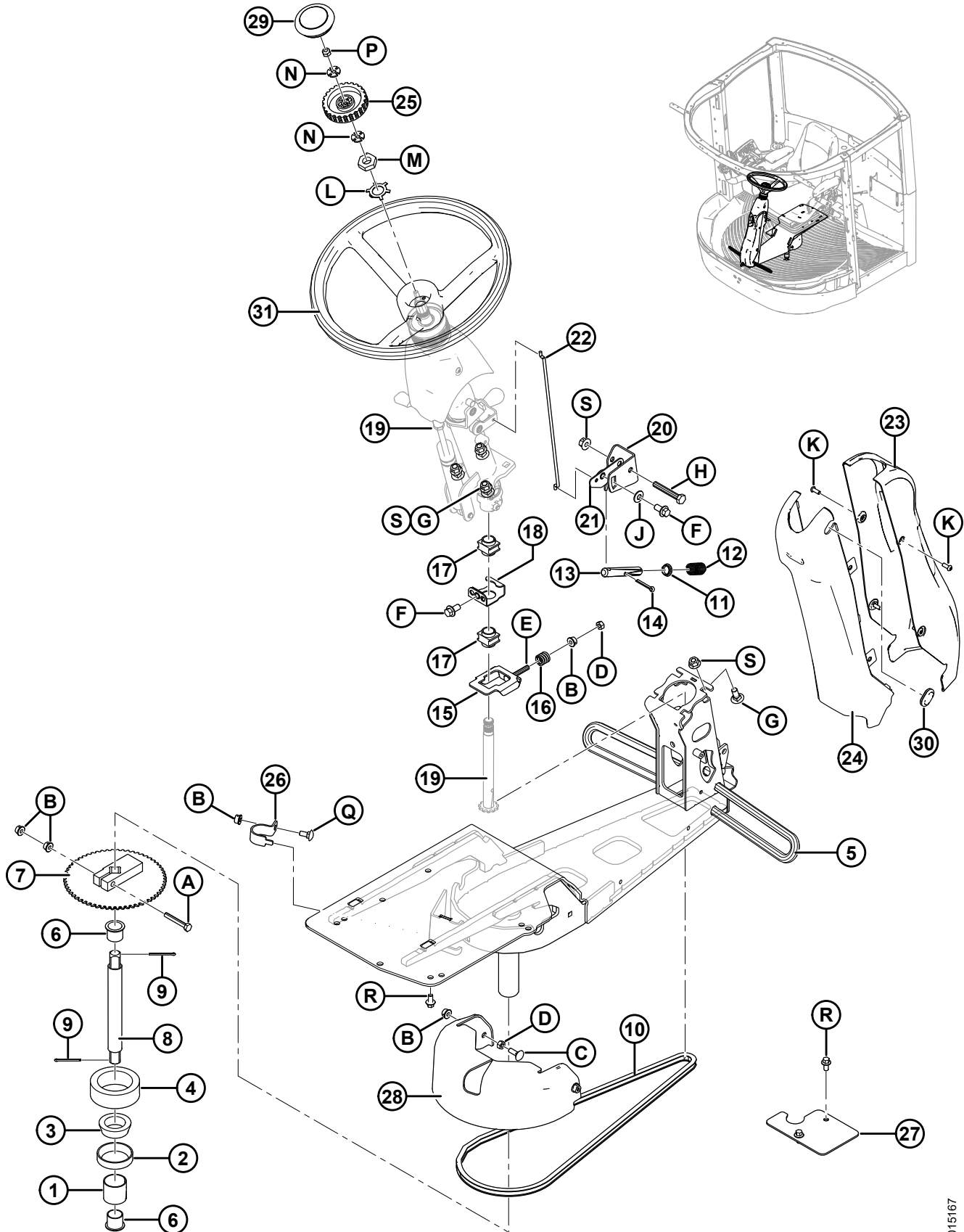
STEERING COLUMN AND SEAT BASE

Ref	Part Number	Description	Qty	Serial Number
1	109350	BUSHING – SLEEVE, 1.5 IN.	1	
2	30516	BEARING – CUP	1	
3	109611	BEARING – CONE	1	
4	203543	SEAL – DUST, SEAT PIVOT	1	
5	202505	BASE WELDT – OPERATORS STATION	1	
6	206966	BUSHING – PLASTIC, FLANGED, 1.0 IN. BORE	2	
7	202785	SPROCKET WELDT	1	
8	202515	SHAFT – STEERING	1	
9	18606	PIN – COTTER 1/8 DIA X 1.5 ZP	2	
10	109479	CHAIN – STEERING	1	
11	109478	BUSHING – SNAP-IN, 0.625 IN.	1	
12	19739	SPRING – COMPRESSION	1	
13	209521	PIN – LATCH	1	
14	18648	PIN – COTTER 3/16 DIA X 1.25 ZP	1	
15	202781	GUIDE – LOWER BUSHING, WELDT	1	
16	109779	SPRING – COMPRESSION	1	
17	109751	BUSHING – PLASTIC	2	
18	202783	RETAINER – BUSHING WELDT	1	
19	REF	ASSY – STEERING COLUMN C/W TOP COVER ¹⁰⁸		
20	160275	ARM – RELEASE	1	
21	202779	ARM – SEAT BASE RELEASE, WELDT	1	
22	202569	ROD – RELEASE	1	
23	206042	BOTTOM COVER – FRONT	1	
24	208806	BOTTOM COVER – REAR, CUTOUT	1	
25	203020	KNOB STEERING COLUMN RELEASE	1	
26	203401	CLIP – HARNESS	1	
27	206454	PLATE – GROMMET	1	
28	207539	COVER – SEAT BASE	1	
29	203029	COVER – STEERING WHEEL	1	
30	208770	GROMMET – RUBBER	1	
31	202492	WHEEL – STEERING (STANDARD CAB ONLY) ¹⁰⁹	1	
	204748	WHEEL – STEERING, LEATHER (DELUXE CAB ONLY) ¹⁰⁹	1	
A	184655	BOLT – HEX HD M8 X 1.25 X 55-8.8-A2L		
B	135337	NUT – HEX FLG CTR LOC M8 X 1.25-8-A2L		
C	184648	BOLT – RHSN M8 X 1.25 X 25-8.8-A3L		
D	184687	NUT – HEX M8 X 1.25-8-A2L		
E	252270	BOLT – HEX HD TFL M8 X 1.25 X 50-8.8-BO		
F	152655	BOLT – HEX FLG HD M10 X 1.5 X 20-8.8-A3L		
G	135785	BOLT – RHSN M10 X 1.5 X 25-8.8-A3L		
H	108172	BOLT – HEX HD M10 X 1.5 X 65-8.8-A3L		
J	184584	WASHER – CON SPRING M10A STL SAE 1050-1075		

108. For service parts, refer to Section [56 Steering Column – Service Parts, page 125](#).

109. For windrowers with standard cab components, order steering wheel (MD #202492). For windrowers with deluxe cab components, order steering wheel (MD #204748).

STEERING COLUMN AND SEAT BASE

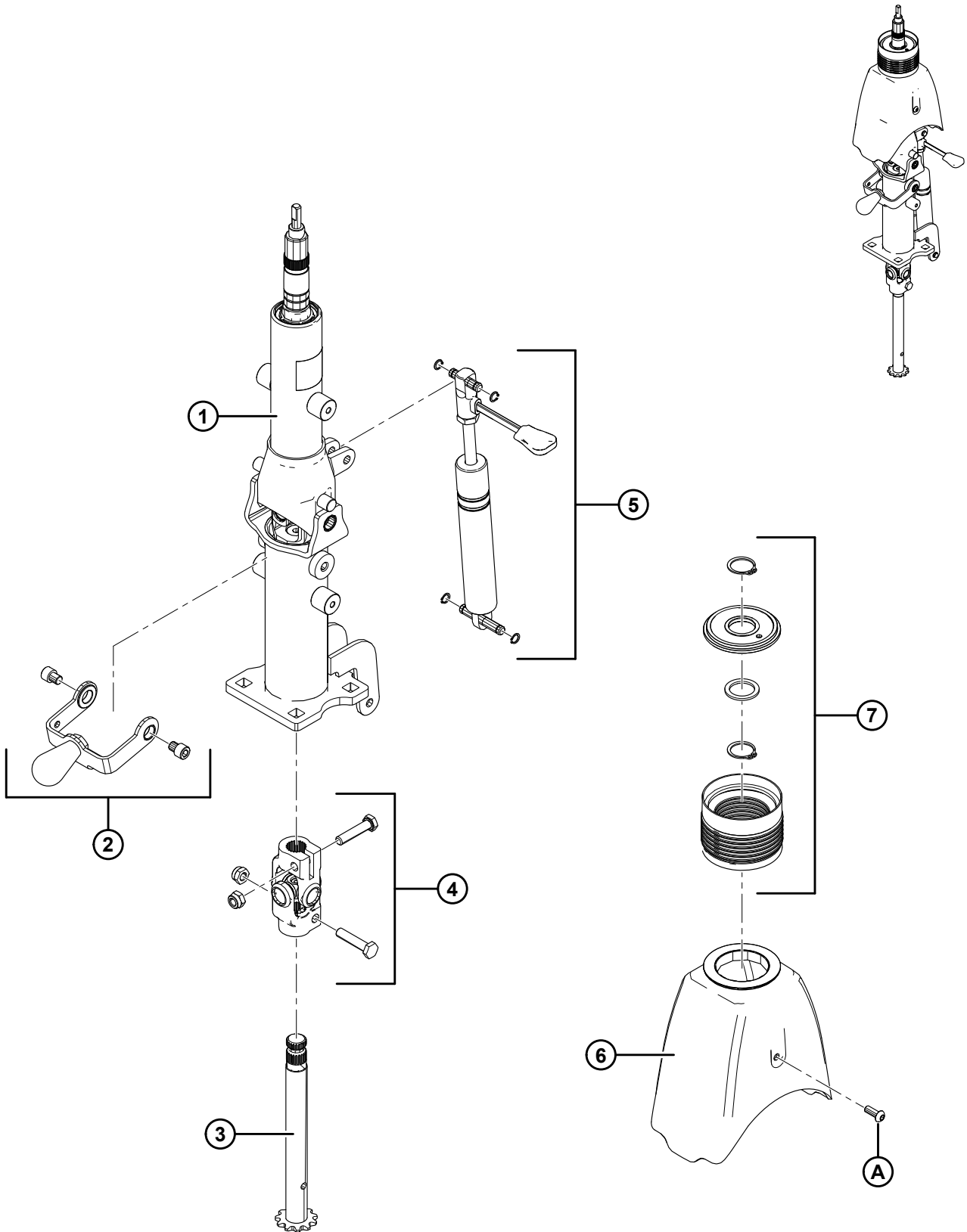


1015167

STEERING COLUMN AND SEAT BASE

Ref	Part Number	Description	Qty	Serial Number
K	136886	SCREW – HEX SOC M6 X 1 X 16-10.9-ZB		
L	203022	WASHER – SPECIAL LOCK		
M	152519	NUT – HEX THIN M20 X 1.5-8-A3L		
N	203019	WASHER		
P	184688	NUT – HEX NYLOC M8 X 1.25-8-A2L		
Q	197171	BOLT – RHSN M8 X 1.25 X 20-8.8-A2L		
R	136485	BOLT – HEX FLG HD TFL M8 X 1.25 X 16-8.8-A3L		
S	135799	NUT – HEX FLG CTR LOC M10 X 1.5-10-A3L		

56 Steering Column – Service Parts



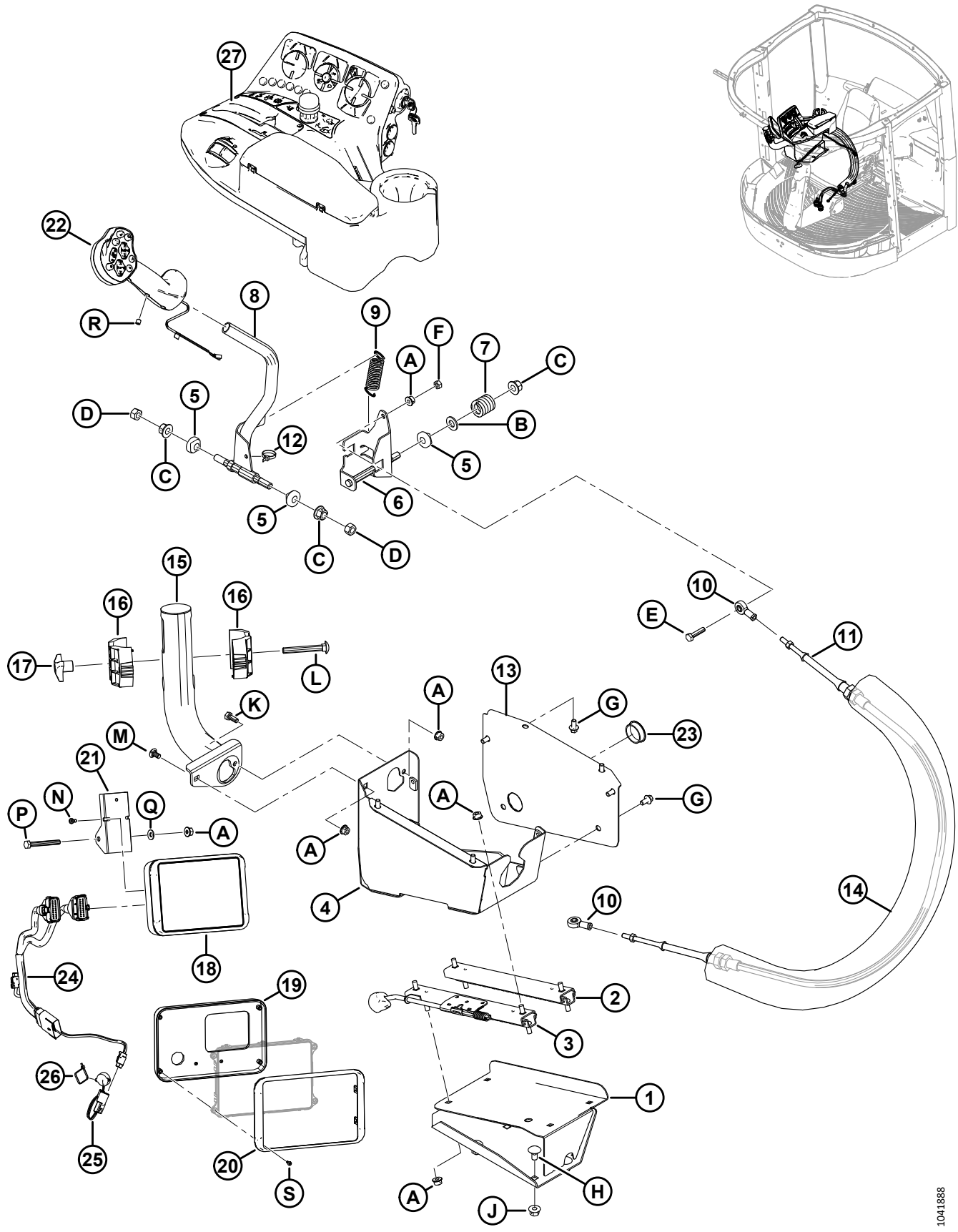
STEERING COLUMN – SERVICE PARTS

NOTE:

For steering column assembly (complete with top cover) placement, refer to Section [55 Steering Column and Seat Base](#), page 121.

Ref	Part Number	Description	Qty	Serial Number
1	208010	KIT – COMPLETE TELESCOPIC ASSY		
2	208013	KIT – UNLOCK SYSTEM ASSY		
3	208014	KIT – LOWER WELDED SHAFT		
4	208015	KIT – ARTICULATED JOINT		
5	208016	KIT – GAS STRUT		
6	206040	TOP COVER		
7	207145	KIT – RUBBER BOOT		
A	136886	SCREW – HEX SOC M6 X 1 X 16-10.9-ZB		

57 Ground Speed Lever, Cable, and Display



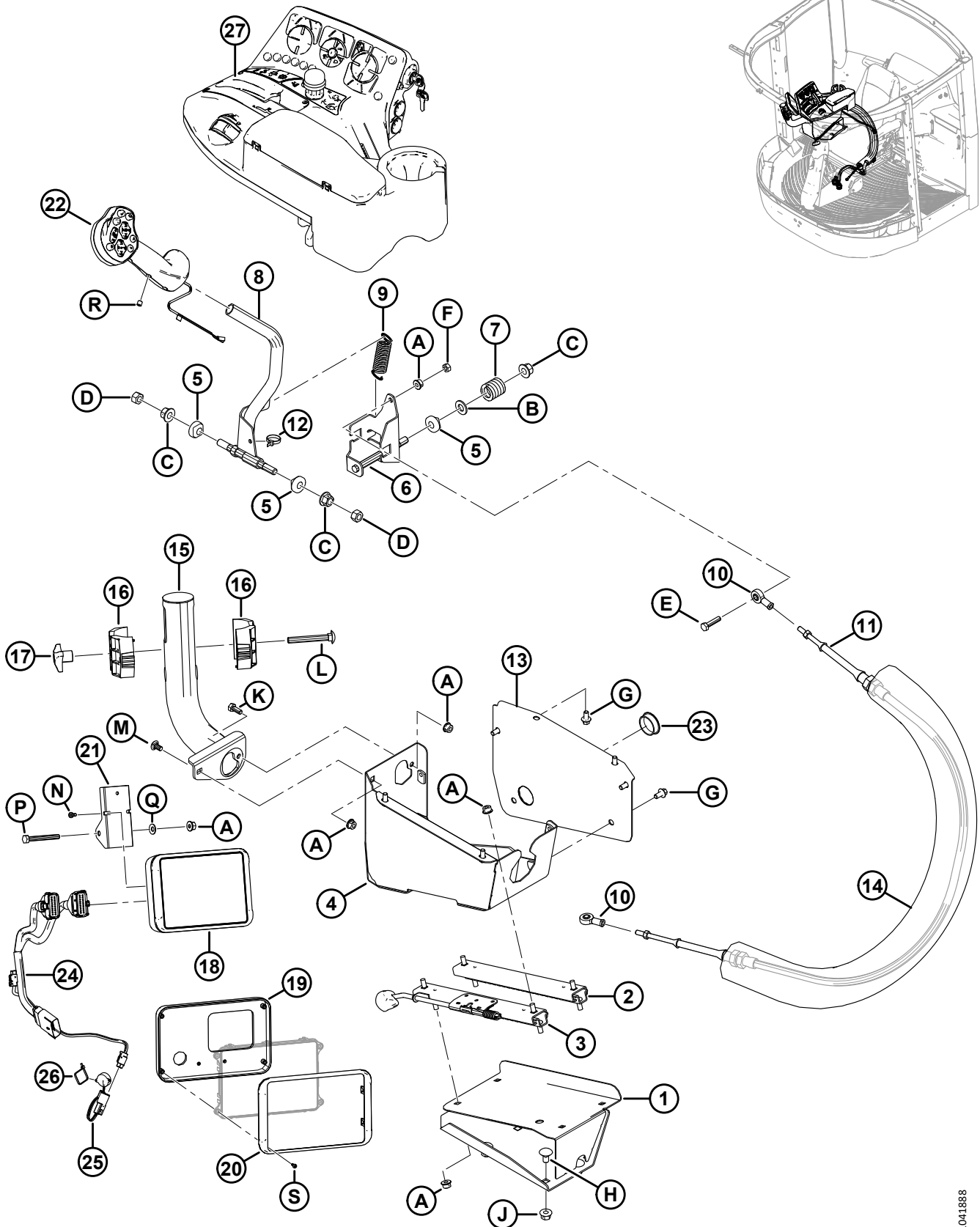
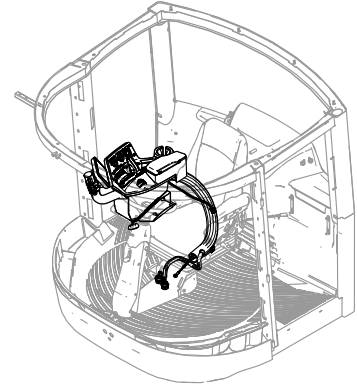
GROUND SPEED LEVER, CABLE, AND DISPLAY

Ref	Part Number	Description	Qty	Serial Number
1	209697	SUPPORT – CONSOLE, LOWER WELDT	1	
2	202654	RAIL – SLIDE, NON LOCKING	1	
3	202456	RAIL – SLIDE, LOCKING	1	
4	346230	SUPPORT – CONSOLE, UPPER WELDT	1	
5	109750	BUSHING – PLASTIC	3	
6	346232	CHANNEL – SPEED LEVER, WELDT	1	
7	28700	SPRING – COMPRESSION	1	
8	203518	LEVER – SPEED WELDT	1	
9	25321	SPRING – EXTENSION	1	
10	109312	JOINT – BALL, 5/16 IN. FEMALE	2	
11	207914	CABLE – PUSH PULL	1	
12	21763	FASTENER – CABLE TIE, BLACK, 160 MM LG	1	
13	201299	PANEL – REAR, CONSOLE	1	
14	204174	COVER – HARNESS/CABLE	1	
15	204010	SUPPORT – DISPLAY, WELDT	1	
16	207580	CLAMP HALF – DISPLAY MOUNT	2	
17	204187	KNOB	1	
18	362228	KIT – M2 CAB DISPLAY ¹¹⁰	1	
19	500555	BRACKET – BALL MOUNT ADAPTER	1	
20	500554	BEZEL – DISPLAY, TOUCH	1	
21	362149	SUPPORT – DISPLAY	1	
22	209209	HANDLE – GSL	1	
23	161378	PLUG – HOLE (Ø1.5 IN.)	1	
24	362363	HARNESS – DISPLAY	1	
25	500585	ASSEMBLY – BUZZER	1	
26	16661	FASTENER – CABLE TIE, BLACK, 69 MM LG	1	
27	362101	CONSOLE – ARMREST ASSEMBLY ¹¹¹	1	
A	135337	NUT – HEX FLG CTR LOC M8 X 1.25-8-A2L		
B	18599	WASHER – SAE FLAT 17/32 I.D. X 1-1/16 IN. O.D. ZP		
C	136431	NUT – HEX FLG CTR LOC M12 X 1.75-10-A3L		
D	184694	NUT – HEX M12 X 1.75-8-A3L		
E	184654	BOLT – HEX HD M8 X 1.25 X 35-8.8-A2L		
F	184687	NUT – HEX M8 X 1.25-8-A2L		
G	136485	BOLT – HEX FLG HD TFL M8 X 1.25 X 16-8.8-A3L		
H	136178	BOLT – RHSN M10 X 1.5 X 20-8.8-A3L		
J	135799	NUT – HEX FLG CTR LOC M10 X 1.5-10-A3L		
K	252200	BOLT – HEX HD TFL M8 X 1.25 X 20-8.8-PLN		
L	152157	BOLT – RHSN M10 X 1.5 X 80-8.8-A3L		
M	191489	BOLT – RHSSN TFL M8 X 1.25 X 16-8.8-A2L		
N	136608	SCREW – PAN HD PHIL #10-32 UNF X 1/2-GR5-AA1J		

110. Includes touch display (NSS), ball mount adapter bracket (MD #500555), bezel (MD #500554), and four screws (MD #136214).

111. For service parts, refer to Section [58 Console Components, page 131](#).

GROUND SPEED LEVER, CABLE, AND DISPLAY

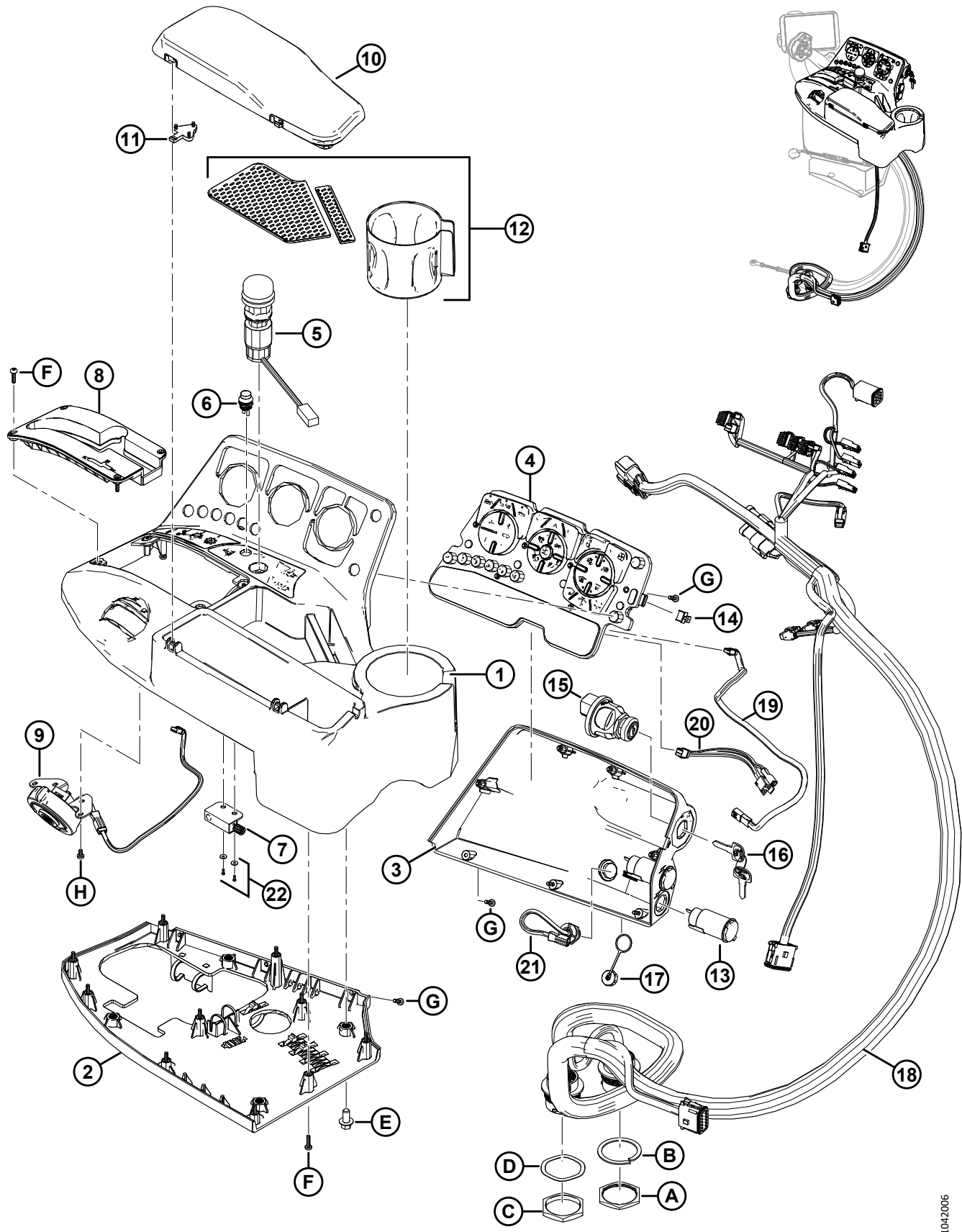


1041888

GROUND SPEED LEVER, CABLE, AND DISPLAY

Ref	Part Number	Description	Qty	Serial Number
P	184656	BOLT – HEX HD M8 X 1.25 X 70-8.8-A2L		
Q	184579	WASHER – CON SPRING M8A STL SAE 1050-1075		
R	136869	SCREW – SET CUP POINT M8 X 1.25 X 8-SS-PL		
S	136214	SCREW – PAN HD #6-19 X 1/2-RC45-ZINC		

58 Console Components



CONSOLE COMPONENTS

Ref	Part Number	Description	Qty	Serial Number
	362101	ASSY – CONSOLE, ARMREST		
1	206771	KIT – CONSOLE HOUSING, UPPER ¹¹²	1	
2	206772	KIT – CONSOLE HOUSING, LOWER ¹¹³	1	
3	206775	KIT – SWITCH PANEL COVER ¹¹⁴	1	
4	306790	MODULE – SWITCH PAD AND CIRCUIT BOARD ¹¹⁵	1	
5	109505	SWITCH – HEADER ENGAGE	1	
6	206774	SWITCH – HEADER REVERSE	1	
7	200974	SWITCH – MAGNETIC PROXIMITY, GSL	1	
8	206773	GSL GUIDE ¹¹⁶	1	
9	362143	THROTTLE CONTROL ¹¹⁷	1	
10	206783	PAD – ARMREST C/W HINGES	1	
11	206784	KIT – ARMREST HINGES ¹¹⁸	2	
12	206780	MAT – TRAY (SET) ¹¹⁹	1	
13	206785	TERMINAL – POWER OUTLET	2	
14	206776	CAP – USB PORT	1	
15	134716	SWITCH – IGNITION, 4 POSITION WITH KEY ¹²⁰	1	
16	134717	KEY – IGNITION SWITCH, CODE 701	1	
17	206777	CAP – USB ACCESS PORT, REAR	1	
18	362099	HARNESS – CONSOLE ¹²¹	1	
	500470	CONNECTOR – DEUT, DT, 3/M, J1939 (CAN TERMINATOR)		
19	208810	HARNESS – GSL HANDLE EXTENSION	1	
20	208811	HARNESS – CONSOLE JBUND1	1	
21	209571	CABLE – MINI USB TO JST ¹²²	1	
22	208989	KIT – NEUTRAL SWITCH FASTENERS ¹²³	1	
A	134010	NUT – PANEL, HD30, SIZE 24		
B	134011	WASHER – LOCK SPRING, DEUTSCH HD, SIZE 24		
C	134728	NUT – PANEL, HDP20, SIZE 24		
D	134730	WASHER – LOCK, HDP20, SIZE 24		
E	136485	BOLT – HEX FLG HD TFL M8 X 1.25 X 16-8.8-A3L		
F	252706	SCREW – TORX SOC PAN HD M4 X 0.7 X 16-8.8-AA2L		

112. Includes header switch decal (MD #206778), function switches decal (MD #206781), screws (MD #252706, 252707, 252708), and neutral switch fasteners kit (MD #208989).

113. Includes ten 16 mm Torx screws (MD #252706) and three 14 mm Torx screws (MD #252707).

114. Includes key switch decal (MD #208807) and seven 14 mm Torx screws (MD #252707).

115. Includes six 14 mm Torx screws (MD #252707).

116. Includes four 16 mm Torx screws (MD #252706).

117. Includes four 8 mm Torx screws (MD #252708).

118. Includes two hinges (NSS) and six screws (NSS).

119. Includes all parts shown.

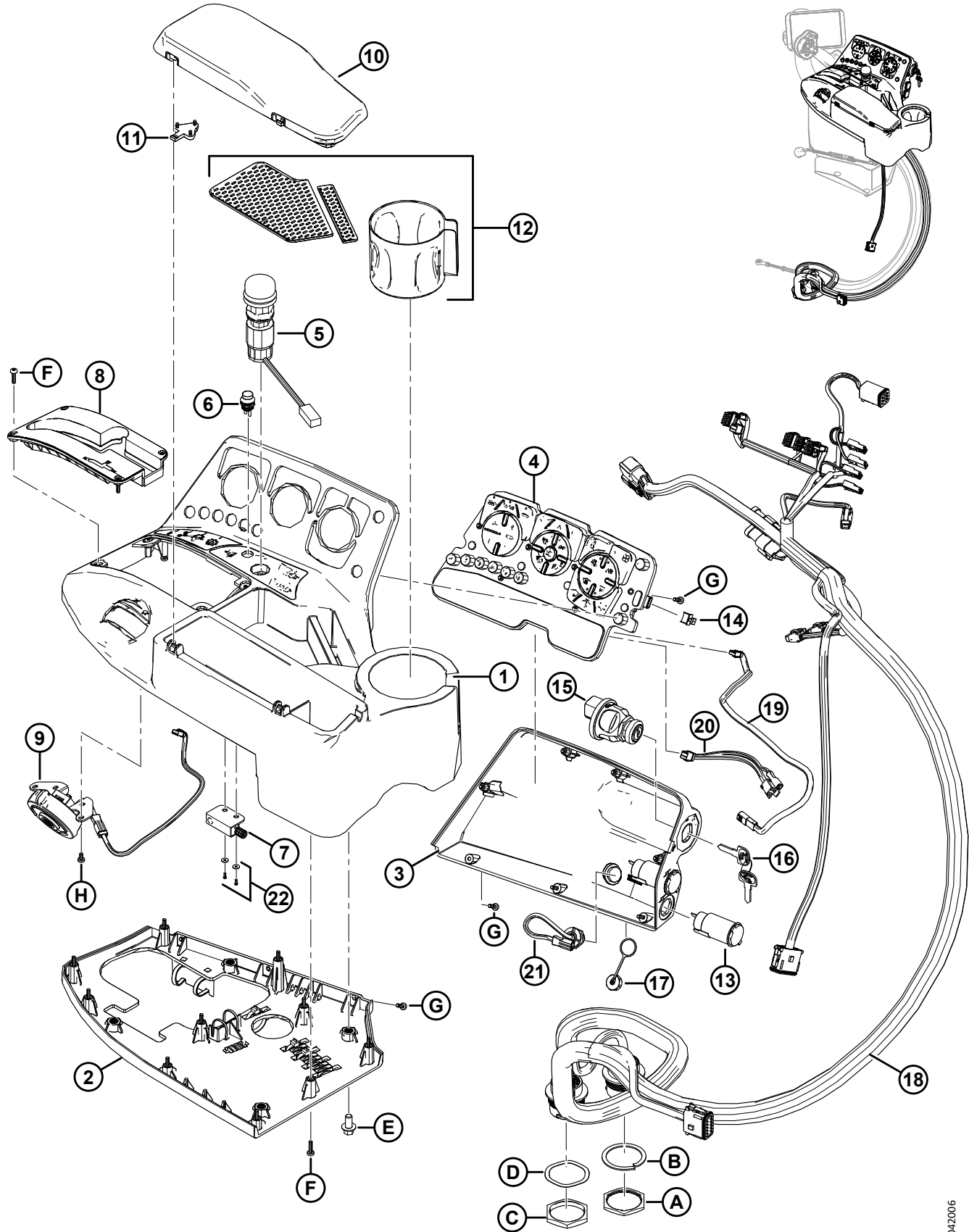
120. Includes two keys (MD #134717).

121. Includes CAN terminator (MD #500470).

122. Cable used to program CAN network.

123. Kit includes two screws and two washers. Used to attach GSL magnetic proximity switch (MD #200974) to console.

CONSOLE COMPONENTS

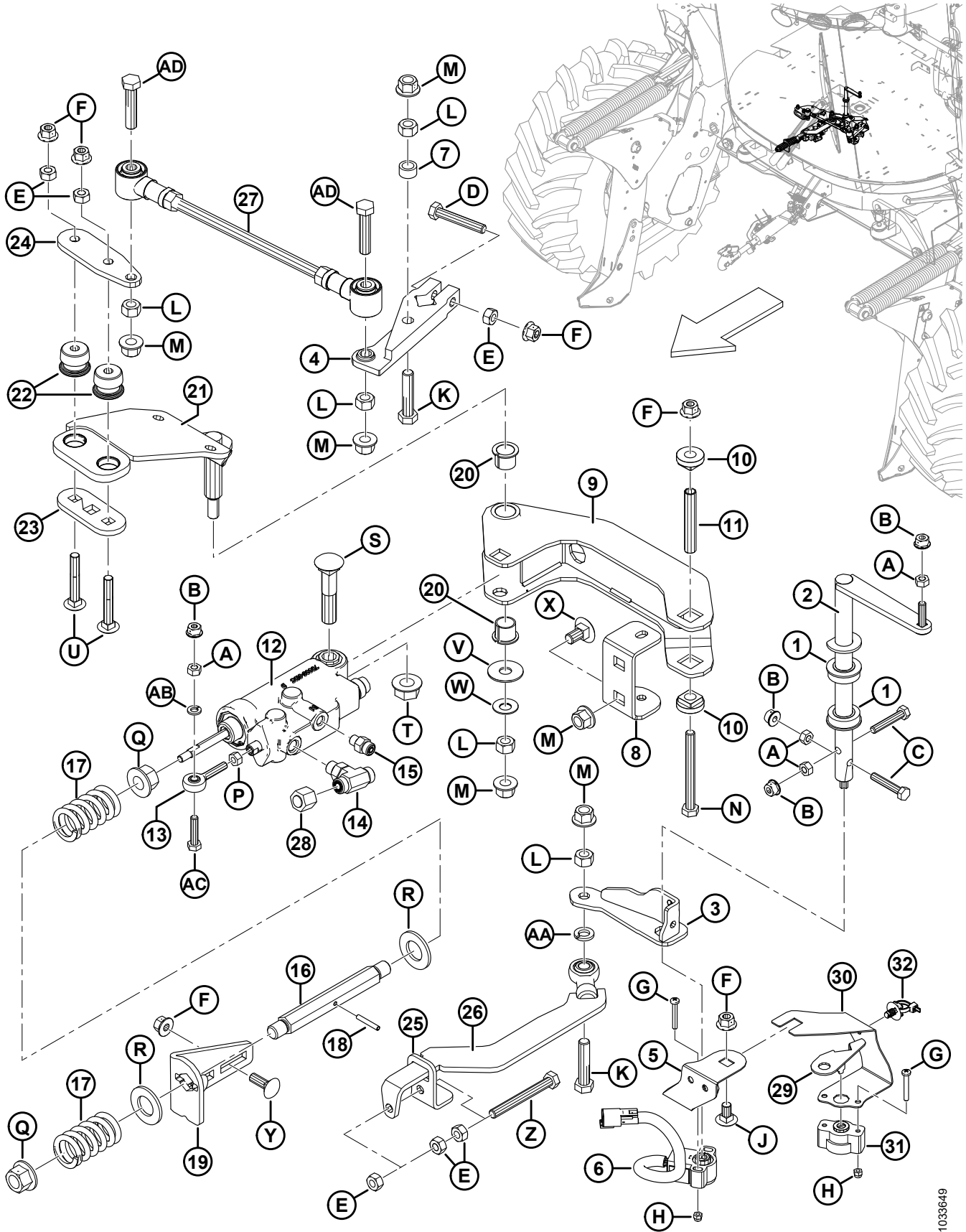


1042006

CONSOLE COMPONENTS

Ref	Part Number	Description	Qty	Serial Number
G	252707	SCREW – TORX SOC PAN HD M4 X 0.7 X 14 X SPCL-8.8-AA1T		
H	252708	SCREW – TORX SOC PAN HD M4 X 0.7 X 8-8.8-AA2L		

59 Steering and Ground Speed Control (under Cab)



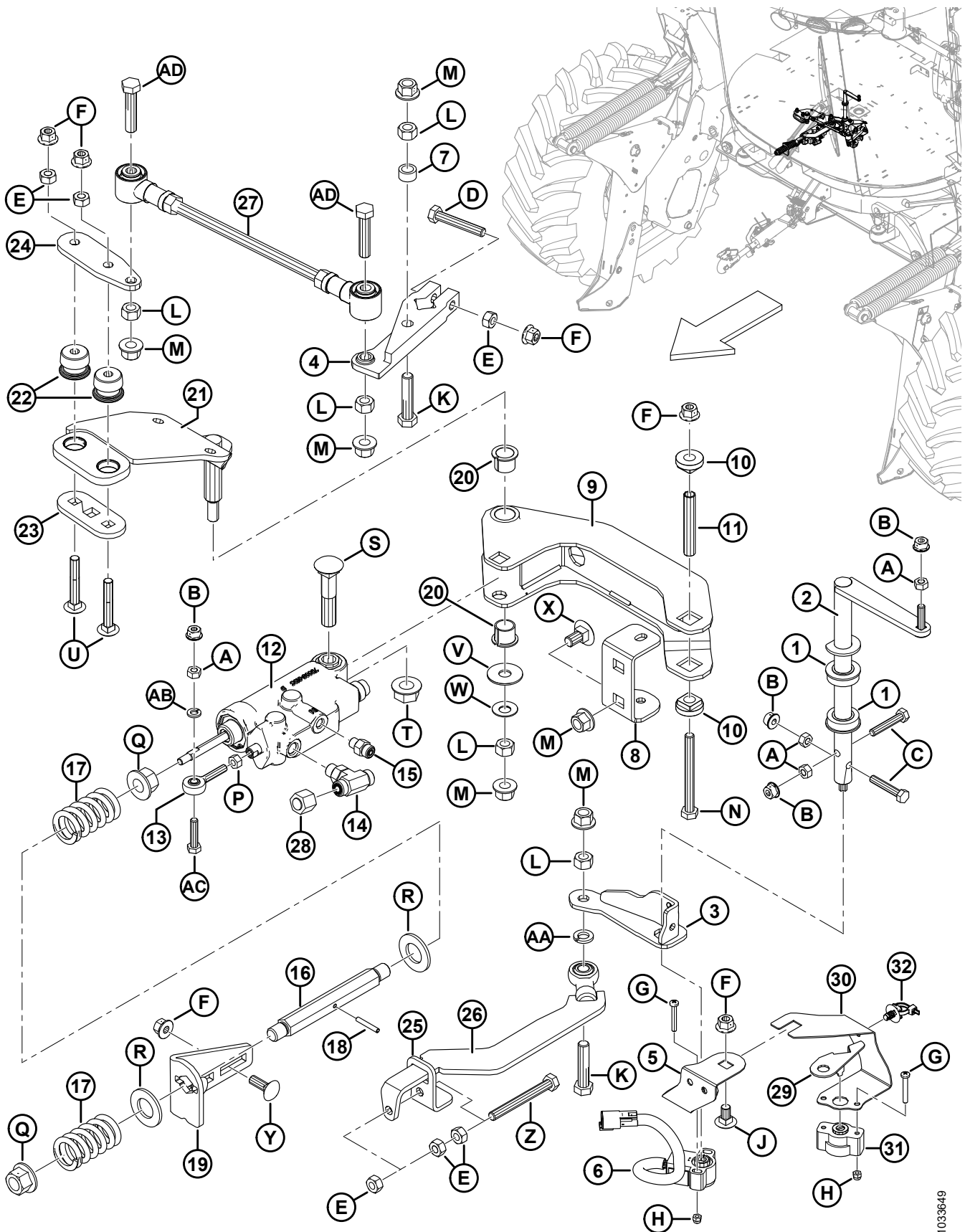
1033649

STEERING AND GROUND SPEED CONTROL (UNDER CAB)

Ref	Part Number	Description	Qty	Serial Number
1	109818	BEARING	2	
2	201701	SHAFT – SPEED WELDT	1	
3	203505	ARM – SPEED, WELDT	1	
4	203508	ARM – STEERING	1	
5	201705	SUPPORT – SENSOR	1	
6	201224	SENSOR – ROTARY POSITION ¹²⁴	1	
7	14294	SPACER	1	
8	209924	SUPPORT – PIVOT	1	
9	204354	CARRIER – SERVO WELDT	1	
10	109750	BUSHING – PLASTIC	2	
11	203277	SPACER – TUBE	1	
12	183913	VALVE – SERVO CONTROL	1	
	111990	SEAL KIT		
13	109313	JOINT – BALL, 5/16 IN. MALE	1	
14	136566	FITTING – BRANCH TEE HYD	1	
	50219	O-RING – #6 ORB		
	135865	O-RING – #6 ORFS		
15	135775	FITTING – ADAPTER	1	
	50223	O-RING – #4 ORB		
	135957	O-RING – #4 ORFS		
16	203509	SHAFT – SERVO	1	
17	109807	SPRING – COMPRESSION	2	
18	13617	PIN – SPRING 3/16 DIA X 1.25 LG	1	
19	183166	SUPPORT – SERVO	1	
20	135570	BUSHING – TEFLON	2	
21	207233	PIVOT – PINTLE WELDT	1	
22	30591	INSULATOR – RUBBER	2	
23	201149	BAR – BUSHING	1	
24	207250	BAR – BUSHING	1	
25	203504	ANGLE – SERVO INPUT	1	
26	203501	LINK – VALVE CONTROL, WELDT	1	
27	306267	ROD – STEERING LINK	1	
28	136325	CAP – HYD SAE -6 ORFS	1	
29	208637	ADAPTER – STEERING SENSOR	1	
30	208895	SUPPORT – SENSOR, STEERING	1	
31	208894	SENSOR – ROTARY POSITION	1	
32	136655	FASTENER – FIR TREE MT W/ TIE	1	
A	184687	NUT – HEX M8 X 1.25-8-A2L		
B	135337	NUT – HEX FLG CTR LOC M8 X 1.25-8-A2L		
C	30660	BOLT – HEX HD M8 X 1.25 X 45-8.8-A2L		
D	184664	BOLT – HEX HD M10 X 1.5 X 60-8.8-A3L		
E	30505	NUT – HEX M10 X 1.5-10-A3L		
F	135799	NUT – HEX FLG CTR LOC M10 X 1.5-10-A3L		

124. Used to determine ground speed lever position.

STEERING AND GROUND SPEED CONTROL (UNDER CAB)

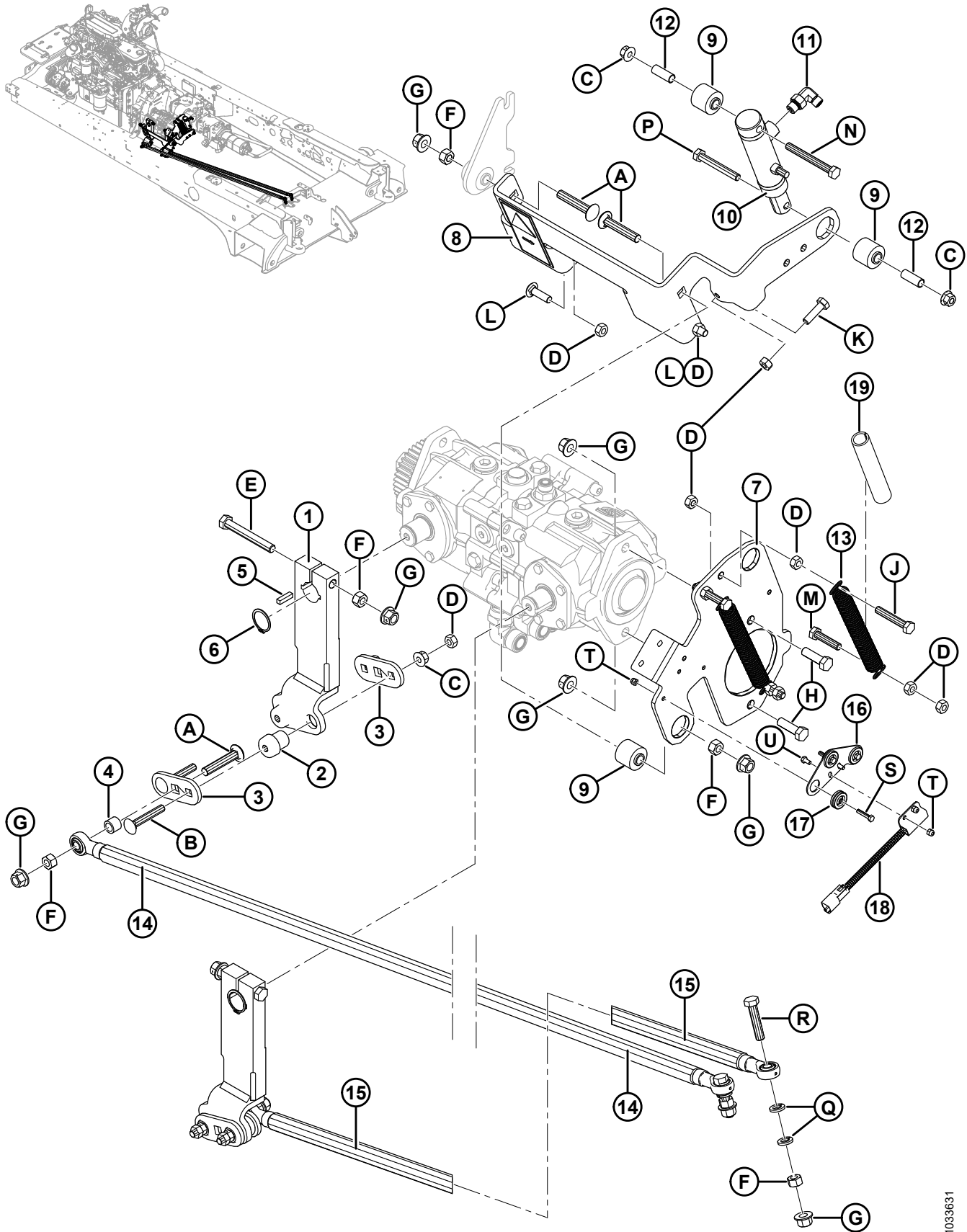


1033649

STEERING AND GROUND SPEED CONTROL (UNDER CAB)

Ref	Part Number	Description	Qty	Serial Number
G	136177	SCREW – PAN HD ISO 7045 M5 X 0.8 X 35-4.8-A2L		
H	197230	NUT – HEX NYLOC M5 X 0.8-8-A2L		
J	136178	BOLT – RHSN M10 X 1.5 X 20-8.8-A3L		
K	152779	BOLT – HEX HD M12 X 1.75 X 55-8.8-A3L		
L	184694	NUT – HEX M12 X 1.75-8-A3L		
M	136431	NUT – HEX FLG CTR LOC M12 X 1.75-10-A3L		
N	30659	BOLT – HEX HD M10 X 1.5 X 100-8.8-A3L		
P	20214	NUT – HEX 5/16-24 UNF GR 5 ZP		
Q	136440	NUT – HEX FLG CTR LOC M16 X 2-10-A3L		
R	18602	WASHER – SAE FLAT 15/16 I.D. X 1.75 IN. O.D. ZP		
S	21762	BOLT – RHSSN 5/8 NC X 3.0 LG GR 5 ZP		
T	50225	NUT – FLANGE DT SMOOTH FACE .625-11 UNC		
U	136183	BOLT – RHSN M10 X 1.5 X 65-8.8-A3L		
V	32247	WASHER – FLAT		
W	184595	WASHER – CONICAL SPRING 1/2 IN.		
X	135903	BOLT – RHSN M12 X 1.75 X 25-8.8-A3L		
Y	184662	BOLT – RHSN TFL M10 X 1.5 X 30-8.8-A3L		
Z	136454	BOLT – HEX HD TFL M10 X 1.5 X 90-8.8-A3L		
AA	30633	WASHER – LOC SPRING M12-CS-1055-1065-A2L		
AB	30716	WASHER – LOC SPRING M8-CS-1055-1065-A2L		
AC	184654	BOLT – HEX HD M8 X 1.25 X 35-8.8-A2L		
AD	184675	BOLT – HEX HD M12 X 1.75 X 70-8.8-AA1J		

60 Neutral Interlock and Pintle Arms



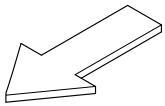
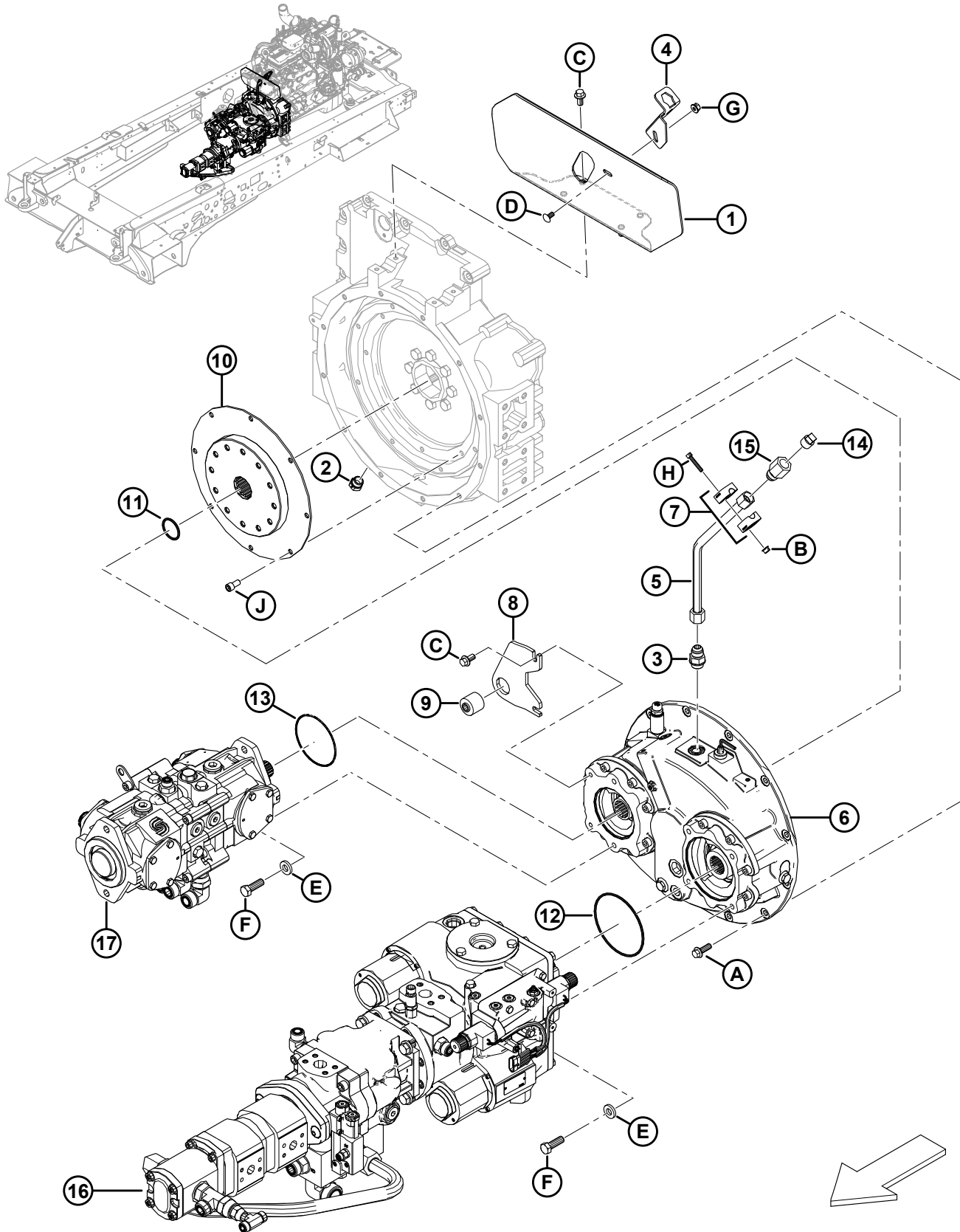
NEUTRAL INTERLOCK AND PINTLE ARMS

Ref	Part Number	Description	Qty	Serial Number
1	306077	ARM – PINTLE WELDT	2	
2	42039	INSULATOR – RUBBER	4	
3	201149	BAR – BUSHING	4	
4	132531	SPACER	2	
5	18810	KEY	2	
6	153289	RING – RETAINING EXTERNAL	2	
7	202014	ASSEMBLY – INTERLOCK SUPPORT ¹²⁵	1	
8	202015	ASSEMBLY – PIVOT ISOLATOR ¹²⁶	1	
9	50040	BUSHING – RUBBER	3	
10	111599	CYLINDER – HYDRAULIC	1	
	166171	SEAL KIT		
11	136239	FITTING – ELBOW 90° HYD	1	
	50219	O-RING – #6 ORB		
	135957	O-RING – #4 ORFS		
12	202022	SLEEVE – TUBE	2	
13	110977	SPRING – EXT	2	
14	202521	ROD – STEERING WELDT	1	
15	202523	ROD – STEERING WELDT	1	
16	207830	PLATE – SWITCH MOUNT	1	
17	207829	GROMMET – ISOLATOR	3	
18	200974	SWITCH – NEUTRAL SAFETY	1	
19	209385	DAMPENER – SPRING	2	
A	136112	BOLT – RHSSN M12 X 1.75 X 65-8.8-A3L		
B	136183	BOLT – RHSN M10 X 1.5 X 65-8.8-A3L		
C	135799	NUT – HEX FLG CTR LOC M10 X 1.5-10-A3L		
D	30505	NUT – HEX M10 X 1.5-10-A3L		
E	184673	BOLT – HEX HD M12 X 1.75 X 90-10.9-A3L		
F	135156	NUT – HEX M12 X 1.75-10-A3L		
G	136431	NUT – HEX FLG CTR LOC M12 X 1.75-10-A3L		
H	184669	BOLT – HEX HD M12 X 1.75 X 40-8.8-A3L		
J	184664	BOLT – HEX HD M10 X 1.5 X 60-8.8-A3L		
K	30628	BOLT – HEX HD M10 X 1.5 X 35-8.8-A3L		
L	184658	BOLT – RHSSN M10 X 1.5 X 50-8.8-AA1J		
M	135335	BOLT – HEX HD M10 X 1.5 X 45-8.8-A3L		
N	30682	BOLT – HEX HD M10 X 1.5 X 90-8.8-A3L		
P	184659	BOLT – HEX HD M10 X 1.5 X 75-8.8-A3L		
Q	30633	WASHER – LOC SPRING M12-CS-1055-1065-A2L		
R	152779	BOLT – HEX HD M12 X 1.75 X 55-8.8-A3L		
S	252365	BOLT – HEX HD M5 X 0.8 X 25-8.8-A2L		
T	197230	NUT – HEX NYLOC M5 X 0.8-8-A2L		
U	136263	BOLT – HEX HD M5 X 0.8 X 10-8.8-A2L		

125. Includes two rubber bushings (MD #50040).

126. Includes rubber bushing (MD #50040) and decal (MD #166425).

61 Engine Gearbox



1042024

ENGINE GEARBOX

Ref	Part Number	Description	Qty	Serial Number
1	346301	DEFLECTOR – GEARBOX, HD	1	
2	320289	BREATHER – #8 ORB	1	
3	310697	FITTING – HYD BSP-JIC	1	
	320495	O-RING – 2.3 X 21.5		
4	306808	SUPPORT – FILL LINE	1	
5	306804	TUBE – OIL FILL	1	
6	306792	ASSY – GEARBOX, COMER ¹²⁷	1	
7	283791	CLAMP – ASSY ¹²⁸	1	
8	271097	HANGER – INTERLOCK C/ W BUSHING ¹²⁹	1	
9	50040	BUSHING – RUBBER	1	
10	141685	ASSY – COUPLING, STEEL	1	
11	194041	O-RING – 3.53 X 37.69	1	
12	139322	O-RING – 3.53 X 123.42	1	
13	30045	O-RING – 2.62 X 101.27	1	
14	1434	FITTING – PLUG HYD SQ HD NPTF	1	
15	252097	FITTING – CONNECTOR HYD	1	
16	REF	ASSY – PUMPS, 6 CYL ¹³⁰	1	
17	REF	ASSY – TRACTION PUMP HD GEARBOX ¹³¹	1	
A	184665	BOLT – HEX FLG HD M10 X 1.5 X 30-10.9-AA1J		
B	152668	NUT – HEX FLG CTR LOC M6 X 1-8		
C	152655	BOLT – HEX FLG HD M10 X 1.5 X 20-8.8-AA1J		
D	191489	BOLT – RHSSN TFL M8 X 1.25 X 16-8.8-AA1J		
E	136027	WASHER – HARD1/2-361-460 HV-AB0C		
F	135460	BOLT – HEX HD 1/2-13 X 1.5		
G	135337	NUT – HEX FLG CTR LK M8 X 1.25-8-AA1J		
H	320498	SCREW – HEX SOC HD M6 X 1 X 35-12.9-ZINC		
J	320497	SCREW – HEX SOC HD3/8-16 X .75-BLACK OXIDE		

127. For service parts, refer to Section [62 Engine Gearbox – Service Parts, page 143](#).

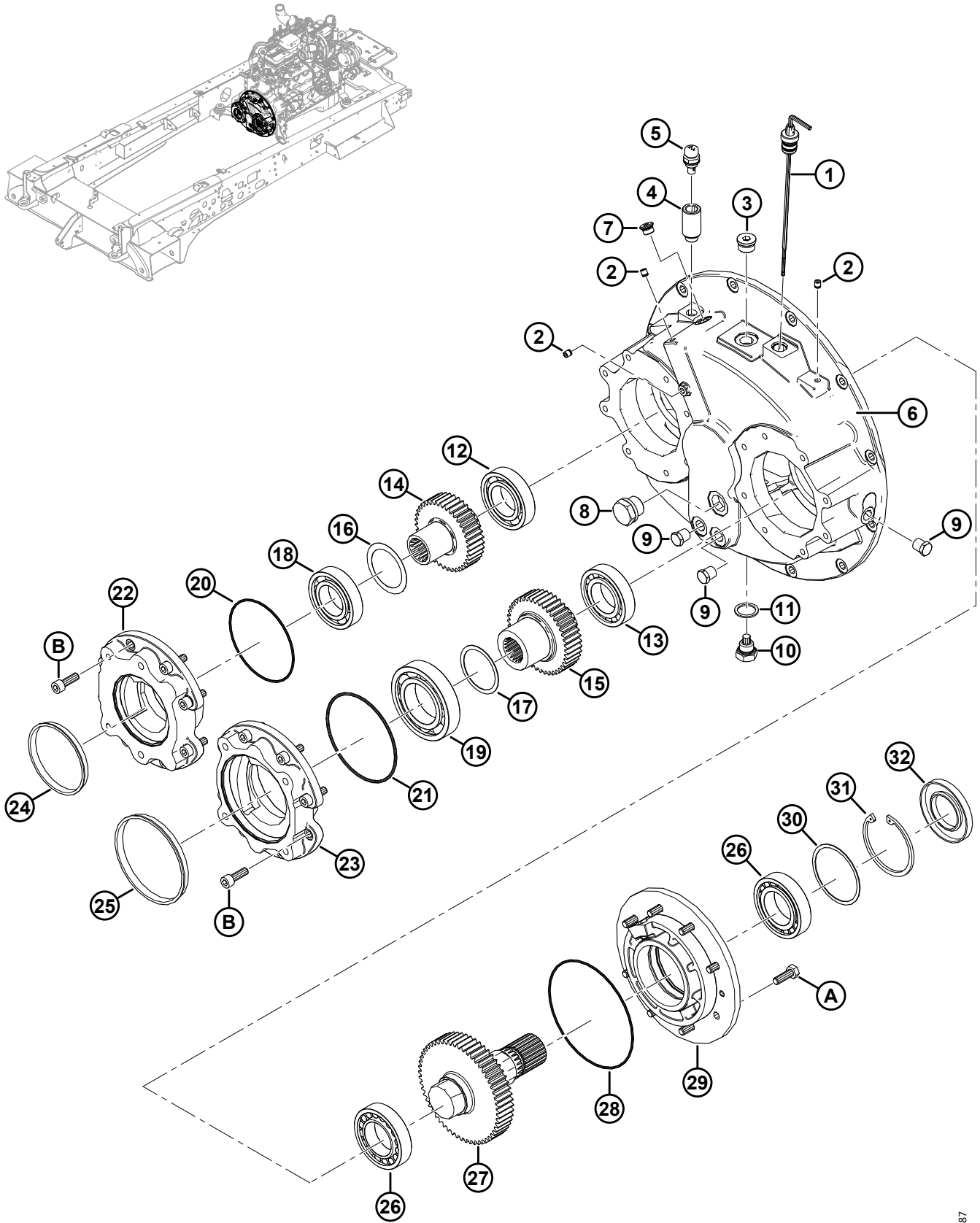
128. Includes both clamp halves.

129. Includes rubber bushing (MD #50040).

130. Refer to Section [65 Left-Hand Pump Stack, page 149](#).

131. Refer to Section [63 Traction Drive Pump, page 145](#).

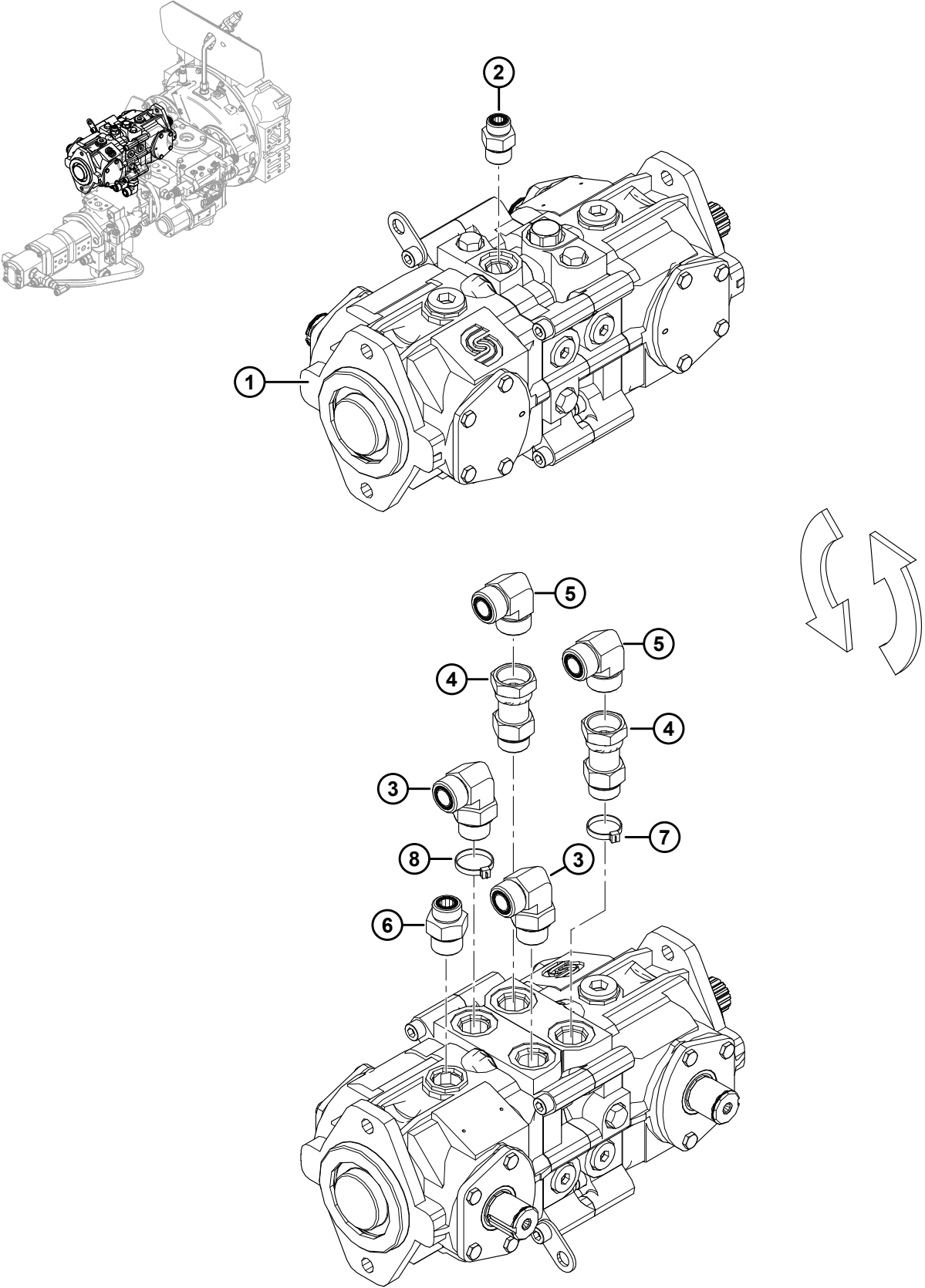
62 Engine Gearbox – Service Parts



ENGINE GEARBOX – SERVICE PARTS

Ref	Part Number	Description	Qty	Serial Number
	306792	ASSY – GEARBOX, COMER		
1	362355	DIPSTICK – COMER GEARBOX	1	
2	306806	FITTING – PLUG, EXPANSION	3	
3	136481	FITTING – PLUG HYD 10 ORB HEX SOC	1	
	44210	O-RING – 2.46 X 19.18		
4	310286	TUBE – EXTENSION	1	
5	310295	BREATHER – ENGINE GEARBOX	1	
6	310282	HOUSING – GEARBOX, COMER	1	
7	362345	PLUG – WITH O-RING	1	
8	310288	PLUG – M27 X 1.5	1	
9	162434	FITTING – PLUG HYD HEX HD NPTF	3	
10	111975	PLUG – 0.875-14 MAGNETIC HEX HEAD	1	
11	362353	WASHER – BONDED 1/2G	1	
12	362341	BEARING	1	
13	362343	BEARING	1	
14	362240	GEAR – CIL. Z39 M2.5	1	
15	362239	GEAR – CIL. Z43 M2.5	1	
16	362233	SHIM	1	
17	362354	SHIM	1	
18	362340	BEARING	1	
19	362342	BEARING	1	
20	362349	O-RING	1	
21	362348	O-RING	1	
22	362236	COVER – TRACTION	1	
23	362235	COVER – HEADER DRIVE	1	
24	362351	PLUG – PROTECTION	1	
25	362352	PLUG – PROTECTION	1	
26	362344	BEARING	2	
27	362238	GEAR – CIL. Z59 M2.5	1	
28	362350	O-RING – VITON	1	
29	362237	COVER – CENTER	1	
30	362337	SHIM	1	
31	362347	RING – SNAP	1	
32	362346	SEAL – OIL	1	
A	135401	SCREW – HEX SOC HD TFL M10 X 1.5 X 30-8.8AA1J		
B	184661	BOLT – HEX HD TFLM 10 X 1.5 X 30-8.8-AA1J		

63 Traction Drive Pump

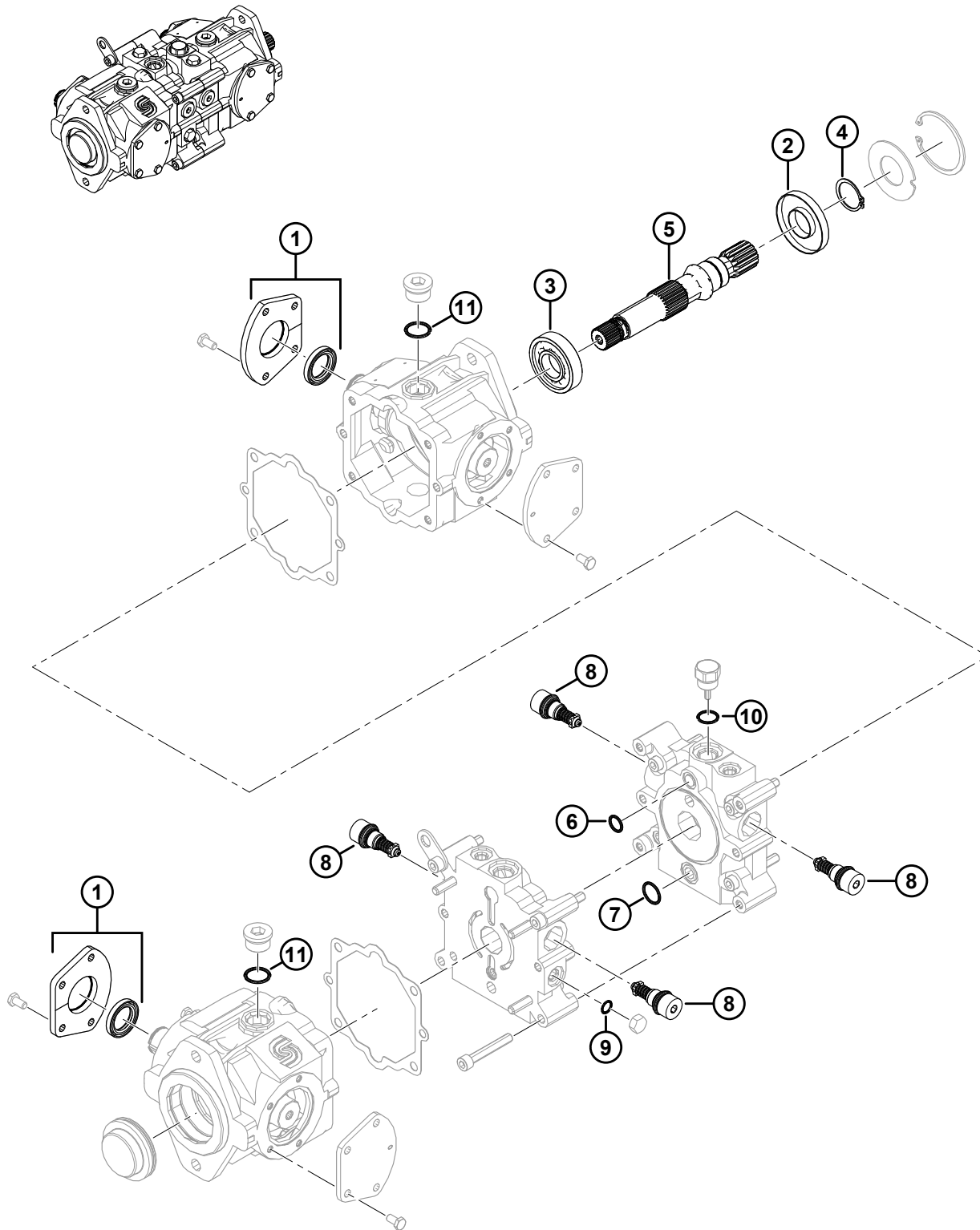


TRACTION DRIVE PUMP

Ref	Part Number	Description	Qty	Serial Number
1	209927	PUMP – VARIABLE AXIAL PISTON ¹³²	1	
2	184463	FITTING – ADAPTER HYD	1	
	44210	O-RING – 2.46 X 19.18		
	135866	O-RING – 1.78 X 12.42		
3	135821	FITTING – ELBOW 90° HYD (C, D)	2	
	30971	O-RING – 2.95 X 23.47		
	135868	O-RING – 1.78 X 18.77		
4	136501	FITTING – ADAPTER HYD (A, B)	2	
	30971	O-RING – 2.95 X 23.47		
5	136499	FITTING – ELBOW 90° HYD	2	
	135868	O-RING – 1.78 X 18.77		
6	135786	FITTING – ADAPTER (LL1)	1	
	30971	O-RING – 2.95 X 23.47		
	135867	O-RING – 1.78 X 15.60		
7	40702	FASTENER – CABLE TIE, RED	1	
8	40701	FASTENER – CABLE TIE, YELLOW	1	

132. For service parts, refer to Section [64 Traction Drive Pump – Service Parts, page 147](#).

64 Traction Drive Pump – Service Parts



TRACTION DRIVE PUMP – SERVICE PARTS

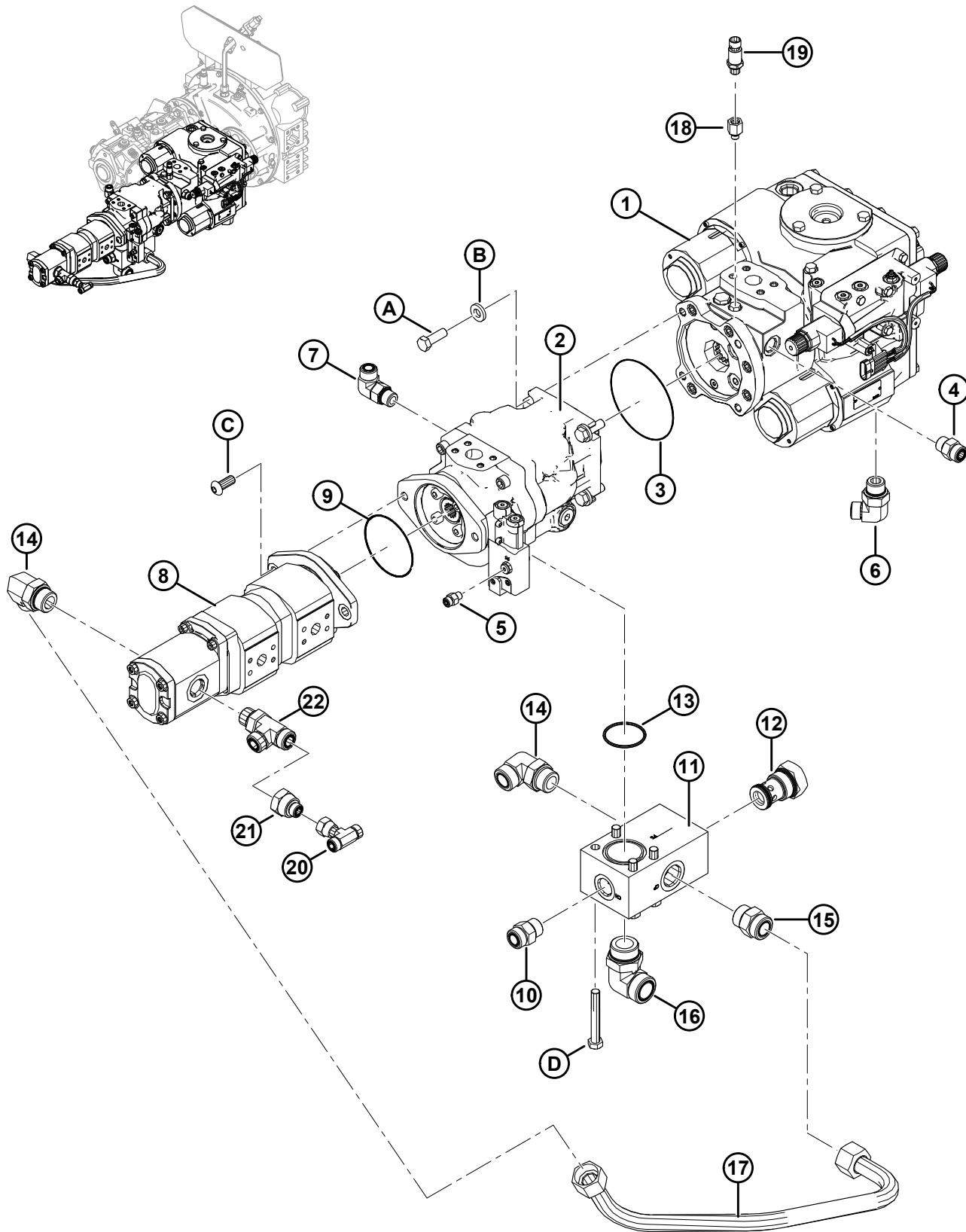
NOTE:

All illustrated parts that are **NOT** in the parts list are non-serviced parts, illustrated for reference only.

Ref	Part Number	Description	Qty	Serial Number
	209927	PUMP – VARIABLE AXIAL PISTON ¹³³		
1	207807	ASSEMBLY – TRUNNION COVER SEAL	2	
2	203048	SEAL – LIP	1	
3	111896	BEARING – ROLLER	1	
4	111897	RING – RETAINING	4	
5	346300	SHAFT – 1.25-14 TOOTH	1	
6	111909	O-RING – 2.62 X 15.54	1	
7	111911	O-RING – 2.62 X 21.89	1	
8	306528	VALVE – SCR 385 BAR/5580 PSI	4	
	111914	O-RING – 3.53 X 20.22	1	
	44209	O-RING – 2.21 X 16.36		
9	50219	O-RING – 1.98 X 11.89		
10	44210	O-RING – 2.46 X 19.18		
11	30971	O-RING – 2.95 X 23.47		

133. Refer to Section [63 Traction Drive Pump](#), page 145.

65 Left-Hand Pump Stack



LEFT-HAND PUMP STACK

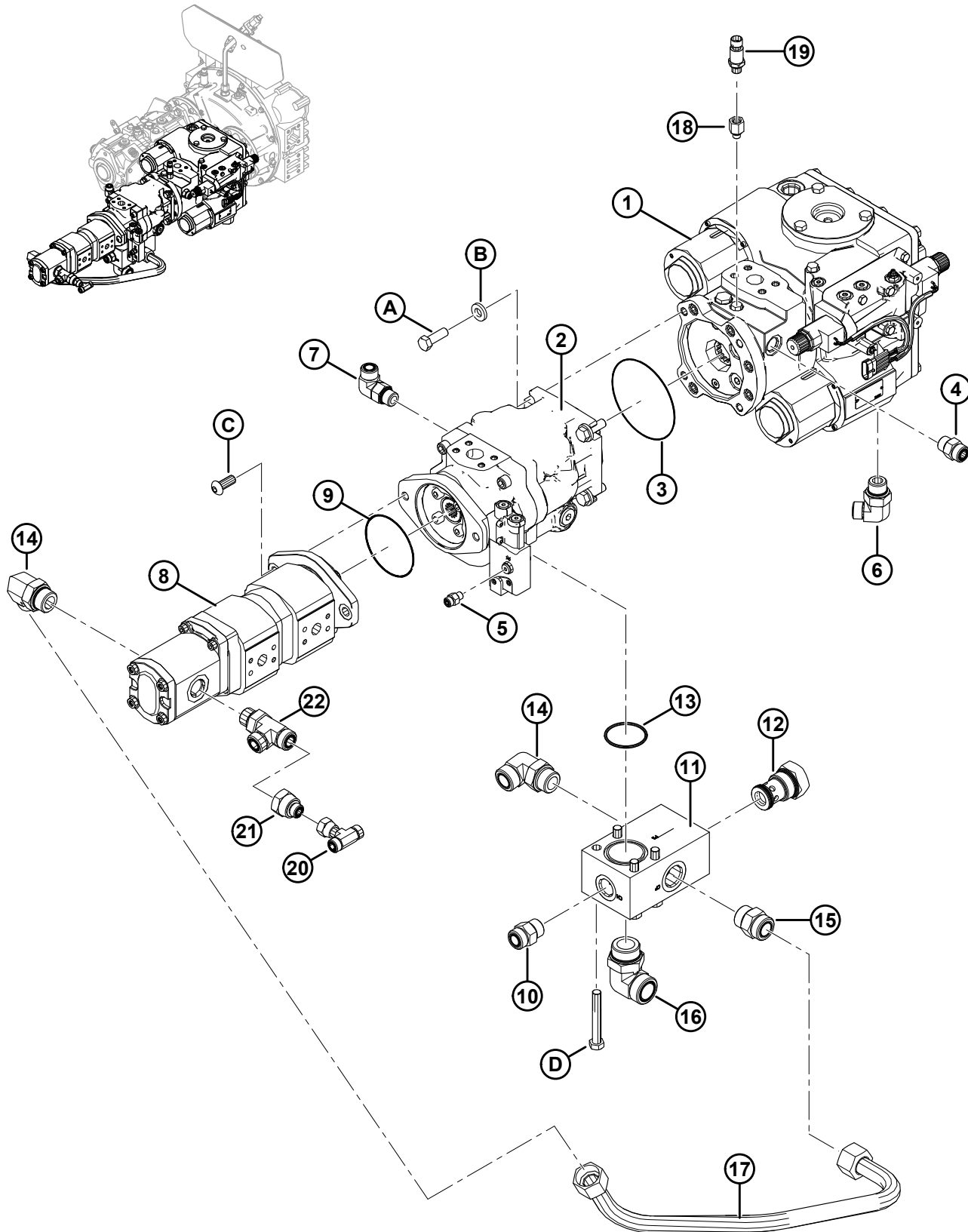
Ref	Part Number	Description	Qty	Serial Number
1	306020	PUMP – PISTON, DISC/KNIFE ¹³⁴	1	
	139560	SEAL KIT		
2	203075	PUMP – PISTON, FAN/LIFT ¹³⁵	1	
3	136126	O-RING – 107.7 MM I.D. X 1.8 MM	1	
4	184461	FITTING – ADAPTER HYD (G)	1	
	44210	O-RING – 2.46 X 19.18		
	135867	O-RING – 1.78 X 15.60		
5	252698	FITTING – ADAPTER, SCREEN HYDRAULIC (X)	1	
	50223	O-RING – 1.83 X 8.92		
	135957	O-RING – 1.78 X 7.65		
6	136347	FITTING – ELBOW 90° HYD (E)	1	
	30971	O-RING – 2.95 X 23.47		
	135867	O-RING – 1.78 X 15.60		
7	136089	FITTING – ELBOW 90° HYD	1	
	44210	O-RING – 2.46 X 19.18		
	135867	O-RING – 1.78 X 15.60		
8	209053	PUMP – TRIPLE GEAR	1	
9	134056	O-RING – 96 MM I.D. X 1.78 MM	1	
10	135788	FITTING – ADAPTER (CH)	1	
	30971	O-RING – 2.95 X 23.47		
	135868	O-RING – 1.78 X 18.77		
11	202888	MANIFOLD – INLET ¹³⁶	1	
12	208282	VALVE – CHECK	1	
	208284	SEAL KIT		
13	112867	O-RING – 56.1 MM I.D. X 3.53 MM (PS)	1	
14	135734	FITTING – ELBOW 90° HYD (T)	2	
	50220	O-RING – 2.95 X 29.74		
	135554	O-RING – 1.78 X 23.52		
15	135791	FITTING – ADAPTER (CP)	1	
	50220	O-RING – 2.95 X 29.74		
	135554	O-RING – 1.78 X 23.52		
16	136363	FITTING – ELBOW 90° HYD (R)	1	
	50222	O-RING – 3.00 X 37.47		
	135869	O-RING – 1.78 X 29.87		
17	306765	LINE – HYDRAULIC	1	
18	252195	FITTING – ADAPTER HYD (M)	1	
	50223	O-RING – 1.83 X 8.92		
19	207346	SENDER – PRESSURE	1	
20	136569	FITTING – HYD TEE	1	
21	136729	FITTING – ADAPTER HYD	1	

134. For service parts, refer to Section [66 Disc/Knife Drive Pump, page 153](#).

135. For service parts, refer to Section [67 Lift/Fan Pump, page 155](#).

136. Includes check valve (MD #208282).

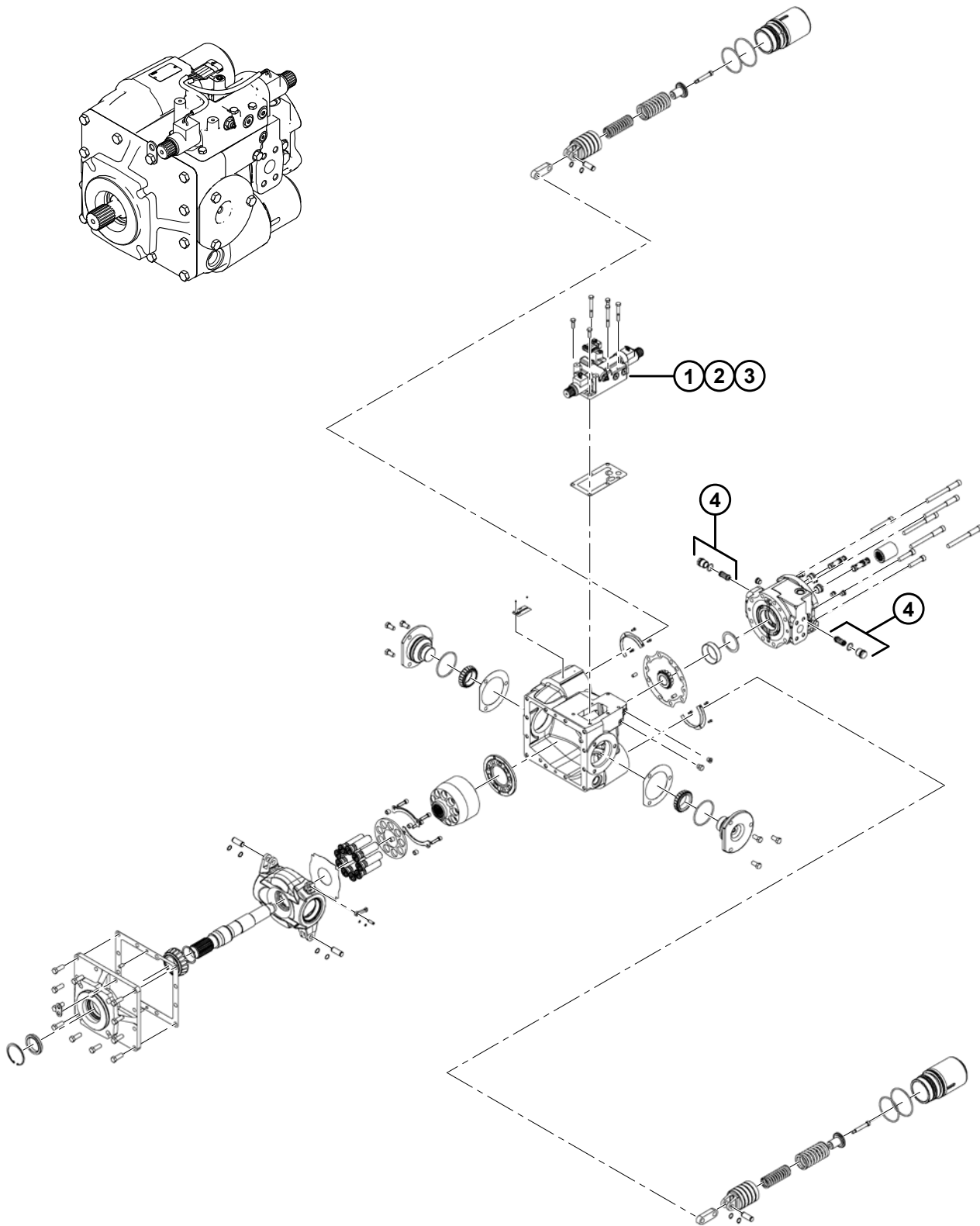
LEFT-HAND PUMP STACK



LEFT-HAND PUMP STACK

Ref	Part Number	Description	Qty	Serial Number
22	136257	FITTING – TEE	1	
	135868	O-RING – 1.78 X 18.77		
	30971	O-RING – 2.95 X 23.47		
A	18870	BOLT – HH 1/2 NF X 1.5 LG GR 5 ZP		
B	136027	WASHER – HARDENED		
C	136085	SCREW – HEX SOC BTN HD 1/2 X 1.25		
D	21581	BOLT – HH 1/2 NC X 3.5 LG GR 5 ZP		

66 Disc/Knife Drive Pump



DISC/KNIFE DRIVE PUMP

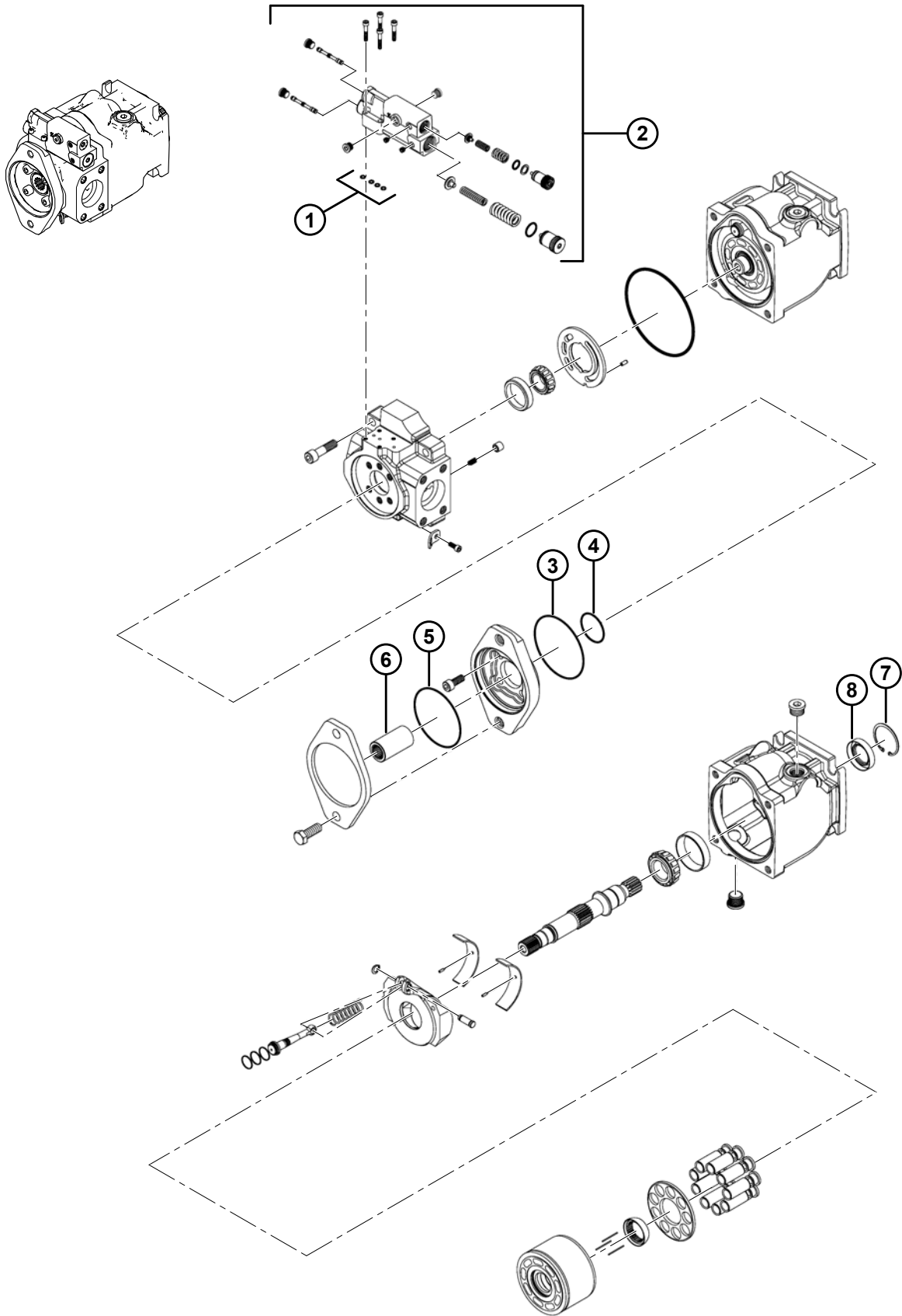
NOTE:

All parts illustrated, but not listed, are non-serviced parts, illustrated for reference only.

Ref	Part Number	Description	Qty	Serial Number
	306020	PUMP – PISTON, DISC/KNIFE ¹³⁷		
	139560	SEAL KIT		
1	139563	VALVE – EP CONTROL	1	
2	306022	TUBE – SOLENOID	1	
3	306021	COIL – SOLENOID	1	
4	208764	KIT – PLV SERVICE	1	

137. Refer to Section [67 Lift/Fan Pump](#), page 155.

67 Lift/Fan Pump



LIFT/FAN PUMP

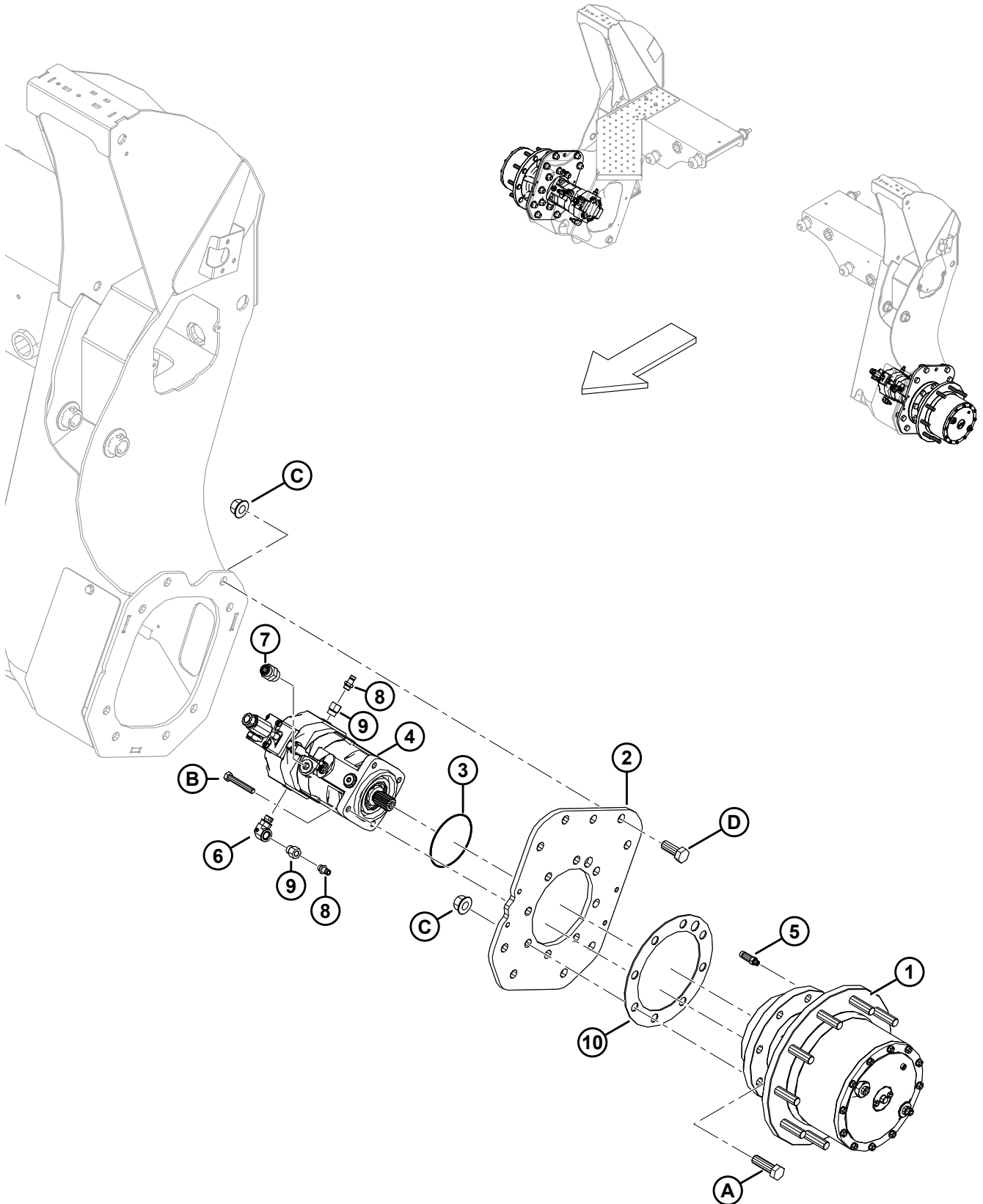
NOTE:

All parts illustrated, but not listed, are non-serviced parts, illustrated for reference only.

Ref	Part Number	Description	Qty	Serial Number
	203075	PUMP – PISTON, LIFT/FAN ¹³⁸		
1	111935	SEAL – RING	4	
2	208424	KIT – CONTROL	1	
3	111939	O-RING	1	
4	111938	O-RING	1	
5	134056	O-RING	1	
6	208757	COUPLING – SHAFT	1	
7	21235	RING – INT. RETAINING	1	
8	111941	SEAL – LIP	1	

138. Refer to Section [65 Left-Hand Pump Stack](#), page 149.

68 Wheel Drive Assembly – Ten Bolt

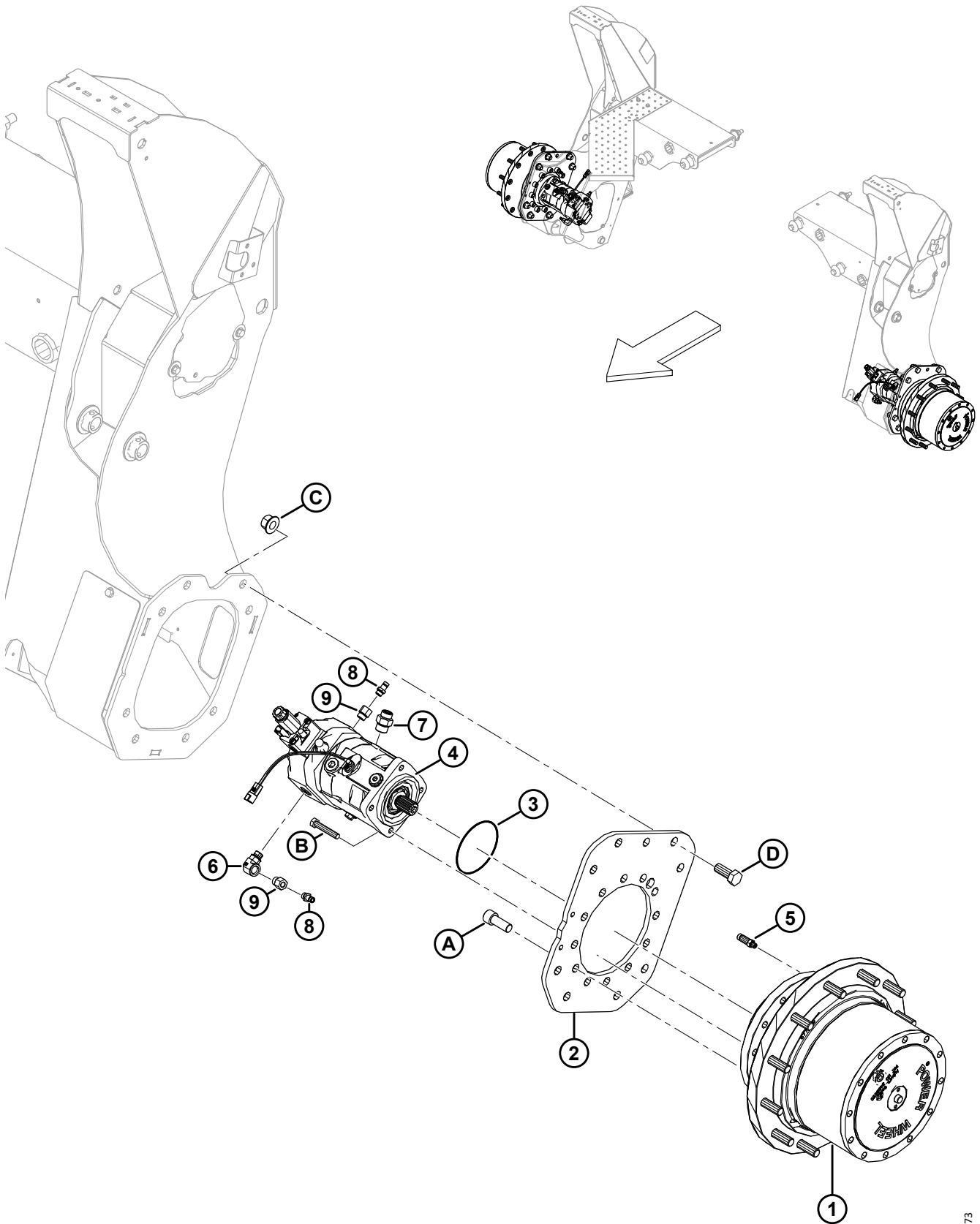


WHEEL DRIVE ASSEMBLY – TEN BOLT

Ref	Part Number	Description	Qty	Serial Number
1	306386	DRIVE – WHEEL 27.875:1 ¹³⁹	2	
2	306769	PLATE – DRIVE MOUNT BLACK	2	
3	111546	O-RING – 3.00 X 123.83	2	
4	NSS	MOTOR – HYDROSTATIC DRIVE	2	
	362182	KIT – SEAL		
5	136131	FITTING – CONNECTOR HYD LONG	2	
	50223	O-RING – 1.83 X 8.92		
	135957	O-RING – 1.78 X 7.65		
6	320483	FITTING – ADAPTER, ELBOW	2	
	44209	O-RING – 2.21 X 16.36		
7	135786	FITTING – ADAPTER	2	
	30971	O-RING – 2.95 X 23.47		
	135867	O-RING – 1.78 X 15.60		
8	135587	NIPPLE – HYDRAULIC	4	
	50219	O-RING – 1.98 X 11.89		
9	135357	FITTING – ADAPTER HYD	4	
10	208919	SPACER – WHEEL MOTOR	2	
A	136157	BOLT – HEX HD M20 X 2.5 X 65-10.9-A3L		
B	135155	BOLT – HEX HD M12 X 1.75 X 75-8.8-A3L		
C	136122	NUT – HEX FLG CTR LOC M20 X 2.5-10-A3L		
D	136158	BOLT – HEX HD TFL M20 X 2.5 X 50-10.9-A3L		

139. For service parts, refer to Section [70 Wheel Drive – Service Parts, Ten Bolt, page 161](#).

69 Wheel Drive Assembly – Twelve Bolt

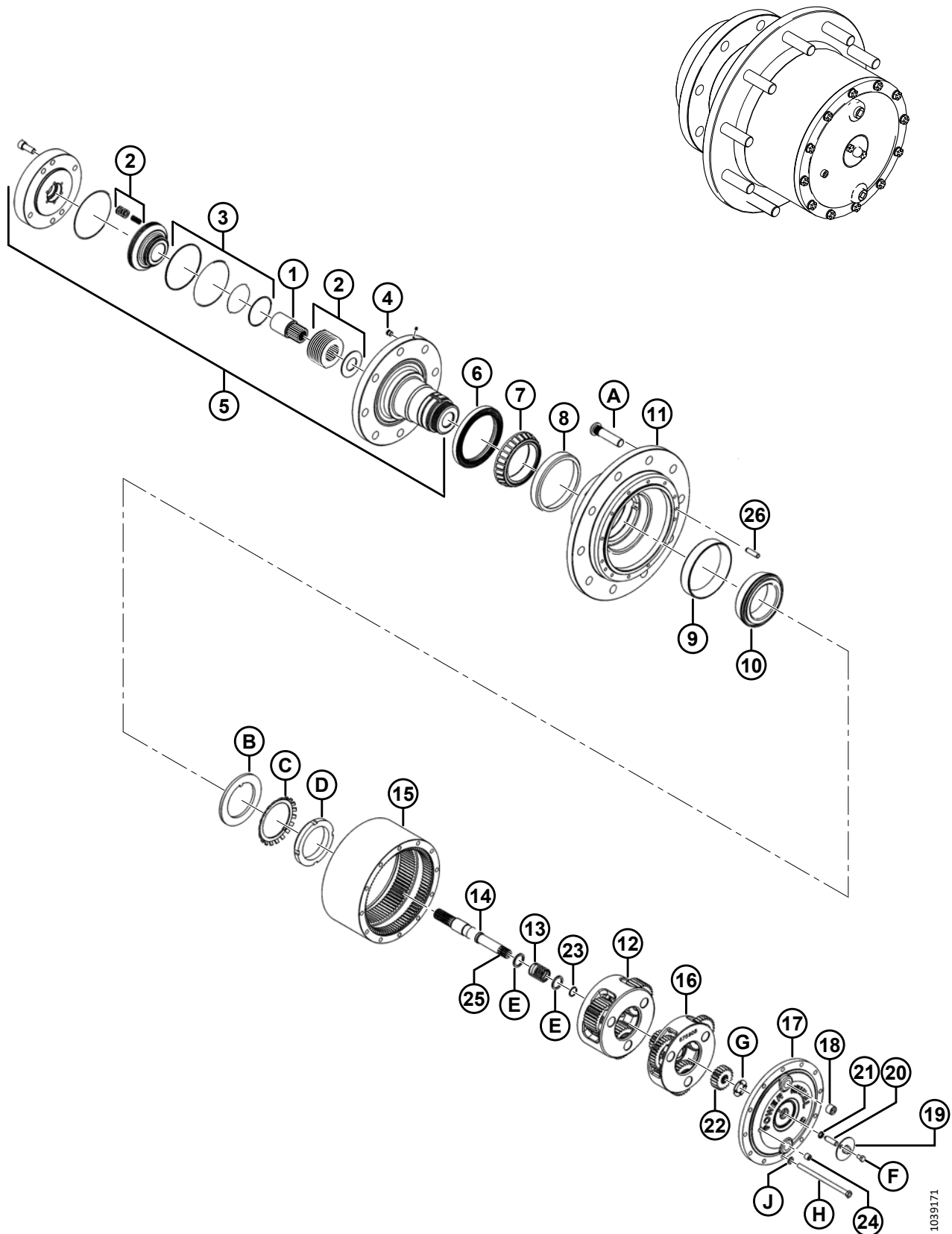


WHEEL DRIVE ASSEMBLY – TWELVE BOLT

Ref	Part Number	Description	Qty	Serial Number
1	310366	DRIVE – HD WHEEL, MD ¹⁴⁰	2	
2	306904	PLATE – DRIVE MOUNT HD BLACK	2	
3	111546	O-RING – 3.00 X 123.83	2	
4	NSS	MOTOR – HYDROSTATIC DRIVE	2	
	362182	KIT – SEAL		
5	136131	FITTING – CONNECTOR HYD LONG	2	
	50223	O-RING – 1.83 X 8.92		
	135957	O-RING – 1.78 X 7.65		
6	320483	FITTING – ADAPTER, ELBOW	2	
	44209	O-RING - 2.21 X 16.36		
7	135786	FITTING – ADAPTER	2	
	30971	O-RING – 2.95 X 23.47		
	135867	O-RING – 1.78 X 15.60		
8	135587	NIPPLE – HYDRAULIC	4	
	50219	O-RING – 1.98 X 11.89		
9	135357	FITTING – ADAPTER HYD	4	
A	320200	SCREW – HEX SOC HD TFL M20 X 2.5 X 50-10.9-ZINC		
B	21880	BOLT – HEX HD 1/2-13 X 2.75 GR5 AA1J		
C	136122	NUT – HEX FLG CTR LOC M20 X 2.5-10-A3L		
D	136158	BOLT – HEX HD M20 X 2.5 X 65-10.9-A3L		

140. For service parts, refer to Section [71 Wheel Drive – Service Parts, Twelve Bolt, page 163](#).

70 Wheel Drive – Service Parts, Ten Bolt



WHEEL DRIVE – SERVICE PARTS, TEN BOLT

NOTE:

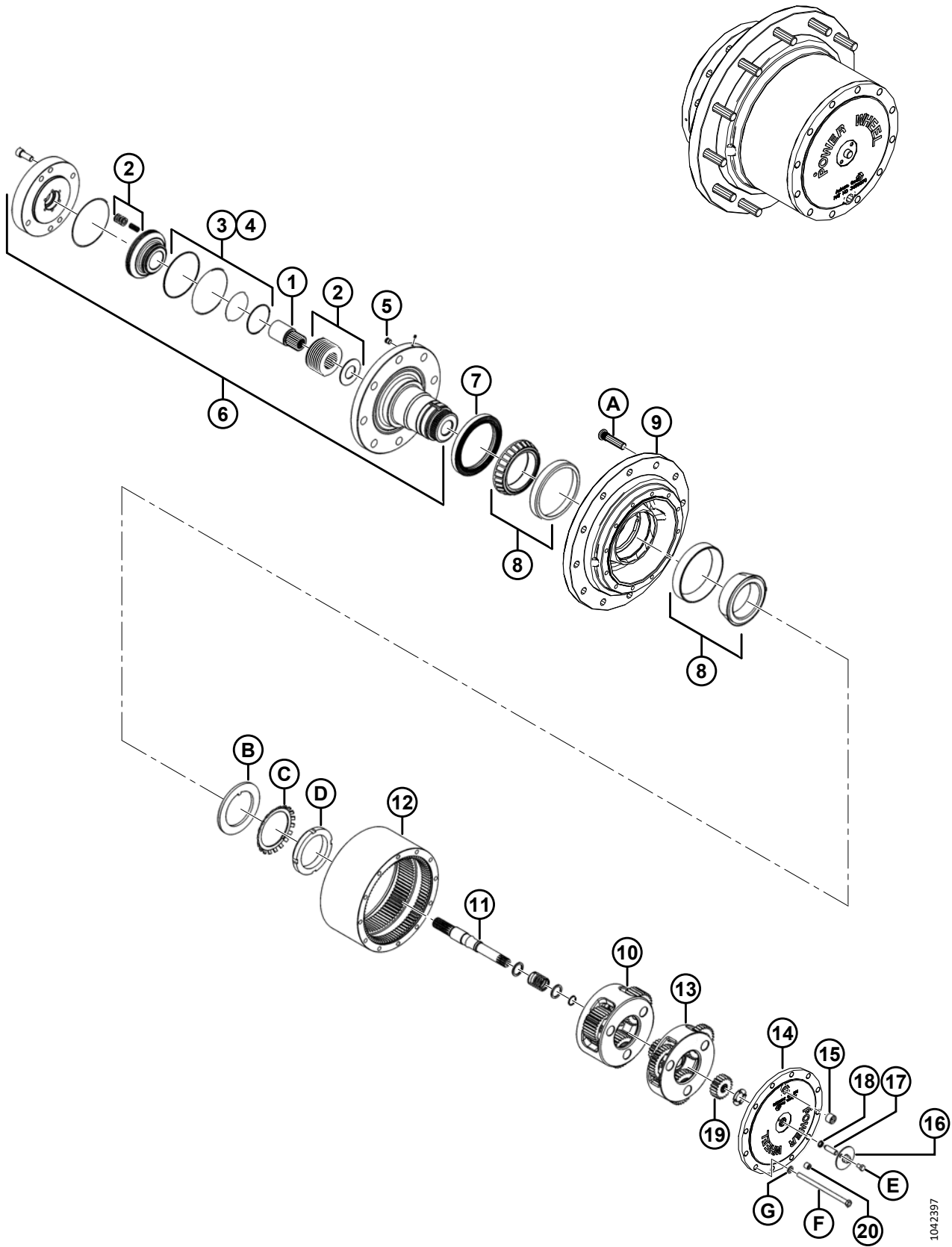
All illustrated parts that are **NOT** in the parts list are non-serviced parts, illustrated for reference only.

Ref	Part Number	Description	Qty	Serial Number
	306386	DRIVE – WHEEL 27.875:1 ¹⁴¹		
1	208451	COUPLING – MOTOR	1	
2	208363	KIT – FRICTION DISC	1	
3	208452	SEAL KIT	1	
4	163158	PLUG – PIPE	1	
5	208453	SPINDLE – ASSY	1	
6	163753	SEAL – OIL	1	
7	306670	BEARING – CONE	1	
8	306671	BEARING – CUP	1	
9	306672	BEARING – CUP	1	
10	306673	BEARING – CONE	1	
11	306395	HUB – 10 BOLT M20	1	
12	208463	CARRIER ASSEMBLY – SECONDARY	1	
13	208465	SPRING – DISENGAGE	1	
14	208464	SHAFT – INPUT	1	
15	306393	RING GEAR		
16	208462	CARRIER ASSEMBLY – PRIMARY	1	
17	49874	COVER – LARGE	1	
18	30203	PLUG – MAGNETIC PIPE SQ SOCKET	2	
19	30205	COVER – DISENGAGE	1	
20	111093	PLUNGER – SHAFT DISENGAGE	1	
21	111105	O-RING (4 LOBED)	1	
22	208467	GEAR – SUN	1	
23	208468	RING – RETAINING	1	
24	50231	FITTING – PLUG HYD HEX SOC NPTF	1	
25	42765	RING – RETAINING INTERNAL ¹⁴²	1	
26	306394	PIN – COILED SPRINGS	2	
A	205188	BOLT – WHEEL (PRESS-IN) M20 X 82 MM LG		
B	163747	WASHER – THRUST		
C	163746	WASHER – EXT. TOOTH LOCK		
D	163745	NUT – LOCK		
E	208466	WASHER – FLAT		
F	111099	BOLT – HEX HD 5/16 NC X 0.5 LG GR 5 ZP		
G	30200	WASHER – THRUST		
H	49879	BOLT – HEX HD		
J	30191	WASHER – HARDENED		

141. Refer to Section [68 Wheel Drive Assembly – Ten Bolt](#), page 157.

142. Located at the end of input shaft (MD #208464).

71 Wheel Drive – Service Parts, Twelve Bolt



WHEEL DRIVE – SERVICE PARTS, TWELVE BOLT

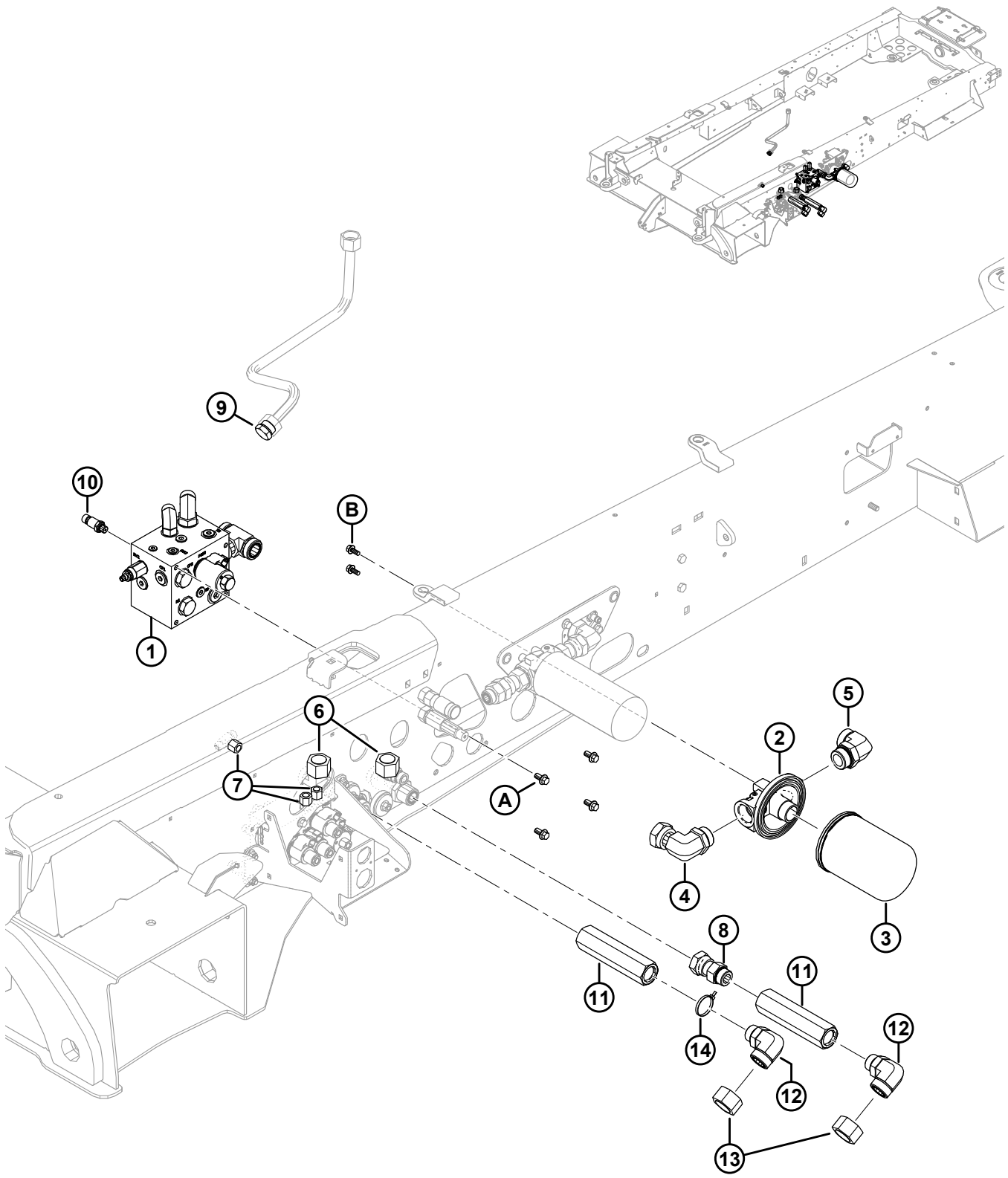
NOTE:

All illustrated parts that are **NOT** in the parts list are non-serviced parts, illustrated for reference only.

Ref	Part Number	Description	Qty	Serial Number
	310366	DRIVE – HD WHEEL, MD ¹⁴³		
1	310668	KIT – COUPLING	1	
2	310684	KIT – BRAKE DISK	1	
3	310685	KIT – BRAKE SEAL	1	
4	310686	KIT – DRIVE SEAL	1	
5	50230	FITTING – PLUG HYD HEX SOCNPTF	1	
6	310662	SPINDLE (ASSEMBLY)	1	
7	310672	SEAL – OIL	1	
8	310687	KIT – DRIVE BEARING	1	
9	310663	HUB – ASSY	1	
10	310676	CARRIER ASSEMBLY – SECONDARY	1	
11	310666	KIT – INPUT SHAFT	1	
12	310661	GEAR – RING	1	
13	310677	CARRIER ASSEMBLY – PRIMARY	1	
14	310678	COVER	1	
15	30203	PLUG – MAGNETIC PIPE SQ SOCKET	2	
16	30205	COVER – DISENGAGE	1	
17	111093	SHAFT – DISENGAGE PLUNGER	1	
18	111105	O-RING (4 LOBED)	1	
19	310683	GEAR – SUN	1	
20	50230	FITTING – PLUG HYD HEX SOC NPTF	1	
A	205188	BOLT – WHEEL (PRESS-IN) M20 X 82 MM LG		
B	310682	WASHER – THRUST		
C	310674	WASHER – LOCK		
D	310675	NUT – LOCK, HD WHEEL DRIVE		
E	310670	BOLT – HEX HD		
F	310669	BOLT – HEX HD		
G	310667	WASHER – FLAT		

143. Refer to Section [69 Wheel Drive Assembly – Twelve Bolt](#), page 159.

72 Header Drive (Rotary Disc Only) – Frame Interface



HEADER DRIVE (ROTARY DISC ONLY) – FRAME INTERFACE

NOTE:

All parts listed are for windrowers configured for rotary disc headers **ONLY**.

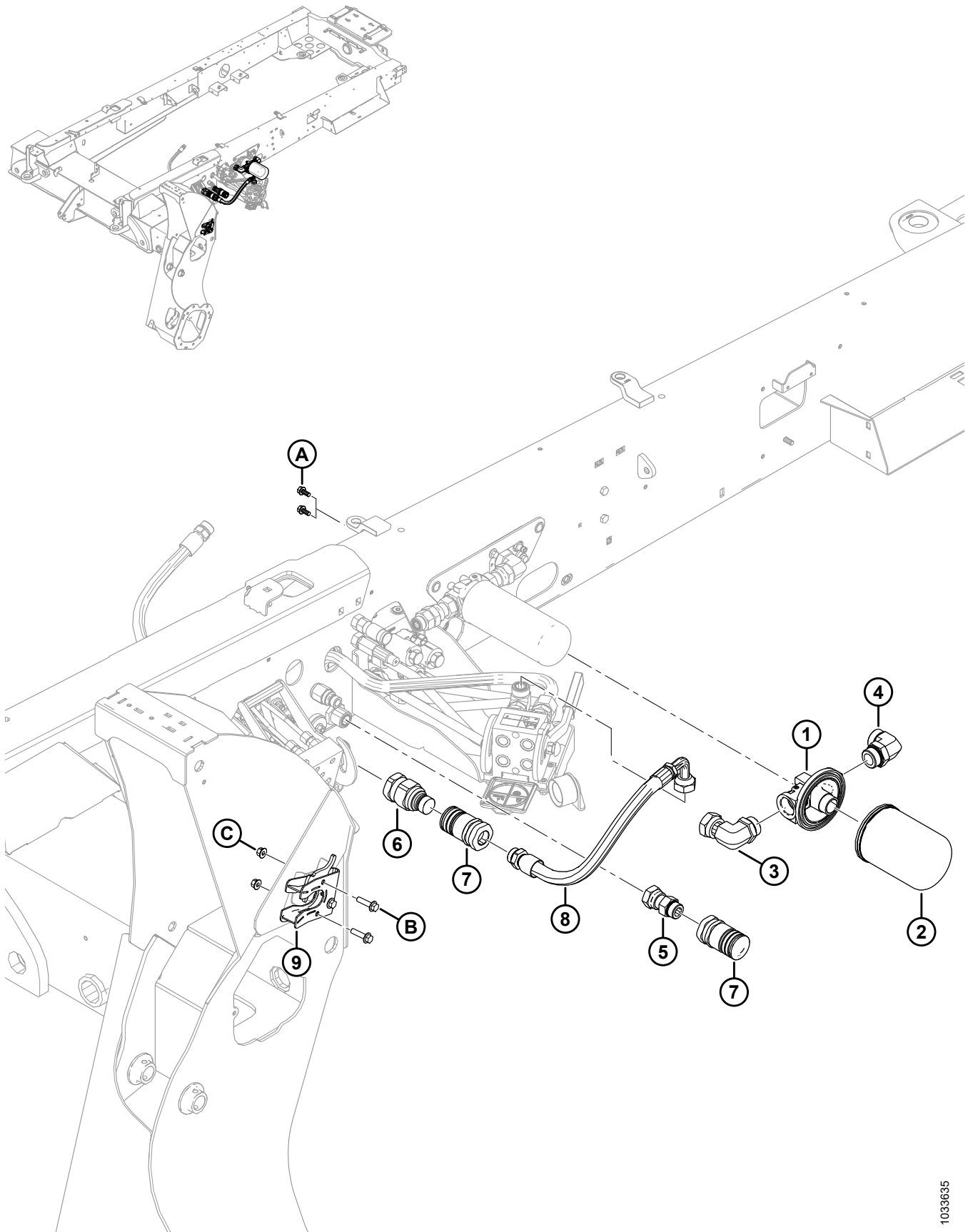
Ref	Part Number	Description	Qty	Serial Number
1	207370	MANIFOLD – DRIVE ¹⁴⁴	1	
2	151974	FILTER HEAD 1-5/8 IN.-12 SAE (#20)	1	
3	320360	FILTER – HYD C/W 2X SEALS ¹⁴⁵	1	
4	136404	FITTING – ELBOW HYD	1	
	50222	O-RING – #20 ORB		
5	136363	FITTING – ELBOW 90° HYD	1	
	50222	O-RING – #20 ORB		
	135869	O-RING – #20 ORFS		
6	135718	CAP – HYD SAE-16 ORFS	2	
7	136325	CAP – HYD SAE-6 ORFS	3	
8	136362	FITTING – ADAPTER	1	
	50220	O-RING – #16 ORB		
9	136267	PLUG – HYD SAE-12 ORFS ¹⁴⁶	1	
	135868	O-RING – #12 ORFS		
10	207346	SENDER – PRESSURE (GC/P292)	1	
11	209733	FITTING – COUPLING HYD, STRT THREAD, 16 FEMALE	2	
12	136631	FITTING – ELBOW 90° HYD	2	
	50220	O-RING – #16 ORB		
	135869	O-RING – #20 ORFS		
13	135719	CAP – HYD SAE-20 ORFS	2	
14	40702	FASTENER – CABLE TIE, RED, 160 MM LG	1	
A	152655	BOLT – HEX FLG HD M10 X 1.5 X 20-8.8-A3L		
B	30278	BOLT – HH FLG (SER FACE) 5/16 NC X 0.75 GR 5 ZP		

144. For service parts, refer to Section [77 Header Drive Manifold \(Rotary Disc Only\)](#), page 177.

145. Includes hydraulic filter element (NSS), O-Ring (NSS), and instructions.

146. On rotary-only configurations, the plug is used on hydraulic line (MD #208411), which connects to the hydraulic tank.

73 Header Drive – Frame Interface



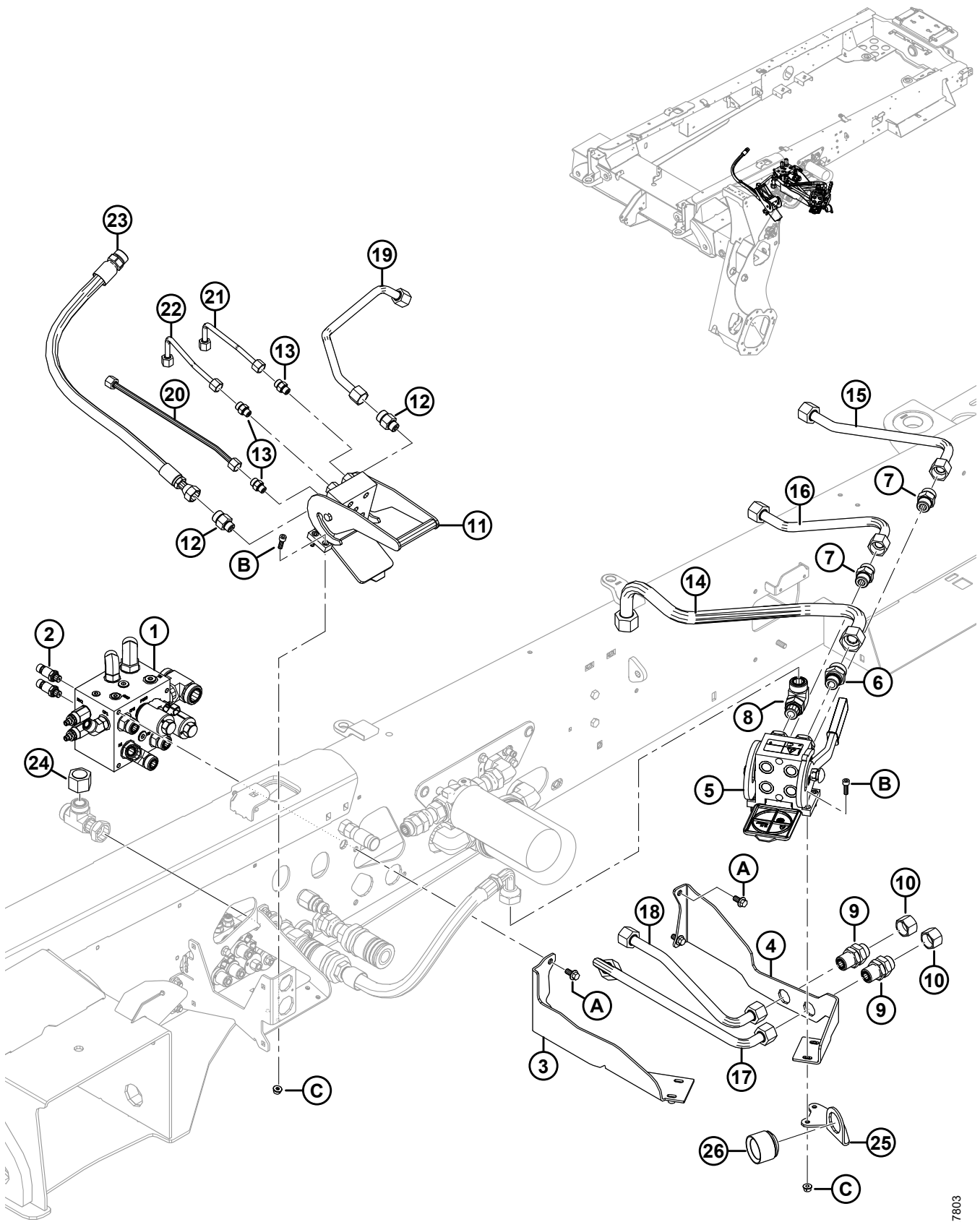
HEADER DRIVE – FRAME INTERFACE

Ref	Part Number	Description	Qty	Serial Number
1	151974	FILTER HEAD 1-5/8 IN.-12 SAE (#20)	1	
2	320360	FILTER – HYD C/W 2X SEALS ¹⁴⁷	1	
3	136404	FITTING – ELBOW HYD	1	
	50222	O-RING – #20 ORB		
4	136363	FITTING – ELBOW 90° HYD	1	
	50222	O-RING – #20 ORB		
	135869	O-RING – #20 ORFS		
5	136362	FITTING – ADAPTER	1	
	50220	O-RING – #16 ORB		
6	136412	FITTING – COUPLING MALE 1 IN. FLAT FACE	1	
7	136413	FITTING – COUPLING FEMALE 1 IN. FLAT FACE	2	
8	253785	HOSE – HYD KNIFE PRESSURE	1	
9	253905	ASSEMBLY – LATCH ¹⁴⁸	1	
	243995	BRACKET – WELDMENT	1	
	253635	HOOK – WELDMENT	1	
	144505	SPRING – TORSION	1	
A	30278	BOLT – HH FLG (SER FACE) 5/16 NC X 0.75 GR 5 ZP		
B	152947	BOLT – HEX FLG HD TFL M10 X 1.5 X 40-10.9-A3L		
C	135799	NUT – HEX FLG CTR LOC M10 X 1.5-10-A3L		

147. Includes hydraulic filter element (NSS), O-Ring (NSS), and instructions.

148. Includes the following serviceable parts: bracket MD #243995, hook MD #253635, torsion spring MD #144505, one bolt MD #152947, and one nut MD #135799.

74 Header Drive – Manifold Multicoupler Assembly



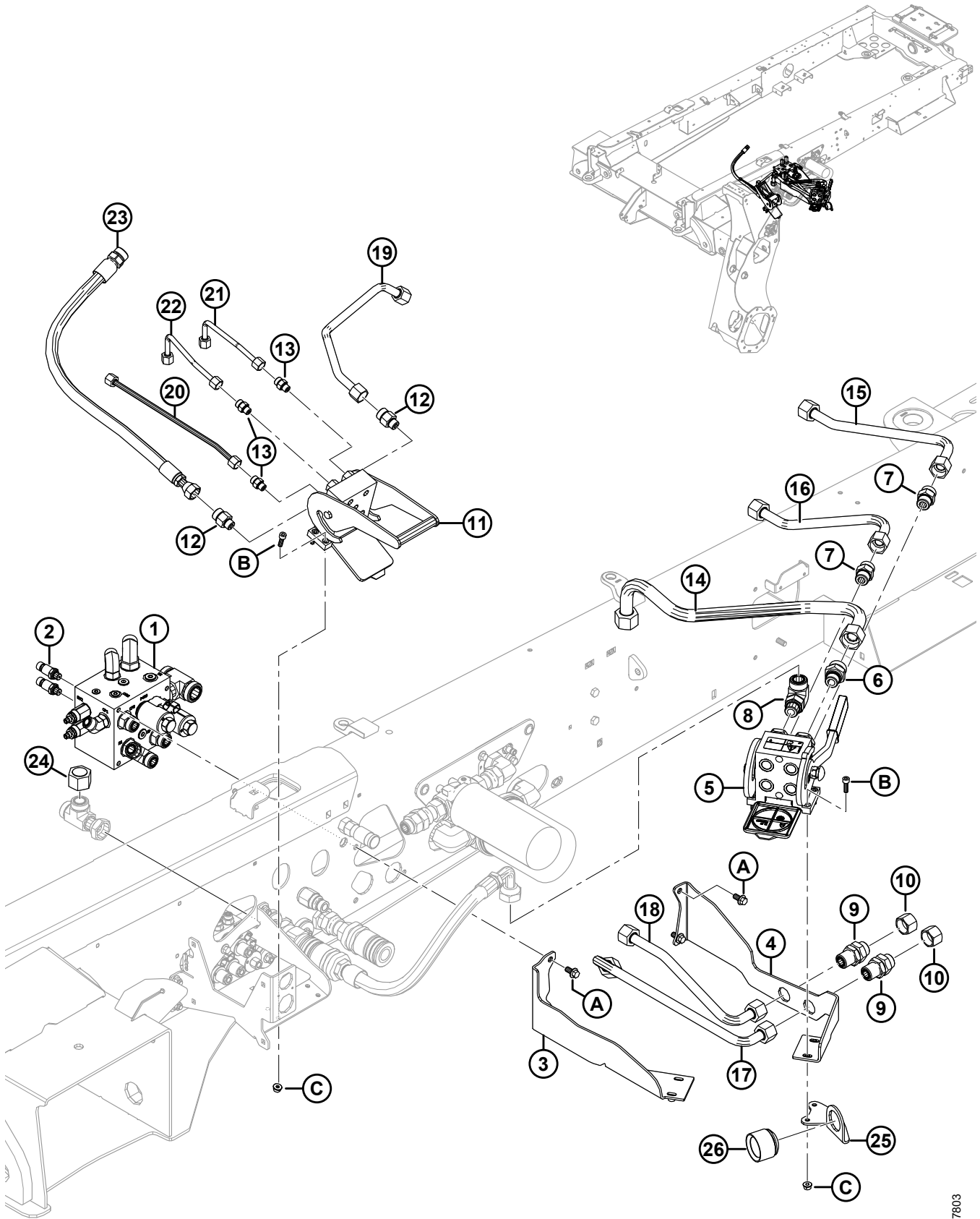
1027803

HEADER DRIVE – MANIFOLD MULTICOUPLER ASSEMBLY

Ref	Part Number	Description	Qty	Serial Number
1	203337	MANIFOLD – DRIVE ¹⁴⁹	1	
2	207346	SENDER – PRESSURE (GC/P292, GR/P291)	2	
3	243905	SUPPORT – MULTICOUPLER	1	
4	243906	SUPPORT – MULTICOUPLER	1	
5	243541	COUPLER – MULTI FIXED	1	
	129800	KIT – COVER MULTICOUPLER		
	129801	KIT – LATCH BUTTON MULTICOUPLER		
	208174	KIT – CARTRIDGE	4	
	209782	KIT – HANDLE		
6	135790	FITTING – ADAPTER	1	
	30971	O-RING – #12 ORB		
	135554	O-RING – #16 ORFS		
7	135788	FITTING – ADAPTER	2	
	30971	O-RING – #12 ORB		
	135868	O-RING – #12 ORFS		
8	136767	FITTING – ELBOW 90° HYD	1	
	30971	O-RING – #12 ORB		
	135554	O-RING – #16 ORFS		
9	136254	FITTING – BULKHEAD HYD	2	
	135868	O-RING – #12 ORFS		
10	135889	CAP – HYD SAE-12 ORFS	2	
11	153151	COUPLING – MULTI	1	
	129800	KIT – COVER MULTICOUPLER		
	129801	KIT – LATCH BUTTON MULTICOUPLER		
	129976	COUPLING 1/4 IN.	3	
	129977	COUPLING 3/8 IN.	2	
12	135781	FITTING – ADAPTER	2	
	44209	O-RING – #8 ORB		
	135867	O-RING – #10 ORFS		
13	135778	FITTING – ADAPTER	3	
	50219	O-RING – #6 ORB		
	135865	O-RING – #6 ORFS		
14	243637	LINE – HYDRAULIC, 1 IN. DIA	1	
15	243615	LINE – HYD REEL PRESSURE, 3/4 IN. DIA	1	
16	243632	LINE – HYD DRAPER RETURN, 3/4 IN. DIA	1	
17	206061	LINE – HYD DWA RETURN, 3/4 IN. DIA	1	
18	206060	LINE – HYD DWA PRESSURE, 3/4 IN. DIA	1	
19	209063	LINE – HYDRAULIC, 5/8 IN. DIA	1	
20	207427	LINE – HYDRAULIC, 3/8 IN. DIA	1	
21	203977	LINE – HYDRAULIC, 3/8 IN. DIA	1	
22	203978	LINE – HYDRAULIC, 3/8 IN. DIA	1	
23	208413	HOSE – HYDRAULIC, 5/8 IN. I.D., 800 MM LG	1	
24	135718	CAP – HYD SAE-16 ORFS	1	

149. For service parts, refer to Section [78 Drive Manifold \(Except Rotary Disc\)](#), page 179.

HEADER DRIVE – MANIFOLD MULTICOUPLER ASSEMBLY

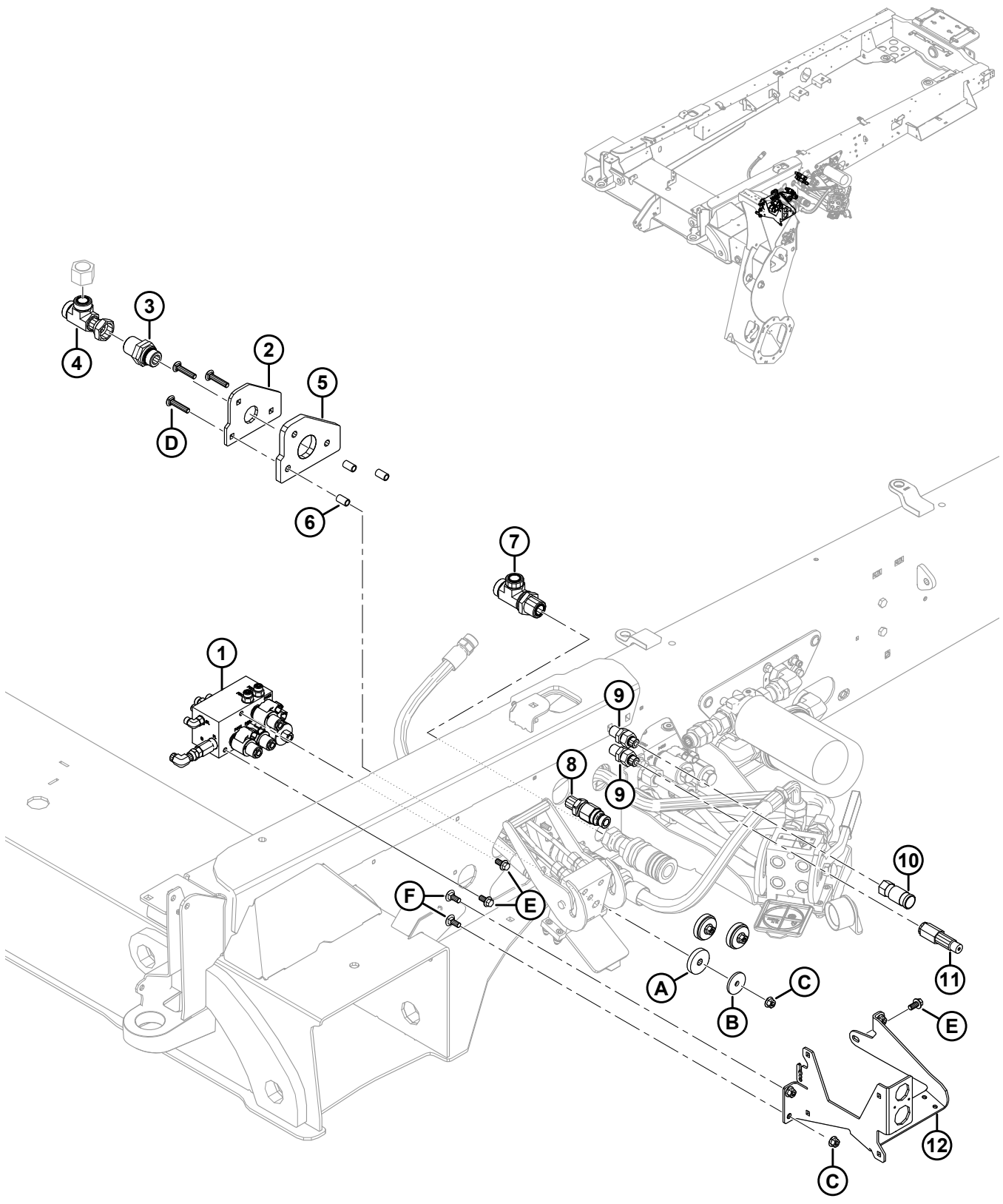


1027803

HEADER DRIVE – MANIFOLD MULTICOUPLER ASSEMBLY

Ref	Part Number	Description	Qty	Serial Number
25	253783	BRACKET – COUPLER HOLDER	1	
26	243604	CAP – HARNESS	1	
A	152655	BOLT – HEX FLG HD M10 X 1.5 X 20-8.8-A3L		
B	103523	SCREW – HEX SOC HD TFL M8 X 1.25 X 25-8.8-A2L		
C	135337	NUT – HEX FLG CTR LOC M8 X 1.25-8-A2L		

75 Header Drive – Fitting Manifold Frame Assembly



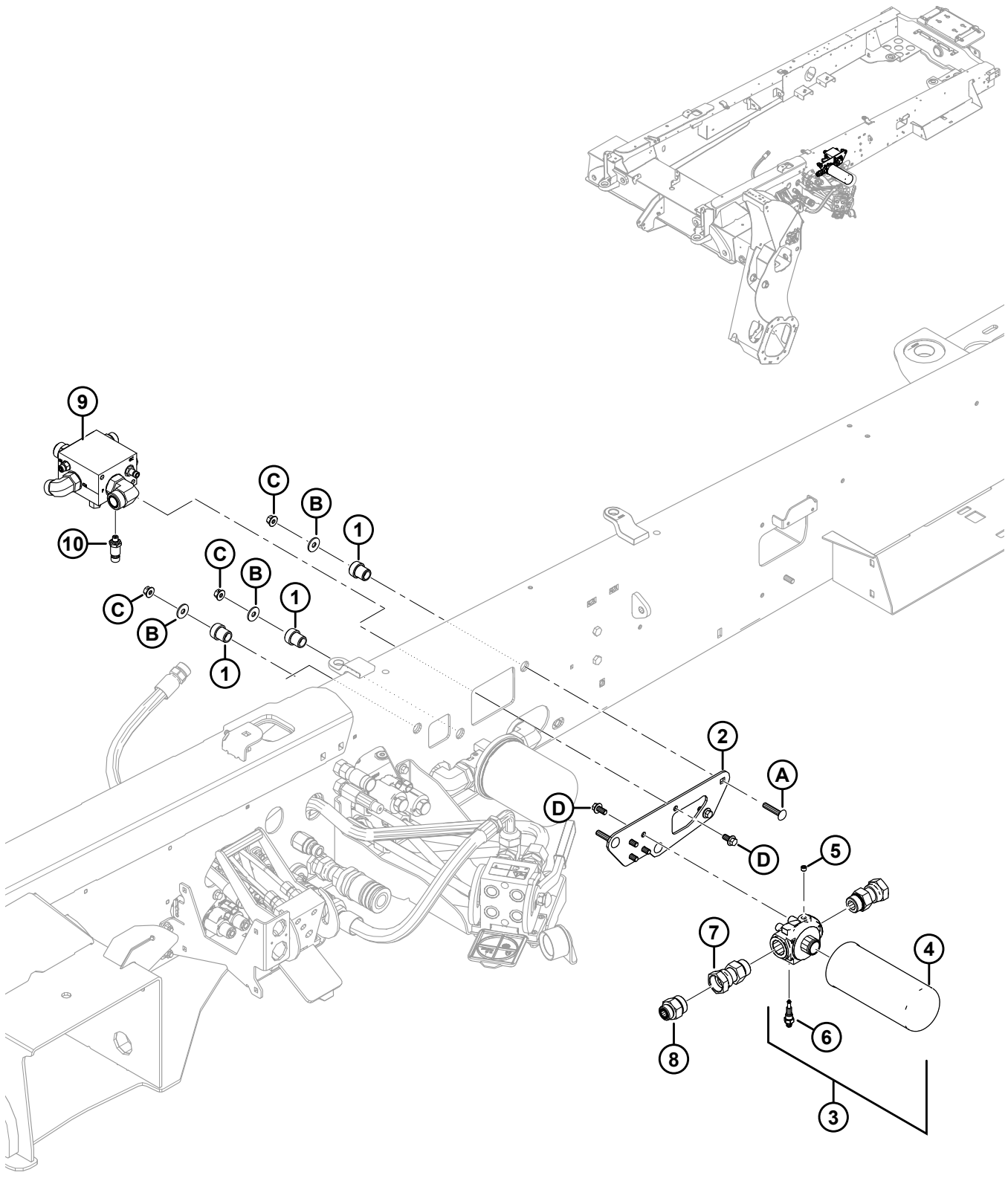
HEADER DRIVE – FITTING MANIFOLD FRAME ASSEMBLY

Ref	Part Number	Description	Qty	Serial Number
1	209950	MANIFOLD – FLOAT SELECTOR ¹⁵⁰	1	
2	208551	PLATE – COUPLER MOUNT	1	
3	136630	FITTING – BULKHEAD UNION	1	
	50220	O-RING – #16 ORB		
	135554	O-RING – #16 ORFS		
4	136508	FITTING – TEE HYD	1	
	135554	O-RING – #16 ORFS		
5	208484	PAD – RUBBER	1	
6	208552	SPACER	3	
7	136510	FITTING – TEE	1	
	135554	O-RING – #16 ORFS		
8	252190	FITTING – COUPLER 1/2 FF MALE BULKHEAD	1	
	135867	O-RING – #10 ORFS		
9	136195	FITTING – UNION HYD	2	
	44209	O-RING – #8 ORB		
	135866	O-RING – #8 ORFS		
10	135312	COUPLER – FEMALE HYD. 3/8 IN. FLAT FACE	1	
11	135386	COUPLER – MALE HYD. 3/8 IN. FLAT FACE (FASTER) ¹⁵¹	1	
	111978	SEAL KIT – 3/8 MALE (FASTER ONLY)		
12	208542	SUPPORT – MULTICOUPLER BASE	1	
A	208486	WASHER – RUBBER		
B	208487	WASHER – FLAT		
C	135799	NUT – HEX FLG CTR LOC M10 X 1.5-10-A3L		
D	184658	BOLT – RHSSN M10 X 1.5 X 50-8.8-A3L		
E	152655	BOLT – HEX FLG HD M10 X 1.5 X 20-8.8-A3L		
F	135785	BOLT – RHSN M10 X 1.5 X 25-8.8-A3L		

150. For service parts, refer to Section [79 Float Selector Manifold, page 181](#).

151. Faster coupler (MD #135386) is interchangeable with Parker Hannifin coupler (NSS). Seal kit (MD #111978) is only intended for Faster coupler and cannot be used with Parker Hannifin coupler. Length can be used to differentiate the two couplers; Faster coupler = 101 mm and Parker Hannifin coupler = 84 mm.

76 Header Drive – Charge Filter Frame Assembly



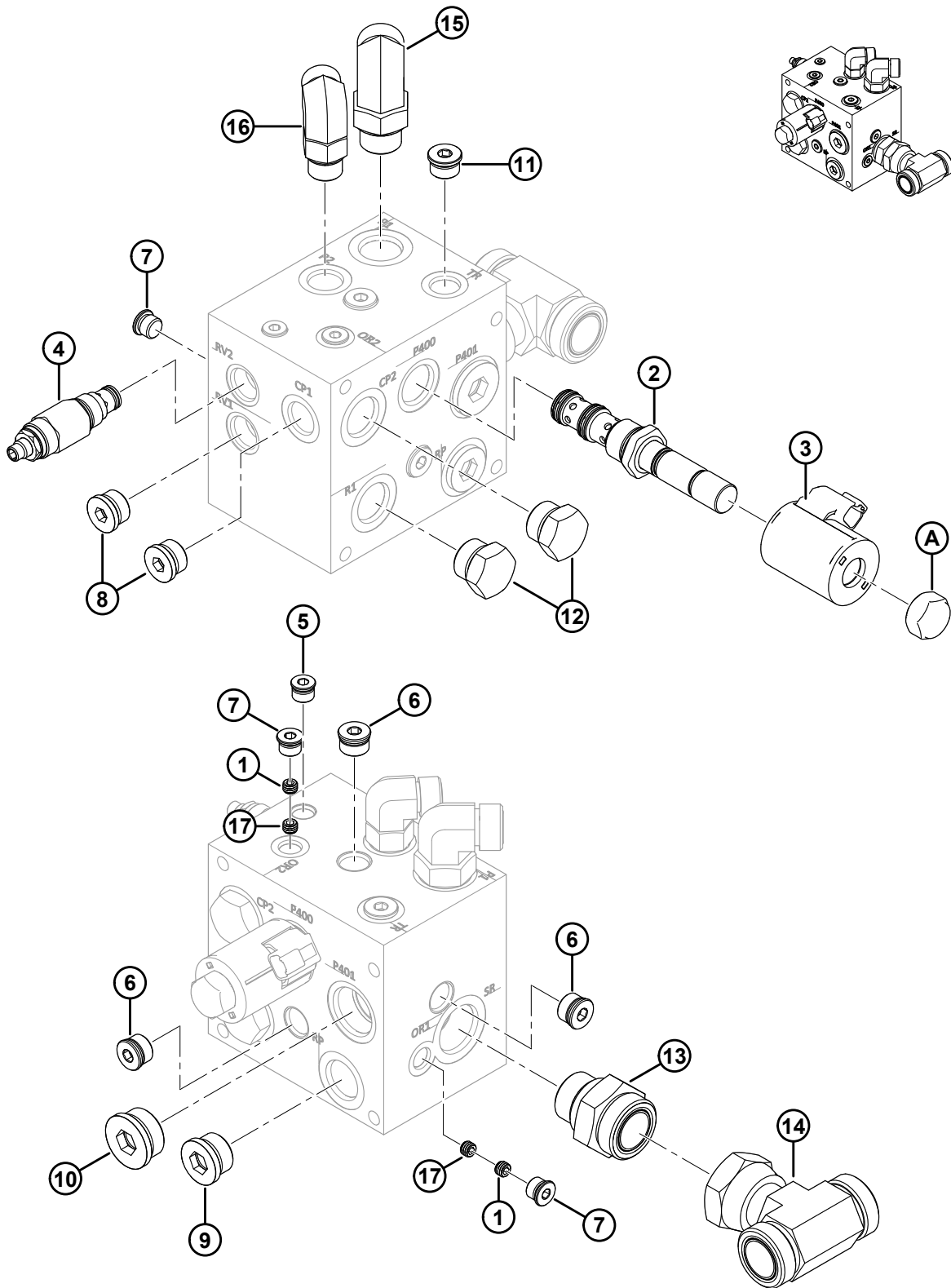
HEADER DRIVE – CHARGE FILTER FRAME ASSEMBLY

Ref	Part Number	Description	Qty	Serial Number
1	30591	INSULATOR – RUBBER	3	
2	207458	PLATE – MOUNT	1	
3	201711	FILTER – HEAD ASSEMBLY ¹⁵²	1	
4	201713	ELEMENT – FILTER	1	
5	50230	PLUG – PIPE DRYSEAL 1/8 NPTF	1	
6	139722	SWITCH – SERVICE INDICATOR	1	
7	136362	FITTING – ADAPTER	2	
	50220	O-RING – #16 ORB		
8	136641	FITTING – UNION SAE 16-12 ORFS	1	
	135868	O-RING – #12 ORFS		
	135554	O-RING – #16 ORFS		
9	203340	MANIFOLD – CHARGE ¹⁵³	1	
10	207347	SENDER – PRESSURE (PS)	1	
A	184658	BOLT – RHSSN M10 X 1.5 X 50-8.8-A3L		
B	184712	WASHER – FLAT LARGE M10-200HV-A3L		
C	135799	NUT – HEX FLG CTR LOC M10 X 1.5-10-A3L		
D	152655	BOLT – HEX FLG HD M10 X 1.5 X 20-8.8-A3L		

152. Includes filter element (MD #201713), plug (MD #50230), and switch (MD #139722).

153. For service parts, refer to Section [80 Charge Manifold, page 183](#).

77 Header Drive Manifold (Rotary Disc Only)



HEADER DRIVE MANIFOLD (ROTARY DISC ONLY)

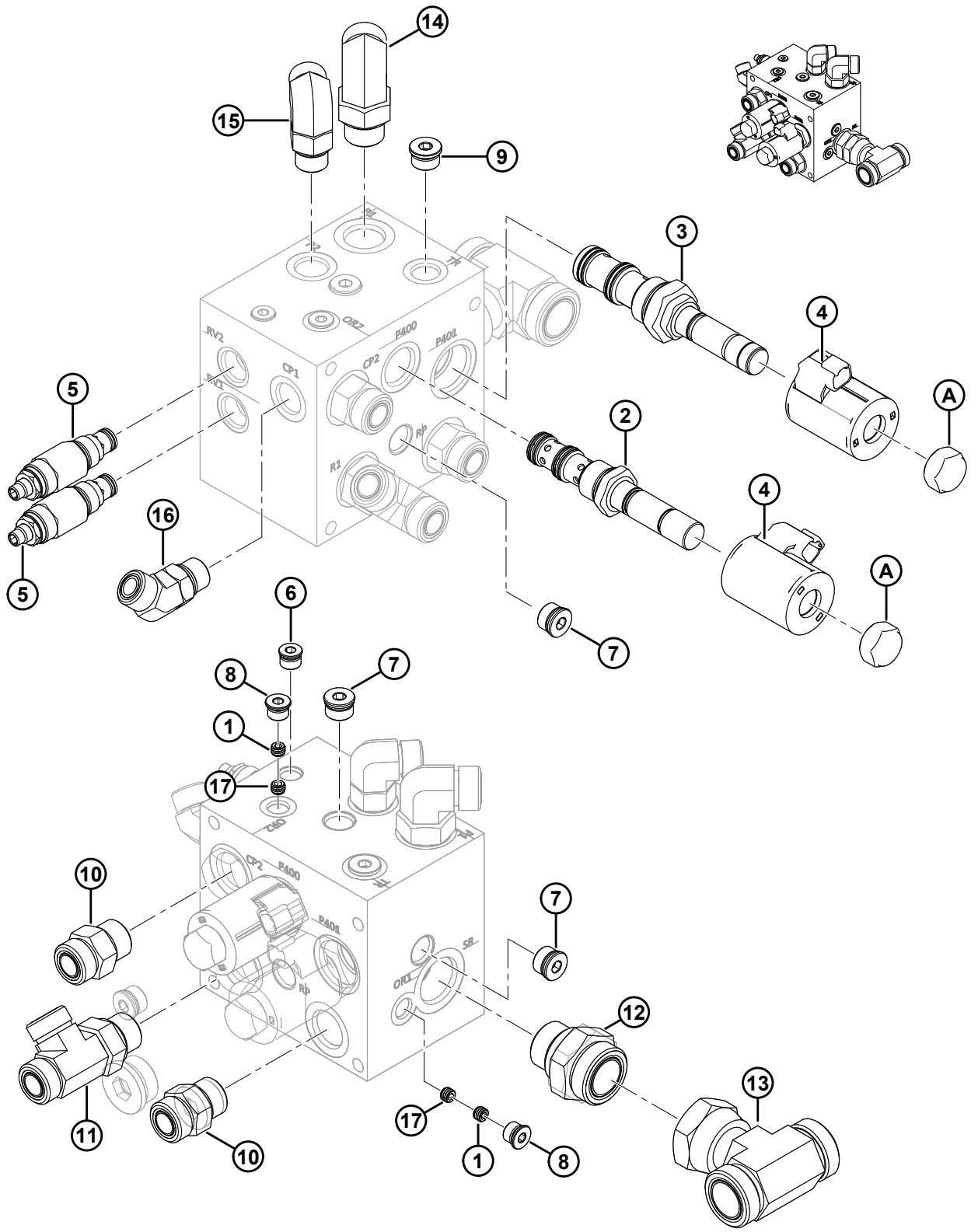
NOTE:

All parts listed are for windrowers configured for rotary disc headers **ONLY**.

Ref	Part Number	Description	Qty	Serial Number
	207370	MANIFOLD – DRIVE ¹⁵⁴		
1	252322	PLUG – ORIFICE (OR1, OR2)	2	
2	291589	VALVE – FLOW CONTROL (P400)	1	
	252355	SEAL KIT		
3	252318	COIL – SOLENOID	1	
4	252338	VALVE – RELIEF (RV2)	1	
	220908	SEAL KIT		
5	252325	PLUG – ZERO LEAK	1	
	252347	O-RING – #6 ORB		
6	252327	PLUG – ZERO LEAK	3	
	252348	O-RING – #8 ORB		
7	100577	PLUG – HEX SOCKET C/W O-RING (GR/P291)	3	
	50219	O-RING – #6 ORB		
8	136481	PLUG – HEX SOCKET (RV1, CP1)	2	
	44210	O-RING – #10 ORB		
9	136269	PLUG – HEX SOCKET (RP)	1	
	30971	O-RING – #12 ORB		
10	136524	PLUG – HEX SOCKET (P401)	1	
	50220	O-RING – #16 ORB		
11	158174	PLUG – HEX SOCKET C/W O-RING (TR)	1	
	44209	O-RING – #8 ORB		
12	103575	PLUG – HEX C/W O-RING (CP2, R1)	2	
	30971	O-RING – #12 ORB		
13	135793	FITTING – ADAPTER (SR)	1	
	50220	O-RING – #16 ORB		
	135869	O-RING – #20 ORFS		
14	136403	FITTING – TEE HYD	1	
	135869	O-RING – #20 ORFS		
15	135821	FITTING – ELBOW 90° HYD (P1)	1	
	30971	O-RING – #12 ORB		
	135868	O-RING – #12 ORFS		
16	136089	FITTING – ELBOW 90° HYD (P2)	1	
	44210	O-RING – #10 ORB		
	135867	O-RING – #10 ORFS		
17	320326	RESTRICTOR – PLUG, C/W WIRE (OR1, OR2)	2	
A	252363	NUT – COIL		

154. Refer to Section [72 Header Drive \(Rotary Disc Only\) – Frame Interface](#), page 165.

78 Drive Manifold (Except Rotary Disc)

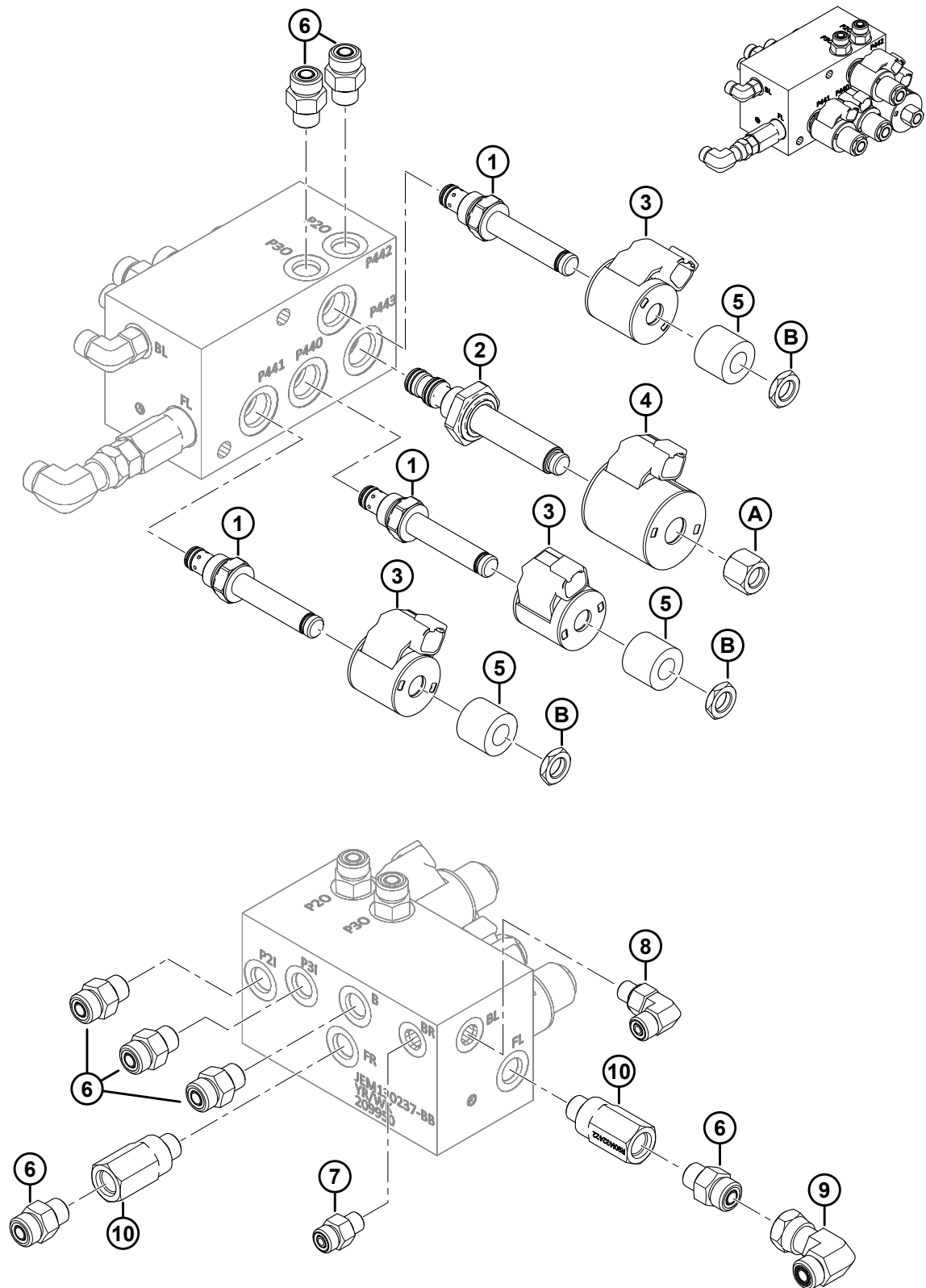


DRIVE MANIFOLD (EXCEPT ROTARY DISC)

Ref	Part Number	Description	Qty	Serial Number
	203337	MANIFOLD – DRIVE ¹⁵⁵		
1	252322	PLUG – ORIFICE (OR1, OR2)	2	
2	291589	VALVE – FLOW CONTROL (P400)	1	
	252355	SEAL KIT		
3	203876	VALVE – FLOW CONTROL (P401)	1	
	252357	SEAL KIT		
4	252318	COIL – SOLENOID	2	
5	252338	VALVE – RELIEF (RV1, RV2)	2	
	220908	SEAL KIT		
6	252325	PLUG – ZERO LEAK	1	
	252347	O-RING – #6 ORB		
7	252327	PLUG – ZERO LEAK	3	
	252348	O-RING – #8 ORB		
8	100577	PLUG – HEX SOCKET C/W O-RING	2	
	50219	O-RING – #6 ORB		
9	158174	PLUG – HEX SOCKET C/W O-RING (TR)	1	
	44209	O-RING – #8 ORB		
10	135788	FITTING – ADAPTER (CP2, RP)	2	
	30971	O-RING – #12 ORB		
	135868	O-RING – #12 ORFS		
11	136257	FITTING – TEE HYD (R1)	1	
	30971	O-RING – #12 ORB		
	135868	O-RING – #12 ORFS		
12	135793	FITTING – ADAPTER (SR)	1	
	50220	O-RING – #16 ORB		
	135869	O-RING – #20 ORFS		
13	136403	FITTING – TEE HYD	1	
	135869	O-RING – #20 ORFS		
14	135821	FITTING – ELBOW 90° HYD (P1)	1	
	30971	O-RING – #12 ORB		
	135868	O-RING – #12 ORFS		
15	136089	FITTING – ELBOW 90° HYD (P2)	1	
	44210	O-RING – #10 ORB		
	135867	O-RING – #10 ORFS		
16	136327	FITTING – ELBOW 45° HYD (CP1)	1	
	44210	O-RING – #10 ORB		
	135867	O-RING – #10 ORFS		
17	320326	RESTRICTOR – PLUG, C/W WIRE (OR1, OR2)	2	
A	252363	NUT – COIL		

155. For location, refer to Section [74 Header Drive – Manifold Multicoupler Assembly, page 169](#).

79 Float Selector Manifold

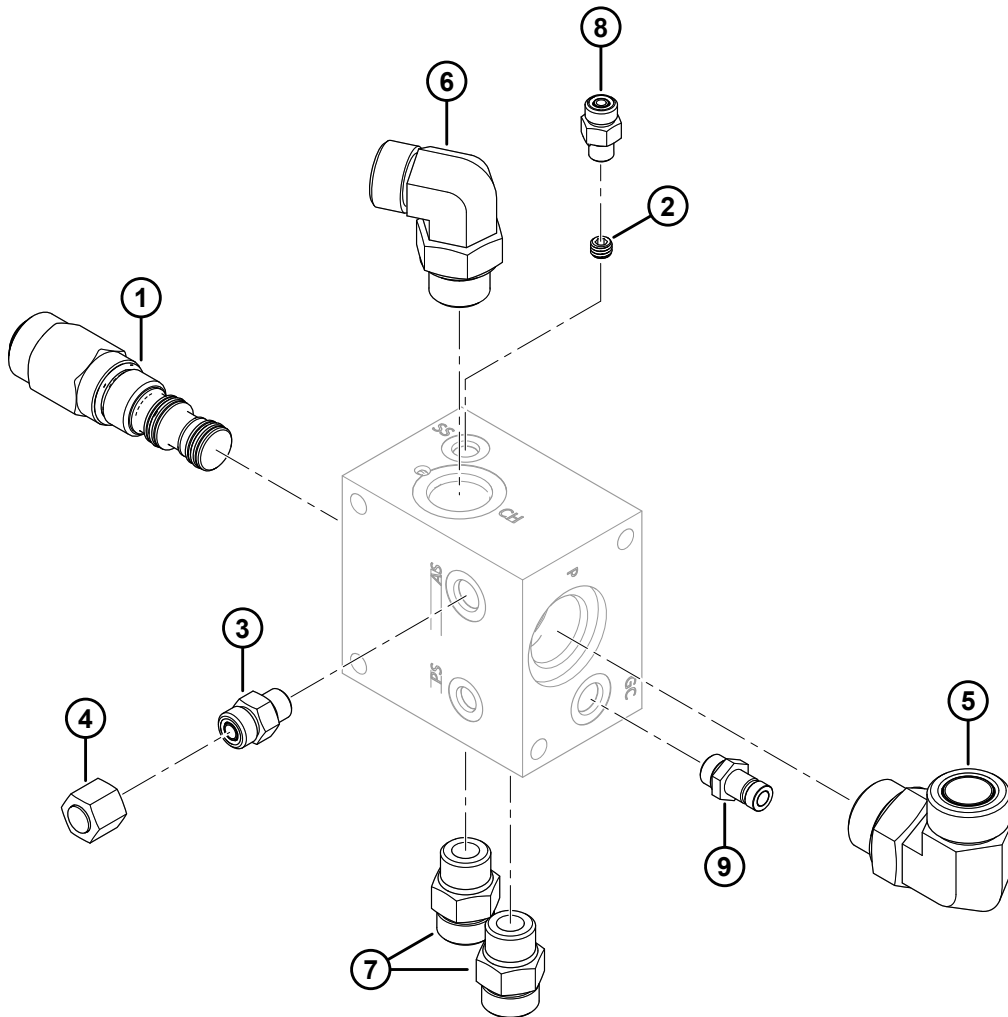
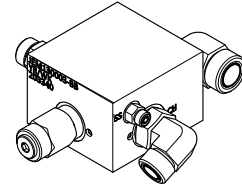


FLOAT SELECTOR MANIFOLD

Ref	Part Number	Description	Qty	Serial Number
	209950	MANIFOLD – FLOAT SELECTOR ¹⁵⁶		
1	252339	VALVE – DIRECTIONAL (P440, P441, P442)	3	
	129711	SEAL KIT		
2	252343	VALVE – DIRECTIONAL (P443)	1	
	252350	SEAL KIT		
3	252319	COIL – SOLENOID	3	
4	209045	COIL – SOLENOID	1	
5	252359	SPACER – COIL	3	
6	135778	FITTING – ADAPTER (P20, P21, P30, P31, B)	7	
	50219	O-RING – #6 ORB		
	135865	O-RING – #6 ORFS		
7	135775	FITTING – ADAPTER (BR)	1	
	50223	O-RING – #4 ORB		
	135957	O-RING – #4 ORFS		
8	136447	FITTING – ELBOW 90° HYD (BL)	1	
	50223	O-RING – #4 ORB		
	135957	O-RING – #4 ORFS		
9	136095	FITTING – ELBOW 90° HYD	1	
	50219	O-RING – #6 ORB		
	135865	O-RING – #6 ORFS		
10	209951	RESTRICTOR – FLOW (FR, FL)	2	
	50219	O-RING – #6 ORB		
A	252361	NUT – COIL		
B	252360	NUT – COIL		

156. For location, refer to Section [75 Header Drive – Fitting Manifold Frame Assembly, page 173](#).

80 Charge Manifold

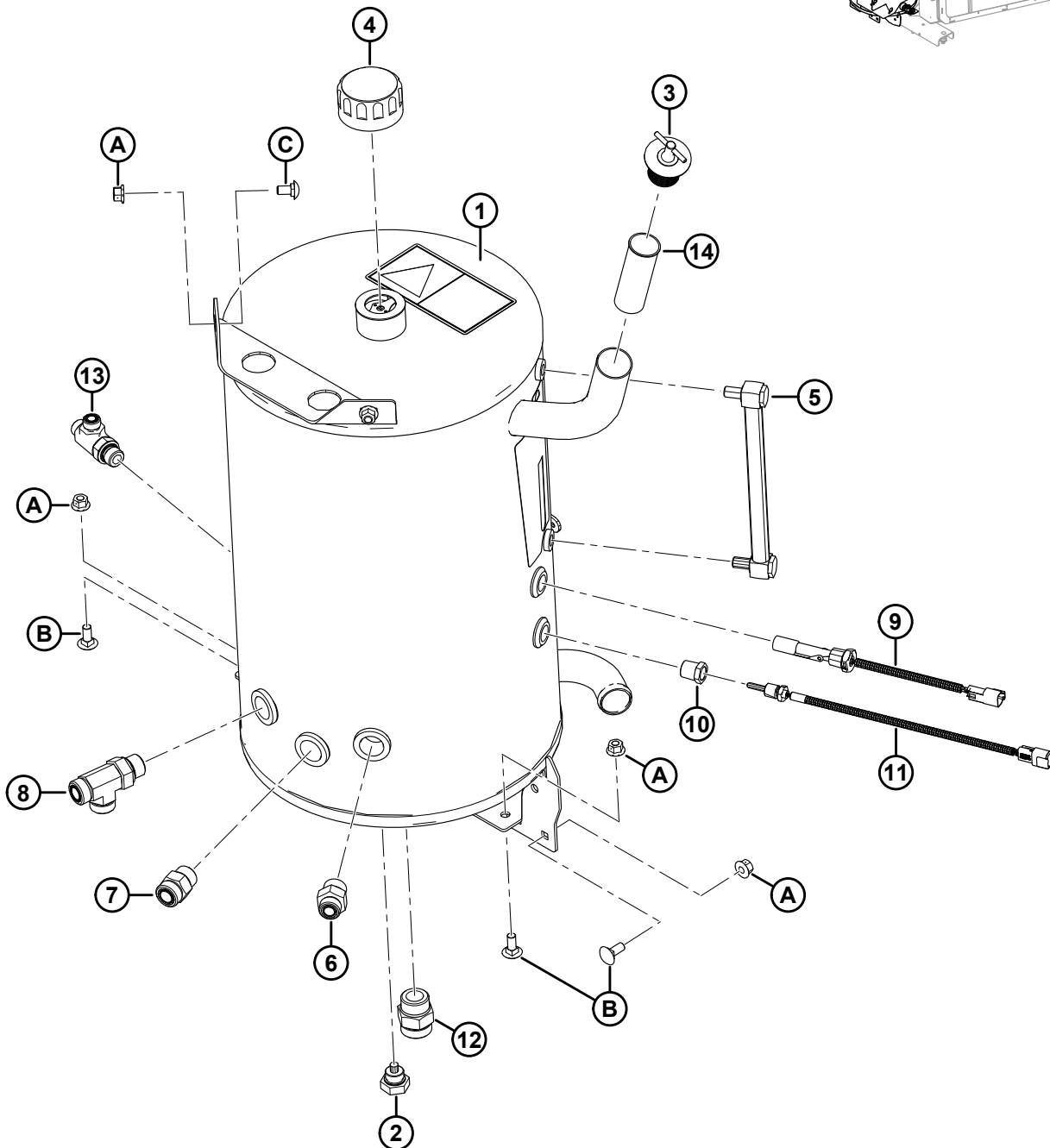
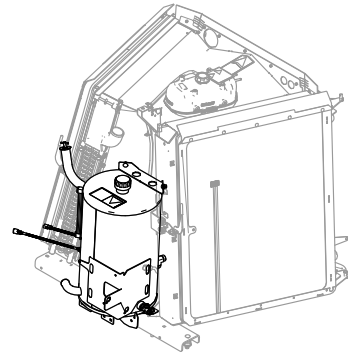


CHARGE MANIFOLD

Ref	Part Number	Description	Qty	Serial Number
	203340	MANIFOLD – CHARGE ¹⁵⁷		
1	306859	VALVE – DIRECTIONAL	1	
	252356	SEAL KIT		
2	252323	PLUG – ORIFICE (SS)	1	
3	135778	FITTING – ADAPTER (AS)	1	
	50219	O-RING – #6 ORB		
	135865	O-RING – #6 ORFS		
4	136325	CAP – HYD SAE-6 ORFS	1	
5	135734	FITTING – ELBOW 90° HYD (P)	1	
	50220	O-RING – #16 ORB		
	135554	O-RING – #16 ORFS		
6	135821	FITTING – ELBOW 90° HYD (CH)	1	
	30971	O-RING – #12 ORB		
	135868	O-RING – #12 ORFS		
7	184461	FITTING – ADAPTER 10 MORFS X 10 MORB (C1, C2)	2	
	44210	O-RING – #10 ORB		
	135867	O-RING – #10 ORFS		
8	135775	FITTING – ADAPTER	1	
	44210	O-RING – #10 ORB		
	135867	O-RING – #10 ORFS		
9	135587	NIPPLE – HYDRAULIC (GC)	1	
	50219	O-RING – #6 ORB		

157. For location, refer to Section [76 Header Drive – Charge Filter Frame Assembly, page 175](#).

81 Hydraulics – Tank Fittings

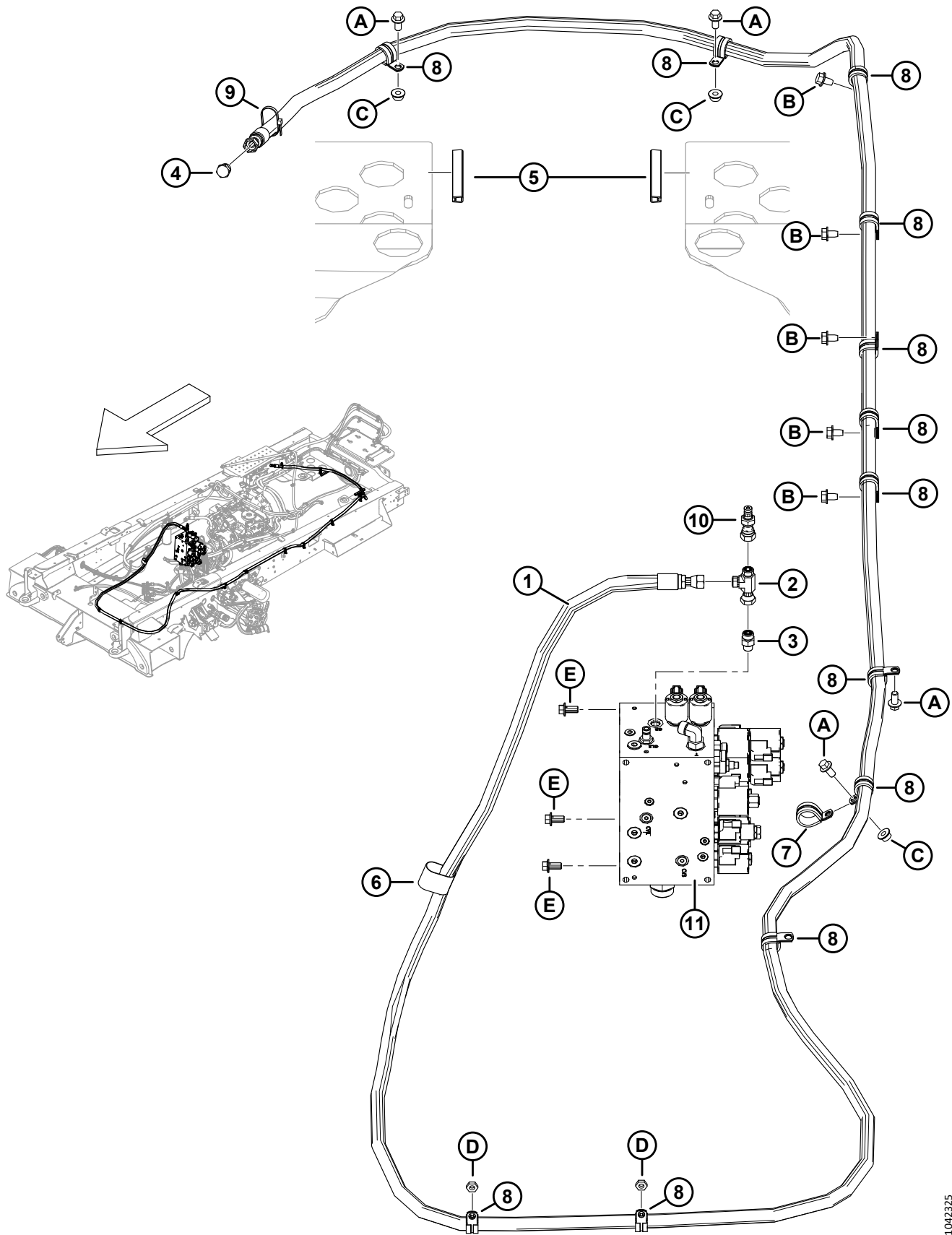


HYDRAULICS – TANK FITTINGS

Ref	Part Number	Description	Qty	Serial Number
1	202646	TANK – HYDRAULIC OIL ¹⁵⁸	1	
2	111975	PLUG – 0.875-14 MAGNETIC HEX HEAD	1	
3	208276	PLUG – EXPANDING RUBBER	1	
4	208277	CAP – BREATHER	1	
5	208278	GAUGE – LEVEL	1	
6	135786	FITTING – ADAPTER	1	
	30971	O-RING – #12 ORB		
	135867	O-RING – #10 ORFS		
7	135788	FITTING – ADAPTER	1	
	30971	O-RING – #12 ORB		
	135868	O-RING – #12 ORFS		
8	136257	FITTING – TEE HYD	1	
	30971	O-RING – #12 ORB		
	135868	O-RING – #12 ORFS		
9	138473	SWITCH – OIL LEVEL, ZINC BODY	1	
10	21980	FITTING – REDUCER BUSHING	1	
11	183905	SENSOR – OIL TEMP	1	
12	135791	FITTING – ADAPTER	1	
	50220	O-RING – #16 ORB		
	135554	O-RING – #16 ORFS		
13	136282	FITTING – TEE HYD	1	
	44210	O-RING – #10 ORB		
	135866	O-RING – #8 ORFS		
14	209812	FILTER – FILL TUBE	1	
A	135799	NUT – HEX FLG CTR LOC M10 X 1.5-10-A3L		
B	135785	BOLT – RHSN M10 X 1.5 X 25-8.8-A3L		
C	184657	BOLT – RHSSN M10 X 1.5 X 20-8.8-A3L		

158. Includes plugs (MD #111975, 208276), breather cap (MD #208277), level gauge (MD #208278), and decals (MD #166832, 207248).

82 Hydraulics – Fan/Lift Manifold



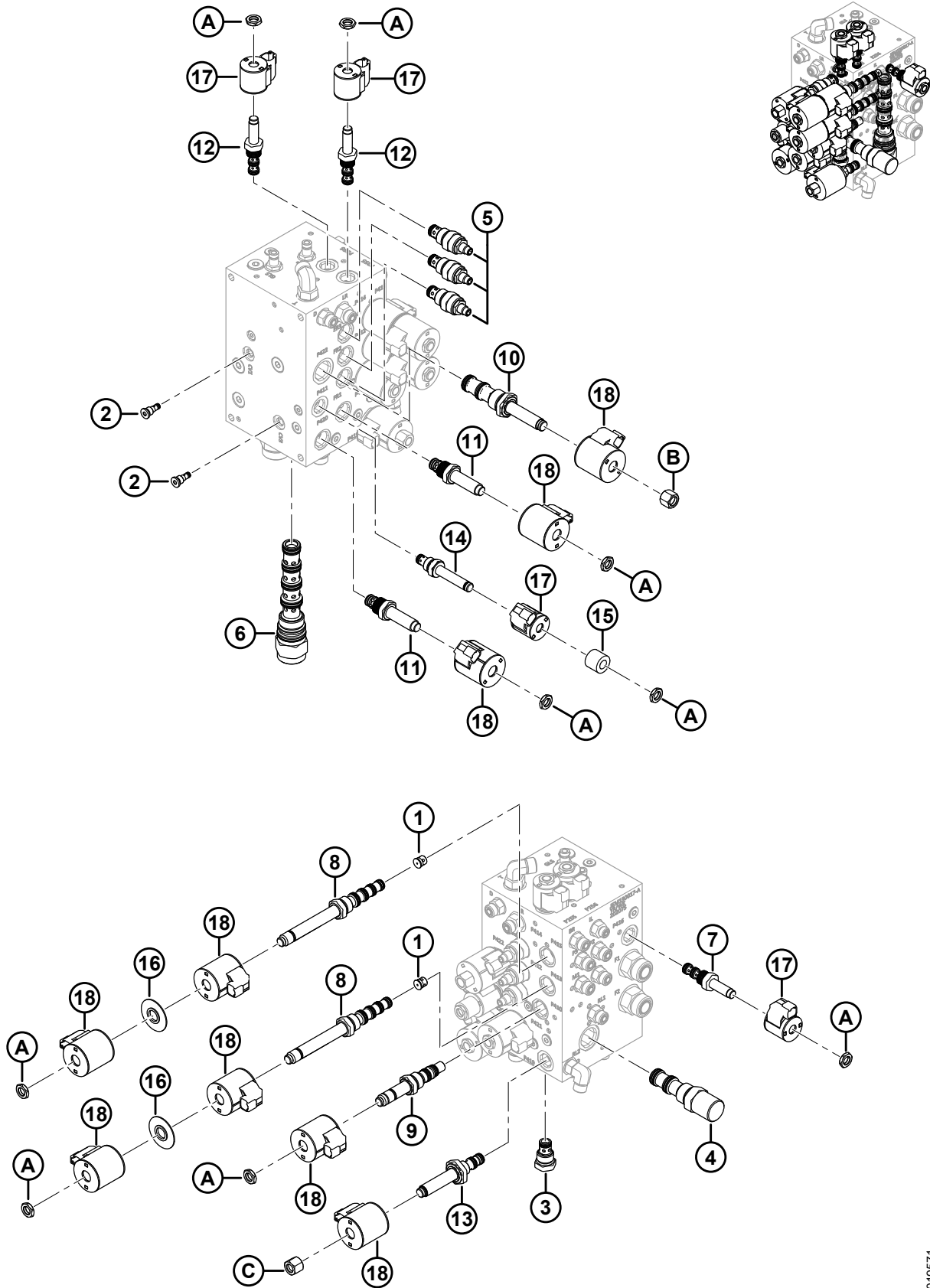
1042325

HYDRAULICS – FAN/LIFT MANIFOLD

Ref	Part Number	Description	Qty	Serial Number
1	306248	HOSE – HYDRAULIC	1	
2	136097	FITTING – TEE HYDRAULIC	1	
	135865	O-RING – Ø1.78 X Ø9.25		
3	320126	FITTING – ADAPTER .078 ORIFICE (GP)	1	
4	136326	PLUG – HYD SAE - 6 ORFS	1	
5	176334	SEAL – EDGE TRIM	2	
6	135443	CINCH STRAP 4 IN. LG	1	
7	209032	CLAMP – P-CLIP, INSULATED, 1 IN.	1	
8	209018	CLAMP – INSULATED 7/8 IN.	12	
9	21763	FASTENER – CABLE TIE, BLACK, 160 MM LG	1	
10	252662	FITTING – NIPPLE HYDRAULIC	1	
11	202075	MANIFOLD – LIFT FAN ¹⁵⁹	1	
A	152655	BOLT – HEX FLG HD M10 X 1.5 X 20-8.8-AA1J		
B	136574	SCREW – HEX WASHER HD M10 X 1.5 X 16-450HV-AFOC		
C	135927	NUT – HEX FLG M10 X 1.5-8-AA1J		
D	136442	NUT – HEX THIN M10 X 1.5-05-AA1J		
E	152655	BOLT – HEX FLG HD M10 X 1.5 X 20-8.8-A3L		

159. For service parts, refer to Section [83 Lift/Fan Manifold – Valves and Coils, page 189](#) and Section [84 Lift/Fan Manifold – Plugs and Fittings, page 191](#).

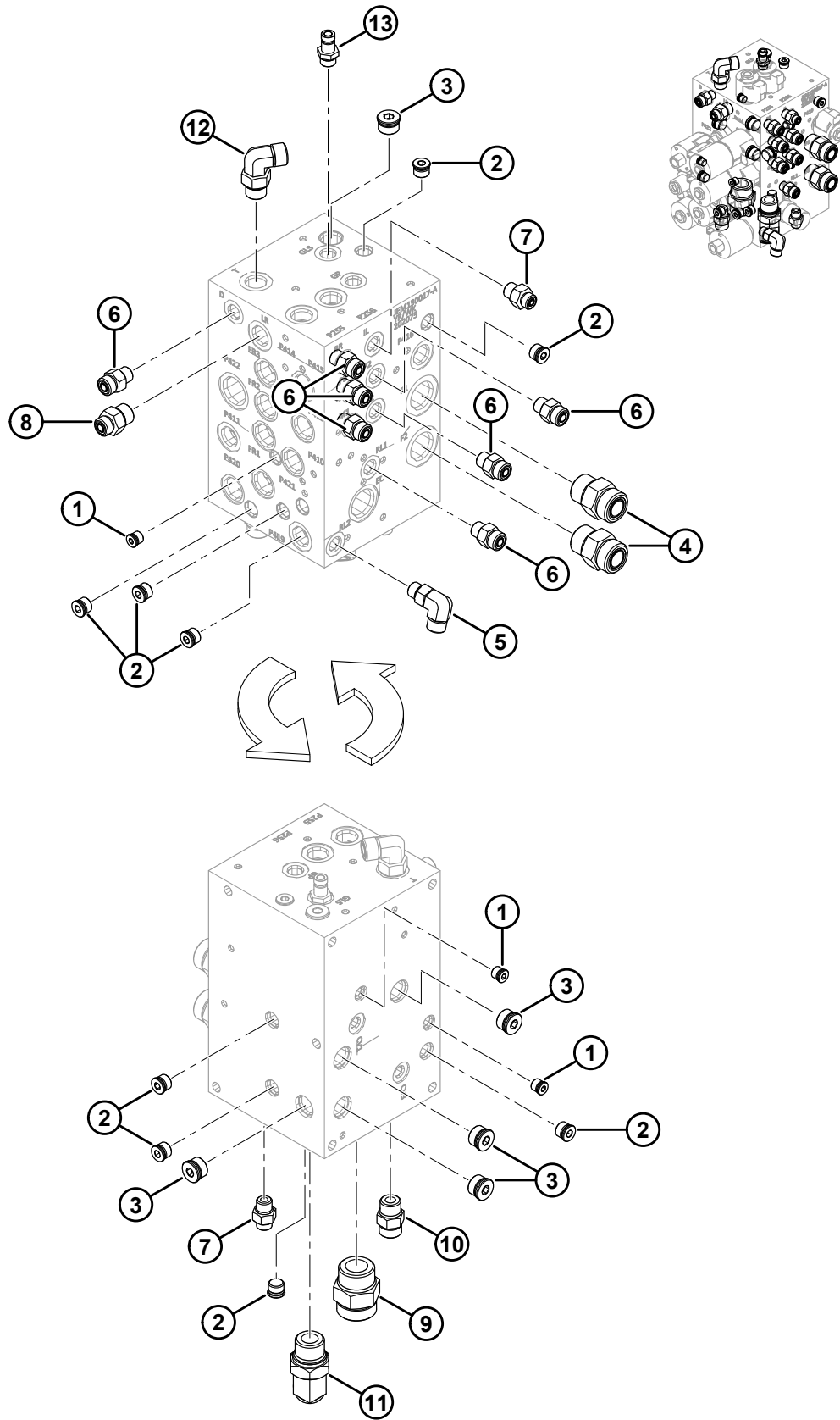
83 Lift/Fan Manifold – Valves and Coils



LIFT/FAN MANIFOLD – VALVES AND COILS

Ref	Part Number	Description	Qty	Serial Number
	202075	MANIFOLD – LIFT FAN		
1	252333	VALVE – CHECK (P413, P415)	2	
2	252331	VALVE – CHECK (CV1, CV3)	2	
	252349	SEAL KIT		
3	252332	VALVE – CHECK (CV2)	1	
	220908	SEAL KIT		
4	252334	VALVE – PRESSURE COMPENSATOR (EC)	1	
	252355	SEAL KIT		
5	252336	VALVE – FLOW REGULATOR (FR1, FR2, FR3)	3	
	133820	SEAL KIT		
6	252337	VALVE – DIRECTIONAL (PD)	1	
	252358	SEAL KIT		
7	252340	VALVE – DIRECTIONAL (P416)	1	
	252350	SEAL KIT		
8	252342	VALVE – DIRECTIONAL	2	
	252353	SEAL KIT		
9	252344	VALVE – DIRECTIONAL (P410)	1	
	252352	SEAL KIT		
10	252345	VALVE – PRESSURE CONTROL (P422)	1	
	252354	SEAL KIT		
11	209044	VALVE – FLOW CONTROL (P420, P421)	2	
	220908	SEAL KIT		
12	252341	VALVE – DIRECTIONAL (P255, P256)	2	
	252350	SEAL KIT		
13	252343	VALVE – DIRECTIONAL (P419)	1	
	252350	SEAL KIT		
14	252339	VALVE – DIRECTIONAL (P411)	1	
	129711	SEAL KIT		
15	252320	SPACER – COIL	1	
16	252321	SPACER – COIL	2	
17	252319	COIL – SOLENOID	4	
18	209045	COIL – SOLENOID	9	
A	252360	NUT – COIL		
B	252364	NUT – COIL		
C	252361	NUT – COIL		

84 Lift/Fan Manifold – Plugs and Fittings



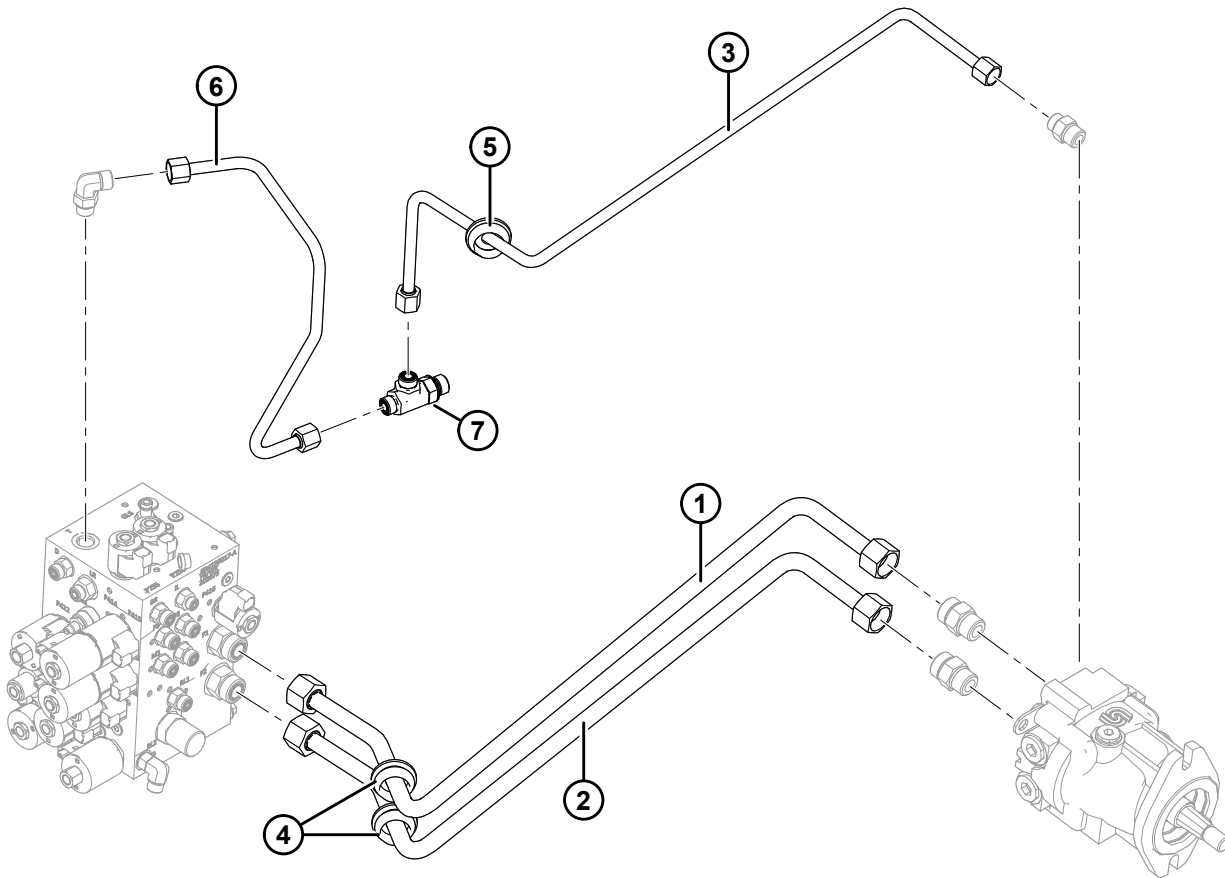
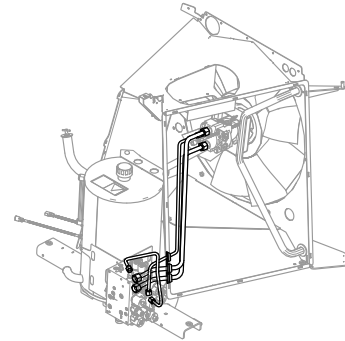
LIFT/FAN MANIFOLD – PLUGS AND FITTINGS

NOTE:

Valves and coils removed from illustration for clarity. Refer to Section [83 Lift/Fan Manifold – Valves and Coils, page 189](#).

Ref	Part Number	Description	Qty	Serial Number
	202075	MANIFOLD – LIFT FAN		
1	252324	PLUG – ZERO LEAK	3	
2	252325	PLUG – ZERO LEAK	9	
	252347	O-RING – #6 ORB		
3	252327	PLUG – ZERO LEAK	5	
	252348	O-RING – #8 ORB		
4	135788	FITTING – ADAPTER (F1, F2)	2	
	30971	O-RING – #12 ORB		
	135868	O-RING – #12 ORFS		
5	136095	FITTING – ELBOW 90° HYD (RL2)	1	
	50219	O-RING – #6 ORB		
	135865	O-RING – #6 ORFS		
6	135778	FITTING – ADAPTER (BR, P2, P3, M1, M2, RL1, D)	7	
	50219	O-RING – #6 ORB		
	135865	O-RING – #6 ORFS		
7	135776	FITTING – ADAPTER (IL, LS)	2	
	50219	O-RING – #6 ORB		
	135957	O-RING – #4 ORFS		
8	191705	FITTING – ADAPTER 6 MORFS X 8 MORB (LR)	1	
	44209	O-RING – #8 ORB		
	135865	O-RING – #6 ORFS		
9	135791	FITTING – ADAPTER (T1)	1	
	50220	O-RING – #16 ORB		
	135554	O-RING – #16 ORFS		
10	135780	FITTING – ADAPTER (H)	1	
	44209	O-RING – #8 ORB		
	135866	O-RING – #8 ORFS		
11	136418	FITTING – ELBOW 45° HYD (P)	1	
	30971	O-RING – #12 ORB		
	135868	O-RING – #12 ORFS		
12	136220	FITTING – ELBOW 90° HYD (T)	1	
	30971	O-RING – #12 ORB		
	135868	O-RING – #12 ORFS		
13	135587	NIPPLE – HYDRAULIC (GLS)	1	
	50219	O-RING – #6 ORB		

85 Hydraulics – Fan Drive Lines

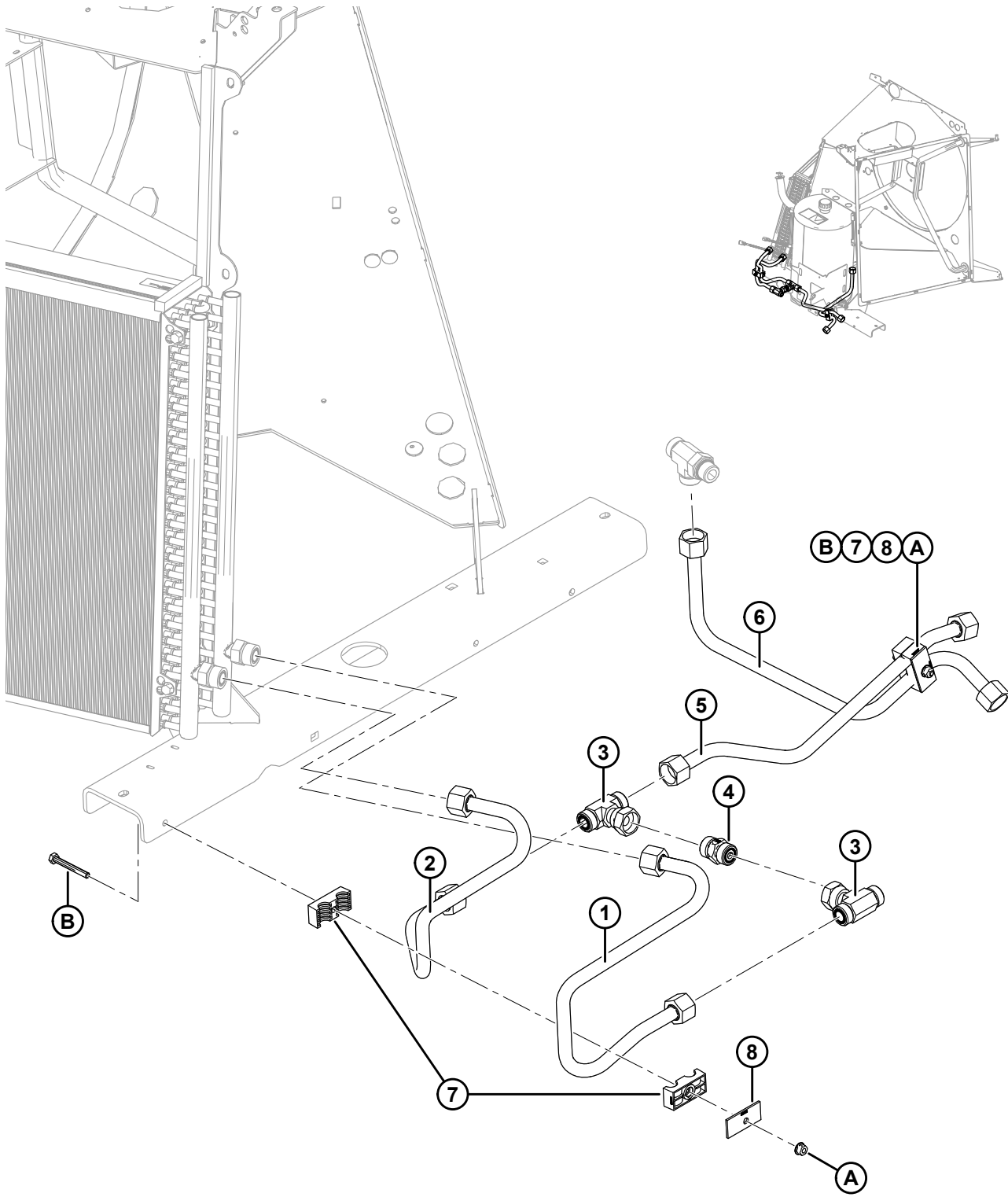


HYDRAULICS – FAN DRIVE LINES

Ref	Part Number	Description	Qty	Serial Number
1	201738	LINE – HYDRAULIC, 3/4 IN DIA	1	
2	201739	LINE – HYDRAULIC, 3/4 IN DIA	1	
3	201759	LINE – HYDRAULIC, 1/2 IN DIA	1	
4	45155	GROMMET – 0.75 IN I.D.	2	
5	42080	GROMMET – RUBBER	1	
6	205036	LINE – HYDRAULIC, 1/2 IN DIA	1	
7	136282	FITTING – TEE HYD ¹⁶⁰	1	
	44210	O-RING – #10 ORB		
	135866	O-RING – #8 ORFS		

160. Connects to the hydraulic tank.

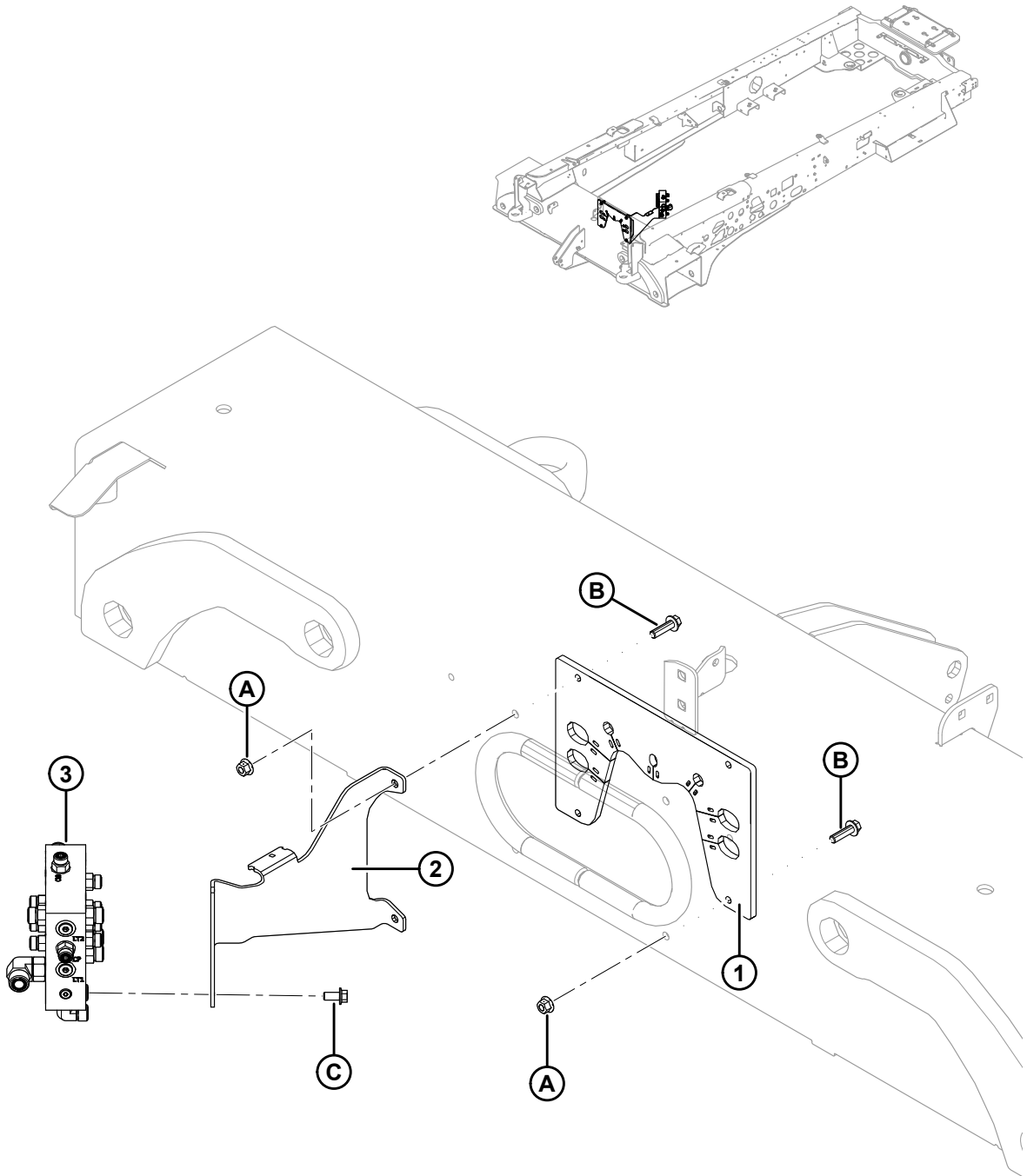
86 Hydraulics – Oil Cooler Lines



HYDRAULICS – OIL COOLER LINES

Ref	Part Number	Description	Qty	Serial Number
1	206850	LINE – HYDRAULIC, 3/4 IN DIA	1	
2	206878	LINE – HYDRAULIC, 3/4 IN DIA	1	
3	136256	FITTING – TEE HYD	2	
	135868	O-RING – #12 ORFS		
4	204847	VALVE – CHECK	1	
	135868	O-RING – #12 ORFS		
5	202714	LINE – HYDRAULIC, 3/4 IN DIA	1	
6	208411	LINE – HYDRAULIC, 3/4 IN DIA	1	
7	202991	CLAMP – TUBING	2	
8	232233	CLAMP – COVER PLATE	2	
A	135337	NUT – HEX FLG CTR LOC M8 X 1.25-8-A2L		
B	152775	BOLT – HEX HD M8 X 1.25 X 65-8-8-A2L		

87 Hydraulics – Frame Fittings

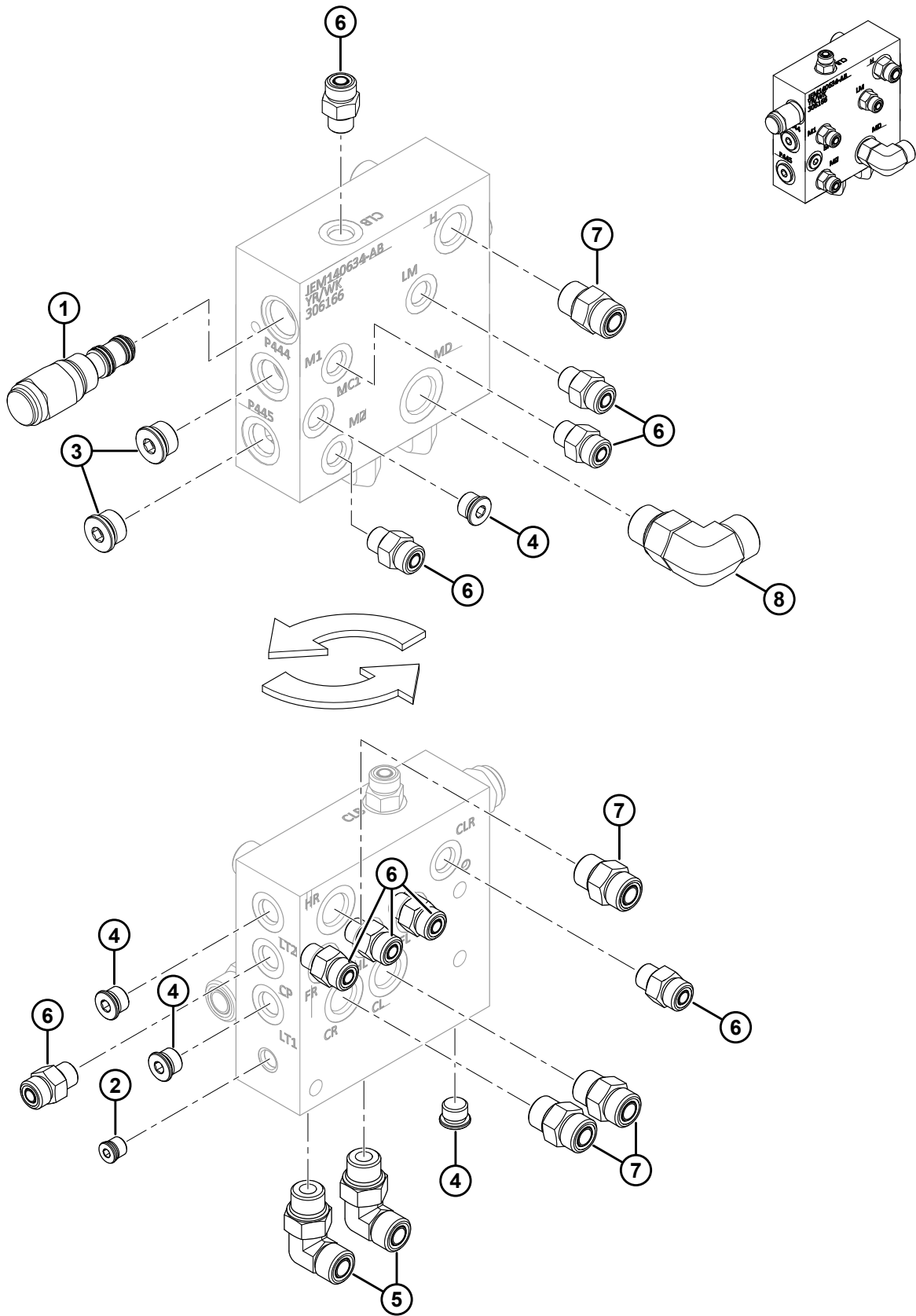


HYDRAULICS – FRAME FITTINGS

Ref	Part Number	Description	Qty	Serial Number
1	203150	STRAP – LINE SUPPORT	1	
2	203940	SUPPORT – LINE	1	
3	306166	MANIFOLD – JUNCTION ¹⁶¹	1	
A	135799	NUT – HEX FLG CTR LOC M10 X 1.5-10-A3L		
B	152947	BOLT – HEX FLG HD TFL M10 X 1.5 X 40-10.9-AA1J		
C	152655	BOLT – HEX FLG HD M10 X 1.5 X 20-8.8-A3L		

161. For service parts, refer to Section [88 Junction Manifold – Service Parts, page 199](#).

88 Junction Manifold – Service Parts

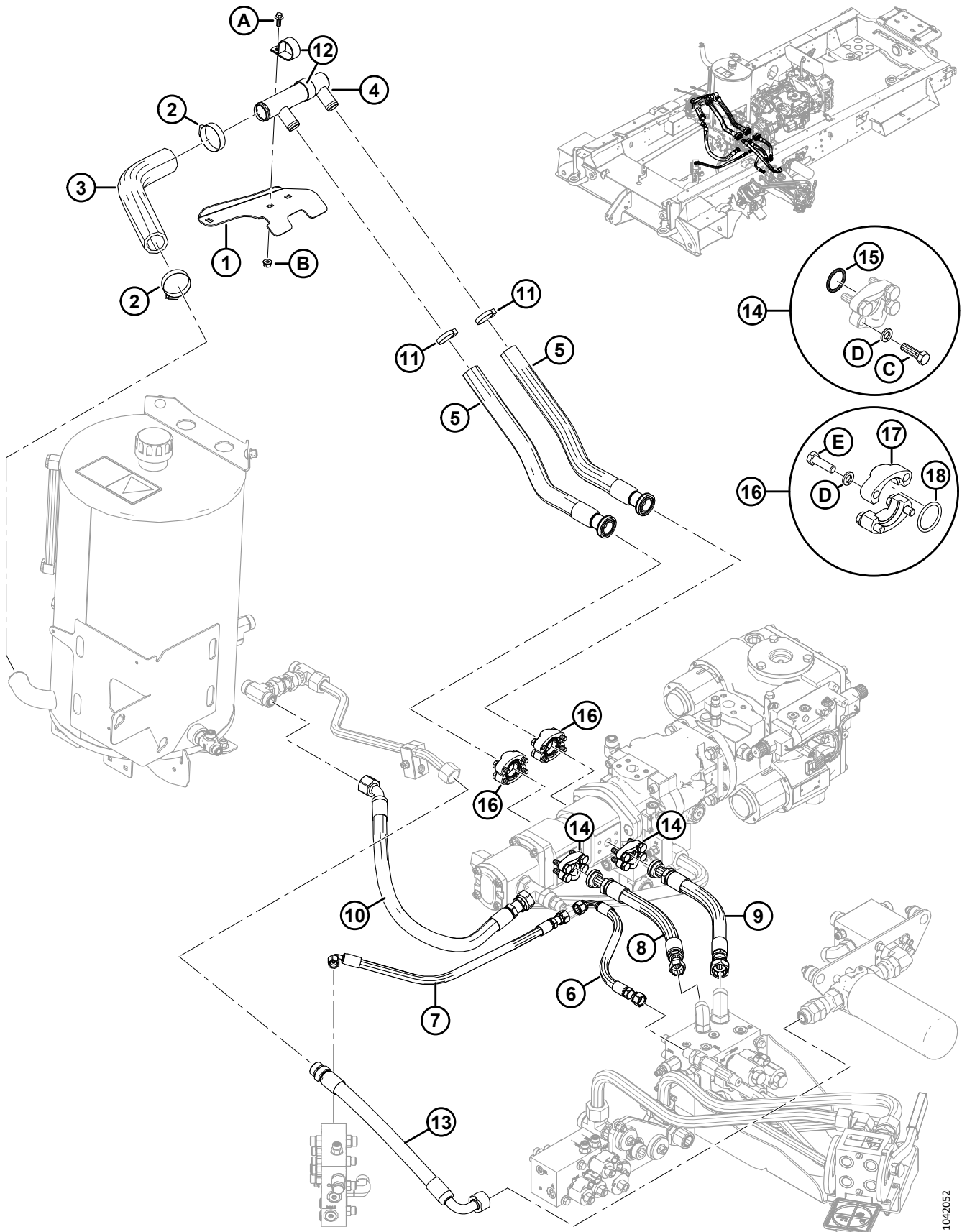


JUNCTION MANIFOLD – SERVICE PARTS

Ref	Part Number	Description	Qty	Serial Number
	306166	MANIFOLD – JUNCTION ¹⁶²		
1	252330	VALVE – CONTROL (CB)	1	
	252352	SEAL KIT		
2	252324	PLUG – ZERO LEAK	1	
3	158174	PLUG – HEX SOCKET C/W O-RING (P444, P445)	2	
	44209	O-RING – #8 ORB		
4	100577	PLUG – HEX SOCKET C/W O-RING (MC1, MC2, LT1, LT2,)	4	
	50219	O-RING – #6 ORB		
5	136220	FITTING – ELBOW 90° HYD (MDL, MDR)	2	
	44209	O-RING – #8 ORB		
	135866	O-RING – #8 ORFS		
6	135778	FITTING – ADAPTER (CLB, M1, M2, LM, HR, HL, FL, CLR, LT2)	9	
	50219	O-RING – #6 ORB		
	135865	O-RING – #6 ORFS		
7	135780	FITTING – ADAPTER (H, HR, CR, CL)	4	
	44209	O-RING – #8 ORB		
	135866	O-RING – #8 ORFS		
8	136089	FITTING – ELBOW 90° HYD (MD)	1	
	44210	O-RING – #10 ORB		
	135867	O-RING – #10 ORFS		

162. Refer to Section [87 Hydraulics – Frame Fittings, page 197](#).

89 Hydraulics – Charge Lines



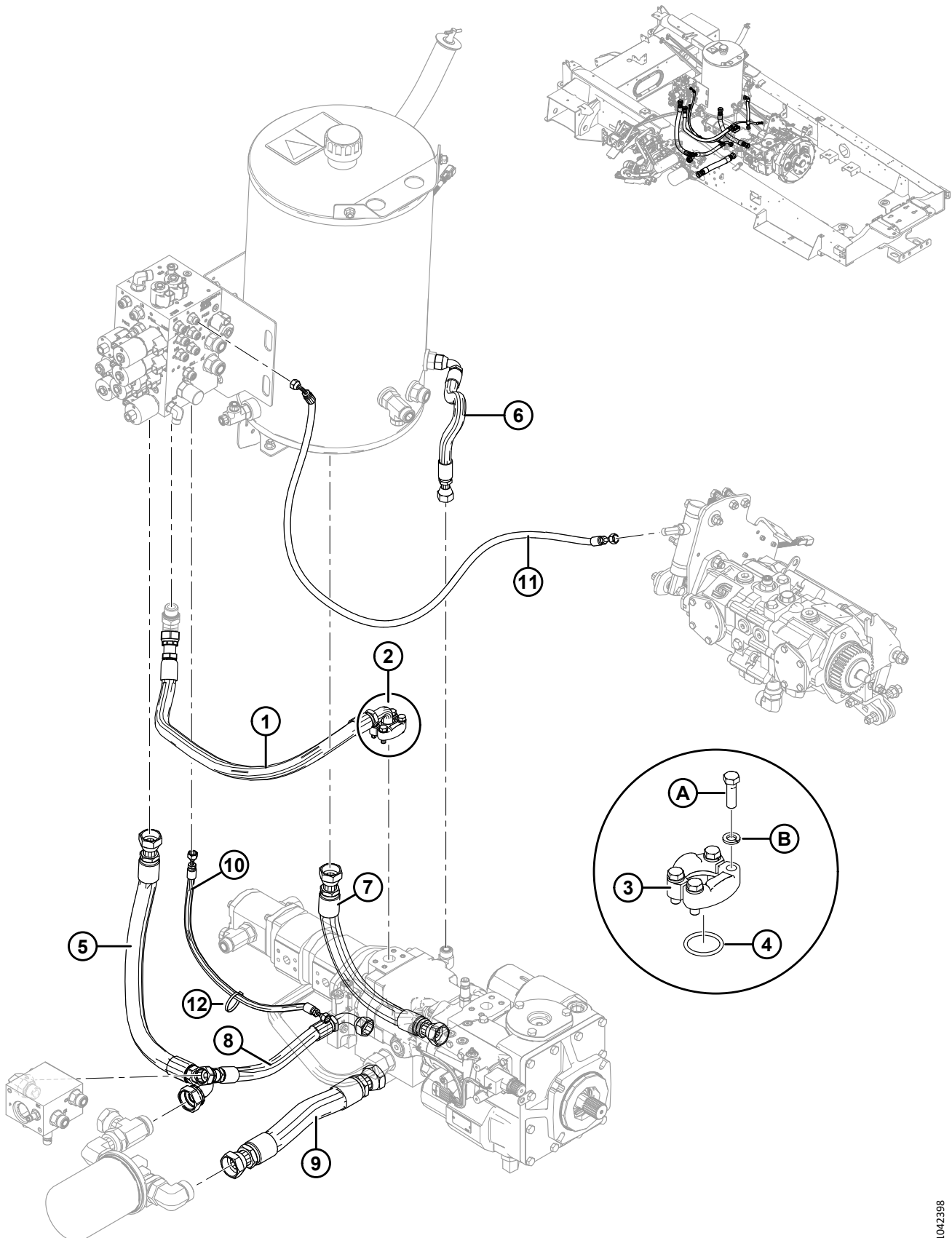
HYDRAULICS – CHARGE LINES

Ref	Part Number	Description	Qty	Serial Number
1	306925	SUPPORT – SUCTION HOSE	1	
2	135725	CLAMP – HOSE GEAR TYPE	2	
3	306877	HOSE – SUCTION	1	
4	306876	MANIFOLD – SUCTION, WELDT	1	
5	306875	HOSE – SUCTION	2	
6	306731	HOSE – HYDRAULIC	1	
7	207397	HOSE – HYDRAULIC, 3/8 IN I.D., 550 MM LG	1	
8	306702	HOSE – HYDRAULIC	1	
9	306701	HOSE – HYDRAULIC	1	
10	306698	HOSE – HYDRAULIC	1	
11	162442	CLAMP – HOSE	2	
12	135724	CLAMP – INSULATED 1 1/2 IN.	2	
13	205213	HOSE – HYDRAULIC, 3/4 IN I.D., 450 MM LG	1	
14	306699	KIT – SPLIT FLANGE, .75 IN. CD 61 ¹⁶³	2	
15	150595	O-RING – 3.53 X 24.99	2	
16	112866	KIT – SPLIT FLANGE, 1 IN. CD61 ¹⁶⁴	2	
17	194033	FLANGE – HALF SPLIT 1 INCH, CODE 61	4	
18	112868	O-RING – 3.53 X 32.92	2	
A	136300	BOLT – HEX FLG HD TFL M8 X 1.25 X 20-8.8-AA3L		
B	135337	NUT – HEX FLG CTR LOC M8 X 1.25-8-A2L		
C	252640	BOLT – HH 3/8-16 X 1.25-GR8-AA3L		
D	18637	WASHER – REG. LOCK 3/8 IN. NOM. ID AA1J		
E	21264	BOLT – HEX HD 3/8 -16 X 1.25 GR 5 AA1J		

163. Includes O-ring (MD #150595), four bolts (MD #252640), and four lock washers (MD #18637).

164. Includes two flange halves (MD #194033), O-ring (MD #112868), four bolts (MD #252640), and four washers (MD #30191).

90 Hydraulics – Open Drive Lines

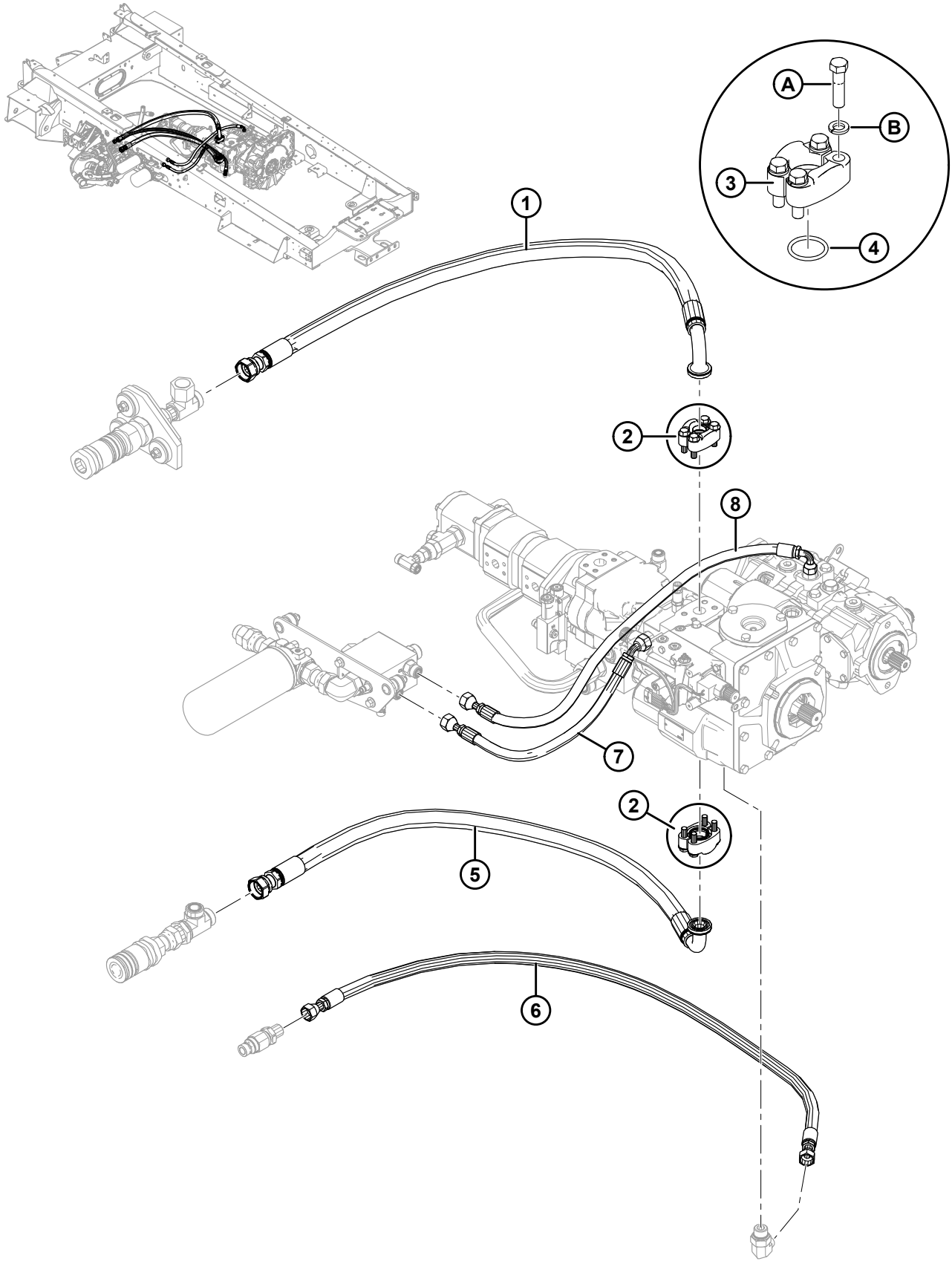


HYDRAULICS – OPEN DRIVE LINES

Ref	Part Number	Description	Qty	Serial Number
1	201683	HOSE – HYDRAULIC, 3/4 IN I.D., 840 MM LG	1	
2	112866	FLANGE – SPLIT, 1 IN. C/W HARDWARE ¹⁶⁵	1	
3	194033	FLANGE – HALF SPLIT 1 INCH, CODE 61	2	
4	112868	O-RING – 1.296 IN. I.D. X 0.139 IN. WALL	1	
5	201722	HOSE – HYDRAULIC, 1 IN I.D., 700 MM LG	1	
6	201684	HOSE – HYDRAULIC, 5/8 IN I.D., 370 MM LG	1	
7	202816	HOSE – HYDRAULIC, 1 IN I.D., 550 MM LG	1	
8	202828	HOSE – HYDRAULIC, 3/4 IN I.D., 440 MM LG	1	
9	202870	HOSE – HYDRAULIC, 1 1/4 IN I.D., 475 MM LG	1	
10	202662	HOSE – HYDRAULIC, 1/4 IN I.D., 600 MM LG	1	
11	203121	HOSE – HYDRAULIC, 1/4 IN I.D., 1290 MM LG	1	
12	21763	FASTENER – CABLE TIE, BLACK, 160 MM LG	1	
A	21264	BOLT – HH 3/8 NC X 1.25 LG GR 5 ZP		
B	18637	WASHER – REG. LOCK 3/8 IN. NOM. I.D. ZP		

165. Includes two half-split flanges (MD #194033), O-ring (MD #112868), four bolts (MD #21264), and four lock washers (MD #18637).

91 Hydraulics – Closed Drive Lines

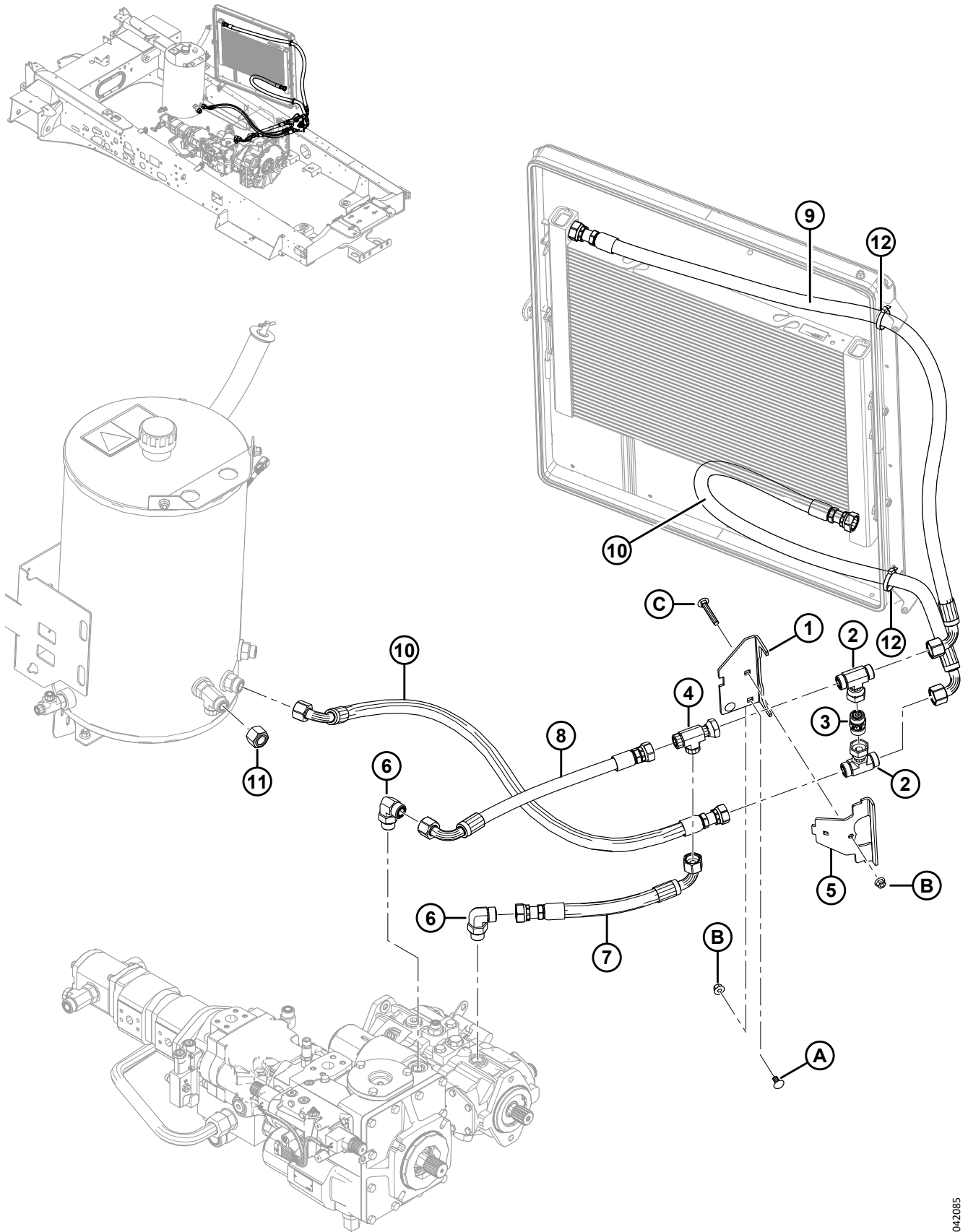


HYDRAULICS – CLOSED DRIVE LINES

Ref	Part Number	Description	Qty	Serial Number
1	201972	HOSE – HYDRAULIC, 1 IN I.D., 1470 MM LG	1	
2	138127	ASSEMBLY – 1 IN. CODE 62 SPLIT FLANGE ¹⁶⁶	2	
3	194043	FLANGE – HALF SPLIT 1 INCH, CODE 62	2	
4	112868	O-RING – 1.296 IN. I.D. X 0.139 IN. WALL	1	
5	201973	HOSE – HYDRAULIC, 1 IN I.D., 1250 MM LG	1	
6	201893	HOSE – HYDRAULIC, 5/8 IN I.D., 1530 MM LG	1	
7	306018	HOSE – HYDRAULIC, 1/2 IN I.D., 540 MM LG	1	
8	201831	HOSE – HYDRAULIC, 1/2 IN I.D., 920 MM LG	1	
A	21564	BOLT – HH 7/16 NC X 1.75 LG GR 5 ZP		
B	18652	WASHER – REG. LOCK 7/16 IN. NOM. I.D. ZP		

166. Includes two half-split flanges (MD #194043), O-ring (MD #112868), four bolts (MD #21564), and four lock washers (MD #18652).

92 Hydraulics – Case Drain Cooler Lines

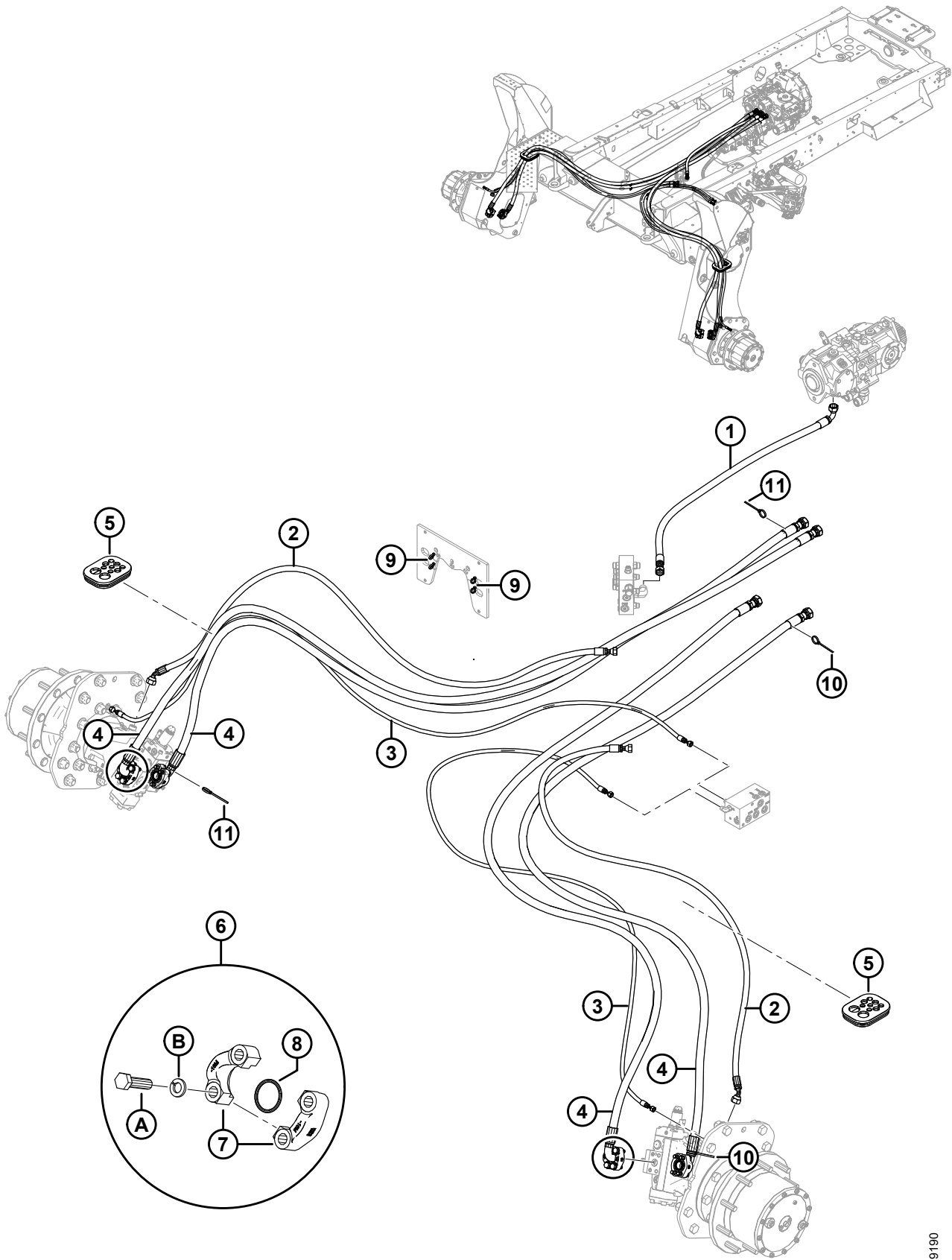


1042085

HYDRAULICS – CASE DRAIN COOLER LINES

Ref	Part Number	Description	Qty	Serial Number
1	203566	BRACKET – BYPASS SUPPORT	1	
2	136256	FITTING – TEE HYD	2	
	135868	O-RING – 1.78 X 18.77		
3	205227	FITTING – ADAPTER INLINE CHECK	1	
	135868	O-RING – 1.78 X 18.77		
4	135985	FITTING – TEE HYD	1	
	135868	O-RING – 1.78 X 18.77		
5	203568	BRACKET – CLAMP	1	
6	135821	FITTING – ELBOW 90° HYD	2	
	30971	O-RING – 2.95 X 23.47		
	135868	O-RING – 1.78 X 18.77		
7	362093	HOSE – HYDRAULIC, 3/4 IN I.D., 350 MM LG	1	
8	306963	HOSE – HYDRAULIC, 3/4 IN I.D., 480 MM LG	1	
9	205104	HOSE – HYDRAULIC, 3/4 IN I.D., 1550 MM LG	1	
10	205105	HOSE – HYDRAULIC, 3/4 IN I.D., 1200 MM LG	2	
11	135889	FITTING – CAP HYD -12 ORFS	1	
12	30753	FASTENER – CABLE TIE, BLACK, 305 MM LG	2	
A	184657	BOLT – RHSSN M10 X 1.5 X 20-8.8-A3L		
B	135799	NUT – HEX FLG CTR LOC M10 X 1.5-10-A3L		
C	136183	BOLT – RHSN M10 X 1.5 X 65-8.8-A3L		

93 Hydraulics – Traction Drive

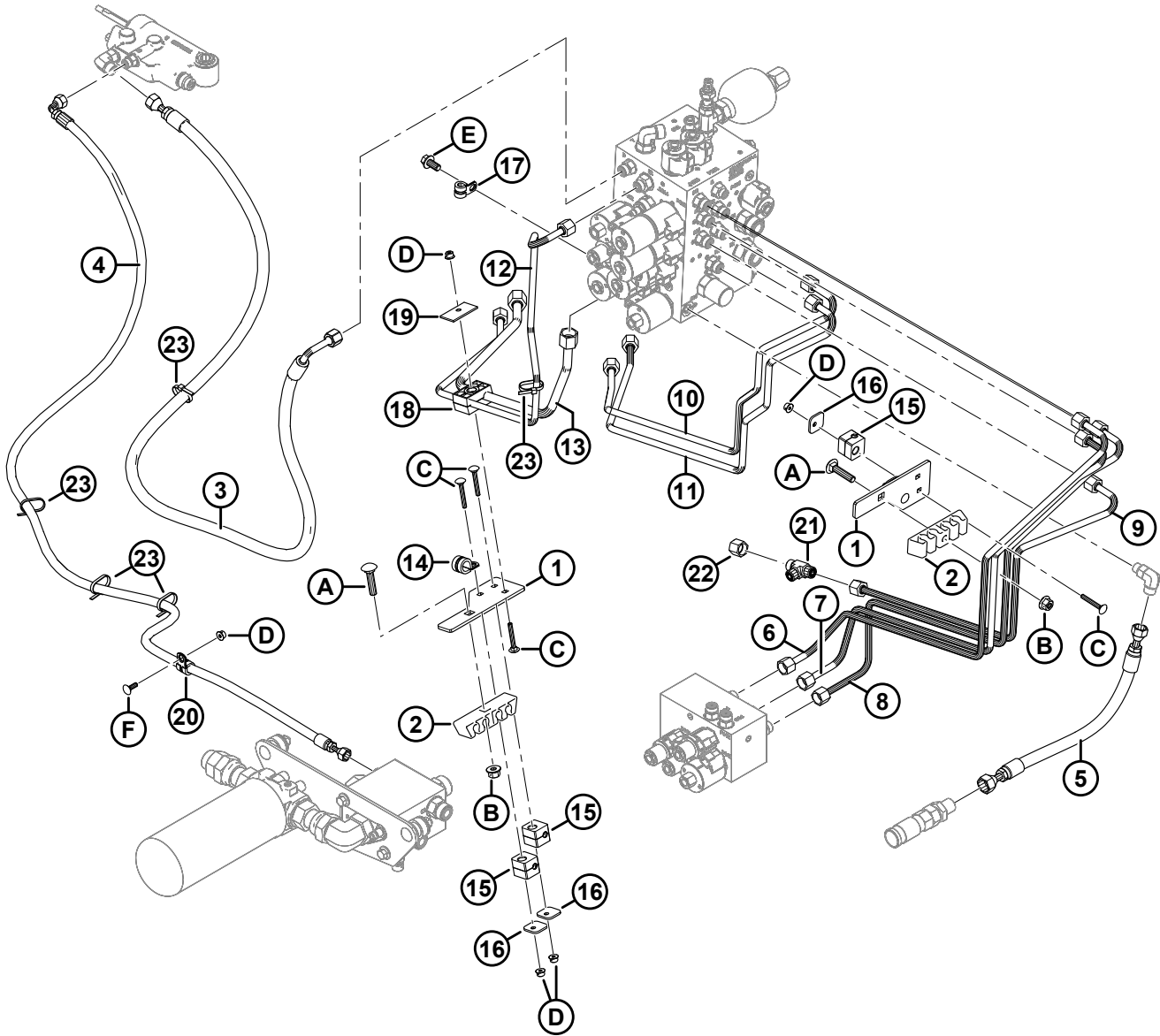
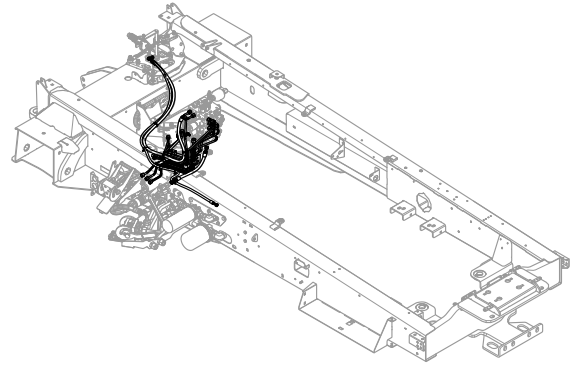


HYDRAULICS – TRACTION DRIVE

Ref	Part Number	Description	Qty	Serial Number
1	200983	HOSE – HYDRAULIC, 5/8 IN I.D., 1230 MM LG	1	
2	206184	HOSE – HYDRAULIC, 1/2 IN I.D., 2250 MM LG	2	
3	206623	HOSE – HYDRAULIC, 1/4 IN I.D., 2850 MM LG	2	
4	203116	HOSE – HYDRAULIC, 3/4 IN I.D., 3550 MM LG	4	
5	204760	GROMMET – LEG	2	
6	138127	KIT – SPLIT FLANGE, 1 IN. CD62 ¹⁶⁷	4	
7	194043	FLANGE – HALF SPLIT 1 IN.	2	
8	112868	O-RING – 3.53 X 32.92	1	
9	21763	FASTENER – CABLE TIE, BLACK, 160 MM LG	4	
10	40701	FASTENER – CABLE TIE, YELLOW	2	
11	40702	FASTENER – CABLE TIE, RED	2	
A	21564	BOLT – HEX HD 7/16 - 14 X 1.75 GR 5 AA1J		
B	18652	WASHER – REG. LOCK 7/16 IN. NOM. ID AA1J		

167. Includes two half-split flanges (MD #194043), O-ring (MD #112868), four bolts (MD #21564), and four lock washers (MD #18652).

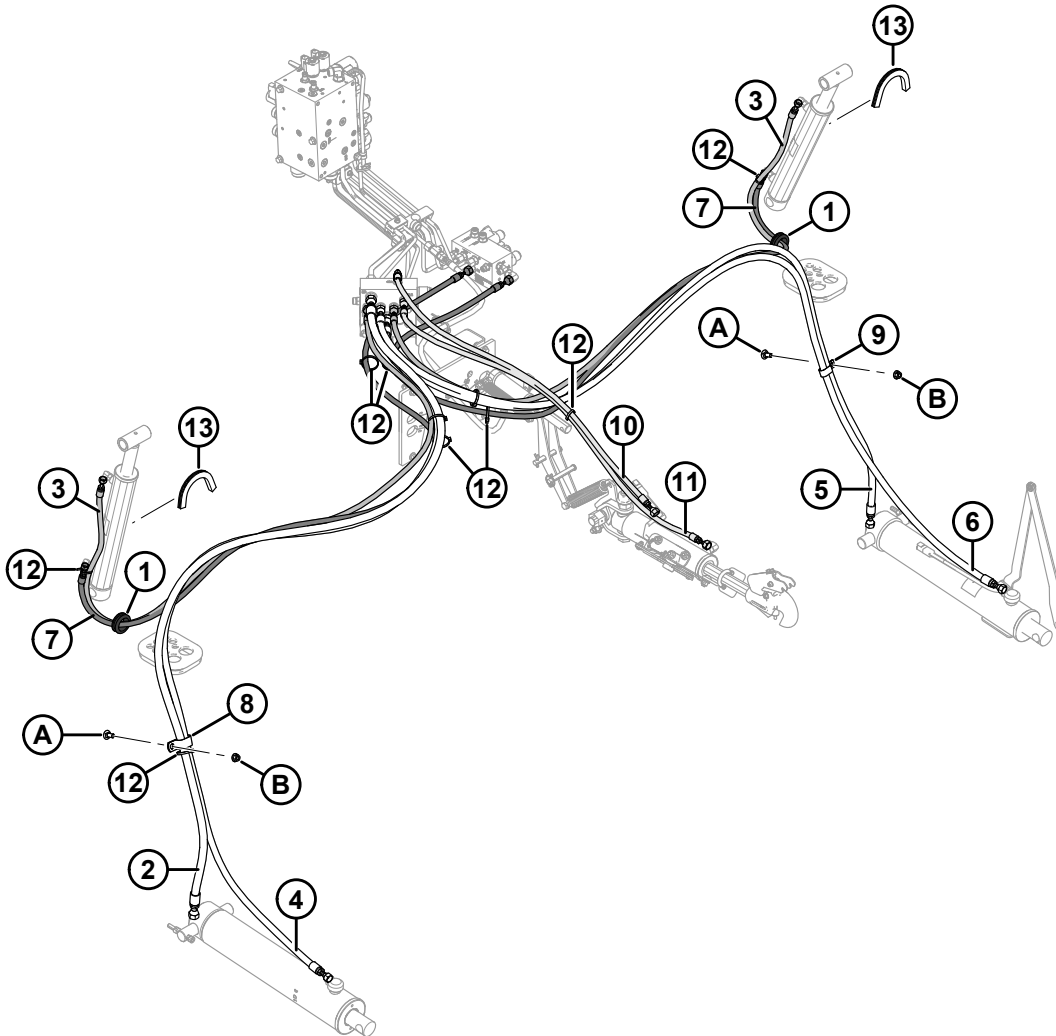
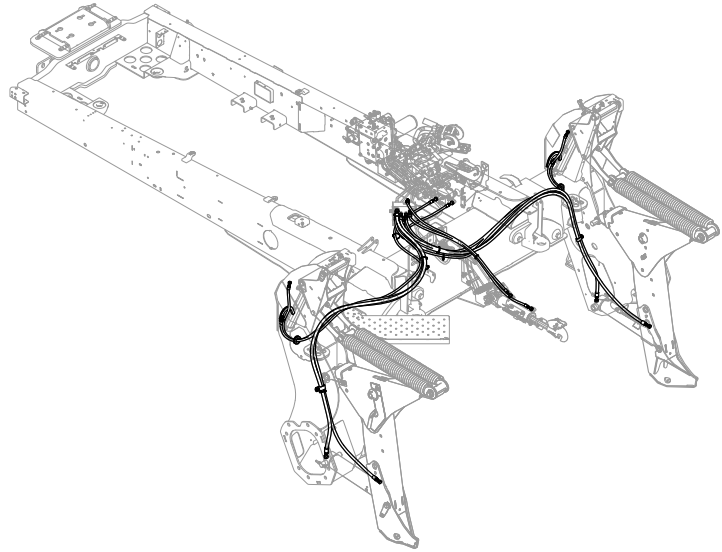
94 Hydraulics – Control Lines



HYDRAULICS – CONTROL LINES

Ref	Part Number	Description	Qty	Serial Number
1	205356	PLATE – CLAMP MOUNT	2	
2	220478	CLAMP	2	
3	203979	HOSE – HYDRAULIC, 3/8 IN. I.D., 1700 MM LG	1	
4	203984	HOSE – HYDRAULIC, 1/4 IN. I.D., 1870 MM LG	1	
5	205273	HOSE – HYDRAULIC, 3/8 IN. I.D., 380 MM LG	1	
6	207425	LINE – HYDRAULIC, 3/8 IN. DIA	1	
7	203975	LINE – HYDRAULIC, 3/8 IN. DIA	1	
8	203974	LINE – HYDRAULIC, 3/8 IN. DIA	1	
9	207426	LINE – HYDRAULIC, 3/8 IN. DIA	1	
10	203966	LINE – HYDRAULIC, 3/8 IN. DIA	1	
11	203967	LINE – HYDRAULIC, 3/8 IN. DIA	1	
12	206208	LINE – HYDRAULIC, 3/8 IN. DIA	1	
13	207446	LINE – HYDRAULIC, 1/2 IN. DIA	1	
14	135716	CLAMP – INSULATED 5/8 IN.	1	
15	184304	CLAMP PAIR – TUBE 3/8 IN. DIA (PAIR)	4	
16	184305	CLAMP – COVER PLATE	4	
17	136410	CLAMP – INSULATED 3/8 IN.	1	
18	184307	CLAMP PAIR – TUBE 0.5 IN./0.375 IN. CLAMP	1	
19	184303	CLAMP – COVER PLATE	1	
20	135818	CLAMP – INSULATED 1/2 IN.	1	
21	136098	FITTING – TEE HYD	1	
	135865	O-RING – #6 ORFS		
22	136325	CAP – HYD SAE-6 ORFS	1	
23	21763	FASTENER – CABLE TIE, BLACK, 160 MM LG	5	
A	136421	BOLT – RHSN M10 X 1.5 X 45-8.8-A3L		
B	135799	NUT – HEX FLG CTR LOC M10 X 1.5-10-A3L		
C	136731	BOLT – RHSN M6 X 1 X 45-8.8-A2L		
D	152668	NUT – HEX FLG CTR LOC M6 X 1-8-A2L		
E	152655	BOLT – HEX FLG HD M10 X 1.5 X 20-8.8-A3L		
F	184641	BOLT – RHSN M6 X 1 X 20-8.8-A2L		

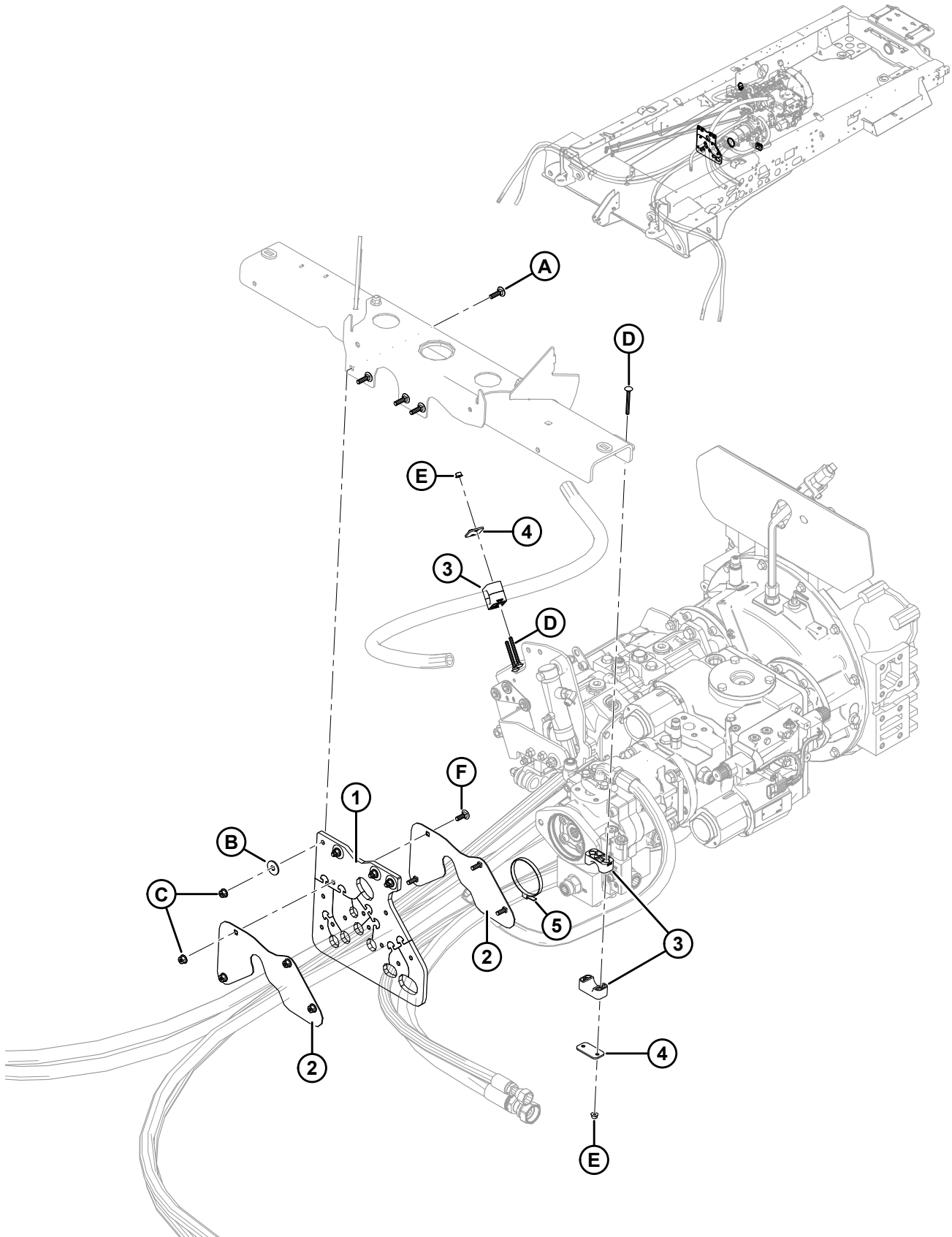
95 Hydraulics – Lift System



HYDRAULICS – LIFT SYSTEM

Ref	Part Number	Description	Qty	Serial Number
1	174149	GROMMET – 1.50 IN. I.D.	2	
2	206193	HOSE – HYDRAULIC, 1/2 IN. I.D., 2550 MM LG	1	
3	206195	HOSE – HYDRAULIC, 1/4 IN. I.D., 2250 MM LG	2	
4	206194	HOSE – HYDRAULIC, 3/8 IN. I.D., 2800 MM LG	1	
5	206196	HOSE – HYDRAULIC, 3/8 IN. I.D., 2500 MM LG	1	
6	208325	HOSE – HYDRAULIC, 3/8 IN. I.D., 2800 MM LG	1	
7	206192	HOSE – HYDRAULIC, 1/4 IN. I.D., 2420 MM LG	2	
8	103738	CLAMP – PVC INSULATED 13/16 IN. TUBE SIZE	1	
9	135235	CLAMP – DOUBLE HOSE INSULATED	1	
10	207454	HOSE – HYDRAULIC, 1/4 IN. I.D., 1200 MM LG	1	
11	207455	HOSE – HYDRAULIC, 1/4 IN. I.D., 1360 MM LG	1	
12	21763	FASTENER – CABLE TIE, BLACK, 160 MM LG	10	
13	141220	SEAL – EDGE TRIM	2	
A	135785	BOLT – RHSN M10 X 1.5 X 25-8.8-A3L		
B	135799	NUT – HEX FLG CTR LOC M10 X 1.5-10-A3L		

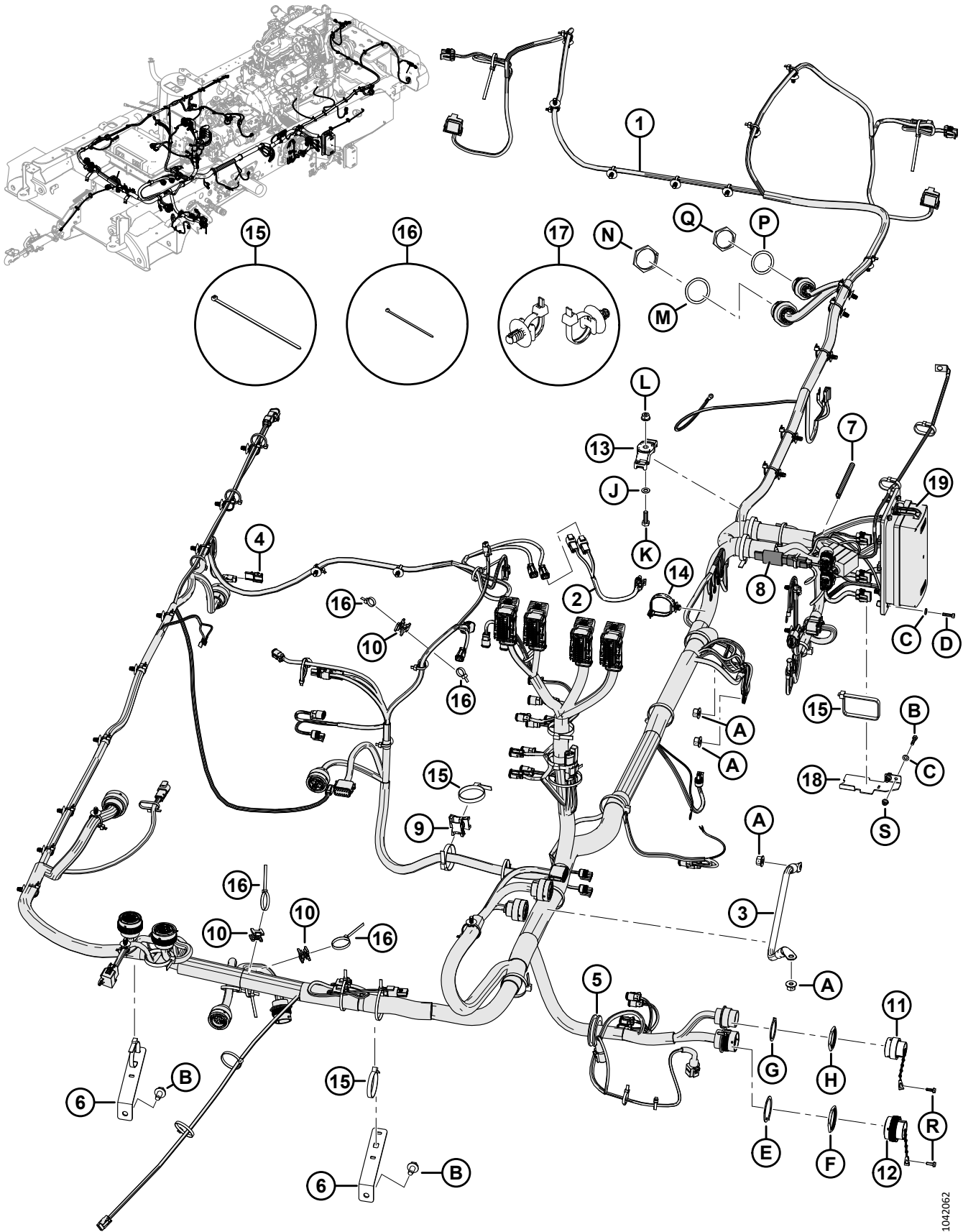
96 Hydraulics – Line Supports



HYDRAULICS – LINE SUPPORTS

Ref	Part Number	Description	Qty	Serial Number
1	306764	STRAP – LINE SUPPORT	1	
2	203380	PLATE – ROUTING CLAMP	2	
3	136647	CLAMP – LINE	2	
4	136648	CLAMP – COVER PLATE	2	
5	30753	FASTENER – CABLE TIE, BLACK, 305 MM LG	2	
A	190752	BOLT – RHSN M8 X 1.25 X 30-8.8-A2L		
B	184712	WASHER – FLAT LARGE M10-200 HV		
C	135337	NUT – HEX FLG CTR LOC M8 X 1.25-8-A2L		
D	184645	BOLT – RHSN M6 X 1 X 60-8.8-A2L		
E	152668	NUT – HEX FLG CTR LOC M6 X 1-8-A2L		
F	184648	BOLT – RHSN M8 X 1.25 X 25-8.8-A3L		

97 Electrical – Chassis



1042062

ELECTRICAL – CHASSIS

NOTE:

Contact your Dealer for information regarding software updates to the electronic modules. Your Dealer will have the necessary interface tools and access to the latest software upgrades. For specific electrical harness parts, refer to Electrical Connectors Parts Catalog (MD #169641).

Ref	Part Number	Description	Qty	Serial Number
1	362362	HARNESS – CHASSIS ¹⁶⁸	1	
	208769	RESISTOR PACK – 1K OHM ¹⁶⁹		
	362007	RESISTOR PACK – 1.5K OHM ¹⁷⁰		
	500470	CONNECTOR – DEUT, DT, 3/M, J1939 (CAN TERMINATOR)		
2	207303	HARNESS – MAIN PUMP	1	
3	201408	CABLE – GROUND, FRAME TO CAB	1	
4	134612	CLIP – RECEPTACLE MOUNT	1	
5	172899	GROMMET – 1.75 IN. I.D.	1	
6	207558	SUPPORT – HARNESS	2	
7	31889	MOULDING	1	
8	291262	CAPACITOR – TURN SIG FILTER	1	
9	134443	SPACER – DUAL SADDLE, H.T. TYPE DSW55	1	
10	134442	SPACER – DUAL SWIVEL SADDLE	3	
11	134803	CAP – PLUG, DEUTSCH, HDC36, SIZE 1	1	
12	134053	CAP – PLUG, HD30, SIZE 24	1	
13	134725	FASTENER – HIGH TORQUE, DBL MT	1	
14	134714	FASTENER – FIR TREE MT, W/ TIE	1	
15	30753	FASTENER – CABLE TIE, BLACK, 305 MM LG ¹⁷¹	20	
16	21763	FASTENER – CABLE TIE, BLACK, 160 MM LG ¹⁷¹	23	
17	136655	FASTENER – FIR TREE MT W/ TIE, 200 MM LG ¹⁷¹	32	
18	306007	BRACKET – HARNESS SUPPORT	1	
19	REF	MAIN FUSE BLOCK ¹⁷²		
A	135799	NUT – HEX FLG CTR LOC M10 X 1.5-10-A3L		
B	136209	SCREW – HEX WASHER HD M10 X 1.5 X 20-450HV-A3L		
C	184705	WASHER – FLAT M6-200HV-A2L		
D	184640	BOLT – HEX HD M5 X 0.8 X 20-8.8-A2L		
E	134011	WASHER – LOCK SPRING, DEUTSCH HD, SIZE 24		
F	134010	NUT – PANEL, HD30, SIZE 24		
G	134603	WASHER – LOCK, HD30, SIZE 18		
H	134602	NUT – PANEL, HD30, SIZE 18		
J	184708	WASHER – FLAT M8-200HV-A2L		
K	184652	BOLT – HEX HD TFL M8 X 1.25 X 25-8.8-A2L		
L	135337	NUT – HEX FLG CTR LOC M8 X 1.25-8-A2L		
M	134730	WASHER – LOCK, HDP20, SIZE 24		

168. Includes resistor packs (MD #208769 and MD #362007) and CAN terminator (MD #500470).

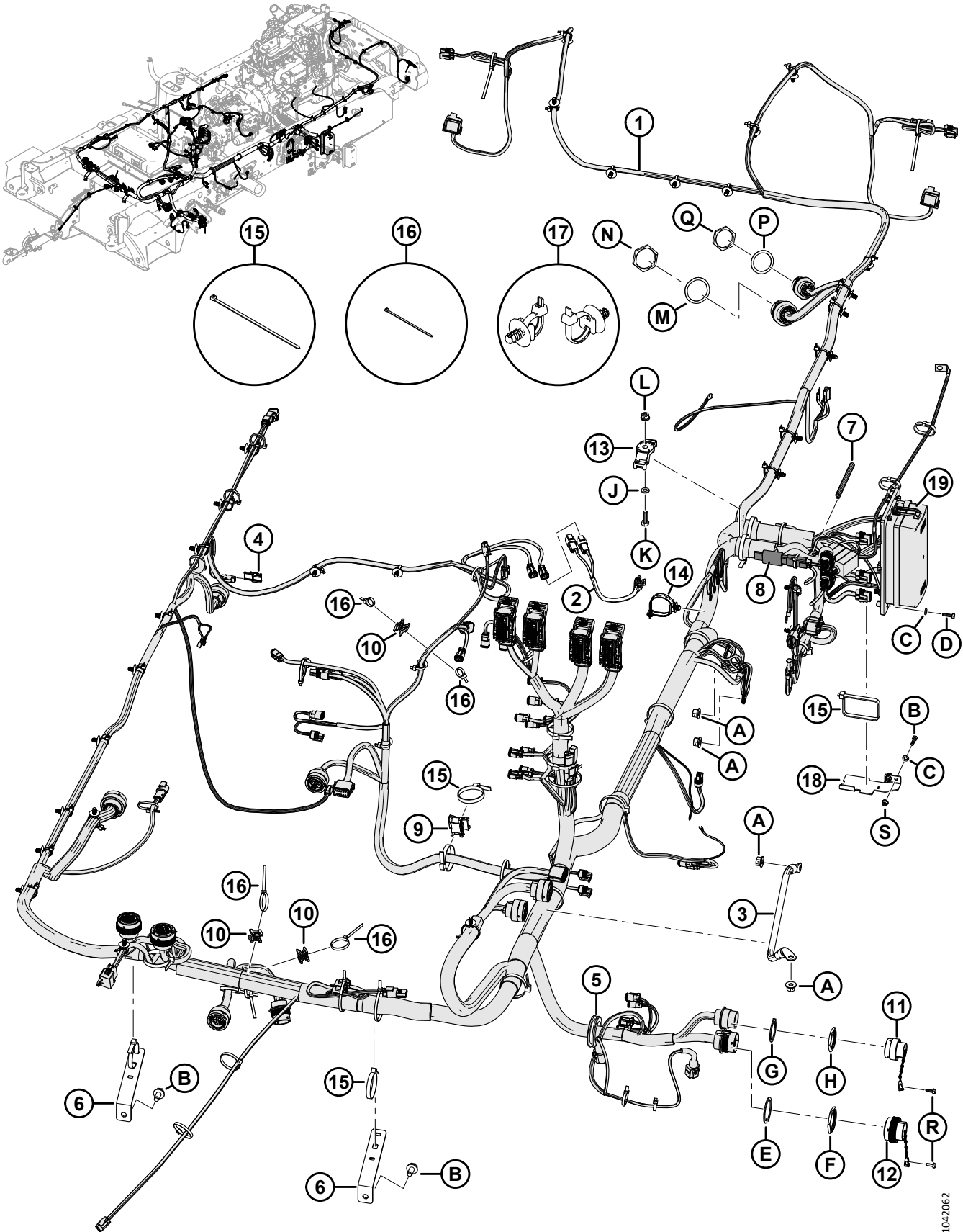
169. Used at P281 (master controller address).

170. Used at P280 (XC module address).

171. Illustration shows fastener locations.

172. For service parts, refer to Section [98 Main Fuse Panel, page 221](#).

ELECTRICAL – CHASSIS

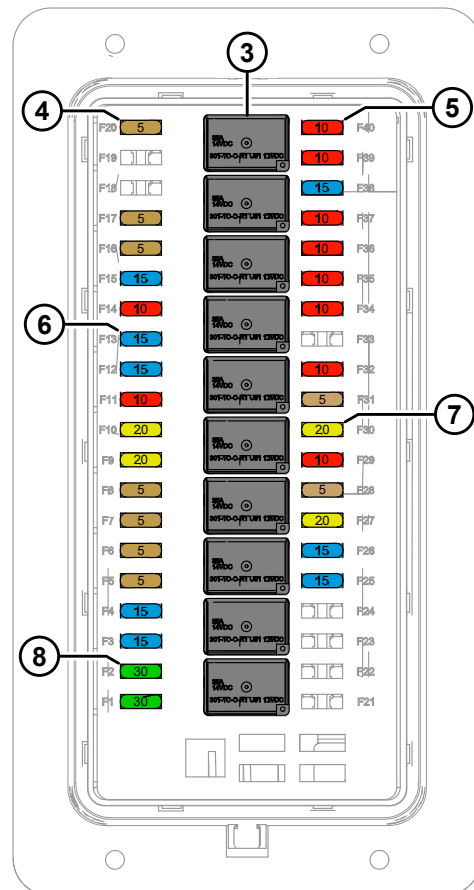
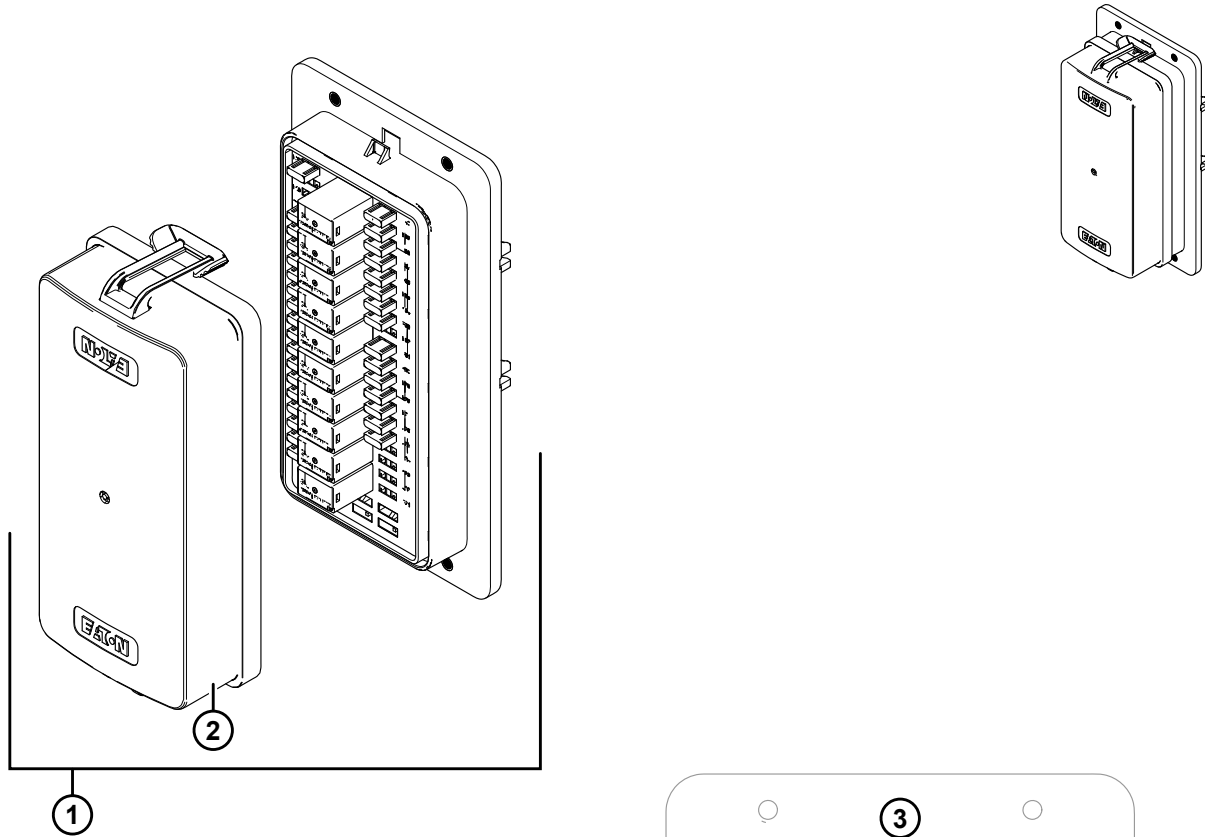


1042062

ELECTRICAL – CHASSIS

Ref	Part Number	Description	Qty	Serial Number
N	134728	NUT – PANEL, HDP20, SIZE 24		
P	134729	WASHER – LOCK, HDP20, SIZE 18		
Q	134727	NUT – PANEL, HDP20, SIZE 18		
R	21947	SCREW – SELF TAPPING HEX WASH HD #10 X 5/8 ZP		
S	136635	NUT – HEX FLG CTR LOC M5 X 0.8-8-AA1J		

98 Main Fuse Panel



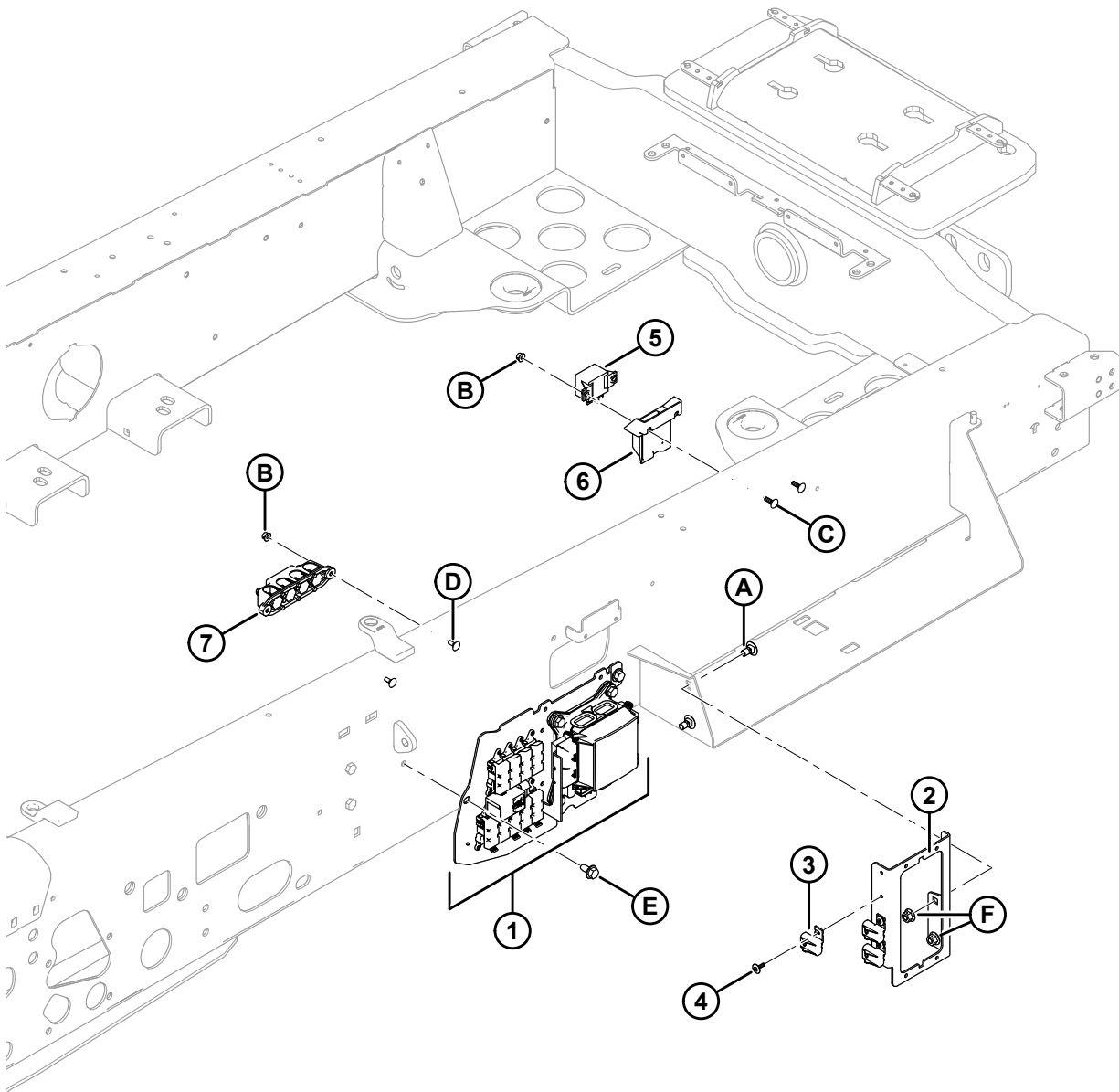
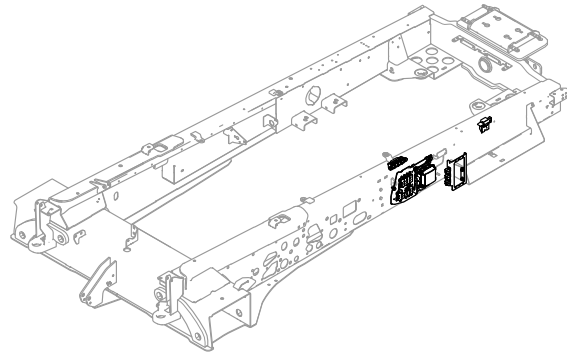
1030660

MAIN FUSE PANEL

Ref	Part Number	Description	Qty	Serial Number
1	205325	MODULE – REAR-FED FUSE AND RELAY ¹⁷³	1	
2	291131	COVER – FUSE PANEL	1	
3	134457	RELAY – MICRO ISO 280, 12 VDC	10	
4	134445	FUSE – ATM, MINI, 5 AMP (TAN)	9	
5	134446	FUSE – ATM, MINI, 10 AMP (RED)	10	
6	134447	FUSE – ATM, MINI, 15 AMP (BLUE)	8	
7	134448	FUSE – MINI, 20 AMP (YELLOW)	4	
8	134450	FUSE – MINI, 30 AMP (GREEN)	2	

173. Refer to Section [97 Electrical – Chassis](#), page 217.

99 Electrical – Chassis Components

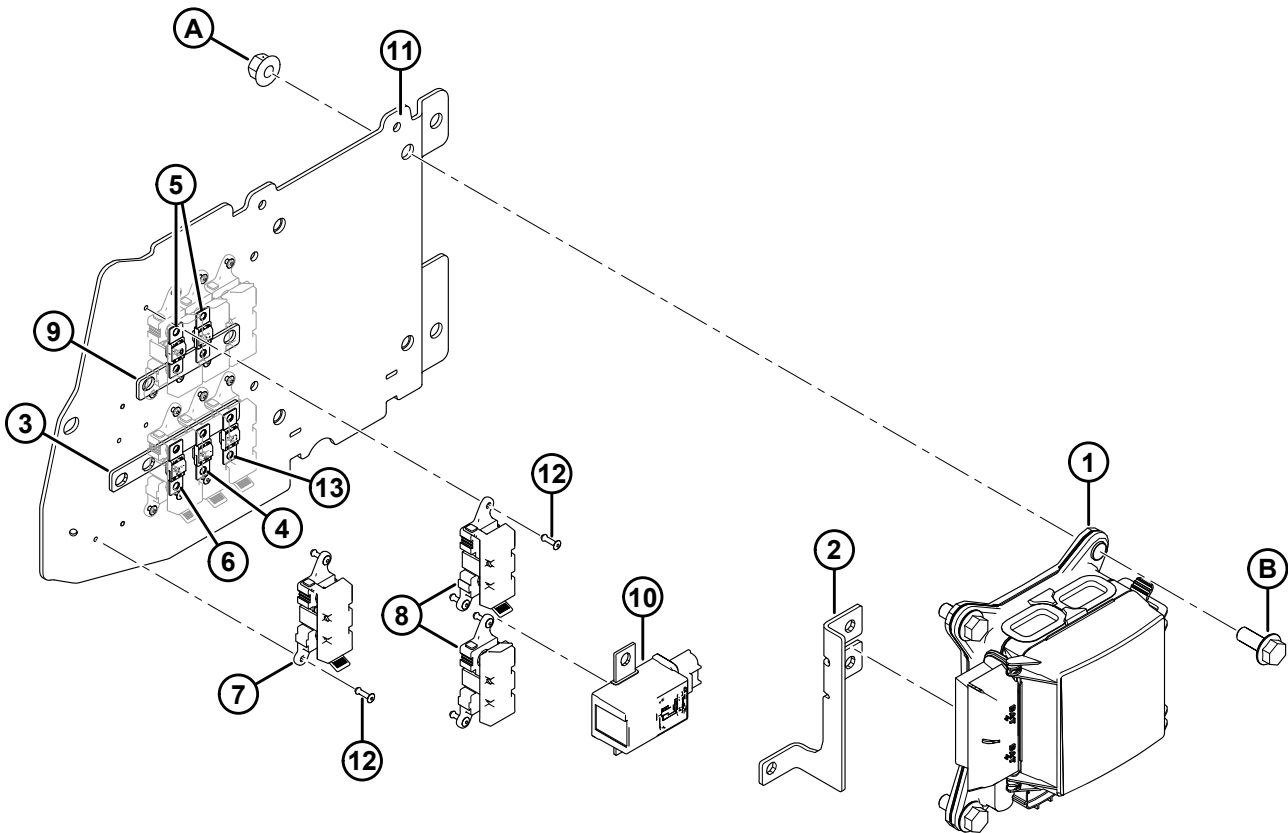
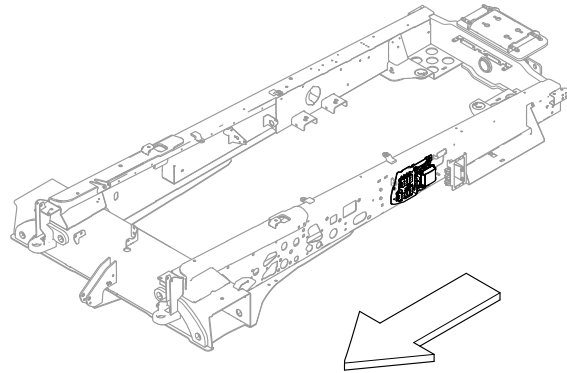


ELECTRICAL – CHASSIS COMPONENTS

Ref	Part Number	Description	Qty	Serial Number
1	REF	ASSY – PANEL, RELAY MODULE AND AMI FUSE BLOCK ¹⁷⁴		
2	209946	SUPPORT – FUSE BOX	1	
3	134523	COVER – ATO FUSE	3	
4	136536	RIVET – BLIND 3/16 IN. X 0.50 IN. BLACK	3	
5	111504	STARTER RELAY – 12V, 75A	1	
6	183258	SHIELD – STARTER RELAY	1	
7	134711	BUSS BAR – 4PT, M8, W/ COVER, BLACK	1	
A	136178	BOLT – RHSN M10 X 1.5 X 20-8.8-A3L		
B	152668	NUT – HEX FLG CTR LOC M6 X 1-8-A2L		
C	184641	BOLT – RHSN M6 X 1 X 20-8.8-A2L		
D	136748	BOLT – RHSN M6 X 1 X 16-8.8-A2L		
E	136209	SCREW – HEX WASHER HD M10 X 1.5 X 20-450HV-A3L		
F	135799	NUT – HEX FLG CTR LOC M10 X 1.5-10-A3L		

174. Refer to Section [100 Chassis Relay Module and Fuse Panel Assembly](#), page 225.

100 Chassis Relay Module and Fuse Panel Assembly

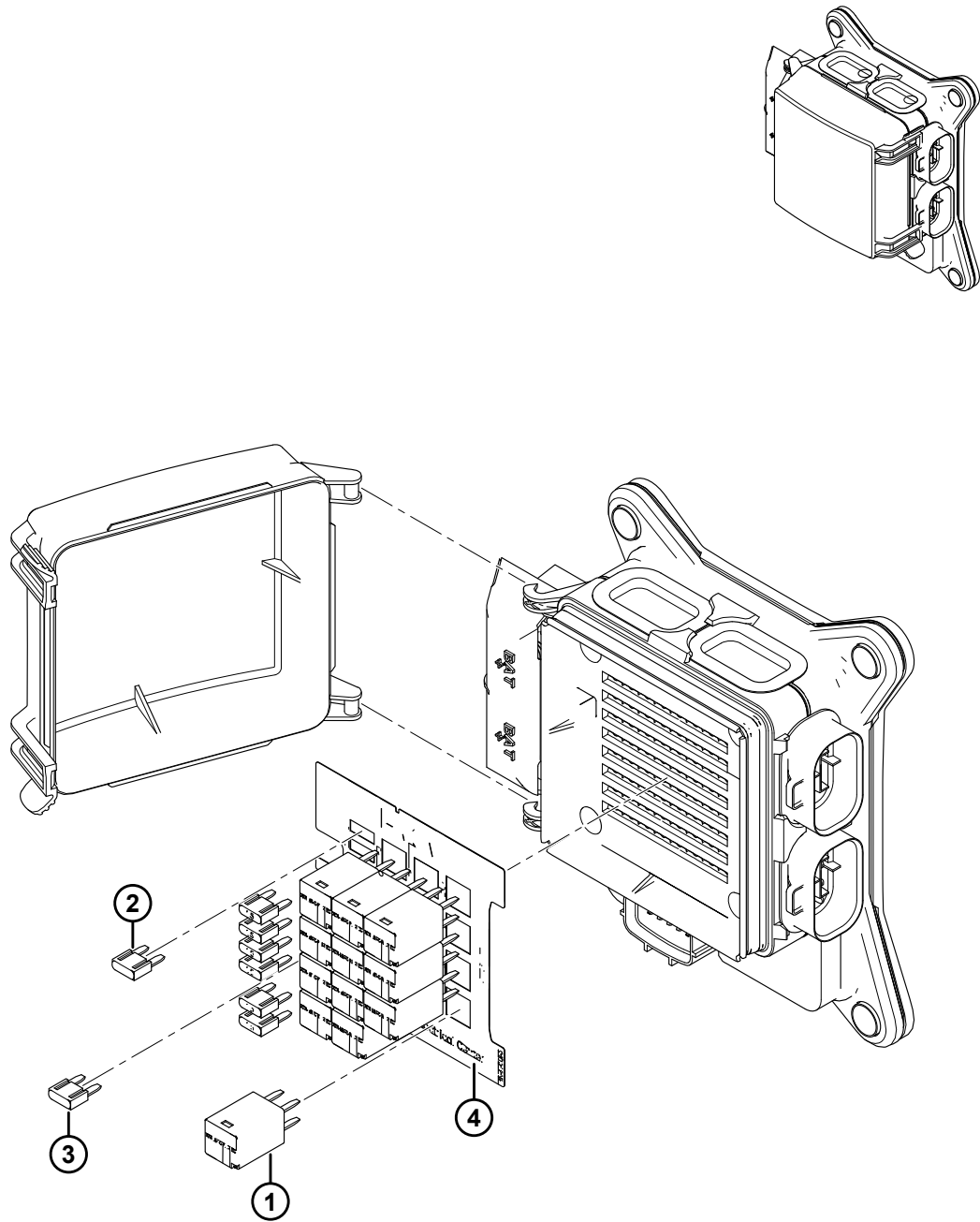


CHASSIS RELAY MODULE AND FUSE PANEL ASSEMBLY

Ref	Part Number	Description	Qty	Serial Number
1	208158	MODULE – RELAY MODULE, 12 RELAY ¹⁷⁵	1	
2	134713	BUSS BAR – RELAY MODULE INPUT POWER	1	
3	293042	BUSS BAR – LMI AMI 5 POSITION	1	
4	134684	FUSE – AMI, 125 AMPS, WHITE	1	
5	134653	FUSE – AMI, 50 AMPS, RED	2	
6	134655	FUSE – AMI, 100 AMPS, BLUE	1	
7	293037	MODULE – LMI, FUSE	7	
8	293038	MODULE – LMI, INPUT	2	
9	293041	BUSS BAR – LMI AMI 4 POSITION	1	
10	209013	RELAY – BAT DISCONNECT SW, BDS-A	1	
11	207395	SUPPORT – RELAY MODULE AND AMI FUSES	1	
12	184612	RIVET – ALUMINUM 1/8 IN. X 3/16 IN.-1/4 IN.	18	
13	134654	FUSE – AMI, 80 AMPS, WHITE	1	
A	135799	NUT – HEX FLG CTR LOC M10 X 1.5-10-A3L		
B	135783	BOLT – HEX HD FLANGE M10 X 1.5 X 25 LG ZP		

175. For service parts, refer to Section [101 Chassis Relay Module – Service Parts, page 227](#).

101 Chassis Relay Module – Service Parts

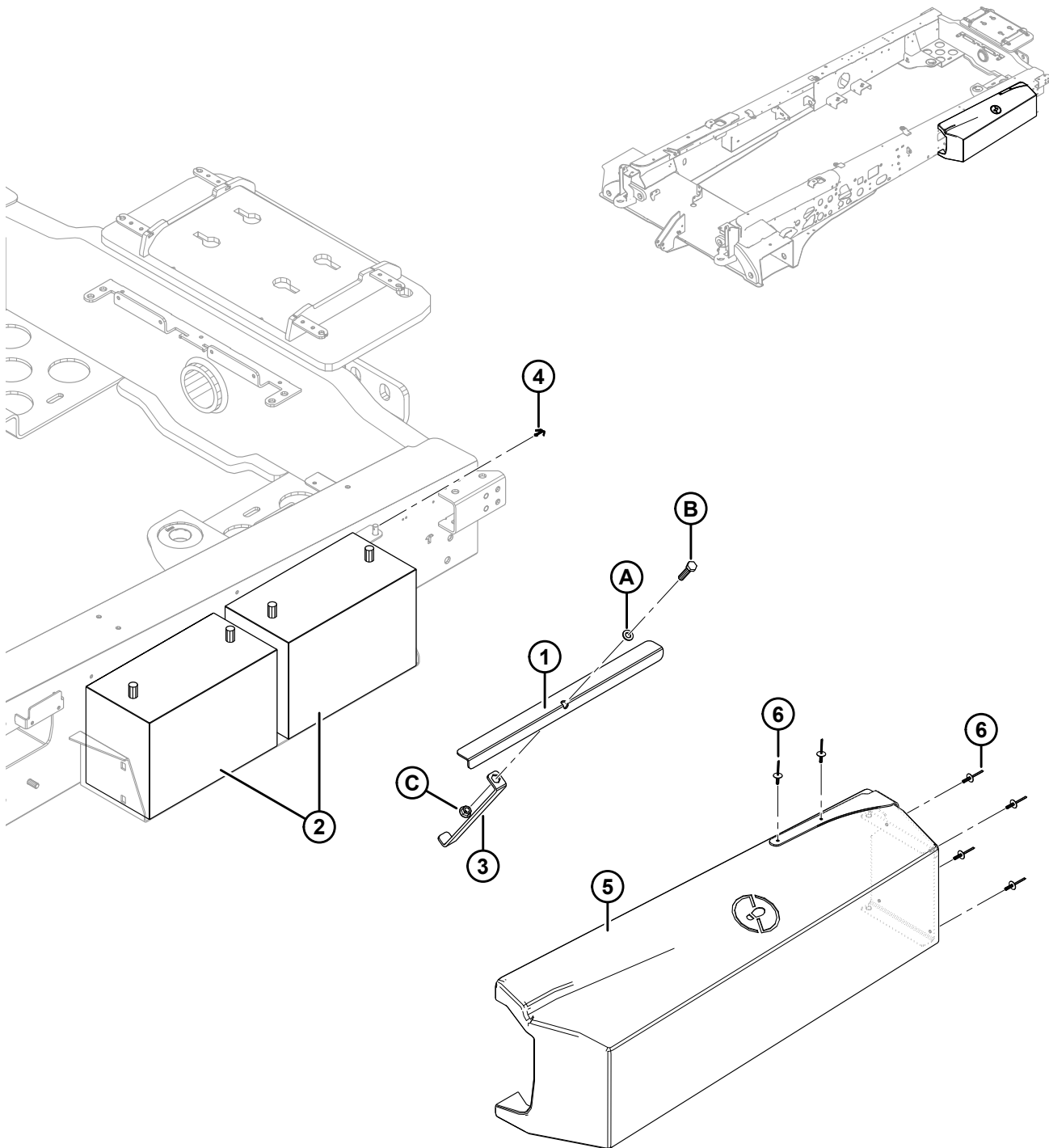


CHASSIS RELAY MODULE – SERVICE PARTS

Ref	Part Number	Description	Qty	Serial Number
	208158	MODULE – RELAY MODULE, 12 RELAY ¹⁷⁶		
1	134458	RELAY – ULTRA MICRO, ISO SPST	12	
2	134447	FUSE – ATM, MINI, 15 AMP, BLUE	7	
3	134446	FUSE – ATM, MINI, 10 AMP, RED	1	
4	NSS	DECAL – RELAY MODULE, 12 RELAY	1	

176. Refer to Section [100 Chassis Relay Module and Fuse Panel Assembly](#), page 225.

102 Electrical – Battery and Cover

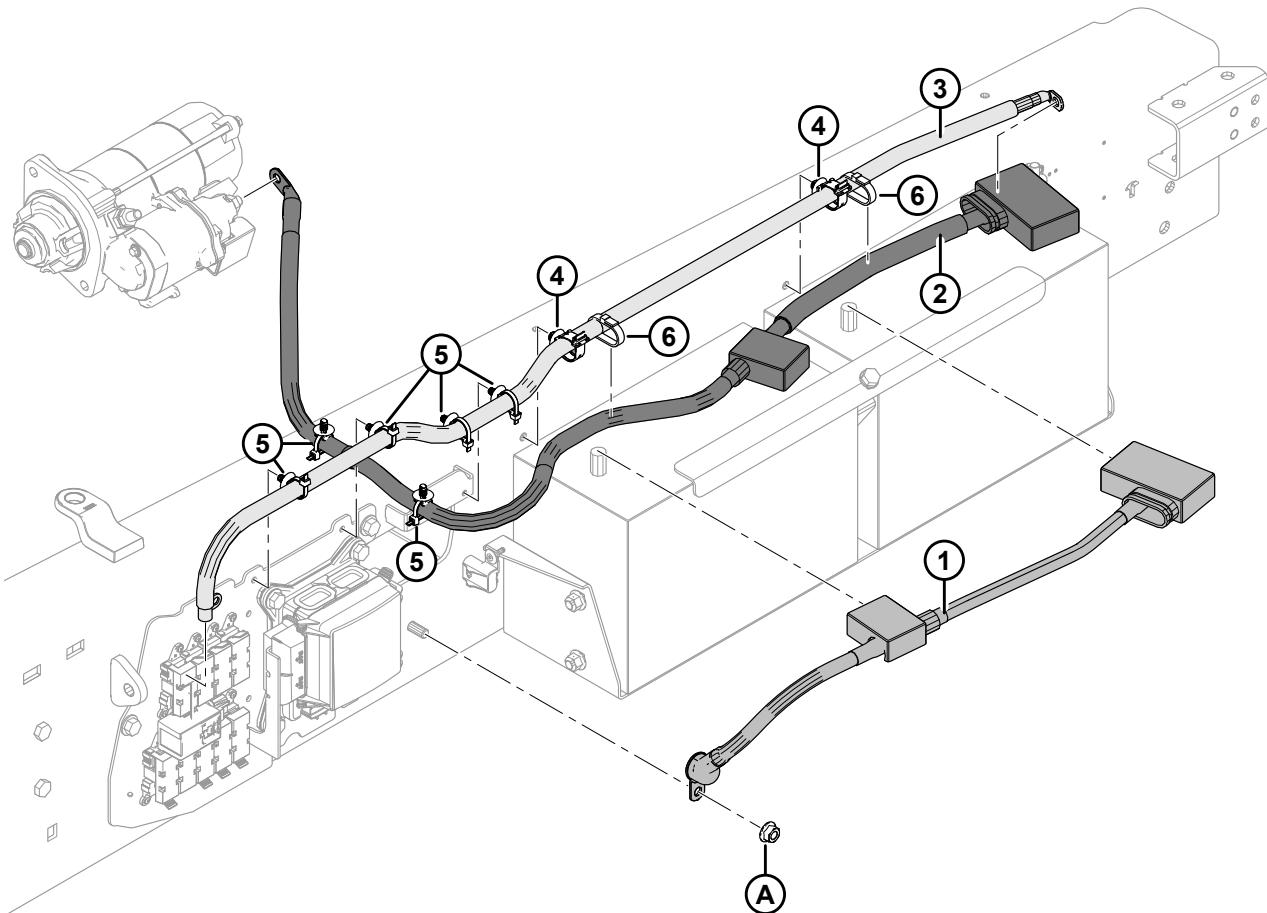
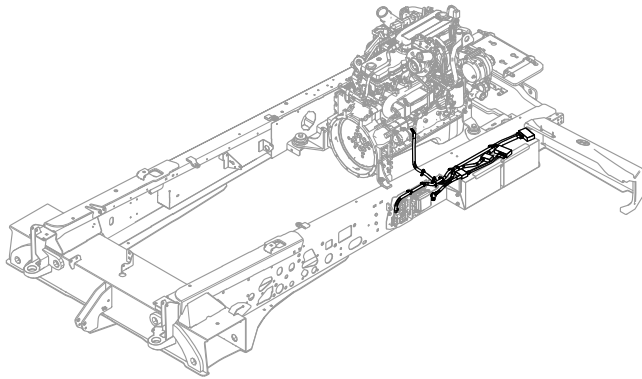


ELECTRICAL – BATTERY AND COVER

Ref	Part Number	Description	Qty	Serial Number
1	183115	ANGLE – BATTERY	1	
2	NSS	BATTERY – 12 V, 31A-760	2	
3	203930	STRAP – BATTERY	1	
4	18605	PIN – COTTER 1/8 DIA X 1 ZP	1	
5	209929	ASSEMBLY – BATTERY COVER ¹⁷⁷	1	
6	136536	RIVET – BLIND 3/16 IN. X 0.50 IN. BLACK	6	
A	184711	WASHER – FLAT REG M10-200HV-A3L		
B	136229	BOLT – HEX HD TFL M10 X 1.5 X 45 X SPCL-8.8-A3L		
C	135927	NUT – HEX SMTH FLG M10 X 1.5-8-A3L		

177. Includes battery cover, cover support, and six rivets (MD #136536).

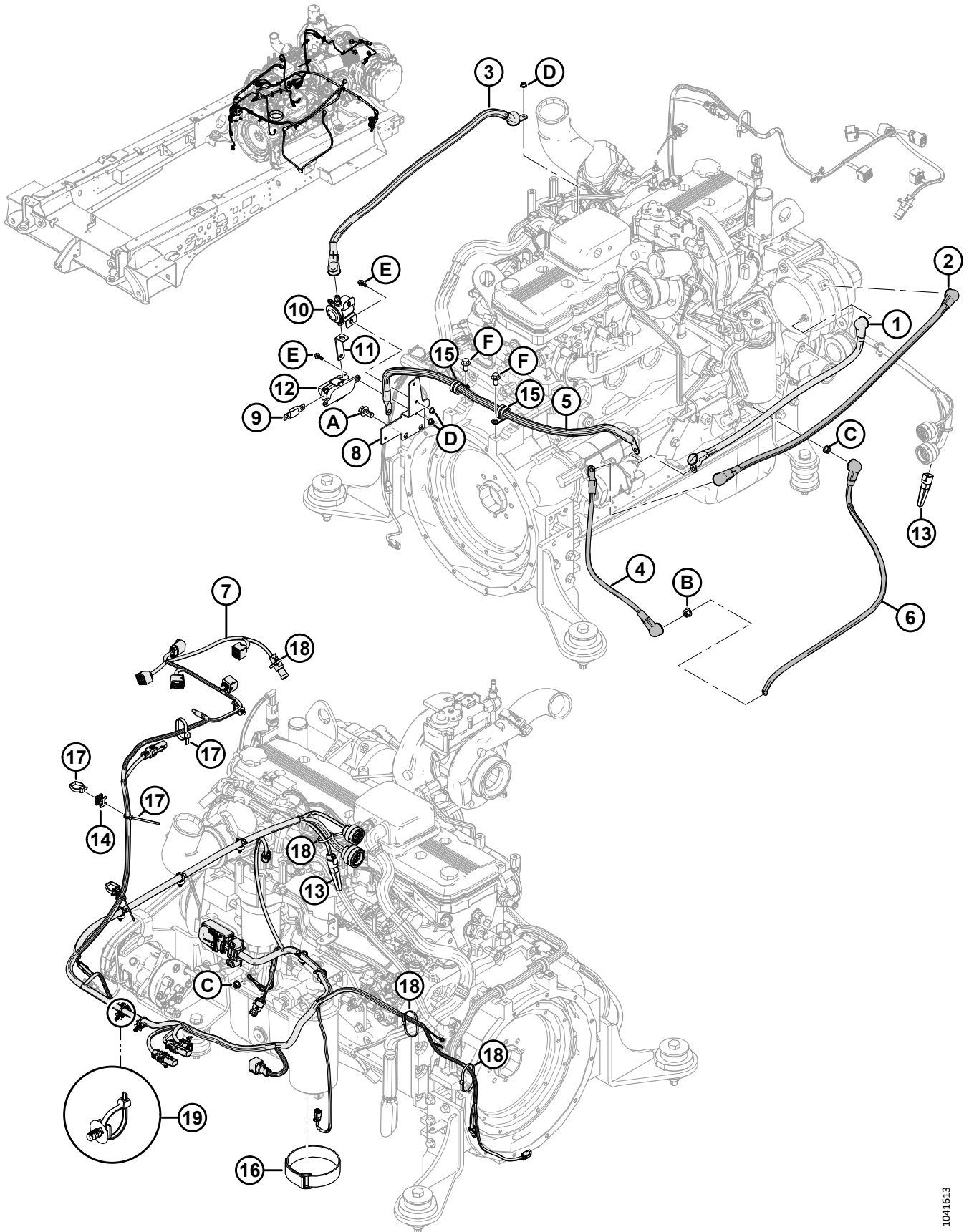
103 Electrical – Battery Cables



ELECTRICAL – BATTERY CABLES

Ref	Part Number	Description	Qty	Serial Number
1	207286	CABLE – DUAL BATTERY NEG. (-)	1	
2	207394	CABLE – DUAL BATTERY POS. (+)	1	
3	207288	CABLE – BATTERY DISCONNECT	1	
4	134714	FASTENER – FIR TREE MT, W/ TIE	2	
5	136655	FASTENER – FIR TREE MOUNT W/ CABLE TIE	6	
6	30753	FASTENER – CABLE TIE, BLACK, 305 MM LG	2	
A	135799	NUT – HEX FLG CTR LOC M10 X 1.5-10		

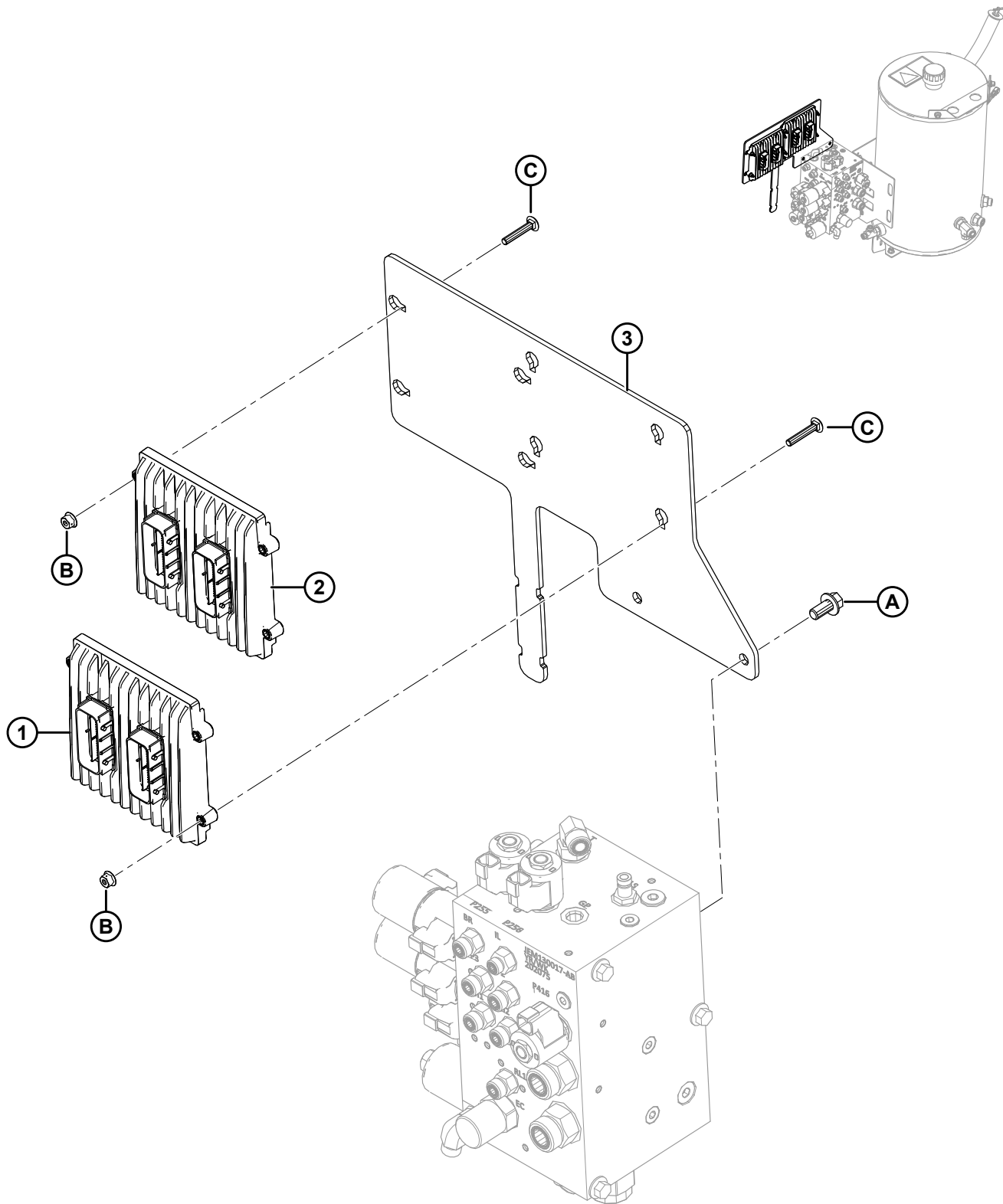
104 Electrical – Engine



ELECTRICAL – ENGINE

Ref	Part Number	Description	Qty	Serial Number
1	209748	CABLE – STARTER TO ALT, RED (POSITIVE)	1	
	134748	COVER – BOOT, 2-2/0 GA, RED	2	
2	209747	CABLE – STARTER TO ALT, BLACK (GROUND)	1	
	134756	COVER – BOOT, 2-2/0 GA, BLACK	2	
3	207891	CABLE – GRID HEATER	1	
4	205486	CABLE – STARTER GROUND	1	
5	207507	CABLE – STARTER TO GRID HEATER FUSE	1	
6	207925	CABLE – ENGINE GROUND, STAGE 5	1	
7	362322	HARNESS – ENGINE, 6 CYL STAGE 5	1	
8	362083	SUPPORT – GRID HEATER RELAY AND FUSE	1	
9	200586	FUSE – AMG, 250 AMP, 35 VOLTS	1	
10	200585	RELAY – GRID HEATER, 12 VDC, 200 AMPS	1	
11	134708	BUSS BAR – GRID HEATER RELAY	1	
12	209736	FUSE – HOLDER	1	
13	204956	RESISTOR PACK – COOLANT LEVEL	1	
14	134442	SPACER – DUAL SWIVEL SADDLE	2	
15	209018	CLAMP – INSULATED 7/8 IN.	2	
16	134866	FASTENER – VELCRO STRAP, 400 MM	1	
17	30753	FASTENER – CABLE TIE, BLACK	5	
18	21763	FASTENER – CABLE TIE, BLACK, 160 MM LG	4	
19	136655	FASTENER – FIR TREE MT W/ TIE	10	
A	136399	BOLT – HEX FLG HD TFL M12 X 1.75 X 25-8.8-A3L		
B	135799	NUT – HEX FLG CTR LOC M10 X 1.5-10-A3L		
C	135337	NUT – HEX FLG CTR LOC M8 X 1.25-8-A2L		
D	152668	NUT – HEX FLG CTR LOC M6 X 1-8-A2L		
E	135959	BOLT – HEX FLG HD M6 X 1 X 16-10.9-A2L		
F	152655	BOLT – HEX FLG HD M10 X 1.5 X 20-8.8-A3L		

105 Electrical – Firewall Modules



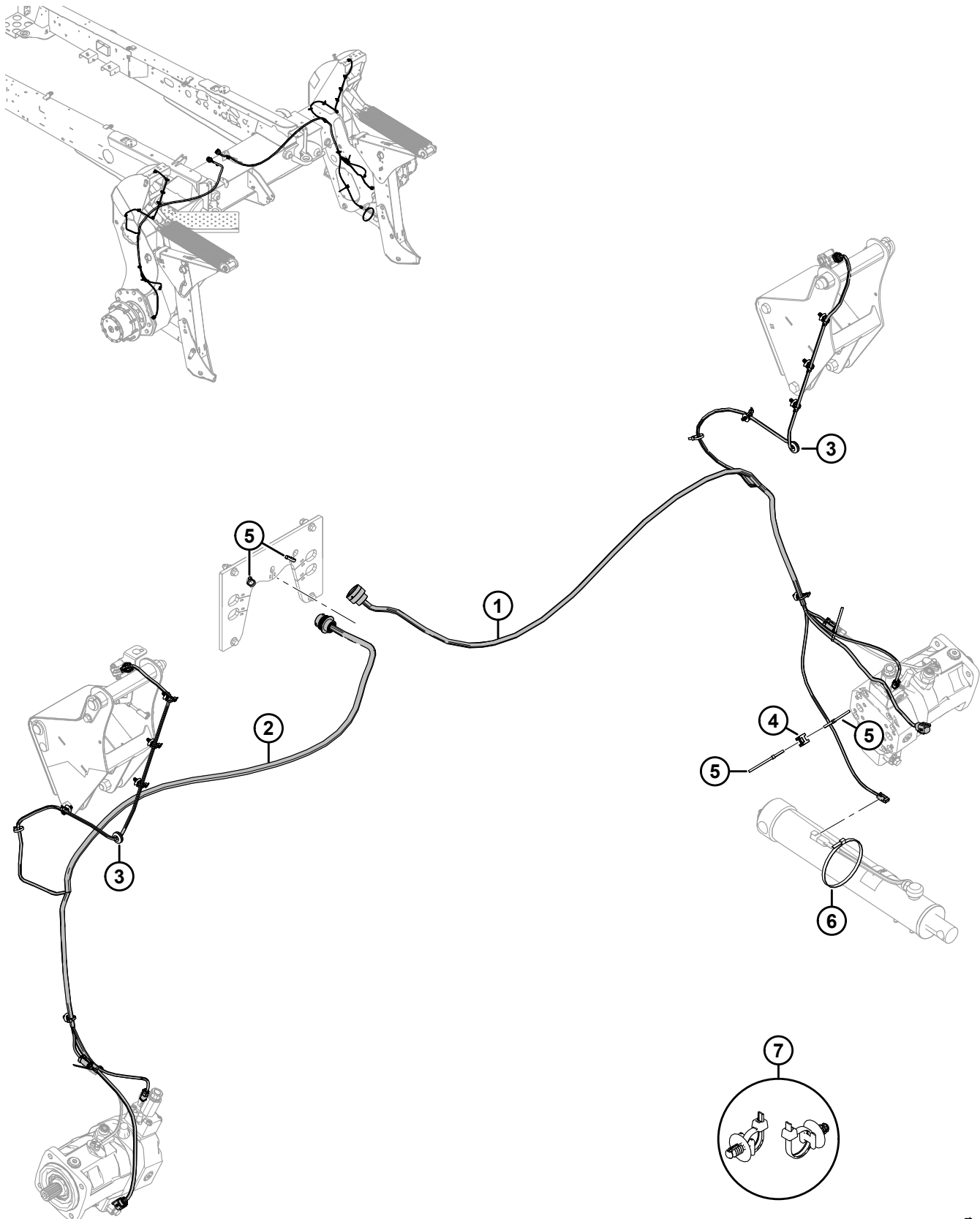
ELECTRICAL – FIREWALL MODULES

Ref	Part Number	Description	Qty	Serial Number
1	500537	MODULE – EXPANSION ¹⁷⁸	1	
2	362229	KIT – M2 MASTER MODULE ¹⁷⁹	1	
3	362086	PLATE – MODULE MOUNT	1	
A	152655	BOLT – HEX FLG HD M10 X 1.5 X 20-8.8-A3L		
B	152668	NUT – HEX FLG CTR LOC M6 X 1-8-A2L		
C	184643	BOLT – RHSSN M6 X 1.0 X 35-8.8-A2L		

178. Labelled XC43 on the back of the module.

179. Labelled MC43 on the back of the module. Includes control module (NSS), software, and instructions.

106 Electrical – Wheel Legs



ELECTRICAL – WHEEL LEGS

Ref	Part Number	Description	Qty	Serial Number
1	362112	HARNESS – WHEEL LEG, LH	1	
2	362113	HARNESS – WHEEL LEG, RH	1	
3	206482	GROMMET – RUBBER	2	
4	134442	SPACER – DUAL SWIVEL SADDLE	1	
5	21763	FASTENER – CABLE TIE, BLACK, 160 MM LG	8	
6	30753	FASTENER – CABLE TIE, BLACK, 305 MM LG	1	
7	136655	FASTENER – FIR TREE MOUNT WITH CABLE TIE ¹⁸⁰	10	

180. Illustration shows fastener locations.

107 Decals – Safety

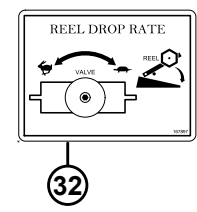
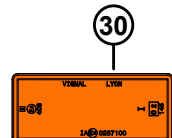
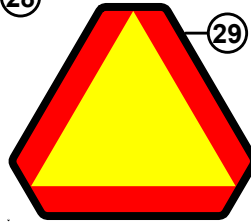
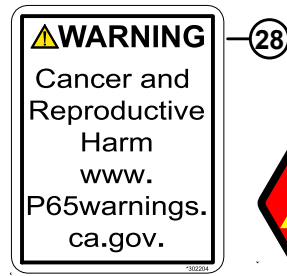
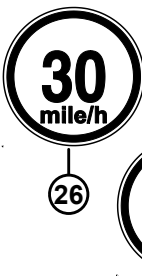
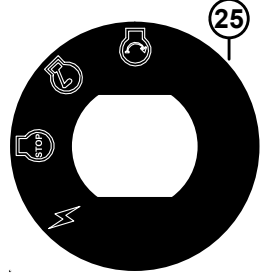
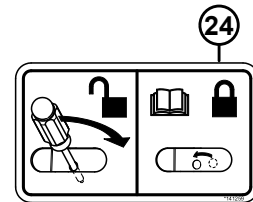
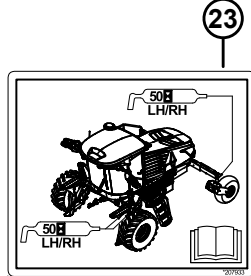
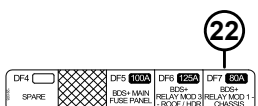
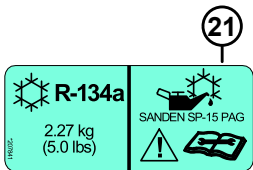
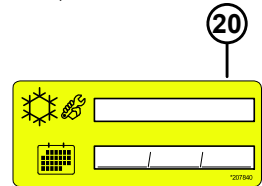
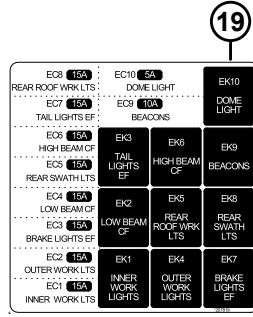
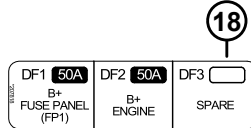
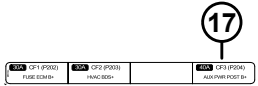
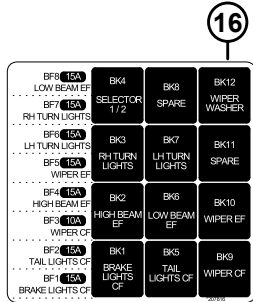
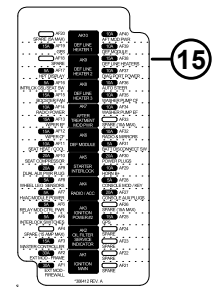
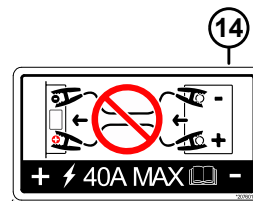
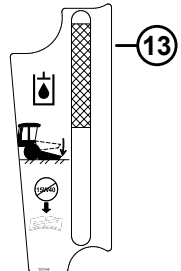
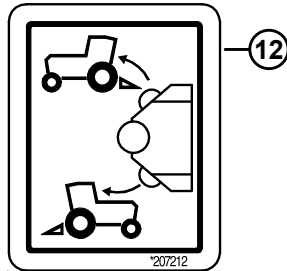
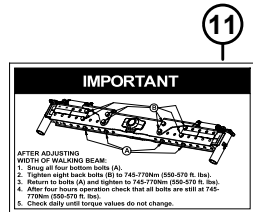
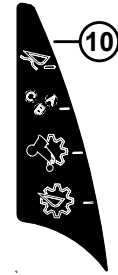
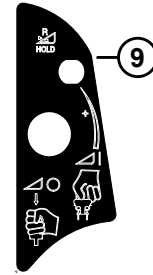
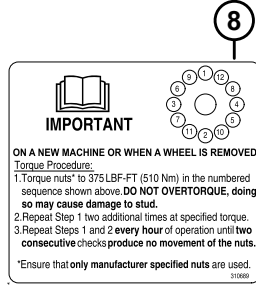
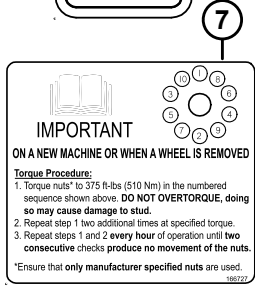
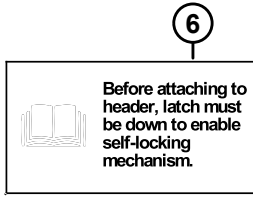
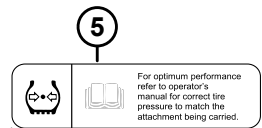
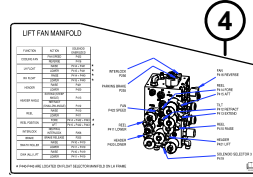
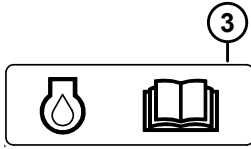
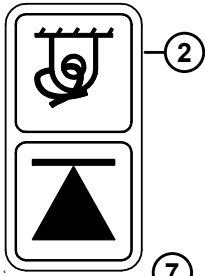
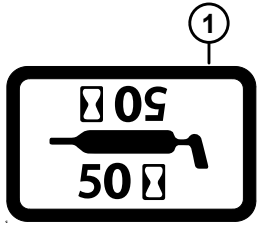


1042100

DECALS – SAFETY

Ref	Part Number	Description	Qty	Serial Number
1	166234	DECAL – WARNING (TRAINING SEAT AND SEAT BELTS)		
2	166425	DECAL – DANGER		
3	166463	DECAL – TRANSPORT		
4	166837	DECAL – DANGER, FAN		
5	167502	DECAL – WARNING, PINCH HAZARD		
6	306179	DECAL – HEADER LOCK, LH		
	306180	DECAL – HEADER LOCK, RH		
7	306181	DECAL – HEADER LOCK, 2 PANEL		
8	166454	DECAL – READ MANUAL		
9	166829	DECAL – CAUTION, BALANCE		
10	166832	DECAL – HIGH PRESSURE FLUID		
11	166834	DECAL – WARNING, STARTER JUMP		
12	166457	DECAL – WARNING, READ MANUAL, STEERING SERVICE		
13	166835	DECAL – WARNING, BATT. EXPLODE		
14	166836	DECAL – WARNING, BATTERY BURN		
15	306756	DECAL – NITRITE FREE		
16	166838	DECAL – WARNING HOT SURFACE		
17	166839	DECAL – WARNING, BELT		
18	166843	DECAL – STEERING CONTROL		

108 Decals – Information and Reflectors



DECALS – INFORMATION AND REFLECTORS

Ref	Part Number	Description	Qty	Serial Number
1	23165	DECAL – 50 HR LUBE		
2	252561	DECAL – TIE DOWN AND 'JACK HERE'		
3	110988	DECAL – ENGINE OIL		
4	306365	DECAL – LIFT MANIFOLD		
5	111221	DECAL – TIRE PRESSURE		
6	139723	DECAL – LATCH HANDLE		
7	166727	DECAL – BOLT TORQUE		
8	310689	DECAL – 12 BOLT TORQUE		
9	206778	DECAL – HEADER SWITCH		
10	206781	DECAL – FUNCTION SWITCHES		
11	207087	DECAL – IMPORTANT, WALKING BEAM BOLTS		
12	207212	DECAL – WASHER PUMP		
13	207248	DECAL – LEVEL		
14	207601	DECAL – AUX POWER		
15	306417	DECAL – FUSE, MAIN, ENGLISH, TAPE ¹⁸¹		
16	207816	DECAL – FUSE, RELAY MODULE CHASSIS		
17	291465	DECAL – FUSE, ATO GROUP		
18	207818	DECAL – FUSE, AMI GROUP, UPPER		
19	207819	DECAL – FUSE, RELAY MODULE ROOF		
20	207840	DECAL – A/C SERVICE		
21	306118	DECAL – A/C INFO		
22	291378	DECAL – FUSE, AMI GROUP, LOWER		
23	207933	DECAL – LUBRICATION		
24	141259	DECAL – LATCH, HOOD CE		
25	208807	DECAL – KEY SWITCH		
26	208900	DECAL – SIS, 30 MILE/H		
27	291028	DECAL – SIS, 45 KM/H		
28	302204	DECAL – CA PROPOSITION 65		
29	115148	DECAL – SMV REFLECTOR		
30	346208	REFLECTOR – AMBER, ADHESIVE		
31	115145	REFLECTOR – FLUORESCENT RED-ORANGE		
	115146	REFLECTOR – AMBER		
	115147	REFLECTOR – RED		
32	167897	DECAL – REEL DROP RATE		

181. Includes main fuse panel decal and double-sided tape.


109 Decals – Product Identification

MacDon ①

MacDon ②

MacDon ③

M2260 ④

 **Trimble** **READY** ⑤

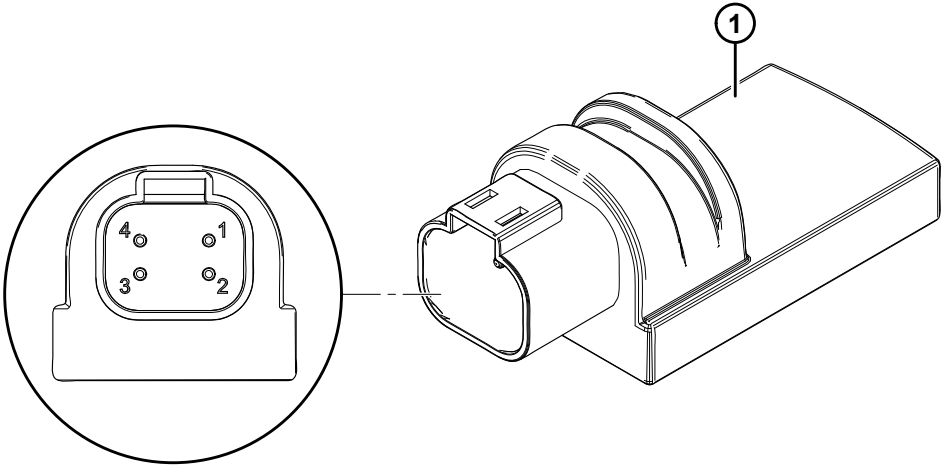
 **DUAL DIRECTION**  **ULTRA GLIDE** ⑥

CrossFlexTM ⑦
SUSPENSION

DECALS – PRODUCT IDENTIFICATION

Ref	Part Number	Description	Qty	Serial Number
1	163298	DECAL – FRONT CAB, MACDON		
2	208876	DECAL – HOOD, MACDON		
3	208034	PANEL – MACDON, S.S.		
4	362127	DECAL – HOOD, M2260		
5	167727	DECAL – TRIMBLE READY		
6	208920	DECAL – ULTRA GLIDE AND DUAL DIRECTION		
7	209770	DECAL – CROSSFLEX		

110 (Option) Bluetooth Software Interface Module

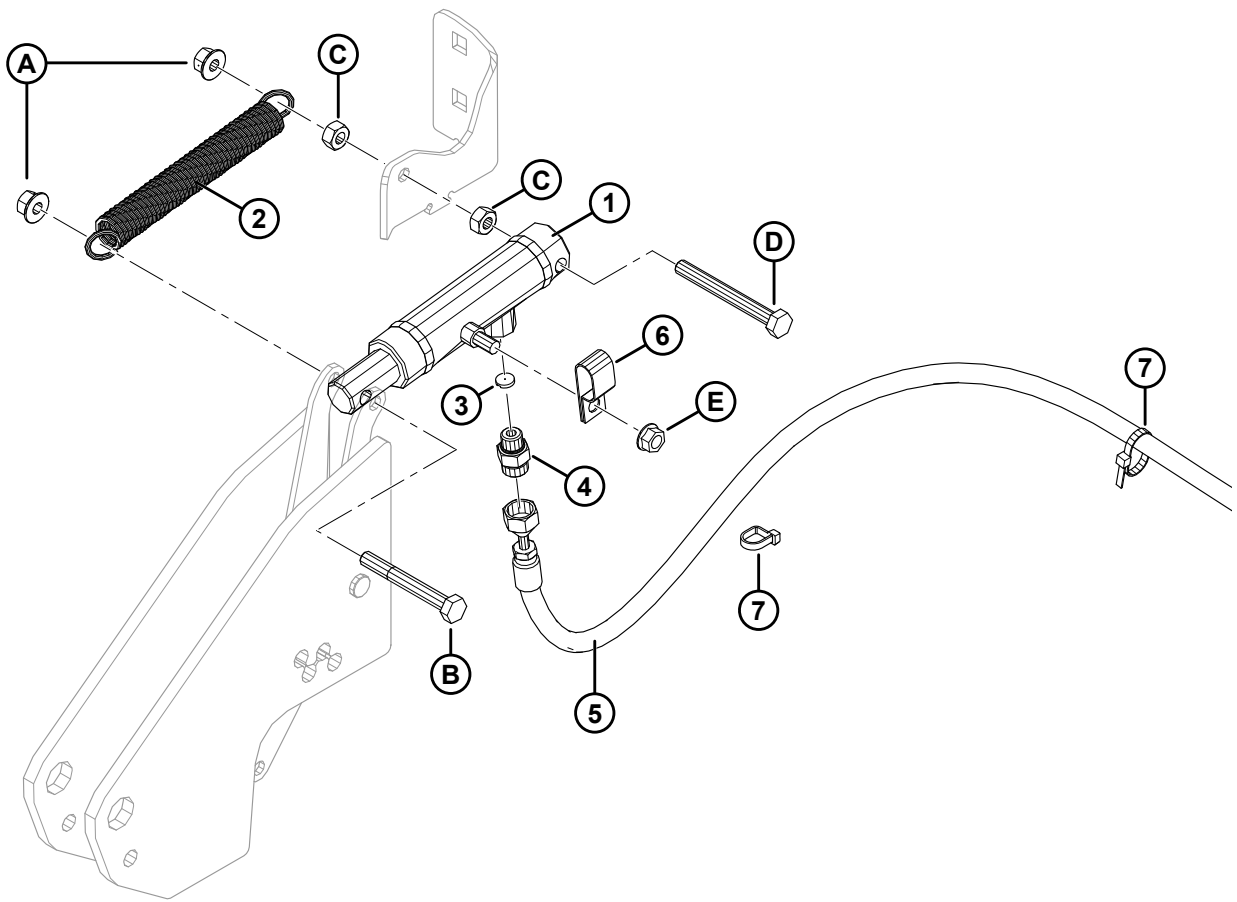


(OPTION) BLUETOOTH SOFTWARE INTERFACE MODULE

Ref	Part Number	Description	Qty	Serial Number
1	208845	KIT – BLUETOOTH SOFTWARE INTERFACE MODULE ¹⁸²		

182. Used for performing software updates on the master controller via Android or IOS based IQANgo App. Kit includes bluetooth module and instructions.

111 (Option) Center-Link Self-Alignment



(OPTION) CENTER-LINK SELF-ALIGNMENT

Ref	Part Number	Description	Qty	Serial Number
	B6617	KIT – CENTER-LINK SELF-ALIGNMENT ¹⁸³		
1	252934	CYLINDER – HYDRAULIC	1	
	252940	SEAL KIT		
2	110977	SPRING – EXT	1	
3	111834	RESTRICTOR	1	
4	135778	FITTING – ADAPTER	1	
	50219	O-RING – #6 ORB		
	135865	O-RING – #6 ORFS		
5	203972	HOSE – HYDRAULIC, 1/4 IN I.D., 1050 MM LG	1	
6	135234	CLAMP – DOUBLE HOSE INSULATED	1	
7	21763	FASTENER – CABLE TIE, BLACK, 160 MM LG	2	
A	135799	NUT – HEX FLG CTR LOC M10 X 1.5-10-A3L		
B	108172	BOLT – HEX HD M10 X 1.5 X 65-8.8-A3L		
C	30505	NUT – HEX M10 X 1.5-10-A3L		
D	136454	BOLT – HEX HD TFL M10 X 1.5 X 90-8.8-A3L		
E	30228	NUT – FLG DT SM FACE 3/8-16 UNC-GR5-AA1J		

183. Kits are available through Whole Goods only.

112 (Option) Coolant Heater Kit – 6 Cylinder



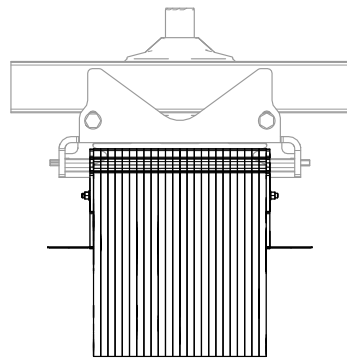
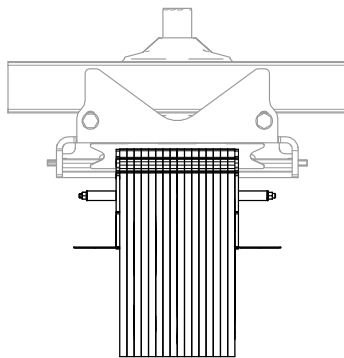
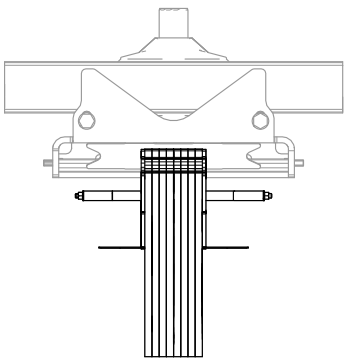
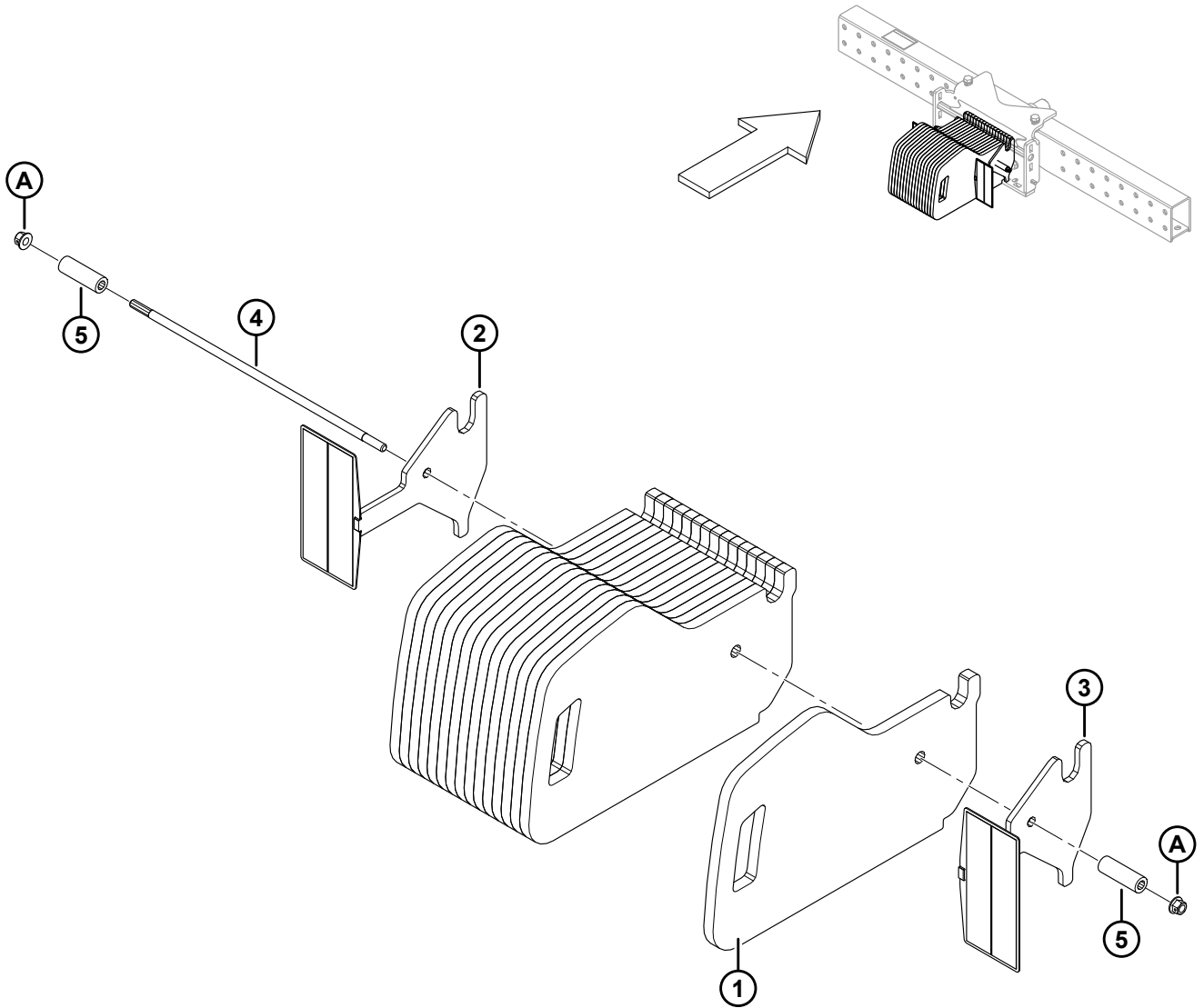
(OPTION) COOLANT HEATER KIT – 6 CYLINDER

Ref	Part Number	Description	Qty	Serial Number
	306345	KIT – COOLANT HEATER, 6 CYL ¹⁸⁴		
	B6980	KIT – COOLANT HEATER, 6 CYL ¹⁸⁵		
1	306342	HEATER – COOLANT 6 CYL	1	
2	306341	CABLE – COOLER HTR 6 CYL	1	

184. Kit compatible with 6-cylinder Cummins engine. Kit provides improved cold weather starting capability. Kit includes all listed parts and instructions.

185. Kit available through Whole Goods only.

113 (Option) Counterweights – Rear Ballast



1018865

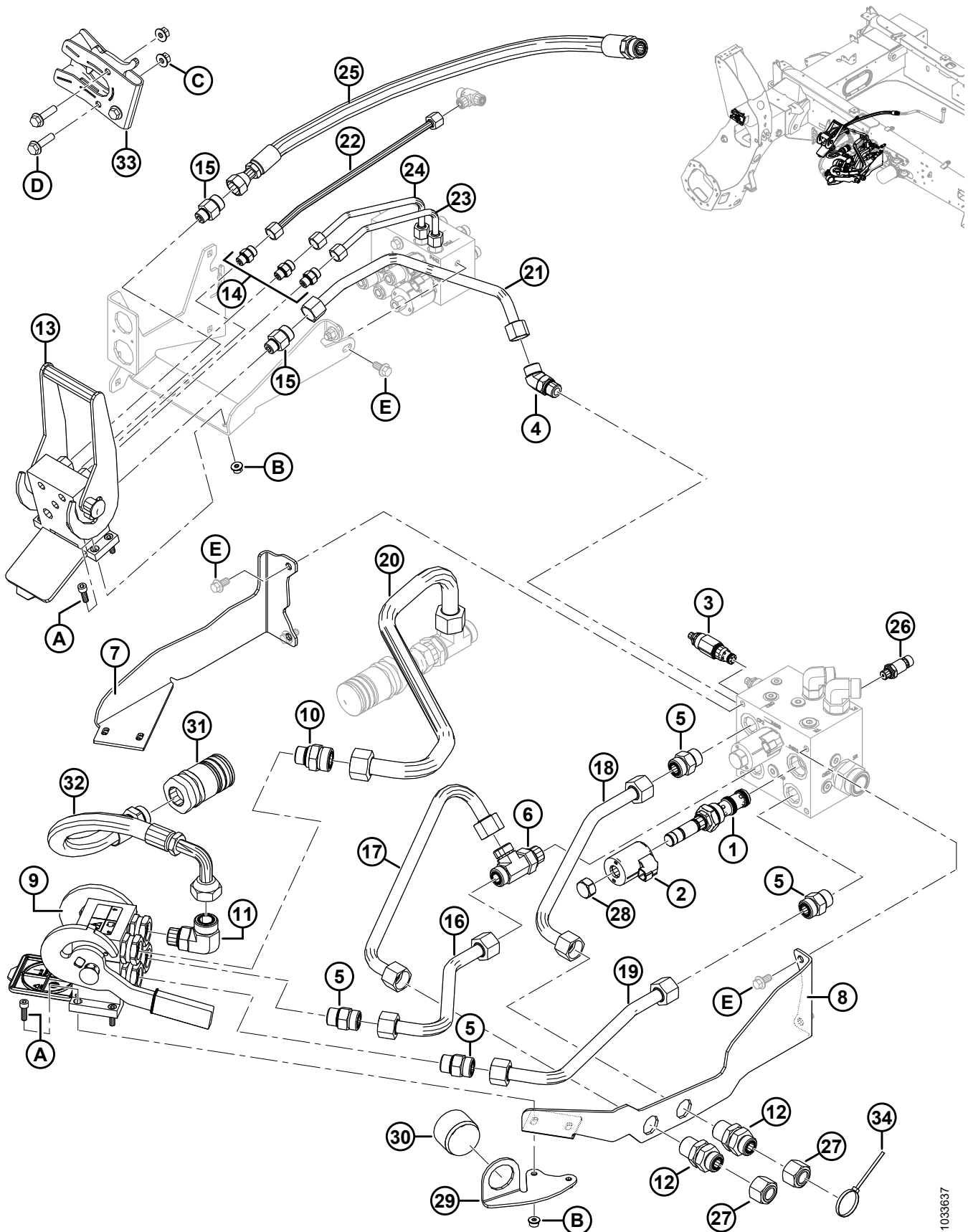
(OPTION) COUNTERWEIGHTS – REAR BALLAST

Ref	Part Number	Description	Qty	Serial Number
	B6053	KIT – COUNTERWEIGHTS, FIRST BUNDLE ¹⁸⁶		
	B6054	KIT – COUNTERWEIGHTS, ADDITIONAL BUNDLE ¹⁸⁷		
1	208268	WEIGHT – BLACK	8-24	
2	209836	BRACKET – WEIGHT, REFLECTOR, LH	1	
	115145	REFLECTOR – FLUORESCENT RED-ORANGE	1	
	115147	REFLECTOR – RED	1	
3	209837	BRACKET – WEIGHT, REFLECTOR, RH	1	
	115145	REFLECTOR – FLUORESCENT RED-ORANGE	1	
	115147	REFLECTOR – RED	1	
4	204443	ROD – CLAMP	1	
5	149168	SPACER	2-4	
A	136431	NUT – HEX FLG CTR LOC M12 X 1.75-10-A3L		

186. Includes eight counterweights (MD #208268), reflector weight brackets (MD #209836, 209837), one rod clamp (MD #204443), four spacers (MD #149168), and two nuts (MD #136431). Kits are available through Whole Goods only.

187. Includes eight counterweights (MD #208268) only. One, two, or three sets may be installed. Each set is 163 kg (360 lb.), and the total weight that can be installed is 490 kg (1080 lb.). Kits are available through Whole Goods only.

114 (Option) Draper and Auger Conversion



(OPTION) DRAPER AND AUGER CONVERSION

NOTE:

Used to convert an M2260 from disc header ready to disc, draper, and auger header capable.

Ref	Part Number	Description	Qty	Serial Number
	B5999	KIT – DRAPER AND AUGER CONVERSION ¹⁸⁸		
1	203876	VALVE – FLOW CONTROL	1	
	252357	SEAL KIT		
2	252318	COIL – SOLENOID	1	
3	252338	VALVE – RELIEF	1	
	220908	SEAL KIT		
4	136327	FITTING – ELBOW 45° HYD	1	
	44210	O-RING – 2.46 X 19.18		
	135867	O-RING – 1.78 X 15.60		
5	135788	FITTING – ADAPTER	4	
	30971	O-RING – 2.95 X 23.47		
	135868	O-RING – 1.78 X 18.77		
6	136257	FITTING – TEE HYD	1	
	30971	O-RING – 2.95 X 23.47		
	135868	O-RING – 1.78 X 18.77		
7	243905	SUPPORT – MULTI COUPLER	1	
8	243906	SUPPORT – MULTI COUPLER	1	
9	243541	COUPLER – MULTI FIXED ¹⁸⁹	1	
	129800	KIT – COVER MULTI-COUPLER	1	
	129801	KIT – LATCH BUTTON MULTI-COUPLER	1	
	208174	COUPLER – CARTRIDGE	4	
	209782	KIT – HANDLE	1	
10	135790	FITTING – ADAPTER	1	
	30971	O-RING – 2.95 X 23.47		
	135554	O-RING – 1.78 X 23.52		
11	136767	FITTING – ELBOW 90° HYD	1	
	30971	O-RING – 2.95 X 23.47		
	135554	O-RING – 1.78 X 23.52		
12	136254	FITTING – BULKHEAD HYD	2	
	135868	O-RING – 1.78 X 18.77		
13	153151	COUPLING – MULTI ¹⁹⁰	1	
	129800	KIT – COVER MULTI-COUPLER		
	129801	KIT – LATCH BUTTON MULTI-COUPLER		
	129976	COUPLING 1/4 IN.		
	129977	COUPLING 3/8 IN.		
	111983	KIT – SCREW ¹⁹¹		

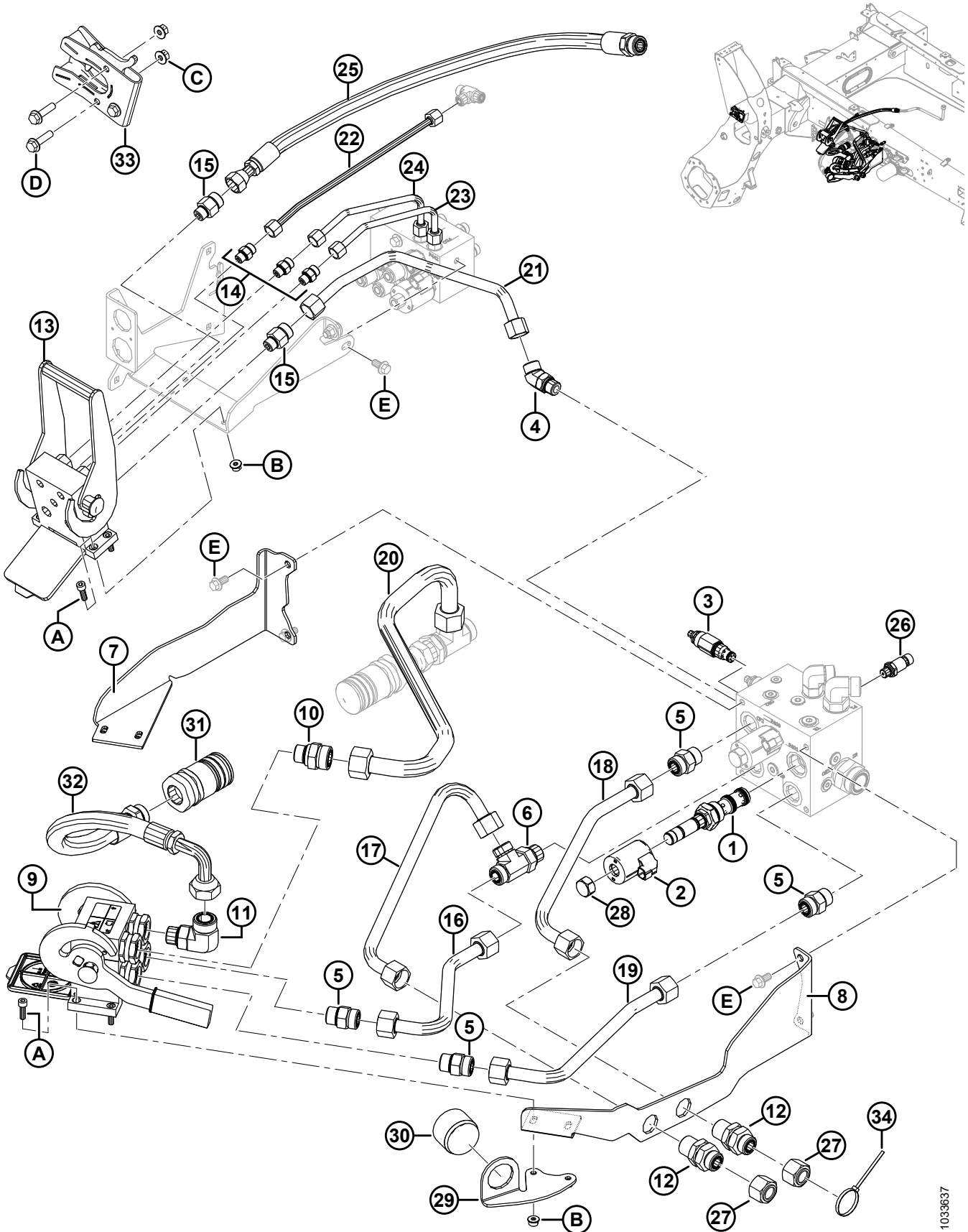
188. Kits are available through Whole Goods only.

189. Includes cover kit (MD #129800), latch kit (MD #129801), handle kit (MD 209782), and four coupler cartridges (MD #208174).

190. Includes cover kit (MD #129800), latch kit (MD #129801), screw kit (MD #111983), 1/4 in. coupling (MD #129976), and 3/8 in. coupling (MD #129977).

191. includes shoulder bolt (NSS) and spring washer (NSS).

(OPTION) DRAPER AND AUGER CONVERSION



1033637

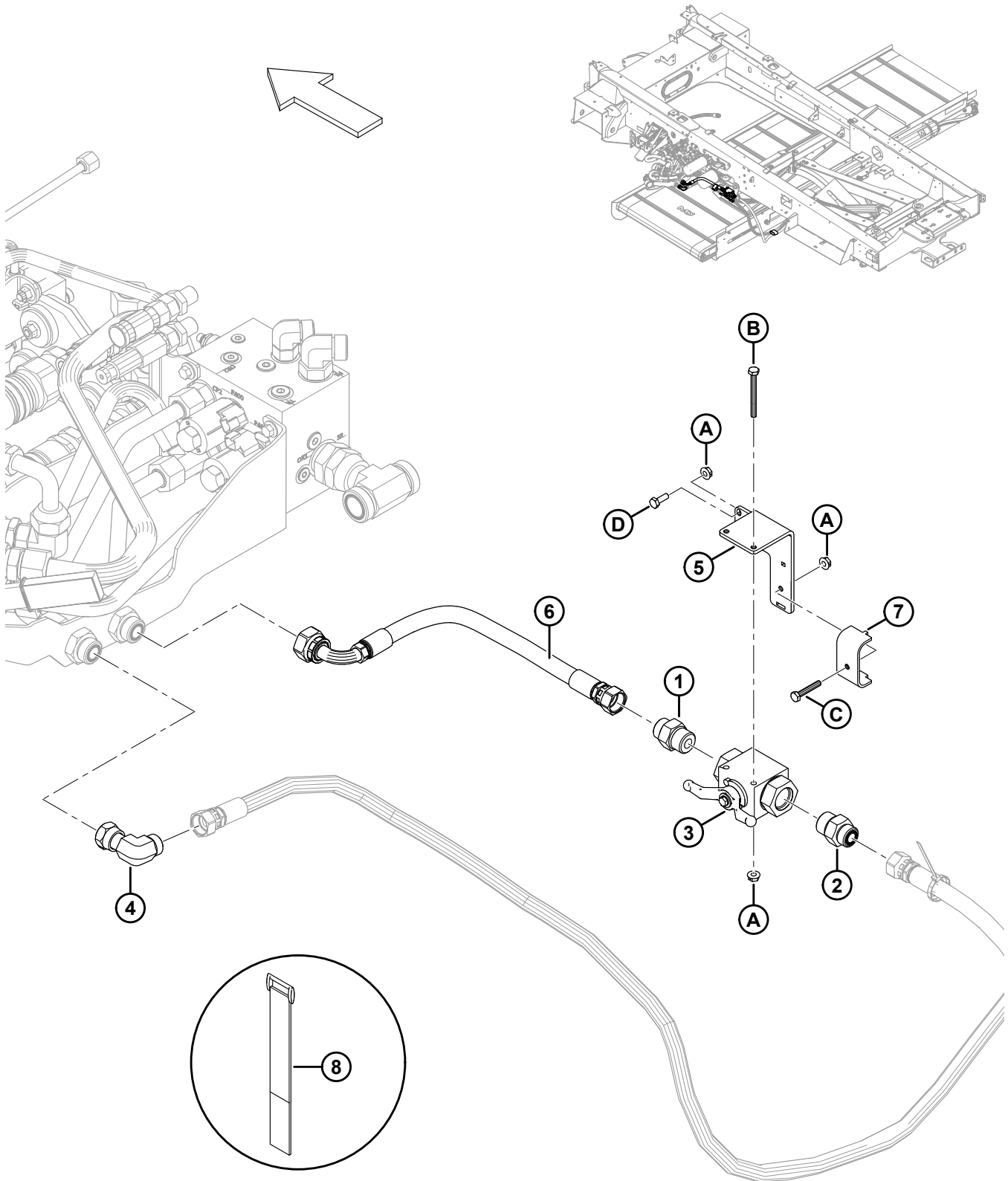
(OPTION) DRAPER AND AUGER CONVERSION

Ref	Part Number	Description	Qty	Serial Number
14	135778	FITTING – ADAPTER	3	
	50219	O-RING – 1.98 X 11.89		
	135865	O-RING – 1.78 X 9.25		
15	135781	FITTING – ADAPTER	2	
	44209	O-RING – 2.21 X 16.36		
	135867	O-RING – 1.78 X 15.60		
16	243632	LINE – HYD DRAPER RETURN	1	
17	206061	LINE – HYD DWA RETURN, 3/4 IN DIA, BENT	1	
18	206060	LINE – HYD DWA PRESSURE, 3/4 IN DIA, BENT	1	
19	243615	LINE – HYD REEL PRESSURE, 3/4 IN DIA, BENT	1	
20	243637	LINE – HYD KNIFE PRESSURE, 1 IN DIA, BENT	1	
21	209063	LINE – HYDRAULIC, 5/8 IN. DIA, BENT	1	
22	207427	LINE – HYDRAULIC, 3/8 IN. DIA, BENT	1	
23	203977	LINE – HYDRAULIC, 3/8 IN. DIA, BENT	1	
24	203978	LINE – HYDRAULIC, 3/8 IN. DIA, BENT	1	
25	208413	HOSE – HYDRAULIC, 5/8 IN. I.D., 800 MM LG	1	
26	207346	SENDER – PRESSURE	1	
27	135889	CAP – HYD SAE-12 ORFS	2	
28	252363	COIL NUT	1	
29	253783	BRACKET – COUPLER HOLDER	1	
30	243604	CAP – HARNESS	1	
31	136413	FITTING – COUPLING FEMALE, 1 IN	1	
32	253785	HOSE – HYD KNIFE PRESSURE	1	
33	253905	ASSEMBLY – LATCH ¹⁹²	1	
	243995	BRACKET – WELDMENT	1	
	253635	HOOK – WELDMENT	1	
	144505	SPRING – TORSION	1	
34	135266	FASTENER – CABLE TIE, LIGHT BLUE	1	
A	103523	SCREW – HEX SOC HD TFL M8 X 1.25 X 25-8.8-A2L		
B	135337	NUT – HEX FLG CTR LOC M8 X 1.25-8-A2L		
C	135799	NUT – HEX FLG CTR LOC M10 X 1.5-10-A3L		
D	152947	BOLT – HEX FLG HD TFL M10 X 1.5 X 40-10.9-A3L		
E	REF	BOLT – HEX FLG HD M10 X 1.5 X 20-8.8-A3L ¹⁹³		

192. Includes the following serviceable parts: bracket MD #243995, hook MD #253635, torsion spring MD #144505, one bolt MD #152947, and one nut MD #135799.

193. Not included in kit.

115 (Option) DWA Shut-Off Kit



(OPTION) DWA SHUT-OFF KIT

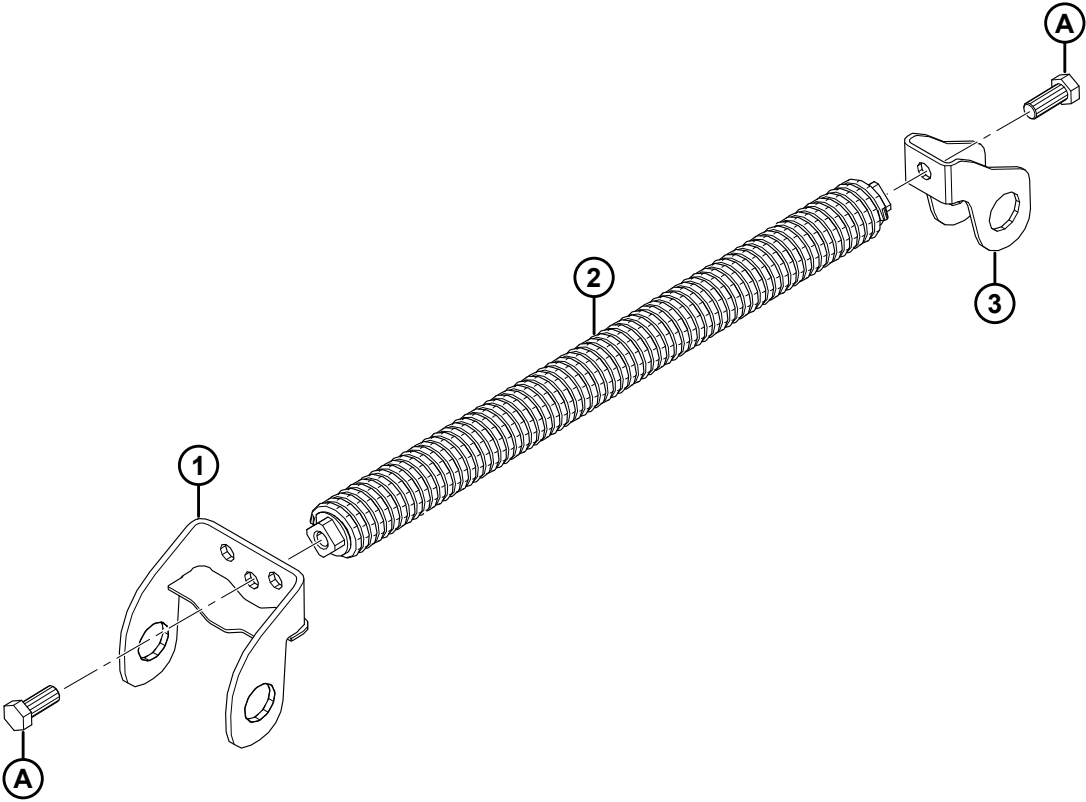
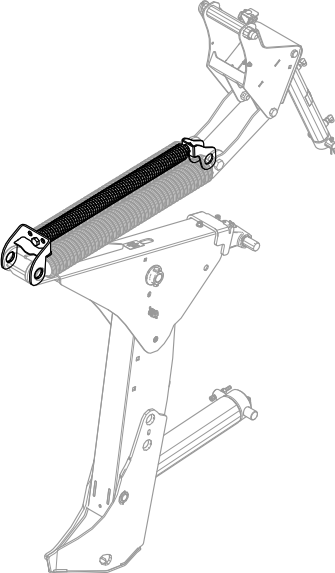
Ref	Part Number	Description	Qty	Serial Number
	B9020	KIT – DWA SHUT-OFF ¹⁹⁴		
1	135786	FITTING – ADAPTER	1	
	30971	O-RING – #12 ORB		
	135867	O-RING – #10 ORFS		
2	135786	FITTING – ADAPTER (2019 AND PRIOR DWA) ¹⁹⁵	1	-371189
	30971	O-RING – #12 ORB		
	135867	O-RING – #10 ORFS		
	135788	FITTING – ADAPTER (2020 AND LATER DWA) ¹⁹⁶	1	371190-
	30971	O-RING – #12 ORB		
	135868	O-RING – #12 ORFS		
3	294263	VALVE – BALL	1	
4	136846	FITTING – SWIVEL 90 DEG HYD 10-10	1	
5	299820	BRACKET – BV MOUNT, DWA	1	
6	299822	HOSE – HYD, 100R17, 0.5 IN. DIA, 430 MM LG	1	
7	299898	HOLDER – HOSES	1	
8	135444	FASTENER – CINCH STRAP 6 IN. LG	2	
A	135248	NUT – HEX FLG CTR LOC	5	
B	21854	BOLT – HEX HD 1/4 NC X 2.5 LG GR 5 ZP	2	
C	21574	BOLT – HEX HD 1/4 NC X 1.5 LG GR 5 ZP	1	
D	21566	BOLT – HEX HD 1/4 NC X 0.75 LG GR 5 ZP	2	

194. Kit includes all listed parts and instructions. Kits are available through Whole Goods only.

195. Service part for model year 2019 and prior Double Windrow Attachment (DWA).

196. Service part for model year 2020 and later Double Windrow Attachment (DWA).

116 (Option) Float Booster Spring

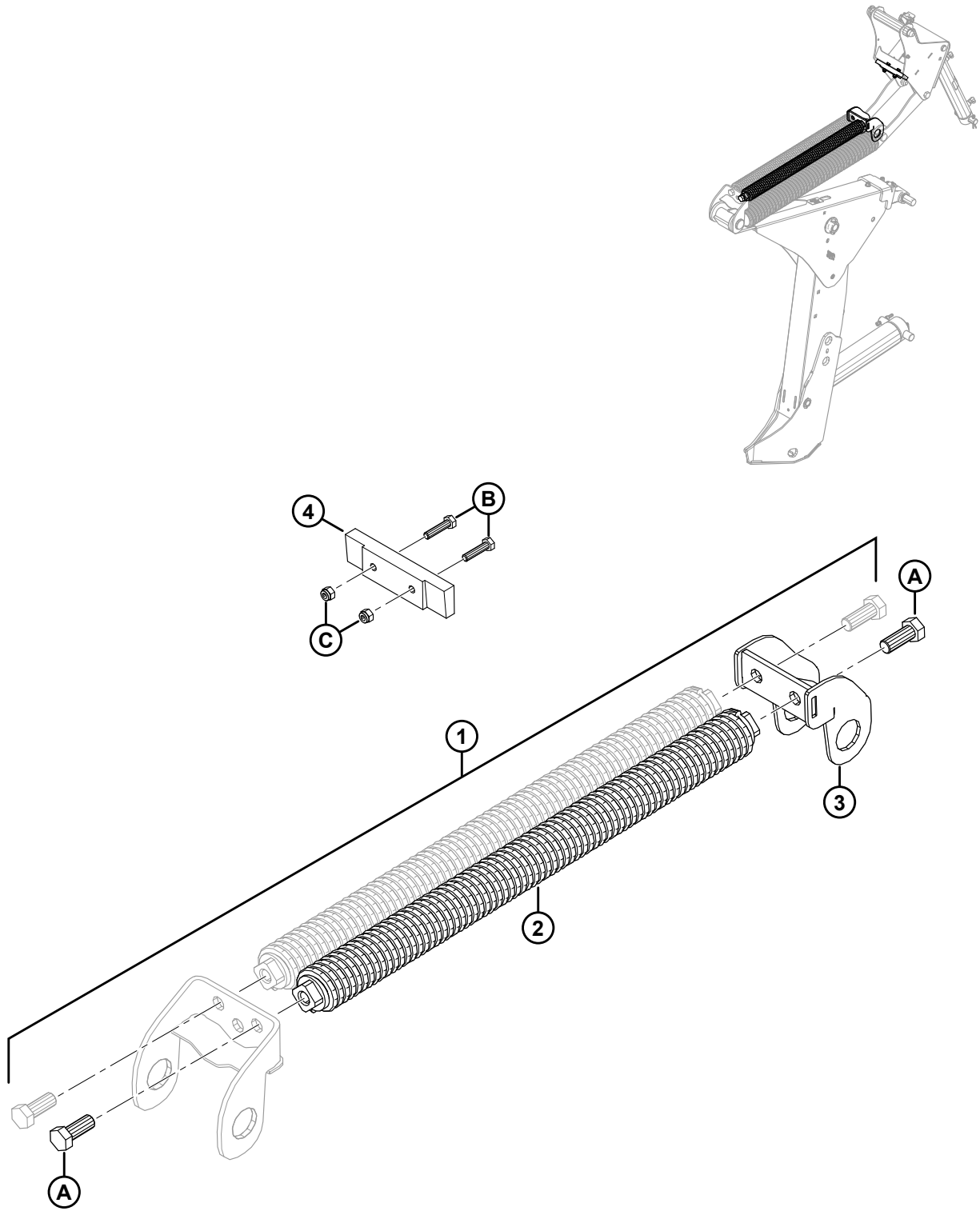


(OPTION) FLOAT BOOSTER SPRING

Ref	Part Number	Description	Qty	Serial Number
	B6047	KIT – FLOAT BOOSTER SPRING ¹⁹⁷		
1	206065	SUPPORT – SPRING, FRONT WELDT	2	
2	306122	ASSEMBLY – BOOSTER SPRING W/ INSERTS	2	
3	206447	CHANNEL – BOOSTER SPRING	2	
A	111528	BOLT – HEX HD TFL M16 X 2 X 40-8.8-A3L		

197. Kits are available through Whole Goods only.

117 (Option) Float Booster Spring Doubler



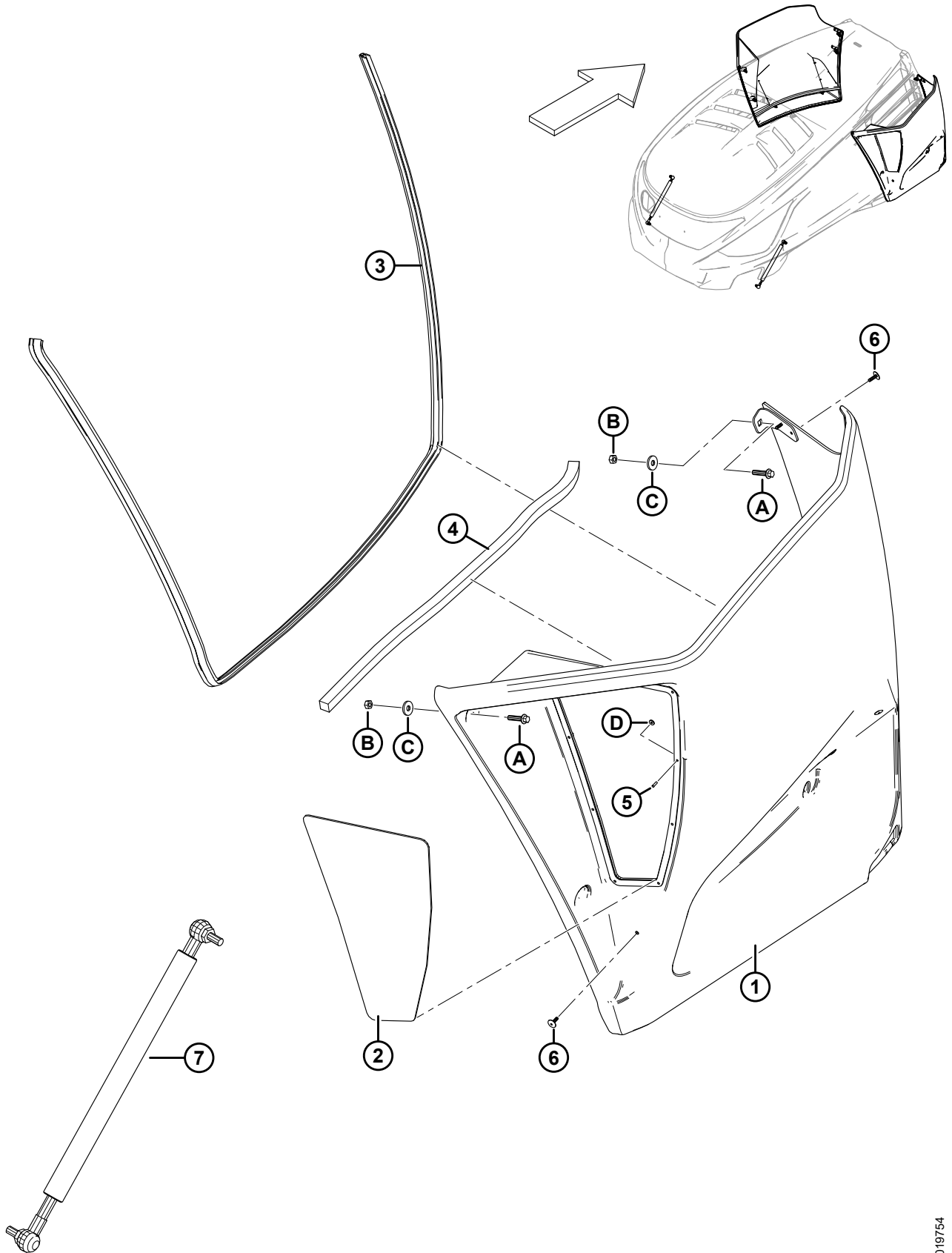
(OPTION) FLOAT BOOSTER SPRING DOUBLER

Ref	Part Number	Description	Qty	Serial Number
	B6106	KIT – FLOAT BOOSTER SPRING DOUBLER ¹⁹⁸		
1	REF	KIT – FLOAT BOOSTER SPRING ¹⁹⁹		
2	306122	ASSEMBLY – BOOSTER SPRING W/ INSERTS	2	
3	206424	SUPPORT – SPRING, REAR WELDT	2	
4	206432	PLATE – LINK STOPPER	2	
A	111528	BOLT – HEX HD TFL M16 X 2 X 40-8.8-A3L		
B	184654	BOLT – HEX HD M8 X 1.25 X 35-8.8-A2L		
C	184688	NUT – HEX NYLOC M8 X 1.25-8-A2L		

198. The kit is used in addition to auxillary suspension spring kit (MD #B6047) to add on a second booster spring. Kits are available through Whole Goods only.

199. Greyed out parts are included in auxillary suspension spring kit (MD #B6047). For service parts, refer to Section [116 \(Option\) Float Booster Spring, page 259](#).

118 (Option) High Debris Cooler Intake

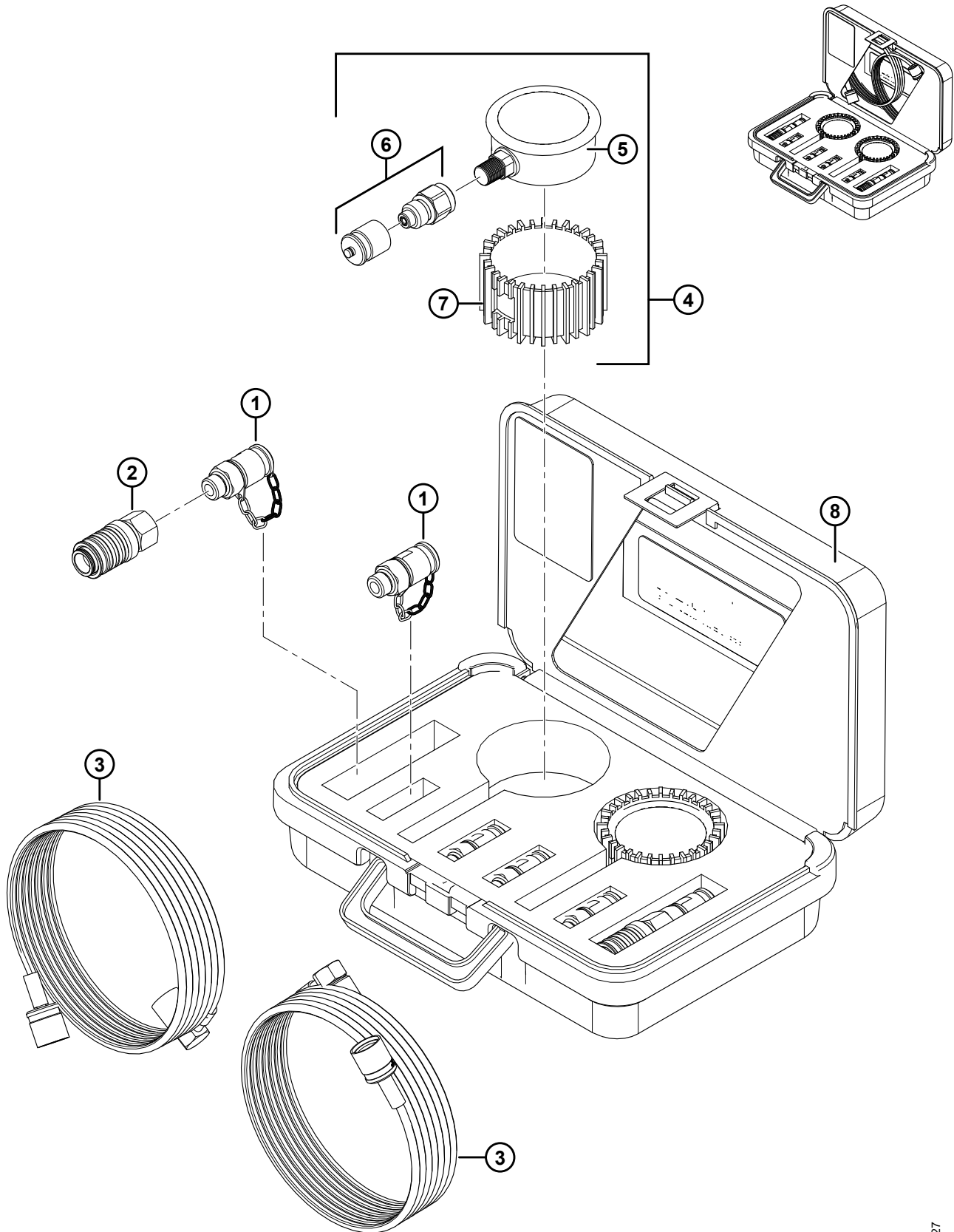


(OPTION) HIGH DEBRIS COOLER INTAKE

Ref	Part Number	Description	Qty	Serial Number
	B6055	KIT – HIGH DEBRIS COOLER INTAKE ²⁰⁰		
1	291629	ASSEMBLY – AIR DUCT W/ GLASS, LH ²⁰¹	1	
	291630	ASSEMBLY – AIR DUCT W/ GLASS, RH ²⁰²	1	
2	208397	WINDOW – GLASS, LH	1	
	208406	WINDOW – GLASS, RH	1	
3	208372	SEAL – BULB	2	
4	206863	SEAL – FOAM, 905 MM LG	2	
5	184613	RIVET – POP, 1/8 IN	18	
6	136536	RIVET – BLIND 3/16 IN X 0.5 IN, BLACK	20	
7	209689	CYLINDER – GAS, HOOD	2	
A	252396	BOLT – HEX FLG HD TFL M8 X 1.25 X 35-SS-BO		
B	184687	NUT – HEX M8 X 1.25-8-A2L		
C	208337	WASHER – RUBBER		
D	209584	WASHER – FLAT 0.125 IN. I.D. X 0.375 IN. O.D. ZP		

200. Kits are available through Whole Goods only.
201. Includes left window glass (MD #208397).
202. Includes right window glass (MD #208406).

119 (Option) Neutral Setting Service Kit



(OPTION) NEUTRAL SETTING SERVICE KIT

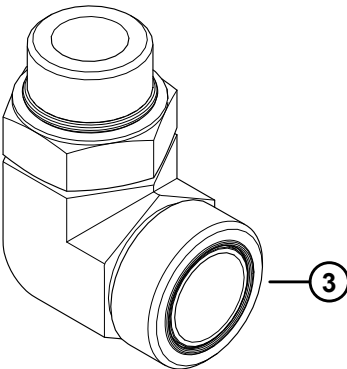
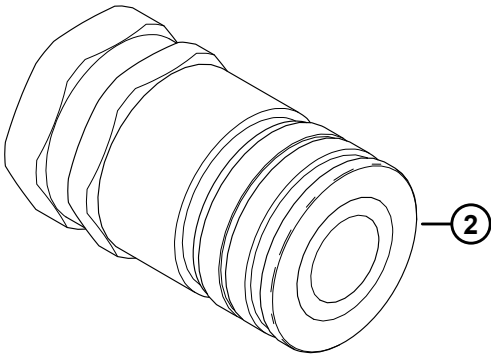
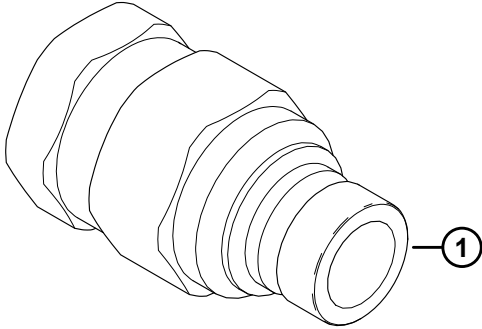
Ref	Part Number	Description	Qty	Serial Number
	183709	KIT – SERVICE, NEUTRAL SETTING ²⁰³		
1	183525	FITTING – COUPLING HYD, M16 X 2	6	
2	252705	FITTING – COUPLING HYD	2	
3	183707	HOSE – HYD, DIAGNOSTIC	2	
4	183609	ASSY – GAUGE C/W FITTING AND BOOT ²⁰⁴	2	
5	NSS	GAUGE – PRESSURE, 1000 PSI ²⁰⁵	2	
6	183607	FITTING – ADAPTER C/W DUST CAP	2	
7	183608	BOOT – GAUGE PROTECTOR	2	
8	183708	CASE – CARRYING C/W FOAM, DECALS	1	

203. Includes all listed parts.

204. Includes pressure gauge (not sold separately), adapter fitting (MD #183607), and boot (MD #183608).

205. Not sold separately, service with gauge assembly (MD #183609).

120 (Option) Quick Couplers

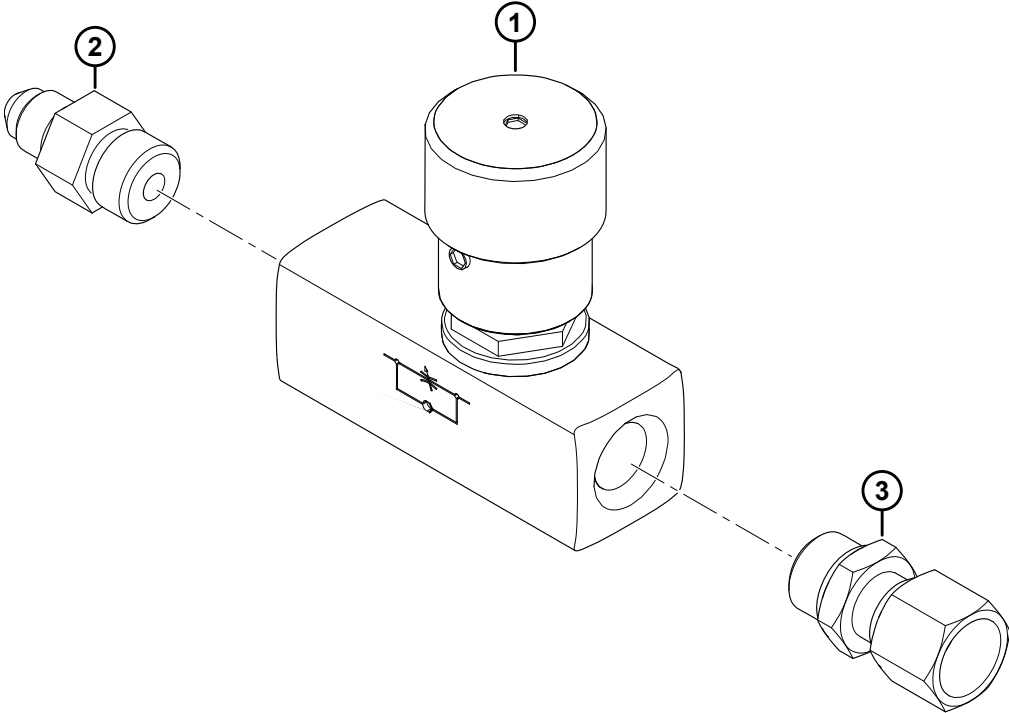


(OPTION) QUICK COUPLERS

Ref	Part Number	Description	Qty	Serial Number
	B6277	KIT – ROTARY QUICK COUPLER ²⁰⁶		
1	136412	FITTING – COUPLING MALE, 1 IN.	1	
2	136413	FITTING – COUPLING FEMALE, 1 IN.	1	
3	136631	FITTING – ELBOW 90° HYDRAULIC	2	
	50220	O-RING – #16 ORB		
	135869	O-RING – #20 ORF		

206. The kit includes all listed parts and instructions. Kits are available through Whole Goods only.

121 (Option) Reel Drop Rate Adjustment



(OPTION) REEL DROP RATE ADJUSTMENT

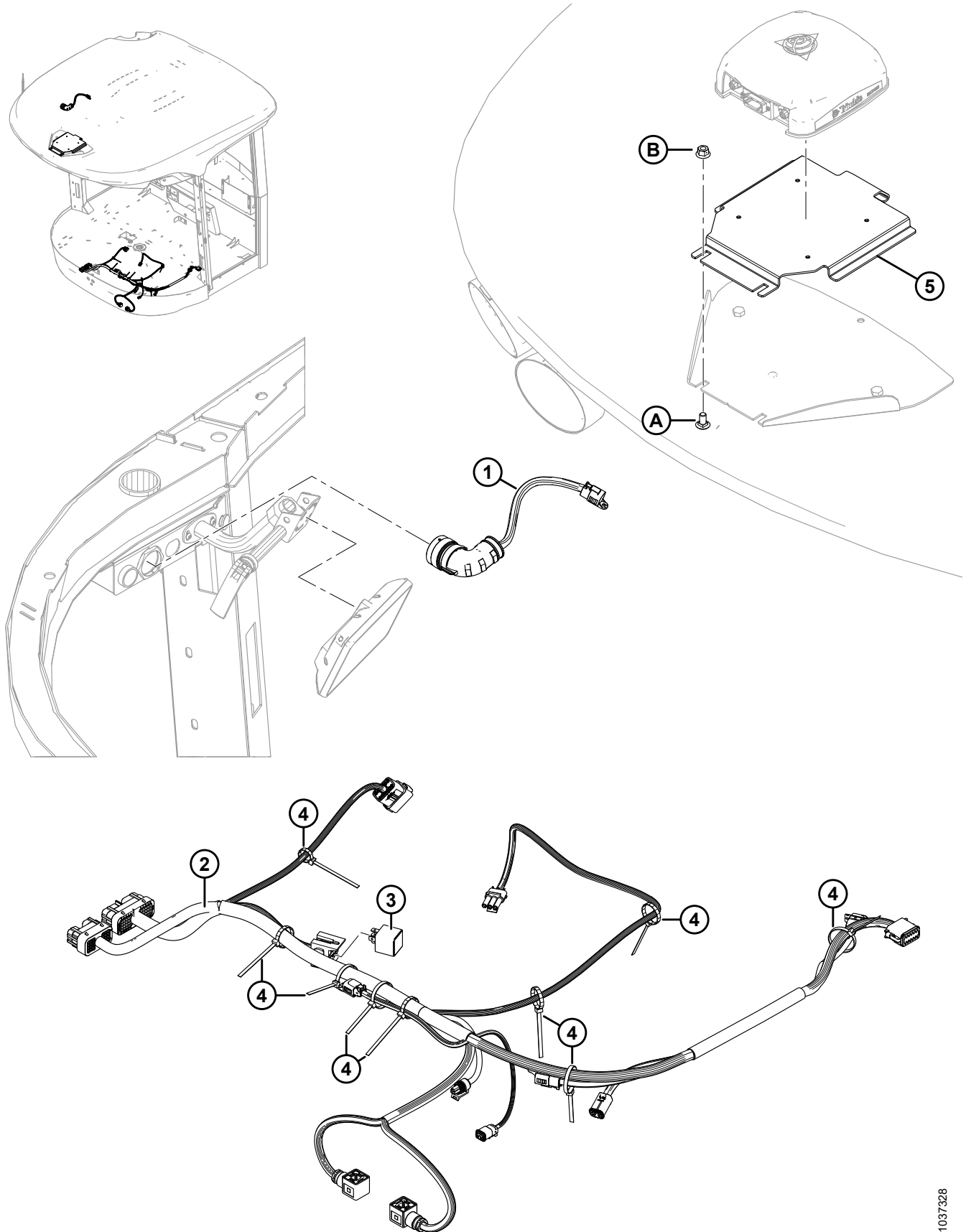
NOTE:

Kit is used to add flow control to reel lift circuit of D1X and D1XL headers (featuring Hydraulic Hose Management System).

Ref	Part Number	Description	Qty	Serial Number
	306410	KIT – D1X, XL REEL DROP RATE ADJUSTMENT ²⁰⁷		
1	183211	VALVE – HYD, FLOW CONTROL	1	
2	30524	FITTING – ADAPTER HYD	1	
3	135015	FITTING – ADAPTER HYD	1	
	167897	DECAL – REEL DROP RATE	1	

207. Kit comes complete with all listed parts and instructions.

122 (Option) Trimble® Autopilot™ – Electrical

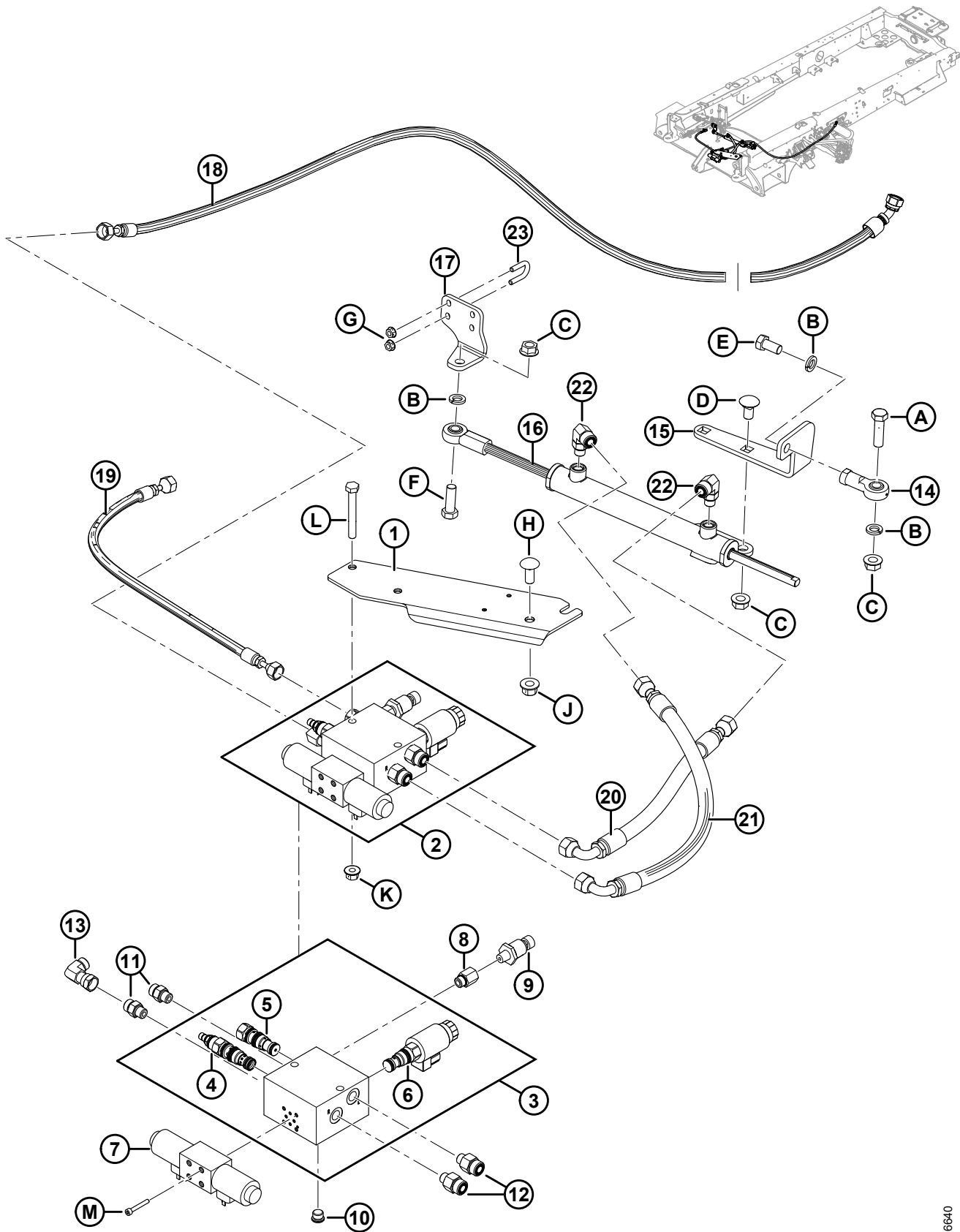


(OPTION) TRIMBLE® AUTOPILOT™ – ELECTRICAL

Ref	Part Number	Description	Qty	Serial Number
	B9032	KIT – TRIMBLE AUTOPILOT GFX ²⁰⁸		
1	309045	HARNESS – POWER, GFX DISPLAY	1	
2	207957	HARNESS – AUTOSTEER, TRIMBLE, GPS	1	
3	30215	RELAY – MINI, 12VDC	1	
4	21763	FASTENER – CABLE TIE, BLACK, 160 MM LG	10	
5	309037	BRACKET – NAV-900 ANTENNA MOUNT	1	
A	184657	BOLT – RHSSN M10 X 1.5 X 20-8.8-AA1J		
B	135799	NUT – HEX FLG CTR LOC M10 X 1.5-10		

208. The kit includes all listed parts in this Section and all listed parts in Section [123 \(Option\) Trimble® Autopilot™ – Hydraulics, page 273](#). Kits are available through Whole Goods only.

123 (Option) Trimble® Autopilot™ – Hydraulics



(OPTION) TRIMBLE® AUTOPILOT™ – HYDRAULICS

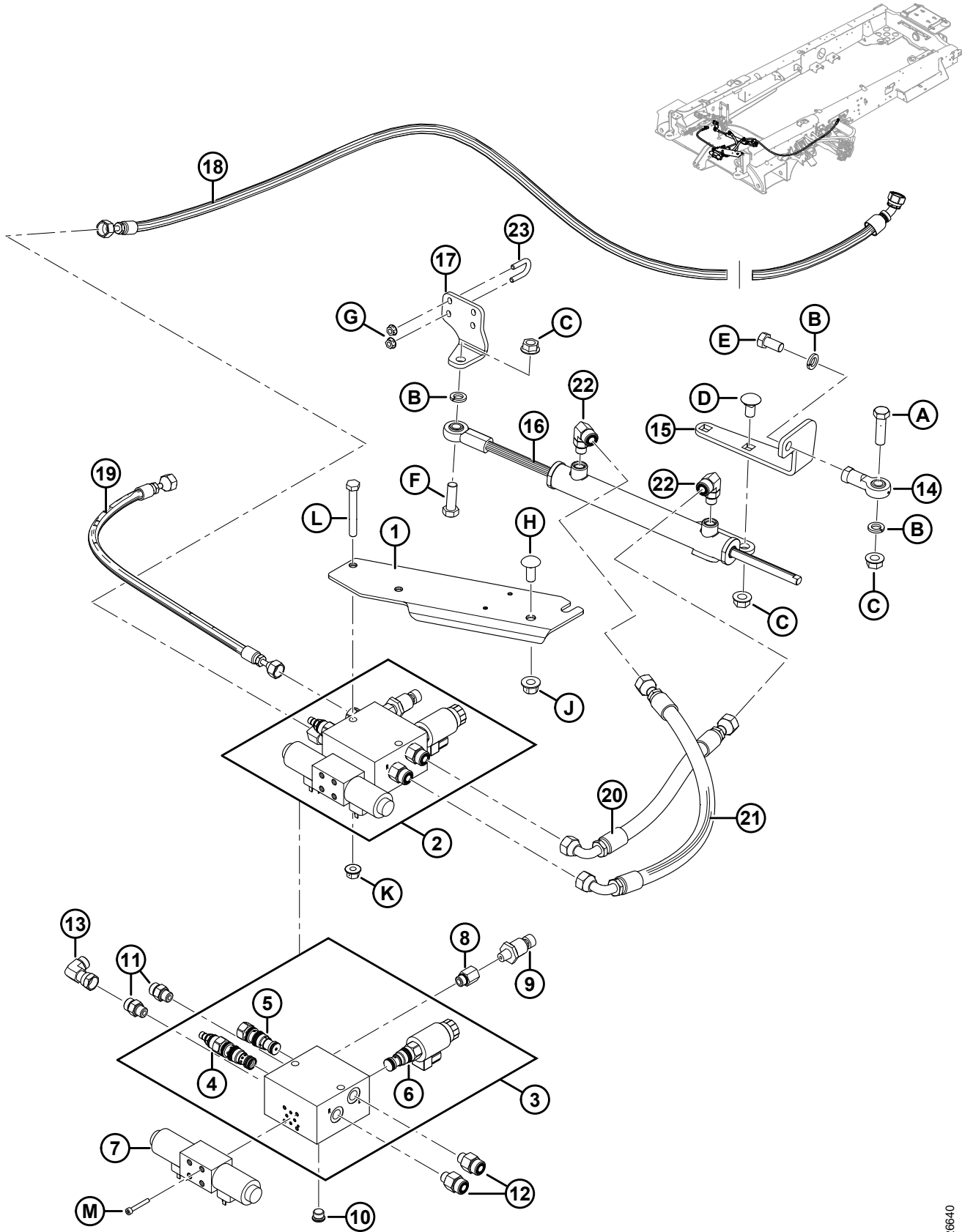
Ref	Part Number	Description	Qty	Serial Number
	B9032	KIT – TRIMBLE AUTOPILOT GFX ²⁰⁹		
1	205092	SUPPORT – MANIFOLD MOUNT	1	
2	205764	VALVE – STEERING MANIFOLD ASSY, COMPLETE ²¹⁰	1	
3	173656	VALVE – STEERING MANIFOLD ASSEMBLY ²¹¹	1	
4	173040	VALVE – PRESSURE REDUCING/RELIEF	1	
	173559	SEAL KIT		
5	173069	VALVE – DIRECTIONAL SHUTTLE	1	
	173559	SEAL KIT		
6	173590	VALVE – DIRECTIONAL C/W COIL	1	
	173560	SEAL KIT		
	173561	COIL		
7	173029	VALVE – PROPORTIONAL DIRECTIONAL	1	
	173562	COIL		
	173563	RETAINER		
	173564	SEAL KIT		
8	53157	FITTING – ADAPTER HYD, C/W O-RING	1	
9	173116	SENDER – PRESSURE 500 PSI	1	
10	100577	PLUG – HEX SOCKET C/W O-RING	1	
11	135778	FITTING – ADAPTER	2	
	50219	O-RING – #6 ORB		
	135865	O-RING – #6 ORFS		
12	135779	FITTING – ADAPTER	2	
	50219	O-RING – #6 ORB		
	135866	O-RING – #8 ORFS		
13	136249	FITTING – ELBOW 90° HYD	1	
	135865	O-RING – #6 ORFS		
14	30083	JOINT – BALL	1	
15	202268	SUPPORT – CYLINDER BALL JOINT	1	
16	208650	CYLINDER – THROUGH ROD	1	
	173575	SEAL KIT		
17	166468	SUPPORT – CYLINDER END	1	
18	207821	HOSE – HYD, 1/4 IN I.D., 2000 MM LG	1	
19	207822	HOSE – HYD, 1/4 IN I.D., 600 MM LG	1	
20	205483	HOSE – HYD, 1/2 IN I.D., 320 MM LG	1	
21	202269	HOSE – HYD, 1/2 IN I.D., 500 MM LG	1	
22	136238	FITTING – ELBOW 90° HYD	2	
23	166469	U-BOLT	2	
A	21565	BOLT – HH 1/2 NC X 1.75 LG GR 5 ZP		

209. The kit includes all listed parts in this Section (Trimble® Autopilot™ – Hydraulics) and all listed parts in Section [122 \(Option\) Trimble® Autopilot™ – Electrical, page 271](#). Kits are available through Whole Goods only.

210. Includes #3–13 and hardware M.

211. Includes pressure relief valve (MD #173040), directional shuttle valve (MD #173069), and directional valve (MD #173590).

(OPTION) TRIMBLE® AUTOPILOT™ – HYDRAULICS

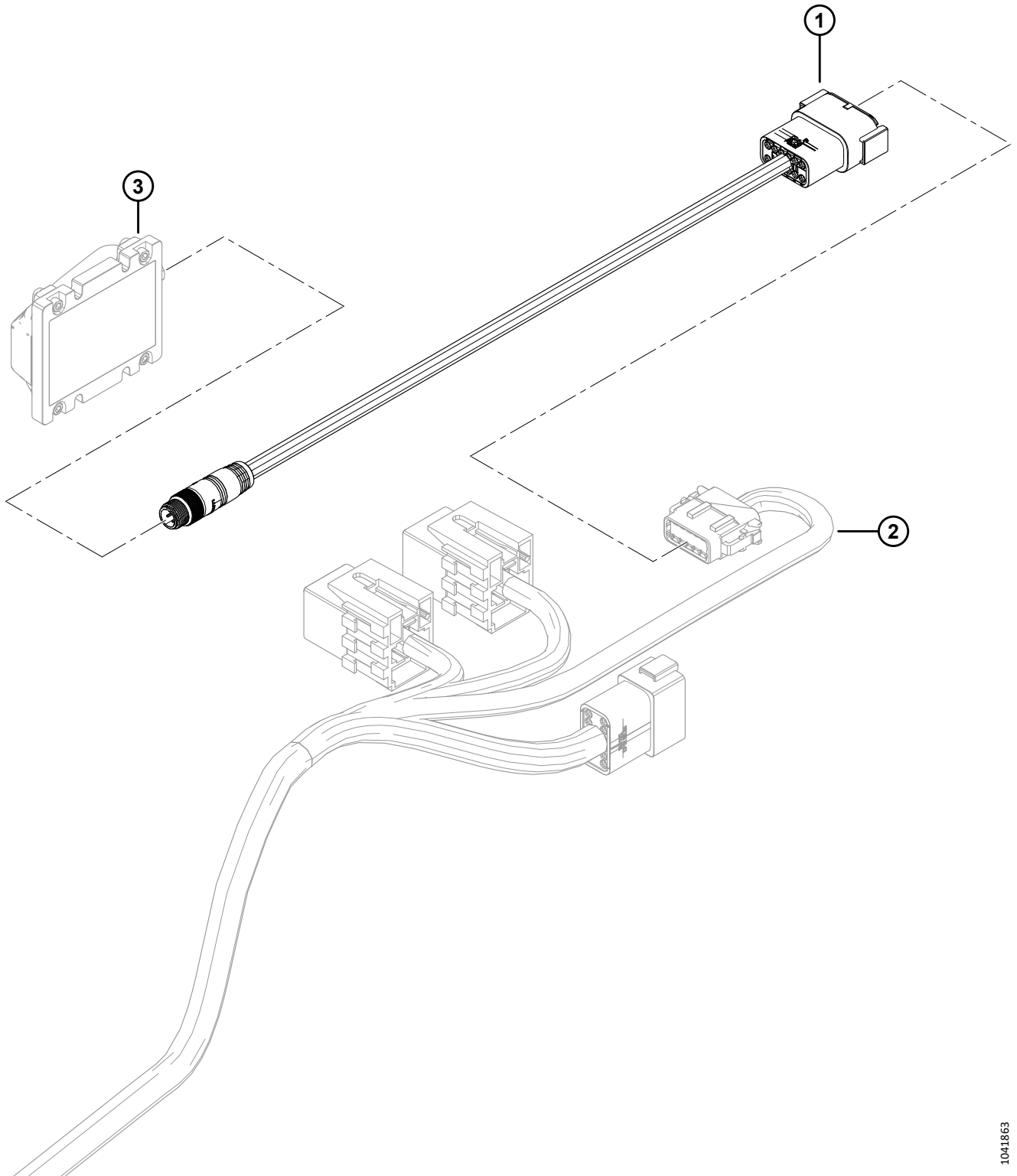


1026640

(OPTION) TRIMBLE® AUTOPILOT™ – HYDRAULICS

Ref	Part Number	Description	Qty	Serial Number
B	18638	WASHER – REG. LOCK 1/2 IN. NOM. I.D. ZP		
C	50186	NUT – FLANGE LOCK SM FACE DT 0.500-13 UNC GR5		
D	21066	BOLT – RHSN 1/2-13 X 1-GR5-ZP		
E	30470	BOLT – HH 1/2 NF X 1.0 GR 5 ZP		
F	18723	BOLT – HH 1/2 NC X 1.5 LG TFL GR 5 ZP		
G	135248	NUT – FLG SMTH FACE 1/4-20 NC GR 5 ZP CTR LK DT THD		
H	152702	BOLT – RHSSN M12 X 1.75 X 30-8.8-A3L		
J	136431	NUT – HEX FLG CTR LOC M12 X 1.75-10-A3L		
K	135799	NUT – HEX FLG CTR LOC M10 X 1.5-10-A3L		
L	135657	BOLT – HEX HD M10 X 1.5 X 80-8.8-A3L		
M	320391	SCREW – HEX SOC HD #10-24 X 1.5 GR8-ZINC		

124 (Option) Trimble® IMD-900 Adapter Harness



(OPTION) TRIMBLE® IMD-900 ADAPTER HARNESS

NOTE:

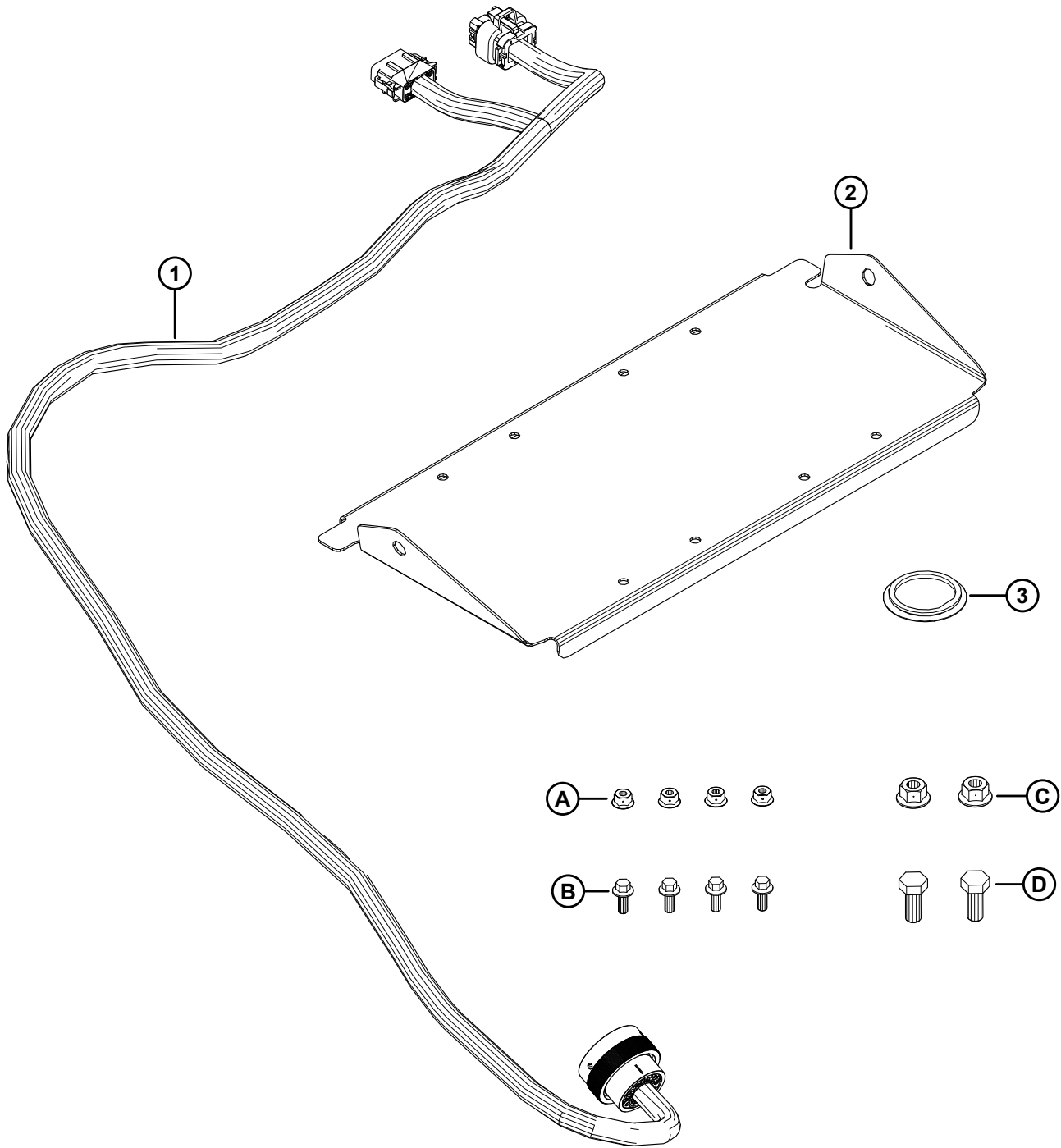
The IMD-900 adapter harness (MD #309057) is required to connect an IMD-900 controller to the EZ-Pilot GPS harness (MD #207956). The IMD-900 controller is only required when pairing a NAV-500™ guidance controller with the EZ-Pilot®Pro steering system.

Ref	Part Number	Description	Qty	Serial Number
1	309057	HARNESS – ADAPTER, IMD-900	1	
2	REF	HARNESS – TRIMBLE EZ-PILOT GPS ²¹²		
3	REF	MODULE – TRIMBLE IMD-900 ²¹³		

212. Refer to Section [37 Electrical – Autosteer](#), page 83.

213. Part serviced through Trimble®.

125 (Option) Trimble® TMX Compatibility Kit

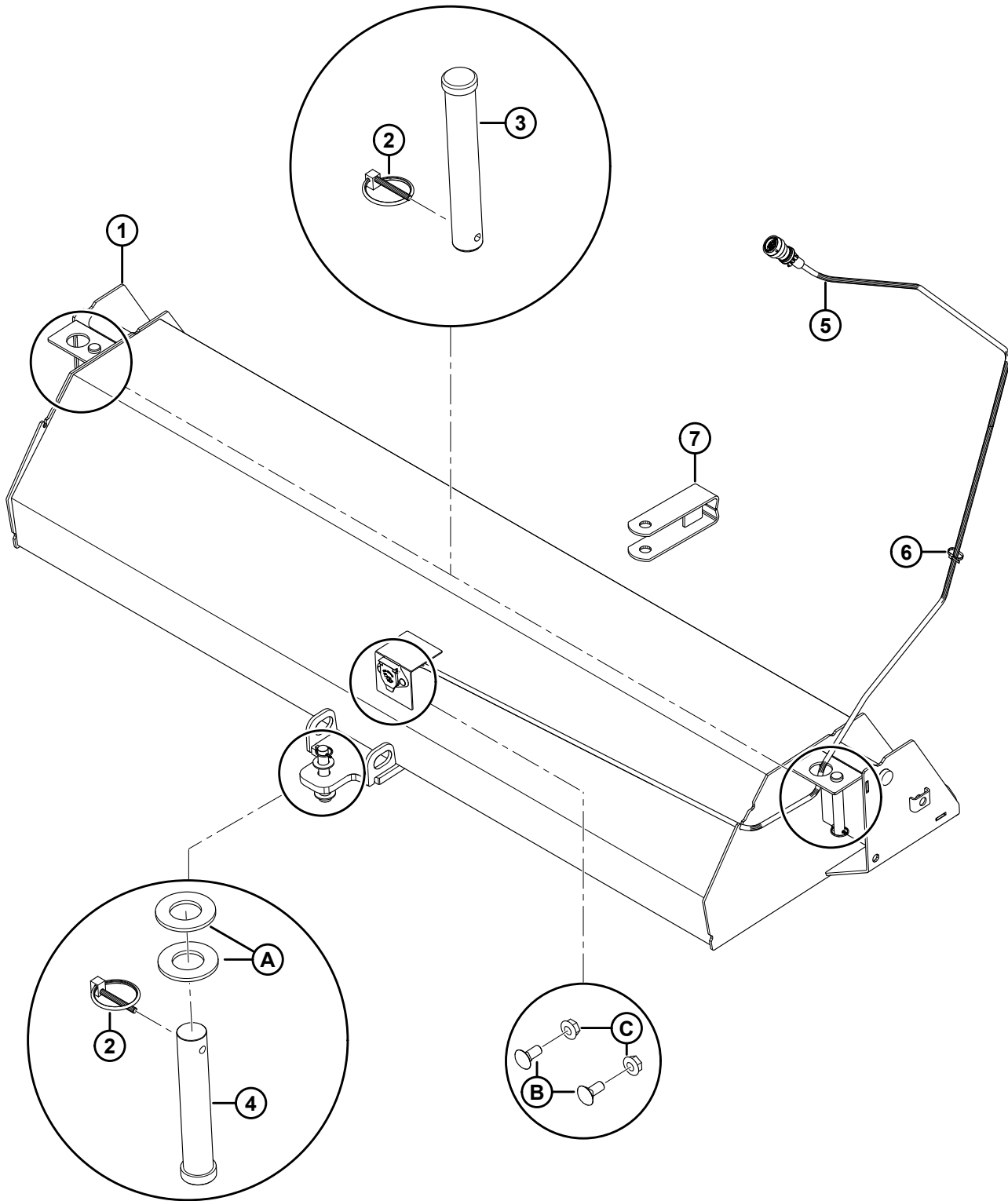


(OPTION) TRIMBLE® TMX COMPATIBILITY KIT

Ref	Part Number	Description	Qty	Serial Number
	141721	KIT – TRIMBLE TMX COMP ²¹⁴		
1	141492	HARNESS – ADAPTER, TRIMBLE TMX	1	
2	291610	SUPPORT – TM 200	1	
3	306074	CAP – GPS BULKHEAD	1	
A	152668	NUT – HEX FLG CTR LOC M6 X 1-8		
B	135959	BOLT – HEX FLG HD M6 X 1 X 16-10.9-A2L		
C	135799	NUT – HEX FLG CTR LOC M10 X 1.5-10		
D	30627	BOLT – HEX HD TFL M10 X 1.5 X 25-8.8-A3L		

214. Includes adapter harness (MD #141492), support (MD #291610), cap (MD #306074), hardware, and instructions.

126 (Option) Weight Box



(OPTION) WEIGHT BOX

Ref	Part Number	Description	Qty	Serial Number
	B5238	KIT – WEIGHT BOX (C/W CONCRETE) ²¹⁵		
	B5240	KIT – WEIGHT BOX (LESS CONCRETE) ²¹⁶		
	B6048	KIT – HARNESS AND HITCH PIN FOR WEIGHT BOX ²¹⁷		
1	122080	FRAME – WEIGHT BOX WELDMENT	1	
2	102264	PIN – LYNCH 3/16 X 1 9/16 IN.	3	
3	112752	PIN – CLEVIS	2	
4	49341	PIN – CLEVIS	1	
5	208812	HARNESS – WEIGHT BOX	1	
6	21763	FASTENER – CABLE TIE, BLACK, 160 MM LG	1	
7	113536	CLEVIS WELDT	1	
A	18603	WASHER – SAE FLAT 1 1/16 IN I.D. X 2.0 IN O.D. ZP		
B	21281	BOLT – RHSN 5/16 NC X 0.75 GR 5 ZP		
C	30280	NUT – FLG SIDE LK SMTH FACE 5/16 NC GR 5 ZP		

215. Kits are available through Whole Goods only.

216. For export orders, order Weight Box Less Concrete (MD #B5240). The weight box must be filled with concrete at destination as per supplied instructions. Kits are available through Whole Goods only.

217. Includes lynch pin (MD #102264), clevis pin (MD #49341), and hardware (MD #21281, 30280). Kits are available through Whole Goods only.

Index

1434	142	21980.....	186
5745	40	23050.....	40
7536	28	23165.....	242
9423	36	25321.....	128
11695.....	6	28700.....	128
13617.....	32, 136	30045.....	142
14294.....	136	30083.....	274
16652.....	2	30191.....	162
16661.....	128	30200.....	162
17675.....	36	30203.....	162, 164
18599.....	128	30205.....	162, 164
18601.....	50	30215.....	72, 84, 272
18602.....	138	30228.....	100, 248
18603.....	282	30243.....	20
18604.....	52	30278.....	166, 168
18605.....	52, 230	30280.....	282
18606.....	122	30470.....	276
18609.....	28	30492.....	86
18637.....	202, 204	30500.....	10, 58
18638.....	276	30505.....	6, 28, 50, 136, 140, 248
18648.....	36, 122	30516.....	122
18652.....	206, 210	30524.....	270
18671.....	18, 22	30591.....	136, 176
18723.....	276	30627.....	6, 32, 280
18728.....	52, 54	30628.....	40, 140
18810.....	140	30632.....	28
18870.....	152	30633.....	138, 140
19739.....	6, 32, 122	30635.....	96
20023.....	58	30659.....	138
20214.....	138	30660.....	136
21032.....	70, 100	30682.....	140
21046.....	10	30715.....	96
21055.....	88	30716.....	52, 54, 138
21066.....	276	30753.....	10, 84, 106, 208, 216, 218, 232, 234, 238
21153.....	22	30937.....	10
21235.....	156	30971.....	48, 146, 148, 150, 152, 158, 160, 170, 178, 180, 184, 186, 192, 208, 254, 258
21264.....	202, 204	31889.....	218
21281.....	282	32247.....	138
21357.....	22	35618.....	8
21358.....	22	39273.....	22
21564.....	206, 210	40701.....	146, 210
21565.....	274	40702.....	16, 42, 106, 146, 166, 210
21566.....	258	42039.....	140
21574.....	258	42075.....	102
21581.....	152	42080.....	58, 194
21762.....	138	42292.....	88, 90, 102
21763.....	10, 16, 36, 40, 44, 48, 52, 72, 84, 88, 98, 106, 128, 188, 204, 210, 212, 214, 218, 234, 238, 248, 272, 282	42415.....	68, 72, 88, 96
21810.....	64	42469.....	106
21854.....	258	42497.....	28
21880.....	160	42765.....	162
21947.....	220	44209.....	32, 148, 158, 160, 170, 174, 178, 180, 192, 200, 256

INDEX

44210.....	48, 144, 146, 148, 150, 178, 180, 184, 186, 194, 200, 254	109855	112
45155.....	194	109856	112, 114
45427.....	10	109857	112, 114
49341.....	282	109858	114
49874.....	162	109859	112, 114
49879.....	162	109860	112, 114, 116, 118
50022.....	16, 106	109861	112, 114
50040.....	140, 142	109862	112, 116
50071.....	82, 88	109865	114
50124.....	84	109918	76
50139.....	32, 52, 54	109968	112, 116
50140.....	6	109971	112, 116
50186.....	276	110267	68, 78
50193.....	36	110584	20
50219.....	36, 136, 140, 148, 158, 160, 170, 178, 180, 182, 184, 192, 200, 248, 256, 274	110585	6
50220.....	150, 166, 168, 174, 176, 178, 180, 184, 186, 192, 268	110817	52, 54
50222.....	150, 166, 168	110853	28
50223.....	28, 136, 150, 158, 160, 182	110971	36
50225.....	138	110977	140, 248
50230.....	164, 176	110988	242
50231.....	162	110995	40
53157.....	274	110996	40
100577.....	178, 180, 200, 274	111060	102
101007.....	36	111093	162, 164
101904.....	58	111099	162
102264.....	282	111105	162
103523.....	172, 256	111216	22
103575.....	178	111221	242
103738.....	214	111504	224
108172.....	122, 248	111528	260, 262
109080.....	86	111546	158, 160
109081.....	86	111599	140
109312.....	128	111608	10
109313.....	136	111784	16
109350.....	122	111834	248
109478.....	122	111895	48
109479.....	122	111896	148
109505.....	132	111897	148
109585.....	96	111909	148
109598.....	96	111911	148
109603.....	52, 54	111914	148
109611.....	122	111935	156
109740.....	96	111938	156
109750.....	128, 136	111939	156
109751.....	122	111941	156
109779.....	122	111974	40
109797.....	86	111975	144, 186
109807.....	136	111978	174
109812.....	112, 114	111983	254
109818.....	136	111990	136
109822.....	96	112475	24, 26
109850.....	112, 116	112625	36
		112662	40
		112692	16, 106
		112727	28

INDEX

112752	282	134708	234
112789	28	134711	224
112824	98	134713	226
112866	202, 204	134714	218, 232
112867	150	134716	132
112868	202, 204, 206, 210	134717	96, 132
112916	28	134725	218
113536	282	134727	12, 86, 88, 104, 220
113799	74	134728	82, 88, 132, 220
115145	242, 252	134729	12, 86, 88, 104, 220
115146	242	134730	82, 132, 218
115147	242, 252	134748	234
115148	70, 100, 242	134756	234
120901	20	134777	86
122080	282	134778	86
123071	28	134782	72
129711	182, 190	134803	218
129800	170, 254	134866	234
129801	170, 254	134929	82
129976	170, 254	135015	270
129977	170, 254	135155	92, 158
132531	140	135156	140
133820	190	135224	106
133992	28	135234	248
134003	6, 52	135235	42, 214
134010	132, 218	135248	258, 276
134011	88, 132, 218	135266	256
134053	218	135280	50
134056	150, 156	135296	20
134079	70	135301	52, 54, 96
134442	10, 106, 218, 234, 238	135312	174
134443	218	135319	28, 50
134445	222	135335	140
134446	222, 228	135336	6
134447	222, 228	135337	8, 32, 34, 38, 46, 78, 92, 96, 98, 122, 128, 136, 142, 172, 196, 202, 216, 218, 234, 256
134448	222	135357	158, 160
134450	222	135386	174
134451	80	135401	144
134452	80	135443	188
134457	222	135444	258
134458	80, 228	135453	36
134523	224	135460	142
134572	72	135554	150, 170, 174, 176, 184, 186, 192, 254
134602	218	135570	136
134603	218	135587	158, 160, 184, 192
134612	84, 218	135657	4, 276
134622	10	135671	36
134623	10	135691	12, 40
134653	226	135709	16
134654	226	135716	58, 106, 212
134655	226	135718	166, 170
134679	80	135719	166
134684	226	135724	202
134705	52, 106	135725	202
134706	88		

INDEX

135734.....	150, 184	136126.....	150
135759.....	44	136131.....	158, 160
135775.....	136, 182, 184	136134.....	2
135776.....	192	136135.....	40
135778.....	170, 182, 184, 192, 200, 248, 256, 274	136141.....	30
135779.....	274	136148.....	74
135780.....	192, 200	136149.....	32
135781.....	170, 256	136151.....	4, 12, 44
135782.....	44	136157.....	158
135783.....	12, 226	136158.....	158, 160
135785.....	8, 12, 44, 46, 52, 100, 122, 174, 186, 214	136167.....	48
135786.....	146, 158, 160, 186, 258	136176.....	72
135788.....	48, 150, 170, 180, 186, 192, 254, 258	136177.....	68, 70, 138
135790.....	170, 254	136178.....	6, 60, 62, 64, 86, 106, 128, 138, 224
135791.....	150, 186, 192	136183.....	138, 140, 208
135793.....	178, 180	136188.....	8, 52, 54, 96
135799.....	4, 6, 8, 12, 16, 28, 32, 38, 40, 46, 50, 52, 60, 62, 64, 74, 82, 86, 88, 96, 100, 102, 124, 128, 136, 140, 168, 174, 176, 186, 198, 208, 212, 214, 218, 224, 226, 232, 234, 248, 256, 272, 276, 280	136195.....	174
135800.....	28, 32, 46	136209.....	2, 16, 30, 42, 58, 70, 96, 218, 224
135818.....	212	136211.....	6, 44, 96
135821.....	146, 178, 180, 184, 208	136212.....	96
135852.....	32, 38	136214.....	130
135865.....	32, 36, 136, 170, 182, 184, 188, 192, 200, 212, 248, 256, 274	136220.....	32, 192, 200
135866.....	32, 48, 146, 174, 186, 192, 194, 200, 274	136229.....	230
135867.....	146, 150, 158, 160, 170, 174, 178, 180, 184, 186, 200, 254, 256, 258	136238.....	274
135868.....	48, 146, 150, 152, 166, 170, 176, 178, 180, 184, 186, 192, 196, 208, 254, 258	136239.....	140
135869.....	150, 166, 168, 178, 180, 268	136249.....	274
135889.....	170, 208, 256	136252.....	14, 74, 100
135894.....	32, 38	136254.....	170, 254
135903.....	12, 138	136256.....	196, 208
135926.....	64	136257.....	152, 180, 186, 254
135927.....	16, 50, 64, 66, 106, 188, 230	136263.....	16, 140
135957.....	28, 136, 140, 150, 158, 160, 182, 192	136267.....	166
135959.....	36, 54, 68, 234, 280	136269.....	178
135982.....	44	136282.....	186, 194
135985.....	208	136291.....	46, 50
136027.....	142, 152	136300.....	16, 54, 84, 202
136036.....	6, 92	136325.....	136, 166, 184, 212
136085.....	152	136326.....	188
136089.....	150, 178, 180, 200	136327.....	180, 254
136095.....	36, 182, 192	136347.....	150
136097.....	188	136362.....	166, 168, 176
136098.....	212	136363.....	150, 166, 168
136108.....	28, 32	136366.....	18, 20
136109.....	58	136367.....	18, 20
136110.....	58	136376.....	18
136112.....	140	136385.....	22
136113.....	30	136398.....	40, 44
136122.....	2, 28, 36, 158, 160	136399.....	40, 234
136124.....	36	136403.....	178, 180
		136404.....	166, 168
		136410.....	44, 212
		136412.....	168, 268
		136413.....	168, 256, 268
		136417.....	6, 64
		136418.....	192

INDEX

136420..... 36	136824..... 64
136421..... 212	136832..... 28
136422..... 28	136846..... 258
136428..... 72, 78	136847..... 36
136431..... 4, 6, 8, 12, 22, 36, 46, 50, 52, 54, 64, 92, 100, 128, 138, 140, 252, 276	136848..... 36
136440..... 64, 68, 92, 138	136869..... 130
136442..... 188	136886..... 12, 68, 82, 86, 124, 126
136447..... 28, 182	138127..... 206, 210
136454..... 138, 248	138473..... 186
136455..... 20	138501..... 44
136473..... 20	138674..... 44
136476..... 30	138685..... 44
136480..... 56	138847..... 44
136481..... 144, 178	139042..... 44
136485..... 50, 88, 98, 124, 128, 132	139077..... 44
136495..... 50, 100	139078..... 44
136499..... 146	139134..... 28
136501..... 146	139225..... 102
136506..... 38	139292..... 4, 6
136508..... 174	139322..... 142
136510..... 174	139560..... 150, 154
136524..... 178	139563..... 154
136536..... 70, 224, 230, 264	139722..... 176
136541..... 106	139723..... 242
136561..... 4	139724..... 36
136566..... 136	139971..... 96
136569..... 150	141184..... 32
136572..... 64	141185..... 32
136574..... 106, 188	141205..... 88
136595..... 36	141220..... 214
136598..... 6, 52, 54	141259..... 242
136608..... 128	141283..... 64
136620..... 44	141491..... 82
136630..... 174	141492..... 280
136631..... 166, 268	141685..... 142
136635..... 220	141721..... 280
136638..... 48	144505..... 168, 256
136641..... 176	145392..... 48
136646..... 48	148798..... 4, 22, 40
136647..... 216	148799..... 6, 22
136648..... 216	148800..... 106
136655..... 10, 16, 44, 48, 58, 72, 84, 88, 98, 100, 136, 218, 232, 234, 238	149168..... 252
136662..... 12	150595..... 202
136704..... 52, 54	151974..... 166, 168
136707..... 76, 104	152157..... 128
136708..... 104	152192..... 4, 6
136709..... 104	152193..... 8
136729..... 150	152274..... 92
136731..... 212	152439..... 4
136743..... 10, 42	152519..... 124
136748..... 224	152520..... 20, 40
136767..... 170, 254	152655..... 12, 16, 44, 50, 52, 58, 88, 96, 100, 106, 122, 142, 166, 172, 174, 176, 188, 198, 212, 234, 236
136774..... 50	152668..... 12, 34, 36, 50, 52, 54, 60, 70, 76, 100, 142, 212, 216, 224, 234, 236, 280

INDEX

152670	88	166843	240
152702	46, 276	166869	44
152730	6	167502	240
152732	32, 38	167709	48
152775	196	167727	244
152779	64, 100, 138, 140	167884	100
152863	52, 54	167897	242, 270
152947	168, 198, 256	172899	106, 218
153151	170, 254	173029	274
153289	140	173040	274
156848	36	173069	274
156886	36	173116	274
158174	178, 180, 200	173559	274
158635	28	173560	274
158704	34	173561	274
160275	122	173562	274
160373	98	173563	274
160414	74	173564	274
161378	128	173575	274
162342	56	173590	274
162434	144	173656	274
162436	24, 26	174149	214
162442	202	176334	188
162444	58	181511	20
163158	162	183115	230
163298	244	183150	114
163310	28	183166	136
163368	40	183199	106
163373	32	183202	104, 106
163745	162	183211	270
163746	162	183258	224
163747	162	183264	106
163753	162	183265	106
163779	56	183273	106
163904	56	183315	72
163957	56	183316	82
166171	140	183386	104
166234	240	183387	104
166425	240	183392	104
166454	240	183394	104
166457	240	183395	104
166463	240	183396	104
166468	274	183397	104
166469	274	183398	104
166530	92	183443	106
166539	92	183444	106
166727	242	183448	104
166829	240	183506	104, 106
166832	240	183508	104, 106
166834	240	183512	106
166835	240	183525	266
166836	240	183543	32
166837	240	183544	104
166838	240	183607	266
166839	240	183608	266

INDEX

183609.....	266	184709.....	6, 8
183707.....	266	184711.....	28, 44, 46, 52, 230
183708.....	266	184712.....	176, 216
183709.....	266	184714.....	8
183820.....	28	184717.....	40
183821.....	28	190752.....	52, 216
183905.....	186	191489.....	92, 128, 142
183913.....	136	191705.....	32, 192
184303.....	212	194033.....	202, 204
184304.....	212	194041.....	142
184305.....	212	194043.....	206, 210
184307.....	212	194082.....	74, 88
184461.....	150, 184	197171.....	34, 46, 98, 124
184463.....	48, 146	197224.....	12
184579.....	130	197229.....	34
184583.....	50	197230.....	34, 68, 76, 84, 86, 138, 140
184584.....	58, 122	200114.....	40
184595.....	138	200273.....	48
184596.....	8	200402.....	58
184612.....	226	200585.....	234
184613.....	264	200586.....	234
184640.....	84, 86, 218	200653.....	8
184641.....	212, 224	200699.....	10
184642.....	50, 98	200780.....	50, 72, 88
184643.....	236	200783.....	94
184645.....	216	200784.....	94
184646.....	70, 100	200890.....	94
184648.....	32, 46, 122, 216	200974.....	48, 86, 132, 140
184649.....	86	200983.....	210
184652.....	218	201003.....	58
184654.....	128, 138, 262	201110.....	58
184655.....	122	201149.....	136, 140
184656.....	130	201224.....	136
184657.....	8, 82, 186, 208, 272	201299.....	128
184658.....	88, 140, 174, 176	201401.....	78
184659.....	140	201408.....	218
184661.....	86, 144	201434.....	48
184662.....	4, 6, 8, 32, 138	201488.....	108
184664.....	4, 8, 28, 38, 40, 136, 140	201522.....	74
184665.....	8, 28, 44, 142	201589.....	102
184667.....	6	201590.....	102
184669.....	140	201595.....	96
184673.....	36, 140	201596.....	96
184675.....	138	201598.....	52, 54
184679.....	40	201622.....	18
184682.....	76	201623.....	18
184683.....	34	201638.....	48
184687.....	8, 122, 128, 136, 264	201683.....	204
184688.....	6, 52, 54, 124, 262	201684.....	204
184692.....	88	201693.....	96
184694.....	128, 138	201701.....	136
184701.....	12, 86	201705.....	136
184705.....	70, 100, 218	201707.....	74
184706.....	60, 68, 76, 104	201710.....	74
184708.....	74, 218	201711.....	176

INDEX

201713	176	202732	58
201716	102	202734	58
201722	204	202779	122
201738	194	202781	122
201739	194	202783	122
201746	102	202785	122
201750	74	202816	204
201757	88	202828	204
201759	194	202838	40
201760	98	202870	204
201828	72	202888	150
201831	206	202896	20
201836	22	202898	20
201838	88	202946	4, 8
201859	88	202991	196
201861	22	203017	106
201886	88	203018	106
201888	68	203019	124
201893	206	203020	122
201948	106	203022	124
201972	206	203029	122
201973	206	203048	148
202014	140	203075	150, 156
202015	140	203108	44
202022	140	203116	210
202041	96	203121	204
202075	188, 190, 192	203150	198
202189	102	203151	54
202230	86	203152	52
202264	98	203153	52
202268	274	203154	54
202269	274	203192	6
202274	106	203201	6
202275	106	203211	6
202325	48	203213	6
202446	44	203277	136
202455	48	203293	42
202456	128	203294	42
202492	122	203295	58
202505	122	203337	170, 180
202515	122	203340	176, 184
202521	140	203350	4, 8
202523	140	203380	216
202569	122	203389	52
202584	98	203401	122
202586	98	203402	16
202604	88	203472	58
202646	186	203473	58
202654	128	203501	136
202661	18	203504	136
202662	204	203505	136
202691	40	203508	136
202712	56	203509	136
202714	196	203518	128
202721	86	203543	122

INDEX

203547.....	100	205070.....	52, 54
203548.....	100	205071.....	52, 54
203549.....	100	205077.....	46
203550.....	86	205092.....	274
203551.....	86	205104.....	208
203554.....	40	205105.....	208
203566.....	208	205159.....	48
203568.....	208	205188.....	162, 164
203596.....	106	205190.....	88
203597.....	16, 106	205191.....	88
203777.....	46	205195.....	98
203817.....	36	205201.....	48
203847.....	96	205211.....	74
203860.....	96	205213.....	202
203870.....	46	205227.....	208
203876.....	180, 254	205242.....	58
203930.....	230	205262.....	88
203940.....	198	205263.....	16
203966.....	212	205269.....	48
203967.....	212	205273.....	212
203972.....	248	205325.....	222
203974.....	212	205356.....	212
203975.....	212	205364.....	40
203977.....	170, 256	205366.....	40
203978.....	170, 256	205374.....	52
203979.....	212	205396.....	72
203984.....	212	205397.....	24, 26
204010.....	128	205441.....	62
204080.....	10	205442.....	108
204102.....	44	205456.....	104
204174.....	128	205483.....	274
204184.....	88	205486.....	234
204187.....	128	205572.....	98
204235.....	40	205574.....	40
204354.....	136	205579.....	86
204373.....	98	205614.....	64
204374.....	98	205666.....	48
204379.....	98	205739.....	98
204429.....	18	205764.....	274
204443.....	252	205842.....	58
204553.....	48	205890.....	74
204732.....	46	205892.....	74
204748.....	122	205929.....	74
204760.....	210	205936.....	28
204769.....	84	205937.....	28
204781.....	74	205939.....	28
204784.....	48	205948.....	74
204787.....	74, 102	205950.....	92
204847.....	196	205974.....	28
204875.....	16	205979.....	28
204956.....	234	206038.....	28
205009.....	24	206040.....	126
205036.....	194	206042.....	122
205040.....	54	206060.....	170, 256
205065.....	74	206061.....	170, 256

INDEX

206065.....	260	206897.....	48
206066.....	98	206899.....	48
206071.....	74	206946.....	92
206121.....	58	206966.....	122
206160.....	32	207017.....	44
206184.....	210	207062.....	110
206192.....	214	207075.....	40
206193.....	214	207087.....	242
206194.....	214	207128.....	74
206195.....	214	207135.....	74
206196.....	214	207145.....	126
206208.....	212	207148.....	86
206248.....	96	207149.....	86
206258.....	32	207154.....	46
206324.....	32	207170.....	40
206340.....	32, 36	207191.....	86
206350.....	32	207192.....	44
206424.....	262	207209.....	98
206432.....	262	207210.....	98
206434.....	8	207212.....	242
206447.....	260	207219.....	34
206454.....	122	207225.....	104
206459.....	110	207230.....	88
206482.....	10, 238	207233.....	136
206548.....	36	207248.....	242
206550.....	36	207250.....	136
206559.....	36	207256.....	62
206560.....	36	207257.....	62
206562.....	36	207284.....	48
206593.....	58	207286.....	232
206623.....	210	207288.....	232
206648.....	44	207291.....	88
206661.....	32, 36	207294.....	10
206665.....	62	207303.....	218
206673.....	44	207329.....	62
206679.....	48	207346.....	150, 166, 170, 256
206680.....	48	207347.....	176
206709.....	4	207362.....	4, 6
206771.....	132	207370.....	166, 178
206772.....	132	207374.....	10
206773.....	132	207394.....	232
206774.....	132	207395.....	226
206775.....	132	207397.....	202
206776.....	132	207400.....	88
206777.....	132	207401.....	88
206778.....	242	207406.....	24, 26
206780.....	132	207409.....	24
206781.....	242	207410.....	24
206783.....	132	207414.....	40
206784.....	132	207425.....	212
206785.....	132	207426.....	212
206850.....	196	207427.....	170, 256
206863.....	264	207430.....	64
206878.....	196	207434.....	44
206896.....	48	207446.....	212

INDEX

207447.....	48	208016.....	126
207452.....	48	208019.....	32
207454.....	214	208020.....	32
207455.....	214	208034.....	244
207458.....	176	208038.....	112, 114
207507.....	234	208040.....	112, 114
207539.....	122	208041.....	116, 118
207554.....	86	208042.....	112
207558.....	218	208043.....	116
207570.....	86	208044.....	112
207580.....	128	208045.....	116
207585.....	2	208046.....	112
207587.....	8	208047.....	116
207601.....	242	208048.....	112
207615.....	2	208049.....	112, 116
207616.....	2	208050.....	112, 116
207617.....	2	208051.....	112, 116
207618.....	2	208052.....	112, 114
207619.....	2	208053.....	116, 118
207620.....	2	208054.....	116
207621.....	2	208055.....	116, 118
207646.....	34	208056.....	116, 118
207699.....	18	208057.....	116, 118
207709.....	96	208058.....	116, 118
207713.....	22	208059.....	112
207727.....	64	208060.....	116
207761.....	4	208061.....	112, 116
207763.....	4	208062.....	116, 118
207783.....	22	208063.....	116
207807.....	148	208064.....	116, 118
207816.....	242	208083.....	92
207818.....	242	208089.....	98
207819.....	242	208097.....	120
207821.....	274	208098.....	120
207822.....	274	208100.....	120
207829.....	140	208102.....	120
207830.....	140	208107.....	86
207840.....	242	208109.....	104
207868.....	62	208110.....	104
207869.....	62	208111.....	104
207870.....	62	208112.....	104
207891.....	234	208114.....	104
207914.....	128	208118.....	28
207925.....	234	208124.....	96
207933.....	242	208125.....	96
207956.....	84	208126.....	112, 116
207957.....	272	208134.....	96
207961.....	16	208135.....	96
207962.....	16	208144.....	96
207970.....	68	208145.....	96
207988.....	10	208158.....	226, 228
208010.....	126	208160.....	74, 80
208013.....	126	208174.....	170, 254
208014.....	126	208179.....	104
208015.....	126	208180.....	104

INDEX

208181.....	104	208521.....	48
208182.....	104	208523.....	48
208184.....	104	208528.....	52, 54
208185.....	104	208529.....	52, 54
208189.....	98	208530.....	50
208190.....	98	208531.....	52, 54
208191.....	74	208533.....	52, 54
208192.....	108	208541.....	54
208239.....	86	208542.....	174
208245.....	74	208543.....	54
208254.....	96	208547.....	52
208255.....	96	208551.....	174
208262.....	2	208552.....	174
208268.....	252	208553.....	52
208276.....	186	208554.....	54
208277.....	186	208555.....	54
208278.....	186	208556.....	52, 54
208282.....	150	208562.....	60
208284.....	150	208576.....	44
208292.....	102	208611.....	6
208321.....	62	208637.....	136
208325.....	214	208650.....	274
208337.....	264	208664.....	28
208340.....	2	208667.....	36
208363.....	162	208685.....	74
208371.....	86	208686.....	22
208372.....	264	208687.....	22
208397.....	264	208719.....	64
208406.....	264	208757.....	156
208411.....	196	208764.....	154
208413.....	170, 256	208769.....	218
208424.....	156	208770.....	122
208451.....	162	208784.....	104
208452.....	162	208806.....	122
208453.....	162	208807.....	242
208462.....	162	208810.....	132
208463.....	162	208811.....	132
208464.....	162	208812.....	282
208465.....	162	208845.....	246
208466.....	162	208860.....	60
208467.....	162	208876.....	244
208468.....	162	208894.....	136
208484.....	174	208895.....	136
208486.....	174	208900.....	242
208487.....	174	208919.....	158
208502.....	68	208920.....	244
208503.....	68	208973.....	20
208504.....	68	208979.....	20
208506.....	54	208989.....	132
208507.....	54	209013.....	226
208508.....	54	209018.....	16, 188, 234
208509.....	52	209032.....	106, 188
208510.....	52	209044.....	190
208512.....	52	209045.....	182, 190
208513.....	52	209053.....	150

INDEX

209063.....	170, 256	209947.....	60
209209.....	128	209949.....	60
209288.....	40	209950.....	174, 182
209385.....	140	209951.....	182
209388.....	32	209979.....	36
209389.....	32	209989.....	100
209393.....	32	209991.....	100
209410.....	36	220478.....	212
209476.....	86	220908.....	178, 180, 190, 254
209521.....	122	232233.....	196
209571.....	132	232271.....	90
209584.....	264	232659.....	34
209613.....	96	243541.....	170, 254
209650.....	6	243604.....	172, 256
209688.....	66	243615.....	170, 256
209689.....	264	243632.....	170, 256
209697.....	128	243637.....	170, 256
209712.....	22	243905.....	170, 254
209719.....	4, 8	243906.....	170, 254
209722.....	8	243995.....	168, 256
209733.....	166	248469.....	8
209736.....	234	248643.....	34
209747.....	234	252097.....	142
209748.....	234	252170.....	88
209770.....	244	252179.....	86
209782.....	170, 254	252189.....	88
209787.....	96	252190.....	174
209789.....	32	252195.....	150
209790.....	32	252200.....	128
209792.....	70	252201.....	86
209802.....	70	252203.....	76
209803.....	70	252234.....	74
209811.....	6	252235.....	74
209812.....	186	252236.....	74
209813.....	48	252237.....	72
209816.....	2	252247.....	88, 104
209833.....	10	252254.....	74
209836.....	252	252270.....	122
209837.....	252	252284.....	60, 62
209841.....	88	252292.....	8
209865.....	36	252318.....	178, 180, 254
209867.....	16	252319.....	182, 190
209884.....	44	252320.....	190
209885.....	40	252321.....	190
209904.....	4, 8	252322.....	178, 180
209917.....	86	252323.....	184
209918.....	74	252324.....	192, 200
209924.....	136	252325.....	178, 180, 192
209927.....	146, 148	252327.....	178, 180, 192
209929.....	230	252330.....	200
209930.....	100	252331.....	190
209931.....	100	252332.....	190
209932.....	4, 8	252333.....	190
209933.....	4	252334.....	190
209946.....	224	252336.....	190

INDEX

252337	190	271238	10
252338	178, 180, 254	271251	8
252339	182, 190	271254	8
252340	190	279003	48
252341	190	279150	4
252342	190	283791	142
252343	182, 190	291025	6
252344	190	291028	242
252345	190	291030	4, 8
252347	178, 180, 192	291038	100
252348	178, 180, 192	291054	84
252349	190	291073	68
252350	182, 190	291113	100
252352	190, 200	291114	70
252353	190	291131	222
252354	190	291158	14
252355	178, 180, 190	291162	14
252356	184	291192	22
252357	180, 254	291215	6
252358	190	291262	218
252359	182	291264	102
252360	182, 190	291268	52, 54
252361	182, 190	291378	242
252363	178, 180, 256	291430	92
252364	190	291464	110
252365	140	291465	242
252396	264	291484	34
252533	20	291485	34
252561	242	291486	74
252585	76	291487	74
252613	86	291489	74
252640	202	291490	74
252662	188	291503	74
252667	50	291527	18
252698	150	291583	72
252705	266	291584	72
252706	132	291589	178, 180
252707	134	291608	60
252708	134	291609	60
252807	72, 78	291610	280
252934	248	291629	264
252940	248	291630	264
252968	88	291724	100
253635	168, 256	291795	62
253783	172, 256	291796	62
253785	168, 256	291799	60
253905	168, 256	291937	62
271066	40	293037	226
271083	10	293038	226
271094	8	293041	226
271097	142	293042	226
271113	40	293129	74
271146	10	294263	258
271184	10	299820	258
271208	6	299822	258

INDEX

299898.....	258	306579.....	4
302204.....	242	306596.....	96
306007.....	218	306600.....	94
306012.....	82	306601.....	94
306013.....	82	306602.....	94
306018.....	206	306616.....	72
306020.....	150, 154	306617.....	72
306021.....	154	306620.....	48
306022.....	154	306670.....	162
306074.....	280	306671.....	162
306077.....	140	306672.....	162
306106.....	28	306673.....	162
306118.....	242	306692.....	92
306119.....	58	306698.....	202
306120.....	58	306699.....	202
306122.....	260, 262	306701.....	202
306166.....	198, 200	306702.....	202
306177.....	82	306731.....	202
306179.....	240	306738.....	44
306180.....	240	306756.....	240
306181.....	240	306764.....	216
306182.....	78	306765.....	150
306192.....	28	306769.....	158
306193.....	28	306790.....	132
306248.....	188	306792.....	142, 144
306251.....	4	306796.....	48
306255.....	4	306804.....	142
306267.....	136	306806.....	144
306293.....	46	306808.....	142
306294.....	10	306859.....	184
306295.....	16	306865.....	44
306304.....	10	306875.....	202
306305.....	10	306876.....	202
306315.....	46	306877.....	202
306341.....	250	306904.....	160
306342.....	250	306925.....	202
306345.....	250	306963.....	208
306365.....	242	306988.....	18
306375.....	4	309032.....	100
306386.....	158, 162	309037.....	82, 272
306393.....	162	309045.....	84, 272
306394.....	162	309046.....	72
306395.....	162	309056.....	72
306410.....	270	310001.....	10
306417.....	242	310119.....	68
306423.....	36	310120.....	68
306426.....	36	310282.....	144
306428.....	54	310286.....	144
306453.....	74	310288.....	144
306465.....	78	310295.....	144
306504.....	106	310366.....	160, 164
306522.....	102, 104	310556.....	26
306523.....	104	310634.....	104
306528.....	148	310661.....	164
306539.....	98	310662.....	164

INDEX

310663.....	164	346232.....	128
310666.....	164	346254.....	108, 120
310667.....	164	346255.....	110, 120
310668.....	164	346256.....	108, 112
310669.....	164	346257.....	110, 116
310670.....	164	346300.....	148
310672.....	164	346301.....	142
310674.....	164	362007.....	218
310675.....	164	362037.....	46
310676.....	164	362043.....	46
310677.....	164	362045.....	46
310678.....	164	362052.....	16
310681.....	164	362057.....	46
310682.....	164	362062.....	46
310683.....	164	362068.....	40
310684.....	164	362083.....	234
310685.....	164	362086.....	236
310686.....	164	362093.....	208
310687.....	164	362099.....	132
310689.....	242	362101.....	128, 132
310697.....	142	362112.....	238
310735.....	68	362113.....	238
310760.....	16	362118.....	40
310764.....	10	362119.....	40
310765.....	10	362127.....	244
310766.....	10	362143.....	132
310818.....	58	362149.....	128
310880.....	4	362182.....	158, 160
310883.....	8	362197.....	16
320126.....	188	362198.....	16
320200.....	160	362227.....	16
320206.....	44	362228.....	128
320289.....	142	362229.....	236
320326.....	178, 180	362231.....	56
320360.....	166, 168	362233.....	144
320391.....	276	362235.....	144
320479.....	40	362236.....	144
320480.....	40	362237.....	144
320483.....	158, 160	362238.....	144
320495.....	142	362239.....	144
320497.....	142	362240.....	144
320498.....	142	362322.....	234
320502.....	16	362332.....	16
346040.....	10	362333.....	16
346060.....	112, 116	362335.....	16
346061.....	120	362337.....	144
346132.....	94	362340.....	144
346187.....	10	362341.....	144
346188.....	10	362342.....	144
346189.....	10	362343.....	144
346193.....	10	362344.....	144
346208.....	242	362345.....	144
346215.....	60	362346.....	144
346216.....	16	362347.....	144
346230.....	128	362348.....	144

INDEX

362349	144
362350	144
362351	144
362352	144
362353	144
362354	144
362355	144
362362	218
362363	128
500470	88, 132, 218
500537	236
500554	128
500555	128
500585	128

B

B5238	282
B5240	282
B5999	254
B6012	24
B6013	24
B6016	22
B6047	260
B6048	282
B6053	252
B6054	252
B6055	264
B6106	262
B6277	268
B6617	248
B6834	26
B6889	78
B6980	250
B9020	258
B9032	272, 274

MacDon®

CUSTOMERS
MacDon.com

DEALERS
Portal.MacDon.com

Trademarks of products are the marks of their
respective manufacturers and/or distributors.

Printed in Canada