

# **M2170 and M2170NT Windrower**

Parts Catalog

262168 Revision A

Original Instruction

M2170 Windrower, featuring Dual Direction® and Crossflex™ rear suspension



Published October 2023

**NOTE:**

Keep your MacDon publications up-to-date. The most current version can be downloaded from our website ([www.macdon.com](http://www.macdon.com)) or from our Dealer-only site (<https://portal.macdon.com>) (login required).

© 2023 MacDon Industries, Ltd.

The information in this publication is based on the information available and in effect at the time of printing. MacDon Industries, Ltd. makes no representation or warranty of any kind, whether expressed or implied, with respect to the information in this publication. MacDon Industries, Ltd. reserves the right to make changes at any time without notice.

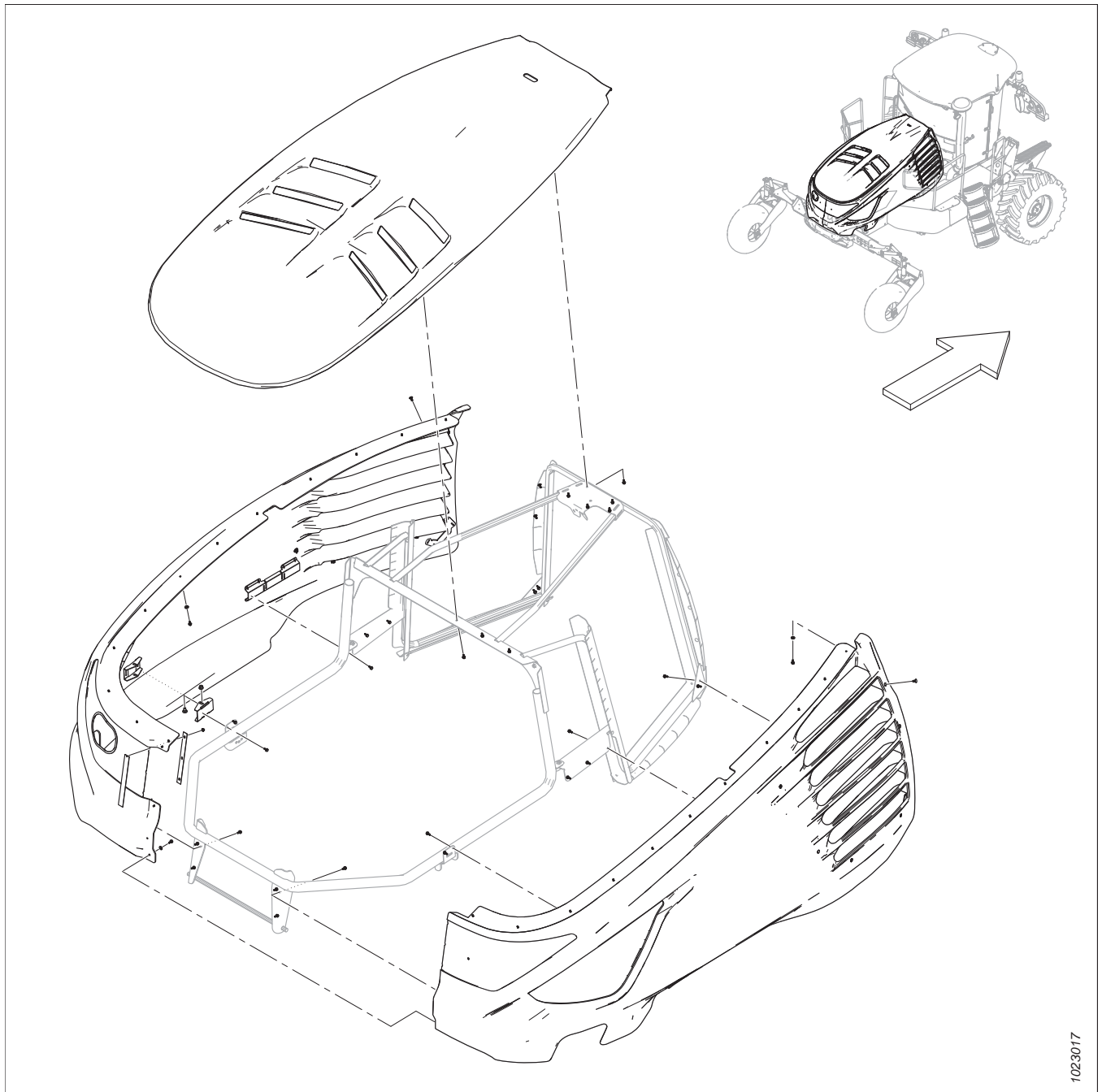
## Introduction

This Parts Catalog lists all the replacement parts that can be ordered for a MacDon M2170 and M2170NT Windrower.

**Bold text is used to indicate updates made at the current revision level.** With each new revision of the catalog, previous revisions are returned to regular text.

Electrical connectors used on MacDon products are available for sale but not listed in this catalog. For the list of available connectors, refer to the Electrical Connectors Parts Catalog (MD #169641).

In this catalog, right-hand (RH) and left-hand (LH) are determined from the operator's position, facing forward with the windrower in cab-forward position. An arrow is sometimes used in illustrations to indicate cab-forward position as shown below.



1023017

## Serial Number Breaks

The side of the serial number on which the dash (–) appears determines whether the part is used "up to" or "after" the serial number given.

**Example:**

- –162249 Used on machines up to and including serial number 166249.
- 166250– Used on machines including and after serial number 166250.

## Abbreviations

A/R – as required (quantity varies)	ASSY – assembly	BHRN – button head rib neck
BV – ball valve	CCW – counterclockwise	CON – conical (spring washer)
CSK – countersink	C/W – complete with	CW – clockwise
DBLE – double	DK – double knife	DR – double reel
DT – distorted thread	FLG – flange	GA – gauge
GR – grade	GS – grass seed	HD – head
HDR – header	HFA – hydraulic fore-aft	HH – hex head
HNBR – hydrogenated nitrile butadiene rubber	HYD – hydraulic	I.D. – inside diameter
IP – internal plus (torx plus)	KP – knife pressure	KR – knife return
LG – long	LH – left hand (determined from Operator's position, facing forward)	LK – lock
MACH – machine	MD – MacDon	MFA – manual fore-aft
MY – model year	NC – national coarse thread	NF – national fine thread
NSS – not sold separately	NT – narrow transport	O.D. – outside diameter
OPT – optional	PO – pilot operated	PT – pull-type (mower conditioner)
RC – roller chain	REF – reference, part number called up elsewhere in catalog	REG – regular
RH – right hand (determined from Operator's position, facing forward)	RHSN – round head, square neck or square neck carriage bolt	RHSSN – round head, short, square neck
RTD – rotating tine drum	SAE – Society of Automotive Engineers (part produced to comply with)	SD – side draper
SER – serrated	SK – single knife	SKT HD – socket head
SMTH – smooth	SMV – slow moving vehicle	SOCK – socket
SP – self-propelled (windrower) header	SPCL – special	SPH – spherical
SPI – serrations per inch (knife Sections)	SR – single reel	STL – steel (stainless)
STR – standard	STVR – Stover	TFL – thread full length
THD – thread	TR – triple reel	UCA – upper cross auger
UDK – untimed double knife	UNC – unified coarse thread	UNEF – unified extra fine thread
UNF – unified fine thread	UNS – unified special thread series	VK – vertical knife
WF – wide frame	ZP – zinc plated	



## TABLE OF CONTENTS

---

Introduction .....	i
Serial Number Breaks .....	ii
Abbreviations.....	iii
<b>1 Wheel Legs – M2170 .....</b>	<b>1</b>
<b>2 Wheel Legs – M2170NT .....</b>	<b>3</b>
<b>3 Left Platform and Toolbox – M2170 .....</b>	<b>7</b>
<b>4 Left Platform and Toolbox – M2170NT.....</b>	<b>9</b>
<b>5 Left Platform Mechanism.....</b>	<b>11</b>
<b>6 Right Platform – M2170.....</b>	<b>13</b>
<b>7 Right Platform – M2170NT.....</b>	<b>15</b>
<b>8 Right Support and Tanks.....</b>	<b>17</b>
<b>9 Diesel Exhaust Fluid Tank.....</b>	<b>21</b>
<b>10 Diesel Exhaust Fluid Plumbing .....</b>	<b>23</b>
<b>11 Walking Beam – M2170.....</b>	<b>27</b>
<b>12 Walking Beam – M2170NT.....</b>	<b>29</b>
<b>13 Anti-Shimmy – M2170.....</b>	<b>33</b>
<b>14 Anti-Shimmy – M2170NT.....</b>	<b>35</b>
<b>15 Casters – Suspended 16.5-16.1 .....</b>	<b>37</b>
<b>16 Drive Wheels and Tires – Ten Bolt.....</b>	<b>39</b>
<b>17 Drive Wheels and Tires – Ten Bolt, ECE Certified .....</b>	<b>41</b>
<b>18 Drive Wheels and Tires – Twelve Bolt .....</b>	<b>43</b>
<b>19 Lift Linkage .....</b>	<b>45</b>
<b>20 Lift Linkage Cylinders .....</b>	<b>49</b>
<b>21 Float Sensors .....</b>	<b>51</b>
<b>22 Center-Link .....</b>	<b>53</b>
<b>23 Engine Sub Assembly .....</b>	<b>57</b>
<b>24 Fuel System .....</b>	<b>59</b>
<b>25 Engine Air Intake .....</b>	<b>61</b>
<b>26 Engine Exhaust.....</b>	<b>63</b>
<b>27 Engine Cooling System.....</b>	<b>65</b>
<b>28 Cooling Module – Left .....</b>	<b>69</b>
<b>29 Cooling Module – Right .....</b>	<b>71</b>
<b>30 Charge Air Cooler Plumbing.....</b>	<b>73</b>
<b>31 Radiator Plumbing .....</b>	<b>75</b>
<b>32 Hood .....</b>	<b>77</b>
<b>33 Hood Frame.....</b>	<b>79</b>
<b>34 Hood Latch Mechanism .....</b>	<b>81</b>
<b>35 Hood Gas Shocks – Standard .....</b>	<b>83</b>
<b>36 Rear Lights and Bezels – M2170.....</b>	<b>85</b>
<b>37 Cab-Forward Lighting and Marking – M2170.....</b>	<b>87</b>
<b>38 Rear Lights and Bezels, Cab-Forward Lighting and Marking – M2170NT .....</b>	<b>89</b>
<b>39 Front Lights and Mirrors, Engine-Forward Lighting and Marking – M2170NT.....</b>	<b>93</b>
<b>40 Roof – Standard and Deluxe Cab.....</b>	<b>95</b>

## TABLE OF CONTENTS

---

41	Headliner – Radio, Speakers, and Relay Module .....	97
42	Roof – Lighting .....	101
43	Roof Relay Module – Service Parts .....	103
44	Cab GPS Bulkhead/Display Mount.....	105
45	Electrical – Autosteer .....	107
46	Cab Interior and Upholstery .....	109
47	Cab Exterior and Air Intake Stack .....	111
48	Cab Suspension .....	115
49	Windows.....	117
50	Doors.....	119
51	Wipers .....	121
52	Mirror Arms, Beacons, and Reflectors – M2170.....	123
53	Mirror Arms and Beacons – M2170NT .....	125
54	Cab Air Conditioning and Heating.....	127
55	Cab Air Conditioning and Heating – Service Parts .....	129
56	Heating, Ventilation, and Air Conditioning – Chassis .....	131
57	Standard Cab Components.....	133
58	Deluxe Cab Components.....	135
59	Standard Operator’s Seat .....	137
60	Standard Seat Suspension.....	139
61	Deluxe Operator’s Seat .....	141
62	Deluxe Seat Suspension.....	143
63	Trainer’s Seat.....	145
64	Steering Column and Seat Base.....	147
65	Steering Column – Service Parts.....	151
66	Ground Speed Lever, Cable, and Display.....	153
67	Console Components .....	157
68	Steering and Ground Speed Control (under Cab) .....	161
69	Neutral Interlock and Pintle Arms .....	165
70	Engine Gearbox.....	167
71	Traction Drive Pump .....	169
72	Traction Drive Pump – Service Parts .....	171
73	Left Pump Stack .....	173
74	Disc/Knife Drive Pump – Service Parts .....	177
75	Lift/Fan Pump – Service Parts .....	179
76	Wheel Drive Assembly – Ten Bolt.....	181
77	Wheel Drive Assembly – Twelve Bolt.....	183
78	Wheel Drive – Service Parts, Ten Bolt .....	185
79	Wheel Drive – Service Parts, Twelve Bolt.....	187
80	Header Drive – Frame Interface .....	189
81	Header Drive – Manifold Multicoupler Assembly.....	191
82	Header Drive – Fitting Manifold Frame Assembly .....	195
83	Header Drive – Charge Filter Frame Assembly.....	197



TABLE OF CONTENTS

84 Drive Manifold – Service Parts ..... 199

85 Float Selector Manifold ..... 203

86 Charge Manifold ..... 205

87 Hydraulics – Tank Fittings ..... 207

88 Hydraulics – Fan/Lift Manifold ..... 209

89 Lift/Fan Manifold – Valves and Coils ..... 211

90 Lift/Fan Manifold – Plugs and Fittings ..... 215

91 Hydraulics – Fan Drive Lines ..... 219

92 Hydraulics – Oil Cooler Lines ..... 221

93 Hydraulics – Frame Fittings ..... 223

94 Junction Manifold – Service Parts ..... 225

95 Hydraulics – Charge Lines ..... 227

96 Hydraulics – Open Drive Lines ..... 229

97 Hydraulics – Closed Drive Lines ..... 231

98 Hydraulics – Traction Drive ..... 233

99 Hydraulics – Control Lines ..... 235

100 Hydraulics – Lift System ..... 237

101 Hydraulics – Line Supports ..... 239

102 Hydraulics – Narrow Transport, M2170NT ..... 241

103 Hydraulics – Walking Beam, M2170NT ..... 243

104 Hydraulics – Wheel Legs, M2170NT ..... 245

105 Secondary Brakes – Germany Only, M2170NT ..... 247

106 Secondary Brake Hydraulics – Germany Only, M2170NT ..... 249

107 Secondary Brakes GSL Sensors – Germany Only, M2170NT ..... 253

108 Secondary Brakes Seat Base – Germany Only, M2170NT ..... 255

109 Electrical – Chassis ..... 257

110 Main Fuse Panel ..... 261

111 Electrical – Chassis Components ..... 263

112 Chassis Relay Module and Fuse Panel Assembly ..... 265

113 Chassis Relay Module – Service Parts ..... 267

114 Electrical – Battery and Cover ..... 269

115 Electrical – Battery Cables ..... 271

116 Electrical – Engine ..... 273

117 Electrical – Firewall Modules ..... 275

118 Electrical – Wheel Legs ..... 277

119 Decals – Safety ..... 279

120 Decals – Information and Reflectors ..... 281

121 Decals – Product Identification ..... 285

122 Paint ..... 287

123 (Option) Bluetooth Software Interface Module ..... 289

124 (Option) Center-Link Self-Alignment ..... 291

125 (Option) Coolant Heater Kit ..... 293

126 (Option) Counterweights – Rear Ballast, M2170 ..... 295

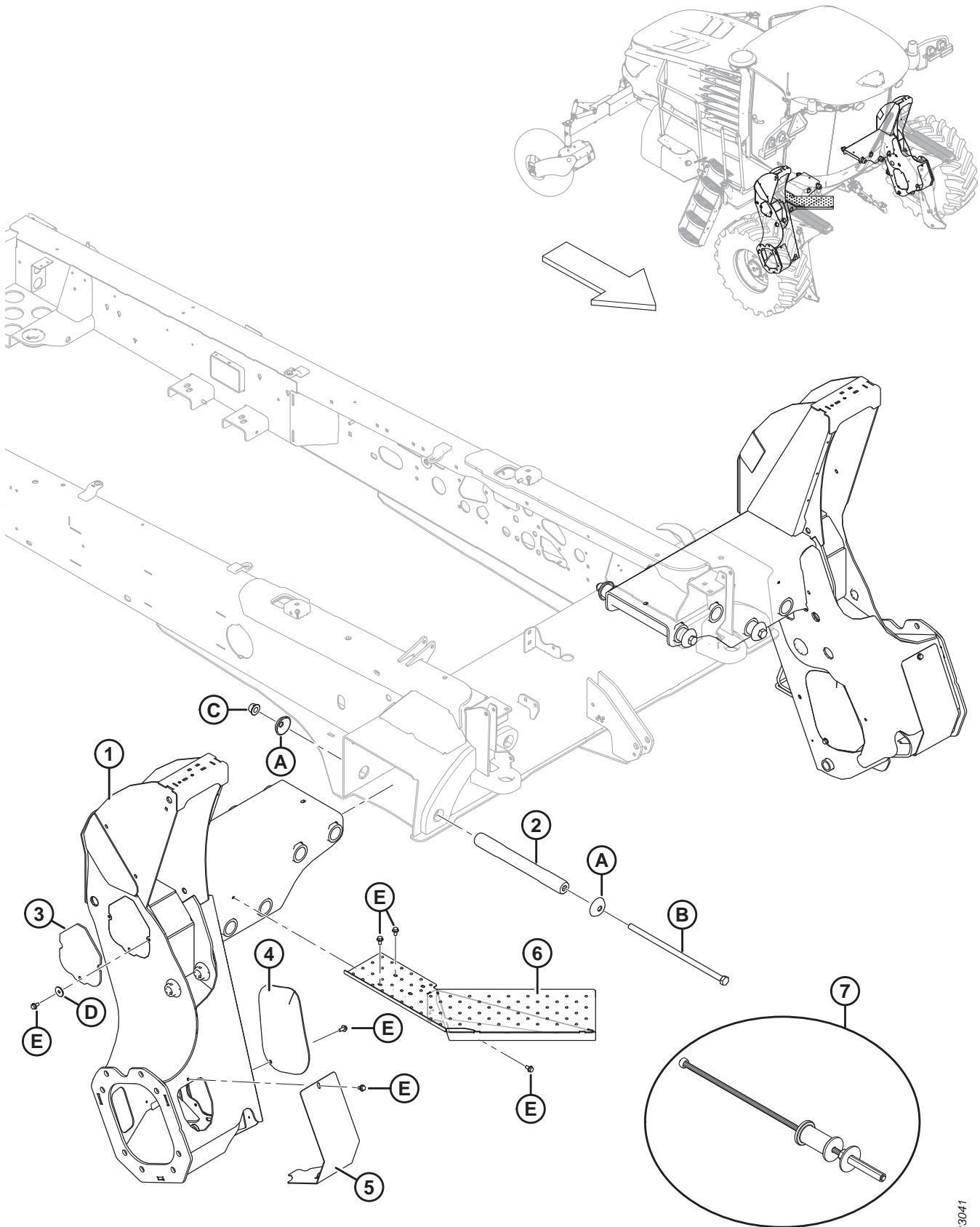
## TABLE OF CONTENTS

---

127	(Option) Counterweights – Rear Ballast, M2170NT .....	297
128	(Option) DWA Shut-Off Kit .....	299
129	(Option) Float Booster Spring .....	301
130	(Option) Float Booster Spring Doubler .....	303
131	(Option) High Debris Cooler Intake.....	305
132	(Option) Left Drive Headlights .....	307
133	(Option) Neutral Setting Service Kit .....	309
134	(Option) Quick Couplers .....	311
135	(Option) Reel Drop Rate Adjustment .....	313
136	(Option) Trimble® Autopilot™ – Electrical .....	315
137	(Option) Trimble® Autopilot™ – Hydraulics .....	317
138	(Option) Trimble® IMD-900 Adapter Harness.....	321
139	(Option) Trimble® TMX Compatibility Kit .....	323
140	(Option) Weight Box – M2170 .....	325
141	(Option) Weight Box – M2170NT .....	327
	Index .....	330



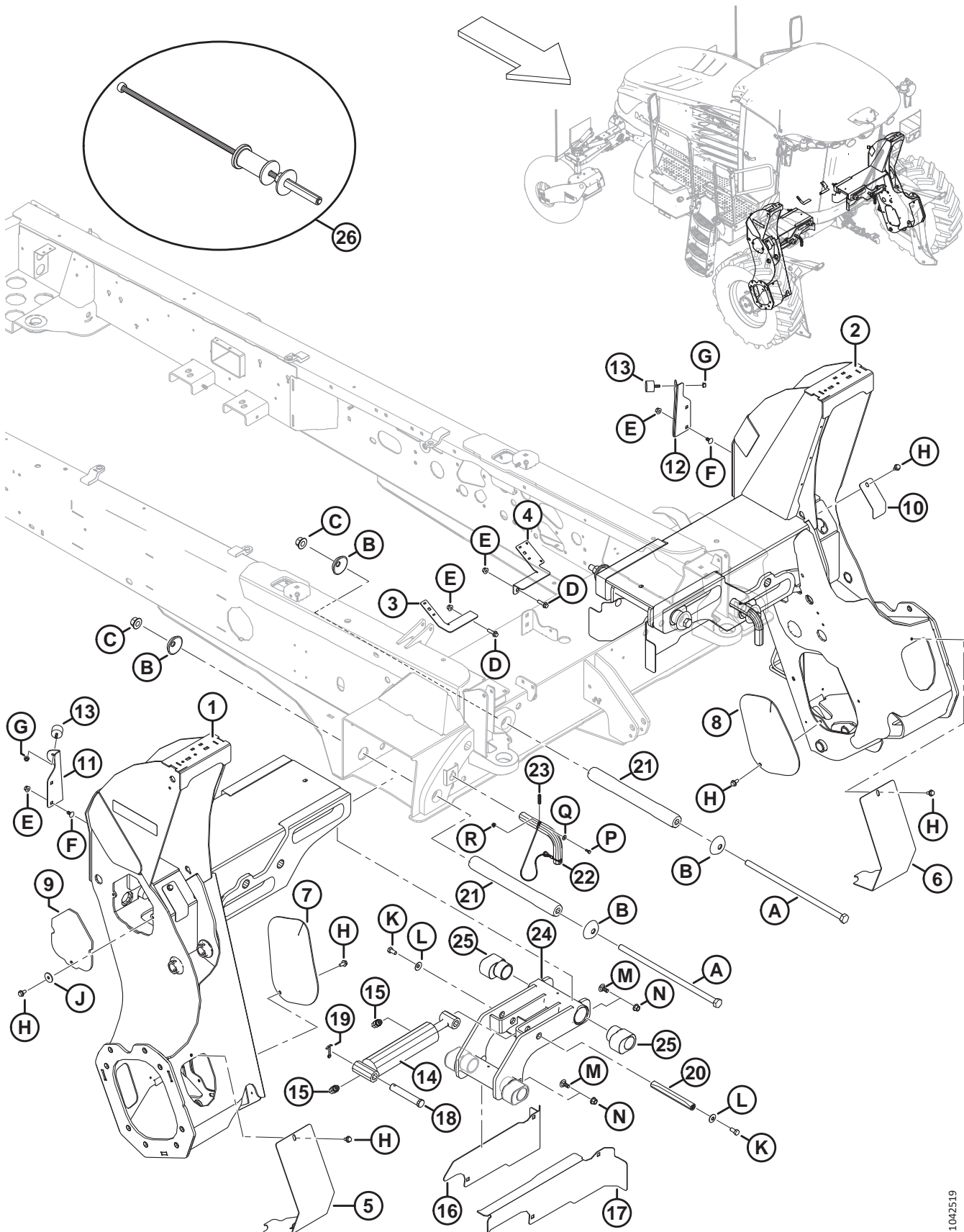
# 1 Wheel Legs – M2170



**WHEEL LEGS – M2170**

<b>Ref</b>	<b>Part Number</b>	<b>Description</b>	<b>Qty</b>	<b>Serial Number</b>
1	362219	LEG – RH, BLACK	1	
	362220	LEG – LH, BLACK	1	
2	207585	PIN – LEG TO FRAME	4	
3	207617	COVER – LEG ACCESS	2	
4	207618	COVER – LEG INNER RH	1	
	207619	COVER – LEG INNER LH	1	
5	207620	COVER – LEG LOWER RH	1	
	207621	COVER – LEG LOWER LH	1	
6	208262	STEP – WINDSHIELD ACCESS	1	
7	209816	ASSY – LEG PIN REMOVAL TOOL	A/R	
A	208340	WASHER – FORMED		
B	136134	BOLT – HEX HD M20 X 2.5 X 500 X SPCL-8.8-A3L		
C	136122	NUT – HEX FLG CTR LOC M20 X 2.5-10-A3L		
D	16652	WASHER – FLAT		
E	136209	SCREW – HEX WASHER HD M10 X 1.5 X 20-450HV-A3L		

## 2 Wheel Legs – M2170NT

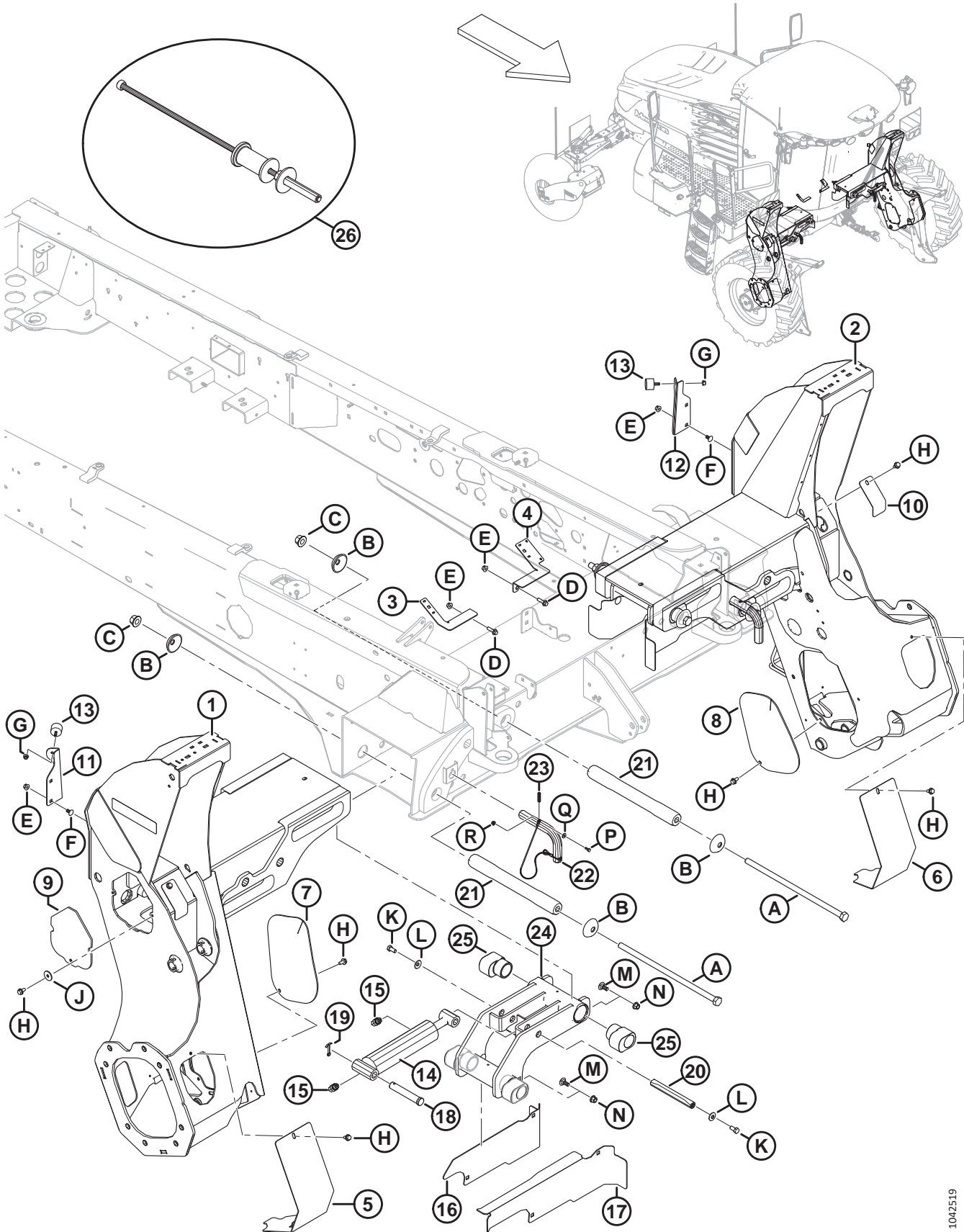


**WHEEL LEGS – M2170NT**

Ref	Part Number	Description	Qty	Serial Number
1	362221	LEG – RH BLACK	1	
2	362222	LEG – LH BLACK	1	
3	310007	SUPPORT – HARNESS, RH	1	
4	310008	SUPPORT – HARNESS,LH	1	
5	207620	COVER – LEG LOWER RH BLACK	1	
6	207621	COVER – LEG LOWER LH BLACK	1	
7	207618	COVER – LEG INNER RH BLACK	1	
8	207619	COVER – LEG INNER LH BLACK	1	
9	207617	COVER – LEG ACCESS BLACK	2	
10	310249	COVER – PIN	2	
11	310273	STOP – DOOR, RH	1	
12	310272	STOP – DOOR, LH	1	
13	203350	BUMPER – RUBBER	2	
14	310792	CYLINDER – 2.75 BORE X 8 IN STROKE	2	
	310820	KIT – SEAL		
15	136149	FITTING – ELBOW 90° HYD	4	
	44209	O-RING – Ø2.21 X Ø16.36		
	135865	O-RING – Ø1.78 X Ø9.25		
16	310242	GUIDE – HOSE B	2	
17	310241	GUIDE – HOSES A	2	
18	49341	PIN – CLEVIS	2	
19	18609	PIN – COTTER 1/4 DIA X 2 ZP	2	
20	141432	PIN – ROD END	2	
21	207585	PIN – LEG TO FRAME	4	
22	306772	ASSY – LOCKOUT PIN, W/ TETHER <sup>1</sup>	2	
	182105	CABLE, SHIELD ANCHOR	2	
23	21095	PIN – SPRING 3/8 DIA X 1.5 LG	1	
24	141394	SUPPORT – LEG, WELDT	2	
25	291733	BUSHING – STEEL	8	
26	209816	LEG PIN REMOVAL TOOL – ASSEMBLY	A/R	
A	136134	BOLT – HEX HD M20 X 2.5 X 500-8.8 ZINC		
B	208340	WASHER – FORMED		
C	136122	NUT – HEX FLG CTR LOC M20 X 2.5-10-AA1J		
D	136211	BOLT – HEX FLG HD M10 X 1.5 X 35-8.8-AA1J		
E	135799	NUT – HEX FLG CTR LOC M10 X 1.5-10		
F	184657	BOLT – RHSSN M10 X 1.5 X 20-8.8-AA1J		
G	135337	NUT – HEX FLG CTR LK M8 X 1.25-8-AA1J		
H	136209	SCREW – HEX WSHR M10 X 1.5 X 20-450HV		
J	16652	WASHER – FLAT		
K	50155	BOLT – HEX HD TFL M12 X 1.75 X 25-8.8-AA1J		
L	184597	WASHER – CON SPRING M12-AA1J		
M	184667	BOLT – RHSN M12 X 1.75 X 30-8.8-ZINC		

1. Includes cable (MD #182105) and spring pin (MD #21095).

WHEEL LEGS - M2170NT



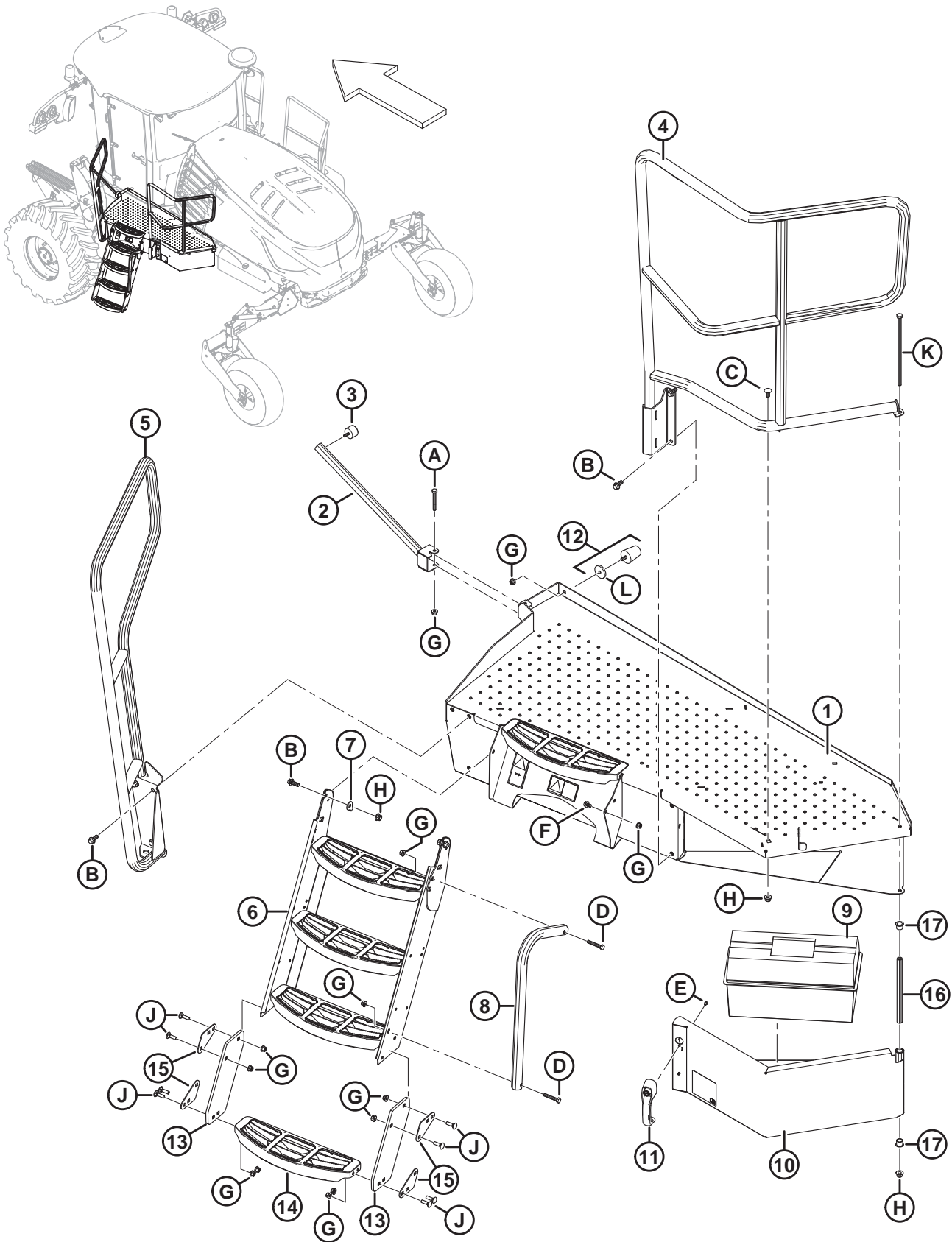
1042519



**WHEEL LEGS – M2170N7**

<b>Ref</b>	<b>Part Number</b>	<b>Description</b>	<b>Qty</b>	<b>Serial Number</b>
N	136431	NUT – HEX FLG CTR LOC M12 X 1.75-10		
P	184642	BOLT – HEX HD TFL M6 X 1 X 16-8.8-AA1J		
Q	184706	WASHER – FLAT LARGE M6-200HV		
R	136771	NUT – HEX FLG TOP LOC M6 X 1-8-A3L		

### 3 Left Platform and Toolbox – M2170



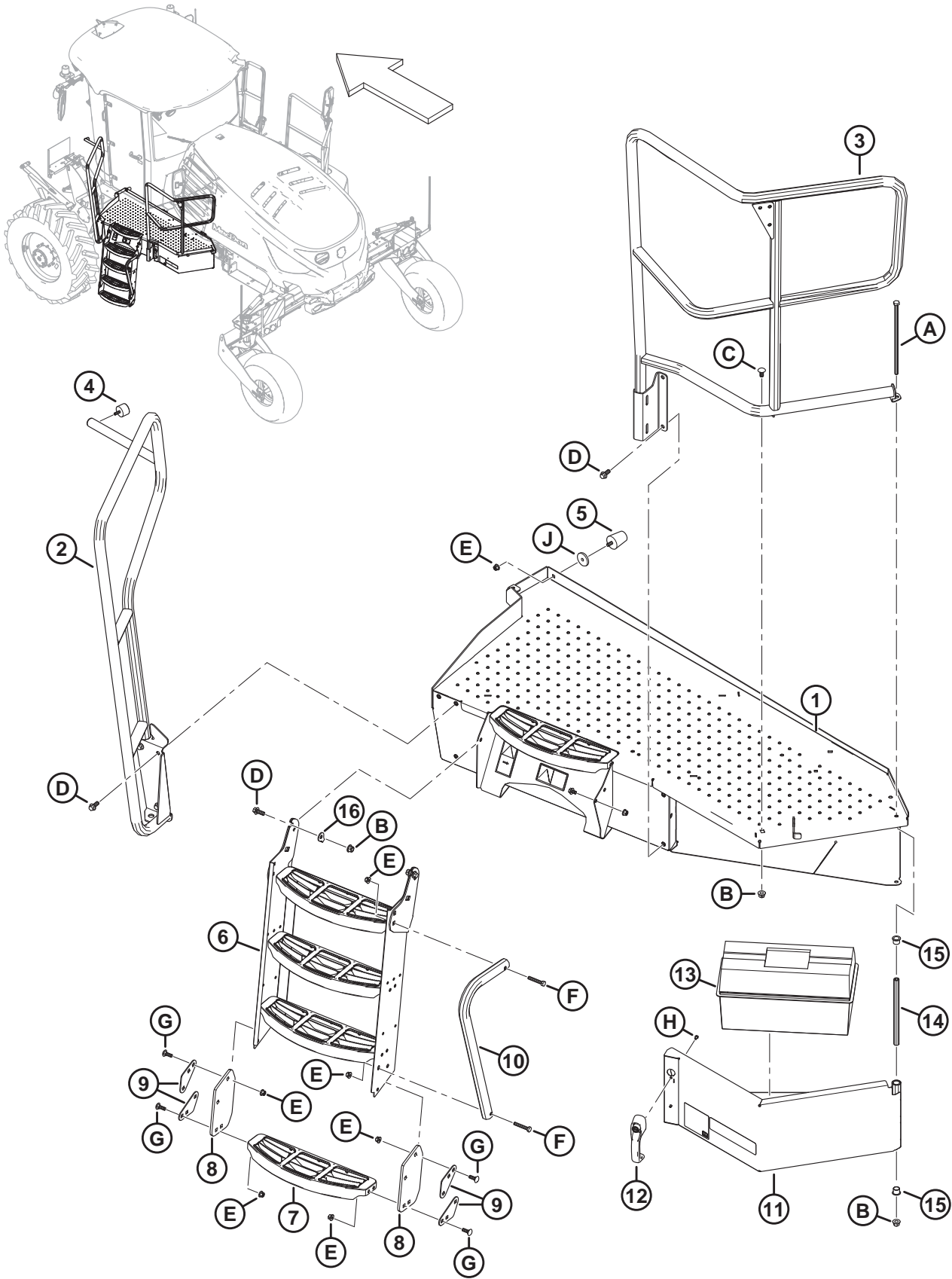
1033617

LEFT PLATFORM AND TOOLBOX – M2170

Ref	Part Number	Description	Qty	Serial Number
1	306255	LH PLATFORM, BLACK <sup>2</sup>	1	
2	207763	SUPPORT – DOOR STOP WELDT	1	
3	203350	BUMPER – RUBBER	1	
4	310880	RAIL – REAR LH WELDT	1	
5	207761	RAIL – LH FRONT WELDT	1	
6	209904	STEP – 3 RUNG	1	
7	202946	CLIP – LOCK	2	
8	209933	RAIL – STEP	1	
9	279150	KIT – TOOL BOX W/ TRANSITION <sup>3</sup>	1	
10	306579	ASSY – TOOL BOX DOOR <sup>4</sup>	1	
11	206709	HANDLE – DOOR	1	
12	306375	KIT – BUMPER <sup>5</sup>	1	
13	291030	MEMBER – FLEXIBLE STEP	2	
14	209932	STEP	1	
15	209719	PLATE – WASHER FLEX STEP	4	
16	139292	TUBE – HINGE	1	
17	207362	BUSHING	2	
A	135657	BOLT – HEX HD M10 X 1.5 X 80-8.8-A3L		
B	148798	BOLT – HEX FLG HD M12 X 1.75 X 30-10.9-A3L		
C	152439	BOLT – RHSSN M12 X 1.75 X 25-8.8-A3L		
D	184664	BOLT – HEX HD M10 X 1.5 X 60-8.8-A3L		
E	136561	BOLT – HEX HD TFL M6 X 1 X 10-8.8-A3L		
F	136151	BOLT – HEX FLG HD TFL M10 X 1.5 X 16-8.8-A3L		
G	135799	NUT – HEX FLG CTR LOC M10 X 1.5-10-A3L		
H	136431	NUT – HEX FLG CTR LOC M12 X 1.75-10-A3L		
J	184662	BOLT – RHSN TFL M10 X 1.5 X 30-8.8-A3L		
K	152192	BOLT – HEX HD M12 X 1.75 X 300 X SPCL-8.8-A3L		
L	306251	WASHER – FLAT		

2. Includes decals (MD #166425, 166829).
3. Includes tool box with tray, tool box transition kit, and instructions.
4. Includes decal (MD #207933) and amber reflector (MD #346208).
5. Bumper kit (MD #306375) includes rubber bumper (NSS) and flat washer (MD #306251).

# 4 Left Platform and Toolbox – M2170NT



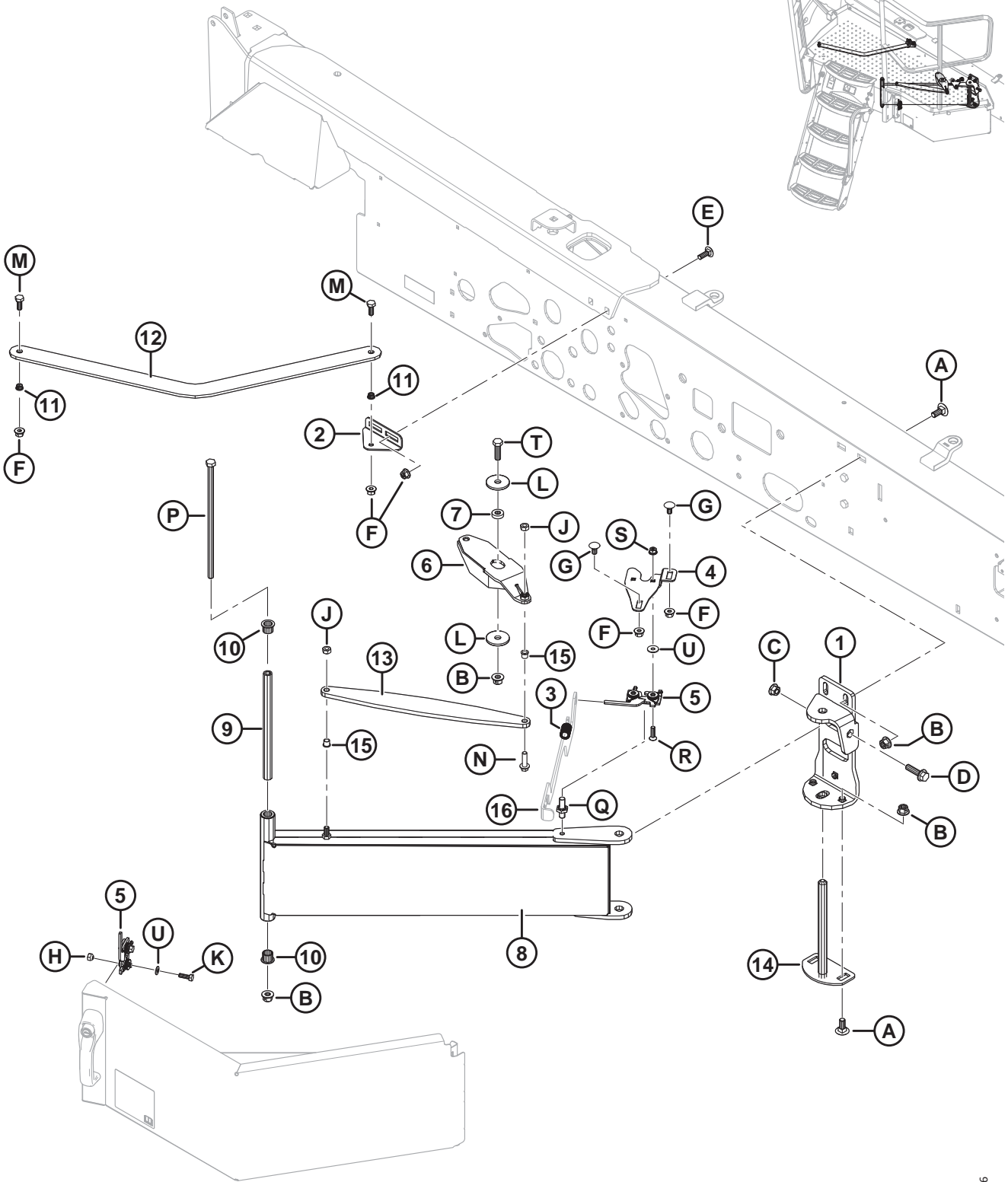
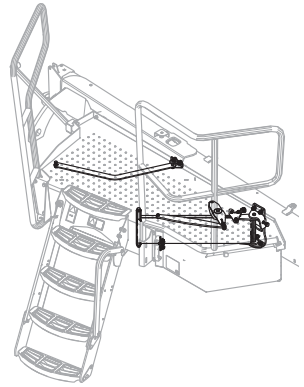
1034253

**LEFT PLATFORM AND TOOLBOX – M2170NT**

<b>Ref</b>	<b>Part Number</b>	<b>Description</b>	<b>Qty</b>	<b>Serial Number</b>
1	306255	ASSY – LH PLATFORM, BLACK	1	
2	310526	RAIL – LH FRONT BLACK	1	
3	310880	RAIL – REAR LH BLACK	1	
4	203350	BUMPER – RUBBER	1	
5	306161	BUMPER – RUBBER	1	
6	310453	STEP – BLACK 3-RUNG, NT	1	
7	209932	STEP – BLACK	1	
8	310455	MEMBER – FLEXIBLE STEP, NT	2	
9	209719	PLATE – WASHER FLEX STEP	4	
10	209933	RAIL – BLACK	1	
11	306579	ASSY – TOOL BOX PLATFORM <sup>6</sup>	1	
12	206709	HANDLE – DOOR	1	
13	279150	TOOL BOX – KIT, C/W TRANSITION	1	
14	139292	TUBE – HINGE	1	
15	207362	BUSHING	2	
16	202946	CLIP – LOCK	2	
A	152192	BOLT – HEX HD M12 X 1.75 X 300 X SPCL-8.8-A3L		
B	136431	NUT – HEX FLG CTR LOC M12 X 1.75-10-A3L		
C	152439	BOLT – RHSSN M12 X 1.75 X 25-8.8-A3L		
D	148798	BOLT – HEX FLG HD M12 X 1.75 X 30-10.9-A3L		
E	135799	NUT – HEX FLG CTR LOC M10 X 1.5-10-A3L		
F	184664	BOLT – HEX HD M10 X 1.5 X 60-8.8-A3L		
G	184662	BOLT – RHSN TFL M10 X 1.5X30-8.8-A3L		
H	136561	BOLT – HEX HD TFL M6 X 1 X 10-8.8-A3L		
J	306251	WASHER – FLAT		

6. Includes toolbox platform and lubrication decal (MD #207933), and amber reflector (MD #346208). Toolbox (MD #279150) must be ordered separately.

# 5 Left Platform Mechanism

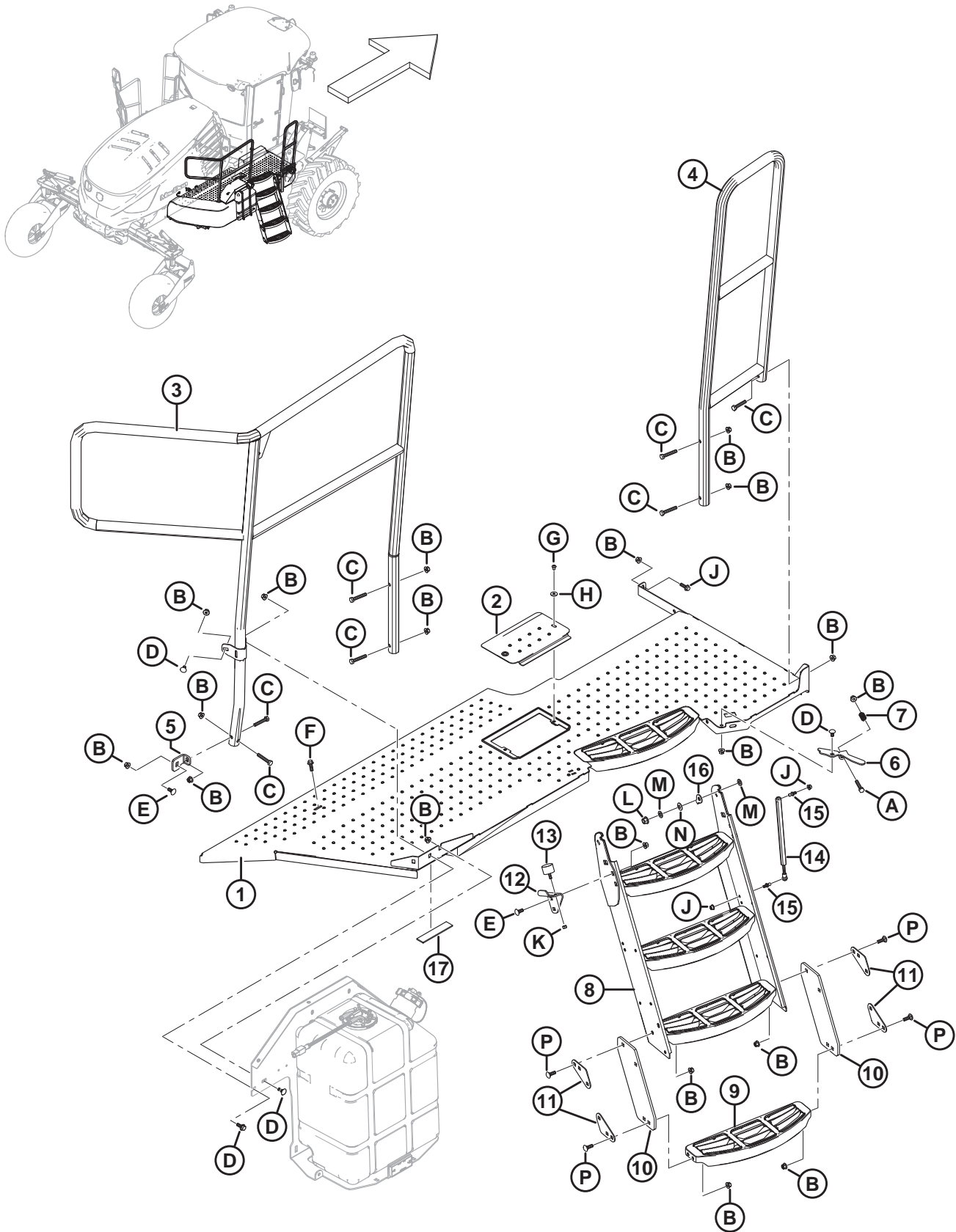


**LEFT PLATFORM MECHANISM**

<b>Ref</b>	<b>Part Number</b>	<b>Description</b>	<b>Qty</b>	<b>Serial Number</b>
1	208611	BRACKET – HINGE WELDT	1	
2	203211	SUPPORT – PLATFORM ARM	1	
3	19739	SPRING – COMPRESSION	1	
4	203201	SUPPORT – LATCH, PLATFORM	1	
5	134003	ASSY – STIRRUP LATCH	2	
6	291025	ARM – STRIKER, WELDT	1	
7	291215	SPACER – 12.4-13.0 MM I.D., 25.4 MM O.D., 5-5.4 MM LG	1	
8	203192	SUPPORT – PLATFORM, WELDT	1	
9	139292	TUBE – HINGE	1	
10	207362	BUSHING – .75 IN. I.D., .875 IN. O.D., .75 IN. WIDE	2	
11	203213	BUSHING – BRONZE (SHORT)	2	
12	209811	ARM – PLATFORM	1	
13	209650	LINK – PLATFORM	1	
14	110585	PIN – WELDT	1	
15	271208	BUSHING – BRONZE (LONG)	2	
16	REF	LINK – LATCH RELEASE <sup>7</sup>		
A	184667	BOLT – RHSN M12 X 1.75 X 30-8.8-A3L		
B	136431	NUT – HEX FLG CTR LOC M12 X 1.75-10-A3L		
C	136036	NUT – HEX SMTH FLG M12 X 1.75-8-A3L		
D	148799	BOLT – HEX FLG HD M12 X 1.75 X 45-10.9-A3L		
E	184662	BOLT – RHSN TFL M10 X 1.5 X 30-8.8-A3L		
F	135799	NUT – HEX FLG CTR LOC M10 X 1.5-10-A3L		
G	136178	BOLT – RHSN M10 X 1.5 X 20-8.8-A3L		
H	136417	NUT – HEX SPCL M8 X 1.25		
J	30505	NUT – HEX M10 X 1.5-10-A3L		
K	50140	BOLT – HEX HD M8 X 1.25 X 30-8.8-A2L		
L	11695	WASHER – FLAT, 13.46 MM I.D., 50 MM O.D., 4.5 MM THK		
M	30627	BOLT – HEX HD TFL M10 X 1.5 X 25-8.8-A3L		
N	136211	BOLT – HEX FLG HD M10 X 1.5 X 35-8.8-A3L		
P	152192	BOLT – HEX HD M12 X 1.75 X 300 X SPCL-8.8-A3L		
Q	136598	BOLT – STRIKER		
R	135336	SCREW – CSK MACH FLAT SOC HD M8 X 30 GR 5 ZP		
S	184688	NUT – HEX NYLOC M8 X 1.25-8-A2L		
T	152730	BOLT – HEX HD TFL M12 X 1.75 X 35-10.9-A3L		
U	184709	WASHER – FLAT LARGE M8-200HV-A2L		

7. The latch release link (NSS) is part of the LH platform support weldment (NSS).

# 6 Right Platform – M2170



1042099

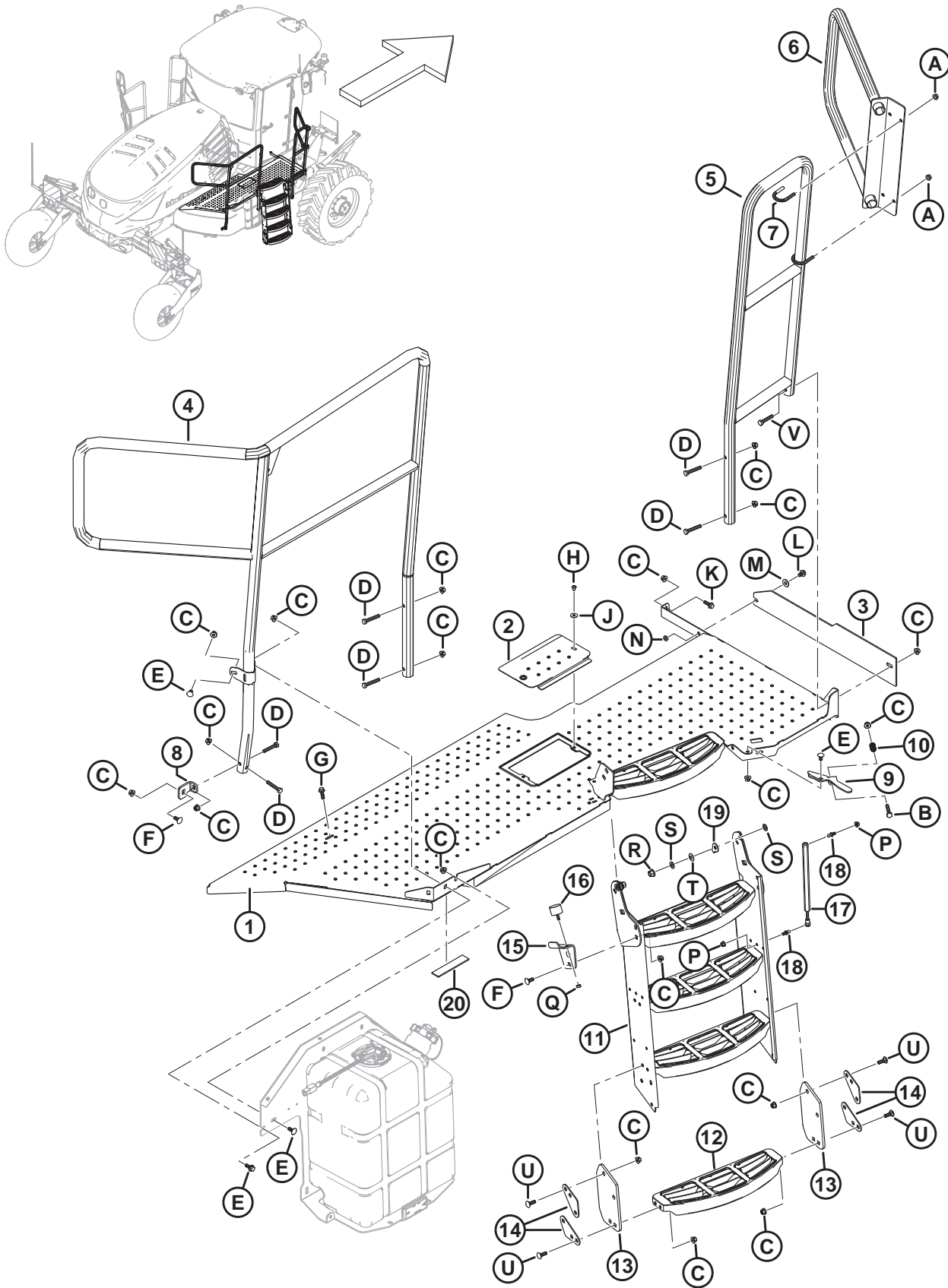


**RIGHT PLATFORM – M2170**

<b>Ref</b>	<b>Part Number</b>	<b>Description</b>	<b>Qty</b>	<b>Serial Number</b>
1	271251	SUPPORT – RH PLATFORM BLACK	1	
2	271254	COVER – HATCH FUEL SENDER BLACK	1	
3	310883	RAIL – RH REAR, BLACK	1	
4	207587	RAIL – RH FRONT, BLACK	1	
5	271094	ANGLE – RAIL MOUNT BOTTOM BLACK	1	
6	209722	LATCH – STEP	1	
7	35618	SPRING – COMPRESSION	1	
8	209904	STEP – BLACK 3-RUNG	1	
9	209932	STEP – BLACK	1	
10	291030	MEMBER – FLEXIBLE STEP	2	
11	209719	PLATE – WASHER FLEX STEP	4	
12	206434	SUPPORT – BUMPER	1	
13	203350	BUMPER – RUBBER	1	
14	200653	SPRING – GAS	1	
15	136188	STUD – BALL (10 MM); M8 THREAD	2	
16	202946	CLIP – LOCK	2	
17	248469	FOAM SEAL	1	
A	152193	BOLT – HEX HD M10 X 1.5 X 55 X 8.8-A3L		
B	135799	NUT – HEX FLG CTR LOC M10 X 1.5-10-A3L		
C	184664	BOLT – HEX HD M10 X 1.5 X 60-8.8-A3L		
D	184657	BOLT – RHSSN M10 X 1.5 X 20-8.8-A3L		
E	135785	BOLT – RHSN M10 X 1.5 X 25-8.8-A3L		
F	184665	BOLT – HEX FLG HD M10 X 1.5 X 30-10.9-A3L		
G	252292	SCREW – HEX SOC BTN HD M8 X 1.25 X 12-10.9-AA1J		
H	184709	WASHER – FLAT LARGE M8-200HV		
J	135337	NUT – HEX FLG CTR LOC M8 X 1.25-8-A2L		
K	184687	NUT – HEX M8 X 1.25-8-A2L		
L	136431	NUT – HEX FLG CTR LOC M12 X 1.75-10-A3L <sup>8</sup>		
M	184714	WASHER – FLAT REG M12-300HV-A3L		
N	184596	WASHER – CON SPRING M12 A STL		
P	184662	BOLT – RHSN TFL M10 X 1.5 X 30-8.8-A3L		

8. This nut (MD #136431) attaches to welded bolts on the fuel tank support (MD #271083); refer to Section *8 Right Support and Tanks, page 17*.

# 7 Right Platform – M2170NT

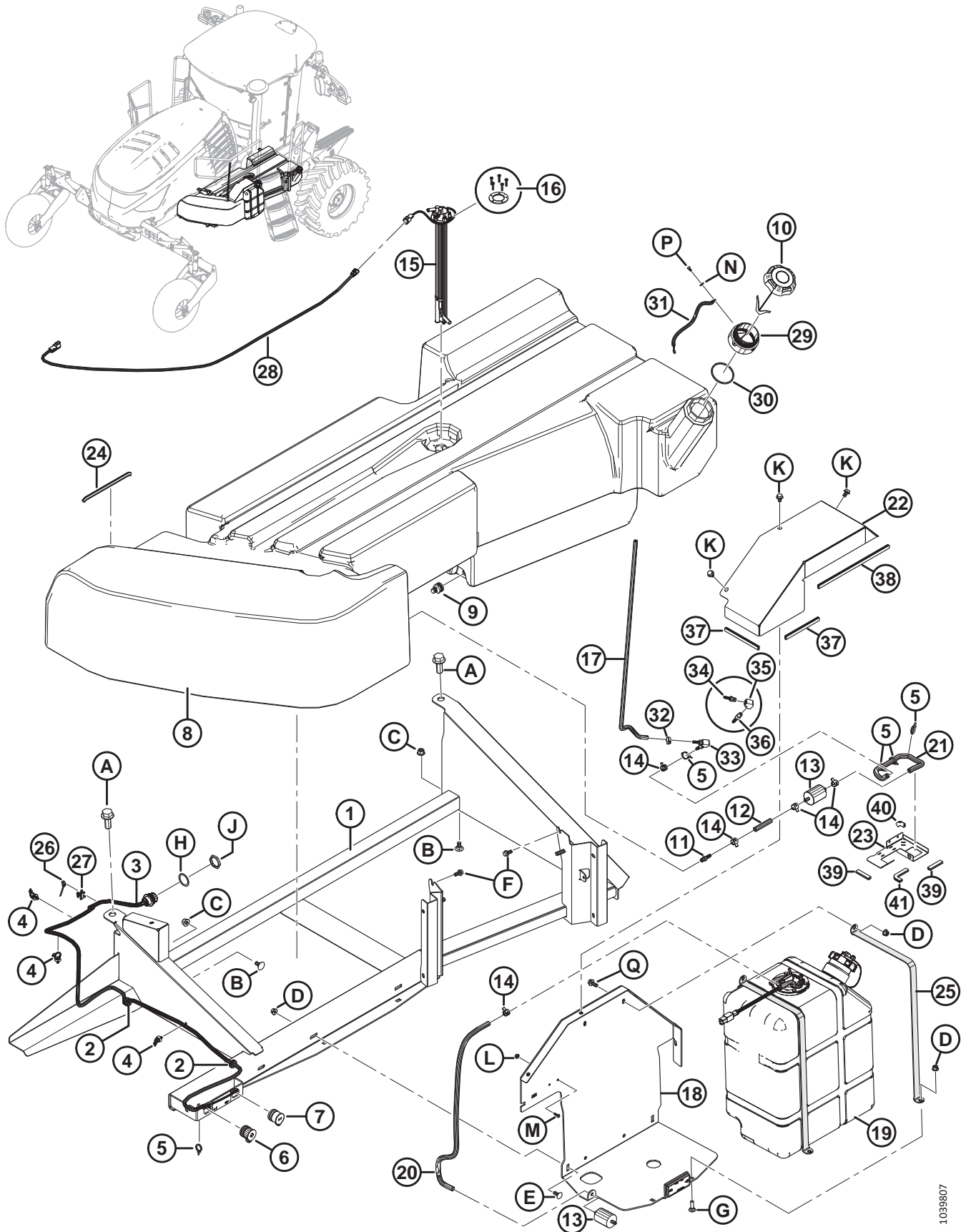


**RIGHT PLATFORM – M2170NT**

Ref	Part Number	Description	Qty	Serial Number
1	271251	SUPPORT – RH PLATFORM BLACK	1	
2	271254	COVER – HATCH FUEL SENDER BLACK	1	
3	310555	BRACKET – FOOT GUARD	1	
4	310883	RAIL – RH REAR, BLACK	1	
5	207587	RAIL – RH FRONT, BLACK	1	
6	310562	RAIL – EXTENSION WELDT	1	
7	291724	U-BOLT – 3/8-16, AA1J	2	
8	271094	ANGLE – RAIL MOUNT BOTTOM BLACK	1	
9	209722	LATCH – STEP	1	
10	35618	SPRING – COMPRESSION	1	
11	310453	STEP – BLACK 3-RUNG, NT	1	
12	209932	STEP – BLACK	1	
13	310455	MEMBER – FLEXIBLE STEP, NT	2	
14	209719	PLATE – WASHER FLEX STEP	4	
15	310789	SUPPORT – BUMPER, NT	1	
16	203350	BUMPER – RUBBER	1	
17	200653	SPRING – GAS	1	
18	136188	STUD – BALL (10 MM); M8 THREAD	2	
19	202946	CLIP – LOCK	2	
20	248469	FOAM SEAL	1	
A	30228	NUT – FLG DT SM FACE 3/8-16 UNC-GR5-AA1J		
B	152193	BOLT – HEX HD M10 X 1.5 X 55 X 8.8-A3L		
C	135799	NUT – HEX FLG CTR LOC M10 X 1.5-10-A3L		
D	184664	BOLT – HEX HD M10 X 1.5 X 60-8.8-A3L		
E	184657	BOLT – RHSSN M10 X 1.5 X 20-8.8-A3L		
F	135785	BOLT – RHSN M10 X 1.5 X 25-8.8-A3L		
G	184665	BOLT – HEX FLG HD M10 X 1.5 X 30-10.9-A3L		
H	252292	SCREW – HEX SOC BTN HD M8 X 1.25 X 12-10.9-AA1J		
J	184709	WASHER – FLAT LARGE M8-200HV		
K	152655	BOLT – HEX FLG HD M10 X 1.5 X 20-8.8-A3L		
L	136151	BOLT – HEX FLG HD TFL M10 X 1.5 X 16-8.8-AA1J		
M	30635	WASHER – FLAT REG M10-STL-SOFT-AA1J		
N	136442	NUT – HEX THIN M10 X 1.5-05-AA1J		
P	135337	NUT – HEX FLG CTR LOC M8 X 1.25-8-A2L		
Q	184687	NUT – HEX M8 X 1.25-8-A2L		
R	136431	NUT – HEX FLG CTR LOC M12 X 1.75-10-A3L <sup>9</sup>		
S	184714	WASHER – FLAT REG M12-300HV-A3L		
T	184596	WASHER – CON SPRING M12 A STL		
U	184662	BOLT – RHSN TFL M10 X 1.5 X 30-8.8-A3L		
V	184664	BOLT – HEX HD M10 X 1.5 X 60-8.8-AA1J		

9. This nut (MD #136431) attaches to welded bolts on the fuel tank support (MD #271083); refer to Section *8 Right Support and Tanks, page 17*.

# 8 Right Support and Tanks



1039807

**RIGHT SUPPORT AND TANKS**

Ref	Part Number	Description	Qty	Serial Number
1	271083	SUPPORT – FUEL TANK, BLACK	1	
2	206482	GROMMET – 15.9 I.D., 22.2 GROOVE, 28.6 O.D.	2	
3	207294	HARNESS – AUXILIARY POWER	1	
4	136655	FASTENER – FIR TREE MOUNT WITH CABLE TIE	3	
5	21763	FASTENER – CABLE TIE, BLACK, 160 MM LG	5	
6	134622	CONNECTOR – AUX. POWER, 3/8 IN. STUD, (+) RED	1	
7	134623	CONNECTOR – AUX. POWER, 3/8 IN. STUD, (-) BLACK	1	
8	200699	ASSEMBLY – FUEL TANK (EXCLUDING FUEL SENDER) <sup>10</sup>	1	
9	204080	FITTING – DRAIN	1	
10	207374	CAP – FUEL TANK	1	
11	21046	FITTING – BARBED 1/4 NPT X 3/8 I.D. HOSE	1	
12	310766	HOSE – FUEL, 50 MM LG ±10	1	
13	111608	FILTER – FUEL STRAINER	2	
14	136743	CLAMP – 16 MM I.D., SPRING TYPE	5	
15	271146	SENDER – FUEL, GROUNDED <sup>11</sup>	1	
16	207988	KIT – HARDWARE, FUEL SENDER	A/R	
17	346193	HOSE – FUEL, 5/16 IN. I.D., 890 MM LG	1	
18	346040	ASSEMBLY – TANK SUPPORT W REFLECTOR <sup>12</sup>	1	
19	REF	ASSEMBLY – DEF TANK <sup>13</sup>		
20	310764	HOSE – DEF VENT, 875 MM LG	1	
21	310765	HOSE – FUEL VENT, 365 MM LG, 3/8 IN I.D.	1	
22	306305	COVER – DEF TANK	1	
23	306294	GUIDE – VENT HOSE	1	
24	45427	MOULDING – RH (SPEC 31886)	1	
25	306304	STRAP – DEF TANK	2	
26	30753	FASTENER – CABLE TIE, BLACK, 305 MM LG	2	
27	134442	SPACER – DUAL SWIVEL SADDLE	1	
28	271184	HARNESS – FUEL SENDER EXTENSION	1	
29	209833	TUBE – FUEL NECK	1	
30	271238	GASKET – FUEL FILLER EXTENSION	1	
31	310001	CABLE – FUEL FILLER NECK GND	1	
32	30500	CLAMP – HOSE GEAR TYPE	1	
33	346188	ASSEMBLY – CHECK VALVE <sup>14</sup>	1	
34	30937	FITTING – BARBED 1/4 NPT X 5/16 ID HOSE	1	
35	346189	ELBOW – 1/4 NPT TO 1/4 NPT	1	
36	346187	VALVE – INLINE VENT CHECK	1	
37	NSS	MOULDING – 160 MM	2	

10. Includes drain fitting (MD #204080), cap (MD #207374), barbed fitting (MD #21046), hose (MD #205473), one filter (MD #111608), and two clamps (MD #136743).

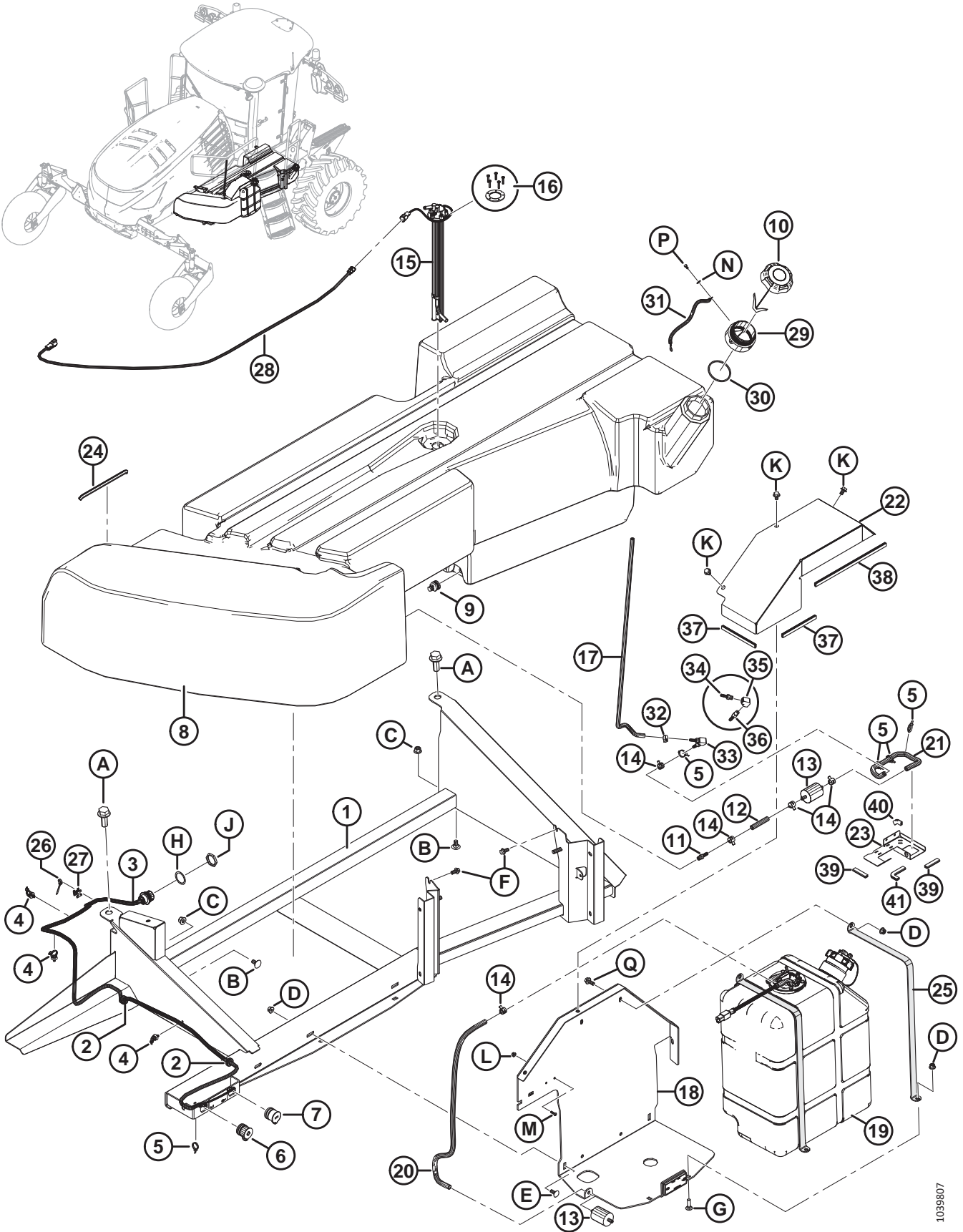
11. Includes gasket and five screws.

12. Includes amber reflector (MD #346208).

13. For service parts, refer to Section [9 Diesel Exhaust Fluid Tank, page 21](#).

14. Check valve assembly (MD #346188) includes check valve (MD #346187), elbow fitting (MD #346189), and barbed fitting (MD #30937).

RIGHT SUPPORT AND TANKS



1039807

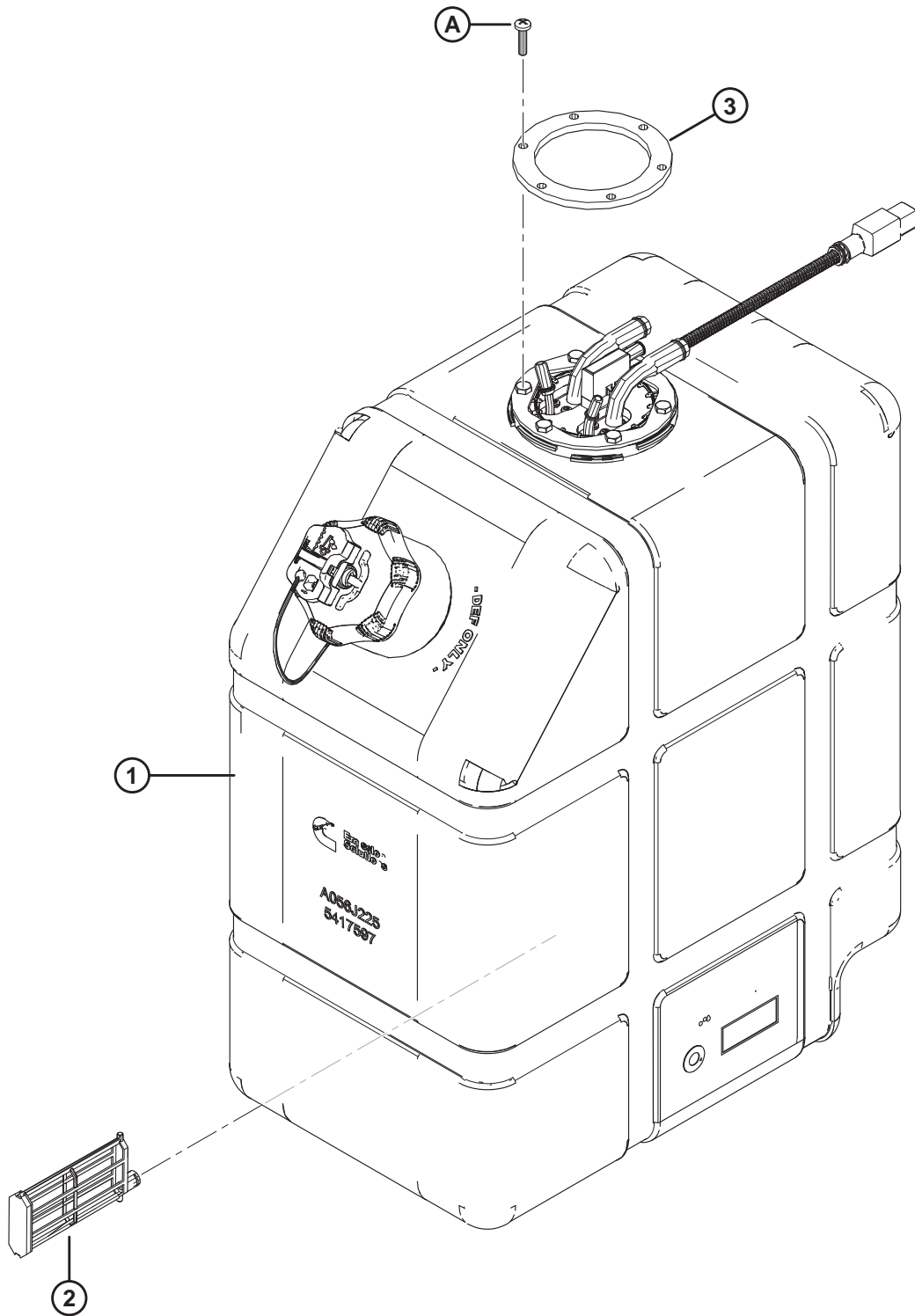
**RIGHT SUPPORT AND TANKS**

<b>Ref</b>	<b>Part Number</b>	<b>Description</b>	<b>Qty</b>	<b>Serial Number</b>
38	NSS	MOULDING – 340 MM	1	
39	NSS	MOULDING – 60 MM	2	
40	NSS	MOULDING – 35 MM	1	
41	NSS	MOULDING – 80 MM	1	
A	136662	BOLT – HEX FLG HD TFL M20 X 50-10.9-A3L ASTM568M		
B	135903	BOLT – RHSN M12 X 1.75 X 25-8.8-A3L		
C	136431	NUT – HEX FLG CTR LOC M12 X 1.75-10-A3L		
D	135799	NUT – HEX FLG CTR LOC M10 X 1.5-10-A3L		
E	135785	BOLT – RHSN M10 X 1.5 X 25-8.8-A3L		
F	152655	BOLT – HEX FLG HD M10 X 1.5 X 20-8.8-A3L <sup>15</sup>		
G	135691	BOLT – RHSN TFL M10 X 1.5 X 35-8.8-AA1J		
H	134729	WASHER – LOCK, HDP20, SIZE 18		
J	134727	NUT – PANEL, HDP20, SIZE 18		
K	136151	BOLT – HEX FLG HD TFL M10 X 1.5 X 16-8.8-AA1J		
L	152668	NUT – HEX FLG CTR LOC M6 X 1-8		
M	136886	SCR – HEX SOC BTN M6 X 1 X 16-10.9-AA1T		
N	184701	WASHER – FLAT LARGE M5-200HV		
P	197224	SCREW – HEX SOC HD TFL M5 X 0.8 X 10-8.8-A2L		
Q	135783	BOLT – HEX FLG HD TFL M10 X 1.5 X 25-10.9-AA1J		

---

15. Bolts attach to RH platform support (MD #271251).

# 9 Diesel Exhaust Fluid Tank





**DIESEL EXHAUST FLUID TANK**

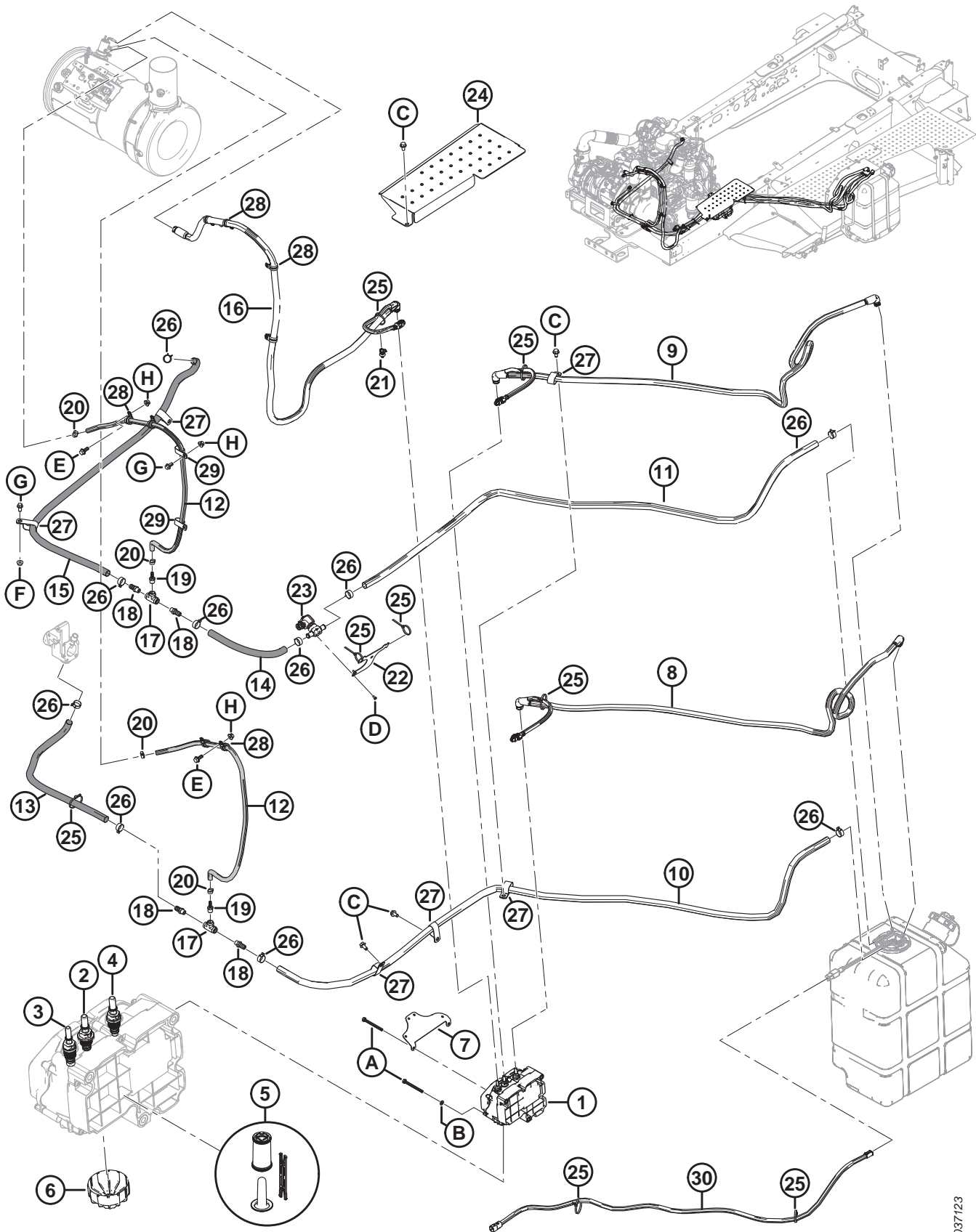
<b>Ref</b>	<b>Part Number</b>	<b>Description</b>	<b>Qty</b>	<b>Serial Number</b>
1	NSS	ASSEMBLY – DEF TANK CUMMINS W/ HEAD <sup>16</sup>	1	
2	291162	HOUSING – LIQUID FILTER, S/A <sup>17</sup>	1	
3	291158	GASKET – DEF HEAD	1	
A	136252	SCREW – PAN HD M6 X 1 X 25-4.8-H-SS		

---

16. DEF tank assembly and remaining service parts not listed are serviced through Cummins. Contact your Cummins Dealer. Cummins part number: CES # AO51Y803.

17. Includes 40 micron filter (NSS), O-ring (NSS), and clip (NSS).

# 10 Diesel Exhaust Fluid Plumbing



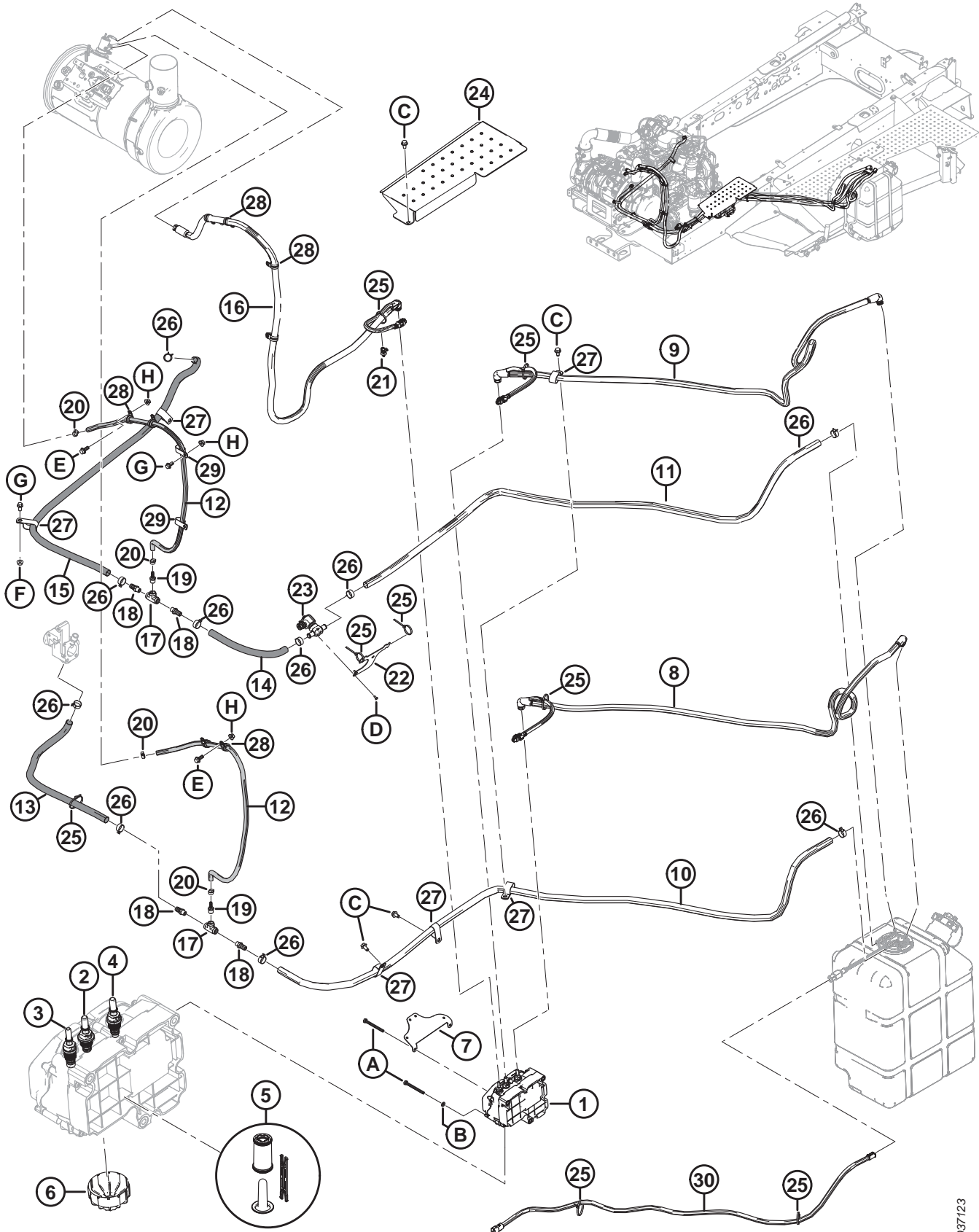
1037123

**DIESEL EXHAUST FLUID PLUMBING**

Ref	Part Number	Description	Qty	Serial Number
1	NSS	MODULE – DEF SUPPLY, STAGE V, CUMMINS <sup>18</sup>		
2	166998	FITTING – CONNECTOR (BACKFLOW)	1	
	207504	GASKET – CIRCULAR (O-RING)		
3	207503	FITTING – CONNECTOR (INLET)	1	
	207504	GASKET – CIRCULAR (O-RING)		
4	207506	FITTING – CONNECTOR (OUTLET)	1	
	207504	GASKET – CIRCULAR (O-RING)		
5	207510	KIT – FILTER, SUPPLY MODULE	1	
6	207511	CAP – FILTER	1	
7	207378	BRACKET – HARNESS	1	
8	362332	HOSE – DEF, SUCTION, STAGE 5, 2000 MM LG, SSI	1	
	207961	CLIP – DEF HOSE, 3/8 IN.		
9	362334	HOSE – DEF, BACKFLOW, STAGE 5, 2000 MM LG, SSI	1	
	207961	CLIP – DEF HOSE, 3/8 IN.		
	207962	CLIP – DEF HOSE, 5/16 IN.		
10	310759	HOSE – COOLANT, 5/8 IN. I.D., 2525 MM LG	1	
11	310760	HOSE – COOLANT, 5/8 IN. I.D., 2070 MM LG	1	
12	310762	HOSE – COOLANT (5/16 IN. I.D.) SILICONE, 1110 MM LG	2	
13	203578	HOSE – COOLANT, 5/8 IN. I.D., 740 MM LG	1	
14	206611	HOSE – COOLANT, 5/8 IN. I.D., 360 MM LG ±20	1	
15	204018	HOSE – COOLANT, 5/8 IN. I.D., 1600 MM LG	1	
16	362333	HOSE – DEF, PRESSURE, STAGE 5, 2000 MM LG	1	
	207962	CLIP – DEF HOSE, 5/16 IN.		
	346216	CLIP – DEF HOSE, 1/4 IN.		
17	293188	FITTING – TEE	2	
18	30331	FITTING – BARBED 3/8 NPT X 5/8 ID	4	
19	293187	FITTING – BARBED 3/8 NPT X 5/16 ID	2	
20	30500	CLAMP – HOSE, GEAR TYPE	4	
21	136655	FASTENER – FIR TREE MOUNT WITH CABLE TIE	1	
22	209867	BRACKET – VALVE	1	
23	203402	VALVE – SCREW-COOLANT	1	
24	205263	COVER – HOSES	1	
25	21763	FASTENER – CABLE TIE, BLACK, 160 MM LG	8	
26	112692	CLAMP – HOSE	10	
27	50022	CLAMP – INSULATED 15/16 IN.	6	
28	135709	CLAMP – INSULATED 3/4 IN.	8	
29	300577	CLAMP – DBL INSULATED 3/4 IN.	2	
30	306295	HARNESS – EXTENSION, DEF TANK, STAGE 5	1	
A	30626	BOLT – HEX HD M8 X 1.25 X 90-8.8-A2L		
B	184708	WASHER – FLAT M8-200HV-A2L		

18. Part serviced through Cummins. Contact your Cummins dealer. Cummins part #5418805.

# DIESEL EXHAUST FLUID PLUMBING

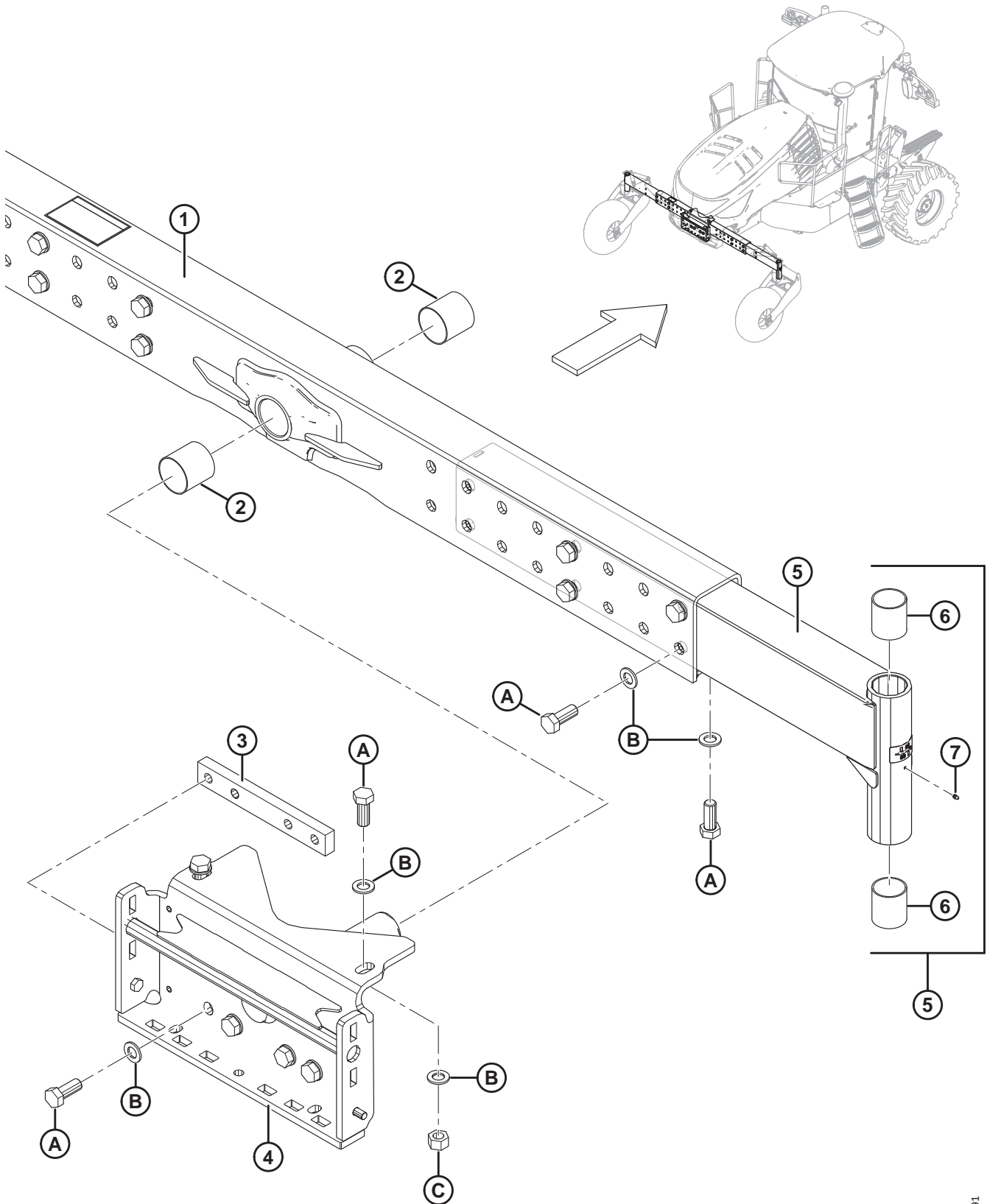


1037123

### DIESEL EXHAUST FLUID PLUMBING

Ref	Part Number	Description	Qty	Serial Number
C	136209	SCREW – HEX WASHER HD M10 X 1.5 X 20-450HV-A3L		
D	136263	BOLT – HEX HD TFL M5 X 0.8 X 10-8.8-A2L		
E	135723	SCREW – HEX SOC BTN HD M10 X 1.5 X 20-10.9-AA1J		
F	135927	NUT – HEX SMTH FLG M10 X 1.5-8-A3L		
G	152655	BOLT – HEX FLG HD M10 X 1.5 X 20-8.8-A3L		
H	135799	NUT – HEX FLG CTR LOC M10 X 1.5-10		

# 11 Walking Beam – M2170



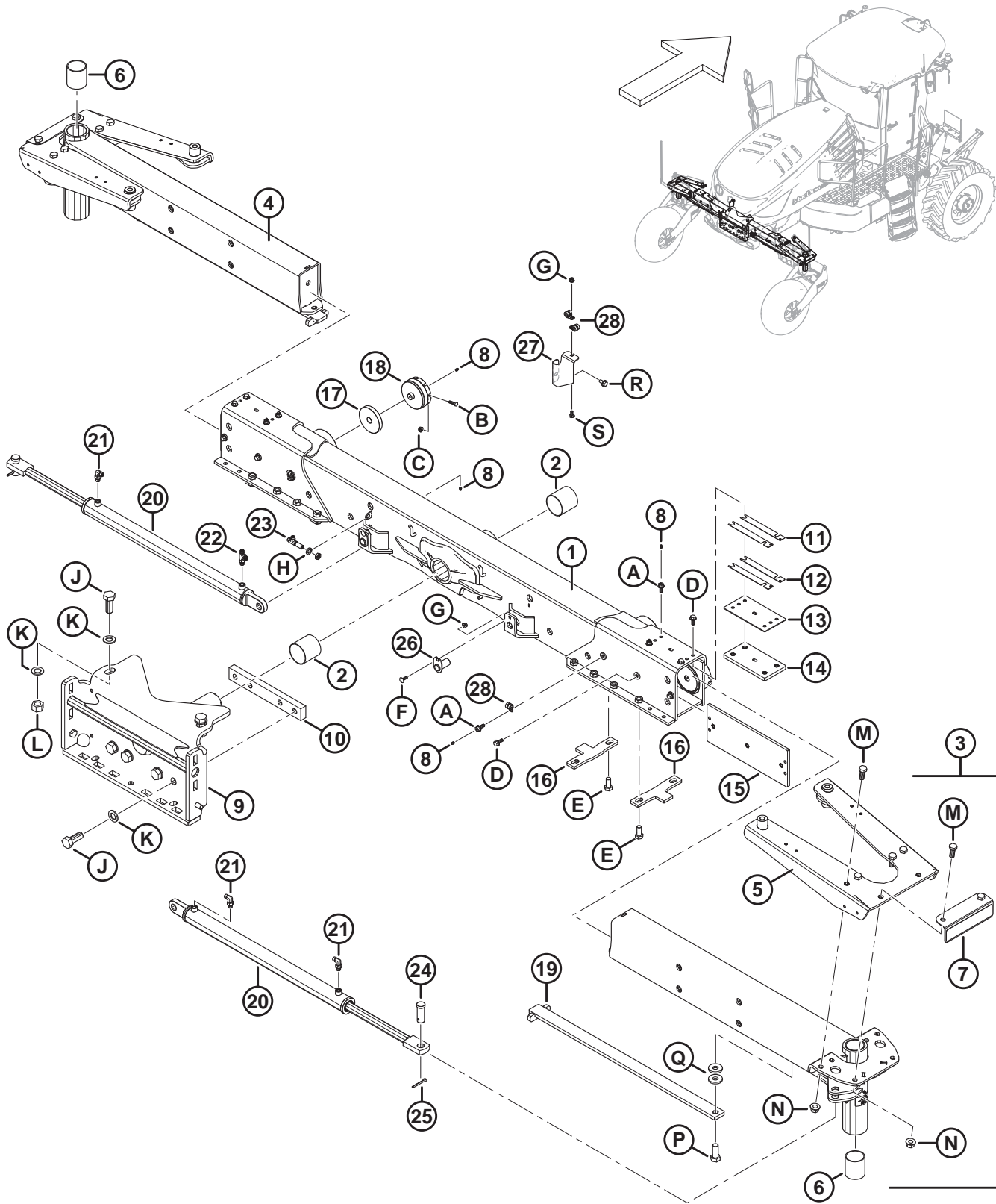
**WALKING BEAM – M2170**

<b>Ref</b>	<b>Part Number</b>	<b>Description</b>	<b>Qty</b>	<b>Serial Number</b>
1	306988	BEAM – CENTER ASSEMBLY <sup>19</sup>	1	
2	291527	BUSHING – 3 IN.	2	
3	204429	BAR – CLAMP	1	
4	207699	PIVOT WELDMENT – BLACK	1	
5	201622	BEAM – LH ASSY BLACK <sup>20</sup>	1	
	201623	BEAM – RH ASSY BLACK <sup>20</sup>	1	
6	202661	BUSHING – SLEEVE	4	
7	18671	FITTING – LUBE 1/4-28 UNF	2	
A	136366	BOLT – HEX HD M24 X 3 X 60-10.9-A3L		
B	136367	WASHER – FLAT REG M24-300HV-A3L		
C	136376	NUT – HEX M24 X 3-10-A3L		

19. Includes two bushings (MD #291527) and decal (MD #207087). Refer to Section *120 Decals – Information and Reflectors, page 281*.

20. Includes lube fitting (MD #18671), two bushings (MD #202661), and decal (MD #23165). Refer to Section *120 Decals – Information and Reflectors, page 281*.

# 12 Walking Beam – M2170NT



1042513



**WALKING BEAM – M2170NT**

Ref	Part Number	Description	Qty	Serial Number
1	306995	BEAM – CENTER ASSEMBLY, NT <sup>21</sup>	1	
2	291527	BUSHING – 3 INCH	2	
3	271193	BEAM – RH ASSY BLACK <sup>22</sup>	1	
4	271192	BEAM – LH ASSY BLACK <sup>22</sup>	1	
5	141333	SUPPORT – SHOCK WELDT	2	
6	202661	BUSHING – SLEEVE	4	
7	346001	ASSY – BRACKET C/W REFLECTOR <sup>23</sup>	2	
8	18671	FITTING – LUBE 1/4-28 UNF	18	
9	207699	PIVOT WELDMENT – BLACK	1	
10	204429	BAR – CLAMP	1	
11	310501	SHIM – 20 GA THICK	A/R	
12	310500	SHIM – 16 GA THICK	A/R	
13	346202	PLATE – SPACER	2	
14	310447	PLATE – WEAR, TOP C/W NUTS	2	
15	310731	PLATE – WEAR, REAR C/W NUTS	2	
16	141500	STOP – PLATE	4	
17	346037	PAD – WEAR, FRONT	4	
18	310728	PLUG – ADJUSTER	4	
19	310103	STOP – WELDMENT, NT	2	
20	362373	CYLINDER – HYD, WALKING BEAM	2	
	310821	KIT – SEAL, CYL		
21	136239	FITTING – ELBOW 90° HYD	3	
	50219	O-RING – Ø1.98 X Ø11.89		
	135957	O-RING – Ø1.78 X Ø7.65		
22	310248	FITTING – TEE HYD	1	
	50223	O-RING – Ø1.83 X Ø8.92		
	135865	O-RING – Ø1.78 X Ø9.25		
23	310098	FITTING – TEE HYD, BULKHEAD <sup>24</sup>	1	
	135957	O-RING – Ø1.78 X Ø7.65		
24	156742	PIN – CLEVIS	2	
25	18609	PIN – COTTER 1/4 DIA X 2 ZP	2	
26	310109	PIN – WELD'T	2	
27	310095	SUPPORT – HOSE CLAMP <sup>25</sup>	1	
28	135818	CLAMP – INSULATED 1/2 INCH	4	
A	310802	BOLT – LUBE ADAPTER		
B	50140	BOLT – HEX HD M8 X 1.25 X 30-8.8-AA1J		
C	135337	NUT – HEX FLG CTR LK M8 X 1.25-8-AA1J		

21. Includes two 3-inch bushings (MD #291527).

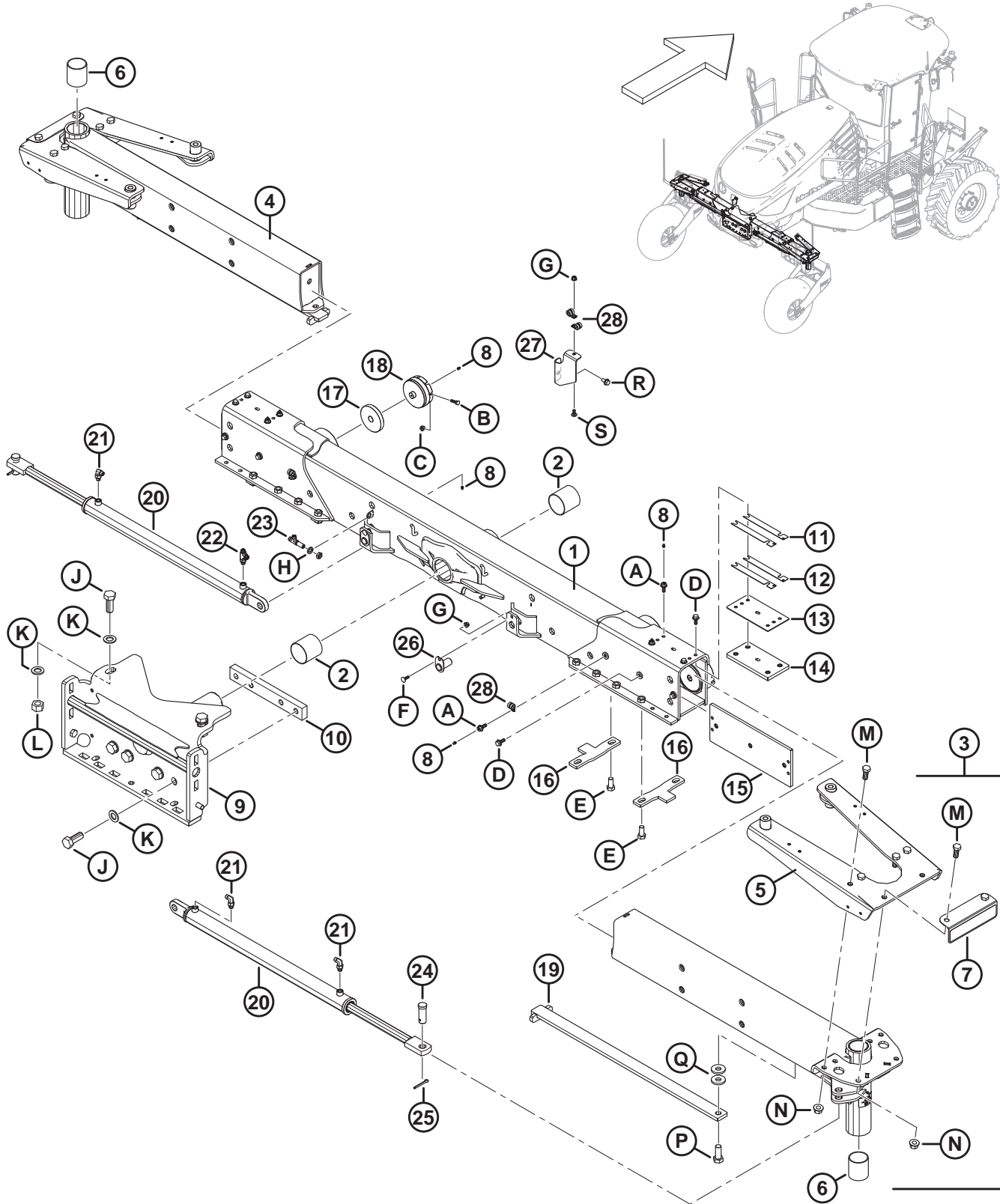
22. Includes shock support (MD #141333), two sleeve bushings (MD #202661), and bracket with reflector assembly (MD #346001).

23. Includes bracket (NSS) and amber reflector (MD #346208).

24. Includes attaching nut (NSS).

25. Support attaches to frame.

WALKING BEAM – M2170NT

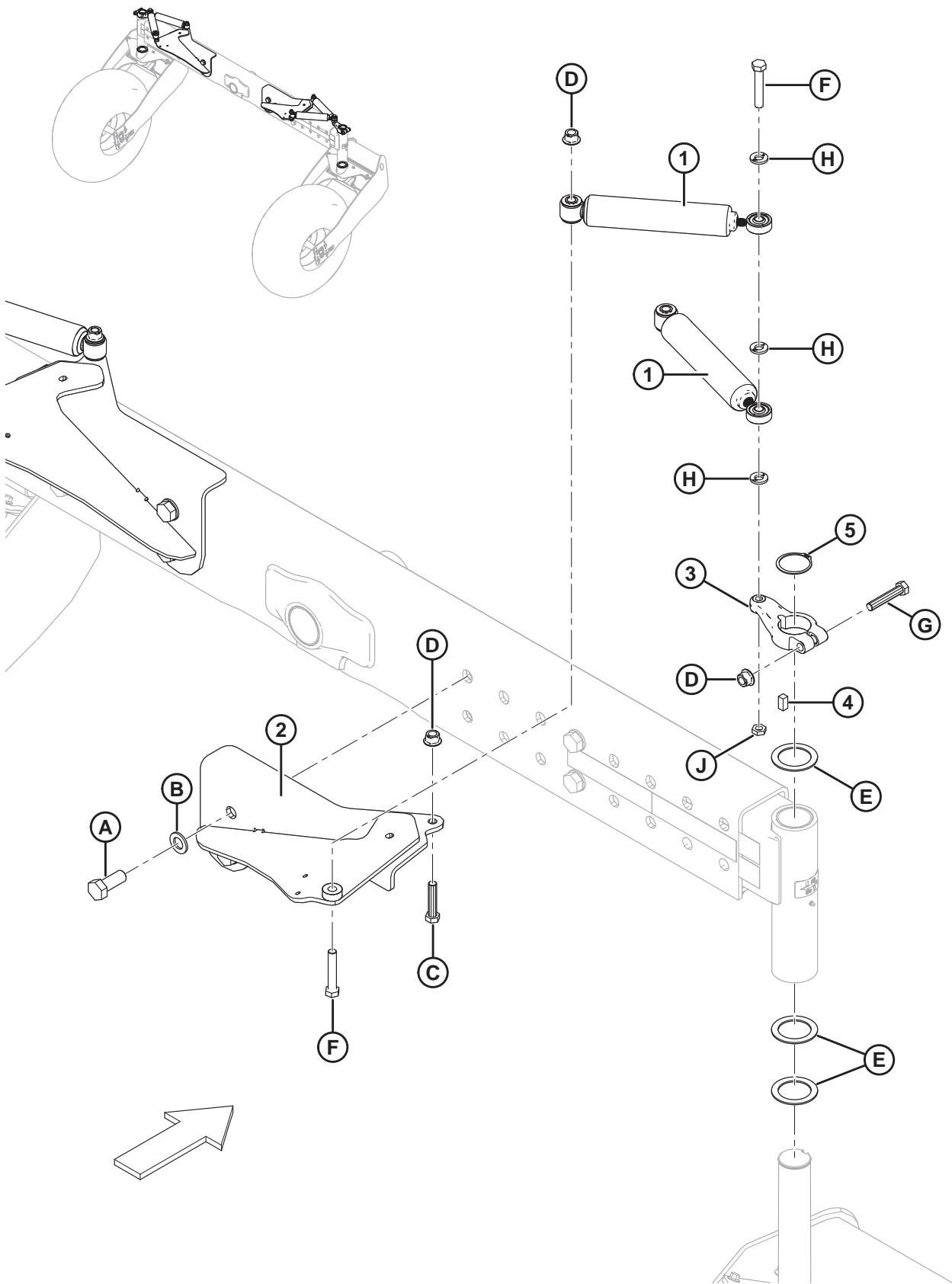


1042513

**WALKING BEAM – M2170NT**

<b>Ref</b>	<b>Part Number</b>	<b>Description</b>	<b>Qty</b>	<b>Serial Number</b>
D	135783	BOLT – HEX FLG HD TFL M10 X 1.5 X 25-10.9-AA1J		
E	136137	BOLT – HEX HD TFL M16 X 2 X 35-8.8-AA1J		
F	184648	BOLT – RHSN M8 X 1.25 X 25-8.8-AA1J		
G	135337	NUT – HEX FLG CTR LK M8 X 1.25-8-AA1J		
H	21005	WASHER – REG. LOCK 9/16 IN. NOM. ID AA1J		
J	136366	BOLT – HEX HD TFL M24 X 3 X 60-10.9-AA1J		
K	136367	WASHER – FLAT REG M24-300HV-AA1J		
L	136376	NUT – HEX M24 X 3-10-AA1J		
M	111528	BOLT – HEX HD TFL M16 X 2 X 40-8.8-AA1J		
N	136440	NUT – HEX FLG CTR LK M16 X 2-10-AA1J		
P	136082	BOLT – HEX HD TFL M20 X 2.5 X 50-8.8-AA3L		
Q	6647	WASHER – FLAT		
R	136209	SCREW – HEX WSHR M10 X 1.5 X 20-450HV		
S	197171	BOLT – RHSN M8 X 1.25 X 20-8.8-ZINC		

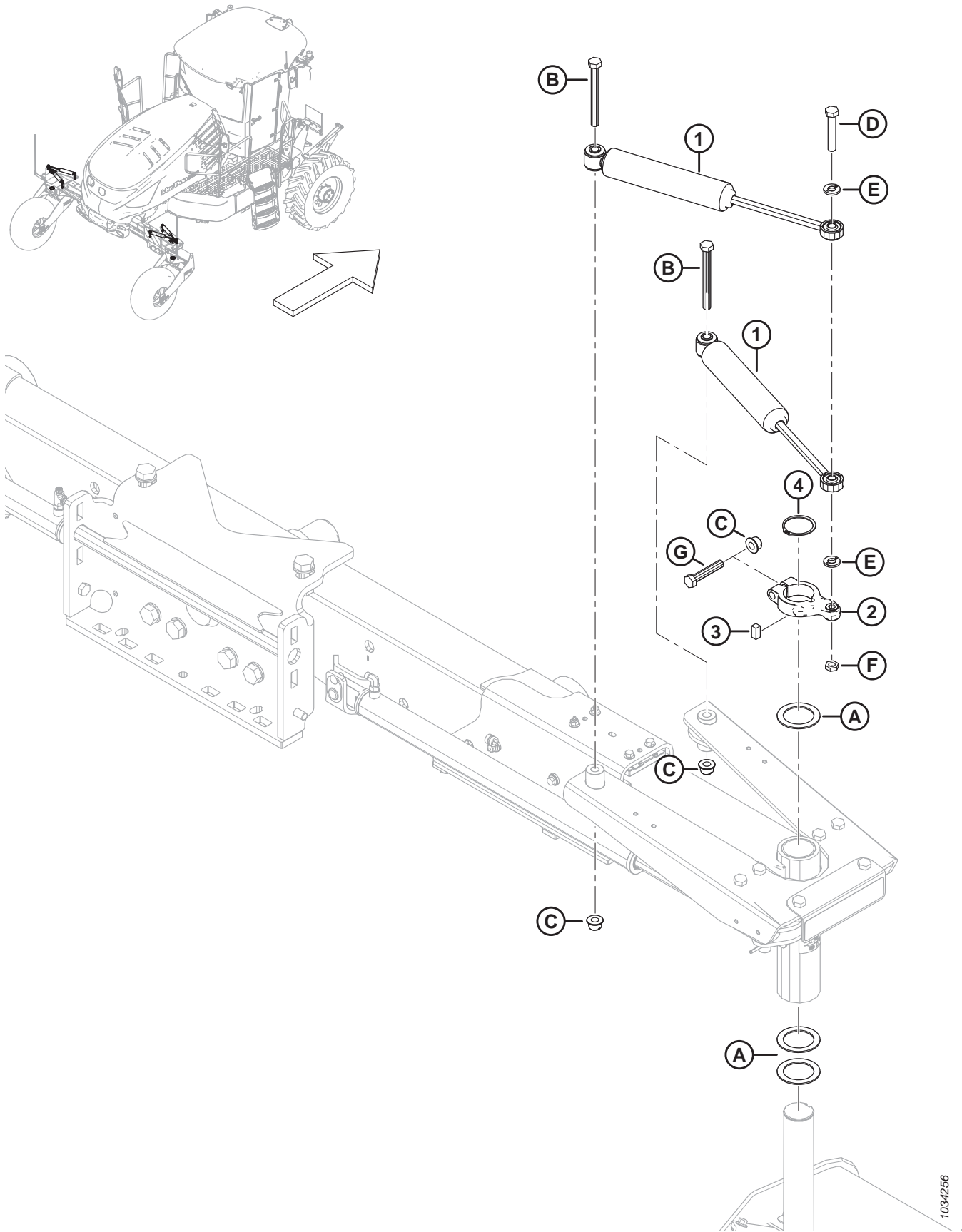
# 13 Anti-Shimmy – M2170



**ANTI-SHIMMY – M2170**

<b>Ref</b>	<b>Part Number</b>	<b>Description</b>	<b>Qty</b>	<b>Serial Number</b>
1	202898	DAMPENER – ANTI-SHIMMY	4	
2	208973	SUPPORT – DUAL SHOCK, LH BLACK	1	
	208979	SUPPORT – DUAL SHOCK, RH BLACK	1	
3	202896	ARM – ANTI-SHIMMY MACHINED	2	
4	135296	KEY	2	
5	30243	RING – EXT RETAINING	2	
A	136366	BOLT – HEX HD M24 X 3 X 60-10.9-A3L		
B	136367	WASHER – FLAT REG M24-300HV-A3L		
C	181511	BOLT – HEX HD M16 X 2 X 75-10.9-A3L		
D	152520	NUT – HEX FLG TECH LOC M16 X 2-10-A3L		
E	110584	WASHER – HARDENED FLAT		
F	252533	BOLT – HEX HD TFL M16 X 2 X 90-10.9-A3L		
G	136455	BOLT – HEX HD M16 X 2 X 85-8.8-A3L		
H	120901	WASHER – FLAT HARDENED 5/8 IN. NOMINAL (L9)		
J	136473	NUT – HEX THIN M16 X 2-05-A3L		

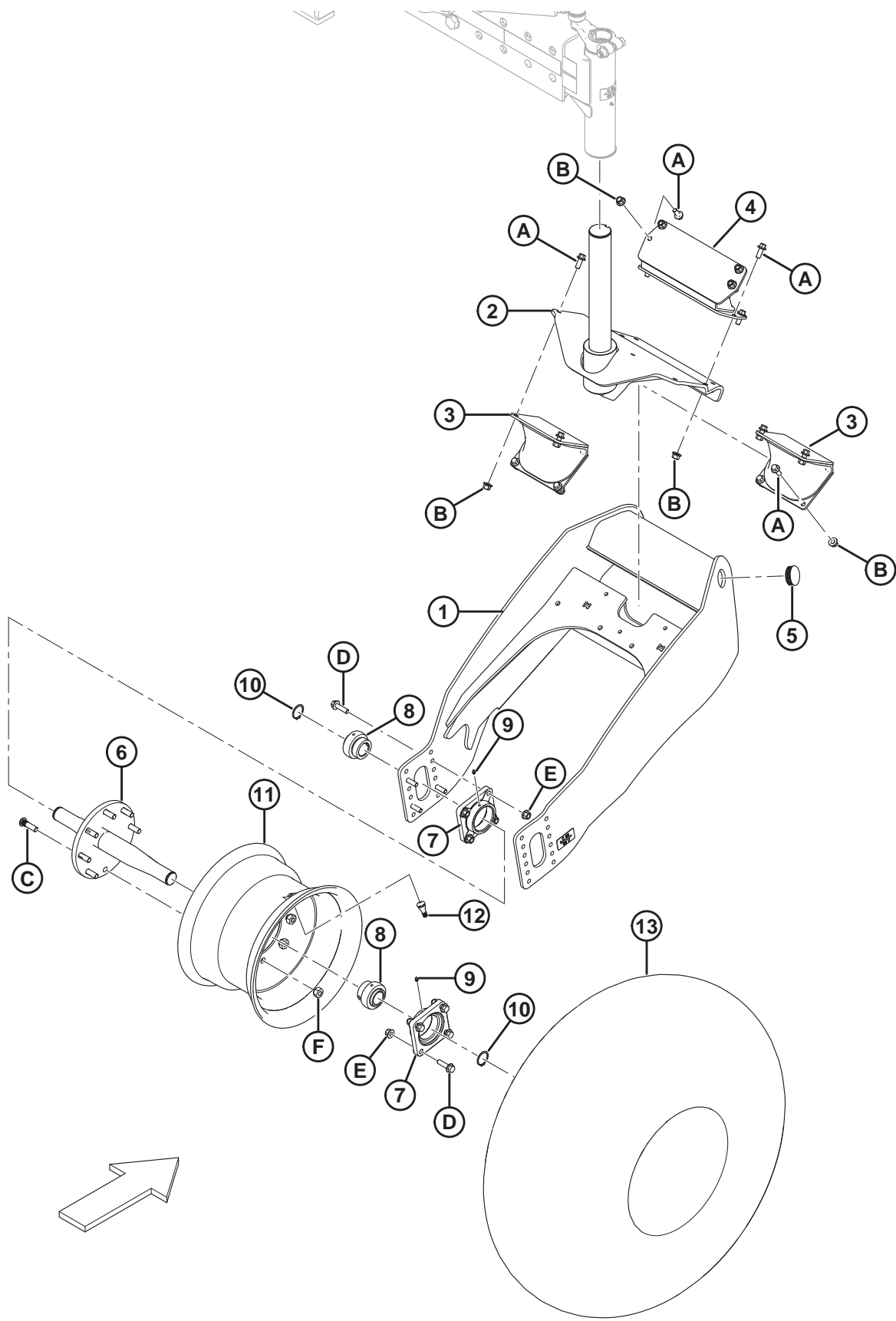
# 14 Anti-Shimmy – M2170NT



**ANTI-SHIMMY – M2170N7**

<b>Ref</b>	<b>Part Number</b>	<b>Description</b>	<b>Qty</b>	<b>Serial Number</b>
1	202898	DAMPENER – ANTI SHIMMY	4	
2	202896	ARM – ANTI SHIMMY MACHINED	2	
3	135296	KEY	2	
4	30243	RING – EXT RETAINING	2	
A	110584	WASHER – HARD ASTM F436 33/64-340HV-AFOC		
B	184680	BOLT – HEX HD M16 X 2 X 150-10.9-AA1J		
C	152520	NUT – HEX FLG TECH LK M16 X 2-10-AA1J		
D	252533	BOLT – HEX HD TFL M16 X 2 X 90-10.9-AA3L		
E	120901	WASHER – HARD L9 SPCL 5/8-82/85 HR15 N-ABOC		
F	136473	NUT – HEX THIN M16 X 2-05-AA1J		
G	136455	BOLT – HEX HD M16 X 2 X 85-8.8-AA3L		

# 15 Casters – Suspended 16.5-16.1





**CASTERS – SUSPENDED 16.5-16.1**

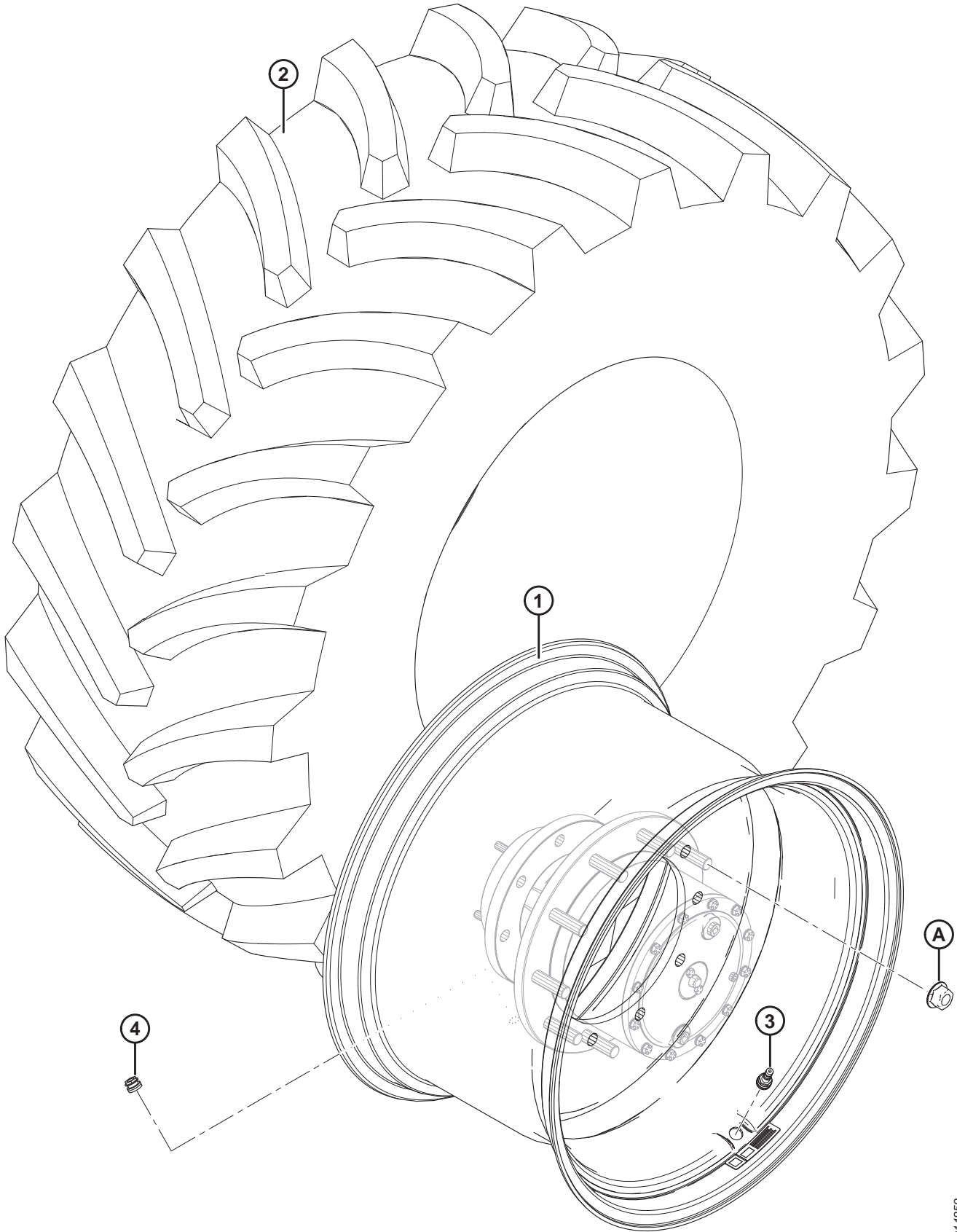
Ref	Part Number	Description	Qty	Serial Number
	B6016	KIT – CASTERS, SUSPENDED 16.5-16.1 <sup>26</sup>		
	B9034	CASTERS – SUSPENDED, ECE CERTIFIED <sup>26</sup>		
1	209712	CASTER FORK WELDMENT	2	
2	207713	NOSE WELDMENT	2	
3	201861	INSULATOR – CASTER, SHORT	4	
4	201836	INSULATOR – CASTER, LONG	2	
5	207783	CAP – 2.25 IN.	4	
6	291192	SHAFT – CASTER, WELDT	2	
7	208686	BEARING FLANGE ASSEMBLY <sup>27</sup>	4	
8	208687	BEARING – BALL, SPHERICAL OD	4	
9	18671	FITTING – LUBE 1/4-28 UNF	4	
10	136385	RING – RETAINING EXTERNAL	4	
11	111216	WHEEL	2	
12	21153	STEM – TIRE VALVE ASSEMBLY #TR-415	2	
13	39273	TIRE	2	
	346224	TIRE – 16.5 X 16.1, ECE CERTIFIED <sup>28</sup>	2	
A	148798	BOLT – HEX FLG HD M12 X 1.75 X 30-10.9-A3L		
B	136431	NUT – HEX FLG CTR LOC M12 X 1.75-10-A3L		
C	21357	BOLT – WHEEL (PRESS-IN) 9/16 NF X 53 LG		
D	148799	BOLT – HEX FLG HD M12 X 1.75 X 45-10.9-A3L		
E	136431	NUT – HEX FLG CTR LOC M12 X 1.75-10-A3L		
F	21358	NUT – WHEEL STUD 9/16 NF X 90°		

26. Kits are available through Whole Goods only.

27. Includes ball bearing (MD #208687) and lube fitting (MD #18671).

28. Used for ECE certified casters only.

## 16 Drive Wheels and Tires – Ten Bolt



1014859

**DRIVE WHEELS AND TIRES – TEN BOLT**

**NOTE:**

10-bolt drive wheels and tires (MD #B6012 and B6013) are **NOT** compatible with M2170NT Windrowers.

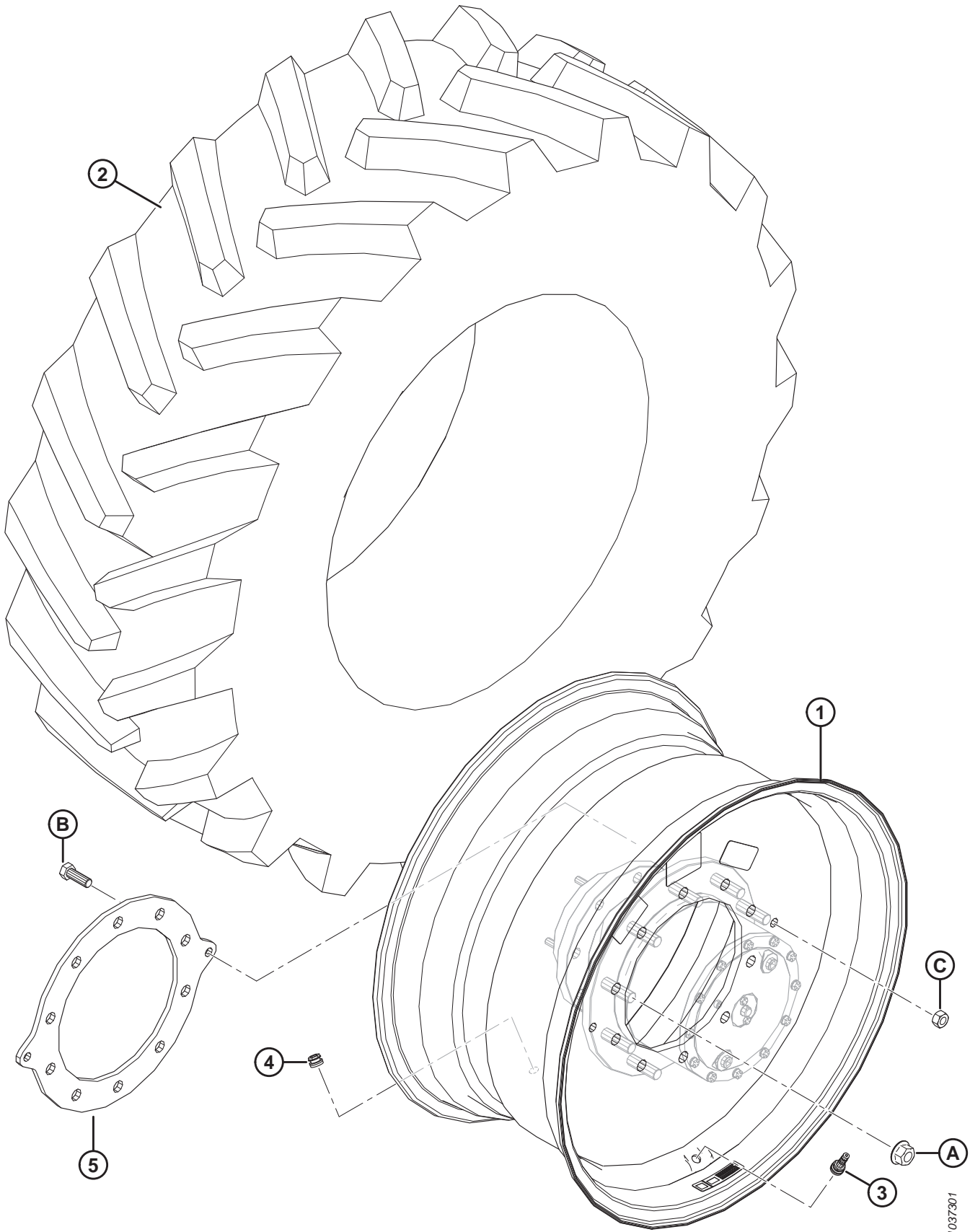
Ref	Part Number	Description	Qty	Serial Number
	B6012	KIT – DRIVE TIRES, 10 BOLT HUB, BAR 600-65 <sup>29</sup>		
1	207409	WHEEL – 28DW-18 10 BOLT C/W DECALS <sup>30</sup>	2	
2	207406	TIRE – 600-65 R 28, TUBELESS, R1W 160 LR	2	
3	112475	STEM – VALVE	2	
	B6013	KIT – DRIVE TIRES, 10 BOLT HUB, TURF 580/70R26 <sup>29</sup>		
1	205009	WHEEL – 26DW-20L 10 BOLT C/W DECALS <sup>30</sup>	2	
2	207410	TIRE – 580/70R26 155 A8/B ALL WEATHER TL	2	
3	112475	STEM – VALVE	2	
4	162436	PLUG – WHEEL	2	
A	205397	NUT – WHEEL DIN 74361N M20 X 1.5 X GR 10.9 (10 PACK) <sup>31</sup>		

29. Kits are available through Whole Goods only.

30. Includes decals (MD #111221, 166454, 166727, and 291411).

31. Sold in packs of 10, replace all nuts at the same time.

# 17 Drive Wheels and Tires – Ten Bolt, ECE Certified



1037301

**DRIVE WHEELS AND TIRES – TEN BOLT, ECE CERTIFIED**

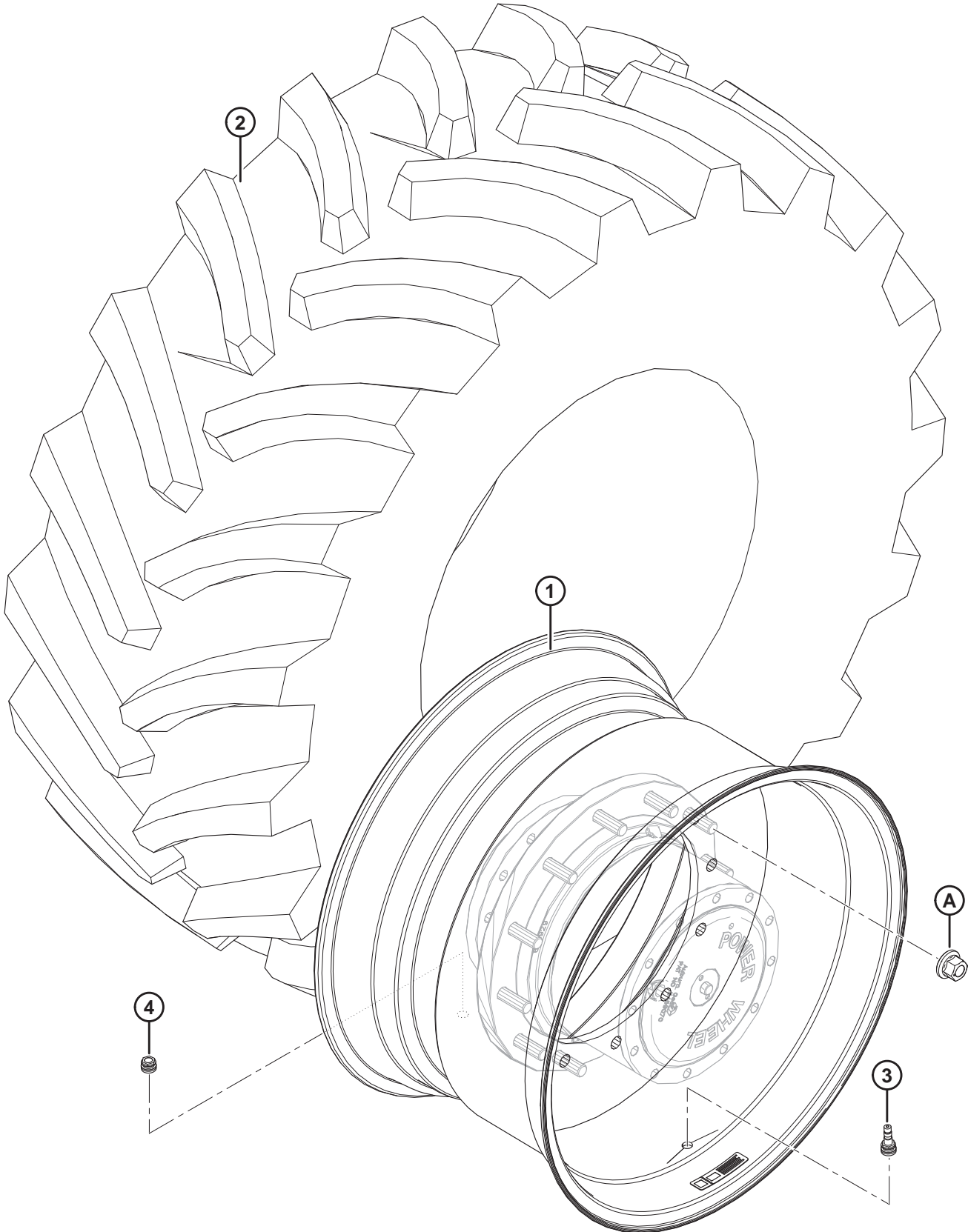
<b>Ref</b>	<b>Part Number</b>	<b>Description</b>	<b>Qty</b>	<b>Serial Number</b>
	B9033	KIT – DRIVE TIRES, 10 BOLT HUB, BAR 540-65R 30 - ECE <sup>32</sup>		
1	346020	WHEEL – 30DW-16L C/W DECALS <sup>33</sup>	2	
2	306538	TIRE – 540/65R30, ECE - TUBELESS	2	
3	112475	STEM – VALVE	2	
4	162436	PLUG – WHEEL	2	
5	346266	PLATE – SPACER, WHEEL <sup>34</sup>	2	
A	205397	NUT – WHEEL DIN 74361N M20 X 1.5 X GR 10.9		
B	136132	BOLT – HEX HD TFL M16 X 2 X 45-8.8-AA1J		
C	320208	NUT – HEX CTR LOCK M16 X 2-12-ZINC		

32. Kits available through Whole Goods only.

33. Includes decals (MD #166727, 166454, 291411, and 111221) and spacer plate (MD #346266).

34. Not used on windrowers equipped with secondary brakes (units sold in Germany).

# 18 Drive Wheels and Tires – Twelve Bolt



1030948

**DRIVE WHEELS AND TIRES – TWELVE BOLT**

**NOTE:**

12-bolt drive wheels and tires are **NOT** compatible with M2170NT Windrowers.

Ref	Part Number	Description	Qty	Serial Number
	B6834	KIT – HD DRIVE TIRES, 12 BOLT HUB, BAR 600-65, MD <sup>35</sup>		
1	310556	ASSY – WHEEL AND DECALS, MD <sup>36</sup>	2	
2	207406	TIRE – 600-65 R 28, R1W 160 LR	2	
3	112475	STEM – VALVE	2	
4	162436	PLUG – WHEEL	2	
A	205397	NUT – WHEEL DIN 74361N M20 X 1.5 X GR 10.9 (10 PACK) <sup>37</sup>		

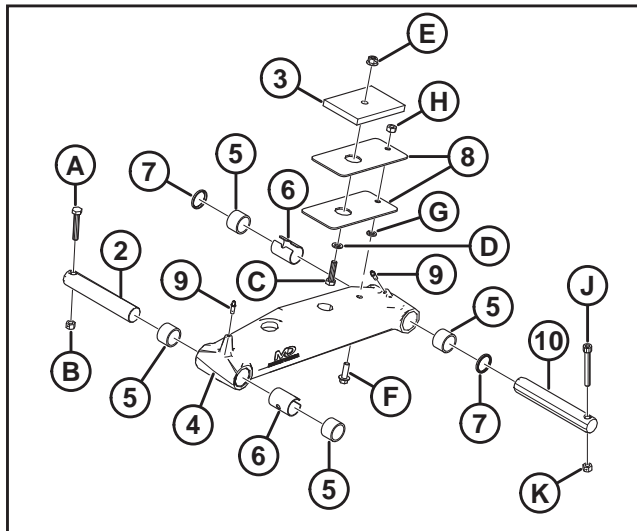
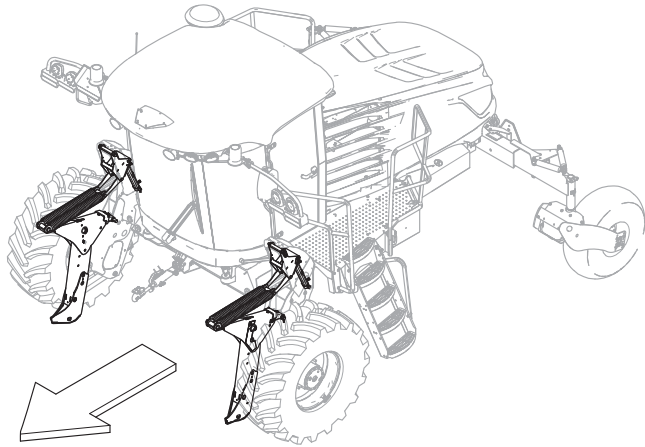
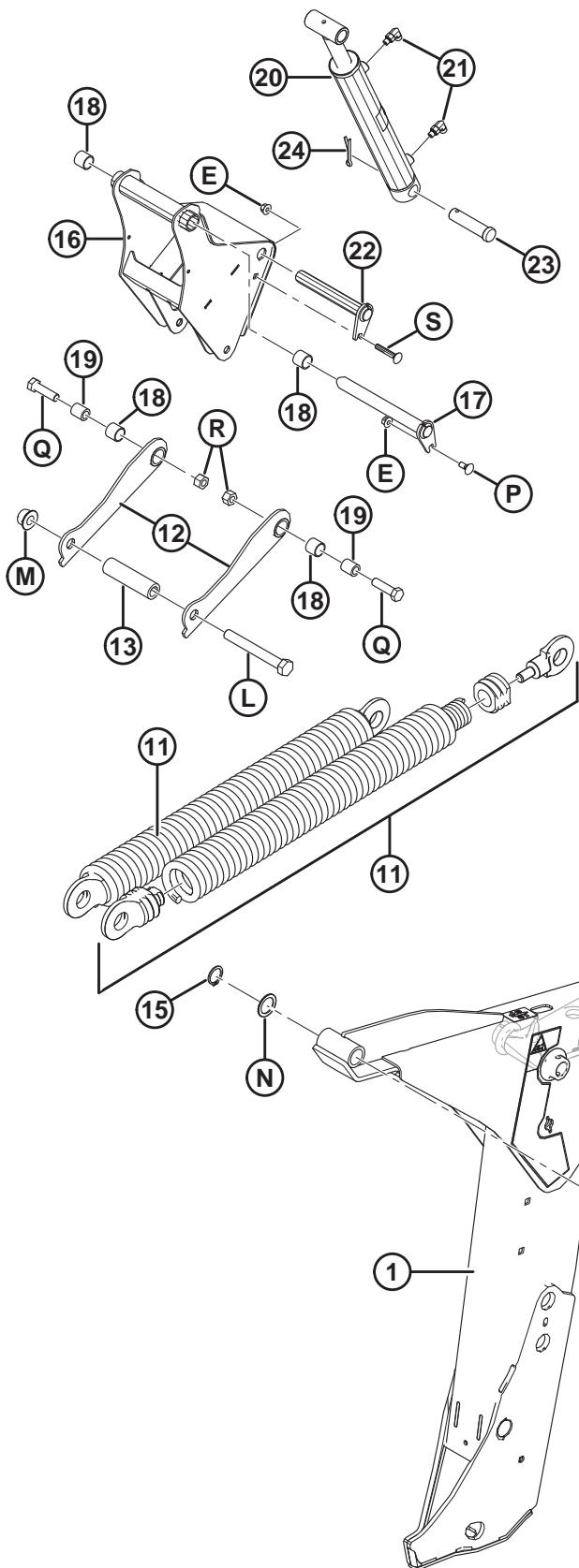
---

35. Kits are available through Whole Goods only.

36. Includes plug (MD #162436) and decals (MD #111221, 166454, 310689, and 291411).

37. Sold in packs of 10, replace all nuts at the same time.

# 19 Lift Linkage





LIFT LINKAGE

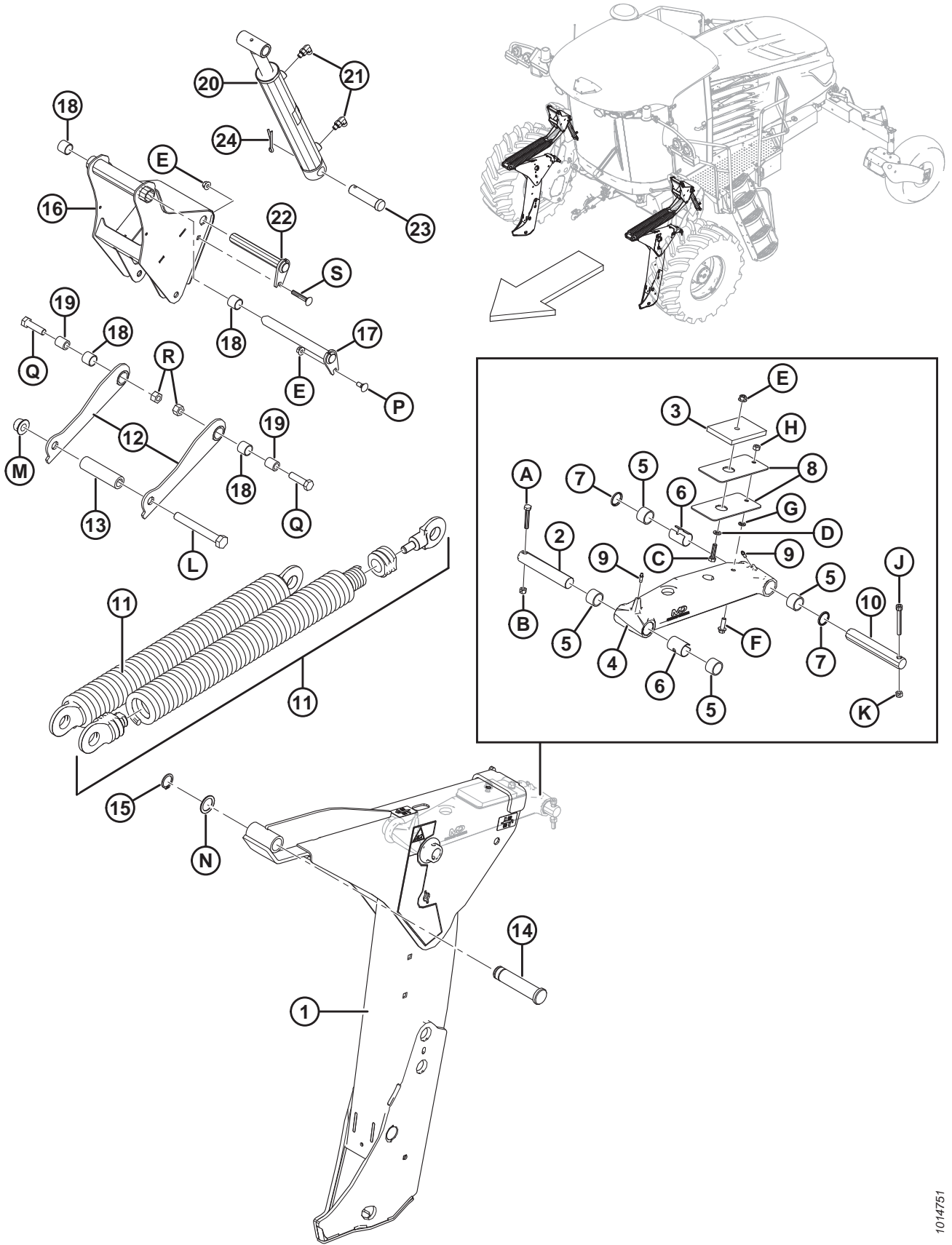
Ref	Part Number	Description	Qty	Serial Number
1	306192	LIFT ARM – LH C/W DECALS <sup>38</sup>	1	
	306193	LIFT ARM – RH C/W DECALS <sup>39</sup>	1	
2	183820	PIN – FLOAT LINK	2	
3	42497	PAD – RUBBER	2	
4	112727	ARM – FLOAT LINK ASSEMBLY <sup>40</sup>	2	
5	112789	BEARING – NEEDLE	8	
6	163310	SPACER – SHORT	4	
7	139134	SEAL – 1.25 IN. I.D. X 1.5 IN. O.D. X 0.125 IN.	4	
8	110853	SHIM – LINKAGE	4	
9	7536	FITTING – LUBRICATION 1/4-28 TAPER THD	4	
10	183821	PIN – STRAIGHT	2	
11	306106	ASSEMBLY – SPRING	4	
12	205937	ARM – SPRING LINK WELDT	4	
13	112916	TUBE – PIVOT	2	
14	206038	PIN – CLEVIS	2	
15	136832	RING – EXT RETAINING HEAVY DUTY	2	
16	205979	LEVER – FLOAT TENSIONER WELDT	2	
17	205936	PIN – PIVOT WELDT	2	
18	133992	BUSHING – COMPOSITE	8	
19	205974	SPACER	4	
20	208664	CYLINDER – FLOAT ADJUST	2	
	208118	SEAL KIT – CYL. FLOAT ADJUST		
21	136447	FITTING – ELBOW 90° HYD	4	
	50223	O-RING – #4 ORB		
	135957	O-RING – #4 ORFS		
22	205939	PIN – FLOAT WELDT	2	
23	158635	PIN – CLEVIS	2	
24	18609	PIN – COTTER 1/4 DIA X 2 ZP	2	
A	184664	BOLT – HEX HD M10 X 1.5 X 60-8.8-A3L		
B	135800	NUT – HEX CTR LOC SPCL M10 X 1.5-9-A3L		
C	135319	BOLT – HEX HD M10 X 1.5 X 40-8.8-A3L		
D	184711	WASHER – FLAT REG M10-200HV-A3L		
E	135799	NUT – HEX FLG CTR LOC M10 X 1.5-10-A3L		
F	184665	BOLT – HEX FLG HD M10 X 1.5 X 30-10.9-A3L		
G	30632	WASHER – LOCK SPRING M10-200HV-A3L		
H	30505	NUT – HEX M10 X 1.5-10-A3L		
J	136108	SCREW – HEX SOC HD M10 X 1.5 X 80-12.9-BO		
K	135800	NUT – HEX CTR LOC SPCL M10 X 1.5-9-A3L		
L	136422	BOLT – HEX HD M20 X 2.5 X 160-8.8-A3L		
M	136122	NUT – HEX FLG CTR LOC M20 X 2.5-10-A3L		
N	123071	WASHER – FLAT		

38. Includes decals (MD #23165, 306179, and 306181).

39. Includes decals (MD #23165, 306180, and 306181).

40. Includes four bearings (MD #112789), two spacers (MD #163310), and two seals (MD #139134).

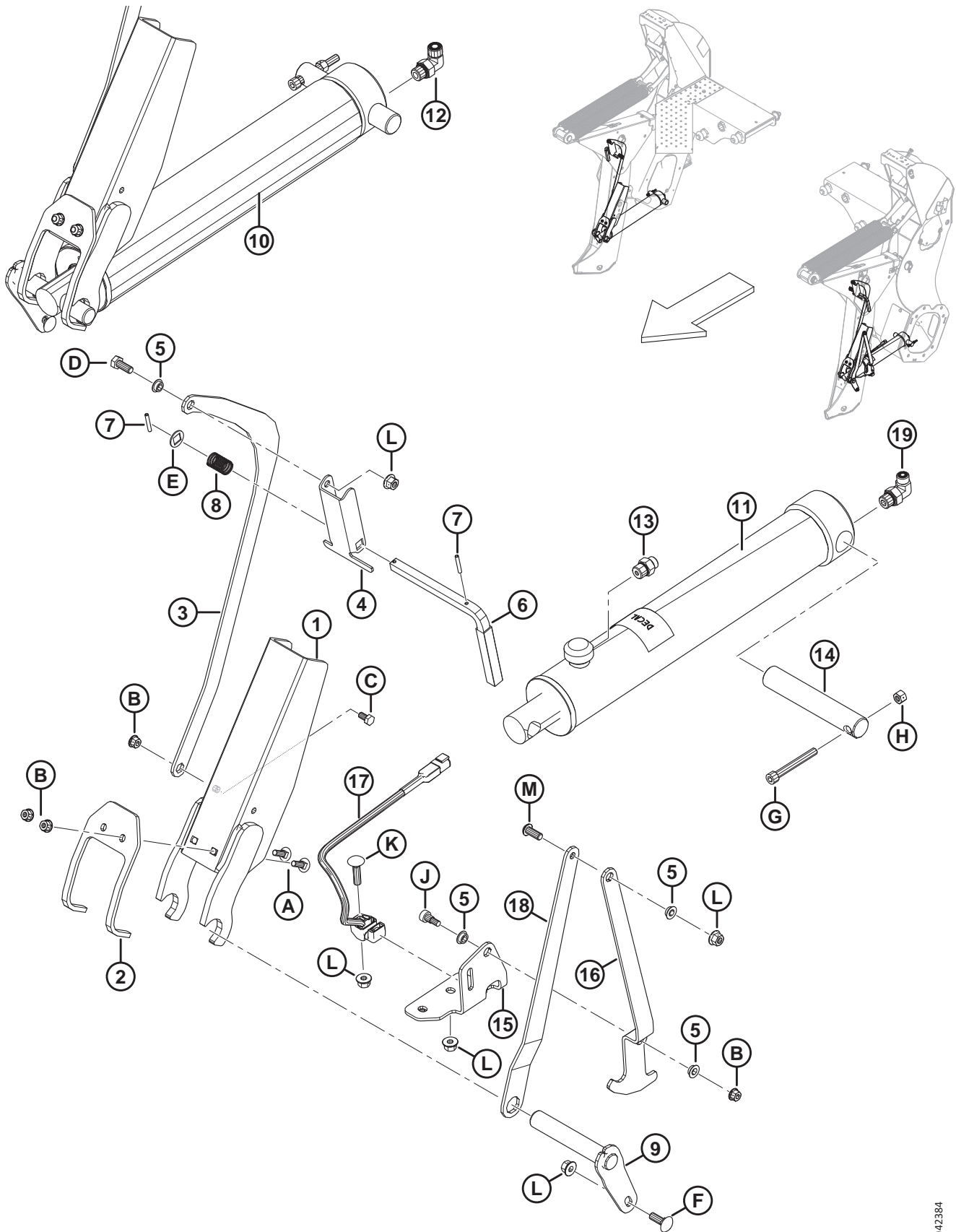
# LIFT LINKAGE



LIFT LINKAGE

Ref	Part Number	Description	Qty	Serial Number
P	136209	BOLT – RHSN M10 X 1.5 X 25-8.8-A3L		
Q	136141	BOLT – HEX HD M16 X 2 X 60-8.8-A3L		
R	136476	NUT – HEX CTR LOC M16 X 2-8-A3L		
S	136113	BOLT – RHSN M10 X 1.5 X 60-8.8-A3L		

# 20 Lift Linkage Cylinders

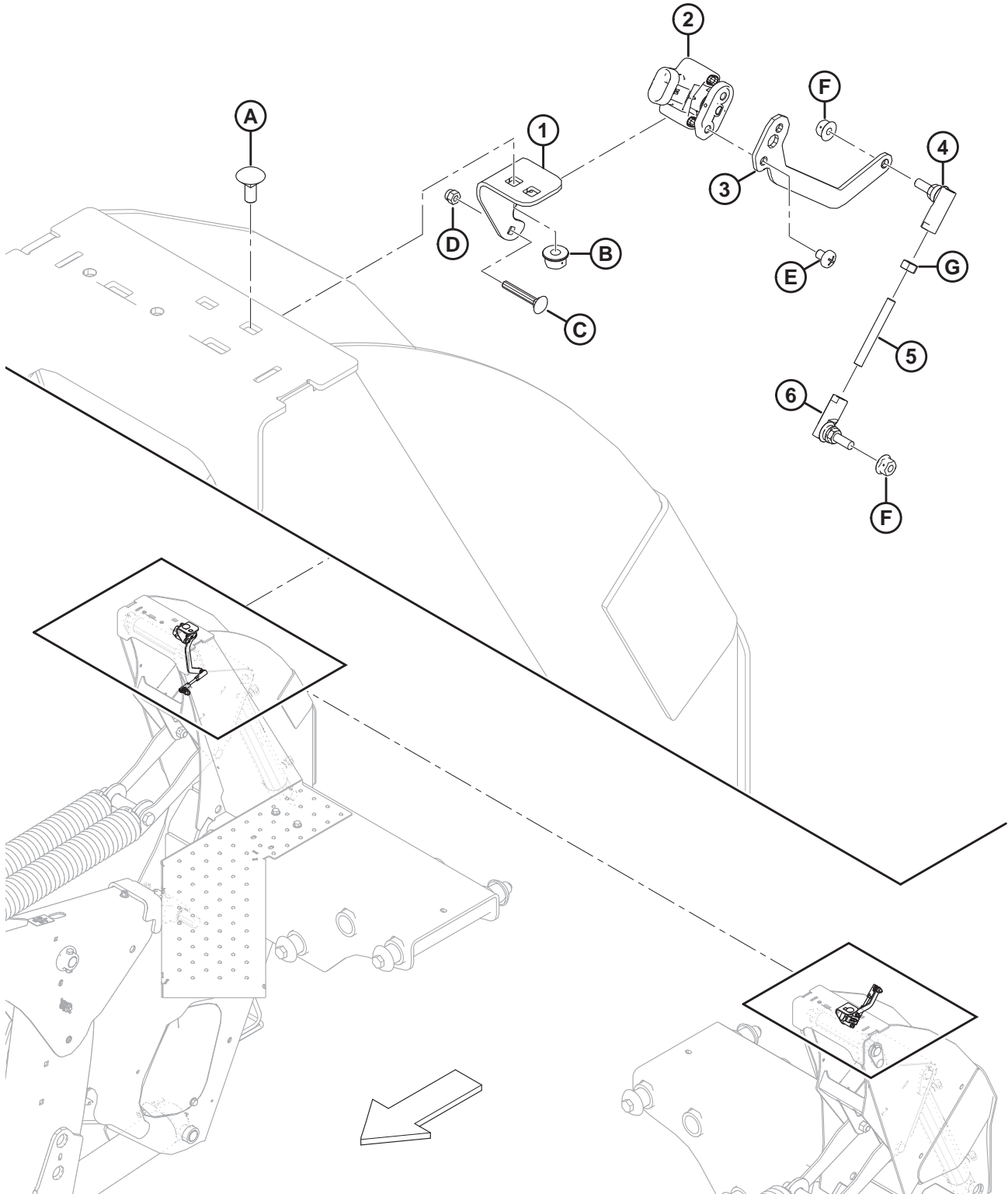


LIFT LINKAGE CYLINDERS

Ref	Part Number	Description	Qty	Serial Number
1	208019	LOCK – CYLINDER STOP WELDMENT	2	
2	208020	RETAINER – CYLINDER STOP	2	
3	206160	ARM – LOCKUP LINK	2	
4	206324	CHANNEL – LOCK RELEASE, M10	2	
5	206340	BUSHING – SHOULDER, M10	4	
6	183543	ASSEMBLY – SHAFT WITH HANDLE GRIP	2	
7	13617	PIN – SPRING 3/16 DIA X 1.25 LG	4	
8	19739	SPRING – COMPRESSION	2	
9	206258	PIN – WELDMENT	2	
10	209789	CYLINDER – LIFT, MASTER	1	
	141184	KIT – LIFT CYL SEALS, MASTER <sup>41</sup>		
11	209790	CYLINDER – LIFT, SLAVE	1	
	141185	KIT – LIFT CYL SEALS, SLAVE <sup>41</sup>		
12	136220	FITTING – ELBOW 90° HYD	1	
	44209	O-RING – #8 ORB		
	135866	O-RING – #8 ORFS		
13	191705	FITTING – ADAPTER 6 MORFS X 8 MORB	2	
	44209	O-RING – #8 ORB		
	135865	O-RING – #6 ORFS		
14	206350	PIN – STRAIGHT	2	
15	209388	SUPPORT – HEIGHT SENSOR	1	
16	209389	ARM – HEIGHT SENSOR PROFILE	1	
17	206661	SENSOR – ANALOG HALL EFFECT	1	
18	209393	ARM – HEIGHT SENSOR	1	
19	136149	FITTING – ELBOW 90° HYD C/W O-RING	1	
	44209	O-RING – #8 ORB		
	135865	O-RING – #6 ORFS		
A	184648	BOLT – RHSN M8 X 1.25 X 25-8.8-A3L		
B	135337	NUT – HEX FLG CTR LOC M8 X 1.25-8-A2L		
C	50139	BOLT – HEX HD TFL M8 X 1.25 X 16-8.8-A2L		
D	30627	BOLT – HEX HD TFL M10 X 1.5 X 25-8.8-A3L		
E	163373	WASHER – FLAT RD (SQ. BORE)		
F	184662	BOLT – RHSN TFL M10 X 1.5 X 30-8.8-A3L		
G	136108	SCREW – HEX SOC HD M10 X 1.5 X 80-12.9-BO		
H	135800	NUT – HEX CTR LOC SPCL M10 X 1.5-9-A3L		
J	135894	SCREW – HEX SOC HD SHLDR 10 X 10-12.9-A2L		
K	152732	BOLT – RHSN M10 X 1.5 X 40-8.8-A3L		
L	135799	NUT – HEX FLG CTR LOC M10 X 1.5-10-A3L		
M	135852	SCREW – HEX SOC BTN HD M10 X 1.5 X 25-12.9-A3L		

41. Kit Includes installation instructions.

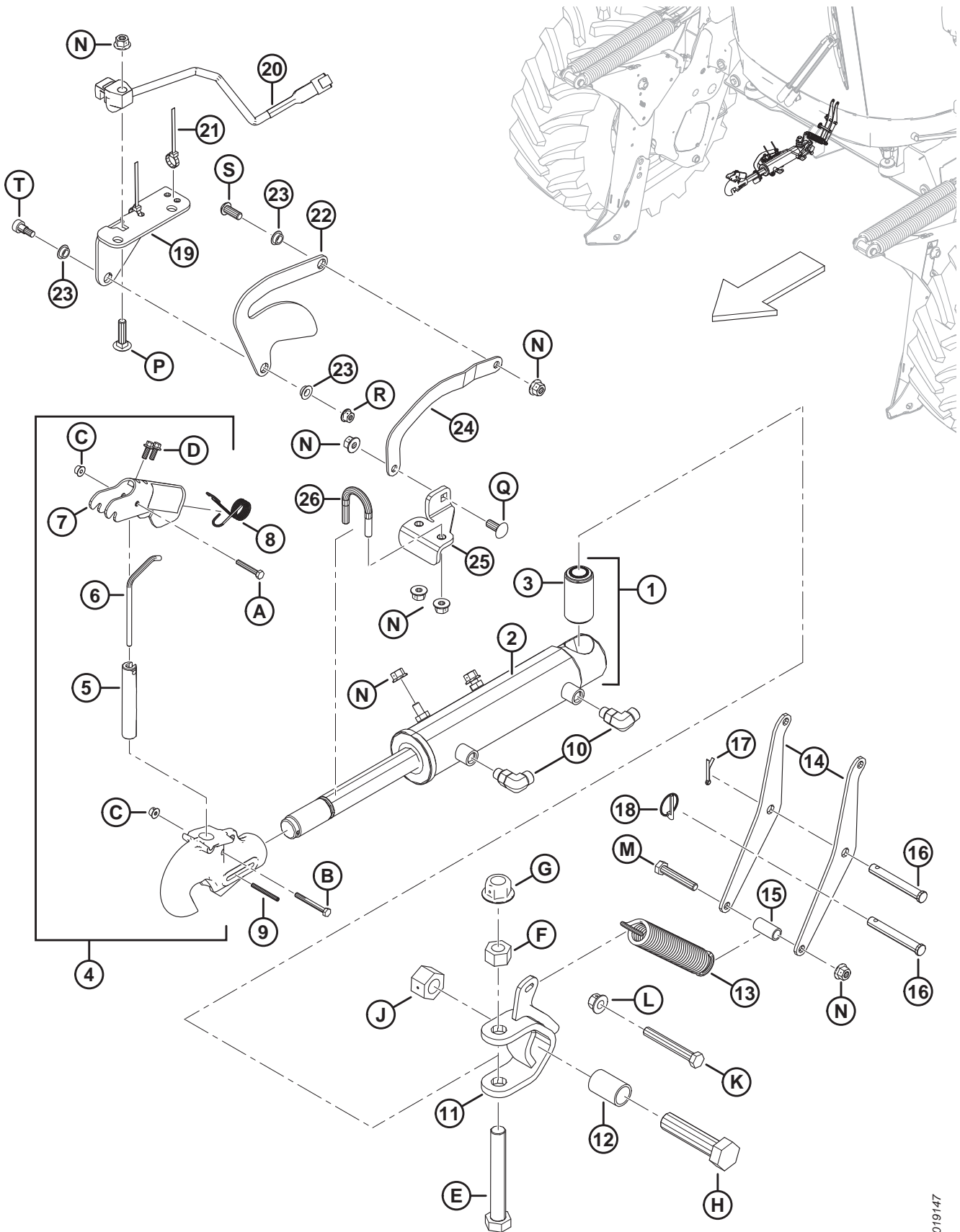
# 21 Float Sensors



**FLOAT SENSORS**

<b>Ref</b>	<b>Part Number</b>	<b>Description</b>	<b>Qty</b>	<b>Serial Number</b>
1	207646	SUPPORT – SENSOR MOUNT	2	
2	248643	ROTARY SENSOR – DUAL OUTPUT	2	
3	207219	ARM – FLOAT SENSOR	2	
4	291484	BALL JOINT – RH THREAD	2	
5	232659	ROD – THREADED	2	
6	291485	BALL JOINT – LH THREAD	2	
A	197171	BOLT – RHSN M8 X 1.25 X 20-8.8-A2L		
B	135337	NUT – HEX FLG CTR LOC M8 X 1.25-8-A2L		
C	197229	BOLT – RHSN M5 X 0.8 X 35-4.6-A2L		
D	197230	NUT – HEX NYLOC M5 X 0.8-8-A2L		
E	158704	SCREW – PAN HD M6 X 1 X 8-4.8-A2L		
F	152668	NUT – HEX FLG CTR LOC M6 X 1-8-A2L		
G	184683	NUT – HEX ISO 4032 M6 X 1-8-A2L		

## 22 Center-Link



1019147



**CENTER-LINK**

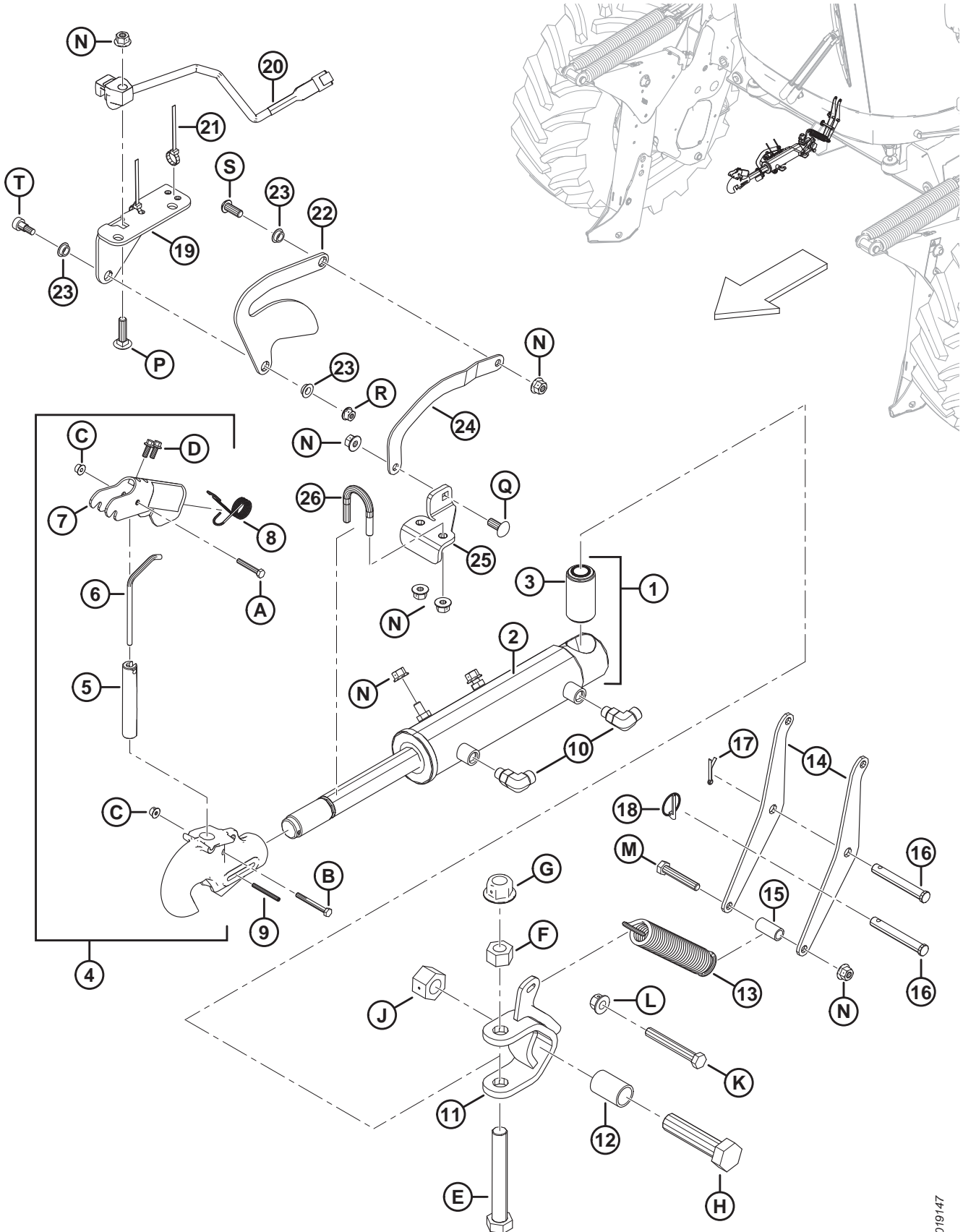
Ref	Part Number	Description	Qty	Serial Number
1	206550	CENTER-LINK CYLINDER <sup>42</sup>	1	
2	208667	CYLINDER – CENTER-LINK	1	
	112625	SEAL KIT		
3	206548	BUSHING – RUBBER	1	
4	206560	HOOK – TOP LINK, ASSEMBLY <sup>43</sup>	1	
5	156848	PIN – LOCK	1	
6	156886	ROD – ACTUATOR	1	
7	139724	LATCH – HANDLE W/ DECAL <sup>44</sup>	1	
8	206559	SPRING – LATCH ASSEMBLY	1	
9	135453	PIN – SPRING 3/16 DIA X 1-7/8 LG	1	
10	136095	FITTING – ELBOW 90° HYD	2	
	50219	O-RING – #6 ORB		
	135865	O-RING – #6 ORFS		
11	209979	CLEVIS – WELDT	1	
12	110971	SPACER – 1.25 O.D. X 1.0 I.D.	1	
13	9423	SPRING – EXTENSION	1	
14	203817	LEVER – SPRING LIFT	2	
15	17675	SPACER	1	
16	101007	PIN – CLEVIS	2	
17	18648	PIN – COTTER 3/16 DIA X 1.25 ZP	1	
18	50193	PIN – LYNCH	1	
19	306423	SUPPORT – TILT SENSOR	1	
20	206661	SENSOR – ANALOG HALL EFFECT	1	
21	21763	FASTENER – CABLE TIE, BLACK, 160 MM LG	2	
22	209410	ARM – TILT SENSOR PROFILE	1	
23	206340	BUSHING – SHOULDER, M10	3	
24	209865	ARM – TILT SENSOR	1	
25	306426	SUPPORT	1	
26	206562	U-BOLT	1	
A	135671	BOLT – HEX HD TFL M6 X 1 X 40-8.8-A2L		
B	136595	BOLT – HEX HD M6 X 1 X 55-8.8-A2L		
C	152668	NUT – HEX FLG CTR LOC M6 X 1-8-A2L		
D	135959	BOLT – HEX FLG HD M6 X 1 X 16-10.9-A2L		
E	136420	BOLT – HEX HD M20 X 2.5 X 140-8.8-A3L		
F	136124	NUT – HEX M20 X 2.5-10-A3L		
G	136122	NUT – HEX FLG CTR LOC M20 X 2.5-10-A3L		
H	136847	BOLT – HEX HD M24 X 3 X 100-10.9-A3L		
J	136848	NUT – HEX CTR LOC M24 X 3-10-A3L		
K	184673	BOLT – HEX HD M12 X 1.75 X 90-10.9-A3L		
L	136431	NUT – HEX FLG CTR LOC M12 X 1.75-10-A3L		

42. Includes cylinder (MD #208667) and rubber bushing (MD #206548).

43. Includes pin (MD #156848), rod (MD #156886), latch (MD #139724), spring assembly (MD #206559), bolts (MD #135671, 136595, 135959), and nut (MD #152668).

44. Includes decal (MD #139723).

CENTER-LINK

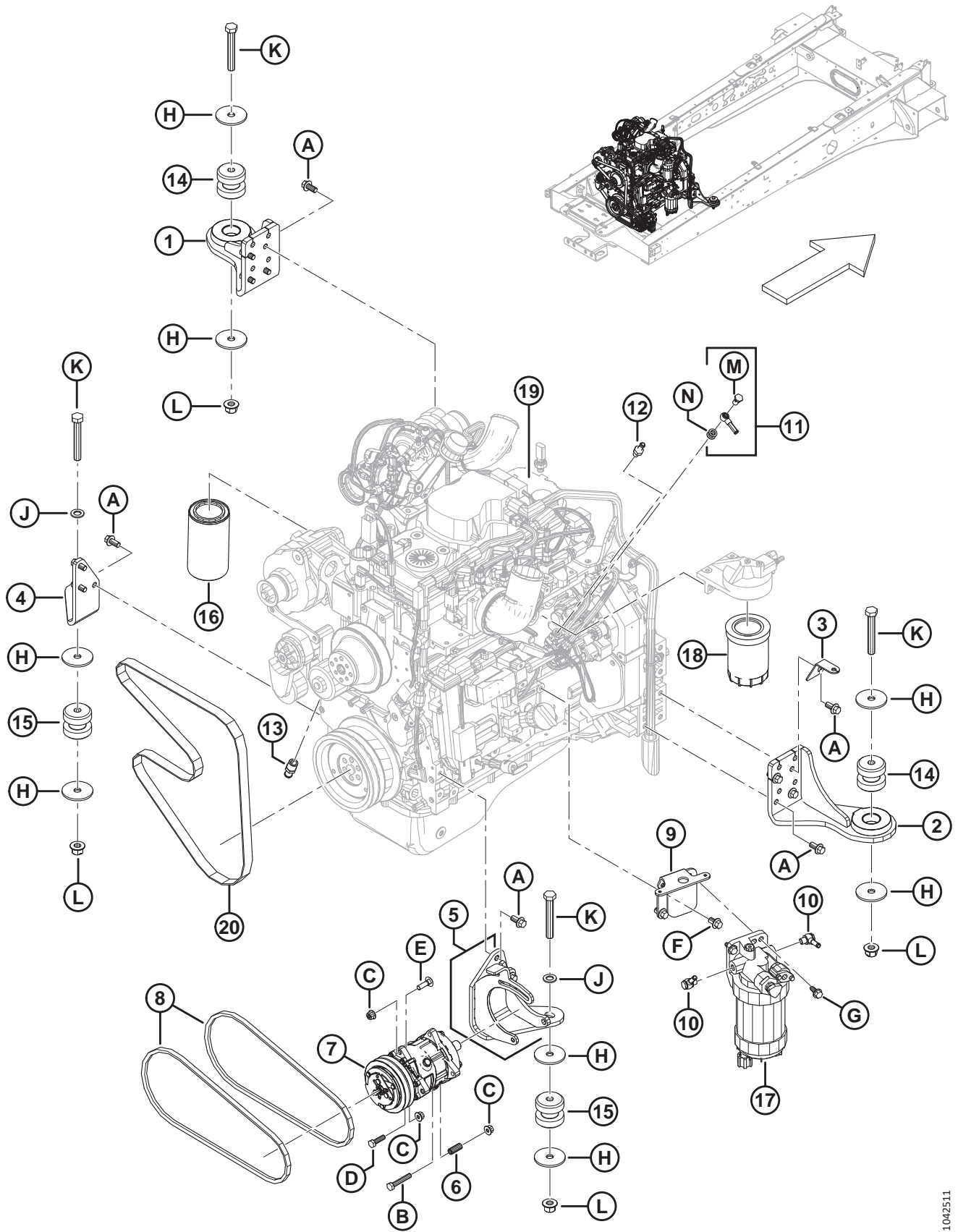


1019147

**CENTER-LINK**

<b>Ref</b>	<b>Part Number</b>	<b>Description</b>	<b>Qty</b>	<b>Serial Number</b>
M	184664	BOLT – HEX HD M10 X 1.5 X 60-8.8-A3L		
N	135799	NUT – HEX FLG CTR LOC M10 X 1.5-10-A3L		
P	152732	BOLT – RHSN M10 X 1.5 X 40-8.8-A3L		
Q	136506	BOLT – RHSSN M10 X 1.5 X 25-8.8-A3L		
R	135337	NUT – HEX FLG CTR LOC M8 X 1.25-8-A2L		
S	135852	SCREW – HEX SOC BTN HD M10 X 1.5 X 25-12.9-A3L		
T	135894	SCREW – HEX SOC HD SHLDR 10 X 10-12.9-AB0C/AC0C		

# 23 Engine Sub Assembly



**ENGINE SUB ASSEMBLY**

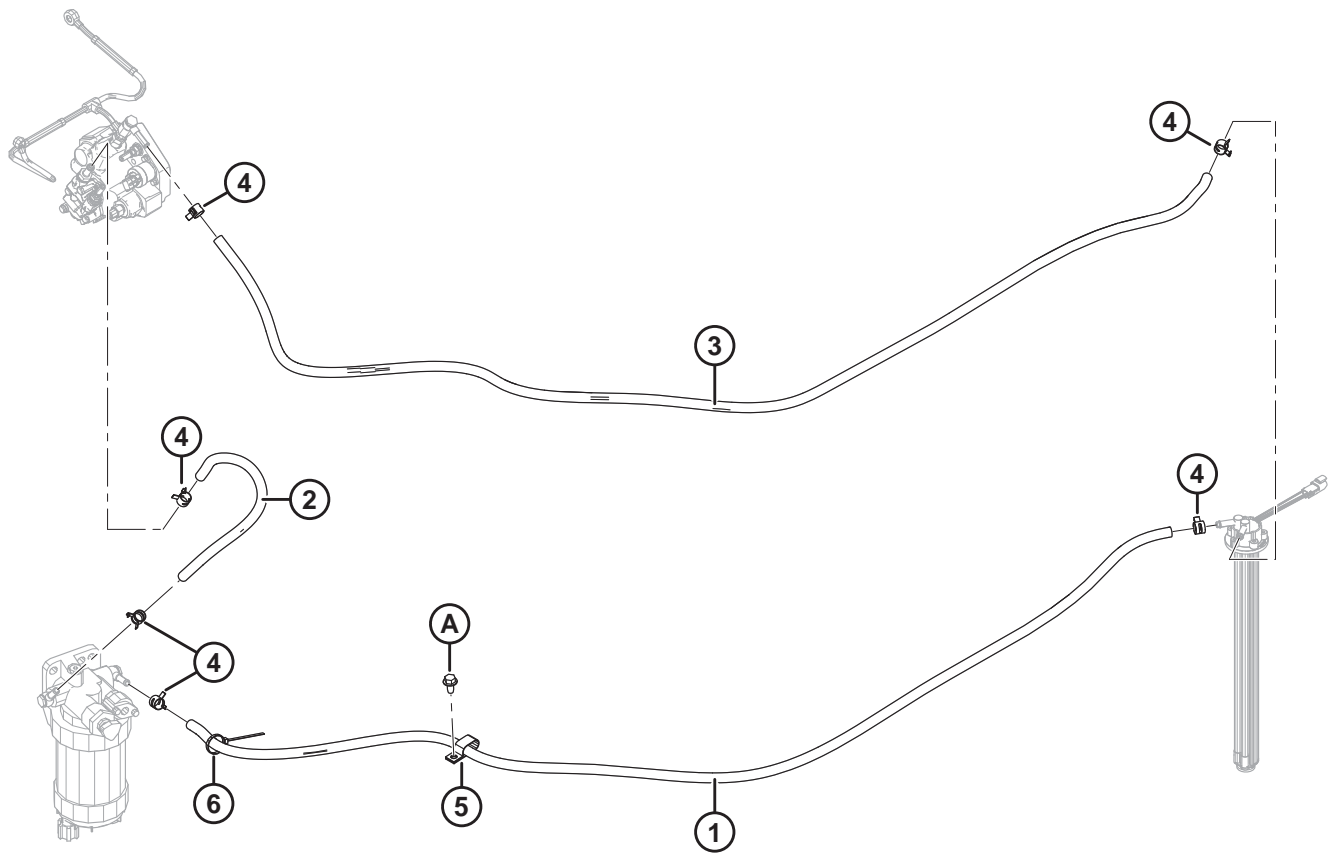
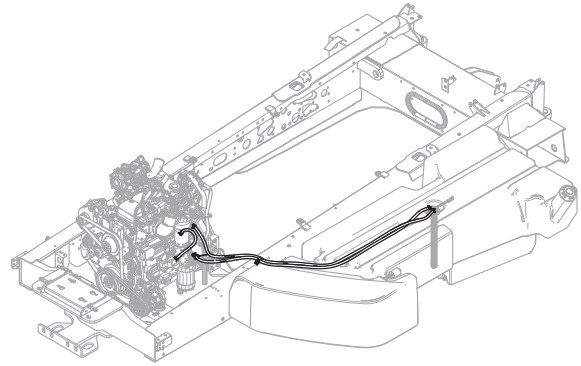
Ref	Part Number	Description	Qty	Serial Number
1	202827	WELD'T – ENGINE MOUNT, LH	1	
2	202835	WELD'T – ENGINE MOUNT, RH	1	
3	207414	SUPPORT – HOSES	1	
4	202995	MOUNT – ENGINE, LH	1	
5	209287	ASSY – ENGINE MOUNT C/W SPACER <sup>45</sup>	1	
6	23050	SPACER – .583 IN O.D. X .080 IN WALL X 1.28 IN LG	1	
7	200114	COMPRESSOR – A/C	1	
8	163368	BELT – V SAE 13A (A42)	2	
9	207101	BRACKET – FUEL FILTER	1	
10	204235	FITTING – BANJO BOLT M14 <sup>46</sup>	2	
11	207075	FITTING – BANJO, M12 X 1.5 <sup>47</sup>	1	
12	200139	FITTING – ADAPTER 3/8 IN. BARBED TO M14 X 1.5	1	
13	112662	FITTING – HEATER 1/2 NPT MALE X 5/8 IN.HOSE	1	
14	202838	ISOLATOR – ENGINE MOUNT	2	
15	205366	ISOLATOR – ENGINE MOUNT	2	
16	111974	FILTER – OIL	1	
17	205028	FILTER – FUEL, PRIMARY	1	
18	205029	FILTER – FUEL, SECONDARY	1	
19	207906	FILTER – CRANKCASE BREATHER	1	
20	207963	BELT – FAN DRIVE-ENDURANCE	1	
A	148798	BOLT – HEX FLG HD M12 X 1.75 X 30-10.9-A3L		
B	184664	BOLT – HEX HD M10 X 1.5 X 60-8.8-A3L		
C	135799	NUT – HEX FLG CTR LOC M10 X 1.5-10-A3L		
D	30628	BOLT – HEX HD M10 X 1.5 X 35-8.8-A3L		
E	135691	BOLT – RHSN TFL M10 X 1.5 X 35-8.8-A3L		
F	136398	BOLT – HEX FLG HD TFL M12 X 1.75 X 20-8.8-A3L		
G	136135	SCREW – HEX WASHER HD M10 X 1.5 X 25-450HV-A3L		
H	203554	WASHER		
J	184717	WASHER – FLAT REG M16-200HV-A3L		
K	184679	BOLT – HEX HD M16 X 2 X 110-10.9-A3L		
L	152520	NUT – HEX FLG TECH LOC M16 X 2-10-A3L		
M	110995	BOLT – BANJO		
N	110996	WASHER – BANJO (2-PACK)		

45. Includes spacer (MD #23050).

46. Includes bolt and washers.

47. Includes bolt (MD #110995) and washers (MD #110996).

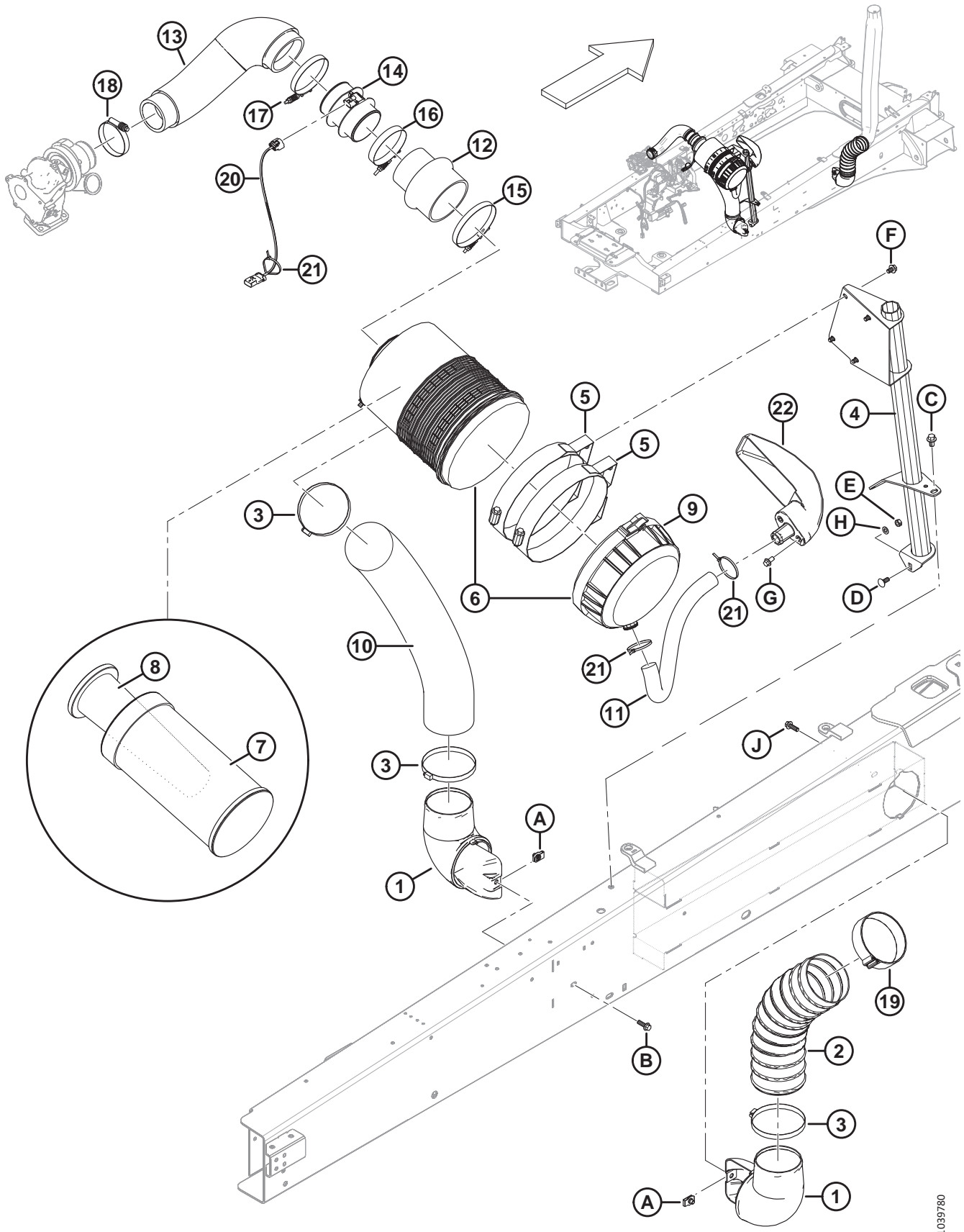
# 24 Fuel System



**FUEL SYSTEM**

<b>Ref</b>	<b>Part Number</b>	<b>Description</b>	<b>Qty</b>	<b>Serial Number</b>
1	203294	HOSE – FUEL, 3/8 IN I.D., 1970 MM LG	1	
2	203293	HOSE – FUEL, 3/8 IN I.D., 430 MM LG	1	
3	204055	HOSE – FUEL, 3/8 IN I.D., 2100 MM LG	1	
4	136743	CLAMP – 16 MM I.D., CONSTANT TENSION	6	
5	135235	CLAMP – DOUBLE HOSE INSULATED	1	
6	40702	FASTENER – CABLE TIE (RED)	1	
A	136209	SCREW – THREAD ROLLING FLG M10 X 1.5X20-A3L	1	

# 25 Engine Air Intake



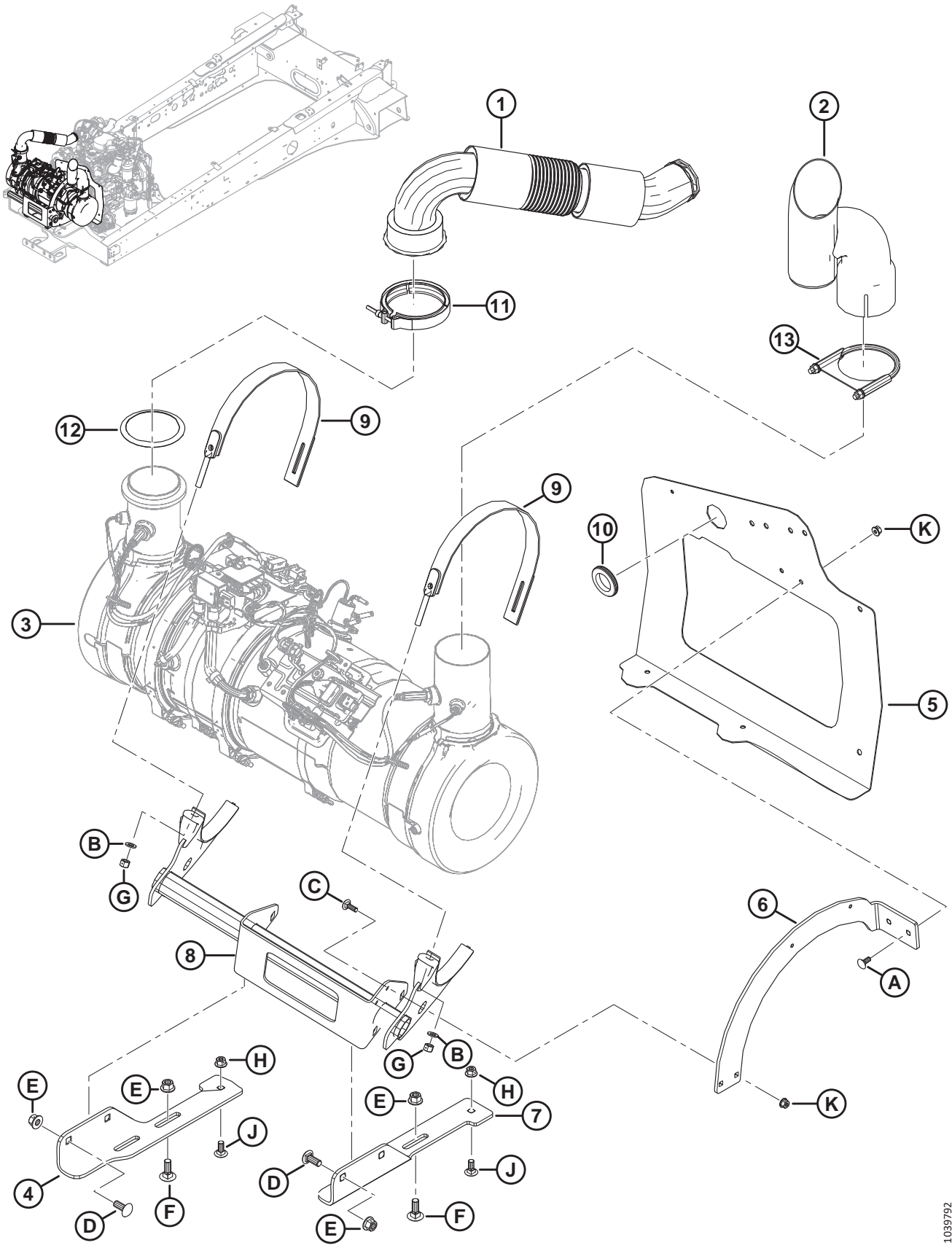


**ENGINE AIR INTAKE**

<b>Ref</b>	<b>Part Number</b>	<b>Description</b>	<b>Qty</b>	<b>Serial Number</b>
1	204102	ELBOW – AIR DUCT	2	
2	203108	HOSE – 127 MM I.D.	1	
3	166869	CLAMP – HOSE (89-140 MM)	3	
4	205097	WELD'T – SUPPORT, 4-CYL AIR CLEANER	1	
5	163976	BRACKET – AIR CLEANER SUPPORT	2	
6	162144	AIR CLEANER <sup>48</sup>	1	
	111957	VALVE – DUST EJECTOR		
7	111954	FILTER – AIR, PRIMARY	1	
8	111955	FILTER – AIR, SECONDARY	1	
9	111956	COVER – AIR CLEANER	1	
10	207638	HOSE – 127 MM I.D.	1	
11	202446	HOSE – ASPIRATOR, 530 MM LG	1	
12	203643	HOSE – HUMP, 4 TO 5 IN.	1	
13	209225	ELBOW – RUBBER	1	
14	204604	ASSY – TBAP HOUSING	1	
15	162102	CLAMP – CONSTANT TORQUE, 135-143 MM I.D.	1	
16	162446	CLAMP – CONSTANT TORQUE, 109-116 MM I.D.	1	
17	135870	CLAMP – CONSTANT TORQUE, 116-124 MM I.D.	1	
18	209520	CLAMP – CONSTANT TORQUE, 83-105 MM I.D.	1	
19	208576	STRAP – CINCH, 600 MM LG	1	
20	310795	HARNESS – TBAP, STAGE 5	1	
21	21763	FASTENER – CABLE TIE, BLACK, 160 MM LG	3	
22	207192	ASPIRATOR – AIR CLEANER	1	
A	136620	NUT – U MULTI THREAD		
B	184665	BOLT – HEX FLG HD M10 X 1.5 X 30-10.9-A3L		
C	136398	BOLT – HEX FLG HD TFL M12 X 1.75 X 20-8.8-A3L		
D	135785	BOLT – RHSN M10 X 1.5 X 25-8.8-A3L		
E	320206	NUT – HEX CTR LOC M10 X 1.5-8 ZINC		
F	136151	BOLT – HEX FLG HD TFL M10 X 1.5 X 16-8.8-A3L		
G	152655	BOLT – HEX FLG HD M10 X 1.5 X 20-8.8-A3L		
H	184711	WASHER – FLAT REG M10-200HV-AA1J		
J	136211	BOLT – HEX FLG HD M10 X 1.5 X 35-8.8-AA1J		

48. Includes primary air filter (MD #111954), secondary air filter (MD #111955), cover (MD #111956), and dust ejector valve (MD #111957).

# 26 Engine Exhaust

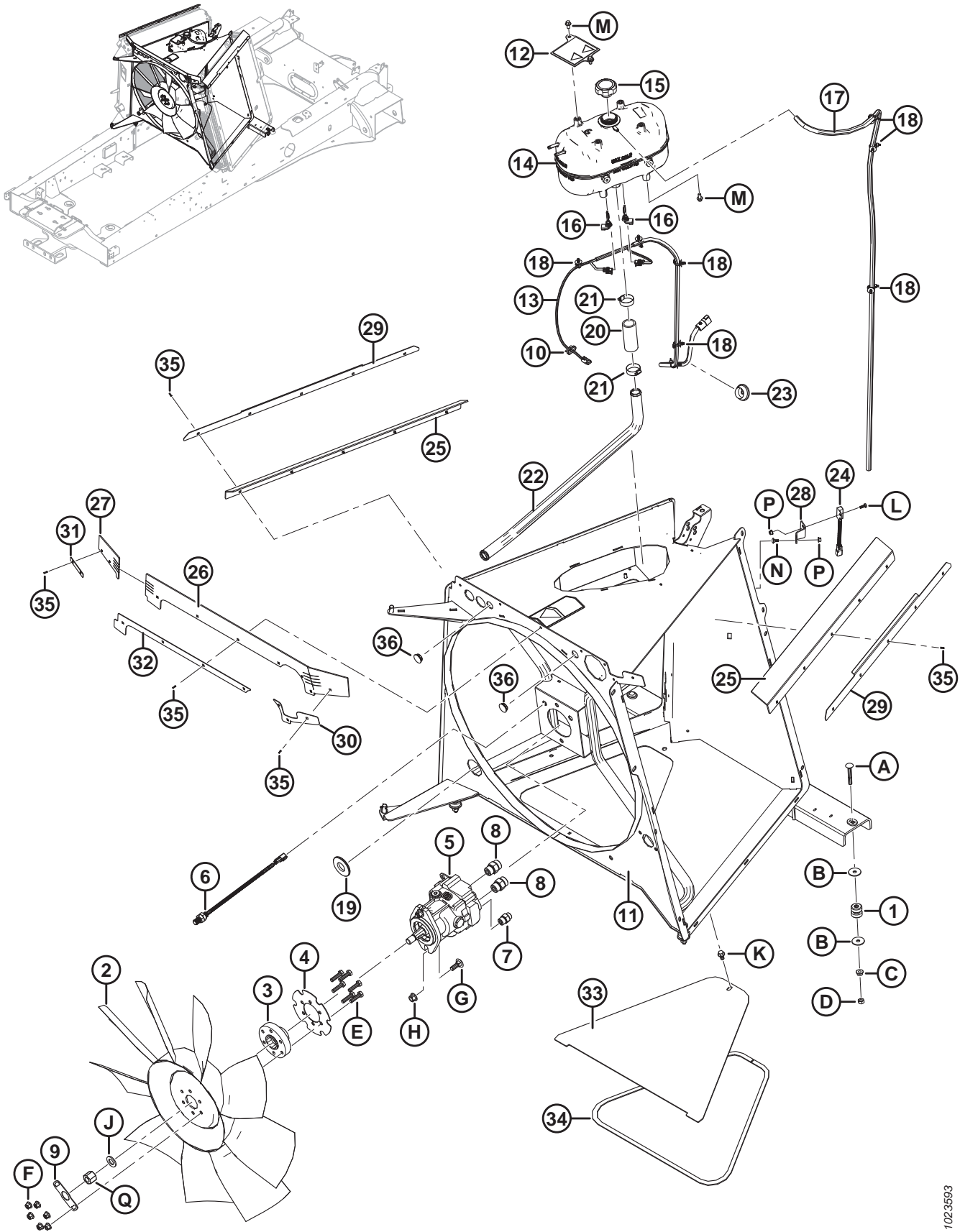


**ENGINE EXHAUST**

<b>Ref</b>	<b>Part Number</b>	<b>Description</b>	<b>Qty</b>	<b>Serial Number</b>
1	310787	TUBE – EXHAUST, CUMMINS STAGE 5	1	
2	310755	ASSEMBLY – TUBE EXHAUST STACK	1	
3	NSS	ASSEMBLY – AFTERTREATMENT MODULE <sup>49</sup>	1	
4	306315	ANGLE – EXHAUST AT SUPPORT LH	1	
5	306297	SUPPORT – DEF LINES	1	
6	306296	SUPPORT – DEF LINES BRACKET	1	
7	306293	ANGLE – EXHAUST AT SUPPORT RH	1	
8	306762	SUPPORT – AFTERTREATMENT, WELDMENT	1	
9	207154	CLAMP–STRAP ASSEMBLY	2	
10	205077	GROMMET	1	
11	204732	CLAMP – 4 IN. MARMON STANDARD	1	
12	203777	GASKET – STD MARMON, 102 MM	1	
13	203870	CLAMP – U-BOLT, 102 MM	1	
A	197171	BOLT – RHSN M8 X 1.25 X 20-8.8-ZINC		
B	184711	WASHER – FLAT REG M10-200HV-AA1J		
C	184648	BOLT – RHSN M8 X 1.25 X 25-8.8-AA1J		
D	152702	BOLT – RHSSN M12 X 1.75 X 30-8.8-AA1J		
E	136431	NUT – HEX FLG CTR LOC M12 X 1.75-10		
F	136291	BOLT – RHSN TFL M12 X 1.75 X 35-8.8-ZINC		
G	135800	NUT – HEX CTR LOC SPCL M10 X 1.5-9-AA1J		
H	135799	NUT – HEX FLG CTR LOC M10 X 1.5-10		
J	135785	BOLT – RHSN M10 X 1.5 X 25-8.8-AA1J		
K	135337	NUT – HEX FLG CTR LK M8 X 1.25-8-AA1J		

49. Part serviced through Cummins. Contact your Cummins dealer. Cummins part #5505824.

# 27 Engine Cooling System



## ENGINE COOLING SYSTEM

Ref	Part Number	Description	Qty	Serial Number
1	205159	INSULATOR – RUBBER	4	
2	205269	FAN – 813 MM, 9 BLADE	1	
3	200273	ADAPTER – HYD FAN DRIVE	1	
4	201638	DISC – SPEED SENSOR PICKUP	1	
5	145392	MOTOR – HYDRAULIC C/W KEY	1	
	279003	SEAL KIT		
	111895	KEY – SQUARE		
6	136167	SENSOR – SPEED	1	
7	184463	FITTING – ADAPTER 8 MORFS X 10 MORB	1	
	44210	O-RING – #10 ORB		
	135866	O-RING – #8 ORFS		
8	135788	FITTING – ADAPTER	2	
	30971	O-RING – #12 ORB		
	135868	O-RING – #12 ORFS		
9	201434	LOCK – FAN HUB NUT	1	
10	21763	FASTENER – CABLE TIE, BLACK, 160 MM LG	1	
11	208521	FAN BOX – W/ DECAL <sup>50</sup>	1	
	306620	KIT – COOLER BOX LATCH <sup>51</sup>		
12	306796	ASSY – PANEL, DECAL <sup>52</sup>	1	
13	207284	HARNESS – COOLER BOX	1	
14	202455	ASSY – TANK, COOLANT, PRESSURIZED	1	
15	202325	CAP – SURGE TANK	1	
16	204784	SWITCH – LEVEL	2	
17	205666	HOSE – COOLANT VENT, 5/16 IN. I.D., 1735 MM LG	1	
18	136655	FASTENER – FIR TREE MOUNT W/ TIE, 200 MM LG	3	
19	136638	GROMMET – 31.75 MM I.D.	1	
20	209813	HOSE – STUB, 41 MM O.D., 95 MM LG	1	
21	136646	CLAMP – LINED-SS, 27–51 MM RANGE	2	
22	205201	TUBE – FILL	1	
23	167709	GROMMET – 10 MM I.D. X 38 MM O.D.	1	
24	200974	SWITCH – PROXIMITY	1	
25	206680	SEAL – ANGLE TOP	2	
26	206897	SEAL – ANGLE CENTER	1	
27	206896	SEAL – ANGLE LEFT	1	
28	204553	BRACKET – DOOR SWITCH	1	
29	206679	PLATE – HOOD, UPPER SEAL	2	
30	207447	PLATE – SEAL, RH	1	
31	207452	PLATE – SEAL, LH	1	
32	206899	PLATE – SEAL, CENTER	1	
33	208523	ASSY – ACCESS PANEL <sup>53</sup>	1	

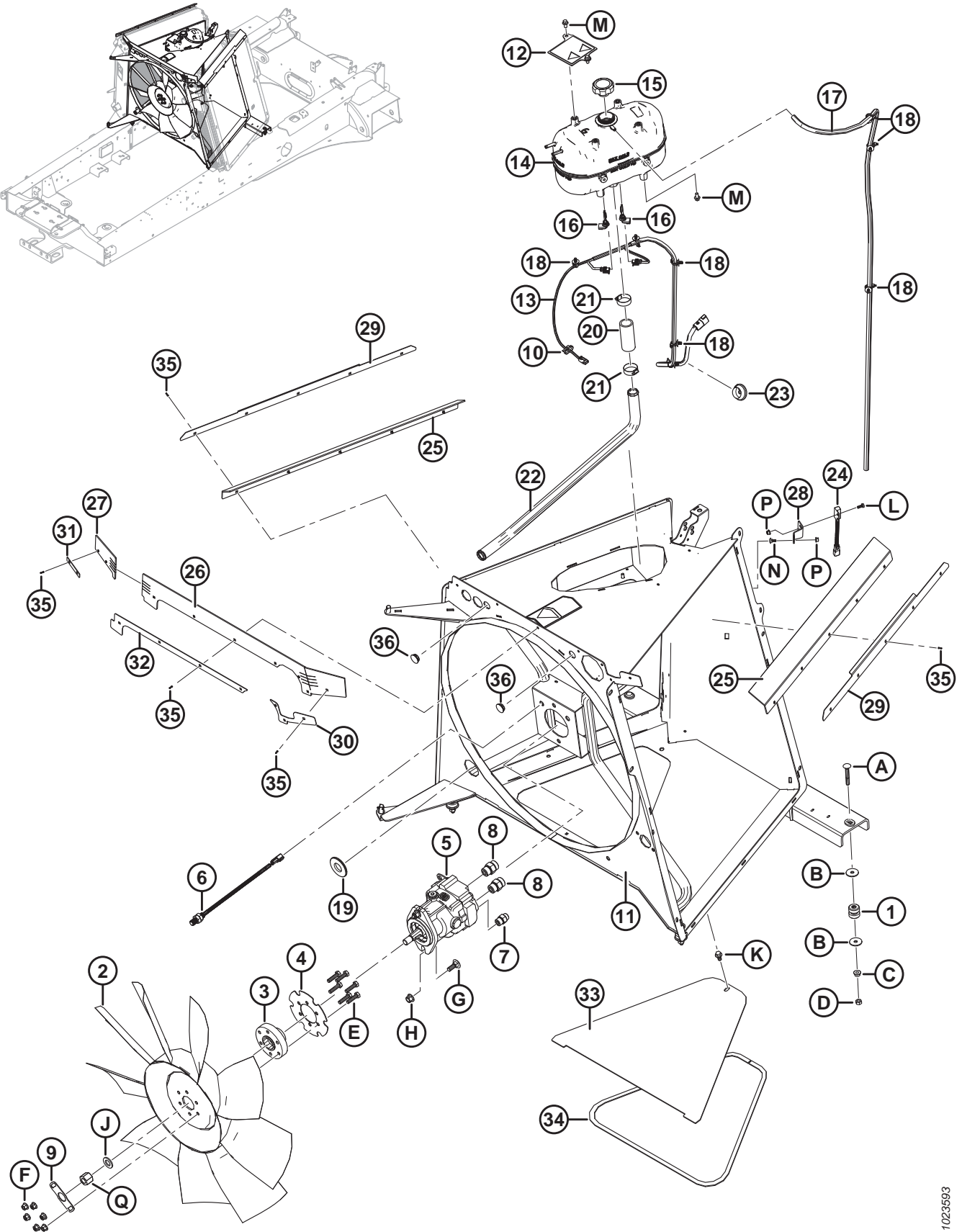
50. Includes access panel (MD #208523), bottom cover seal (MD #208530), and bolt (MD #152655).

51. Kit includes cooler box hood latch (NSS) and instruction decal (NSS).

52. Includes nitrite-free decal (MD #306756).

53. Includes seal (MD #208530).

ENGINE COOLING SYSTEM

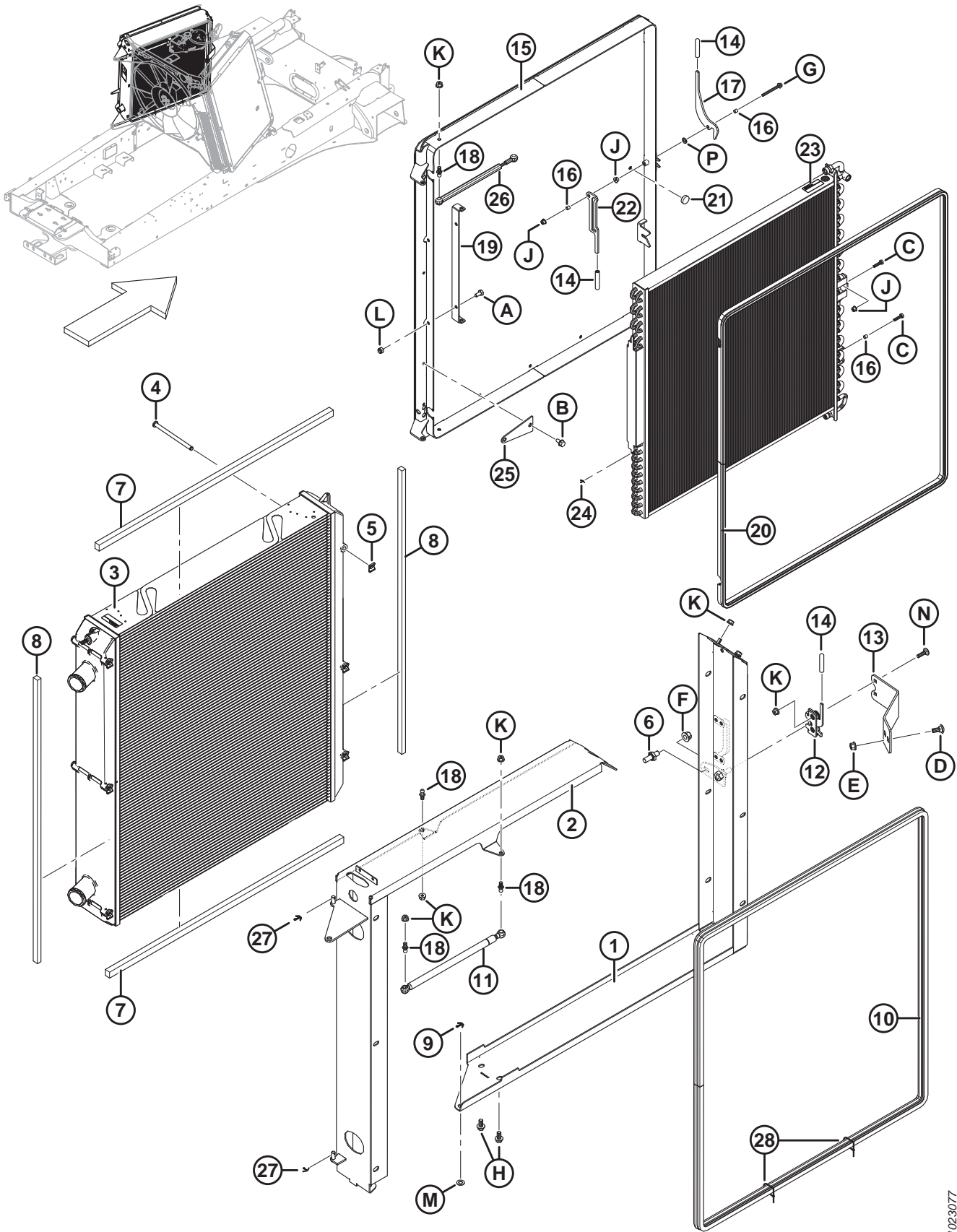


1023593

**ENGINE COOLING SYSTEM**

<b>Ref</b>	<b>Part Number</b>	<b>Description</b>	<b>Qty</b>	<b>Serial Number</b>
34	208530	SEAL – BOTTOM COVER	1	
35	252667	RIVET – 1/4 IN. X 5/8 IN.	19	
36	200780	PLUG – NYLON, BLACK, 30 MM O.D.	2	
A	136495	BOLT – RHSN M10 X 1.5 X 70-8.8-AA3L		
B	184583	WASHER – FLAT		
C	135927	NUT – HEX SMTH FLG M10 X 1.5-8-A3L		
D	30505	NUT – HEX M10 X 1.5-10-A3L		
E	135319	BOLT – HEX HD M10 X 1.5 X 40-8.8-A3L		
F	135799	NUT – HEX FLG CTR LOC M10 X 1.5-10-A3L		
G	136291	BOLT – RHSN TFL M12 X 1.75 X 35-8.8-A3L		
H	136431	NUT – HEX FLG CTR LOC M12 X 1.75-10-A3L		
J	18601	WASHER – SAE FLAT 13/16 I.D. X 1.5 IN. O.D. ZP		
K	152655	BOLT – HEX FLG HD M10 X 1.5 X 20-8.8-A3L		
L	184642	BOLT – HEX HD TFL M6 X 1 X 16-8.8-A2L		
M	136485	BOLT – HEX FLG HD TFL M8 X 1.25 X 16-8.8-A3L		
N	136774	BOLT – RHSN M6 X 1 X 16-8.8-PLN		
P	152668	NUT – HEX FLG CTR LOC M6 X 1-8-A2L		
Q	135280	NUT – HEX HEAVY 3/4-16 UNF GR 8 BLACK		

# 28 Cooling Module – Left



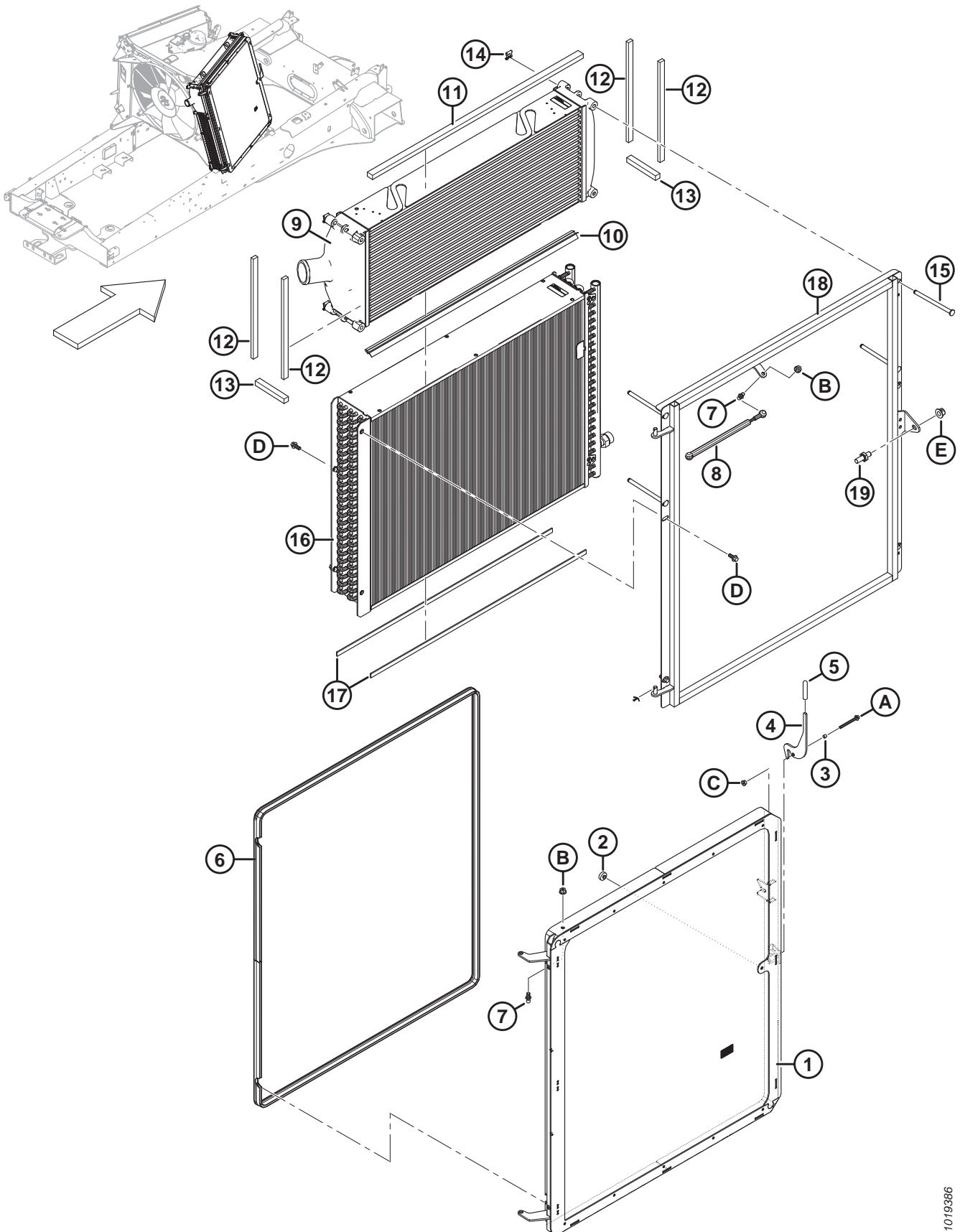
1023077



**COOLING MODULE – LEFT**

<b>Ref</b>	<b>Part Number</b>	<b>Description</b>	<b>Qty</b>	<b>Serial Number</b>
1	208512	RAD DOOR BASE FRAME – WELDT	1	
2	208513	RAD DOOR TOP FRAME – WELDT	1	
3	203152	RADIATOR	1	
4	205070	PIN – 9.7 MM O.D. X 140 MM	6	
5	205071	CLIP – PIN	6	
6	136598	STRIKER – BOLT	1	
7	208510	SEAL – RAD HORIZONTAL	2	
8	208509	SEAL – RAD VERTICAL	2	
9	18605	PIN – COTTER 1/8 DIA X 1 ZP	1	
10	208553	SEAL – BULB	1	
11	203389	CYLINDER – GAS SPRING	1	
12	134003	ASSY – STIRRUP LATCH	1	
13	208547	BRACKET – LATCH	1	
14	110817	COVER – SOFTEX GRIP	3	
15	208528	SCREEN CHAFF – WELDT	1	
16	291268	BUSHING – STAINLESS STEEL	3	
17	208529	LATCH – SCREEN CHAFF	1	
18	136188	STUD – BALL (10 MM); M8 THREAD	4	
19	208531	BRACKET – FRAME TO COOLER	1	
20	201598	SEAL – BULB	1	
21	208556	BUMPER – RUBBER	1	
22	208533	BRACKET – CLEAN OUT	1	
23	203153	CONDENSER	1	
24	18728	PIN – COTTER 1/16 DIA X 3/4 ZP	1	
25	205374	SUPPORT – A/C HOSE	1	
26	109603	SPRING – GAS	1	
27	18604	PIN – COTTER 3/32 DIA X 3/4 ZP	2	
28	21763	FASTENER – CABLE TIE, BLACK, 160 MM LG	2	
A	50139	BOLT – HEX HD TFL M8 X 1.25 X 16-8.8-A2L		
B	134705	SCREW – HEX WASHER HD M8 X 1.25 X 16-A3L		
C	135301	BOLT – HEX HD M6 X 1 X 25-8.8-A2L		
D	135785	BOLT – RHSN M10 X 1.5 X 25-8.8-A3L		
E	135799	NUT – HEX FLG CTR LOC M10 X 1.5-10-A3L		
F	136431	NUT – HEX FLG CTR LOC M12 X 1.75-10-A3L		
G	136704	BOLT – HEX FLG HD M6 X 1 X 60-8.8-AA2L		
H	152655	BOLT – HEX FLG HD M10 X 1.5 X 20-8.8-A3L		
J	152668	NUT – HEX FLG CTR LOC M6 X 1-8-A2L		
K	152863	NUT – HEX FLG STVR LOC M8 X 1.25-10-AA2L		
L	184688	NUT – HEX NYLOC M8 X 1.25-8-A2L		
M	184711	WASHER – FLAT REG M10-200HV-A3L		
N	190752	BOLT – RHSN M8 X 1.25 X 30-8.8-A2L		
P	30716	WASHER – LOC SPRING M8-CS-1055-1065-A2L		

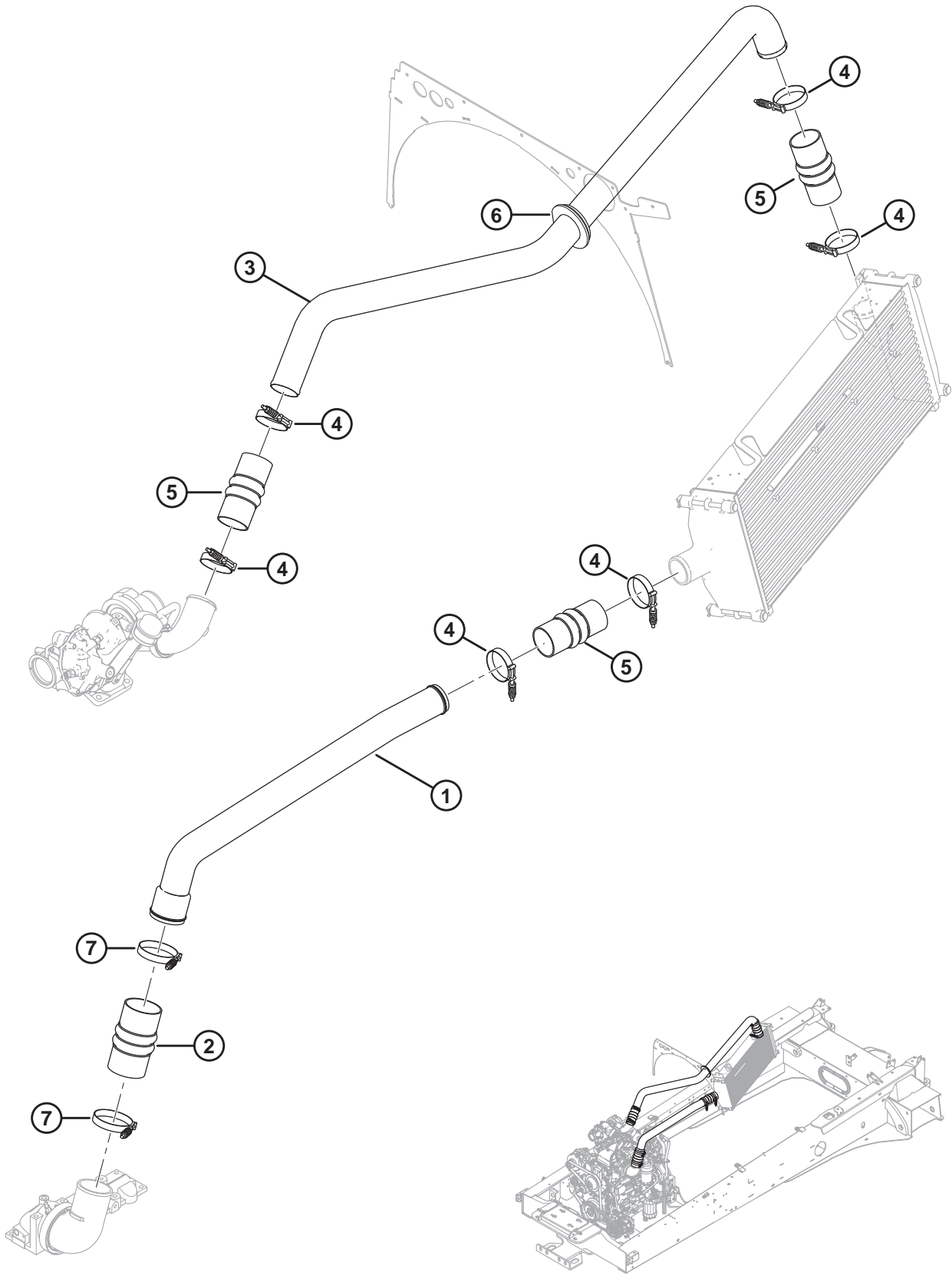
## 29 Cooling Module – Right



**COOLING MODULE – RIGHT**

<b>Ref</b>	<b>Part Number</b>	<b>Description</b>	<b>Qty</b>	<b>Serial Number</b>
1	208528	WELDT – SCREEN CHAFF	1	
2	208556	BUMPER – RUBBER	1	
3	291268	BUSHING – STAINLESS STEEL	1	
4	208529	LATCH – SCREEN CHAFF	1	
5	110817	COVER – SOFTEX GRIP	2	
6	201598	SEAL – BULB	1	
7	136188	STUD – BALL (10 MM); M8 THREAD	2	
8	109603	SPRING – GAS	1	
9	203151	CHARGE AIR COOLER	1	
10	208554	SEAL – SILICONE, ORANGE	1	
11	208507	SEAL – CAC, TOP	1	
12	208506	SEAL – CAC, SIDE	4	
13	208508	SEAL – CAC, BOTTOM END	2	
14	205071	CLIP – PIN	4	
15	205070	PIN – 9.7 MM O.D. X 140 MM	4	
16	203154	COOLER – HYDRAULIC OIL	1	
17	208541	SEAL – HYDRAULIC OIL COOLER	2	
18	208555	WELDT – COOLER FACE FRAME	1	
19	136598	STRIKER – BOLT	1	
A	136704	BOLT – HEX FLG HD M6 X 1 X 60-8.8-AA2L		
B	152863	NUT – HEX FLG STVR LOC M8 X 1.25-10-AA2L		
C	152668	NUT – HEX FLG CTR LOC M6 X 1-8-A2L		
D	136300	BOLT – HEX FLG HD TFL M8 X 1.25 X 20-8.8-AA3L		
E	136431	NUT – HEX FLG CTR LOC M12 X 1.75-10-A3L		

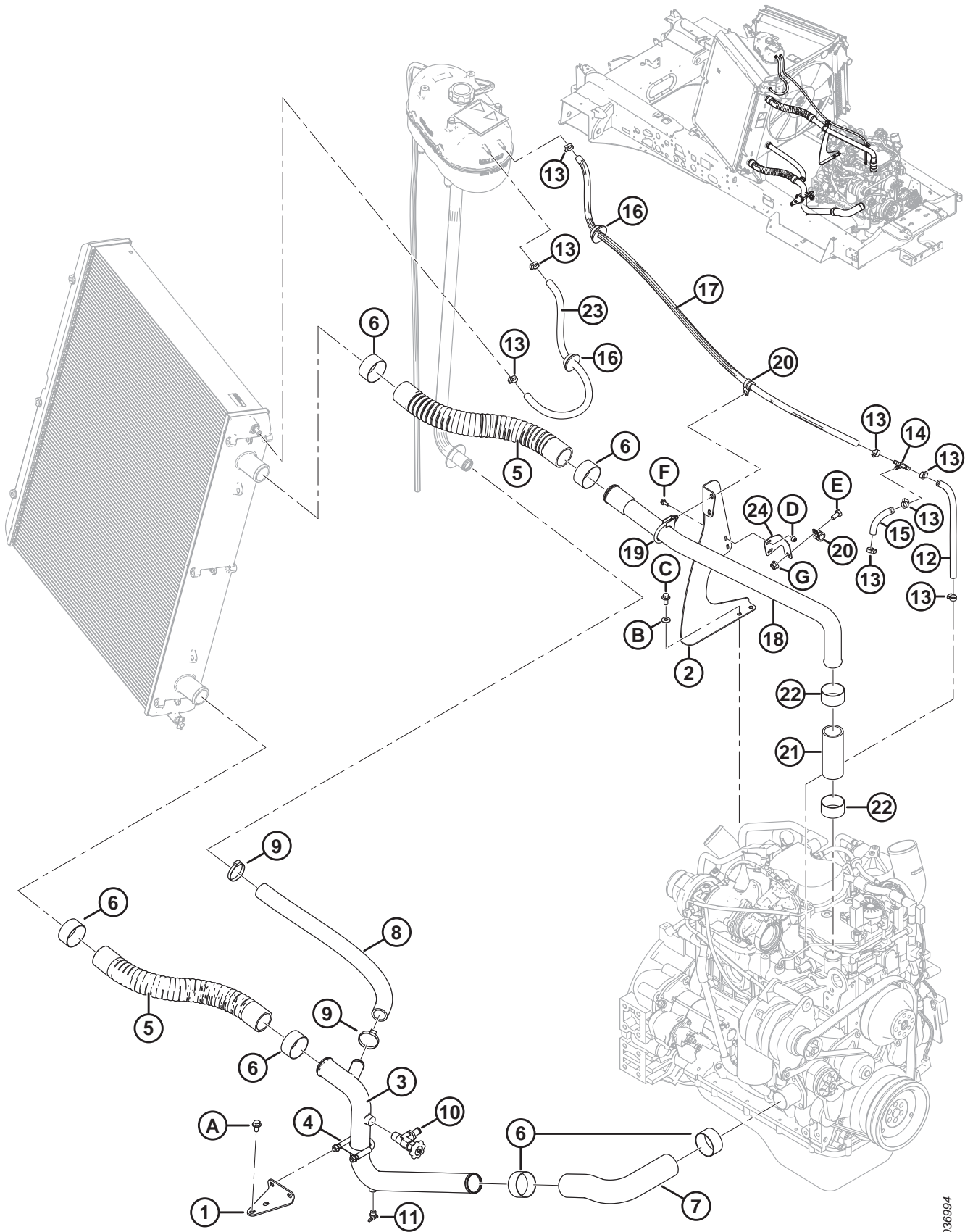
# 30 Charge Air Cooler Plumbing



### CHARGE AIR COOLER PLUMBING

Ref	Part Number	Description	Qty	Serial Number
1	343886	TUBE – CAC, OUTLET	1	
2	163905	CONNECTOR – CAC	1	
3	206116	TUBE – CHARGE AIR COOLER, INLET	1	
4	163957	CLAMP – CONSTANT TORQUE, Ø2.75 IN. NOM	6	
5	163904	CONNECTOR – CAC, 2.5 IN.	3	
6	163779	GROMMET – 2.5 IN. SILICONE	1	
7	111643	CLAMP – CONSTANT TORQUE, 3.1875 IN. NOM	2	

# 31 Radiator Plumbing



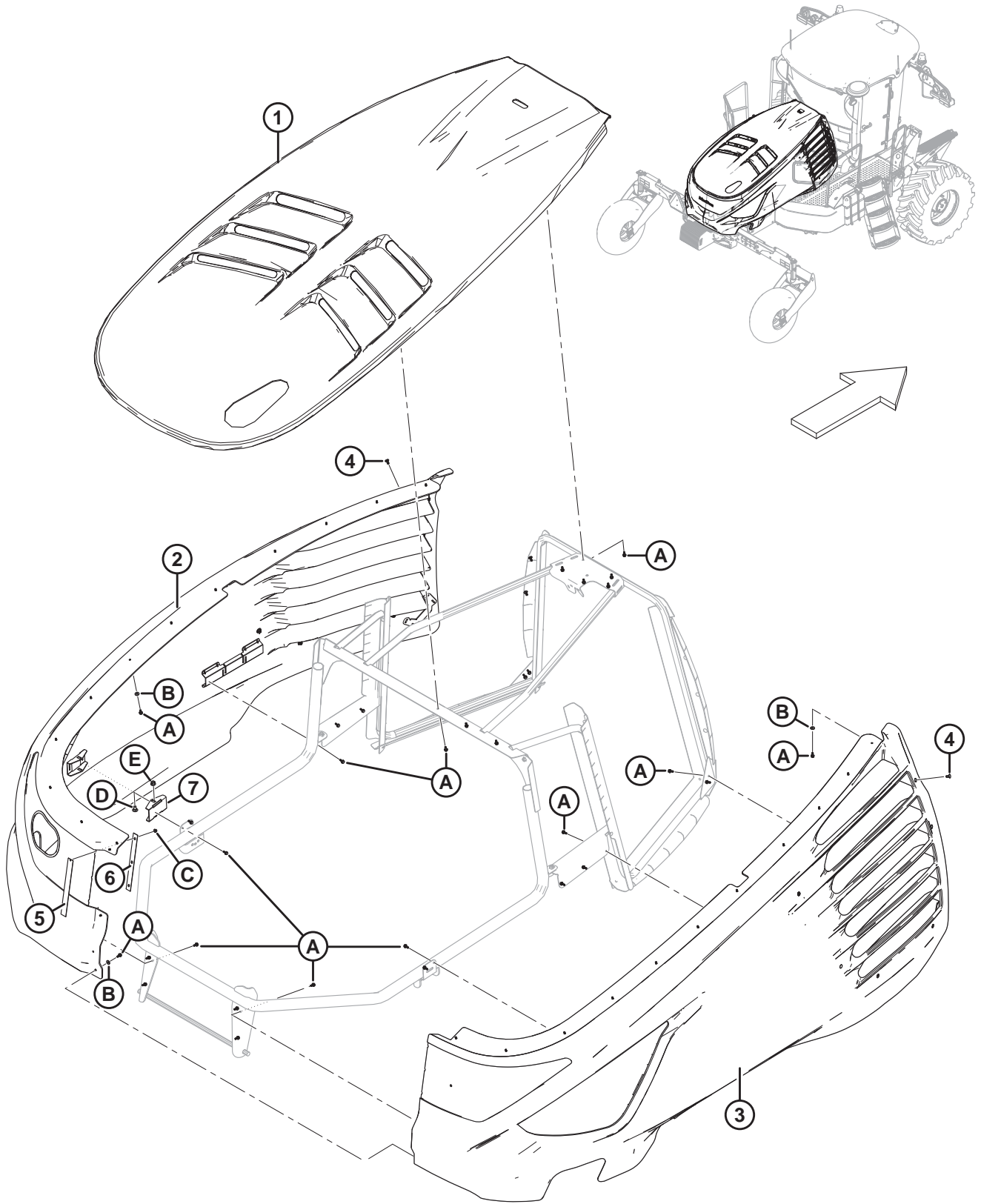
1036994

**RADIATOR PLUMBING**

Ref	Part Number	Description	Qty	Serial Number
1	202734	SUPPORT – TUBE	1	
2	306429	SUPPORT – TUBE, STAGE 5	1	
3	202732	TUBE – RAD, INLET	1	
4	136109	CLAMP – U-BOLT, 2 IN. DIA	1	
5	206121	HOSE – RADIATOR, FLEX, 50.8 MM X 508 MM LG	2	
6	306119	KIT – CLAMP, SVC 57.1–63.5 MM <sup>54</sup>	6	
7	206114	HOSE – RADIATOR, BOTTOM	1	
8	203295	HOSE – RADIATOR FILL, 1.25 IN. I.D., 640 MM LG	1	
9	162444	CLAMP – HOSE	2	
10	101904	VALVE – 90°	1	
11	20023	FITTING – DRAIN COCK, 1/4 NPT	1	
12	310979	HOSE – COOLANT, 5/16 IN. I.D., 320 MM LG	1	
13	30500	CLAMP – HOSE GEAR TYPE	8	
14	200402	FITTING – TEE, 5/16 IN., BARBED	1	
15	310807	HOSE – COOLANT, 5/16 IN. I.D., 100 MM LG	1	
16	42080	GROMMET – RUBBER, POLYURETHANE	2	
17	310978	HOSE – COOLANT, 5/16 IN I.D., 1380 MM	1	
18	203927	TUBE – RAD, TOP	1	
19	136110	CLAMP – U-BOLT, 1.75 IN. DIA	1	
20	135716	CLAMP – INSULATED 5/8 IN.	2	
21	310989	HOSE – 44.5 MM I.D. X 135 MM	1	
22	306120	KIT – CLAMP, SVC 50.8–57.2 MM <sup>54</sup>	2	
23	205242	HOSE – COOLANT, 5/16 X 670 MM LG	1	
24	306430	SUPPORT – P-CLIP	1	
A	136209	SCREW – HEX WASHER HD M10 X 1.5 X 20-450HV-A3L		
B	184584	WASHER – CON SPRING M10A STL SAE 1050-1075		
C	152655	BOLT – HEX FLG HD M10 X 1.5 X 20-8.8-A3L		
D	152668	NUT – HEX FLG CTR LOC M6 X 1-8		
E	135723	SCREW – HEX SOC BTN HD M10 X 1.5 X 20-10.9-AA1J		
F	135959	BOLT – HEX FLG HD M6 X 1 X 16-10.9-AA1J		
G	135799	NUT – HEX FLG CTR LOC M10 X 1.5-10		

54. Kit includes one heat shrink clamp and instructions.

# 32 Hood





**HOOD**

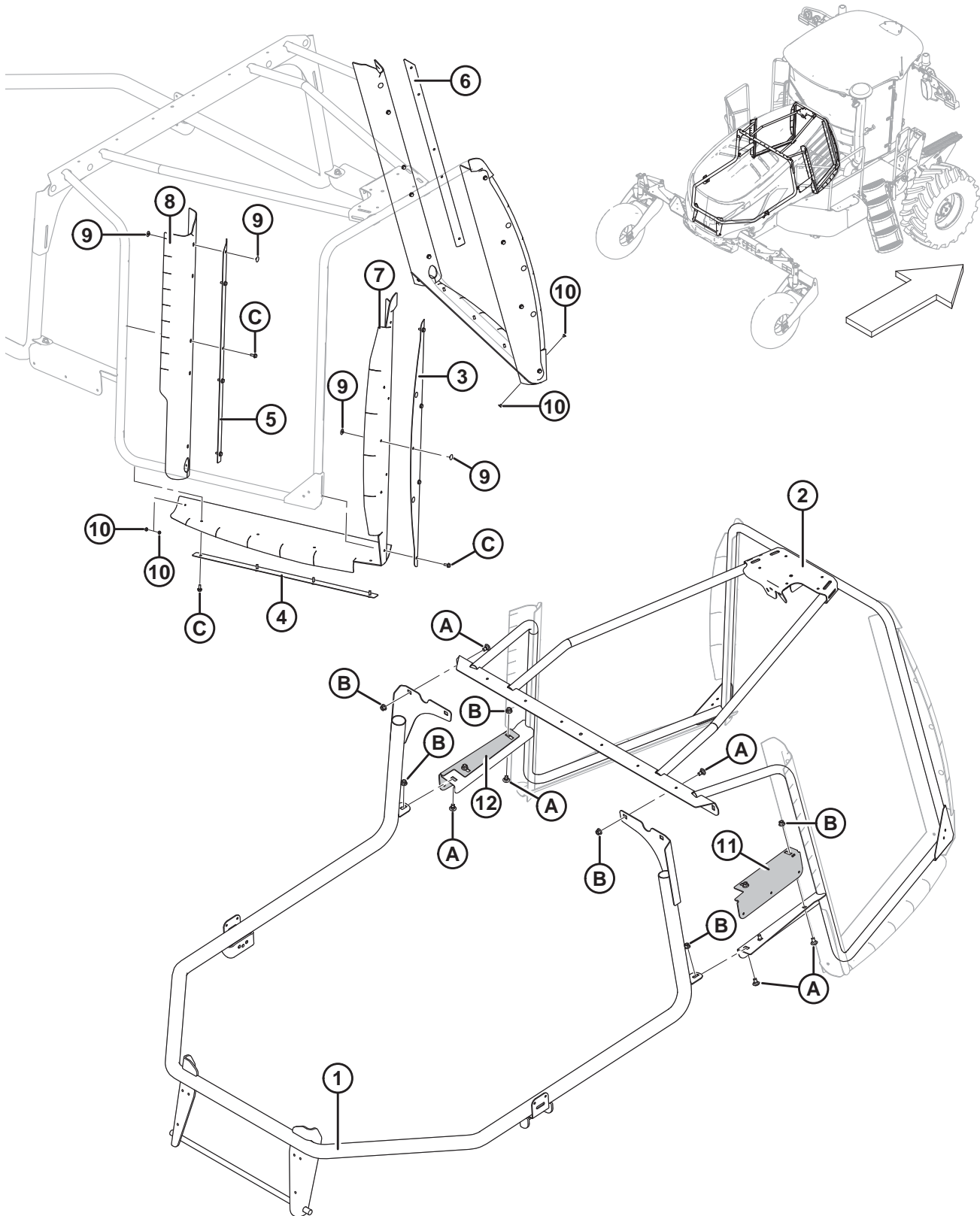
Ref	Part Number	Description	Qty	Serial Number
1	346215	SERVICE KIT – TOP PANEL <sup>55</sup>	1	
2	291608	SERVICE KIT – PANEL, LH <sup>56</sup>	1	
	208562	BEZEL – SCREEN	1	
3	291609	SERVICE KIT – PANEL, RH <sup>57</sup>	1	
4	208860	CLIP – PUSH IN, RED	12	
5	209947	WELDMENT – SCREEN CENTER	2	
6	209949	STRIP – CENTER, BACKSIDE	2	
7	291799	BRACKET – ADJUSTABLE	2	
A	252284	SCREW – HEX WASHER HD M6 X 1 X 16-450HV-A3L		
B	184706	WASHER – FLAT LARGE M6-200HV-A2L		
C	152668	NUT – HEX FLG CTR LOC M6 X 1-8		
D	136178	BOLT – RHSN M10 X 1.5 X 20-8.8-A3L		
E	135799	NUT – HEX FLG CTR LOC M10 X 1.5-10		

55. Includes hood latch decal (MD #141259).

56. Includes rear screen (NSS), clips (MD #208860), screen weldment (MD #209947), center strip (MD #209949), adjustable bracket (MD #291799), screen bezel (MD #208562), and hardware.

57. Includes rear screen (NSS), clips (MD #208860), screen weldment (MD #209947), center strip (MD #209949), adjustable bracket (MD #291799), and hardware.

# 33 Hood Frame

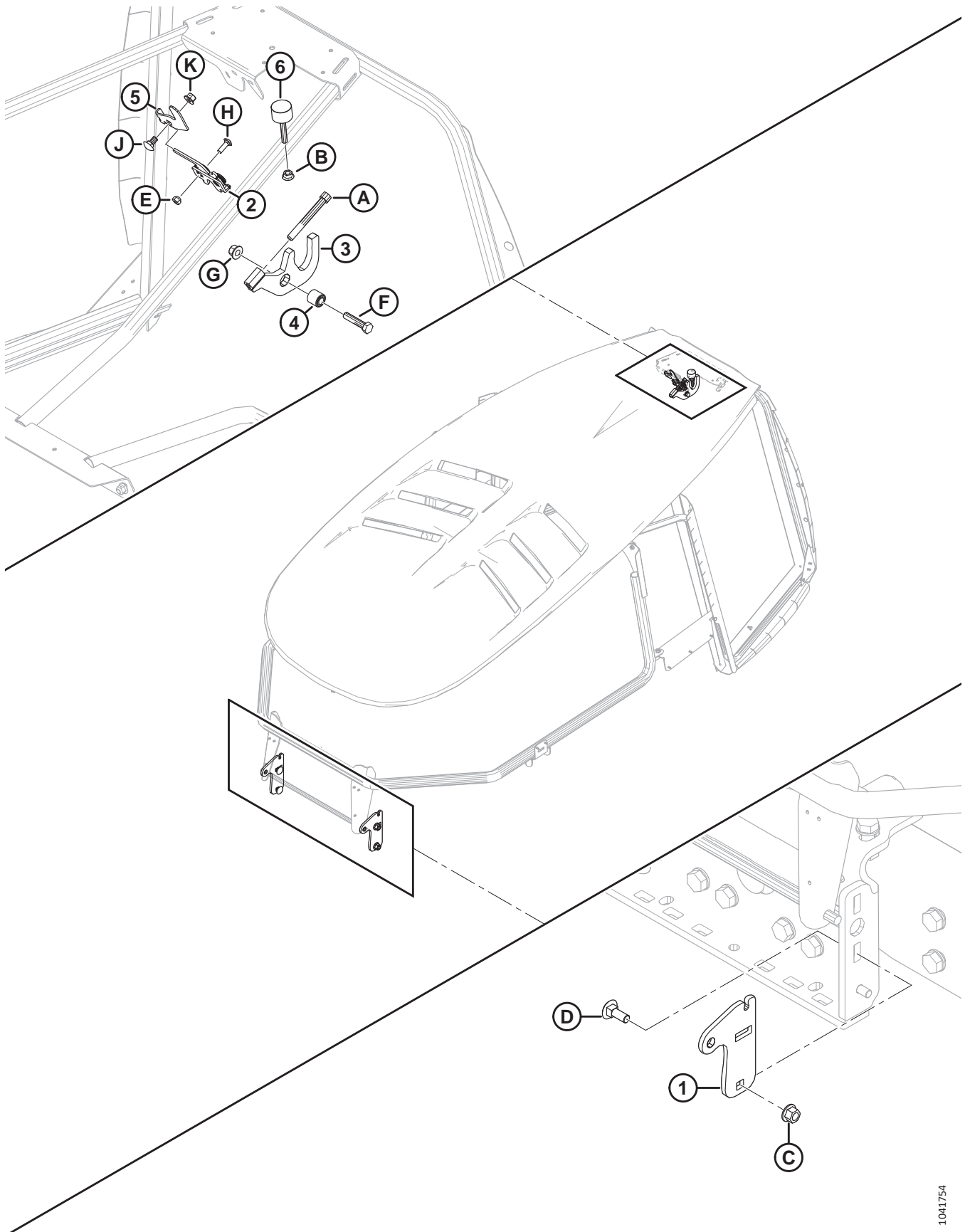


**HOOD FRAME**

<b>Ref</b>	<b>Part Number</b>	<b>Description</b>	<b>Qty</b>	<b>Serial Number</b>
1	205441	SUPPORT – HOOD REAR, WELDT	1	
2	291937	SERVICE KIT – HOOD FRAME, FRONT <sup>58</sup>	1	
3	207868	PLATE – HOOD, FRONT SEAL	2	
4	206665	PLATE – HOOD, BOTTOM SEAL	2	
5	207870	PLATE – HOOD, REAR SEAL, RH	1	
6	207869	PLATE – HOOD, REAR SEAL, LH	1	
7	207257	ANGLE – SEAL, FRONT	2	
8	207256	ANGLE – SEAL, REAR	2	
9	207329	CLIP – RATCHET RIVET	16	
10	208321	CLIP – BINDING POST, 1/4 IN.	4	
11	291796	BRACKET – PANEL, RH	1	
12	291795	BRACKET – PANEL, LH	1	
A	136178	BOLT – RHSN M10 X 1.5 X 20-8.8-A3L		
B	135799	NUT – HEX FLG CTR LOC M10 X 1.5-10-A3L		
C	252284	SCREW – HEX WASHER HD M6 X 1 X 16-450HV-A3L		

58. Includes brackets (MD #291795, 291796), four bolts (MD #136178), and four nuts (MD #135799).

# 34 Hood Latch Mechanism

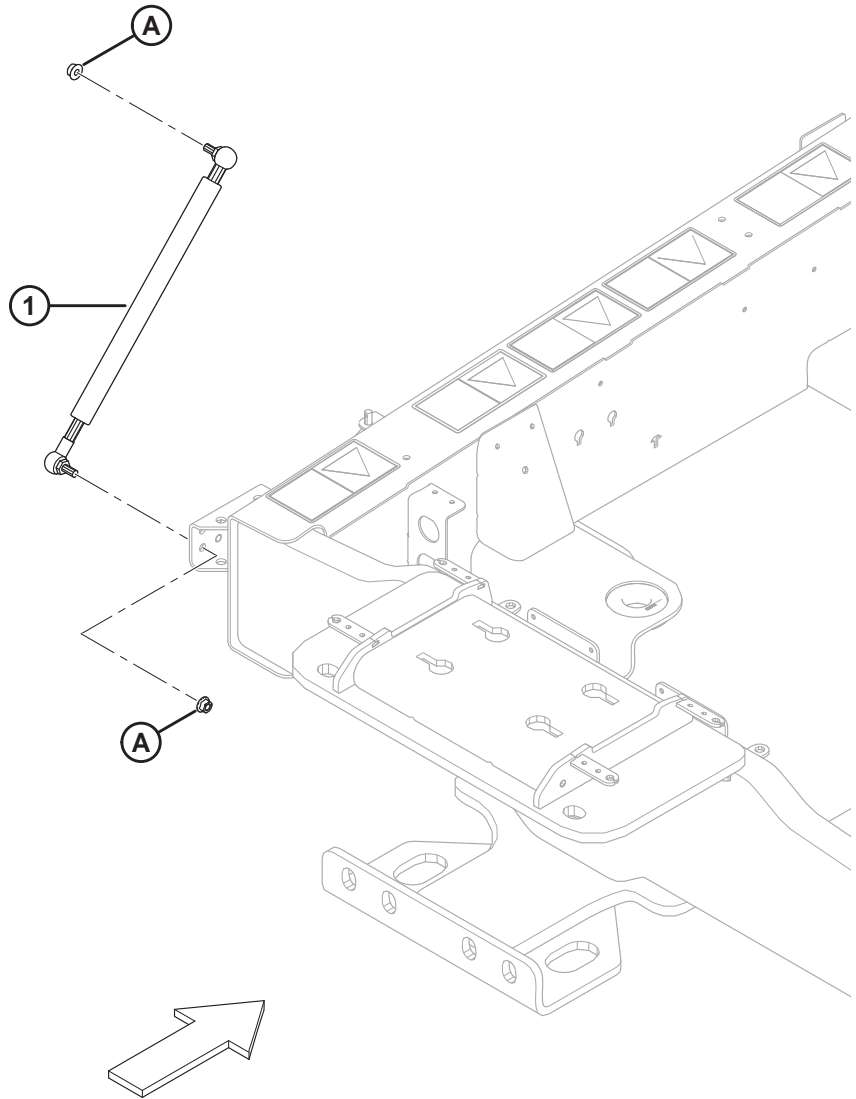
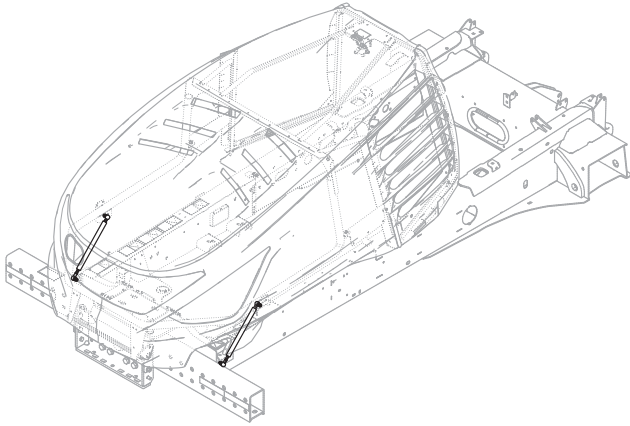


**HOOD LATCH MECHANISM**

Ref	Part Number	Description	Qty	Serial Number
1	207727	BRACKET – HOOD PIVOT	2	
2	208719	ASSY – STIRRUP LATCH	1	
3	141283	ARM – STRIKER, C/W BUSHING <sup>59</sup>	1	
4	21810	BUSHING – RUBBER	1	
5	205614	LEVER – HOOD RELEASE	1	
6	207430	BUMPER – RUBBER, M10	1	
A	135926	SCREW – HEX SOC HD M12 X 1.75 X 100-12.9-A3L		
B	135927	NUT – HEX SMTH FLG M10 X 1.5-8-A3L		
C	136440	NUT – HEX FLG CTR LOC M16 X 2-10-A3L		
D	136572	BOLT – RHSN M16 X 2 X 45-10.9-A3L		
E	136417	NUT – HEX SPCL M8 X 1.25		
F	152779	BOLT – HEX HD M12 X 1.75 X 55-8.8-A3L		
G	136431	NUT – HEX FLG CTR LOC M12 X 1.75-10-A3L		
H	136824	BOLT – RHSSN M8 X 1.25 X 25-8.8-A2L		
J	136178	BOLT – RHSN M10 X 1.5 X 20-8.8-A3L		
K	135799	NUT – HEX FLG CTR LOC M10 X 1.5-10-A3L		

59. Includes rubber bushing (MD #21810) and screw (MD #135926).

# 35 Hood Gas Shocks – Standard



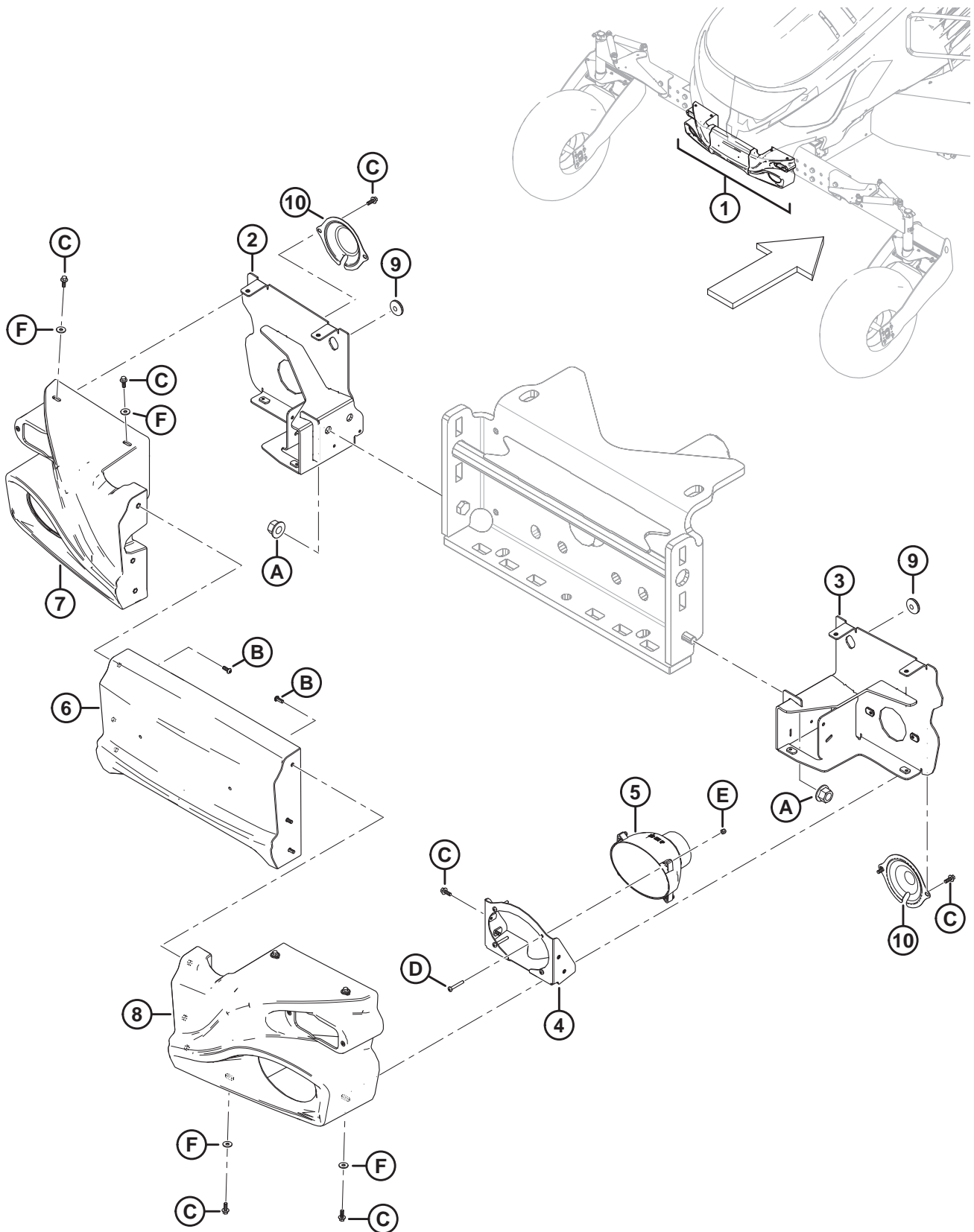
## HOOD GAS SHOCKS – STANDARD

**NOTE:**

Alternative hood gas shocks are available when optional high debris hood scoops are installed. Refer to Section [131 \(Option\) High Debris Cooler Intake](#), page 305.

Ref	Part Number	Description	Qty	Serial Number
1	209688	SHOCK – GAS, HOOD	2	
A	135927	NUT – HEX SMTH FLG M10 X 1.5-8-A3L		

# 36 Rear Lights and Bezels – M2170



1041765



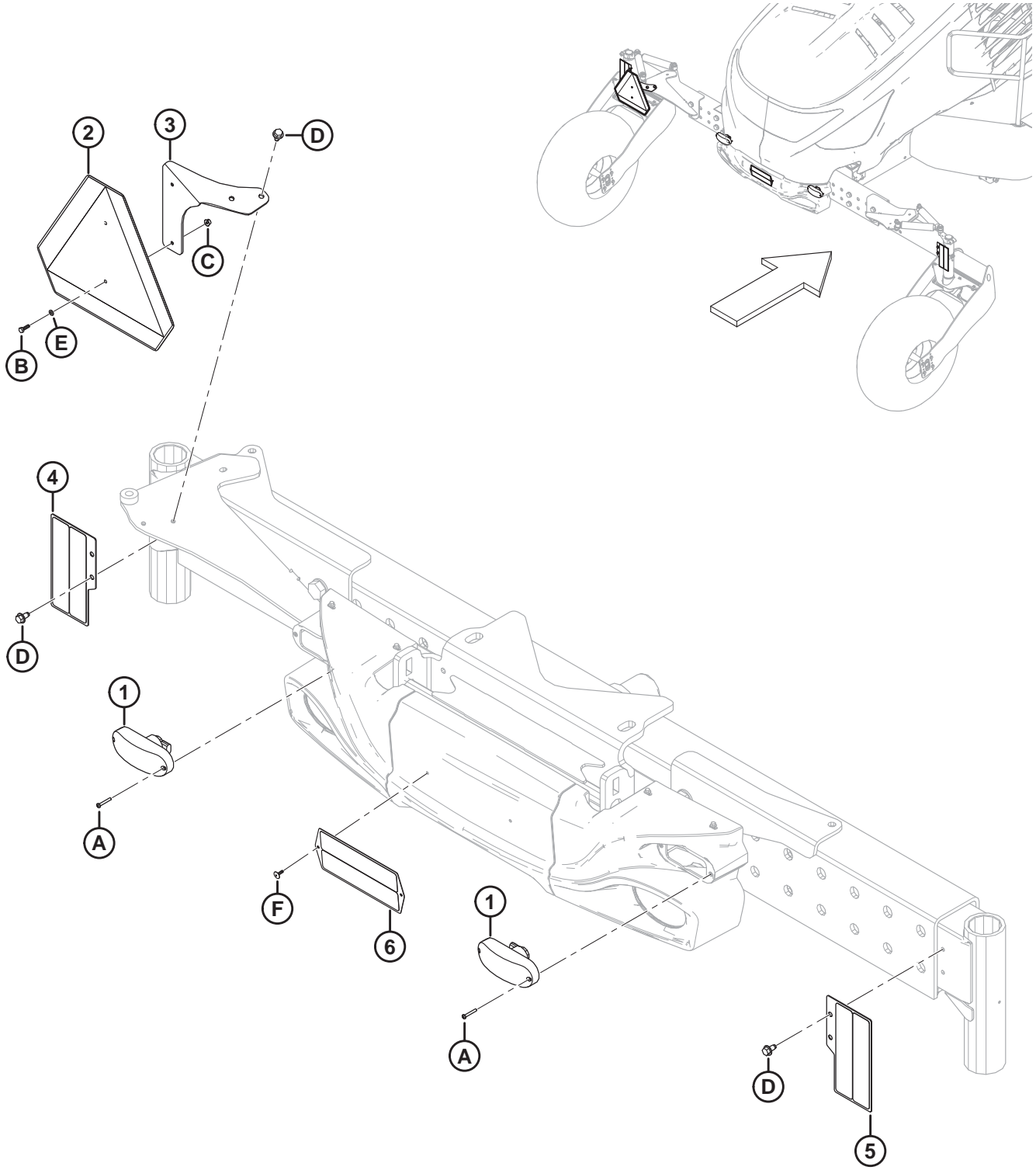
**REAR LIGHTS AND BEZELS – M2170**

<b>Ref</b>	<b>Part Number</b>	<b>Description</b>	<b>Qty</b>	<b>Serial Number</b>
1	310735	BEZEL – ASSEMBLY, REAR LIGHTS <sup>60</sup>	1	
2	310119	SUPPORT – LH REAR LIGHTS WELDT	1	
3	310120	SUPPORT – RH REAR LIGHTS WELDT	1	
4	207970	SUPPORT – HEADLIGHT	2	
5	201888	HEADLIGHT – FLUSH MOUNT <sup>61</sup>	2	
	110267	LIGHT – H4 BULB	2	
6	208502	BEZEL – CENTRE BLACK	1	
7	208503	BEZEL – LH BLACK	1	
8	208504	BEZEL – RH BLACK	1	
9	42415	GROMMET – 31.5 MM O.D. X 9.5 MM I.D.	2	
10	291073	COVER – BEZEL LIGHT CONNECTOR	2	
A	136440	NUT – HEX FLG CTR LOC M16 X 2-10-A3L		
B	136886	SCREW – HEX SOC M6 X 1 X 16-10.9-ZB		
C	135959	BOLT – HEX FLG HD M6 X 1 X 16-10.9-A2L		
D	136177	SCREW – PAN HD ISO 7045 M5 X 0.8 X 35-4.8-A2L		
E	197230	NUT – HEX NYLOC M5 X 0.8-8-A2L		
F	184706	WASHER – FLAT LARGE M6-200HV-A2L		

60. Includes center bezel (MD #208502), LH bezel (MD #208503), RH bezel (MD #208504), and screws (MD #136886).

61. Includes bulb (MD #110267).

# 37 Cab-Forward Lighting and Marking – M2170



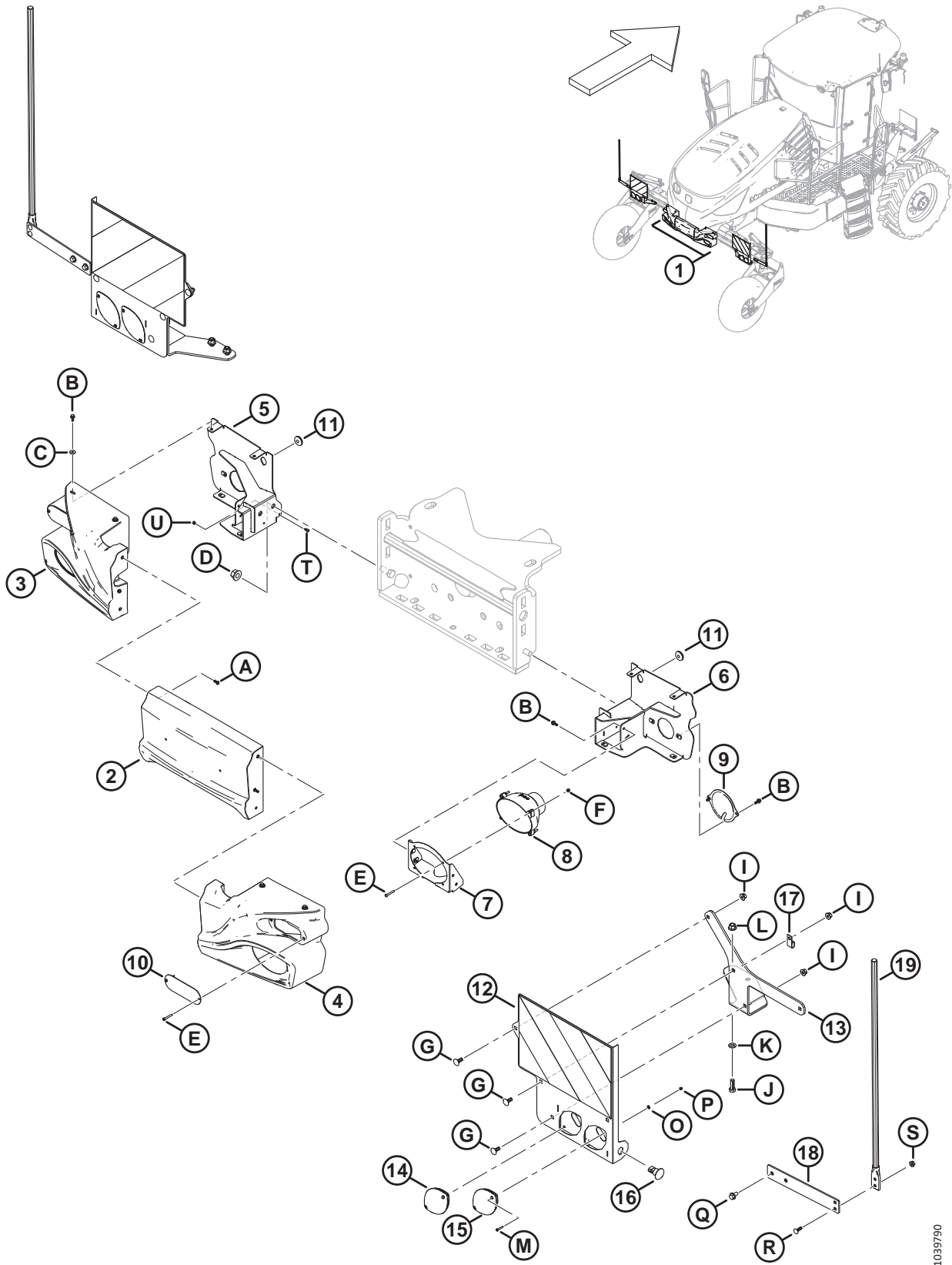
**CAB-FORWARD LIGHTING AND MARKING – M2170**

<b>Ref</b>	<b>Part Number</b>	<b>Description</b>	<b>Qty</b>	<b>Serial Number</b>
1	134079	LIGHT – RED	2	
2	21032	SIGN – METAL, SMV REFLECTOR <sup>62</sup>	1	
	115148	DECAL – SMV REFLECTOR		
3	291114	SUPPORT – SMV	1	
4	209802	PLATE – REFLECTOR, LH <sup>63</sup>	1	
5	209803	PLATE – REFLECTOR, RH <sup>63</sup>	1	
6	209792	ASSEMBLY – REFLECTOR C/W DECALS <sup>63</sup>	1	
A	136177	SCREW – PAN HD ISO 7045 M5 X 0.8 X 35-4.8-A2L		
B	184646	BOLT – HEX HD TFL M6 X 1 X 20-8.8-A2L		
C	152668	NUT – HEX FLG CTR LOC M6 X 1-8-A2L		
D	136209	SCREW – HEX WASHER HD M10 X 1.5 X 20-450HV-A3L		
E	184705	WASHER – FLAT M6-200HV-AA1J		
F	136536	RIVET – BLIND 3/16 IN X 0.50 IN, BLACK		

62. Includes decal (MD #115148).

63. Includes reflectors (MD #115145 and 115147).

# 38 Rear Lights and Bezels, Cab-Forward Lighting and Marking – M2170NT



1039790

**REAR LIGHTS AND BEZELS, CAB-FORWARD LIGHTING AND MARKING – M2170NT**

Ref	Part Number	Description	Qty	Serial Number
1	310735	BEZEL – ASSY REAR LIGHTS, NT <sup>64</sup>	1	
2	208502	BEZEL – CENTRE BLACK	1	
3	208503	BEZEL – LH BLACK	1	
4	208504	BEZEL – RH BLACK	1	
5	310119	SUPPORT – LH REAR LIGHTS WELDT	1	
6	310120	SUPPORT – RH REAR LIGHTS WELDT	1	
7	207970	SUPPORT – HEADLIGHT WELDMENT	2	
8	201888	HEADLIGHT – FLUSH MOUNT	2	
	110267	LIGHT – H4 BULB	2	
9	291073	COVER – BEZEL LIGHT CONNECTOR	2	
10	208822	PLATE – COVER	2	
11	42415	GROMMET	2	
12	346313	ASSY – REAR LH REFLECTOR C/W DECALS <sup>65</sup>	1	
	346314	ASSY – REAR RH REFLECTOR C/W DECALS <sup>66</sup>	1	
13	346305	SUPPORT – LIGHT MOUNT, LH WELDT	1	
	346306	SUPPORT – LIGHT MOUNT, RH WELDT	1	
14	310518	LIGHT – WHITE	2	
15	284215	LIGHT – AMBER	2	
16	310814	LAMP – SIDE TURN SIG REPEATER	2	
17	39272	CLIP – INSULATED	2	
18	346011	PLATE – END MARKER HOLDER	2	
19	346003	ROD – END MARKER <sup>67</sup>	1	
A	136886	SCREW – HEX SOC BTN M6 X 1 X 16-10.9-AA1T		
B	135959	BOLT – HEX FLG HD M6 X 1 X 16-10.9-AA1J		
C	184706	WASHER – FLAT LARGE M6-200HV		
D	136440	NUT – HEX FLG CTR LK M16 X 2-10-AA1J		
E	136177	SCREW – PAN HD M5 X 0.8 X 35-4.8-AA1J		
F	197230	NUT – HEX NYLOC M5 X 0.8-8-AA1J		
G	135785	BOLT – RHSN M10 X 1.5 X 25-8.8-AA1J		
H	135799	NUT – HEX FLG CTR LOC M10 X 1.5-10		
J	152730	BOLT – HEX HD TFL M12 X 1.75 X 35-10.9-AA1J		
K	184714	WASHER – FLAT REG M12-300HV		
L	136431	NUT – HEX FLG CTR LOC M12 X 1.75-10		
M	320008	SCREW – PAN HD ISO 7045 M4 X 0.7 X 25-4.8-AA1J		
N	18798	WASHER – FLAT SAE 7/32 ID X 7/16 IN OD AA1J		
P	197320	NUT – HEX NYLOC M4 X 0.7-8-AA1J		
Q	136209	SCREW – HEX WSHR M10 X 1.5 X 20-450HV		
R	136824	BOLT – RHSSN M8 X 1.25 X 25-8.8-AA1J		
S	135337	NUT – HEX FLG CTR LK M8 X 1.25-8-AA1J		

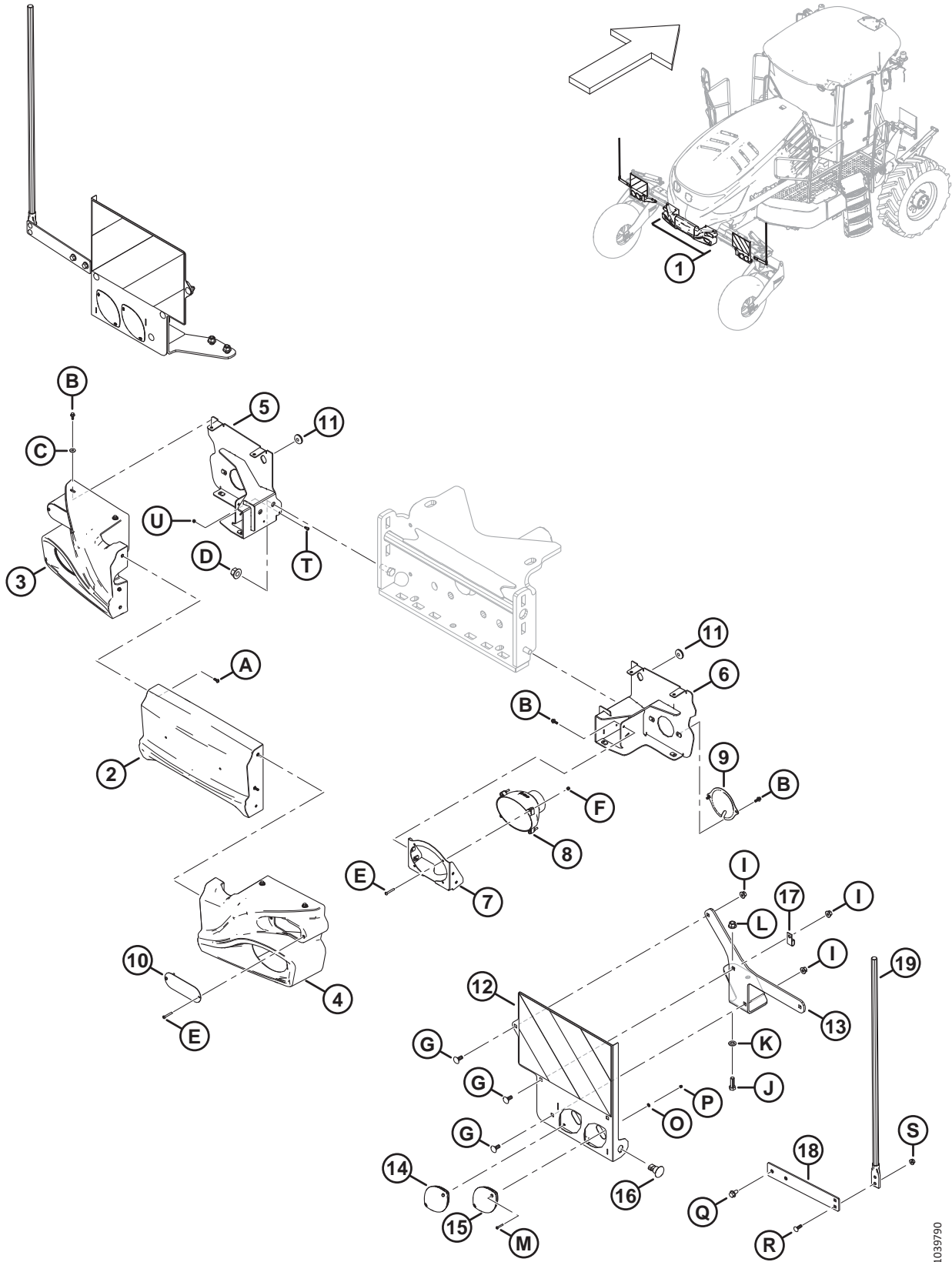
64. Includes center bezel (MD #208502), left bezel (MD #208503), right bezel (MD #208504), and six screws (MD #136886).

65. Includes warning stripes A decal (MD #310476) and grease service decal (MD #310974).

66. Includes warning stripes B decal (MD #310477).

67. Comes as a set of two.

REAR LIGHTS AND BEZELS, CAB-FORWARD LIGHTING AND MARKING – M2170NT

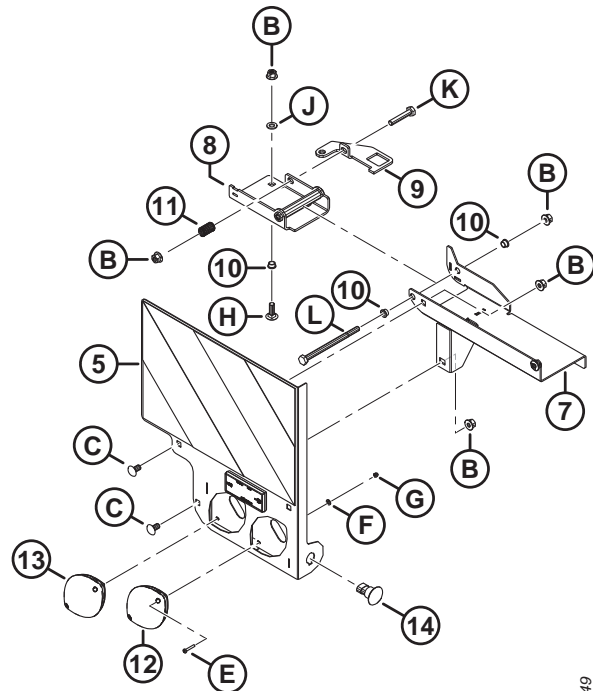
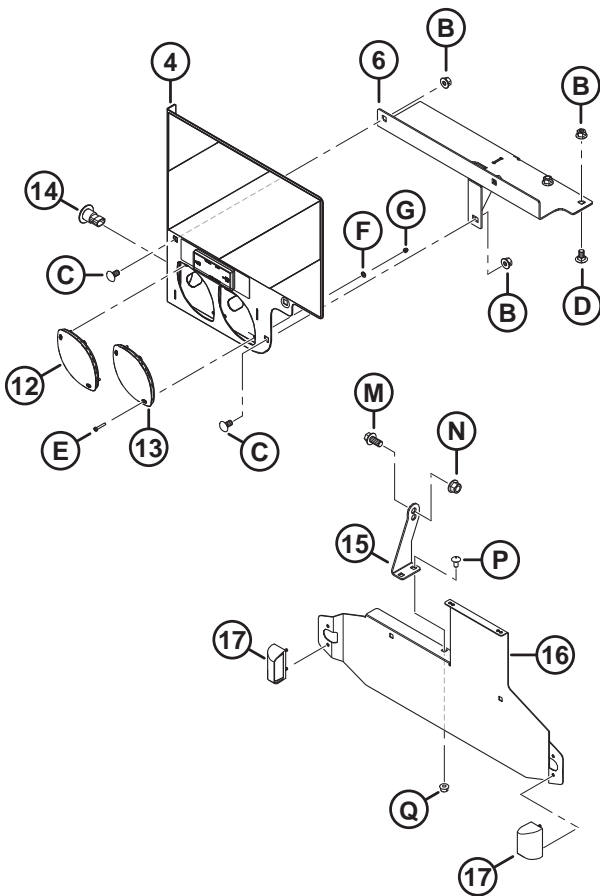
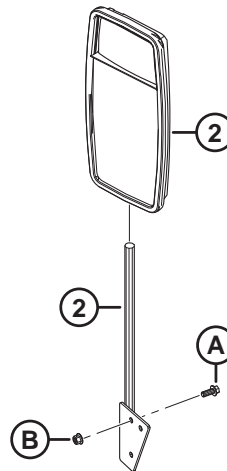
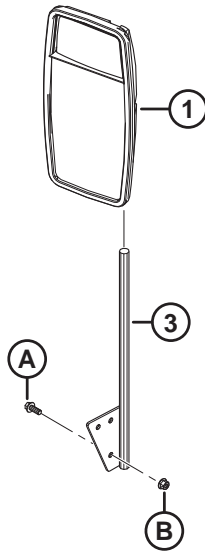
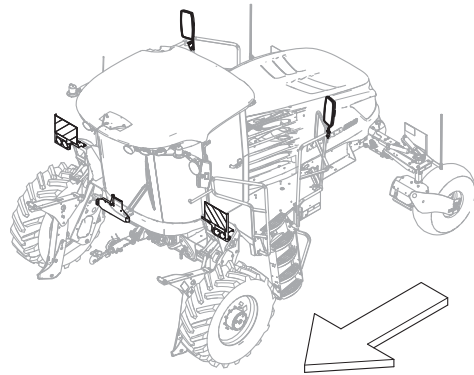


1039790

REAR LIGHTS AND BEZELS, CAB-FORWARD LIGHTING AND MARKING – M2170NT

Ref	Part Number	Description	Qty	Serial Number
T	197224	SCREW – HEX SOC HD TFL M5 X 0.8 X 10-8.8-AA1J		
U	184682	NUT – HEX M5 X 0.8-8-AA1J		

# 39 Front Lights and Mirrors, Engine-Forward Lighting and Marking – M2170NT



1087349

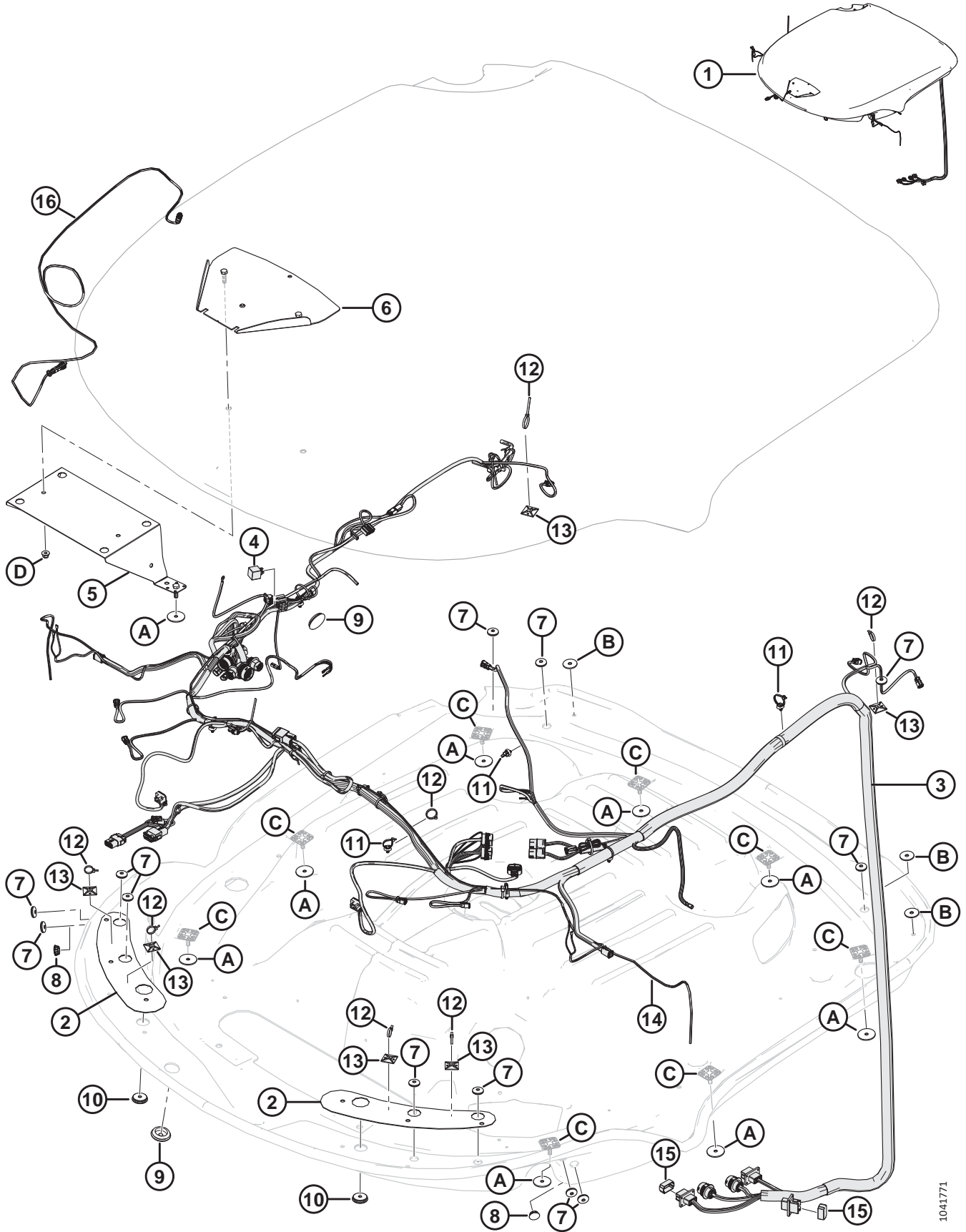


**FRONT LIGHTS AND MIRRORS, ENGINE-FORWARD LIGHTING AND MARKING – M2170NT**

<b>Ref</b>	<b>Part Number</b>	<b>Description</b>	<b>Qty</b>	<b>Serial Number</b>
1	346144	MIRROR – SPLIT, RH	1	
2	346145	MIRROR – SPLIT, LH	1	
3	310846	SUPPORT – MIRROR MOUNT, WELDT	2	
4	310985	ASSY – FRONT RH REFLECTOR C/W DECALS <sup>68</sup>	1	
5	310984	ASSY – FRONT LH REFLECTOR C/W DECALS <sup>69</sup>	1	
6	346019	SUPPORT – PLACARD, RH, WELD'T	1	
7	346295	SUPPORT – PLACARD, LH, WELD'T	1	
8	346015	SUPPORT – LIGHT, HINGE, WELDT	1	
9	310805	BRACKET – LATCH	1	
10	203213	BUSHING – BRONZE	3	
11	35618	SPRING – COMPRESSION	1	
12	284215	LIGHT – AMBER	2	
13	316044	LIGHT – RED	2	
14	310814	LAMP – SIDE TURN SIG REPEATER	2	
15	310925	BRACKET – LIC PLATE MOUNT BRACE	1	
16	346323	BRACKET – PLATE MOUNT	1	
17	310573	LIGHT – REGISTRATION PLATE, LED <sup>70</sup>	2	
A	136312	BOLT – HEX FLG HD TFL M10 X 1.5 X 25-10.9-AA1J		
B	135799	NUT – HEX FLG CTR LOC M10 X 1.5-10		
C	184657	BOLT – RHSSN M10 X 1.5 X 20-8.8-AA1J		
D	136178	BOLT – RHSN M10 X 1.5 X 20-8.8-AA1J		
E	320008	SCREW – PAN HD ISO 7045 M4 X 0.7 X 25-4.8-ZINC		
F	18798	WASHER – FLAT SAE 7/32 ID X 7/16 IN OD AA1J		
G	197320	NUT – HEX NYLOC M4 X 0.7-8-AA1J		
H	184662	BOLT – RHSN TFL M10 X 1.5 X 30-8.8-AA1J		
J	184711	WASHER – FLAT REG M10-200HV-AA1J		
K	152193	BOLT – HEX HD M10 X 1.5 X 55 X 8.8-AA1J		
L	320323	BOLT – HEX HD M10 X 1.5 X 150-8.8-ZINC		
M	136399	BOLT – HEX FLG HD TFL M12 X 1.75 X 25-8.8-AA1J		
N	136431	NUT – HEX FLG CTR LOC M12 X 1.75-10		
P	191489	BOLT – RHSSN TFL M8 X 1.25 X 16-8.8-AA1J		
Q	135337	NUT – HEX FLG CTR LK M8 X 1.25-8-AA1J		

68. Includes warning stripes A decal (MD #310476) and red reflector (MD #346209).  
69. Includes warning stripes B decal (MD #310477) and red reflector (MD #346209).  
70. The light comes with hardware, not shown.

# 40 Roof – Standard and Deluxe Cab



1041771

## ROOF – STANDARD AND DELUXE CAB

**NOTE:**

Standard roof assembly (MD #306616) and deluxe roof assembly (MD #306617) include lower roof, upper roof, roof harness, and nav control cable only. For the headliner and roof lighting, refer to Section *41 Headliner – Radio, Speakers, and Relay Module, page 97* and Section *42 Roof – Lighting, page 101*.

Ref	Part Number	Description	Qty	Serial Number
1	306616	ROOF ASSY – STRIPPED STANDARD CAB <sup>71</sup>		
	306617	ROOF ASSY – STRIPPED DELUXE CAB <sup>71</sup>		
2	201828	PLATE – LIGHTS	2	
3	309056	HARNESS – ROOF <sup>72</sup>	1	
4	30215	RELAY – MINI, 12VDC (GPS)	1	
5	291583	SUPPORT WELDT – ROOF <sup>73</sup>	1	
6	291584	SUPPORT – GPS ANTENNA <sup>73</sup>	1	
7	42415	GROMMET – 31.5 MM O.D. X 9.5 MM I.D. <sup>74</sup>		
8	200780	PLUG – NYLON, BLACK (STANDARD CAB) <sup>75</sup>	2	
9	183315	PLUG – 1.75 IN. I.D.	2	
10	252237	GROMMET – PLASTIC, 3/8 IN. I.D. X 1.5 IN. O.D.	2	
11	136655	FASTENER – FIR TREE MOUNT WITH CABLE TIE	11	
12	21763	FASTENER – CABLE TIE, BLACK, 160 MM LG	A/R	
13	134572	BASE – MB5, ACRYLIC ADHESIVE MOUNT	6	
14	205396	HARNESS – POWER MIRROR (DELUXE CAB) <sup>76</sup>	1	
15	134782	DUST CAP – RECPT, 12 POS. DT <sup>77</sup>	2	
16	309046	CABLE – NAV-900 BROAD REACH	1	
A	136176	WASHER – RUBBER		
B	136428	WASHER – FLAT LARGE M10-200HV-A3L		
C	REF	BOLT – BONDED TO LOWER ROOF		
D	252807	NUT – HEX FLG NYLOC M10 X 1.5 X SPCL-8-AA1J		

71. Includes lower roof, upper roof, roof harness, and nav control cable only. For the headliner and roof lighting, refer to Section *41 Headliner – Radio, Speakers, and Relay Module, page 97* and *42 Roof – Lighting, page 101*.

72. Includes mini relay (MD #30215).

73. Includes two welded 35 mm hex head bolts.

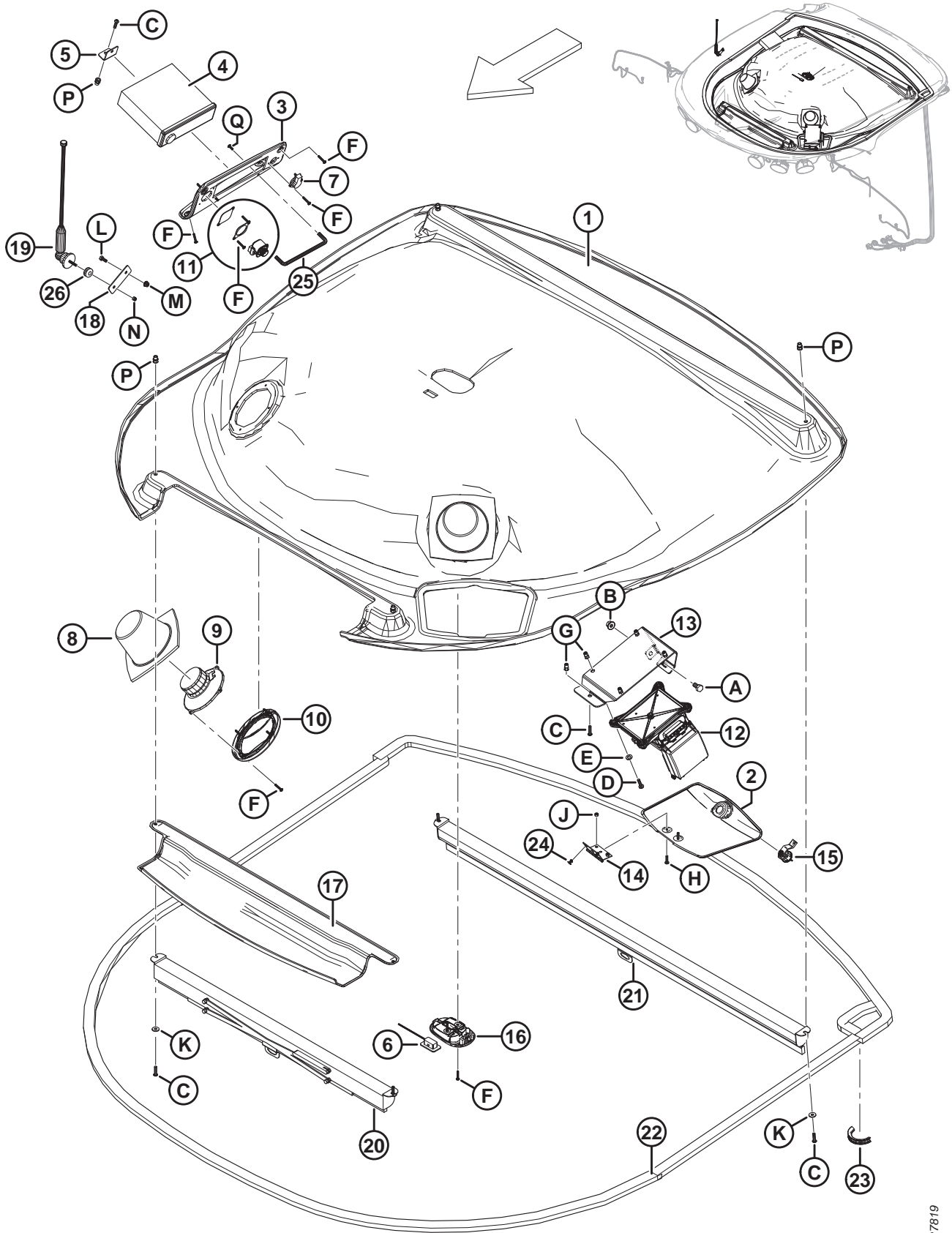
74. Quantity: standard cab = 10; deluxe cab = 12.

75. Used only for standard cab configuration, when no power mirror harness is present.

76. Harness optional for standard cab.

77. Used to protect GPS bulkhead connectors on roof harness.

# 41 Headliner – Radio, Speakers, and Relay Module



1027619

**HEADLINER – RADIO, SPEAKERS, AND RELAY MODULE**

Ref	Part Number	Description	Qty	Serial Number
1	201750	HEADLINER	1	
2	209918	COVER – RELAY MODULE	1	
3	291503	COVER – RADIO	1	
4	306453	RADIO – BLUETOOTH	1	
5	207128	SUPPORT – RADIO	1	
6	207135	HARNESS – MICROPHONE	1	
7	205890	HARNESS – USB	1	
8	205948	BAFFLE – SPEAKER	2	
9	205065	SPEAKER – RADIO	2	
10	205211	SCREEN – SPEAKER GRILLE	2	
11	252254	PLUG (STANDARD CAB, NOT ILLUSTRATED) <sup>78</sup>	A/R	
	291487	PLATE – COVER, MIRROR SWITCH (STANDARD CAB) <sup>79</sup>	1	
	291486	PLATE – MOUNT, MIRROR SWITCH (DELUXE CAB) <sup>79</sup>	1	
	205892	SWITCH – POWER MIRROR (DELUXE CAB) <sup>79</sup>	1	
12	208160	MODULE – RELAY MODULE, 10 RELAY	1	
13	208685	SUPPORT – RELAY MODULE, WELDMENT <sup>80</sup>	1	
14	204781	HINGE – BUTT	1	
15	204787	LATCH – CAM	1	
16	201707	LIGHT – DOME	1	
	208191	BULB – DOME LIGHT		
17	206071	COVER – ROOF	1	
18	205929	PLATE – WELDT ANTENNA GROUND <sup>81</sup>	1	
19	201710	ANTENNA – RADIO C/W CABLE	1	
	208245	ANTENNA – MAST ONLY		
20	291490	SHADE – FRONT WINDOW	1	
21	291489	SHADE – REAR WINDOW	1	
22	201522	SEAL – FOAM, 6500 MM LG ±15	1	
23	194082	MOULDING – 80 MM LG	1	
24	113799	RIVET – POP	4	
25	160414	HANDLE – RADIO SUPPORT	1	
26	293129	GROMMET – 3/16 ID, 9/32 OD	1	
A	136148	BOLT – HEX HD TFL M10 X 1.5 X 20-8.8-BO		
B	135799	NUT – HEX FLG CTR LOC M10 X 1.5-10-A3L		
C	252236	SCREW – HEX SOC M6 X 1 X 25-10.9-ZB		
D	136252	SCREW – PAN HD M6 X 1 X 25-4.8-H-A2L		
E	184708	WASHER – FLAT M8-200HV-A2L		
F	252235	SCREW – PAN HD # 8 X 1 LG ZP		
G	252234	RIVNUT – M6 X 1.0 HEX 3.0-5.5		

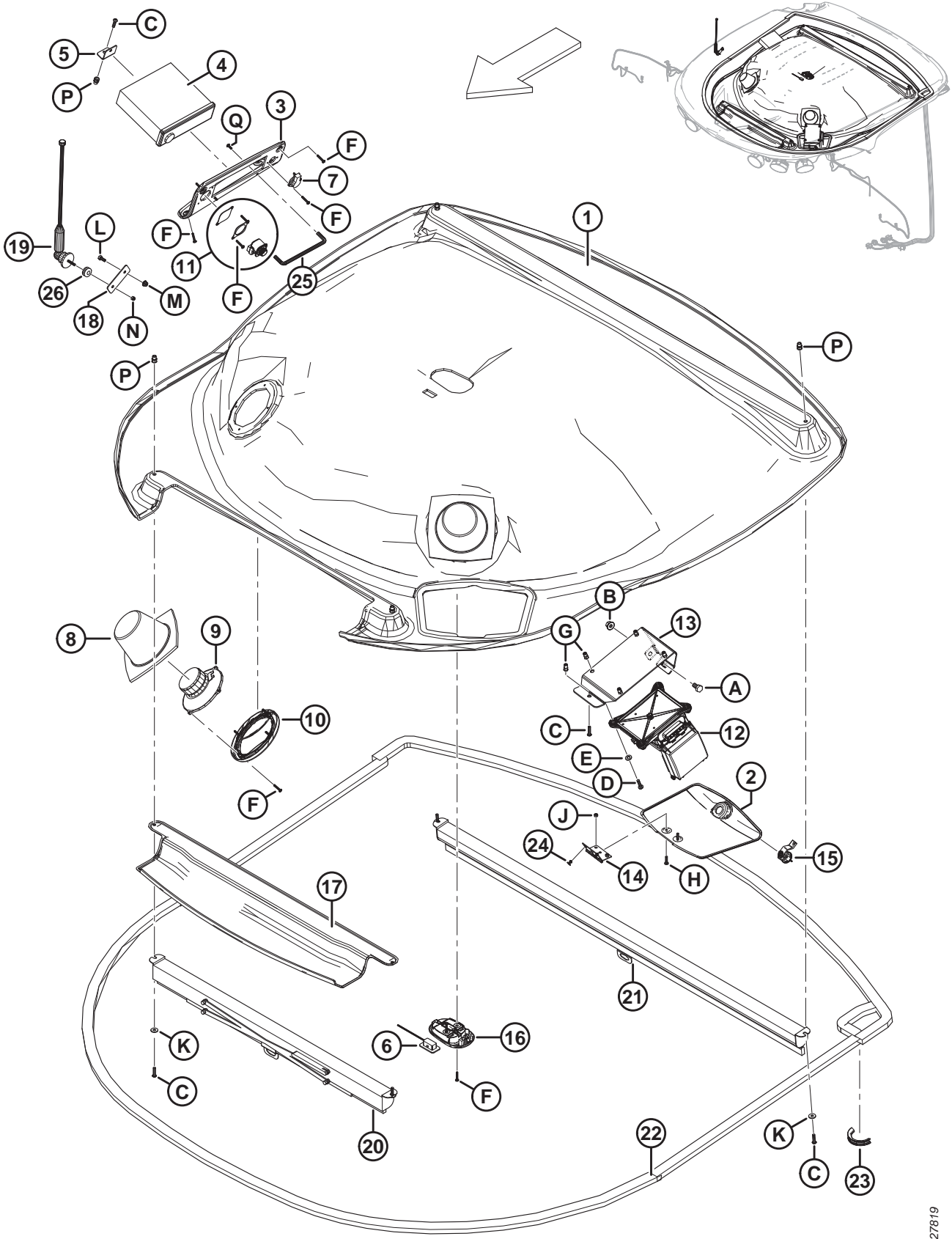
78. Service part only for windrowers with standard roof assemblies and discontinued radio cover (MD #206072). For units that have been serviced with radio cover (MD #291503), order cover plate (MD #291487).

79. For windrowers with standard roof assemblies, order cover plate (MD #291487). For windrowers with deluxe roof assemblies, order switch mount plate (MD #291486) and power mirror switch (MD #205892).

80. Includes bolt (MD #136148).

81. Includes bolt (MD #136707), which is welded in place.

HEADLINER – RADIO, SPEAKERS, AND RELAY MODULE



1027819

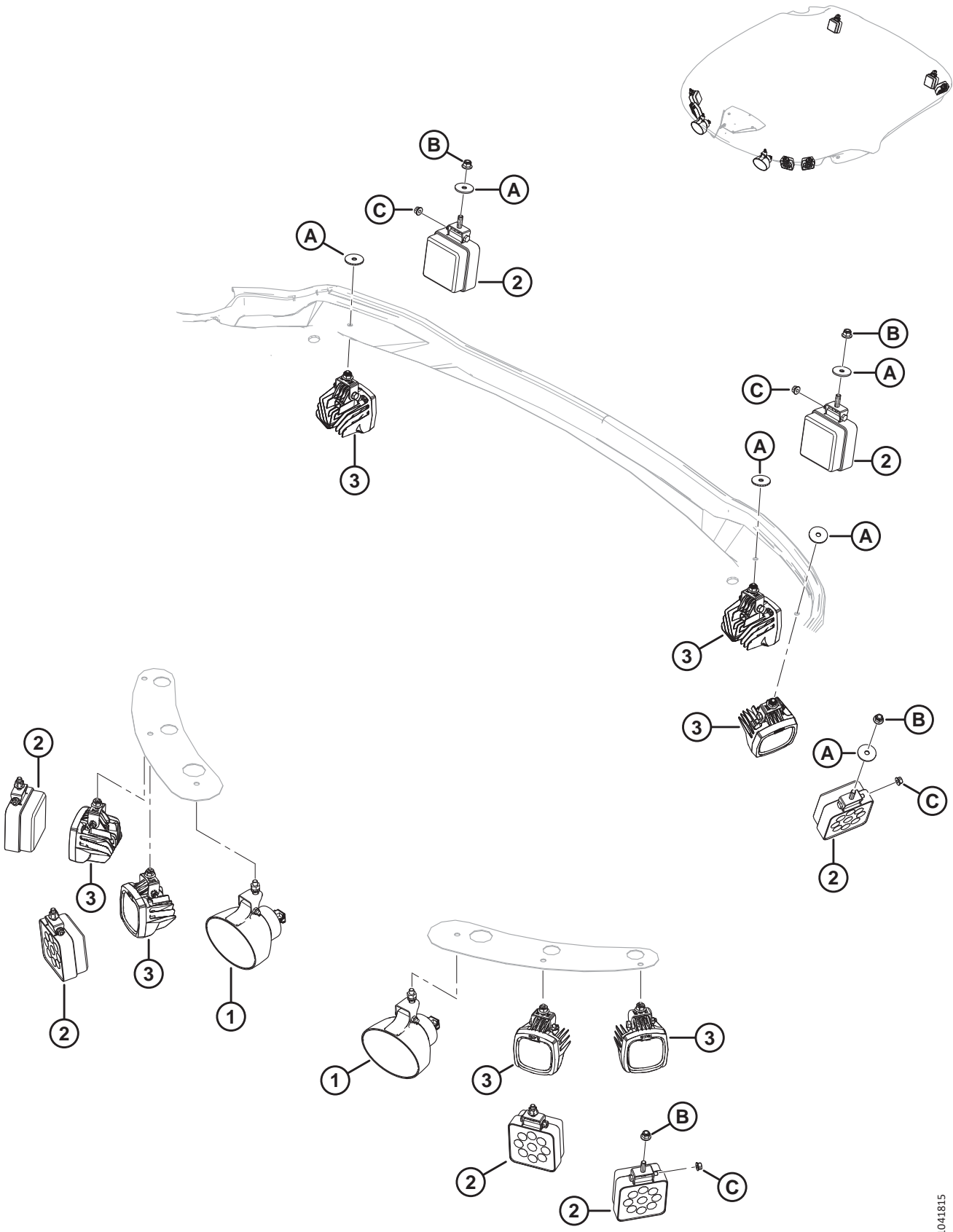
**HEADLINER – RADIO, SPEAKERS, AND RELAY MODULE**

<b>Ref</b>	<b>Part Number</b>	<b>Description</b>	<b>Qty</b>	<b>Serial Number</b>
H	252203	SCREW – PAN HD ISO 7045 M5 X 0.8 X 20-SS-PLN		
J	184682	NUT – HEX M5 X 0.8-6-A2L		
K	184706	WASHER – FLAT LARGE M6-200HV-A2L		
L	136707	BOLT – HEX HD M6 X 1 X 16-8.8-BLK		
M	152668	NUT – HEX FLG CTR LOC M6 X 1-8-A2L		
N	197230	NUT – HEX NYLOC M5 X 0.8-8-A2L		
P	252585	RIVNUT – M6 X 1.0 HEX 4.2-6.6 <sup>82</sup>		
Q	109918	SCREW – MACHINE PHILLIPS #8 NC X 0.5 LG GR 2		

---

82. Used on the front and rear window shades and radio support.

# 42 Roof – Lighting





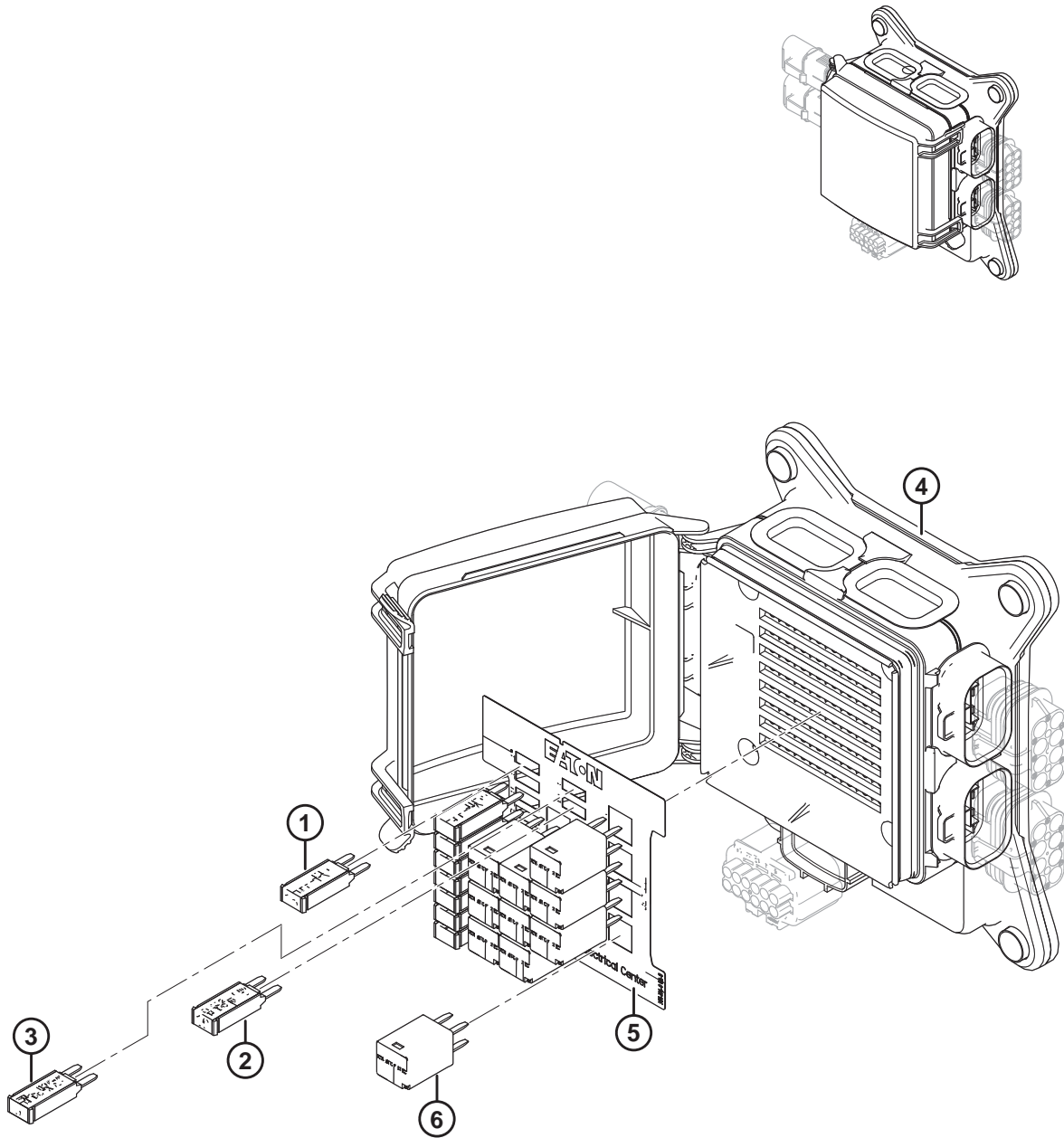
**ROOF – LIGHTING**

<b>Ref</b>	<b>Part Number</b>	<b>Description</b>	<b>Qty</b>	<b>Serial Number</b>
	B6889	KIT – WINDROWER LIGHTING UPGRADE (8 LED WORKLIGHTS) <sup>83</sup>		
1	201401	HEADLIGHT – PENDANT MOUNT	2	
	110267	LIGHT – H4 BULB 12 VOLT 60/55 WATT		
2	306465	LIGHT – FLOOD, LED (STANDARD CAB)	7	
3	306182	LIGHT – WORK, LED (DELUXE CAB)	7	
A	136428	WASHER – FLAT LARGE M10-200HV-A3L		
B	252807	NUT – HEX FLG NYLOC M10 X 1.5 X SPCL-8-AA1J		
C	135337	NUT – HEX FLG CTR LK M8 X 1.25-8-AA1J		

---

83. Windrower Lighting Upgrade kit (MD #B6889) is optional for standard cabs and included with deluxe cab windrowers. Kit includes eight LED flood lights (MD #306182) and instructions. Kits are available through Whole Goods only.

# 43 Roof Relay Module – Service Parts



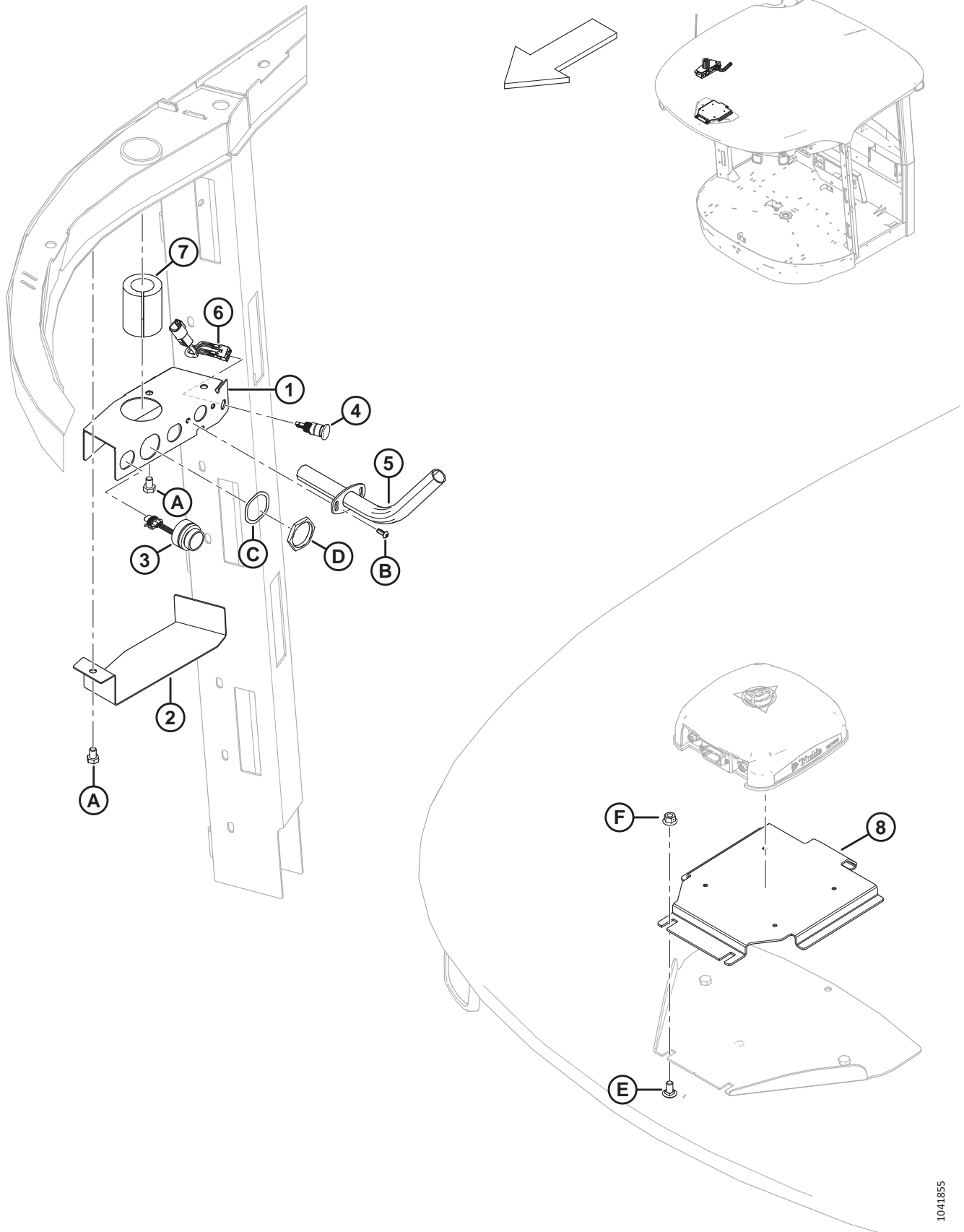
**ROOF RELAY MODULE – SERVICE PARTS**

<b>Ref</b>	<b>Part Number</b>	<b>Description</b>	<b>Qty</b>	<b>Serial Number</b>
	208160	MODULE – RELAY MODULE, 10 RELAY <sup>84</sup>		
1	134452	BREAKER – S21, MINI, 15 AMP, TYPE 1	8	
2	134451	BREAKER – S21, MINI, 10 AMP, TYPE 1	1	
3	134679	BREAKER – S21, MINI, 5 AMP, TYPE 1	1	
4	NSS	MODULE – RELAY MODULE, 10 RELAY	1	
5	NSS	DECAL – RELAY MODULE, 10 RELAY	1	
6	134458	RELAY – ULTRA MICRO, ISO SPST	10	

---

84. Refer to Section *41 Headliner – Radio, Speakers, and Relay Module*, page 97.

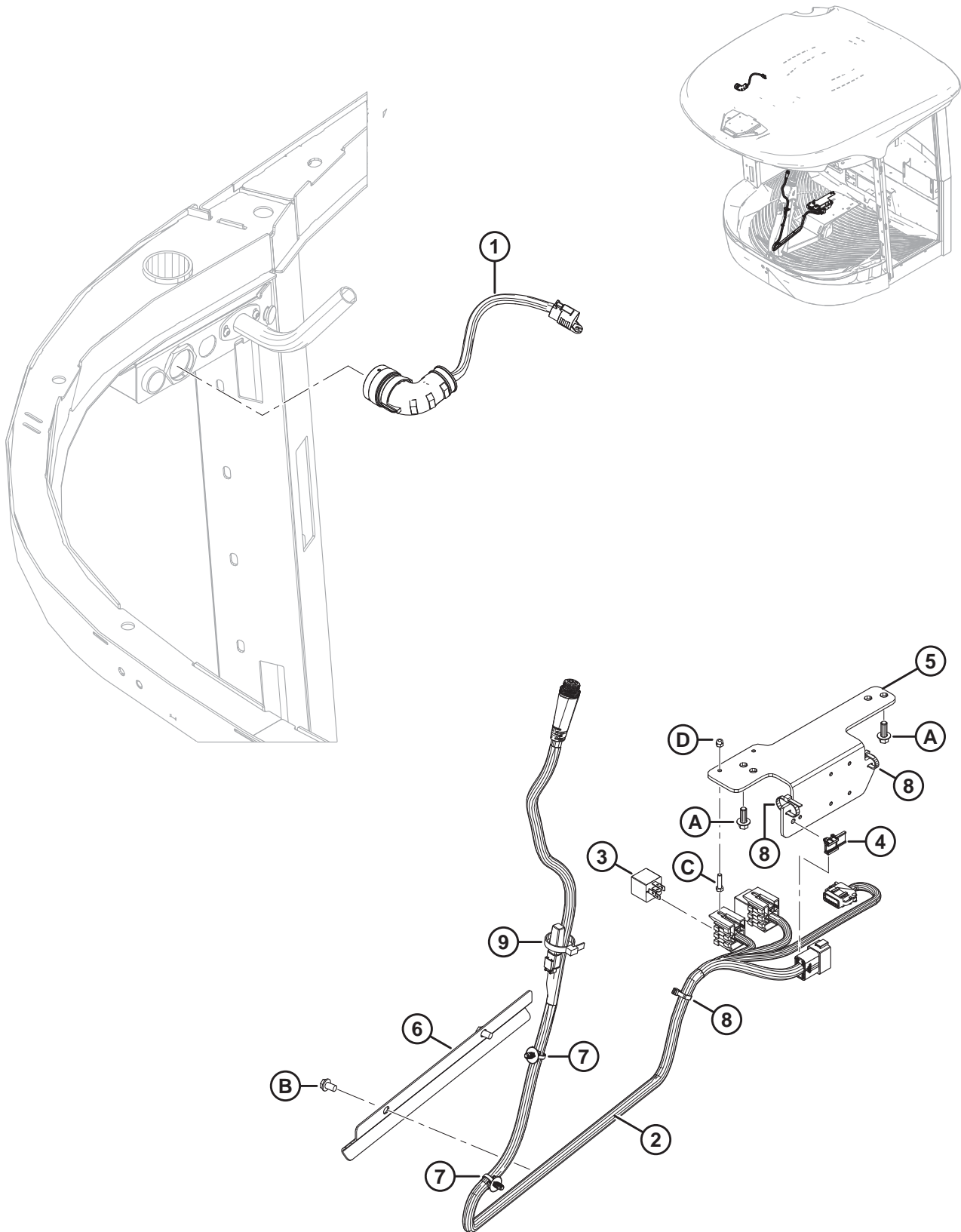
# 44 Cab GPS Bulkhead/Display Mount



**CAB GPS BULKHEAD/DISPLAY MOUNT**

<b>Ref</b>	<b>Part Number</b>	<b>Description</b>	<b>Qty</b>	<b>Serial Number</b>
1	306012	PANEL WELDT – GPS BULKHEAD	1	
2	306177	COVER – GPS BULKHEAD	1	
3	183316	BUZZER – SONALERT	1	
4	134929	SWITCH – EMERGENCY STOP, OPERATOR, RED	1	
5	306013	TUBE WELDT – GPS DISPLAY	1	
6	141491	HARNESS – ROADING SWITCH, 4 POS	1	
7	NSS	FOAM – INSULATOR	1	
8	309037	BRACKET – NAV-900 ANTENNA MOUNT	1	
A	50071	BOLT – HEX HD TFL M10 X 1.5 X 15-8.8-A3L		
B	136886	SCREW – HEX SOC M6 X 1 X 16-10.9-ZB		
C	134730	WASHER – LOCK, HDP20, SIZE 24		
D	134728	NUT – PANEL, HDP20, SIZE 24		
E	184657	BOLT – RHSSN M10 X 1.5 X 20-8.8-AA1J		
F	135799	NUT – HEX FLG CTR LOC M10 X 1.5-10		

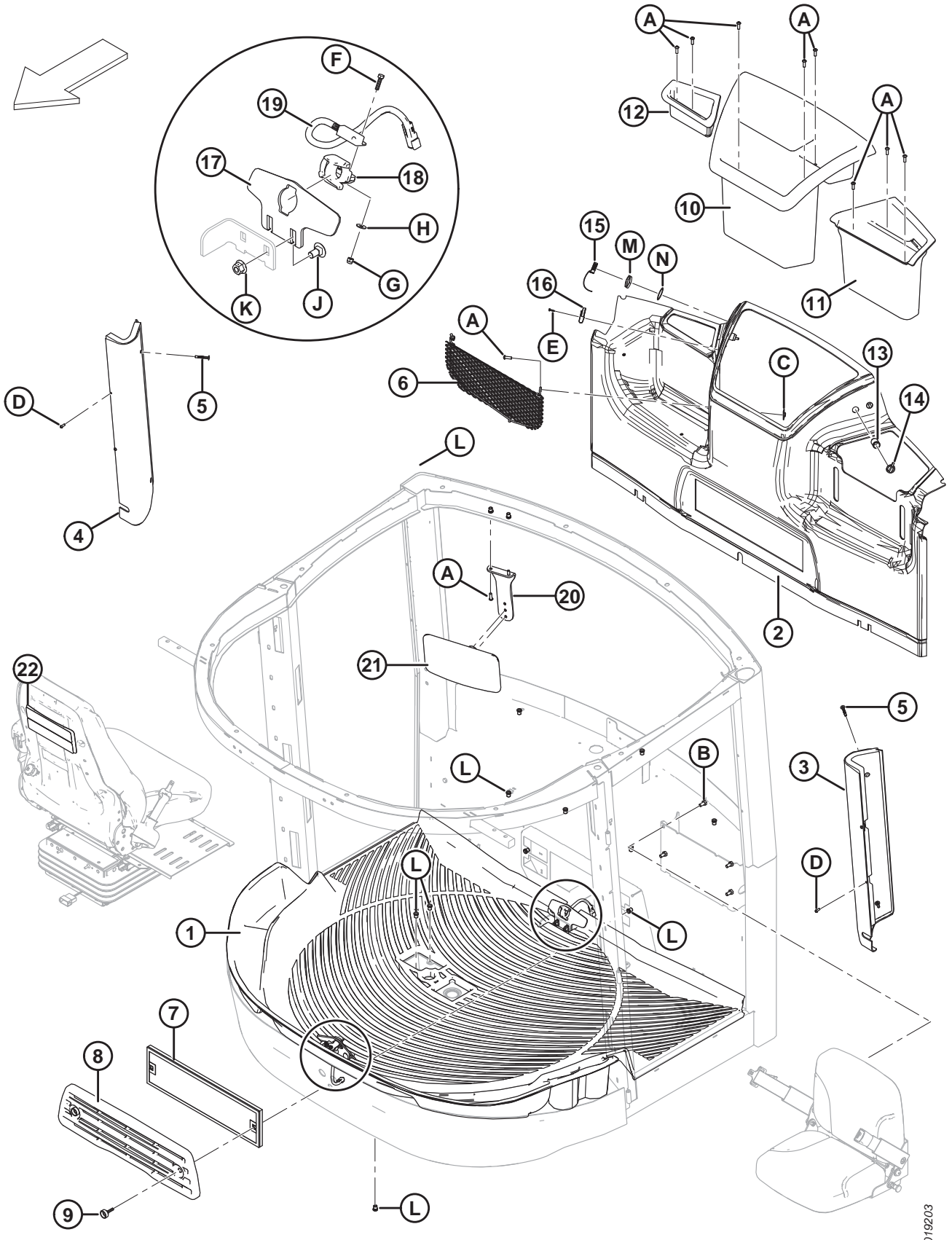
# 45 Electrical – Autosteer



**ELECTRICAL – AUTOSTEER**

<b>Ref</b>	<b>Part Number</b>	<b>Description</b>	<b>Qty</b>	<b>Serial Number</b>
1	309045	HARNESS – POWER, GFX DISPLAY	1	
2	207956	HARNESS – TRIMBLE EZ-PILOT GPS	1	
3	30215	RELAY – MINI, 12 VDC	2	
4	134612	CLIP – RECEPTACLE MOUNT	1	
5	291054	SUPPORT – GPS MODULE	1	
6	204769	GUIDE – WIRING	1	
7	136655	FASTENER – FIR TREE MOUNT W/ TIE, 200 MM LG	2	
8	21763	FASTENER – CABLE TIE, BLACK, 160 MM LG	3	
9	30753	FASTENER – CABLE TIE, BLACK, 305 MM LG	1	
A	136300	BOLT – HEX FLG HD TFL M8 X 1.25 X 20-8.8-AA3L		
B	50124	SCREW – HEX WASHER HD THD CUTTING		
C	184640	BOLT – HEX HD M5 X 0.8 X 20-8.8-A2L		
D	197230	NUT – HEX NYLOC M5 X 0.8-8-A2L		

# 46 Cab Interior and Upholstery



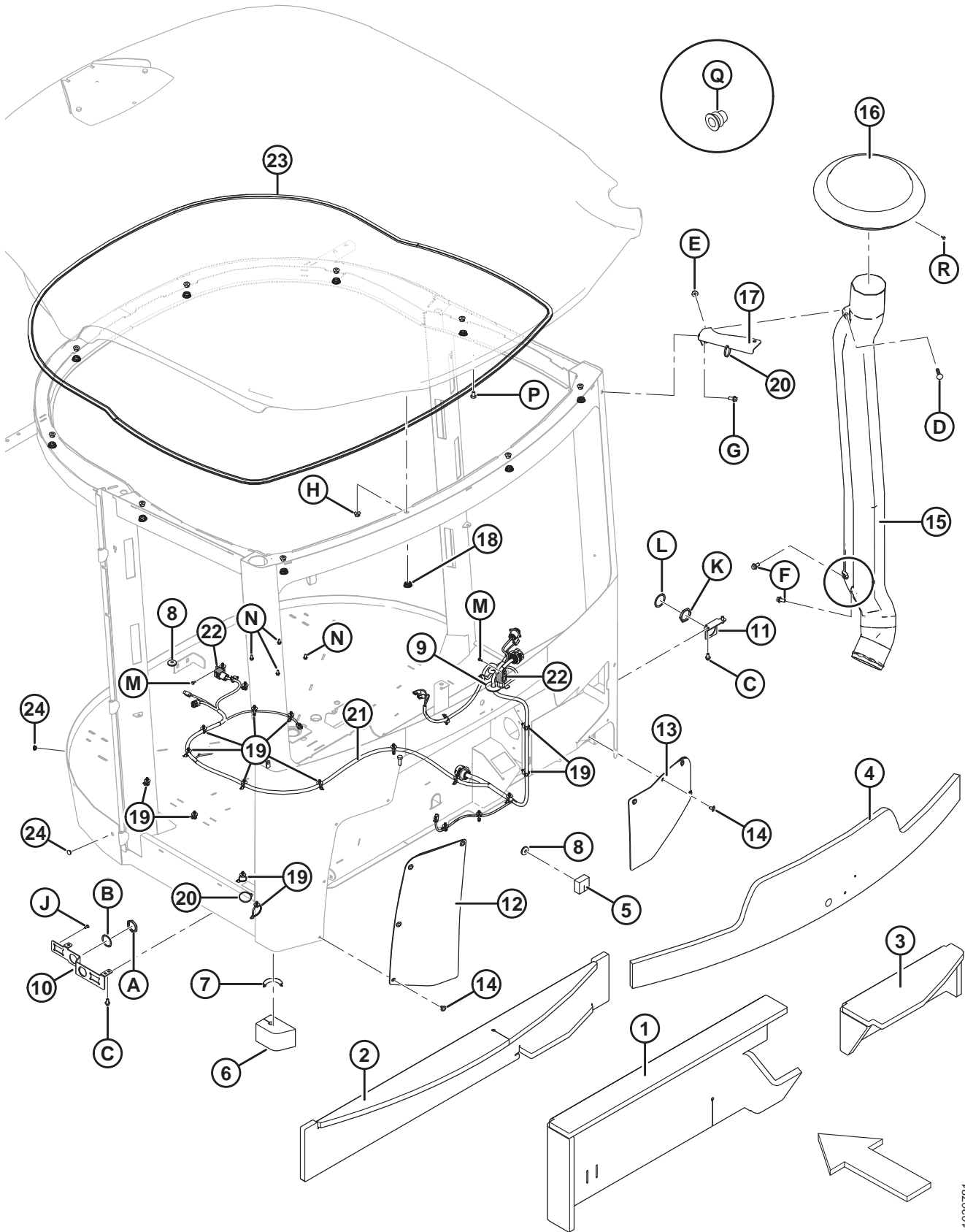
1019203



**CAB INTERIOR AND UPHOLSTERY**

<b>Ref</b>	<b>Part Number</b>	<b>Description</b>	<b>Qty</b>	<b>Serial Number</b>
1	271321	MAT – FLOOR BROWN-ASSY	1	
2	207191	PANEL ASSEMBLY – REAR	1	
3	207148	PANEL ASSEMBLY – LH POST	1	
4	207149	PANEL ASSEMBLY – RH POST	1	
5	252613	CHRISTMAS TREE CLIP	4	
6	207570	HOLDER – STORAGE MESH	1	
7	109797	CLEANER – RECIRC AIR ELECTROSTATIC	1	
8	207554	COVER – RECIRCULATION	1	
9	205579	KNOB – M8 X 1.25 X 30 LG	2	
10	203550	CONTAINER – CENTRE	1	
11	203551	CONTAINER – LEFT	1	
12	209917	CONTAINER – RIGHT	1	
13	109080	TERMINAL – POWER OUTLET	3	
14	109081	CAP – POWER OUTLET	3	
15	134777	CAP – DIAGNOSTIC PORT	1	
16	134778	CAP – POWER SUPPLY, SWITCHED AND UNSWITCHED	1	
17	208107	PLATE – LATCH	2	
18	202230	INSERT – LATCH PLATE	2	
19	200974	SWITCH – SEAT	2	
20	202721	SUPPORT – MIRROR INTERIOR	1	
21	208371	MIRROR – INTERIOR REAR VIEW	1	
22	209476	ASSEMBLY – REFLECTOR SEAT	1	
A	184649	SCREW – HEX SOC BTN HD M8 X 1.25 X 25-12.9-A2L		
B	184661	BOLT – HEX HD TFL M10 X 1.5 X 30-8.8-AA1J		
C	252201	NUT – M8 SPECIAL		
D	136886	SCREW – HEX SOC M6 X 1 X 16-10.9-ZB		
E	30492	SCREW – PHILIPS PAN HD #8 X 3/4 LG ZP		
F	184640	BOLT – HEX HD M5 X 0.8 X 20-8.8-A2L		
G	197230	NUT – HEX NYLOC M5 X 0.8-8-A2L		
H	184701	WASHER – FLAT LARGE M5-200HV-A2L		
J	136178	BOLT – RHSN M10 X 1.5 X 20-8.8-A3L		
K	135799	NUT – HEX FLG CTR LOC M10 X 1.5-10-A3L		
L	252179	NUT – RIV M8 X 1.25 HEX X 0.7-3.8		
M	134727	NUT – PANEL, HDP20, SIZE 18		
N	134729	WASHER – LOCK, HDP20, SIZE 18		

# 47 Cab Exterior and Air Intake Stack



**CAB EXTERIOR AND AIR INTAKE STACK**

Ref	Part Number	Description	Qty	Serial Number
1	201859	INSULATOR – REAR LOWER	1	
2	141205	INSULATOR – REAR UPPER <sup>85</sup>	1	
3	201886	INSULATOR – REAR RIGHT	1	
4	204184	INSULATOR – REAR GLASS	1	
5	205191	SEAL – REAR	1	
6	205190	SEAL – CORNER POST	1	
7	194082	MOULDING – 80 MM LG	1	
8	42415	GROMMET – 31.5 MM O.D. X 9.5 MM I.D.	2	
9	252170	GROMMET – PLASTIC, 17 MM I.D. X 2 IN. O.D.	1	
10	209841	SUPPORT – HARNESS	1	
11	207230	SUPPORT – HARNESS	1	
12	207400	FLAP ASSY – LEFT	1	
13	207401	FLAP ASSY – RIGHT	1	
14	252189	FASTENER – SNAP RIVET	8	
15	202604	DUCT – AIR <sup>86</sup>	1	
16	201838	DUCT – AIR INLET	1	
17	205262	BRACKET – AIR DUCT, FLOOD LIGHT	1	
18	200780	PLUG	10	
19	136655	FASTENER – FIR TREE MOUNT WITH CABLE TIE	22	
20	21763	FASTENER – CABLE TIE, BLACK, 160 MM LG	2	
21	207291	HARNESS – CAB, LOWER <sup>87</sup>	1	
	500470	CONNECTOR – DEUT, DT, 3/M, J1939 (CAN TERMINATOR) <sup>88</sup>		
22	134706	RELAY – MINI, WITH MOUNTING BRACKET (WIPERS)	A/R	
23	201757	SEAL – HEADLINER TRIM	1	
24	252968	PLUG – PRONGS .500 DIA BLACK	4	
A	134727	NUT – PANEL, HDP20, SIZE 18		
B	134729	WASHER – LOCK, HDP20, SIZE 18		
C	136485	BOLT – HEX FLG HD TFL M8 X 1.25 X 16-8.8-A3L		
D	184658	BOLT – RHSSN M10 X 1.5 X 50-8.8-A3L		
E	184692	NUT – HEX NYLOC M10 X 1.5-8-A3L		
F	152670	BOLT – HEX FLG HD M10 X 1.5 X 20 X SPCL-8.8-A3L		
G	152655	BOLT – HEX FLG HD M10 X 1.5 X 20-8.8-A3L		
H	135799	NUT – HEX FLG CTR LOC M10 X 1.5-10-A3L		
J	252247	SCREW – PAN HD #12-14 X 1/2-RC45-ZP		
K	134728	NUT – PLASTIC, DEUTSCH, HDP, SIZE 24		
L	134011	WASHER – LOCK SPRING, DEUTSCH HD, SIZE 24		
M	42292	SCREW – SELF TAPPING HEX WASH HD #10 X 1/2 ZP		
N	21055	SCREW – SELF TAP HEX WASH HD 1/4 NC X 1/2 <sup>89</sup>		
P	50071	BOLT – HEX HD TFL M10 X 1.5 X 15-8.8-A3L		

85. Rear upper insulator received in three pieces for easier installation.

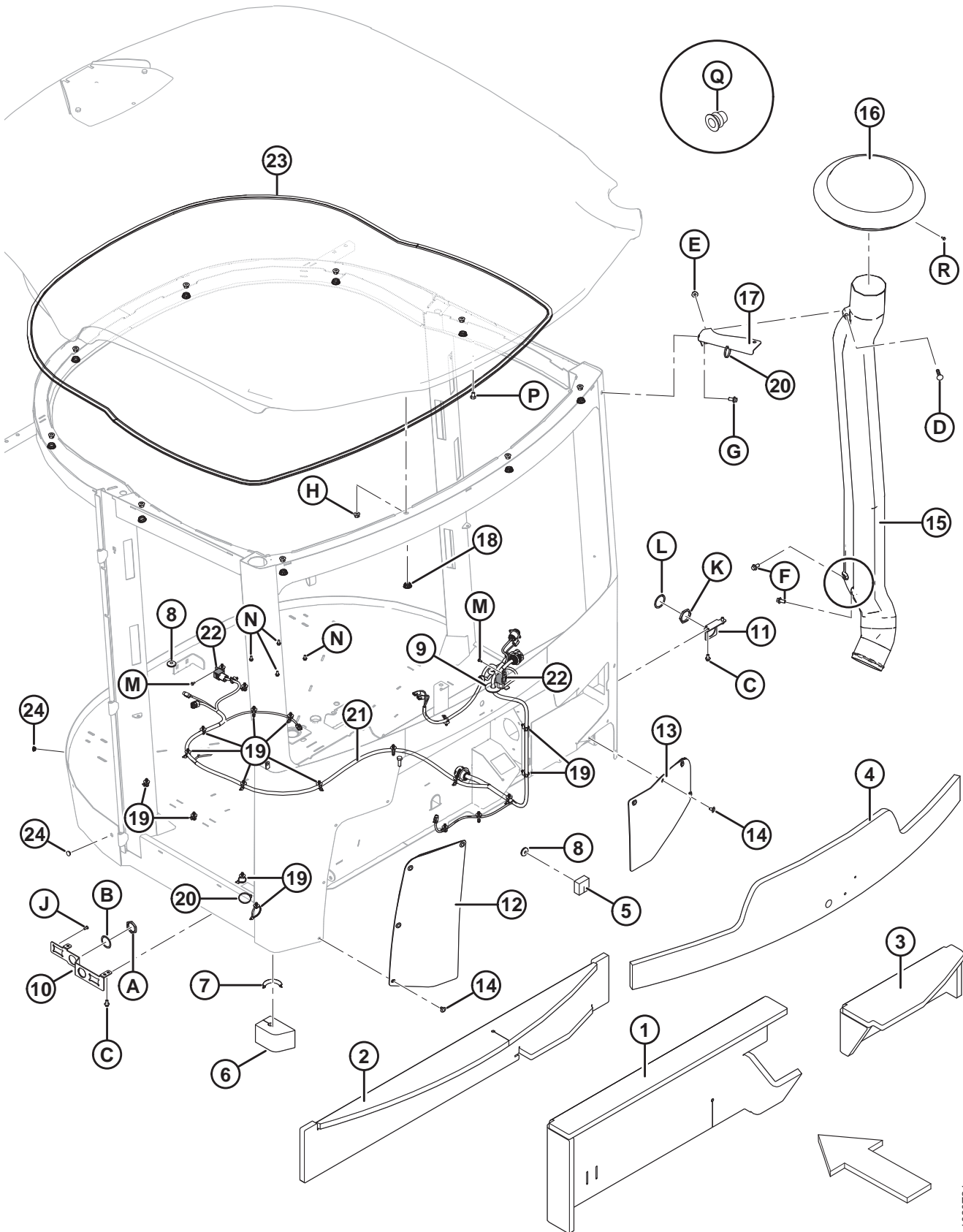
86. Includes two riv nuts (MD #232271).

87. Includes mini relay (MD #134706).

88. CAN terminator.

89. Installed as placeholders. Used to hold GPS module for windrowers equipped with Trimble® Autopilot™.

CAB EXTERIOR AND AIR INTAKE STACK

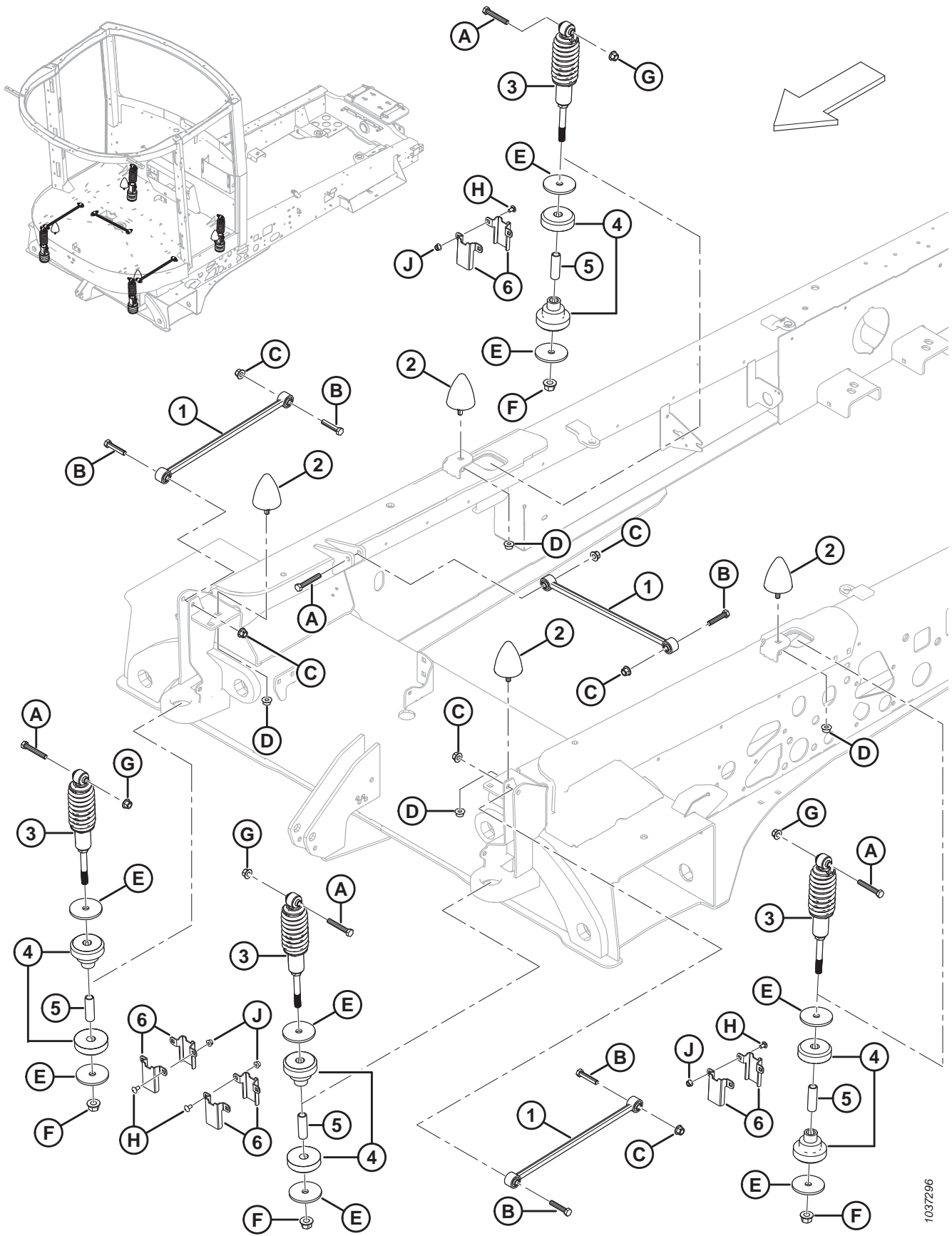


1030781

CAB EXTERIOR AND AIR INTAKE STACK

Ref	Part Number	Description	Qty	Serial Number
Q	232271	NUT – RIV M10 X 1.5 RND 3.8-7.9		
R	42292	SCREW – SELF TAPPING HEX WASH HD #10 X 1/2 ZP		

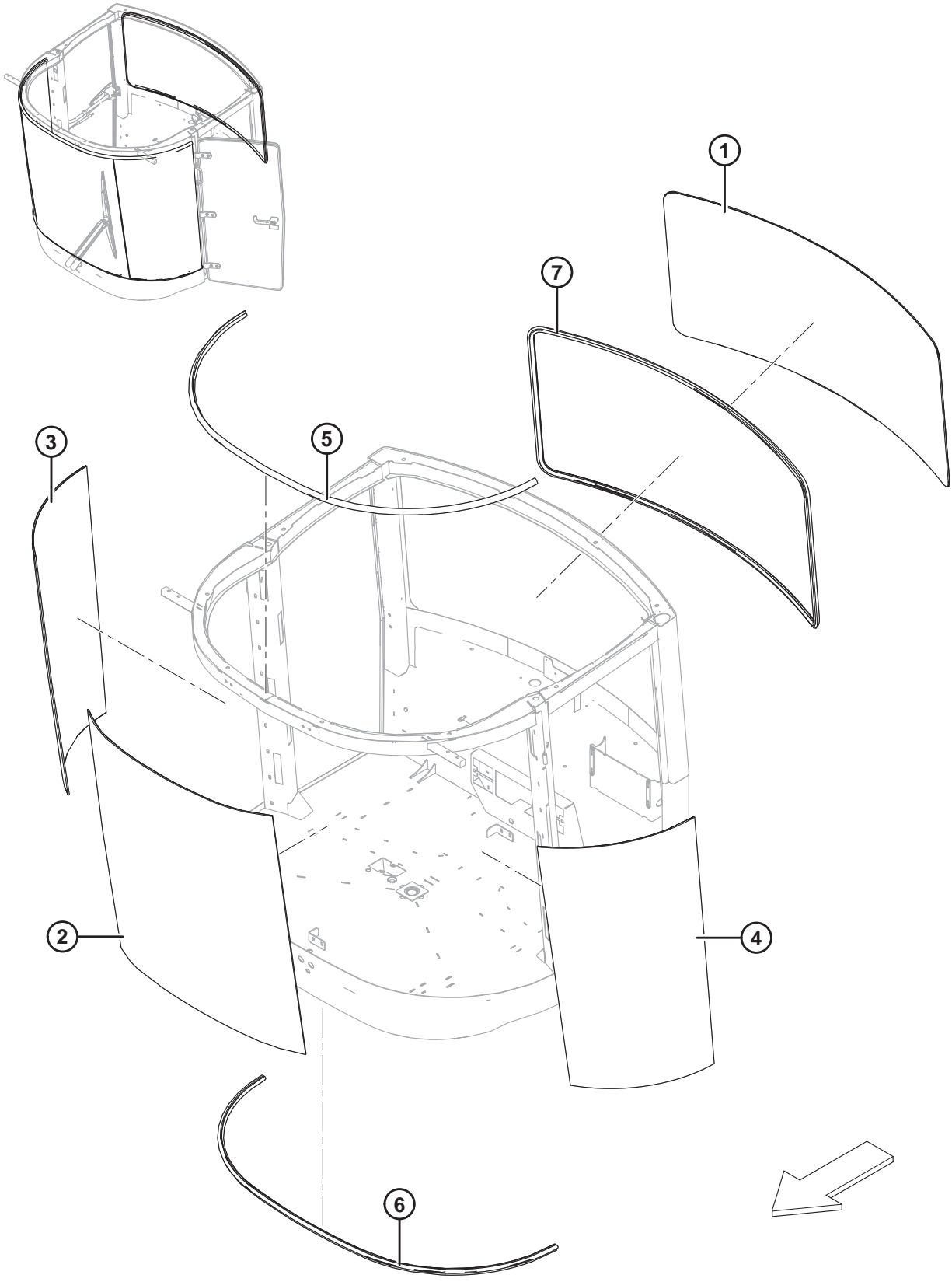
# 48 Cab Suspension



**CAB SUSPENSION**

<b>Ref</b>	<b>Part Number</b>	<b>Description</b>	<b>Qty</b>	<b>Serial Number</b>
1	306692	ASSY – STABILIZER LINK	3	
2	208083	BUMPER – RUBBER	4	
3	205950	DAMPENER – CAB	4	
4	166530	INSULATOR	4	
5	166539	SPACER – 16.66 MM I.D., 23.38 MM O.D., 72.7 MM LG	4	
6	291430	SUPPORT – CAB SHOCK CHANNEL	8	
A	135155	BOLT – HEX HD M12 X 1.75 X 75-8.8-A3L		
B	152274	BOLT – HEX HD M12 X 1.75 X 60-8.8-A3L		
C	136431	NUT – HEX FLG CTR LOC M12 X 1.75-10-A3L		
D	136036	NUT – HEX SMTH FLNG M12 X 1.75-8-A3L		
E	206946	WASHER – FLAT		
F	136440	NUT – HEX FLG CTR LOC M16 X 2-10-A3L		
G	136431	NUT – HEX FLG CTR LOC M12 X 1.75-10-A3L		
H	191489	BOLT – RHSSN TFL M8 X 1.25 X 16-8.8-A2L		
J	135337	NUT – HEX FLG CTR LOC M8 X 1.25-8-A2L		

# 49 Windows

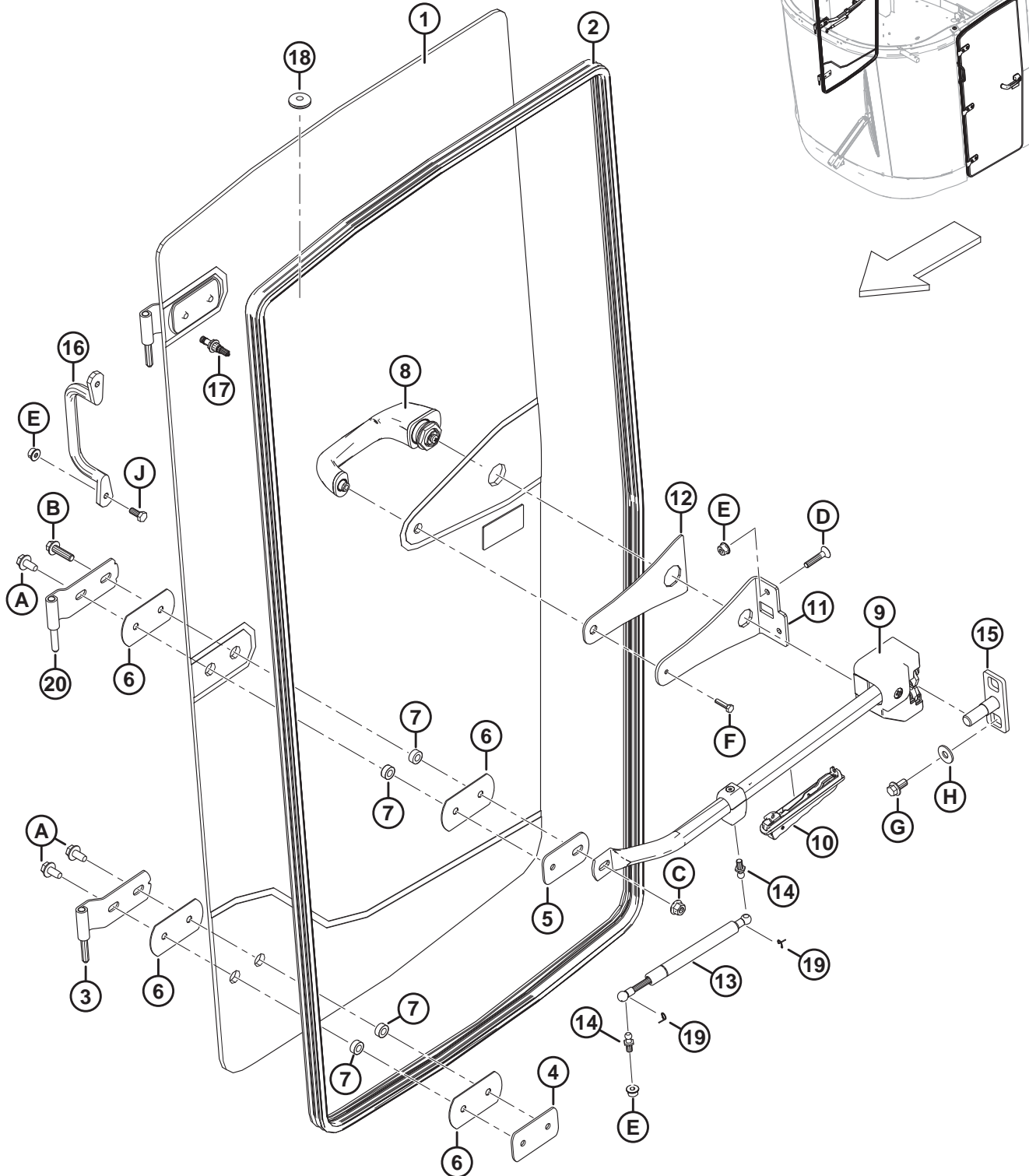




## WINDOWS

Ref	Part Number	Description	Qty	Serial Number
1	346132	WINDOW – REAR	1	
2	306600	WINDOW – FRONT	1	
3	306601	WINDOW – FRONT RIGHT	1	
4	306602	WINDOW – FRONT LEFT	1	
5	200783	SEAL – WINDOW TOP	1	
6	200784	SEAL – WINDOW BOTTOM	1	
7	200890	SEAL – WINDOW REAR	1	

# 50 Doors



**DOORS**

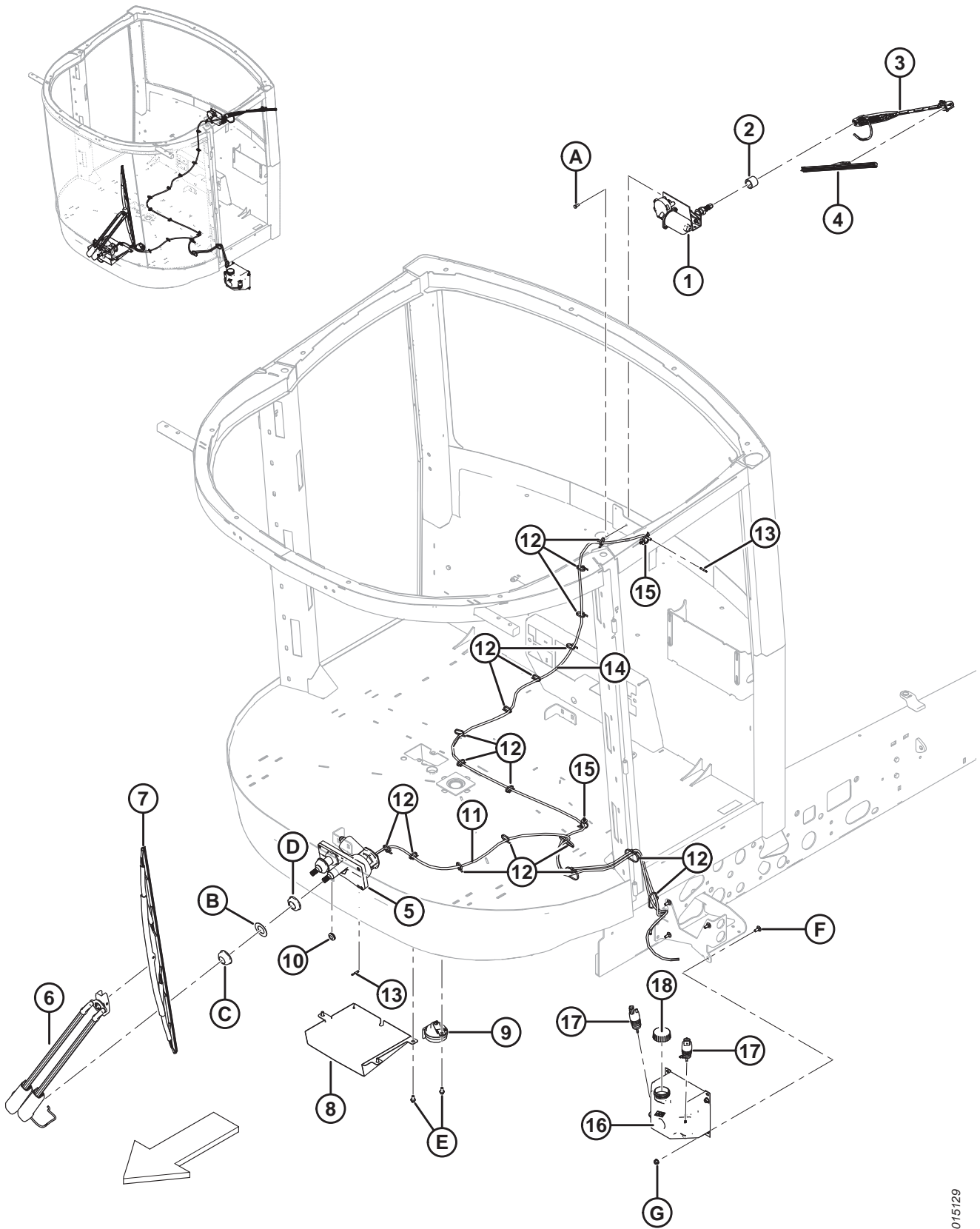
Ref	Part Number	Description	Qty	Serial Number
1	208254	DOOR – GLASS LH C/W DECAL <sup>90</sup>	1	
	208255	DOOR – GLASS RH C/W DECAL <sup>90</sup>	1	
2	208125	SEAL – DOOR, LH, 4420 MM LG	1	
	208124	SEAL – DOOR, RH, 4317 MM LG	1	
3	208135	HINGE – LEFT DOOR	2	
	208134	HINGE – RIGHT DOOR	2	
4	201693	BAR – HINGE BACKING	4	
5	202041	BAR – CENTER HINGE BACKING	2	
6	109598	GASKET – HINGE	12	
7	109585	SPACER – 19.05 MM O.D., 10.24 MM I.D., 7.92 MM LG	12	
8	207709	HANDLE – OUTSIDE CAB	2	
	134717	KEY – DOOR <sup>91</sup>		
9	201595	LATCH – LH CAB DOOR <sup>92</sup>	1	
	201596	LATCH – RH CAB DOOR <sup>92</sup>	1	
10	139971	BEZEL – DOOR HANDLE	2	
11	109822	SUPPORT – LEFT LATCH	1	
	109740	SUPPORT – RIGHT LATCH	1	
12	206248	GASKET – DOOR LATCH	2	
13	203847	SPRING – GAS	2	
14	136188	STUD – BALL (10 MM), M8 THREAD	4	
15	306596	CATCH – DOOR, WELDMENT	2	
16	203860	HANDLE	2	
17	209613	SWITCH – DOOR, CAB	2	
18	42415	GROMMET – 31.5 MM O.D. X 9.5 MM I.D.	2	
19	209787	CLIP – RETAINING, GAS SPRING	4	
20	208145	HINGE – LEFT DOOR, CENTER	1	
	208144	HINGE – RIGHT DOOR, CENTER	1	
A	136209	SCREW – HEX WASHER HD M10 X 1.5 X 20-450HV-A3L		
B	136211	BOLT – HEX FLG HD M10 X 1.5 X 35-8.8-A3L		
C	135799	NUT – HEX FLG CTR LOC M10 X 1.5-10-A3L		
D	136212	SCREW – HSH CSK M8 X 1.25 X 40-A2L		
E	135337	NUT – HEX FLG CTR LOC M8 X 1.25-8-A2L		
F	135301	BOLT – HEX HD M6 X 1 X 25-8.8-A2L		
G	152655	BOLT – HEX FLG HD M10 X 1.5 X 20-8.8-A3L		
H	30635	WASHER – FLAT REG M10-STL-SOFT-A2L		
J	30715	BOLT – HEX HD TFL M8 X 1.25 X 20-8.8-A2L		

90. Includes decal (MD #166454).

91. Set of two keys.

92. Includes bezel (MD #139971).

# 51 Wipers



## WIPERS

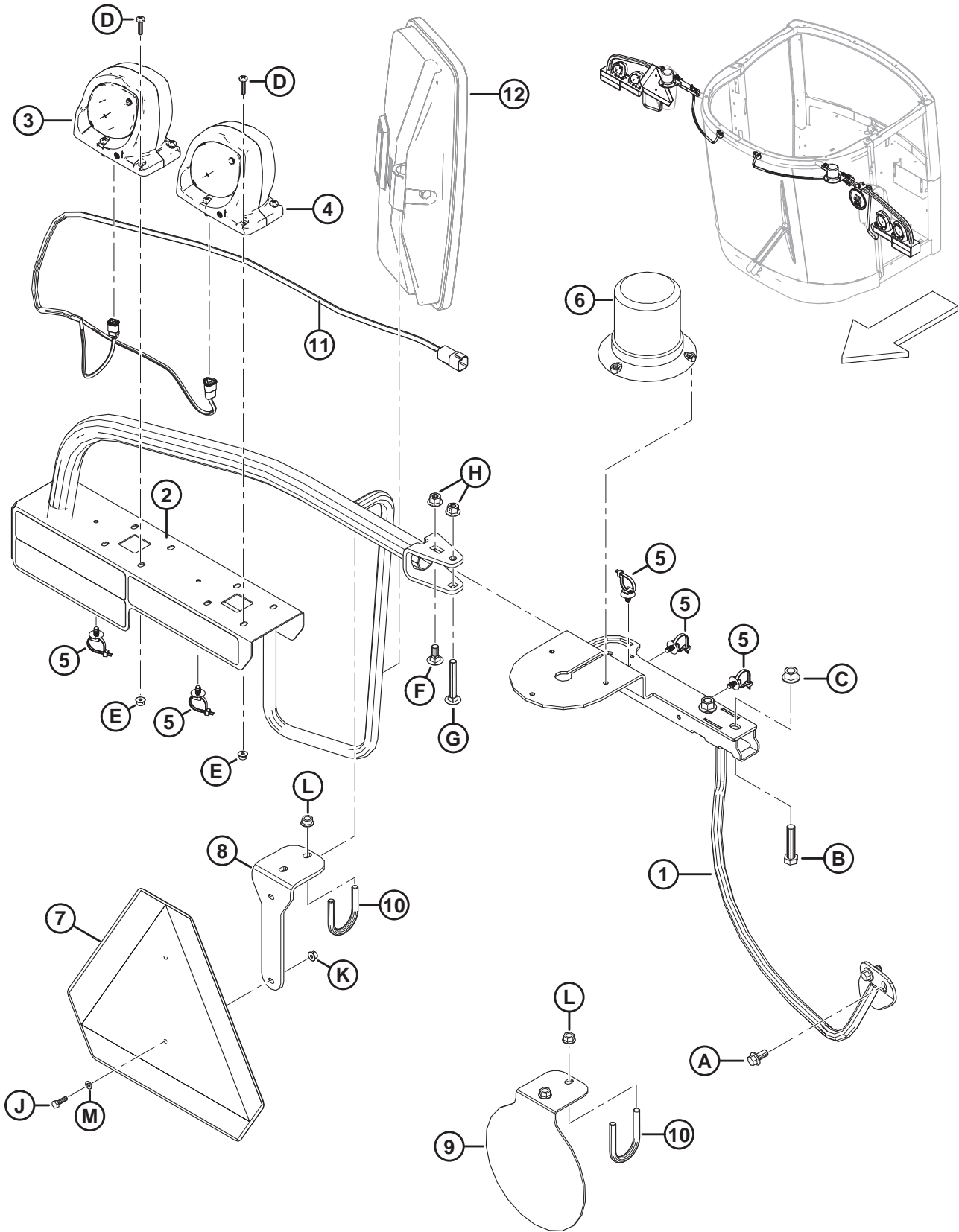
Ref	Part Number	Description	Qty	Serial Number
1	201760	MOTOR – WIPER TAPERED SPLINE <sup>93</sup>	1	
2	205572	GROMMET – REAR WIPER	1	
3	207209	ARM – WIPER 550 MM SADDLE WET	1	
4	207210	BLADE – WIPER FRAMELESS	1	
5	306539	MOTOR – WIPER DUAL DRIVE <sup>94</sup>	1	
6	202586	ARM – WIPER 915 MM WET	1	
7	202584	BLADE – WIPER 990 MM	1	
8	205195	COVER – FRONT WIPER MOTOR	1	
9	160373	HORN	1	
10	112824	GROMMET – 14.3 MM I.D., 27 MM O.D.	1	
11	205739	HOSE – WASHER CAB FORWARD, 3.9 MM I.D., 1900 MM LG	1	
12	21763	FASTENER – CABLE TIE, BLACK, 160MM LG	13	
13	204379	FITTING – BARBED STRAIGHT	2	
14	208089	HOSE – WASHER ENG. FORWARD, 3.9 MM I.D., 3510 MM LG	1	
15	136655	FASTENER – FIR TREE MOUNT WITH CABLE TIE	2	
16	206066	ASSY – W/ SHIELD WASHER TANK <sup>95</sup>	1	
17	204373	PUMP – W/ SHIELD WASHER	2	
18	204374	CAP – W/ SHIELD WASHER TANK	1	
A	184642	BOLT – HEX HD TFL M6 X 1 X 16-8.8-A2L		
B	208190	WASHER – WIPER COSMETIC		
C	208189	NUT – SPECIAL WIPER COSMETIC		
D	202264	NUT – WIPER MOTOR		
E	136485	BOLT – HEX FLG HD TFL M8 X 1.25 X 16-8.8-A3L		
F	197171	BOLT – RHSN M8 X 1.25 X 20-8.8-A2L		
G	135337	NUT – HEX FLG CTR LOC M8 X 1.25-8-A2L		

93. Includes grommet (MD #205572).

94. Includes washer (MD #208190) and nut (MD #208189).

95. Includes pumps (MD #204373) and cap (MD #204374).

# 52 Mirror Arms, Beacons, and Reflectors – M2170



MIRROR ARMS, BEACONS, AND REFLECTORS – M2170

Ref	Part Number	Description	Qty	Serial Number
1	362365	SUPPORT – GRAB RAIL WELDT LH	1	
	362366	SUPPORT – GRAB RAIL WELDT RH	1	
2	209991	ASSY – MIRROR ARM AND DECALS LH <sup>96</sup>	1	
	209989	ASSY – MIRROR ARM AND DECALS RH <sup>96</sup>	1	
3	203548	LAMP – LH TAIL <sup>97</sup>	1	
	203549	LAMP – RH TAIL <sup>97</sup>	1	
4	203547	LAMP – CLEARANCE <sup>98</sup>	2	
5	136655	FASTENER – FIR TREE MOUNT WITH CABLE TIE	10	
6	167884	LIGHT – BEACON, LED	2	
7	21032	SIGN – METAL, SMV REFLECTOR (RH) <sup>99</sup>	1	
	115148	DECAL – SMV		
8	291113	SUPPORT – SMV (RH)	1	
9	291038	BRACKET – SPEED ID SYMBOL (LH) <sup>100</sup>	1	
10	291724	U-BOLT – 3/8-16, AA1J	2	
11	309032	HARNESS – TURN, TAIL, AND BRK LTS	2	
12	REF	MIRROR <sup>101</sup>	2	
A	152655	BOLT – HEX FLG HD M10 X 1.5 X 20-8.8-A3L		
B	152779	BOLT – HEX HD M12 X 1.75 X 55-8.8-A3L		
C	136431	NUT – HEX FLG CTR LOC M12 X 1.75-10-A3L		
D	136252	SCREW – PAN HD M6 X 1 X 25-4.8-H-A2L		
E	152668	NUT – HEX FLG CTR LOC M6 X 1-8-A2L		
F	135785	BOLT – RHSN M10 X 1.5 X 25-8.8-A3L		
G	136495	BOLT – RHSN M10 X 1.5 X 70-8.8-A3L		
H	135799	NUT – HEX FLG CTR LOC M10 X 1.5-10-A3L		
J	184646	BOLT – HEX HD TFL M6 X 1 X 20-8.8-A2L		
K	152668	NUT – HEX FLG CTR LOC M6 X 1-8-A2L		
L	30228	NUT – FLANGE DT SMOOTH FACE 0.375-16 UNC		
M	184705	WASHER – FLAT M6-200HV-AA1J		

96. Includes reflectors (MD #115145, 115146, and 115147). Refer to Section *120 Decals – Information and Reflectors*, page 281.

97. Includes red lens (MD #139631) and black lens (MD #139632).

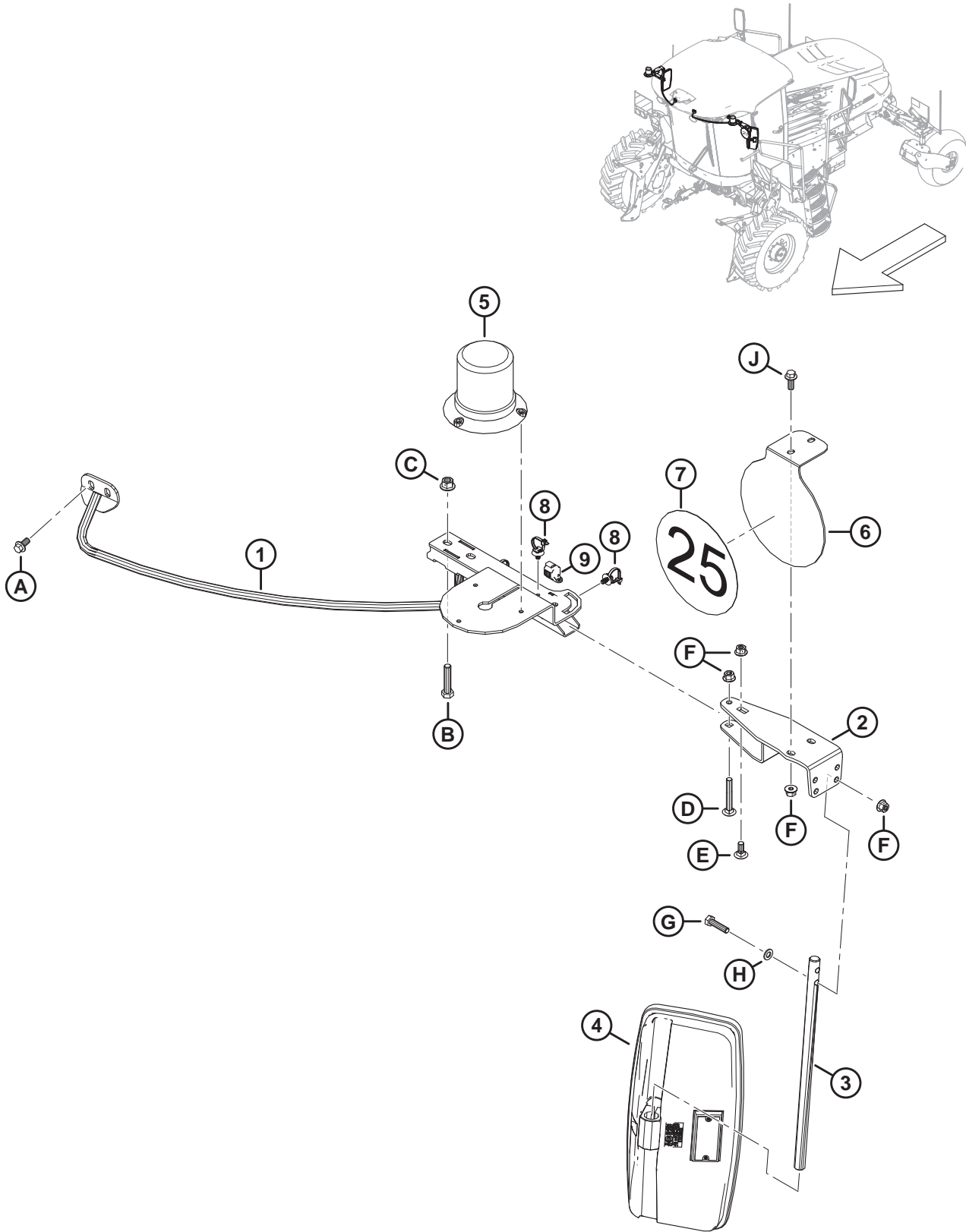
98. Includes amber lens (MD #139630).

99. Includes decal (MD #115148).

100. For decals, refer to Section *120 Decals – Information and Reflectors*, page 281.

101. For windrowers with standard cab components, refer to Section *57 Standard Cab Components*, page 133. For windrowers with deluxe cab components, refer to Section *58 Deluxe Cab Components*, page 135.

# 53 Mirror Arms and Beacons – M2170NT



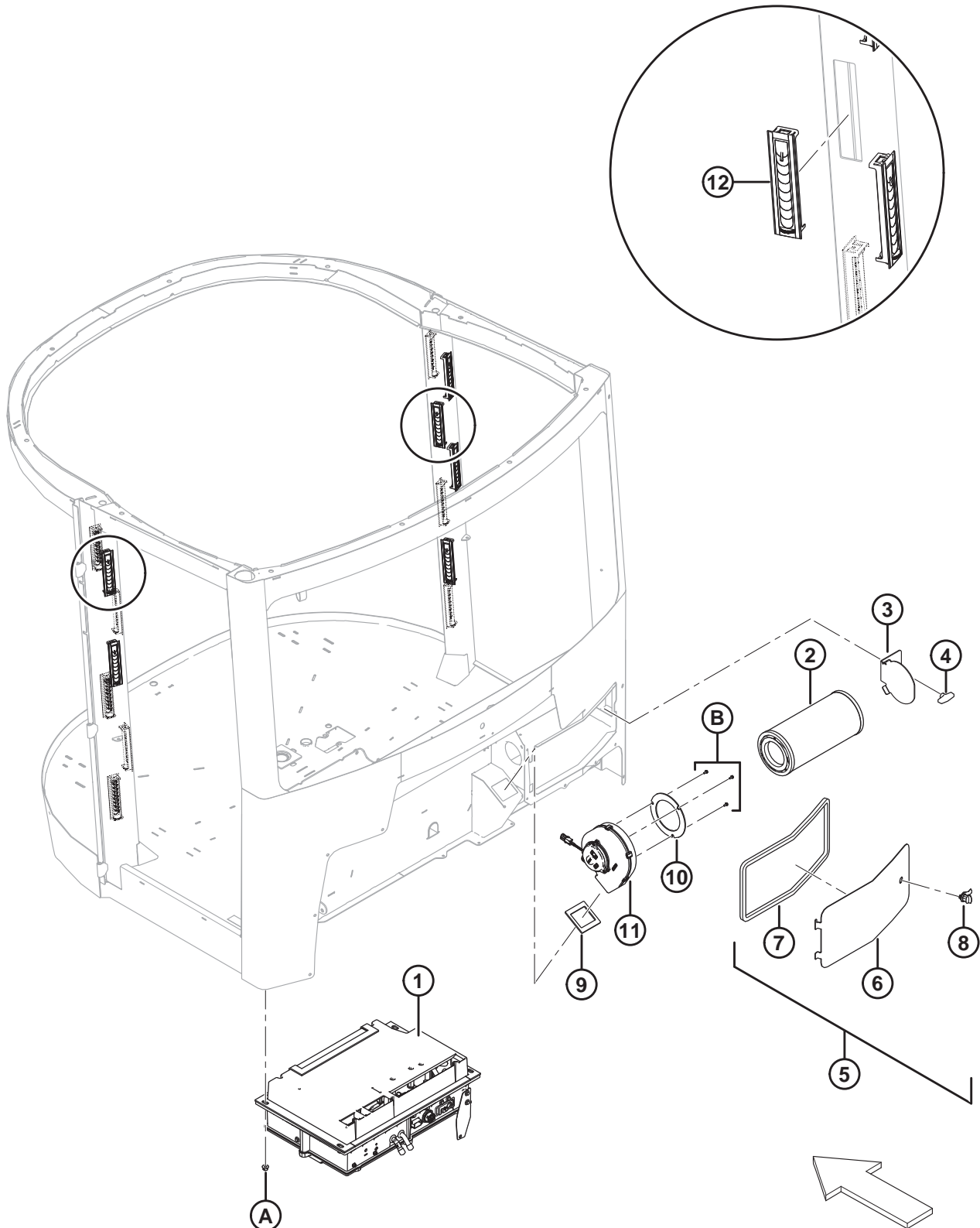


**MIRROR ARMS AND BEACONS – M2170NT**

<b>Ref</b>	<b>Part Number</b>	<b>Description</b>	<b>Qty</b>	<b>Serial Number</b>
1	362365	SUPPORT – GRAB RAIL WELDT LH	1	
	362366	SUPPORT – GRAB RAIL WELDT RH	1	
2	310534	SUPPORT – MIRROR ARM	2	
3	310532	ROD – 3/4 IN. MIRROR MOUNT	2	
4	205442	MIRROR – HAND OPERATED	2	
	291464	MIRROR – GLASS W/ TAPE		
5	167884	LIGHT – BEACON, LED <sup>102</sup>	2	
6	291038	BRACKET – SPEED ID SYMBOL (LH ONLY)	1	
7	346027	DECAL – SIS, 25 KM/H (LH ONLY)	1	
8	136655	FASTENER – FIR TREE MT W/ TIE	6	
9	134744	CONNECTOR – CAP, PLUG, 6-WAY	2	
A	152655	BOLT – HEX FLG HD M10 X 1.5 X 20-8.8-AA1J		
B	152779	BOLT – HEX HD M12 X 1.75 X 55-8.8-AA1J		
C	136431	NUT – HEX FLG CTR LOC M12 X 1.75-10		
D	136495	BOLT – RHSN M10 X 1.5 X 70-8.8-AA1J		
E	135785	BOLT – RHSN M10 X 1.5 X 25-8.8-AA1J		
F	135799	NUT – HEX FLG CTR LOC M10 X 1.5-10		
G	135319	BOLT – HEX HD M10 X 1.5 X 40-8.8-AA1J		
H	184711	WASHER – FLAT REG M10-200HV-AA1J		
J	136312	BOLT – HEX FLG HD TFL M10 X 1.5 X 25-10.9-AA1J		

102. Includes mounting hardware and gasket.

# 54 Cab Air Conditioning and Heating



**CAB AIR CONDITIONING AND HEATING**

**NOTE:**

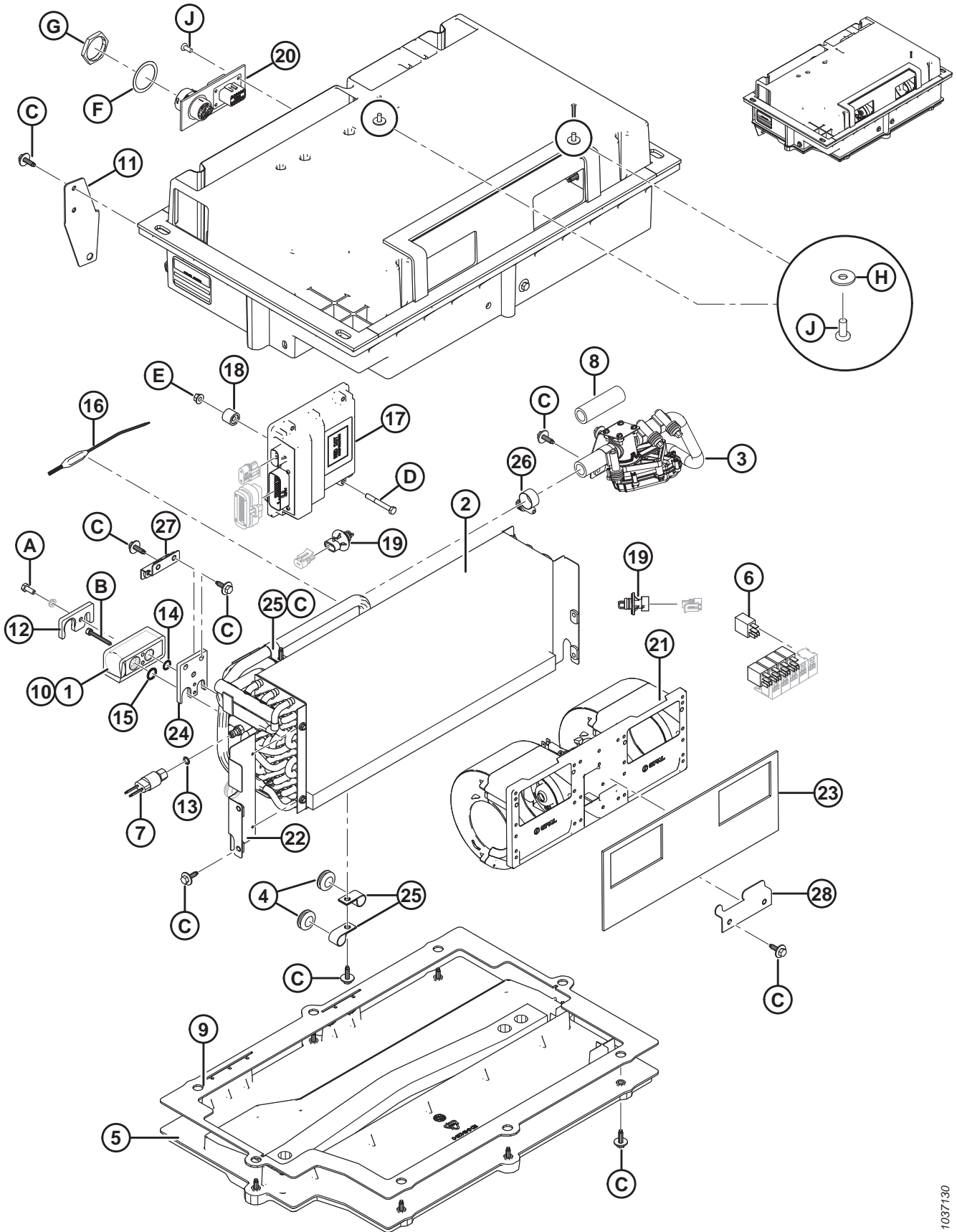
For TXV and drain hose routing, refer to Section *56 Heating, Ventilation, and Air Conditioning – Chassis, page 131*.

<b>Ref</b>	<b>Part Number</b>	<b>Description</b>	<b>Qty</b>	<b>Serial Number</b>
1	306522	ASSEMBLY – BASIC A/C AND HEATER CORE <sup>103</sup>	1	
2	111060	ELEMENT – PRIMARY	1	
3	291264	RETAINER – AIR FILTER	1	
4	42075	KNOB	1	
5	201589	DOOR ASSY – FRESH AIR <sup>104</sup>	1	
6	201590	DOOR – FRESH AIR	1	
7	201716	GASKET – FRESH AIR	1	
8	204787	LATCH – CAM	1	
9	202189	SEAL – BLOWER	1	
10	139225	INSULATOR – BLOWER	1	
11	208292	BLOWER – FRESH AIR	1	
12	201746	VENTILATOR – RECTANGULAR LOUVER	14	
A	135799	NUT – HEX FLG CTR LOC M10 X 1.5-10-A3L		
B	42292	SCREW – SELF TAPPING HEX WASH HD #10 X 1/2 ZP		

103. For service parts, refer to Section *55 Cab Air Conditioning and Heating – Service Parts, page 129*.

104. Includes door (MD #201590), gasket (MD #201716), and latch (MD #204787).

# 55 Cab Air Conditioning and Heating – Service Parts

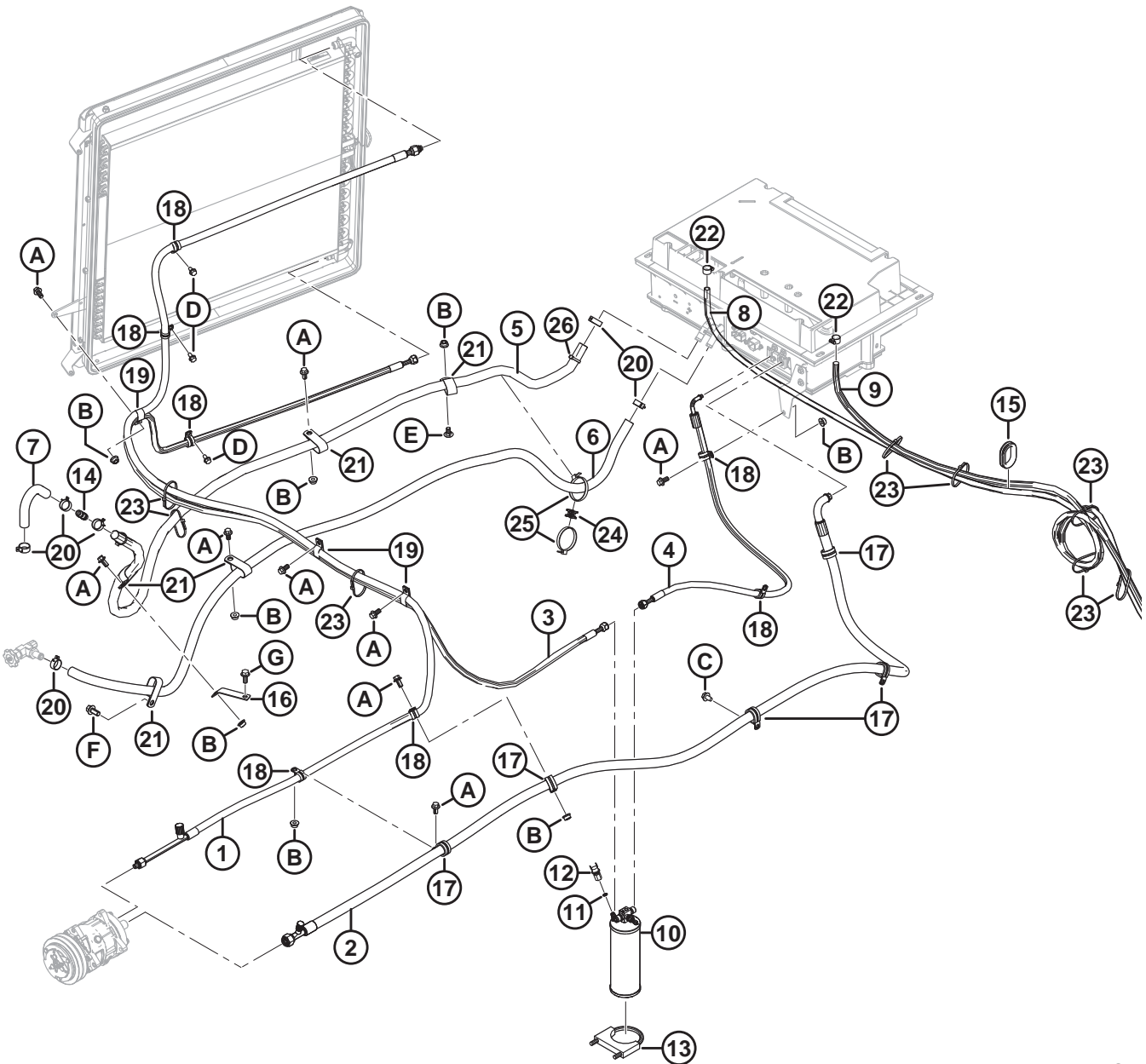
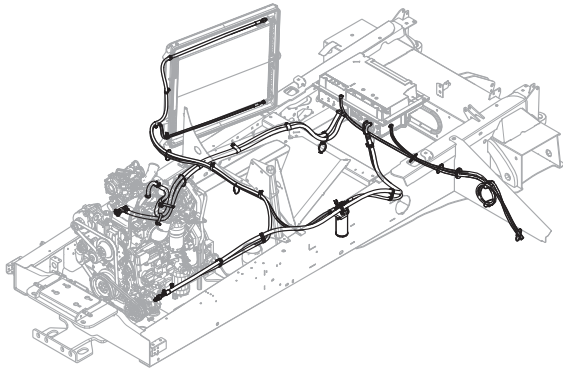


**CAB AIR CONDITIONING AND HEATING – SERVICE PARTS**

Ref	Part Number	Description	Qty	Serial Number
	306522	ASSEMBLY – BASIC A/C AND HEATER CORE <sup>105</sup>		
1	183386	VALVE – EXPANSION	1	
2	183387	EVAPORATOR – HEATER CORE	1	
3	306523	ASSEMBLY – WATER VALVE	1	
4	183392	GROMMET – TUBE 5/8 IN I.D., 3/16 IN WALL	2	
5	183544	COVER UNIT	1	
6	183394	RELAY – 12 V W/ RESISTOR SUPPRESSION	5	
7	183395	SWITCH – PRESSURE 34-8 PSI	1	
8	183396	HOSE – SILICON 5/8 IN I.D., 57.15 MM LG	1	
9	183397	GASKET – COVER SEAL R-9600	1	
10	183398	SEAL – TXV	1	
11	207225	BRACKET – TXV FITTINGS	1	
12	205456	PLATE – MOUNTING TXV HOSES	1	
13	183506	O-RING – HNBR, GREEN, 7.65 MM I.D., 11.1 MM O.D.	1	
14	183508	O-RING – HNBR, GREEN, 10.82 MM I.D., 14.27. MM O.D.	1	
15	183202	O-RING – HNBR, GREEN, 14 MM I.D., 17.44 MM O.D.	1	
16	208109	EVAPORATOR – PROBE ASSY	1	
17	208110	MODULE ASSY – ATC	1	
18	208111	SPACER	2	
19	208112	THERMISTOR – AIR TEMP PROBE ASSY	2	
20	208784	HARNESS – ATC	1	
21	208114	BLOWER – ATC	1	
22	208179	PLATE – CORE ATTACHMENT	1	
23	208180	GASKET – BLOWER SEAL	1	
24	208181	MOUNT – EXP VALVE BRACKET	1	
25	208182	CLAMP – 5/8 DIA	3	
26	310634	CLAMP – HOSE, CONSTANT TORQUE	2	
27	208184	BRACKET – SUPPORT TXV	1	
28	208185	BRACKET – BLOWER ATTACHMENT	1	
A	136707	BOLT – HEX HD M6 X 1 X 16-8.8-BLK		
B	136708	SCREW – HEX SOC HD M5 X 0.8 X 40-9.8-BLK		
C	136709	BOLT – HEX HD SPCL M6 X 1 X 22 X SPCL-8.8-BLK		
D	NSS	BOLT – HEX HD M6 X 1 X 50-8.8-A3L		
E	183448	NUT – HEX M6 X 1, CONICAL WASHER		
F	134729	WASHER – LOCK, HDP20, SIZE 18		
G	134727	NUT – PANEL, HDP20, SIZE 18		
H	184706	WASHER – FLAT LARGE M6-200HV-A2L		
J	252247	SCREW – PAN HD #12-14 X 1/2-RC45-ZP		

105. Refer to Section *54 Cab Air Conditioning and Heating*, page 127.

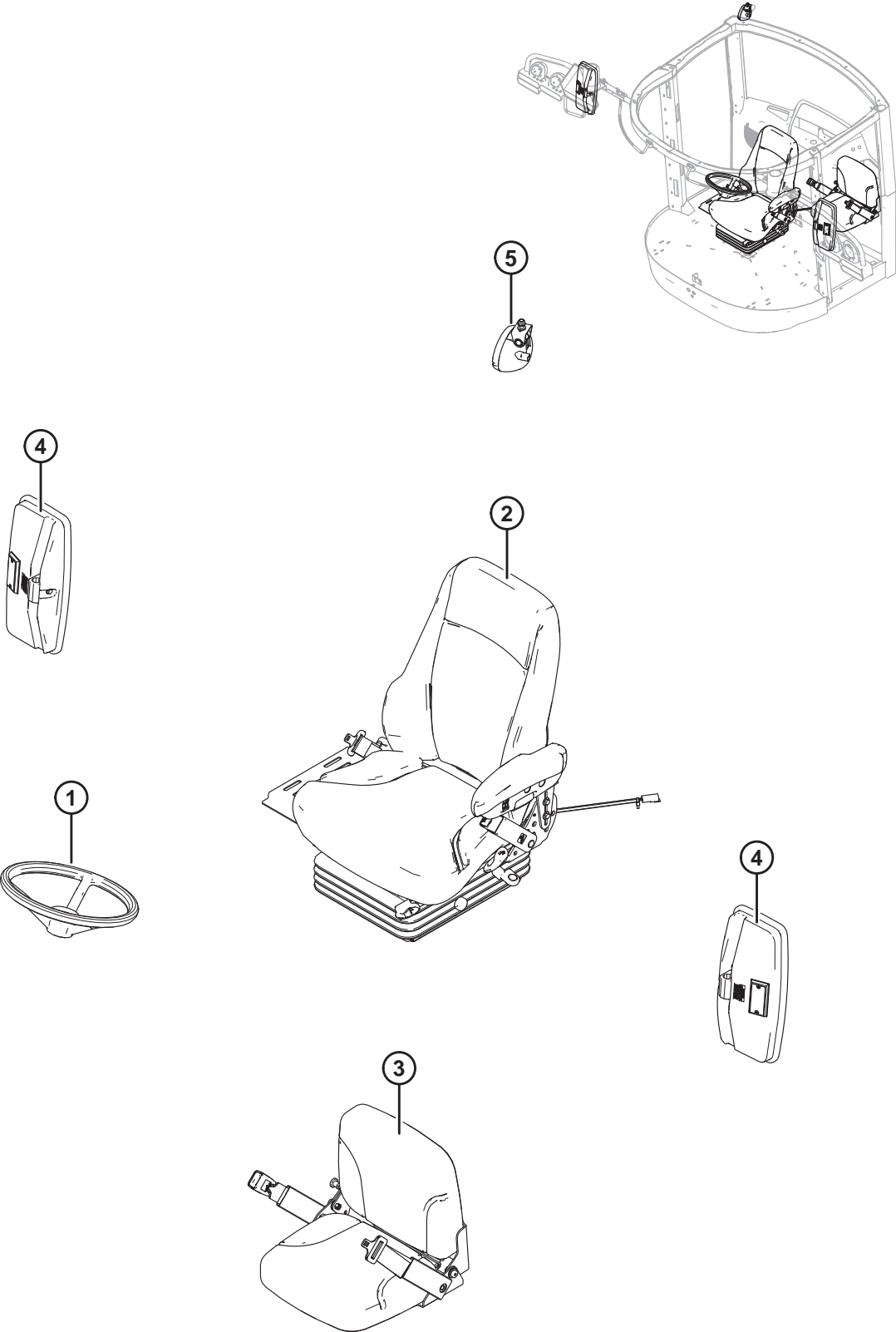
# 56 Heating, Ventilation, and Air Conditioning – Chassis



**HEATING, VENTILATION, AND AIR CONDITIONING – CHASSIS**

<b>Ref</b>	<b>Part Number</b>	<b>Description</b>	<b>Qty</b>	<b>Serial Number</b>
1	306504	HOSE – #8 A/C COMP TO COND	1	
	183443	CAP – R134A HIGH SIDE SERVICE VALVE		
	183265	VALVE – SCHRADER, HF, HIGH SIDE, HNBR GREEN		
	183508	O-RING – HNBR, #8, GREEN		
2	203017	HOSE – #10 TO #12 HOSE TXV TO COMP SUCTION	1	
	183202	O-RING – HNBR, #10, GREEN		
	183512	O-RING – HNBR, #12, GREEN		
	183264	VALVE – SCHRADER, HF, LOW SIDE, HNBR GREEN		
	183444	CAP – R134A LOW SIDE SERVICE VALVE		
3	201948	HOSE – #6 AC COND TO DRIER	1	
	183506	O-RING – HNBR, #6, GREEN		
4	203018	HOSE – #6 REC DRIER TO TXV	1	
	183506	O-RING – HNBR, #6, GREEN		
5	203597	HOSE – COOLANT, 5/8 IN. I.D., 2250 MM LG	1	
6	203596	HOSE – COOLANT, 5/8 IN. I.D., 2170 MM LG	1	
7	208075	HOSE – COOLANT, 5/8 IN. I.D., 135°	1	
8	202274	HOSE – A/C DRAIN, 12.7 MM I.D., 2300 MM LG	1	
9	202275	HOSE – A/C DRAIN, 12.7 MM I.D., 1900 MM LG	1	
10	183273	KIT – RECEIVER DRIER W/ DYE	1	
11	183506	O-RING – HNBR, #6, GREEN	1	
12	183199	SWITCH – AIR COND HIGH	1	
13	42469	CLAMP – PIPE	1	
14	134757	FITTING – CONNECTOR, 5/8 IN. I.D., BARBED	1	
15	172899	GROMMET – 44.5 MM I.D., 63.5 MM O.D.	1	
16	207457	BRACKET – CABLE SUPPORT	1	
17	209032	CLAMP – P-CLIP, INSULATED, 1 IN.	5	
18	135716	CLAMP – INSULATED 5/8 IN.	7	
19	135224	CLAMP – DOUBLE HOSE INSULATED	3	
20	112692	CLAMP – HOSE	6	
21	50022	CLAMP – INSULATED 15/16 IN.	5	
22	136541	CLAMP – LINED, SS, 11-20 MM RANGE	2	
23	21763	FASTENER – CABLE TIE, BLACK, 160 MM LG	8	
24	134442	SPACER – DUAL SWIVEL SADDLE	1	
25	30753	FASTENER – CABLE TIE, BLACK, 305 MM LG	2	
26	40702	FASTENER – CABLE TIE, RED	2	
A	152655	BOLT – HEX FLG HD M10 X 1.5 X 20-8.8-A3L		
B	135927	NUT – HEX SMTH FLG M10 X 1.5-8-A3L		
C	136574	SCREW – HEX WASHER HD M10 X 1.5 X 16-450HV-A3L		
D	134705	SCREW – THREAD ROLLING FLG M8 X 1.25 X 16-A3L		
E	136178	BOLT – RHSN M10 X 1.5 X 20-8.8-A3L		
F	148800	BOLT – HEX FLG HD M12 X 1.75 X 25 X SPCL-10.9-A3L		
G	135783	BOLT – HEX FLG HD TFL M10 X 1.5 X 25-10.9-AA1J		

# 57 Standard Cab Components





## STANDARD CAB COMPONENTS

**NOTE:**

For roof and headliner components, refer to Sections *40 Roof – Standard and Deluxe Cab, page 95* and *41 Headliner – Radio, Speakers, and Relay Module, page 97*.

Ref	Part Number	Description	Qty	Serial Number
1	REF	WHEEL – STEERING <sup>106</sup>	1	
2	346256	SEAT – STANDARD <sup>107</sup>	1	
3	346254	SEAT TRAINING – STANDARD <sup>108</sup>	1	
4	205442	MIRROR – HAND OPERATED	2	
5	201488	LIGHT – FLOOD HALOGEN	1	
	208192	BULB – WORK LIGHT, H3, 12V, 55W		

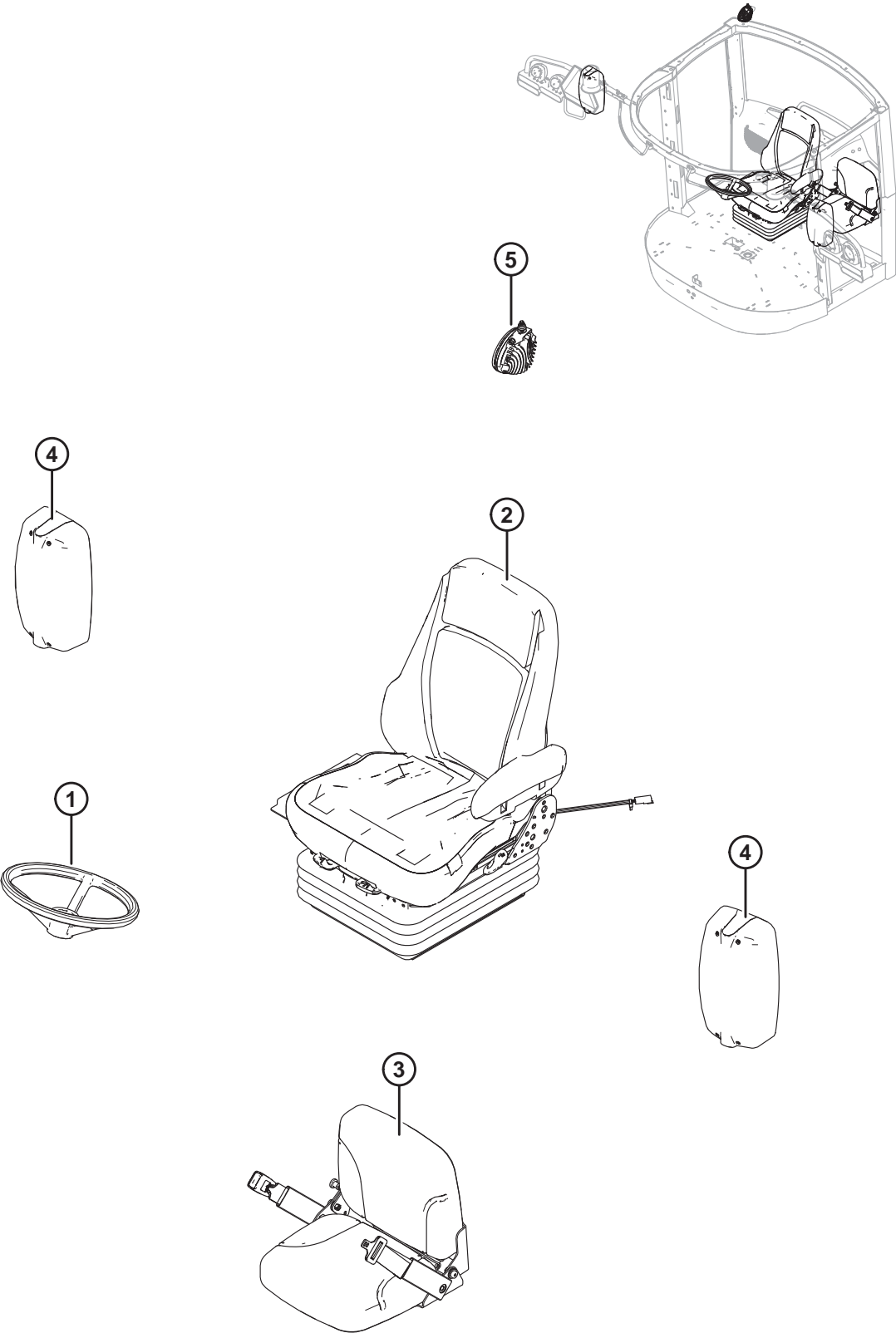
---

106. Refer to Section *64 Steering Column and Seat Base, page 147*.

107. For service parts, refer to Section *59 Standard Operator’s Seat, page 137*.

108. For service parts, refer to Section *63 Trainer’s Seat, page 145*.

# 58 Deluxe Cab Components



## DELUXE CAB COMPONENTS

**NOTE:**

For roof and headliner components, refer to Sections *40 Roof – Standard and Deluxe Cab, page 95* and *41 Headliner – Radio, Speakers, and Relay Module, page 97*.

Ref	Part Number	Description	Qty	Serial Number
1	REF	WHEEL – STEERING, LEATHER <sup>109</sup>	1	
2	346257	SEAT – DELUXE <sup>110</sup>	1	
3	346255	SEAT TRAINING – DELUXE <sup>111</sup>	1	
4	206459	MIRROR – POWER	2	
	291464	MIRROR – GLASS W/ TAPE		
5	207062	LIGHT – FLOOD LED	1	

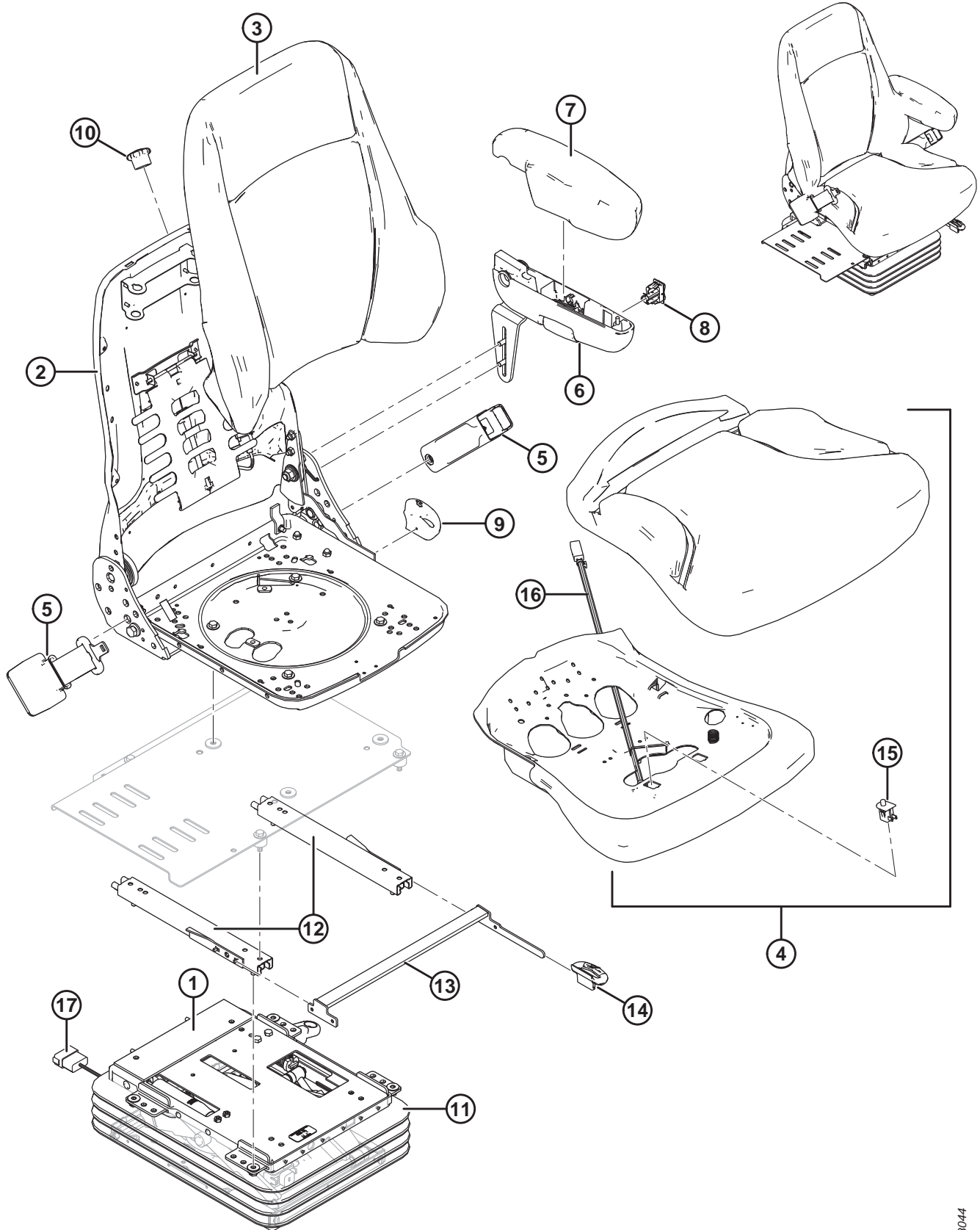
---

109. Refer to Section *64 Steering Column and Seat Base, page 147*.

110. For service parts, refer to Section *61 Deluxe Operator's Seat, page 141*.

111. For service parts, refer to Section *63 Trainer's Seat, page 145*.

# 59 Standard Operator's Seat



**STANDARD OPERATOR'S SEAT**

<b>Ref</b>	<b>Part Number</b>	<b>Description</b>	<b>Qty</b>	<b>Serial Number</b>
	346256	SEAT – STANDARD <sup>112</sup>		
1	208052	ASSY – LPA SUSPENSION COMPLETE <sup>113</sup>		
	109860	SPRING – AIR		
	109861	ISOLATOR – FORE-AFT		
	109859	KIT – ADJUSTABLE SHOCK ABSORBER		
	109857	KIT – BEARING		
	109856	SHAFT – BEARING		
	208038	KIT – FORE-AFT ISOLATOR SHOCK		
	109812	KIT – AIRLINE AND FITTING SERVICE		
	208040	KIT – COMPRESSOR		
2	208046	ASSY – SEAT, BARE FRAME ONLY		
3	208044	ASSY – BACK CUSHION		
4	208042	ASSY – SEAT CUSHION <sup>114</sup>		
	109971	HARNESS – SEAT SWITCH		
	109968	SWITCH – SEAT, OPERATOR PRESENT		
5	346060	SEAT BELT <sup>115</sup>		
6	208048	ASSY – LH ARMREST <sup>116</sup>		
7	208049	PAD – LH ARMREST		
8	109850	SWITCH – SEAT		
9	208050	KNOB – RECLINER		
10	208051	KIT – LUMBAR KNOB		
11	109855	KIT – BOOT <sup>117</sup>		
12	109862	KIT – FORE-AFT SLIDES		
13	208059	HANDLE – SLIDE		
14	208061	KNOB – SLIDE		
15	109968	SWITCH – SEAT, OPERATOR PRESENT		
16	109971	HARNESS – SEAT SWITCH		
17	208126	HARNESS – SEAT		

112. Refer to Section *57 Standard Cab Components*, page 133.

113. For more detailed illustration of service parts, refer to Section *60 Standard Seat Suspension*, page 139.

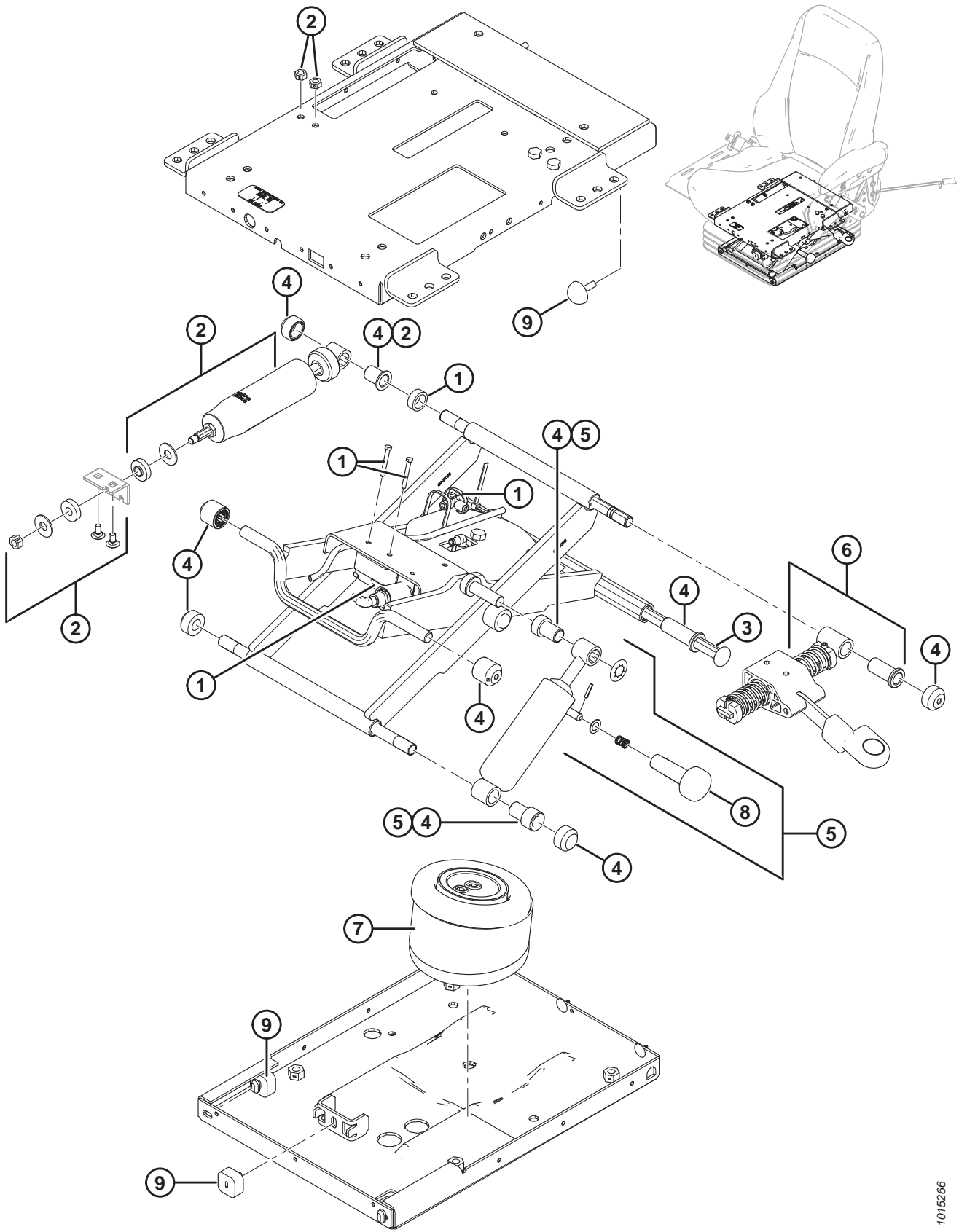
114. Includes operator presence seat switch (MD #109968) and seat switch harness (MD #109971).

115. Kit includes installation instructions from the manufacturer.

116. Includes left-hand armrest pad (MD #208049).

117. Includes boot, clips, and rivets.

# 60 Standard Seat Suspension



**STANDARD SEAT SUSPENSION**

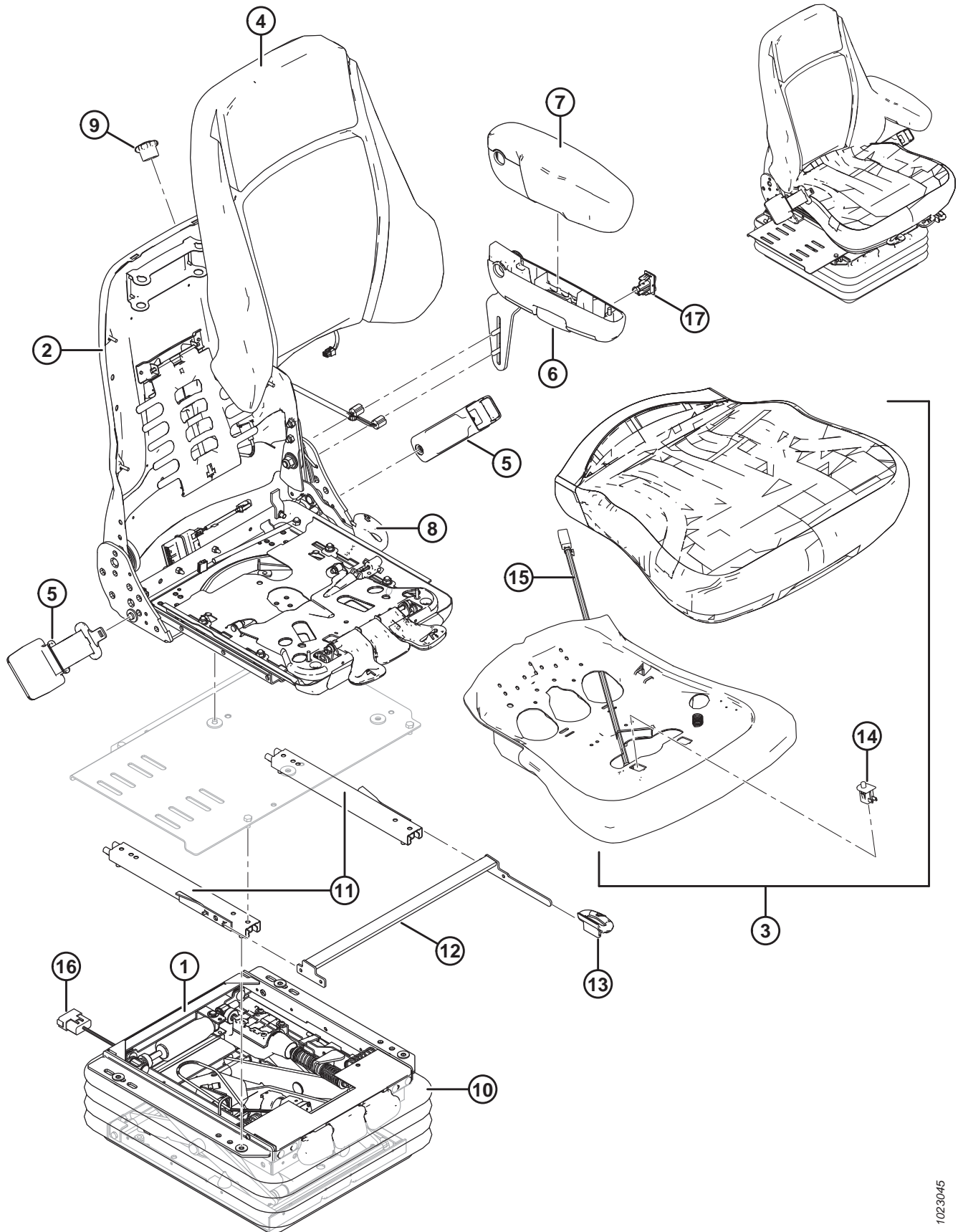
<b>Ref</b>	<b>Part Number</b>	<b>Description</b>	<b>Qty</b>	<b>Serial Number</b>
	208052	ASSY – LPA SUSPENSION COMPLETE		
1	208040	KIT – COMPRESSOR		
	109812	KIT – AIRLINE AND FTG SERV <sup>118</sup>		
2	208038	KIT – FORE-AFT ISO. SHOCK		
3	109856	SHAFT – BEARING		
4	109857	KIT – BEARING		
5	109859	KIT – ADJUSTABLE SHOCK ABSORBER <sup>119</sup>		
6	109861	ISOLATOR – FORE-AFT		
7	109860	SPRING – AIR		
8	109865	KNOB – ADJUSTABLE SHOCK		
9	183150	KIT – SUSPENSION BUMPER <sup>120</sup>		
	109858	BUMPER – SUSPENSION, SQUARE		

118. Includes nylon tube lines, convoluted line, and fittings.

119. Includes adjustable shock knob (MD #109865).

120. Includes three square suspension bumpers (MD #109858) and two spherical bumpers.

# 61 Deluxe Operator's Seat





**DELUXE OPERATOR'S SEAT**

Ref	Part Number	Description	Qty	Serial Number
	346257	SEAT – DELUXE <sup>121</sup>		
1	208053	ASSY – A2K SUSPENSION COMPLETE <sup>122</sup>		
	109860	SPRING – AIR		
	208041	KIT – COMPRESSOR		
	208062	KIT – AIRLINE		
	208055	KIT – BEARING SHAFT		
	208064	KIT – BEARING AND ROLLER, A2K		
	208056	KIT – SUSPENSION BUMPER		
	208057	KIT – ADJUSTABLE SHOCK ABSORBER		
	208058	KIT – FORE-AFT ISOLATOR		
2	208047	ASSY – SEAT, BARE FRAME ONLY		
3	208043	ASSY – SEAT CUSHION <sup>123</sup>		
	109971	HARNESS – SEAT SWITCH		
	109968	SWITCH – SEAT, OPERATOR PRESENT		
4	208045	ASSY – BACK CUSHION		
5	346060	SEAT BELT <sup>124</sup>		
6	208063	ASSY – LH ARMREST		
7	208049	PAD – LH ARMREST		
8	208050	KNOB – RECLINER		
9	208051	KIT – LUMBAR KNOB		
10	208054	KIT – BOOT <sup>125</sup>		
11	109862	KIT – FORE-AFT SLIDES		
12	208060	HANDLE – SLIDE		
13	208061	KNOB – SLIDE		
14	109968	SWITCH – SEAT, OPERATOR PRESENT		
15	109971	HARNESS – SEAT SWITCH		
16	208126	HARNESS – SEAT		
17	109850	SWITCH – SEAT		

121. Refer to Section *58 Deluxe Cab Components, page 135*.

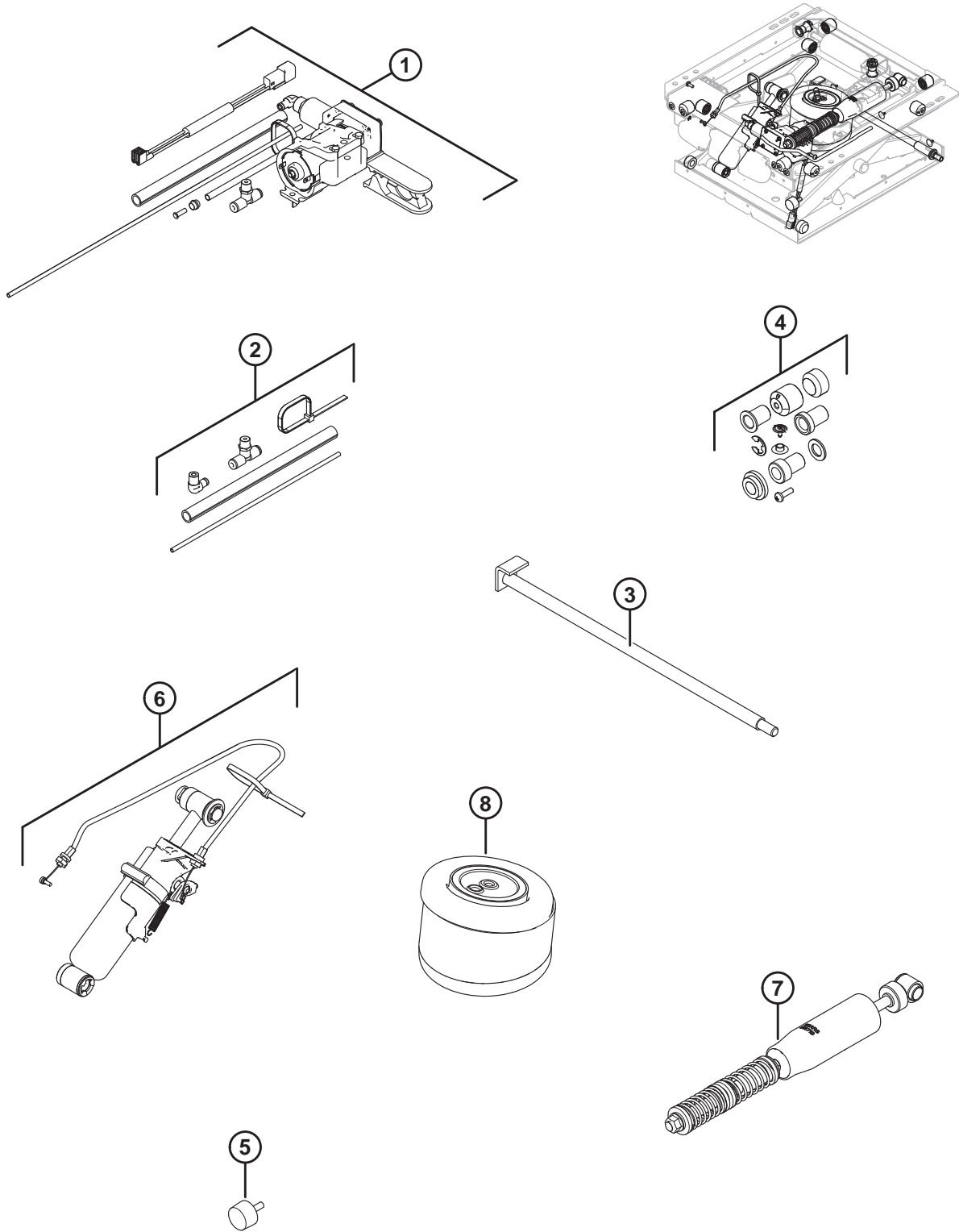
122. For more detailed illustration of service parts, refer to Section *62 Deluxe Seat Suspension, page 143*.

123. Includes operator presence seat switch (MD #109968) and seat switch harness (MD #109971).

124. Kit includes installation instructions from the manufacturer.

125. Includes boot, clips, and rivets.

# 62 Deluxe Seat Suspension



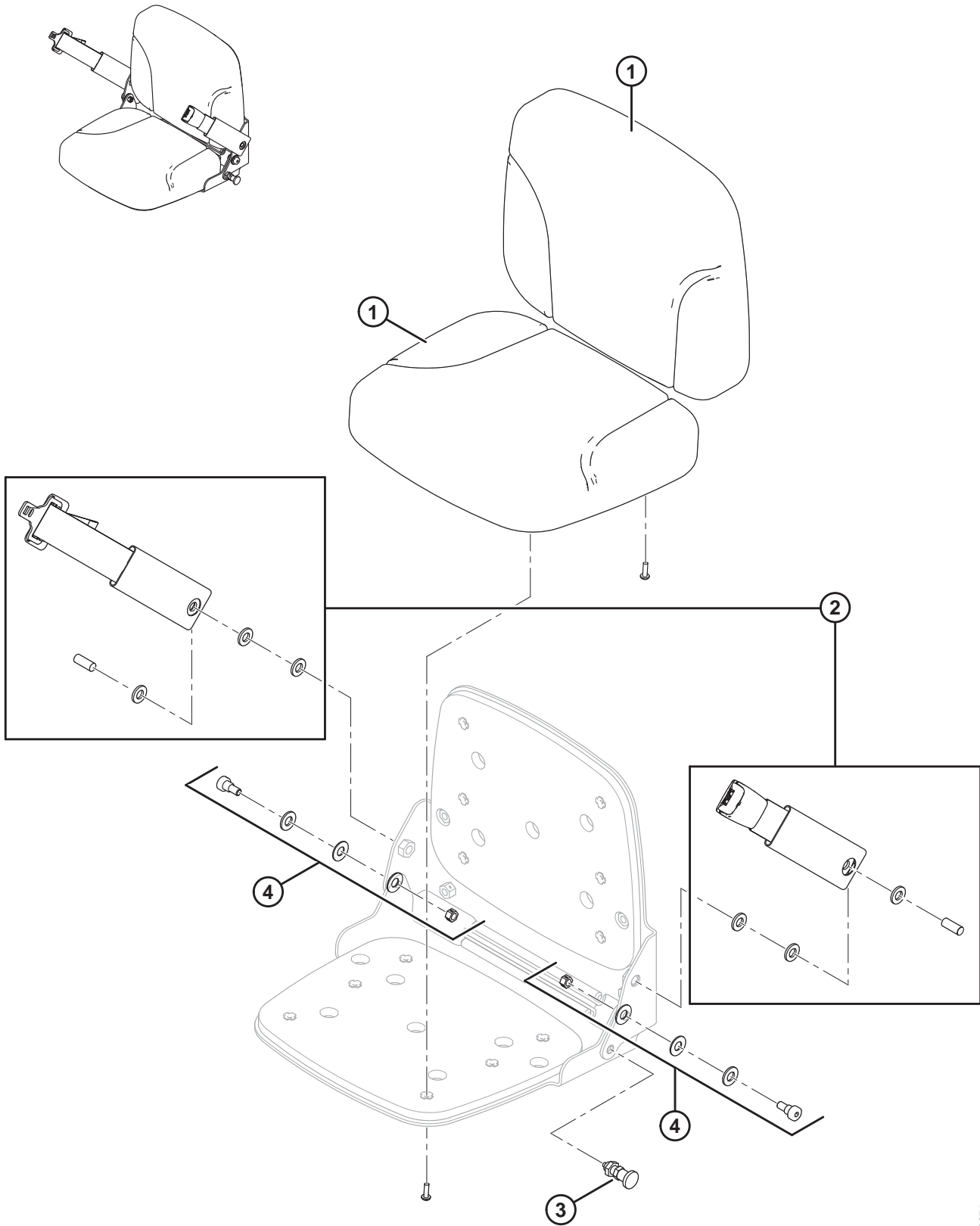
## DELUXE SEAT SUSPENSION

Ref	Part Number	Description	Qty	Serial Number
	208053	ASSY – A2K SUSPENSION COMPLETE <sup>126</sup>		
1	208041	KIT – COMPRESSOR		
2	208062	KIT – AIRLINE		
3	208055	KIT – BEARING SHAFT		
4	208064	KIT – BEARING AND ROLLER, A2K		
5	208056	SUSPENSION BUMPER		
6	208057	KIT – ADJ SHOCK ABSORBER		
7	208058	KIT – FORE-AFT ISOLATOR		
8	109860	SPRING – AIR		

---

126. Refer to Section *58 Deluxe Cab Components*, page 135.

# 63 Trainer's Seat



## TRAINER'S SEAT

**NOTE:**

For trainer's seat placement, refer to Section *46 Cab Interior and Upholstery, page 109*.

Ref	Part Number	Description	Qty	Serial Number
	346254	SEAT TRAINING – STANDARD <sup>127</sup>		
	346255	SEAT TRAINING – DELUXE <sup>128</sup>		
1	208097	KIT – CUSHION, STANDARD <sup>129</sup>	2	
	208098	KIT – CUSHION, DELUXE	2	
2	346061	KIT – SEAT BELT <sup>130</sup>	1	
3	208100	LATCH – SEAT	1	
4	208102	KIT – PIVOT	2	

---

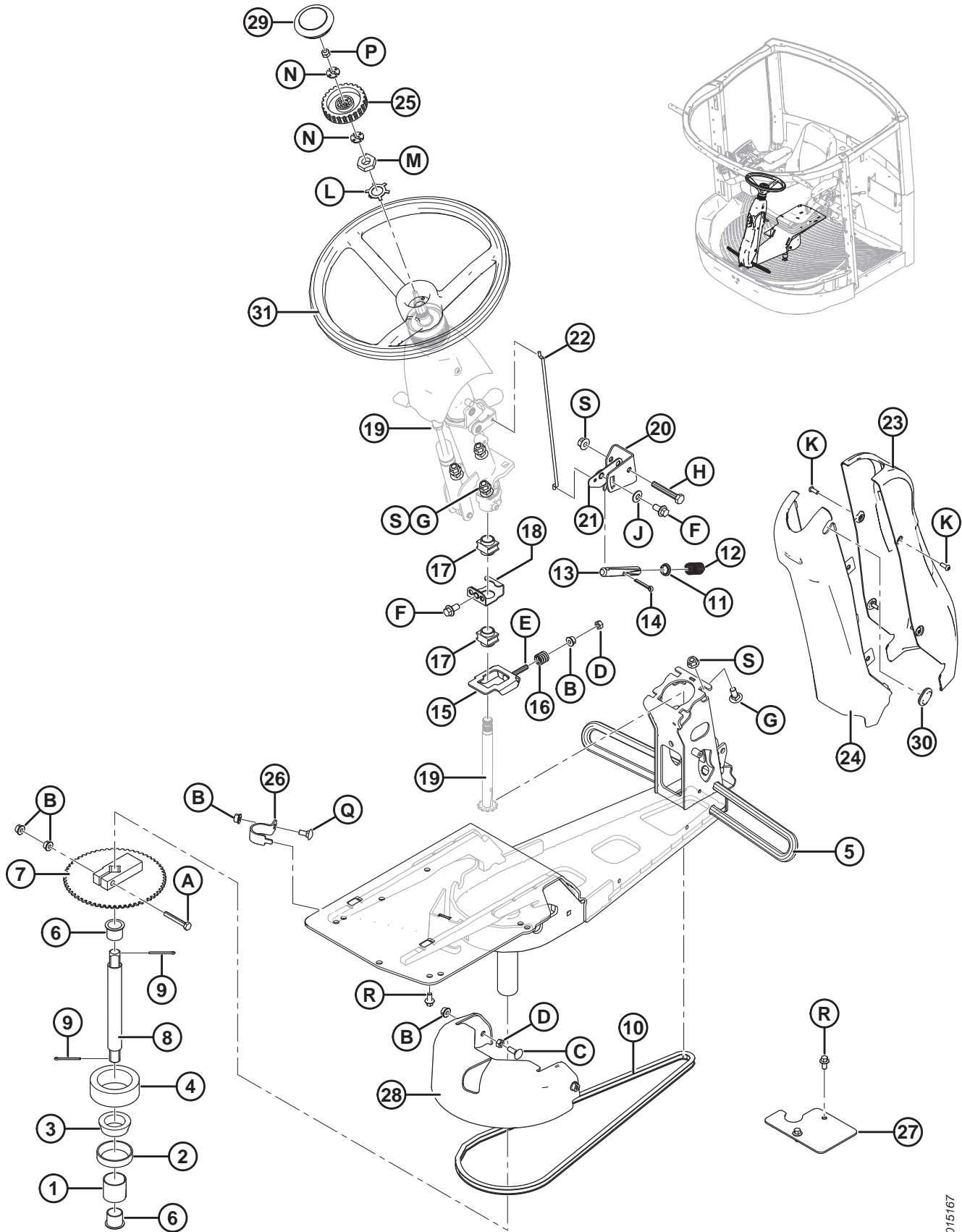
127. Refer to Section *57 Standard Cab Components, page 133*.

128. Refer to Section *58 Deluxe Cab Components, page 135*.

129. For windrowers with standard cab components, order cushion kit (MD #208097). For windrowers with deluxe cab components, order cushion kit (MD #208098). Cushion kits include four pan head screws.

130. Kit includes installation instructions from the manufacturer.

# 64 Steering Column and Seat Base



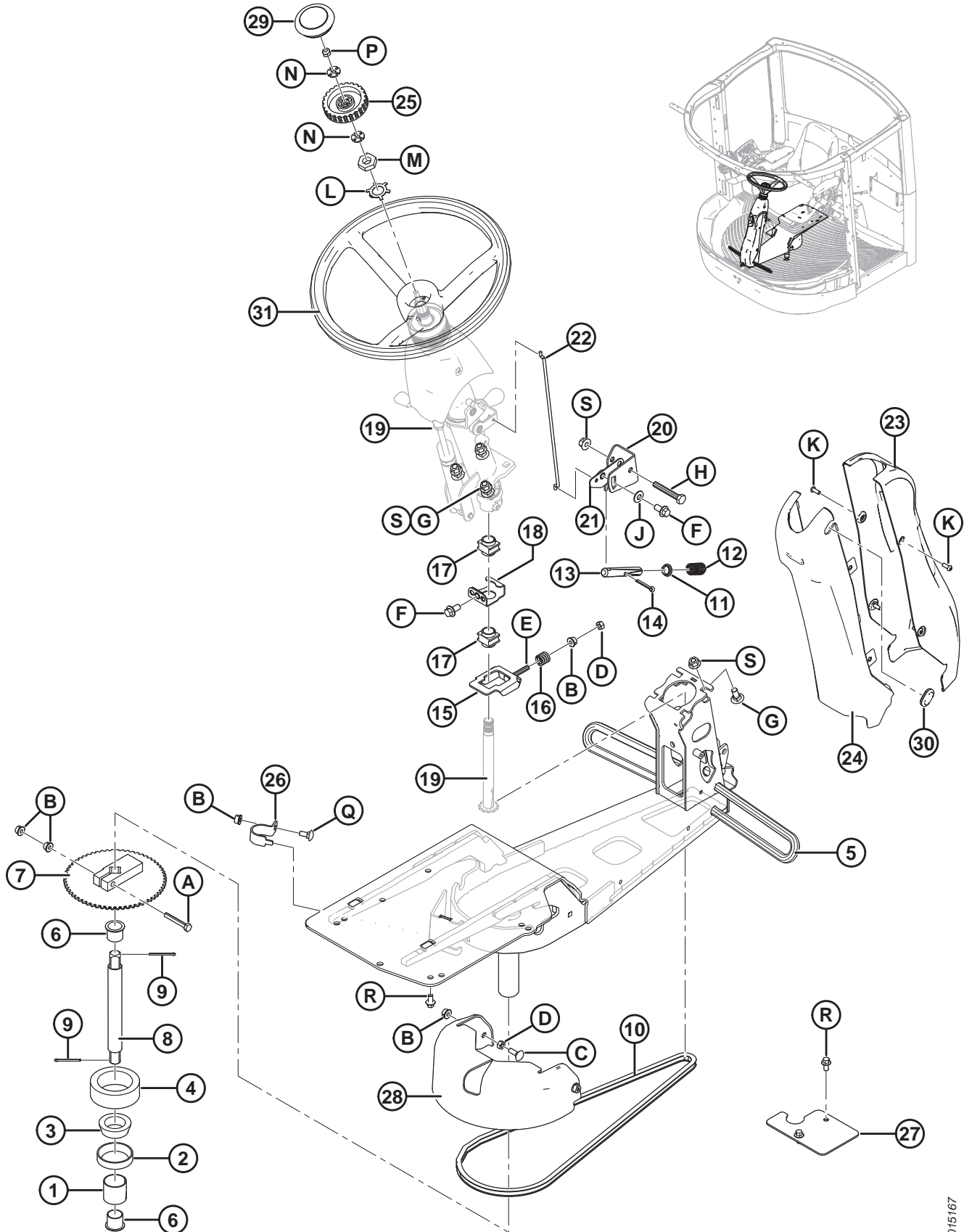
**STEERING COLUMN AND SEAT BASE**

Ref	Part Number	Description	Qty	Serial Number
1	109350	BUSHING – SLEEVE, 1.5 IN.	1	
2	30516	BEARING – CUP	1	
3	109611	BEARING – CONE	1	
4	203543	SEAL – DUST, SEAT PIVOT	1	
5	202505	BASE WELDT – OPERATORS STATION	1	
6	206966	BUSHING – PLASTIC, FLANGED, 1.0 IN. BORE	2	
7	202785	SPROCKET WELDT	1	
8	202515	SHAFT – STEERING	1	
9	18606	PIN – COTTER 1/8 DIA X 1.5 ZP	2	
10	109479	CHAIN – STEERING	1	
11	109478	BUSHING – SNAP-IN, 0.625 IN.	1	
12	19739	SPRING – COMPRESSION	1	
13	209521	PIN – LATCH	1	
14	18648	PIN – COTTER 3/16 DIA X 1.25 ZP	1	
15	202781	GUIDE – LOWER BUSHING, WELDT	1	
16	109779	SPRING – COMPRESSION	1	
17	109751	BUSHING – PLASTIC	2	
18	202783	RETAINER – BUSHING WELDT	1	
19	REF	ASSY – STEERING COLUMN C/W TOP COVER <sup>131</sup>		
20	160275	ARM – RELEASE	1	
21	202779	ARM – SEAT BASE RELEASE, WELDT	1	
22	202569	ROD – RELEASE	1	
23	206042	BOTTOM COVER – FRONT	1	
24	208806	BOTTOM COVER – REAR, CUTOUT	1	
25	203020	KNOB STEERING COLUMN RELEASE	1	
26	203401	CLIP – HARNESS	1	
27	206454	PLATE – GROMMET	1	
28	207539	COVER – SEAT BASE	1	
29	203029	COVER – STEERING WHEEL	1	
30	208770	GROMMET – RUBBER	1	
31	202492	WHEEL – STEERING (STANDARD CAB ONLY) <sup>132</sup>	1	
	204748	WHEEL – STEERING, LEATHER (DELUXE CAB ONLY) <sup>132</sup>	1	
A	184655	BOLT – HEX HD M8 X 1.25 X 55-8.8-A2L		
B	135337	NUT – HEX FLG CTR LOC M8 X 1.25-8-A2L		
C	184648	BOLT – RHSN M8 X 1.25 X 25-8.8-A3L		
D	184687	NUT – HEX M8 X 1.25-8-A2L		
E	252270	BOLT – HEX HD TFL M8 X 1.25 X 50-8.8-BO		
F	152655	BOLT – HEX FLG HD M10 X 1.5 X 20-8.8-A3L		
G	135785	BOLT – RHSN M10 X 1.5 X 25-8.8-A3L		
H	108172	BOLT – HEX HD M10 X 1.5 X 65-8.8-A3L		
J	184584	WASHER – CON SPRING M10A STL SAE 1050-1075		

131. For service parts, refer to Section *65 Steering Column – Service Parts, page 151*.

132. For windrowers with standard cab components, order steering wheel (MD #202492). For windrowers with deluxe cab components, order steering wheel (MD #204748).

# STEERING COLUMN AND SEAT BASE



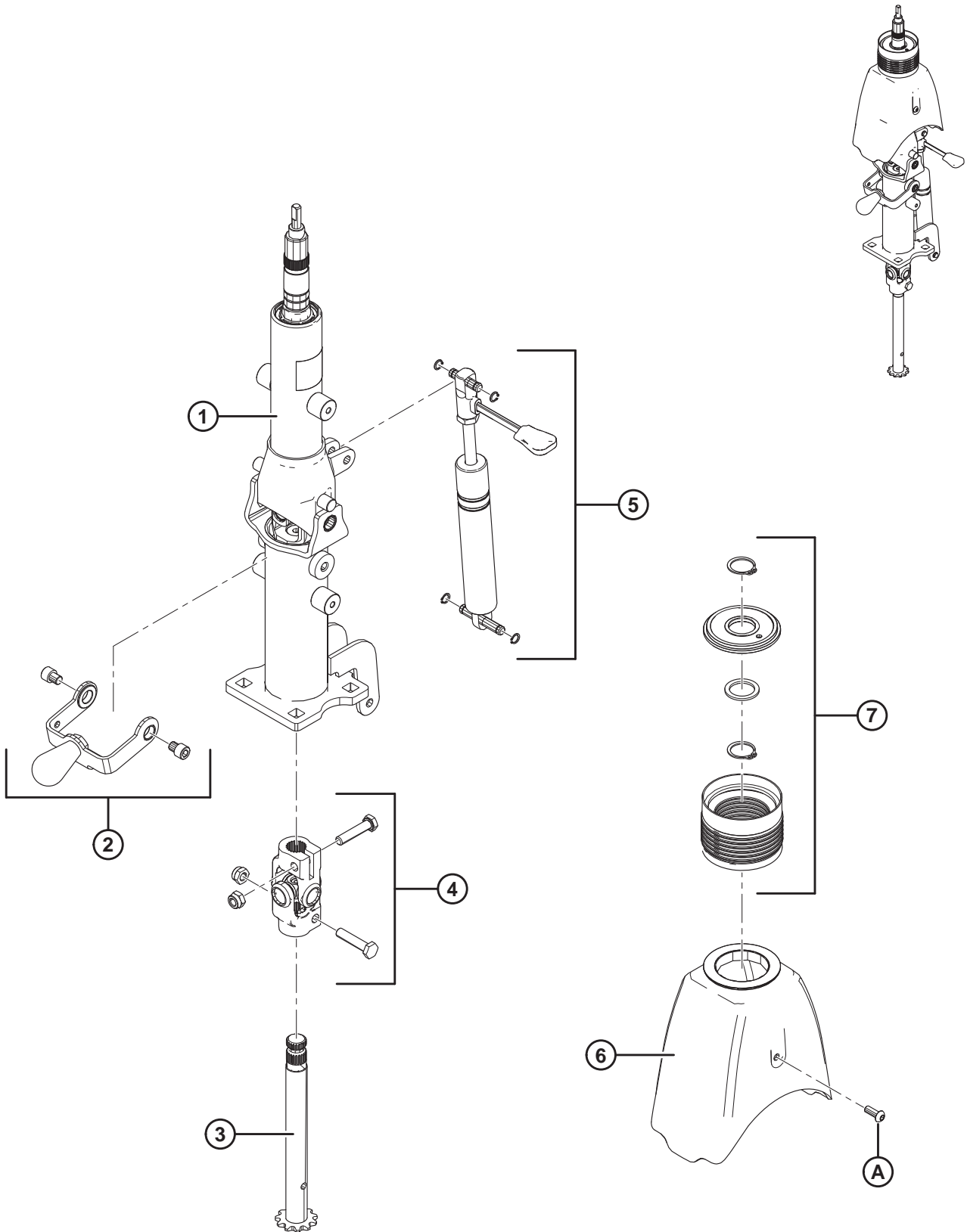
1015167



**STEERING COLUMN AND SEAT BASE**

<b>Ref</b>	<b>Part Number</b>	<b>Description</b>	<b>Qty</b>	<b>Serial Number</b>
K	136886	SCREW – HEX SOC M6 X 1 X 16-10.9-ZB		
L	203022	WASHER – SPECIAL LOCK		
M	152519	NUT – HEX THIN M20 X 1.5-8-A3L		
N	203019	WASHER		
P	184688	NUT – HEX NYLOC M8 X 1.25-8-A2L		
Q	197171	BOLT – RHSN M8 X 1.25 X 20-8.8-A2L		
R	136485	BOLT – HEX FLG HD TFL M8 X 1.25 X 16-8.8-A3L		
S	135799	NUT – HEX FLG CTR LOC M10 X 1.5-10-A3L		

# 65 Steering Column – Service Parts



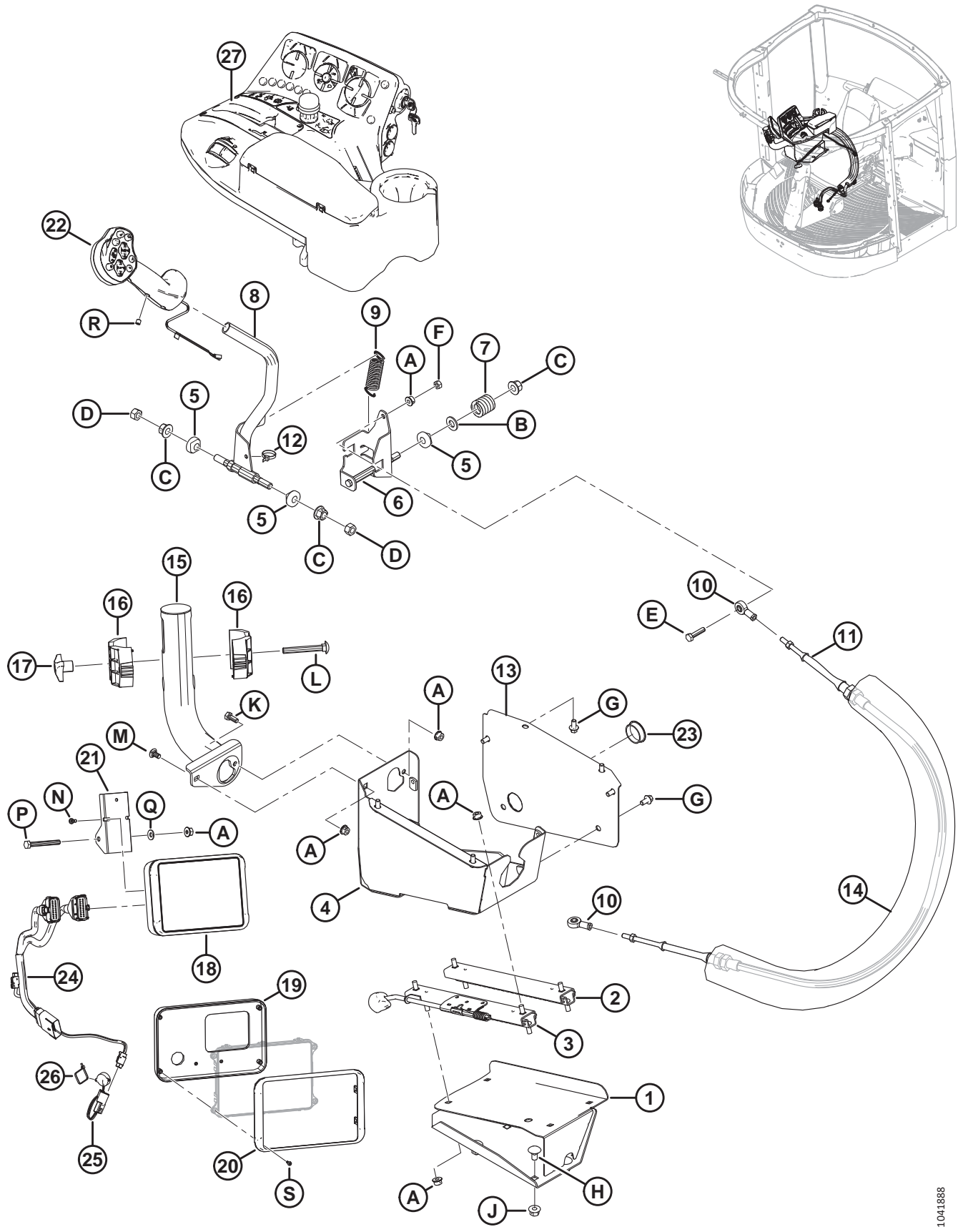
STEERING COLUMN – SERVICE PARTS

**NOTE:**

For steering column assembly (complete with top cover) placement, refer to Section *64 Steering Column and Seat Base*, page 147.

Ref	Part Number	Description	Qty	Serial Number
1	208010	KIT – COMPLETE TELESCOPIC ASSY		
2	208013	KIT – UNLOCK SYSTEM ASSY		
3	208014	KIT – LOWER WELDED SHAFT		
4	208015	KIT – ARTICULATED JOINT		
5	208016	KIT – GAS STRUT		
6	206040	TOP COVER		
7	207145	KIT – RUBBER BOOT		
A	136886	SCREW – HEX SOC M6 X 1 X 16-10.9-ZB		

# 66 Ground Speed Lever, Cable, and Display



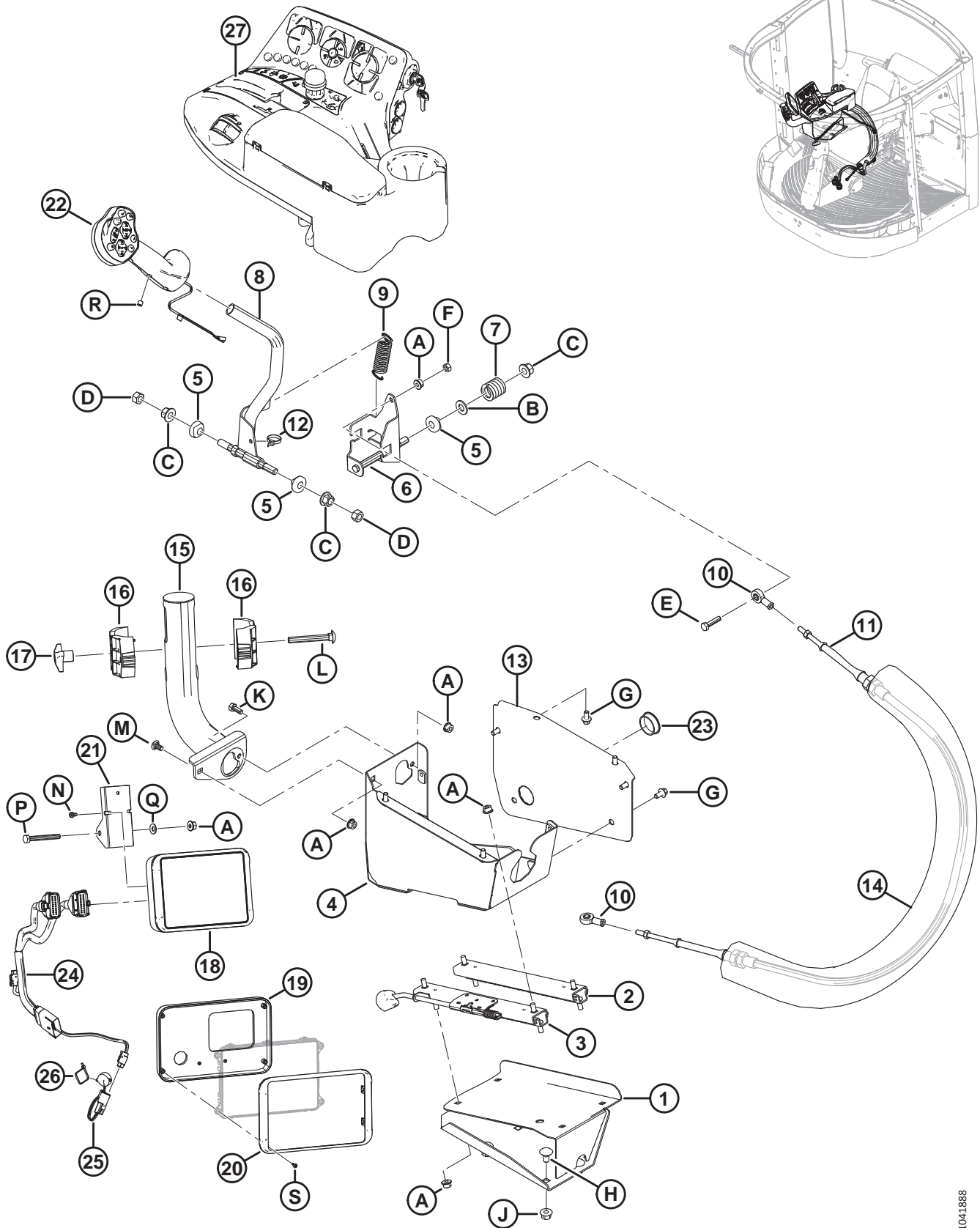
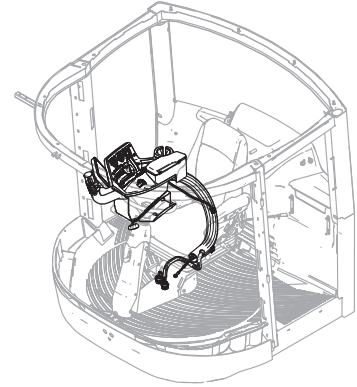
**GROUND SPEED LEVER, CABLE, AND DISPLAY**

Ref	Part Number	Description	Qty	Serial Number
1	209697	SUPPORT – CONSOLE, LOWER WELDT	1	
2	202654	RAIL – SLIDE, NON LOCKING	1	
3	202456	RAIL – SLIDE, LOCKING	1	
4	346230	SUPPORT – CONSOLE, UPPER WELDT	1	
5	109750	BUSHING – PLASTIC	3	
6	346232	CHANNEL – SPEED LEVER, WELDT	1	
7	28700	SPRING – COMPRESSION	1	
8	203518	LEVER – SPEED WELDT	1	
9	25321	SPRING – EXTENSION	1	
10	109312	JOINT – BALL, 5/16 IN. FEMALE	2	
11	207914	CABLE – PUSH PULL	1	
12	21763	FASTENER – CABLE TIE, BLACK, 160 MM LG	1	
13	201299	PANEL – REAR, CONSOLE	1	
14	204174	COVER – HARNESS/CABLE	1	
15	204010	SUPPORT – DISPLAY, WELDT	1	
16	207580	CLAMP HALF – DISPLAY MOUNT	2	
17	204187	KNOB	1	
18	362228	KIT – M2 CAB DISPLAY <sup>133</sup>	1	
19	500555	BRACKET – BALL MOUNT ADAPTER	1	
20	500554	BEZEL – DISPLAY, TOUCH	1	
21	362149	SUPPORT – DISPLAY	1	
22	209209	HANDLE – GSL	1	
23	161378	PLUG – HOLE (Ø1.5 IN.)	1	
24	362363	HARNESS – DISPLAY	1	
25	500585	ASSEMBLY – BUZZER	1	
26	16661	FASTENER – CABLE TIE, BLACK, 69 MM LG	1	
27	362101	CONSOLE – ARMREST ASSEMBLY <sup>134</sup>	1	
A	135337	NUT – HEX FLG CTR LOC M8 X 1.25-8-A2L		
B	18599	WASHER – SAE FLAT 17/32 I.D. X 1-1/16 IN. O.D. ZP		
C	136431	NUT – HEX FLG CTR LOC M12 X 1.75-10-A3L		
D	184694	NUT – HEX M12 X 1.75-8-A3L		
E	184654	BOLT – HEX HD M8 X 1.25 X 35-8.8-A2L		
F	184687	NUT – HEX M8 X 1.25-8-A2L		
G	136485	BOLT – HEX FLG HD TFL M8 X 1.25 X 16-8.8-A3L		
H	136178	BOLT – RHSN M10 X 1.5 X 20-8.8-A3L		
J	135799	NUT – HEX FLG CTR LOC M10 X 1.5-10-A3L		
K	252200	BOLT – HEX HD TFL M8 X 1.25 X 20-8.8-PLN		
L	152157	BOLT – RHSN M10 X 1.5 X 80-8.8-A3L		
M	191489	BOLT – RHSSN TFL M8 X 1.25 X 16-8.8-A2L		
N	136608	SCREW – PAN HD PHIL #10-32 UNF X 1/2-GR5-AA1J		

133. Includes touch display (NSS), ball mount adapter bracket (MD #500555), bezel (MD #500554), and four screws (MD #136214).

134. For service parts, refer to Section [67 Console Components, page 157](#).

GROUND SPEED LEVER, CABLE, AND DISPLAY

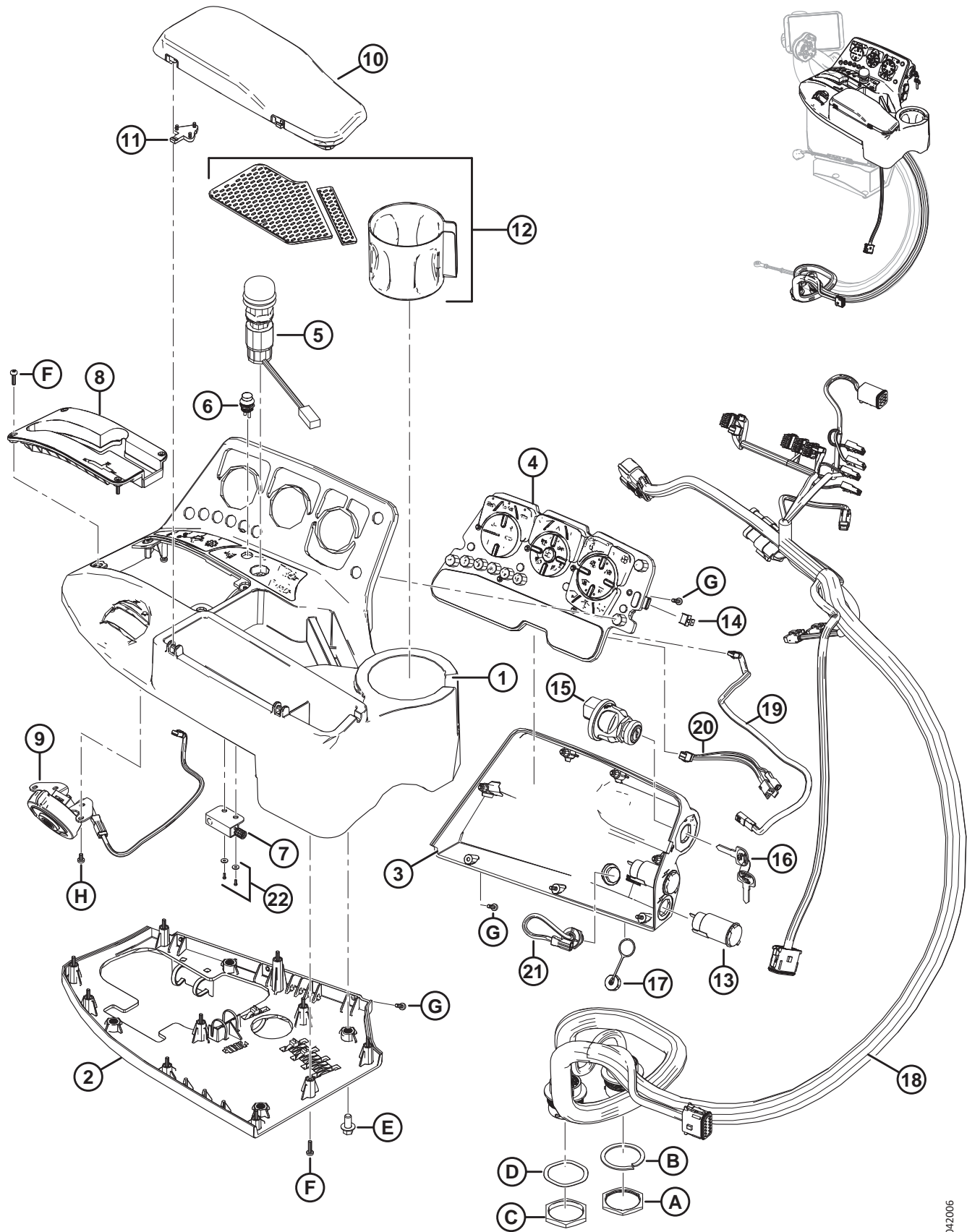


1041888

**GROUND SPEED LEVER, CABLE, AND DISPLAY**

<b>Ref</b>	<b>Part Number</b>	<b>Description</b>	<b>Qty</b>	<b>Serial Number</b>
P	184656	BOLT – HEX HD M8 X 1.25 X 70-8.8-A2L		
Q	184579	WASHER – CON SPRING M8A STL SAE 1050-1075		
R	136869	SCREW – SET CUP POINT M8 X 1.25 X 8-SS-PL		
S	136214	SCREW – PAN HD #6-19 X 1/2-RC45-ZINC		

# 67 Console Components





## CONSOLE COMPONENTS

Ref	Part Number	Description	Qty	Serial Number
	362101	ASSY – CONSOLE, ARMREST		
1	206771	KIT – CONSOLE HOUSING, UPPER <sup>135</sup>	1	
2	206772	KIT – CONSOLE HOUSING, LOWER <sup>136</sup>	1	
3	206775	KIT – SWITCH PANEL COVER <sup>137</sup>	1	
4	306790	MODULE – SWITCH PAD AND CIRCUIT BOARD <sup>138</sup>	1	
5	109505	SWITCH – HEADER ENGAGE	1	
6	206774	SWITCH – HEADER REVERSE	1	
7	200974	SWITCH – MAGNETIC PROXIMITY, GSL	1	
8	206773	GSL GUIDE <sup>139</sup>	1	
9	362143	THROTTLE CONTROL <sup>140</sup>	1	
10	206783	PAD – ARMREST C/W HINGES	1	
11	206784	KIT – ARMREST HINGES <sup>141</sup>	2	
12	206780	MAT – TRAY (SET) <sup>142</sup>	1	
13	206785	TERMINAL – POWER OUTLET	2	
14	206776	CAP – USB PORT	1	
15	134716	SWITCH – IGNITION, 4 POSITION WITH KEY <sup>143</sup>	1	
16	134717	KEY – IGNITION SWITCH, CODE 701	1	
17	206777	CAP – USB ACCESS PORT, REAR	1	
18	362099	HARNESS – CONSOLE <sup>144</sup>	1	
	500470	CONNECTOR – DEUT, DT, 3/M, J1939 (CAN TERMINATOR) <sup>145</sup>		
19	208810	HARNESS – GSL HANDLE EXTENSION	1	
20	208811	HARNESS – CONSOLE JBUND1	1	
21	209571	CABLE – MINI USB TO JST <sup>146</sup>	1	
22	208989	KIT – NEUTRAL SWITCH FASTENERS <sup>147</sup>	1	
A	134010	NUT – PANEL, HD30, SIZE 24		
B	134011	WASHER – LOCK SPRING, DEUTSCH HD, SIZE 24		
C	134728	NUT – PANEL, HDP20, SIZE 24		
D	134730	WASHER – LOCK, HDP20, SIZE 24		
E	136485	BOLT – HEX FLG HD TFL M8 X 1.25 X 16-8.8-A3L		
F	252706	SCREW – TORX SOC PAN HD M4 X 0.7 X 16-8.8-AA2L		

135. Includes header switch decal (MD #206778), function switches decal (MD #206781), screws (MD #252706, 252707, 252708), and neutral switch fasteners kit (MD #208989).

136. Includes ten 16 mm Torx screws (MD #252706) and three 14 mm Torx screws (MD #252707).

137. Includes key switch decal (MD #208807) and seven 14 mm Torx screws (MD #252707).

138. Includes six 14 mm Torx screws (MD #252707).

139. Includes four 16 mm Torx screws (MD #252706).

140. Includes four 8 mm Torx screws (MD #252708).

141. Includes two hinges (NSS) and six screws (NSS).

142. Includes all parts shown.

143. Includes two keys (MD #134717).

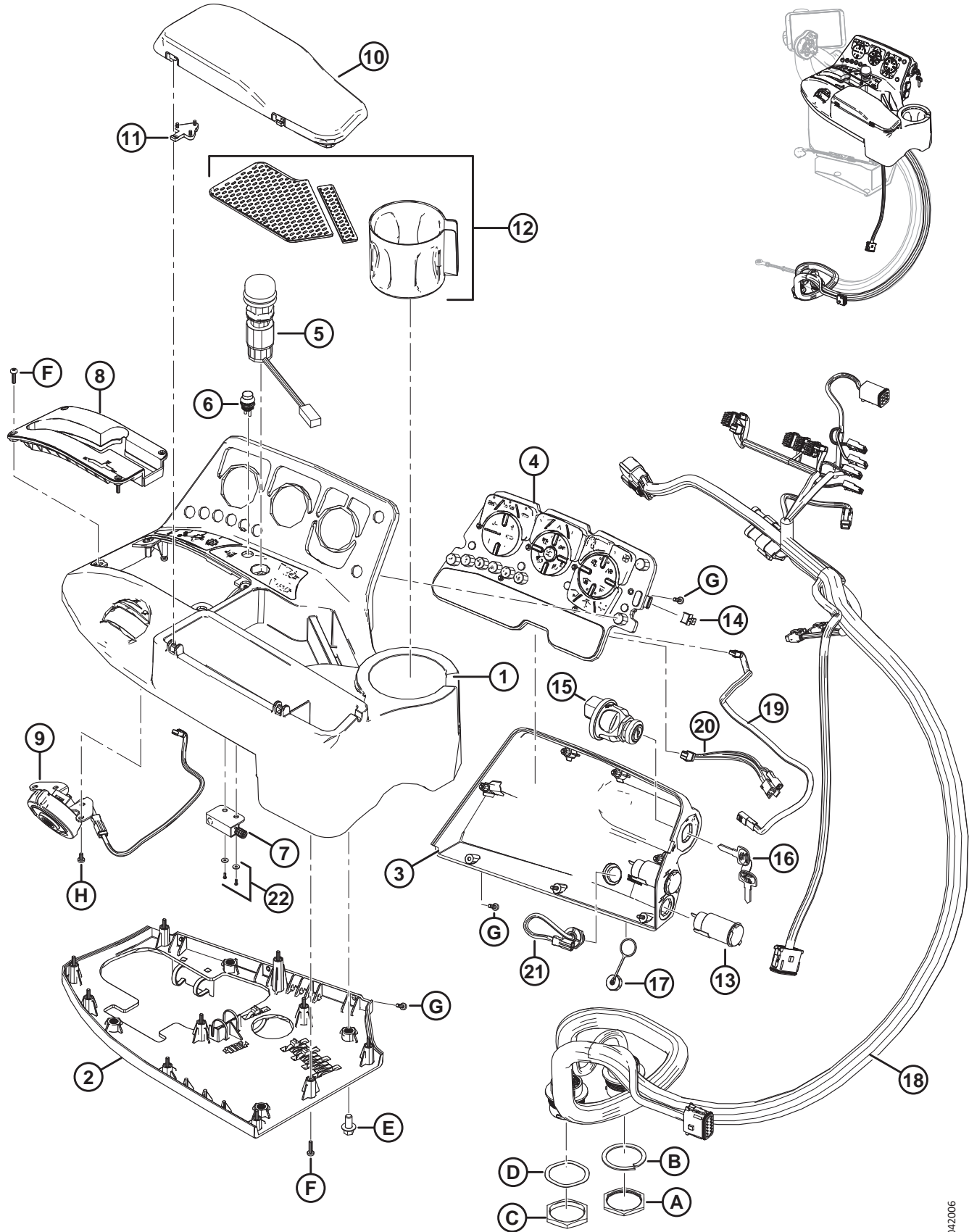
144. Includes CAN terminator (MD #500470).

145. CAN terminator.

146. Cable used to program CAN network.

147. Kit includes two screws and two washers. Used to attach GSL magnetic proximity switch (MD #200974) to console.

CONSOLE COMPONENTS

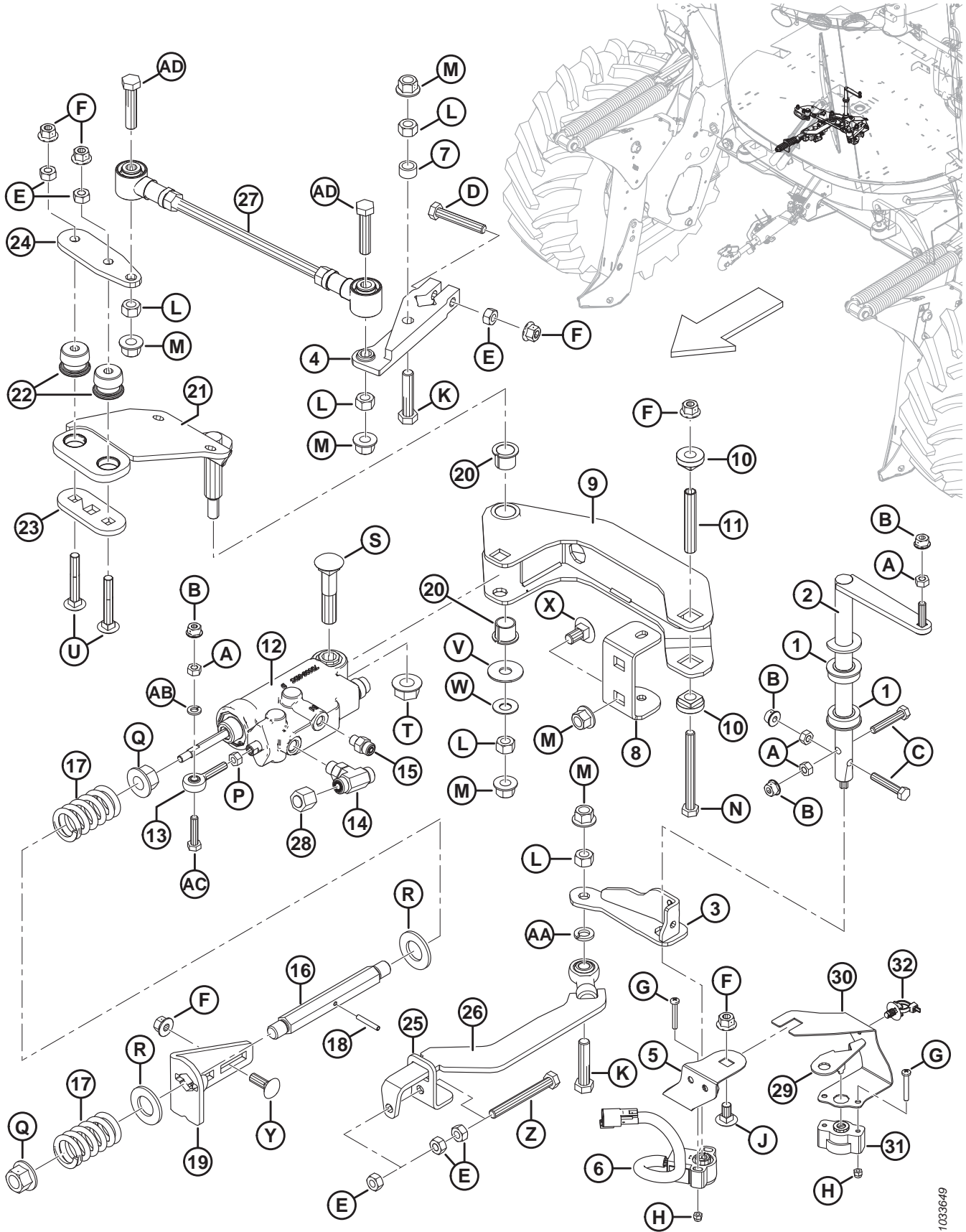


1042006

CONSOLE COMPONENTS

Ref	Part Number	Description	Qty	Serial Number
G	252707	SCREW – TORX SOC PAN HD M4 X 0.7 X 14 X SPCL-8.8-AA1T		
H	252708	SCREW – TORX SOC PAN HD M4 X 0.7 X 8-8.8-AA2L		

# 68 Steering and Ground Speed Control (under Cab)



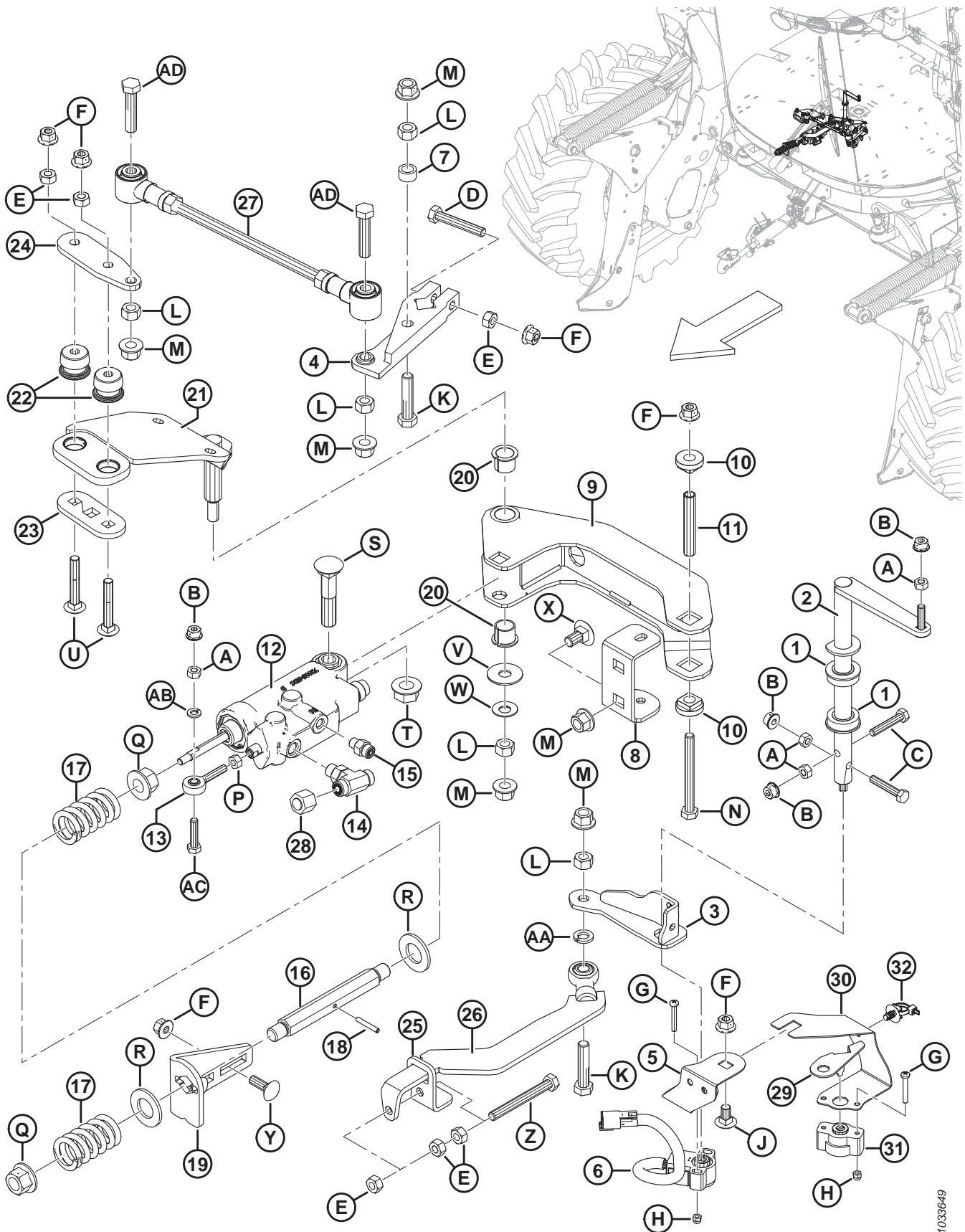
1033649

**STEERING AND GROUND SPEED CONTROL (UNDER CAB)**

Ref	Part Number	Description	Qty	Serial Number
1	109818	BEARING	2	
2	201701	SHAFT – SPEED WELDT	1	
3	203505	ARM – SPEED, WELDT	1	
4	203508	ARM – STEERING	1	
5	201705	SUPPORT – SENSOR	1	
6	201224	SENSOR – ROTARY POSITION <sup>148</sup>	1	
7	14294	SPACER	1	
8	209924	SUPPORT – PIVOT	1	
9	204354	CARRIER – SERVO WELDT	1	
10	109750	BUSHING – PLASTIC	2	
11	203277	SPACER – TUBE	1	
12	183913	VALVE – SERVO CONTROL	1	
	111990	SEAL KIT		
13	109313	JOINT – BALL, 5/16 IN. MALE	1	
14	136566	FITTING – BRANCH TEE HYD	1	
	50219	O-RING – #6 ORB		
	135865	O-RING – #6 ORFS		
15	135775	FITTING – ADAPTER	1	
	50223	O-RING – #4 ORB		
	135957	O-RING – #4 ORFS		
16	203509	SHAFT – SERVO	1	
17	109807	SPRING – COMPRESSION	2	
18	13617	PIN – SPRING 3/16 DIA X 1.25 LG	1	
19	183166	SUPPORT – SERVO	1	
20	135570	BUSHING – TEFLON	2	
21	207233	PIVOT – PINTLE WELDT	1	
22	30591	INSULATOR – RUBBER	2	
23	201149	BAR – BUSHING	1	
24	207250	BAR – BUSHING	1	
25	203504	ANGLE – SERVO INPUT	1	
26	203501	LINK – VALVE CONTROL, WELDT	1	
27	306267	ROD – STEERING LINK	1	
28	136325	CAP – HYD SAE -6 ORFS	1	
29	208637	ADAPTER – STEERING SENSOR	1	
30	208895	SUPPORT – SENSOR, STEERING	1	
31	208894	SENSOR – ROTARY POSITION	1	
32	136655	FASTENER – FIR TREE MT W/ TIE	1	
A	184687	NUT – HEX M8 X 1.25-8-A2L		
B	135337	NUT – HEX FLG CTR LOC M8 X 1.25-8-A2L		
C	30660	BOLT – HEX HD M8 X 1.25 X 45-8.8-A2L		
D	184664	BOLT – HEX HD M10 X 1.5 X 60-8.8-A3L		
E	30505	NUT – HEX M10 X 1.5-10-A3L		
F	135799	NUT – HEX FLG CTR LOC M10 X 1.5-10-A3L		

148. Used to determine ground speed lever position.

STEERING AND GROUND SPEED CONTROL (UNDER CAB)

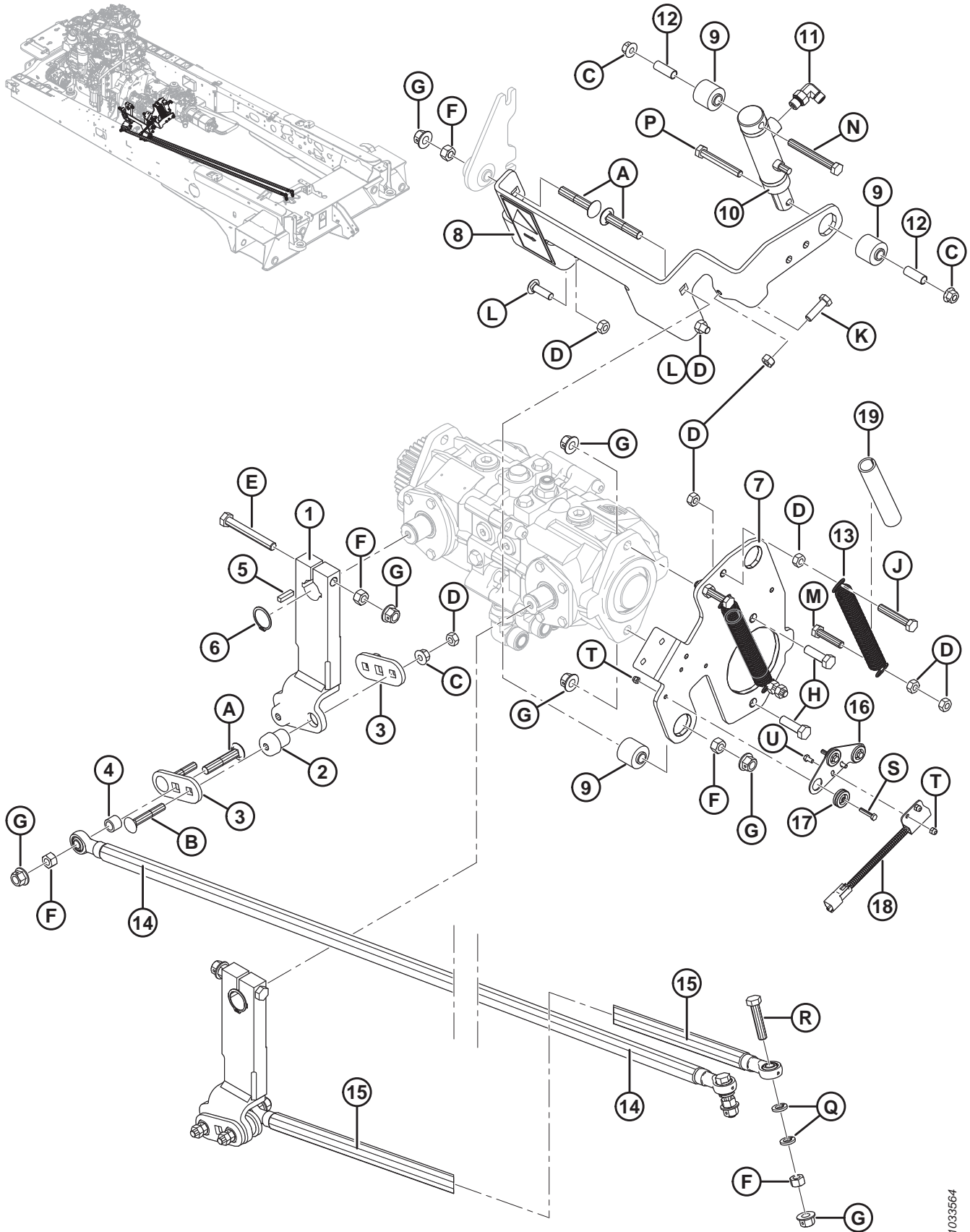


10336-49

**STEERING AND GROUND SPEED CONTROL (UNDER CAB)**

<b>Ref</b>	<b>Part Number</b>	<b>Description</b>	<b>Qty</b>	<b>Serial Number</b>
G	136177	SCREW – PAN HD ISO 7045 M5 X 0.8 X 35-4.8-A2L		
H	197230	NUT – HEX NYLOC M5 X 0.8-8-A2L		
J	136178	BOLT – RHSN M10 X 1.5 X 20-8.8-A3L		
K	152779	BOLT – HEX HD M12 X 1.75 X 55-8.8-A3L		
L	184694	NUT – HEX M12 X 1.75-8-A3L		
M	136431	NUT – HEX FLG CTR LOC M12 X 1.75-10-A3L		
N	30659	BOLT – HEX HD M10 X 1.5 X 100-8.8-A3L		
P	20214	NUT – HEX 5/16-24 UNF GR 5 ZP		
Q	136440	NUT – HEX FLG CTR LOC M16 X 2-10-A3L		
R	18602	WASHER – SAE FLAT 15/16 I.D. X 1.75 IN. O.D. ZP		
S	21762	BOLT – RHSSN 5/8 NC X 3.0 LG GR 5 ZP		
T	50225	NUT – FLANGE DT SMOOTH FACE .625-11 UNC		
U	136183	BOLT – RHSN M10 X 1.5 X 65-8.8-A3L		
V	32247	WASHER – FLAT		
W	184595	WASHER – CONICAL SPRING 1/2 IN.		
X	135903	BOLT – RHSN M12 X 1.75 X 25-8.8-A3L		
Y	184662	BOLT – RHSN TFL M10 X 1.5 X 30-8.8-A3L		
Z	136454	BOLT – HEX HD TFL M10 X 1.5 X 90-8.8-A3L		
AA	30633	WASHER – LOC SPRING M12-CS-1055-1065-A2L		
AB	30716	WASHER – LOC SPRING M8-CS-1055-1065-A2L		
AC	184654	BOLT – HEX HD M8 X 1.25 X 35-8.8-A2L		
AD	184675	BOLT – HEX HD M12 X 1.75 X 70-8.8-AA1J		

# 69 Neutral Interlock and Pintle Arms



1033564



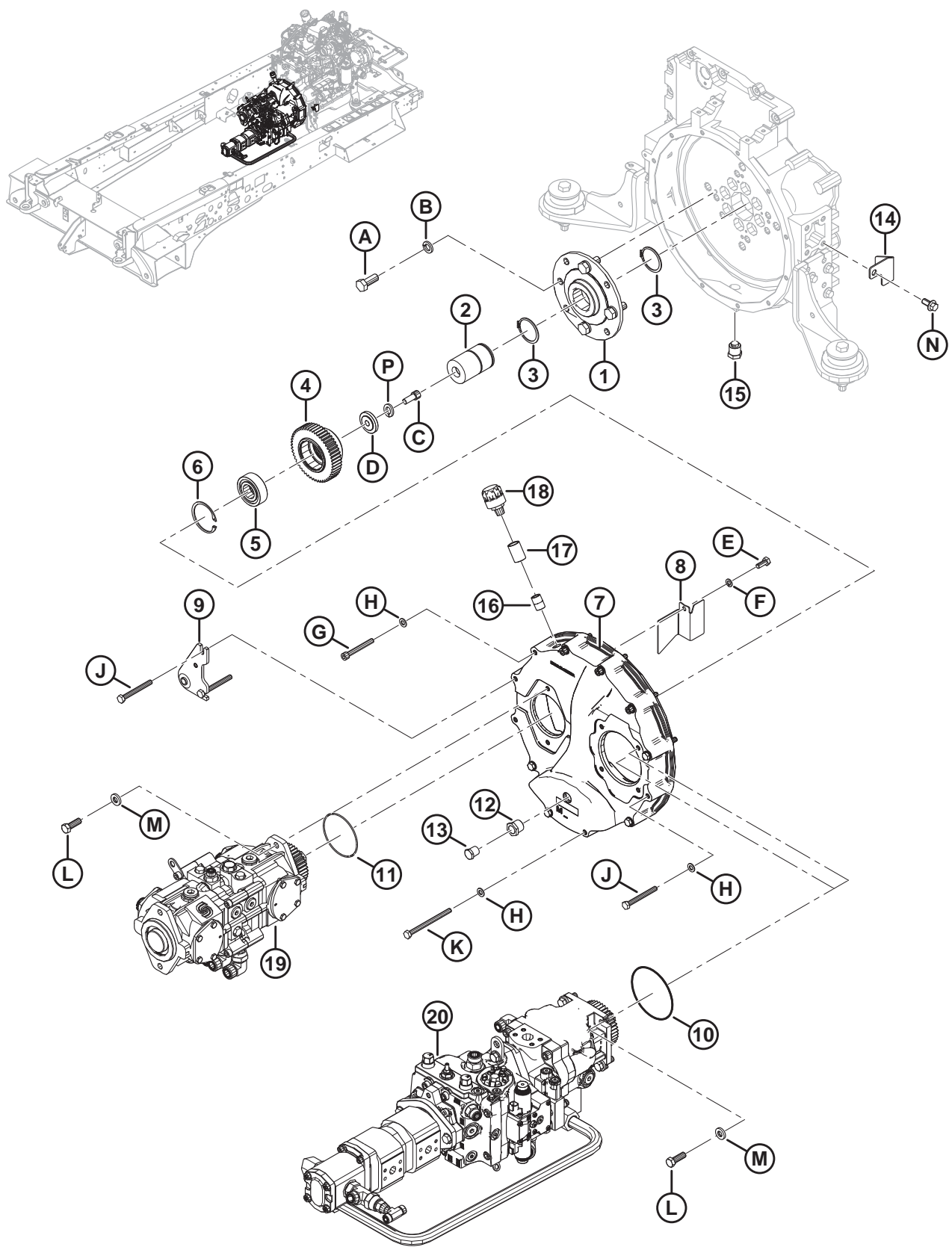
**NEUTRAL INTERLOCK AND PINTLE ARMS**

Ref	Part Number	Description	Qty	Serial Number
1	306077	ARM – PINTLE WELDT	2	
2	42039	INSULATOR – RUBBER	4	
3	201149	BAR – BUSHING	4	
4	132531	SPACER	2	
5	18810	KEY	2	
6	153289	RING – RETAINING EXTERNAL	2	
7	202014	ASSEMBLY – INTERLOCK SUPPORT <sup>149</sup>	1	
8	202015	ASSEMBLY – PIVOT ISOLATOR <sup>150</sup>	1	
9	50040	BUSHING – RUBBER	3	
10	111599	CYLINDER – HYDRAULIC	1	
	166171	SEAL KIT		
11	136239	FITTING – ELBOW 90° HYD	1	
	50219	O-RING – #6 ORB		
	135957	O-RING – #4 ORFS		
12	202022	SLEEVE – TUBE	2	
13	110977	SPRING – EXT	2	
14	201647	ROD – STEERING WELDT, 2219 MM LG	1	
15	201648	ROD – STEERING WELDT, 1980 MM LG	1	
16	207830	PLATE – SWITCH MOUNT	1	
17	207829	GROMMET – ISOLATOR	3	
18	200974	SWITCH – NEUTRAL	1	
19	209385	DAMPENER – SPRING	2	
A	136112	BOLT – RHSSN M12 X 1.75 X 65-8.8-A3L		
B	136183	BOLT – RHSN M10 X 1.5 X 65-8.8-A3L		
C	135799	NUT – HEX FLG CTR LOC M10 X 1.5-10-A3L		
D	30505	NUT – HEX M10 X 1.5-10-A3L		
E	184673	BOLT – HEX HD M12 X 1.75 X 90-10.9-A3L		
F	135156	NUT – HEX M12 X 1.75-10-A3L		
G	136431	NUT – HEX FLG CTR LOC M12 X 1.75-10-A3L		
H	184669	BOLT – HEX HD M12 X 1.75 X 40-8.8-A3L		
J	184664	BOLT – HEX HD M10 X 1.5 X 60-8.8-A3L		
K	30628	BOLT – HEX HD M10 X 1.5 X 35-8.8-A3L		
L	184658	BOLT – RHSSN M10 X 1.5 X 50-8.8-AA1J		
M	135335	BOLT – HEX HD M10 X 1.5 X 45-8.8-A3L		
N	30682	BOLT – HEX HD M10 X 1.5 X 90-8.8-A3L		
P	184659	BOLT – HEX HD M10 X 1.5 X 75-8.8-A3L		
Q	30633	WASHER – LOC SPRING M12-CS-1055-1065-A2L		
R	152779	BOLT – HEX HD M12 X 1.75 X 55-8.8-A3L		
S	252365	BOLT – HEX HD M5 X 0.8 X 25-8.8-A2L		
T	197230	NUT – HEX NYLOC M5 X 0.8-8-A2L		
U	136263	BOLT – HEX HD M5 X 0.8 X 10-8.8-A2L		

149. Includes two rubber bushings (MD #50040).

150. Includes rubber bushing (MD #50040) and decal (MD #166425).

# 70 Engine Gearbox



**ENGINE GEARBOX**

Ref	Part Number	Description	Qty	Serial Number
1	111511	COUPLING – BELL HOUSING	1	
2	111677	COUPLING – SPLINE	1	
3	111521	RING – RETAINING	2	
4	183956	GEAR – CENTER, 4 CYL (56T)	1	
5	111665	BEARING – ROLLER <sup>151</sup>	1	
6	38854	RING – INT RETAINING	1	
7	204291	COVER – MACHINED (SAE 3)	1	
8	167910	DEFLECTOR – OIL	1	
9	111811	HANGER – ENGINE INTERLOCK C/W BUSHING <sup>152</sup>	1	
	50040	BUSHING – RUBBER		
10	111546	O RING – 4.88 IN I.D. X Ø0.118	1	
11	30045	O RING – 101.27 MM I.D. X 2.62 MM	1	
12	5745	FITTING – REDUCER BUSHING	1	
13	136558	PLUG – HEX HEAD PIPE	1	
14	209598	BRACKET – PLUG	1	
15	111772	PLUG – MAGNETIC (3/4 NPT)	1	
16	5744	FITTING – CLOSE NIPPLE 1/2 NPT	1	
17	30346	FITTING – COUPLING 1/2 NPT	1	
18	209374	PLUG – BREATHER, RIVETED	1	
19	REF	ASSEMBLY – TRACTION PUMP <sup>153</sup>		
20	REF	ASSEMBLY – PUMP <sup>154</sup>		
A	111528	BOLT – HEX HD TFL M16 X 2 X 40-8.8-A3L		
B	18639	WASHER – REG. LOCK 5/8 IN. NOM. ID ZP		
C	20077	BOLT – HEX HD TFL 3/8-16X1.0 GR5-AA1J		
D	1246	WASHER – FLAT		
E	30963	BOLT – HEX HD 0.375-16UNC X 0.75 BLK		
F	30632	WASHER – LOCK SPRING M10-200HV-A3L		
G	136108	SCREW – HEX SOC HD M10 X 1.5 X 80-12.9-BO		
H	184711	WASHER – FLAT REG M10-200HV-A3L		
J	30682	BOLT – HEX HD M10 X 1.5 X 90-8.8-A3L		
K	135304	BOLT – HEX HD M10 X 1.5 X 130-8.8-A3L		
L	135460	BOLT – HH 1/2-13 NC X 1.5 LG L9 ZP		
M	136027	WASHER – HARD ASTM F436 1/2-361-460HV-AB2C		
N	148800	BOLT – HEX FLG HD M12 X 1.75 X 25 X SPCL-10.9-A3L		
P	18637	WASHER – REG. LOCK 3/8 IN. NOM. ID AA1J		

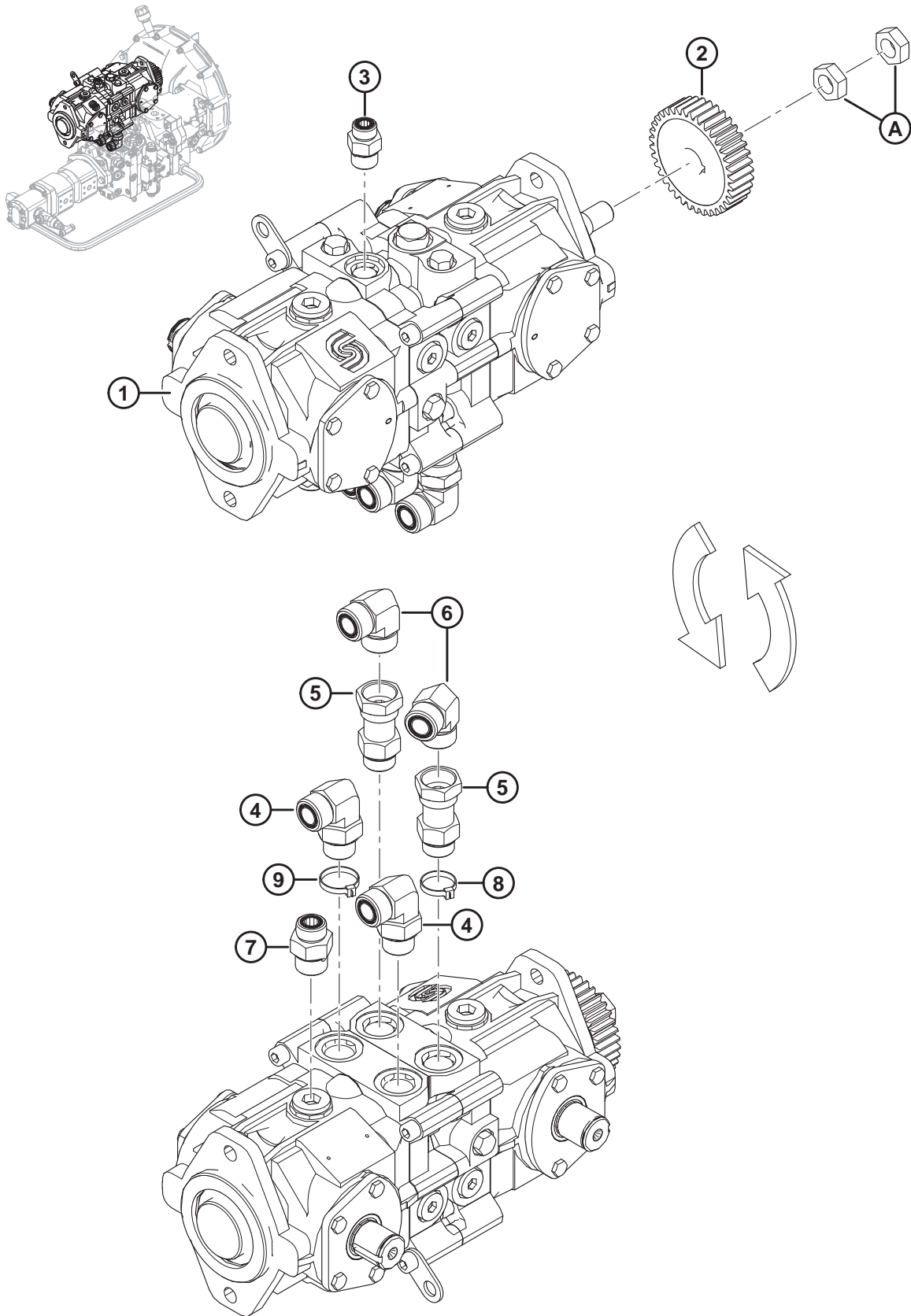
151. Includes bearing, inner sleeve, and thrust washer.

152. Includes rubber bushing (MD #50040).

153. Refer to Section [71 Traction Drive Pump, page 169](#).

154. Refer to Section [73 Left Pump Stack, page 173](#).

# 71 Traction Drive Pump



**TRACTION DRIVE PUMP**

Ref	Part Number	Description	Qty	Serial Number
1	201516	PUMP – VARIABLE AXIAL PISTON <sup>155</sup>	1	
3	184463	FITTING – ADAPTER 8 MORFS X 10 MORB	1	
	44210	O-RING – #10 ORB		
	135866	O-RING – #8 ORFS		
4	135821	FITTING – ELBOW 90° HYD (C, D) <sup>156</sup>	2	
	30971	O-RING – #12 ORB		
	135868	O-RING – #12 ORFS		
5	136501	FITTING – ADAPTER (A, B) <sup>157</sup>	2	
	30971	O-RING – #12 ORB		
6	136499	FITTING – ELBOW 90° HYD	2	
	135868	O-RING – #12 ORFS		
7	135786	FITTING – ADAPTER (LL1) <sup>158</sup>	1	
	30971	O-RING – #12 ORB		
	135867	O-RING – #10 ORFS		
8	40702	FASTENER – CABLE TIE, RED	1	
9	40701	FASTENER – CABLE TIE, YELLOW	1	
A	7674	NUT – HEX JAM 3/4-16 UNF GR5 AA1J		

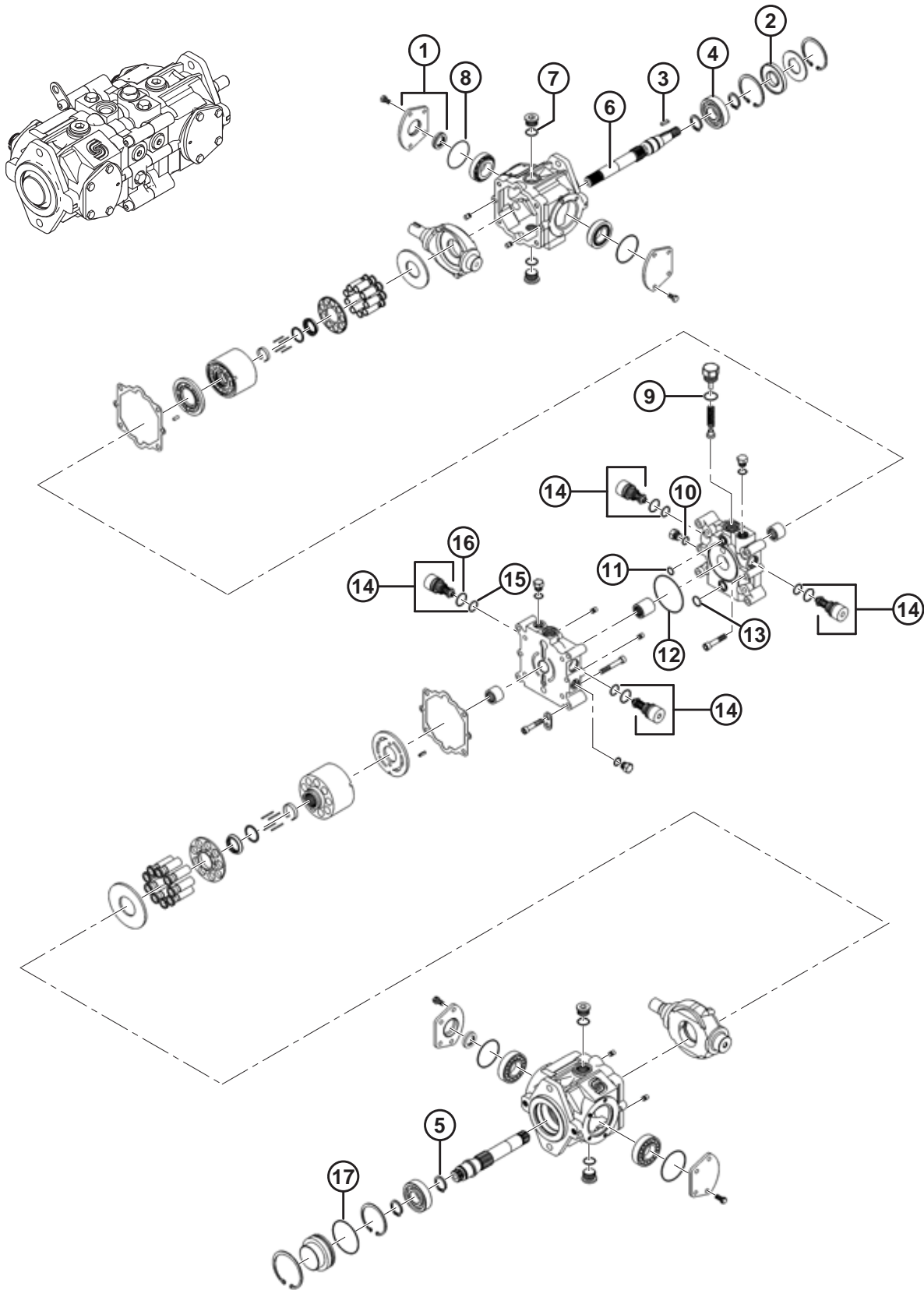
155. For service parts, refer to Section *72 Traction Drive Pump – Service Parts*, page 171.

156. Connects to ports C and D.

157. Connects to ports A and B.

158. Connects to port LL1.

## 72 Traction Drive Pump – Service Parts



**TRACTION DRIVE PUMP – SERVICE PARTS**

**NOTE:**

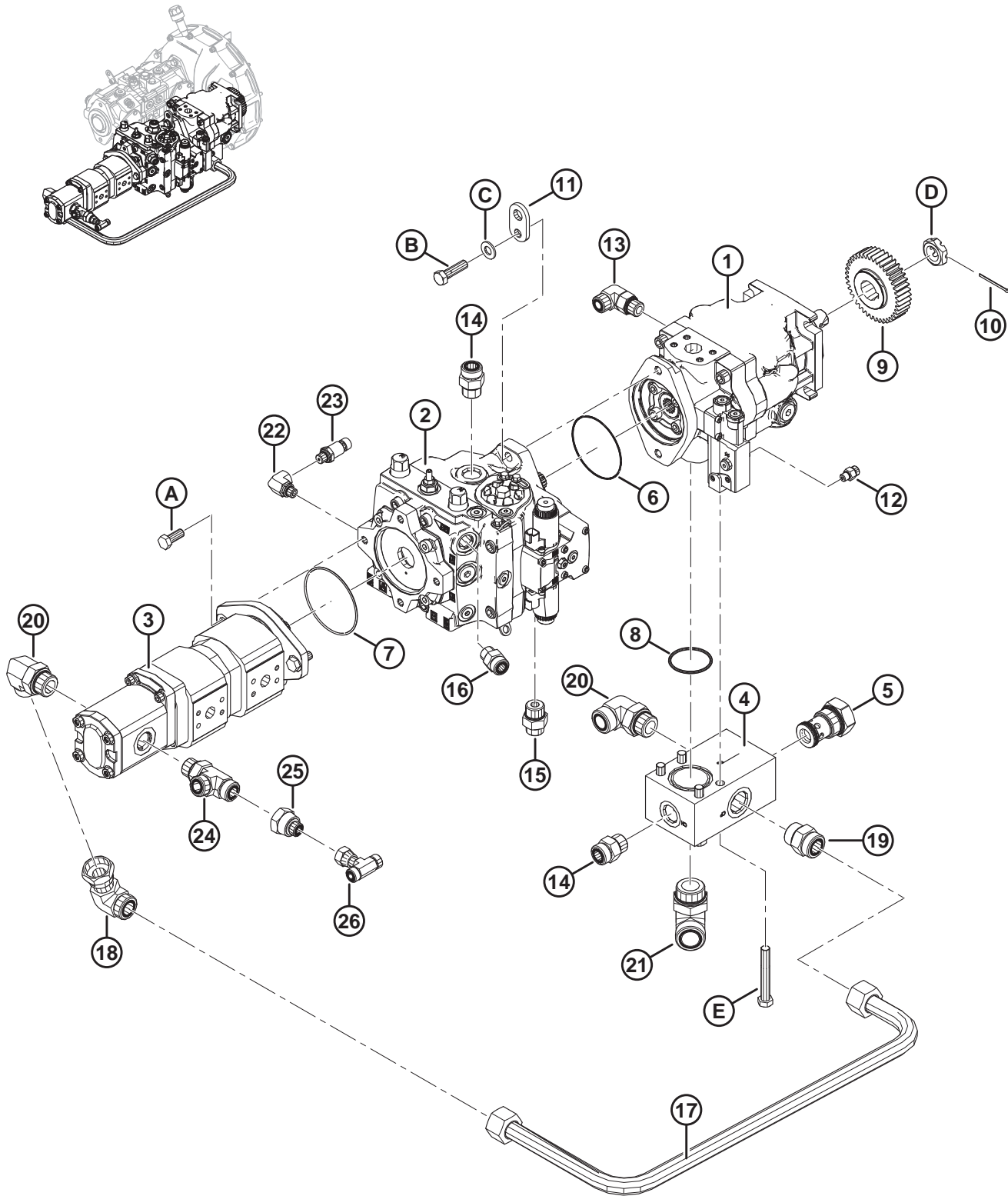
All illustrated parts that are **NOT** in the parts list are non-serviced parts, illustrated for reference only.

<b>Ref</b>	<b>Part Number</b>	<b>Description</b>	<b>Qty</b>	<b>Serial Number</b>
	201516	PUMP – VARIABLE AXIAL PISTON <sup>159</sup>		
1	207807	ASSEMBLY – TRUNNION COVER SEAL	2	
2	203048	SEAL – LIP	1	
3	111895	KEY	1	
4	111896	BEARING – ROLLER	1	
5	111897	RING – RETAINING	4	
6	111898	SHAFT – FRONT	1	
7	111899	O-RING	4	
8	111900	O-RING	4	
9	111907	O-RING	1	
10	111908	O-RING	4	
11	111909	O-RING	1	
12	111910	O-RING	1	
13	111911	O-RING	1	
14	306528	VALVE – SCR 385 BAR/5580 PSI	4	
15	111913	O-RING	1	
16	111914	O-RING	1	
17	111919	O-RING	1	

---

159. Refer to Section *71 Traction Drive Pump*, page 169.

# 73 Left Pump Stack





**LEFT PUMP STACK**

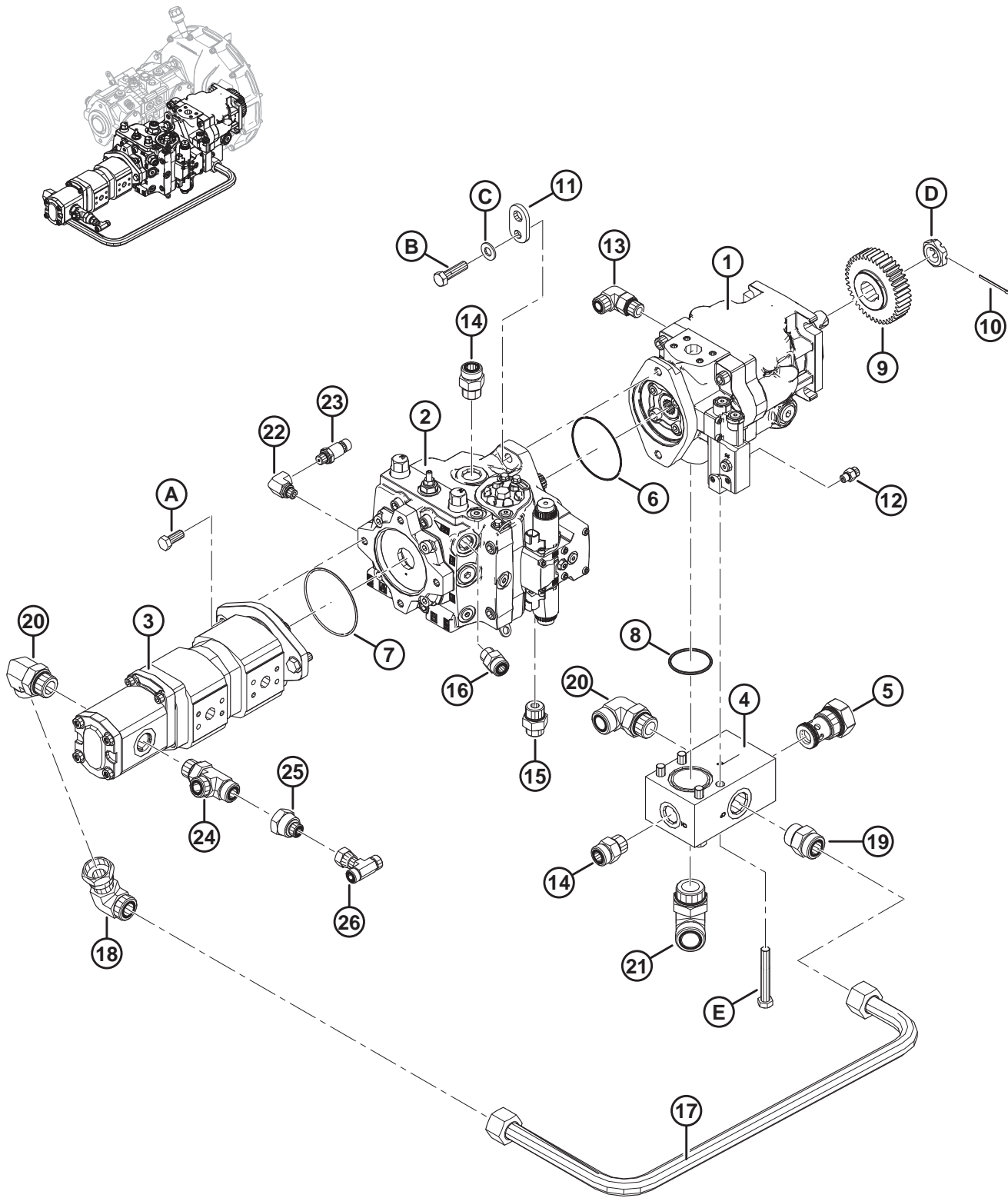
Ref	Part Number	Description	Qty	Serial Number
1	201523	PUMP – PISTON, FAN/LIFT <sup>160</sup>	1	
2	203654	PUMP – PISTON, DISC/KNIFE <sup>161</sup>	1	
3	209053	PUMP – TRIPLE GEAR	1	
4	202888	MANIFOLD – INLET <sup>162</sup>	1	
	208284	SEAL KIT		
5	208282	VALVE – CHECK	1	
6	134056	O-RING – 1.78 AND 96 MM I.D.	1	
7	30045	O-RING – 2.62 AND 101.27 MM I.D.	1	
8	112867	O-RING – 3.53 AND 56.1 MM I.D.	1	
9	183957	GEAR – HDR PUMP (41T)	1	
10	21006	PIN – COTTER 1/8 DIA X 2.0 ZP	1	
11	162104	SUPPORT – PUMP LIFT	1	
12	252698	FITTING – ADAPTER, SCREEN HYDRAULIC	1	
	50223	O-RING – #4 ORB		
	135957	O-RING – #4 ORFS		
13	136089	FITTING – ELBOW 90° HYD	1	
	44210	O-RING – #10 ORB		
	135867	O-RING – #10 ORFS		
14	135788	FITTING – ADAPTER	2	
	30971	O-RING – #12 ORB		
	135868	O-RING – #12 ORFS		
15	135786	FITTING – ADAPTER	1	
	30971	O-RING – #12 ORB		
	135867	O-RING – #10 ORFS		
16	184461	FITTING – ADAPTER 10 MORFS X 10 MORB	1	
	44210	O-RING – #10 ORB		
	135867	O-RING – #10 ORFS		
17	306836	LINE – HYDRAULIC, 1 IN. DIA	1	
18	136190	FITTING – ELBOW 90° HYD	1	
	135554	O-RING – #16 ORFS		
19	135791	FITTING – ADAPTER	1	
	50220	O-RING – #16 ORB		
	135554	O-RING – #16 ORFS		
20	135734	FITTING – ELBOW 90° HYD	2	
	50220	O-RING – #16 ORB		
	135554	O-RING – #16 ORFS		
21	136363	FITTING – ELBOW 90° HYD	1	
	50222	O-RING – #20 ORB		
	135869	O-RING – #20 ORFS		
22	183524	FITTING – ELBOW 90°	1	
	50219	O-RING – #6 ORB		
23	207346	SENDER – PRESSURE	1	

160. For service parts, refer to Section *75 Lift/Fan Pump – Service Parts, page 179.*

161. For service parts, refer to Section *74 Disc/Knife Drive Pump – Service Parts, page 177.*

162. Includes check valve (MD #208282).

# LEFT PUMP STACK

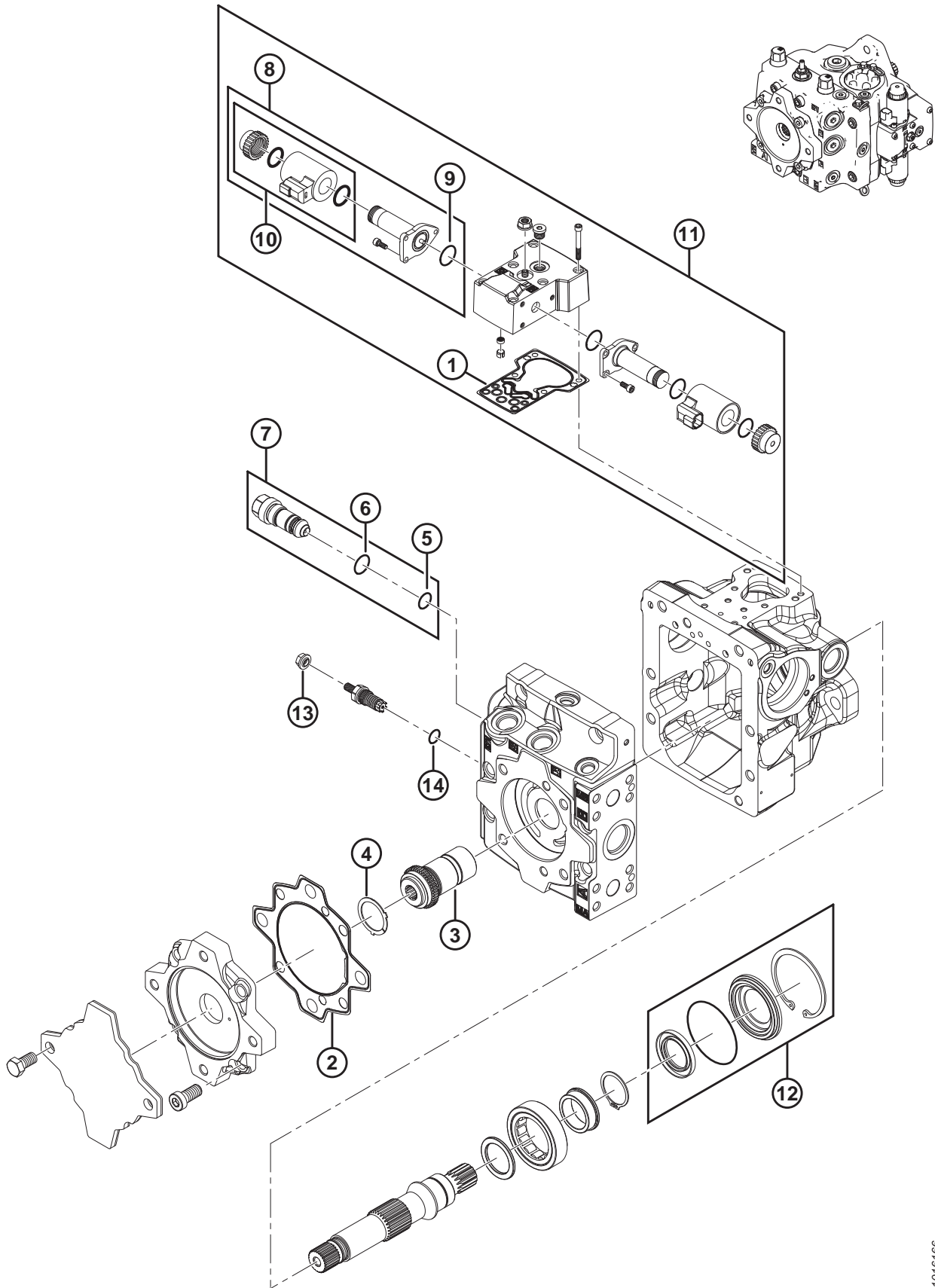


1042668

**LEFT PUMP STACK**

<b>Ref</b>	<b>Part Number</b>	<b>Description</b>	<b>Qty</b>	<b>Serial Number</b>
24	136257	FITTING – TEE HYD	1	
	30971	O-RING – #12 ORB		
	135868	O-RING – #12 ORFS		
25	136729	FITTING – ADAPTER HYD	1	
	135866	O-RING – #8 ORFS		
26	136569	FITTING – HYD TEE	1	
	135866	O-RING – #8 ORFS		
A	30630	BOLT – HEX HD TFL M12 X 1.75 X 30-8.8-A3L		
B	21565	BOLT – HH 1/2 NC X 1.75 LG GR 5 ZP		
C	135369	WASHER – HARDENED		
D	137375	NUT – SLOTTED JAM 1.0 IN.-20 UNEF-ZN PL		
E	21581	BOLT – HH 1/2 NC X 3.5 LG GR 5 ZP		

# 74 Disc/Knife Drive Pump – Service Parts



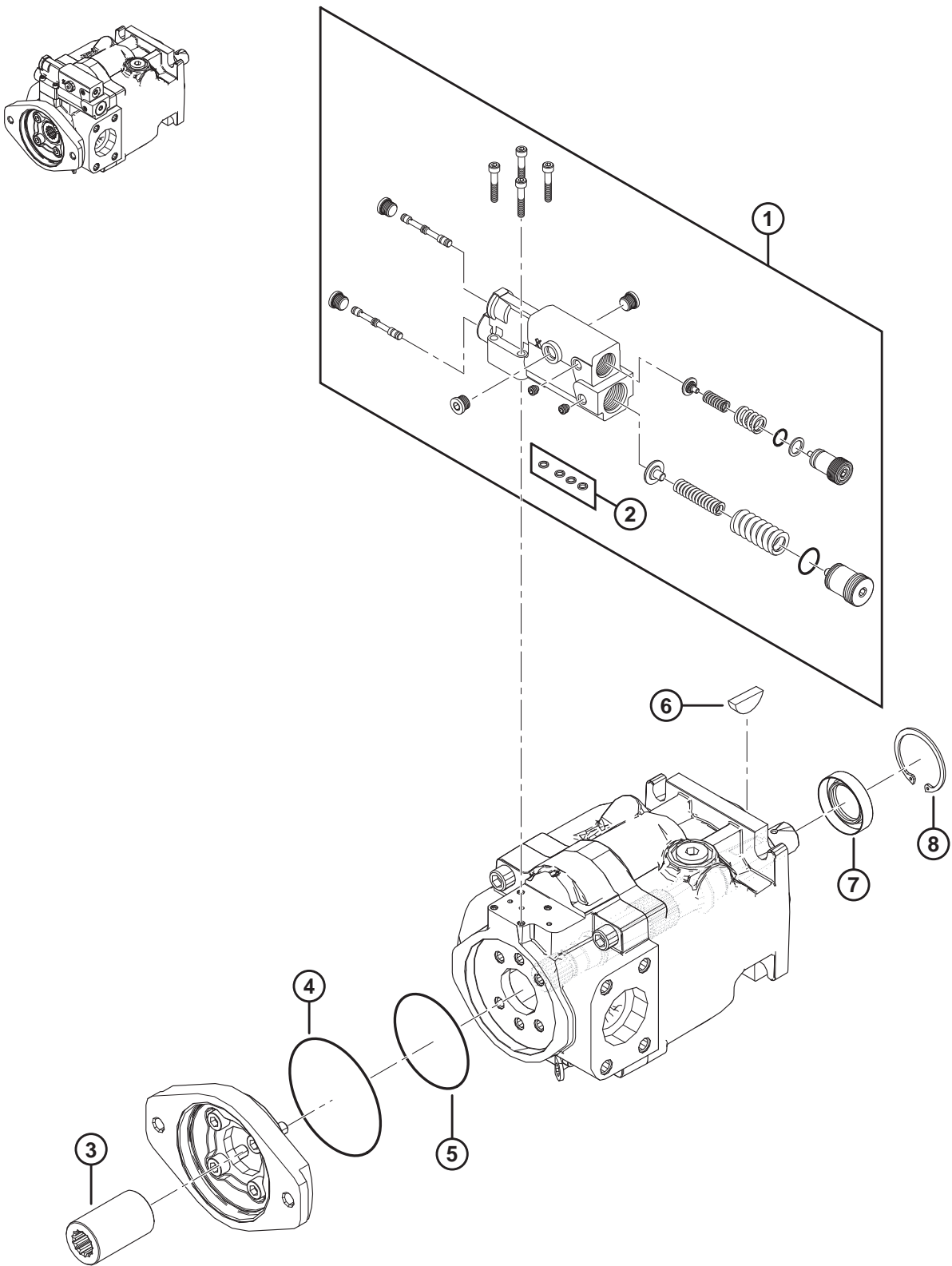
**DISC/KNIFE DRIVE PUMP – SERVICE PARTS**

**NOTE:**

All illustrated parts that are **NOT** in the parts list are non-serviced parts, illustrated for reference only.

<b>Ref</b>	<b>Part Number</b>	<b>Description</b>	<b>Qty</b>	<b>Serial Number</b>
	203654	PUMP – PISTON, DISC/KNIFE		
1	252376	GASKET – CONTROL	1	
2	252382	SEAL – ADAPTER	1	
3	203442	COUPLING – SHAFT 13T	1	
4	252383	PLATE – THRUST	1	
5	252384	O-RING	1	
6	252385	O-RING	1	
7	252386	VALVE – RELIEF	1	
8	252387	VALVE – SOLENOID	2	
9	252388	O-RING	2	
10	252389	KIT – COIL	2	
11	208473	CONTROL – 12V EDC	1	
12	252381	KIT – SHAFT SEAL	1	
13	252391	NUT – SEAL	1	
14	111907	O-RING	1	

# 75 Lift/Fan Pump – Service Parts



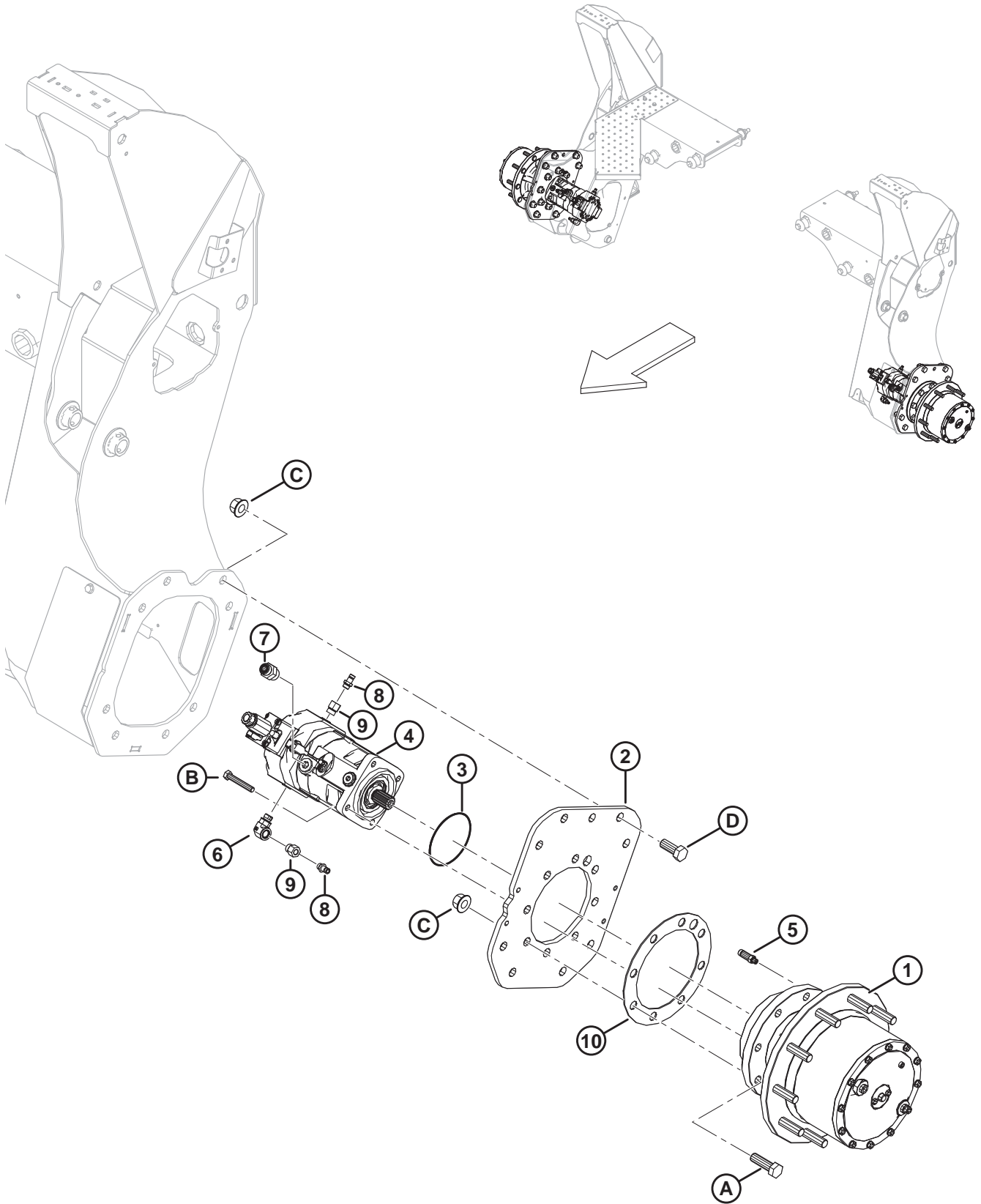
## LIFT/FAN PUMP – SERVICE PARTS

**NOTE:**

All illustrated parts that are **NOT** in the parts list are non-serviced parts and are illustrated for reference only.

Ref	Part Number	Description	Qty	Serial Number
	201523	PUMP – PISTON, LIFT/FAN		
1	208424	KIT – CONTROL	1	
2	111935	SEAL – RING	1	
3	162212	COUPLING	1	
4	111939	O-RING	1	
5	111938	O-RING	1	
6	111942	KEY	1	
7	111941	SEAL – LIP	1	
8	21235	RING – INT. RETAINING	1	

# 76 Wheel Drive Assembly – Ten Bolt



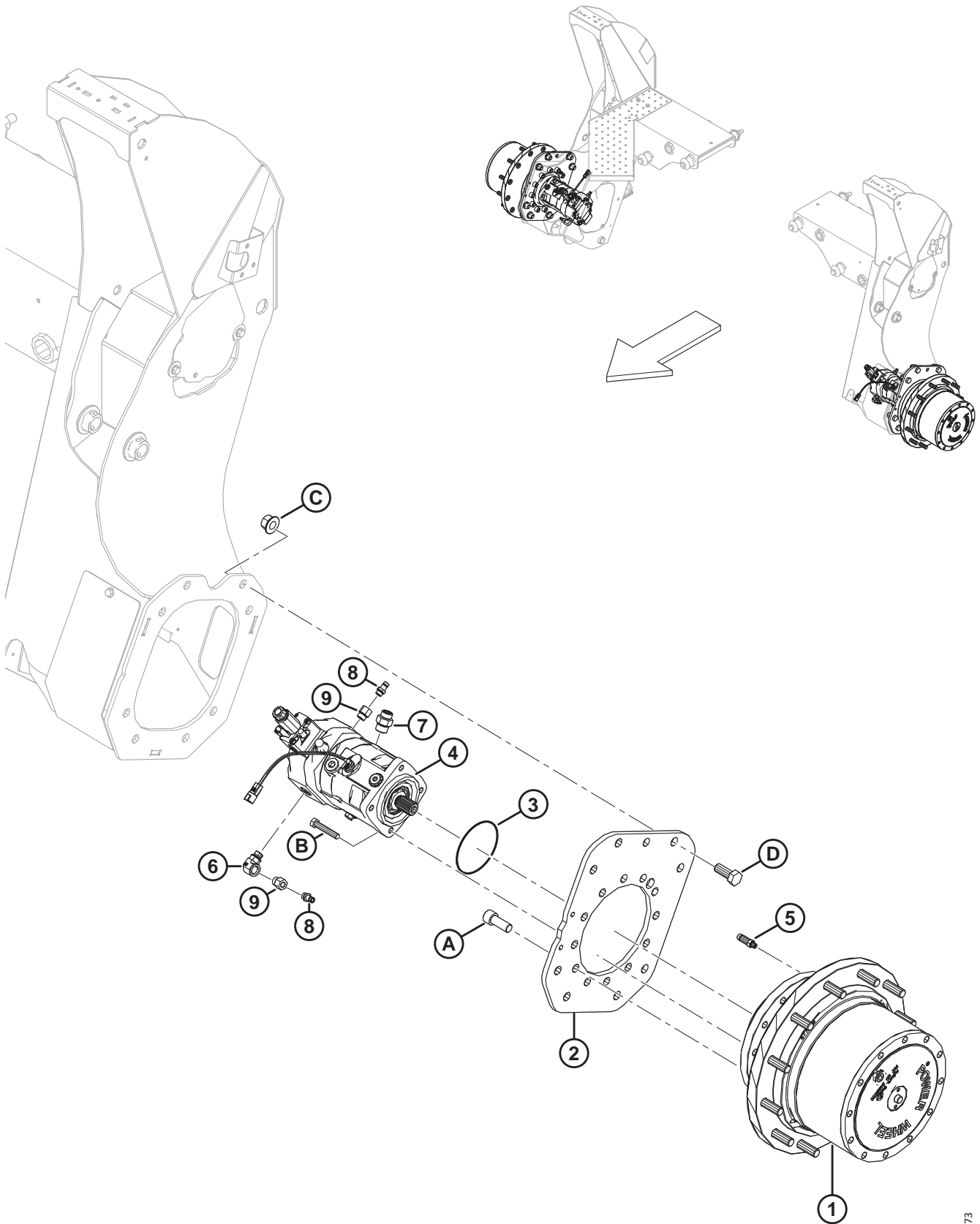


**WHEEL DRIVE ASSEMBLY – TEN BOLT**

<b>Ref</b>	<b>Part Number</b>	<b>Description</b>	<b>Qty</b>	<b>Serial Number</b>
1	306386	DRIVE – WHEEL 27.875:1 <sup>163</sup>	2	
2	306769	PLATE – DRIVE MOUNT BLACK	2	
3	111546	O-RING – 3.00 X 123.83	2	
4	NSS	MOTOR – HYDROSTATIC DRIVE	2	
	362182	KIT – SEAL		
5	136131	FITTING – CONNECTOR HYD LONG	2	
	50223	O-RING – 1.83 X 8.92		
	135957	O-RING – 1.78 X 7.65		
6	320483	FITTING – ADAPTER, ELBOW	2	
	44209	O-RING – 2.21 X 16.36		
7	135786	FITTING – ADAPTER	2	
	30971	O-RING – 2.95 X 23.47		
	135867	O-RING – 1.78 X 15.60		
8	135587	NIPPLE – HYDRAULIC	4	
	50219	O-RING – 1.98 X 11.89		
9	135357	FITTING – ADAPTER HYD	4	
10	208919	SPACER – WHEEL MOTOR	2	
A	136157	BOLT – HEX HD M20 X 2.5 X 65-10.9-A3L		
B	135155	BOLT – HEX HD M12 X 1.75 X 75-8.8-A3L		
C	136122	NUT – HEX FLG CTR LOC M20 X 2.5-10-A3L		
D	136158	BOLT – HEX HD TFL M20 X 2.5 X 50-10.9-A3L		

163. For service parts, refer to Section *78 Wheel Drive – Service Parts, Ten Bolt, page 185.*

# 77 Wheel Drive Assembly – Twelve Bolt

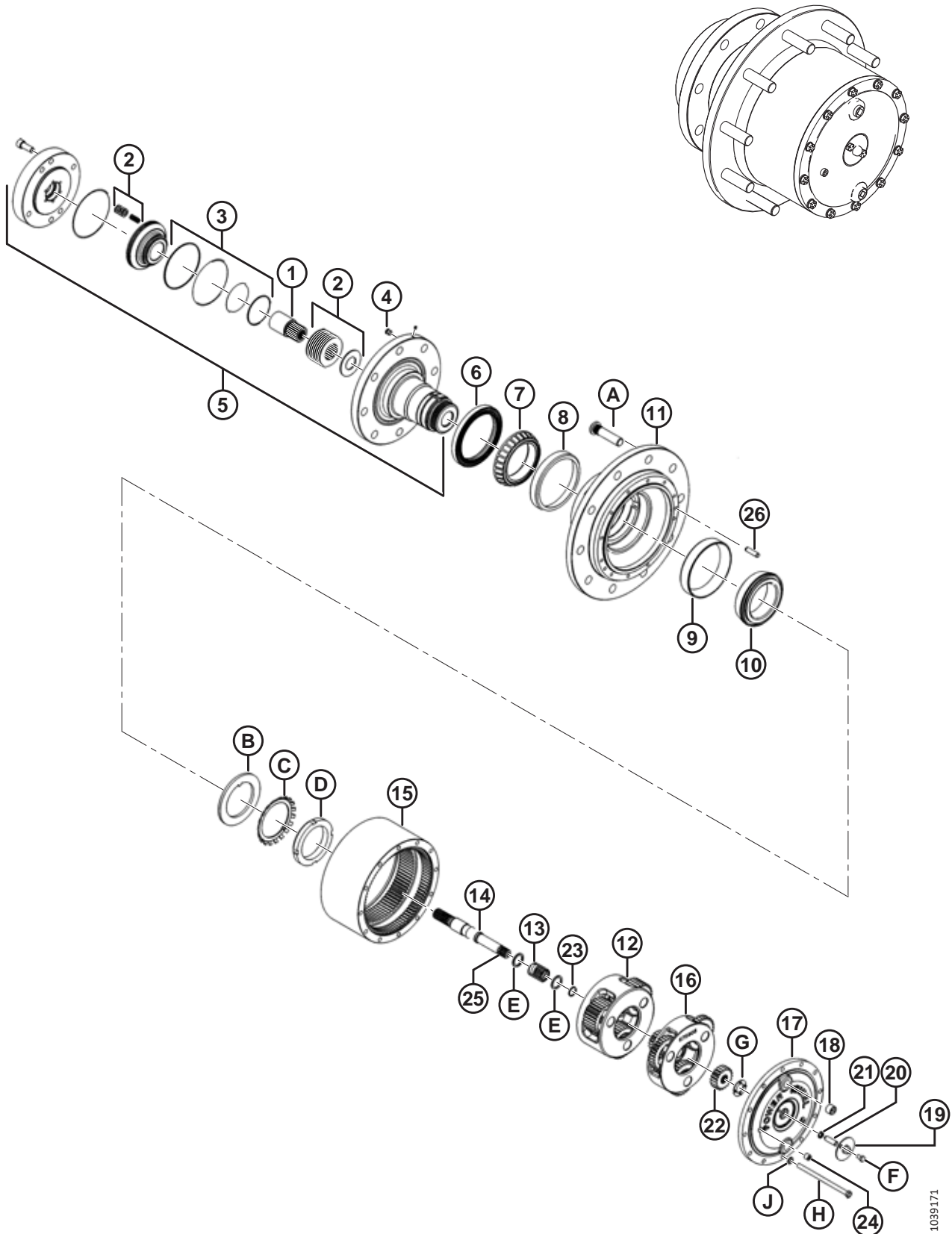


**WHEEL DRIVE ASSEMBLY – TWELVE BOLT**

<b>Ref</b>	<b>Part Number</b>	<b>Description</b>	<b>Qty</b>	<b>Serial Number</b>
1	310366	DRIVE – HD WHEEL, MD <sup>164</sup>	2	
2	306904	PLATE – DRIVE MOUNT HD BLACK	2	
3	111546	O-RING – 3.00 X 123.83	2	
4	NSS	MOTOR – HYDROSTATIC DRIVE	2	
	362182	KIT – SEAL		
5	136131	FITTING – CONNECTOR HYD LONG	2	
	50223	O-RING – 1.83 X 8.92		
	135957	O-RING – 1.78 X 7.65		
6	320483	FITTING – ADAPTER, ELBOW	2	
	44209	O-RING - 2.21 X 16.36		
7	135786	FITTING – ADAPTER	2	
	30971	O-RING – 2.95 X 23.47		
	135867	O-RING – 1.78 X 15.60		
8	135587	NIPPLE – HYDRAULIC	4	
	50219	O-RING – 1.98 X 11.89		
9	135357	FITTING – ADAPTER HYD	4	
A	320200	SCREW – HEX SOC HD TFL M20 X 2.5 X 50-10.9-ZINC		
B	21880	BOLT – HEX HD 1/2-13 X 2.75 GR5 AA1J		
C	136122	NUT – HEX FLG CTR LOC M20 X 2.5-10-A3L		
D	136158	BOLT – HEX HD M20 X 2.5 X 65-10.9-A3L		

164. For service parts, refer to Section *79 Wheel Drive – Service Parts, Twelve Bolt*, page 187.

# 78 Wheel Drive – Service Parts, Ten Bolt



1039171

**WHEEL DRIVE – SERVICE PARTS, TEN BOLT**

**NOTE:**

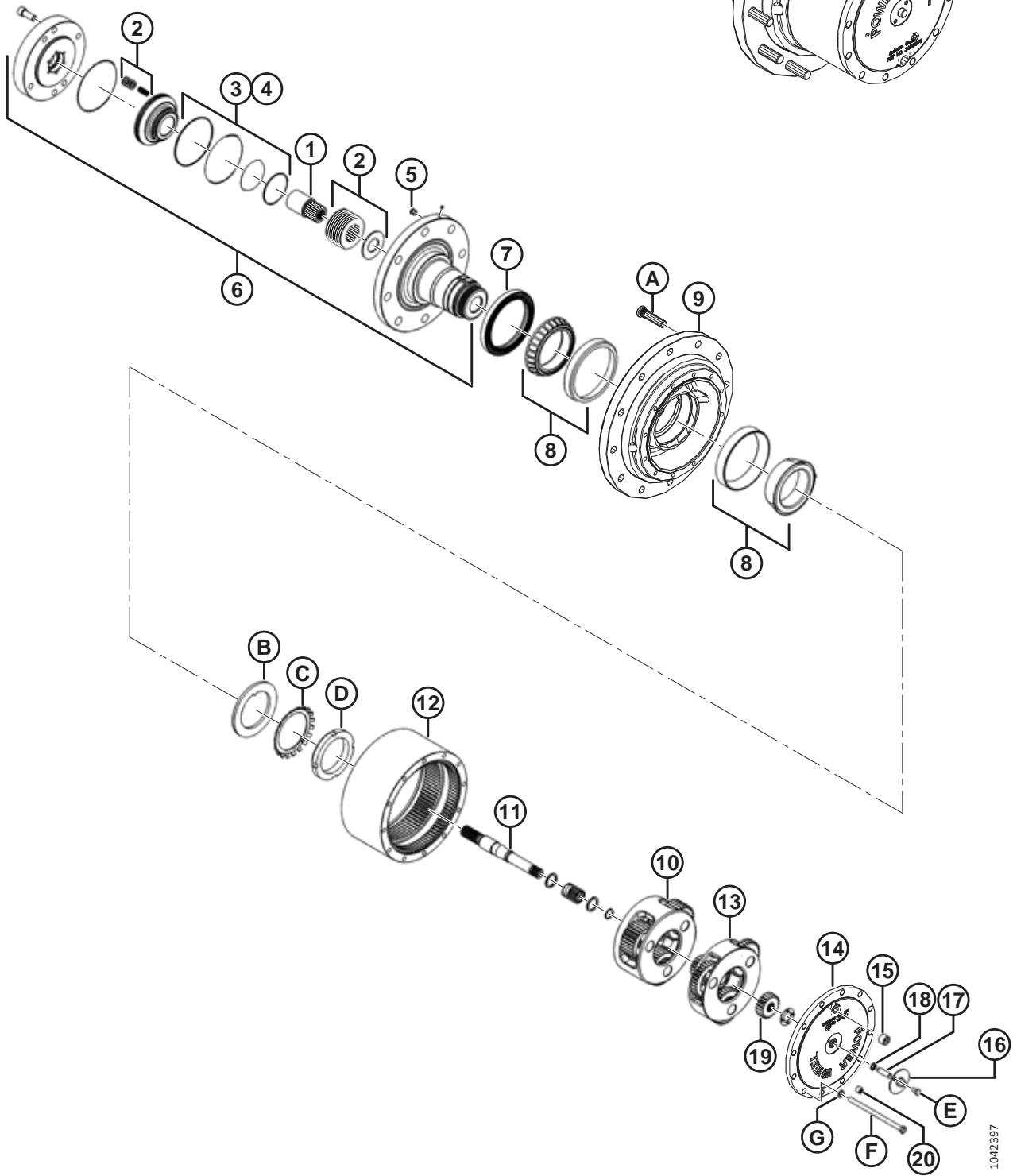
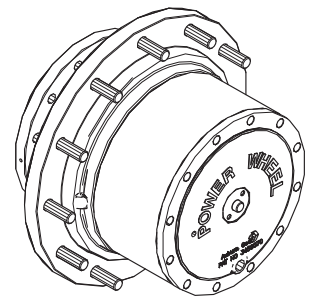
All illustrated parts that are **NOT** in the parts list are non-serviced parts, illustrated for reference only.

Ref	Part Number	Description	Qty	Serial Number
	306386	DRIVE – WHEEL 27.875:1 <sup>165</sup>		
1	208451	COUPLING – MOTOR	1	
2	208363	KIT – FRICTION DISC	1	
3	208452	SEAL KIT	1	
4	163158	PLUG – PIPE	1	
5	208453	SPINDLE – ASSY	1	
6	163753	SEAL – OIL	1	
7	306670	BEARING – CONE	1	
8	306671	BEARING – CUP	1	
9	306672	BEARING – CUP	1	
10	306673	BEARING – CONE	1	
11	306395	HUB – 10 BOLT M20	1	
12	208463	CARRIER ASSEMBLY – SECONDARY	1	
13	208465	SPRING – DISENGAGE	1	
14	208464	SHAFT – INPUT	1	
15	306393	RING GEAR		
16	208462	CARRIER ASSEMBLY – PRIMARY	1	
17	49874	COVER – LARGE	1	
18	30203	PLUG – MAGNETIC PIPE SQ SOCKET	2	
19	30205	COVER – DISENGAGE	1	
20	111093	PLUNGER – SHAFT DISENGAGE	1	
21	111105	O-RING (4 LOBED)	1	
22	208467	GEAR – SUN	1	
23	208468	RING – RETAINING	1	
24	50231	FITTING – PLUG HYD HEX SOC NPTF	1	
25	42765	RING – RETAINING INTERNAL <sup>166</sup>	1	
26	306394	PIN – COILED SPRINGS	2	
A	205188	BOLT – WHEEL (PRESS-IN) M20 X 82 MM LG		
B	163747	WASHER – THRUST		
C	163746	WASHER – EXT. TOOTH LOCK		
D	163745	NUT – LOCK		
E	208466	WASHER – FLAT		
F	111099	BOLT – HEX HD 5/16 NC X 0.5 LG GR 5 ZP		
G	30200	WASHER – THRUST		
H	49879	BOLT – HEX HD		
J	30191	WASHER – HARDENED		

165. Refer to Section 76 *Wheel Drive Assembly – Ten Bolt*, page 181.

166. Located at the end of input shaft (MD #208464).

# 79 Wheel Drive – Service Parts, Twelve Bolt



1042397

**WHEEL DRIVE – SERVICE PARTS, TWELVE BOLT**

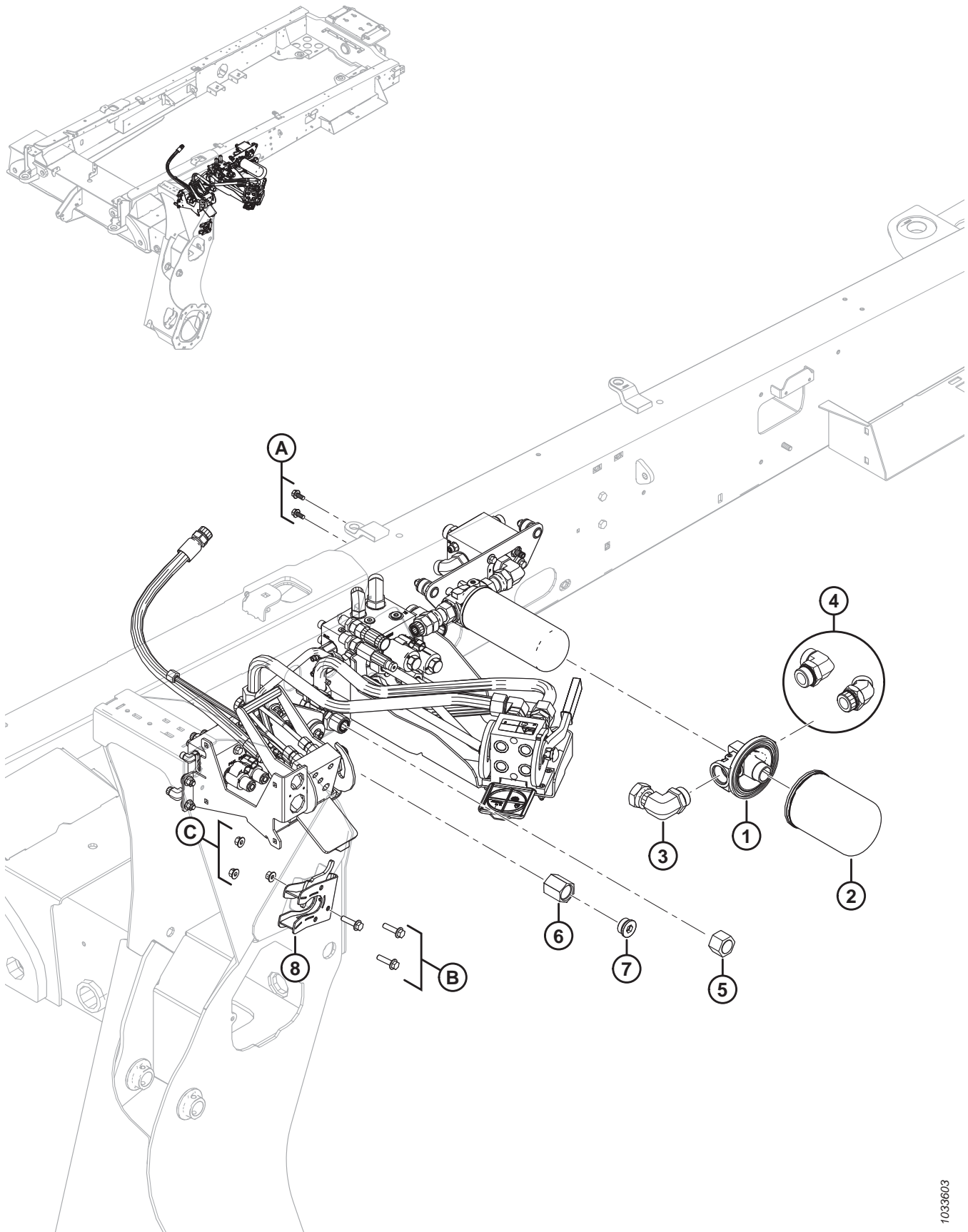
**NOTE:**

All illustrated parts that are **NOT** in the parts list are non-serviced parts, illustrated for reference only.

Ref	Part Number	Description	Qty	Serial Number
	310366	DRIVE – HD WHEEL, MD <sup>167</sup>		
1	310668	KIT – COUPLING	1	
2	310684	KIT – BRAKE DISK	1	
3	310685	KIT – BRAKE SEAL	1	
4	310686	KIT – DRIVE SEAL	1	
5	50230	FITTING – PLUG HYD HEX SOCNPTF	1	
6	310662	SPINDLE (ASSEMBLY)	1	
7	310672	SEAL – OIL	1	
8	310687	KIT – DRIVE BEARING	1	
9	310663	HUB – ASSY	1	
10	310676	CARRIER ASSEMBLY – SECONDARY	1	
11	310666	KIT – INPUT SHAFT	1	
12	310661	GEAR – RING	1	
13	310677	CARRIER ASSEMBLY – PRIMARY	1	
14	310678	COVER	1	
15	30203	PLUG – MAGNETIC PIPE SQ SOCKET	2	
16	30205	COVER – DISENGAGE	1	
17	111093	SHAFT – DISENGAGE PLUNGER	1	
18	111105	O-RING (4 LOBED)	1	
19	310683	GEAR – SUN	1	
20	50230	FITTING – PLUG HYD HEX SOC NPTF	1	
A	205188	BOLT – WHEEL (PRESS-IN) M20 X 82 MM LG		
B	310682	WASHER – THRUST		
C	310674	WASHER – LOCK		
D	310675	NUT – LOCK, HD WHEEL DRIVE		
E	310670	BOLT – HEX HD		
F	310669	BOLT – HEX HD		
G	310667	WASHER – FLAT		

167. Refer to Section 77 *Wheel Drive Assembly – Twelve Bolt*, page 183.

# 80 Header Drive – Frame Interface





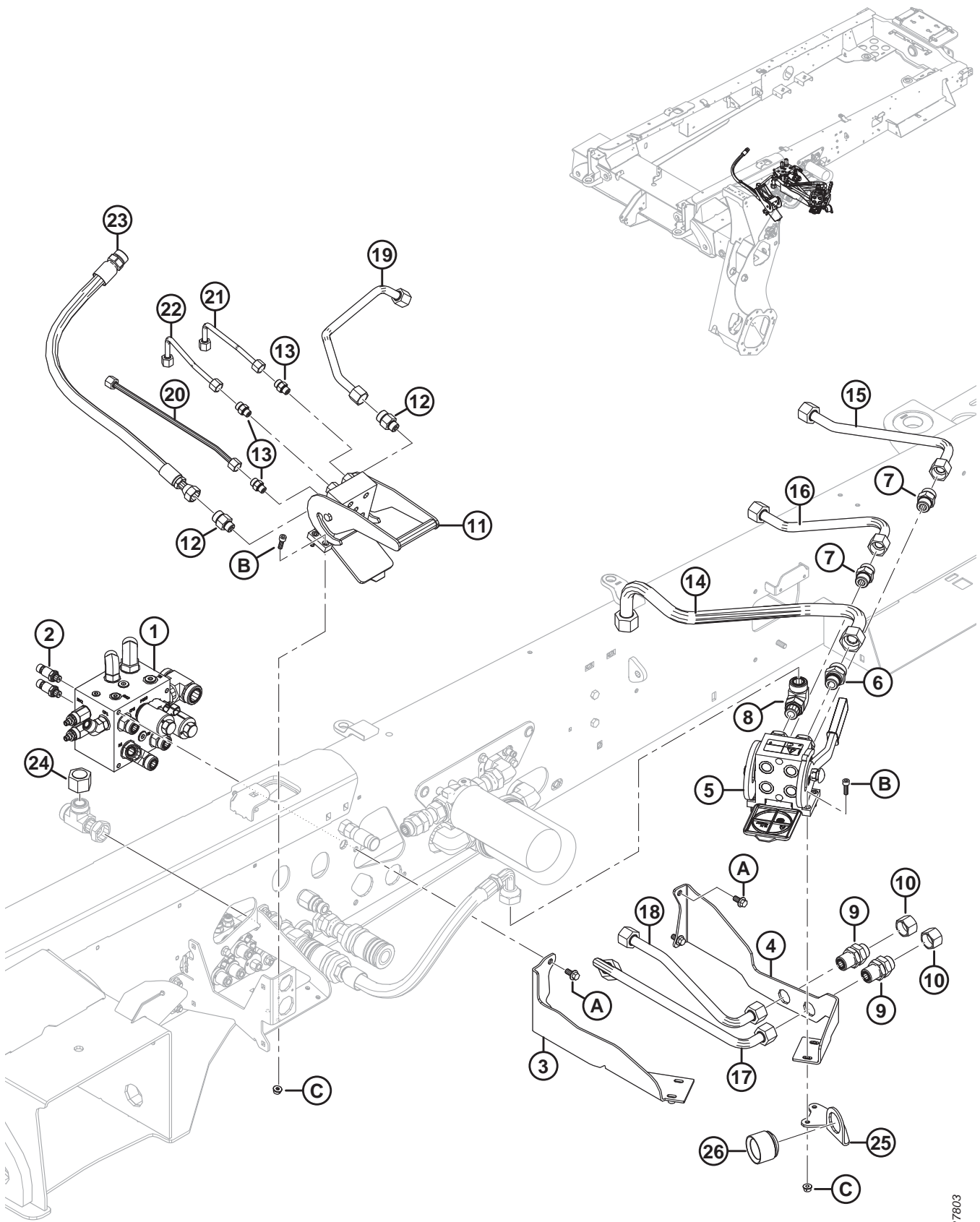
**HEADER DRIVE – FRAME INTERFACE**

<b>Ref</b>	<b>Part Number</b>	<b>Description</b>	<b>Qty</b>	<b>Serial Number</b>
1	151974	FILTER HEAD – 1-5/8 IN.-12 SAE (#20)	1	
2	320360	FILTER – HYD C/W 2X SEALS <sup>168</sup>	1	
3	136404	FITTING – ELBOW 90° HYD	1	
	50222	O-RING – #20 ORB		
4	136363	FITTING – ELBOW 90° HYD	1	
	50222	O-RING – #20 ORB		
	135869	O-RING – #20 ORFS		
5	135718	CAP – HYD SAE, #16 ORFS	1	
6	252206	FITTING – COUPLING	1	
7	136524	PLUG – HEX SOCKET	1	
8	253905	ASSEMBLY – LATCH <sup>169</sup>	1	
	243995	BRACKET – WELDMENT	1	
	253635	HOOK – WELDMENT	1	
	144505	SPRING – TORSION	1	
A	30278	BOLT – HH FLG (SER FACE) 5/16 NC X 0.75 GR 5 ZP		
B	152947	BOLT – HEX FLG HD TFL M10 X 1.5 X 40-10.9-A3L		
C	135799	NUT – HEX FLG CTR LOC M10 X 1.5-10-A3L		

168. Includes hydraulic filter element (NSS), O-Ring (NSS), and instructions.

169. Includes the following serviceable parts: bracket MD #243995, hook MD #253635, torsion spring MD #144505, one bolt MD #152947, and one nut MD #135799.

# 81 Header Drive – Manifold Multicoupler Assembly



1027603

**HEADER DRIVE – MANIFOLD MULTICOUPLER ASSEMBLY**

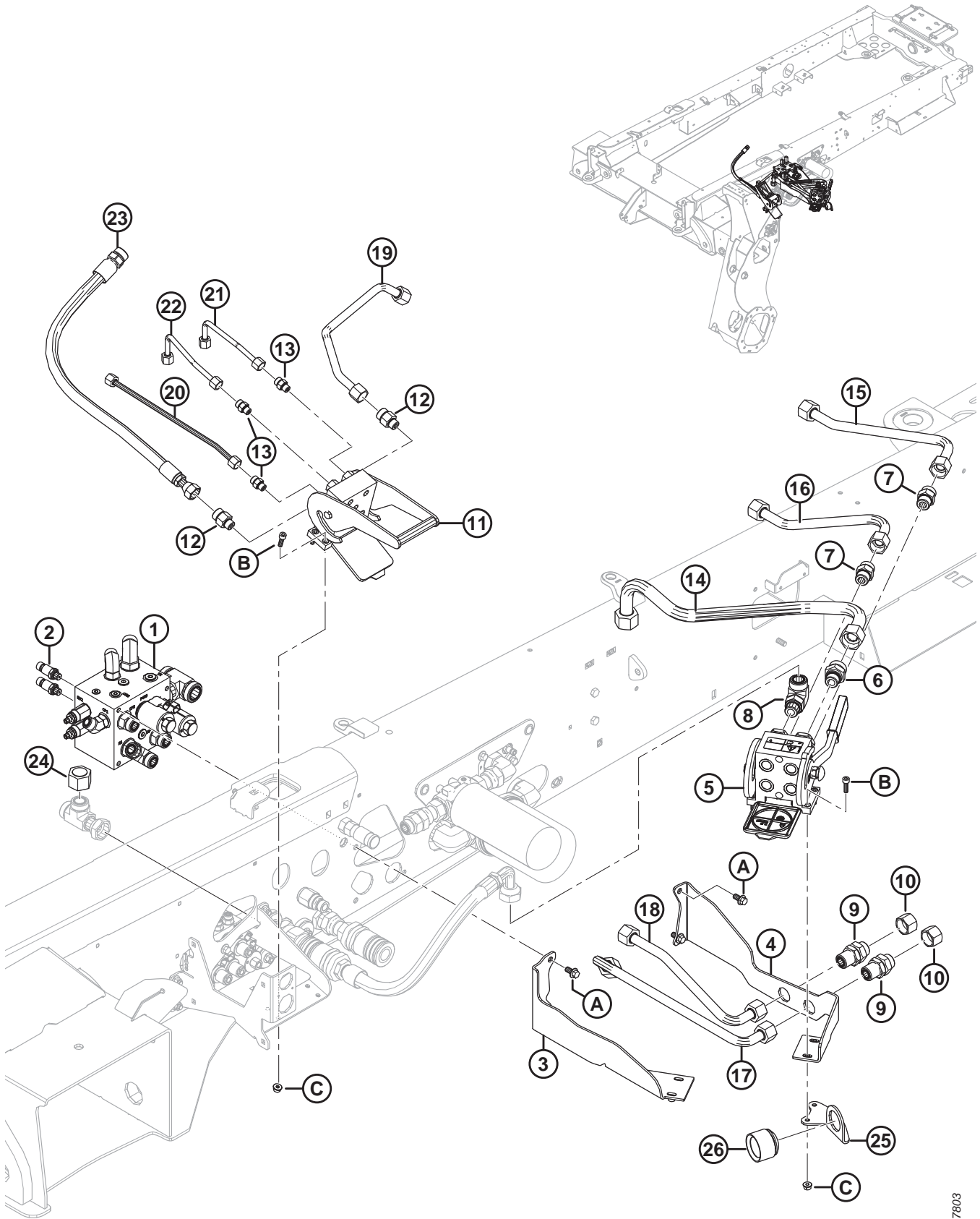
Ref	Part Number	Description	Qty	Serial Number
1	203337	MANIFOLD – DRIVE <sup>170</sup>	1	
2	207346	SENDER – PRESSURE (GC/P292, GR/P291) <sup>171</sup>	2	
3	243905	SUPPORT – MULTICOUPLER	1	
4	243906	SUPPORT – MULTICOUPLER	1	
5	243541	COUPLER – MULTI FIXED	1	
	129800	KIT – COVER MULTICOUPLER		
	129801	KIT – LATCH BUTTON MULTICOUPLER		
	208174	KIT – CARTRIDGE	4	
	209782	KIT – HANDLE		
6	135790	FITTING – ADAPTER	1	
	30971	O-RING – #12 ORB		
	135554	O-RING – #16 ORFS		
7	135788	FITTING – ADAPTER	2	
	30971	O-RING – #12 ORB		
	135868	O-RING – #12 ORFS		
8	136767	FITTING – ELBOW 90° HYD	1	
	30971	O-RING – #12 ORB		
	135554	O-RING – #16 ORFS		
9	136254	FITTING – BULKHEAD HYD	2	
	135868	O-RING – #12 ORFS		
10	135889	CAP – HYD SAE-12 ORFS	2	
11	153151	COUPLING – MULTI	1	
	129800	KIT – COVER MULTICOUPLER		
	129801	KIT – LATCH BUTTON MULTICOUPLER		
	129976	COUPLING 1/4 IN.	3	
	129977	COUPLING 3/8 IN.	2	
12	135781	FITTING – ADAPTER	2	
	44209	O-RING – #8 ORB		
	135867	O-RING – #10 ORFS		
13	135778	FITTING – ADAPTER	3	
	50219	O-RING – #6 ORB		
	135865	O-RING – #6 ORFS		
14	243637	LINE – HYDRAULIC, 1 IN. DIA	1	
15	243615	LINE – HYD REEL PRESSURE, 3/4 IN. DIA	1	
16	243632	LINE – HYD DRAPER RETURN, 3/4 IN. DIA	1	
17	206061	LINE – HYD DWA RETURN, 3/4 IN. DIA	1	
18	206060	LINE – HYD DWA PRESSURE, 3/4 IN. DIA	1	
19	209063	LINE – HYDRAULIC, 5/8 IN. DIA	1	
20	207427	LINE – HYDRAULIC, 3/8 IN. DIA	1	
21	203977	LINE – HYDRAULIC, 3/8 IN. DIA <sup>172</sup>	1	

170. For service parts, refer to Section *84 Drive Manifold – Service Parts*, page 199.

171. Connects to ports/plugs GC/P292 and GR/P291.

172. Hydraulic line (MD #203977) is NOT used for M2170NT Windrowers.

# HEADER DRIVE – MANIFOLD MULTICOUPLER ASSEMBLY



1027803

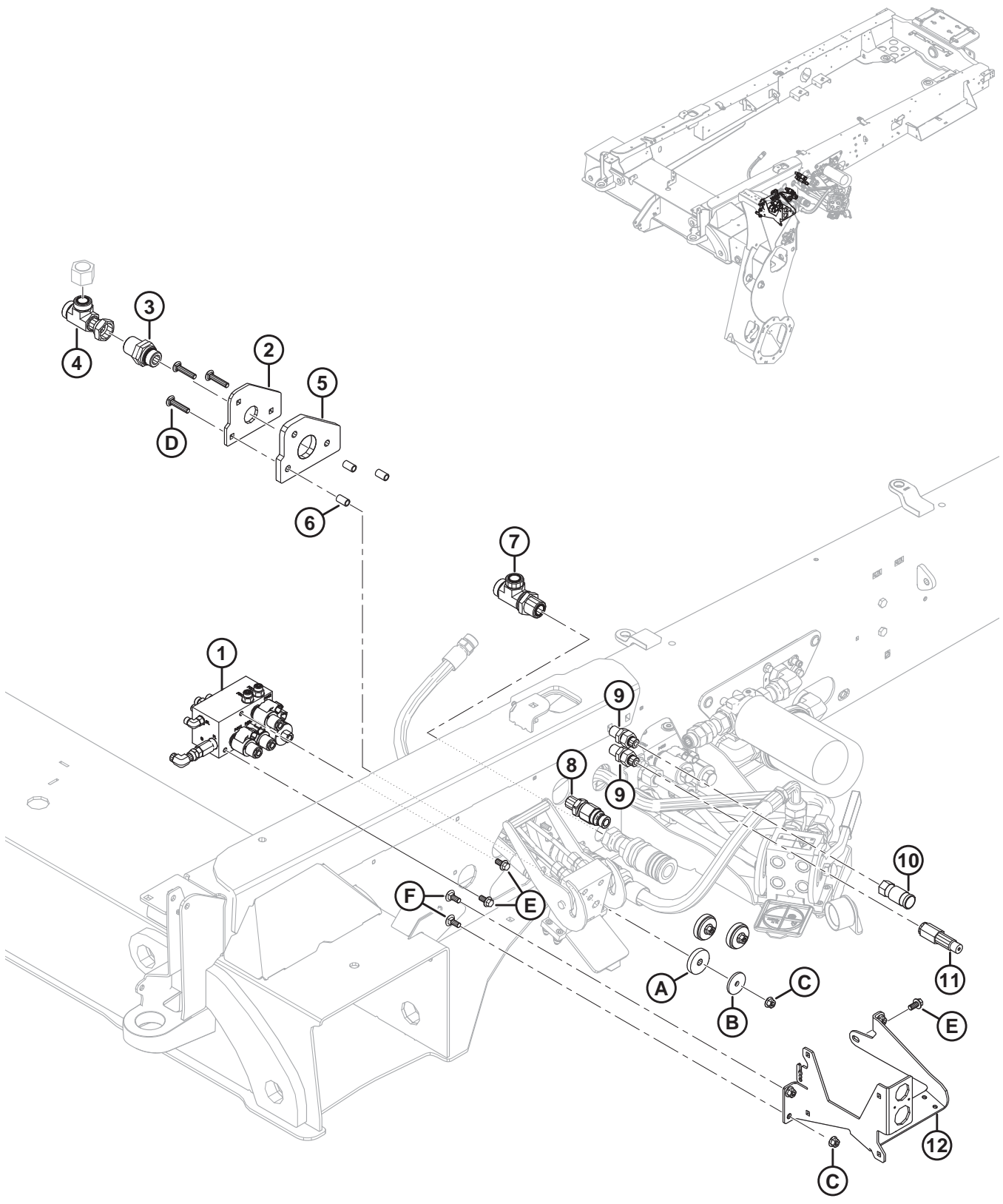
**HEADER DRIVE – MANIFOLD MULTICOUPLER ASSEMBLY**

<b>Ref</b>	<b>Part Number</b>	<b>Description</b>	<b>Qty</b>	<b>Serial Number</b>
22	203978	LINE – HYDRAULIC, 3/8 IN. DIA <sup>173</sup>	1	
23	208413	HOSE – HYDRAULIC, 5/8 IN. I.D., 800 MM LG	1	
24	135718	CAP – HYD SAE-16 ORFS	1	
25	253783	BRACKET – COUPLER HOLDER	1	
26	243604	CAP – HARNESS	1	
A	152655	BOLT – HEX FLG HD M10 X 1.5 X 20-8.8-A3L		
B	103523	SCREW – HEX SOC HD TFL M8 X 1.25 X 25-8.8-A2L		
C	135337	NUT – HEX FLG CTR LOC M8 X 1.25-8-A2L		

---

173. Hydraulic line (MD #203978) is NOT used for M2170NT Windrowers.

# 82 Header Drive – Fitting Manifold Frame Assembly



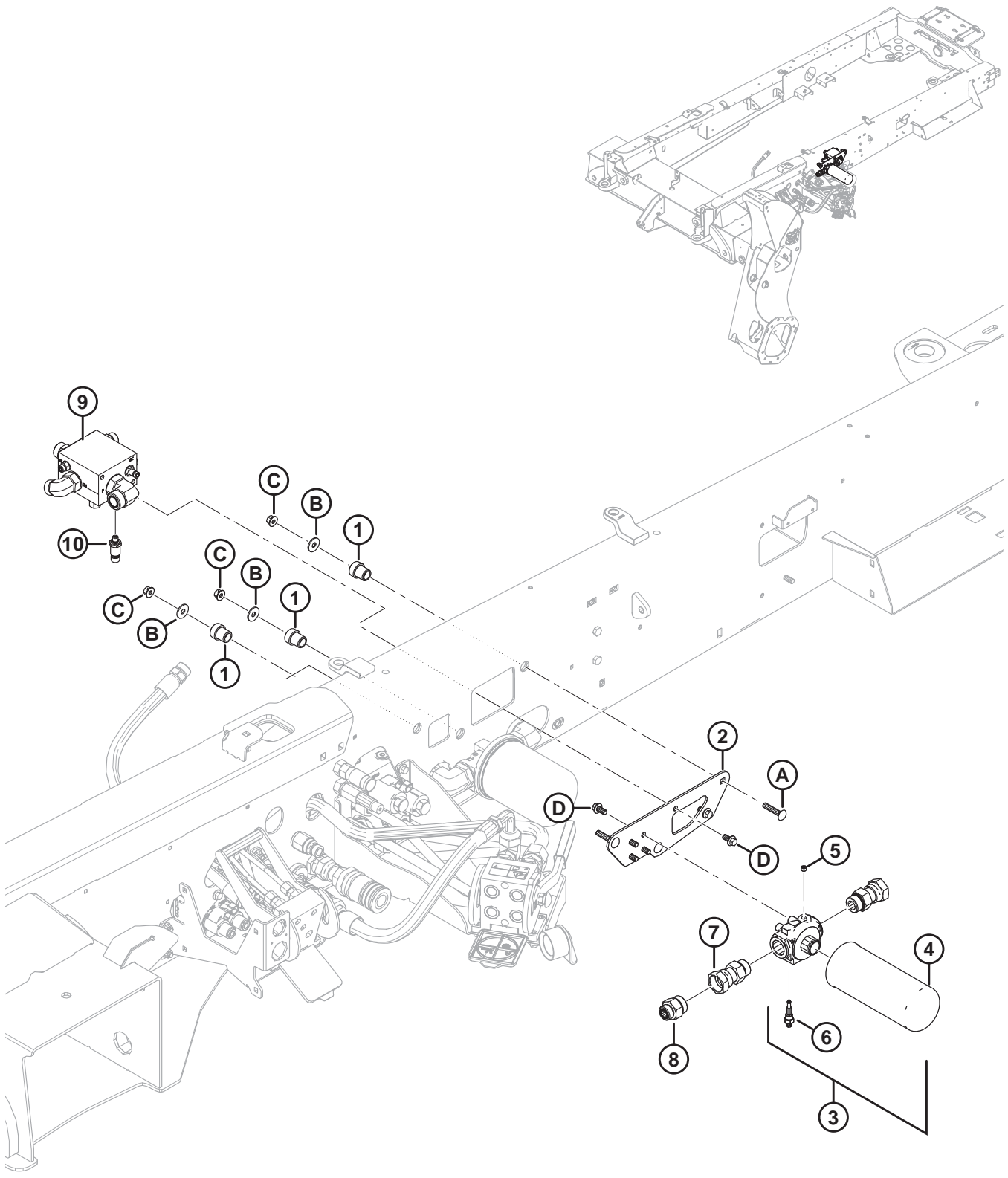
**HEADER DRIVE – FITTING MANIFOLD FRAME ASSEMBLY**

Ref	Part Number	Description	Qty	Serial Number
1	209950	MANIFOLD – FLOAT SELECTOR <sup>174</sup>	1	
2	208551	PLATE – COUPLER MOUNT	1	
3	136630	FITTING – BULKHEAD UNION	1	
	50220	O-RING – #16 ORB		
	135554	O-RING – #16 ORFS		
4	136508	FITTING – TEE HYD	1	
	135554	O-RING – #16 ORFS		
5	208484	PAD – RUBBER	1	
6	208552	SPACER	3	
7	136510	FITTING – TEE	1	
	135554	O-RING – #16 ORFS		
8	252190	FITTING – COUPLER 1/2 FF MALE BULKHEAD	1	
	135867	O-RING – #10 ORFS		
9	136195	FITTING – UNION HYD	2	
	44209	O-RING – #8 ORB		
	135866	O-RING – #8 ORFS		
10	135312	COUPLER – FEMALE HYD. 3/8 IN. FLAT FACE	1	
11	135386	COUPLER – MALE HYD. 3/8 IN. FLAT FACE (FASTER) <sup>175</sup>	1	
	111978	SEAL KIT – 3/8 MALE (FASTER ONLY)		
12	208542	SUPPORT – MULTICOUPLER BASE	1	
A	208486	WASHER – RUBBER		
B	208487	WASHER – FLAT		
C	135799	NUT – HEX FLG CTR LOC M10 X 1.5-10-A3L		
D	184658	BOLT – RHSSN M10 X 1.5 X 50-8.8-A3L		
E	152655	BOLT – HEX FLG HD M10 X 1.5 X 20-8.8-A3L		
F	135785	BOLT – RHSN M10 X 1.5 X 25-8.8-A3L		

174. For service parts, refer to Section *85 Float Selector Manifold, page 203*.

175. Faster coupler (MD #135386) is interchangeable with Parker Hannifin coupler (NSS). Seal kit (MD #111978) is only intended for Faster coupler and cannot be used with Parker Hannifin coupler. Length can be used to differentiate the two couplers; Faster coupler = 101 mm and Parker Hannifin coupler = 84 mm.

# 83 Header Drive – Charge Filter Frame Assembly





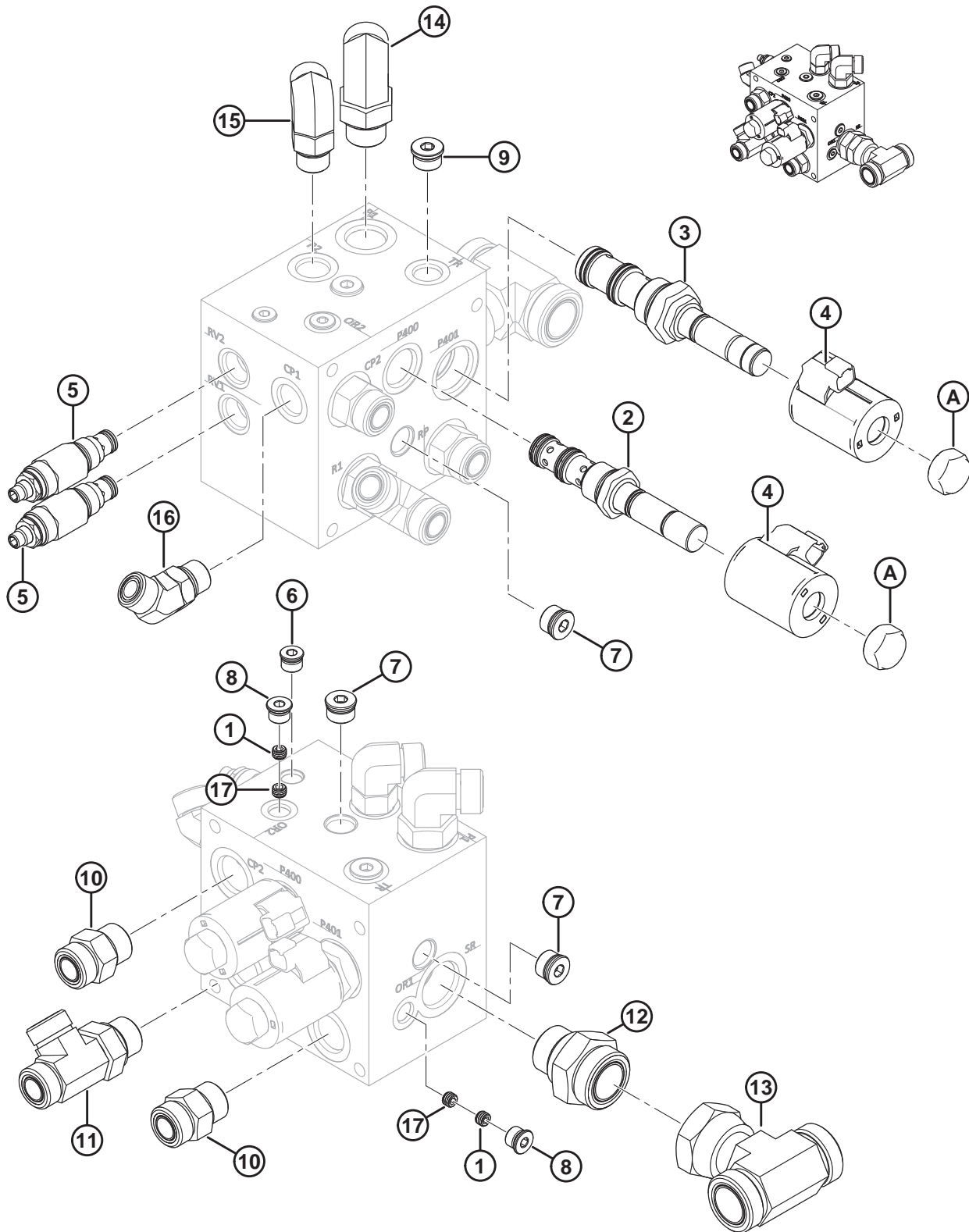
**HEADER DRIVE – CHARGE FILTER FRAME ASSEMBLY**

<b>Ref</b>	<b>Part Number</b>	<b>Description</b>	<b>Qty</b>	<b>Serial Number</b>
1	30591	INSULATOR – RUBBER	3	
2	207458	PLATE – MOUNT	1	
3	201711	FILTER – HEAD ASSEMBLY <sup>176</sup>	1	
4	201713	ELEMENT – FILTER	1	
5	50230	PLUG – PIPE DRYSEAL 1/8 NPTF	1	
6	139722	SWITCH – SERVICE INDICATOR	1	
7	136362	FITTING – ADAPTER	2	
	50220	O-RING – #16 ORB		
8	136641	FITTING – UNION SAE 16-12 ORFS	1	
	135868	O-RING – #12 ORFS		
	135554	O-RING – #16 ORFS		
9	203340	MANIFOLD – CHARGE <sup>177</sup>	1	
10	207347	SENDER – PRESSURE (PS)	1	
A	184658	BOLT – RHSSN M10 X 1.5 X 50-8.8-A3L		
B	184712	WASHER – FLAT LARGE M10-200HV-A3L		
C	135799	NUT – HEX FLG CTR LOC M10 X 1.5-10-A3L		
D	152655	BOLT – HEX FLG HD M10 X 1.5 X 20-8.8-A3L		

176. Includes filter element (MD #201713), plug (MD #50230), and switch (MD #139722).

177. For service parts, refer to Section [86 Charge Manifold](#), page 205.

# 84 Drive Manifold – Service Parts



**DRIVE MANIFOLD – SERVICE PARTS**

Ref	Part Number	Description	Qty	Serial Number
	203337	MANIFOLD – DRIVE <sup>178</sup>		
1	252322	PLUG – ORIFICE (OR1, OR2) <sup>179</sup>	2	
2	291589	VALVE – FLOW CONTROL (P400) <sup>180</sup>	1	
	252355	SEAL KIT		
3	203876	VALVE – FLOW CONTROL (P401) <sup>181</sup>	1	
	252357	SEAL KIT		
4	252318	COIL – SOLENOID	2	
5	252338	VALVE – RELIEF (RV1, RV2) <sup>182</sup>	2	
	220908	SEAL KIT		
6	252325	PLUG – ZERO LEAK	1	
	252347	O-RING – #6 ORB		
7	252327	PLUG – ZERO LEAK	3	
	252348	O-RING – #8 ORB		
8	100577	PLUG – HEX SOCKET C/W O-RING	2	
	50219	O-RING – #6 ORB		
9	158174	PLUG – HEX SOCKET C/W O-RING (TR) <sup>183</sup>	1	
	44209	O-RING – #8 ORB		
10	135788	FITTING – ADAPTER (CP2, RP) <sup>184</sup>	2	
	30971	O-RING – #12 ORB		
	135868	O-RING – #12 ORFS		
11	136257	FITTING – TEE HYD (R1) <sup>185</sup>	1	
	30971	O-RING – #12 ORB		
	135868	O-RING – #12 ORFS		
12	135793	FITTING – ADAPTER (SR) <sup>186</sup>	1	
	50220	O-RING – #16 ORB		
	135869	O-RING – #20 ORFS		
13	136403	FITTING – TEE HYD	1	
	135869	O-RING – #20 ORFS		
14	135821	FITTING – ELBOW 90° HYD (P1) <sup>187</sup>	1	
	30971	O-RING – #12 ORB		
	135868	O-RING – #12 ORFS		
15	136089	FITTING – ELBOW 90° HYD (P2) <sup>188</sup>	1	
	44210	O-RING – #10 ORB		
	135867	O-RING – #10 ORFS		

178. For location, refer to Section *81 Header Drive – Manifold Multicoupler Assembly*, page 191.

179. Connects to ports OR1 and OR2.

180. Connects to plug P400.

181. Connects to plug P401.

182. Connects to ports RV1 and RV2.

183. Connects to port TR.

184. Connects to ports CP2 and RP.

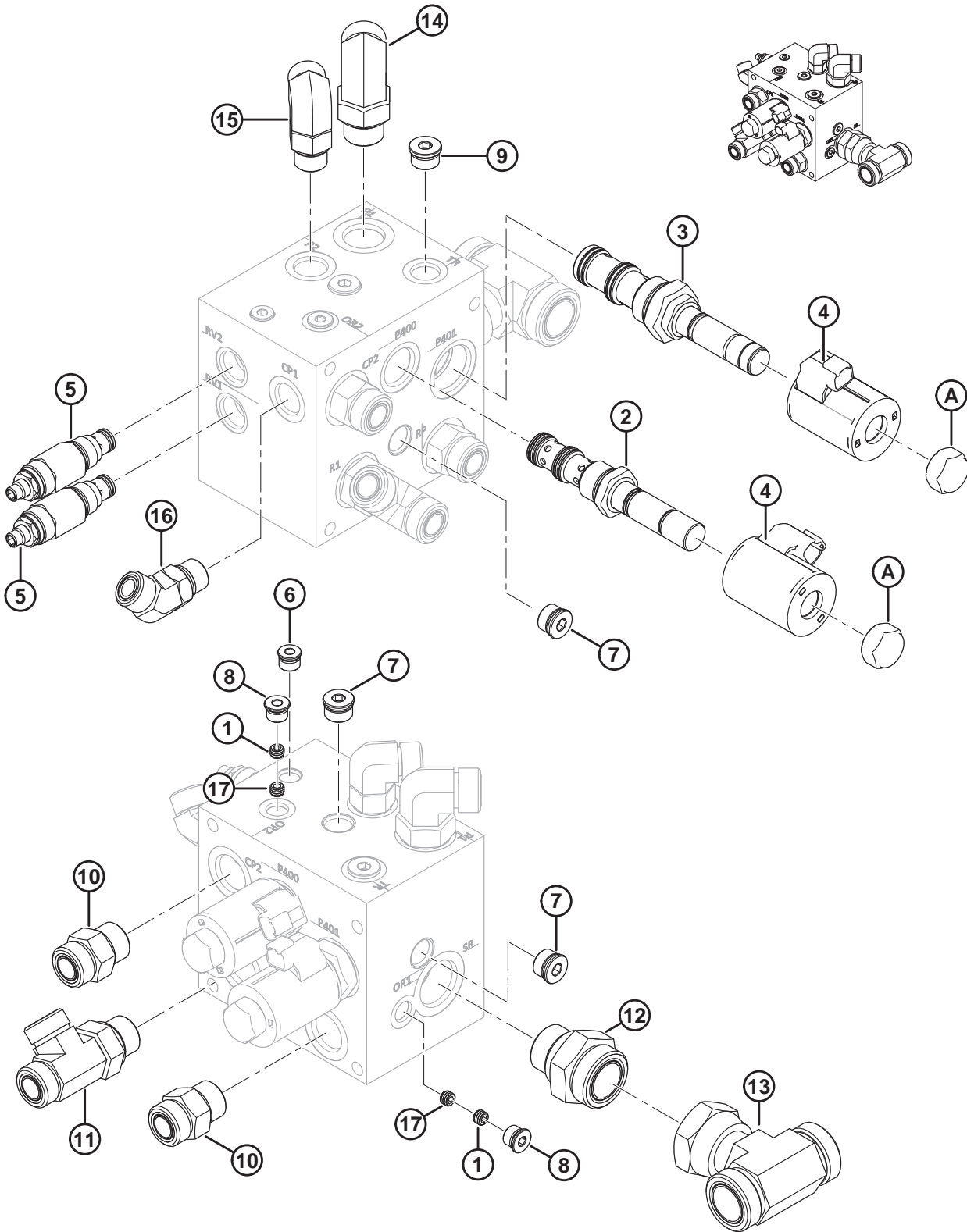
185. Connects to port R1.

186. Connects to port SR.

187. Connects to port P1.

188. Connects to port P2.

DRIVE MANIFOLD – SERVICE PARTS



1034431

**DRIVE MANIFOLD – SERVICE PARTS**

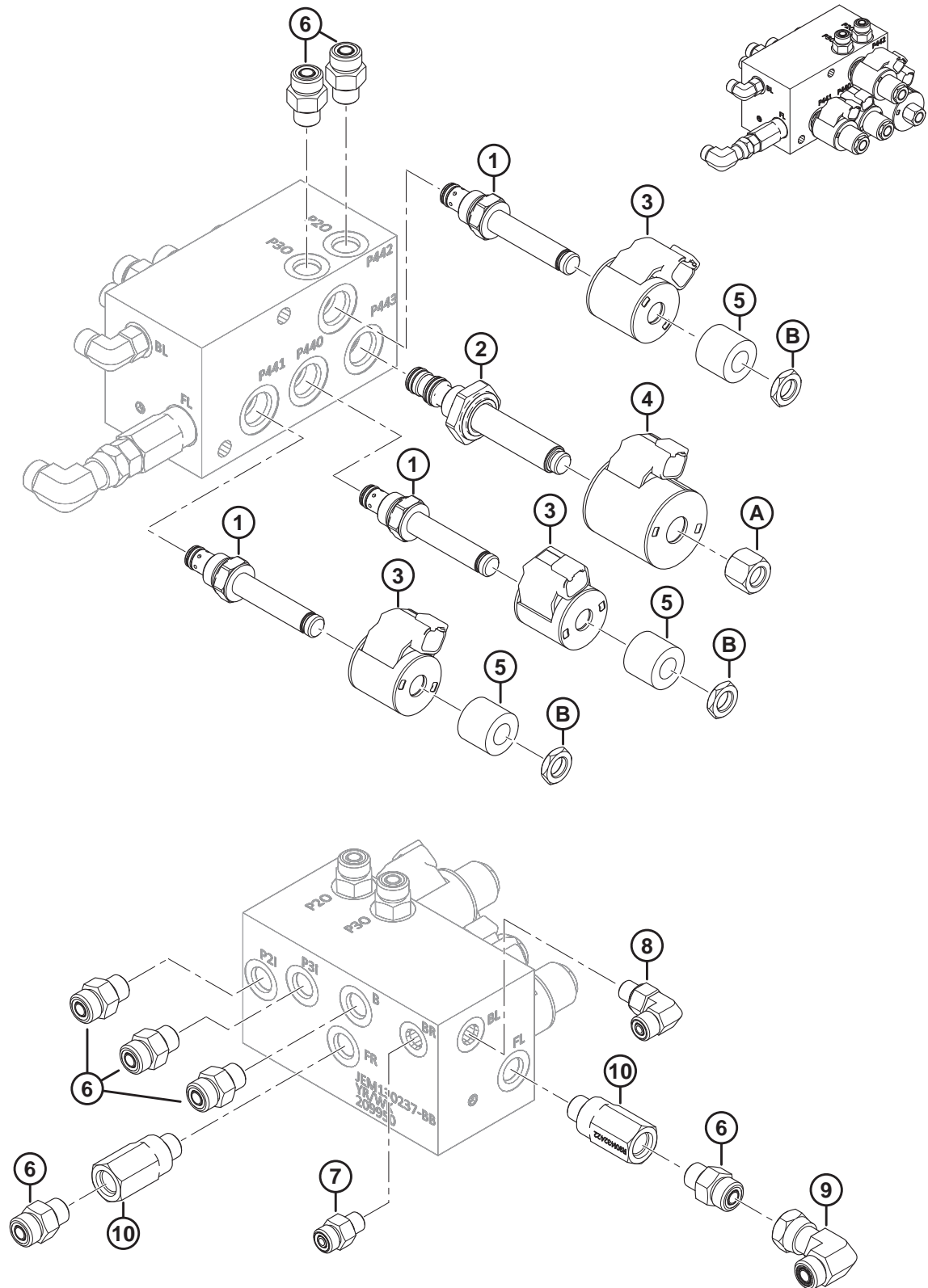
<b>Ref</b>	<b>Part Number</b>	<b>Description</b>	<b>Qty</b>	<b>Serial Number</b>
16	136327	FITTING – ELBOW 45° HYD (CP1) <sup>189</sup>	1	
	44210	O-RING – #10 ORB		
	135867	O-RING – #10 ORFS		
17	320326	RESTRICTOR – PLUG, C/W WIRE (OR1, OR2) <sup>190</sup>	2	
A	252363	NUT – COIL		

---

189. Connects to port CP1.

190. Connects to ports OR1 and OR2.

# 85 Float Selector Manifold



FLOAT SELECTOR MANIFOLD

Ref	Part Number	Description	Qty	Serial Number
	209950	MANIFOLD – FLOAT SELECTOR <sup>191</sup>		
1	252339	VALVE – DIRECTIONAL (P440, P441, P442) <sup>192</sup>	3	
	129711	SEAL KIT		
2	252343	VALVE – DIRECTIONAL (P443) <sup>193</sup>	1	
	252350	SEAL KIT		
3	252319	COIL – SOLENOID	3	
4	209045	COIL – SOLENOID	1	
5	252359	SPACER – COIL	3	
6	135778	FITTING – ADAPTER (P20, P21, P30, P31, B) <sup>194</sup>	7	
	50219	O-RING – #6 ORB		
	135865	O-RING – #6 ORFS		
7	135775	FITTING – ADAPTER (BR) <sup>195</sup>	1	
	50223	O-RING – #4 ORB		
	135957	O-RING – #4 ORFS		
8	136447	FITTING – ELBOW 90° HYD (BL) <sup>196</sup>	1	
	50223	O-RING – #4 ORB		
	135957	O-RING – #4 ORFS		
9	136095	FITTING – ELBOW 90° HYD	1	
	50219	O-RING – #6 ORB		
	135865	O-RING – #6 ORFS		
10	209951	RESTRICTOR – FLOW (FR, FL) <sup>197</sup>	2	
	50219	O-RING – #6 ORB		
A	252361	NUT – COIL		
B	252360	NUT – COIL		

191. For location, refer to Section *82 Header Drive – Fitting Manifold Frame Assembly, page 195*.

192. Connects to pluts P440, P441, and P442.

193. Connects to plug P443.

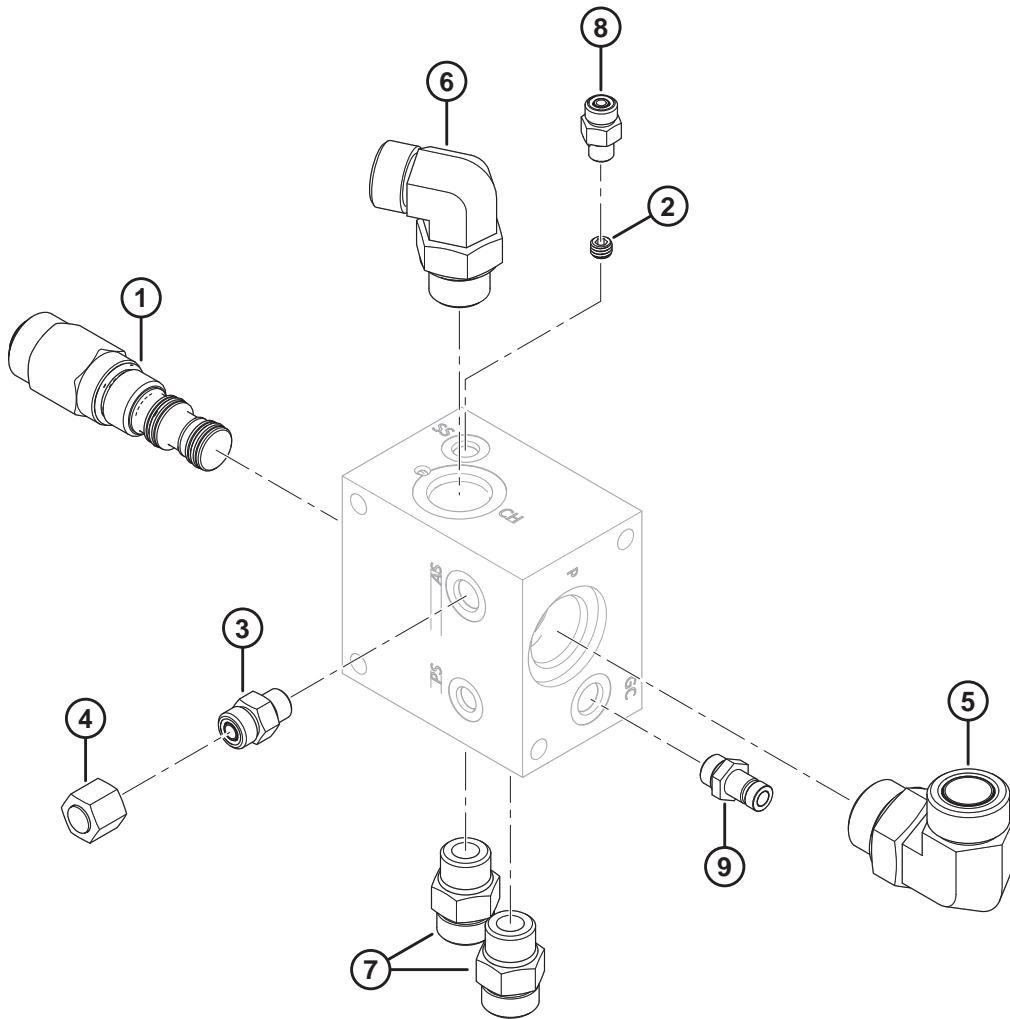
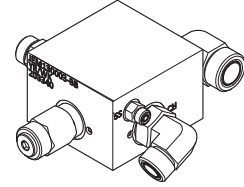
194. Connects to Ports P20, P21, P30, P31, and B.

195. Connects to port BR.

196. Connects to port BL.

197. Connects to ports FR and FL.

# 86 Charge Manifold





**CHARGE MANIFOLD**

Ref	Part Number	Description	Qty	Serial Number
	203340	MANIFOLD – CHARGE <sup>198</sup>		
1	306859	VALVE – DIRECTIONAL	1	
	252356	SEAL KIT		
2	252323	PLUG – ORIFICE (SS) <sup>199</sup>	1	
3	135778	FITTING – ADAPTER (AS) <sup>200</sup>	1	
	50219	O-RING – #6 ORB		
	135865	O-RING – #6 ORFS		
4	136325	CAP – HYD SAE-6 ORFS	1	
5	135734	FITTING – ELBOW 90° HYD (P) <sup>201</sup>	1	
	50220	O-RING – #16 ORB		
	135554	O-RING – #16 ORFS		
6	135821	FITTING – ELBOW 90° HYD (CH) <sup>202</sup>	1	
	30971	O-RING – #12 ORB		
	135868	O-RING – #12 ORFS		
7	184461	FITTING – ADAPTER 10 MORFS X 10 MORB (C1, C2) <sup>203</sup>	2	
	44210	O-RING – #10 ORB		
	135867	O-RING – #10 ORFS		
8	135775	FITTING – ADAPTER	1	
	44210	O-RING – #10 ORB		
	135867	O-RING – #10 ORFS		
9	135587	NIPPLE – HYDRAULIC (GC) <sup>204</sup>	1	
	50219	O-RING – #6 ORB		

198. For location, refer to Section *83 Header Drive – Charge Filter Frame Assembly, page 197.*

199. Connects to port SS.

200. Connects to port AS.

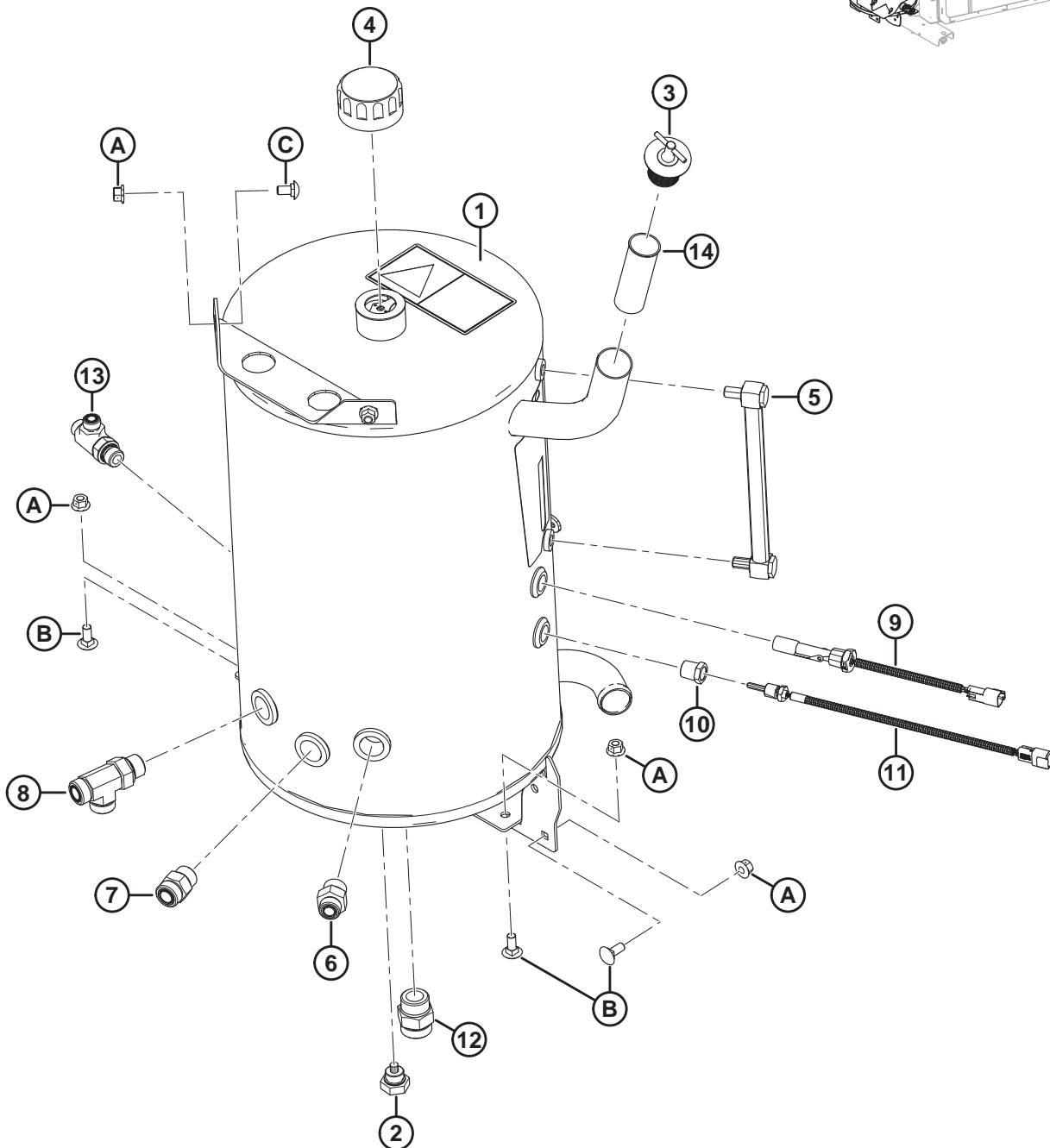
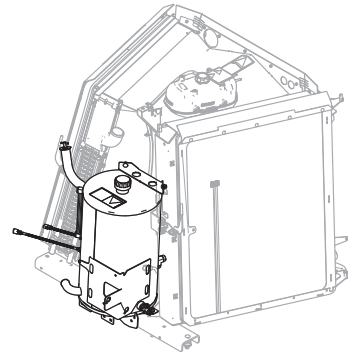
201. Connects to port P.

202. Connects to port CH.

203. Connects to ports C1 and C2.

204. Connects to port GC.

# 87 Hydraulics – Tank Fittings

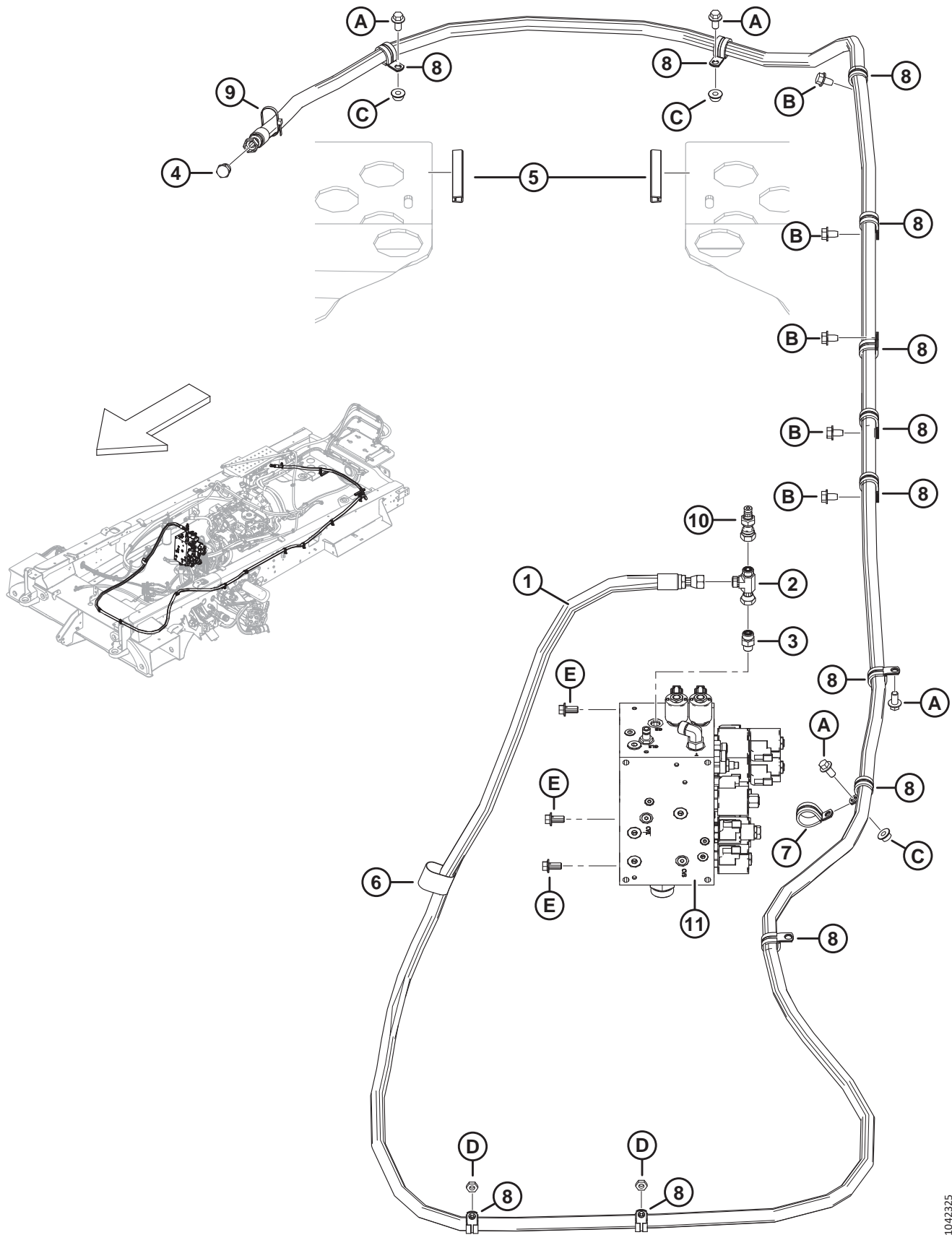


**HYDRAULICS – TANK FITTINGS**

<b>Ref</b>	<b>Part Number</b>	<b>Description</b>	<b>Qty</b>	<b>Serial Number</b>
1	202646	TANK – HYDRAULIC OIL <sup>205</sup>	1	
2	111975	PLUG – 0.875-14 MAGNETIC HEX HEAD	1	
3	208276	PLUG – EXPANDING RUBBER	1	
4	208277	CAP – BREATHER	1	
5	208278	GAUGE – LEVEL	1	
6	135786	FITTING – ADAPTER	1	
	30971	O-RING – #12 ORB		
	135867	O-RING – #10 ORFS		
7	135788	FITTING – ADAPTER	1	
	30971	O-RING – #12 ORB		
	135868	O-RING – #12 ORFS		
8	136257	FITTING – TEE HYD	1	
	30971	O-RING – #12 ORB		
	135868	O-RING – #12 ORFS		
9	138473	SWITCH – OIL LEVEL, ZINC BODY	1	
10	21980	FITTING – REDUCER BUSHING	1	
11	183905	SENSOR – OIL TEMP	1	
12	135791	FITTING – ADAPTER	1	
	50220	O-RING – #16 ORB		
	135554	O-RING – #16 ORFS		
13	136282	FITTING – TEE HYD	1	
	44210	O-RING – #10 ORB		
	135866	O-RING – #8 ORFS		
14	209812	FILTER – FILL TUBE	1	
A	135799	NUT – HEX FLG CTR LOC M10 X 1.5-10-A3L		
B	135785	BOLT – RHSN M10 X 1.5 X 25-8.8-A3L		
C	184657	BOLT – RHSSN M10 X 1.5 X 20-8.8-A3L		

205. Includes plugs (MD #111975, 208276), breather cap (MD #208277), level gauge (MD #208278), and decals (MD #166832, 207248).

# 88 Hydraulics – Fan/Lift Manifold



1042325

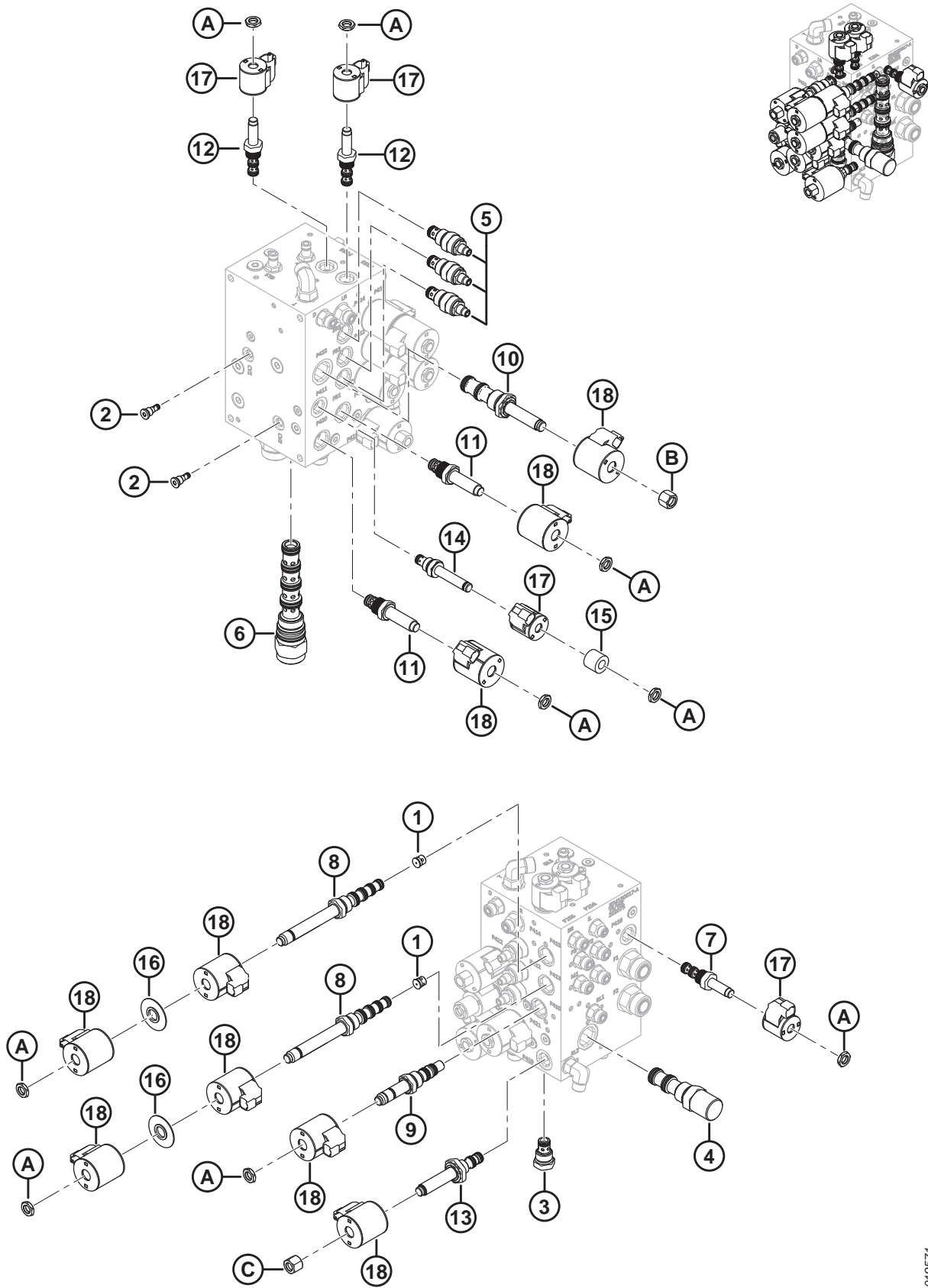
**HYDRAULICS – FAN/LIFT MANIFOLD**

<b>Ref</b>	<b>Part Number</b>	<b>Description</b>	<b>Qty</b>	<b>Serial Number</b>
1	306248	HOSE – HYDRAULIC	1	
2	136097	FITTING – TEE HYDRAULIC	1	
	135865	O-RING – Ø1.78 X Ø9.25		
3	320126	FITTING – ADAPTER .078 ORIFICE (GP) <sup>206</sup>	1	
4	136326	PLUG – HYD SAE - 6 ORFS	1	
5	176334	SEAL – EDGE TRIM	2	
6	135443	CINCH STRAP 4 IN. LG	1	
7	209032	CLAMP – P-CLIP, INSULATED, 1 IN.	1	
8	209018	CLAMP – INSULATED 7/8 IN.	12	
9	21763	FASTENER – CABLE TIE, BLACK, 160 MM LG	1	
10	252662	FITTING – NIPPLE HYDRAULIC	1	
11	202075	MANIFOLD – LIFT FAN <sup>207</sup>	1	
A	152655	BOLT – HEX FLG HD M10 X 1.5 X 20-8.8-AA1J		
B	136574	SCREW – HEX WASHER HD M10 X 1.5 X 16-450HV-AFOC		
C	135927	NUT – HEX FLG M10 X 1.5-8-AA1J		
D	136442	NUT – HEX THIN M10 X 1.5-05-AA1J		
E	152655	BOLT – HEX FLG HD M10 X 1.5 X 20-8.8-A3L		

206. Connects to port GP.

207. For service parts, refer to Section *89 Lift/Fan Manifold – Valves and Coils, page 211* and Section *90 Lift/Fan Manifold – Plugs and Fittings, page 215*.

# 89 Lift/Fan Manifold – Valves and Coils



LIFT/FAN MANIFOLD – VALVES AND COILS

Ref	Part Number	Description	Qty	Serial Number
	202075	MANIFOLD – LIFT FAN		
1	252333	VALVE – CHECK (P413, P415) <sup>208</sup>	2	
2	252331	VALVE – CHECK (CV1, CV3) <sup>209</sup>	2	
	252349	SEAL KIT		
3	252332	VALVE – CHECK (CV2) <sup>210</sup>	1	
	220908	SEAL KIT		
4	252334	VALVE – PRESSURE COMPENSATOR (EC) <sup>211</sup>	1	
	252355	SEAL KIT		
5	252336	VALVE – FLOW REGULATOR (FR1, FR2, FR3) <sup>212</sup>	3	
	133820	SEAL KIT		
6	252337	VALVE – DIRECTIONAL (PD) <sup>213</sup>	1	
	252358	SEAL KIT		
7	252340	VALVE – DIRECTIONAL (P416) <sup>214</sup>	1	
	252350	SEAL KIT		
8	252342	VALVE – DIRECTIONAL	2	
	252353	SEAL KIT		
9	252344	VALVE – DIRECTIONAL (P410) <sup>215</sup>	1	
	252352	SEAL KIT		
10	252345	VALVE – PRESSURE CONTROL (P422) <sup>216</sup>	1	
	252354	SEAL KIT		
11	209044	VALVE – FLOW CONTROL (P420, P421) <sup>217</sup>	2	
	220908	SEAL KIT		
12	252341	VALVE – DIRECTIONAL (P255, P256) <sup>218</sup>	2	
	252350	SEAL KIT		
13	252343	VALVE – DIRECTIONAL (P419) <sup>219</sup>	1	
	252350	SEAL KIT		
14	252339	VALVE – DIRECTIONAL (P411) <sup>220</sup>	1	
	129711	SEAL KIT		
15	252320	SPACER – COIL	1	
16	252321	SPACER – COIL	2	
17	252319	COIL – SOLENOID	4	
18	209045	COIL – SOLENOID	9	

208. Connects to plugs P413 and P415.

209. Connects to ports CV1 and CV3.

210. Connects to port CV2.

211. Connects to port EC.

212. Connects to ports FR1, FR2, and FR3.

213. Connects to port PD.

214. Connects to plug P416.

215. Connects to plug P410.

216. Connects to plug P422.

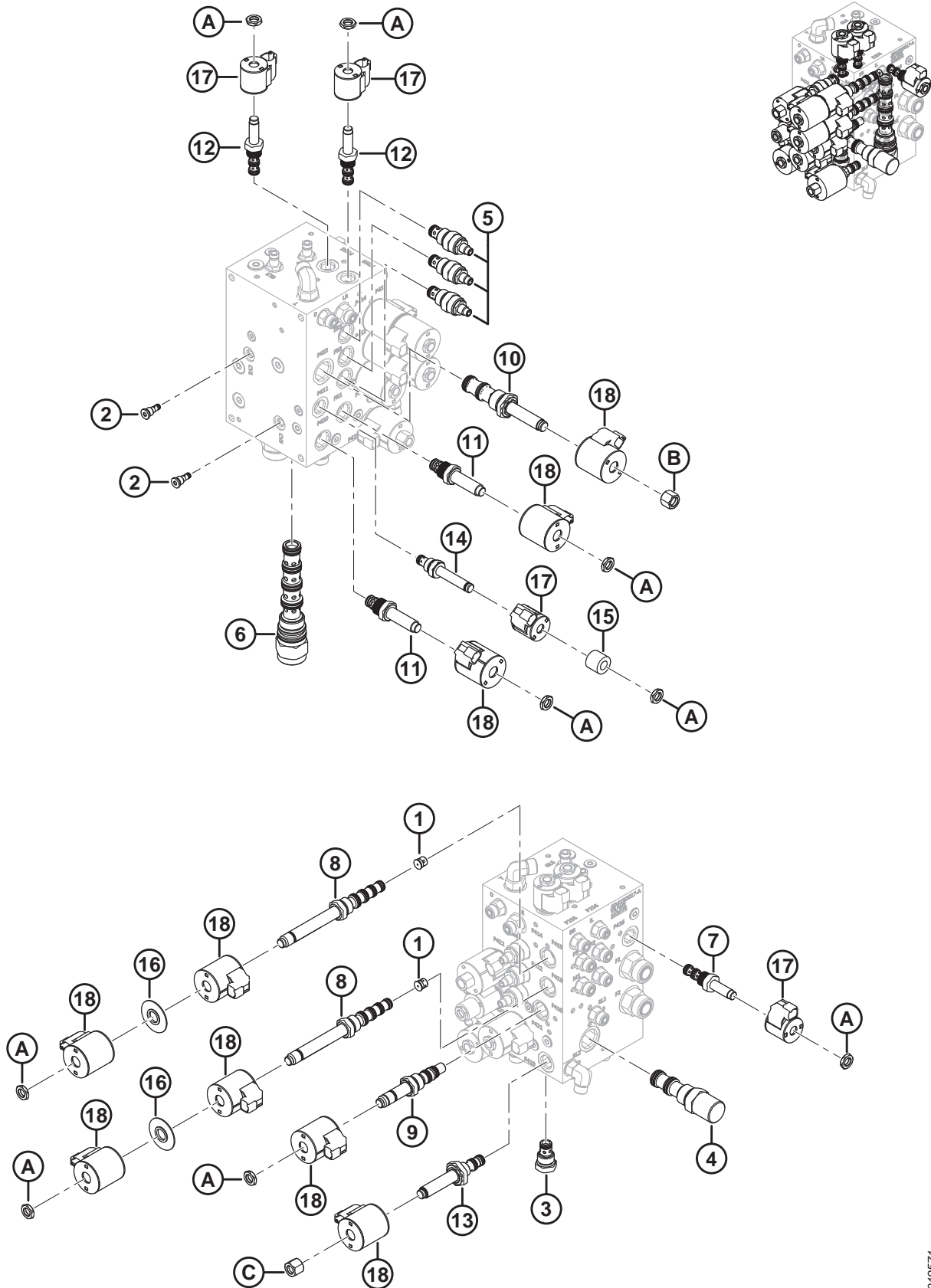
217. Connects to plug P420 and P421.

218. Connects to plugs P255 and P256.

219. Connects to plug P419.

220. Connects to plug P411.

LIFT/FAN MANIFOLD – VALVES AND COILS



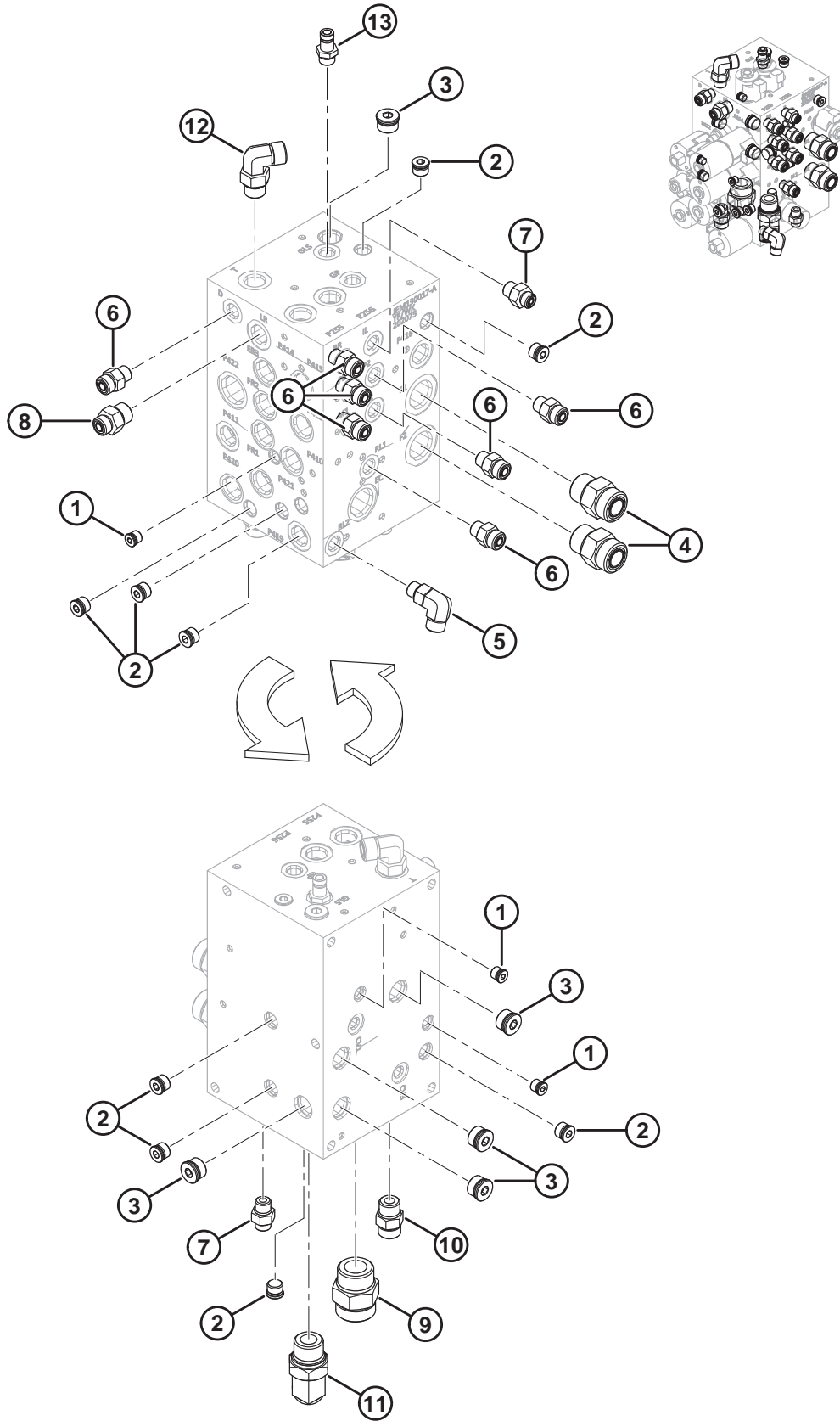
1019571



LIFT/FAN MANIFOLD – VALVES AND COILS

Ref	Part Number	Description	Qty	Serial Number
A	252360	NUT – COIL		
B	252364	NUT – COIL		
C	252361	NUT – COIL		

# 90 Lift/Fan Manifold – Plugs and Fittings



**LIFT/FAN MANIFOLD – PLUGS AND FITTINGS**

**NOTE:**

Valves and coils removed from illustration for clarity. Refer to Section *89 Lift/Fan Manifold – Valves and Coils, page 211.*

Ref	Part Number	Description	Qty	Serial Number
	202075	MANIFOLD – LIFT FAN		
1	252324	PLUG – ZERO LEAK	3	
2	252325	PLUG – ZERO LEAK	9	
	252347	O-RING – #6 ORB		
3	252327	PLUG – ZERO LEAK	5	
	252348	O-RING – #8 ORB		
4	135788	FITTING – ADAPTER (F1, F2) <sup>221</sup>	2	
	30971	O-RING – #12 ORB		
	135868	O-RING – #12 ORFS		
5	136095	FITTING – ELBOW 90° HYD (RL2) <sup>222</sup>	1	
	50219	O-RING – #6 ORB		
	135865	O-RING – #6 ORFS		
6	135778	FITTING – ADAPTER (BR, P2, P3, M1, M2, RL1, D) <sup>223</sup>	7	
	50219	O-RING – #6 ORB		
	135865	O-RING – #6 ORFS		
7	135776	FITTING – ADAPTER (IL, LS) <sup>224</sup>	2	
	50219	O-RING – #6 ORB		
	135957	O-RING – #4 ORFS		
8	191705	FITTING – ADAPTER 6 MORFS X 8 MORB (LR) <sup>225</sup>	1	
	44209	O-RING – #8 ORB		
	135865	O-RING – #6 ORFS		
9	135791	FITTING – ADAPTER (T1) <sup>226</sup>	1	
	50220	O-RING – #16 ORB		
	135554	O-RING – #16 ORFS		
10	135780	FITTING – ADAPTER (H) <sup>227</sup>	1	
	44209	O-RING – #8 ORB		
	135866	O-RING – #8 ORFS		
11	136418	FITTING – ELBOW 45° HYD (P) <sup>228</sup>	1	
	30971	O-RING – #12 ORB		
	135868	O-RING – #12 ORFS		
12	136220	FITTING – ELBOW 90° HYD (T) <sup>229</sup>	1	
	30971	O-RING – #12 ORB		
	135868	O-RING – #12 ORFS		

221. Connects to ports F1 and F2.

222. Connects to port RL2.

223. Connects to ports BR, P2, P3, M1, M2, RL1, and D.

224. Connects to ports IL and LS.

225. Connects to port LR.

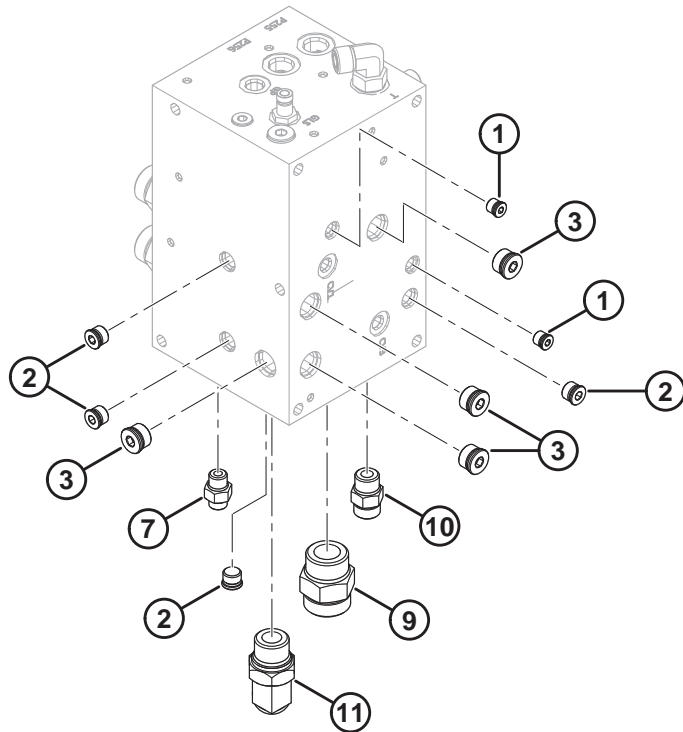
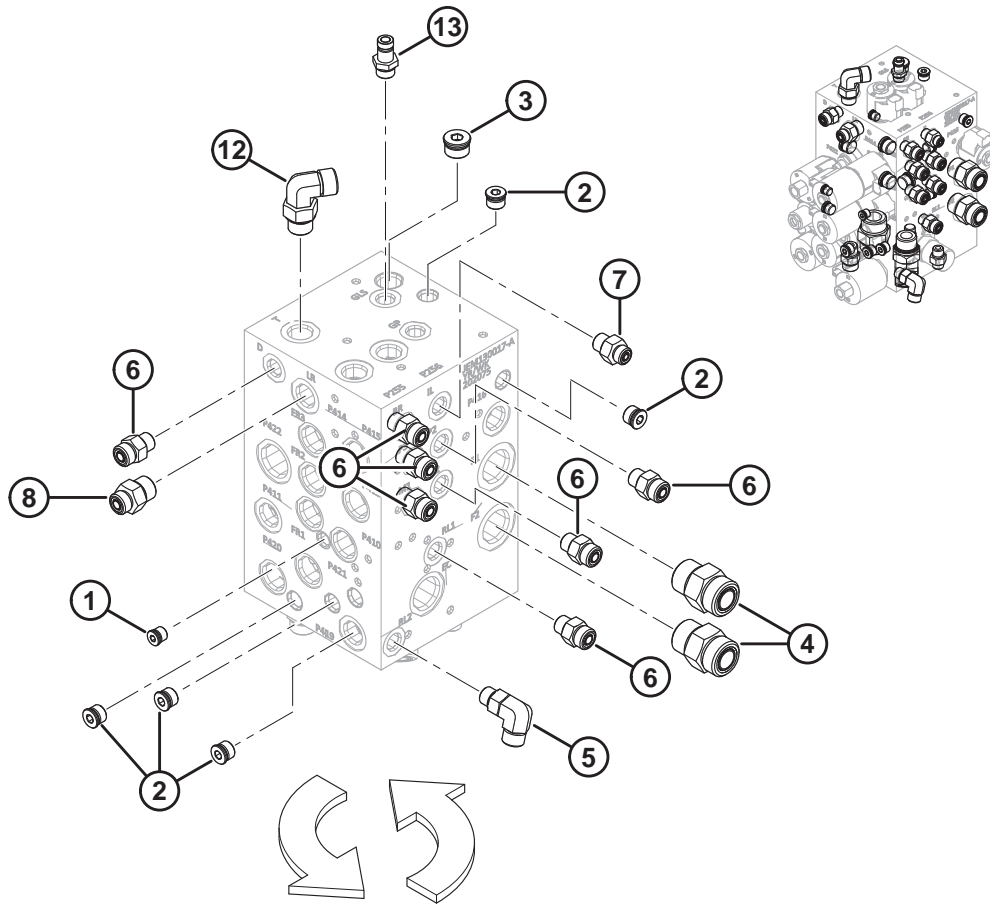
226. Connects to port T1.

227. Connects to port H.

228. Connects to port P.

229. Connects to port T.

LIFT/FAN MANIFOLD – PLUGS AND FITTINGS



1033566

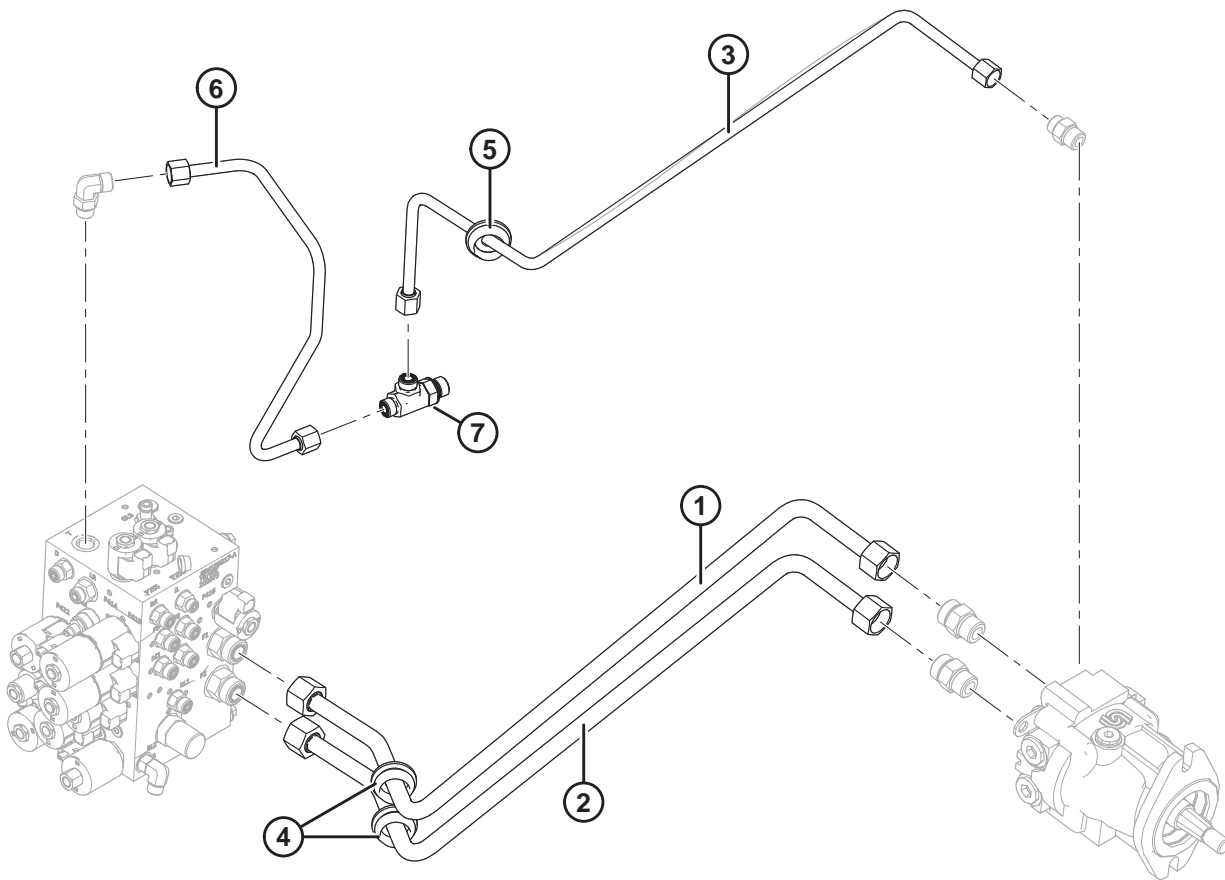
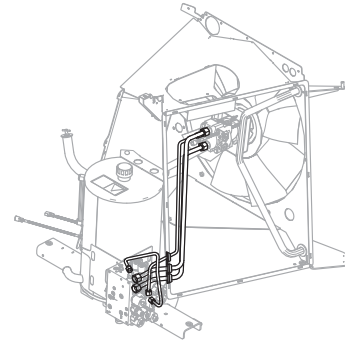
LIFT/FAN MANIFOLD – PLUGS AND FITTINGS

Ref	Part Number	Description	Qty	Serial Number
13	135587	NIPPLE – HYDRAULIC (GLS) <sup>230</sup>	1	
	50219	O-RING – #6 ORB		

---

230. Connects to port GLS.

# 91 Hydraulics – Fan Drive Lines



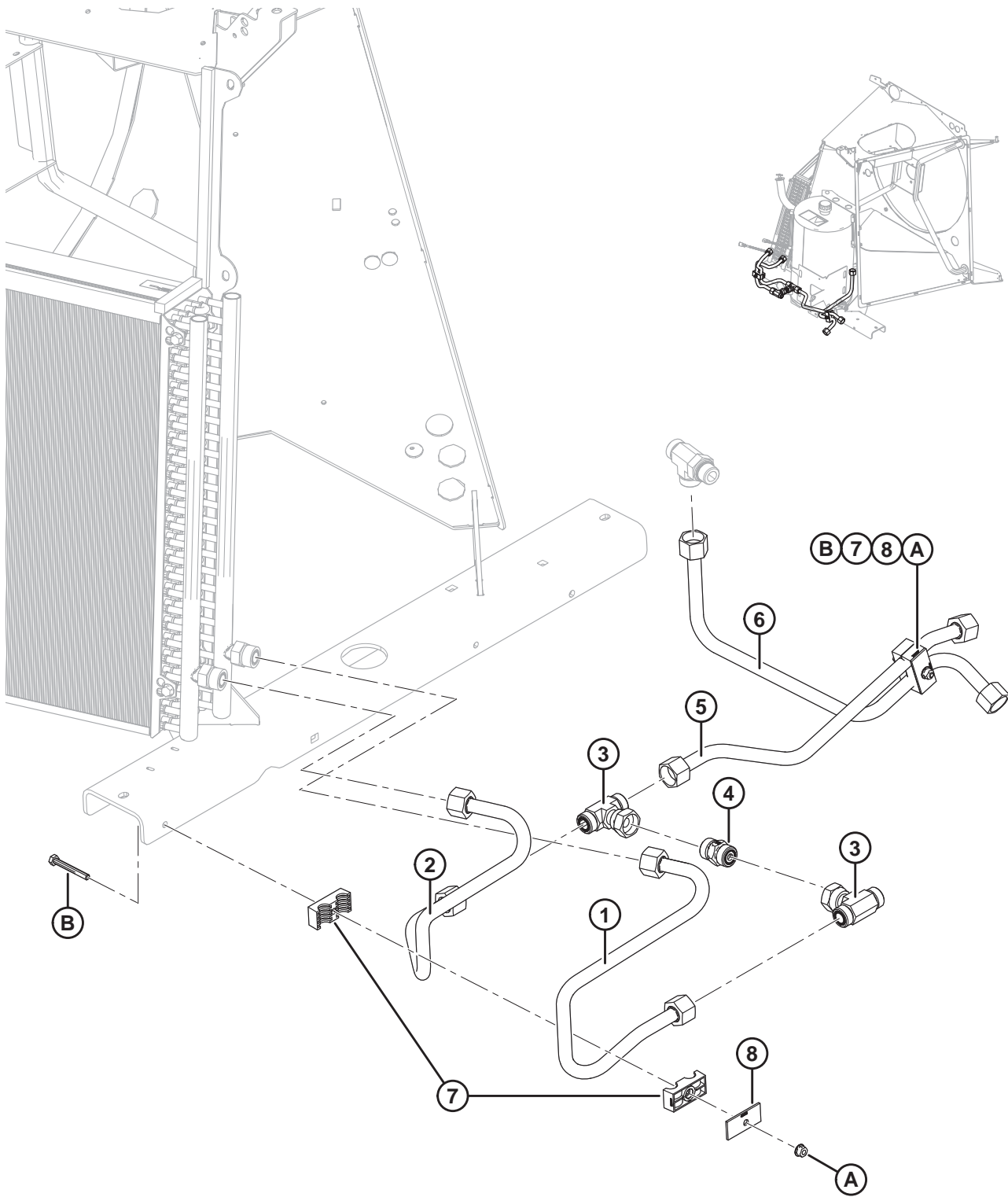
**HYDRAULICS – FAN DRIVE LINES**

<b>Ref</b>	<b>Part Number</b>	<b>Description</b>	<b>Qty</b>	<b>Serial Number</b>
1	201738	LINE – HYDRAULIC, 3/4 IN DIA	1	
2	201739	LINE – HYDRAULIC, 3/4 IN DIA	1	
3	201759	LINE – HYDRAULIC, 1/2 IN DIA	1	
4	45155	GROMMET – 0.75 IN I.D.	2	
5	42080	GROMMET – RUBBER	1	
6	205036	LINE – HYDRAULIC, 1/2 IN DIA	1	
7	136282	FITTING – TEE HYD <sup>231</sup>	1	
	44210	O-RING – #10 ORB		
	135866	O-RING – #8 ORFS		

---

231. Connects to the hydraulic tank.

## 92 Hydraulics – Oil Cooler Lines

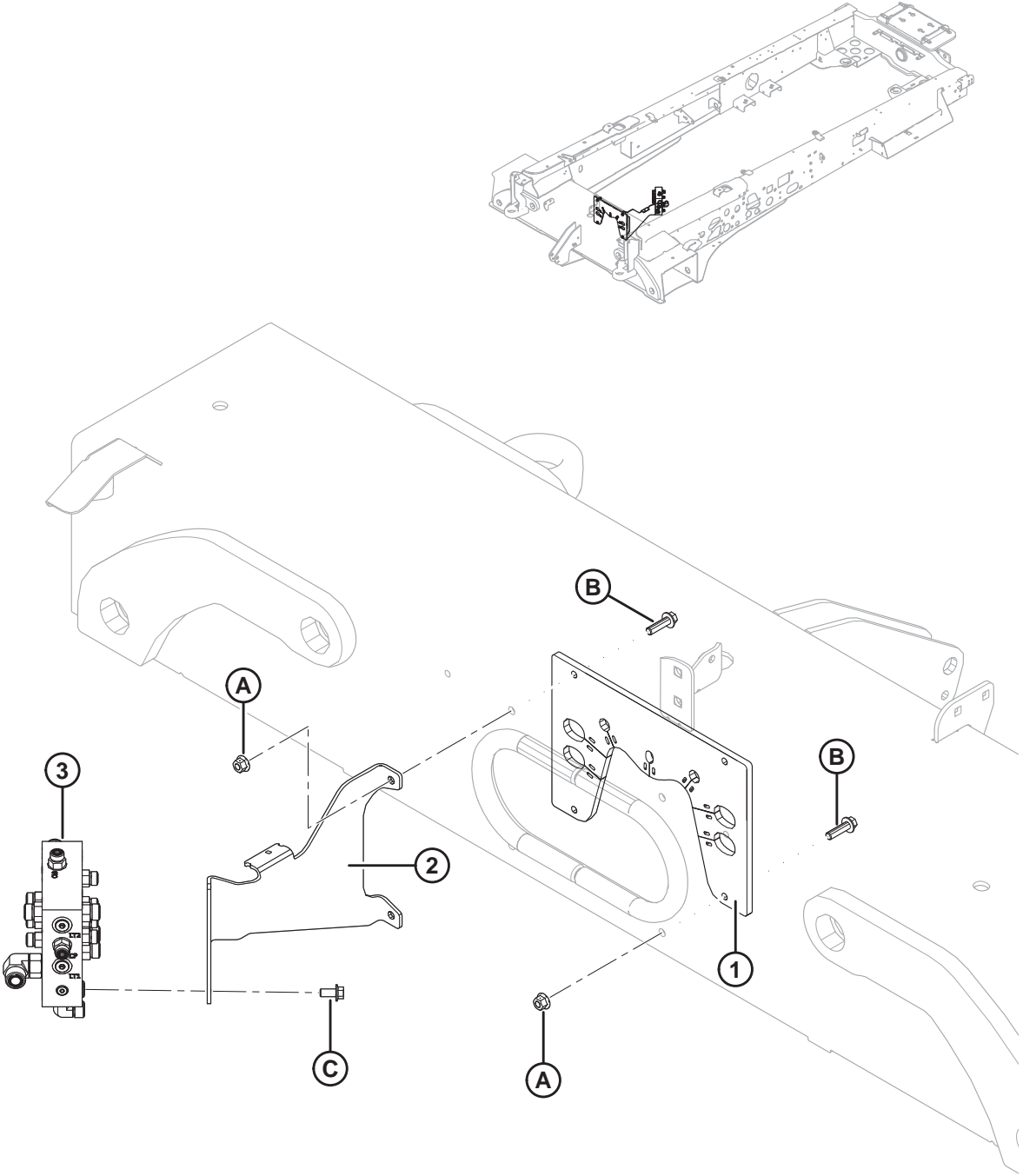




**HYDRAULICS – OIL COOLER LINES**

<b>Ref</b>	<b>Part Number</b>	<b>Description</b>	<b>Qty</b>	<b>Serial Number</b>
1	206850	LINE – HYDRAULIC, 3/4 IN DIA	1	
2	206878	LINE – HYDRAULIC, 3/4 IN DIA	1	
3	136256	FITTING – TEE HYD	2	
	135868	O-RING – #12 ORFS		
4	204847	VALVE – CHECK	1	
	135868	O-RING – #12 ORFS		
5	202714	LINE – HYDRAULIC, 3/4 IN DIA	1	
6	208411	LINE – HYDRAULIC, 3/4 IN DIA	1	
7	202991	CLAMP – TUBING	2	
8	232233	CLAMP – COVER PLATE	2	
A	135337	NUT – HEX FLG CTR LOC M8 X 1.25-8-A2L		
B	152775	BOLT – HEX HD M8 X 1.25 X 65-8.8-A2L		

# 93 Hydraulics – Frame Fittings



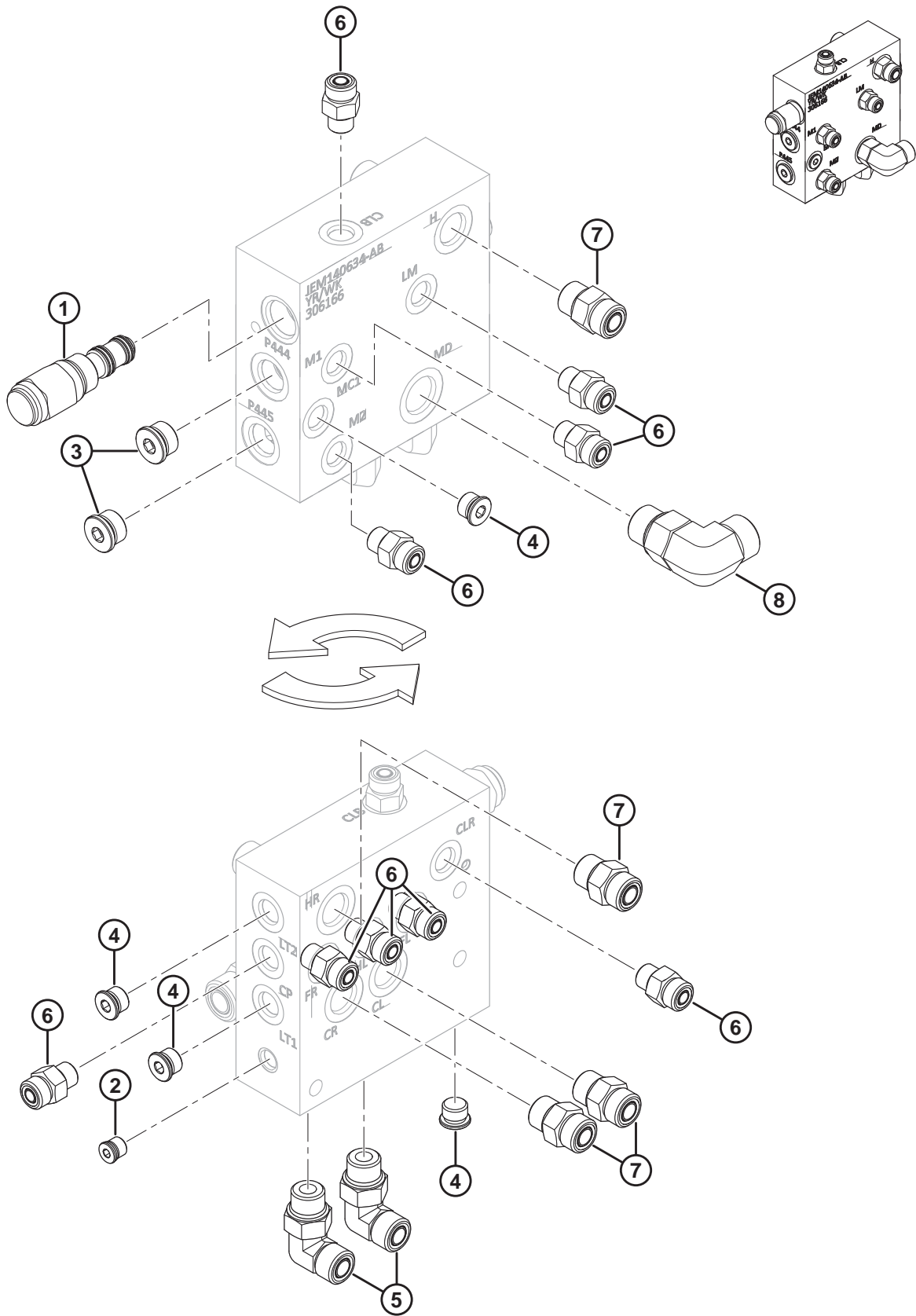
**HYDRAULICS – FRAME FITTINGS**

<b>Ref</b>	<b>Part Number</b>	<b>Description</b>	<b>Qty</b>	<b>Serial Number</b>
1	203150	STRAP – LINE SUPPORT	1	
2	203940	SUPPORT – LINE	1	
3	306166	MANIFOLD – JUNCTION <sup>232</sup>	1	
A	135799	NUT – HEX FLG CTR LOC M10 X 1.5-10-A3L		
B	152947	BOLT – HEX FLG HD TFL M10 X 1.5 X 40-10.9-AA1J		
C	152655	BOLT – HEX FLG HD M10 X 1.5 X 20-8.8-A3L		

---

232. For service parts, refer to Section *94 Junction Manifold – Service Parts*, page 225.

# 94 Junction Manifold – Service Parts



**JUNCTION MANIFOLD – SERVICE PARTS**

Ref	Part Number	Description	Qty	Serial Number
	306166	MANIFOLD – JUNCTION <sup>233</sup>		
1	252330	VALVE – CONTROL (CB) <sup>234</sup>	1	
	252352	SEAL KIT		
2	252324	PLUG – ZERO LEAK	1	
3	158174	PLUG – HEX SOCKET C/W O-RING (P444, P445) <sup>235</sup>	2	
	44209	O-RING – #8 ORB		
4	100577	PLUG – HEX SOCKET C/W O-RING (MC1, MC2, LT1, LT2,) <sup>236</sup>	4	
	50219	O-RING – #6 ORB		
5	136220	FITTING – ELBOW 90° HYD (MDL, MDR) <sup>237</sup>	2	
	44209	O-RING – #8 ORB		
	135866	O-RING – #8 ORFS		
6	135778	FITTING – ADAPTER (CLB, M1, M2, LM, HR, HL, FL, CLR, LT2) <sup>238</sup>	9	
	50219	O-RING – #6 ORB		
	135865	O-RING – #6 ORFS		
7	135780	FITTING – ADAPTER (H, HR, CR, CL) <sup>239</sup>	4	
	44209	O-RING – #8 ORB		
	135866	O-RING – #8 ORFS		
8	136089	FITTING – ELBOW 90° HYD (MD) <sup>240</sup>	1	
	44210	O-RING – #10 ORB		
	135867	O-RING – #10 ORFS		

233. Refer to Section *93 Hydraulics – Frame Fittings, page 223*.

234. Connects to port CB.

235. Connects to plugs P444 and P445.

236. Connects to ports MC1, MC2, LT1, and LT2.

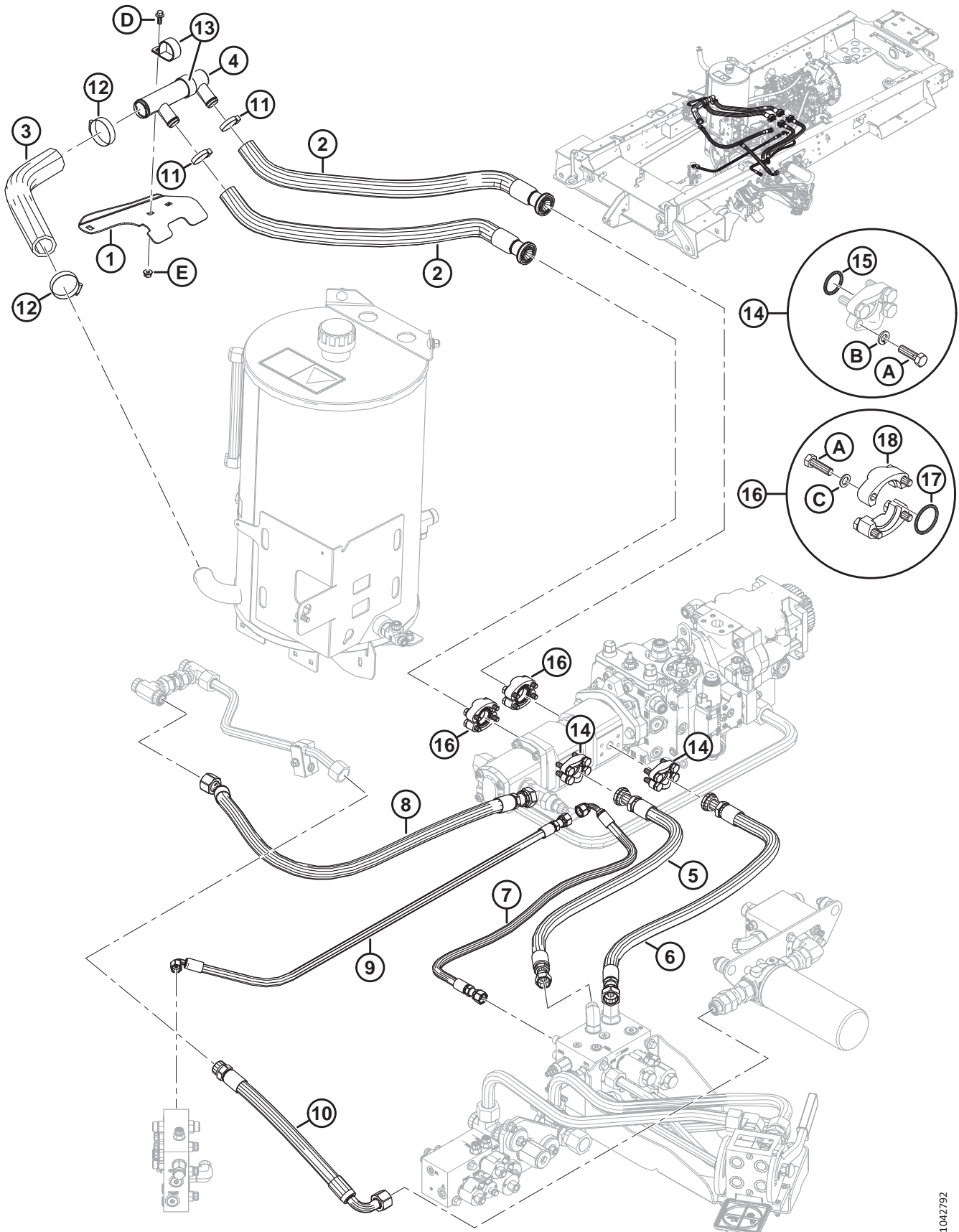
237. Connects to ports MDL and MDR.

238. Connects to ports CLB, M1, M2, LM, HR, HL, FL, CLR, and LT2.

239. Connects to ports H, HR, CR, and CL.

240. Connects to port MD.

# 95 Hydraulics – Charge Lines



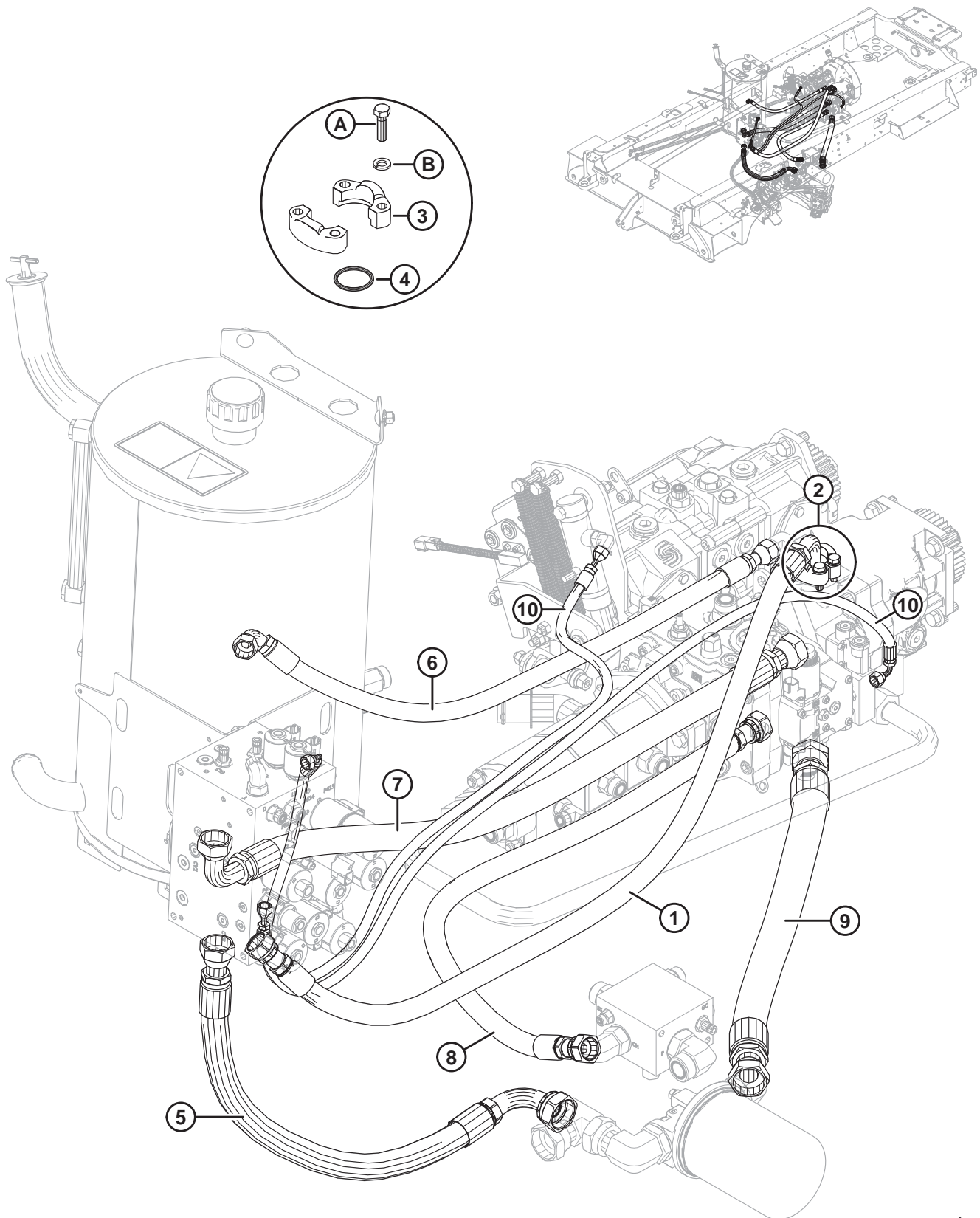
**HYDRAULICS – CHARGE LINES**

<b>Ref</b>	<b>Part Number</b>	<b>Description</b>	<b>Qty</b>	<b>Serial Number</b>
1	306925	SUPPORT – SUCTION HOSE	1	
2	362290	HOSE – SUCTION	2	
3	306877	HOSE – SUCTION	1	
4	306876	MANIFOLD – SUCTION, WELDT	1	
5	306830	HOSE – HYDRAULIC, 3/4 IN. I.D., 830 MM LG	1	
6	306829	HOSE – HYDRAULIC, 3/4 IN. I.D., 885 MM LG	1	
7	306818	HOSE – HYDRAULIC, 3/8 IN. I.D., 835 MM LG	1	
8	306814	HOSE – HYDRAULIC, 3/4 IN. I.D., 1135 MM LG	1	
9	206728	HOSE – HYDRAULIC, 3/8 IN. I.D., 1000 MM LG	1	
10	205213	HOSE – HYDRAULIC, 3/4 IN. I.D., 450 MM LG	1	
11	162442	CLAMP – HOSE	2	
12	135725	CLAMP – HOSE GEAR TYPE	2	
13	135724	CLAMP – INSULATED 1 1/2 IN.	2	
14	306699	KIT – SPLIT FLANGE, .75 IN. CD 61 <sup>241</sup>	2	
15	150595	O-RING – 3.53 X 24.99	2	
16	112866	KIT – SPLIT FLANGE, 1 IN. CD61 <sup>242</sup>	2	
17	112868	O-RING – 3.53 X 32.92	2	
18	194033	FLANGE – HALF SPLIT 1 INCH - CODE 61	4	
A	252640	BOLT – HH 3/8-16 X 1.25-GR8-AA3L		
B	18637	WASHER – REG. LOCK 3/8 IN. NOM. ID AA1J		
C	30191	WASHER – HARDENED ASTM F436 3/8		
D	136300	BOLT – HEX FLG HD TFL M8 X 1.25 X 20-8.8-AA3L		
E	135337	NUT – HEX FLG CTR LK M8 X 1.25-8-AA1J		

241. Kit includes O-ring (MD #150595), four bolts (MD #252640), and four lock washers (MD #18637).

242. Kit includes O-ring (MD #112868), two flange halves (MD #194033), four bolts (MD #252640), and four lock washers (MD #30191).

# 96 Hydraulics – Open Drive Lines





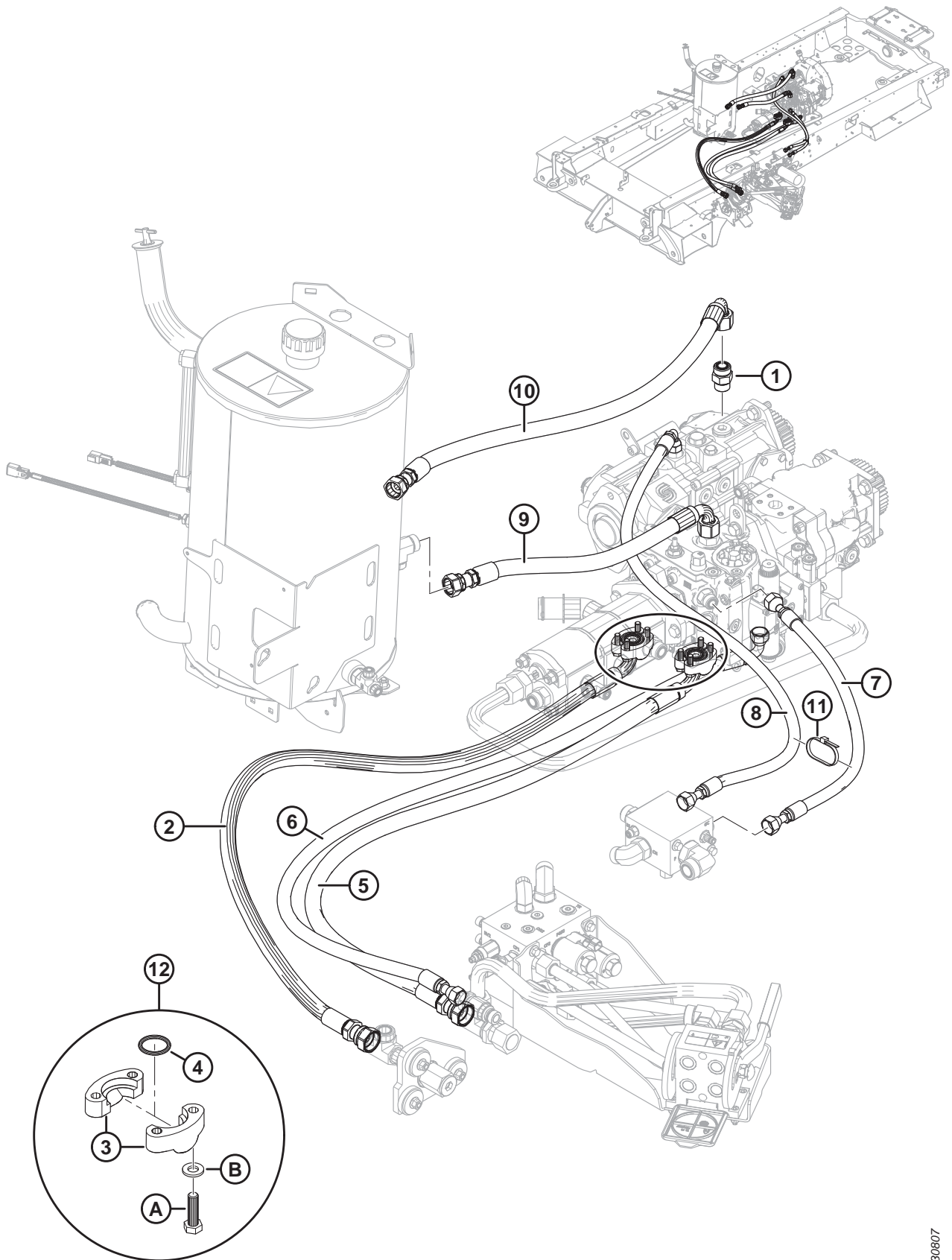
**HYDRAULICS – OPEN DRIVE LINES**

<b>Ref</b>	<b>Part Number</b>	<b>Description</b>	<b>Qty</b>	<b>Serial Number</b>
1	201733	HOSE – HYDRAULIC, 3/4 IN. I.D., 1370 MM LG	1	
2	112866	KIT – SPLIT FLANGE, 1 IN. CD 61 <sup>243</sup>	1	
3	194033	FLANGE – HALF SPLIT 1 IN., CODE 61	2	
4	112868	O-RING – 1.296 IN. I.D. X 0.139 IN. WALL	1	
5	201722	HOSE – HYDRAULIC, 1 IN. I.D., 700 MM LG	1	
6	201736	HOSE – HYDRAULIC, 5/8 IN. I.D., 920 MM LG	1	
7	201723	HOSE – HYDRAULIC, 1 IN. I.D., 1080 MM LG	1	
8	202903	HOSE – HYDRAULIC, 3/4 IN. I.D., 1080 MM LG	1	
9	291675	HOSE – HYDRAULIC, 1-1/4 IN. I.D., 970 MM LG	1	
10	201845	HOSE – HYDRAULIC, 1/4 IN. I.D., 1450 MM LG	2	
A	252640	BOLT – HH 3/8-16 X 1.25-GR8-AA3L		
B	30191	WASHER – HARDENED ASTM F436 3/8		

---

243. Kit includes O-ring (MD #112868), two flange halves (MD #194033), four bolts (MD #252640), and four lock washers (MD #30191).

# 97 Hydraulics – Closed Drive Lines

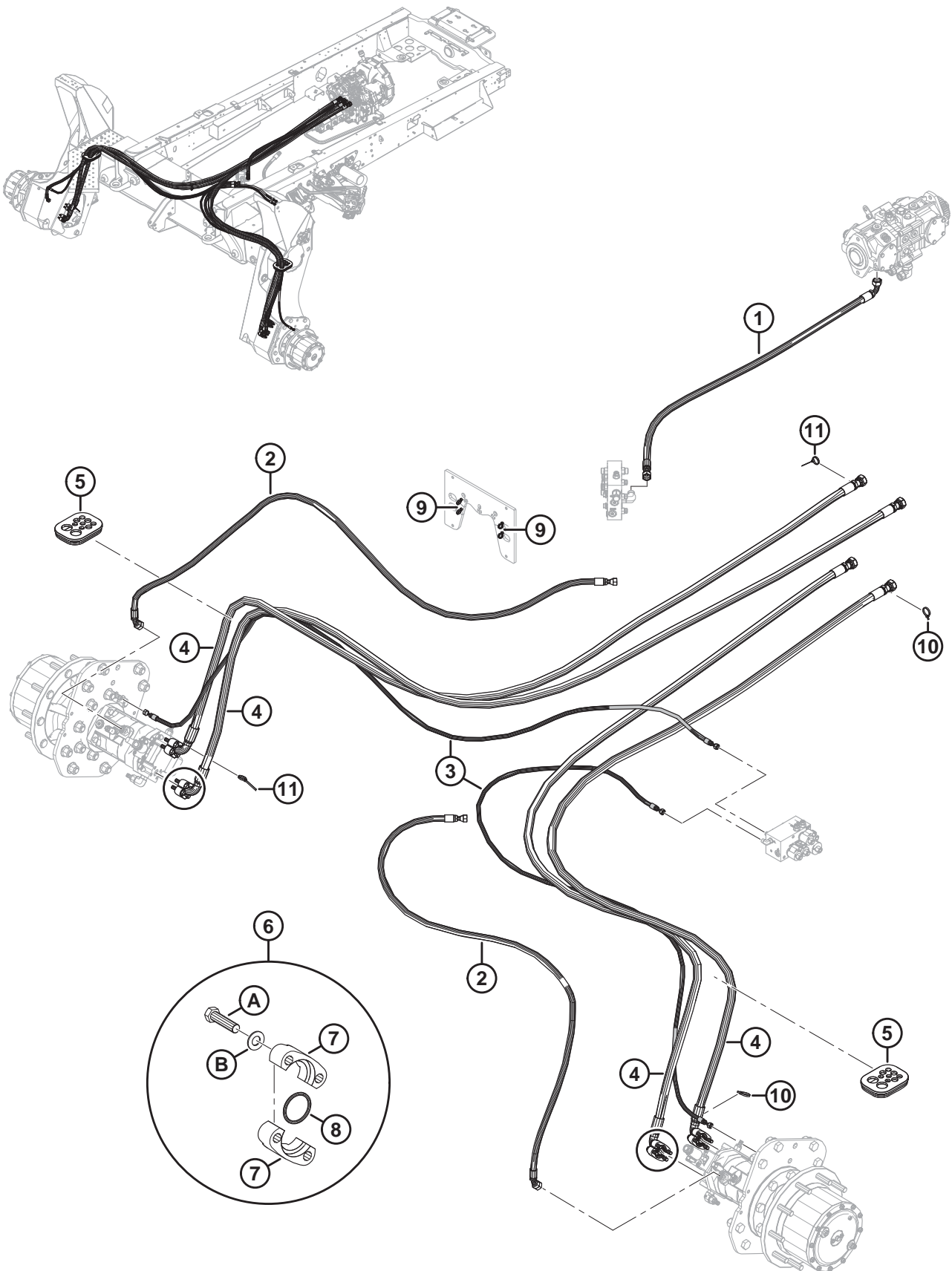


**HYDRAULICS – CLOSED DRIVE LINES**

<b>Ref</b>	<b>Part Number</b>	<b>Description</b>	<b>Qty</b>	<b>Serial Number</b>
1	135788	FITTING – ADAPTER	1	
	30971	O-RING – SAE #12		
	135868	O-RING – #12 ORFS		
2	201835	HOSE – HYDRAULIC, 3/4 IN. I.D., 1570 MM LG	1	
3	194026	FLANGE – HALF SPLIT 3/4 IN., CODE 62	4	
4	150595	O-RING – 0.984 IN. I.D. X 0.139 IN. WALL	2	
5	203573	HOSE – HYDRAULIC, 3/4 IN. I.D., 1390 MM LG	1	
6	203574	HOSE – HYDRAULIC, 3/4 IN. I.D., 1680 MM LG	1	
7	203572	HOSE – HYDRAULIC, 1/2 IN. I.D., 650 MM LG	1	
8	201832	HOSE – HYDRAULIC, 1/2 IN. I.D., 1150 MM LG	1	
9	201734	HOSE – HYDRAULIC, 3/4 IN. I.D., 590 MM LG	1	
10	201735	HOSE – HYDRAULIC, 3/4 IN. I.D., 915 MM LG	1	
11	21763	FASTENER – CABLE TIE, BLACK, 160 MM LG	1	
12	320082	KIT – SPLIT FLANGE, 19 MM, CD62 <sup>244</sup>	2	
A	320081	BOLT – HEX HD M10 X 1.5 X 35-10.9-AA1J		
B	30655	WASHER – HARD M10-340HV-AB0C		

244. Kit includes O-ring (MD #150595), two half-split flanges (MD #194026), four bolts (MD #320081), and four washers (MD #30655).

# 98 Hydraulics – Traction Drive



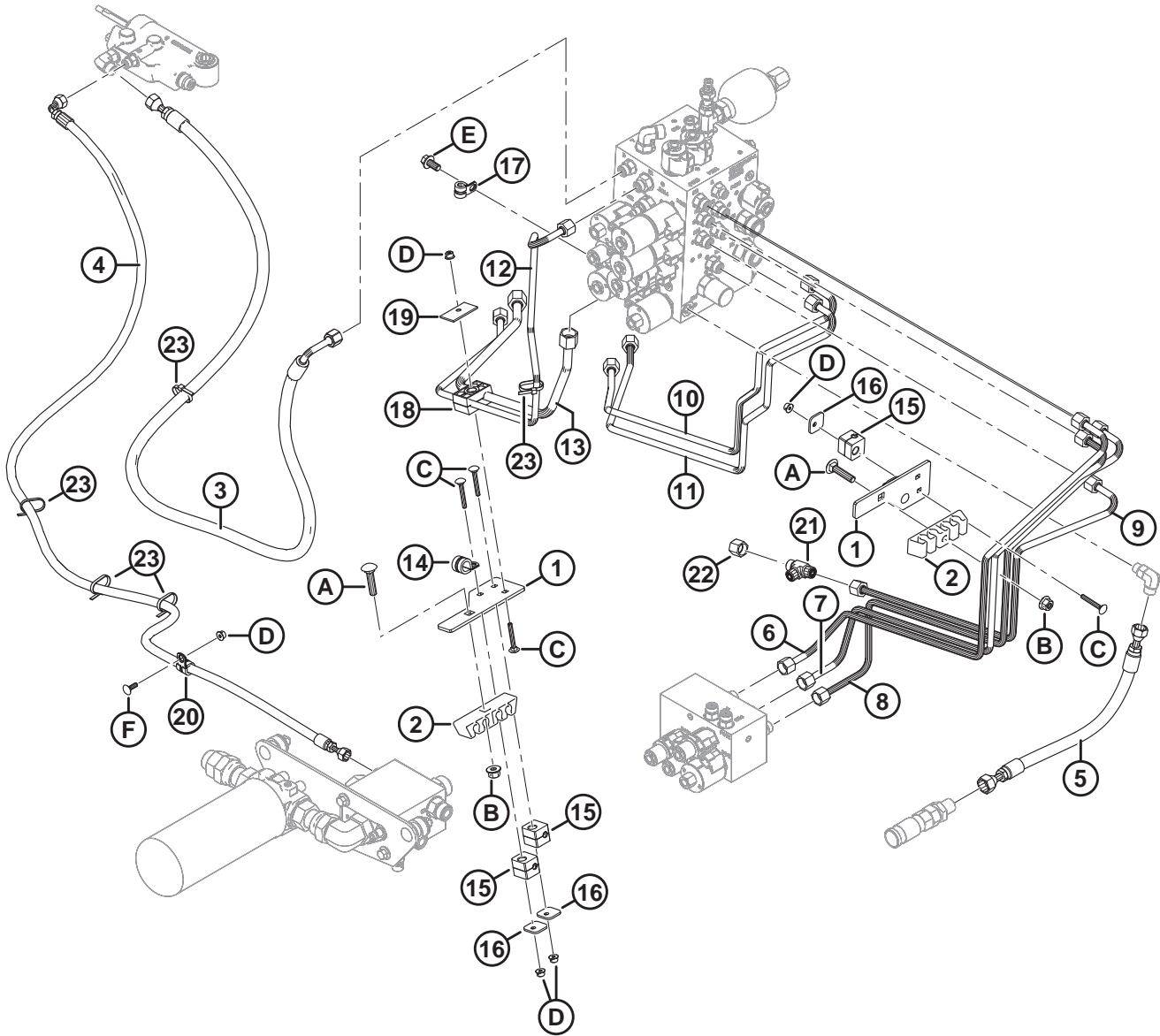
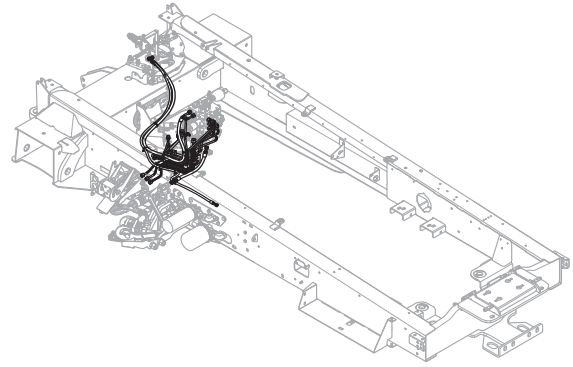
**HYDRAULICS – TRACTION DRIVE**

<b>Ref</b>	<b>Part Number</b>	<b>Description</b>	<b>Qty</b>	<b>Serial Number</b>
1	203937	HOSE – HYDRAULIC, 5/8 IN. I.D., 1500 MM LG	1	
2	206184	HOSE – HYDRAULIC, 1/2 IN. I.D., 2250 MM LG	2	
3	206623	HOSE – HYDRAULIC, 1/4 IN. I.D., 2850 MM LG	2	
4	208579	HOSE – HYDRAULIC, 3/4 IN. I.D., 3830 MM LG	4	
5	204760	GROMMET – LEG	2	
6	138127	KIT – SPLIT FLANGE, 1 IN. CD62 <sup>245</sup>	4	
7	194043	FLANGE – HALF SPLIT 1 IN.	8	
8	112868	O-RING – 3.53 X 32.92	4	
9	21763	FASTENER – CABLE TIE, BLACK, 160 MM LG	4	
10	40701	FASTENER – CABLE TIE, YELLOW	2	
11	40702	FASTENER – CABLE TIE, RED	2	
A	21564	BOLT – HEX HD 7/16 - 14 X 1.75 GR 5 AA1J		
B	18652	WASHER – REG. LOCK 7/16 IN. NOM. ID AA1J		

---

245. Includes two half-split flanges (MD #194043), O-ring (MD #112868), four bolts (MD #21564), and four lock washers (MD #18652).

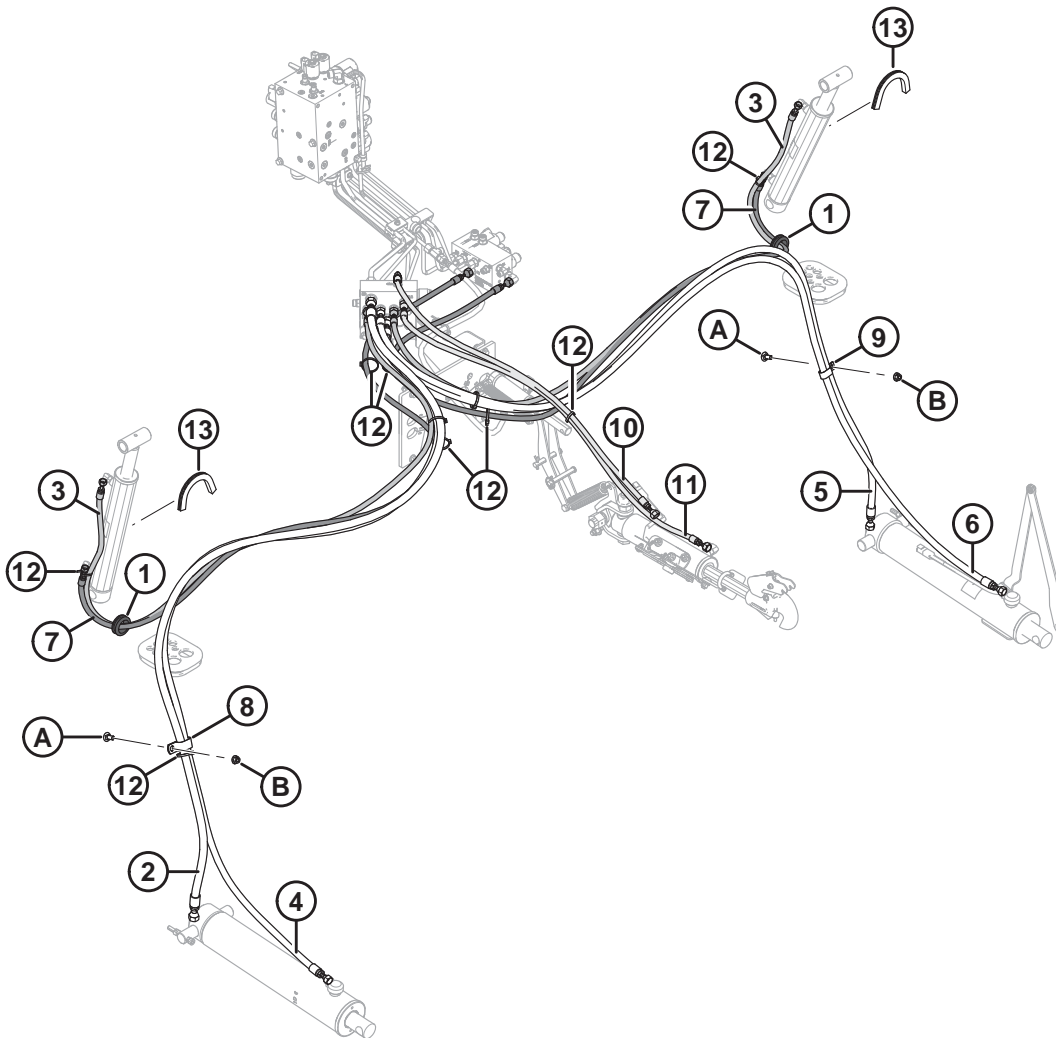
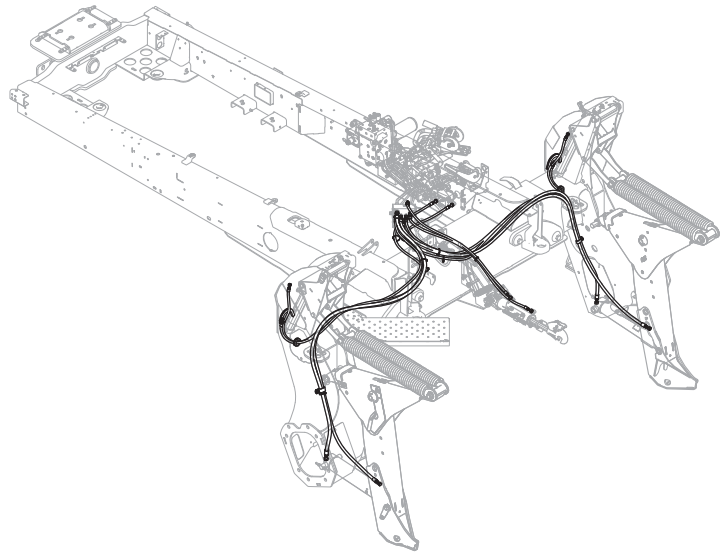
# 99 Hydraulics – Control Lines



**HYDRAULICS – CONTROL LINES**

<b>Ref</b>	<b>Part Number</b>	<b>Description</b>	<b>Qty</b>	<b>Serial Number</b>
1	205356	PLATE – CLAMP MOUNT	2	
2	220478	CLAMP	2	
3	203979	HOSE – HYDRAULIC, 3/8 IN. I.D., 1700 MM LG	1	
4	203984	HOSE – HYDRAULIC, 1/4 IN. I.D., 1870 MM LG	1	
5	205273	HOSE – HYDRAULIC, 3/8 IN. I.D., 380 MM LG	1	
6	207425	LINE – HYDRAULIC, 3/8 IN. DIA	1	
7	203975	LINE – HYDRAULIC, 3/8 IN. DIA	1	
8	203974	LINE – HYDRAULIC, 3/8 IN. DIA	1	
9	207426	LINE – HYDRAULIC, 3/8 IN. DIA	1	
10	203966	LINE – HYDRAULIC, 3/8 IN. DIA	1	
11	203967	LINE – HYDRAULIC, 3/8 IN. DIA	1	
12	206208	LINE – HYDRAULIC, 3/8 IN. DIA	1	
13	207446	LINE – HYDRAULIC, 1/2 IN. DIA	1	
14	135716	CLAMP – INSULATED 5/8 IN.	1	
15	184304	CLAMP PAIR – TUBE 3/8 IN. DIA (PAIR)	4	
16	184305	CLAMP – COVER PLATE	4	
17	136410	CLAMP – INSULATED 3/8 IN.	1	
18	184307	CLAMP PAIR – TUBE 0.5 IN./0.375 IN. CLAMP	1	
19	184303	CLAMP – COVER PLATE	1	
20	135818	CLAMP – INSULATED 1/2 IN.	1	
21	136098	FITTING – TEE HYD	1	
	135865	O-RING – #6 ORFS		
22	136325	CAP – HYD SAE-6 ORFS	1	
23	21763	FASTENER – CABLE TIE, BLACK, 160 MM LG	5	
A	136421	BOLT – RHSN M10 X 1.5 X 45-8.8-A3L		
B	135799	NUT – HEX FLG CTR LOC M10 X 1.5-10-A3L		
C	136731	BOLT – RHSN M6 X 1 X 45-8.8-A2L		
D	152668	NUT – HEX FLG CTR LOC M6 X 1-8-A2L		
E	152655	BOLT – HEX FLG HD M10 X 1.5 X 20-8.8-A3L		
F	184641	BOLT – RHSN M6 X 1 X 20-8.8-A2L		

# 100 Hydraulics – Lift System

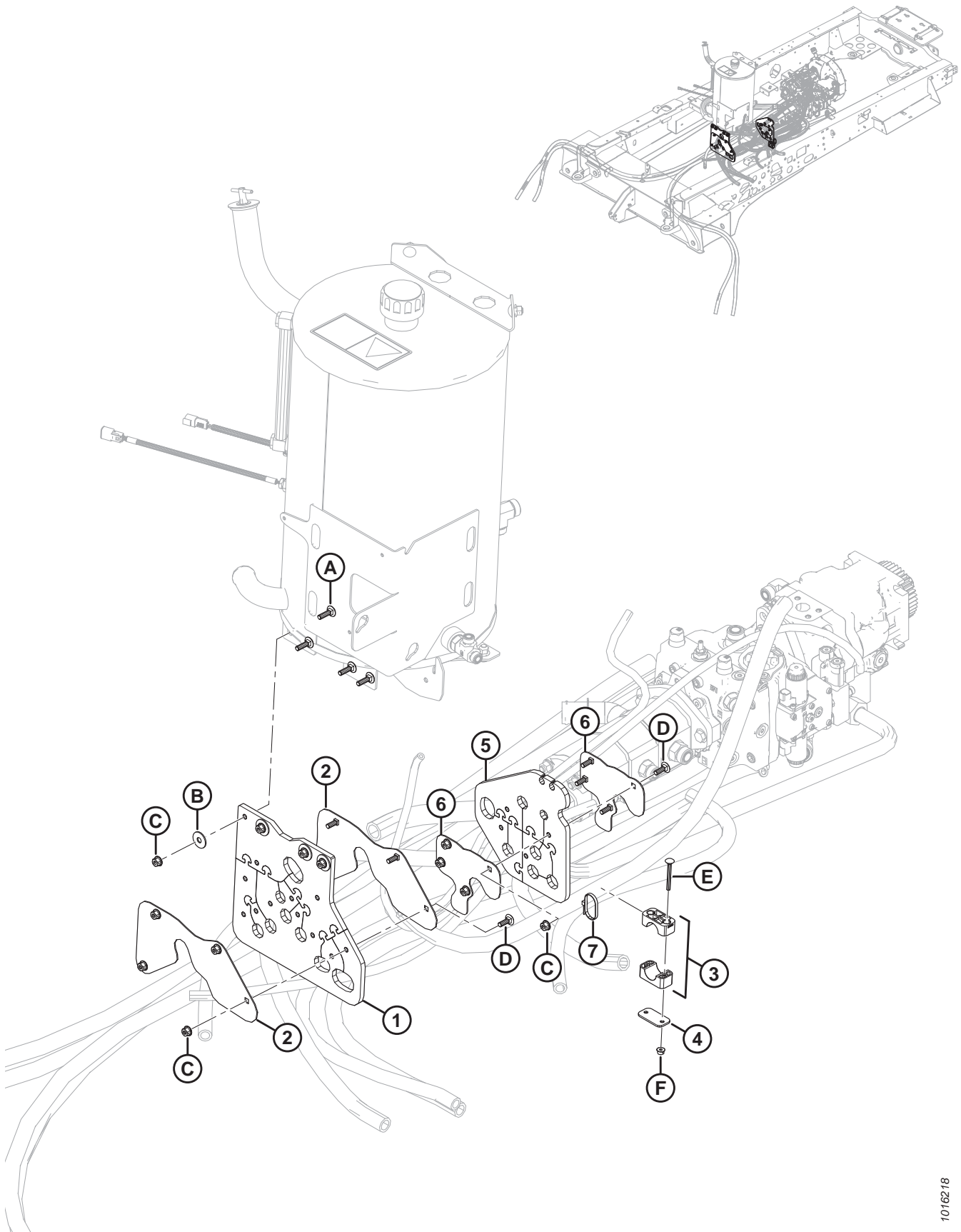




**HYDRAULICS – LIFT SYSTEM**

<b>Ref</b>	<b>Part Number</b>	<b>Description</b>	<b>Qty</b>	<b>Serial Number</b>
1	174149	GROMMET – 1.50 IN. I.D.	2	
2	206193	HOSE – HYDRAULIC, 1/2 IN. I.D., 2550 MM LG	1	
3	206195	HOSE – HYDRAULIC, 1/4 IN. I.D., 2250 MM LG	2	
4	206194	HOSE – HYDRAULIC, 3/8 IN. I.D., 2800 MM LG	1	
5	206196	HOSE – HYDRAULIC, 3/8 IN. I.D., 2500 MM LG	1	
6	208325	HOSE – HYDRAULIC, 3/8 IN. I.D., 2800 MM LG	1	
7	206192	HOSE – HYDRAULIC, 1/4 IN. I.D., 2420 MM LG	2	
8	103738	CLAMP – PVC INSULATED 13/16 IN. TUBE SIZE	1	
9	135235	CLAMP – DOUBLE HOSE INSULATED	1	
10	207454	HOSE – HYDRAULIC, 1/4 IN. I.D., 1200 MM LG	1	
11	207455	HOSE – HYDRAULIC, 1/4 IN. I.D., 1360 MM LG	1	
12	21763	FASTENER – CABLE TIE, BLACK, 160 MM LG	10	
13	141220	SEAL – EDGE TRIM	2	
A	135785	BOLT – RHSN M10 X 1.5 X 25-8.8-A3L		
B	135799	NUT – HEX FLG CTR LOC M10 X 1.5-10-A3L		

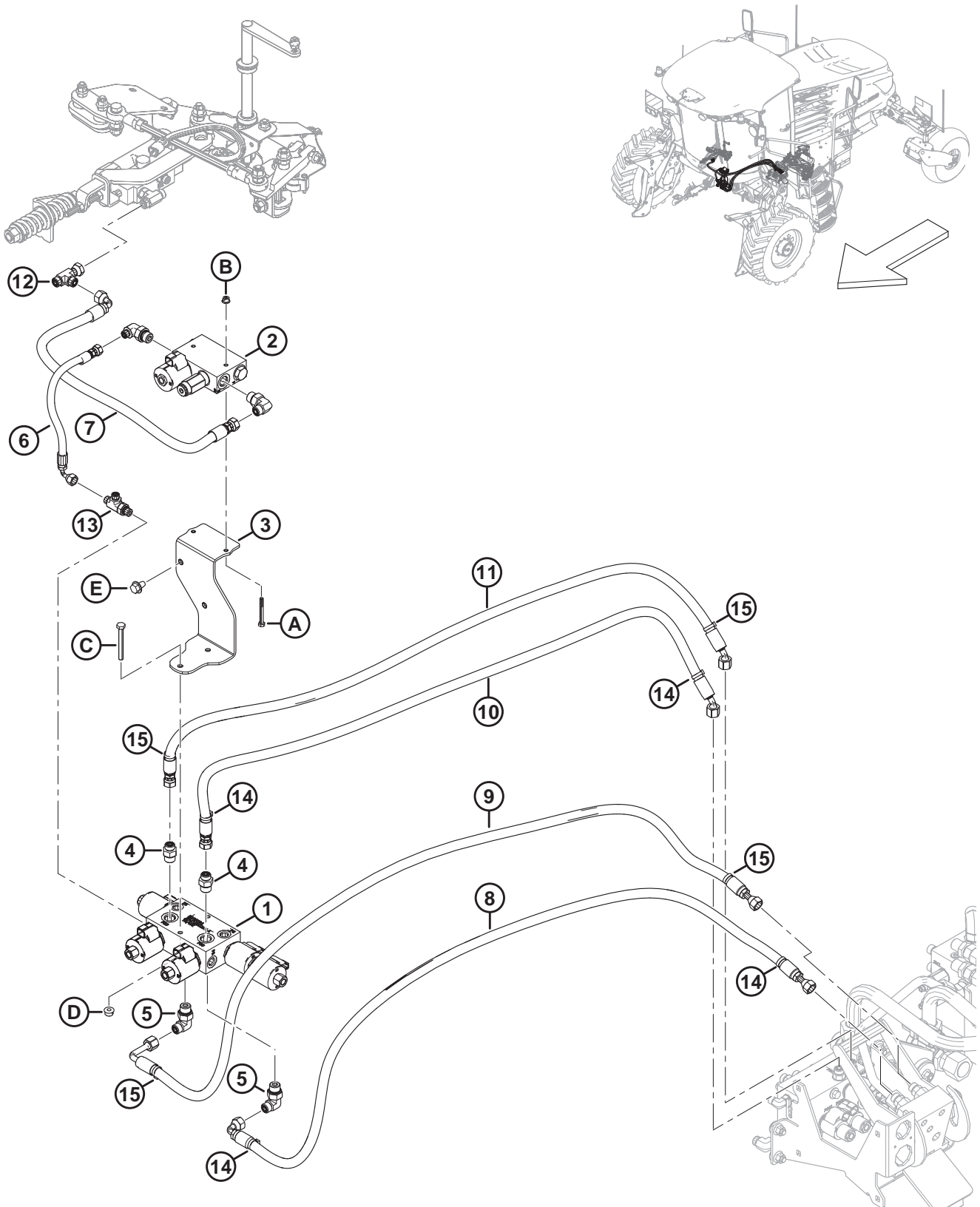
# 101 Hydraulics – Line Supports



**HYDRAULICS – LINE SUPPORTS**

<b>Ref</b>	<b>Part Number</b>	<b>Description</b>	<b>Qty</b>	<b>Serial Number</b>
1	203132	STRAP – LINE SUPPORT	1	
2	203380	PLATE – ROUTING CLAMP	2	
3	136647	CLAMP – LINE	1	
4	136648	CLAMP – COVER PLATE	1	
5	306323	STRAP – LINE SUPPORT	1	
6	203647	PLATE – ROUTING CLAMP	2	
7	21763	FASTENER – CABLE TIE, BLACK, 160 MM LG	1	
A	190752	BOLT – RHSN M8 X 1.25 X 30-8.8-A2L		
B	19685	WASHER – FLAT		
C	135337	NUT – HEX FLG CTR LOC M8 X 1.25-8-A2L		
D	184648	BOLT – RHSN M8 X 1.25 X 25-8.8-A3L		
E	184645	BOLT – RHSN M6 X 1 X 60-8.8-A2L		
F	152668	NUT – HEX FLG CTR LOC M6 X 1-8-A2L		

# 102 Hydraulics – Narrow Transport, M2170NT



1034416

**HYDRAULICS – NARROW TRANSPORT, M2170NT**

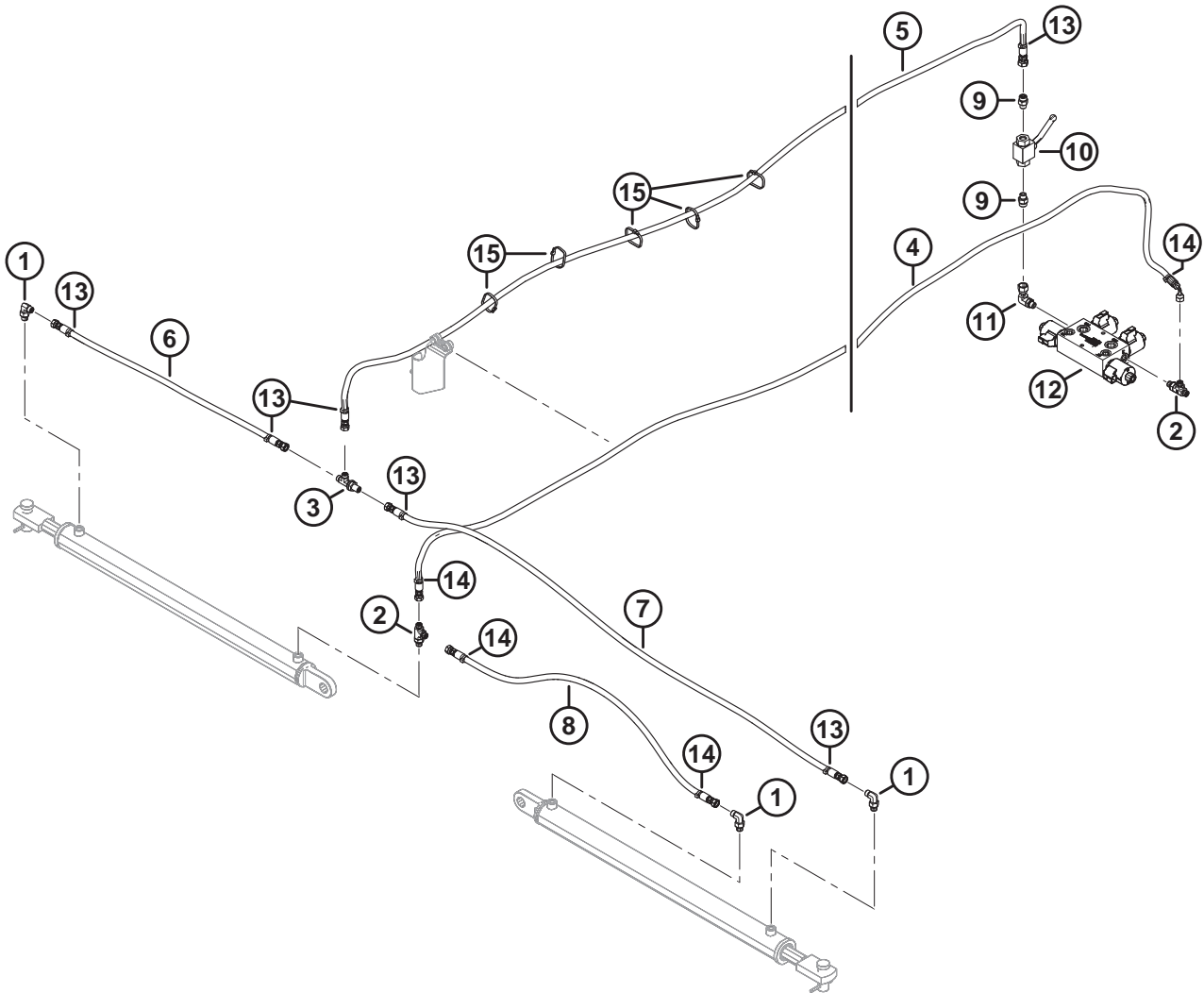
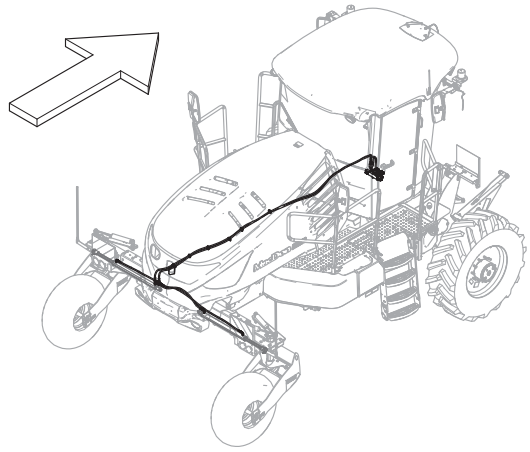
Ref	Part Number	Description	Qty	Serial Number
1	310094	MANIFOLD – NARROW TRANSPORT <sup>246</sup>	1	
	252343	VALVE – DIRECTIONAL		
	252361	NUT – COIL		
	209045	COIL – SOLENOID		
2	310488	ASSY – RELIEF VALVE W/ FITTINGS <sup>247</sup>	1	
	310487	MANIFOLD – RELIEF <sup>248</sup>	1	
	209045	COIL – SOLENOID		
	346038	VALVE – RELIEF		
	30977	PLUG – HEX C/W O-RING		
3	310817	SUPPORT – MANIFOLD	1	
4	191705	FITTING – ADAPTER HYD	2	
	44209	O-RING – Ø2.21 X Ø16.36		
	135865	O-RING – Ø1.78 X Ø9.25		
5	136149	FITTING – ELBOW 90°HYD	2	
	44209	O-RING – Ø2.21 X Ø16.36		
	135865	O-RING – Ø1.78 X Ø9.25		
6	310383	HOSE	1	
7	310186	HOSE	1	
8	310178	HOSE	1	
9	310177	HOSE	1	
10	310176	HOSE	1	
11	310175	HOSE	1	
12	136097	FITTING – TEE HYD	1	
	135865	O-RING – Ø1.78 X Ø9.25		
13	310248	FITTING – TEE HYD	1	
	50223	O-RING – Ø1.83 X Ø8.92		
	135865	O-RING – Ø1.78 X Ø9.25		
14	40703	FASTENER – CABLE TIE, BLUE	4	
15	40702	FASTENER – CABLE TIE, RED	4	
A	136595	BOLT – HEX HD M6 X 1 X 55-8.8		
B	152668	NUT – HEX FLG CTR LOC M6 X 1-8		
C	184656	BOLT – HEX HD M8 X 1.25 X 70-8.8-AA1J		
D	135337	NUT – HEX FLG CTR LK M8 X 1.25-8-AA1J		
E	136574	SCREW – HEX WASHER HD M10 X 1.5 X 16-450HV-AFOC		

246. Includes four directional valves (MD #252343), four coil nuts (MD #252361), and four solenoid coils (MD #209045).

247. Includes relief manifold (MD #310487), 90° elbow fitting (MD #136929), and 90° elbow fitting (MD #136149).

248. Includes solenoid coil (MD #209045), relief valve (MD #346038), and two hex plugs (MD #30977).

# 103 Hydraulics – Walking Beam, M2170NT

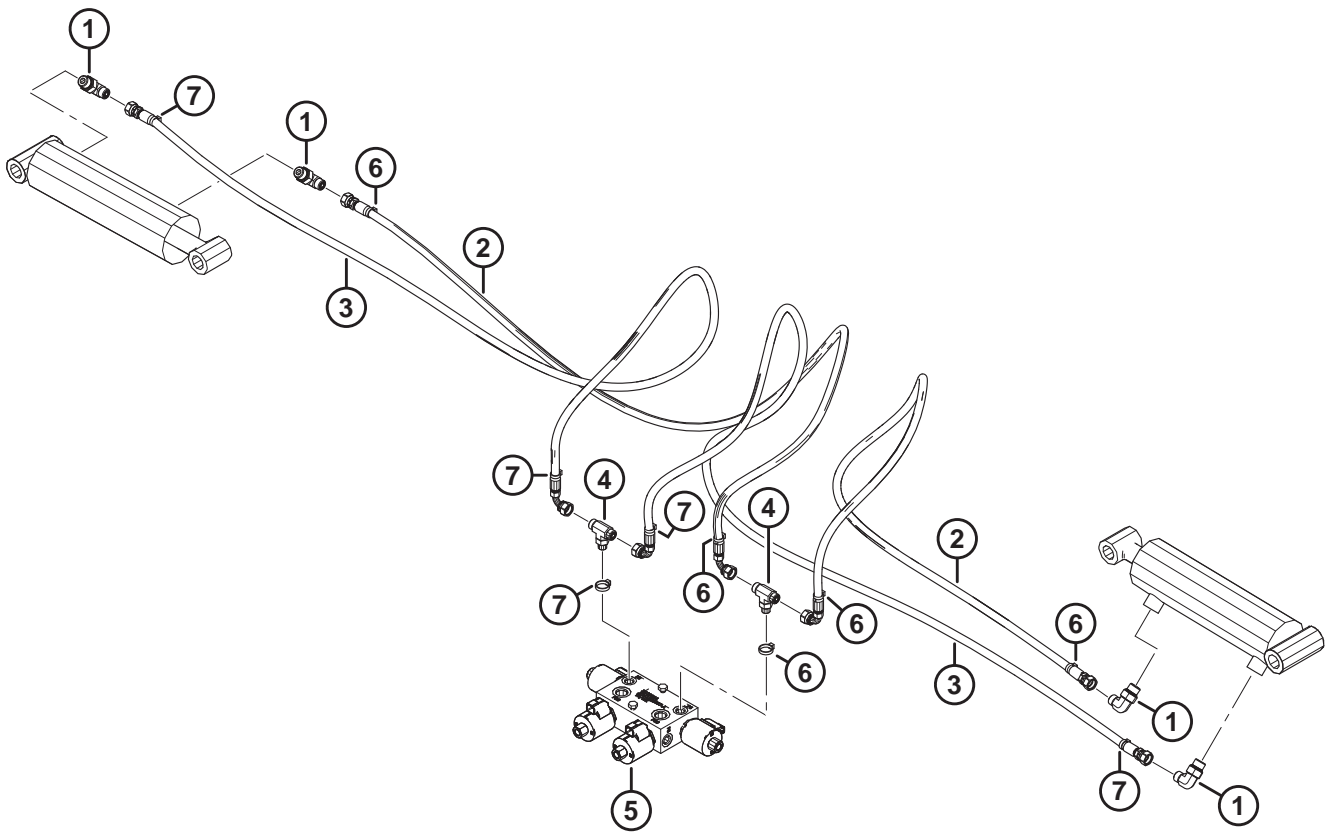
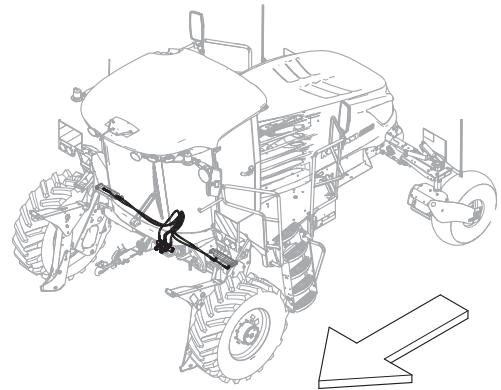


**HYDRAULICS – WALKING BEAM, M2170NT**

<b>Ref</b>	<b>Part Number</b>	<b>Description</b>	<b>Qty</b>	<b>Serial Number</b>
1	136929	FITTING – ELBOW 90° HYD	3	
	44209	O-RING – Ø2.21 X Ø16.36		
	135957	O-RING – Ø1.78 X Ø7.65		
2	310248	FITTING – TEE HYD	2	
	50223	O-RING – Ø1.83 X Ø8.92		
	135865	O-RING – Ø1.78 X Ø9.25		
3	310098	FITTING – TEE HYD, BULKHEAD	1	
	135957	O-RING – Ø1.78 X Ø7.65		
4	310183	HOSE	1	
5	310184	HOSE	1	
6	310189	HOSE	1	
7	310188	HOSE	1	
8	310187	HOSE	1	
9	135778	FITTING – ADAPTER	2	
	50219	O-RING – Ø1.98 X Ø11.89		
	135865	O-RING – Ø1.78 X Ø9.25		
10	238222	VALVE – BALL	1	
11	136781	FITTING – ELBOW HYD	1	
	50219	O-RING – Ø1.98 X Ø11.89		
12	310094	MANIFOLD – NARROW TRANSPORT <sup>249</sup>	1	
	252343	VALVE – DIRECTIONAL		
	252361	NUT – COIL		
	209045	COIL – SOLENOID		
13	40701	FASTENER – CABLE TIE, YELLOW	6	
14	49227	FASTENER – CABLE TIE, GREEN	4	
15	21763	FASTENER – CABLE TIE, BLACK	5	

249. Includes four directional valves (MD #252343), four coil nuts (MD #252361), and four solenoid coils (MD #209045).

# 104 Hydraulics – Wheel Legs, M2170NT





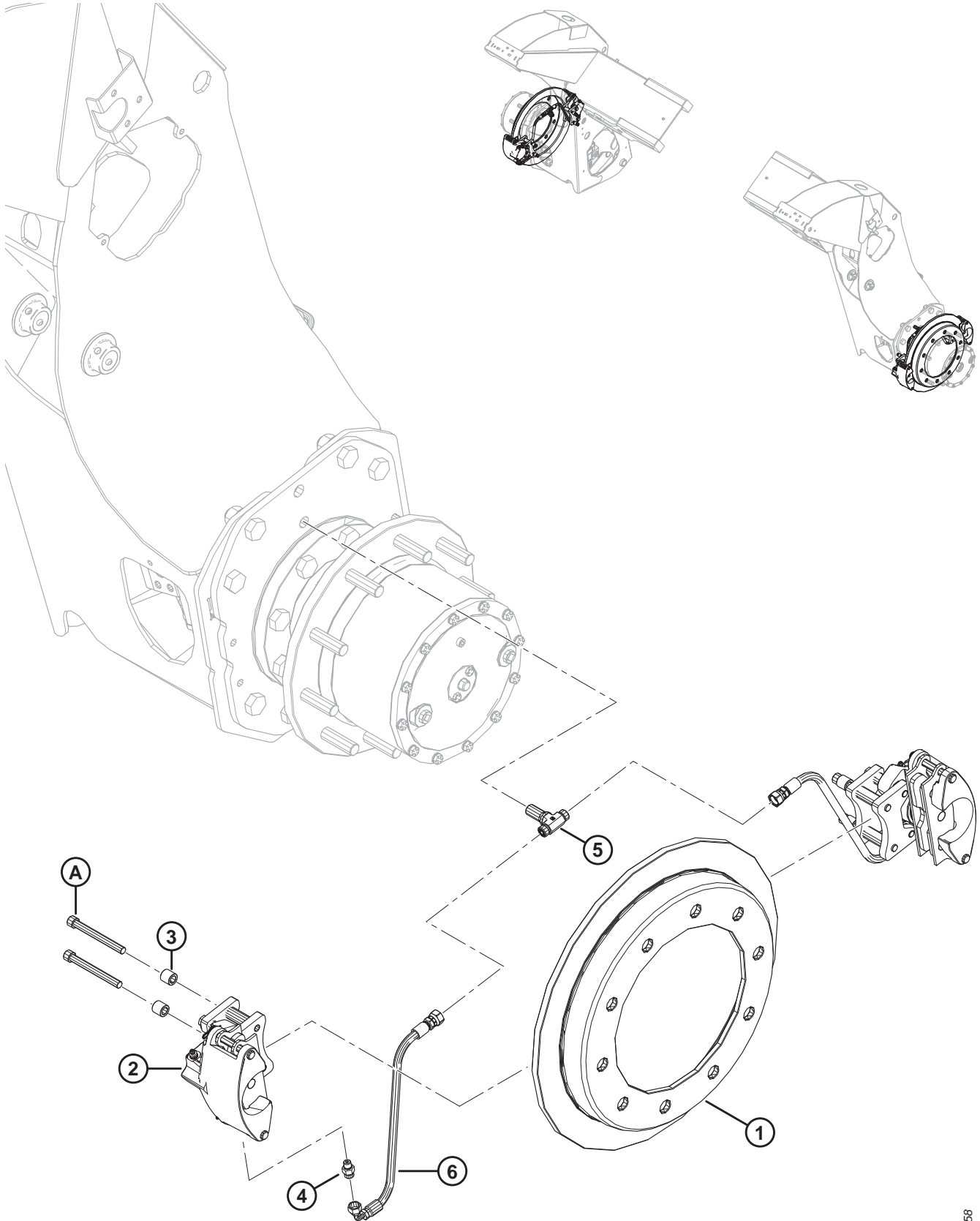
**HYDRAULICS – WHEEL LEGS, M2170NT**

<b>Ref</b>	<b>Part Number</b>	<b>Description</b>	<b>Qty</b>	<b>Serial Number</b>
1	136149	FITTING – ELBOW 90°HYD	4	
	44209	O-RING – Ø2.21 X Ø16.36		
	135865	O-RING – Ø1.78 X Ø9.25		
2	310181	HOSE	2	
3	310179	HOSE	2	
4	136566	FITTING – TEE HYD	2	
	50219	O-RING – Ø1.98 X Ø11.89		
	135865	O-RING – Ø1.78 X Ø9.25		
5	310094	MANIFOLD – NARROW TRANSPORT <sup>250</sup>	1	
	252343	VALVE – DIRECTIONAL		
	252361	NUT – COIL		
	209045	COIL – SOLENOID		
6	135266	FASTENER – CABLE TIE LIGHT, BLUE	5	
7	40704	FASTENER – CABLE TIE, ORANGE	5	

---

250. Includes four directional valves (MD #252343), four coil nuts (MD #252361), and four solenoid coils (MD #209045).

# 105 Secondary Brakes – Germany Only, M2170NT

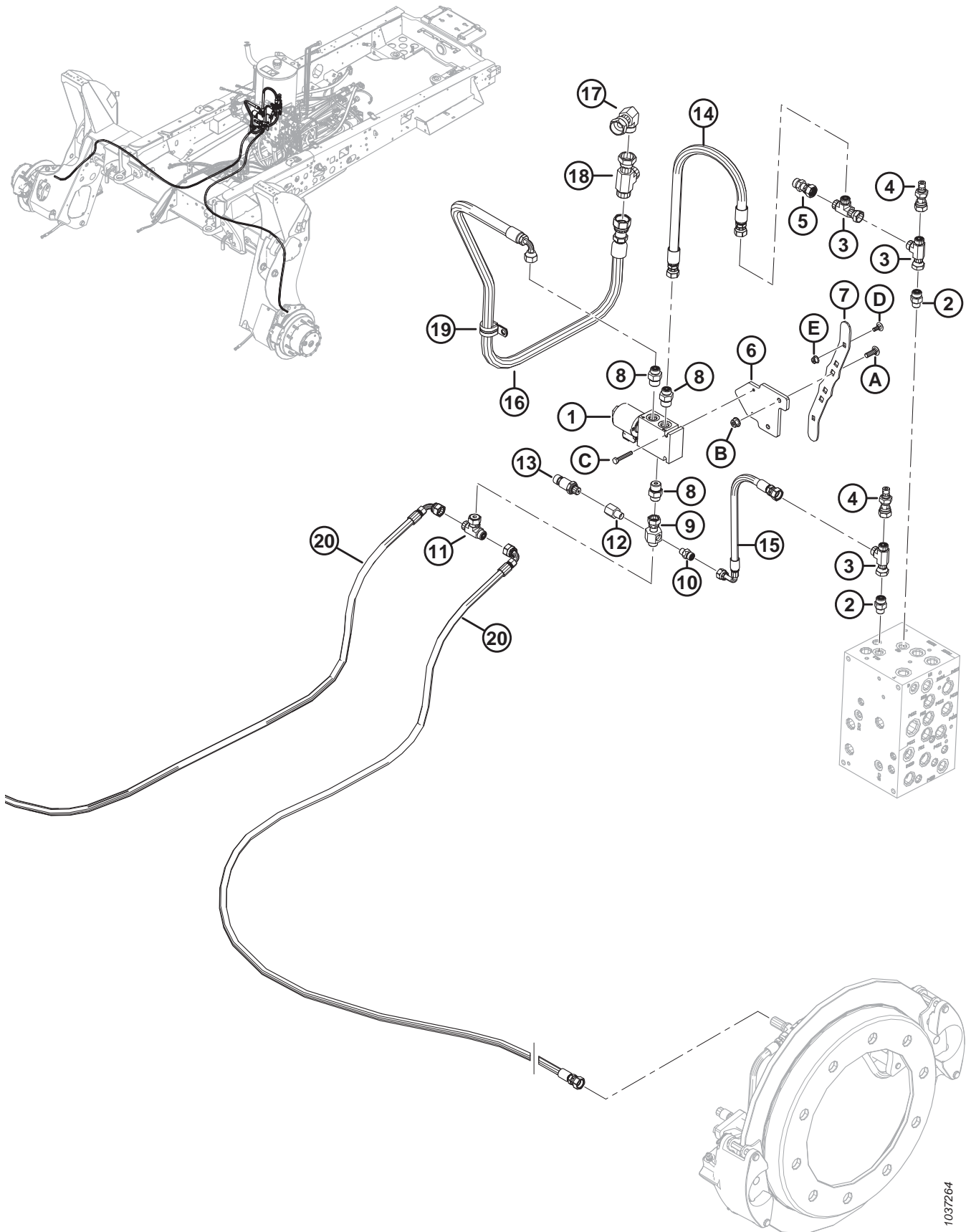


**SECONDARY BRAKES – GERMANY ONLY, M2170NT**

<b>Ref</b>	<b>Part Number</b>	<b>Description</b>	<b>Qty</b>	<b>Serial Number</b>
	B7424	KIT – SECONDARY DISC BRAKES <sup>251</sup>		
1	309041	DISC – BRAKE	2	
2	310890	ASSEMBLY – CALIPER BRAKE	4	
	306584	KIT – BRAKE CALIPER MOUNT HARDWARE		
	306585	KIT – CALIPER BRAKE PADS AND HARDWARE		
	306586	KIT – BRAKE CALIPER SEALS		
	306587	KIT – BRAKE CALIPER BUSHINGS		
	306588	KIT – BRAKE CALIPER PISTON		
	306757	KIT – BRAKE CALIPER BLEED ADAPTER		
3	306438	SPACER – BRAKE MOUNT	8	
4	135775	FITTING – ADAPTER	4	
	50223	O-RING – #4 ORB		
	135957	O-RING – #4 ORFS		
5	136514	FITTING – TEE HYD	2	
	135865	O-RING – #6 ORFS		
6	310897	HOSE – HYDRAULIC, 1/4 IN. I.D., 440 MM LG	4	
A	320395	SCREW – HEX SOC HD 7/16-20 X 4	8	

251. The Secondary Disc Brakes kit is available for narrow transport units without secondary brakes installed at the factory. For service parts, refer to Sections [105 Secondary Brakes – Germany Only, M2170NT, page 247](#), [106 Secondary Brake Hydraulics – Germany Only, M2170NT, page 249](#), [107 Secondary Brakes GSL Sensors – Germany Only, M2170NT, page 253](#), and [108 Secondary Brakes Seat Base – Germany Only, M2170NT, page 255](#). Kits are available through Whole Goods only.

# 106 Secondary Brake Hydraulics – Germany Only, M2170NT



1037264

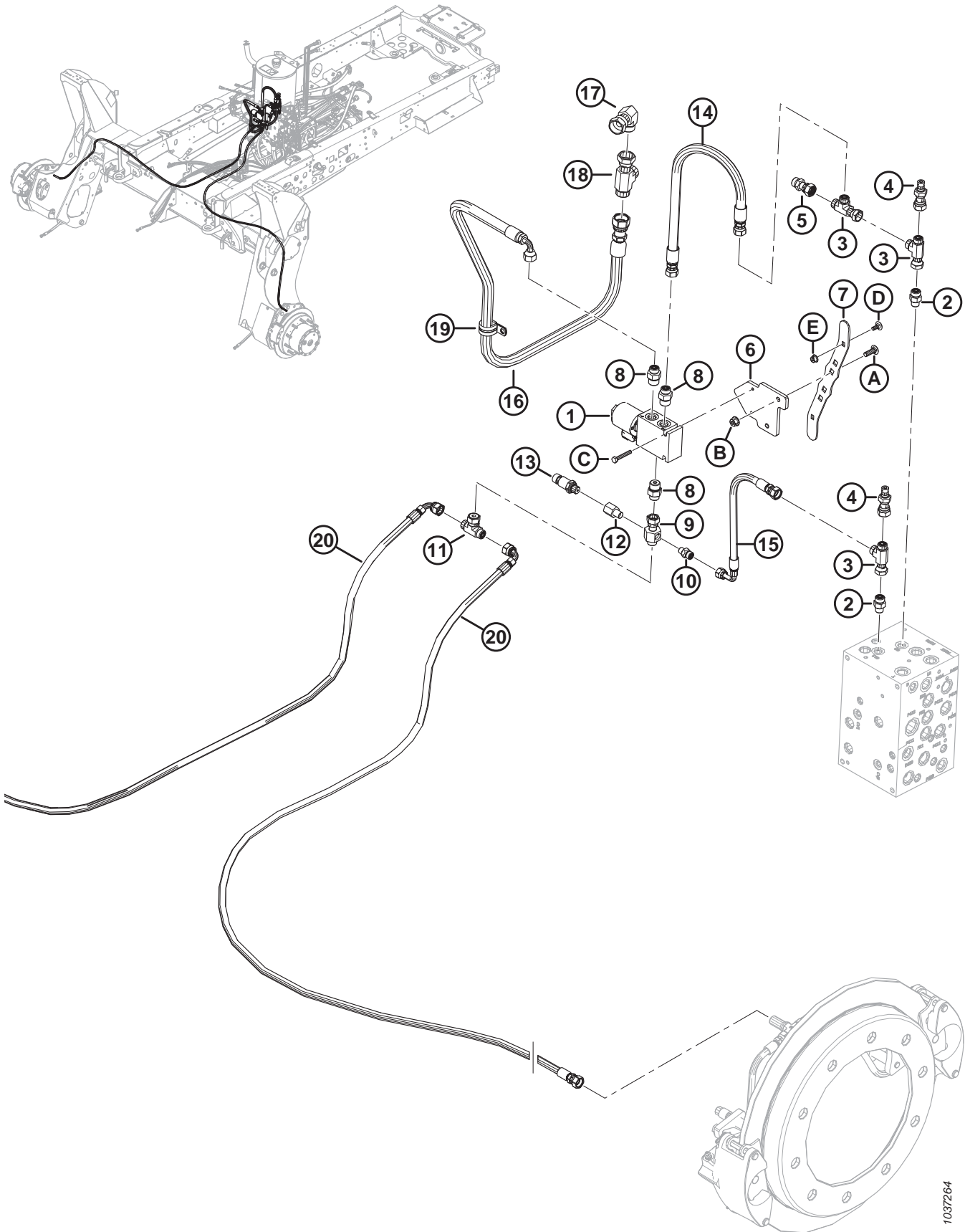
**SECONDARY BRAKE HYDRAULICS – GERMANY ONLY, M2170NT**

Ref	Part Number	Description	Qty	Serial Number
	B7424	KIT – SECONDARY DISC BRAKES <sup>252</sup>		
1	346054	VALVE – BRAKE <sup>253</sup>	1	
	252361	NUT – COIL		
	209045	COIL – SOLENOID		
	346263	VALVE – CARTRIDGE BRAKE		
2	135778	FITTING – ADAPTER	2	
	50219	O-RING – Ø1.98 X Ø11.89		
	135865	O-RING – Ø1.78 X Ø9.25		
3	136097	FITTING – TEE HYD	3	
	135865	O-RING – Ø1.78 X Ø9.25		
4	252662	FITTING – NIPPLE HYD	2	
5	136251	FITTING – CONNECTOR HYD, 0.078 IN. ORIFICE	1	
	135865	O-RING – Ø1.78 X Ø9.25		
6	346241	SUPPORT – VALVE TAPPED	1	
7	346238	STRAP – CLAMP	1	
8	191705	FITTING – ADAPTER HYD	3	
	44209	O-RING – #8 ORB		
	135865	O-RING – #6 ORFS		
9	346236	FITTING – TEE HYD GAUGE PORT	1	
10	320104	FITTING – ADAPTER INLINE CHECK	1	
	50223	O-RING – Ø1.83 X Ø8.92		
	135957	O-RING – Ø1.78 X Ø7.65		
11	136672	FITTING – HYD TEE	1	
	135865	O-RING – Ø1.78 X Ø9.25		
12	339130	ADAPTER – HYD	1	
13	207346	SENDER – PRESSURE	1	
14	343859	HOSE – HYDRAULIC	1	
15	343874	HOSE – LOAD SENSE	1	
16	343872	HOSE – BRAKE RETURN	1	
17	136846	FITTING – SWIVEL 90 DEG HYD 10-10	1	
	135867	O-RING – #10 ORFS		
18	135784	FITTING – TEE HYD	1	
	135867	O-RING – #10 ORFS		
19	209018	CLAMP – INSULATED 7/8 IN.	1	
20	343925	HOSE – BRAKE LEG	2	
A	136824	BOLT – RHSSN M8 X 1.25 X 25-8.8-AA1J	2	
B	135337	NUT – HEX FLG CTR LK M8 X 1.25-8-AA1J	2	

252. The Secondary Disc Brakes kit is available for narrow transport units without secondary brakes installed at the factory. For service parts, refer to Sections *105 Secondary Brakes – Germany Only, M2170NT, page 247*, *106 Secondary Brake Hydraulics – Germany Only, M2170NT, page 249*, *107 Secondary Brakes GSL Sensors – Germany Only, M2170NT, page 253*, and *108 Secondary Brakes Seat Base – Germany Only, M2170NT, page 255*. Kits are available through Whole Goods only.

253. Includes cartridge (MD #346263), coil (MD #209045), and nut (MD #252361).

SECONDARY BRAKE HYDRAULICS – GERMANY ONLY, M2170NT

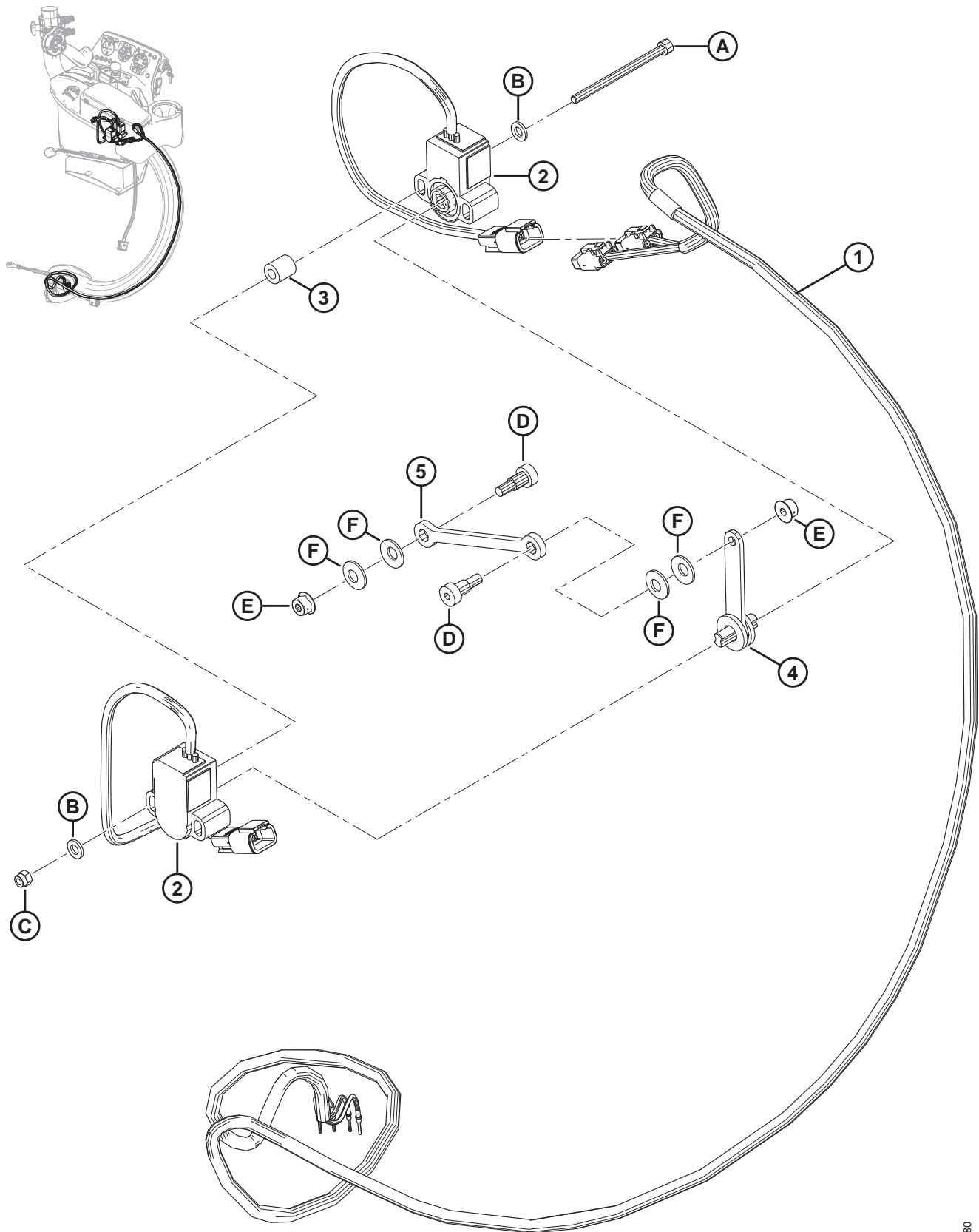


1037264

SECONDARY BRAKE HYDRAULICS – GERMANY ONLY, M2170NT

Ref	Part Number	Description	Qty	Serial Number
C	135671	BOLT – HEX HD TFL M6 X 1 X 40-8.8-AA1J	2	
D	136774	BOLT – RHSN M6 X 1 X 16-8.8-PLN	2	
E	152668	NUT – HEX FLG CTR LOC M6 X 1-8	2	

# 107 Secondary Brakes GSL Sensors – Germany Only, M2170NT





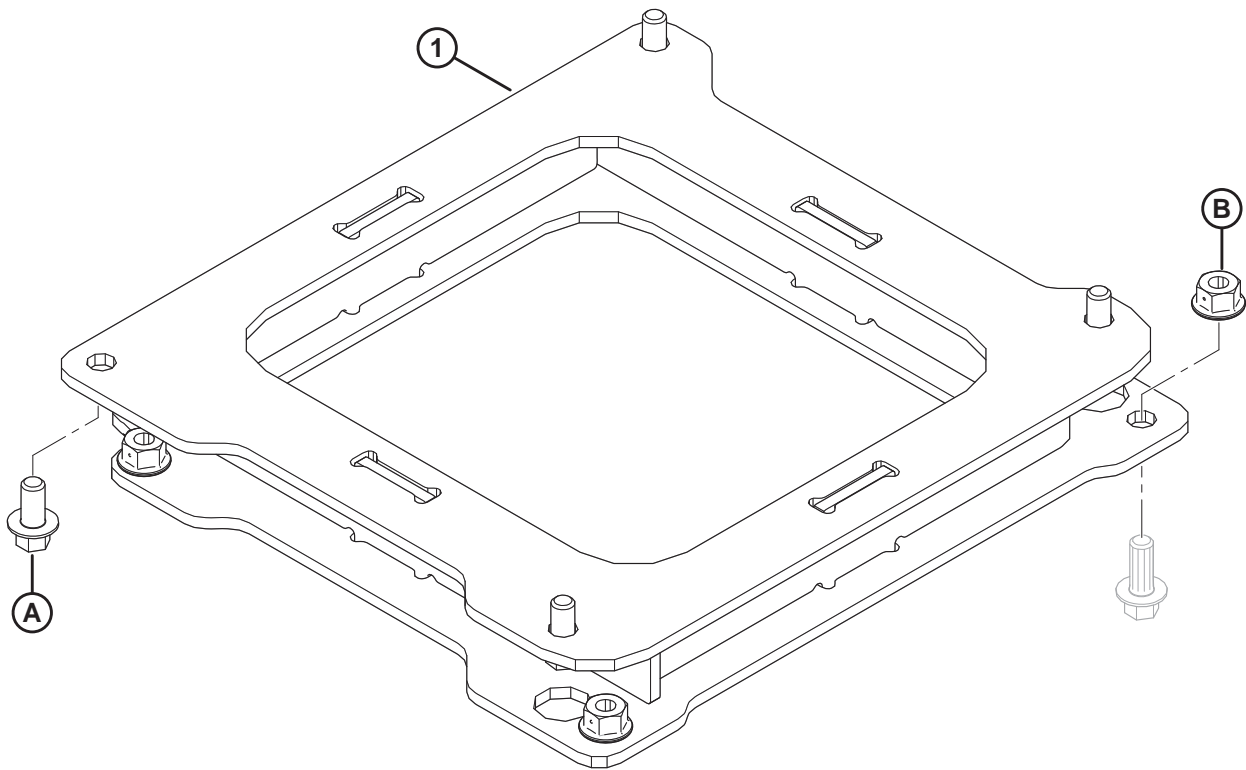
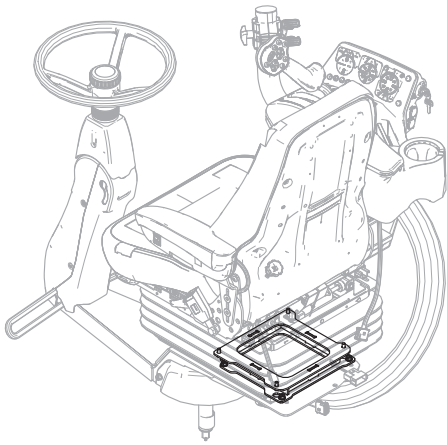
**SECONDARY BRAKES GSL SENSORS – GERMANY ONLY, M2170NT**

<b>Ref</b>	<b>Part Number</b>	<b>Description</b>	<b>Qty</b>	<b>Serial Number</b>
	B7424	KIT – SECONDARY DISC BRAKES <sup>254</sup>		
1	306451	HARNESS – BRAKE SENSORS	1	
2	201224	SENSOR – ROTARY POSITION	2	
3	346058	SPACER – TUBE	2	
4	346064	ARM WELDMENT – SENSOR	1	
5	346007	LINK – SENSOR	1	
A	320396	SCREW – HEX SOC HD		
B	184705	WASHER – FLAT M6-200HV-AA1J		
C	197230	NUT – HEX NYLOC M5 X 0.8-8-AA1J		
D	197135	SCREW – HEX SOC HD SHLDR M8 X 10		
E	152668	NUT – HEX FLG CTR LOC M6 X 1-8		
F	184579	WASHER – CON SPRING M8 STL SAE		

---

254. The Secondary Disc Brakes kit is available for narrow transport units without secondary brakes installed at the factory. For service parts, refer to Sections *105 Secondary Brakes – Germany Only, M2170NT, page 247*, *106 Secondary Brake Hydraulics – Germany Only, M2170NT, page 249*, *107 Secondary Brakes GSL Sensors – Germany Only, M2170NT, page 253*, and *108 Secondary Brakes Seat Base – Germany Only, M2170NT, page 255*. Kits are available through Whole Goods only.

# 108 Secondary Brakes Seat Base – Germany Only, M2170NT



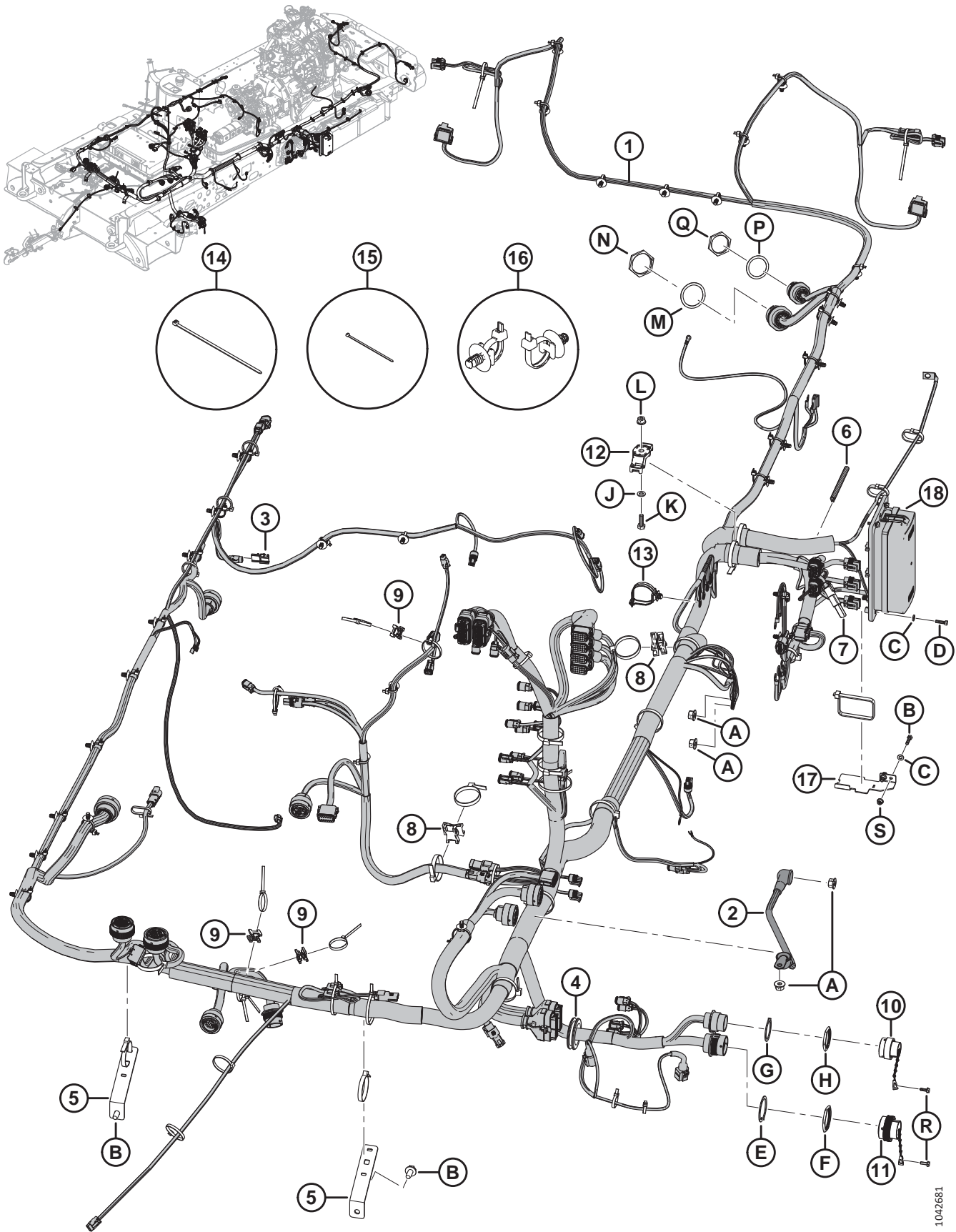
**SECONDARY BRAKES SEAT BASE – GERMANY ONLY, M2170NT**

<b>Ref</b>	<b>Part Number</b>	<b>Description</b>	<b>Qty</b>	<b>Serial Number</b>
	B7424	KIT – SECONDARY DISC BRAKES <sup>255</sup>		
1	346345	SUPPORT – SEAT BASE	1	
A	136485	BOLT – HEX FLG HD TFL M 8 X 1.25 X 16-8.8-AA1J		
B	135337	NUT – HEX FLG CTR LK M 8 X 1.25-8-AA1J		

---

255. The Secondary Disc Brakes kit is available for narrow transport units without secondary brakes installed at the factory. For service parts, refer to Sections *105 Secondary Brakes – Germany Only, M2170NT, page 247*, *106 Secondary Brake Hydraulics – Germany Only, M2170NT, page 249*, *107 Secondary Brakes GSL Sensors – Germany Only, M2170NT, page 253*, and *108 Secondary Brakes Seat Base – Germany Only, M2170NT, page 255*. Kits are available through Whole Goods only.

# 109 Electrical – Chassis



1042681

## ELECTRICAL – CHASSIS

**NOTE:**

Contact your Dealer for information regarding software updates to the electronic modules. Your Dealer will have the necessary interface tools and access to the latest software upgrades. For specific electrical harness parts, refer to Electrical Connectors Parts Catalog (MD #169641).

Ref	Part Number	Description	Qty	Serial Number
1	362362	HARNESS – CHASSIS <sup>256</sup>		
	208769	RESISTOR PACK – 1K OHM <sup>257</sup>		
	362007	RESISTOR PACK – 1.5K OHM <sup>258</sup>		
	500470	CONNECTOR – DEUT, DT,3/M,J1939 (CAN TERMINATOR) <sup>259</sup>		
2	201408	CABLE – GROUND, FRAME TO CAB	1	
3	134612	CLIP – RECEPTACLE MOUNT	1	
4	172899	GROMMET – 1.75 IN. I.D.	1	
5	207558	SUPPORT – HARNESS	2	
6	31889	MOULDING	1	
7	291262	CAPACITOR – TURN SIGNAL FILTER	1	
8	134443	SPACER – DUAL SADDLE, H.T. TYPE DSW55	2	
9	134442	SPACER – DUAL SWIVEL SADDLE	3	
10	134803	CAP – PLUG, DEUTSCH, HDC36, SIZE 18	1	
11	134053	CAP – PLUG, HD30, SIZE 24	1	
12	134725	FASTENER – HIGH TORQUE, DBL MOUNT	1	
13	134714	FASTENER – FIR TREE MOUNT, W/ TIE	1	
14	30753	FASTENER – CABLE TIE, BLACK, 305 MM LG <sup>260</sup>	20	
15	21763	FASTENER – CABLE TIE, BLACK, 160 MM LG <sup>260</sup>	21	
16	136655	FASTENER – FIR TREE MOUNT W/ TIE, 200 MM LG <sup>260</sup>	31	
17	306007	BRACKET – HARNESS SUPPORT	1	
18	REF	MAIN FUSE BLOCK <sup>261</sup>		
A	135799	NUT – HEX FLG CTR LOC M10 X 1.5-10-A3L		
B	136209	SCREW – HEX WASHER HD M10 X 1.5 X 20-450HV-A3L		
C	184705	WASHER – FLAT M6-200HV-A2L		
D	184640	BOLT – HEX HD M5 X 0.8 X 20-8.8-A2L		
E	134011	WASHER – LOCK SPRING, DEUTSCH HD, SIZE 24		
F	134010	NUT – PANEL, HD30, SIZE 24		
G	134603	WASHER – LOCK, HD30, SIZE 18		
H	134602	NUT – PANEL, HD30, SIZE 18		
J	184708	WASHER – FLAT M8-200HV-A2L		
K	184652	BOLT – HEX HD TFL M8 X 1.25 X 25-8.8-A2L		
L	135337	NUT – HEX FLG CTR LOC M8 X 1.25-8-A2L		
M	134730	WASHER – LOCK, HDP20, SIZE 24		

256. Includes resistor packs (MD #208769 and MD #362007) and CAN terminator (MD #500470).

257. Used at P281 (master controller address).

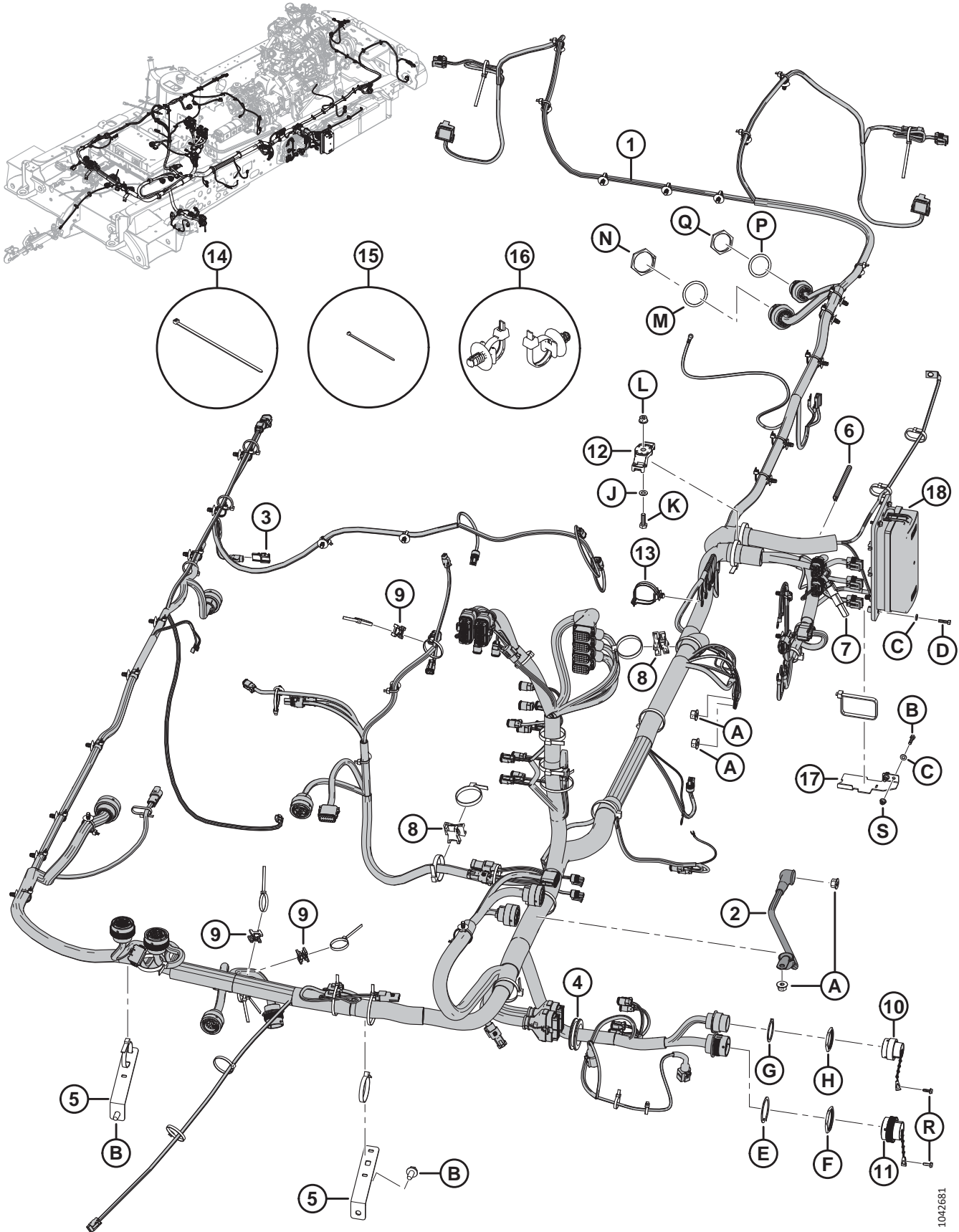
258. Used at P280 (XC module address).

259. CAN terminator.

260. Illustration shows fastener locations.

261. For service parts, refer to Section [110 Main Fuse Panel, page 261](#).

ELECTRICAL – CHASSIS

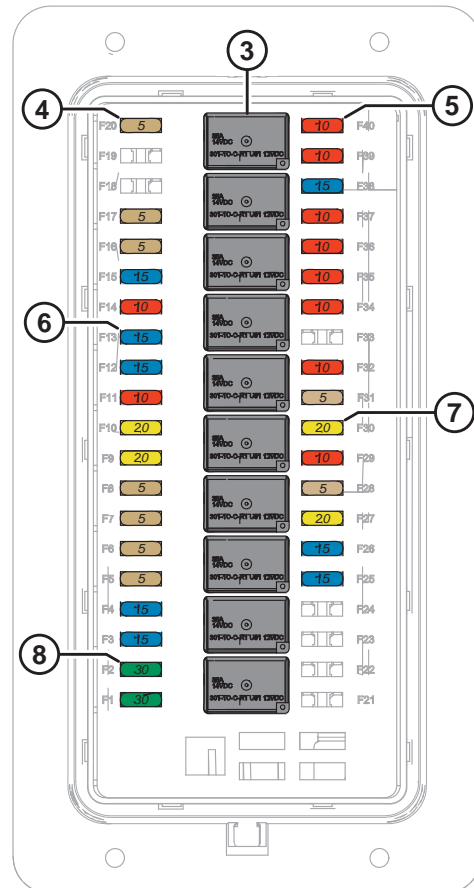
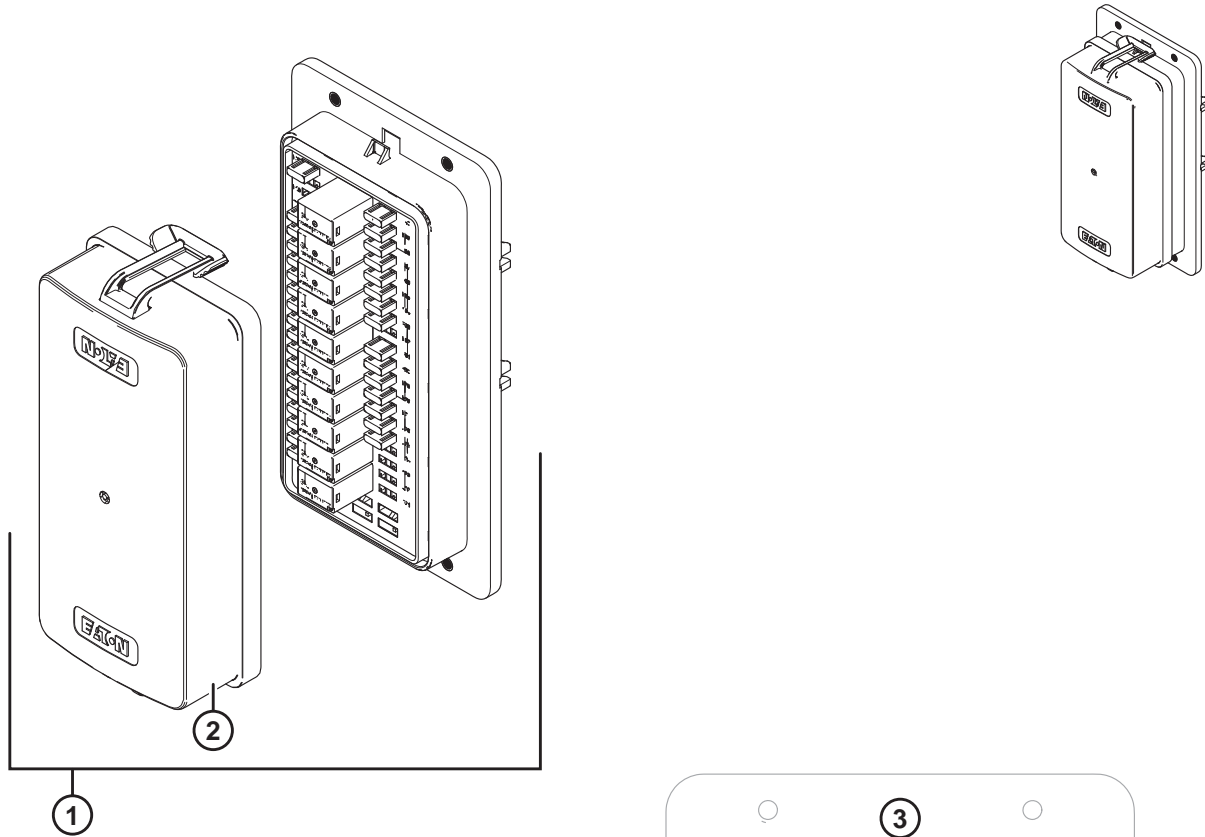


1042681

**ELECTRICAL – CHASSIS**

<b>Ref</b>	<b>Part Number</b>	<b>Description</b>	<b>Qty</b>	<b>Serial Number</b>
N	134728	NUT – PANEL, HDP20, SIZE 24		
P	134729	WASHER – LOCK, HDP20, SIZE 18		
Q	134727	NUT – PANEL, HDP20, SIZE 18		
R	21947	SCREW – SELF TAPPING HEX WASH HD #10 X 5/8 ZP		
S	136635	NUT – HEX FLG CTR LOC M5 X 0.8-8-AA1J		

# 110 Main Fuse Panel



1030660



## MAIN FUSE PANEL

Ref	Part Number	Description	Qty	Serial Number
1	205325	MODULE – REAR-FED FUSE AND RELAY <sup>262</sup>	1	
2	291131	COVER – FUSE PANEL	1	
3	134457	RELAY – MICRO ISO 280, 12 VDC	10	
4	134445	FUSE – ATM, MINI, 5 AMP (TAN) <sup>263</sup>	9	
5	134446	FUSE – ATM, MINI, 10 AMP (RED) <sup>264</sup>	10	
6	134447	FUSE – ATM, MINI, 15 AMP (BLUE) <sup>265</sup>	8	
7	134448	FUSE – MINI, 20 AMP (YELLOW) <sup>266</sup>	4	
8	134450	FUSE – MINI, 30 AMP (GREEN) <sup>267</sup>	2	

---

262. Refer to Section *109 Electrical – Chassis, page 257*.

263. Fuse (MD #134445) is tan.

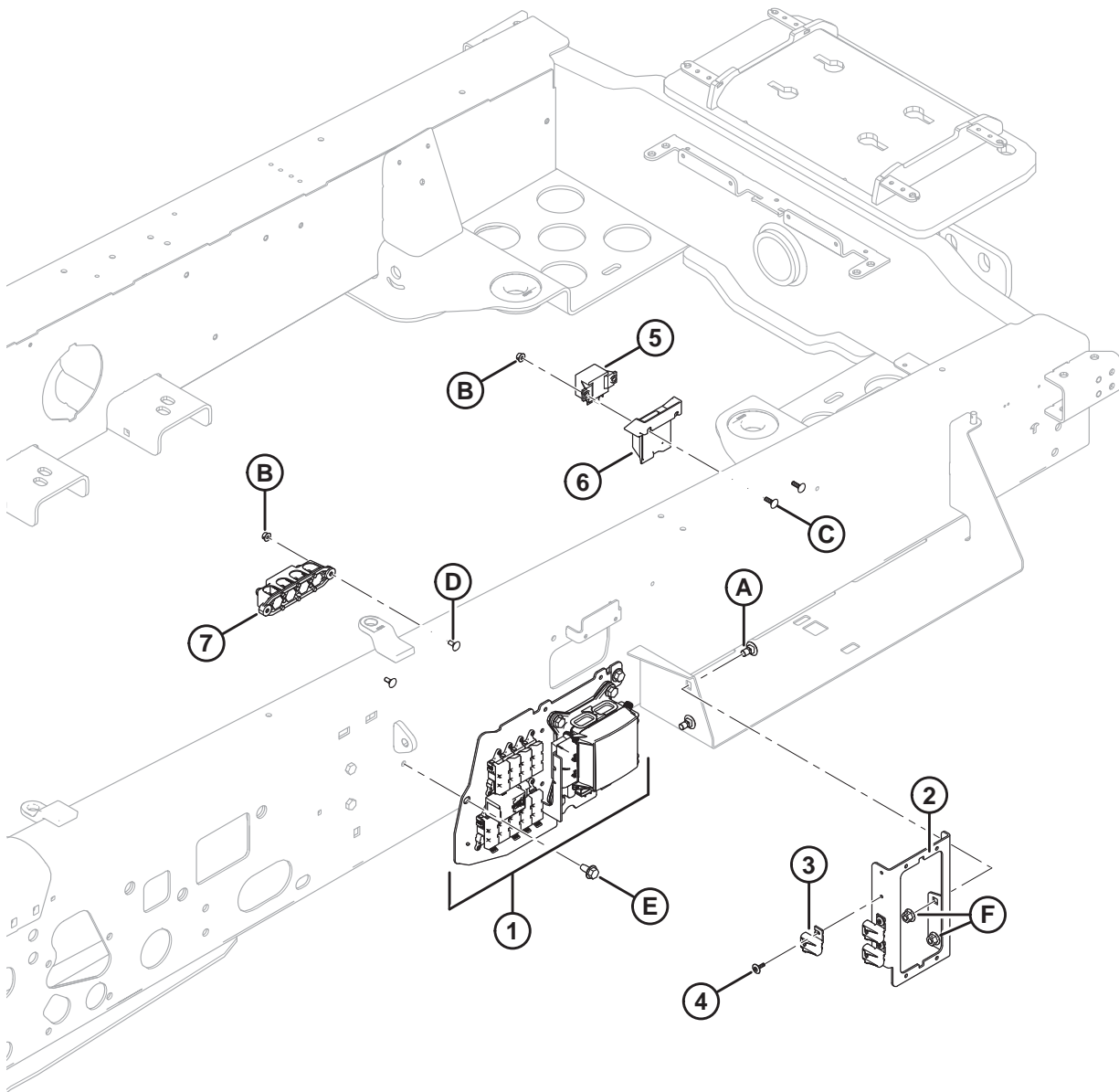
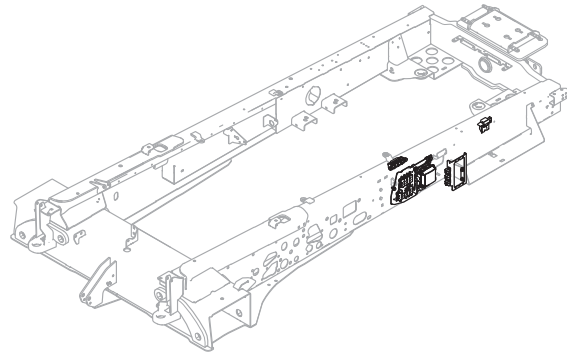
264. Fuse (MD #134446) is red.

265. Fuse (MD #134447) is blue.

266. Fuse (MD #134448) is yellow.

267. Fuse (MD #134450) is green.

# 111 Electrical – Chassis Components



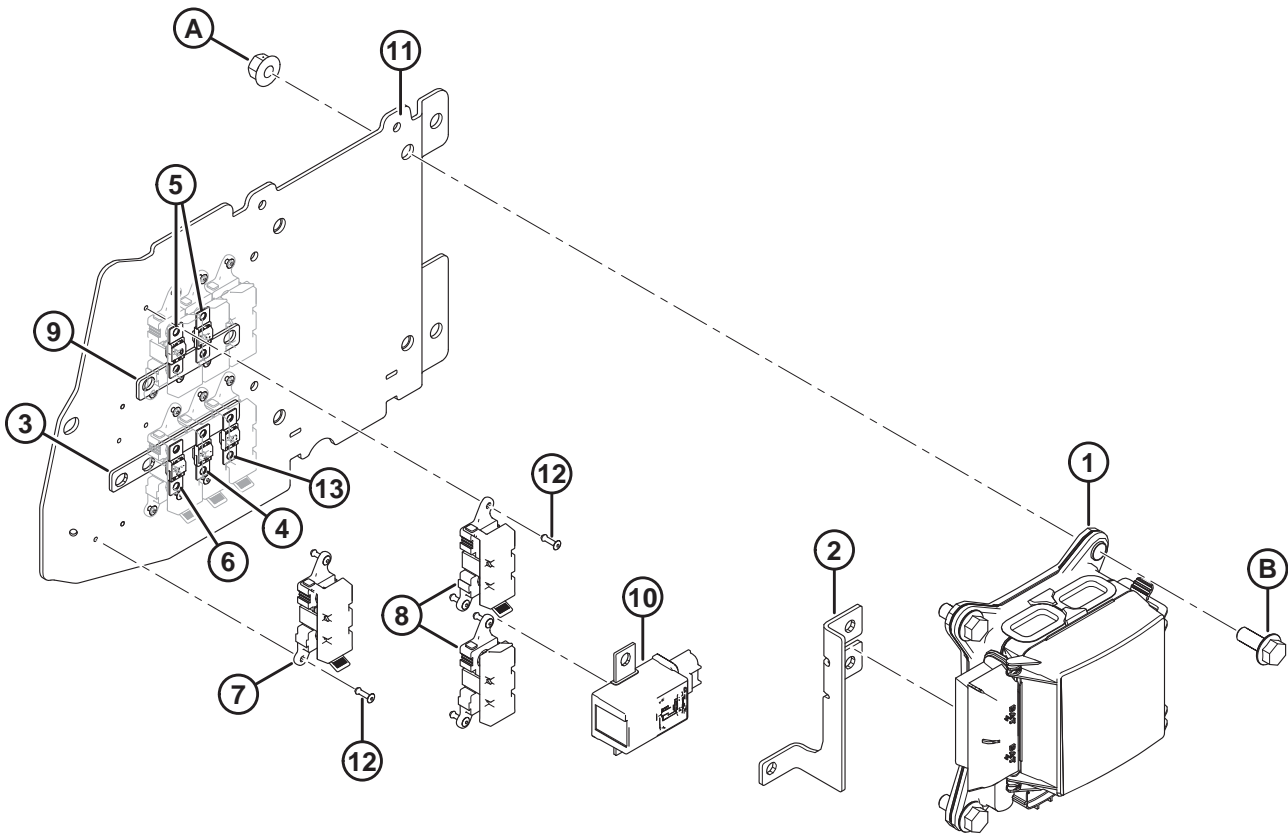
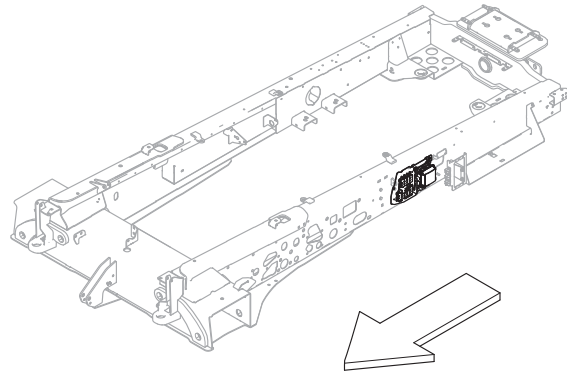
**ELECTRICAL – CHASSIS COMPONENTS**

<b>Ref</b>	<b>Part Number</b>	<b>Description</b>	<b>Qty</b>	<b>Serial Number</b>
1	REF	ASSY – PANEL, RELAY MODULE AND AMI FUSE BLOCK <sup>268</sup>		
2	209946	SUPPORT – FUSE BOX	1	
3	134523	COVER – ATO FUSE	3	
4	136536	RIVET – BLIND 3/16 IN. X 0.50 IN. BLACK	3	
5	111504	STARTER RELAY – 12V, 75A	1	
6	183258	SHIELD – STARTER RELAY	1	
7	134711	BUSS BAR – 4PT, M8, W/ COVER, BLACK	1	
A	136178	BOLT – RHSN M10 X 1.5 X 20-8.8-A3L		
B	152668	NUT – HEX FLG CTR LOC M6 X 1-8-A2L		
C	184641	BOLT – RHSN M6 X 1 X 20-8.8-A2L		
D	136748	BOLT – RHSN M6 X 1 X 16-8.8-A2L		
E	136209	SCREW – HEX WASHER HD M10 X 1.5 X 20-450HV-A3L		
F	135799	NUT – HEX FLG CTR LOC M10 X 1.5-10-A3L		

---

268. Refer to Section *112 Chassis Relay Module and Fuse Panel Assembly*, page 265.

# 112 Chassis Relay Module and Fuse Panel Assembly

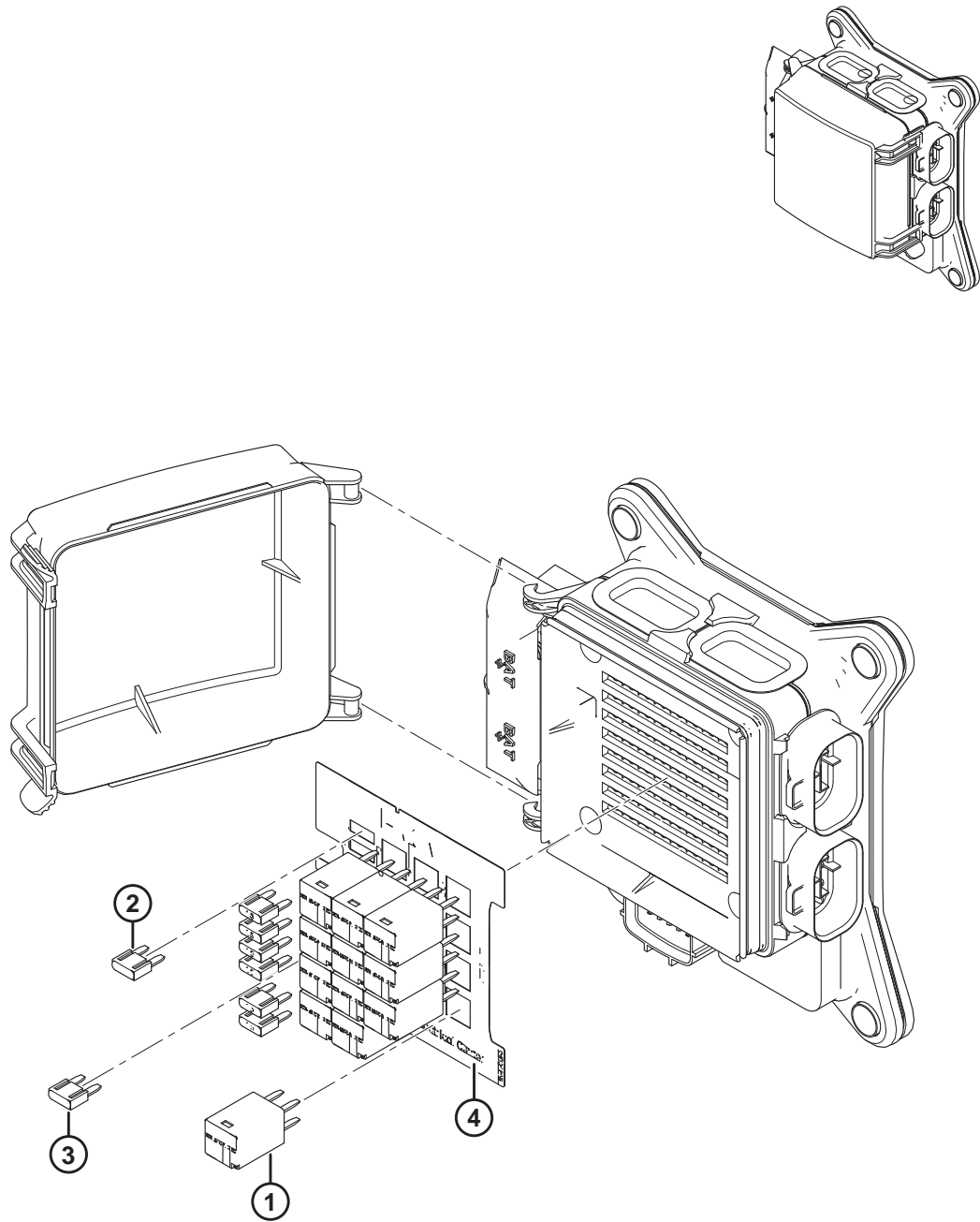


**CHASSIS RELAY MODULE AND FUSE PANEL ASSEMBLY**

<b>Ref</b>	<b>Part Number</b>	<b>Description</b>	<b>Qty</b>	<b>Serial Number</b>
1	208158	MODULE – RELAY MODULE, 12 RELAY <sup>269</sup>	1	
2	134713	BUSS BAR – RELAY MODULE INPUT POWER	1	
3	293042	BUSS BAR – LMI AMI 5 POSITION	1	
4	134684	FUSE – AMI, 125 AMPS, WHITE	1	
5	134653	FUSE – AMI, 50 AMPS, RED	2	
6	134655	FUSE – AMI, 100 AMPS, BLUE	1	
7	293037	MODULE – LMI, FUSE	7	
8	293038	MODULE – LMI, INPUT	2	
9	293041	BUSS BAR – LMI AMI 4 POSITION	1	
10	209013	RELAY – BAT DISCONNECT SW, BDS-A	1	
11	207395	SUPPORT – RELAY MODULE AND AMI FUSES	1	
12	184612	RIVET – ALUMINUM 1/8 IN. X 3/16 IN.-1/4 IN.	18	
13	134654	FUSE – AMI, 80 AMPS, WHITE	1	
A	135799	NUT – HEX FLG CTR LOC M10 X 1.5-10-A3L		
B	135783	BOLT – HEX HD FLANGE M10 X 1.5 X 25 LG ZP		

269. For service parts, refer to Section *113 Chassis Relay Module – Service Parts*, page 267.

# 113 Chassis Relay Module – Service Parts



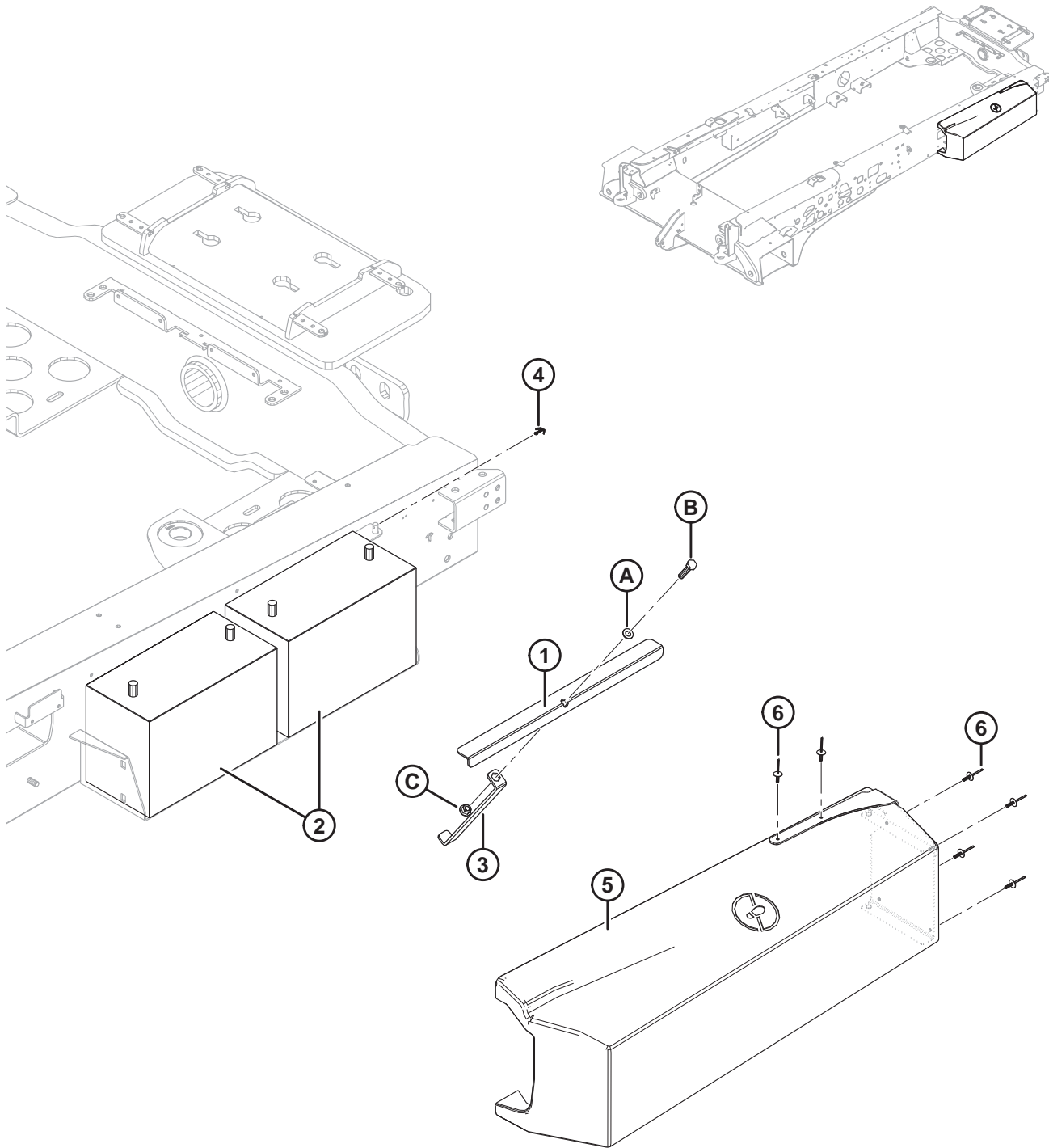
**CHASSIS RELAY MODULE – SERVICE PARTS**

<b>Ref</b>	<b>Part Number</b>	<b>Description</b>	<b>Qty</b>	<b>Serial Number</b>
	208158	MODULE – RELAY MODULE, 12 RELAY <sup>270</sup>		
1	134458	RELAY – ULTRA MICRO, ISO SPST	12	
2	134447	FUSE – ATM, MINI, 15 AMP, BLUE	7	
3	134446	FUSE – ATM, MINI, 10 AMP, RED	1	
4	NSS	DECAL – RELAY MODULE, 12 RELAY	1	

---

270. Refer to Section *112 Chassis Relay Module and Fuse Panel Assembly*, page 265.

# 114 Electrical – Battery and Cover





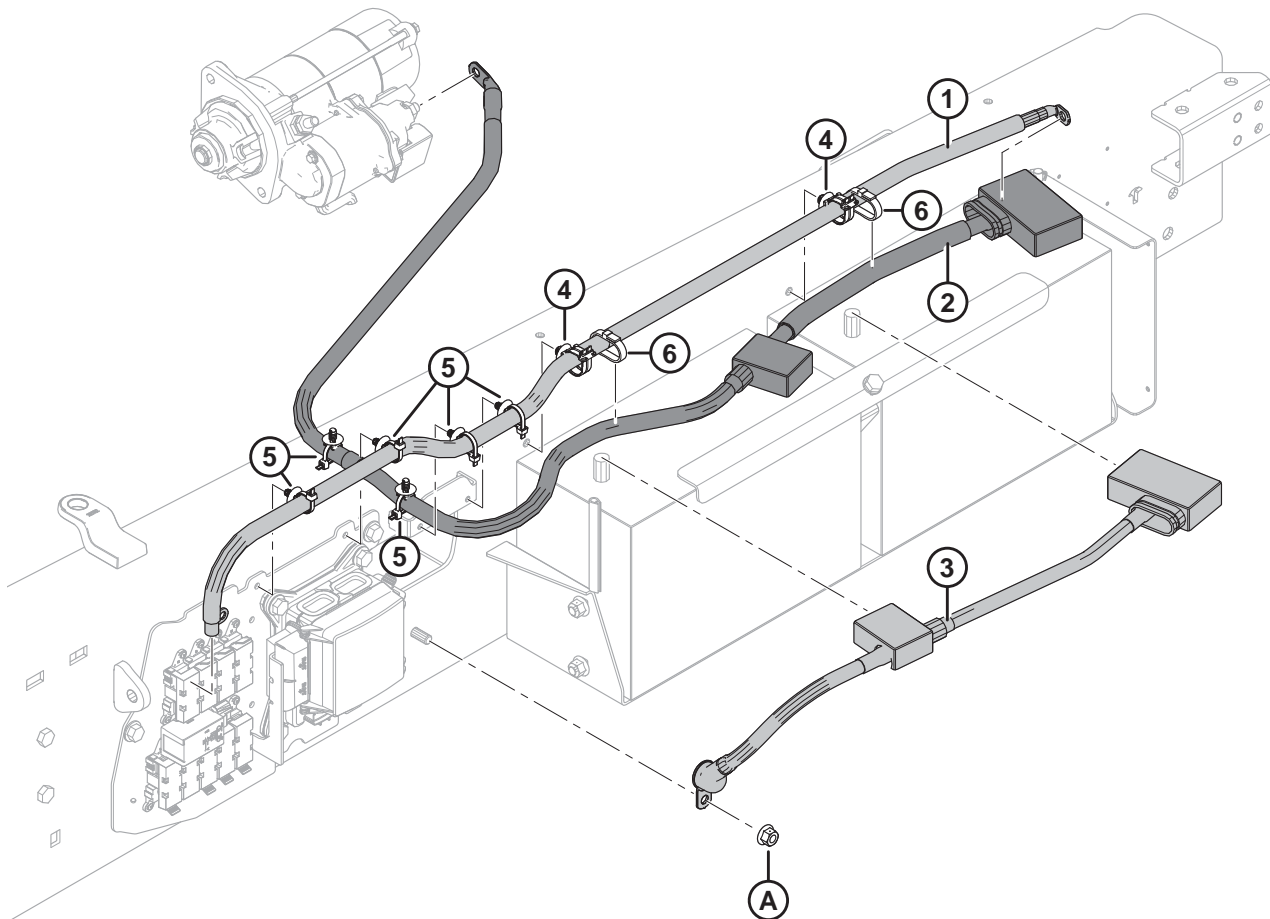
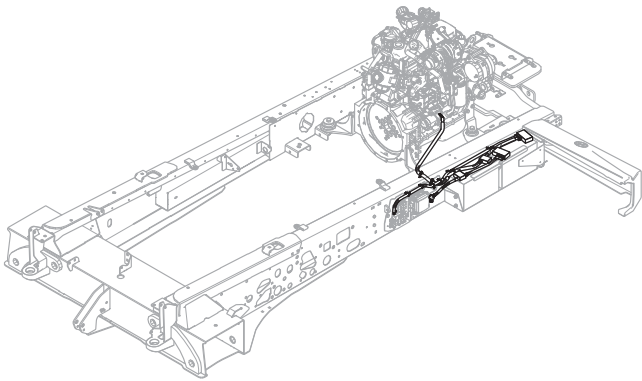
**ELECTRICAL – BATTERY AND COVER**

<b>Ref</b>	<b>Part Number</b>	<b>Description</b>	<b>Qty</b>	<b>Serial Number</b>
1	183115	ANGLE – BATTERY	1	
2	NSS	BATTERY – 12 V, 31A-760	2	
3	203930	STRAP – BATTERY	1	
4	18605	PIN – COTTER 1/8 DIA X 1 ZP	1	
5	209929	ASSEMBLY – BATTERY COVER <sup>271</sup>	1	
6	136536	RIVET – BLIND 3/16 IN. X 0.50 IN. BLACK	6	
A	184711	WASHER – FLAT REG M10-200HV-A3L		
B	136229	BOLT – HEX HD TFL M10 X 1.5 X 45 X SPCL-8.8-A3L		
C	135927	NUT – HEX SMTH FLG M10 X 1.5-8-A3L		

---

271. Includes battery cover, cover support, and six rivets (MD #136536).

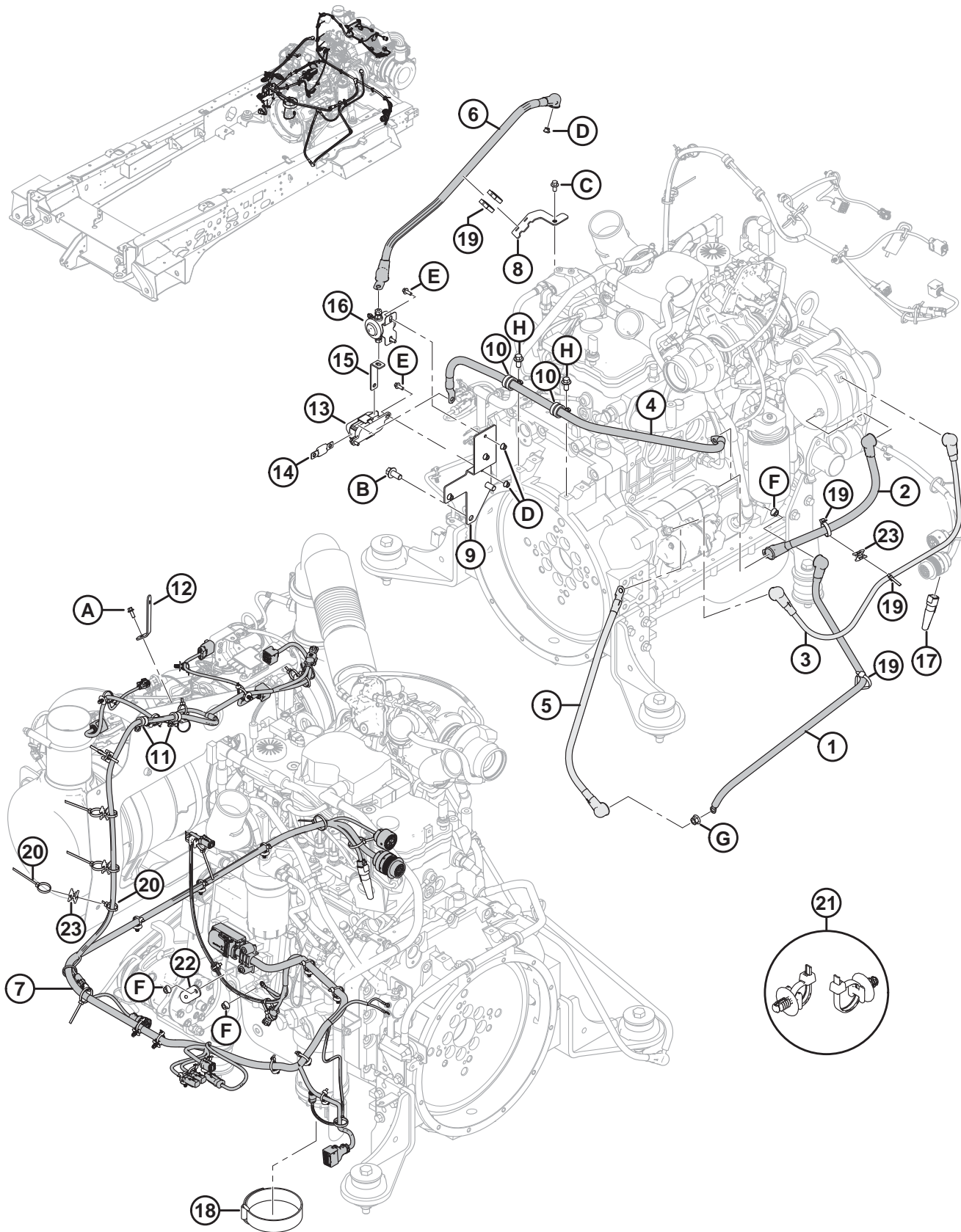
# 115 Electrical – Battery Cables



**ELECTRICAL – BATTERY CABLES**

<b>Ref</b>	<b>Part Number</b>	<b>Description</b>	<b>Qty</b>	<b>Serial Number</b>
1	207288	CABLE – BATTERY DISCONNECT	1	
2	207287	CABLE – DUAL BATTERY POS. (+)	1	
3	207286	CABLE – DUAL BATTERY NEG. (-)	1	
4	134714	FASTENER – FIR TREE MT, W/ TIE	2	
5	136655	FASTENER – FIR TREE MOUNT W/ CABLE TIE	6	
6	30753	FASTENER – CABLE TIE, BLACK, 305 MM LG	2	
A	135799	NUT – HEX FLG CTR LOC M10 X 1.5-10-A3L		

# 116 Electrical – Engine



**ELECTRICAL – ENGINE**

Ref	Part Number	Description	Qty	Serial Number
1	207925	CABLE – ENGINE GROUND, STAGE 5	1	
2	209746	CABLE – STARTER TO ALT, RED (POSITIVE) <sup>272</sup>	1	
	134748	COVER – BOOT, 2-2/0 GA, RED	2	
3	209747	CABLE – STARTER TO ALT, BLACK (GROUND) <sup>273</sup>	1	
	134756	COVER – BOOT, 2-2/0 GA, BLACK	2	
4	207289	CABLE – GRID HTR FUSE	1	
5	205486	CABLE – STARTER GROUND	1	
6	207437	CABLE – GRID HEATER	1	
7	362321	HARNESS – ENGINE, 4 CYL STAGE 5	1	
	500470	CONNECTOR – DEUT, DT, 3/M, J1939 (CAN TERMINATOR) <sup>274</sup>		
8	208073	BRACKET – CABLE SUPPORT	1	
9	207456	SUPPORT – GRID HEATER RELAY	1	
10	209018	CLAMP – INSULATED 7/8 IN.	2	
11	135818	CLAMP – INSULATED 1/2 IN.	2	
12	306318	SUPPORT – ENGINE HARNESS	1	
13	209736	HOLDER – FUSE	1	
14	200586	FUSE – AMG, 250 AMP, 35 VOLTS	1	
15	134708	BUSS BAR – GRID HEATER RELAY	1	
16	200585	RELAY – GRID HEATER, 12 VDC, 200 AMPS	1	
17	204956	RESISTOR PACK – COOLANT LEVEL	1	
18	134866	FASTENER – VELCRO STRAP, 400 MM	1	
19	30753	FASTENER – CABLE TIE, BLACK, 305 MM LG	5	
20	21763	FASTENER – CABLE TIE, BLACK, 160 MM LG	21	
21	136655	FASTENER – FIR TREE MOUNT W/ TIE, 200 MM LG <sup>275</sup>	19	
22	209754	SUPPORT – HARNESS	1	
23	134442	SPACER – DUAL SWIVEL SADDLE	8	
A	252639	BOLT – HEX FLG HD M6 X 1 X 16 X SPCL-8.8-AA2L		
B	136399	BOLT – HEX FLG HD TFL M12 X 1.75 X 25-8.8-A3L		
C	136485	BOLT – HEX FLG HD TFL M8 X 1.25 X 16-8.8-A3L		
D	152668	NUT – HEX FLG CTR LOC M6 X 1-8-A2L		
E	135959	BOLT – HEX FLG HD M6 X 1 X 16-10.9-A2L		
F	135337	NUT – HEX FLG CTR LOC M8 X 1.25-8-A2L		
G	135799	NUT – HEX FLG CTR LOC M10 X 1.5-10-A3L		
H	152655	BOLT – HEX FLG HD M10 X 1.5 X 20-8.8-A3L		

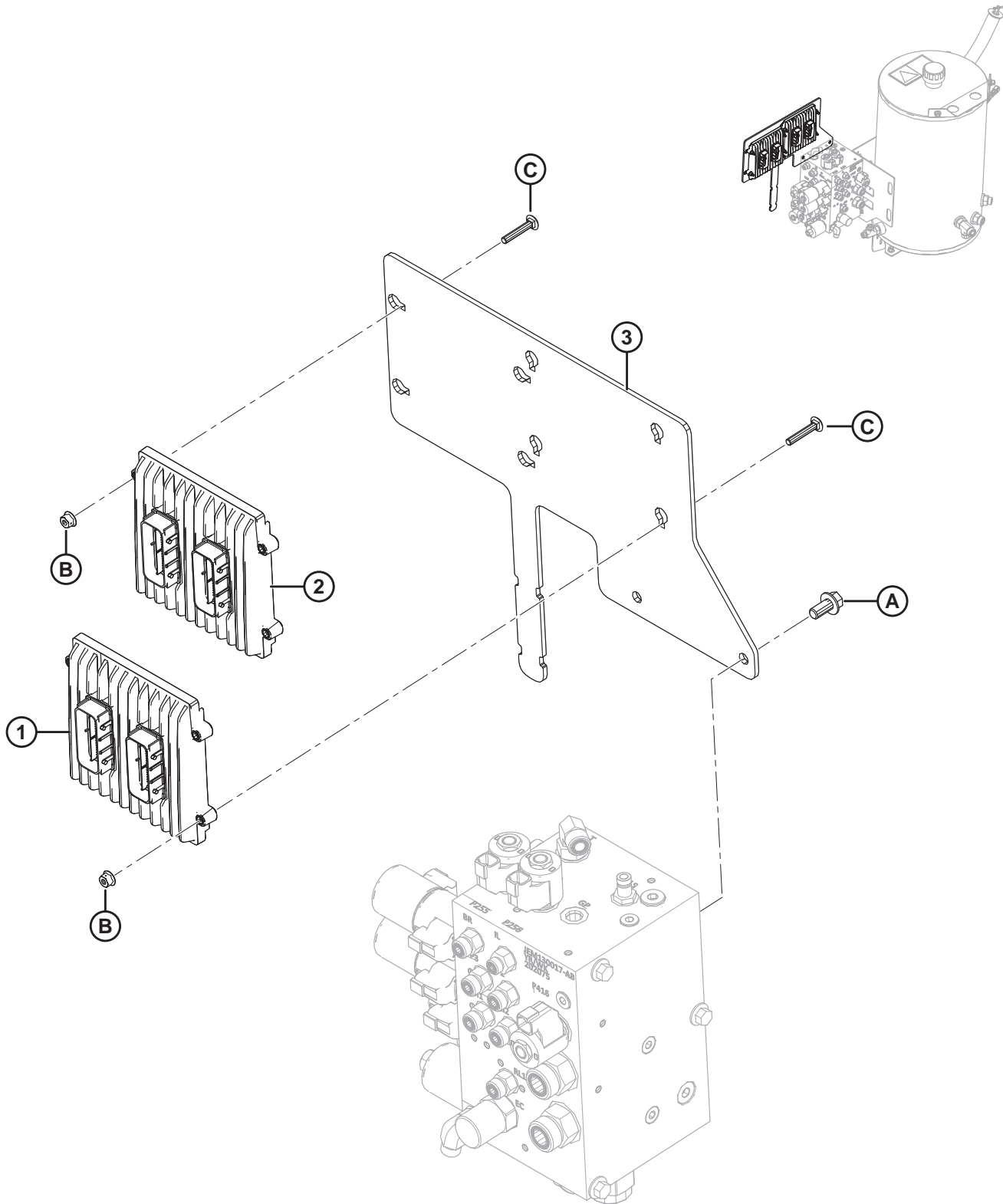
272. Red (positive) starter to alternator cable.

273. Black (ground) starter to alternator cable.

274. CAN terminator.

275. Illustration shows fastener locations.

# 117 Electrical – Firewall Modules



**ELECTRICAL – FIREWALL MODULES**

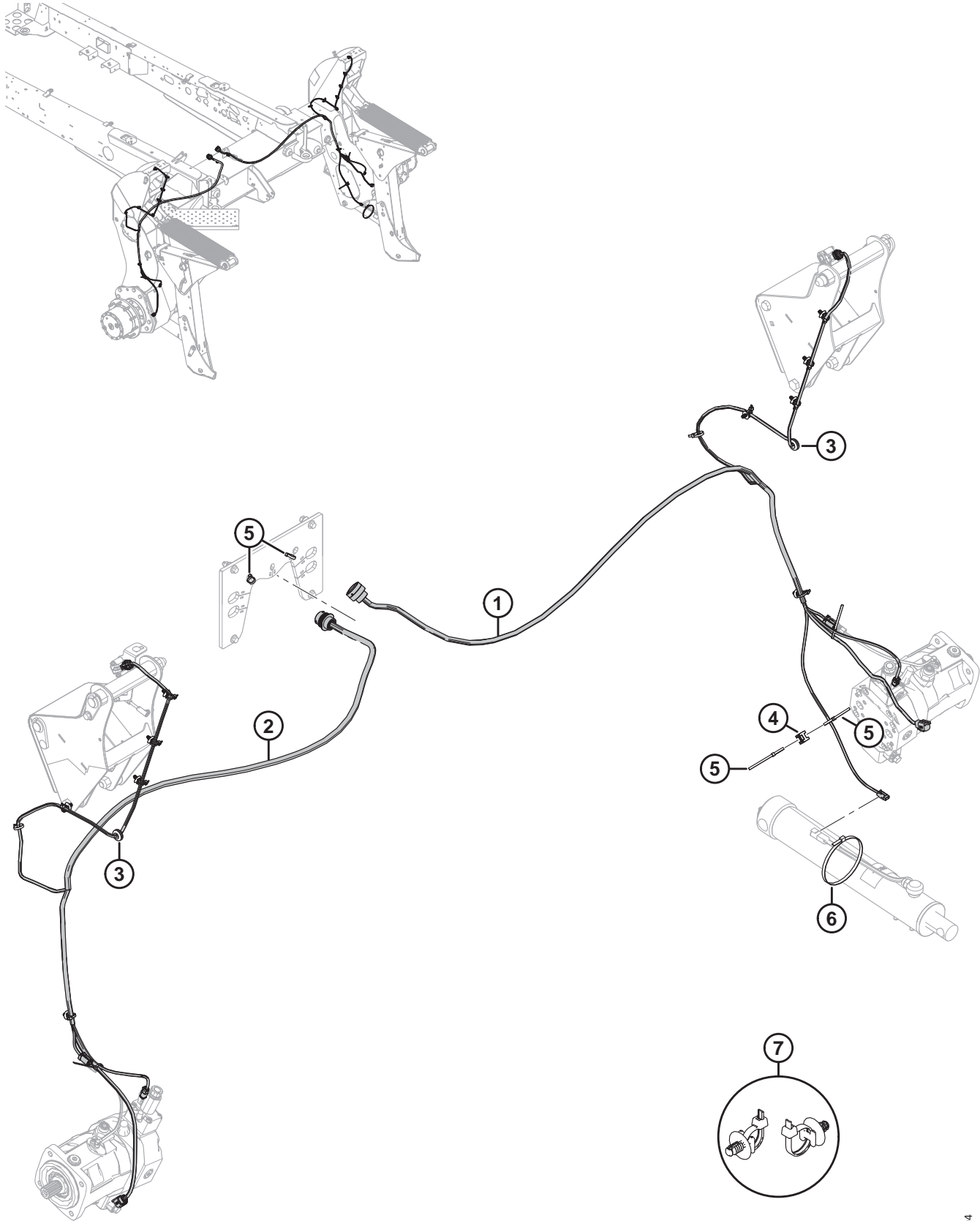
<b>Ref</b>	<b>Part Number</b>	<b>Description</b>	<b>Qty</b>	<b>Serial Number</b>
1	500537	MODULE – EXPANSION <sup>276</sup>	1	
2	362229	KIT – M2 MASTER MODULE <sup>277</sup>	1	
3	362086	PLATE – MODULE MOUNT	1	
A	152655	BOLT – HEX FLG HD M10 X 1.5 X 20-8.8-A3L		
B	152668	NUT – HEX FLG CTR LOC M6 X 1-8-A2L		
C	184643	BOLT – RHSSN M6 X 1.0 X 35-8.8-A2L		

---

276. Labelled XC43 on the back of the module.

277. Labelled MC43 on the back of the module. Includes control module (NSS), software, and instructions.

# 118 Electrical – Wheel Legs





**ELECTRICAL – WHEEL LEGS**

<b>Ref</b>	<b>Part Number</b>	<b>Description</b>	<b>Qty</b>	<b>Serial Number</b>
1	362112	HARNESS – WHEEL LEG, LH	1	
2	362113	HARNESS – WHEEL LEG, RH	1	
3	206482	GROMMET – RUBBER	2	
4	134442	SPACER – DUAL SWIVEL SADDLE	1	
5	21763	FASTENER – CABLE TIE, BLACK, 160 MM LG	8	
6	30753	FASTENER – CABLE TIE, BLACK, 305 MM LG	1	
7	136655	FASTENER – FIR TREE MOUNT WITH CABLE TIE <sup>278</sup>	10	

---

278. Illustration shows fastener locations.

# 119 Decals – Safety

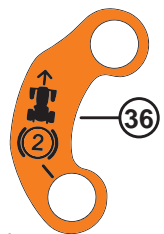
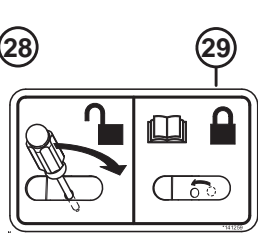
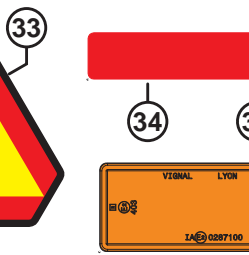
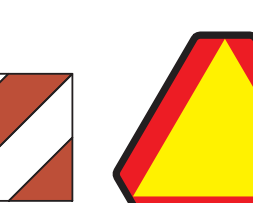
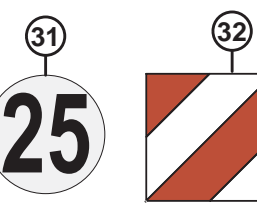
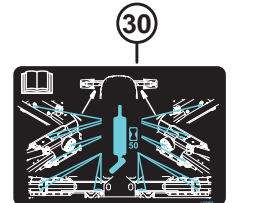
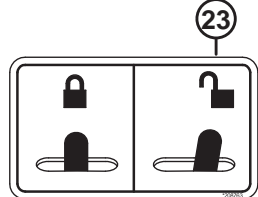
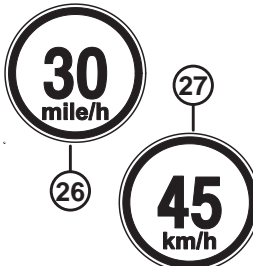
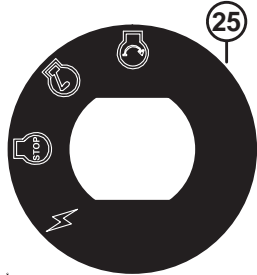
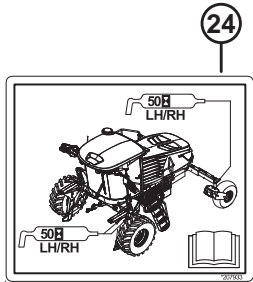
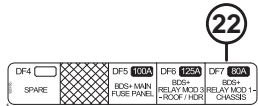
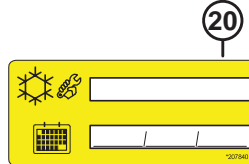
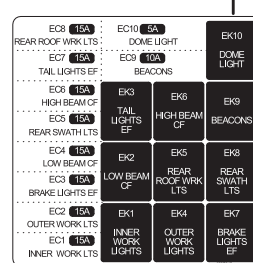
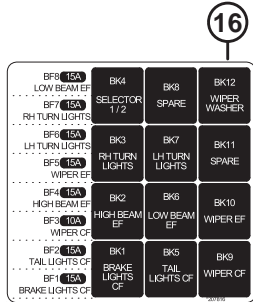
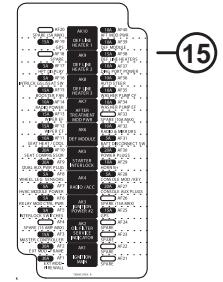
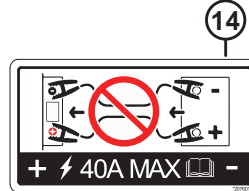
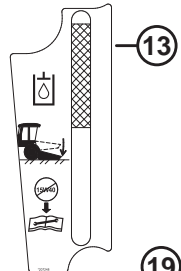
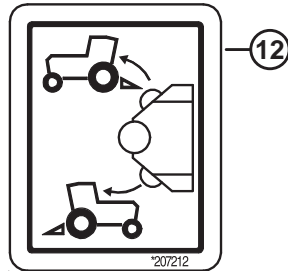
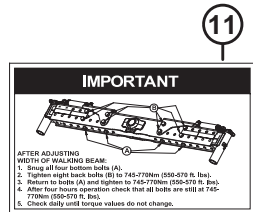
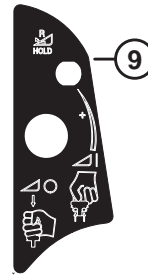
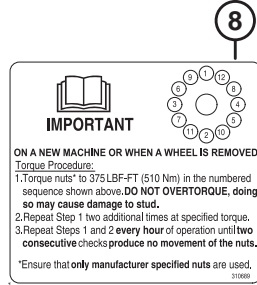
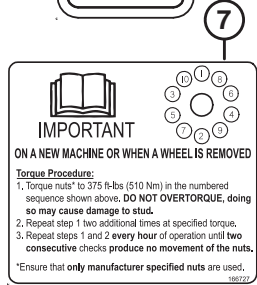
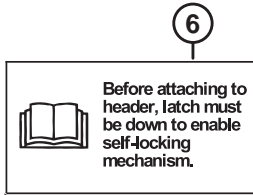
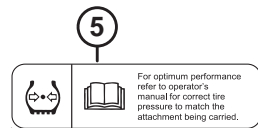
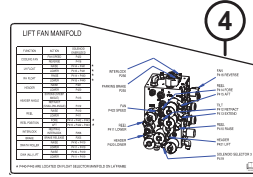
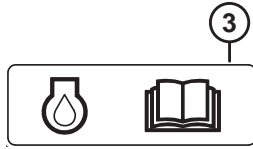
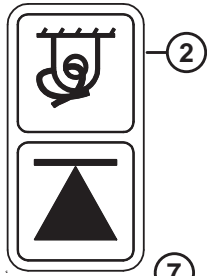
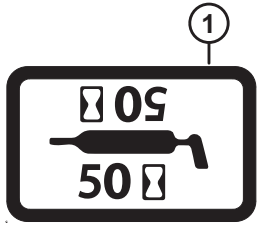


1042100

**DECALS – SAFETY**

<b>Ref</b>	<b>Part Number</b>	<b>Description</b>	<b>Qty</b>	<b>Serial Number</b>
1	166234	DECAL – WARNING (TRAINING SEAT AND SEAT BELTS)		
2	166425	DECAL – DANGER		
3	166463	DECAL – TRANSPORT		
4	166837	DECAL – DANGER, FAN		
5	167502	DECAL – WARNING, PINCH HAZARD		
6	306179	DECAL – HEADER LOCK, LH		
	306180	DECAL – HEADER LOCK, RH		
7	306181	DECAL – HEADER LOCK, 2 PANEL		
8	166454	DECAL – READ MANUAL		
9	166829	DECAL – CAUTION, BALANCE		
10	166832	DECAL – HIGH PRESSURE FLUID		
11	166834	DECAL – WARNING, STARTER JUMP		
12	166457	DECAL – WARNING, READ MANUAL, STEERING SERVICE		
13	166835	DECAL – WARNING, BATT. EXPLODE		
14	166836	DECAL – WARNING, BATTERY BURN		
15	306756	DECAL – NITRITE FREE		
16	166838	DECAL – WARNING HOT SURFACE		
17	166839	DECAL – WARNING, BELT		
18	166843	DECAL – STEERING CONTROL		

# 120 Decals – Information and Reflectors



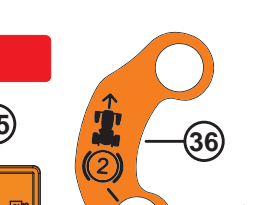
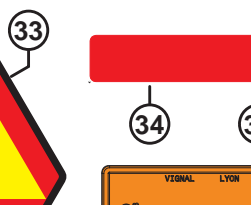
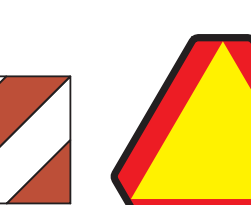
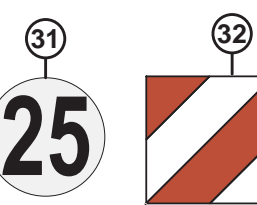
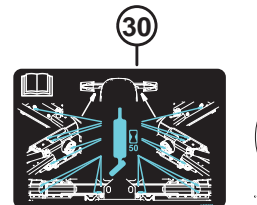
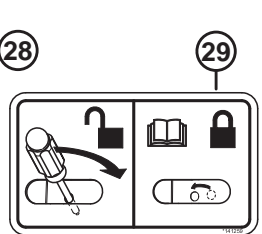
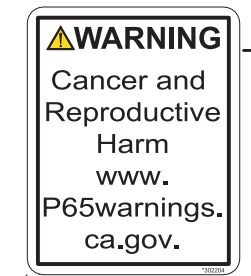
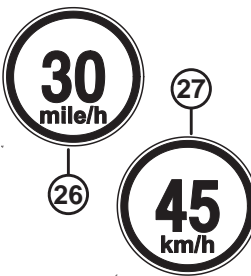
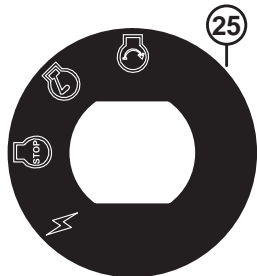
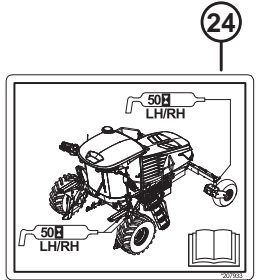
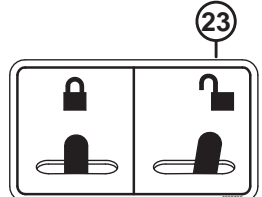
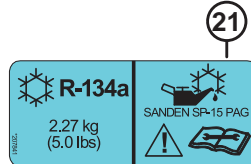
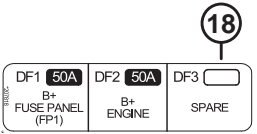
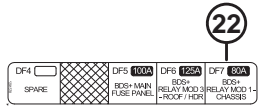
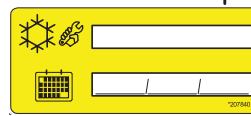
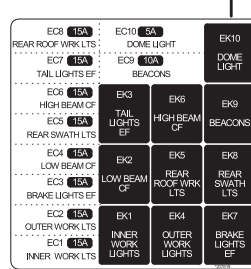
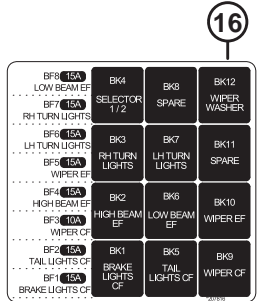
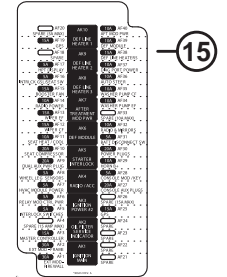
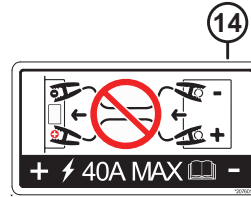
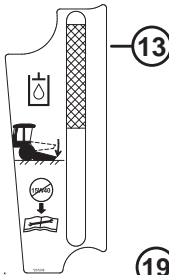
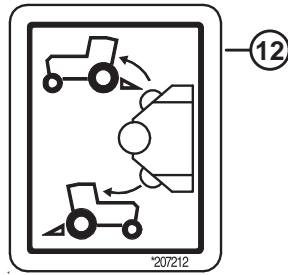
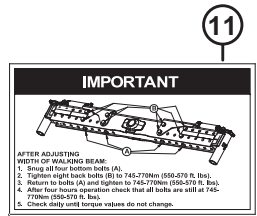
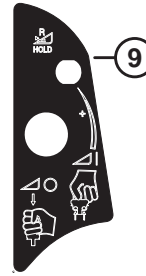
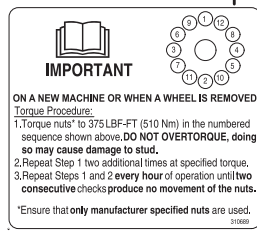
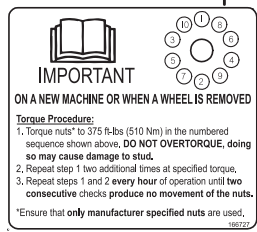
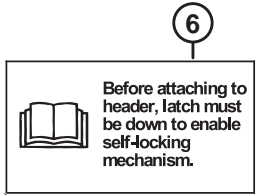
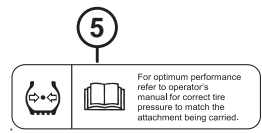
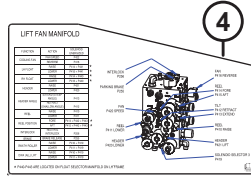
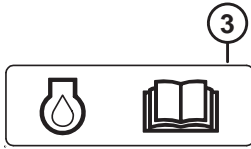
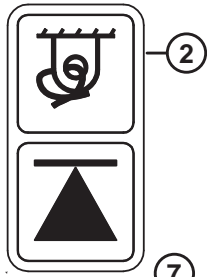
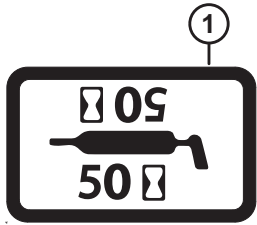
**DECALS – INFORMATION AND REFLECTORS**

Ref	Part Number	Description	Qty	Serial Number
1	23165	DECAL – 50 HR LUBE		
2	252561	DECAL – TIE DOWN AND 'JACK HERE'		
3	110988	DECAL – ENGINE OIL		
4	306365	DECAL – LIFT MANIFOLD		
5	111221	DECAL – TIRE PRESSURE		
6	139723	DECAL – LATCH HANDLE		
7	166727	DECAL – BOLT TORQUE		
8	310689	DECAL – 12 BOLT TORQUE		
9	206778	DECAL – HEADER SWITCH		
10	206781	DECAL – FUNCTION SWITCHES		
11	207087	DECAL – IMPORTANT, WALKING BEAM BOLTS		
12	207212	DECAL – WASHER PUMP		
13	207248	DECAL – LEVEL		
14	207601	DECAL – AUX POWER		
15	306417	DECAL – FUSE, MAIN, ENGLISH, TAPE <sup>279</sup>		
16	207816	DECAL – FUSE, RELAY MODULE CHASSIS		
17	291465	DECAL – FUSE, ATO GROUP		
18	207818	DECAL – FUSE, AMI GROUP, UPPER		
19	207819	DECAL – FUSE, RELAY MODULE ROOF		
20	207840	DECAL – A/C SERVICE		
21	306118	DECAL – A/C INFO		
22	291378	DECAL – FUSE, AMI GROUP, LOWER		
23	208763	DECAL – LATCH, HOOD		
24	207933	DECAL – LUBRICATION		
25	208807	DECAL – KEY SWITCH		
26	208900	DECAL – SIS, 30 MILE/H		
	193242	DECAL – SIS, 20 MILE/H		
27	291028	DECAL – SIS, 45 KM/H		
	193241	DECAL – SIS, 30 KM/H (NT ONLY) <sup>280</sup>		
28	302204	DECAL – CA PROPOSITION 65		
29	141259	DECAL – LATCH, HOOD CE		
30	310974	DECAL – SERVICE GREASE (NT ONLY) <sup>280</sup>		
31	346027	DECAL – SIS, 25 KM/H (NT ONLY) <sup>280</sup>		
32	310476	DECAL – WARNING STRIPES, A (NT ONLY) <sup>280</sup>		
	310477	DECAL – WARNING STRIPES, B (NT ONLY) <sup>280</sup>		
33	135378	REFLECTOR – SMV		
34	115145	REFLECTOR – FLUORESCENT RED-ORANGE		
	115146	REFLECTOR – AMBER		
	115147	REFLECTOR – RED		
35	346208	REFLECTOR – AMBER, ADHESIVE		
	346209	REFLECTOR – RED, ADHESIVE		

279. Includes main fuse panel decal and double-sided tape (NSS).

280. For M2170NT only.

DECALS – INFORMATION AND REFLECTORS



DECALS – INFORMATION AND REFLECTORS

Ref	Part Number	Description	Qty	Serial Number
36	346344	DECAL – BRAKE, GSL <sup>281</sup>		

---

281. For machines with secondary brakes for Germany only.

121 Decals – Product Identification

**MacDon** ①

**MacDon** ②

MacDon ③

**M2170** ④

**NT** ⑤

**CrossFlex**<sup>TM</sup> ⑦  
**SUSPENSION**

**Cummins** ⑥

**Trimble** **READY** ⑧

**DUAL DIRECTION** **ULTRA GLIDE** ⑨



**DECALS – PRODUCT IDENTIFICATION**

<b>Ref</b>	<b>Part Number</b>	<b>Description</b>	<b>Qty</b>	<b>Serial Number</b>
1	163298	DECAL – FRONT CAB, MACDON		
2	208876	DECAL – HOOD, MACDON		
3	208034	PANEL – MACDON, S.S.		
4	362128	DECAL – HOOD, M2170		
5	346024	DECAL – HOOD, NT		
6	362175	EMBLEM – CUMMINS SYMBOL		
7	209770	DECAL – CROSSFLEX		
8	167727	DECAL – TRIMBLE READY		
9	208920	DECAL – ULTRA GLIDE AND DUAL DIRECTION		

**PREPARATION: WARNING!** Removal of old paint by sanding, scraping or other means may generate dust or fumes that contain lead. Exposure to lead dust or fumes may cause brain damage or other adverse health effects, especially in children or pregnant women. Controlling exposure to lead or other hazardous substances requires the use of proper protective equipment, such as a properly fitted respirator (NIOSH Approved) and proper containment and clean up. For more information, call the National Lead Information Center at 1-800-424-LEAD (in US) or contact your local health authority.

Surface must be free of grease, rust, dirt and wax. Mask off or protect other areas from overspray. Product should be sprayed in a well-ventilated area. Use at room temperature 21 °C (70 °F) for best operation.

**FOR BEST RESULTS:** Shake until ball inside can rattle. Hold can at top, and swing bottom of can in a circle for at least 2 minutes, making ball travel around bottom groove. Shake up and down occasionally. Repeat shaking procedure for 10 seconds after each minute of spraying. Press spray button firmly, with the can 15-25 cm (6-10 inches) from surface. Apply several thin coats. To prevent dripping, clear the valve by holding can upside-down, and spray until only clear gas comes out.

Made in Canada / Fabriqué au Canada  
For / Pour  
**MACDON INDUSTRIES LTD**  
WINNIPEG, MANITOBA

**CANADA: CONSUMER CHEMICALS AND CONTAINERS REGULATIONS (CCCR)**

**CONTENTS MAY CATCH FIRE - CONTAINER MAY EXPLODE IF HEATED - MAY IRRITATE EYES - MAY IRRITATE SKIN**  
Do not smoke. Do not puncture or incinerate container. Do not breathe fumes. Do not swallow. Do not get on skin or clothing. Use only in a well-ventilated area. Keep away from flames, such as a pilot light, and any object that sparks, such as an electric motor. Stay away from heat. Keep out of reach of children.

**FIRST AID TREATMENT:** Contains Xylène; 1,2,4-Trinitrobenzène; Methyl ethyl ketone; Ethylbenzène. If breathed in, move person to fresh air. If swallowed, call a Poison Control Centre or doctor immediately. Do not induce vomiting. If in eyes, rinse with water for 15 minutes. If on skin, rinse well with water.

**USA: CONSUMER PRODUCT SAFETY COMMISSION REGULATIONS (CPSC)**

**CONTENTS MAY CATCH FIRE - CONTAINER MAY EXPLODE IF HEATED - HARMFUL IF ABSORBED THROUGH SKIN - HARMFUL IF HEAT IS SWALLOWED - CAUSES RESPIRATORY TRACT, EYE AND SKIN IRRITATION - MAY CAUSE SEVERE ALLERGIC RESPIRATORY AND SKIN REACTION - CANCER HAZARD - CAN CAUSE CANCER, DEVELOPMENTAL TOXICITY/TERATOGENIC EFFECTS.**

**WARNING:** This product contains a chemical known to the State of California to cause cancer and birth defects or other reproductive harm. In a fire or if heated, a pressure increase will occur and the container may burst or explode. Can enter lungs and cause damage. Risk of cancer depends on duration and level of exposure. Contains material which can cause birth defects. Contains material which can cause developmental abnormalities. Do not puncture or incinerate container. Do not expose to heat or store at temperatures above 120°F. Use only with adequate ventilation. Do not breathe vapor or mist. Do not swallow. Do not get on skin or clothing. Avoid contact with eyes. Keep container tightly closed and sealed until ready for use. Wash thoroughly after handling. Avoid exposure during pregnancy. Keep out of reach of children.

**FIRST AID TREATMENT:** Contains Xylène; 1,2,4-Trinitrobenzène; Methyl ethyl ketone; Ethylbenzène. If breathed in, move person to fresh air. If swallowed, call a Poison Control Centre or doctor immediately. Do not induce vomiting. If in eyes, rinse with water for 15 minutes. If on skin, rinse well with water.

**PREPARATION: MISE EN GARDE!** Enlèvement des anciennes peintures par ponçage, décapage ou toute autre méthode risque de dégager des poussières ou des vapeurs contenant du plomb. L'exposition à ces poussières ou vapeurs peut entraîner un dysfonctionnement du cerveau ou d'autres effets néfastes sur la santé, surtout chez les femmes enceintes et les enfants. L'utilisation d'équipement de protection approprié, tel qu'un appareil respiratoire bien ajusté et homologué par le NIOSH, ainsi que des moyens de confinement adéquats et un nettoyage soigneux de ces substances dangereuses. Pour obtenir plus de renseignements, communiquez avec le National Lead Information Center au 1-800-424-5123 (aux É.U.) ou avec le service local de santé publique.

Le surface doit être exempte de graisse, de rouille, de saleté et de cire. Manquer ou mouvoir les surfaces avoisinantes pour les protéger des sur-sprayings. Le produit doit être vaporisé dans un endroit bien aéré. Pour optimiser les résultats, utiliser à température ambiante 21 °C (70 °F).

**POUR DES RÉSULTATS OPTIMUM:** Agiter le contenant jusqu'à ce que la bille de mélange bouge librement. Ensuite, tenir le canon par le haut et en agiter le fond pendant au moins 2 minutes en faisant des mouvements circulaires pour que la bille se déplace autour du fond de la canette. Agiter de haut en bas de temps à autre. Agiter pendant 10 secondes pour chaque minute de vaporisation. Presser fermement sur le bouton de vaporisation en tenant la canette à 15-25 cm (6-10 pouces) de la surface. Appliquer plusieurs couches minces. Pour empêcher le gicler de substance, le nettoyer en tenant la canette à l'envers et en pressant sur le bouton de vaporisation jusqu'à ce qu'il n'en reste que du gaz inerte. Tableau des produits conformes à la réglementation sur les COV de votre région.

**CANADA: RÉGLEMENT SUR LES PRODUITS CHIMIQUES ET LES CONTENANTS DE CONSUMMATION (RPGCC)**

**LE CONTENU PEUT S'ENFLAMMER - CE CONTENANT PEUT EXPLOSER S'IL EST CHAUFFÉ - PEUT IRRITER LES YEUX - PEUT IRRITER LA PEAU**  
Ne pas fumer. Ne pas perfore. Ne pas brûler le contenant. Ne pas engoiser les émanations. Ne pas avaler. Éviter tout contact avec les yeux. Éviter tout contact avec la peau ou les vêtements. Éviter que dans un endroit bien aéré. Tenir les flammes, telle une flamme pilote, et de tout objet produisant des étincelles, tel un moteur électrique. Conserver loin des sources de chaleur. Tenir hors de portée des enfants.

**PREMIERS SOINS:** Contient Xylène; 1,2,4-Trinitrobenzène; Méthyléthylcétone; Éthylbenzène. En cas d'inhalation, transporter à l'air frais la personne exposée. En cas d'ingestion, appeler immédiatement un centre antipoison ou un médecin. Ne pas provoquer le vomissement. En cas de contact avec les yeux, rincer avec de l'eau pendant 15 minutes. En cas de contact avec la peau, bien rincer avec de l'eau.

**MacDon Performance Parts**

**Industrial Touch Up Paint  
Peinture de retouche industrielle**



**DANGER!**

**FLAMMABLE - CONTENTS UNDER PRESSURE  
INFLAMMABLE - CONTENU SOUS PRESSION**



Part number / Numéro de pièce

Net weight with paint / Poids net avec peinture **12 oz / 340 g**

1

2

Read and understand all safety instructions before using this product.  
Lire et comprendre toutes les consignes de sécurité avant d'utiliser ce produit.

Made in Canada / Fabriqué au Canada  
For / Pour  
**MACDON INDUSTRIES LTD**  
WINNIPEG, MANITOBA

**CANADA: CONSUMER CHEMICALS AND CONTAINERS REGULATIONS (CCCR)**

**CONTENTS MAY CATCH FIRE, MAY IRRITATE EYES, MAY IRRITATE SKIN.** Do not smoke. Do not get on skin or clothing. Use only in a well-ventilated area. Keep away from flames, such as a pilot light, and any object that sparks, such as an electric motor. Stay away from heat. Keep out of reach of children.

**FIRST AID TREATMENT:** Contains Xylène; 1,2,4-Trinitrobenzène; Methyl ethyl ketone; Ethylbenzène. If breathed in, move person to fresh air. If swallowed, call a Poison Control Centre or doctor immediately. Do not induce vomiting. If in eyes, rinse with water for 15 minutes. If on skin, rinse well with water.

**USA: CONSUMER PRODUCT SAFETY COMMISSION REGULATIONS (CPSC), FLAMMABLE LIQUID AND VAPOR, HARMFUL IF ABSORBED THROUGH SKIN, HARMFUL IF HEAT IS SWALLOWED, CAUSES RESPIRATORY TRACT, EYE AND SKIN IRRITATION, MAY CAUSE SEVERE ALLERGIC RESPIRATORY AND SKIN REACTION, CANCER HAZARD - CAN CAUSE CANCER, DEVELOPMENTAL TOXICITY/TERATOGENIC EFFECTS.**

**WARNING:** This product contains a chemical known to the State of California to cause cancer and birth defects or other reproductive harm. Can enter lungs and cause damage. Risk of cancer depends on duration and level of exposure. Contains material which can cause birth defects. Contains material which can cause developmental abnormalities. Do not puncture or incinerate container. Do not expose to heat or store at temperatures above 120°F. Use only with adequate ventilation. Do not breathe vapor or mist. Do not swallow. Do not get on skin or clothing. Avoid contact with eyes. Keep container tightly closed and sealed until ready for use. Wash thoroughly after handling. Avoid exposure during pregnancy. Keep out of reach of children.

**FIRST AID TREATMENT:** Contains Xylène; 1,2,4-Trinitrobenzène; Methyl ethyl ketone; Ethylbenzène. If swallowed, call a Poison Control Centre or doctor immediately. Do not induce vomiting. If in eyes, rinse with water for 15 minutes. If on skin, rinse well with water.

**MacDon Performance Parts**

**Industrial Paint / Peinture industrielle**



**DANGER!  
FLAMMABLE / INFLAMMABLE**

One US quart

Part number / Numéro de pièce

946 ml

**DIRECTIONS FOR USE**  
THIS PRODUCT IS READY TO USE. NO MIXING IS REQUIRED.

**APPLICATION**  
Spray material at 40 to 55 PSI (2.7 to 3.8 MPa).

**USING A PRIMER IS NOT NECESSARY WITH THIS PRODUCT.**  
Spray medium wet coat, allow to tack and follow with full wet coat.

**FOR VOC REGULATED AREAS:**  
These directions refer to the use of products which may be restricted or require special mixing instructions in VOC regulated areas. Follow mixing and usage recommendations in the VOC Compliance Products Chart for your area.

**MODE D'EMPLOI**  
CE PRODUIT EST PRÊT À L'UTILISATION, AUCUN MÉLANGE N'EST REQUIS.

**APPLICATION**  
Pulvériser à une pression de 40 à 55 lb/po (2,7 à 3,8 MPa).

**L'UTILISATION D'UN APPRÊT N'EST PAS NÉCESSAIRE AVEC CE PRODUIT.**  
Appliquez une couche moyennement chargée, laissez sécher jusqu'à ce qu'elle devienne mate, puis appliquez une couche chargée.

**RÉGLEMENTATION SUR LES COV**  
Ces directives concernent l'utilisation de produits pouvant être réglementés ou soumis à des instructions de mélange spéciales dans les régions où les émissions COV sont réglementées. Suivez les recommandations de mélange et d'emploi indiquées au Tableau des produits conformes à la réglementation sur les COV de votre région.

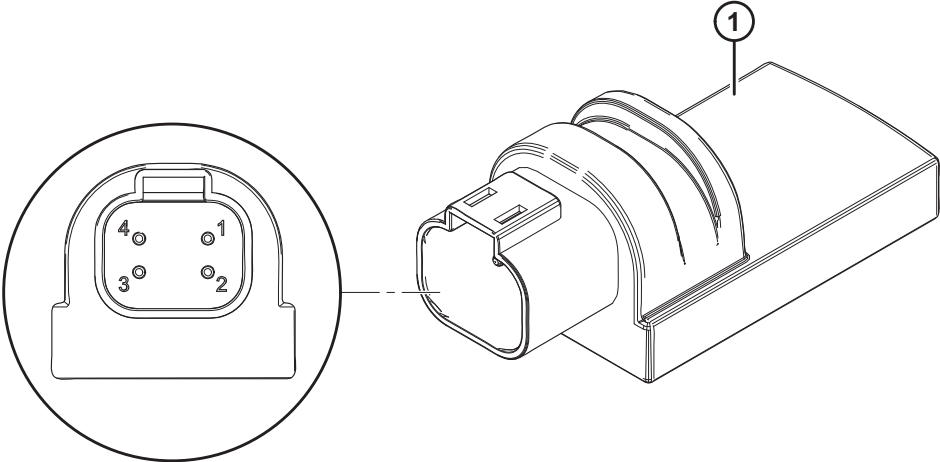
**PAINT**

<b>Ref</b>	<b>Part Number</b>	<b>Description</b>	<b>Qty</b>	<b>Serial Number</b>
1	135148	PAINT – BLACK (55-65 GLOSS LEVEL), SPRAY CAN, 12 OZ. (340 G) AEROSOL <sup>282</sup>		
	32879	PAINT – WHITE, SPRAY CAN, 12 OZ. (340 G) AEROSOL <sup>282</sup>		
	23950	PAINT – RED, SPRAY CAN, 12 OZ. (340 G) AEROSOL <sup>282</sup>		
2	25991	PAINT – BLACK (55-65 GLOSS LEVEL), 1 US QUART (946 ML)		
	23957	PAINT – WHITE, 1 US QUART (946 ML)		
	32880	PAINT – RED, 1 US QUART (946 ML)		

---

282. To be used for small touch-ups only.

# 123 (Option) Bluetooth Software Interface Module



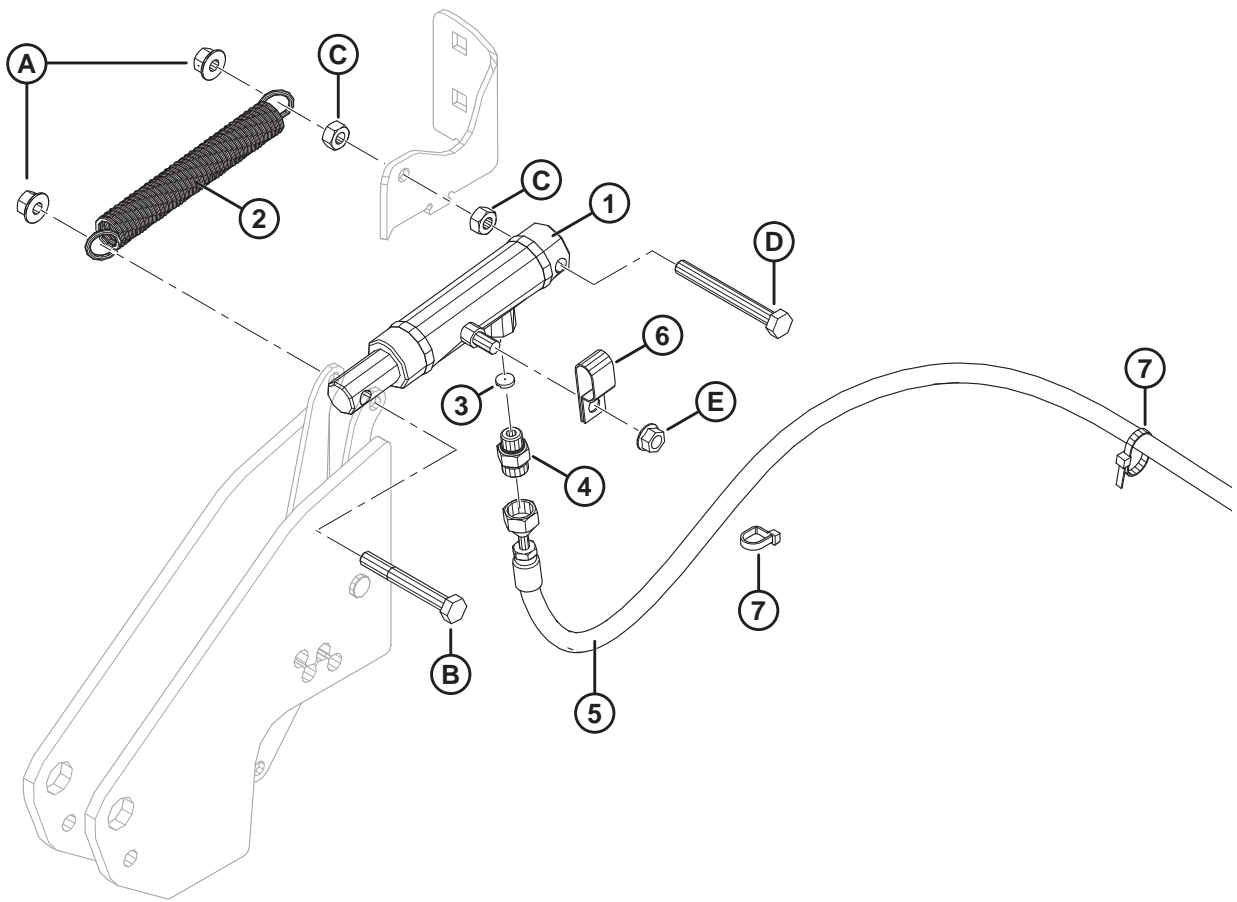
(OPTION) BLUETOOTH SOFTWARE INTERFACE MODULE

Ref	Part Number	Description	Qty	Serial Number
1	208845	KIT – BLUETOOTH SOFTWARE INTERFACE MODULE <sup>283</sup>		

---

283. Used for performing software updates on the master controller via Android or IOS based IQANgo App. Kit includes bluetooth module and instructions.

# 124 (Option) Center-Link Self-Alignment

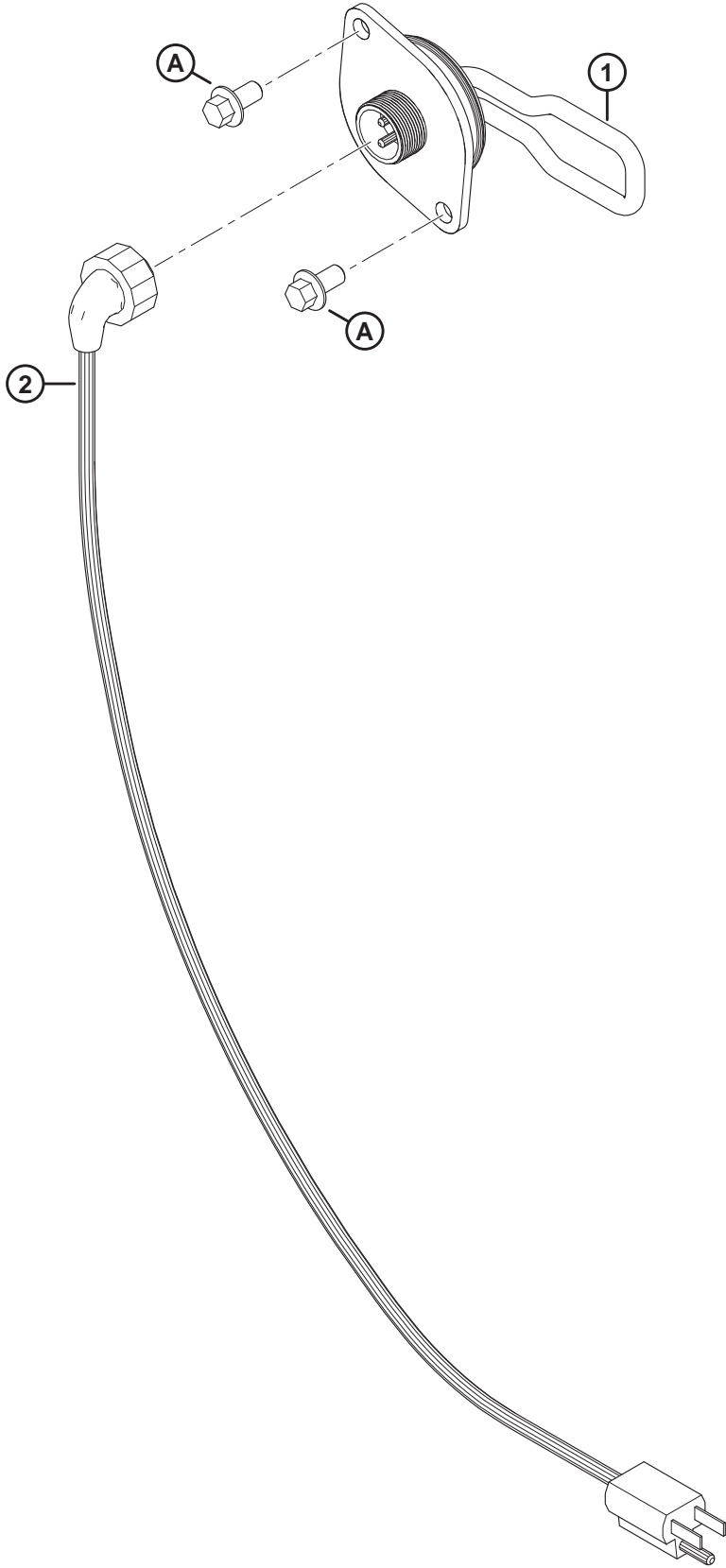


(OPTION) CENTER-LINK SELF-ALIGNMENT

Ref	Part Number	Description	Qty	Serial Number
	B6617	KIT – CENTER-LINK SELF-ALIGNMENT <sup>284</sup>		
1	252934	CYLINDER – HYDRAULIC	1	
	252940	SEAL KIT		
2	110977	SPRING – EXT	1	
3	111834	RESTRICTOR	1	
4	135778	FITTING – ADAPTER	1	
	50219	O-RING – #6 ORB		
	135865	O-RING – #6 ORFS		
5	203972	HOSE – HYDRAULIC, 1/4 IN I.D., 1050 MM LG	1	
6	135234	CLAMP – DOUBLE HOSE INSULATED	1	
7	21763	FASTENER – CABLE TIE, BLACK, 160 MM LG	2	
A	135799	NUT – HEX FLG CTR LOC M10 X 1.5-10-A3L		
B	108172	BOLT – HEX HD M10 X 1.5 X 65-8.8-A3L		
C	30505	NUT – HEX M10 X 1.5-10-A3L		
D	136454	BOLT – HEX HD TFL M10 X 1.5 X 90-8.8-A3L		
E	30228	NUT – FLG DT SM FACE 3/8-16 UNC-GR5-AA1J		

284. Kits are available through Whole Goods only.

# 125 (Option) Coolant Heater Kit





(OPTION) COOLANT HEATER KIT

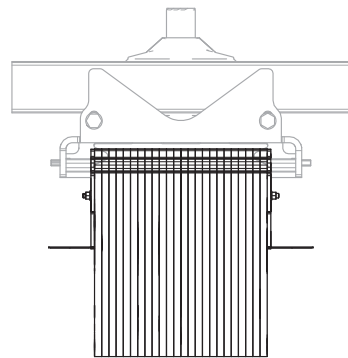
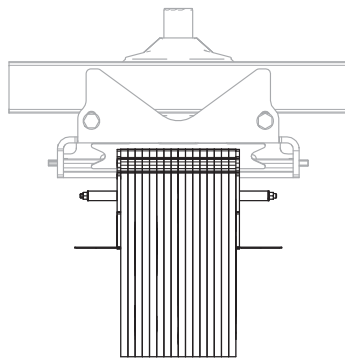
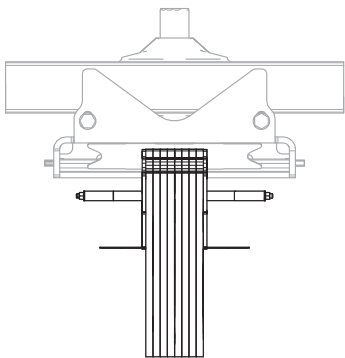
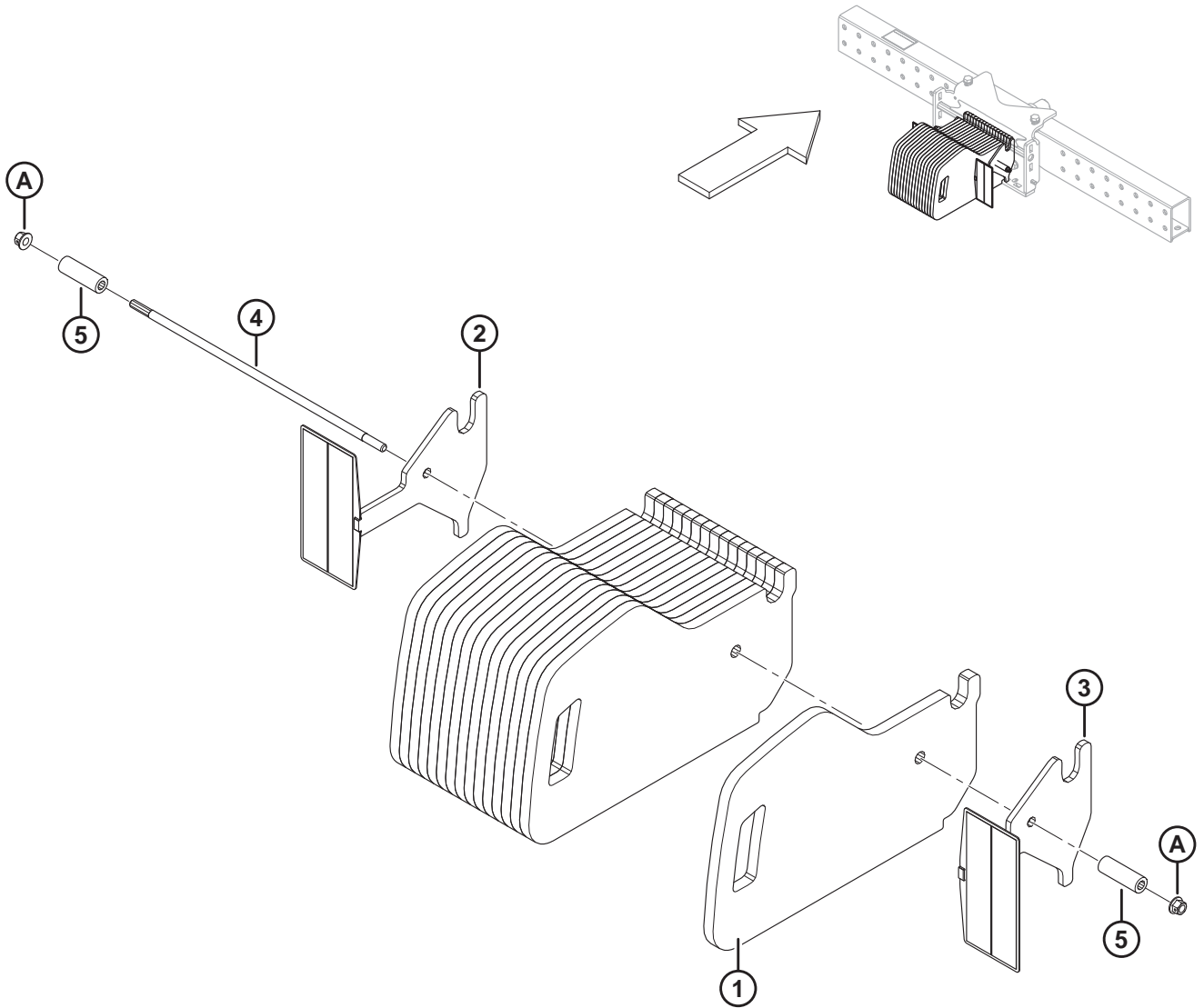
Ref	Part Number	Description	Qty	Serial Number
	306351	KIT – COOLANT HTR 4 CYL <sup>285</sup>		
	B6979	KIT – COOLANT HTR 4 CYL <sup>286</sup>		
1	306346	HEATER – COOLANT 4 CYL	1	
2	306347	CABLE – COOLER HTR 4 CYL	1	
A	136485	BOLT – HEX FLG HD TFL M8 X 1.25 X 16-8.8-AA1J		

---

285. The kit is compatible with 4-cylinder Cummins engine, and provides improved cold weather starting capability. The kit includes all listed parts and instructions.

286. Kits are available through Whole Goods only.

# 126 (Option) Counterweights – Rear Ballast, M2170



1018865

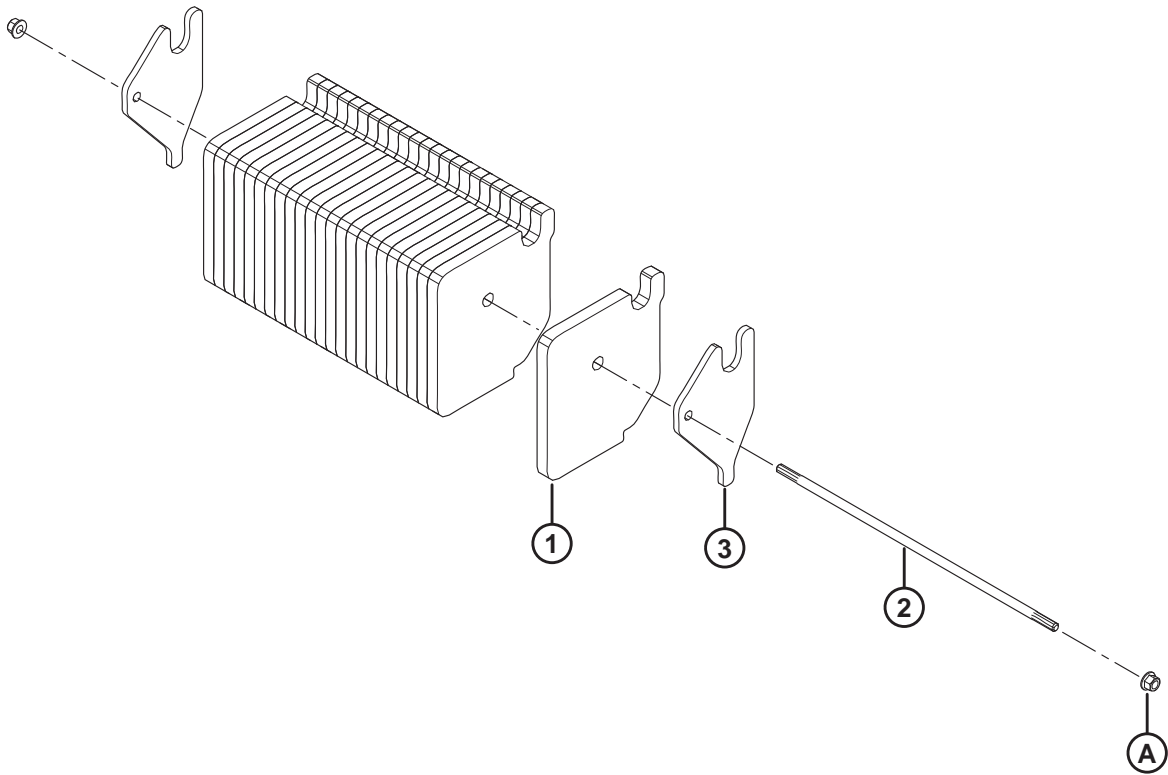
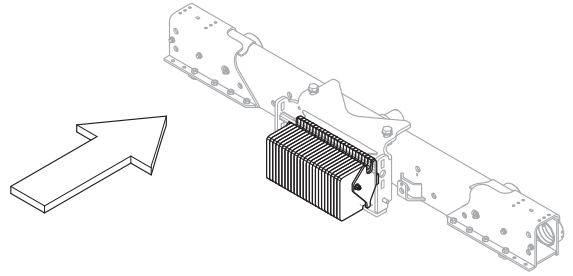
(OPTION) COUNTERWEIGHTS – REAR BALLAST, M2170

Ref	Part Number	Description	Qty	Serial Number
	B6053	KIT – COUNTERWEIGHTS, FIRST BUNDLE <sup>287</sup>		
	B6054	KIT – COUNTERWEIGHTS, ADDITIONAL BUNDLE <sup>288</sup>		
1	208268	WEIGHT – BLACK	8-24	
2	209836	BRACKET – WEIGHT, REFLECTOR, LH	1	
	115145	REFLECTOR – FLUORESCENT RED-ORANGE	1	
	115147	REFLECTOR – RED	1	
3	209837	BRACKET – WEIGHT, REFLECTOR, RH	1	
	115145	REFLECTOR – FLUORESCENT RED-ORANGE	1	
	115147	REFLECTOR – RED	1	
4	204443	ROD – CLAMP	1	
5	149168	SPACER	2-4	
A	136431	NUT – HEX FLG CTR LOC M12 X 1.75-10-A3L		

287. Includes eight counterweights (MD #208268), reflector weight brackets (MD #209836, 209837), one rod clamp (MD #204443), four spacers (MD #149168), and two nuts (MD #136431). Kits are available through Whole Goods only.

288. Includes eight counterweights (MD #208268) only. One, two, or three sets may be installed. Each set is 163 kg (360 lb.), and the total weight that can be installed is 490 kg (1080 lb.). Kits are available through Whole Goods only.

# 127 (Option) Counterweights – Rear Ballast, M2170NT



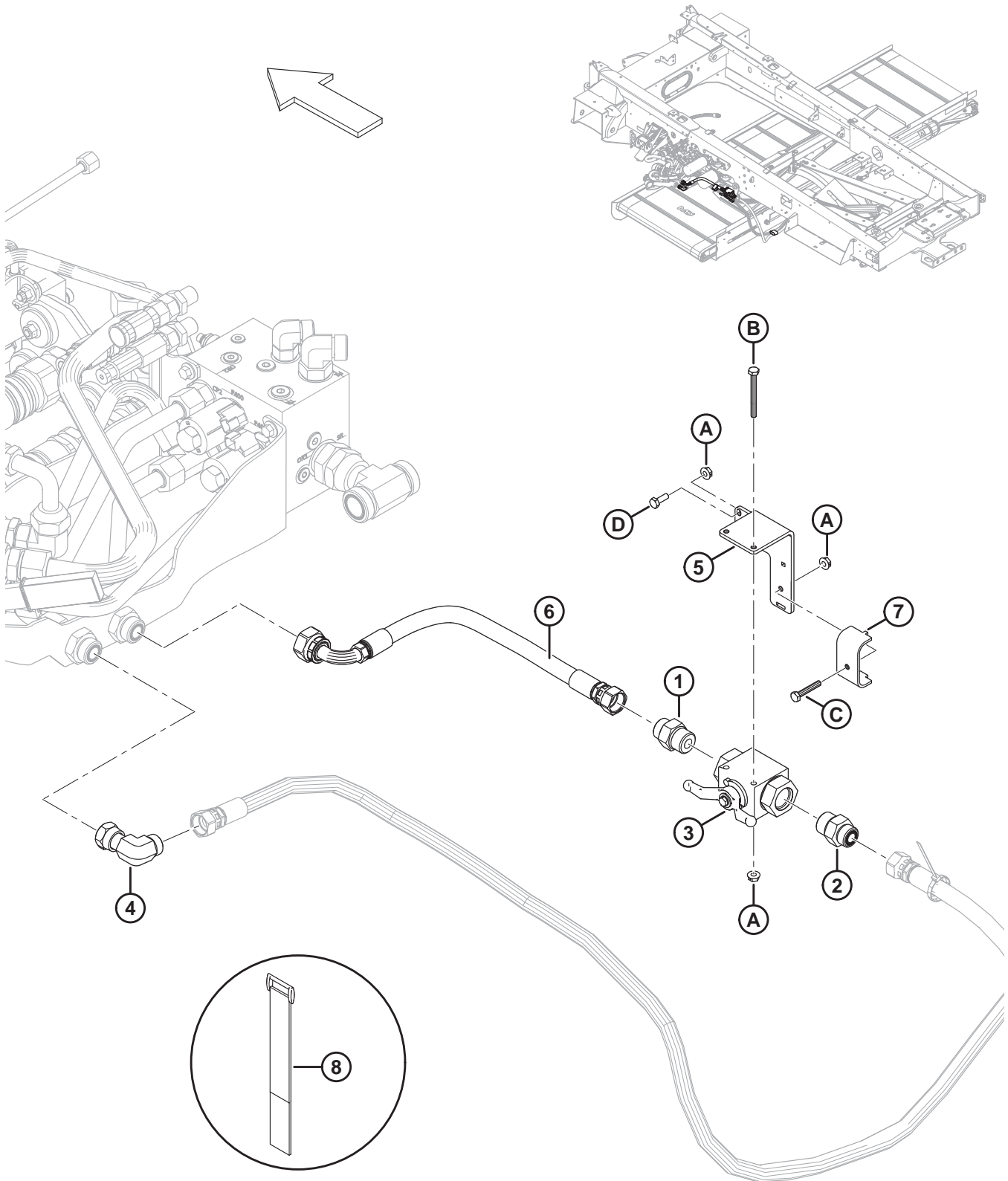
(OPTION) COUNTERWEIGHTS – REAR BALLAST, M2170NT

Ref	Part Number	Description	Qty	Serial Number
	B9070	KIT – COUNTERWEIGHTS (BALLAST) BUNDLE EU <sup>289</sup>		
1	346319	WEIGHT – SUITCASE EU	24	
2	204443	ROD – CLAMP	1	
3	306843	PLATE – RETAINING	2	
A	136431	NUT – HEX FLG CTR LOC M12 X 1.75-10-A3L		

---

289. Kits are available through Whole Goods only.

# 128 (Option) DWA Shut-Off Kit



(OPTION) DWA SHUT-OFF KIT

**NOTE:**

Double Windrow Attachment (DWA) (MD #C2070) and DWA Shut-Off Kit (MD #B9020) are **NOT** compatible with M2170N7 Windrowers.

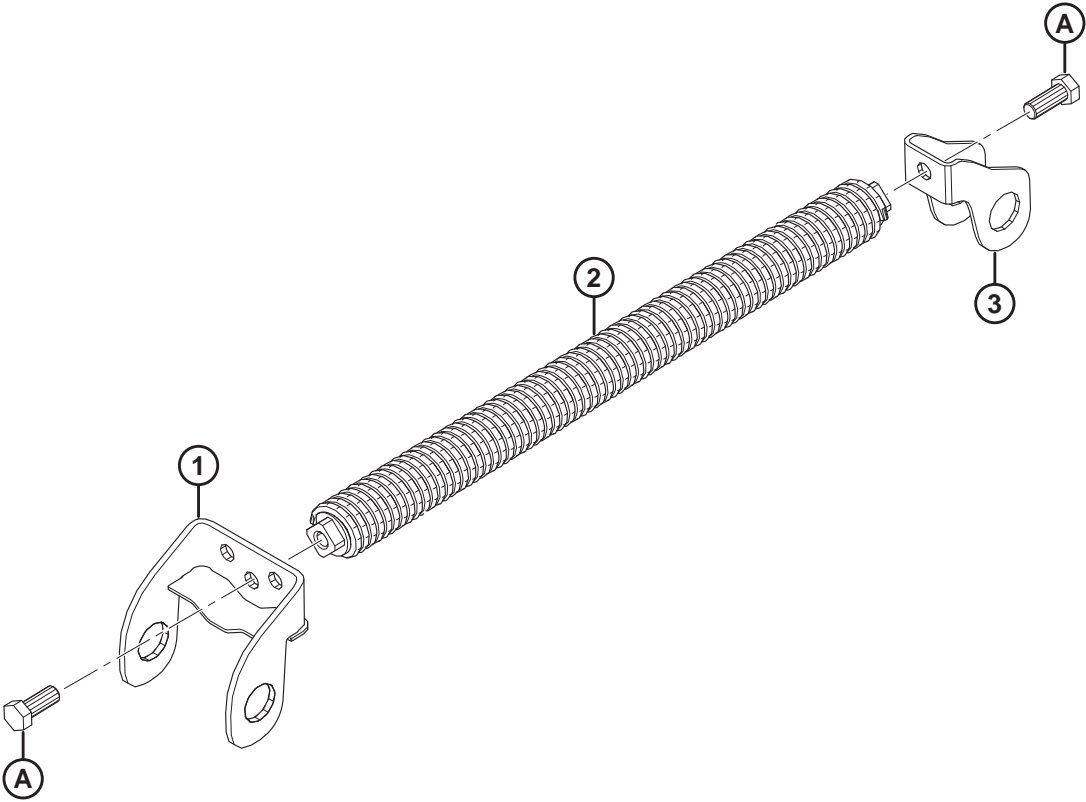
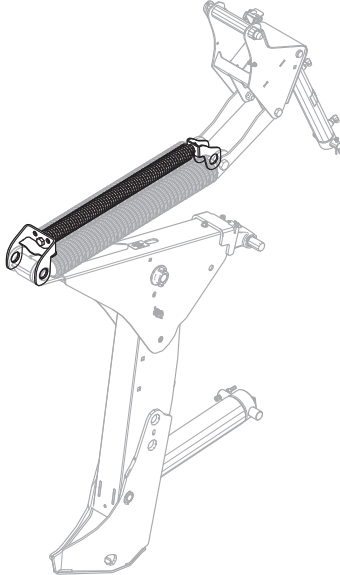
Ref	Part Number	Description	Qty	Serial Number
	B9020	KIT – DWA SHUT-OFF <sup>290</sup>		
1	135786	FITTING – ADAPTER	1	
	30971	O-RING – #12 ORB		
	135867	O-RING – #10 ORFS		
2	135786	FITTING – ADAPTER (2019 AND PRIOR DWA) <sup>291</sup>	1	-371189
	30971	O-RING – #12 ORB		
	135867	O-RING – #10 ORFS		
	135788	FITTING – ADAPTER (2020 AND LATER DWA) <sup>292</sup>	1	371190–
	30971	O-RING – #12 ORB		
	135868	O-RING – #12 ORFS		
3	294263	VALVE – BALL	1	
4	136846	FITTING – SWIVEL 90 DEG HYD 10-10	1	
5	299820	BRACKET – BV MOUNT, DWA	1	
6	299822	HOSE – HYD, 100R17, 0.5 IN. DIA, 430 MM LG	1	
7	299898	HOLDER – HOSES	1	
8	135444	FASTENER – CINCH STRAP 6 IN. LG	2	
A	135248	NUT – HEX FLG CTR LOC		
B	21854	BOLT – HEX HD 1/4 NC X 2.5 LG GR 5 ZP		
C	21574	BOLT – HEX HD 1/4 NC X 1.5 LG GR 5 ZP		
D	21566	BOLT – HEX HD 1/4 NC X 0.75 LG GR 5 ZP		

290. Kit includes all listed parts and instructions. Kits are available through Whole Goods only.

291. Service part for model year 2019 and prior Double Windrow Attachment (DWA).

292. Service part for model year 2020 and later Double Windrow Attachment (DWA).

# 129 (Option) Float Booster Spring





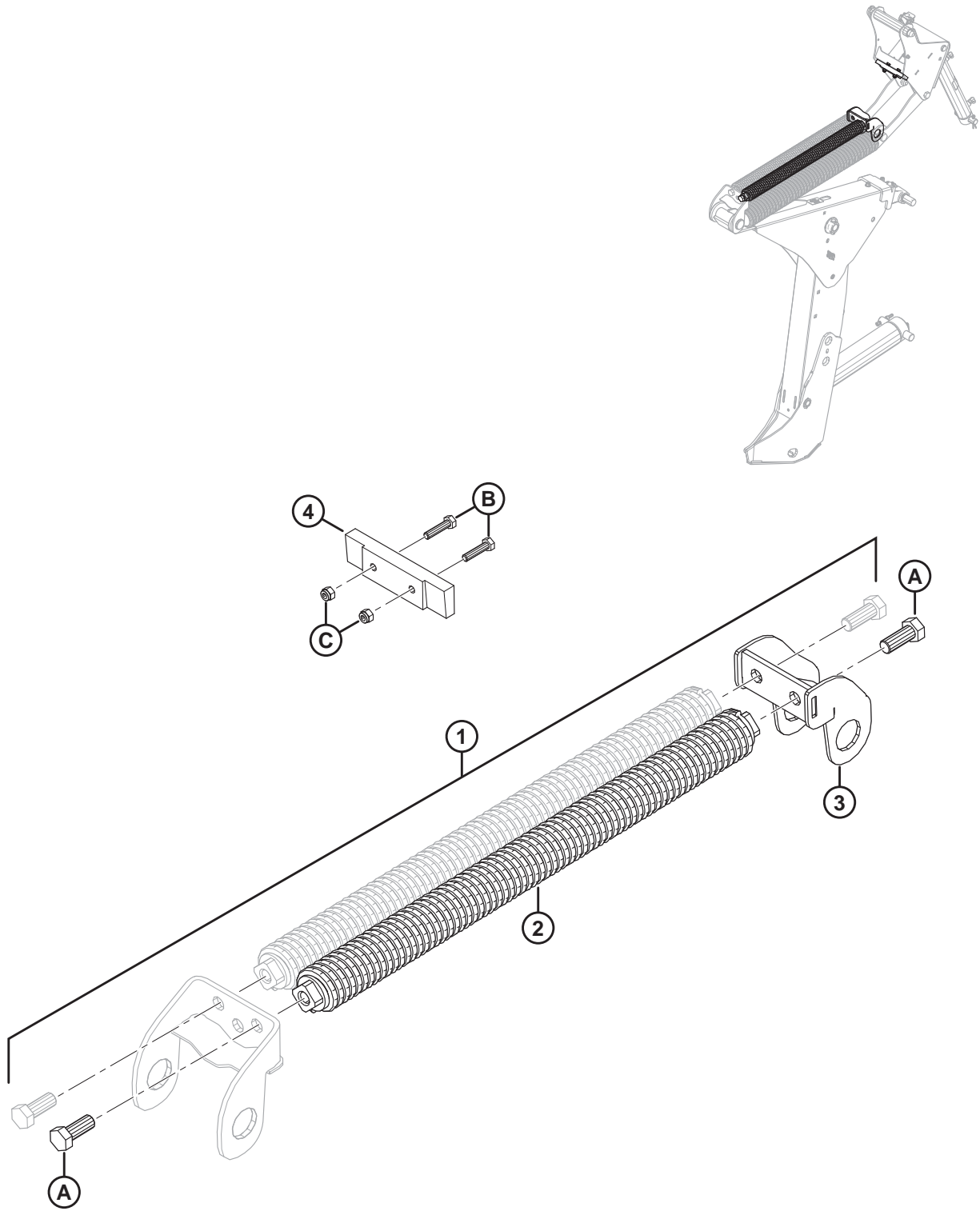
(OPTION) FLOAT BOOSTER SPRING

Ref	Part Number	Description	Qty	Serial Number
	B6047	KIT – FLOAT BOOSTER SPRING <sup>293</sup>		
1	206065	SUPPORT – SPRING, FRONT WELDT	2	
2	306122	ASSEMBLY – BOOSTER SPRING W/ INSERTS	2	
3	206447	CHANNEL – BOOSTER SPRING	2	
A	111528	BOLT – HEX HD TFL M16 X 2 X 40-8.8-A3L		

---

293. Kits are available through Whole Goods only.

# 130 (Option) Float Booster Spring Doubler



(OPTION) FLOAT BOOSTER SPRING DOUBLER

**NOTE:**

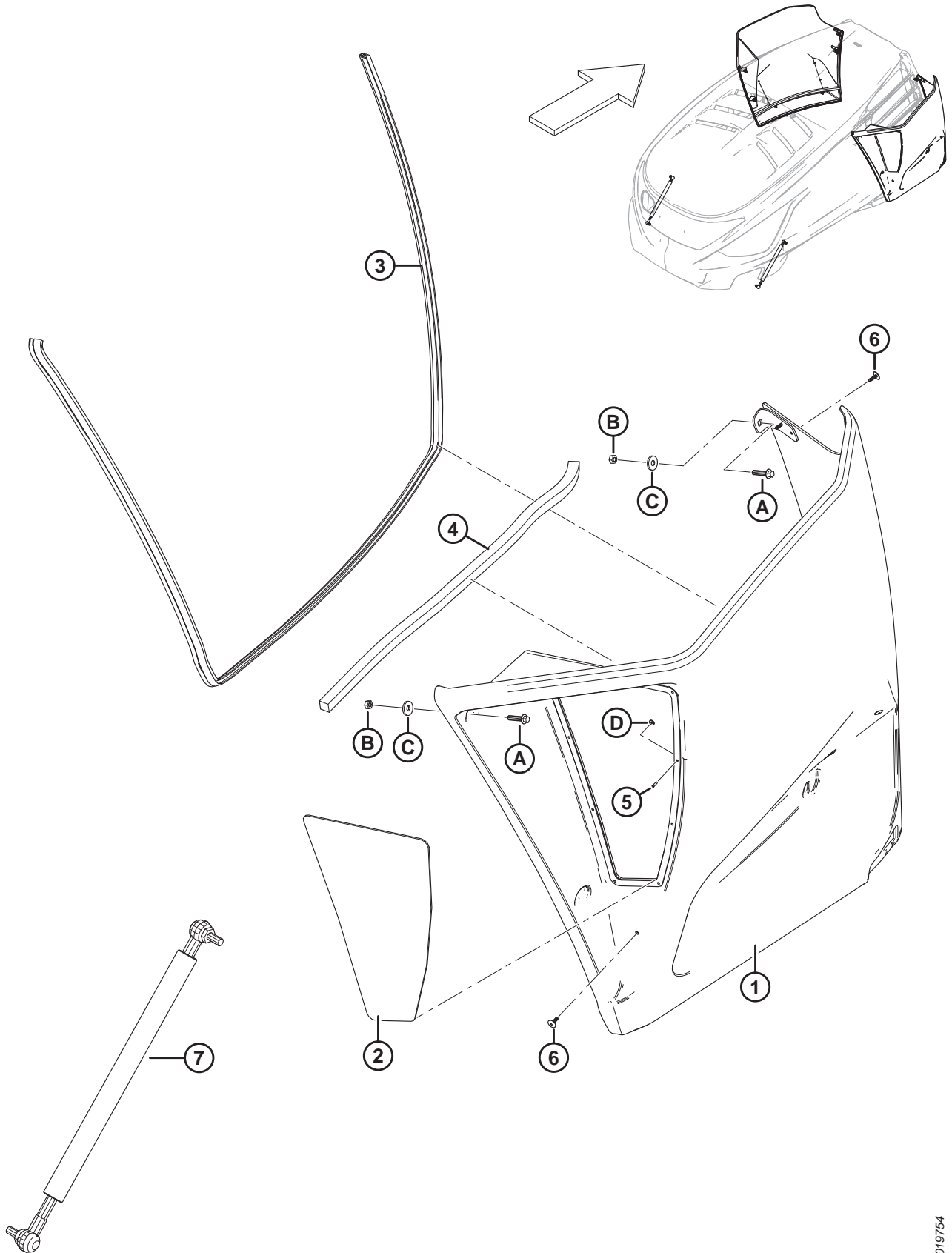
Float Booster Spring Doubler Kit (MD #B6106) is **NOT** compatible with M2170NT Windrowers.

Ref	Part Number	Description	Qty	Serial Number
	B6106	KIT – FLOAT BOOSTER SPRING DOUBLER <sup>294</sup>		
1	REF	KIT – FLOAT BOOSTER SPRING <sup>295</sup>		
2	306122	ASSEMBLY – BOOSTER SPRING W/ INSERTS	2	
3	206424	SUPPORT – SPRING, REAR WELDT	2	
4	206432	PLATE – LINK STOPPER	2	
A	111528	BOLT – HEX HD TFL M16 X 2 X 40-8.8-A3L		
B	184654	BOLT – HEX HD M8 X 1.25 X 35-8.8-A2L		
C	184688	NUT – HEX NYLOC M8 X 1.25-8-A2L		

294. The kit is used in addition to auxillary suspension spring kit (MD #B6047) to add on a second booster spring. Kits are available through Whole Goods only.

295. Greyed out parts are included in auxillary suspension spring kit (MD #B6047). For service parts, refer to Section [129 \(Option\) Float Booster Spring, page 301](#).

# 131 (Option) High Debris Cooler Intake



(OPTION) HIGH DEBRIS COOLER INTAKE

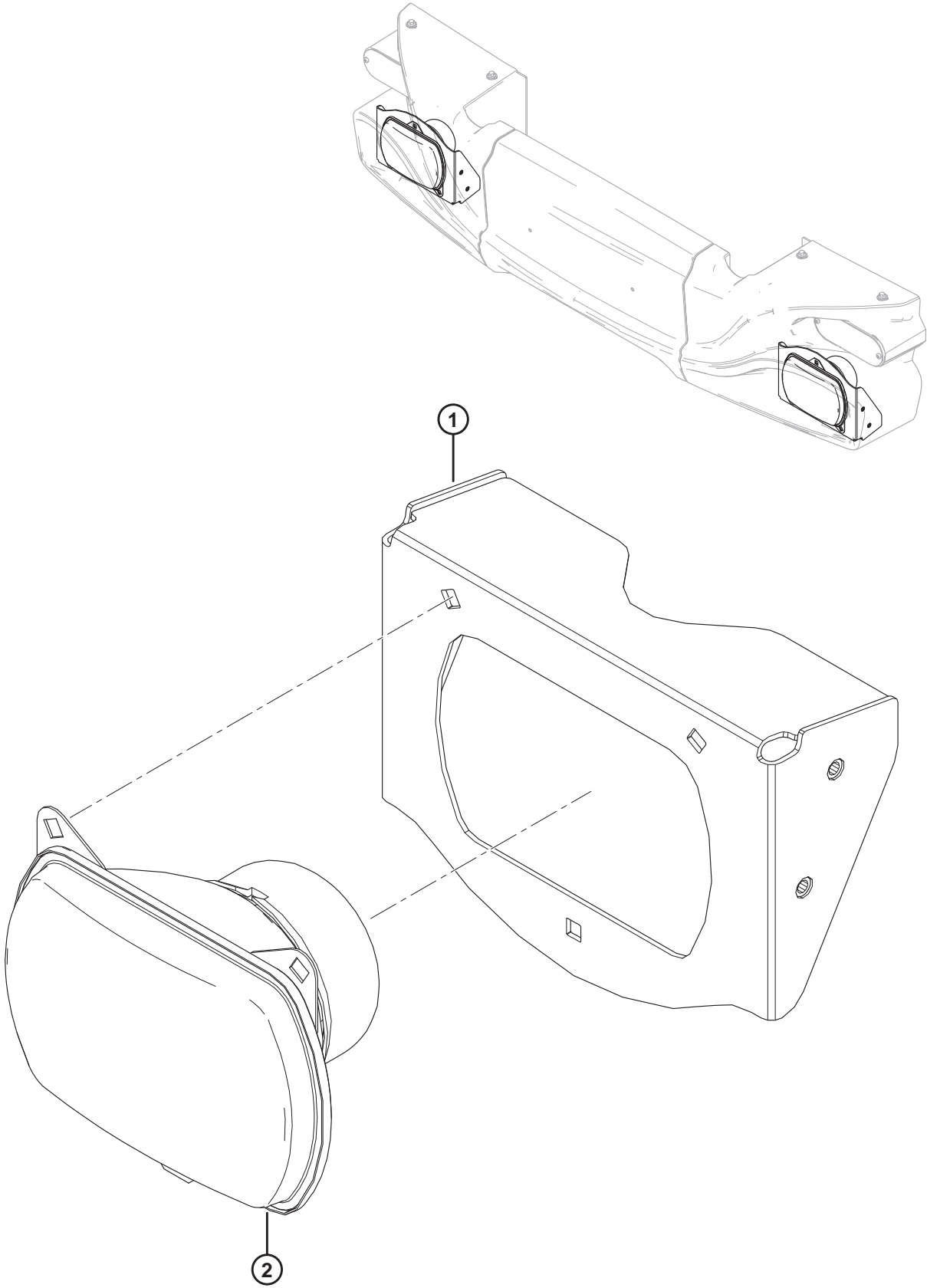
Ref	Part Number	Description	Qty	Serial Number
	B6055	KIT – HIGH DEBRIS COOLER INTAKE <sup>296</sup>		
1	291629	ASSEMBLY – AIR DUCT W/ GLASS, LH <sup>297</sup>	1	
	291630	ASSEMBLY – AIR DUCT W/ GLASS, RH <sup>298</sup>	1	
2	208397	WINDOW – GLASS, LH	1	
	208406	WINDOW – GLASS, RH	1	
3	208372	SEAL – BULB	2	
4	206863	SEAL – FOAM, 905 MM LG	2	
5	184613	RIVET – POP, 1/8 IN	18	
6	136536	RIVET – BLIND 3/16 IN X 0.5 IN, BLACK	20	
7	209689	CYLINDER – GAS, HOOD	2	
A	252396	BOLT – HEX FLG HD TFL M8 X 1.25 X 35-SS-BO		
B	184687	NUT – HEX M8 X 1.25-8-A2L		
C	208337	WASHER – RUBBER		
D	209584	WASHER – FLAT 0.125 IN. I.D. X 0.375 IN. O.D. ZP		

296. Kits are available through Whole Goods only.

297. Includes left window glass (MD #208397).

298. Includes right window glass (MD #208406).

# 132 (Option) Left Drive Headlights



(OPTION) LEFT DRIVE HEADLIGHTS

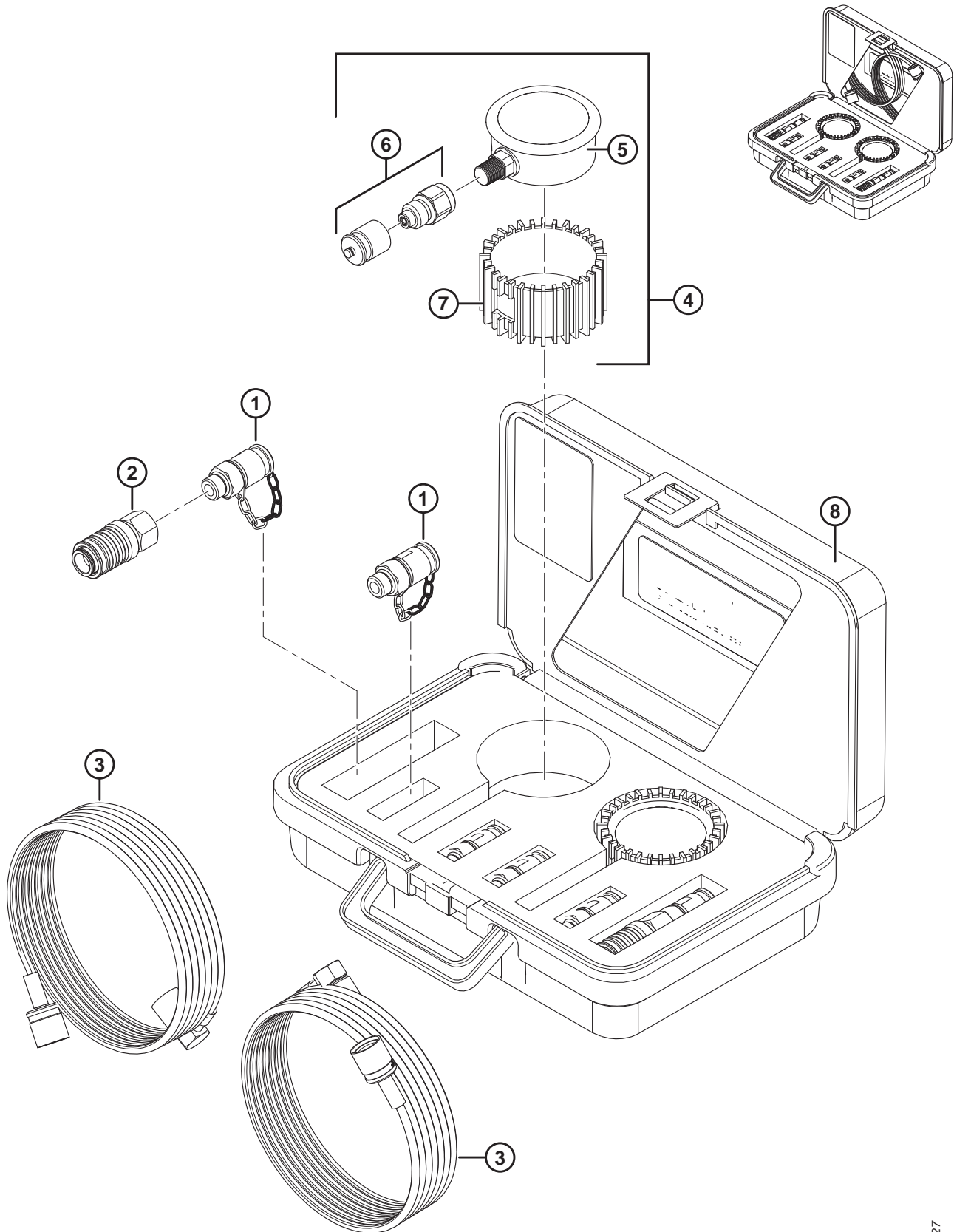
Ref	Part Number	Description	Qty	Serial Number
	B9001	KIT – LH DRIVE HEADLIGHTS <sup>299</sup>		
1	346106	SUPPORT – HEADLIGHT WELDMENT	2	
2	346088	HEADLIGHT – FLUSHMOUNT, LH DRIVE OVAL <sup>300</sup>	2	

---

299. Kits are available through Whole Goods only.

300. Includes mounting hardware.

# 133 (Option) Neutral Setting Service Kit





(OPTION) NEUTRAL SETTING SERVICE KIT

Ref	Part Number	Description	Qty	Serial Number
	183709	KIT – SERVICE, NEUTRAL SETTING <sup>301</sup>		
1	183525	FITTING – COUPLING HYD, M16 X 2	6	
2	252705	FITTING – COUPLING HYD	2	
3	183707	HOSE – HYD, DIAGNOSTIC	2	
4	183609	ASSY – GAUGE C/W FITTING AND BOOT <sup>302</sup>	2	
5	NSS	GAUGE – PRESSURE, 1000 PSI <sup>303</sup>	2	
6	183607	FITTING – ADAPTER C/W DUST CAP	2	
7	183608	BOOT – GAUGE PROTECTOR	2	
8	183708	CASE – CARRYING C/W FOAM, DECALS	1	

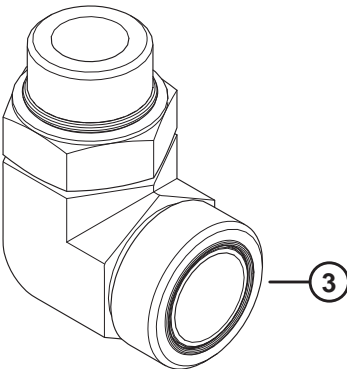
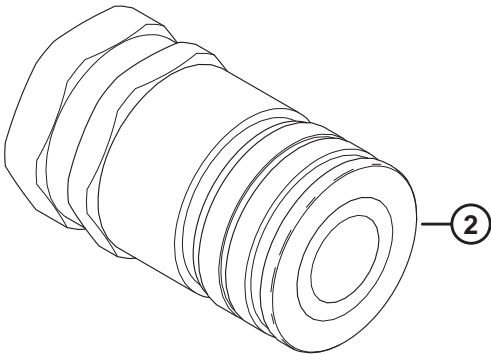
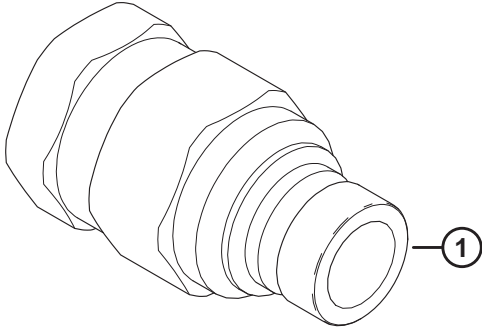
---

301. Includes all listed parts.

302. Includes pressure gauge (not sold separately), adapter fitting (MD #183607), and boot (MD #183608).

303. Not sold separately, service with gauge assembly (MD #183609).

# 134 (Option) Quick Couplers



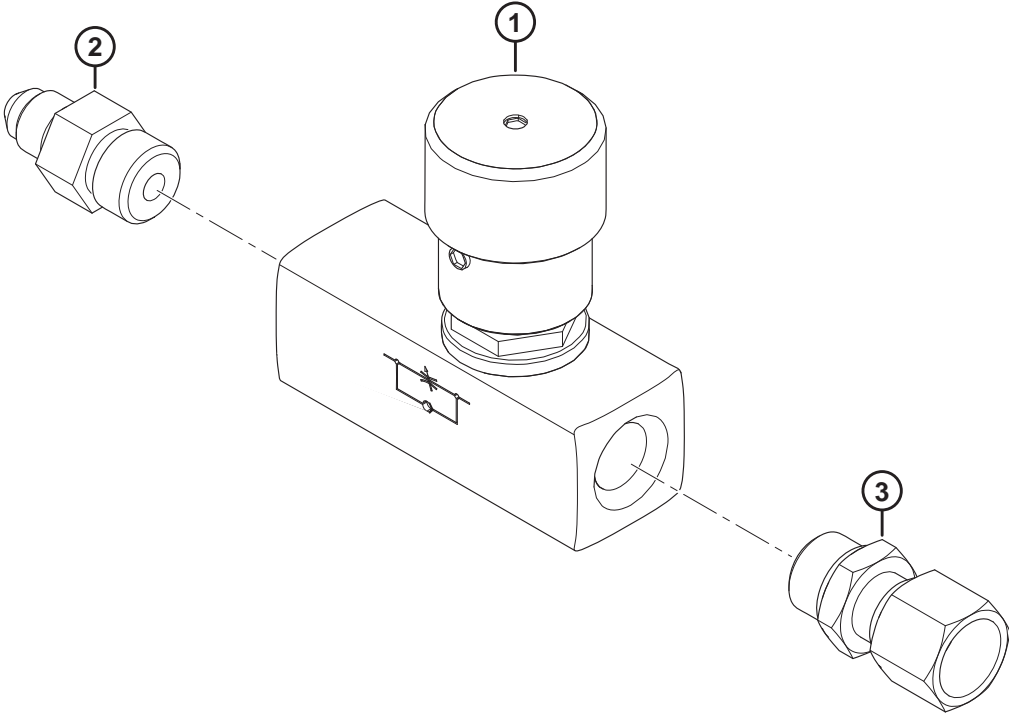
(OPTION) QUICK COUPLERS

Ref	Part Number	Description	Qty	Serial Number
	B6277	KIT – ROTARY QUICK COUPLER <sup>304</sup>		
1	136412	FITTING – COUPLING MALE, 1 IN.	1	
2	136413	FITTING – COUPLING FEMALE, 1 IN.	1	
3	136631	FITTING – ELBOW 90° HYDRAULIC	2	
	50220	O-RING – #16 ORB		
	135869	O-RING – #20 ORF		

---

304. The kit includes all listed parts and instructions. Kits are available through Whole Goods only.

# 135 (Option) Reel Drop Rate Adjustment



**(OPTION) REEL DROP RATE ADJUSTMENT**

**NOTE:**

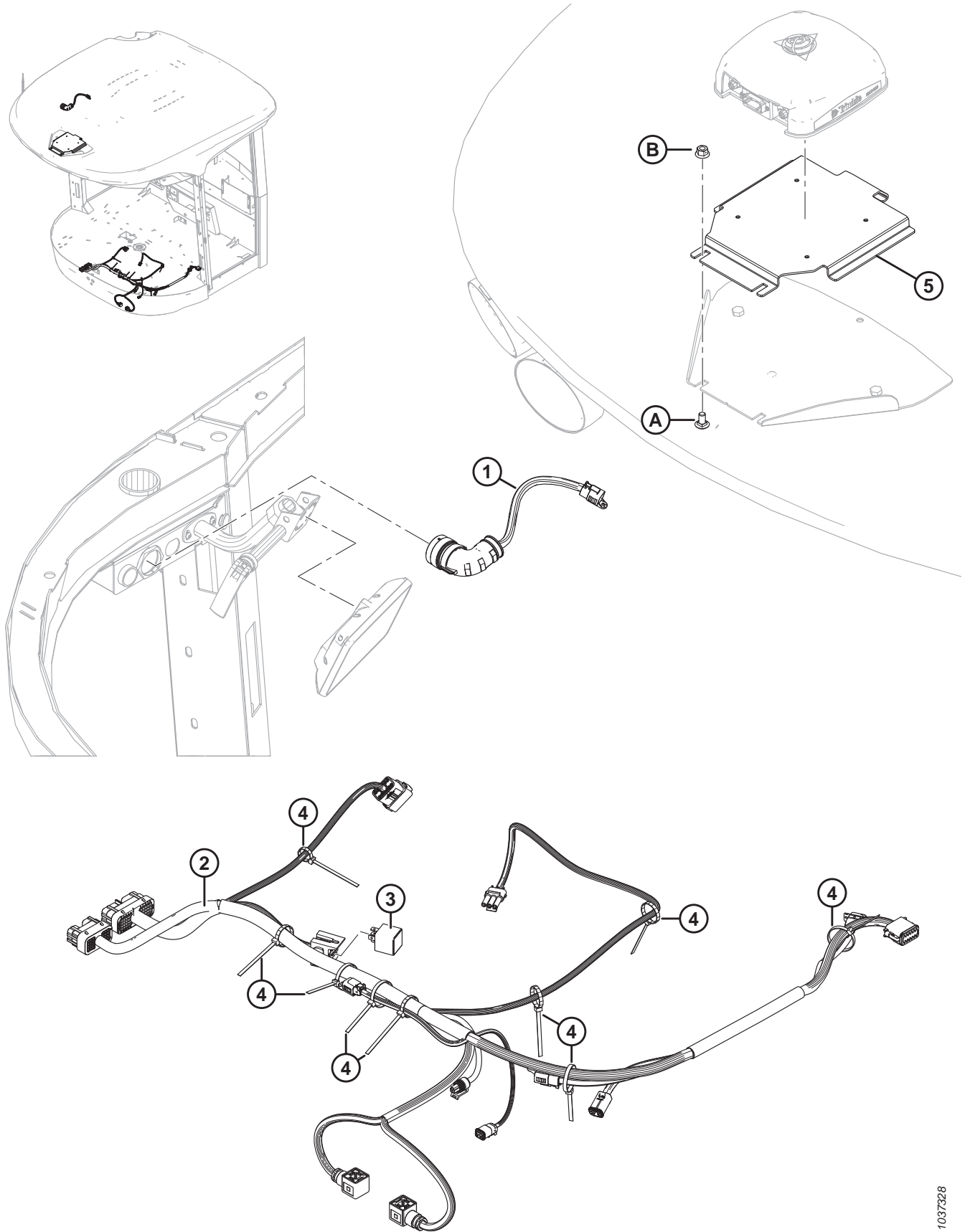
The kit is used to add flow control to the reel lift circuit of D1X and D1XL Draper Headers (featuring Hydraulic Hose Management System).

<b>Ref</b>	<b>Part Number</b>	<b>Description</b>	<b>Qty</b>	<b>Serial Number</b>
	306410	KIT – D1X, XL REEL DROP RATE ADJUSTMENT <sup>305</sup>		
1	183211	VALVE – HYD, FLOW CONTROL	1	
2	30524	FITTING – ADAPTER HYD	1	
3	135015	FITTING – ADAPTER HYD	1	
	167897	DECAL – REEL DROP RATE	1	

---

305. Kit comes complete with all listed parts and instructions.

# 136 (Option) Trimble® Autopilot™ – Electrical

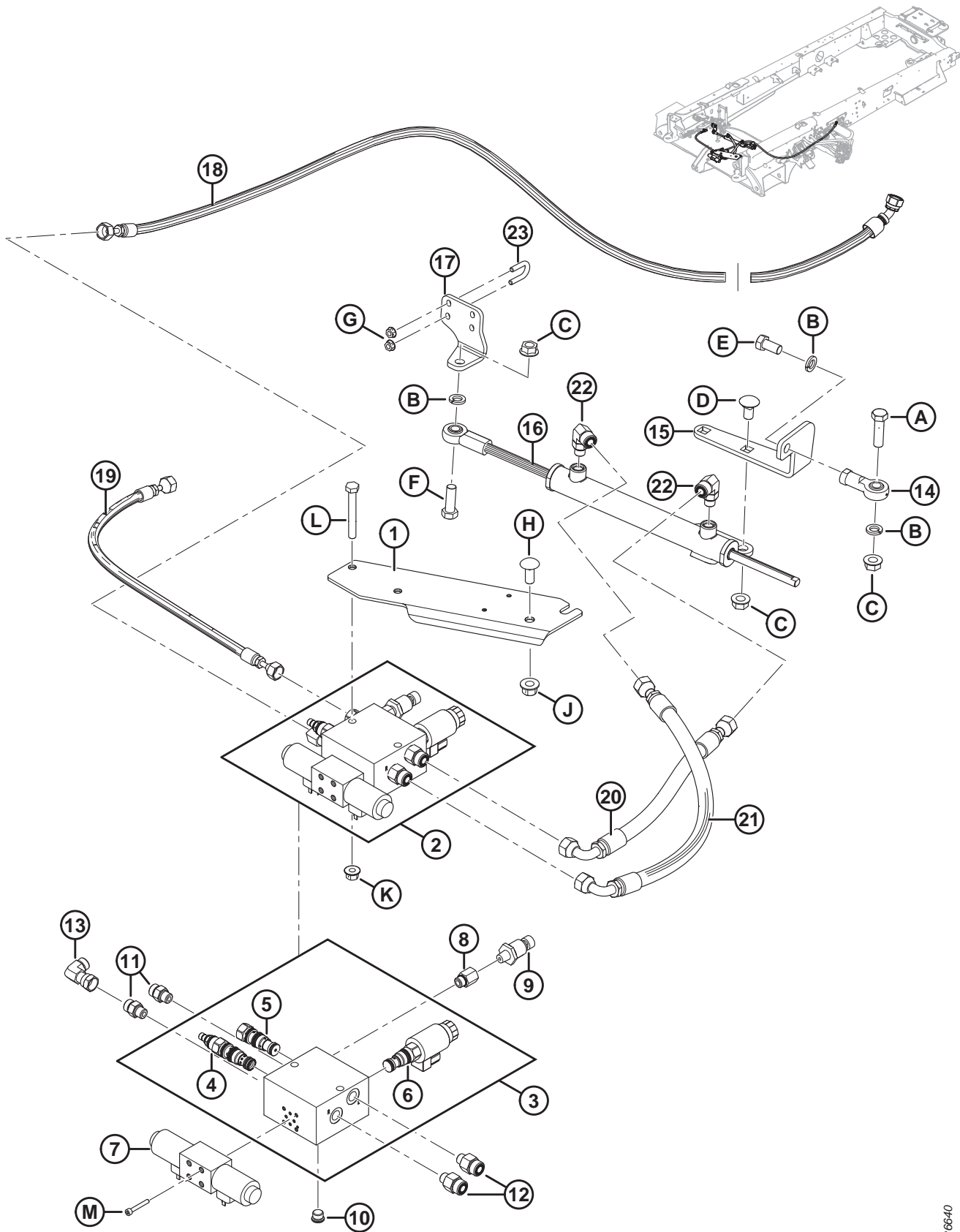


(OPTION) TRIMBLE® AUTOPILOT™ – ELECTRICAL

Ref	Part Number	Description	Qty	Serial Number
	B9032	KIT – TRIMBLE AUTOPILOT GFX <sup>306</sup>		
1	309045	HARNESS – POWER, GFX DISPLAY	1	
2	207957	HARNESS – AUTOSTEER, TRIMBLE, GPS	1	
3	30215	RELAY – MINI, 12VDC	1	
4	21763	FASTENER – CABLE TIE, BLACK, 160 MM LG	10	
5	309037	BRACKET – NAV-900 ANTENNA MOUNT	1	
A	184657	BOLT – RHSSN M10 X 1.5 X 20-8.8-AA1J		
B	135799	NUT – HEX FLG CTR LOC M10 X 1.5-10		

306. The kit includes all listed parts in this Section and all listed parts in Section [137 \(Option\) Trimble® Autopilot™ – Hydraulics, page 317](#). Kits are available through Whole Goods only.

# 137 (Option) Trimble® Autopilot™ – Hydraulics





(OPTION) TRIMBLE® AUTOPILOT™ – HYDRAULICS

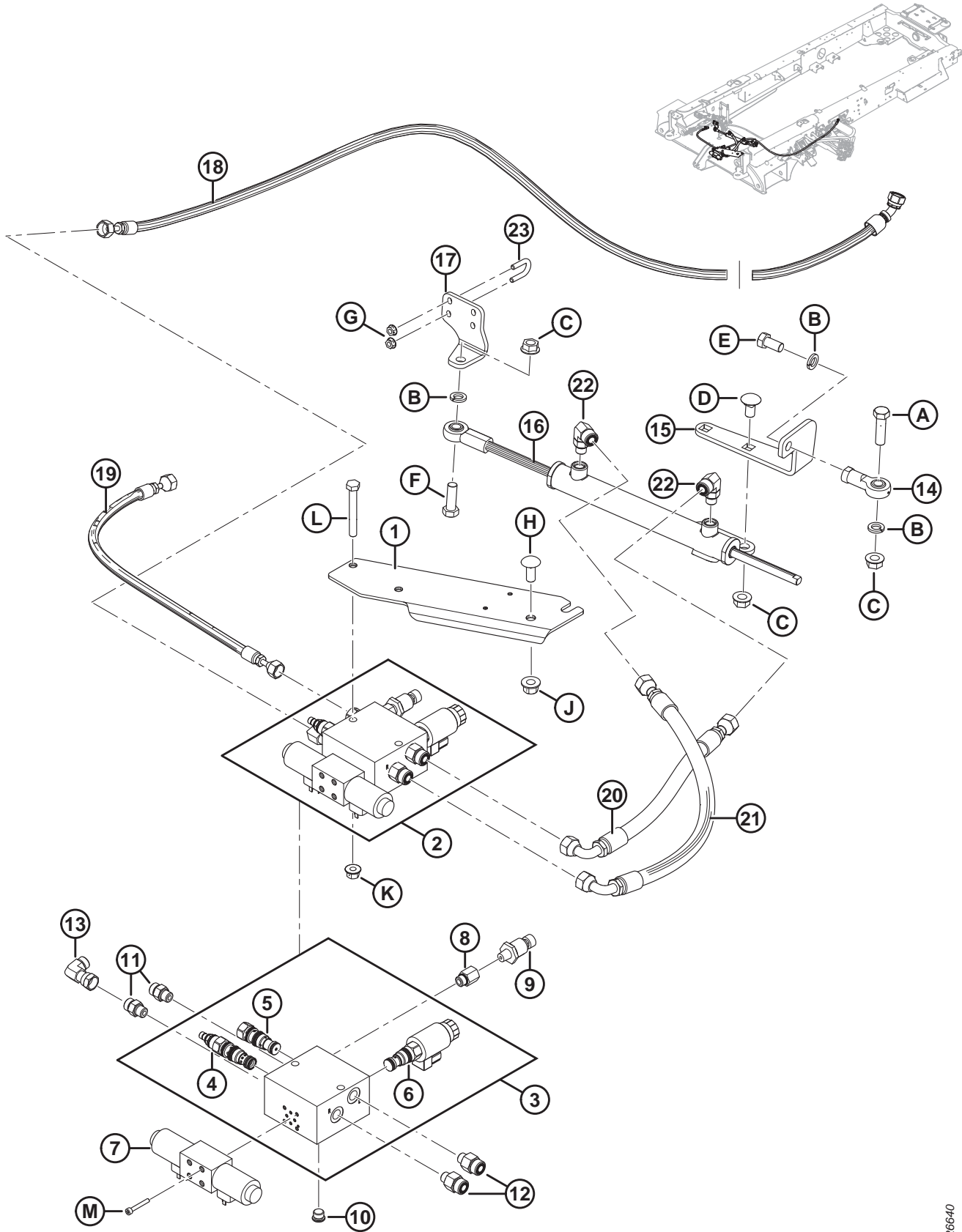
Ref	Part Number	Description	Qty	Serial Number
	B9032	KIT – TRIMBLE AUTOPILOT GFX <sup>307</sup>		
1	205092	SUPPORT – MANIFOLD MOUNT	1	
2	205764	VALVE – STEERING MANIFOLD ASSY, COMPLETE <sup>308</sup>	1	
3	173656	VALVE – STEERING MANIFOLD ASSEMBLY <sup>309</sup>	1	
4	173040	VALVE – PRESSURE REDUCING/RELIEF	1	
	173559	SEAL KIT		
5	173069	VALVE – DIRECTIONAL SHUTTLE	1	
	173559	SEAL KIT		
6	173590	VALVE – DIRECTIONAL C/W COIL	1	
	173560	SEAL KIT		
	173561	COIL		
7	173029	VALVE – PROPORTIONAL DIRECTIONAL	1	
	173562	COIL		
	173563	RETAINER		
	173564	SEAL KIT		
8	53157	FITTING – ADAPTER HYD, C/W O-RING	1	
9	173116	SENDER – PRESSURE 500 PSI	1	
10	100577	PLUG – HEX SOCKET C/W O-RING	1	
11	135778	FITTING – ADAPTER	2	
	50219	O-RING – #6 ORB		
	135865	O-RING – #6 ORFS		
12	135779	FITTING – ADAPTER	2	
	50219	O-RING – #6 ORB		
	135866	O-RING – #8 ORFS		
13	136249	FITTING – ELBOW 90° HYD	1	
	135865	O-RING – #6 ORFS		
14	30083	JOINT – BALL	1	
15	202268	SUPPORT – CYLINDER BALL JOINT	1	
16	208650	CYLINDER – THROUGH ROD	1	
	173575	SEAL KIT		
17	166468	SUPPORT – CYLINDER END	1	
18	207821	HOSE – HYD, 1/4 IN I.D., 2000 MM LG	1	
19	207822	HOSE – HYD, 1/4 IN I.D., 600 MM LG	1	
20	205483	HOSE – HYD, 1/2 IN I.D., 320 MM LG	1	
21	202269	HOSE – HYD, 1/2 IN I.D., 500 MM LG	1	
22	136238	FITTING – ELBOW 90° HYD	2	
23	166469	U-BOLT	2	
A	21565	BOLT – HH 1/2 NC X 1.75 LG GR 5 ZP		

307. The kit includes all listed parts in this Section (Trimble® Autopilot™ – Hydraulics) and all listed parts in Section [136 \(Option\) Trimble® Autopilot™ – Electrical, page 315](#). Kits are available through Whole Goods only.

308. Includes #3–13 and hardware M.

309. Includes pressure relief valve (MD #173040), directional shuttle valve (MD #173069), and directional valve (MD #173590).

(OPTION) TRIMBLE® AUTOPILOT™ – HYDRAULICS

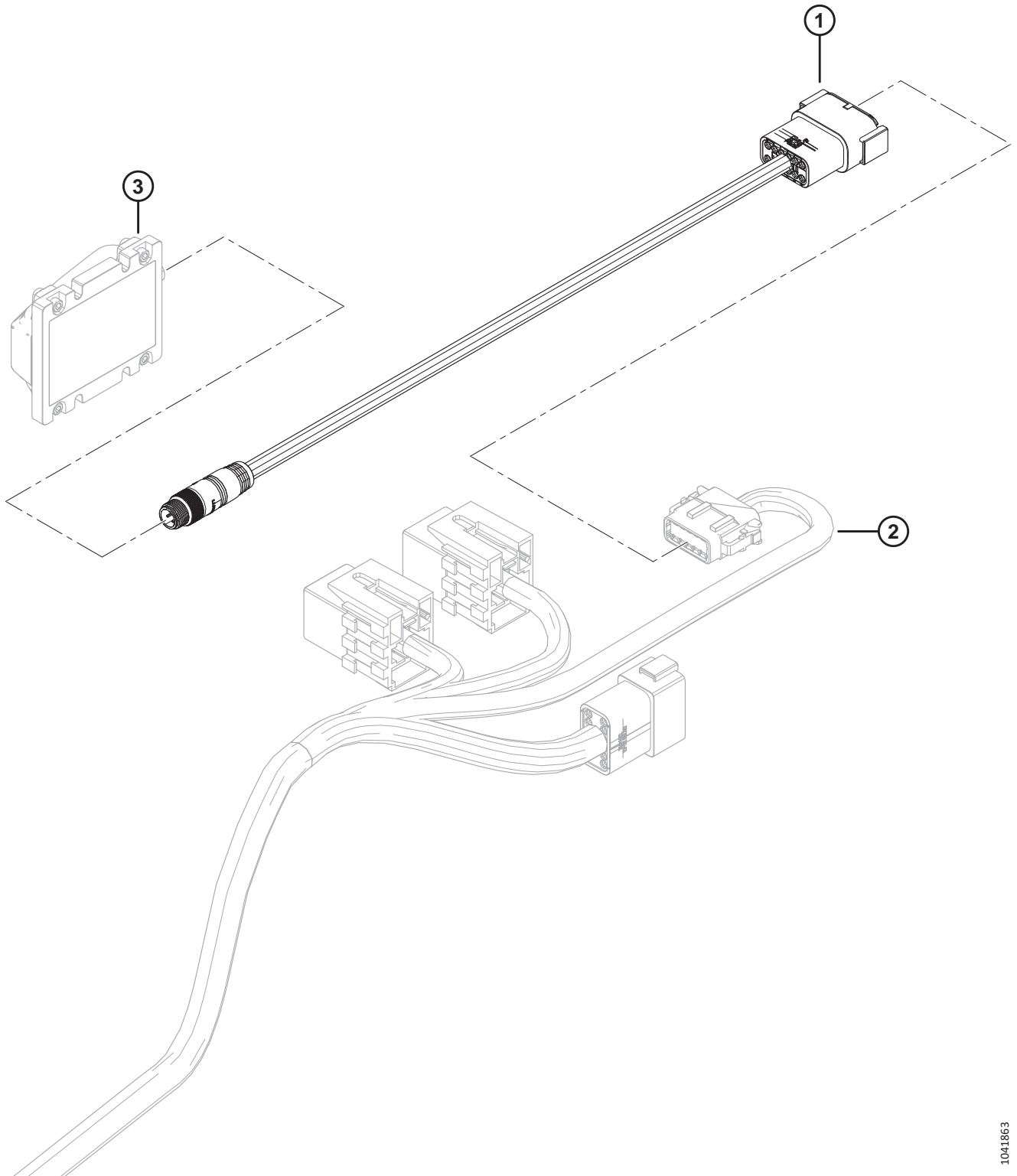


1026640

(OPTION) TRIMBLE® AUTOPILOT™ – HYDRAULICS

Ref	Part Number	Description	Qty	Serial Number
B	18638	WASHER – REG. LOCK 1/2 IN. NOM. I.D. ZP		
C	50186	NUT – FLANGE LOCK SM FACE DT 0.500-13 UNC GR5		
D	21066	BOLT – RHSN 1/2-13 X 1-GR5-ZP		
E	30470	BOLT – HH 1/2 NF X 1.0 GR 5 ZP		
F	18723	BOLT – HH 1/2 NC X 1.5 LG TFL GR 5 ZP		
G	135248	NUT – FLG SMTH FACE 1/4-20 NC GR 5 ZP CTR LK DT THD		
H	152702	BOLT – RHSSN M12 X 1.75 X 30-8.8-A3L		
J	136431	NUT – HEX FLG CTR LOC M12 X 1.75-10-A3L		
K	135799	NUT – HEX FLG CTR LOC M10 X 1.5-10-A3L		
L	135657	BOLT – HEX HD M10 X 1.5 X 80-8.8-A3L		
M	320391	SCREW – HEX SOC HD #10-24 X 1.5 GR8-ZINC		

# 138 (Option) Trimble® IMD-900 Adapter Harness



(OPTION) TRIMBLE® IMD-900 ADAPTER HARNESS

**NOTE:**

The IMD-900 adapter harness (MD #309057) is required to connect an IMD-900 controller to the EZ-Pilot GPS harness (MD #207956). The IMD-900 controller is only required when pairing a NAV-500™ guidance controller with the EZ-Pilot®Pro steering system.

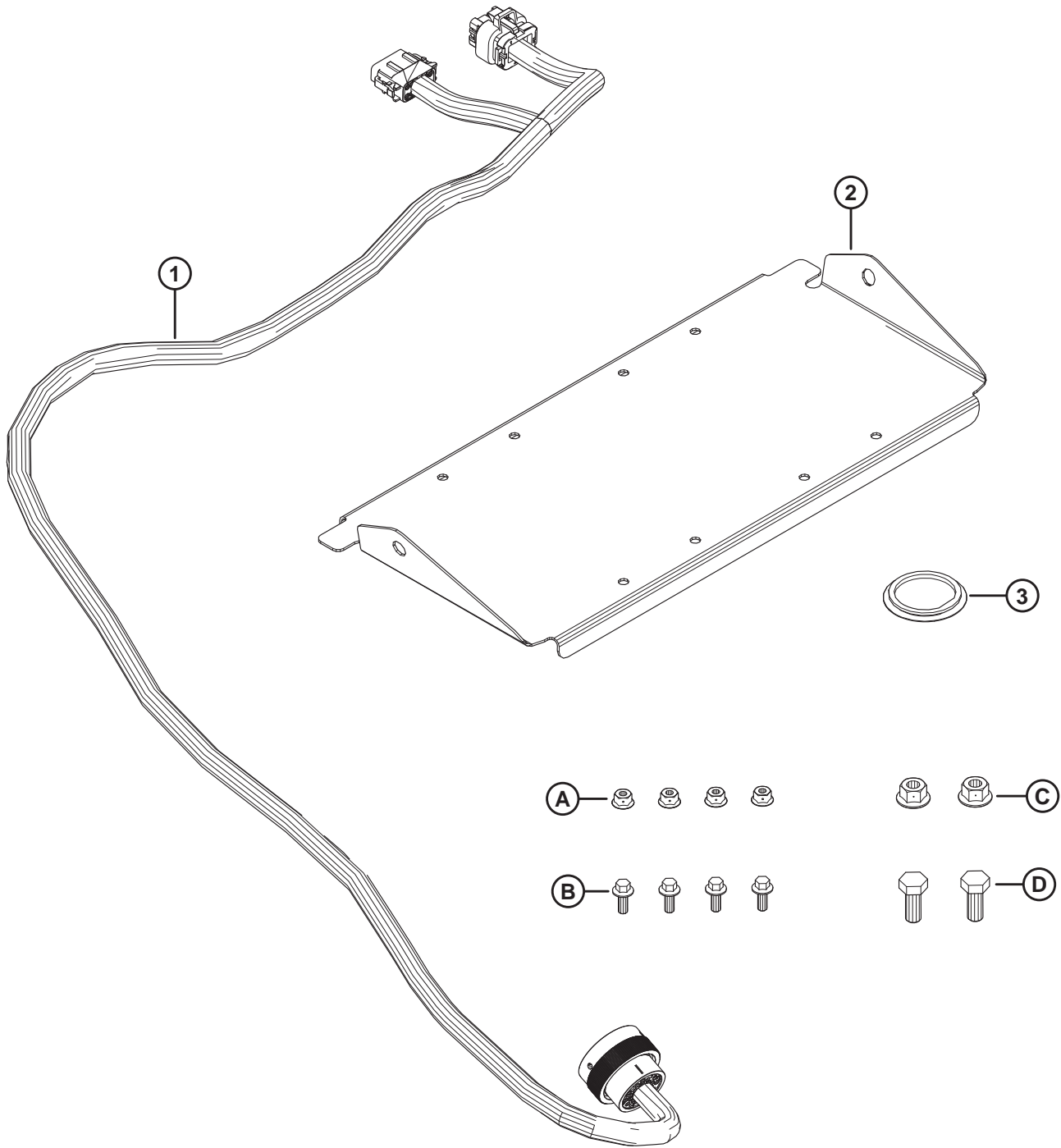
Ref	Part Number	Description	Qty	Serial Number
1	309057	HARNESS – ADAPTER, IMD-900	1	
2	REF	HARNESS – TRIMBLE EZ-PILOT GPS <sup>310</sup>		
3	REF	MODULE – TRIMBLE IMD-900 <sup>311</sup>		

---

310. Refer to Section *45 Electrical – Autosteer*, page 107.

311. Part serviced through Trimble®.

# 139 (Option) Trimble® TMX Compatibility Kit



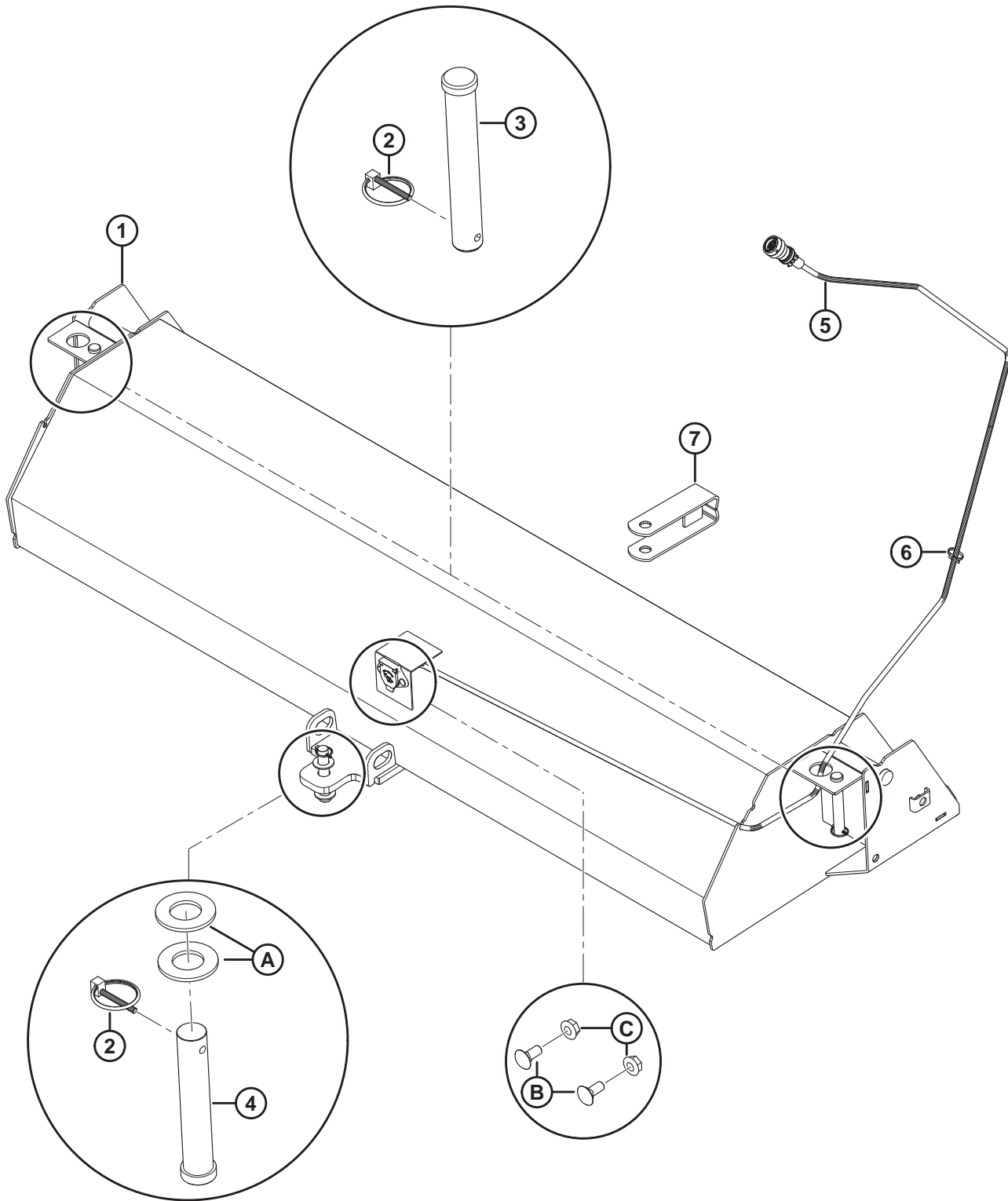
(OPTION) TRIMBLE® TMX COMPATIBILITY KIT

Ref	Part Number	Description	Qty	Serial Number
	141721	KIT – TRIMBLE TMX COMP <sup>312</sup>		
1	141492	HARNESS – ADAPTER, TRIMBLE TMX	1	
2	291610	SUPPORT – TM 200	1	
3	306074	CAP – GPS BULKHEAD	1	
A	152668	NUT – HEX FLG CTR LOC M6 X 1-8		
B	135959	BOLT – HEX FLG HD M6 X 1 X 16-10.9-A2L		
C	135799	NUT – HEX FLG CTR LOC M10 X 1.5-10		
D	30627	BOLT – HEX HD TFL M10 X 1.5 X 25-8.8-A3L		

---

312. Includes adapter harness (MD #141492), support (MD #291610), cap (MD #306074), hardware, and instructions.

# 140 (Option) Weight Box – M2170





(OPTION) WEIGHT BOX – M2170

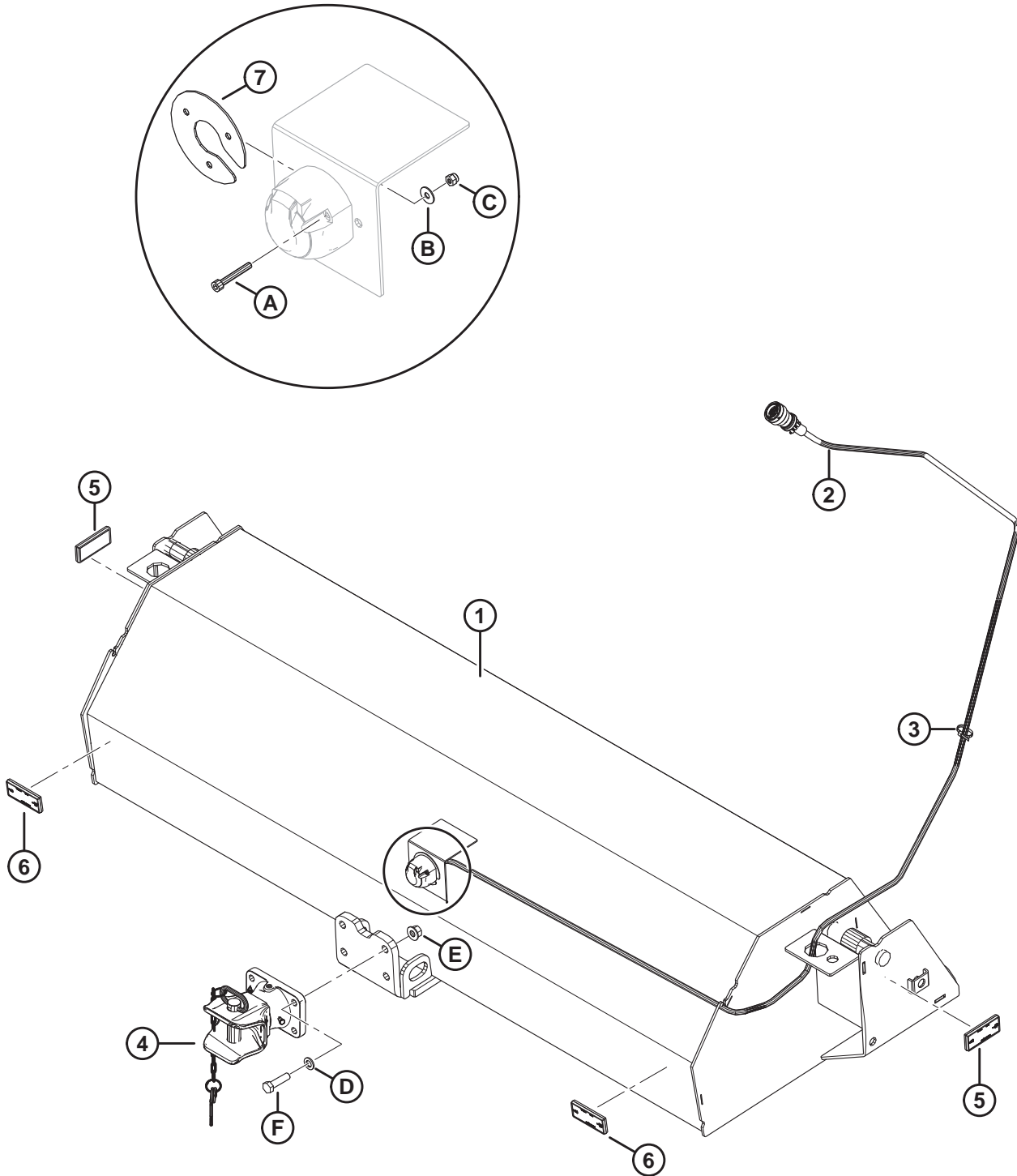
Ref	Part Number	Description	Qty	Serial Number
	B5238	KIT – WEIGHT BOX (C/W CONCRETE) <sup>313</sup>		
	B5240	KIT – WEIGHT BOX (LESS CONCRETE) <sup>314</sup>		
	B6048	KIT – HARNESS AND HITCH PIN FOR WEIGHT BOX <sup>315</sup>		
1	122080	FRAME – WEIGHT BOX WELDMENT	1	
2	102264	PIN – LYNCH 3/16 X 1 9/16 IN.	3	
3	112752	PIN – CLEVIS	2	
4	49341	PIN – CLEVIS	1	
5	208812	HARNESS – WEIGHT BOX	1	
6	21763	FASTENER – CABLE TIE, BLACK, 160 MM LG	1	
7	113536	CLEVIS WELDT	1	
A	18603	WASHER – SAE FLAT 1 1/16 IN I.D. X 2.0 IN O.D. ZP		
B	21281	BOLT – RHSN 5/16 NC X 0.75 GR 5 ZP		
C	30280	NUT – FLG SIDE LK SMTH FACE 5/16 NC GR 5 ZP		

313. Kits are available through Whole Goods only.

314. For export orders, order Weight Box Less Concrete (MD #B5240). The weight box must be filled with concrete at destination as per supplied instructions. Kits are available through Whole Goods only.

315. Includes lynch pin (MD #102264), clevis pin (MD #49341), harness (MD #208812), and hardware (MD #21281, 30280). Kits are available through Whole Goods only.

# 141 (Option) Weight Box – M2170NT



(OPTION) WEIGHT BOX – M2170NT

Ref	Part Number	Description	Qty	Serial Number
	B6974	KIT – WEIGHT BOX, NARROW TRANSPORT, W/O CONCRETE <sup>316</sup>		
	B9052	KIT – HARNESS FOR WEIGHT BOX <sup>316</sup>		
1	310073	FRAME – WEIGHT BOX WELDMENT	1	
2	346289	HARNESS – WEIGHT BOX, ISO	1	
3	21763	FASTENER – CABLE TIE, BLACK, 160 MM LG	1	
4	346207	ASSEMBLY – HITCH CLEVIS <sup>317</sup>	1	
5	346208	REFLECTOR – AMBER, ADHESIVE	2	
6	346209	REFLECTOR – RED, ADHESIVE	2	
7	346315	SPACER – CONNECTOR	1	
A	173117	SCREW – HEX SOC HD M5 X 0.8 X 35-8.8-AA1J		
B	184701	WASHER – FLAT LARGE M5-200HV		
C	197230	NUT – HEX NYLOC M5 X 0.8-8-AA1J		
D	184717	WASHER – FLAT REG M16-200HV-AA1J		
E	136440	NUT – HEX FLG CTR LK M16 X 2-10-AA1J		
F	136141	BOLT – HEX HD M16 X 2 X 60-8.8-AA1J		

316. Kits are available through Whole Goods only.

317. Hitch clevis assembly (MD #346207) is **NOT** included in Narrow Transport Weight Box kit (MD #B6974) or Weight Box Harness kit (MD #B9052); order hitch clevis assembly separately.



# Index

1246 .....	168	21762.....	164
5744 .....	168	21763.....	18, 24, 54, 62, 66, 70, 96, 108, 112, 122, 132, 154, 210, 232, 234, 236, 238, 240, 244, 258, 274, 278, 292, 316, 326, 328
5745 .....	168	21810.....	82
6647 .....	32	21854.....	300
7536 .....	46	21880.....	184
7674 .....	170	21947.....	260
9423 .....	54	21980.....	208
11695.....	12	23050.....	58
13617.....	50, 162	23165.....	282
14294.....	162	23950.....	288
16652.....	2, 4	23957.....	288
16661.....	154	25321.....	154
17675.....	54	25991.....	288
18599.....	154	28700.....	154
18601.....	68	30045.....	168, 174
18602.....	164	30083.....	318
18603.....	326	30191.....	186, 228, 230
18604.....	70	30200.....	186
18605.....	70, 270	30203.....	186, 188
18606.....	148	30205.....	186, 188
18609.....	4, 30, 46	30215.....	96, 108, 316
18637.....	168, 228	30228.....	16, 124, 292
18638.....	320	30243.....	34, 36
18639.....	168	30278.....	190
18648.....	54, 148	30280.....	326
18652.....	234	30331.....	24
18671.....	28, 30, 38	30346.....	168
18723.....	320	30470.....	320
18728.....	70	30492.....	110
18798.....	90, 94	30500.....	18, 24, 76
18810.....	166	30505.....	12, 46, 68, 162, 166, 292
19685.....	240	30516.....	148
19739.....	12, 50, 148	30524.....	314
20023.....	76	30591.....	162, 198
20077.....	168	30626.....	24
20214.....	164	30627.....	12, 50, 324
21005.....	32	30628.....	58, 166
21006.....	174	30630.....	176
21032.....	88, 124	30632.....	46, 168
21046.....	18	30633.....	164, 166
21055.....	112	30635.....	16, 120
21066.....	320	30655.....	232
21095.....	4	30659.....	164
21153.....	38	30660.....	162
21235.....	180	30682.....	166, 168
21281.....	326	30715.....	120
21357.....	38	30716.....	70, 164
21358.....	38	30753.....	18, 108, 132, 258, 272, 274, 278
21564.....	234	30937.....	18
21565.....	176, 318	30963.....	168
21566.....	300		
21574.....	300		
21581.....	176		

## INDEX

30971.....	66, 170, 174, 176, 182, 184, 192, 200, 206, 208, 216, 232, 300	103523 .....	194
30977.....	242	103738 .....	238
31889.....	258	108172 .....	148, 292
32247.....	164	109080 .....	110
32879.....	288	109081 .....	110
32880.....	288	109312 .....	154
35618.....	14, 16, 94	109313 .....	162
38854.....	168	109350 .....	148
39272.....	90	109478 .....	148
39273.....	38	109479 .....	148
40701.....	170, 234, 244	109505 .....	158
40702.....	60, 132, 170, 234, 242	109585 .....	120
40703.....	242	109598 .....	120
40704.....	246	109603 .....	70, 72
42039.....	166	109611 .....	148
42075.....	128	109740 .....	120
42080.....	76, 220	109750 .....	154, 162
42292.....	112, 114, 128	109751 .....	148
42415.....	86, 90, 96, 112, 120	109779 .....	148
42469.....	132	109797 .....	110
42497.....	46	109807 .....	162
42765.....	186	109812 .....	138, 140
44209.....	4, 50, 182, 184, 192, 196, 200, 216, 226, 242, 244, 246, 250	109818 .....	162
44210.....	66, 170, 174, 200, 202, 206, 208, 220, 226	109822 .....	120
45155.....	220	109850 .....	138, 142
45427.....	18	109855 .....	138
49227.....	244	109856 .....	138, 140
49341.....	4, 326	109857 .....	138, 140
49874.....	186	109858 .....	140
49879.....	186	109859 .....	138, 140
50022.....	24, 132	109860 .....	138, 140, 142, 144
50040.....	166, 168	109861 .....	138, 140
50071.....	106, 112	109862 .....	138, 142
50124.....	108	109865 .....	140
50139.....	50, 70	109918 .....	100
50140.....	12, 30	109968 .....	138, 142
50155.....	4	109971 .....	138, 142
50186.....	320	110267 .....	86, 90, 102
50193.....	54	110584 .....	34, 36
50219.....	30, 54, 162, 166, 174, 182, 184, 192, 200, 204, 206, 216, 218, 226, 244, 246, 250, 292, 318	110585 .....	12
50220.....	174, 196, 198, 200, 206, 208, 216, 312	110817 .....	70, 72
50222.....	174, 190	110853 .....	46
50223.....	30, 46, 162, 174, 182, 184, 204, 242, 244, 248, 250	110971 .....	54
50225.....	164	110977 .....	166, 292
50230.....	188, 198	110988 .....	282
50231.....	186	110995 .....	58
53157.....	318	110996 .....	58
100577.....	200, 226, 318	111060 .....	128
101007.....	54	111093 .....	186, 188
101904.....	76	111099 .....	186
102264.....	326	111105 .....	186
		111216 .....	38
		111221 .....	282
		111504 .....	264
		111511 .....	168

## INDEX

111521 .....	168	115148 .....	88, 124
111528 .....	32, 168, 302, 304	120901 .....	34, 36
111546 .....	168, 182, 184	122080 .....	326
111599 .....	166	123071 .....	46
111608 .....	18	129711 .....	204, 212
111643 .....	74	129800 .....	192
111665 .....	168	129801 .....	192
111677 .....	168	129976 .....	192
111772 .....	168	129977 .....	192
111811 .....	168	132531 .....	166
111834 .....	292	133820 .....	212
111895 .....	66, 172	133992 .....	46
111896 .....	172	134003 .....	12, 70
111897 .....	172	134010 .....	158, 258
111898 .....	172	134011 .....	112, 158, 258
111899 .....	172	134053 .....	258
111900 .....	172	134056 .....	174
111907 .....	172, 178	134079 .....	88
111908 .....	172	134442 .....	18, 132, 258, 274, 278
111909 .....	172	134443 .....	258
111910 .....	172	134445 .....	262
111911 .....	172	134446 .....	262, 268
111913 .....	172	134447 .....	262, 268
111914 .....	172	134448 .....	262
111919 .....	172	134450 .....	262
111935 .....	180	134451 .....	104
111938 .....	180	134452 .....	104
111939 .....	180	134457 .....	262
111941 .....	180	134458 .....	104, 268
111942 .....	180	134523 .....	264
111954 .....	62	134572 .....	96
111955 .....	62	134602 .....	258
111956 .....	62	134603 .....	258
111957 .....	62	134612 .....	108, 258
111974 .....	58	134622 .....	18
111975 .....	208	134623 .....	18
111978 .....	196	134653 .....	266
111990 .....	162	134654 .....	266
112475 .....	40, 42, 44	134655 .....	266
112625 .....	54	134679 .....	104
112662 .....	58	134684 .....	266
112692 .....	24, 132	134705 .....	70, 132
112727 .....	46	134706 .....	112
112752 .....	326	134708 .....	274
112789 .....	46	134711 .....	264
112824 .....	122	134713 .....	266
112866 .....	228, 230	134714 .....	258, 272
112867 .....	174	134716 .....	158
112868 .....	228, 230, 234	134717 .....	120, 158
112916 .....	46	134725 .....	258
113536 .....	326	134727 .....	20, 110, 112, 130, 260
113799 .....	98	134728 .....	106, 112, 158, 260
115145 .....	282, 296	134729 .....	20, 110, 112, 130, 260
115146 .....	282	134730 .....	106, 158, 258
115147 .....	282, 296	134744 .....	126

## INDEX

134748 .....	274	135781 .....	192
134756 .....	274	135783 .....	20, 32, 132, 266
134757 .....	132	135784 .....	250
134777 .....	110	135785 .....	14, 16, 20, 62, 64, 70, 90, 124, 126, 148, 196, 208, 238
134778 .....	110	135786 .....	170, 174, 182, 184, 208, 300
134782 .....	96	135788 .....	66, 174, 192, 200, 208, 216, 232, 300
134803 .....	258	135790 .....	192
134866 .....	274	135791 .....	174, 208, 216
134929 .....	106	135793 .....	200
135015 .....	314	135799 .....	4, 8, 10, 12, 14, 16, 20, 26, 46, 50, 56, 58, 64, 68, 70, 76, 78, 80, 82, 90, 94, 98, 106, 110, 112, 120, 124, 126, 128, 150, 154, 162, 166, 190, 196, 198, 208, 224, 236, 238, 258, 264, 266, 272, 274, 292, 316, 320, 324
135148 .....	288	135800 .....	46, 50, 64
135155 .....	116, 182	135818 .....	30, 236, 274
135156 .....	166	135821 .....	170, 200, 206
135224 .....	132	135852 .....	50, 56
135234 .....	292	135865 .....	4, 30, 50, 54, 162, 192, 204, 206, 210, 216, 226, 236, 242, 244, 246, 248, 250, 292, 318
135235 .....	60, 238	135866 .....	50, 66, 170, 176, 196, 208, 216, 220, 226, 318
135248 .....	300, 320	135867 .....	170, 174, 182, 184, 192, 196, 200, 202, 206, 208, 226, 250, 300
135266 .....	246	135868 .....	66, 170, 174, 176, 192, 198, 200, 206, 208, 216, 222, 232, 300
135280 .....	68	135869 .....	174, 190, 200, 312
135296 .....	34, 36	135870 .....	62
135301 .....	70, 120	135889 .....	192
135304 .....	168	135894 .....	50, 56
135312 .....	196	135903 .....	20, 164
135319 .....	46, 68, 126	135926 .....	82
135335 .....	166	135927 .....	26, 68, 82, 84, 132, 210, 270
135336 .....	12	135957 .....	30, 46, 162, 166, 174, 182, 184, 204, 216, 244, 248, 250
135337 .....	4, 14, 16, 30, 32, 50, 52, 56, 64, 90, 94, 102, 116, 120, 122, 148, 154, 162, 194, 222, 228, 240, 242, 250, 256, 258, 274	135959 .....	54, 76, 86, 90, 274, 324
135357 .....	182, 184	136027 .....	168
135369 .....	176	136036 .....	12, 116
135378 .....	282	136082 .....	32
135386 .....	196	136089 .....	174, 200, 226
135443 .....	210	136095 .....	54, 204, 216
135444 .....	300	136097 .....	210, 242, 250
135453 .....	54	136098 .....	236
135460 .....	168	136108 .....	46, 50, 168
135554 .....	174, 192, 196, 198, 206, 208, 216	136109 .....	76
135570 .....	162	136110 .....	76
135587 .....	182, 184, 206, 218	136112 .....	166
135657 .....	8, 320	136113 .....	48
135671 .....	54, 252	136122 .....	2, 4, 46, 54, 182, 184
135691 .....	20, 58	136124 .....	54
135709 .....	24	136131 .....	182, 184
135716 .....	76, 132, 236	136132 .....	42
135718 .....	190, 194	136134 .....	2, 4
135723 .....	26, 76	136135 .....	58
135724 .....	228	136137 .....	32
135725 .....	228		
135734 .....	174, 206		
135775 .....	162, 204, 206, 248		
135776 .....	216		
135778 .....	192, 204, 206, 216, 226, 244, 250, 292, 318		
135779 .....	318		
135780 .....	216, 226		



## INDEX

136141.....	48, 328	136431.....	6, 8, 10, 12, 14, 16, 20, 38, 54, 64, 68, 70, 72, 82, 90, 94, 116, 124, 126, 154, 164, 166, 296, 298, 320
136148.....	98	136440.....	32, 82, 86, 90, 116, 164, 328
136149.....	4, 50, 242, 246	136442.....	16, 210
136151.....	8, 16, 20, 62	136447.....	46, 204
136157.....	182	136454.....	164, 292
136158.....	182, 184	136455.....	34, 36
136167.....	66	136473.....	34, 36
136176.....	96	136476.....	48
136177.....	86, 88, 90, 164	136485.....	68, 112, 122, 150, 154, 158, 256, 274, 294
136178.....	12, 78, 80, 82, 94, 110, 132, 154, 164, 264	136495.....	68, 124, 126
136183.....	164, 166	136499.....	170
136188.....	14, 16, 70, 72, 120	136501.....	170
136190.....	174	136506.....	56
136195.....	196	136508.....	196
136209.....	2, 4, 26, 32, 48, 60, 76, 88, 90, 120, 258, 264	136510.....	196
136211.....	4, 12, 62, 120	136514.....	248
136212.....	120	136524.....	190
136214.....	156	136536.....	88, 264, 270, 306
136220.....	50, 216, 226	136541.....	132
136229.....	270	136558.....	168
136238.....	318	136561.....	8, 10
136239.....	30, 166	136566.....	162, 246
136249.....	318	136569.....	176
136251.....	250	136572.....	82
136252.....	22, 98, 124	136574.....	132, 210, 242
136254.....	192	136595.....	54, 242
136256.....	222	136598.....	12, 70, 72
136257.....	176, 200, 208	136608.....	154
136263.....	26, 166	136620.....	62
136282.....	208, 220	136630.....	196
136291.....	64, 68	136631.....	312
136300.....	72, 108, 228	136635.....	260
136312.....	94, 126	136638.....	66
136325.....	162, 206, 236	136641.....	198
136326.....	210	136646.....	66
136327.....	202	136647.....	240
136362.....	198	136648.....	240
136363.....	174, 190	136655.....	18, 24, 66, 96, 108, 112, 122, 124, 126, 162, 258, 272, 274, 278
136366.....	28, 32, 34	136662.....	20
136367.....	28, 32, 34	136672.....	250
136376.....	28, 32	136704.....	70, 72
136385.....	38	136707.....	100, 130
136398.....	58, 62	136708.....	130
136399.....	94, 274	136709.....	130
136403.....	200	136729.....	176
136404.....	190	136731.....	236
136410.....	236	136743.....	18, 60
136412.....	312	136748.....	264
136413.....	312	136767.....	192
136417.....	12, 82	136771.....	6
136418.....	216	136774.....	68, 252
136420.....	54	136781.....	244
136421.....	236		
136422.....	46		
136428.....	96, 102		

## INDEX

136824 .....	82, 90, 250	152779 .....	82, 124, 126, 164, 166
136832 .....	46	152863 .....	70, 72
136846 .....	250, 300	152947 .....	190, 224
136847 .....	54	153151 .....	192
136848 .....	54	153289 .....	166
136869 .....	156	156742 .....	30
136886 .....	20, 86, 90, 106, 110, 150, 152	156848 .....	54
136929 .....	244	156886 .....	54
137375 .....	176	158174 .....	200, 226
138127 .....	234	158635 .....	46
138473 .....	208	158704 .....	52
139134 .....	46	160275 .....	148
139225 .....	128	160373 .....	122
139292 .....	8, 10, 12	160414 .....	98
139722 .....	198	161378 .....	154
139723 .....	282	162102 .....	62
139724 .....	54	162104 .....	174
139971 .....	120	162144 .....	62
141184 .....	50	162212 .....	180
141185 .....	50	162436 .....	40, 42, 44
141205 .....	112	162442 .....	228
141220 .....	238	162444 .....	76
141259 .....	282	162446 .....	62
141283 .....	82	163158 .....	186
141333 .....	30	163298 .....	286
141394 .....	4	163310 .....	46
141432 .....	4	163368 .....	58
141491 .....	106	163373 .....	50
141492 .....	324	163745 .....	186
141500 .....	30	163746 .....	186
141721 .....	324	163747 .....	186
144505 .....	190	163753 .....	186
145392 .....	66	163779 .....	74
148798 .....	8, 10, 38, 58	163904 .....	74
148799 .....	12, 38	163905 .....	74
148800 .....	132, 168	163957 .....	74
149168 .....	296	163976 .....	62
150595 .....	228, 232	166171 .....	166
151974 .....	190	166234 .....	280
152157 .....	154	166425 .....	280
152192 .....	8, 10, 12	166454 .....	280
152193 .....	14, 16, 94	166457 .....	280
152274 .....	116	166463 .....	280
152439 .....	8, 10	166468 .....	318
152519 .....	150	166469 .....	318
152520 .....	34, 36, 58	166530 .....	116
152655 .....	16, 20, 26, 62, 68, 70, 76, 112, 120, 124, 126, 132, 148, 194, 196, 198, 210, 224, 236, 274, 276	166539 .....	116
152668 .....	20, 52, 54, 68, 70, 72, 76, 78, 88, 100, 124, 236, 240, 242, 252, 254, 264, 274, 276, 324	166727 .....	282
152670 .....	112	166829 .....	280
152702 .....	64, 320	166832 .....	280
152730 .....	12, 90	166834 .....	280
152732 .....	50, 56	166835 .....	280
152775 .....	222	166836 .....	280
		166837 .....	280
		166838 .....	280

## INDEX

166839 .....	280	183524 .....	174
166843 .....	280	183525 .....	310
166869 .....	62	183543 .....	50
166998 .....	24	183544 .....	130
167502 .....	280	183607 .....	310
167709 .....	66	183608 .....	310
167727 .....	286	183609 .....	310
167884 .....	124, 126	183707 .....	310
167897 .....	314	183708 .....	310
167910 .....	168	183709 .....	310
172899 .....	132, 258	183820 .....	46
173029 .....	318	183821 .....	46
173040 .....	318	183905 .....	208
173069 .....	318	183913 .....	162
173116 .....	318	183956 .....	168
173117 .....	328	183957 .....	174
173559 .....	318	184303 .....	236
173560 .....	318	184304 .....	236
173561 .....	318	184305 .....	236
173562 .....	318	184307 .....	236
173563 .....	318	184461 .....	174, 206
173564 .....	318	184463 .....	66, 170
173575 .....	318	184579 .....	156, 254
173590 .....	318	184583 .....	68
173656 .....	318	184584 .....	76, 148
174149 .....	238	184595 .....	164
176334 .....	210	184596 .....	14, 16
181511 .....	34	184597 .....	4
182105 .....	4	184612 .....	266
183115 .....	270	184613 .....	306
183150 .....	140	184640 .....	108, 110, 258
183166 .....	162	184641 .....	236, 264
183199 .....	132	184642 .....	6, 68, 122
183202 .....	130, 132	184643 .....	276
183211 .....	314	184645 .....	240
183258 .....	264	184646 .....	88, 124
183264 .....	132	184648 .....	32, 50, 64, 148, 240
183265 .....	132	184649 .....	110
183273 .....	132	184652 .....	258
183315 .....	96	184654 .....	154, 164, 304
183316 .....	106	184655 .....	148
183386 .....	130	184656 .....	156, 242
183387 .....	130	184657 .....	4, 14, 16, 94, 106, 208, 316
183392 .....	130	184658 .....	112, 166, 196, 198
183394 .....	130	184659 .....	166
183395 .....	130	184661 .....	110
183396 .....	130	184662 .....	8, 10, 12, 14, 16, 50, 94, 164
183397 .....	130	184664 .....	8, 10, 14, 16, 46, 56, 58, 162, 166
183398 .....	130	184665 .....	14, 16, 46, 62
183443 .....	132	184667 .....	4, 12
183444 .....	132	184669 .....	166
183448 .....	130	184673 .....	54, 166
183506 .....	130, 132	184675 .....	164
183508 .....	130, 132	184679 .....	58
183512 .....	132	184680 .....	36

## INDEX

184682 .....	92, 100	201595 .....	120
184683 .....	52	201596 .....	120
184687 .....	14, 16, 148, 154, 162, 306	201598 .....	70, 72
184688 .....	12, 70, 150, 304	201622 .....	28
184692 .....	112	201623 .....	28
184694 .....	154, 164	201638 .....	66
184701 .....	20, 110, 328	201647 .....	166
184705 .....	88, 124, 254, 258	201648 .....	166
184706 .....	6, 78, 86, 90, 100, 130	201693 .....	120
184708 .....	24, 98, 258	201701 .....	162
184709 .....	12, 14, 16	201705 .....	162
184711 .....	46, 62, 64, 70, 94, 126, 168, 270	201707 .....	98
184712 .....	198	201710 .....	98
184714 .....	14, 16, 90	201711 .....	198
184717 .....	58, 328	201713 .....	198
190752 .....	70, 240	201716 .....	128
191489 .....	94, 116, 154	201722 .....	230
191705 .....	50, 216, 242, 250	201723 .....	230
193241 .....	282	201733 .....	230
193242 .....	282	201734 .....	232
194026 .....	232	201735 .....	232
194033 .....	228, 230	201736 .....	230
194043 .....	234	201738 .....	220
194082 .....	98, 112	201739 .....	220
197135 .....	254	201746 .....	128
197171 .....	32, 52, 64, 122, 150	201750 .....	98
197224 .....	20, 92	201757 .....	112
197229 .....	52	201759 .....	220
197230 .....	52, 86, 90, 100, 108, 110, 164, 166, 254, 328	201760 .....	122
197320 .....	90, 94	201828 .....	96
200114 .....	58	201832 .....	232
200139 .....	58	201835 .....	232
200273 .....	66	201836 .....	38
200402 .....	76	201838 .....	112
200585 .....	274	201845 .....	230
200586 .....	274	201859 .....	112
200653 .....	14, 16	201861 .....	38
200699 .....	18	201886 .....	112
200780 .....	68, 96, 112	201888 .....	86, 90
200783 .....	118	201948 .....	132
200784 .....	118	202014 .....	166
200890 .....	118	202015 .....	166
200974 .....	66, 110, 158, 166	202022 .....	166
201149 .....	162, 166	202041 .....	120
201224 .....	162, 254	202075 .....	210, 212, 216
201299 .....	154	202189 .....	128
201401 .....	102	202230 .....	110
201408 .....	258	202264 .....	122
201434 .....	66	202268 .....	318
201488 .....	134	202269 .....	318
201516 .....	170, 172	202274 .....	132
201522 .....	98	202275 .....	132
201523 .....	174, 180	202325 .....	66
201589 .....	128	202446 .....	62
201590 .....	128	202455 .....	66

## INDEX

202456 .....	154	203389 .....	70
202492 .....	148	203401 .....	148
202505 .....	148	203402 .....	24
202515 .....	148	203442 .....	178
202569 .....	148	203501 .....	162
202584 .....	122	203504 .....	162
202586 .....	122	203505 .....	162
202604 .....	112	203508 .....	162
202646 .....	208	203509 .....	162
202654 .....	154	203518 .....	154
202661 .....	28, 30	203543 .....	148
202714 .....	222	203547 .....	124
202721 .....	110	203548 .....	124
202732 .....	76	203549 .....	124
202734 .....	76	203550 .....	110
202779 .....	148	203551 .....	110
202781 .....	148	203554 .....	58
202783 .....	148	203572 .....	232
202785 .....	148	203573 .....	232
202827 .....	58	203574 .....	232
202835 .....	58	203578 .....	24
202838 .....	58	203596 .....	132
202888 .....	174	203597 .....	132
202896 .....	34, 36	203643 .....	62
202898 .....	34, 36	203647 .....	240
202903 .....	230	203654 .....	174, 178
202946 .....	8, 10, 14, 16	203777 .....	64
202991 .....	222	203817 .....	54
202995 .....	58	203847 .....	120
203017 .....	132	203860 .....	120
203018 .....	132	203870 .....	64
203019 .....	150	203876 .....	200
203020 .....	148	203927 .....	76
203022 .....	150	203930 .....	270
203029 .....	148	203937 .....	234
203048 .....	172	203940 .....	224
203108 .....	62	203966 .....	236
203132 .....	240	203967 .....	236
203150 .....	224	203972 .....	292
203151 .....	72	203974 .....	236
203152 .....	70	203975 .....	236
203153 .....	70	203977 .....	192
203154 .....	72	203978 .....	194
203192 .....	12	203979 .....	236
203201 .....	12	203984 .....	236
203211 .....	12	204010 .....	154
203213 .....	12, 94	204018 .....	24
203277 .....	162	204055 .....	60
203293 .....	60	204080 .....	18
203294 .....	60	204102 .....	62
203295 .....	76	204174 .....	154
203337 .....	192, 200	204184 .....	112
203340 .....	198, 206	204187 .....	154
203350 .....	4, 8, 10, 14, 16	204235 .....	58
203380 .....	240	204291 .....	168

## INDEX

204354 .....	162	205739 .....	122
204373 .....	122	205764 .....	318
204374 .....	122	205890 .....	98
204379 .....	122	205892 .....	98
204429 .....	28, 30	205929 .....	98
204443 .....	296, 298	205936 .....	46
204553 .....	66	205937 .....	46
204604 .....	62	205939 .....	46
204732 .....	64	205948 .....	98
204748 .....	148	205950 .....	116
204760 .....	234	205974 .....	46
204769 .....	108	205979 .....	46
204781 .....	98	206038 .....	46
204784 .....	66	206040 .....	152
204787 .....	98, 128	206042 .....	148
204847 .....	222	206060 .....	192
204956 .....	274	206061 .....	192
205009 .....	40	206065 .....	302
205028 .....	58	206066 .....	122
205029 .....	58	206071 .....	98
205036 .....	220	206114 .....	76
205065 .....	98	206116 .....	74
205070 .....	70, 72	206121 .....	76
205071 .....	70, 72	206160 .....	50
205077 .....	64	206184 .....	234
205092 .....	318	206192 .....	238
205097 .....	62	206193 .....	238
205159 .....	66	206194 .....	238
205188 .....	186, 188	206195 .....	238
205190 .....	112	206196 .....	238
205191 .....	112	206208 .....	236
205195 .....	122	206248 .....	120
205201 .....	66	206258 .....	50
205211 .....	98	206324 .....	50
205213 .....	228	206340 .....	50, 54
205242 .....	76	206350 .....	50
205262 .....	112	206424 .....	304
205263 .....	24	206432 .....	304
205269 .....	66	206434 .....	14
205273 .....	236	206447 .....	302
205325 .....	262	206454 .....	148
205356 .....	236	206459 .....	136
205366 .....	58	206482 .....	18, 278
205374 .....	70	206548 .....	54
205396 .....	96	206550 .....	54
205397 .....	40, 42, 44	206559 .....	54
205441 .....	80	206560 .....	54
205442 .....	126, 134	206562 .....	54
205456 .....	130	206611 .....	24
205483 .....	318	206623 .....	234
205486 .....	274	206661 .....	50, 54
205572 .....	122	206665 .....	80
205579 .....	110	206679 .....	66
205614 .....	82	206680 .....	66
205666 .....	66	206709 .....	8, 10

## INDEX

206728 .....	228	207362 .....	8, 10, 12
206771 .....	158	207374 .....	18
206772 .....	158	207378 .....	24
206773 .....	158	207395 .....	266
206774 .....	158	207400 .....	112
206775 .....	158	207401 .....	112
206776 .....	158	207406 .....	40, 44
206777 .....	158	207409 .....	40
206778 .....	282	207410 .....	40
206780 .....	158	207414 .....	58
206781 .....	282	207425 .....	236
206783 .....	158	207426 .....	236
206784 .....	158	207427 .....	192
206785 .....	158	207430 .....	82
206850 .....	222	207437 .....	274
206863 .....	306	207446 .....	236
206878 .....	222	207447 .....	66
206896 .....	66	207452 .....	66
206897 .....	66	207454 .....	238
206899 .....	66	207455 .....	238
206946 .....	116	207456 .....	274
206966 .....	148	207457 .....	132
207062 .....	136	207458 .....	198
207075 .....	58	207503 .....	24
207087 .....	282	207504 .....	24
207101 .....	58	207506 .....	24
207128 .....	98	207510 .....	24
207135 .....	98	207511 .....	24
207145 .....	152	207539 .....	148
207148 .....	110	207554 .....	110
207149 .....	110	207558 .....	258
207154 .....	64	207570 .....	110
207191 .....	110	207580 .....	154
207192 .....	62	207585 .....	2, 4
207209 .....	122	207587 .....	14, 16
207210 .....	122	207601 .....	282
207212 .....	282	207617 .....	2, 4
207219 .....	52	207618 .....	2, 4
207225 .....	130	207619 .....	2, 4
207230 .....	112	207620 .....	2, 4
207233 .....	162	207621 .....	2, 4
207248 .....	282	207638 .....	62
207250 .....	162	207646 .....	52
207256 .....	80	207699 .....	28, 30
207257 .....	80	207709 .....	120
207284 .....	66	207713 .....	38
207286 .....	272	207727 .....	82
207287 .....	272	207761 .....	8
207288 .....	272	207763 .....	8
207289 .....	274	207783 .....	38
207291 .....	112	207807 .....	172
207294 .....	18	207816 .....	282
207329 .....	80	207818 .....	282
207346 .....	174, 192, 250	207819 .....	282
207347 .....	198	207821 .....	318

## INDEX

207822 .....	318	208089 .....	122
207829 .....	166	208097 .....	146
207830 .....	166	208098 .....	146
207840 .....	282	208100 .....	146
207868 .....	80	208102 .....	146
207869 .....	80	208107 .....	110
207870 .....	80	208109 .....	130
207906 .....	58	208110 .....	130
207914 .....	154	208111 .....	130
207925 .....	274	208112 .....	130
207933 .....	282	208114 .....	130
207956 .....	108	208118 .....	46
207957 .....	316	208124 .....	120
207961 .....	24	208125 .....	120
207962 .....	24	208126 .....	138, 142
207963 .....	58	208134 .....	120
207970 .....	86, 90	208135 .....	120
207988 .....	18	208144 .....	120
208010 .....	152	208145 .....	120
208013 .....	152	208158 .....	266, 268
208014 .....	152	208160 .....	98, 104
208015 .....	152	208174 .....	192
208016 .....	152	208179 .....	130
208019 .....	50	208180 .....	130
208020 .....	50	208181 .....	130
208034 .....	286	208182 .....	130
208038 .....	138, 140	208184 .....	130
208040 .....	138, 140	208185 .....	130
208041 .....	142, 144	208189 .....	122
208042 .....	138	208190 .....	122
208043 .....	142	208191 .....	98
208044 .....	138	208192 .....	134
208045 .....	142	208245 .....	98
208046 .....	138	208254 .....	120
208047 .....	142	208255 .....	120
208048 .....	138	208262 .....	2
208049 .....	138, 142	208268 .....	296
208050 .....	138, 142	208276 .....	208
208051 .....	138, 142	208277 .....	208
208052 .....	138, 140	208278 .....	208
208053 .....	142, 144	208282 .....	174
208054 .....	142	208284 .....	174
208055 .....	142, 144	208292 .....	128
208056 .....	142, 144	208321 .....	80
208057 .....	142, 144	208325 .....	238
208058 .....	142, 144	208337 .....	306
208059 .....	138	208340 .....	2, 4
208060 .....	142	208363 .....	186
208061 .....	138, 142	208371 .....	110
208062 .....	142, 144	208372 .....	306
208063 .....	142	208397 .....	306
208064 .....	142, 144	208406 .....	306
208073 .....	274	208411 .....	222
208075 .....	132	208413 .....	194
208083 .....	116	208424 .....	180



## INDEX

208451 .....	186	208784 .....	130
208452 .....	186	208806 .....	148
208453 .....	186	208807 .....	282
208462 .....	186	208810 .....	158
208463 .....	186	208811 .....	158
208464 .....	186	208812 .....	326
208465 .....	186	208822 .....	90
208466 .....	186	208845 .....	290
208467 .....	186	208860 .....	78
208468 .....	186	208876 .....	286
208473 .....	178	208894 .....	162
208484 .....	196	208895 .....	162
208486 .....	196	208900 .....	282
208487 .....	196	208919 .....	182
208502 .....	86, 90	208920 .....	286
208503 .....	86, 90	208973 .....	34
208504 .....	86, 90	208979 .....	34
208506 .....	72	208989 .....	158
208507 .....	72	209013 .....	266
208508 .....	72	209018 .....	210, 250, 274
208509 .....	70	209032 .....	132, 210
208510 .....	70	209044 .....	212
208512 .....	70	209045 .....	204, 212, 242, 244, 246, 250
208513 .....	70	209053 .....	174
208521 .....	66	209063 .....	192
208523 .....	66	209209 .....	154
208528 .....	70, 72	209225 .....	62
208529 .....	70, 72	209287 .....	58
208530 .....	68	209374 .....	168
208531 .....	70	209385 .....	166
208533 .....	70	209388 .....	50
208541 .....	72	209389 .....	50
208542 .....	196	209393 .....	50
208547 .....	70	209410 .....	54
208551 .....	196	209476 .....	110
208552 .....	196	209520 .....	62
208553 .....	70	209521 .....	148
208554 .....	72	209571 .....	158
208555 .....	72	209584 .....	306
208556 .....	70, 72	209598 .....	168
208562 .....	78	209613 .....	120
208576 .....	62	209650 .....	12
208579 .....	234	209688 .....	84
208611 .....	12	209689 .....	306
208637 .....	162	209697 .....	154
208650 .....	318	209712 .....	38
208664 .....	46	209719 .....	8, 10, 14, 16
208667 .....	54	209722 .....	14, 16
208685 .....	98	209736 .....	274
208686 .....	38	209746 .....	274
208687 .....	38	209747 .....	274
208719 .....	82	209754 .....	274
208763 .....	282	209770 .....	286
208769 .....	258	209782 .....	192
208770 .....	148	209787 .....	120

## INDEX

209789.....	50	252235.....	98
209790.....	50	252236.....	98
209792.....	88	252237.....	96
209802.....	88	252247.....	112, 130
209803.....	88	252254.....	98
209811.....	12	252270.....	148
209812.....	208	252284.....	78, 80
209813.....	66	252292.....	14, 16
209816.....	2, 4	252318.....	200
209833.....	18	252319.....	204, 212
209836.....	296	252320.....	212
209837.....	296	252321.....	212
209841.....	112	252322.....	200
209865.....	54	252323.....	206
209867.....	24	252324.....	216, 226
209904.....	8, 14	252325.....	200, 216
209917.....	110	252327.....	200, 216
209918.....	98	252330.....	226
209924.....	162	252331.....	212
209929.....	270	252332.....	212
209932.....	8, 10, 14, 16	252333.....	212
209933.....	8, 10	252334.....	212
209946.....	264	252336.....	212
209947.....	78	252337.....	212
209949.....	78	252338.....	200
209950.....	196, 204	252339.....	204, 212
209951.....	204	252340.....	212
209979.....	54	252341.....	212
209989.....	124	252342.....	212
209991.....	124	252343.....	204, 212, 242, 244, 246
220478.....	236	252344.....	212
220908.....	200, 212	252345.....	212
232233.....	222	252347.....	200, 216
232271.....	114	252348.....	200, 216
232659.....	52	252349.....	212
238222.....	244	252350.....	204, 212
243541.....	192	252352.....	212, 226
243604.....	194	252353.....	212
243615.....	192	252354.....	212
243632.....	192	252355.....	200, 212
243637.....	192	252356.....	206
243905.....	192	252357.....	200
243906.....	192	252358.....	212
243995.....	190	252359.....	204
248469.....	14, 16	252360.....	204, 214
248643.....	52	252361.....	204, 214, 242, 244, 246, 250
252170.....	112	252363.....	202
252179.....	110	252364.....	214
252189.....	112	252365.....	166
252190.....	196	252376.....	178
252200.....	154	252381.....	178
252201.....	110	252382.....	178
252203.....	100	252383.....	178
252206.....	190	252384.....	178
252234.....	98	252385.....	178

## INDEX

252386 .....	178	291268 .....	70, 72
252387 .....	178	291378 .....	282
252388 .....	178	291430 .....	116
252389 .....	178	291464 .....	126, 136
252391 .....	178	291465 .....	282
252396 .....	306	291484 .....	52
252533 .....	34, 36	291485 .....	52
252561 .....	282	291486 .....	98
252585 .....	100	291487 .....	98
252613 .....	110	291489 .....	98
252639 .....	274	291490 .....	98
252640 .....	228, 230	291503 .....	98
252662 .....	210, 250	291527 .....	28, 30
252667 .....	68	291583 .....	96
252698 .....	174	291584 .....	96
252705 .....	310	291589 .....	200
252706 .....	158	291608 .....	78
252707 .....	160	291609 .....	78
252708 .....	160	291610 .....	324
252807 .....	96, 102	291629 .....	306
252934 .....	292	291630 .....	306
252940 .....	292	291675 .....	230
252968 .....	112	291724 .....	16, 124
253635 .....	190	291733 .....	4
253783 .....	194	291795 .....	80
253905 .....	190	291796 .....	80
271083 .....	18	291799 .....	78
271094 .....	14, 16	291937 .....	80
271146 .....	18	293037 .....	266
271184 .....	18	293038 .....	266
271192 .....	30	293041 .....	266
271193 .....	30	293042 .....	266
271208 .....	12	293129 .....	98
271238 .....	18	293187 .....	24
271251 .....	14, 16	293188 .....	24
271254 .....	14, 16	294263 .....	300
271321 .....	110	299820 .....	300
279003 .....	66	299822 .....	300
279150 .....	8, 10	299898 .....	300
284215 .....	90, 94	300577 .....	24
291025 .....	12	302204 .....	282
291028 .....	282	306007 .....	258
291030 .....	8, 14	306012 .....	106
291038 .....	124, 126	306013 .....	106
291054 .....	108	306074 .....	324
291073 .....	86, 90	306077 .....	166
291113 .....	124	306106 .....	46
291114 .....	88	306118 .....	282
291131 .....	262	306119 .....	76
291158 .....	22	306120 .....	76
291162 .....	22	306122 .....	302, 304
291192 .....	38	306161 .....	10
291215 .....	12	306166 .....	224, 226
291262 .....	258	306177 .....	106
291264 .....	128	306179 .....	280

## INDEX

306180.....	280	306617.....	96
306181.....	280	306620.....	66
306182.....	102	306670.....	186
306192.....	46	306671.....	186
306193.....	46	306672.....	186
306248.....	210	306673.....	186
306251.....	8, 10	306692.....	116
306255.....	8, 10	306699.....	228
306267.....	162	306756.....	280
306293.....	64	306757.....	248
306294.....	18	306762.....	64
306295.....	24	306769.....	182
306296.....	64	306772.....	4
306297.....	64	306790.....	158
306304.....	18	306796.....	66
306305.....	18	306814.....	228
306315.....	64	306818.....	228
306318.....	274	306829.....	228
306323.....	240	306830.....	228
306346.....	294	306836.....	174
306347.....	294	306843.....	298
306351.....	294	306859.....	206
306365.....	282	306876.....	228
306375.....	8	306877.....	228
306386.....	182, 186	306904.....	184
306393.....	186	306925.....	228
306394.....	186	306988.....	28
306395.....	186	306995.....	30
306410.....	314	309032.....	124
306417.....	282	309037.....	106, 316
306423.....	54	309041.....	248
306426.....	54	309045.....	108, 316
306429.....	76	309046.....	96
306430.....	76	309056.....	96
306438.....	248	310001.....	18
306451.....	254	310007.....	4
306453.....	98	310008.....	4
306465.....	102	310073.....	328
306504.....	132	310094.....	242, 244, 246
306522.....	128, 130	310095.....	30
306523.....	130	310098.....	30, 244
306528.....	172	310103.....	30
306538.....	42	310109.....	30
306539.....	122	310119.....	86, 90
306579.....	8, 10	310120.....	86, 90
306584.....	248	310175.....	242
306585.....	248	310176.....	242
306586.....	248	310177.....	242
306587.....	248	310178.....	242
306588.....	248	310179.....	246
306596.....	120	310181.....	246
306600.....	118	310183.....	244
306601.....	118	310184.....	244
306602.....	118	310186.....	242
306616.....	96	310187.....	244

## INDEX

310188..... 244	310760..... 24
310189..... 244	310762..... 24
310241..... 4	310764..... 18
310242..... 4	310765..... 18
310248..... 30, 242, 244	310766..... 18
310249..... 4	310787..... 64
310272..... 4	310789..... 16
310273..... 4	310792..... 4
310366..... 184, 188	310795..... 62
310383..... 242	310802..... 30
310447..... 30	310805..... 94
310453..... 10, 16	310807..... 76
310455..... 10, 16	310814..... 90, 94
310476..... 282	310817..... 242
310477..... 282	310820..... 4
310487..... 242	310821..... 30
310488..... 242	310846..... 94
310500..... 30	310880..... 8, 10
310501..... 30	310883..... 14, 16
310518..... 90	310890..... 248
310526..... 10	310897..... 248
310532..... 126	310925..... 94
310534..... 126	310974..... 282
310555..... 16	310978..... 76
310556..... 44	310979..... 76
310562..... 16	310984..... 94
310573..... 94	310985..... 94
310634..... 130	310989..... 76
310661..... 188	316044..... 94
310662..... 188	320008..... 90, 94
310663..... 188	320081..... 232
310666..... 188	320082..... 232
310667..... 188	320104..... 250
310668..... 188	320126..... 210
310669..... 188	320200..... 184
310670..... 188	320206..... 62
310672..... 188	320208..... 42
310674..... 188	320323..... 94
310675..... 188	320326..... 202
310676..... 188	320360..... 190
310677..... 188	320391..... 320
310678..... 188	320395..... 248
310681..... 188	320396..... 254
310682..... 188	320483..... 182, 184
310683..... 188	339130..... 250
310684..... 188	343859..... 250
310685..... 188	343872..... 250
310686..... 188	343874..... 250
310687..... 188	343886..... 74
310689..... 282	343925..... 250
310728..... 30	346001..... 30
310731..... 30	346003..... 90
310735..... 86, 90	346007..... 254
310755..... 64	346011..... 90
310759..... 24	346015..... 94

## INDEX

346019 .....	94	362113 .....	278
346020 .....	42	362128 .....	286
346024 .....	286	362143 .....	158
346027 .....	126, 282	362149 .....	154
346037 .....	30	362175 .....	286
346038 .....	242	362182 .....	182, 184
346040 .....	18	362219 .....	2
346054 .....	250	362220 .....	2
346058 .....	254	362221 .....	4
346060 .....	138, 142	362222 .....	4
346061 .....	146	362228 .....	154
346064 .....	254	362229 .....	276
346088 .....	308	362290 .....	228
346106 .....	308	362321 .....	274
346132 .....	118	362332 .....	24
346144 .....	94	362333 .....	24
346145 .....	94	362334 .....	24
346187 .....	18	362362 .....	258
346188 .....	18	362363 .....	154
346189 .....	18	362365 .....	124, 126
346193 .....	18	362366 .....	124, 126
346202 .....	30	362373 .....	30
346207 .....	328	500470 .....	112, 158, 258, 274
346208 .....	282, 328	500537 .....	276
346209 .....	282, 328	500554 .....	154
346215 .....	78	500555 .....	154
346216 .....	24	500585 .....	154
346224 .....	38		
346230 .....	154		
346232 .....	154	<b>B</b>	
346236 .....	250	B5238 .....	326
346238 .....	250	B5240 .....	326
346241 .....	250	B6012 .....	40
346254 .....	134, 146	B6013 .....	40
346255 .....	136, 146	B6016 .....	38
346256 .....	134, 138	B6047 .....	302
346257 .....	136, 142	B6048 .....	326
346263 .....	250	B6053 .....	296
346266 .....	42	B6054 .....	296
346289 .....	328	B6055 .....	306
346295 .....	94	B6106 .....	304
346305 .....	90	B6277 .....	312
346306 .....	90	B6617 .....	292
346313 .....	90	B6834 .....	44
346314 .....	90	B6889 .....	102
346315 .....	328	B6974 .....	328
346319 .....	298	B6979 .....	294
346323 .....	94	B7424 .....	248, 250, 254, 256
346344 .....	284	B9001 .....	308
346345 .....	256	B9020 .....	300
362007 .....	258	B9032 .....	316, 318
362086 .....	276	B9033 .....	42
362099 .....	158	B9034 .....	38
362101 .....	154, 158	B9052 .....	328
362112 .....	278	B9070 .....	298



# MacDon®

**CUSTOMERS**  
**MacDon.com**

**DEALERS**  
**Portal.MacDon.com**

Trademarks of products are the marks of their  
respective manufacturers and/or distributors.

Printed in Canada