

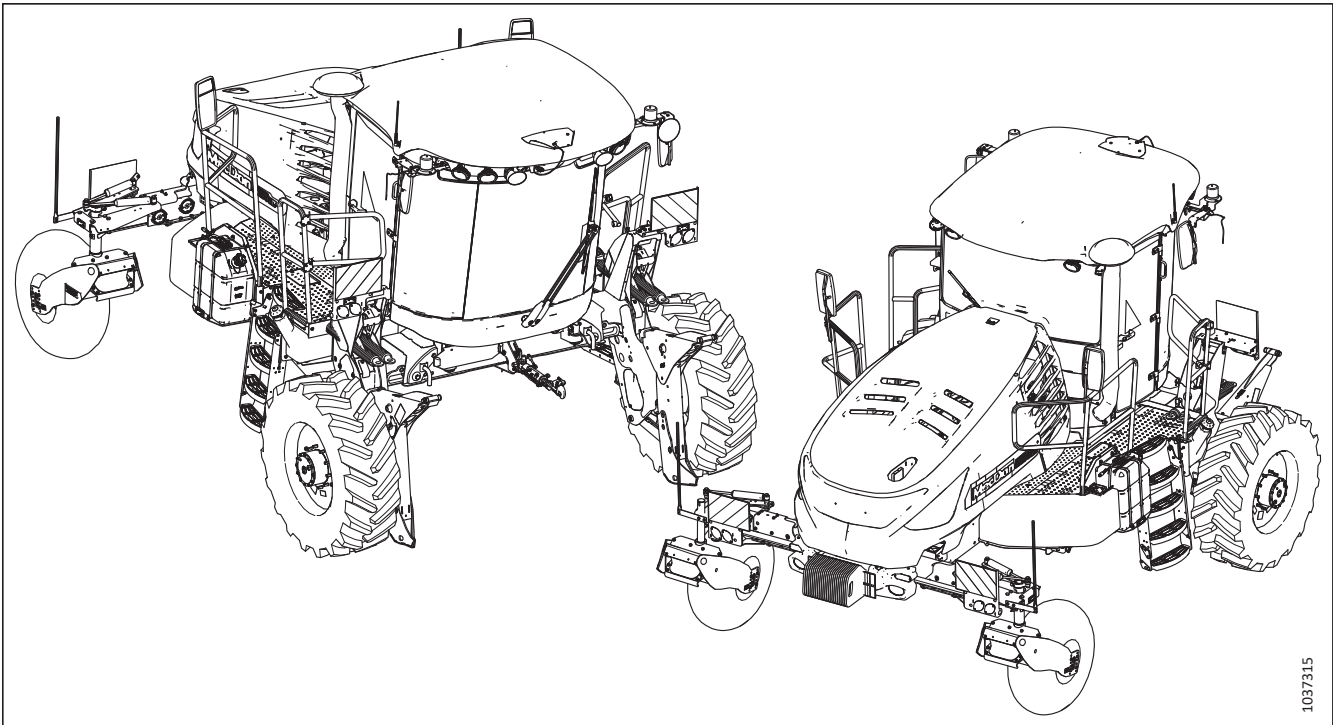
# **M1170NT and M1170NT5 Narrow Transport Windrower**

Parts Catalog

215984 Revision A

Original Instruction

M1170N75 Windrower, featuring Dual Direction® and Crossflex™ rear suspension



Published September 2022

**NOTE:**

Keep your MacDon publications up-to-date. The most current version can be downloaded from our website ([www.macdon.com](http://www.macdon.com)) or from our Dealer-only site (<https://portal.macdon.com>) (login required).

This document is available in English and French versions. The most current version can be downloaded from our MacDon International website ([www.macdon.com/world](http://www.macdon.com/world)) or from our Dealer-only site (<https://portal.macdon.com>) (login required).

© 2022 MacDon Industries, Ltd.

The information in this publication is based on the information available and in effect at the time of printing. MacDon Industries, Ltd. makes no representation or warranty of any kind, whether expressed or implied, with respect to the information in this publication. MacDon Industries, Ltd. reserves the right to make changes at any time without notice.

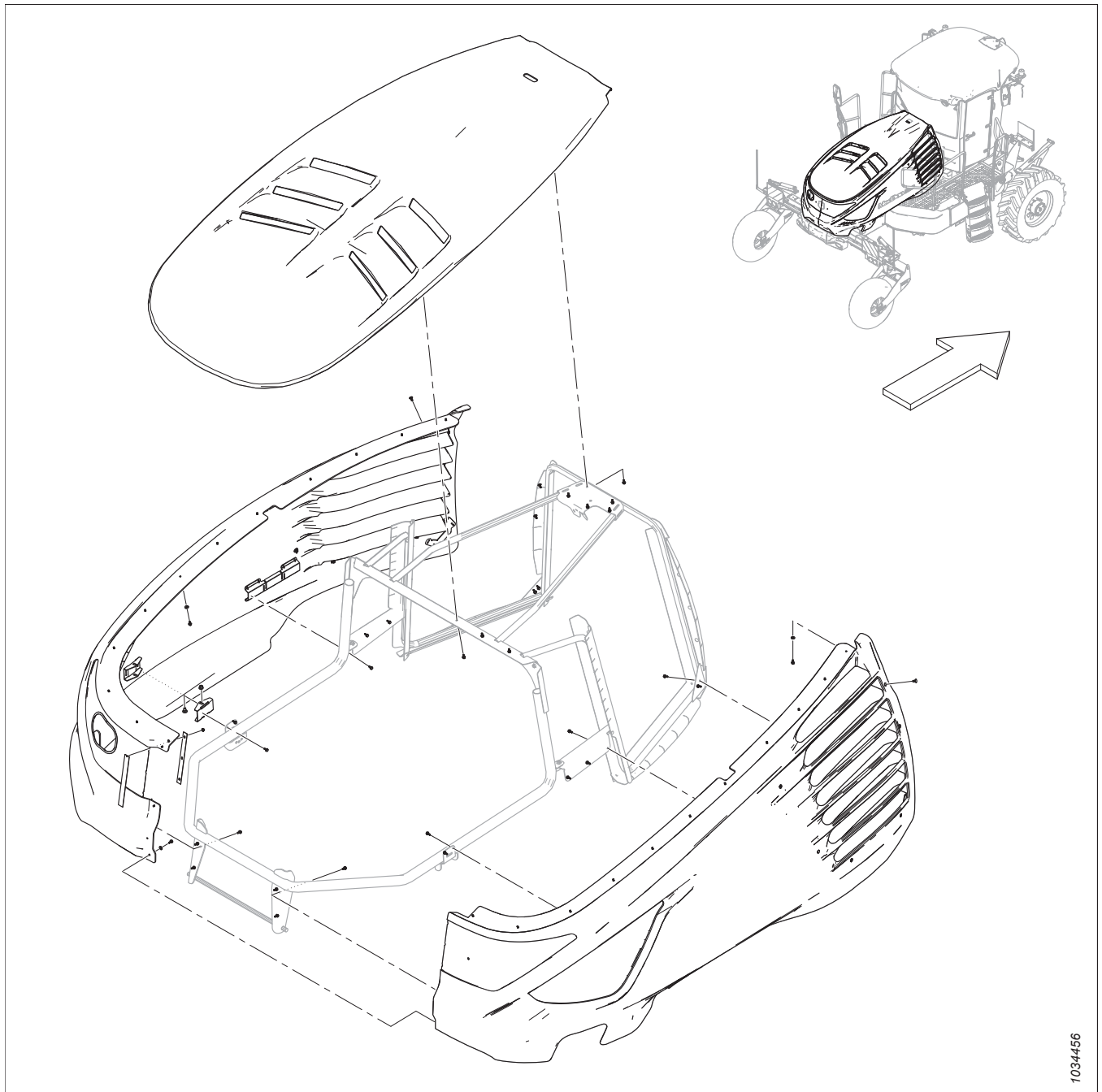
## Introduction

This Parts Catalog lists all the replacement parts that can be ordered for MacDon M1170NT and M1170NT5 Windrowers.

**Bold text is used to indicate updates made at the current revision level.** With each new revision of the catalog, previous revisions are returned to regular text.

Electrical connectors used on MacDon products are available for sale but not listed in this catalog. For the list of available connectors, refer to the Electrical Connectors Parts Catalog (169641).

In this catalog, right-hand (RH) and left-hand (LH) are determined from the operator's position, facing forward with the windrower in cab-forward position. An arrow is sometimes used in illustrations to indicate cab-forward position as shown below.



1034456

## Abbreviations

A/R – as required (quantity varies)	ASSY – assembly	BHRN – button head rib neck
BV – ball valve	CCW – counterclockwise	CON – conical (spring washer)
CSK – countersink	C/W – complete with	CW – clockwise
DBLE – double	DK – double knife	DR – double reel
DT – distorted thread	FLG – flange	GA – gauge
GR – grade	GS – grass seed	HD – head
HDR – header	HFA – hydraulic fore-aft	HH – hex head
HNBR – hydrogenated nitrile butadiene rubber	HYD – hydraulic	I.D. – inside diameter
IP – internal plus (torx plus)	KP – knife pressure	KR – knife return
LG – long	LH – left hand (determined from Operator's position, facing forward)	LK – lock
MACH – machine	MD – MacDon	MFA – manual fore-aft
MY – model year	NC – national coarse thread	NF – national fine thread
NSS – not sold separately	NT – narrow transport	O.D. – outside diameter
OPT – optional	PO – pilot operated	PT – pull-type (mower conditioner)
RC – roller chain	REF – reference, part number called up elsewhere in catalog	REG – regular
RH – right hand (determined from Operator's position, facing forward)	RHSN – round head, square neck or square neck carriage bolt	RHSSN – round head, short, square neck
RTD – rotating tine drum	SAE – Society of Automotive Engineers (part produced to comply with)	SD – side draper
SER – serrated	SK – single knife	SKT HD – socket head
SMTH – smooth	SMV – slow moving vehicle	SOCK – socket
SP – self-propelled (windrower) header	SPCL – special	SPH – spherical
SPI – serrations per inch (knife Sections)	SR – single reel	STL – steel (stainless)
STR – standard	STVR – Stover	TFL – thread full length
THD – thread	TR – triple reel	UCA – upper cross auger
UDK – untimed double knife	UNC – unified coarse thread	UNEF – unified extra fine thread
UNF – unified fine thread	UNS – unified special thread series	VK – vertical knife
WF – wide frame	ZP – zinc plated	

## Serial Number Breaks

The side of the serial number on which the dash (–) appears determines whether the part is used "up to" or "after" the serial number given.

**Example:**

- –162249 Used on machines up to and including serial number 166249.
- 166250– Used on machines including and after serial number 166250.

## Summary of Changes – M1170NT, M1170NT5 (215984 Rev. A)

This list covers changes made since the last revision (215631 Rev. A)

Section	Summary of Change	Internal Use Only
<i>1 Wheel Legs, page 1</i>	Replaced pin assembly 306400 with 306772. Updated illustration from 1034252 to 1039812.	ECN 63123
<i>5 Right Platform – M1170NT5, page 9</i>	Replaced 1 hex head bolt 152193 with 184664. Replaced 135783 and 135785 with 184657. Removed washer 18599. Added foam seal 248469. Updated illustration from 1037102 to 1039802.	ECN 62977
<i>7 Right Support and Tanks – M1170NT5, page 15</i>	Replaced hex socket screw 191393 with 136886.	ECN 62977
<i>7 Right Support and Tanks – M1170NT5, page 15</i>	Added hex flange bolt 135783. Updated illustration from 1036792 to 1039807.	Technical Publications
<ul style="list-style-type: none"> <li>• <i>8 Diesel Exhaust Fluid Tank – M1170NT, page 19</i></li> <li>• <i>9 Diesel Exhaust Fluid Tank – M1170NT5, page 21</i></li> <li>• <i>10 Diesel Exhaust Fluid Plumbing – M1170NT, page 23</i></li> <li>• <i>11 Diesel Exhaust Fluid Plumbing – M1170NT5, page 27</i></li> </ul>	Removed the acronym DEF from topic title.	Technical Publications
<i>9 Diesel Exhaust Fluid Tank – M1170NT5, page 21</i>	Corrected filter part number and description from suction filter MD #207478 to liquid filter housing MD #291162.	Product Support
<i>10 Diesel Exhaust Fluid Plumbing – M1170NT, page 23</i>	Added red cable ties 40702. Updated illustration from 1023251 to 1039757.	ECN 62313
<i>11 Diesel Exhaust Fluid Plumbing – M1170NT5, page 27</i>	Changed quantity of hex flange bolt 135783 from 5 to 1. Added hex socket head bolt 135723. Updated illustration from 1037123 to 1039788.	ECN 62969
<i>12 Walking Beam, page 31</i>	Replaced nut 30856 with 135337. Updated illustration from 1034255 to 1039809.	ECN 63016
<i>22 Engine Air Intake, page 57</i>	Added bolt 136211 and washer 184711. Replaced nut 135927 with 320206. Changed quantity of bolt 184665 from 2 to 1. Updated illustration from 1036840 to 1039780.	ECN 62629
<i>24 Engine Exhaust – M1170NT5, page 61</i>	Weldment support 306276 superseded with 306762. Updated illustration from 1036831 to 1039792.	ECN 63085
<i>25 Engine Cooling System, page 63</i>	Added panel assembly 306796 for model year 2022 and later windrowers.	ECN 63076
<i>30 Radiator Plumbing – M1170NT, page 75</i>	Added constant-torque clamp 306647 as an alternative to heat shrink clamp kit 306120. Updated illustration from 1015870 to 1039773.	ECN 62206
<i>31 Radiator Plumbing – M1170NT5, page 77</i>	Replaced hex head bolt 136148 with hex socket screw 135723.	ECN 62992
<i>36 Rear Lights and Bezels, page 87</i>	Added nut 30506 (ECN 63015), then replaced it with 184682 in ECN 63364. Updated illustration from 1037239 to 1039790.	ECN 63015 ECN 63364
<i>36 Rear Lights and Bezels, page 87</i>	Added hex socket screw 197224. Updated illustration from 1037239 to 1039790.	Technical Publications

<b>Section</b>	<b>Summary of Change</b>	<b>Internal Use Only</b>
<i>38 Roof – Deluxe Cab, page 93</i>	Deluxe cab roof assembly MD #306475 replaced by stripped roof assemblies MD #306617 for service. Revised footnotes.	ECN 61978
<i>38 Roof – Deluxe Cab, page 93</i>	Removed turn, tail, and brake lights harness 309032. Updated illustration from 1037290 to 1039786.	ECN 62923
<i>44 Cab Suspension, page 109</i>	Stabilizer link 183209 discontinued by the supplier and superseded by 306692. Added footnotes to order 183209 until stock is depleted, then order 306692.	ECN 62800
<i>48 Mirror Arms and Beacons, page 117</i>	Added connector cap 134744. Updated illustration from 1034260 to 1039787.	ECN 62923
<i>51 Heating, Ventilation, and Air Conditioning – Chassis, page 123</i>	Added hex flange bolt 135783. Updated illustration from 1023265 to 1039789.	Technical Publications
<i>51 Heating, Ventilation, and Air Conditioning – Chassis, page 123</i>	Added red cable ties 40702 to coolant hose 203597. Updated illustration from 1023265 to 1039576.	ECN 62313
<i>62 Engine Gearbox, page 151</i>	Replaced hex socket screw 50154 with hex bolt 20077, and washer 206609 with flat washer 1246. Added lock washer 18637. Replaced hex head bolt 30627 with 30963. Updated illustration from 1019200 to 1039783.	ECN 62844
<ul style="list-style-type: none"> <li>• <i>65 Left Pump Stack, page 157</i></li> <li>• <i>123 (Option) Left Drive Headlights, page 281</i></li> </ul>	Replaced the word Left-Hand with Left in topic titles.	Technical Publications
<i>69 Wheel Drive – Service Parts, Ten Bolt, page 167</i>	Added hub 306395 and dowel pin 306394 as service parts for drive wheel 306386. Updated illustration from 1015673 to 1039171.	ECN 60377
	Updated bearing service part numbers: Replaced bearings 163749–163752 with 306670–306673.	ECN 62371
<i>72 Header Drive – Manifold Multicoupler Assembly, page 173</i>	Removed hydraulic lines 203978 and 203977. Updated illustration from 1027803 to 1039808.	ECN 63002
<i>96 Secondary Brakes – Germany Only, page 223</i>	Disc brake 306444 superseded with 309041. Added brake caliper bleed adapter kit 306757.	ECN 62790 ECN 62970
<i>99 Secondary Brakes Seat Base – Germany Only, page 229</i>	Added topic.	ECN 63417
<i>100 Electrical – Chassis, page 231</i>	Chassis harness 306164 superseded by 306450. Added resistor pack 208769 as a service part for the chassis harness.	ECN 63081 Product Support
<i>102 Electrical – Chassis Components, page 237</i>	Changed extension module mounting hardware from 20-mm bolt 184641 to 35-mm bolt 184643. Updated model of extension module 201396. Updated illustration from 1015879 to 1039195.	ECN 63208
<i>109 Electrical – Firewall Modules, page 251</i>	Changed master controller mounting hardware from 35-mm bolt 184643 to 45-mm bolt 136731. Changed extension module mounting hardware from 20-mm bolt 184641 to 35-mm bolt 184643. Updated model of extension module 201396.	ECN 63208
<i>113 Decals – Safety, page 259</i>	Added nitrite-free decal 306756 for model year 2022 and later windrowers. Updated illustration from 1030657 to 1039163.	ECN 63076

<b>Section</b>	<b>Summary of Change</b>	<b>Internal Use Only</b>
<i>114 Decals – Information and Reflectors, page 261</i>	Replaced switch decal with brakes 306597 and park brake decal 306599 with brake decal 346344. Updated illustration from 1034377 to 1039784.	ECN 62431
<i>114 Decals – Information and Reflectors, page 261</i>	Added 30 km/h SIS decal 193241.	Technical Publications
<i>119 (Option) Counterweights – Rear Ballast, page 273</i>	Replaced bundle from B6053 to B9070. Updated illustration from 1037362 to 1039854.	ECN 62478
<i>126 (Option) Reel Drop Rate Adjustment, page 287</i>	Added decal 167897.	ECN 61319
<i>132 (Option) Trimble® Autopilot™ – Hydraulics, page 301</i>	Replaced steering manifold assembly 173118 with 173656; 173118 is now out of stock. Stock is still available for superseded directional valve 173590 and solenoid coil 173561. Superseding valve and coil (173653 and 173654) on ECN 59036 were not introduced into this catalog revision.	Parts
<i>136 (Option) Trimble® GFX Compatibility for M1 Series (2021–2022), page 311</i>	Revised topic title and note about model year compatibility.	Technical Publications



TABLE OF CONTENTS

Introduction ..... i  
Abbreviations..... ii  
Serial Number Breaks ..... iii  
Summary of Changes – M1170NT, M1170NT5 (215984 Rev. A) ..... iv

**1 Wheel Legs ..... 1**  
**2 Left Platform and Toolbox ..... 3**  
**3 Left Platform Mechanism..... 5**  
**4 Right Platform – M1170NT..... 7**  
**5 Right Platform – M1170NT5 ..... 9**  
**6 Right Support and Tanks – M1170NT..... 11**  
**7 Right Support and Tanks – M1170NT5 ..... 15**  
**8 Diesel Exhaust Fluid Tank – M1170NT..... 19**  
**9 Diesel Exhaust Fluid Tank – M1170NT5 ..... 21**  
**10 Diesel Exhaust Fluid Plumbing – M1170NT ..... 23**  
**11 Diesel Exhaust Fluid Plumbing – M1170NT5..... 27**  
**12 Walking Beam..... 31**  
**13 Anti-Shimmy ..... 35**  
**14 Casters – Suspended 16.5-16.1 ..... 37**  
**15 Drive Wheels and Tires – Ten Bolt..... 39**  
**16 Lift Linkage ..... 41**  
**17 Lift Linkage Cylinders ..... 45**  
**18 Float Sensors ..... 47**  
**19 Center-Link ..... 49**  
**20 Engine Sub Assembly ..... 53**  
**21 Fuel System ..... 55**  
**22 Engine Air Intake ..... 57**  
**23 Engine Exhaust – M1170NT..... 59**  
**24 Engine Exhaust – M1170NT5 ..... 61**  
**25 Engine Cooling System..... 63**  
**26 Cooling Module – Left ..... 67**  
**27 Cooling Module – Right ..... 69**  
**28 Charge Air Cooler Plumbing – M1170NT..... 71**  
**29 Charge Air Cooler Plumbing – M1170NT5 ..... 73**  
**30 Radiator Plumbing – M1170NT ..... 75**  
**31 Radiator Plumbing – M1170NT5 ..... 77**  
**32 Hood ..... 79**  
**33 Hood Frame..... 81**  
**34 Hood Latch Mechanism ..... 83**  
**35 Hood Gas Shocks – Standard ..... 85**  
**36 Rear Lights and Bezels ..... 87**  
**37 Front Lights and Mirrors ..... 91**  
**38 Roof – Deluxe Cab ..... 93**  
**39 Headliner – Radio, Speakers, and Relay Module ..... 95**

TABLE OF CONTENTS

40 Roof Relay Module – Service Parts ..... 99

41 Cab GPS Bulkhead/Display Mount..... 101

42 Cab Interior and Upholstery ..... 103

43 Cab Exterior and Air Intake Stack ..... 105

44 Cab Suspension ..... 109

45 Windows..... 111

46 Doors..... 113

47 Wipers ..... 115

48 Mirror Arms and Beacons ..... 117

49 Cab Air Conditioning and Heating..... 119

50 Cab Air Conditioning and Heating – Service Parts ..... 121

51 Heating, Ventilation, and Air Conditioning – Chassis ..... 123

52 Deluxe Cab Components..... 125

53 Deluxe Operator’s Seat ..... 127

54 Deluxe Seat Suspension..... 129

55 Trainer’s Seat..... 131

56 Steering Column and Seat Base..... 133

57 Steering Column – Service Parts..... 137

58 Ground Speed Lever, Cable, and Display..... 139

59 Console Components ..... 141

60 Steering and Ground Speed Control (under Cab) ..... 145

61 Neutral Interlock and Pintle Arms ..... 149

62 Engine Gearbox ..... 151

63 Traction Drive Pump ..... 153

64 Traction Drive Pump – Service Parts ..... 155

65 Left Pump Stack ..... 157

66 Disc/Knife Drive Pump – Service Parts ..... 161

67 Lift/Fan Pump – Service Parts ..... 163

68 Wheel Drive Assembly – Ten Bolt..... 165

69 Wheel Drive – Service Parts, Ten Bolt ..... 167

70 Wheel Drive Motor ..... 169

71 Header Drive – Frame Interface ..... 171

72 Header Drive – Manifold Multicoupler Assembly..... 173

73 Header Drive – Fitting Manifold Frame Assembly ..... 177

74 Header Drive – Charge Filter Frame Assembly ..... 179

75 Drive Manifold – Service Parts..... 181

76 Float Selector Manifold ..... 183

77 Charge Manifold..... 185

78 Hydraulics – Tank Fittings ..... 187

79 Hydraulics – Fan/Lift Manifold (Accumulator Replace) ..... 189

80 Lift/Fan Manifold – Valves and Coils..... 191

81 Lift/Fan Manifold – Plugs and Fittings..... 193

82 Hydraulics – Fan Drive Lines ..... 195

TABLE OF CONTENTS

83 Hydraulics – Oil Cooler Lines ..... 197

84 Hydraulics – Frame Fittings ..... 199

85 Junction Manifold – Service Parts..... 201

86 Hydraulics – Charge Lines ..... 203

87 Hydraulics – Open Drive Lines ..... 205

88 Hydraulics – Closed Drive Lines..... 207

89 Hydraulics – Traction Drive ..... 209

90 Hydraulics – Control Lines..... 211

91 Hydraulics – Lift System..... 213

92 Hydraulics – Line Supports ..... 215

93 Hydraulics – Narrow Transport ..... 217

94 Hydraulics – Walking Beam ..... 219

95 Hydraulics – Wheel Legs ..... 221

96 Secondary Brakes – Germany Only ..... 223

97 Secondary Brake Hydraulics – Germany Only ..... 225

98 Secondary Brakes GSL Sensors – Germany Only ..... 227

99 Secondary Brakes Seat Base – Germany Only..... 229

100 Electrical – Chassis ..... 231

101 Main Fuse Panel ..... 235

102 Electrical – Chassis Components ..... 237

103 Chassis Relay Module and Fuse Panel Assembly..... 239

104 Chassis Relay Module – Service Parts..... 241

105 Electrical – Battery and Cover ..... 243

106 Electrical – Battery Cables..... 245

107 Electrical – Engine, M1170NT ..... 247

108 Electrical – Engine, M1170NT5..... 249

109 Electrical – Firewall Modules ..... 251

110 Electrical – Wheel Legs ..... 253

111 Electrical – Narrow Transport Lights ..... 255

112 Electrical – Narrow Transport Control ..... 257

113 Decals – Safety..... 259

114 Decals – Information and Reflectors ..... 261

115 Decals – Product Identification ..... 265

116 (Option) Bluetooth Software Interface Module ..... 267

117 (Option) Center-Link Self-Alignment ..... 269

118 (Option) Coolant Heater Kit..... 271

119 (Option) Counterweights – Rear Ballast..... 273

120 (Option) DWA Shut-Off Kit ..... 275

121 (Option) Float Booster Spring ..... 277

122 (Option) High Debris Cooler Intake..... 279

123 (Option) Left Drive Headlights ..... 281

124 (Option) Neutral Setting Service Kit ..... 283

125 (Option) Quick Couplers ..... 285

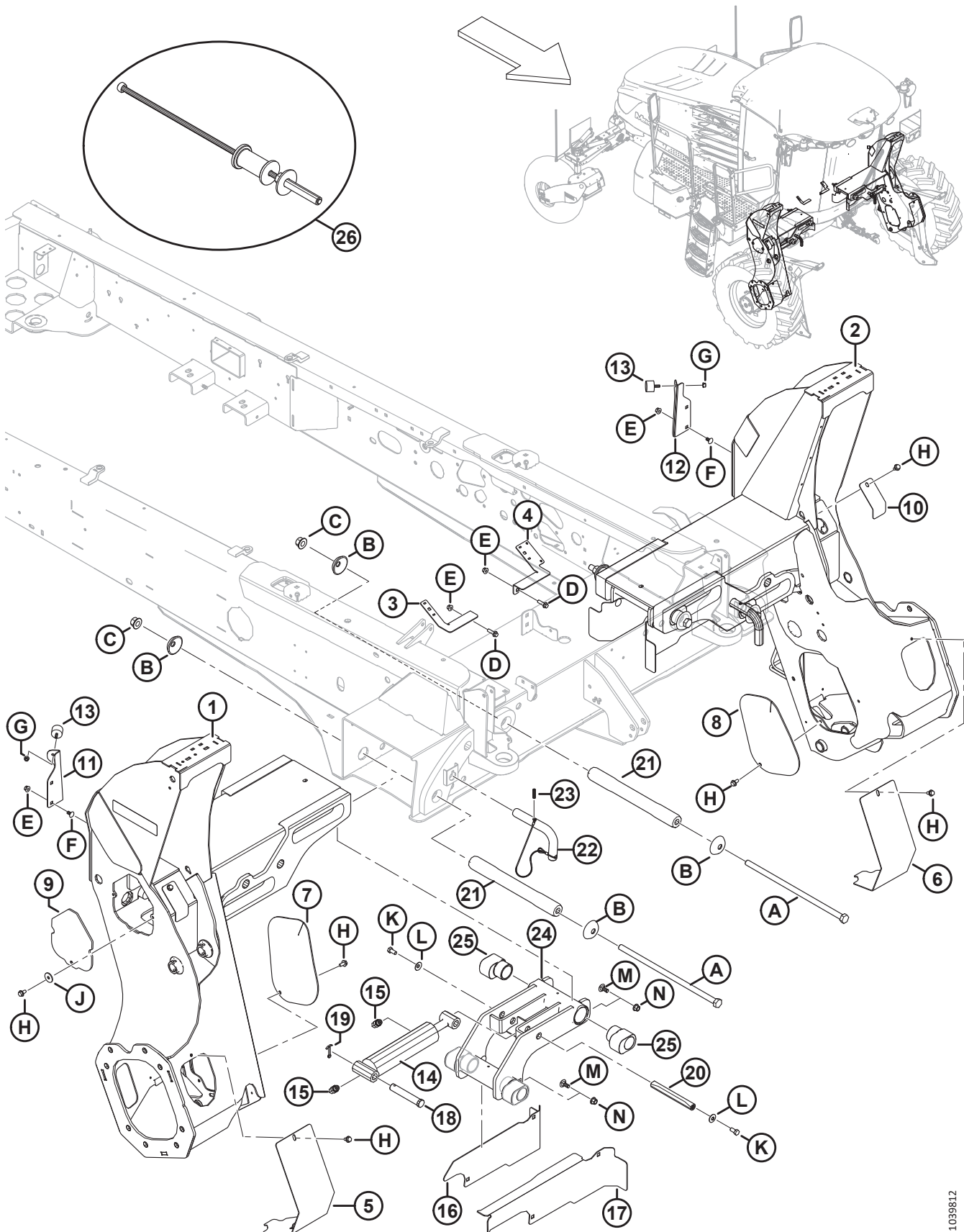
## TABLE OF CONTENTS

---

126	(Option) Reel Drop Rate Adjustment .....	287
127	(Option) Service Filters Kit .....	289
128	(Option) Swath Compressor – Frame .....	291
129	(Option) Swath Compressor – Hydraulics and Supports .....	293
130	(Option) Trimble® Autopilot™ – Electrical (2021–2022) .....	297
131	(Option) Trimble® Autopilot™ – Electrical (2023) .....	299
132	(Option) Trimble® Autopilot™ – Hydraulics .....	301
133	(Option) Trimble® EZ-Pilot® – Electrical (2021–2022) .....	305
134	(Option) Trimble® EZ-Pilot® – Electrical (2023) .....	307
135	(Option) Trimble® TMX Compatibility Kit .....	309
136	(Option) Trimble® GFX Compatibility for M1 Series (2021–2022) .....	311
137	(Option) Aftermarket GPS Steering Wheel Kits .....	313
138	(Option) Weight Box – Narrow Transport .....	315
	Index .....	318



# 1 Wheel Legs

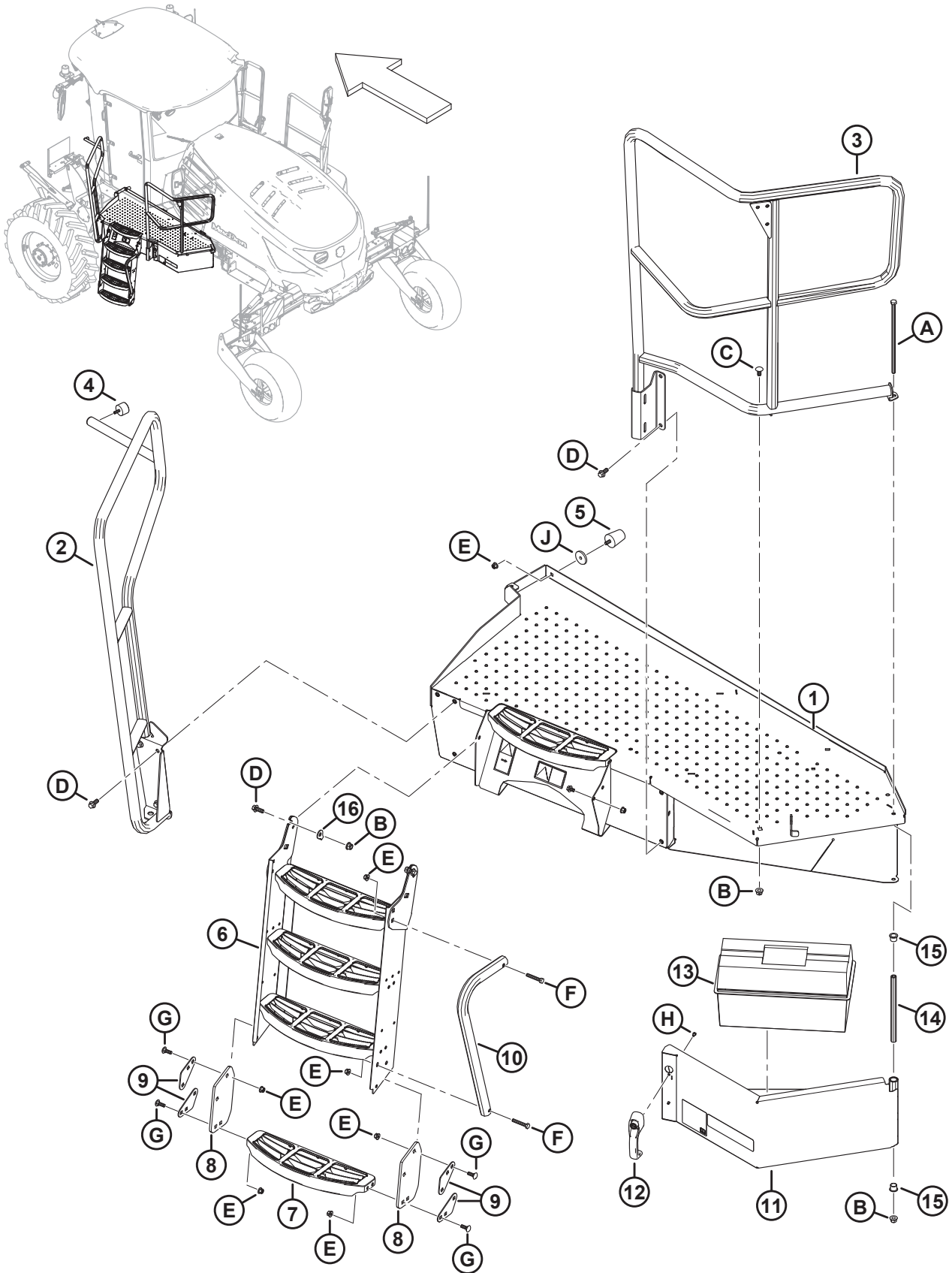


**WHEEL LEGS**

Ref	Part Number	Description	Qty	Serial Number
1	291593	LEG – RH BLACK	1	
2	291594	LEG – LH BLACK	1	
3	310007	SUPPORT – HARNESS, RH	1	
4	310008	SUPPORT – HARNESS,LH	1	
5	207620	COVER – LEG LOWER RH BLACK	1	
6	207621	COVER – LEG LOWER LH BLACK	1	
7	207618	COVER – LEG INNER RH BLACK	1	
8	207619	COVER – LEG INNER LH BLACK	1	
9	207617	COVER – LEG ACCESS BLACK	2	
10	310249	COVER – PIN	2	
11	310273	STOP – DOOR, RH	1	
12	310272	STOP – DOOR, LH	1	
13	203350	BUMPER – RUBBER	2	
14	310792	CYLINDER – 2.75 BORE X 8 IN STROKE	2	
	310820	KIT – SEAL		
15	136149	FITTING – ELBOW 90° HYD	4	
	44209	O-RING – Ø2.21 X Ø16.36		
	135865	O-RING – Ø1.78 X Ø9.25		
16	310242	GUIDE – HOSE B	2	
17	310241	GUIDE – HOSES A	2	
18	49341	PIN – CLEVIS	2	
19	18609	PIN – COTTER 1/4 DIA X 2 ZP	2	
20	141432	PIN – ROD END	2	
21	207585	PIN – LEG TO FRAME	4	
22	<b>306772</b>	<b>ASSY – LOCKOUT PIN <sup>1</sup></b>	<b>2</b>	
23	21095	PIN – SPRING 3/8 DIA X 1.5 LG	1	
24	141394	SUPPORT – LEG, WELDT	2	
25	291733	BUSHING – STEEL	8	
26	209816	LEG PIN REMOVAL TOOL – ASSEMBLY	A/R	
A	136134	BOLT – HEX HD M20 X 2.5 X 500-8.8 ZINC		
B	208340	WASHER – FORMED		
C	136122	NUT – HEX FLG CTR LOC M20 X 2.5-10-AA1J		
D	136211	BOLT – HEX FLG HD M10 X 1.5 X 35-8.8-AA1J		
E	135799	NUT – HEX FLG CTR LOC M10 X 1.5-10		
F	184657	BOLT – RHSSN M10 X 1.5 X 20-8.8-AA1J		
G	135337	NUT – HEX FLG CTR LK M8 X 1.25-8-AA1J		
H	136209	SCREW – HEX WSHR M10 X 1.5 X 20-450HV		
J	16652	WASHER – FLAT		
K	50155	BOLT – HEX HD TFL M12 X 1.75 X 25-8.8-AA1J		
L	184597	WASHER – CON SPRING M12-AA1J		
M	184667	BOLT – RHSN M12 X 1.75 X 30-8.8-ZINC		
N	136431	NUT – HEX FLG CTR LOC M12 X 1.75-10		

1. Includes spring pin (MD #21095).

## 2 Left Platform and Toolbox



1034253

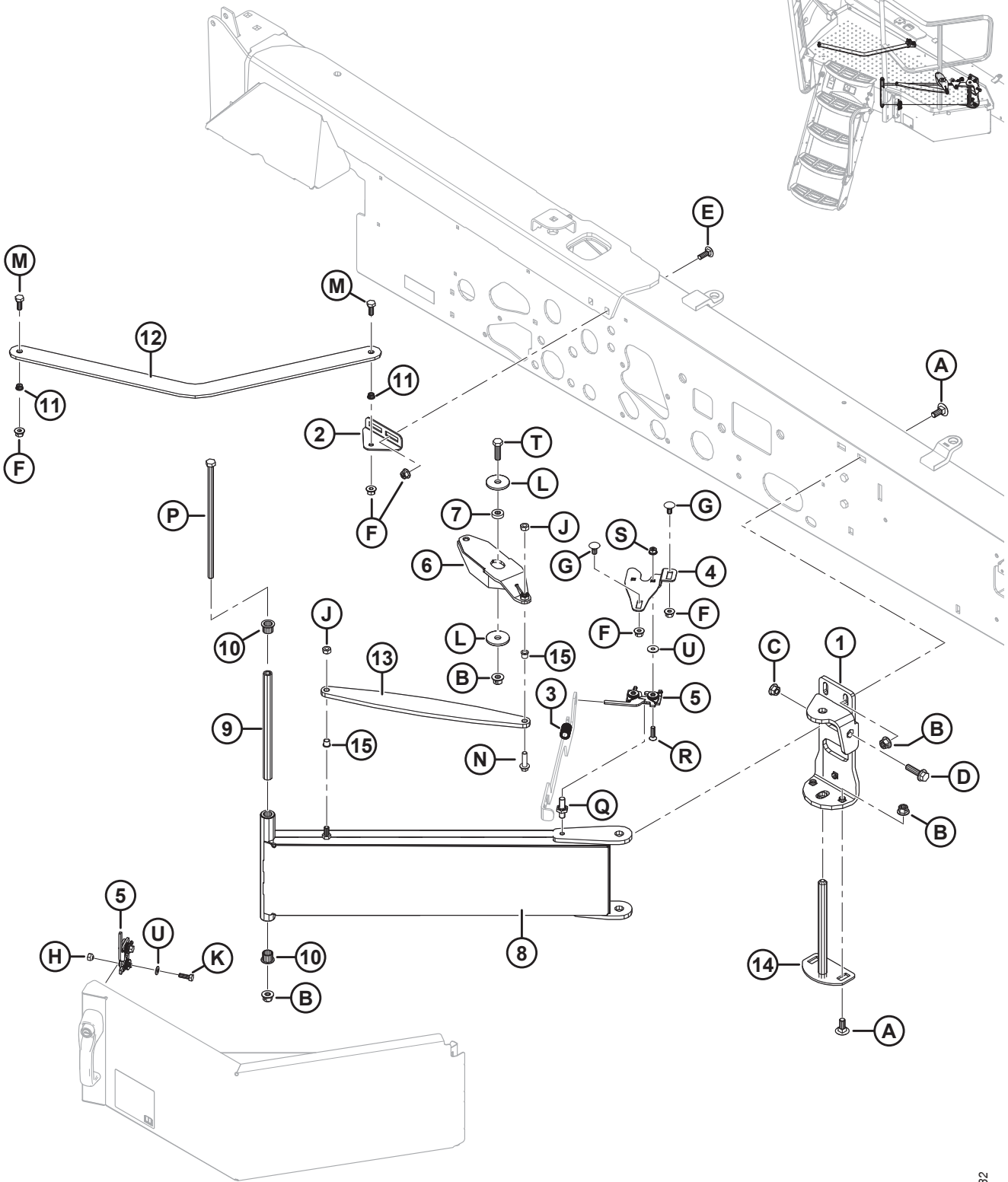
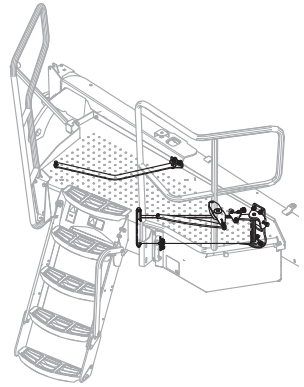


**LEFT PLATFORM AND TOOLBOX**

<b>Ref</b>	<b>Part Number</b>	<b>Description</b>	<b>Qty</b>	<b>Serial Number</b>
1	306255	ASSY – LH PLATFORM, BLACK	1	
2	310526	RAIL – LH FRONT BLACK	1	
3	310880	RAIL – REAR LH BLACK	1	
4	203350	BUMPER – RUBBER	1	
5	306161	BUMPER – RUBBER	1	
6	310453	STEP – BLACK 3-RUNG, NT	1	
7	209932	STEP – BLACK	1	
8	310455	MEMBER – FLEXIBLE STEP, NT	2	
9	209719	PLATE – WASHER FLEX STEP	4	
10	209933	RAIL – BLACK	1	
11	306579	ASSY – TOOL BOX PLATFORM <sup>2</sup>	1	
12	206709	HANDLE – DOOR	1	
13	279150	TOOL BOX – KIT, C/W TRANSITION	1	
14	139292	TUBE – HINGE	1	
15	207362	BUSHING	2	
16	202946	CLIP – LOCK	2	
A	152192	BOLT – HEX HD M12 X 1.75 X 300 X SPCL-8.8-A3L		
B	136431	NUT – HEX FLG CTR LOC M12 X 1.75-10-A3L		
C	152439	BOLT – RHSSN M12 X 1.75 X 25-8.8-A3L		
D	148798	BOLT – HEX FLG HD M12 X 1.75 X 30-10.9-A3L		
E	135799	NUT – HEX FLG CTR LOC M10 X 1.5-10-A3L		
F	184664	BOLT – HEX HD M10 X 1.5 X 60-8.8-A3L		
G	184662	BOLT – RHSN TFL M10 X 1.5X30-8.8-A3L		
H	136561	BOLT – HEX HD TFL M6 X 1 X 10-8.8-A3L		
J	306251	WASHER – FLAT		

2. Includes toolbox platform and lubrication decal (MD #207933), and amber reflector (MD #346208). Toolbox (MD #279150) must be ordered separately.

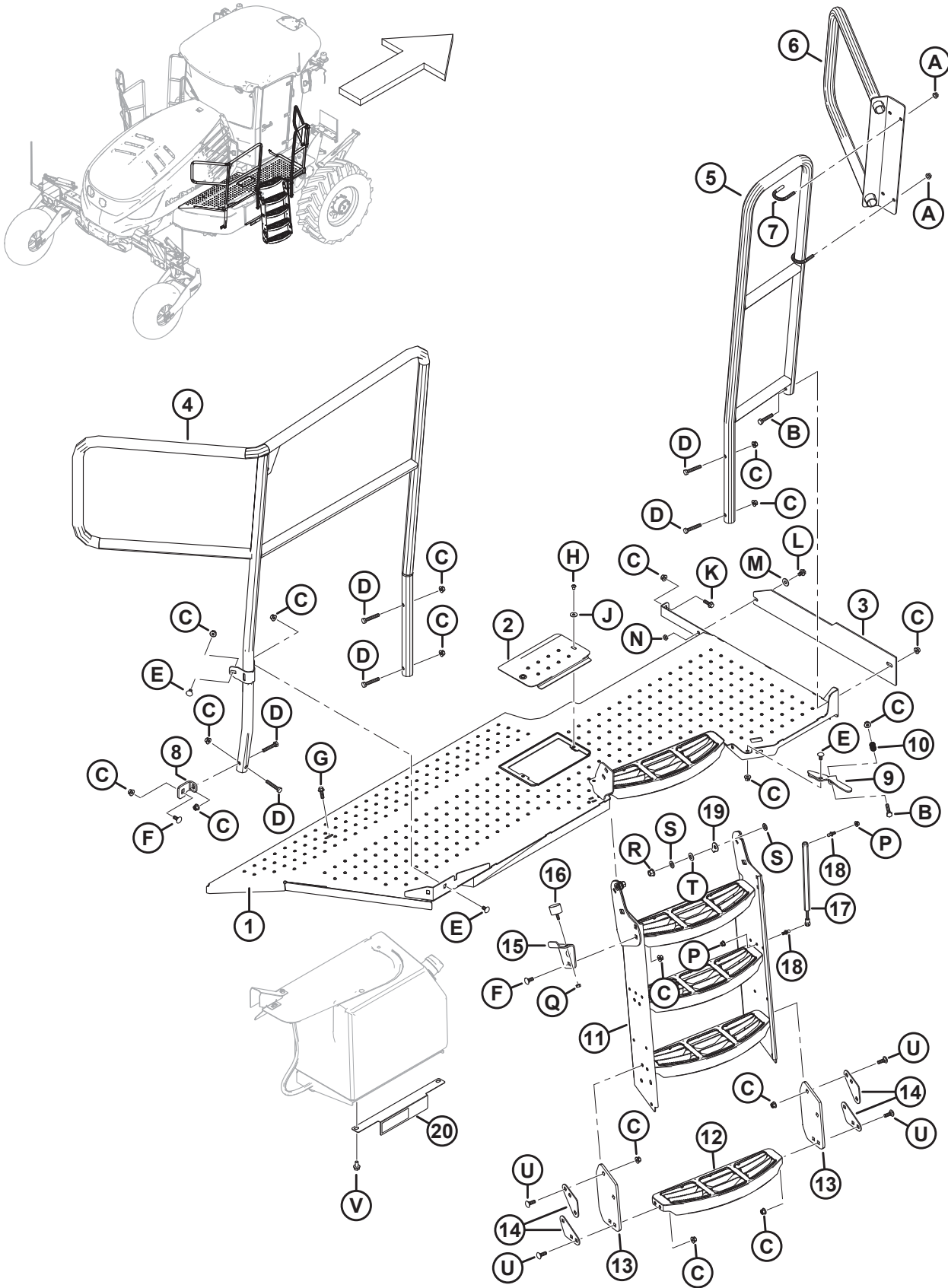
### 3 Left Platform Mechanism



**LEFT PLATFORM MECHANISM**

<b>Ref</b>	<b>Part Number</b>	<b>Description</b>	<b>Qty</b>	<b>Serial Number</b>
1	208611	BRACKET – HINGE WELDT	1	
2	203211	SUPPORT – PLATFORM ARM	1	
3	19739	SPRING – COMPRESSION	1	
4	203201	SUPPORT – LATCH, PLATFORM	1	
5	134003	ASSY – STIRRUP LATCH	2	
6	291025	ARM – STRIKER, WELDT	1	
7	291215	SPACER – 12.4-13.0 MM I.D., 25.4 MM O.D., 5-5.4 MM LG	1	
8	203192	SUPPORT – PLATFORM, WELDT	1	
9	139292	TUBE – HINGE	1	
10	207362	BUSHING – .75 IN. I.D., .875 IN. O.D., .75 IN. WIDE	2	
11	203213	BUSHING – BRONZE (SHORT)	2	
12	209811	ARM – PLATFORM	1	
13	209650	LINK – PLATFORM	1	
14	110585	PIN – WELDT	1	
15	271208	BUSHING – BRONZE (LONG)	2	
A	184667	BOLT – RHSN M12 X 1.75 X 30-8.8-A3L		
B	136431	NUT – HEX FLG CTR LOC M12 X 1.75-10-A3L		
C	136036	NUT – HEX SMTH FLG M12 X 1.75-8-A3L		
D	148799	BOLT – HEX FLG HD M12 X 1.75 X 45-10.9-A3L		
E	184662	BOLT – RHSN TFL M10 X 1.5 X 30-8.8-A3L		
F	135799	NUT – HEX FLG CTR LOC M10 X 1.5-10-A3L		
G	136178	BOLT – RHSN M10 X 1.5 X 20-8.8-A3L		
H	136417	NUT – HEX SPCL M8 X 1.25		
J	30505	NUT – HEX M10 X 1.5-10-A3L		
K	50140	BOLT – HEX HD M8 X 1.25 X 30-8.8-A2L		
L	11695	WASHER – FLAT, 13.46 MM I.D., 50 MM O.D., 4.5 MM THK		
M	30627	BOLT – HEX HD TFL M10 X 1.5 X 25-8.8-A3L		
N	136211	BOLT – HEX FLG HD M10 X 1.5 X 35-8.8-A3L		
P	152192	BOLT – HEX HD M12 X 1.75 X 300 X SPCL-8.8-A3L		
Q	136598	BOLT – STRIKER		
R	135336	SCREW – CSK MACH FLAT SOC HD M8 X 30 GR 5 ZP		
S	184688	NUT – HEX NYLOC M8 X 1.25-8-A2L		
T	152730	BOLT – HEX HD TFL M12 X 1.75 X 35-10.9-A3L		
U	184709	WASHER – FLAT LARGE M8-200HV-A2L		

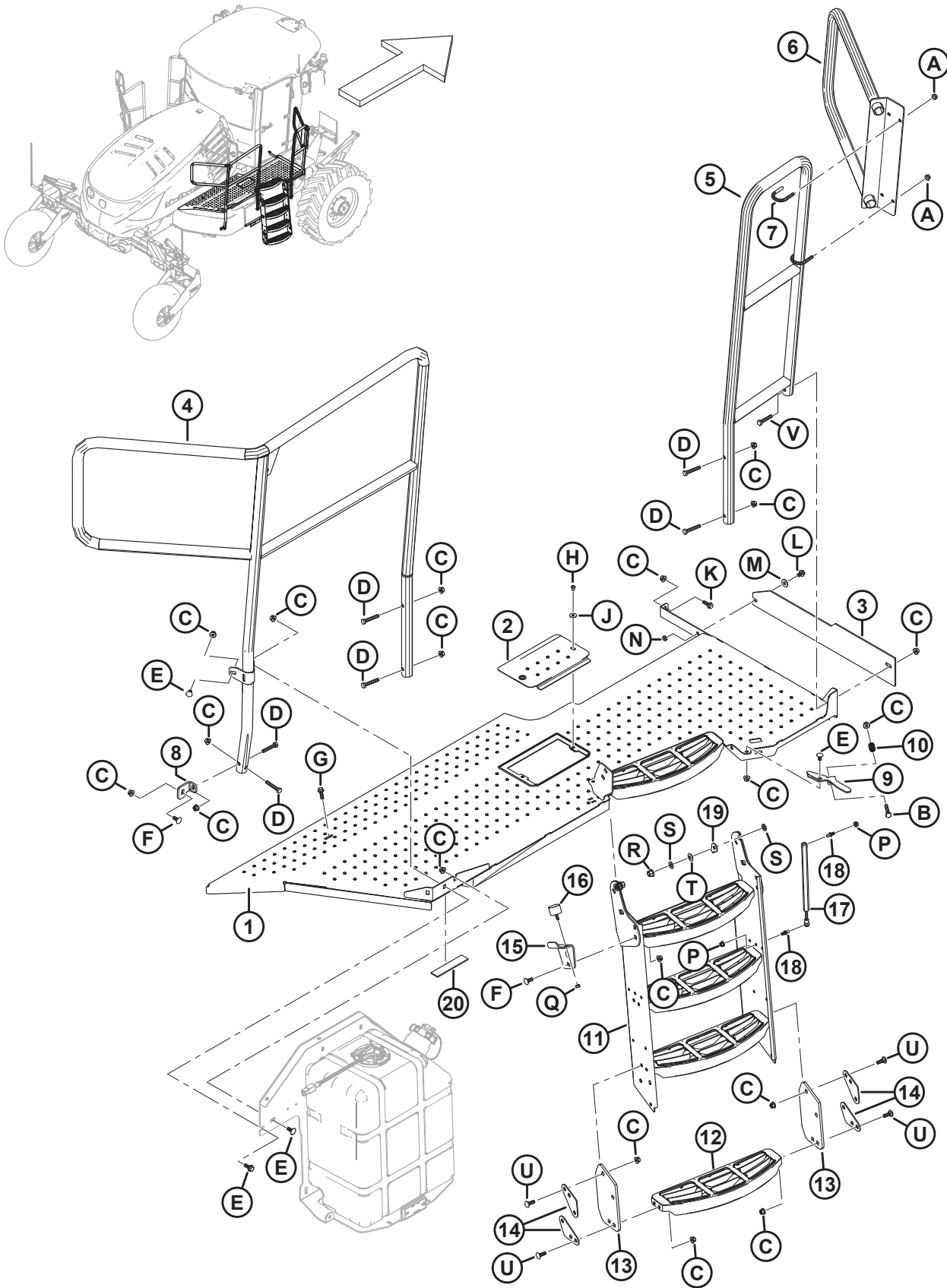
# 4 Right Platform – M1170NT



**RIGHT PLATFORM – M1170NT**

<b>Ref</b>	<b>Part Number</b>	<b>Description</b>	<b>Qty</b>	<b>Serial Number</b>
1	271251	SUPPORT – RH PLATFORM BLACK	1	
2	271254	COVER – HATCH FUEL SENDER BLACK	1	
3	310555	BRACKET – FOOT GUARD	1	
4	310883	RAIL – RH REAR, BLACK	1	
5	207587	RAIL – RH FRONT, BLACK	1	
6	310562	RAIL – EXTENSION WELDT	1	
7	291724	U-BOLT – 3/8-16, AA1J	2	
8	271094	ANGLE – RAIL MOUNT BOTTOM BLACK	1	
9	209722	LATCH – STEP	1	
10	35618	SPRING – COMPRESSION	1	
11	310453	STEP – BLACK 3-RUNG, NT	1	
12	209932	STEP – BLACK	1	
13	310455	MEMBER – FLEXIBLE STEP, NT	2	
14	209719	PLATE – WASHER FLEX STEP	4	
15	310789	SUPPORT – BUMPER, NT	1	
16	203350	BUMPER – RUBBER	1	
17	200653	SPRING – GAS	1	
18	136188	STUD – BALL (10 MM); M8 THREAD	2	
19	202946	CLIP – LOCK	2	
20	310826	BRACKET – DECAL	1	
A	30228	NUT – FLG DT SM FACE 3/8-16 UNC-GR5-AA1J		
B	152193	BOLT – HEX HD M10 X 1.5 X 55 X 8.8-A3L		
C	135799	NUT – HEX FLG CTR LOC M10 X 1.5-10-A3L		
D	184664	BOLT – HEX HD M10 X 1.5 X 60-8.8-A3L		
E	184657	BOLT – RHSSN M10 X 1.5 X 20-8.8-A3L		
F	135785	BOLT – RHSN M10 X 1.5 X 25-8.8-A3L		
G	184665	BOLT – HEX FLG HD M10 X 1.5 X 30-10.9-A3L		
H	252292	SCREW – HEX SOC BTN HD M8 X 1.25 X 12-10.9-AA1J		
J	184709	WASHER – FLAT LARGE M8-200HV		
K	152655	BOLT – HEX FLG HD M10 X 1.5 X 20-8.8-A3L		
L	136151	BOLT – HEX FLG HD TFL M10 X 1.5 X 16-8.8-AA1J		
M	30635	WASHER – FLAT REG M10-STL-SOFT-AA1J		
N	136442	NUT – HEX THIN M10 X 1.5-05-AA1J		
P	135337	NUT – HEX FLG CTR LOC M8 X 1.25-8-A2L		
Q	184687	NUT – HEX M8 X 1.25-8-A2L		
R	136431	NUT – HEX FLG CTR LOC M12 X 1.75-10-A3L		
S	184714	WASHER – FLAT REG M12-300HV-A3L		
T	184596	WASHER – CON SPRING M12 A STL		
U	184662	BOLT – RHSN TFL M10 X 1.5 X 30-8.8-A3L		
V	136496	BOLT – HEX FLG HD TFL M10 X 1.5 X 20-A2-70-SS		

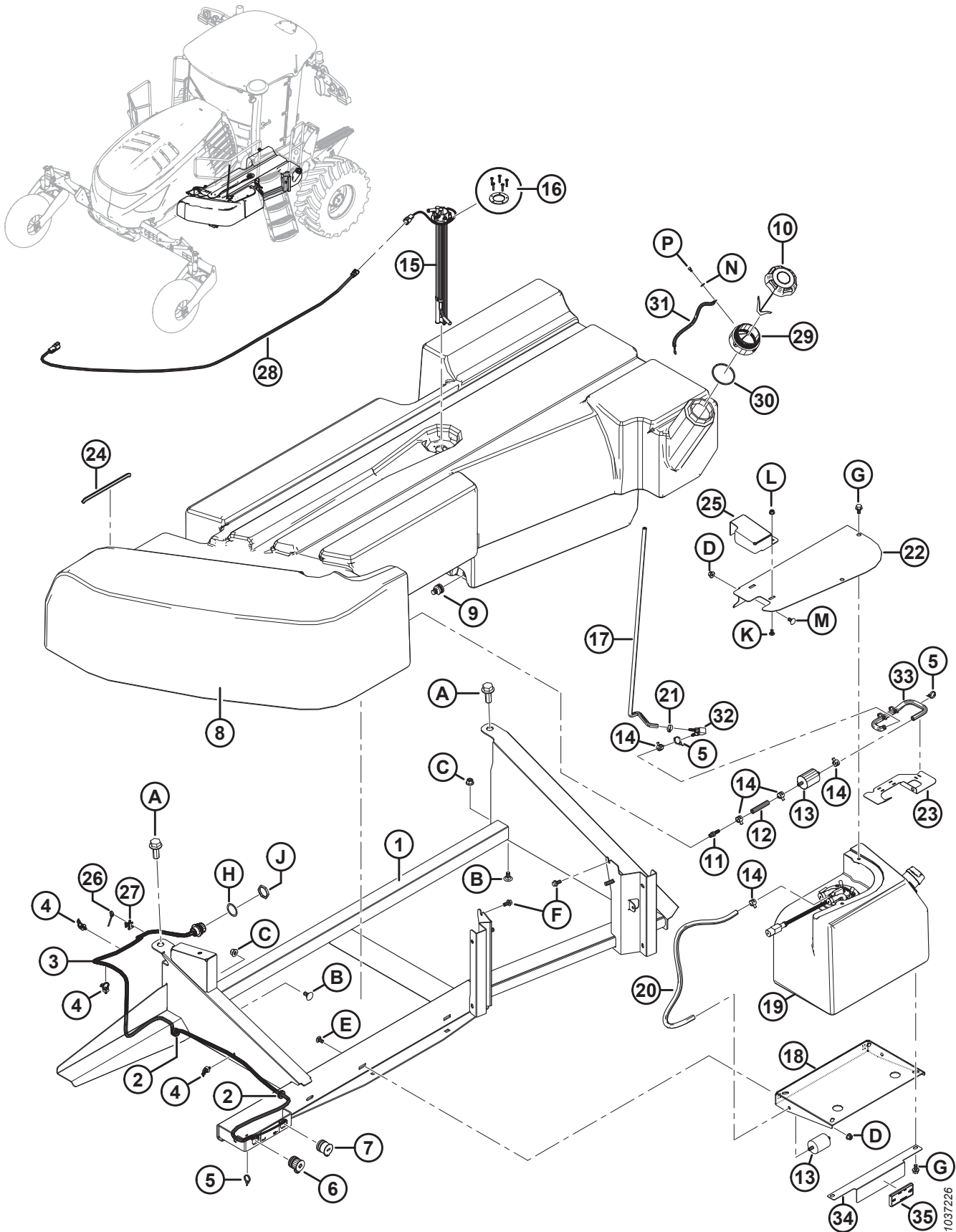
# 5 Right Platform – M1170NT5



**RIGHT PLATFORM – M1170N75**

<b>Ref</b>	<b>Part Number</b>	<b>Description</b>	<b>Qty</b>	<b>Serial Number</b>
1	271251	SUPPORT – RH PLATFORM BLACK	1	
2	271254	COVER – HATCH FUEL SENDER BLACK	1	
3	310555	BRACKET – FOOT GUARD	1	
4	310883	RAIL – RH REAR, BLACK	1	
5	207587	RAIL – RH FRONT, BLACK	1	
6	310562	RAIL – EXTENSION WELDT	1	
7	291724	U-BOLT – 3/8-16, AA1J	2	
8	271094	ANGLE – RAIL MOUNT BOTTOM BLACK	1	
9	209722	LATCH – STEP	1	
10	35618	SPRING – COMPRESSION	1	
11	310453	STEP – BLACK 3-RUNG, NT	1	
12	209932	STEP – BLACK	1	
13	310455	MEMBER – FLEXIBLE STEP, NT	2	
14	209719	PLATE – WASHER FLEX STEP	4	
15	310789	SUPPORT – BUMPER, NT	1	
16	203350	BUMPER – RUBBER	1	
17	200653	SPRING – GAS	1	
18	136188	STUD – BALL (10 MM); M8 THREAD	2	
19	202946	CLIP – LOCK	2	
20	<b>248469</b>	<b>FOAM SEAL</b>	<b>1</b>	
A	30228	NUT – FLG DT SM FACE 3/8-16 UNC-GR5-AA1J		
B	152193	BOLT – HEX HD M10 X 1.5 X 55 X 8.8-A3L		
C	135799	NUT – HEX FLG CTR LOC M10 X 1.5-10-A3L		
D	184664	BOLT – HEX HD M10 X 1.5 X 60-8.8-A3L		
E	184657	BOLT – RHSSN M10 X 1.5 X 20-8.8-A3L		
F	135785	BOLT – RHSN M10 X 1.5 X 25-8.8-A3L		
G	184665	BOLT – HEX FLG HD M10 X 1.5 X 30-10.9-A3L		
H	252292	SCREW – HEX SOC BTN HD M8 X 1.25 X 12-10.9-AA1J		
J	184709	WASHER – FLAT LARGE M8-200HV		
K	152655	BOLT – HEX FLG HD M10 X 1.5 X 20-8.8-A3L		
L	136151	BOLT – HEX FLG HD TFL M10 X 1.5 X 16-8.8-AA1J		
M	30635	WASHER – FLAT REG M10-STL-SOFT-AA1J		
N	136442	NUT – HEX THIN M10 X 1.5-05-AA1J		
P	135337	NUT – HEX FLG CTR LOC M8 X 1.25-8-A2L		
Q	184687	NUT – HEX M8 X 1.25-8-A2L		
R	136431	NUT – HEX FLG CTR LOC M12 X 1.75-10-A3L		
S	184714	WASHER – FLAT REG M12-300HV-A3L		
T	184596	WASHER – CON SPRING M12 A STL		
U	184662	BOLT – RHSN TFL M10 X 1.5 X 30-8.8-A3L		
V	<b>184664</b>	<b>BOLT – HEX HD M10 X 1.5 X 60-8.8-AA1J</b>		

# 6 Right Support and Tanks – M1170NT



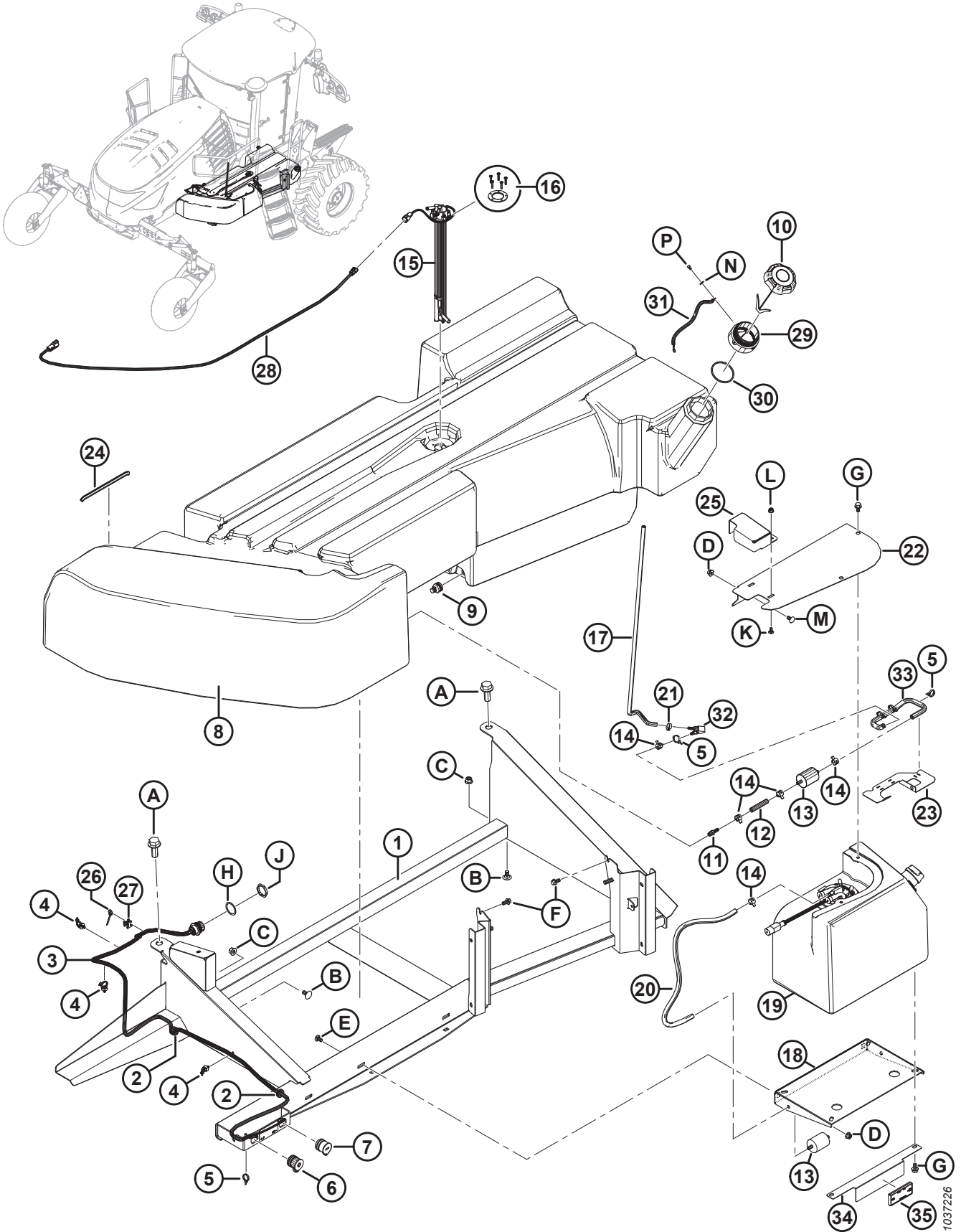


**RIGHT SUPPORT AND TANKS – M1170NT**

Ref	Part Number	Description	Qty	Serial Number
1	271083	SUPPORT – FUEL TANK, BLACK	1	
2	206482	GROMMET – 15.9 I.D., 22.2 GROOVE, 28.6 O.D.	2	
3	207294	HARNESS – AUXILIARY POWER	1	
4	136655	FASTENER – FIR TREE MOUNT WITH CABLE TIE	3	
5	21763	FASTENER – CABLE TIE, BLACK, 160 MM LG	5	
6	134622	CONNECTOR – AUX. POWER, 3/8 IN. STUD, (+) RED	1	
7	134623	CONNECTOR – AUX. POWER, 3/8 IN. STUD, (-) BLACK	1	
8	200699	ASSEMBLY – FUEL TANK (EXCLUDING FUEL SENDER) <sup>3</sup>	1	
9	204080	FITTING – DRAIN	1	
10	207374	CAP – FUEL TANK	1	
11	21046	FITTING – BARBED 1/4 NPT X 3/8 I.D. HOSE	1	
12	205473	HOSE – FUEL, 76 MM LG ±10	1	
13	111608	FILTER – FUEL STRAINER	2	
14	136743	CLAMP – 16 MM I.D., SPRING TYPE	5	
15	271146	SENDER – FUEL, GROUNDED <sup>4</sup>	1	
16	207988	KIT – HARDWARE, FUEL SENDER	A/R	
17	346193	HOSE – FUEL VENT, 5/16 IN. I.D., 890 MM LG	1	
18	207592	SUPPORT – DEF TANK BLACK	1	
19	REF	ASSEMBLY – DEF TANK <sup>5</sup>		
20	205037	HOSE – DEF VENT, 700 MM LG	1	
21	30500	CLAMP – HOSE GEAR TYPE	1	
22	346195	COVER – DEF LINES	1	
23	346182	GUIDE – VENT HOSE, NT	1	
24	45427	MOULDING – RH (SPEC 31886)	1	
25	346199	COVER – VENT VALVE	1	
26	30753	FASTENER – CABLE TIE, BLACK, 305 MM LG	2	
27	134442	SPACER – DUAL SWIVEL SADDLE	1	
28	271184	HARNESS – FUEL SENDER EXTENSION	1	
29	209833	TUBE – FUEL NECK	1	
30	271238	GASKET – FUEL FILLER EXTENSION	1	
31	310001	CABLE – FUEL FILLER NECK GND	1	
32	346188	ASSEMBLY – CHECK VALVE <sup>6</sup>	1	
33	346194	HOSE – FUEL, 3/8 IN. I.D., 400 MM LG	1	
34	310826	BRACKET – DECAL	1	
35	346208	REFLECTOR – AMBER, ADHESIVE	1	
A	136662	BOLT – HEX FLG HD TFL M20 X 50-10.9-A3L ASTM568M		
B	135903	BOLT – RHSN M12 X 1.75 X 25-8.8-A3L		

3. Includes drain fitting (MD #204080), cap (MD #207374), barbed fitting (MD #21046), hose (MD #205473), one filter (MD #111608), and two clamps (MD #136743).
4. Includes gasket and five screws.
5. For service parts, refer to Section [8 Diesel Exhaust Fluid Tank – M1170NT, page 19](#).
6. Check valve assembly (MD 346188) includes check valve (MD #346187), elbow fitting (MD 346189), and barbed fitting (MD 30937).

RIGHT SUPPORT AND TANKS – M1170NT



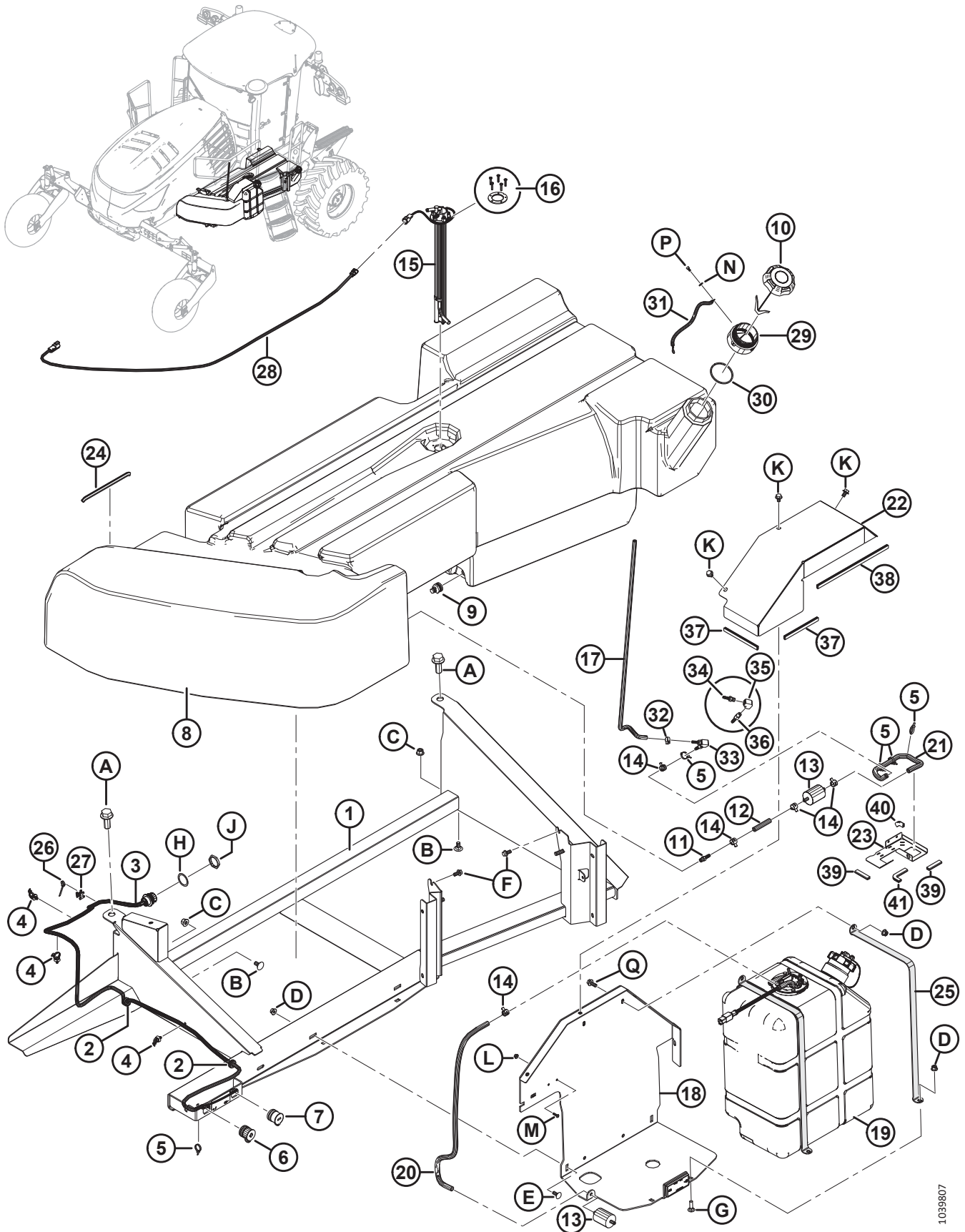
**RIGHT SUPPORT AND TANKS – M1170NT**

<b>Ref</b>	<b>Part Number</b>	<b>Description</b>	<b>Qty</b>	<b>Serial Number</b>
C	136431	NUT – HEX FLG CTR LOC M12 X 1.75-10-A3L		
D	135799	NUT – HEX FLG CTR LOC M10 X 1.5-10-A3L		
E	184657	BOLT – RHSSN M10 X 1.5 X 20-8.8-A3L		
F	152655	BOLT – HEX FLG HD M10 X 1.5 X 20-8.8-A3L <sup>7</sup>		
G	136496	BOLT – HEX FLG HD TFL M10 X 1.5 X 20-A2-70-SS		
H	134729	WASHER – LOCK, HDP20, SIZE 18		
J	134727	NUT – PANEL, HDP20, SIZE 18		
K	191489	BOLT – RHSSN TFL M8 X 1.25 X 16-8.8-A2L		
L	135337	NUT – HEX FLG CTR LOC M8 X 1.25-8-A2L		
M	136178	BOLT – RHSN M10 X 1.5 X 20-8.8-A3L		
N	184701	WASHER – FLAT LARGE M5-200HV		
P	197224	SCREW – HEX SOC HD TFL M5 X 0.8 X 10-8.8-A2L		

---

7. Bolts attach to RH platform support (MD #271251).

# 7 Right Support and Tanks – M1170NT5



1039807

**RIGHT SUPPORT AND TANKS – M1170NT5**

Ref	Part Number	Description	Qty	Serial Number
1	271083	SUPPORT – FUEL TANK, BLACK	1	
2	206482	GROMMET – 15.9 I.D., 22.2 GROOVE, 28.6 O.D.	2	
3	207294	HARNESS – AUXILIARY POWER	1	
4	136655	FASTENER – FIR TREE MOUNT WITH CABLE TIE	3	
5	21763	FASTENER – CABLE TIE, BLACK, 160 MM LG	5	
6	134622	CONNECTOR – AUX. POWER, 3/8 IN. STUD, (+) RED	1	
7	134623	CONNECTOR – AUX. POWER, 3/8 IN. STUD, (–) BLACK	1	
8	200699	ASSEMBLY – FUEL TANK (EXCLUDING FUEL SENDER) <sup>8</sup>	1	
9	204080	FITTING – DRAIN	1	
10	207374	CAP – FUEL TANK	1	
11	21046	FITTING – BARBED 1/4 NPT X 3/8 I.D. HOSE	1	
12	310766	HOSE – FUEL, 50 MM LG ±10	1	
13	111608	FILTER – FUEL STRAINER	2	
14	136743	CLAMP – 16 MM I.D., SPRING TYPE	5	
15	271146	SENDER – FUEL, GROUNDED <sup>9</sup>	1	
16	207988	KIT – HARDWARE, FUEL SENDER	A/R	
17	346193	HOSE – FUEL, 5/16 IN. I.D., 890 MM LG	1	
18	346040	ASSEMBLY – TANK SUPPORT W REFLECTOR	1	
19	REF	ASSEMBLY – DEF TANK <sup>10</sup>		
20	310764	HOSE – DEF VENT, 875 MM LG	1	
21	310765	HOSE – FUEL VENT, 365 MM LG, 3/8 IN I.D.	1	
22	306305	COVER – DEF TANK	1	
23	306294	GUIDE – VENT HOSE	1	
24	45427	MOULDING – RH (SPEC 31886)	1	
25	306304	STRAP – DEF TANK	2	
26	30753	FASTENER – CABLE TIE, BLACK, 305 MM LG	2	
27	134442	SPACER – DUAL SWIVEL SADDLE	1	
28	271184	HARNESS – FUEL SENDER EXTENSION	1	
29	209833	TUBE – FUEL NECK	1	
30	271238	GASKET – FUEL FILLER EXTENSION	1	
31	310001	CABLE – FUEL FILLER NECK GND	1	
32	30500	CLAMP – HOSE GEAR TYPE	1	
33	346188	ASSEMBLY – CHECK VALVE <sup>11</sup>	1	
34	30937	FITTING – BARBED 1/4 NPT X 5/16 ID HOSE	1	
35	346189	ELBOW – 1/4 NPT TO 1/4 NPT	1	
36	346187	VALVE – INLINE VENT CHECK	1	
37	NSS	MOULDING – 160 MM	2	
38	NSS	MOULDING – 340 MM	1	

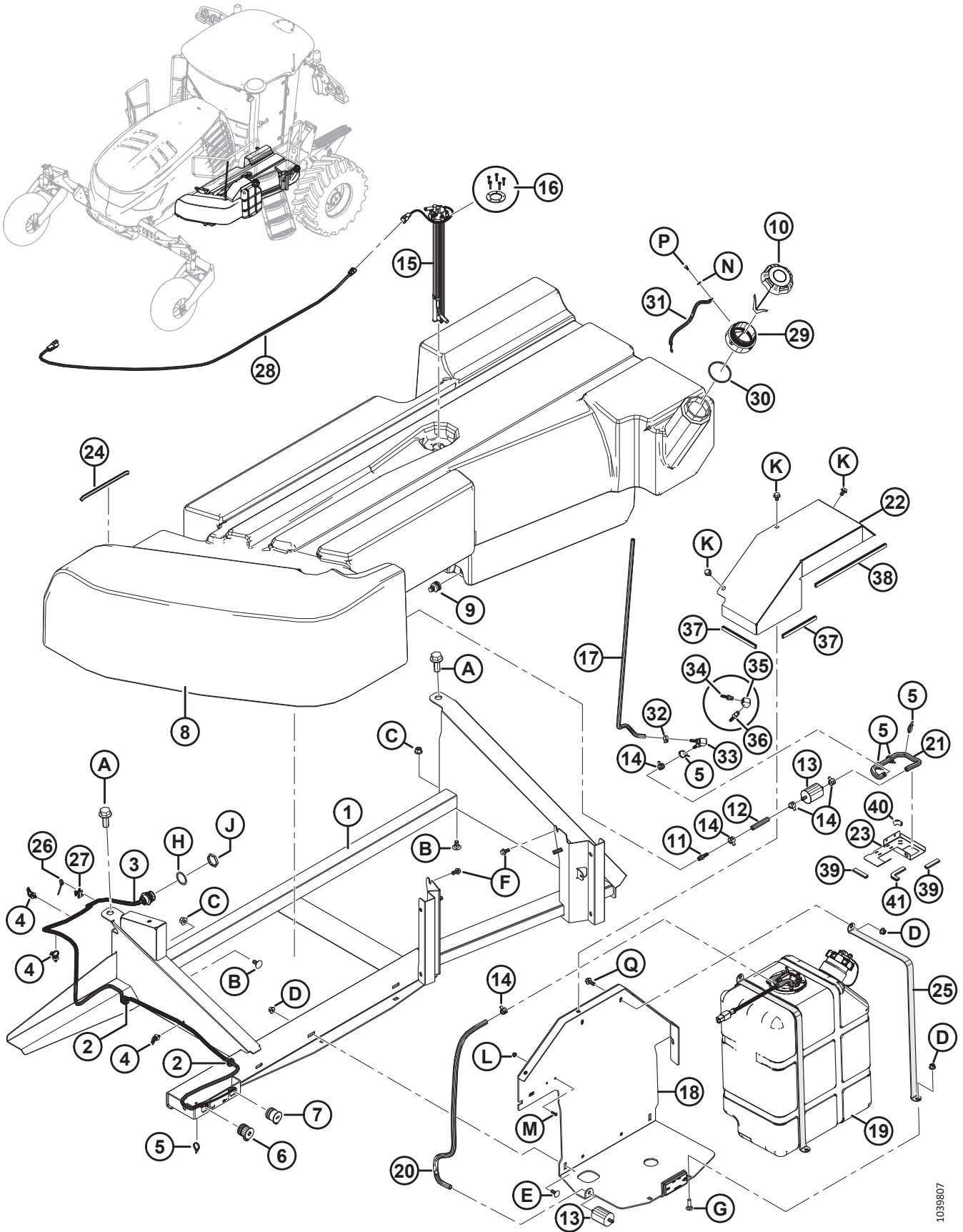
8. Includes drain fitting (MD #204080), cap (MD #207374), barbed fitting (MD #21046), hose (MD #205473), one filter (MD #111608), and two clamps (MD #136743).

9. Includes gasket and five screws.

10. For service parts, refer to Section [9 Diesel Exhaust Fluid Tank – M1170NT5, page 21](#).

11. Check valve assembly (MD 346188) includes check valve (MD #346187), elbow fitting (MD 346189), and barbed fitting (MD 30937).

RIGHT SUPPORT AND TANKS – M1170N75



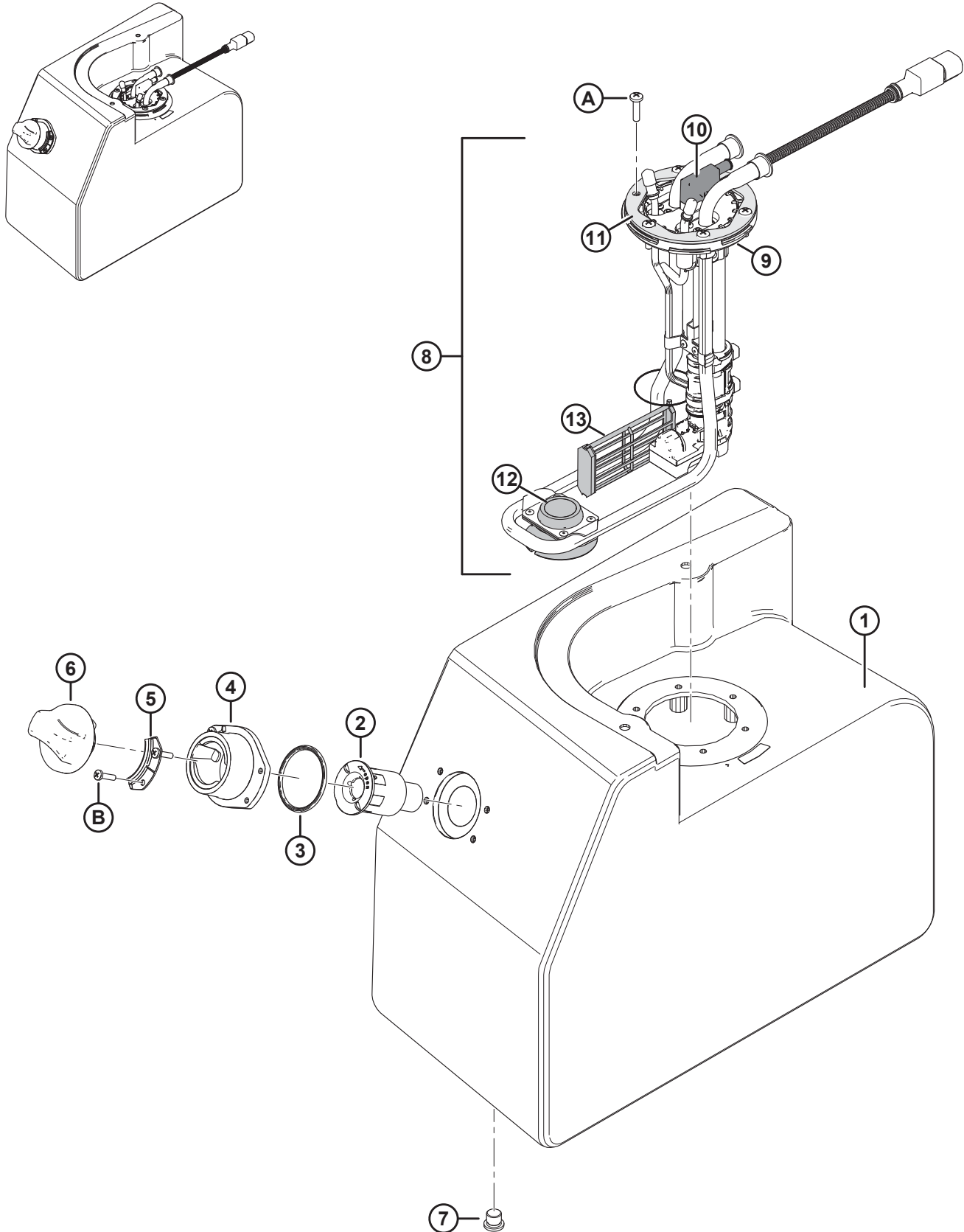
1039807

**RIGHT SUPPORT AND TANKS – M1170N75**

<b>Ref</b>	<b>Part Number</b>	<b>Description</b>	<b>Qty</b>	<b>Serial Number</b>
39	NSS	MOULDING – 60 MM	2	
40	NSS	MOULDING – 35 MM	1	
41	NSS	MOULDING – 80 MM	1	
A	136662	BOLT – HEX FLG HD TFL M20 X 50-10.9-A3L ASTM568M		
B	135903	BOLT – RHSN M12 X 1.75 X 25-8.8-A3L		
C	136431	NUT – HEX FLG CTR LOC M12 X 1.75-10-A3L		
D	135799	NUT – HEX FLG CTR LOC M10 X 1.5-10-A3L		
E	135785	BOLT – RHSN M10 X 1.5 X 25-8.8-A3L		
F	152655	BOLT – HEX FLG HD M10 X 1.5 X 20-8.8-A3L <sup>12</sup>		
G	135691	BOLT – RHSN TFL M10 X 1.5 X 35-8.8-AA1J		
H	134729	WASHER – LOCK, HDP20, SIZE 18		
J	134727	NUT – PANEL, HDP20, SIZE 18		
K	136151	BOLT – HEX FLG HD TFL M10 X 1.5 X 16-8.8-AA1J		
L	152668	NUT – HEX FLG CTR LOC M6 X 1-8		
M	<b>136886</b>	<b>SCR – HEX SOC BTN M6 X 1 X 16-10.9-AA1T</b>		
N	184701	WASHER – FLAT LARGE M5-200HV		
P	197224	SCREW – HEX SOC HD TFL M5 X 0.8 X 10-8.8-A2L		
Q	<b>135783</b>	<b>BOLT – HEX FLG HD TFL M10 X 1.5 X 25-10.9-AA1J</b>		

12. Bolts attach to RH platform support (MD #271251).

# 8 Diesel Exhaust Fluid Tank – M1170NT





**DIESEL EXHAUST FLUID TANK – M1170NT**

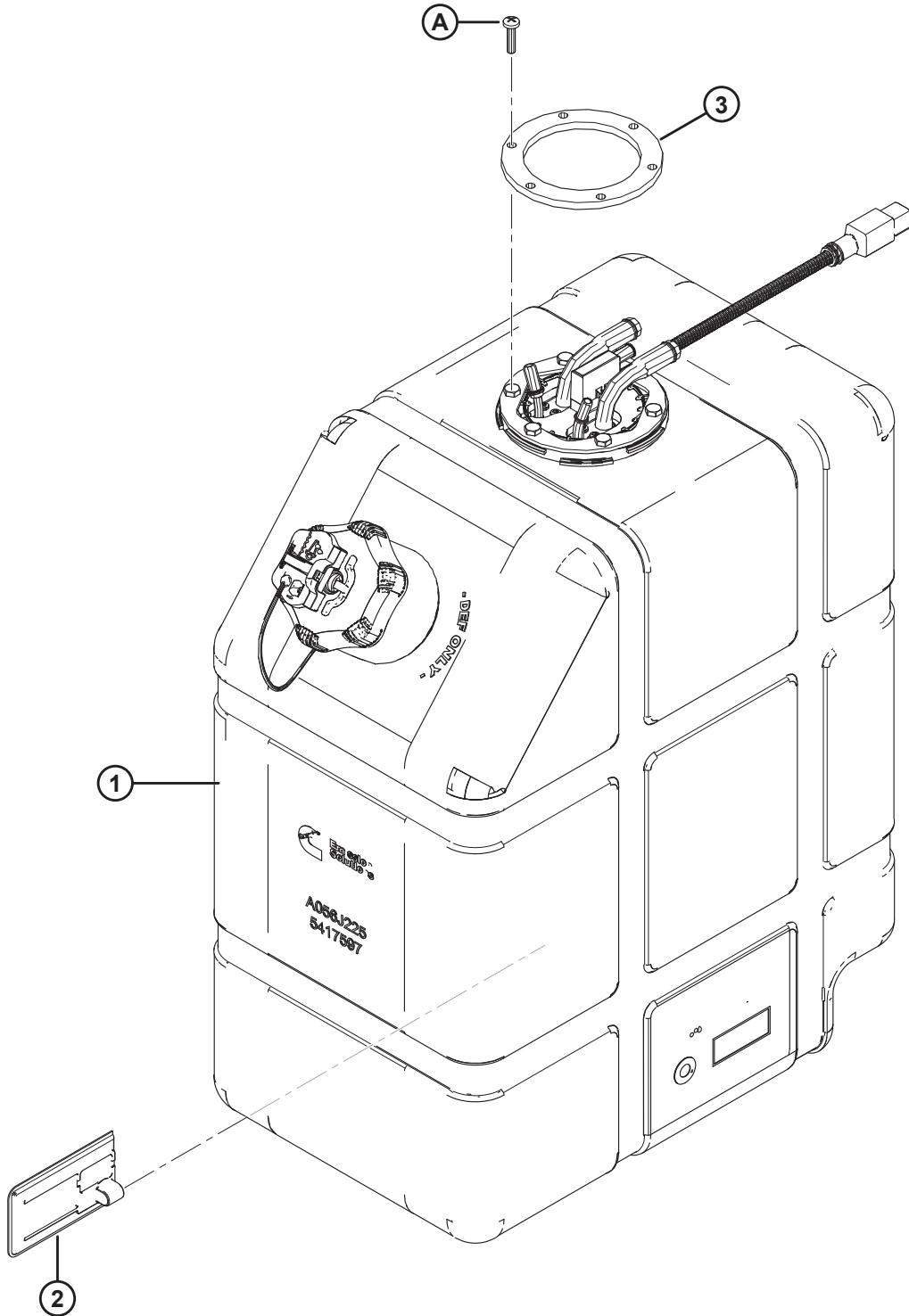
<b>Ref</b>	<b>Part Number</b>	<b>Description</b>	<b>Qty</b>	<b>Serial Number</b>
	NSS	ASSEMBLY – DEF TANK <sup>13</sup>		
1	208917	TANK – DEF	1	
2	204101	ASSEMBLY – SCREEN, FILL NECK	1	
3	207536	O-RING – DEF TANK FILL NECK, 2.51 IN O.D., 2.19 IN I.D.	1	
4	204094	FILL NECK, LESS CAP	1	
5	207534	RETAINER – DEF CAP TETHER	2	
6	204097	CAP – DEF TANK C/W TEATHER	1	
7	204098	PLUG – DRAIN C/W GASKET	1	
8	207445	ASSEMBLY – DEF HEAD <sup>14</sup>	1	
9	291158	GASKET – DEF HEAD	1	
10	291159	VALVE – AIR VENT VALVE S/A	1	
11	291160	FLANGE – SAE 6 HOLE TANK	1	
12	291161	GROMMET – LARGE, DEF HEAD	1	
13	291162	HOUSING – LIQUID FILTER, S/A <sup>15</sup>	1	
A	136252	SCREW – PAN HD M6 X 1 X 25-4.8-H-SS		
B	252203	SCREW – PAN HD ISO 7045 M5 X 0.8 X 20-SS-PLN		

13. Refer to Section *6 Right Support and Tanks – M1170NT, page 11*.

14. Includes DEF head gasket (MD #291158), air vent valve (MD #291159), flange (MD #291160), grommet (MD #291161), and liquid filter housing (MD #291162).

15. Includes 40 micron filter (NSS), O-ring (NSS), and clip (NSS).

## 9 Diesel Exhaust Fluid Tank – M1170NT5



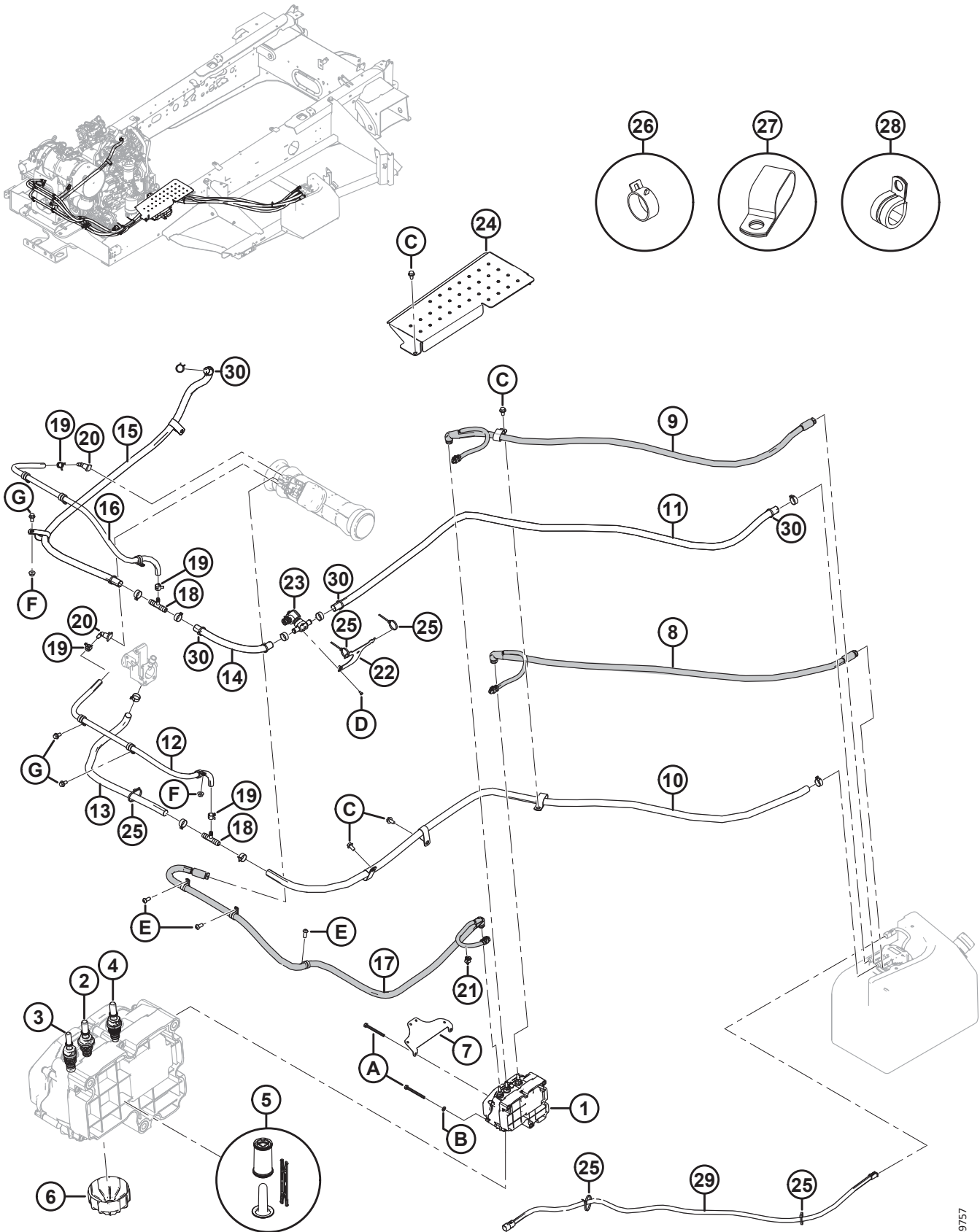
**DIESEL EXHAUST FLUID TANK – M1170N75**

<b>Ref</b>	<b>Part Number</b>	<b>Description</b>	<b>Qty</b>	<b>Serial Number</b>
1	NSS	ASSEMBLY – DEF TANK CUMMINS W/ HEAD <sup>16</sup>	1	
2	<b>291162</b>	<b>HOUSING – LIQUID FILTER, S/A</b>	<b>1</b>	
3	291158	GASKET – DEF HEAD	1	
A	136252	SCREW – PAN HD M6 X 1 X 25-4.8-H-SS		

---

16. DEF tank assembly and remaining service parts not listed are serviced through Cummins. Contact your Cummins Dealer.

# 10 Diesel Exhaust Fluid Plumbing – M1170NT



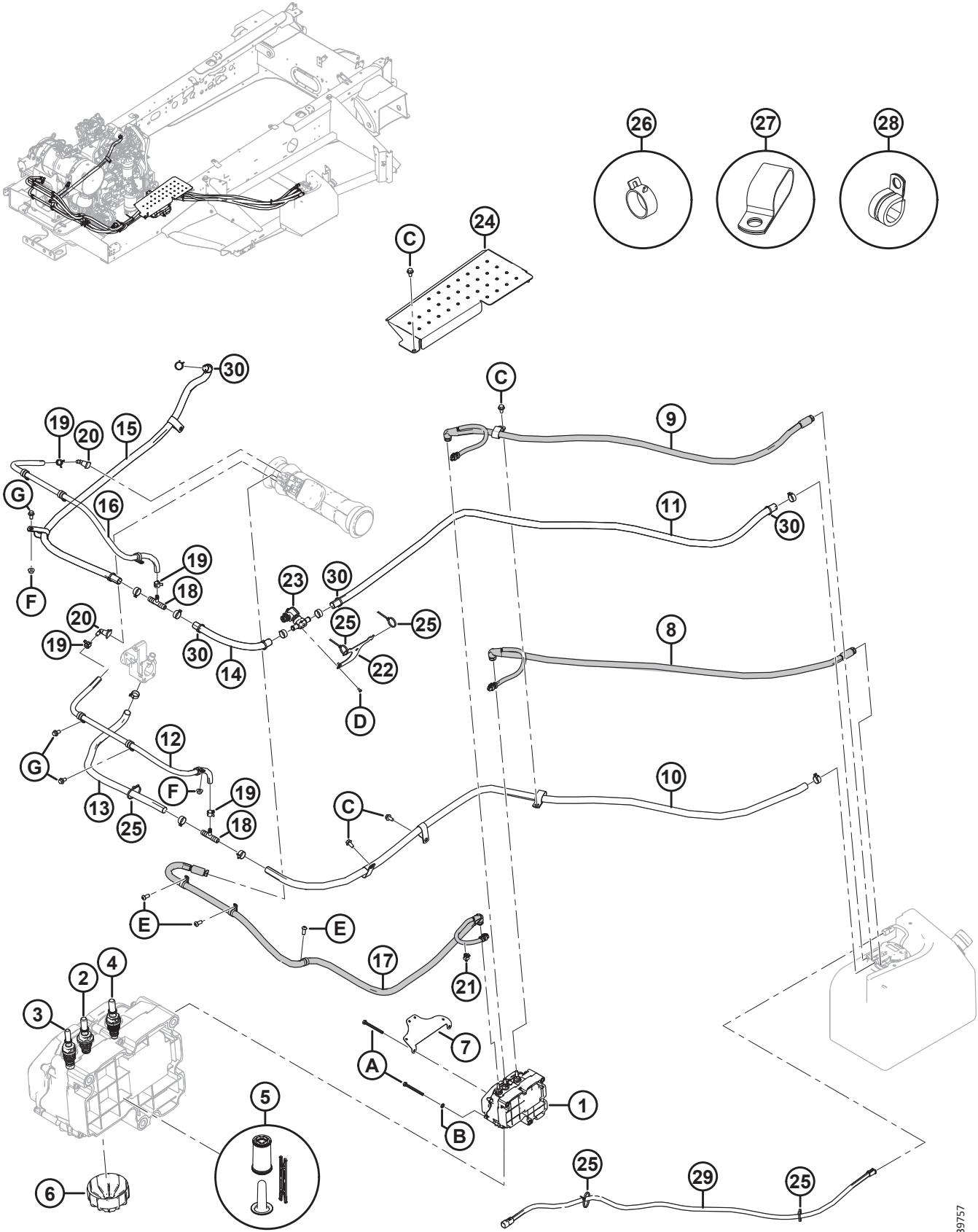
**DIESEL EXHAUST FLUID PLUMBING – M1170N7**

<b>Ref</b>	<b>Part Number</b>	<b>Description</b>	<b>Qty</b>	<b>Serial Number</b>
1	NSS	MODULE – DEF SUPPLY, CUMMINS <sup>17</sup>		
2	166998	FITTING – CONNECTOR (BACKFLOW)	1	
	207504	GASKET – CIRCULAR (O-RING)		
3	207503	FITTING – CONNECTOR (INLET)	1	
	207504	GASKET – CIRCULAR (O-RING)		
4	207506	FITTING – CONNECTOR (OUTLET)	1	
	207504	GASKET – CIRCULAR (O-RING)		
5	207510	KIT – FILTER, SUPPLY MODULE	1	
6	207511	CAP – FILTER	1	
7	207378	BRACKET – HARNESS	1	
8	208758	HOSE – DEF, SUCTION, 1500 MM LG, SSI	1	
	207961	CLIP – DEF HOSE, 3/8 IN.		
9	208759	HOSE – DEF, BACKFLOW, 1500 MM LG, SSI	1	
	207961	CLIP – DEF HOSE, 3/8 IN.		
	207962	CLIP – DEF HOSE, 5/16 IN.		
10	204025	HOSE – COOLANT, 5/8 IN. I.D., 2280 MM LG	1	
11	203580	HOSE – COOLANT, 5/8 IN. I.D., 1900 MM LG	1	
12	204024	HOSE – COOLANT (3/8 IN. I.D.) SILICONE, 1000 MM LG	1	
13	203578	HOSE – COOLANT, 5/8 IN. I.D., 740 MM LG	1	
14	206611	HOSE – COOLANT, 5/8 IN. I.D., 360 MM LG ±20	1	
15	204018	HOSE – COOLANT, 5/8 IN. I.D., 1600 MM LG	1	
16	203584	HOSE – COOLANT (3/8 IN. I.D.) SILICONE, 1200 MM LG	1	
17	203302	HOSE – DEF, PRESSURE, 2000 MM LG	1	
	207962	CLIP – DEF HOSE, 5/16 IN.		
18	203202	FITTING – TEE, 5/8 TO 3/8 IN., BARBED	2	
19	134758	CLAMP – 19 MM I.D., SPRING TYPE	4	
20	205279	FITTING – SAFE LOCK, 3/8 IN. I.D., 90°	2	
21	136655	FASTENER – FIR TREE MOUNT WITH CABLE TIE	1	
22	209867	BRACKET – VALVE	1	
23	203402	VALVE – SCREW-COOLANT	1	
24	205263	COVER – HOSES	1	
25	21763	FASTENER – CABLE TIE, BLACK, 160 MM LG	5	
26	112692	CLAMP – HOSE <sup>18</sup>	10	
27	50022	CLAMP – INSULATED 15/16 IN. <sup>18</sup>	6	
28	135709	CLAMP – INSULATED 3/4 IN. <sup>18</sup>	9	
29	207904	HARNESS – EXTENSION, DEF TANK	1	
30	<b>40702</b>	<b>FASTENER – CABLE TIE, RED</b>	<b>6</b>	
A	30626	BOLT – HEX HD M8 X 1.25 X 90-8.8-A2L		
B	184708	WASHER – FLAT M8-200HV-A2L		

17. Part serviced through Cummins. Contact your Cummins dealer. Cummins part #4387304.

18. Illustration shows clamp locations.

DIESEL EXHAUST FLUID PLUMBING – M1170N7

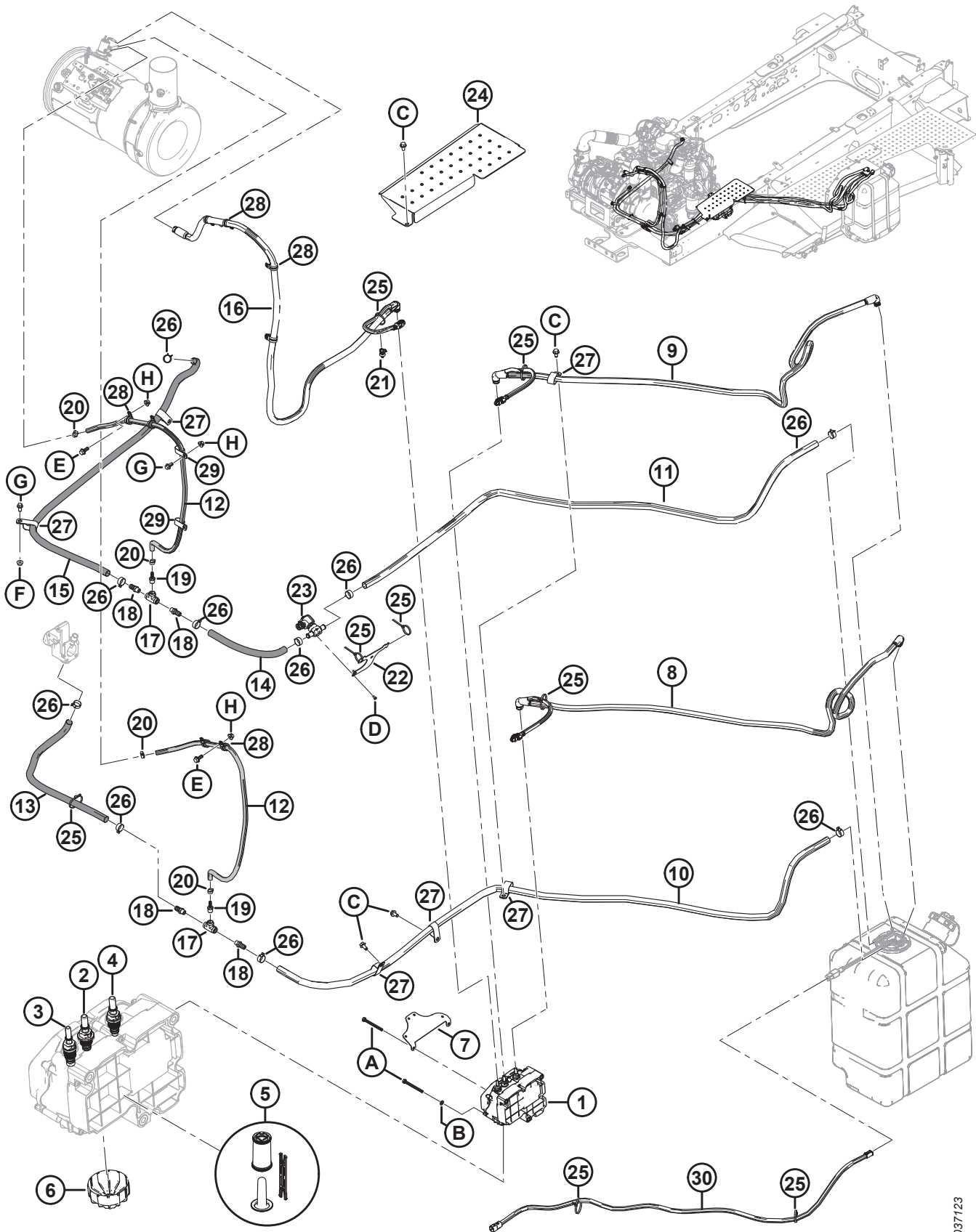


1039757

**DIESEL EXHAUST FLUID PLUMBING – M1170N7**

<b>Ref</b>	<b>Part Number</b>	<b>Description</b>	<b>Qty</b>	<b>Serial Number</b>
C	136209	SCREW – HEX WASHER HD M10 X 1.5 X 20-450HV-A3L		
D	136263	BOLT – HEX HD TFL M5 X 0.8 X 10-8.8-A2L		
E	135852	SCREW – HEX SOC BTN HD M10 X 1.5 X 25-12.9-A3L		
F	135927	NUT – HEX SMTH FLG M10 X 1.5-8-A3L		
G	152655	BOLT – HEX FLG HD M10 X 1.5 X 20-8.8-A3L		

# 11 Diesel Exhaust Fluid Plumbing – M1170N75



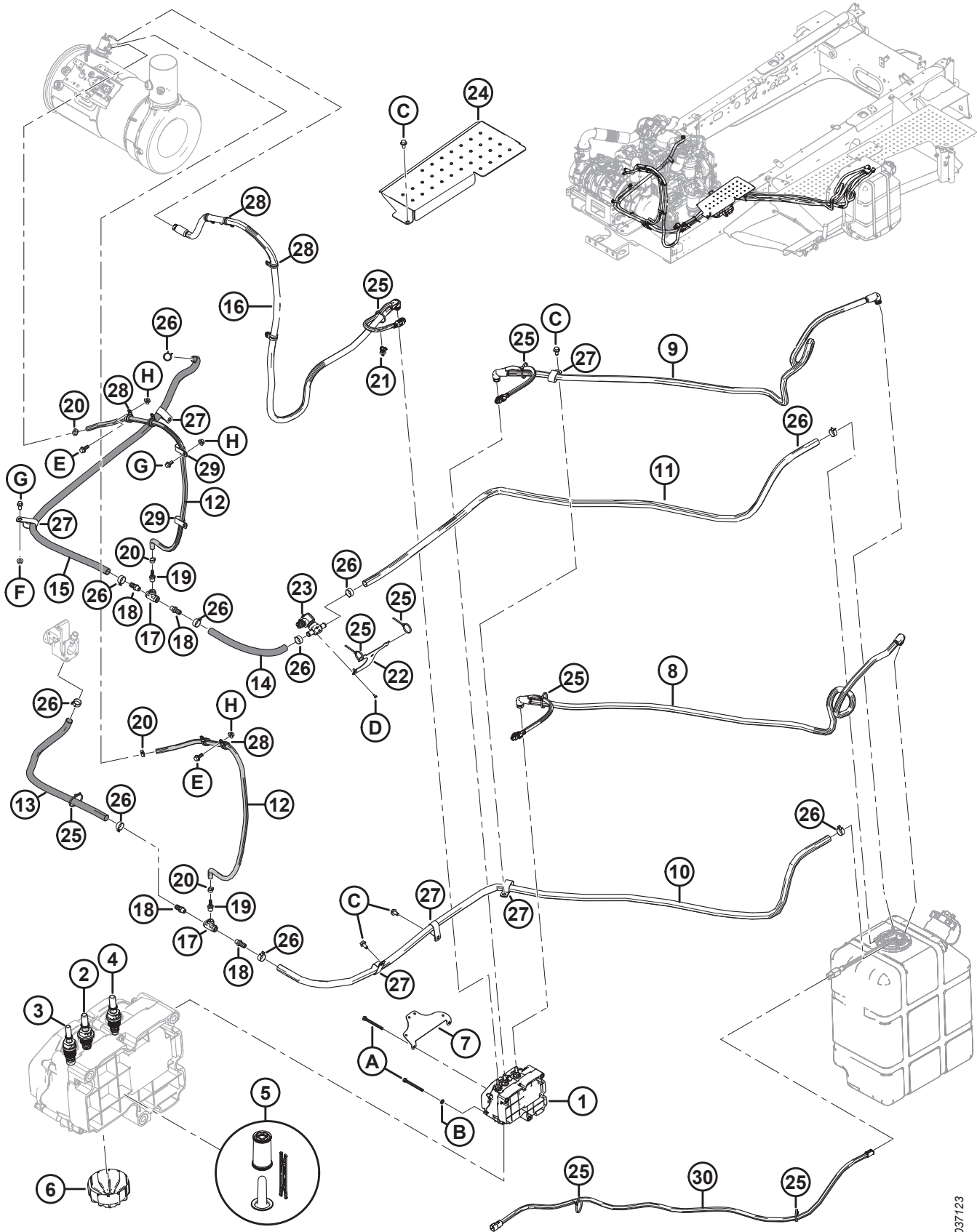


**DIESEL EXHAUST FLUID PLUMBING – M1170N75**

Ref	Part Number	Description	Qty	Serial Number
1	NSS	MODULE – DEF SUPPLY, CUMMINS <sup>19</sup>		
2	166998	FITTING – CONNECTOR (BACKFLOW)	1	
	207504	GASKET – CIRCULAR (O-RING)		
3	207503	FITTING – CONNECTOR (INLET)	1	
	207504	GASKET – CIRCULAR (O-RING)		
4	207506	FITTING – CONNECTOR (OUTLET)	1	
	207504	GASKET – CIRCULAR (O-RING)		
5	207510	KIT – FILTER, SUPPLY MODULE	1	
6	207511	CAP – FILTER	1	
7	207378	BRACKET – HARNESS	1	
8	310757	HOSE – DEF, SUCTION, 2000 MM LG, SSI	1	
	207961	CLIP – DEF HOSE, 3/8 IN.		
9	310758	HOSE – DEF, BACKFLOW, 2000 MM LG, SSI	1	
	207961	CLIP – DEF HOSE, 3/8 IN.		
	207962	CLIP – DEF HOSE, 5/16 IN.		
10	310759	HOSE – COOLANT, 5/8 IN. I.D., 2525 MM LG	1	
11	310760	HOSE – COOLANT, 5/8 IN. I.D., 2070 MM LG	1	
12	310762	HOSE – COOLANT (5/16 IN. I.D.) SILICONE, 1110 MM LG	2	
13	203578	HOSE – COOLANT, 5/8 IN. I.D., 740 MM LG	1	
14	206611	HOSE – COOLANT, 5/8 IN. I.D., 360 MM LG ±20	1	
15	204018	HOSE – COOLANT, 5/8 IN. I.D., 1600 MM LG	1	
16	343052	HOSE – DEF, PRESSURE, STAGE 5, 2000 MM LG	1	
	207962	CLIP – DEF HOSE, 5/16 IN.		
	346216	CLIP – DEF HOSE, 1/4 IN.		
17	293188	FITTING – TEE	2	
18	30331	FITTING – BARBED 3/8 NPT X 5/8 ID	4	
19	293187	FITTING – BARBED 3/8 NPT X 5/16 ID	2	
20	30500	CLAMP – HOSE, GEAR TYPE	4	
21	136655	FASTENER – FIR TREE MOUNT WITH CABLE TIE	1	
22	209867	BRACKET – VALVE	1	
23	203402	VALVE – SCREW-COOLANT	1	
24	205263	COVER – HOSES	1	
25	21763	FASTENER – CABLE TIE, BLACK, 160 MM LG	8	
26	112692	CLAMP – HOSE	10	
27	50022	CLAMP – INSULATED 15/16 IN.	6	
28	135709	CLAMP – INSULATED 3/4 IN.	8	
29	300577	CLAMP – DBL INSULATED 3/4 IN.	2	
30	306295	HARNESS – EXTENSION, DEF TANK, STAGE 5	1	
A	30626	BOLT – HEX HD M8 X 1.25 X 90-8.8-A2L		
B	184708	WASHER – FLAT M8-200HV-A2L		

19. Part serviced through Cummins. Contact your Cummins dealer. Cummins part #5418805.

# DIESEL EXHAUST FLUID PLUMBING – M1170N75

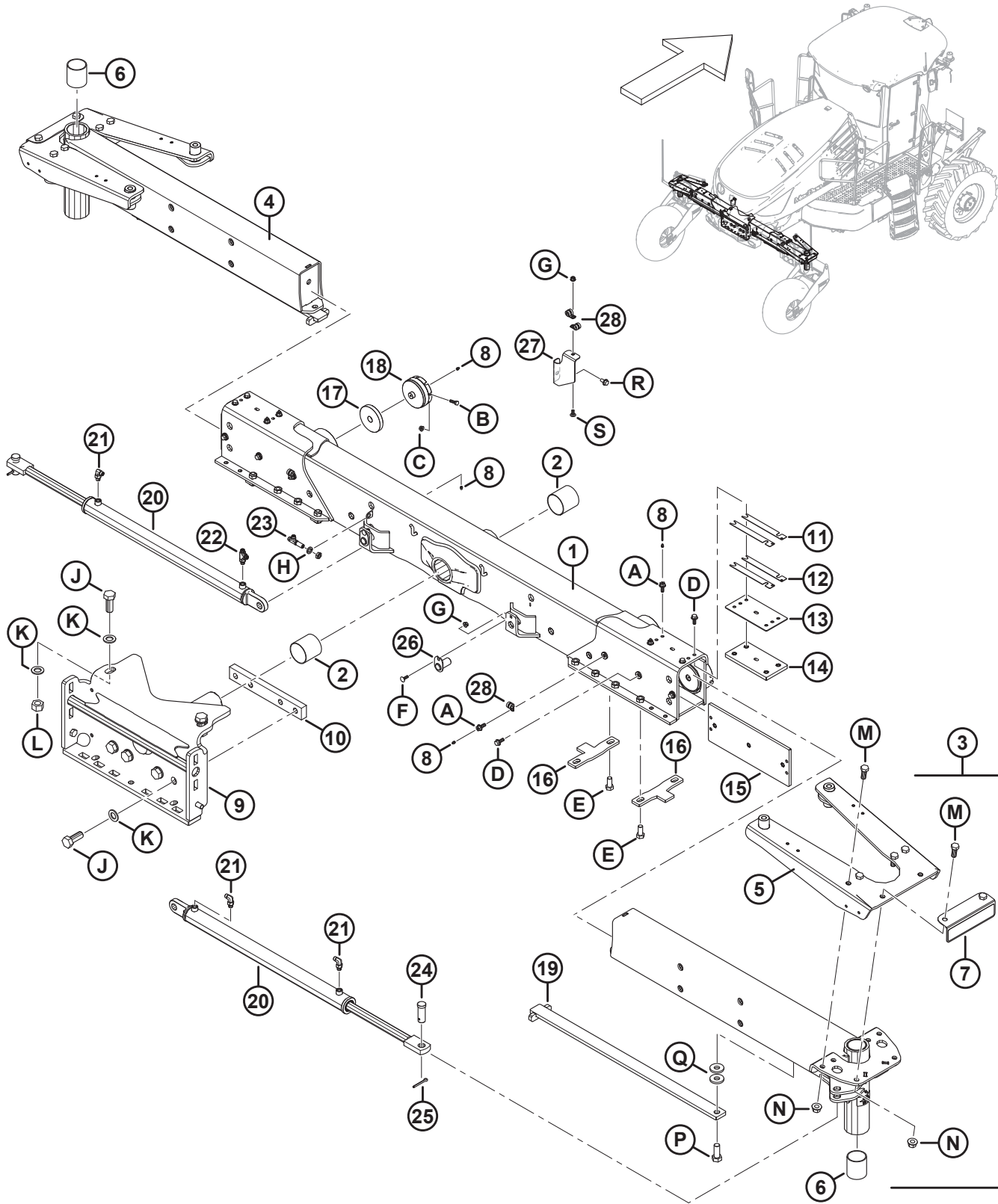


1037123

**DIESEL EXHAUST FLUID PLUMBING – M1170N75**

<b>Ref</b>	<b>Part Number</b>	<b>Description</b>	<b>Qty</b>	<b>Serial Number</b>
C	136209	SCREW – HEX WASHER HD M10 X 1.5 X 20-450HV-A3L		
D	136263	BOLT – HEX HD TFL M5 X 0.8 X 10-8.8-A2L		
E	<b>135723</b>	<b>SCR – HEX SOC BTN HD M10 X 1.5 X 20-10.9-AA1J</b>		
F	135927	NUT – HEX SMTH FLG M10 X 1.5-8-A3L		
G	152655	BOLT – HEX FLG HD M10 X 1.5 X 20-8.8-A3L		
H	135799	NUT – HEX FLG CTR LOC M10 X 1.5-10		

# 12 Walking Beam



**WALKING BEAM**

Ref	Part Number	Description	Qty	Serial Number
1	310737	BEAM – CENTER ASSEMBLY, NT	1	
2	291527	BUSHING – 3 INCH	2	
3	271193	BEAM – RH ASSY BLACK <sup>20</sup>	1	
4	271192	BEAM – LH ASSY BLACK <sup>20</sup>	1	
5	141333	SUPPORT – SHOCK WELDT	2	
6	202661	BUSHING – SLEEVE	4	
7	346001	ASSY – BRACKET C/W REFLECTOR <sup>21</sup>	2	
8	18671	FITTING – LUBE 1/4-28 UNF	18	
9	207699	PIVOT WELDMENT – BLACK	1	
10	204429	BAR – CLAMP	1	
11	310501	SHIM – 20 GA THICK	A/R	
12	310500	SHIM – 16 GA THICK	A/R	
13	346202	PLATE – SPACER	2	
14	310447	PLATE – WEAR, TOP C/W NUTS	2	
15	310731	PLATE – WEAR, REAR C/W NUTS	2	
16	141500	STOP – PLATE	4	
17	346037	PAD – WEAR, FRONT	4	
18	310728	PLUG – ADJUSTER	4	
19	310103	STOP – WELDMENT, NT	2	
20	141329	CYLINDER – HYD, WALKING BEAM	2	
	310821	KIT – SEAL, CYL		
21	136239	FITTING – ELBOW 90° HYD	3	
	50219	O-RING – Ø1.98 X Ø11.89		
	135957	O-RING – Ø1.78 X Ø7.65		
22	310248	FITTING – TEE HYD	1	
	50223	O-RING – Ø1.83 X Ø8.92		
	135865	O-RING – Ø1.78 X Ø9.25		
23	310098	FITTING – TEE HYD, BULKHEAD <sup>22</sup>	1	
	135957	O-RING – Ø1.78 X Ø7.65		
24	156742	PIN – CLEVIS	2	
25	18609	PIN – COTTER 1/4 DIA X 2 ZP	2	
26	310109	PIN – WELD'T	2	
27	310095	SUPPORT – HOSE CLAMP <sup>23</sup>	1	
28	135818	CLAMP – INSULATED 1/2 INCH	4	
A	310802	BOLT – LUBE ADAPTER		
B	50140	BOLT – HEX HD M8 X 1.25 X 30-8.8-AA1J		
C	<b>135337</b>	<b>NUT – HEX FLG CTR LK M8 X 1.25-8-AA1J</b>		
D	135783	BOLT – HEX FLG HD TFL M10 X 1.5 X 25-10.9-AA1J		

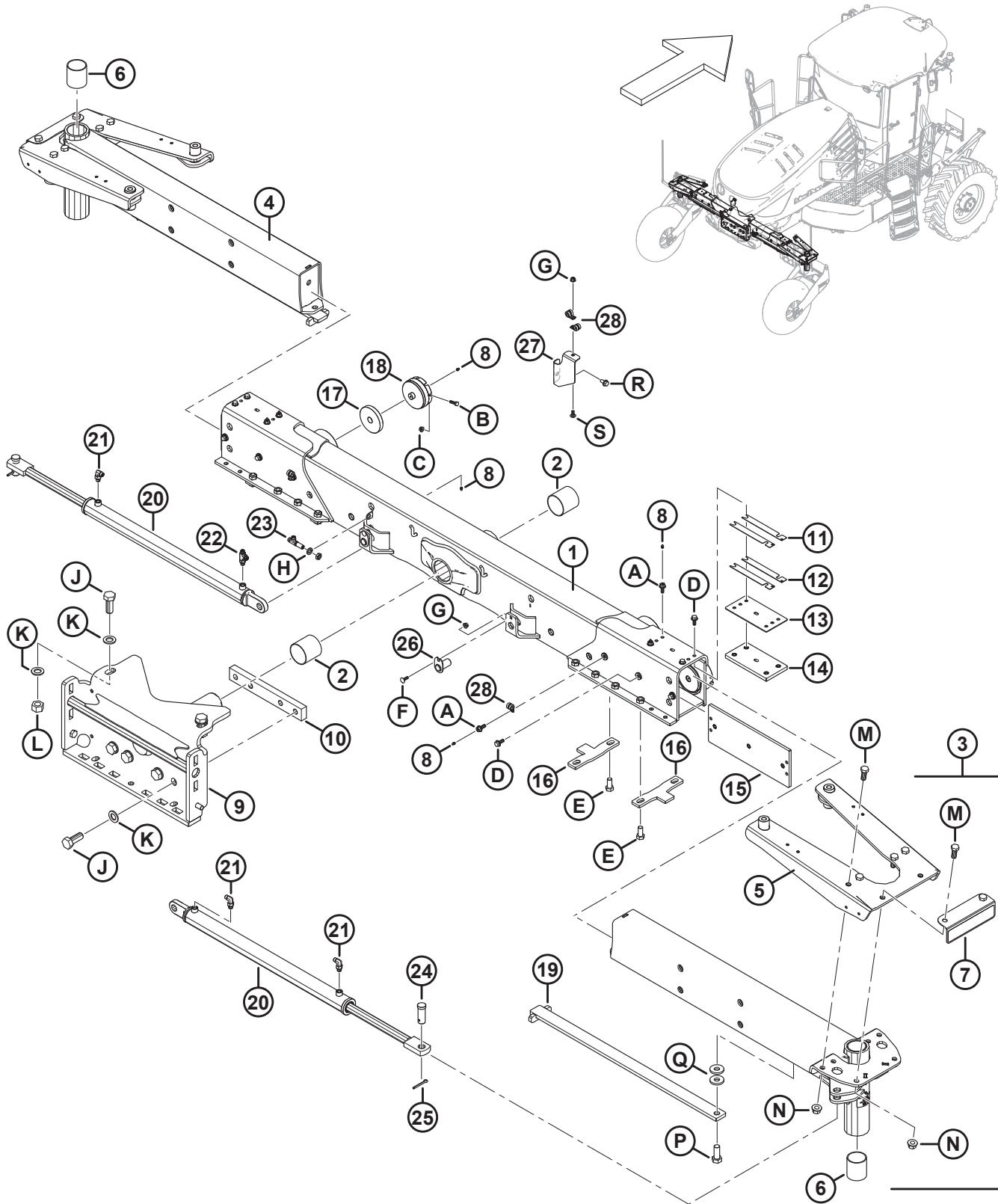
20. Includes shock support (MD #141333), two sleeve bushings (MD #202661), and bracket with reflector assembly (MD #346001).

21. Includes bracket (NSS) and amber reflector (MD #346208).

22. Includes attaching nut (NSS).

23. Support attaches to frame.

# WALKING BEAM

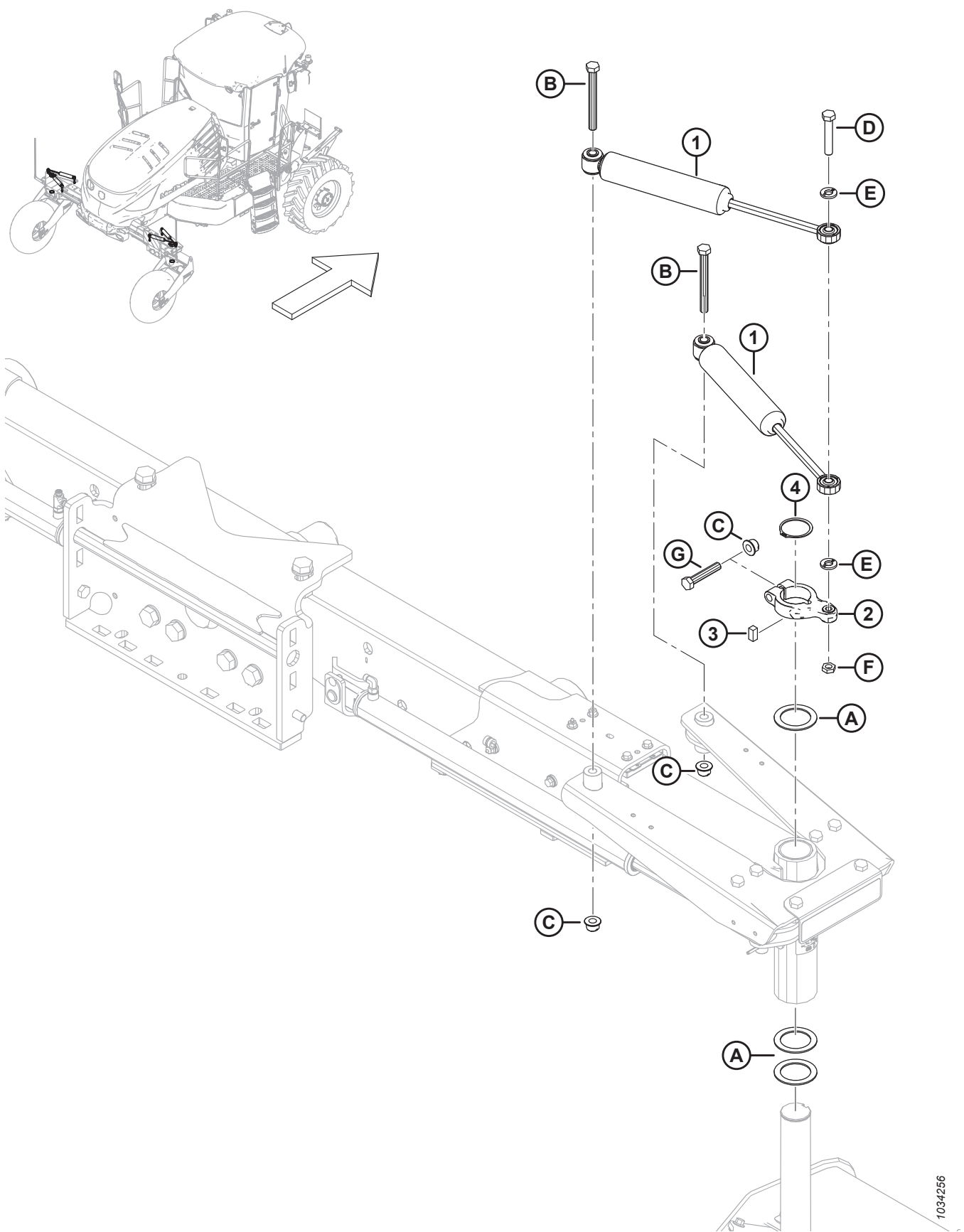


1039809

**WALKING BEAM**

<b>Ref</b>	<b>Part Number</b>	<b>Description</b>	<b>Qty</b>	<b>Serial Number</b>
E	136137	BOLT – HEX HD TFL M16 X 2 X 35-8.8-AA1J		
F	184648	BOLT – RHSN M8 X 1.25 X 25-8.8-AA1J		
G	135337	NUT – HEX FLG CTR LK M8 X 1.25-8-AA1J		
H	21005	WASHER – REG. LOCK 9/16 IN. NOM. ID AA1J		
J	136366	BOLT – HEX HD TFL M24 X 3 X 60-10.9-AA1J		
K	136367	WASHER – FLAT REG M24-300HV-AA1J		
L	136376	NUT – HEX M24 X 3-10-AA1J		
M	111528	BOLT – HEX HD TFL M16 X 2 X 40-8.8-AA1J		
N	136440	NUT – HEX FLG CTR LK M16 X 2-10-AA1J		
P	136082	BOLT – HEX HD TFL M20 X 2.5 X 50-8.8-AA3L		
Q	6647	WASHER – FLAT		
R	136209	SCREW – HEX WSHR M10 X 1.5 X 20-450HV		
S	197171	BOLT – RHSN M8 X 1.25 X 20-8.8-ZINC		

# 13 Anti-Shimmy

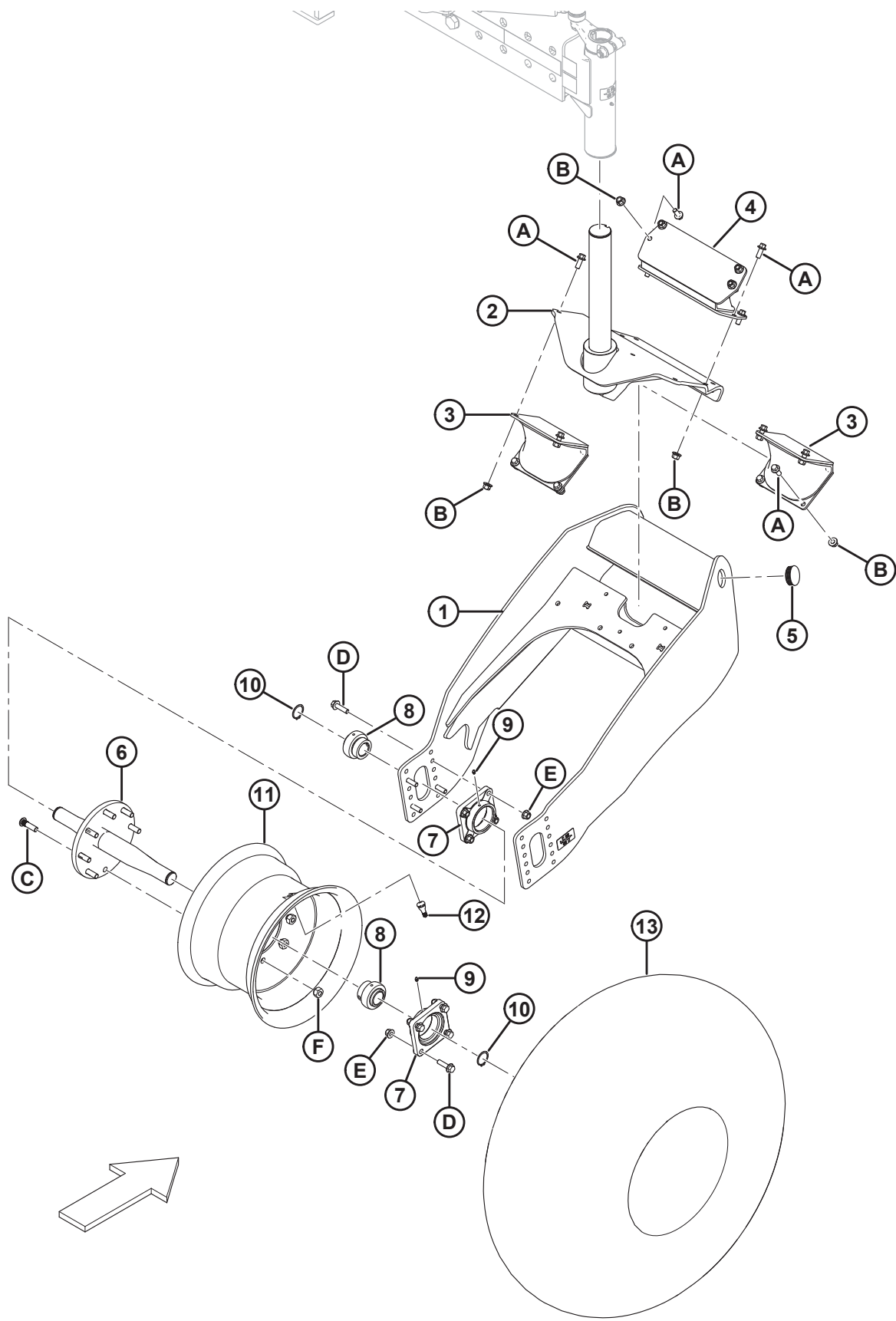




**ANTI-SHIMMY**

<b>Ref</b>	<b>Part Number</b>	<b>Description</b>	<b>Qty</b>	<b>Serial Number</b>
1	202898	DAMPENER – ANTI SHIMMY	4	
2	202896	ARM – ANTI SHIMMY MACHINED	2	
3	135296	KEY	2	
4	30243	RING – EXT RETAINING	2	
A	110584	WASHER – HARD ASTM F436 33/64-340HV-AFOC		
B	184680	BOLT – HEX HD M16 X 2 X 150-10.9-AA1J		
C	152520	NUT – HEX FLG TECH LK M16 X 2-10-AA1J		
D	252533	BOLT – HEX HD TFL M16 X 2 X 90-10.9-AA3L		
E	120901	WASHER – HARD L9 SPCL 5/8-82/85 HR15 N-ABOC		
F	136473	NUT – HEX THIN M16 X 2-05-AA1J		
G	136455	BOLT – HEX HD M16 X 2 X 85-8.8-AA3L		

# 14 Casters – Suspended 16.5-16.1



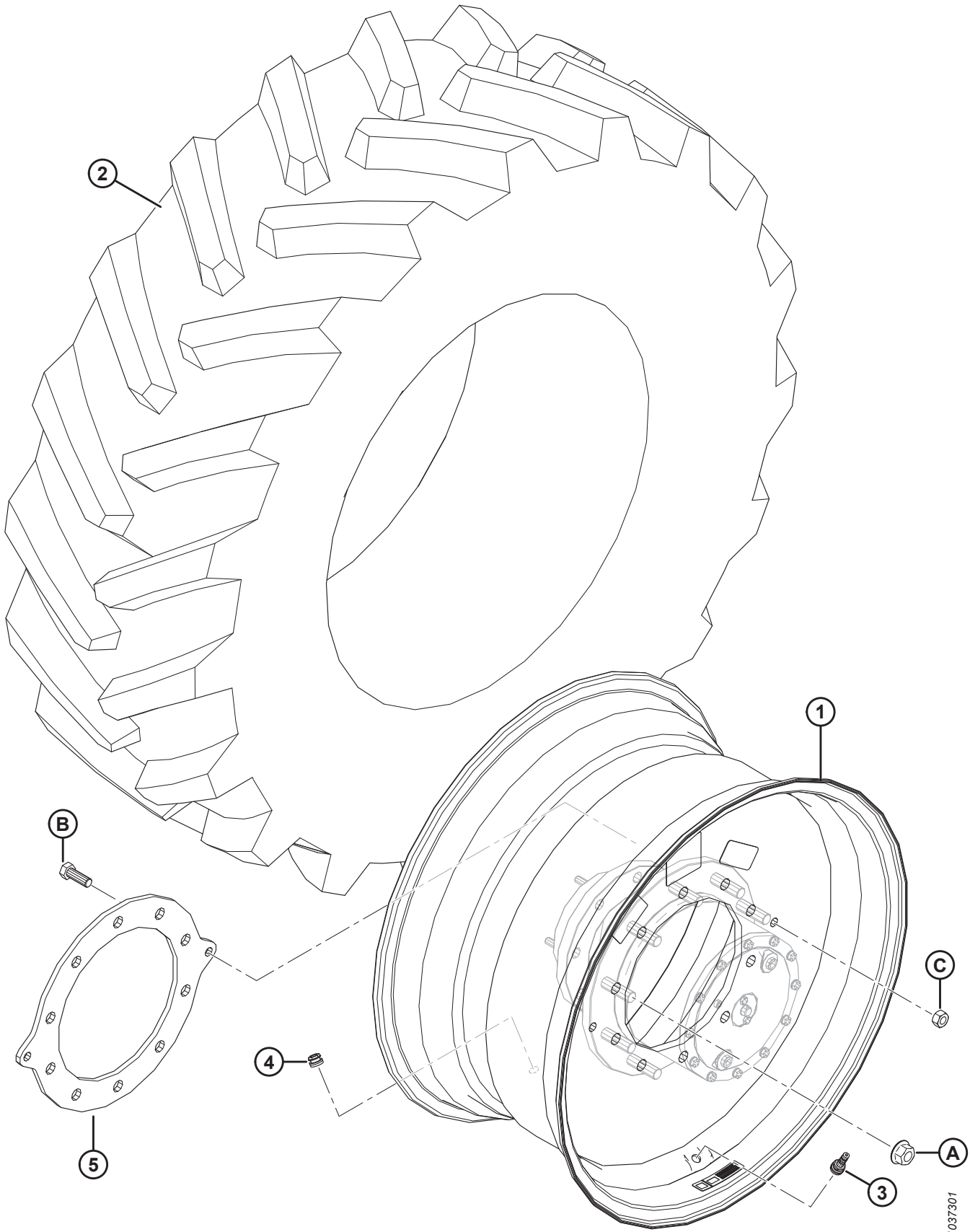
**CASTERS – SUSPENDED 16.5-16.1**

<b>Ref</b>	<b>Part Number</b>	<b>Description</b>	<b>Qty</b>	<b>Serial Number</b>
	B9034	CASTERS – SUSPENDED, ECE CERTIFIED <sup>24</sup>		
1	209712	CASTER FORK WELDMENT	2	
2	207713	NOSE WELDMENT	2	
3	201861	INSULATOR – CASTER, SHORT	4	
4	201836	INSULATOR – CASTER, LONG	2	
5	207783	CAP – 2.25 IN.	4	
6	291192	SHAFT – CASTER, WELDT	2	
7	208686	BEARING FLANGE ASSEMBLY <sup>25</sup>	4	
8	208687	BEARING – BALL, SPHERICAL OD	4	
9	18671	FITTING – LUBE 1/4-28 UNF	4	
10	136385	RING – RETAINING EXTERNAL	4	
11	111216	WHEEL	2	
12	21153	STEM – TIRE VALVE ASSEMBLY #TR-415	2	
13	346224	TIRE - 16.5 X 16.1, ECE CERTIFIED	2	
A	148798	BOLT – HEX FLG HD M12 X 1.75 X 30-10.9-A3L		
B	136431	NUT – HEX FLG CTR LOC M12 X 1.75-10-A3L		
C	21357	BOLT – WHEEL (PRESS-IN) 9/16 NF X 53 LG		
D	148799	BOLT – HEX FLG HD M12 X 1.75 X 45-10.9-A3L		
E	136431	NUT – HEX FLG CTR LOC M12 X 1.75-10-A3L		
F	21358	NUT – WHEEL STUD 9/16 NF X 90°		

24. Kits are available through Whole Goods only.

25. Includes ball bearing (MD #208687) and lube fitting (MD #18671).

# 15 Drive Wheels and Tires – Ten Bolt



1037301

**DRIVE WHEELS AND TIRES – TEN BOLT**

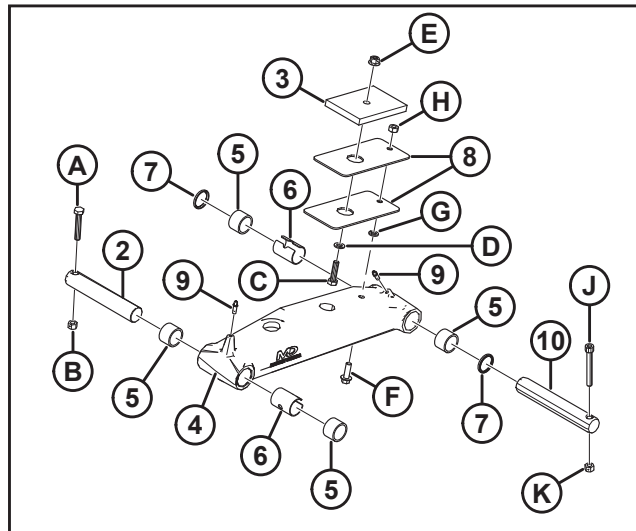
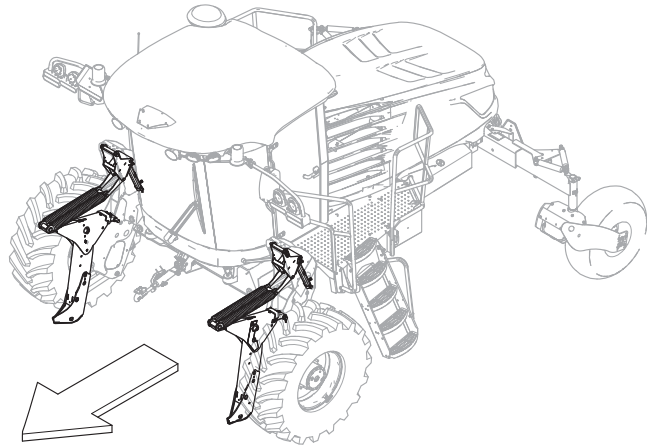
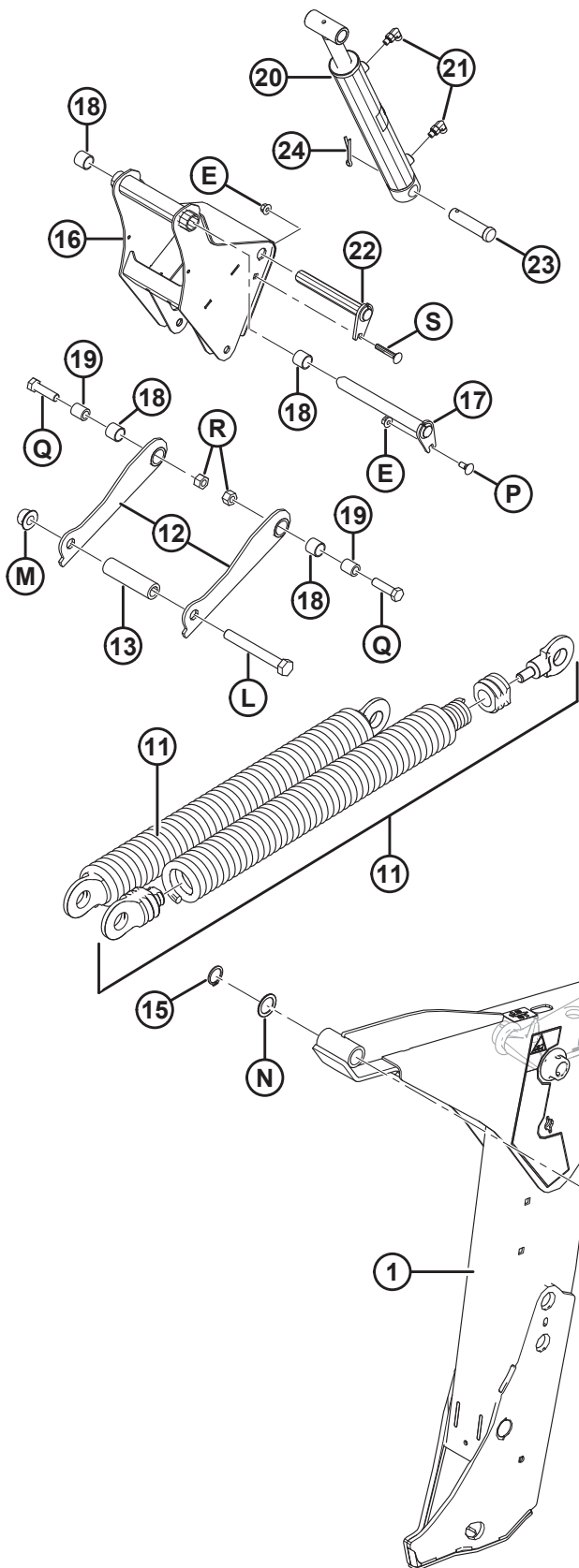
<b>Ref</b>	<b>Part Number</b>	<b>Description</b>	<b>Qty</b>	<b>Serial Number</b>
	B9033	KIT – DRIVE TIRES, 10 BOLT HUB, BAR 540-65R 30 - ECE <sup>26</sup>		
1	346020	WHEEL – 30DW-16L C/W DECALS <sup>27</sup>	2	
2	306538	TIRE – 540/65R30, ECE - TUBELESS	2	
3	112475	STEM – VALVE	2	
4	162436	PLUG – WHEEL	2	
5	346266	PLATE – SPACER, WHEEL <sup>28</sup>	2	
A	205397	NUT – WHEEL DIN 74361N M20 X 1.5 X GR 10.9		
B	136132	BOLT – HEX HD TFL M16 X 2 X 45-8.8-AA1J		
C	320208	NUT – HEX CTR LOCK M16 X 2-12-ZINC		

26. Kits available through Whole Goods only.

27. Includes decals (MD #166727, 166454, 291411, and 111221) and spacer plate (MD #346266).

28. Not used on windrowers equipped with the secondary brakes (units sold in Germany).

# 16 Lift Linkage



LIFT LINKAGE

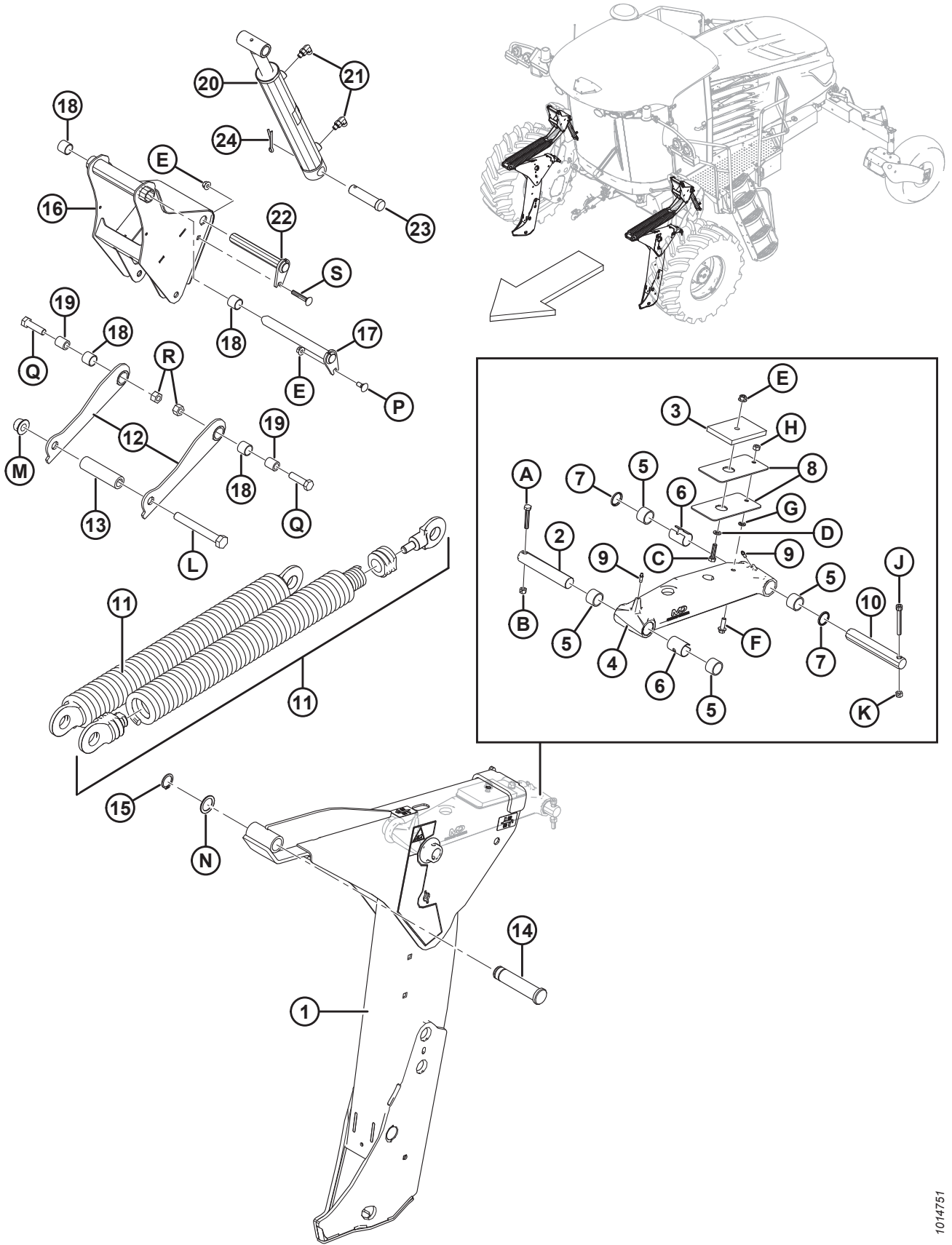
Ref	Part Number	Description	Qty	Serial Number
1	306192	LIFT ARM – LH C/W DECALS <sup>29</sup>	1	
	306193	LIFT ARM – RH C/W DECALS <sup>30</sup>	1	
2	183820	PIN – FLOAT LINK	2	
3	42497	PAD – RUBBER	2	
4	112727	ARM – FLOAT LINK ASSEMBLY <sup>31</sup>	2	
5	112789	BEARING – NEEDLE	8	
6	163310	SPACER – SHORT	4	
7	139134	SEAL – 1.25 IN. I.D. X 1.5 IN. O.D. X 0.125 IN.	4	
8	110853	SHIM – LINKAGE	4	
9	7536	FITTING – LUBRICATION 1/4-28 TAPER THD	4	
10	183821	PIN – STRAIGHT	2	
11	306106	ASSEMBLY – SPRING	4	
12	205937	ARM – SPRING LINK WELDT	4	
13	112916	TUBE – PIVOT	2	
14	206038	PIN – CLEVIS	2	
15	136832	RING – EXT RETAINING HEAVY DUTY	2	
16	205979	LEVER – FLOAT TENSIONER WELDT	2	
17	205936	PIN – PIVOT WELDT	2	
18	133992	BUSHING – COMPOSITE	8	
19	205974	SPACER	4	
20	208664	CYLINDER – FLOAT ADJUST	2	
	208118	SEAL KIT – CYL. FLOAT ADJUST		
21	136447	FITTING – ELBOW 90° HYD	4	
	50223	O-RING – #4 ORB		
	135957	O-RING – #4 ORFS		
22	205939	PIN – FLOAT WELDT	2	
23	158635	PIN – CLEVIS	2	
24	18609	PIN – COTTER 1/4 DIA X 2 ZP	2	
A	184664	BOLT – HEX HD M10 X 1.5 X 60-8.8-A3L		
B	135800	NUT – HEX CTR LOC SPCL M10 X 1.5-9-A3L		
C	135319	BOLT – HEX HD M10 X 1.5 X 40-8.8-A3L		
D	184711	WASHER – FLAT REG M10-200HV-A3L		
E	135799	NUT – HEX FLG CTR LOC M10 X 1.5-10-A3L		
F	184665	BOLT – HEX FLG HD M10 X 1.5 X 30-10.9-A3L		
G	30632	WASHER – LOCK SPRING M10-200HV-A3L		
H	30505	NUT – HEX M10 X 1.5-10-A3L		
J	136108	SCREW – HEX SOC HD M10 X 1.5 X 80-12.9-BO		
K	135800	NUT – HEX CTR LOC SPCL M10 X 1.5-9-A3L		
L	136422	BOLT – HEX HD M20 X 2.5 X 160-8.8-A3L		
M	136122	NUT – HEX FLG CTR LOC M20 X 2.5-10-A3L		
N	123071	WASHER – FLAT		

29. Includes decals (MD #23165, 306179, and 306181).

30. Includes decals (MD #23165, 306180, and 306181).

31. Includes four bearings (MD #112789), two spacers (MD #163310), and two seals (MD #139134).

# LIFT LINKAGE

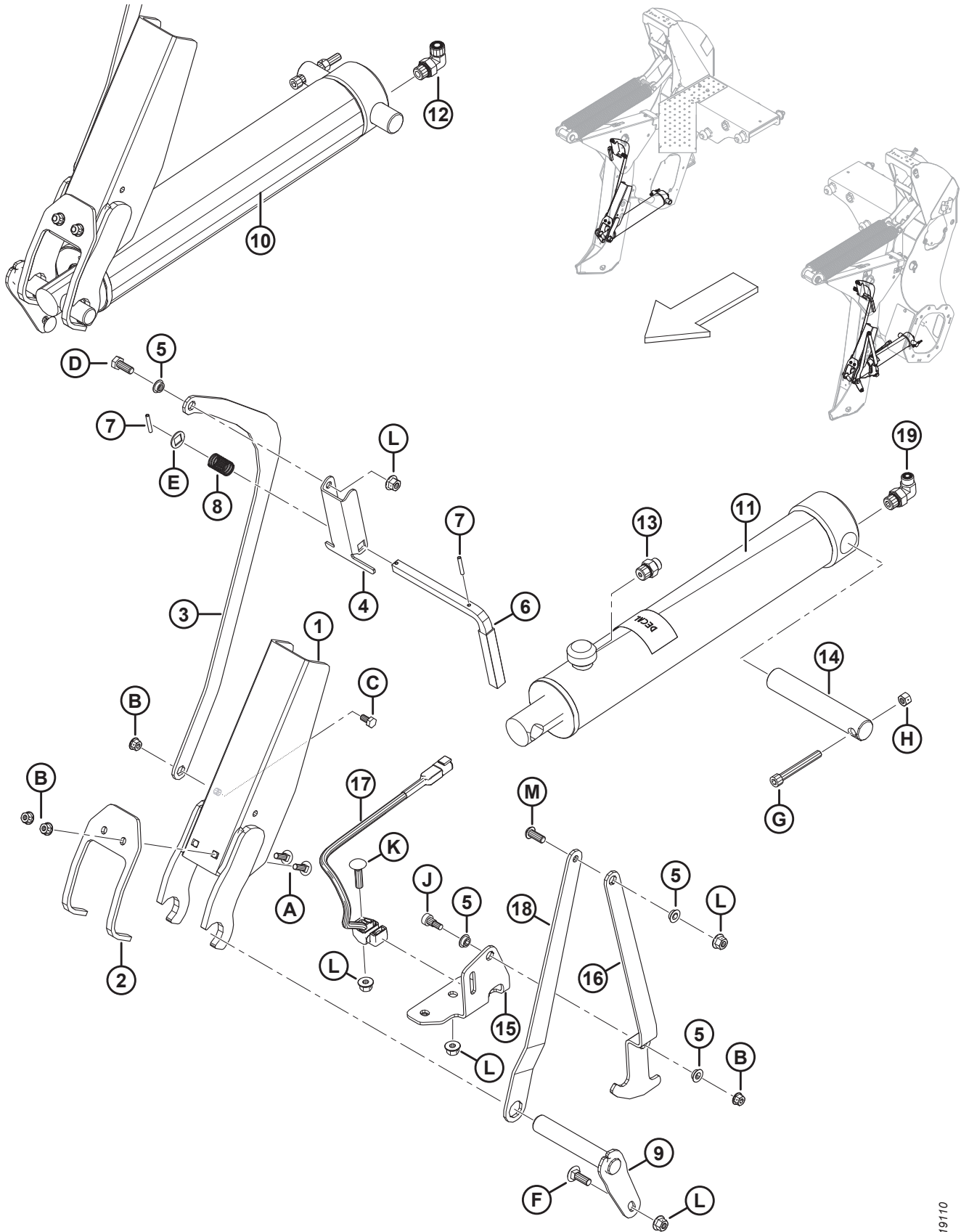




LIFT LINKAGE

Ref	Part Number	Description	Qty	Serial Number
P	136209	BOLT – RHSN M10 X 1.5 X 25-8.8-A3L		
Q	136141	BOLT – HEX HD M16 X 2 X 60-8.8-A3L		
R	136476	NUT – HEX CTR LOC M16 X 2-8-A3L		
S	136113	BOLT – RHSN M10 X 1.5 X 60-8.8-A3L		

# 17 Lift Linkage Cylinders

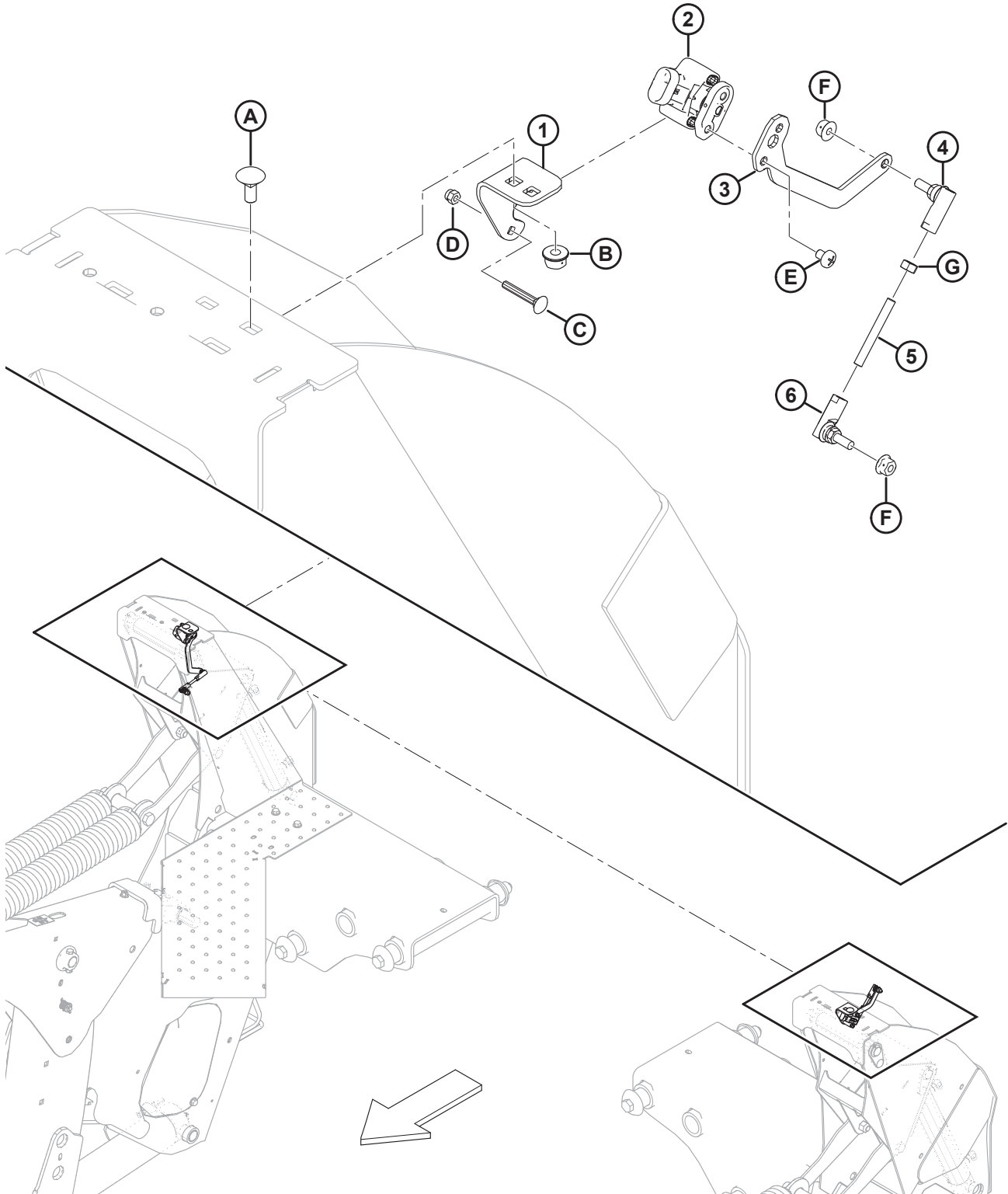


LIFT LINKAGE CYLINDERS

Ref	Part Number	Description	Qty	Serial Number
1	208019	LOCK – CYLINDER STOP WELDMENT	2	
2	208020	RETAINER – CYLINDER STOP	2	
3	206160	ARM – LOCKUP LINK	2	
4	206324	CHANNEL – LOCK RELEASE, M10	2	
5	206340	BUSHING – SHOULDER, M10	4	
6	183543	ASSEMBLY – SHAFT WITH HANDLE GRIP	2	
7	13617	PIN – SPRING 3/16 DIA X 1.25 LG	4	
8	19739	SPRING – COMPRESSION	2	
9	206258	PIN – WELDMENT	2	
10	209789	CYLINDER – LIFT, MASTER	1	
	141184	KIT – LIFT CYL SEALS, MASTER <sup>32</sup>		
11	209790	CYLINDER – LIFT, SLAVE	1	
	141185	KIT – LIFT CYL SEALS, SLAVE <sup>32</sup>		
12	136220	FITTING – ELBOW 90° HYD	1	
	44209	O-RING – #8 ORB		
	135866	O-RING – #8 ORFS		
13	191705	FITTING – ADAPTER 6 MORFS X 8 MORB	2	
	44209	O-RING – #8 ORB		
	135865	O-RING – #6 ORFS		
14	206350	PIN – STRAIGHT	2	
15	209388	SUPPORT – HEIGHT SENSOR	1	
16	209389	ARM – HEIGHT SENSOR PROFILE	1	
17	206661	SENSOR – ANALOG HALL EFFECT	1	
18	209393	ARM – HEIGHT SENSOR	1	
19	136149	FITTING – ELBOW 90° HYD C/W O-RING	1	
	44209	O-RING – #8 ORB		
	135865	O-RING – #6 ORFS		
A	184648	BOLT – RHSN M8 X 1.25 X 25-8.8-A3L		
B	135337	NUT – HEX FLG CTR LOC M8 X 1.25-8-A2L		
C	50139	BOLT – HEX HD TFL M8 X 1.25 X 16-8.8-A2L		
D	30627	BOLT – HEX HD TFL M10 X 1.5 X 25-8.8-A3L		
E	163373	WASHER – FLAT RD (SQ. BORE)		
F	184662	BOLT – RHSN TFL M10 X 1.5 X 30-8.8-A3L		
G	136108	SCREW – HEX SOC HD M10 X 1.5 X 80-12.9-BO		
H	135800	NUT – HEX CTR LOC SPCL M10 X 1.5-9-A3L		
J	135894	SCREW – HEX SOC HD SHLDR 10 X 10-12.9-A2L		
K	152732	BOLT – RHSN M10 X 1.5 X 40-8.8-A3L		
L	135799	NUT – HEX FLG CTR LOC M10 X 1.5-10-A3L		
M	135852	SCREW – HEX SOC BTN HD M10 X 1.5 X 25-12.9-A3L		

32. Includes seal kit and instructions.

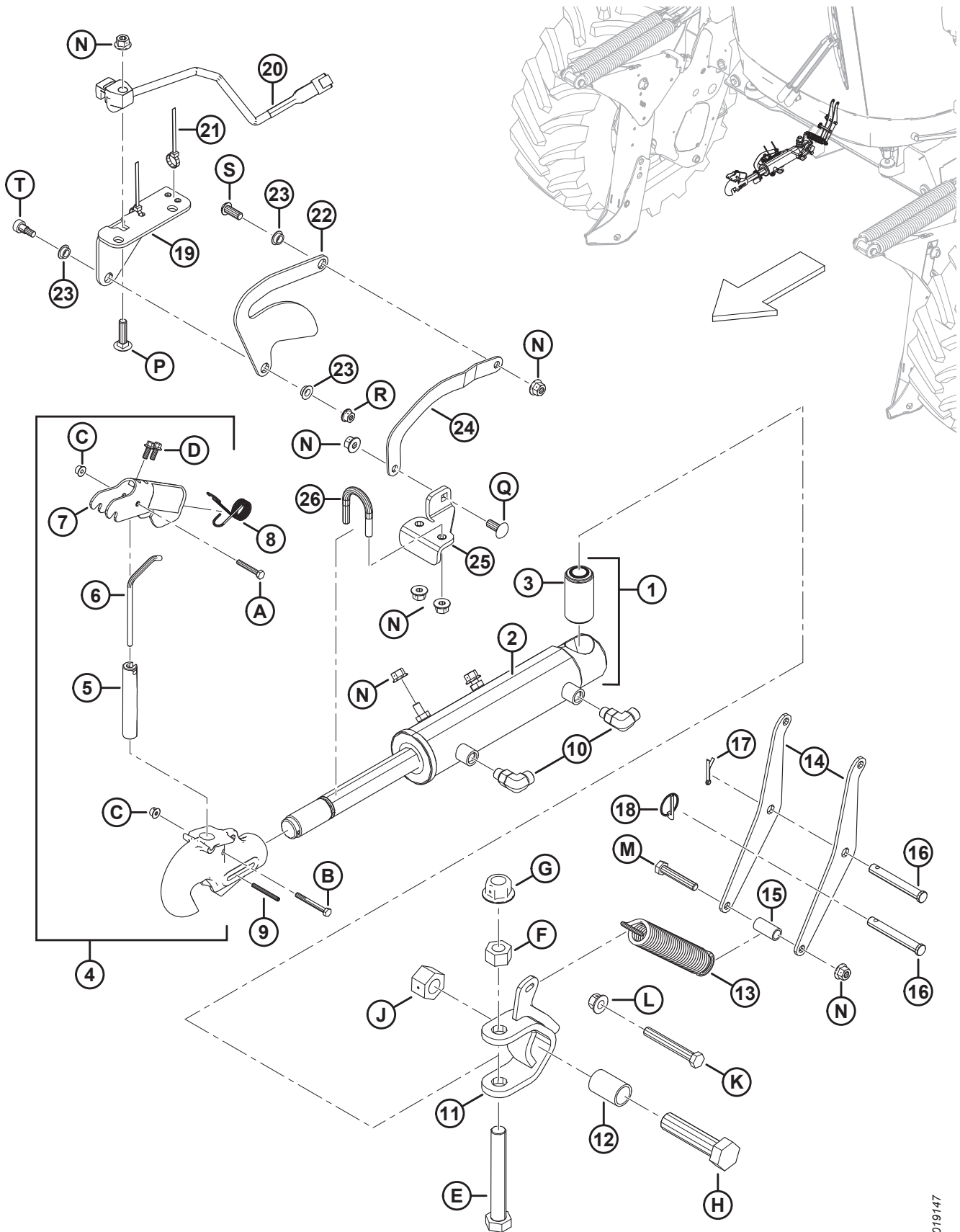
# 18 Float Sensors



**FLOAT SENSORS**

<b>Ref</b>	<b>Part Number</b>	<b>Description</b>	<b>Qty</b>	<b>Serial Number</b>
1	207646	SUPPORT – SENSOR MOUNT	2	
2	248643	ROTARY SENSOR – DUAL OUTPUT	2	
3	207219	ARM – FLOAT SENSOR	2	
4	291484	BALL JOINT – RH THREAD	2	
5	232659	ROD – THREADED	2	
6	291485	BALL JOINT – LH THREAD	2	
A	197171	BOLT – RHSN M8 X 1.25 X 20-8.8-A2L		
B	135337	NUT – HEX FLG CTR LOC M8 X 1.25-8-A2L		
C	197229	BOLT – RHSN M5 X 0.8 X 35-4.6-A2L		
D	197230	NUT – HEX NYLOC M5 X 0.8-8-A2L		
E	158704	SCREW – PAN HD M6 X 1 X 8-4.8-A2L		
F	152668	NUT – HEX FLG CTR LOC M6 X 1-8-A2L		
G	184683	NUT – HEX ISO 4032 M6 X 1-8-A2L		

# 19 Center-Link



1019147

**CENTER-LINK**

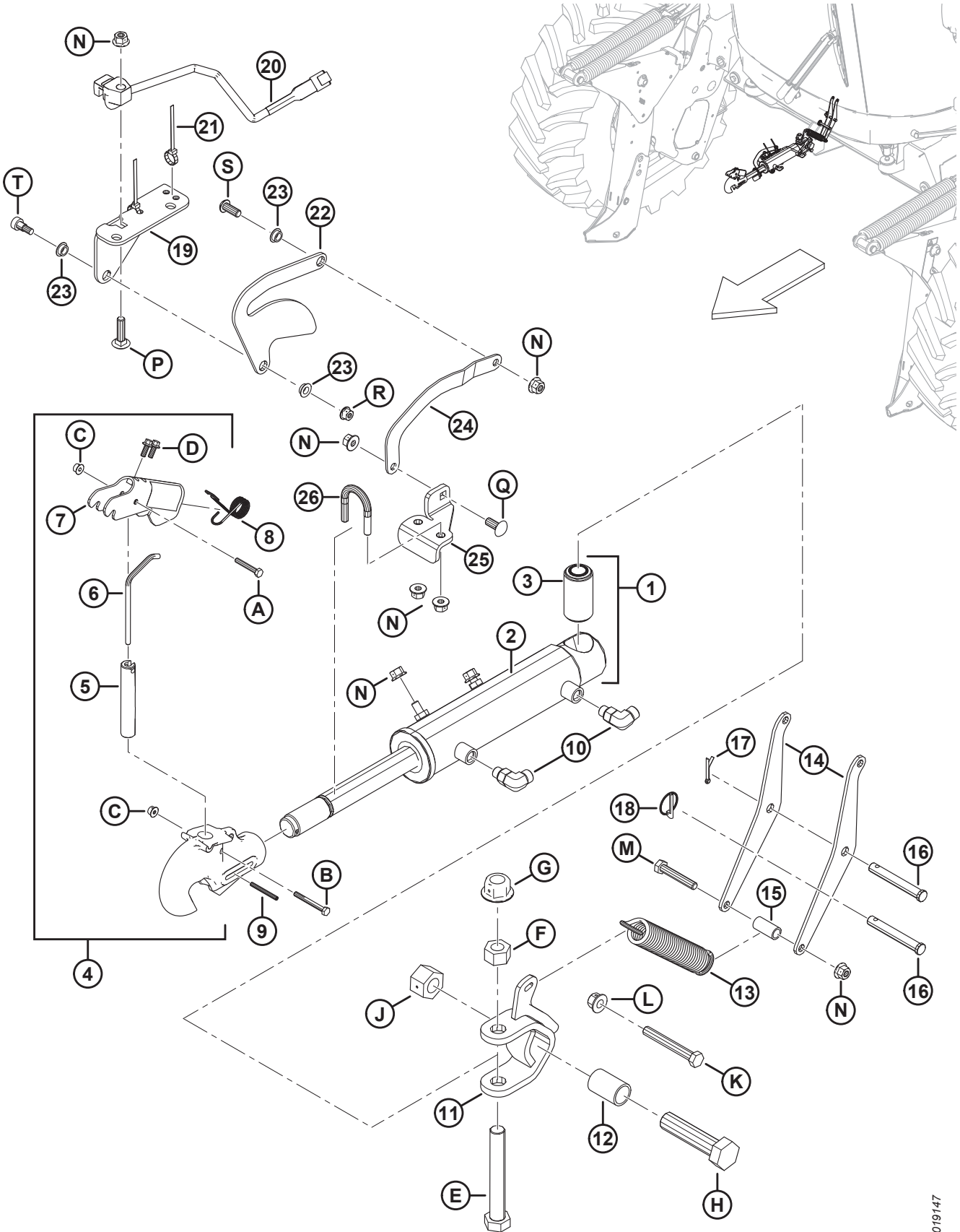
Ref	Part Number	Description	Qty	Serial Number
1	206550	CENTER-LINK CYLINDER <sup>33</sup>	1	
2	208667	CYLINDER – CENTER-LINK	1	
	112625	SEAL KIT		
3	206548	BUSHING – RUBBER	1	
4	206560	HOOK – TOP LINK, ASSEMBLY <sup>34</sup>	1	
5	156848	PIN – LOCK	1	
6	156886	ROD – ACTUATOR	1	
7	139724	LATCH – HANDLE W/ DECAL <sup>35</sup>	1	
8	206559	SPRING – LATCH ASSEMBLY	1	
9	135453	PIN – SPRING 3/16 DIA X 1-7/8 LG	1	
10	136095	FITTING – ELBOW 90° HYD	2	
	50219	O-RING – #6 ORB		
	135865	O-RING – #6 ORFS		
11	209979	CLEVIS – WELDT	1	
12	110971	SPACER – 1.25 O.D. X 1.0 I.D.	1	
13	9423	SPRING – EXTENSION	1	
14	203817	LEVER – SPRING LIFT	2	
15	17675	SPACER	1	
16	101007	PIN – CLEVIS	2	
17	18648	PIN – COTTER 3/16 DIA X 1.25 ZP	1	
18	50193	PIN – LYNCH	1	
19	306423	SUPPORT – TILT SENSOR	1	
20	206661	SENSOR – ANALOG HALL EFFECT	1	
21	21763	FASTENER – CABLE TIE, BLACK, 160 MM LG	2	
22	209410	ARM – TILT SENSOR PROFILE	1	
23	206340	BUSHING – SHOULDER, M10	3	
24	209865	ARM – TILT SENSOR	1	
25	306426	SUPPORT	1	
26	206562	U-BOLT	1	
A	135671	BOLT – HEX HD TFL M6 X 1 X 40-8.8-A2L		
B	136595	BOLT – HEX HD M6 X 1 X 55-8.8-A2L		
C	152668	NUT – HEX FLG CTR LOC M6 X 1-8-A2L		
D	135959	BOLT – HEX FLG HD M6 X 1 X 16-10.9-A2L		
E	136420	BOLT – HEX HD M20 X 2.5 X 140-8.8-A3L		
F	136124	NUT – HEX M20 X 2.5-10-A3L		
G	136122	NUT – HEX FLG CTR LOC M20 X 2.5-10-A3L		
H	136847	BOLT – HEX HD M24 X 3 X 100-10.9-A3L		
J	136848	NUT – HEX CTR LOC M24 X 3-10-A3L		
K	184673	BOLT – HEX HD M12 X 1.75 X 90-10.9-A3L		
L	136431	NUT – HEX FLG CTR LOC M12 X 1.75-10-A3L		

33. Includes cylinder (MD #208667) and rubber bushing (MD #206548).

34. Includes pin (MD #156848), rod (MD #156886), latch (MD #139724), spring assembly (MD #206559), bolts (MD #135671, 136595, 135959), and nut (MD #152668).

35. Includes decal (MD #139723).

CENTER-LINK

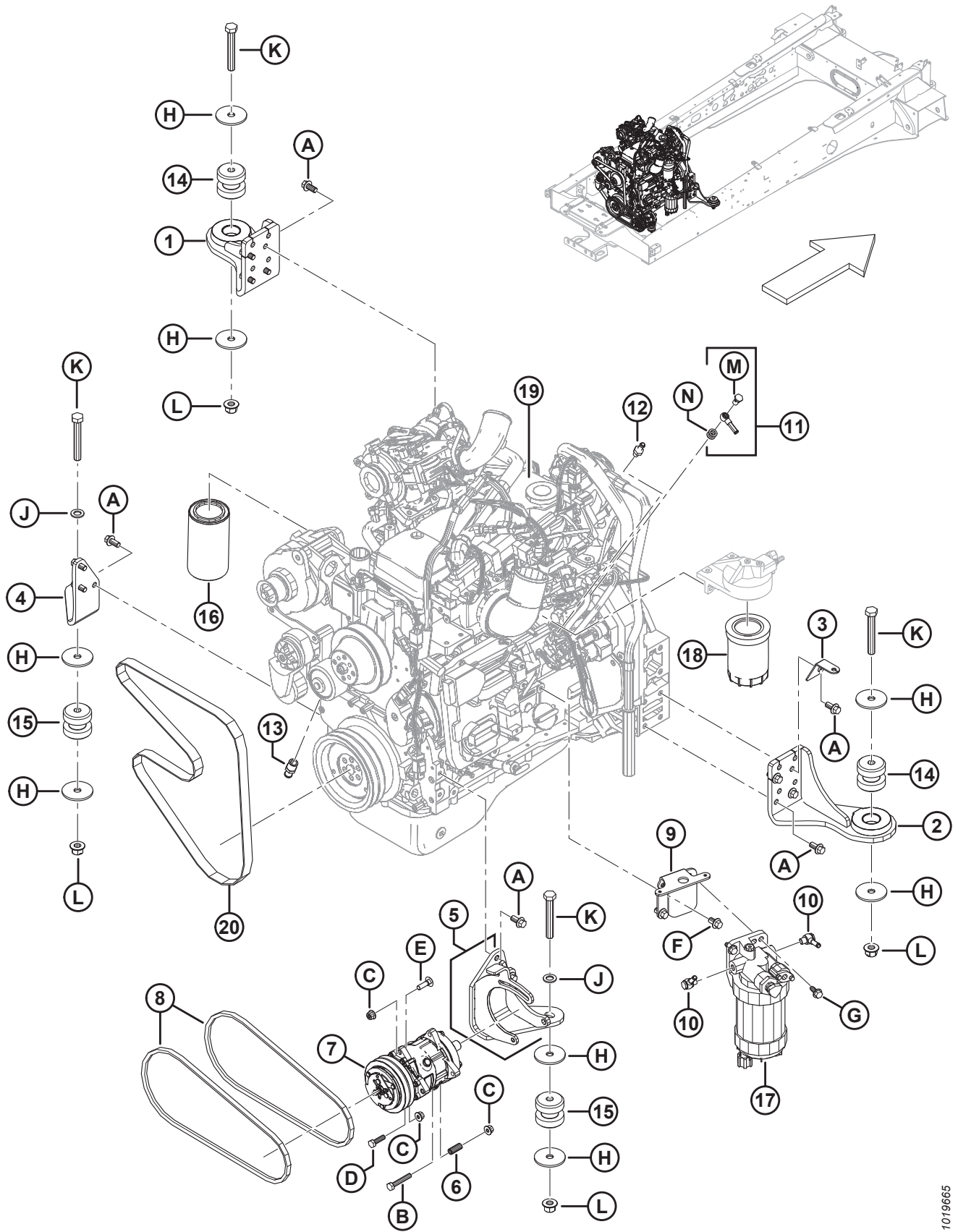




**CENTER-LINK**

<b>Ref</b>	<b>Part Number</b>	<b>Description</b>	<b>Qty</b>	<b>Serial Number</b>
M	184664	BOLT – HEX HD M10 X 1.5 X 60-8.8-A3L		
N	135799	NUT – HEX FLG CTR LOC M10 X 1.5-10-A3L		
P	152732	BOLT – RHSN M10 X 1.5 X 40-8.8-A3L		
Q	136506	BOLT – RHSSN M10 X 1.5 X 25-8.8-A3L		
R	135337	NUT – HEX FLG CTR LOC M8 X 1.25-8-A2L		
S	135852	SCREW – HEX SOC BTN HD M10 X 1.5 X 25-12.9-A3L		
T	135894	SCREW – HEX SOC HD SHLDR 10 X 10-12.9-AB0C/AC0C		

# 20 Engine Sub Assembly



**ENGINE SUB ASSEMBLY**

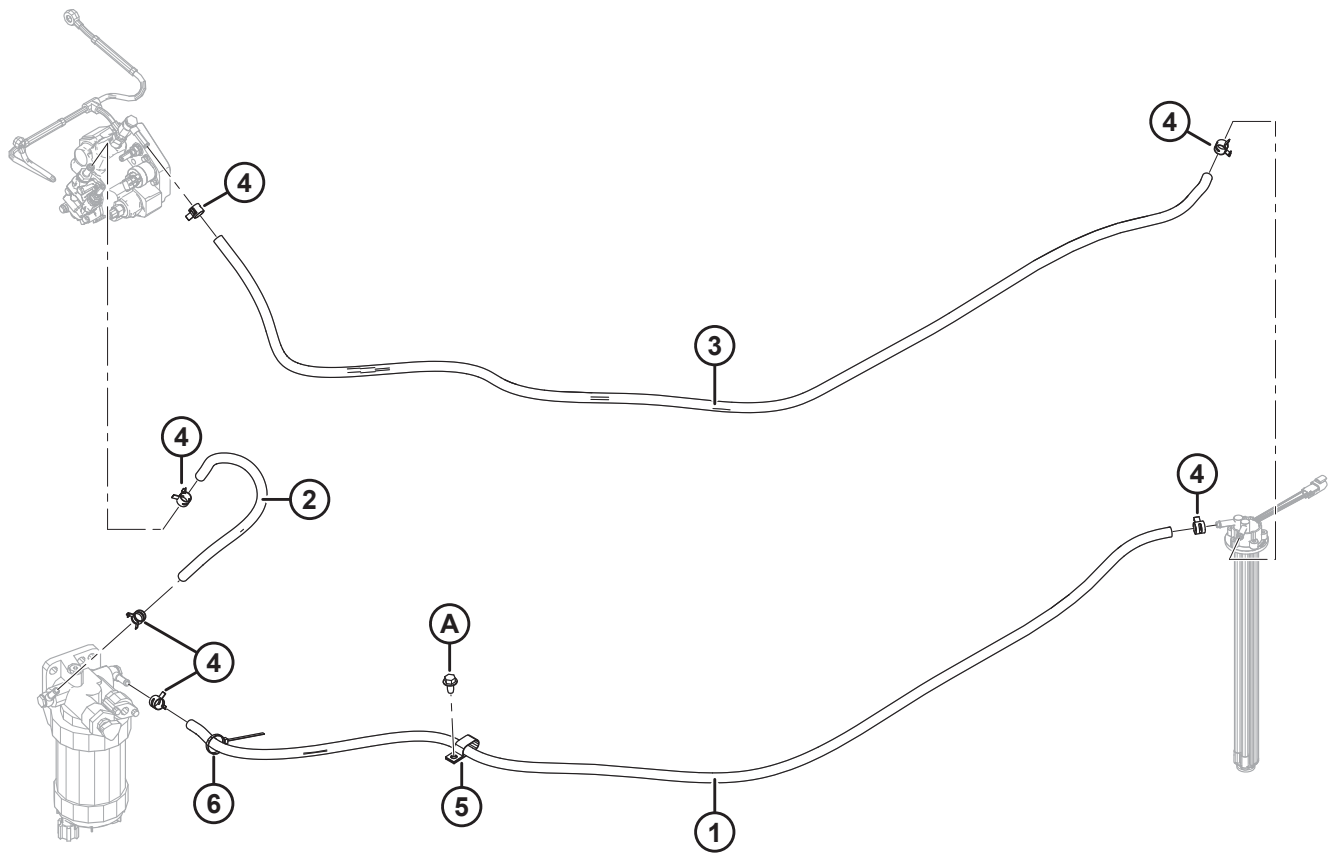
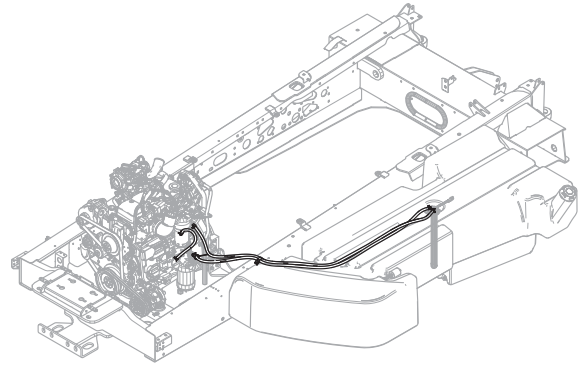
Ref	Part Number	Description	Qty	Serial Number
1	202827	WELD'T – ENGINE MOUNT, LH	1	
2	202835	WELD'T – ENGINE MOUNT, RH	1	
3	207414	SUPPORT – HOSES	1	
4	202995	MOUNT – ENGINE, LH	1	
5	209287	ASSY – ENGINE MOUNT C/W SPACER <sup>36</sup>	1	
6	23050	SPACER – .583 IN O.D. X .080 IN WALL X 1.28 IN LG	1	
7	200114	COMPRESSOR – A/C	1	
8	163368	BELT – V SAE 13A (A42)	2	
9	207101	BRACKET – FUEL FILTER	1	
10	204235	FITTING – BANJO BOLT M14 <sup>37</sup>	2	
11	207075	FITTING – BANJO, M12 X 1.5 <sup>38</sup>	1	
12	200139	FITTING – ADAPTER 3/8 IN. BARBED TO M14 X 1.5	1	
13	112662	FITTING – HEATER 1/2 NPT MALE X 5/8 IN.HOSE	1	
14	202838	ISOLATOR – ENGINE MOUNT	2	
15	205366	ISOLATOR – ENGINE MOUNT	2	
16	111974	FILTER – OIL	1	
17	205028	FILTER – FUEL, PRIMARY	1	
18	205029	FILTER – FUEL, SECONDARY	1	
19	207906	FILTER – CRANKCASE BREATHER	1	
20	207963	BELT – FAN DRIVE-ENDURANCE	1	
A	148798	BOLT – HEX FLG HD M12 X 1.75 X 30-10.9-A3L		
B	184664	BOLT – HEX HD M10 X 1.5 X 60-8.8-A3L		
C	135799	NUT – HEX FLG CTR LOC M10 X 1.5-10-A3L		
D	30628	BOLT – HEX HD M10 X 1.5 X 35-8.8-A3L		
E	135691	BOLT – RHSN TFL M10 X 1.5 X 35-8.8-A3L		
F	136398	BOLT – HEX FLG HD TFL M12 X 1.75 X 20-8.8-A3L		
G	136135	SCREW – HEX WASHER HD M10 X 1.5 X 25-450HV-A3L		
H	203554	WASHER		
J	184717	WASHER – FLAT REG M16-200HV-A3L		
K	184679	BOLT – HEX HD M16 X 2 X 110-10.9-A3L		
L	152520	NUT – HEX FLG TECH LOC M16 X 2-10-A3L		
M	110995	BOLT – BANJO		
N	110996	WASHER – BANJO (2-PACK)		

36. Includes spacer (MD #23050).

37. Includes bolt and washers.

38. Includes bolt (MD #110995) and washers (MD #110996).

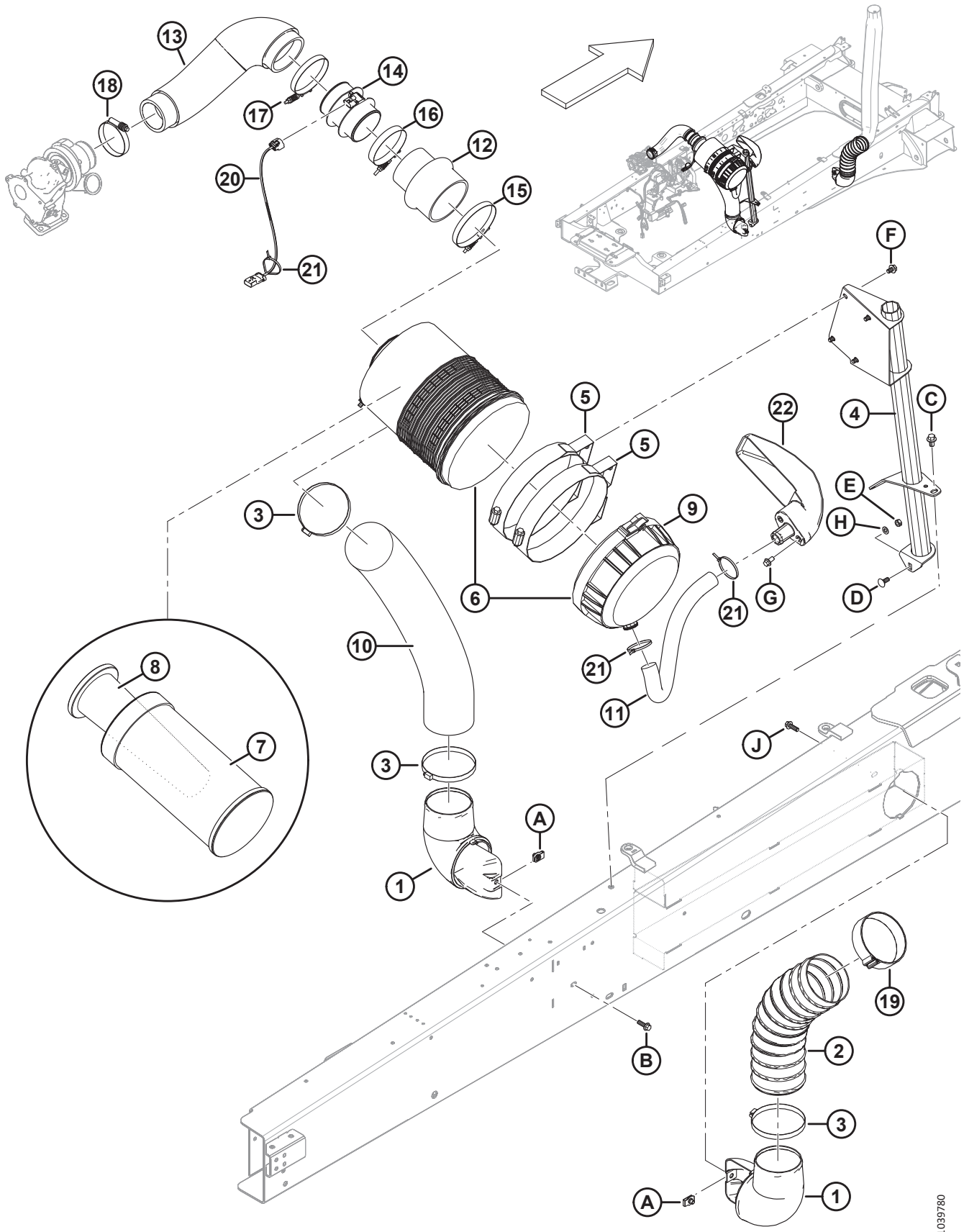
# 21 Fuel System



**FUEL SYSTEM**

<b>Ref</b>	<b>Part Number</b>	<b>Description</b>	<b>Qty</b>	<b>Serial Number</b>
1	203294	HOSE – FUEL, 3/8 IN I.D., 1970 MM LG	1	
2	203293	HOSE – FUEL, 3/8 IN I.D., 430 MM LG	1	
3	204055	HOSE – FUEL, 3/8 IN I.D., 2100 MM LG	1	
4	136743	CLAMP – 16 MM I.D., CONSTANT TENSION	6	
5	135235	CLAMP – DOUBLE HOSE INSULATED	1	
6	40702	FASTENER – CABLE TIE (RED)	1	
A	136209	SCREW – THREAD ROLLING FLG M10 X 1.5X20-A3L	1	

## 22 Engine Air Intake

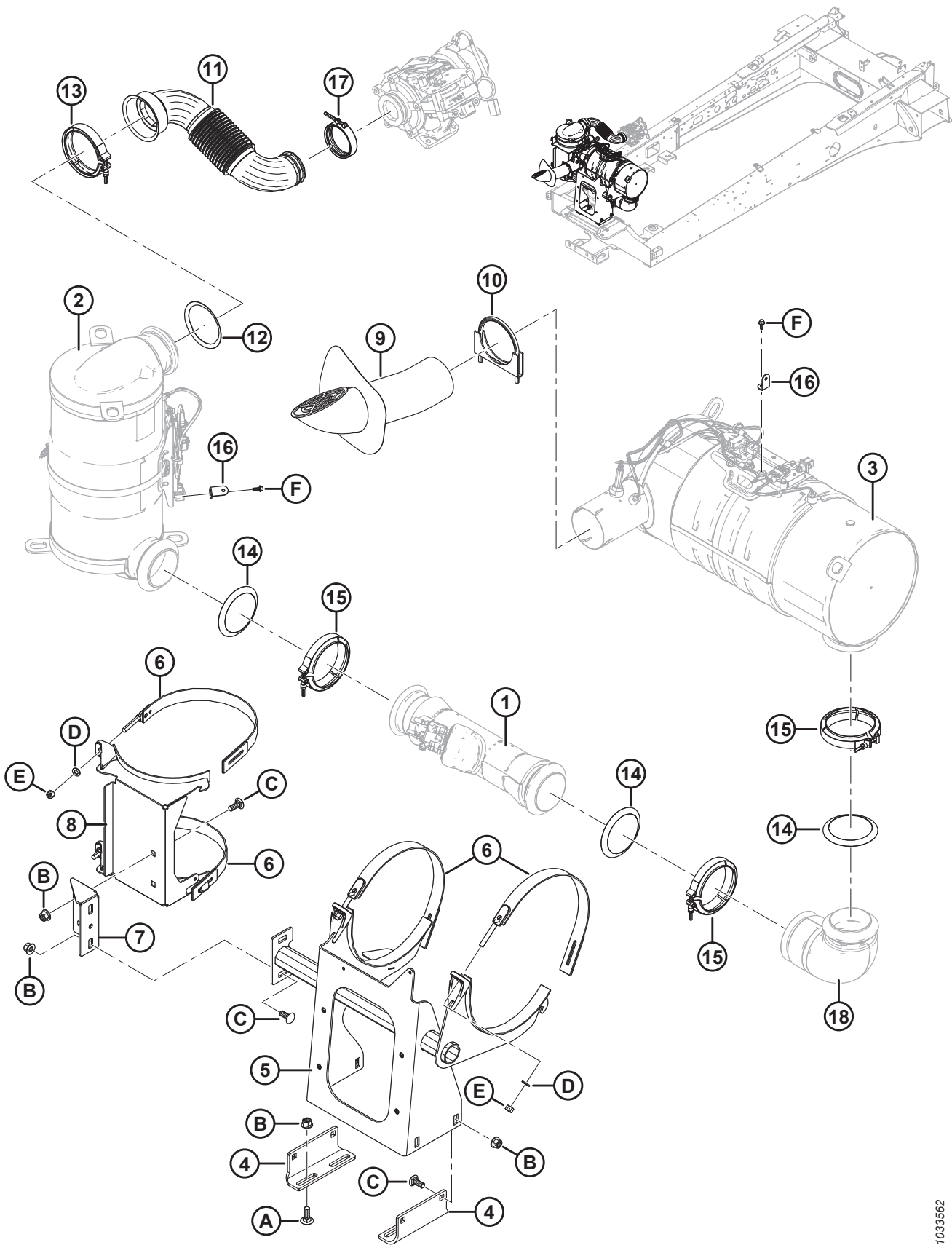


**ENGINE AIR INTAKE**

<b>Ref</b>	<b>Part Number</b>	<b>Description</b>	<b>Qty</b>	<b>Serial Number</b>
1	204102	ELBOW – AIR DUCT	2	
2	203108	HOSE – 127 MM I.D.	1	
3	166869	CLAMP – HOSE (89-140 MM)	3	
4	205097	WELD'T – SUPPORT, 4-CYL AIR CLEANER	1	
5	163976	BRACKET – AIR CLEANER SUPPORT	2	
6	162144	AIR CLEANER <sup>39</sup>	1	
	111957	VALVE – DUST EJECTOR		
7	111954	FILTER – AIR, PRIMARY	1	
8	111955	FILTER – AIR, SECONDARY	1	
9	111956	COVER – AIR CLEANER	1	
10	207638	HOSE – 127 MM I.D.	1	
11	202446	HOSE – ASPIRATOR, 530 MM LG	1	
12	203643	HOSE – HUMP, 4 TO 5 IN.	1	
13	209225	ELBOW – RUBBER	1	
14	204604	ASSY – TBAP HOUSING	1	
15	162102	CLAMP – CONSTANT TORQUE, 135-143 MM I.D.	1	
16	162446	CLAMP – CONSTANT TORQUE, 109-116 MM I.D.	1	
17	135870	CLAMP – CONSTANT TORQUE, 116-124 MM I.D.	1	
18	209520	CLAMP – CONSTANT TORQUE, 83-105 MM I.D.	1	
19	208576	STRAP – CINCH, 600 MM LG	1	
20	207435	HARNESS – TBAP (M1170NT)	1	
	310795	HARNESS – TBAP, STAGE 5 (M1170NT5)	1	
21	21763	FASTENER – CABLE TIE, BLACK, 160 MM LG	3	
22	207192	ASPIRATOR – AIR CLEANER	1	
A	136620	NUT – U MULTI THREAD		
B	184665	BOLT – HEX FLG HD M10 X 1.5 X 30-10.9-A3L		
C	136398	BOLT – HEX FLG HD TFL M12 X 1.75 X 20-8.8-A3L		
D	135785	BOLT – RHSN M10 X 1.5 X 25-8.8-A3L		
E	<b>320206</b>	<b>NUT – HEX CTR LOC M10 X 1.5-8 ZINC</b>		
F	136151	BOLT – HEX FLG HD TFL M10 X 1.5 X 16-8.8-A3L		
G	152655	BOLT – HEX FLG HD M10 X 1.5 X 20-8.8-A3L		
H	<b>184711</b>	<b>WASHER – FLAT REG M10-200HV-AA1J</b>		
J	<b>136211</b>	<b>BOLT – HEX FLG HD M10 X 1.5 X 35-8.8-AA1J</b>		

39. Includes primary air filter (MD #111954), secondary air filter (MD #111955), cover (MD #111956), and dust ejector valve (MD #111957).

## 23 Engine Exhaust – M1170NT



1033562



**ENGINE EXHAUST – M1170NT**

<b>Ref</b>	<b>Part Number</b>	<b>Description</b>	<b>Qty</b>	<b>Serial Number</b>
1	NSS	ASSY – DECOMPOSITION REACTION TUBE (DRT) <sup>40</sup>	1	
2	NSS	ASSY – DIESEL OXIDATION CATALYST (DOC) <sup>41</sup>	1	
3	NSS	ASSY – SELECTIVE CATALYTIC REDUCTION (SCR) <sup>42</sup>	1	
4	209997	ANGLE – EXHAUST SUPPORT	2	
5	207166	SUPPORT – SCR, WELDT	1	
6	207154	CLAMP – STRAP ASSEMBLY	4	
7	204822	BRACKET – AT EXHAUST WELDMENT	1	
8	207172	SUPPORT – DOC, WELDT	1	
9	310704	TUBE – EXHAUST, WELDT, 4 CYL	1	
10	203098	CLAMP – U-BOLT	1	
11	209972	TUBE – EXHAUST, CUMMINS	1	
12	203777	GASKET – STD MARMON 102 MM	1	
13	204732	CLAMP – 4 IN. MARMON STANDARD	1	
14	202487	GASKET – SPH MARMON 102 MM	3	
15	203373	CLAMP – 4 IN. MARMON SPHERICAL	3	
16	207424	SUPPORT – HARNESS	2	
17	204656	CLAMP – TURBO	1	
18	NSS	ELBOW – EXHAUST <sup>43</sup>	1	
A	136291	BOLT – RHSN TFL M12 X 1.75 X 35-8.8-A3L		
B	136431	NUT – HEX FLG CTR LOC M12 X 1.75-10-A3L		
C	152702	BOLT – RHSSN M12 X 1.75 X 30-8.8-A3L		
D	184711	WASHER – FLAT REG M10-200HV-A3L		
E	135800	NUT – HEX CTR LOC SPCL M10 X 1.5-9-A3L		
F	135959	BOLT – HEX FLG HD M6 X 1 X 16-10.9-A2L		

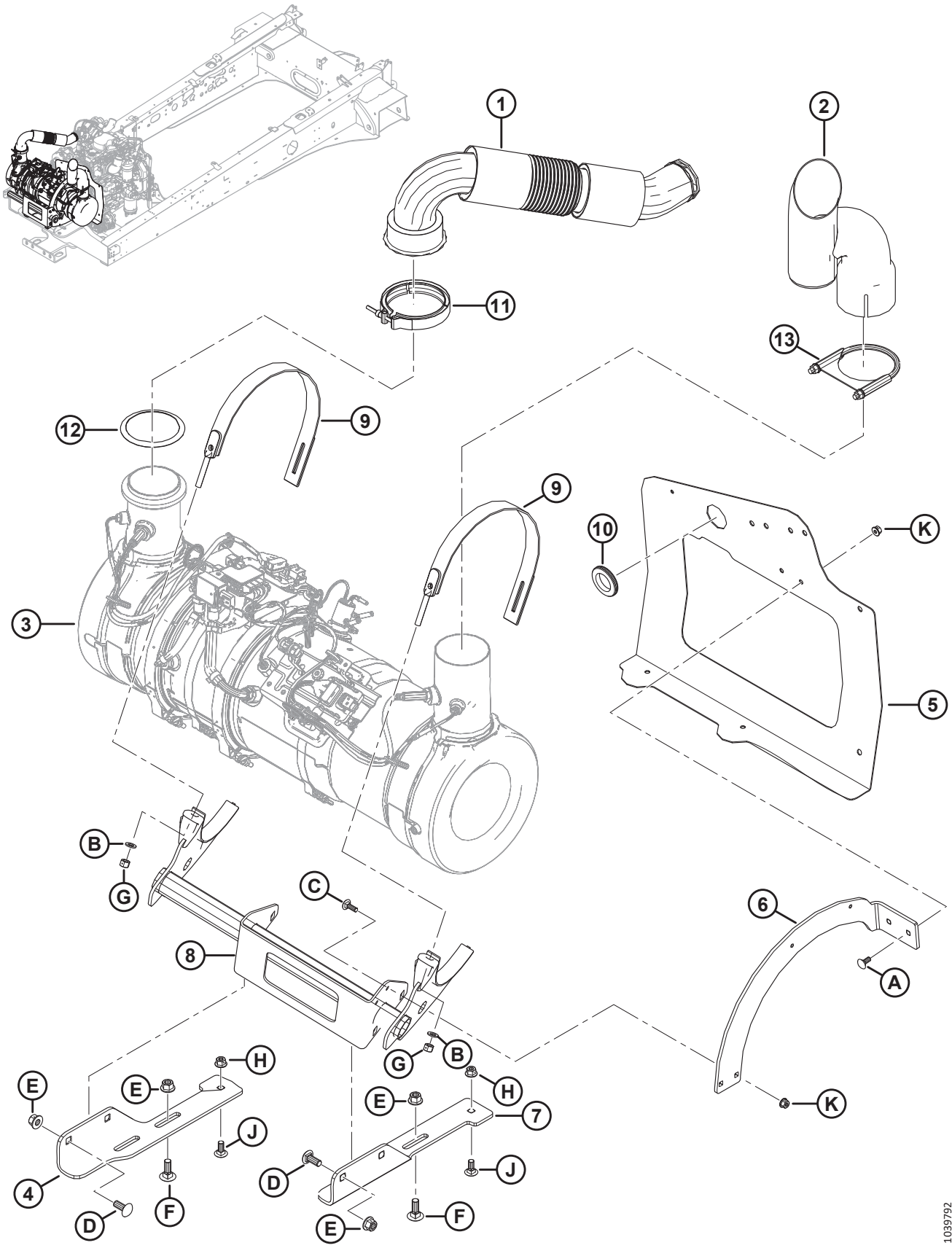
40. Part serviced through Cummins. Contact your Cummins dealer. Cummins part #4353759.

41. Part serviced through Cummins. Contact your Cummins dealer. Cummins part #5307180.

42. Part serviced through Cummins. Contact your Cummins dealer. Cummins part #4387768.

43. Part serviced through Cummins. Contact your Cummins dealer. Cummins part #4352952.

# 24 Engine Exhaust – M1170NT5

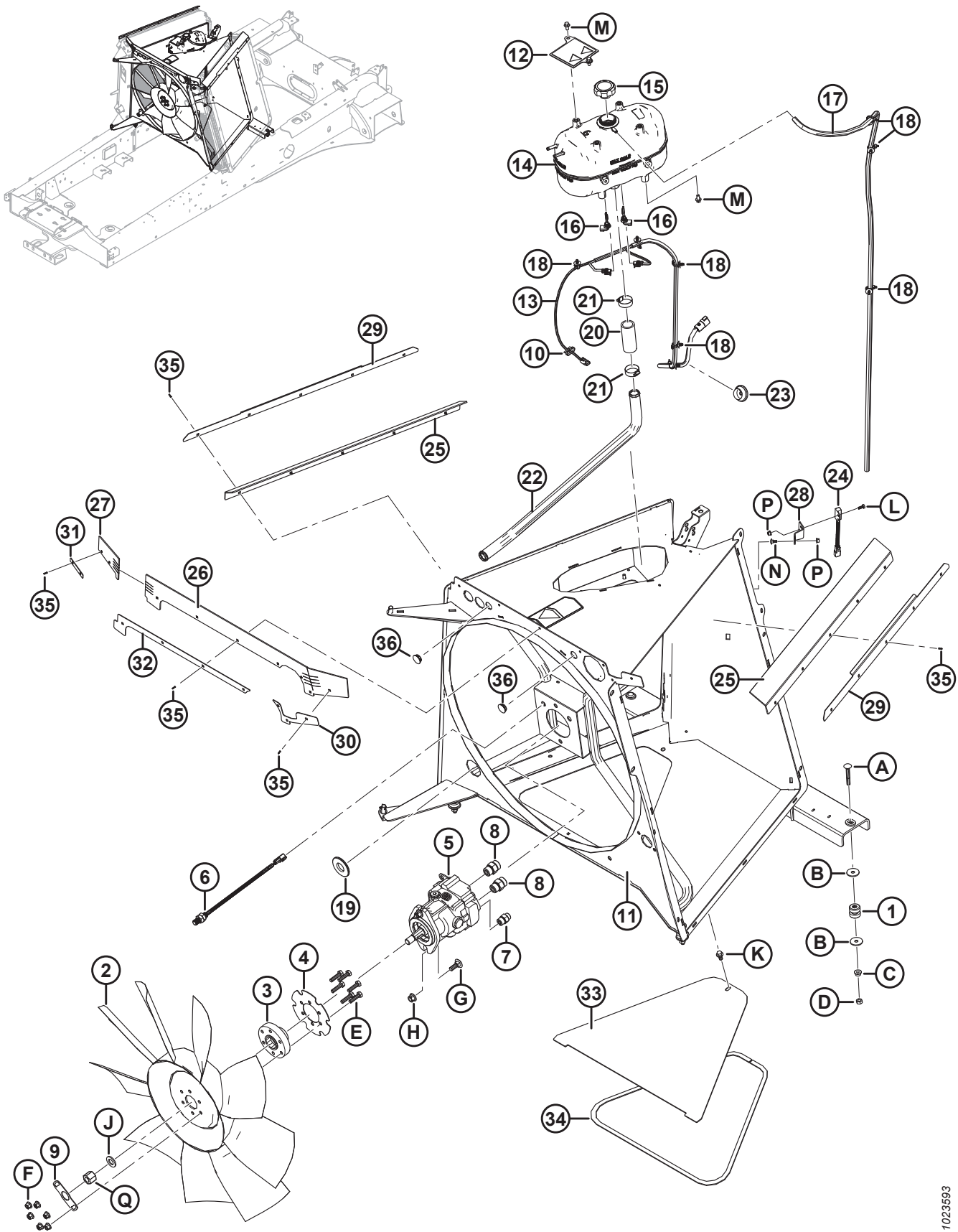


**ENGINE EXHAUST – M1170N75**

<b>Ref</b>	<b>Part Number</b>	<b>Description</b>	<b>Qty</b>	<b>Serial Number</b>
1	310787	TUBE – EXHAUST, CUMMINS STAGE 5	1	
2	310755	ASSEMBLY – TUBE EXHAUST STACK	1	
3	NSS	ASSEMBLY – AFTERTREATMENT MODULE <sup>44</sup>	1	
4	306315	ANGLE – EXHAUST AT SUPPORT LH	1	
5	306297	SUPPORT – DEF LINES	1	
6	306296	SUPPORT – DEF LINES BRACKET	1	
7	306293	ANGLE – EXHAUST AT SUPPORT RH	1	
8	<b>306762</b>	<b>SUPPORT – AFTERTREATMENT, WELDMENT</b>	<b>1</b>	
9	207154	CLAMP–STRAP ASSEMBLY	2	
10	205077	GROMMET	1	
11	204732	CLAMP – 4 IN. MARMON STANDARD	1	
12	203777	GASKET – STD MARMON, 102 MM	1	
13	203870	CLAMP – U-BOLT, 102 MM	1	
A	197171	BOLT – RHSN M8 X 1.25 X 20-8.8-ZINC	2	
B	184711	WASHER – FLAT REG M10-200HV-AA1J	2	
C	184648	BOLT – RHSN M8 X 1.25 X 25-8.8-AA1J	2	
D	152702	BOLT – RHSSN M12 X 1.75 X 30-8.8-AA1J	4	
E	136431	NUT – HEX FLG CTR LOC M12 X 1.75-10	8	
F	136291	BOLT – RHSN TFL M12 X 1.75 X 35-8.8-ZINC	4	
G	135800	NUT – HEX CTR LOC SPCL M10 X 1.5-9-AA1J	2	
H	135799	NUT – HEX FLG CTR LOC M10 X 1.5-10	2	
J	135785	BOLT – RHSN M10 X 1.5 X 25-8.8-AA1J	2	
K	135337	NUT – HEX FLG CTR LK M8 X 1.25-8-AA1J	4	

44. Part serviced through Cummins. Contact your Cummins dealer. Cummins part #5505824.

# 25 Engine Cooling System



**ENGINE COOLING SYSTEM**

Ref	Part Number	Description	Qty	Serial Number
1	205159	INSULATOR – RUBBER	4	
2	205269	FAN – 813 MM, 9 BLADE	1	
3	200273	ADAPTER – HYD FAN DRIVE	1	
4	201638	DISC – SPEED SENSOR PICKUP	1	
5	145392	MOTOR – HYDRAULIC C/W KEY	1	
	279003	SEAL KIT		
	111895	KEY – SQUARE		
6	136167	SENSOR – SPEED	1	
7	184463	FITTING – ADAPTER 8 MORFS X 10 MORB	1	
	44210	O-RING – #10 ORB		
	135866	O-RING – #8 ORFS		
8	135788	FITTING – ADAPTER	2	
	30971	O-RING – #12 ORB		
	135868	O-RING – #12 ORFS		
9	201434	LOCK – FAN HUB NUT	1	
10	21763	FASTENER – CABLE TIE, BLACK, 160 MM LG	1	
11	208521	FAN BOX – W/ DECAL <sup>45</sup>	1	
	306620	KIT – COOLER BOX LATCH <sup>46</sup>		
12	<b>306796</b>	<b>ASSY – PANEL, DECAL <sup>47</sup></b>	<b>1</b>	<b>421190–</b>
	207450	PANEL – W/ DECAL <sup>48</sup>	1	<b>–421189</b>
13	207284	HARNESS – COOLER BOX	1	
14	202455	ASSY – TANK, COOLANT, PRESSURIZED	1	
15	202325	CAP – SURGE TANK	1	
16	204784	SWITCH – LEVEL	2	
17	205666	HOSE – COOLANT VENT, 5/16 IN. I.D., 1735 MM LG	1	
18	136655	FASTENER – FIR TREE MOUNT W/ TIE, 200 MM LG	3	
19	136638	GROMMET – 31.75 MM I.D.	1	
20	209813	HOSE – STUB, 41 MM O.D., 95 MM LG	1	
21	136646	CLAMP – LINED-SS, 27–51 MM RANGE	2	
22	205201	TUBE – FILL	1	
23	167709	GROMMET – 10 MM I.D. X 38 MM O.D.	1	
24	200974	SWITCH – PROXIMITY	1	
25	206680	SEAL – ANGLE TOP	2	
26	206897	SEAL – ANGLE CENTER	1	
27	206896	SEAL – ANGLE LEFT	1	
28	204553	BRACKET – DOOR SWITCH	1	
29	206679	PLATE – HOOD, UPPER SEAL	2	
30	207447	PLATE – SEAL, RH	1	
31	207452	PLATE – SEAL, LH	1	
32	206899	PLATE – SEAL, CENTER	1	

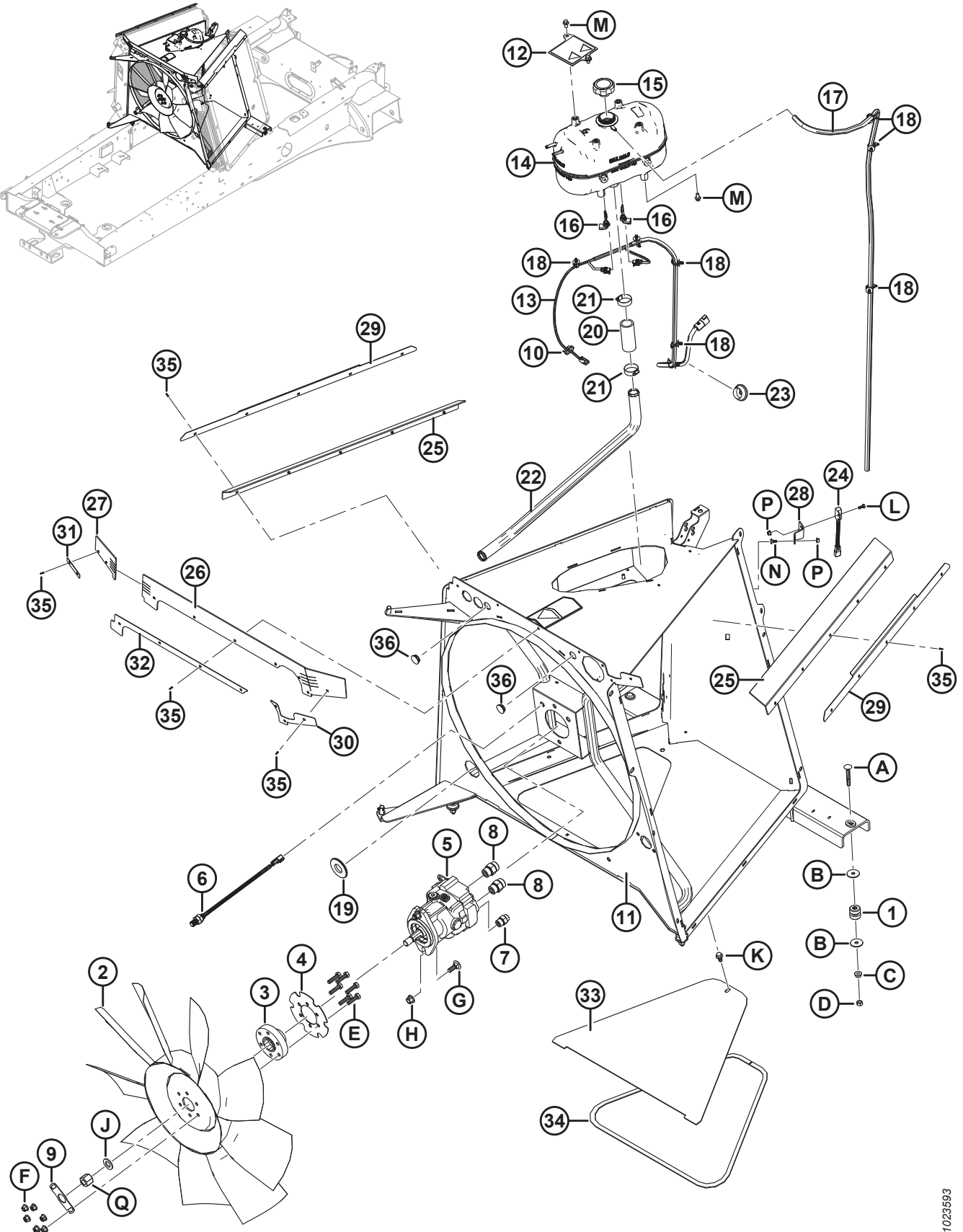
45. Includes access panel (MD #208523), bottom cover seal (MD #208530), and bolt (MD #152655).

46. Kit includes cooler box hood latch (NSS) and instruction decal (NSS).

47. For model year 2022 and later windrowers. Includes nitrite-free decal (MD #306756).

48. For model year 2021 and prior windrowers. Includes fill rate decal (MD #166824).

# ENGINE COOLING SYSTEM

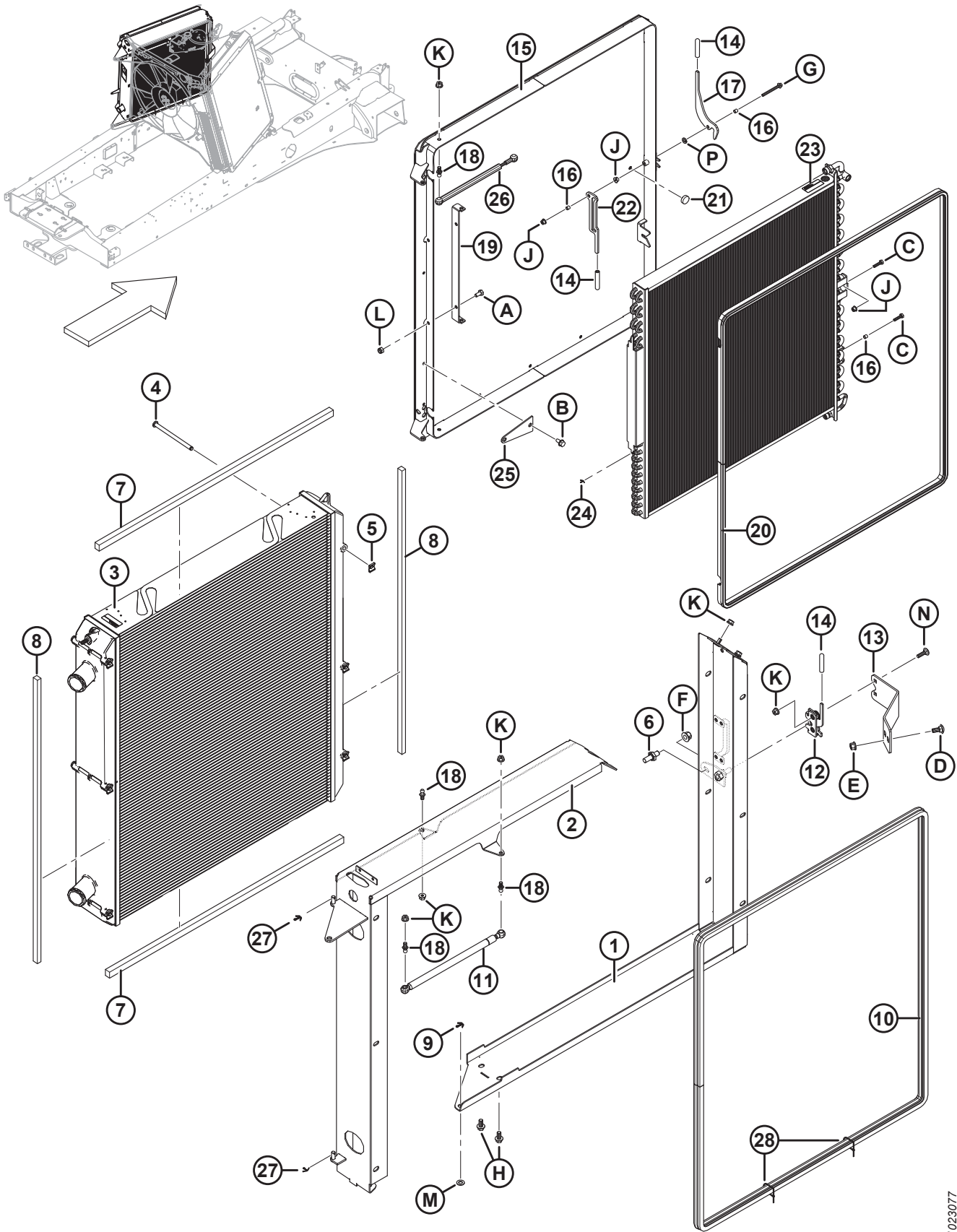


1023593

**ENGINE COOLING SYSTEM**

<b>Ref</b>	<b>Part Number</b>	<b>Description</b>	<b>Qty</b>	<b>Serial Number</b>
33	208523	ASSY – ACCESS PANEL	1	
34	208530	SEAL – BOTTOM COVER	1	
35	252667	RIVET – 1/4 IN. X 5/8 IN.	19	
36	200780	PLUG – NYLON, BLACK, 30 MM O.D.	2	
A	136495	BOLT – RHSN M10 X 1.5 X 70-8.8-AA3L		
B	184583	WASHER – FLAT		
C	135927	NUT – HEX SMTH FLG M10 X 1.5-8-A3L		
D	30505	NUT – HEX M10 X 1.5-10-A3L		
E	135319	BOLT – HEX HD M10 X 1.5 X 40-8.8-A3L		
F	135799	NUT – HEX FLG CTR LOC M10 X 1.5-10-A3L		
G	136291	BOLT – RHSN TFL M12 X 1.75 X 35-8.8-A3L		
H	136431	NUT – HEX FLG CTR LOC M12 X 1.75-10-A3L		
J	18601	WASHER – SAE FLAT 13/16 I.D. X 1.5 IN. O.D. ZP		
K	152655	BOLT – HEX FLG HD M10 X 1.5 X 20-8.8-A3L		
L	184642	BOLT – HEX HD TFL M6 X 1 X 16-8.8-A2L		
M	136485	BOLT – HEX FLG HD TFL M8 X 1.25 X 16-8.8-A3L		
N	136774	BOLT – RHSN M6 X 1 X 16-8.8-PLN		
P	152668	NUT – HEX FLG CTR LOC M6 X 1-8-A2L		
Q	135280	NUT – HEX HEAVY 3/4-16 UNF GR 8 BLACK		

# 26 Cooling Module – Left



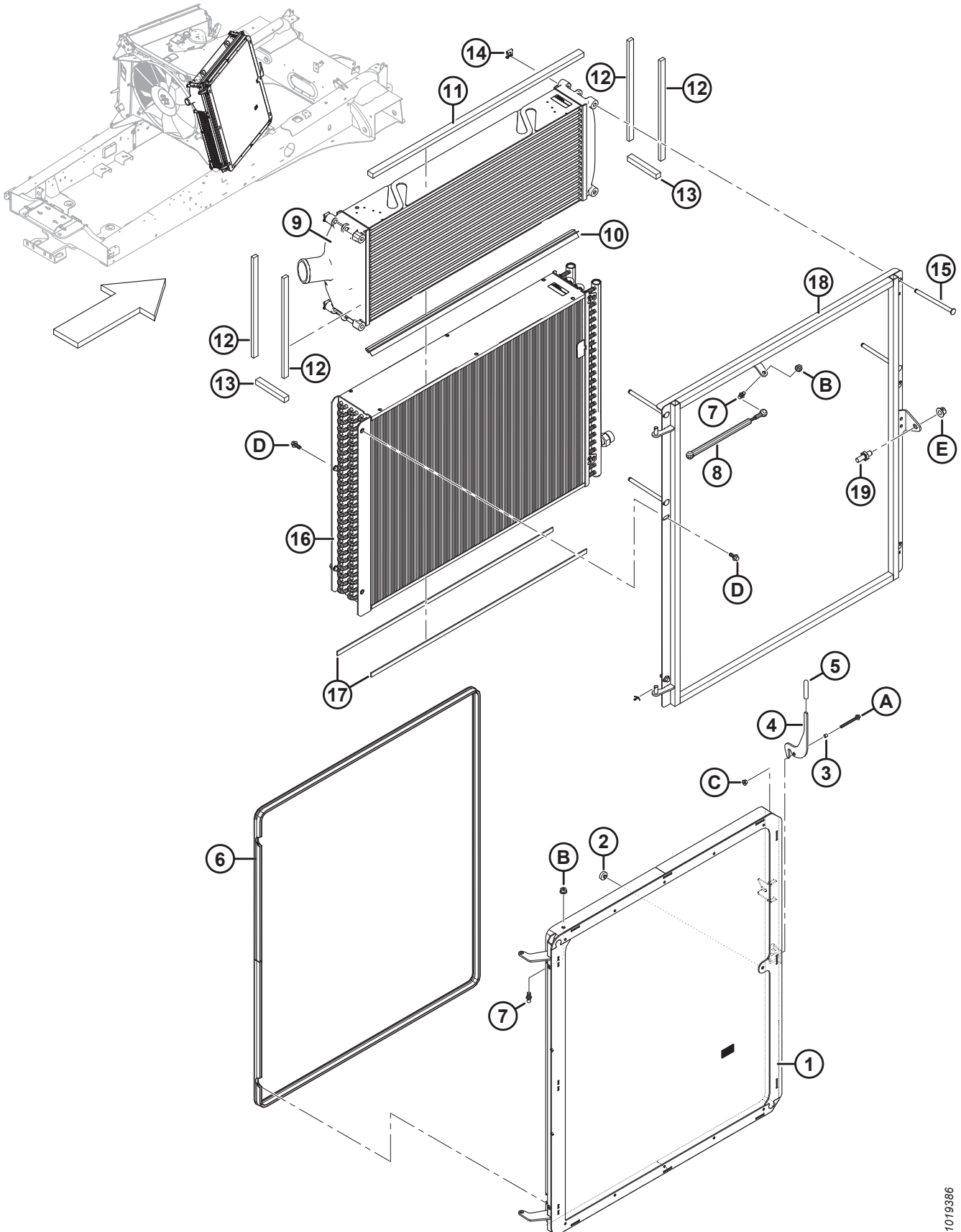
1023077



**COOLING MODULE – LEFT**

<b>Ref</b>	<b>Part Number</b>	<b>Description</b>	<b>Qty</b>	<b>Serial Number</b>
1	208512	RAD DOOR BASE FRAME – WELDT	1	
2	208513	RAD DOOR TOP FRAME – WELDT	1	
3	203152	RADIATOR	1	
4	205070	PIN – 9.7 MM O.D. X 140 MM	6	
5	205071	CLIP – PIN	6	
6	136598	STRIKER – BOLT	1	
7	208510	SEAL – RAD HORIZONTAL	2	
8	208509	SEAL – RAD VERTICAL	2	
9	18605	PIN – COTTER 1/8 DIA X 1 ZP	1	
10	208553	SEAL – BULB	1	
11	203389	CYLINDER – GAS SPRING	1	
12	134003	ASSY – STIRRUP LATCH	1	
13	208547	BRACKET – LATCH	1	
14	110817	COVER – SOFTEX GRIP	3	
15	208528	SCREEN CHAFF – WELDT	1	
16	291268	BUSHING – STAINLESS STEEL	3	
17	208529	LATCH – SCREEN CHAFF	1	
18	136188	STUD – BALL (10 MM); M8 THREAD	4	
19	208531	BRACKET – FRAME TO COOLER	1	
20	201598	SEAL – BULB	1	
21	208556	BUMPER – RUBBER	1	
22	208533	BRACKET – CLEAN OUT	1	
23	203153	CONDENSER	1	
24	18728	PIN – COTTER 1/16 DIA X 3/4 ZP	1	
25	205374	SUPPORT – A/C HOSE	1	
26	109603	SPRING – GAS	1	
27	18604	PIN – COTTER 3/32 DIA X 3/4 ZP	2	
28	21763	FASTENER – CABLE TIE, BLACK, 160 MM LG	2	
A	50139	BOLT – HEX HD TFL M8 X 1.25 X 16-8.8-A2L		
B	134705	SCREW – HEX WASHER HD M8 X 1.25 X 16-A3L		
C	135301	BOLT – HEX HD M6 X 1 X 25-8.8-A2L		
D	135785	BOLT – RHSN M10 X 1.5 X 25-8.8-A3L		
E	135799	NUT – HEX FLG CTR LOC M10 X 1.5-10-A3L		
F	136431	NUT – HEX FLG CTR LOC M12 X 1.75-10-A3L		
G	136704	BOLT – HEX FLG HD M6 X 1 X 60-8.8-AA2L		
H	152655	BOLT – HEX FLG HD M10 X 1.5 X 20-8.8-A3L		
J	152668	NUT – HEX FLG CTR LOC M6 X 1-8-A2L		
K	152863	NUT – HEX FLG STVR LOC M8 X 1.25-10-AA2L		
L	184688	NUT – HEX NYLOC M8 X 1.25-8-A2L		
M	184711	WASHER – FLAT REG M10-200HV-A3L		
N	190752	BOLT – RHSN M8 X 1.25 X 30-8.8-A2L		
P	30716	WASHER – LOC SPRING M8-CS-1055-1065-A2L		

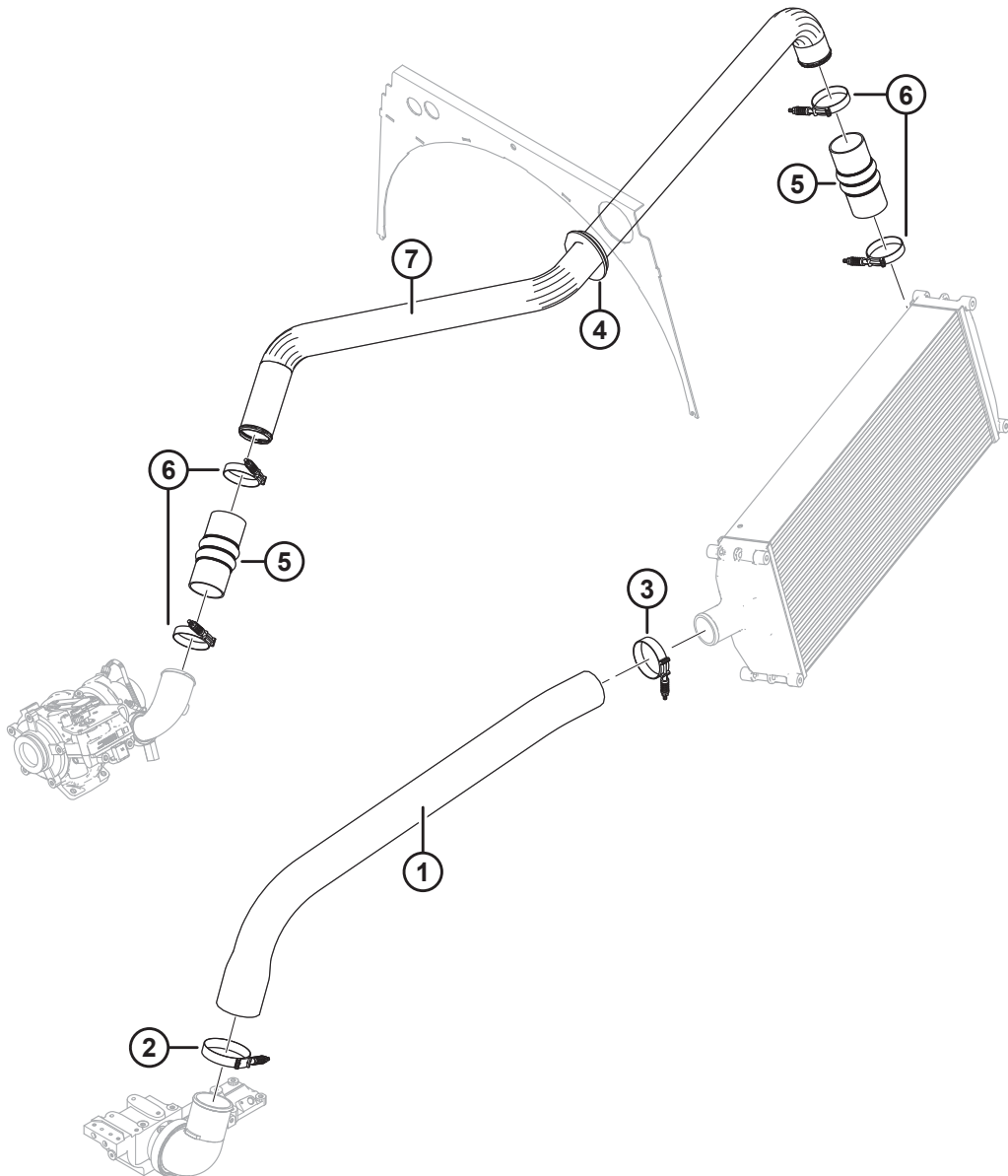
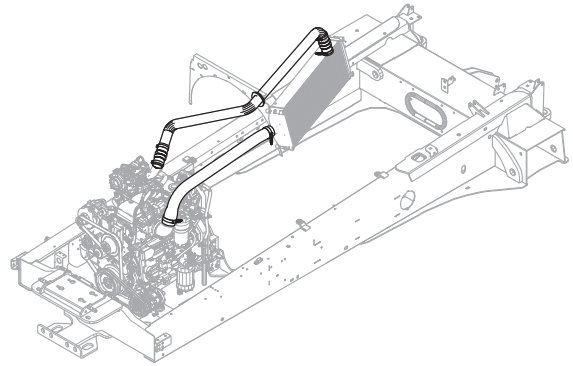
## 27 Cooling Module – Right



**COOLING MODULE – RIGHT**

<b>Ref</b>	<b>Part Number</b>	<b>Description</b>	<b>Qty</b>	<b>Serial Number</b>
1	208528	WELDT – SCREEN CHAFF	1	
2	208556	BUMPER – RUBBER	1	
3	291268	BUSHING – STAINLESS STEEL	1	
4	208529	LATCH – SCREEN CHAFF	1	
5	110817	COVER – SOFTEX GRIP	2	
6	201598	SEAL – BULB	1	
7	136188	STUD – BALL (10 MM); M8 THREAD	2	
8	109603	SPRING – GAS	1	
9	203151	CHARGE AIR COOLER	1	
10	208554	SEAL – SILICONE, ORANGE	1	
11	208507	SEAL – CAC, TOP	1	
12	208506	SEAL – CAC, SIDE	4	
13	208508	SEAL – CAC, BOTTOM END	2	
14	205071	CLIP – PIN	4	
15	205070	PIN – 9.7 MM O.D. X 140 MM	4	
16	203154	COOLER – HYDRAULIC OIL	1	
17	208541	SEAL – HYDRAULIC OIL COOLER	2	
18	208555	WELDT – COOLER FACE FRAME	1	
19	136598	STRIKER – BOLT	1	
A	136704	BOLT – HEX FLG HD M6 X 1 X 60-8.8-AA2L		
B	152863	NUT – HEX FLG STVR LOC M8 X 1.25-10-AA2L		
C	152668	NUT – HEX FLG CTR LOC M6 X 1-8-A2L		
D	136300	BOLT – HEX FLG HD TFL M8 X 1.25 X 20-8.8-AA3L		
E	136431	NUT – HEX FLG CTR LOC M12 X 1.75-10-A3L		

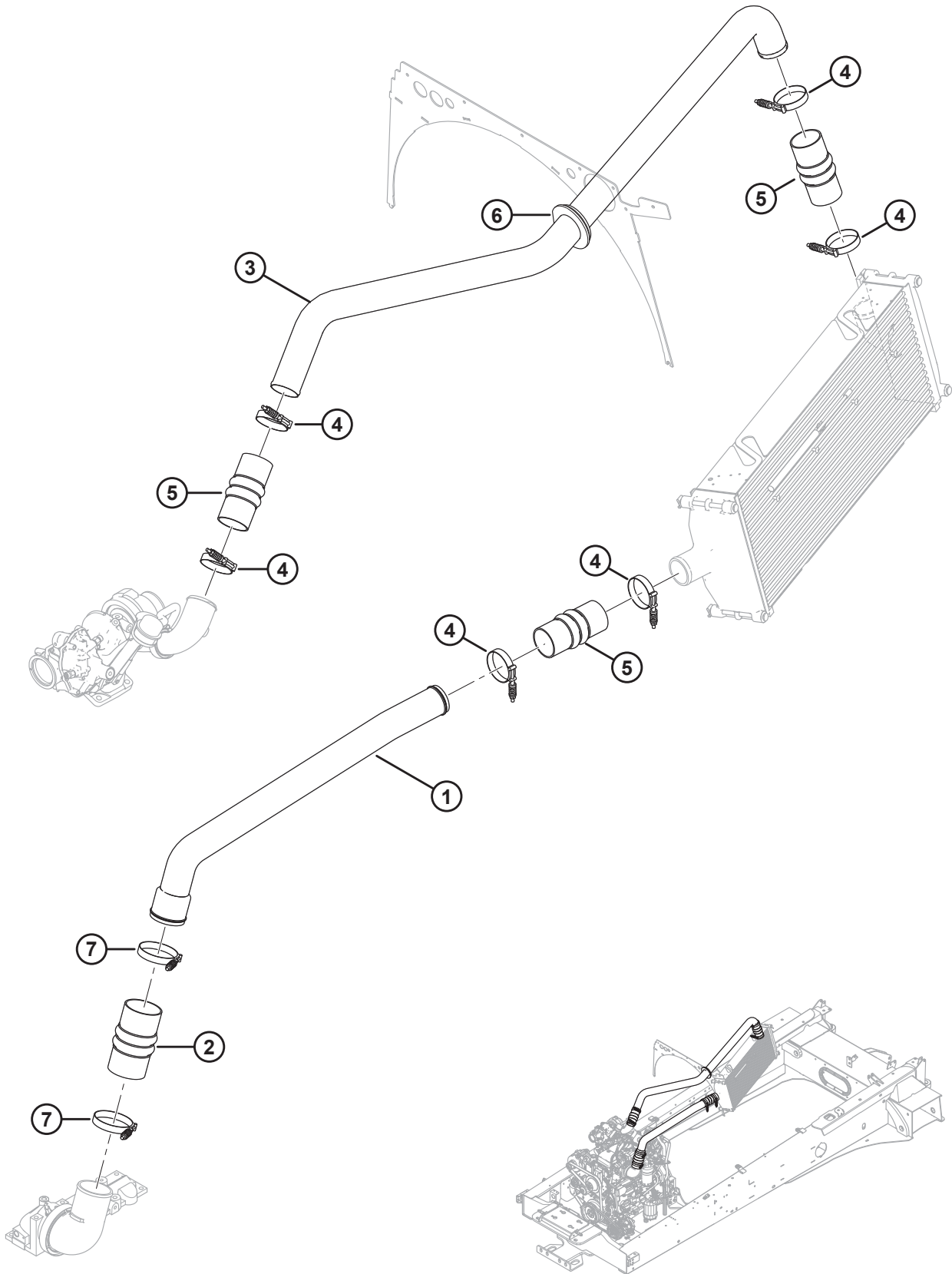
# 28 Charge Air Cooler Plumbing – M1170NT



**CHARGE AIR COOLER PLUMBING – M1170NT**

<b>Ref</b>	<b>Part Number</b>	<b>Description</b>	<b>Qty</b>	<b>Serial Number</b>
1	207899	HOSE – CHARGE AIR COOLER, OUTLET	1	
2	162342	CLAMP – CONSTANT TORQUE, 3.56 IN. NOM	1	
3	136480	CLAMP – CONSTANT TORQUE, Ø3 IN. NOM	1	
4	163779	GROMMET – 2.5 IN. SILICONE	1	
5	163904	CONNECTOR – CAC, 2.5 IN.	2	
6	163957	CLAMP – CONSTANT TORQUE, Ø2.75 IN. NOM	4	
7	206116	TUBE – CHARGE AIR COOLER, INLET	1	

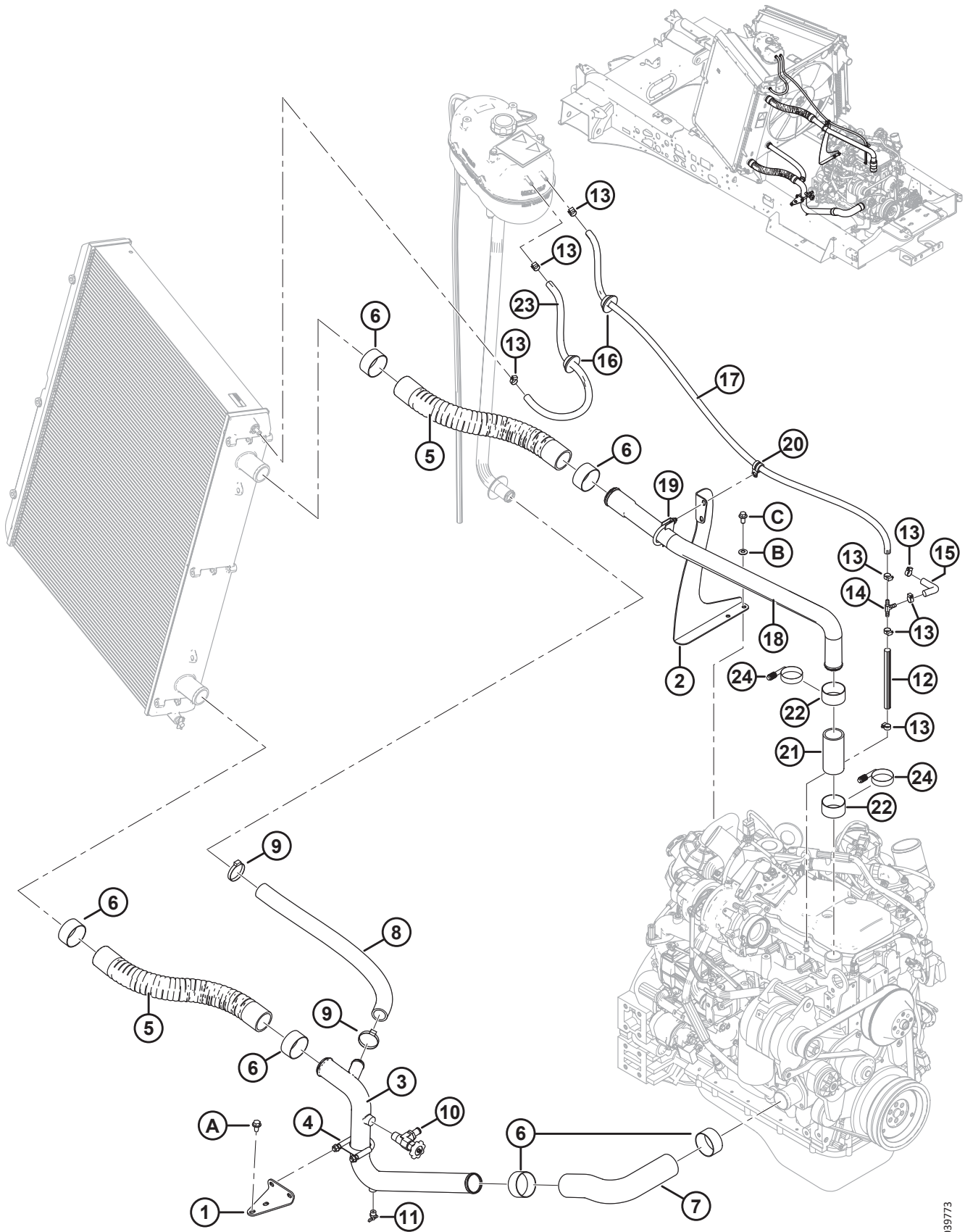
## 29 Charge Air Cooler Plumbing – M1170N75



**CHARGE AIR COOLER PLUMBING – M1170N75**

<b>Ref</b>	<b>Part Number</b>	<b>Description</b>	<b>Qty</b>	<b>Serial Number</b>
1	343886	TUBE – CAC, OUTLET	1	
2	163905	CONNECTOR – CAC	1	
3	206116	TUBE – CHARGE AIR COOLER, INLET	1	
4	163957	CLAMP – CONSTANT TORQUE, Ø2.75 IN. NOM	6	
5	163904	CONNECTOR – CAC, 2.5 IN.	3	
6	163779	GROMMET – 2.5 IN. SILICONE	1	
7	111643	CLAMP – CONSTANT TORQUE, 3.1875 IN. NOM	2	

# 30 Radiator Plumbing – M1170NT





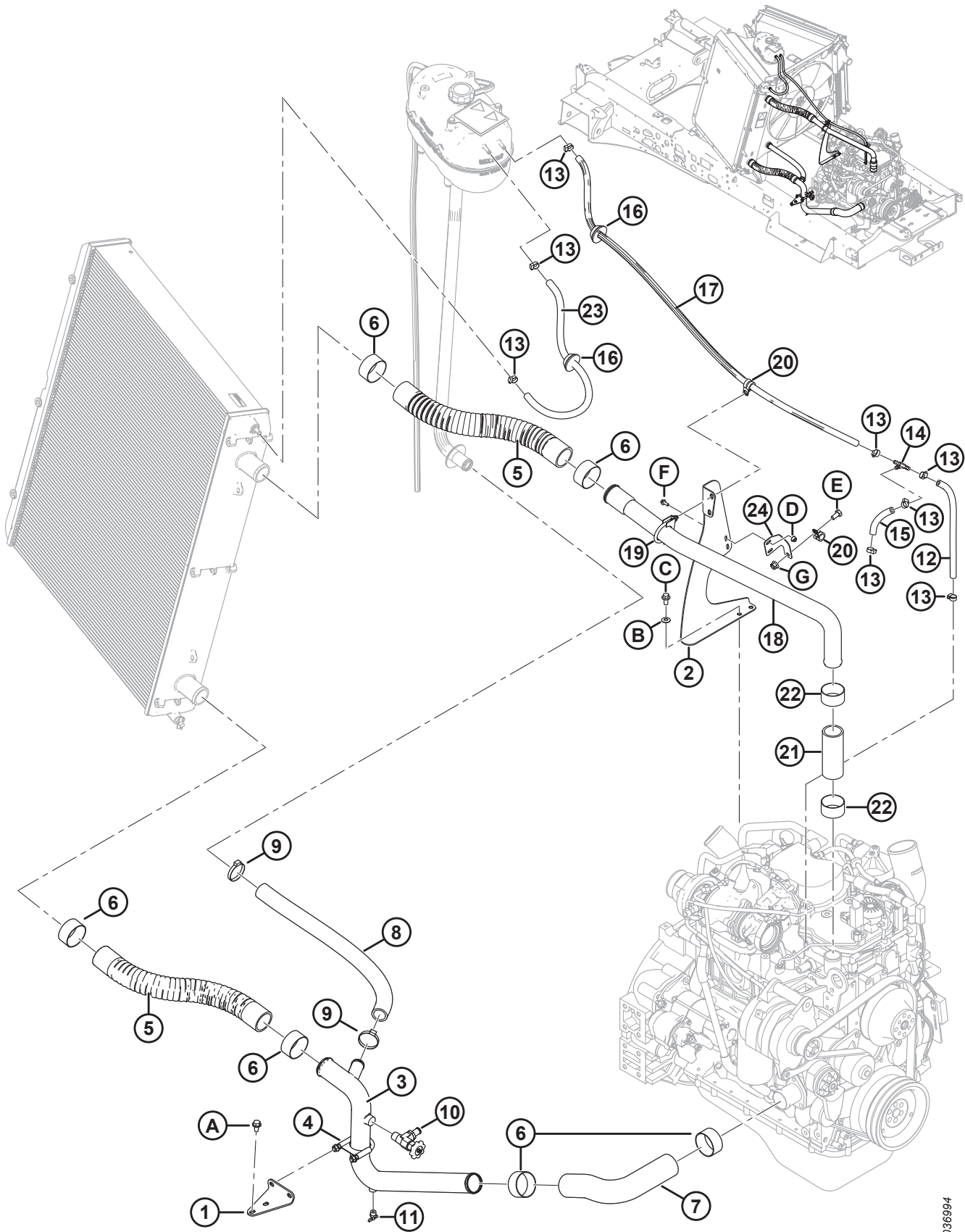
**RADIATOR PLUMBING – M1170NT**

<b>Ref</b>	<b>Part Number</b>	<b>Description</b>	<b>Qty</b>	<b>Serial Number</b>
1	202734	SUPPORT – TUBE	1	
2	203929	SUPPORT – TUBE	1	
3	202732	TUBE – RAD, INLET	1	
4	136109	CLAMP – U-BOLT, 2 IN. DIA	1	
5	206121	HOSE – RADIATOR, FLEX, 50.8 MM X 508 MM LG	2	
6	306119	KIT – CLAMP, SVC 57.1–63.5 MM <sup>49</sup>	6	
7	206114	HOSE – RADIATOR, BOTTOM	1	
8	203295	HOSE – RADIATOR FILL, 1.25 IN. I.D., 640 MM LG	1	
9	162444	CLAMP – HOSE	2	
10	101904	VALVE – 90°	1	
11	20023	FITTING – DRAIN COCK, 1/4 NPT	1	
12	206593	HOSE – COOLANT, 5/16 IN. I.D., 190 MM LG	1	
13	30500	CLAMP – HOSE GEAR TYPE	8	
14	200402	FITTING – TEE, 5/16 IN., BARBED	1	
15	206592	HOSE – COOLANT, 5/16 IN. I.D., 110 MM LG	1	
16	42080	GROMMET – RUBBER, POLYURETHANE	2	
17	203941	HOSE – COOLANT, 5/16 IN I.D., 1380 MM	1	
18	203927	TUBE – RAD, TOP	1	
19	136110	CLAMP – U-BOLT, 1.75 IN. DIA	1	
20	135716	CLAMP – INSULATED 5/8 IN.	1	
21	310818	HOSE – 44.5 MM I.D. X 110 MM	1	
22	306120	KIT – CLAMP, SVC 50.8–57.2 MM <sup>49</sup>	2	
23	205242	HOSE – COOLANT, 5/16 X 670 MM LG	1	
24	<b>306647</b>	<b>CLAMP – CONSTANT TORQUE 45-67</b> <sup>50</sup>	<b>OPT</b>	
A	136209	SCREW – HEX WASHER HD M10 X 1.5 X 20-450HV-A3L		
B	184584	WASHER – CON SPRING M10A STL SAE 1050-1075		
C	152655	BOLT – HEX FLG HD M10 X 1.5 X 20-8.8-A3L		

49. Includes one heat shrink clamp and instructions.

50. Available as an alternative to the heat shrink clamp kit (MD #306120).

# 31 Radiator Plumbing – M1170NT5

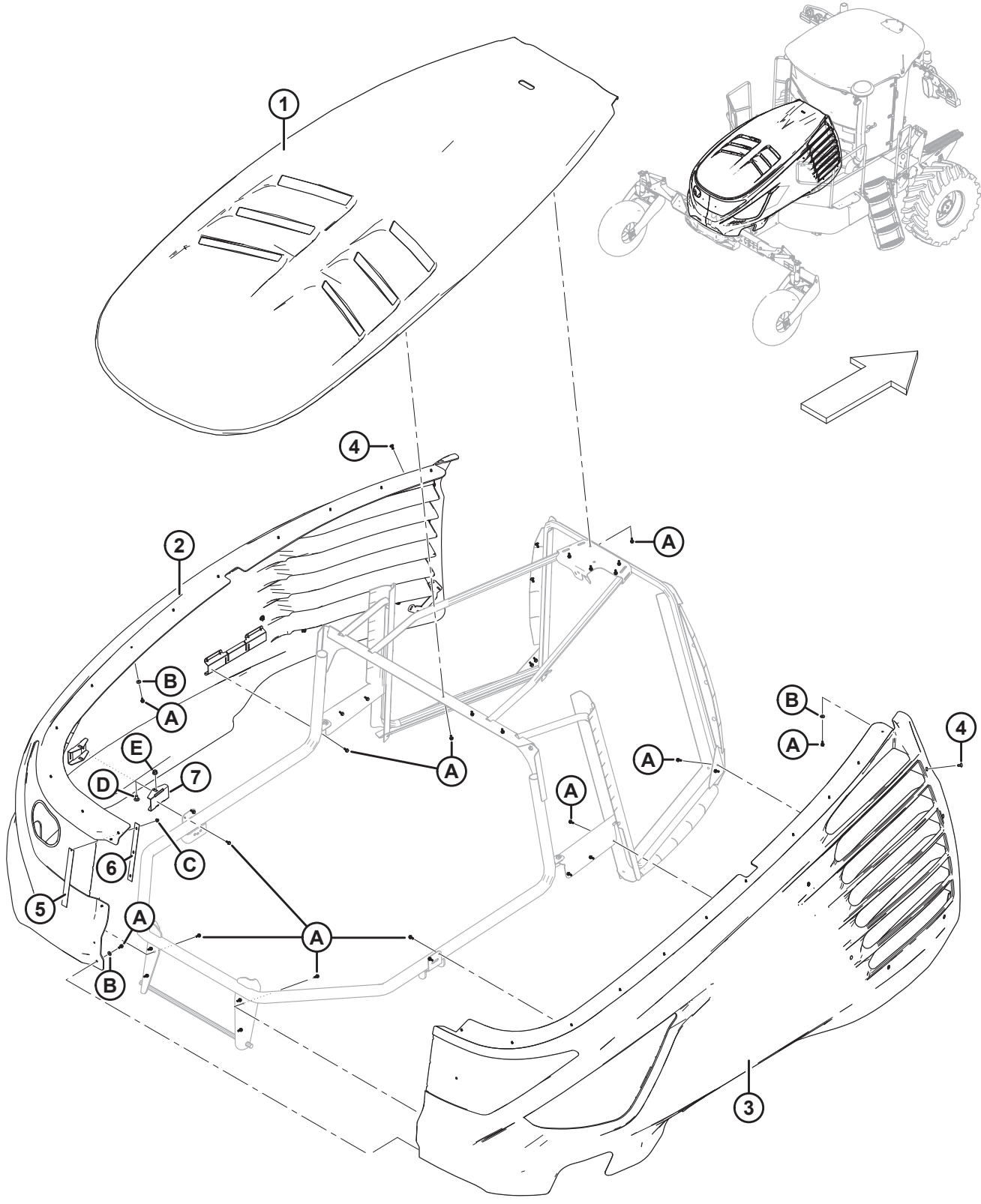


**RADIATOR PLUMBING – M1170N75**

Ref	Part Number	Description	Qty	Serial Number
1	202734	SUPPORT – TUBE	1	
2	306429	SUPPORT – TUBE, STAGE 5	1	
3	202732	TUBE – RAD, INLET	1	
4	136109	CLAMP – U-BOLT, 2 IN. DIA	1	
5	206121	HOSE – RADIATOR, FLEX, 50.8 MM X 508 MM LG	2	
6	306119	KIT – CLAMP, SVC 57.1–63.5 MM <sup>51</sup>	6	
7	206114	HOSE – RADIATOR, BOTTOM	1	
8	203295	HOSE – RADIATOR FILL, 1.25 IN. I.D., 640 MM LG	1	
9	162444	CLAMP – HOSE	2	
10	101904	VALVE – 90°	1	
11	20023	FITTING – DRAIN COCK, 1/4 NPT	1	
12	310979	HOSE – COOLANT, 5/16 IN. I.D., 320 MM LG	1	
13	30500	CLAMP – HOSE GEAR TYPE	8	
14	200402	FITTING – TEE, 5/16 IN., BARBED	1	
15	310807	HOSE – COOLANT, 5/16 IN. I.D., 100 MM LG	1	
16	42080	GROMMET – RUBBER, POLYURETHANE	2	
17	310978	HOSE – COOLANT, 5/16 IN I.D., 1380 MM	1	
18	203927	TUBE – RAD, TOP	1	
19	136110	CLAMP – U-BOLT, 1.75 IN. DIA	1	
20	135716	CLAMP – INSULATED 5/8 IN.	2	
21	310989	HOSE – 44.5 MM I.D. X 135 MM	1	
22	306120	KIT – CLAMP, SVC 50.8–57.2 MM <sup>51</sup>	2	
23	205242	HOSE – COOLANT, 5/16 X 670 MM LG	1	
24	306430	SUPPORT – P-CLIP	1	
A	136209	SCREW – HEX WASHER HD M10 X 1.5 X 20-450HV-A3L		
B	184584	WASHER – CON SPRING M10A STL SAE 1050-1075		
C	152655	BOLT – HEX FLG HD M10 X 1.5 X 20-8.8-A3L		
D	152668	NUT – HEX FLG CTR LOC M6 X 1-8		
E	<b>135723</b>	<b>SCR-HEX SOC BTN HD M10X1.5X20-10.9-AA1J</b>		
F	135959	BOLT – HEX FLG HD M6 X 1 X 16-10.9-AA1J		
G	135799	NUT – HEX FLG CTR LOC M10 X 1.5-10		

51. Includes one heat shrink clamp and instructions.

# 32 Hood



## HOOD

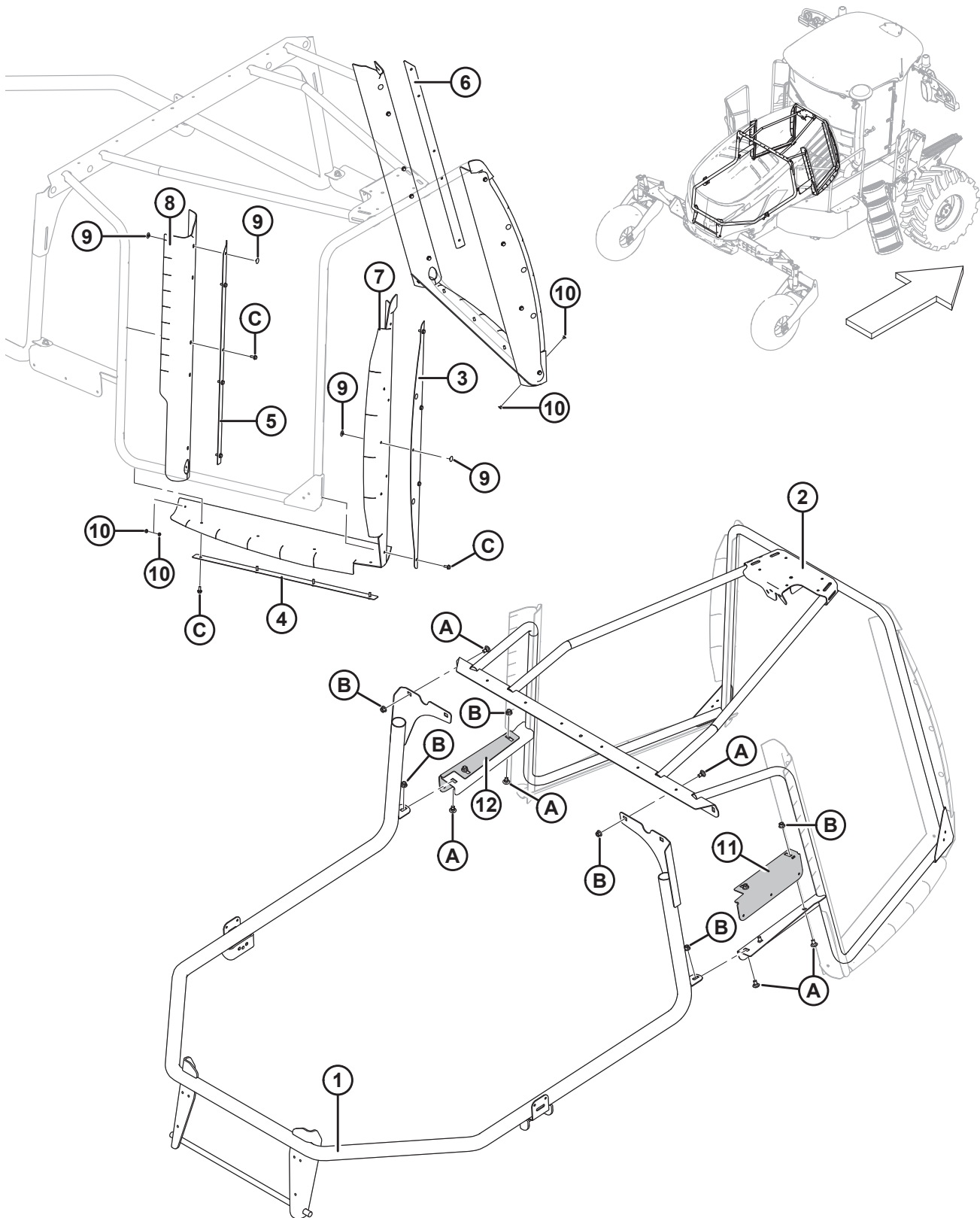
Ref	Part Number	Description	Qty	Serial Number
1	306024	SERVICE KIT – TOP PANEL <sup>52</sup>	1	
2	291608	SERVICE KIT – PANEL, LH <sup>53</sup>	1	
	208562	BEZEL – SCREEN	1	
3	291609	SERVICE KIT – PANEL, RH <sup>54</sup>	1	
4	208860	CLIP – PUSH IN, RED	12	
5	209947	WELDMENT – SCREEN CENTER	2	
6	209949	STRIP – CENTER, BACKSIDE	2	
7	291799	BRACKET – ADJUSTABLE	2	
A	252284	SCREW – HEX WASHER HD M6 X 1 X 16-450HV-A3L		
B	184706	WASHER – FLAT LARGE M6-200HV-A2L		
C	152668	NUT – HEX FLG CTR LOC M6 X 1-8		
D	136178	BOLT – RHSN M10 X 1.5 X 20-8.8-A3L		
E	135799	NUT – HEX FLG CTR LOC M10 X 1.5-10		

52. Includes hood latch decal (MD #208763).

53. Includes rear screen (NSS), clips (MD #208860), screen weldment (MD #209947), center strip (MD #209949), adjustable bracket (MD #291799), screen bezel (MD #208562), and hardware.

54. Includes rear screen (NSS), clips (MD #208860), screen weldment (MD #209947), center strip (MD #209949), adjustable bracket (MD #291799), and hardware.

# 33 Hood Frame

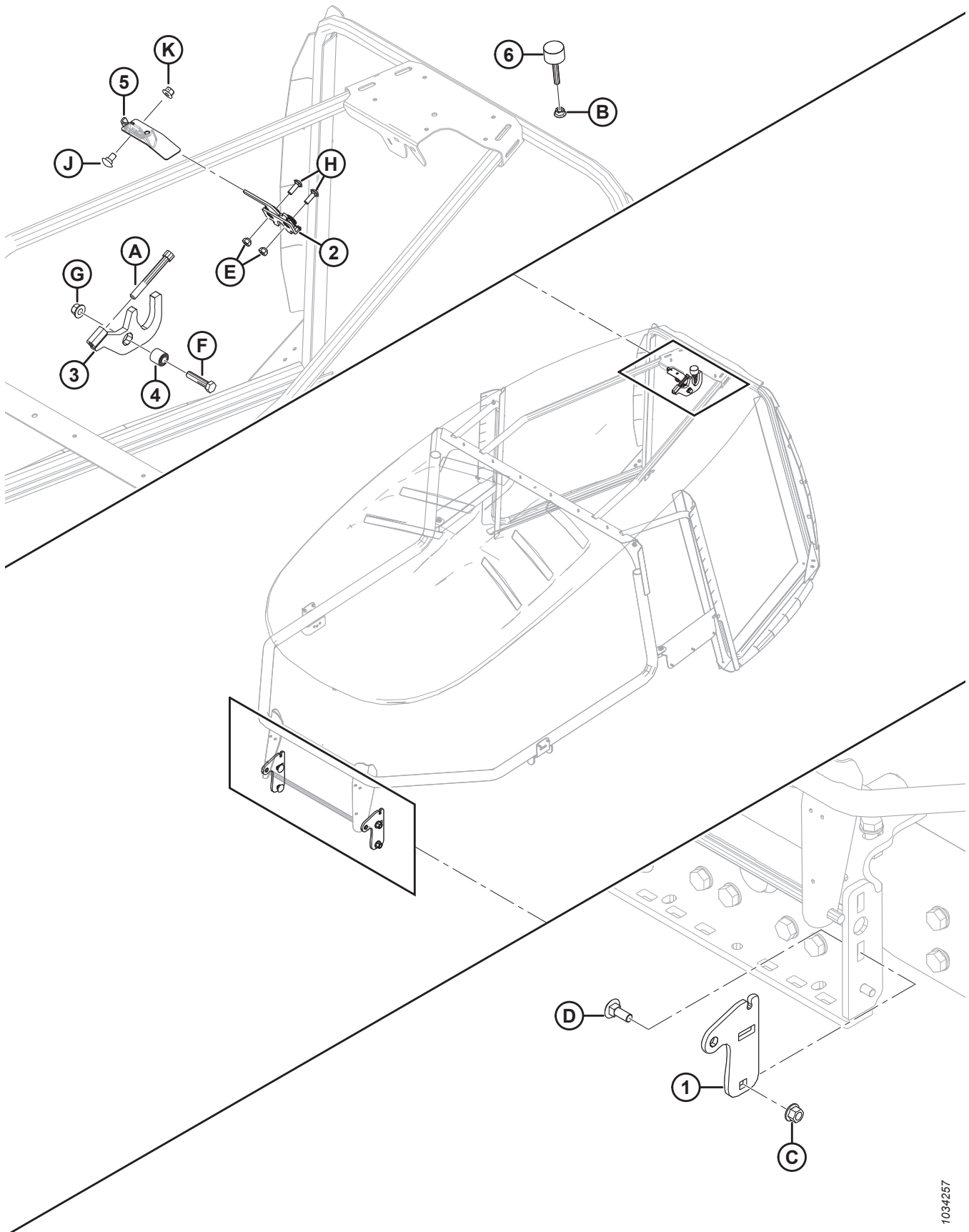


**HOOD FRAME**

<b>Ref</b>	<b>Part Number</b>	<b>Description</b>	<b>Qty</b>	<b>Serial Number</b>
1	205441	SUPPORT – HOOD REAR, WELDT	1	
2	291937	SERVICE KIT – HOOD FRAME, FRONT <sup>55</sup>	1	
3	207868	PLATE – HOOD, FRONT SEAL	2	
4	206665	PLATE – HOOD, BOTTOM SEAL	2	
5	207870	PLATE – HOOD, REAR SEAL, RH	1	
6	207869	PLATE – HOOD, REAR SEAL, LH	1	
7	207257	ANGLE – SEAL, FRONT	2	
8	207256	ANGLE – SEAL, REAR	2	
9	207329	CLIP – RATCHET RIVET	16	
10	208321	CLIP – BINDING POST, 1/4 IN.	4	
11	291796	BRACKET – PANEL, RH	1	
12	291795	BRACKET – PANEL, LH	1	
A	136178	BOLT – RHSN M10 X 1.5 X 20-8.8-A3L		
B	135799	NUT – HEX FLG CTR LOC M10 X 1.5-10-A3L		
C	252284	SCREW – HEX WASHER HD M6 X 1 X 16-450HV-A3L		

55. Includes brackets (MD #291795, 291796), four bolts (MD #136178), and four nuts (MD #135799).

# 34 Hood Latch Mechanism



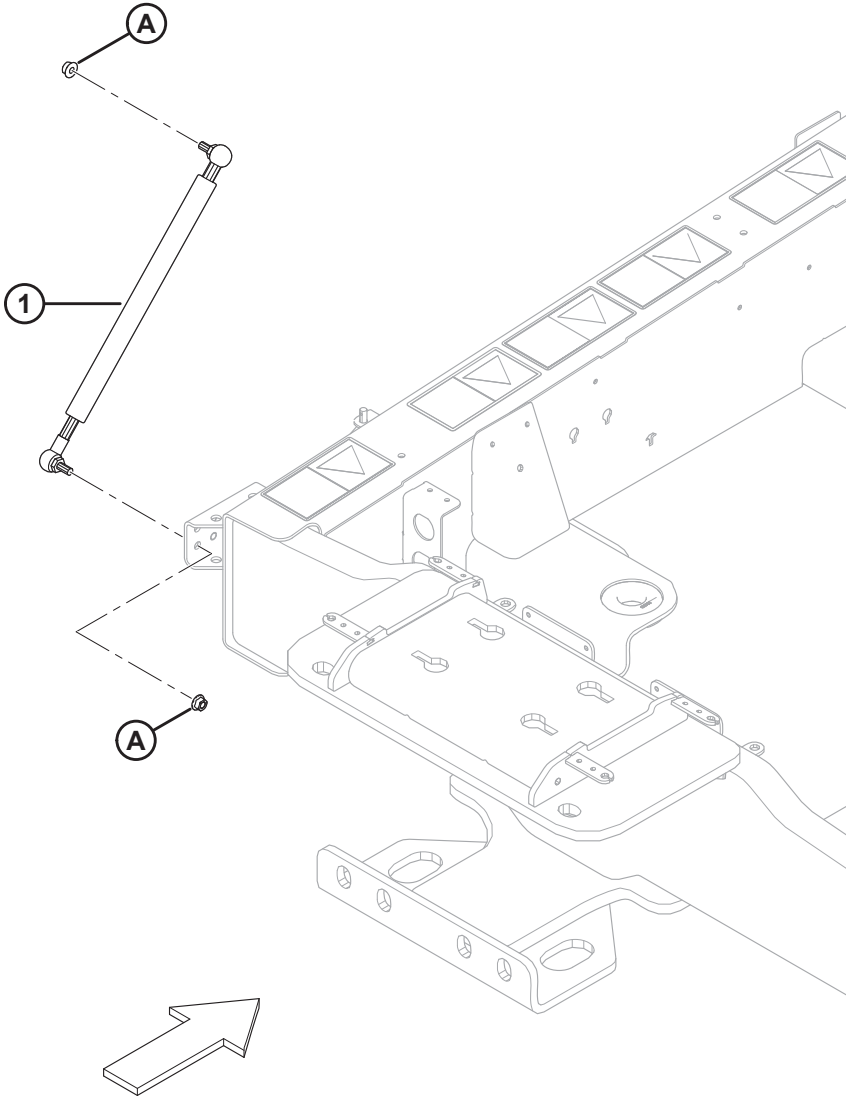
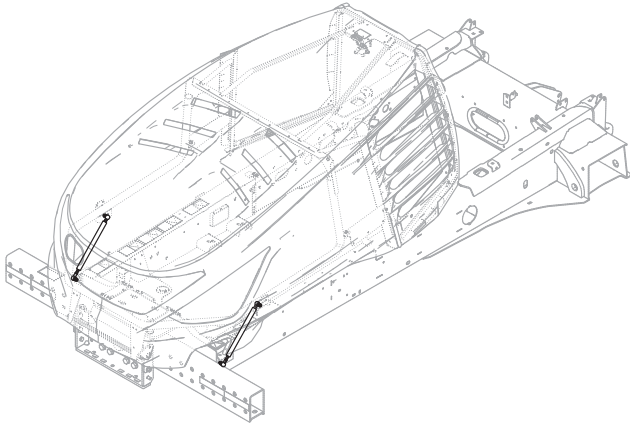


**HOOD LATCH MECHANISM**

<b>Ref</b>	<b>Part Number</b>	<b>Description</b>	<b>Qty</b>	<b>Serial Number</b>
1	207727	BRACKET – HOOD PIVOT	2	
2	208719	ASSY – STIRRUP LATCH	1	
3	141283	ARM – STRIKER, C/W BUSHING <sup>56</sup>	1	
4	21810	BUSHING – RUBBER	1	
5	207812	LEVER – CE HOOD RELEASE (NT ONLY)	1	
6	207430	BUMPER – RUBBER, M10	1	
A	135926	SCREW – HEX SOC HD M12 X 1.75 X 100-12.9-A3L		
B	135927	NUT – HEX SMTH FLG M10 X 1.5-8-A3L		
C	136440	NUT – HEX FLG CTR LOC M16 X 2-10-A3L		
D	136572	BOLT – RHSN M16 X 2 X 45-10.9-A3L		
E	136417	NUT – HEX SPCL M8 X 1.25		
F	152779	BOLT – HEX HD M12 X 1.75 X 55-8.8-A3L		
G	136431	NUT – HEX FLG CTR LOC M12 X 1.75-10-A3L		
H	136824	BOLT – RHSSN M8 X 1.25 X 25-8.8-A2L		
J	136178	BOLT – RHSN M10 X 1.5 X 20-8.8-A3L		
K	135799	NUT – HEX FLG CTR LOC M10 X 1.5-10-A3L		

<sup>56</sup>. Includes rubber bushing (MD #21810) and screw (MD #135926).

# 35 Hood Gas Shocks – Standard



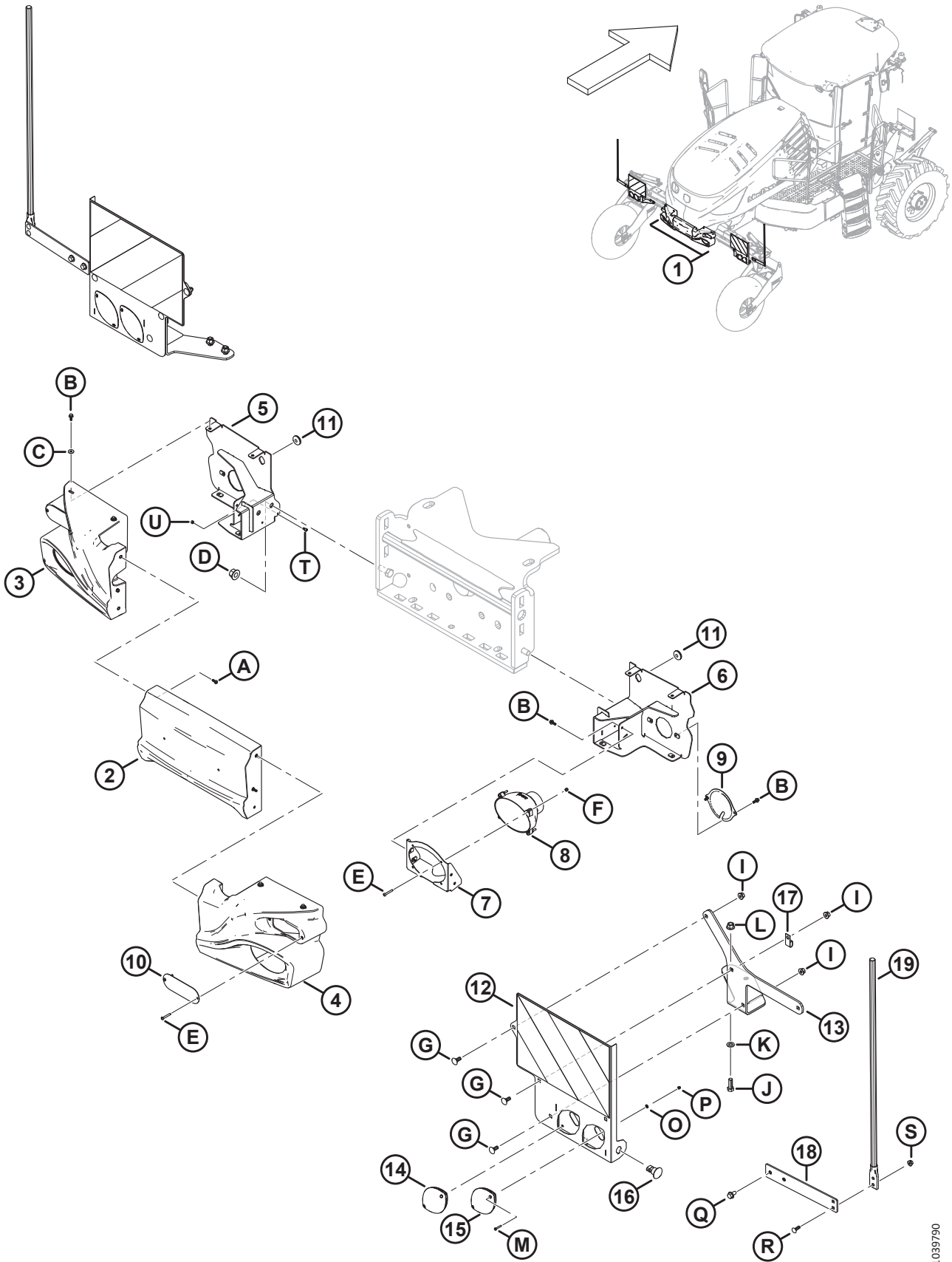
## HOOD GAS SHOCKS – STANDARD

**NOTE:**

Alternative hood gas shocks are available when optional high debris hood scoops are installed. Refer to Section [122 \(Option\) High Debris Cooler Intake, page 279](#).

Ref	Part Number	Description	Qty	Serial Number
1	209688	SHOCK – GAS, HOOD	2	
A	135927	NUT – HEX SMTH FLG M10 X 1.5-8-A3L		

# 36 Rear Lights and Bezels



**REAR LIGHTS AND BEZELS**

Ref	Part Number	Description	Qty	Serial Number
1	310735	BEZEL – ASSY REAR LIGHTS, NT <sup>57</sup>	1	
2	208502	BEZEL – CENTRE BLACK	1	
3	208503	BEZEL – LH BLACK	1	
4	208504	BEZEL – RH BLACK	1	
5	310119	SUPPORT – LH REAR LIGHTS WELDT	1	
6	310120	SUPPORT – RH REAR LIGHTS WELDT	1	
7	207970	SUPPORT – HEADLIGHT WELDMENT	2	
8	201888	HEADLIGHT – FLUSH MOUNT	2	
	110267	LIGHT – H4 BULB	2	
9	291073	COVER – BEZEL LIGHT CONNECTOR	2	
10	208822	PLATE – COVER	2	
11	42415	GROMMET	2	
12	346313	ASSY – REAR LH REFLECTOR C/W DECALS <sup>58</sup>	1	
	346314	ASSY – REAR RH REFLECTOR C/W DECALS <sup>59</sup>	1	
13	346305	SUPPORT – LIGHT MOUNT, LH WELDT	1	
	346306	SUPPORT – LIGHT MOUNT, RH WELDT	1	
14	310518	LIGHT – WHITE	2	
15	284215	LIGHT – AMBER	2	
16	310814	LAMP – SIDE TURN SIG REPEATER	2	
17	39272	CLIP – INSULATED	2	
18	346011	PLATE – END MARKER HOLDER	2	
19	346003	ROD – END MARKER <sup>60</sup>	1	
A	136886	SCREW – HEX SOC BTN M6 X 1 X 16-10.9-AA1T		
B	135959	BOLT – HEX FLG HD M6 X 1 X 16-10.9-AA1J		
C	184706	WASHER – FLAT LARGE M6-200HV		
D	136440	NUT – HEX FLG CTR LK M16 X 2-10-AA1J		
E	136177	SCREW – PAN HD M5 X 0.8 X 35-4.8-AA1J		
F	197230	NUT – HEX NYLOC M5 X 0.8-8-AA1J		
G	135785	BOLT – RHSN M10 X 1.5 X 25-8.8-AA1J		
H	135799	NUT – HEX FLG CTR LOC M10 X 1.5-10		
J	152730	BOLT – HEX HD TFL M12 X 1.75 X 35-10.9-AA1J		
K	184714	WASHER – FLAT REG M12-300HV		
L	136431	NUT – HEX FLG CTR LOC M12 X 1.75-10		
M	320008	SCREW – PAN HD ISO 7045 M4 X 0.7 X 25-4.8-AA1J		
N	18798	WASHER – FLAT SAE 7/32 ID X 7/16 IN OD AA1J		
P	197320	NUT – HEX NYLOC M4 X 0.7-8-AA1J		
Q	136209	SCREW – HEX WSHR M10 X 1.5 X 20-450HV		
R	136824	BOLT – RHSSN M8 X 1.25 X 25-8.8-AA1J		
S	135337	NUT – HEX FLG CTR LK M8 X 1.25-8-AA1J		

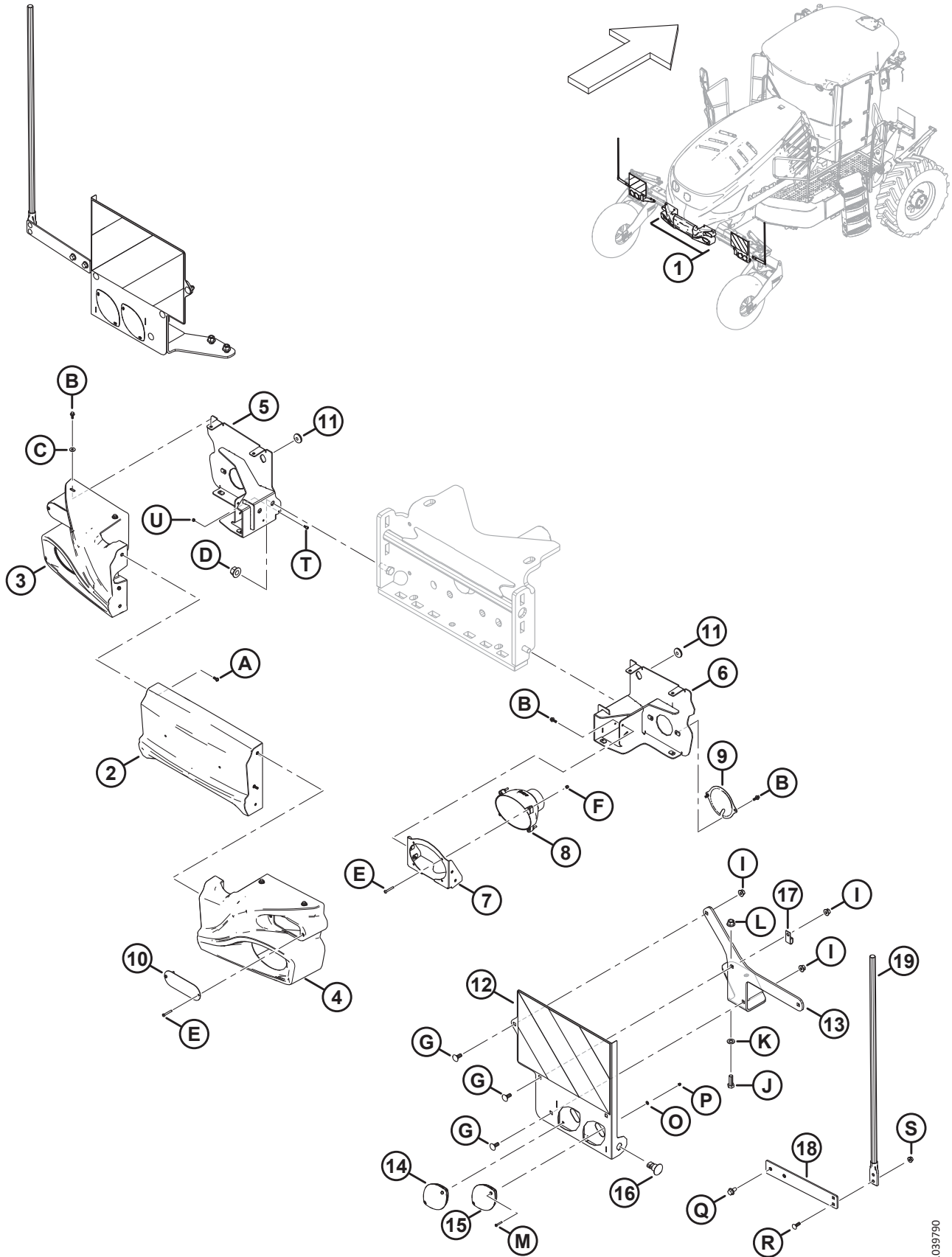
57. Includes center bezel (MD #208502), left-hand bezel (MD #208503), right-hand bezel (MD #208504), and six screws (MD #136886).

58. Includes warning stripes A decal (MD #310476) and grease service decal (MD #310974).

59. Includes warning stripes B decal (MD #310477).

60. Comes as a set of two.

# REAR LIGHTS AND BEZELS

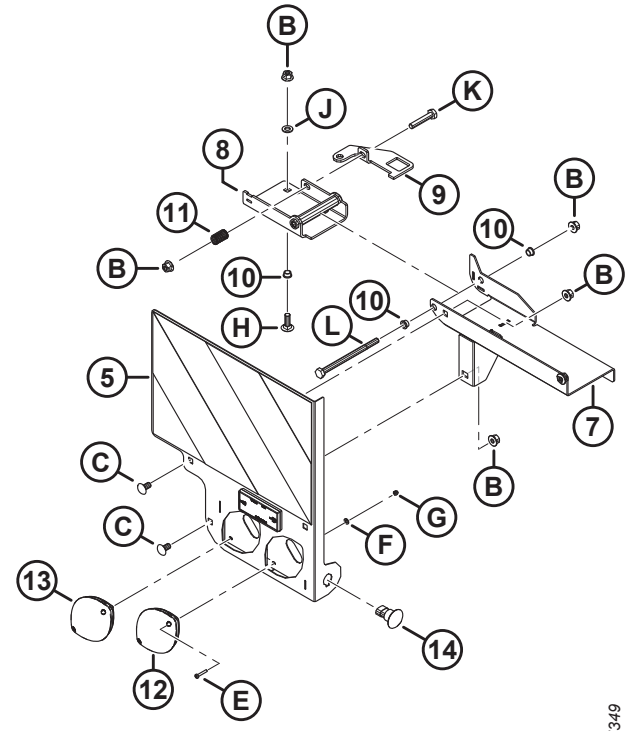
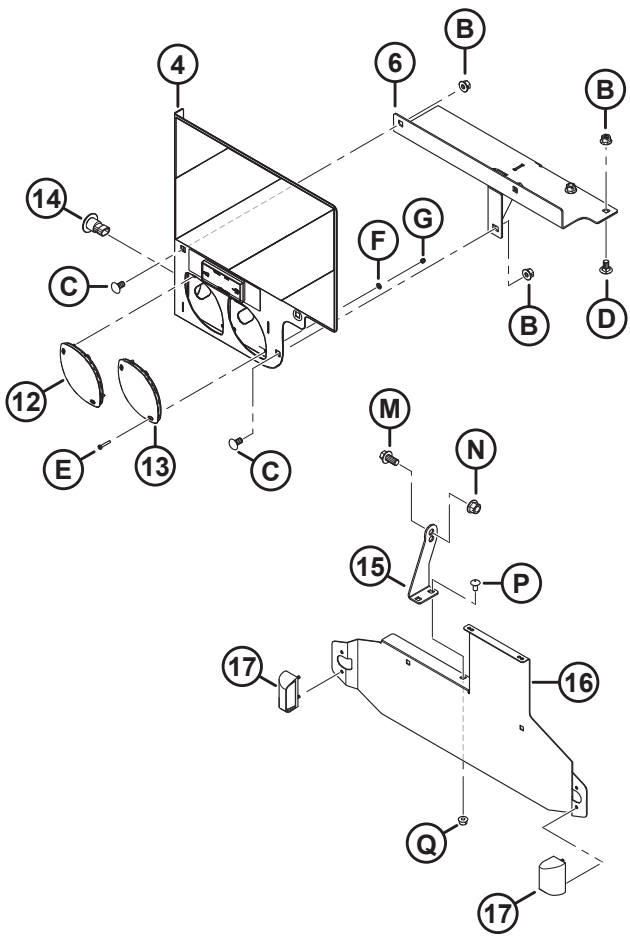
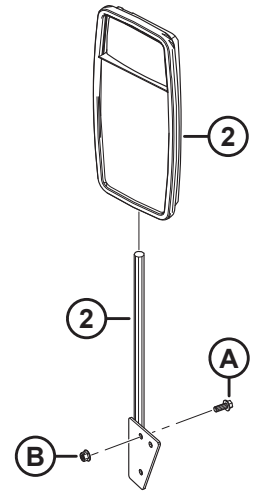
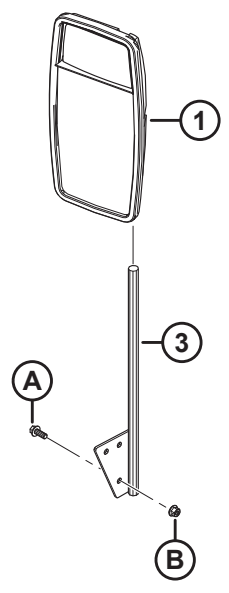
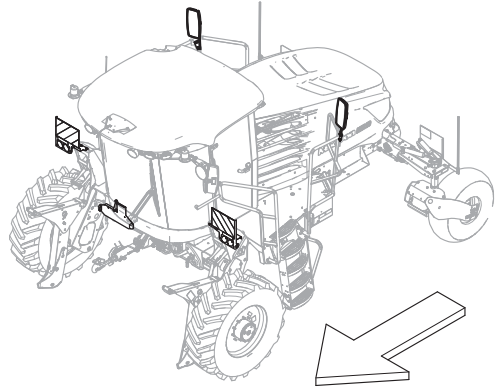


1039790

REAR LIGHTS AND BEZELS

Ref	Part Number	Description	Qty	Serial Number
T	197224	SCR – HEX SOC HD TFL M5 X 0.8 X 10-8.8-AA1J		
U	184682	NUT – HEX M5 X 0.8-8-AA1J		

# 37 Front Lights and Mirrors



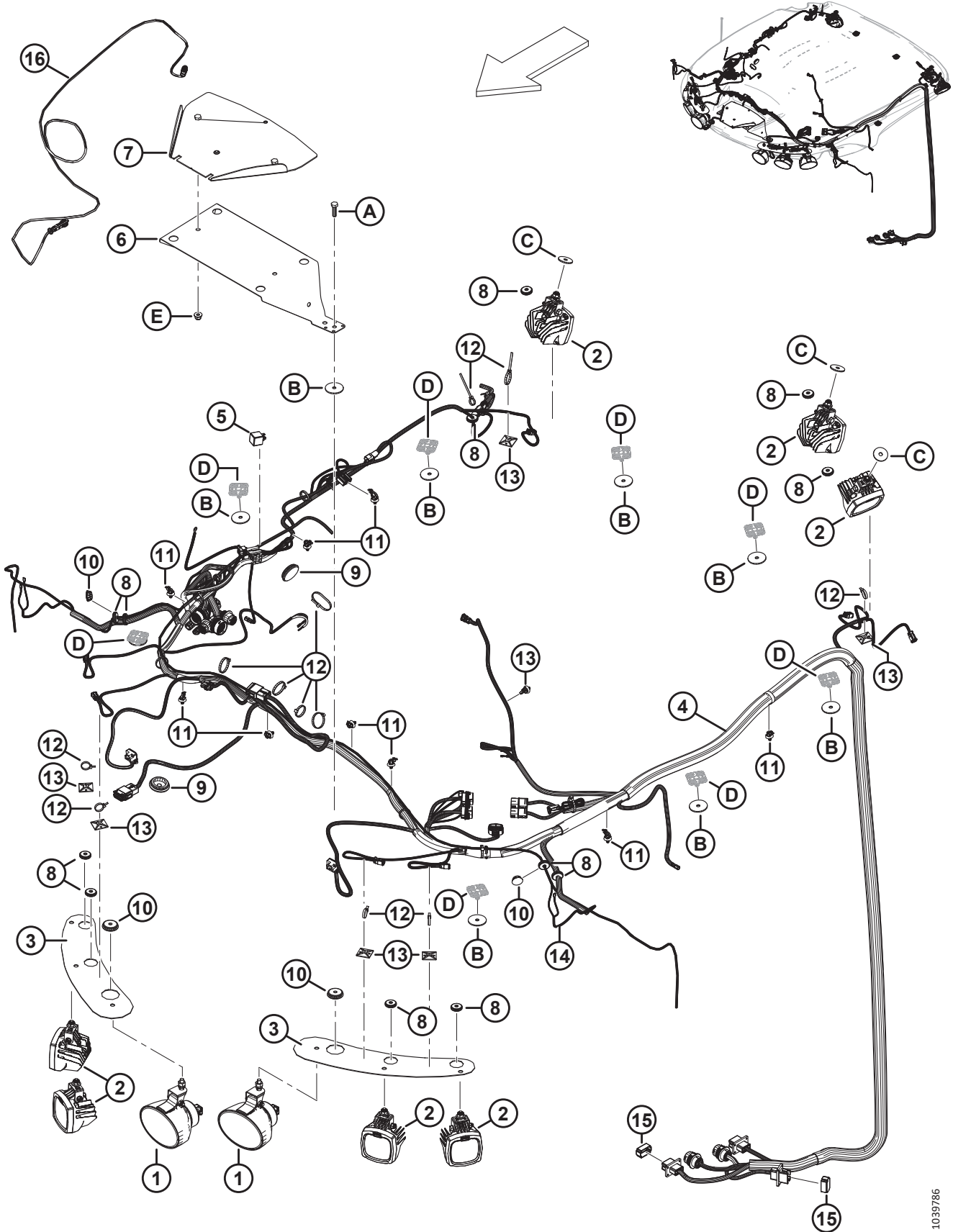


**FRONT LIGHTS AND MIRRORS**

Ref	Part Number	Description	Qty	Serial Number
1	346144	MIRROR – SPLIT, RH	1	
2	346145	MIRROR – SPLIT, LH	1	
3	310846	SUPPORT – MIRROR MOUNT, WELDT	2	
4	310985	ASSY – FRONT RH REFLECTOR C/W DECALS <sup>61</sup>	1	
5	310984	ASSY – FRONT LH REFLECTOR C/W DECALS <sup>62</sup>	1	
6	346019	SUPPORT – PLACARD, RH, WELD'T	1	
7	346295	SUPPORT – PLACARD, LH, WELD'T	1	
8	346015	SUPPORT – LIGHT, HINGE, WELDT	1	
9	310805	BRACKET – LATCH	1	
10	203213	BUSHING – BRONZE	3	
11	35618	SPRING – COMPRESSION	1	
12	284215	LIGHT – AMBER	2	
13	316044	LIGHT – RED	2	
14	310814	LAMP – SIDE TURN SIG REPEATER	2	
15	310925	BRACKET – LIC PLATE MOUNT BRACE	1	
16	346323	BRACKET – PLATE MOUNT	1	
17	310573	LIGHT – REGISTRATION PLATE, LED <sup>63</sup>	2	
A	136312	BOLT – HEX FLG HD TFL M10 X 1.5 X 25-10.9-AA1J		
B	135799	NUT – HEX FLG CTR LOC M10 X 1.5-10		
C	184657	BOLT – RHSSN M10 X 1.5 X 20-8.8-AA1J		
D	136178	BOLT – RHSN M10 X 1.5 X 20-8.8-AA1J		
E	320008	SCREW – PAN HD ISO 7045 M4 X 0.7 X 25-4.8-ZINC		
F	18798	WASHER – FLAT SAE 7/32 ID X 7/16 IN OD AA1J		
G	197320	NUT – HEX NYLOC M4 X 0.7-8-AA1J		
H	184662	BOLT – RHSN TFL M10 X 1.5 X 30-8.8-AA1J		
J	184711	WASHER – FLAT REG M10-200HV-AA1J		
K	152193	BOLT – HEX HD M10 X 1.5 X 55 X 8.8-AA1J		
L	320323	BOLT – HEX HD M10 X 1.5 X 150-8.8-ZINC		
M	136399	BOLT – HEX FLG HD TFL M12 X 1.75 X 25-8.8-AA1J		
N	136431	NUT – HEX FLG CTR LOC M12 X 1.75-10		
P	191489	BOLT – RHSSN TFL M8 X 1.25 X 16-8.8-AA1J		
Q	135337	NUT – HEX FLG CTR LK M8 X 1.25-8-AA1J		

61. Includes warning stripes A decal (MD #310476) and red reflector (MD #346209).  
62. Includes warning stripes B decal (MD #310477) and red reflector (MD #346209).  
63. Light comes with hardware, not shown.

# 38 Roof – Deluxe Cab



**ROOF – DELUXE CAB**

Ref	Part Number	Description	Qty	Serial Number
	<b>306617</b>	<b>ROOF ASSY – STRIPPED, DELUXE CAB</b> <sup>64</sup>		
1	201401	HEADLIGHT – PENDANT MOUNT	2	
	110267	LIGHT – H4 BULB 12 VOLT 60/55 WATT		
2	306182	LIGHT – WORK, LED (DELUXE CAB)	7	
3	201828	PLATE – LIGHTS	2	
4	309056	HARNESS – ROOF <sup>65</sup>	1	
5	30215	RELAY – MINI, 12VDC (GPS)	1	
6	291583	SUPPORT WELDMENT – ROOF <sup>66</sup>	1	
7	291584	SUPPORT – GPS ANTENNA <sup>66</sup>	1	
8	42415	GROMMET – 31.5 MM O.D. X 9.5 MM I.D.	12	
9	183315	PLUG – 1.75 IN. I.D.	2	
10	252237	GROMMET – PLASTIC, 3/8 IN. I.D. X 1.5 IN. O.D.	2	
11	136655	FASTENER – FIR TREE MOUNT WITH CABLE TIE	11	
12	21763	FASTENER – CABLE TIE, BLACK, 160 MM LG	19	
13	134572	BASE – MB5, ACRYLIC ADHESIVE MOUNT	6	
14	205396	HARNESS – POWER MIRROR (DELUXE CAB)	1	
15	134782	DUST CAP – RECPT, 12 POS. DT <sup>67</sup>	2	
16	309046	CABLE – BROAD REACH GFX-NAV CTRL	1	
A	252178	BOLT – HEX HD TFL M10 X 1.5 X 35-8.8-BO		
B	136176	WASHER – RUBBER		
C	136428	WASHER – FLAT LARGE M10-200HV-A3L		
D	REF	BOLT – BONDED TO LOWER ROOF		
E	252807	NUT – HEX FLG NYLOC M10 X 1.5 X SPCL-8-AA1J		

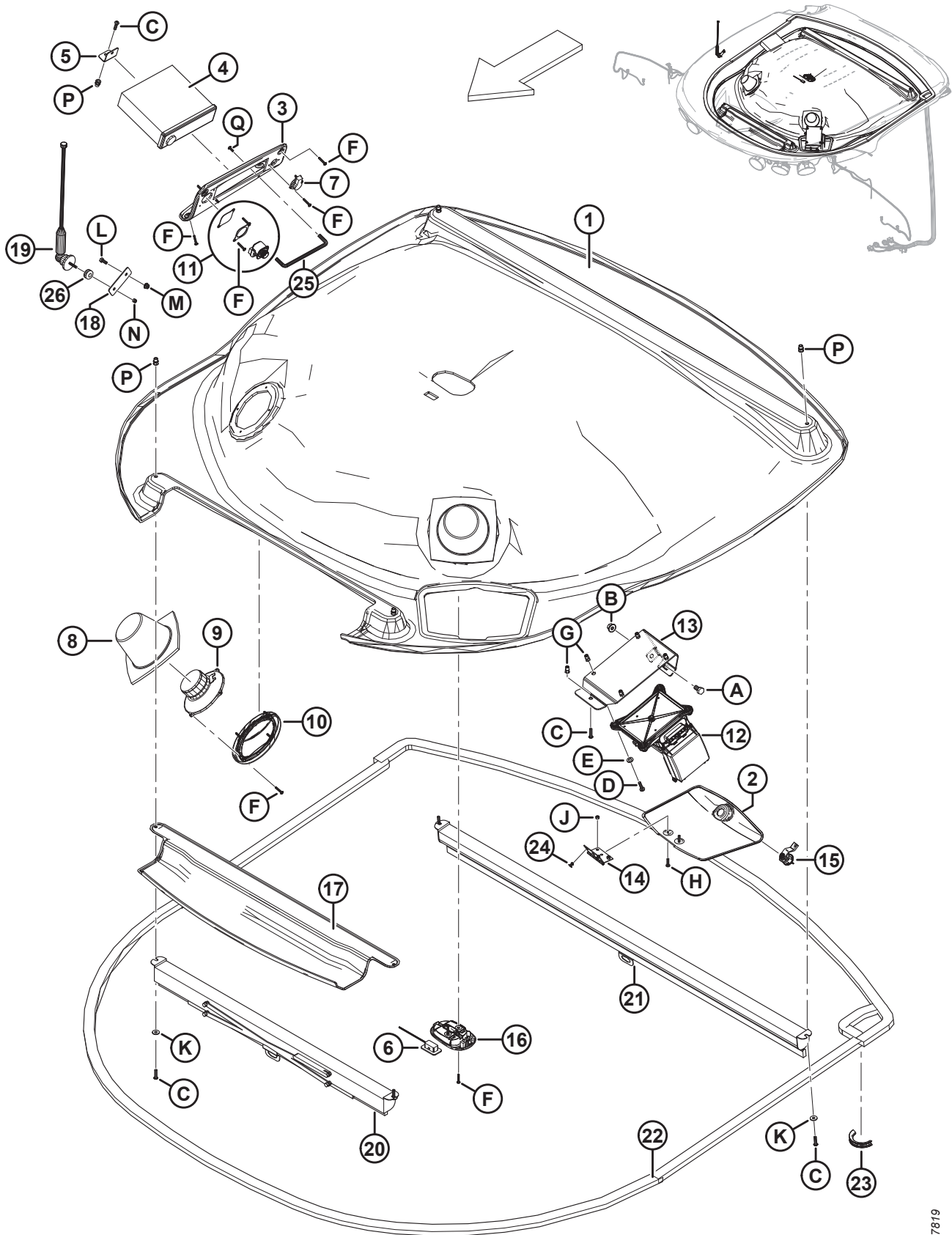
64. Includes lower roof, upper roof, harnesses, and nav control cable only.

65. Includes mini relay (MD #30215).

66. Includes two bolts (MD #252178).

67. Used to protect GPS bulkhead connectors on roof harness.

### 39 Headliner – Radio, Speakers, and Relay Module



1027819

**HEADLINER – RADIO, SPEAKERS, AND RELAY MODULE**

Ref	Part Number	Description	Qty	Serial Number
1	201750	HEADLINER	1	
2	209918	COVER – RELAY MODULE	1	
3	291503	COVER – RADIO	1	
4	306453	RADIO – BLUETOOTH	1	
5	207128	SUPPORT – RADIO	1	
6	207135	HARNESS – MICROPHONE	1	
7	205890	HARNESS – USB	1	
8	205948	BAFFLE – SPEAKER	2	
9	205065	SPEAKER – RADIO	2	
10	205211	SCREEN – SPEAKER GRILLE	2	
11	252254	PLUG (STANDARD CAB, NOT ILLUSTRATED) <sup>68</sup>	A/R	
	291487	PLATE – COVER, MIRROR SWITCH (STANDARD CAB) <sup>69</sup>	1	
	291486	PLATE – MOUNT, MIRROR SWITCH (DELUXE CAB) <sup>69</sup>	1	
	205892	SWITCH – POWER MIRROR (DELUXE CAB) <sup>69</sup>	1	
12	208160	MODULE – RELAY MODULE, 10 RELAY <sup>70</sup>	1	
13	208685	SUPPORT – RELAY MODULE, WELDMENT <sup>71</sup>	1	
14	204781	HINGE – BUTT	1	
15	204787	LATCH – CAM	1	
16	201707	LIGHT – DOME	1	
	208191	BULB – DOME LIGHT		
17	206071	COVER – ROOF	1	
18	205929	PLATE – WELDT ANTENNA GROUND <sup>72</sup>	1	
19	201710	ANTENNA – RADIO C/W CABLE	1	
	208245	ANTENNA – MAST ONLY		
20	291490	SHADE – FRONT WINDOW	1	
21	291489	SHADE – REAR WINDOW	1	
22	201522	SEAL – FOAM, 6500 MM LG ±15	1	
23	194082	MOULDING – 80 MM LG	1	
24	113799	RIVET – POP	4	
25	160414	HANDLE – RADIO SUPPORT	1	
26	293129	GROMMET – 3/16 ID, 9/32 OD	1	
A	136148	BOLT – HEX HD TFL M10 X 1.5 X 20-8.8-BO		
B	135799	NUT – HEX FLG CTR LOC M10 X 1.5-10-A3L		
C	252236	SCREW – HEX SOC M6 X 1 X 25-10.9-ZB		
D	136252	SCREW – PAN HD M6 X 1 X 25-4.8-H-A2L		
E	184708	WASHER – FLAT M8-200HV-A2L		
F	252235	SCREW – PAN HD # 8 X 1 LG ZP		

68. Service part only for windrowers with standard roof assemblies and discontinued radio cover (MD #206072). For units that have been serviced with radio cover (MD #291503), order cover plate (MD #291487).

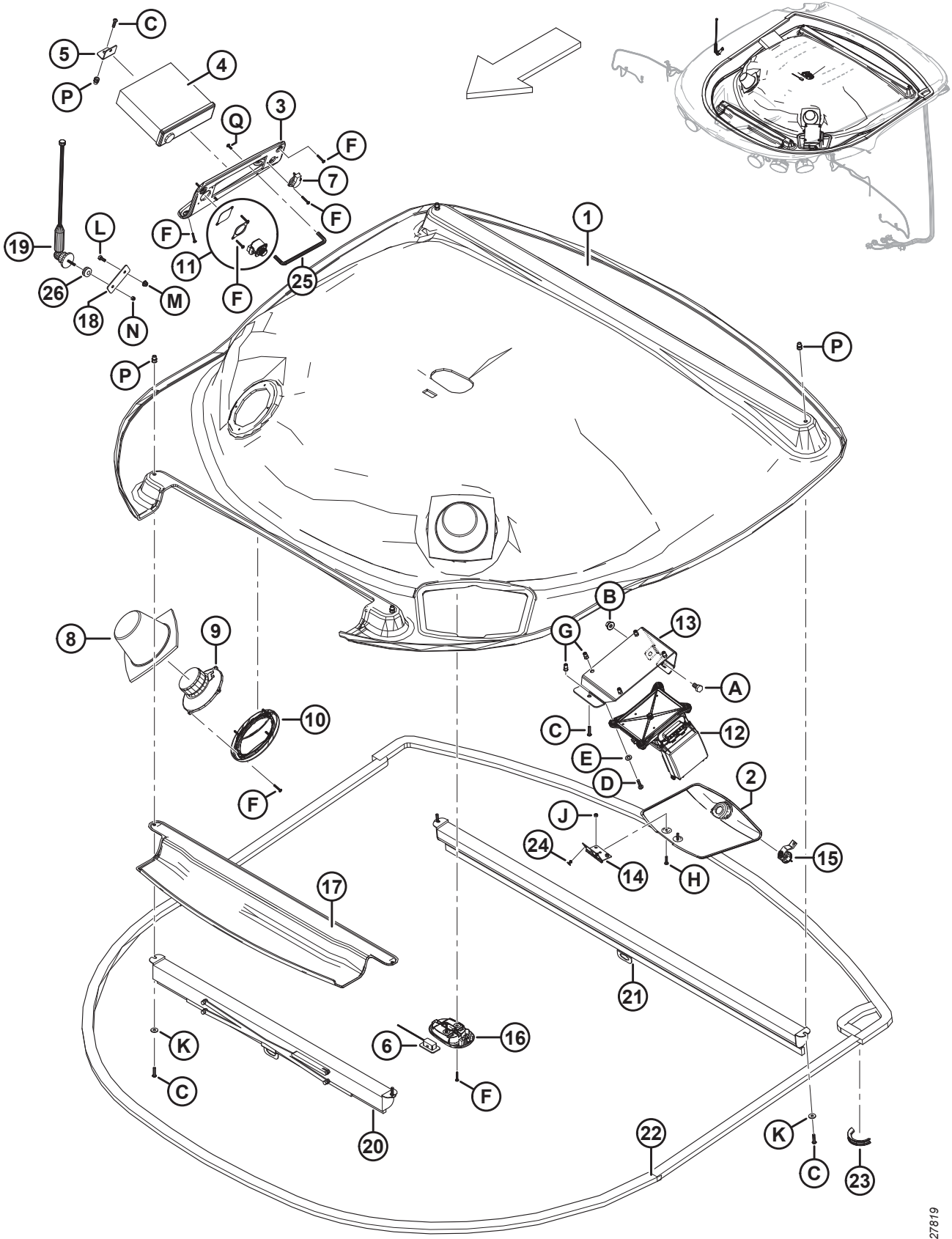
69. For windrowers with standard roof assemblies, order cover plate (MD #291487). For windrowers with deluxe roof assemblies, order switch mount plate (MD #291486) and power mirror switch (MD #205892).

70. For service parts, refer to Section [40 Roof Relay Module – Service Parts, page 99](#).

71. Includes bolt (MD #136148).

72. Includes bolt (MD #136707), which is welded in place.

HEADLINER – RADIO, SPEAKERS, AND RELAY MODULE



1027819

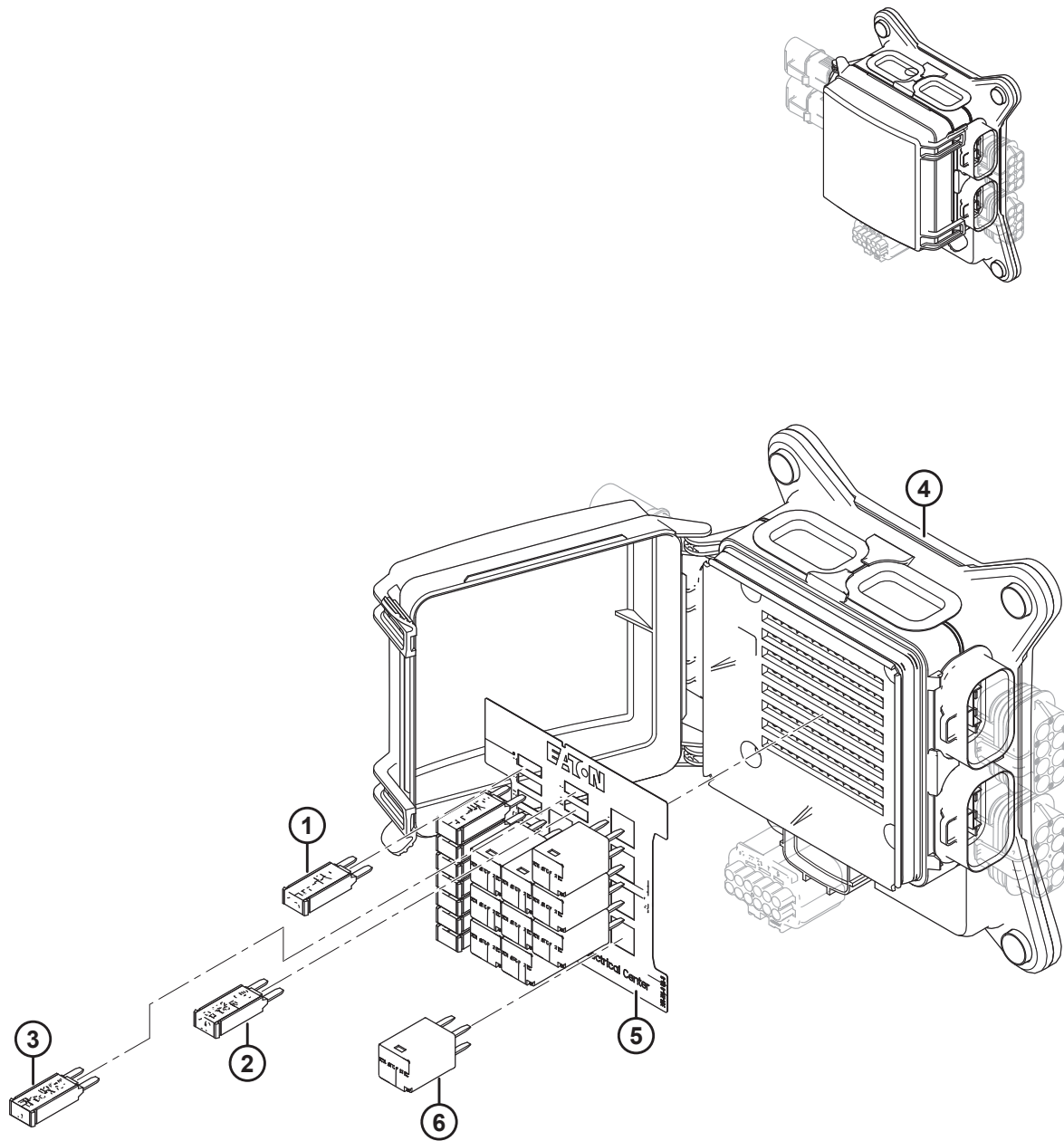
**HEADLINER – RADIO, SPEAKERS, AND RELAY MODULE**

<b>Ref</b>	<b>Part Number</b>	<b>Description</b>	<b>Qty</b>	<b>Serial Number</b>
G	252234	RIVNUT – M6 X 1.0 HEX 3.0-5.5		
H	252203	SCREW – PAN HD ISO 7045 M5 X 0.8 X 20-SS-PLN		
J	184682	NUT – HEX M5 X 0.8-6-A2L		
K	184706	WASHER – FLAT LARGE M6-200HV-A2L		
L	136707	BOLT – HEX HD M6 X 1 X 16-8.8-BLK		
M	152668	NUT – HEX FLG CTR LOC M6 X 1-8-A2L		
N	197230	NUT – HEX NYLOC M5 X 0.8-8-A2L		
P	252585	RIVNUT – M6 X 1.0 HEX 4.2-6.6 <sup>73</sup>		
Q	109918	SCREW – MACHINE PHILLIPS #8 NC X 0.5 LG GR 2		

---

73. Used on the front and rear window shades and radio support.

# 40 Roof Relay Module – Service Parts





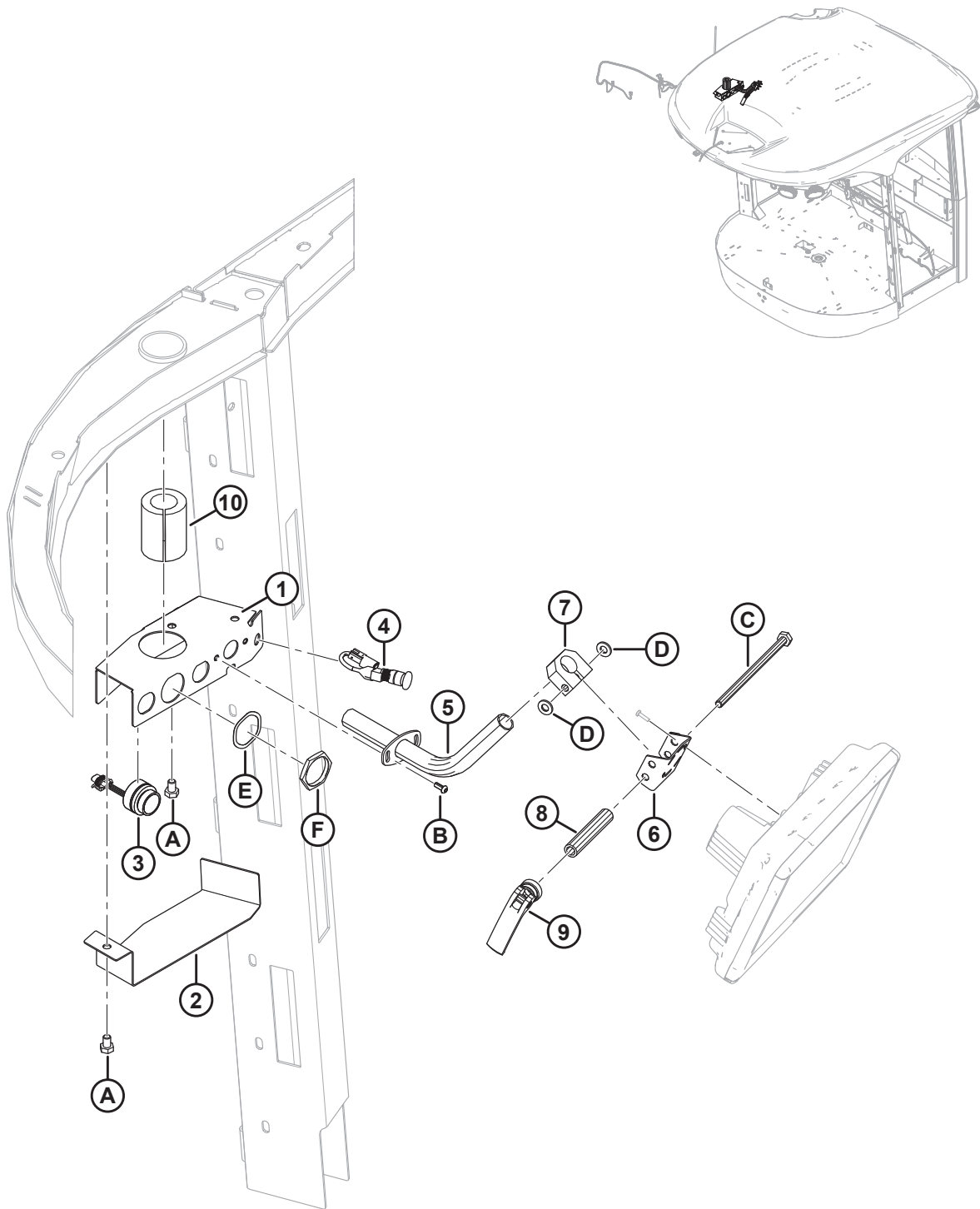
**ROOF RELAY MODULE – SERVICE PARTS**

<b>Ref</b>	<b>Part Number</b>	<b>Description</b>	<b>Qty</b>	<b>Serial Number</b>
	208160	MODULE – RELAY MODULE, 10 RELAY <sup>74</sup>		
1	134452	BREAKER – S21, MINI, 15 AMP, TYPE 1	8	
2	134451	BREAKER – S21, MINI, 10 AMP, TYPE 1	1	
3	134679	BREAKER – S21, MINI, 5 AMP, TYPE 1	1	
4	NSS	MODULE – RELAY MODULE, 10 RELAY	1	
5	NSS	DECAL – RELAY MODULE, 10 RELAY	1	
6	134458	RELAY – ULTRA MICRO, ISO SPST	10	

---

74. Refer to Section *39 Headliner – Radio, Speakers, and Relay Module*, page 95.

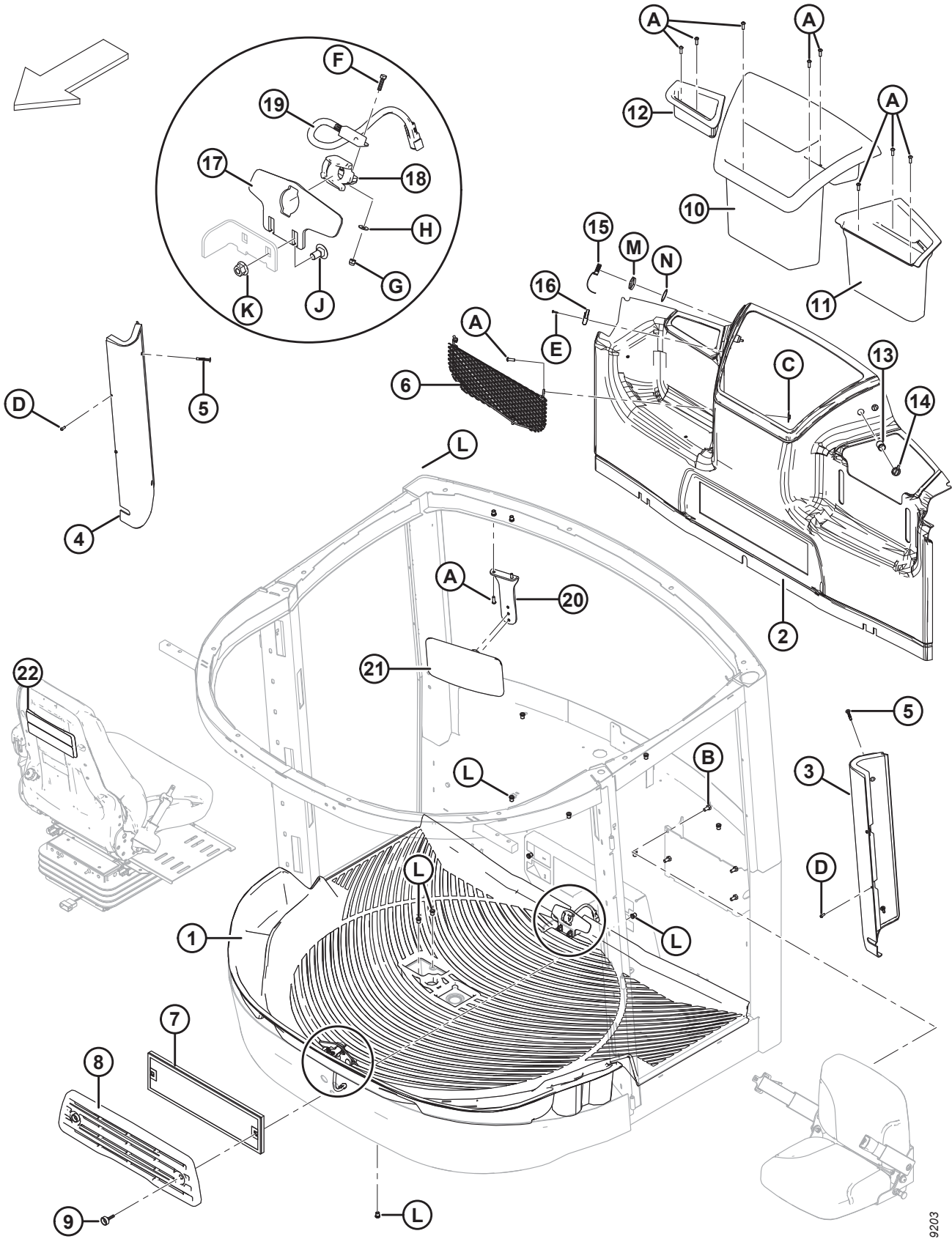
# 41 Cab GPS Bulkhead/Display Mount



**CAB GPS BULKHEAD/DISPLAY MOUNT**

<b>Ref</b>	<b>Part Number</b>	<b>Description</b>	<b>Qty</b>	<b>Serial Number</b>
1	306012	PANEL WELDT – GPS BULKHEAD	1	
2	306177	COVER – GPS BULKHEAD	1	
3	183316	BUZZER – SONALERT	1	
4	134929	SWITCH – EMERGENCY STOP, OPERATOR, RED	1	
5	306013	TUBE WELDT – GPS DISPLAY	1	
6	205595	SUPPORT WELDT GPS DISPLAY	1	
7	306097	CLAMP – GPS DISPLAY	1	
8	205598	SPACER – GPS DISPLAY	1	
9	136696	LEVER	1	
10	NSS	FOAM – INSULATOR	1	
A	50071	BOLT – HEX HD TFL M10 X 1.5 X 15-8.8-A3L		
B	136886	SCREW – HEX SOC M6 X 1 X 16-10.9-ZB		
C	158658	BOLT – HEX HD M10 X 1.5 X 180-10.9-A3L		
D	30655	WASHER – HARD ASTM F436 M10-340HV-AB2C		
E	134730	WASHER – LOCK, HDP20, SIZE 24		
F	134728	NUT – PANEL, HDP20, SIZE 24		

# 42 Cab Interior and Upholstery

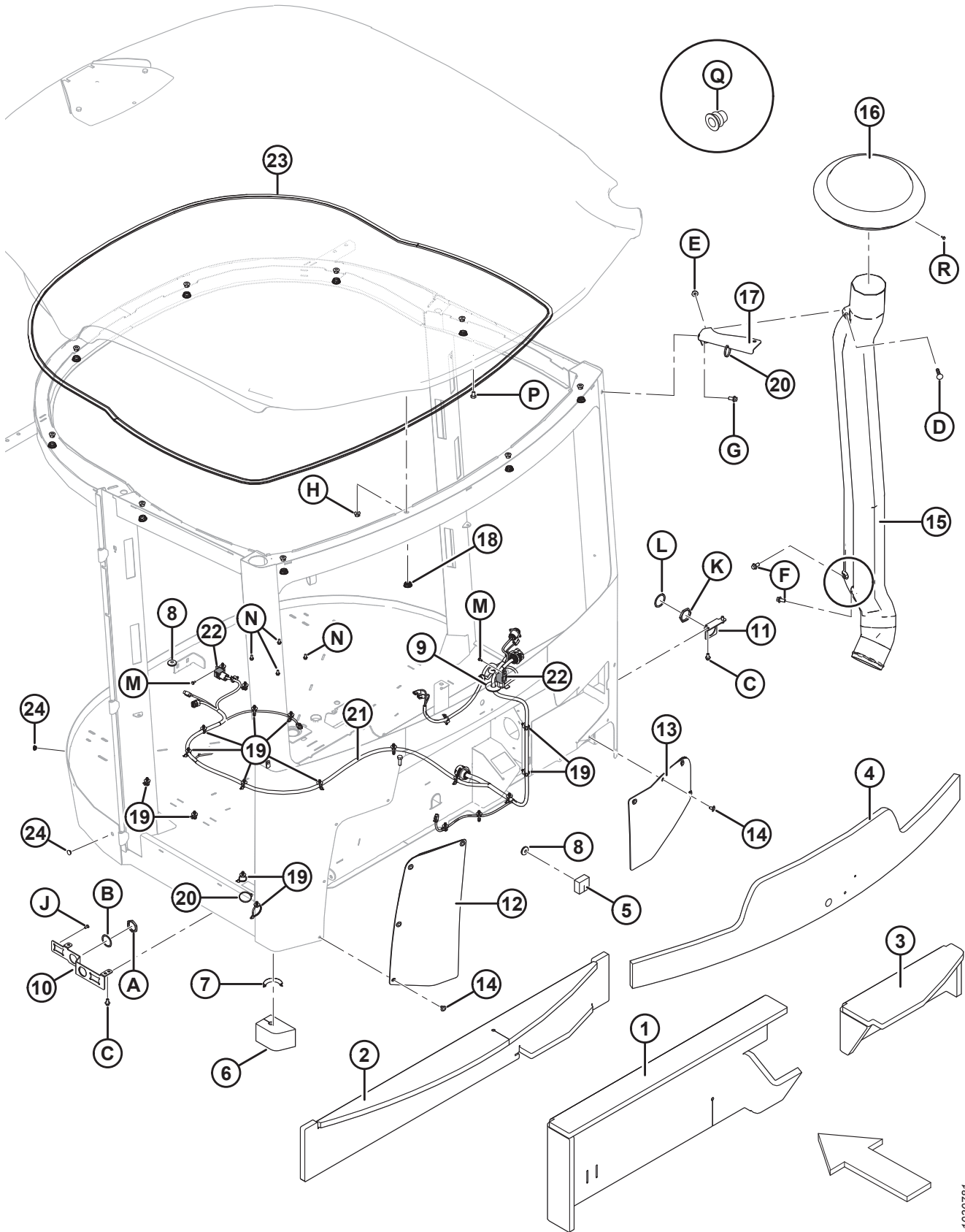


1019203

**CAB INTERIOR AND UPHOLSTERY**

<b>Ref</b>	<b>Part Number</b>	<b>Description</b>	<b>Qty</b>	<b>Serial Number</b>
1	208239	MAT – FLOOR BROWN	1	
2	207191	PANEL ASSEMBLY – REAR	1	
3	207148	PANEL ASSEMBLY – LH POST	1	
4	207149	PANEL ASSEMBLY – RH POST	1	
5	252613	CHRISTMAS TREE CLIP	4	
6	207570	HOLDER – STORAGE MESH	1	
7	109797	CLEANER – RECIRC AIR ELECTROSTATIC	1	
8	207554	COVER – RECIRCULATION	1	
9	205579	KNOB – M8 X 1.25 X 30 LG	2	
10	203550	CONTAINER – CENTRE	1	
11	203551	CONTAINER – LEFT	1	
12	209917	CONTAINER – RIGHT	1	
13	109080	TERMINAL – POWER OUTLET	3	
14	109081	CAP – POWER OUTLET	3	
15	134777	CAP – DIAGNOSTIC PORT	1	
16	134778	CAP – POWER SUPPLY, SWITCHED AND UNSWITCHED	1	
17	208107	PLATE – LATCH	2	
18	202230	INSERT – LATCH PLATE	2	
19	200974	SWITCH – SEAT	2	
20	202721	SUPPORT – MIRROR INTERIOR	1	
21	208371	MIRROR – INTERIOR REAR VIEW	1	
22	209476	ASSEMBLY – REFLECTOR SEAT	1	
A	184649	SCREW – HEX SOC BTN HD M8 X 1.25 X 25-12.9-A2L		
B	184661	BOLT – HEX HD TFL M10 X 1.5 X 30-8.8-AA1J		
C	252201	NUT – M8 SPECIAL		
D	136886	SCREW – HEX SOC M6 X 1 X 16-10.9-ZB		
E	30492	SCREW – PHILIPS PAN HD #8 X 3/4 LG ZP		
F	184640	BOLT – HEX HD M5 X 0.8 X 20-8.8-A2L		
G	197230	NUT – HEX NYLOC M5 X 0.8-8-A2L		
H	184701	WASHER – FLAT LARGE M5-200HV-A2L		
J	136178	BOLT – RHSN M10 X 1.5 X 20-8.8-A3L		
K	135799	NUT – HEX FLG CTR LOC M10 X 1.5-10-A3L		
L	252179	NUT – RIV M8 X 1.25 HEX X 0.7-3.8		
M	134727	NUT – PANEL, HDP20, SIZE 18		
N	134729	WASHER – LOCK, HDP20, SIZE 18		

# 43 Cab Exterior and Air Intake Stack



**CAB EXTERIOR AND AIR INTAKE STACK**

Ref	Part Number	Description	Qty	Serial Number
1	201859	INSULATOR – REAR LOWER	1	
2	141205	INSULATOR – REAR UPPER <sup>75</sup>	1	
3	201886	INSULATOR – REAR RIGHT	1	
4	204184	INSULATOR – REAR GLASS	1	
5	205191	SEAL – REAR	1	
6	205190	SEAL – CORNER POST	1	
7	194082	MOULDING – 80 MM LG	1	
8	42415	GROMMET – 31.5 MM O.D. X 9.5 MM I.D.	2	
9	252170	GROMMET – PLASTIC, 17 MM I.D. X 2 IN. O.D.	1	
10	209841	SUPPORT – HARNESS	1	
11	207230	SUPPORT – HARNESS	1	
12	207400	FLAP ASSY – LEFT	1	
13	207401	FLAP ASSY – RIGHT	1	
14	252189	FASTENER – SNAP RIVET	8	
15	202604	DUCT – AIR <sup>76</sup>	1	
16	201838	DUCT – AIR INLET	1	
17	205262	BRACKET – AIR DUCT, FLOOD LIGHT	1	
18	200780	PLUG	10	
19	136655	FASTENER – FIR TREE MOUNT WITH CABLE TIE	22	
20	21763	FASTENER – CABLE TIE, BLACK, 160 MM LG	2	
21	207291	HARNESS – CAB, LOWER <sup>77</sup>	1	
	500470	CONNECTOR – DEUT, DT, 3/M, J1939 (CAN TERMINATOR)		
22	134706	RELAY – MINI, WITH MOUNTING BRACKET (WIPERS)	A/R	
23	201757	SEAL – HEADLINER TRIM	1	
24	252968	PLUG – PRONGS .500 DIA BLACK	4	
A	134727	NUT – PANEL, HDP20, SIZE 18		
B	134729	WASHER – LOCK, HDP20, SIZE 18		
C	136485	BOLT – HEX FLG HD TFL M8 X 1.25 X 16-8.8-A3L		
D	184658	BOLT – RHSSN M10 X 1.5 X 50-8.8-A3L		
E	184692	NUT – HEX NYLOC M10 X 1.5-8-A3L		
F	152670	BOLT – HEX FLG HD M10 X 1.5 X 20 X SPCL-8.8-A3L		
G	152655	BOLT – HEX FLG HD M10 X 1.5 X 20-8.8-A3L		
H	135799	NUT – HEX FLG CTR LOC M10 X 1.5-10-A3L		
J	252247	SCREW – PAN HD #12-14 X 1/2-RC45-ZP		
K	134728	NUT – PLASTIC, DEUTSCH, HDP, SIZE 24		
L	134011	WASHER – LOCK SPRING, DEUTSCH HD, SIZE 24		
M	42292	SCREW – SELF TAPPING HEX WASH HD #10 X 1/2 ZP		
N	21055	SCREW – SELF TAP HEX WASH HD 1/4 NC X 1/2 <sup>78</sup>		
P	50071	BOLT – HEX HD TFL M10 X 1.5 X 15-8.8-A3L		

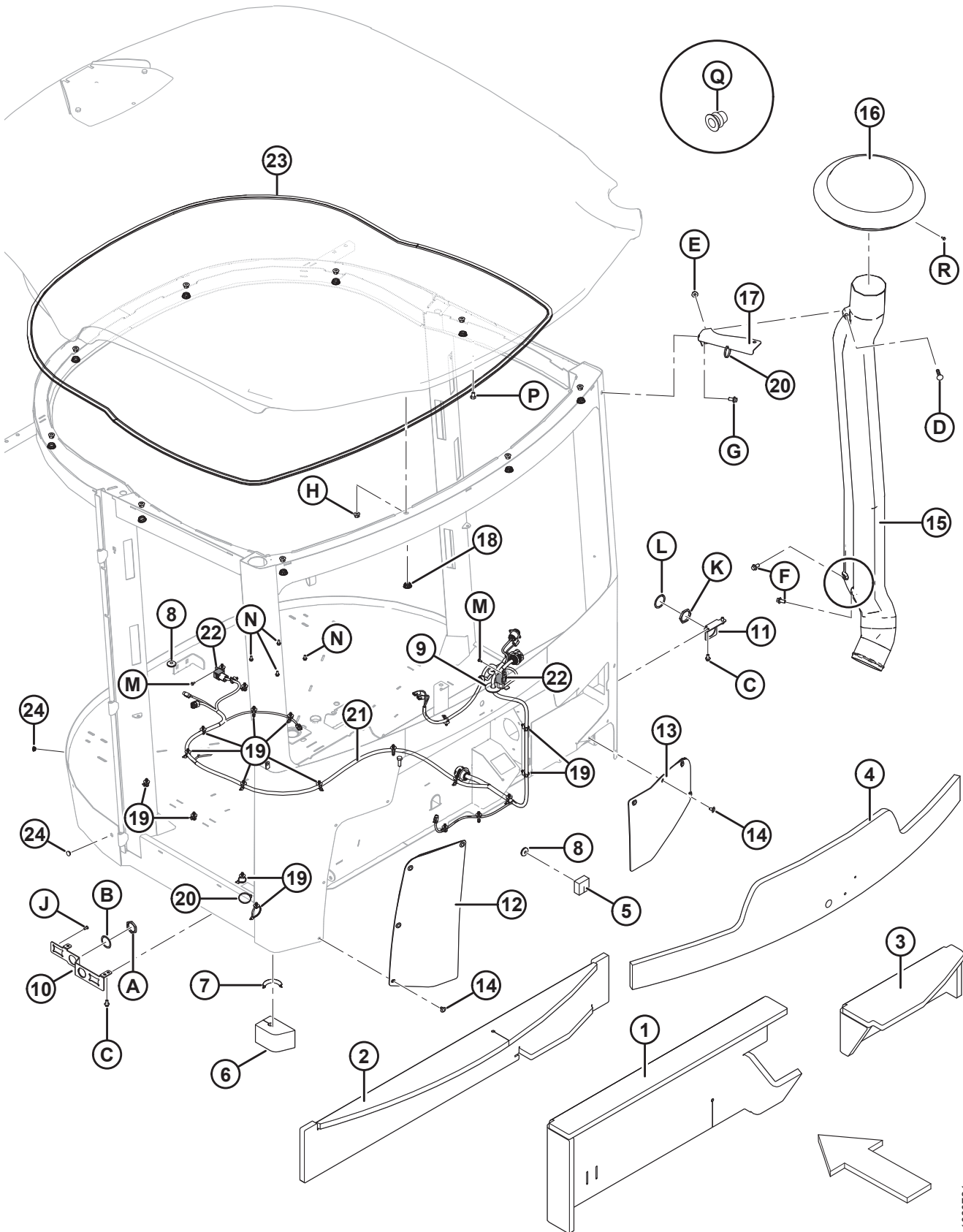
75. Rear upper insulator received in three pieces for easier installation.

76. Includes two riv nuts (MD #232271).

77. Includes mini relay (MD #134706).

78. Installed as placeholders. Used to hold GPS module for windrowers equipped with Trimble Autopilot.

CAB EXTERIOR AND AIR INTAKE STACK



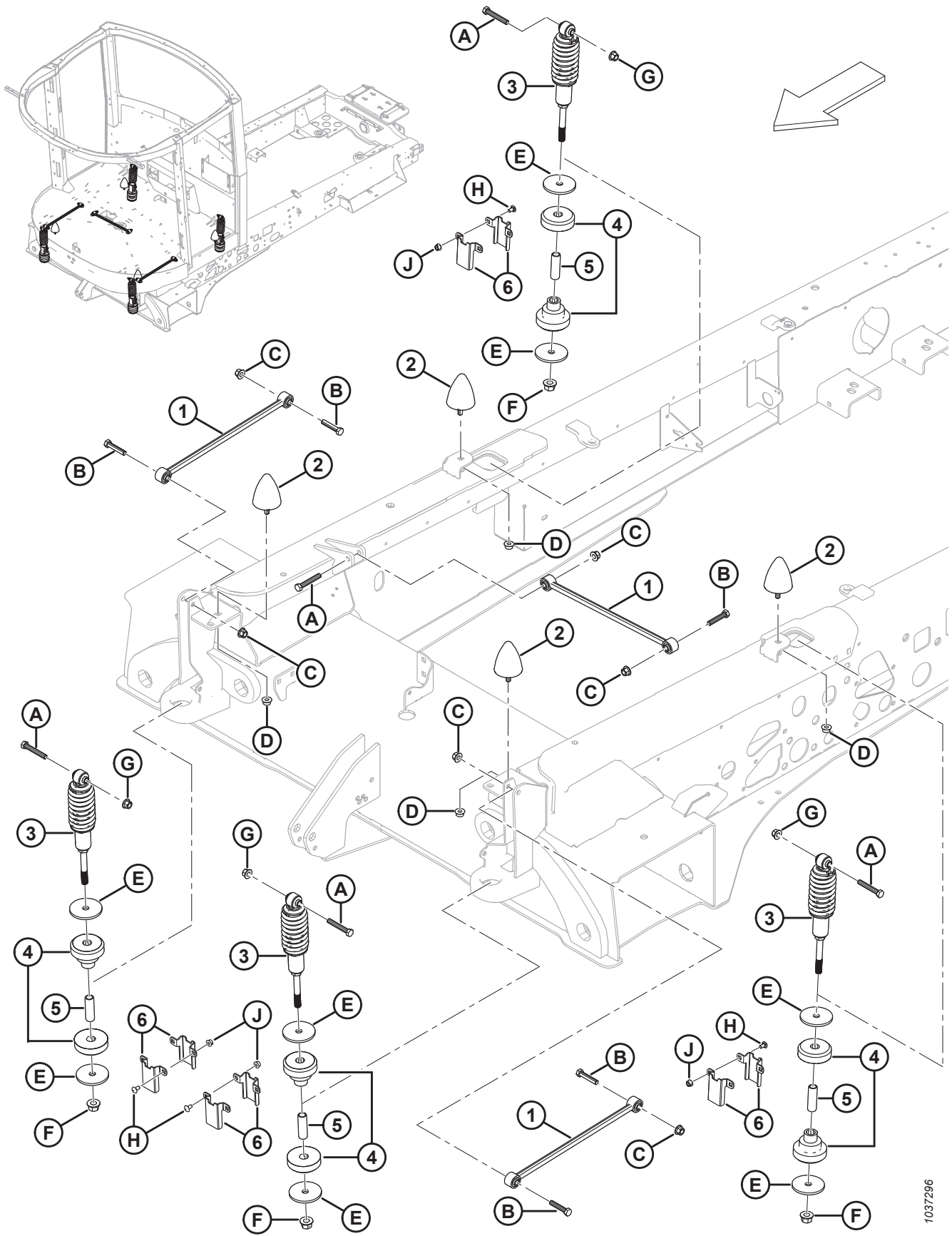
1030781



CAB EXTERIOR AND AIR INTAKE STACK

Ref	Part Number	Description	Qty	Serial Number
Q	232271	NUT – RIV M10 X 1.5 RND 3.8-7.9		
R	42292	SCREW – SELF TAPPING HEX WASH HD #10 X 1/2 ZP		

# 44 Cab Suspension

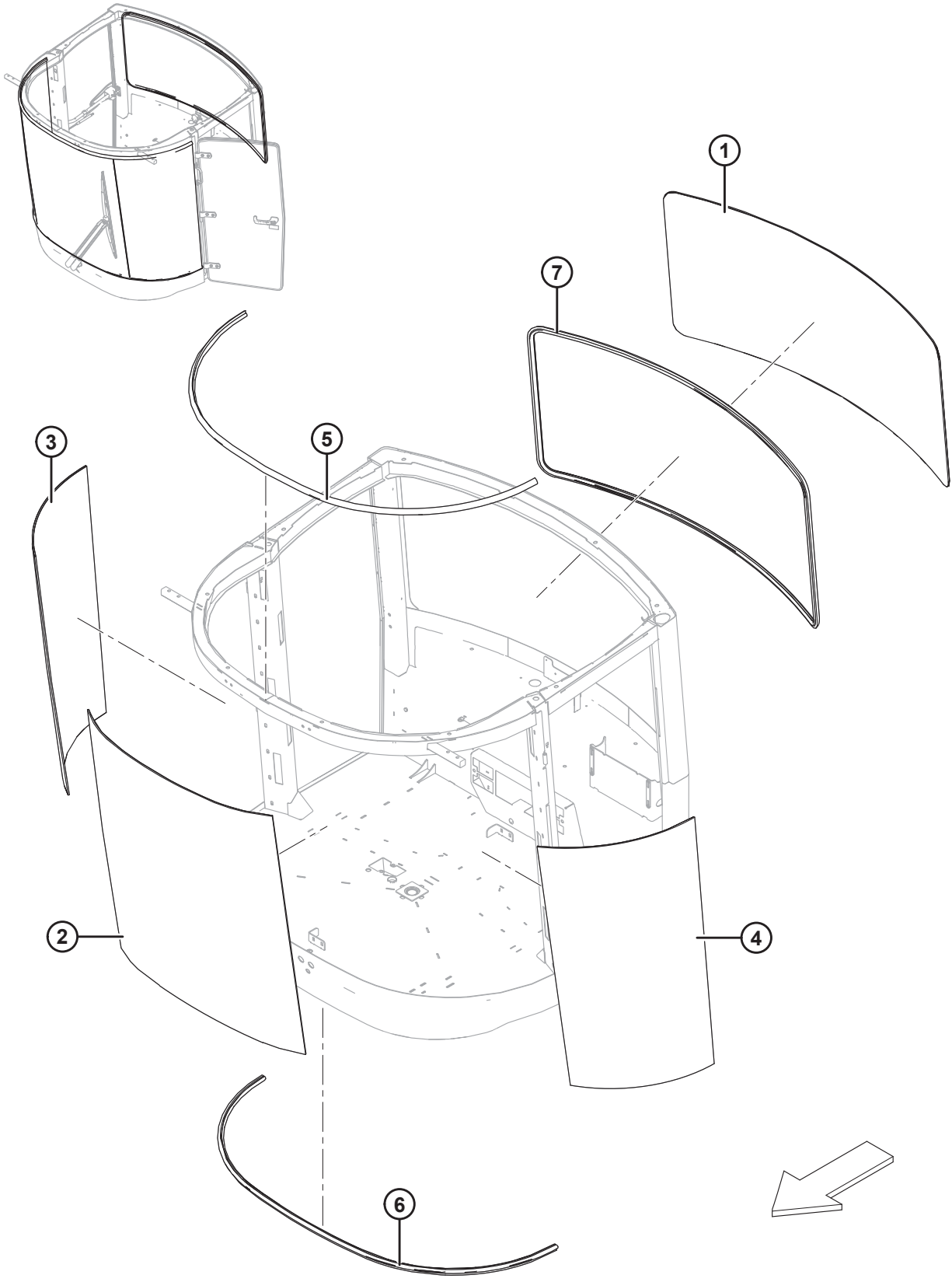


**CAB SUSPENSION**

<b>Ref</b>	<b>Part Number</b>	<b>Description</b>	<b>Qty</b>	<b>Serial Number</b>
1	183209	MEMBER – STABILIZING <sup>79</sup>	3	
	<b>306692</b>	<b>ASSY – STABILIZER LINK</b> <sup>79</sup>	<b>3</b>	
2	208083	BUMPER – RUBBER	4	
3	205950	DAMPENER – CAB	4	
4	166530	INSULATOR	4	
5	166539	SPACER – 16.66 MM I.D., 23.38 MM O.D., 72.7 MM LG	4	
6	291430	SUPPORT – CAB SHOCK CHANNEL	8	
A	135155	BOLT – HEX HD M12 X 1.75 X 75-8.8-A3L		
B	152274	BOLT – HEX HD M12 X 1.75 X 60-8.8-A3L		
C	136431	NUT – HEX FLG CTR LOC M12 X 1.75-10-A3L		
D	136036	NUT – HEX SMTH FLNG M12 X 1.75-8-A3L		
E	206946	WASHER – FLAT		
F	136440	NUT – HEX FLG CTR LOC M16 X 2-10-A3L		
G	136431	NUT – HEX FLG CTR LOC M12 X 1.75-10-A3L		
H	191489	BOLT – RHSSN TFL M8 X 1.25 X 16-8.8-A2L		
J	135337	NUT – HEX FLG CTR LOC M8 X 1.25-8-A2L		

79. Stabilizer (MD #183209) has been discontinued by the supplier. Order stabilizer (MD #183209) until stock is depleted, then order stabilizer (MD #306692).

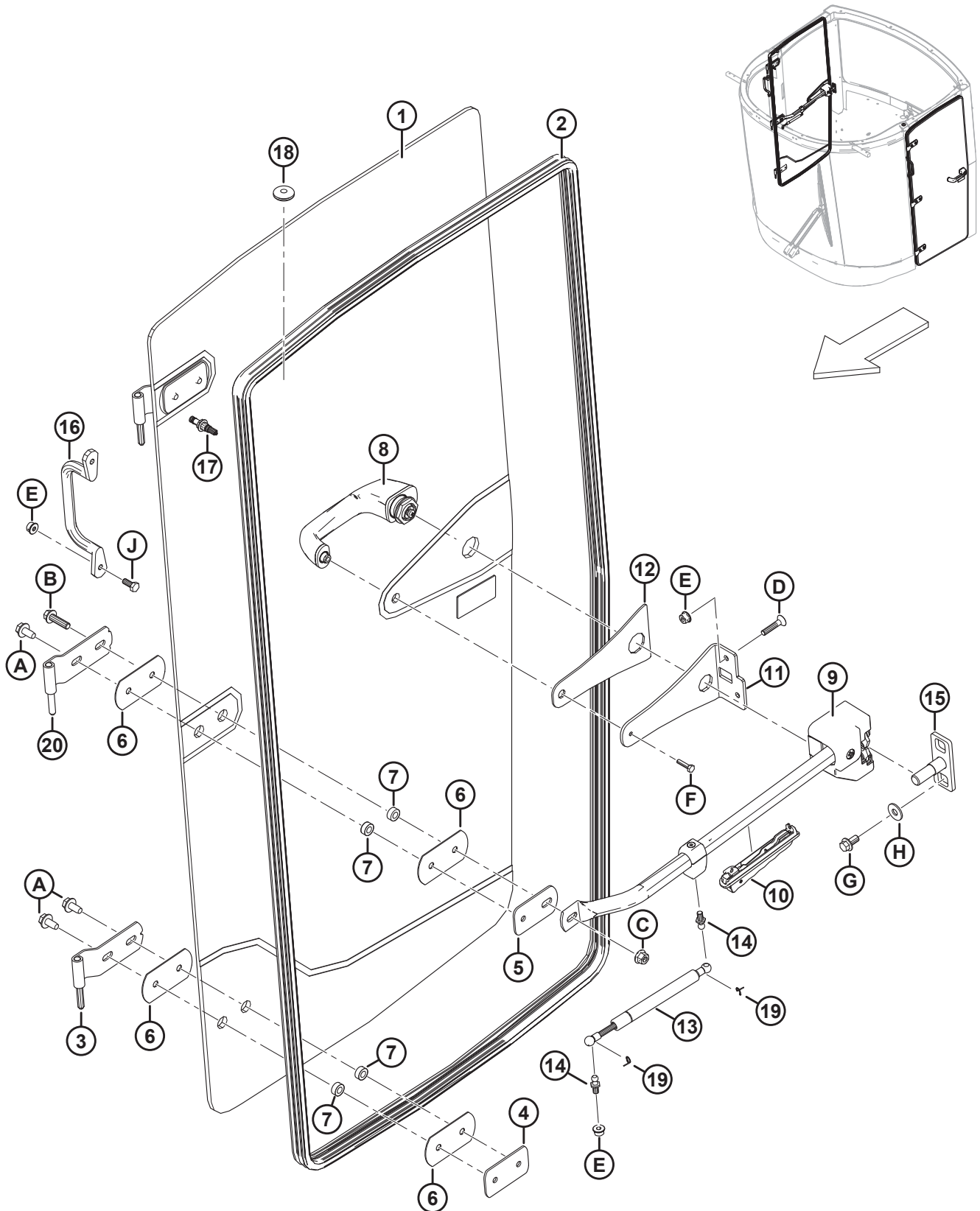
# 45 Windows



## WINDOWS

<b>Ref</b>	<b>Part Number</b>	<b>Description</b>	<b>Qty</b>	<b>Serial Number</b>
1	346132	WINDOW – REAR	1	
2	306600	WINDOW – FRONT	1	
3	306601	WINDOW – FRONT RIGHT	1	
4	306602	WINDOW – FRONT LEFT	1	
5	200783	SEAL – WINDOW TOP	1	
6	200784	SEAL – WINDOW BOTTOM	1	
7	200890	SEAL – WINDOW REAR	1	

# 46 Doors



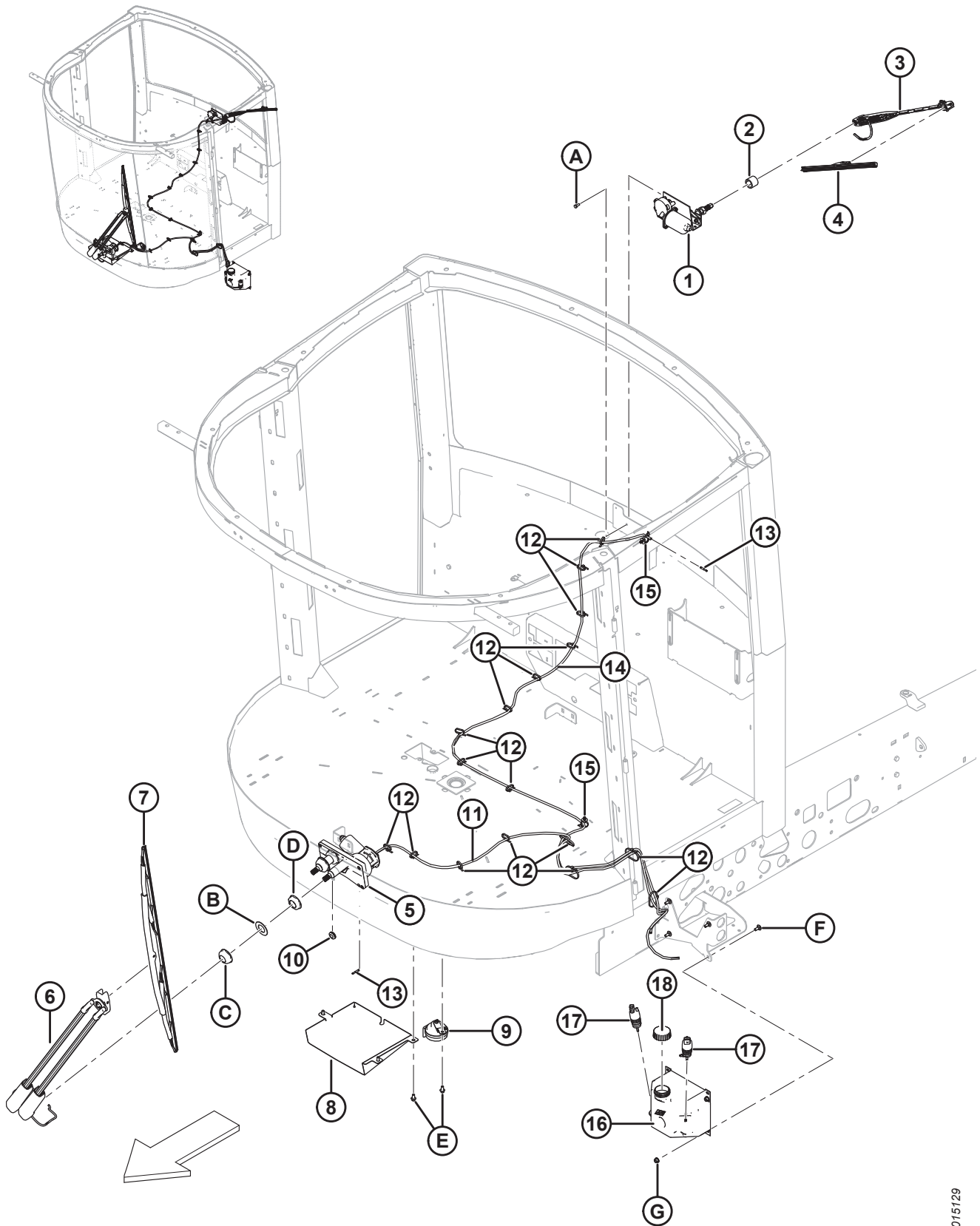
**DOORS**

Ref	Part Number	Description	Qty	Serial Number
1	208254	DOOR – GLASS LH C/W DECAL <sup>80</sup>	1	
	208255	DOOR – GLASS RH C/W DECAL <sup>80</sup>	1	
2	208125	SEAL – DOOR, LH, 4420 MM LG	1	
	208124	SEAL – DOOR, RH, 4317 MM LG	1	
3	208135	HINGE – LEFT DOOR	2	
	208134	HINGE – RIGHT DOOR	2	
4	201693	BAR – HINGE BACKING	4	
5	202041	BAR – CENTER HINGE BACKING	2	
6	109598	GASKET – HINGE	12	
7	109585	SPACER – 19.05 MM O.D., 10.24 MM I.D., 7.92 MM LG	12	
8	207709	HANDLE – OUTSIDE CAB	2	
	134717	KEY – DOOR		
9	201595	LATCH – LH CAB DOOR <sup>81</sup>	1	
	201596	LATCH – RH CAB DOOR <sup>81</sup>	1	
10	139971	BEZEL – DOOR HANDLE	2	
11	109822	SUPPORT – LEFT LATCH	1	
	109740	SUPPORT – RIGHT LATCH	1	
12	206248	GASKET – DOOR LATCH	2	
13	203847	SPRING – GAS	2	
14	136188	STUD – BALL (10 MM), M8 THREAD	4	
15	306596	CATCH – DOOR, WELDMENT	2	
16	203860	HANDLE	2	
17	209613	SWITCH – DOOR, CAB	2	
18	42415	GROMMET – 31.5 MM O.D. X 9.5 MM I.D.	2	
19	209787	CLIP – RETAINING, GAS SPRING	4	
20	208145	HINGE – LEFT DOOR, CENTER	1	
	208144	HINGE – RIGHT DOOR, CENTER	1	
A	136209	SCREW – HEX WASHER HD M10 X 1.5 X 20-450HV-A3L		
B	136211	BOLT – HEX FLG HD M10 X 1.5 X 35-8.8-A3L		
C	135799	NUT – HEX FLG CTR LOC M10 X 1.5-10-A3L		
D	136212	SCREW – HSH CSK M8 X 1.25 X 40-A2L		
E	135337	NUT – HEX FLG CTR LOC M8 X 1.25-8-A2L		
F	135301	BOLT – HEX HD M6 X 1 X 25-8.8-A2L		
G	152655	BOLT – HEX FLG HD M10 X 1.5 X 20-8.8-A3L		
H	30635	WASHER – FLAT REG M10-STL-SOFT-A2L		
J	30715	BOLT – HEX HD TFL M8 X 1.25 X 20-8.8-A2L		

80. Includes decal (MD #166454).

81. Includes bezel (MD #139971).

# 47 Wipers





**WIPERS**

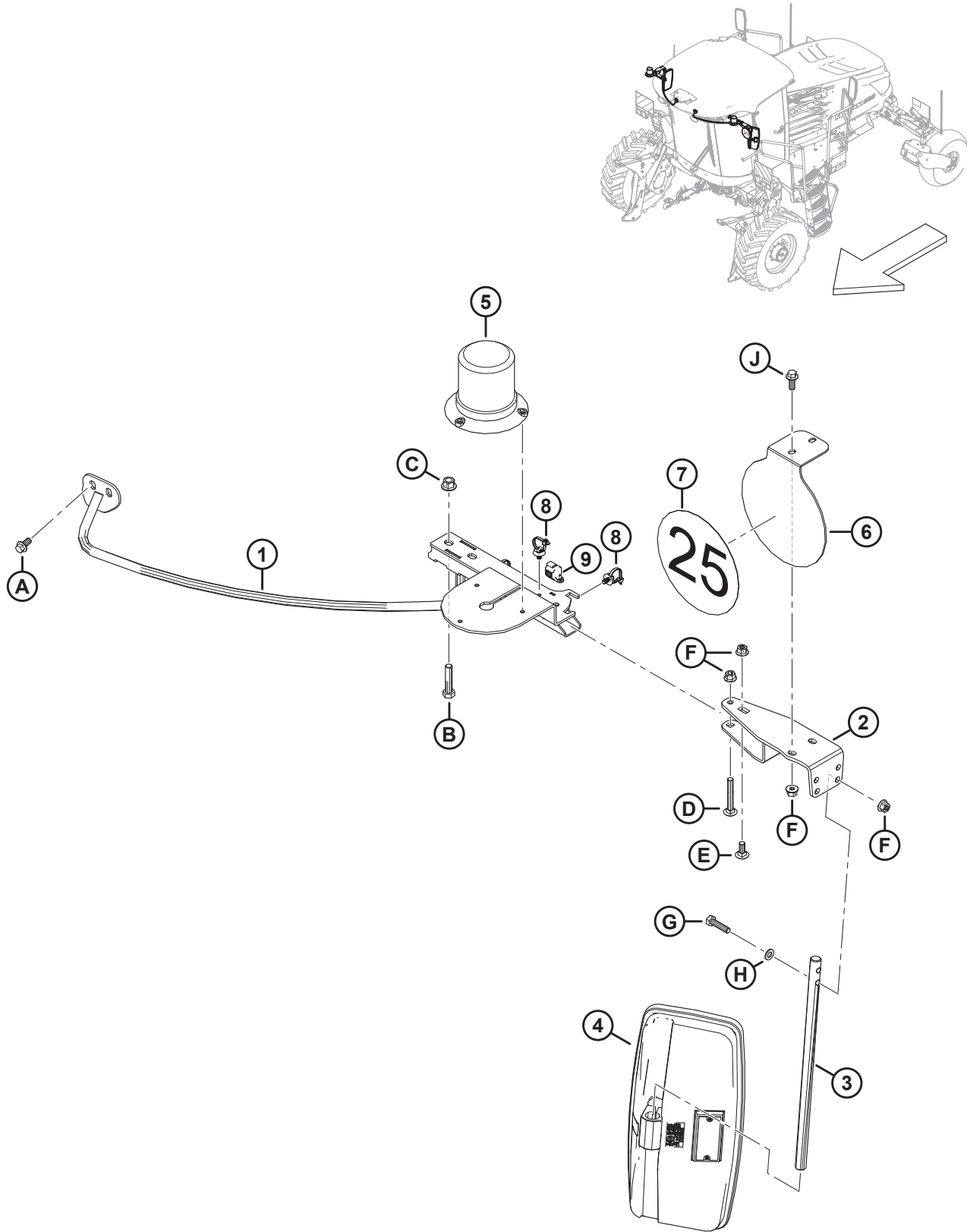
Ref	Part Number	Description	Qty	Serial Number
1	201760	MOTOR – WIPER TAPERED SPLINE <sup>82</sup>	1	
2	205572	GROMMET – REAR WIPER	1	
3	207209	ARM – WIPER 550 MM SADDLE WET	1	
4	207210	BLADE – WIPER FRAMELESS	1	
5	306539	MOTOR – WIPER DUAL DRIVE <sup>83</sup>	1	
6	202586	ARM – WIPER 915 MM WET	1	
7	202584	BLADE – WIPER 990 MM	1	
8	205195	COVER – FRONT WIPER MOTOR	1	
9	160373	HORN	1	
10	112824	GROMMET – 14.3 MM I.D., 27 MM O.D.	1	
11	205739	HOSE – WASHER CAB FORWARD, 3.9 MM I.D., 1900 MM LG	1	
12	21763	FASTENER – CABLE TIE, BLACK, 160MM LG	13	
13	204379	FITTING – BARBED STRAIGHT	2	
14	208089	HOSE – WASHER ENG. FORWARD, 3.9 MM I.D., 3510 MM LG	1	
15	136655	FASTENER – FIR TREE MOUNT WITH CABLE TIE	2	
16	206066	ASSY – W/ SHIELD WASHER TANK <sup>84</sup>	1	
17	204373	PUMP – W/ SHIELD WASHER	2	
18	204374	CAP – W/ SHIELD WASHER TANK	1	
A	184642	BOLT – HEX HD TFL M6 X 1 X 16-8.8-A2L		
B	208190	WASHER – WIPER COSMETIC		
C	208189	NUT – SPECIAL WIPER COSMETIC		
D	202264	NUT – WIPER MOTOR		
E	136485	BOLT – HEX FLG HD TFL M8 X 1.25 X 16-8.8-A3L		
F	197171	BOLT – RHSN M8 X 1.25 X 20-8.8-A2L		
G	135337	NUT – HEX FLG CTR LOC M8 X 1.25-8-A2L		

82. Includes grommet (MD #205572).

83. Includes washer (MD #208190) and nut (MD #208189).

84. Includes pumps (MD #204373) and cap (MD #204374).

# 48 Mirror Arms and Beacons



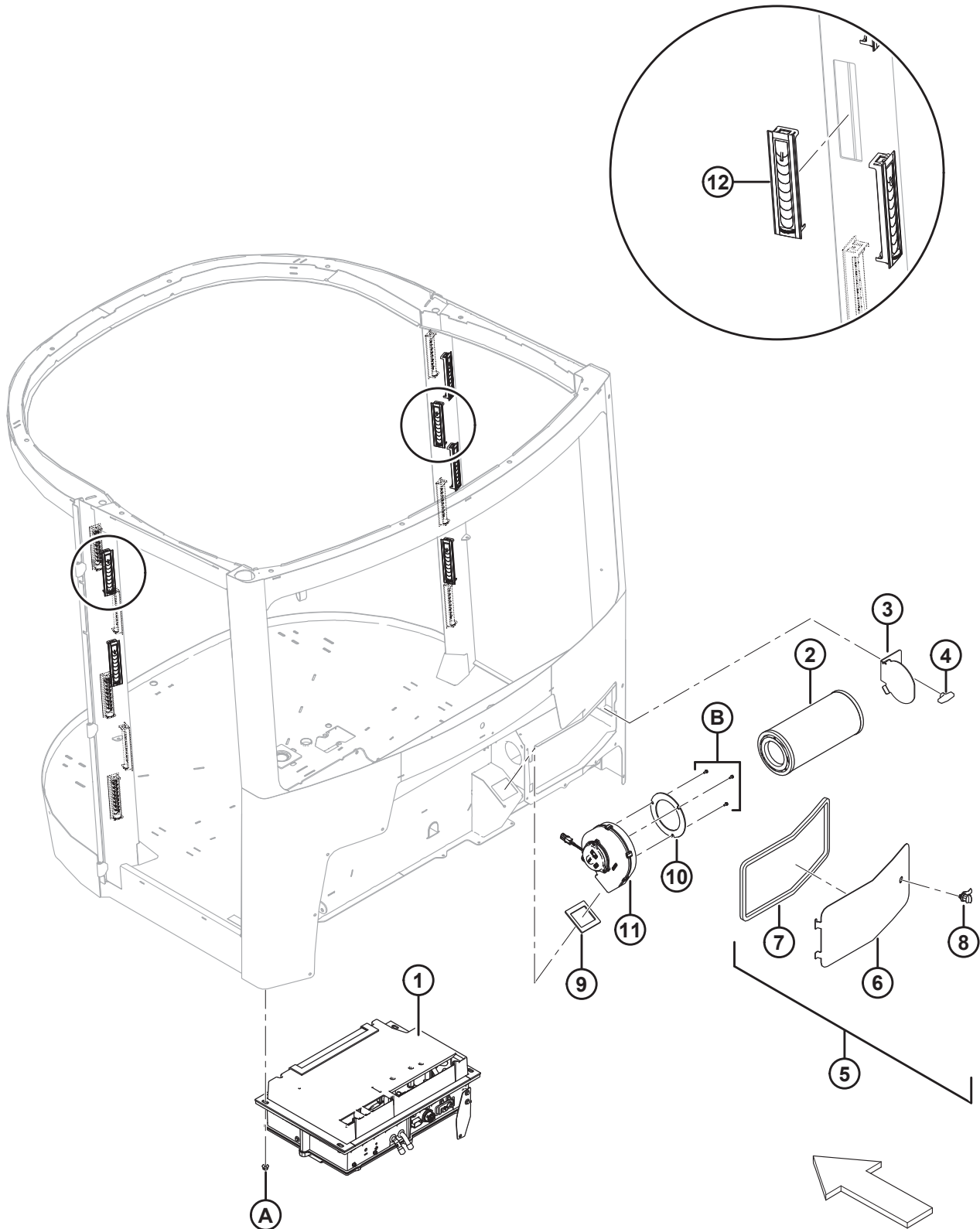
**MIRROR ARMS AND BEACONS**

<b>Ref</b>	<b>Part Number</b>	<b>Description</b>	<b>Qty</b>	<b>Serial Number</b>
1	209930	SUPPORT – GRAB RAIL WELDT LH	1	
	209931	SUPPORT – GRAB RAIL WELDT RH	1	
2	310534	SUPPORT – MIRROR ARM	2	
3	310532	ROD – 3/4 IN MIRROR MOUNT	2	
4	205442	MIRROR – HAND OPERATED	2	
	291464	MIRROR – GLASS W/ TAPE		
5	167884	LIGHT – BEACON, LED <sup>85</sup>	2	
6	291038	BRACKET – SPEED ID SYMBOL (LH ONLY)	1	
7	346027	DECAL – SIS, 25 KM/H (LH ONLY)	1	
8	136655	FASTENER – FIR TREE MT W/ TIE	6	
9	<b>134744</b>	<b>CONNECTOR – CAP, PLUG, 6-WAY</b>	<b>2</b>	
A	152655	BOLT – HEX FLG HD M10 X 1.5 X 20-8.8-AA1J	4	
B	152779	BOLT – HEX HD M12 X 1.75 X 55-8.8-AA1J	4	
C	136431	NUT – HEX FLG CTR LOC M12 X 1.75-10	4	
D	136495	BOLT – RHSN M10 X 1.5 X 70-8.8-AA1J	2	
E	135785	BOLT – RHSN M10 X 1.5 X 25-8.8-AA1J	2	
F	135799	NUT – HEX FLG CTR LOC M10 X 1.5-10	10	
G	135319	BOLT – HEX HD M10 X 1.5 X 40-8.8-AA1J	4	
H	184711	WASHER – FLAT REG M10-200HV-AA1J	4	
J	136312	BOLT – HEX FLG HD TFL M10 X 1.5 X 25-10.9-AA1J	2	

---

85. Includes mounting hardware and gasket.

# 49 Cab Air Conditioning and Heating



## CAB AIR CONDITIONING AND HEATING

**NOTE:**

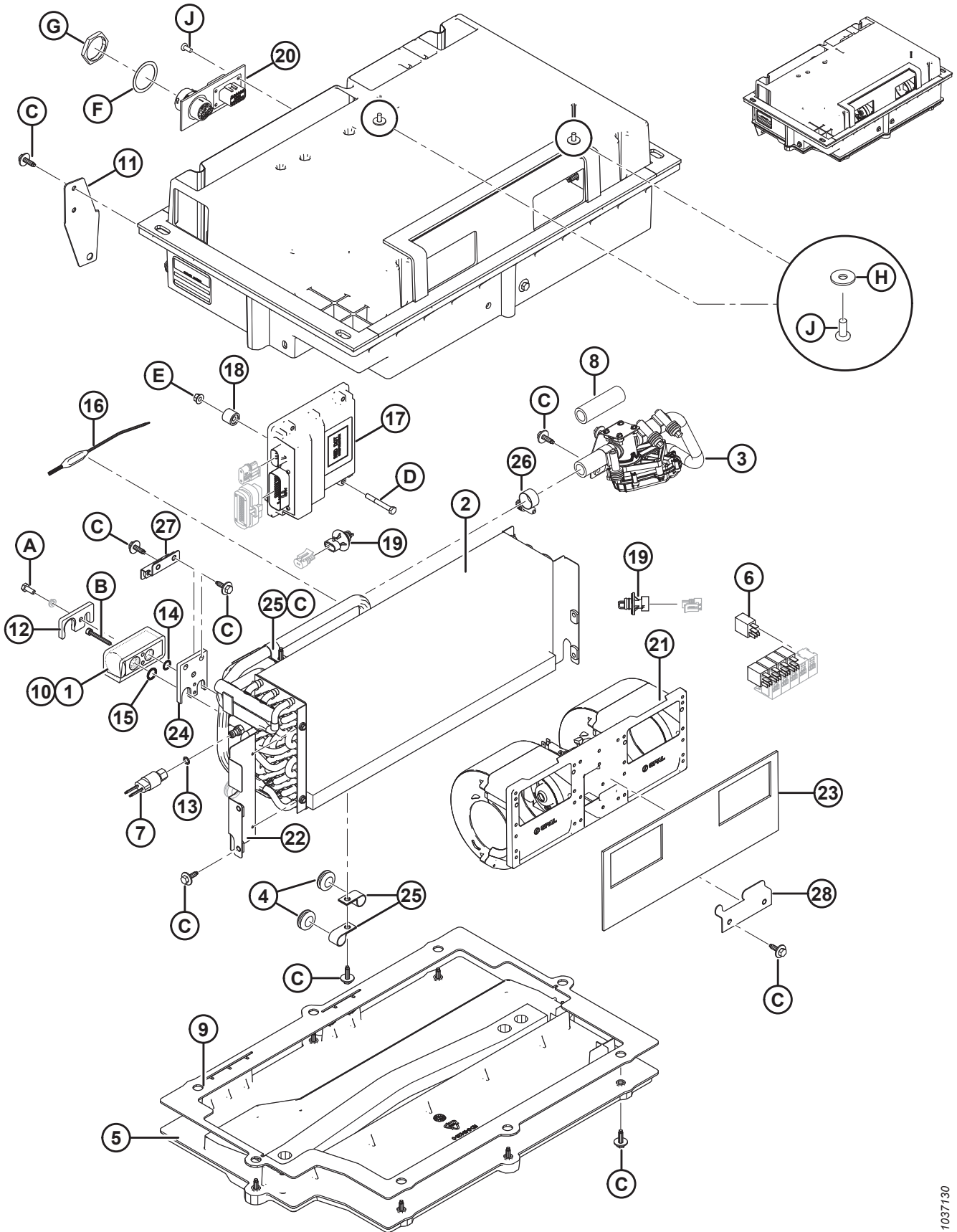
For TXV and drain hose routing, refer to Section *51 Heating, Ventilation, and Air Conditioning – Chassis, page 123*.

Ref	Part Number	Description	Qty	Serial Number
1	306522	ASSEMBLY – BASIC A/C AND HEATER CORE <sup>86</sup>	1	
2	111060	ELEMENT – PRIMARY	1	
3	291264	RETAINER – AIR FILTER	1	
4	42075	KNOB	1	
5	201589	DOOR ASSY – FRESH AIR <sup>87</sup>	1	
6	201590	DOOR – FRESH AIR	1	
7	201716	GASKET – FRESH AIR	1	
8	204787	LATCH – CAM	1	
9	202189	SEAL – BLOWER	1	
10	139225	INSULATOR – BLOWER	1	
11	208292	BLOWER – FRESH AIR	1	
12	201746	VENTILATOR – RECTANGULAR LOUVER	14	
A	135799	NUT – HEX FLG CTR LOC M10 X 1.5-10-A3L		
B	42292	SCREW – SELF TAPPING HEX WASH HD #10 X 1/2 ZP		

86. For service parts, refer to Section *50 Cab Air Conditioning and Heating – Service Parts, page 121*.

87. Includes door (MD #201590), gasket (MD #201716), and latch (MD #204787).

# 50 Cab Air Conditioning and Heating – Service Parts

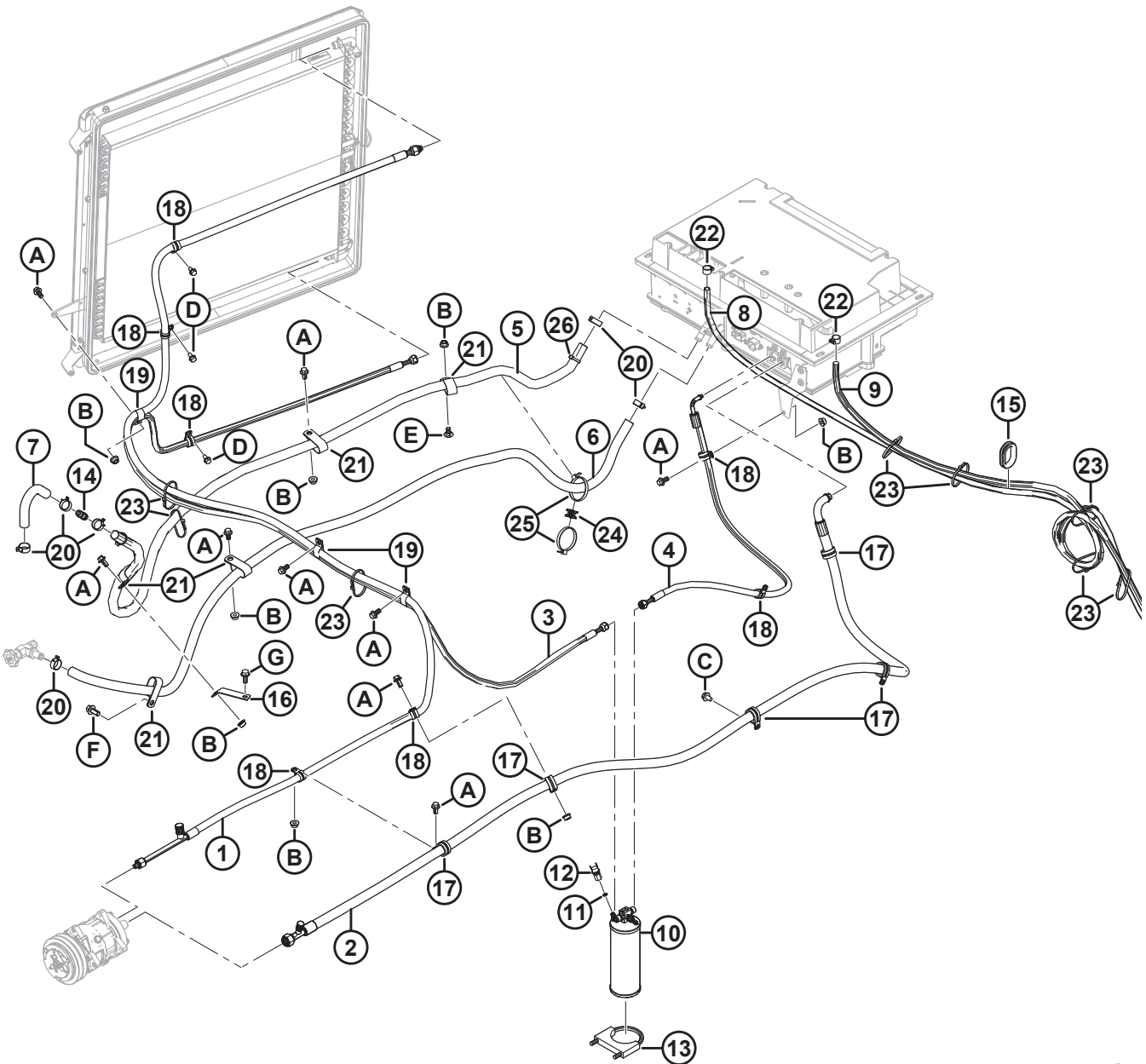
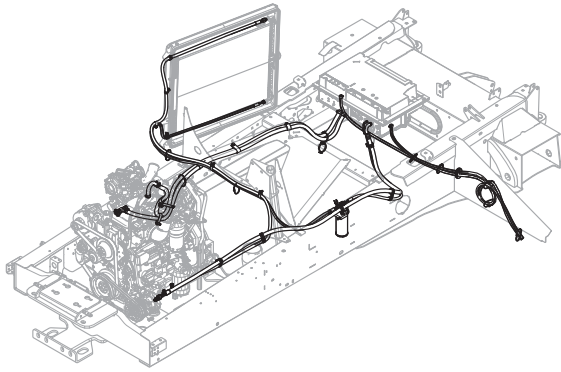


**CAB AIR CONDITIONING AND HEATING – SERVICE PARTS**

Ref	Part Number	Description	Qty	Serial Number
	306522	ASSEMBLY – BASIC A/C AND HEATER CORE <sup>88</sup>		
1	183386	VALVE – EXPANSION	1	
2	183387	EVAPORATOR – HEATER CORE	1	
3	306523	ASSEMBLY – WATER VALVE	1	
4	183392	GROMMET – TUBE 5/8 IN I.D., 3/16 IN WALL	2	
5	183544	COVER UNIT	1	
6	183394	RELAY – 12 V W/ RESISTOR SUPPRESSION	5	
7	183395	SWITCH – PRESSURE 34-8 PSI	1	
8	183396	HOSE – SILICON 5/8 IN I.D., 57.15 MM LG	1	
9	183397	GASKET – COVER SEAL R-9600	1	
10	183398	SEAL – TXV	1	
11	207225	BRACKET – TXV FITTINGS	1	
12	205456	PLATE – MOUNTING TXV HOSES	1	
13	183506	O-RING – HNBR, GREEN, 7.65 MM I.D., 11.1 MM O.D.	1	
14	183508	O-RING – HNBR, GREEN, 10.82 MM I.D., 14.27. MM O.D.	1	
15	183202	O-RING – HNBR, GREEN, 14 MM I.D., 17.44 MM O.D.	1	
16	208109	EVAPORATOR – PROBE ASSY	1	
17	208110	MODULE ASSY – ATC	1	
18	208111	SPACER	2	
19	208112	THERMISTOR – AIR TEMP PROBE ASSY	2	
20	208784	HARNESS – ATC	1	
21	208114	BLOWER – ATC	1	
22	208179	PLATE – CORE ATTACHMENT	1	
23	208180	GASKET – BLOWER SEAL	1	
24	208181	MOUNT – EXP VALVE BRACKET	1	
25	208182	CLAMP – 5/8 DIA	3	
26	310634	CLAMP – HOSE, CONSTANT TORQUE	2	
27	208184	BRACKET – SUPPORT TXV	1	
28	208185	BRACKET – BLOWER ATTACHMENT	1	
A	136707	BOLT – HEX HD M6 X 1 X 16-8.8-BLK		
B	136708	SCREW – HEX SOC HD M5 X 0.8 X 40-9.8-BLK		
C	136709	BOLT – HEX HD SPCL M6 X 1 X 22 X SPCL-8.8-BLK		
D	NSS	BOLT – HEX HD M6 X 1 X 50-8.8-A3L		
E	183448	NUT – HEX M6 X 1, CONICAL WASHER		
F	134729	WASHER – LOCK, HDP20, SIZE 18		
G	134727	NUT – PANEL, HDP20, SIZE 18		
H	184706	WASHER – FLAT LARGE M6-200HV-A2L		
J	252247	SCREW – PAN HD #12-14 X 1/2-RC45-ZP		

88. Refer to Section 49 *Cab Air Conditioning and Heating*, page 119.

# 51 Heating, Ventilation, and Air Conditioning – Chassis

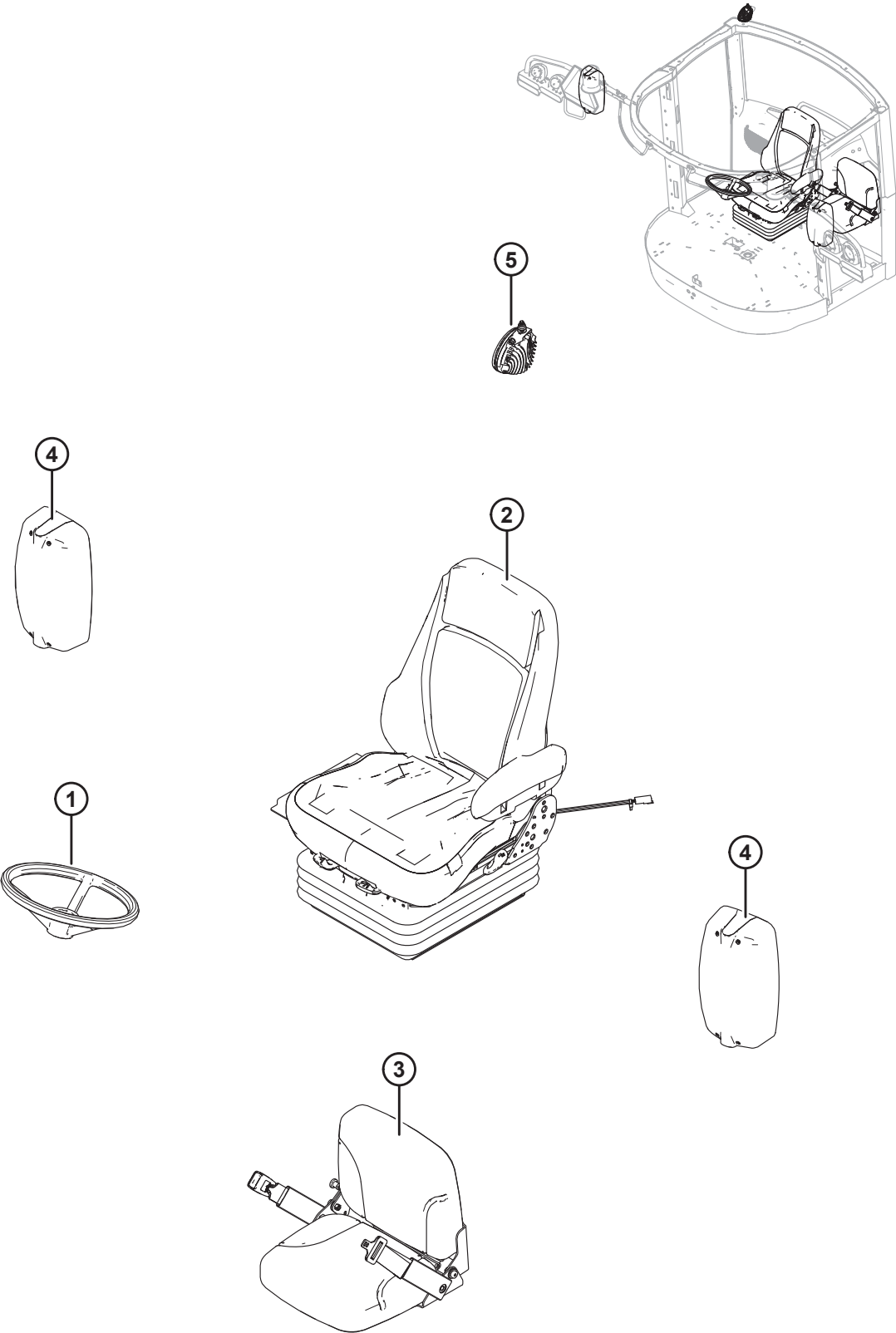




**HEATING, VENTILATION, AND AIR CONDITIONING – CHASSIS**

<b>Ref</b>	<b>Part Number</b>	<b>Description</b>	<b>Qty</b>	<b>Serial Number</b>
1	306504	HOSE – #8 A/C COMP TO COND	1	
	183443	CAP – R134A HIGH SIDE SERVICE VALVE		
	183265	VALVE – SCHRADER, HF, HIGH SIDE, HNBR GREEN		
	183508	O-RING – HNBR, #8, GREEN		
2	203017	HOSE – #10 TO #12 HOSE TXV TO COMP SUCTION	1	
	183202	O-RING – HNBR, #10, GREEN		
	183512	O-RING – HNBR, #12, GREEN		
	183264	VALVE – SCHRADER, HF, LOW SIDE, HNBR GREEN		
	183444	CAP – R134A LOW SIDE SERVICE VALVE		
3	201948	HOSE – #6 AC COND TO DRIER	1	
	183506	O-RING – HNBR, #6, GREEN		
4	203018	HOSE – #6 REC DRIER TO TXV	1	
	183506	O-RING – HNBR, #6, GREEN		
5	203597	HOSE – COOLANT, 5/8 IN. I.D., 2250 MM LG	1	
6	203596	HOSE – COOLANT, 5/8 IN. I.D., 2170 MM LG	1	
7	208075	HOSE – COOLANT, 5/8 IN. I.D., 135°	1	
8	202274	HOSE – A/C DRAIN, 12.7 MM I.D., 2300 MM LG	1	
9	202275	HOSE – A/C DRAIN, 12.7 MM I.D., 1900 MM LG	1	
10	183273	KIT – RECEIVER DRIER W/ DYE	1	
11	183506	O-RING – HNBR, #6, GREEN	1	
12	183199	SWITCH – AIR COND HIGH	1	
13	42469	CLAMP – PIPE	1	
14	134757	FITTING – CONNECTOR, 5/8 IN. I.D., BARBED	1	
15	172899	GROMMET – 44.5 MM I.D., 63.5 MM O.D.	1	
16	207457	BRACKET – CABLE SUPPORT	1	
17	209032	CLAMP – P-CLIP, INSULATED, 1 IN.	5	
18	135716	CLAMP – INSULATED 5/8 IN.	7	
19	135224	CLAMP – DOUBLE HOSE INSULATED	3	
20	112692	CLAMP – HOSE	6	
21	50022	CLAMP – INSULATED 15/16 IN.	5	
22	136541	CLAMP – LINED, SS, 11-20 MM RANGE	2	
23	21763	FASTENER – CABLE TIE, BLACK, 160 MM LG	8	
24	134442	SPACER – DUAL SWIVEL SADDLE	1	
25	30753	FASTENER – CABLE TIE, BLACK, 305 MM LG	2	
26	<b>40702</b>	<b>FASTENER – CABLE TIE, RED</b>	<b>2</b>	
A	152655	BOLT – HEX FLG HD M10 X 1.5 X 20-8.8-A3L		
B	135927	NUT – HEX SMTH FLG M10 X 1.5-8-A3L		
C	136574	SCREW – HEX WASHER HD M10 X 1.5 X 16-450HV-A3L		
D	134705	SCREW – THREAD ROLLING FLG M8 X 1.25 X 16-A3L		
E	136178	BOLT – RHSN M10 X 1.5 X 20-8.8-A3L		
F	148800	BOLT – HEX FLG HD M12 X 1.75 X 25 X SPCL-10.9-A3L		
G	<b>135783</b>	<b>BOLT – HEX FLG HD TFL M10 X 1.5 X 25-10.9-AA1J</b>		

# 52 Deluxe Cab Components



## DELUXE CAB COMPONENTS

**NOTE:**

For roof and headliner components, refer to Sections *38 Roof – Deluxe Cab, page 93* and *39 Headliner – Radio, Speakers, and Relay Module, page 95*.

Ref	Part Number	Description	Qty	Serial Number
1	REF	WHEEL – STEERING, LEATHER <sup>89</sup>	1	
2	346257	SEAT – DELUXE <sup>90</sup>	1	
3	346255	SEAT TRAINING – DELUXE <sup>91</sup>	1	
4	206459	MIRROR – POWER	2	
	291464	MIRROR – GLASS W/ TAPE		
5	207062	LIGHT – FLOOD LED	1	

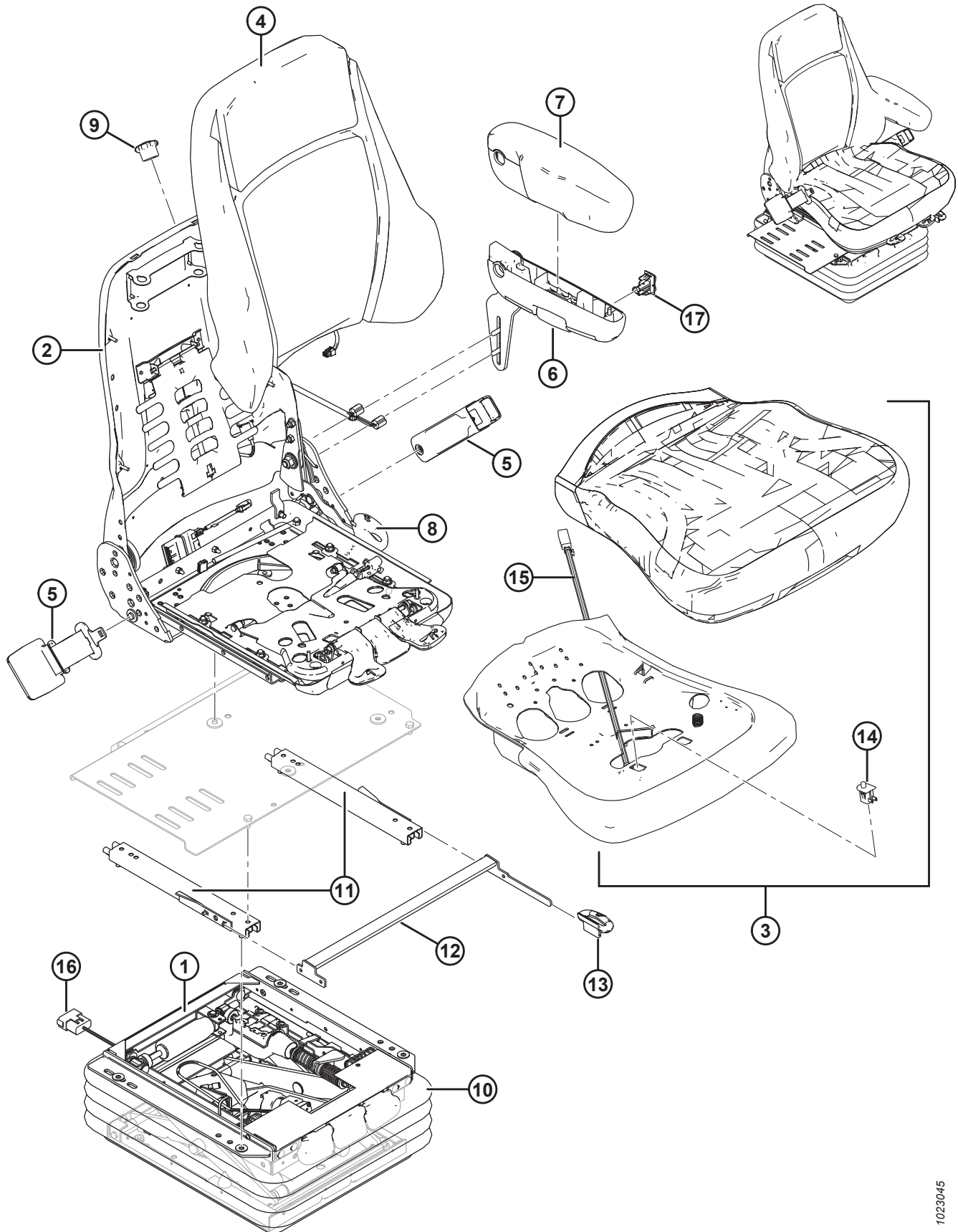
---

89. Refer to Section *56 Steering Column and Seat Base, page 133*.

90. For service parts, refer to Section *53 Deluxe Operator’s Seat, page 127*.

91. For service parts, refer to Section *55 Trainer’s Seat, page 131*.

# 53 Deluxe Operator's Seat



**DELUXE OPERATOR'S SEAT**

Ref	Part Number	Description	Qty	Serial Number
	346257	SEAT – DELUXE <sup>92</sup>		
1	208053	ASSY – A2K SUSPENSION COMPLETE <sup>93</sup>		
	109860	SPRING – AIR		
	208041	KIT – COMPRESSOR		
	208062	KIT – AIRLINE		
	208055	KIT – BEARING SHAFT		
	208064	KIT – BEARING AND ROLLER, A2K		
	208056	KIT – SUSPENSION BUMPER		
	208057	KIT – ADJUSTABLE SHOCK ABSORBER		
	208058	KIT – FORE-AFT ISOLATOR		
2	208047	ASSY – SEAT, BARE FRAME ONLY		
3	208043	ASSY – SEAT CUSHION <sup>94</sup>		
	109971	HARNESS – SEAT SWITCH		
	109968	SWITCH – SEAT, OPERATOR PRESENT		
4	208045	ASSY – BACK CUSHION		
5	346060	KIT – SEATBELT <sup>95</sup>		
6	208063	ASSY – LH ARMREST		
7	208049	PAD – LH ARMREST		
8	208050	KNOB – RECLINER		
9	208051	KIT – LUMBAR KNOB		
10	208054	KIT – BOOT <sup>96</sup>		
11	109862	KIT – FORE-AFT SLIDES		
12	208060	HANDLE – SLIDE		
13	208061	KNOB – SLIDE		
14	109968	SWITCH – SEAT, OPERATOR PRESENT		
15	109971	HARNESS – SEAT SWITCH		
16	208126	HARNESS – SEAT		
17	109850	SWITCH – SEAT		

92. Refer to Section *52 Deluxe Cab Components, page 125*.

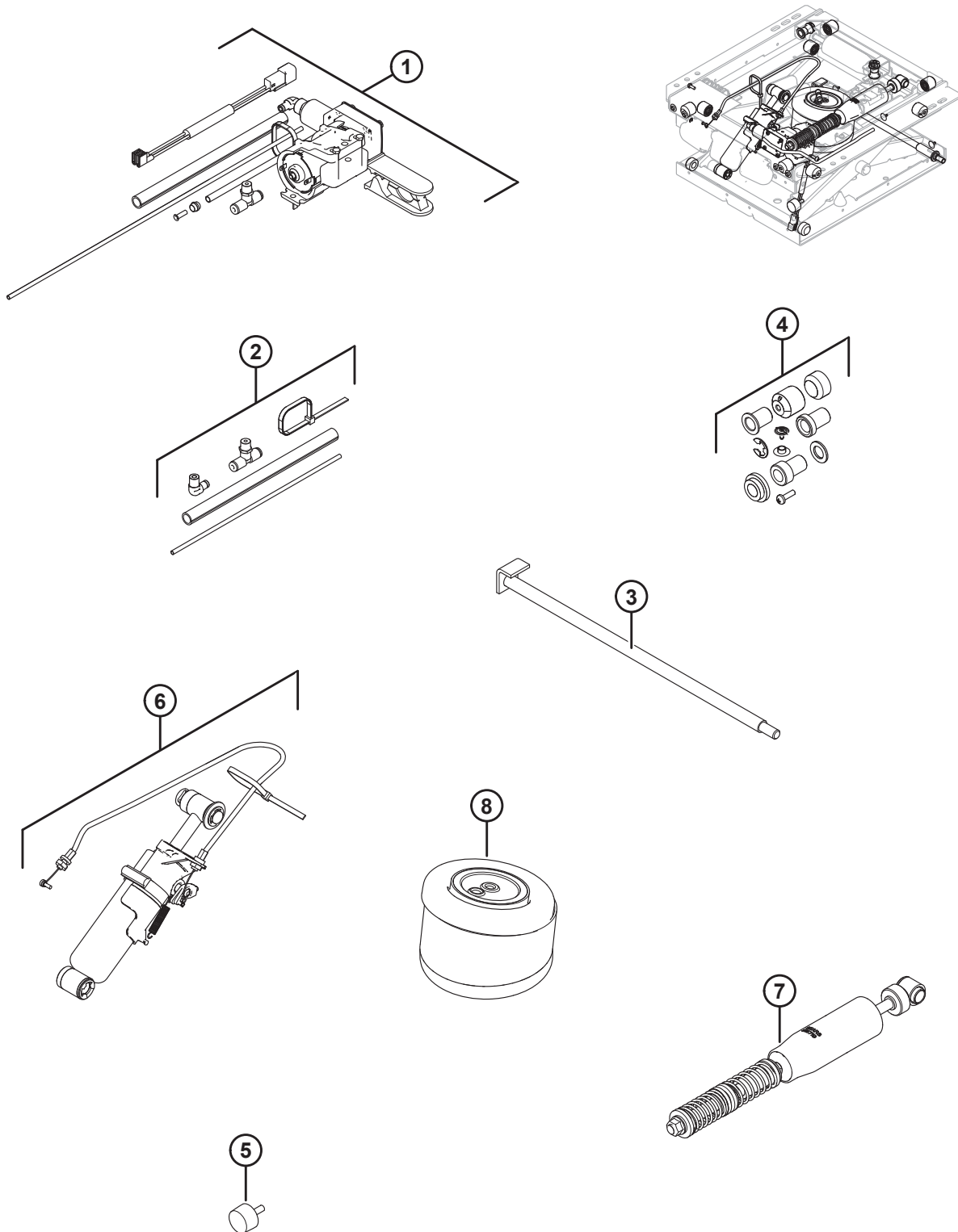
93. For more detailed illustration of service parts, refer to Section *54 Deluxe Seat Suspension, page 129*.

94. Includes operator presence seat switch (MD #109968) and seat switch harness (MD #109971).

95. Includes seatbelt and attaching hardware.

96. Includes boot, clips, and rivets.

# 54 Deluxe Seat Suspension



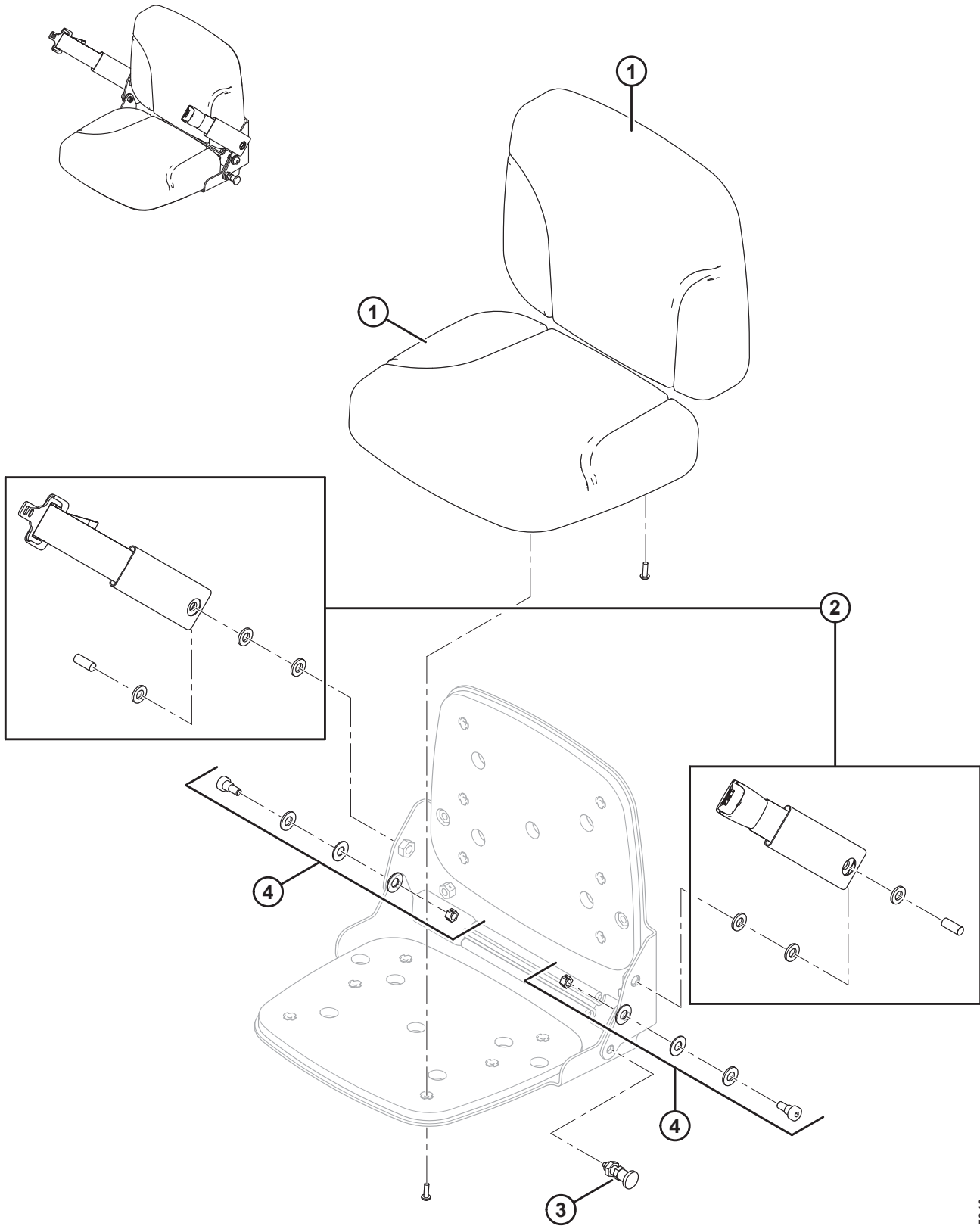
**DELUXE SEAT SUSPENSION**

<b>Ref</b>	<b>Part Number</b>	<b>Description</b>	<b>Qty</b>	<b>Serial Number</b>
	208053	ASSY – A2K SUSPENSION COMPLETE <sup>97</sup>		
1	208041	KIT – COMPRESSOR		
2	208062	KIT – AIRLINE		
3	208055	KIT – BEARING SHAFT		
4	208064	KIT – BEARING AND ROLLER, A2K		
5	208056	SUSPENSION BUMPER		
6	208057	KIT – ADJ SHOCK ABSORBER		
7	208058	KIT – FORE-AFT ISOLATOR		
8	109860	SPRING – AIR		

---

97. Refer to Section *53 Deluxe Operator's Seat, page 127.*

# 55 Trainer's Seat





## TRAINER'S SEAT

**NOTE:**

For trainer's seat placement, refer to Section *42 Cab Interior and Upholstery, page 103*.

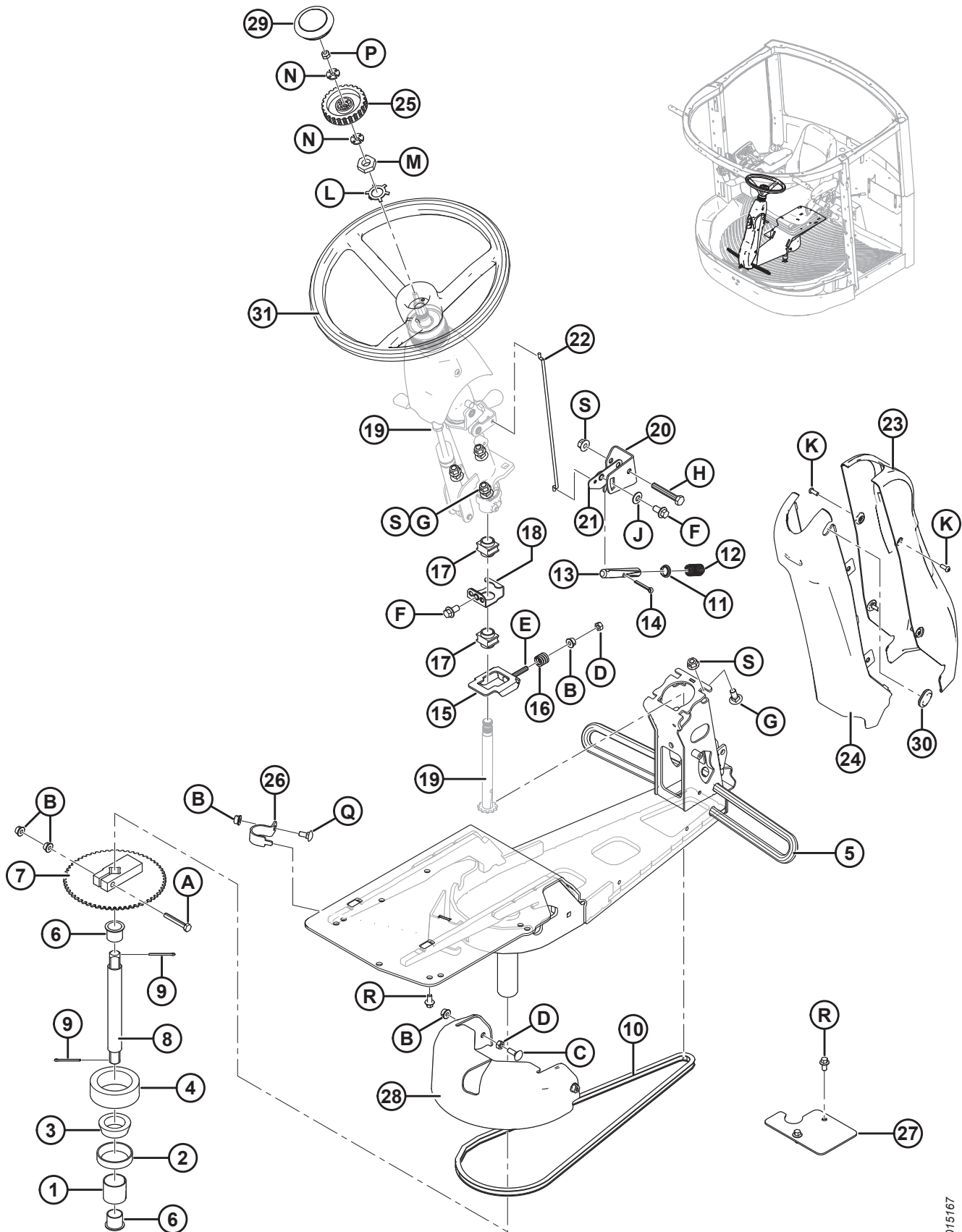
Ref	Part Number	Description	Qty	Serial Number
	346255	SEAT TRAINING – DELUXE <sup>98</sup>		
1	208098	KIT – CUSHION, DELUXE	2	
2	346061	KIT – SEATBELT <sup>99</sup>	1	
3	208100	LATCH – SEAT	1	
4	208102	KIT – PIVOT	2	

---

98. Refer to Section *52 Deluxe Cab Components, page 125*.

99. Includes seatbelt and attaching hardware.

# 56 Steering Column and Seat Base

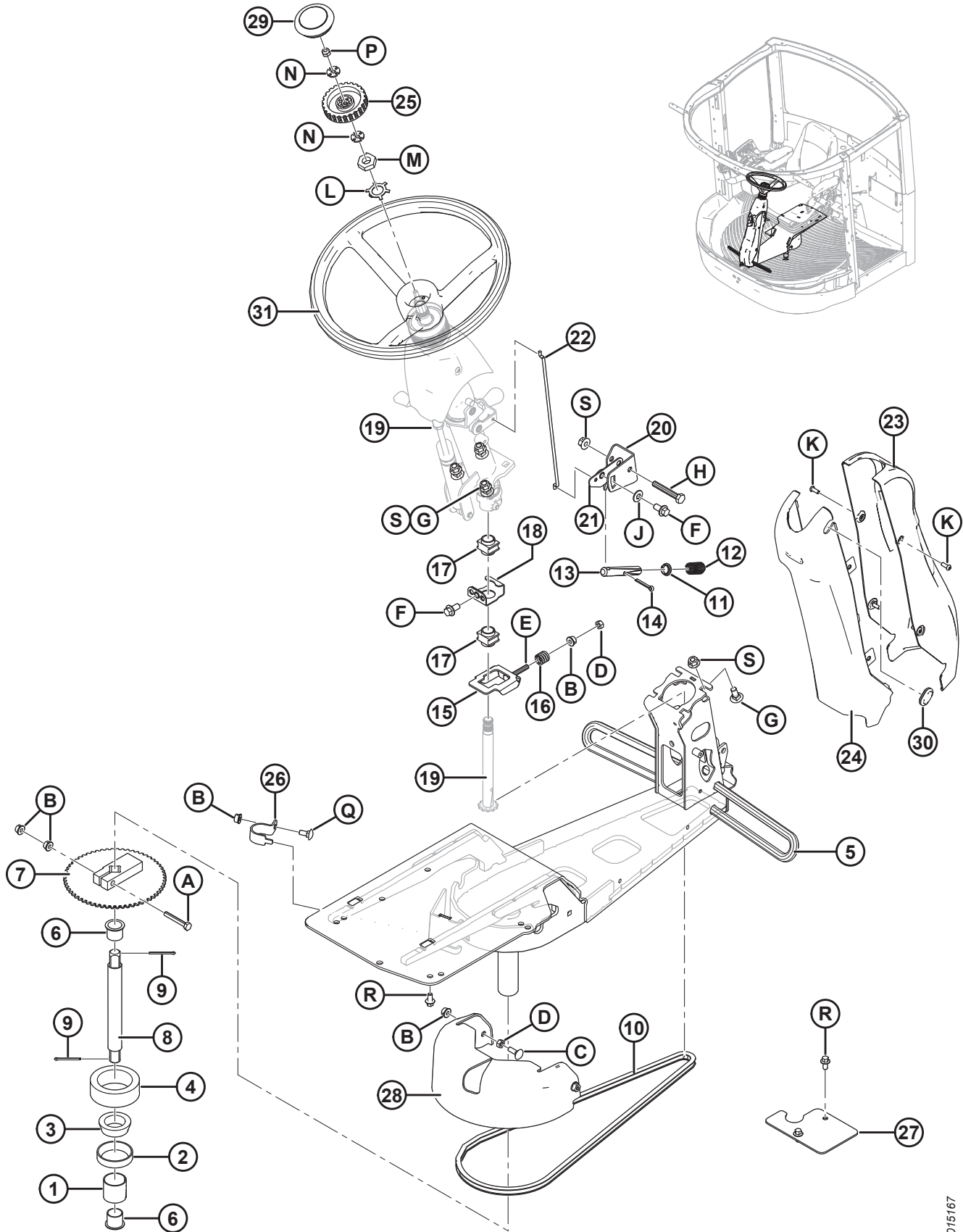


**STEERING COLUMN AND SEAT BASE**

Ref	Part Number	Description	Qty	Serial Number
1	109350	BUSHING – SLEEVE, 1.5 IN.	1	
2	30516	BEARING – CUP	1	
3	109611	BEARING – CONE	1	
4	203543	SEAL – DUST, SEAT PIVOT	1	
5	202505	BASE WELDT – OPERATORS STATION	1	
6	206966	BUSHING – PLASTIC, FLANGED, 1.0 IN. BORE	2	
7	202785	SPROCKET WELDT	1	
8	202515	SHAFT – STEERING	1	
9	18606	PIN – COTTER 1/8 DIA X 1.5 ZP	2	
10	109479	CHAIN – STEERING	1	
11	109478	BUSHING – SNAP-IN, 0.625 IN.	1	
12	19739	SPRING – COMPRESSION	1	
13	209521	PIN – LATCH	1	
14	18648	PIN – COTTER 3/16 DIA X 1.25 ZP	1	
15	202781	GUIDE – LOWER BUSHING, WELDT	1	
16	109779	SPRING – COMPRESSION	1	
17	109751	BUSHING – PLASTIC	2	
18	202783	RETAINER – BUSHING WELDT	1	
19	REF	ASSY – STEERING COLUMN C/W TOP COVER <sup>100</sup>		
20	160275	ARM – RELEASE	1	
21	202779	ARM – SEAT BASE RELEASE, WELDT	1	
22	202569	ROD – RELEASE	1	
23	206042	BOTTOM COVER – FRONT	1	
24	208806	BOTTOM COVER – REAR, CUTOUT	1	
25	203020	KNOB STEERING COLUMN RELEASE	1	
26	203401	CLIP – HARNESS	1	
27	206454	PLATE – GROMMET	1	
28	207539	COVER – SEAT BASE	1	
29	203029	COVER – STEERING WHEEL	1	
30	208770	GROMMET – RUBBER	1	
31	204748	WHEEL – STEERING, LEATHER (DELUXE CAB ONLY)	1	
A	184655	BOLT – HEX HD M8 X 1.25 X 55-8.8-A2L		
B	135337	NUT – HEX FLG CTR LOC M8 X 1.25-8-A2L		
C	184648	BOLT – RHSN M8 X 1.25 X 25-8.8-A3L		
D	184687	NUT – HEX M8 X 1.25-8-A2L		
E	252270	BOLT – HEX HD TFL M8 X 1.25 X 50-8.8-BO		
F	152655	BOLT – HEX FLG HD M10 X 1.5 X 20-8.8-A3L		
G	135785	BOLT – RHSN M10 X 1.5 X 25-8.8-A3L		
H	108172	BOLT – HEX HD M10 X 1.5 X 65-8.8-A3L		
J	184584	WASHER – CON SPRING M10A STL SAE 1050-1075		
K	136886	SCREW – HEX SOC M6 X 1 X 16-10.9-ZB		
L	203022	WASHER – SPECIAL LOCK		

100. For service parts, refer to Section *57 Steering Column – Service Parts*, page 137.

STEERING COLUMN AND SEAT BASE

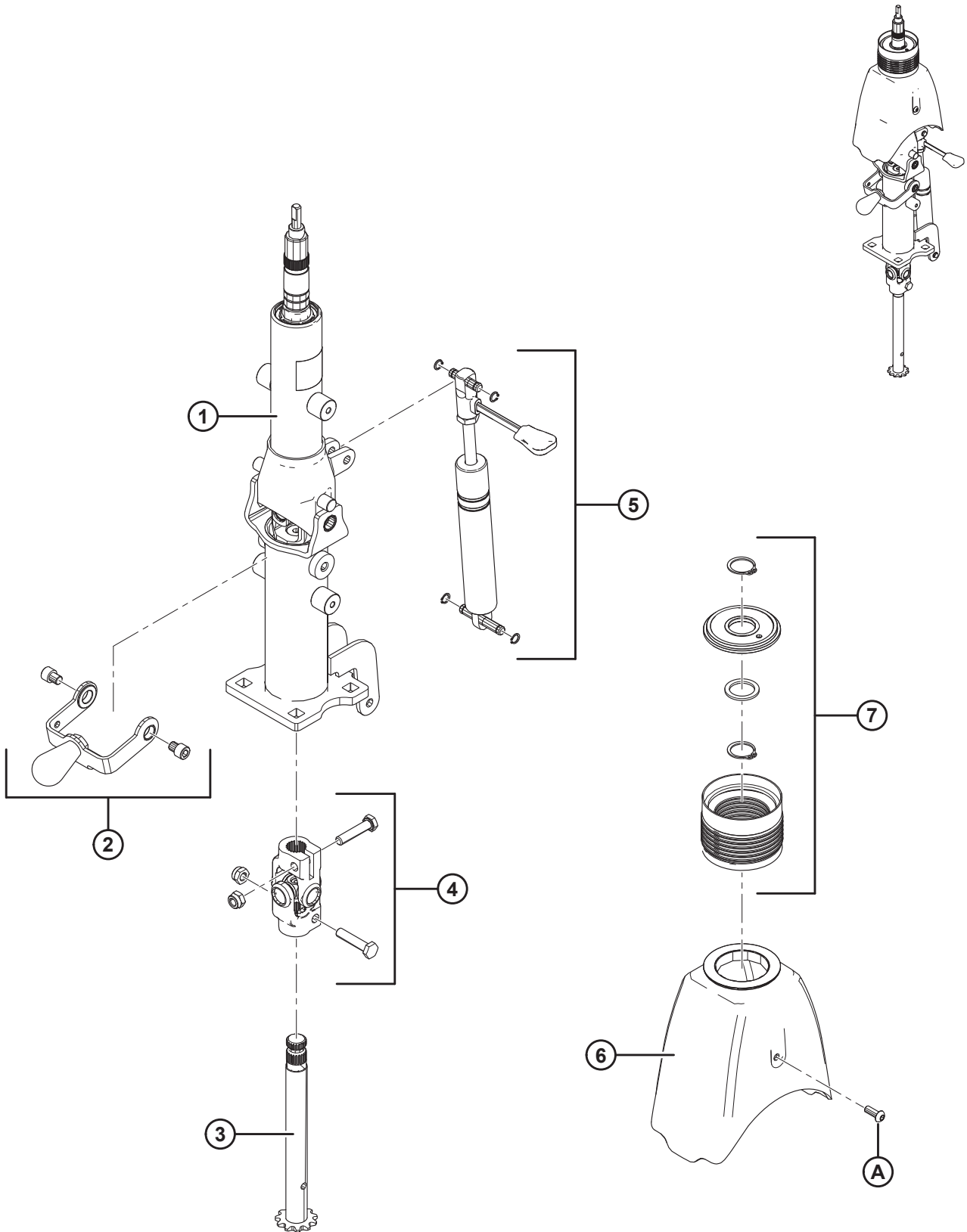


1015167

STEERING COLUMN AND SEAT BASE

Ref	Part Number	Description	Qty	Serial Number
M	152519	NUT – HEX THIN M20 X 1.5-8-A3L		
N	203019	WASHER		
P	184688	NUT – HEX NYLOC M8 X 1.25-8-A2L		
Q	197171	BOLT – RHSN M8 X 1.25 X 20-8.8-A2L		
R	136485	BOLT – HEX FLG HD TFL M8 X 1.25 X 16-8.8-A3L		
S	135799	NUT – HEX FLG CTR LOC M10 X 1.5-10-A3L		

# 57 Steering Column – Service Parts



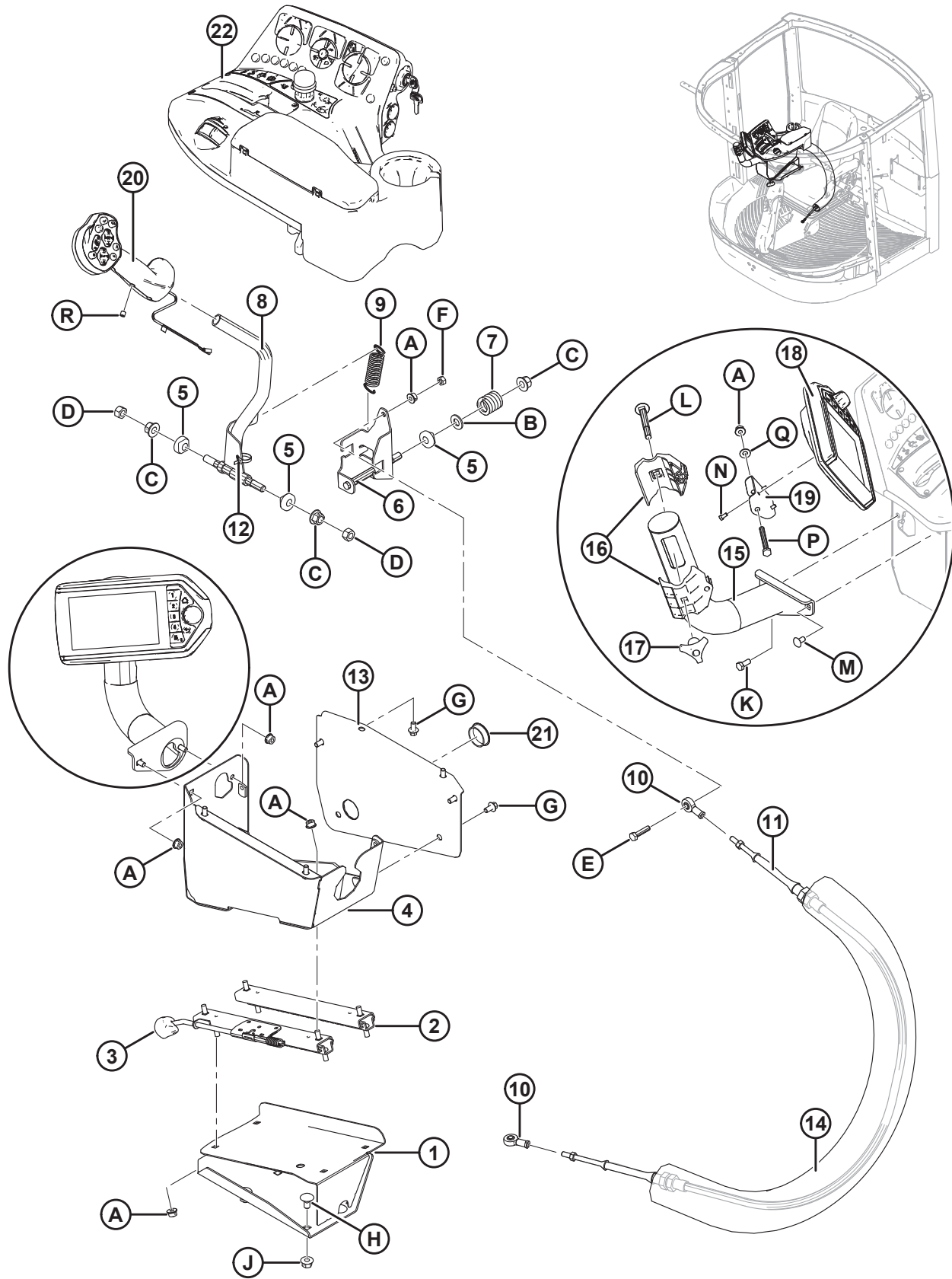
STEERING COLUMN – SERVICE PARTS

**NOTE:**

For steering column assembly (complete with top cover) placement, refer to Section *56 Steering Column and Seat Base*, page 133.

Ref	Part Number	Description	Qty	Serial Number
1	208010	KIT – COMPLETE TELESCOPIC ASSY		
2	208013	KIT – UNLOCK SYSTEM ASSY		
3	208014	KIT – LOWER WELDED SHAFT		
4	208015	KIT – ARTICULATED JOINT		
5	208016	KIT – GAS STRUT		
6	206040	TOP COVER		
7	207145	KIT – RUBBER BOOT		
A	136886	SCREW – HEX SOC M6 X 1 X 16-10.9-ZB		

# 58 Ground Speed Lever, Cable, and Display



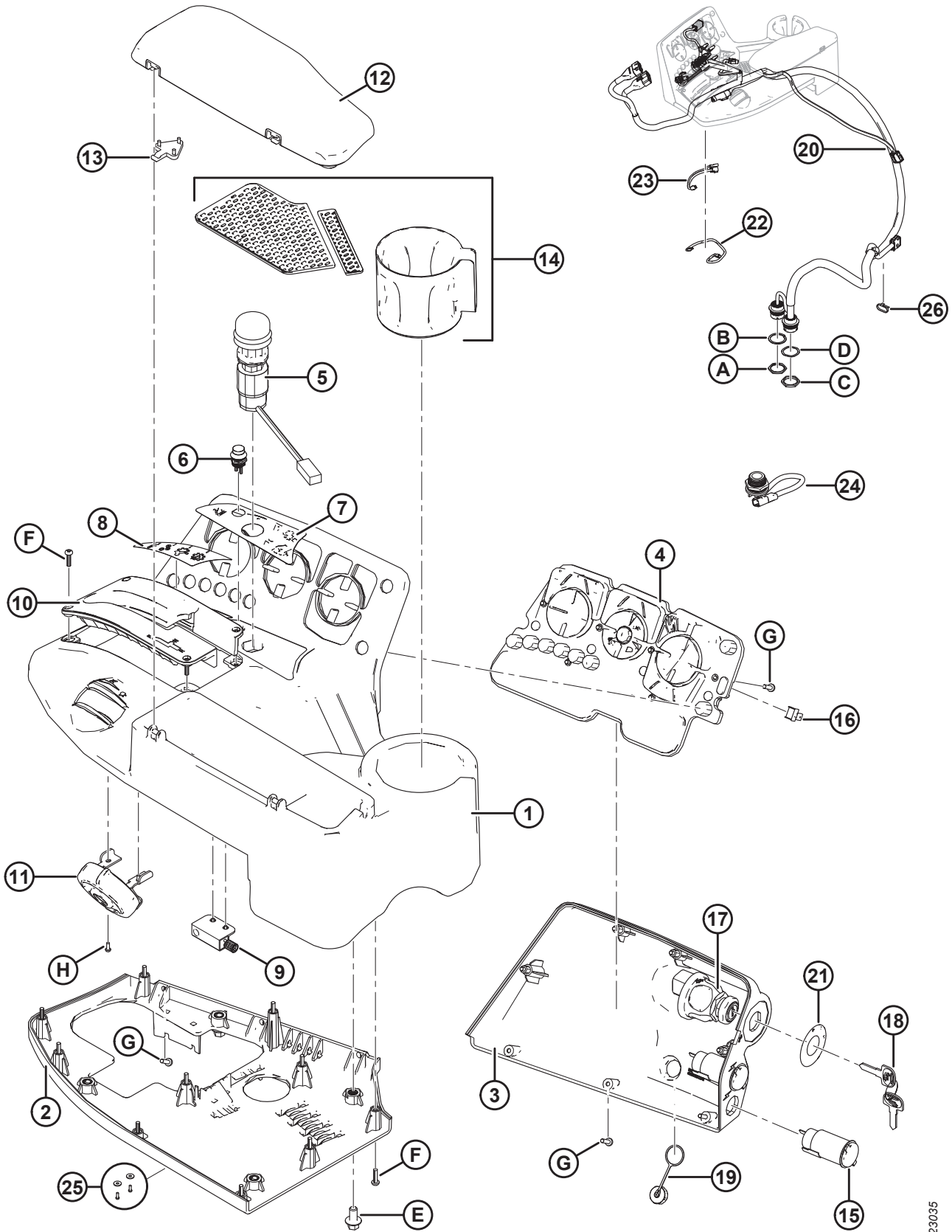


**GROUND SPEED LEVER, CABLE, AND DISPLAY**

<b>Ref</b>	<b>Part Number</b>	<b>Description</b>	<b>Qty</b>	<b>Serial Number</b>
1	209697	SUPPORT – CONSOLE, LOWER WELDT	1	
2	202654	RAIL – SLIDE, NON LOCKING	1	
3	202456	RAIL – SLIDE, LOCKING	1	
4	346230	SUPPORT – CONSOLE, UPPER WELDT	1	
5	109750	BUSHING – PLASTIC	3	
6	346232	CHANNEL – SPEED LEVER, WELDT	1	
7	28700	SPRING – COMPRESSION	1	
8	203518	LEVER – SPEED WELDT	1	
9	25321	SPRING – EXTENSION	1	
10	109312	JOINT – BALL, 5/16 IN. FEMALE	2	
11	207914	CABLE – PUSH PULL	1	
12	21763	FASTENER – CABLE TIE, BLACK, 160 MM LG	1	
13	201299	PANEL – REAR, CONSOLE	1	
14	204174	COVER – HARNESS/CABLE	1	
15	204010	SUPPORT – DISPLAY, WELDT	1	
16	207580	CLAMP HALF – DISPLAY MOUNT	2	
17	204187	KNOB	1	
18	306360	KIT – CAB DISPLAY, BROWN	1	
19	204007	SUPPORT – DISPLAY	1	
20	209209	HANDLE – GSL	1	
21	161378	PLUG – HOLE (Ø1.5 IN.)	1	
22	208783	CONSOLE – ARMREST ASSEMBLY <sup>101</sup>	1	
A	135337	NUT – HEX FLG CTR LOC M8 X 1.25-8-A2L		
B	18599	WASHER – SAE FLAT 17/32 I.D. X 1-1/16 IN. O.D. ZP		
C	136431	NUT – HEX FLG CTR LOC M12 X 1.75-10-A3L		
D	184694	NUT – HEX M12 X 1.75-8-A3L		
E	184654	BOLT – HEX HD M8 X 1.25 X 35-8.8-A2L		
F	184687	NUT – HEX M8 X 1.25-8-A2L		
G	136485	BOLT – HEX FLG HD TFL M8 X 1.25 X 16-8.8-A3L		
H	136178	BOLT – RHSN M10 X 1.5 X 20-8.8-A3L		
J	135799	NUT – HEX FLG CTR LOC M10 X 1.5-10-A3L		
K	252200	BOLT – HEX HD TFL M8 X 1.25 X 20-8.8-PLN		
L	152157	BOLT – RHSN M10 X 1.5 X 80-8.8-A3L		
M	191489	BOLT – RHSSN TFL M8 X 1.25 X 16-8.8-A2L		
N	136263	BOLT – HEX HD TFL M5 X 0.8 X 10-8.8-A2L		
P	184656	BOLT – HEX HD M8 X 1.25 X 70-8.8-A2L		
Q	184579	WASHER – CON SPRING M8A STL SAE 1050-1075		
R	136869	SCREW – SET CUP POINT M8 X 1.25 X 8-SS-PL		

101. For service parts, refer to Section *59 Console Components*, page 141.

# 59 Console Components



1023035

## CONSOLE COMPONENTS

Ref	Part Number	Description	Qty	Serial Number
	208783	CONSOLE – ARMREST ASSEMBLY <sup>102</sup>		
1	206771	CONSOLE HOUSING – UPPER <sup>103</sup>	1	
2	206772	CONSOLE HOUSING – LOWER <sup>104</sup>	1	
3	206775	SWITCH PANEL COVER <sup>105</sup>	1	
4	208808	MODULE – SWITCH PAD AND CIRCUIT BOARD <sup>106</sup>	1	
5	109505	SWITCH – HEADER ENGAGE	1	
6	206774	SWITCH – HEADER REVERSE	1	
7	REF	DECAL – HEADER SWITCH <sup>107</sup>		
8	REF	DECAL – FUNCTION SWITCHES <sup>107</sup>		
9	200974	SWITCH – MAGNETIC PROXIMITY, GSL	1	
10	206773	GSL GUIDE <sup>108</sup>	1	
11	206779	THROTTLE CONTROL <sup>109</sup>	1	
12	206783	PAD – ARMREST C/W HINGES	1	
13	206784	KIT – ARMREST HINGES <sup>110</sup>	2	
14	206780	MAT – TRAY (SET) <sup>111</sup>	1	
15	206785	TERMINAL – POWER OUTLET	1	
16	206776	CAP – USB PORT	1	
17	134716	SWITCH – IGNITION, 4 POSITION WITH KEY <sup>112</sup>	1	
18	134717	KEY – IGNITION SWITCH, CODE 701	1	
19	206777	CAP – USB ACCESS PORT, REAR	1	
20	209570	HARNESS – CONSOLE	1	
	500470	CONNECTOR – DEUT, DT, 3/M, J1939 (CAN TERMINATOR)		
21	REF	DECAL – KEY SWITCH <sup>107</sup>		
22	208810	HARNESS – GSL HANDLE EXTENSION	1	
23	208811	HARNESS – CONSOLE	1	
24	209571	CABLE – MINI USB TO JST <sup>113</sup>	1	
25	208989	KIT – NEUTRAL SWITCH FASTENERS <sup>114</sup>	1	
26	21763	FASTENER – CABLE TIE, BLACK, 160 MM LG	1	
A	134010	NUT – PANEL, HD30, SIZE 24		
B	134011	WASHER – LOCK SPRING, DEUTSCH HD, SIZE 24		
C	134728	NUT – PANEL, HDP20, SIZE 24		

102. Refer to Section [58 Ground Speed Lever, Cable, and Display, page 139](#).

103. Includes header switch decal, function switches decal, screws (MD #252706, 252707, 252708), and neutral switch fasteners kit (MD #208989).

104. Includes ten screws (MD #252706) and three screws (MD #252707).

105. Includes key switch decal and seven screws (MD #252707).

106. Includes six screws (MD #252707).

107. Refer to Section [114 Decals – Information and Reflectors, page 261](#).

108. Includes four screws (MD #252706).

109. Includes four screws (MD #252708).

110. Includes two hinges (not sold separately) and six screws (not sold separately).

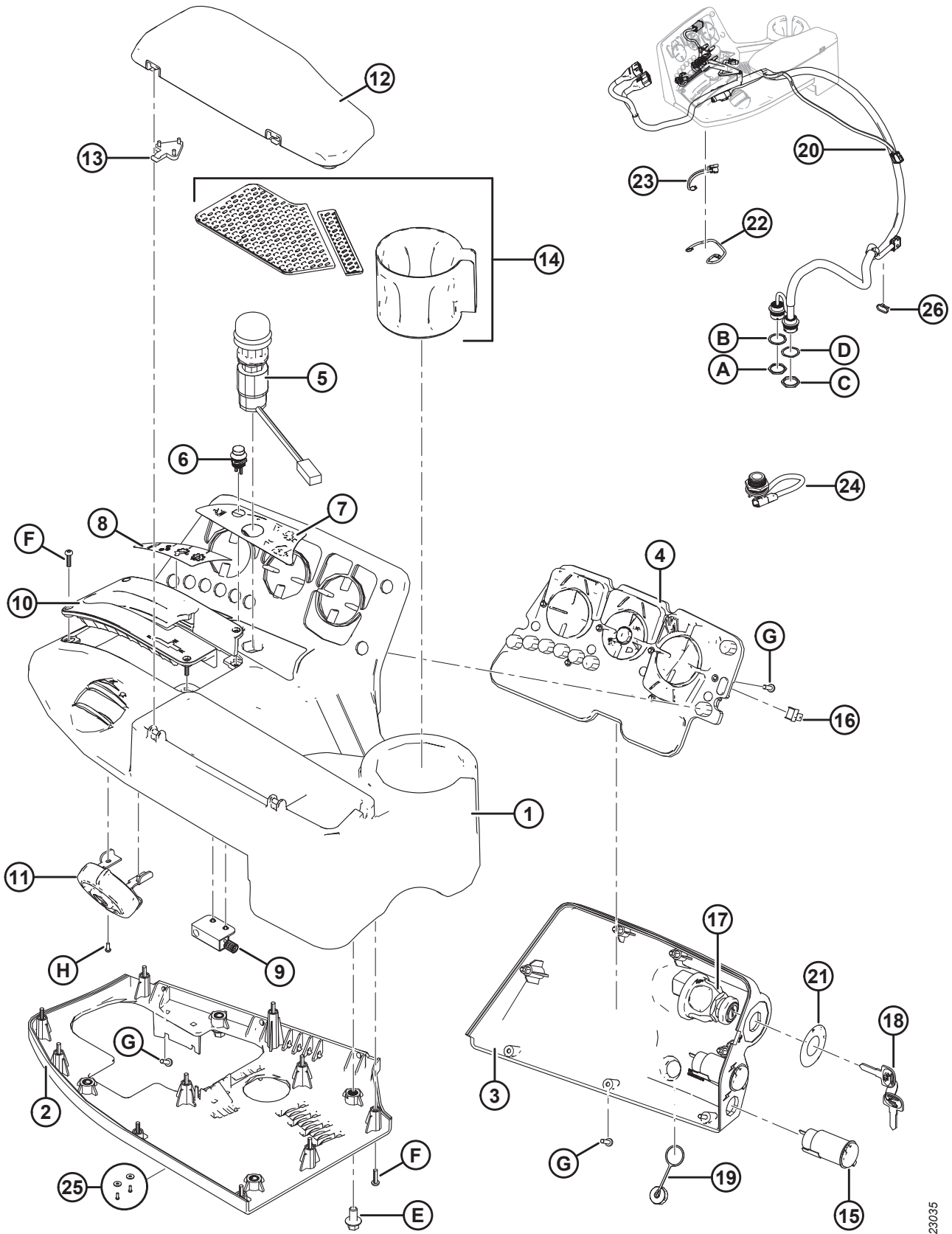
111. Includes all parts shown.

112. Includes two keys (MD #134717).

113. Cable used to program CAN network.

114. Kit includes two screws and two washers. Used to attach GSL magnetic proximity switch (MD #200974) to console.

CONSOLE COMPONENTS

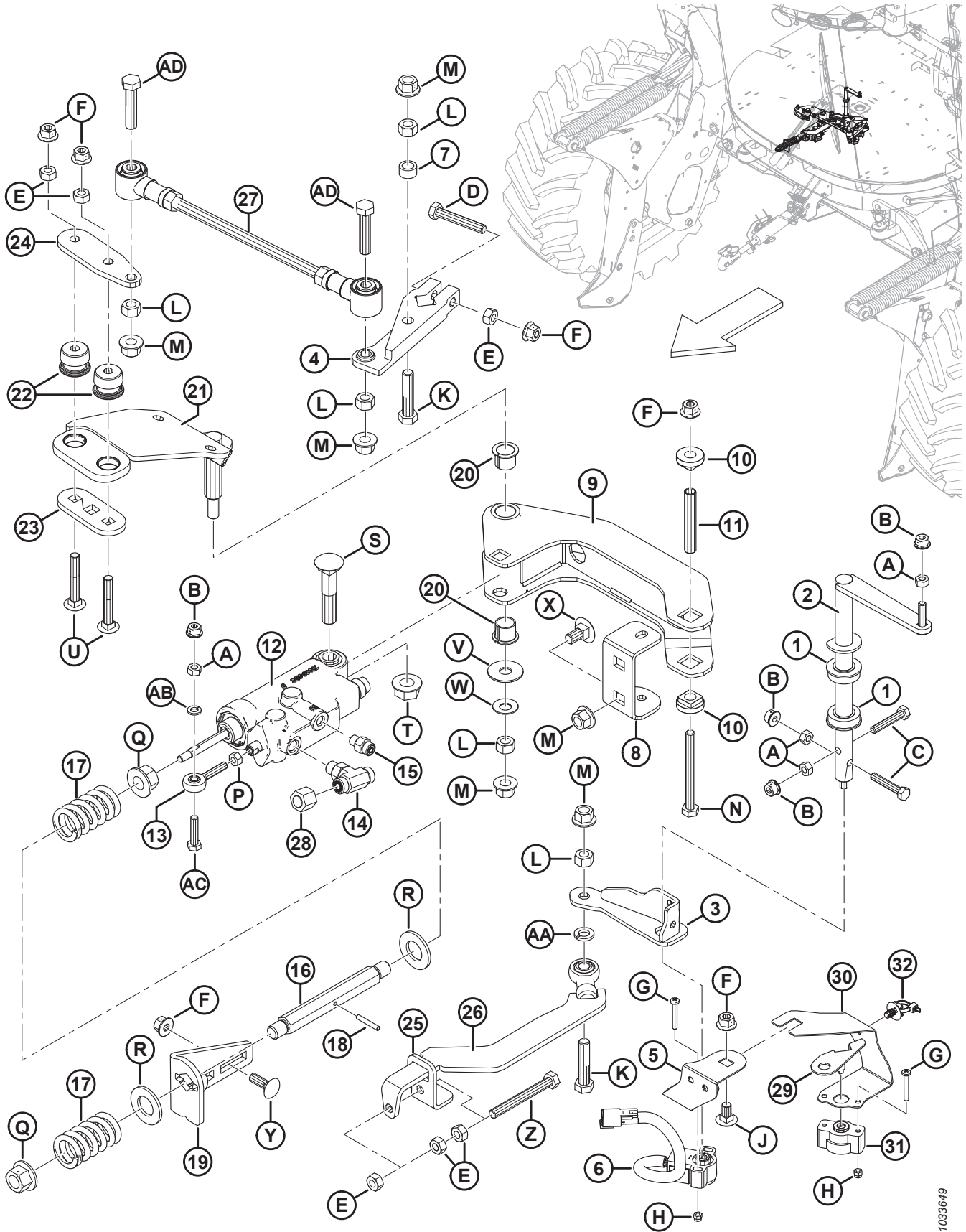


1023035

### CONSOLE COMPONENTS

<b>Ref</b>	<b>Part Number</b>	<b>Description</b>	<b>Qty</b>	<b>Serial Number</b>
D	134730	WASHER – LOCK, HDP20, SIZE 24		
E	136485	BOLT – HEX FLG HD TFL M8 X 1.25 X 16-8.8-A3L		
F	252706	SCREW – TORX SOC PAN HD M4 X 0.7 X 16-8.8-AA2L		
G	252707	SCREW – TORX SOC PAN HD M4 X 0.7 X 14 X SPCL-8.8-AA1T		
H	252708	SCREW – TORX SOC PAN HD M4 X 0.7 X 8-8.8-AA2L		

# 60 Steering and Ground Speed Control (under Cab)

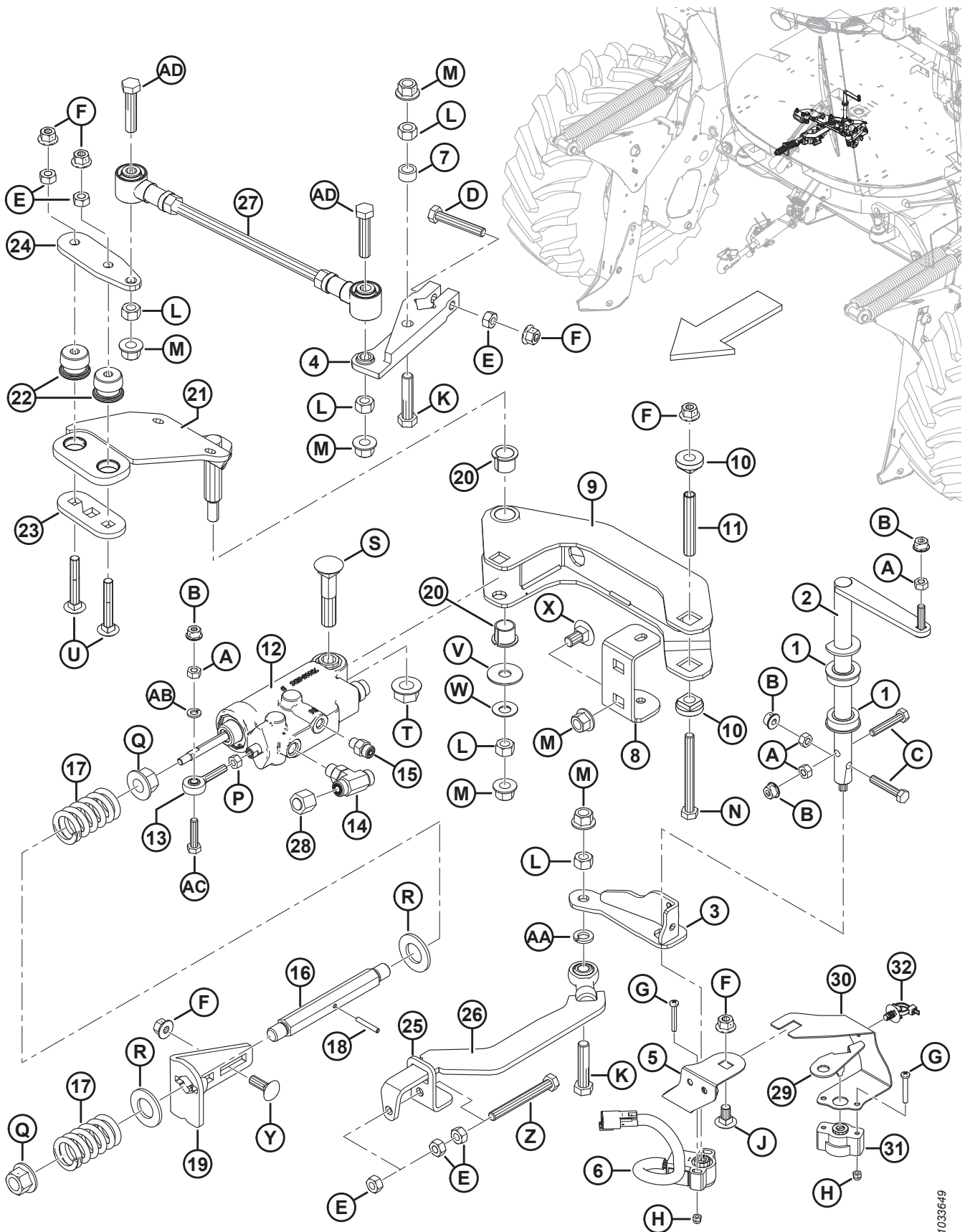


**STEERING AND GROUND SPEED CONTROL (UNDER CAB)**

Ref	Part Number	Description	Qty	Serial Number
1	109818	BEARING	2	
2	201701	SHAFT – SPEED WELDT	1	
3	203505	ARM – SPEED, WELDT	1	
4	203508	ARM – STEERING	1	
5	201705	SUPPORT – SENSOR	1	
6	201224	SENSOR – ROTARY POSITION <sup>115</sup>	1	
7	14294	SPACER	1	
8	209924	SUPPORT – PIVOT	1	
9	204354	CARRIER – SERVO WELDT	1	
10	109750	BUSHING – PLASTIC	2	
11	203277	SPACER – TUBE	1	
12	183913	VALVE – SERVO CONTROL	1	
	111990	SEAL KIT		
13	109313	JOINT – BALL, 5/16 IN. MALE	1	
14	136566	FITTING – BRANCH TEE HYD	1	
	50219	O-RING – #6 ORB		
	135865	O-RING – #6 ORFS		
15	135775	FITTING – ADAPTER	1	
	50223	O-RING – #4 ORB		
	135957	O-RING – #4 ORFS		
16	203509	SHAFT – SERVO	1	
17	109807	SPRING – COMPRESSION	2	
18	13617	PIN – SPRING 3/16 DIA X 1.25 LG	1	
19	183166	SUPPORT – SERVO	1	
20	135570	BUSHING – TEFLON	2	
21	207233	PIVOT – PINTLE WELDT	1	
22	30591	INSULATOR – RUBBER	2	
23	201149	BAR – BUSHING	1	
24	207250	BAR – BUSHING	1	
25	203504	ANGLE – SERVO INPUT	1	
26	203501	LINK – VALVE CONTROL, WELDT	1	
27	306267	ROD – STEERING LINK	1	
28	136325	CAP – HYD SAE -6 ORFS	1	
29	208637	ADAPTER – STEERING SENSOR	1	
30	208895	SUPPORT – SENSOR, STEERING	1	
31	208894	SENSOR – ROTARY POSITION	1	
32	136655	FASTENER – FIR TREE MT W/ TIE	1	
A	184687	NUT – HEX M8 X 1.25-8-A2L		
B	135337	NUT – HEX FLG CTR LOC M8 X 1.25-8-A2L		
C	30660	BOLT – HEX HD M8 X 1.25 X 45-8.8-A2L		
D	184664	BOLT – HEX HD M10 X 1.5 X 60-8.8-A3L		
E	30505	NUT – HEX M10 X 1.5-10-A3L		
F	135799	NUT – HEX FLG CTR LOC M10 X 1.5-10-A3L		

115. Used to determine ground speed lever position.

STEERING AND GROUND SPEED CONTROL (UNDER CAB)



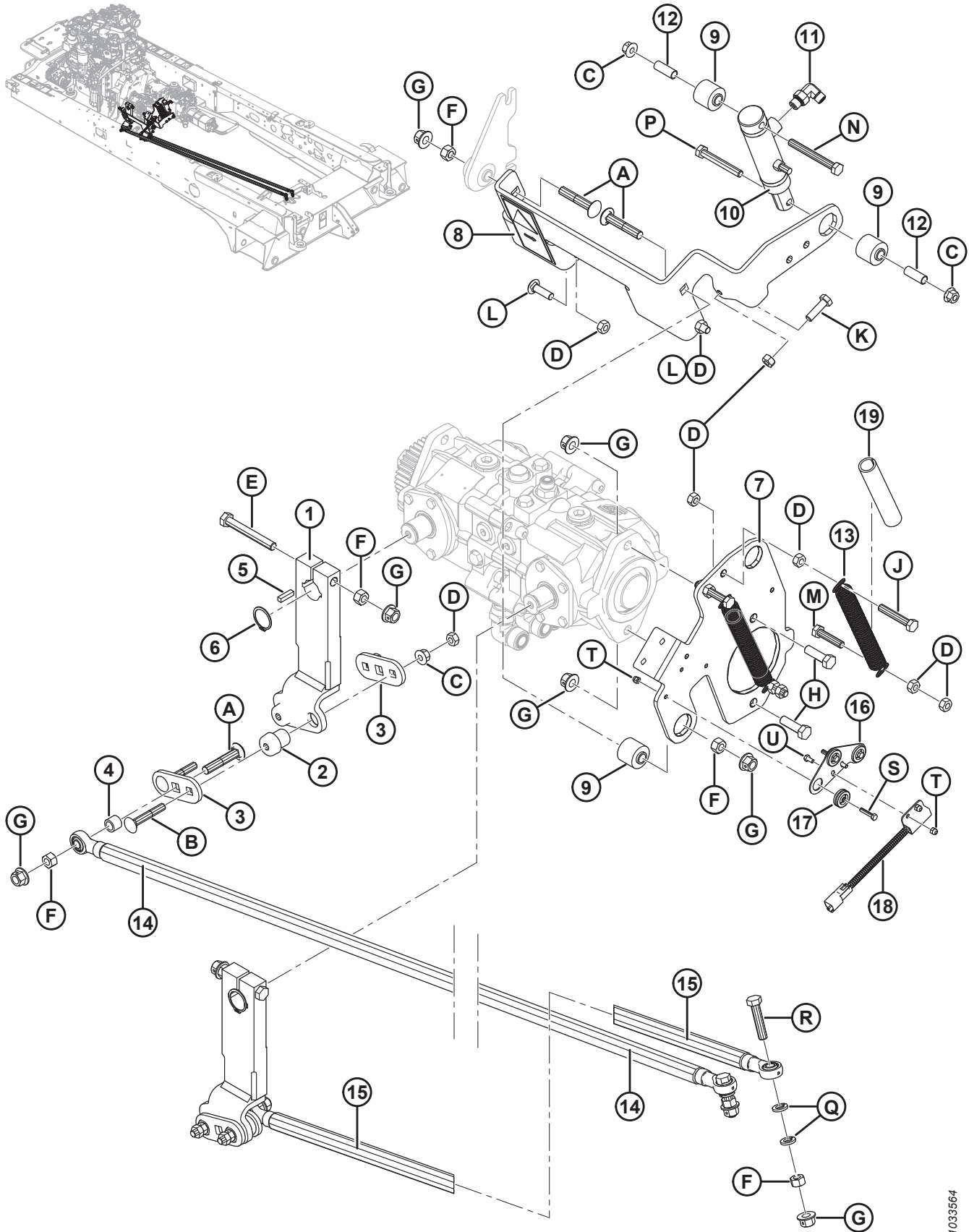
10336-49



**STEERING AND GROUND SPEED CONTROL (UNDER CAB)**

<b>Ref</b>	<b>Part Number</b>	<b>Description</b>	<b>Qty</b>	<b>Serial Number</b>
G	136177	SCREW – PAN HD ISO 7045 M5 X 0.8 X 35-4.8-A2L		
H	197230	NUT – HEX NYLOC M5 X 0.8-8-A2L		
J	136178	BOLT – RHSN M10 X 1.5 X 20-8.8-A3L		
K	152779	BOLT – HEX HD M12 X 1.75 X 55-8.8-A3L		
L	184694	NUT – HEX M12 X 1.75-8-A3L		
M	136431	NUT – HEX FLG CTR LOC M12 X 1.75-10-A3L		
N	30659	BOLT – HEX HD M10 X 1.5 X 100-8.8-A3L		
P	20214	NUT – HEX 5/16-24 UNF GR 5 ZP		
Q	136440	NUT – HEX FLG CTR LOC M16 X 2-10-A3L		
R	18602	WASHER – SAE FLAT 15/16 I.D. X 1.75 IN. O.D. ZP		
S	21762	BOLT – RHSSN 5/8 NC X 3.0 LG GR 5 ZP		
T	50225	NUT – FLANGE DT SMOOTH FACE .625-11 UNC		
U	136183	BOLT – RHSN M10 X 1.5 X 65-8.8-A3L		
V	32247	WASHER – FLAT		
W	184595	WASHER – CONICAL SPRING 1/2 IN.		
X	135903	BOLT – RHSN M12 X 1.75 X 25-8.8-A3L		
Y	184662	BOLT – RHSN TFL M10 X 1.5 X 30-8.8-A3L		
Z	136454	BOLT – HEX HD TFL M10 X 1.5 X 90-8.8-A3L		
AA	30633	WASHER – LOC SPRING M12-CS-1055-1065-A2L		
AB	30716	WASHER – LOC SPRING M8-CS-1055-1065-A2L		
AC	184654	BOLT – HEX HD M8 X 1.25 X 35-8.8-A2L		
AD	184675	BOLT – HEX HD M12 X 1.75 X 70-8.8-AA1J		

# 61 Neutral Interlock and Pintle Arms



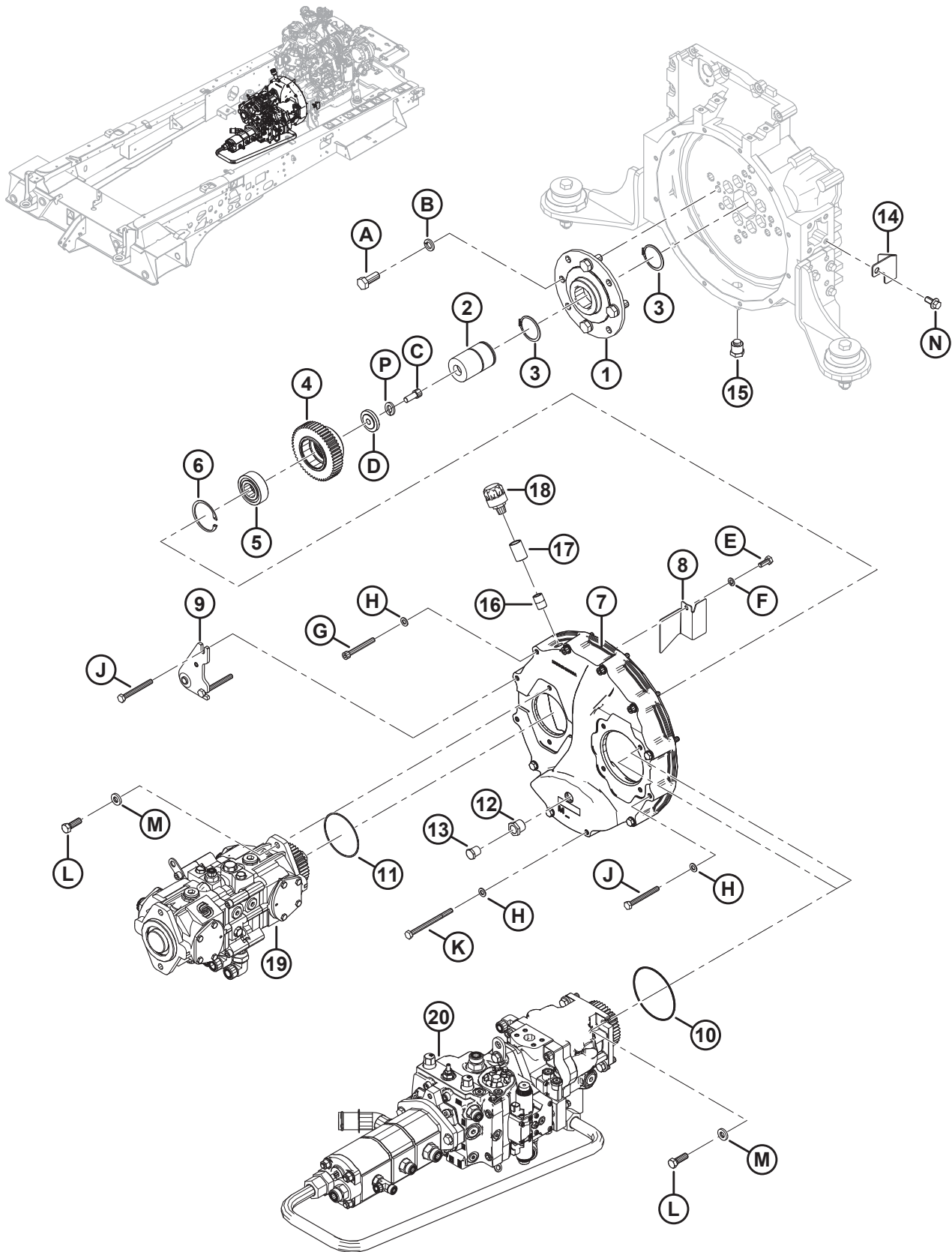
**NEUTRAL INTERLOCK AND PINTLE ARMS**

Ref	Part Number	Description	Qty	Serial Number
1	306077	ARM – PINTLE WELDT	2	
2	42039	INSULATOR – RUBBER	4	
3	201149	BAR – BUSHING	4	
4	132531	SPACER	2	
5	18810	KEY	2	
6	153289	RING – RETAINING EXTERNAL	2	
7	202014	ASSEMBLY – INTERLOCK SUPPORT <sup>116</sup>	1	
8	202015	ASSEMBLY – PIVOT ISOLATOR <sup>117</sup>	1	
9	50040	BUSHING – RUBBER	3	
10	111599	CYLINDER – HYDRAULIC	1	
	166171	SEAL KIT		
11	136239	FITTING – ELBOW 90° HYD	1	
	50219	O-RING – #6 ORB		
	135957	O-RING – #4 ORFS		
12	202022	SLEEVE – TUBE	2	
13	110977	SPRING – EXT	2	
14	201647	ROD – STEERING WELDT, 2219 MM LG	1	
15	201648	ROD – STEERING WELDT, 1980 MM LG	1	
16	207830	PLATE – SWITCH MOUNT	1	
17	207829	GROMMET – ISOLATOR	3	
18	200974	SWITCH – NEUTRAL	1	
19	209385	DAMPENER – SPRING	2	
A	136112	BOLT – RHSSN M12 X 1.75 X 65-8.8-A3L		
B	136183	BOLT – RHSN M10 X 1.5 X 65-8.8-A3L		
C	135799	NUT – HEX FLG CTR LOC M10 X 1.5-10-A3L		
D	30505	NUT – HEX M10 X 1.5-10-A3L		
E	184673	BOLT – HEX HD M12 X 1.75 X 90-10.9-A3L		
F	135156	NUT – HEX M12 X 1.75-10-A3L		
G	136431	NUT – HEX FLG CTR LOC M12 X 1.75-10-A3L		
H	184669	BOLT – HEX HD M12 X 1.75 X 40-8.8-A3L		
J	184664	BOLT – HEX HD M10 X 1.5 X 60-8.8-A3L		
K	30628	BOLT – HEX HD M10 X 1.5 X 35-8.8-A3L		
L	184658	BOLT – RHSSN M10 X 1.5 X 50-8.8-AA1J		
M	135335	BOLT – HEX HD M10 X 1.5 X 45-8.8-A3L		
N	30682	BOLT – HEX HD M10 X 1.5 X 90-8.8-A3L		
P	184659	BOLT – HEX HD M10 X 1.5 X 75-8.8-A3L		
Q	30633	WASHER – LOC SPRING M12-CS-1055-1065-A2L		
R	152779	BOLT – HEX HD M12 X 1.75 X 55-8.8-A3L		
S	252365	BOLT – HEX HD M5 X 0.8 X 25-8.8-A2L		
T	197230	NUT – HEX NYLOC M5 X 0.8-8-A2L		
U	136263	BOLT – HEX HD M5 X 0.8 X 10-8.8-A2L		

116. Includes two rubber bushings (MD #50040).

117. Includes rubber bushing (MD #50040) and decal (MD #166425).

# 62 Engine Gearbox



**ENGINE GEARBOX**

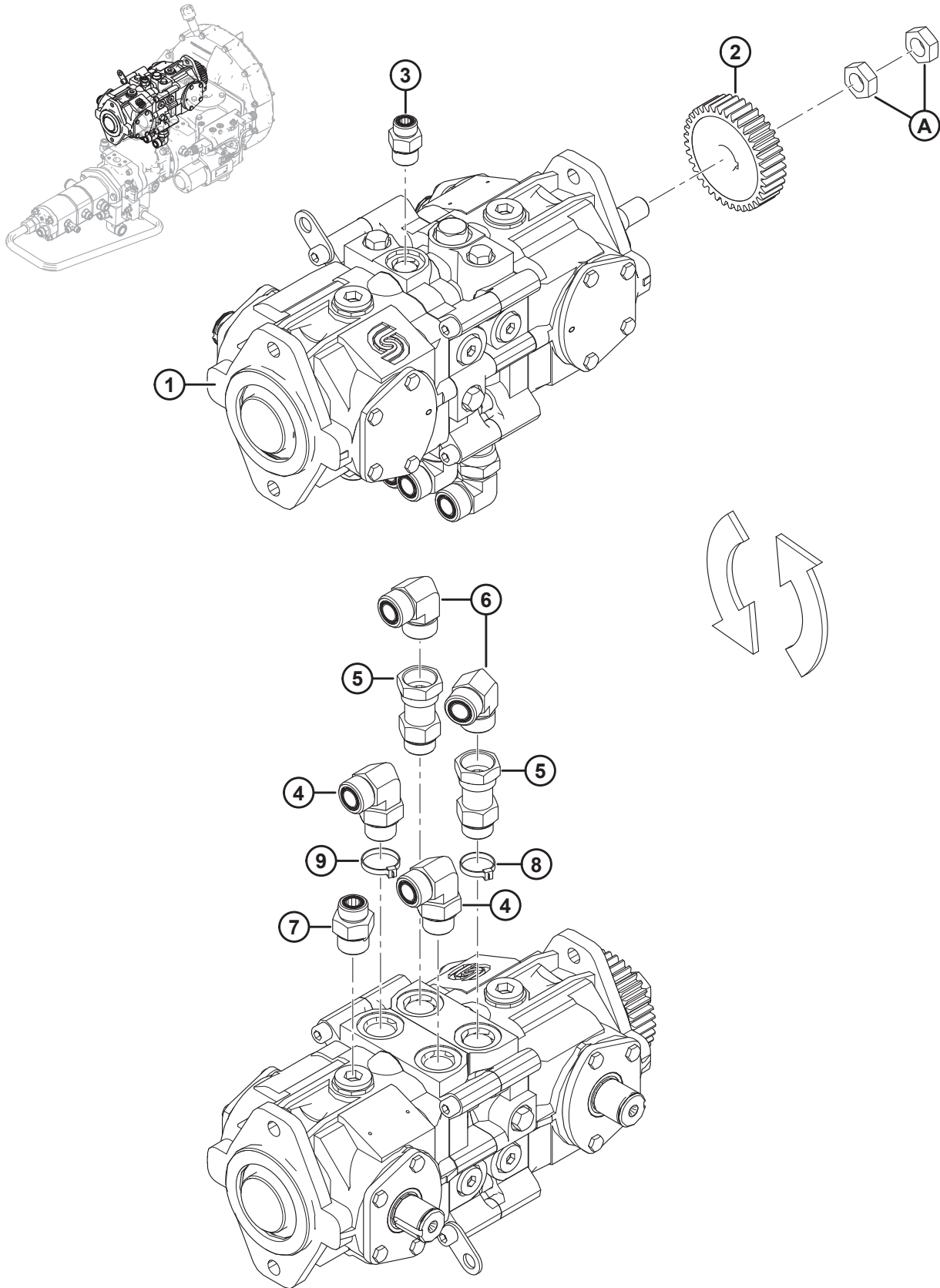
Ref	Part Number	Description	Qty	Serial Number
1	111511	COUPLING – BELL HOUSING	1	
2	111677	COUPLING – SPLINE	1	
3	111521	RING – RETAINING	2	
4	183956	GEAR – CENTER, 4 CYL (56T) (M1170NT5)	1	
	306113	GEAR – CENTER, 4 CYL (51T) (M1170NT)	1	
5	111665	BEARING – ROLLER <sup>118</sup>	1	
6	38854	RING – INT RETAINING	1	
7	204291	COVER – MACHINED (SAE 3) (M1170NT5)	1	
	208216	COVER – MACHINED, 4 CYL HD (M1170NT)	1	
8	167910	DEFLECTOR – OIL	1	
9	111811	HANGER – ENGINE INTERLOCK C/W BUSHING (M1170NT5)	1	
	207894	ANCHOR – INTERLOCK, C/W BUSHING (M1170NT)	1	
	50040	BUSHING – RUBBER		
10	111546	O RING – 4.88 IN I.D. X Ø0.118	1	
11	30045	O RING – 101.27 MM I.D. X 2.62 MM	1	
12	5745	FITTING – REDUCER BUSHING	1	
13	136558	PLUG – HEX HEAD PIPE	1	
14	209598	BRACKET – PLUG	1	
15	111772	PLUG – MAGNETIC (3/4 NPT)	1	
16	5744	FITTING – CLOSE NIPPLE 1/2 NPT	1	
17	30346	FITTING – COUPLING 1/2 NPT	1	
18	209374	PLUG – BREATHER, RIVETED	1	
19	REF	ASSEMBLY – TRACTION PUMP <sup>119</sup>		
20	REF	ASSEMBLY – PUMP <sup>120</sup>		
A	111528	BOLT – HEX HD TFL M16 X 2 X 40-8.8-A3L		
B	18639	WASHER – REG. LOCK 5/8 IN. NOM. ID ZP		
C	<b>20077</b>	<b>BOLT – HEX HD TFL 3/8-16X1.0 GR5-AA1J</b>		
D	<b>1246</b>	<b>WASHER – FLAT</b>		
E	<b>30963</b>	<b>BOLT – HEX HD 0.375-16UNC X 0.75 BLK</b>		
F	30632	WASHER – LOCK SPRING M10-200HV-A3L		
G	136108	SCREW – HEX SOC HD M10 X 1.5 X 80-12.9-BO		
H	184711	WASHER – FLAT REG M10-200HV-A3L		
J	30682	BOLT – HEX HD M10 X 1.5 X 90-8.8-A3L		
K	135304	BOLT – HEX HD M10 X 1.5 X 130-8.8-A3L		
L	135460	BOLT – HH 1/2-13 NC X 1.5 LG L9 ZP		
M	136027	WASHER – HARD ASTM F436 1/2-361-460HV-AB2C		
N	148800	BOLT – HEX FLG HD M12 X 1.75 X 25 X SPCL-10.9-A3L		
P	<b>18637</b>	<b>WASHER – REG. LOCK 3/8 IN. NOM. ID AA1J</b>		

118. Includes bearing, inner sleeve, and thrust washer.

119. Refer to Section [63 Traction Drive Pump](#), page 153.

120. Refer to Section [65 Left Pump Stack](#), page 157.

# 63 Traction Drive Pump



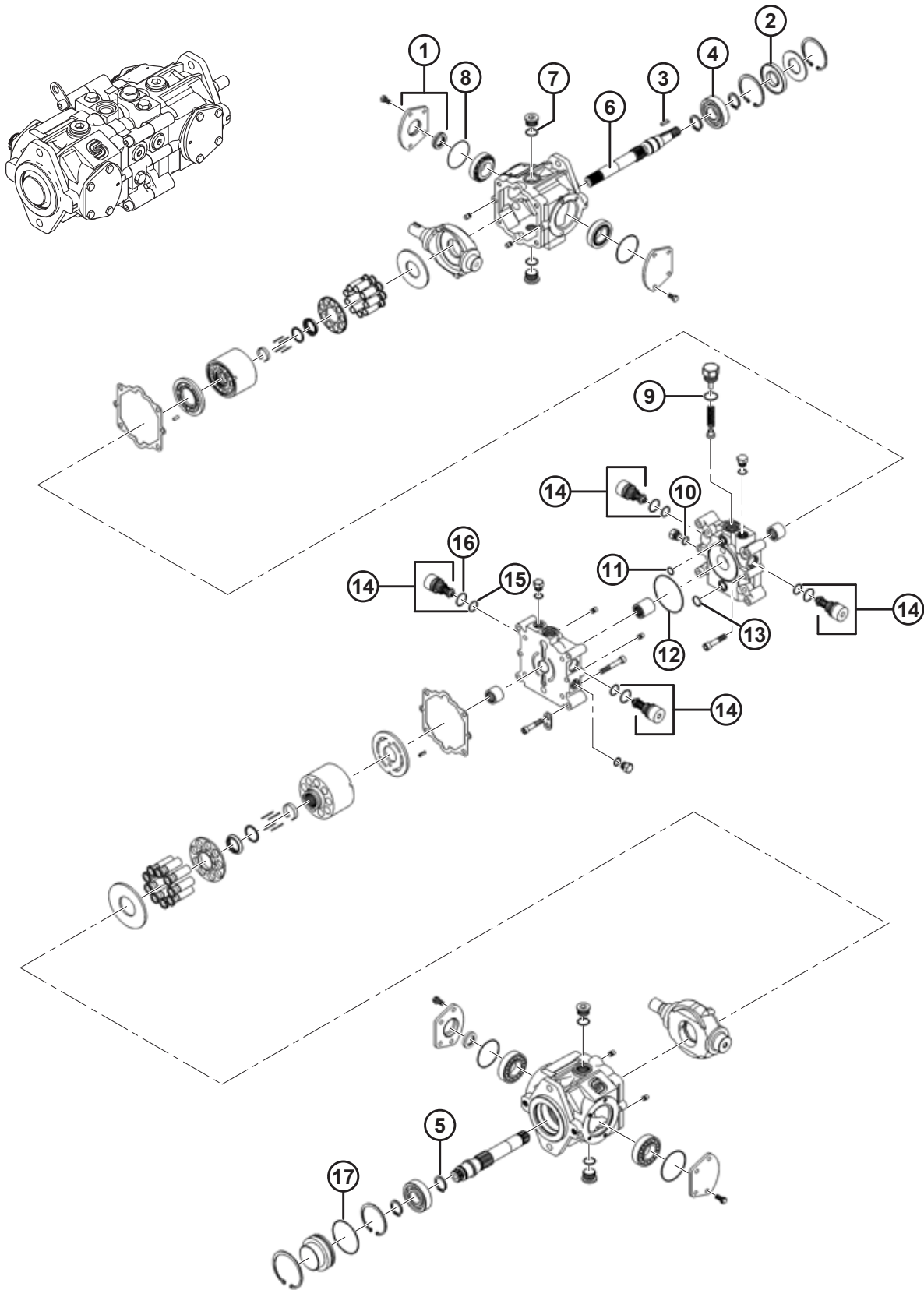
**TRACTION DRIVE PUMP**

<b>Ref</b>	<b>Part Number</b>	<b>Description</b>	<b>Qty</b>	<b>Serial Number</b>
1	201516	PUMP – VARIABLE AXIAL PISTON <sup>121</sup>	1	
3	184463	FITTING – ADAPTER 8 MORFS X 10 MORB	1	
	44210	O-RING – #10 ORB		
	135866	O-RING – #8 ORFS		
4	135821	FITTING – ELBOW 90° HYD (C, D)	2	
	30971	O-RING – #12 ORB		
	135868	O-RING – #12 ORFS		
5	136501	FITTING – ADAPTER (A, B)	2	
	30971	O-RING – #12 ORB		
6	136499	FITTING – ELBOW 90° HYD	2	
	135868	O-RING – #12 ORFS		
7	135786	FITTING – ADAPTER (LL1)	1	
	30971	O-RING – #12 ORB		
	135867	O-RING – #10 ORFS		
8	40702	FASTENER – CABLE TIE (RED)	1	
9	40701	FASTENER – CABLE TIE (YELLOW)	1	
A	7674	NUT – HEX JAM 3/4-16 UNF GR 5 ZP		

---

121. For service parts, refer to Section [64 Traction Drive Pump – Service Parts](#), page 155.

# 64 Traction Drive Pump – Service Parts





**TRACTION DRIVE PUMP – SERVICE PARTS**

**NOTE:**

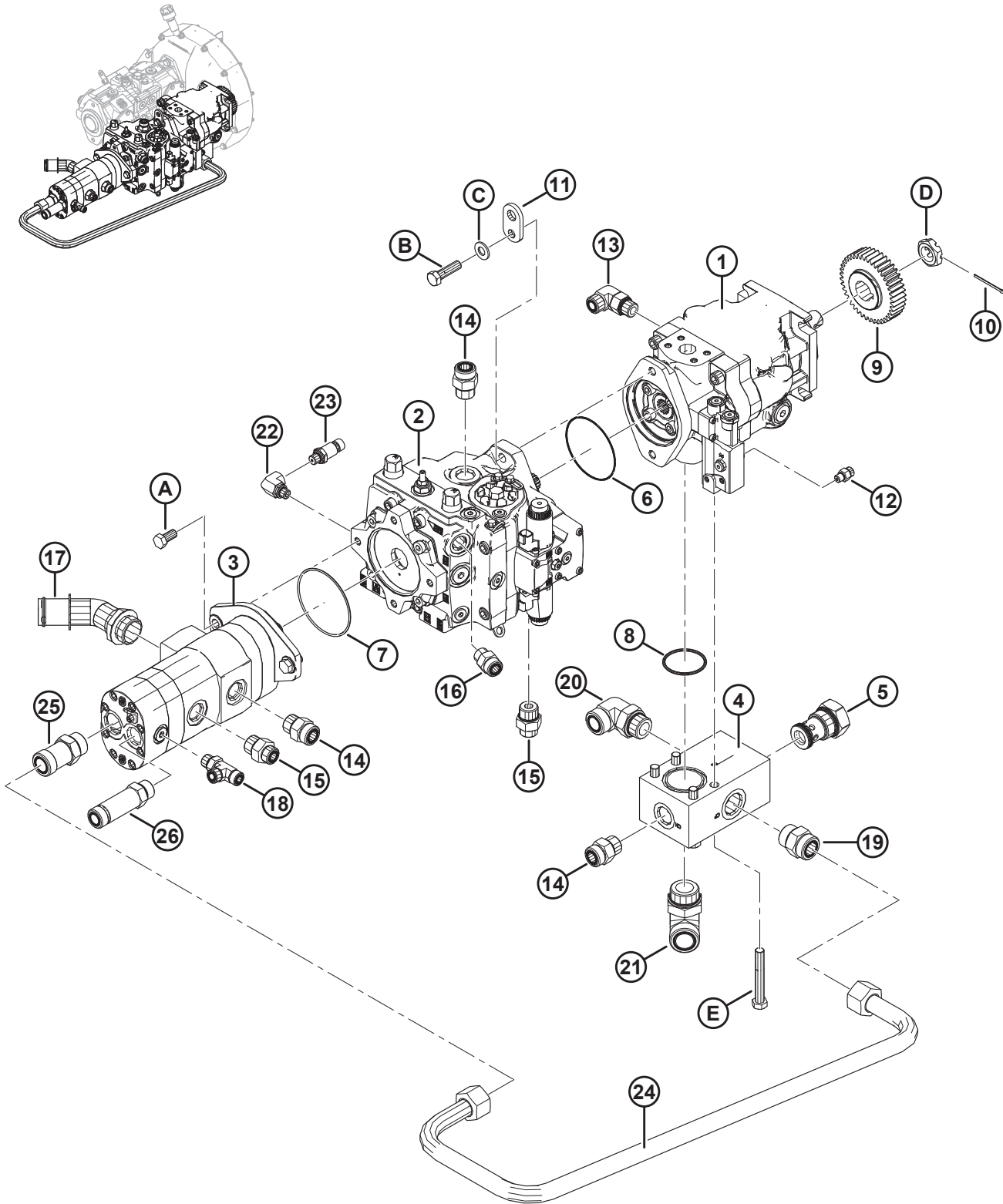
All illustrated parts that are **NOT** in the parts list are non-serviced parts, illustrated for reference only.

<b>Ref</b>	<b>Part Number</b>	<b>Description</b>	<b>Qty</b>	<b>Serial Number</b>
	201516	PUMP – VARIABLE AXIAL PISTON <sup>122</sup>		
1	207807	ASSEMBLY – TRUNNION COVER SEAL	2	
2	203048	SEAL – LIP	1	
3	111895	KEY	1	
4	111896	BEARING – ROLLER	1	
5	111897	RING – RETAINING	4	
6	111898	SHAFT – FRONT	1	
7	111899	O-RING	4	
8	111900	O-RING	4	
9	111907	O-RING	1	
10	111908	O-RING	4	
11	111909	O-RING	1	
12	111910	O-RING	1	
13	111911	O-RING	1	
14	306528	VALVE – SCR 385 BAR/5580 PSI	4	
15	111913	O-RING	1	
16	111914	O-RING	1	
17	111919	O-RING	1	

---

122. Refer to Section *63 Traction Drive Pump*, page 153.

# 65 Left Pump Stack



**LEFT PUMP STACK**

Ref	Part Number	Description	Qty	Serial Number
1	201523	PUMP – PISTON, FAN/LIFT <sup>123</sup>	1	
2	203654	PUMP – PISTON, DISC/KNIFE <sup>124</sup>	1	
3	205125	PUMP – TRIPLE GEAR	1	
	306359	SEAL KIT		
4	202888	MANIFOLD – INLET <sup>125</sup>	1	
	208284	SEAL KIT		
5	208282	VALVE – CHECK	1	
6	134056	O-RING – 1.78 AND 96 MM I.D.	1	
7	30045	O-RING – 2.62 AND 101.27 MM I.D.	1	
8	112867	O-RING – 3.53 AND 56.1 MM I.D.	1	
9	183957	GEAR – HDR PUMP (41T)	1	
10	21006	PIN – COTTER 1/8 DIA X 2.0 ZP	1	
11	162104	SUPPORT – PUMP LIFT	1	
12	252698	FITTING – ADAPTER, SCREEN HYDRAULIC	1	
	50223	O-RING – #4 ORB		
	135957	O-RING – #4 ORFS		
13	136089	FITTING – ELBOW 90° HYD	1	
	44210	O-RING – #10 ORB		
	135867	O-RING – #10 ORFS		
14	135788	FITTING – ADAPTER <sup>126</sup>	3	
	30971	O-RING – #12 ORB		
	135868	O-RING – #12 ORFS		
15	135786	FITTING – ADAPTER	2	
	30971	O-RING – #12 ORB		
	135867	O-RING – #10 ORFS		

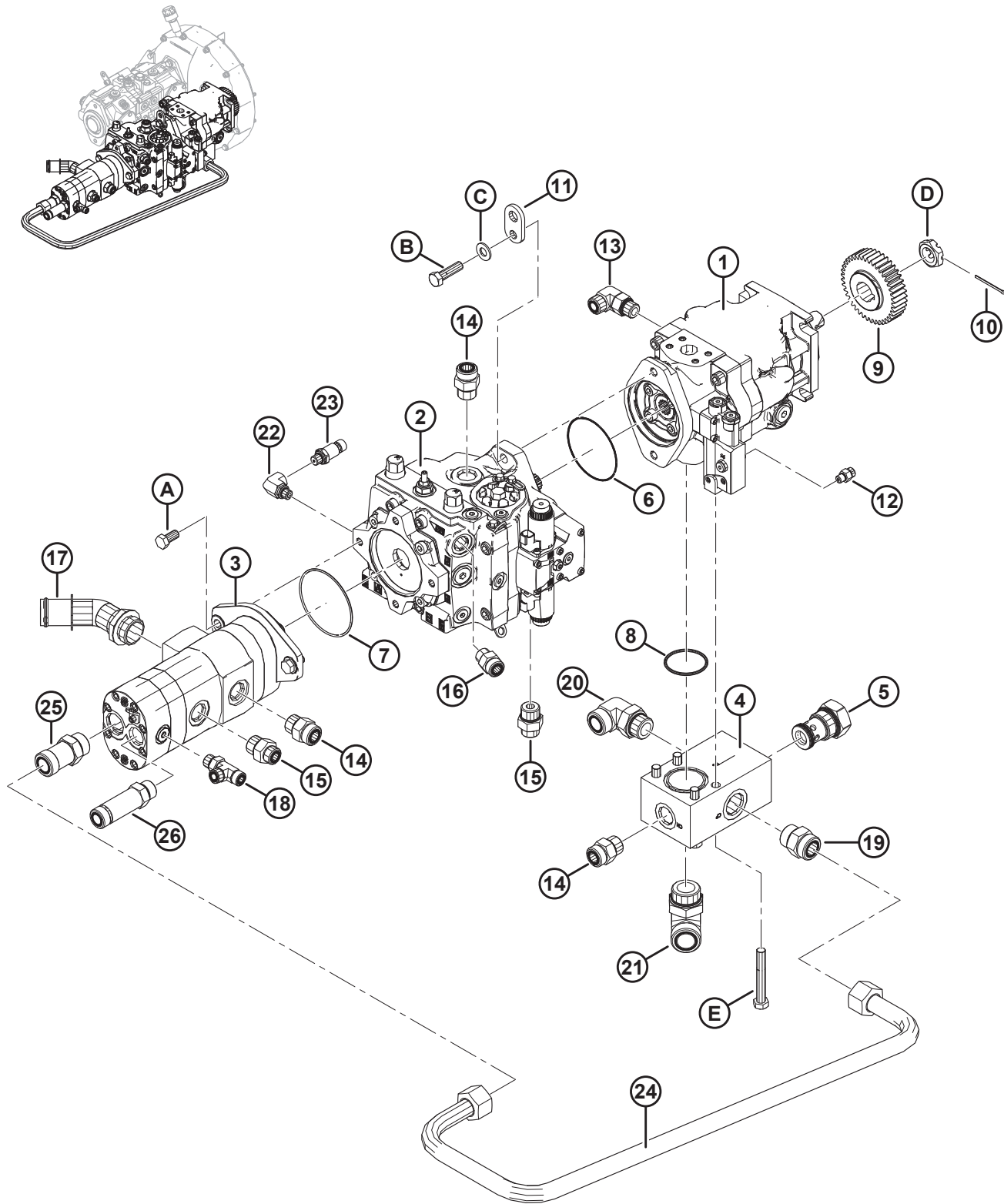
123. For service parts, refer to Section *67 Lift/Fan Pump – Service Parts, page 163*.

124. For service parts, refer to Section *66 Disc/Knife Drive Pump – Service Parts, page 161*.

125. Includes check valve (MD #208282).

126. Quantity is three, was previously four. Fourth fitting at the end of the gear pump is a service part only for 2020 and prior windrowers with a Salami-made gear pump (Aluminum).

# LEFT PUMP STACK



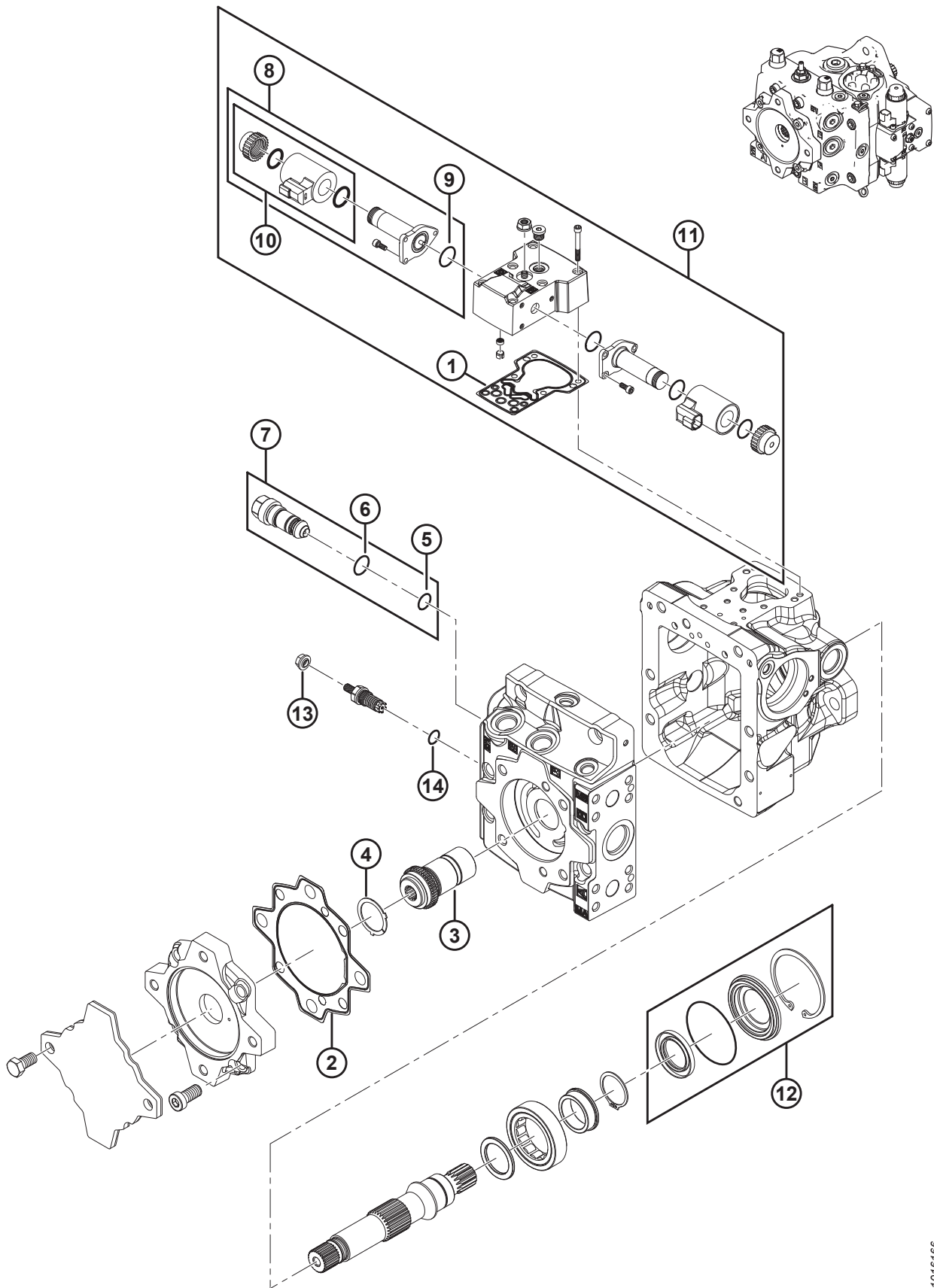
1037350

**LEFT PUMP STACK**

Ref	Part Number	Description	Qty	Serial Number
16	184461	FITTING – ADAPTER 10 MORFS X 10 MORB <sup>127</sup>	1	
	44210	O-RING – #10 ORB		
	135867	O-RING – #10 ORFS		
17	42030	FITTING – 45° BEADED	1	
	50222	O-RING – #20 ORB		
18	136258	FITTING – TEE HYD	1	
	44209	O-RING – #8 ORB		
	135866	O-RING – #8 ORFS		
19	135791	FITTING – ADAPTER	1	
	50220	O-RING – #16 ORB		
	135554	O-RING – #16 ORFS		
20	135734	FITTING – ELBOW 90° HYD	1	
	50220	O-RING – #16 ORB		
	135554	O-RING – #16 ORFS		
21	136363	FITTING – ELBOW 90° HYD	1	
	50222	O-RING – #20 ORB		
	135869	O-RING – #20 ORFS		
22	183524	FITTING – ELBOW 90°	1	
	50219	O-RING – #6 ORB		
23	207346	SENDER – PRESSURE	1	
24	202956	LINE – HYDRAULIC, 1 IN. DIA	1	
25	320202	FITTING – CONNECTOR HYD SPECIAL	1	
	50220	O-RING – #16 ORB		
	135554	O-RING – #16 ORFS		
26	320238	FITTING – CONNECTOR HYD SPECIAL	1	
	30971	O-RING – #12 ORB		
	135868	O-RING – #12 ORFS		
A	50155	BOLT – HEX HD TFL M12 X 1.75 X 25-8.8-A3L		
B	21565	BOLT – HH 1/2 NC X 1.75 LG GR 5 ZP		
C	135369	WASHER – HARDENED		
D	137375	NUT – SLOTTED JAM 1.0 IN.-20 UNEF-ZN PL		
E	21581	BOLT – HH 1/2 NC X 3.5 LG GR 5 ZP		

127. Quantity is one, was previously two. Second fitting at the side of the gear pump is a service part only for 2020 and prior windrowers with a Salami-made gear pump (Aluminum).

# 66 Disc/Knife Drive Pump – Service Parts



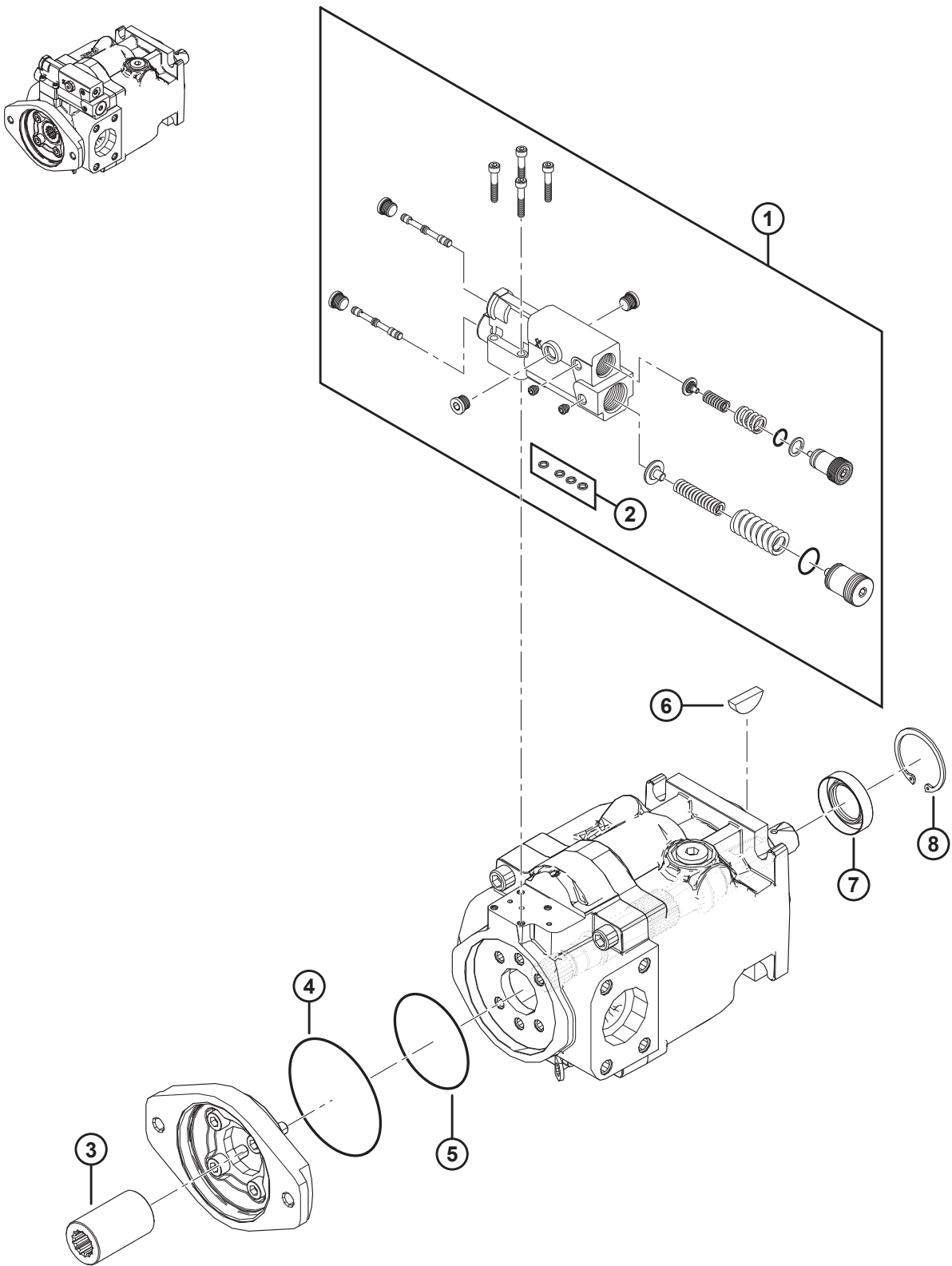
**DISC/KNIFE DRIVE PUMP – SERVICE PARTS**

**NOTE:**

All illustrated parts that are **NOT** in the parts list are non-serviced parts, illustrated for reference only.

<b>Ref</b>	<b>Part Number</b>	<b>Description</b>	<b>Qty</b>	<b>Serial Number</b>
	203654	PUMP – PISTON, DISC/KNIFE		
1	252376	GASKET – CONTROL	1	
2	252382	SEAL – ADAPTER	1	
3	203442	COUPLING – SHAFT 13T	1	
4	252383	PLATE – THRUST	1	
5	252384	O-RING	1	
6	252385	O-RING	1	
7	252386	VALVE – RELIEF	1	
8	252387	VALVE – SOLENOID	2	
9	252388	O-RING	2	
10	252389	KIT – COIL	2	
11	208473	CONTROL – 12V EDC	1	
12	252381	KIT – SHAFT SEAL	1	
13	252391	NUT – SEAL	1	
14	111907	O-RING	1	

# 67 Lift/Fan Pump – Service Parts





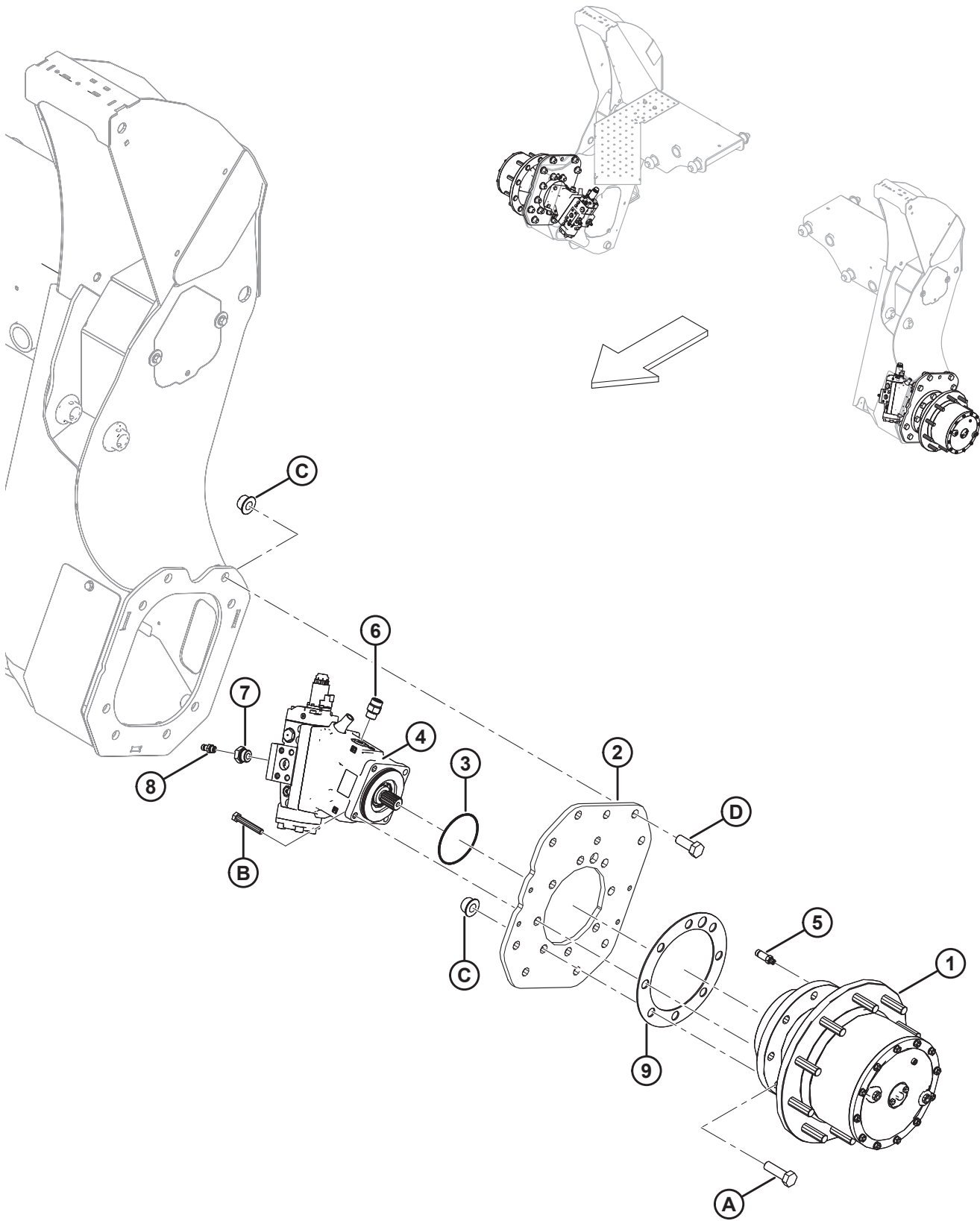
## LIFT/FAN PUMP – SERVICE PARTS

**NOTE:**

All illustrated parts that are **NOT** in the parts list are non-serviced parts and are illustrated for reference only.

Ref	Part Number	Description	Qty	Serial Number
	201523	PUMP – PISTON, LIFT/FAN		
1	208424	KIT – CONTROL	1	
2	111935	SEAL – RING	1	
3	162212	COUPLING	1	
4	111939	O-RING	1	
5	111938	O-RING	1	
6	111942	KEY	1	
7	111941	SEAL – LIP	1	
8	21235	RING – INT. RETAINING	1	

# 68 Wheel Drive Assembly – Ten Bolt



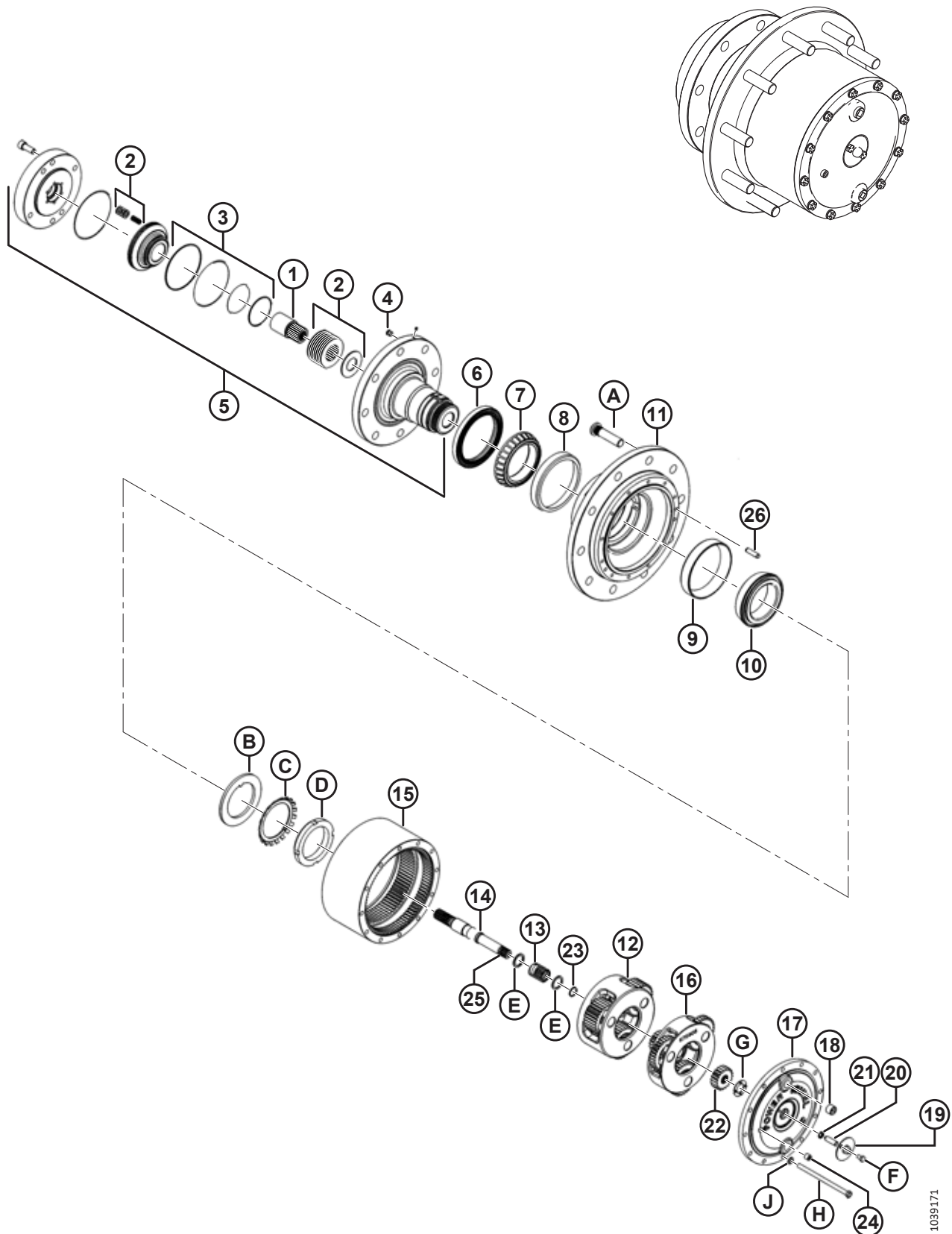
**WHEEL DRIVE ASSEMBLY – TEN BOLT**

<b>Ref</b>	<b>Part Number</b>	<b>Description</b>	<b>Qty</b>	<b>Serial Number</b>
1	306386	DRIVE – WHEEL 27.875:1 <sup>128</sup>	2	
2	306493	PLATE – DRIVE MOUNT, NT	2	
3	252244	O-RING – 117.1 MM I.D. X 3.5 MM	2	
4	306170	KIT – WHEEL MOTOR <sup>129</sup>	2	
5	136131	FITTING – CONNECTOR HYD LONG	2	
	50223	O-RING – #4 ORB		
	135957	O-RING – #4 ORFS		
6	184461	FITTING – ADAPTER 10 MORFS X 10 MORB (L2)	2	
	44210	O-RING – #10 ORB		
	135867	O-RING – #10 ORFS		
7	252263	FITTING – ADAPTER (A, B)	4	
	30971	O-RING – #12 ORB		
8	135587	NIPPLE – HYDRAULIC	4	
	50219	O-RING – #6 ORB		
9	208919	SPACER – WHEEL MOTOR	2	
A	136157	BOLT – HEX HD M20 X 2.5 X 65-10.9-A3L		
B	135155	BOLT – HEX HD M12 X 1.75 X 75-8.8-A3L		
C	136122	NUT – HEX FLG CTR LOC M20 X 2.5-10-A3L		
D	136158	BOLT – HEX HD TFL M20 X 2.5 X 50-10.9-A3L		

128. For service parts, refer to Section *69 Wheel Drive – Service Parts, Ten Bolt, page 167*.

129. Includes complete wheel motor (NSS) and installation instructions. For service parts, refer to Section *70 Wheel Drive Motor, page 169*.

# 69 Wheel Drive – Service Parts, Ten Bolt



1039171

**WHEEL DRIVE – SERVICE PARTS, TEN BOLT**

**NOTE:**

All illustrated parts that are **NOT** in the parts list are non-serviced parts, illustrated for reference only.

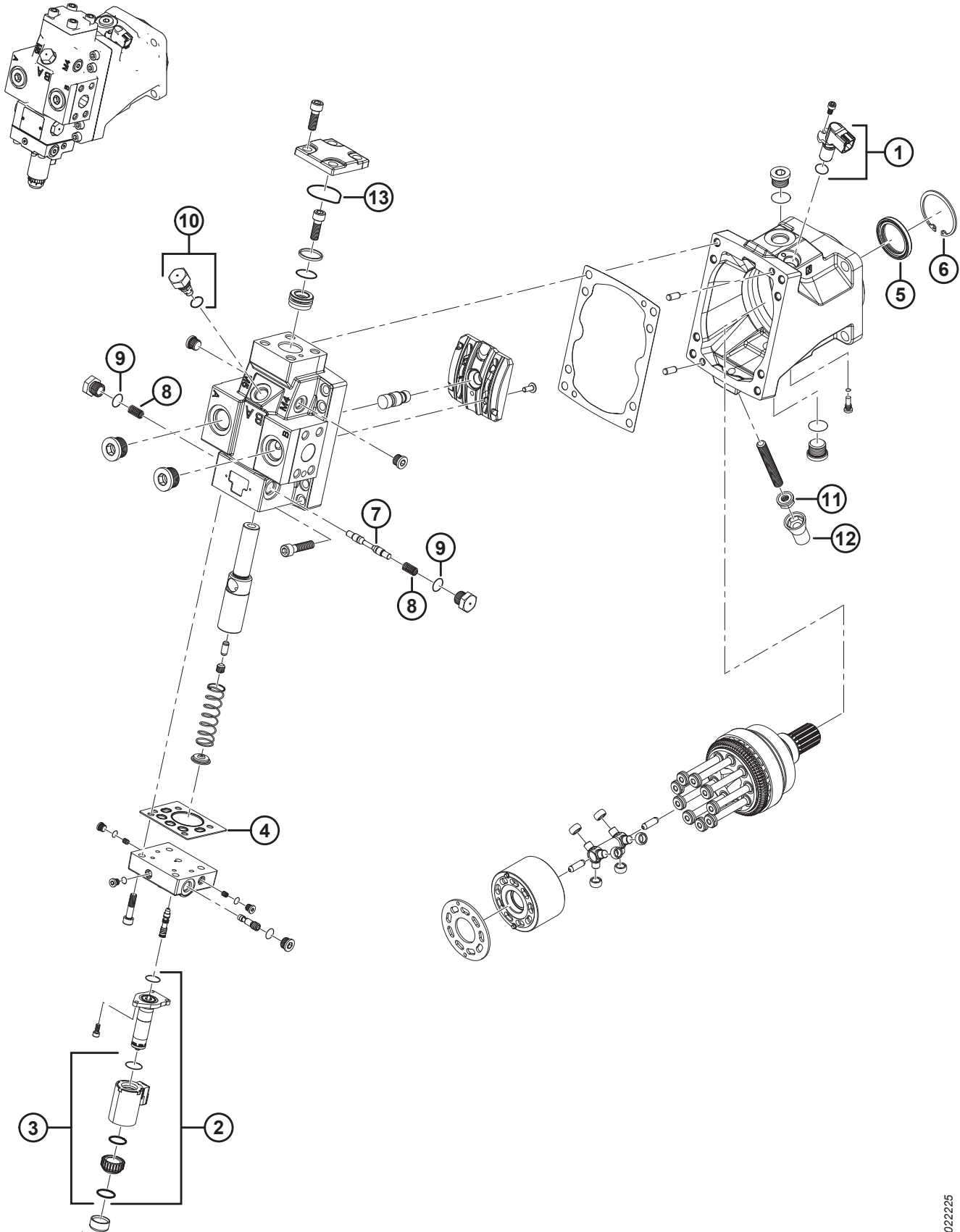
Ref	Part Number	Description	Qty	Serial Number
	306386	DRIVE – WHEEL 27.875:1 <sup>130</sup>		
1	208451	COUPLING – MOTOR	1	
2	208363	KIT – FRICTION DISC	1	
3	208452	SEAL KIT	1	
4	163158	PLUG – PIPE	1	
5	208453	SPINDLE – ASSY	1	
6	163753	SEAL – OIL	1	
7	<b>306670</b>	<b>BEARING – CONE</b>	<b>1</b>	
8	<b>306671</b>	<b>BEARING – CUP</b>	<b>1</b>	
9	<b>306672</b>	<b>BEARING – CUP</b>	<b>1</b>	
10	<b>306673</b>	<b>BEARING – CONE</b>	<b>1</b>	
11	<b>306395</b>	<b>HUB – 10 BOLT M20</b>	<b>1</b>	<b>396190–</b>
	166694	HUB – 10 BOLT M20 <sup>131</sup>	1	<b>–396189</b>
12	208463	CARRIER ASSEMBLY – SECONDARY	1	
13	208465	SPRING – DISENGAGE	1	
14	208464	SHAFT – INPUT	1	
15	306393	RING GEAR		
16	208462	CARRIER ASSEMBLY – PRIMARY	1	
17	49874	COVER – LARGE	1	
18	30203	PLUG – MAGNETIC PIPE SQ SOCKET	2	
19	30205	COVER – DISENGAGE	1	
20	111093	PLUNGER – SHAFT DISENGAGE	1	
21	111105	O-RING (4 LOBED)	1	
22	208467	GEAR – SUN	1	
23	208468	RING – RETAINING	1	
24	50231	PLUG – PIPE DRYSEAL 0.25 NPT	1	
25	42765	RING – RETAINING INTERNAL <sup>132</sup>	1	
26	<b>306394</b>	<b>PIN – COILED SPRINGS</b>	<b>2</b>	<b>396190–</b>
A	205188	BOLT – WHEEL (PRESS-IN) M20 X 82 MM LG		
B	163747	WASHER – THRUST		
C	163746	WASHER – EXT. TOOTH LOCK		
D	163745	NUT – LOCK		
E	208466	WASHER – FLAT		
F	111099	BOLT – HEX HD 5/16 NC X 0.5 LG GR 5 ZP		
G	30200	WASHER – THRUST		
H	49879	BOLT – HEX HD		
J	30191	WASHER – HARDENED		

130. Refer to Section *68 Wheel Drive Assembly – Ten Bolt*, page 165.

131. Service part only for machines made in model year 2020 and prior. For model year 2021 and later, or for machines that have been serviced with new wheel drives, order hub MD #306395.

132. Located at the end of input shaft (MD #208464).

# 70 Wheel Drive Motor



## WHEEL DRIVE MOTOR

**NOTE:**

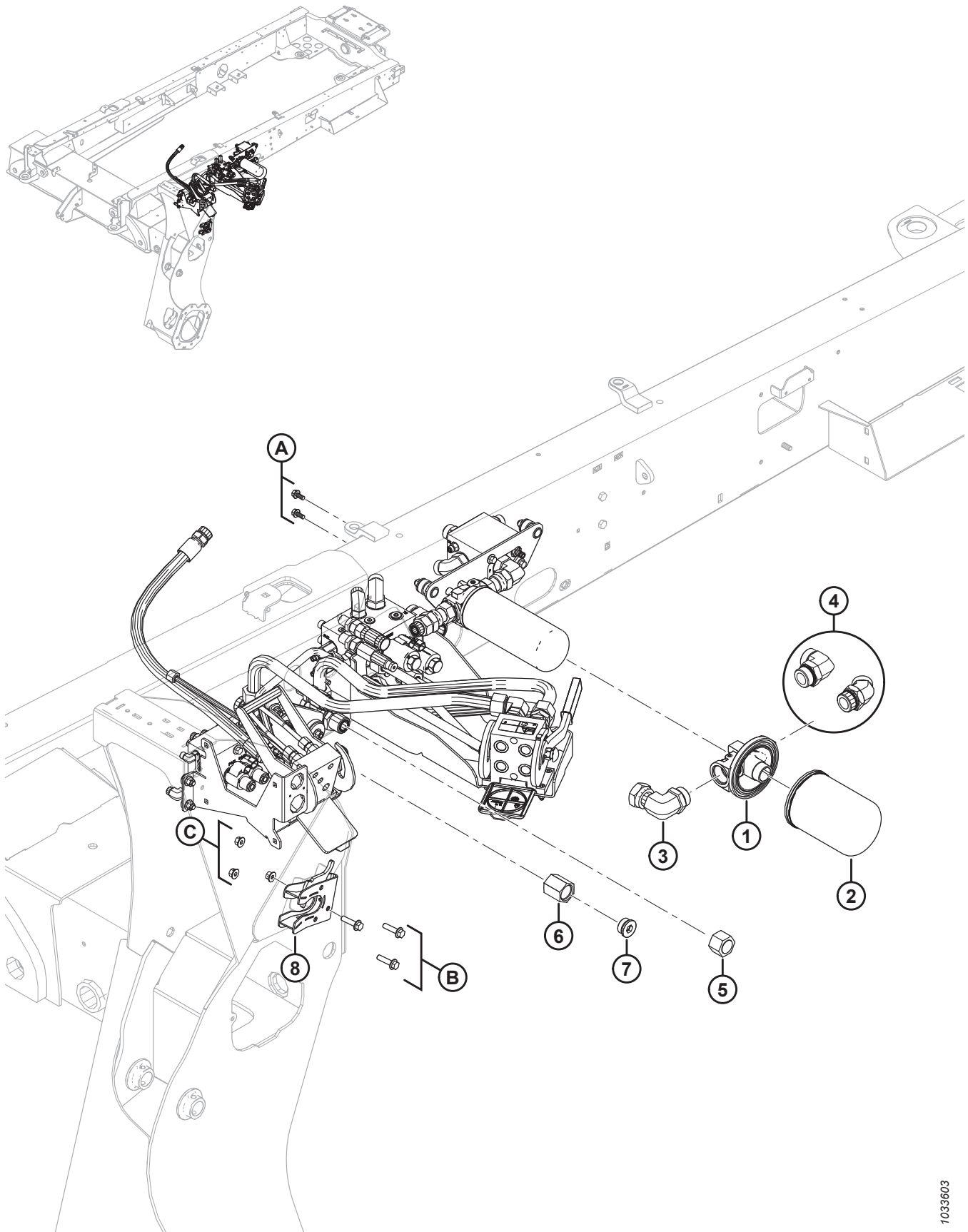
All illustrated parts that are **NOT** in the parts list are non-serviced parts, illustrated for reference only.

Ref	Part Number	Description	Qty	Serial Number
	306170	KIT – WHEEL MOTOR <sup>133</sup>		
1	204014	SENSOR – SPEED	1	
2	208740	VALVE WITH SOLENOID	1	
3	208741	COIL – SOLENOID	1	
4	208742	GASKET – CONTROL	1	
5	208743	SEAL – LIP	1	
6	208744	RING – RETAINING	1	
7	208745	VALVE – SPOOL	1	
8	208746	SPRING – VALVE	2	
9	208747	O-RING	3	
10	208748	VALVE – LOOP FLUSH	1	
11	183602	NUT – SEAL	1	
12	208751	CAP – ADJUSTER	1	
13	208752	O-RING	1	

---

133. Includes complete wheel motor (NSS) and installation instructions. Refer to Section *68 Wheel Drive Assembly – Ten Bolt*, page 165.

# 71 Header Drive – Frame Interface





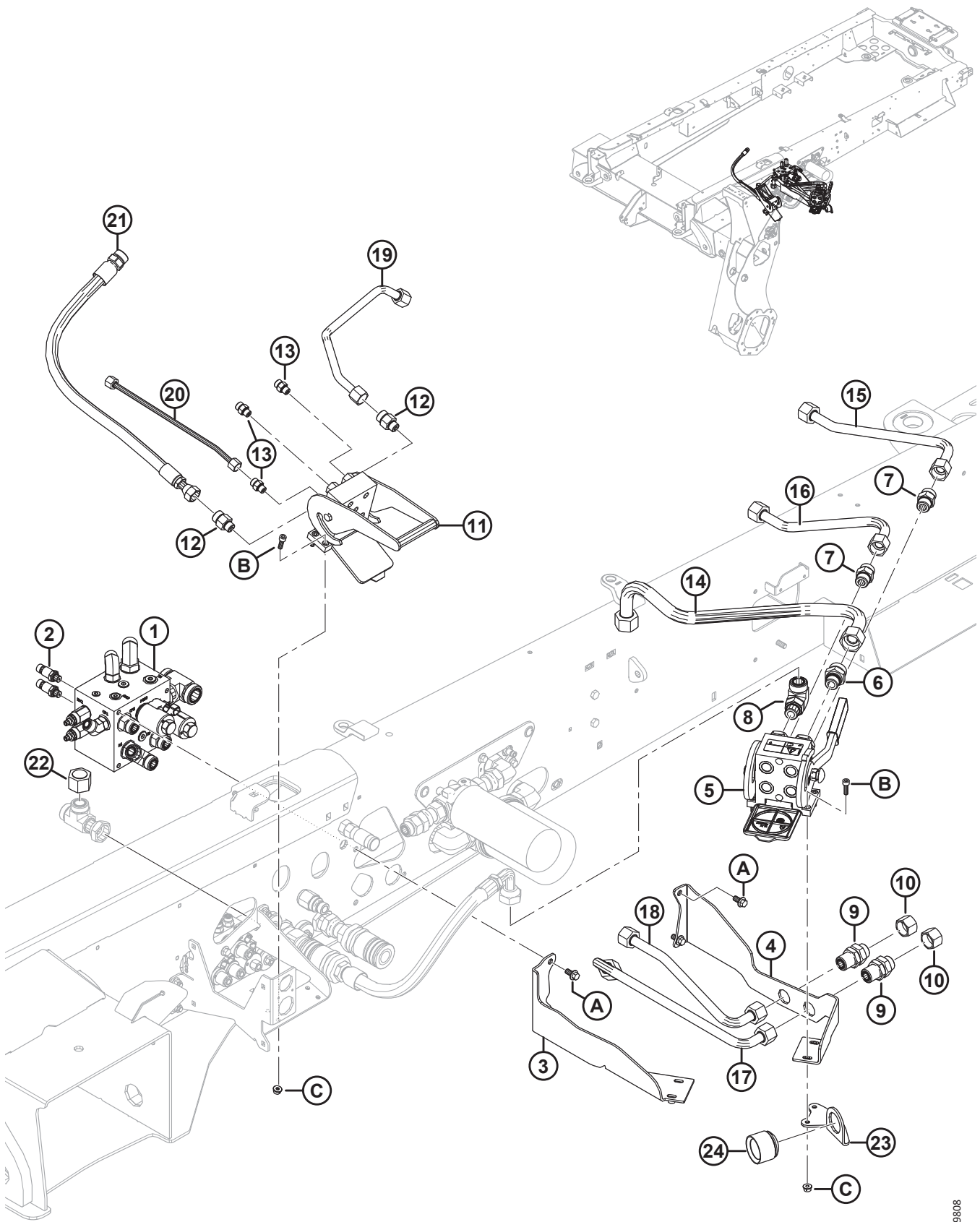
**HEADER DRIVE – FRAME INTERFACE**

<b>Ref</b>	<b>Part Number</b>	<b>Description</b>	<b>Qty</b>	<b>Serial Number</b>
1	151974	FILTER HEAD – 1-5/8 IN.-12 SAE (#20)	1	
2	320360	FILTER – HYD C/W 2X SEALS <sup>134</sup>	1	
3	136404	FITTING – ELBOW 90° HYD	1	
	50222	O-RING – #20 ORB		
4	136363	FITTING – ELBOW 90° HYD	1	
	50222	O-RING – #20 ORB		
	135869	O-RING – #20 ORFS		
5	135718	CAP – HYD SAE, #16 ORFS	1	
6	252206	FITTING – COUPLING	1	
7	136524	PLUG – HEX SOCKET	1	
8	253905	ASSEMBLY – LATCH <sup>135</sup>	1	
	243995	BRACKET – WELDMENT	1	
	253635	HOOK – WELDMENT	1	
	144505	SPRING – TORSION	1	
A	30278	BOLT – HH FLG (SER FACE) 5/16 NC X 0.75 GR 5 ZP		
B	152947	BOLT – HEX FLG HD TFL M10 X 1.5 X 40-10.9-A3L		
C	135799	NUT – HEX FLG CTR LOC M10 X 1.5-10-A3L		

134. Includes hydraulic filter element (NSS), O-Ring (NSS), and instructions.

135. Includes the following serviceable parts: bracket MD #243995, hook MD #253635, torsion spring MD #144505, one bolt MD #152947, and one nut MD #135799.

# 72 Header Drive – Manifold Multicoupler Assembly



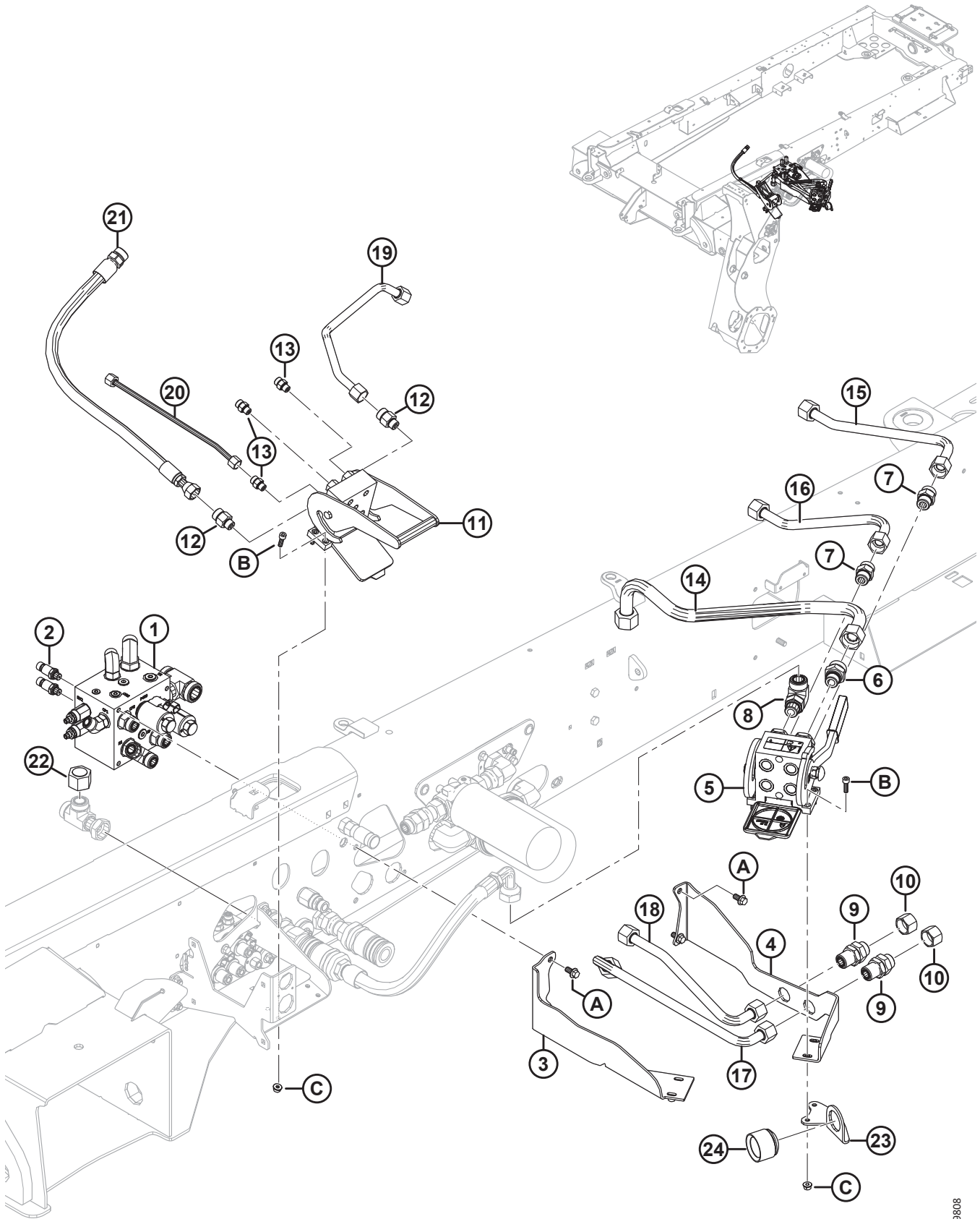
1039808

**HEADER DRIVE – MANIFOLD MULTICOUPLER ASSEMBLY**

Ref	Part Number	Description	Qty	Serial Number
1	203337	MANIFOLD – DRIVE <sup>136</sup>	1	
2	207346	SENDER – PRESSURE (GC/P292, GR/P291)	2	
3	243905	SUPPORT – MULTICOUPLER	1	
4	243906	SUPPORT – MULTICOUPLER	1	
5	243541	COUPLER – MULTI FIXED	1	
	129800	KIT – COVER MULTICOUPLER		
	129801	KIT – LATCH BUTTON MULTICOUPLER		
	208174	KIT – CARTRIDGE	4	
	209782	KIT – HANDLE		
6	135790	FITTING – ADAPTER	1	
	30971	O-RING – #12 ORB		
	135554	O-RING – #16 ORFS		
7	135788	FITTING – ADAPTER	2	
	30971	O-RING – #12 ORB		
	135868	O-RING – #12 ORFS		
8	136767	FITTING – ELBOW 90° HYD	1	
	30971	O-RING – #12 ORB		
	135554	O-RING – #16 ORFS		
9	136254	FITTING – BULKHEAD HYD	2	
	135868	O-RING – #12 ORFS		
10	135889	CAP – HYD SAE-12 ORFS	2	
11	153151	COUPLING – MULTI	1	
	129800	KIT – COVER MULTICOUPLER		
	129801	KIT – LATCH BUTTON MULTICOUPLER		
	129976	COUPLING 1/4 IN.	3	
	129977	COUPLING 3/8 IN.	2	
12	135781	FITTING – ADAPTER	2	
	44209	O-RING – #8 ORB		
	135867	O-RING – #10 ORFS		
13	135778	FITTING – ADAPTER	3	
	50219	O-RING – #6 ORB		
	135865	O-RING – #6 ORFS		
14	243637	LINE – HYDRAULIC, 1 IN. DIA	1	
15	243615	LINE – HYD REEL PRESSURE, 3/4 IN. DIA	1	
16	243632	LINE – HYD DRAPER RETURN, 3/4 IN. DIA	1	
17	206061	LINE – HYD DWA RETURN, 3/4 IN. DIA	1	
18	206060	LINE – HYD DWA PRESSURE, 3/4 IN. DIA	1	
19	209063	LINE – HYDRAULIC, 5/8 IN. DIA	1	
20	207427	LINE – HYDRAULIC, 3/8 IN. DIA	1	
21	208413	HOSE – HYDRAULIC, 5/8 IN. I.D., 800 MM LG	1	
22	135718	CAP – HYD SAE-16 ORFS	1	
23	253783	BRACKET – COUPLER HOLDER	1	
24	243604	CAP – HARNESS	1	

136. For service parts, refer to Section *75 Drive Manifold – Service Parts*, page 181.

# HEADER DRIVE – MANIFOLD MULTICOUPLER ASSEMBLY

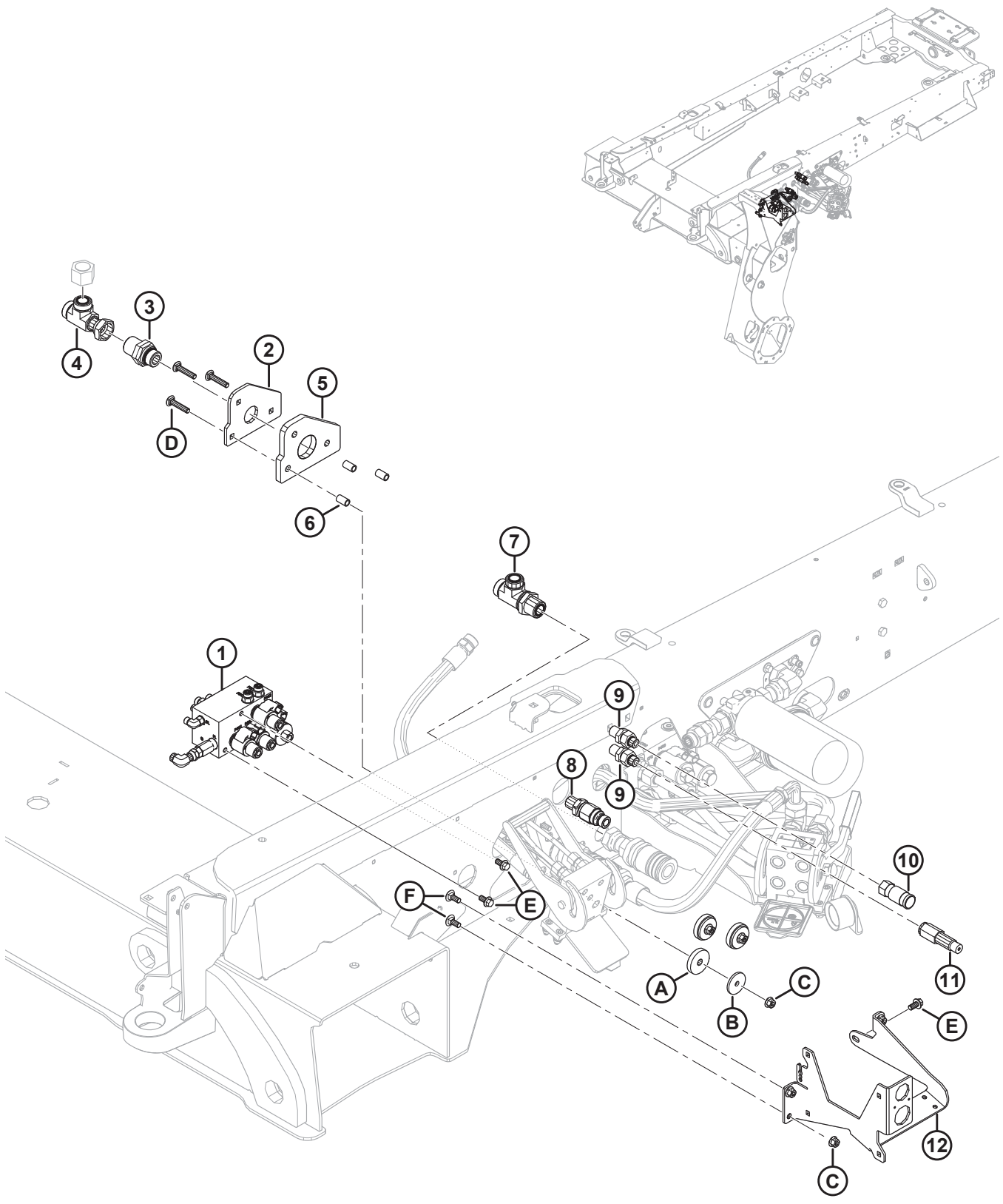


1039808

HEADER DRIVE – MANIFOLD MULTICOUPLER ASSEMBLY

Ref	Part Number	Description	Qty	Serial Number
A	152655	BOLT – HEX FLG HD M10 X 1.5 X 20-8.8-A3L		
B	103523	SCREW – HEX SOC HD TFL M8 X 1.25 X 25-8.8-A2L		
C	135337	NUT – HEX FLG CTR LOC M8 X 1.25-8-A2L		

# 73 Header Drive – Fitting Manifold Frame Assembly



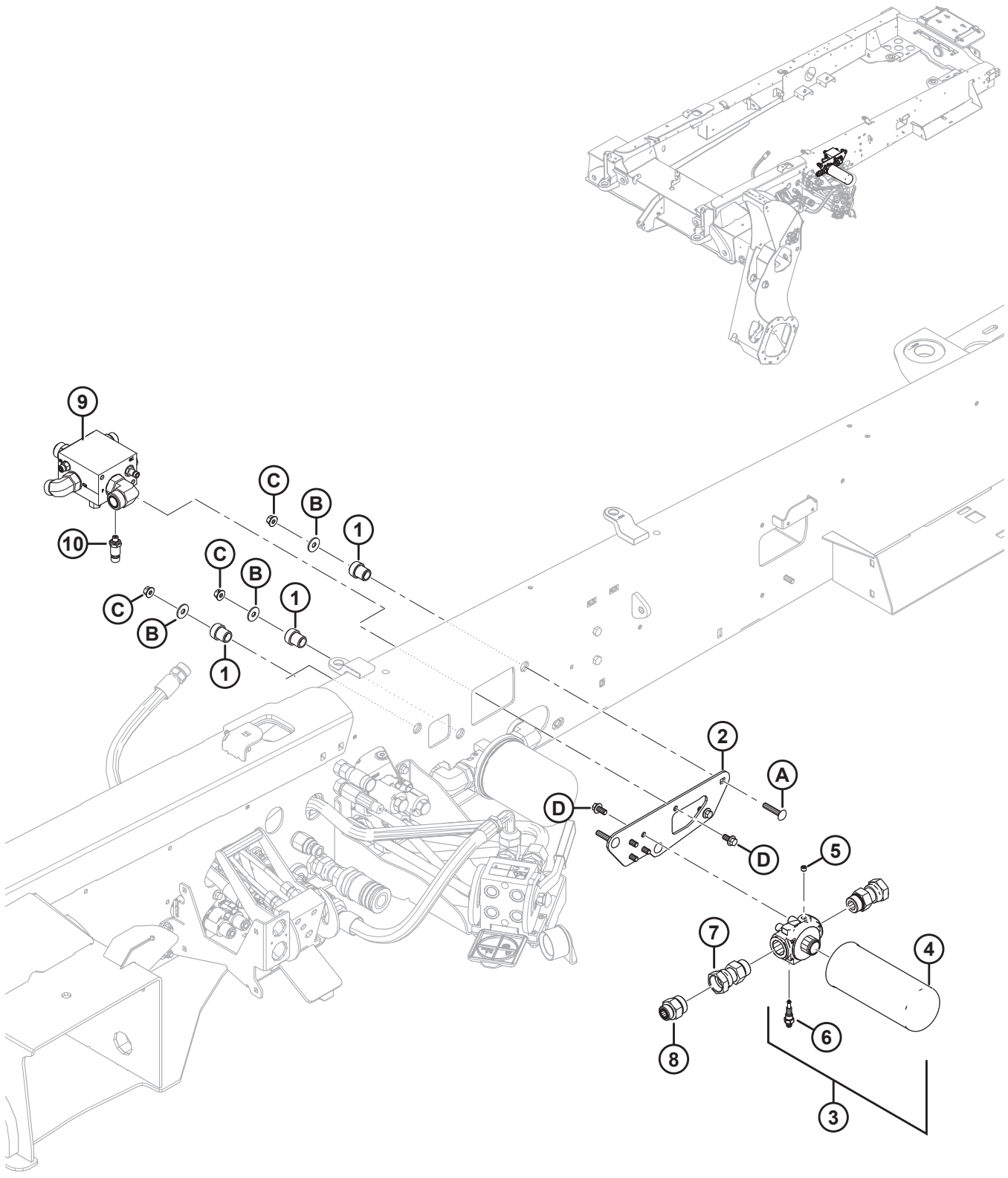
**HEADER DRIVE – FITTING MANIFOLD FRAME ASSEMBLY**

Ref	Part Number	Description	Qty	Serial Number
1	209950	MANIFOLD – FLOAT SELECTOR <sup>137</sup>	1	
2	208551	PLATE – COUPLER MOUNT	1	
3	136630	FITTING – BULKHEAD UNION	1	
	50220	O-RING – #16 ORB		
	135554	O-RING – #16 ORFS		
4	136508	FITTING – TEE HYD	1	
	135554	O-RING – #16 ORFS		
5	208484	PAD – RUBBER	1	
6	208552	SPACER	3	
7	136510	FITTING – TEE	1	
	135554	O-RING – #16 ORFS		
8	252190	FITTING – COUPLER 1/2 FF MALE BULKHEAD	1	
	135867	O-RING – #10 ORFS		
9	136195	FITTING – UNION HYD	2	
	44209	O-RING – #8 ORB		
	135866	O-RING – #8 ORFS		
10	135312	COUPLER – FEMALE HYD. 3/8 IN. FLAT FACE	1	
11	135386	COUPLER – MALE HYD. 3/8 IN. FLAT FACE (FASTER) <sup>138</sup>	1	
	111978	SEAL KIT – 3/8 MALE (FASTER ONLY)		
12	208542	SUPPORT – MULTICOUPLER BASE	1	
A	208486	WASHER – RUBBER		
B	208487	WASHER – FLAT		
C	135799	NUT – HEX FLG CTR LOC M10 X 1.5-10-A3L		
D	184658	BOLT – RHSSN M10 X 1.5 X 50-8.8-A3L		
E	152655	BOLT – HEX FLG HD M10 X 1.5 X 20-8.8-A3L		
F	135785	BOLT – RHSN M10 X 1.5 X 25-8.8-A3L		

137. For service parts, refer to Section *76 Float Selector Manifold, page 183*.

138. Faster coupler (MD #135386) is interchangeable with Parker Hannifin coupler (NSS). Seal kit (MD #111978) is only intended for Faster coupler and cannot be used with Parker Hannifin coupler. Length can be used to differentiate the two couplers; Faster coupler = 101 mm and Parker Hannifin coupler = 84 mm.

# 74 Header Drive – Charge Filter Frame Assembly





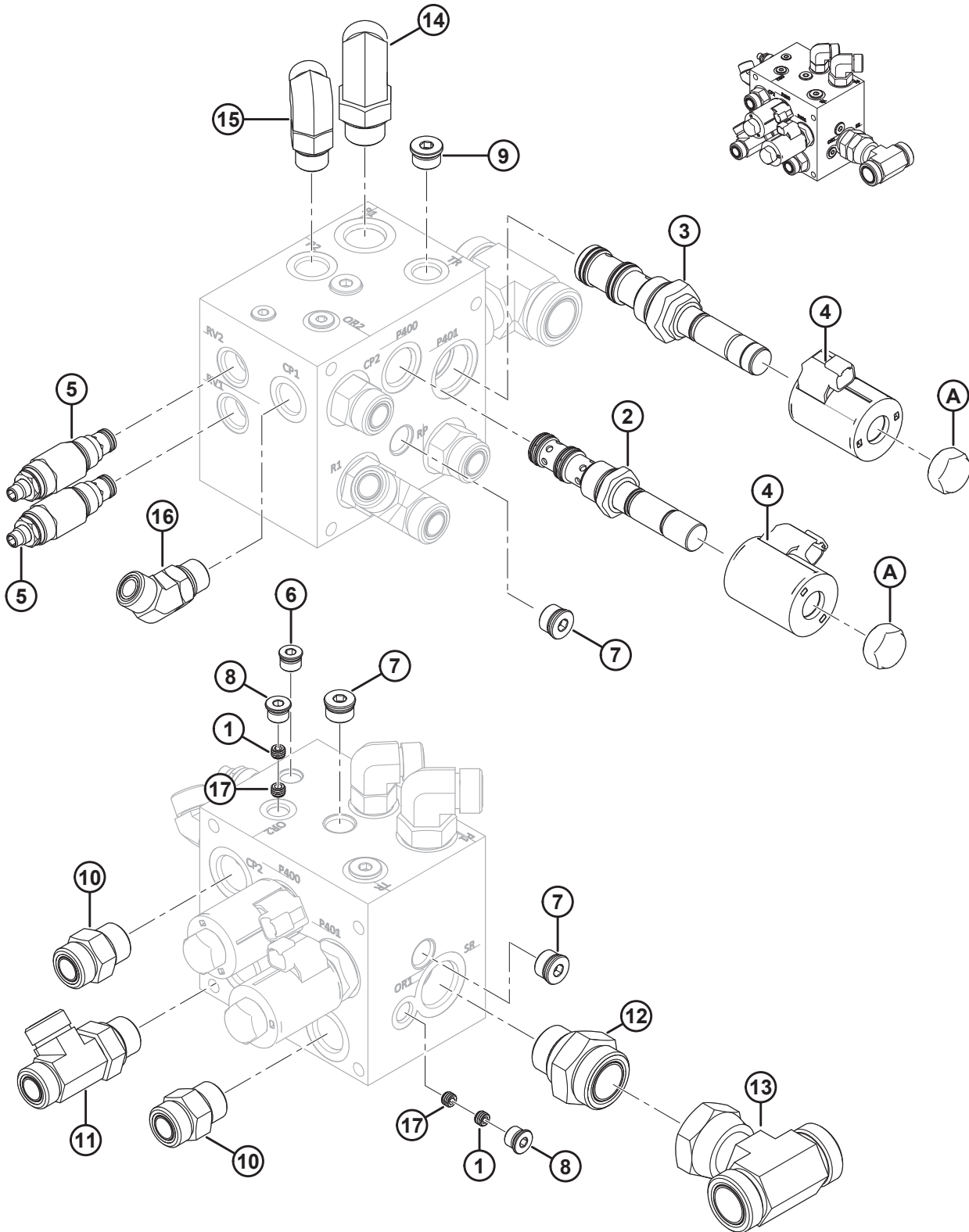
**HEADER DRIVE – CHARGE FILTER FRAME ASSEMBLY**

<b>Ref</b>	<b>Part Number</b>	<b>Description</b>	<b>Qty</b>	<b>Serial Number</b>
1	30591	INSULATOR – RUBBER	3	
2	207458	PLATE – MOUNT	1	
3	201711	FILTER – HEAD ASSEMBLY <sup>139</sup>	1	
4	201713	ELEMENT – FILTER	1	
5	50230	PLUG – PIPE DRYSEAL 1/8 NPTF	1	
6	139722	SWITCH – SERVICE INDICATOR	1	
7	136362	FITTING – ADAPTER	2	
	50220	O-RING – #16 ORB		
8	136641	FITTING – UNION SAE 16-12 ORFS	1	
	135868	O-RING – #12 ORFS		
	135554	O-RING – #16 ORFS		
9	203340	MANIFOLD – CHARGE <sup>140</sup>	1	
10	207347	SENDER – PRESSURE (PS)	1	
A	184658	BOLT – RHSSN M10 X 1.5 X 50-8.8-A3L		
B	184712	WASHER – FLAT LARGE M10-200HV-A3L		
C	135799	NUT – HEX FLG CTR LOC M10 X 1.5-10-A3L		
D	152655	BOLT – HEX FLG HD M10 X 1.5 X 20-8.8-A3L		

139. Includes filter element (MD #201713), plug (MD #50230), and switch (MD #139722).

140. For service parts, refer to Section [77 Charge Manifold, page 185](#).

# 75 Drive Manifold – Service Parts

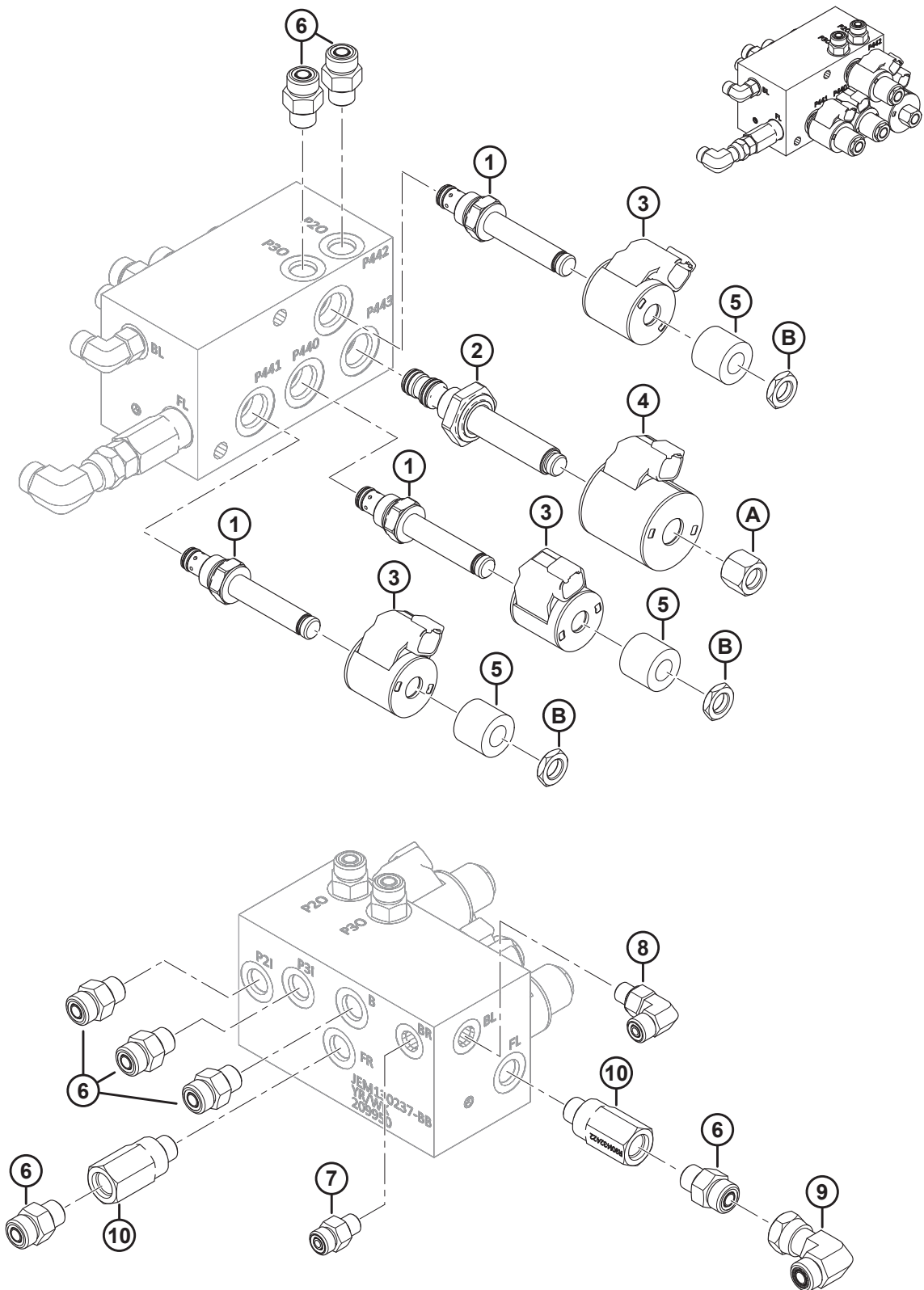


**DRIVE MANIFOLD – SERVICE PARTS**

Ref	Part Number	Description	Qty	Serial Number
	203337	MANIFOLD – DRIVE <sup>141</sup>		
1	252322	PLUG – ORIFICE (OR1, OR2)	2	
2	291589	VALVE – FLOW CONTROL (P400)	1	
	252355	SEAL KIT		
3	203876	VALVE – FLOW CONTROL (P401)	1	
	252357	SEAL KIT		
4	252318	COIL – SOLENOID	2	
5	252338	VALVE – RELIEF (RV1, RV2)	2	
	220908	SEAL KIT		
6	252325	PLUG – ZERO LEAK	1	
	252347	O-RING – #6 ORB		
7	252327	PLUG – ZERO LEAK	3	
	252348	O-RING – #8 ORB		
8	100577	PLUG – HEX SOCKET C/W O-RING	2	
	50219	O-RING – #6 ORB		
9	158174	PLUG – HEX SOCKET C/W O-RING (TR)	1	
	44209	O-RING – #8 ORB		
10	135788	FITTING – ADAPTER (CP2, RP)	2	
	30971	O-RING – #12 ORB		
	135868	O-RING – #12 ORFS		
11	136257	FITTING – TEE HYD (R1)	1	
	30971	O-RING – #12 ORB		
	135868	O-RING – #12 ORFS		
12	135793	FITTING – ADAPTER (SR)	1	
	50220	O-RING – #16 ORB		
	135869	O-RING – #20 ORFS		
13	136403	FITTING – TEE HYD	1	
	135869	O-RING – #20 ORFS		
14	135821	FITTING – ELBOW 90° HYD (P1)	1	
	30971	O-RING – #12 ORB		
	135868	O-RING – #12 ORFS		
15	136089	FITTING – ELBOW 90° HYD (P2)	1	
	44210	O-RING – #10 ORB		
	135867	O-RING – #10 ORFS		
16	136327	FITTING – ELBOW 45° HYD (CP1)	1	
	44210	O-RING – #10 ORB		
	135867	O-RING – #10 ORFS		
17	320326	RESTRICTOR – PLUG, C/W WIRE (OR1, OR2)	2	
A	252363	NUT – COIL		

141. For location, refer to Section *72 Header Drive – Manifold Multicoupler Assembly*, page 173.

# 76 Float Selector Manifold

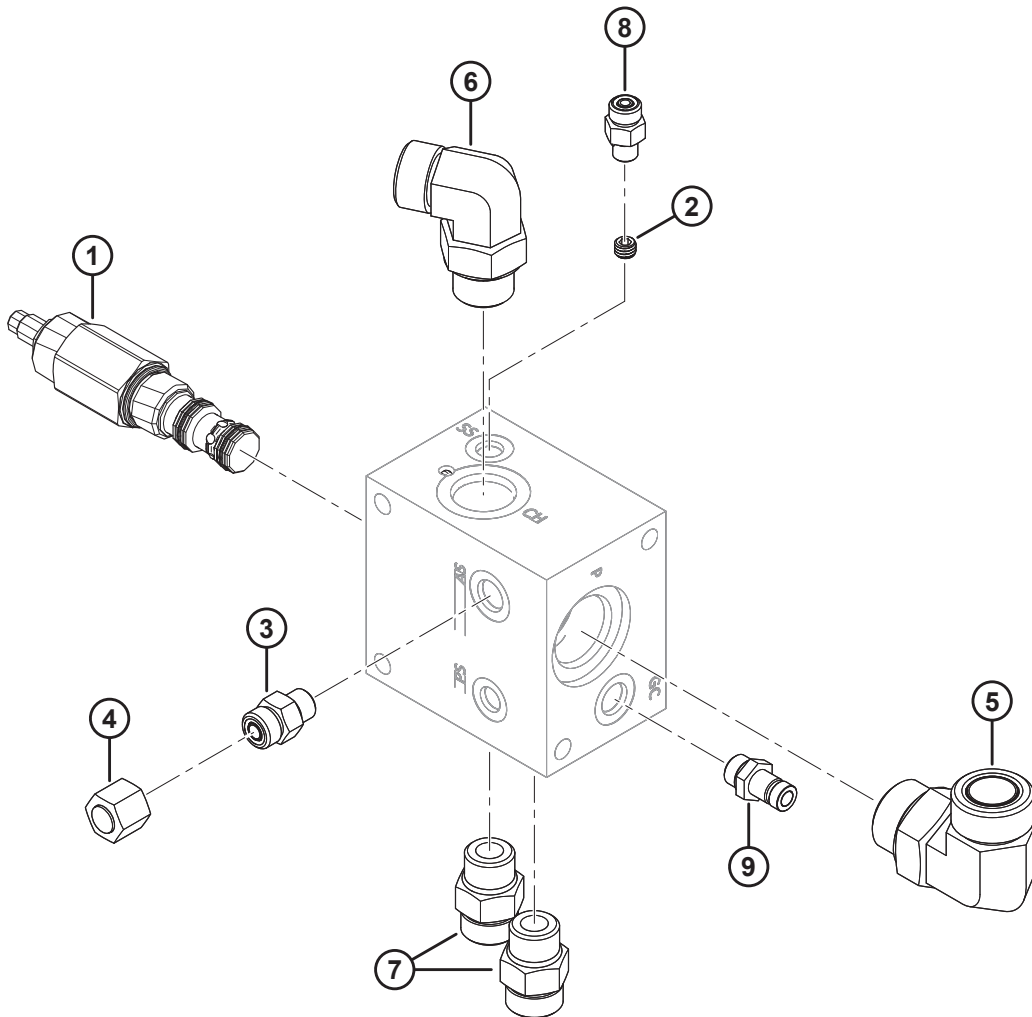
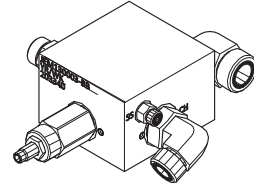


**FLOAT SELECTOR MANIFOLD**

Ref	Part Number	Description	Qty	Serial Number
	209950	MANIFOLD – FLOAT SELECTOR <sup>142</sup>		
1	252339	VALVE – DIRECTIONAL (P440, P441, P442)	3	
	129711	SEAL KIT		
2	252343	VALVE – DIRECTIONAL (P443)	1	
	252350	SEAL KIT		
3	252319	COIL – SOLENOID	3	
4	209045	COIL – SOLENOID	1	
5	252359	SPACER – COIL	3	
6	135778	FITTING – ADAPTER (P20, P21, P30, P31, B)	7	
	50219	O-RING – #6 ORB		
	135865	O-RING – #6 ORFS		
7	135775	FITTING – ADAPTER (BR)	1	
	50223	O-RING – #4 ORB		
	135957	O-RING – #4 ORFS		
8	136447	FITTING – ELBOW 90° HYD (BL)	1	
	50223	O-RING – #4 ORB		
	135957	O-RING – #4 ORFS		
9	136095	FITTING – ELBOW 90° HYD	1	
	50219	O-RING – #6 ORB		
	135865	O-RING – #6 ORFS		
10	209951	RESTRICTOR – FLOW (FR, FL)	2	
	50219	O-RING – #6 ORB		
A	252361	NUT – COIL		
B	252360	NUT – COIL		

142. For location, refer to Section *73 Header Drive – Fitting Manifold Frame Assembly*, page 177.

# 77 Charge Manifold

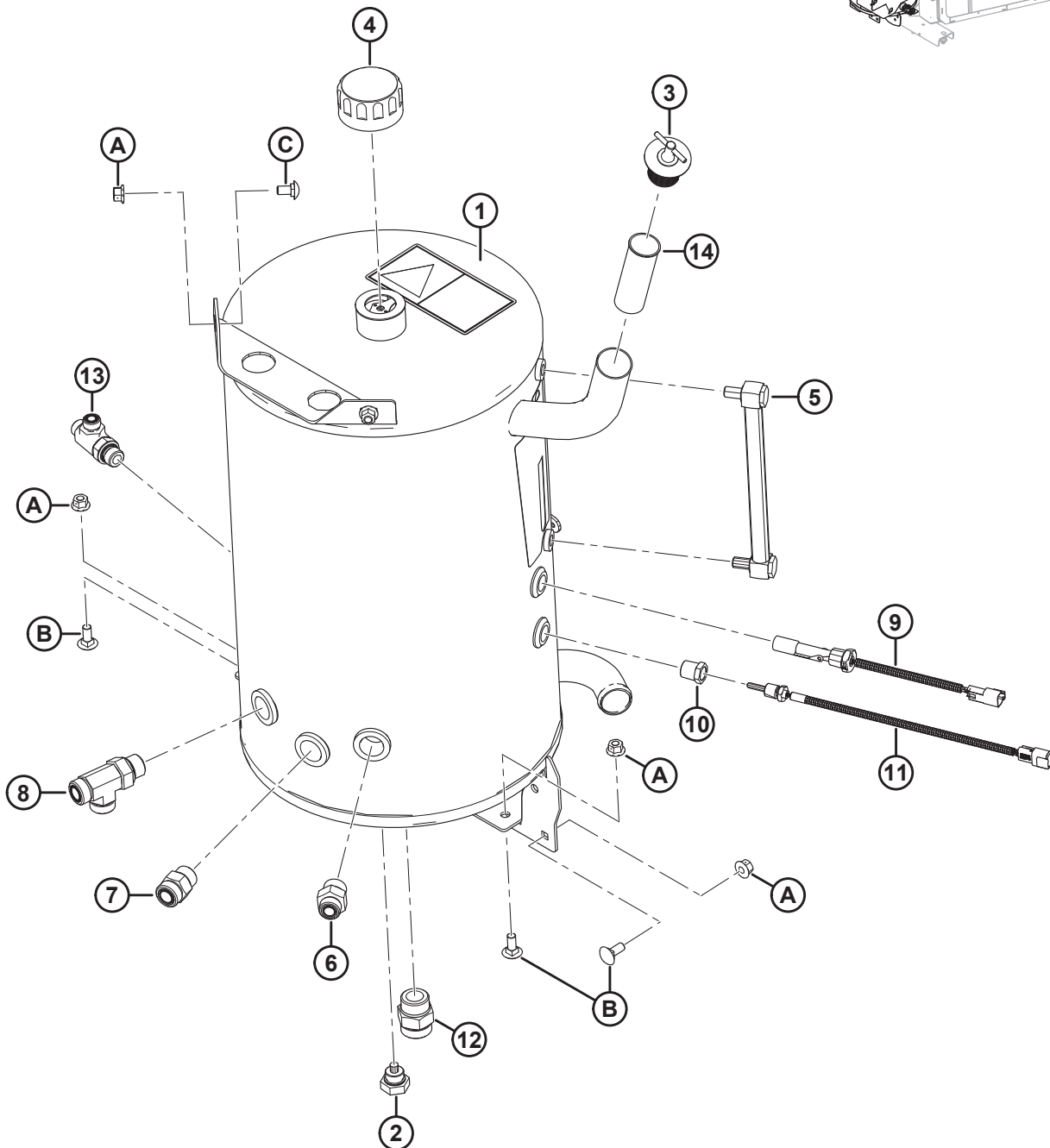
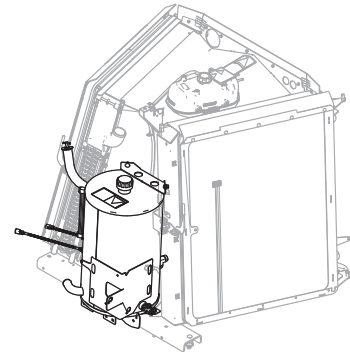


**CHARGE MANIFOLD**

<b>Ref</b>	<b>Part Number</b>	<b>Description</b>	<b>Qty</b>	<b>Serial Number</b>
	203340	MANIFOLD – CHARGE <sup>143</sup>		
1	309058	VALVE – DIRECTIONAL	1	
	252356	SEAL KIT		
2	252323	PLUG – ORIFICE (SS)	1	
3	135778	FITTING – ADAPTER (AS)	1	
	50219	O-RING – #6 ORB		
	135865	O-RING – #6 ORFS		
4	136325	CAP – HYD SAE-6 ORFS	1	
5	135734	FITTING – ELBOW 90° HYD (P)	1	
	50220	O-RING – #16 ORB		
	135554	O-RING – #16 ORFS		
6	135821	FITTING – ELBOW 90° HYD (CH)	1	
	30971	O-RING – #12 ORB		
	135868	O-RING – #12 ORFS		
7	184461	FITTING – ADAPTER 10 MORFS X 10 MORB (C1, C2)	2	
	44210	O-RING – #10 ORB		
	135867	O-RING – #10 ORFS		
8	135775	FITTING – ADAPTER	1	
	44210	O-RING – #10 ORB		
	135867	O-RING – #10 ORFS		
9	135587	NIPPLE – HYDRAULIC (GC)	1	
	50219	O-RING – #6 ORB		

143. For location, refer to Section *74 Header Drive – Charge Filter Frame Assembly*, page 179.

# 78 Hydraulics – Tank Fittings



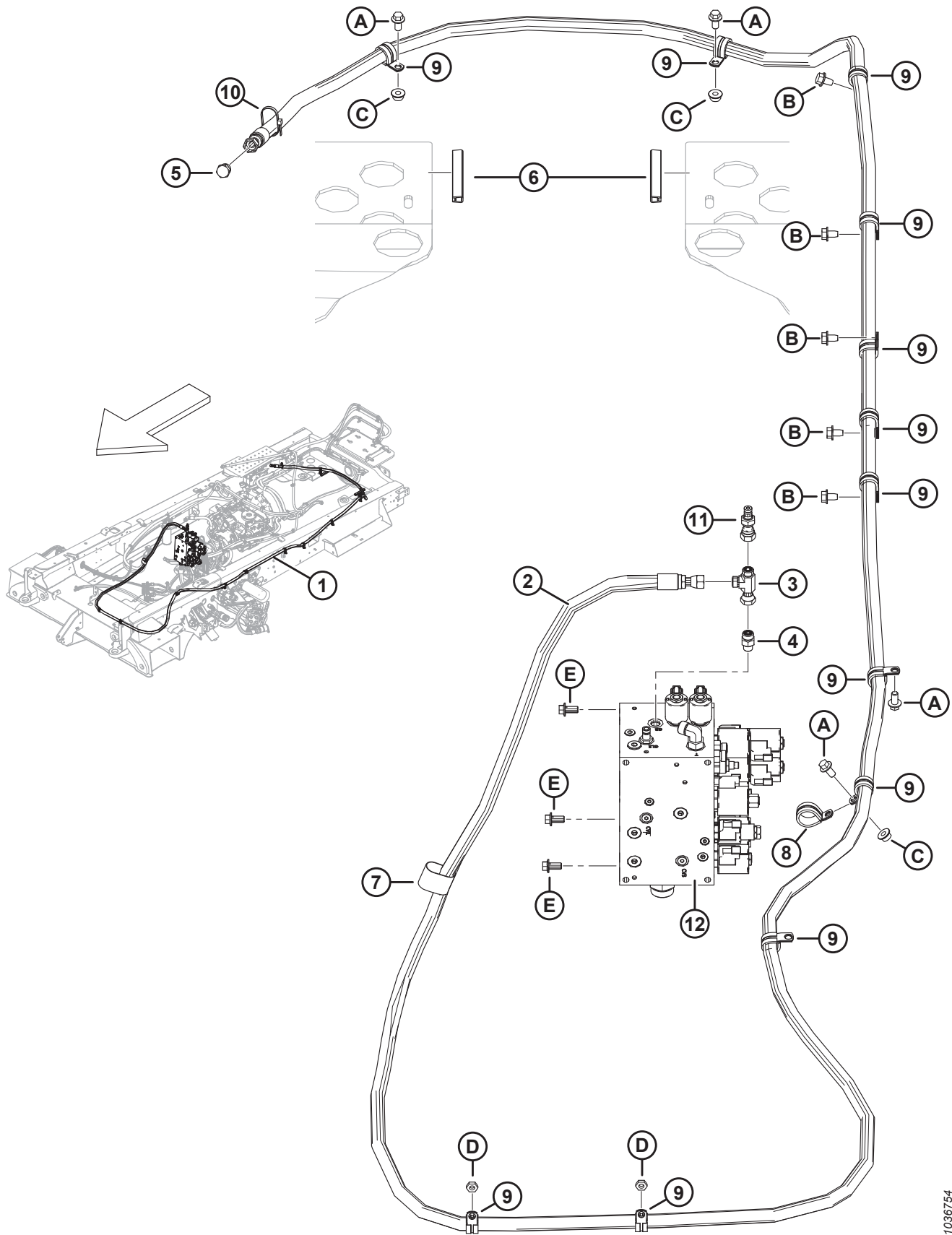


**HYDRAULICS – TANK FITTINGS**

<b>Ref</b>	<b>Part Number</b>	<b>Description</b>	<b>Qty</b>	<b>Serial Number</b>
1	202646	TANK – HYDRAULIC OIL <sup>144</sup>	1	
2	111975	PLUG – 0.875-14 MAGNETIC HEX HEAD	1	
3	208276	PLUG – EXPANDING RUBBER	1	
4	208277	CAP – BREATHER	1	
5	208278	GAUGE – LEVEL	1	
6	135786	FITTING – ADAPTER	1	
	30971	O-RING – #12 ORB		
	135867	O-RING – #10 ORFS		
7	135788	FITTING – ADAPTER	1	
	30971	O-RING – #12 ORB		
	135868	O-RING – #12 ORFS		
8	136257	FITTING – TEE HYD	1	
	30971	O-RING – #12 ORB		
	135868	O-RING – #12 ORFS		
9	138473	SWITCH – OIL LEVEL, ZINC BODY	1	
10	21980	FITTING – REDUCER BUSHING	1	
11	183905	SENSOR – OIL TEMP	1	
12	135791	FITTING – ADAPTER	1	
	50220	O-RING – #16 ORB		
	135554	O-RING – #16 ORFS		
13	136282	FITTING – TEE HYD	1	
	44210	O-RING – #10 ORB		
	135866	O-RING – #8 ORFS		
14	209812	FILTER – FILL TUBE	1	
A	135799	NUT – HEX FLG CTR LOC M10 X 1.5-10-A3L		
B	135785	BOLT – RHSN M10 X 1.5 X 25-8.8-A3L		
C	184657	BOLT – RHSSN M10 X 1.5 X 20-8.8-A3L		

144. Includes plugs (MD #111975, 208276), breather cap (MD #208277), level gauge (MD #208278), and decals (MD #166832, 207248).

# 79 Hydraulics – Fan/Lift Manifold (Accumulator Replace)



1038754

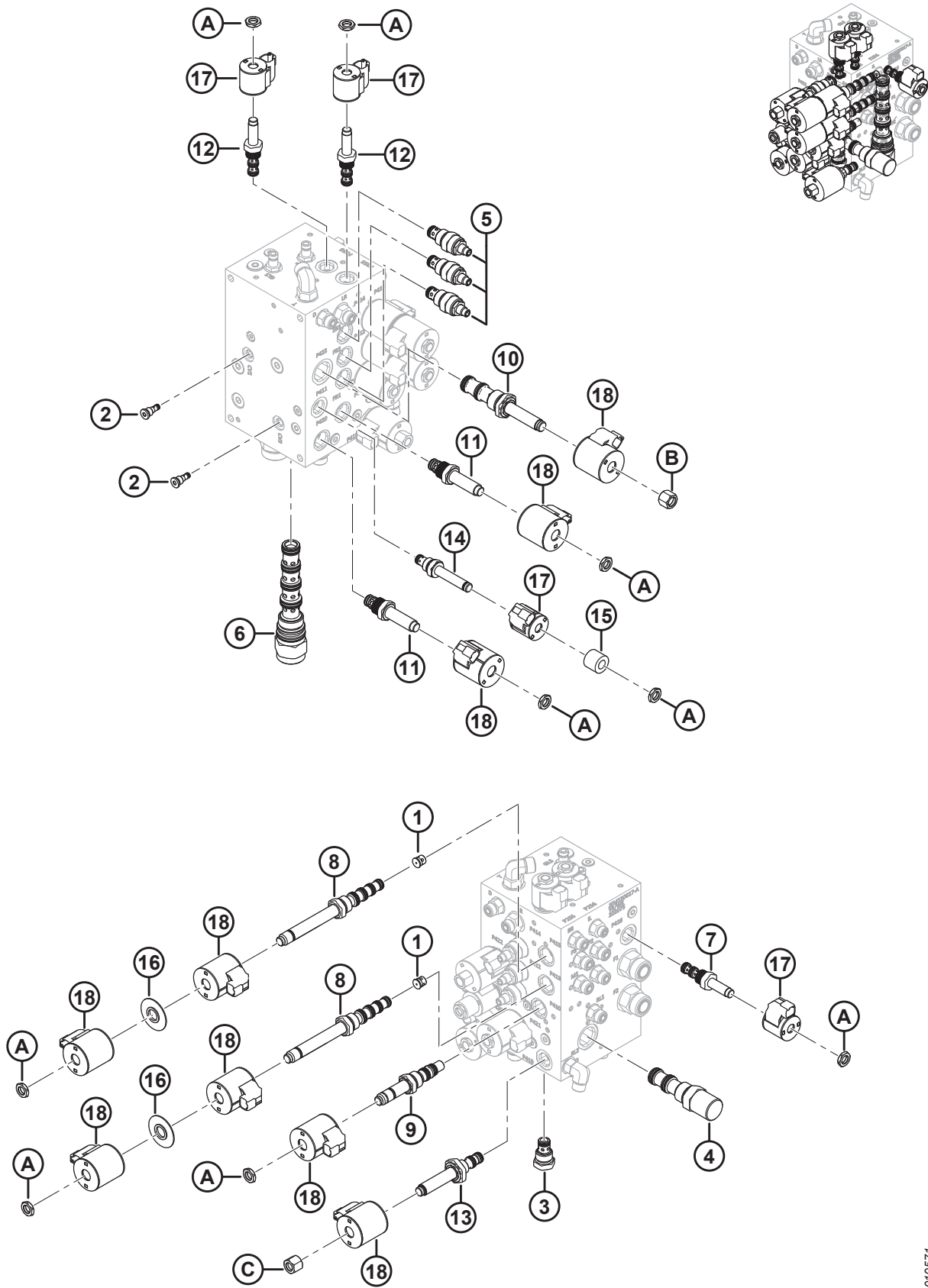
**HYDRAULICS – FAN/LIFT MANIFOLD (ACCUMULATOR REPLACE)**

Ref	Part Number	Description	Qty	Serial Number
1	306252	KIT – ACCUMULATOR DELETE <sup>145</sup>		
2	306248	HOSE – HYDRAULIC	1	
3	136097	FITTING – TEE HYDRAULIC	1	
	135865	O-RING – Ø1.78 X Ø9.25		
4	320126	FITTING – ADAPTER .078 ORIFICE (GP)	1	
5	136326	PLUG – HYD SAE - 6 ORFS	1	
6	176334	SEAL – EDGE TRIM	2	
7	135443	CINCH STRAP 4 IN. LG	1	
8	209032	CLAMP – P-CLIP, INSULATED, 1 IN.	1	
9	209018	CLAMP – INSULATED 7/8 IN.	12	
10	21763	FASTENER – CABLE TIE, BLACK, 160 MM LG	1	
11	252662	FITTING – NIPPLE HYDRAULIC	1	
12	202075	MANIFOLD – LIFT FAN <sup>146</sup>	1	
A	152655	BOLT – HEX FLG HD M10 X 1.5 X 20-8.8-AA1J		
B	136574	SCREW – HEX WASHER HD M10 X 1.5 X 16-450HV-AFOC		
C	135927	NUT – HEX FLG M10 X 1.5-8-AA1J		
D	136442	NUT – HEX THIN M10 X 1.5-05-AA1J		
E	152655	BOLT – HEX FLG HD M10 X 1.5 X 20-8.8-A3L		

145. Kit includes #2–10, hardware A–D, and installation instructions. Kit intended to replace accumulator that is experiencing recurring reliability and lifespan issues. The Accumulator Delete kit (MD #306252) provides all the necessary parts to replace the fan/lift manifold accumulator with a hydraulic hose and plug.

146. For service parts, refer to Section [80 Lift/Fan Manifold – Valves and Coils, page 191](#), and Section [81 Lift/Fan Manifold – Plugs and Fittings, page 193](#).

# 80 Lift/Fan Manifold – Valves and Coils

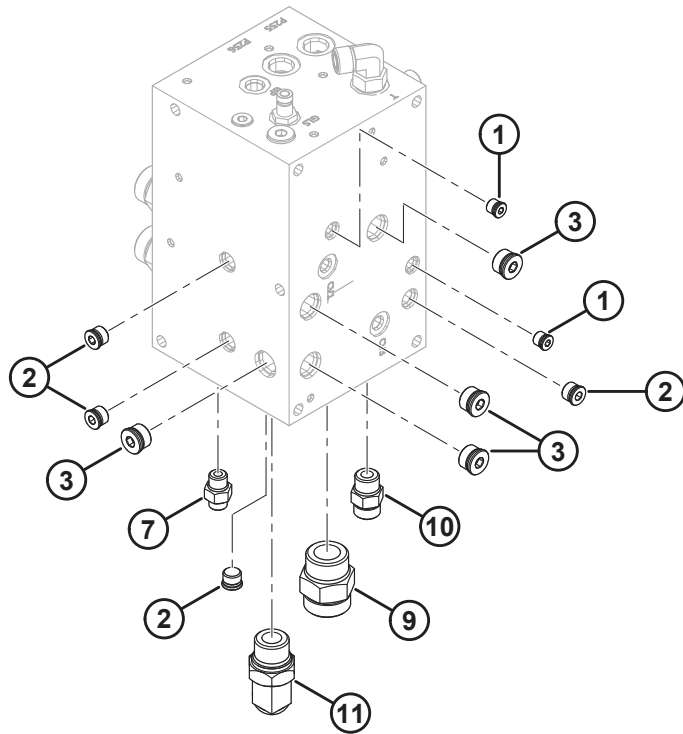
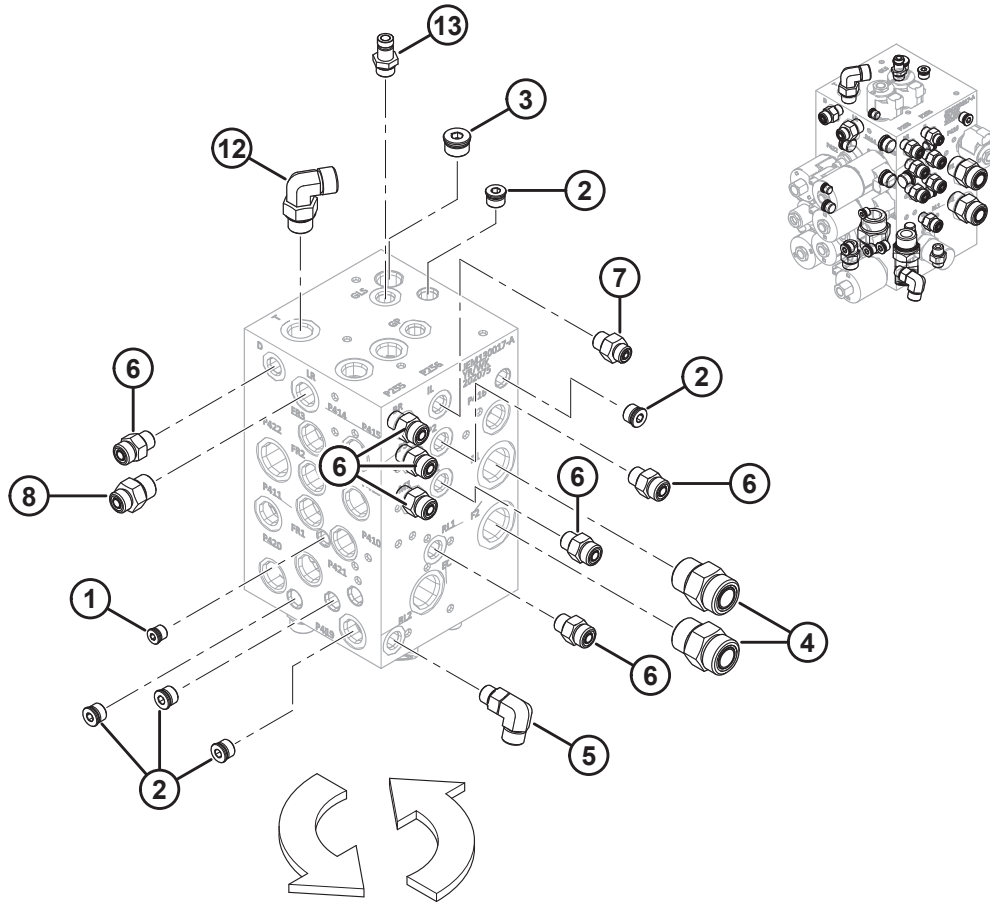


**LIFT/FAN MANIFOLD – VALVES AND COILS**

Ref	Part Number	Description	Qty	Serial Number
	202075	MANIFOLD – LIFT FAN <sup>147</sup>		
1	252333	VALVE – CHECK (P413, P415)	2	
2	252331	VALVE – CHECK (CV1, CV3)	2	
	252349	SEAL KIT		
3	252332	VALVE – CHECK (CV2)	1	
	220908	SEAL KIT		
4	252334	VALVE – PRESSURE COMPENSATOR (EC)	1	
	252355	SEAL KIT		
5	252336	VALVE – FLOW REGULATOR (FR1, FR2, FR3)	3	
	133820	SEAL KIT		
6	252337	VALVE – DIRECTIONAL (PD)	1	
	252358	SEAL KIT		
7	252340	VALVE – DIRECTIONAL (P416)	1	
	252350	SEAL KIT		
8	252342	VALVE – DIRECTIONAL	2	
	252353	SEAL KIT		
9	252344	VALVE – DIRECTIONAL (P410)	1	
	252352	SEAL KIT		
10	252345	VALVE – PRESSURE CONTROL (P422)	1	
	252354	SEAL KIT		
11	209044	VALVE – FLOW CONTROL (P420, P421)	2	
	220908	SEAL KIT		
12	252341	VALVE – DIRECTIONAL (P255, P256)	2	
	252350	SEAL KIT		
13	252343	VALVE – DIRECTIONAL (P419)	1	
	252350	SEAL KIT		
14	252339	VALVE – DIRECTIONAL (P411)	1	
	129711	SEAL KIT		
15	252320	SPACER – COIL	1	
16	252321	SPACER – COIL	2	
17	252319	COIL – SOLENOID	4	
18	209045	COIL – SOLENOID	9	
A	252360	NUT – COIL		
B	252364	NUT – COIL		
C	252361	NUT – COIL		

147. Refer to Section 79 *Hydraulics – Fan/Lift Manifold (Accumulator Replace)*, page 189.

# 81 Lift/Fan Manifold – Plugs and Fittings



1033566

**LIFT/FAN MANIFOLD – PLUGS AND FITTINGS**

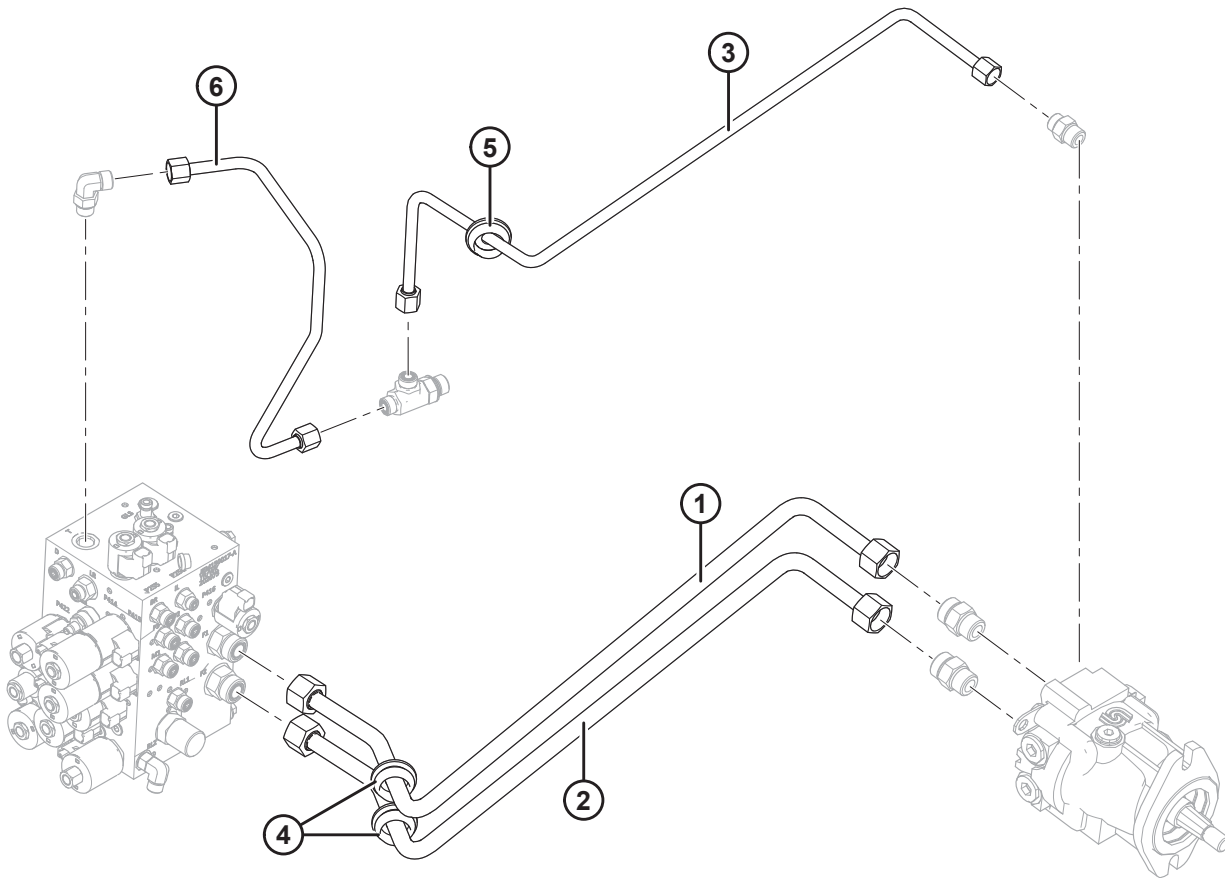
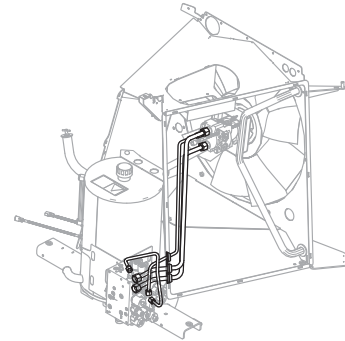
**NOTE:**

Valves and coils removed from illustration for clarity. Refer to Section *80 Lift/Fan Manifold – Valves and Coils, page 191.*

Ref	Part Number	Description	Qty	Serial Number
	202075	MANIFOLD – LIFT FAN <sup>148</sup>		
1	252324	PLUG – ZERO LEAK	3	
2	252325	PLUG – ZERO LEAK	9	
	252347	O-RING – #6 ORB		
3	252327	PLUG – ZERO LEAK	5	
	252348	O-RING – #8 ORB		
4	135788	FITTING – ADAPTER (F1, F2)	2	
	30971	O-RING – #12 ORB		
	135868	O-RING – #12 ORFS		
5	136095	FITTING – ELBOW 90° HYD (RL2)	1	
	50219	O-RING – #6 ORB		
	135865	O-RING – #6 ORFS		
6	135778	FITTING – ADAPTER (BR, P2, P3, M1, M2, RL1, D)	7	
	50219	O-RING – #6 ORB		
	135865	O-RING – #6 ORFS		
7	135776	FITTING – ADAPTER (IL, LS)	2	
	50219	O-RING – #6 ORB		
	135957	O-RING – #4 ORFS		
8	191705	FITTING – ADAPTER 6 MORFS X 8 MORB (LR)	1	
	44209	O-RING – #8 ORB		
	135865	O-RING – #6 ORFS		
9	135791	FITTING – ADAPTER (T1)	1	
	50220	O-RING – #16 ORB		
	135554	O-RING – #16 ORFS		
10	135780	FITTING – ADAPTER (H)	1	
	44209	O-RING – #8 ORB		
	135866	O-RING – #8 ORFS		
11	136418	FITTING – ELBOW 45° HYD (P)	1	
	30971	O-RING – #12 ORB		
	135868	O-RING – #12 ORFS		
12	136220	FITTING – ELBOW 90° HYD (T)	1	
	30971	O-RING – #12 ORB		
	135868	O-RING – #12 ORFS		
13	135587	NIPPLE – HYDRAULIC (GLS)	1	
	50219	O-RING – #6 ORB		

148. Refer to Section *79 Hydraulics – Fan/Lift Manifold (Accumulator Replace), page 189.*

# 82 Hydraulics – Fan Drive Lines

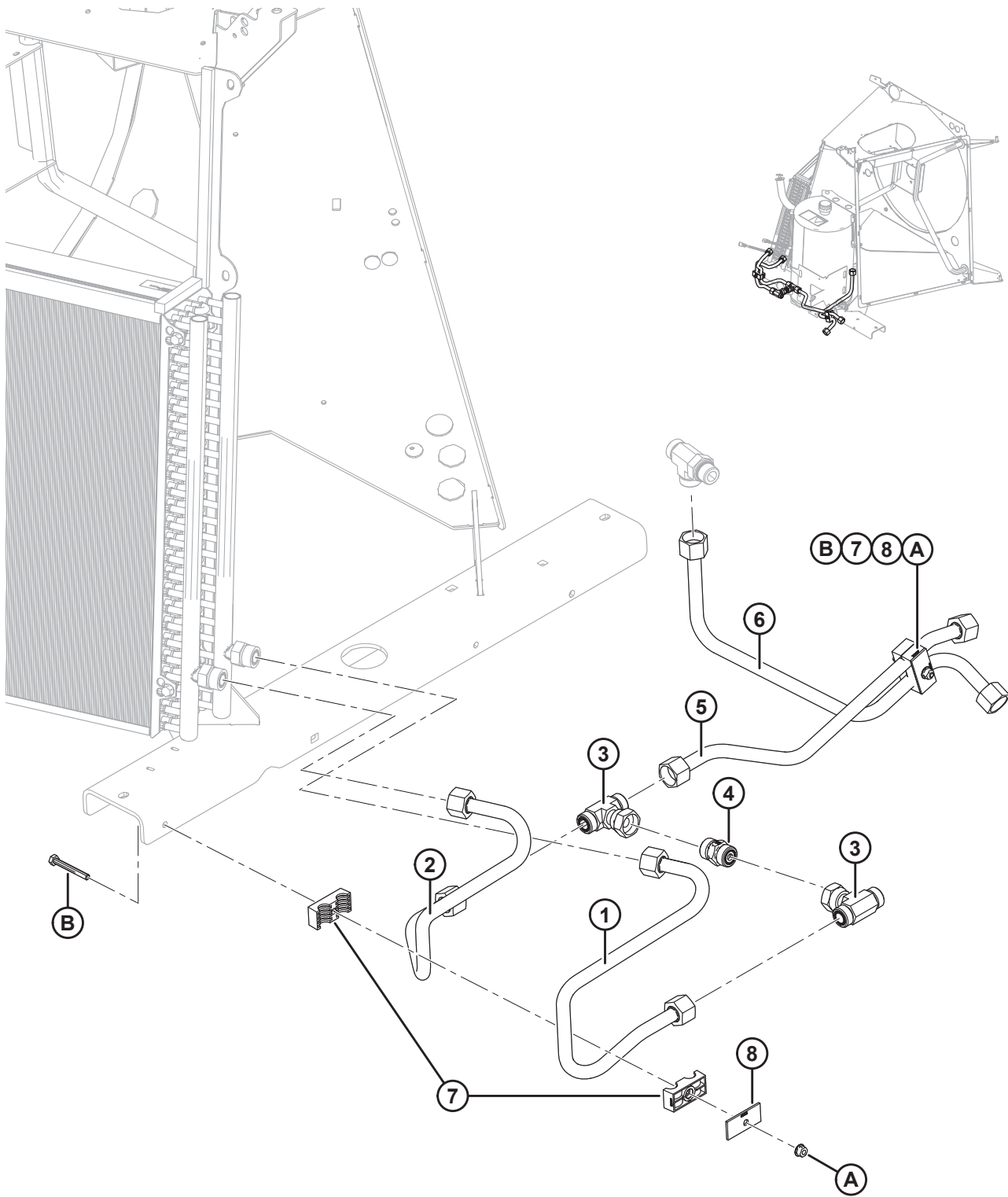




HYDRAULICS – FAN DRIVE LINES

Ref	Part Number	Description	Qty	Serial Number
1	201738	LINE – HYDRAULIC, 3/4 IN DIA	1	
2	201739	LINE – HYDRAULIC, 3/4 IN DIA	1	
3	201759	LINE – HYDRAULIC, 1/2 IN DIA	1	
4	45155	GROMMET – 0.75 IN I.D.	2	
5	42080	GROMMET – RUBBER	1	
6	205036	LINE – HYDRAULIC, 1/2 IN DIA	1	

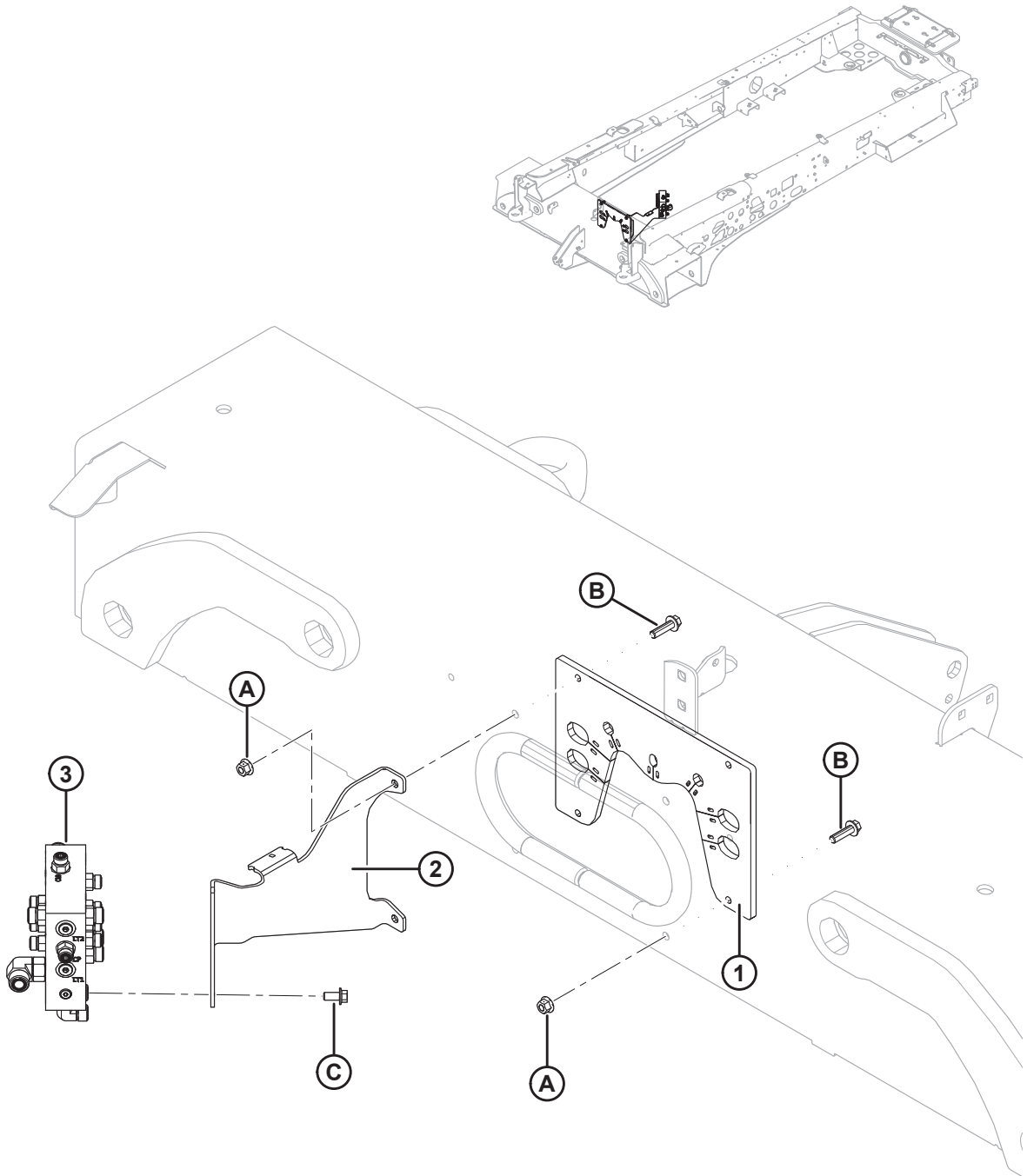
# 83 Hydraulics – Oil Cooler Lines



**HYDRAULICS – OIL COOLER LINES**

<b>Ref</b>	<b>Part Number</b>	<b>Description</b>	<b>Qty</b>	<b>Serial Number</b>
1	206850	LINE – HYDRAULIC, 3/4 IN DIA	1	
2	206878	LINE – HYDRAULIC, 3/4 IN DIA	1	
3	136256	FITTING – TEE HYD	2	
	135868	O-RING – #12 ORFS		
4	204847	VALVE – CHECK	1	
	135868	O-RING – #12 ORFS		
5	202714	LINE – HYDRAULIC, 3/4 IN DIA	1	
6	208411	LINE – HYDRAULIC, 3/4 IN DIA	1	
7	202991	CLAMP – TUBING	2	
8	232233	CLAMP – COVER PLATE	2	
A	135337	NUT – HEX FLG CTR LOC M8 X 1.25-8-A2L		
B	152775	BOLT – HEX HD M8 X 1.25 X 65-8.8-A2L		

# 84 Hydraulics – Frame Fittings



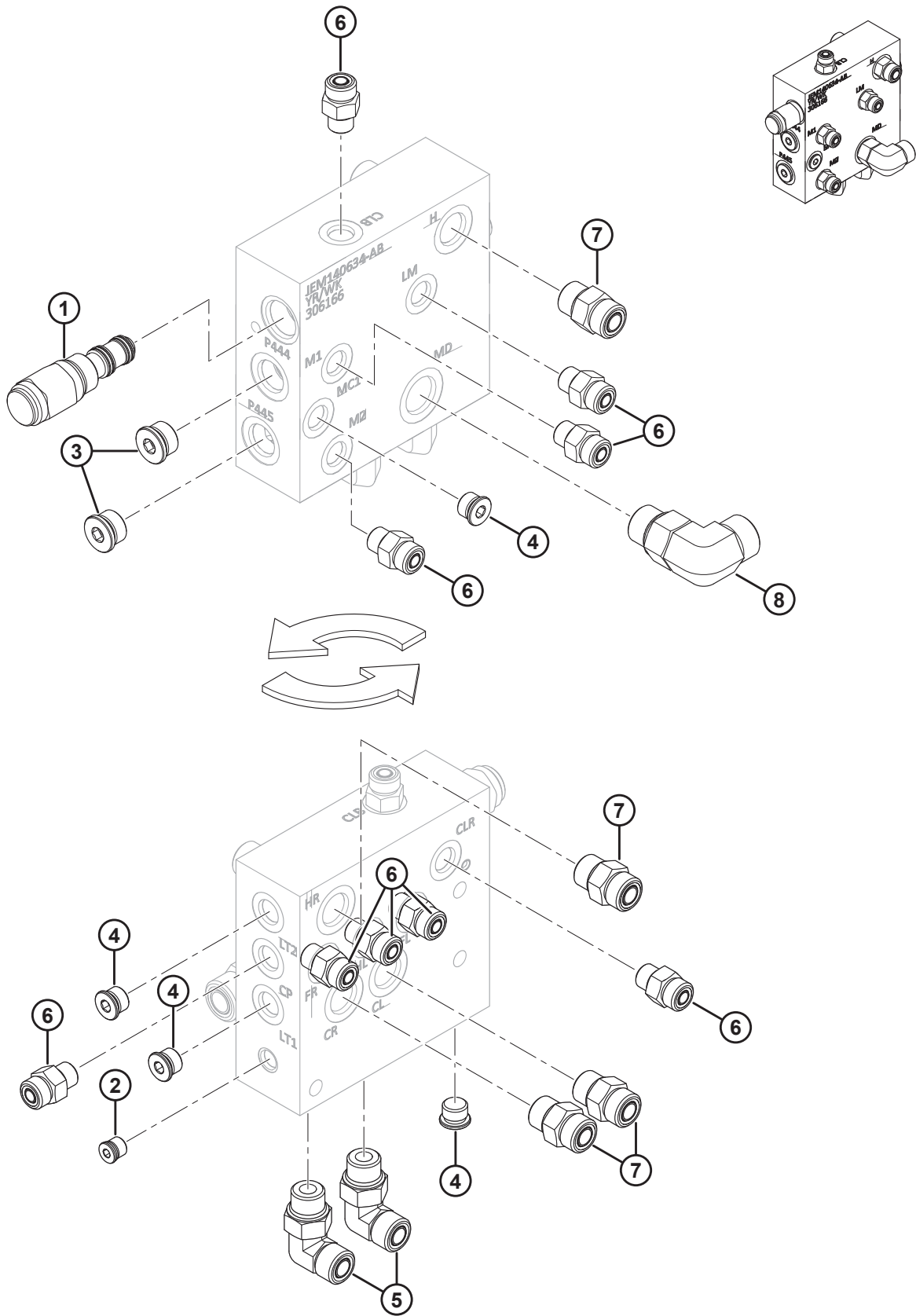
**HYDRAULICS – FRAME FITTINGS**

<b>Ref</b>	<b>Part Number</b>	<b>Description</b>	<b>Qty</b>	<b>Serial Number</b>
1	203150	STRAP – LINE SUPPORT	1	
2	203940	SUPPORT – LINE	1	
3	306166	MANIFOLD – JUNCTION <sup>149</sup>	1	
A	135799	NUT – HEX FLG CTR LOC M10 X 1.5-10-A3L		
B	152947	BOLT – HEX FLG HD TFL M10 X 1.5 X 40-10.9-AA1J		
C	152655	BOLT – HEX FLG HD M10 X 1.5 X 20-8.8-A3L		

---

149. For service parts, refer to Section *85 Junction Manifold – Service Parts*, page 201.

# 85 Junction Manifold – Service Parts

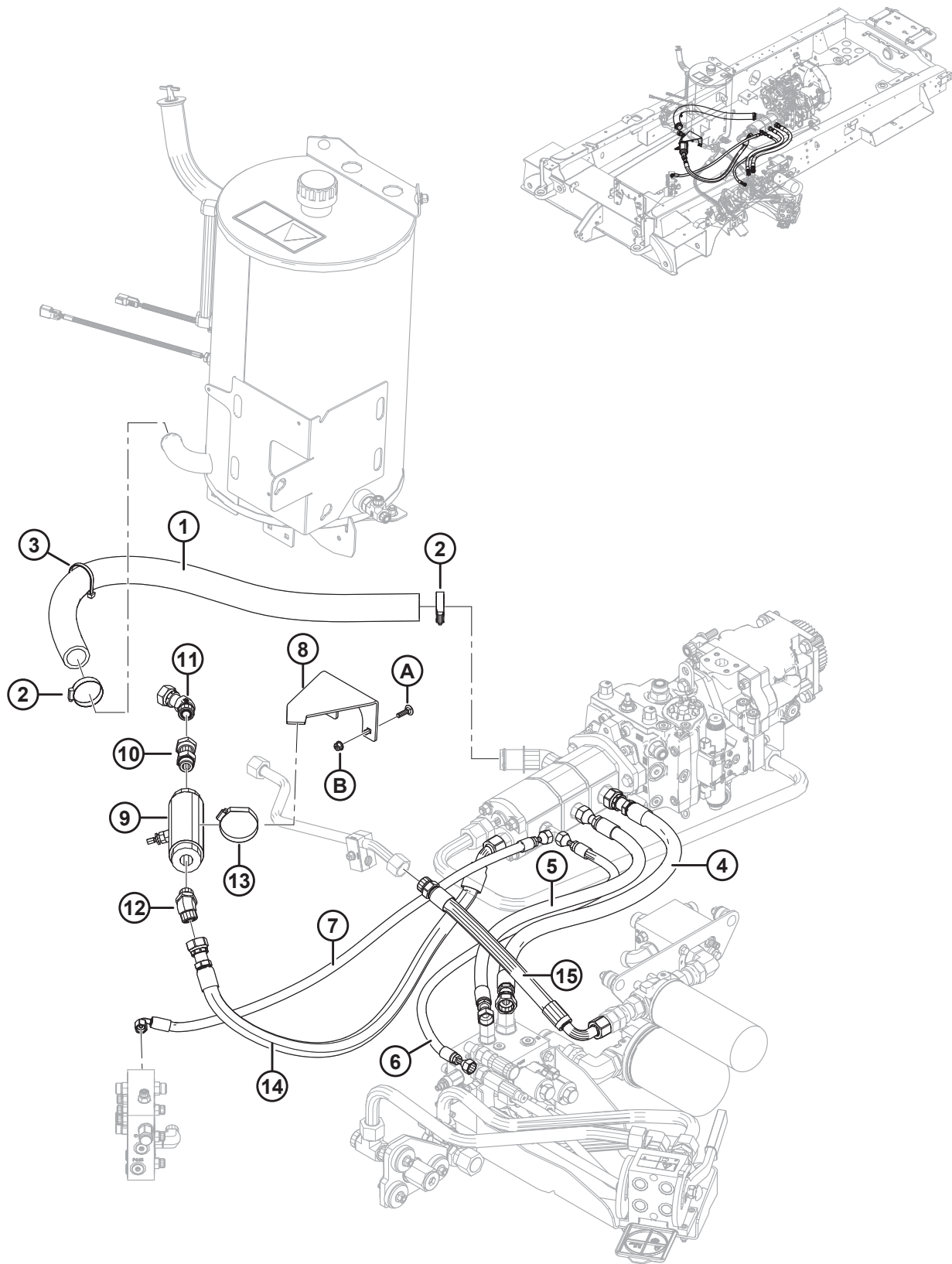


**JUNCTION MANIFOLD – SERVICE PARTS**

Ref	Part Number	Description	Qty	Serial Number
	306166	MANIFOLD – JUNCTION <sup>150</sup>		
1	252330	VALVE – CONTROL (CB)	1	
	252352	SEAL KIT		
2	252324	PLUG – ZERO LEAK	1	
3	158174	PLUG – HEX SOCKET C/W O-RING (P444, P445)	2	
	44209	O-RING – #8 ORB		
4	100577	PLUG – HEX SOCKET C/W O-RING (MC1, MC2, LT1, LT2,)	4	
	50219	O-RING – #6 ORB		
5	136220	FITTING – ELBOW 90° HYD (MDL, MDR)	2	
	44209	O-RING – #8 ORB		
	135866	O-RING – #8 ORFS		
6	135778	FITTING – ADAPTER (CLB, M1, M2, LM, HR, HL, FL, CLR, LT2)	9	
	50219	O-RING – #6 ORB		
	135865	O-RING – #6 ORFS		
7	135780	FITTING – ADAPTER (H, HR, CR, CL)	4	
	44209	O-RING – #8 ORB		
	135866	O-RING – #8 ORFS		
8	136089	FITTING – ELBOW 90° HYD (MD)	1	
	44210	O-RING – #10 ORB		
	135867	O-RING – #10 ORFS		

150. Refer to Section *84 Hydraulics – Frame Fittings*, page 199.

# 86 Hydraulics – Charge Lines

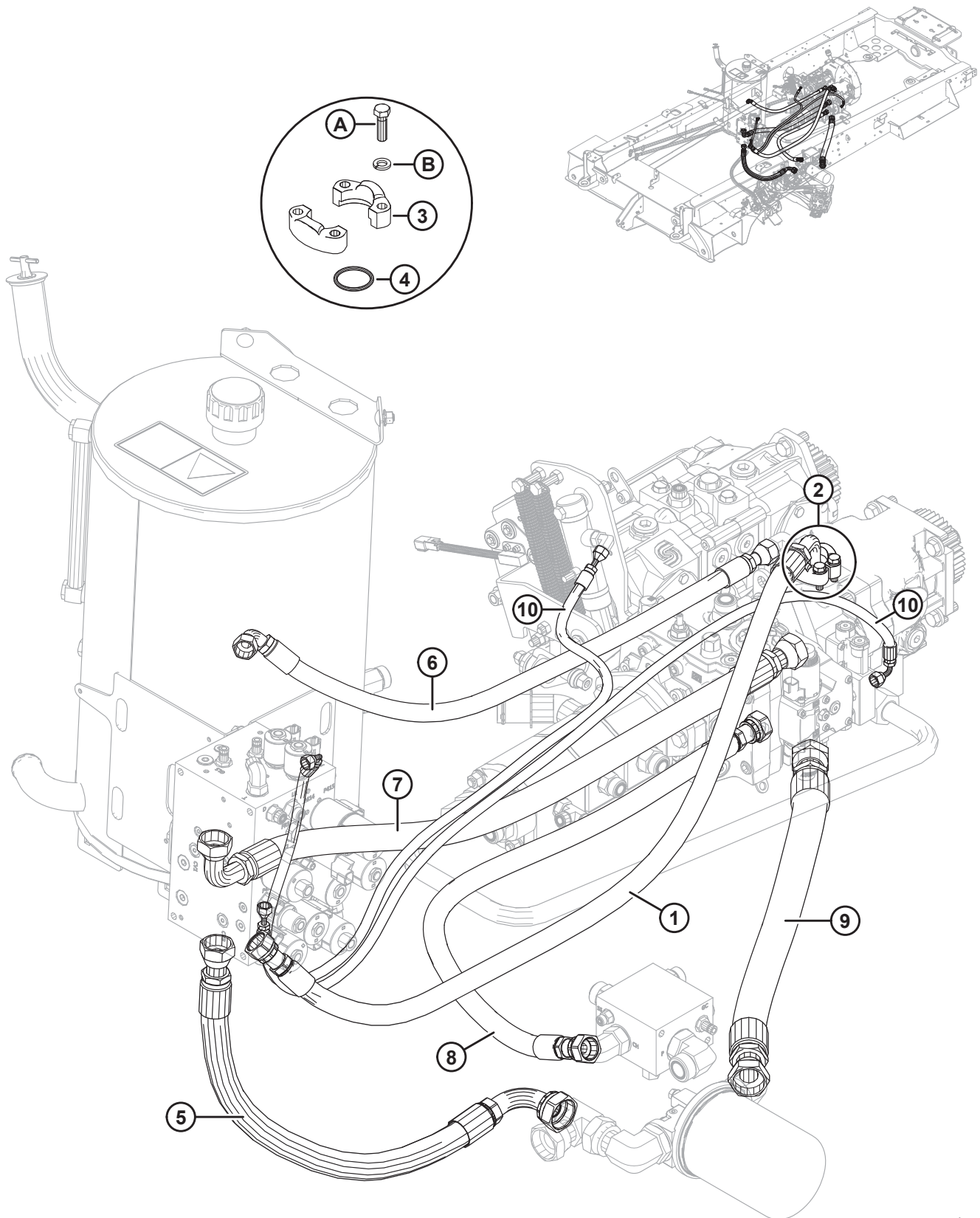




**HYDRAULICS – CHARGE LINES**

<b>Ref</b>	<b>Part Number</b>	<b>Description</b>	<b>Qty</b>	<b>Serial Number</b>
1	201732	HOSE – HYDRAULIC, 1.5 IN I.D., 1030 MM LG	1	
2	135725	CLAMP – HOSE GEAR TYPE	2	
3	30753	FASTENER – CABLE TIE, BLACK, 305 MM LG	1	
4	201763	HOSE – HYDRAULIC, 3/4 IN I.D., 860 MM LG	1	
5	201762	HOSE – HYDRAULIC, 5/8 IN I.D., 840 MM LG	1	
6	205317	HOSE – HYDRAULIC, 3/8 IN I.D., 940 MM LG	1	
7	206728	HOSE – HYDRAULIC, 3/8 IN I.D., 1000 MM LG	1	
8	209104	SUPPORT – SUPPRESSOR	1	
9	209069	SUPPRESSOR – HYDRAULIC	1	
10	136501	FITTING – ADAPTER HYD	1	
	30971	O-RING – #12 ORB		
11	136809	FITTING – ELBOW 45° HYD	1	
	135868	O-RING – #12 ORFS		
12	136418	FITTING – ELBOW 45° HYD	1	
	30971	O-RING – #12 ORB		
	135868	O-RING – #12 ORFS		
13	21995	CLAMP – HOSE GEAR TYPE	1	
14	209109	HOSE – HYDRAULIC, 3/4 IN. I.D., 1000 MM LG	1	
15	205213	HOSE – HYDRAULIC, 3/4 IN I.D., 450 MM LG	1	
A	190752	BOLT – RHSN M8 X 1.25 X 30-8.8-AA1J		
B	135337	NUT – HEX FLG CTR LK M8 X 1.25-8-AA1J		

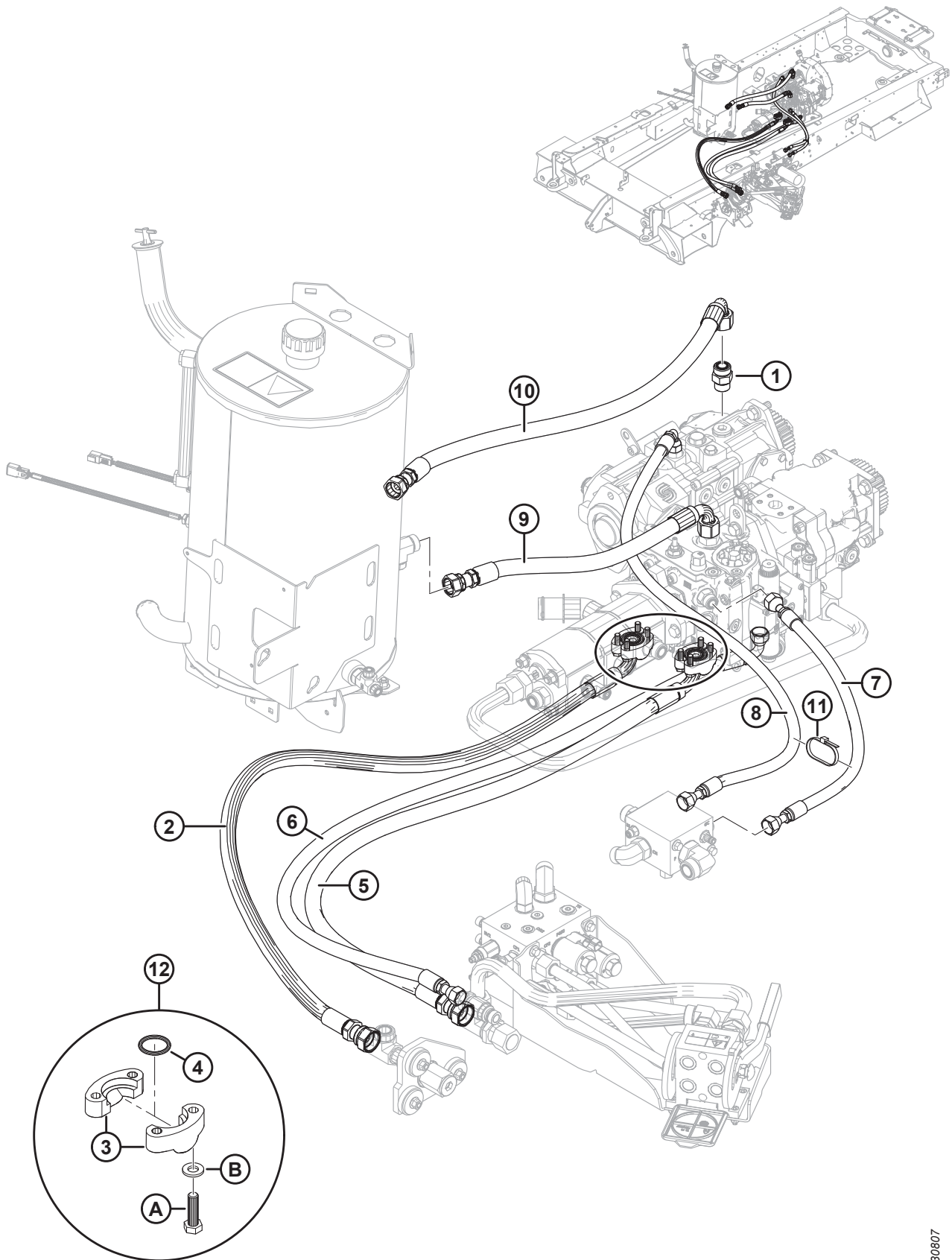
# 87 Hydraulics – Open Drive Lines



**HYDRAULICS – OPEN DRIVE LINES**

<b>Ref</b>	<b>Part Number</b>	<b>Description</b>	<b>Qty</b>	<b>Serial Number</b>
1	201733	HOSE – HYDRAULIC, 3/4 IN. I.D., 1370 MM LG	1	
2	112866	FLANGE – SPLIT, 1 IN. C/W HARDWARE	1	
3	194033	FLANGE – HALF SPLIT 1 IN., CODE 61	2	
4	112868	O-RING – 1.296 IN. I.D. X 0.139 IN. WALL	1	
5	201722	HOSE – HYDRAULIC, 1 IN. I.D., 700 MM LG	1	
6	201736	HOSE – HYDRAULIC, 5/8 IN. I.D., 920 MM LG	1	
7	201723	HOSE – HYDRAULIC, 1 IN. I.D., 1080 MM LG	1	
8	202903	HOSE – HYDRAULIC, 3/4 IN. I.D., 1080 MM LG	1	
9	291675	HOSE – HYDRAULIC, 1-1/4 IN. I.D., 970 MM LG		
10	201845	HOSE – HYDRAULIC, 1/4 IN. I.D., 1450 MM LG	2	
A	21264	BOLT – HH 3/8 NC X 1.25 LG GR 5 ZP		
B	18637	WASHER – REG. LOCK 3/8 IN. NOM. I.D. ZP		

# 88 Hydraulics – Closed Drive Lines

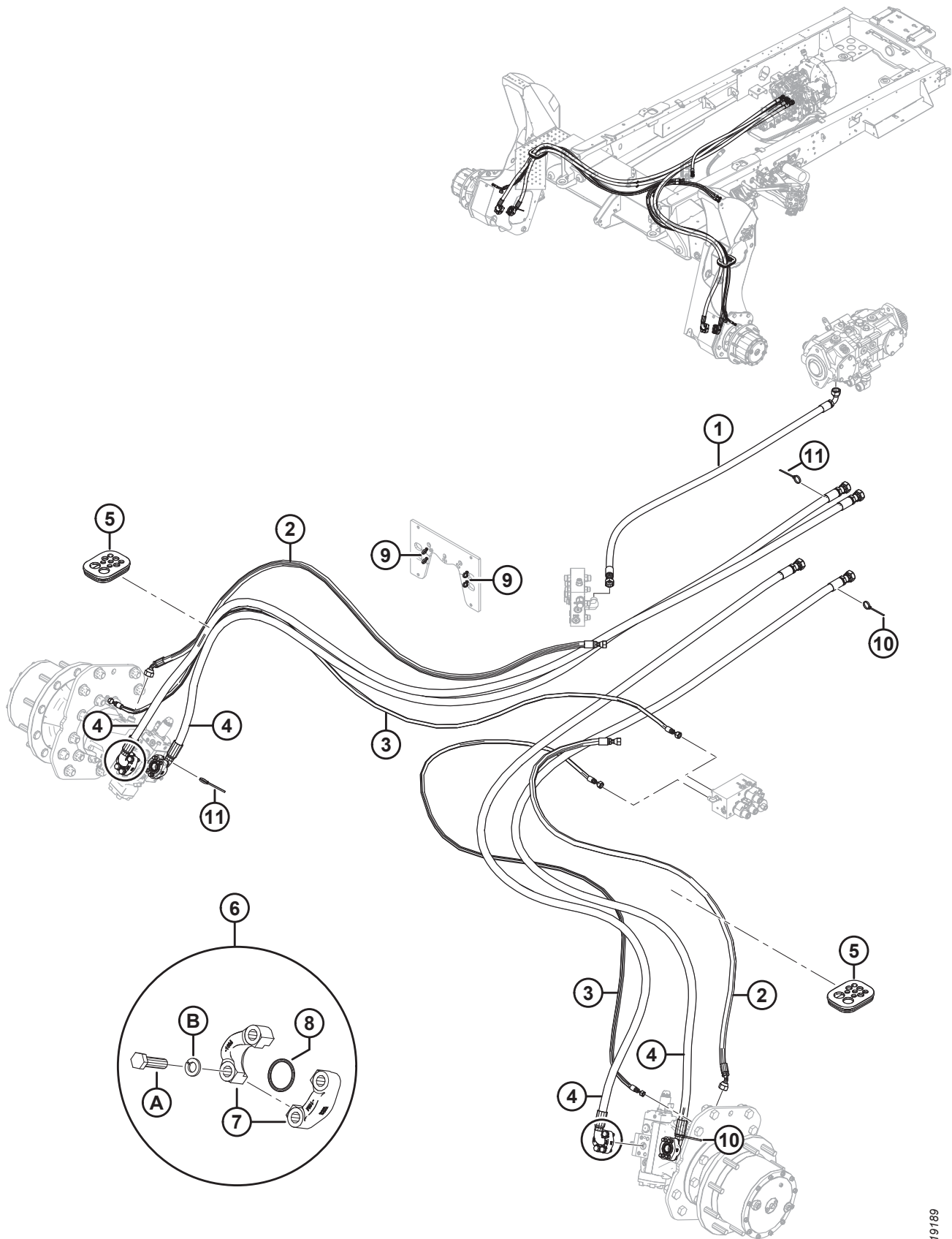


**HYDRAULICS – CLOSED DRIVE LINES**

<b>Ref</b>	<b>Part Number</b>	<b>Description</b>	<b>Qty</b>	<b>Serial Number</b>
1	135788	FITTING – ADAPTER	1	
	30971	O-RING – SAE #12		
	135868	O-RING – #12 ORFS		
2	201835	HOSE – HYDRAULIC, 3/4 IN. I.D., 1570 MM LG	1	
3	194026	FLANGE – HALF SPLIT 3/4 IN., CODE 62	4	
4	150595	O-RING – 0.984 IN. I.D. X 0.139 IN. WALL	2	
5	203573	HOSE – HYDRAULIC, 3/4 IN. I.D., 1390 MM LG	1	
6	203574	HOSE – HYDRAULIC, 3/4 IN. I.D., 1680 MM LG	1	
7	203572	HOSE – HYDRAULIC, 1/2 IN. I.D., 650 MM LG	1	
8	201832	HOSE – HYDRAULIC, 1/2 IN. I.D., 1150 MM LG	1	
9	201734	HOSE – HYDRAULIC, 3/4 IN. I.D., 590 MM LG	1	
10	201735	HOSE – HYDRAULIC, 3/4 IN. I.D., 915 MM LG	1	
11	21763	FASTENER – CABLE TIE, BLACK, 160 MM LG	1	
12	320082	KIT – SPLIT FLANGE, 19 MM, CD62 <sup>151</sup>	2	
A	320081	BOLT – HEX HD M10 X 1.5 X 35-10.9-AA1J		
B	30655	WASHER – HARD M10-340HV-AB0C		

151. Kit includes O-ring (MD #150595), two half-split flanges (MD #194026), four bolts (MD #320081), and four washers (MD #30655).

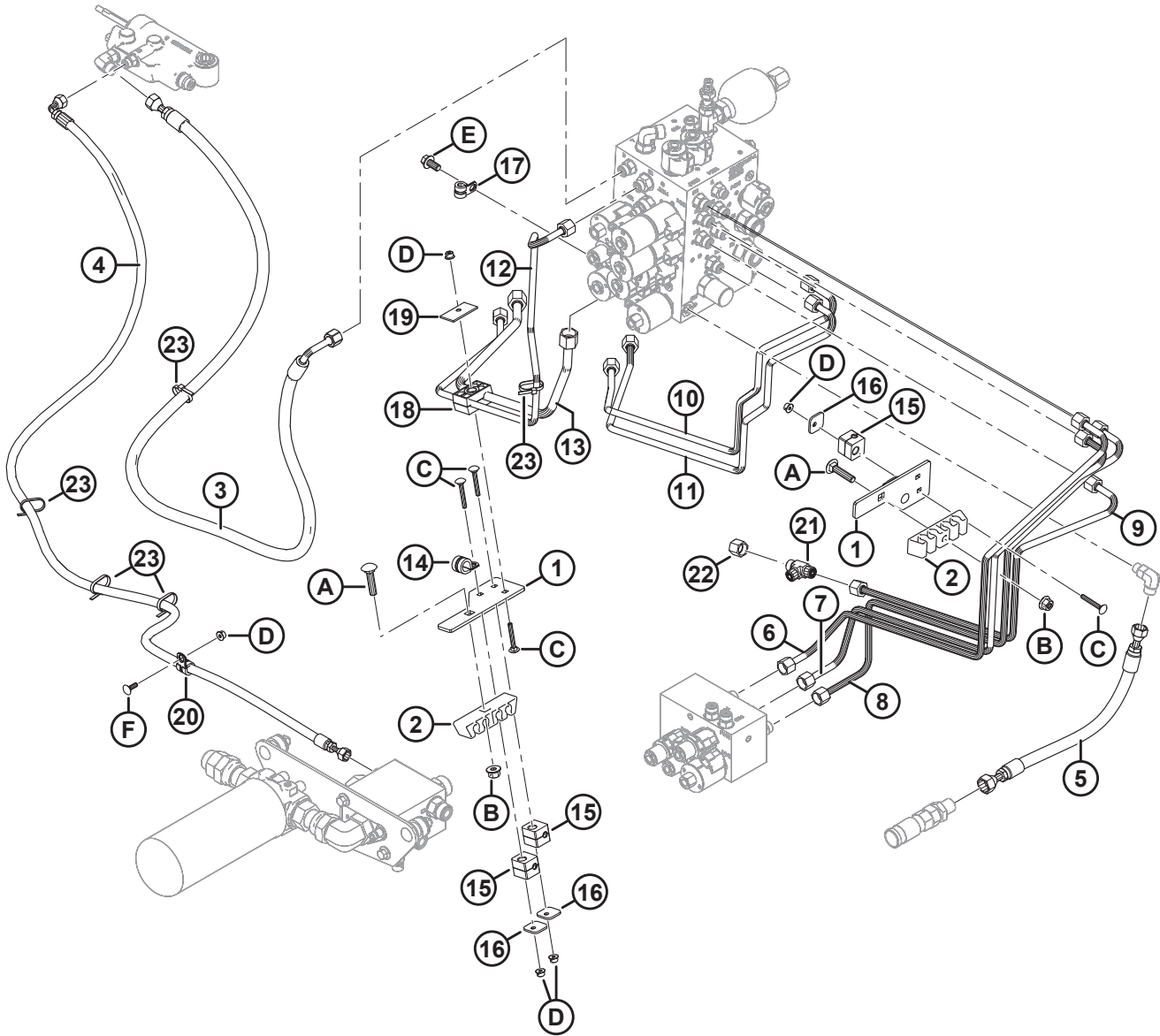
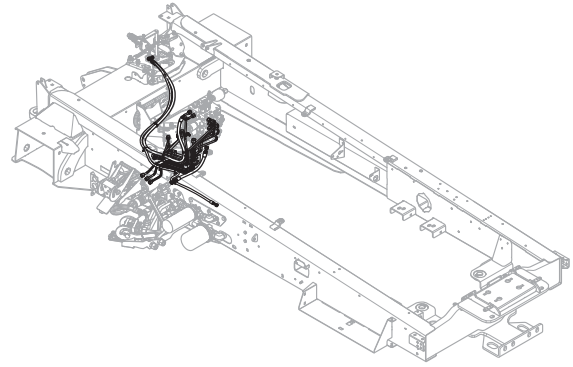
# 89 Hydraulics – Traction Drive



**HYDRAULICS – TRACTION DRIVE**

<b>Ref</b>	<b>Part Number</b>	<b>Description</b>	<b>Qty</b>	<b>Serial Number</b>
1	203937	HOSE – HYDRAULIC, 5/8 IN I.D., 1500 MM LG	1	
2	206184	HOSE – HYDRAULIC, 1/2 IN I.D., 2250 MM LG	2	
3	206623	HOSE – HYDRAULIC, 1/4 IN I.D., 2850 MM LG	2	
4	208579	HOSE – HYDRAULIC, 3/4 IN I.D., 3830 MM LG	4	
5	204760	GROMMET – LEG	2	
6	136838	FLANGE – SPLIT, CD 62 ISO 25 KIT	4	
7	136840	FLANGE – HALF SPLIT, CD 62 ISO 25	8	
8	112868	O-RING – 1.296 IN I.D. X 0.139 IN. WALL	4	
9	21763	FASTENER – CABLE TIE, BLACK, 160 MM LG	4	
10	40701	FASTENER – CABLE TIE, YELLOW	2	
11	40702	FASTENER – CABLE TIE, RED	2	
A	136881	BOLT – HEX HD M12 X 1.75 X 45-10.9-A3L		
B	30633	WASHER – LOC SPRING M12-CS-1055-1065-A2L		

# 90 Hydraulics – Control Lines

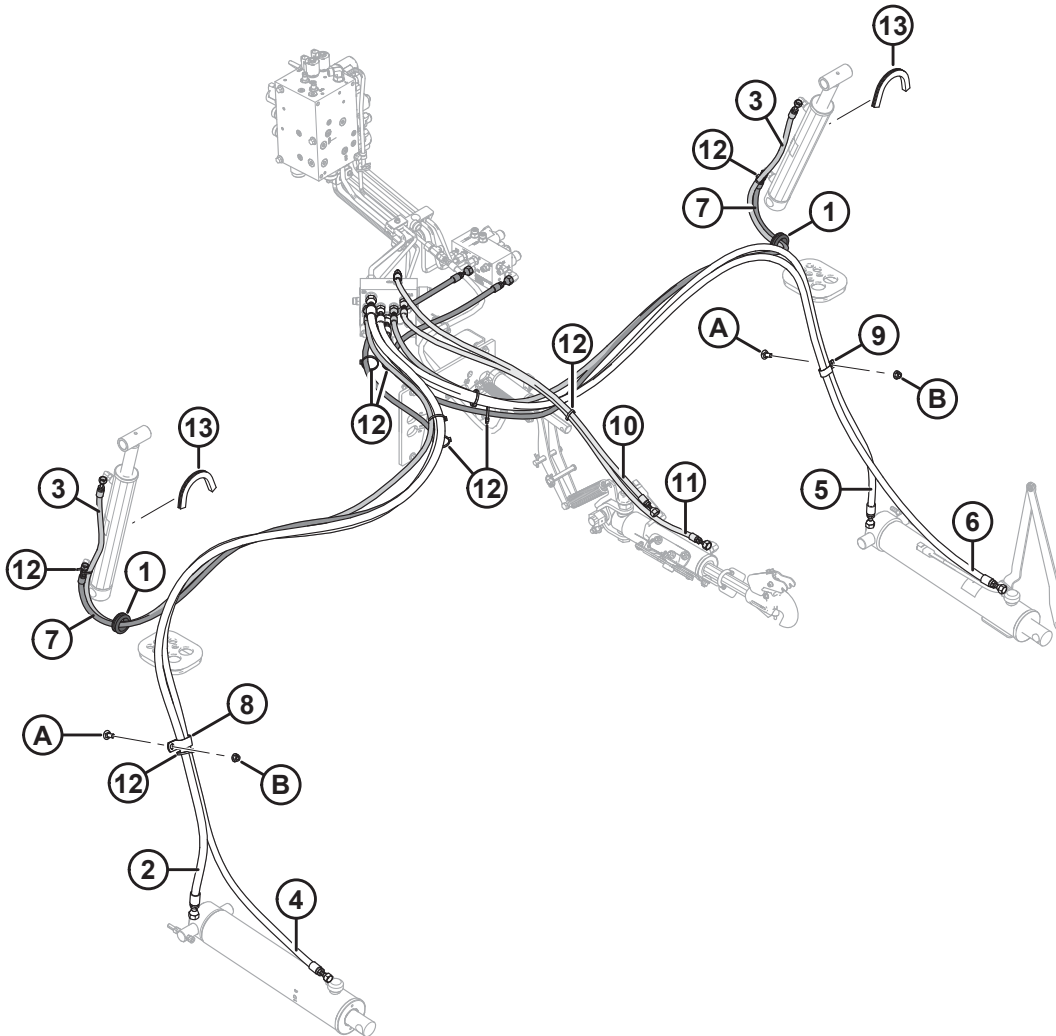
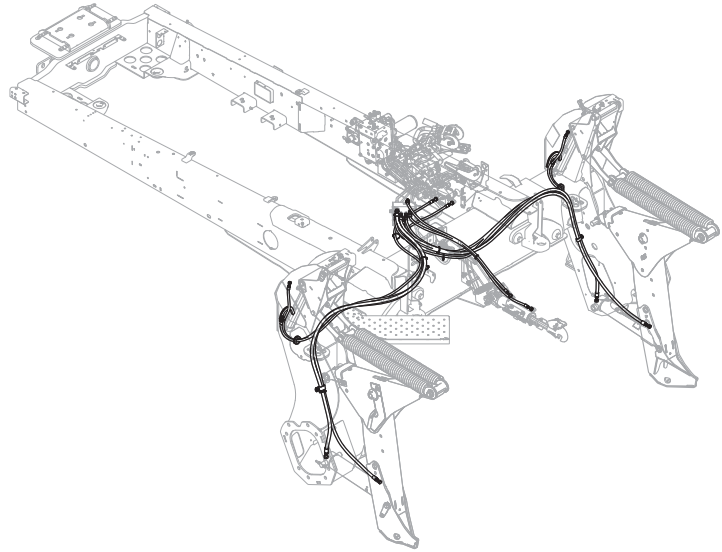




**HYDRAULICS – CONTROL LINES**

<b>Ref</b>	<b>Part Number</b>	<b>Description</b>	<b>Qty</b>	<b>Serial Number</b>
1	205356	PLATE – CLAMP MOUNT	2	
2	220478	CLAMP	2	
3	203979	HOSE – HYDRAULIC, 3/8 IN. I.D., 1700 MM LG	1	
4	203984	HOSE – HYDRAULIC, 1/4 IN. I.D., 1870 MM LG	1	
5	205273	HOSE – HYDRAULIC, 3/8 IN. I.D., 380 MM LG	1	
6	207425	LINE – HYDRAULIC, 3/8 IN. DIA	1	
7	203975	LINE – HYDRAULIC, 3/8 IN. DIA	1	
8	203974	LINE – HYDRAULIC, 3/8 IN. DIA	1	
9	207426	LINE – HYDRAULIC, 3/8 IN. DIA	1	
10	203966	LINE – HYDRAULIC, 3/8 IN. DIA	1	
11	203967	LINE – HYDRAULIC, 3/8 IN. DIA	1	
12	206208	LINE – HYDRAULIC, 3/8 IN. DIA	1	
13	207446	LINE – HYDRAULIC, 1/2 IN. DIA	1	
14	135716	CLAMP – INSULATED 5/8 IN.	1	
15	184304	CLAMP PAIR – TUBE 3/8 IN. DIA (PAIR)	4	
16	184305	CLAMP – COVER PLATE	4	
17	136410	CLAMP – INSULATED 3/8 IN.	1	
18	184307	CLAMP PAIR – TUBE 0.5 IN./0.375 IN. CLAMP	1	
19	184303	CLAMP – COVER PLATE	1	
20	135818	CLAMP – INSULATED 1/2 IN.	1	
21	136098	FITTING – TEE HYD	1	
	135865	O-RING – #6 ORFS		
22	136325	CAP – HYD SAE-6 ORFS	1	
23	21763	FASTENER – CABLE TIE, BLACK, 160 MM LG	5	
A	136421	BOLT – RHSN M10 X 1.5 X 45-8.8-A3L		
B	135799	NUT – HEX FLG CTR LOC M10 X 1.5-10-A3L		
C	136731	BOLT – RHSN M6 X 1 X 45-8.8-A2L		
D	152668	NUT – HEX FLG CTR LOC M6 X 1-8-A2L		
E	152655	BOLT – HEX FLG HD M10 X 1.5 X 20-8.8-A3L		
F	184641	BOLT – RHSN M6 X 1 X 20-8.8-A2L		

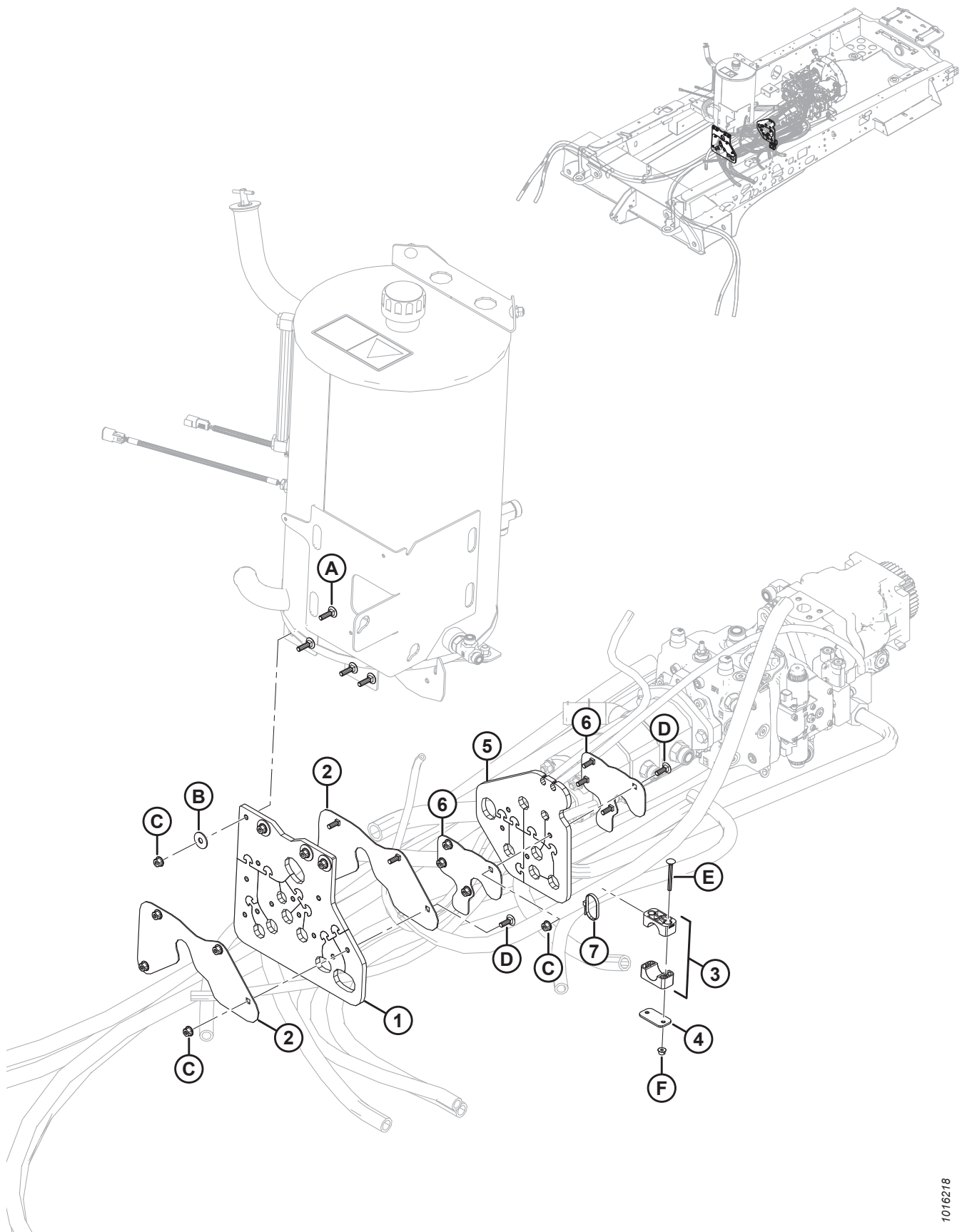
# 91 Hydraulics – Lift System



**HYDRAULICS – LIFT SYSTEM**

<b>Ref</b>	<b>Part Number</b>	<b>Description</b>	<b>Qty</b>	<b>Serial Number</b>
1	174149	GROMMET – 1.50 IN. I.D.	2	
2	206193	HOSE – HYDRAULIC, 1/2 IN. I.D., 2550 MM LG	1	
3	206195	HOSE – HYDRAULIC, 1/4 IN. I.D., 2250 MM LG	2	
4	206194	HOSE – HYDRAULIC, 3/8 IN. I.D., 2800 MM LG	1	
5	206196	HOSE – HYDRAULIC, 3/8 IN. I.D., 2500 MM LG	1	
6	208325	HOSE – HYDRAULIC, 3/8 IN. I.D., 2800 MM LG	1	
7	206192	HOSE – HYDRAULIC, 1/4 IN. I.D., 2420 MM LG	2	
8	103738	CLAMP – PVC INSULATED 13/16 IN. TUBE SIZE	1	
9	135235	CLAMP – DOUBLE HOSE INSULATED	1	
10	207454	HOSE – HYDRAULIC, 1/4 IN. I.D., 1200 MM LG	1	
11	207455	HOSE – HYDRAULIC, 1/4 IN. I.D., 1360 MM LG	1	
12	21763	FASTENER – CABLE TIE, BLACK, 160 MM LG	10	
13	141220	SEAL – EDGE TRIM	2	
A	135785	BOLT – RHSN M10 X 1.5 X 25-8.8-A3L		
B	135799	NUT – HEX FLG CTR LOC M10 X 1.5-10-A3L		

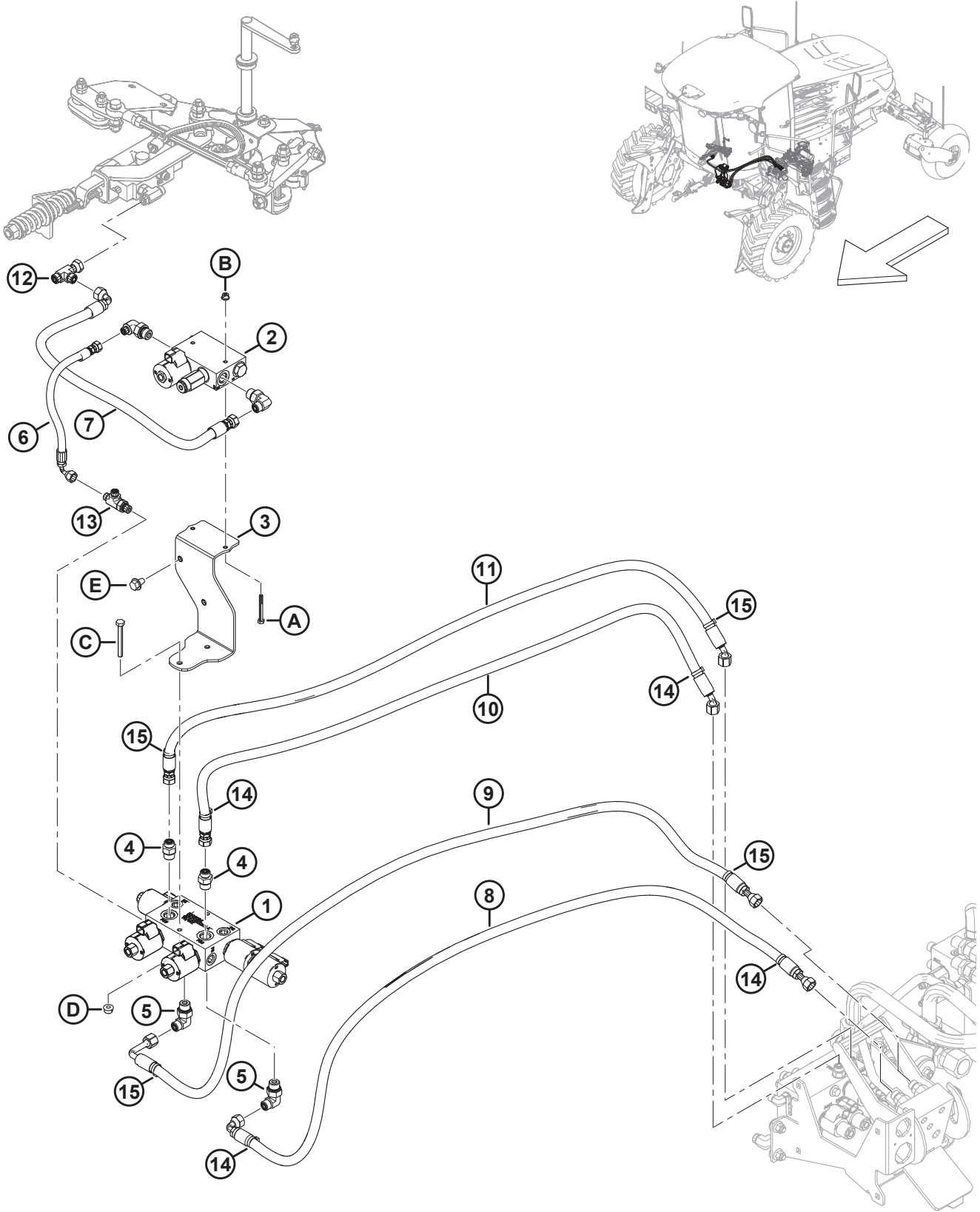
## 92 Hydraulics – Line Supports



**HYDRAULICS – LINE SUPPORTS**

<b>Ref</b>	<b>Part Number</b>	<b>Description</b>	<b>Qty</b>	<b>Serial Number</b>
1	203132	STRAP – LINE SUPPORT	1	
2	203380	PLATE – ROUTING CLAMP	2	
3	136647	CLAMP – LINE	1	
4	136648	CLAMP – COVER PLATE	1	
5	306323	STRAP – LINE SUPPORT	1	
6	203647	PLATE – ROUTING CLAMP	2	
7	21763	FASTENER – CABLE TIE, BLACK, 160 MM LG	1	
A	190752	BOLT – RHSN M8 X 1.25 X 30-8.8-A2L		
B	19685	WASHER – FLAT		
C	135337	NUT – HEX FLG CTR LOC M8 X 1.25-8-A2L		
D	184648	BOLT – RHSN M8 X 1.25 X 25-8.8-A3L		
E	184645	BOLT – RHSN M6 X 1 X 60-8.8-A2L		
F	152668	NUT – HEX FLG CTR LOC M6 X 1-8-A2L		

# 93 Hydraulics – Narrow Transport



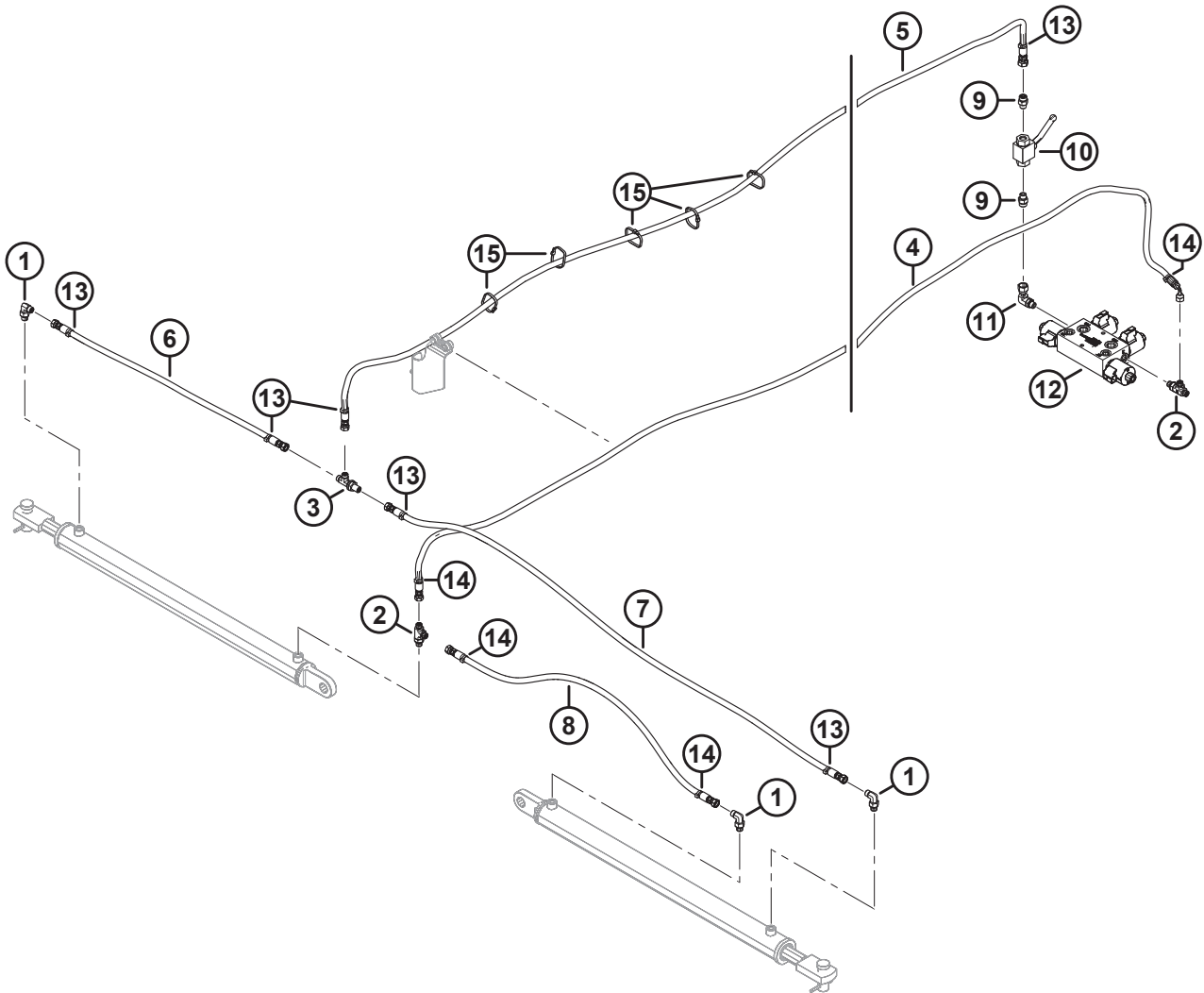
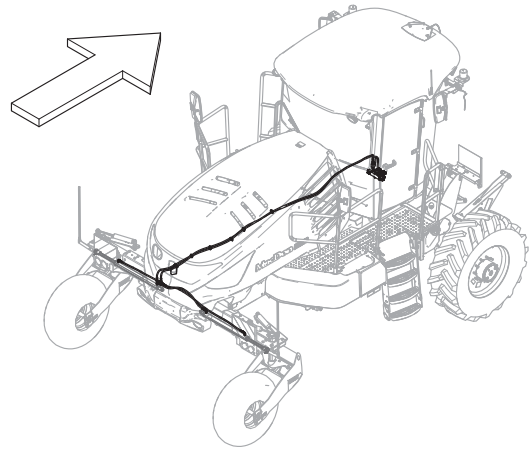
1034416

**HYDRAULICS – NARROW TRANSPORT**

Ref	Part Number	Description	Qty	Serial Number
1	310094	MANIFOLD – NARROW TRANSPORT <sup>152</sup>	1	
	252343	VALVE – DIRECTIONAL		
	252361	NUT – COIL		
	209045	COIL – SOLENOID		
2	310488	ASSY – RELIEF VALVE W/ FITTINGS <sup>153</sup>	1	
	310487	MANIFOLD – RELIEF <sup>154</sup>	1	
	209045	COIL – SOLENOID		
	346038	VALVE – RELIEF		
	30977	PLUG – HEX C/W O-RING		
3	310817	SUPPORT – MANIFOLD	1	
4	191705	FITTING – ADAPTER HYD	2	
	44209	O-RING – Ø2.21 X Ø16.36		
	135865	O-RING – Ø1.78 X Ø9.25		
5	136149	FITTING – ELBOW 90°HYD	2	
	44209	O-RING – Ø2.21 X Ø16.36		
	135865	O-RING – Ø1.78 X Ø9.25		
6	310383	HOSE	1	
7	310186	HOSE	1	
8	310178	HOSE	1	
9	310177	HOSE	1	
10	310176	HOSE	1	
11	310175	HOSE	1	
12	136097	FITTING – TEE HYD	1	
	135865	O-RING – Ø1.78 X Ø9.25		
13	310248	FITTING – TEE HYD	1	
	50223	O-RING – Ø1.83 X Ø8.92		
	135865	O-RING – Ø1.78 X Ø9.25		
14	40703	FASTENER – CABLE TIE, BLUE	4	
15	40702	FASTENER – CABLE TIE, RED	4	
A	136595	BOLT – HEX HD M6 X 1 X 55-8.8		
B	152668	NUT – HEX FLG CTR LOC M6 X 1-8		
C	184656	BOLT – HEX HD M8 X 1.25 X 70-8.8-AA1J		
D	135337	NUT – HEX FLG CTR LK M8 X 1.25-8-AA1J		
E	136574	SCREW – HEX WASHER HD M10 X 1.5 X 16-450HV-AFOC		

152. Includes four directional valves (MD #252343), four coil nuts (MD #252361), and four solenoid coils (MD #209045).  
 153. Includes relief manifold (MD #310487), 90° elbow fitting (MD #136929), and 90° elbow fitting (MD #136149).  
 154. Includes solenoid coil (MD #209045), relief valve (MD #346038), and two hex plugs (MD #30977).

# 94 Hydraulics – Walking Beam



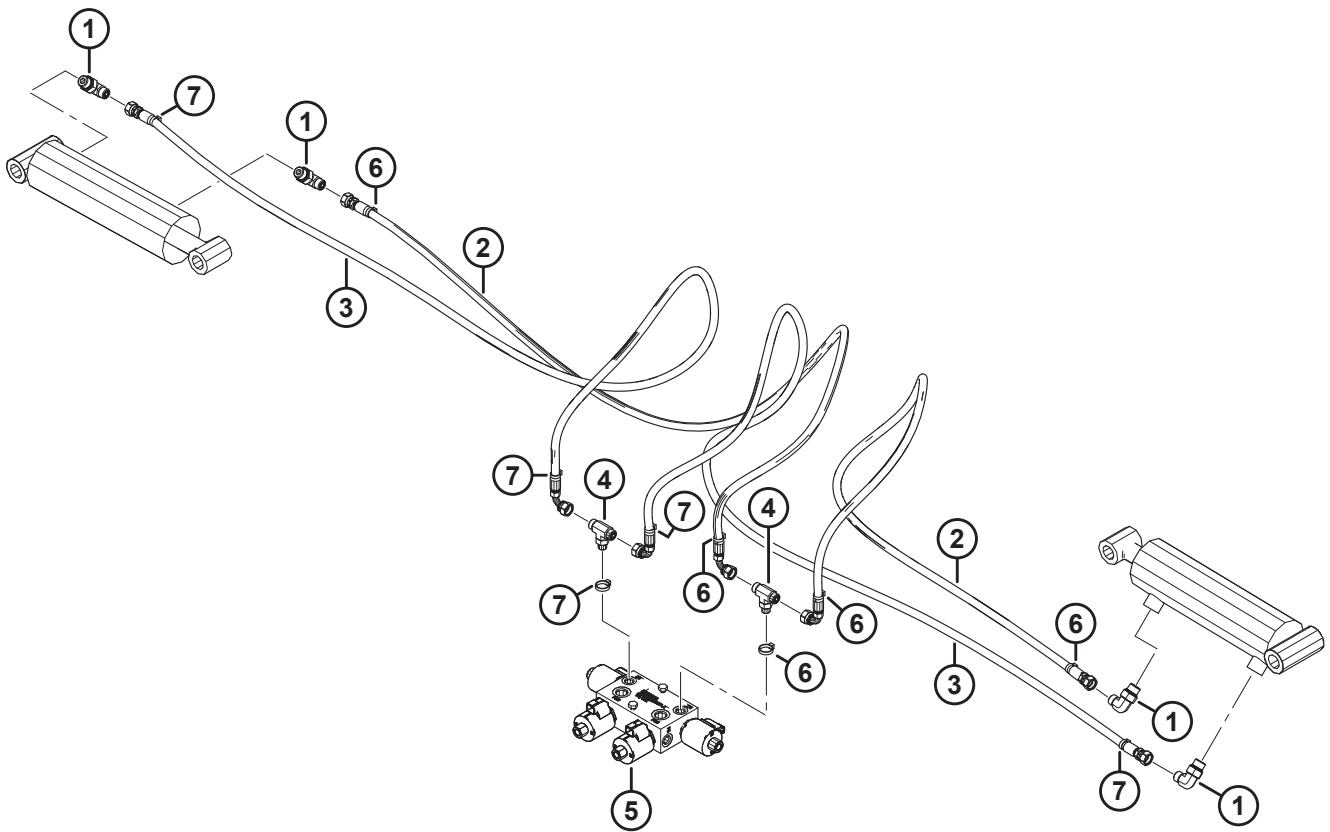
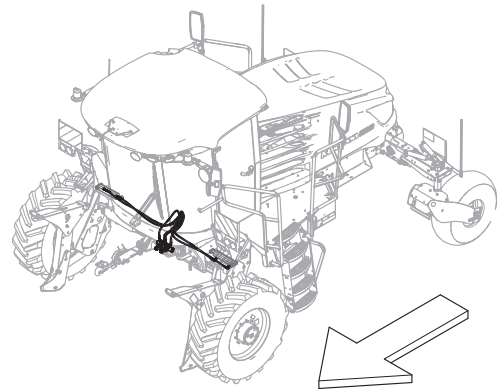


**HYDRAULICS – WALKING BEAM**

<b>Ref</b>	<b>Part Number</b>	<b>Description</b>	<b>Qty</b>	<b>Serial Number</b>
1	136929	FITTING – ELBOW 90° HYD	3	
	44209	O-RING – Ø2.21 X Ø16.36		
	135957	O-RING – Ø1.78 X Ø7.65		
2	310248	FITTING – TEE HYD	2	
	50223	O-RING – Ø1.83 X Ø8.92		
	135865	O-RING – Ø1.78 X Ø9.25		
3	310098	FITTING – TEE HYD, BULKHEAD	1	
	135957	O-RING – Ø1.78 X Ø7.65		
4	310183	HOSE	1	
5	310184	HOSE	1	
6	310189	HOSE	1	
7	310188	HOSE	1	
8	310187	HOSE	1	
9	135778	FITTING – ADAPTER	2	
	50219	O-RING – Ø1.98 X Ø11.89		
	135865	O-RING – Ø1.78 X Ø9.25		
10	238222	VALVE – BALL	1	
11	136781	FITTING – ELBOW HYD	1	
	50219	O-RING – Ø1.98 X Ø11.89		
12	310094	MANIFOLD – NARROW TRANSPORT <sup>155</sup>	1	
	252343	VALVE – DIRECTIONAL		
	252361	NUT – COIL		
	209045	COIL – SOLENOID		
13	40701	FASTENER – CABLE TIE, YELLOW	6	
14	49227	FASTENER – CABLE TIE, GREEN	4	
15	21763	FASTENER – CABLE TIE, BLACK	5	

155. Includes four directional valves (MD #252343), four coil nuts (MD #252361), and four solenoid coils (MD #209045).

# 95 Hydraulics – Wheel Legs

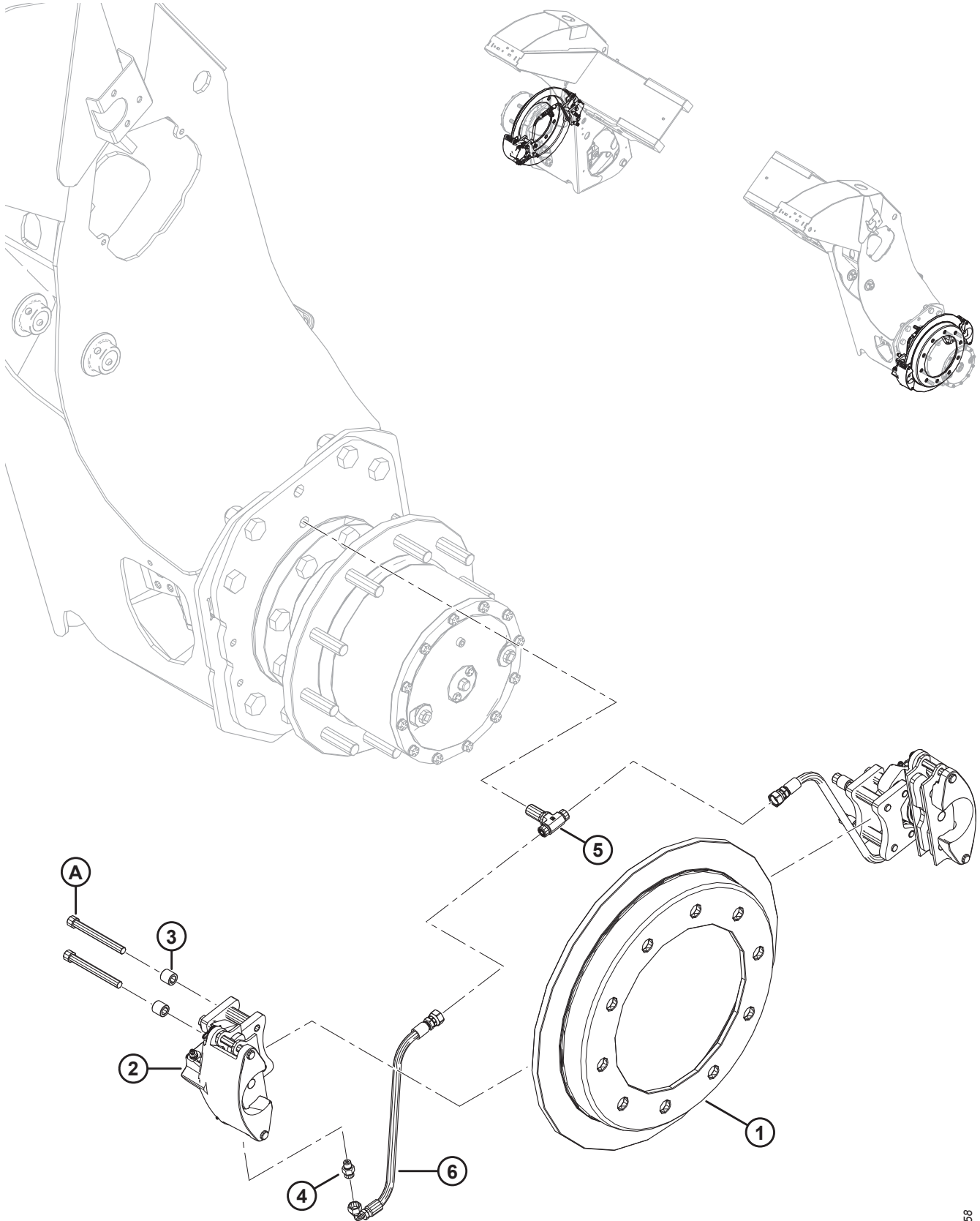


**HYDRAULICS – WHEEL LEGS**

<b>Ref</b>	<b>Part Number</b>	<b>Description</b>	<b>Qty</b>	<b>Serial Number</b>
1	136149	FITTING – ELBOW 90°HYD	4	
	44209	O-RING – Ø2.21 X Ø16.36		
	135865	O-RING – Ø1.78 X Ø9.25		
2	310181	HOSE	2	
3	310179	HOSE	2	
4	136566	FITTING – TEE HYD	2	
	50219	O-RING – Ø1.98 X Ø11.89		
	135865	O-RING – Ø1.78 X Ø9.25		
5	310094	MANIFOLD – NARROW TRANSPORT <sup>156</sup>	1	
	252343	VALVE – DIRECTIONAL		
	252361	NUT – COIL		
	209045	COIL – SOLENOID		
6	135266	FASTENER – CABLE TIE LIGHT, BLUE	5	
7	40704	FASTENER – CABLE TIE, ORANGE	5	

156. Includes four directional valves (MD #252343), four coil nuts (MD #252361), and four solenoid coils (MD #209045).

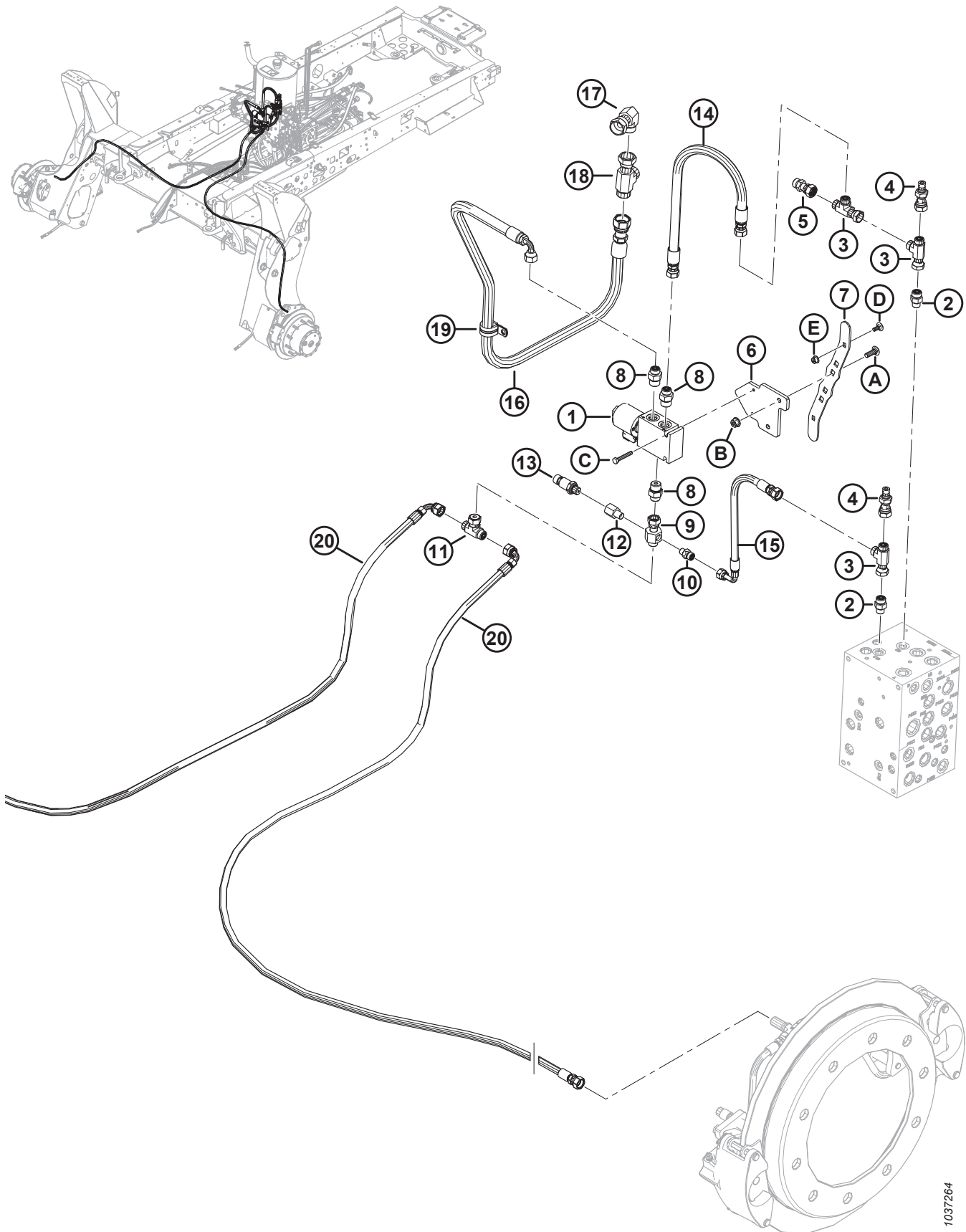
# 96 Secondary Brakes – Germany Only



**SECONDARY BRAKES – GERMANY ONLY**

<b>Ref</b>	<b>Part Number</b>	<b>Description</b>	<b>Qty</b>	<b>Serial Number</b>
1	<b>309041</b>	<b>DISC – BRAKE</b>	<b>2</b>	
2	310890	ASSEMBLY – CALIPER BRAKE	4	
	306584	KIT – BRAKE CALIPER MOUNT HARDWARE		
	306585	KIT – CALIPER BRAKE PADS & HARDWARE		
	306586	KIT – BRAKE CALIPER SEALS		
	306587	KIT – BRAKE CALIPER BUSHINGS		
	306588	KIT – BRAKE CALIPER PISTON		
	<b>306757</b>	<b>KIT – BRAKE CALIPER BLEED ADAPTER</b>		
3	306438	SPACER – BRAKE MOUNT	8	
4	135775	FITTING – ADAPTER	4	
	50223	O-RING – #4 ORB		
	135957	O-RING – #4 ORFS		
5	136514	FITTING – TEE HYD	2	
	135865	O-RING – #6 ORFS		
6	310897	HOSE – HYDRAULIC, 1/4 IN. I.D., 440 MM LG	4	
A	320395	SCREW – HEX SOC HD 7/16-20 X 4	8	

# 97 Secondary Brake Hydraulics – Germany Only

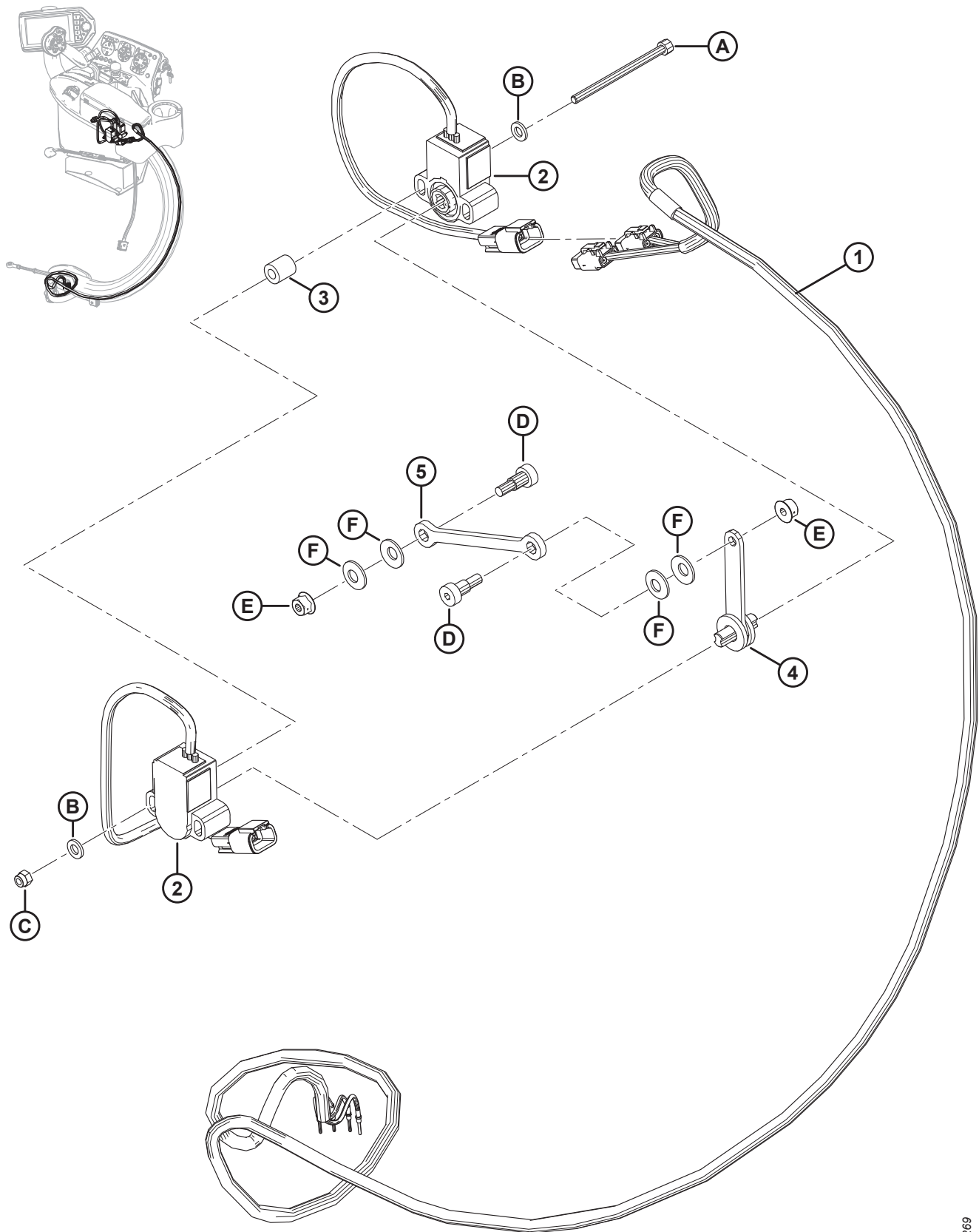


**SECONDARY BRAKE HYDRAULICS – GERMANY ONLY**

Ref	Part Number	Description	Qty	Serial Number
1	346054	VALVE – BRAKE <sup>157</sup>	1	
	252361	NUT – COIL		
	209045	COIL – SOLENOID		
	346263	VALVE – CARTRIDGE BRAKE		
2	135778	FITTING – ADAPTER	2	
	50219	O-RING – Ø1.98 X Ø11.89		
	135865	O-RING – Ø1.78 X Ø9.25		
3	136097	FITTING – TEE HYD	3	
	135865	O-RING – Ø1.78 X Ø9.25		
4	252662	FITTING – NIPPLE HYD	2	
5	136251	FITTING – CONNECTOR HYD, 0.078" ORIFICE	1	
	135865	O-RING – Ø1.78 X Ø9.25		
6	346241	SUPPORT – VALVE TAPPED	1	
7	346238	STRAP – CLAMP	1	
8	191705	FITTING – ADAPTER HYD	3	
	44209	O-RING – #8 ORB		
	135865	O-RING – #6 ORFS		
9	346236	FITTING – TEE HYD GAUGE PORT	1	
10	320104	FITTING – ADAPTER INLINE CHECK	1	
	50223	O-RING – Ø1.83 X Ø8.92		
	135957	O-RING – Ø1.78 X Ø7.65		
11	136672	FITTING – HYD TEE	1	
	135865	O-RING – Ø1.78 X Ø9.25		
12	339130	ADAPTER – HYD	1	
13	207346	SENDER – PRESSURE	1	
14	343859	HOSE – HYDRAULIC	1	
15	343874	HOSE – LOAD SENSE	1	
16	343872	HOSE – BRAKE RETURN	1	
17	136846	FITTING – SWIVEL 90 DEG HYD 10-10	1	
	135867	O-RING – #10 ORFS		
18	135784	FITTING – TEE HYD	1	
	135867	O-RING – #10 ORFS		
19	209018	CLAMP – INSULATED 7/8"	1	
20	343925	HOSE – BRAKE LEG	2	
A	136824	BOLT – RHSSN M8 X 1.25 X 25-8.8-AA1J	2	
B	135337	NUT – HEX FLG CTR LK M8 X 1.25-8-AA1J	2	
C	135671	BOLT – HEX HD TFL M6 X 1 X 40-8.8-AA1J	2	
D	136774	BOLT – RHSN M6 X 1 X 16-8.8-PLN	2	
E	152668	NUT – HEX FLG CTR LOC M6 X 1-8	2	

157. Includes cartridge (MD #346263), coil (MD #209045), and nut (MD #252361).

## 98 Secondary Brakes GSL Sensors – Germany Only

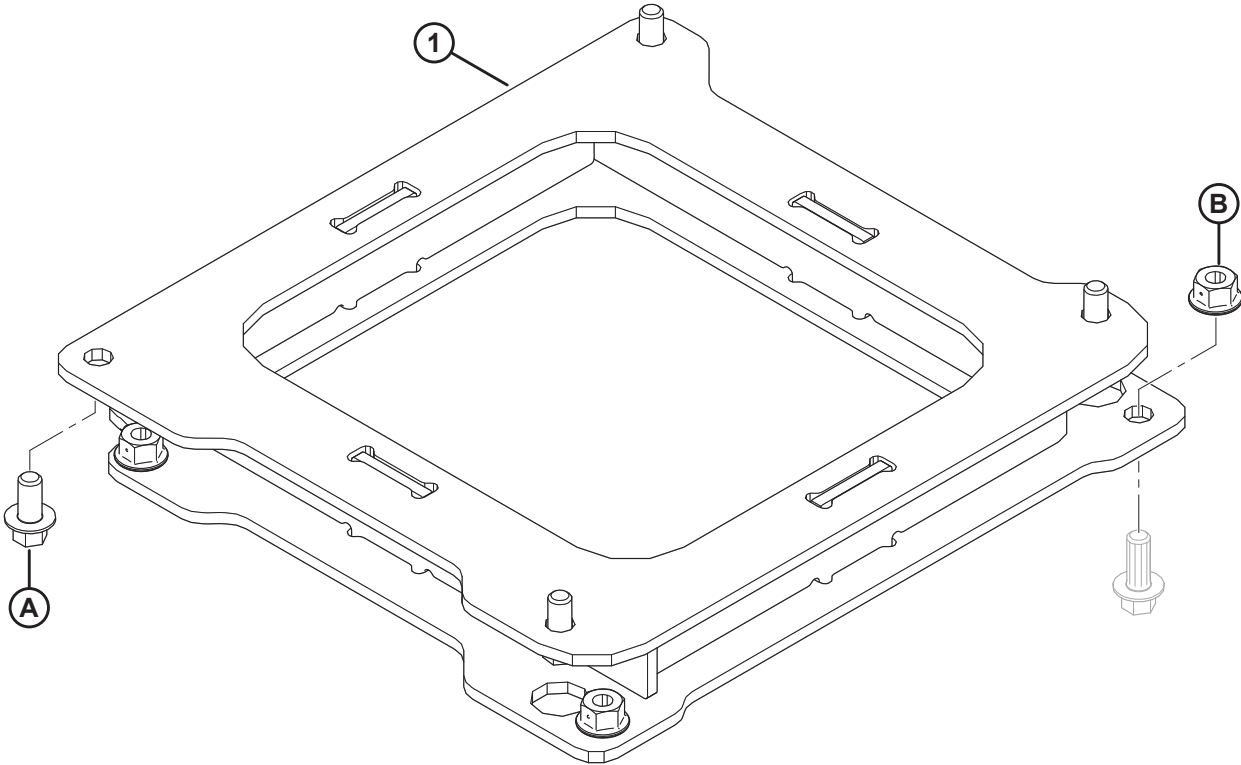
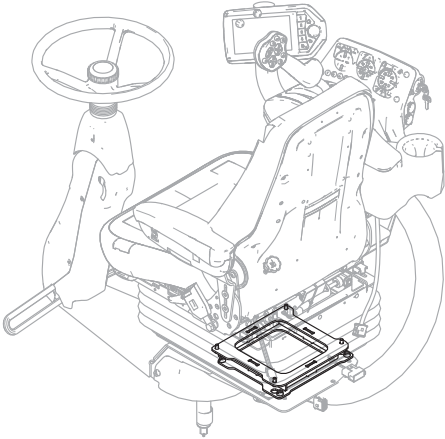




**SECONDARY BRAKES GSL SENSORS – GERMANY ONLY**

<b>Ref</b>	<b>Part Number</b>	<b>Description</b>	<b>Qty</b>	<b>Serial Number</b>
1	306451	HARNES – BRAKE SENSORS	1	
2	201224	SENSOR – ROTARY POSITION	2	
3	346058	SPACER – TUBE	2	
4	346064	ARM WELDMENT – SENSOR	1	
5	346007	LINK – SENSOR	1	
A	320396	SCREW – HEX SOC HD		
B	184705	WASHER – FLAT M6-200HV-AA1J		
C	197230	NUT – HEX NYLOC M5 X 0.8-8-AA1J		
D	197135	SCREW – HEX SOC HD SHLDR M8 X 10		
E	152668	NUT – HEX FLG CTR LOC M6 X 1-8		
F	184579	WASHER – CON SPRING M8 STL SAE		

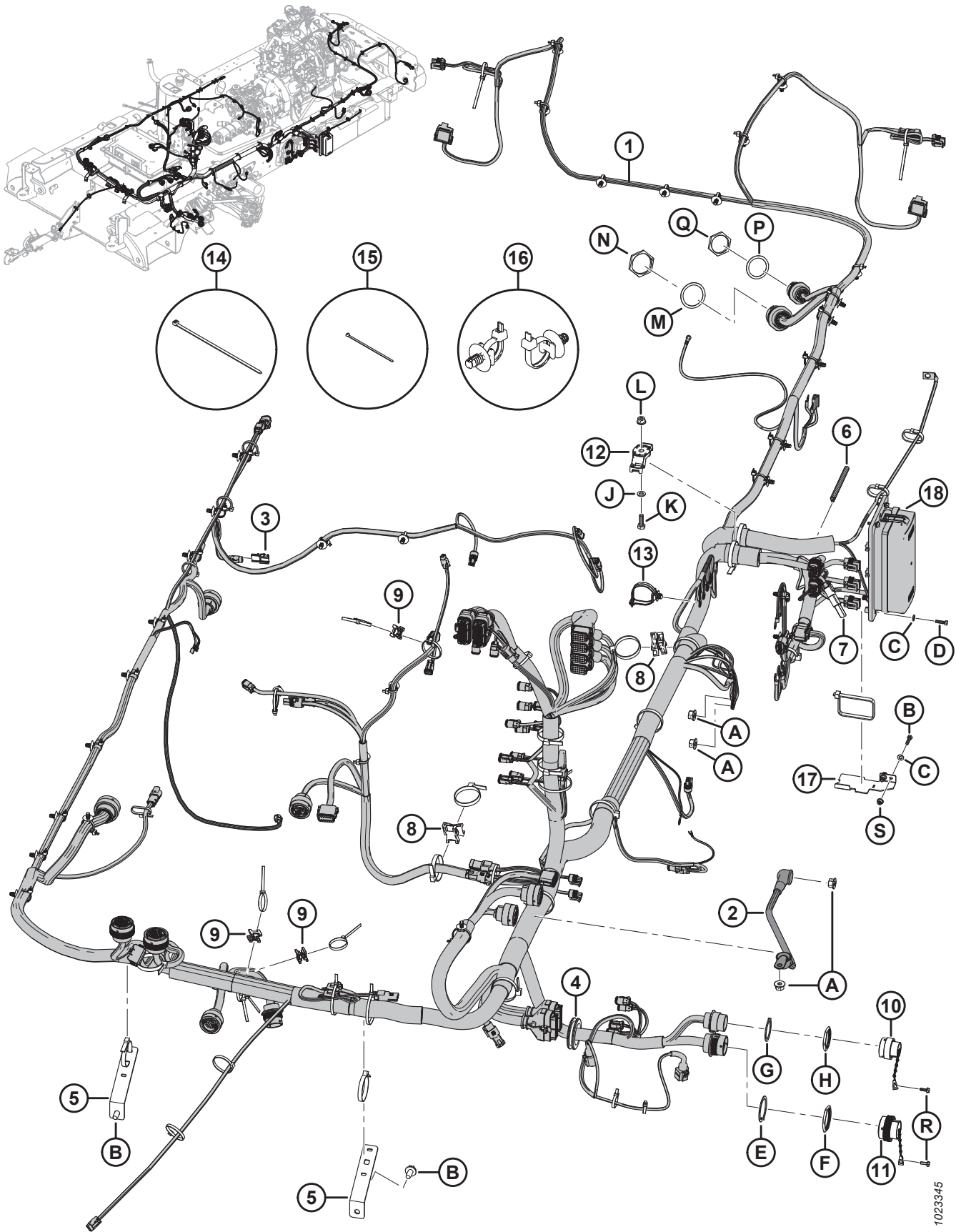
# 99 Secondary Brakes Seat Base – Germany Only



**SECONDARY BRAKES SEAT BASE – GERMANY ONLY**

<b>Ref</b>	<b>Part Number</b>	<b>Description</b>	<b>Qty</b>	<b>Serial Number</b>
1	346345	SUPPORT – SEAT BASE	1	
A	136485	BOLT – HEX FLG HD TFL M 8 X 1.25 X 16-8.8-AA1J		
B	135337	NUT – HEX FLG CTR LK M 8 X 1.25-8-AA1J		

# 100 Electrical – Chassis



1023345

**ELECTRICAL – CHASSIS**

**NOTE:**

Contact your Dealer for information regarding software updates to the electronic modules. Your Dealer will have the necessary interface tools and access to the latest software upgrades. For specific electrical harness parts, refer to Electrical Connectors Parts Catalog (MD #169641).

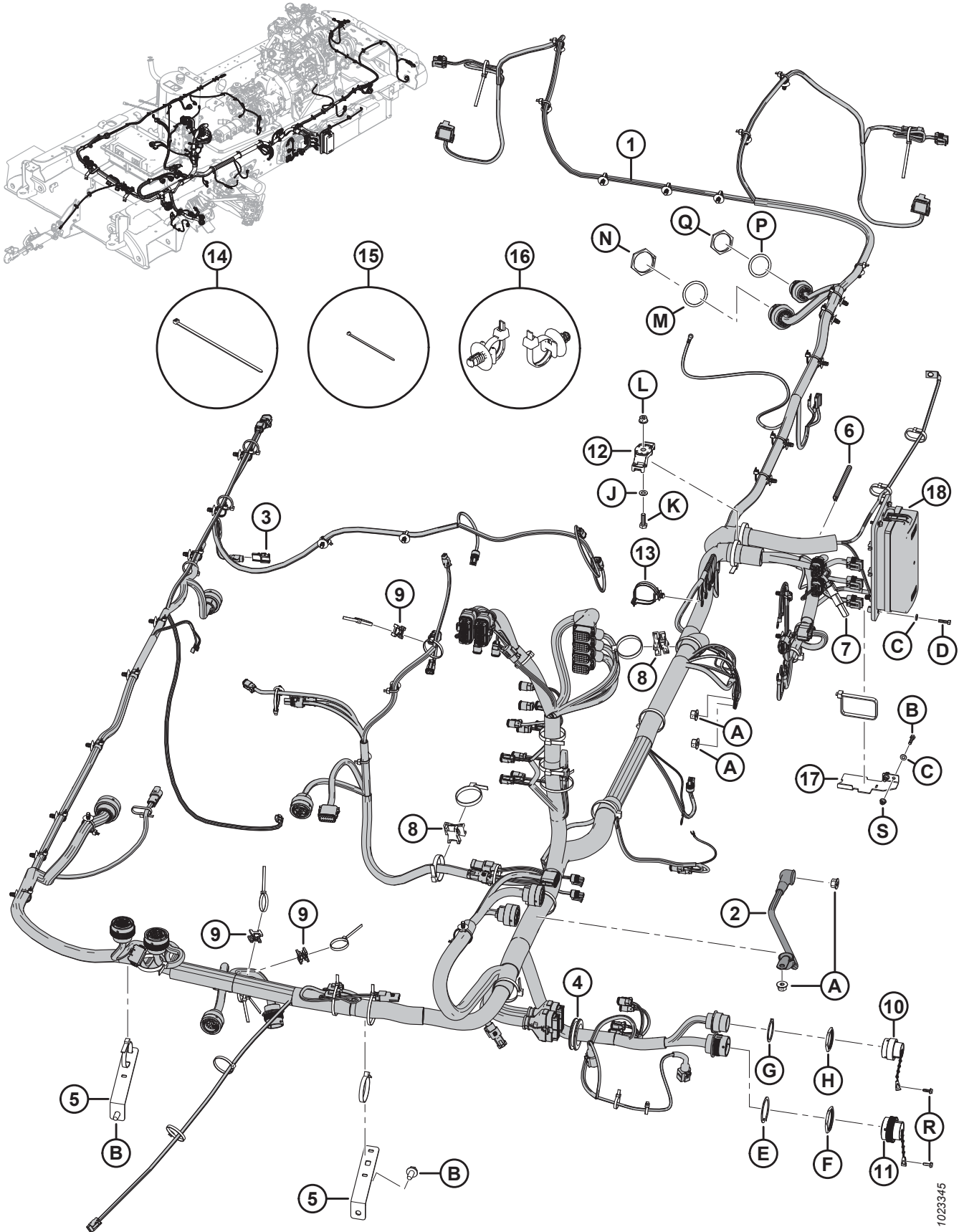
Ref	Part Number	Description	Qty	Serial Number
1	306450	HARNESS – CHASSIS, M1 SERIES	1	
	208769	RESISTOR PACK – 1K OHM <sup>158</sup>		
	500470	CONNECTOR – DEUT, DT,3/M,J1939 (CAN TERMINATOR)		
2	201408	CABLE – GROUND, FRAME TO CAB	1	
3	134612	CLIP – RECEPTACLE MOUNT	1	
4	172899	GROMMET – 1.75 IN. I.D.	1	
5	207558	SUPPORT – HARNESS	2	
6	31889	MOULDING	1	
7	291262	CAPACITOR – TURN SIGNAL FILTER	1	
8	134443	SPACER – DUAL SADDLE, H.T. TYPE DSW55	2	
9	134442	SPACER – DUAL SWIVEL SADDLE	3	
10	134803	CAP – PLUG, DEUTSCH, HDC36, SIZE 18	1	
11	134053	CAP – PLUG, HD30, SIZE 24	1	
12	134725	FASTENER – HIGH TORQUE, DBL MOUNT	1	
13	134714	FASTENER – FIR TREE MOUNT, W/ TIE	1	
14	30753	FASTENER – CABLE TIE, BLACK, 305 MM LG <sup>159</sup>	20	
15	21763	FASTENER – CABLE TIE, BLACK, 160 MM LG <sup>159</sup>	21	
16	136655	FASTENER – FIR TREE MOUNT W/ TIE, 200 MM LG <sup>159</sup>	31	
17	306007	BRACKET – HARNESS SUPPORT	1	
18	REF	MAIN FUSE BLOCK <sup>160</sup>		
A	135799	NUT – HEX FLG CTR LOC M10 X 1.5-10-A3L		
B	136209	SCREW – HEX WASHER HD M10 X 1.5 X 20-450HV-A3L		
C	184705	WASHER – FLAT M6-200HV-A2L		
D	184640	BOLT – HEX HD M5 X 0.8 X 20-8.8-A2L		
E	134011	WASHER – LOCK SPRING, DEUTSCH HD, SIZE 24		
F	134010	NUT – PANEL, HD30, SIZE 24		
G	134603	WASHER – LOCK, HD30, SIZE 18		
H	134602	NUT – PANEL, HD30, SIZE 18		
J	184708	WASHER – FLAT M8-200HV-A2L		
K	184652	BOLT – HEX HD TFL M8 X 1.25 X 25-8.8-A2L		
L	135337	NUT – HEX FLG CTR LOC M8 X 1.25-8-A2L		
M	134730	WASHER – LOCK, HDP20, SIZE 24		
N	134728	NUT – PANEL, HDP20, SIZE 24		
P	134729	WASHER – LOCK, HDP20, SIZE 18		
Q	134727	NUT – PANEL, HDP20, SIZE 18		

158. The resistor pack is used in two locations: cooling fan speed sensor pull up resistor and master controller addressing resistor.

159. Illustration shows fastener locations.

160. For service parts, refer to Section [101 Main Fuse Panel, page 235](#).

ELECTRICAL – CHASSIS

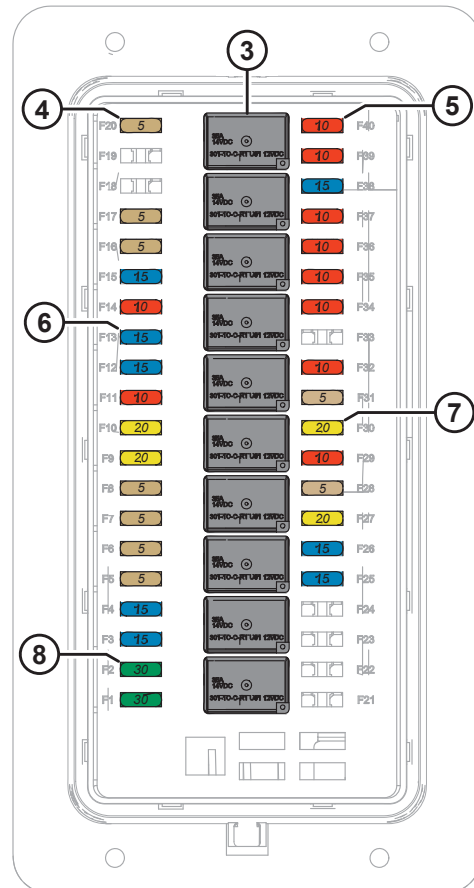
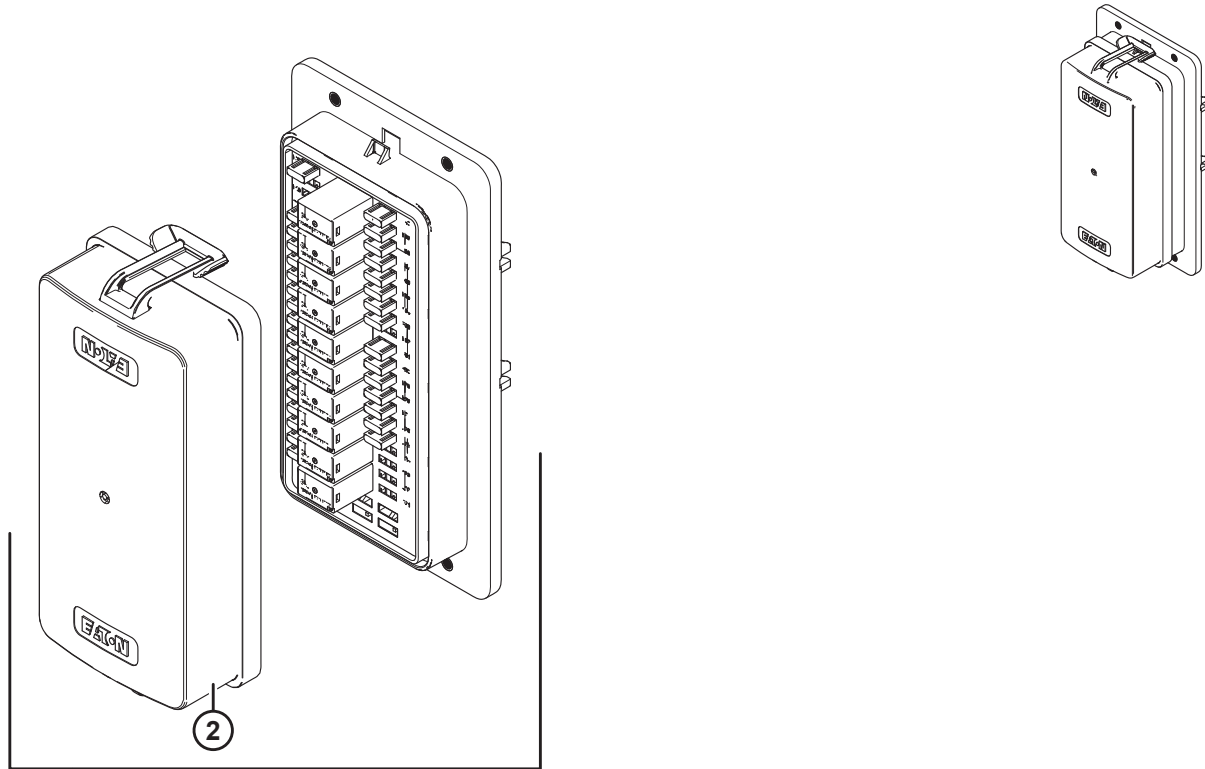


1023345

ELECTRICAL – CHASSIS

Ref	Part Number	Description	Qty	Serial Number
R	21947	SCREW – SELF TAPPING HEX WASH HD #10 X 5/8 ZP		
S	136635	NUT – HEX FLG CTR LOC M5 X 0.8-8-AA1J		

# 101 Main Fuse Panel



1030660



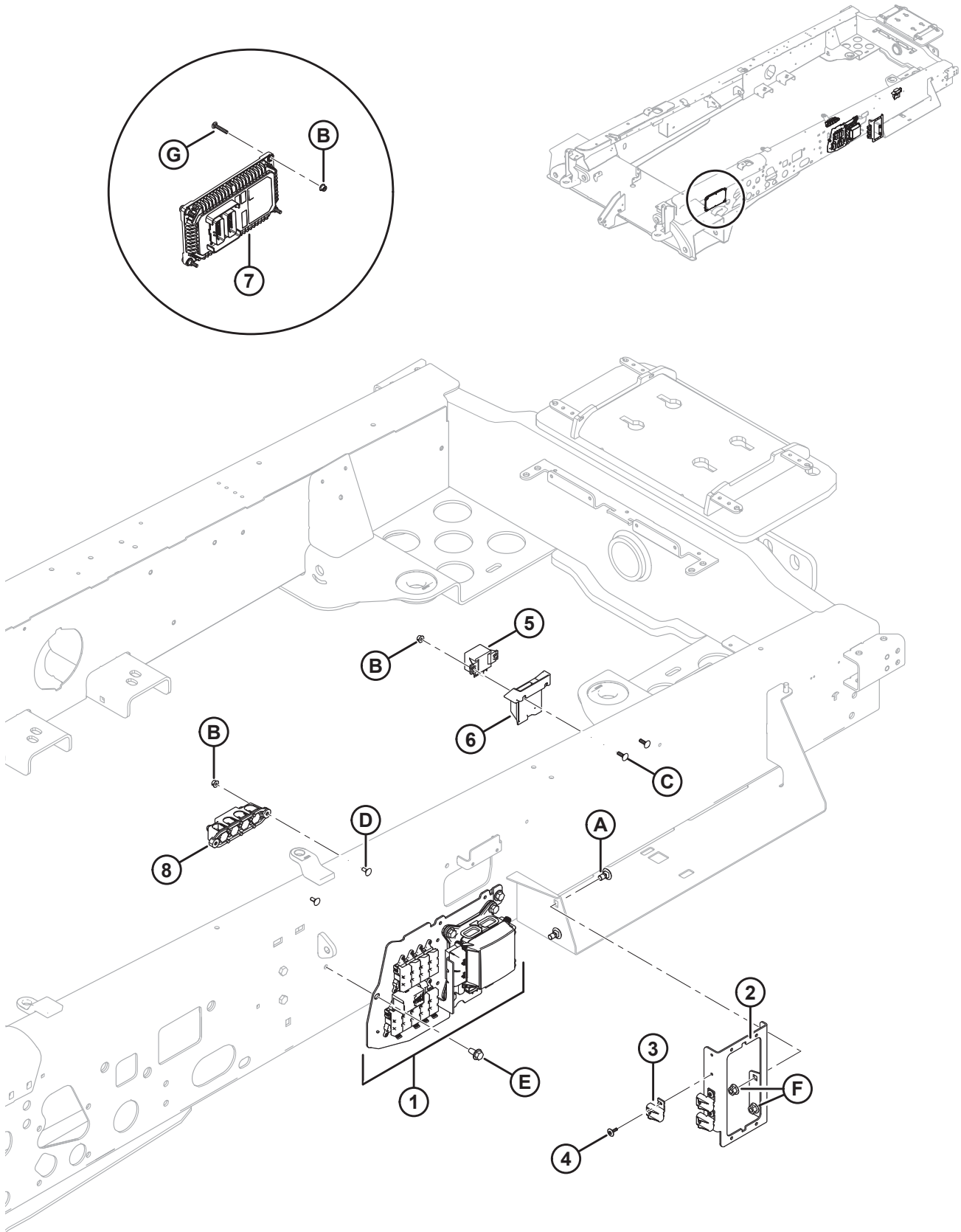
## MAIN FUSE PANEL

Ref	Part Number	Description	Qty	Serial Number
1	205325	MODULE – REAR-FED FUSE AND RELAY <sup>161</sup>	1	
2	291131	COVER – FUSE PANEL	1	
3	134457	RELAY – MICRO ISO 280, 12 VDC	10	
4	134445	FUSE – ATM, MINI, 5 AMP (TAN)	9	
5	134446	FUSE – ATM, MINI, 10 AMP (RED)	10	
6	134447	FUSE – ATM, MINI, 15 AMP (BLUE)	8	
7	134448	FUSE – MINI, 20 AMP (YELLOW)	4	
8	134450	FUSE – MINI, 30 AMP (GREEN)	2	

---

161. Refer to Section *100 Electrical – Chassis*, page 231.

# 102 Electrical – Chassis Components

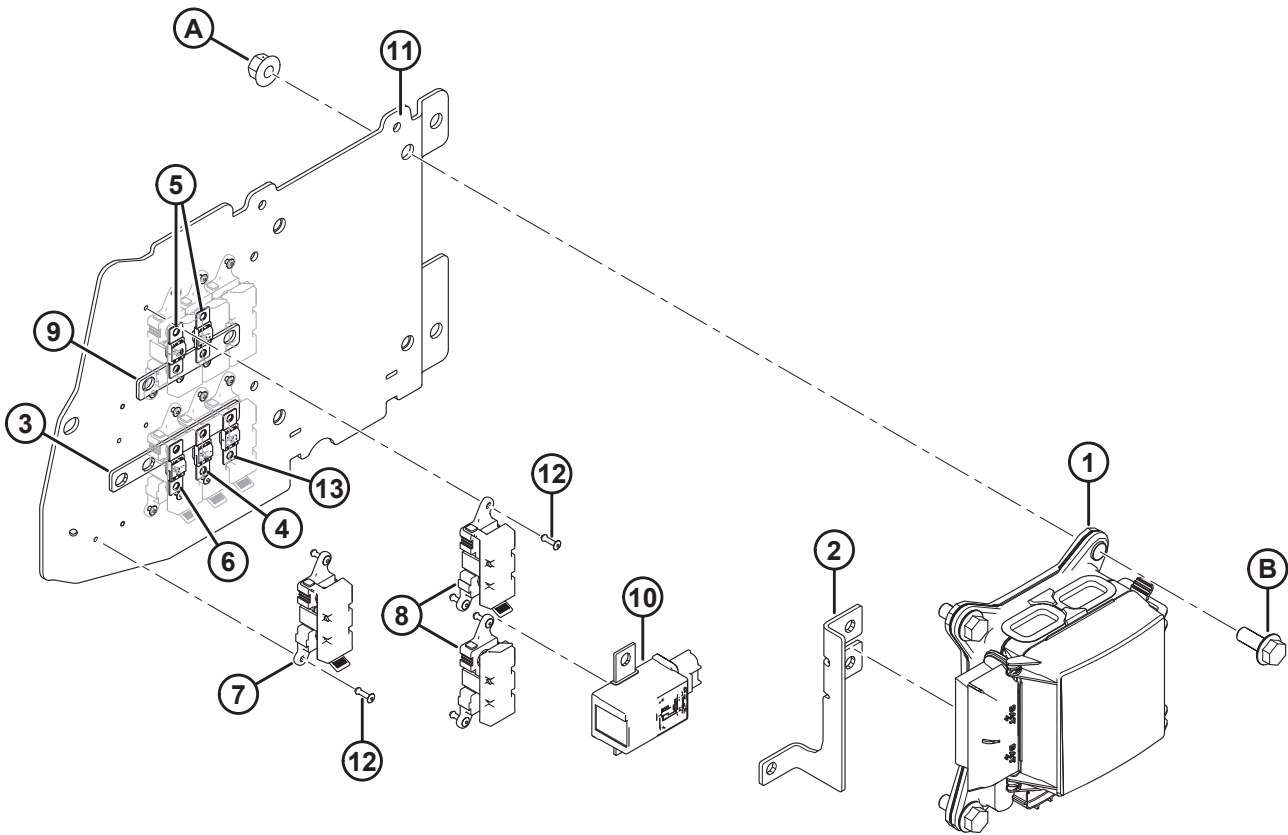
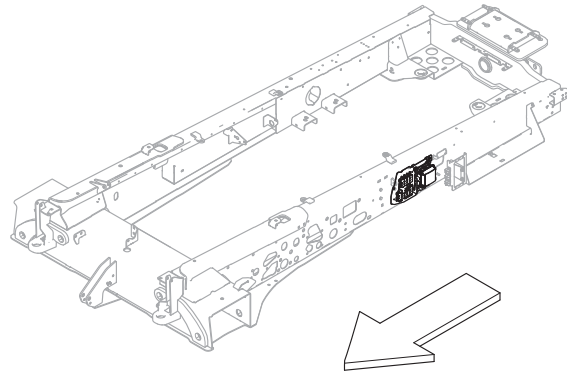


**ELECTRICAL – CHASSIS COMPONENTS**

<b>Ref</b>	<b>Part Number</b>	<b>Description</b>	<b>Qty</b>	<b>Serial Number</b>
1	REF	ASSY – PANEL, RELAY MODULE AND AMI FUSE BLOCK <sup>162</sup>		
2	209946	SUPPORT – FUSE BOX	1	
3	134523	COVER – ATO FUSE	3	
4	136536	RIVET – BLIND 3/16 IN. X 0.50 IN. BLACK	3	
5	111504	STARTER RELAY – 12V, 75A	1	
6	183258	SHIELD – STARTER RELAY	1	
7	201396	MODULE – EXTENSION MODULE	1	
8	134711	BUSS BAR – 4PT, M8, W/ COVER, BLACK	1	
A	136178	BOLT – RHSN M10 X 1.5 X 20-8.8-A3L		
B	152668	NUT – HEX FLG CTR LOC M6 X 1-8-A2L		
C	184641	BOLT – RHSN M6 X 1 X 20-8.8-A2L		
D	136748	BOLT – RHSN M6 X 1 X 16-8.8-A2L		
E	136209	SCREW – HEX WASHER HD M10 X 1.5 X 20-450HV-A3L		
F	135799	NUT – HEX FLG CTR LOC M10 X 1.5-10-A3L		
G	<b>184643</b>	<b>BOLT – RHSSN M6 X 1.0 X 35-8.8-AA1J</b>		

162. Refer to Section *103 Chassis Relay Module and Fuse Panel Assembly*, page 239.

# 103 Chassis Relay Module and Fuse Panel Assembly

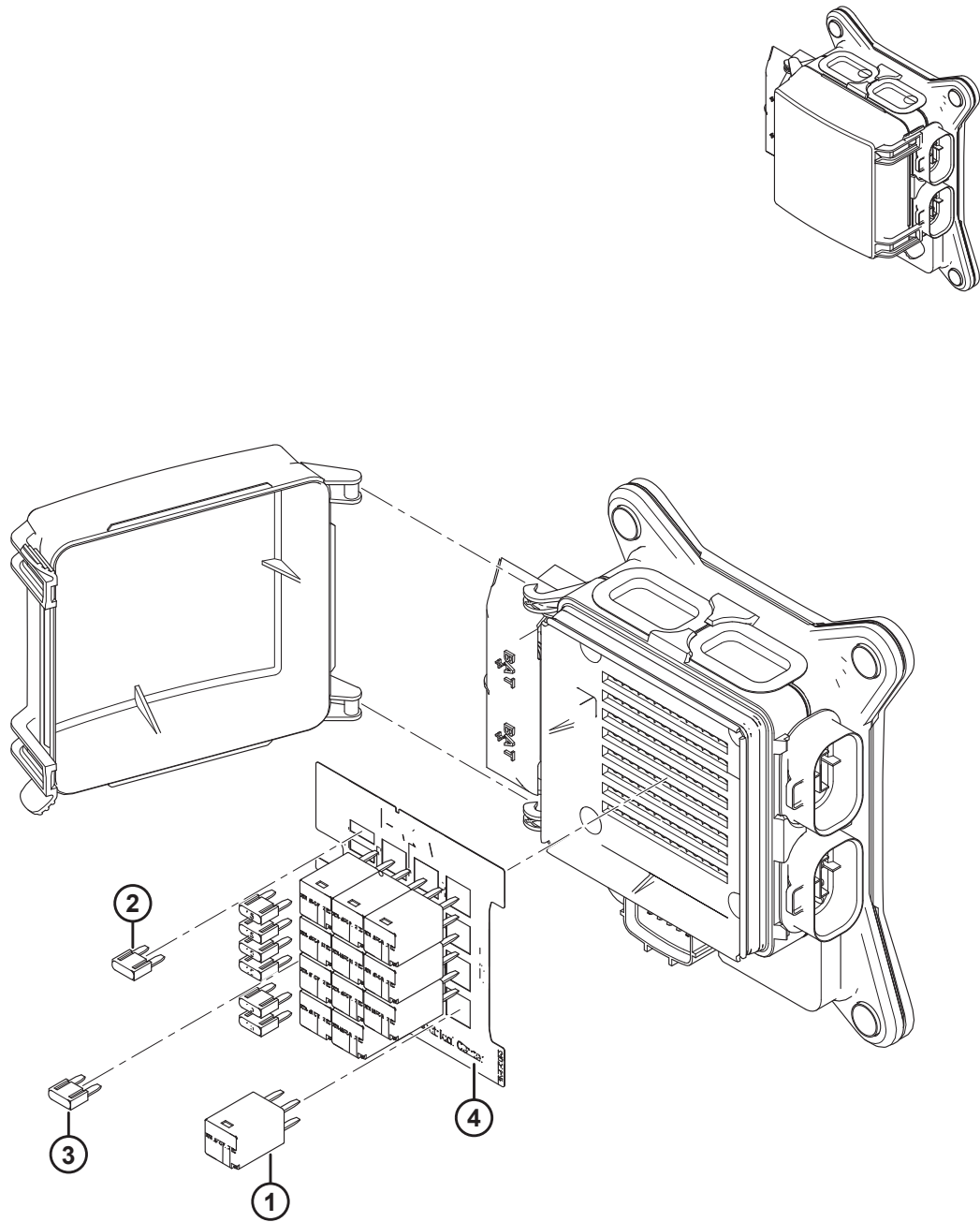


**CHASSIS RELAY MODULE AND FUSE PANEL ASSEMBLY**

<b>Ref</b>	<b>Part Number</b>	<b>Description</b>	<b>Qty</b>	<b>Serial Number</b>
1	208158	MODULE – RELAY MODULE, 12 RELAY <sup>163</sup>	1	
2	134713	BUSS BAR – RELAY MODULE INPUT POWER	1	
3	293042	BUSS BAR – LMI AMI 5 POSITION	1	
4	134684	FUSE – AMI, 125 AMPS, WHITE	1	
5	134653	FUSE – AMI, 50 AMPS, RED	2	
6	134655	FUSE – AMI, 100 AMPS, BLUE	1	
7	293037	MODULE – LMI, FUSE	7	
8	293038	MODULE – LMI, INPUT	2	
9	293041	BUSS BAR – LMI AMI 4 POSITION	1	
10	209013	RELAY – BAT DISCONNECT SW, BDS-A	1	
11	207395	SUPPORT – RELAY MODULE AND AMI FUSES	1	
12	184612	RIVET – ALUMINUM 1/8 IN. X 3/16 IN.-1/4 IN.	18	
13	134654	FUSE – AMI, 80 AMPS, WHITE	1	
A	135799	NUT – HEX FLG CTR LOC M10 X 1.5-10-A3L		
B	135783	BOLT – HEX HD FLANGE M10 X 1.5 X 25 LG ZP		

163. For service parts, refer to Section *104 Chassis Relay Module – Service Parts, page 241.*

# 104 Chassis Relay Module – Service Parts



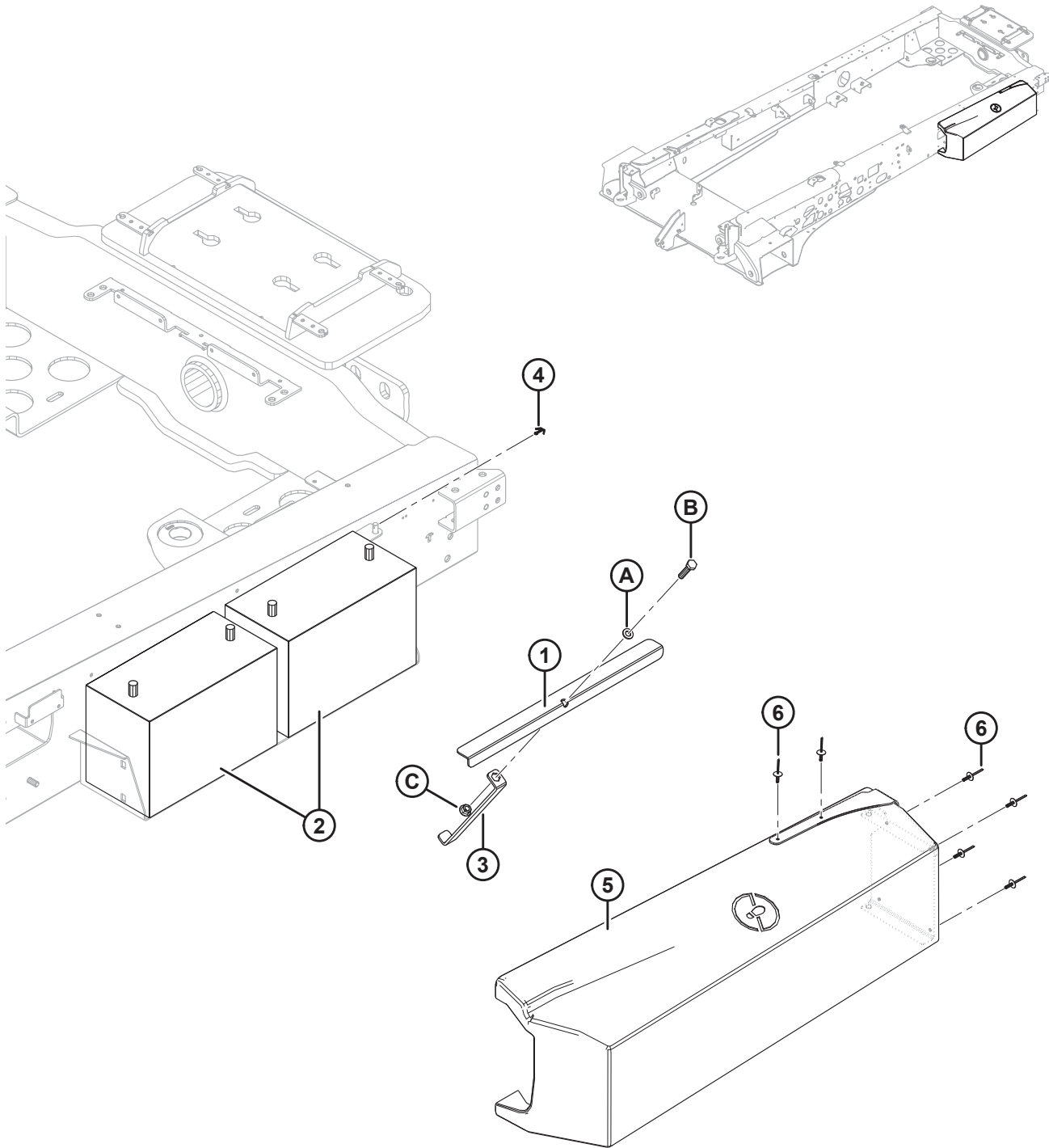
**CHASSIS RELAY MODULE – SERVICE PARTS**

<b>Ref</b>	<b>Part Number</b>	<b>Description</b>	<b>Qty</b>	<b>Serial Number</b>
	208158	MODULE – RELAY MODULE, 12 RELAY <sup>164</sup>		
1	134458	RELAY – ULTRA MICRO, ISO SPST	<b>12</b>	
2	134447	FUSE – ATM, MINI, 15 AMP, BLUE	<b>7</b>	
3	134446	FUSE – ATM, MINI, 10 AMP, RED	1	
4	NSS	DECAL – RELAY MODULE, 12 RELAY	1	

---

164. Refer to Section *103 Chassis Relay Module and Fuse Panel Assembly*, page 239.

# 105 Electrical – Battery and Cover





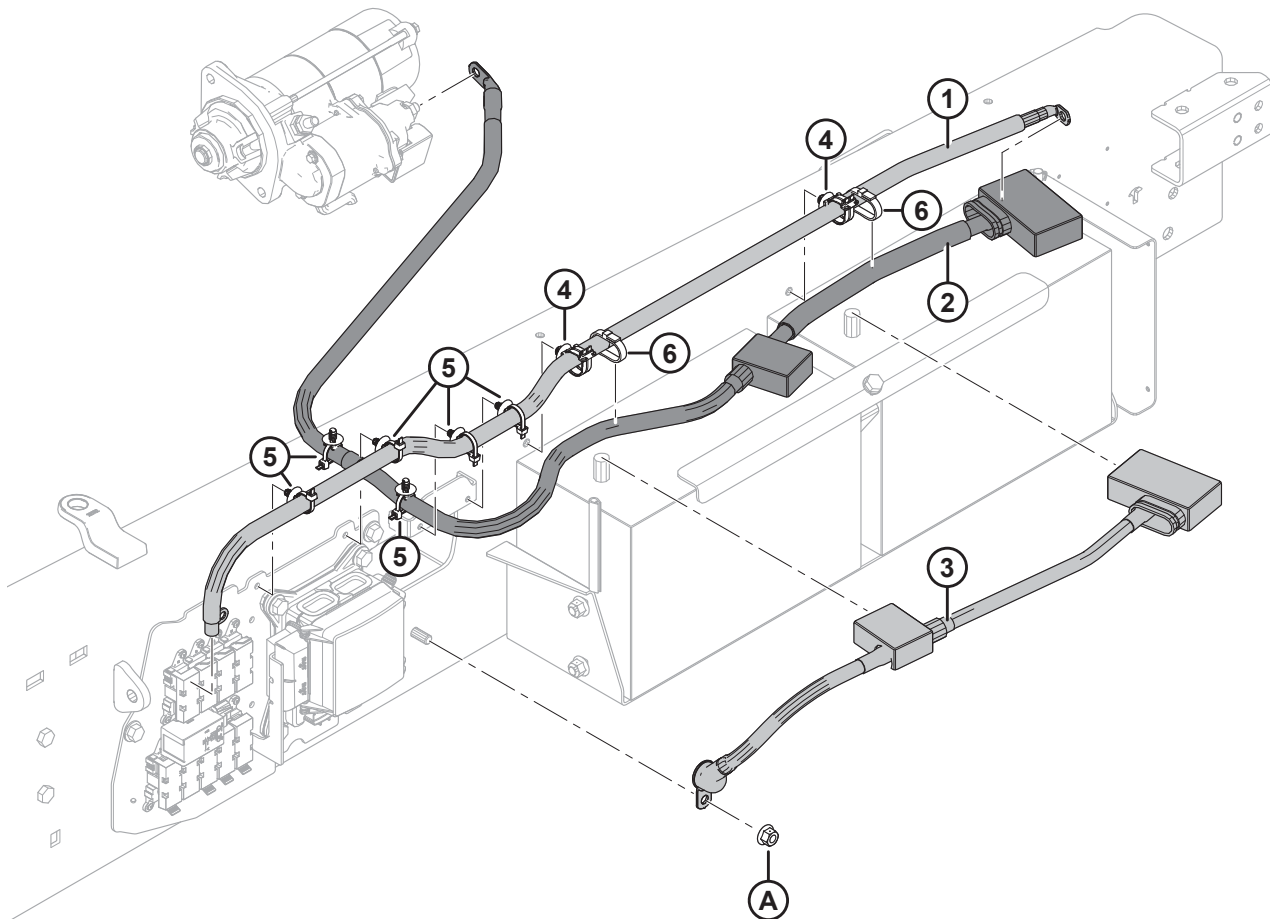
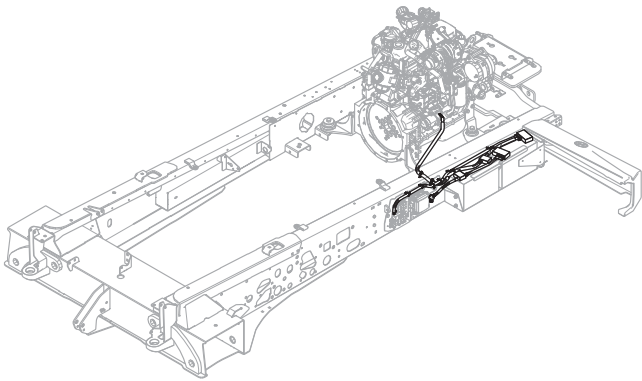
**ELECTRICAL – BATTERY AND COVER**

<b>Ref</b>	<b>Part Number</b>	<b>Description</b>	<b>Qty</b>	<b>Serial Number</b>
1	183115	ANGLE – BATTERY	1	
2	NSS	BATTERY – 12 V, 31A-760	2	
3	203930	STRAP – BATTERY	1	
4	18605	PIN – COTTER 1/8 DIA X 1 ZP	1	
5	209929	ASSEMBLY – BATTERY COVER <sup>165</sup>	1	
6	136536	RIVET – BLIND 3/16 IN. X 0.50 IN. BLACK	6	
A	184711	WASHER – FLAT REG M10-200HV-A3L		
B	136229	BOLT – HEX HD TFL M10 X 1.5 X 45 X SPCL-8.8-A3L		
C	135927	NUT – HEX SMTH FLG M10 X 1.5-8-A3L		

---

165. Includes battery cover, cover support, and six rivets (MD #136536).

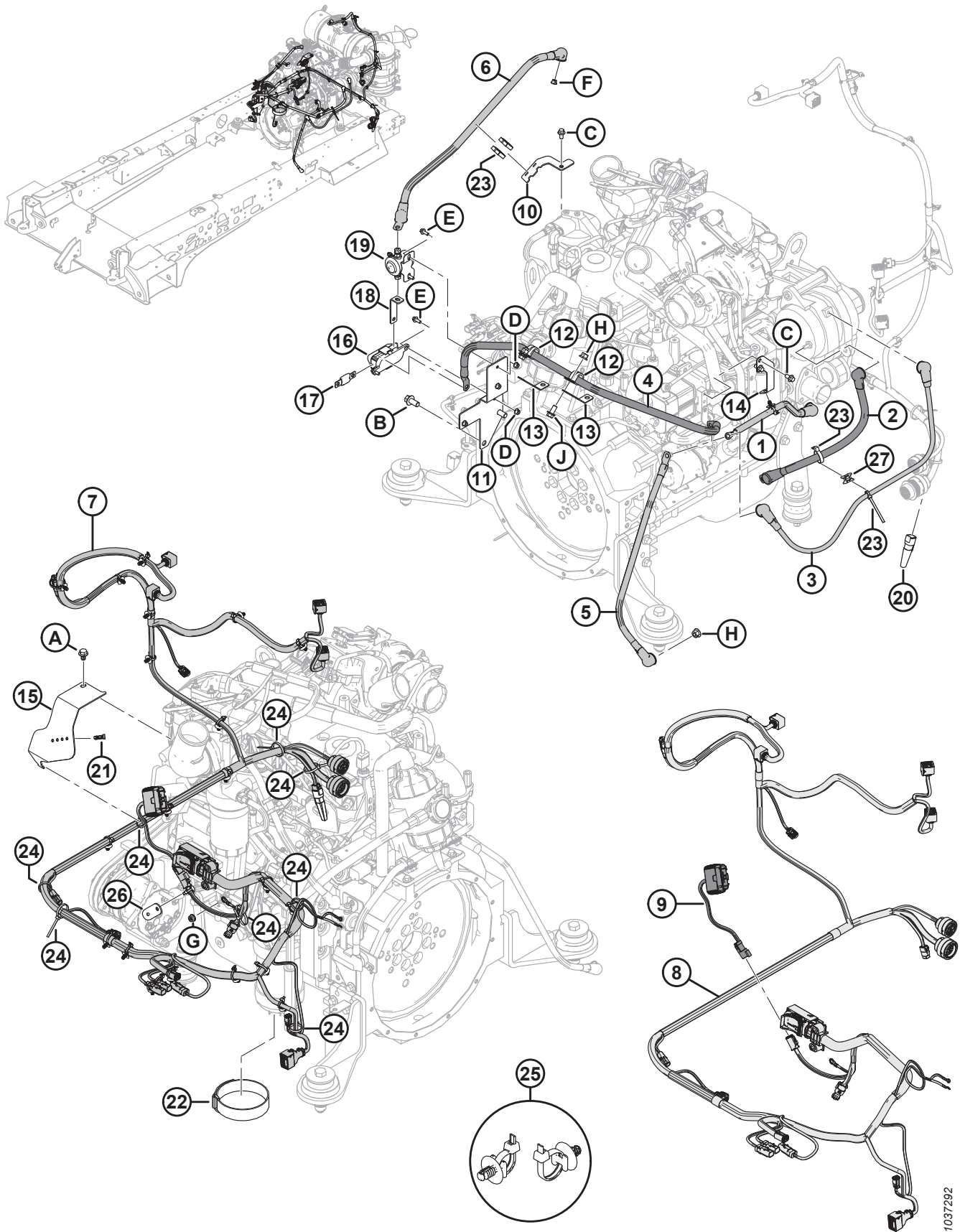
# 106 Electrical – Battery Cables



**ELECTRICAL – BATTERY CABLES**

<b>Ref</b>	<b>Part Number</b>	<b>Description</b>	<b>Qty</b>	<b>Serial Number</b>
1	207288	CABLE – BATTERY DISCONNECT	1	
2	207287	CABLE – DUAL BATTERY POS. (+)	1	
3	207286	CABLE – DUAL BATTERY NEG. (-)	1	
4	134714	FASTENER – FIR TREE MT, W/ TIE	2	
5	136655	FASTENER – FIR TREE MOUNT W/ CABLE TIE	6	
6	30753	FASTENER – CABLE TIE, BLACK, 305 MM LG	2	
A	135799	NUT – HEX FLG CTR LOC M10 X 1.5-10-A3L		

# 107 Electrical – Engine, M1170NT



1037292

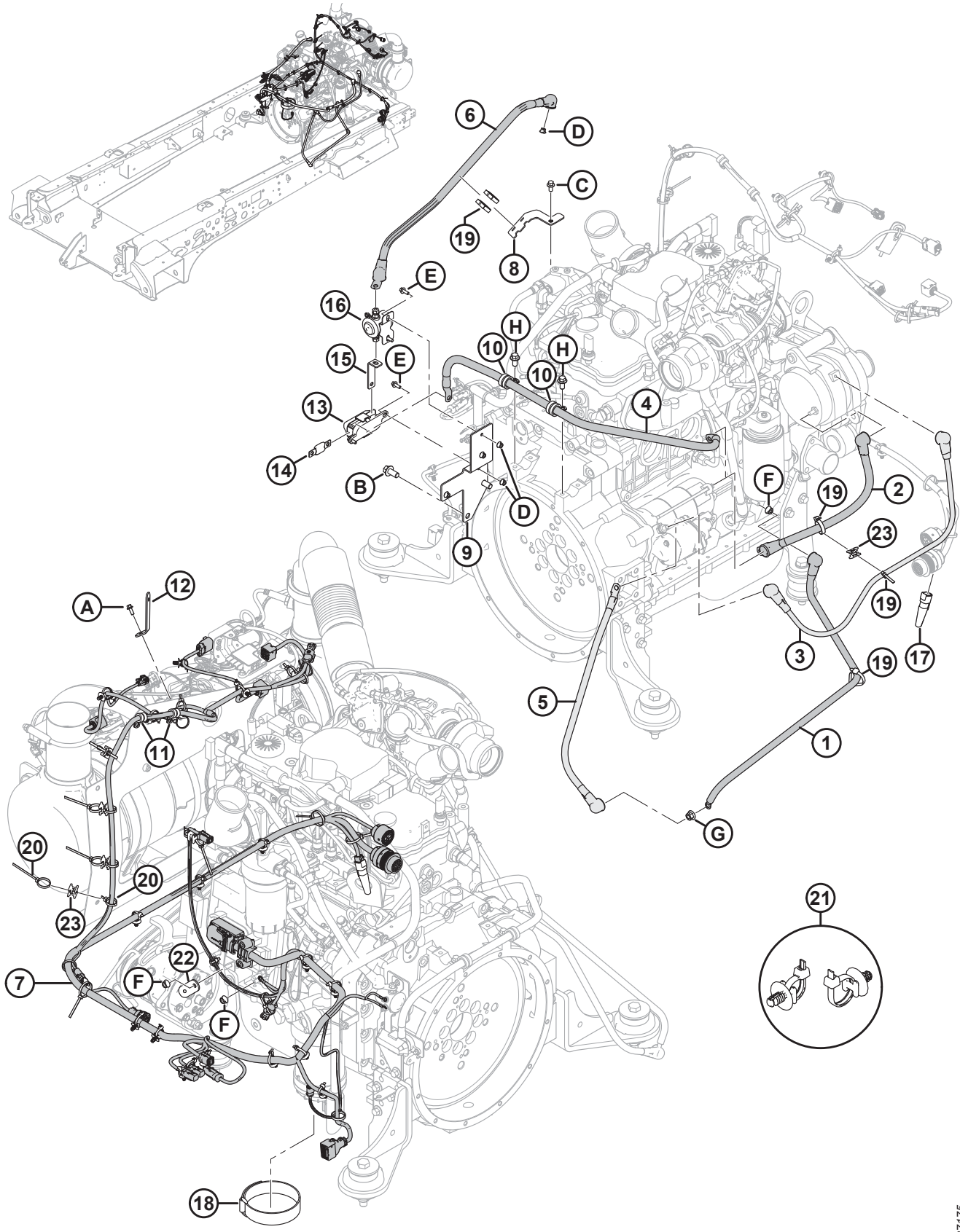
**ELECTRICAL – ENGINE, M1170NT**

Ref	Part Number	Description	Qty	Serial Number
1	207993	CABLE – ENGINE BLOCK, GROUND	1	
2	209746	CABLE – STARTER TO ALT, RED (POSITIVE)	1	
	134748	COVER – BOOT, 2-2/0 GA, RED	2	
3	209747	CABLE – STARTER TO ALT, BLACK (GROUND)	1	
	134756	COVER – BOOT, 2-2/0 GA, BLACK	2	
4	207289	CABLE – GRID HTR FUSE	1	
5	205486	CABLE – STARTER GROUND	1	
6	207437	CABLE – GRID HEATER	1	
7	306515	ASSEMBLY – HARNESS, ENGINE <sup>166</sup>	1	
	500470	CONNECTOR – DEUT, DT, 3/M, J1939 (CAN TERMINATOR)		
8	306511	HARNESS – ENGINE, M1 SERIES	1	
9	160705	HARNESS – ENGINE EXT	1	
10	208073	BRACKET – CABLE SUPPORT	1	
11	207456	SUPPORT – GRID HEATER RELAY	1	
12	209018	CLAMP – INSULATED 7/8 IN.	2	
13	207457	BRACKET – CABLE SUPPORT	2	
14	208074	BRACKET – CABLE SUPPORT	1	
15	310932	SUPPORT – HARNESS	1	
16	209736	HOLDER – FUSE	1	
17	200586	FUSE – AMG, 250 AMP, 35 VOLTS	1	
18	134708	BUSS BAR – GRID HEATER RELAY	1	
19	200585	RELAY – GRID HEATER, 12 VDC, 200 AMPS	1	
20	204956	RESISTOR PACK – COOLANT LEVEL	1	
21	134549	FASTENER – DOUBLE X-TREE CLIP	1	
22	134866	FASTENER – VELCRO STRAP, 400 MM	1	
23	30753	FASTENER – CABLE TIE, BLACK, 305 MM LG	4	
24	21763	FASTENER – CABLE TIE, BLACK, 160 MM LG	8	
25	136655	FASTENER – FIR TREE MOUNT W/ TIE, 200 MM LG <sup>167</sup>	23	
26	209754	SUPPORT – HARNESS	1	
27	134442	SPACER – DUAL SWIVEL SADDLE	1	
A	136151	BOLT – HEX FLG HD TFL M10 X 1.5 X 16-8.8-A3L		
B	136399	BOLT – HEX FLG HD TFL M12 X 1.75 X 25-8.8-A3L		
C	136485	BOLT – HEX FLG HD TFL M8 X 1.25 X 16-8.8-A3L		
D	152668	NUT – HEX FLG CTR LOC M6 X 1-8-A2L		
E	135959	BOLT – HEX FLG HD M6 X 1 X 16-10.9-A2L		
F	152668	NUT – HEX FLG CTR LOC M6 X 1-8-A2L		
G	135337	NUT – HEX FLG CTR LOC M8 X 1.25-8-A2L		
H	135799	NUT – HEX FLG CTR LOC M10 X 1.5-10-A3L		
J	152655	BOLT – HEX FLG HD M10 X 1.5 X 20-8.8-A3L		

166. Includes engine harness (MD #306511) and engine extension harness (MD #160705).

167. Illustration shows fastener locations.

# 108 Electrical – Engine, M1170NT5

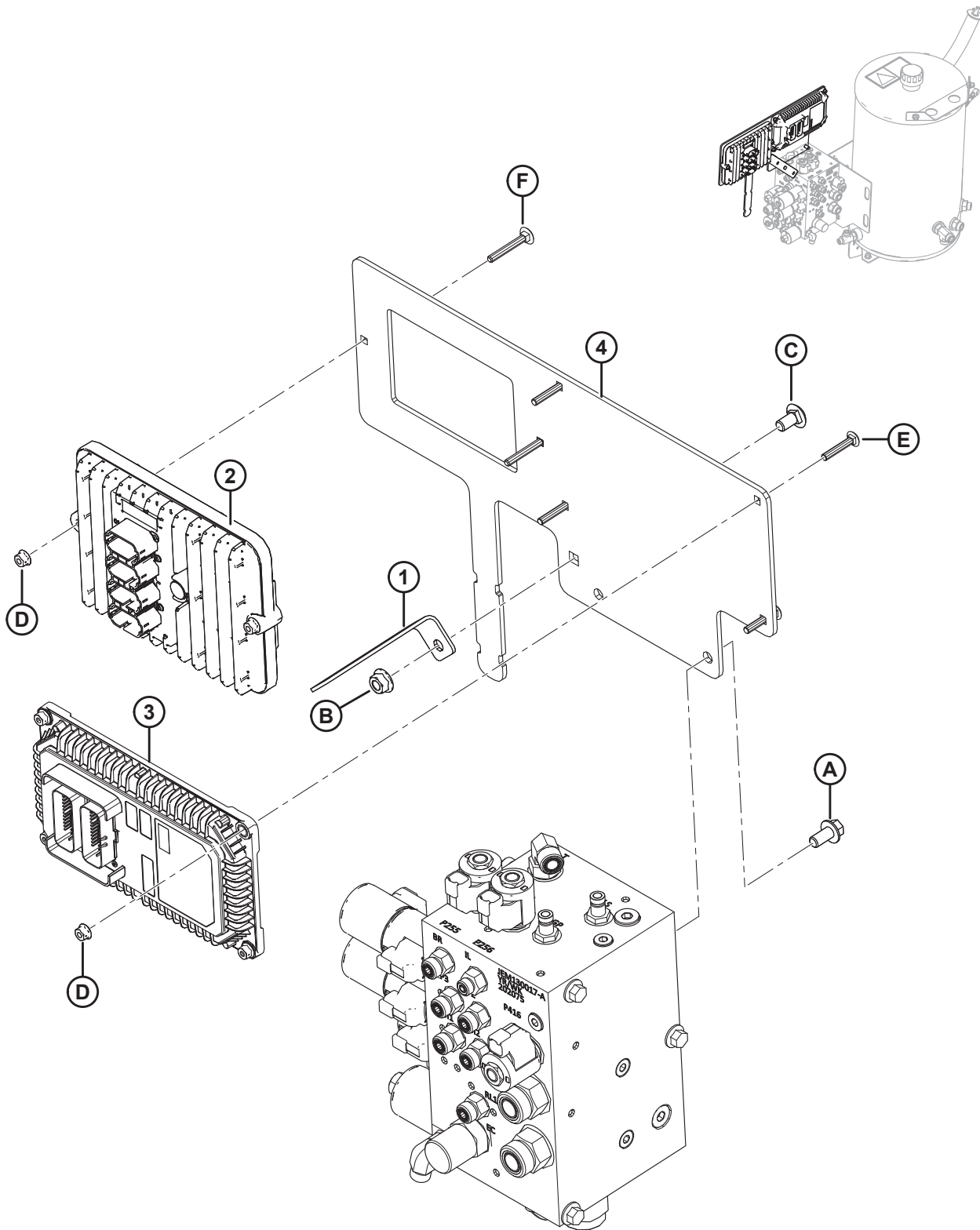


**ELECTRICAL – ENGINE, M1170N75**

Ref	Part Number	Description	Qty	Serial Number
1	207925	CABLE – ENGINE GROUND, STAGE 5	1	
2	209746	CABLE – STARTER TO ALT, RED (POSITIVE)	1	
	134748	COVER – BOOT, 2-2/0 GA, RED	2	
3	209747	CABLE – STARTER TO ALT, BLACK (GROUND)	1	
	134756	COVER – BOOT, 2-2/0 GA, BLACK	2	
4	207289	CABLE – GRID HTR FUSE	1	
5	205486	CABLE – STARTER GROUND	1	
6	207437	CABLE – GRID HEATER	1	
7	310769	HARNESS – ENGINE, M1 SERIES, STAGE 5	1	
	500470	CONNECTOR – DEUT, DT, 3/M, J1939 (CAN TERMINATOR)		
8	208073	BRACKET – CABLE SUPPORT	1	
9	207456	SUPPORT – GRID HEATER RELAY	1	
10	209018	CLAMP – INSULATED 7/8 IN.	2	
11	135818	CLAMP – INSULATED 1/2 IN.	2	
12	306318	SUPPORT – ENGINE HARNESS	1	
13	209736	HOLDER – FUSE	1	
14	200586	FUSE – AMG, 250 AMP, 35 VOLTS	1	
15	134708	BUSS BAR – GRID HEATER RELAY	1	
16	200585	RELAY – GRID HEATER, 12 VDC, 200 AMPS	1	
17	204956	RESISTOR PACK – COOLANT LEVEL	1	
18	134866	FASTENER – VELCRO STRAP, 400 MM	1	
19	30753	FASTENER – CABLE TIE, BLACK, 305 MM LG	5	
20	21763	FASTENER – CABLE TIE, BLACK, 160 MM LG	21	
21	136655	FASTENER – FIR TREE MOUNT W/ TIE, 200 MM LG <sup>168</sup>	19	
22	209754	SUPPORT – HARNESS	1	
23	134442	SPACER – DUAL SWIVEL SADDLE	8	
A	252639	BOLT – HEX FLG HD M6 X 1 X 16 X SPCL-8.8-AA2L		
B	136399	BOLT – HEX FLG HD TFL M12 X 1.75 X 25-8.8-A3L		
C	136485	BOLT – HEX FLG HD TFL M8 X 1.25 X 16-8.8-A3L		
D	152668	NUT – HEX FLG CTR LOC M6 X 1-8-A2L		
E	135959	BOLT – HEX FLG HD M6 X 1 X 16-10.9-A2L		
F	135337	NUT – HEX FLG CTR LOC M8 X 1.25-8-A2L		
G	135799	NUT – HEX FLG CTR LOC M10 X 1.5-10-A3L		
H	152655	BOLT – HEX FLG HD M10 X 1.5 X 20-8.8-A3L		

168. Illustration shows fastener locations.

# 109 Electrical – Firewall Modules

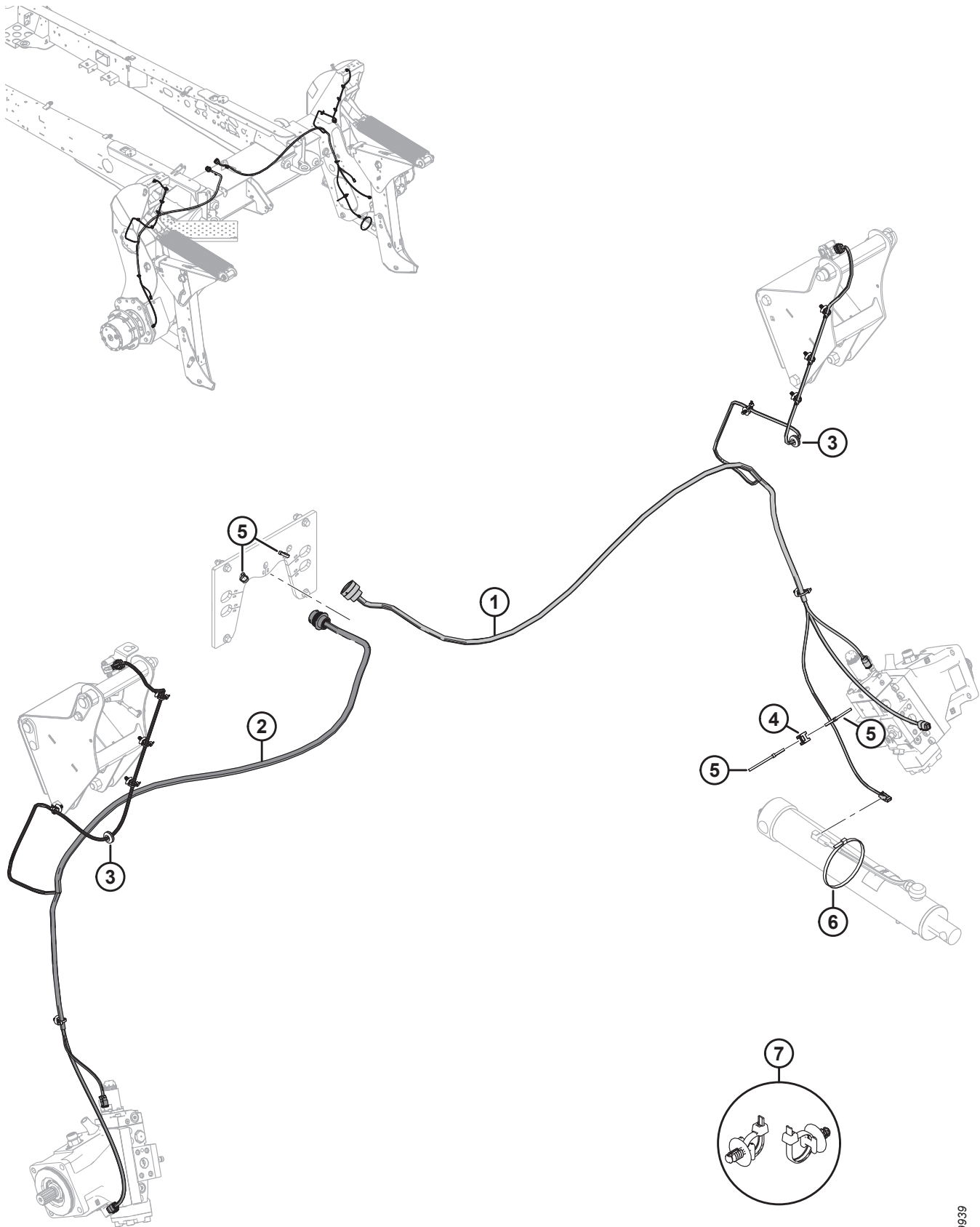




**ELECTRICAL – FIREWALL MODULES**

<b>Ref</b>	<b>Part Number</b>	<b>Description</b>	<b>Qty</b>	<b>Serial Number</b>
1	207856	SUPPORT – HARNESS	1	
2	306320	KIT – MASTER MODULE	1	
3	201396	MODULE – EXTENSION MODULE	1	
4	203204	PLATE – MODULE MOUNT	1	
A	152655	BOLT – HEX FLG HD M10 X 1.5 X 20-8.8-A3L		
B	135927	NUT – HEX SMTH FLG M10 X 1.5-8-A3L		
C	184657	BOLT – RHSSN M10 X 1.5 X 20-8.8-A3L		
D	152668	NUT – HEX FLG CTR LOC M6 X 1-8-A2L		
E	<b>184643</b>	<b>BOLT – RHSSN M6 X 1.0 X 35-8.8-A2L</b>		
F	<b>136731</b>	<b>BOLT – RHSN M6 X 1 X 45-8.8-AA1J</b>		

# 110 Electrical – Wheel Legs



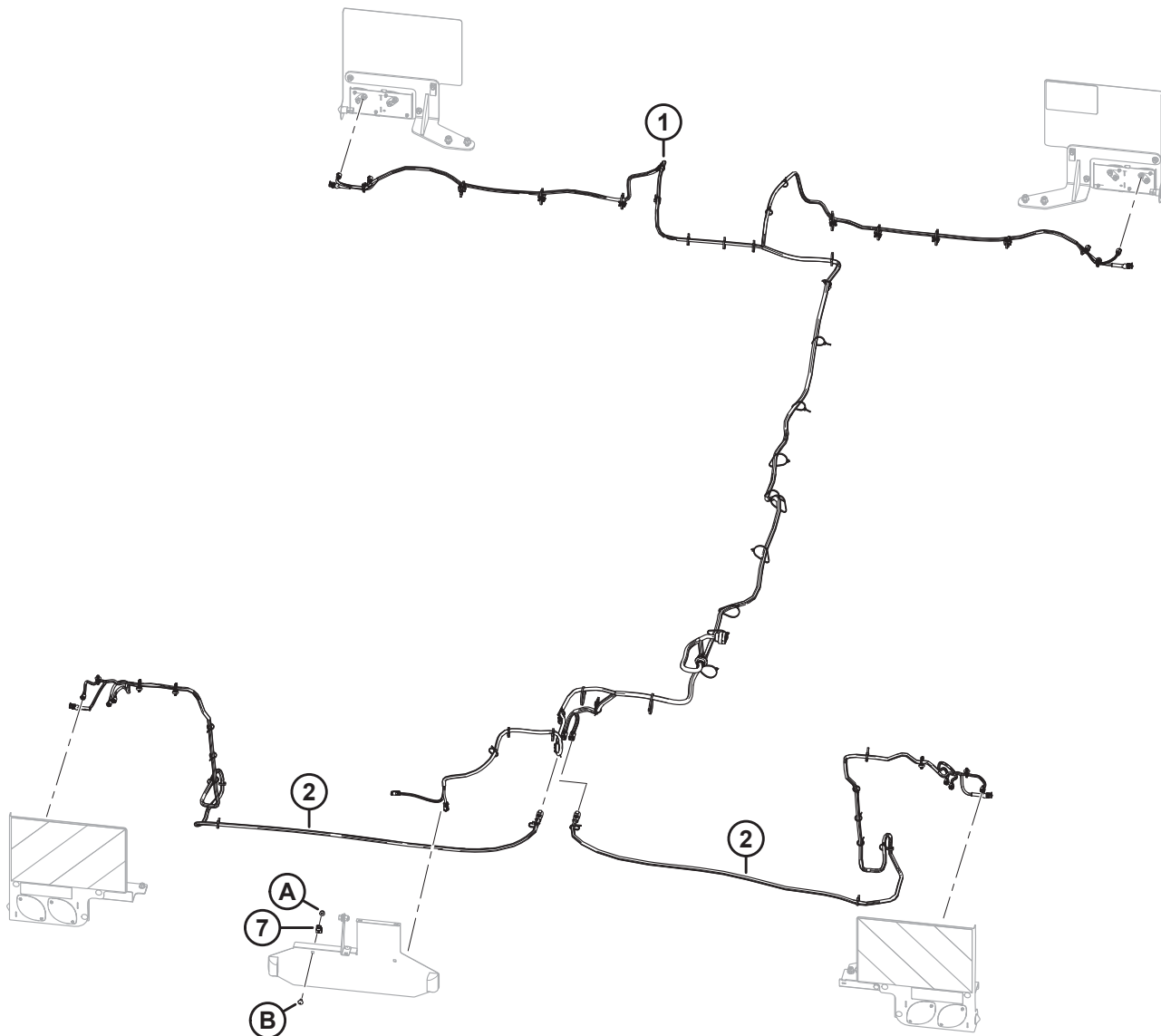
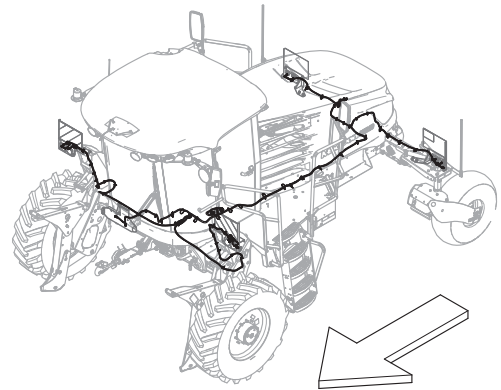
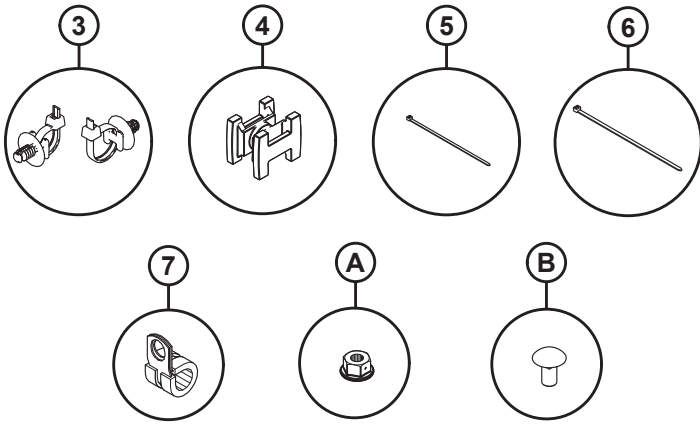
**ELECTRICAL – WHEEL LEGS**

<b>Ref</b>	<b>Part Number</b>	<b>Description</b>	<b>Qty</b>	<b>Serial Number</b>
1	207295	HARNESS – WHEEL LEG, LHS, M1-SERIES	1	
2	207296	HARNESS – WHEEL LEG, RHS, M1-SERIES	1	
3	206482	GROMMET – RUBBER	2	
4	134442	SPACER – DUAL SWIVEL SADDLE	1	
5	21763	FASTENER – CABLE TIE, BLACK, 160 MM LG	4	
6	30753	FASTENER – CABLE TIE, BLACK, 305 MM LG	1	
7	136655	FASTENER – FIR TREE MOUNT WITH CABLE TIE <sup>169</sup>	10	

---

169. Illustration shows fastener locations.

# 111 Electrical – Narrow Transport Lights



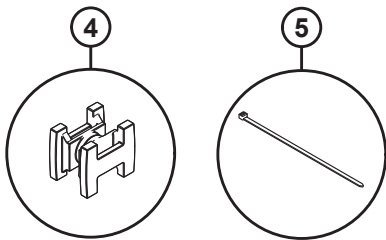
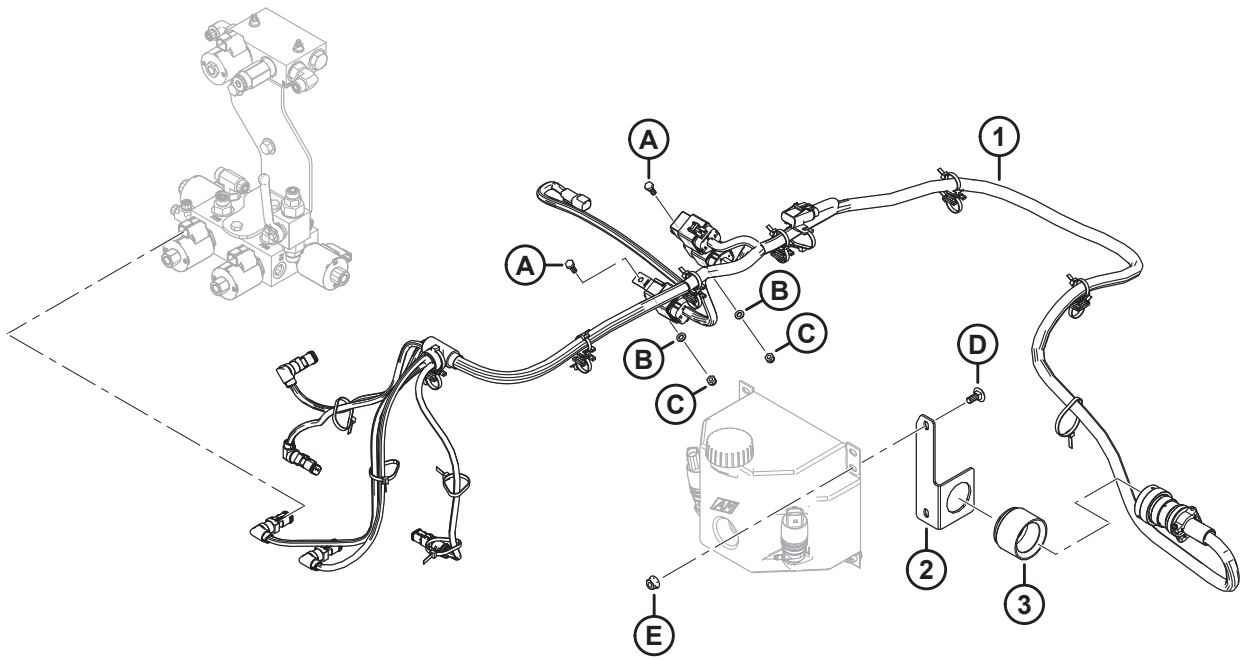
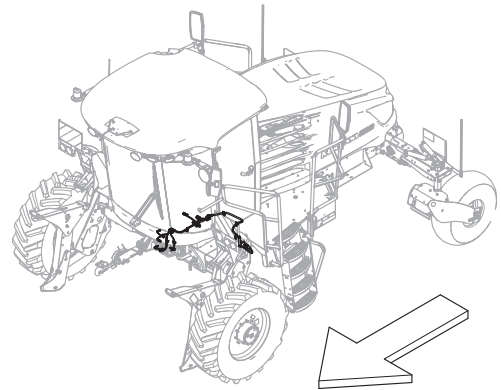
**ELECTRICAL – NARROW TRANSPORT LIGHTS**

**NOTE:**

For specific electrical harness parts, refer to Electrical Connectors Parts Catalog (MD #169641).

<b>Ref</b>	<b>Part Number</b>	<b>Description</b>	<b>Qty</b>	<b>Serial Number</b>
1	310587	HARNESS – LIGHTING MAIN, NT	1	
2	310945	HARNESS – LIGHTING LEG, NT	2	
3	136655	FASTENER – FIR TREE MT W/ TIE	8	
4	134442	SPACER – DUAL SWIVEL SADDLE	10	
5	21763	FASTENER – CABLE TIE BLACK, 160 MM	48	
6	30753	FASTENER – CABLE TIE BLACK, 305 MM	9	
7	135818	CLAMP – INSULATED 1/2 IN.	2	
A	135337	NUT – HEX FLG CTR LK M8 X 1.25-8-AA1J		
B	191489	BOLT – RHSSN TFL M8 X 1.25 X 16-8.8-AA1J		

# 112 Electrical – Narrow Transport Control



**ELECTRICAL – NARROW TRANSPORT CONTROL**

**NOTE:**

For specific electrical harness parts, refer to Electrical Connectors Parts Catalog (MD #169641).

<b>Ref</b>	<b>Part Number</b>	<b>Description</b>	<b>Qty</b>	<b>Serial Number</b>
1	310576	HARNESS – NARROW TRANSPORT	1	
2	310596	BRACKET – HOLDER	1	
3	243604	CAP – HARNESS	1	
4	134442	SPACER – DUAL SWIVEL SADDLE	6	
5	21763	FASTENER – CABLE TIE BLACK	17	
A	184642	BOLT – HEX HD TFL M6 X 1 X 16-8.8-AA1J		
B	184705	WASHER – FLAT M6-200HV-AA1J		
C	184685	NUT – HEX NYLOC M6 X 1-8-AA1J		
D	197171	BOLT – RHSN M8 X 1.25 X 20-8.8-ZINC		
E	135337	NUT – HEX FLG CTR LK M8 X 1.25-8-AA1J		

# 113 Decals – Safety



1039163



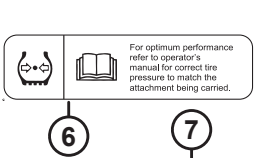
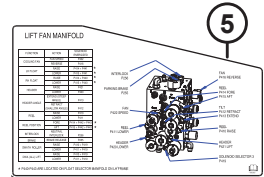
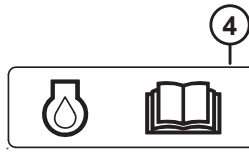
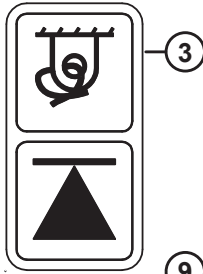
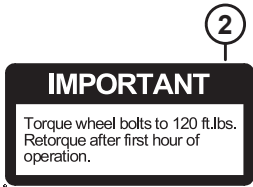
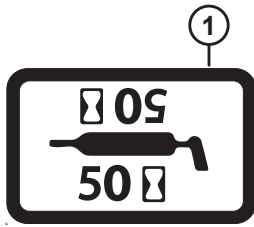
DECALS – SAFETY

Ref	Part Number	Description	Qty	Serial Number
1	166234	DECAL – WARNING (TRAINING SEAT AND SEAT BELTS)		
2	166425	DECAL – DANGER		
3	166463	DECAL – TRANSPORT		
4	166837	DECAL – DANGER, FAN		
5	167502	DECAL – WARNING, PINCH HAZARD		
6	306179	DECAL – HEADER LOCK, LH		
	306180	DECAL – HEADER LOCK, RH		
7	306181	DECAL – HEADER LOCK, 2 PANEL		
8	166454	DECAL – READ MANUAL		
9	166829	DECAL – CAUTION, BALANCE		
10	166457	DECAL – WARNING, READ MANUAL, STEERING SERVICE		
11	166832	DECAL – HIGH PRESSURE FLUID		
12	166834	DECAL – WARNING, STARTER JUMP		
13	166835	DECAL – WARNING, BATT. EXPLODE		
14	166836	DECAL – WARNING, BATTERY BURN		
15	166838	DECAL – WARNING HOT SURFACE		
16	<b>306756</b>	<b>DECAL – NITRITE FREE</b> <sup>170</sup>		<b>421190–</b>
17	166824	DECAL – FILL RATE <sup>171</sup>		<b>–421189</b>
18	166839	DECAL – WARNING, BELT		
19	166843	DECAL – STEERING CONTROL		

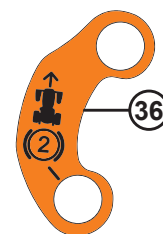
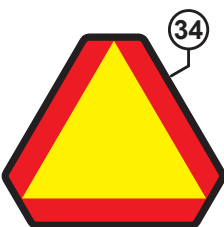
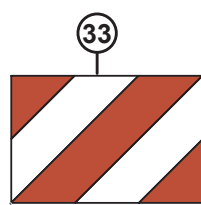
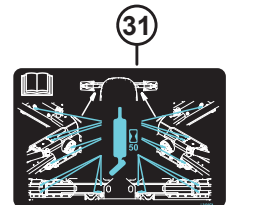
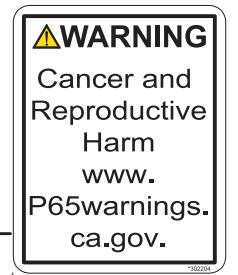
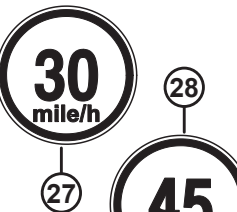
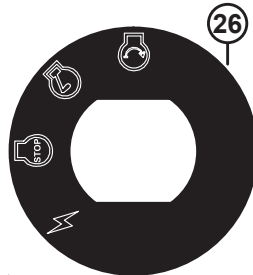
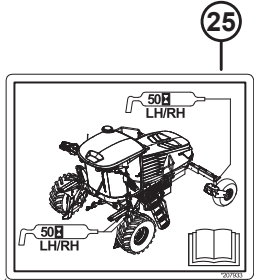
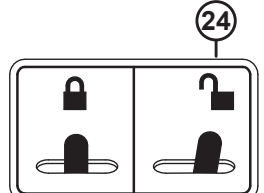
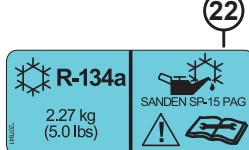
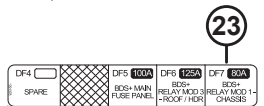
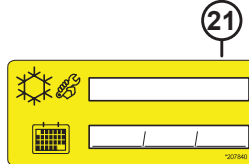
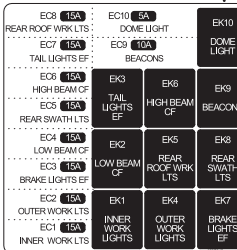
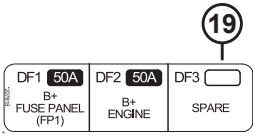
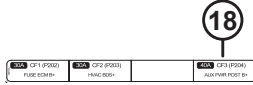
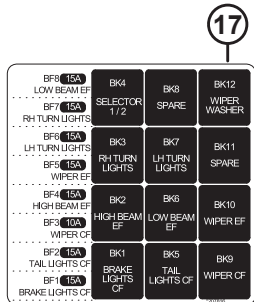
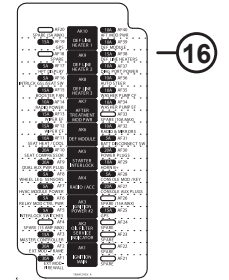
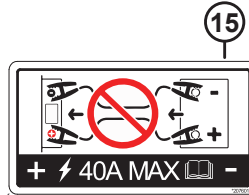
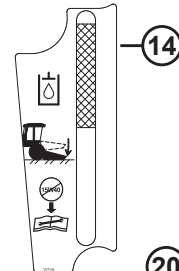
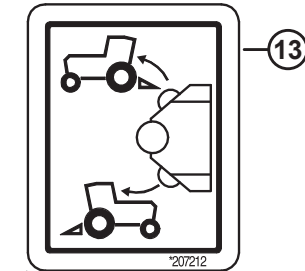
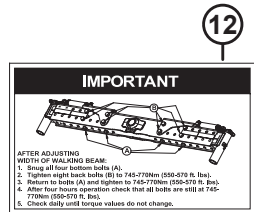
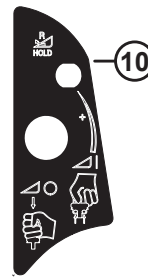
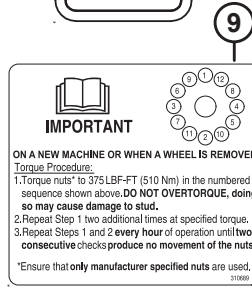
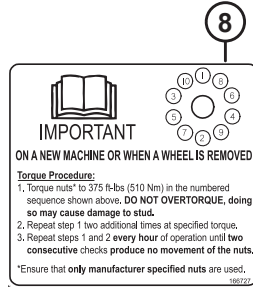
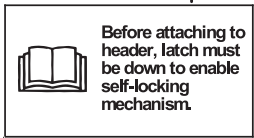
170. For model year 2022 and later windrowers.

171. For model year 2021 and prior windrowers.

# 114 Decals – Information and Reflectors



For optimum performance refer to operator's manual for correct tire pressure to match the attachment being carried.

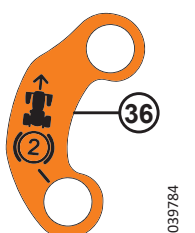
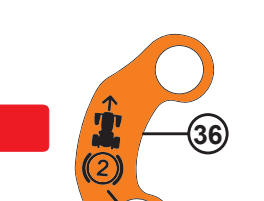
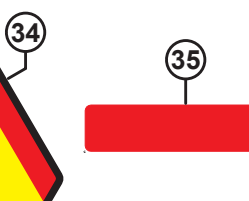
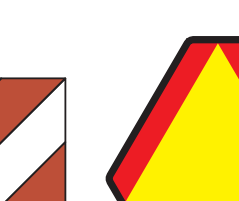
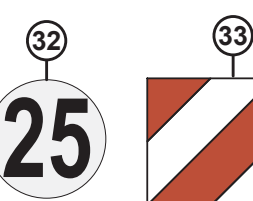
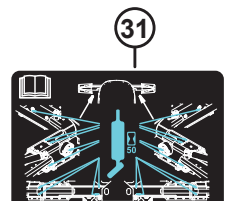
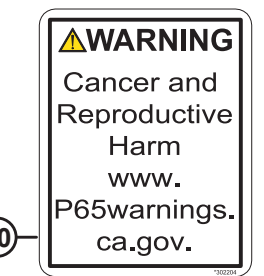
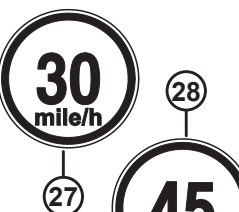
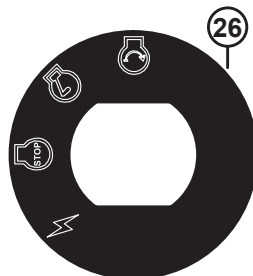
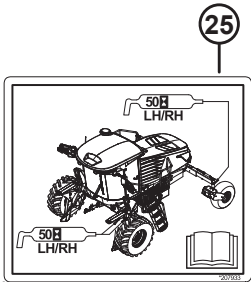
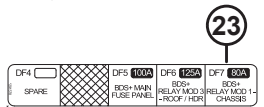
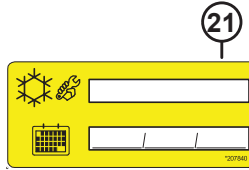
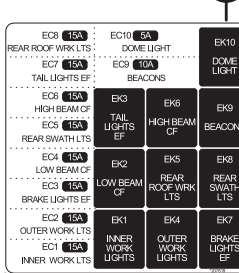
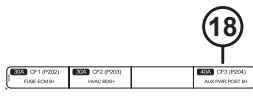
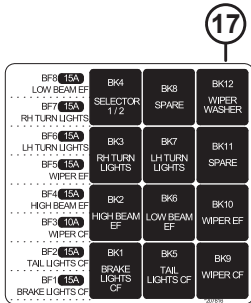
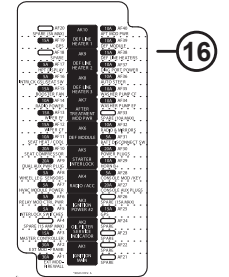
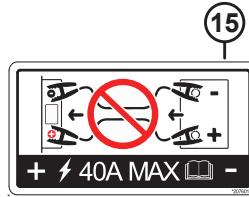
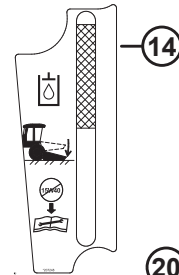
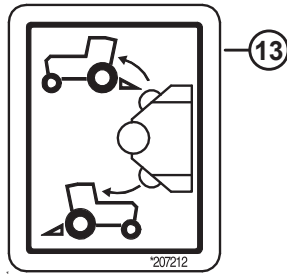
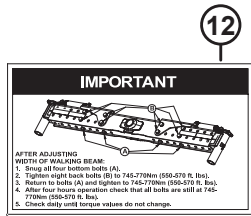
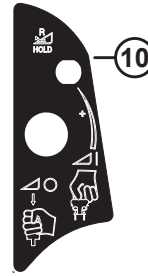
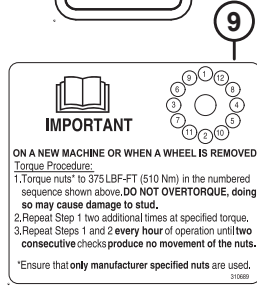
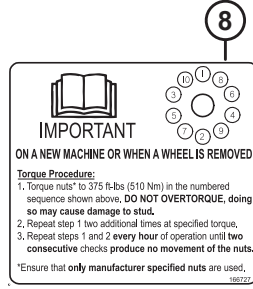
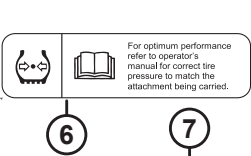
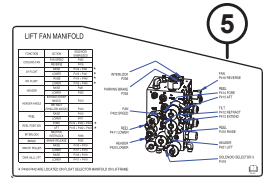
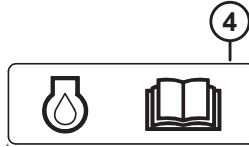
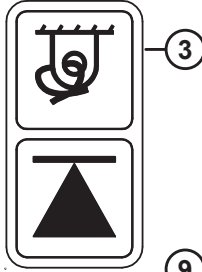
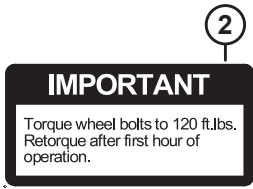
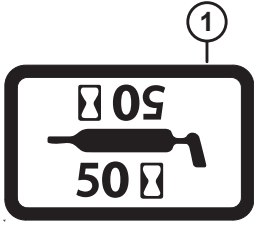


**DECALS – INFORMATION AND REFLECTORS**

Ref	Part Number	Description	Qty	Serial Number
1	23165	DECAL – 50 HR LUBE		
2	101375	DECAL – WHEEL BOLTS (CASTER WHEELS ONLY)		
3	252561	DECAL – TIE DOWN AND 'JACK HERE'		
4	110988	DECAL – ENGINE OIL		
5	306365	DECAL – LIFT MANIFOLD		
6	111221	DECAL – TIRE PRESSURE		
7	139723	DECAL – LATCH HANDLE		
8	166727	DECAL – BOLT TORQUE		
9	310689	DECAL – 12 BOLT TORQUE		
10	206778	DECAL – HEADER SWITCH		
11	206781	DECAL – FUNCTION SWITCHES		
12	207087	DECAL – IMPORTANT, WALKING BEAM BOLTS		
13	207212	DECAL – WASHER PUMP		
14	207248	DECAL – LEVEL		
15	207601	DECAL – AUX POWER		
16	306417	DECAL – FUSE, MAIN, ENGLISH, TAPE <sup>172</sup>		
17	207816	DECAL – FUSE, RELAY MODULE CHASSIS		
18	291465	DECAL – FUSE, ATO GROUP		
19	207818	DECAL – FUSE, AMI GROUP, UPPER		
20	207819	DECAL – FUSE, RELAY MODULE ROOF		
21	207840	DECAL – A/C SERVICE		
22	306118	DECAL – A/C INFO		
23	291378	DECAL – FUSE, AMI GROUP, LOWER		
24	208763	DECAL – LATCH, HOOD		
25	207933	DECAL – LUBRICATION		
26	208807	DECAL – KEY SWITCH		
27	208900	DECAL – SIS, 30 MILE/H		
	193242	DECAL – SIS, 20 MILE/H		
28	291028	DECAL – SIS, 45 KM/H		
	<b>193241</b>	<b>DECAL – SIS, 30 KM/H (NT ONLY)</b>		
29	291411	DECAL – M1 SERIES ONLY		
30	302204	DECAL – CA PROPOSITION 65		
31	310974	DECAL – SERVICE GREASE (NT ONLY)		
32	346027	DECAL – SIS, 25 KM/H (NT ONLY)		
33	310476	DECAL – WARNING STRIPES, A (NT ONLY)		
	310477	DECAL – WARNING STRIPES, B (NT ONLY)		
34	135378	REFLECTOR – SMV		
35	346208	REFLECTOR – AMBER, ADHESIVE		
	346209	REFLECTOR – RED, ADHESIVE		
	115145	REFLECTOR – FLUORESCENT RED-ORANGE		
	115147	REFLECTOR – RED		

172. Includes main fuse panel decal and double-sided tape (NSS).

DECALS – INFORMATION AND REFLECTORS



DECALS – INFORMATION AND REFLECTORS

Ref	Part Number	Description	Qty	Serial Number
36	346344	DECAL – BRAKE, GSL <sup>173</sup>		

---

173. Only for machines with secondary brakes for Germany.

115 Decals – Product Identification

**MacDon** ①

**MacDon** ②

MacDon ③

**M1170** ④ **NT5** ⑤

**CrossFlex™** ⑦  
*SUSPENSION* **NT** ⑥

 **Trimble** **READY** ⑧

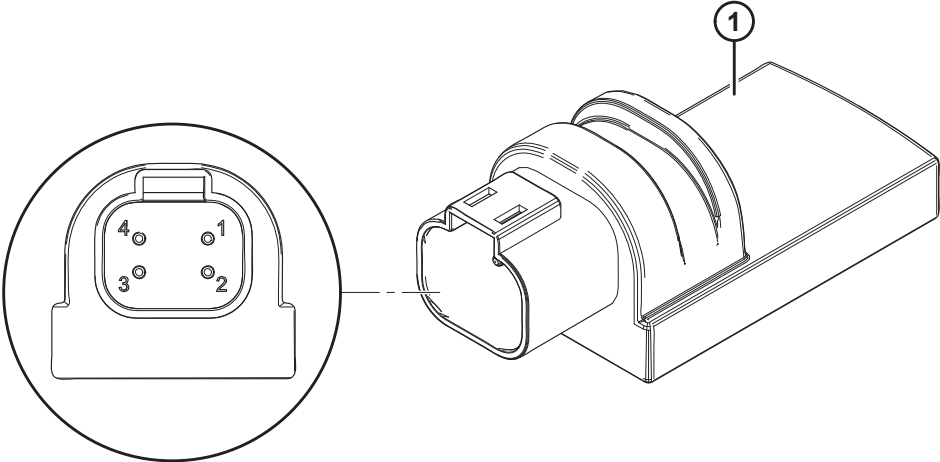
 **DUAL DIRECTION®**  **ULTRA GLIDE™** ⑨

1036789

**DECALS – PRODUCT IDENTIFICATION**

<b>Ref</b>	<b>Part Number</b>	<b>Description</b>	<b>Qty</b>	<b>Serial Number</b>
1	163298	DECAL – FRONT CAB, MACDON		
2	208876	DECAL – HOOD, MACDON		
3	208034	PANEL – MACDON, S.S.		
4	208877	DECAL – HOOD		
5	346265	DECAL – HOOD, NT5		
6	346024	DECAL – HOOD, NT		
7	209770	DECAL – CROSSFLEX		
8	167727	DECAL – TRIMBLE READY		
9	208920	DECAL – ULTRA GLIDE AND DUAL DIRECTION		

# 116 (Option) Bluetooth Software Interface Module





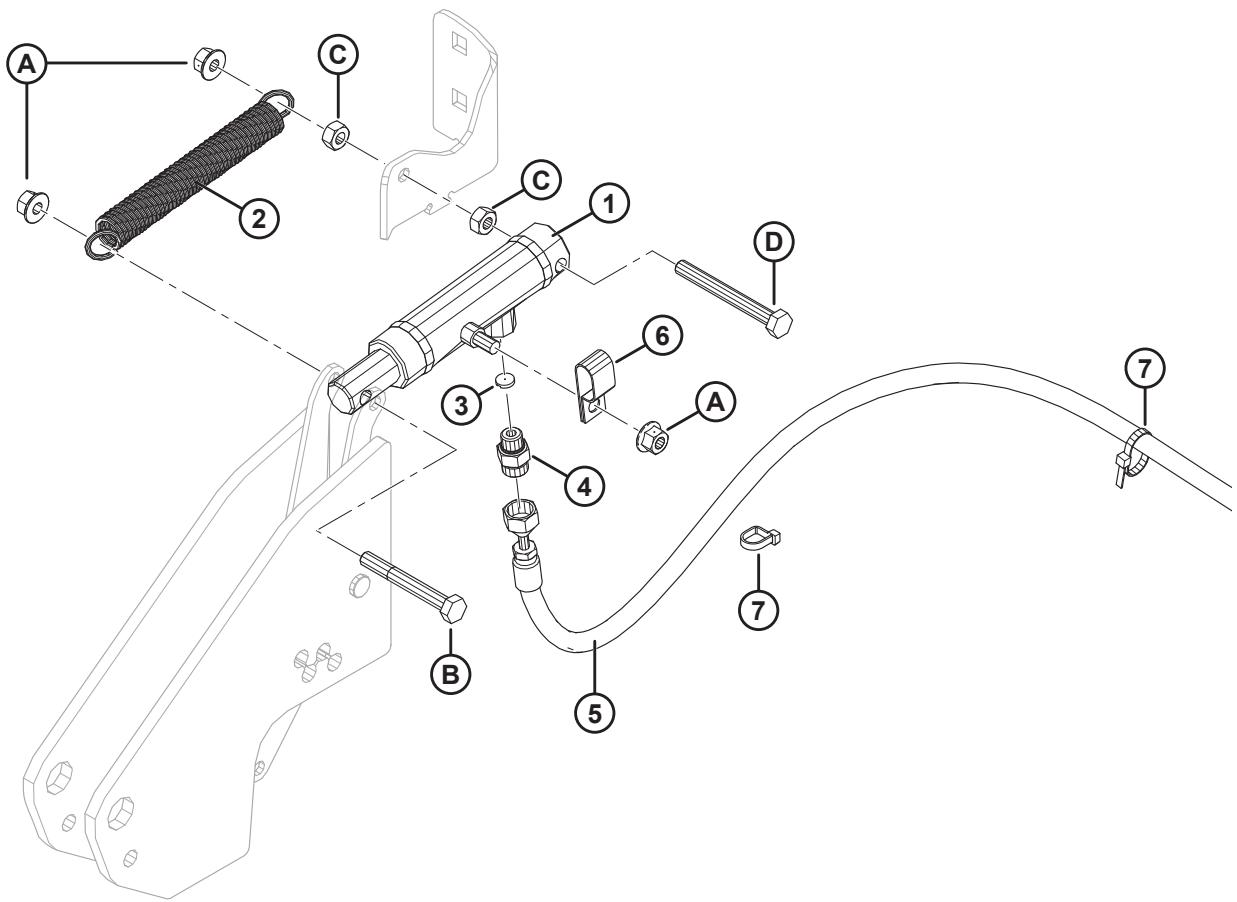
(OPTION) BLUETOOTH SOFTWARE INTERFACE MODULE

Ref	Part Number	Description	Qty	Serial Number
1	208845	KIT – BLUETOOTH SOFTWARE INTERFACE MODULE <sup>174</sup>		

---

174. Used for performing software updates on the master controller via Android or IOS based IQANgo App. Kit includes bluetooth module and instructions.

# 117 (Option) Center-Link Self-Alignment

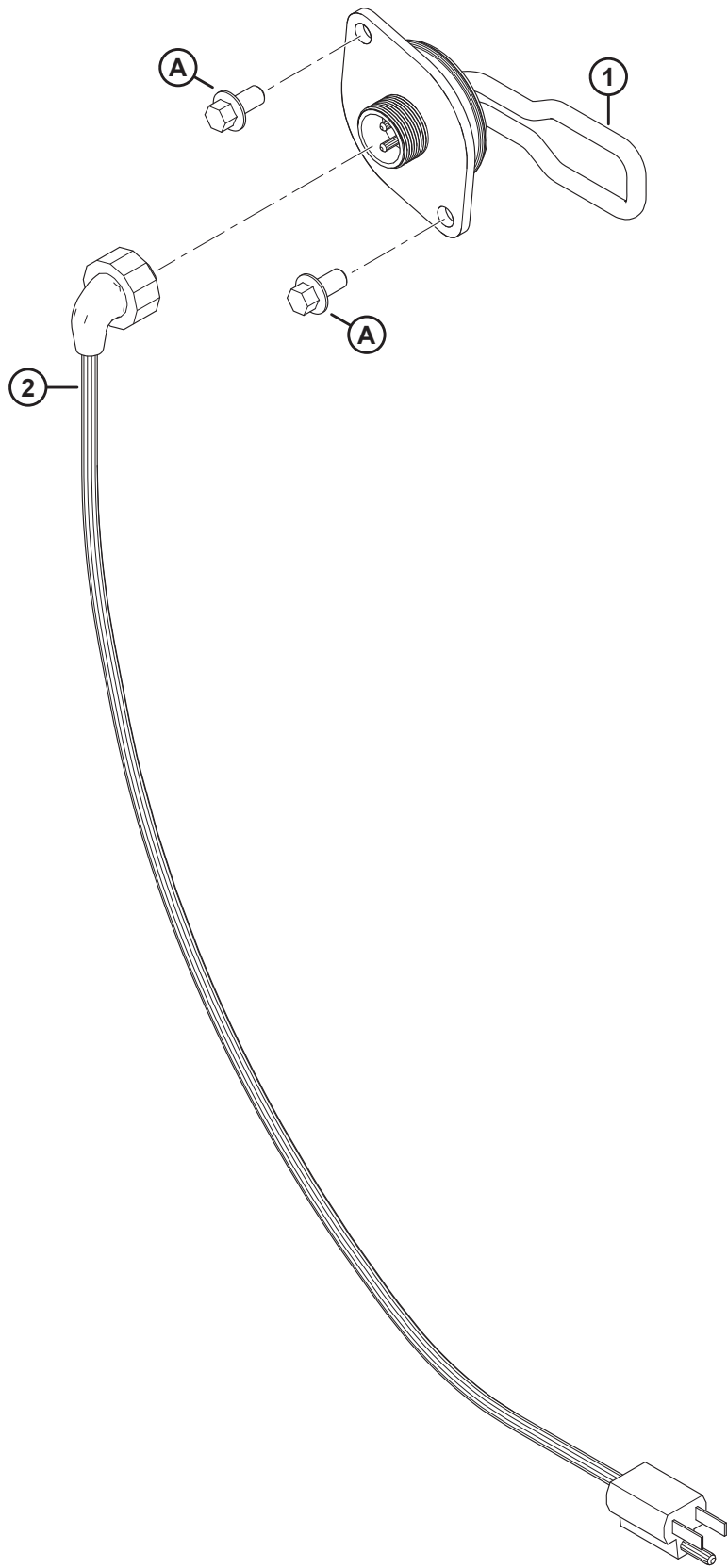


(OPTION) CENTER-LINK SELF-ALIGNMENT

Ref	Part Number	Description	Qty	Serial Number
	B6617	KIT – CENTER-LINK SELF-ALIGNMENT <sup>175</sup>		
1	252934	CYLINDER – HYDRAULIC	1	
	252940	SEAL KIT		
2	110977	SPRING – EXT	1	
3	111834	RESTRICTOR	1	
4	135778	FITTING – ADAPTER	1	
	50219	O-RING – #6 ORB		
	135865	O-RING – #6 ORFS		
5	203972	HOSE – HYDRAULIC, 1/4 IN I.D., 1050 MM LG	1	
6	135234	CLAMP – DOUBLE HOSE INSULATED	1	
7	21763	FASTENER – CABLE TIE, BLACK, 160 MM LG	2	
A	135799	NUT – HEX FLG CTR LOC M10 X 1.5-10-A3L		
B	108172	BOLT – HEX HD M10 X 1.5 X 65-8.8-A3L		
C	30505	NUT – HEX M10 X 1.5-10-A3L		
D	136454	BOLT – HEX HD TFL M10 X 1.5 X 90-8.8-A3L		

175. Kits are available through Whole Goods only.

# 118 (Option) Coolant Heater Kit



(OPTION) COOLANT HEATER KIT

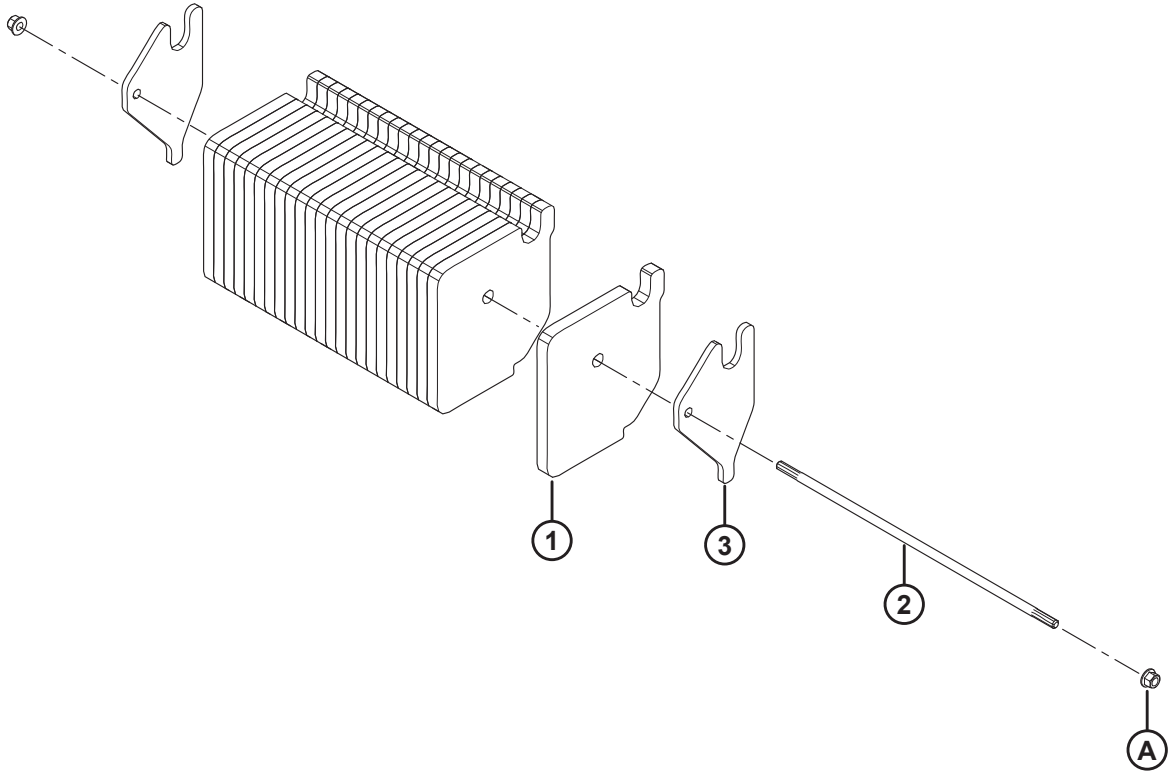
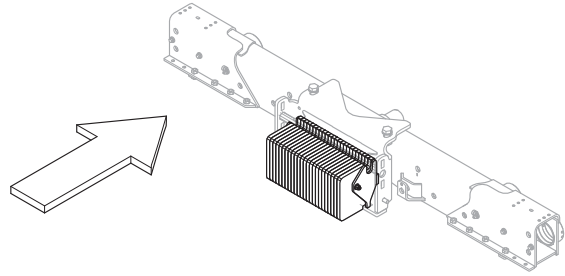
Ref	Part Number	Description	Qty	Serial Number
	306351	KIT – COOLANT HTR 4 CYL <sup>176</sup>		
	B6979	KIT – COOLANT HTR 4 CYL <sup>177</sup>		
1	306346	HEATER – COOLANT 4 CYL	1	
2	306347	CABLE – COOLER HTR 4 CYL	1	
A	136485	BOLT – HEX FLG HD TFL M8 X 1.25 X 16-8.8-AA1J		

---

176. The kit is compatible with 4-cylinder Cummins engine. The kit provides improved cold weather starting capability. The kit includes all listed parts and instructions.

177. Kits are available through Whole Goods only.

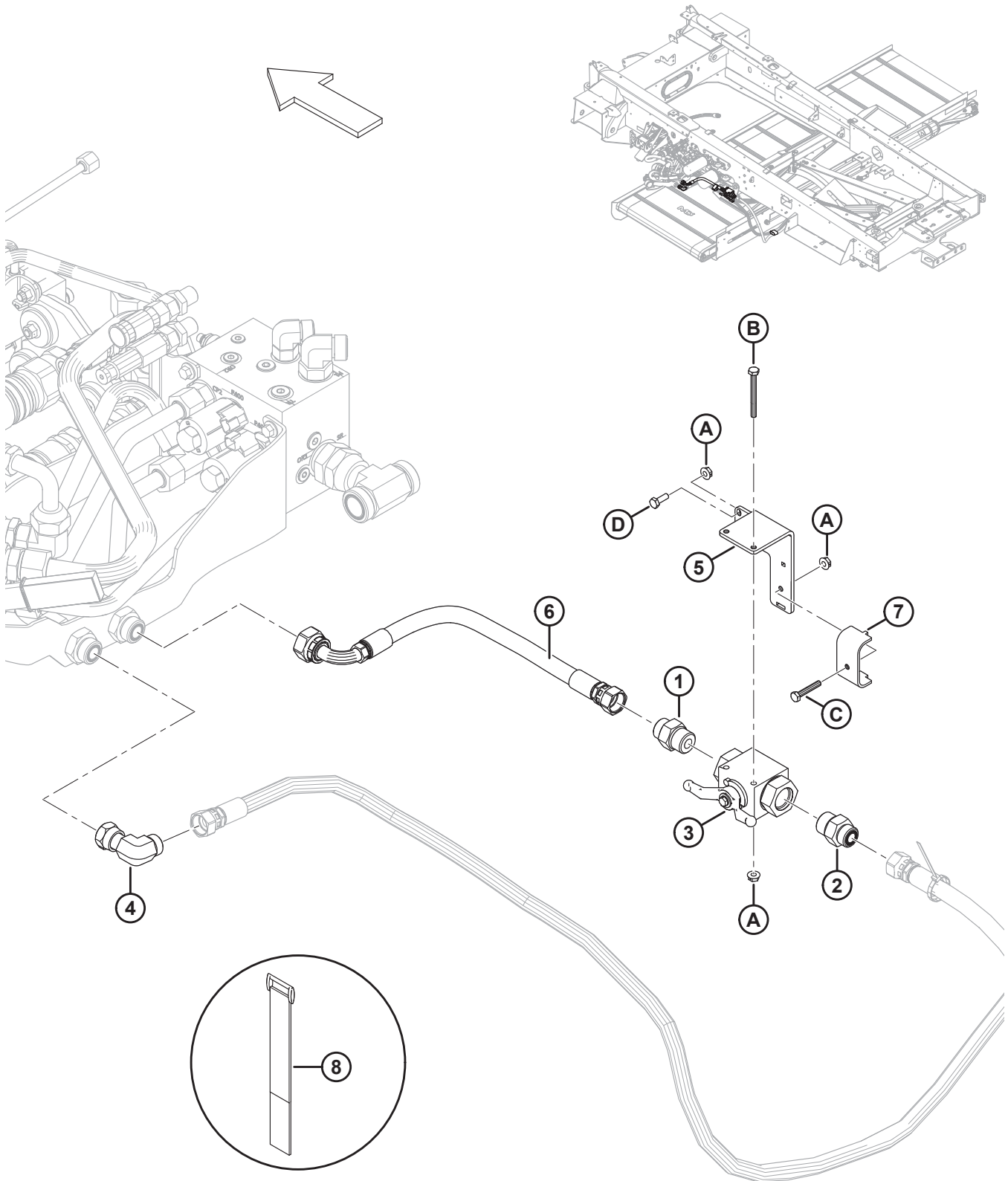
# 119 (Option) Counterweights – Rear Ballast



(OPTION) COUNTERWEIGHTS – REAR BALLAST

Ref	Part Number	Description	Qty	Serial Number
	B9070	COUNTERWEIGHTS (BALLAST) BUNDLE EU		
1	346319	WEIGHT-SUITCASE EU	24	
2	204443	ROD – CLAMP	1	
3	306843	PLATE – RETAINING	2	
A	136431	NUT – HEX FLG CTR LOC M12 X 1.75-10-A3L		

# 120 (Option) DWA Shut-Off Kit





(OPTION) DWA SHUT-OFF KIT

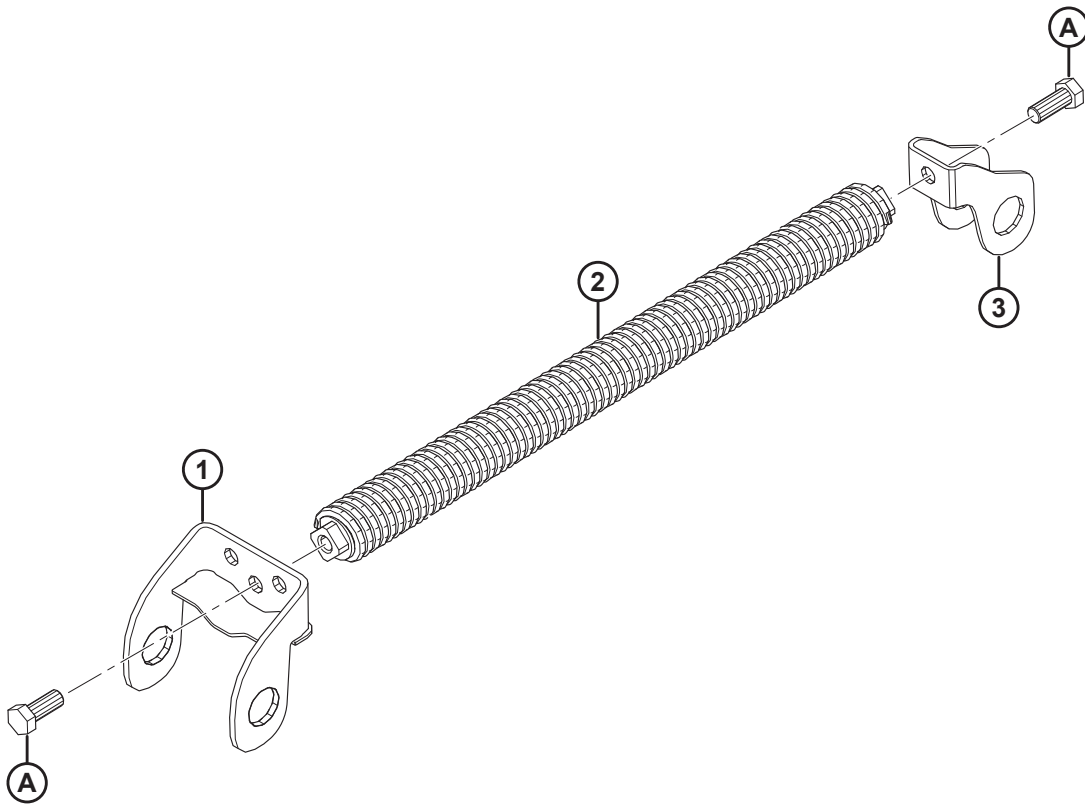
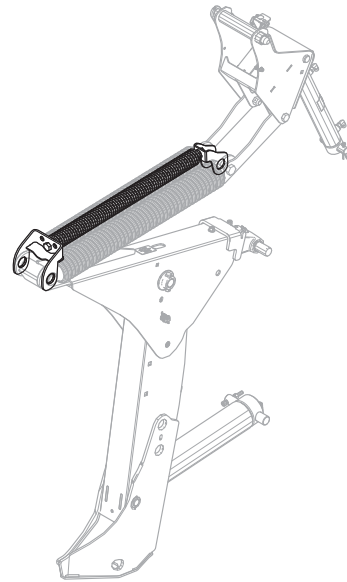
Ref	Part Number	Description	Qty	Serial Number
	B9020	KIT – M1 DWA SHUT-OFF <sup>178</sup>		
1	135786	FITTING – ADAPTER	1	
	30971	O-RING – #12 ORB		
	135867	O-RING – #10 ORFS		
2	135786	FITTING – ADAPTER (2019 AND PRIOR DWA) <sup>179</sup>	1	-371189
	30971	O-RING – #12 ORB		
	135867	O-RING – #10 ORFS		
	135788	FITTING – ADAPTER (2020 AND LATER DWA) <sup>180</sup>	1	371190-
	30971	O-RING – #12 ORB		
	135868	O-RING – #12 ORFS		
3	294263	VALVE – BALL	1	
4	136846	FITTING – SWIVEL 90 DEG HYD 10-10	1	
5	299820	BRACKET – BV MOUNT, DWA	1	
6	299822	HOSE – HYD, 100R17, 0.5 IN. DIA, 430 MM LG	1	
7	299898	HOLDER – HOSES	1	
8	135444	FASTENER – CINCH STRAP 6 IN. LG	2	
A	135248	NUT – HEX FLG CTR LOC	5	
B	21854	BOLT – HEX HD 1/4 NC X 2.5 LG GR 5 ZP	2	
C	21574	BOLT – HEX HD 1/4 NC X 1.5 LG GR 5 ZP	1	
D	21566	BOLT – HEX HD 1/4 NC X 0.75 LG GR 5 ZP	2	

178. Kit includes all listed parts and instructions. Kits are available through Whole Goods only.

179. Service part for model year 2019 and prior Double Windrow Attachment (DWA).

180. Service part for model year 2020 and later Double Windrow Attachment (DWA).

# 121 (Option) Float Booster Spring



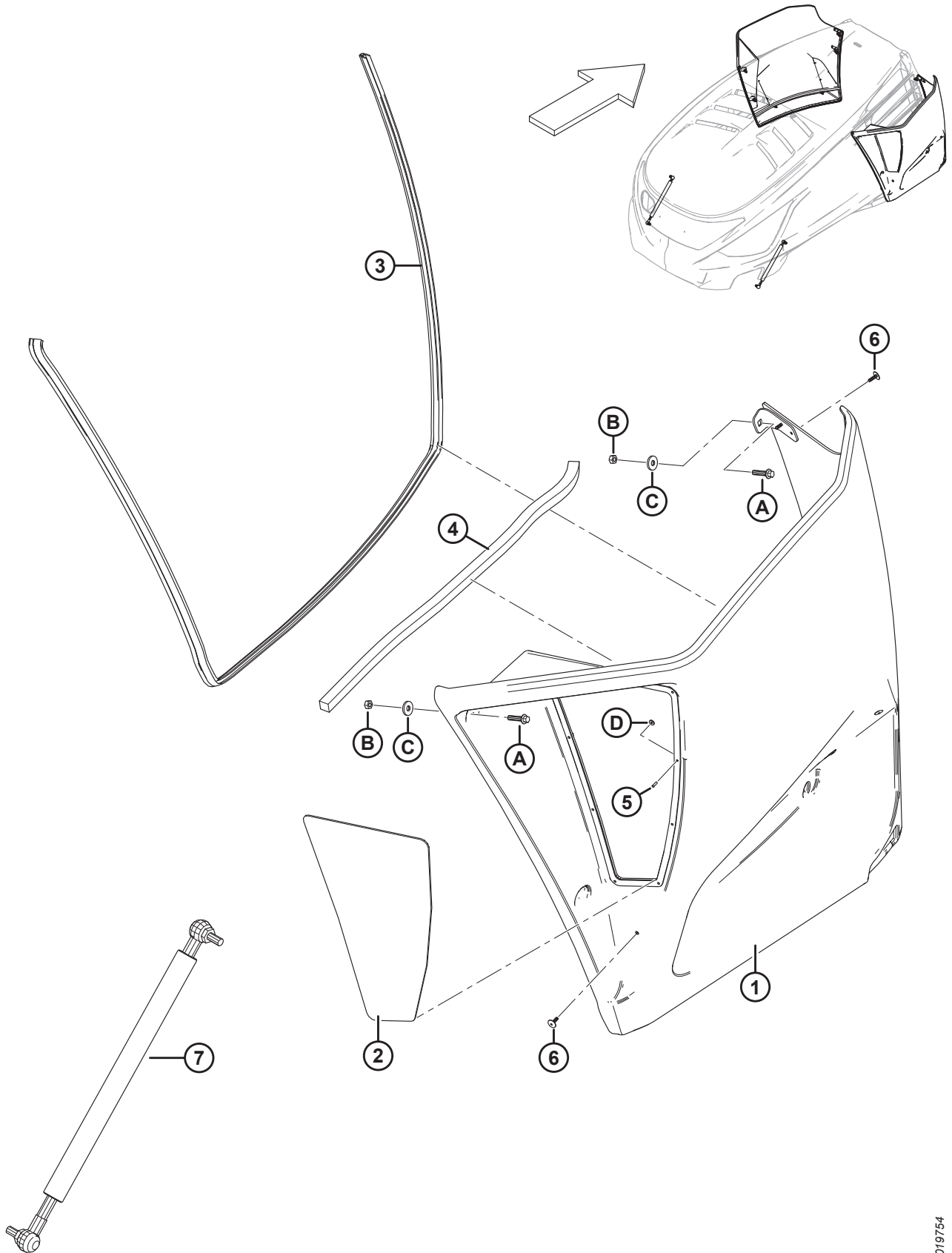
(OPTION) FLOAT BOOSTER SPRING

Ref	Part Number	Description	Qty	Serial Number
	B6047	KIT – FLOAT BOOSTER SPRING <sup>181</sup>		
1	206065	SUPPORT – SPRING, FRONT WELDT	2	
2	306122	ASSEMBLY – BOOSTER SPRING W/ INSERTS	2	
3	206447	CHANNEL – BOOSTER SPRING	2	
A	111528	BOLT – HEX HD TFL M16 X 2 X 40-8.8-A3L		

---

181. Kits are available through Whole Goods only.

# 122 (Option) High Debris Cooler Intake



(OPTION) HIGH DEBRIS COOLER INTAKE

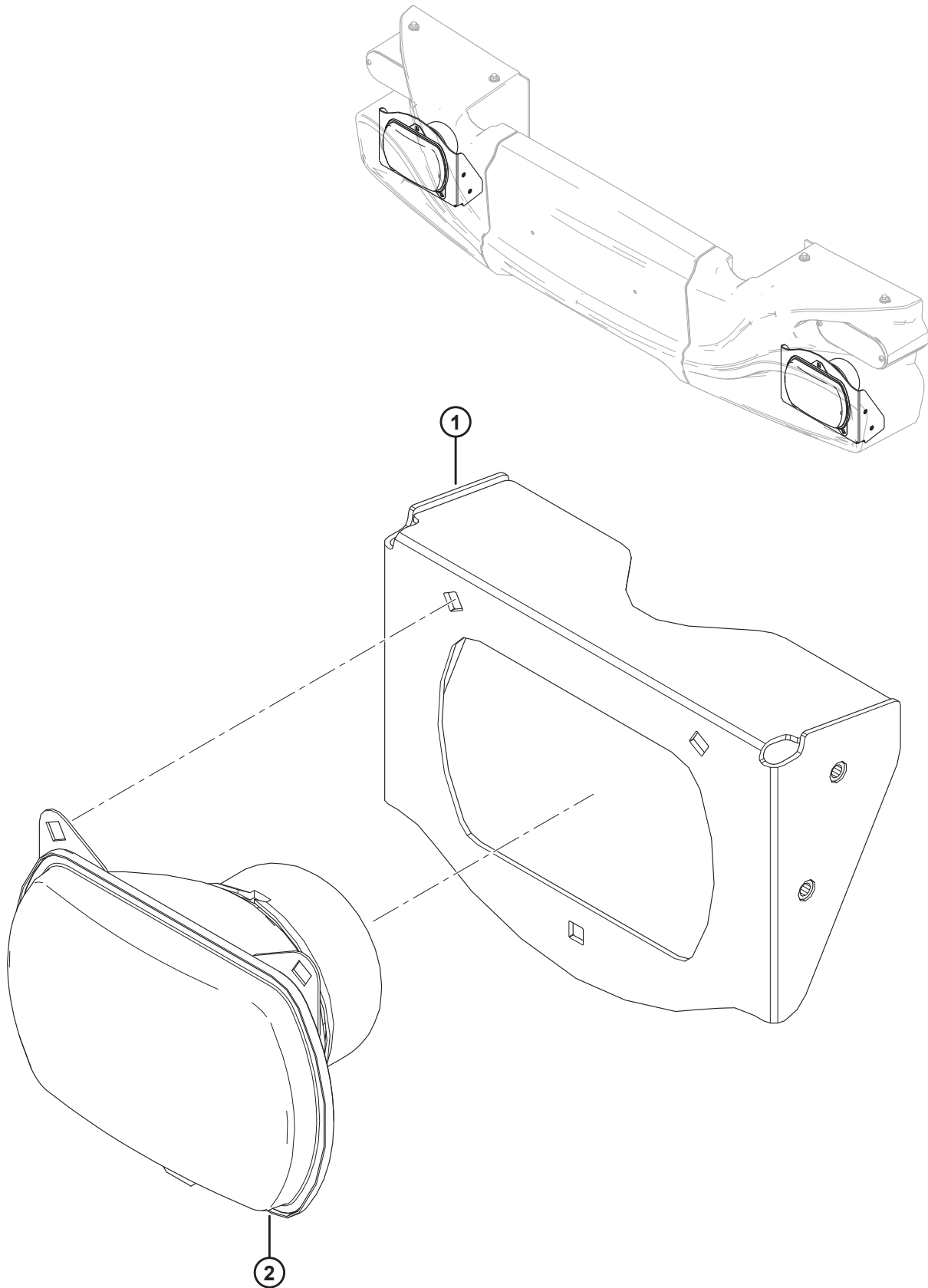
Ref	Part Number	Description	Qty	Serial Number
	B6055	KIT – HIGH DEBRIS COOLER INTAKE <sup>182</sup>		
1	291629	ASSEMBLY – AIR DUCT W/ GLASS, LH <sup>183</sup>	1	
	291630	ASSEMBLY – AIR DUCT W/ GLASS, RH <sup>184</sup>	1	
2	208397	WINDOW – GLASS, LH	1	
	208406	WINDOW – GLASS, RH	1	
3	208372	SEAL – BULB	2	
4	206863	SEAL – FOAM, 905 MM LG	2	
5	184613	RIVET – POP, 1/8 IN	18	
6	136536	RIVET – BLIND 3/16 IN X 0.5 IN, BLACK	20	
7	209689	CYLINDER – GAS, HOOD	2	
A	252396	BOLT – HEX FLG HD TFL M8 X 1.25 X 35-SS-BO		
B	184687	NUT – HEX M8 X 1.25-8-A2L		
C	208337	WASHER – RUBBER		
D	209584	WASHER – FLAT 0.125 IN. I.D. X 0.375 IN. O.D. ZP		

182. Kits are available through Whole Goods only.

183. Includes left window glass (MD #208397).

184. Includes right window glass (MD #208406).

# 123 (Option) Left Drive Headlights



(OPTION) LEFT DRIVE HEADLIGHTS

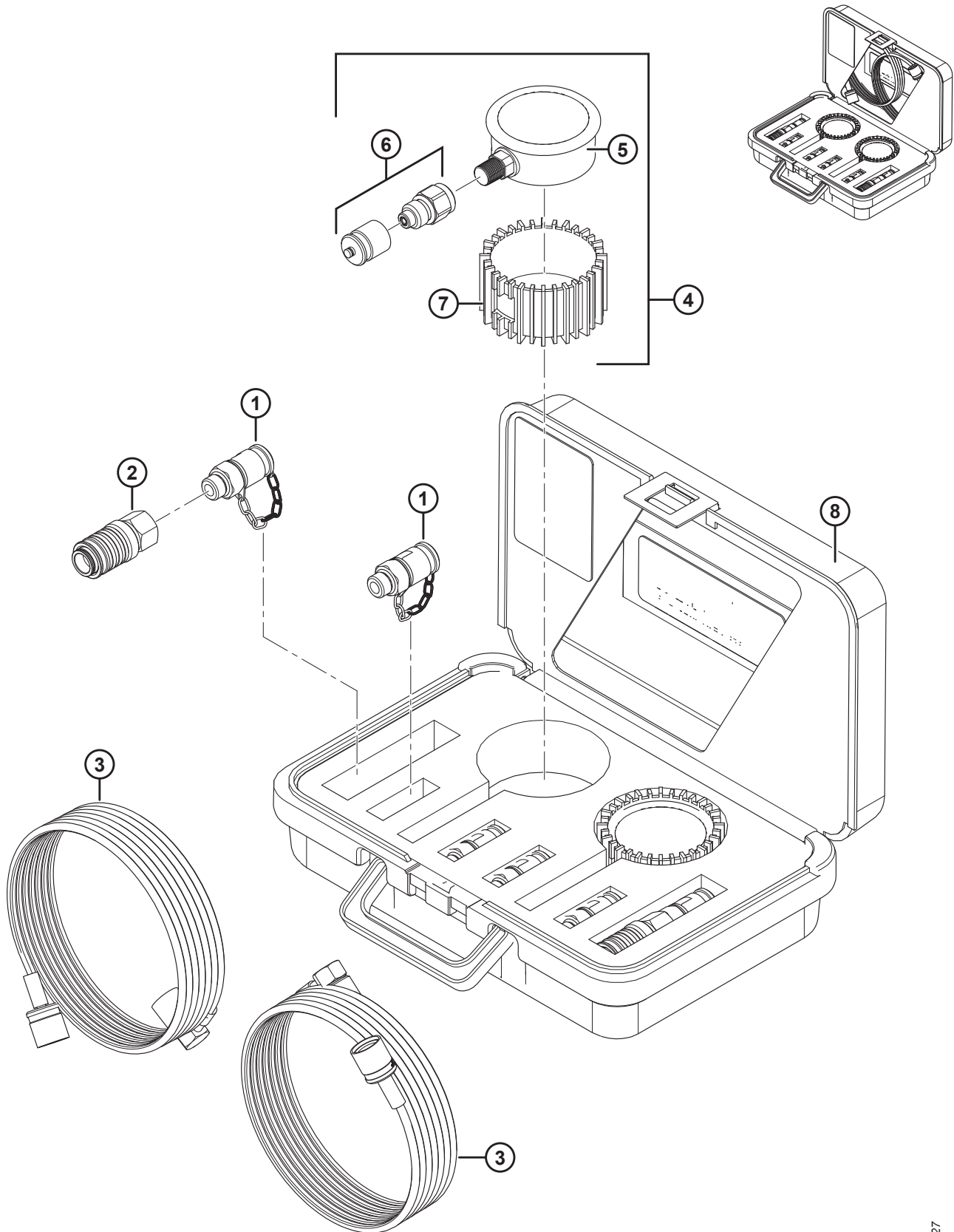
Ref	Part Number	Description	Qty	Serial Number
	B9001	KIT – LH DRIVE HEADLIGHTS <sup>185</sup>		
1	346106	SUPPORT – HEADLIGHT WELDMENT	2	
2	346088	HEADLIGHT – FLUSHMOUNT, LH DRIVE OVAL <sup>186</sup>	2	

---

185. Kits available through Whole Goods only.

186. Includes mounting hardware.

# 124 (Option) Neutral Setting Service Kit





(OPTION) NEUTRAL SETTING SERVICE KIT

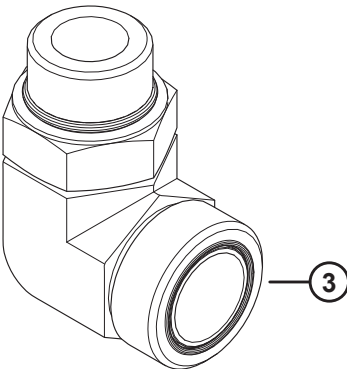
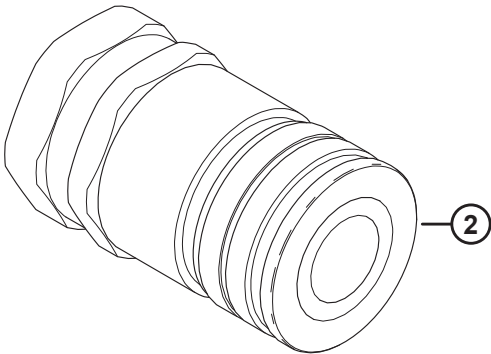
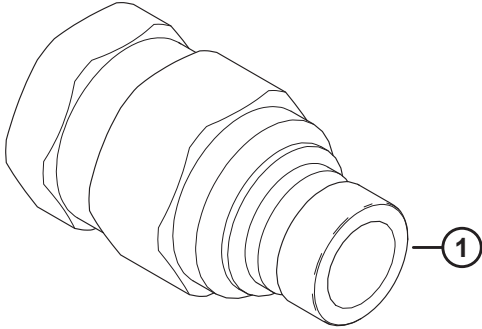
Ref	Part Number	Description	Qty	Serial Number
	183709	KIT – SERVICE, NEUTRAL SETTING <sup>187</sup>		
1	183525	FITTING – COUPLING HYD, M16 X 2	6	
2	252705	FITTING – COUPLING HYD	2	
3	183707	HOSE – HYD, DIAGNOSTIC	2	
4	183609	ASSY – GAUGE C/W FITTING AND BOOT <sup>188</sup>	2	
5	NSS	GAUGE – PRESSURE, 1000 PSI <sup>189</sup>	2	
6	183607	FITTING – ADAPTER C/W DUST CAP	2	
7	183608	BOOT – GAUGE PROTECTOR	2	
8	183708	CASE – CARRYING C/W FOAM, DECALS	1	

187. Includes all listed parts.

188. Includes pressure gauge (not sold separately), adapter fitting (MD #183607), and boot (MD #183608).

189. Not sold separately, service with gauge assembly (MD #183609).

# 125 (Option) Quick Couplers



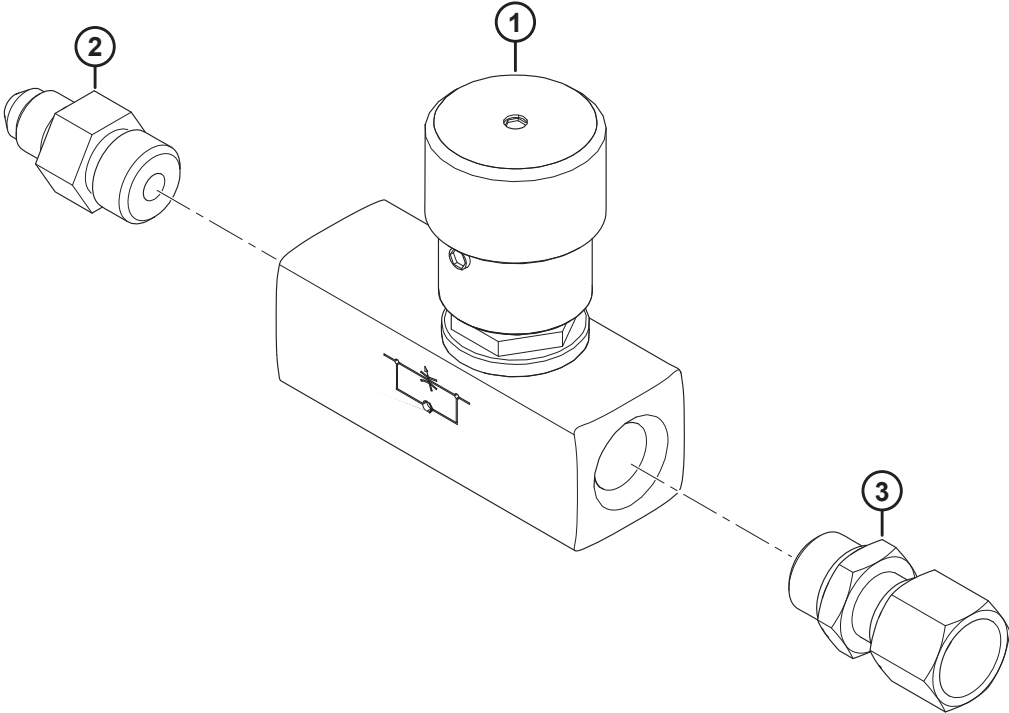
(OPTION) QUICK COUPLERS

Ref	Part Number	Description	Qty	Serial Number
	B6277	KIT – ROTARY QUICK COUPLER <sup>190</sup>		
1	136412	FITTING – COUPLING MALE, 1 IN.	1	
2	136413	FITTING – COUPLING FEMALE, 1 IN.	1	
3	136631	FITTING – ELBOW 90° HYDRAULIC	2	
	50220	O-RING – #16 ORB		
	135869	O-RING – #20 ORF		

---

190. The kit includes all listed parts and instructions. Kits are available through Whole Goods only.

# 126 (Option) Reel Drop Rate Adjustment



(OPTION) REEL DROP RATE ADJUSTMENT

**NOTE:**

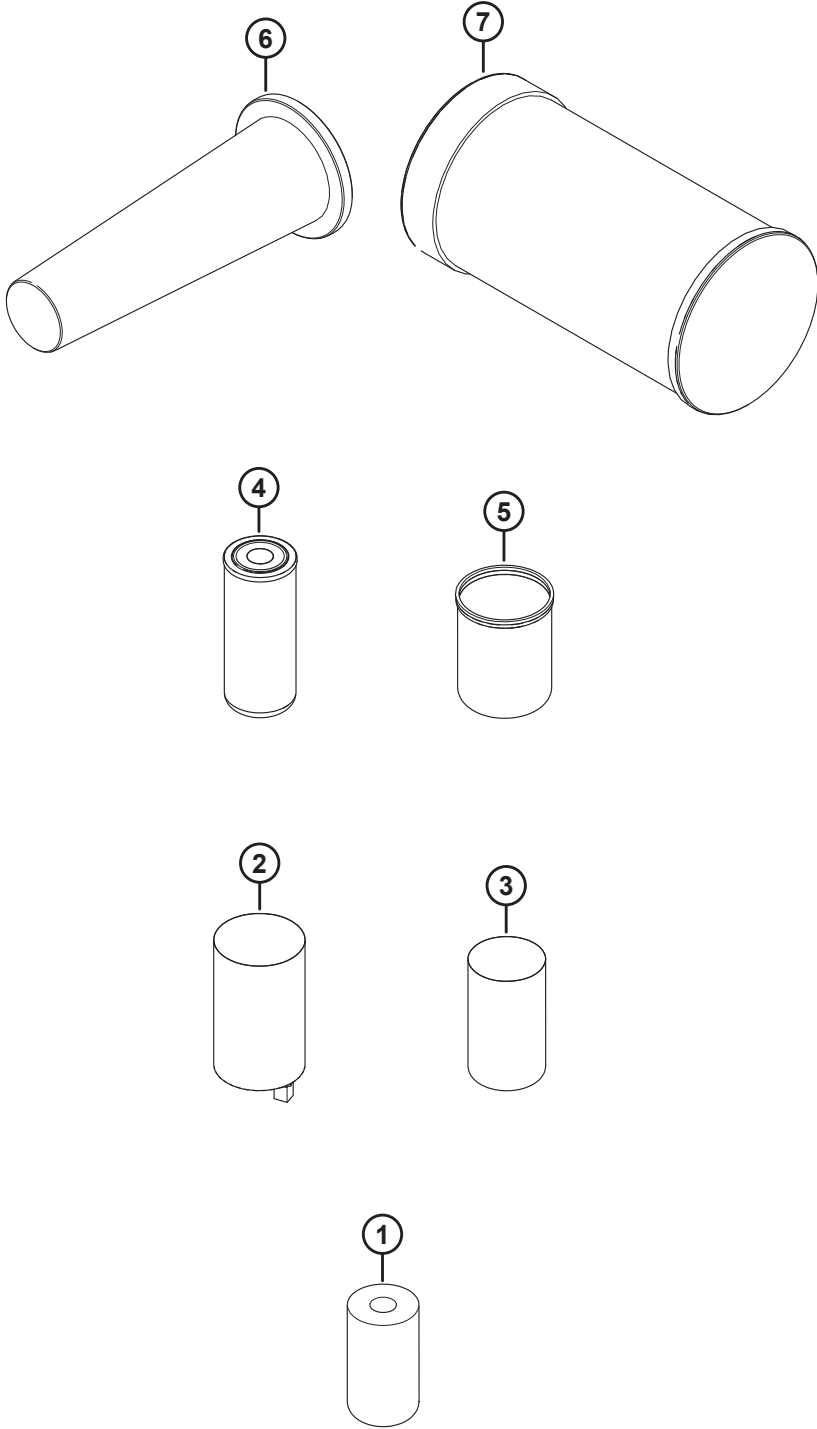
Kit is used to add flow control to reel lift circuit of D1X and D1XL headers (featuring Hydraulic Hose Management System).

Ref	Part Number	Description	Qty	Serial Number
	306410	KIT – D1X, XL REEL DROP RATE ADJUSTMENT <sup>191</sup>		
1	183211	VALVE – HYD, FLOW CONTROL	1	
2	30524	FITTING – ADAPTER HYD	1	
3	135015	FITTING – ADAPTER HYD	1	
	<b>167897</b>	<b>DECAL – REEL DROP RATE</b>	<b>1</b>	

---

191. Kit comes complete with all listed parts and instructions.

# 127 (Option) Service Filters Kit



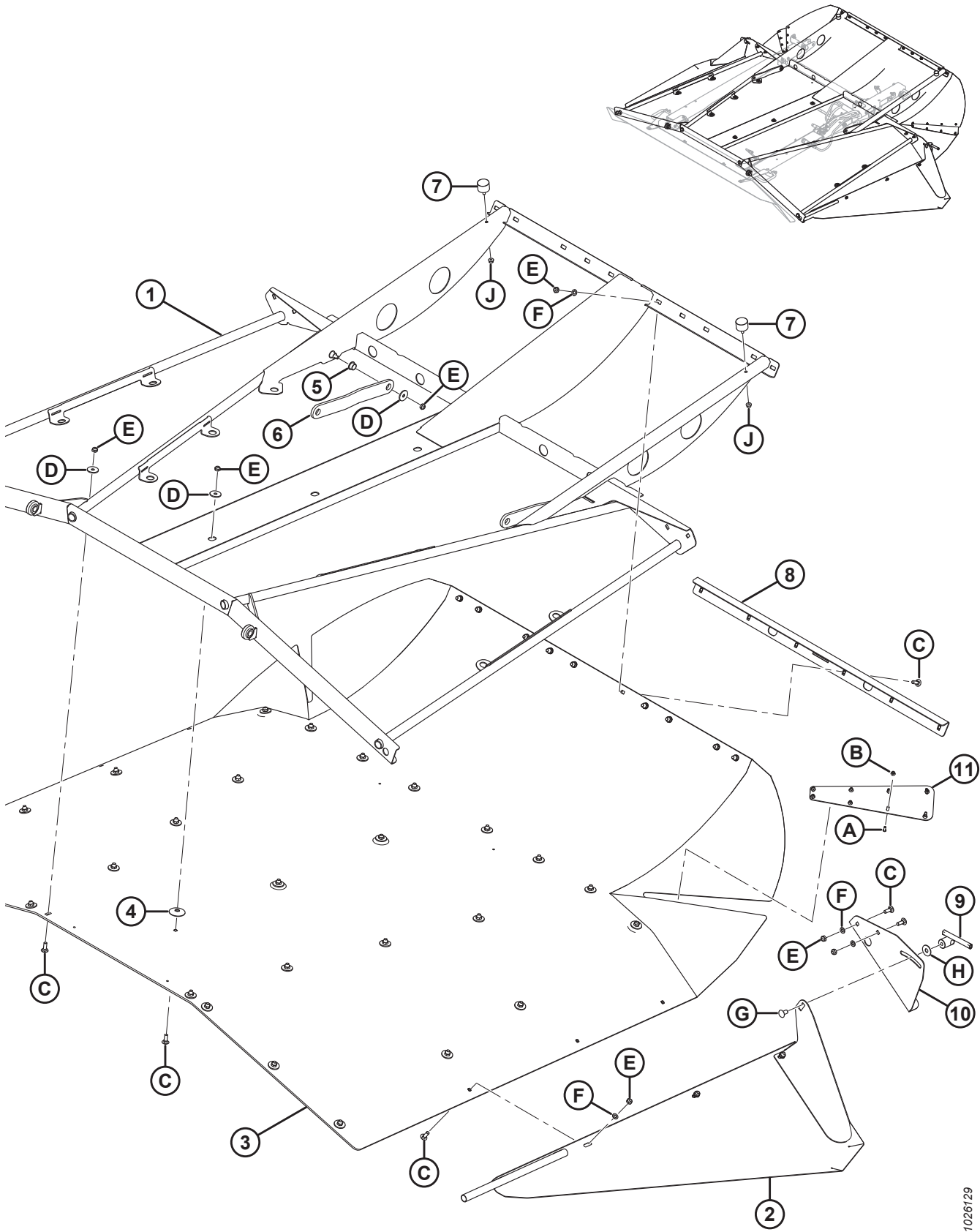
(OPTION) SERVICE FILTERS KIT

Ref	Part Number	Description	Qty	Serial Number
1	111974	FILTER – OIL	1	
2	205028	FILTER – FUEL, PRIMARY	1	
3	205029	FILTER – FUEL, SECONDARY	1	
4	201713	ELEMENT – FILTER, HYDRAULIC	1	
5	320360	FILTER – HYD C/W 2X SEALS <sup>192</sup>	1	
6	111955	FILTER – AIR, SECONDARY	1	
7	111954	FILTER – AIR PRIMARY	1	

---

192. Includes hydraulic filter element (NSS), O-Ring (NSS), and instructions.

# 128 (Option) Swath Compressor – Frame



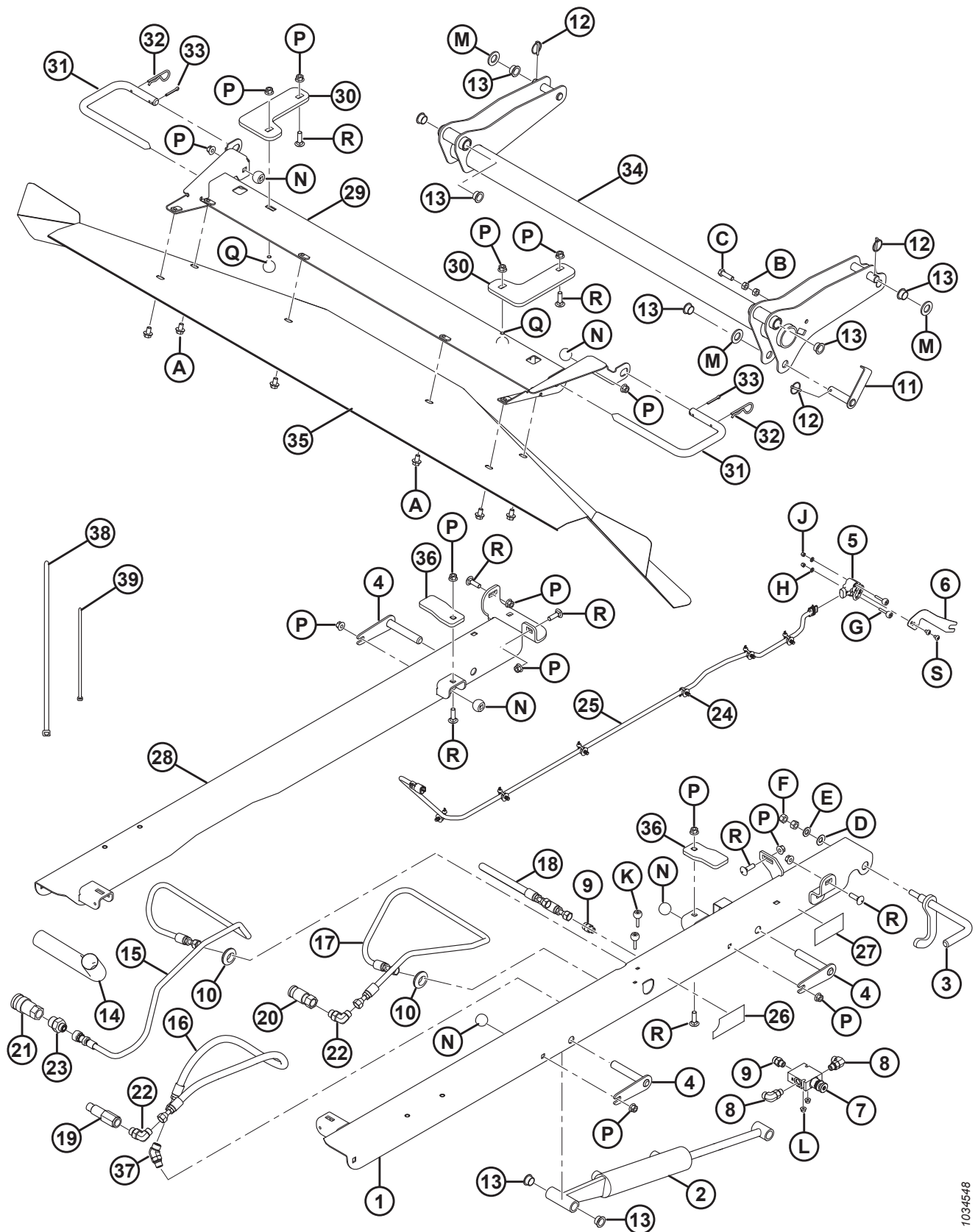


(OPTION) SWATH COMPRESSOR – FRAME

Ref	Part Number	Description	Qty	Serial Number
	B6995	KIT – SWATH COMPRESSOR FOR M1 <sup>193</sup>		
1	306660	SUPPORT – DEFLECTORS	1	
2	306661	DEFLECTOR – LH WELDMENT	1	
	306662	DEFLECTOR – RH WELDMENT	1	
3	277323	SHEET – SWATH COMPRESSOR	1	
4	128697	DISC – RETAINER	21	
5	128737	BUSHING – FLANGE	2	
6	128729	ARM – LOWER	2	
7	203350	BUMPER – RUBBER	2	
8	128740	ANGLE – REAR TOP	1	
9	247693	ASSEMBLY – HANDLE	2	
10	277405	SUPPORT – REAR DEFLECTOR	1	
	277414	SUPPORT – REAR DEFLECTOR, RH	1	
11	277409	STRAP – JOINING	2	
A	191393	BOLT – HEX SOC M6 X 1 X 20-12.9-AB0R		
B	152668	NUT – HEX FLG CTR LOC M6 X 1-8-A2L		
C	252872	SCREW – FLG BTN HD M10 X 30-10.9-AA1J		
D	16652	WASHER – FLAT		
E	184692	NUT – HEX NYLOC M10 X 1.5-8-A3L		
F	184711	WASHER – FLAT REG M10-200HV-A3L		
G	152439	BOLT – RHSSN M12 X 1.75 X 25-8.8-A3L		
H	32247	WASHER – FLAT		
J	135337	NUT – HEX FLG CTR LOC M8 X 1.25-8-A2L		

193. Kits available through Whole Goods only.

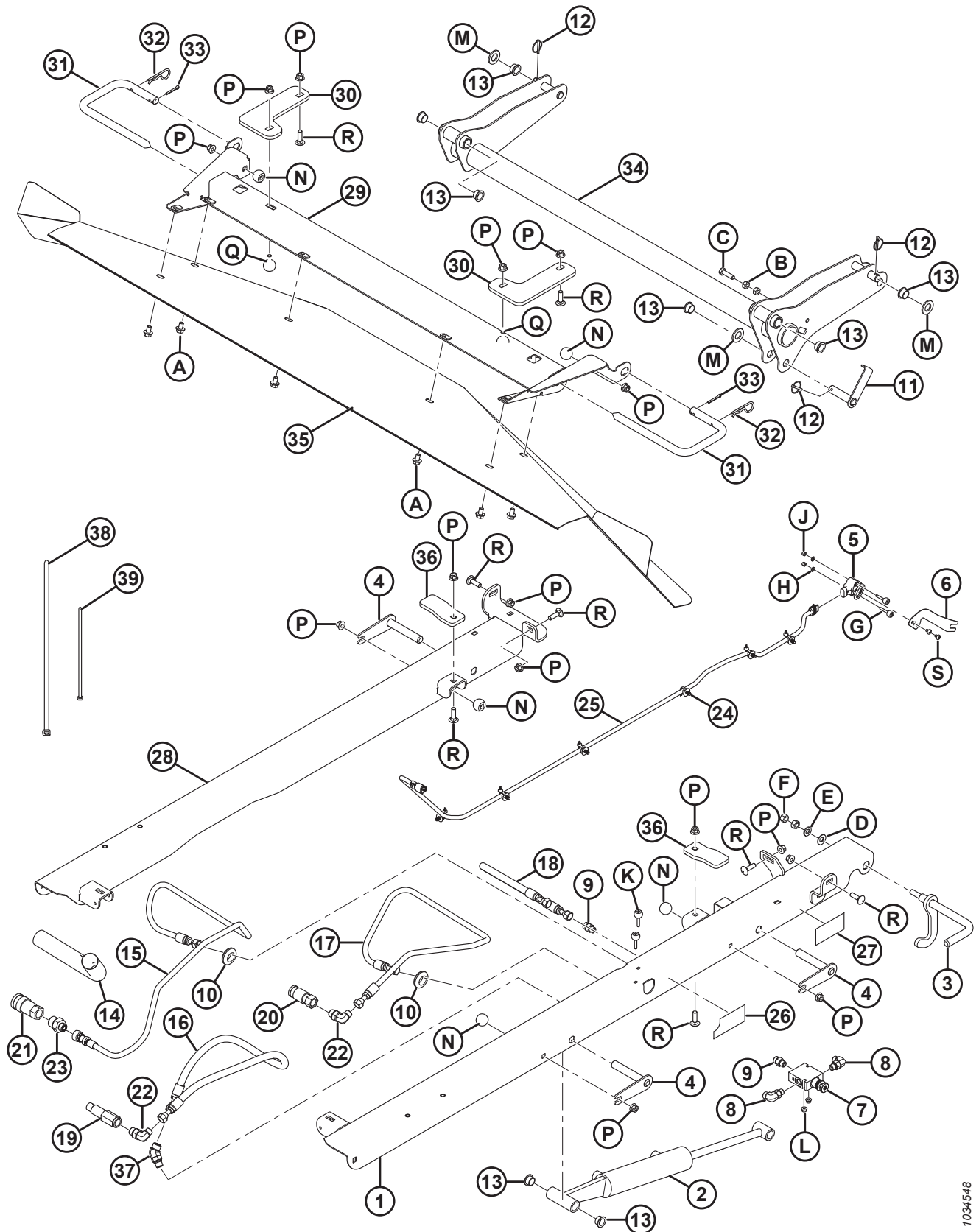
# 129 (Option) Swath Compressor – Hydraulics and Supports



(OPTION) SWATH COMPRESSOR – HYDRAULICS AND SUPPORTS

Ref	Part Number	Description	Qty	Serial Number
1	128780	SUPPORT – LH WELD'T	1	
2	128764	CYLINDER	1	
3	128768	LEVER – LOCK PIN WELD'T	1	
4	128788	PIN – PIVOT, WELD'T	3	
5	128994	ROTARY SENSOR HV	1	
6	128773	ARM – SENSOR	1	
7	128789	VALVE – PRESSURE REDUCING	1	
8	136095	FITTING – ELBOW 90° HYD	2	
9	135778	FITTING – ADAPTER	2	
10	42046	GROMMET	2	
11	277331	PIN – CYLINDER, WELD'T	1	
12	50193	PIN – LYNCH	3	
13	128737	BUSHING – FLANGE	10	
14	112940	SLEEVE	1	
15	277042	HOSE – HYD	1	
16	277041	HOSE – HYD	1	
17	277041	HOSE – HYD	1	
18	232597	HOSE – HYD	1	
19	135386	COUPLER – MALE HYD. 3/8 IN. FLAT FACE	1	
20	135312	COUPLER – FEMALE HYD. 3/8 IN. FLAT FACE	1	
21	135474	COUPLER – HYDRAULIC, 1/2 IN FEMALE FF	1	
22	136149	FITTING – ELBOW 90° HYD C/W O-RING	2	
23	136194	FITTING – ADAPTER	1	
24	136655	FASTENER – FIR TREE MT W/ TIE	6	
25	209256	HARNESS – SWATH COMPRESSOR	1	
26	128973	DECAL – DOWN FORCE	1	
27	291638	DECAL – UP LOCK	1	
28	128781	SUPPORT – RH WELD'T	1	
29	128762	SUPPORT – FRONT PIVOT, WELD'T	1	
30	128776	BAR – CLAMP	2	
31	128756	PIN – PIVOT	2	
32	13125	PIN – HAIR	2	
33	18648	PIN – COTTER 3/16 DIA X 1.25 ZP	2	
34	128770	ROCKSHAFT – LIFT, WELD'T	1	
35	310620	DEFLECTOR – FRONT	1	
36	277435	BAR – CLAMP	2	
37	136144	FITTING – ELBOW 45° HYD	1	
38	30753	FASTENER – CABLE TIE BLACK, 305 MM LG	2	
39	21763	FASTENER – CABLE TIE BLACK, 160 MM LG	1	
A	136151	BOLT – HEX FLG HD TFL M10 X 1.5 X 16-8.8-A3L		
B	30505	NUT – HEX M10 X 1.5-10-A3L		
C	30628	BOLT – HEX HD M10 X 1.5 X 35-8.8-A3L		
D	184595	WASHER – CONICAL SPRING 1/2 IN.		
E	184714	WASHER – FLAT REG M12-300HV-A3L		

(OPTION) SWATH COMPRESSOR – HYDRAULICS AND SUPPORTS

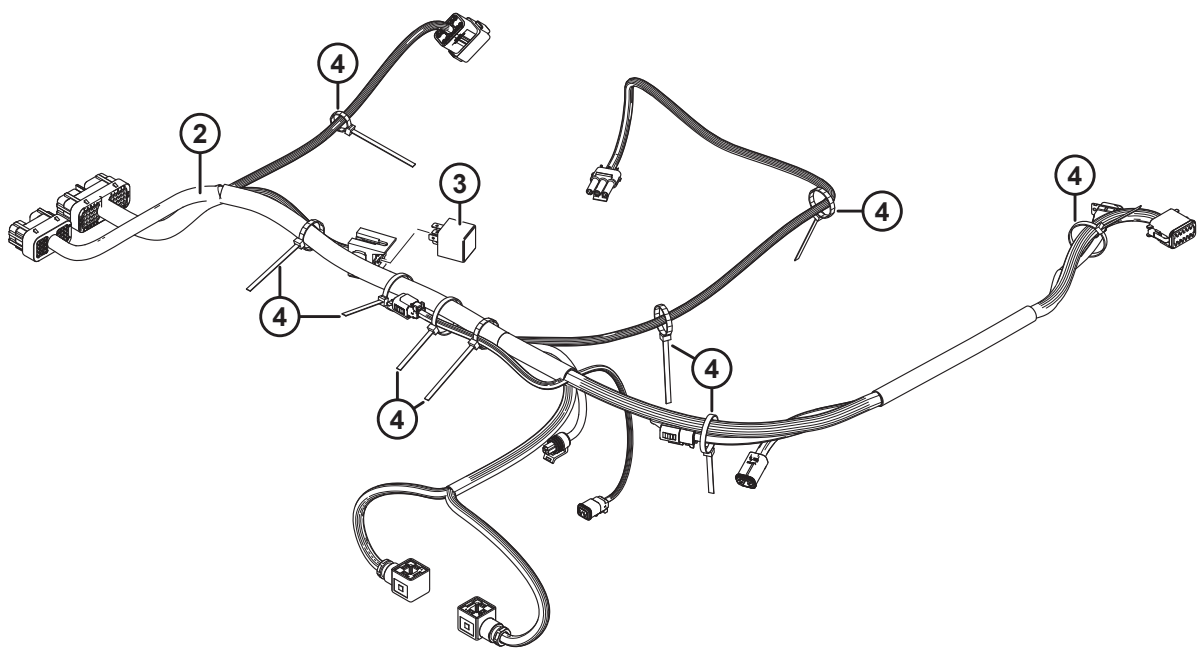
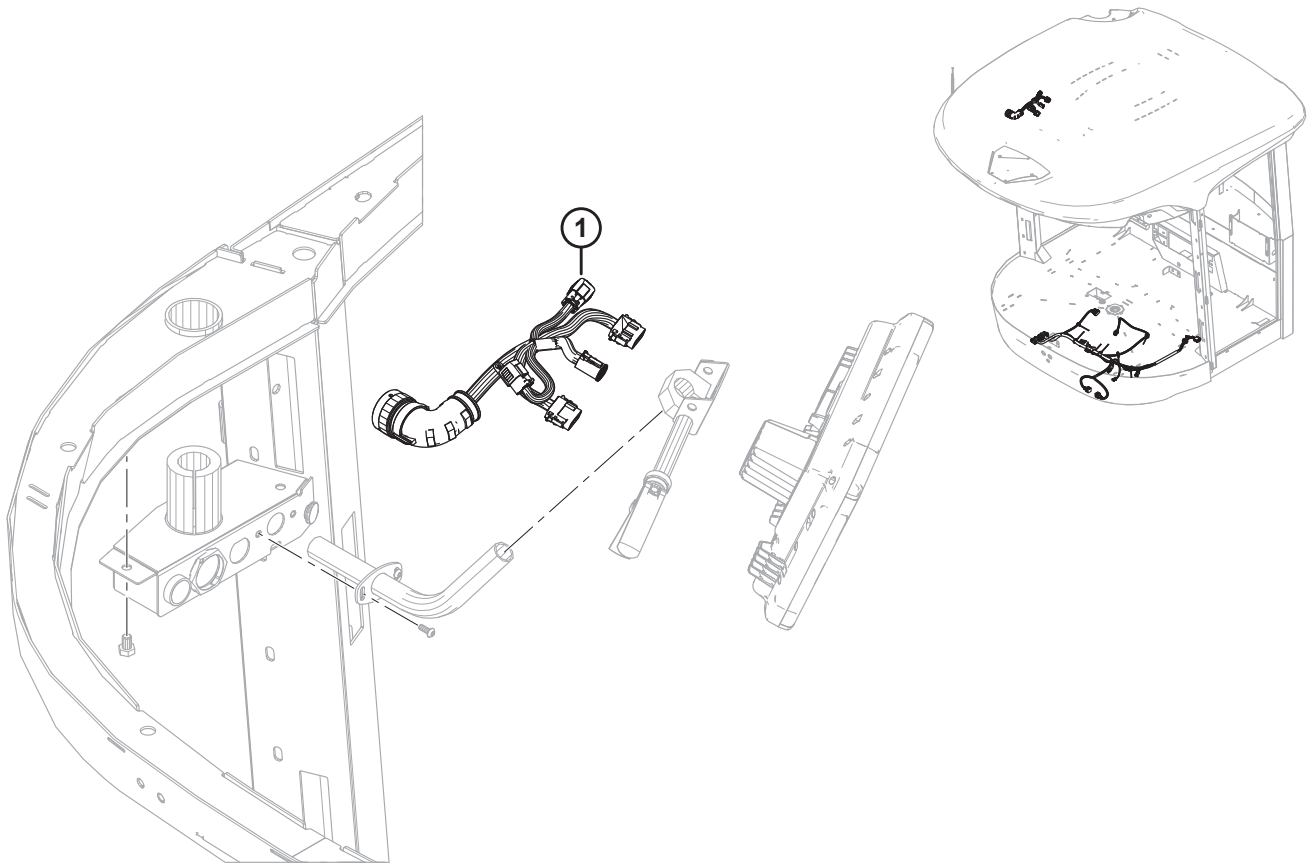


1034548

(OPTION) SWATH COMPRESSOR – HYDRAULICS AND SUPPORTS

Ref	Part Number	Description	Qty	Serial Number
F	184694	NUT – HEX M12 X 1.75-8-A3L		
G	136604	BOLT – RHSN TFL M5 X 0.8 X 40-8.8-AA2L		
H	18798	WASHER – FLAT SAE 7/32 ID X 7/16 IN OD ZP		
J	197230	NUT – HEX NYLOC M5 X 0.8-8-A2L		
K	136731	BOLT – RHSN M6 X 1 X 45-8.8-A2L		
L	152668	NUT – HEX FLG CTR LOC M6 X 1-8-A2L		
M	18601	WASHER – SAE FLAT 13/16 ID X 1.5 IN OD ZP		
N	136178	BOLT – RHSN M10 X 1.5 X 20-8.8-A3L		
P	135799	NUT – HEX FLG CTR LOC M10 X 1.5-10-A3L		
Q	152732	BOLT – RHSN M10 X 1.5 X 40-8.8-A3L		
R	135691	BOLT – RHSN TFL M10 X 1.5 X 35-8.8-A3L		
S	252291	SCREW – PAN HD M6 X 1 X 8-8.8-A2L		

# 130 (Option) Trimble® Autopilot™ – Electrical (2021–2022)



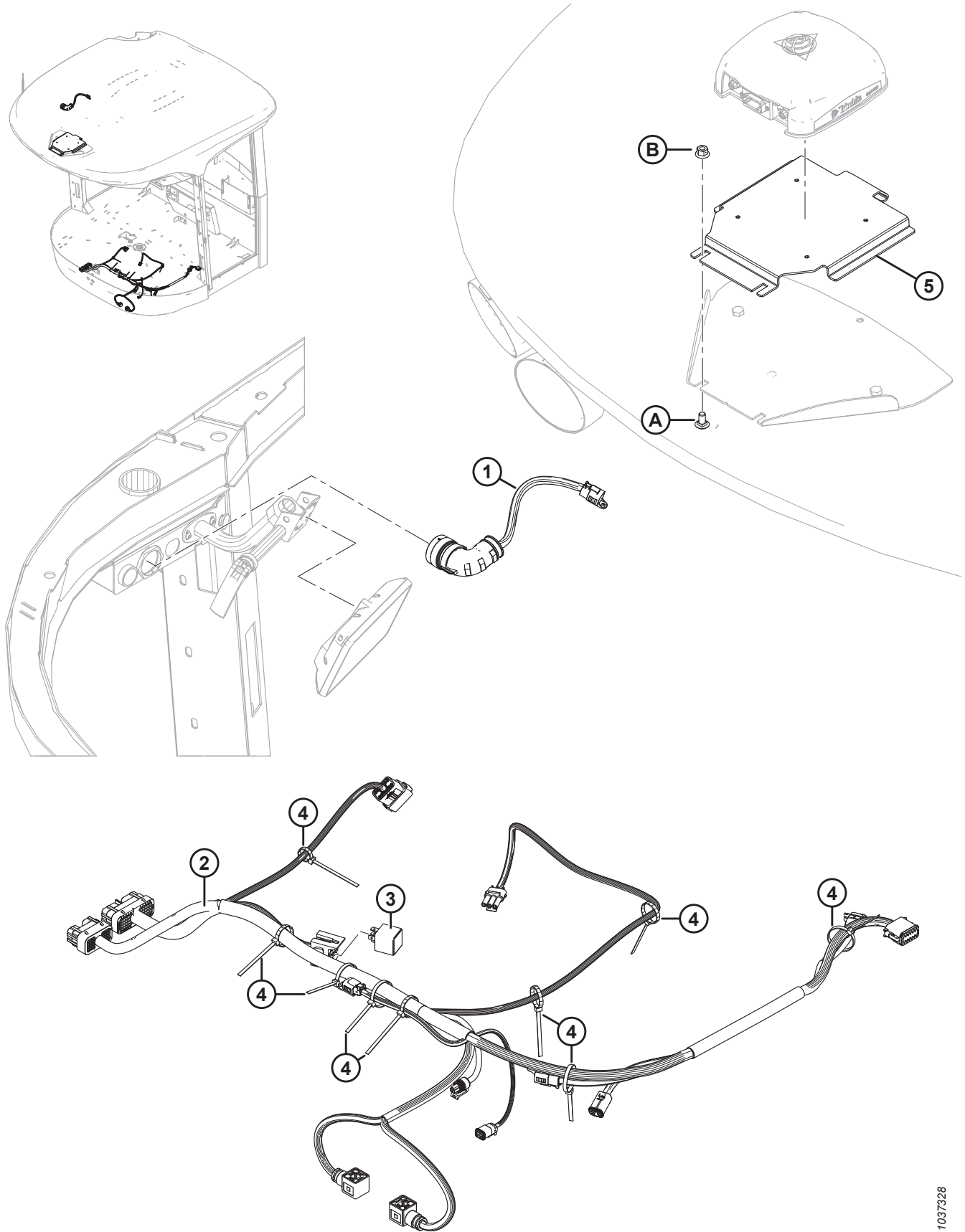
(OPTION) TRIMBLE® AUTOPILOT™ – ELECTRICAL (2021–2022)

Ref	Part Number	Description	Qty	Serial Number
	B6601	KIT – TRIMBLE AUTOPILOT READY (MY 2019–2022) <sup>194</sup>		–451189
1	141493	HARNESS – ADAPTER, TRIMBLE DISPLAY	1	–451189
2	207957	HARNESS – AUTOSTEER, TRIMBLE, GPS	1	–451189
3	30215	RELAY – MINI, 12VDC	1	–451189
4	21763	FASTENER – CABLE TIE, BLACK, 160 MM LG	10	–451189

---

194. The kit includes all listed parts in this Section (Trimble® Autopilot™ – Electrical and Display Mount) and all listed parts in Section [132 \(Option\) Trimble® Autopilot™ – Hydraulics, page 301](#). Kits are available through Whole Goods only.

# 131 (Option) Trimble® Autopilot™ – Electrical (2023)



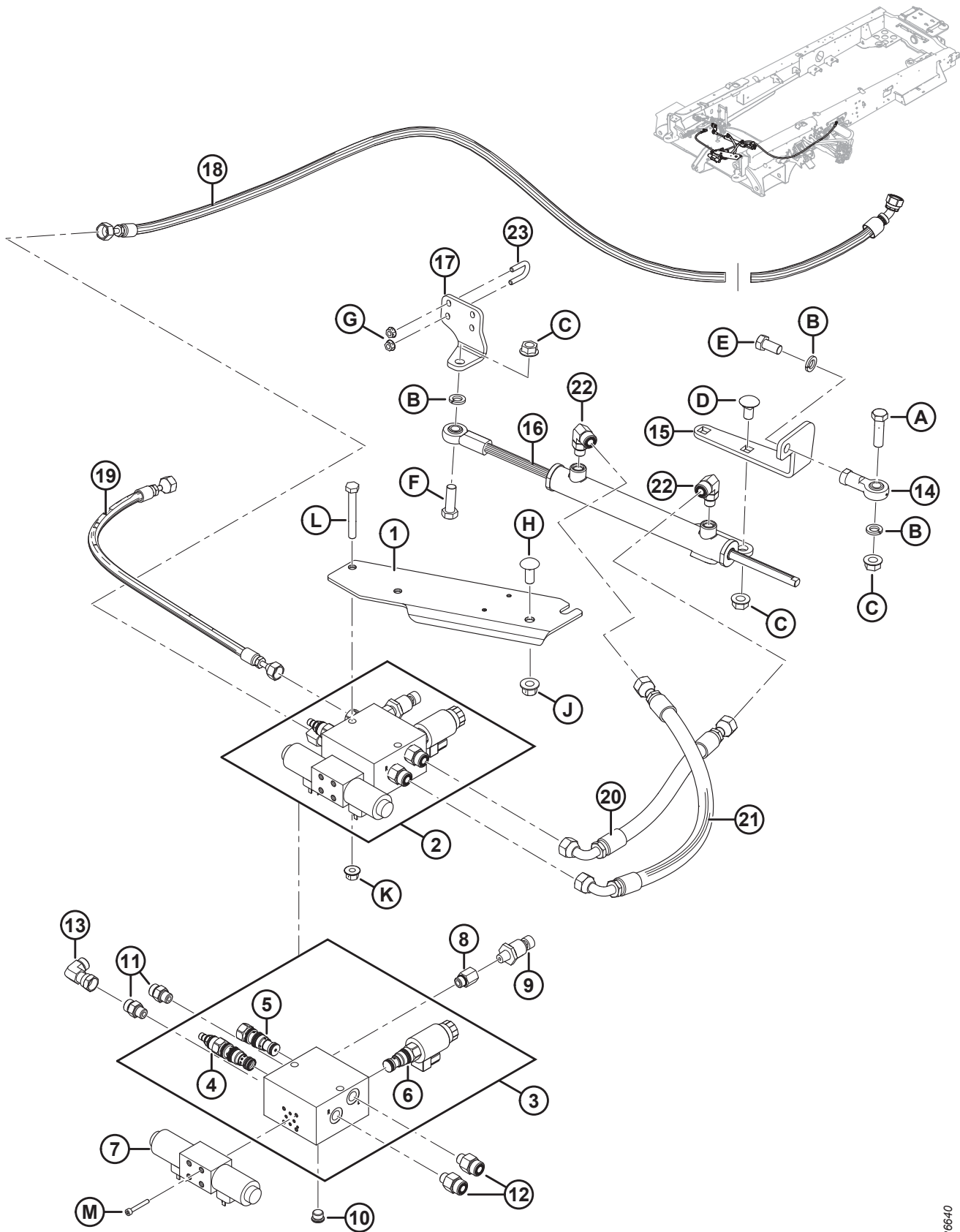


(OPTION) TRIMBLE® AUTOPILOT™ – ELECTRICAL (2023)

Ref	Part Number	Description	Qty	Serial Number
	B9032	KIT – TRIMBLE AUTOPILOT GFX (MY 2023) <sup>195</sup>		451190–
1	309045	HARNESS – POWER, GFX DISPLAY	1	451190–
2	207957	HARNESS – AUTOSTEER, TRIMBLE, GPS	1	451190–
3	30215	RELAY – MINI, 12VDC	1	451190–
4	21763	FASTENER – CABLE TIE, BLACK, 160 MM LG	10	451190–
5	309037	BRACKET – NAV-900 ANTENNA MOUNT	1	451190–
A	184657	BOLT – RHSSN M10 X 1.5 X 20-8.8-AA1J		
B	135799	NUT – HEX FLG CTR LOC M10 X 1.5-10		

195. The kit includes all listed parts in this Section and all listed parts in Section [132 \(Option\) Trimble® Autopilot™ – Hydraulics, page 301](#). Kits are available through Whole Goods only.

# 132 (Option) Trimble® Autopilot™ – Hydraulics



**(OPTION) TRIMBLE® AUTOPILOT™ – HYDRAULICS**

Ref	Part Number	Description	Qty	Serial Number
	B6601	KIT – TRIMBLE AUTOPILOT READY (MY 2019–2022) <sup>196</sup>		–451189
	B9032	KIT – TRIMBLE AUTOPILOT GFX (MY 2023) <sup>197</sup>		451190–
1	205092	SUPPORT – MANIFOLD MOUNT	1	
2	205764	VALVE – STEERING MANIFOLD ASSY, COMPLETE <sup>198</sup>	1	
3	<b>173656</b>	<b>VALVE – STEERING MANIFOLD ASSEMBLY</b> <sup>199</sup>	<b>1</b>	
4	173040	VALVE – PRESSURE REDUCING/RELIEF	1	
	173559	SEAL KIT		
5	173069	VALVE – DIRECTIONAL SHUTTLE	1	
	173559	SEAL KIT		
6	173590	VALVE – DIRECTIONAL C/W COIL	1	
	173560	SEAL KIT		
	173561	COIL		
7	173029	VALVE – PROPORTIONAL DIRECTIONAL	1	
	173562	COIL		
	173563	RETAINER		
	173564	SEAL KIT		
8	53157	FITTING – ADAPTER HYD, C/W O-RING	1	
9	173116	SENDER – PRESSURE 500 PSI	1	
10	100577	PLUG – HEX SOCKET C/W O-RING	1	
11	135778	FITTING – ADAPTER	2	
	50219	O-RING – #6 ORB		
	135865	O-RING – #6 ORFS		
12	135779	FITTING – ADAPTER	2	
	50219	O-RING – #6 ORB		
	135866	O-RING – #8 ORFS		
13	136249	FITTING – ELBOW 90° HYD	1	
	135865	O-RING – #6 ORFS		
14	30083	JOINT – BALL	1	
15	202268	SUPPORT – CYLINDER BALL JOINT	1	
16	208650	CYLINDER – THROUGH ROD	1	
	173575	SEAL KIT		
17	166468	SUPPORT – CYLINDER END	1	
18	207821	HOSE – HYD, 1/4 IN I.D., 2000 MM LG	1	
19	207822	HOSE – HYD, 1/4 IN I.D., 600 MM LG	1	
20	205483	HOSE – HYD, 1/2 IN I.D., 320 MM LG	1	
21	202269	HOSE – HYD, 1/2 IN I.D., 500 MM LG	1	
22	136238	FITTING – ELBOW 90° HYD	2	

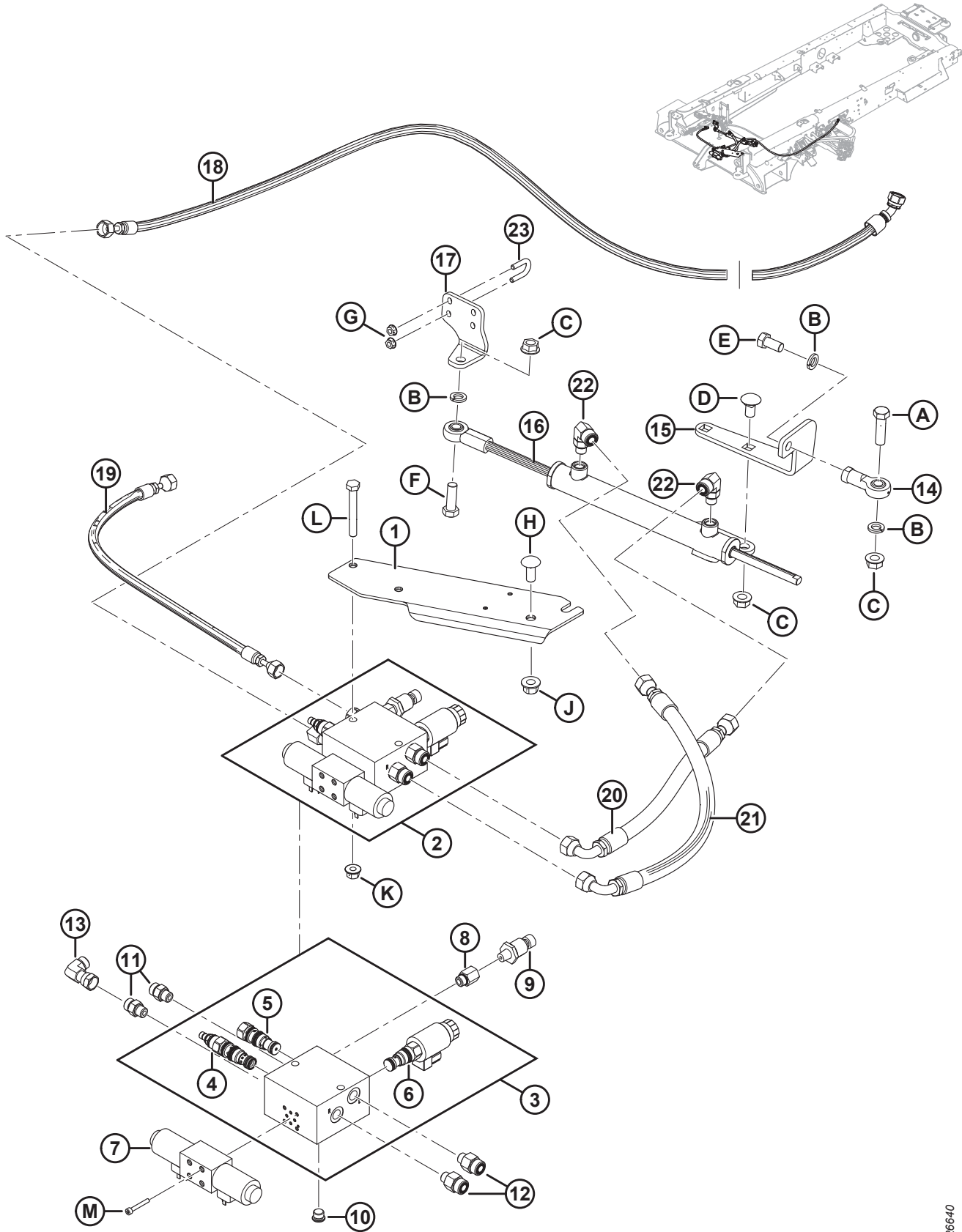
196. The kit includes all listed parts in this Section (Trimble® Autopilot™ – Hydraulics) and all listed parts in Section [130 \(Option\) Trimble® Autopilot™ – Electrical \(2021–2022\), page 297](#). Kits are available through Whole Goods only.

197. The kit includes all listed parts in this Section (Trimble® Autopilot™ – Hydraulics) and all listed parts in Section [131 \(Option\) Trimble® Autopilot™ – Electrical \(2023\), page 299](#). Kits are available through Whole Goods only.

198. Includes #3–13 and hardware M.

199. Includes pressure relief valve (MD #173040), directional shuttle valve (MD #173069), and directional valve (MD #173590).

(OPTION) TRIMBLE® AUTOPILOT™ – HYDRAULICS

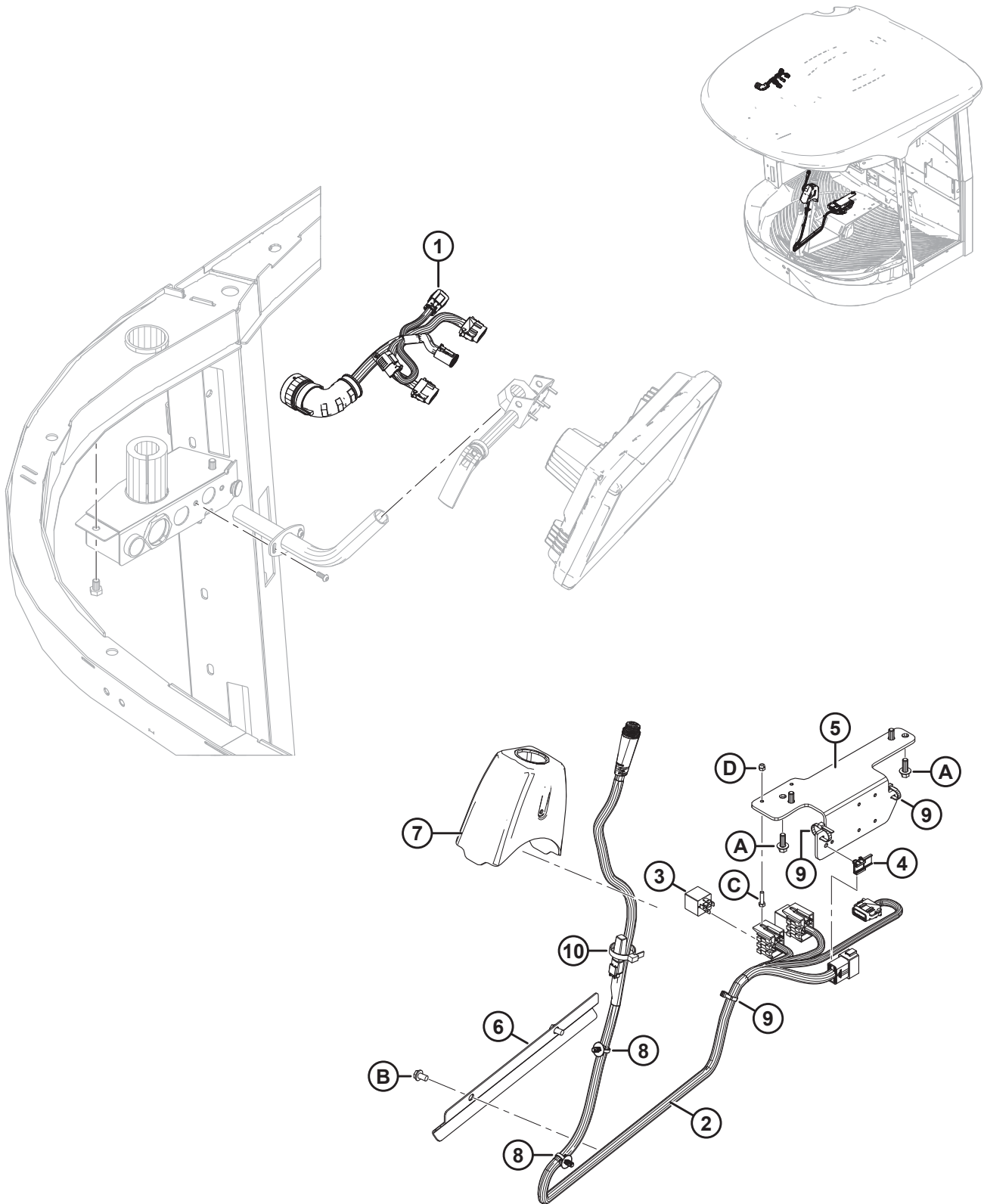


10266-40

(OPTION) TRIMBLE® AUTOPILOT™ – HYDRAULICS

Ref	Part Number	Description	Qty	Serial Number
23	166469	U-BOLT	2	
A	21565	BOLT – HH 1/2 NC X 1.75 LG GR 5 ZP		
B	18638	WASHER – REG. LOCK 1/2 IN. NOM. I.D. ZP		
C	50186	NUT – FLANGE LOCK SM FACE DT 0.500-13 UNC GR5		
D	21066	BOLT – RHSN 1/2-13 X 1-GR5-ZP		
E	30470	BOLT – HH 1/2 NF X 1.0 GR 5 ZP		
F	18723	BOLT – HH 1/2 NC X 1.5 LG TFL GR 5 ZP		
G	135248	NUT – FLG SMTH FACE 1/4-20 NC GR 5 ZP CTR LK DT THD		
H	152702	BOLT – RHSSN M12 X 1.75 X 30-8.8-A3L		
J	136431	NUT – HEX FLG CTR LOC M12 X 1.75-10-A3L		
K	135799	NUT – HEX FLG CTR LOC M10 X 1.5-10-A3L		
L	135657	BOLT – HEX HD M10 X 1.5 X 80-8.8-A3L		
M	320391	SCREW – HEX SOC HD #10-24 X 1.5 GR8-ZINC		

# 133 (Option) Trimble® EZ-Pilot® – Electrical (2021–2022)

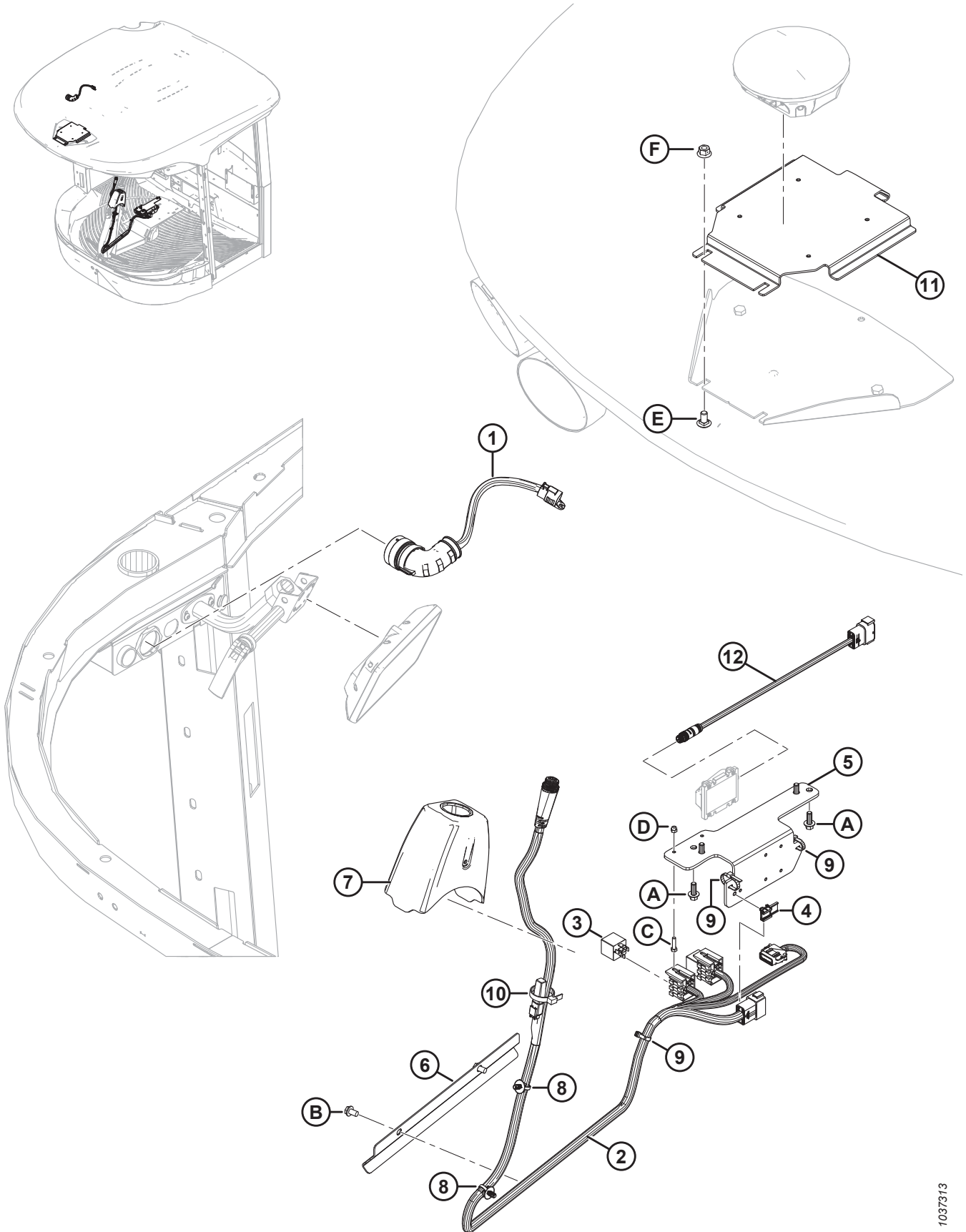


(OPTION) TRIMBLE® EZ-PILOT® – ELECTRICAL (2021–2022)

Ref	Part Number	Description	Qty	Serial Number
	B6602	KIT – TRIMBLE EZ-PILOT READY (MY 2019–2022) <sup>200</sup>		–451189
1	141493	HARNESS – ADAPTER, TRIMBLE DISPLAY	1	–451189
2	207956	HARNESS – EZ-PILOT GPS	1	–451189
3	30215	RELAY – MINI, 12 VDC	2	–451189
4	134612	CLIP – RECEPTACLE MOUNT	1	–451189
5	291054	SUPPORT – GPS MODULE	1	–451189
6	204769	GUIDE – WIRING	1	–451189
7	208815	TOP COVER – WITHOUT LIP	1	–451189
8	136655	FASTENER – FIR TREE MOUNT W/ TIE, 200 MM LG	2	–451189
9	21763	FASTENER – CABLE TIE, BLACK, 160 MM LG	3	–451189
10	30753	FASTENER – CABLE TIE, BLACK, 305 MM LG	1	–451189
A	136300	BOLT – HEX FLG HD TFL M8 X 1.25 X 20-8.8-AA3L		
B	50124	SCREW – HEX WASHER HD THD CUTTING		
C	184640	BOLT – HEX HD M5 X 0.8 X 20-8.8-A2L		
D	197230	NUT – HEX NYLOC M5 X 0.8-8-A2L		

200. The kit includes all listed parts. Kits are available through Whole Goods only.

# 134 (Option) Trimble® EZ-Pilot® – Electrical (2023)



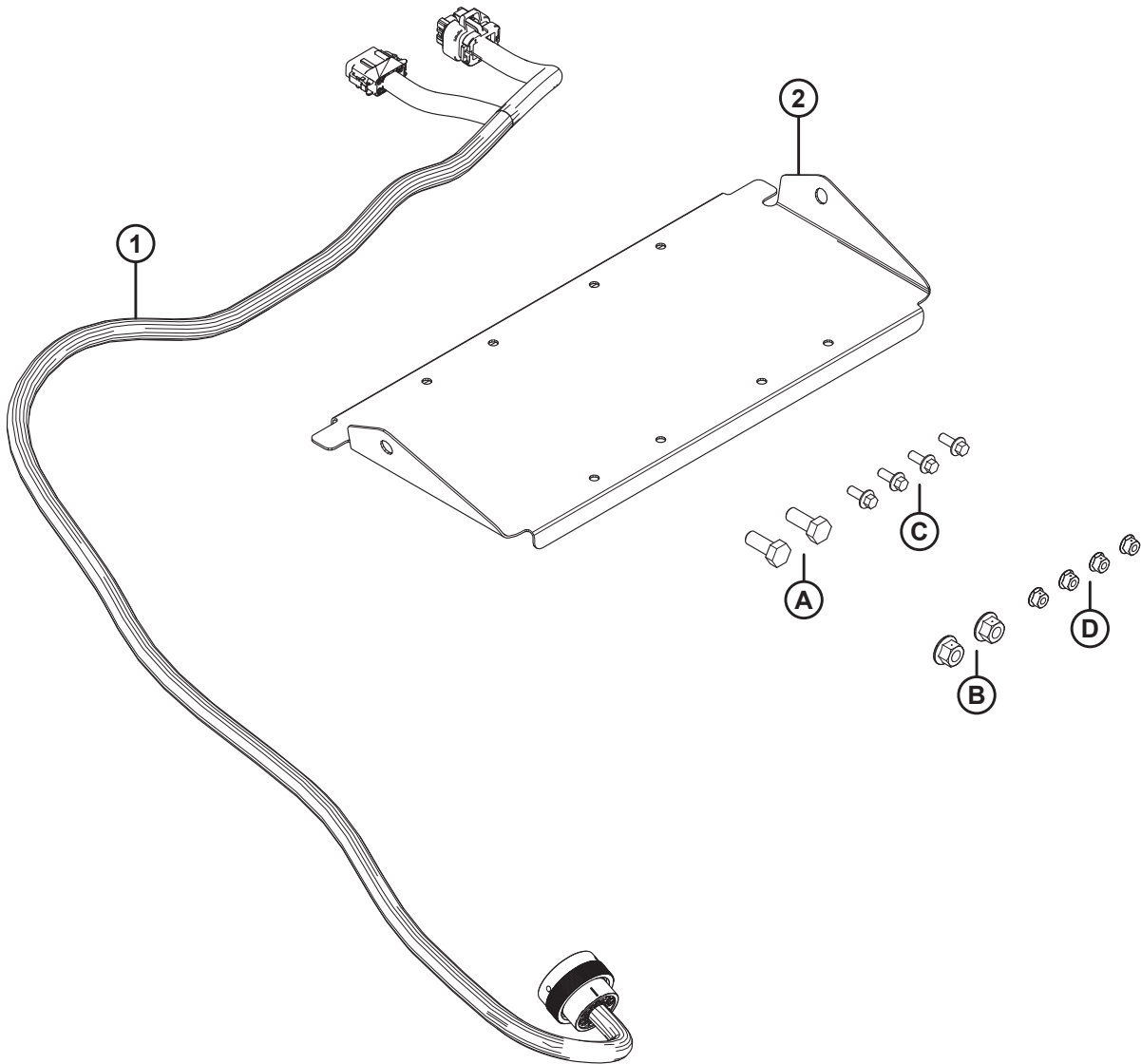


(OPTION) TRIMBLE® EZ-PILOT® – ELECTRICAL (2023)

Ref	Part Number	Description	Qty	Serial Number
	B9031	KIT – ELECTRIC MOTOR DRIVE READY, TRIMBLE GFX (MY 2023) <sup>201</sup>		451190–
1	309045	HARNESS – POWER, GFX DISPLAY	1	451190–
2	207956	HARNESS – EZ-PILOT GPS	1	451190–
3	30215	RELAY – MINI, 12 VDC	2	451190–
4	134612	CLIP – RECEPTACLE MOUNT	1	451190–
5	291054	SUPPORT – GPS MODULE	1	451190–
6	204769	GUIDE – WIRING	1	451190–
7	208815	TOP COVER – WITHOUT LIP	1	451190–
8	136655	FASTENER – FIR TREE MOUNT W/ TIE, 200 MM LG	2	451190–
9	21763	FASTENER – CABLE TIE, BLACK, 160 MM LG	3	451190–
10	30753	FASTENER – CABLE TIE, BLACK, 305 MM LG	1	451190–
11	309037	BRACKET – NAV-900 ANTENNA MOUNT	1	451190–
12	309057	HARNESS – ADAPTER, IMD-900	1	451190–
A	136300	BOLT – HEX FLG HD TFL M8 X 1.25 X 20-8.8-AA3L		
B	50124	SCREW – HEX WASHER HD THD CUTTING		
C	184640	BOLT – HEX HD M5 X 0.8 X 20-8.8-A2L		
D	197230	NUT – HEX NYLOC M5 X 0.8-8-A2L		
E	184657	BOLT – RHSSN M10 X 1.5 X 20-8.8-AA1J		
F	135799	NUT – HEX FLG CTR LOC M10 X 1.5-10		

201. The kit includes all listed parts. Kits are available through Whole Goods only.

# 135 (Option) Trimble® TMX Compatibility Kit



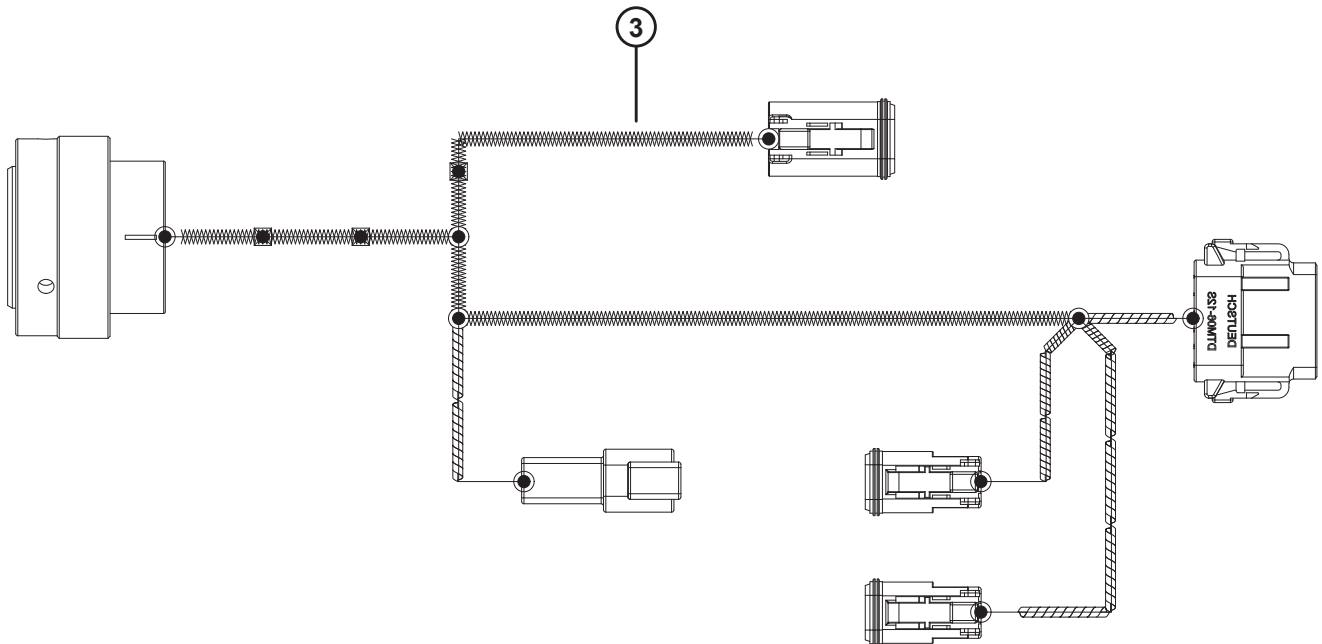
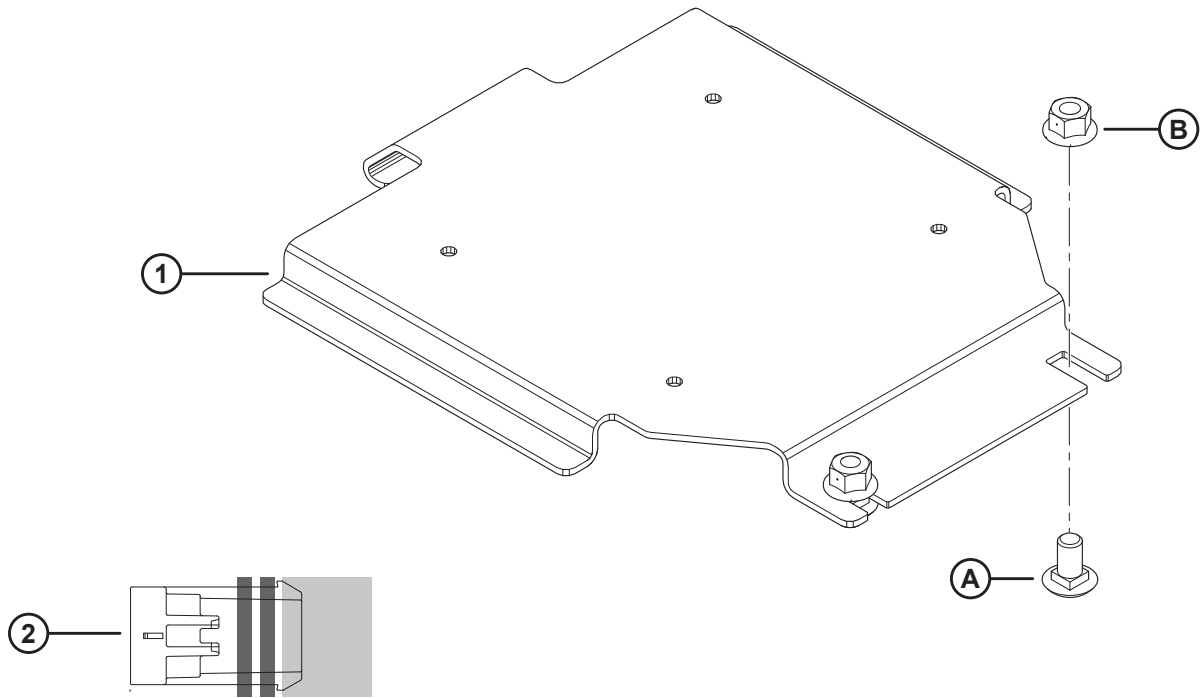
(OPTION) TRIMBLE® TMX COMPATIBILITY KIT

Ref	Part Number	Description	Qty	Serial Number
	141721	KIT – TRIMBLE TMX COMP <sup>202</sup>		
1	141492	HARNESS – ADAPTER, TRIMBLE TMX	1	
3	291610	SUPPORT – TM 200	1	
A	30627	BOLT – HEX HD TFL M10 X 1.5 X 25-8.8-A3L		
B	135799	NUT – HEX FLG CTR LOC M10 X 1.5-10		
C	135959	BOLT – HEX FLG HD M6 X 1 X 16-10.9-A2L		
D	152668	NUT – HEX FLG CTR LOC M6 X 1-8		

---

202. Includes adapter harness MD #141492, support MD #291610, hardware, and instructions.

# 136 (Option) Trimble® GFX Compatibility for M1 Series (2021–2022)



**(OPTION) TRIMBLE® GFX COMPATIBILITY FOR M1 SERIES (2021–2022)**

**NOTE:**

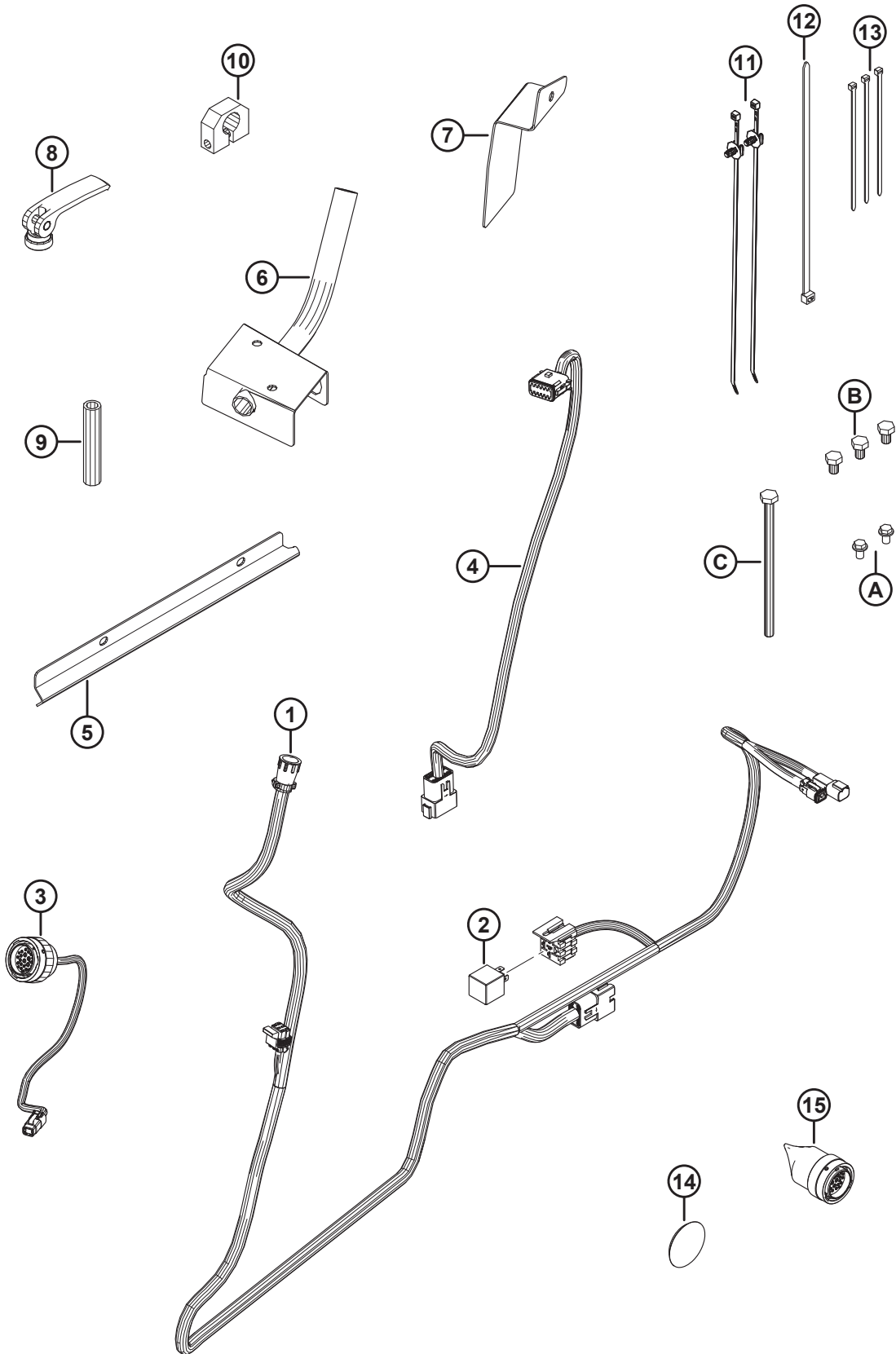
The Trimble® GFX Compatibility kit (MD #B9005) is required if using a Trimble® GFX display on model year 2022 and prior windrowers. Model year 2023 windrowers are compatible with GFX displays from the factory.

<b>Ref</b>	<b>Part Number</b>	<b>Description</b>	<b>Qty</b>	<b>Serial Number</b>
	B9005	KIT – M1 SERIES TRIMBLE GFX <sup>203</sup>		
1	309037	BRACKET – NAV-900 ANTENNA MOUNT	1	
2	309044	JUMPER – GPS, TBC 2019	1	
3	309034	HARNESS – GFX, EZ/AUTO-PILOT	1	
A	184657	BOLT – RHSSN M10 X 1.5 X 20-8.8-AA1J		
B	135799	NUT – HEX FLG CTR LOC M10 X 1.5-10		

---

203. Kits available through Whole Goods only.

# 137 (Option) Aftermarket GPS Steering Wheel Kits

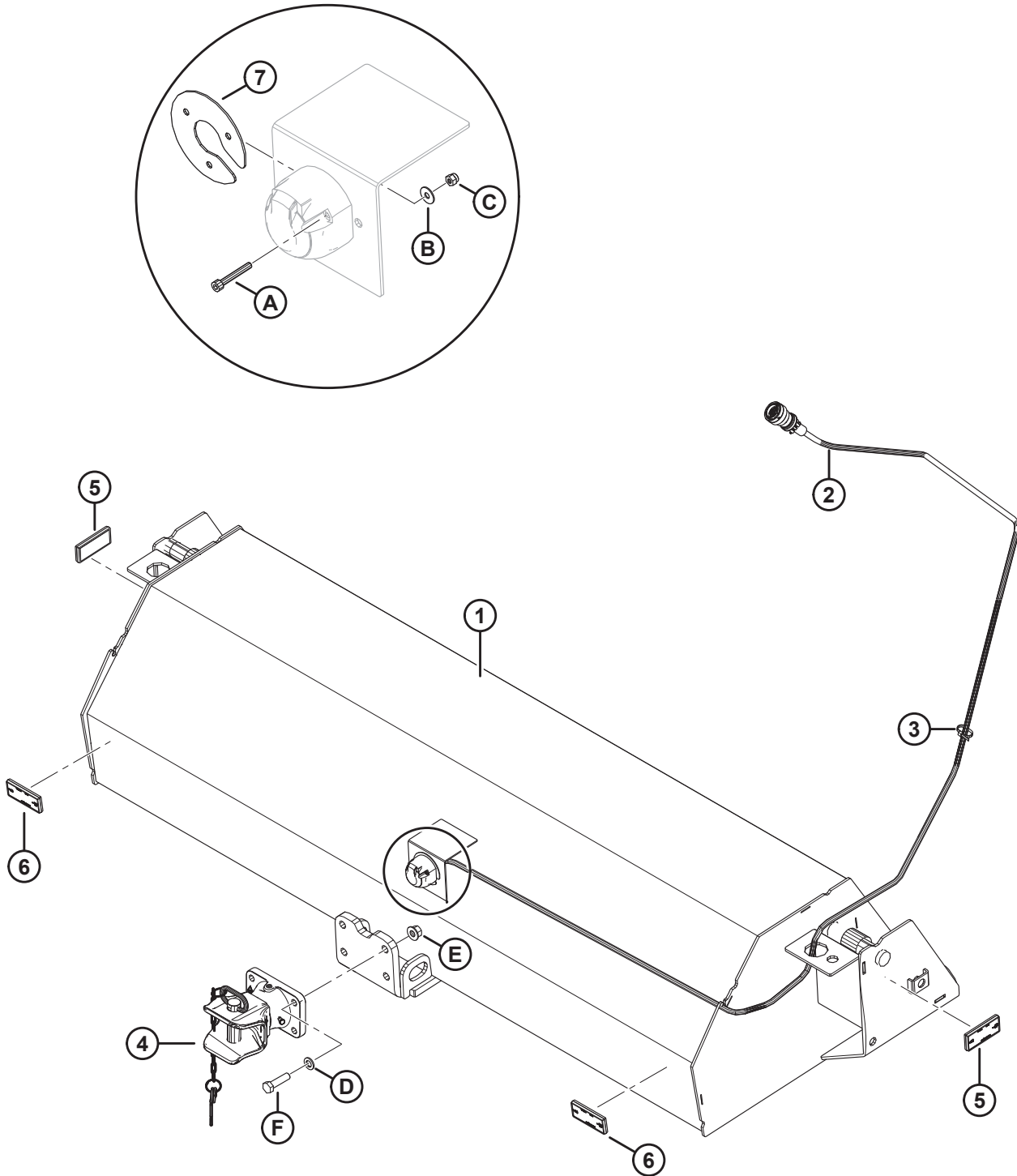


(OPTION) AFTERMARKET GPS STEERING WHEEL KITS

Ref	Part Number	Description	Qty	Serial Number
	309028	KIT – AFTERMARKET GPS ON WHEEL <sup>204</sup>		
1	209422	HARNESS – ATU	1	
2	30215	RELAY – MINI, 12 VDC	1	
3	207949	HARNESS – ADAPTER, JD E-STOP	1	
4	141490	HARNESS – EXT., ANTENNA W1	1	
5	204769	GUIDE – WIRING	1	
6	205592	SUPPORT WELDT – GPS DISPLAY	1	
7	206451	COVER – GPS SUPPORT	1	
8	136696	LEVER	1	
9	205598	SPACER – GPS DISPLAY	1	
10	306097	CLAMP – GPS DISPLAY	1	
11	136655	FASTENER – FIR TREE MT W/ TIE	2	
12	30753	FASTENER – CABLE TIE, BLACK, 305 MM LG	1	
13	21763	FASTENER – CABLE TIE, BLACK, 160 MM LG	3	
14	306074	CAP – GPS BULKHEAD	1	
15	309024	PLUG – ADAPTER, W1	1	
A	50124	SCREW – HEX WASHER HD THD CUTTING		
B	50071	BOLT – HEX HD TFL M10 X 1.5 X 15-8.8-AA1J		
C	158658	BOLT – HEX HD M10 X 1.5 X 180-10.9-AA1J		

204. Includes ATU harness (MD #209422), relay (MD #30215), wiring guide (MD #204769), cap (MD #306074), plug (MD #309024), screw (MD #50124), and instructions.

# 138 (Option) Weight Box – Narrow Transport





(OPTION) WEIGHT BOX – NARROW TRANSPORT

Ref	Part Number	Description	Qty	Serial Number
	B6974	KIT – WEIGHT BOX, NARROW TRANSPORT <sup>205</sup>		
	B9052	KIT – HARNESS AND HITCH PIN FOR WEIGHT BOX <sup>205</sup>		
1	310073	FRAME – WEIGHT BOX WELDMENT	1	
2	346289	HARNESS – WEIGHT BOX, ISO	1	
3	21763	FASTENER – CABLE TIE, BLACK, 160 MM LG	1	
4	346207	ASSEMBLY – HITCH CLEVIS	1	
5	346208	REFLECTOR – AMBER, ADHESIVE	2	
6	346209	REFLECTOR – RED, ADHESIVE	2	
7	346315	SPACER – CONNECTOR	1	
A	173117	SCREW – HEX SOC HD M5 X 0.8 X 35-8.8-AA1J		
B	184701	WASHER – FLAT LARGE M5-200HV		
C	197230	NUT – HEX NYLOC M5 X 0.8-8-AA1J		
D	184717	WASHER – FLAT REG M16-200HV-AA1J		
E	136440	NUT – HEX FLG CTR LK M16 X 2-10-AA1J		
F	136141	BOLT – HEX HD M16 X 2 X 60-8.8-AA1J		

205. Kits available through Whole Goods only.



# Index

1246 .....	152	248, 250, 254, 256, 258, 270, 294, 298, 300, 306,	
5744 .....	152	308, 314, 316	
5745 .....	152	21810.....	84
6647 .....	34	21854.....	276
7536 .....	42	21947.....	234
7674 .....	154	21980.....	188
9423 .....	50	21995.....	204
11695.....	6	23050.....	54
13125.....	294	23165.....	262
13617.....	46, 146	25321.....	140
14294.....	146	28700.....	140
16652.....	2, 292	30045.....	152, 158
17675.....	50	30083.....	302
18599.....	140	30191.....	168
18601.....	66, 296	30200.....	168
18602.....	148	30203.....	168
18604.....	68	30205.....	168
18605.....	68, 244	30215.....	94, 298, 300, 306, 308, 314
18606.....	134	30228.....	8, 10
18609.....	2, 32, 42	30243.....	36
18637.....	152, 206	30278.....	172
18638.....	304	30331.....	28
18639.....	152	30346.....	152
18648.....	50, 134, 294	30470.....	304
18671.....	32, 38	30492.....	104
18723.....	304	30500.....	12, 16, 28, 76, 78
18728.....	68	30505.....	6, 42, 66, 146, 150, 270, 294
18798.....	88, 92, 296	30516.....	134
18810.....	150	30524.....	288
19685.....	216	30591.....	146, 180
19739.....	6, 46, 134	30626.....	24, 28
20023.....	76, 78	30627.....	6, 46, 310
20077.....	152	30628.....	54, 150, 294
20214.....	148	30632.....	42, 152
21005.....	34	30633.....	148, 150, 210
21006.....	158	30635.....	8, 10, 114
21046.....	12, 16	30655.....	102, 208
21055.....	106	30659.....	148
21066.....	304	30660.....	146
21095.....	2	30682.....	150, 152
21153.....	38	30715.....	114
21235.....	164	30716.....	68, 148
21264.....	206	30753.....	12, 16, 124, 204, 232, 246, 248, 250, 254, 256,
21357.....	38		294, 306, 308, 314
21358.....	38	30937.....	16
21565.....	160, 304	30963.....	152
21566.....	276	30971.....	64, 154, 158, 160, 166, 174, 182, 186, 188, 194,
21574.....	276		204, 208, 276
21581.....	160	30977.....	218
21762.....	148	31889.....	232
21763.....	12, 16, 24, 28, 50, 58, 64, 68, 94, 106, 116, 124,	32247.....	148, 292
	140, 142, 190, 208, 210, 212, 214, 216, 220, 232,	35618.....	8, 10, 92
		38854.....	152

## INDEX

39272.....	88	109479.....	134
40701.....	154, 210, 220	109505.....	142
40702.....	24, 56, 124, 154, 210, 218	109585.....	114
40703.....	218	109598.....	114
40704.....	222	109603.....	68, 70
42030.....	160	109611.....	134
42039.....	150	109740.....	114
42046.....	294	109750.....	140, 146
42075.....	120	109751.....	134
42080.....	76, 78, 196	109779.....	134
42292.....	106, 108, 120	109797.....	104
42415.....	88, 94, 106, 114	109807.....	146
42469.....	124	109818.....	146
42497.....	42	109822.....	114
42765.....	168	109850.....	128
44209.....	2, 46, 160, 174, 178, 182, 194, 202, 218, 220, 222, 226	109860.....	128, 130
44210.....	64, 154, 158, 160, 166, 182, 186, 188, 202	109862.....	128
45155.....	196	109918.....	98
45427.....	12, 16	109968.....	128
49227.....	220	109971.....	128
49341.....	2	110267.....	88, 94
49874.....	168	110584.....	36
49879.....	168	110585.....	6
50022.....	24, 28, 124	110817.....	68, 70
50040.....	150, 152	110853.....	42
50071.....	102, 106, 314	110971.....	50
50124.....	306, 308, 314	110977.....	150, 270
50139.....	46, 68	110988.....	262
50140.....	6, 32	110995.....	54
50155.....	2, 160	110996.....	54
50186.....	304	111060.....	120
50193.....	50, 294	111093.....	168
50219.....	32, 50, 146, 150, 160, 166, 174, 182, 184, 186, 194, 202, 220, 222, 226, 270, 302	111099.....	168
50220.....	160, 178, 180, 182, 186, 188, 194, 286	111105.....	168
50222.....	160, 172	111216.....	38
50223.....	32, 42, 146, 158, 166, 184, 218, 220, 224, 226	111221.....	262
50225.....	148	111504.....	238
50230.....	180	111511.....	152
50231.....	168	111521.....	152
53157.....	302	111528.....	34, 152, 278
100577.....	182, 202, 302	111546.....	152
101007.....	50	111599.....	150
101375.....	262	111608.....	12, 16
101904.....	76, 78	111643.....	74
103523.....	176	111665.....	152
103738.....	214	111677.....	152
108172.....	134, 270	111772.....	152
109080.....	104	111811.....	152
109081.....	104	111834.....	270
109312.....	140	111895.....	64, 156
109313.....	146	111896.....	156
109350.....	134	111897.....	156
109478.....	134	111898.....	156
		111899.....	156
		111900.....	156

## INDEX

111907.....	156, 162	129711.....	184, 192
111908.....	156	129800.....	174
111909.....	156	129801.....	174
111910.....	156	129976.....	174
111911.....	156	129977.....	174
111913.....	156	132531.....	150
111914.....	156	133820.....	192
111919.....	156	133992.....	42
111935.....	164	134003.....	6, 68
111938.....	164	134010.....	142, 232
111939.....	164	134011.....	106, 142, 232
111941.....	164	134053.....	232
111942.....	164	134056.....	158
111954.....	58, 290	134442.....	12, 16, 124, 232, 248, 250, 254, 256, 258
111955.....	58, 290	134443.....	232
111956.....	58	134445.....	236
111957.....	58	134446.....	236, 242
111974.....	54, 290	134447.....	236, 242
111975.....	188	134448.....	236
111978.....	178	134450.....	236
111990.....	146	134451.....	100
112475.....	40	134452.....	100
112625.....	50	134457.....	236
112662.....	54	134458.....	100, 242
112692.....	24, 28, 124	134523.....	238
112727.....	42	134549.....	248
112789.....	42	134572.....	94
112824.....	116	134602.....	232
112866.....	206	134603.....	232
112867.....	158	134612.....	232, 306, 308
112868.....	206, 210	134622.....	12, 16
112916.....	42	134623.....	12, 16
112940.....	294	134653.....	240
113799.....	96	134654.....	240
115145.....	262	134655.....	240
115147.....	262	134679.....	100
120901.....	36	134684.....	240
123071.....	42	134705.....	68, 124
128697.....	292	134706.....	106
128729.....	292	134708.....	248, 250
128737.....	292, 294	134711.....	238
128740.....	292	134713.....	240
128756.....	294	134714.....	232, 246
128762.....	294	134716.....	142
128764.....	294	134717.....	114, 142
128768.....	294	134725.....	232
128770.....	294	134727.....	14, 18, 104, 106, 122, 232
128773.....	294	134728.....	102, 106, 142, 232
128776.....	294	134729.....	14, 18, 104, 106, 122, 232
128780.....	294	134730.....	102, 144, 232
128781.....	294	134744.....	118
128788.....	294	134748.....	248, 250
128789.....	294	134756.....	248, 250
128973.....	294	134757.....	124
128994.....	294	134758.....	24

## INDEX

134777..... 104	135785..... 8, 10, 18, 58, 62, 68, 88, 118, 134, 178, 188, 214
134778..... 104	135786..... 154, 158, 188, 276
134782..... 94	135788..... 64, 158, 174, 182, 188, 194, 208, 276
134803..... 232	135790..... 174
134866..... 248, 250	135791..... 160, 188, 194
134929..... 102	135793..... 182
135015..... 288	135799..... 2, 4, 6, 8, 10, 14, 18, 30, 42, 46, 52, 54, 62, 66, 68, 78, 80, 82, 84, 88, 92, 96, 104, 106, 114, 118, 120, 136, 140, 146, 150, 172, 178, 180, 188, 200, 212, 214, 232, 238, 240, 246, 248, 250, 270, 296, 300, 304, 308, 310, 312
135155..... 110, 166	135800..... 42, 46, 60, 62
135156..... 150	135818..... 32, 212, 250, 256
135224..... 124	135821..... 154, 182, 186
135234..... 270	135852..... 26, 46, 52
135235..... 56, 214	135865..... 2, 32, 46, 50, 146, 174, 184, 186, 190, 194, 202, 212, 218, 220, 222, 224, 226, 270, 302
135248..... 276, 304	135866..... 46, 64, 154, 160, 178, 188, 194, 202, 302
135266..... 222	135867..... 154, 158, 160, 166, 174, 178, 182, 186, 188, 202, 226, 276
135280..... 66	135868..... 64, 154, 158, 160, 174, 180, 182, 186, 188, 194, 198, 204, 208, 276
135296..... 36	135869..... 160, 172, 182, 286
135301..... 68, 114	135870..... 58
135304..... 152	135889..... 174
135312..... 178, 294	135894..... 46, 52
135319..... 42, 66, 118	135903..... 12, 18, 148
135335..... 150	135926..... 84
135336..... 6	135927..... 26, 30, 66, 84, 86, 124, 190, 244, 252
135337..... 2, 8, 10, 14, 32, 34, 46, 48, 52, 62, 88, 92, 110, 114, 116, 134, 140, 146, 176, 198, 204, 216, 218, 226, 230, 232, 248, 250, 256, 258, 292	135957..... 32, 42, 146, 150, 158, 166, 184, 194, 220, 224, 226
135369..... 160	135959..... 50, 60, 78, 88, 248, 250, 310
135378..... 262	136027..... 152
135386..... 178, 294	136036..... 6, 110
135443..... 190	136082..... 34
135444..... 276	136089..... 158, 182, 202
135453..... 50	136095..... 50, 184, 194, 294
135460..... 152	136097..... 190, 218, 226
135474..... 294	136098..... 212
135554..... 160, 174, 178, 180, 186, 188, 194	136108..... 42, 46, 152
135570..... 146	136109..... 76, 78
135587..... 166, 186, 194	136110..... 76, 78
135657..... 304	136112..... 150
135671..... 50, 226	136113..... 44
135691..... 18, 54, 296	136122..... 2, 42, 50, 166
135709..... 24, 28	136124..... 50
135716..... 76, 78, 124, 212	136131..... 166
135718..... 172, 174	136132..... 40
135723..... 30, 78	136134..... 2
135725..... 204	136135..... 54
135734..... 160, 186	136137..... 34
135775..... 146, 184, 186, 224	136141..... 44, 316
135776..... 194	136144..... 294
135778..... 174, 184, 186, 194, 202, 220, 226, 270, 294, 302	136148..... 96
135779..... 302	
135780..... 194, 202	
135781..... 174	
135783..... 18, 32, 124, 240	
135784..... 226	

## INDEX

136149 .....	2, 46, 218, 222, 294	136431 .....	2, 4, 6, 8, 10, 14, 18, 38, 50, 60, 62, 66, 68, 70, 84, 88, 92, 110, 118, 140, 148, 150, 274, 304
136151 .....	8, 10, 18, 58, 248, 294	136440 .....	34, 84, 88, 110, 148, 316
136157 .....	166	136442 .....	8, 10, 190
136158 .....	166	136447 .....	42, 184
136167 .....	64	136454 .....	148, 270
136176 .....	94	136455 .....	36
136177 .....	88, 148	136473 .....	36
136178 .....	6, 14, 80, 82, 84, 92, 104, 124, 140, 148, 238, 296	136476 .....	44
136183 .....	148, 150	136480 .....	72
136188 .....	8, 10, 68, 70, 114	136485 .....	66, 106, 116, 136, 140, 144, 230, 248, 250, 272
136194 .....	294	136495 .....	66, 118
136195 .....	178	136496 .....	8, 14
136209 .....	2, 26, 30, 34, 44, 56, 76, 78, 88, 114, 232, 238	136499 .....	154
136211 .....	2, 6, 58, 114	136501 .....	154, 204
136212 .....	114	136506 .....	52
136220 .....	46, 194, 202	136508 .....	178
136229 .....	244	136510 .....	178
136238 .....	302	136514 .....	224
136239 .....	32, 150	136524 .....	172
136249 .....	302	136536 .....	238, 244, 280
136251 .....	226	136541 .....	124
136252 .....	20, 22, 96	136558 .....	152
136254 .....	174	136561 .....	4
136256 .....	198	136566 .....	146, 222
136257 .....	182, 188	136572 .....	84
136258 .....	160	136574 .....	124, 190, 218
136263 .....	26, 30, 140, 150	136595 .....	50, 218
136282 .....	188	136598 .....	6, 68, 70
136291 .....	60, 62, 66	136604 .....	296
136300 .....	70, 306, 308	136620 .....	58
136312 .....	92, 118	136630 .....	178
136325 .....	146, 186, 212	136631 .....	286
136326 .....	190	136635 .....	234
136327 .....	182	136638 .....	64
136362 .....	180	136641 .....	180
136363 .....	160, 172	136646 .....	64
136366 .....	34	136647 .....	216
136367 .....	34	136648 .....	216
136376 .....	34	136655 .....	12, 16, 24, 28, 64, 94, 106, 116, 118, 146, 232, 246, 248, 250, 254, 256, 294, 306, 308, 314
136385 .....	38	136662 .....	12, 18
136398 .....	54, 58	136672 .....	226
136399 .....	92, 248, 250	136696 .....	102, 314
136403 .....	182	136704 .....	68, 70
136404 .....	172	136707 .....	98, 122
136410 .....	212	136708 .....	122
136412 .....	286	136709 .....	122
136413 .....	286	136731 .....	212, 252, 296
136417 .....	6, 84	136743 .....	12, 16, 56
136418 .....	194, 204	136748 .....	238
136420 .....	50	136767 .....	174
136421 .....	212	136774 .....	66, 226
136422 .....	42	136781 .....	220
136428 .....	94		

## INDEX

136809 .....	204	152702 .....	60, 62, 304
136824 .....	84, 88, 226	152730 .....	6, 88
136832 .....	42	152732 .....	46, 52, 296
136838 .....	210	152775 .....	198
136840 .....	210	152779 .....	84, 118, 148, 150
136846 .....	226, 276	152863 .....	68, 70
136847 .....	50	152947 .....	172, 200
136848 .....	50	153151 .....	174
136869 .....	140	153289 .....	150
136881 .....	210	156742 .....	32
136886 .....	18, 88, 102, 104, 134, 138	156848 .....	50
136929 .....	220	156886 .....	50
137375 .....	160	158174 .....	182, 202
138473 .....	188	158635 .....	42
139134 .....	42	158658 .....	102, 314
139225 .....	120	158704 .....	48
139292 .....	4, 6	160275 .....	134
139722 .....	180	160373 .....	116
139723 .....	262	160414 .....	96
139724 .....	50	160705 .....	248
139971 .....	114	161378 .....	140
141184 .....	46	162102 .....	58
141185 .....	46	162104 .....	158
141205 .....	106	162144 .....	58
141220 .....	214	162212 .....	164
141283 .....	84	162342 .....	72
141329 .....	32	162436 .....	40
141333 .....	32	162444 .....	76, 78
141394 .....	2	162446 .....	58
141432 .....	2	163158 .....	168
141490 .....	314	163298 .....	266
141492 .....	310	163310 .....	42
141493 .....	298, 306	163368 .....	54
141500 .....	32	163373 .....	46
141721 .....	310	163745 .....	168
144505 .....	172	163746 .....	168
145392 .....	64	163747 .....	168
148798 .....	4, 38, 54	163753 .....	168
148799 .....	6, 38	163779 .....	72, 74
148800 .....	124, 152	163904 .....	72, 74
150595 .....	208	163905 .....	74
151974 .....	172	163957 .....	72, 74
152157 .....	140	163976 .....	58
152192 .....	4, 6	166171 .....	150
152193 .....	8, 10, 92	166234 .....	260
152274 .....	110	166425 .....	260
152439 .....	4, 292	166454 .....	260
152519 .....	136	166457 .....	260
152520 .....	36, 54	166463 .....	260
152655 .....	8, 10, 14, 18, 26, 30, 58, 66, 68, 76, 78, 106, 114, 118, 124, 134, 176, 178, 180, 190, 200, 212, 248, 250, 252	166468 .....	302
152668 .....	18, 48, 50, 66, 68, 70, 78, 80, 98, 212, 216, 218, 226, 228, 238, 248, 250, 252, 292, 296, 310	166469 .....	304
152670 .....	106	166530 .....	110
		166539 .....	110
		166694 .....	168
		166727 .....	262



## INDEX

166824.....	260	183443.....	124
166829.....	260	183444.....	124
166832.....	260	183448.....	122
166834.....	260	183506.....	122, 124
166835.....	260	183508.....	122, 124
166836.....	260	183512.....	124
166837.....	260	183524.....	160
166838.....	260	183525.....	284
166839.....	260	183543.....	46
166843.....	260	183544.....	122
166869.....	58	183602.....	170
166998.....	24, 28	183607.....	284
167502.....	260	183608.....	284
167709.....	64	183609.....	284
167727.....	266	183707.....	284
167884.....	118	183708.....	284
167897.....	288	183709.....	284
167910.....	152	183820.....	42
172899.....	124, 232	183821.....	42
173029.....	302	183905.....	188
173040.....	302	183913.....	146
173069.....	302	183956.....	152
173116.....	302	183957.....	158
173117.....	316	184303.....	212
173559.....	302	184304.....	212
173560.....	302	184305.....	212
173561.....	302	184307.....	212
173562.....	302	184461.....	160, 166, 186
173563.....	302	184463.....	64, 154
173564.....	302	184579.....	140, 228
173575.....	302	184583.....	66
173590.....	302	184584.....	76, 78, 134
173656.....	302	184595.....	148, 294
174149.....	214	184596.....	8, 10
176334.....	190	184597.....	2
183115.....	244	184612.....	240
183166.....	146	184613.....	280
183199.....	124	184640.....	104, 232, 306, 308
183202.....	122, 124	184641.....	212, 238
183209.....	110	184642.....	66, 116, 258
183211.....	288	184643.....	238, 252
183258.....	238	184645.....	216
183264.....	124	184648.....	34, 46, 62, 134, 216
183265.....	124	184649.....	104
183273.....	124	184652.....	232
183315.....	94	184654.....	140, 148
183316.....	102	184655.....	134
183386.....	122	184656.....	140, 218
183387.....	122	184657.....	2, 8, 10, 14, 92, 188, 252, 300, 308, 312
183392.....	122	184658.....	106, 150, 178, 180
183394.....	122	184659.....	150
183395.....	122	184661.....	104
183396.....	122	184662.....	4, 6, 8, 10, 46, 92, 148
183397.....	122	184664.....	4, 8, 10, 42, 52, 54, 146, 150
183398.....	122	184665.....	8, 10, 42, 58

## INDEX

184667	2, 6	201401	94
184669	150	201408	232
184673	50, 150	201434	64
184675	148	201516	154, 156
184679	54	201522	96
184680	36	201523	158, 164
184682	90, 98	201589	120
184683	48	201590	120
184685	258	201595	114
184687	8, 10, 134, 140, 146, 280	201596	114
184688	6, 68, 136	201598	68, 70
184692	106, 292	201638	64
184694	140, 148, 296	201647	150
184701	14, 18, 104, 316	201648	150
184705	228, 232, 258	201693	114
184706	80, 88, 98, 122	201701	146
184708	24, 28, 96, 232	201705	146
184709	6, 8, 10	201707	96
184711	42, 58, 60, 62, 68, 92, 118, 152, 244, 292	201710	96
184712	180	201711	180
184714	8, 10, 88, 294	201713	180, 290
184717	54, 316	201716	120
190752	68, 204, 216	201722	206
191393	292	201723	206
191489	14, 92, 110, 140, 256	201732	204
191705	46, 194, 218, 226	201733	206
193241	262	201734	208
193242	262	201735	208
194026	208	201736	206
194033	206	201738	196
194082	96, 106	201739	196
197135	228	201746	120
197171	34, 48, 62, 116, 136, 258	201750	96
197224	14, 18, 90	201757	106
197229	48	201759	196
197230	48, 88, 98, 104, 148, 150, 228, 296, 306, 308, 316	201760	116
197320	88, 92	201762	204
200114	54	201763	204
200139	54	201828	94
200273	64	201832	208
200402	76, 78	201835	208
200585	248, 250	201836	38
200586	248, 250	201838	106
200653	8, 10	201845	206
200699	12, 16	201859	106
200780	66, 106	201861	38
200783	112	201886	106
200784	112	201888	88
200890	112	201948	124
200974	64, 104, 142, 150	202014	150
201149	146, 150	202015	150
201224	146, 228	202022	150
201299	140	202041	114
201396	238, 252	202075	190, 192, 194
		202189	120

## INDEX

202230 .....	104	203201 .....	6
202264 .....	116	203202 .....	24
202268 .....	302	203204 .....	252
202269 .....	302	203211 .....	6
202274 .....	124	203213 .....	6, 92
202275 .....	124	203277 .....	146
202325 .....	64	203293 .....	56
202446 .....	58	203294 .....	56
202455 .....	64	203295 .....	76, 78
202456 .....	140	203302 .....	24
202487 .....	60	203337 .....	174, 182
202505 .....	134	203340 .....	180, 186
202515 .....	134	203350 .....	2, 4, 8, 10, 292
202569 .....	134	203373 .....	60
202584 .....	116	203380 .....	216
202586 .....	116	203389 .....	68
202604 .....	106	203401 .....	134
202646 .....	188	203402 .....	24, 28
202654 .....	140	203442 .....	162
202661 .....	32	203501 .....	146
202714 .....	198	203504 .....	146
202721 .....	104	203505 .....	146
202732 .....	76, 78	203508 .....	146
202734 .....	76, 78	203509 .....	146
202779 .....	134	203518 .....	140
202781 .....	134	203543 .....	134
202783 .....	134	203550 .....	104
202785 .....	134	203551 .....	104
202827 .....	54	203554 .....	54
202835 .....	54	203572 .....	208
202838 .....	54	203573 .....	208
202888 .....	158	203574 .....	208
202896 .....	36	203578 .....	24, 28
202898 .....	36	203580 .....	24
202903 .....	206	203584 .....	24
202946 .....	4, 8, 10	203596 .....	124
202956 .....	160	203597 .....	124
202991 .....	198	203643 .....	58
202995 .....	54	203647 .....	216
203017 .....	124	203654 .....	158, 162
203018 .....	124	203777 .....	60, 62
203019 .....	136	203817 .....	50
203020 .....	134	203847 .....	114
203022 .....	134	203860 .....	114
203029 .....	134	203870 .....	62
203048 .....	156	203876 .....	182
203098 .....	60	203927 .....	76, 78
203108 .....	58	203929 .....	76
203132 .....	216	203930 .....	244
203150 .....	200	203937 .....	210
203151 .....	70	203940 .....	200
203152 .....	68	203941 .....	76
203153 .....	68	203966 .....	212
203154 .....	70	203967 .....	212
203192 .....	6	203972 .....	270

## INDEX

203974 .....	212	205191 .....	106
203975 .....	212	205195 .....	116
203979 .....	212	205201 .....	64
203984 .....	212	205211 .....	96
204007 .....	140	205213 .....	204
204010 .....	140	205242 .....	76, 78
204014 .....	170	205262 .....	106
204018 .....	24, 28	205263 .....	24, 28
204024 .....	24	205269 .....	64
204025 .....	24	205273 .....	212
204055 .....	56	205279 .....	24
204080 .....	12, 16	205317 .....	204
204094 .....	20	205325 .....	236
204097 .....	20	205356 .....	212
204098 .....	20	205366 .....	54
204101 .....	20	205374 .....	68
204102 .....	58	205396 .....	94
204174 .....	140	205397 .....	40
204184 .....	106	205441 .....	82
204187 .....	140	205442 .....	118
204235 .....	54	205456 .....	122
204291 .....	152	205473 .....	12
204354 .....	146	205483 .....	302
204373 .....	116	205486 .....	248, 250
204374 .....	116	205572 .....	116
204379 .....	116	205579 .....	104
204429 .....	32	205592 .....	314
204443 .....	274	205595 .....	102
204553 .....	64	205598 .....	102, 314
204604 .....	58	205666 .....	64
204656 .....	60	205739 .....	116
204732 .....	60, 62	205764 .....	302
204748 .....	134	205890 .....	96
204760 .....	210	205892 .....	96
204769 .....	306, 308, 314	205929 .....	96
204781 .....	96	205936 .....	42
204784 .....	64	205937 .....	42
204787 .....	96, 120	205939 .....	42
204822 .....	60	205948 .....	96
204847 .....	198	205950 .....	110
204956 .....	248, 250	205974 .....	42
205028 .....	54, 290	205979 .....	42
205029 .....	54, 290	206038 .....	42
205036 .....	196	206040 .....	138
205037 .....	12	206042 .....	134
205065 .....	96	206060 .....	174
205070 .....	68, 70	206061 .....	174
205071 .....	68, 70	206065 .....	278
205077 .....	62	206066 .....	116
205092 .....	302	206071 .....	96
205097 .....	58	206114 .....	76, 78
205125 .....	158	206116 .....	72, 74
205159 .....	64	206121 .....	76, 78
205188 .....	168	206160 .....	46
205190 .....	106	206184 .....	210

## INDEX

206192 .....	214	207087 .....	262
206193 .....	214	207101 .....	54
206194 .....	214	207128 .....	96
206195 .....	214	207135 .....	96
206196 .....	214	207145 .....	138
206208 .....	212	207148 .....	104
206248 .....	114	207149 .....	104
206258 .....	46	207154 .....	60, 62
206324 .....	46	207166 .....	60
206340 .....	46, 50	207172 .....	60
206350 .....	46	207191 .....	104
206447 .....	278	207192 .....	58
206451 .....	314	207209 .....	116
206454 .....	134	207210 .....	116
206459 .....	126	207212 .....	262
206482 .....	12, 16, 254	207219 .....	48
206548 .....	50	207225 .....	122
206550 .....	50	207230 .....	106
206559 .....	50	207233 .....	146
206560 .....	50	207248 .....	262
206562 .....	50	207250 .....	146
206592 .....	76	207256 .....	82
206593 .....	76	207257 .....	82
206611 .....	24, 28	207284 .....	64
206623 .....	210	207286 .....	246
206661 .....	46, 50	207287 .....	246
206665 .....	82	207288 .....	246
206679 .....	64	207289 .....	248, 250
206680 .....	64	207291 .....	106
206709 .....	4	207294 .....	12, 16
206728 .....	204	207295 .....	254
206771 .....	142	207296 .....	254
206772 .....	142	207329 .....	82
206773 .....	142	207346 .....	160, 174, 226
206774 .....	142	207347 .....	180
206775 .....	142	207362 .....	4, 6
206776 .....	142	207374 .....	12, 16
206777 .....	142	207378 .....	24, 28
206778 .....	262	207395 .....	240
206779 .....	142	207400 .....	106
206780 .....	142	207401 .....	106
206781 .....	262	207414 .....	54
206783 .....	142	207424 .....	60
206784 .....	142	207425 .....	212
206785 .....	142	207426 .....	212
206850 .....	198	207427 .....	174
206863 .....	280	207430 .....	84
206878 .....	198	207435 .....	58
206896 .....	64	207437 .....	248, 250
206897 .....	64	207445 .....	20
206899 .....	64	207446 .....	212
206946 .....	110	207447 .....	64
206966 .....	134	207450 .....	64
207062 .....	126	207452 .....	64
207075 .....	54	207454 .....	214

## INDEX

207455 .....	214	207957 .....	298, 300
207456 .....	248, 250	207961 .....	24, 28
207457 .....	124, 248	207962 .....	24, 28
207458 .....	180	207963 .....	54
207503 .....	24, 28	207970 .....	88
207504 .....	24, 28	207988 .....	12, 16
207506 .....	24, 28	207993 .....	248
207510 .....	24, 28	208010 .....	138
207511 .....	24, 28	208013 .....	138
207534 .....	20	208014 .....	138
207536 .....	20	208015 .....	138
207539 .....	134	208016 .....	138
207554 .....	104	208019 .....	46
207558 .....	232	208020 .....	46
207570 .....	104	208034 .....	266
207580 .....	140	208041 .....	128, 130
207585 .....	2	208043 .....	128
207587 .....	8, 10	208045 .....	128
207592 .....	12	208047 .....	128
207601 .....	262	208049 .....	128
207617 .....	2	208050 .....	128
207618 .....	2	208051 .....	128
207619 .....	2	208053 .....	128, 130
207620 .....	2	208054 .....	128
207621 .....	2	208055 .....	128, 130
207638 .....	58	208056 .....	128, 130
207646 .....	48	208057 .....	128, 130
207699 .....	32	208058 .....	128, 130
207709 .....	114	208060 .....	128
207713 .....	38	208061 .....	128
207727 .....	84	208062 .....	128, 130
207783 .....	38	208063 .....	128
207807 .....	156	208064 .....	128, 130
207812 .....	84	208073 .....	248, 250
207816 .....	262	208074 .....	248
207818 .....	262	208075 .....	124
207819 .....	262	208083 .....	110
207821 .....	302	208089 .....	116
207822 .....	302	208098 .....	132
207829 .....	150	208100 .....	132
207830 .....	150	208102 .....	132
207840 .....	262	208107 .....	104
207856 .....	252	208109 .....	122
207868 .....	82	208110 .....	122
207869 .....	82	208111 .....	122
207870 .....	82	208112 .....	122
207894 .....	152	208114 .....	122
207899 .....	72	208118 .....	42
207904 .....	24	208124 .....	114
207906 .....	54	208125 .....	114
207914 .....	140	208126 .....	128
207925 .....	250	208134 .....	114
207933 .....	262	208135 .....	114
207949 .....	314	208144 .....	114
207956 .....	306, 308	208145 .....	114

## INDEX

208158 .....	240, 242	208509 .....	68
208160 .....	96, 100	208510 .....	68
208174 .....	174	208512 .....	68
208179 .....	122	208513 .....	68
208180 .....	122	208521 .....	64
208181 .....	122	208523 .....	66
208182 .....	122	208528 .....	68, 70
208184 .....	122	208529 .....	68, 70
208185 .....	122	208530 .....	66
208189 .....	116	208531 .....	68
208190 .....	116	208533 .....	68
208191 .....	96	208541 .....	70
208216 .....	152	208542 .....	178
208239 .....	104	208547 .....	68
208245 .....	96	208551 .....	178
208254 .....	114	208552 .....	178
208255 .....	114	208553 .....	68
208276 .....	188	208554 .....	70
208277 .....	188	208555 .....	70
208278 .....	188	208556 .....	68, 70
208282 .....	158	208562 .....	80
208284 .....	158	208576 .....	58
208292 .....	120	208579 .....	210
208321 .....	82	208611 .....	6
208325 .....	214	208637 .....	146
208337 .....	280	208650 .....	302
208340 .....	2	208664 .....	42
208363 .....	168	208667 .....	50
208371 .....	104	208685 .....	96
208372 .....	280	208686 .....	38
208397 .....	280	208687 .....	38
208406 .....	280	208719 .....	84
208411 .....	198	208740 .....	170
208413 .....	174	208741 .....	170
208424 .....	164	208742 .....	170
208451 .....	168	208743 .....	170
208452 .....	168	208744 .....	170
208453 .....	168	208745 .....	170
208462 .....	168	208746 .....	170
208463 .....	168	208747 .....	170
208464 .....	168	208748 .....	170
208465 .....	168	208751 .....	170
208466 .....	168	208752 .....	170
208467 .....	168	208758 .....	24
208468 .....	168	208759 .....	24
208473 .....	162	208763 .....	262
208484 .....	178	208769 .....	232
208486 .....	178	208770 .....	134
208487 .....	178	208783 .....	140, 142
208502 .....	88	208784 .....	122
208503 .....	88	208806 .....	134
208504 .....	88	208807 .....	262
208506 .....	70	208808 .....	142
208507 .....	70	208810 .....	142
208508 .....	70	208811 .....	142

## INDEX

208815	306, 308	209789	46
208822	88	209790	46
208845	268	209811	6
208860	80	209812	188
208876	266	209813	64
208877	266	209816	2
208894	146	209833	12, 16
208895	146	209841	106
208900	262	209865	50
208917	20	209867	24, 28
208919	166	209917	104
208920	266	209918	96
208989	142	209924	146
209013	240	209929	244
209018	190, 226, 248, 250	209930	118
209032	124, 190	209931	118
209044	192	209932	4, 8, 10
209045	184, 192, 218, 220, 222, 226	209933	4
209063	174	209946	238
209069	204	209947	80
209104	204	209949	80
209109	204	209950	178, 184
209209	140	209951	184
209225	58	209972	60
209256	294	209979	50
209287	54	209997	60
209374	152	220478	212
209385	150	220908	182, 192
209388	46	232233	198
209389	46	232271	108
209393	46	232597	294
209410	50	232659	48
209422	314	238222	220
209476	104	243541	174
209520	58	243604	174, 258
209521	134	243615	174
209570	142	243632	174
209571	142	243637	174
209584	280	243905	174
209598	152	243906	174
209613	114	243995	172
209650	6	247693	292
209688	86	248469	10
209689	280	248643	48
209697	140	252170	106
209712	38	252178	94
209719	4, 8, 10	252179	104
209722	8, 10	252189	106
209736	248, 250	252190	178
209746	248, 250	252200	140
209747	248, 250	252201	104
209754	248, 250	252203	20, 98
209770	266	252206	172
209782	174	252234	98
209787	114	252235	96



## INDEX

252236..... 96	252384..... 162
252237..... 94	252385..... 162
252244..... 166	252386..... 162
252247..... 106, 122	252387..... 162
252254..... 96	252388..... 162
252263..... 166	252389..... 162
252270..... 134	252391..... 162
252284..... 80, 82	252396..... 280
252291..... 296	252533..... 36
252292..... 8, 10	252561..... 262
252318..... 182	252585..... 98
252319..... 184, 192	252613..... 104
252320..... 192	252639..... 250
252321..... 192	252662..... 190, 226
252322..... 182	252667..... 66
252323..... 186	252698..... 158
252324..... 194, 202	252705..... 284
252325..... 182, 194	252706..... 144
252327..... 182, 194	252707..... 144
252330..... 202	252708..... 144
252331..... 192	252807..... 94
252332..... 192	252872..... 292
252333..... 192	252934..... 270
252334..... 192	252940..... 270
252336..... 192	252968..... 106
252337..... 192	253635..... 172
252338..... 182	253783..... 174
252339..... 184, 192	253905..... 172
252340..... 192	271083..... 12, 16
252341..... 192	271094..... 8, 10
252342..... 192	271146..... 12, 16
252343..... 184, 192, 218, 220, 222	271184..... 12, 16
252344..... 192	271192..... 32
252345..... 192	271193..... 32
252347..... 182, 194	271208..... 6
252348..... 182, 194	271238..... 12, 16
252349..... 192	271251..... 8, 10
252350..... 184, 192	271254..... 8, 10
252352..... 192, 202	277041..... 294
252353..... 192	277042..... 294
252354..... 192	277323..... 292
252355..... 182, 192	277331..... 294
252356..... 186	277405..... 292
252357..... 182	277409..... 292
252358..... 192	277414..... 292
252359..... 184	277435..... 294
252360..... 184, 192	279003..... 64
252361..... 184, 192, 218, 220, 222, 226	279150..... 4
252363..... 182	284215..... 88, 92
252364..... 192	291025..... 6
252365..... 150	291028..... 262
252376..... 162	291038..... 118
252381..... 162	291054..... 306, 308
252382..... 162	291073..... 88
252383..... 162	291131..... 236

## INDEX

291158.....	20, 22	306012.....	102
291159.....	20	306013.....	102
291160.....	20	306024.....	80
291161.....	20	306074.....	314
291162.....	20, 22	306077.....	150
291192.....	38	306097.....	102, 314
291215.....	6	306106.....	42
291262.....	232	306113.....	152
291264.....	120	306118.....	262
291268.....	68, 70	306119.....	76, 78
291378.....	262	306120.....	76, 78
291411.....	262	306122.....	278
291430.....	110	306161.....	4
291464.....	118, 126	306166.....	200, 202
291465.....	262	306170.....	166, 170
291484.....	48	306177.....	102
291485.....	48	306179.....	260
291486.....	96	306180.....	260
291487.....	96	306181.....	260
291489.....	96	306182.....	94
291490.....	96	306192.....	42
291503.....	96	306193.....	42
291527.....	32	306248.....	190
291583.....	94	306251.....	4
291584.....	94	306252.....	190
291589.....	182	306255.....	4
291593.....	2	306267.....	146
291594.....	2	306293.....	62
291608.....	80	306294.....	16
291609.....	80	306295.....	28
291610.....	310	306296.....	62
291629.....	280	306297.....	62
291630.....	280	306304.....	16
291638.....	294	306305.....	16
291675.....	206	306315.....	62
291724.....	8, 10	306318.....	250
291733.....	2	306320.....	252
291795.....	82	306323.....	216
291796.....	82	306346.....	272
291799.....	80	306347.....	272
291937.....	82	306351.....	272
293037.....	240	306359.....	158
293038.....	240	306360.....	140
293041.....	240	306365.....	262
293042.....	240	306386.....	166, 168
293129.....	96	306393.....	168
293187.....	28	306394.....	168
293188.....	28	306395.....	168
294263.....	276	306410.....	288
299820.....	276	306417.....	262
299822.....	276	306423.....	50
299898.....	276	306426.....	50
300577.....	28	306429.....	78
302204.....	262	306430.....	78
306007.....	232	306438.....	224

## INDEX

306450.....	232	310098.....	32, 220
306451.....	228	310103.....	32
306453.....	96	310109.....	32
306493.....	166	310119.....	88
306504.....	124	310120.....	88
306511.....	248	310175.....	218
306515.....	248	310176.....	218
306522.....	120, 122	310177.....	218
306523.....	122	310178.....	218
306528.....	156	310179.....	222
306538.....	40	310181.....	222
306539.....	116	310183.....	220
306579.....	4	310184.....	220
306584.....	224	310186.....	218
306585.....	224	310187.....	220
306586.....	224	310188.....	220
306587.....	224	310189.....	220
306588.....	224	310241.....	2
306596.....	114	310242.....	2
306600.....	112	310248.....	32, 218, 220
306601.....	112	310249.....	2
306602.....	112	310272.....	2
306617.....	94	310273.....	2
306620.....	64	310383.....	218
306647.....	76	310447.....	32
306660.....	292	310453.....	4, 8, 10
306661.....	292	310455.....	4, 8, 10
306662.....	292	310476.....	262
306670.....	168	310477.....	262
306671.....	168	310487.....	218
306672.....	168	310488.....	218
306673.....	168	310500.....	32
306692.....	110	310501.....	32
306756.....	260	310518.....	88
306757.....	224	310526.....	4
306772.....	2	310532.....	118
306796.....	64	310534.....	118
306843.....	274	310555.....	8, 10
309024.....	314	310562.....	8, 10
309028.....	314	310573.....	92
309034.....	312	310576.....	258
309037.....	300, 308, 312	310587.....	256
309041.....	224	310596.....	258
309044.....	312	310620.....	294
309045.....	300, 308	310634.....	122
309046.....	94	310689.....	262
309056.....	94	310704.....	60
309057.....	308	310728.....	32
309058.....	186	310731.....	32
310001.....	12, 16	310735.....	88
310007.....	2	310737.....	32
310008.....	2	310755.....	62
310073.....	316	310757.....	28
310094.....	218, 220, 222	310758.....	28
310095.....	32	310759.....	28

## INDEX

310760..... 28	343925 ..... 226
310762..... 28	346001 ..... 32
310764..... 16	346003 ..... 88
310765..... 16	346007 ..... 228
310766..... 16	346011 ..... 88
310769..... 250	346015 ..... 92
310787..... 62	346019 ..... 92
310789..... 8, 10	346020 ..... 40
310792..... 2	346024 ..... 266
310795..... 58	346027 ..... 118, 262
310802..... 32	346037 ..... 32
310805..... 92	346038 ..... 218
310807..... 78	346040 ..... 16
310814..... 88, 92	346054 ..... 226
310817..... 218	346058 ..... 228
310818..... 76	346060 ..... 128
310820..... 2	346061 ..... 132
310821..... 32	346064 ..... 228
310826..... 8, 12	346088 ..... 282
310846..... 92	346106 ..... 282
310880..... 4	346132 ..... 112
310883..... 8, 10	346144 ..... 92
310890..... 224	346145 ..... 92
310897..... 224	346182 ..... 12
310925..... 92	346187 ..... 16
310932..... 248	346188 ..... 12, 16
310945..... 256	346189 ..... 16
310974..... 262	346193 ..... 12, 16
310978..... 78	346194 ..... 12
310979..... 78	346195 ..... 12
310984..... 92	346199 ..... 12
310985..... 92	346202 ..... 32
310989..... 78	346207 ..... 316
316044..... 92	346208 ..... 12, 262, 316
320008..... 88, 92	346209 ..... 262, 316
320081..... 208	346216 ..... 28
320082..... 208	346224 ..... 38
320104..... 226	346230 ..... 140
320126..... 190	346232 ..... 140
320202..... 160	346236 ..... 226
320206..... 58	346238 ..... 226
320208..... 40	346241 ..... 226
320238..... 160	346255 ..... 126, 132
320323..... 92	346257 ..... 126, 128
320326..... 182	346263 ..... 226
320360..... 172, 290	346265 ..... 266
320391..... 304	346266 ..... 40
320395..... 224	346289 ..... 316
320396..... 228	346295 ..... 92
339130..... 226	346305 ..... 88
343052..... 28	346306 ..... 88
343859..... 226	346313 ..... 88
343872..... 226	346314 ..... 88
343874..... 226	346315 ..... 316
343886..... 74	346319 ..... 274

## INDEX

346323 .....	92
346344 .....	264
346345 .....	230
500470 .....	106, 142, 232, 248, 250

## B

B6047 .....	278
B6055 .....	280
B6277 .....	286
B6601 .....	298, 302
B6602 .....	306
B6617 .....	270
B6974 .....	316
B6979 .....	272
B6995 .....	292
B9001 .....	282
B9005 .....	312
B9020 .....	276
B9031 .....	308
B9032 .....	300, 302
B9033 .....	40
B9034 .....	38
B9052 .....	316
B9070 .....	274





# MacDon®

**CUSTOMERS**  
**MacDon.com**

**DEALERS**  
**Portal.MacDon.com**

Trademarks of products are the marks of their  
respective manufacturers and/or distributors.

Printed in Canada