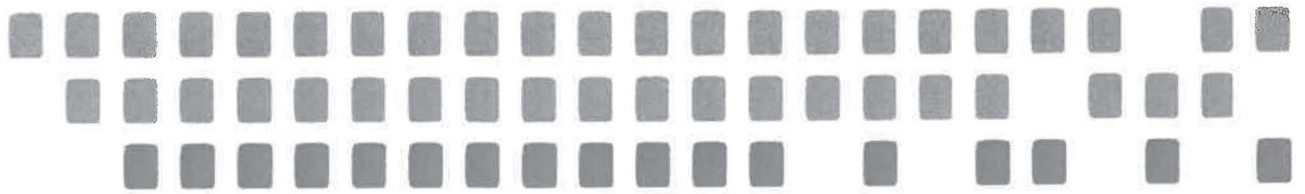


C O R N H E A D

Parts Catalog



6000
SERIES



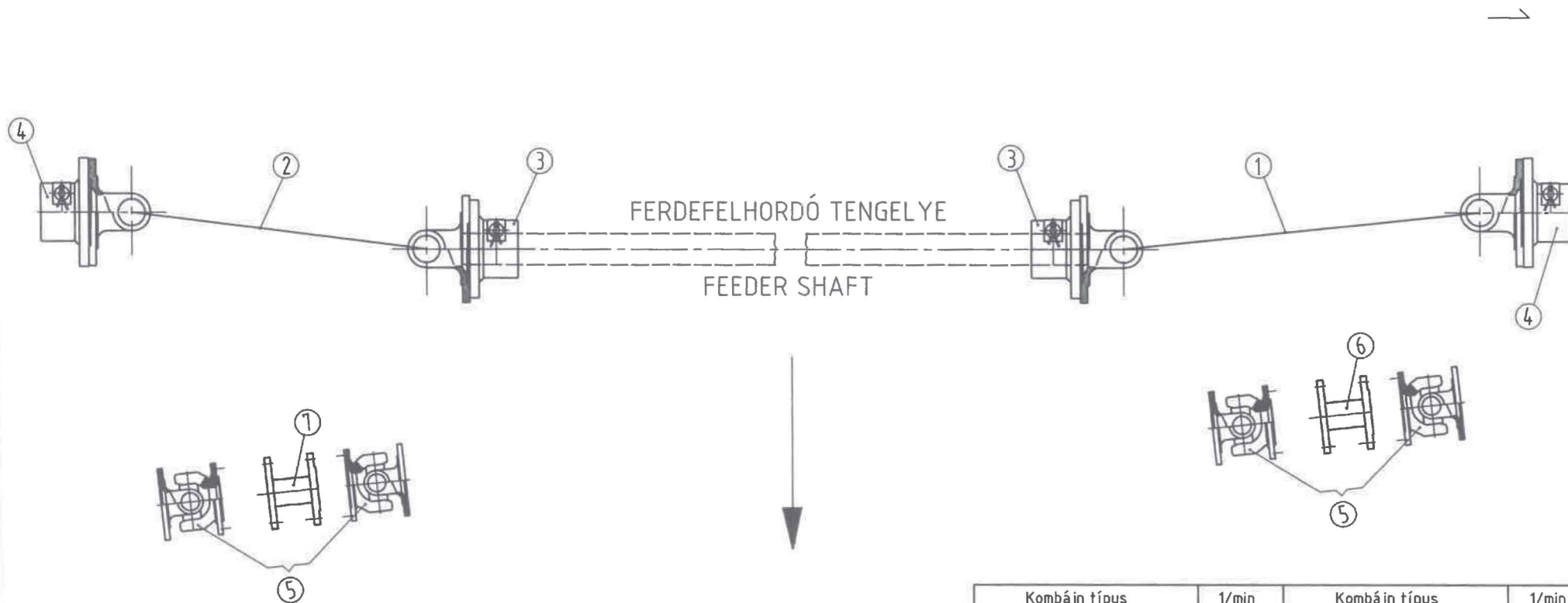
Table of contents

| | |
|---|-------|
| INPUT DRIVE..... | 1 |
| OUTER DRIVE..... | 2 |
| OUTER DRIVE (2016→)..... | 2/A |
| INPUT GEARBOX..... | 3 |
| GATHERING CHAIN ADJUSTER..... | 4 |
| FRAME ASSEMBLY- RIGID..... | 6 |
| FRAME ASSEMBLY- FOLDABLE..... | 7 |
| AUGER ASSEMBLY - RIGID..... | 8 |
| AUGER ASSEMBLY 6306F, 6308F, 6309F..... | 9 |
| AUGER ASSEMBLY 6312F..... | 10 |
| STALK CHOPPER..... | 13/A |
| SNAPPING UNIT DRIVE - RIGID..... | 14/A |
| SNAPPING UNIT DRIVE - RIGID..... | 14/B |
| SNAPPING UNIT DRIVE - FOLDABLE..... | 15/A |
| DRIVE-SHIELDS - RIGID..... | 16/A |
| DRIVE-SHIELDS - RIGID..... | 16/B |
| DRIVE-SHIELDS - FOLDABLE..... | 17/A |
| ELECTRIC & HYDRAULIC SNAPPING PLATE ADJUSTER..... | 18/A |
| SNAPPING PLATE ADJUSTING RODS..... | 19/A |
| SIDE-SHIELDS..... | 20 |
| PLASTIC CENTRAL DIVIDERS - (30", 28")..... | 21/A |
| PLASTIC CENTRAL DIVIDERS - (20", 22") 2014.->..... | 21/B |
| PLASTIC OUTER DIVIDERS..... | 22/A |
| PLASTIC HINGED DIVIDERS - (30", 28")..... | 23/A |
| HYDRAULIC FOLDABLE → 2015..... | 24/A |
| HYDRAULIC FOLDABLE 2016 →..... | 24/A1 |
| HYDRAULIC FOLDABLE 2016 →..... | 24/A2 |
| HYDRAULIC FOLDABLE 2016 →..... | 24/A3 |
| HYDRAULIC FOLDABLE 2016 →..... | 24/A4 |
| HYDRAULIC RIGID..... | 24/B |
| MOUNTING KIT: CNH, CR, TR, CASE AFX..... | 25/A |
| MOUNTING KIT: NEW HOLLAND CNH CX, CR, TR, TX, TC, TF, CASE AFX (2016→)..... | 25/B |
| MOUNTING KIT: LEXION..... | 26 |
| MOUNTING KIT: JD..... | 27 |
| LEXION MULTI-COUPLING KITS..... | 28 |
| MULTI-COUPLING KIT: JD..... | 29/A |
| MULTI-COUPLING KIT: AGCO..... | 29/B |
| LABELS - WARNING..... | 31/A |
| LIGHTING..... | 32 |
| MOUNTING KIT: CASE IH (→2500 series combines)..... | 35 |
| MOUNTING KIT: MF 8680, Gleaner C, 8780, 9690, 9790..... | 37 |
| MOUNTING KIT: MF 8570..... | 39 |
| AUTOMATIC HEADER HEIGHT CONTROL (AHHC)..... | 42 |
| STUBBLE STOMPER ->2017..... | 43/A |
| STABLE STOMPER 2018->..... | 43/B |
| SIDE EXTENSION..... | 45 |
| SNAPPING KNIFE-ROLL..... | 47 |
| SNAPPING UNIT GEARBOX FOR KNIFE-ROLL ROW UNIT..... | 48 |
| SNAPPING UNIT WITH KNIFE ROLLS..... | 49 |
| MOUNTING KIT: GLEANER "R"..... | 51 |
| LABELS - MODEL..... | 53 |
| MECHANICAL INDICATOR..... | 54 |
| ROTARY DIVIDER..... | 55 |
| ROTARY DIVIDER HYDRAULIC..... | 56 |
| MULTI-COUPLING KIT: NH 2002→..... | 58/A |
| HYDRAULIC KIT: IHC..... | 59 |
| TRAFFIC ACCESSORIES..... | 62 |
| SHIPPING ACCESSORIES..... | 65 |

TORQUE VALUES FOR FASTENERS

Table of contents
(in alphabetical order)

| | |
|---|-------|
| MULTI-COUPPLING KIT: AGCO | 29/B |
| AUGER ASSEMBLY - RIGID..... | 8 |
| AUGER ASSEMBLY 6306F, 6308F, 6309F..... | 9 |
| AUGER ASSEMBLY 6312F..... | 10 |
| AUTOMATIC HEADER HEIGHT CONTROL (AHHC)..... | 42 |
| DRIVE-SHIELDS - FOLDABLE..... | 17/A |
| DRIVE-SHIELDS - RIGID..... | 16/A |
| DRIVE-SHIELDS - RIGID..... | 16/B |
| ELECTRIC & HYDRAULIC SNAPPING PLATE ADJUSTER..... | 18/A |
| FRAME ASSEMBLY- FOLDABLE..... | 7 |
| FRAME ASSEMBLY- RIGID..... | 6 |
| GATHERING CHAIN ADJUSTER..... | 4 |
| HYDRAULIC FOLDABLE → 2015..... | 24/A |
| HYDRAULIC FOLDABLE 2016 →..... | 24/A1 |
| HYDRAULIC FOLDABLE 2016 →..... | 24/A2 |
| HYDRAULIC FOLDABLE 2016 →..... | 24/A3 |
| HYDRAULIC FOLDABLE 2016 →..... | 24/A4 |
| HYDRAULIC RIGID..... | 24/B |
| HYDRAULIC KIT: IHC | 59 |
| INPUT DRIVE..... | 1 |
| INPUT GEARBOX..... | 3 |
| LABELS - WARNING..... | 31/A |
| LABELS - MODEL..... | 53 |
| LEXION MULTI-COUPPLING KITS..... | 28 |
| LIGHTING..... | 32 |
| MECHANICAL INDICATOR..... | 54 |
| MOUNTING KIT: JD..... | 27 |
| MOUNTING KIT: MF 8680, Gleaner C, 8780, 9690, 9790..... | 37 |
| MOUNTING KIT: MF 8570..... | 39 |
| MOUNTING KIT: CASE IH (→2500 series combines)..... | 35 |
| MOUNTING KIT: CHN, CR, TR CASE AFX..... | 25/A |
| MOUNTING KIT: NEW HOLLAND CNH CX, CR, TR, TX, TC, TF, CASE AFX (2016→)..... | 25/B |
| MOUNTING KIT: LEXION..... | 26 |
| MOUNTING KIT: GLEANER "R"..... | 51 |
| MULTI-COUPPLING KIT: JD | 29/A |
| MULTI-COUPPLING KIT: NH 2002→..... | 58/A |
| OUTER DRIVE..... | 2 |
| OUTER DRIVE (2016→)..... | 2/A |
| PLASTIC CENTRAL DIVIDERS - (20", 22") 2014.->..... | 21/B |
| PLASTIC CENTRAL DIVIDERS - (30", 28")..... | 21/A |
| PLASTIC HINGED DIVIDERS - (30", 28")..... | 23/A |
| PLASTIC OUTER DIVIDERS..... | 22/A |
| ROTARY DIVIDER..... | 55 |
| ROTARY DIVIDER HYDRAULIC..... | 56 |
| SHIPPING ACCESSORIES..... | 65 |
| SIDE EXTENSION..... | 45 |
| SIDE-SHIELDS | 20 |
| SNAPPING KNIFE-ROLL..... | 47 |
| SNAPPING PLATE ADJUSTING RODS..... | 19/A |
| SNAPPING UNIT DRIVE - FOLDABLE..... | 15/A |
| SNAPPING UNIT DRIVE - RIGID..... | 14/A |
| SNAPPING UNIT DRIVE - RIGID..... | 14/B |
| SNAPPING UNIT GEARBOX FOR KNIFE-ROLL ROW UNIT..... | 48 |
| SNAPPING UNIT WITH KNIFE ROLLS..... | 49 |
| STALK CHOPPER..... | 13/A |
| STUBBLE STOMPER -> 2017..... | 43/A |
| STABLE STOMPER 2018->..... | 43/B |
| TRAFFIC ACCESSORIES..... | 62 |

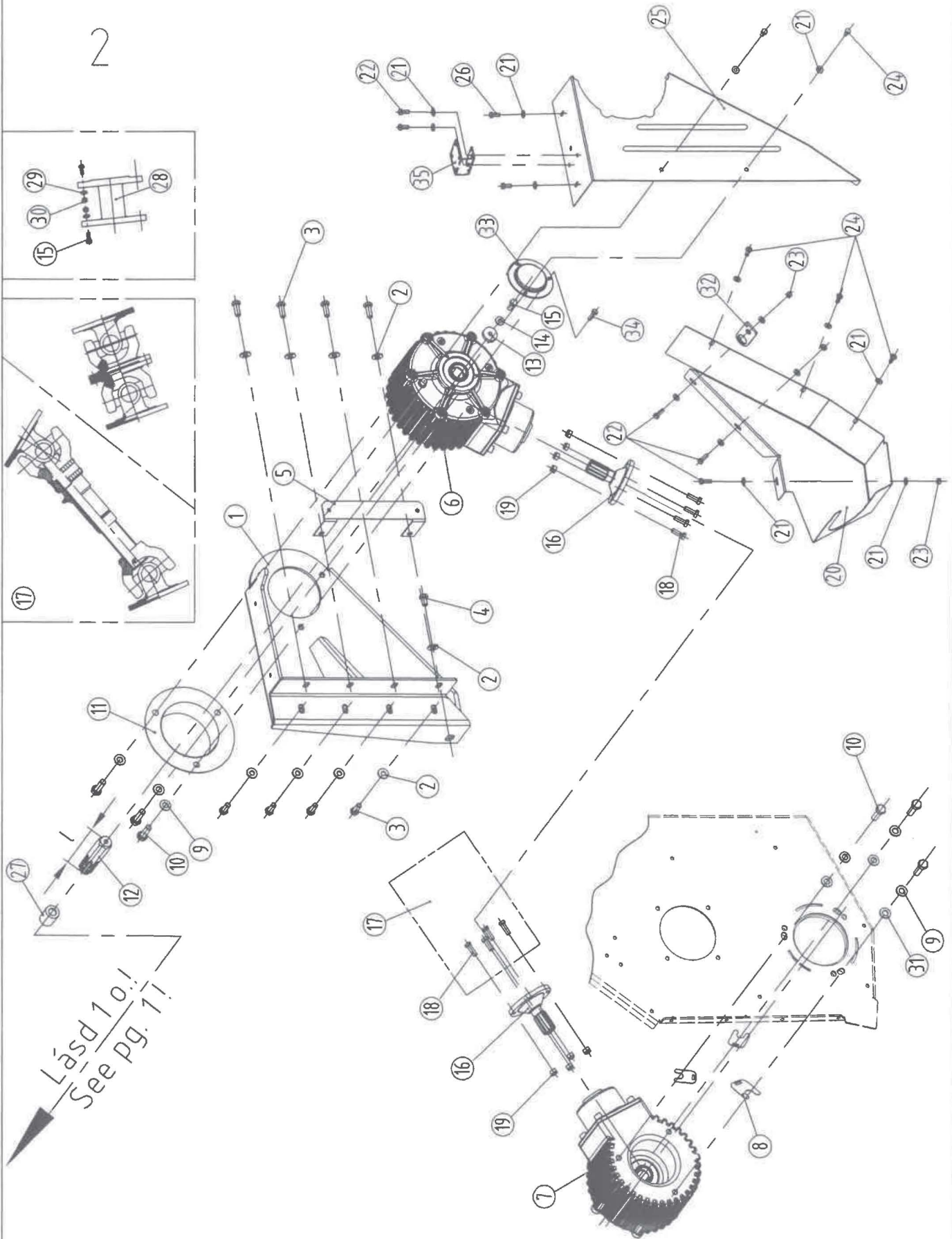


| Kombájn típus Type of combine | 1/min RPM | Kombájn típus Type of combine | 1/min RPM |
|--|--------------|----------------------------------|--------------|
| Agco, Gleaner R, C, MF8680,9690,9790 fixed | 617 | JD variable | 520-785 |
| Agco, Gleaner R, C, MF8680,9690,9790, variable | 608-975 | MF 8570 fixed | 475 |
| Case-IH 1400-2300 series | 500 | NH CR variable | 402-575 |
| Case AFX variable | 460-690 | NH TR variable | 465-593 |
| Claas, Cat Lexion fixed | 761 | | |
| Claas, Cat Lexion variable | 508-737 | | |
| JD fixed | 520 | | |

INPUT DRIVE

| Type of header | Ref. | Description | CLAAS LEXION 440-460, 480, 540-560, 580,600,640- 670,770,780 760 ->2011 TUCANO 340, 440- 450,470,480 | CLAAS LEXION 405-430, 470, 510-530, 570, 620,630,740,750, 760 2012-> TUCANO 320-330, 430 | NH CX, CS, CSX, CR970-980, Case AFX | NH CX, CS, CSX, CR970-980, Case AFX 2017-t6l | NH CR 920-940-960 Case AFX 5088-6088- 7088 TC 5070 | NH CR 920-940-960 Case AFX 5088-6088- 7088 TC 5070 2017-t6l | CASE IH (IHC) 1000-2000 | JD 60 | MF 8570 | MF 8680, MF 8780, 9000 Gleaner C | Gleaner R |
|-----------------------------------|------|-----------------------|---|--|---|---|---|---|-------------------------------|-----------|-----------|---|-----------|
| 6306-70cm | 1 | PTO drive shaft - LH | 1.373.693 | - | 1.373.699 | 1.373.693 | 1.373.699 | 1.373.693 | 1.373.703 | 1.373.692 | - | 1.373.690 | - |
| | 2 | PTO drive shaft - RH | 1.373.693 | - | 1.373.699 | 1.373.693 | 1.373.699 | 1.373.693 | 1.373.703 | 1.373.692 | - | 1.373.690 | - |
| 6306, 6108, 6208 | 1 | PTO drive shaft - LH | 1.373.693 | - | 1.373.699 | 1.373.693 | 1.373.699 | 1.373.693 | 1.373.703 | 1.373.692 | 1.373.705 | 1.373.692 | 1.373.694 |
| | 2 | PTO drive shaft - RH | 1.373.693 | - | 1.373.699 | 1.373.693 | 1.373.699 | 1.373.693 | 1.373.703 | 1.373.692 | 1.373.705 | 1.373.692 | 1.373.692 |
| 6308-70cm | 1 | PTO drive shaft - LH | 1.373.694 | 1.373.694 | 1.373.700 | 1.373.694 | 1.373.700 | 1.373.694 | 1.373.704 | 1.373.694 | - | 1.373.694 | - |
| | 2 | PTO drive shaft - RH | 1.373.694 | 1.373.694 | 1.373.700 | 1.373.694 | 1.373.700 | 1.373.694 | 1.373.704 | 1.373.694 | - | 1.373.694 | - |
| 6308 | 1 | PTO drive shaft - LH | 1.373.694 | 1.373.694 | 1.373.700 | 1.373.694 | 1.373.700 | 1.373.694 | 1.373.704 | 1.373.694 | - | 1.373.694 | 1.373.695 |
| | 2 | PTO drive shaft - RH | 1.373.694 | 1.373.694 | 1.373.700 | 1.373.694 | 1.373.700 | 1.373.694 | 1.373.704 | 1.373.694 | - | 1.373.694 | 1.373.694 |
| 6312-70cm 6312, 6112, 6316 | 1 | PTO drive shaft - LH | 1.373.694 | 1.373.694 | 1.373.700 | 1.373.694 | 1.373.700 | 1.373.694 | - | 1.373.694 | - | 1.373.694 | 1.373.695 |
| | 2 | PTO drive shaft - RH | 1.373.694 | 1.373.694 | 1.373.700 | 1.373.694 | 1.373.700 | 1.373.694 | - | 1.373.694 | - | 1.373.694 | 1.373.694 |
| 6306F, 6308F interior drive | 1 | PTO drive shaft - LH | 1.355.695 | 1.355.701 | 1.355.695 | 1.355.695 | 1.355.706 | 1.355.701 | 1.355.707 | - | - | 1.319.154 | - |
| | 2 | PTO drive shaft - RH | 1.355.698 | 1.355.709 | 1.355.695 | 1.355.695 | 1.355.706 | 1.355.701 | 1.355.707 | - | - | 1.319.154 | - |
| | 3 | Hub assy | 1.375.417 | - | 1.375.415 | 1.375.417 | - | - | - | - | - | 1.375.417 | - |
| | 4 | Hub assy | - | - | 1.375.415 | 1.375.417 | - | - | - | - | - | 1.375.415 | - |
| | 5 | Double joint coupling | | | | | | | | | | | |
| | 6 | Spacer - LH | | | | | | | | | | | |
| | 7 | Spacer - RH | | | | | | | | | | | |
| 6306F 70cm interior drive | 1 | PTO drive shaft - LH | - | 1.372.280 | - | - | 1.372.284 | 1.372.280 | - | - | - | - | - |
| | 2 | PTO drive shaft - RH | 1.319.154 | 1.355.698 | - | - | 1.372.284 | 1.372.280 | - | - | - | - | - |
| | 3 | Hub assy | 1.375.417 | - | - | - | - | - | - | - | - | - | - |
| | 4 | Hub assy | 1.375.415 | - | - | - | - | - | - | - | - | - | - |
| | 5 | Double joint coupling | 1.313.536 | - | - | - | - | - | - | - | - | - | - |
| | 6 | Spacer | 1.327.903 | - | - | - | - | - | - | - | - | - | - |
| 6306FE exterior drive | 1 | PTO drive shaft - LH | 1.373.693 | - | 1.373.699 | 1.373.693 | 1.373.699 | 1.373.693 | 1.373.703 | 1.373.692 | - | 1.373.692 | - |
| | 2 | PTO drive shaft - RH | 1.373.693 | - | 1.373.699 | 1.373.693 | 1.373.699 | 1.373.693 | 1.373.703 | 1.373.692 | - | 1.373.692 | - |
| 6308FE exterior drive | 1 | PTO drive shaft - LH | 1.373.694 | 1.373.694 | 1.373.700 | 1.373.694 | - | - | 1.373.704 | 1.373.694 | - | 1.373.694 | - |
| | 2 | PTO drive shaft - RH | 1.373.694 | 1.373.694 | 1.373.700 | 1.373.694 | - | - | 1.373.704 | 1.373.694 | - | 1.373.694 | - |
| 6309F interior drive | 1 | PTO drive shaft - LH | - | - | 1.373.697 | 1.373.691 | - | - | - | 1.373.691 | - | - | - |
| | 2 | PTO drive shaft - RH | - | - | 1.373.697 | 1.373.691 | - | - | - | 1.373.691 | - | - | - |
| 6312F interior drive | 1 | PTO drive shaft - LH | 1.373.693 | - | 1.373.699 | 1.373.699 | 1.373.699 | 1.373.693 | - | 1.373.692 | - | 1.373.692 | 1.373.694 |
| | 2 | PTO drive shaft - RH | 1.373.693 | - | 1.373.699 | 1.373.699 | 1.373.699 | 1.373.693 | - | 1.373.692 | - | 1.373.692 | 1.373.692 |
| 6 212 | 1 | PTO drive shaft - LH | 1.373.693 | - | 1.373.699 | 1.373.699 | 1.373.699 | 1.373.693 | 1.373.703 | 1.373.692 | - | 1.373.692 | 1.373.694 |
| | 2 | PTO drive shaft - RH | 1.373.693 | - | 1.373.699 | 1.373.699 | 1.373.699 | 1.373.693 | 1.373.703 | 1.373.692 | - | 1.373.692 | 1.373.692 |

2



DRIVE

| Ref. | Part Number | Description | IHC 1000-2000, JD direct | CNH (VS) | AGCO direct | MF 8570 | CAT LEXION (VS), JD (VS) | AGCO (VS) | CAT LEXION (VS), 6108, 6208, 6306, 6308F, 6212, 6312F |
|------|-------------|--|-----------------------------|-------------|----------------|---------|-----------------------------|-----------|---|
| 1. | 1.378.129 | Console - LH | - | - | - | - | - | - | 1 |
| 1. | 1.378.129 | Console - RH | - | - | - | - | - | - | 1 |
| 1. | 1.378.136 | Console - LH * | - | 1 | - | - | - | - | - |
| 1. | 1.378.137 | Console - RH * | - | 1 | - | - | - | - | - |
| 1. | 1.378.140 | Console - LH | 1 | 1 | 1 | 1 | 1 | 1 | - |
| 1. | 1.378.141 | Console - RH | 1 | 1 | 1 | 1 | 1 | 1 | - |
| 2. | 91623938961 | Spring washer - A12 | 18 | 18 | 18 | 18 | 18 | 18 | 18 |
| 3. | 79412003066 | Hex bolt M12x30 - DIN933/8.8 | 16 | 16 | 16 | 16 | 16 | 16 | 16 |
| 4. | 79412002066 | Hex bolt M12x20 - DIN933/8.8 | 2 | 2 | 2 | 2 | 2 | 2 | 2 |
| 5. | 1.376.446 | Angle | 2 | 2 | 2 | 2 | 2 | 2 | 2 |
| 6. | 1.376.068 | Input gearbox | - | - | - | - | 2 | - | 2 |
| 6. | 1.376.070 | Input gearbox | 2 | 2 | 2 | 2 | - | - | - |
| 6. | 1.376.069 | Input gearbox | - | - | - | 2 | - | - | - |
| 6. | 1.373.898 | Input gearbox | - | - | - | - | - | 2 | - |
| 7. | 1.376.069 | Output gearbox | 2 | 2 | 2 | 2 | 2 | 2 | 2 |
| 8. | 1.376.752 | Shim | 10 | 10 | 10 | 10 | 10 | 10 | 10 |
| 9. | 91623939061 | Spring washer - A14 | 12 | 12 | 12 | 12 | 12 | 12 | 12 |
| 10. | 79414004566 | Hex bolt M14x45 - DIN933/8.8 | 12 | 12 | 12 | 12 | 12 | 12 | 12 |
| 11. | 1.376.436 | Safety tube | 2 | 2 | 2 | 2 | 2 | 2 | 2 |
| 12. | 1.375.973 | Input shaft (I=165) | 2 | 2 | 2 | 2 | 2 | 2 | 2 |
| 12. | 1.377.105 | Input shaft (I=205) (see note below!) | 2 | 2 | 2 | 2 | 2 | 2 | 2 |
| 13. | 1.376.444 | Washer | 2 | 2 | 2 | 2 | 2 | 2 | 2 |
| 14. | 91623938961 | Spring washer- A10 | 2 | 2 | 2 | 2 | 2 | 2 | 2 |
| 15. | 79410003066 | Hex bolt M10x30 - DIN933/8.8 | 22 | 22 | 22 | 22 | 22 | 22 | 18 |
| 15. | 79410003066 | Hex bolt M10x30 - DIN933/8.8* | - | 18 | - | - | - | - | - |
| 16. | 1.375.974 | Shaft | 4 | 4 | 4 | 4 | 4 | 4 | 4 |
| 17. | 1.313.536 | Double joint couplin | 2 | 2 | 2 | 2 | 2 | 2 | - |
| 17. | 1.355.710 | PTO drive shaft | - | - | - | - | - | - | 2 |
| 18. | 1.376.445 | Hex bolt - M10x30 | 4 | 8 | 4 | 4 | 4 | 4 | - |
| 19. | 70710000066 | M10 DIN990/8.8 Hex nut | 24 | 24 | 24 | 24 | 24 | 24 | 16 |
| 20. | 1.378.150 | Shield - LH | - | - | - | - | - | - | 1 |
| 20. | 1.378.151 | Shield - RH | - | - | - | - | - | - | 1 |
| 20. | 1.378.156 | Shield - LH | 1 | 1 | 1 | 1 | 1 | 1 | - |
| 20. | 1.378.157 | Shield - RH | 1 | 1 | 1 | 1 | 1 | 1 | - |
| 20. | 1.378.166 | Shield - LH* | - | 1 | - | - | - | - | - |
| 20. | 1.378.167 | Shield - RH* | - | 1 | - | - | - | - | - |
| 20. | 1.379.396 | Shield - LH | 2014→ 6108, 6208 | - | - | - | - | - | 1 |
| 20. | 1.379.397 | Shield - RH | 2014→ 6108, 6208 | - | - | - | - | - | 1 |
| 20. | 1.379.392 | Shield - LH | 2014→ 6108;6208;6112 | 1 | 1 | 1 | 1 | 1 | - |
| 20. | 1.379.391 | Shield - RH | 2014→ 6108;6208;6112 | 1 | 1 | 1 | 1 | 1 | - |
| 20. | 1.379.061 | Shield - LH | 2014→ 6212 | - | - | - | - | - | 1 |
| 20. | 1.379.062 | Shield - RH | 2014→ 6212 | - | - | - | - | - | 1 |
| 20. | 1.378.985 | Shield - LH | 2014→ 6212;6316 | 1 | 1 | 1 | 1 | 1 | - |
| 20. | 1.378.997 | Shield - RH | 2014→ 6212;6316 | 1 | 1 | 1 | 1 | 1 | - |
| 21. | 91623938761 | Spring washer - A8 | 22 | 22 | 22 | 22 | 22 | 22 | 26 |
| 22. | 79408002566 | Hex bolt M8x25 - DIN933/8.8 | 4 | 4 | 4 | 4 | 4 | 4 | 6 |
| 23. | 73508000066 | Hex nut M8 - DIN934 | 4 | 4 | 4 | 4 | 4 | 4 | 6 |
| 24. | 79408001666 | Hex bolt M8x16 - DIN933/8.8 | 8 | 8 | 8 | 8 | 8 | 8 | 10 |
| 25. | 1.378.148 | Shield - LH | - | - | - | - | - | - | 1 |
| 25. | 1.378.149 | Shield - RH | - | - | - | - | - | - | 1 |
| 25. | 1.378.154 | Shield - LH | 1 | 1 | 1 | 1 | 1 | 1 | - |
| 25. | 1.378.155 | Shield - RH | 1 | 1 | 1 | 1 | 1 | 1 | - |
| 25. | 1.378.164 | Shield - LH* | - | 1 | - | - | - | - | - |
| 25. | 1.378.165 | Shield - RH* | - | 1 | - | - | - | - | - |
| 25. | 1.379.063 | Shield - LH | 2014→ 6212 | - | - | - | - | - | 1 |
| 25. | 1.379.064 | Shield - RH | 2014→ 6212 | - | - | - | - | - | 1 |
| 25. | 1.378.987 | Shield - LH | 2014→ 6212;6316 | 1 | 1 | 1 | 1 | 1 | - |
| 25. | 1.378.999 | Shield - RH | 2014→ 6212;6316 | 1 | 1 | 1 | 1 | 1 | - |
| 26. | 79408002066 | Hex bolt M8x20 - DIN933/8.8 | 6 | 6 | 6 | 6 | 6 | 6 | 4 |
| 27. | 1.377.106 | Spacer (see note below!) | 2 | 2 | 2 | 2 | 2 | 2 | 2 |
| 28. | 1.319.873 | Distance piece | 2010 - 2015. | 2 | - | - | - | - | - |
| 29. | 72210000060 | Spring washer M10 - DIN128/A | - | 16 | - | - | - | - | - |
| 30. | 73510000066 | Hex nut M10 - DIN934 | - | 16 | - | - | - | - | - |
| 31. | 1.378.760 | Washer | 6 | 6 | 6 | 6 | 6 | 6 | 6 |
| 32. | 1.379.146 | Loop | 2 | 2 | 2 | 2 | 2 | 2 | 2 |
| 33. | 1.379.634 | Cover | 2014→2015. | 2 | 2 | 2 | 2 | 2 | 2 |
| 33. | 1.372.314 | Cover | 2016→ | 2 | 2 | 2 | 2 | 2 | 2 |
| 34. | 79406001066 | Hex bolt M6x10 - DIN933/8.8 | 2014→ | 6 | 6 | 6 | 6 | 6 | 6 |

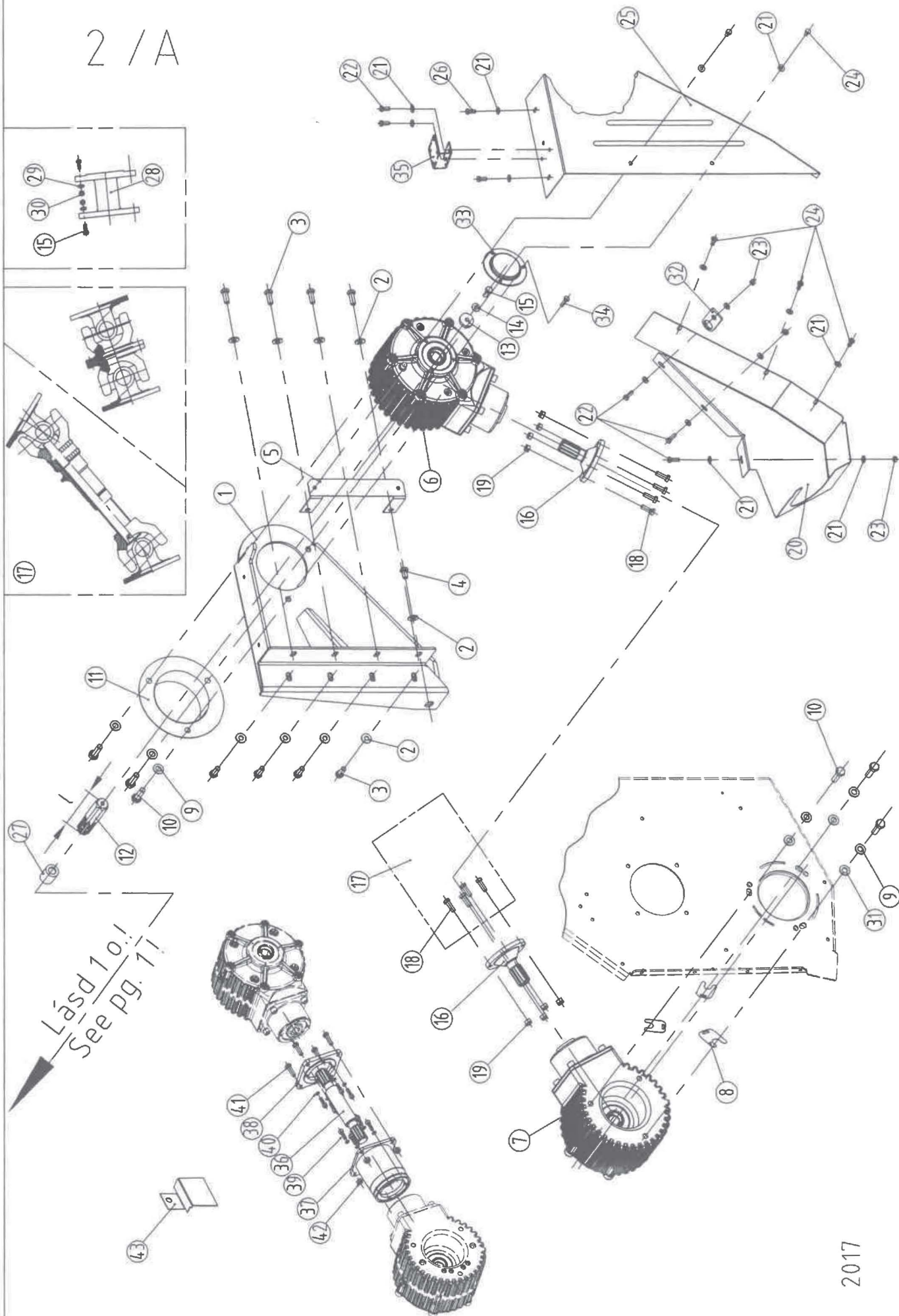
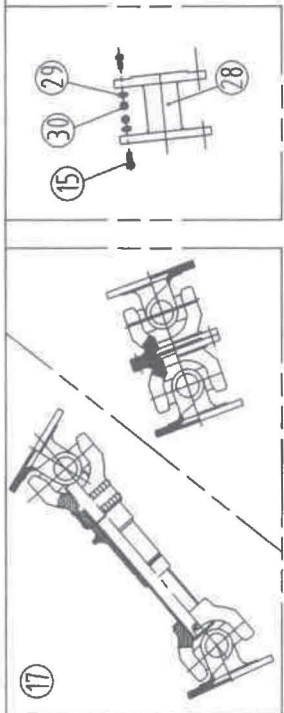
Note: Application of item 8 is depends on the backlash of the gears, quantities are not depend on the type of corn head.

For item 12 & 27: 1.377.105 and 1.377.106 in case of (6308EF) folding machines with exterior drive only.

For item 31: for fix and folding machines with exterior drive only.

* marked items are used for " 6308F mounted to CNH combines" only.

2 / A



Läs 1 o!
See pg. 11

DRIVE (2016 →)

| Ref. | Part Number | Description | Case IH 1000-2000, JD direct | CNH (VS) | AGCO direct | MF 8570 | CAT LEXION (VS), JD (VS) | AGCO (VS) | CAT LEXION (VS), 6108, 6208, 6306, 6306F 6308F, 6212, 6312F |
|-------|-------------|--|---|-------------|----------------|---------|-----------------------------------|--------------|---|
| 1. | 1.378.128 | Console - LH | - | - | - | - | - | - | 1 |
| 1. | 1.378.129 | Console - RH | - | - | - | - | - | - | 1 |
| 1. | 1.378.140 | Console - LH | 1 | 1 | 1 | 1 | 1 | 1 | - |
| 1. | 1.378.141 | Console - RH | 1 | 1 | 1 | 1 | 1 | 1 | - |
| 1.* | 1.372.245 | Console - LH | - | 1 | - | - | - | - | - |
| 1.* | 1.372.246 | Console - RH | - | 1 | - | - | - | - | - |
| 2. | 91623938961 | Spring washer - A12 | 16 | 16 | 16 | 16 | 16 | 16 | 16 |
| 3. | 79412003066 | Hex bolt M12x30 - DIN933/8.8 | 16 | 16 | 16 | 16 | 16 | 16 | 16 |
| 4. | 79412002066 | Hex bolt M12x20 - DIN933/8.8 | 2 | 2 | 2 | 2 | 2 | 2 | 2 |
| 5. | 1.376.446 | Angle | 2 | 2 | 2 | 2 | 2 | 2 | 2 |
| 6. | 1.376.070 | Input gearbox | 2 | 2 | 2 | - | - | - | - |
| 6. | 1.376.068 | Input gearbox | - | - | - | - | 2 | - | 2 |
| 6. | 1.376.069 | Input gearbox | - | - | - | 2 | - | - | - |
| 6. | 1.373.898 | Input gearbox | - | - | - | - | - | 2 | - |
| 7. | 1.376.069 | Output gearbox | 2 | 2 | 2 | - | 2 | 2 | 2 |
| 7. | 1.376.068 | Output gearbox | - | - | - | 2 | - | - | - |
| 8. | 1.376.752 | Shim | 10 | 10 | 10 | 10 | 10 | 10 | 10 |
| 9. | 91623939061 | Spring washer - A14 | 12 | 12 | 12 | 12 | 12 | 12 | 12 |
| 10. | 79414004566 | Hex bolt M14x45 - DIN933/8.8 | 12 | 12 | 12 | 12 | 12 | 12 | 12 |
| 11. | 1.376.436 | Safety tube | 2 | 2 | 2 | 2 | 2 | 2 | 2 |
| 12. | 1.375.973 | Input shaft (I=155) | 2 | 2 | 2 | 2 | 2 | 2 | 2 |
| 12. | 1.377.105 | Input shaft (I=205) (see note below!) | 2 | 2 | 2 | 2 | 2 | 2 | 2 |
| 12.** | 1.372.371 | Input shaft (I=139,5) (see note below!) | 2 | - | - | - | 2 | - | - |
| 13. | 1.376.444 | Washer | 2 | 2 | 2 | 2 | 2 | 2 | 2 |
| 14. | 91623938861 | Spring washer- A10 | 2 | 2 | 2 | 2 | 2 | 2 | 2 |
| 15. | 79410003066 | Hex bolt M10x30 - DIN933/8.8 | 22 | 22 | 22 | 22 | 22 | 22 | 18 |
| 15. | 79410003066 | Hex bolt M10x30 - DIN933/8.8 | - | 18 | - | - | - | - | - |
| 16. | 1.375.974 | Shaft | 4 | 4 | 4 | 4 | 4 | 4 | 4 |
| 17. | 1.313.536 | Double joint coupling | 2 | 2 | 2 | 2 | 2 | 2 | - |
| 17. | 1.355.710 | PTO drive shaft | - | - | - | - | - | - | 2 |
| 18. | 1.376.445 | Hex bolt - M10x30 | 4 | 8 | 4 | 4 | 4 | 4 | - |
| 19. | 70710000066 | M10 DIN980/8.8 Hex nut | 24 | 24 | 24 | 24 | 24 | 24 | 16 |
| 20.* | 1.372.248 | Shield - LH | - | 1 | - | - | - | - | - |
| 20.* | 1.372.251 | Shield - RH | - | 1 | - | - | - | - | - |
| 20. | 1.379.396 | Shield - LH | 6306, 6108, 6208,6308, 6112, 6306F, 6308F | - | - | - | - | - | 1 |
| 20. | 1.379.397 | Shield - RH | 6306, 6108, 6208,6308, 6112, 6306F, 6308F | - | - | - | - | - | 1 |
| 20. | 1.379.392 | Shield - LH | 6306, 6108, 6208,6308, 6112, 6306F, 6308F | 1 | 1 | 1 | 1 | 1 | - |
| 20. | 1.379.391 | Shield - RH | 6306, 6108, 6208,6308, 6112, 6306F, 6308F | 1 | 1 | 1 | 1 | 1 | - |
| 20. | 1.379.060 | Shield - LH | 6212, 6312, 6316 | - | - | - | - | - | 1 |
| 20. | 1.379.062 | Shield - RH | 6212, 6312, 6316 | - | - | - | - | - | 1 |
| 20. | 1.378.985 | Shield - LH | 6212, 6312, 6316 | 1 | 1 | 1 | 1 | 1 | - |
| 20. | 1.378.997 | Shield - RH | 6212, 6312, 6316 | 1 | 1 | 1 | 1 | 1 | - |
| 21. | 91623938761 | Spring washer - A8 | 22 | 22 | 22 | 22 | 22 | 22 | 26 |
| 22. | 79408002566 | Hex bolt M8x25 - DIN933/8.8 | 4 | 4 | 4 | 4 | 4 | 4 | 6 |
| 23. | 73508000066 | Hex nut M8 - DIN934 | 4 | 4 | 4 | 4 | 4 | 4 | 6 |
| 24. | 79408001666 | Hex bolt M8x16 - DIN933/8.8 | 8 | 8 | 8 | 8 | 8 | 8 | 10 |
| 25.* | 1.372.247 | Shield - LH | - | 1 | - | - | - | - | - |
| 25.* | 1.372.250 | Shield - RH | - | 1 | - | - | - | - | - |
| 25. | 1.378.148 | Shield - LH | 6306, 6108, 6208,6308, 6112, 6306F, 6308F | - | - | - | - | - | 1 |
| 25. | 1.378.149 | Shield - RH | 6306, 6108, 6208,6308, 6112, 6306F, 6308F | - | - | - | - | - | 1 |
| 25. | 1.378.154 | Shield - LH | 6306, 6108, 6208,6308, 6112, 6306F, 6308F | 1 | 1 | 1 | 1 | 1 | - |
| 25. | 1.378.155 | Shield - RH | 6306, 6108, 6208,6308, 6112, 6306F, 6308F | 1 | 1 | 1 | 1 | 1 | - |
| 25. | 1.379.063 | Shield - LH | 6212, 6312, 6316 | - | - | - | - | - | 1 |
| 25. | 1.379.064 | Shield - RH | 6212, 6312, 6316 | - | - | - | - | - | 1 |
| 25. | 1.378.987 | Shield - LH | 6212, 6312, 6316 | 1 | 1 | 1 | 1 | 1 | - |
| 25. | 1.378.999 | Shield - RH | 6212, 6312, 6316 | 1 | 1 | 1 | 1 | 1 | - |
| 26. | 79408002066 | Hex bolt M8x20 - DIN933/8.8 | 6 | 6 | 6 | 6 | 6 | 6 | 4 |
| 27. | 1.377.106 | Spacer (see note below!) | 2 | 2 | 2 | 2 | 2 | 2 | 2 |
| 28.* | 1.327.806 | Distance piece | - | 2 | - | - | - | - | - |
| 29.* | 72210000060 | Spring washer M10 - DIN129/A | - | 16 | - | - | - | - | - |
| 30.* | 73510000066 | Hex nut M10 - DIN934 | - | 16 | - | - | - | - | - |
| 31. | 1.378.760 | Washer | 6 | 6 | 6 | 6 | 6 | 6 | 6 |
| 32. | 1.379.146 | Loop | 2 | 2 | 2 | 2 | 2 | 2 | 2 |
| 33. | 1.372.314 | Cover | 2 | 2 | 2 | 2 | 2 | 2 | 2 |
| 34. | 79406001066 | Hex bolt M6x10 - DIN933/8.8 | 6 | 6 | 6 | 6 | 6 | 6 | 6 |
| 35. | 1.372.315 | Holder | - | 1 | - | - | - | - | - |

Note: Application of item 8 is depends on the backlash of the gears, quantities are not depend on the type of corn head.

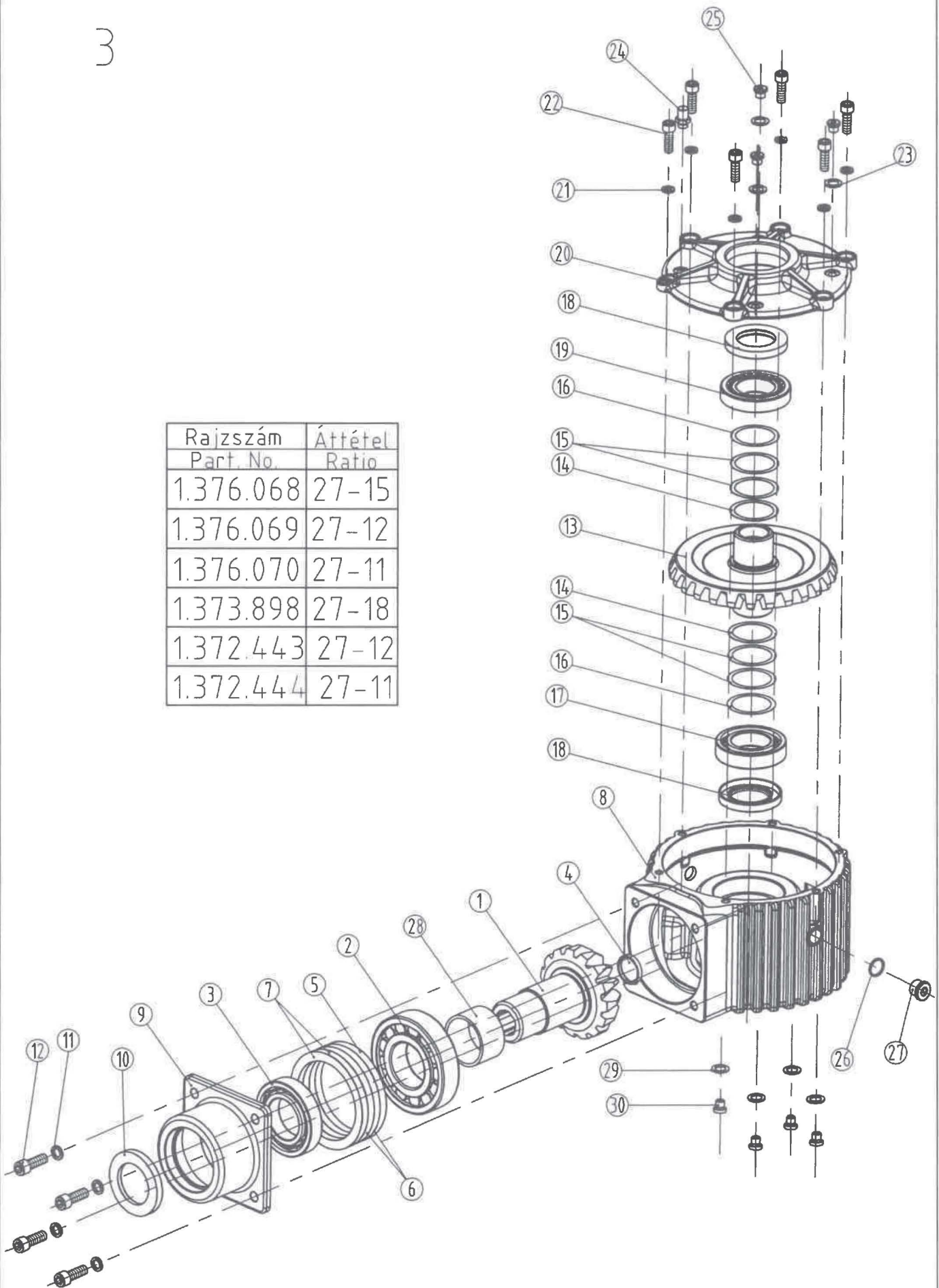
For item 12 & 27: 1.377.105 and 1.377.106 in case of (6308EF) folding machines with exterior drive only.

* marked items are used for " 6308F mounted to CNH combines" only.

** For 6306F & 6308F Corn Heads mounted to JD combines (except Hill Master) with lateral tilt function only.

3

| Rajzszám Part. No. | Áttétel Ratio |
|-----------------------|------------------|
| 1.376.068 | 27-15 |
| 1.376.069 | 27-12 |
| 1.376.070 | 27-11 |
| 1.373.898 | 27-18 |
| 1.372.443 | 27-12 |
| 1.372.444 | 27-11 |



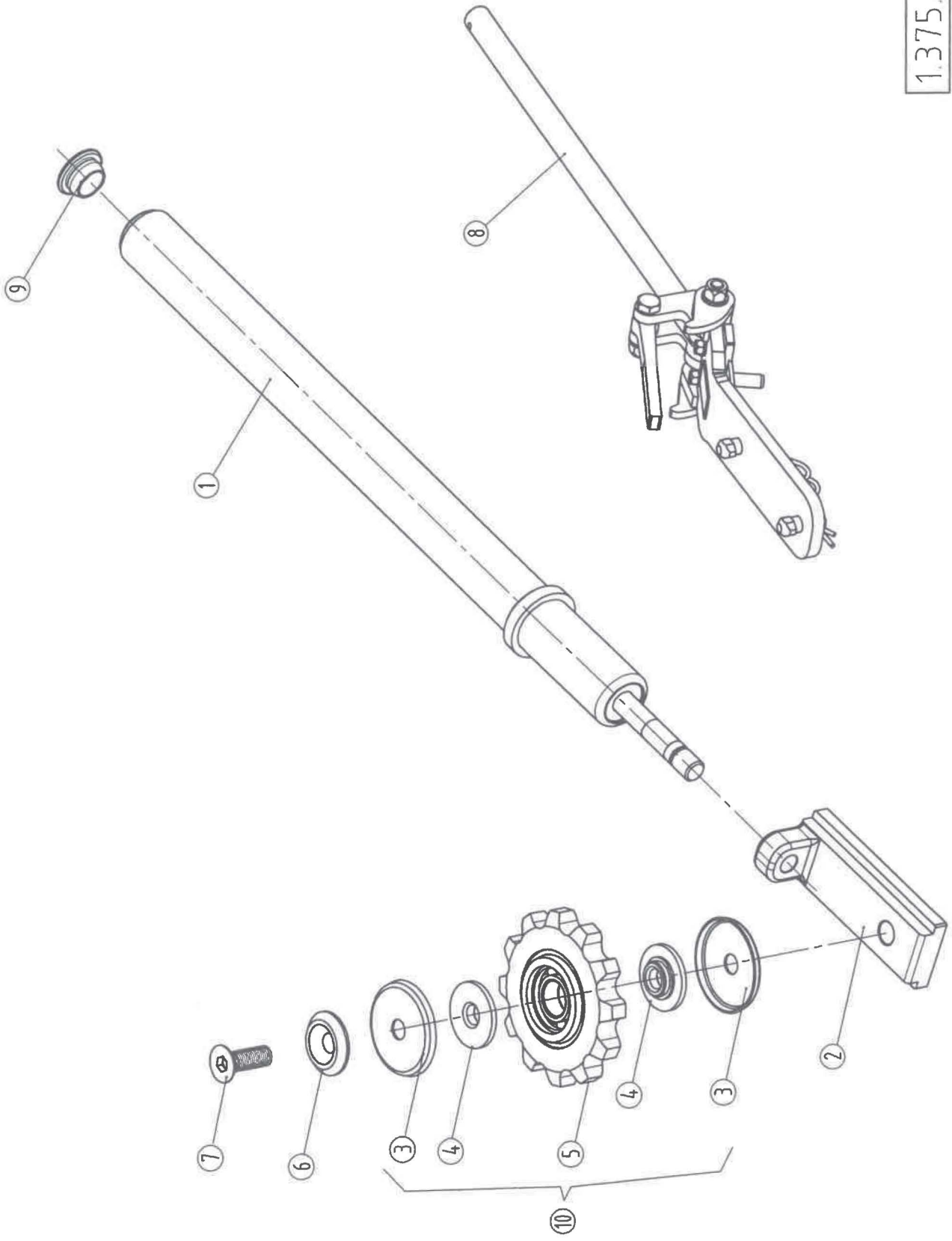
INPUT GEARBOX

| Ref. | Part Number | Description | All models |
|------|---------------------|--|------------|
| 1. | 1.376.073 | Drive pinion 15T | 2 |
| 1. | 1.376.077 | Drive pinion 12T | 2 |
| 1. | 1.376.075 | Drive pinion 11T | 2 |
| 1. | 1.373.870 | Drive pinion 18T | 2 |
| 2. | 87000131262 | Bearing NUP312 | 4 |
| 3. | 87010621114 | Bearing 6211-2RS | 4 |
| 4. | 85803800700 | Closing cup (38x7) | 4 |
| 5. | 71610513001 | Shim 105x130x0.1 - DIN988 | 4 |
| 6. | 71610513002 | Shim 105x130x0.2 - DIN988 | 8 |
| 7. | 71610513005 | Shim 105x130x0.5 - DIN988 | 8 |
| 8. | 1.376.071 | Gearbox housing | 4 |
| 9. | 1.376.079 | Bearing housing | 4 |
| | | | |
| 10. | 85805508500 | Seal 55x85x10 | 4 |
| 11. | 71812000060 | Spring washer M12 - DIN7980 | 16 |
| 12. | 80212035063 | Hex socket head cap bolt M12x35 - DIN912/10.9 | 16 |
| 13. | 1.376.074 | Bevel-gear 27T (gearbox: 1.376.068) | 2 |
| 13. | 1.376.078 | Bevel-gear 27T (gearbox: 1.376.069) | 2 |
| 13. | 1.376.076 | Bevel-gear 27T (gearbox: 1.376.070) | 2 |
| 13. | 1.373.871 | Bevel-gear 27T (gearbox: 1.373.898) | 2 |
| 14. | 71650062010 | Shim 50x62x0.1 - DIN988 | 8 |
| 15. | 71650062020 | Shim 50x62x0.2 - DIN988 | 16 |
| 16. | 71650062050 | Shim 50x62x0.5 - DIN988 | 8 |
| 17. | 87000621010 | Bearing 6210 | 4 |
| 18. | 85805080100 | Seal 50x80x10 | 8 |
| 19. | 87013021001 | Bearing 30210 - DIN720 | 4 |
| 20. | 1.376.072 | Cover | 4 |
| 21. | 71810000060 | Spring washer M10 - DIN7980 | 24 |
| 22. | 80310003063 | Hex socket head cap bolt M10x30 - DIN6912/10.9 | 24 |
| 23. | 05200001200 | Copper washer M12 - DIN7603 | 20 |
| 24. | 1.309.247 | Breather | 4 |
| 25. | 1.376.783 - M12x1.5 | Closing screw | 20 |
| 26. | 05200200024 | Copper washer 20x24x1.5 - DIN7603 | 8 |
| 27. | 79202001560 | Closing screw M20x1.5 - DIN908 | 8 |
| 28. | 1.377.265 | Spacer | 4 |
| 29. | 05200000800 | Copper washer 8x12x1 - DIN7603 | 16 |
| 30. | 79200800160 | Closing screw M8x1 - DIN908 | 16 |
| | | | |

Note: application of item 1 and 13 depends on the type of combine.
application of shims depends on the backlash of the gears.

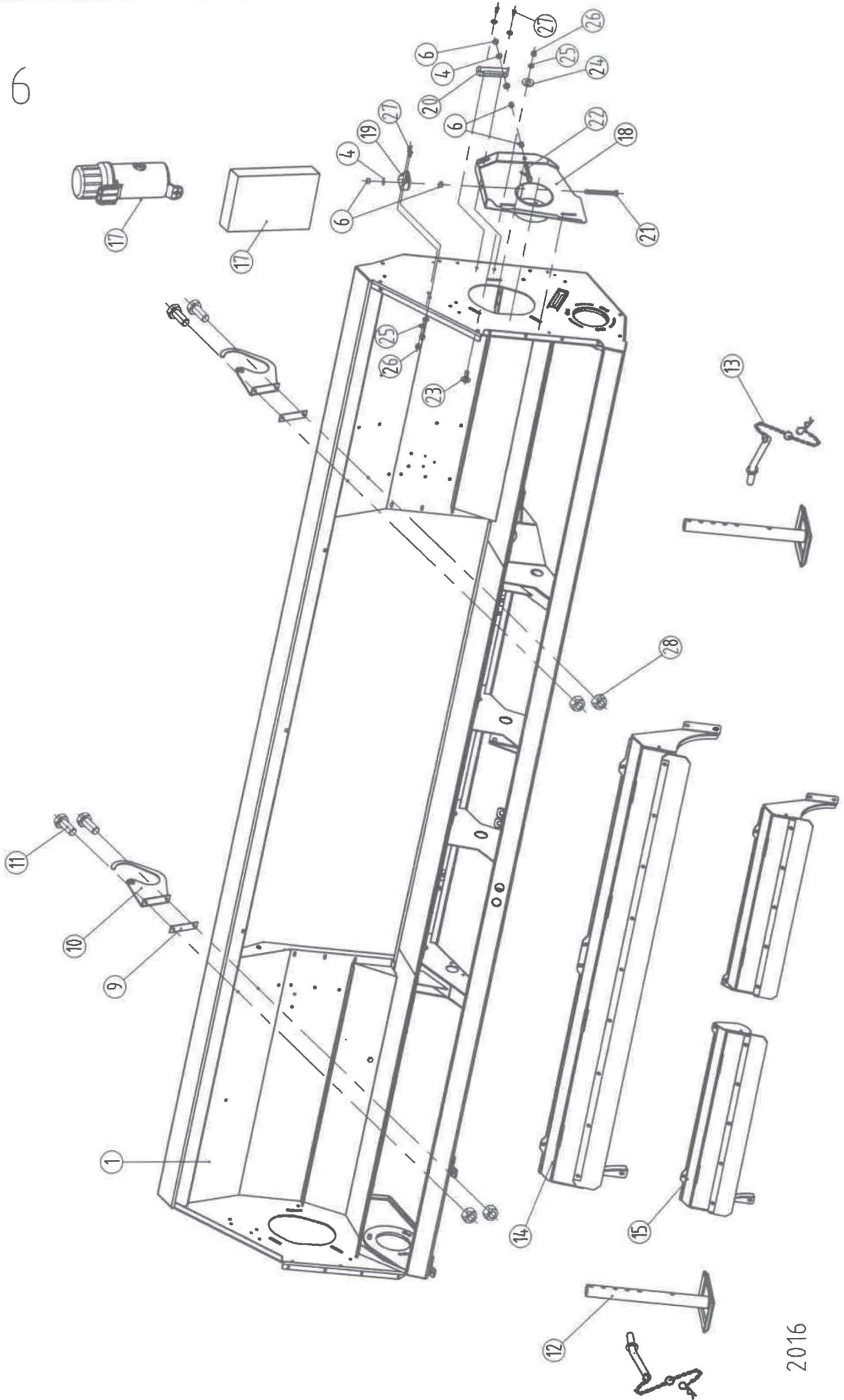
4

1.375.755



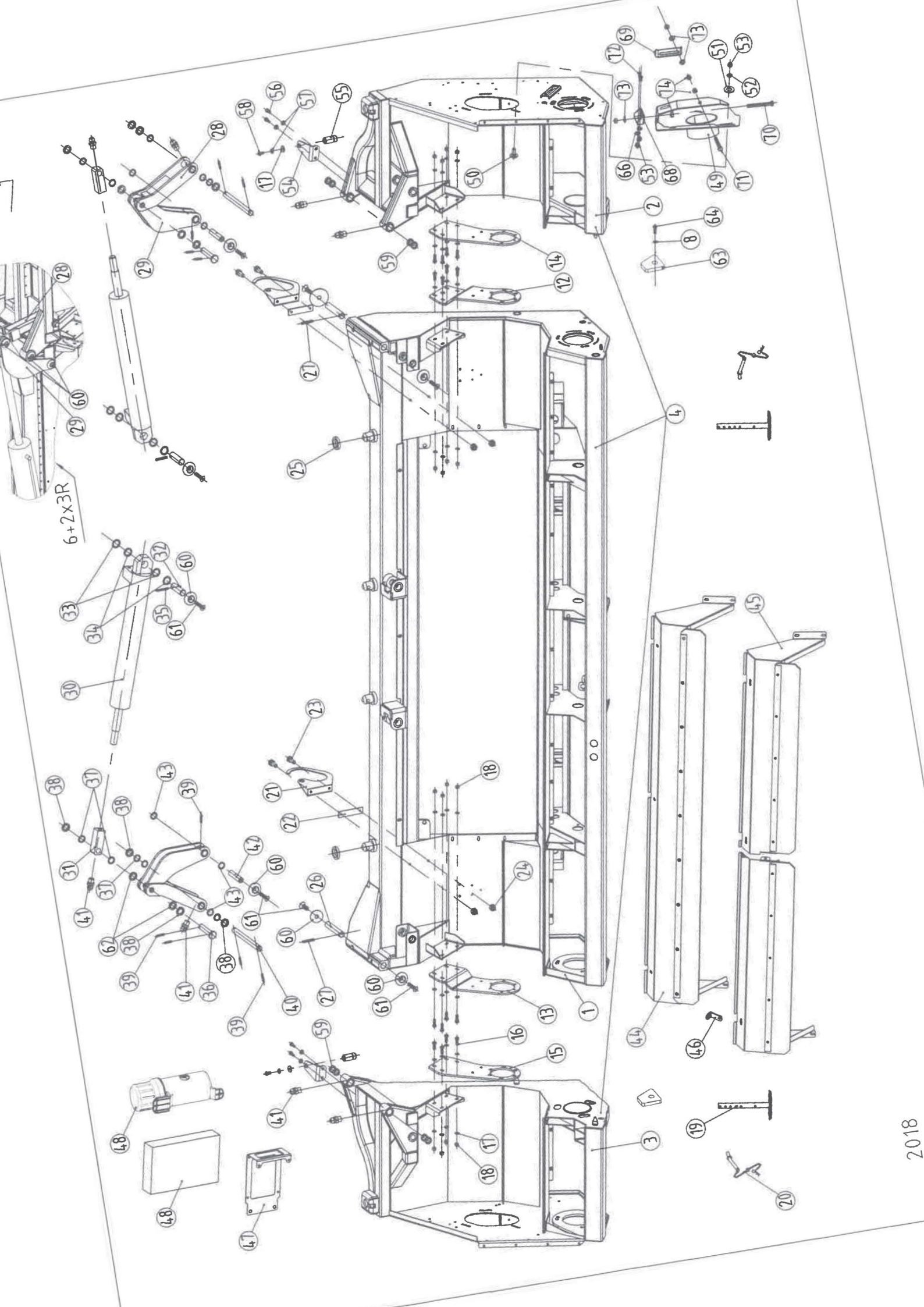
2013

6



FRAME ASSEMBLY - RIGID

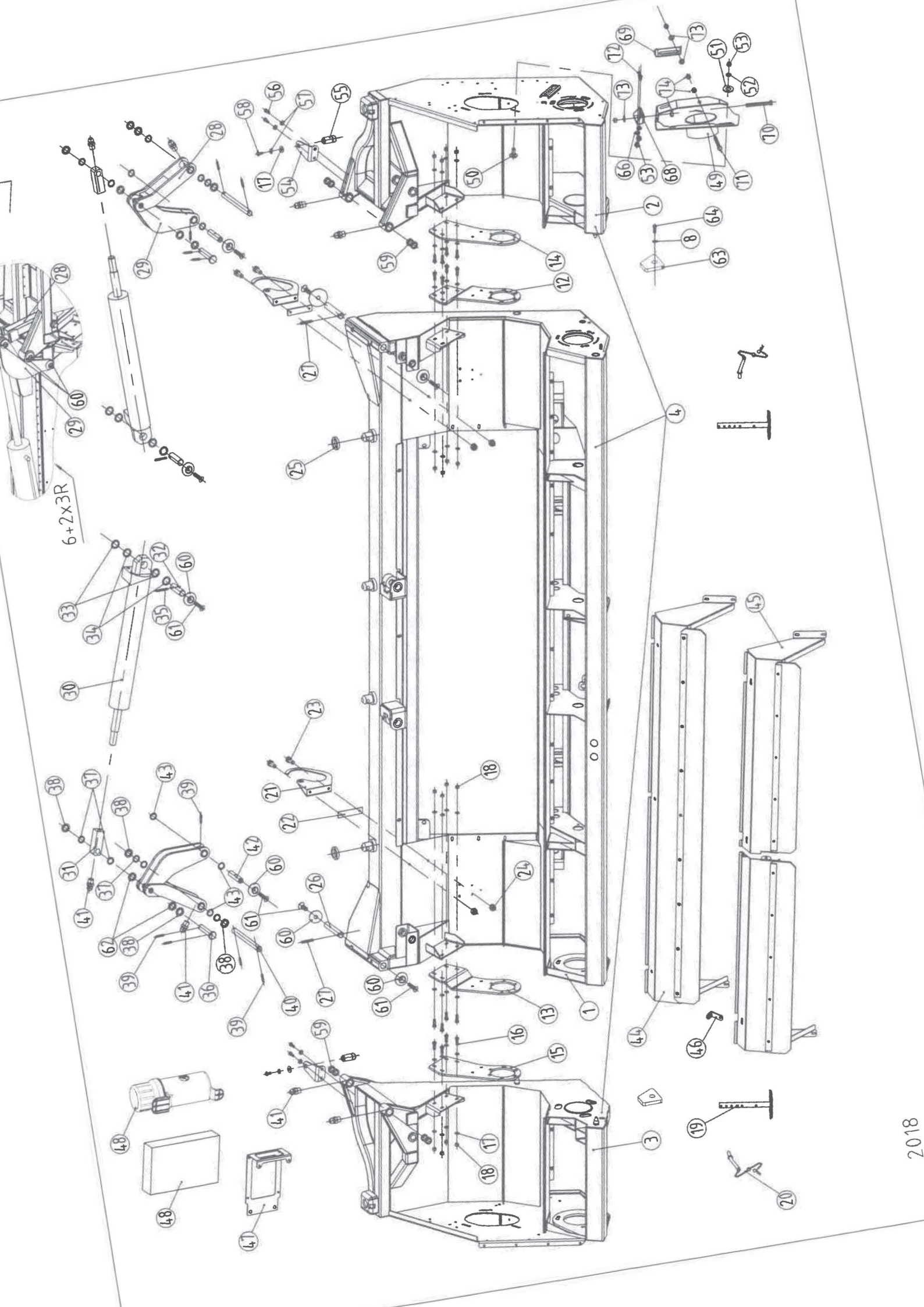
| Ref. | Part Number | Description | | 6306 70 | 6306 | 6108 | 6208 | 6308 70 | 6308 | 6112 | 6212 | 6312 70 | 6312 | 6316 |
|------|-----------------|--|-------|------------|------|------|------|------------|------|------|------|------------|------|------|
| 1. | 1.378.443 | Frame assy | | 1 | - | - | - | - | - | - | - | - | - | - |
| 1. | 1.379.155 | Frame assy | 2016→ | 1 | - | - | - | - | - | - | - | - | - | - |
| 1. | 1.378.444 | Frame assy | | - | 1 | - | - | - | - | - | - | - | - | - |
| 1. | 1.379.156 | Frame assy | 2016→ | - | 1 | - | - | - | - | - | - | - | - | - |
| 1. | 1.373.100 | Frame assy | 2015→ | - | - | 1 | - | - | - | - | - | - | - | - |
| 1. | 1.373.070 | Frame assy | 2015→ | - | - | - | 1 | - | - | - | - | - | - | - |
| 1. | 1.378.531 | Frame assy | | - | - | - | - | 1 | - | - | - | - | - | - |
| 1. | 1.379.157 | Frame assy | 2016→ | - | - | - | - | 1 | - | - | - | - | - | - |
| 1. | 1.378.532 | Frame assy | | - | - | - | - | - | 1 | - | - | - | - | - |
| 1. | 1.379.158 | Frame assy | 2016→ | - | - | - | - | - | 1 | - | - | - | - | - |
| 1. | 1.379.650 | Frame assy | 2014→ | - | - | - | - | - | - | 1 | - | - | - | - |
| 1. | 1.379.600 | Frame assy | 2014→ | - | - | - | - | - | - | - | 1 | - | - | - |
| 1. | 1.378.533 | Frame assy | | - | - | - | - | - | - | - | - | 1 | - | - |
| 1. | 1.379.159 | Frame assy | 2016→ | - | - | - | - | - | - | - | - | 1 | - | - |
| 1. | 1.378.534 | Frame assy | | - | - | - | - | - | - | - | - | - | 1 | - |
| 1. | 1.378.900 | Frame assy | 2016→ | - | - | - | - | - | - | - | - | - | 1 | - |
| 1. | 1.378.866 | Frame assy | 2013→ | - | - | - | - | - | - | - | - | - | - | 1 |
| 9. | 1.322.037 | Plate | | 2 | 2 | 2 | 2 | 2 | 2 | 2 | 2 | 2 | 2 | 2 |
| 10. | 1.354.037 | PTO shaft support | | 2 | 2 | 2 | 2 | 2 | 2 | 2 | 2 | 2 | 2 | 2 |
| 11. | 79408002066 | Hex bolt M8x20 - DIN933/8.8 | | 4 | 4 | 4 | 4 | 4 | 4 | 4 | 4 | 4 | 4 | 4 |
| 12. | 1.352.495 | Parking stand assy | | 2 | 2 | 2 | 2 | 2 | 2 | 2 | 2 | 2 | 2 | 2 |
| 13. | 25.541.14.50.00 | Pin assembly | | 2 | 2 | 2 | 2 | 2 | 2 | 2 | 2 | 2 | 2 | 2 |
| 14. | 1.378.685 | Hood assy | | 1 | 1 | - | - | 1 | 1 | - | - | - | - | - |
| 14. | 1.379.440 | Hood assy | 2014→ | 1 | 1 | 1 | 1 | 1 | 1 | 1 | - | - | - | - |
| 15. | 1.378.689 | Hood assy - LH | | - | - | - | - | - | - | - | - | 1 | 1 | - |
| 15. | 1.378.988 | Hood assy - LH | 2013→ | - | - | - | - | - | - | - | 1 | 1 | 1 | 1 |
| 15. | 1.378.690 | Hood assy - RH | | - | - | - | - | - | - | - | - | 1 | 1 | - |
| 15. | 1.378.989 | Hood assy - RH | 2013→ | - | - | - | - | - | - | - | 1 | 1 | 1 | 1 |
| 17. | 1.329.720 | Storage container | →2015 | 1 | 1 | 1 | 1 | 1 | 1 | 1 | 1 | 1 | 1 | 1 |
| 17. | 1.373.751 | Storage container | 2016→ | 1 | 1 | 1 | 1 | 1 | 1 | 1 | 1 | 1 | 1 | 1 |
| 18. | 1.377.453 | Bracket welded - LH | | 1 | 1 | 1 | 1 | 1 | 1 | 1 | 1 | 1 | 1 | 1 |
| 18. | 1.377.454 | Bracket welded - RH | | 1 | 1 | 1 | 1 | 1 | 1 | 1 | 1 | 1 | 1 | 1 |
| 19. | 1.377.460 | Bracket - LH | | 1 | 1 | 1 | 1 | 1 | 1 | 1 | 1 | 1 | 1 | 1 |
| 20. | 1.377.461 | Bracket - RH | | 1 | 1 | 1 | 1 | 1 | 1 | 1 | 1 | 1 | 1 | 1 |
| 21. | 79412012066 | Hex bolt M12x120 - DIN933/8.8 | | 2 | 2 | 2 | 2 | 2 | 2 | 2 | 2 | 2 | 2 | 2 |
| 22. | 79412009066 | Hex bolt M12x90 - DIN933/8.8 | | 2 | 2 | 2 | 2 | 2 | 2 | 2 | 2 | 2 | 2 | 2 |
| 23. | 76308002066 | Carriage bolt M8x20 - DIN603/8.8 | | 6 | 6 | 6 | 6 | 6 | 6 | 6 | 6 | 6 | 6 | 6 |
| 24. | 1.314.099 | Washer | | 6 | 6 | 6 | 6 | 6 | 6 | 6 | 6 | 6 | 6 | 6 |
| 25. | 91623938761 | Spring washer A8 | | 14 | 14 | 14 | 14 | 14 | 14 | 14 | 14 | 14 | 14 | 14 |
| 26. | 73508000066 | Hex nut M8 - DIN934 | | 14 | 14 | 14 | 14 | 14 | 14 | 14 | 14 | 14 | 14 | 14 |
| 27. | 78208002063 | Hex socket button-head bolt M8x20 - ISO7380/10.9 | | 8 | 8 | 8 | 8 | 8 | 8 | 8 | 8 | 8 | 8 | 8 |
| 28. | 70708000066 | Lock nut M8 - DIN980 | | 4 | 4 | 4 | 4 | 4 | 4 | 4 | 4 | 4 | 4 | 4 |



FRAME ASSEMBLY - FOLDABLE

| Ref. | Part Number | Description | | 6306F | 6308F | 6309F | 6312-70F | 6312F |
|------|-------------|------------------------------|-------|-------|-------|-------|----------|-------|
| 1. | 1.377.905 | Central frame assy | →2015 | 1 | 1 | - | - | - |
| 1. | 1.373.662 | Central frame assy | 2016→ | 1 | 1 | - | - | - |
| 1. | 1.378.179 | Central frame assy | →2015 | - | - | - | - | 1 |
| 1. | 1.373.778 | Central frame assy | 2016→ | - | - | - | - | 1 |
| 1. | 1.378.076 | Central frame assy | | - | - | 1 | - | - |
| 1. | 1.373.827 | Central frame assy | | - | - | - | 1 | - |
| 2. | 1.378.105 | Extension frame assy - LH | →2015 | 1 | - | - | - | - |
| 2. | 1.379.957 | Extension frame assy - LH | 2016→ | 1 | - | - | - | - |
| 2. | 1.377.991 | Extension frame assy - LH | →2015 | - | 1 | 1 | - | - |
| 2. | 1.373.512 | Extension frame assy - LH | 2016→ | - | 1 | - | - | - |
| 2. | 1.378.226 | Extension frame assy - LH | →2015 | - | - | - | - | 1 |
| 2. | 1.373.779 | Extension frame assy - LH | 2016→ | - | - | - | - | 1 |
| 2. | 1.373.828 | Extension frame assy - LH | | - | - | - | 1 | - |
| 3. | 1.378.106 | Extension frame assy - RH | →2015 | 1 | - | - | - | - |
| 3. | 1.379.958 | Extension frame assy - RH | 2016→ | 1 | - | - | - | - |
| 3. | 1.377.992 | Extension frame assy - RH | →2015 | - | 1 | 1 | - | - |
| 3. | 1.373.513 | Extension frame assy - RH | 2016→ | - | 1 | - | - | - |
| 3. | 1.378.227 | Extension frame assy - RH | →2015 | - | - | - | - | 1 |
| 3. | 1.373.780 | Extension frame assy - RH | 2016→ | - | - | - | - | 1 |
| 3. | 1.373.829 | Extension frame assy - RH | | - | - | - | 1 | - |
| 4. | 1.378.098 | Frame assy - complete | | 1 | - | - | - | - |
| 4. | 1.373.663 | Frame assy - complete | 2016→ | 1 | - | - | - | - |
| 4. | 1.378.100 | Frame assy - complete | | - | 1 | - | - | - |
| 4. | 1.373.664 | Frame assy - complete | 2016→ | - | 1 | - | - | - |
| 4. | 1.378.173 | Frame assy - complete | | - | - | 1 | - | - |
| 4. | 1.378.199 | Frame assy - complete | | - | - | - | - | 1 |
| 4. | 1.373.825 | Frame assy - complete | 2016→ | - | - | - | - | 1 |
| 4. | 1.373.826 | Frame assy - complete | | - | - | - | 1 | - |
| 12. | 1.376.371 | Console - LH | | 1 | 1 | 1 | 1 | 1 |
| 13. | 1.376.372 | Console - RH | | 1 | 1 | 1 | 1 | 1 |
| 14. | 1.376.373 | Console - LH | | 1 | 1 | 1 | 1 | 1 |
| 15. | 1.376.374 | Console - RH | | 1 | 1 | 1 | 1 | 1 |
| 16. | 79410003066 | Hex bolt M10x30 - DIN933/8.8 | | 16 | 16 | 16 | 16 | 16 |
| 17. | 96702375920 | Washer - M10 | | 34 | 34 | 34 | 34 | 34 |
| 18. | 70710000066 | Lock nut M10 - DIN980 | | 16 | 16 | 16 | 16 | 16 |
| 19. | 1.352.495 | Support assy | | 2 | 2 | 2 | 2 | 2 |
| 20. | 25541145000 | Pin assembly | | 2 | 2 | 2 | 2 | 2 |
| 21. | 1.354.037 | PTO shaft support | | - | - | 2 | 2 | 2 |
| 22. | 1.322.037 | Flat | | - | - | 2 | 2 | 2 |
| 23. | 79408002066 | Hex bolt M8x20 - DIN933/8.8 | | - | - | 4 | 4 | 4 |
| 24. | 70708000066 | Lock nut M8 - DIN980 | | - | - | 4 | 4 | 4 |
| 25. | 1.376.448 | Rubber washer | | 2 | 2 | 2 | 2 | 2 |
| 26. | 1.378.126 | Pin I=472 | | 2 | 2 | 2 | 2 | 2 |

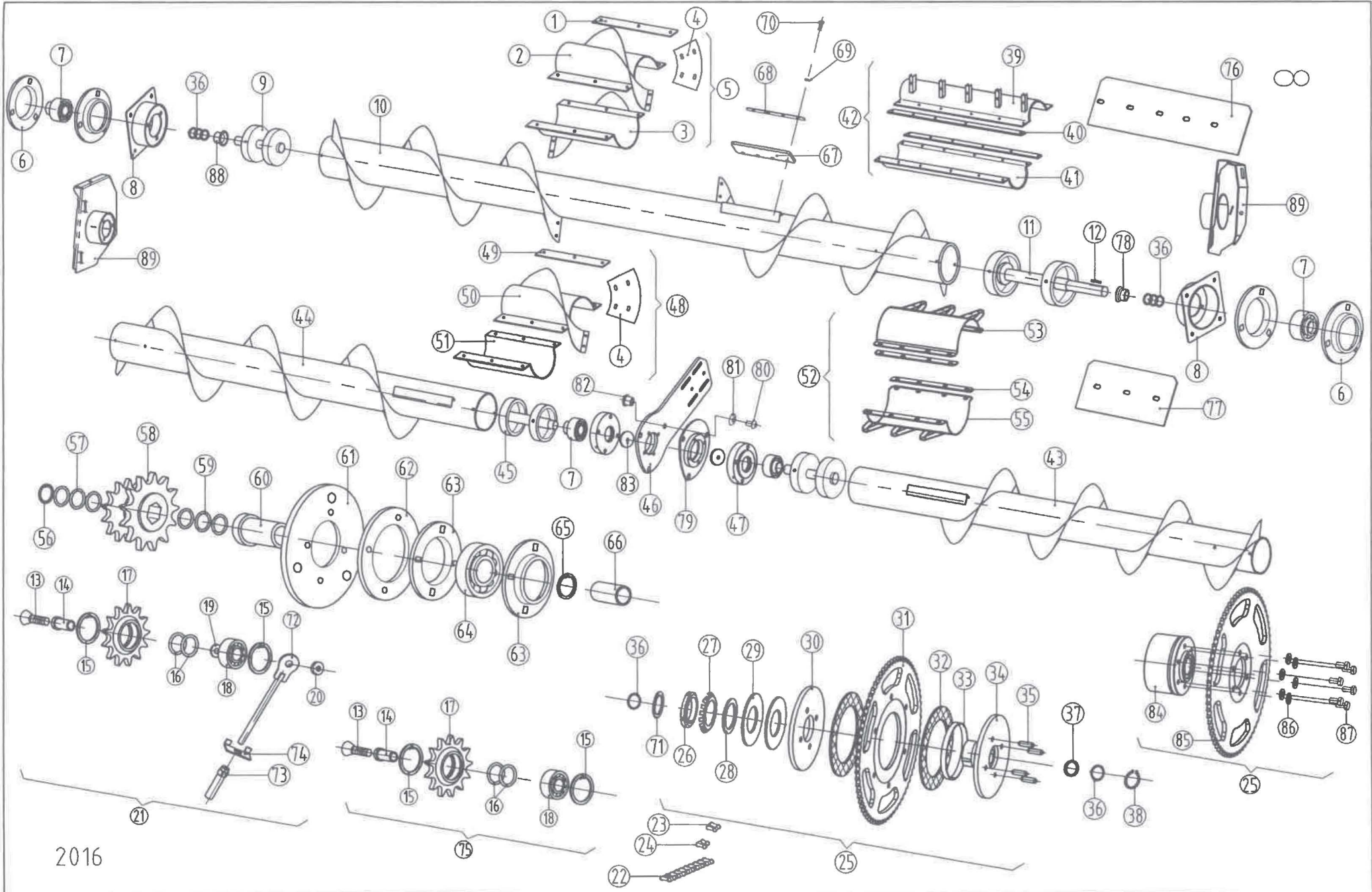
Note: Items 54 - 58 are needed only for exterior drive with lower position. Application of shims if necessary.
2016-> : only for machines with higher serial number than xxxxx16xxx



FRAME ASSEMBLY - FOLDABLE

| Ref. | Part Number | Description | 6306F | 6308F | 6309F | 6312-70F | 6312F |
|------|-------------|---|-------|-------|-------|----------|-------|
| 27. | 73010006001 | Spring pin 10x60 - DIN1481 | 4 | 4 | 4 | 4 | 4 |
| 27. | 73006006001 | Spring pin 6x60 - DIN1481 | 4 | 4 | 4 | 4 | 4 |
| 28. | 1.376.385 | Arm | 2 | - | - | - | - |
| 28. | 1.375.138 | Arm | - | 2 | 2 | 2 | 2 |
| 29. | 1.376.382 | Arm | 2 | - | - | - | - |
| 29. | 1.375.134 | Arm | - | 2 | 2 | - | 2 |
| 29. | 1.378.409 | Arm - LH | - | - | - | 1 | 1 |
| 29. | 1.378.410 | Arm - RH | - | - | - | 1 | 1 |
| 30. | 1.376.278 | Hydraulic cylinder | 2 | - | - | - | - |
| 30. | 1.375.144 | Hydraulic cylinder | - | 2 | 2 | 2 | 2 |
| 30. | 1.378.415 | Hydraulic cylinder | - | - | - | 2 | 2 |
| 31. | 1.376.573 | Fitting | 2 | 2 | 2 | - | - |
| 31. | 1.378.475 | Fitting | - | - | - | 2 | 2 |
| 32. | 1.375.182 | Pin | 2 | 2 | 2 | 2 | 2 |
| 33. | 71630042050 | Shim 30x42x0.5 - DIN988 | 4 | 4 | 4 | 4 | 4 |
| 34. | 71630042100 | Shim 30x42x1 - DIN988 | 4 | 4 | 4 | 4 | 4 |
| 35. | 73008006001 | Spring pin 8x60 - DIN1481 | 2 | 2 | 2 | 2 | 2 |
| 36. | 1.375.192 | Pin | 2018→ | 2 | 2 | - | 2 |
| 36. | 1.377.100 | Pin | →2017 | 2 | 2 | 2 | 2 |
| 36. | 1.378.411 | Pin | - | - | - | 2 | 2 |
| 37. | 71625035100 | Shim 25x35x1 - DIN988 | 8 | 8 | 8 | 8 | 8 |
| 38. | 1.375.181 | Washer | →2017 | 6 | 6 | 6 | 4 |
| 38. | 71400240060 | Washer M24 - DIN125 - 200HV | 2018→ | 8 | 8 | 8 | 6 |
| 39. | 73008004006 | Spring pin 8x40 - DIN1481 | 10 | 10 | 10 | 10 | 8 |
| 40. | 1.376.565 | Pin | 2 | 2 | 2 | 2 | 2 |
| 41. | 70006001062 | Grease nipple M6x1 | 8 | 8 | 8 | 8 | 8 |
| 42. | 1.376.564 | Pin | 2 | 2 | 2 | - | - |
| 42. | 1.378.403 | Pin | - | - | - | 2 | 2 |
| 43. | 71625035050 | Shim 25x35x0.5 - DIN988 | 8 | 8 | 8 | 8 | 8 |
| 44. | 1.378.685 | Hood assy | - | - | 1 | - | - |
| 44. | 1.379.440 | Hood assy | 2016→ | 1 | 1 | - | - |
| 45. | 1.378.689 | Hood assy - LH | - | - | - | 1 | 1 |
| 45. | 1.372.231 | Hood assy - LH | 2016→ | - | - | - | 1 |
| 45. | 1.378.690 | Hood assy - RH | - | - | - | 1 | 1 |
| 45. | 1.372.232 | Hood assy - RH | 2016→ | - | - | - | 1 |
| 46. | 1.377.005 | Supporting angle | 3 | 3 | - | 3 | 3 |
| 47. | 1.377.222 | Bracket | 1 | - | - | - | - |
| 47. | 1.379.141 | Bracket | 2013→ | 1 | 1 | - | - |
| 48. | 1.329.720 | Storage container | →2015 | 1 | 1 | 1 | 1 |
| 48. | 1.373.751 | Storage container | 2016→ | 1 | 1 | 1 | 1 |
| 49. | 1.377.453 | Bracket welded - LH | 1 | 1 | 1 | 1 | 1 |
| 49. | 1.377.454 | Bracket welded - RH | 1 | 1 | 1 | 1 | 1 |
| 50. | 76308002066 | Carrier bolt M8x20 - DIN603/8.8 | 6 | 6 | 6 | 6 | 6 |
| 51. | 1.314.099 | Washer | 6 | 6 | 6 | 6 | 6 |
| 52. | 91623938861 | Spring washer | 6 | 6 | 6 | 6 | 6 |
| 53. | 73508000066 | Hex nut M8 - DIN934 | 14 | 14 | 14 | 14 | 14 |
| 54. | 1.377.102 | Holder- JD,MF,CNH, Gleaner | 2 | 2 | - | - | - |
| 54. | 1.379.299 | Holder - Lexion | 2 | 2 | - | - | - |
| 55. | 1.319.455 | Pin - JD,MF, Gleaner, Lexion | 2 | 2 | - | - | - |
| 55. | 1.318.338 | Pin - CNH | 2 | 2 | - | - | - |
| 55. | 1.373.742 | Pin - JHC | 2 | 2 | - | - | - |
| 56. | 79410002566 | Hex bolt M10x25 - DIN933/8.8 | 4 | 4 | - | - | - |
| 57. | 91623938861 | Spring washer A10 | 6 | 6 | - | - | - |
| 58. | 79410002066 | Hex bolt M10x20 - DIN933/8.8 | 2 | 2 | - | - | - |
| 59. | 97909349340 | Bushing 40x44x30 | 8 | 8 | 8 | 8 | 8 |
| 60. | 1.375.019 | Washer | 6 | 6 | 6 | 12 | 12 |
| 61. | 80401002563 | TORX socket countersunk-head bolt M10x25 - DIN7991/10.9 | 6 | 6 | 6 | 12 | 12 |
| - | Loctite 243 | Threadlocking agent | | | | | |
| 62. | 1.378.407 | Spacer | - | - | - | 4 | 4 |
| 63. | 1.378.679 | Plate | 2 | 2 | 2 | 2 | 2 |
| 64. | 79412004566 | Hex bolt M 12x45 - DIN933/8.8 | 2 | 2 | 2 | 2 | 2 |
| 66. | 91623938761 | Spring washer A8 | 2016→ | 8 | 8 | 8 | 8 |
| 68. | 1.377.460 | Bracket - LH | 2016→ | 2 | 2 | 2 | 2 |
| 69. | 1.377.461 | Bracket - RH | 2016→ | 2 | 2 | 2 | 2 |
| 70. | 79412012066 | Hex bolt M12x120 - DIN933/8.8 | 2016→ | 4 | 4 | 4 | 4 |
| 71. | 79412009066 | Hex bolt M12x90 - DIN933/8.8 | 2016→ | 4 | 4 | 4 | 4 |
| 72. | 78208002063 | Hex socket button-head bolt M8x20-ISO7380/10.9 | 2016→ | 8 | 8 | 8 | 8 |
| 73. | 71412000060 | Washer M12 - DIN125 - 200HV | 2016→ | 6 | 6 | 6 | 6 |
| 74. | 73512000066 | Hex nut M12 - DIN934 | 2016→ | 10 | 10 | 10 | 10 |

Note: Items 54 - 58 are needed only for exterior drive with lower position. Application of shims if necessary.
2016-> : only for machines with higher serial number than xxxxx16xxx

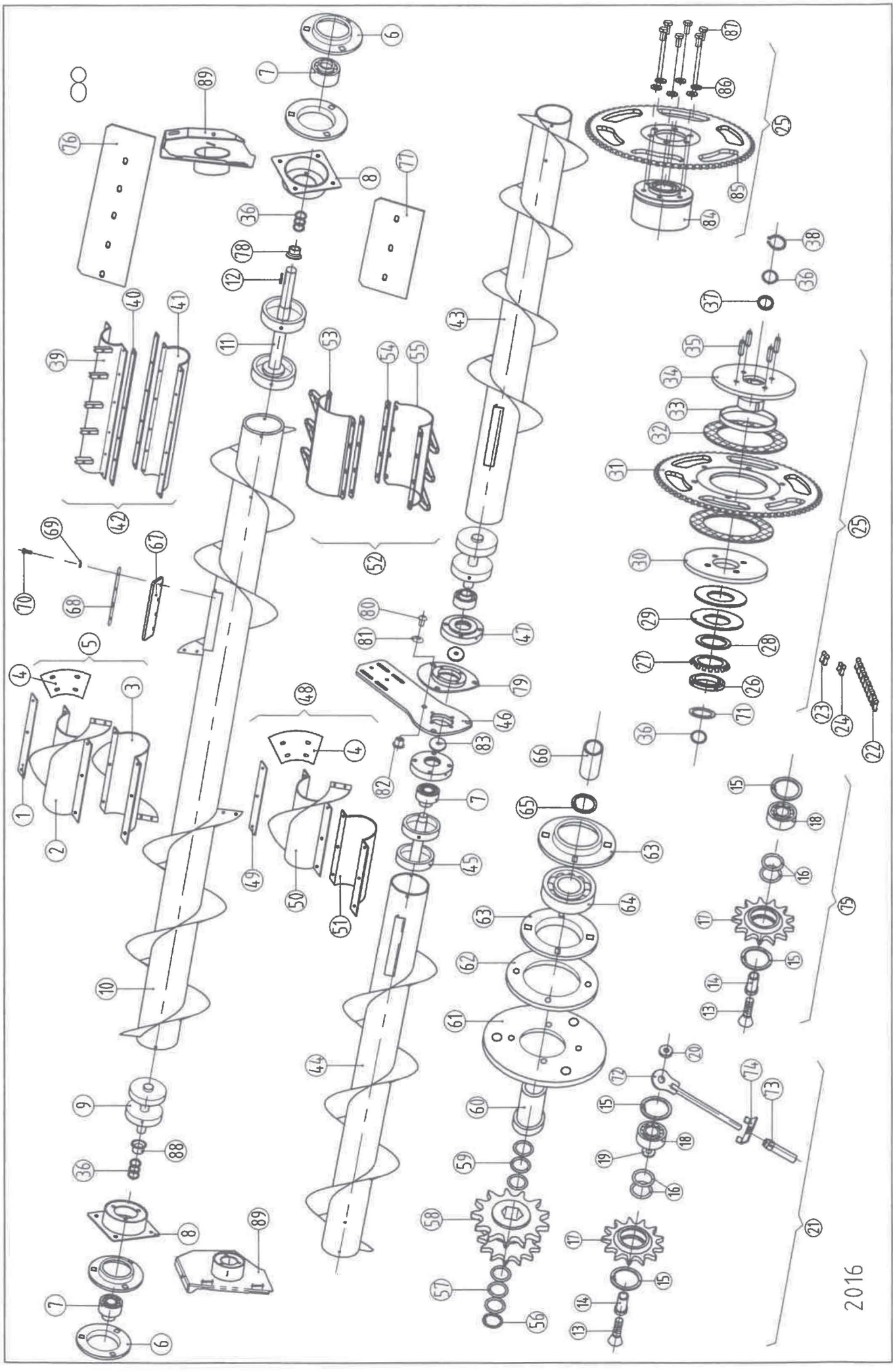


2016

AUGER ASSEMBLY - RIGID

| Ref. | Part Number | Description | 6306 70 | 6306 | 6108 | 6208 | 6308 70 | 6308 | 6112 | 6212 | 6312 70 | 6312 | 6316 |
|------|-------------|--|------------|------|------|------|------------|------|------|------|------------|------|------|
| 1. | 1.315.408 | Strap | 2 | 2 | 2 | 2 | 2 | 2 | 2 | - | - | - | - |
| 2. | 1.355.448 | Auger flight extension-LH - 22" pitch | 1 | 1 | 1 | 1 | 1 | 1 | 1 | - | - | - | - |
| 3. | 1.355.449 | Auger flight extension-RH - 22" pitch | 1 | 1 | 1 | 1 | 1 | 1 | 1 | - | - | - | - |
| 4. | 1.353.560 | Plate | - | 2 | 2 | 2 | 2 | 2 | 2 | 2 | 2 | 2 | 2 |
| 5. | 1.355.452 | Auger flight extension kit/1+2+3+4/-22"pitch | 1 | 1 | 1 | 1 | 1 | 1 | 1 | - | - | - | - |
| 6. | 616.068.0 | Bearing housing | 4 | 4 | 4 | 4 | 4 | 4 | 4 | 4 | 4 | 4 | 4 |
| 7. | 87000003556 | Y bearing /RAE35 NPPB/238.207 | 2 | 2 | 2 | 2 | 2 | 2 | 2 | 4 | 4 | 4 | 4 |
| 8. | 1.375.203 | Bracket (see pg. 6 item 18) | - | - | - | - | - | - | - | - | - | - | - |
| 9. | 1.318.122 | Auger shaft assy | 1 | 1 | 1 | 1 | 1 | 1 | 1 | - | - | - | - |
| 10. | 1.376.214 | Auger assy - 22" pitch | - | 1 | - | - | - | - | - | - | - | - | - |
| 10. | 1.376.215 | Auger assy - 22" pitch | - | - | - | - | - | 1 | - | - | - | - | - |
| 10. | 1.373.121 | Auger assy - 22" pitch | 2015→ | - | 1 | - | - | - | - | - | - | - | - |
| 10. | 1.373.088 | Auger assy - 22" pitch | 2015→ | - | - | 1 | - | - | - | - | - | - | - |
| 10. | 1.376.229 | Auger assy - 22" pitch | - | - | - | - | 1 | - | - | - | - | - | - |
| 10. | 1.376.228 | Auger assy - 22" pitch | 1 | - | - | - | - | - | - | - | - | - | - |
| 10. | 1.379.674 | Auger assy - 22" pitch | 2014→ | - | - | - | - | - | 1 | - | - | - | - |
| 11. | 1.351.349 | Auger shaft assy | 1 | 1 | 1 | 1 | 1 | 1 | 1 | 2 | 2 | 2 | 2 |
| 12. | 84210084000 | Key B10x8x40 | 1 | 1 | 1 | 1 | 1 | 1 | 1 | 2 | 2 | 2 | 2 |
| 13. | 80401004063 | Hex socket countersunk-head bolt M10x40 - DIN7991/10.9 | 2 | 2 | 2 | 2 | 2 | 2 | 2 | 4 | 4 | 4 | 4 |
| 14. | 1.375.968 | Shaft | 2 | 2 | 2 | 2 | 2 | 2 | 2 | 4 | 4 | 4 | 4 |
| 15. | 70100004701 | Retaining ring - internal 47x1.75 - DIN472 | 4 | 4 | 4 | 4 | 4 | 4 | 4 | 8 | 8 | 8 | 8 |
| 16. | 1.315.070 | Shim | →2014 | 4 | 4 | 4 | 4 | 4 | 4 | 8 | 8 | 8 | 8 |
| 16. | 1.373.045 | Spacer | 2015→ | 2 | 2 | 2 | 2 | 2 | 2 | 4 | 4 | 4 | 4 |
| 16. | 1.373.046 | Shim | 2015→ | 2 | 2 | 2 | 2 | 2 | 2 | 4 | 4 | 4 | 4 |
| 17. | 1.309.052 | Idler sprocket 16T | 2 | 2 | 2 | 2 | 2 | 2 | 2 | 4 | 4 | 4 | 4 |
| 18. | 87001620414 | Bearing 6204 - 2RS | 2 | 2 | 2 | 2 | 2 | 2 | 2 | 4 | 4 | 4 | 4 |
| 19. | 1.301.433 | Washer | 1 | 1 | 1 | 1 | 1 | 1 | 1 | 2 | 2 | 2 | 2 |
| 20. | 1.375.969 | Tapped insert | 1 | 1 | 1 | 1 | 1 | 1 | 1 | 2 | 2 | 2 | 2 |
| 21. | 1.378.521 | Chain adjuster assy | 1 | 1 | 1 | 1 | 1 | 1 | 1 | 2 | 2 | 2 | 2 |
| 22. | 1.378.523 | Chain | 1 | 1 | 1 | 1 | 1 | 1 | 1 | 2 | 2 | 2 | 2 |
| 23. | 1.320.493 | Connector link | 1 | 1 | 1 | 1 | 1 | 1 | 1 | 2 | 2 | 2 | 2 |
| 24. | 1.320.492 | Half link | - | - | - | - | - | - | - | - | - | - | - |
| 25. | 1.376.232 | Sprocket assy - 70T | →2014 | 1 | 1 | 1 | 1 | 1 | 1 | 2 | 2 | 2 | 2 |
| 25. | 1.377.272 | Sprocket assy - 70T | 2015→ | 1 | 1 | 1 | 1 | 1 | 1 | 2 | 2 | 2 | 2 |
| 26. | 86700001100 | Bearing nut - KM11 | 1 | 1 | 1 | 1 | 1 | 1 | 1 | 2 | 2 | 2 | 2 |
| 27. | 86801100000 | Retainer ring - MB-11 | 1 | 1 | 1 | 1 | 1 | 1 | 1 | 2 | 2 | 2 | 2 |
| 28. | 1.375.430 | Washer | 1 | 1 | 1 | 1 | 1 | 1 | 1 | 2 | 2 | 2 | 2 |
| 29. | 96700000112 | Disk spring B112 - DIN2093 | 2 | 2 | 2 | 2 | 2 | 2 | 2 | 4 | 4 | 4 | 4 |
| 30. | 1.375.428 | Plate | 1 | 1 | 1 | 1 | 1 | 1 | 1 | 2 | 2 | 2 | 2 |
| 31. | 1.375.431 | Sprocket 70T (5/8) | 1 | 1 | 1 | 1 | 1 | 1 | 1 | 2 | 2 | 2 | 2 |
| 32. | 25553201007 | Friction disk | 2 | 2 | 2 | 2 | 2 | 2 | 2 | 4 | 4 | 4 | 4 |
| 33. | 1.310.780 | Ring | 1 | 1 | 1 | 1 | 1 | 1 | 1 | 2 | 2 | 2 | 2 |
| 34. | 1.375.429 | Hub | 1 | 1 | 1 | 1 | 1 | 1 | 1 | 2 | 2 | 2 | 2 |
| 35. | 1.376.020 | Pin | 4 | 4 | 4 | 4 | 4 | 4 | 4 | 8 | 8 | 8 | 8 |
| 36. | 1.309.011 | Shim | 16 | 16 | 16 | 16 | 16 | 16 | 16 | 20 | 20 | 20 | 20 |
| 37. | 1.320.540 | Shim | →2014 | 1 | 1 | 1 | 1 | 1 | 1 | 2 | 2 | 2 | 2 |
| 38. | 70200003501 | Retaining ring - external 35x1.5 - DIN471 | 1 | 1 | 1 | 1 | 1 | 1 | 1 | 2 | 2 | 2 | 2 |
| 39. | 1.304.770 | Auger finger | 1 | 1 | 1 | 1 | 1 | 1 | 1 | - | - | - | - |
| 40. | 1.304.876 | Strap | 2 | 2 | 2 | 2 | 2 | 2 | 2 | - | - | - | - |
| 41. | 1.304.769 | Auger finger | 1 | 1 | 1 | 1 | 1 | 1 | 1 | - | - | - | - |
| 42. | 1.304.935 | Spike tooth kit | 1 | 1 | 1 | 1 | 1 | 1 | 1 | - | - | - | - |
| 43. | 1.376.216 | Auger - LH wing | - | - | - | - | - | - | - | - | - | 1 | - |
| 43. | 1.376.230 | Auger - LH wing | - | - | - | - | - | - | - | - | 1 | - | - |
| 43. | 1.379.636 | Auger - LH wing | 2014→ | - | - | - | - | - | - | 1 | - | - | - |
| 43. | 1.379.084 | Auger - LH wing | 2013→ | - | - | - | - | - | - | - | - | - | 1 |
| 44. | 1.376.217 | Auger - RH wing | - | - | - | - | - | - | - | - | - | 1 | - |
| 44. | 1.376.231 | Auger - RH wing | - | - | - | - | - | - | - | - | 1 | - | - |
| 44. | 1.379.637 | Auger - RH wing | 2014→ | - | - | - | - | - | - | 1 | - | - | - |
| 44. | 1.379.087 | Auger - RH wing | 2013→ | - | - | - | - | - | - | - | - | - | 1 |
| 45. | 1.304.893 | Auger shaft assy | - | - | - | - | - | - | - | 2 | 2 | 2 | 2 |
| 46. | 1.376.241 | Console | →2013 | - | - | - | - | - | - | 1 | 1 | 1 | 1 |
| 46. | 1.379.543 | Console | 2014→ | - | - | - | - | - | - | 1 | 1 | 1 | 1 |
| 47. | 676.304 | Bearing housing | - | - | - | - | - | - | - | 2 | 2 | 2 | 2 |
| 48. | 1.355.468 | Auger flight extension kit - pitch 22" | - | - | - | - | - | - | - | 1 | 1 | 1 | 1 |
| 49. | 1.353.573 | Strap | - | - | - | - | - | - | - | 4 | 4 | 4 | 4 |
| 50. | 1.355.464 | Auger flight extension-LH - pitch 22" | - | - | - | - | - | - | - | 1 | 1 | 1 | 1 |
| 50. | 1.355.465 | Auger flight extension-RH - pitch 22" | - | - | - | - | - | - | - | 1 | 1 | 1 | 1 |

Note: Application of shims if necessary.
Application of items 67-70 depends on the combine open.
Parts marked with * are optional.



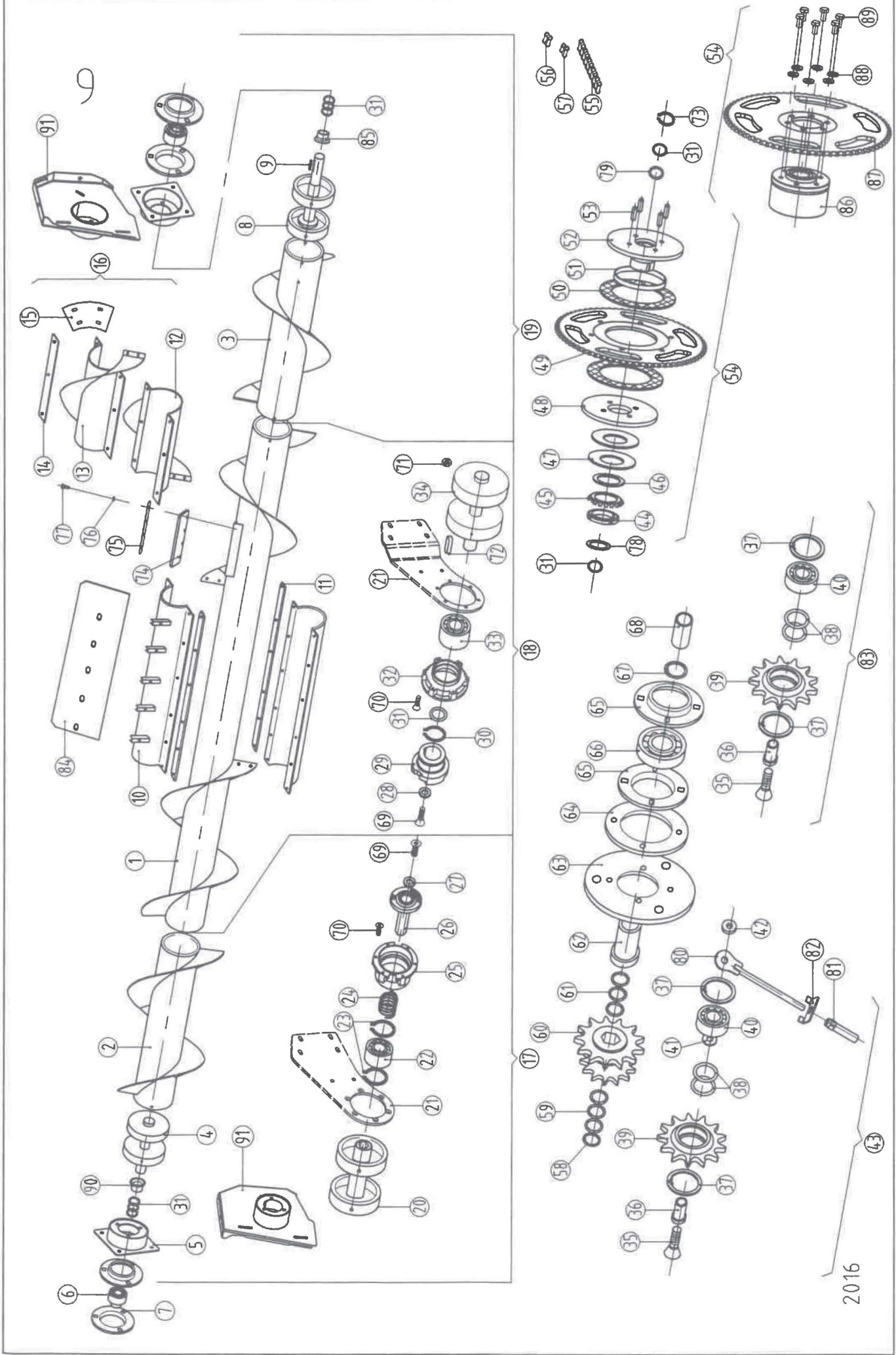
AUGER ASSEMBLY - RIGID

| Ref. | Part Number | Description | | 6306 70 | 6306 | 6108 | 6208 | 6308 70 | 6308 | 6112 | 6212 | 6312 70 | 6312 | 6316 |
|------|-------------|--|-----------|------------|------|------|------|------------|------|------|------|------------|------|------|
| 51. | 1.353.571 | Support plate | | - | - | - | - | - | - | - | 2 | 2 | 2 | 2 |
| 52. | 1.353.578 | Spike tooth kit | →2013 | - | - | - | - | - | - | - | 1 | 1 | 1 | 1 |
| 52. | 1.379.629 | Spike tooth kit | 2014→ | - | - | - | - | - | - | - | 1 | 1 | 1 | 1 |
| 53. | 1.353.576 | Auger finger | →2013 | - | - | - | - | - | - | - | 2 | 2 | 2 | 2 |
| 53. | 1.379.550 | Auger finger | 2014→ | - | - | - | - | - | - | - | 2 | 2 | 2 | 2 |
| 54. | 1.353.577 | Strap | →2013 | - | - | - | - | - | - | - | 4 | 4 | 4 | 4 |
| 54. | 1.379.560 | Strap | 2014→ | - | - | - | - | - | - | - | 4 | 4 | 4 | 4 |
| 55. | 1.353.575 | Auger finger | →2013 | - | - | - | - | - | - | - | 2 | 2 | 2 | 2 |
| 55. | 1.379.550 | Auger finger | 2014→ | - | - | - | - | - | - | - | 2 | 2 | 2 | 2 |
| 56. | 70200003201 | Retaining ring - external 32x1.5 - DIN471 | | 1 | 1 | 1 | 1 | 1 | 1 | 1 | 2 | 2 | 2 | 2 |
| 57. | 71632045100 | Shim 32x45x1 - DIN988 | | 3 | 3 | 3 | 3 | 3 | 3 | 3 | 6 | 6 | 6 | 6 |
| | | | | | | | | | | | | | | |
| | | | | | | | | | | | | | | |
| 58. | 1.377.687 | Sprocket 16T / 14T | | 1 | 1 | 1 | 1 | 1 | 1 | 1 | 2 | 2 | 2 | 2 |
| 58.* | 1.377.583 | Sprocket 18T / 16T | | 1 | 1 | 1 | 1 | 1 | 1 | 1 | 2 | 2 | 2 | 2 |
| 58.* | 1.379.642 | Sprocket 20T / 18T | | 1 | 1 | 1 | 1 | 1 | 1 | 1 | 2 | 2 | 2 | 2 |
| 59. | 71637047100 | Shim 37x47x1 - DIN988 | | 3 | 3 | 3 | 3 | 3 | 3 | 3 | 6 | 6 | 6 | 6 |
| 60. | 1.375.967 | Shaft | | - | - | - | - | - | - | - | 2 | 2 | 2 | 2 |
| 61. | 1.375.966 | Disk plate | | - | - | - | - | - | - | - | 2 | 2 | 2 | 2 |
| 62. | 1.375.965 | Washer | | - | - | - | - | - | - | - | 2 | 2 | 2 | 2 |
| 63. | 87300008516 | Bearing housing - PF85 | | - | - | - | - | - | - | - | 2 | 2 | 2 | 2 |
| 64. | 87030620914 | Y bearing 1726209-2RS1 SKF | | - | - | - | - | - | - | - | 2 | 2 | 2 | 2 |
| 65. | 70200004501 | Retaining ring - external 45x1.75 - DIN471 | | - | - | - | - | - | - | - | 2 | 2 | 2 | 2 |
| 66. | 1.354.565 | Spacer (l=76) | | 1 | 1 | 1 | 1 | 1 | 1 | 1 | - | - | - | - |
| 67. | 1.377.725 | Rubber plate | | 2 | 2 | 2 | 2 | 2 | 2 | 2 | 2 | 2 | 2 | 2 |
| 68. | 1.377.726 | Strap | | 2 | 2 | 2 | 2 | 2 | 2 | 2 | 2 | 2 | 2 | 2 |
| 69. | 91623938961 | Spring washer | | 8 | 8 | 8 | 8 | 8 | 8 | 8 | 8 | 8 | 8 | 8 |
| 70. | 79410003066 | Hex bolt M10x30 - DIN933/8.8 | | 8 | 8 | 8 | 8 | 8 | 8 | 8 | 8 | 8 | 8 | 8 |
| 71. | 1.308.407 | Spacer (l=12.5) | 2010-2014 | 1 | 1 | 1 | 1 | 1 | 1 | 1 | 2 | 2 | 2 | 2 |
| 72. | 1.378.449 | Adjuster arm | | 1 | 1 | 1 | 1 | 1 | 1 | 1 | 2 | 2 | 2 | 2 |
| 73. | 1.378.448 | Adjuster nut | | 1 | 1 | 1 | 1 | 1 | 1 | 1 | 2 | 2 | 2 | 2 |
| 74. | 1.378.453 | Retainer | | 1 | 1 | 1 | 1 | 1 | 1 | 1 | 2 | 2 | 2 | 2 |
| 75. | 1.378.524 | Idler sprocket assy | | 1 | 1 | 1 | 1 | 1 | 1 | 1 | 2 | 2 | 2 | 2 |
| 76. | 1.308.132 | Cover plate | | 2 | 2 | 2 | 2 | 2 | 2 | 2 | - | - | - | - |
| 77. | 1.356.455 | Cover plate | →2013 | - | - | - | - | - | - | - | 4 | 4 | 4 | 4 |
| 77. | 1.379.561 | Cover plate | 2014→ | - | - | - | - | - | - | - | 4 | 4 | 4 | 4 |
| 78. | 1.379.476 | Thrust sleeve | 2014→ | 1 | 1 | 1 | 1 | 1 | 1 | 1 | 1 | 1 | 1 | 1 |
| 79. | 1.379.485 | Disc welded | 2014→ | - | - | - | - | - | - | - | 1 | 1 | 1 | 1 |
| 80. | 81110001668 | Hex socket button-head bolt M10x16 | 2014→ | - | - | - | - | - | - | - | 3 | 3 | 3 | 3 |
| 81. | 1.379.488 | Washer | 2014→ | - | - | - | - | - | - | - | 3 | 3 | 3 | 3 |
| 82. | 1.379.487 | Nut | 2014→ | - | - | - | - | - | - | - | 3 | 3 | 3 | 3 |
| 83. | 665.840.0 | Washer | 2014→ | - | - | - | - | - | - | - | 2 | 2 | 2 | 2 |
| 84. | 1.377.164 | Safety clutch (Walterscheid) | | 1 | 1 | 1 | 1 | 1 | 1 | 1 | 1 | 1 | 1 | 1 |
| 85. | 1.377.271 | Sprocket | | 1 | 1 | 1 | 1 | 1 | 1 | 1 | 1 | 1 | 1 | 1 |
| 86. | 91623938861 | Spring washer A10 | | 6 | 6 | 6 | 6 | 6 | 6 | 6 | 6 | 6 | 6 | 6 |
| 87. | 79410002066 | Hex bolt M10x20 - DIN933/8.8 | | 6 | 6 | 6 | 6 | 6 | 6 | 6 | 6 | 6 | 6 | 6 |
| 88. | 1.379.476 | Thrust sleeve | 2015→ | - | - | - | - | - | - | - | 1 | 1 | 1 | 1 |
| 88. | 96701320540 | Spacer | 2015→ | 1 | 1 | 1 | 1 | 1 | 1 | 1 | - | - | - | - |
| 89. | 1.377.453 | Bracket welded - LH | | 1 | 1 | 1 | 1 | 1 | 1 | 1 | 1 | 1 | 1 | 1 |
| 89. | 1.377.454 | Bracket welded - RH | | 1 | 1 | 1 | 1 | 1 | 1 | 1 | 1 | 1 | 1 | 1 |

Note: Application of shims if necessary.

Application of items 67-70 depends on the combine open.

Parts marked with * are optional.



AUGER ASSEMBLY - 6306F70,6306F,6308F,6309F

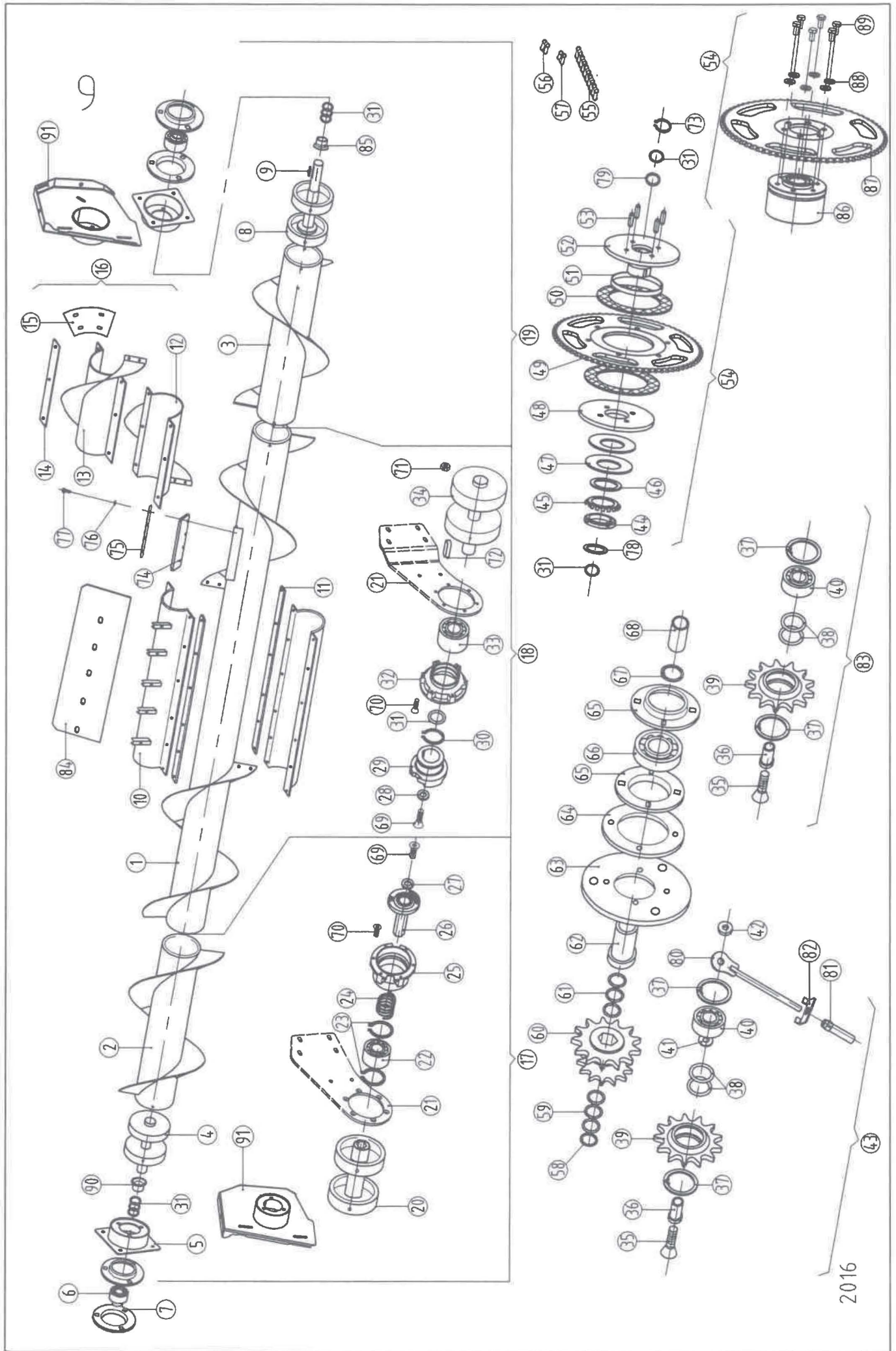
| Ref. | Part Number | Description | 6306F 70 | 6306F | 6308F | 6309F |
|------|-------------|--|-------------|-------|-------|-------|
| 1. | 1.375.913 | Auger - central -22" pitch | - | 1 | 1 | - |
| 1. | 1.377.119 | Auger - central -22" pitch | 1 | - | - | - |
| 1. | 1.377.504 | Auger - central -22" pitch | - | - | - | 1 |
| 2. | 1.376.321 | Auger - RH wing - 22" pitch | 1 | 1 | - | - |
| 2. | 1.376.323 | Auger - RH wing - 22" pitch | - | - | 1 | 1 |
| 3. | 1.376.320 | Auger - LH wing - 22 "pitch | 1 | 1 | - | - |
| 3. | 1.376.322 | Auger - LH wing - 22 "pitch | - | - | 1 | 1 |
| 4. | 1.318.122 | Auger shaft assy | 1 | 1 | 1 | 1 |
| 5. | 1.375.203 | Bracket (see pg. 6 item 18) | - | - | - | - |
| 6. | 87000003556 | Y-bearing /RAE35 NPPB/ 238.207 | 2 | 2 | 2 | 2 |
| 7. | 616.068.0 | Bearing housing | 4 | 4 | 4 | 4 |
| 8. | 1.351.349 | Auger shaft assy | 1 | 1 | 1 | 1 |
| 9. | 84210084000 | Key B10x8x40 | 1 | 1 | 1 | 1 |
| 10. | 1.304.769 | Auger finger - LH | 1 | 1 | 1 | 1 |
| 10. | 1.304.770 | Auger finger - RH | 1 | 1 | 1 | 1 |
| 11. | 1.304.876 | Strap | 4 | 4 | 4 | 4 |
| 12. | 1.355.449 | Support plate - RH | 1 | 1 | 1 | 1 |
| 13. | 1.355.448 | Support plate - LH | 1 | 1 | 1 | 1 |
| 14. | 1.315.408 | Strap | 4 | 4 | 4 | 4 |
| 15. | 1.353.560 | Plate | 2 | 2 | 2 | 2 |
| 16. | 1.355.452 | Auger flight extension kit - 22"pitch | 1 | 1 | 1 | 1 |
| 17. | 1.376.363 | Auger assy - RH wing - 22"pitch | 1 | 1 | - | - |
| 17. | 1.376.369 | Auger assy - RH wing - 22"pitch | - | - | 1 | 1 |
| 18. | 1.377.183 | Auger assy - central - 22"pitch | 1 | - | - | - |
| 18. | 1.376.365 | Auger assy - central - 22"pitch | - | 1 | 1 | - |
| 18. | 1.377.503 | Auger assy - central - 22"pitch | - | - | - | 1 |
| 19. | 1.376.364 | Auger assy - LH wing - 22"pitch | 1 | 1 | - | - |
| 19. | 1.376.370 | Auger assy - LH wing - 22"pitch | - | - | 1 | 1 |
| 20. | 1.328.479 | Auger shaft assy | 2 | 2 | 2 | 2 |
| 21. | 1.376.371 | Console - central frame - LH | 1 | 1 | 1 | 1 |
| 21. | 1.376.372 | Console - central frame - RH | 1 | 1 | 1 | 1 |
| 21. | 1.376.373 | Console - wing LH | 1 | 1 | 1 | 1 |
| 21. | 1.376.374 | Console - wing RH | 1 | 1 | 1 | 1 |
| 22. | 1.309.259 | Bearing - 172 6211-2RS | 2 | 2 | 2 | 2 |
| 23. | 70200005501 | Retaining ring -for shaft 55x2 - DIN471 | 2 | 2 | 2 | 2 |
| 24. | 1.308.932 | Spring | 2 | 2 | 2 | 2 |
| 25. | 1.353.179 | Bearing housing | 2 | 2 | 2 | 2 |
| 26. | 1.328.472 | Jaw clutch - outer | 2 | 2 | 2 | 2 |
| 27. | 1.328.492 | Washer | 2 | 2 | 2 | 2 |
| 28. | 1.308.948 | Washer | 2 | 2 | 2 | 2 |
| 29. | 1.328.473 | Jaw clutch - inner | 2 | 2 | 2 | 2 |
| 30. | 70200004001 | Retaining ring -for shaft 40x1.75 - DIN471 | 2 | 2 | 2 | 2 |
| 31. | 1.309.011 | Shim | 8 | 8 | 8 | 8 |
| 32. | 1.353.178 | Bearing housing | 2 | 2 | 2 | 2 |
| 33. | 1.327.635 | Y-bearing /RAE40 NPPB/ | 2 | 2 | 2 | 2 |
| 34. | 1.308.414 | Auger shaft assy | 2 | 2 | 2 | 2 |
| 35. | 80401004063 | Hex socket countersunk-head bolt M10x40 - DIN7991/10.9 | 1 | 1 | 1 | 1 |
| 36. | 1.375.968 | Shaft | 1 | 1 | 1 | 1 |
| 37. | 70100004701 | Retaining ring - internal 47x1.75 - DIN472 | 3 | 3 | 3 | 3 |
| 38. | 1.315.070 | Shim | →2014 | 4 | 4 | 4 |
| 38. | 1.373.045 | Spacer | 2015→ | 4 | 4 | 4 |
| 38. | 1.373.046 | Shim | 2015→ | 4 | 4 | 4 |
| 39. | 1.309.052 | Idler sprocket 16T | 1 | 1 | 1 | 1 |
| 40. | 87001620414 | Bearing 6204-2RS | 1 | 1 | 1 | 1 |
| 41. | 1.301.433 | Washer | 2 | 2 | 2 | 2 |
| 42. | 1.375.969 | Tapped insert | 1 | 1 | 1 | 1 |
| 43. | 1.378.521 | Chain adjuster assy | 1 | 1 | 1 | 1 |
| 44. | 86700001100 | Bearing nut - KM11 | 1 | 1 | 1 | 1 |
| 45. | 86801100000 | Retainer ring - MB-11 | 1 | 1 | 1 | 1 |
| 46. | 1.375.430 | Washer | 1 | 1 | 1 | 1 |

Note: items 62-67 are only for interior drive, item 68 is only for exterior drive.

Application of shims as necessary.

Application of items 74-77 depends on the combine open.

Parts marked with * are optional.



AUGER ASSEMBLY - 6306F70,6306F,6308F,6309F

| Ref. | Part Number | Description | | 6306F 70 | 6306F | 6308F | 6309F |
|------|-------------|---|------------|-------------|-------|-------|-------|
| 47. | 96700000112 | Disk spring B112 - DIN2093 | | 2 | 2 | 2 | 2 |
| 48. | 1.375.428 | Plate | | 1 | 1 | 1 | 1 |
| 49. | 1.375.431 | Sprocket 70T (5/8) | | 1 | 1 | 1 | 1 |
| 50. | 25553201007 | Friction disk | | 2 | 2 | 2 | 2 |
| 51. | 1.310.780 | Ring | | 1 | 1 | 1 | 1 |
| 52. | 1.375.429 | Hub | | 1 | 1 | 1 | 1 |
| 53. | 1.376.020 | Pin | | 4 | 4 | 4 | 4 |
| 54. | 1.376.232 | Sprocket assy - 70T | →2014 | 1 | 1 | 1 | 1 |
| 54. | 1.377.272 | Sprocket assy - 70T | 2015→ | 1 | 1 | 1 | 1 |
| 55. | 1.378.523 | Chain | | 1 | 1 | 1 | 1 |
| 56. | 1.320.493 | Connector link | | 1 | 1 | 1 | 1 |
| 57. | 1.320.492 | Half link | | - | - | - | - |
| 58. | 70200003201 | Retaining ring - internal 32x1.5 - DIN471 | | 1 | 1 | 1 | 1 |
| 59. | 71632045100 | Shim 32x45x1 - DIN988 | | 3 | 3 | 3 | 3 |
| 60. | 1.377.687 | Sprocket 16T / 14T | | 1 | 1 | 1 | 1 |
| 60.* | 1.377.583 | Sprocket 18T / 16T | | 1 | 1 | 1 | 1 |
| 60.* | 1.379.642 | Sprocket 20T / 18T | | 1 | 1 | 1 | 1 |
| 61. | 71637047100 | Shim 37x47x1 - DIN988 | | 3 | 3 | 3 | 3 |
| 62. | 1.375.967 | Shaft (see note below) | | 2 | 2 | 1 | 1 |
| 63. | 1.375.966 | Plate (see note below) | | 2 | 2 | 1 | 1 |
| 64. | 1.375.965 | Washer (see note below) | | 2 | 2 | 1 | 1 |
| 65. | 87300008516 | Bearing housing (see note below)- PF85 | | 4 | 4 | 2 | 2 |
| 66. | 87030620914 | Y-bearing 1726209-2RS1 SKF (see note below) | | 2 | 2 | 1 | 1 |
| 67. | 70200004501 | Retaining ring - internal (see note below) 45x1.75 - DIN471 | | 2 | 2 | 1 | 1 |
| 68. | 1.354.565 | Spacer (l=76) (see note below) | | 1 | 1 | 1 | 1 |
| 69. | 80400803563 | Hex socket countersunk-head bolt M8x35 - DIN7991 T50 10.9 | | 4 | 4 | 4 | 4 |
| 70. | 80400804063 | Hex socket countersunk-head bolt M8x40 - DIN7991 IP 8.8 | | 24 | 24 | 24 | 24 |
| 71. | 73508000066 | Hex nut M8 - DIN934 | | 24 | 24 | 24 | 24 |
| 72. | 84208074000 | Key 8x7x40 | | 2 | 2 | 2 | 2 |
| 73. | 70200003501 | Retaining ring - external 35x1.5 - DIN471 | | 1 | 1 | 1 | 1 |
| 74. | 1.377.725 | Rubber plate | | 2 | 2 | 2 | 2 |
| 75. | 1.377.726 | Strap | | 2 | 2 | 2 | 2 |
| 76. | 91623938961 | Spring washer | | 8 | 8 | 8 | 8 |
| 77. | 79410003066 | Hex bolt M10x30 - DIN933/8.8 | | 8 | 8 | 8 | 8 |
| 78. | 1.308.407 | Spacer (l=12.5) | 2010-2014. | 1 | 1 | 1 | 1 |
| 79. | 1.320.540 | Shim (l=5) | →2014 | 1 | 1 | 1 | 1 |
| 80. | 1.378.449 | Adjuster arm | | 1 | 1 | 1 | 1 |
| 81. | 1.378.448 | Adjuster nut | | 1 | 1 | 1 | 1 |
| 82. | 1.378.453 | Returner | | 1 | 1 | 1 | 1 |
| 83. | 1.378.524 | Goiding assy | | 1 | 1 | 1 | 1 |
| 84. | 1.308.132 | Cover plate | | 2 | 2 | 2 | 2 |
| 85. | 1.379.476 | Thrust sleeve | 2014→ | 1 | 1 | 1 | 1 |
| 86. | 1.377.164 | Safety clutch (Walterscheid) | | 1 | 1 | 1 | 1 |
| 87. | 1.377.271 | Sprocket | | 1 | 1 | 1 | 1 |
| 88. | 91623938861 | Spring washer A10 | | 6 | 6 | 6 | 6 |
| 89. | 79410002066 | Hex bolt M10x20 - DIN933/8.8 | | 6 | 6 | 6 | 6 |
| 90. | 96701320540 | Spacer | 2015→ | 1 | 1 | 1 | 1 |
| 91. | 1.377.453 | Bracket welded - LH | | 1 | 1 | 1 | 1 |
| 91. | 1.377.454 | Bracket welded - RH | | 1 | 1 | 1 | 1 |

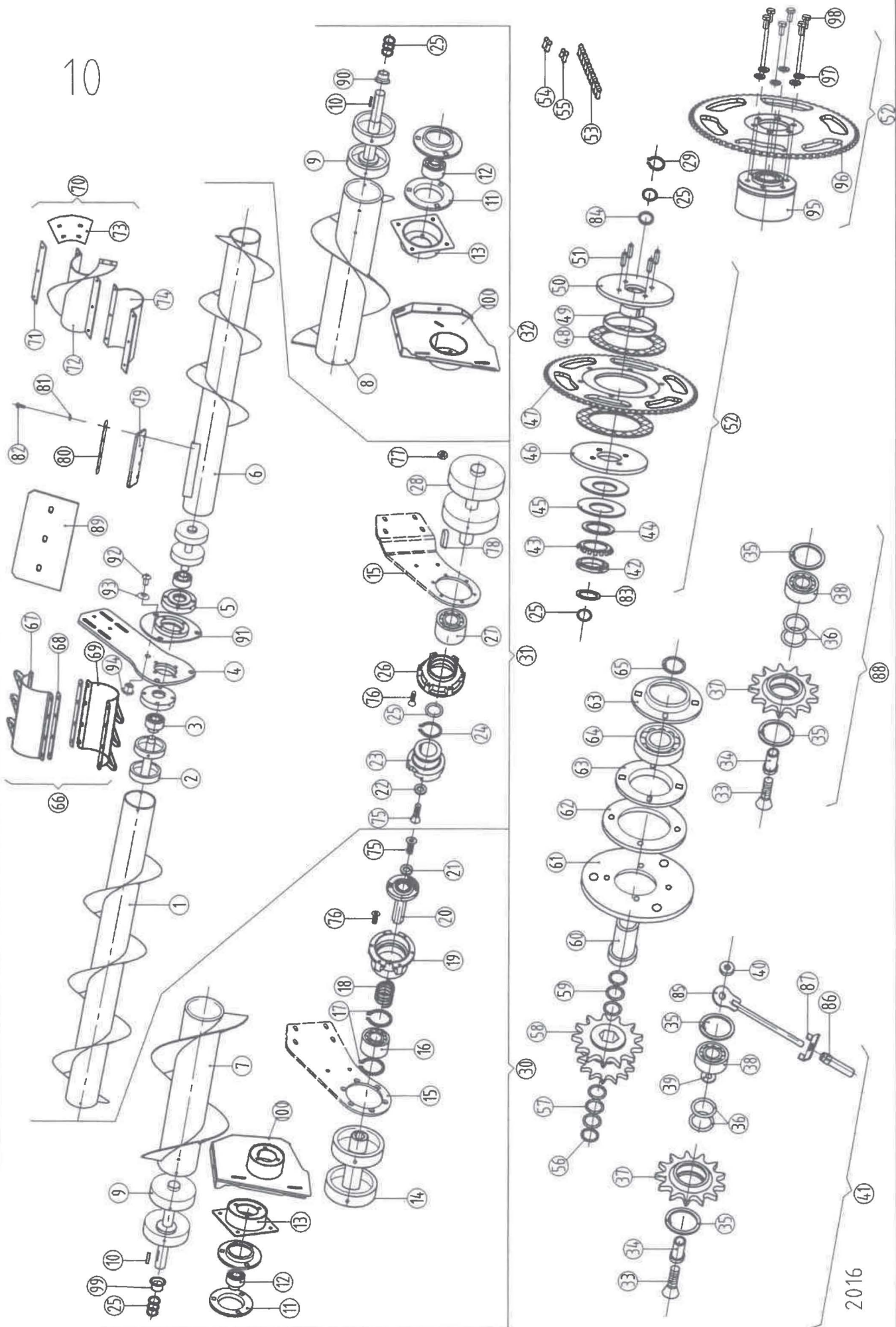
Note: items 62-67 are only for interior drive, item 68 is only for exterior drive.

Application of shims as necessary.

Application of items 74-77 depends on the combine open.

Parts marked with * are optional.

10



AUGER ASSEMBLY -6312F

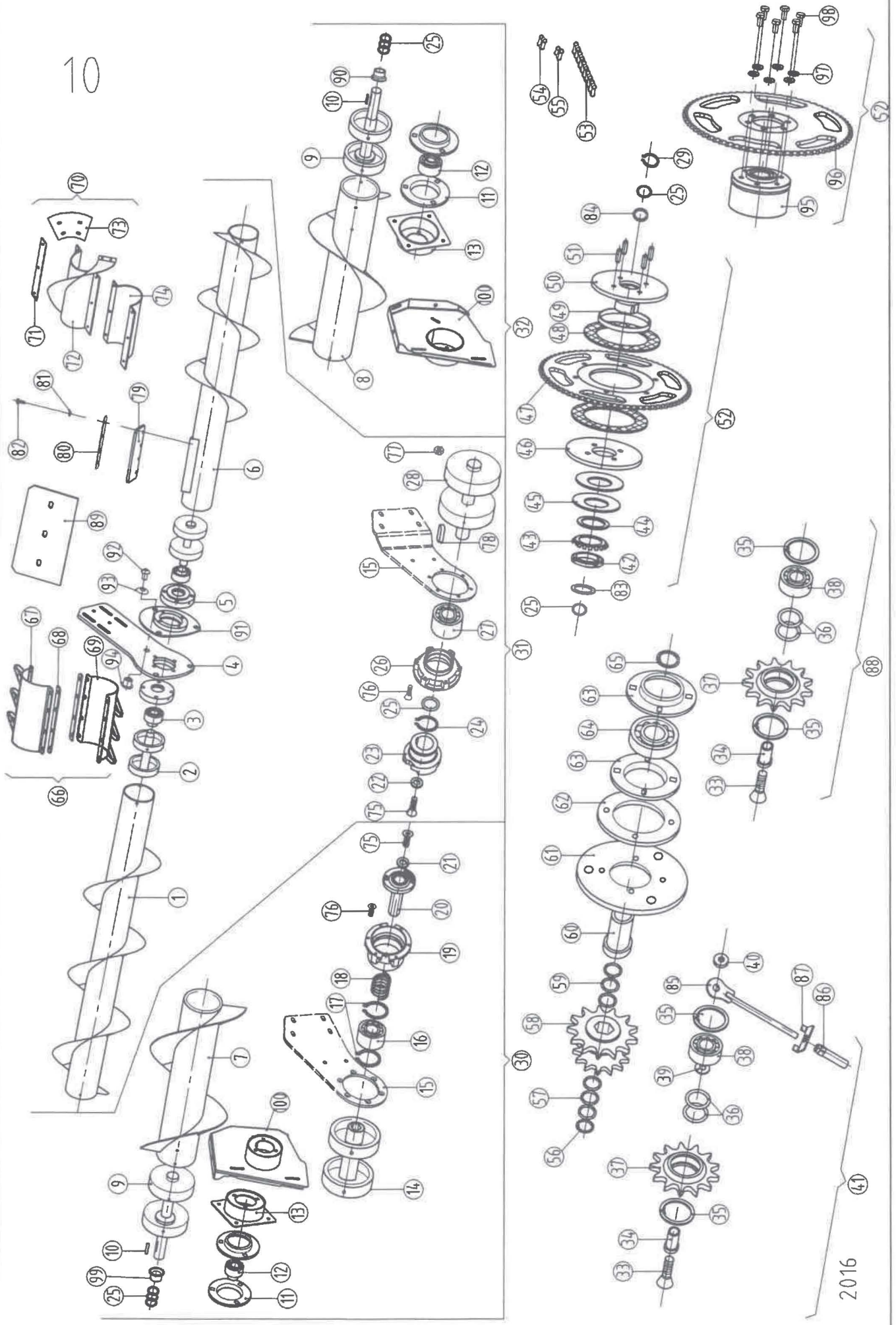
| Ref. | Part Number | Description | | 6312-70F | 6312F |
|------|-------------|--|-------|----------|-------|
| 1. | 1.376.379 | Auger - central RH -22"pitch | | - | 1 |
| 1. | 1.373.878 | Auger - central RH -22"pitch | | 1 | - |
| 2. | 1.304.893 | Auger shaft assy | | 2 | 2 |
| 3. | 87000003556 | Y-Bearing /RAE35 NPPB/ | | 2 | 2 |
| 4. | 1.376.241 | Console | →2013 | 1 | 1 |
| 4. | 1.379.543 | Console | 2014→ | 1 | 1 |
| 5. | 676.304 | Bearing housing | | 2 | 2 |
| 6. | 1.376.380 | Auger central LH - 22"pitch | | - | 1 |
| 6. | 1.373.877 | Auger central LH - 22"pitch | | 1 | - |
| 7. | 1.376.326 | Auger - RH wing - 22"pitch | | - | 1 |
| 7. | 1.373.885 | Auger - RH wing - 22"pitch | | 1 | - |
| 8. | 1.376.325 | Auger - LH wing - 22"pitch | | - | 1 |
| 8. | 1.373.884 | Auger - LH wing - 22"pitch | | 1 | 1 |
| 9. | 1.351.349 | Auger shaft assy | | 2 | 2 |
| 10. | 84210084000 | Key B10x8x40 | | 2 | 2 |
| 11. | 616.068.0 | Bearing housing | | 4 | 4 |
| 12. | 87000003556 | Y-bearing /RAE35 NPPB/ | | 2 | 2 |
| 13. | 1.375.203 | Bracket (see pg. 6 item 18) | | 2 | - |
| 14. | 1.328.479 | Auger shaft assy | | 2 | 2 |
| 15. | 1.376.371 | Console - central frame LH | | 1 | 1 |
| 15. | 1.376.372 | Console - central frame RH | | 1 | 1 |
| 15. | 1.376.373 | Console - wing LH | | 1 | 1 |
| 15. | 1.376.374 | Console - wing RH | | 1 | 1 |
| 16. | 1.309.259 | Bearing - 172 6211-2RS | | 2 | 2 |
| 17. | 70200005501 | Retaining ring -for shaft 55x2 - DIN471 | | 2 | 2 |
| 18. | 1.308.932 | Spring | | 2 | 2 |
| 19. | 1.353.179 | Bearing housing | | 2 | 2 |
| 20. | 1.328.472 | Jaw clutch - outer | | 2 | 2 |
| 21. | 1.328.492 | Washer | | 2 | 2 |
| 22. | 1.308.948 | Washer | | 2 | 2 |
| 23. | 1.328.473 | Jaw cluch - inner | | 2 | 2 |
| 24. | 70200004001 | Retaining ring -for shaft 40x1.75 - DIN471 | | 2 | 2 |
| 25. | 1.309.011 | Shim | | 16 | 16 |
| 26. | 1.353.178 | Bearing housing | | 2 | 2 |
| 27. | 1.327.635 | Y-bearing RAE40 NPPB | | 2 | 2 |
| 28. | 1.308.414 | Auger shaft assy | | 2 | 2 |
| 29. | 70200003501 | Retaining ring - for shaft 35x1.5 - DIN471 | | 2 | 2 |
| 30. | 1.376.377 | Auger assy - RH wing - 22"pitch | | - | 1 |
| 30. | 1.373.883 | Auger assy - RH wing - 22"pitch | | 1 | - |
| 31. | 1.376.324 | Auger assy - central pair - 22"pitch | | - | 1 |
| 31. | 1.373.876 | Auger assy - central pair - 22"pitch | | 1 | - |
| 32. | 1.376.378 | Auger assy - LH wing - 22"pitch | | - | 1 |
| 32. | 1.373.882 | Auger assy - LH wing - 22"pitch | | 1 | - |
| 33. | 80401004063 | Hex socket countersunk-head bolt M10x40 - DIN7991/10.9 | | 2 | 2 |
| 34. | 1.375.968 | Shaft | | 2 | 2 |
| 35. | 70100004701 | Retaining ring - internal 47x1.75 - DIN472 | | 4 | 4 |
| 36. | 1.315.070 | Shim | →2014 | 6 | 6 |
| 36. | 1.373.045 | Spacer | 2015→ | 4 | 4 |
| 36. | 1.373.046 | Shim | 2015→ | 4 | 4 |
| 37. | 1.309.052 | Idler sprocket 16T | | 2 | 2 |
| 38. | 87001620414 | Bearing 6204-2RS | | 2 | 2 |
| 39. | 1.301.433 | Washer | | 2 | 2 |
| 40. | 1.375.969 | Tapped insert | | 2 | 2 |

Note: Application of shims if necessary.

Application of items 79-82 depends on the combine open.

Parts marked with * are optional.

10



AUGER ASSEMBLY -6312F

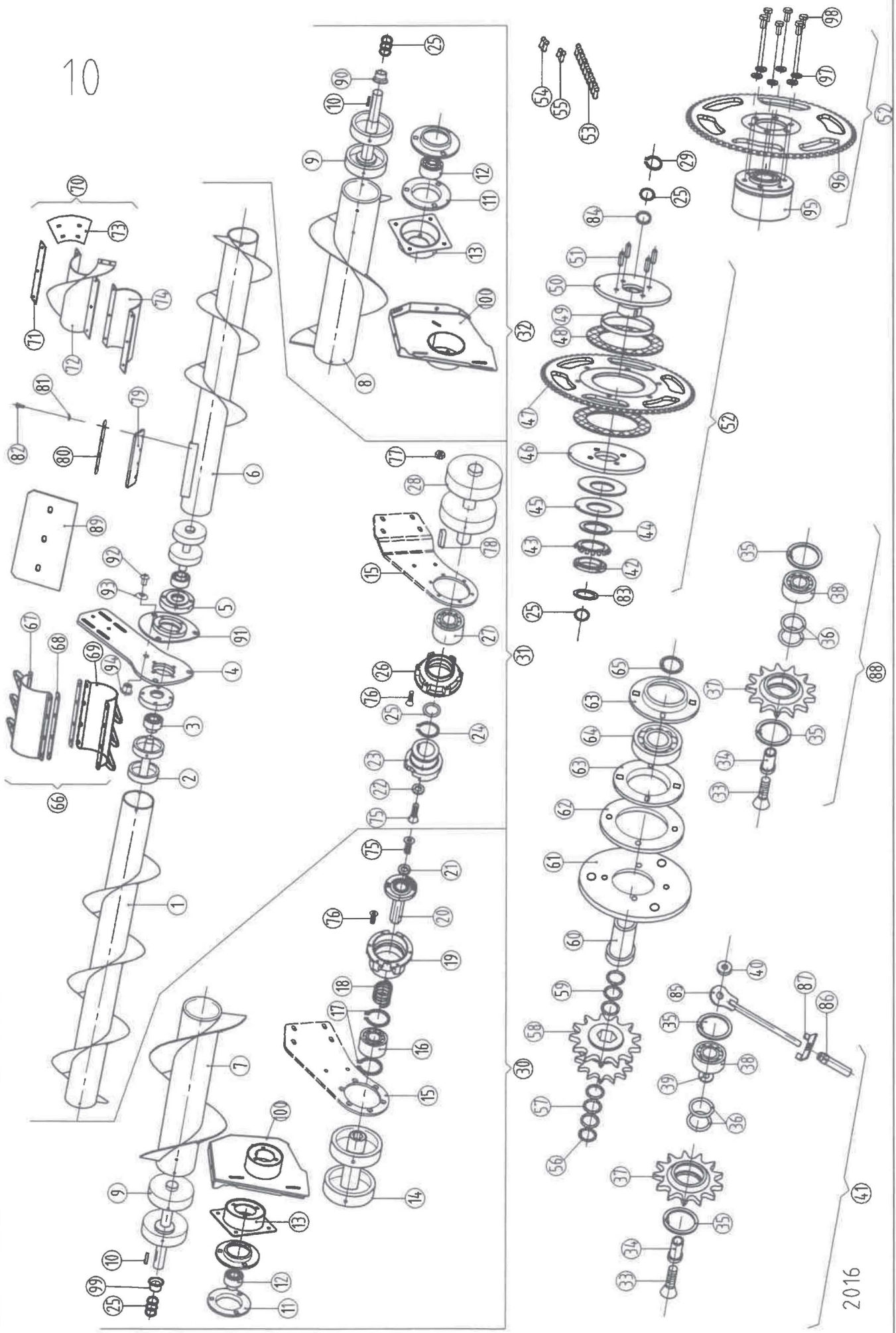
| Ref. | Part Number | Description | | 6312-70F | 6312F |
|------|-------------|---|-------|----------|-------|
| 41. | 1.378.521 | Chain adjuster assy | | 2 | 2 |
| 42. | 86700001100 | Bearing nut - KM11 | | 2 | 2 |
| 43. | 86801100000 | Retainer ring - MB-11 | | 2 | 2 |
| 44. | 1.375.430 | Washer | | 2 | 2 |
| 45. | 96700000112 | Disk spring B112 - DIN2093 | | 4 | 4 |
| 46. | 1.375.428 | Plate | | 2 | 2 |
| 47. | 1.375.431 | Sprocket 70T (5/8) | | 2 | 2 |
| 48. | 25553201007 | Friction disk | | 4 | 4 |
| 49. | 1.310.780 | Ring | | 2 | 2 |
| 50. | 1.375.429 | Hub | | 2 | 2 |
| 51. | 1.376.020 | Pin | | 8 | 8 |
| 52. | 1.376.232 | Sprocket assy - 70T | →2014 | 2 | 2 |
| 52. | 1.377.272 | Sprocket assy - 70T | 2015→ | 2 | 2 |
| 53. | 1.378.523 | Chain | | 2 | 2 |
| 54. | 1.320.493 | Connector link | | 2 | 2 |
| 55. | 1.320.492 | Half link | | - | - |
| 56. | 70200003201 | Retaining ring - external 32x1.5 - DIN471 | | 2 | 2 |
| 57. | 71632045100 | Shim 32x45x1 - DIN988 | | 6 | 6 |
| 58. | 1.377.687 | Sprocket 16T / 14T | | 2 | 2 |
| 58.* | 1.377.583 | Sprocket 18T / 16T | | 2 | 2 |
| 58.* | 1.379.642 | Sprocket 20T / 18T | | 2 | 2 |
| 59. | 71637047100 | Shim 37x47x1 - DIN988 | | 6 | 6 |
| 60. | 1.375.967 | Shaft | | 2 | 2 |
| 61. | 1.375.966 | Plate | | 2 | 2 |
| 62. | 1.375.965 | Washer | | 2 | 2 |
| 63. | 87300008516 | Bearing housing - PF85 | | 2 | 2 |
| 64. | 87030620914 | Y bearing 1726209-2RS1 SKF | | 2 | 2 |
| 65. | 70200004501 | Retaining ring - for shaft 45x1.75 - DIN471 | | 2 | 2 |
| 66. | 1.353.578 | Spike tooth kit | →2013 | 1 | 1 |
| 66. | 1.379.629 | Spike tooth kit | 2014→ | 1 | 1 |
| 67. | 1.353.576 | Auger finger | →2013 | 2 | 2 |
| 67. | 1.379.550 | Auger finger | 2014→ | 2 | 2 |
| 68. | 1.353.577 | Strap | →2013 | 4 | 4 |
| 68. | 1.379.560 | Strap | 2014→ | 4 | 4 |
| 69. | 1.353.575 | Auger finger | →2013 | 2 | 2 |
| 69. | 1.379.550 | Auger finger | 2014→ | 2 | 2 |
| 70. | 1.355.468 | Auger flight extension kit - pitch 22" | | 1 | 1 |
| 71. | 1.353.573 | Strap | | 4 | 4 |
| 72. | 1.355.464 | Auger flight extension-LH - pitch 22" | | 2 | 2 |
| 72. | 1.355.465 | Auger flight extension-RH - pitch 22" | | 2 | 2 |
| 73. | 1.353.560 | Plate | | 2 | 2 |
| 74. | 1.353.571 | Support plate | | 2 | 2 |
| 75. | 80400803563 | Hex socket countersunk-head bolt M8x35 - DIN7991 T50 10.9 | | 4 | 4 |
| 76. | 80400804063 | Hex socket countersunk-head bolt M8x40 - DIN7991 IP 8.8 | | 24 | 24 |

Note: Application of shims if necessary.

Application of items 79-82 depends on the combine open.

Parts marked with * are optional.

10



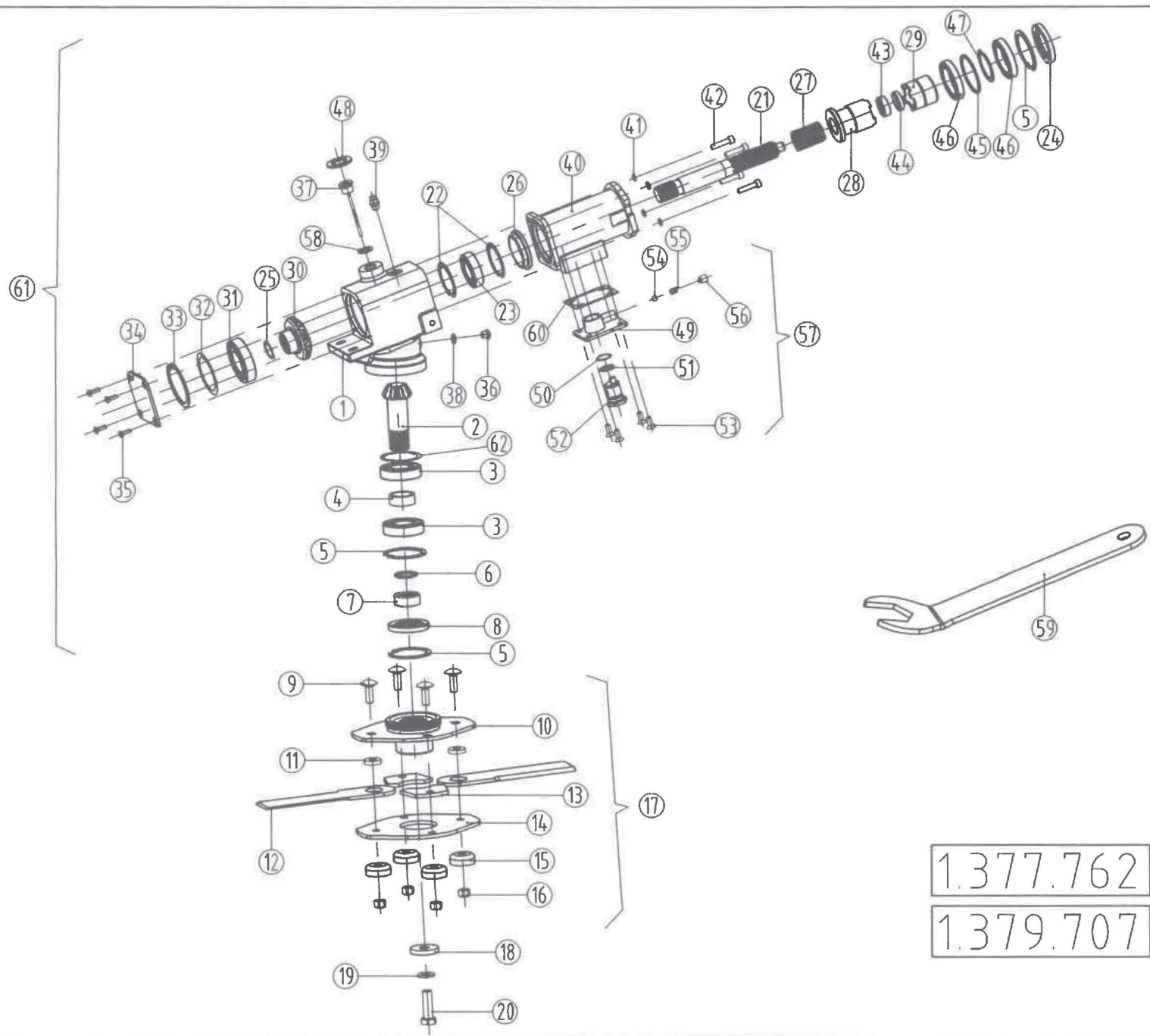
AUGER ASSEMBLY -6312F

| Ref. | Part Number | Description | | 6312-70F | 6312F |
|------|-------------|------------------------------------|-------|----------|-------|
| 77. | 73508000066 | Hex nut M8 - DIN934 | | 12 | 12 |
| 78. | 84208074000 | Key 8x7x40 | | 2 | 2 |
| 79. | 1.377.725 | Rubber plate | | 2 | 2 |
| 80. | 1.377.726 | Strap | | 2 | 2 |
| 81. | 91623938961 | Spring washer | | 8 | 8 |
| 82. | 79410003066 | Hex bolt M10x30 - DIN933/8.8 | | 8 | 8 |
| 83. | 1.308.407 | Spacer (l=12.5) | | 2 | 2 |
| 84. | 1.320.540 | Shim (l=5) | | 2 | 2 |
| 85. | 1.378.449 | Adjuster arm | | 2 | 2 |
| 86. | 1.378.448 | Adjuster nut | | 2 | 2 |
| 87. | 1.378.453 | Returner | | 2 | 2 |
| 88. | 1.378.524 | Goiding assy | | 2 | 2 |
| 89. | 1.356.455 | Cover plate | →2013 | 2 | 2 |
| 89. | 1.379.561 | Cover plate | 2014→ | 4 | 4 |
| 90. | 1.379.476 | Thrust sleeve | | 1 | 1 |
| 91. | 1.379.485 | Disc weld | 2014→ | 1 | 1 |
| 92. | 81110001668 | Hex socket button-head bolt M10x16 | 2014→ | 3 | 3 |
| 93. | 1.379.488 | Washer | 2014→ | 3 | 3 |
| 94. | 1.379.487 | Nut | 2014→ | 3 | 3 |
| 95. | 1.377.164 | Safety clutch (Walterscheid) | | 1 | 1 |
| 96. | 1.377.271 | Sprocket | | 1 | 1 |
| 97. | 91623938861 | Spring washer A10 | | 6 | 6 |
| 98. | 79410002066 | Hex bolt M10x20 - DIN933/8.8 | | 6 | 6 |
| 99. | 96701320540 | Spacer | 2015→ | 1 | 1 |
| 100. | 1.377.453 | Bracket welded - LH | | 1 | 1 |
| 100. | 1.377.454 | Bracket welded - RH | | 1 | 1 |
| | | | | | |

Note: Application of shims if necessary.

Application of items 79-82 depends on the combine open.

Parts marked with * are optional.

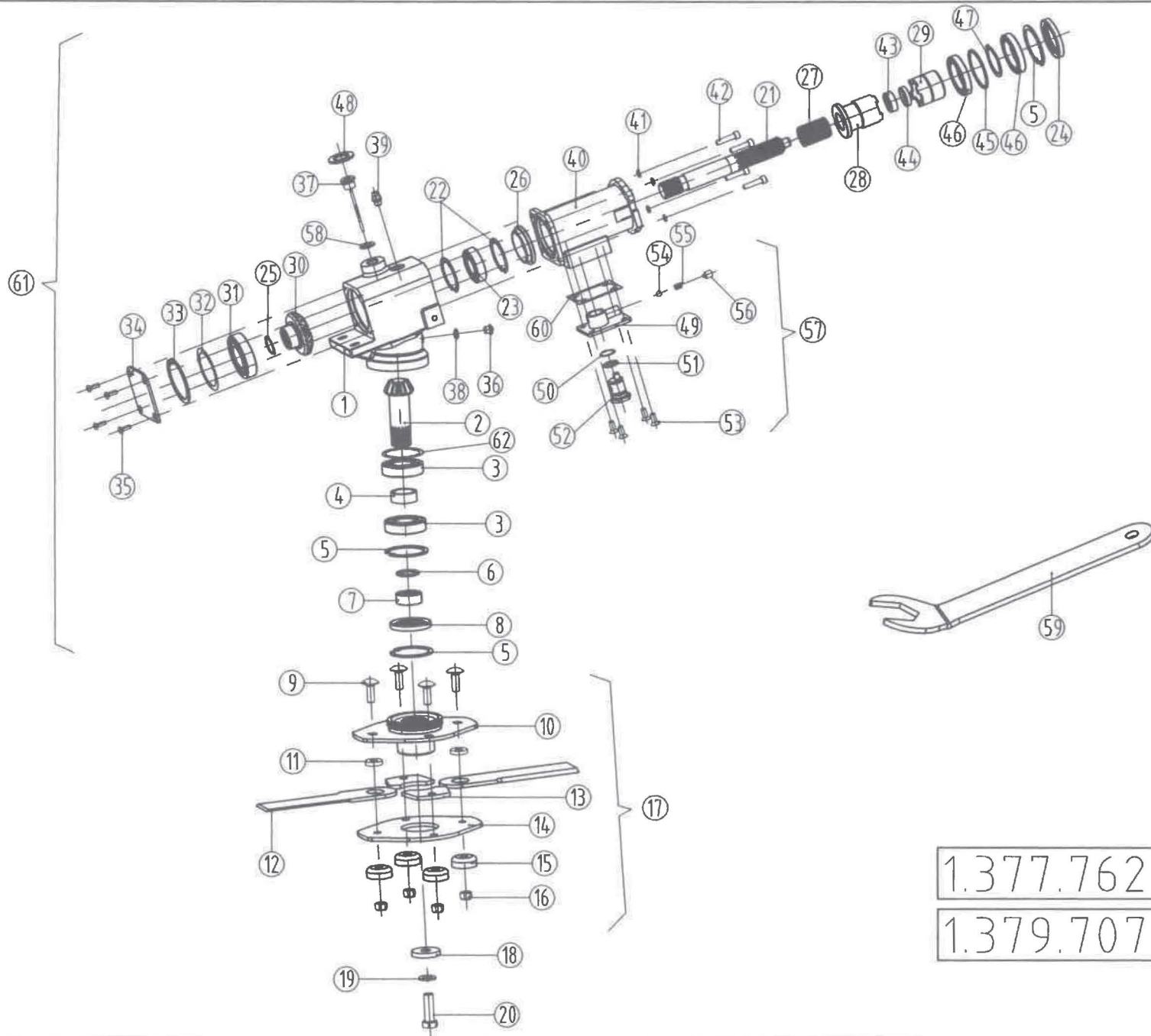


| | |
|-----------|------------------------|
| 1.377.762 | 70cm,76,2cm 28";30" |
| 1.379.707 | 50cm,56cm 20";22" |

STALK CHOPPER

| Ref. | Part Number | Description | 6306 | 6108 6208 | 6308 | 6309 | 6112 6212 | 6312 | 6316 |
|------|--------------|--|-------|--------------|------|------|--------------|------|------|
| 1. | 1.377.763 | Gearbox housing | 6 | 8 | 8 | 9 | 12 | 12 | 16 |
| 2. | 1.375.702 | Bevel gear 13T | 6 | 8 | 8 | 9 | 12 | 12 | 16 |
| 3. | 87001620710 | Bearing 6207 - DIN625 | 12 | 16 | 16 | 18 | 24 | 24 | 32 |
| 4. | 1.377.769 | Spacer | 6 | 8 | 8 | 9 | 12 | 12 | 16 |
| 5. | 70100007201 | Retaining ring - internal 72x2.5 - DIN472 | 18 | 24 | 24 | 27 | 36 | 36 | 48 |
| 6. | 63003503500 | O-ring 35X3.5 - DIN3771 | 6 | 8 | 8 | 9 | 12 | 12 | 16 |
| 7. | 1.375.744 | Spacer | 6 | 8 | 8 | 9 | 12 | 12 | 16 |
| 8. | 85804572081 | Seal 45x72x8 - DIN3760-AS | 6 | 8 | 8 | 9 | 12 | 12 | 16 |
| 9. | 1.377.799 | Carriage bolt | 24 | 32 | 32 | 36 | 48 | 48 | 64 |
| - | Loctite 243 | Threadlocking agent | | | | | | | |
| 10. | 1.377.767 | Knife support | 6 | - | 8 | 9 | - | 12 | 16 |
| 10. | 1.377.767 | Knife support | 2014→ | - | 4 | - | 6 | - | - |
| 10. | 1.379.687 | Knife support | 2014→ | - | 4 | - | 6 | - | - |
| 11. | 1.355.038 | Bushing | 12 | 16 | 16 | 18 | 24 | 24 | 32 |
| 12. | 1.353.038 | Knife | 12 | 16 | 16 | 18 | 24 | 24 | 32 |
| 13. | 1.378.347 | Spacer | 12 | 16 | 16 | 18 | 24 | 24 | 32 |
| 14. | 1.378.344 | Knife support plate - bottom | 6 | 8 | 8 | 9 | 12 | 12 | 16 |
| 15. | 1.355.039 | Cap | 24 | 32 | 32 | 36 | 48 | 48 | 64 |
| 16. | 70712012563 | Nut hex M12x1.25 - DIN980 | 24 | 32 | 32 | 36 | 48 | 48 | 64 |
| 17. | 1.377.766 | Knife assy | 6 | - | 8 | 9 | - | 12 | 16 |
| 17. | 1.377.766 | Knife assy | 2014→ | - | 4 | - | 6 | - | - |
| 17. | 1.379.686 | Knife assy | 2014→ | - | 4 | - | 6 | - | - |
| 18. | 1.375.752 | Washer | 6 | 8 | 8 | 9 | 12 | 12 | 16 |
| 19. | 91623939161 | Spring washer | 6 | 8 | 8 | 9 | 12 | 12 | 16 |
| 20. | 79316155066 | Hex bolt M16x1.5x50 - DIN960/8.8 | 6 | 8 | 8 | 9 | 12 | 12 | 16 |
| - | Loctite 243 | Threadlocking agent | | | | | | | |
| 21. | 1.377.777 | Shaft | 6 | 8 | 8 | 9 | 12 | 12 | 16 |
| 22. | 70100006201 | Retaining ring - internal 62x2 - DIN472 | 12 | 16 | 16 | 18 | 24 | 24 | 32 |
| 23. | 87000620611 | Bearing 6206 - DIN625 | 6 | 8 | 8 | 9 | 12 | 12 | 16 |
| 24. | 85805007208 | Seal 50x72x8 - DIN3760-AS | 6 | 8 | 8 | 9 | 12 | 12 | 16 |
| 25. | 70200003001 | Retaining ring - external 30x1.5 - DIN471 | 12 | 16 | 16 | 18 | 24 | 24 | 32 |
| 26. | 1.377.776 | Disk | 6 | 8 | 8 | 9 | 12 | 12 | 16 |
| 27. | 1.377.781 | Spring | 6 | 8 | 8 | 9 | 12 | 12 | 16 |
| 28. | 1.377.778 | Clutch half - I | 6 | 8 | 8 | 9 | 12 | 12 | 16 |
| 29. | 1.377.779 | Clutch half - II | 6 | 8 | 8 | 9 | 12 | 12 | 16 |
| 30. | 1.375.701 | Bevel gear 24T | 6 | 8 | 8 | 9 | 12 | 12 | 16 |
| 31. | 87001620810 | Bearing 6208 - DIN625 | 6 | 8 | 8 | 9 | 12 | 12 | 16 |
| 32. | 71663080050 | Shim 63x80x0.5 | 12 | 16 | 16 | 18 | 24 | 24 | 32 |
| 32. | 71663080020 | Shim 63x80x0.2 | 12 | 16 | 16 | 18 | 24 | 24 | 32 |
| 32. | 71663080010 | Shim 63x80x0.1 | 6 | 8 | 8 | 9 | 12 | 12 | 16 |
| 33. | 70100008001 | Retaining ring - internal 80x2.5 - DIN472 | 6 | 8 | 8 | 9 | 12 | 12 | 16 |
| 34. | 1.375.743 | Cover plate | 6 | 8 | 8 | 9 | 12 | 12 | 16 |
| - | Loctite 5910 | RTV silicone | | | | | | | |
| 35. | 80400602063 | TORX socket countersunk-head bolt M6x20 - DIN7991/10.9 | 24 | 32 | 32 | 36 | 48 | 48 | 64 |
| - | Loctite 243 | Threadlocking agent | | | | | | | |
| 36. | 1.376.783 | Closing screw | 6 | 8 | 8 | 9 | 12 | 12 | 16 |
| 37. | 1.377.095 | Dipstick | 6 | 8 | 8 | 9 | 12 | 12 | 16 |
| 38. | 05200001200 | Copper washer 12x16 - DIN7603 | 6 | 8 | 8 | 9 | 12 | 12 | 16 |
| 39. | 1.309.247 | Breather | 6 | 8 | 8 | 9 | 12 | 12 | 16 |
| 40. | 1.377.770 | Housing | 6 | 8 | 8 | 9 | 12 | 12 | 16 |
| - | Loctite 5910 | RTV silicone | | | | | | | |
| 41. | 71808000060 | Spring washer M8 - DIN7980 | 24 | 32 | 32 | 36 | 48 | 48 | 64 |
| 42. | 80208003566 | Hex socket head cap bolt M8x35 - DIN912 | 24 | 32 | 32 | 36 | 48 | 48 | 64 |
| 43. | 87010620214 | Bearing 6202 - DIN625 | 6 | 8 | 8 | 9 | 12 | 12 | 16 |
| - | Loctite 603 | Retaining compound | | | | | | | |
| 44. | 85803500700 | Cup 35x7 | 6 | 8 | 8 | 9 | 12 | 12 | 16 |
| 45. | 1.377.780 | Spacer | 6 | 8 | 8 | 9 | 12 | 12 | 16 |
| 46. | 87006191014 | Bearing 61910 - DIN625 | 12 | 16 | 16 | 18 | 24 | 24 | 32 |
| 47. | 70200005001 | Retaining ring - external 50x2 - DIN471 | 6 | 8 | 8 | 9 | 12 | 12 | 16 |
| 48. | 1.377.986 | Seal | 6 | 8 | 8 | 9 | 12 | 12 | 16 |
| 49. | 1.377.783 | Switch housing | 6 | 8 | 8 | 9 | 12 | 12 | 16 |
| 50. | 70200002501 | Retaining ring - external 25x1.2 - DIN471 | 6 | 8 | 8 | 9 | 12 | 12 | 16 |
| 51. | 63002003009 | O-ring 20x3 | 6 | 8 | 8 | 9 | 12 | 12 | 16 |
| 52. | 1.377.787 | Disengaging pin | 6 | 8 | 8 | 9 | 12 | 12 | 16 |
| 53. | 80400802063 | Hex socket countersunk-head bolt M8x20 - DIN7991/8.8 | 24 | 32 | 32 | 36 | 48 | 48 | 64 |

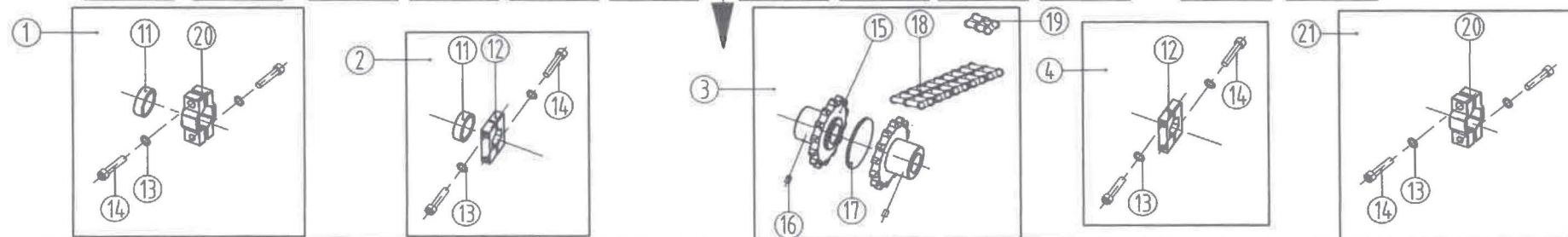
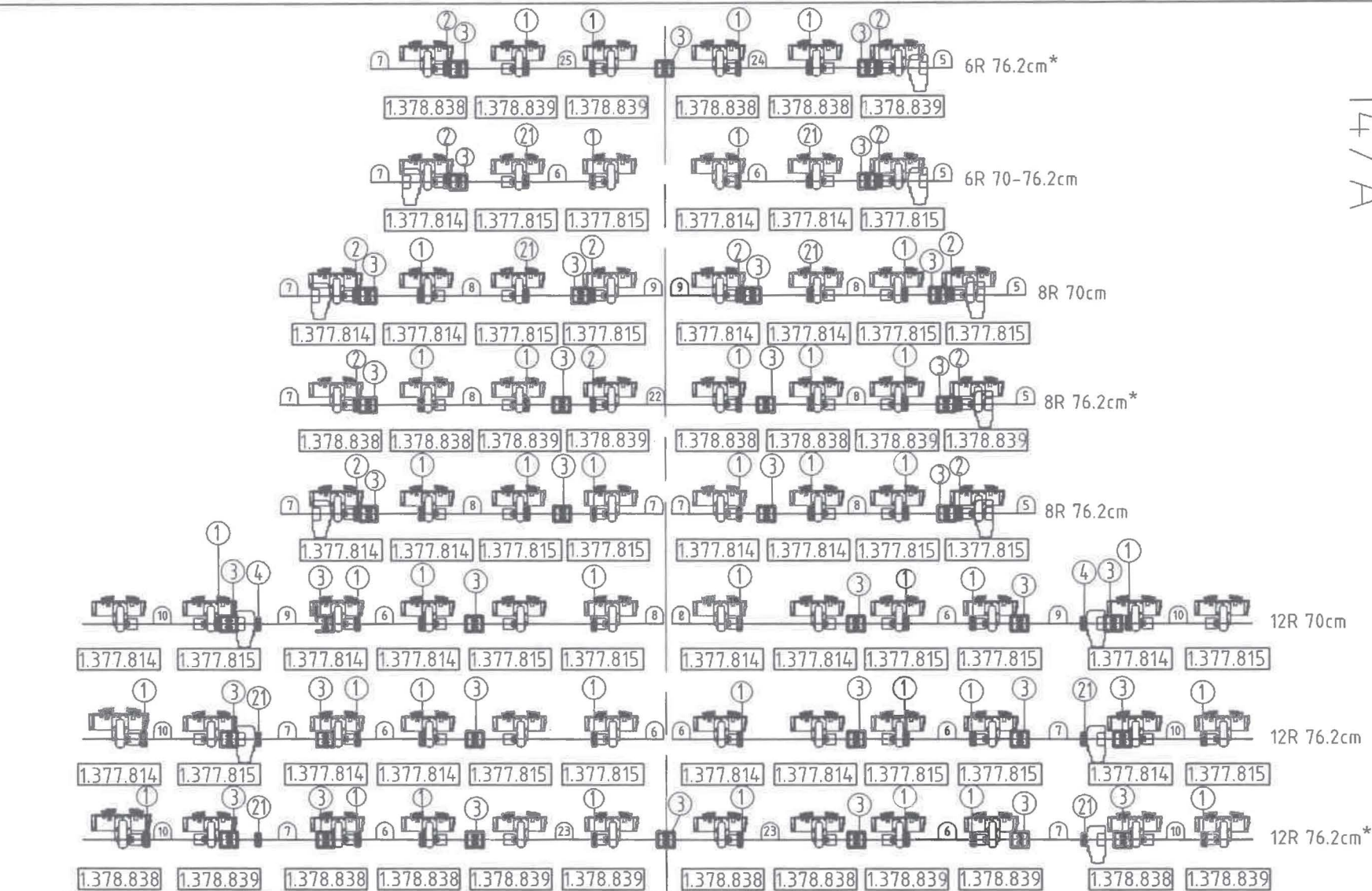
Note: application of the shims depends on the backlash of the gears.



| | |
|-----------|--------------------------|
| 1.377.762 | 70cm, 76,2cm 28"; 30" |
| 1.379.707 | 50cm, 56cm 20"; 22" |

STALK CHOPPER

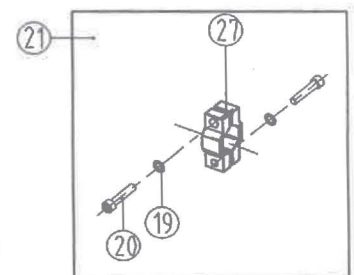
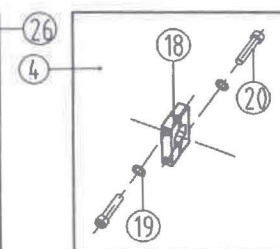
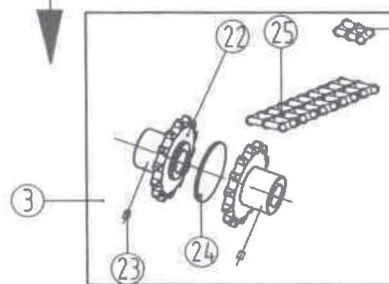
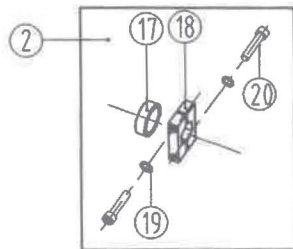
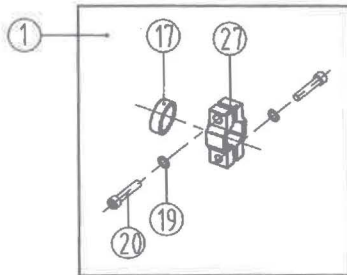
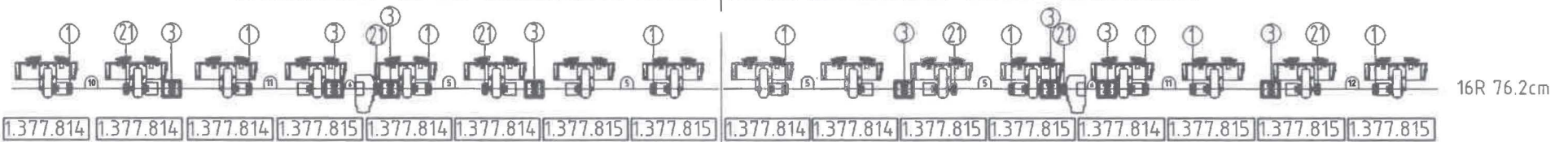
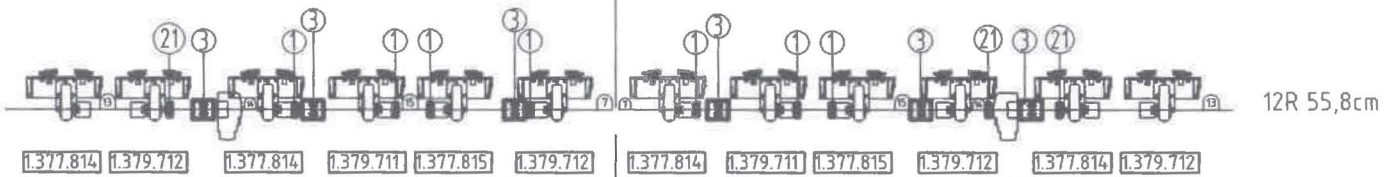
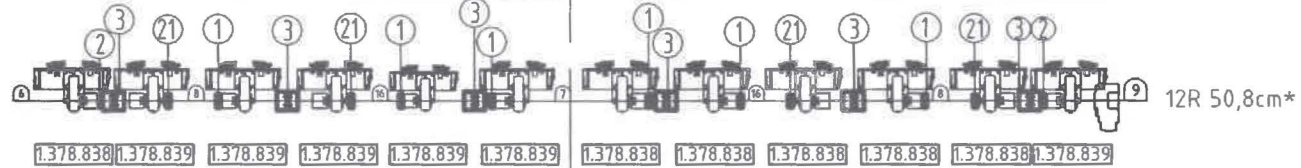
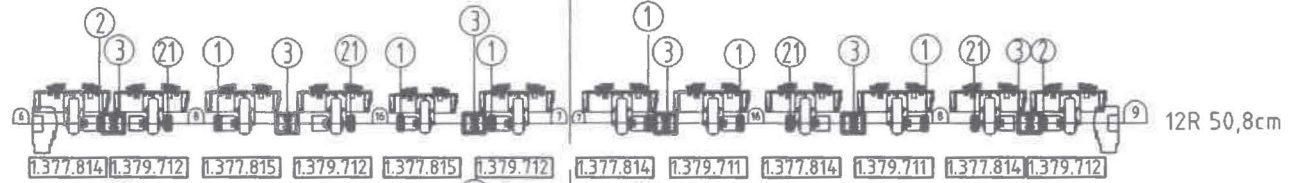
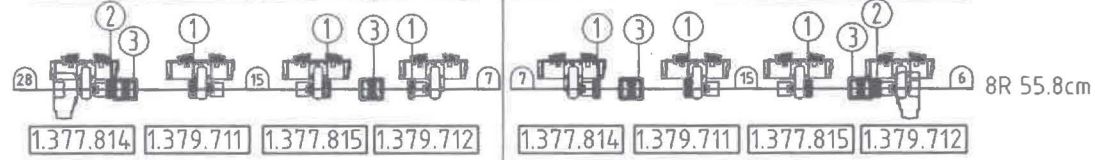
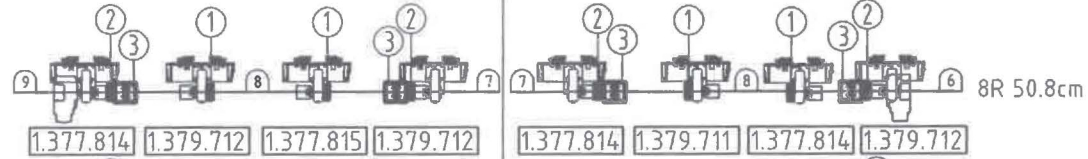
| Ref. | Part Number | Description | | 6306 | 6108 6208 | 6308 | 6309 | 6112 6212 | 6312 | 6316 |
|------|--------------|-------------------------------|-------------|------|--------------|------|------|--------------|------|------|
| 54. | 85609000000 | Bearing ball | | 6 | 8 | 8 | 9 | 12 | 12 | 16 |
| 55. | 1.327.689 | Spring | | 6 | 8 | 8 | 9 | 12 | 12 | 16 |
| 56. | 1.327.690 | Set screw | | 6 | 8 | 8 | 9 | 12 | 12 | 16 |
| - | Loctite 243 | Threadlocking agent | | | | | | | | |
| 57. | 1.377.782 | Switch assy | | 6 | 8 | 8 | 9 | 12 | 12 | 16 |
| - | Loctite 5910 | RTV silicone | | | | | | | | |
| 58. | 05200200024 | Copper washer 20x24 - DIN7603 | | 6 | 8 | 8 | 9 | 12 | 12 | 16 |
| 59. | 1.378.697 | Wrench | | 1 | 1 | 1 | 1 | 1 | 1 | 1 |
| 60. | 1.379.298 | Gasket | 2013 -2016. | 6 | 8 | 8 | 9 | 12 | 12 | 16 |
| 61. | 1.379.465 | Chopper gearbox ass. | | 6 | 8 | 8 | 9 | 12 | 12 | 16 |
| 62. | 716056072030 | Shim 56x72x0.3 | 2018→ | 6 | 7 | 8 | 9 | 12 | 12 | 16 |
| | | | | | | | | | | |



SNAPPING UNIT DRIVE - RIGID MODELS

| Ref. | Part Number | Description | | 6306 70 | 6306 | 6308 70 | 6308 | 6312 70 | 6312 |
|------|-------------|--|-----------|------------|------|------------|------|------------|------|
| 5. | 1.376.517 | Hexagonal shaft l=548 | | 1 | 1 | 1 | 1 | - | - |
| 6. | 1.376.502 | Hexagonal shaft l=1220 | | 2 | 2 | - | - | 2 | 4 |
| 7. | 1.376.503 | Hexagonal shaft l=480 | | 1 | 1 | 1 | 3 | - | 2 |
| 8. | 1.376.504 | Hexagonal shaft l=1582 | | - | - | 2 | 2 | - | - |
| 8. | 1.376.506 | Hexagonal shaft l=960 | | - | - | - | - | 2 | - |
| 9. | 1.376.505 | Hexagonal shaft l=340 | | - | - | 2 | - | 2 | - |
| 10. | 1.376.501 | Hexagonal shaft l=1214 | | - | - | - | - | 2 | 2 |
| 11. | 1.376.490 | Spacer | | 6 | 6 | 8 | 8 | 8 | 8 |
| 12. | 1.351.164 | Clamp - half piece only | | 4 | 4 | 8 | 4 | 4 | - |
| 13. | 72210000060 | Spring washer M10 - DIN128/A | | 12 | 12 | 16 | 16 | 20 | 24 |
| 14. | 80210004066 | Bolt - socket head M10x40 - DIN912/8.8 | | 12 | 12 | 16 | 16 | 20 | 24 |
| 15. | 1.354.663 | Sprocket | | 4 | 4 | 8 | 8 | 12 | 12 |
| 16. | 80108001266 | Set screw M8x12 - DIN916/8.8 | | 4 | 4 | 8 | 8 | 12 | 12 |
| 17. | 1.354.660 | Disk | | 2 | 2 | 4 | 4 | 6 | 6 |
| 18. | 1.355.403 | Duplex chain t=1" | | 2 | 2 | 4 | 4 | 6 | 6 |
| 19. | 84501000032 | Connecting link t=1" | | 2 | 2 | 4 | 4 | 6 | 6 |
| 20. | 1.355.909 | Clamp - half piece only | | 8 | 8 | 8 | 12 | 16 | 20 |
| 22. | 1.379.071* | Hexagonal shaft l=1636 | | - | - | - | 1 | - | - |
| 23. | 1.378.400* | Hexagonal shaft l=1560 | | - | - | - | - | - | 2 |
| 24. | 1.379.706 | Hexagonal shaft l=1826 | 2014→ | - | 1 | - | - | - | - |
| 25. | 1.377.809 | Hexagonal shaft l=1350 | 2014→2015 | - | 1 | - | - | - | - |
| 25. | 1.373.890 | Hexagonal shaft l=1436 | 2016→ | - | 1 | - | - | - | - |

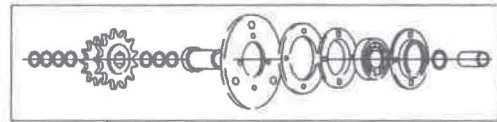
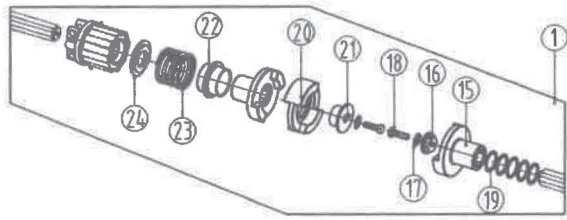
Note: item 1 includes items 11, 13, 14, 20
item 2 includes items 11, 12, 13, 14
item 3 includes items 15, 16, 17, 18, 19
item 4 includes items 12, 13, 14
item 21 includes items 13, 14, 20



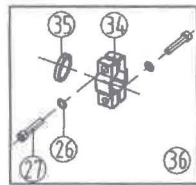
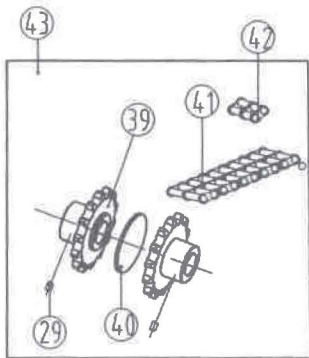
SNAPPING UNIT DRIVE - RIGID MODELS

| Ref. | Part Number | Description | 6108 | 6208 | 6112 | 6212 | 6316 |
|------|-------------|--|------|------|------|------|------|
| 5. | 1.376.502 | Hexagonal shaft l=1220 | - | - | - | - | 4 |
| 6. | 1.376.503 | Hexagonal shaft l=480 | 1 | 1 | 1 | - | 2 |
| 7. | 1.376.505 | Hexagonal shaft l=340 | 2 | 2 | 2 | 2 | - |
| 7. | 1.379.924* | Hexagonal shaft l=1058 | - | - | 1 | - | - |
| 8. | 1.376.506 | Hexagonal shaft l=960 | 2 | - | 2 | - | - |
| 9. | 1.376.517 | Hexagonal shaft l=548 | 1 | - | 1 | - | - |
| 10. | 1.377.809 | Hexagonal shaft l=1350 | - | - | - | - | 1 |
| 11. | 1.377.811 | Hexagonal shaft l=1360 | - | - | - | - | 2 |
| 12. | 1.379.096 | Hexagonal shaft l=1385 | - | - | - | - | 1 |
| 13. | 1.379.586 | Hexagonal shaft l=1093 | - | - | - | 2 | - |
| 14. | 1.379.587 | Hexagonal shaft l=600 | - | - | - | 2 | - |
| 15. | 1.379.588 | Hexagonal shaft l=1114 | - | 2 | - | 2 | - |
| 16. | 1.379.589 | Hexagonal shaft l=1030 | - | - | 2 | - | - |
| 17. | 1.376.490 | Spacer | 8 | 8 | 12 | 10 | 12 |
| 18. | 1.351.164 | Clamp - half piece only | - | - | 4 | - | - |
| 19. | 72210000060 | Spring washer M10-DIN128/A | 16 | 16 | 24 | 20 | 28 |
| 20. | 80210004066 | Bolt - socket head M10x40 - DIN912/8.8 | 16 | 16 | 24 | 20 | 28 |
| 22. | 1.354.663 | Sprocket | - | 8 | 12 | 12 | 16 |
| 22. | 1.376.519 | Sprocket | 8 | - | - | - | - |
| 23. | 80108001266 | Set screw M8x12 - DIN916/8.8 | 8 | 8 | 12 | 12 | 16 |
| 24. | 1.354.660 | Disk | 4 | 4 | 6 | 6 | 8 |
| 25. | 1.355.403 | Duplex chain t=1" | 4 | 4 | 6 | 6 | 8 |
| 26. | 84501000032 | Connecting link t=1" | 4 | 4 | 6 | 6 | 8 |
| 27. | 1.355.909 | Clamp - half piece only | 16 | 16 | 20 | 20 | 28 |
| 28. | 1.378.399 | Hexagonal shaft l=579 | - | 1 | - | - | - |

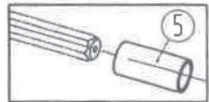
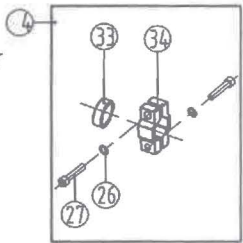
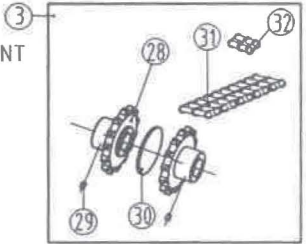
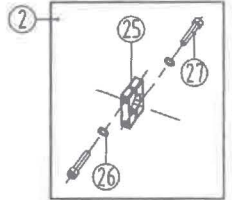
Note: item 1 includes items 17, 19, 20, 27
item 2 includes items 17, 18, 19, 20
item 3 includes items 22, 23, 24, 25, 26
item 4 includes items 18, 19, 20
item 21 includes items 19, 20, 27



Lásd 9. o. 58-68 tételek
See pg. 9 items 58-68



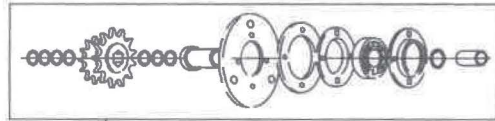
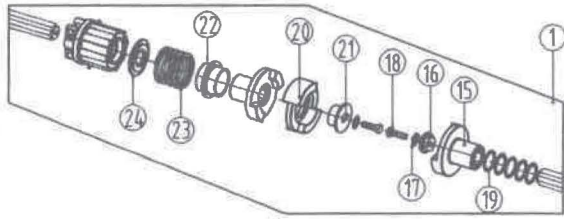
15/A



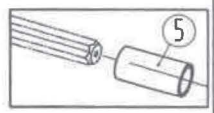
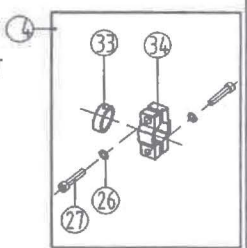
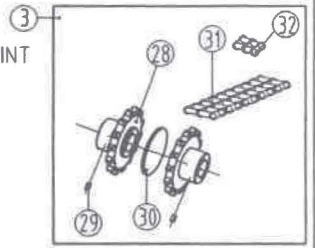
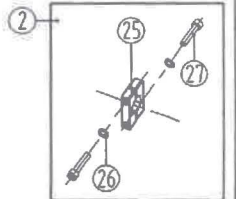
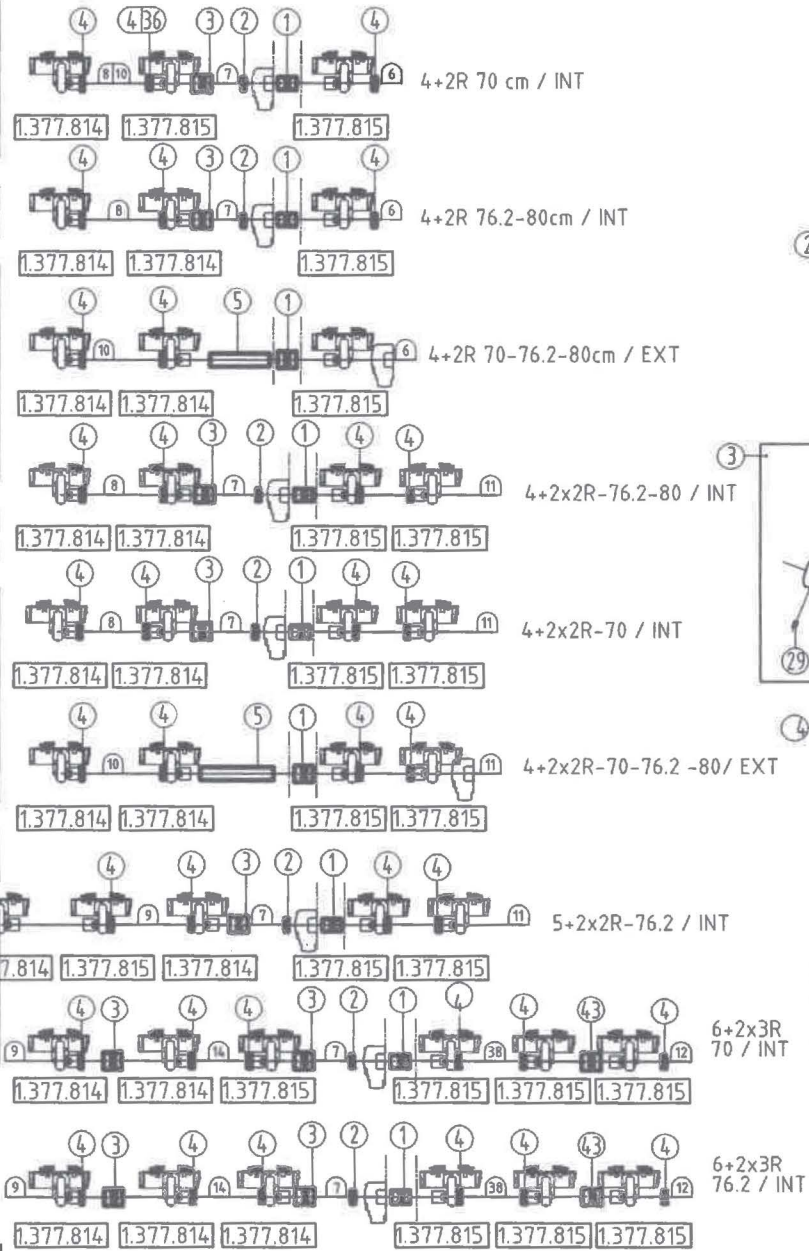
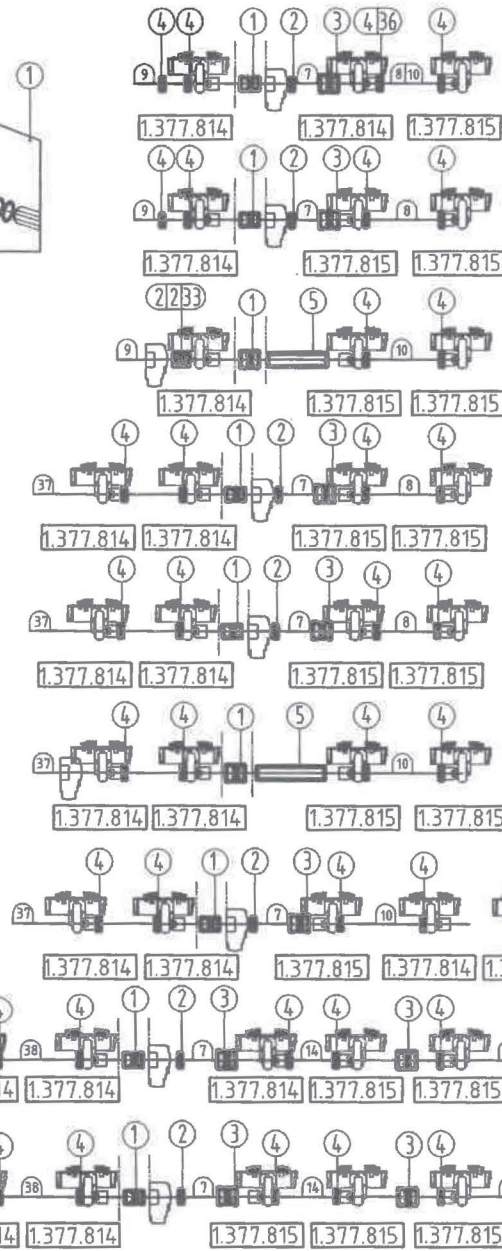
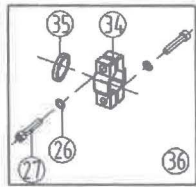
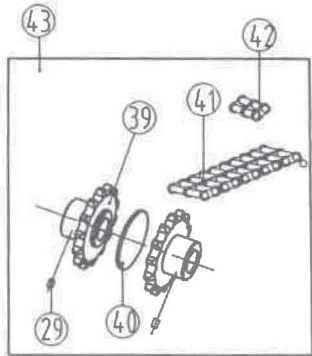
SNAPPING UNIT DRIVE - FOLDING MODELS

| Ref. | Part Number | Description | | 6306F 70cm INT. | 6306F 70cm EXT. | 6306F INT. | 6306F EXT. | 6308F INT. | 6308F EXT. | 6309F INT. | 6312- 70F INT. | 6312F INT. |
|------|-------------|--|-------|-----------------------|-----------------------|---------------|---------------|---------------|---------------|---------------|----------------------|---------------|
| 5. | 1.376.562 | Spacer (l=231) | | - | - | - | 2 | - | 2 | - | - | - |
| 5. | 1.377.123 | Spacer (l=169) | | - | 2 | - | - | - | - | - | - | - |
| 6. | 1.377.812 | Hexagonal shaft l=588 | | 1 | 1 | 1 | 1 | - | - | - | - | - |
| 7. | 1.376.516 | Hexagonal shaft l=223 | | - | - | 2 | - | 2 | - | 2 | 2 | 2 |
| 8. | 1.376.506 | Hexagonal shaft l=960 | | - | - | 2 | - | 2 | - | - | - | - |
| 9. | 1.376.503 | Hexagonal shaft l=480 | | - | - | - | - | - | - | - | 2 | 2 |
| 9. | 1.376.517 | Hexagonal shaft l=548 | | - | 1 | - | 1 | - | - | - | - | - |
| 9. | 1.377.813 | Hexagonal shaft l=588 | | 1 | - | 1 | - | - | - | - | - | - |
| 9. | 1.377.508 | Hexagonal shaft l=1720 | | - | - | - | - | - | - | 1 | - | - |
| 10. | 1.376.502 | Hexagonal shaft l=1220 | | - | - | - | 2 | 1 | 2 | 2 | - | - |
| 10. | 1.377.125 | Hexagonal shaft l=1065 | | - | 2 | - | - | - | - | - | - | - |
| 10. | 1.377.125 | Hexagonal shaft l=1065 | →2014 | 2 | - | - | - | - | - | - | - | - |
| 11. | 1.377.809 | Hexagonal shaft l=1350 | | - | - | - | - | 1 | 1 | 1 | - | - |
| 12. | 1.378.398 | Hexagonal shaft l=544 | | - | - | - | - | - | - | - | 1 | 1 |
| 13. | 1.378.399 | Hexagonal shaft l=579 | | - | - | - | - | - | - | - | 1 | 1 |
| 14. | 1.379.588 | Hexagonal shaft l=1114 | | - | - | - | - | - | - | - | 2 | - |
| 14. | 1.377.048 | Hexagonal shaft l=1320 | | - | - | - | - | - | - | - | - | 2 |
| 15. | 1.377.808 | Clutch half | | 4 | 4 | 4 | 4 | 4 | 4 | 4 | 4 | 4 |
| 16. | 1.377.806 | Inset | | 2 | 2 | 2 | 2 | 2 | 2 | 2 | 2 | 2 |
| 17. | 71701000060 | External tab washer | | 4 | 4 | 4 | 4 | 4 | 4 | 4 | 4 | 4 |
| 18. | 79410003066 | Hex bolt M10x30 - DIN933/8.8 | | 4 | 4 | 4 | 4 | 4 | 4 | 4 | 4 | 4 |
| 19. | 71637047100 | Shim 37x47x1 - DIN988 | | 10 | - | 10 | - | 10 | - | 10 | 10 | 10 |
| 20. | 1.377.804 | Inset | | 2 | 2 | 2 | 2 | 2 | 2 | 2 | 2 | 2 |
| 21. | 1.377.805 | Inset | | 2 | 2 | 2 | 2 | 2 | 2 | 2 | 2 | 2 |
| 22. | 1.377.807 | Spacer (l=44) | | 2 | 2 | 2 | 2 | 2 | 2 | 2 | 2 | 2 |
| 23. | 1.351.215 | Spring | | 2 | 2 | 2 | 2 | 2 | 2 | 2 | 2 | 2 |
| 24. | 1.351.163 | Disk | | 2 | 2 | 2 | 2 | 2 | 2 | 2 | 2 | 2 |
| 25. | 1.351.164 | Clamp - half piece only | | - | 4 | 4 | 4 | 4 | - | 4 | 4 | 4 |
| 26. | 72210000060 | Spring washer M10 - DIN128/A | | 14 | 12 | 18 | 12 | 20 | 16 | 20 | 28 | 28 |
| 27. | 80210004066 | Bolt - socket head M10x40 - DIN912/8.8 | | 14 | 12 | 18 | 12 | 20 | 16 | 20 | 28 | 28 |
| 28. | 1.376.519 | Sprocket | | - | - | 4 | - | 4 | - | 4 | 8 | 8 |
| 29. | 80108001266 | Set screw M8x12 - DIN916/8.8 | | - | - | 4 | - | 4 | - | 4 | 12 | 12 |
| 30. | 1.354.660 | Disk | | - | - | 2 | - | 2 | - | 2 | 4 | 4 |
| 31. | 1.355.403 | Duplex chain t=1" | | - | - | 2 | - | 2 | - | 2 | 4 | 4 |
| 32. | 84501000032 | Connecting link t=1" | | - | - | 2 | - | 2 | - | 2 | 4 | 4 |
| 33. | 1.376.490 | Spacer (l=15) | | 3 | 3 | 7 | 5 | 8 | 8 | 8 | 12 | 12 |
| 34. | 1.355.909 | Clamp - half piece only | | 14 | 8 | 14 | 8 | 16 | 16 | 16 | 24 | 24 |
| 35. | 1.377.676 | Spacer (l=5) | | - | 2 | - | - | - | - | - | - | - |
| 35. | 1.377.676 | Spacer (l=5) | →2014 | 2 | - | - | - | - | - | - | - | - |
| 37. | 1.377.810 | Hexagonal shaft l=1260 | | - | - | - | - | - | 1 | - | - | - |
| 38. | 1.373.890 | Hexagonal shaft l=1436 | | - | - | - | - | - | - | - | 2 | - |

Note: item 1 includes items 15-24 (1.378.427)
item 2 includes items 25-27
item 3 includes items 28-32
item 4 includes items 26, 27, 33, 34
item 36 includes items 26, 27, 34, 35



Lásd 9. o. 58-68 tételek
See pg. 9 items 58-68



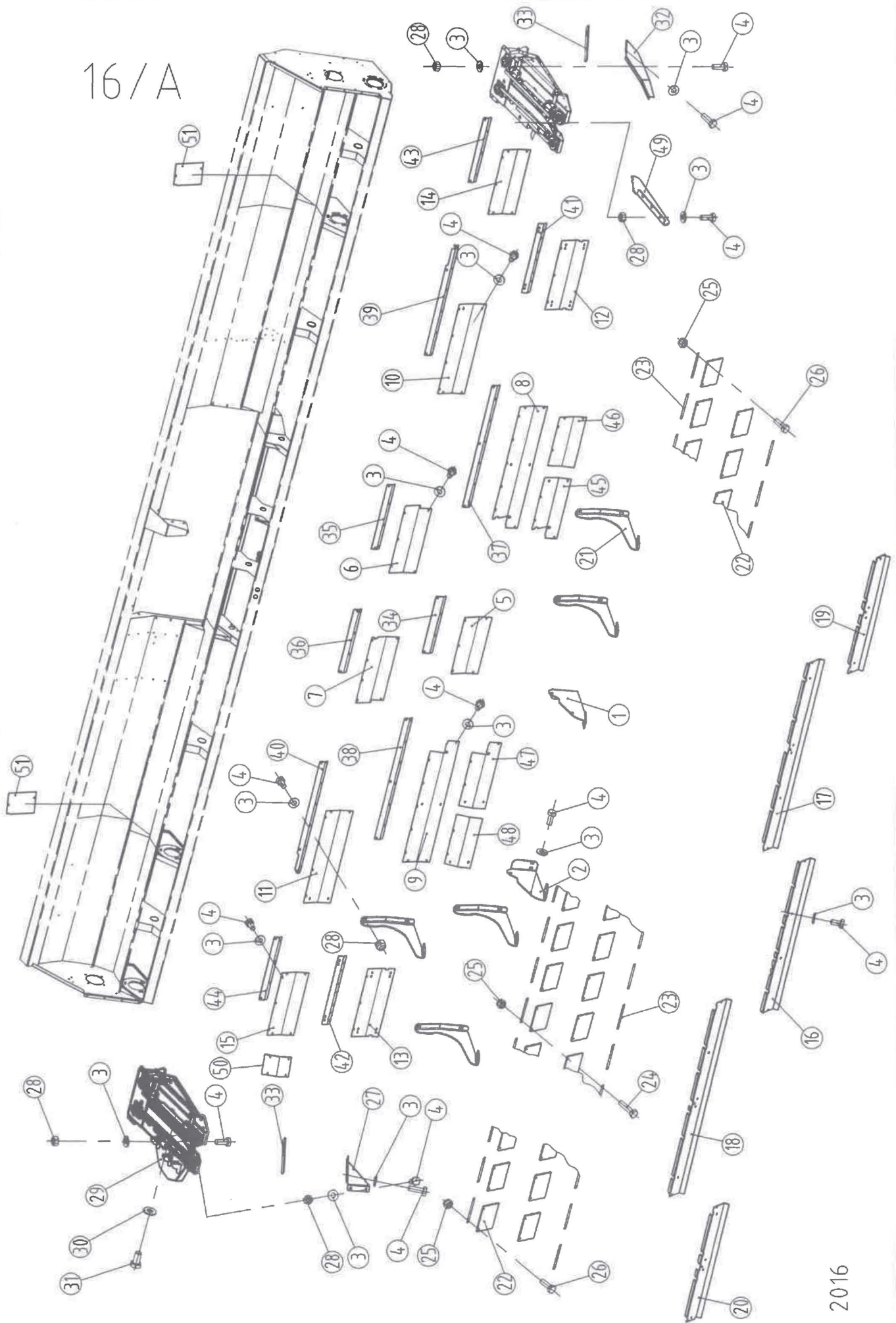
15/A

SNAPPING UNIT DRIVE - FOLDING MODELS

| Ref. | Part Number | Description | | 6306F 70cm INT. | 6306F 70cm EXT. | 6306F INT. | 6306F EXT. | 6308F INT. | 6308F EXT. | 6309F INT. | 6312- 70F INT. | 6312F INT. |
|------|-------------|------------------------|--|-----------------------|-----------------------|---------------|---------------|---------------|---------------|---------------|----------------------|---------------|
| | | | | | | | | | | | | |
| 38. | 1.378.400 | Hexagonal shaft l=1560 | | - | - | - | - | - | - | - | - | 2 |
| 39. | 1.378.897 | Sprocket | | - | - | - | - | - | - | - | 4 | 4 |
| 40. | 1.378.896 | Disk | | - | - | - | - | - | - | - | 2 | 2 |
| 41. | 1.300.200 | Duplex chain t=3/4" | | - | - | - | - | - | - | - | 2 | 2 |
| 42. | 84503400010 | Connecting link t=3/4" | | - | - | - | - | - | - | - | 2 | 2 |
| | | | | | | | | | | | | |

Note: item 1 includes items 15-24 (1.378.427)
item 2 includes items 25-27
item 3 includes items 28-32
item 4 includes items 26, 27, 33, 34
item 36 includes items 26, 27, 34, 35

16/A

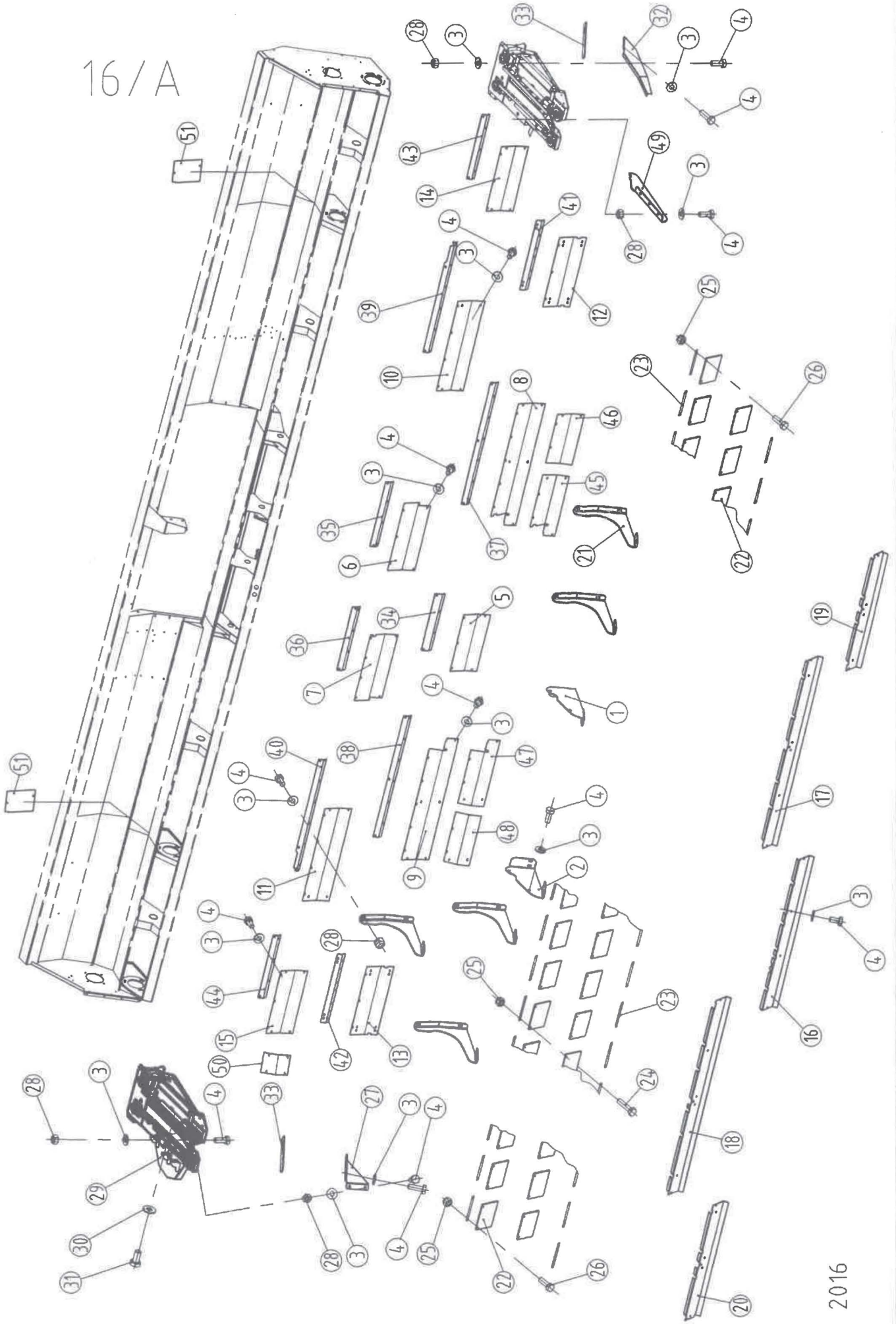


DRIVE-SHIELDS - RIGID

| Ref. | Part Number | Description | | 6306-70cm | 6306 | 6308-70cm | 6308 | 6312-70cm | 6312 |
|------|-------------|------------------------------|-------|-----------|------|-----------|------|-----------|------|
| 1. | 1.377.364 | Bracket - LH | →2015 | 1 | 1 | 1 | 1 | 1 | 1 |
| 2. | 1.377.365 | Bracket - RH | →2015 | 1 | 1 | 1 | 1 | 1 | 1 |
| 3. | 91623938761 | Spring washer - A8 | | 124 | 124 | 168 | 168 | 257 | 257 |
| 4. | 79408002066 | Hex bolt -M8x20 - DIN933/8.8 | | 81 | 81 | 107 | 107 | 164 | 164 |
| 5. | 1.378.296 | Shield - back (I=536) | →2015 | 1 | 1 | 1 | 1 | 1 | 1 |
| 5. | 1.378.972 | Shield - back (I=1572) | 2016→ | 1 | 1 | 1 | 1 | 1 | 1 |
| 6. | 1.378.297 | Shield - back (I=635) | →2015 | 1 | 1 | 1 | 1 | 1 | 1 |
| 7. | 1.378.298 | Shield - back (I=627) | →2015 | 1 | 1 | 1 | 1 | 1 | 1 |
| 8. | 1.378.360 | Shield - back (I=934) | →2015 | 1 | - | - | - | - | - |
| 8. | 1.373.157 | Shield - back (I=1197) | 2016→ | 1 | - | - | - | - | - |
| 8. | 1.378.299 | Shield - back (I=1089) | →2015 | - | 1 | - | - | - | - |
| 8. | 1.379.423 | Shield - back (I=1352) | 2016→ | - | 1 | - | - | - | - |
| 8. | 1.378.301 | Shield - back (I=1143) | →2015 | - | - | 1 | 1 | - | - |
| 8. | 1.373.169 | Shield - back (I=1897) | 2016→ | - | - | 1 | - | - | - |
| 8. | 1.379.748 | Shield - back (I=2114) | 2016→ | - | - | - | 1 | - | - |
| 9. | 1.378.361 | Shield - back (I=977) | →2015 | 1 | - | - | - | - | - |
| 9. | 1.373.158 | Shield - back (I=1232) | 2016→ | 1 | - | - | - | - | - |
| 9. | 1.378.300 | Shield - back (I=1132) | →2015 | - | 1 | - | - | - | - |
| 9. | 1.379.424 | Shield - back (I=1387) | 2016→ | - | 1 | - | - | - | - |
| 9. | 1.378.302 | Shield - back (I=1151) | →2015 | - | - | 1 | 1 | - | - |
| 9. | 1.373.170 | Shield - back (I=1932) | 2016→ | - | - | 1 | - | - | - |
| 9. | 1.379.749 | Shield - back (I=2149) | 2016→ | - | - | - | 1 | - | - |
| 10. | 1.378.307 | Shield - back (I=837) | →2015 | - | - | - | - | - | 1 |
| 10. | 1.378.969 | Shield - back (I=1427) | 2016→ | - | - | - | - | - | 1 |
| 10. | 1.378.799 | Shield - back (I=588) | →2015 | - | - | - | - | 1 | - |
| 10. | 1.373.139 | Shield - back (I=2062) | 2016→ | - | - | - | - | 1 | - |
| 11. | 1.378.308 | Shield - back (I=877) | →2015 | - | - | - | - | - | 1 |
| 11. | 1.378.975 | Shield - back (I=1427) | 2016→ | - | - | - | - | - | 1 |
| 11. | 1.378.791 | Shield - back (I=623) | →2015 | - | - | - | - | 1 | - |
| 11. | 1.373.141 | Shield - back (I=2097) | 2016→ | - | - | - | - | 1 | - |
| 12. | 1.378.305 | Shield - back (I=644) | →2015 | - | - | - | 1 | - | 1 |
| 12. | 1.378.964 | Shield - back (I=882) | 2016→ | - | - | - | - | - | 1 |
| 12. | 1.378.800 | Shield - back (I=556) | →2015 | - | - | - | - | 1 | - |
| 12. | 1.373.140 | Shield - back (I=1232) | 2016→ | - | - | - | - | 1 | - |
| 13. | 1.378.306 | Shield - back (I=679) | →2015 | - | - | - | 1 | - | - |
| 13. | 1.378.305 | Shield - back (I=644) | →2015 | - | - | - | - | - | 1 |
| 13. | 1.378.970 | Shield - back (I=882) | 2016→ | - | - | - | - | - | 1 |
| 13. | 1.378.793 | Shield - back (I=521) | →2015 | - | - | - | - | 1 | - |
| 13. | 1.373.142 | Shield - back (I=1232) | 2016→ | - | - | - | - | 1 | - |
| 14. | 1.378.303 | Shield - back (I=427) | →2015 | - | - | 1 | - | - | - |
| 14. | 1.378.309 | Shield - back (I=597) | →2015 | - | - | - | - | - | 1 |
| 14. | 1.378.963 | Shield - back (I=1324) | 2016→ | - | - | - | - | - | 1 |
| 14. | 1.378.802 | Shield - back (I=595) | →2015 | - | - | - | - | 1 | - |
| 15. | 1.378.304 | Shield - back (I=462) | →2015 | - | - | 1 | - | - | - |
| 15. | 1.378.310 | Shield - back (I=592) | →2015 | - | - | - | - | - | 1 |
| 15. | 1.378.971 | Shield - back (I=1359) | 2016→ | - | - | - | - | - | 1 |
| 15. | 1.378.796 | Shield - back (I=628) | →2015 | - | - | - | - | 1 | - |
| 16. | 1.377.341 | Shield - bottom (I=1758) | →2015 | 1 | - | 1 | - | 1 | - |
| 16. | 1.373.143 | Shield - bottom (I=1577) | 2016→ | 1 | - | 1 | - | 1 | - |
| 16. | 1.377.338 | Shield - bottom (I=1758) | →2015 | - | 1 | - | 1 | - | 1 |
| 16. | 1.378.978 | Shield - bottom (I=1577) | 2016→ | - | 1 | - | 1 | - | 1 |
| 17. | 1.377.346 | Shield - bottom (I=2205) | →2015 | - | - | - | - | - | 1 |
| 17. | 1.378.979 | Shield - bottom (I=1423) | 2016→ | - | - | - | - | - | 1 |
| 17. | 1.378.805 | Shield - bottom (I=1959) | →2015 | - | - | - | - | 1 | - |
| 17. | 1.373.146 | Shield - bottom (I=1321) | 2016→ | - | - | - | - | 1 | - |
| 18. | 1.377.347 | Shield - bottom (I=2253) | →2015 | - | - | - | - | - | 1 |
| 18. | 1.378.977 | Shield - bottom (I=1427) | 2016→ | - | - | - | - | - | 1 |
| 18. | 1.378.804 | Shield - bottom (I=2002) | →2015 | - | - | - | - | 1 | - |
| 18. | 1.373.144 | Shield - bottom (I=1355) | 2016→ | - | - | - | - | 1 | - |
| 19. | 1.377.558 | Shield - bottom (I=1116) | →2015 | 1 | - | - | - | - | - |
| 19. | 1.373.156 | Shield - bottom (I=1209) | 2016→ | 1 | - | - | - | - | - |
| 19. | 1.377.339 | Shield - bottom (I=1271) | →2015 | - | 1 | - | - | - | - |

Note: the items marked with * are only valid for machines with chopper! The items marked with ** are only valid for machines without a chopper! 2016-> : only for machines with higher serial number than xxxxx16xxx

16/A

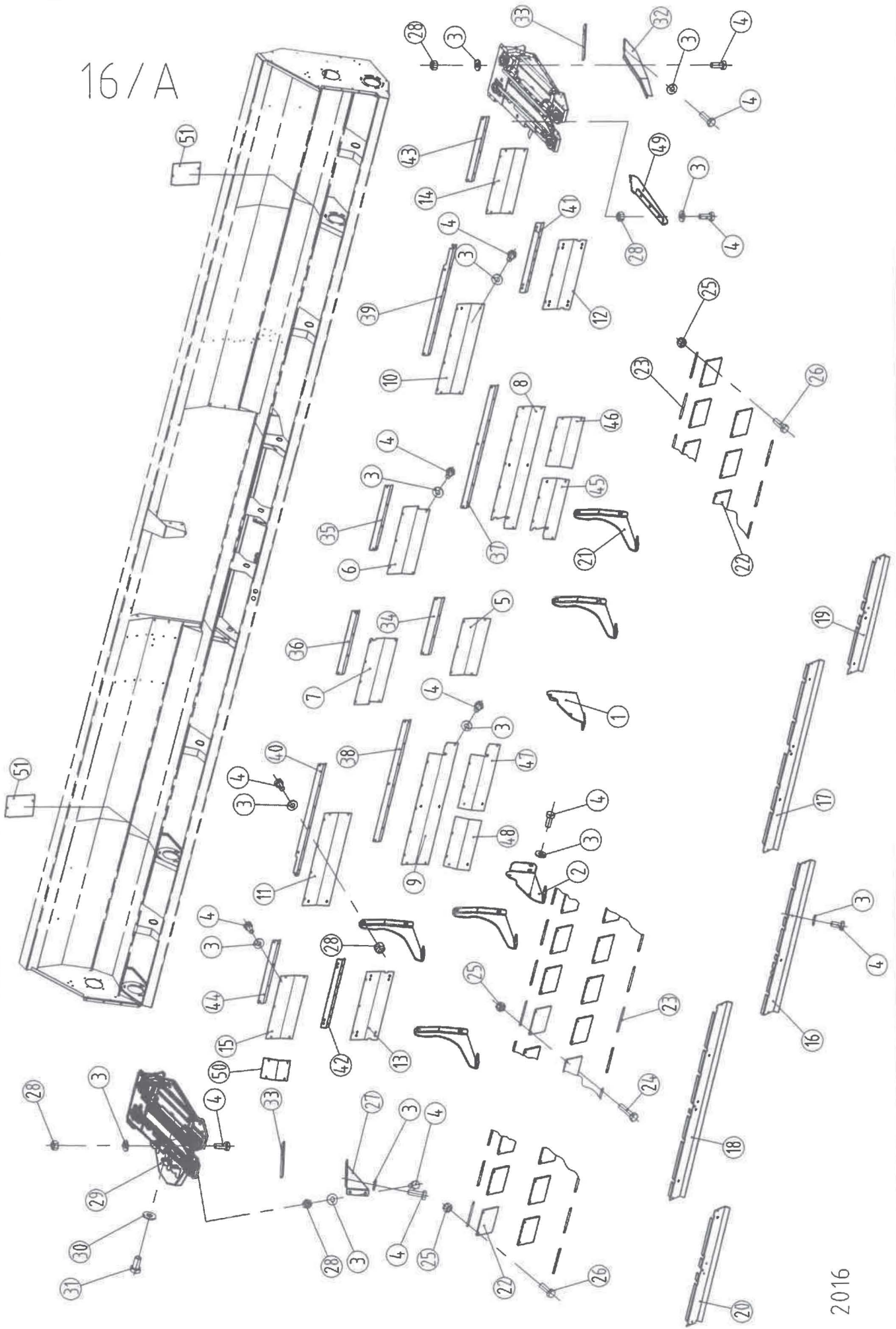


DRIVE-SHIELDS - RIGID

| Ref. | Part Number | Description | | 6306-70cm | 6306 | 6308-70cm | 6308 | 6312-70cm | 6312 |
|------|-------------|--------------------------------------|-------|-----------|------|-----------|------|-----------|------|
| 19. | 1.379.422 | Shield - bottom (l=1364) | 2016→ | - | 1 | - | - | - | - |
| 19. | 1.377.342 | Shield - bottom (l=1816) | →2015 | - | - | 1 | - | - | - |
| 19. | 1.373.168 | Shield - bottom (l=1909) | 2016→ | - | - | 1 | - | - | - |
| 19. | 1.377.344 | Shield - bottom (l=2033) | →2015 | - | - | - | 1 | - | - |
| 19. | 1.379.750 | Shield - bottom (l=2126) | 2016→ | - | - | - | 1 | - | - |
| 19. | 1.377.348 | Shield - bottom (l=1350) | →2015 | - | - | - | - | - | 1 |
| 19. | 1.378.980 | Shield - bottom (l=2225) | 2016→ | - | - | - | - | - | 1 |
| 19. | 1.378.806 | Shield - bottom (l=1255) | →2015 | - | - | - | - | 1 | - |
| 19. | 1.373.147 | Shield - bottom (l=1986) | 2016→ | - | - | - | - | 1 | - |
| 20. | 1.377.559 | Shield - bottom (l=1159) | →2015 | 1 | - | - | - | - | - |
| 20. | 1.373.155 | Shield - bottom (l=1247) | 2016→ | 1 | - | - | - | - | - |
| 20. | 1.377.340 | Shield - bottom (l=1314) | →2015 | - | 1 | - | - | - | - |
| 20. | 1.379.421 | Shield - bottom (l=1402) | 2016→ | - | 1 | - | - | - | - |
| 20. | 1.377.343 | Shield - bottom (l=1859) | →2015 | - | - | 1 | - | - | - |
| 20. | 1.373.167 | Shield - bottom (l=1947) | 2016→ | - | - | 1 | - | - | - |
| 20. | 1.377.345 | Shield - bottom (l=2076) | →2015 | - | - | - | 1 | - | - |
| 20. | 1.379.751 | Shield - bottom (l=2164) | 2016→ | - | - | - | 1 | - | - |
| 20. | 1.377.349 | Shield - bottom (l=1345) | →2015 | - | - | - | - | - | 1 |
| 20. | 1.378.976 | Shield - bottom (l=2259) | 2016→ | - | - | - | - | - | 1 |
| 20. | 1.378.807 | Shield - bottom (l=1255) | →2015 | - | - | - | - | 1 | - |
| 20. | 1.373.145 | Shield - bottom (l=1990) | 2016→ | - | - | - | - | 1 | - |
| 21. | 1.377.362 | Stiffener - LH | →2015 | 2 | 2 | 4 | 4 | 6 | 6 |
| 21. | 1.377.363 | Stiffener - RH | →2015 | 2 | 2 | 4 | 4 | 6 | 6 |
| 21. | 1.378.973 | Stiffener - LH | 2016→ | 2 | 2 | 3 | 3 | 3 | 4 |
| 21. | 1.378.974 | Stiffener - RH | 2016→ | 2 | 2 | 3 | 3 | 3 | 4 |
| 22.* | 1.376.131 | Rubber plate | | 20 | 20 | 28 | 28 | 40 | 44 |
| 23.* | 1.376.127 | Flat | | 20 | 20 | 28 | 28 | 40 | 44 |
| 24.* | 79408003566 | Hex bolt-M8x35 - DIN933/8.8 | | 19 | 19 | 27 | 27 | 39 | 43 |
| 25.* | 74900800066 | Hex nut - plastic insert M8 - DIN982 | | 21 | 21 | 29 | 29 | 41 | 45 |
| 26.* | 79408002566 | Hex bolt -M8x25 - DIN933/8.8 | | 2 | 2 | 2 | 2 | 2 | 2 |
| 27.* | 1.376.599 | Stiffener | | 1 | 1 | 1 | 1 | 1 | 1 |
| 28. | 73508000066 | Hex nut -M8 - DIN934 | | 53 | 53 | 71 | 71 | 105 | 105 |
| 29.* | 1.379.099 | Knife-shield | | 1 | 1 | 1 | 1 | 1 | 1 |
| 30.* | 91623938861 | Spring washer- A10 | | 6 | 6 | 6 | 6 | 6 | 6 |
| 31.* | 79410002066 | Hex bolt -M10x20 - DIN933/8.8 | | 6 | 6 | 6 | 6 | 6 | 6 |
| 32.* | 1.376.600 | Side-shield | | 1 | 1 | 1 | 1 | 1 | 1 |
| 33. | 1.377.372 | Spacer | | 2 | 2 | 2 | 2 | 2 | 2 |
| 34. | 1.377.864 | Stiffener plate (l=536) | | 1 | 1 | 1 | 1 | 1 | 1 |
| 35. | 1.377.865 | Stiffener plate (l=608) | | 1 | 1 | 1 | 1 | 1 | 1 |
| 36. | 1.377.866 | Stiffener plate (l=600) | | 1 | 1 | 1 | 1 | 1 | 1 |
| 37. | 1.377.871 | Stiffener plate (l=1143) | | - | - | 1 | 1 | - | - |
| 37. | 1.378.764 | Stiffener plate (l=1175) | | - | - | - | - | 1 | 1 |
| 37. | 1.377.869 | Stiffener plate (l=1120) | | 1 | - | - | - | - | - |
| 37. | 1.377.867 | Stiffener plate (l=1275) | | - | 1 | - | - | - | - |
| 38. | 1.377.872 | Stiffener plate (l=1151) | | - | - | 1 | 1 | - | - |
| 38. | 1.378.765 | Stiffener plate (l=1183) | | - | - | - | - | 1 | 1 |
| 38. | 1.377.870 | Stiffener plate (l=1163) | | 1 | - | - | - | - | - |
| 38. | 1.377.868 | Stiffener plate (l=1318) | | - | 1 | - | - | - | - |
| 39. | 1.377.877 | Stiffener plate (l=774) | | - | - | - | - | - | 1 |
| 39. | 1.378.798 | Stiffener plate (l=1023) | | - | - | - | - | 1 | - |
| 40. | 1.377.878 | Stiffener plate (l=1063) | | - | - | - | - | - | 1 |
| 40. | 1.378.792 | Stiffener plate (l=809) | | - | - | - | - | 1 | - |
| 41. | 1.377.875 | Stiffener plate (l=644) | | - | - | - | - | - | 1 |
| 41. | 1.377.876 | Stiffener plate (l=865) | | - | - | - | 1 | - | - |
| 41. | 1.378.801 | Stiffener plate (l=556) | | - | - | - | - | 1 | - |

Note: the items marked with * are only valid for machines with chopper! The items marked with ** are only valid for machines without a chopper! 2016-> : only for machines with higher serial number than xxxxx16xxx

16/A

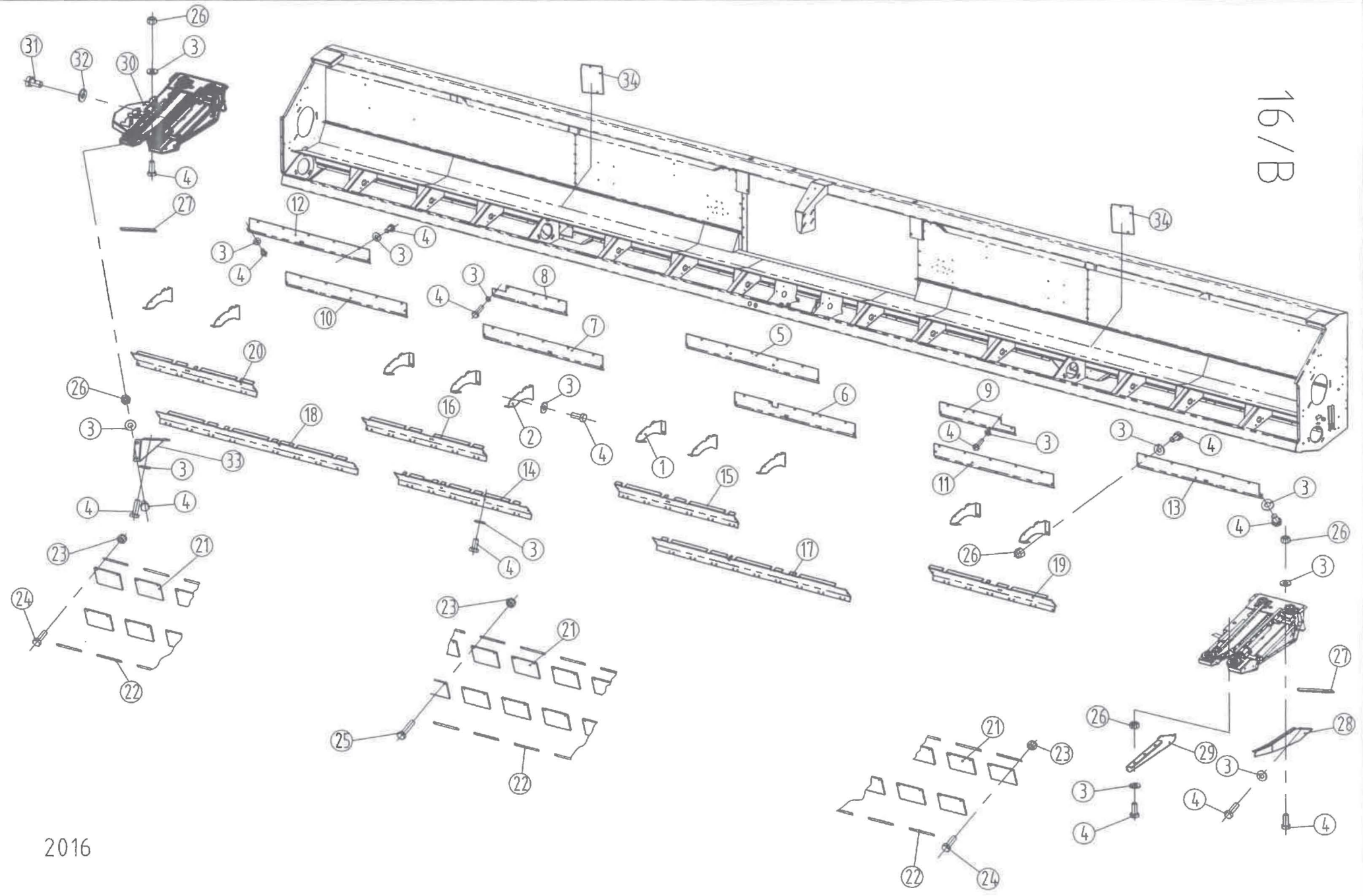


DRIVE-SHIELDS - RIGID

| Ref. | Part Number | Description | | 6306- 70cm | 6306 | 6308- 70cm | 6308 | 6312- 70cm | 6312 |
|-------|-------------|-------------------------|-------|---------------|------|---------------|------|---------------|------|
| 42. | 1.377.875 | Stiffener plate (l=644) | | - | - | - | - | - | 1 |
| 42. | 1.378.060 | Stiffener plate (l=830) | | - | - | - | 1 | - | - |
| 42. | 1.378.795 | Stiffener plate (l=521) | | - | - | - | - | 1 | - |
| 43. | 1.377.879 | Stiffener plate (l=597) | | - | - | - | - | - | 1 |
| 43. | 1.377.873 | Stiffener plate (l=613) | | - | - | 1 | - | - | - |
| 43. | 1.378.803 | Stiffener plate (l=595) | | - | - | - | - | 1 | - |
| 44. | 1.377.880 | Stiffener plate (l=592) | | - | - | - | - | - | 1 |
| 44. | 1.377.874 | Stiffener plate (l=648) | | - | - | 1 | - | - | - |
| 44. | 1.378.797 | Stiffener plate (l=628) | | - | - | - | - | 1 | - |
| 45. | 1.378.340 | Stiffener plate (l=520) | | - | - | - | - | 1 | 1 |
| 46. | 1.378.751 | Stiffener plate (l=621) | | - | - | - | - | 1 | 1 |
| 47. | 1.378.341 | Stiffener plate (l=527) | | - | - | - | - | 1 | 1 |
| 48. | 1.378.752 | Stiffener plate (l=621) | | - | - | - | - | 1 | 1 |
| 49.* | 1.379.534 | Deflector plate | 2014→ | 5 | 5 | 7 | 7 | 11 | 11 |
| 50.** | 1.379.708 | Shield | 2015→ | 1 | 1 | 1 | 1 | 1 | 1 |
| 51.** | 1.373.619 | Shield | 2016→ | 1 | 1 | 1 | 1 | 1 | 1 |

Note: the items marked with * are only valid for machines with chopper! The items marked with ** are only valid for machines without a chopper! 2016-> : only for machines with higher serial number than xxxxx16xxx

16/B

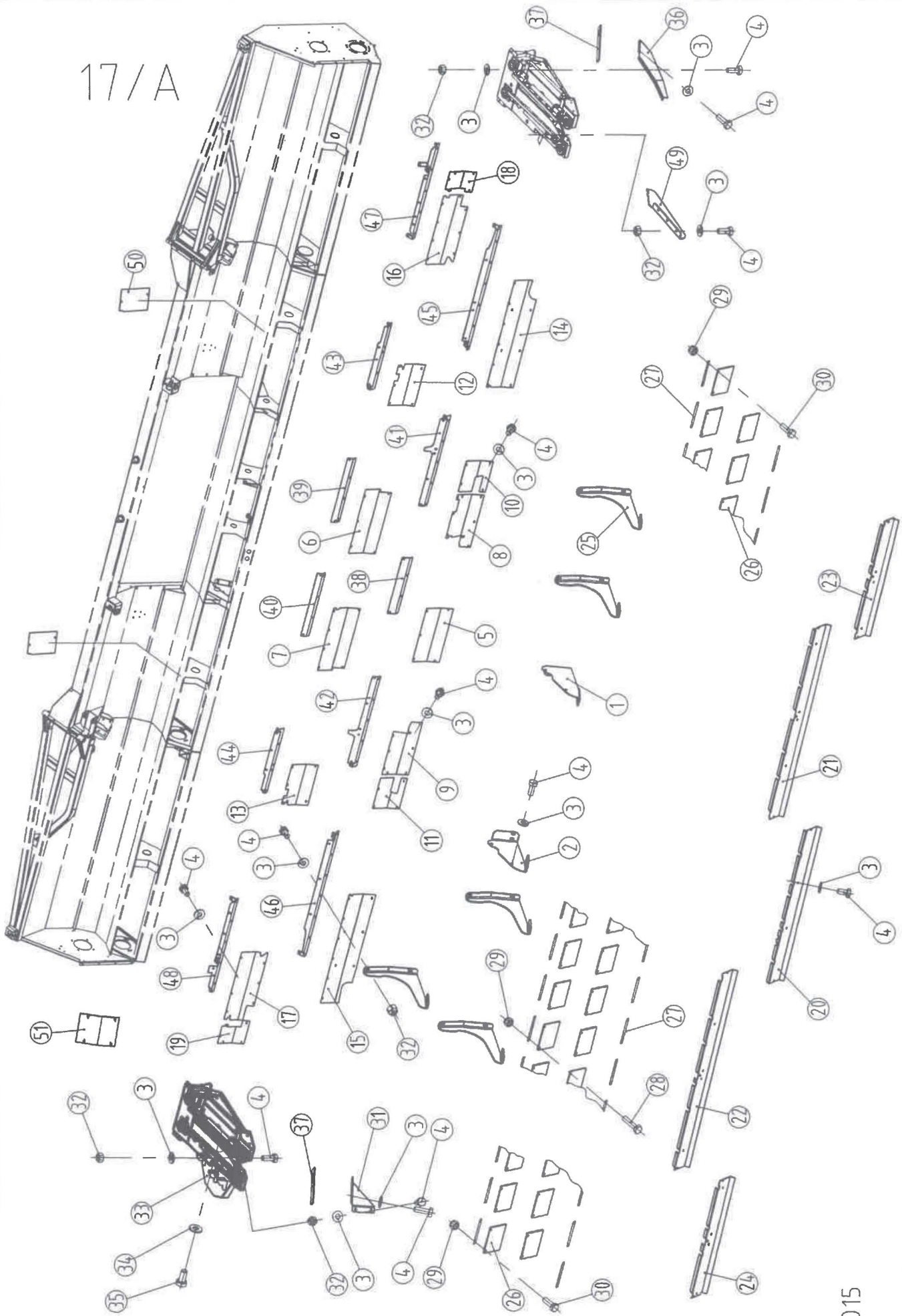


DRIVE-SHIELDS - RIGID

| Ref. | Part Number | Description | 6108 | 6208 | 6112 | 6212 | 6316 |
|-------|-------------|--------------------------------------|------|------|------|------|------|
| 1. | 1.378.973 | Bracket - LH | 2 | 2 | 3 | 2 | 5 |
| 2. | 1.378.974 | Bracket - RH | 2 | 2 | 3 | 2 | 5 |
| 3. | 91623938761 | Spring washer - A8 | 130 | 130 | 164 | 174 | 277 |
| 4. | 79408002066 | Hex bolt M8x20 - DIN933/8.8 | 77 | 78 | 96 | 104 | 172 |
| 5. | 1.378.972 | Shield - back (l=1572) | - | - | - | - | 1 |
| 5. | 1.379.644 | Shield - back (l=1397) | 1 | - | 1 | - | - |
| 5. | 1.379.590 | Shield - back (l=1498) | - | 1 | - | 1 | - |
| 6. | 1.378.969 | Shield - back (l=1427) | - | - | - | - | 1 |
| 6. | 1.379.645 | Shield - back (l=2328) | - | - | 1 | - | - |
| 6. | 1.379.591 | Shield - back (l=1483,5) | - | 1 | - | 1 | - |
| 6. | 1.373.113 | Shield - back (l=1312) | 1 | - | - | - | - |
| 7. | 1.378.975 | Shield - back (l=1427) | - | - | - | - | 1 |
| 7. | 1.379.646 | Shield - back (l=2364) | - | - | 1 | - | - |
| 7. | 1.379.592 | Shield - back (l=1438,5) | - | 1 | - | 1 | - |
| 7. | 1.373.114 | Shield - back (l=1348) | 1 | - | - | - | - |
| 8. | 1.378.970 | Shield - back (l=882) | - | - | - | - | 1 |
| 8. | 1.379.594 | Shield - back (l=1106) | - | - | - | 1 | - |
| 9. | 1.378.964 | Shield - back (l=882) | - | - | - | - | 1 |
| 9. | 1.379.593 | Shield - back (l=1106) | - | - | - | 1 | - |
| 10. | 1.379.035 | Shield - back (l=1434) | - | - | - | - | 1 |
| 11. | 1.379.034 | Shield - back (l=1399) | - | - | - | - | 1 |
| 12. | 1.379.036 | Shield - back (l=1447) | - | - | - | - | 1 |
| 13. | 1.379.037 | Shield - back (l=1447) | - | - | - | - | 1 |
| 14. | 1.378.978 | Shield - bottom (l=1577) | - | - | - | - | 1 |
| 14. | 1.379.647 | Shield - bottom (l=1398) | 1 | - | 1 | - | - |
| 14. | 1.379.595 | Shield - bottom l=1498) | - | 1 | - | 1 | - |
| 15. | 1.378.979 | Shield - bottom (l=1423) | - | - | - | - | 1 |
| 15. | 1.379.648 | Shield - bottom (l=2344) | - | - | 1 | - | - |
| 15. | 1.379.596 | Shield - bottom (l=853) | - | - | - | 1 | - |
| 15. | 1.373.115 | Shield - bottom (l=1328) | 1 | - | - | - | - |
| 15. | 1.373.082 | Shield - bottom (l=1496) | - | 1 | - | - | - |
| 16. | 1.378.977 | Shield - bottom (l=1427) | - | - | - | - | 1 |
| 16. | 1.379.649 | Shield - bottom (l=2379) | - | - | 1 | - | - |
| 16. | 1.379.597 | Shield - bottom (l=793) | - | - | - | 1 | - |
| 16. | 1.373.116 | Shield - bottom (l=1363) | 1 | - | - | - | - |
| 16. | 1.373.083 | Shield - bottom (l=1451) | - | 1 | - | - | - |
| 17. | 1.379.041 | Shield - bottom (l=2301) | - | - | - | - | 1 |
| 17. | 1.379.598 | Shield - bottom (l=1758,5) | - | - | - | 1 | - |
| 18. | 1.379.042 | Shield - bottom (l=2343) | - | - | - | - | 1 |
| 18. | 1.379.599 | Shield - bottom (l=1773,5) | - | - | - | 1 | - |
| 19. | 1.379.038 | Shield - bottom (l=1446) | - | - | - | - | 1 |
| 20. | 1.379.043 | Shield - bottom (l=1438) | - | - | - | - | 1 |
| 21.* | 1.376.131 | Rubber plate | 20 | 21 | 30 | 33 | 60 |
| 22.* | 1.376.127 | Flat | 20 | 21 | 30 | 33 | 60 |
| 23.* | 74908000066 | Hex nut - plastic insert M8 - DIN982 | 21 | 22 | 31 | 34 | 63 |
| 24.* | 79408002566 | Hex bolt M8x25 - DIN933/8.8 | 2 | 2 | 2 | 2 | 4 |
| 25.* | 79408003566 | Hex bolt M8x35 - DIN933/8.8 | 19 | 20 | 29 | 32 | 59 |
| 26.* | 73508000066 | Hex nut M8 - DIN934 | 61 | 62 | 76 | 80 | 156 |
| 27.* | 1.377.372 | Spacer | 2 | 2 | 2 | 2 | 2 |
| 28.* | 1.376.600 | Side-shield | 1 | 1 | 1 | 1 | 1 |
| 29.* | 1.379.534 | Deflector plate | - | - | - | - | 15 |
| 29.* | 1.379.535 | Deflector plate | 7 | 7 | 11 | 11 | - |
| 30.* | 1.379.099 | Knife-shield | 1 | 1 | 1 | 1 | 1 |
| 31.* | 79410002066 | Hex bolt M10x20 - DIN933/8.8 | 6 | 6 | 6 | 6 | 6 |
| 32.* | 91623938861 | Spring washer - A10 | 6 | 6 | 6 | 6 | 6 |
| 33.* | 1.376.599 | Stiffener | 1 | 1 | 1 | 1 | 1 |
| 34.** | 1.373.619 | Shield | 1 | 1 | 1 | 1 | 1 |

Note: the items marked with * are only valid for machines with chopper!
The items marked with ** are only valid for machines without a chopper!

17/A

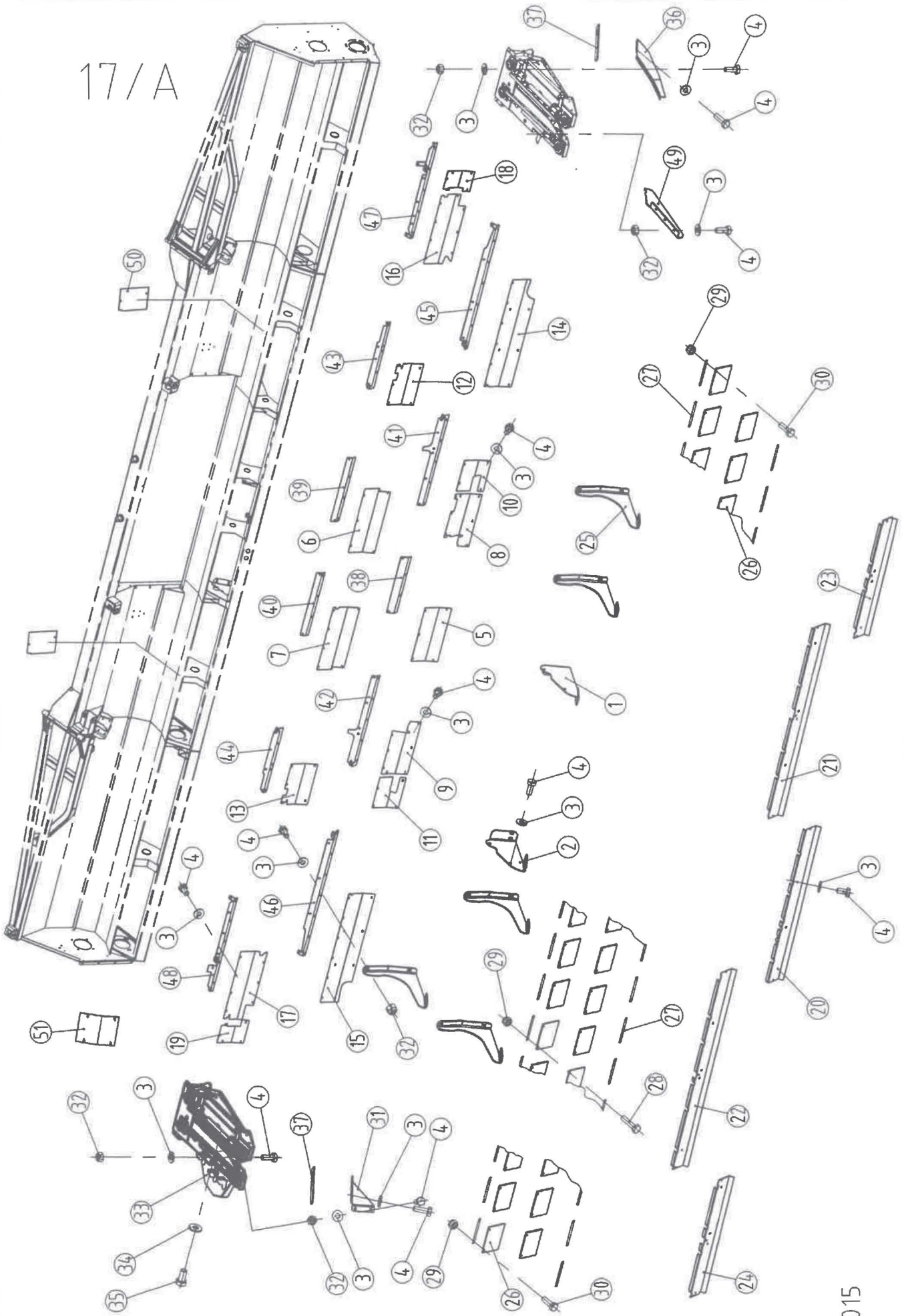


DRIVE-SHIELDS - FOLDABLE

| Ref. | Part Number | Description | | 6306F 70 | 6306F | 6308F | 6309F | 6312- 70F | 6312F |
|------|-------------|-----------------------------|-------|-------------|-------|-------|-------|--------------|-------|
| 1. | 1.377.364 | Bracket - LH | | - | - | - | 1 | - | - |
| 1. | 1.377.364 | Bracket - LH | →2014 | 1 | 1 | 1 | - | 1 | 1 |
| 1. | 1.378.973 | Bracket - LH | 2015→ | 1 | 1 | 1 | - | 1 | 1 |
| 2. | 1.377.365 | Bracket - RH | | - | - | - | 1 | - | - |
| 2. | 1.377.365 | Bracket - RH | →2014 | 1 | 1 | 1 | - | 1 | 1 |
| 2. | 1.378.974 | Bracket - RH | 2015→ | 1 | 1 | 1 | - | 1 | 1 |
| 3. | 91623938761 | Spring washer - A8 | | 115 | 155 | 199 | 228 | 282 | 282 |
| 4. | 79408002066 | Hex bolt M8x20 - DIN933/8.8 | | 74 | 100 | 129 | 146 | 188 | 188 |
| 5. | 1.378.296 | Shield - back (l=536) | →2015 | - | 1 | 1 | - | - | 1 |
| 5. | 1.373.810 | Shield - back (l=1764) | 2016→ | - | 1 | 1 | - | - | - |
| 5. | 1.378.296 | Shield - back (l=536) | →2014 | 1 | - | - | - | - | - |
| 5. | 1.373.293 | Shield - back (l=1578) | 2015→ | 1 | - | - | - | - | - |
| 5. | 1.378.353 | Shield - back (l=367) | | - | - | - | 1 | - | - |
| 5. | 1.373.957 | Shield - back (l=2124) | 2016→ | - | - | - | - | - | 1 |
| 5. | 1.373.976 | Shield - back (l=1478) | | - | - | - | - | 1 | - |
| 6. | 1.378.297 | Shield - back (l=635) | | - | - | - | 1 | - | - |
| 6. | 1.378.297 | Shield - back (l=635) | →2014 | 1 | 1 | 1 | - | - | 1 |
| 7. | 1.378.298 | Shield - back (l=627) | →2014 | 1 | 1 | 1 | - | - | 1 |
| 7. | 1.378.354 | Shield - back (l=796) | | - | - | - | 1 | - | - |
| 8. | 1.378.315 | Shield - back (l=538) | →2015 | - | 1 | 1 | - | - | - |
| 8. | 1.373.811 | Shield - back (l=729) | 2016→ | - | 1 | 1 | - | - | - |
| 8. | 1.378.340 | Shield - back (l=520) | →2015 | - | - | - | - | - | 1 |
| 8. | 1.373.958 | Shield - back (l=1311) | 2016→ | - | - | - | - | - | 1 |
| 8. | 1.373.978 | Shield - back (l=1419) | | - | - | - | - | 1 | - |
| 9. | 1.378.316 | Shield - back (l=546) | →2015 | - | 1 | 1 | - | - | - |
| 9. | 1.373.812 | Shield - back (l=729) | 2016→ | - | 1 | 1 | - | - | - |
| 9. | 1.378.341 | Shield - back (l=527.5) | →2015 | - | - | - | - | - | 1 |
| 9. | 1.373.959 | Shield - back (l=1311) | 2016→ | - | - | - | - | - | 1 |
| 9. | 1.373.977 | Shield - back (l=1417) | | - | - | - | - | 1 | - |
| 10. | 1.378.321 | Shield - back (l=306) | →2015 | - | - | - | - | - | 1 |
| 11. | 1.378.322 | Shield - back (l=306.5) | →2015 | - | - | - | - | - | 1 |
| 12. | 1.378.323 | Shield - back (l=408) | →2015 | - | - | - | - | - | 1 |
| 12. | 1.378.334 | Shield - back (l=939) | →2015 | - | - | - | 1 | - | - |
| 12. | 1.378.311 | Shield - back (l=383) | →2014 | 1 | - | - | - | - | - |
| 12. | 1.373.294 | Shield - back (l=667) | 2015→ | 1 | - | - | - | - | - |
| 13. | 1.378.324 | Shield - back (l=408) | →2015 | - | - | - | - | - | 1 |
| 13. | 1.378.335 | Shield - back (l=907) | | - | - | - | 1 | - | - |
| 13. | 1.378.312 | Shield - back (l=391) | →2014 | 1 | - | - | - | - | - |
| 13. | 1.373.295 | Shield - back (l=667) | 2015→ | 1 | - | - | - | - | - |
| 14. | 1.378.317 | Shield - back (l=537) | | - | - | 1 | 1 | - | - |
| 14. | 1.378.325 | Shield - back (l=1055) | →2015 | - | - | - | - | - | 1 |
| 14. | 1.373.960 | Shield - back (l=1125) | 2016→ | - | - | - | - | - | 1 |
| 14. | 1.373.979 | Shield - back (l=1001) | | - | - | - | - | 1 | - |
| 15. | 1.378.318 | Shield - back (l=537) | | - | - | 1 | 1 | - | - |
| 15. | 1.378.326 | Shield - back (l=1090) | →2015 | - | - | - | - | - | 1 |
| 15. | 1.373.961 | Shield - back (l=1160) | 2016→ | - | - | - | - | - | 1 |
| 15. | 1.373.980 | Shield - back (l=1036) | | - | - | - | - | 1 | - |
| 16. | 1.378.327 | Shield - back (l=681) | →2015 | - | - | - | - | - | 1 |
| 16. | 1.373.962 | Shield - back (l=909) | 2016→ | - | - | - | - | - | 1 |
| 16. | 1.378.319 | Shield - back (l=437) | | - | - | 1 | 1 | - | - |
| 16. | 1.378.313 | Shield - back (l=276) | →2015 | - | 1 | - | - | - | - |
| 16. | 1.378.313 | Shield - back (l=276) | →2014 | 1 | - | - | - | - | - |
| 16. | 1.373.296 | Shield - back (l=512) | 2016→ | 1 | 1 | - | - | - | - |
| 16. | 1.373.981 | Shield - back (l=909) | | - | - | - | - | 1 | - |
| 17. | 1.378.328 | Shield - back (l=681) | →2015 | - | - | - | - | - | 1 |
| 17. | 1.373.995 | Shield - back (l=909) | 2016→ | - | - | - | - | - | 1 |
| 17. | 1.378.320 | Shield - back (l=472) | | - | - | 1 | 1 | - | - |
| 17. | 1.378.314 | Shield - back (l=311) | →2015 | - | 1 | - | - | - | - |
| 17. | 1.378.314 | Shield - back (l=311) | →2014 | 1 | - | - | - | - | - |
| 17. | 1.373.297 | Shield - back (l=549) | 2016→ | 1 | 1 | - | - | - | - |
| 17. | 1.373.996 | Shield - back (l=909) | | - | - | - | - | 1 | - |
| 18. | 1.378.224 | Shield - back (l=195) | →2015 | 1 | 1 | 1 | - | - | 1 |
| 18. | 1.378.224 | Shield - back (l=195) | | - | - | - | 1 | - | - |

Note: the items marked with * are only valid for machines with chopper! The items marked with ** are only valid for machines without a chopper!
2016-> : only for machines with higher serial number than xxxxx16xxx

17/A

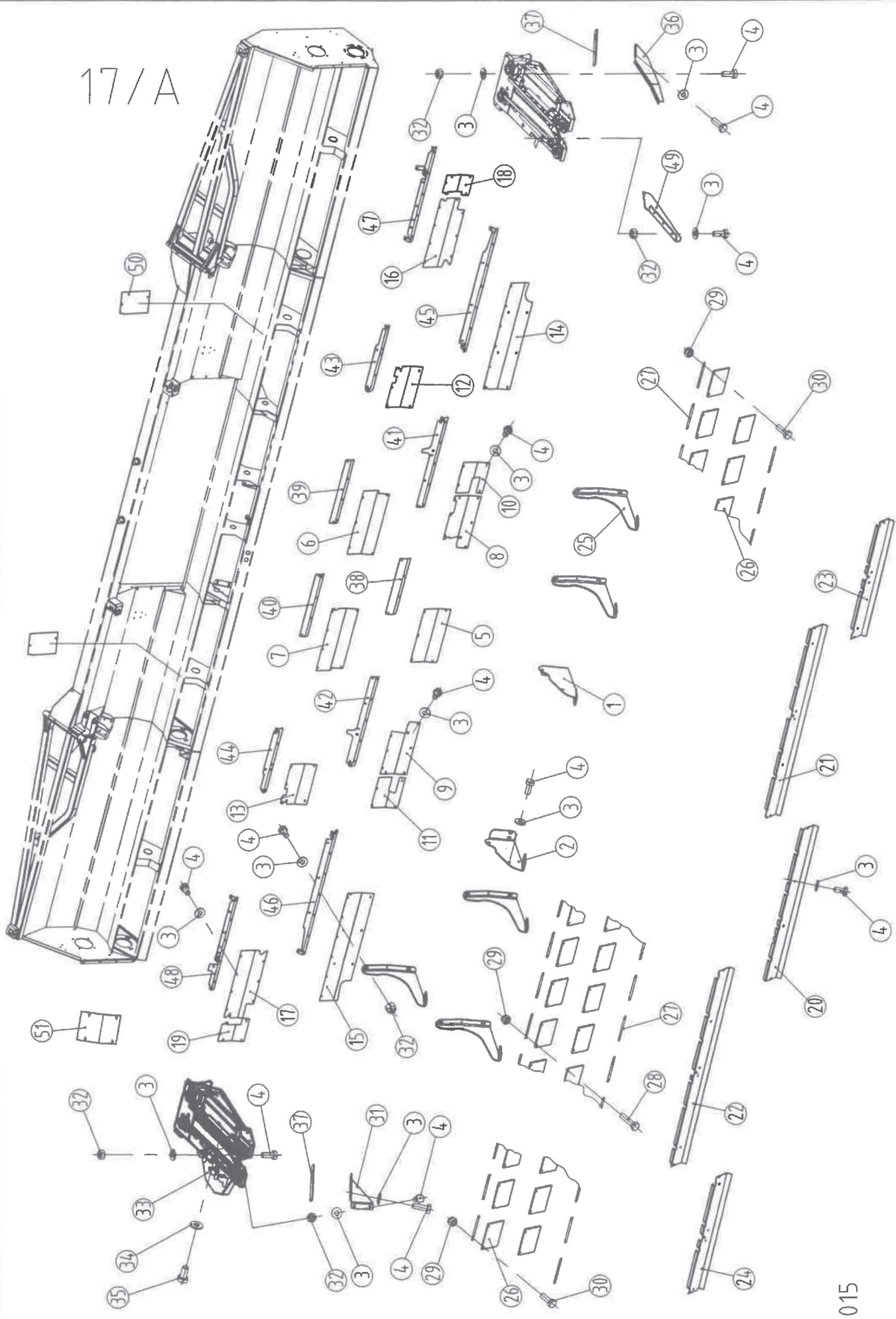


DRIVE-SHIELDS - FOLDABLE

| Ref. | Part Number | Description | | 6306F 70 | 6306F | 6308F | 6309F | 6312- 70F | 6312F |
|------|-------------|--------------------------------------|-------|-------------|-------|-------|-------|--------------|-------|
| 19. | 1.378.225 | Shield - back (l=230) | →2015 | 1 | 1 | 1 | - | - | 1 |
| 19. | 1.378.225 | Shield - back (l=230) | | - | - | - | 1 | - | - |
| 20. | 1.377.338 | Shield - bottom (l=1758) | →2015 | - | 1 | 1 | - | - | 1 |
| 20. | 1.373.847 | Shield - bottom (l=1763) | 2016→ | - | 1 | 1 | - | - | - |
| 20. | 1.377.341 | Shield - bottom (l=1758) | →2014 | 1 | - | - | - | - | - |
| 20. | 1.373.302 | Shield - bottom (l=1577) | 2015→ | 1 | - | - | - | - | - |
| 20. | 1.377.515 | Shield - bottom (l=1758) | | - | - | - | 1 | - | - |
| 20. | 1.373.963 | Shield - bottom (l=2123) | 2016→ | - | - | - | - | - | 1 |
| 20. | 1.373.982 | Shield - bottom (l=1470) | | - | - | - | - | 1 | - |
| 21. | 1.377.354 | Shield - bottom (l=728) | →2015 | - | 1 | 1 | - | - | - |
| 21. | 1.373.814 | Shield - bottom (l=717) | 2016→ | - | 1 | 1 | - | - | - |
| 21. | 1.377.356 | Shield - bottom (l=1490) | →2015 | - | - | - | - | - | 1 |
| 21. | 1.373.965 | Shield - bottom (l=1311) | 2016→ | - | - | - | - | - | 1 |
| 21. | 1.377.350 | Shield - bottom (l=573) | →2014 | 1 | - | - | - | - | - |
| 21. | 1.373.299 | Shield - bottom (l=666) | 2015→ | 1 | - | - | - | - | - |
| 21. | 1.377.516 | Shield - bottom (l=1129) | | - | - | - | 1 | - | - |
| 21. | 1.373.983 | Shield - bottom (l=1421) | | - | - | - | - | 1 | - |
| 22. | 1.377.355 | Shield - bottom (l=736) | →2015 | - | 1 | 1 | - | - | - |
| 22. | 1.373.813 | Shield - bottom (l=731) | 2016→ | - | 1 | 1 | - | - | - |
| 22. | 1.377.357 | Shield - bottom (l=1498) | →2015 | - | - | - | - | - | 1 |
| 22. | 1.373.964 | Shield - bottom (l=1311) | 2016→ | - | - | - | - | - | 1 |
| 22. | 1.377.351 | Shield - bottom (l=581) | →2014 | 1 | - | - | - | - | - |
| 22. | 1.373.298 | Shield - bottom (l=669) | 2015→ | 1 | - | - | - | - | - |
| 22. | 1.377.517 | Shield - bottom (l=1097) | | - | - | - | 1 | - | - |
| 22. | 1.373.984 | Shield - bottom (l=1421) | | - | - | - | - | 1 | - |
| 23. | 1.377.688 | Shield - bottom (l=539) | →2015 | - | 1 | - | - | - | - |
| 23. | 1.377.688 | Shield - bottom (l=539) | →2014 | 1 | - | - | - | - | - |
| 23. | 1.373.300 | Shield - bottom (l=541) | 2016→ | 1 | 1 | - | - | - | - |
| 23. | 1.377.700 | Shield - bottom (l=1301) | | - | - | 1 | 1 | - | - |
| 23. | 1.378.348 | Shield - bottom (l=2048) | →2015 | - | - | - | - | - | 1 |
| 23. | 1.373.967 | Shield - bottom (l=2065) | 2016→ | - | - | - | - | - | 1 |
| 23. | 1.373.986 | Shield - bottom (l=1941) | | - | - | - | - | 1 | - |
| 24. | 1.377.689 | Shield - bottom (l=574) | →2015 | - | 1 | - | - | - | - |
| 24. | 1.377.689 | Shield - bottom (l=574) | →2014 | 1 | - | - | - | - | - |
| 24. | 1.373.301 | Shield - bottom (l=576) | 2016→ | 1 | 1 | - | - | - | - |
| 24. | 1.377.701 | Shield - bottom (l=1336) | | - | - | 1 | 1 | - | - |
| 24. | 1.378.349 | Shield - bottom (l=2083) | →2015 | - | - | - | - | - | 1 |
| 24. | 1.373.966 | Shield - bottom (l=2100) | 2016→ | - | - | - | - | - | 1 |
| 24. | 1.373.985 | Shield - bottom (l=1976) | | - | - | - | - | 1 | - |
| 25. | 1.377.362 | Stiffener - LH | | - | - | - | 8 | - | - |
| 25. | 1.377.363 | Stiffener - RH | | - | - | - | 7 | - | - |
| 25. | 1.377.362 | Stiffener - LH | →2014 | 4 | 4 | 6 | - | 6 | 6 |
| 25. | 1.377.363 | Stiffener - RH | →2014 | 4 | 4 | 6 | - | 5 | 5 |
| 26.* | 1.376.131 | Rubber plate | | 21 | 23 | 29 | 32 | 43 | 43 |
| 27.* | 1.376.127 | Fiat | | 21 | 23 | 29 | 32 | 43 | 43 |
| 28.* | 79408003566 | Hex bolt M8x35 - DIN933/8.8 | | 20 | 24 | 26 | 27 | 38 | 38 |
| 29.* | 74908000066 | Hex nut - plastic insert M8 - DIN982 | | 30 | 30 | 36 | 39 | 48 | 48 |
| 30.* | 79408003566 | Hex bolt M8x25 - DIN933/8.8 | | 10 | 6 | 10 | 12 | 10 | 10 |
| 31.* | 1.376.599 | Stiffener | | 1 | 1 | 1 | 1 | 1 | 1 |
| 32. | 73508000066 | Hex nut M8 - DIN934 | | 66 | 66 | 83 | 94 | 112 | 112 |
| 33.* | 1.376.007 | Knife-shield | | 1 | 1 | 1 | 1 | 1 | 1 |
| 33.* | 1.379.099 | Knife-shield | | 1 | 1 | 1 | 1 | 1 | 1 |
| 34.* | 91623938861 | Spring washer - A10 | | 6 | 6 | 6 | 6 | 6 | 6 |
| 35.* | 79410002066 | Hex bolt M10x20 - DIN933/8.8 | | 6 | 6 | 6 | 6 | 6 | 6 |
| 36.* | 1.376.600 | Side-shield | | 1 | 1 | 1 | 1 | 1 | 1 |
| 37.* | 1.377.372 | Spacer | | 2 | 2 | 2 | 2 | 2 | 2 |
| 38. | 1.377.864 | Stiffener plate (l=536) | | - | 1 | 1 | - | - | 1 |
| 38. | 1.377.864 | Stiffener plate (l=536) | →2014 | 1 | - | - | - | - | - |
| 38. | 1.378.355 | Stiffener plate (l=367) | | - | - | - | 1 | - | - |
| 39. | 1.377.865 | Stiffener plate (l=608) | | - | 1 | 1 | 1 | - | 1 |
| 39. | 1.377.865 | Stiffener plate (l=608) | →2014 | 1 | - | - | - | - | - |
| 40. | 1.377.866 | Stiffener plate (l=600) | | - | 1 | 1 | - | - | 1 |
| 40. | 1.377.866 | Stiffener plate (l=600) | →2014 | 1 | - | - | - | - | - |
| 40. | 1.378.356 | Stiffener plate (l=769) | | - | - | - | 1 | - | - |
| 41. | 1.378.342 | Stiffener plate (l=860) | | - | - | - | - | - | 1 |

Note: the items marked with * are only valid for machines with chopper! The items marked with ** are only valid for machines without a chopper!
2016-> : only for machines with higher serial number than xxxxx16xxx

17/A



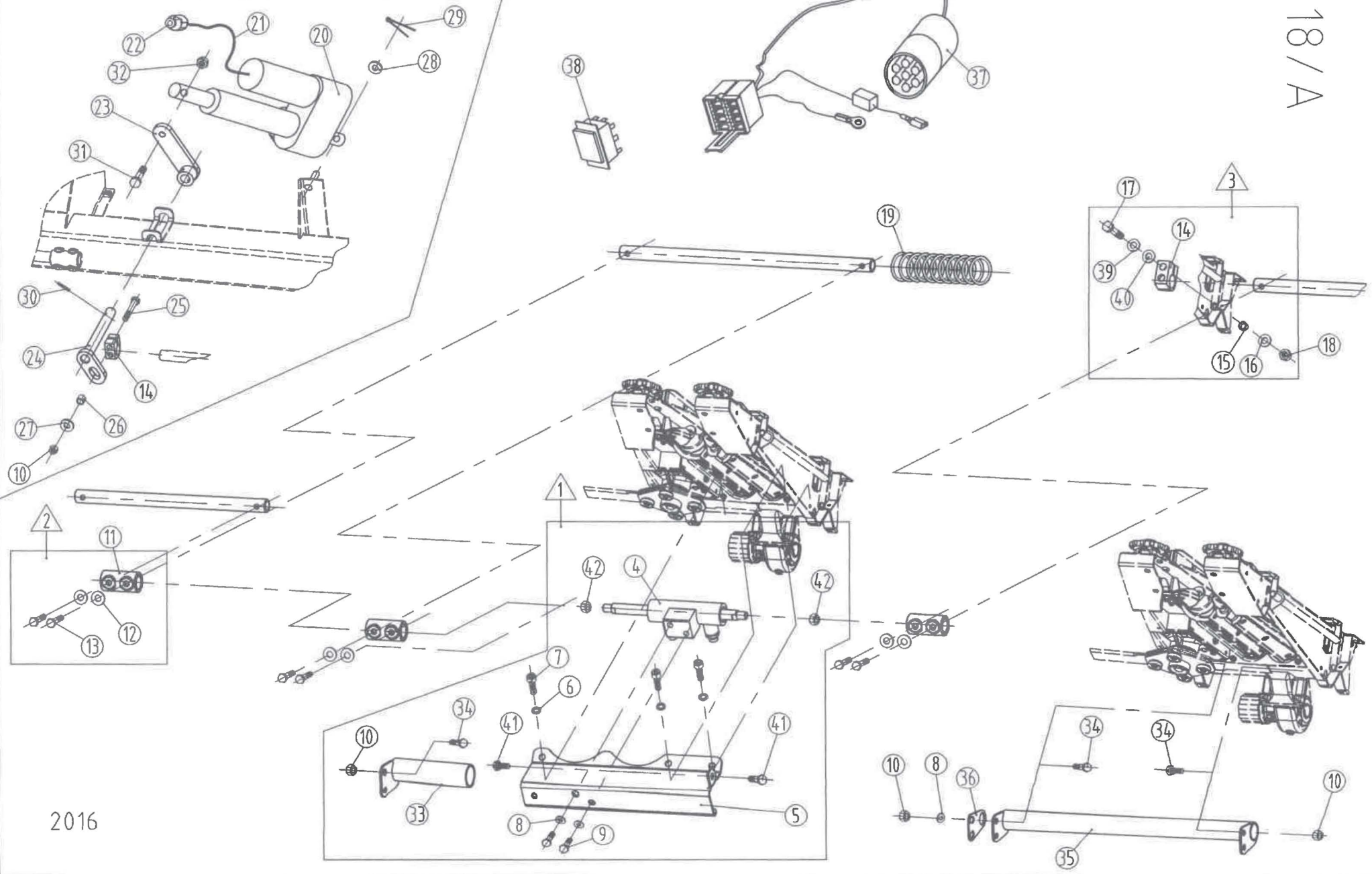
DRIVE-SHIELDS - FOLDABLE

| Ref. | Part Number | Description | | 6306F 70 | 6306F | 6308F | 6309F | 6312- 70F | 6312F |
|-------|-------------|---------------------------|---------|-------------|-------|-------|-------|--------------|-------|
| 42. | 1.378.343 | Stiffener plate (l=867.5) | | - | - | - | - | - | 1 |
| 43. | 1.378.345 | Stiffener plate (l=624) | | - | - | - | - | - | 1 |
| 43. | 1.377.885 | Stiffener plate (l=724) | | - | 1 | 1 | - | - | - |
| 43. | 1.377.891 | Stiffener plate (l=1125) | | - | - | - | 1 | - | - |
| 43. | 1.377.881 | Stiffener plate (l=569) | -->2014 | 1 | - | - | - | - | - |
| 44. | 1.378.346 | Stiffener plate (l=624.5) | | - | - | - | - | - | 1 |
| 44. | 1.377.886 | Stiffener plate (l=732) | | - | 1 | 1 | - | - | - |
| 44. | 1.377.892 | Stiffener plate (l=1093) | | - | - | - | 1 | - | - |
| 44. | 1.377.882 | Stiffener plate (l=577) | -->2014 | 1 | - | - | - | - | - |
| 45. | 1.378.338 | Stiffener plate (l=1172) | | - | - | - | - | - | 1 |
| 46. | 1.378.339 | Stiffener plate (l=1207) | | - | - | - | - | - | 1 |
| 47. | 1.378.350 | Stiffener plate (l=897) | | - | - | - | - | - | 1 |
| 47. | 1.378.336 | Stiffener plate (l=1309) | | - | - | 1 | 1 | - | - |
| 47. | 1.377.883 | Stiffener plate (l=547) | | - | 1 | - | - | - | - |
| 47. | 1.377.883 | Stiffener plate (l=547) | -->2014 | 1 | - | - | - | - | - |
| 48. | 1.378.351 | Stiffener plate (l=897) | | - | - | - | - | - | 1 |
| 48. | 1.378.337 | Stiffener plate (l=1344) | | - | - | 1 | 1 | - | - |
| 48. | 1.377.884 | Stiffener plate (l=582) | | - | 1 | - | - | - | - |
| 48. | 1.377.884 | Stiffener plate (l=582) | -->2014 | 1 | - | - | - | - | - |
| 49.* | 1.379.534 | Deflector plate | 2014-> | 5 | 5 | 7 | 8 | - | 11 |
| 50. | 1.373.619 | Shield - back | 2015-> | 2 | 2 | 2 | - | - | - |
| 51.** | 1.379.708 | Shield | 2015-> | 1 | 1 | 1 | 1 | 1 | 1 |

Note: the items marked with * are only valid for machines with chopper! The items marked with ** are only valid for machines without a chopper!
2016-> : only for machines with higher serial number than xxxxx16xxx

Elektromos törölécállító
Electric snapping plate adjuster.

18/A



ELECTRIC & HYDRAULIC SNAPPING PLATE ADJUSTER

| Ref. | Part Number | Description | | 6306, 6306 70 | 6108, 6208 | 6308, 6308-70 | 6112, 6212 | 6312, 6312-70 | 6316 | 6306F, 6306F 70 | 6308F | 6309F | 6312F, 6312- 70F |
|------|-------------|--|-------|------------------|---------------|------------------|---------------|------------------|------|--------------------|-------|-------|---------------------|
| 4. | 1.376.104 | Hydraulic cylinder | →2015 | 1 | 1 | 1 | 1 | 1 | 1 | 1 | 1 | 1 | 1 |
| 4. | 1.373.725 | Hydraulic cylinder | 2016→ | 1 | 1 | 1 | 1 | 1 | 1 | 1 | 1 | 1 | 1 |
| 5. | 1.377.839 | Cylinder console | →2015 | 1 | 1 | 1 | 1 | 1 | 1 | 1 | 1 | 1 | 1 |
| 5. | 1.373.730 | Cylinder console | 2016→ | 1 | 1 | 1 | 1 | 1 | 1 | 1 | 1 | 1 | 1 |
| 6. | 71810000060 | Spring washer M10 - DIN7980 (see note below!) | | 3 | 3 | 3 | 3 | 3 | 3 | 3 | 3 | 3 | 3 |
| 7. | 80210003563 | Hex socket head cap bolt M10x35 - DIN912/10.9 (see note below!) | | 3 | 3 | 3 | 3 | 3 | 3 | 3 | 3 | 3 | 3 |
| 8. | 91623938861 | Spring washer- A10 | | 2 | 2 | 2 | 2 | 2 | 2 | 2 | 2 | 2 | 2 |
| 9. | 79410001666 | Hex bolt -M10x16 - DIN933/8.8 | | 2 | 2 | 2 | 2 | 2 | 2 | 2 | 2 | 2 | 2 |
| 10. | 74910000066 | Hex nut - plastic insert M10 - DIN985 | | 25 | 32 | 33 | 48 | 49 | 65 | 25 | 33 | 37 | 49 |
| 11. | 1.376.105 | Bridge-piece | | 5 | 7 | 7 | 11 | 11 | 15 | 3 | 5 | 6 | 9 |
| 12. | 91623938761 | Spring washer - A8 | | 10 | 14 | 14 | 22 | 22 | 30 | 6 | 10 | 12 | 18 |
| 13. | 79408004066 | Hex bolt M8x40 - DIN933/8.8 | | 10 | 14 | 14 | 22 | 22 | 30 | 6 | 10 | 12 | 18 |
| 14. | 1.308.195 | Clamp | | 7 | 8 | 9 | 12 | 13 | 17 | 7 | 9 | 10 | 13 |
| 15. | 1.376.006 | Bushing | →2014 | 6 | 8 | 8 | 12 | 12 | 16 | 6 | 8 | 9 | 12 |
| 15. | 1.373.648 | Bushing | 2015→ | 6 | 8 | 8 | 12 | 12 | 16 | 6 | 8 | 9 | 12 |
| 16. | 71410000060 | Washer M10 - DIN125 | | 6 | 8 | 8 | 12 | 12 | 16 | 6 | 8 | 9 | 12 |
| 17. | 79410006066 | Hex bolt M10x60 - DIN933/8.8 | | 6 | 8 | 8 | 12 | 12 | 16 | 6 | 8 | 9 | 12 |
| 18. | 70710000066 | Lock nut M10 - DIN980 | | 6 | 8 | 8 | 12 | 12 | 16 | 6 | 8 | 9 | 12 |
| 19. | 1.375.772 | Spring | | - | - | - | - | - | - | 2 | 2 | 2 | 2 |
| 20. | 1.308.899 | Electric actuator D12 20A 804 | | 1 | - | 1 | - | 1 | 1 | 1 | 1 | 1 | 1 |
| 21. | 1.310.553 | Wire - 1.2m | | 1 | - | 1 | - | 1 | 1 | 1 | 1 | 1 | 1 |
| 22. | 1.310.551 | Connector (12V, 25A) | | 1 | - | 1 | - | 1 | 1 | 1 | 1 | 1 | 1 |
| 23. | 1.376.000 | Arm | | 1 | - | 1 | - | 1 | 1 | 1 | 1 | 1 | 1 |
| 24. | 1.376.003 | Shaft | | 1 | - | 1 | - | 1 | 1 | 1 | 1 | 1 | 1 |
| 25. | 79410007066 | Hex bolt M10x70 - DIN933/8.8 | | 1 | - | 1 | - | 1 | 1 | 1 | 1 | 1 | 1 |
| 26. | 1.328.607 | Bushing | | 1 | - | 1 | - | 1 | 1 | 1 | 1 | 1 | 1 |
| 27. | 1.375.497 | Washer | | 1 | - | 1 | - | 1 | 1 | 1 | 1 | 1 | 1 |
| 28. | 71412000060 | Washer M12 - DIN125 | | 1 | - | 1 | - | 1 | 1 | 1 | 1 | 1 | 1 |
| 29. | 72404002860 | Split pin 4x28 - DIN94 | | 1 | - | 1 | - | 1 | 1 | 1 | 1 | 1 | 1 |
| 30. | 73008003601 | Spring pin 8x36 - DIN1481 | | 1 | - | 1 | - | 1 | 1 | 1 | 1 | 1 | 1 |
| 30. | 73005003601 | Spring pin 5x36 - DIN1481 | | 1 | - | 1 | - | 1 | 1 | 1 | 1 | 1 | 1 |
| 31. | 79412005566 | Hex bolt M12x55 - DIN933/8.8 | | 1 | - | 1 | - | 1 | 1 | 1 | 1 | 1 | 1 |
| 32. | 74912000066 | Hex nut - plastic insert M12 - DIN985 | | 1 | - | 1 | - | 1 | 1 | 1 | 1 | 1 | 1 |
| 33. | 1.377.837 | Shield | →2015 | 1 | 1 | 1 | 1 | 1 | 1 | 1 | 1 | 1 | 1 |
| 34. | 79410002066 | Hex bolt M10x20 - DIN933/8.8 | | 24 | 32 | 32 | 48 | 48 | 64 | 24 | 32 | 36 | 48 |

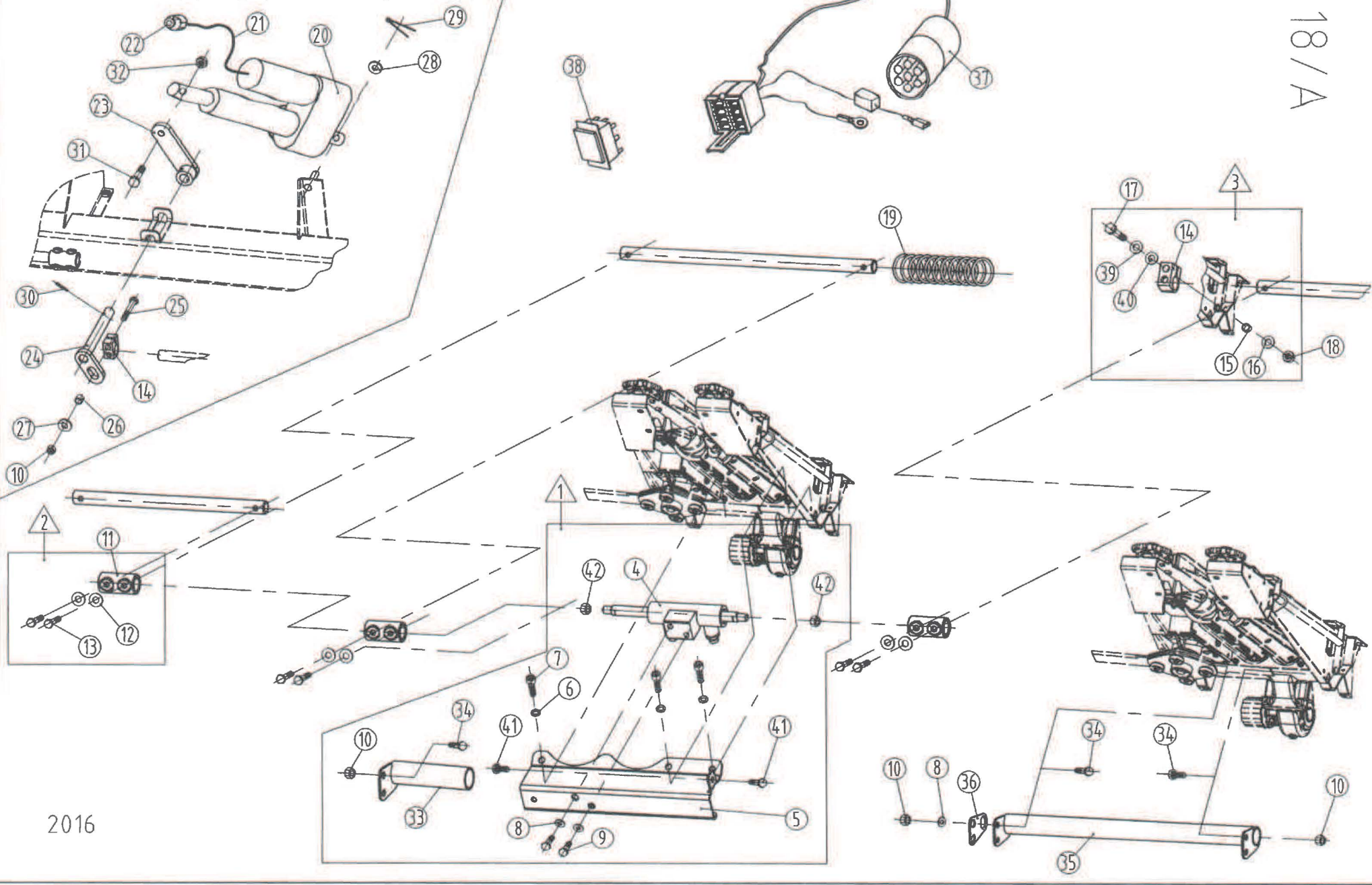
Note: Item 6 and 7 are the same as item 6 and 5 pg. 11/A.

Use item 35 instead of item 5 and 33 on electric SPA machine.

Item 37 and 38: for combines without multclutch. 2016-> : only for machines with higher serial number than xxxxx16xxx

Elektromos törölécállító
Electric snapping plate adjuster.

18/A



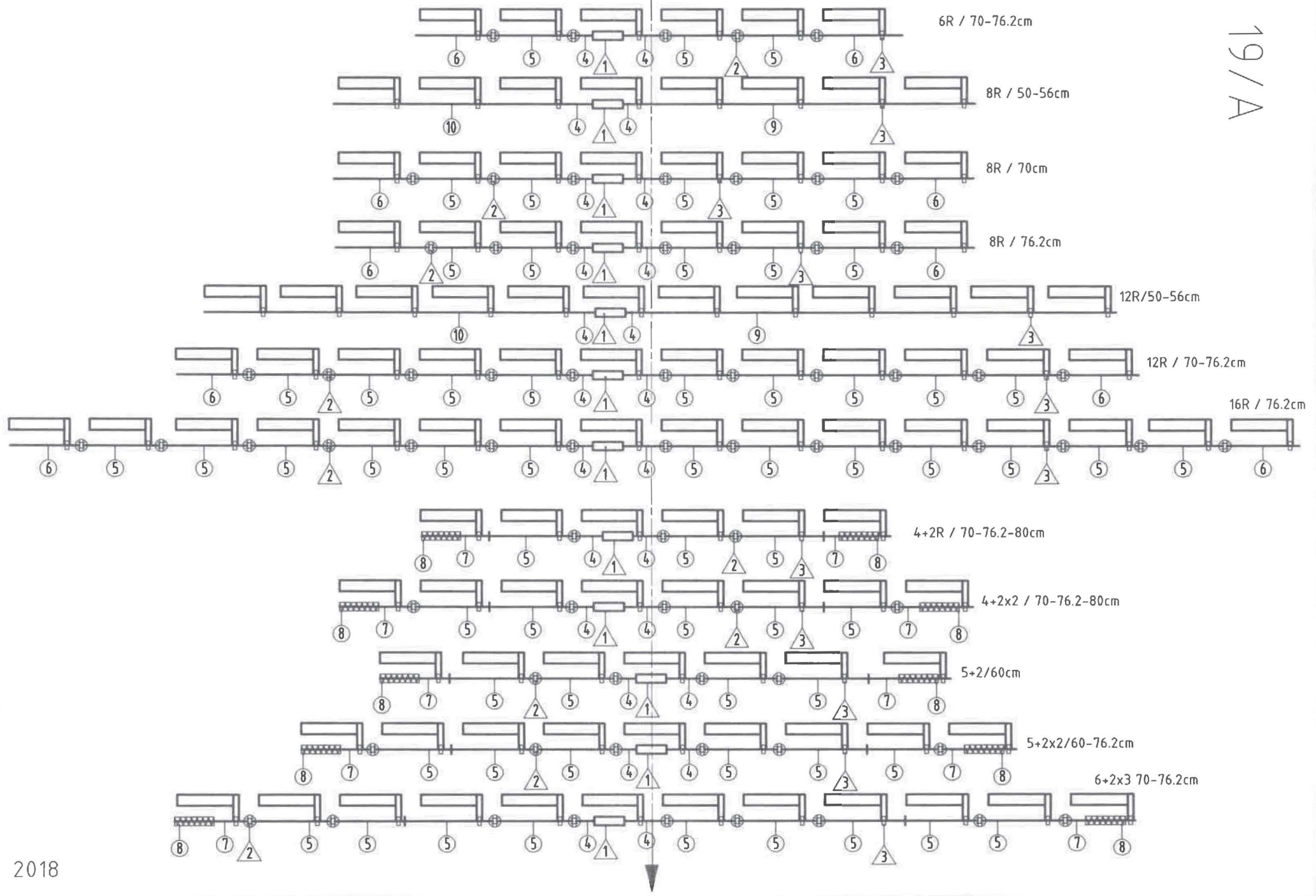
ELECTRIC & HYDRAULIC SNAPPING PLATE ADJUSTER

| Ref. | Part Number | Description | | 6306, 6306 70 | 6108, 6208 | 6308, 6308-70 | 6112, 6212 | 6312, 6312-70 | 6316 | 6306F, 6306F 70 | 6308F | 6309F | 6312F, 6312 70F |
|------|-------------|---------------------------------------|-------|------------------|---------------|------------------|---------------|------------------|------|--------------------|-------|-------|--------------------|
| 35. | 1.377.834 | Shield | | 5 | 7 | 7 | 11 | 11 | 15 | 5 | 7 | 8 | 11 |
| 36. | 1.377.861 | Cover plate | | 5 | 7 | 7 | 11 | 11 | 15 | 5 | 7 | 8 | 11 |
| 37. | 1.321.932 | Harness | | 1 | 1 | 1 | 1 | 1 | 1 | 1 | 1 | 1 | 1 |
| 38. | 1.310.554 | Switch | | 1 | 1 | 1 | 1 | 1 | 1 | 1 | 1 | 1 | 1 |
| 39. | 714C1050060 | Spherical Washer M10 DIN6319/C | 2015→ | 6 | 8 | 8 | 12 | 12 | 16 | 6 | 8 | 9 | 12 |
| 40. | 714D1050060 | Spherical Washer M10 DIN6319/D | 2015→ | 6 | 8 | 8 | 12 | 12 | 16 | 6 | 8 | 9 | 12 |
| 41. | 79408002066 | Hex bolt M8x20 - DIN933/8.8 | | 2 | 2 | 2 | 2 | 2 | 2 | 2 | 2 | 2 | 2 |
| 42. | 74914000066 | Hex nut - plastic insert M14 - DIN985 | | 2 | 2 | 2 | 2 | 2 | 2 | 2 | 2 | 2 | 2 |

Note: Item 6 and 7 are the same as item 6 and 5 pg. 11/A.

Use item 35 instead of item 5 and 33 on electric SPA machine.

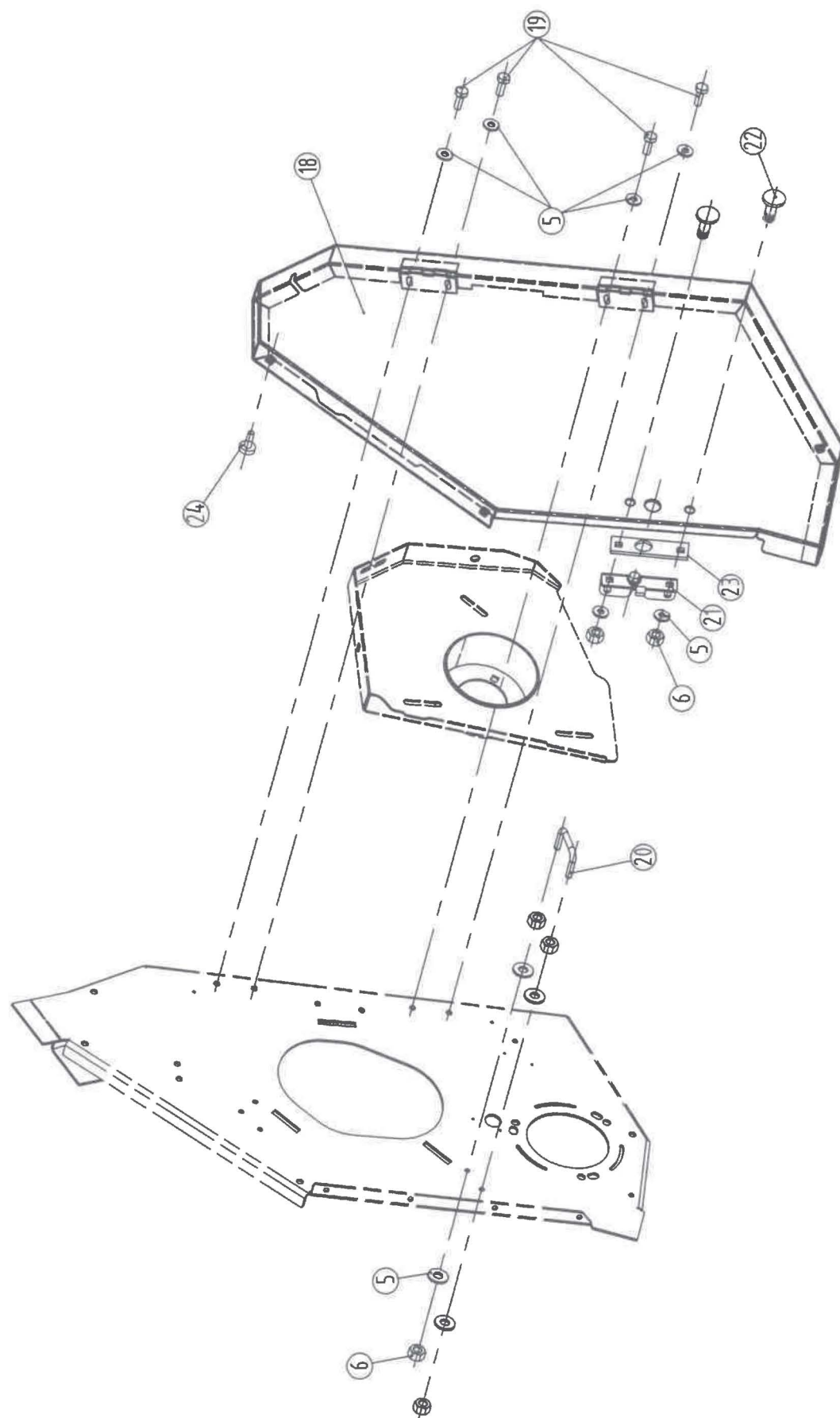
Item 37 and 38: for combines without multclutch. 2016-> : only for machines with higher serial number than xxxxx16xxx



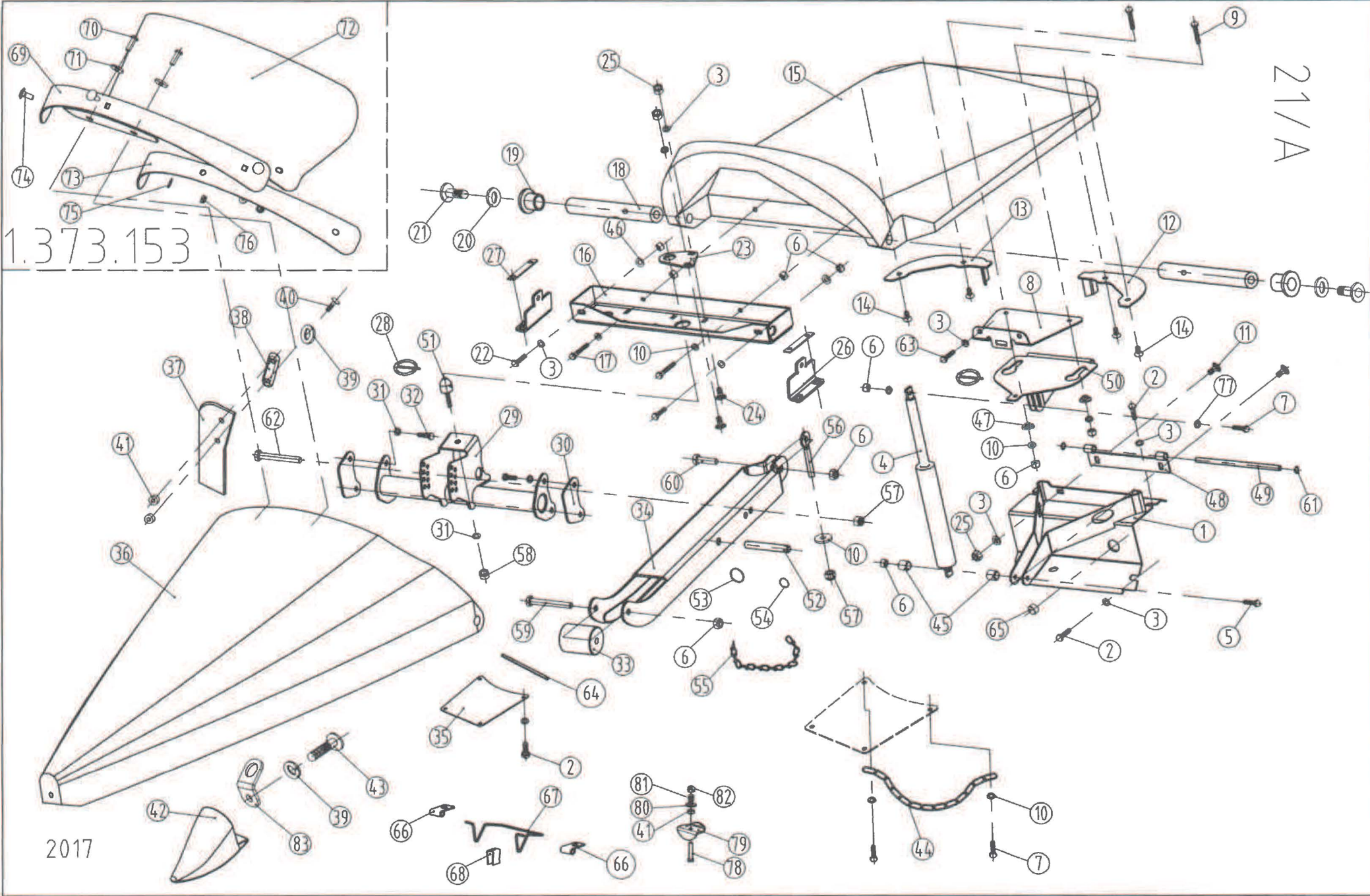
ELECTRIC & HYDRAULIC SNAPPING PLATE ADJUSTER

| Ref. | Part Number | Description | | 6306 70cm | 6306 | 6108 | 6208 | 6308 70cm | 6308 | 6112 | 6212 | 6312 70cm | 6312 | 6316 | 6306F 70cm | 6306F | 6308F | 6309F | 6312- 70F | 6312F |
|------|-------------|--|-------|--------------|------|------|------|--------------|------|------|------|--------------|------|------|---------------|-------|-------|-------|--------------|-------|
| 1. | - | Hydraulic cylinder and accessories (items 4-10 on pg. 18/A) | | 1 | 1 | 1 | 1 | 1 | 1 | 1 | 1 | 1 | 1 | 1 | 1 | 1 | 1 | 1 | 1 | 1 |
| 1. | 1.379.963 | Rod - In case of electric adjustment only | →2015 | 1 | 1 | - | - | 1 | 1 | - | - | 1 | 1 | 1 | 1 | 1 | 1 | 1 | 1 | 1 |
| 1. | 1.373.927 | Rod - In case of electric adjustment only | 2016→ | 1 | 1 | - | - | 1 | 1 | - | - | 1 | 1 | 1 | 1 | 1 | 1 | 1 | 1 | 1 |
| 2. | - | Bridge-piece and hardwares (items 11-13 on pg. 18/A) | | 5 | 5 | - | - | 7 | 7 | - | - | 11 | 11 | 15 | 3 | 3 | 5 | 6 | 9 | 9 |
| 3. | - | Clamp and hardwares (items 14-18 on pg. 18/A) | | 6 | 6 | 8 | 8 | 8 | 8 | 12 | 12 | 12 | 12 | 16 | 6 | 6 | 8 | 9 | 12 | 12 |
| 4. | 1.377.842 | Adjusting rod (l=241) | →2015 | 2 | - | - | - | 2 | - | - | - | 2 | - | - | 2 | - | - | - | - | - |
| 4. | 1.373.909 | Adjusting rod left (l=209) | 2016→ | 1 | - | - | - | 1 | - | - | - | 1 | - | - | 1 | - | - | - | 1 | - |
| 4. | 1.373.910 | Adjusting rod right (l=209) | 2016→ | 1 | - | - | - | 1 | - | - | - | 1 | - | - | 1 | - | - | - | 1 | - |
| 4. | 1.377.843 | Adjusting rod (l=272) | →2015 | - | 2 | - | - | - | 2 | - | - | - | 2 | 2 | - | 2 | 2 | 2 | - | 2 |
| 4. | 1.373.732 | Adjusting rod left (l=240) | 2016→ | - | 1 | - | - | - | 1 | - | - | - | 1 | 1 | - | 1 | 1 | 1 | - | 1 |
| 4. | 1.373.733 | Adjusting rod right (l=240) | 2016→ | - | 1 | - | - | - | 1 | - | - | - | 1 | 1 | - | 1 | 1 | 1 | - | 1 |
| | | | | | | | | | | | | | | | | | | | | |
| 4. | 1.373.920 | Adjuster left | 2016→ | - | - | 1 | 1 | - | - | 1 | 1 | - | - | - | - | - | - | - | - | - |
| 4. | 1.373.919 | Adjuster right | 2016→ | - | - | 1 | 1 | - | - | 1 | 1 | - | - | - | - | - | - | - | - | - |
| 5. | 1.377.844 | Adjusting rod (l=698) | | 3 | - | - | - | 5 | - | - | - | 9 | - | - | 3 | - | - | - | 9 | - |
| 5. | 1.377.845 | Adjusting rod (l=760) | | - | 3 | - | - | - | 5 | - | - | - | 9 | 13 | - | 3 | 5 | 6 | - | 9 |
| 6. | 1.377.852 | Adjusting rod (l=623) | | 2 | - | - | - | 2 | - | - | - | 2 | - | - | - | - | - | - | - | - |
| 6. | 1.377.853 | Adjusting rod (l=654) | | - | 2 | - | - | - | 2 | - | - | - | 2 | 2 | - | - | - | - | - | - |
| 7. | 1.377.846 | Adjusting rod (l=605) | | - | - | - | - | - | - | - | - | - | - | - | 2 | - | - | - | 2 | - |
| 7. | 1.377.847 | Adjusting rod (l=636) | | - | - | - | - | - | - | - | - | - | - | - | - | 2 | 2 | 2 | - | 2 |
| 8. | 1.375.772 | Spring | | - | - | - | - | - | - | - | - | - | - | - | 2 | 2 | 2 | 2 | 2 | 2 |
| 9. | 1.379.624 | Adjusting rod (l=3520) | →2015 | - | - | - | - | - | - | - | 1 | - | - | - | - | - | - | - | - | - |
| 9. | 1.373.923 | Adjusting rod (l=3485) | 2016→ | - | - | - | - | - | - | - | 1 | - | - | - | - | - | - | - | - | - |
| 9. | 1.379.668 | Adjusting rod (l=3215) | →2015 | - | - | - | - | - | - | 1 | - | - | - | - | - | - | - | - | - | - |
| 9. | 1.373.928 | Adjusting rod (l=3180) | 2016→ | - | - | - | - | - | - | 1 | - | - | - | - | - | - | - | - | - | - |
| 9. | 1.373.117 | Adjusting rod (l=2199) | →2015 | - | - | 1 | - | - | - | - | - | - | - | - | - | - | - | - | - | - |
| 9. | 1.373.937 | Adjusting rod (l=2164) | 2016→ | - | - | 1 | - | - | - | - | - | - | - | - | - | - | - | - | - | - |
| 9. | 1.373.084 | Adjusting rod (l=2402) | →2015 | - | - | - | 1 | - | - | - | - | - | - | - | - | - | - | - | - | - |
| 9. | 1.373.933 | Adjusting rod (l=2367) | 2016→ | - | - | - | 1 | - | - | - | - | - | - | - | - | - | - | - | - | - |
| 10. | 1.379.625 | Adjusting rod (l=2952) | →2015 | - | - | - | - | - | - | - | 1 | - | - | - | - | - | - | - | - | - |
| 10. | 1.373.924 | Adjusting rod (l=2917) | 2016→ | - | - | - | - | - | - | - | 1 | - | - | - | - | - | - | - | - | - |
| 10. | 1.379.669 | Adjusting rod (l=2698) | →2015 | - | - | - | - | - | - | 1 | - | - | - | - | - | - | - | - | - | - |
| 10. | 1.373.929 | Adjusting rod (l=2663) | 2016→ | - | - | - | - | - | - | 1 | - | - | - | - | - | - | - | - | - | - |
| 10. | 1.373.118 | Adjusting rod (l=1682) | →2015 | - | - | 1 | - | - | - | - | - | - | - | - | - | - | - | - | - | - |
| 10. | 1.373.938 | Adjusting rod (l=1647) | 2016→ | - | - | 1 | - | - | - | - | - | - | - | - | - | - | - | - | - | - |
| 10. | 1.373.085 | Adjusting rod (l=1834) | →2015 | - | - | - | 1 | - | - | - | - | - | - | - | - | - | - | - | - | - |
| 10. | 1.373.934 | Adjusting rod (l=1799) | 2016→ | - | - | - | 1 | - | - | - | - | - | - | - | - | - | - | - | - | - |

Note: The exploded view of items 1, 2 and 3 are shown on page 18. Item 8 is the same as item 19 page 18/A. 2016-> : only for machines with higher serial number than xxxxx16xxx



21/A



1.373.153

2017

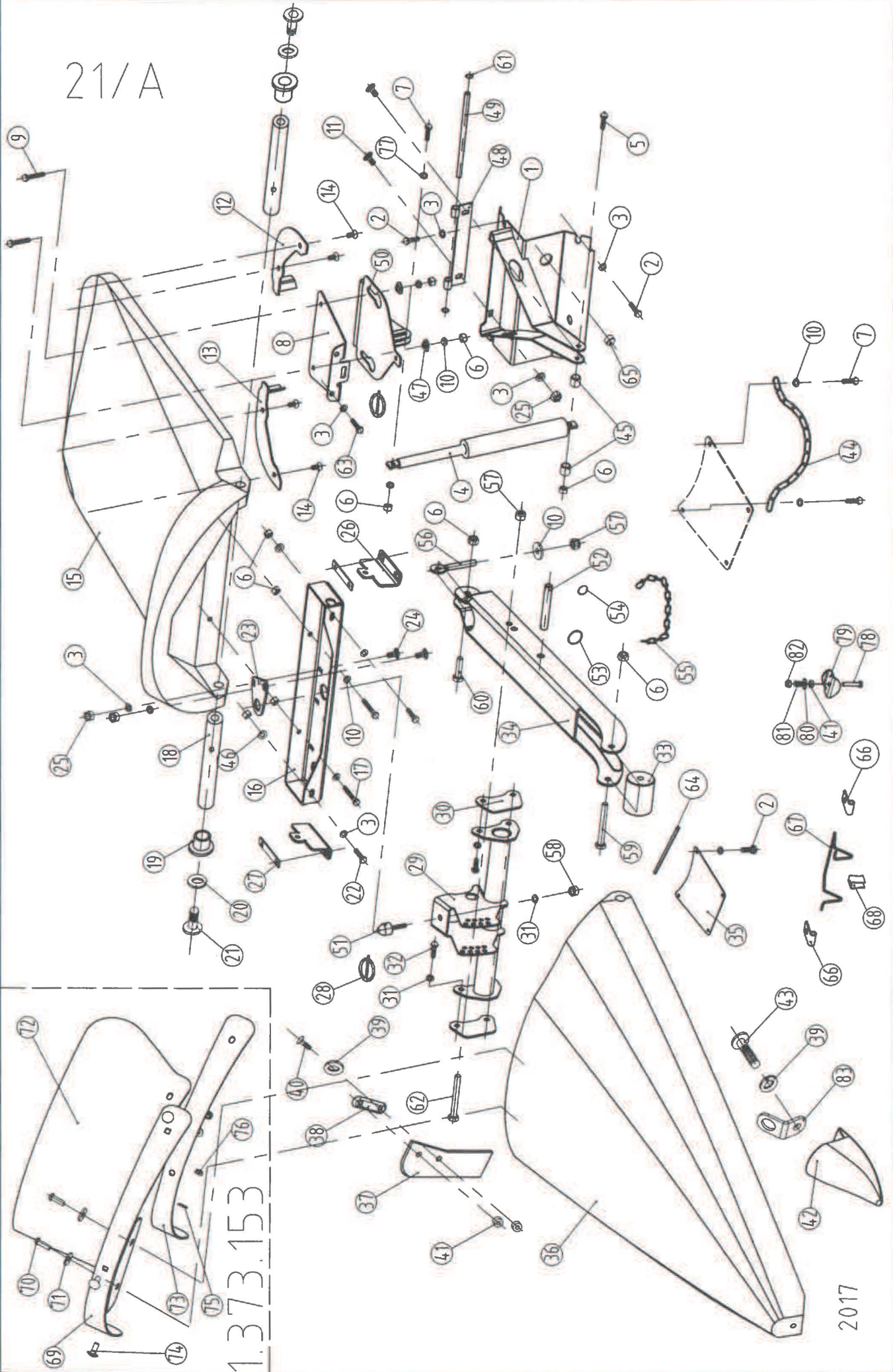
PLASTIC CENTRAL DIVIDERS - (30"/76,2 cm 2010→), (28"/70 cm)(2011→), (32"/80 cm 2015→)

| Ref. | Part Number | Description | 6306 | 6308 | 6312 | 6316 | 6306F | 6308F | 6309F | 6312F |
|------|--------------|---|------|------|------|------|-------|-------|-------|-------|
| 1. | 1.377.738 | Bracket | 5 | 7 | 11 | 15 | 3 | 5 | 6 | 9 |
| 1. | *1.378.576 | Bracket | 5 | 7 | 11 | 15 | 3 | 5 | 6 | 9 |
| 2. | 79408002066 | Hex bolt -M8x20 - DIN933/8.8 | 40 | 56 | 88 | 120 | 24 | 36 | 44 | 64 |
| 3. | 91623938761 | Spring washer - A8 | 80 | 112 | 176 | 240 | 46 | 80 | 96 | 144 |
| 4. | 1.376.793 | Gas spring | 5 | 7 | 11 | 15 | 3 | 5 | 6 | 9 |
| 5. | 79408004566 | Hex bolt -M8x45 - DIN933/8.8 | 5 | 7 | 11 | 15 | 3 | 5 | 6 | 9 |
| 6. | 70708000066 | Lock nut - M8 - DIN980 | 50 | 70 | 110 | 150 | 30 | 50 | 60 | 90 |
| 7. | 79408003566 | Hex bolt M8x35 - DIN933/8.8 | 5 | 7 | 11 | 15 | 3 | 5 | 6 | 9 |
| 8. | 1.377.748 | Bracket | 5 | 7 | 11 | 15 | 3 | 5 | 6 | 9 |
| 8. | *1.378.575 | Bracket | 5 | 7 | 11 | 15 | 3 | 5 | 6 | 9 |
| 9. | 79308005066 | Hex bolt M8x50 - DIN931/8.8 | 10 | 14 | 22 | 30 | 6 | 10 | 12 | 18 |
| 10. | 1.314.099 | Washer | 55 | 77 | 121 | 165 | 33 | 55 | 66 | 99 |
| 11. | 76308002066 | Carriage bolt -M8x20 - DIN603/8.8 | 10 | 14 | 22 | 30 | 6 | 10 | 12 | 18 |
| 12. | 1.377.465 | Cleaning plate - LH | 5 | 7 | 11 | 15 | 3 | 5 | 6 | 9 |
| 13. | 1.377.466 | Cleaning plate - RH | 5 | 7 | 11 | 15 | 3 | 5 | 6 | 9 |
| 14. | 80408001266 | Hex socket countersunk-head bolt -M8x12 | 20 | 28 | 44 | 60 | 12 | 20 | 24 | 36 |
| 15. | 1.377.533 | Rear divider white | 5 | 7 | 11 | 15 | 3 | 5 | 6 | 9 |
| 15. | 1.377.533.1 | Rear divider red | 5 | 7 | 11 | 15 | 3 | 5 | 6 | 9 |
| 15. | 1.377.533.2 | Rear divider yellow | 5 | 7 | 11 | 15 | 3 | 5 | 6 | 9 |
| 15. | 1.377.533.3 | Rear divider JD green | 5 | 7 | 11 | 15 | 3 | 5 | 6 | 9 |
| 15. | 1.377.533.4 | Rear divider orange | 5 | 7 | 11 | 15 | 3 | 5 | 6 | 9 |
| 15. | 1.377.533.5 | Rear divider Claas green | 5 | 7 | 11 | 15 | 3 | 5 | 6 | 9 |
| 15. | 1.377.533.6 | Rear divider SDF green | 5 | 7 | 11 | 15 | 3 | 5 | 6 | 9 |
| 15. | 1.377.533.10 | Rear divider chassis grey | 5 | 7 | 11 | 15 | 3 | 5 | 6 | 9 |
| 15. | *1.376.700 | Rear divider white | 5 | 7 | 11 | 15 | 3 | 5 | 6 | 9 |
| 15. | *1.376.700.1 | Rear divider red | 5 | 7 | 11 | 15 | 3 | 5 | 6 | 9 |
| 15. | *1.376.700.2 | Rear divider yellow | 5 | 7 | 11 | 15 | 3 | 5 | 6 | 9 |
| 15. | *1.376.700.3 | Rear divider JD green | 5 | 7 | 11 | 15 | 3 | 5 | 6 | 9 |
| 15. | *1.376.700.4 | Rear divider orange | 5 | 7 | 11 | 15 | 3 | 5 | 6 | 9 |
| 15. | *1.376.700.5 | Rear divider Claas green | 5 | 7 | 11 | 15 | 3 | 5 | 6 | 9 |
| 15. | *1.376.700.6 | Rear divider SDF green | 5 | 7 | 11 | 15 | 3 | 5 | 6 | 9 |
| | | | | | | | | | | |
| | | | | | | | | | | |
| | | | | | | | | | | |
| | | | | | | | | | | |
| | | | | | | | | | | |
| 16. | 1.377.462 | Support assy | 5 | 7 | 11 | 15 | 3 | 5 | 6 | 9 |
| 16. | *1.378.574 | Support assy | 5 | 7 | 11 | 15 | 3 | 5 | 6 | 9 |
| | | | | | | | | | | |
| 17. | 79308005566 | Hex bolt M8x55 - DIN931/8.8 | 10 | 14 | 22 | 30 | 6 | 10 | 12 | 18 |
| 18. | 1.353.461 | Shaft | 10 | 14 | 22 | 30 | 6 | 10 | 12 | 18 |
| 19. | 1.353.462 | Spacer | 10 | 14 | 22 | 30 | 6 | 10 | 12 | 18 |
| 20. | 91623938961 | Spring washer - A12 | 10 | 14 | 22 | 30 | 6 | 10 | 12 | 18 |
| 21. | 81112003563 | Hex socket button-head bolt -M12x35 | 10 | 14 | 22 | 30 | 6 | 10 | 12 | 18 |
| 22. | 79308004066 | Hex bolt M8x40 - DIN931/8.8 | 10 | 14 | 22 | 30 | 6 | 10 | 12 | 18 |
| 23. | 1.354.571 | Plate | 5 | 7 | 11 | 15 | 3 | 5 | 6 | 9 |
| 24. | 76308002066 | Carriage bolt -M8x20 - DIN603/8.8 | 10 | 14 | 22 | 30 | 6 | 10 | 12 | 18 |
| 25. | 73508000066 | Hex nut M8 - DIN934 | 20 | 28 | 44 | 60 | 12 | 10 | 24 | 36 |
| 26. | 1.377.862 | Support | 10 | 14 | 22 | 30 | 6 | 10 | 12 | 18 |
| 27. | 1.376.747 | Flat | 10 | 14 | 22 | 30 | 6 | 10 | 12 | 18 |
| 28. | 967PSF30526 | Lynch pin DIN11023 | 10 | 14 | 22 | 30 | 6 | 10 | 12 | 18 |
| 29. | 1.377.855 | Bracket | 5 | 7 | 11 | 15 | 3 | 5 | 6 | 9 |
| 29. | *1.378.582 | Bracket | 5 | 7 | 11 | 15 | 3 | 5 | 6 | 9 |
| | | | | | | | | | | |
| 30. | 1.375.957 | Shim (1mm) | 5 | 7 | 11 | 15 | 3 | 5 | 6 | 9 |
| 30. | 1.375.958 | Shim (2mm) | 5 | 7 | 11 | 15 | 3 | 5 | 6 | 9 |
| 31. | 91623938861 | Spring washer - A10 | 25 | 35 | 55 | 75 | 15 | 25 | 30 | 45 |
| 32. | 79410002566 | Hex bolt M10x25 - DIN933/8.8 | 20 | 28 | 44 | 60 | 12 | 20 | 24 | 36 |
| 33. | 1.377.902 | Roll | 5 | 7 | 11 | 15 | 3 | 5 | 6 | 9 |
| 34. | 1.378.269 | Arm assy | 5 | 7 | 11 | 15 | 3 | 5 | 6 | 9 |
| 35. | 1.354.667 | Plate | 5 | 7 | 11 | 15 | 3 | 5 | 6 | 9 |
| 36. | 1.377.380 | Central snout white | 5 | 7 | 11 | 15 | 3 | 5 | 6 | 9 |
| 36. | 1.377.380.1 | Central snout red | 5 | 7 | 11 | 15 | 3 | 5 | 6 | 9 |
| 36. | 1.377.380.2 | Central snout yellow | 5 | 7 | 11 | 15 | 3 | 5 | 6 | 9 |
| 36. | 1.377.380.3 | Central snout JD green | 5 | 7 | 11 | 15 | 3 | 5 | 6 | 9 |
| 36. | 1.377.380.4 | Central snout orange | 5 | 7 | 11 | 15 | 3 | 5 | 6 | 9 |

Note: Application of shims if necessary.

Parts, marked "*" are used for 28"/70 cm row space.

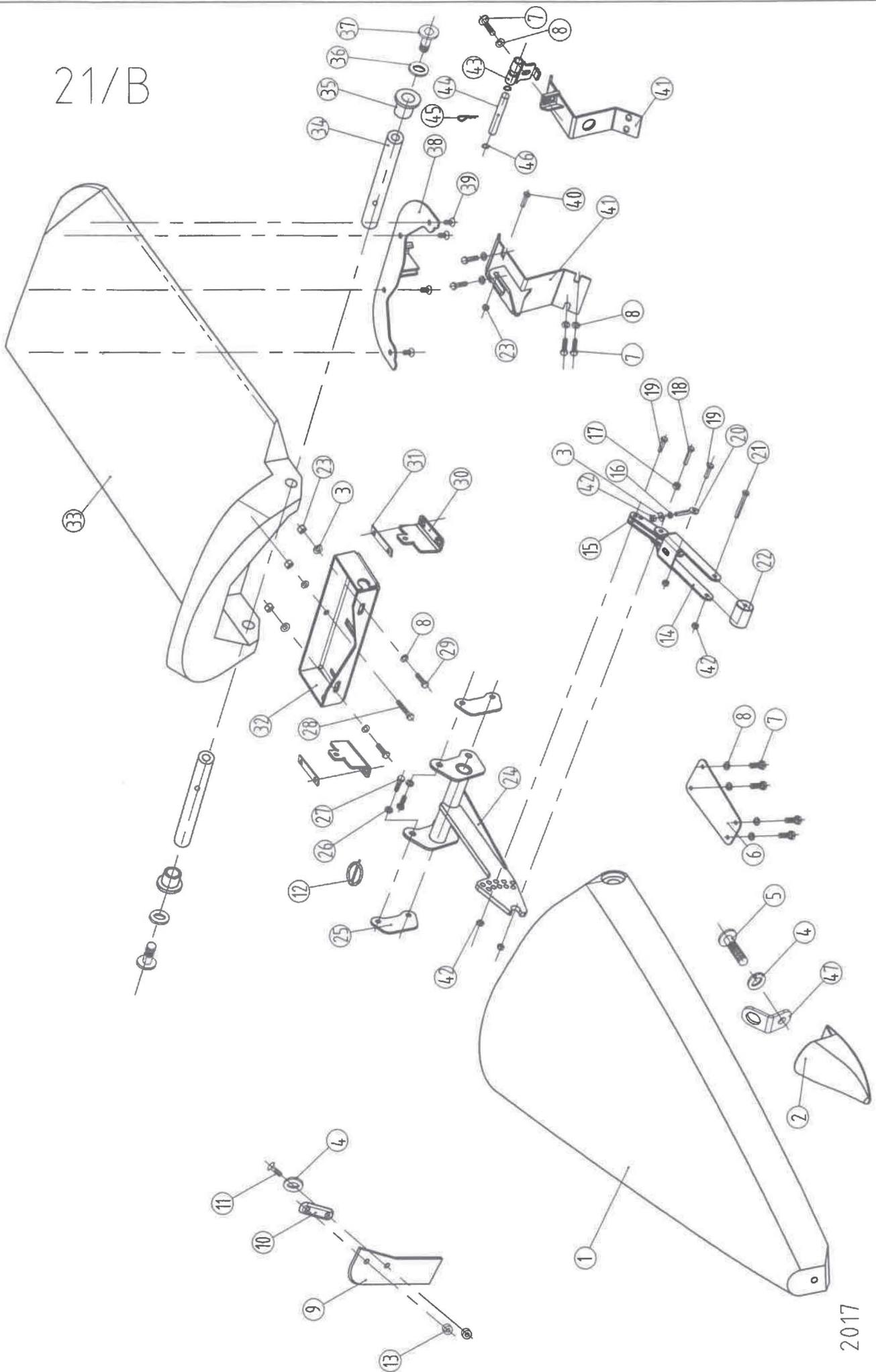
21/A



13.73.153

2017

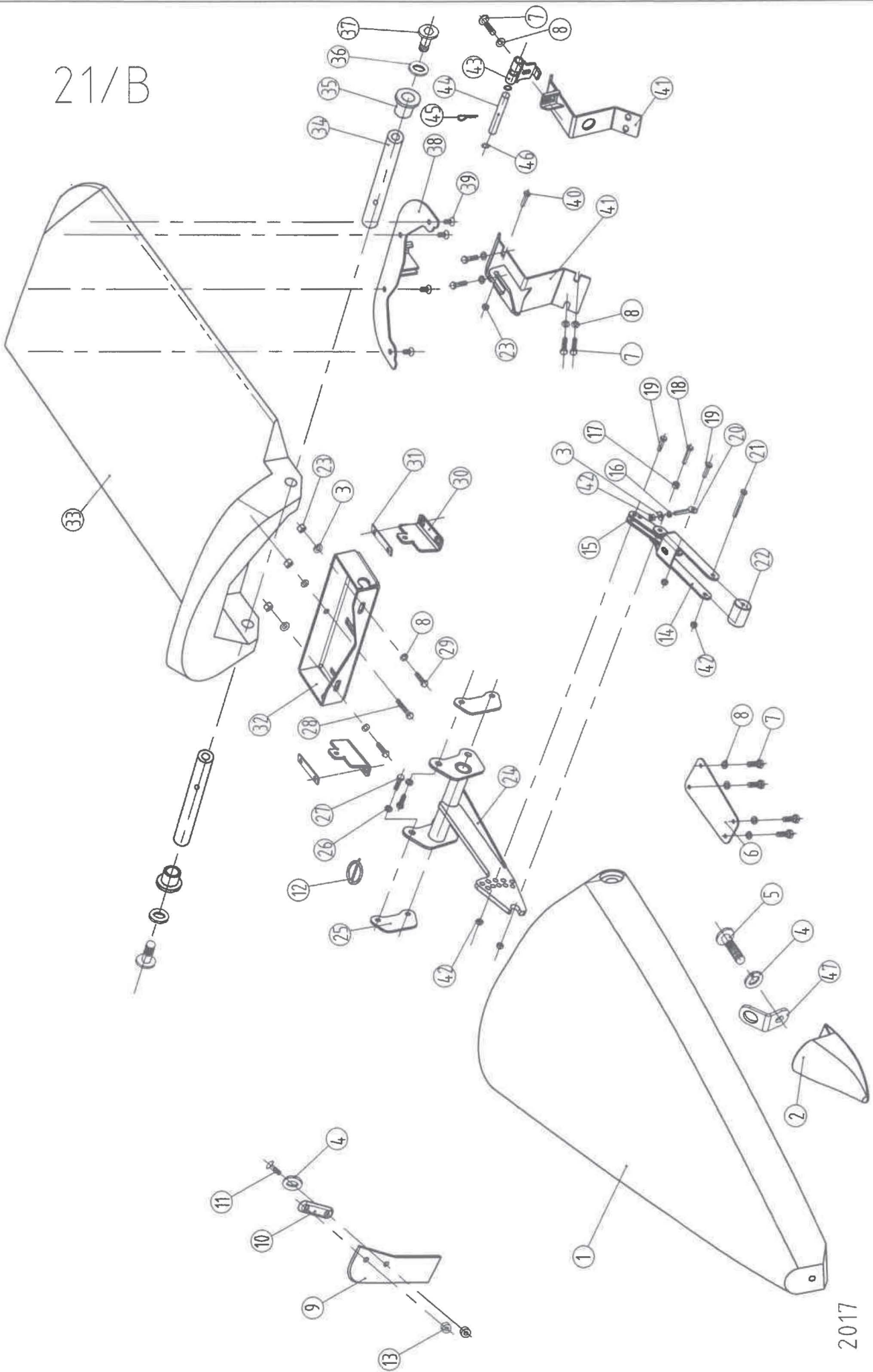
21/B



PLASTIC CENTRAL DIVIDERS - (20";22" / 50;56 cm) (2014→)

| Ref. | Part Number | Description | 6108 | 6208 | 6112 | 6212 |
|------|--------------|-----------------------------------|------|------|------|------|
| 1. | 1.379.502 | Central snout white | - | 7 | - | 11 |
| 1. | 1.379.502.1 | Central snout red | - | 7 | - | 11 |
| 1. | 1.379.502.2 | Central snout yellow | - | 7 | - | 11 |
| 1. | 1.379.502.3 | Central snout JD green | - | 7 | - | 11 |
| 1. | 1.379.502.4 | Central snout orange | - | 7 | - | 11 |
| 1. | 1.379.502.5 | Central snout Claas green | - | 7 | - | 11 |
| 1. | 1.379.502.10 | Central snout chassis grey | - | 7 | - | 11 |
| 1. | 1.379.500 | Central snout white | 7 | - | 11 | - |
| 1. | 1.379.500.1 | Central snout red | 7 | - | 11 | - |
| 1. | 1.379.500.2 | Central snout yellow | 7 | - | 11 | - |
| 1. | 1.379.500.3 | Central snout JD green | 7 | - | 11 | - |
| 1. | 1.379.500.4 | Central snout orange | 7 | - | 11 | - |
| 1. | 1.379.500.5 | Central snout Claas green | 7 | - | 11 | - |
| 1. | 1.379.500.10 | Central snout chassis grey | 7 | - | 11 | - |
| 2. | 1.354.310 | Skid shoe | 7 | 7 | 11 | 11 |
| 3. | 1.314.099 | Washer | 21 | 21 | 33 | 33 |
| 4. | 72208000060 | Spring washer M8 - DIN 128/A | 35 | 35 | 55 | 55 |
| 5. | 79308009063 | Hex bolt M8x90 - DIN931/10.9 | 7 | 7 | 11 | 11 |
| 6. | 1.355.195 | Plate | 7 | 7 | 11 | 11 |
| 7. | 79408002066 | Hex bolt M8x20 - DIN933/8.8 | 42 | 35 | 66 | 55 |
| 8. | 91623938761 | Spring washer - A8 | 83 | 70 | 121 | 110 |
| 9. | 1.379.499 | Rubber earsaver | 14 | 14 | 22 | 22 |
| 10. | 1.329.164 | Washer | 14 | 14 | 22 | 22 |
| 11. | 78208002063 | Hex socket button-head bolt M8x20 | 28 | 28 | 44 | 44 |
| 12. | 967PSF30526 | Lynch pin DIN11023 | 14 | 14 | 22 | 22 |
| 13. | 1.329.747 | Spacer | 28 | 28 | 44 | 44 |
| 14. | 1.379.494 | Arm assy | 7 | 7 | 11 | 11 |
| 15. | 1.379.495 | Support | 14 | 14 | 22 | 22 |
| 16. | 73508000066 | Hex nut - M8 - DIN934/8 | 7 | 7 | 11 | 11 |
| 17. | 1.379.516 | Bushing | 7 | 7 | 11 | 11 |
| 18. | 79408004066 | Hex bolt M8x40 - DIN933/8.8 | 7 | 7 | 11 | 11 |
| 19. | 79408003066 | Hex bolt M8x30 - DIN933/8.8 | 14 | 14 | 22 | 22 |
| 20. | 77208004560 | Eye-bolt | 7 | 7 | 11 | 11 |
| 21. | 79308007066 | Hex bolt M8x70 - DIN931/8.8 | 7 | 7 | 11 | 11 |
| 22. | 1.377.902 | Roll | 7 | 7 | 11 | 11 |
| 23. | 70708000066 | Lock nut - M8 - DIN980 | 28 | 28 | 44 | 44 |
| 24. | 1.379.701 | Bracket | - | 7 | - | 11 |
| 24. | 1.379.496 | Bracket | 7 | - | 11 | - |
| 25. | 1.375.957 | Shim (1mm) | 7 | 7 | 11 | 11 |
| 25. | 1.375.958 | Shim (2mm) | 7 | 7 | 11 | 11 |
| 26. | 91623938861 | Spring washer - A10 | 28 | 28 | 44 | 44 |
| 27. | 79410002566 | Hex bolt - M10x25 - DIN933/8.8 | 28 | 28 | 44 | 44 |
| 28. | 79308005566 | Hex bolt - M8x55 - DIN931/8.8 | 7 | 7 | 11 | 11 |
| 29. | 79308004066 | Hex bolt - M8x40 - DIN931/8.8 | 14 | 14 | 22 | 22 |
| 30. | 1.377.862 | Support | 14 | 14 | 22 | 22 |
| 31. | 1.376.747 | Flat | 14 | 14 | 22 | 22 |
| 32. | 1.379.490 | Support assy | - | 7 | - | 11 |
| 32. | 1.379.489 | Support assy | 7 | - | 11 | - |
| 33. | 1.379.503 | Rear divider white | - | 7 | - | 11 |
| 33. | 1.379.503.1 | Rear divider red | - | 7 | - | 11 |
| 33. | 1.379.503.2 | Rear divider yellow | - | 7 | - | 11 |
| 33. | 1.379.503.3 | Rear divider JD green | - | 7 | - | 11 |
| 33. | 1.379.503.4 | Rear divider orange | - | 7 | - | 11 |
| 33. | 1.379.503.5 | Rear divider Claas green | - | 7 | - | 11 |
| 33. | 1.379.503.10 | Rear divider chassis grey | - | 7 | - | 11 |
| 33. | 1.379.501 | Rear divider white | 7 | - | 11 | - |
| 33. | 1.379.501.1 | Rear divider red | 7 | - | 11 | - |
| 33. | 1.379.501.2 | Rear divider yellow | 7 | - | 11 | - |
| 33. | 1.379.501.3 | Rear divider JD green | 7 | - | 11 | - |
| 33. | 1.379.501.4 | Rear divider orange | 7 | - | 11 | - |

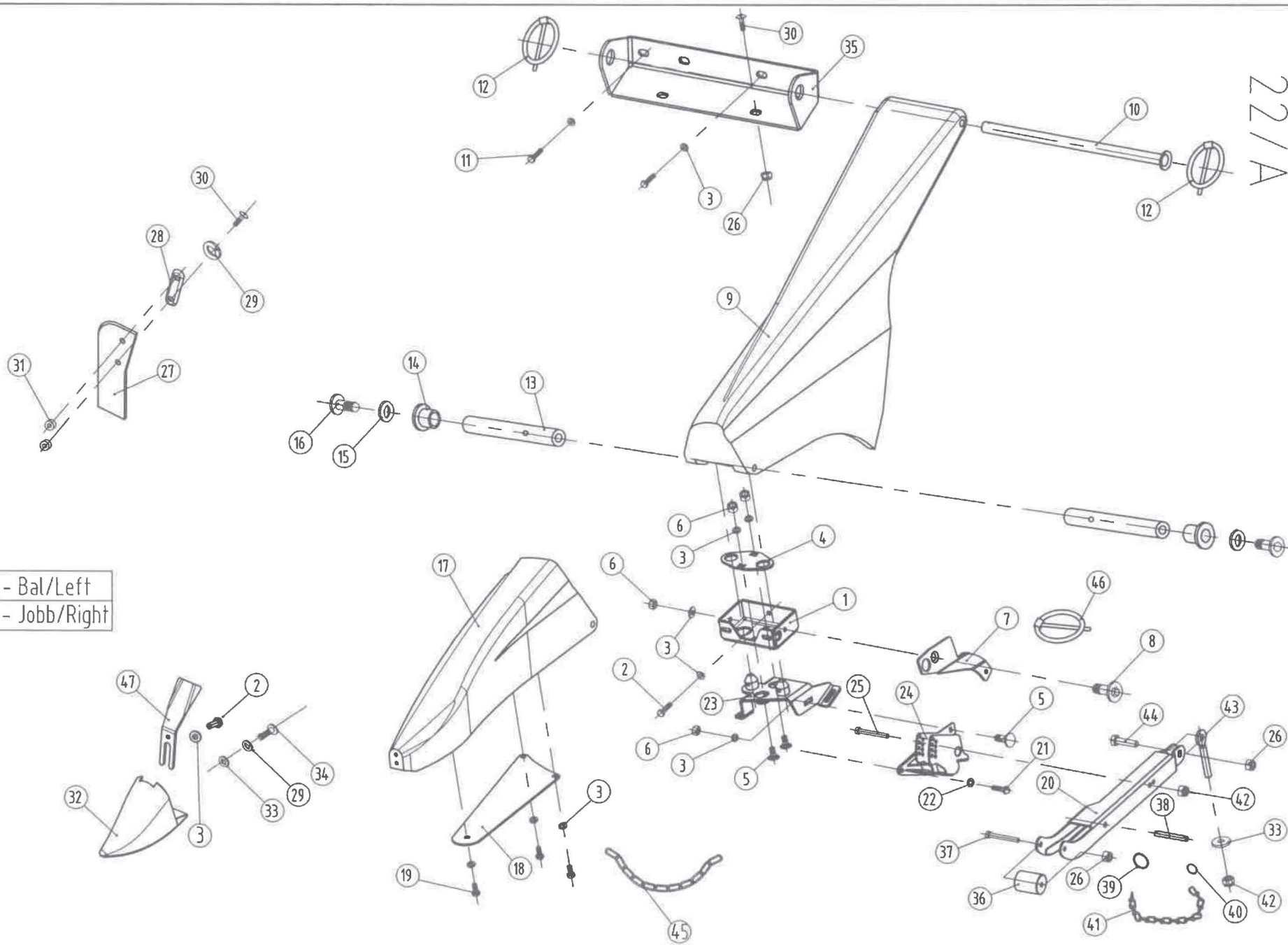
21/B



PLASTIC CENTRAL DIVIDERS - (20";22" / 50;56 cm) (2014→)

| Ref. | Part Number | Description | | 6108 | 6208 | 6112 | 6212 |
|------|--------------|---|-------|------|------|------|------|
| 33. | 1.379.501.5 | Rear divider Claas green | | 7 | - | 11 | - |
| 33. | 1.379.501.10 | Rear divider chassis grey | | 7 | - | 11 | - |
| 34. | 1.353.461 | Shaft | | 14 | 14 | 22 | 22 |
| 35. | 1.353.462 | Spacer | | 14 | 14 | 22 | 22 |
| 36. | 91623938961 | Spring washer - A12 | | 14 | 14 | 22 | 22 |
| 37. | 81112003563 | Hex socket button - head bolt M12x35 - ISO 7380/10.9 | | 14 | 14 | 22 | 22 |
| 38. | 1.379.704 | Bracket | | - | 7 | - | 11 |
| 38. | 1.379.513 | Bracket | | 7 | - | 11 | - |
| 39. | 80400802063 | Hex socket countersunk-head bolt -M8x20 - DIN7991/8.8 | | 28 | 28 | 44 | 44 |
| 40. | 79408002566 | Hex bolt -M8x25 - DIN933/8.8 | | 7 | 7 | 11 | 11 |
| 41. | 1.379.702 | Bracket | | - | 7 | - | 11 |
| 41. | 1.379.510 | Bracket | | 7 | - | 11 | - |
| 42. | 74908000066 | Hex nut - plastic insert M8 | | 35 | 35 | 55 | 55 |
| 43. | 1.379.887 | Hinge weld. | | 7 | - | 11 | - |
| 44. | 1.379.889 | Shaft | | 7 | - | 11 | - |
| 45. | 72402001660 | Cotter pin 2x16 | | 7 | - | 11 | - |
| 46. | 70110000001 | Circlip | | 14 | - | 22 | - |
| 47. | 1.372.352 | Fül | 2017→ | 7 | 7 | 11 | 11 |

221/A



1.378.065 - Bal/Left
1.378.066 - Jobb/Right

2018

PLASTIC OUTER DIVIDERS (2010→)

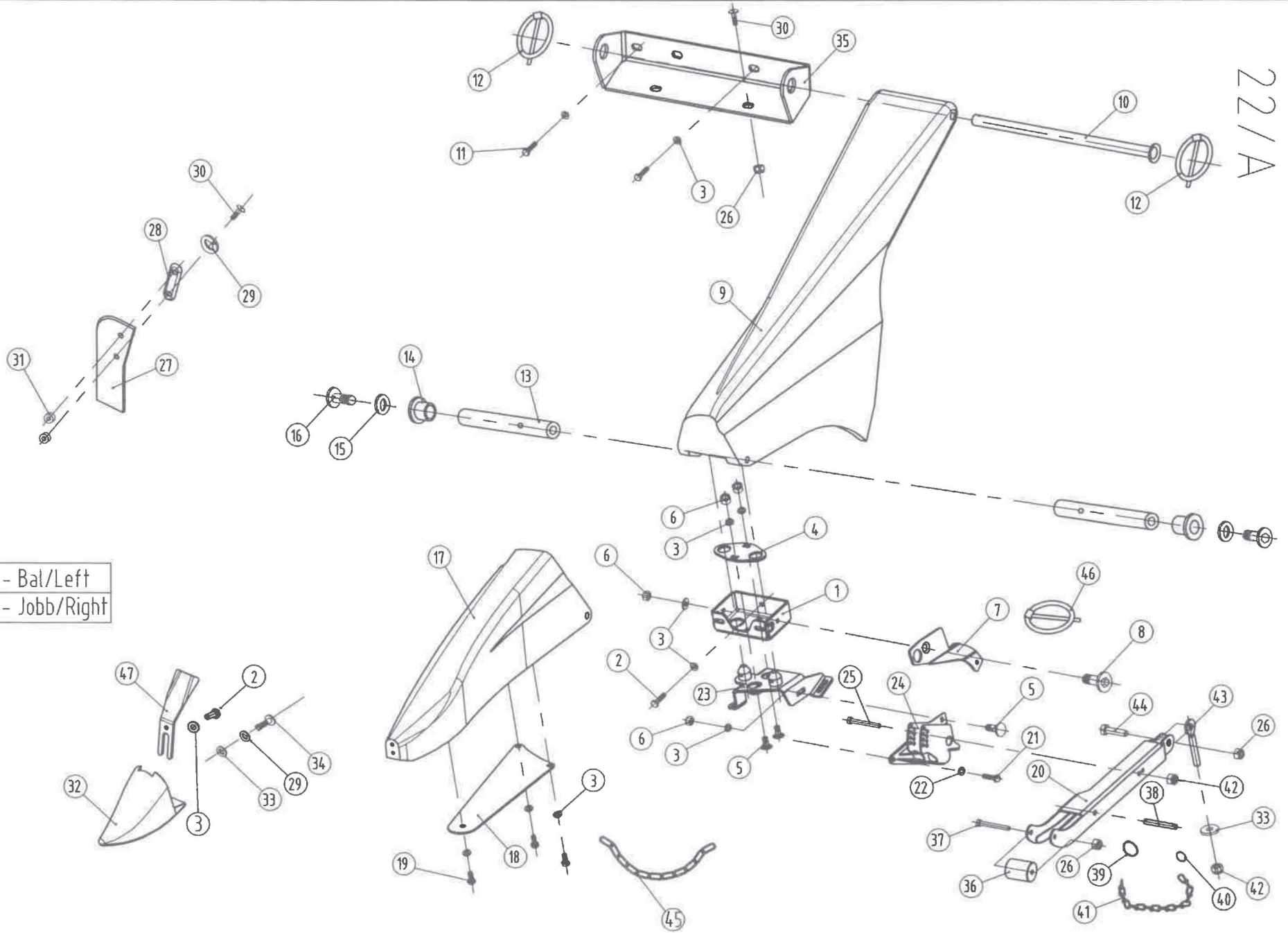
| Ref. | Part Number | Description | | All models |
|------|--------------|--|-------|------------|
| 1. | 1.376.662 | Support assy | | 2 |
| 2. | 79408002066 | Hex bolt M8x20 - DIN933/8.8 | | 4 |
| 3. | 91623938761 | Spring washer A8 | | 18 |
| 4. | 1.376.663 | Plate | | 2 |
| 5. | 76308002066 | Carriage bolt M8x20 - DIN603/8.8 | | 6 |
| 6. | 73508000066 | Hex nut M8 - DIN934 | | 8 |
| 7. | 1.377.967 | Bracket - LH | 2015→ | 1 |
| 7. | 1.377.968 | Bracket - RH | 2015→ | 1 |
| 7. | 1.373.767 | Bracket - LH | 2016→ | 1 |
| 7. | 1.373.768 | Bracket - RH | 2016→ | 1 |
| 8. | 80400802063 | Hex socket countersunk-head bolt- M8x20 - DIN7991/10.9 | | 2 |
| 9. | 1.376.095 | Outer divider - LH white | | 1 |
| 9. | 1.376.095.1 | Outer divider - LH red | | 1 |
| 9. | 1.376.095.2 | Outer divider - LH yellow | | 1 |
| 9. | 1.376.095.3 | Outer divider - LH JD green | | 1 |
| 9. | 1.376.095.4 | Outer divider - LH orange | | 1 |
| 9. | 1.376.095.5 | Outer divider - LH Claas green | | 1 |
| 9. | 1.376.095.6 | Outer divider - LH SDF green | | 1 |
| 9. | 1.376.095.7 | Outer divider - LH AGCO red | | 1 |
| 9. | 1.376.095.8 | Outer divider - LH CHALLENGER yellow | | 1 |
| 9. | 1.376.095.9 | Outer divider - LH GLEANER grey | | 1 |
| 9. | 1.376.096 | Outer divider - RH white | | 1 |
| 9. | 1.376.096.1 | Outer divider - RH red | | 1 |
| 9. | 1.376.096.2 | Outer divider - RH yellow | | 1 |
| 9. | 1.376.096.3 | Outer divider - RH JD green | | 1 |
| 9. | 1.376.096.4 | Outer divider - RH orange | | 1 |
| 9. | 1.376.096.5 | Outer divider - RH Claas green | | 1 |
| 9. | 1.376.096.6 | Outer divider - RH SDF green | | 1 |
| 9. | 1.376.096.7 | Outer divider - RH AGCO red | | 1 |
| 9. | 1.376.096.8 | Outer divider - RH CHALLENGER yellow | | 1 |
| 9. | 1.376.096.9 | Outer divider - RH GLEANER grey | | 1 |
| 10. | 1.377.087 | Hollow shaft | →2017 | 2 |
| 10. | 1.372.566 | Hollow shaft | 2018→ | 2 |
| 11. | 81108002563 | Hex socket button-head bolt M8x25 ISO7380/10.9 | | 4 |
| 12. | 967PSF30526 | Lynch pin 4.5 DIN11023 | | 4 |
| 13. | 1.353.461 | Shaft | | 3 |
| 13. | 1.376.677 | Shaft - RH (see note below!) | | 1 |
| 14. | 1.353.462 | Spacer | | 4 |
| 15. | 91623938961 | Spring washer A12 | | 4 |
| 16. | 81112003563 | Hex socket button-head bolt -M12x35 - ISO 7380/10.9 | | 4 |
| 17. | 1.376.093 | Outer snout - LH white | | 1 |
| 17. | 1.376.093.1 | Outer snout - LH red | | 1 |
| 17. | 1.376.093.2 | Outer snout - LH yellow | | 1 |
| 17. | 1.376.093.3 | Outer snout - LH JD green | | 1 |
| 17. | 1.376.093.4 | Outer snout - LH orange | | 1 |
| 17. | 1.376.093.5 | Outer snout - LH Claas green | | 1 |
| 17. | 1.376.093.6 | Outer snout - LH SDF green | | 1 |
| 17. | 1.376.093.10 | Outer snout - LH chassis grey | | 1 |
| 17. | 1.376.094 | Outer snout - RH white | | 1 |
| 17. | 1.376.094.1 | Outer snout - RH red | | 1 |
| 17. | 1.376.094.2 | Outer snout - RH yellow | | 1 |
| 17. | 1.376.094.3 | Outer snout - RH JD green | | 1 |
| 17. | 1.376.094.4 | Outer snout - RH orange | | 1 |

Note: 1.376.677 item 13 only for the RH outer divider !

1.376.721 and 1.376.722 item 35 are only for 6-row rigid models

* In case of Rotary divider

221/A



1.378.065 - Bal/Left
1.378.066 - Jobb/Right

2018

PLASTIC OUTER DIVIDERS (2010→)

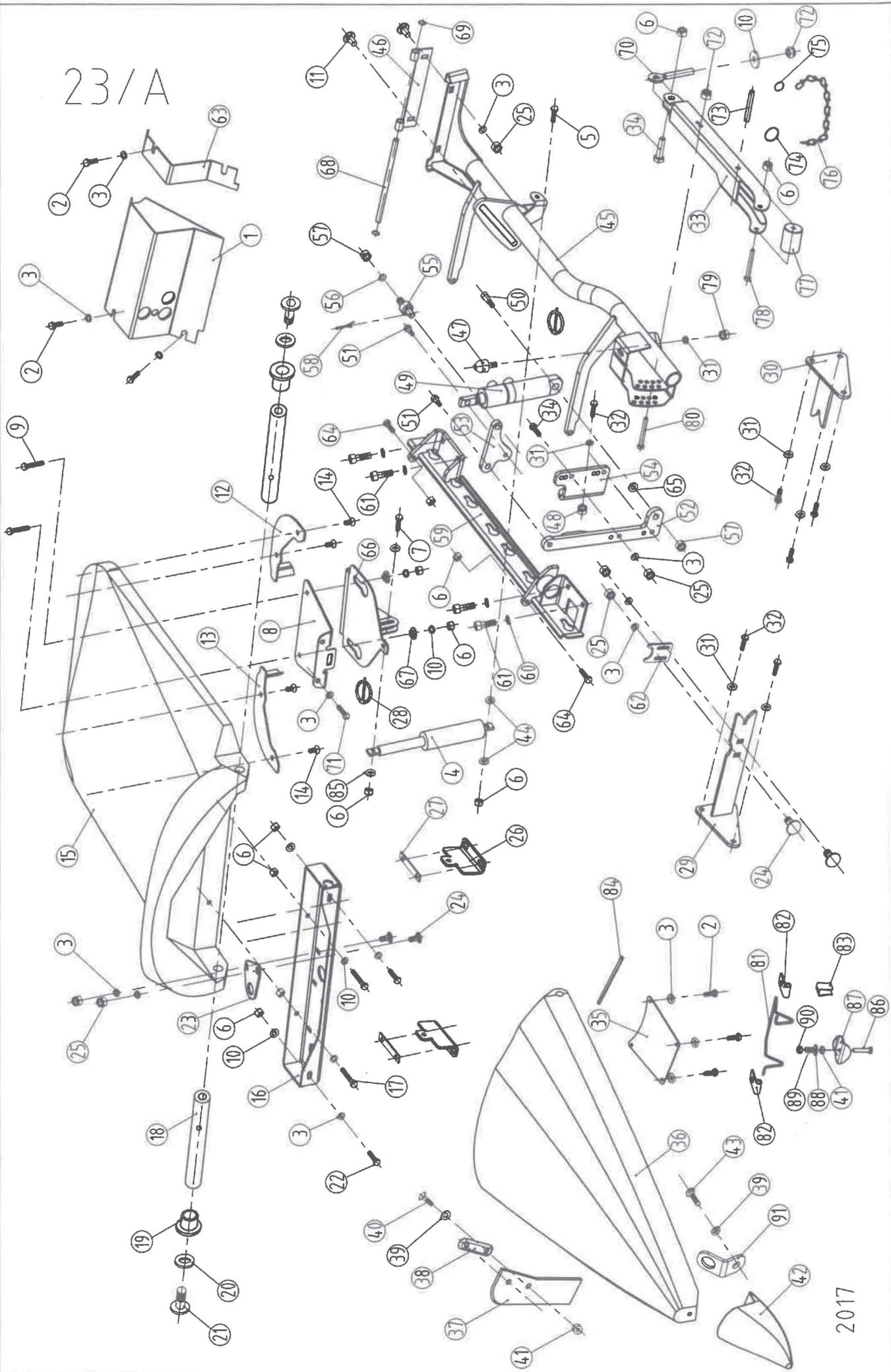
| Ref. | Part Number | Description | | All models |
|------|--------------|--|-------|------------|
| 17. | 1.376.094.5 | Outer snout - RH Claas green | | 1 |
| 17. | 1.376.094.6 | Outer snout - RH SDF green | | 1 |
| 17. | 1.376.094.10 | Outer snout - RH chassis grey | | 1 |
| 18. | 1.376.676 | Plate | | 2 |
| 19. | 79408001666 | Hex bolt -M8x16 - DIN933/8.8 | | 6 |
| 20. | 1.377.975 | Bracket - LH | | 1 |
| 20. | 1.377.976 | Bracket - RH | | 1 |
| 21. | 79410002566 | Hex bolt -M10x25 - DIN933/8.8 | | 6 |
| 22. | 91623938861 | Spring washer A10 | | 6 |
| 23. | 1.377.969 | Support assy - LH | 2015→ | 1 |
| 23. | 1.377.970 | Support assy - RH | 2015→ | 1 |
| 23. | 1.373.772 | Support assy - LH | 2016→ | 1 |
| 23. | 1.373.773 | Support assy - RH | 2016→ | 1 |
| 24. | 1.377.960 | Arm assy - LH | | 1 |
| 24. | 1.377.961 | Arm assy - RH | | 1 |
| 25. | 79408006066 | Hex bolt -M8x60 - DIN933/8.8 | | 2 |
| 26. | 70708000066 | Lock nut VM8 DIN980 | | 4 |
| 27. | 1.329.163 | Rubber earsaver | | 2 |
| 28. | 1.329.164 | Washer | | 2 |
| 29. | 72208000060 | Spring washer -M8 - DIN 128/A | | 4 |
| 30. | 78208002063 | Hex socket button-head bolt M8x20 ISO7380/10.9 | | 8 |
| 31. | 1.329.747 | Spacer | | 4 |
| 32. | 1.354.310 | Skid shoe | →2015 | 2 |
| 32. | 1.373.997 | Skid shoe | 2016→ | 2 |
| 33. | 1.314.099 | Washer | | 12 |
| 34. | 79308010063 | Hex bolt -M8x100 - DIN931/10.9 | | 2 |
| 35. | 1.377.086 | Console | | 2 |
| 35. | 1.376.721 | Console - LH (see note below!) | →2010 | 1 |
| 35. | 1.376.722 | Console - RH (see note below!) | →2010 | 1 |
| 36. | 1.377.902 | Roll | | 2 |
| 37. | 79408006566 | Hex bolt -M8x65 - DIN933/8.8 | | 2 |
| 38. | 1.325.892 | Pin | | 2 |
| 39. | 1.325.440 | Retainer ring | | 2 |
| 40. | 67210000011 | Ring | | 2 |
| 41. | 1.379.913 | Chain 2.2x31x10 | | 2 |
| 42. | 74908000066 | Hex nut - plastic insert M8 - DIN985 | | 4 |
| 43. | 77208004560 | Eye-bolt -M8x45 DIN44/LB | | 2 |
| 44. | 79408003066 | Hex bolt -M8x30 - DIN933/8.8 | | 2 |
| 45.* | 1.379.914 | Chain 4x32x15.2 | | 2 |
| 46. | 96716002720 | Lynch pin 6x27 DIN1382 | 2016→ | 2 |
| 47. | 1.373.998 | Cover plate | 2016→ | 2 |

Note: 1.376.677 item 13 only for the RH outer divider !

1.376.721 and 1.376.722 item 35 are only for 6-row rigid models

* In case of Rotary divider

23/A

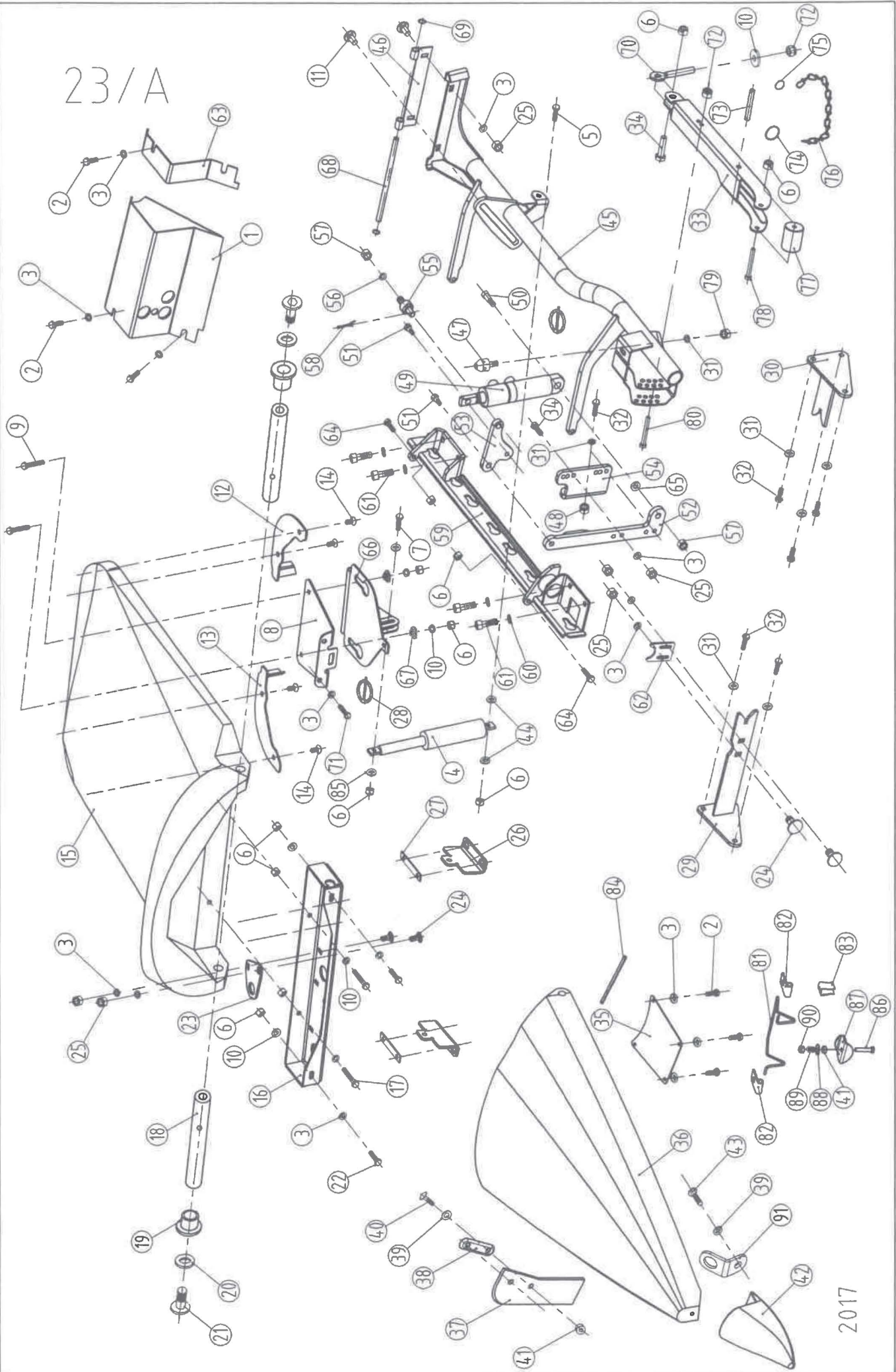


PLASTIC HINGED DIVIDERS - 6300 series folding models (30") AND (28")

| Ref. | Part Number | Description | | 6306F | 6308F | 6312F |
|------|--------------|--|-------|-------|-------|-------|
| 1. | 1.376.039 | Bracket - LH | →2015 | 1 | 1 | 1 |
| 1. | 1.376.041 | Bracket - LH | 2016→ | 1 | 1 | 1 |
| 1. | 1.376.040 | Bracket - RH | →2015 | 1 | 1 | 1 |
| 1. | 1.376.042 | Bracket - RH | 2016→ | 1 | 1 | 1 |
| 1. | *1.377.199 | Bracket - LH | →2015 | 1 | 2 | 2 |
| 1. | *1.377.201 | Bracket - LH | 2016→ | 1 | 2 | 2 |
| 1. | *1.377.200 | Bracket - RH | →2015 | 1 | 2 | 2 |
| 1. | *1.377.202 | Bracket - RH | 2016→ | 1 | 2 | 2 |
| | | | | | | |
| | | | | | | |
| | | | | | | |
| 2. | 79408002066 | Hex bolt M8x20 - DIN933/8.8 | | 16 | 16 | 16 |
| 3. | 91623938761 | Spring washer - A8 | | 40 | 40 | 40 |
| 4. | 1.376.793 | Gas spring | | 2 | 2 | 2 |
| 5. | 79408004566 | Hex bolt M8x45 - DIN933/8.8 | | 2 | 2 | 2 |
| 6. | 70708000066 | Lock nut - DIN980 - M8 | | 24 | 24 | 24 |
| 7. | 79408003566 | Hex bolt M8x35 - DIN933/8.8 | | 2 | 2 | 2 |
| 8. | 1.377.748 | Bracket | | 2 | 2 | 2 |
| 8. | *1.378.575 | Bracket | | 2 | 2 | 2 |
| 9. | 79308005066 | Hex bolt M8x50 - DIN931/8.8 | | 4 | 4 | 4 |
| 10. | 1.314.099 | Washer | | 14 | 14 | 14 |
| 11. | 76308002066 | Carriage bolt M8x20 - DIN603/8.8 | | 8 | 8 | 8 |
| 12. | 1.377.465 | Cleaning plate - LH | | 2 | 2 | 2 |
| 13. | 1.377.466 | Cleaning plate - RH | | 2 | 2 | 2 |
| 14. | 80408001266 | Hex socket countersunk-head bolt M8x12 - DIN7991/8.8 | | 8 | 8 | 8 |
| 15. | 1.377.534 | Rear divider white | | 2 | 2 | 2 |
| 15. | 1.377.534.1 | Rear divider red | | 2 | 2 | 2 |
| 15. | 1.377.534.2 | Rear divider yellow | | 2 | 2 | 2 |
| 15. | 1.377.534.3 | Rear divider JD green | | 2 | 2 | 2 |
| 15. | 1.377.534.4 | Rear divider orange | | 2 | 2 | 2 |
| 15. | 1.377.534.5 | Rear divider Claas green | | 2 | 2 | 2 |
| 15. | 1.377.534.6 | Rear divider SDF green | | 2 | 2 | 2 |
| 15. | *1.379.507 | Rear divider white | | 2 | 2 | 2 |
| 15. | *1.379.507.1 | Rear divider red | | 2 | 2 | 2 |
| 15. | *1.379.507.2 | Rear divider yellow | | 2 | 2 | 2 |
| 15. | *1.379.507.3 | Rear divider JD green | | 2 | 2 | 2 |
| 15. | *1.379.507.4 | Rear divider orange | | 2 | 2 | 2 |
| 15. | *1.379.507.5 | Rear divider Claas green | | 2 | 2 | 2 |
| | | | | | | |
| | | | | | | |
| | | | | | | |
| | | | | | | |
| 16. | 1.377.462 | Support assy | | 2 | 2 | 2 |
| 16. | *1.378.574 | Support assy | | 2 | 2 | 2 |
| | | | | | | |
| 17. | 79308005566 | Hex bolt M8x55 - DIN931/8.8 | | 4 | 4 | 4 |
| 18. | 1.353.461 | Shaft | | 4 | 4 | 4 |
| 19. | 1.353.462 | Spacer | | 4 | 4 | 4 |
| 20. | 91623938961 | Spring washer - A12 | | 4 | 4 | 4 |
| 21. | 81112003563 | Hex socket button-head bolt M12x35 - ISO 7380/10.9 | | 4 | 4 | 4 |
| 22. | 79308004066 | Hex bolt M8x40 - DIN931/8.8 | | 4 | 4 | 4 |
| 23. | 1.354.571 | Plate | | 2 | 2 | 2 |
| 24. | 76308002566 | Carriage bolt M8x25 - DIN603/8.8 | | 4 | 4 | 4 |
| 25. | 73508000066 | Hex nut M8 - DIN934 | | 16 | 16 | 16 |
| 26. | 1.377.862 | Support | | 4 | 4 | 4 |
| 27. | 1.376.747 | Flat | | 4 | 4 | 4 |
| 28. | 967PSF30526 | Lynch pin DIN11023 | | 4 | 4 | 4 |
| 29. | 1.377.023 | Support - LH | | 1 | 1 | 1 |
| 29. | *1.377.213 | Support - LH | | 1 | 1 | 1 |

Note: Item 60 and 61 are the same as item 6 and 4 pg. 11/A.
Parts, marked "*" are used for 28"/70 cm row space.

23/A

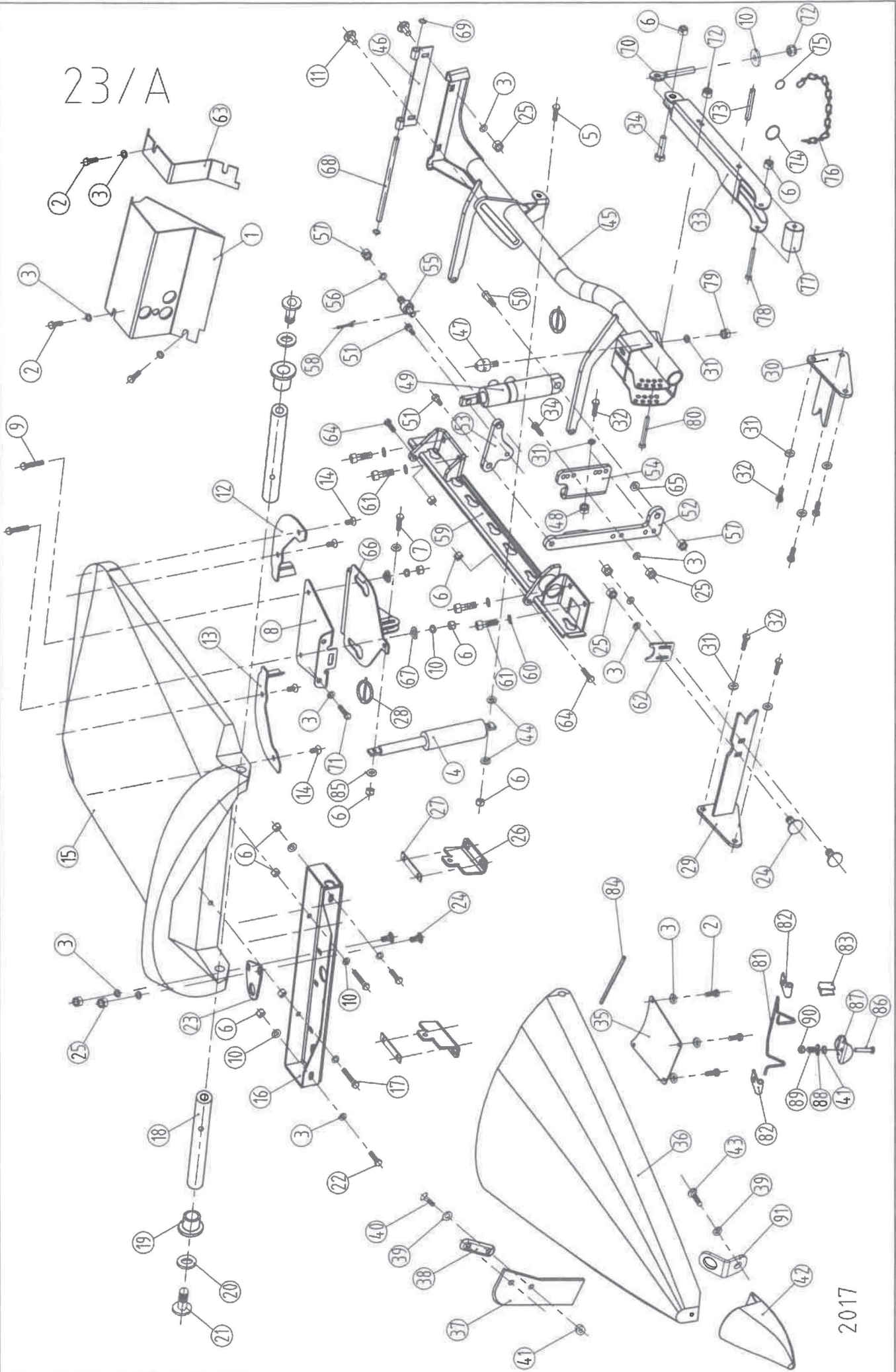


PLASTIC HINGED DIVIDERS - 6300 series folding models (30") AND (28")

| Ref. | Part Number | Description | 6306F | 6308F | 6312F |
|------|--------------|--|-------|-------|-------|
| 29. | 1.377.024 | Support - RH | 1 | 1 | 1 |
| 29. | *1.377.214 | Support - RH | 1 | 1 | 1 |
| 30. | 1.377.025 | Support - LH | 1 | 1 | 1 |
| 30. | *1.377.215 | Support - LH | 1 | 1 | 1 |
| 30. | 1.377.026 | Support - RH | 1 | 1 | 1 |
| 30. | *1.377.216 | Support - RH | 1 | 1 | 1 |
| 31. | 91623938861 | Spring washer - A10 | 19 | 19 | 19 |
| 32. | 79410002566 | Hex bolt M10x25 - DIN933/8.8 | 17 | 17 | 17 |
| 33. | 1.377.975 | Arm assy LH - to the RH of header | 1 | 1 | 1 |
| 33. | 1.377.976 | Arm assy RH - to the LH of header | 1 | 1 | 1 |
| 34. | 79408003066 | Hex bolt M8x30 - DIN933/8.8 | 6 | 6 | 6 |
| 35. | 1.354.667 | Plate | 2 | 2 | 2 |
| 36. | 1.377.380 | Central snout white | 2 | 2 | 2 |
| 36. | 1.377.380.1 | Central snout red | 2 | 2 | 2 |
| 36. | 1.377.380.2 | Central snout yellow | 2 | 2 | 2 |
| 36. | 1.377.380.3 | Central snout JD green | 2 | 2 | 2 |
| 36. | 1.377.380.4 | Central snout orange | 2 | 2 | 2 |
| 36. | 1.377.380.5 | Central snout Claas green | 2 | 2 | 2 |
| 36. | 1.377.380.6 | Central snout SDF green | 2 | 2 | 2 |
| 36. | *1.376.099 | Central snout white | 2 | 2 | 2 |
| 36. | *1.376.099.1 | Central snout red | 2 | 2 | 2 |
| 36. | *1.376.099.2 | Central snout yellow | 2 | 2 | 2 |
| 36. | *1.376.099.3 | Central snout JD green | 2 | 2 | 2 |
| 36. | *1.376.099.4 | Central snout orange | 2 | 2 | 2 |
| 36. | *1.376.099.5 | Central snout Claas green | 2 | 2 | 2 |
| 36. | *1.376.099.6 | Central snout SDF green | 2 | 2 | 2 |
| 37. | 1.378.053 | Rubber earsaver | 4 | 4 | 4 |
| 38. | 1.329.164 | Shim | 4 | 4 | 4 |
| 39. | 72208000060 | Spring washer M8 - DIN 128/A | 10 | 10 | 10 |
| 40. | 78208002063 | Hex socket button-head bolt M8x20 - ISO7380/10.9 | 8 | 8 | 8 |
| 41. | 1.329.747 | Spacer | 9 | 9 | 9 |
| 42. | 1.354.310 | Skid shoe | 2 | 2 | 2 |
| 43. | 79308009063 | Hex bolt M8x90 - DIN931/10.9 | 2 | 2 | 2 |
| 44. | 993.454.0 | Bushing | 4 | 4 | 4 |
| 45. | 1.378.048 | Hinged frame - LH | 1 | 1 | 1 |
| 45. | *1.373.336 | Hinged frame - LH | 1 | 1 | 1 |
| 45. | 1.378.049 | Hinged frame - RH | 1 | 1 | 1 |
| 45. | *1.373.337 | Hinged frame - RH | 1 | 1 | 1 |
| 46. | 1.377.741 | Hinge | 2 | 2 | 2 |
| 47. | 1.310.009 | Support pin | 2 | 2 | 2 |
| 48. | 73510000066 | Hex nut M10 - DIN934 | 2 | 2 | 2 |
| 49. | 1.354.397 | Hydraulic cylinder | 2 | 2 | 2 |
| 50. | 1.354.382 | Bolt - M12 | 2 | 2 | 2 |
| 51. | 1.354.381 | Bolt - M10 | 4 | 4 | 4 |
| 52. | 1.377.018 | Console - LH | 1 | 1 | 1 |
| 52. | 1.377.013 | Console - RH | 1 | 1 | 1 |
| 53. | 1.377.019 | Arm | 2 | 2 | 2 |
| 54. | 1.377.020 | Console - LH | 1 | 1 | 1 |
| 54. | 1.377.015 | Console - RH | 1 | 1 | 1 |
| 55. | 1.329.744 | Tapped shaft | 2 | 2 | 2 |
| 56. | 71412000060 | Washer M12 - DIN125 - 200HV | 2 | 2 | 2 |
| 57. | 70712000066 | Lock nut - DIN980 - M12 | 4 | 4 | 4 |

Note: Item 60 and 61 are the same as item 6 and 4 pg. 11/A.
Parts, marked "*" are used for 28"/70 cm row space.

23/A

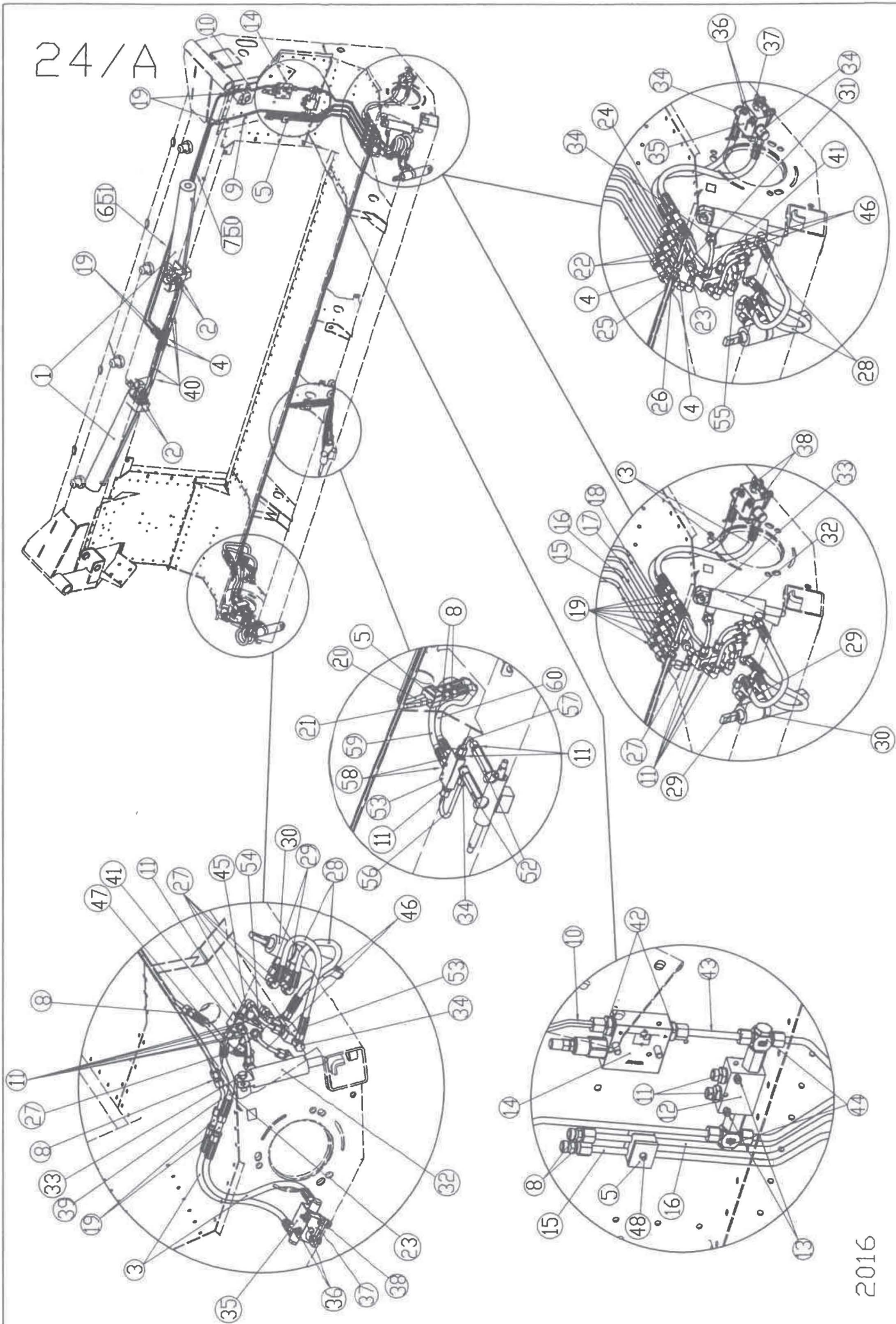


PLASTIC HINGED DIVIDERS - 6300 series folding models (30") AND (28")

| Ref. | Part Number | Description | | 6306F | 6308F | 6312F |
|------|-------------|---|-------|-------|-------|-------|
| 58. | 72402502560 | Split pin 2.5x25 - DIN94 | | 2 | 2 | 2 |
| 59. | 1.378.056 | Chain guide - LH | | 1 | 1 | 1 |
| 59. | 1.378.057 | Chain guide - RH | | 1 | 1 | 1 |
| 60. | 71810000060 | Spring washer M10 - DIN7980 | | 8 | 8 | 8 |
| 61. | 80210003063 | Hex socket head cap bolt M10x30 - DIN912/10.9 | | 8 | 8 | 8 |
| 62. | 1.377.022 | Plate | | 2 | 2 | 2 |
| 63. | 1.376.043 | Cover plate - LH | | 1 | 1 | 1 |
| 63. | 1.376.044 | Cover plate - RH | | 1 | 1 | 1 |
| 64. | 79408003063 | Hex bolt M8x30 - DIN933/10.9 | | 4 | 4 | 4 |
| 65. | 1.329.746 | Spacer | | 2 | 2 | 2 |
| 66. | 1.377.744 | Hinge | | 2 | 2 | 2 |
| 66. | *1.373.339 | Hinge - LH | | 1 | 1 | 1 |
| 66. | *1.373.341 | Hinge - RH | | 1 | 1 | 1 |
| 67. | 1.377.751 | Washer | | 4 | 4 | 4 |
| 68. | 1.377.747 | Shaft | | 2 | 2 | 2 |
| 69. | 70110000001 | Circlip | | 4 | 4 | 4 |
| 70. | 77208004560 | Eye-bolt -M8x45 DIN44/LB | | 2 | 2 | 2 |
| 71. | 79408001666 | Hex bolt M8x16 - DIN933/8.8 | | 4 | 4 | 4 |
| 72. | 74908000066 | Hex nut - plastic insert M8 - DIN985 | | 4 | 4 | 4 |
| 73. | 1.325.892 | Pin | | 2 | 2 | 2 |
| 74. | 1.325.440 | Retainer ring | | 2 | 2 | 2 |
| 75. | 67210000011 | Ring | | 2 | 2 | 2 |
| 76. | 1.379.914 | 4x32x15,2 Band chain | | - | 2 | 4 |
| 77. | 1.377.902 | Roll | | 2 | 2 | 2 |
| 78. | 79408006566 | Hex bolt M8x65 - DIN933/8.8 | | 2 | 2 | 2 |
| 79. | 70710000066 | Lock nut - M10 - DIN980 | | 2 | 2 | 2 |
| 80. | 79408006066 | Hex bolt M8x60 - DIN933/8.8 | | 2 | 2 | 2 |
| 81. | 1.379.151 | Spacing | | 1 | 1 | 1 |
| 82. | 1.379.152 | Plate | | 2 | 2 | 2 |
| 83. | 1.328.006 | Spring clamp | →2015 | 1 | 1 | 1 |
| 84. | 96720070601 | Rubber protector | | 2 | 2 | 2 |
| 85. | 71408000060 | Washer M8 - DIN125 - 200HV | | 4 | 4 | 4 |
| 86. | 79406003066 | Hex bolt M6x30 - DIN933/8.8 | 2016→ | 1 | 1 | 1 |
| 87. | 1.373.749 | Retainer | 2016→ | 1 | 1 | 1 |
| 88. | 96702361800 | Washer | 2016→ | 1 | 1 | 1 |
| 89. | 1.327.689 | Spring | 2016→ | 1 | 1 | 1 |
| 90. | 74906000066 | Hex nut - plastic insert M6 - DIN985 | 2016→ | 1 | 1 | 1 |
| 91. | 1.372.352 | Loop | 2017→ | 2 | 2 | 2 |

Note: Item 60 and 61 are the same as item 6 and 4 pg. 11/A.
Parts, marked "***" are used for 28"/70 cm row space.

24/A

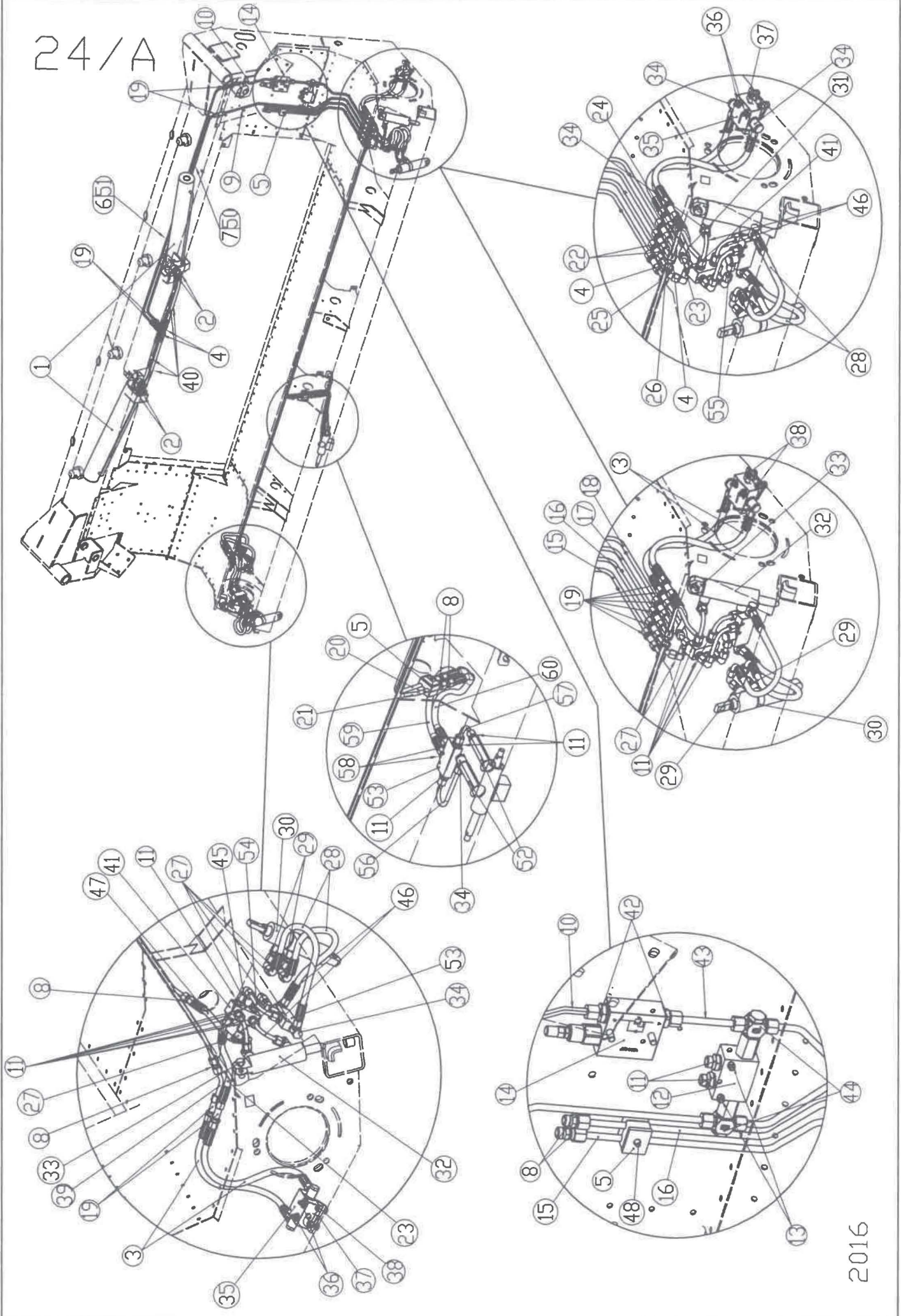


HYDRAULIC FOLDABLE

| Ref. | Part Number | Description | | 6306F | 6308F | 6309F | 6312F |
|------|-------------|--------------------------------------|-------|-------|-------|-------|-------|
| 1. | 1.376.278 | Hydraulic cylinder | | 2 | - | - | - |
| 1. | 1.375.144 | Hydraulic cylinder | | - | 2 | 2 | - |
| 1. | 1.378.415 | Hydraulic cylinder | | - | - | - | 2 |
| 2. | 1.310.514 | Fitting (1 mm hole) | | 4 | 4 | 4 | 4 |
| 2.* | 1.355.481 | Fitting (0,7 mm hole) | | 4 | 4 | 4 | 4 |
| 3. | 1.376.796 | Hydraulic hose 1SNDN6-400 | | 4 | 4 | 4 | - |
| 3. | 1.352.896 | Hydraulic hose 1SNDN6-450 | | - | - | - | 4 |
| | | | | | | | |
| 4. | 1.354.511 | T-form - T8PL | | 2 | 2 | 2 | 2 |
| 5. | 1.377.061 | Clamp | | 2 | 2 | 2 | 2 |
| 6. | 1.378.373 | Hydraulic tube | | 1 | 1 | - | - |
| 6. | 1.378.379 | Hydraulic tube L=74 | | - | - | 1 | 1 |
| 6. | 1.378.376 | Hydraulic tube L=1840 | | - | - | - | 1 |
| 6. | 1.378.380 | Hydraulic tube L=1078 | | - | - | 1 | - |
| 7. | 1.378.372 | Hydraulic tube | | 1 | 1 | - | - |
| 7. | 1.378.379 | Hydraulic tube L=74 | | - | - | 1 | 1 |
| 7. | 1.378.376 | Hydraulic tube L=1840 | | - | - | - | 1 |
| 7. | 1.378.380 | Hydraulic tube L=1078 | | - | - | 1 | - |
| 8. | 1.377.062 | Fitting - M14X1.5 | | 6 | 6 | 6 | 6 |
| | | | | | | | |
| 9. | 1.378.845 | Hydraulic tube | | 1 | 1 | 1 | 1 |
| | | | | | | | |
| 10. | 1.378.846 | Hydraulic tube | | 1 | 1 | 1 | 1 |
| 11. | 1.375.669 | Fitting - GE8PLR-ED | →2015 | 16 | 16 | 16 | 16 |
| 11. | 1.375.669 | Fitting - GE8PLR-ED | 2016→ | 19 | 19 | 19 | 19 |
| | | | | | | | |
| 12. | 1.378.837 | Dual controlled check valve FDP 1/4 | | 1 | 1 | 1 | 1 |
| 13. | 79406004066 | Hex bolt M6x40 | | 2 | 2 | 2 | 2 |
| | 74906000066 | Hex nut - plastic insert M6 - DIN985 | | 2 | 2 | 2 | 2 |
| 14. | 96703800001 | Pressure limit valve C. VS2 3/8" | | 1 | 1 | 1 | 1 |
| 15. | 1.377.065 | Hydraulic tube | | 1 | 1 | 1 | - |
| 15. | 1.378.638 | Hydraulic tube | | - | - | - | 1 |
| 16. | 1.377.066 | Hydraulic tube | | 1 | 1 | 1 | - |
| 16. | 1.378.637 | Hydraulic tube | | - | - | - | 1 |
| | | | | | | | |
| 17. | 1.378.842 | Hydraulic tube | | 1 | 1 | 1 | - |
| | | | | | | | |
| 17. | 1.378.854 | Hydraulic tube | | - | - | - | 1 |
| | | | | | | | |
| 18. | 1.377.843 | Hydraulic tube | | 1 | 1 | 1 | - |
| | | | | | | | |
| 18. | 1.378.857 | Hydraulic tube | | - | - | - | 1 |
| 19. | 1.308.783 | Fitting - bulkhead HYP 160-8-575 SV8 | | 12 | 12 | 12 | 12 |
| 20. | 1.377.072 | Hydraulic tube L=1501,5 | | 1 | 1 | 1 | 1 |
| 21. | 1.377.073 | Hydraulic tube L=1531,5 | | 1 | 1 | 1 | 1 |
| 22. | 1.377.074 | Hydraulic tube | | 2 | 2 | 2 | 2 |
| 23. | 1.378.619 | Hydraulic hose 1SNDN6-262 | | 2 | 2 | 2 | - |
| 23. | 1.378.639 | Hydraulic hose 1SNDN6-320 | | - | - | - | 2 |
| 24. | 1.378.614 | Hydraulic tube | | 1 | 1 | - | - |
| 24. | 1.378.647 | Hydraulic tube | | - | - | 1 | - |
| 24. | 1.378.648 | Hydraulic tube | | - | - | - | 1 |
| 25. | 1.378.615 | Hydraulic tube | | 1 | 1 | - | - |
| 25. | 1.378.643 | Hydraulic tube | | - | - | 1 | - |
| 25. | 1.378.644 | Hydraulic tube | | - | - | - | 1 |
| 26. | 1.378.616 | Hydraulic tube | | 1 | 1 | - | - |
| 26. | 1.378.641 | Hydraulic tube | | - | - | 1 | - |
| 26. | 1.378.642 | Hydraulic tube | | - | - | - | 1 |
| 27. | 1.314.510 | Fitting - 90deg. EVW 8 PL | | 10 | 10 | 10 | 10 |
| 28. | 1.377.089 | Hydraulic hose 1SNDN6-355 | →2013 | 4 | 4 | 4 | 4 |
| 28. | 1.379.477 | Hydraulic hose 1SNDN6-410 | 2014→ | 4 | 4 | 4 | 4 |
| 29. | 1.309.601 | Fitting - GE-8-PSM-ED | | 4 | 4 | 4 | 4 |
| 29.* | 1.310.514 | Fitting | | 4 | 4 | 4 | 4 |
| 30. | 1.354.397 | Hydraulic cylinder | | 2 | 2 | 2 | 2 |

Note: * Loose parts

24/A

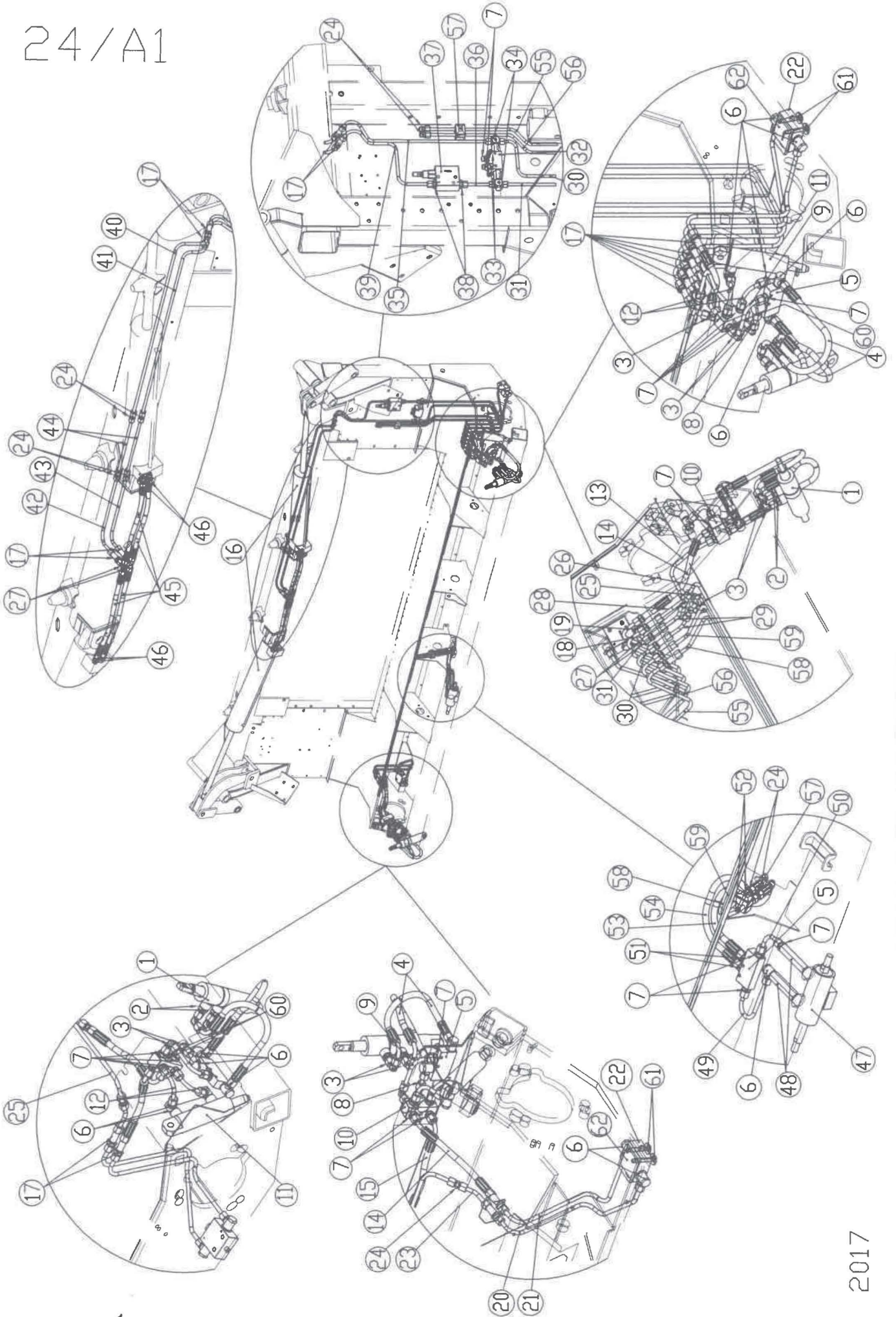


HYDRAULIC FOLDABLE

| Ref. | Part Number | Description | | 6306F | 6308F | 6309F | 6312F |
|------|-------------|---|-------|-------|-------|-------|-------|
| 31. | 1.378.613 | Hydraulic tube | | 1 | 1 | - | - |
| 31. | 1.378.645 | Hydraulic tube | | - | - | 1 | - |
| 31. | 1.378.646 | Hydraulic tube | | - | - | - | 1 |
| 32. | 1.356.118 | Hydraulic cylinder | | 2 | 2 | 2 | 2 |
| 33. | 1.377.593 | Bolt | | 2 | 2 | 2 | 2 |
| 34. | 1.314.509 | Fitting - SVWE8PL | →2015 | 14 | 14 | 14 | 14 |
| 34. | 1.314.509 | Fitting - SVWE8PL | 2016→ | 15 | 15 | 15 | 15 |
| 35. | 1.378.526 | Endswitch VFCA - 1401 | | 2 | 2 | 2 | 2 |
| 36. | 79406005066 | Hex bolt M6x50 | | 4 | 4 | 4 | 4 |
| | 96702361800 | Washer | | 4 | 4 | 4 | 4 |
| | 74900600066 | Hex nut - plastic insert M6 | | 4 | 4 | 4 | 4 |
| 37. | 1.378.530 | Plate | | 2 | 2 | 2 | 2 |
| 38. | 79408002066 | Hex bolt M8x20 | | 4 | 4 | 4 | 4 |
| | 74900800066 | Hex nut - plastic insert M8 | | 4 | 4 | 4 | 4 |
| 39. | 1.377.076 | Hydraulic tube | | 1 | 1 | 1 | 1 |
| 40. | 1.330.772 | Hydraulic hose 1SNDN6-375 | | 4 | 4 | 4 | 4 |
| 41. | 1.378.522 | Divider | | 2 | 2 | 2 | 2 |
| 42. | 1.353.318 | Fitting - M14X1.5 /G3/8 | | 2 | 2 | 2 | 2 |
| | | | | | | | |
| 43. | 1.378.844 | Hydraulic tube | | 1 | 1 | - | - |
| 44. | 1.378.836 | T-form - TH-8-PLR | | 2 | 2 | 2 | 2 |
| 45. | 80208001666 | Hex socket head cap bolt M8x16 DIN912/8.8 | | 2 | 2 | 2 | 2 |
| | 71808000060 | Spring washer M8 DIN7980 | | 2 | 2 | 2 | 2 |
| 46. | 1.378.612 | Hydraulic tube | | 4 | 4 | 4 | 4 |
| 47. | 1.330.757 | Hydraulic hose 1SNDN6-200 | | 1 | 1 | 1 | 1 |
| 48. | 79406004566 | Hex bolt M6x45 | | 2 | 2 | 2 | 2 |
| 49. | 1.376.795 | Hydraulic hose 1SNDN6-290 | | 1 | 1 | 1 | 1 |
| 50. | 1.378.381 | Hydraulic tube L=655 | | - | - | 1 | - |
| 50. | 1.378.377 | Hydraulic tube L=294 | | - | - | - | 1 |
| 51. | 1.378.382 | Hydraulic tube L=832 | | - | - | 1 | - |
| 51. | 1.378.378 | Hydraulic tube L=471 | | - | - | - | 1 |
| 52. | 1.378.696 | Fitting - GE8PLR-ED | | 2 | 2 | 2 | 2 |
| 53. | 1.379.458 | Dual controlled check valve FPDLE 1/4 GS | →2015 | 2 | 2 | 2 | 2 |
| 53. | 1.379.458 | Dual controlled check valve FPDLE 1/4 GS | 2016→ | 3 | 3 | 3 | 3 |
| 54. | 1.379.457 | Hydraulic tube | | 2 | 2 | 2 | 2 |
| 55. | 1.379.456 | Hydraulic tube L=45 | | 2 | 2 | 2 | 2 |
| 56. | 1.373.449 | Hydraulic tube | 2016→ | 1 | 1 | 1 | 1 |
| 57. | 1.373.991 | Hydraulic tube | 2016→ | 1 | 1 | 1 | 1 |
| 58. | 1.379.776 | Orifice DIA 0,5 | | 2 | 2 | 2 | 2 |
| 59. | 1.373.488 | Hydraulic hose 1SNDN6-535 | 2016→ | 1 | 1 | 1 | 1 |
| 60. | 1.373.585 | Hydraulic hose 1SNDN6-470 | 2016→ | 1 | 1 | 1 | 1 |

Note: * Loose parts

24/A1



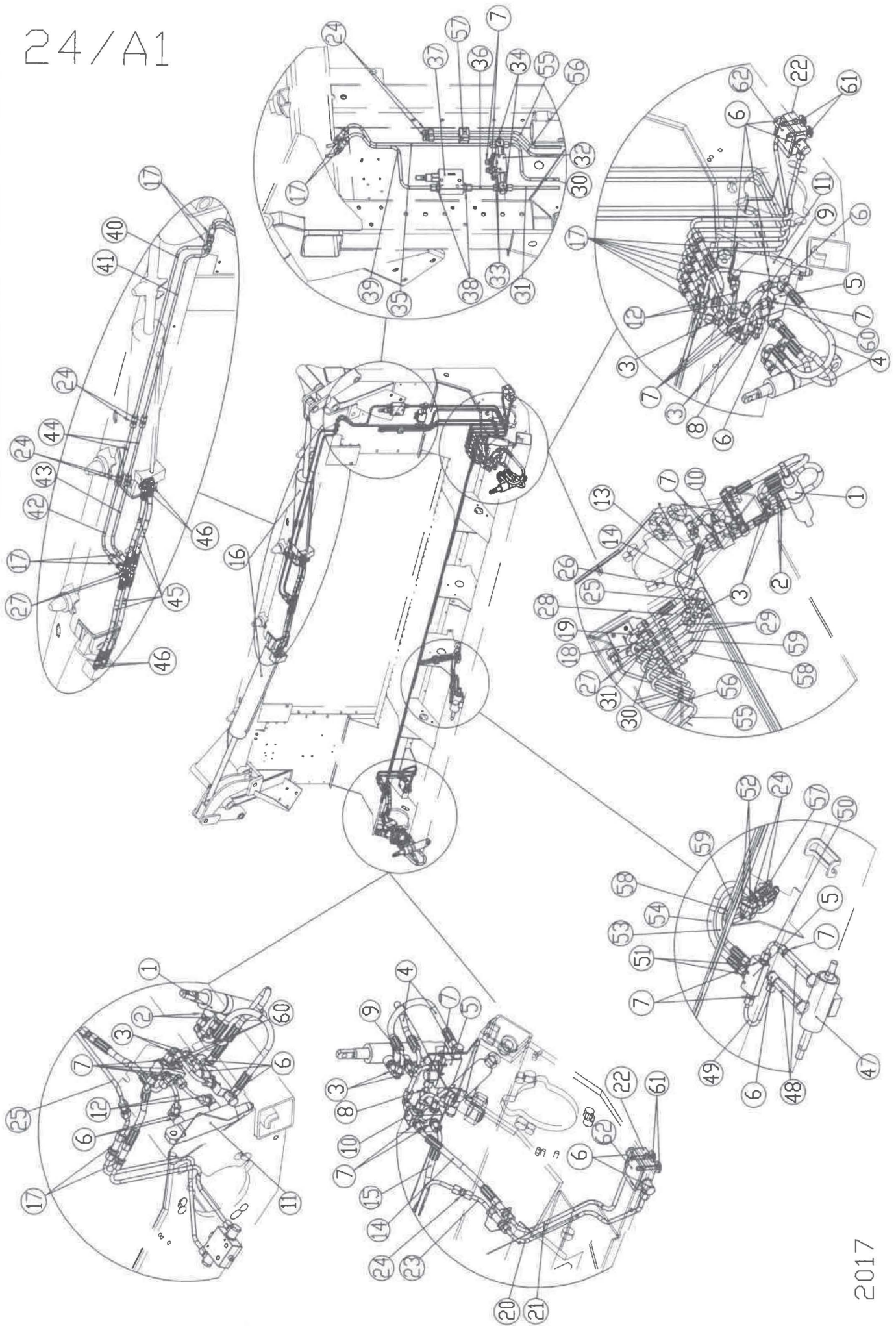
24/A1

HYDRAULIC FOLDABLE

| Ref. | Part Number | Description | 6306F | 6308F |
|------|-------------|--|-------|-------|
| 1. | 1.354.397 | Hydraulic cylinder | 2 | 2 |
| 2. | 1.309.601 | Fitting - GE-8-PSM-ED | 4 | 4 |
| 2.* | 1.310.514 | Fitting - 1 mm hole | 4 | 4 |
| 3. | 1.314.510 | Fitting - 90deg. EVW 8 PL | 10 | 10 |
| 4. | 1.379.477 | Hydraulic hose - 1SNDN6-410 | 4 | 4 |
| 5. | 1.379.458 | Dual controlled check valve - FPDLE 1/4 GS | 3 | 3 |
| 6. | 1.314.509 | Fitting - SVWE 8 PL | 15 | 15 |
| 7. | 1.375.669 | Fitting - GE8PLR-ED | 21 | 21 |
| 8. | 1.379.456 | Hydraulic tube - (L=45) | 2 | 2 |
| 9. | 1.379.457 | Hydraulic tube | 2 | 2 |
| 10. | 1.378.522 | Divider | 2 | 2 |
| 11. | 1.356.118 | Hydraulic cylinder | 2 | 2 |
| 12. | 1.378.612 | Hydraulic tube | 4 | 4 |
| 13. | 1.378.613 | Hydraulic tube | 1 | 1 |
| 14. | 1.378.619 | Hydraulic hose - 1SNDN6-262 | 2 | 2 |
| 15. | 1.330.757 | Hydraulic hose - 1SNDN6-200 | 1 | 1 |
| 16. | 1.376.278 | Hydraulic cylinder | 2 | - |
| 16. | 1.375.144 | Hydraulic cylinder | - | 2 |
| 17. | 1.308.783 | Fitting - bulkhead - HYP 160-8-575 SV8 | 12 | 12 |
| 18. | 1.373.577 | Hydraulic tube | 1 | 1 |
| 19. | 1.373.313 | Hydraulic tube | 1 | 1 |
| 20. | 1.373.315 | Hydraulic tube | 1 | 1 |
| 21. | 1.373.314 | Hydraulic tube | 1 | 1 |
| 22. | 1.378.526 | Endswitch - VFCA - 1401 | 2 | 2 |
| 23. | 1.377.076 | Hydraulic tube | 1 | 1 |
| 24. | 1.377.062 | Fitting - M14X1.5 | 9 | 9 |
| 25. | 1.375.615 | Hydraulic tube | 1 | 1 |
| 26. | 1.378.616 | Hydraulic tube | 1 | 1 |
| 27. | 1.354.511 | T-form - T8PL | 4 | 4 |
| 28. | 1.378.614 | Hydraulic tube | 1 | 1 |
| 29. | 1.377.074 | Hydraulic tube | 2 | 2 |
| 30. | 1.373.775 | Hydraulic tube | 1 | 1 |
| 31. | 1.373.774 | Hydraulic tube | 1 | 1 |
| 32. | 1.378.837 | Dual controlled check valve - FDP 1/4 | 1 | 1 |
| 33. | 79406004066 | Hex bolt - M6X40 | 2 | 2 |
| | 74906000066 | Hex nut - plastic insert - M6 - DIN982 | 2 | 2 |
| 34. | 1.378.836 | T-form - TH-8-PLR | 2 | 2 |
| 35. | 1.373.583 | Hydraulic tube | 1 | 1 |
| 36. | 1.378.844 | Hydraulic tube | 1 | 1 |
| 37. | 96703800001 | Pressure limit valve - C. VS2 3/8" | 1 | 1 |
| 38. | 1.353.318 | Fitting - M14X1.5 G3/8 | 2 | 2 |
| 39. | 1.373.584 | Hydraulic tube | 1 | 1 |
| 40. | 1.373.328 | Hydraulic tube | 1 | 1 |
| 41. | 1.373.330 | Hydraulic tube | 1 | 1 |
| 42. | 1.373.329 | Hydraulic tube | 1 | 1 |
| 43. | 1.373.331 | Hydraulic tube | 1 | 1 |
| 44. | 1.372.268 | Hydraulic tube | 2 | 2 |
| 45. | 1.330.772 | Hydraulic hose - 1SNDN6-375 | 4 | 4 |
| 46. | 1.310.514 | Fitting - 1 mm hole | 4 | 4 |
| 46.* | 1.355.481 | Fitting - 0,7 mm hole | 4 | 4 |

Note: * Loose parts

24/A1



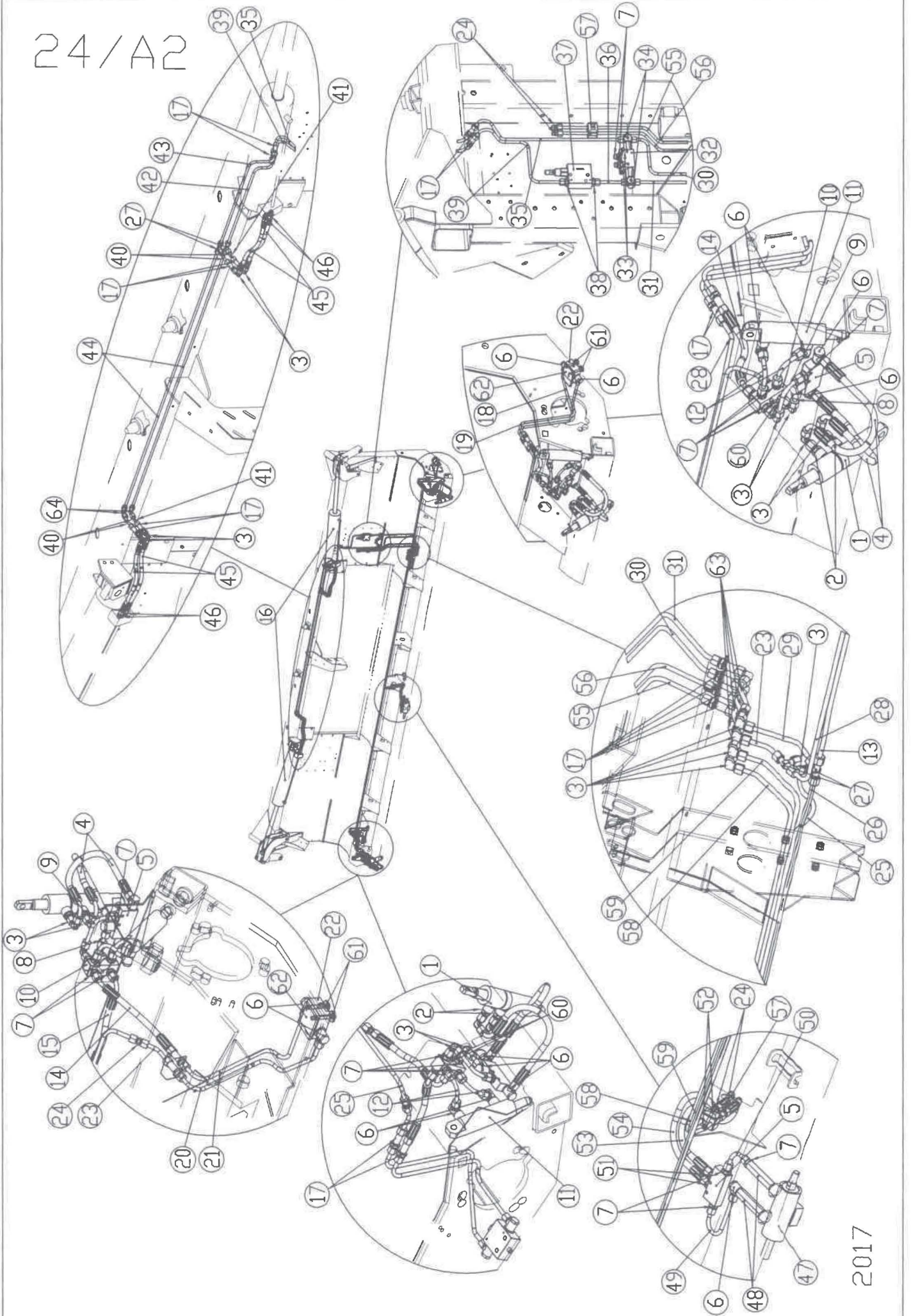
24/A1

HYDRAULIC FOLDABLE

| Ref. | Part Number | Description | | 6306F | 6308F |
|------|-------------|---|--|-------|-------|
| 47. | 1.373.725 | Hydraulic cylinder | | 1 | 1 |
| 48. | 1.378.696 | Fitting - GE8PLR-ED | | 2 | 2 |
| 49. | 1.373.449 | Hydraulic tube | | 1 | 1 |
| 50. | 1.373.991 | Hydraulic tube | | 1 | 1 |
| 51. | 1.379.776 | Orifice DIA 0,5 | | 2 | 2 |
| 52. | 79406005066 | Hex bolt - M6X50 - DIN933 | | 2 | 2 |
| | 74906000066 | Hex nut - plastic insert - M6 - DIN982 | | 2 | 2 |
| 53. | 1.373.585 | Hydraulic hose - 1SNDN6-470 | | 1 | 1 |
| 54. | 1.373.488 | Hydraulic hose - 1SNDN6-535 | | 1 | 1 |
| 55. | 1.373.777 | Hydraulic tube | | 1 | 1 |
| 56. | 1.373.776 | Hydraulic tube | | 1 | 1 |
| 57. | 1.377.061 | Clamp | | 2 | 2 |
| 58. | 1.377.072 | Hydraulic tube - (L=1501,5) | | 1 | 1 |
| 59. | 1.377.073 | Hydraulic tube - (L=1531,5) | | 1 | 1 |
| 60. | 80208001666 | Hex socket head cap bolt - M8X16 - DIN912/8.8 | | 2 | 2 |
| | 71808000060 | Spring washer - M8 - DIN7980 | | 2 | 2 |
| 61. | 79408005066 | Hex bolt - M8X50 - DIN933/8.8 | | 4 | 4 |
| | 96702378160 | Washer - M8 - DIN9021 | | 4 | 4 |
| 62. | 1.373.327 | Washer | | 2 | 2 |

Note: * Loose parts

24/A2



2017

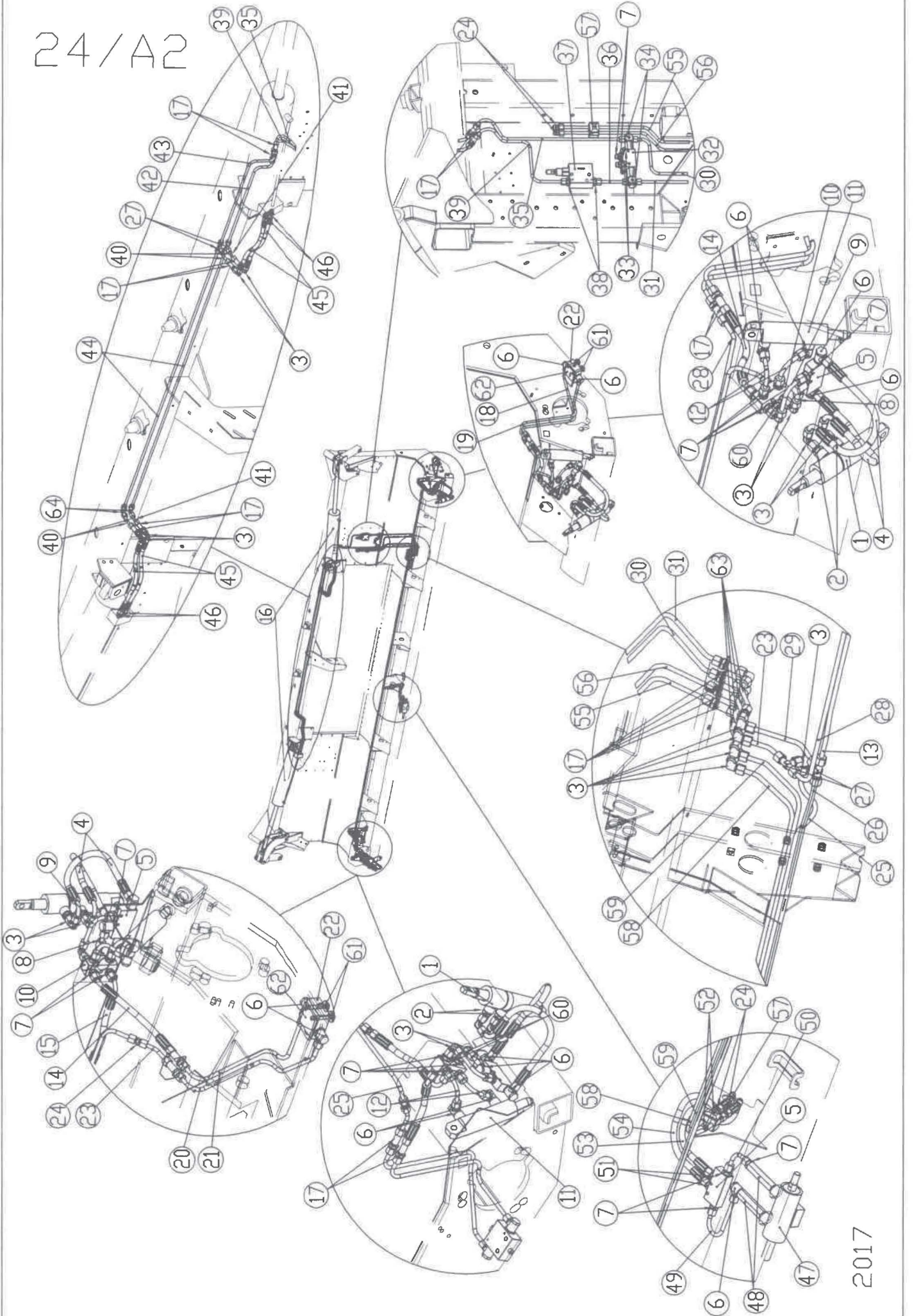
24/A2

HYDRAULIC FOLDABLE

| Ref. | Part Number | Description | 6312-70F | 6312F |
|------|-------------|--|----------|-------|
| 1. | 1.354.397 | Hydraulic cylinder | 2 | 2 |
| 2. | 1.309.601 | Fitting - GE-8-PSM-ED | 4 | 4 |
| 2.* | 1.310.514 | Fitting - 1 mm hole | 4 | 4 |
| 3. | 1.314.510 | Fitting - 90deg. EVW 8 PL | 18 | 18 |
| 4. | 1.379.477 | Hydraulic hose - 1SNDN6-410 | 4 | 4 |
| 5. | 1.379.458 | Dual controlled check valve - FPDLE 1/4 GS | 3 | 3 |
| 6. | 1.314.509 | Fitting - SVWE 8 PL | 15 | 15 |
| 7. | 1.375.669 | Fitting - GE8PLR-ED | 21 | 21 |
| 8. | 1.379.456 | Hydraulic tube - (L=45) | 2 | 2 |
| 9. | 1.379.457 | Hydraulic tube | 2 | 2 |
| 10. | 1.378.522 | Divider | 2 | 2 |
| 11. | 1.356.118 | Hydraulic cylinder | 2 | 2 |
| 12. | 1.378.612 | Hydraulic tube | 4 | 4 |
| 13. | 1.373.901 | Hydraulic tube | 1 | 1 |
| 14. | 1.378.639 | Hydraulic hose - 1SNDN6-320 | 2 | 2 |
| 15. | 1.330.757 | Hydraulic hose - 1SNDN6-200 | 1 | 1 |
| 16. | 1.378.415 | Hydraulic cylinder | 2 | 2 |
| 17. | 1.308.783 | Fitting - bulkhead - HYP 160-8-575 SV8 | 16 | 16 |
| 18. | 1.373.577 | Hydraulic tube | 1 | 1 |
| 19. | 1.373.313 | Hydraulic tube | 1 | 1 |
| 20. | 1.373.315 | Hydraulic tube | 1 | 1 |
| 21. | 1.373.314 | Hydraulic tube | 1 | 1 |
| 22. | 1.378.526 | Endswitch - VFCA - 1401 | 2 | 2 |
| 23. | 1.377.076 | Hydraulic tube | 2 | 1 |
| 24. | 1.377.062 | Fitting - M14X1.5 | 8 | 8 |
| 25. | 1.373.917 | Hydraulic tube | - | 1 |
| 25. | 1.373.903 | Hydraulic tube | 1 | - |
| 26. | 1.373.900 | Hydraulic tube | 1 | 1 |
| 27. | 1.354.511 | T-form - T8PL | 2 | 2 |
| 28. | 1.373.902 | Hydraulic tube | 1 | 1 |
| 29. | 1.373.899 | Hydraulic tube | 1 | 1 |
| 30. | 1.373.908 | Hydraulic tube | 1 | 1 |
| 31. | 1.373.907 | Hydraulic tube | 1 | 1 |
| 32. | 1.378.837 | Dual controlled check valve - FDP 1/4 | 1 | 1 |
| 33. | 79406004066 | Hex bolt - M6X40 | 2 | 2 |
| | 74906000066 | Hex nut - plastic insert - M6 - DIN982 | 2 | 2 |
| 34. | 1.378.836 | T-form - TH-8-PLR | 2 | 2 |
| 35. | 1.373.583 | Hydraulic tube | 1 | 1 |
| 36. | 1.378.844 | Hydraulic tube | 1 | 1 |
| 37. | 96703800001 | Pressure limit valve - C. VS2 3/8" | 1 | 1 |
| 38. | 1.353.318 | Fitting - M14X1.5 G3/8 | 2 | 2 |
| 39. | 1.373.584 | Hydraulic tube | 1 | 1 |
| 40. | 1.373.970 | Hydraulic tube | 4 | 2 |
| 41. | 1.373.971 | Hydraulic tube | - | 2 |
| 42. | 1.373.974 | Hydraulic tube | 1 | 1 |
| 43. | 1.373.973 | Hydraulic tube | 1 | 1 |
| 44. | 1.373.975 | Hydraulic tube | 2 | 2 |
| 45. | 1.330.772 | Hydraulic hose - 1SNDN6-375 | 4 | 4 |
| 46. | 1.310.514 | Fitting - 1 mm hole | 4 | 4 |
| 46.* | 1.355.481 | Fitting - 0,7 mm hole | 4 | 4 |

Note: * Loose parts

24/A2

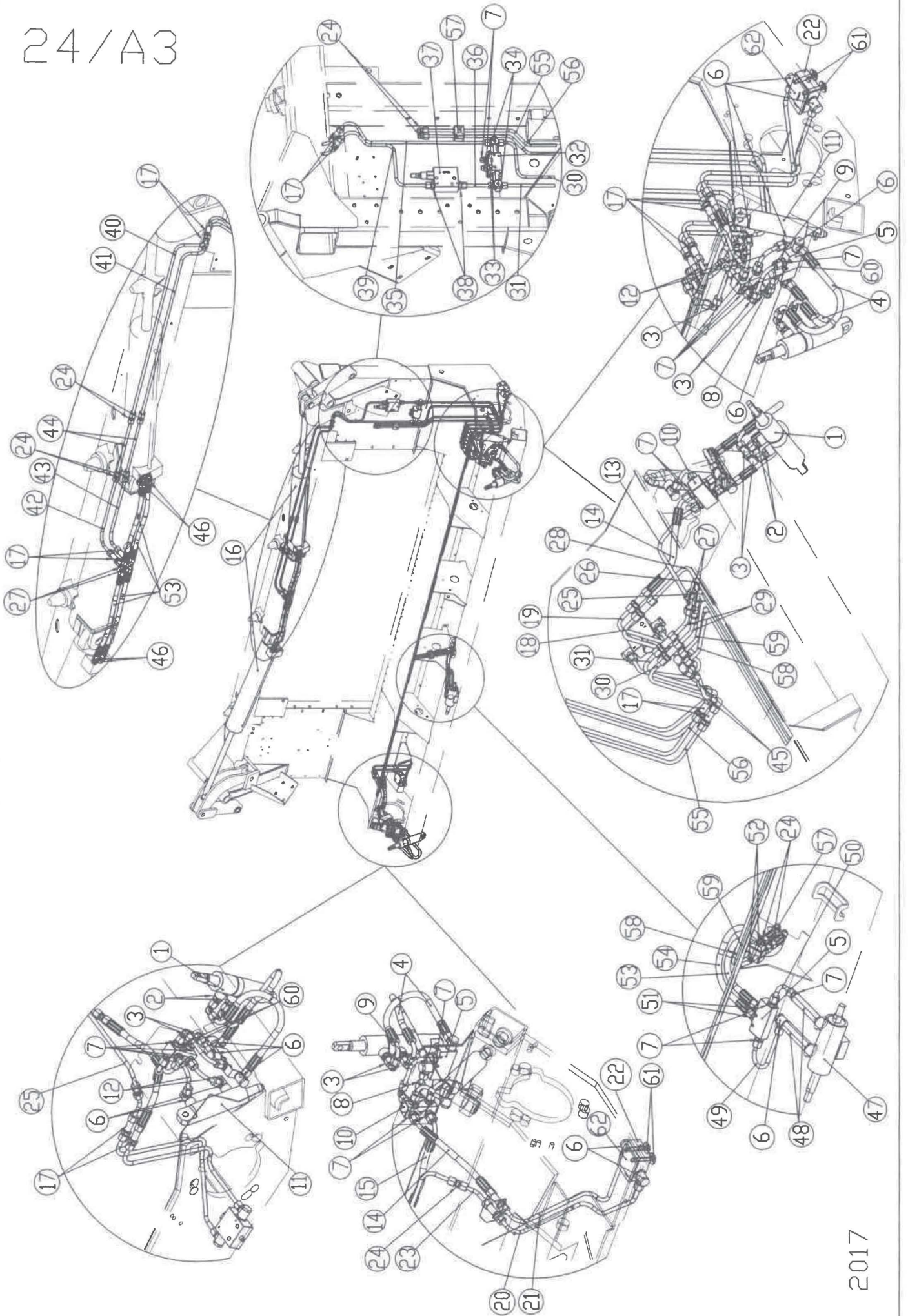


24/A2

HYDRAULIC FOLDABLE

| Ref. | Part Number | Description | 6312-70F | 6312F |
|------|-------------|---|----------|-------|
| 47. | 1.373.725 | Hydraulic cylinder | 1 | 1 |
| 48. | 1.378.696 | Fitting - GE8PLR-ED | 2 | 2 |
| 49. | 1.373.449 | Hydraulic tube | 1 | 1 |
| 50. | 1.373.991 | Hydraulic tube | 1 | 1 |
| 51. | 1.379.776 | Orifice DIA 0,5 | 2 | 2 |
| 52. | 79406005066 | Hex bolt - M6X50 - DIN933 | 2 | 2 |
| | 74906000066 | Hex nut - plastic insert - M6 - DIN982 | 2 | 2 |
| 53. | 1.373.585 | Hydraulic hose - 1SNDN6-470 | 1 | 1 |
| 54. | 1.373.488 | Hydraulic hose - 1SNDN6-535 | 1 | 1 |
| 55. | 1.379.065 | Hydraulic tube - (L=609,7) | 1 | 1 |
| 56. | 1.379.066 | Hydraulic tube - (L=610,7) | 1 | 1 |
| 57. | 1.377.061 | Clamp | 2 | 2 |
| 58. | 1.377.072 | Hydraulic tube - (L=1501,5) | - | 1 |
| 58. | 1.373.304 | Hydraulic tube | 1 | - |
| 59. | 1.377.073 | Hydraulic tube - (L=1531,5) | - | 1 |
| 59. | 1.373.305 | Hydraulic tube | 1 | - |
| 60. | 80208001666 | Hex socket head cap bolt - M8X16 - DIN912/8.8 | 2 | 2 |
| | 71808000060 | Spring washer - M8 - DIN7980 | 2 | 2 |
| 61. | 79408005066 | Hex bolt - M8X50 - DIN933/8.8 | 4 | 4 |
| | 96702378160 | Washer - M8 - DIN9021 | 4 | 4 |
| 62. | 1.373.327 | Washer | 2 | 2 |
| 63. | 1.379.067 | Hydraulic tube | 2 | 2 |
| 64. | 1.377.021 | Fitting - M14x1.5 | 2 | 2 |
| | | | | |

Note: * Loose parts

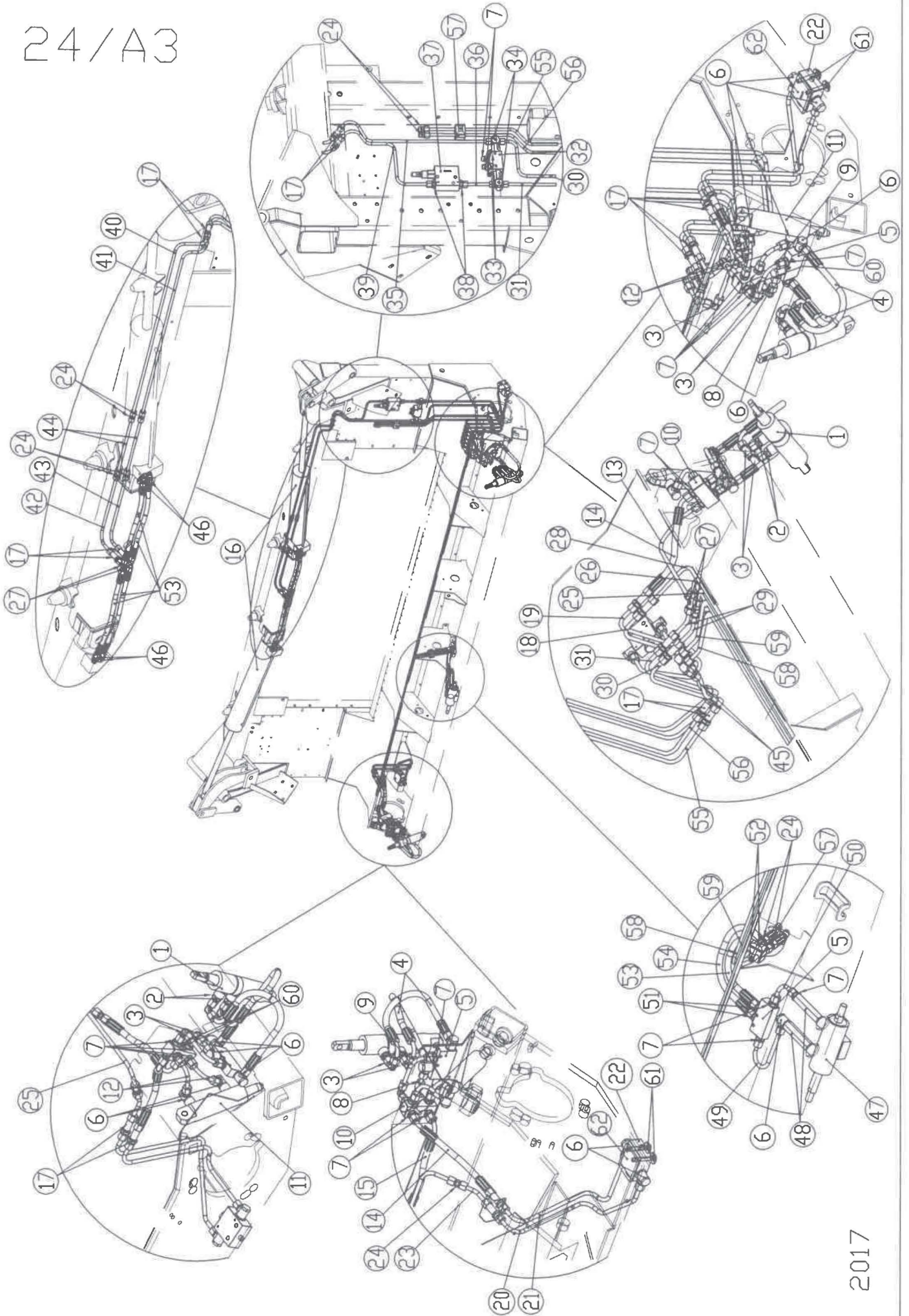


HYDRAULIC FOLDABLE

| Ref. | Part Number | Description | 6306-80F | 6308-80F |
|------|-------------|--|----------|----------|
| 1. | 1.354.397 | Hydraulic cylinder | 2 | 2 |
| 2. | 1.309.601 | Fitting - GE-8-PSM-ED | 4 | 4 |
| 2.* | 1.310.514 | Fitting - 1 mm hole | 4 | 4 |
| 3. | 1.314.510 | Fitting - 90deg. EVW 8 PL | 14 | 14 |
| 4. | 1.379.477 | Hydraulic hose - 1SNDN6-410 | 4 | 4 |
| 5. | 1.379.458 | Dual controlled check valve - FPDLE 1/4 GS | 3 | 3 |
| 6. | 1.314.509 | Fitting - SVWE 8 PL | 15 | 15 |
| 7. | 1.375.669 | Fitting - GE8PLR-ED | 19 | 19 |
| 8. | 1.379.456 | Hydraulic tube - (L=45) | 2 | 2 |
| 9. | 1.379.457 | Hydraulic tube | 2 | 2 |
| 10. | 1.378.522 | Divider | 2 | 2 |
| 11. | 1.356.118 | Hydraulic cylinder | 2 | 2 |
| 12. | 1.378.612 | Hydraulic tube | 4 | 4 |
| 13. | 1.373.576 | Hydraulic tube | 1 | 1 |
| 14. | 1.378.619 | Hydraulic hose - 1SNDN6-262 | 1 | 1 |
| 15. | 1.330.757 | Hydraulic hose - 1SNDN6-200 | 1 | 1 |
| 16. | 1.376.278 | Hydraulic cylinder | - | - |
| 16. | 1.375.144 | Hydraulic cylinder | - | 2 |
| 17. | 1.308.783 | Fitting - bulkhead - HYP 160-8-575 SV8 | 12 | 12 |
| 18. | 1.373.577 | Hydraulic tube | 1 | 1 |
| 19. | 1.373.313 | Hydraulic tube | 1 | 1 |
| 20. | 1.373.315 | Hydraulic tube | 1 | 1 |
| 21. | 1.373.314 | Hydraulic tube | 1 | 1 |
| 22. | 1.378.526 | Endswitch - VFCA - 1401 | 2 | 2 |
| 23. | 1.377.076 | Hydraulic tube | 1 | 1 |
| 24. | 1.377.062 | Fitting - M14X1.5 | 12 | 12 |
| 25. | 1.373.578 | Hydraulic tube | 1 | 1 |
| 26. | 1.373.579 | Hydraulic tube | 1 | 1 |
| 27. | 1.354.511 | T-form - T8PL | 4 | 4 |
| 28. | 1.373.580 | Hydraulic tube | 1 | 1 |
| 29. | 1.377.074 | Hydraulic tube | 1 | 1 |
| 30. | 1.373.582 | Hydraulic tube | 1 | 1 |
| 31. | 1.373.581 | Hydraulic tube | 1 | 1 |
| 32. | 1.378.837 | Dual controlled check valve - FDP 1/4 | 1 | 1 |
| 33. | 79406004066 | Hex bolt - M6X40 | 2 | 2 |
| | 74906000066 | Hex nut - plastic insert - M6 - DIN982 | 2 | 2 |
| 34. | 1.378.836 | T-form - TH-8-PLR | 2 | 2 |
| 35. | 1.373.583 | Hydraulic tube | 1 | 1 |
| 36. | 1.378.844 | Hydraulic tube | 1 | 1 |
| 37. | 96703800001 | Pressure limit valve - C. VS2 3/8" | 1 | 1 |
| 38. | 1.353.318 | Fitting - M14X1.5 G3/8 | 2 | 2 |
| 39. | 1.373.584 | Hydraulic tube | 1 | 1 |
| 40. | 1.373.328 | Hydraulic tube | 1 | 1 |
| 41. | 1.373.330 | Hydraulic tube | 1 | 1 |
| 42. | 1.373.329 | Hydraulic tube | 1 | 1 |
| 43. | 1.373.331 | Hydraulic tube | 1 | 1 |
| 44. | 1.372.268 | Hydraulic tube | 2 | 2 |
| 45. | 1.379.067 | Hydraulic tube | 2 | 2 |
| 46. | 1.310.514 | Fitting - 1 mm hole | 4 | 4 |
| 46.* | 1.355.481 | Fitting - 0,7 mm hole | 4 | 4 |

Note: * Loose parts

24/A3



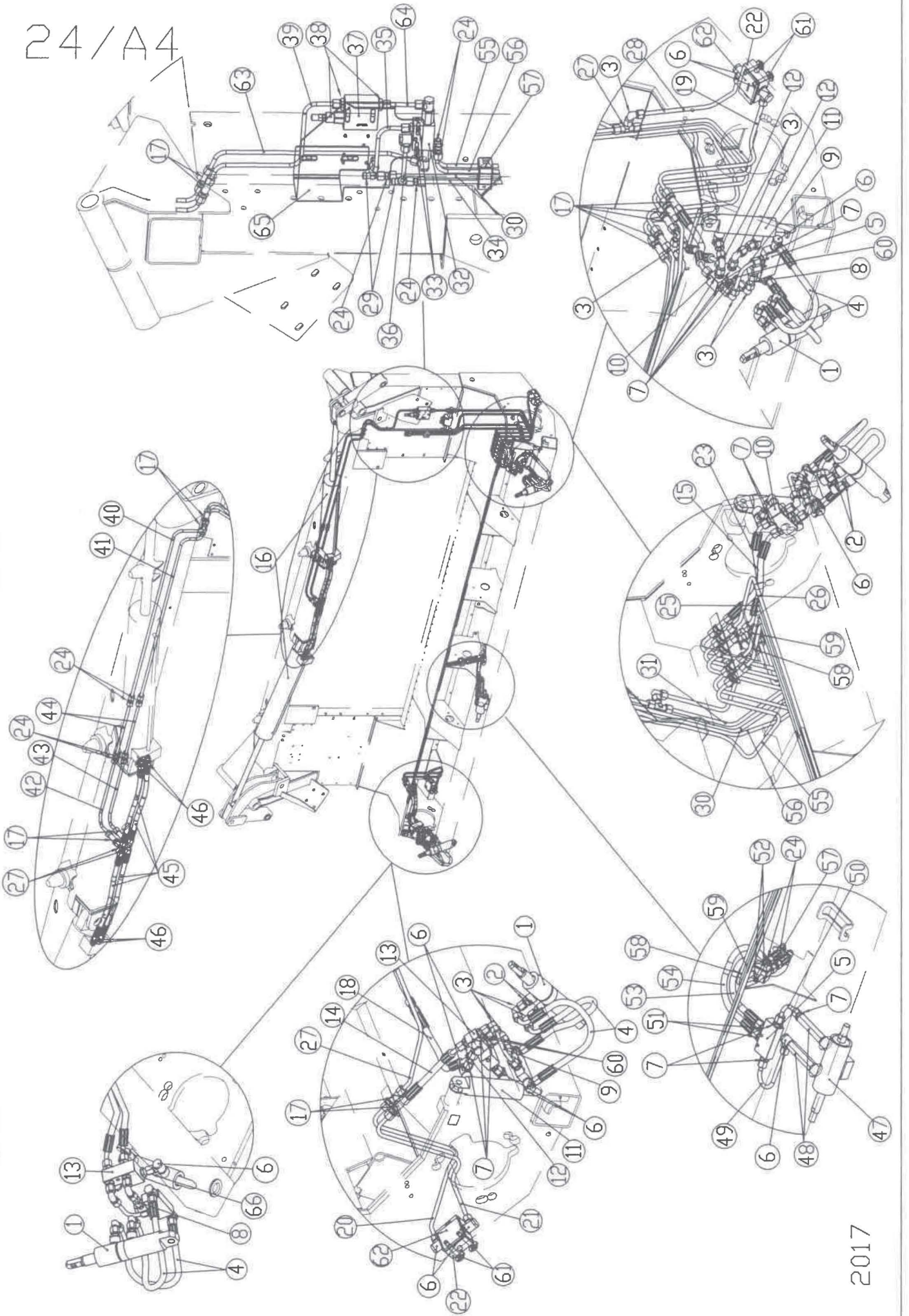
24/A3

HYDRAULIC FOLDABLE

| Ref. | Part Number | Description | | 6306-80F | 6308-80F |
|------|-------------|---|--|----------|----------|
| 47. | 1.373.725 | Hydraulic cylinder | | 1 | 1 |
| 48. | 1.378.696 | Fitting - GE8PLR-ED | | 2 | 2 |
| 49. | 1.373.449 | Hydraulic tube | | 1 | 1 |
| 50. | 1.373.991 | Hydraulic tube | | 1 | 1 |
| 51. | 1.379.776 | Orifice DIA 0,5 | | 2 | 2 |
| 52. | 79406005066 | Hex bolt - M6X50 - DIN933 | | 2 | 2 |
| | 74906000066 | Hex nut - plastic insert - M6 - DIN982 | | 2 | 2 |
| 53. | 1.373.585 | Hydraulic hose - 1SNDN6-470 | | 5 | 5 |
| 54. | 1.373.488 | Hydraulic hose - 1SNDN6-535 | | 1 | 1 |
| 55. | 1.379.065 | Hydraulic tube - (L=609,7) | | 1 | 1 |
| 56. | 1.379.066 | Hydraulic tube - (L=610,7) | | 1 | 1 |
| 57. | 1.377.061 | Clamp | | 2 | 2 |
| 58. | 1.377.072 | Hydraulic tube - (L=1501,5) | | 1 | 1 |
| 59. | 1.377.073 | Hydraulic tube - (L=1531,5) | | 1 | 1 |
| 60. | 80208001666 | Hex socket head cap bolt - M8X16 - DIN912/8.8 | | 2 | 2 |
| | 71808000060 | Spring washer - M8 - DIN7980 | | 2 | 2 |
| 61. | 79408005066 | Hex bolt - M8X50 - DIN933/8.8 | | 4 | 4 |
| | 96702378160 | Washer - M8 - DIN9021 | | 4 | 4 |
| 62. | 1.373.327 | Washer | | 2 | 2 |
| | | | | | |

Note: * Loose parts

24/A4



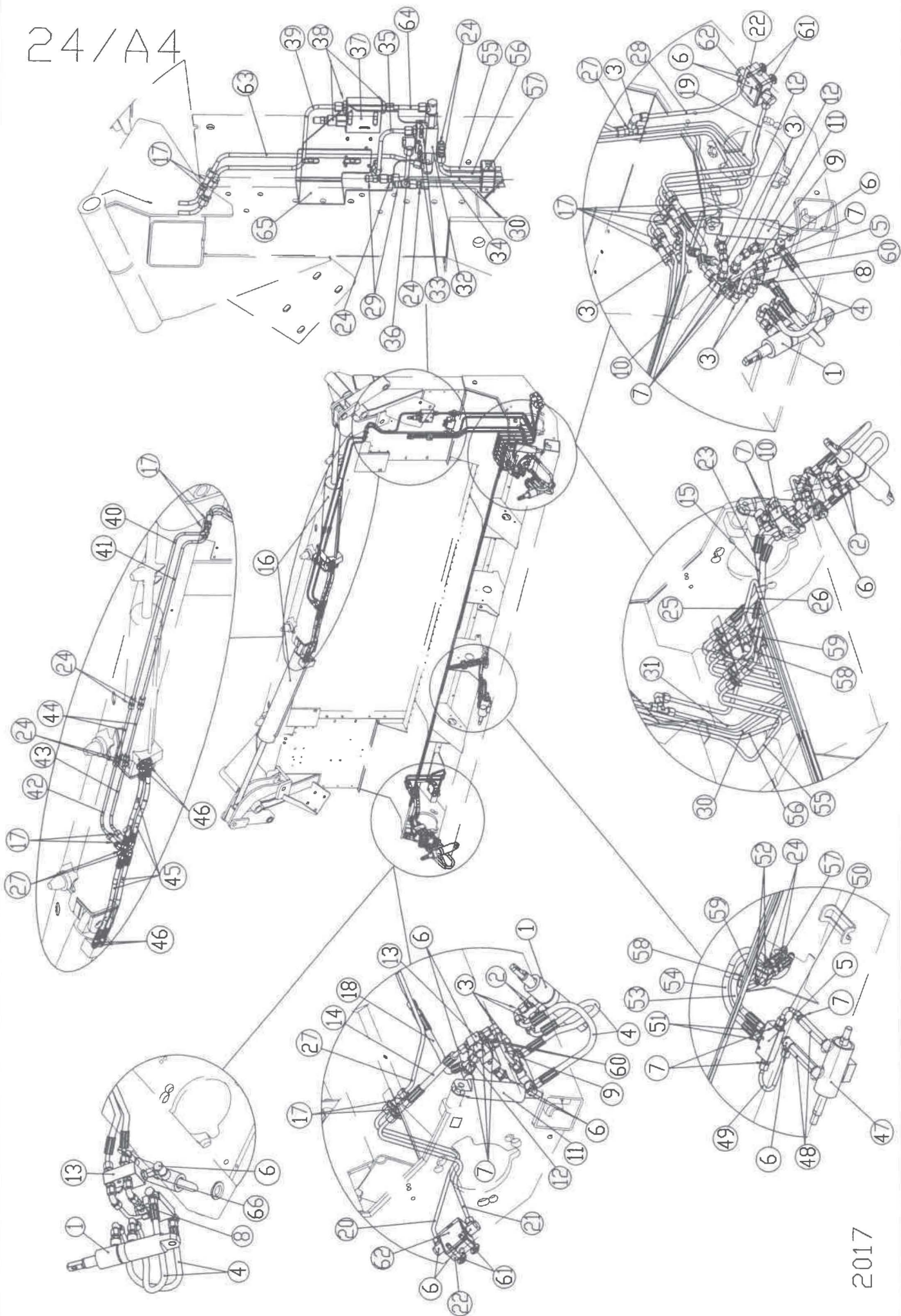
24/A4

HYDRAULIC FOLDABLE

| Ref. | Part Number | Description | 6306-70F | 6308-70F |
|------|-------------|--|----------|----------|
| 1. | 1.354.397 | Hydraulic cylinder | 2 | 2 |
| 2. | 1.309.601 | Fitting - GE-8-PSM-ED | 4 | 4 |
| 2.* | 1.310.514 | Fitting - 1 mm hole | 4 | 4 |
| 3. | 1.314.510 | Fitting - 90deg. EVW 8 PL | 13 | 13 |
| 4. | 1.379.477 | Hydraulic hose - 1SNDN6-410 | 4 | 4 |
| 5. | 1.379.458 | Dual controlled check valve - FPDLE 1/4 GS | 3 | 3 |
| 6. | 1.314.509 | Fitting - SVWE 8 PL | 19 | 19 |
| 7. | 1.375.669 | Fitting - GE8PLR-ED | 18 | 18 |
| 8. | 1.379.456 | Hydraulic tube - (L=45) | 2 | 2 |
| 9. | 1.379.457 | Hydraulic tube | 2 | 2 |
| 10. | 1.378.522 | Divider | 1 | 1 |
| 11. | 1.356.118 | Hydraulic cylinder | 2 | 2 |
| 12. | 1.373.326 | Hydraulic tube | 3 | 3 |
| 13. | 1.373.311 | Divider | 1 | 1 |
| 14. | 1.378.619 | Hydraulic hose - 1SNDN6-320 M14x1.5/45 | 1 | 1 |
| 15. | 1.373.310 | Hydraulic hose - 1SNDN6-232 M14x1.5 | 1 | 1 |
| 16. | 1.376.278 | Hydraulic cylinder | 2 | - |
| 16. | 1.375.144 | Hydraulic cylinder | - | 2 |
| 17. | 1.308.783 | Fitting - bulkhead - HYP 160-8-575 SV8 | 11 | 11 |
| 18. | 1.373.308 | Hydraulic hose - 1SNDN6-299 M14x1.5/45 | 1 | 1 |
| 19. | 1.373.313 | Hydraulic tube | 1 | 1 |
| 20. | 1.373.315 | Hydraulic tube | 1 | 1 |
| 21. | 1.373.314 | Hydraulic tube | 1 | 1 |
| 22. | 1.378.526 | Endswitch - VFCA - 1401 | 2 | 2 |
| 23. | 1.373.309 | Hydraulic hose - 1SNDN6-276 M14x1.5/45 | 1 | 1 |
| 24. | 1.377.062 | Fitting - M14X1.5 | 11 | 11 |
| 25. | 1.373.306 | Hydraulic tube | 1 | 1 |
| 26. | 1.373.307 | Hydraulic tube | 1 | 1 |
| 27. | 1.354.511 | T-form - T8PL | 3 | 3 |
| 28. | 1.373.312 | Hydraulic tube | 1 | 1 |
| 29. | 1.329.316 | T-form - EL8PL | 2 | 2 |
| 30. | 1.373.318 | Hydraulic tube | 1 | 1 |
| 31. | 1.373.319 | Hydraulic tube | 1 | 1 |
| 32. | 1.378.837 | Dual controlled check valve - FDP 1/4 | 1 | 1 |
| 33. | 79406004066 | Hex bolt - M6X40 | 2 | 2 |
| | 74906000066 | Hex nut - plastic insert - M6 - DIN982 | 2 | 2 |
| 34. | 1.373.320 | Hydraulic tube | 1 | 1 |
| 35. | 1.373.325 | Hydraulic tube | 1 | 1 |
| 36. | 1.373.323 | Hydraulic tube | 1 | 1 |
| 37. | 96703800001 | Pressure limit valve - C. VS2 3/8" | 1 | 1 |
| 38. | 1.353.318 | Fitting - M14X1.5 G3/8 | 2 | 2 |
| 39. | 1.373.324 | Hydraulic tube | 1 | 1 |
| 40. | 1.373.328 | Hydraulic tube | 1 | 1 |
| 41. | 1.373.330 | Hydraulic tube | 1 | 1 |
| 42. | 1.373.329 | Hydraulic tube | 1 | 1 |
| 43. | 1.373.331 | Hydraulic tube | 1 | 1 |
| 44. | 1.372.268 | Hydraulic tube | 2 | 2 |
| 45. | 1.373.332 | Hydraulic hose - 1SNDN6-220 M14x1.5 | 4 | 4 |
| 46. | 1.310.514 | Fitting - 1 mm hole | 4 | 4 |
| 46.* | 1.355.481 | Fitting - 0,7 mm hole | 4 | 4 |

Note: * Loose parts

24/A4



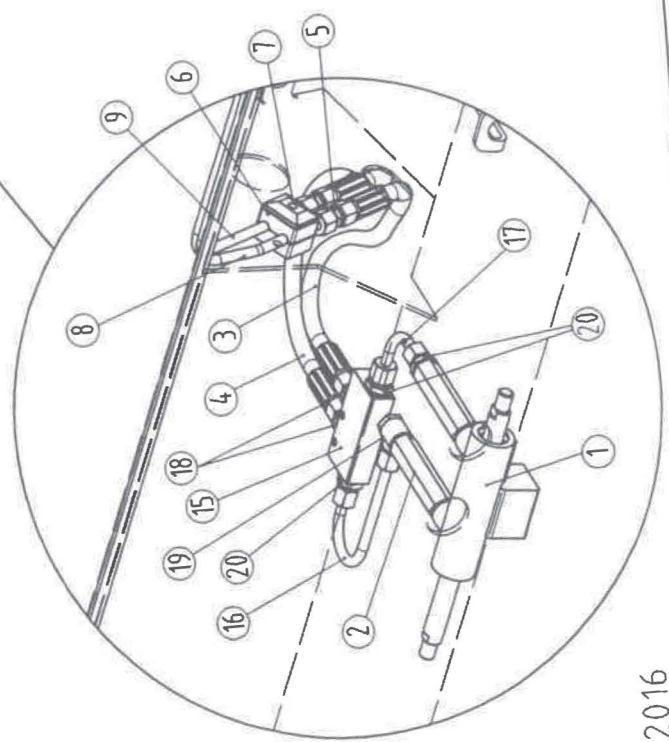
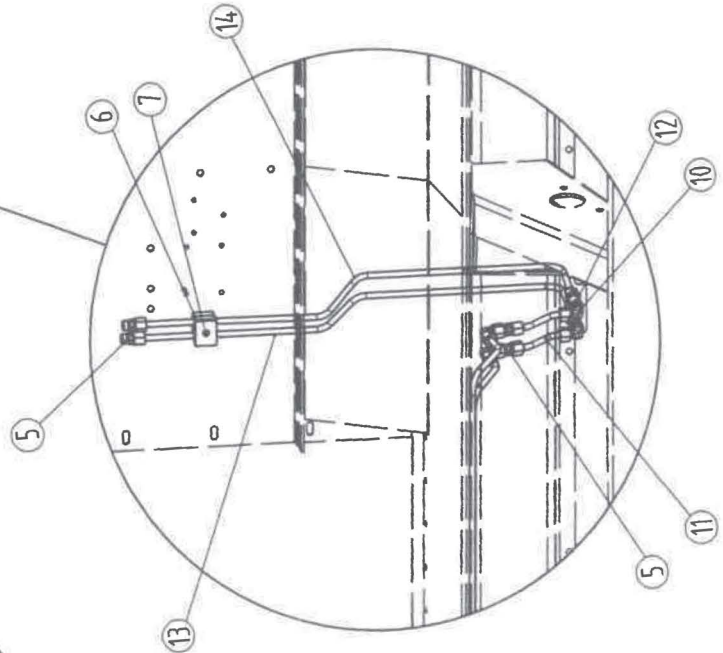
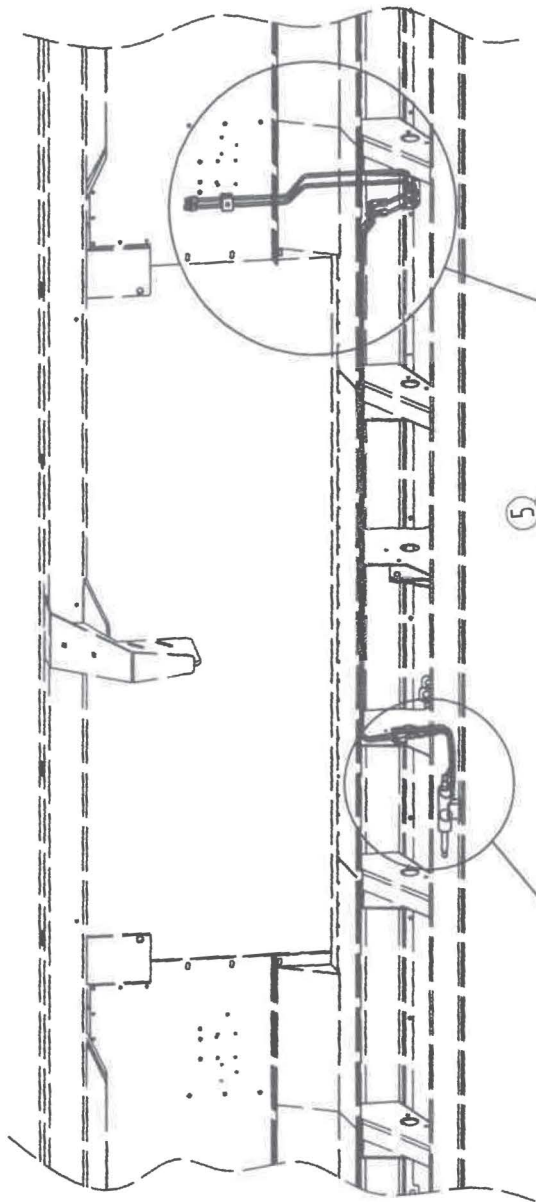
24/A4

HYDRAULIC FOLDABLE

| Ref. | Part Number | Description | 6306-70F | 6308-70F |
|------|-------------|---|----------|----------|
| 47. | 1.373.725 | Hydraulic cylinder | 1 | 1 |
| 48. | 1.378.696 | Fitting - GE8PLR-ED | 2 | 2 |
| 49. | 1.373.449 | Hydraulic tube | 1 | 1 |
| 50. | 1.373.991 | Hydraulic tube | 1 | 1 |
| 51. | 1.379.776 | Orifice DIA 0,5 | 2 | 2 |
| 52. | 79406005066 | Hex bolt - M6X50 - DIN933 | 3 | 3 |
| | 74906000066 | Hex nut - plastic insert - M6 - DIN982 | 3 | 3 |
| 53. | 1.373.585 | Hydraulic hose - 1SNDN6-470 | 1 | 1 |
| 54. | 1.373.488 | Hydraulic hose - 1SNDN6-535 | 1 | 1 |
| 55. | 1.373.316 | Hydraulic tube | 1 | 1 |
| 56. | 1.373.317 | Hydraulic tube | 1 | 1 |
| 57. | 1.377.061 | Clamp | 3 | 3 |
| 58. | 1.373.304 | Hydraulic tube | 1 | 1 |
| 59. | 1.373.305 | Hydraulic tube | 1 | 1 |
| 60. | 80208001666 | Hex socket head cap bolt - M8X16 - DIN912/8.8 | 2 | 2 |
| | 71808000060 | Spring washer - M8 - DIN7980 | 2 | 2 |
| 61. | 79408005066 | Hex bolt - M8X50 - DIN933/8.8 | 4 | 4 |
| | 96702378160 | Washer - M8 - DIN9021 | 4 | 4 |
| 62. | 1.373.327 | Washer | 2 | 2 |
| 63. | 1.373.321 | Hydraulic tube | 1 | 1 |
| 64. | 1.373.322 | Hydraulic tube | 1 | 1 |
| 65. | 1.373.618 | Support plate | 1 | 1 |
| 66. | 1.355.187 | Fitting - EGE-8-LR-ED | 1 | 1 |
| | | | | |

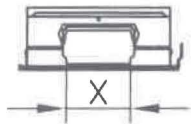
Note: * Loose parts

24/B



HYDRAULIC RIGID (2014→)

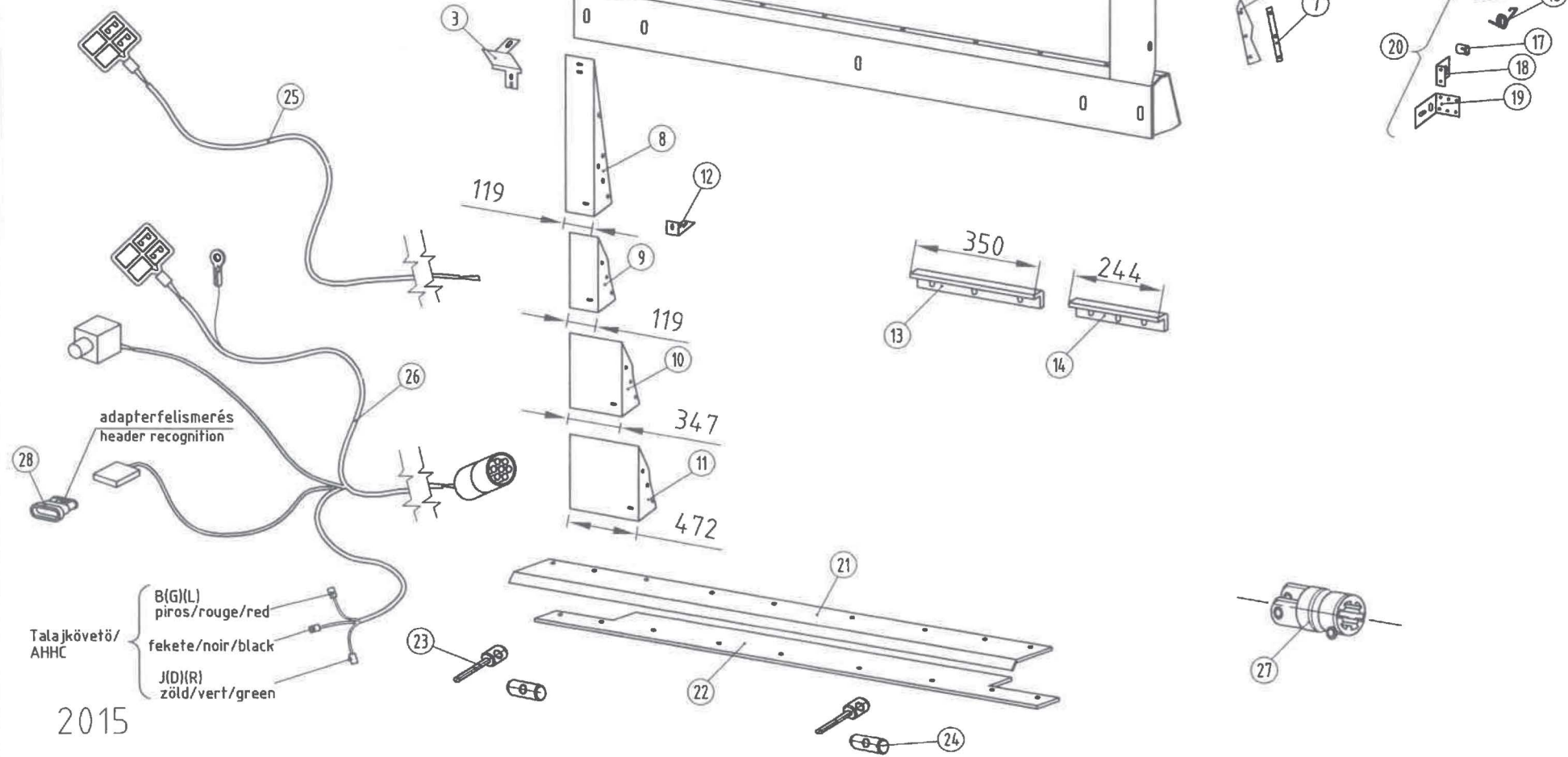
| Ref. | Part Number | Description | | 6306 | 6308 | 6312 | 6108 6208 | 6112 6212 | 6316 |
|------|-------------|--|-------|------|------|------|--------------|--------------|------|
| 1. | 1.376.104 | Hydraulic cylinder | →2015 | 1 | 1 | 1 | 1 | 1 | 1 |
| 1. | 1.373.725 | Hydraulic cylinder | 2016→ | 1 | 1 | 1 | 1 | 1 | 1 |
| 2. | 1.378.696 | Fitting - GE8PLR-ED | | 2 | 2 | 2 | 2 | 2 | 2 |
| 3. | 1.376.795 | Hydraulic hose 1SNDN6-290 | →2015 | 1 | 1 | 1 | 1 | 1 | 1 |
| 3. | 1.373.585 | Hydraulic hose 1SNDN6-470 | 2016→ | 1 | 1 | 1 | 1 | 1 | 1 |
| 4. | 1.330.772 | Hydraulic hose 1SNDN6-375 | →2015 | 1 | 1 | 1 | 1 | 1 | 1 |
| 4. | 1.373.488 | Hydraulic hose 1SNDN6-535 | 2016→ | 1 | 1 | 1 | 1 | 1 | 1 |
| 5. | 1.377.062 | Fitting - M14X1.5 | | 4 | 4 | 4 | 6 | 6 | 6 |
| 6. | 1.377.061 | Clamp | | 2 | 2 | 2 | 2 | 2 | 2 |
| 7. | 79406005066 | Hex bolt M6x50 | | 2 | 2 | 2 | 2 | 2 | 2 |
| - | 74900600066 | Hex nut - plastic insert M6 | | 2 | 2 | 2 | 2 | 2 | 2 |
| 8. | 1.377.073 | Hydraulic tube L=1531,5 | | 1 | 1 | 1 | - | - | 1 |
| 8. | 1.379.679 | Hydraulic tube L=1430,5 | | - | - | - | 1 | 1 | - |
| 9. | 1.377.072 | Hydraulic tube L=1501,5 | | 1 | 1 | 1 | - | - | 1 |
| 9. | 1.379.678 | Hydraulic tube L=1400,5 | | - | - | - | 1 | 1 | - |
| 10. | 1.314.510 | Fitting - 90deg. EVW 8 PL | | - | - | - | 4 | 4 | 4 |
| 11. | 1.379.067 | Hydraulic tube | | - | - | - | 2 | 2 | 2 |
| 12. | 1.308.783 | Fitting - bulkhead HYP 160-8-575 SV8 | | 2 | 2 | 2 | 2 | 2 | 2 |
| 13. | 1.379.065 | Hydraulic tube L=609,7 | | - | - | - | 1 | 1 | 1 |
| 13. | 1.377.065 | Hydraulic tube | | 1 | 1 | - | - | - | - |
| 13. | 1.378.637 | Hydraulic tube | | - | - | 1 | - | - | - |
| 14. | 1.379.066 | Hydraulic tube L=610,7 | | - | - | - | 1 | 1 | 1 |
| 14. | 1.377.066 | Hydraulic tube | | 1 | 1 | - | - | - | - |
| 14. | 1.378.638 | Hydraulic tube | | - | - | 1 | - | - | - |
| 15. | 1.379.458 | Dual controlled check valve FPDLE 1/4 GS | 2016→ | 1 | 1 | 1 | 1 | 1 | 1 |
| 16. | 1.373.449 | Hydraulic tube | 2016→ | 1 | 1 | 1 | 1 | 1 | 1 |
| 17. | 1.373.991 | Hydraulic tube | 2016→ | 1 | 1 | 1 | 1 | 1 | 1 |
| 18. | 1.379.776 | Orifice DIA 0,5 | | 2 | 2 | 2 | 2 | 2 | 2 |
| 19. | 1.314.509 | Fitting - SVWE8PL | 2016→ | 1 | 1 | 1 | 1 | 1 | 1 |
| 20. | 1.375.669 | Fitting - GE8PLR-ED | 2016→ | 3 | 3 | 3 | 3 | 3 | 3 |



1.329.215

25/A

- NH CR970-980 — 1100
- NH CR920-940-960 — 843
- Case AFX - NH TR — 1194



2015

Talajkövető/
AHHC

- B(G)(L)
piros/rouge/red
- fekeete/noir/black
- J(D)(R)
zöld/vert/green

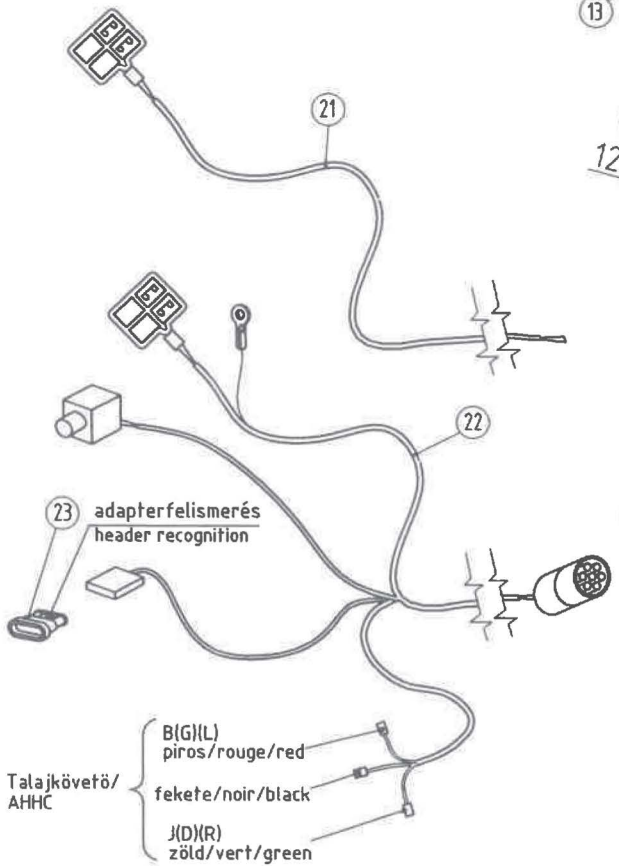
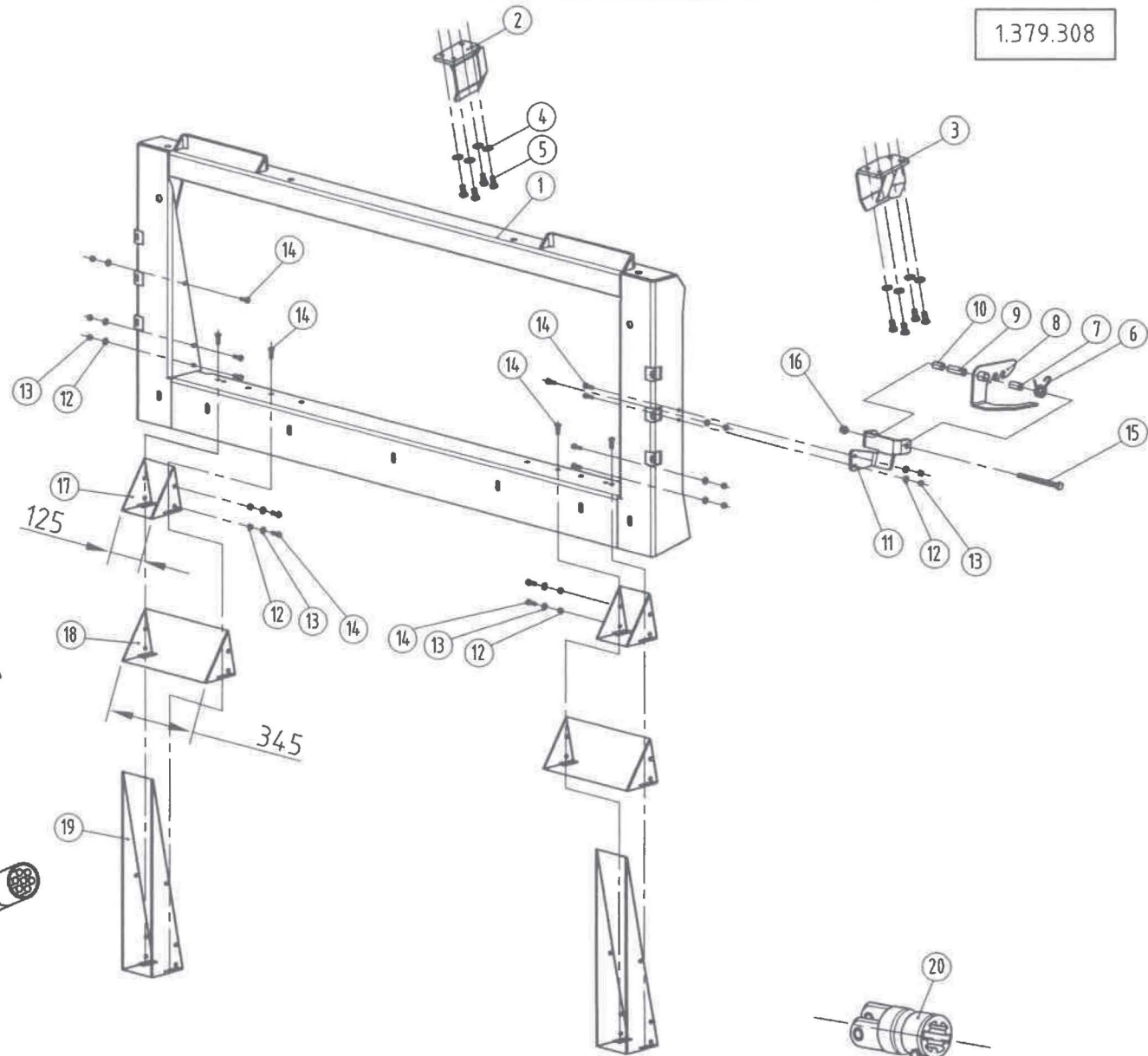
**MOUNTING KIT: CNH CX, CR, TR, CASE AFX (2010-2015. FOLDING;
FIXED 2011-2015)**

| Ref. | Part Number | Description | | 6-8R | 12-16R |
|------|-------------|--|------------|------|--------|
| 1. | 1.329.216 | Frame assy | | 1 | 1 |
| 2. | 1.326.285 | Inlet - left NH TR | | 1 | 1 |
| 2. | 1.326.286 | Inlet - right NH TR | | 1 | 1 |
| 3. | 1.329.238 | Inlet - left for NH TR | | 1 | 1 |
| 3. | 1.329.239 | Inlet - right for NH TR | | 1 | 1 |
| 4. | 1.328.547 | Rubber plate | | 2 | 2 |
| 5. | 1.328.548 | Flat iron | | 2 | 2 |
| 6. | 1.329.254 | Rubber plate | | 2 | 2 |
| 7. | 1.329.255 | Flat iron | | 2 | 2 |
| 8. | 1.329.236 | Inlet - left l=119 for NH TR | | 1 | 1 |
| 8. | 1.329.237 | Inlet - right l=119 for NH TR | | 1 | 1 |
| 9. | 1.329.240 | Inlet - left l=119 for NH AFX | | 1 | 1 |
| 9. | 1.329.241 | Inlet - right l=119 for NH AFX | | 1 | 1 |
| 10. | 1.329.242 | Inlet - left l=347 for NH CR970-980 | | 1 | 1 |
| 10. | 1.329.243 | Inlet - right l=347 for NH CR970-980 | | 1 | 1 |
| 11. | 1.329.244 | Inlet - left l=472 for NH CR920-940-960 | | 1 | 1 |
| 11. | 1.329.245 | Inlet - right l=472 for NH CR920-940-960 | | 1 | 1 |
| 12. | 1.329.235 | Support | | 2 | 2 |
| 13. | 1.329.294 | Angle - for NH TR | | - | - |
| 13. | 1.329.294 | Angle - for AFX | | - | - |
| 13. | 1.329.294 | Angle - for NH CR970-980 | →2013 | 1 | 1 |
| 13. | 1.379.632 | Angle - for NH CR970-980 | 2014→ | 1 | 1 |
| 13. | 1.329.294 | Angle - for NH CR920-940-960 | →2013 | 2 | 2 |
| 13. | 1.379.632 | Angle - for NH CR920-940-960 | 2014→ | 2 | 2 |
| 14. | 1.329.295 | Angle - for NH TR | →2013 | 2 | 2 |
| 14. | 1.379.631 | Angle - for NH TR | 2014→ | 2 | 2 |
| 14. | 1.329.295 | Angle - for AFX | →2013 | 2 | 2 |
| 14. | 1.379.631 | Angle - for AFX | 2014→ | 2 | 2 |
| 14. | 1.329.295 | Angle - for NH CR970-980 | | - | - |
| 14. | 1.329.295 | Angle - for NH CR920-940-960 | →2013 | 2 | 2 |
| 14. | 1.379.631 | Angle - for NH CR920-940-960 | 2014→ | 2 | 2 |
| 15. | 1.329.247 | Arm assy | | 1 | 1 |
| 16. | 1.329.253 | Spring | | 1 | 1 |
| 17. | 1.329.250 | Bushing | | 1 | 1 |
| 18. | 1.329.251 | Support plate | | 1 | 1 |
| 19. | 1.329.296 | Support | | 1 | 1 |
| 20. | 1.329.246 | Support assy NH | | 1 | 1 |
| 21. | 1.329.233 | Flat iron | | 1 | 1 |
| 22. | 1.329.234 | Rubber plate | | 1 | 1 |
| 23. | 1.327.601 | Retainer - for NH TR only | | 2 | 2 |
| 24. | 1.327.536 | Pin - for NH TR only | | 2 | 2 |
| 25. | 1.327.638 | Wire | | 1 | 1 |
| 26. | 1.353.422 | Wire CASE AFX, NH CR (see note below!) | | 1 | 1 |
| 26. | 1.353.561 | Wire CASE AFX, NH CR (see note below!) | | 1 | 1 |
| 27. | 1.327.663 | Yoke - 6spline (P400) | | 2 | 2 |
| 27. | 1.327.488 | Yoke - 6spline (P500) | 2016-2017. | - | 2 |
| 28. | 1.332.458 | Header recognizer | 2014→ | 1 | 1 |
| | | | | | |

Note for item: 26.- 1.353.422 is for those machines which have hydraulic snapping plate adjustment
26.- 1.353.561 is for those machines which have electric snapping plate adjustment

1.379.308

25/B



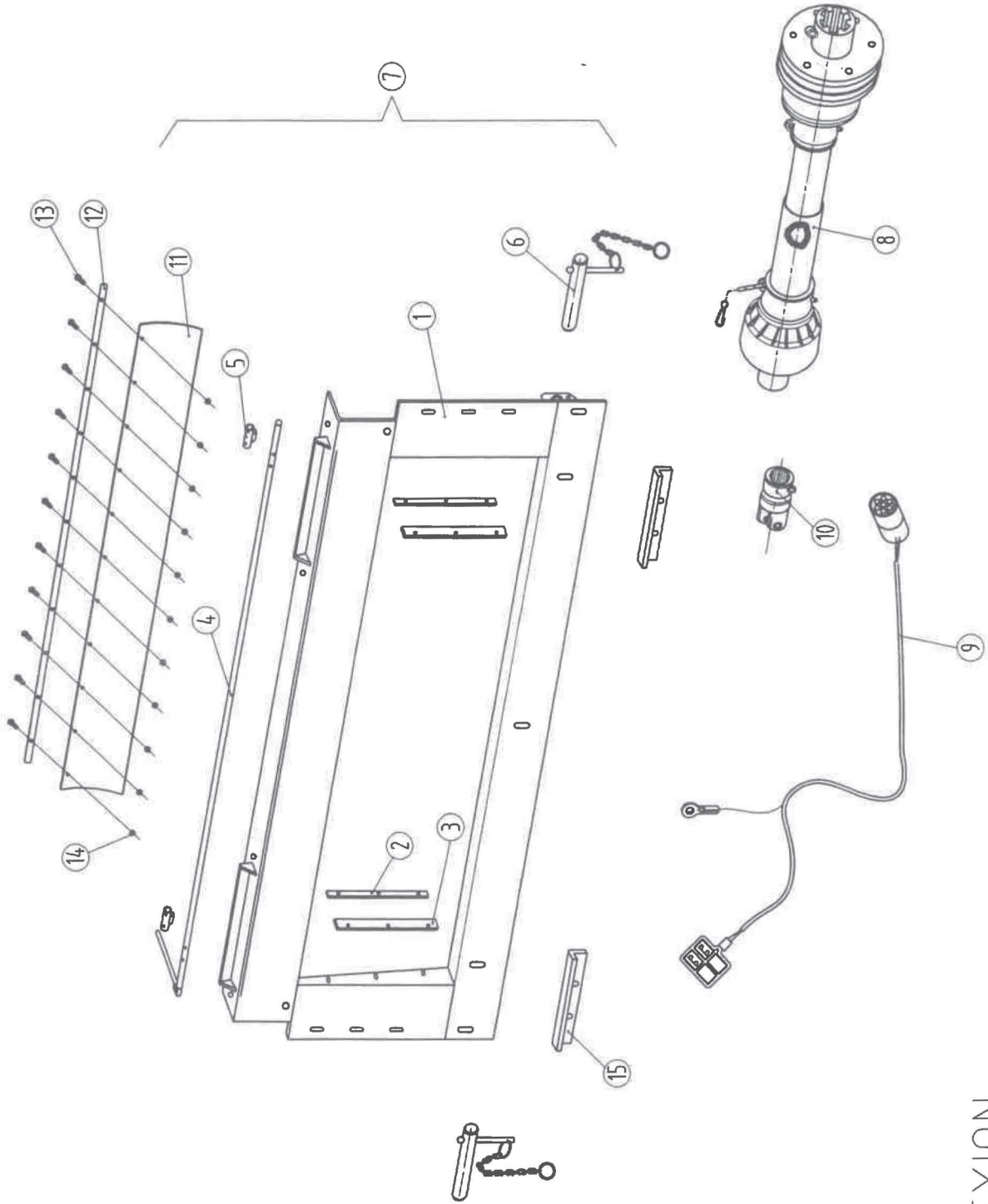
2016

25/B

MOUNTING KIT: CNH CX, CR, TR, TX, TC, TF, CASE AFX
(2016→)

| Ref. | Part Number | Description | | 6-8 R | 12-16 R |
|------|-------------|---|-----------|-------|---------|
| 1. | 1.379.307 | Frame assy | | 1 | 1 |
| 2. | 1.376.548 | Inlet - right NH TX 62,64,66,68 ; TC 56,59 ; TF 76 → 2002 | | 1 | 1 |
| 3. | 1.376.547 | Inlet - left NH TX 62,64,66,68 ; TC 56,59 ; TF 76 → 2002 | | 1 | 1 |
| 4. | 91623938861 | Spring washer-A10 | | 8 | 8 |
| 5. | 79410002566 | Hex bolt M10x25 | | 8 | 8 |
| 6. | 1.329.253 | Spring | | 1 | 1 |
| 7. | 1.329.250 | Bushing | | 1 | 1 |
| 8. | 1.329.247 | Arm assy | | 1 | 1 |
| 9. | 1.376.541 | Spacer | | 1 | 1 |
| 10. | 1.376.542 | Spacer | | 1 | 1 |
| 11. | 1.372.283 | Support | | 1 | 1 |
| 12. | 91623938761 | Spring washer - A8 | | 18 | 18 |
| 13. | 73508000066 | Hex nut - M8 | | 18 | 18 |
| 14. | 79408002566 | Hex bolt M8x25 | | 18 | 18 |
| 15. | 79312016066 | Hex bolt M12x160 | | 1 | 1 |
| 16. | 74901200066 | Lock nut - plastic insert M12 | | 1 | 1 |
| 17. | 1.379.322 | Inlet l=125 | | 2 | 2 |
| 18. | 1.379.323 | Inlet l=345 | | 2 | 2 |
| 19. | 1.372.282 | Inlet NH TX 62,64,66,68 ; TC 56,59 ; TF 76 → 2002 | | 2 | 2 |
| 20. | 1.327.663 | Yoke - 6spline (P400) | | 2 | 2 |
| 20. | 1.327.488 | Yoke - 6spline (P500) | 2016-2017 | - | 2 |
| 21. | 1.327.638 | Wire | | 1 | 1 |
| 22. | 1.353.422 | Wire CASE AFX, NH CR (see note below!) | | 1 | 1 |
| 22. | 1.353.561 | Wire CASE AFX, NH CR (see note below!) | | 1 | 1 |
| 23. | 1.332.458 | Header recognizer | | 1 | 1 |
| | | | | | |

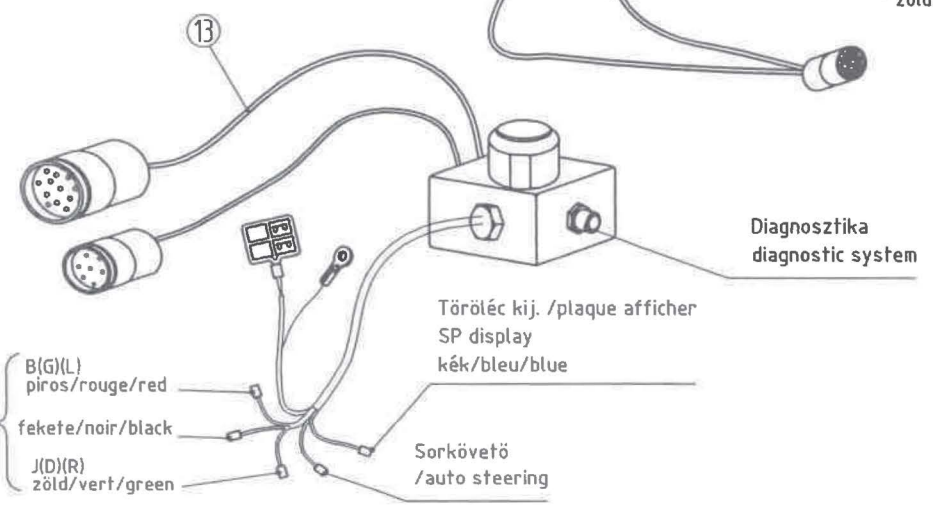
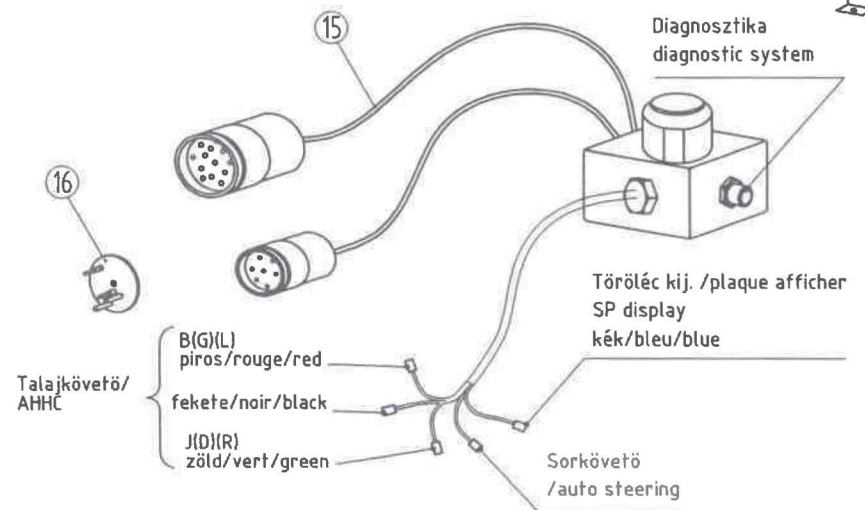
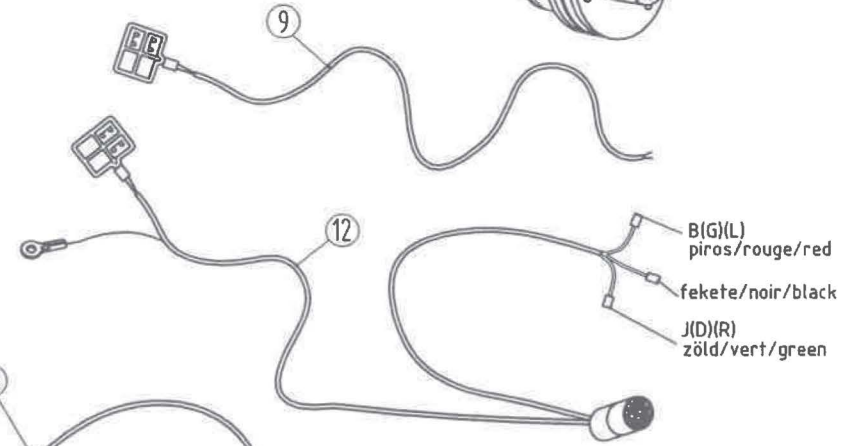
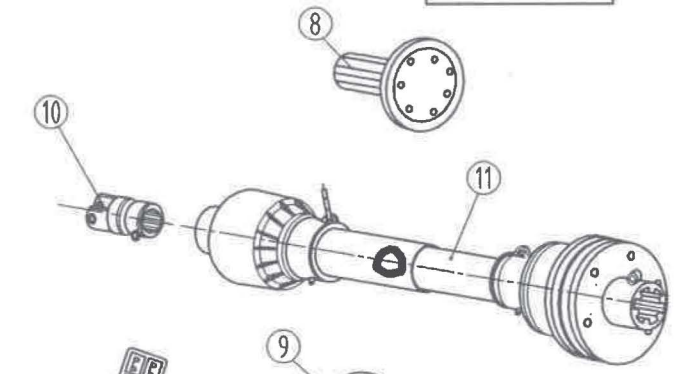
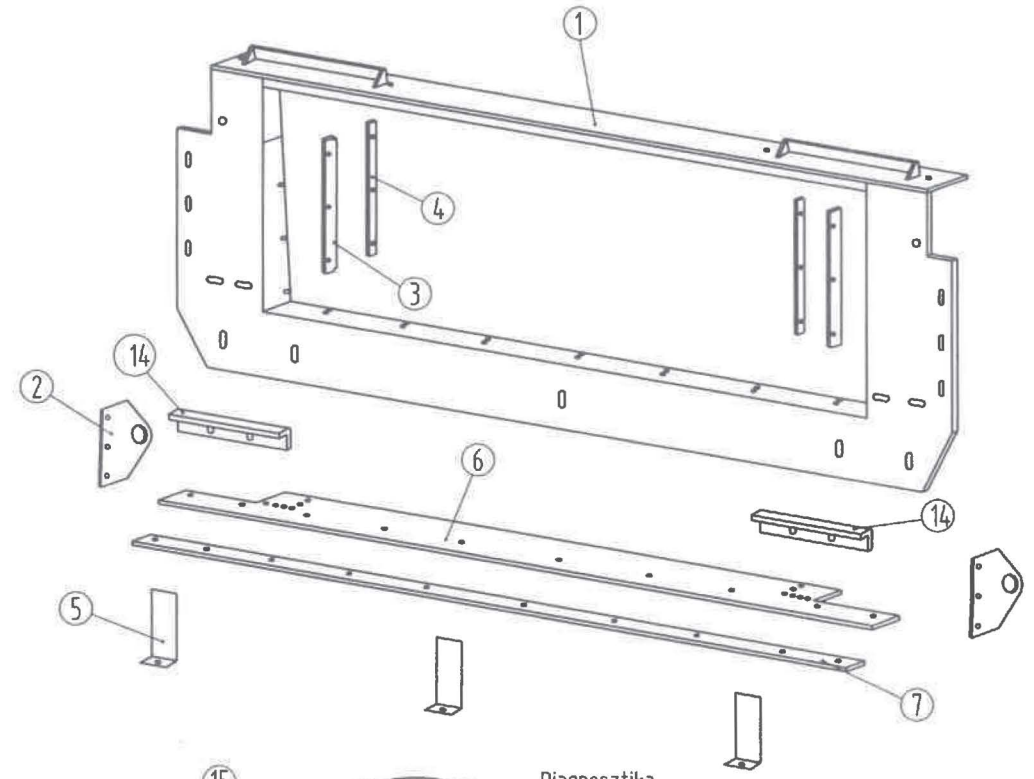
Note for item: 22.- 1.353.422 is for those machines which have hydraulic snapping plate adjustment,
22.- 1.353.561 is for those machines which have electric snapping plate adjustment



MOUNTING KIT: LEXION

| Ref. | Part Number | Description | | 6-8R | 12-16R |
|------|-------------|---------------------------|------------|-------------|-------------|
| 1 | 1.329.485 | Filler welded | | 1 | 1 |
| 2 | 1.320.280 | Flat iron | | 2 | 2 |
| 3 | 1.328.539 | Rubber plate | | 2 | 2 |
| 4 | 1.329.500 | Fixture welded | | 1 | 1 |
| 5 | 1.329.501 | Fixture | | 2 | 2 |
| 6 | 1.329.498 | Safety-pin | | 2 | 2 |
| 7 | 1.329.484 | Mounting kit assy | | 1 | 1 |
| 8 | - | PTO drive shaft | | See page 1! | See page 1! |
| 9 | 1.354.171 | Wire | | 1 | 1 |
| 10. | 1.327.662 | Yoke - 21spline (P400) | | 2 | 2 |
| 10. | 1.327.486 | Yoke - 21spline (P500) | 2016-2017. | - | 2 |
| 11. | 1.332.478 | Rubber plate | 2014→ | 1 | 1 |
| 12. | 1.332.479 | Flat iron | 2014→ | 1 | 1 |
| 13. | 79408002566 | Hex bolt M8x25 DIN933/8.8 | 2014→ | 11 | 11 |
| 14. | 74908000066 | Hex nut - plastic insert | 2014→ | 11 | 11 |
| 15. | 1.379.635 | Angle | 2014→ | 2 | 2 |
| | | | | | |

1.329.386



MOUNTING KIT: JD

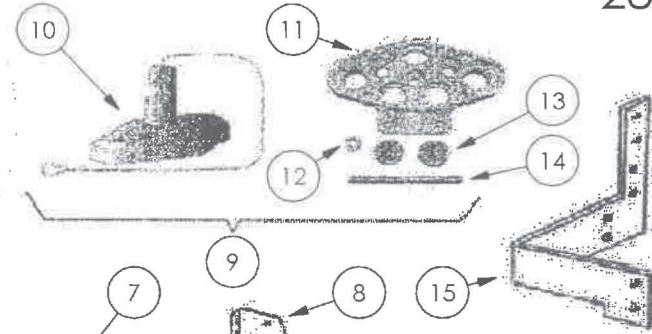
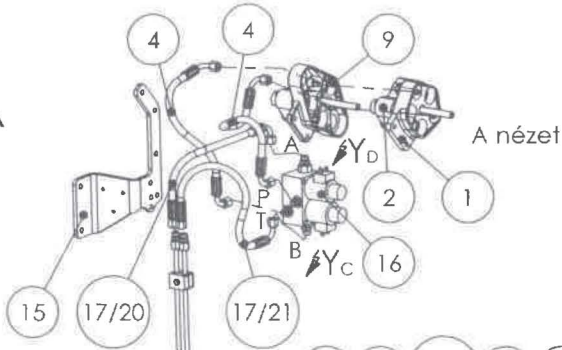
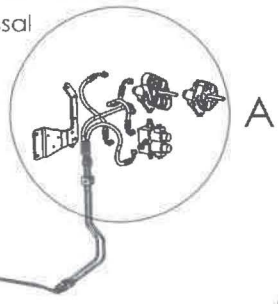
| Ref. | Part Number | Description | | 6-8R | 12-16R |
|------|-------------|--|------------|-------------|-------------|
| 1. | 1.329.387 | Frame assy | | 1 | 1 |
| 1. | 1.372.260 * | Frame assy | | 1 | 1 |
| 2. | 1.329.398 | Retainer | | 2 | 2 |
| 3. | 1.328.539 | Rubber plate | | 2 | 2 |
| 4. | 1.320.280 | Flat iron | | 2 | 2 |
| 5. | 1.329.397 | Filler | | 3 | 3 |
| 6. | 1.320.828 | Rubber plate | | 1 | 1 |
| 7. | 1.329.400 | Plate | | 1 | 1 |
| 8. | 1.321.225 | Shaft assy - 21 spline | | 2 | 2 |
| 9. | 1.327.638 | Wire JD pre "60" series | | 1 | 1 |
| 10. | 1.327.662 | Yoke - 21spline (P400) | | 2 | 2 |
| 10. | 1.327.486 | Yoke - 21spline (P500) | 2016-2017. | - | 2 |
| 11. | - | PTO drive shaft | | See page 1! | See page 1! |
| 12. | 1.353.562 | Harness JD "60" series (see note below!) | | 1 | 1 |
| 13. | 1.353.559 | Harness JD "60" series (see note below!) | | 1 | 1 |
| 14. | 1.379.635 | Angle | 2014→ | 2 | 2 |
| 14. | 1.372.273 * | Angle left I=221 | | 2 | 2 |
| 14. | 1.372.274 * | Angle left I=141 | | 2 | 2 |
| 15. | 1.327.062 | Harness (only for folding machines) | | 1 | 1 |
| 16. | 1.327.066 | Jumper (only for rigid machines) | | 1 | 1 |

Note for item: 12.- 1.353.562 is for those machines which have hydraulic snapping plate adjustment

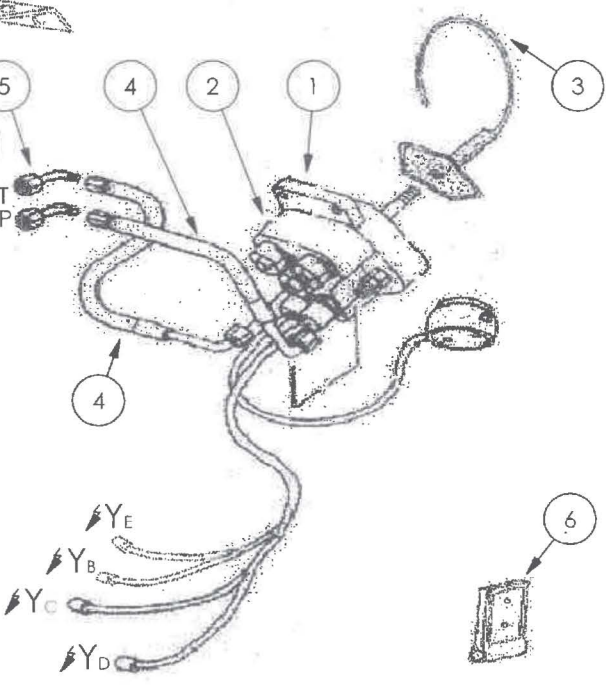
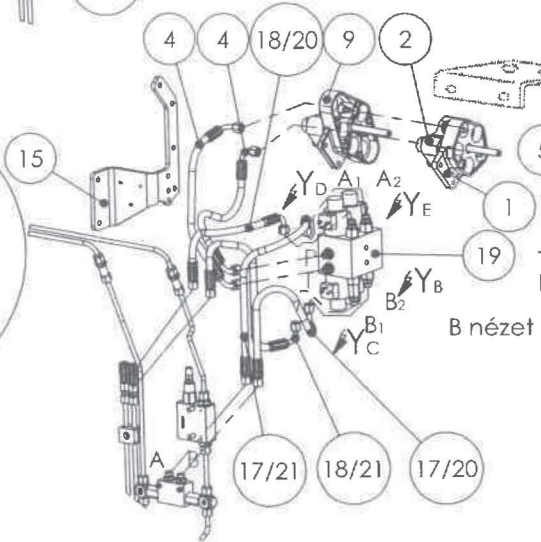
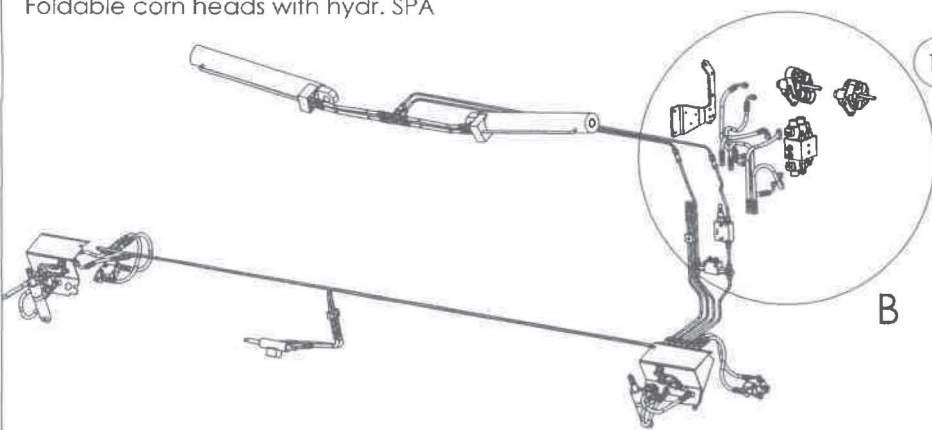
Note for item: 13.- 1.353.559 is for those machines which have electric snapping plate adjustment

*For 4+2 & 4+2x2 Corn Heads with internal drive, mounted to JD combines (except Hill Master) with lateral tilt function only.

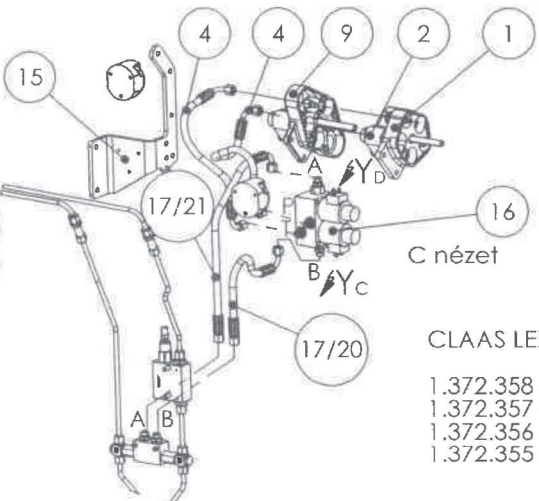
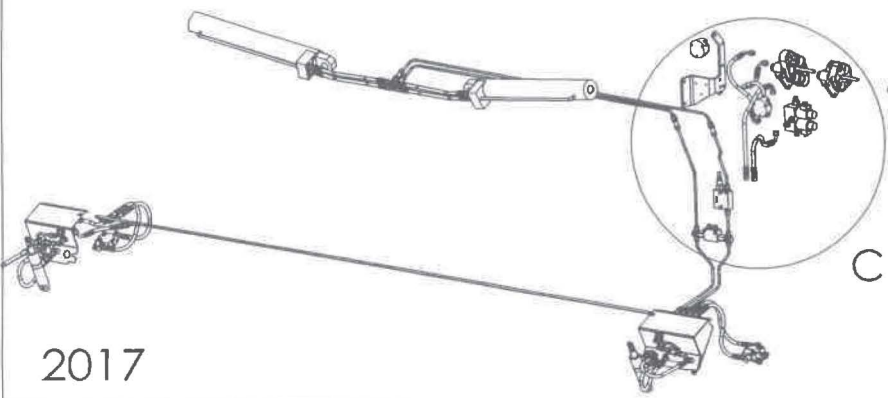
Fix vázú csótörő hidraulikus törőléccállítással
Fixed corn heads with hydr. SPA



Csukható csótörő hidraulikus törőléccállítással
Foldable corn heads with hydr. SPA



Csukható csótörő elektromos törőléccállítással
Foldable corn heads with electr. SPA



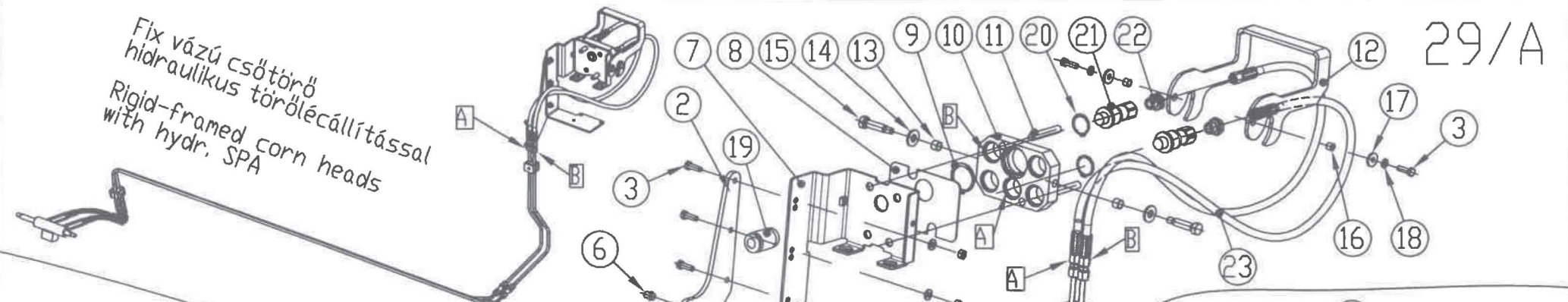
CLAAS LEXION

- 1.372.358 - LEXION 400
- 1.372.357 - LEXION 400 for foldable corn heads with hydr. SPA
- 1.372.356 - LEXION 500
- 1.372.355 - LEXION 500 for foldable corn heads with hydr. SPA

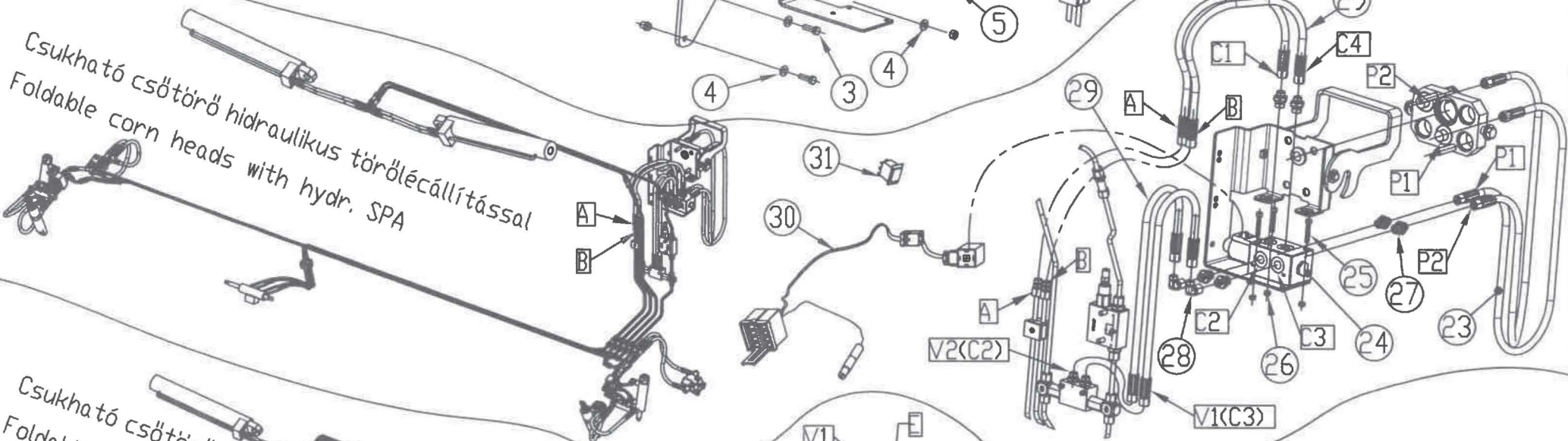
LEXION MULTI-COUPLING KITS

| Ref. | Part Number | Description | | Rigid models with hydr. SPA or folding models with electr. SPA | Folding models with hydr. SPA |
|------|-------------|-------------------------------------|-------|--|-------------------------------|
| 1. | 668.800.0 | Multi-coupling for LEXION 400 serie | | 1 | 1 |
| 2. | 013.208.2 | Cable-kit | | 1 | 1 |
| 3. | 668.818.0 | Cover | | 1 | 1 |
| 4. | 1.319.232 | Hydraulic hose (575mm) 1SNDN6-575 | →2010 | 2 | 2 |
| 4. | 1.323.327 | Hydraulic hose (400mm) 1SNDN6-400 | 2011→ | 2 | 2 |
| 5. | 1.314.510 | Fitting - 90deg. EVW 8 PL | →2010 | 2 | 3 |
| 6. | 013.268.0 | Block | →2016 | 1 | 1 |
| 7. | 1.309.604 | Plate | →2010 | 1 | - |
| 8. | 994.610.0 | Console | →2010 | 1 | 1 |
| 9. | 905.875.0 | Hydraulic kit for LEXION 500 series | | 1 | 1 |
| 10. | 683.725.0 | Cover | | 1 | 1 |
| 11. | 683.721.1 | Socket | | 1 | 1 |
| 12. | 73612000066 | Low nut - M12 - DIN936 | | 1 | 1 |
| 13. | 213.607.0 | Plug | | 2 | 2 |
| 14. | 683.722.1 | Stud-bolt | | 1 | 1 |
| 15. | 1.351.922 | Support | →2010 | 1 | 1 |
| 15. | 1.378.528 | Support | 2011→ | 1 | 1 |
| 16. | 1.372.373 | Hydraulic valve | | 1 | - |
| 17. | 1.319.233 | Hydraulic hose (315mm) 1SNDN6-315 | →2010 | 2 | 2 |
| 18. | 1.353.195 | Hydraulic hose (1200mm) 1SNDN6-1200 | →2010 | - | 2 |
| 19. | 1.372.374 | Hydraulic valve | | - | 1 |
| 20. | 1.314.514 | Hydraulic hose (365mm) 1SNDN6-365 | 2011→ | 1 | 2 |
| 21. | 1.351.402 | Hydraulic hose (475mm) 1SNDN6-475 | 2011→ | 1 | 2 |

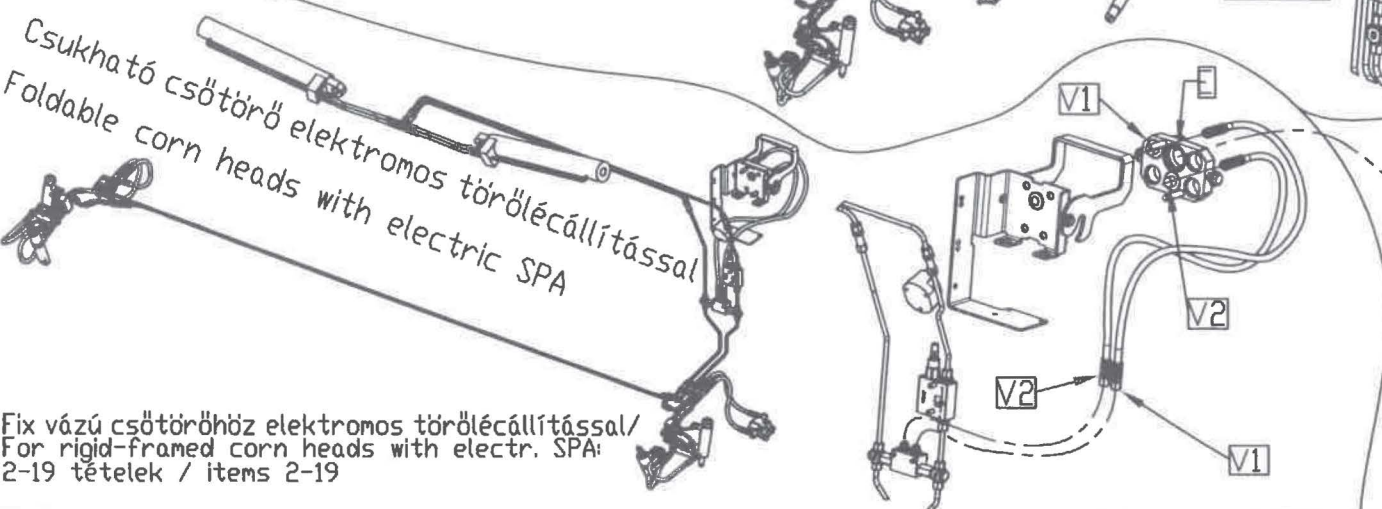
Fix vázú csőtörő
hidraulikus törölcéállítással
Rigid-framed corn heads
with hydr. SPA



Csukható csőtörő hidraulikus törölcéállítással
Foldable corn heads with hydr. SPA



Csukható csőtörő elektromos törölcéállítással
Foldable corn heads with electric SPA



Fix vázú csőtörőhöz elektromos törölcéállítással/
For rigid-framed corn heads with electr. SPA:
2-19 tételek / items 2-19

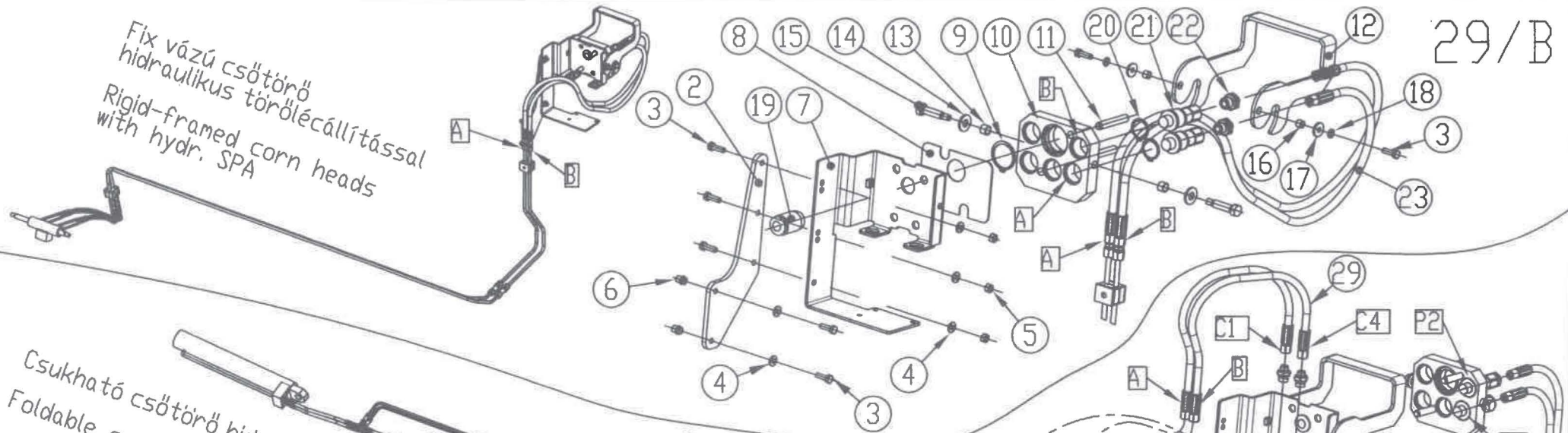
Kábeleket és kábelkötegeket lásd
a felszerelő klt. lapokon!

For wires and harnesses see
mounting kit pages!

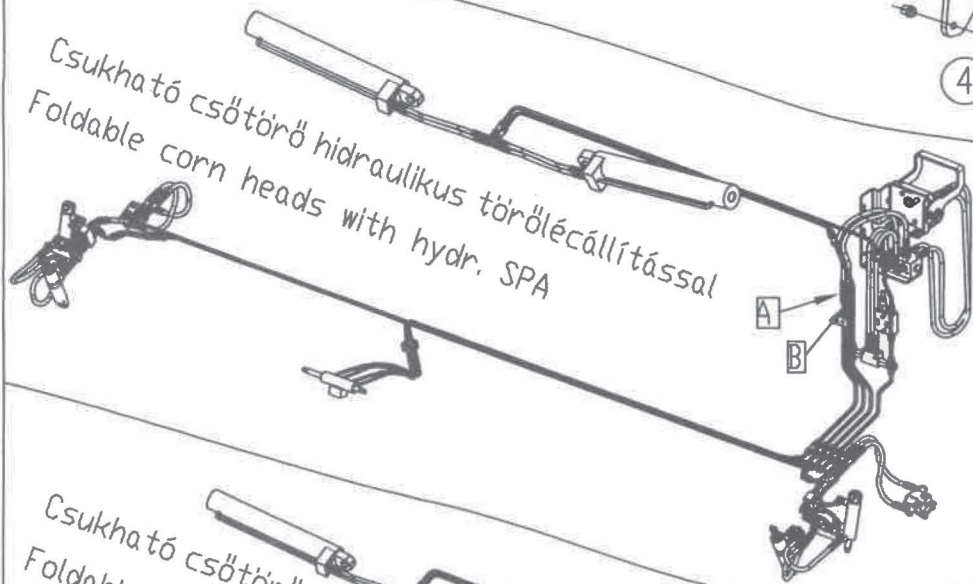
MULTI-COUPLING KIT: JD

| Ref. | Part Number | Description | RIGID with hydr. SPA | RIGID with electr. SPA | FOLDABLE with hydr. SPA | FOLDABLE with electr. SPA |
|------|------------------------|---|----------------------|------------------------|-------------------------|---------------------------|
| 1. | See mounting kit pages | Harness | | | | |
| 2. | 1.355.489 | Support plate | 1 | 1 | 1 | 1 |
| 3. | 79408002566 | Hex bolt M8x25 - DIN933/8.8 | 7 | 7 | 7 | 7 |
| 4. | 91623938761 | Spring washer | 5 | 5 | 5 | 5 |
| 5. | 73508000066 | Hex nut M8 - DIN934 | 3 | 3 | 3 | 3 |
| 6. | 70808000026 | Rivet nut M8 | 2 | 2 | 2 | 2 |
| 7. | 1.379.398 | Bracket | 1 | 1 | 1 | 1 |
| 8. | 1.353.553 | Pad H201010 | 1 | 1 | 1 | 1 |
| 9. | 70200004561 | Retaining ring - external 45x1.6 - DIN471 | 1 | 1 | 1 | 1 |
| 10. | 1.327.000 | Support - JD | 1 | 1 | 1 | 1 |
| 11. | 1.327.003 | Pin | 2 | 2 | 2 | 2 |
| 12. | 1.354.106 | Arm | 1 | 1 | 1 | 1 |
| 13. | 1.327.002 | Ring | 2 | 2 | 2 | 2 |
| 14. | 1.377.251 | Washer | 2 | 2 | 2 | 2 |
| 15. | 1.327.001 | Bolt | 2 | 2 | 2 | 2 |
| 16. | 1.354.107 | Spacer | 2 | 2 | 2 | 2 |
| 17. | 1.314.099 | Washer | 2 | 2 | 2 | 2 |
| 18. | 72208000060 | Spring washer M8 - DIN128/A | 2 | 2 | 2 | 2 |
| 19. | 1.353.552 | Plug H176288 | 1 | 1 | 1 | 1 |
| 20. | 1.327.052 | Retaining ring - external 32x1.5 - DIN471 | 2 | - | 2 | 2 |
| 21. | 1.327.054 | Hydraulic quick-coupler | 2 | - | 2 | 2 |
| 22. | 1.327.053 | Fitting M14x1.5/UNF 3/4-16 | 2 | - | 2 | 2 |
| 23. | 1.353.195 | Hydraulic hose 1SNDN6-1200 | 2 | - | 2 | 2 |
| 24. | 1.379.394 | Directional valve LC 6/2 | - | - | 1 | - |
| 25. | 80206004066 | Hex socket head cap bolt M6x40 DIN912/8.8 | - | - | 3 | - |
| 26. | 74906000066 | Hex nut - plastic insert M6 - DIN985 | - | - | 3 | - |
| 27. | 1.353.318 | Fitting - M14X1.5 /G3/8 | - | - | 6 | - |
| 28. | 1.314.510 | Fitting - 90deg. EVW 8 PL | - | - | 2 | - |
| 29. | 1.331.795 | Hydraulic hose 1SNDN6-630 | - | - | 4 | - |
| 30. | 1.353.204 | Harness | - | - | 1 | - |
| 31. | 1.353.213 | Switch 6FH 007 832-121 HELLA | - | - | 1 | - |
| - | 1.379.399 | Holder assy (item 7,12,16,17) | | | | |
| - | 1.379.472 | Directional valve assy (24-31) | | | | |
| - | 1.379.474 | Hydraulic multipoint kit. (2,6,8,9,10,11,13,14,15,19,20,21,22,32) | | | | |

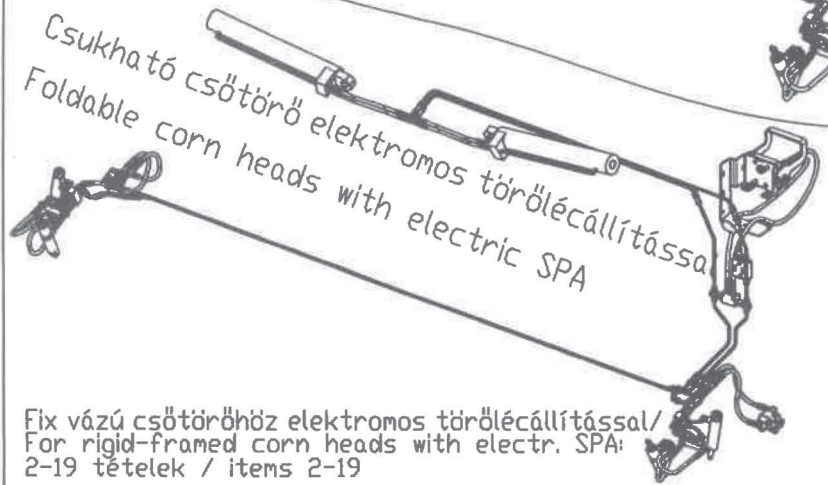
Fix vázú csőtörő
hidraulikus törölcállítással
Rigid-framed corn heads
with hydr. SPA



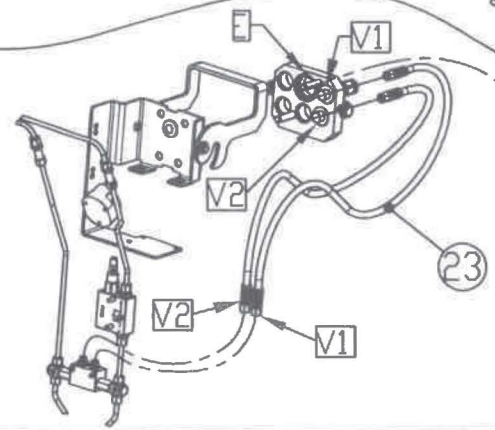
Csukható csőtörő hidraulikus törölcállítással
Foldable corn heads with hydr. SPA



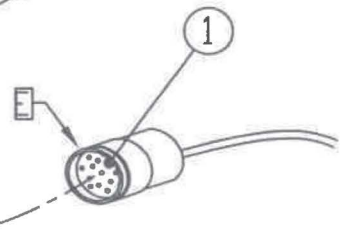
Csukható csőtörő elektromos törölcállítással
Foldable corn heads with electric SPA



Fix vázú csőtörőhöz elektromos törölcállítással/
For rigid-framed corn heads with electr. SPA:
2-19 tételek / items 2-19



Kábeleket és kábelkötegeket lásd
a felszerelő klt. lapokon!
For wires and harnesses see
mounting kit pages!



MULTI-COUPLING KIT: AGCO

| Ref. | Part Number | Description | RIGID with hydr. SPA | RIGID with electr. SPA | FOLDABLE with hydr. SPA | FOLDABLE with electr. SPA |
|------|---------------------------|--|-------------------------|---------------------------|----------------------------|------------------------------|
| 1. | See mounting kit pages | Harness | | | | |
| 2. | 1.355.489 | Support plate | 1 | 1 | 1 | 1 |
| 3. | 79408002566 | Hex bolt M8x25 - DIN933/8.8 | 7 | 7 | 7 | 7 |
| 4. | 91623938761 | Spring washer | 5 | 5 | 5 | 5 |
| 5. | 73508000066 | Hex nut M8 - DIN934 | 3 | 3 | 3 | 3 |
| 6. | 70808000026 | Rivet nut M8 | 2 | 2 | 2 | 2 |
| 7. | 1.379.398 | Bracket | 1 | 1 | 1 | 1 |
| 8. | 1.353.553 | Pad H201010 | 1 | 1 | 1 | 1 |
| 9. | 70200004561 | Retaining ring - external 45x1.6 - DIN471 | 1 | 1 | 1 | 1 |
| 10. | 1.356.060 | Support - JD | 1 | 1 | 1 | 1 |
| 11. | 1.327.003 | Pin | 2 | 2 | 2 | 2 |
| 12. | 1.354.106 | Arm | 1 | 1 | 1 | 1 |
| 13. | 1.327.002 | Ring | 2 | 2 | 2 | 2 |
| 14. | 1.377.251 | Washer | 2 | 2 | 2 | 2 |
| 15. | 1.327.001 | Bolt | 2 | 2 | 2 | 2 |
| 16. | 1.354.107 | Spacer | 2 | 2 | 2 | 2 |
| 17. | 1.314.099 | Washer | 2 | 2 | 2 | 2 |
| 18. | 72208000060 | Spring washer M8 - DIN128/A | 2 | 2 | 2 | 2 |
| 19. | 1.353.552 | Plug H176288 | 1 | 1 | 1 | 1 |
| 20. | 1.327.052 | Retaining ring - external 32x1.5 - DIN471 | 2 | - | 2 | 2 |
| 21. | 1.327.054 | Hydraulic quick-coupler | 2 | - | 2 | 2 |
| 22. | 1.327.053 | Fitting M14x1.5/UNF 3/4-16 | 2 | - | 2 | 2 |
| 23. | 1.353.195 | Hydraulic hose 1SNDN6-1200 | 2 | - | 2 | 2 |
| 24. | 1.379.394 | Directional valve LC 6/2 | - | - | 1 | - |
| 25. | 80206004066 | Hex socket head cap bolt M6x40 DIN912/8.8 | - | - | 3 | - |
| 26. | 74906000066 | Hex nut - plastic insert M6 - DIN985 | - | - | 3 | - |
| 27. | 1.353.318 | Fitting - M14X1.5 /G3/8 | - | - | 6 | - |
| 28. | 1.314.510 | Fitting - 90deg. EVW 8 PL | - | - | 2 | - |
| 29. | 1.331.795 | Hydraulic hose 1SNDN6-630 | - | - | 4 | - |
| 30. | 1.353.204 | Harness | - | - | 1 | - |
| 31. | 1.353.213 | Switch 6FH 007 832-121 HELLA | - | - | 1 | - |
| - | 1.379.399 | Holder assy (item 7,12,16,17) | | | | |
| - | 1.379.472 | Directional valve assy (24-31) | | | | |
| - | 1.379.473 | Hydraulic multipoint kit. (2,6,8,9,10,11,13,14,15,16,19,20,21,22,32) | | | | |

| Lubrication table | | | |
|-------------------|--------------|---------|-------------------------------|
| # | type | period | qty |
| 1 | Liton EP2 | 250 [h] | look at the operator's manual |
| 2 | Liton EP2 | 250 [h] | look at the operator's manual |
| 3 | Liton EP2 | 50 [h] | look at the operator's manual |
| 4 | EP-00 grease | 250 [h] | 5,5 [pounds], 2,5 [kg] |
| 5 | Liton EP2 | 250 [h] | look at the operator's manual |
| 6 | Liton EP2 | 50 [h] | look at the operator's manual |
| 7 | Liton EP2 | 50 [h] | look at the operator's manual |
| 8 | Liton EP2 | 250 [h] | look at the operator's manual |
| 9 | Liton EP2 | 250 [h] | look at the operator's manual |
| 10 | Gearbox oil | 50 [h] | look at the operator's manual |
| 11 | Gearbox oil | 10 [h] | look at the operator's manual |
| 12 | SAE 80W-140 | 50 [h] | 10,15 [fl.oz.]; 0,3 [l] |
| 13 | SAE 80W-140 | 250 [h] | 30,45 [fl.oz.]; 0,9 [l] |

1

WARNING

Stay clear of discharge when engine is running.

2

WARNING

Stay clear of the wings when corn head is being folded or un-folded.

4

DANGER

Stop engine before unclogging. Header takes in crop faster than you can let go.

3

WARNING

Do not open until engine and all movement have stopped.

5

DANGER

CONTACT WITH ROTATING DRIVELINE CAN CAUSE DEATH

Do not operate without

- all driveline shields in place.
- both driveline ends securely attached.
- driveline shield rotating freely & restraints properly attached

6

WARNING

To ensure adequate clearance always lower header before folding wings.

11

WARNING

Do not operate feeder lateral tilt feature with this Cornhead. Damage may result!

12

DANGER

Stop engine before unclogging or making any adjustments.

7

DANGER

Engage feeder lift cylinder safety stop before going under header or feeder.

8

WARNING

Stop engine and wait for all movement to stop before servicing chopper.

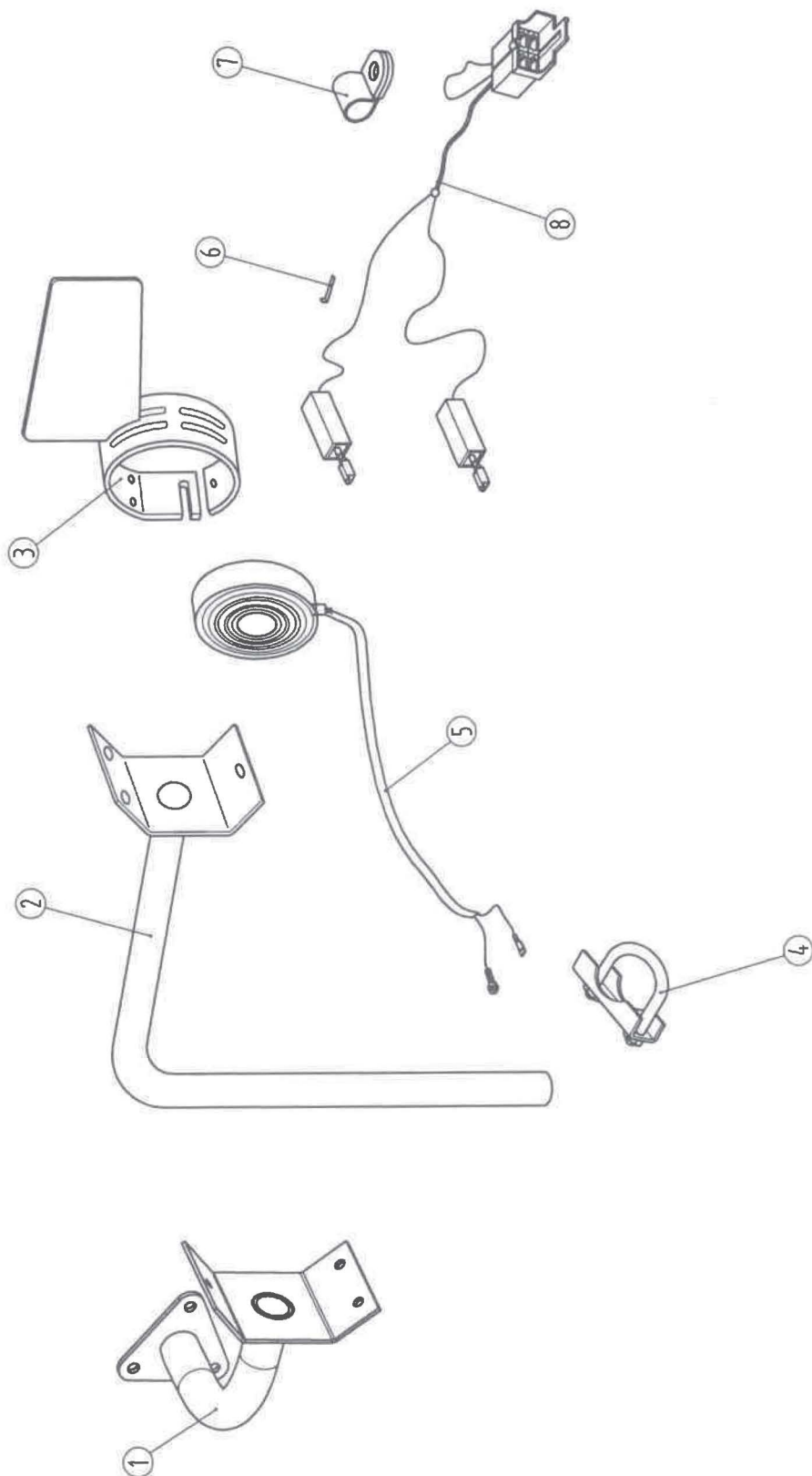
9



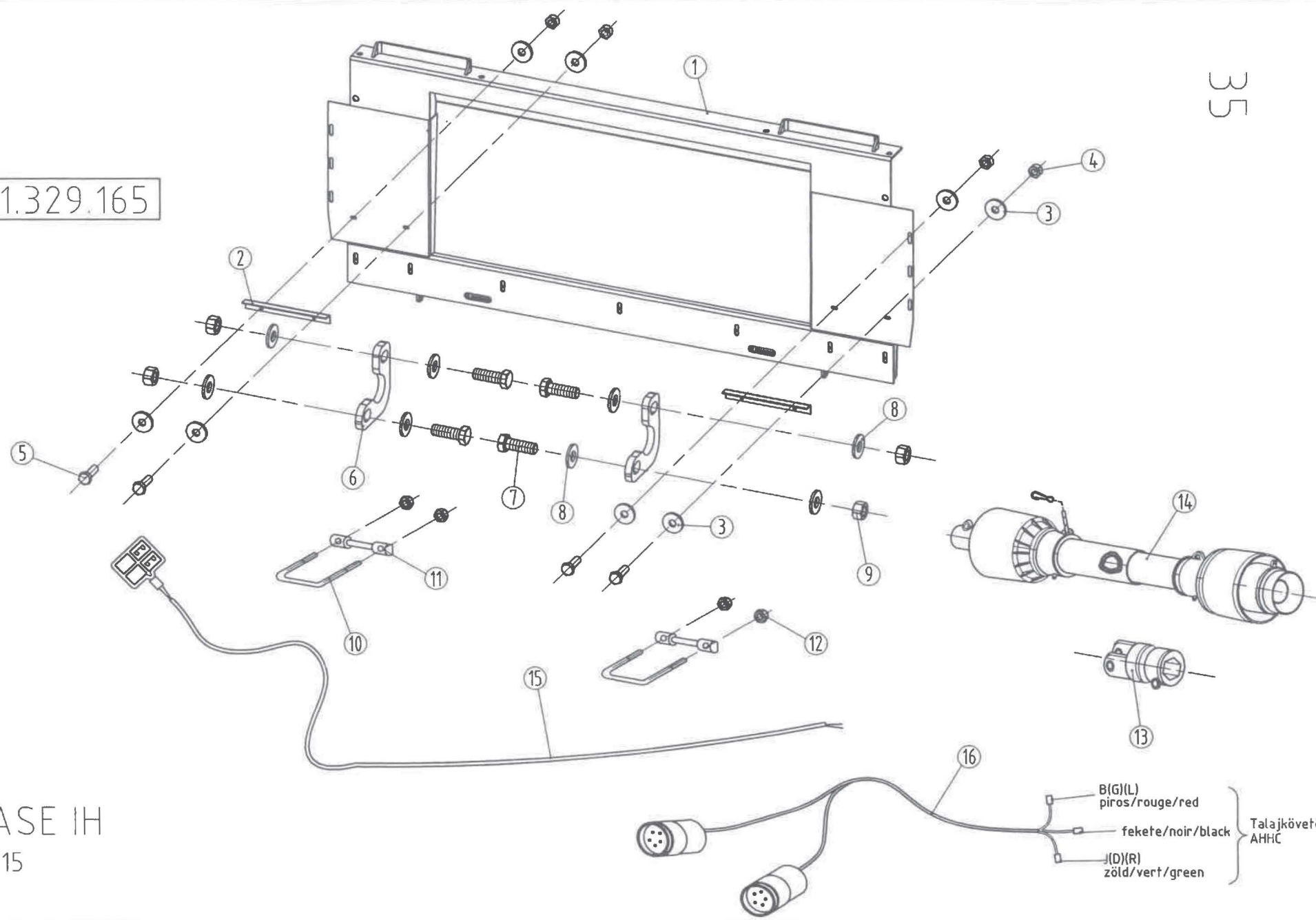
10

LABELS - WARNING

| Ref. | Part Number | Description | Rigid models | Folding models |
|------|-------------|-------------------------------------|--------------|----------------|
| 1. | 1.377.253 | Lubricating label | 1 | 1 |
| 2. | 1.353.431 | Warning label - chopper models only | 2 | 2 |
| 3. | 111671 W1 | Warning label | 2 | 2 |
| 4. | 1.353.432 | Warning label - folding models only | - | 4 |
| 5. | 111670 W1 | Warning label | 2 | 2 |
| 6. | 111672 W1 | Warning label | 2 | 2 |
| 7. | 111096 W1 | Warning label | 2 | 2 |
| 8. | 111095 W1 | Warning label | 4 | 4 |
| 9. | 1.353.433 | Warning label - chopper models only | 2 | 2 |
| 10. | 1.304.921 | Reflective strip, amber | 2 | 2 |
| 10. | 1.304.922 | Reflective strip, red | 2 | 2 |
| 10. | 1.327.130 | Reflective strip, orange | 2 | 2 |
| 11. | 1.355.485 | Warning label - folding models only | - | 2 |
| 12. | 1.379.138 | Warning label | - | 1 |
| | | | | |



1.329.165

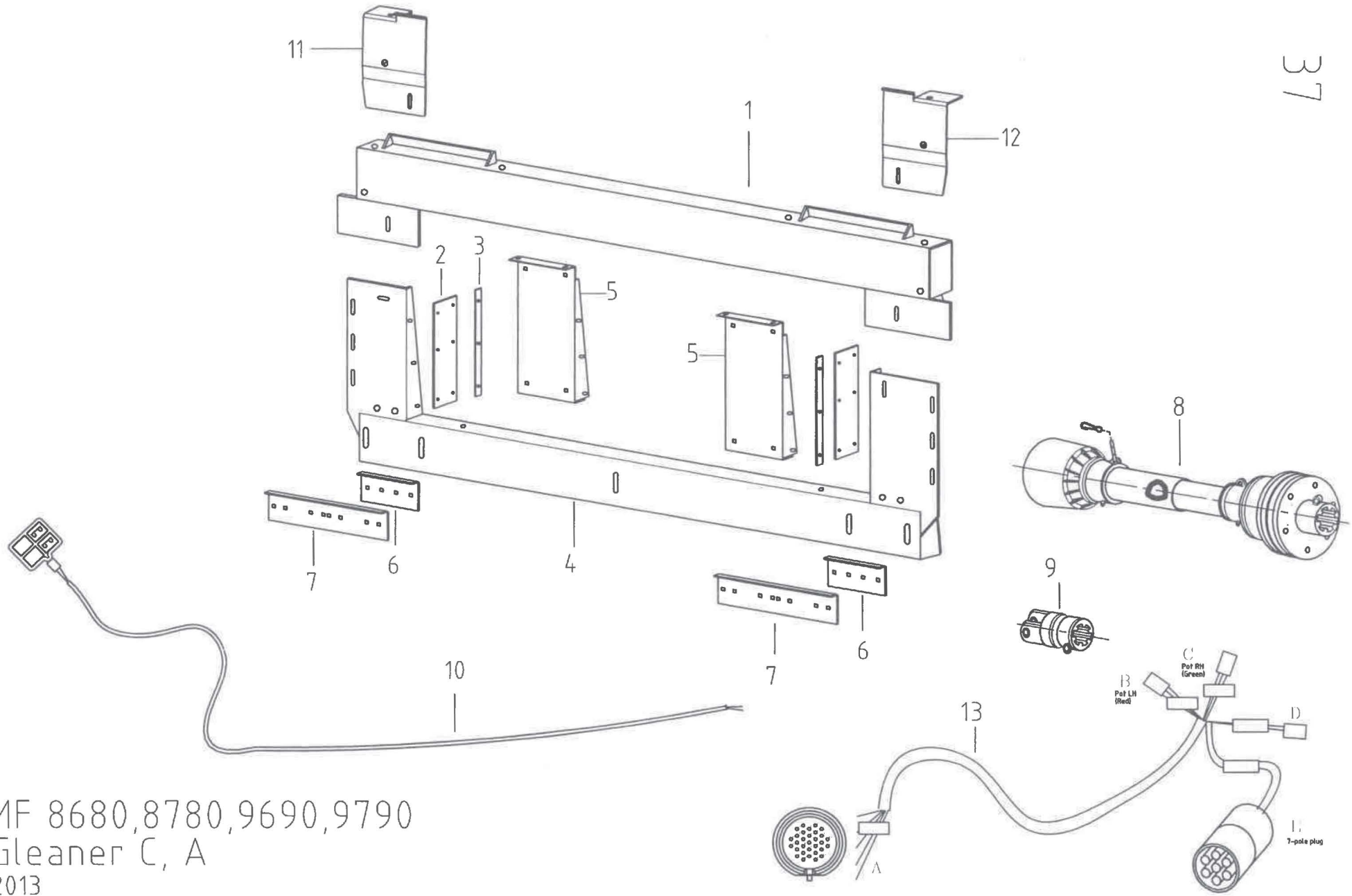


CASE IH
2015

B(G)(L)
piros/rouge/red
fekete/noir/black
J(D)(R)
zöld/vert/green
} Talajkötő/
AHHC

MOUNTING KIT: CASE IH (→2500 series combines, 2008→)

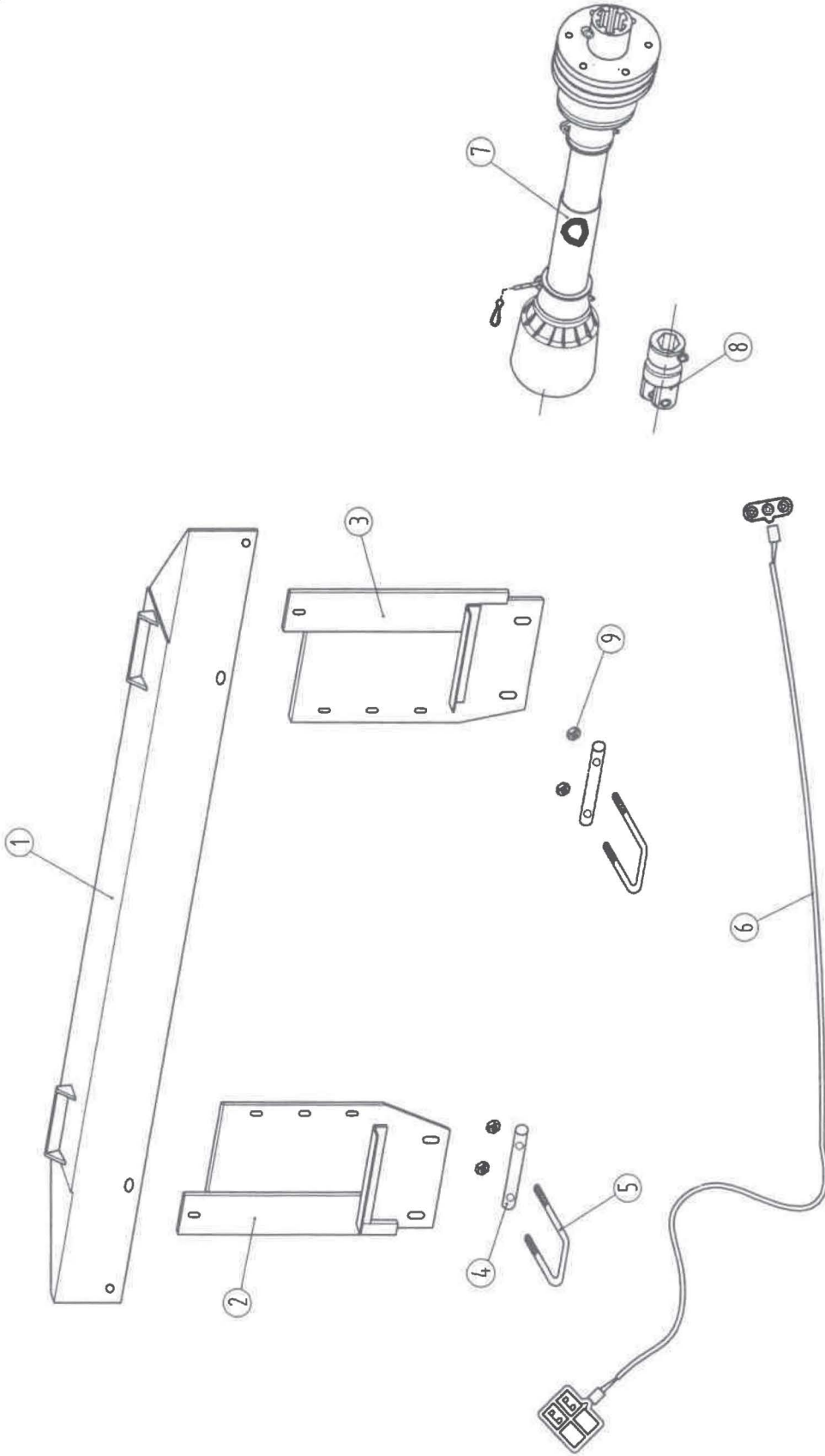
| Ref. | Part Number | Description | | 6-8R | 12-16R |
|------|-------------|-----------------------------|------------|-------------|-------------|
| 1. | 1.329.166 | Frame assy | | 1 | 1 |
| 2. | 1.320.558 | Angle | | 2 | 2 |
| 3. | 1.314.099 | Washer | | 8 | 8 |
| 4. | 70708000066 | Lock nut M8 - DIN980 | | 10 | 10 |
| 5. | 79408002566 | Hex bolt M8x25 - DIN933/8.8 | | 10 | 10 |
| 6. | 1.329.977 | Clip plate | | 2 | 2 |
| 7. | 79412003566 | Hex bolt M12x35 - DIN933 | | 4 | 4 |
| 8. | 91623938961 | Spring washer - A12 | | 8 | 8 |
| 9. | 73512000066 | Hex nut M12 - DN934 | | 4 | 4 |
| 10. | 1.301.068 | Retainer | | 2 | 2 |
| 11. | 1.301.069 | Pin | | 2 | 2 |
| 12. | 70716000066 | Lock nut M16 - DIN980 | | 4 | 4 |
| 13. | 1.327.664 | Yoke - 1.125 hex (P400) | | 2 | 2 |
| 13. | 1.327.487 | Yoke - 1.125 hex (P500) | 2016-2017. | - | 2 |
| 14. | - | PTO drive shaft | | See page 1! | See page 1! |
| 15. | 1.327.638 | Wire | | 1 | 1 |
| 16. | 1.379.536 | Harness | | 1 | 1 |
| | | | | | |



MF 8680,8780,9690,9790
Gleaner C, A
2013

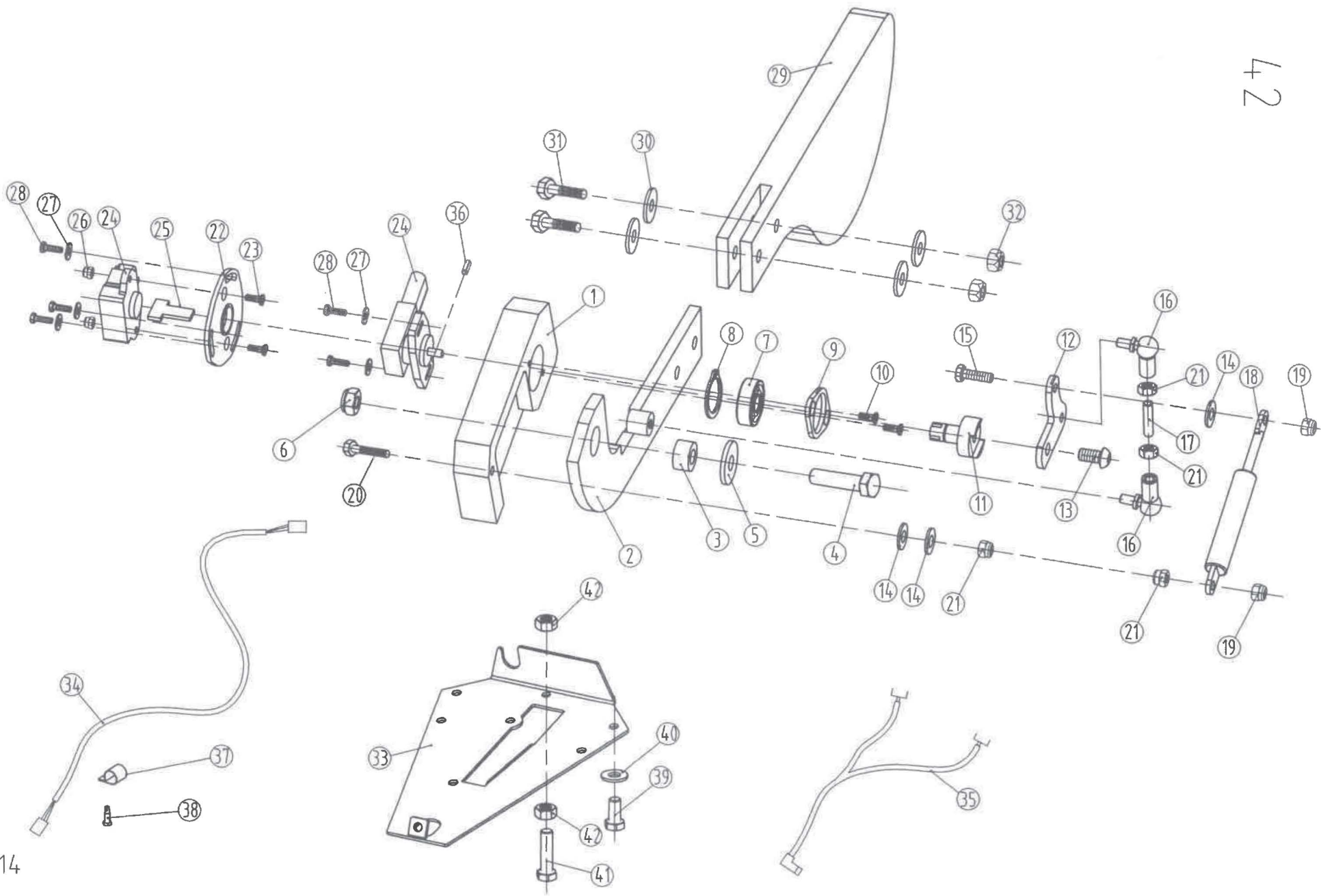
**MOUNTING KIT: MF 8680, 8780, 9690, 9790, Gleaner C, AGCO EUROPEAN
MODELS from 2006 (FENDT,MF,CHALLENGER)**

| Ref. | Part Number | Description | | 6-8R | 12-16R |
|------|-------------|---|------------|-------------|-------------|
| 1. | 1.322.351 | Upper filler - without LTM | | 1 | 1 |
| 2. | 1.328.546 | Rubber plate | | 2 | 2 |
| 3. | 1.320.280 | Flat iron | | 2 | 2 |
| 4. | 1.322.329 | Lower filler | | 1 | 1 |
| 5. | 71 38 50 03 | Inlet MF 8780 | | 2 | 2 |
| 6. | 1.322.332 | Angle MF 8680, Gleaner C | | 2 | 2 |
| 7. | 1.322.333 | Angle MF 8780, 9690, 9790 | | 2 | 2 |
| 8. | - | PTO drive shaft | | See page 1! | See page 1! |
| 9. | 1.327.662 | Yoke - 21spline (P400) | | 2 | 2 |
| 9. | 1.327.486 | Yoke - 21spline (P500) | 2016-2017. | - | 2 |
| 10. | 1.327.638 | Wire | | 1 | 1 |
| 11. | 1.320.277 | Guide welded - right - with LTM | →2012 | 1 | |
| 11. | 1.332.447 | Guide welded - right - with LTM | 2013→ | 1 | 1 |
| 11. | 1.332.462 | Guide welded - right - with LTM Agco Challenger | 2013→ | 1 | 1 |
| 12. | 1.320.276 | Guide welded - left - with LTM | →2012 | 1 | |
| 12. | 1.332.446 | Guide welded - left - with LTM | 2013→ | 1 | 1 |
| 12. | 1.332.461 | Guide welded - left - with LTM Agco Challenger | 2013→ | 1 | 1 |
| 13. | 1.355.966 | Harness for AGCO multi-coupler | 2009→ | 1 | 1 |
| | | | | | |



MOUNTING KIT: MF 8570

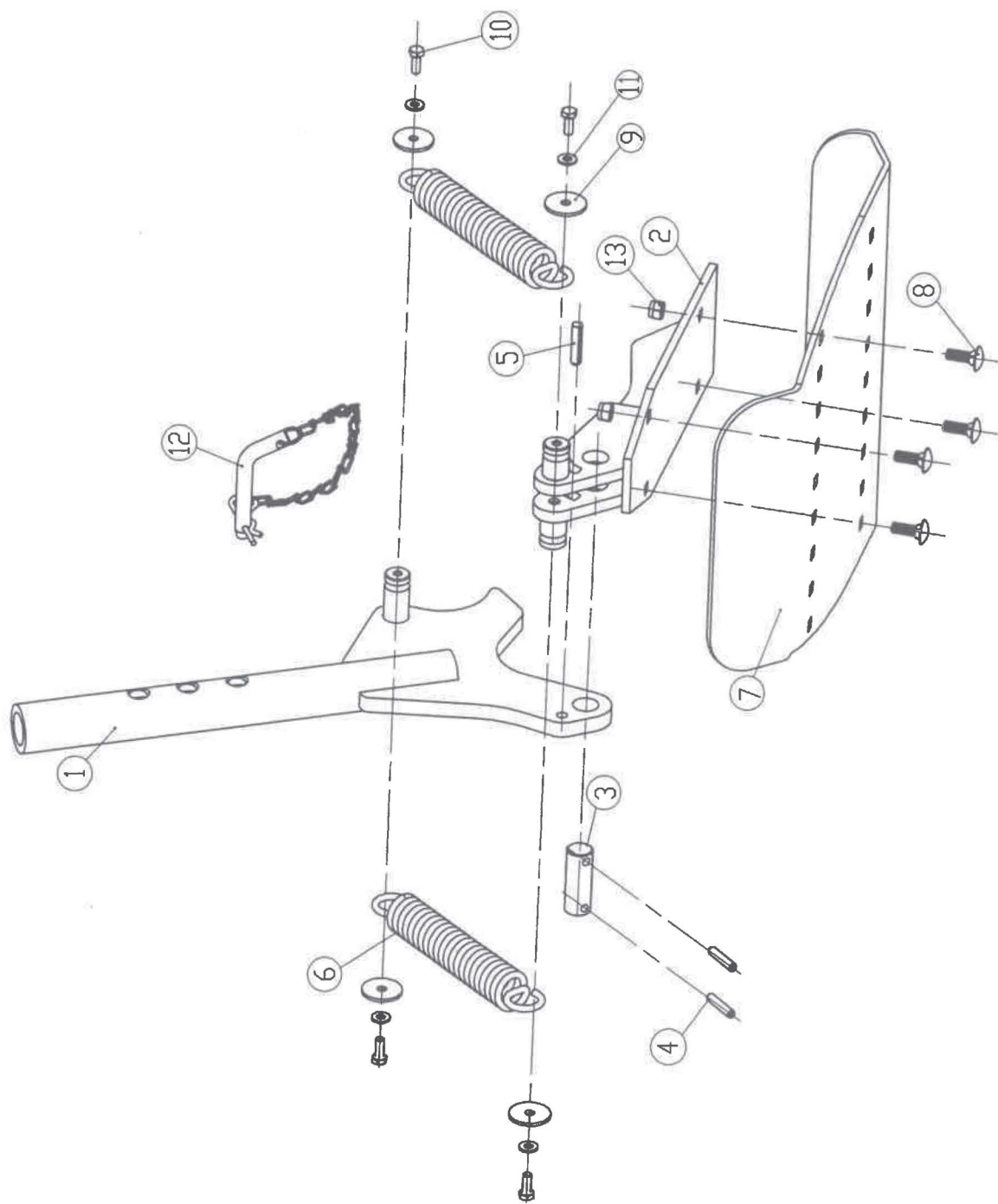
| Ref. | Part Number | Description | 6306 | 6308 |
|------|-------------|-------------------------------|------|------|
| 1. | 1.320.291 | Upper filler assy. | 1 | 1 |
| 2. | 1.322.394 | Inlet weld. - RH | 1 | 1 |
| 3. | 1.322.393 | Inlet weld. - LH | 1 | 1 |
| 4. | 1.304.985 | Pin | 2 | 2 |
| 5. | 1.304.143 | Retainer | 2 | 2 |
| 6. | 1.320.275 | Wire | 1 | 1 |
| 7. | - | PTO drive shaft (See page 1!) | | |
| 8. | 1.353.755 | Yoke - 1.26 hex (P400) | 2 | 2 |
| 9. | 70716000066 | Lock nut M16 - DIN980 | 4 | 4 |
| | | | | |



AUTOMATIC HEADER HEIGHT CONTROL

| Ref. | Part Number | Description | | 2 sensors | 3 sensors |
|------|-------------|---|--------|-----------|-----------|
| 1. | 1.329.455 | Block | | 2 | 3 |
| 2. | 1.329.462 | Arm assy. | | 2 | 3 |
| 3. | 1.301.766 | Bushing | | 2 | 3 |
| 4. | 79410004566 | Hex bolt M10x45 - DIN933/8.8 | | 2 | 3 |
| 5. | 96702375920 | Washer - M10 | | 2 | 3 |
| 6. | 70710000066 | Lock nut - M10 - DIN980 | | 2 | 3 |
| 7. | 87000620114 | Bearing - 6201- 2RS | | 2 | 3 |
| 8. | 70200001201 | Retaining ring - external 12x1 - DIN471 | | 2 | 3 |
| 9. | 1.329.458 | Cover plate | | 2 | 3 |
| 10. | 80405001603 | Hex socket countersunk-head bolt M5x16 - DIN7991/10.9 | | 4 | 6 |
| 11. | 1.329.457 | Shaft | | 2 | 3 |
| 12. | 1.329.459 | Arm | | 2 | 3 |
| 13. | 81108001663 | Hex socket button-head bolt- M8x16 - ISO7380/10.9 | | 2 | 3 |
| 14. | 71406000060 | Washer -M6 - DIN125 | | 6 | 9 |
| 15. | 79406002066 | Hex bolt -M6x20 - DIN933/8.8 | | 2 | 3 |
| 16. | 97515182510 | Globe joint | | 4 | 6 |
| 17. | 1.329.539 | Rod | | 2 | 3 |
| 18. | 96716250085 | Gas spring | | 2 | 3 |
| 19. | 74906000066 | Hex nut - plastic insert -M6 - DIN985 | | 4 | 6 |
| 20. | 79406005066 | Hex bolt -M6x50 - DIN933/8.8 | | 2 | 3 |
| 21. | 73506000066 | Hex nut -M6 DIN934 | | 8 | 12 |
| 22. | 1.332.078 | Plate -CNH | →2014. | 2 | 3 |
| 22. | 1.332.078 | Plate - Case 1000-2000 | | - | 3 |
| 23. | 80404001266 | Hex socket countersunk-head bolt M4x12 - DIN7991/8.8 - CNH | →2014. | 4 | 6 |
| 23. | 80404001266 | Hex socket countersunk-head bolt M4x12 - DIN7991/8.8 - Case 1000-2000 | | - | 6 |
| 24. | 96799585520 | Rotation detector - Claas Lexion | →2013. | 2 | 3 |
| 24. | 60042406090 | Rotation detector - JD, MF AGCO, CLAAS, CNH 2015.→ | | 2 | 3 |
| 24. | 91601111000 | Rotation detector - CNH | →2014. | 2 | 3 |
| 24. | 91601111000 | Rotation detector - Case 1000-2000 | | - | 3 |
| 25. | 1.329.910 | Driver for 91601111000 - CNH | →2014. | 2 | 3 |
| 25. | 1.329.910 | Driver for 91601111000 - Case 1000-2000 | | - | 3 |
| 26. | 74904000066 | Hex nut - plastic insert M4 - DIN985 - CNH | →2014. | 4 | 6 |
| 26. | 74904000066 | Hex nut - plastic insert M4 - DIN985 - Case 1000-2000 | | - | 6 |
| 27. | 71404000060 | Washer M4 - DIN125 | | 6 | 9 |
| 28. | 79404001666 | Hex bolt M4x16 - DIN933/8.8 | | 6 | 9 |
| 29. | 1.329.463 | Ground contour copier | | 2 | 3 |
| 30. | 1.314.099 | Washer | | 8 | 12 |
| 31. | 79408003566 | Hex bolt -M8x35 - DIN933/8.8 | | 4 | 6 |
| 32. | 74908000066 | Hex nut - plastic insert M8 - DIN985 | | 4 | 6 |
| 33. | 1.329.543 | Bracket | | 2 | 3 |
| 33. | 1.373.130 | Bracket 20-22" | | 2 | 3 |
| 33. | 1.372.285 | Bracket - 60 cm | | 2 | 3 |
| 34. | 1.329.906 | Wire - l=3000 JD, CNH, MF AGCO, Case 1000-2000 | | 1 | 1 |
| 34. | 1.329.907 | Wire - l=5500 JD, CNH, MF AGCO, Case 1000-2000 | | 1 | 1 |
| 34. | 1.329.908 | Wire - l=850 - Claas Lexion, JD, MF AGCO, CNH 2015.→ | | 2 | 3 |
| 34. | 1.329.909 | Wire - l=850 - CNH | →2014. | 2 | 3 |
| 34. | 1.329.909 | Wire - l=850 - Case 1000-2000 | | - | 3 |
| 34. | 1.329.541 | Wire - l=1500 | | 2 | 6 |
| 35. | 96799674430 | Harness Claas Lexion | →2013. | 1 | 1 |
| 35. | 1.332.459 | Harness Claas Lexion | 2014.→ | 1 | 1 |
| 35. | 1.379.536 | Harness Case 1000-2000 | 2014.→ | 1 | 1 |
| 36. | 73002001601 | Roll pin - 2x16 - DIN1481 | | 2 | 3 |
| 37. | 97327001370 | Clamp | | 10 | 15 |
| 38. | 81303501366 | Self cutting hex bolt - M5x13 DIN7540 | | 10 | 15 |
| 39. | 79408001666 | Hex bolt -M8x16 - DIN933/8.8 | | 8 | 12 |
| 40. | 91623938761 | Washer A8 | | 8 | 12 |
| 41. | 79408005066 | Hex bolt -M8x50 - DIN933/8.8 | | 2 | 3 |
| 42. | 73508000066 | Hex nut -M8 DIN934 | | 4 | 6 |

43/A



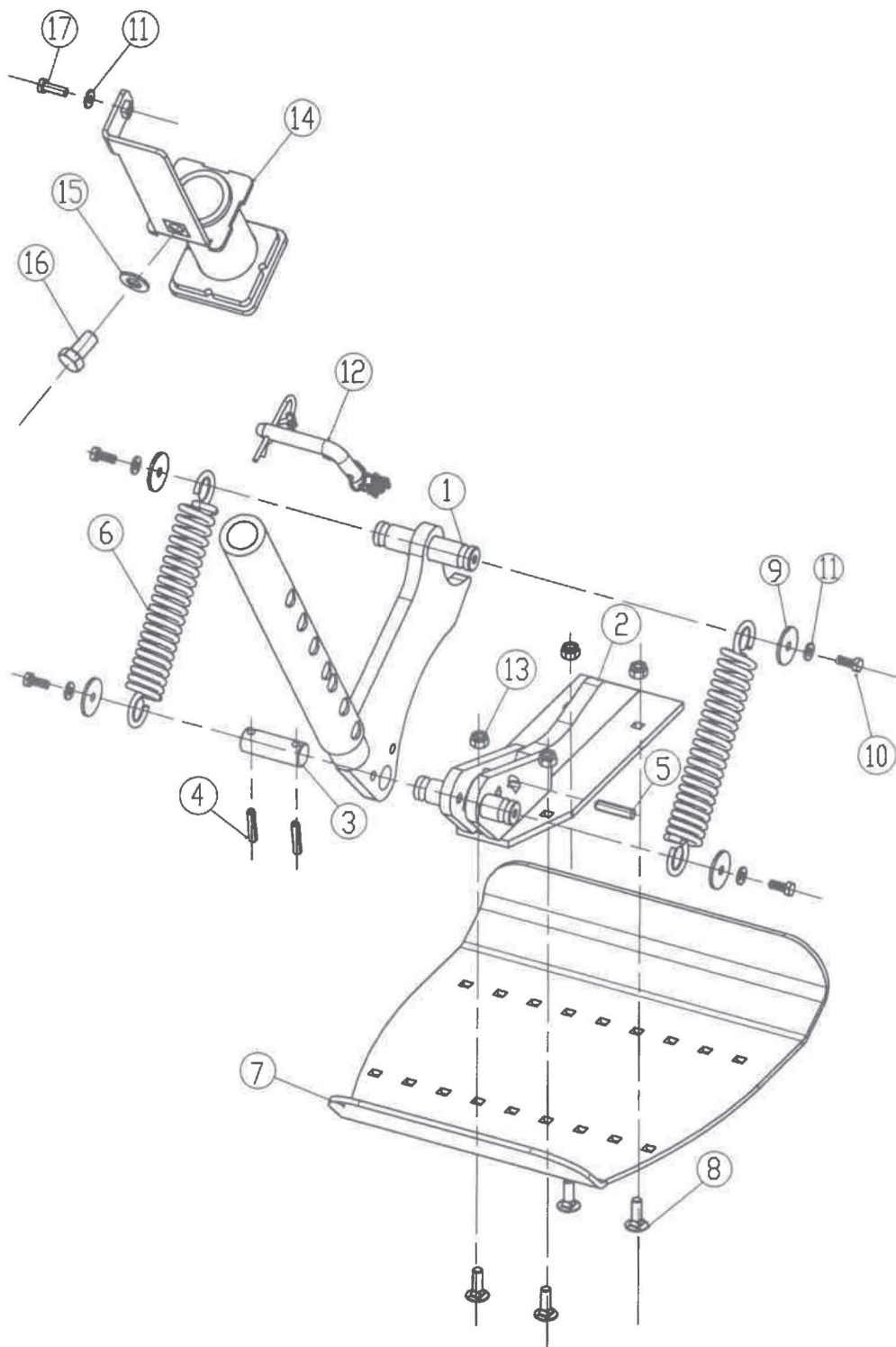
1.378.492

2013

STALK STOMPER (2011-2017.)

| Ref | Part Number | Description | All models |
|-----|-------------|---------------------------------------|------------|
| 1. | 1.378.493 | Support assy | 2 |
| 2. | 1.378.497 | Body | 2 |
| 3. | 1.356.016 | Pin | 2 |
| 4. | 73108004001 | Roll pin 8x40 - DIN1473 | 4 |
| 5. | 73100104501 | Spring pin 10x45 - ISO 28739 | 2 |
| 6. | 1.200.628 | Spring | 4 |
| 7. | 1.378.501 | Stomper plate | 2 |
| 8. | 76310003066 | Carriage bolt M10x30 - DIN603/8.8 | 8 |
| 9. | 1.377.699 | Washer | 8 |
| 10. | 79408002066 | Hex bolt M8x20 - DIN933/8.8 | 8 |
| 11. | 91623938761 | Spring washer M8 | 8 |
| 12. | 1.378.446 | Safety pin | 2 |
| 13. | 74901000066 | Hex nut - plastic insert M10 - DIN985 | 8 |
| | | | |

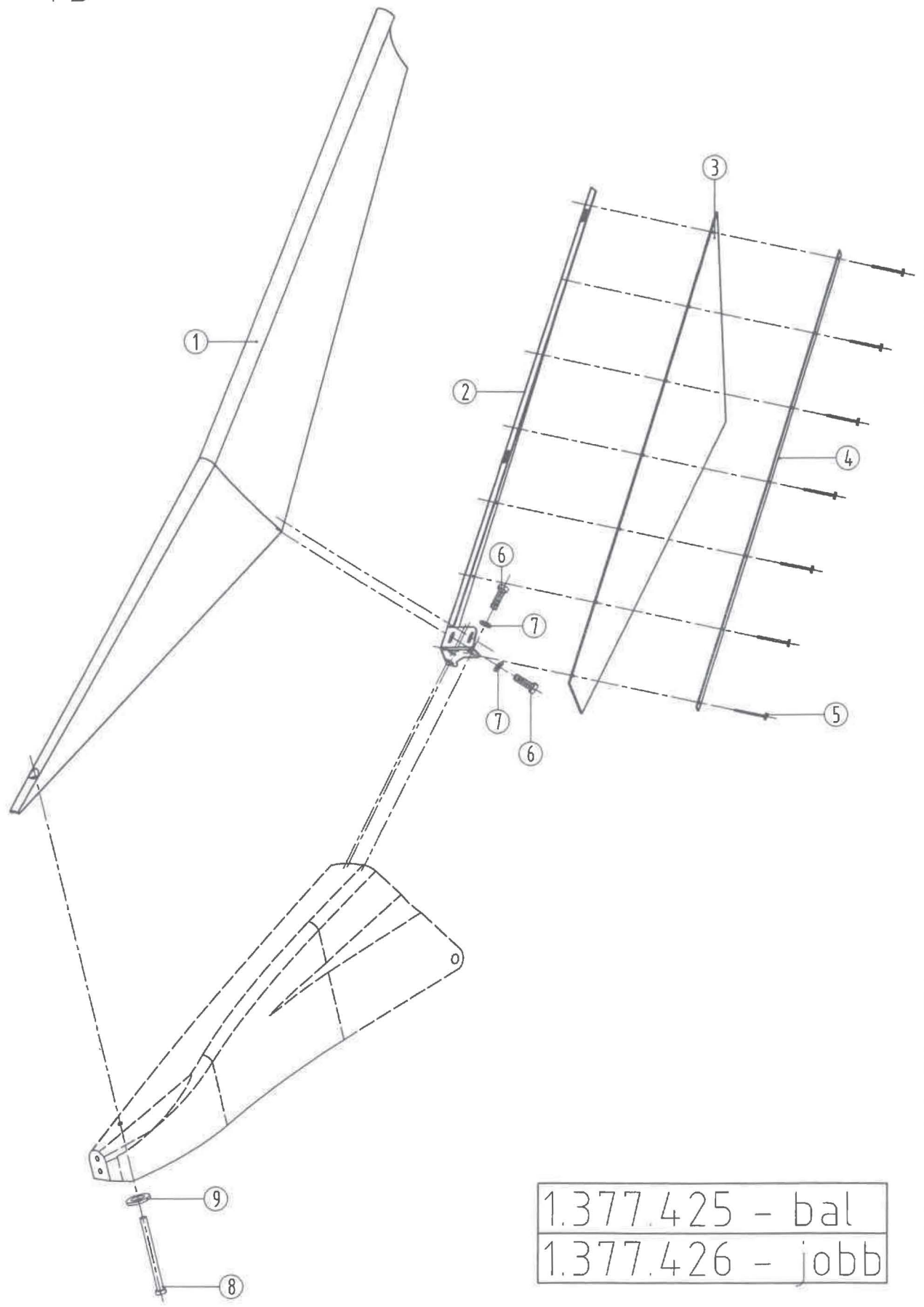
43/B



STALK STOMPER (2018 ->)

| Ref | Part Number | Description | All models |
|-----|-------------|---------------------------------------|------------|
| 1. | 1.372.523 | Support assy | 2 |
| 2. | 1.378.497 | Body | 2 |
| 3. | 1.356.016 | Pin | 2 |
| 4. | 73108004001 | Roll pin 8x40 - DIN1473 | 4 |
| 5. | 73100104501 | Spring pin 10x45 - ISO 28739 | 2 |
| 6. | 1.200.628 | Spring | 4 |
| 7. | 1.378.501 | Stomper plate | 2 |
| 8. | 76310003066 | Carriage bolt M10x30 - DIN603/8.8 | 8 |
| 9. | 1.377.699 | Washer | 8 |
| 10. | 79408002066 | Hex bolt M8x20 - DIN933/8.8 | 8 |
| 11. | 91623938761 | Spring washer M8 | 10 |
| 12. | 1.378.446 | Safety pin | 2 |
| 13. | 74901000066 | Hex nut - plastic insert M10 - DIN985 | 8 |
| 14. | 1.372.527 | Support assy | 2 |
| 15. | 91623939161 | Spring washer M16 | 2 |
| 16. | 79416003066 | Hex bolt M16x30 - DIN933/8.8 | 2 |
| 17. | 79408002566 | Hex bolt M8x25 - DIN933/8.8 | 2 |
| | | | |

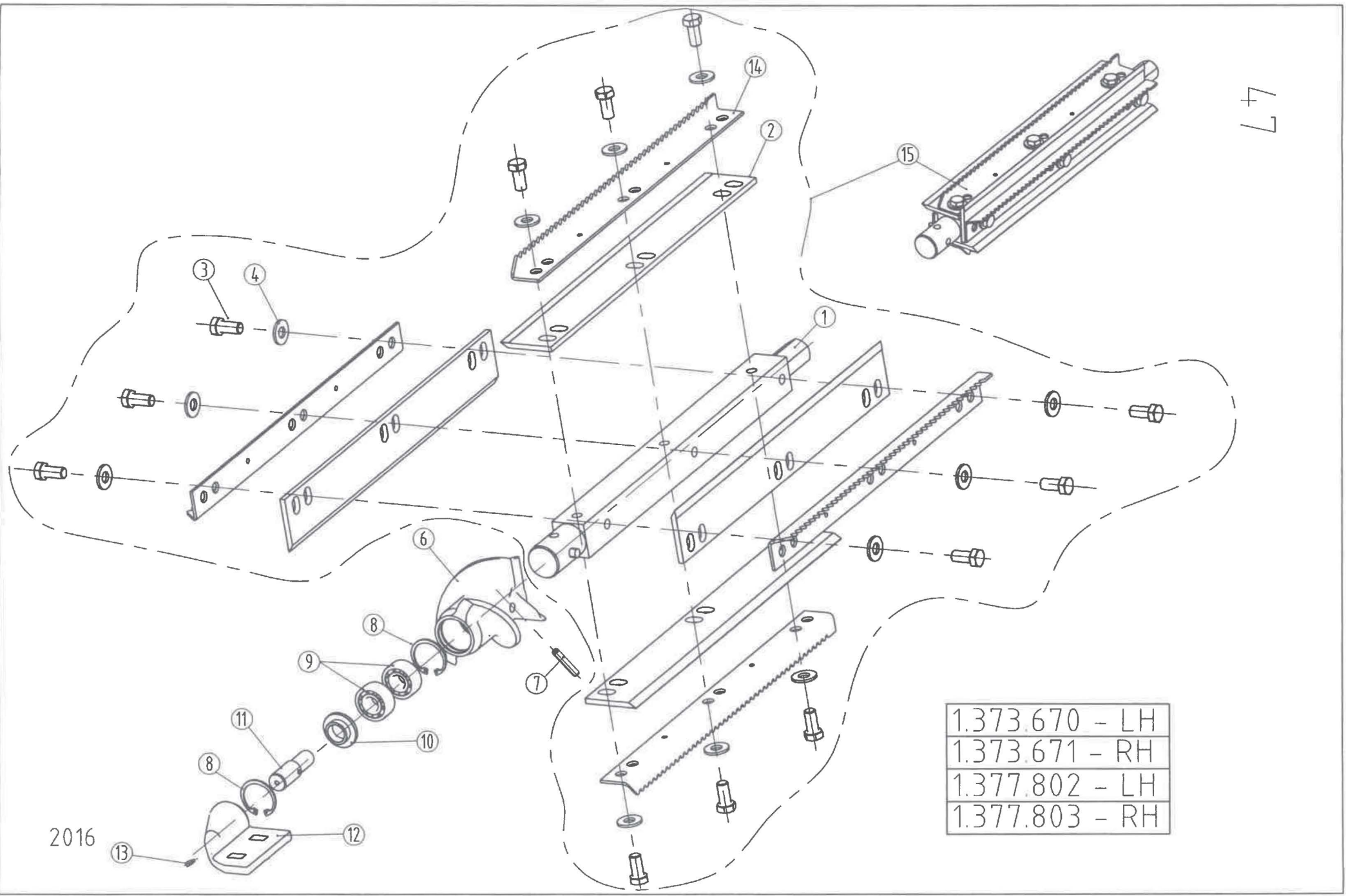
45



| |
|------------------|
| 1.377.425 - bal |
| 1.377.426 - jobb |

SIDE EXTENSION

| Ref. | Part Number | Description | All models |
|------|--------------|----------------------------------|------------|
| 1. | 1.377.382 | Side extension - LH white | 1 |
| 1. | 1.377.382.1 | Side extension - LH red | 1 |
| 1. | 1.377.382.2 | Side extension - LH yellow | 1 |
| 1. | 1.377.382.3 | Side extension - LH JD green | 1 |
| 1. | 1.377.382.4 | Side extension - LH orange | 1 |
| 1. | 1.377.382.5 | Side extension - LH Claas green | 1 |
| 1. | 1.377.382.6 | Side extension - LH SDF green | 1 |
| 1. | 1.377.382.10 | Side extension - LH chassis grey | 1 |
| 1. | 1.377.383 | Side extension - RH white | 1 |
| 1. | 1.377.383.1 | Side extension - RH red | 1 |
| 1. | 1.377.383.2 | Side extension - RH yellow | 1 |
| 1. | 1.377.383.3 | Side extension - RH JD green | 1 |
| 1. | 1.377.383.4 | Side extension - RH orange | 1 |
| 1. | 1.377.383.5 | Side extension - RH Claas green | 1 |
| 1. | 1.377.383.6 | Side extension - RH SDF green | 1 |
| 1. | 1.377.383.10 | Side extension - RH chassis grey | 1 |
| 2. | 1.377.432 | Support - LH | 1 |
| 2. | 1.377.433 | Support - RH | 1 |
| 3. | 1.377.429 | Rubber curtain | 2 |
| 4. | 1.377.428 | Flat bar | 2 |
| 5. | 84304001200 | POP rivet 4x12 - DIN7337 | 16 |
| 6. | 79408002066 | Hex bolt M8x20 - DIN933/8.8 | 14 |
| 7. | 91623938761 | Spring washer M8 | 14 |
| 8. | 79408010066 | Hex bolt M8x100 - DIN933/8.8 | 2 |
| 9. | 1.314.099 | Washer | 2 |
| | | | |



L7

| |
|----------------|
| 1.373.670 - LH |
| 1.373.671 - RH |
| 1.377.802 - LH |
| 1.377.803 - RH |

2016

13

8

11

9

8

6

7

1

1

2

14

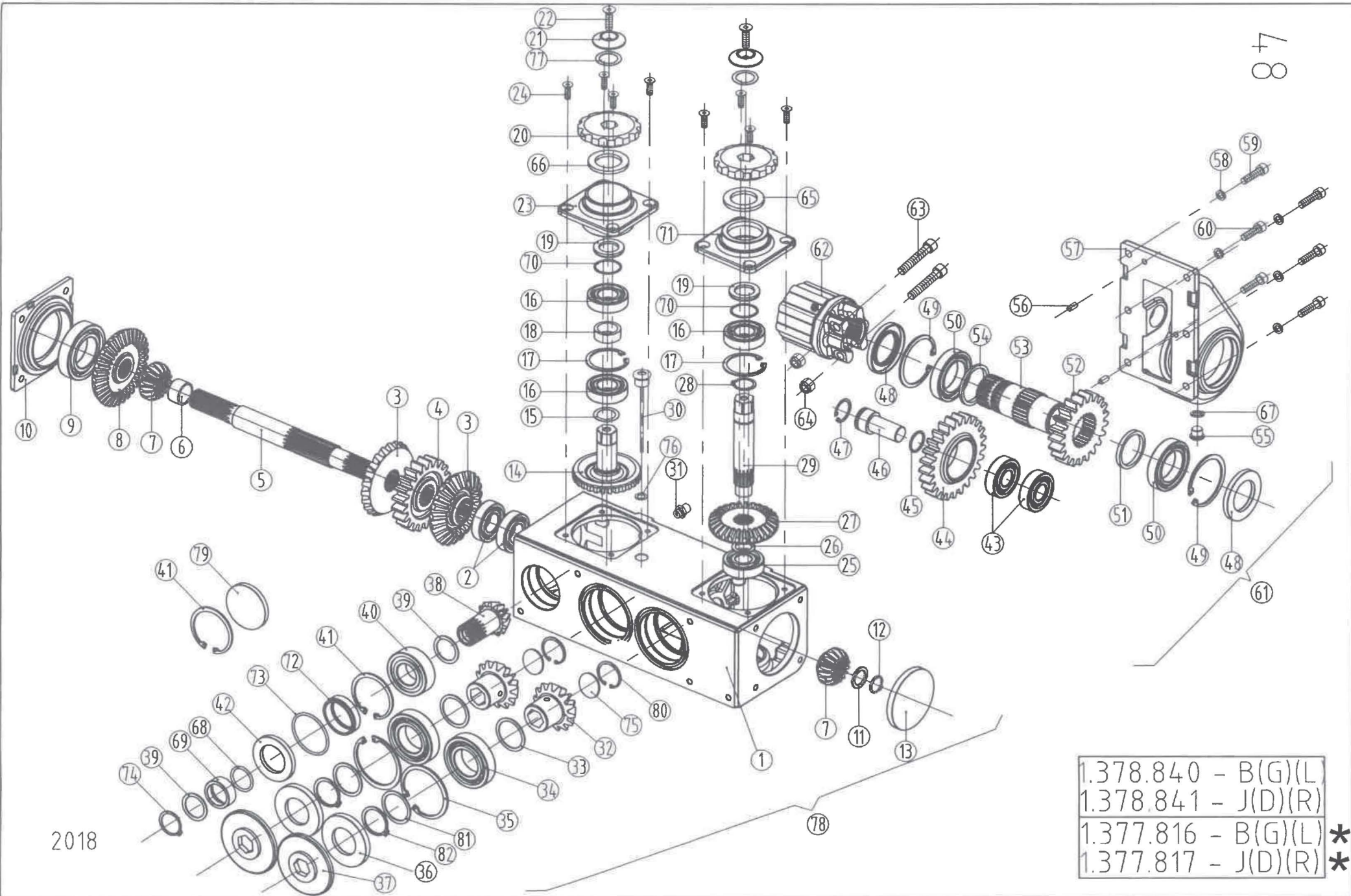
15

4

3

10

12



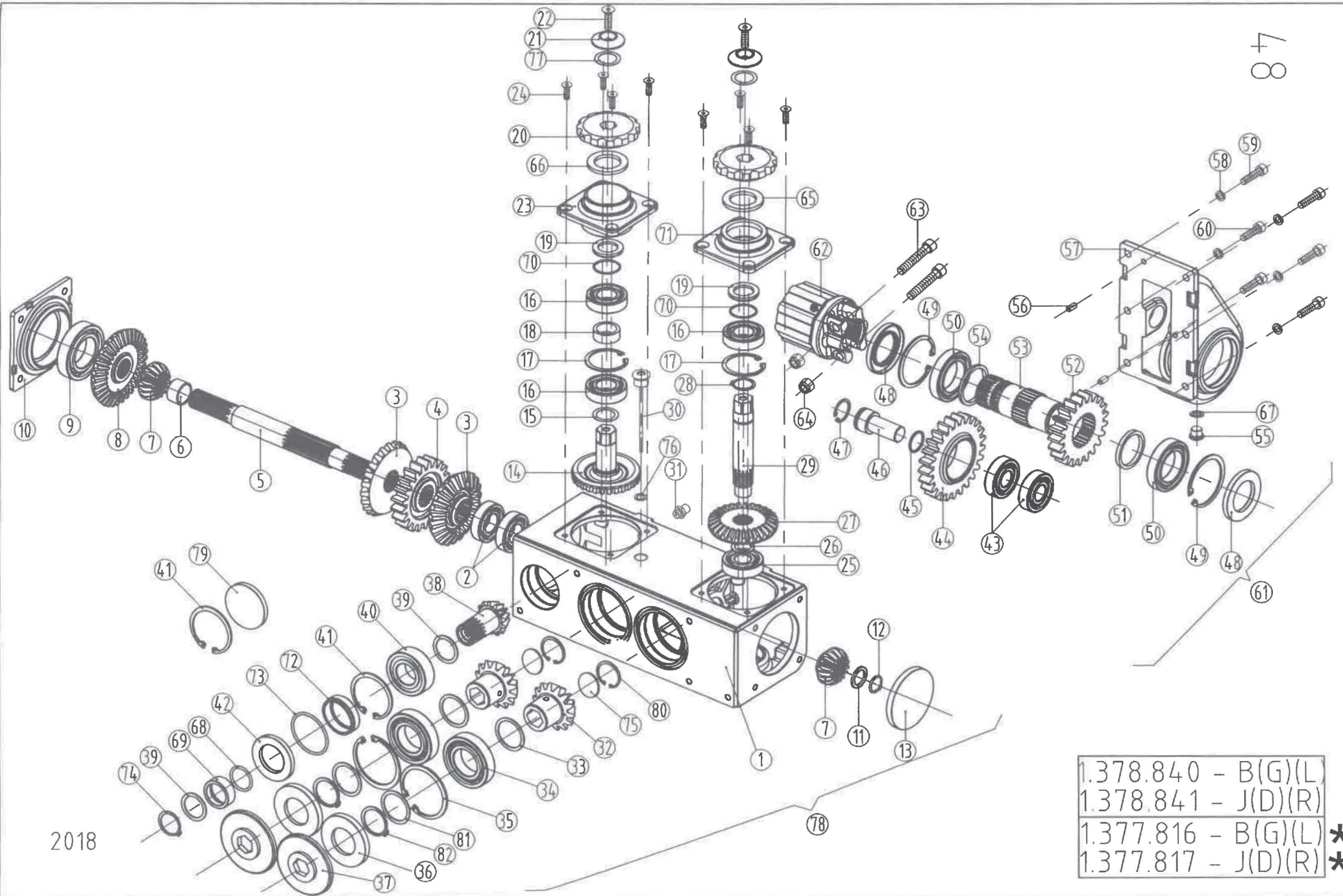
2018

87

SNAPPING UNIT GEARBOX FOR KNIFE-ROLL ROW UNIT

| Ref. | Part Number | Description | 6R | 8R | 9R | 12R | 16R |
|------|-------------|--|----|----|----|-----|-----|
| 1. | 1.375.722 | Gearbox housing | 6 | 8 | 9 | 12 | 16 |
| 2. | 87000620611 | Bearing 6206 - DIN625 | 12 | 16 | 18 | 24 | 32 |
| 3. | 1.377.243 | Bevel gear 25T | 12 | 16 | 18 | 24 | 32 |
| 4. | 1.375.693 | Cyl. gear 21T | 6 | 8 | 9 | 12 | 16 |
| 5. | 1.375.706 | Shaft | 6 | 8 | 9 | 12 | 16 |
| 6. | 1.375.754 | Spacer | 6 | 8 | 9 | 12 | 16 |
| 7. | 1.375.689 | Bevel gear 16T | 12 | 16 | 18 | 24 | 32 |
| 8. | 1.378.507 | Bevel gear 33T | 6 | 8 | 9 | 12 | 16 |
| 9. | 87000421010 | Bearing 4210 -DIN625 | 6 | 8 | 9 | 12 | 16 |
| 10. | 1.375.710 | Bearing housing | 6 | 8 | 9 | 12 | 16 |
| 11. | 71625035200 | Shim 25x35x2 - DIN988 | 6 | 8 | 9 | 12 | 16 |
| 12. | 70200002501 | Retaining ring - external 25x1.2 - DIN471 | 6 | 8 | 9 | 12 | 16 |
| 13. | 85801001000 | Seal 100x10 | 6 | 8 | 9 | 12 | 16 |
| 14. | 1.377.733 | Bevel gear 29T | 6 | 8 | 9 | 12 | 16 |
| 15. | 71630042050 | Shim 30x42x0.5 - DIN988 | 12 | 16 | 18 | 24 | 32 |
| 15. | 71630042020 | Shim 30x42x0.2 - DIN988 | 12 | 16 | 18 | 24 | 32 |
| 15. | 71630042010 | Shim 30x42x0.1 - DIN988 | 6 | 8 | 9 | 12 | 16 |
| 16. | 87001620614 | Bearing 6206-2RS - DIN625 | 18 | 24 | 27 | 36 | 48 |
| 17. | 70100006201 | Retaining ring - internal 62x2 - DIN472 | 12 | 16 | 19 | 24 | 32 |
| 18. | 1.375.703 | Spacer | 6 | 8 | 9 | 12 | 16 |
| 19. | 1.377.734 | Shim | 6 | 8 | 9 | 12 | 16 |
| 20. | 1.377.722 | Sprocket z=12 t=30 | 12 | 16 | 18 | 24 | 32 |
| 21. | 1.375.019 | Washer | 12 | 16 | 18 | 24 | 32 |
| 22. | 80401003063 | Hex socket countersunk-head bolt M10x30 - DIN7991/10.9 | 12 | 16 | 18 | 24 | 32 |
| 23. | 1.375.712 | Bearing housing - RH | 6 | 8 | 9 | 12 | 16 |
| 24. | 80400802563 | Hex socket countersunk-head bolt M8x25 - DIN7991/10.9 | 48 | 64 | 72 | 96 | 128 |
| 25. | 87010630510 | Bearing 6305 - DIN625 | 6 | 8 | 9 | 12 | 16 |
| 26. | 71625035050 | Shim 25x35x0.5 - DIN988 | 12 | 16 | 18 | 24 | 32 |
| 26. | 71625035020 | Shim 25x35x0.2 - DIN988 | 12 | 16 | 18 | 24 | 32 |
| 26. | 71625035010 | Shim 25x35x0.1 - DIN988 | 6 | 8 | 9 | 12 | 16 |
| 27. | 1.375.700 | Bevel gear 29T | 6 | 8 | 9 | 12 | 16 |
| 28. | 70200003001 | Retaining ring - external 30x1.5 - DIN471 | 6 | 8 | 9 | 12 | 16 |
| 29. | 1.377.731 | Shaft | 6 | 8 | 9 | 12 | 16 |
| 30. | 1.377.093 | Dipstick | 6 | 8 | 9 | 12 | 16 |
| 31. | 1.309.247 | Breather | 6 | 8 | 9 | 12 | 16 |
| 32. | 1.377.244 | Bevel gear 13T | 12 | 16 | 18 | 24 | 32 |
| 33. | 71645055050 | Shim 45x55x0.5 - DIN988 | 24 | 32 | 36 | 48 | 64 |
| 33. | 71645055020 | Shim 45x55x0.2 - DIN988 | 24 | 32 | 36 | 48 | 64 |
| 33. | 71645055010 | Shim 45x55x0.1 - DIN988 | 12 | 16 | 18 | 24 | 32 |
| 34. | 87001620910 | Bearing 6209 - DIN625 | 12 | 16 | 18 | 24 | 32 |
| 35. | 70100008501 | Retaining ring - internal 85x3 - DIN472 | 12 | 16 | 18 | 24 | 32 |
| 36. | 85804508501 | Seal 45x85x10 - DIN3760-AS | 12 | 16 | 18 | 24 | 32 |
| 37. | 1.375.836 | Cover piece | 12 | 16 | 18 | 24 | 32 |
| 38.* | 1.375.687 | Bevel gear 13T | 6 | 8 | 9 | 12 | 16 |
| 39.* | 71635045050 | Shim 35x45x0.5 - DIN988 | 18 | 24 | 27 | 36 | 48 |
| 39.* | 71635045020 | Shim 35x45x0.2 - DIN988 | 24 | 32 | 36 | 48 | 64 |
| 39.* | 71635045010 | Shim 35x45x0.1 - DIN988 | 12 | 16 | 18 | 24 | 32 |
| 40.* | 87001420710 | Bearing 4207 - DIN625 | 6 | 8 | 9 | 12 | 16 |
| 41. | 70100007201 | Retaining ring - internal 72x2.5 - DIN472 | 6 | 8 | 9 | 12 | 16 |
| 42.* | 85804506208 | Seal 45x62x8 - DIN3760-AS | 6 | 8 | 9 | 12 | 16 |
| 43. | 87010630510 | Bearing 6305 - DIN625 | 12 | 16 | 18 | 24 | 32 |
| 44. | 1.375.694 | Cyl. gear 25T | 6 | 8 | 9 | 12 | 16 |
| 45. | 63003026500 | O-ring 30x2.65 - DIN3771 | 6 | 8 | 9 | 12 | 16 |
| 46. | 1.375.696 | Shaft | 6 | 8 | 9 | 12 | 16 |
| 47. | 70100003501 | Retaining ring - internal 35x1.5 - DIN472 | 6 | 8 | 9 | 12 | 16 |
| 48. | 85805008008 | Seal 50x80x8 - DIN3760-AS | 12 | 16 | 18 | 24 | 32 |
| 49. | 70100008001 | Retaining ring - internal 80x2.5 - DIN472 | 12 | 16 | 18 | 24 | 32 |
| 50. | 87001601010 | Bearing 6010 - DIN625 | 12 | 16 | 18 | 24 | 32 |
| 51. | 1.375.697 | Spacer | 6 | 8 | 9 | 12 | 16 |

Note: application of shims depends on the backlash of the gears.
The items marked with * are for machines with chopper only!



2018

- 1.378.840 - B(G)(L)
- 1.378.841 - J(D)(R)
- 1.377.816 - B(G)(L) *
- 1.377.817 - J(D)(R) *

SNAPPING UNIT GEARBOX FOR KNIFE-ROLL ROW UNIT

| Ref. | Part Number | Description | | 6R | 8R | 9R | 12R | 16R |
|------|-------------|---|-------|----|----|----|-----|-----|
| 52. | 1.375.695 | Cyl. gear 21T | | 6 | 8 | 9 | 12 | 16 |
| 53. | 1.375.699 | Shaft | | 6 | 8 | 9 | 12 | 16 |
| 54. | 1.375.698 | Spacer | | 6 | 8 | 9 | 12 | 16 |
| 55. | 79201601560 | Closing screw M16x1.5 - DIN908 | | 6 | 8 | 9 | 12 | 16 |
| 56. | 1.375.746 | Dowel pin | | 12 | 16 | 18 | 24 | 32 |
| 57. | 1.375.723 | Gearbox housing | | 6 | 8 | 9 | 12 | 16 |
| 58. | 71810000060 | Spring washer M10 - DIN7980 | | 36 | 48 | 54 | 72 | 96 |
| 59. | 80210004063 | Hex socket head cap bolt M10x40 - DIN912/10.9 | | 30 | 40 | 45 | 60 | 80 |
| 60. | 80210003563 | Hex socket head cap bolt M10x35 - DIN912/10.9 | | 6 | 8 | 9 | 12 | 16 |
| 61. | 1.375.955 | Gearbox assy - LH | | 6 | 8 | 9 | 12 | 16 |
| 61. | 1.375.717 | Gearbox assy - RH | | 6 | 8 | 9 | 12 | 16 |
| 62. | 1.375.025 | Safety clutch (Walterscheid) | →2016 | 6 | 8 | 9 | 12 | 16 |
| 62. | 1.373.387 | Safety clutch (Walterscheid) EK 33B | 2017→ | 6 | 8 | 9 | 12 | 16 |
| 63. | 80212006566 | Hex socket head cap bolt M12x65 - DIN912/8.8 | →2016 | 12 | 16 | 18 | 24 | 32 |
| 64. | 74901200066 | Hex nut - plastic insert M12 - DIN982 | →2016 | 12 | 16 | 18 | 24 | 32 |
| 65. | 85804055007 | Seal 40x55x7 - DIN3760-AS | | 6 | 8 | 9 | 12 | 16 |
| 66. | 85804006207 | Seal 40x62x7 - DIN3760-AS | | 6 | 8 | 9 | 12 | 16 |
| 67. | 05200001600 | Copper washer M16 - DIN7603 | | 6 | 8 | 9 | 12 | 16 |
| 68.* | 63003503500 | O-ring 35x3.5 | | 6 | 8 | 9 | 12 | 16 |
| 69.* | 1.375.744 | Spacer | | 6 | 8 | 9 | 12 | 16 |
| 70. | 63003030010 | O-ring 30x3 | | 12 | 16 | 18 | 24 | 32 |
| 71. | 1.377.732 | Bearing housing - LH | | 6 | 8 | 9 | 12 | 16 |
| 72.* | 1.377.775 | Guide ring | | 6 | 8 | 9 | 12 | 16 |
| 73.* | 63007151500 | O-ring 71.5x1.5 | | 6 | 8 | 9 | 12 | 16 |
| 74.* | 70200003501 | Retaining ring - external 35x1.5 - DIN471 | | 6 | 8 | 9 | 12 | 16 |
| 75. | 85803200500 | Seal 32x5 NBR | | 12 | 16 | 18 | 24 | 32 |
| 76. | 05200200024 | Copper washer 20x24 - DIN7603 | | 6 | 8 | 9 | 12 | 16 |
| 77. | 71619026020 | Shim 19x26x0,2- DIN988 | | 12 | 16 | 18 | 24 | 32 |
| 77. | 71619026050 | Shim 19x26x0,5-DIN988 | | 12 | 16 | 18 | 24 | 32 |
| 77. | 71619026120 | Shim 19x26x1,2-DIN988 | | 12 | 16 | 18 | 24 | 32 |
| 78. | 1.379.709 | Gearbox sub - assy | | 6 | 8 | 9 | 12 | 16 |
| 78. | 1.379.710 | Gearbox sub - assy, no chopper | | 6 | 8 | 9 | 12 | 16 |
| 79. | 85807201000 | Seal NBR 72x10, no chopper | | 6 | 8 | 9 | 12 | 16 |
| 80. | 70100003201 | Retaining ring - internal 32x1.2 - DIN472 | 2015→ | 12 | 16 | 18 | 24 | 32 |
| 81. | 71645055200 | Shim 45x55x2 - DIN988 | | 12 | 16 | 18 | 24 | 32 |
| 82. | 70200004501 | Retaining ring - external 45x1.5 - DIN471 | | 12 | 16 | 18 | 24 | 32 |

Note: application of shims depends on the backlash of the gears.
The items marked with * are for machines with chopper only!

Loctite 243

Loctite 5910

67

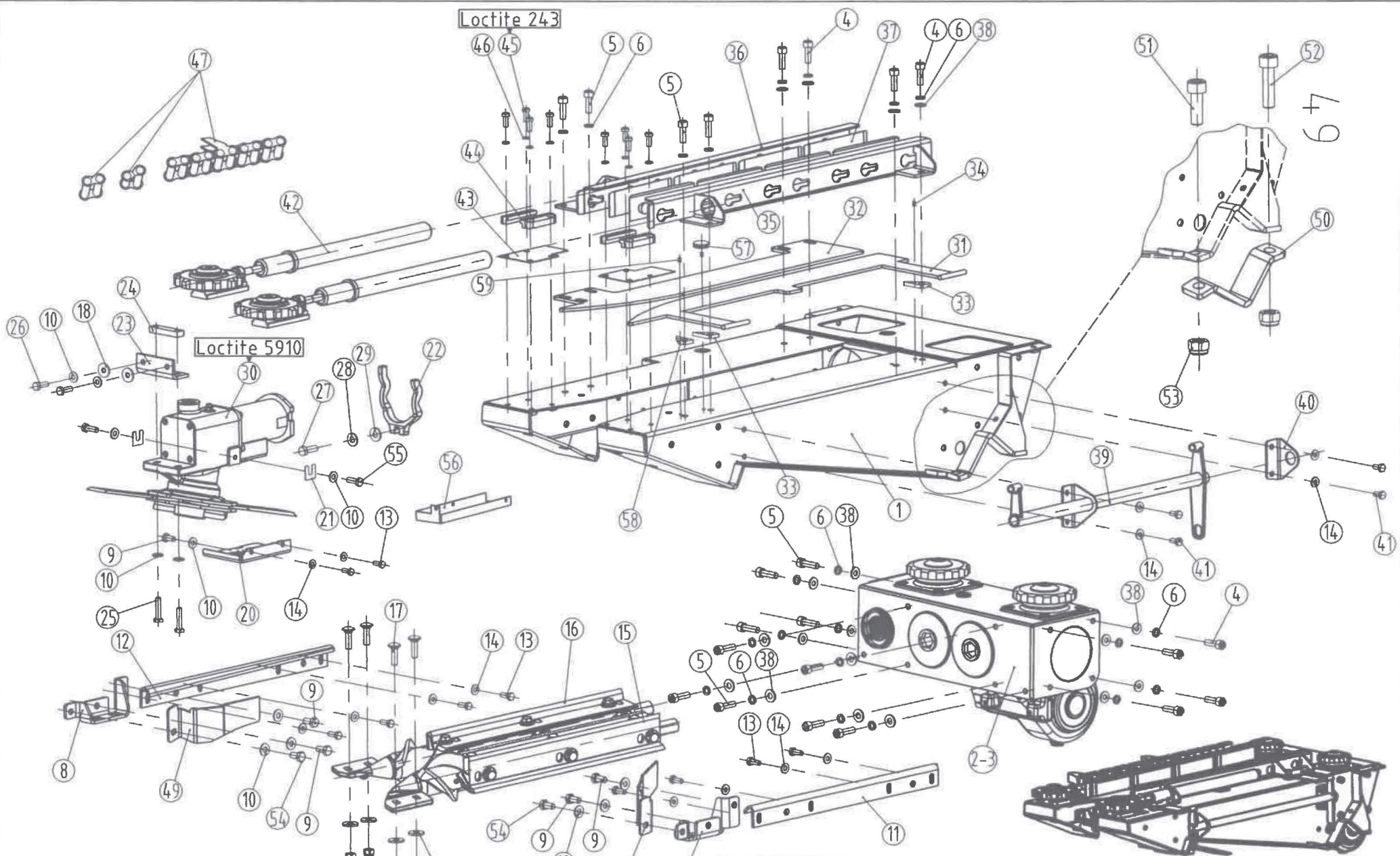
1.378.838 - B(G)(L) *
1.378.839 - J(D)(R) *

1.377.814 - B(G)(L)
1.377.815 - J(D)(R)
1.379.711 - B(G)(L)
1.379.712 - J(D)(R)

50cm,56cm
20";22"

1.377.814 - B(G)(L) 70cm,76,2cm
1.377.815 - J(D)(R) 28";30"

2016

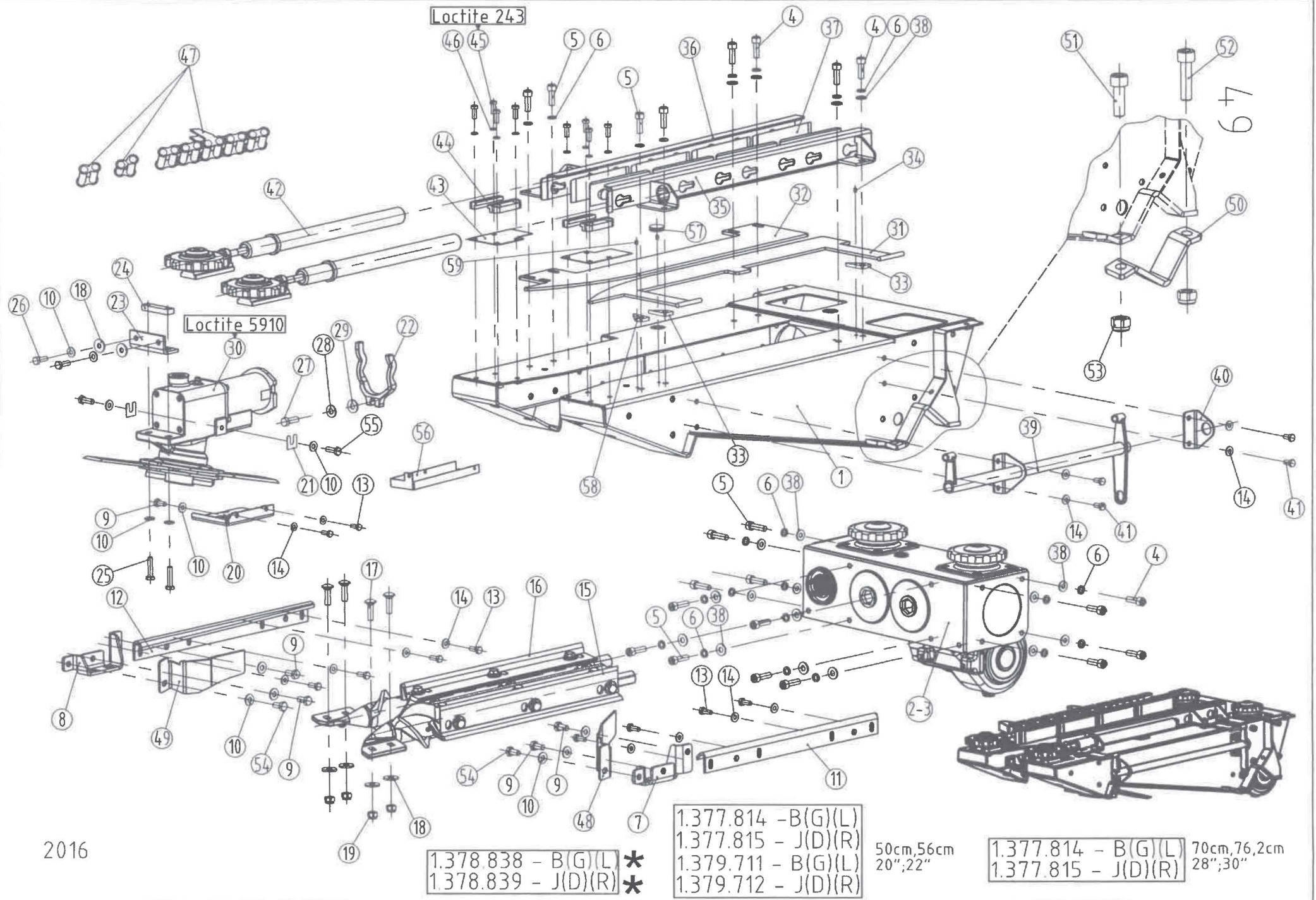


SNAPPING UNIT WITH KNIFE ROLLS

| Ref. | Part Number | Description | | 6306 | 6108 6208 | 6308 | 6309 | 6112 6212 | 6312 | 6316 |
|------|--------------|---|-------|------|--------------|------|------|--------------|------|------|
| 1. | 1.377.754 | Frame assy | →2015 | 6 | 8 | 8 | 9 | 12 | 12 | 16 |
| 1. | 1.373.426 | Frame assy | 2016→ | 6 | 8 | 8 | 9 | 12 | 12 | 16 |
| 2. | 1.377.816 | Gearbox - RH | | 3 | 4 | 4 | 4 | 6 | 6 | 8 |
| 3. | 1.377.817 | Gearbox - LH | | 3 | 4 | 4 | 4 | 6 | 6 | 8 |
| 4. | 80210003063 | Hex socket head cap bolt M10x30 - DIN912/10.9 | | 42 | 56 | 56 | 63 | 84 | 84 | 112 |
| 5. | 80210003563 | Hex socket head cap bolt M10x35 - DIN912/10.9 | | 84 | 112 | 112 | 126 | 168 | 168 | 224 |
| 6. | 71810000060 | Spring washer M10 - DIN7980 | | 126 | 168 | 168 | 189 | 252 | 252 | 336 |
| 7. | 1.375.800 | Support - LH | | 6 | 8 | 8 | 9 | 12 | 12 | 16 |
| 8. | 1.375.801 | Support - RH | | 6 | 8 | 8 | 9 | 12 | 12 | 16 |
| 9. | 79410002066 | Hex bolt M10x20 - DIN933/8.8 | | 30 | 40 | 40 | 45 | 60 | 60 | 80 |
| 10. | 91623938861 | Spring washer - A10 | | 78 | 104 | 104 | 117 | 156 | 156 | 208 |
| 11. | 1.377.267 | Clearing knife - LH | | 6 | 8 | 8 | 9 | 12 | 12 | 16 |
| 12. | 1.377.266 | Clearing knife - RH | | 6 | 8 | 8 | 9 | 12 | 12 | 16 |
| 13. | 79408001866 | Hex bolt M8x18 - DIN933/8.8 | | 60 | 80 | 80 | 90 | 120 | 120 | 160 |
| 14. | 91623938761 | Spring washer - A8 | | 84 | 112 | 112 | 126 | 168 | 168 | 224 |
| 15. | 1.377.803 | Snapping roll - LH | →2015 | 6 | 8 | 8 | 9 | 12 | 12 | 16 |
| 15. | 1.373.670 | Snapping roll - LH | 2016→ | 6 | 8 | 8 | 9 | 12 | 12 | 16 |
| 16. | 1.377.802 | Snapping roll - RH | →2015 | 6 | 8 | 8 | 9 | 12 | 12 | 16 |
| 16. | 1.373.671 | Snapping roll - RH | 2016→ | 6 | 8 | 8 | 9 | 12 | 12 | 16 |
| - | ARALUB HLP-2 | Lubricating grease | | | | | | | | |
| 17. | 76310003566 | Carriage bolt M10x35 - DIN603/8.8 | | 24 | 32 | 32 | 36 | 48 | 48 | 64 |
| 18. | 96702375920 | Washer M10 | | 36 | 48 | 48 | 54 | 72 | 72 | 96 |
| 19. | 70710000066 | Lock nut M10 - DIN980 | | 24 | 32 | 32 | 36 | 48 | 48 | 64 |
| 20. | 1.377.793 | Cover plate | | 6 | 8 | 8 | 9 | 12 | 12 | 16 |
| 21. | 1.377.990 | Shimming plate | | 24 | 32 | 32 | 36 | 48 | 48 | 64 |
| 22. | 1.377.788 | Fixing fork | | 6 | 8 | 8 | 9 | 12 | 12 | 16 |
| 23. | 1.377.791 | Angle | | 6 | 8 | 8 | 9 | 12 | 12 | 16 |
| 24. | 1.378.178 | Fiat | | 6 | 8 | 8 | 9 | 12 | 12 | 16 |
| 25. | 79410004566 | Hex bolt M10x45 - DIN933/8.8 | | 12 | 16 | 16 | 18 | 24 | 24 | 32 |
| 26. | 79410003066 | Hex bolt M10x30 - DIN933/8.8 | | 12 | 16 | 16 | 18 | 24 | 24 | 32 |
| 27. | 79412003566 | Hex bolt M12x35 - DIN933/8.8 | | 6 | 8 | 8 | 9 | 12 | 12 | 16 |
| 28. | 91623938961 | Spring washer - A12 | | 6 | 8 | 8 | 9 | 12 | 12 | 16 |
| 29. | 1.377.251 | Washer | | 6 | 8 | 8 | 9 | 12 | 12 | 16 |
| 30. | 1.377.762 | Stalk chopper assy | | 6 | 4 | 8 | 9 | 6 | 12 | 16 |
| 30. | 1.379.707 | Stalk chopper assy** | 2014→ | - | 4 | - | - | 6 | - | - |
| - | Loctite 5910 | RTV silicone | | | | | | | | |
| 31. | 1.378.472 | Snapping plate - LH | →2015 | 6 | 8 | 8 | 9 | 12 | 12 | 16 |
| 31. | 1.373.738 | Snapping plate - LH | 2016→ | 6 | 8 | 8 | 9 | 12 | 12 | 16 |
| 32. | 1.378.474 | Snapping plate - RH | | 6 | 8 | 8 | 9 | 12 | 12 | 16 |
| 33. | 1.376.067 | Washer | | 12 | 16 | 16 | 18 | 24 | 24 | 32 |
| 34. | 73005000801 | Spring pin 5x8 | | 12 | 16 | 16 | 18 | 24 | 24 | 32 |
| 35. | 1.377.983 | Chain guide - LH | →2015 | 6 | 8 | 8 | 9 | 12 | 12 | 16 |
| 35. | 1.373.734 | Chain guide - LH | 2016→ | 6 | 8 | 8 | 9 | 12 | 12 | 16 |
| 36. | 1.377.984 | Chain guide - RH | | 6 | 8 | 8 | 9 | 12 | 12 | 16 |
| 37. | 1.377.088 | Inset | | 48 | 64 | 64 | 72 | 96 | 96 | 128 |
| 38. | 71410000060 | Washer M10 - DIN 125 | | 84 | 112 | 112 | 126 | 168 | 168 | 224 |
| 39. | 1.375.813 | Crank-arm assy | | 6 | 8 | 8 | 9 | 12 | 12 | 16 |
| 40. | 1.377.989 | Console | | 6 | 8 | 8 | 9 | 12 | 12 | 16 |
| 41. | 79408002066 | Hex bolt M8x20 - DIN933/8.8 | | 24 | 32 | 32 | 36 | 48 | 48 | 64 |
| 42. | 1.375.755 | Chain adjuster assy | | 12 | 16 | 16 | 18 | 24 | 24 | 32 |
| 43. | 1.375.832 | Shimming plate | | 12 | 16 | 16 | 18 | 24 | 24 | 32 |
| 44. | 1.375.833 | Guide | | 24 | 32 | 32 | 36 | 48 | 48 | 64 |
| 45. | 80308002062 | Hex socket head cap bolt M8x20 - DIN6912/12.9 | | 48 | 64 | 64 | 72 | 96 | 96 | 128 |
| - | Loctite 243 | Threadlocking agent | | | | | | | | |
| 46. | 71808000060 | Spring washer M8 - DIN7980 | →2013 | 48 | 64 | 64 | 72 | 96 | 96 | 128 |
| 47. | 1.326.221 | Gathering chain (t=30mm, 36 pitches) | | 12 | 16 | 16 | 18 | 24 | 24 | 32 |
| 47. | 84553333520 | Offset link-30mm pitch (repairs only) | | 12 | 16 | 16 | 18 | 24 | 24 | 32 |
| 47. | 84530000000 | Connector link-30mm pitch (repairs only) | | 12 | 16 | 16 | 18 | 24 | 24 | 32 |
| 48. | 1.377.398 | Deflector plate - LH | | 6 | 8 | 8 | 9 | 12 | 12 | 16 |
| 49. | 1.377.399 | Deflector plate - RH | | 6 | 8 | 8 | 9 | 12 | 12 | 16 |
| 50. | 1.375.947 | Clamping bracket | | 12 | 16 | 16 | 18 | 24 | 24 | 32 |
| 51. | 80214004566 | Hex socket head cap bolt M14x45 - DIN912/8.8 | | 12 | 16 | 16 | 18 | 24 | 24 | 32 |
| 52. | 80214006566 | Hex socket head cap bolt M14x65 - DIN912/8.8 | | 12 | 16 | 16 | 18 | 24 | 24 | 32 |
| 53. | 74901400066 | Hex nut - plastic insert M14 - DIN982/8. | | 24 | 32 | 32 | 36 | 48 | 48 | 64 |

Note: the items marked with * are only valid for machines without a chopper!

Note: the item marked with ** are used at every second snapping unit from the right!



2016

1.378.838 - B(G)(L) *
 1.378.839 - J(D)(R) *

1.377.814 - B(G)(L)
 1.377.815 - J(D)(R)
 1.379.711 - B(G)(L)
 1.379.712 - J(D)(R)

50cm,56cm
 20",22"

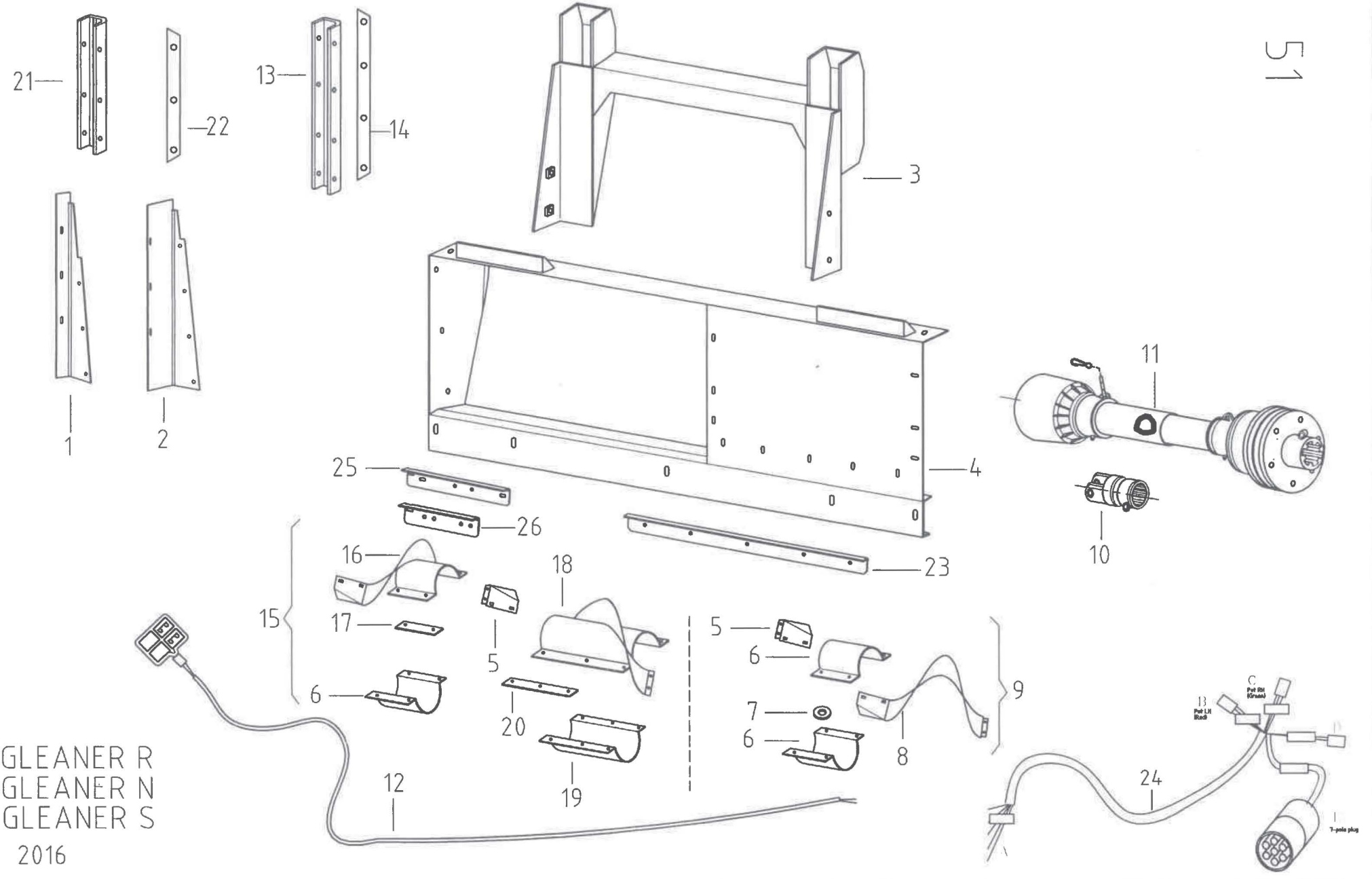
1.377.814 - B(G)(L) 70cm,76,2cm
 1.377.815 - J(D)(R) 28",30"

**SNAPPING UNIT
WITH KNIFE ROLLS**

| Ref. | Part Number | Description | | 6306 | 6108 6208 | 6308 | 6309 | 6112 6212 | 6312 | 6316 |
|------|-------------|-------------------------------|-------|------|--------------|------|------|--------------|------|------|
| 54. | 79410002566 | Hex bolt M10x25 - DIN933/8.8 | | 12 | 16 | 16 | 18 | 24 | 24 | 32 |
| 55. | 79410003063 | Hex bolt M10x30 - DIN933/10.9 | | 12 | 16 | 16 | 18 | 24 | 24 | 32 |
| 56. | 1.379.075 | Cover plate weld * | | 6 | 8 | 8 | 9 | 12 | 12 | 16 |
| 57. | 96700000003 | Rubber plug * | | 6 | 8 | 8 | 9 | 12 | 12 | 16 |
| 58. | 1.373.740 | Washer | 2016→ | 6 | 8 | 8 | 9 | 12 | 12 | 16 |
| 59. | 73005001601 | Spring pin 5x16 | 2016→ | 6 | 8 | 8 | 9 | 12 | 12 | 16 |

Note: the items marked with * are only valid for machines without a chopper!

Note: the item marked with ** are used at every second snapping unit from the right!



GLEANER R
 GLEANER N
 GLEANER S
 2016

MOUNTING KIT: GLEANER "R"

| Ref | Part No. | Description | | 6306 | 6308 | 6308F | 6112 | 6312F | 6212 6312 6316 |
|-----|-----------|---|------------|------|------|-------|------|-------|----------------------|
| 1. | 1.326.519 | Blocking plate left – R62-R72 | | 1 | 1 | 1 | 1 | 1 | 1 |
| 1. | 1.326.520 | Blocking plate right – R62-R72 | | 1 | 1 | 1 | 1 | 1 | 1 |
| 2. | 1.326.521 | Blocking plate left – R42-R52 | | 1 | 1 | 1 | 1 | 1 | 1 |
| 2. | 1.326.522 | Blocking plate right – R42-R52 | | 1 | 1 | 1 | 1 | 1 | 1 |
| 3. | 1.326.504 | Filler welded – without LTM only | | 1 | 1 | 1 | 1 | 1 | 1 |
| 4. | 1.326.507 | Filler welded | | 1 | 1 | 1 | 1 | 1 | 1 |
| 5. | 1.353.411 | Auger flight extension right 22" pitch | | 1 | 1 | 1 | 1 | 1 | 1 |
| 6. | 1.353.412 | Half filler 22" pitch | | 2 | 2 | 2 | 2 | 3 | 3 |
| 7. | 234.364.0 | Washer | | 2 | 2 | 2 | 2 | - | - |
| 8. | 1.353.409 | Auger flight extension left weld.22"pitch | | 1 | 1 | 1 | 1 | - | - |
| 9. | 1.353.413 | Flight extension complete 22" pitch | | 1 | 1 | 1 | 1 | - | - |
| 10. | 1.327.662 | Yoke - 21spline (P400) | | 2 | 2 | 2 | 2 | 2 | 2 |
| 10. | 1.327.486 | Yoke - 21spline (P500) | 2016-2017. | - | - | - | 2 | 2 | 2 |
| 11. | 1.353.028 | Cardan shaft See page 1. | | 1 | - | - | - | - | - |
| 12. | 1.327.638 | Wire | | 1 | 1 | 1 | 1 | 1 | 1 |
| 13. | 1.328.540 | Rubber plate | | 2 | 2 | 2 | 2 | 2 | 2 |
| 14. | 1.328.541 | Flat iron | | 2 | 2 | 2 | 2 | 2 | 2 |
| 15. | 1.355.478 | Flight extension complete 22" pitch | | - | - | - | - | 1 | 1 |
| 16. | 1.355.473 | Auger flight extension left weld.22"pitch | | - | - | - | - | 1 | 1 |
| 17. | 1.355.553 | Flat iron | | - | - | - | - | 2 | 2 |
| 18. | 1.355.464 | Auger flight extension left weld.22"pitch | | - | - | - | - | 1 | 1 |
| 19. | 1.353.571 | Half filler | | - | - | - | - | 1 | 1 |
| 20. | 1.353.573 | Flat iron | | - | - | - | - | 2 | 2 |
| 21. | 1.355.920 | Rubber plate | | 2 | 2 | 2 | 2 | 2 | 2 |
| 22. | 1.355.921 | Flat iron | | 2 | 2 | 2 | 2 | 2 | 2 |
| 23. | 1.326.532 | Cleaning angle | ->2015 | 1 | 1 | 1 | 1 | 1 | 1 |
| 23. | 1.326.532 | Cleaning angle | 2016 -> | 1 | 1 | 1 | 1 | 1 | 1 |
| 24. | 1.355.966 | Harness for AGCO multicoupler | | 1 | 1 | 1 | 1 | 1 | 1 |
| 25. | 1.332.781 | Cleaning angle – R42-R52 | ->2015 | 1 | 1 | 1 | 1 | 1 | 1 |
| 25. | 1.372.229 | Cleaning angle – R42-R52 | 2016 -> | 1 | 1 | 1 | 1 | 1 | 1 |
| 26. | 1.332.782 | Cleaning angle – R62-R72 | ->2015 | 1 | 1 | 1 | 1 | 1 | 1 |
| 26. | 1.372.228 | Cleaning angle – R62-R72 | 2016 -> | 1 | 1 | 1 | 1 | 1 | 1 |

Harvestec 

-1

CORNADO 

-2

Harvestec 

-3

Made by **OROS**

-4

5- **6112**

6- **6112 C**

7- **6208**

8- **6208 C**

9- **6212**

10- **6212 C**

11- **6306**

12- **6306 C**

13- **6308 C 70**

14- **6208**

15- **6308 F**

16- **6308 C**

17- **6308 FE**

18- **6308 FEC**

19- **6308 FE**

20- **6312 C 70**

21- **6312**

22- **6312 F**

23- **6312 C**

24- **6312 FC**

25- **6316 C**

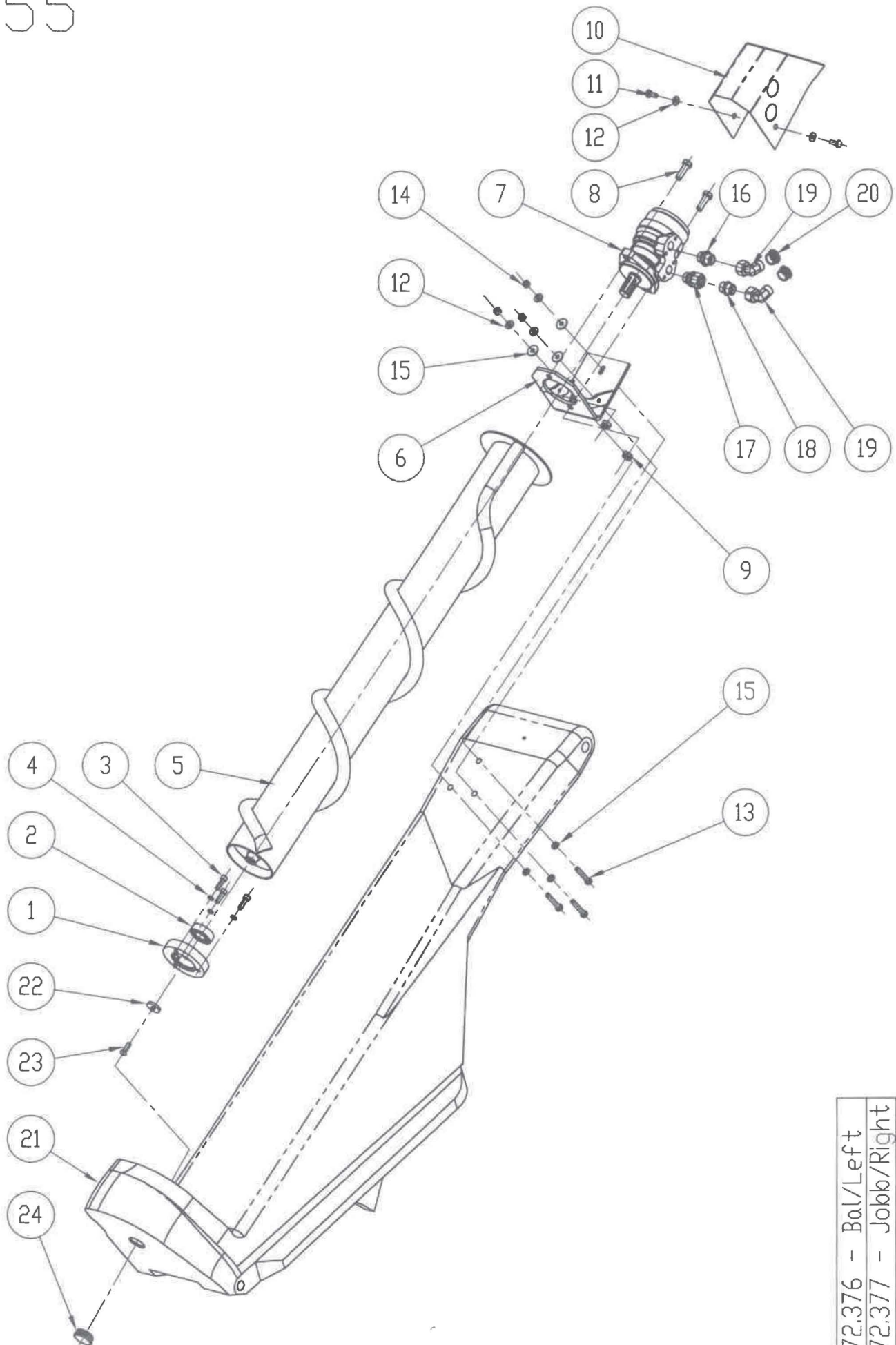
53

LABELS - MODEL

| Ref | Part Number | Description | Rigid | Foldable |
|-----|-------------|--------------------|-------|----------|
| 1. | 1.378.935 | Label HARVESTEC | 2 | 2 |
| 2. | 1.378.937 | Label CORNADO | 2 | 2 |
| 3. | 1.378.936 | Label HARVESTEC | 2 | 4 |
| 4. | 1.333.495 | Label MADE BY OROS | 2 | 2 |
| 5. | 1.379.001 | Label 6112 | 2 | 2 |
| 6. | 1.379.002 | Label 6112 C | 2 | 2 |
| 7. | 1.379.003 | Label 6208 | 2 | 2 |
| 8. | 1.379.004 | Label 6208 C | 2 | 2 |
| 9. | 1.379.005 | Label 6212 | 2 | 2 |
| 10. | 1.379.006 | Label 6212C | 2 | 2 |
| 11. | 1.379.007 | Label 6306 | 2 | 2 |
| 12. | 1.379.008 | Label 6306 C | 2 | 2 |
| 13. | 1.379.009 | Label 6308 C-70 | 2 | 2 |
| 14. | 1.379.010 | Label 6308 | 2 | 2 |
| 15. | 1.379.011 | Label 6308 F | 2 | 2 |
| 16. | 1.378.920 | Label 6308 C | 2 | 2 |
| 17. | 1.379.013 | Label 6308 FC | 2 | 2 |
| 18. | 1.379.297 | Label 6308 FEC | 2 | 2 |
| 19. | 1.379.415 | Label 6308 FE | 2 | 2 |
| 20. | 1.379.014 | Label 6312 C-70 | 2 | 2 |
| 21. | 1.379.015 | Label 6312 | 2 | 2 |
| 22. | 1.379.386 | Label 6312 F | 2 | 2 |
| 23. | 1.378.847 | Label 6312 C | 2 | 2 |
| 24. | 1.379.017 | Label 6312 FC | 2 | 2 |
| 25. | 1.379.295 | Label 6316 C | 2 | 2 |

MECHANICAL INDICATOR

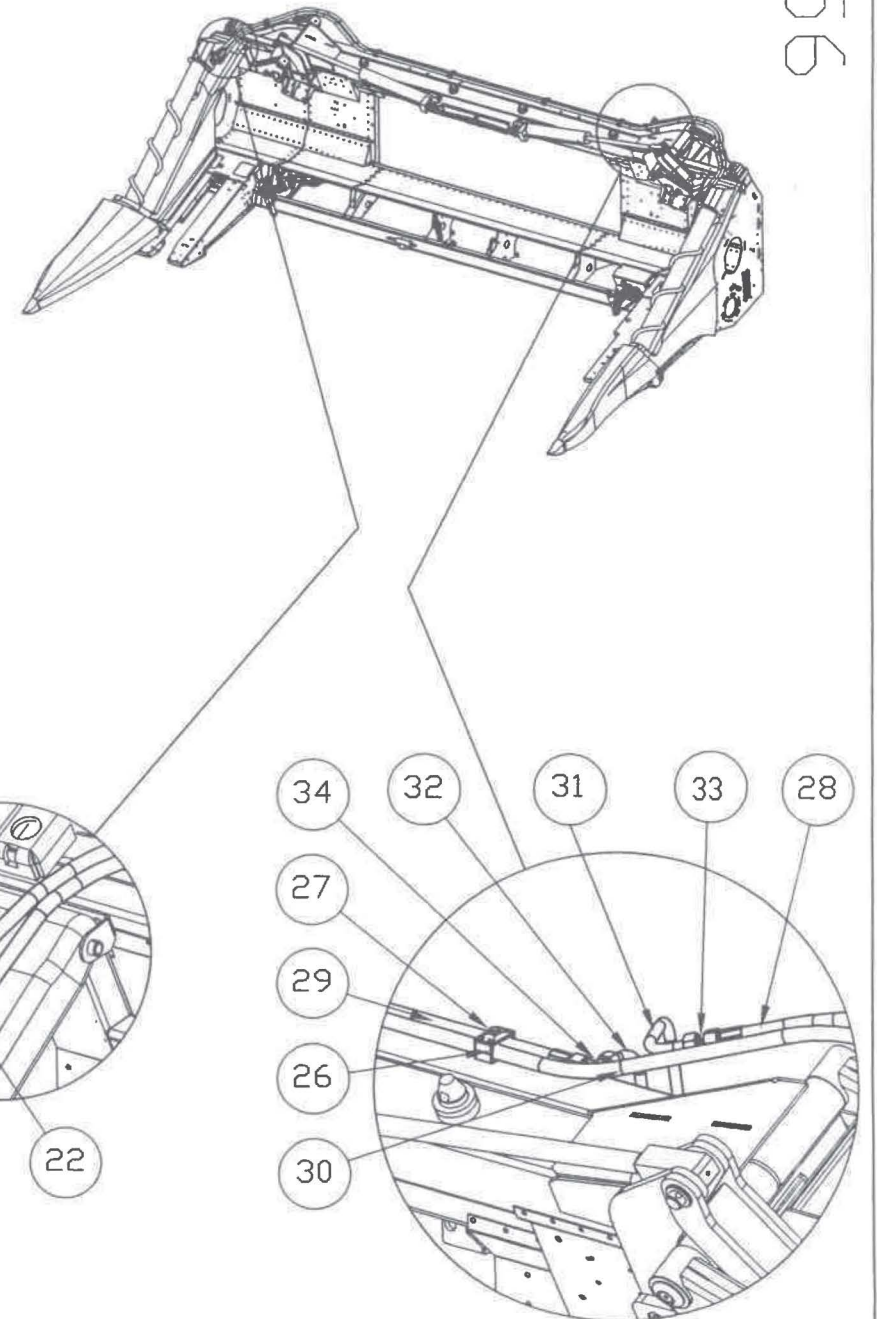
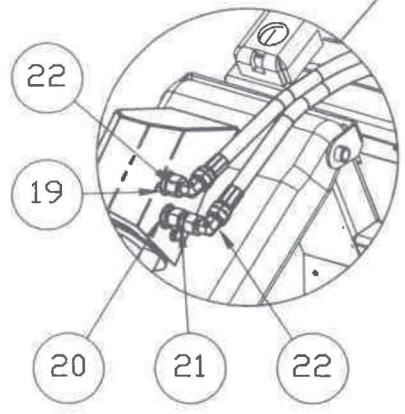
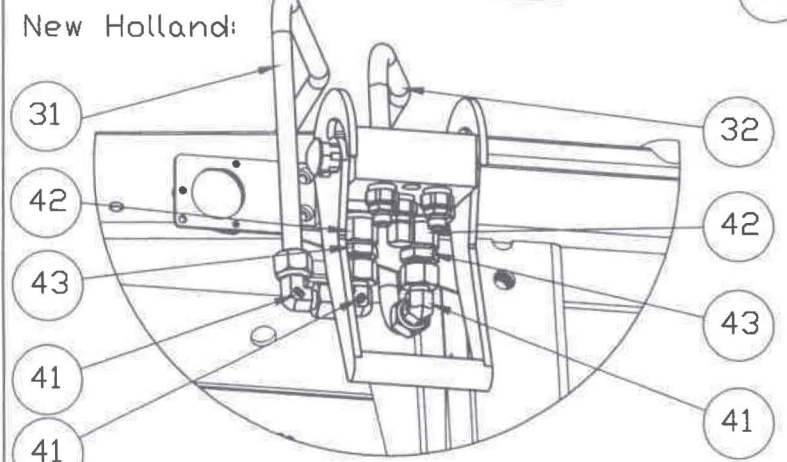
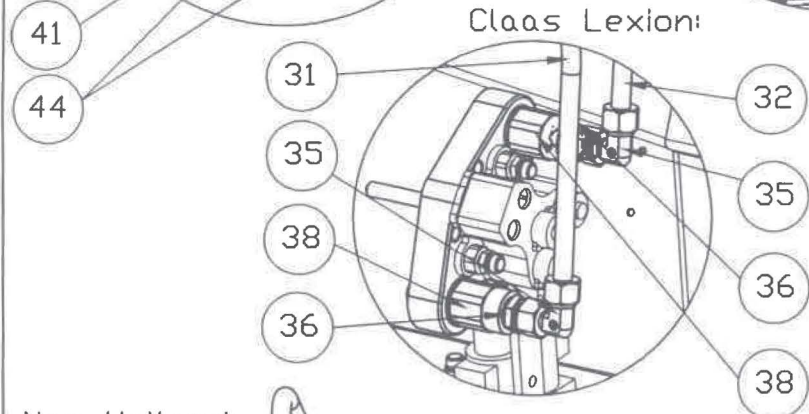
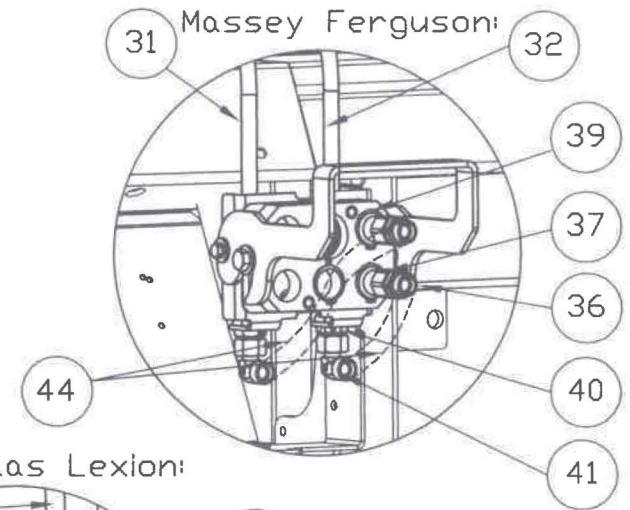
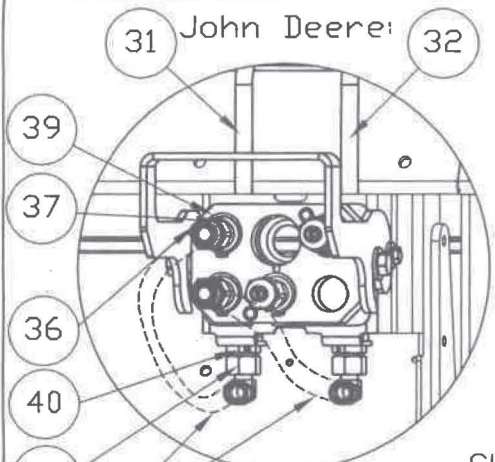
| Ref. | Part Number | Description | Rigid 20"-22" | Rigid 28"-30" | Foldable |
|------|-------------|---|------------------|------------------|----------|
| 1. | 1.319.165 | Indicator weld. | 1 | 1 | 1 |
| 2. | 1.319.171 | Pointer weld. | 1 | 1 | 1 |
| 3. | 71412000060 | Washer M12 DIN 125 | 2 | 2 | 2 |
| 4. | 72404002860 | Cotter pin 4x28 DIN94 | 1 | 1 | 1 |
| 5. | 96792685501 | Spring | 5 | 1 | 1 |
| 6. | 79408002066 | Hex. Head screw M8x20 DIN933/8.8 | 2 | 4 | 4 |
| 7. | 91623938761 | Washer A8 | - | 4 | 4 |
| 8. | 73508000066 | Hex. nut M8 DIN934/8.8 | - | 2 | 2 |
| 9. | 1.327.120 | Holder | - | - | 1 |
| 9. | 1.379.306 | Holder | - | 1 | - |
| 10. | 1.378.856 | Console | 1 | 1 | 1 |
| 11. | 81106001663 | Round head screw M6x16 ISO7380/10.9 | 2 | 2 | 2 |
| 12. | 70706000066 | Lock nut M6 DIN980/8.8 | 2 | 3 | 3 |
| 13. | 1.378.855 | Pivot | 1 | 1 | 1 |
| 14. | 1.378.853 | Indicator cable | - | 1 | 1 |
| 14. | 1.379.747 | Indicator cable | 1 | - | - |
| 15. | 73508000066 | Hex. nut M8 DIN934/8.8 | 2 | 4 | 4 |
| 16. | 73506000066 | Hex. nut M6 DIN934/8.8 | 2 | 2 | 2 |
| 17. | 1.378.851 | Console | - | 1 | 1 |
| 18. | 79408001666 | Hex. Head screw M8x16 DIN933/8.8 | - | 1 | 1 |
| 19. | 70708000066 | Lock nut M8 DIN934/8.8 | - | 1 | 1 |
| 20. | 1.378.852 | Console | - | 1 | 1 |
| 21. | 1.327.131 | Indicator label | - | 1 | 1 |
| 22. | 1.308.195 | Retainer | 1 | - | - |
| 23. | 79410005566 | Hex. Head screw M10x55 DIN933/8.8 | 1 | - | - |
| 24. | 70710000066 | Lock nut M10 DIN980/8.8 | 1 | - | - |
| 25. | 1.379.733 | Console | 1 | - | - |
| 26. | 1.379.738 | Console | 1 | - | - |
| 27. | 74908000066 | Hex nut - plastic insert M8 DIN 985/8.8 | 2 | - | - |
| 28. | 1.329.747 | Bushing | 2 | - | - |
| 29. | 1.379.737 | Adjuster disk | 1 | - | - |
| 30. | 1.379.736 | Console weld | 1 | - | - |
| 31. | 74906000066 | Hex nut - plastic insert M6 DIN 985/8.8 | 10 | - | - |
| 32. | 79410002066 | Hex bolt -M10x20 - DIN933/8.8 | 6 | 6 | 6 |
| 33. | 91623938861 | Spring Washer- A10 | 6 | 6 | 6 |
| 34. | 79406001666 | Hex. Head screw M6x16 DIN933/8.8 | 9 | - | - |
| 35. | 96792401700 | Clamp RSGU 6x15 | 10 | - | - |
| 36. | 8130601966 | Self cutting hex bolt - M6,3x19 DIN7540 | 3 | - | - |
| | | | | | |



1.372.376 - Bal/Left
1.372.377 - Jobb/Right

ROTARY DIVIDER

| Ref. | Part Number | Description | | All models |
|------|-------------|---|---------|------------|
| 1 | 1.378.822 | Bearing housing | | 2 |
| 2 | 87030620514 | Bearing 6205-2RS | | 2 |
| 3 | 80208002566 | Hex socket head cap bolt M8x20 - DIN912/8.8 | | 6 |
| 4 | 71808000060 | Spring washer M8- DIN7980 | | 6 |
| 5 | 1.378.808 | Rotary divider - LH | | 1 |
| 5 | 1.378.809 | Rotary divider - RH | | 1 |
| 6 | 1.378.825 | Bracket weldid | | 2 |
| 7 | 1.378.835 | Hydraulic motor MR50 SHD | | 2 |
| 8 | 79412003566 | Hex bolt M12x35 - DIN933/8.8 | | 4 |
| 9 | 74912000066 | Hex nut - plastic insert M12 - DIN985/8. | | 4 |
| 10 | 1.378.830 | Cover - LH | | 1 |
| 10 | 1.378.831 | Cover - RH | | 1 |
| 11 | 79408002066 | Hex bolt M8x20 - DIN933/8.8 | | 4 |
| 12 | 91623938761 | Spring washer - A8 | | 10 |
| 13 | 79408005066 | Hex bolt M8x50 - DIN933/8.8 | | 6 |
| 14 | 73508000066 | Hex nut M8 - DIN934 | | 6 |
| 15 | 237.816.0 | Washer M8 | | 12 |
| 16 | 1.378.858 | Fitting GE 15 LREDDMD | | 2 |
| 17 | 1.378.859 | Fitting EVGE 15 LRED | | 2 |
| 18 | 1.378.861 | Fitting GE 15 LCF | | 2 |
| 19 | 1.378.860 | Fitting elbow - EVW 15 LOMD | | 4 |
| 20 | 1.322.794 | Rubber plug | | 4 |
| 21 | 1.377.535 | Outer divider - LH | | 1 |
| 21 | 1.377.535.1 | Outer divider - LH, RED | | 1 |
| 21 | 1.377.535.2 | Outer divider - LH, YELLOW | | 1 |
| 21 | 1.377.535.3 | Outer divider - LH, JD GREEN | | 1 |
| 21 | 1.377.535.5 | Outer divider - LH, CLAAS GREEN | | 1 |
| 21 | 1.377.535.6 | Outer divider - LH, SDF GREEN | | 1 |
| 21 | 1.377.535.7 | Outer divider - LH, AGCO RED | | 1 |
| 21 | 1.377.535.8 | Outer divider - LH, CHALLENGER YELLOW | | 1 |
| 21 | 1.377.535.9 | Outer divider - LH, GLEANER GREY | | 1 |
| 21 | 1.377.536 | Outer divider - RH | | 1 |
| 21 | 1.377.536.1 | Outer divider - RH, RED | | 1 |
| 21 | 1.377.536.2 | Outer divider - RH, YELLOW | | 1 |
| 21 | 1.377.536.3 | Outer divider - RH, JD GREEN | | 1 |
| 21 | 1.377.536.5 | Outer divider - RH, CLAAS GREEN | | 1 |
| 21 | 1.377.536.6 | Outer divider - RH, SDF GREEN | | 1 |
| 21 | 1.377.536.7 | Outer divider - RH, AGCO RED | | 1 |
| 21 | 1.377.536.8 | Outer divider - RH, CHALLENGER YELLOW | | 1 |
| 21 | 1.377.536.9 | Outer divider - RH, GLEANER GREY | | 1 |
| 22 | 1.314.695 | Washer | 2015 -> | 2 |
| 23 | 78208002563 | Hex socket button-head bolt M8x25 ISO7380/10.9 | 2015 -> | 2 |
| 24 | 54000111532 | Rubber plug | 2015 -> | 2 |
| | 1.372.376 | Rotary divider - LH with cover | | 1 |
| | 1.372.376.1 | Rotary divider - LH, RED with cover | | 1 |
| | 1.372.376.2 | Rotary divider - LH, YELLOW with cover | | 1 |
| | 1.372.376.3 | Rotary divider - LH, JD GREEN with cover | | 1 |
| | 1.372.376.5 | Rotary divider - LH, CLAAS GREEN with cover | | 1 |
| | 1.372.376.6 | Rotary divider - LH, SDF GREEN with cover | | 1 |
| | 1.372.376.7 | Rotary divider - LH, AGCO RED with cover | | 1 |
| | 1.372.376.8 | Rotary divider - LH, CHALLENGER YELLOW with cover | | 1 |
| | 1.372.376.9 | Rotary divider - LH, GLEANER GREY with cover | | 1 |
| | 1.372.377 | Rotary divider - RH with cover | | 1 |
| | 1.372.377.1 | Rotary divider - RH, RED with cover | | 1 |
| | 1.372.377.2 | Rotary divider - RH, YELLOW with cover | | 1 |
| | 1.372.377.3 | Rotary divider - RH, JD GREEN with cover | | 1 |
| | 1.372.377.5 | Rotary divider - RH, CLAAS GREEN with cover | | 1 |
| | 1.372.377.6 | Rotary divider - RH, SDF GREEN with cover | | 1 |
| | 1.372.377.7 | Rotary divider - RH, AGCO RED with cover | | 1 |
| | 1.372.377.8 | Rotary divider - RH, CHALLENGER YELLOW with cover | | 1 |
| | 1.372.377.9 | Rotary divider - RH, GLEANER GREY with cover | | 1 |

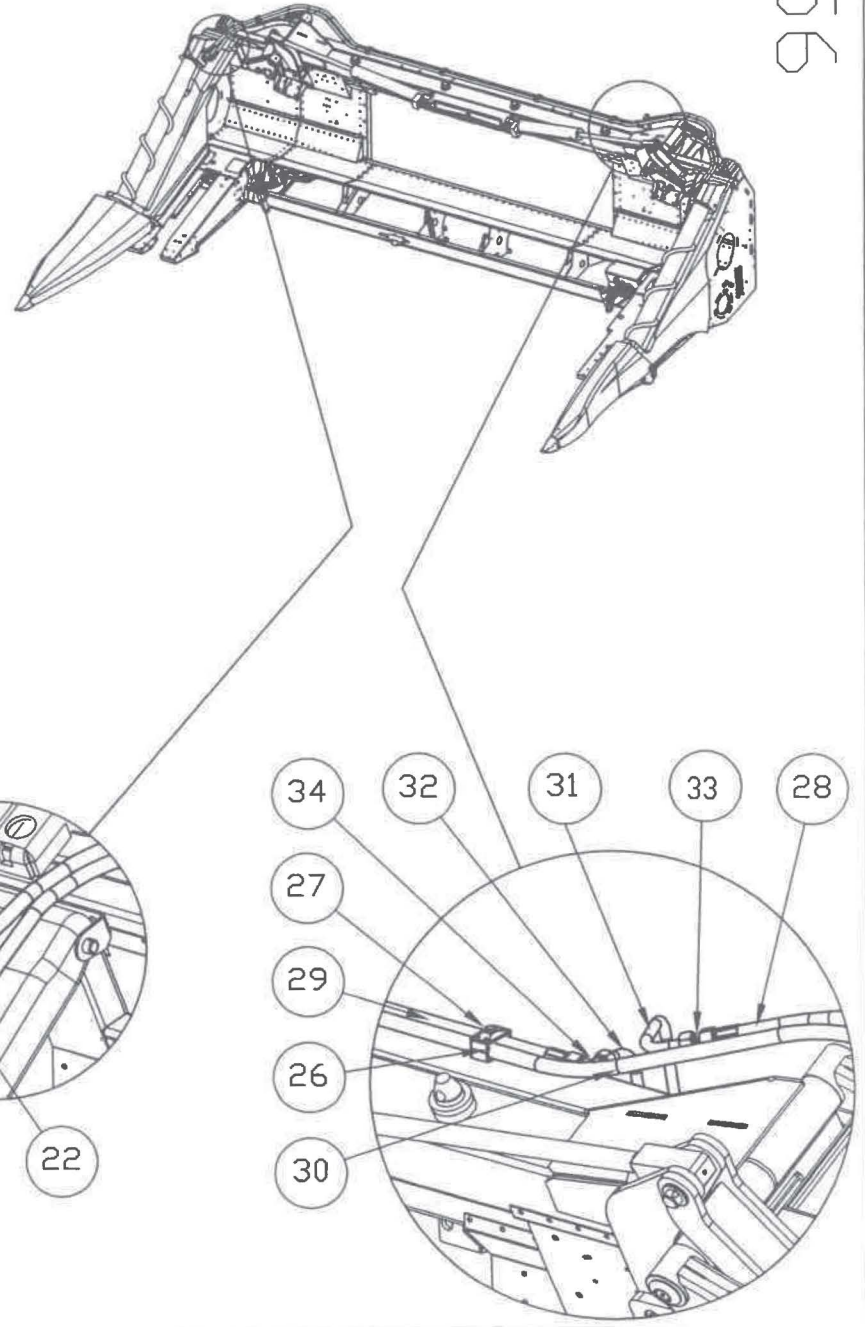
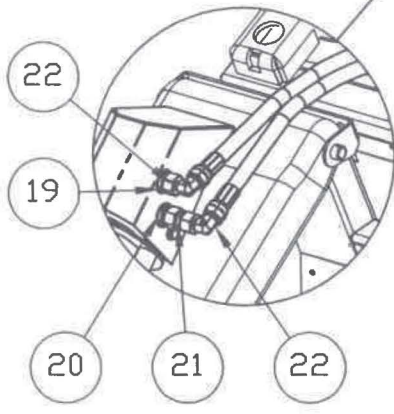
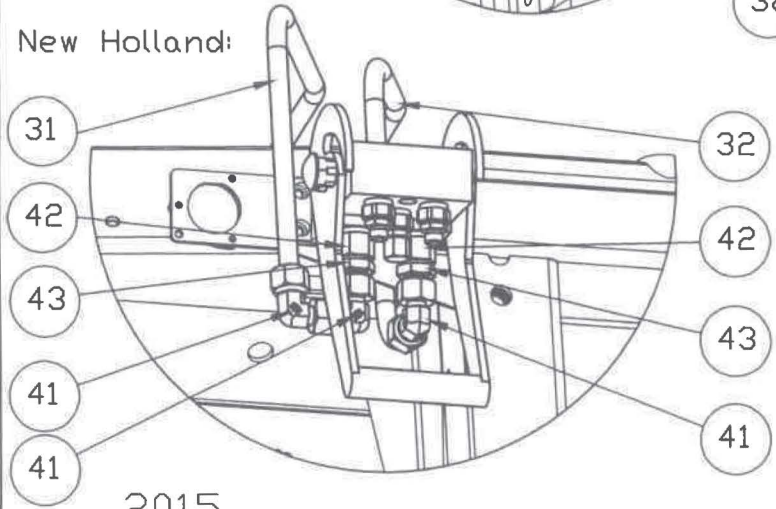
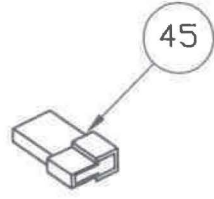
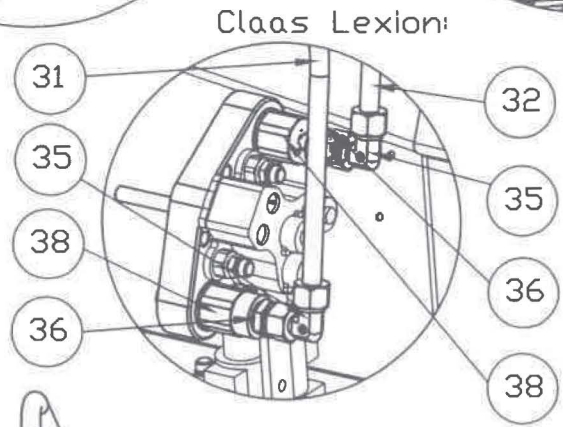
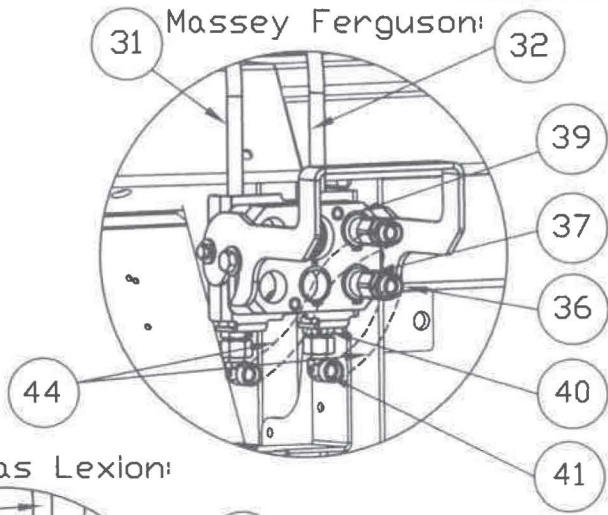
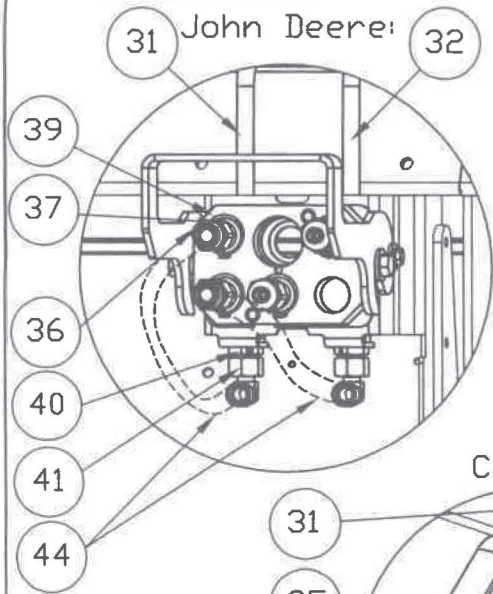


2015

ROTARY DIVIDER HYDRAULIC

| Ref. | Part Number | Description | | 6306F | 6308F | 6312F | 6306 70 | 6306 | 6108 | 6208 | 6308 70 | 6308 | 6112 | 6212 | 6312 70 | 6312 | 6316 |
|------|-------------|----------------------------------|-------|-------|-------|-------|------------|------|------|------|------------|------|------|------|------------|------|------|
| 19 | 1.378.858 | Fitting GE 15 LREDDOMD | | 2 | 2 | 2 | 2 | 2 | 2 | 2 | 2 | 2 | 2 | 2 | 2 | 2 | 2 |
| 20 | 1.378.859 | Fitting EVGE 15 LRED | | 2 | 2 | 2 | 2 | 2 | 2 | 2 | 2 | 2 | 2 | 2 | 2 | 2 | 2 |
| 21 | 1.378.861 | Fittingr GE 15 LCF | | 2 | 2 | 2 | 2 | 2 | 2 | 2 | 2 | 2 | 2 | 2 | 2 | 2 | 2 |
| 22 | 1.378.860 | Fitting - 90 deg EVW 15 LOMD | | 4 | 4 | 4 | 4 | 4 | 4 | 4 | 4 | 4 | 4 | 4 | 4 | 4 | 4 |
| 26 | 97308040102 | Clamp 18 | | 8 | 8 | 10 | 8 | 8 | 8 | 8 | 8 | 8 | 8 | 8 | 8 | 8 | 12 |
| 27 | 79408004066 | Hex bolt M8x40 - DIN933/8.8 | | 8 | 8 | 10 | 8 | 8 | 8 | 8 | 8 | 8 | 8 | 8 | 8 | 8 | 12 |
| 28 | 1.379.529 | Hydraulic hose - LEXION/JD/MF/NH | →2015 | 1 | - | - | - | - | - | - | - | - | - | - | - | - | - |
| 28 | 1.331.808 | Hydraulic hose - LEXION/JD/MF/NH | 2016→ | 1 | - | - | - | - | - | - | - | - | - | - | - | - | - |
| 28 | 1.379.551 | Hydraulic hose - LEXION/JD/MF/NH | | - | - | 1 | - | - | - | - | - | - | - | - | - | - | - |
| 28 | 1.379.571 | Hydraulic hose - LEXION/JD/MF/NH | | - | - | - | 2 | 2 | - | - | 2 | 2 | - | - | 2 | 2 | - |
| 28 | 1.379.568 | Hydraulic hose - LEXION/JD/MF/NH | | - | - | - | - | - | - | - | - | 1 | - | - | - | - | - |
| 28 | 1.379.574 | Hydraulic hose - LEXION/JD/MF/NH | | - | - | - | - | - | - | - | - | - | - | - | - | 1 | - |
| 28 | 1.379.682 | Hydraulic hose - LEXION/JD/MF/NH | | - | - | - | - | - | - | - | - | - | - | - | - | - | 1 |
| 28 | 1.379.758 | Hydraulic hose - LEXION/JD/MF/NH | | - | - | - | 1 | - | - | - | - | - | - | - | - | - | - |
| 28 | 1.379.755 | Hydraulic hose - LEXION/JD/MF/NH | | - | - | - | - | - | - | - | 1 | - | - | - | - | - | - |
| 28 | 1.379.761 | Hydraulic hose - LEXION/JD/MF/NH | | - | - | - | - | - | - | - | - | - | - | - | 1 | - | - |
| 28 | 1.373.286 | Hydraulic hose - LEXION/JD/MF/NH | | - | - | - | - | - | 1 | - | - | - | - | - | - | - | - |
| 28 | 1.373.283 | Hydraulic hose - LEXION/JD/MF/NH | | - | - | - | - | - | - | 1 | - | - | - | - | - | - | - |
| 28 | 1.373.280 | Hydraulic hose - LEXION/JD/MF/NH | | - | - | - | - | - | - | - | - | 1 | - | - | - | - | - |
| 28 | 1.373.277 | Hydraulic hose - LEXION/JD/MF/NH | | - | 1* | - | - | - | - | - | - | - | - | 1 | - | - | - |
| 29 | 1.379.530 | Hydraulic hose - LEXION/JD/MF/NH | | 1 | - | - | - | - | - | - | - | - | - | - | - | - | - |
| 29 | 1.379.545 | Hydraulic hose - LEXION/JD/MF/NH | →2015 | - | 1 | - | - | - | - | - | - | - | - | - | - | - | - |
| 29 | 1.379.553 | Hydraulic hose- LEXION/JD/MF/NH | | - | - | 1 | - | - | - | - | - | - | - | - | - | - | - |
| 29 | 1.379.573 | Hydraulic hose - LEXION/JD/MF/NH | | - | - | - | - | 1 | - | - | - | - | - | - | - | - | - |
| 29 | 1.379.570 | Hydraulic hose - LEXION/JD/MF/NH | | - | - | - | - | - | - | - | - | 1 | - | - | - | - | - |
| 29 | 1.379.576 | Hydraulic hose - LEXION/JD/MF/NH | | - | - | - | - | - | - | - | - | - | - | - | - | 1 | - |
| 29 | 1.379.684 | Hydraulic hose - LEXION/JD/MF/NH | | - | - | - | - | - | - | - | - | - | - | - | - | - | 1 |
| 29 | 1.379.760 | Hydraulic hose - LEXION/JD/MF/NH | | - | - | - | 1 | - | - | - | - | - | - | - | - | - | - |
| 29 | 1.379.757 | Hydraulic hose - LEXION/JD/MF/NH | | - | - | - | - | - | - | - | 1 | - | - | - | - | - | - |
| 29 | 1.379.763 | Hydraulic hose - LEXION/JD/MF/NH | | - | - | - | - | - | - | - | - | - | - | - | 1 | - | - |
| 29 | 1.373.285 | Hydraulic hose - LEXION/JD/MF/NH | | - | - | - | - | - | 1 | - | - | - | - | - | - | - | - |
| 29 | 1.373.282 | Hydraulic hose - LEXION/JD/MF/NH | | - | - | - | - | - | - | 1 | - | - | - | - | - | - | - |
| 29 | 1.373.279 | Hydraulic hose - LEXION/JD/MF/NH | | - | 1* | - | - | - | - | - | - | - | 1 | - | - | - | - |
| 29 | 1.373.276 | Hydraulic hose - LEXION/JD/MF/NH | | - | - | - | - | - | - | - | - | - | - | 1 | - | - | - |
| 30 | 1.379.528 | Hydraulic hose - LEXION/JD/MF/NH | →2015 | 1 | - | - | - | - | - | - | - | - | - | - | - | - | - |
| 30 | 1.379.763 | Hydraulic hose - LEXION/JD/MF/NH | 2016→ | 1 | - | - | - | - | - | - | - | - | - | - | - | - | - |
| 30 | 1.379.542 | Hydraulic hose - LEXION/JD/MF/NH | →2015 | - | 1 | - | - | - | - | - | - | - | - | - | - | - | - |
| 30 | 1.379.552 | Hydraulic hose - LEXION/JD/MF/NH | | - | - | 1 | - | - | - | - | - | - | - | - | - | - | - |
| 30 | 1.379.572 | Hydraulic hose - LEXION/JD/MF/NH | | - | - | - | - | 1 | - | - | - | - | - | - | - | - | - |
| 30 | 1.379.569 | Hydraulic hose - LEXION/JD/MF/NH | | - | - | - | - | - | - | - | - | 1 | - | - | - | - | - |
| 30 | 1.379.575 | Hydraulic hose - LEXION/JD/MF/NH | | - | - | - | - | - | - | - | - | - | - | - | - | 1 | - |
| 30 | 1.379.683 | Hydraulic hose - LEXION/JD/MF/NH | | - | - | - | - | - | - | - | - | - | - | - | - | - | 1 |

Note: * only for machines with higher serial number than xxxxx16xxx



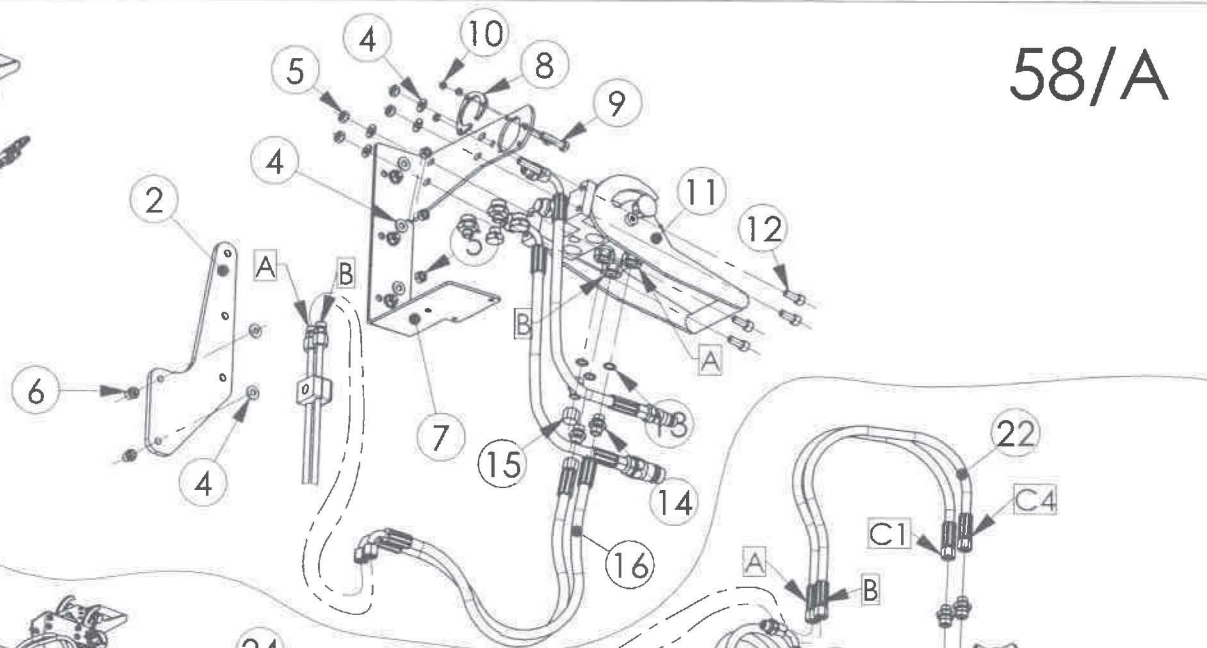
2015

ROTARY DIVIDER HYDRAULIC

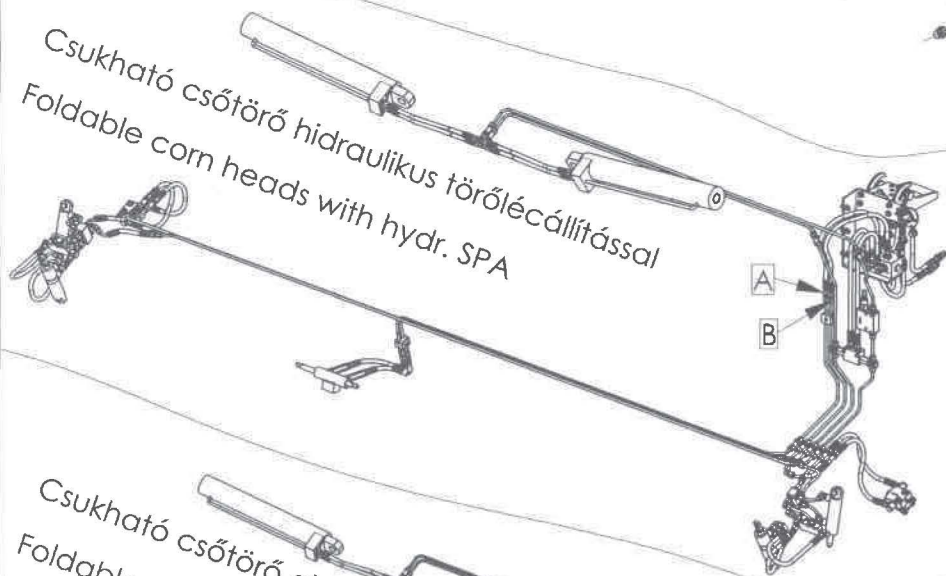
| Ref. | Part Number | Description | | 6306F | 6308F | 6312F | 6306 70 | 6306 | 6108 | 6208 | 6308 70 | 6308 | 6112 | 6212 | 6312 70 | 6312 | 6316 |
|------|-------------|---|-------|-------|-------|-------|------------|------|------|------|------------|------|------|------|------------|------|------|
| 30 | 1.379.759 | Hydraulic hose - LEXION/JD/MF/NH | | - | - | - | 1 | - | - | - | - | - | - | - | - | - | - |
| 30 | 1.379.756 | Hydraulic hose - LEXION/JD/MF/NH | | - | - | - | - | - | - | - | 1 | - | - | - | - | - | - |
| 30 | 1.379.762 | Hydraulic hose - LEXION/JD/MF/NH | | - | - | - | - | - | - | - | - | - | - | - | 1 | - | - |
| 30 | 1.373.284 | Hydraulic hose - LEXION/JD/MF/NH | | - | - | - | - | - | 1 | - | - | - | - | - | - | - | - |
| 30 | 1.373.281 | Hydraulic hose - LEXION/JD/MF/NH | | - | - | - | - | - | - | 1 | - | - | - | - | - | - | - |
| 30 | 1.373.278 | Hydraulic hose - LEXION/JD/MF/NH | | - | 1* | - | - | - | - | - | - | - | 1 | - | - | - | - |
| 30 | 1.373.275 | Hydraulic hose - LEXION/JD/MF/NH | | - | - | - | - | - | - | - | - | - | - | 1 | - | - | - |
| 31 | 1.379.526 | Hydraulic tube - LEXION | →2015 | 1 | 1 | - | - | - | - | - | - | - | - | - | - | - | - |
| 31 | 1.379.554 | Hydraulic tube - LEXION | →2015 | - | - | 1 | - | - | - | - | - | - | - | - | - | - | - |
| 31 | 1.379.527 | Hydraulic tube - JD/MF | →2015 | 1 | 1 | - | - | - | - | - | - | - | - | - | - | - | - |
| 31 | 1.379.539 | Hydraulic tube - NH | →2015 | 1 | 1 | 1 | - | - | - | - | - | - | - | - | - | - | - |
| 31 | 1.379.563 | Hydraulic tube - LEXION | | - | - | - | 1 | 1 | - | - | 1 | 1 | - | - | 1 | 1 | - |
| 31 | 1.379.681 | Hydraulic tube - LEXION | | - | - | - | - | - | 1 | 1 | - | - | 1 | 1 | - | - | 1 |
| 31 | 1.379.565 | Hydraulic tube - JD/MF | | - | - | - | 1 | 1 | - | - | - | 1 | - | - | - | 1 | - |
| 31 | 1.373.287 | Hydraulic tube - JD/MF | | - | - | - | - | - | 1 | 1 | - | - | 1 | 1 | - | - | 1 |
| 31 | 1.379.566 | Hydraulic tube - NH | | - | - | - | 1 | 1 | - | - | 1 | 1 | - | - | 1 | 1 | - |
| 31 | 1.373.289 | Hydraulic tube - NH | | - | - | - | - | - | 1 | 1 | - | - | 1 | 1 | - | - | 1 |
| 32 | 1.379.523 | Hydraulic tube - LEXION | →2015 | 1 | 1 | 1 | - | - | - | - | - | - | - | - | - | - | - |
| 32 | 1.379.532 | Hydraulic tube - JD/MF | →2015 | 1 | 1 | 1 | - | - | - | - | - | - | - | - | - | - | - |
| 32 | 1.379.555 | Hydraulic tube - JD/MF | →2015 | - | - | 1 | - | - | - | - | - | - | - | - | - | - | - |
| 32 | 1.379.538 | Hydraulic tube - NH | →2015 | 1 | 1 | - | - | - | - | - | - | - | - | - | - | - | - |
| 32 | 1.379.556 | Hydraulic tube - NH | | - | - | 1 | - | - | - | - | - | - | - | - | - | - | - |
| 32 | 1.379.562 | Hydraulic tube - LEXION | | - | - | - | 1 | 1 | - | - | 1 | 1 | - | - | 1 | 1 | - |
| 32 | 1.379.680 | Hydraulic tube - LEXION | | - | 1* | - | - | - | 1 | 1 | - | - | 1 | 1 | - | - | 1 |
| 32 | 1.379.564 | Hydraulic tube - JD/MF | | - | - | - | 1 | 1 | - | - | - | 1 | - | - | - | 1 | - |
| 32 | 1.373.288 | Hydraulic tube - JD/MF | | 1* | 1* | - | - | - | 1 | 1 | - | - | 1 | 1 | - | - | 1 |
| 32 | 1.379.567 | Hydraulic tube - NH | | - | - | - | 1 | 1 | - | - | 1 | 1 | - | - | 1 | 1 | - |
| 32 | 1.373.290 | Hydraulic tube - NH | | - | 1* | - | - | - | 1 | 1 | - | - | 1 | 1 | - | - | 1 |
| 33 | 1.378.861 | Fitting GE 15 LCF - LEXION/JD/MF/NH | | 1 | 1 | - | - | - | - | - | - | - | - | - | - | - | - |
| 34 | 1.379.524 | Fitting-90deg W 15LCF - LEXION/JD/MF/NH | | 1 | 1 | 2 | 2 | 2 | 2 | 2 | 2 | 2 | 2 | 2 | 2 | 2 | 2 |
| 35 | 1.378.860 | Fitting - 90 deg EVW 15 LOMD - LEXION/JD/MF | | 2 | 2 | 2 | 2 | 2 | 2 | 2 | 2 | 2 | 2 | 2 | 2 | 2 | 2 |
| 36 | 1.379.292 | Fitting 7/8-14UNF-M22X1.5 - LEXION/JD/MF | | 2 | 2 | 2 | 2 | 2 | 2 | 2 | 2 | 2 | 2 | 2 | 2 | 2 | 2 |
| 37 | 1.329.890 | Fitting - JD/MF | | 2 | 2 | 2 | 2 | 2 | 2 | 2 | 2 | 2 | 2 | 2 | - | 2 | 2 |
| 38 | 91668372320 | Fitting - LEXION | | 2 | 2 | 2 | 2 | 2 | 2 | 2 | 2 | 2 | 2 | 2 | 2 | 2 | 2 |
| 39 | 1.327.052 | Retaining ring - externaz - JD/MF | | 2 | 2 | 2 | 2 | 2 | 2 | 2 | 2 | 2 | 2 | 2 | - | 2 | 2 |
| 40 | 1.379.525 | Fitting bulg head SV 15-PL - JD/MF | | 2 | 2 | 2 | 2 | 2 | 2 | 2 | 2 | 2 | 2 | 2 | - | 2 | 2 |
| 41 | 1.378.860 | Fitting - 90 deg EVW 15 LOMD - NH | | 3 | 3 | 3 | 3 | 3 | 3 | 3 | 3 | 3 | 3 | 3 | 3 | 3 | 3 |
| 42 | 1.332.515 | Fitting 3/4-16UNF - NH | | 2 | 2 | 2 | 2 | 2 | 2 | 2 | 2 | 2 | 2 | 2 | 2 | 2 | 2 |
| 43 | 1.379.537 | Fitting 3/4-16 UNF-M22X1.5A4 - NH | | 2 | 2 | 2 | 2 | 2 | 2 | 2 | 2 | 2 | 2 | 2 | 2 | 2 | 2 |
| 44 | 1.379.531 | Hydraulic hose - JD/MF | | 2 | 2 | 2 | 2 | 2 | 2 | 2 | 2 | 2 | 2 | 2 | 2 | 2 | 2 |
| 45 | 1.379.630 | Short circuit (LEXION, AGCO) | | 1 | 1 | 1 | 1 | 1 | 1 | 1 | 1 | 1 | 1 | 1 | 1 | 1 | 1 |

Note: * only for machines with higher serial number than xxxxx16xxx

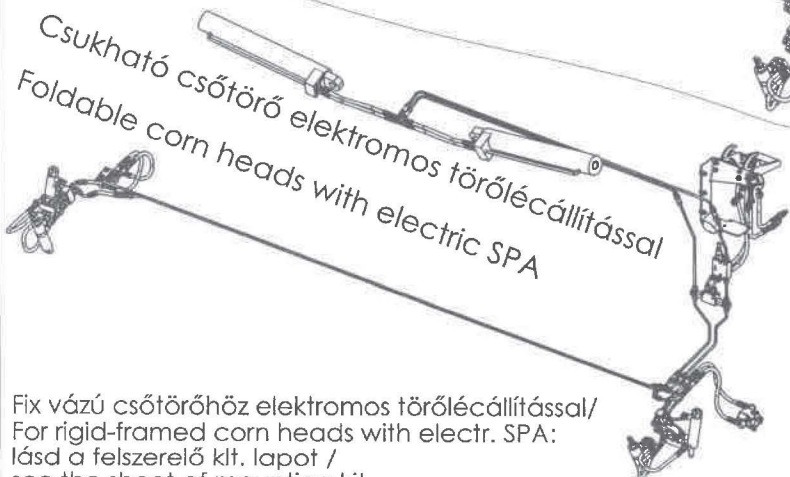
Fix vázú csőtörő
hidraulikus törőléccállítással
Rigid-framed corn heads
with hydr. SPA



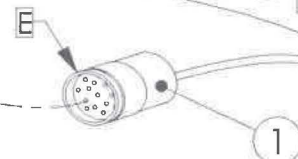
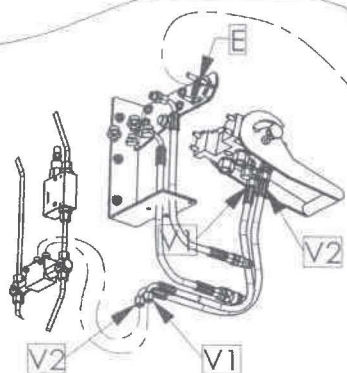
Csukható csőtörő hidraulikus törőléccállítással
Foldable corn heads with hydr. SPA



Csukható csőtörő elektromos törőléccállítással
Foldable corn heads with electric SPA



Fix vázú csőtörőhöz elektromos törőléccállítással/
For rigid-framed corn heads with electr. SPA:
lásd a felszerelő kft. lapot /
see the sheet of mounting kit



Kábeleket és kábelkötegeket lásd
a felszerelő kft. lapokon!

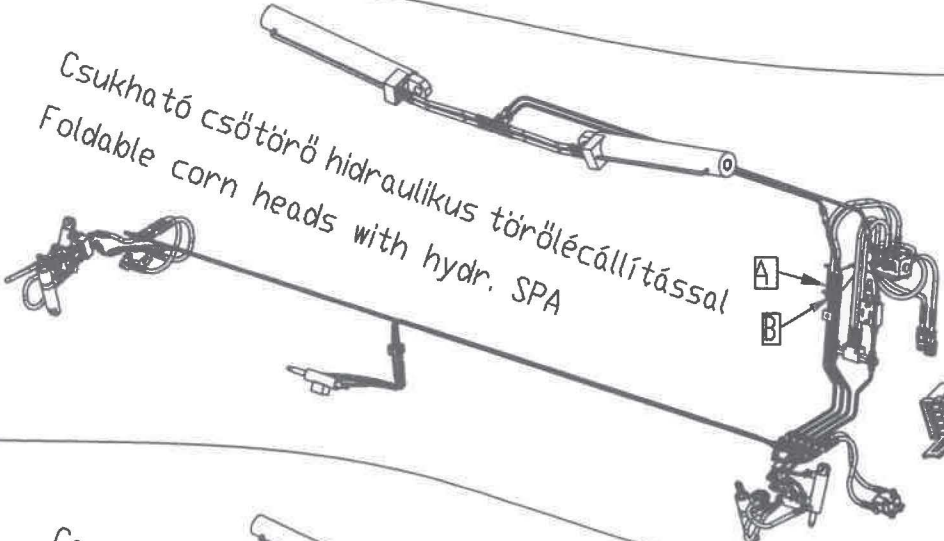
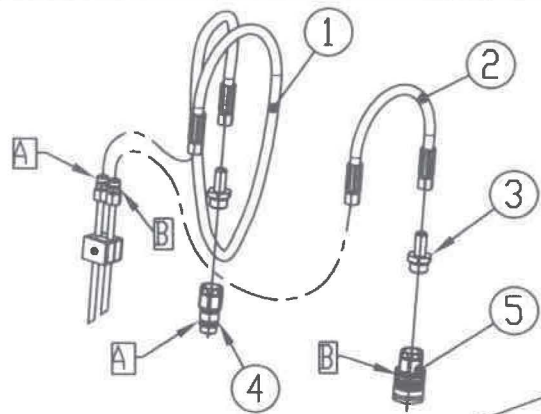
For wires and harnesses see
mounting kit pages!

**MULTI-COUPLING KIT: NH 2002→
(TORUM, ACROS, VECTOR, DON)**

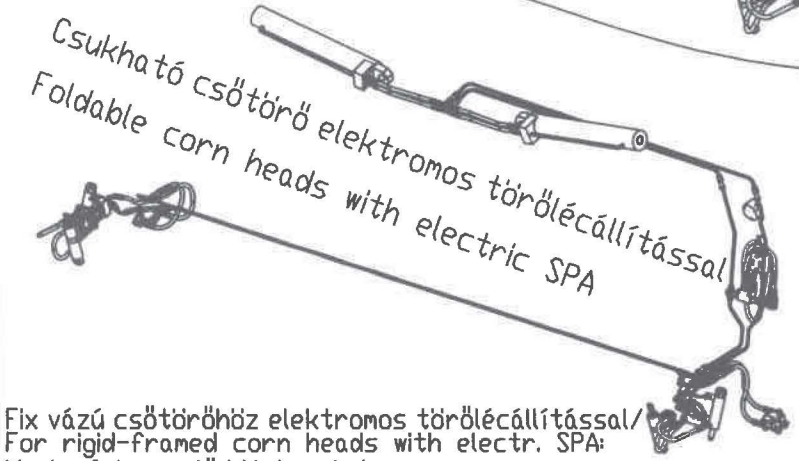
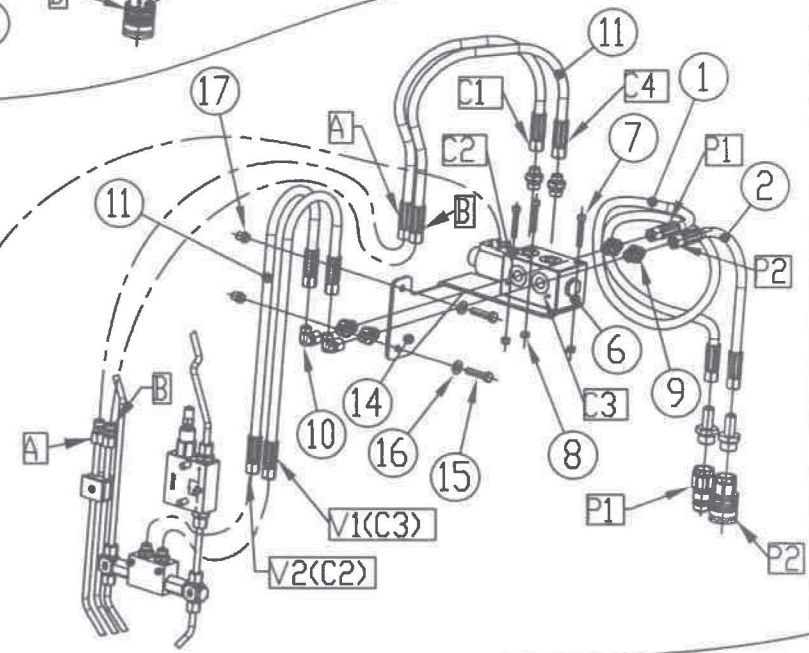
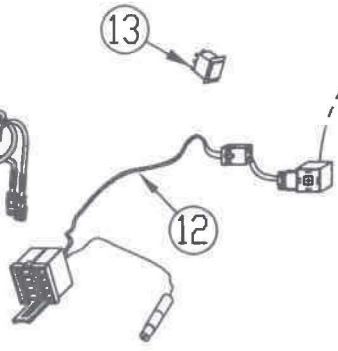
| Ref. | Part Number | Description | RIGID with hydr. SPA | FOLDABLE with hydr. SPA | FOLDABLE with electr. SPA |
|------|---------------------------|---|-------------------------|----------------------------|------------------------------|
| 1. | See mounting kit pages | Harness | | | |
| 2. | 1.355.489 | Support plate | 1 | 1 | 1 |
| 3. | 79408002566 | Hex bolt M8x25 - DIN933/8.8 | 5 | 5 | 5 |
| 4. | 91623938761 | Spring washer | 9 | 9 | 9 |
| 5. | 73508000066 | Hex nut M8 - DIN934 | 7 | 7 | 7 |
| 6. | 70808000026 | Rivet nut M8 | 2 | 2 | 2 |
| 7. | 1.379.443 | Bracket | 1 | 1 | 1 |
| 8. | 1.327.148 | Plate | 1 | 1 | 1 |
| 9. | 79405001660 | Hex bolt M5x16 - DIN933/8.8 | 3 | 3 | 3 |
| 10. | 73505000066 | Hex nut M5 - DIN934 | 3 | 3 | 3 |
| 11. | 1.327.510 | Multiclutch | 1 | 1 | 1 |
| 12. | 80208002066 | Hex socket head cap bolt M8x20 DIN912/8.8 | 4 | 4 | 4 |
| 13. | 96789617873 | O-ring | 3 | 3 | 3 |
| 14. | 1.327.509 | Fitting M14x1.5 / 9/16-18 UNF | 3 | 3 | 3 |
| 15. | 1.327.508 | Cup | 1 | 1 | 1 |
| 16. | 1.351.403 | Hydraulic hose 1SNDN6-585 | 2 | 2 | 2 |
| 17. | 1.379.394 | Directional valve LC 6/2 | - | 1 | - |
| 18. | 80206004066 | Hex socket head cap bolt M6x40 DIN912/8.8 | - | 3 | - |
| 19. | 74906000066 | Hex nut - plastic insert M6 - DIN985 | - | 3 | - |
| 20. | 1.353.318 | Fitting - M14X1.5 / G3/8 | - | 6 | - |
| 21. | 1.314.510 | Fitting - 90deg. EVW 8 PL | - | 2 | - |
| 22. | 1.331.795 | Hydraulic hose 1SNDN6-630 | - | 4 | - |
| 23. | 1.353.204 | Harness | - | 1 | - |
| 24. | 1.353.213 | Switch 6FH 007 832-121 HELLA | - | 1 | - |
| - | 1.379.472 | Directional valve assy (17-24) | | | |
| - | 1.379.475 | Hydraulic multipoint kit. (2-16) | | | |



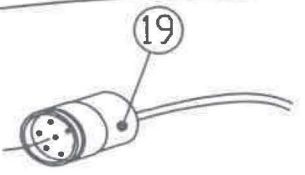
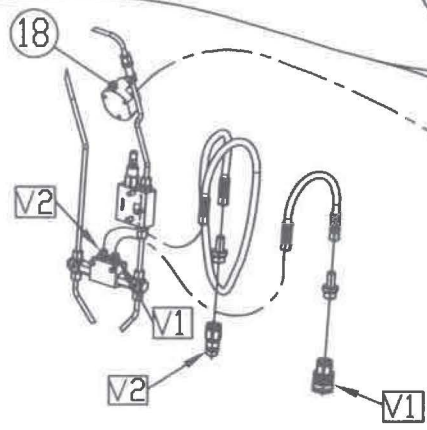
Fix vázú csőtörő
hidraulikus törölcéállítással
Rigid-framed corn heads
with hydr. SPA



Csukható csőtörő hidraulikus törölcéállítással
Foldable corn heads with hydr. SPA



Csukható csőtörő elektromos törölcéállítással
Foldable corn heads with electric SPA

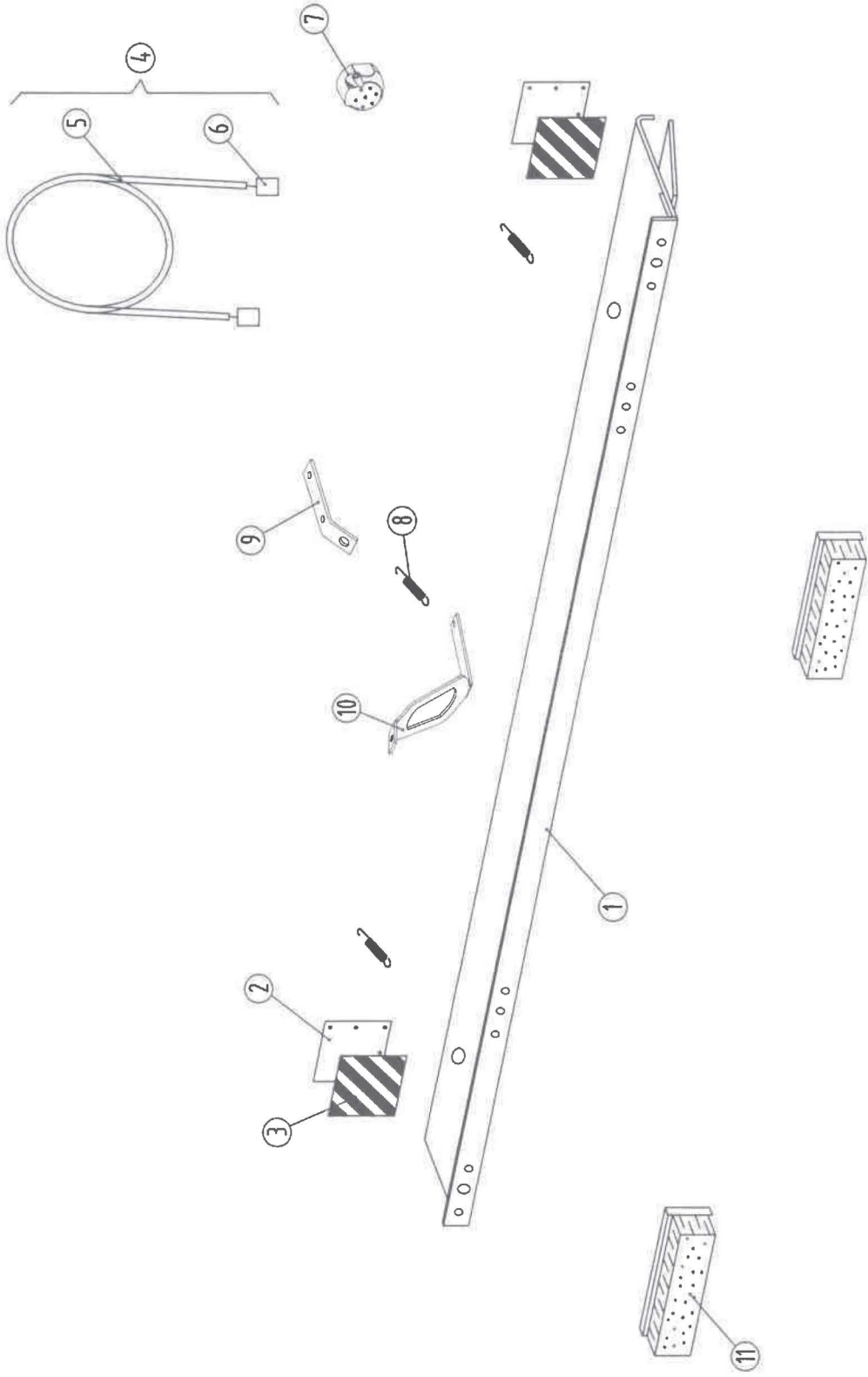


Fix vázú csőtörőhöz elektromos törölcéállítással/
For rigid-framed corn heads with electr. SPA:
lásd a felszerelő klt. lapot /
see the sheet of mounting kit

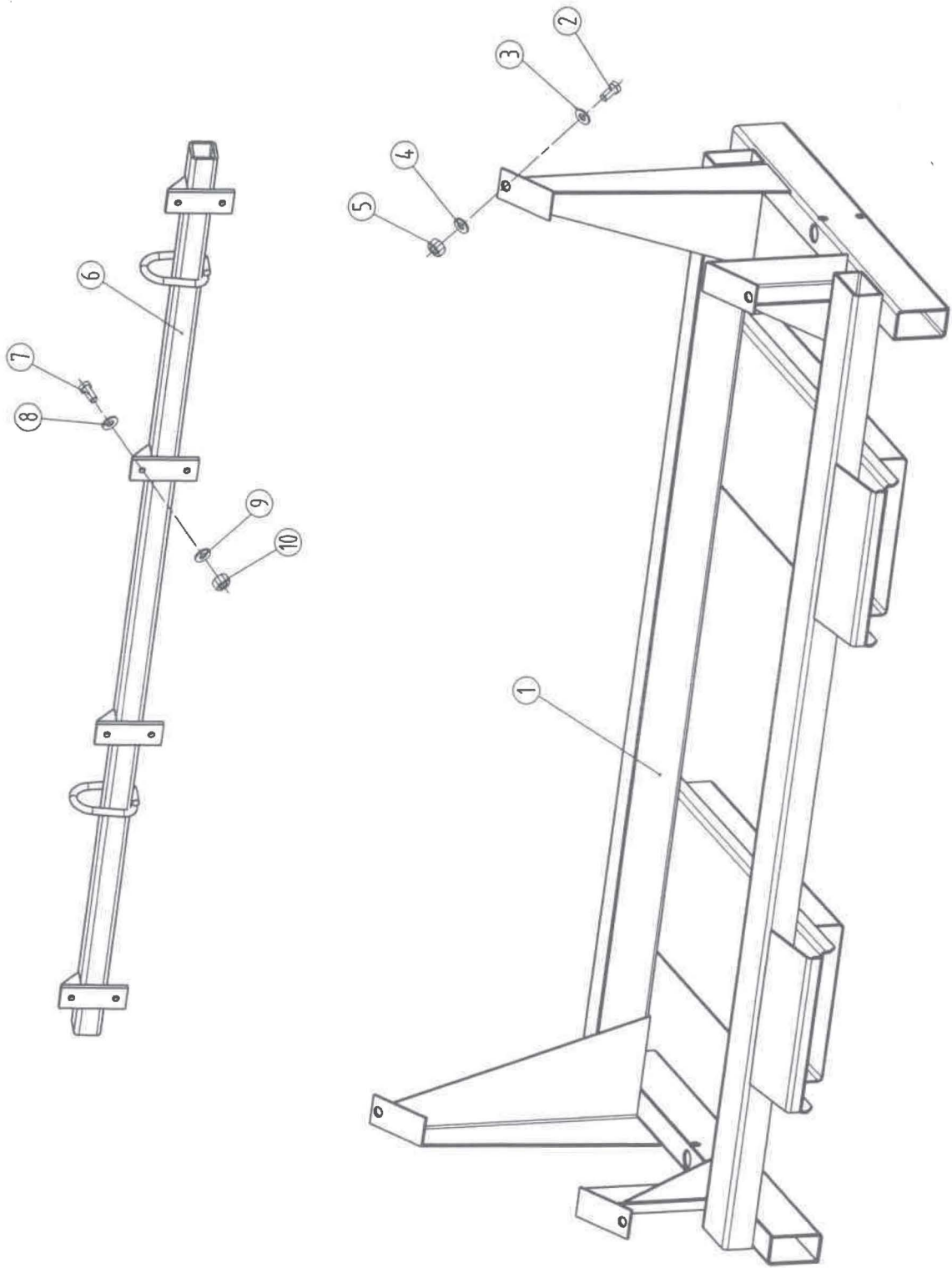
Kábeleket és kábelkötegeket lásd
a felszerelő klt. lapokon!
For wires and harnesses see
mounting kit pages!

HYDRAULIC KIT: IHC

| Ref. | Part Number | Description | RIGID with hydr. SPA | FOLDABLE with hydr. SPA | FOLDABLE with electr. SPA |
|------|------------------------|---|-------------------------|----------------------------|------------------------------|
| 1. | 1.353.195 | Hydraulic hose 1SNDN6-1200 | 1 | 1 | 1 |
| 2. | 1.330.772 | Hydraulic hose 1SNDN6-375 | 1 | 1 | 1 |
| 3. | 1.314.572 | Fitting M14x1.5 / 7/8-14 UNF | 2 | 2 | 2 |
| 4. | 1.315.905 | Hydraulic quick-coupler | 1 | 1 | 1 |
| 5. | 1.314.987 | Hydraulic quick-coupler | 1 | 1 | 1 |
| 6. | 1.379.394 | Directional valve LC 6/2 | - | 1 | - |
| 7. | 80206004066 | Hex socket head cap bolt M6x40 DIN912/8.8 | - | 3 | - |
| 8. | 74906000066 | Hex nut - plastic insert M6 - DIN935 | - | 3 | - |
| 9. | 1.353.318 | Fitting - M14X1.5 / G3/8 | - | 6 | - |
| 10. | 1.314.510 | Fitting - 90deg. EVW 8 PL | - | 2 | - |
| 11. | 1.331.795 | Hydraulic hose 1SNDN6-630 | - | 4 | - |
| 12. | 1.353.204 | Harness | - | 1 | - |
| 13. | 1.353.213 | Switch 6FH 007 832-121 HELLA | - | 1 | - |
| 14. | 1.379.643 | Bracket | - | 1 | - |
| 15. | 79408003566 | Hex bolt M8x35 - DIN933/8.8 | - | 2 | - |
| 16. | 91623938761 | Spring washer | - | 2 | - |
| 17. | 70808000026 | Rivet nut M8 | - | 2 | - |
| 18. | See item 22, page 18/A | | | | |
| 19. | See item 39, page 18/A | | | | |
| - | 1.379.472 | Directional valve assy (6-13) | | | |



1.329.672



SHIPPING ACCESSORIES

| Ref. | Part Number | Description | 6306-70, 6306F-70 | 6306, 6306F | 6108 | 6208 | 6308- 70 | 6308, 6308F | 6309F | 6112 | 6212 | 6312- 70 | 6312, 6312F | 6316 |
|------|-------------|------------------------------|----------------------|----------------|------|------|-------------|----------------|-------|------|------|-------------|----------------|------|
| 1 | 1.320.609 | Shipping stand weld. | 1 | 1 | 1 | 1 | 1 | 1 | 1 | 1 | 1 | 1 | 1 | 1 |
| 2 | 79416003066 | Hex bolt M16x30 - DIN933/8.8 | 4 | 4 | 4 | 4 | 4 | 4 | 4 | 4 | 4 | 4 | 4 | 4 |
| 3 | 71416000060 | Washer M16 - DIN125 - 200HV | 4 | 4 | 4 | 4 | 4 | 4 | 4 | 4 | 4 | 4 | 4 | 4 |
| 4 | 72216000060 | Spring washer M16 - DIN128/A | 2 | 2 | 2 | 2 | 2 | 2 | 2 | 2 | 2 | 2 | 2 | 2 |
| 5 | 73516000066 | Hex nut M16 - DIN934 | 2 | 2 | 2 | 2 | 2 | 2 | 2 | 2 | 2 | 2 | 2 | 2 |
| 6 | 1.354.583 | Lifting bar weld. | 1 | - | - | - | 1 | - | - | - | - | 2 | - | - |
| 6 | 1.353.054 | Lifting bar weld. | - | 1 | - | - | - | 1 | - | - | - | - | 2 | 2 |
| 6 | 1.353.732 | Lifting bar weld. | - | - | 1 | - | - | - | - | 2 | - | - | - | - |
| 6 | 1.353.345 | Lifting bar weld. | - | - | - | 1 | - | - | - | - | 2 | - | - | - |
| 6 | 1.377.530 | Lifting bar weld. | - | - | - | - | - | - | 1 | - | - | - | - | - |
| 7 | 79412003566 | Hex bolt M12x35 - DIN933/8.8 | 8 | 8 | 8 | 8 | 8 | 8 | 10 | 16 | 16 | 16 | 16 | 16 |
| 8 | 71412000060 | Washer M12 - DIN125 - 200HV | 8 | 8 | 8 | 8 | 8 | 8 | 10 | 16 | 16 | 16 | 16 | 16 |
| 9 | 91623938961 | Spring washer - A12 | 8 | 8 | 8 | 8 | 8 | 8 | 10 | 16 | 16 | 16 | 16 | 16 |
| 10 | 70712000066 | Lock nut - DIN980 - M12 | 8 | 8 | 8 | 8 | 8 | 8 | 10 | 16 | 16 | 16 | 16 | 16 |

TORQUE VALUES FOR FASTENERS (Nm)

| SIZE | QUALITY | | |
|----------------|---------|------|------|
| BOLTS / SCREWS | 8.8 | 10.9 | 12.9 |
| NUTS | 8. | 10. | 12. |
| M6 | 10 | 14 | 16 |
| M8 | 23 | 33 | 40 |
| M10 | 45 | 63 | 75 |
| M12 | 78 | 110 | 130 |
| M14 | 122 | 175 | 210 |
| M16 | 195 | 270 | 325 |
| M18 | 260 | 370 | 440 |
| M20 | 370 | 525 | 630 |
| M24 | 640 | 900 | 1080 |
| M30 | 1260 | 1800 | 2160 |

Part number index - 2018

| Part number | Page number |
|---------------------|---|
| 002.846.0 | 21/A,22/A,23/A |
| 013.208.0 | 28 |
| 013.268.0 | 28 |
| 05200000800 | 3 |
| 05200001200 | 3,13/A |
| 05200001600 | 5/A,48 |
| 05200002024 | 3,13/A |
| 05200200024 | 5/A,48 |
| 082.978.2 | 28 |
| 088.809.1 | 28 |
| 1.200.628 | 43, 43/A, 43/B |
| 1.200.684 | 24 |
| 1.201.329 | 40 |
| 1.300.200 | 15/A |
| 1.300.278 | 64, 67 |
| 1.301.068 | 35,40,41, 52 |
| 1.301.069 | 35,40,41, 52 |
| 1.301.302 | 40,41, 52 |
| 1.301.433 | 8,9,10 |
| 1.301.433 /237.592/ | 11/A,49 |
| 1.301.766 | 42 |
| 1.302.738 | 40 |
| 1.302.884 | 40 |
| 1.302.886 | 40 |
| 1.304.053 | 40 |
| 1.304.143 | 39 |
| 1.304.769 | 8,9 |
| 1.304.770 | 8,9 |
| 1.304.802 | 36 |
| 1.304.803 | 36 |
| 1.304.876 | 8,9 |
| 1.304.893 | 8,10 |
| 1.304.935 | 8 |
| 1.304.985 | 39 |
| 1.308.132 | 8, 9 |
| 1.308.407 | 8,9,10 |
| 1.308.195 | 18/A,54 |
| 1.308.414 | 9,10 |
| 1.308.783 | 24, 24/A,24/A1,24/A2,24/A3, 24/A4 |
| 1.308.786 | 31 |
| 1.308.899 | 18/A |
| 1.308.932 | 9,10 |
| 1.308.948 | 9,10 |
| 1.309.011 | 8,9,10 |
| 1.309.052 | 8,9,10 |
| 1.309.247 | 3,5/A,13/A,48 |
| 1.309.259 | 9,10 |

| Part number | Page number |
|-------------|---|
| 1.309.377 | 46 |
| 1.309.601 | 24, 24/A,24/A1,24/A2, 24/A3, 24/A4, |
| 1.309.604 | 28,60 |
| 1.310.009 | 21/A,23/A,23/B,34 |
| 1.310.514 | 24, 24/A,24/A1,24/A2, 24/A3, 24/A4 |
| 1.310.551 | 18/A, 24, 62 |
| 1.310.552 | 62 |
| 1.310.553 | 18/A |
| 1.310.554 | 18/A |
| 1.310.780 | 8,9,10 |
| 1.310.898 | 41, 52 |
| 1.310.936 | 52 |
| 1.313.536 | 1, 2, 2/A |
| 1.314.099 | 6, 7,20,21/A,21/B,22/A, 23/A, 23/B,29/A,29/B, 33, 34,35, 42,45, 67 |
| 1.314.100 | 25 |
| 1.314.392 | 40,41, 52 |
| 1.314.407 | 41 |
| 1.314.508 | 24, 24/A |
| 1.314.509 | 24, 24/A,24/A1,24/A2,24/A3, 24/A4, 24/B |
| 1.314.510 | 24, 24/A,24/A1,24/A2,24/A3, 24/A4,29/A,29/B, 28, 58/A, 58/B, 59, 60,63 |
| 1.314.514 | 28 |
| 1.314.572 | 59 |
| 1.314.695 | 55 |
| 1.314.748 | 40 |
| 1.314.987 | 59 |
| 1.315.006 | 62 |
| 1.315.035 | 58/B,60 |
| 1.315.037 | 58/B |
| 1.315.070 | 8,9,10 |
| 1.315.367 | 40 |
| 1.315.408 | 8,9 |
| 1.315.431 | 20 |
| 1.315.438 | 31 |
| 1.315.439 | 31 |
| 1.315.440 | 31 |
| 1.315.590 | 31 |
| 1.315.692 | 62 |
| 1.315.693 | 62 |
| 1.315.717 | 20 |
| 1.315.891 | 62 |
| 1.315.905 | 59 |

Part number index - 2018

2

| Part number | Page number |
|-------------|-------------|
| 1.315.983 | 1, 2 |
| 1.316.247 | 40 |
| 1.317.719 | 38 |
| 1.317.726 | 38 |
| 1.317.750 | 38 |
| 1.318.122 | 8,9 |
| 1.318.338 | 7 |
| 1.319.154 | 1 |
| 1.319.165 | 54 |
| 1.319.171 | 54 |
| 1.319.232 | 28 |
| 1.319.233 | 28 |
| 1.319.455 | 7 |
| 1.319.873 | 2 |
| 1.319.878 | 61 |
| 1.320.011 | 40 |
| 1.320.173 | 40,41, 52 |
| 1.320.253 | 40 |
| 1.320.275 | 39 |
| 1.320.276 | 37 |
| 1.320.277 | 37 |
| 1.320.280 | 26,27,37,68 |
| 1.320.281 | 68 |
| 1.320.291 | 39 |
| 1.320.426 | 36 |
| 1.320.482 | 36 |
| 1.320.492 | 8,9,10 |
| 1.320.493 | 8,9,10 |
| 1.320.515 | 38 |
| 1.320.516 | 38 |
| 1.320.540 | 8 |
| 1.320.558 | 35 |
| 1.320.609 | 65 |
| 1.320.665 | 68 |
| 1.320.666 | 68 |
| 1.320.667 | 68 |
| 1.320.686 | 46 |
| 1.320.828 | 27 |
| 1.320.988 | 64 |
| 1.321.225 | 27 |
| 1.321.463 | 62 |
| 1.321.464 | 62 |
| 1.321.932 | 18/A |
| 1.322.001 | 64 |
| 1.322.004 | 64 |
| 1.322.005 | 64, 67 |
| 1.322.008 | 64 |
| 1.322.009 | 64 |

| Part number | Page number |
|-------------|---------------------|
| 1.322.010 | 64 |
| 1.322.011 | 64 |
| 1.322.037 | 6,7 |
| 1.322.329 | 37 |
| 1.322.332 | 37 |
| 1.322.333 | 37 |
| 1.322.351 | 37 |
| 1.322.393 | 39 |
| 1.322.394 | 39 |
| 1.322.402 | 36 |
| 1.322.406 | 38 |
| 1.322.437 | 36 |
| 1.322.445 | 64 |
| 1.322.476 | 68 |
| 1.322.477 | 68 |
| 1.322.686 | 44 |
| 1.322.687 | 44 |
| 1.322.689 | 44 |
| 1.322.691 | 44 |
| 1.322.794 | 55 |
| 1.323.319 | 61 |
| 1.323.320 | 61 |
| 1.323.321 | 61 |
| 1.323.323 | 61 |
| 1.323.324 | 61 |
| 1.323.325 | 61 |
| 1.323.326 | 61 |
| 1.323.327 | 28 |
| 1.323.339 | 61 |
| 1.323.420 | 20 |
| 1.323.675 | 62 |
| 1.325.440 | 21/A,22/A,23/A,23/B |
| 1.325.892 | 21/A,22/A,23/A,23/B |
| 1.326.221 | 11/A,49 |
| 1.326.285 | 25/A |
| 1.326.286 | 25/A |
| 1.326.502 | 46 |
| 1.326.504 | 51 |
| 1.326.507 | 51 |
| 1.326.519 | 51 |
| 1.326.520 | 51 |
| 1.326.521 | 51 |
| 1.326.522 | 51 |
| 1.326.532 | 51 |
| 1.326.673 | 46 |
| 1.326.675 | 46 |
| 1.326.676 | 46 |
| 1.326.681 | 46 |

Part number index - 2018

3

| Part number | Page number |
|-------------|------------------------|
| 1.326.682 | 46 |
| 1.326.683 | 46 |
| 1.326.684 | 46 |
| 1.326.685 | 46 |
| 1.326.688 | 46 |
| 1.326.689 | 46 |
| 1.326.700 | 31 |
| 1.326.701 | 31 |
| 1.326.702 | 31 |
| 1.326.703 | 31 |
| 1.326.704 | 31 |
| 1.326.705 | 31 |
| 1.326.706 | 31 |
| 1.326.707 | 31 |
| 1.326.774 | 40 |
| 1.327.000 | 29/A |
| 1.327.001 | 29/A,29/B |
| 1.327.002 | 29/A,29/B |
| 1.327.003 | 29/A,29/B |
| 1.327.052 | 29/A,29/B,56 |
| 1.327.053 | 29/A,29/B |
| 1.327.054 | 29/A,29/B |
| 1.327.062 | 27 |
| 1.327.066 | 27 |
| 1.327.120 | 54 |
| 1.327.131 | 54 |
| 1.327.148 | 58/A |
| 1.327.486 | 26, 27, 37, 51 |
| 1.327.487 | 35 |
| 1.327.488 | 25/A |
| 1.327.495 | 46 |
| 1.327.508 | 58/A |
| 1.327.509 | 58/A |
| 1.327.510 | 58/A |
| 1.327.536 | 25/A |
| 1.327.601 | 25/A |
| 1.327.638 | 25/A,27,35,37,51 |
| 1.327.662 | 26, 27,37,51 |
| 1.327.663 | 25/A |
| 1.327.664 | 35 |
| 1.327.689 | 13/A, 21/A, 23/A, 23/B |
| 1.327.690 | 13/A |
| 1.327.806 | 2/A |
| 1.327.903 | 1 |
| 1.328.472 | 9,10 |
| 1.328.473 | 9,10 |
| 1.328.479 | 9,10 |
| 1.328.492 | 9,10 |

| Part number | Page number |
|-------------|------------------------------------|
| 1.328.539 | 26,27 |
| 1.328.540 | 51 |
| 1.328.541 | 51 |
| 1.328.546 | 37 |
| 1.328.547 | 25/A |
| 1.328.548 | 25/A |
| 1.328.549 | 46 |
| 1.328.550 | 46 |
| 1.328.607 | 18/A |
| 1.328.704 | 40 |
| 1.328.831 | 20 |
| 1.328.834 | 20 |
| 1.328.835 | 20 |
| 1.328.843 | 20 |
| 1.328.844 | 20 |
| 1.328.862 | 33,34 |
| 1.329.066 | 40 |
| 1.329.074 | 50 |
| 1.329.077 | 40,41, 52 |
| 1.329.097 | 40 |
| 1.329.099 | 41, 52 |
| 1.329.102 | 40 |
| 1.329.103 | 40 |
| 1.329.163 | 22/A, 33, 34 |
| 1.329.164 | 21/A,21/B,22/A,23/A,23/B 33, 34 |
| 1.329.166 | 35 |
| 1.329.216 | 25/A |
| 1.329.233 | 25/A |
| 1.329.234 | 25/A |
| 1.329.235 | 25/A |
| 1.329.236 | 25/A |
| 1.329.237 | 25/A |
| 1.329.238 | 25/A |
| 1.329.239 | 25/A |
| 1.329.240 | 25/A |
| 1.329.241 | 25/A |
| 1.329.242 | 25/A |
| 1.329.243 | 25/A |
| 1.329.244 | 25/A |
| 1.329.245 | 25/A |
| 1.329.246 | 25/A |
| 1.329.247 | 25,25/A |
| 1.329.250 | 25,25/A |
| 1.329.251 | 25/A |
| 1.329.253 | 25,25/A |
| 1.329.254 | 25/A |
| 1.329.255 | 25/A |
| 1.329.257 | 40 |

Part number index - 2018

4

| Part number | Page number |
|-------------|--------------|
| 1.329.258 | 40 |
| 1.329.268 | 40,41 |
| 1.329.269 | 40,41 |
| 1.329.274 | 40,41, 52 |
| 1.329.275 | 40,41, 52 |
| 1.329.276 | 40,41, 52 |
| 1.329.277 | 40,41, 52 |
| 1.329.278 | 40,41, 52 |
| 1.329.294 | 25/A |
| 1.329.295 | 25/A |
| 1.329.296 | 25/A |
| 1.329.304 | 52 |
| 1.329.305 | 52 |
| 1.329.316 | 24,24/A4 |
| 1.329.329 | 41 |
| 1.329.331 | 41 |
| 1.329.332 | 41 |
| 1.329.341 | 41 |
| 1.329.344 | 41, 52 |
| 1.329.345 | 41, 52 |
| 1.329.359 | 41 |
| 1.329.360 | 41, 52 |
| 1.329.361 | 41, 52 |
| 1.329.362 | 41, 52 |
| 1.329.363 | 41, 52 |
| 1.329.387 | 27 |
| 1.329.397 | 27 |
| 1.329.398 | 27 |
| 1.329.400 | 27 |
| 1.329.455 | 42 |
| 1.329.457 | 42 |
| 1.329.458 | 42 |
| 1.329.459 | 42 |
| 1.329.462 | 42 |
| 1.329.463 | 42 |
| 1.329.484 | 26 |
| 1.329.485 | 26 |
| 1.329.498 | 26 |
| 1.329.500 | 26 |
| 1.329.501 | 26 |
| 1.329.537 | 62 |
| 1.329.538 | 62 |
| 1.329.539 | 42 |
| 1.329.541 | 42 |
| 1.329.543 | 42 |
| 1.329.720 | 6,7 |
| 1.329.744 | 23/A,34 |
| 1.329.746 | 23/A,23/B,34 |

| Part number | Page number |
|-------------|---------------------------------|
| 1.329.747 | 21/A,21/B,22/A,23/A,23/B, 33,34 |
| 1.329.847 | 41, 52 |
| 1.329.848 | 41, 52 |
| 1.329.852 | 41, 52 |
| 1.329.854 | 41, 52 |
| 1.329.855 | 41, 52 |
| 1.329.856 | 41, 52 |
| 1.329.859 | 52 |
| 1.329.860 | 52 |
| 1.329.865 | 52 |
| 1.329.866 | 52 |
| 1.329.867 | 52 |
| 1.329.890 | 56 |
| 1.329.893 | 41, 52 |
| 1.329.906 | 42 |
| 1.329.907 | 42 |
| 1.329.908 | 42 |
| 1.329.909 | 42 |
| 1.329.910 | 42 |
| 1.329.977 | 35 |
| 1.330.757 | 24/A,24/A1,24/A2, 24/A3 |
| 1.330.772 | 24/A,24/A1,24/A2, 24/B, 59 |
| 1.330.777 | 24, 24/A |
| 1.330.880 | 23/A |
| 1.331.635 | 57 |
| 1.331.640 | 57 |
| 1.331.795 | 29/A,29/B,58/A,58/B,59, 60, 63 |
| 1.331.808 | 56 |
| 1.332.011 | 50 |
| 1.332.020 | 50 |
| 1.332.029 | 50 |
| 1.332.030 | 50 |
| 1.332.033 | 50 |
| 1.332.035 | 50 |
| 1.332.044 | 50 |
| 1.332.059 | 50 |
| 1.332.061 | 50 |
| 1.332.062 | 50 |
| 1.332.063 | 50 |
| 1.332.064 | 50 |
| 1.332.065 | 58/B |
| 1.332.068 | 50 |
| 1.332.078 | 42 |
| 1.332.128 | 50 |
| 1.332.251 | 31 |
| 1.332.446 | 37 |

Part number index - 2018

| Part number | Page number |
|-------------|--|
| 1.332.447 | 37 |
| 1.332.458 | 25/A |
| 1.332.459 | 42 |
| 1.332.461 | 37 |
| 1.332.462 | 37 |
| 1.332.476 | 40 |
| 1.332.478 | 26 |
| 1.332.479 | 26 |
| 1.332.487 | 50 |
| 1.332.515 | 56 |
| 1.332.848 | 40,41,50,52 |
| 1.332.849 | 40,41,50,52 |
| 1.332.954 | 64 |
| 1.333.495 | 53 |
| 1.351.163 | 15/A, 15/B |
| 1.351.164 | 14,14/B,15/A, 15/B |
| 1.351.178 | 8,9,10 |
| 1.351.215 | 15/A, 15/B |
| 1.351.349 | 8,9,10 |
| 1.351.402 | 28 |
| 1.351.403 | 58/A |
| 1.351.922 | 28 |
| 1.352.495 | 6,7 |
| 1.352.820 | 1 |
| 1.352.821 | 1 |
| 1.352.882 | 1 |
| 1.352.896 | 24/A |
| 1.353.028 | 1,51 |
| 1.353.038 | 13/A |
| 1.353.054 | 65 |
| 1.353.171 | 8,9 |
| 1.353.172 | 8,9 |
| 1.353.178 | 9,10 |
| 1.353.179 | 9,10 |
| 1.353.195 | 28,29/A,29/B,58/B,59, 63 |
| 1.353.204 | 29/A,29/B,58/A,58/B,59, 60,63 |
| 1.353.213 | 29/A,29/B,58/A,58/B,59, 60,63 |
| 1.353.218 | 8,9 |
| 1.353.277 | 1 |
| 1.353.284 | 1 |
| 1.353.286 | 1 |
| 1.353.318 | 24/A,24/A1,24/A2,24/A3 24/A4,29/A,29/B,58/A, 58/B, 59, 60,63 |
| 1.353.345 | 65 |
| 1.353.409 | 51 |
| 1.353.411 | 51 |

| Part number | Page number |
|-----------------|---|
| 1.353.412 | 51 |
| 1.353.413 | 51 |
| 1.353.422 | 25/A |
| 1.353.461 | 21/A,21/B,22/A,23/A,23/B 33,34 |
| 1.353.462 | 21/A,21/B,22/A,23/A,23/B 33,34 |
| 1.353.529 | 1 |
| 1.353.530 | 1 |
| 1.353.531 | 1 |
| 1.353.533 | 1 |
| 1.353.534 | 1 |
| 1.353.535 | 1 |
| 1.353.552 | 29/A,29/B |
| 1.353.553 | 29/A,29/B |
| 1.353.559 | 27 |
| 1.353.560 | 8,9,10 |
| 1.353.561 | 25/A |
| 1.353.562 | 27 |
| 1.353.567 | 8,10 |
| 1.353.568 | 8,10 |
| 1.353.571 | 8,10,51 |
| 1.353.572 | 8,10 |
| 1.353.573 | 8,10,51 |
| 1.353.575 | 8,10 |
| 1.353.576 | 8,10 |
| 1.353.577 | 8,10 |
| 1.353.578 | 8,10 |
| 1.353.732 | 65 |
| 1.353.755 | 39 |
| 1.354.037 | 6,7 |
| 1.354.076 | 15/B |
| 1.354.106 | 29/A,29/B |
| 1.354.107 | 29/A,29/B |
| 1.354.171 | 26 |
| 1.354.244 | 65 |
| 1.354.251 | 1 |
| 1.354.310 | 21/A,21/B,22/A,23/A,23/B, 33,34 |
| 1.354.375 | 46 |
| 1.354.381 – M10 | 23/A,23/B,34 |
| 1.354.382 – M12 | 23/A,23/B,34 |
| 1.354.397 | 23/A, 23/B,24,24/A,24/A1, 24/A2,24/A3, 24/A4, 34 |
| 1.354.511 | 24,24/A,24/A1,24/A2, 24/A3, 24/A4 |
| 1.354.565 | 8,9, 15/B |
| 1.354.571 | 21/A,23/A,23/B,33,34 |
| 1.354.583 | 65 |
| 1.354.660 | 14,14/B,15/A, 15/B |

Part number index - 2018

6

Part number

Page number

Part number

Page number

| | |
|-----------|---|
| 1.354.663 | 14,14/B |
| 1.354.667 | 21/A,23/A,23/B,33,34 |
| 1.355.038 | 13/A |
| 1.355.039 | 13/A |
| 1.355.403 | 14/A, 14/B, 15/A, 15/B |
| 1.355.448 | 8,9 |
| 1.355.449 | 8,9 |
| 1.355.452 | 8,9 |
| 1.355.464 | 8,10.51 |
| 1.355.465 | 8,10 |
| 1.355.468 | 8,10 |
| 1.355.473 | 51 |
| 1.355.478 | 51 |
| 1.355.478 | 51 |
| 1.355.481 | 24/A,24/A1,24/A2,24/A3, 24/A4 |
| 1.355.489 | 29/A,29/B,58/A, 63 |
| 1.355.553 | 51 |
| 1.355.609 | 1 |
| 1.355.610 | 1 |
| 1.355.690 | 1 |
| 1.355.692 | 1 |
| 1.355.693 | 1 |
| 1.355.695 | 1 |
| 1.355.697 | 1 |
| 1.355.698 | 1 |
| 1.355.700 | 1 |
| 1.355.701 | 1 |
| 1.355.702 | 1 |
| 1.355.706 | 1 |
| 1.355.707 | 1 |
| 1.355.709 | 1 |
| 1.355.710 | 2, 2/A |
| 1.355.909 | 14,14/B,15/A, 15/B |
| 1.355.920 | 51 |
| 1.355.921 | 51 |
| 1.355.966 | 37,51 |
| 1.355.995 | 43 |
| 1.356.016 | 43, 43/A, 43/B |
| 1.356.019 | 43 |
| 1.356.060 | 29/B |
| 1.356.077 | 43 |
| 1.356.078 | 43 |
| 1.356.079 | 43 |
| 1.356.108 | 1 |
| 1.356.118 | 24, 24/A, 24/A1, 24/A2, 24/A3, 24/A4 |
| 1.356.132 | 43 |
| 1.356.203 | 1 |

| | |
|-------------|------------|
| 1.356.208 | 60 |
| 1.356.455 | 8, 10 |
| 1.356.529 | 2, 2/A |
| 1.372.001 | 21/A |
| 1.372.003 | 21/A |
| 1.372.005 | 1 |
| 1.372.016 | 1 |
| 1.372.017 | 1 |
| 1.372.018 | 21/A, 23/B |
| 1.372.019 | 21/A, 23/B |
| 1.372.020 | 21/A, 23/B |
| 1.372.022 | 23/B |
| 1.372.028 | 1 |
| 1.372.029 | 1 |
| 1.372.040 | 2/A |
| 1.372.041 | 2/A |
| 1.372.057 | 7 |
| 1.372.082 | 23/B |
| 1.372.082.1 | 23/B |
| 1.372.082.2 | 23/B |
| 1.372.082.3 | 23/B |
| 1.372.082.4 | 23/B |
| 1.372.082.5 | 23/B |
| 1.372.082.6 | 23/B |
| 1.372.083 | 23/B |
| 1.372.083.1 | 23/B |
| 1.372.083.2 | 23/B |
| 1.372.083.3 | 23/B |
| 1.372.083.4 | 23/B |
| 1.372.083.5 | 23/B |
| 1.372.083.6 | 23/B |
| 1.372.084 | 23/B |
| 1.372.086 | 64, 67 |
| 1.372.092 | 23/B |
| 1.372.093 | 23/B |
| 1.372.100 | 63 |
| 1.372.104 | 63 |
| 1.372.105 | 63 |
| 1.372.107 | 9 |
| 1.372.111 | 9 |
| 1.372.114 | 9 |
| 1.372.116 | 9 |
| 1.372.127 | 9 |
| 1.372.128 | 9 |
| 1.372.129 | 9 |
| 1.372.131 | 9 |
| 1.372.136 | 23/B |
| 1.372.137 | 23/B |

Part number index - 2018

| Part number | Page number |
|-------------|-------------------|
| 1.372.142 | 23/B |
| 1.372.143 | 23/B |
| 1.372.148 | 23/B |
| 1.372.149 | 23/B |
| 1.372.151 | 23/B |
| 1.372.152 | 23/B |
| 1.372.154 | 23/B |
| 1.372.164 | 23/B |
| 1.372.165 | 23/B |
| 1.372.180 | 17/A |
| 1.372.181 | 17/A |
| 1.372.182 | 17/A |
| 1.372.183 | 17/A |
| 1.372.184 | 17/A |
| 1.372.185 | 17/A |
| 1.372.186 | 17/A |
| 1.372.187 | 17/A |
| 1.372.188 | 17/A |
| 1.372.189 | 17/A |
| 1.372.190 | 17/A |
| 1.372.191 | 17/A |
| 1.372.192 | 15/B |
| 1.372.193 | 15/B |
| 1.372.194 | 19/A |
| 1.372.195 | 19/A |
| 1.372.196 | 19/A |
| 1.372.198 | 19/A |
| 1.372.217 | 17/A |
| 1.372.218 | 17/A |
| 1.372.228 | 51 |
| 1.372.229 | 51 |
| 1.372.230 | 51 |
| 1.372.239 | 1 |
| 1.372.245 | 2/A |
| 1.372.246 | 2/A |
| 1.372.247 | 2/A |
| 1.372.248 | 2/A |
| 1.372.250 | 2/A |
| 1.372.251 | 2/A |
| 1.372.260 | 27 |
| 1.372.268 | 24/A1,24/A3,24/A4 |
| 1.372.273 | 27 |
| 1.372.274 | 27 |
| 1.372.276 | 1 |
| 1.372.284 | 1 |
| 1.372.314 | 2, 2/A |
| 1.372.315 | 2, 2/A |
| 1.372.352 | 21/B, 23/A, 23/B |

| Part number | Page number |
|-------------|-------------|
| 1.372.361 | 1 |
| 1.372.362 | 1 |
| 1.372.371 | 2/A |
| 1.372.373 | 28 |
| 1.372.374 | 28 |
| 1.372.434 | 3 |
| 1.372.435 | 2/A |
| 1.372.439 | 2/A |
| 1.372.441 | 2/A |
| 1.372.442 | 2/A |
| 1.372.443 | 2/A |
| 1.372.444 | 2/A |
| 1.372.498 | 67 |
| 1.372.500 | 67 |
| 1.372.502 | 67 |
| 1.372.523 | 43/B |
| 1.372.527 | 43/B |
| 1.372.565 | 68 |
| 1.372.566 | 22/A |
| 1.373.045 | 8, 9, 10 |
| 1.373.046 | 8, 9, 10 |
| 1.373.062 | 7 |
| 1.373.063 | 7 |
| 1.373.064 | 7 |
| 1.373.070 | 6 |
| 1.373.082 | 16/B |
| 1.373.083 | 16/B |
| 1.373.084 | 19/A |
| 1.373.085 | 19/A |
| 1.373.088 | 8 |
| 1.373.100 | 6 |
| 1.373.113 | 16/B |
| 1.373.114 | 16/B |
| 1.373.115 | 16/B |
| 1.373.116 | 16/B |
| 1.373.117 | 19/A |
| 1.373.118 | 19/A |
| 1.373.121 | 8 |
| 1.373.139 | 16/A |
| 1.373.140 | 16/A |
| 1.373.141 | 16/A |
| 1.373.142 | 16/A |
| 1.373.143 | 16/A |
| 1.373.143 | 16/A |
| 1.373.144 | 16/A |
| 1.373.145 | 16/A |
| 1.373.147 | 16/A |
| 1.373.148 | 21/A |

Part number index - 2018

| Part number | Page number |
|-------------|--------------------------|
| 1.373.151 | 21/A |
| 1.373.152 | 21/A |
| 1.373.153 | 21/A |
| 1.373.155 | 16/A |
| 1.373.156 | 16/A |
| 1.373.158 | 16/A |
| 1.373.167 | 16/A |
| 1.373.168 | 16/A |
| 1.373.169 | 16/A |
| 1.373.170 | 16/A |
| 1.373.275 | 56 |
| 1.373.276 | 56 |
| 1.373.277 | 56 |
| 1.373.278 | 56 |
| 1.373.279 | 56 |
| 1.373.280 | 56 |
| 1.373.281 | 56 |
| 1.373.282 | 56 |
| 1.373.283 | 56 |
| 1.373.284 | 56 |
| 1.373.285 | 56 |
| 1.373.286 | 56 |
| 1.373.287 | 56 |
| 1.373.288 | 56 |
| 1.373.289 | 56 |
| 1.373.290 | 56 |
| 1.373.293 | 17/A |
| 1.373.294 | 17/A |
| 1.373.295 | 17/A |
| 1.373.296 | 17/A |
| 1.373.297 | 17/A |
| 1.373.298 | 17/A |
| 1.373.299 | 17/A |
| 1.373.300 | 17/A |
| 1.373.301 | 17/A |
| 1.373.302 | 17/A |
| 1.373.304 | 24/A2,24/A4 |
| 1.373.305 | 24/A2,24/A4 |
| 1.373.306 | 24/A4 |
| 1.373.307 | 24/A4 |
| 1.373.308 | 24/A4 |
| 1.373.309 | 24/A4 |
| 1.373.310 | 24/A4 |
| 1.373.311 | 24/A4 |
| 1.373.312 | 24/A4 |
| 1.373.313 | 24/A1, 24/A2,24/A3,24/A4 |
| 1.373.314 | 24/A1,24/A2,24/A3,24/A4 |
| 1.373.315 | 24/A1,24/A2, 24/A3,24/A4 |

| Part number | Page number |
|-------------|--|
| 1.373.316 | 24/A4 |
| 1.373.317 | 24/A4 |
| 1.373.318 | 24/A4 |
| 1.373.319 | 24/A4 |
| 1.373.320 | 24/A4 |
| 1.373.321 | 24/A4 |
| 1.373.322 | 24/A4 |
| 1.373.323 | 24/A4 |
| 1.373.324 | 24/A4 |
| 1.373.325 | 24/A4 |
| 1.373.326 | 24/A4 |
| 1.373.327 | 24/A1,24/A2,24/A3,24/A4 |
| 1.373.328 | 24/A1,24/A3,24/A4 |
| 1.373.329 | 24/A1,24/A3,24/A4 |
| 1.373.330 | 24/A1,24/A3,24/A4 |
| 1.373.331 | 24/A1,24/A3,24/A4 |
| 1.373.332 | 24/A4 |
| 1.373.336 | 23/A |
| 1.373.337 | 23/A |
| 1.373.339 | 23/A |
| 1.373.341 | 23/A |
| 1.373.354 | 7 |
| 1.373.355 | 7 |
| 1.373.356 | 7 |
| 1.373.387 | 5/A, 48 |
| 1.373.426 | 49 |
| 1.373.433 | 7 |
| 1.373.434 | 7 |
| 1.373.449 | 24/A,24/A1,24/A2,24/A3, 24/A4, 24/B |
| 1.373.462 | 9 |
| 1.373.463 | 9 |
| 1.373.464 | 9 |
| 1.373.465 | 9 |
| 1.373.470 | 17/A |
| 1.373.471 | 17/A |
| 1.373.472 | 17/A |
| 1.373.473 | 17/A |
| 1.373.474 | 17/A |
| 1.373.475 | 17/A |
| 1.373.478 | 15/A |
| 1.373.481 | 21/A, 23/B |
| 1.373.483 | 21/A |
| 1.373.487 | 21/A, 23/A |
| 1.373.488 | 24/A,24/A1,24/A2,24/A3, 24/A4, 24/B |
| 1.373.490 | 21/A |
| 1.373.508 | 21/A,23/B |
| 1.373.508.1 | 21/A,23/B |

Part number index - 2018

Part number

Page number

Part number

Page number

| | |
|--------------|--|
| 1.373.508.2 | 21/A,23/B |
| 1.373.508.3 | 21/A,23/B |
| 1.373.508.4 | 21/A,23/B |
| 1.373.508.5 | 21/A,23/B |
| 1.373.508.6 | 21/A,23/B |
| 1.373.508.10 | 21/A,23/B |
| 1.373.510 | 7 |
| 1.373.511 | 7 |
| 1.373.512 | 7 |
| 1.373.513 | 7 |
| 1.373.542 | 17/A |
| 1.373.543 | 17/A |
| 1.373.544 | 17/A |
| 1.373.545 | 17/A |
| 1.373.546 | 17/A |
| 1.373.547 | 17/A |
| 1.373.548 | 17/A |
| 1.373.549 | 17/A |
| 1.373.550 | 17/A |
| 1.373.551 | 17/A |
| 1.373.555 | 9 |
| 1.373.556 | 19/A |
| 1.373.557 | 19/A |
| 1.373.559 | 9 |
| 1.373.576 | 24/A3 |
| 1.373.577 | 24/A1,24/A2,24/A3 |
| 1.373.578 | 24/A3 |
| 1.373.578 | 24/A3 |
| 1.373.580 | 24/A3 |
| 1.373.581 | 24/A3 |
| 1.373.583 | 24/A1,24/A2,24/A3 |
| 1.373.582 | 24/A3 |
| 1.373.584 | 24/A1,24/A2,24/A3 |
| 1.373.585 | 24/A, 24/A1,24/A2,24/A3, 24/A4,24/B |
| 1.373.586 | 7 |
| 1.373.590 | 23/A |
| 1.373.591 | 23/A |
| 1.373.592 | 23/A |
| 1.373.593 | 23/A |
| 1.373.595 | 23/A |
| 1.373.596 | 23/A |
| 1.373.612 | 23/A |
| 1.373.613 | 23/A |
| 1.373.614 | 23/A |
| 1.373.615 | 23/A |
| 1.373.619 | 16/A,16/B,17/A |
| 1.373.623 | 15/A |
| 1.373.648 | 18/A |

| | |
|-----------|---|
| 1.373.656 | 2/A |
| 1.373.662 | 7 |
| 1.373.663 | 7 |
| 1.373.664 | 7 |
| 1.373.665 | 23/B |
| 1.373.666 | 23/B |
| 1.373.670 | 49 |
| 1.373.671 | 49 |
| 1.373.675 | 2/A |
| 1.373.676 | 2/A |
| 1.373.677 | 2/A |
| 1.373.678 | 2/A |
| 1.373.681 | 2/A |
| 1.373.682 | 2/A |
| 1.373.690 | 1 |
| 1.373.691 | 1 |
| 1.373.692 | 1 |
| 1.373.693 | 1 |
| 1.373.694 | 1 |
| 1.373.697 | 1 |
| 1.373.699 | 1 |
| 1.373.700 | 1 |
| 1.373.703 | 1 |
| 1.373.704 | 1 |
| 1.373.705 | 1 |
| 1.373.712 | 1 |
| 1.373.714 | 1 |
| 1.373.715 | 1 |
| 1.373.718 | 1 |
| 1.373.725 | 18/A, 24/A1,24/A2,24/A3,24/A4, 24/B |
| 1.373.730 | 18/A |
| 1.373.732 | 19/A |
| 1.373.733 | 19/A |
| 1.373.734 | 49 |
| 1.373.738 | 49 |
| 1.373.740 | 49 |
| 1.373.742 | 7 |
| 1.373.749 | 21/A, 23/A, 23/B |
| 1.373.751 | 6, 7 |
| 1.373.767 | 22/A |
| 1.373.768 | 22/A |
| 1.373.772 | 22/A |
| 1.373.773 | 22/A |
| 1.373.774 | 24/A1 |
| 1.373.775 | 24/A1 |
| 1.373.776 | 24/A1 |
| 1.373.777 | 24/A1 |

Part number index - 2018

10

Part number

Page number

Part number

Page number

| | |
|-----------|------------|
| 1.373.778 | 7 |
| 1.373.779 | 7 |
| 1.373.780 | 7 |
| 1.373.810 | 17/A |
| 1.373.811 | 17/A |
| 1.373.812 | 17/A |
| 1.373.813 | 17/A |
| 1.373.814 | 17/A |
| 1.373.825 | 7 |
| 1.373.826 | 7 |
| 1.373.827 | 7 |
| 1.373.828 | 7 |
| 1.373.829 | 7 |
| 1.373.847 | 17/A |
| 1.373.870 | 3 |
| 1.373.871 | 3 |
| 1.373.876 | 10 |
| 1.373.877 | 10 |
| 1.373.878 | 10 |
| 1.373.882 | 10 |
| 1.373.883 | 10 |
| 1.373.884 | 10 |
| 1.373.885 | 10 |
| 1.373.890 | 14/A, 15/A |
| 1.373.898 | 2, 2/A |
| 1.373.899 | 24/A2 |
| 1.373.900 | 24/A2 |
| 1.373.901 | 24/A2 |
| 1.373.902 | 24/A2 |
| 1.373.903 | 24/A2 |
| 1.373.907 | 24/A2 |
| 1.373.908 | 24/A2 |
| 1.373.909 | 19/A |
| 1.373.910 | 19/A |
| 1.373.911 | 19/A |
| 1.373.912 | 19/A |
| 1.373.917 | 24/A2 |
| 1.373.919 | 19/A |
| 1.373.920 | 19/A |
| 1.373.923 | 19/A |
| 1.373.924 | 19/A |
| 1.373.927 | 19/A |
| 1.373.928 | 19/A |
| 1.373.929 | 19/A |
| 1.373.933 | 19/A |
| 1.373.934 | 19/A |
| 1.373.937 | 19/A |
| 1.373.938 | 19/A |

| | |
|-----------|---------------------------------------|
| 1.373.950 | 23/B |
| 1.373.951 | 23/B |
| 1.373.952 | 1 |
| 1.373.953 | 1 |
| 1.373.954 | 1 |
| 1.373.957 | 17/A |
| 1.373.958 | 17/A |
| 1.373.959 | 17/A |
| 1.373.960 | 17/A |
| 1.373.961 | 17/A |
| 1.373.962 | 17/A |
| 1.373.963 | 17/A |
| 1.373.964 | 17/A |
| 1.373.965 | 17/A |
| 1.373.966 | 17/A |
| 1.373.967 | 17/A |
| 1.373.970 | 24/A2 |
| 1.373.971 | 24/A2 |
| 1.373.973 | 24/A2 |
| 1.373.974 | 24/A2 |
| 1.373.975 | 24/A2 |
| 1.373.976 | 17/A |
| 1.373.977 | 17/A |
| 1.373.978 | 17/A |
| 1.373.979 | 17/A |
| 1.373.980 | 17/A |
| 1.373.981 | 17/A |
| 1.373.982 | 17/A |
| 1.373.983 | 17/A |
| 1.373.984 | 17/A |
| 1.373.985 | 17/A |
| 1.373.986 | 17/A |
| 1.373.991 | 24/A,24/A1,24/A2,24/A3, 24/A4,24/B |
| 1.373.992 | 19/A |
| 1.373.995 | 17/A |
| 1.373.996 | 17/A |
| 1.373.997 | 22/A |
| 1.373.998 | 22/A |
| 1.375.019 | 5/A,48,7 |
| 1.375.025 | 5/A,48 |
| 1.375.134 | 7 |
| 1.375.138 | 7 |
| 1.375.144 | 7, 24/A,24/A1,24/A3,24/A4 |
| 1.375.180 | 7 |
| 1.375.181 | 7 |
| 1.375.182 | 7 |
| 1.375.192 | 7 |
| 1.375.203 | 8,9,10 |

Part number index - 2018

| Part number | Page number |
|-------------|---|
| 1.375.415 | 1 |
| 1.375.417 | 1 |
| 1.375.428 | 8,9,10 |
| 1.375.429 | 8,9,10 |
| 1.375.430 | 8,9,10 |
| 1.375.431 | 8,9,10 |
| 1.375.497 | 18/A |
| 1.375.615 | 24/A1 |
| 1.375.659 | 24 |
| 1.375.669 | 24, 24/A,24/A1,24/A2,24/A3, 24/A4, 24/B |
| 1.375.687 | 5/A,48 |
| 1.375.688 | 5/A,48 |
| 1.375.689 | 5/A,48 |
| 1.375.691 | 5/A |
| 1.375.692 | 5/A |
| 1.375.693 | 5/A,48 |
| 1.375.694 | 5/A,48 |
| 1.375.695 | 5/A,48 |
| 1.375.696 | 5/A,48 |
| 1.375.697 | 5/A,48 |
| 1.375.698 | 5/A,48 |
| 1.375.699 | 5/A,48 |
| 1.375.700 | 5/A,48 |
| 1.375.701 | 13/A |
| 1.375.702 | 13/A |
| 1.375.703 | 5/A,48 |
| 1.375.706 | 5/A,48 |
| 1.375.708 | 5/A |
| 1.375.710 | 5/A,48 |
| 1.375.712 | 5/A,48 |
| 1.375.717 | 5/A,48 |
| 1.375.722 | 5/A,48 |
| 1.375.723 | 5/A,48 |
| 1.375.743 | 13/A |
| 1.375.744 | 5/A,13/A,48 |
| 1.375.746 | 5/A,48 |
| 1.375.752 | 13/A |
| 1.375.754 | 5/A,48 |
| 1.375.755 | 11/A,44,49 |
| 1.375.756 | 4 |
| 1.375.757 | 4 |
| 1.375.758 | 4 |
| 1.375.760 | 4 |
| 1.375.761 | 4 |
| 1.375.762 | 4 |
| 1.375.772 | 18/A,19/A |
| 1.375.792 | 12 |

| Part number | Page number |
|-------------|--------------|
| 1.375.800 | 11/A,49 |
| 1.375.801 | 11/A,49 |
| 1.375.813 | 11/A,49 |
| 1.375.819 | 11/A,49 |
| 1.375.822 | 11/A,49 |
| 1.375.832 | 11/A,49 |
| 1.375.833 | 11/A,49 |
| 1.375.836 | 5/A,48 |
| 1.375.913 | 9 |
| 1.375.947 | 11/A,49 |
| 1.375.955 | 5/A,48 |
| 1.375.957 | 21/A,21/B,33 |
| 1.375.958 | 21/A,21/B,33 |
| 1.375.965 | 8,9,10 |
| 1.375.966 | 8,9,10 |
| 1.375.967 | 8,9,10 |
| 1.375.968 | 8,9,10 |
| 1.375.969 | 8,9,10 |
| 1.375.973 | 2, 2/A |
| 1.375.974 | 2, 2/A |
| 1.376.000 | 18/A |
| 1.376.003 | 18/A |
| 1.376.006 | 18/A |
| 1.376.007 | 16/A,17/A |
| 1.376.020 | 8,9,10 |
| 1.376.039 | 23/A |
| 1.376.040 | 23/A |
| 1.376.041 | 23/A |
| 1.376.042 | 23/A |
| 1.376.043 | 23/A,34 |
| 1.376.044 | 23/A,34 |
| 1.376.067 | 11/A,49 |
| 1.376.068 | 2,2/A |
| 1.376.069 | 2,2/A |
| 1.376.070 | 2,2/A |
| 1.376.071 | 3 |
| 1.376.072 | 3 |
| 1.376.073 | 3 |
| 1.376.074 | 3 |
| 1.376.075 | 3 |
| 1.376.076 | 3 |
| 1.376.077 | 3 |
| 1.376.078 | 3 |
| 1.376.079 | 3 |
| 1.376.085 | 33 |
| 1.376.089 | 33,34 |
| 1.376.093 | 22/A |
| 1.376.093.1 | 22/A |

Part number index - 2018

12

Part number

Page number

Part number

Page number

| | |
|--------------|--------------------|
| 1.376.093.2 | 22/A |
| 1.376.093.3 | 22/A |
| 1.376.093.4 | 22/A |
| 1.376.093.5 | 22/A |
| 1.376.093.6 | 22/A |
| 1.376.093.10 | 22/A |
| 1.376.094 | 22/A |
| 1.376.094.1 | 22/A |
| 1.376.094.2 | 22/A |
| 1.376.094.3 | 22/A |
| 1.376.094.4 | 22/A |
| 1.376.094.5 | 22/A |
| 1.376.094.6 | 22/A |
| 1.376.094.10 | 22/A |
| 1.376.095 | 22/A |
| 1.376.095.1 | 22/A |
| 1.376.095.2 | 22/A |
| 1.376.095.3 | 22/A |
| 1.376.095.4 | 22/A |
| 1.376.095.5 | 22/A |
| 1.376.095.6 | 22/A |
| 1.376.095.7 | 22/A |
| 1.376.095.8 | 22/A |
| 1.376.095.9 | 22/A |
| 1.376.096 | 22/A |
| 1.376.096.1 | 22/A |
| 1.376.096.2 | 22/A |
| 1.376.096.3 | 22/A |
| 1.376.096.4 | 22/A |
| 1.376.096.5 | 22/A |
| 1.376.096.6 | 22/A |
| 1.376.096.7 | 22/A |
| 1.376.096.8 | 22/A |
| 1.376.096.9 | 22/A |
| 1.376.097 | 21/A, 23/A |
| 1.376.097.1 | 21/A, 23/A |
| 1.376.097.2 | 21/A, 23/A |
| 1.376.097.3 | 21/A, 23/A |
| 1.376.097.4 | 21/A, 23/A |
| 1.376.097.5 | 21/A, 23/A |
| 1.376.097.6 | 21/A, 23/A |
| 1.376.099 | 21/A, 23/A, 33,34, |
| 1.376.099.1 | 21/A, 23/A, 33, 34 |
| 1.376.099.2 | 21/A, 23/A, 33, 34 |
| 1.376.099.3 | 21/A, 23/A, 33, 34 |
| 1.376.099.4 | 21/A, 23/A, 33, 34 |
| 1.376.099.5 | 21/A, 23/A, 33, 34 |
| 1.376.099.6 | 21/A, 23/A |

| | |
|-----------|---------------------------------|
| 1.376.100 | 33,34 |
| 1.376.104 | 18/A |
| 1.376.105 | 18/A |
| 1.376.122 | 6 |
| 1.376.123 | 6 |
| 1.376.124 | 6 |
| 1.376.125 | 6 |
| 1.376.126 | 6 |
| 1.376.127 | 16/A,16/B,17/A |
| 1.376.129 | 33,34 |
| 1.376.130 | 33,34 |
| 1.376.131 | 16/A,16/B,17/A |
| 1.376.214 | 8 |
| 1.376.215 | 8 |
| 1.376.216 | 8 |
| 1.376.217 | 8 |
| 1.376.228 | 8 |
| 1.376.229 | 8 |
| 1.376.230 | 8 |
| 1.376.231 | 8 |
| 1.376.232 | 8,9,10 |
| 1.376.233 | 8,9,10 |
| 1.376.238 | 8,9,10 |
| 1.376.241 | 8,10 |
| 1.376.278 | 7,24, 24/A,24/A1,24/A3,24/A4 |
| 1.376.292 | 7 |
| 1.376.293 | 7 |
| 1.376.294 | 7 |
| 1.376.295 | 7 |
| 1.376.296 | 7 |
| 1.376.320 | 9 |
| 1.376.321 | 9 |
| 1.376.322 | 9 |
| 1.376.323 | 9 |
| 1.376.324 | 10 |
| 1.376.325 | 10 |
| 1.376.326 | 10 |
| 1.376.363 | 9 |
| 1.376.364 | 9 |
| 1.376.365 | 9 |
| 1.376.369 | 9 |
| 1.376.370 | 9 |
| 1.376.371 | 7,9,10 |
| 1.376.372 | 7,9,10 |
| 1.376.373 | 7,9,10 |
| 1.376.374 | 7,9,10 |
| 1.376.377 | 10 |
| 1.376.378 | 10 |

Part number index - 2018

| Part number | Page number |
|--------------------|--------------------|
| 1.376.379 | 10 |
| 1.376.380 | 10 |
| 1.376.382 | 7 |
| 1.376.385 | 7 |
| 1.376.412 | 2 |
| 1.376.413 | 2 |
| 1.376.416 | 2 |
| 1.376.417 | 2 |
| 1.376.420 | 2 |
| 1.376.421 | 2 |
| 1.376.424 | 2 |
| 1.376.425 | 2 |
| 1.376.430 | 2 |
| 1.376.431 | 2 |
| 1.376.434 | 2 |
| 1.376.435 | 2 |
| 1.376.436 | 2, 2/A |
| 1.376.444 | 2, 2/A |
| 1.376.445 – M10x30 | 2, 2/A |
| 1.376.446 | 2, 2/A |
| 1.376.448 | 7 |
| 1.376.484 | 7 |
| 1.376.485 | 7 |
| 1.376.490 | 14,14/B,15/A, 15/B |
| 1.376.491 | 6,7 |
| 1.376.501 | 14 |
| 1.376.502 | 14,14/B,15/A, 15/B |
| 1.376.503 | 14,14/B,15/A |
| 1.376.504 | 14 |
| 1.376.505 | 14,14/B |
| 1.376.506 | 14,14/B,15/A, 15/B |
| 1.376.516 | 15/A, 15/B |
| 1.376.517 | 14,14/B,15/A, 15/B |
| 1.376.519 | 15/A, 15/B |
| 1.376.523 | 25 |
| 1.376.536 | 25 |
| 1.376.537 | 25 |
| 1.376.538 | 25 |
| 1.376.539 | 25 |
| 1.376.540 | 25 |
| 1.376.541 | 25 |
| 1.376.542 | 25 |
| 1.376.544 | 25 |
| 1.376.545 | 25 |
| 1.376.547 | 25 |
| 1.376.548 | 25 |
| 1.376.561 | 7 |
| 1.376.562 | 15/A |

| Part number | Page number |
|-------------|---------------------------|
| 1.376.564 | 7 |
| 1.376.565 | 7 |
| 1.376.573 | 7 |
| 1.376.599 | 16/A,16/B,17/A |
| 1.376.600 | 16/A,16/B,17/A |
| 1.376.629 | 7 |
| 1.376.633 | 7 |
| 1.376.634 | 7 |
| 1.376.635 | 7 |
| 1.376.662 | 22/A |
| 1.376.663 | 22/A |
| 1.376.676 | 22/A |
| 1.376.677 | 22/A |
| 1.376.691 | 20 |
| 1.376.699 | 20 |
| 1.376.700 | 21/A |
| 1.376.700.1 | 21/A |
| 1.376.700.2 | 21/A |
| 1.376.700.3 | 21/A |
| 1.376.700.4 | 21/A |
| 1.376.700.5 | 21/A |
| 1.376.700.6 | 21/A |
| 1.376.701 | 20 |
| 1.376.729 | 20 |
| 1.376.747 | 21/A,21/B,23/A,23/B,33,34 |
| 1.376.752 | 2, 2/A |
| 1.376.776 | 34 |
| 1.376.777 | 34 |
| 1.376.783 | 3, 13/A |
| 1.376.793 | 21/A,23/A,23/B,33,34 |
| 1.376.795 | 24/A, 24/B |
| 1.376.796 | 24, 24/A |
| 1.377.000 | 6,7 |
| 1.377.005 | 6,7 |
| 1.377.013 | 23/A,34 |
| 1.377.015 | 23/A,34 |
| 1.377.018 | 23/A,34 |
| 1.377.019 | 23/A,34 |
| 1.377.020 | 23/A,34 |
| 1.377.021 | 24/A2 |
| 1.377.022 | 23/A,34 |
| 1.377.023 | 23/A |
| 1.377.024 | 23/A |
| 1.377.025 | 23/A |
| 1.377.026 | 23/A |
| 1.377.038 | 24 |
| 1.377.048 | 15/A |
| 1.377.055 | 1 |

Part number index - 2018

14

Part number

Page number

Part number

Page number

| | |
|-----------|---|
| 1.377.061 | 24, 24/A,24/A1,24/A2,24/A3, 24/A4 |
| 1.377.062 | 24, 24/A,24/A1,24/A2, 24/A3,24/A4 |
| 1.377.063 | 24, 24/A |
| 1.377.064 | 24, 24/A |
| 1.377.065 | 24, 24/A |
| 1.377.066 | 24, 24/A |
| 1.377.068 | 24 |
| 1.377.069 | 24 |
| 1.377.070 | 24 |
| 1.377.071 | 24 |
| 1.377.072 | 24, 24/A,24/A1,24/A2,24/A3, |
| 1.377.073 | 24,24/A,24/A1,24/A2, 24/A3 |
| 1.377.074 | 24, 24/A,24/A1,24/A3 |
| 1.377.075 | 24 |
| 1.377.076 | 24,24/A,24/A1,24/A2, 24/A3 |
| 1.377.077 | 24 |
| 1.377.078 | 24 |
| 1.377.086 | 22/A |
| 1.377.087 | 22/A |
| 1.377.088 | 11/A,44,49 |
| 1.377.089 | 24, 24/A |
| 1.377.093 | 5/A,48 |
| 1.377.095 | 13/A |
| 1.377.100 | 7 |
| 1.377.102 | 7 |
| 1.377.105 | 2, 2/A |
| 1.377.106 | 2, 2/A |
| 1.377.108 | 7 |
| 1.377.119 | 9 |
| 1.377.123 | 15/A, 15/B |
| 1.377.125 | 15/A, 15/B |
| 1.377.137 | 44 |
| 1.377.138 | 44 |
| 1.377.142 | 44 |
| 1.377.144 | 44 |
| 1.377.145 | 44 |
| 1.377.146 | 44 |
| 1.377.161 | 44 |
| 1.377.162 | 44 |
| 1.377.163 | 44 |
| 1.377.164 | 8, 9, 10 |
| 1.377.171 | 7 |
| 1.377.181 | 7 |
| 1.377.183 | 9 |

| | |
|-----------|----------------------|
| 1.377.192 | 34 |
| 1.377.193 | 34 |
| 1.377.196 | 34 |
| 1.377.199 | 23/A,34 |
| 1.377.200 | 23/A,34 |
| 1.377.201 | 23/A |
| 1.377.202 | 23/A |
| 1.377.213 | 23/A,34 |
| 1.377.214 | 23/A,34 |
| 1.377.215 | 23/A,34 |
| 1.377.216 | 23/A,34 |
| 1.377.219 | 33,34 |
| 1.377.222 | 7 |
| 1.377.225 | 33,34 |
| 1.377.229 | 33 |
| 1.377.243 | 48 |
| 1.377.244 | 48 |
| 1.377.247 | 47 |
| 1.377.250 | 47 |
| 1.377.251 | 11/A,29/A,29/B,47,49 |
| 1.377.253 | 31 |
| 1.377.258 | 12 |
| 1.377.265 | 3 |
| 1.377.266 | 49 |
| 1.377.267 | 49 |
| 1.377.268 | 4 |
| 1.377.271 | 8, 9, 10 |
| 1.377.272 | 8, 9, 10 |
| 1.377.274 | 31 |
| 1.377.275 | 31 |
| 1.377.288 | 31 |
| 1.377.297 | 12,47 |
| 1.377.298 | 12,47 |
| 1.377.299 | 12 |
| 1.377.300 | 12 |
| 1.377.338 | 16/A,17/A |
| 1.377.339 | 16/A |
| 1.377.340 | 16/A |
| 1.377.341 | 16/A,17/A |
| 1.377.342 | 16/A |
| 1.377.343 | 16/A |
| 1.377.344 | 16/A |
| 1.377.345 | 16/A |
| 1.377.346 | 16/A |
| 1.377.347 | 16/A |
| 1.377.348 | 16/A |
| 1.377.349 | 16/A |
| 1.377.350 | 17/A |

Part number index - 2018

| Part number | Page number |
|--------------|----------------|
| 1.377.351 | 17/A |
| 1.377.354 | 17/A |
| 1.377.355 | 17/A |
| 1.377.356 | 17/A |
| 1.377.357 | 17/A |
| 1.377.362 | 16/A,17/A |
| 1.377.363 | 16/A,17/A |
| 1.377.364 | 16/A,17/A |
| 1.377.365 | 16/A,17/A |
| 1.377.372 | 16/A,16/B,17/A |
| 1.377.380 | 21/A,23/A |
| 1.377.380.1 | 21/A, 23/A |
| 1.377.380.2 | 21/A, 23/A |
| 1.377.380.3 | 21/A, 23/A |
| 1.377.380.4 | 21/A, 23/A |
| 1.377.380.5 | 21/A, 23/A |
| 1.377.380.6 | 21/A, 23/A |
| 1.377.380.10 | 21/A, 23/A |
| 1.377.382 | 45 |
| 1.377.382.1 | 45 |
| 1.377.382.3 | 45 |
| 1.377.382.4 | 45 |
| 1.377.382.5 | 45 |
| 1.377.382.6 | 45 |
| 1.377.382.10 | 45 |
| 1.377.383 | 45 |
| 1.377.383.1 | 45 |
| 1.377.383.2 | 45 |
| 1.377.383.3 | 45 |
| 1.377.383.4 | 45 |
| 1.377.383.5 | 45 |
| 1.377.383.6 | 45 |
| 1.377.383.10 | 45 |
| 1.377.392 | 12,47 |
| 1.377.393 | 12,47 |
| 1.377.394 | 11/A |
| 1.377.395 | 11/A |
| 1.377.396 | 11/A |
| 1.377.397 | 11/A |
| 1.377.398 | 11/A,49 |
| 1.377.399 | 11/A,49 |
| 1.377.406 | 12 |
| 1.377.407 | 12 |
| 1.377.409 | 6,7 |
| 1.377.410 | 6,7 |
| 1.377.428 | 45 |
| 1.377.429 | 45 |
| 1.377.432 | 45 |

| Part number | Page number |
|--------------|-------------|
| 1.377.433 | 45 |
| 1.377.453 | 6,7,8,9,10 |
| 1.377.454 | 6,7,8,9,10 |
| 1.377.460 | 6, 7 |
| 1.377.461 | 6, 7 |
| 1.377.462 | 21/A,23/A |
| 1.377.465 | 21/A,23/A |
| 1.377.466 | 21/A,23/A |
| 1.377.470 | 6,7 |
| 1.377.478 | 6,7 |
| 1.377.479 | 6,7 |
| 1.377.488 | 7 |
| 1.377.489 | 7 |
| 1.377.503 | 9 |
| 1.377.504 | 9 |
| 1.377.508 | 15/A, 15/B |
| 1.377.515 | 17/A |
| 1.377.516 | 17/A |
| 1.377.517 | 17/A |
| 1.377.520 | 24 |
| 1.377.521 | 24 |
| 1.377.522 | 24 |
| 1.377.530 | 65 |
| 1.377.533 | 21/A |
| 1.377.533.1 | 21/A |
| 1.377.533.2 | 21/A |
| 1.377.533.3 | 21/A |
| 1.377.533.4 | 21/A |
| 1.377.533.5 | 21/A |
| 1.377.533.6 | 21/A |
| 1.377.533.10 | 21/A |
| 1.377.534 | 23/A |
| 1.377.534.1 | 23/A |
| 1.377.534.2 | 23/A |
| 1.377.534.3 | 23/A |
| 1.377.534.4 | 23/A |
| 1.377.534.5 | 23/A |
| 1.377.534.6 | 23/A |
| 1.377.535 | 55 |
| 1.377.535.1 | 55 |
| 1.377.535.2 | 55 |
| 1.377.535.3 | 55 |
| 1.377.535.5 | 55 |
| 1.377.535.6 | 55 |
| 1.377.535.7 | 55 |
| 1.377.535.8 | 55 |
| 1.377.535.9 | 55 |
| 1.377.536 | 55 |

Part number index - 2018

| Part number | Page number | Part number | Page number |
|-------------|------------------|-------------|----------------------|
| 1.377.536.1 | 55 | 1.377.763 | 13/A |
| 1.377.536.2 | 55 | 1.377.766 | 13/A |
| 1.377.536.3 | 55 | 1.377.767 | 13/A |
| 1.377.536.5 | 55 | 1.377.769 | 13/A |
| 1.377.536.6 | 55 | 1.377.770 | 13/A |
| 1.377.536.7 | 55 | 1.377.775 | 5/A,48 |
| 1.377.536.8 | 55 | 1.377.776 | 13/A |
| 1.377.536.9 | 55 | 1.377.777 | 13/A |
| 1.377.544 | 6 | 1.377.778 | 13/A |
| 1.377.558 | 16/A | 1.377.779 | 13/A |
| 1.377.559 | 16/A | 1.377.780 | 13/A |
| 1.377.593 | 24, 24/A | 1.377.781 | 13/A |
| 1.377.595 | 7 | 1.377.782 | 13/A |
| 1.377.596 | 7 | 1.377.783 | 13/A |
| 1.377.626 | 7 | 1.377.787 | 13/A |
| 1.377.627 | 7 | 1.377.788 | 11/A,49 |
| 1.377.672 | 61 | 1.377.791 | 11/A,49 |
| 1.377.676 | 15/A, 15/B | 1.377.793 | 11/A,49 |
| 1.377.687 | 8,9,10 | 1.377.799 | 13/A |
| 1.377.688 | 17/A | 1.377.800 | 47 |
| 1.377.689 | 17/A | 1.377.801 | 47 |
| 1.377.699 | 43, 43/A, 43/B | 1.377.802 | 49 |
| 1.377.700 | 17/A | 1.377.803 | 49 |
| 1.377.701 | 17/A | 1.377.804 | 15/A, 15/B |
| 1.377.709 | 2 | 1.377.805 | 15/A, 15/B |
| 1.377.710 | 2 | 1.377.806 | 15/A, 15/B |
| 1.377.713 | 2 | 1.377.807 | 15/A, 15/B |
| 1.377.714 | 2 | 1.377.808 | 15/A, 15/B |
| 1.377.715 | 2 | 1.377.809 | 14/A,14/B,15/A, 15/B |
| 1.377.716 | 2 | 1.377.810 | 15/A |
| 1.377.722 | 5/A,48 | 1.377.811 | 14/B,15/A |
| 1.377.725 | 8,9,10 | 1.377.812 | 15/A, 15/B |
| 1.377.726 | 8,9,10 | 1.377.813 | 15/A |
| 1.377.729 | 11/A | 1.377.816 | 49 |
| 1.377.730 | 11/A | 1.377.817 | 49 |
| 1.377.731 | 5/A,48 | 1.377.834 | 18/A |
| 1.377.732 | 5/A,48 | 1.377.837 | 18/A |
| 1.377.733 | 5/A,48 | 1.377.839 | 18/A |
| 1.377.734 | 5/A,48 | 1.377.842 | 19/A |
| 1.377.735 | 12 | 1.377.843 | 19/A |
| 1.377.738 | 21/A | 1.377.844 | 19/A |
| 1.377.741 | 21/A, 23/A | 1.377.845 | 19/A |
| 1.377.744 | 21/A, 23/A | 1.377.846 | 19/A |
| 1.377.747 | 21/A, 23/A | 1.377.847 | 19/A |
| 1.377.748 | 21/A, 23/A | 1.377.852 | 19/A |
| 1.377.751 | 21/A, 23/A, 23/B | 1.377.853 | 19/A |
| 1.377.754 | 11/A,49 | 1.377.855 | 21/A |
| 1.377.762 | 11/A,49 | 1.377.861 | 18/A |

Part number index - 2018

| Part number | Page number |
|-------------|--------------------------|
| 1.377.862 | 21/A,21/B,23/A, 23/B |
| 1.377.864 | 16/A,17/A |
| 1.377.865 | 16/A,17/A |
| 1.377.866 | 16/A,17/A |
| 1.377.867 | 16/A |
| 1.377.868 | 16/A |
| 1.377.869 | 16/A |
| 1.377.870 | 16/A |
| 1.377.871 | 16/A |
| 1.377.872 | 16/A |
| 1.377.873 | 16/A |
| 1.377.874 | 16/A |
| 1.377.875 | 16/A,16/A |
| 1.377.876 | 16/A |
| 1.377.877 | 16/A |
| 1.377.878 | 16/A |
| 1.377.879 | 16/A |
| 1.377.880 | 16/A |
| 1.377.881 | 17/A |
| 1.377.882 | 17/A |
| 1.377.883 | 17/A |
| 1.377.884 | 17/A |
| 1.377.885 | 17/A |
| 1.377.886 | 17/A |
| 1.377.891 | 17/A |
| 1.377.892 | 17/A |
| 1.377.902 | 21/A,21/B,22/A,23/A,23/B |
| 1.377.905 | 7 |
| 1.377.960 | 22/A |
| 1.377.961 | 22/A |
| 1.377.967 | 22/A |
| 1.377.968 | 22/A |
| 1.377.969 | 22/A |
| 1.377.970 | 22/A |
| 1.377.975 | 22/A, 23/A, 23/B |
| 1.377.976 | 22/A, 23/A,23/B |
| 1.377.983 | 11/A,49 |
| 1.377.984 | 11/A,49 |
| 1.377.986 | 13/A |
| 1.377.989 | 11/A,49 |
| 1.377.990 | 11/A,49 |
| 1.377.991 | 7 |
| 1.377.992 | 7 |
| 1.378.048 | 23/A |
| 1.378.049 | 23/A |
| 1.378.053 | 21/A, 23/A |
| 1.378.056 | 23/A |
| 1.378.057 | 23/A |

| Part number | Page number |
|-------------|-------------|
| 1.378.060 | 16/A |
| 1.378.072 | 43 |
| 1.378.075 | 43 |
| 1.378.076 | 7 |
| 1.378.098 | 7 |
| 1.378.100 | 7 |
| 1.378.105 | 7 |
| 1.378.106 | 7 |
| 1.378.126 | 7 |
| 1.378.128 | 2,2/A |
| 1.378.129 | 2,2/A |
| 1.378.136 | 2 |
| 1.378.137 | 2 |
| 1.378.140 | 2,2/A |
| 1.378.141 | 2,2/A |
| 1.378.144 | 2,2/A |
| 1.378.145 | 2,2/A |
| 1.378.148 | 2,2/A |
| 1.378.149 | 2,2/A |
| 1.378.150 | 2 |
| 1.378.151 | 2 |
| 1.378.154 | 2,2/A |
| 1.378.155 | 2,2/A |
| 1.378.156 | 2 |
| 1.378.157 | 2 |
| 1.378.164 | 2 |
| 1.378.165 | 2 |
| 1.378.166 | 2 |
| 1.378.167 | 2 |
| 1.378.168 | 2,2/A |
| 1.378.169 | 2,2/A |
| 1.378.170 | 2 |
| 1.378.171 | 2 |
| 1.378.173 | 7 |
| 1.378.178 | 11/A,49 |
| 1.378.179 | 7 |
| 1.378.199 | 7 |
| 1.378.224 | 17/A |
| 1.378.225 | 17/A |
| 1.378.226 | 7 |
| 1.378.227 | 7 |
| 1.378.269 | 21/A |
| 1.378.282 | 7 |
| 1.378.286 | 7 |
| 1.378.287 | 7 |
| 1.378.292 | 20 |
| 1.378.293 | 20 |
| 1.378.296 | 16/A,17/A |

Part number index - 2018

Part number

Page number

Part number

Page number

| | |
|-----------|-----------|
| 1.378.297 | 16/A,17/A |
| 1.378.298 | 16/A,17/A |
| 1.378.299 | 16/A |
| 1.378.300 | 16/A |
| 1.378.301 | 16/A |
| 1.378.302 | 16/A |
| 1.378.303 | 16/A |
| 1.378.304 | 16/A |
| 1.378.305 | 16/A,16/A |
| 1.378.306 | 16/A |
| 1.378.307 | 16/A |
| 1.378.308 | 16/A |
| 1.378.309 | 16/A |
| 1.378.310 | 16/A |
| 1.378.311 | 17/A |
| 1.378.312 | 17/A |
| 1.378.313 | 17/A |
| 1.378.314 | 17/A |
| 1.378.315 | 17/A |
| 1.378.316 | 17/A |
| 1.378.317 | 17/A |
| 1.378.318 | 17/A |
| 1.378.319 | 17/A |
| 1.378.320 | 17/A |
| 1.378.321 | 17/A |
| 1.378.322 | 17/A |
| 1.378.323 | 17/A |
| 1.378.324 | 17/A |
| 1.378.325 | 17/A |
| 1.378.326 | 17/A |
| 1.378.327 | 17/A |
| 1.378.328 | 17/A |
| 1.378.334 | 17/A |
| 1.378.335 | 17/A |
| 1.378.336 | 17/A |
| 1.378.337 | 17/A |
| 1.378.338 | 17/A |
| 1.378.339 | 17/A |
| 1.378.340 | 17/A,16/A |
| 1.378.341 | 17/A,16/A |
| 1.378.342 | 17/A |
| 1.378.343 | 17/A |
| 1.378.344 | 13/A |
| 1.378.345 | 17/A |
| 1.378.346 | 17/A |
| 1.378.347 | 13/A |
| 1.378.348 | 17/A |
| 1.378.349 | 17/A |

| | |
|-----------|----------------|
| 1.378.350 | 17/A |
| 1.378.351 | 17/A |
| 1.378.353 | 17/A |
| 1.378.354 | 17/A |
| 1.378.355 | 17/A |
| 1.378.356 | 17/A |
| 1.378.360 | 16/A |
| 1.378.361 | 16/A |
| 1.378.372 | 24, 24/A |
| 1.378.373 | 24, 24/A |
| 1.378.374 | 24,24/A |
| 1.378.376 | 24/A |
| 1.378.377 | 24/A |
| 1.378.378 | 24/A |
| 1.378.379 | 24/A |
| 1.378.380 | 24/A |
| 1.378.381 | 24/A |
| 1.378.382 | 24/A |
| 1.378.389 | 7,32 |
| 1.378.390 | 20 |
| 1.378.391 | 20 |
| 1.378.399 | 14/B |
| 1.378.400 | 15/A,14/A |
| 1.378.403 | 7 |
| 1.378.407 | 7 |
| 1.378.409 | 7 |
| 1.378.410 | 7 |
| 1.378.411 | 7 |
| 1.378.415 | 7, 24/A,24/A2, |
| 1.378.428 | 12 |
| 1.378.429 | 12 |
| 1.378.430 | 12 |
| 1.378.440 | 47 |
| 1.378.441 | 47 |
| 1.378.443 | 6 |
| 1.378.444 | 6 |
| 1.378.446 | 43/A, 43/B |
| 1.378.448 | 8, 9, 10 |
| 1.378.449 | 8, 9, 10 |
| 1.378.453 | 8, 9, 10 |
| 1.378.472 | 49,11/A |
| 1.378.474 | 49, 11/A |
| 1.378.475 | 7 |
| 1.378.493 | 43/A |
| 1.378.497 | 43/A, 43/B |
| 1.378.501 | 43/A, 43/B |
| 1.378.502 | 4 |
| 1.378.503 | 4 |

Part number index - 2018

| Part number | Page number |
|-------------|-----------------------------------|
| 1.378.521 | 8, 9, 10 |
| 1.378.522 | 24/A,24/A1,24/A2,24/A3,24/A4 |
| 1.378.523 | 8, 9, 10 |
| 1.378.524 | 8, 9, 10 |
| 1.378.526 | 24,24/A,24/A1,24/A2,24/A3,24/A4 |
| 1.378.528 | 28 |
| 1.378.530 | 24, 24/A |
| 1.378.531 | 6 |
| 1.378.532 | 6 |
| 1.378.533 | 6 |
| 1.378.534 | 6 |
| 1.378.574 | 21/A,23/A |
| 1.378.575 | 21/A,23/A, 23/B |
| 1.378.576 | 21/A |
| 1.378.577 | 21/A |
| 1.378.578 | 21/A,23/B |
| 1.378.579 | 21/A |
| 1.378.582 | 21/A |
| 1.378.612 | 24/A,24/A1,A24/A2,24/A3,24/A4 |
| 1.378.613 | 24/A |
| 1.378.614 | 24/A,24/A1 |
| 1.378.615 | 24/A |
| 1.378.616 | 24/A,24/A1 |
| 1.378.617 | 24/A |
| 1.378.618 | 24/A |
| 1.378.619 | 24/A, 24/A1,24/A3,24/A4 |
| 1.378.632 | 24/A |
| 1.378.637 | 24/A |
| 1.378.638 | 24/A |
| 1.378.639 | 24/A,24/A2 |
| 1.378.641 | 24/A |
| 1.378.643 | 24/A |
| 1.378.643 | 24/A |
| 1.378.644 | 24/A |
| 1.378.645 | 24/A |
| 1.378.646 | 24/A |
| 1.378.647 | 24/A |
| 1.378.648 | 24/A |
| 1.378.679 | 7 |
| 1.378.685 | 6, 7 |
| 1.378.689 | 6, 7, |
| 1.378.690 | 6, 7 |
| 1.378.696 | 18/A,24/A,24/A1,24/A2,24/A3,24/A4 |
| 1.378.697 | 13/A |

| Part number | Page number |
|-------------|-------------------------------|
| 1.378.751 | 16/A |
| 1.378.752 | 16/A |
| 1.378.760 | 2, 2/A |
| 1.378.764 | 16/A |
| 1.378.765 | 16/A |
| 1.378.791 | 16/A |
| 1.378.792 | 16/A |
| 1.378.793 | 16/A |
| 1.378.795 | 16/A |
| 1.378.796 | 16/A |
| 1.378.797 | 16/A |
| 1.378.798 | 16/A |
| 1.378.799 | 16/A |
| 1.378.800 | 16/A |
| 1.378.801 | 16/A |
| 1.378.802 | 16/A |
| 1.378.803 | 16/A |
| 1.378.804 | 16/A |
| 1.378.805 | 16/A |
| 1.378.806 | 16/A |
| 1.378.807 | 16/A |
| 1.378.808 | 55 |
| 1.378.809 | 55 |
| 1.378.822 | 55 |
| 1.378.825 | 55 |
| 1.378.830 | 55 |
| 1.378.831 | 55 |
| 1.378.835 | 55 |
| 1.378.836 | 24/A,24/A1,24/A2, 24/A3 |
| 1.378.837 | 24/A, 24/A1,24/A2,24/A3,24/A4 |
| 1.378.842 | 24/A |
| 1.378.843 | 24/A |
| 1.378.844 | 24/A,24/A1, 24/A2,24/A3 |
| 1.378.845 | 24/A |
| 1.378.846 | 24/A |
| 1.378.847 | 53 |
| 1.378.851 | 54 |
| 1.378.852 | 54 |
| 1.378.853 | 54 |
| 1.378.854 | 24/A |
| 1.378.855 | 54 |
| 1.378.856 | 54 |
| 1.378.857 | 24/A |
| 1.378.858 | 55,56 |
| 1.378.859 | 55,56 |
| 1.378.860 | 55,56 |
| 1.378.861 | 56 |
| 1.378.866 | 6 |

Part number index - 2018

20

Part number

Page number

Part number

Page number

| | |
|-----------|------------------|
| 1.378.890 | 1 |
| 1.378.896 | 15/A |
| 1.378.897 | 15/A |
| 1.378.920 | 53 |
| 1.378.935 | 53 |
| 1.378.936 | 53 |
| 1.378.937 | 53 |
| 1.378.963 | 16/A |
| 1.378.964 | 16/A, 16/B |
| 1.378.969 | 16/A,16/B |
| 1.378.970 | 16/A, 16/B |
| 1.378.971 | 16/A |
| 1.378.972 | 16/A,16/B |
| 1.378.973 | 16/A, 16/B, 17/A |
| 1.378.974 | 16/A, 16/B, 17/A |
| 1.378.975 | 16/A, 16/B |
| 1.378.976 | 16/A |
| 1.378.977 | 16/A, 16/B |
| 1.378.978 | 16/A, 16/B |
| 1.378.979 | 16/A, 16/B |
| 1.378.980 | 16/A |
| 1.378.985 | 2, 2/A |
| 1.378.987 | 2, 2/A |
| 1.378.988 | 6, 7 |
| 1.378.989 | 6, 7 |
| 1.378.990 | 6 |
| 1.378.997 | 2, 2/A |
| 1.378.999 | 2, 2/A |
| 1.379.001 | 53 |
| 1.379.002 | 53 |
| 1.379.003 | 53 |
| 1.379.004 | 53 |
| 1.379.005 | 53 |
| 1.379.006 | 53 |
| 1.379.007 | 53 |
| 1.379.008 | 53 |
| 1.379.009 | 53 |
| 1.379.010 | 53 |
| 1.379.011 | 53 |
| 1.379.013 | 53 |
| 1.379.014 | 53 |
| 1.379.015 | 53 |
| 1.379.017 | 53 |
| 1.379.034 | 16/B |
| 1.379.035 | 16/B |
| 1.379.036 | 16/B |
| 1.379.037 | 16/B |
| 1.379.038 | 16/B |

| | |
|-----------|----------------------------------|
| 1.379.041 | 16/B |
| 1.379.042 | 16/B |
| 1.379.043 | 16/B |
| 1.379.060 | 2, 2/A |
| 1.379.062 | 2, 2/A |
| 1.379.063 | 2, 2/A |
| 1.379.064 | 2, 2/A |
| 1.379.065 | 24/A2,24/A3 |
| 1.379.066 | 24/A2, 24/A3 |
| 1.379.067 | 24/A2,24/A3 |
| 1.379.071 | 14/A |
| 1.379.075 | 49 |
| 1.379.081 | 4 |
| 1.379.082 | 4 |
| 1.379.084 | 8 |
| 1.379.087 | 8 |
| 1.379.096 | 14/B |
| 1.379.099 | 16/A,16/B, 17A |
| 1.379.105 | 32 |
| 1.379.138 | 31/A |
| 1.379.141 | 7 |
| 1.379.142 | 31 |
| 1.379.143 | 31 |
| 1.379.146 | 2, 2/A |
| 1.379.151 | 23/A,23/B |
| 1.379.152 | 23/A,23/B |
| 1.379.153 | 4 |
| 1.379.155 | 6 |
| 1.379.156 | 6 |
| 1.379.157 | 6 |
| 1.379.158 | 6 |
| 1.379.159 | 6 |
| 1.379.292 | 56 |
| 1.379.295 | 53 |
| 1.379.297 | 53 |
| 1.379.298 | 13/A |
| 1.379.299 | 7 |
| 1.379.306 | 54 |
| 1.379.086 | 53 |
| 1.379.391 | 2,2/A |
| 1.379.392 | 2,2/A |
| 1.379.394 | 29/A,29/B,58/A,58/B,59, 60,63 |
| 1.379.396 | 2,2/A |
| 1.379.397 | 2,2/A |
| 1.379.398 | 29/A |
| 1.379.399 | 29/A,29/B |
| 1.379.415 | 53 |
| 1.379.421 | 16/A |

Part number index - 2018

Part number

Page number

Part number

Page number

| | |
|--------------|---------------------------------------|
| 1.379.422 | 16/A |
| 1.379.423 | 16/A |
| 1.379.424 | 16/A |
| 1.379.425 | 44 |
| 1.379.440 | 6, 7 |
| 1.379.443 | 58/A |
| 1.379.456 | 24/A,24/A1,24/A2, 24/A3, 24/A4 |
| 1.379.457 | 24/A, 24/A1,24/A2,24/A3, 24/A4 |
| 1.379.458 | 24/A,24/A1, 24/A2,24/A3 24/A4,24/B |
| 1.379.465 | 13/A |
| 1.379.472 | 29/A,29/B,58/A, 58/B,59,60,63 |
| 1.379.473 | 29/B |
| 1.379.474 | 29/A |
| 1.379.475 | 58/A |
| 1.379.476 | 8,9,10 |
| 1.379.477 | 24/A,24/A1,24/A2,24/A3, 24/A4, 61 |
| 1.379.485 | 8,10 |
| 1.379.487 | 8,10 |
| 1.379.488 | 8,10 |
| 1.379.489 | 21/B |
| 1.379.490 | 21/B |
| 1.379.494 | 21/B |
| 1.379.495 | 21/B |
| 1.379.496 | 21/B |
| 1.379.499 | 21/A, 21/B, 23/B |
| 1.379.500 | 21/B |
| 1.379.500.1 | 21/B |
| 1.379.500.2 | 21/B |
| 1.379.500.3 | 21/B |
| 1.379.500.4 | 21/B |
| 1.379.500.5 | 21/B |
| 1.379.500.10 | 21/B |
| 1.379.501 | 21/B |
| 1.379.501.1 | 21/B |
| 1.379.501.2 | 21/B |
| 1.379.501.3 | 21/B |
| 1.379.501.4 | 21/B |
| 1.379.501.5 | 21/B |
| 1.379.501.10 | 21/B |
| 1.379.502 | 21/B |
| 1.379.502.1 | 21/B |
| 1.379.502.2 | 21/B |
| 1.379.502.3 | 21/B |
| 1.379.502.4 | 21/B |
| 1.379.502.5 | 21/B |

| | |
|--------------|----------------|
| 1.379.502.10 | 21/B |
| 1.379.503 | 21/B |
| 1.379.503.1 | 21/B |
| 1.379.503.2 | 21/B |
| 1.379.503.3 | 21/B |
| 1.379.503.4 | 21/B |
| 1.379.503.5 | 21/B |
| 1.379.503.10 | 21/B |
| 1.379.507 | 23/A |
| 1.379.507.1 | 23/A |
| 1.379.507.2 | 23/A |
| 1.379.507.3 | 23/A |
| 1.379.507.4 | 23/A |
| 1.379.507.5 | 23/A |
| 1.379.508 | 21/A |
| 1.379.508.1 | 21/A |
| 1.379.508.2 | 21/A |
| 1.379.508.3 | 21/A |
| 1.379.508.4 | 21/A |
| 1.379.508.5 | 21/A |
| 1.379.508.6 | 21/A |
| 1.379.508.10 | 21/A |
| 1.379.509 | 21/A, 23/A |
| 1.379.509.1 | 21/A, 23/A |
| 1.379.509.2 | 21/A, 23/A |
| 1.379.509.3 | 21/A, 23/A |
| 1.379.509.4 | 21/A, 23/A |
| 1.379.509.5 | 21/A, 23/A |
| 1.379.510 | 21/B |
| 1.379.513 | 21/B |
| 1.379.516 | 21/B |
| 1.379.523 | 56 |
| 1.379.524 | 56 |
| 1.379.525 | 56 |
| 1.379.526 | 56 |
| 1.379.527 | 56 |
| 1.379.528 | 56 |
| 1.379.529 | 56 |
| 1.379.530 | 56 |
| 1.379.531 | 56 |
| 1.379.532 | 56 |
| 1.379.534 | 16/A,16/B,17/A |
| 1.379.535 | 16/B, 17/A |
| 1.379.536 | 35,42 |
| 1.379.537 | 56 |
| 1.379.538 | 56 |
| 1.379.539 | 56 |
| 1.379.542 | 56 |

Part number index - 2018

Part number

Page number

Part number

Page number

| | |
|-----------|------------------|
| 1.379.543 | 8,10 |
| 1.379.545 | 56 |
| 1.379.550 | 8,10 |
| 1.379.551 | 56 |
| 1.379.552 | 56 |
| 1.379.553 | 56 |
| 1.379.554 | 56 |
| 1.379.555 | 56 |
| 1.379.556 | 56 |
| 1.379.560 | 8,10 |
| 1.379.561 | 8,10 |
| 1.379.562 | 56 |
| 1.379.563 | 56 |
| 1.379.564 | 56 |
| 1.379.565 | 56 |
| 1.379.566 | 56 |
| 1.379.567 | 56 |
| 1.379.568 | 56 |
| 1.379.569 | 56 |
| 1.379.570 | 56 |
| 1.379.571 | 56 |
| 1.379.572 | 56 |
| 1.379.573 | 56 |
| 1.379.574 | 56 |
| 1.379.575 | 56 |
| 1.379.576 | 56 |
| 1.379.578 | 56 |
| 1.379.586 | 14/B |
| 1.379.587 | 14/B |
| 1.379.588 | 14/B, 15/A, 15/B |
| 1.379.589 | 14/B |
| 1.379.590 | 16/B |
| 1.379.591 | 16/B |
| 1.379.592 | 16/B |
| 1.379.593 | 16/B |
| 1.379.594 | 16/B |
| 1.379.595 | 16/B |
| 1.379.596 | 16/B |
| 1.379.597 | 16/B |
| 1.379.598 | 16/B |
| 1.379.599 | 16/B |
| 1.379.600 | 6 |
| 1.379.624 | 19/A |
| 1.379.625 | 19/A |
| 1.379.629 | 8,10 |
| 1.379.630 | 56 |
| 1.379.631 | 25/A |
| 1.379.632 | 25/A |

| | |
|-----------|--|
| 1.379.634 | 2 |
| 1.379.635 | 26,27 |
| 1.379.636 | 8 |
| 1.379.637 | 8 |
| 1.379.643 | 58/B, 59, 60 |
| 1.379.644 | 16/B |
| 1.379.645 | 16/B |
| 1.379.646 | 16/B |
| 1.379.647 | 16/B |
| 1.379.648 | 16/B |
| 1.379.649 | 16/B |
| 1.379.650 | 6 |
| 1.379.668 | 19/A |
| 1.379.669 | 19/A |
| 1.379.674 | 8 |
| 1.379.680 | 56 |
| 1.379.681 | 56 |
| 1.379.682 | 56 |
| 1.379.683 | 56 |
| 1.379.684 | 56 |
| 1.379.686 | 13/A |
| 1.379.687 | 13/A |
| 1.379.701 | 21/B |
| 1.379.702 | 21/B |
| 1.379.704 | 21/B |
| 1.379.706 | 14/A |
| 1.379.707 | 49 |
| 1.379.708 | 16/A, 17/A |
| 1.379.709 | 48 |
| 1.379.710 | 48 |
| 1.379.733 | 54 |
| 1.379.736 | 54 |
| 1.379.737 | 54 |
| 1.379.738 | 54 |
| 1.379.747 | 54 |
| 1.379.748 | 16/A |
| 1.379.749 | 16/A |
| 1.379.751 | 16/A |
| 1.379.755 | 56 |
| 1.379.756 | 56 |
| 1.379.757 | 56 |
| 1.379.759 | 56 |
| 1.379.760 | 56 |
| 1.379.761 | 56 |
| 1.379.762 | 56 |
| 1.379.763 | 56 |
| 1.379.776 | 18/A, 24/A,24/A1,24/A2,24/A3, 24/A4,24/B |

Part number index - 2018

| Part number | Page number |
|------------------|--------------------------|
| 1.379.795 | 57 |
| 1.379.796 | 57 |
| 1.379.799 | 57 |
| 1.379.805 | 57 |
| 1.379.809 | 57 |
| 1.379.813 | 57 |
| 1.379.814 | 57 |
| 1.379.824 | 57 |
| 1.379.829 | 57 |
| 1.379.830 | 57 |
| 1.379.887 | 21/B |
| 1.379.889 | 21/B |
| 1.379.913 | 21/A,22/A,23/A |
| 1.379.914 | 21/A, 22/A, 23/A,23/B,33 |
| 1.379.924 | 14/B |
| 1.379.932 | 1 |
| 1.379.933 | 1 |
| 1.379.955 | 7 |
| 1.379.956 | 7 |
| 1.379.957 | 7 |
| 1.379.958 | 7 |
| 1.379.963 | 19/A |
| 1.379.973 | 47 |
| 1.379.974 | 47 |
| 2.401.765 | 40 |
| 2.403.473 | 4 |
| 2.405.227 | 4 |
| 213.607.0 | 28 |
| 234.364.0 | 51 |
| 237.816.0 | 55 |
| 25.541.14.50.00 | 6,7,43 |
| 25.553.20.10.07. | 8,9,10 |
| 54000111532 | 55 |
| 54005007001 | 20 |
| 60042406090 | 42 |
| 610.097.1 | 60 |
| 616.068.0 | 8,9,10 |
| 63001203000 | 61 |
| 63001803000 | 61 |
| 63002003009 | 13/A |
| 63003026500 | 5/A,48 |
| 63003030010 | 5/A,48 |
| 63003503500 | 5/A,13/A,48 |
| 63007151500 | 5/A,48 |
| 665.840.0 | 8 |
| 668.800.0 | 28 |
| 668.818.0 | 28 |
| 67210000011 | 21/A,22/A,23/A,23/B |

| Part number | Page number |
|-------------|--|
| 973.749.0 | 64, 67 |
| 676.304 | 8,10 |
| 683.721.1 | 28 |
| 683.722.1 | 28 |
| 683.725.0 | 28 |
| 71385003 | 37 |
| 70006001062 | 7 |
| 70006011860 | 12,47 |
| 70100003201 | 48 |
| 70110000001 | 21/A,21/B,23/A,23/B |
| 70100003501 | 5/A,48 |
| 70100004001 | 12,47 |
| 70100004701 | 8,9,10 |
| 70100006201 | 5/A,13/A,48 |
| 70100007201 | 5/A,13/A,48 |
| 70100008001 | 5/A,13/A,48 |
| 70100008501 | 5/A,48 |
| 70110000001 | 21/A,21/B |
| 70200001201 | 42 |
| 70200002501 | 5/A,13/A,48 |
| 70200003001 | 5/A,13/A,48 |
| 70200003201 | 8,9,10 |
| 70200003501 | 5/A,8,9,10,48 |
| 70200004001 | 9,10 |
| 70200004501 | 8,9,10 |
| 70200004501 | 48 |
| 70200004561 | 29/A,29B |
| 70200005001 | 13/A |
| 70200005501 | 9,10 |
| 70706000026 | 44,54 |
| 70708000066 | 6,21/A,21/B,22/A,23/A, 23/B,33,34,35,54,67 |
| 70710000066 | 2, 2/A,7,11/A,18/A,21/A, 23/A,23/B,42,44,49,54,67 |
| 70712000066 | 23/A,23/B,34,65 |
| 70712012563 | 11/A |
| 70716000066 | 35,39 |
| 70808000026 | 29/A,29/B,58/A,58/B,59, 60, 61,63 |
| 71400240060 | 7 |
| 71404000060 | 42 |
| 71406000060 | 42,44, 61 |
| 71408000060 | 21/A,23/A,23/B,55, 60,68 |
| 71410000060 | 11/A,18/A,23/B,44,49 |
| 71412000060 | 6,7,18/A,23/A,25,34,54,65 |
| 71416000060 | 65, 67, 68 |
| 71424000060 | 52 |
| 71625035100 | 7 |
| 71625035010 | 5/A,48 |

Part number index - 2018

Part number

Page number

Part number

Page number

| | |
|-------------|--|
| 71625035020 | 5/A,48 |
| 71625035050 | 5/A,7,48 |
| 71630042010 | 5/A |
| 71630042020 | 5/A |
| 71630042050 | 5/A,7 |
| 71632045100 | 7,8,9,10 |
| 71635045010 | 5/A,48 |
| 71635045020 | 5/A,48 |
| 71635045050 | 5/A,48 |
| 71637047100 | 8,9,10,15/A |
| 71645055010 | 5/A,48 |
| 71645055020 | 5/A,48 |
| 71645055050 | 5/A,48 |
| 71650062010 | 3 |
| 71650062020 | 3 |
| 71650062050 | 3 |
| 71610513001 | 3 |
| 71610513002 | 3 |
| 71610513005 | 3 |
| 71619026020 | 5/A,48 |
| 71619026050 | 5/A,48 |
| 71619026120 | 5/A,48 |
| 71625035010 | 5/A |
| 71625035020 | 5/A |
| 71625035050 | 5/A |
| 71625035200 | 48 |
| 71630042010 | 5/A,48 |
| 71630042020 | 5/A,48 |
| 71630042050 | 5/A,7,48 |
| 71630042100 | 7 |
| 71635045010 | 5/A,48 |
| 71635045020 | 5/A,48 |
| 71635045050 | 5/A,48 |
| 71637047100 | 15/A, 15/B |
| 71645055010 | 5/A |
| 71645055020 | 5/A |
| 71645055050 | 5/A |
| 71645055200 | 48 |
| 71663080010 | 13/A |
| 71663080020 | 13/A |
| 71663080050 | 13/A |
| 71701000060 | 15/A, 15/B |
| 71808000060 | 2/A,11/A,13/A,24/A,24/A1, 24/A2,24/A3,24/A4,49,55 |
| 71810000060 | 3,5/A,11/A,18/A,23/A,23/B 34, 48,49 |
| 71812000060 | 3 |
| 72208000060 | 21/A,21/B,22/A,23/A,23/B, 29/A,29/B,33,34 |

| | |
|-------------|--|
| 72210000060 | 2,2/A,14,14/B,15/A, 15/B, 67 |
| 72216000060 | 65,67, 68 |
| 72402001660 | 21/B |
| 72402502560 | 23/A,34 |
| 72404002860 | 18/A,54 |
| 73002001601 | 42 |
| 73005000801 | 49 |
| 73005001601 | 49 |
| 73005003601 | 18/A |
| 73005000801 | 11/A |
| 73006005501 | 47 |
| 73006006001 | 7 |
| 73006007001 | 12 |
| 73008003601 | 18/A |
| 73008004006 | 7 |
| 73008006001 | 7 |
| 73010005501 | 47 |
| 73010006001 | 7 |
| 73010007001 | 12 |
| 73100105501 | 47 |
| 73100106501 | 12 |
| 73108004001 | 5/A,43/A, 43/B |
| 73100104501 | 43/A, 43/B |
| 73505000066 | 58/A |
| 73506000066 | 42,54, 61 |
| 73508000066 | 2,2/A,6,7,9,10,16/A,16/B, 17/A,20,21/A,21/B,22/A, 23/A,23/B,25,29/A,29/B,33 34, 42,54,55,60,63,68 |
| 73510000066 | 2,2/A,23/A,34,44 |
| 73512000066 | 6,7,25,35 |
| 73516000066 | 65, 67, 68 |
| 73524000066 | 41,52 |
| 73612000066 | 28 |
| 74901000066 | 2/A,43/A, 43/B |
| 74901200066 | 25 |
| 74901400066 | 11/A,49 |
| 74904000066 | 42 |
| 74905000066 | 24/A |
| 74906000066 | 21/A, 23/A,23/B,24/A1,24/A2, 24/A3,24/A4, 29/A,29/B, 42,54, 58/A,58/B,59,60,63 |
| 74908000066 | 16/A, 16/B, 17/A, 21/A, 21/B,22/A,23/A,23/B,24/A, 26, 42,54,57 |
| 74910000066 | 18/A, 57 |
| 74912000066 | 5/A,18/A,20,48 |
| 74914000066 | 18/A |

Part number index - 2018

Part number

Page number

Part number

Page number

| | |
|-------------|--|
| 74916000066 | 41,52,55,68 |
| 74924000066 | 52 |
| 76308002066 | 6,7,20,21/A,22/A,23/A,23/B |
| 76308002566 | 23/A,23/B,33,34 |
| 76310003066 | 43/A, 43/B |
| 76310003566 | 11/A,49 |
| 77208004560 | 21/A,21/B,22/A,23/A, 23/B |
| 78208002063 | 6,7,21/A,21/B,22/A,23/A,23/B, 25,33,34 |
| 78208002563 | 55 |
| 79101601560 | 5/A,48 |
| 79200800160 | 3 |
| 79202001560 | 3 |
| 79308004066 | 21/A,21/B,23/A,23/B,33,34 |
| 79308005066 | 21/A,23/A, 23/B |
| 79308005566 | 21/A,21/B,23/A,23/B,33,34 |
| 79308009063 | 21/A, 21/A, 23/A,23/B,33,34 |
| 79308010063 | 22/A |
| 79310002066 | 68 |
| 79312008566 | 25 |
| 79312015066 | 6,7,25 |
| 79312016066 | 25 |
| 79316013066 | 68 |
| 79316155066 | 13/A |
| 79404001666 | 20,42 |
| 79405001660 | 58/A |
| 79405003566 | 24/A |
| 79406001066 | 2, 2/A |
| 79406002066 | 42 |
| 79406003066 | 21/A, 23/A,23/B |
| 79406004066 | 24/A1,24/A2,24/A3,24/A4 |
| 79406004566 | 24/A |
| 79406005066 | 24/A,24/A1,24/A2,24/A3,24/A4 |
| 79406005566 | 42 |
| 79408001666 | 2,2/A,11/A,21/A,22/A,23/A,23/B, 42,54,68 |
| 79408001866 | 11/A,49 |
| 79408002066 | 2,2/A,6,7,16/A,16/B,17/A,18/A, 20, 21/A,22/A,23/A,23/B, 24/A,33,34,43/A,43/B,45,49,54,55,57,68 |
| 79408002566 | 2,2/A, 16/A,16/B,17/A,20,21/B,23/B, 26,29/A,29/B,33,34, 35, 58/A,63,67,68 |
| 79408003063 | 23/A,34 |
| 79408003066 | 21/A,21/B,22/A,23/A,23/B,33,34 57, 61,68 |

| | |
|-------------|--|
| 79408003566 | 16/A,16/B,17/A,21/A,23/A,23/B, 42,58/B,59, 60 |
| 79408004066 | 18/A,21/B,23/A,33,34,56 |
| 79408004566 | 21/A,23/A,23/B,33,34 |
| 79408005066 | 42,55 |
| 79408006066 | 22/A,23/A,23/B,33,34 |
| 79408006566 | 21/A, 22/A, 23/A,23/B |
| 79408007066 | 21/B |
| 79408008066 | 21/A |
| 79410001666 | 18/A |
| 79410002066 | 7,8,9,10,11/A,16/A,16/B,17/A, 18/A,44,49 |
| 79410002566 | 7,11/A,20,21/A,21/B,22/A,23/A,23/B,25/B,33,34,49,57,67 |
| 79410003063 | 11/A,49 |
| 79410003066 | 2,2/A,7,8,9,10,11/A,15/A,15/B, 25, 49,67 |
| 79410003566 | 2/A |
| 79410004566 | 42,49 |
| 79410005566 | 18/A,54 |
| 79410007066 | 18/A |
| 79412002066 | 2, 2/A |
| 79412003066 | 2, 2/A |
| 79412003566 | 11/A,25,35,49,55,65 |
| 79412004566 | 7,11/A |
| 79412005566 | 18/A |
| 79412009066 | 6,7 |
| 79412012066 | 6,7 |
| 79412125256 | 47 |
| 79414004566 | 2, 2/A |
| 79416003066 | 43/B,65, |
| 79416003566 | 6,7,25 |
| 79416004066 | 67, 68 |
| 79416005066 | 67 |
| 809.124.0 | 44 |
| 80108001266 | 14,14/B,15/A, 15/B |
| 80206004066 | 29/A,29/B,58/A,58/B,59,60,63 |
| 80208001666 | 24/A,24/A1,24/A2,24/A3,24/A4 |
| 80208002066 | 58/A |
| 80208002566 | 2/A, 55 |
| 80208003566 | 13/A |
| 80210003063 | 11/A,23/A,34,49 |
| 80210003563 | 5/A,11/A,18/A,23/B,48,49 |
| 80210004063 | 5/A,48 |
| 80210004066 | 14,14/B,15/A, 15/B |
| 80212035063 | 3 |
| 80212006566 | 5/A,48 |

Part number index - 2018

| Part number | Page number |
|-------------|------------------------------------|
| 80214004566 | 11/A, 49 |
| 80214006566 | 11/A, 49 |
| 80308002062 | 11/A,23/B,49 |
| 80310003063 | 3 |
| 80400602063 | 13/A |
| 80408001266 | 21/A,23/A, 23/B |
| 80400802063 | 21/B,22/A |
| 80400802563 | 5/A,48 |
| 80400803563 | 9,10 |
| 80400804063 | 9,10 |
| 80401002563 | 7,12,44 |
| 80401003063 | 5/A,12,48 |
| 80401004063 | 8,9,10 |
| 80404001266 | 42 |
| 80405001603 | 42 |
| 80406003066 | 44 |
| 80408001666 | 44 |
| 80408002063 | 13/A,33,34 |
| 80410003566 | 44 |
| 80414005063 | 4 |
| 81106001663 | 54 |
| 81108001663 | 42, 21/A |
| 81108002563 | 22/A |
| 81108010063 | 23/B |
| 81110001668 | 8,10 |
| 81112003563 | 21/A,21/B,22/A,23/A,23/B, 33,34 |
| 81303501366 | 42 |
| 84208073600 | 9,10 |
| 84210084000 | 8,9,10 |
| 84348001401 | 23/B |
| 84501000032 | 14/A, 14/B, 15/A, 15/B |
| 84503400010 | 15/A |
| 84530000000 | 11/A,49 |
| 84553333520 | 11/A,49 |
| 85609000000 | 13/A |
| 85801001000 | 5/A,48 |
| 85803200700 | 48 |
| 85803500700 | 13/A |
| 85803800700 | 3 |
| 85804000700 | 12 |
| 85804006208 | 5/A,48 |
| 85804055007 | 5/A,48 |
| 85804506208 | 5/A,48 |
| 85804508501 | 5/A,48 |
| 84504572081 | 13/A |
| 85609000000 | 13/A |
| 85805008008 | 5/A,48 |
| 85805007208 | 13/A |

| Part number | Page number |
|--------------------|---|
| 85805080100 | 3 |
| 85805508500 | 3 |
| 85807201000 | 48 |
| 86700000800 | 40 |
| 86700001100 | 8,9,10 |
| 86801100000 | 8,9,10 |
| 87000003556 | 8, 9, 10 |
| 87000004049 | 40, 41, 52 |
| 87001420710 | 5/A |
| 87001620910 | 5/A |
| 87000131262 | 3 |
| 87000004049 | 52 |
| 87000320314 | 47 |
| 87000330314 | 44 |
| 87000420314 | 12,47 |
| 87000421010 | 5/A,48 |
| 87000620114 | 42 |
| 87000620611 | 5/A13/A,,48 |
| 87000621010 | 3,5/A,48 |
| 87001420710 | 5/A,48 |
| 87001601010 | 5/A,48 |
| 87001620414 | 8,9,10 |
| 87001620614 | 5/A,48 |
| 87001620710 | 13/A |
| 870016620810 | 13/A |
| 87001620910 | 5/A,48 |
| 87006191014 | 13/A |
| 87010621114 | 3 |
| 87010620214 | 13/A |
| 87010630510 | 5/A,48 |
| 87013021001 | 3 |
| 87030620514 | 55 |
| 87030620914 | 8,9,10 |
| 87100004500 | 50 |
| 87300008516 – PF85 | 8,9,10 |
| 905.875.0K | 28 |
| 91601111000 | 42 |
| 91623938661 | 20 |
| 91623938761 | 2,2/A,6, 7,11/A,16/A,16/B, 17/A, 18/A,20,21/A,21/B, 22/A, 23/A,23/B,25,29/A, 29/B,33,34,42,43/A,43/B, 45,49,54,55,58/A,58/B,59, 60, 61,63,68 |
| 91623938861 | 2,2/A,7,8,9,10,11/A,16/A, 16/B,17/A,18/A,21/A,21/B, 22/A,23/A,23/B,25,25/B,33 ,34, 44,49,68 |
| 91623938961 | 2,2/A,6,7,8,9,10,11/A, 21/A,21/B,22/A,23/A,23/B, |

