

PARTS CATALOG

MacDon HARVEST HEADER

for

Model 7000 Self-Propelled Windrower

John Deere 7720, 8820, 9500 and 9600 Combines

Case IH 1460, 1660, 1480 and 1680 Combines

Deutz Allis R60, R70, R6, R7, 1982 and up N6 and N7 Combines

Massey Ferguson 860 Combine

Don 1500 Combine

Ford New Holland TR86 and TR96 Combines



MacDon Industries Ltd.

680 Moray Street, Winnipeg, Manitoba

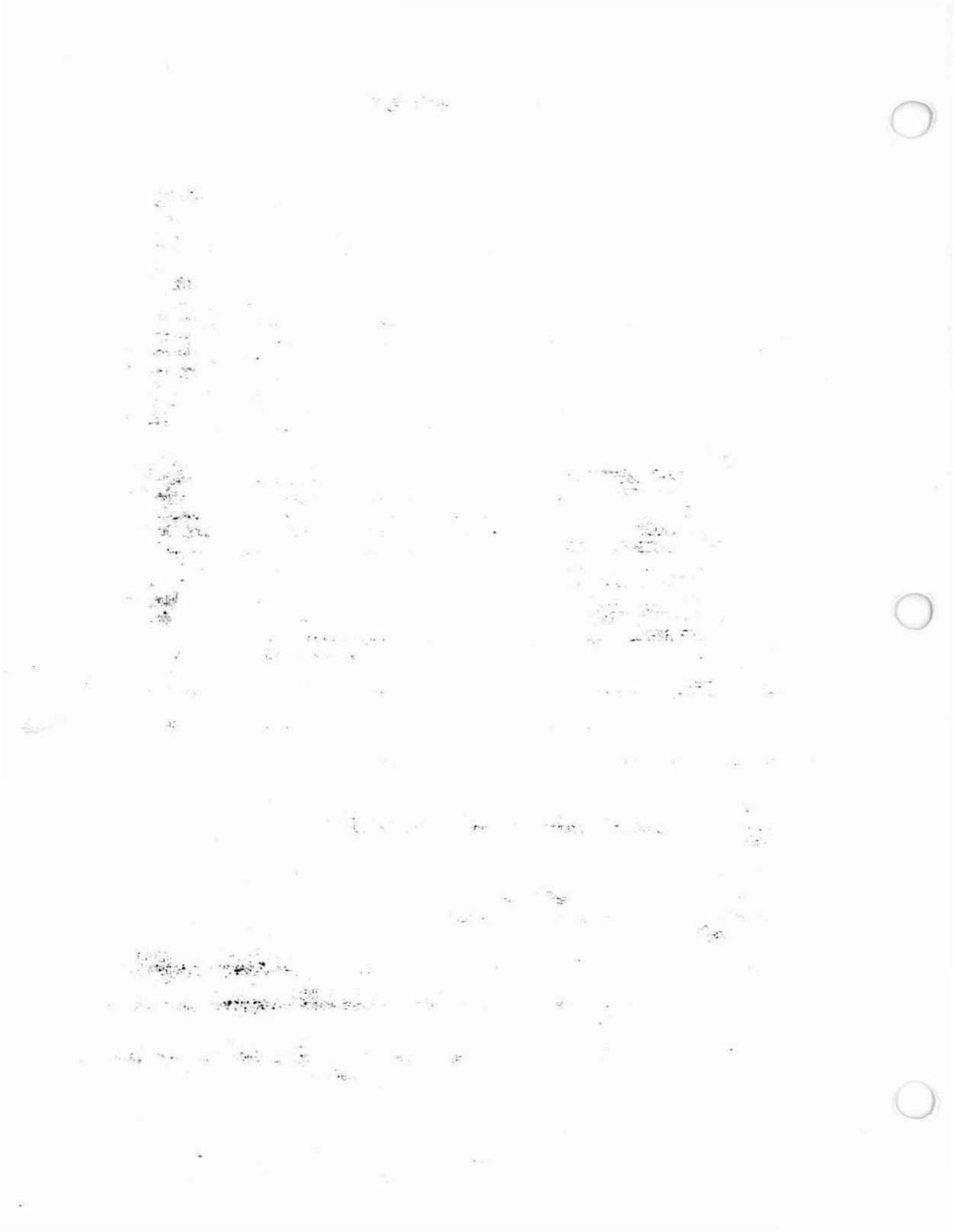
Canada R3J 3S3

(204) 885-5590, Fax 832-7749

Telex 07-57849

FORM NO. 12915

7/92



HARVEST HEADER PARTS CATALOG

CONTENTS:

<u>HEADER</u>	<u>PAGE</u>
MAIN FRAME, LIGHTS & ATTACHMENTS	2,3
GAUGE WHEELS / SKID SHOES	4,5
DRAPER DRIVE HYDRAULICS	6,7
REEL DRIVE HYDRAULICS	8,9
REEL LIFT HYDRAULICS- 25 & 30 FT	10,11
REEL LIFT HYDRAULICS- 36 FT	12,13
DRIVELINE	14,15
DRIVE SHAFT	16,17
SICKLE AND DRIVE	18,19
SICKLE DRIVE BOX	20,21
DRAPERS AND ROLLERS	22,23
REEL DRIVE & SUPPORT ARMS	24,25
BAT REEL	26,27
 <u>COMBINE ADAPTERS</u>	
ADAPTER FRAME & FLOAT ASSEMBLY	28-31
DON ADAPTER MOUNTING GROUP	31A
ADAPTER HYDRAULICS	32,33
DON ADAPTER HYDRAULICS	33A,33B
DON ADAPTER HYDRAULICS - COOLER	33C
ADAPTER DRIVE CASE	34,35
MASSEY DRIVE ADAPTER	36
ADAPTER DRIVELINES	37-39A
ADAPTER FEEDER DRAPER GROUP	40,41
FEEDER DRAPER IDLER ROLLER	42,43
CROSS AUGER	44,45
 <u>WINDROWER ADAPTER</u>	 46,47
 <u>DECALS AND PAINT</u>	 48,49
 <u>NUMERICAL LIST</u>	 50-53

ABBREVIATIONS:

- L/H - left hand (Determined from Operator's position, facing forward.)
- R/H - right hand
- I.D. - inside diameter
- O.D. - outside diameter
- A/R - as required (quantity varies with header size)
- REF - reference, part number called up elsewhere in catalog
- NC - national coarse thread
- NF - national fine thread
- JD - John Deere / C-IH Case IH / D-A Deutz Allis / MF Massey Ferguson / F-NH Ford New Holland

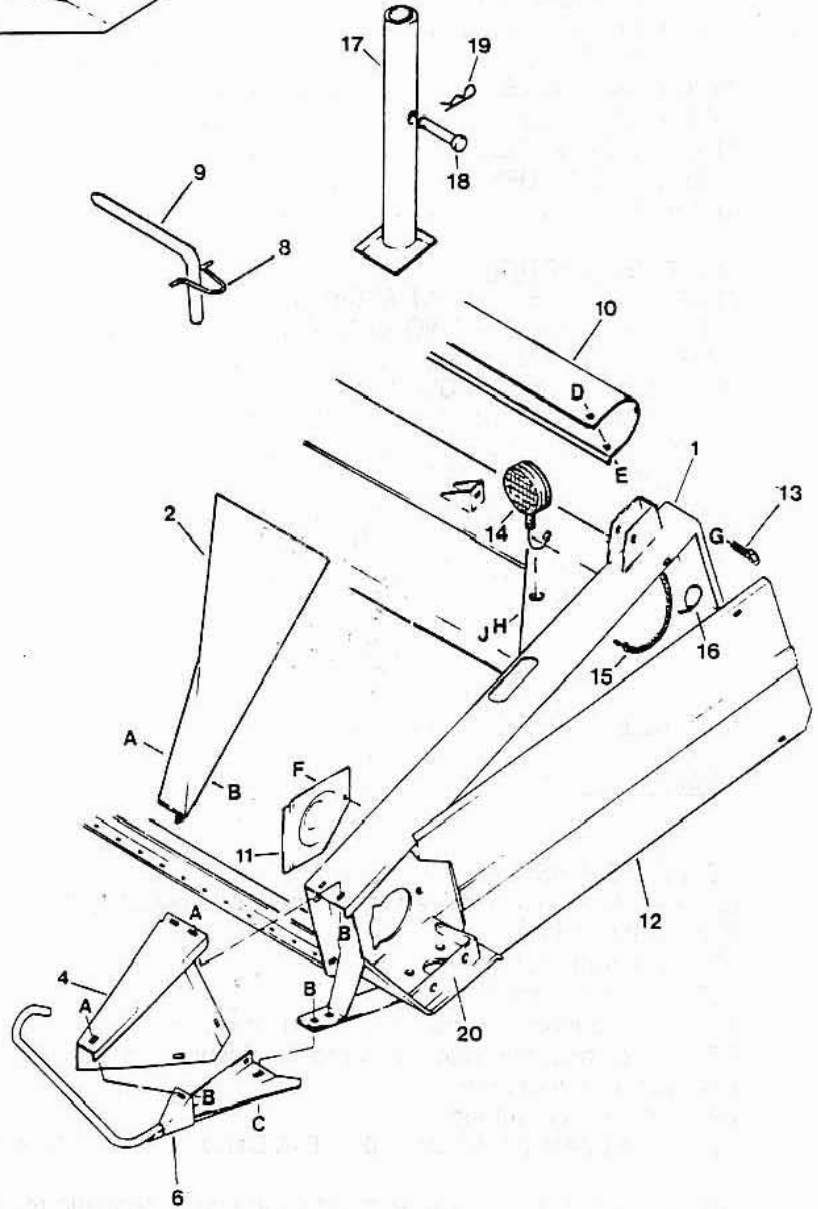
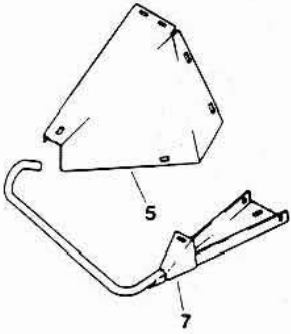
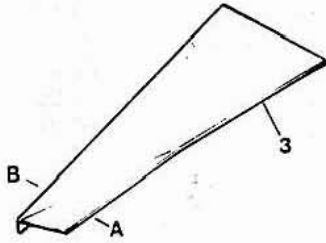
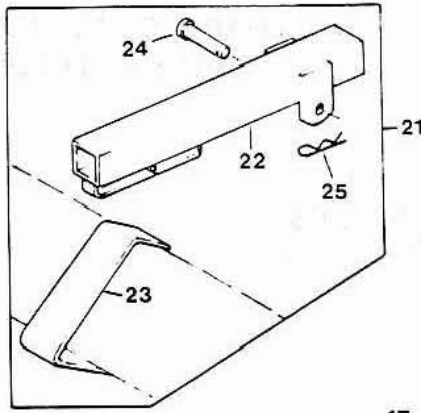
NOTE: Common hardware is not illustrated. Alphabetic references are used to designate position and description of these items.

When ordering, be sure the complete and proper serial number is given. Some parts vary with header size; be sure you are ordering the correct number for your header.

SERIAL NUMBER BREAKS:

- Example: -76769 Used on machines up to and including serial number 76769.
- 76770- Used on machines including and after serial number 76770.

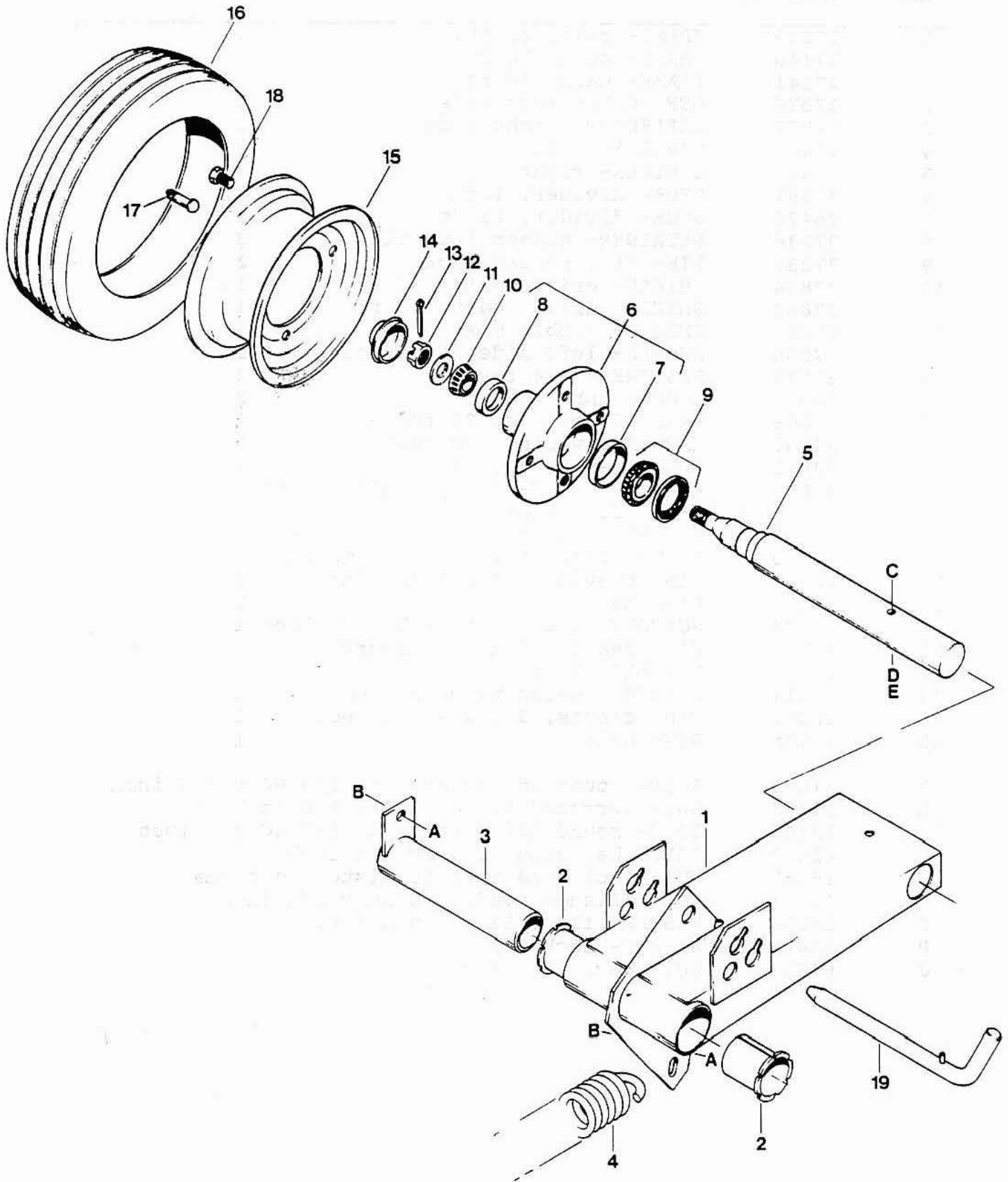
MAIN FRAME, LIGHTS & ATTACHMENTS



MAIN FRAME, LIGHTS & ATTACHMENTS

SERIAL REF	PART NO.	DESCRIPTION	QTY.	NUMBER
1	37249	FRAME- main, 25 ft.	1	
	37140	FRAME- main, 30 ft.	1	
	37141	FRAME- main, 36 ft.	1	
2	37576	DEFLECTOR- left side	1	
3	37577	DEFLECTOR- right side	1	
4	26486	DIVIDER- left	1	
5	26487	DIVIDER- right	1	
6	37697	SHOE- divider, left	1	
7	26479	SHOE- divider, right	1	
8	37236	RETAINER- header lock pin	2	
9	37237	PIN- "L", header lock	2	
10	37864	SHIELD- drive shaft, 30 ft.	1	
	37863	SHIELD- drive shaft, 36 ft.	1	
11	37367	SHIELD- wobble box	1	
12	37585	SHIELD- left side with decals	1	
13	21874	FASTENER- 1/4 turn	2	
14	16539	LIGHT- amber	2	
15	33808	HARNESS- wiring, 25 ft.	1	
	33809	HARNESS- wiring, 30 ft.	1	
	33811	HARNESS- wiring, 36 ft.	1	
	31062	CONNECTOR KIT- 3-way, includes male and female plugs		
16	16661	FASTENER- nylon tie	A/R	
17	37290	STAND- 25' & 30' w/o gauge wheels	1	
18	18738	PIN- clevis, 5/8 x 2 1/2 inch	1	
19	13125	PIN- hair	1	
20	37148	SUPPORT- sickle drive box (welded)	1	
21	40105	KIT- header lift, accessory	1	
22	40115	BRACKET- lift	1	
23	40114	BRACKET- welds to main tube	1	
24	18629	PIN- clevis, 3/4 x 3 3/4 inch	1	
25	13125	PIN- hair	1	
A	21863	BOLT- round hd. square nk. 3/8 NC x 3/4 inch		
B	21452	NUT- serrated flange lock, 3/8 inch NC		
C	19965	BOLT- round hd. square nk. 3/8 NC x 1 inch		
D	21593	BOLT- hex head, 3/8 NC x 4 inch		
E	18669	NUT- lock, 3/8 inch NC distorted thread		
F	21821	BOLT- flange head, 3/8 NC x 3/4 inch		
G	18597	WASHER- flat, 11/32 inch I.D.		
H	18638	WASHER- lock, 1/2 inch		
J	6771	NUT- hex, 1/2 inch NF		

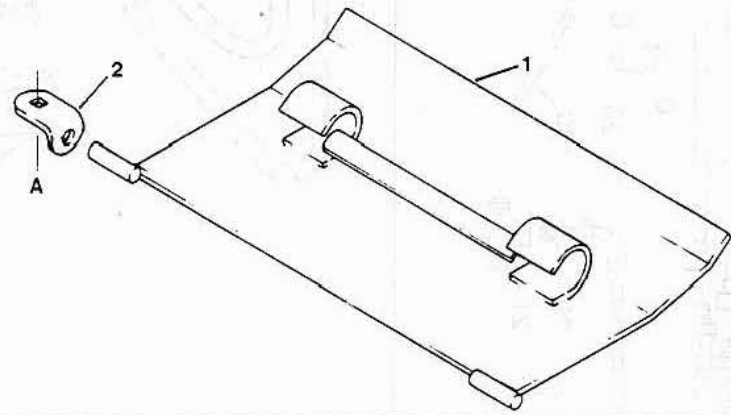
GAUGE WHEELS



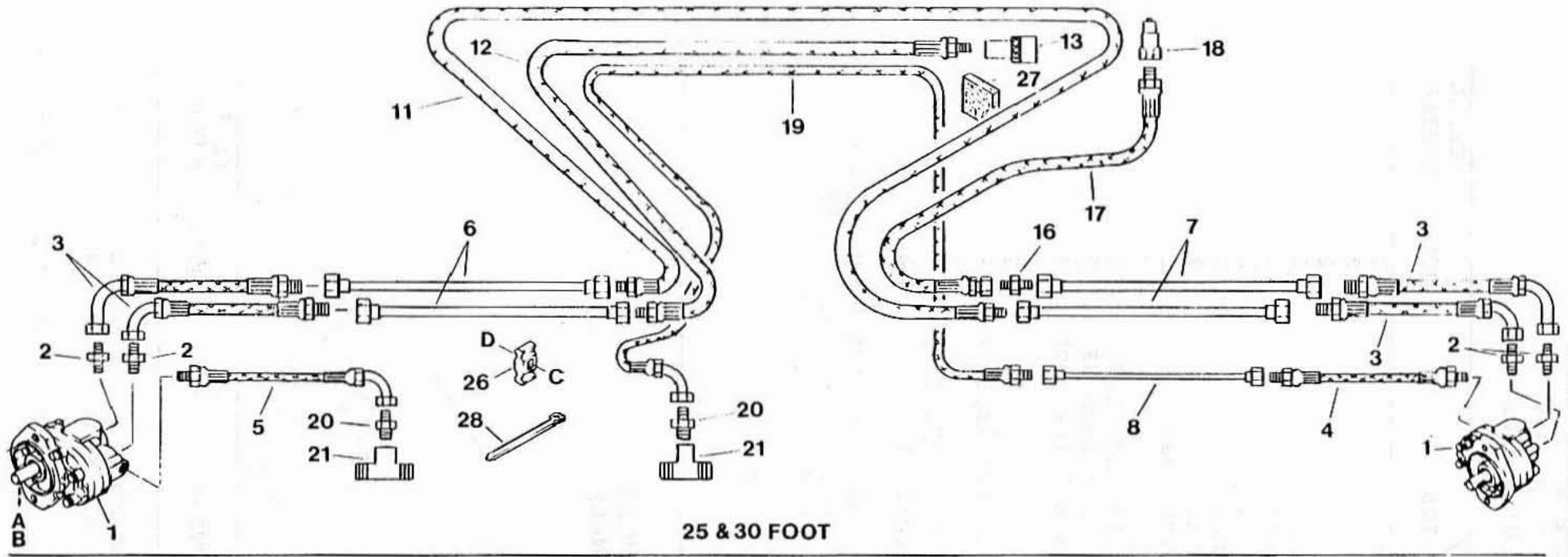
GAUGE WHEELS
 Standard for 36' Header
 Optional for 30' Header

REF	PART NO.	DESCRIPTION	QTY.	SERIAL NUMBER
1	37872	SUPPORT- gauge wheel	2	
2	35694	BUSHING- plastic	4	
3	37882	TUBE- pivot	2	
4	37442	SPRING- extension	2	
5	37889	SPINDLE- gauge wheel	2	
6	4453	HUB- with bearing cups	2	
7	7900	BEARING- cup, inner	2	
8	7909	BEARING- cup, outer	2	
9	7910	BEARING- cone, with seal	2	
10	7920	BEARING- cone	2	
11	18601	WASHER- flat, 13/16 inch I.D.	2	
12	5512	NUT- slotted hex, 3/4 inch NF	2	
13	18648	PIN- cotter, 3/16 x 1 1/4 inch	2	
14	11529	CAP- dust	2	
15	4454	WHEEL- 4 bolt	2	
16	4231	TIRE- 6.70 x 15 I1 rib implement	2	
17	21153	STEM- valve	2	
18	193	BOLT- wheel, 1/2 NF x 3/4 inch	8	
19	37166	PIN- lock, with roll pin	2	
A	21066	BOLT- round hd. square nk. 1/2 NC x 1 inch		
B	18697	NUT- lock, 1/2 inch NC distorted thread		
C	21102	BOLT- hex head, 3/8 NC x 2 1/2 inch		
D	18637	WASHER- lock, 3/8 inch		
E	18590	NUT- hex, 3/8 inch NC		

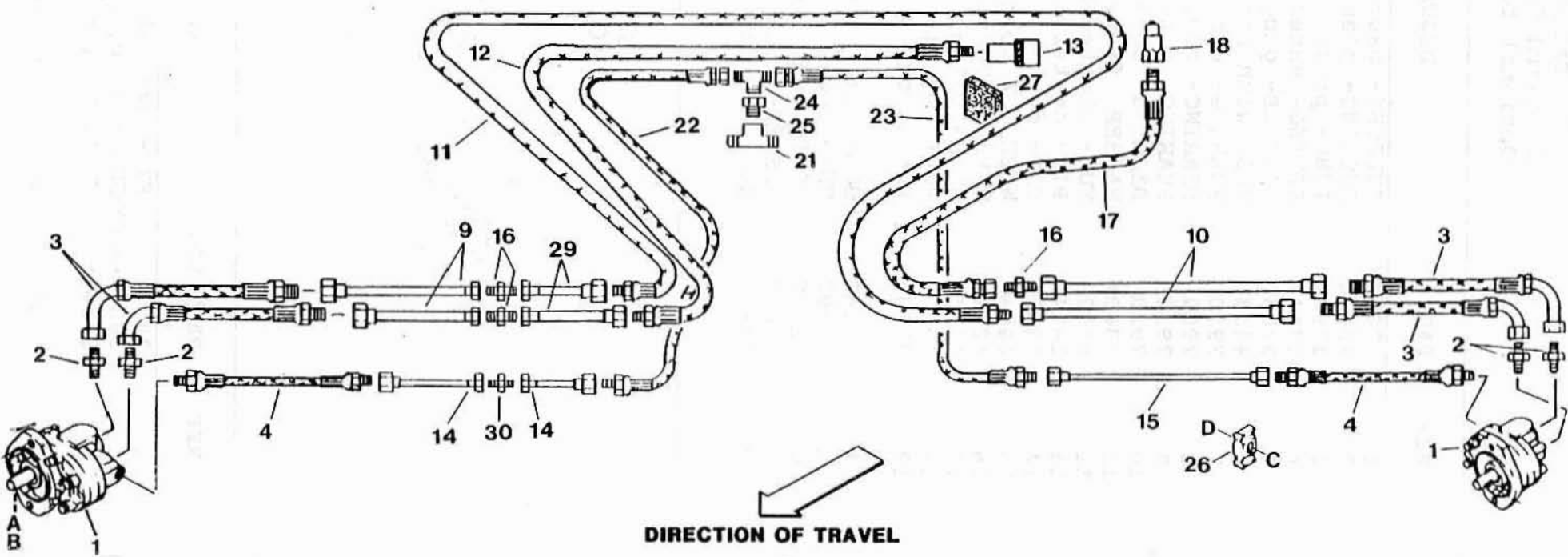
**SKID SHOES
(OPTIONAL)**



REF	PART NO.	DESCRIPTION	QTY.	SERIAL NUMBER
..	38498	KIT- skid shoe		
1	38500- ind 4946	SHOE- skid, adjustable	2	
2	38507-	SUPPORT- front, skid shoe	4	
A	8218	BOLT- round hd. square nk. 7/16 NC x 1 1/2 inch		



36 FOOT



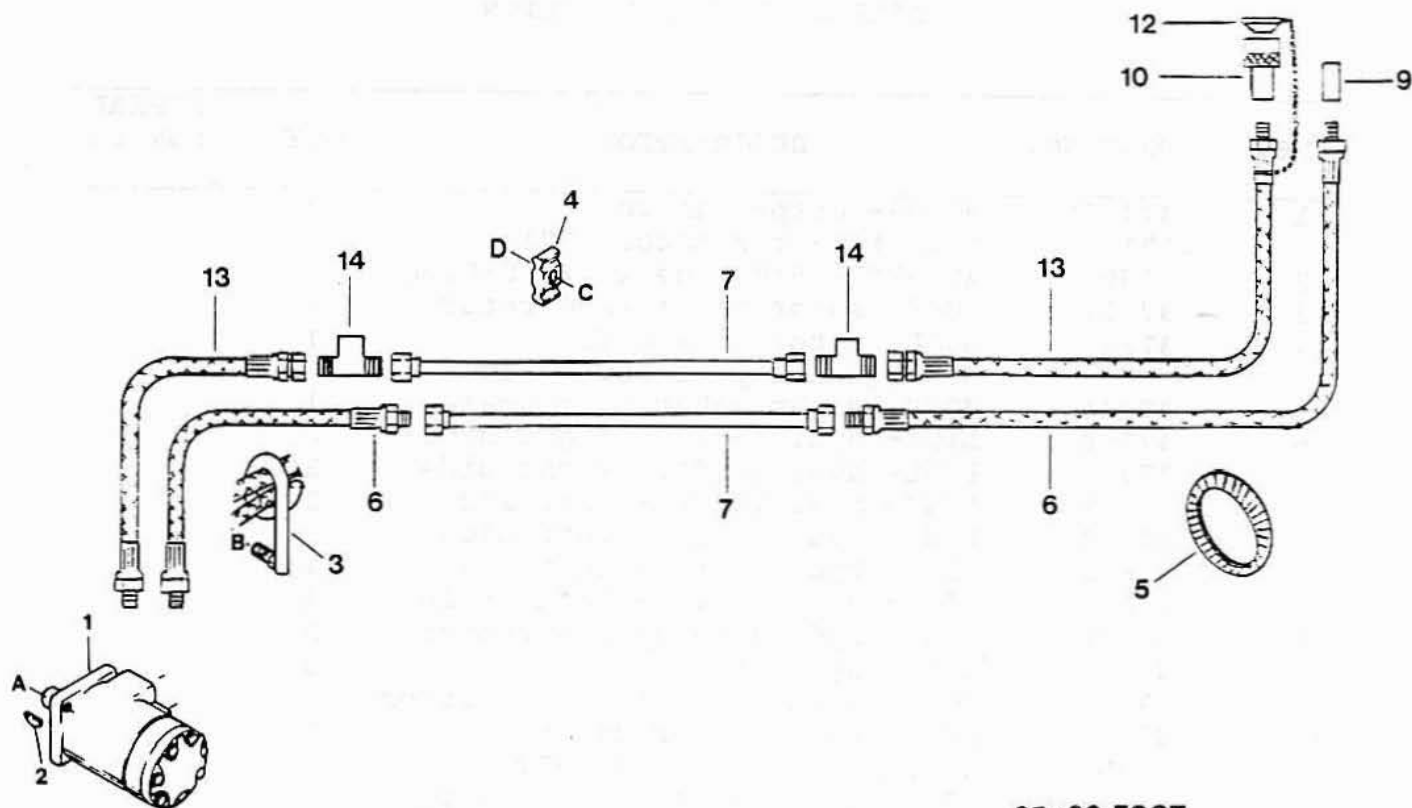
DRAPER DRIVE HYDRAULICS

REF	PART NO.	DESCRIPTION	QTY.	SERIAL NUMBER
1	37711*	MOTOR- draper drive	2	
	-37126-	SEAL KIT- for motor 37711		
2	30695	ADAPTER- 5/8 tube x 7/8 O-Ring	4	
3	37784	HOSE- motor pressure & return	4	
4	37847	HOSE- motor case drain (quantity 2 for 36 ft.)	1	
5	37846	HOSE- right motor case drain	1	
6	37799	LINE- hyd. 25 ft.- right side	2	
	37797	LINE- hyd. 30 ft.- right side	2	
7	37798	LINE- hyd. 25 ft.- left side	2	
	37789	LINE- hyd. 30 ft.- left side	2	
8	37823	LINE- hyd. 25 ft.- left drain	1	
	37822	LINE- hyd. 30 ft.- left drain	1	
9	37789*	LINE- hyd. 36'- R/H, outboard	2	
10	37787	LINE- hyd. 36 ft.- left side	2	
11	37786	HOSE- left motor to right motor	1	
12	37785	HOSE- right motor return	1	
13	21857	COUPLER- female, 1/2 NPT	1	
14	37828**	LINE- hyd. 36 ft.- right drain	2	
15	37826	LINE- hyd. 36 ft.- left drain	1	
16	30558	UNION- 5/8 tube	3	
17	33424	HOSE- pressure to left motor	1	
18	21855	COUPLER- male, 1/2 NPT	1	
19	37844	HOSE- left motor case drain	1	
20	21806	ADAPTER- 3/8 tube x 1/2 NPT	2	
21	REF	TEE- see Reel Drive Hydraulics, item 14		
22	37845	HOSE- right motor case drain	1	
23	37843	HOSE- left motor case drain	1	
24	21837	TEE- male br. 3/8 tube x 1/4 NPT	1	
25	20043	CONNECTOR- 1/4 NPT x 1/2 NPT	1	
26	37167	HOLDER- hose/line	A/R	
27	37251	PAD- rubber	1	
28	16661	FASTENER- plastic tie	4	
29	37798*	LINE- hyd. 36'- R/H, inboard	2	
30	30375	UNION- 3/8 tube	1	
A	26400	SCREW- set, 5/16 NC x 3/8 inch		
B	19243	NUT- hex jam, 5/16 inch NC		
C	21478	BOLT- round hd. square nk. 3/8 NC x 2 1/2 in.		
D	30228	NUT- lock, flange 3/8 inch NC distorted thd.		

* NOTE: Ref. #9 & 29: If replacing a one piece line
(serial number -76769 and below) order #9, 16 & 29.

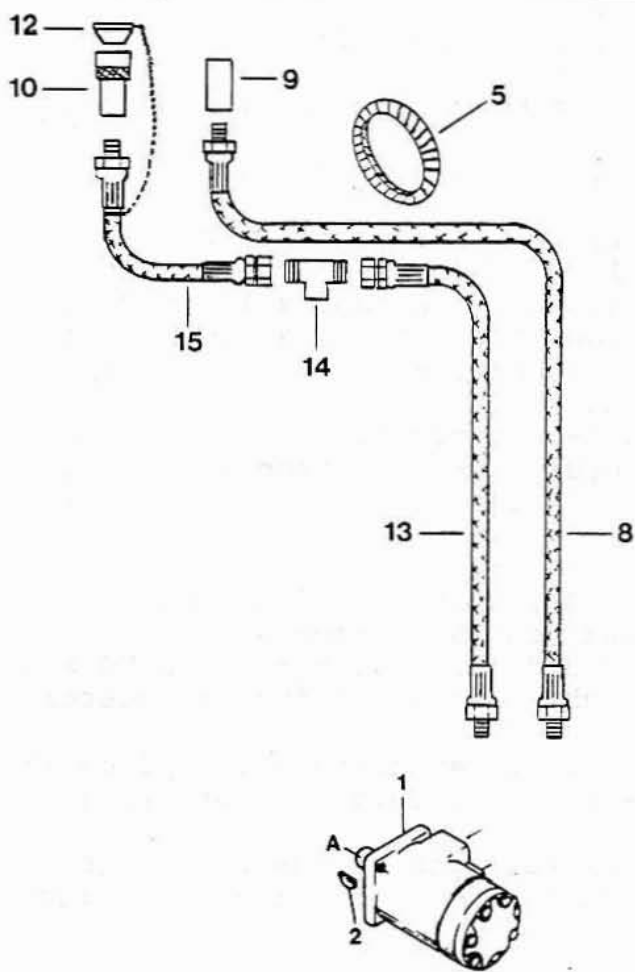
** NOTE: Ref. #14: If replacing a one piece line
(serial number -76769 and below) order #14 (qty 2) & 30.

REEL DRIVE HYDRAULICS



25 & 30 FOOT

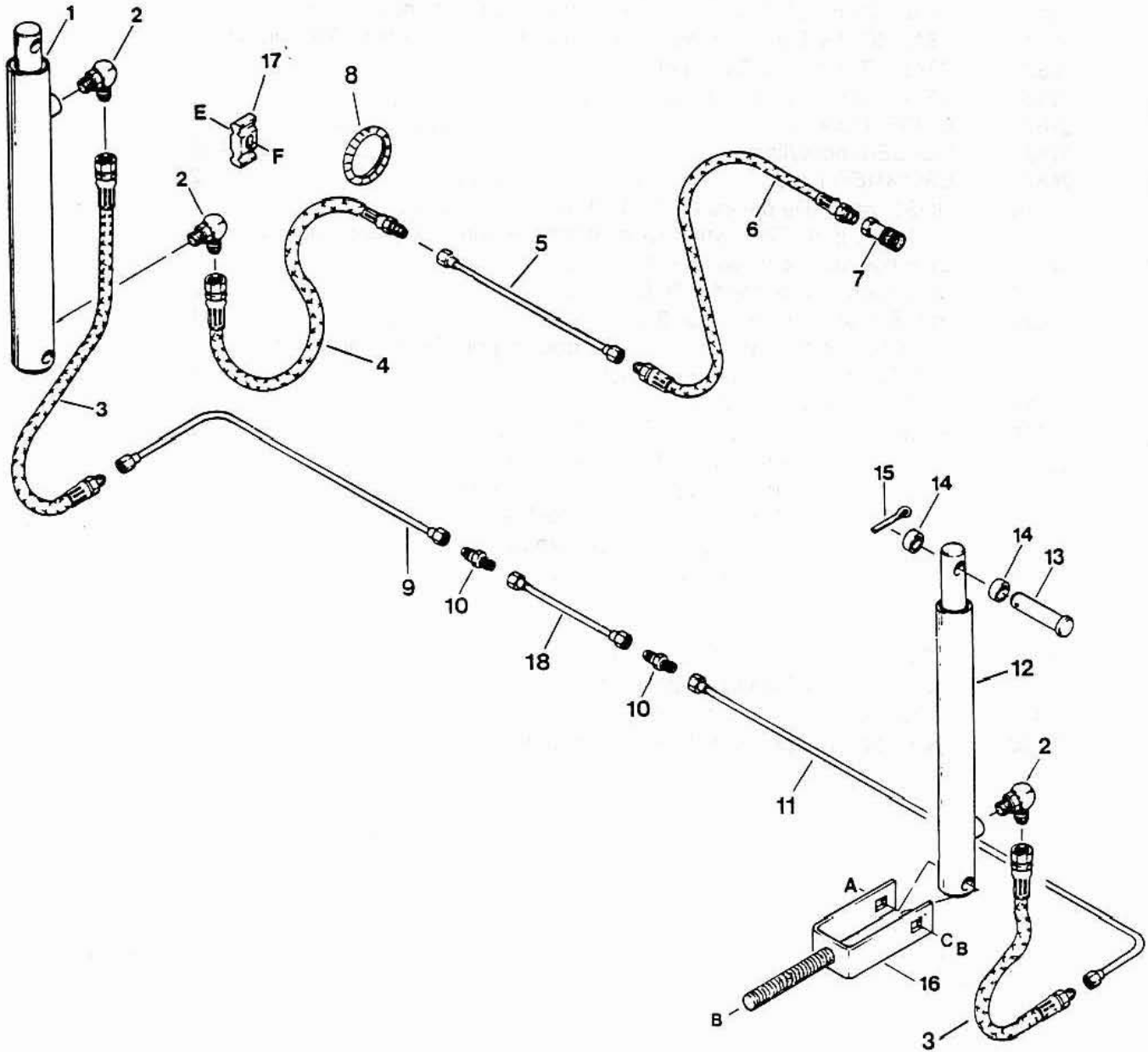
36 FOOT



REEL DRIVE HYDRAULICS

REF	PART NUMBER	DESCRIPTION	QTY	SERIAL NUMBER
1	30363	MOTOR- reel, with key (Char-Lynn)	1	
	30047	SEAL KIT- for Char-Lynn motor with model number ending -007		
	43177	SEAL KIT- for Char-Lynn motor with model number ending -008 and up		
	30357	SEAL KIT- for Ross Gear motor		
2	2149	KEY- woodruff, SAE #15	1	
3	37672	GUIDE- hose	1	
4	37167	HOLDER- hose/line	A/R	
5	26671	GROMMET- hose	2	
6	33416	HOSE- reel drive pressure - 25 & 30 ft. (to top port- Char-Lynn motor, to bottom port- Ross Gear motor)	2	
7	37799	LINE-hydraulic, connector-25 ft.	2	
	37797	LINE-hydraulic, connector-30 ft.	2	
8	26834	HOSE- reel drive pressure-36 ft. (to top port- Char-Lynn motor, to bottom port- Ross gear motor)	1	
9	REF	COUPLER- see Adapter Hydraulics	1	
10	21857	COUPLER- female, 1/2 NPT	1	
12	21858	PLUG- dust	1	
13	33423	HOSE- reel drive return (36 ft. quantity = 1) (to bottom port- Char-Lynn motor, to top port- Ross Gear motor)	2	
14	30854	TEE- 5/8 tube x 5/8 tube male x 1/2 NPT female (36 ft. quantity = 1) (see Draper Drive Hydraulics for components to 1/2 NPT port)	2	
15	33424	HOSE- reel drive return, 36 ft.	1	
A	21821	BOLT- flange head, 3/8 NC x 3/4 inch		
B	18697	NUT- lock, 1/2 inch NC distorted thread		
C	21478	BOLT- round hd. square nk. 3/8 NC x 2 1/2"		
D	30228	NUT- lock, flange 3/8 inch NC distorted thd.		

REEL LIFT HYDRAULICS - 25 & 30 FT.

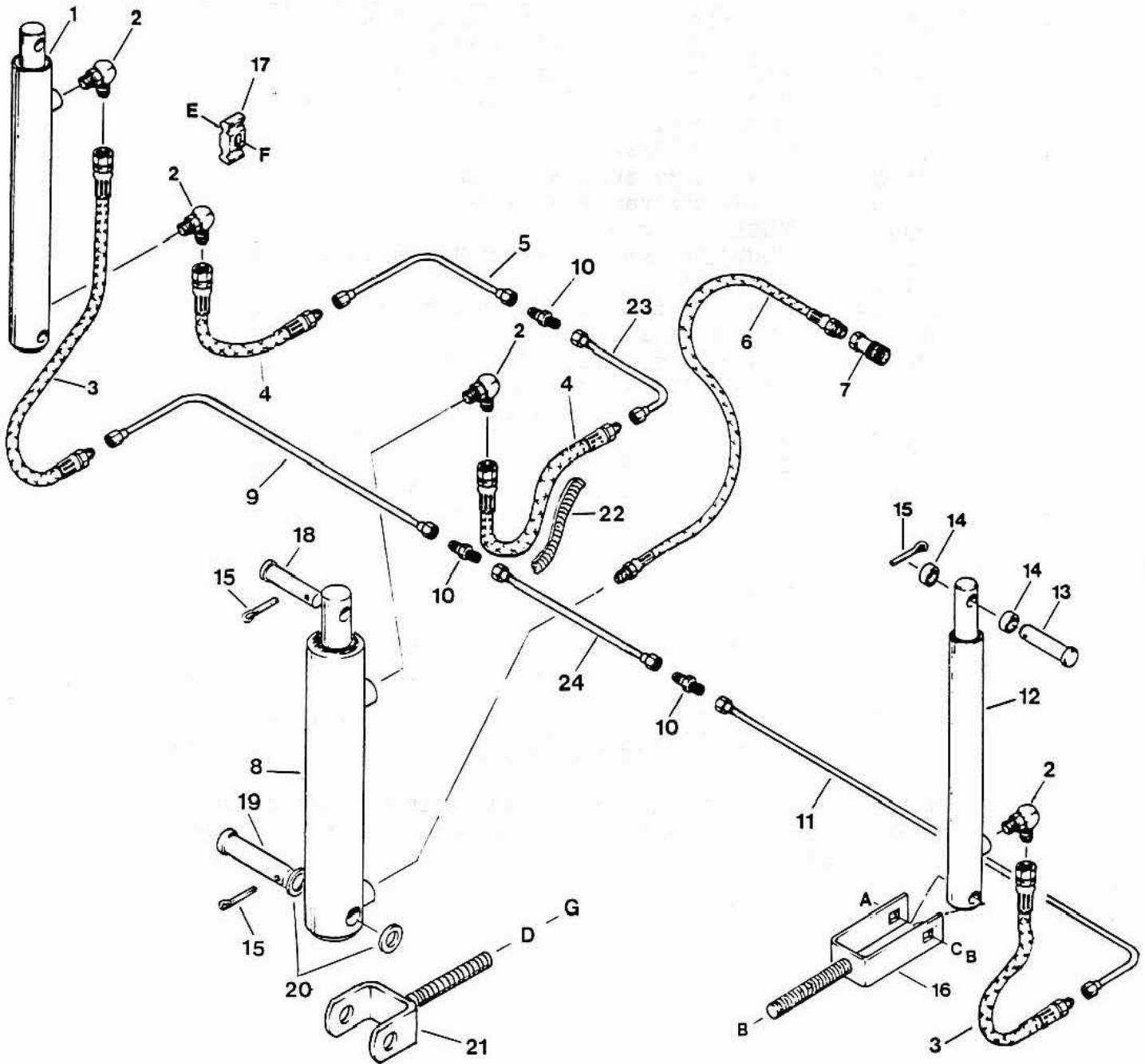


REEL LIFT HYDRAULICS- 25 & 30 FT.

REF	PART NO.	DESCRIPTION	QTY.	SERIAL NUMBER
1	29169	CYLINDER- double-acting, R/H	1	
	21494	SEAL KIT- for cylinder 29169		
	15616	PISTON- for cylinder 29169		
2	30282	ELBOW- 90, 9/16 O-ring x 3/8 tube	3	
3	32116	HOSE- hydraulic	2	
4	37845	HOSE- hydraulic	1	
5	37828	LINE- hydraulic- 25 ft.	1	
5	37829	LINE- hydraulic- 30 ft.	1	
6	40332	HOSE- hydraulic	1	
7	REF	COUPLER- see Adapter Hydraulics	1	
8	24122	GROMMET- hose	1	
9	37838*	LINE- hydraulic, right side	1	
10	30375	UNION- 3/8 tube	2	
11	37839*	LINE- hydraulic, left side	1	
12	29168	CYLINDER- single-acting, L/H	1	
	21495	SEAL KIT- for cylinder 29168		
13	18738	PIN- clevis, 5/8 x 2 1/2 inch	2	
14	8640	SPACER- tube	4	
15	18648	PIN- cotter, 3/16 x 1 1/4 inch	2	
16	37345	CLEVIS- cylinder adjusting	2	
17	37167	HOLDER- hose/line	4	
18	37832	LINE- hydraulic, 25 ft.	1	
	37947*	LINE- hydraulic, 30 ft.	1	
A	30829	BOLT- round hd. square nk. 5/8 NC x 3 1/2 inch		
B	18666	NUT- lock, 5/8 inch NC distorted thread		
C	18600	WASHER- flat, 21/32 inch I.D.		
E	30228	NUT- lock, flange 3/8 inch NC distorted thd.		
F	21470	BOLT- round hd. square nk. 3/8 NC x 2 inch		

* **NOTE:** Ref. #9, 11 & 18: If replacing a two piece line (serial number -76769 and below) order #9, 10 (qty 2) 11 and 18.

REEL LIFT HYDRAULICS - 36 FT.



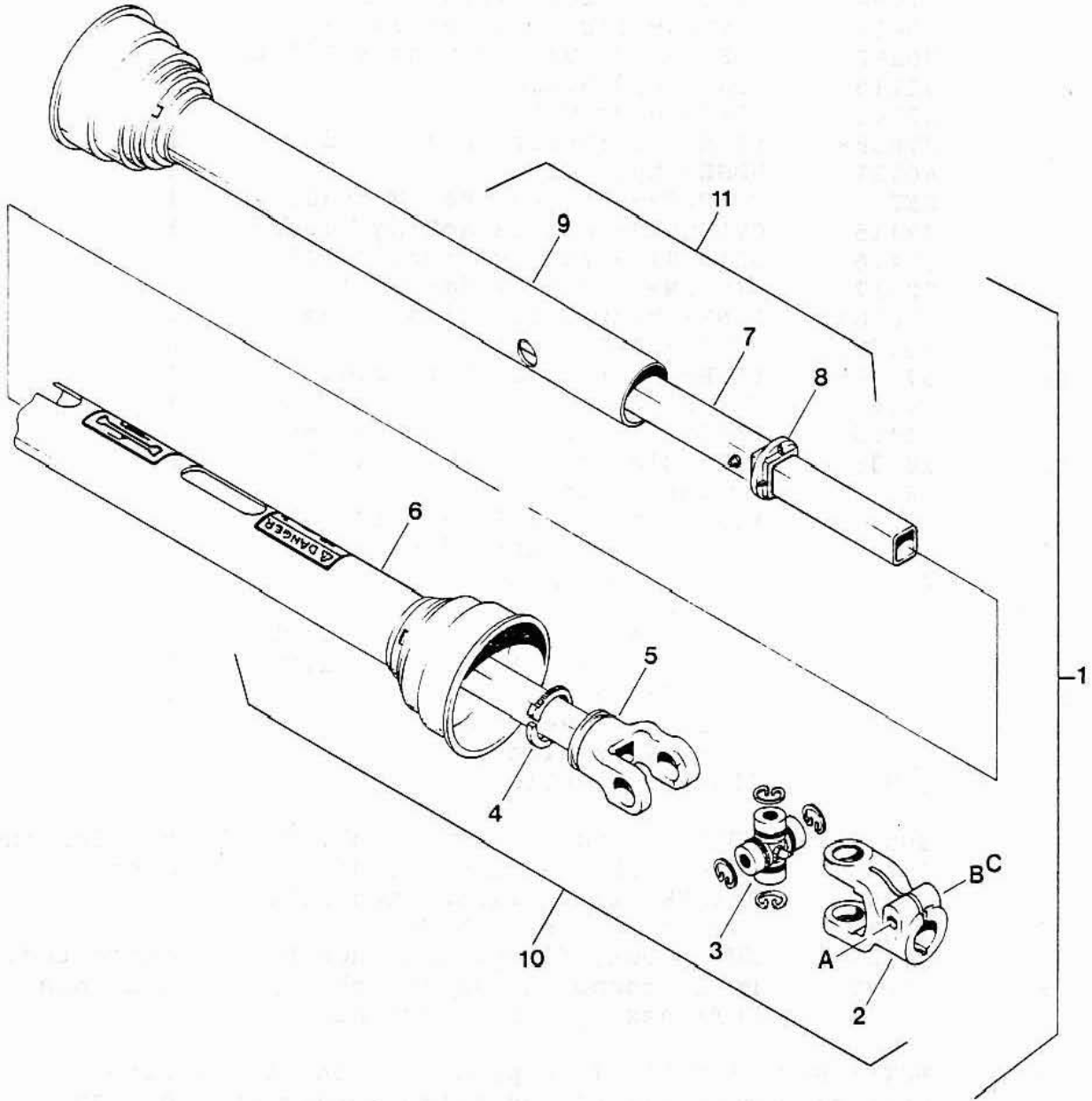
REEL LIFT HYDRAULICS- 36 FT.

REF	PART NO.	DESCRIPTION	QTY.	SERIAL NUMBER
1	29169	CYLINDER- double-acting, R/H	1	
	21494	SEAL KIT- for cylinder 29169		
	15616	PISTON- for cylinder 29169		
2	30282	ELBOW- 90, 9/16 O-ring x 3/8 tube	4	
3	32116	HOSE- hydraulic	2	
4	37841	HOSE- hydraulic	2	
5	37838*	LINE- hydraulic, right side	1	
6	40331	HOSE- hydraulic	1	
7	REF	COUPLER- see Adapter Hydraulics	1	
8	32415	CYLINDER- double-acting, center	1	
	32416	SEAL KIT- for cylinder 32415		
	32417	PISTON- for cylinder 32415		
9	37838**	LINE- hydraulic, right side	1	
10	30375	UNION- 3/8 tube	3	
11	37839**	LINE- hydraulic, left side	1	
12	29168	CYLINDER- single-acting, L/H	1	
	21495	SEAL KIT- for cylinder 29168		
13	18738	PIN- clevis, 5/8 x 2 1/2 inch	2	
14	8640	SPACER- tube	4	
15	18648	PIN- cotter, 3/16 x 1 1/4 inch	4	
16	37345	CLEVIS- cylinder adjusting	2	
17	37167	HOLDER- hose/line	4	
18	19958	PIN- clevis, 5/8 x 3 1/4 inch	1	
19	18629	PIN- clevis, 3/4 x 3 3/4 inch	1	
20	18601	WASHER- flat, 13/16 inch I.D.	2	
21	37830	CLEVIS- cylinder adjusting	1	
22	37881	CONDUIT- hose protector	1	
23	37834*	LINE- hydraulic	1	
24	37833**	LINE- hydraulic	1	
A	30829	BOLT- round hd. square nk. 5/8 NC x 3 1/2 inch		
B	18666	NUT- lock, 5/8 inch NC distorted thread		
C	18600	WASHER- flat, 21/32 inch I.D.		
D	18592	NUT- hex, 5/8 inch NC		
E	30228	NUT- lock, flange 3/8 inch NC distorted thd.		
F	21470	BOLT- round hd. square nk. 3/8 NC x 2 inch		
G	21345	NUT- hex, jam 5/8 inch NC		

* NOTE: Ref. 5 & 23: If replacing a one piece line (serial number -76769 and below) order #5, 10 & 23.

** NOTE: Ref. 9, 11 & 24: If replacing a two piece line (serial number -76769 and below) order #9, 10 (qty 2), 11 & 24.

DRIVELINE



FAX



Attn: Craig



Robin @ Mac Don

306-782-5595

4

DATE: Aug 31, 2004

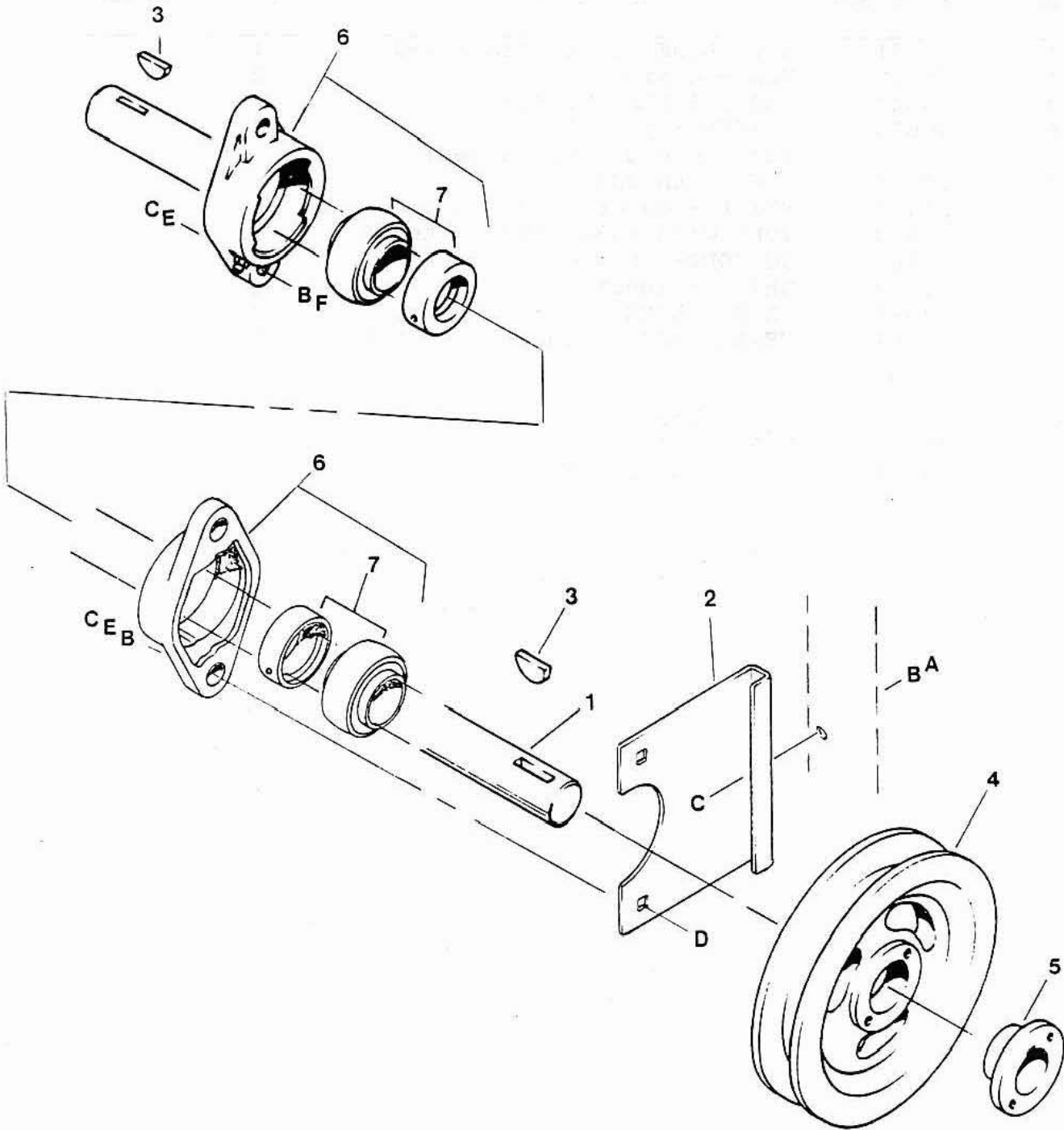
Post-it
Notes

DRIVELINE

REF	PART NO.	DESCRIPTION	QTY.	SERIAL NUMBER
1	34361	DRIVELINE- incl. items 2-9	1	
2	30621	YOKE- clamp	2	
3	30622	CROSS & BEARING KIT	2	
4	30623	BEARING- plastic, shield (consists of two halves)	2	
5	30617	YOKE with SHAFT	1	
6	34362	SHIELD- outer, with decal	1	
7	30618	YOKE with TUBE, incl. item 8	1	
8	30167	SUPPORT- shield	1	
9	30619	SHIELD- inner	1	
10	34366	MALE ASSEMBLY- incl. items 2-6	1	
11	34367	FEMALE ASS'Y- incl. 2-4, 7 & 9	1	
A	21880	BOLT- hex head, 1/2 NC x 2 3/4 inch		
B	18638	WASHER- lock, 1/2 inch		
C	18591	NUT- hex, 1/2 inch NC		

NOTE: For windrower, a second identical driveline connects drive pulley on tractor to drive shaft at left adapter leg.

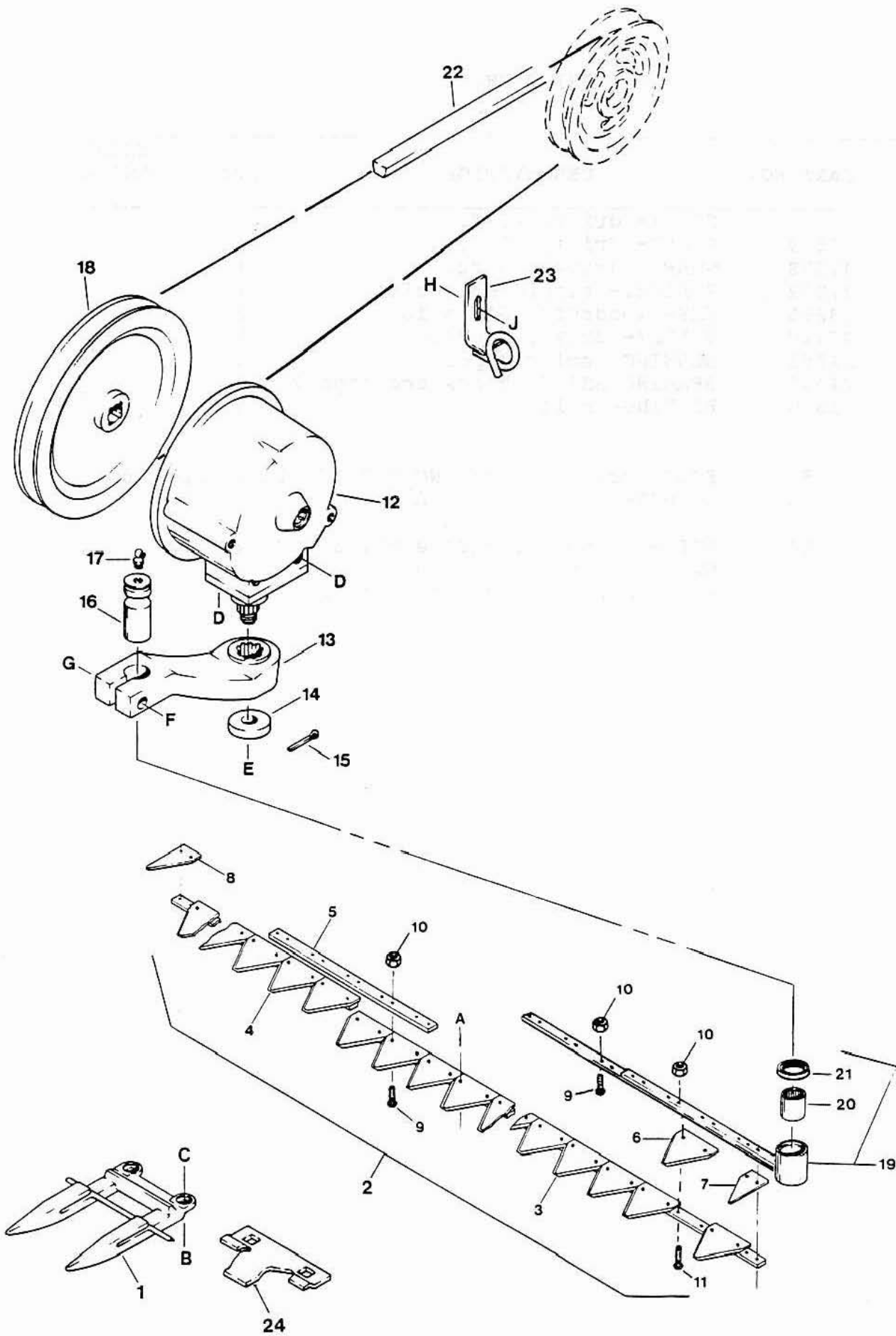
DRIVE SHAFT



DRIVE SHAFT

REF	PART NO.	DESCRIPTION	QTY.	SERIAL NUMBER
1	37573	SHAFT- drive, 25 ft.	1	
	37579	SHAFT- drive, 30 ft.	1	
	37578	SHAFT- drive, 36 ft.	1	
2	37292	BRACKET- tightener, belt	1	
3	13298	KEY- woodruff, SAE # 18	2	
4	37118	PULLEY- drive, sickle	1	
5	21861	BUSHING- split taper	1	
6	21935	BEARING ASS'Y- block and item 7	2	
7	21859	BEARING- ball	2	
A	18759	BOLT- hex head, 3/8 NC x 3 1/2 in., thrd. full		
B	18598	WASHER- flat, 13/32 inch I.D.		
C	18590	NUT- hex, 3/8 inch NC		
D	21484	BOLT- round hd. square nk. 3/8 NC x 1 1/2 inch		
E	18637	WASHER- lock, 3/8 inch		
F	21561	BOLT- hex head, 3/8 NC x 1 1/2 inch		

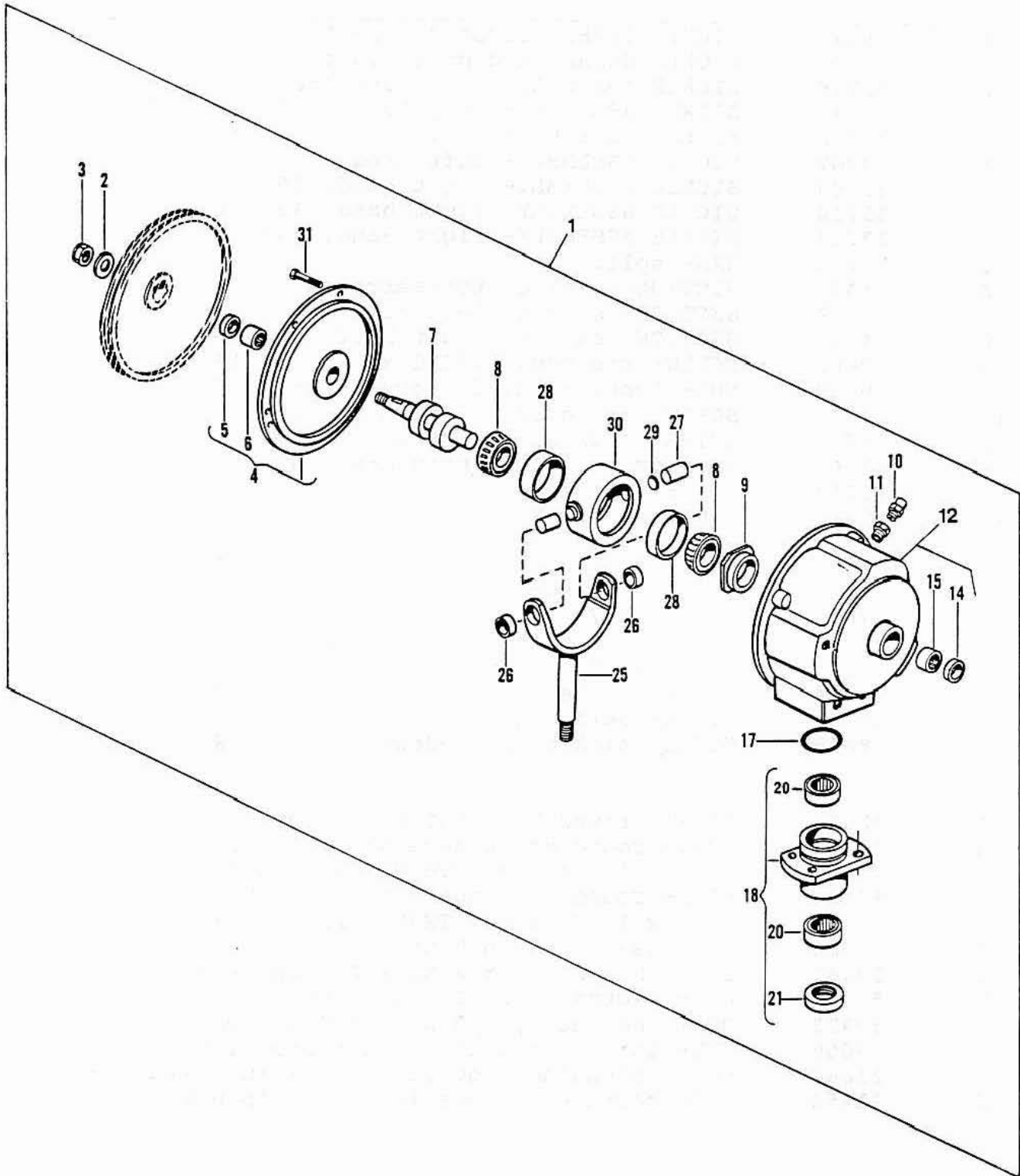
SICKLE AND DRIVE



SICKLE AND DRIVE

REF	PART NO.	DESCRIPTION	QTY.	SERIAL NUMBER
1	26370	SICKLE GUARD- first 2 @ left end	2	
	23064	SICKLE GUARD- except 2 above	A/R	
2	33746	SICKLE ASSEMBLY- 25', less head	1	
	33747	SICKLE ASSEMBLY- 30', less head	1	
	33748	SICKLE ASSEMBLY- 36', less head	1	
3	33707	SICKLE ASSEMBLY- left hand	1	
4	33709	SICKLE ASSEMBLY- right hand, 25'	1	
	33710	SICKLE ASSEMBLY- right hand, 30'	1	
	33711	SICKLE ASSEMBLY- right hand, 36'	1	
5	33955	BAR- splice	1	
6	34390	SECTION- sickle, top-serrated	A/R	
7	34399	SECTION- sickle, left half	1	
8	34391	SECTION- sickle, right half	1	
9	30668	SCREW- rib neck, #12NC x 1 in.	18	
10	30669	NUT- lock, #12NC distorted thd.	27	
11	30852	SCREW- rib neck, #12NC x 1 1/8"	9	
12	REF	DRIVE- sickle, see page	1	
13	21865	ARM- drive, incl. hardware F & G	1	
14	21717	WASHER- flat	1	
15	18648	PIN- cotter, 3/16 x 1 1/4 inch	1	
16	26321	PIN- sickle head	1	
17	21194	FITTING- lubrication, 90°	1	
18	21418	PULLEY- driven	1	
19	37835	HEAD ASS'Y.- sickle (incl 20 & 21)	1	
20	21866	BEARING- needle	1	
21	30608	SEAL- sickle head	1	
22	26324	BELT- sickle drive	1	
23	37354	GUIDE- belt	2	
24	28815	GUIDE- sickle, hold-down	A/R	
A	7258	RIVET- round hd. .208 x 5/8 inch		
B	8219	BOLT- round hd. square nk. 7/16 NC x 1 1/4 inch- THRU GUARD ONLY		
	8218	BOLT- round hd. square nk. 7/16 NC x 1 1/2 inch- THRU GUARD & GUIDE		
C	18654	NUT- hex, 7/16 inch NC		
D	30861	BOLT- hex head, 5/8 NF x 2 inch Gr.8		
E	5440	NUT- slotted hex, 3/4 inch NC		
F	30922	BOLT- hex head, 5/8 NC x 2 3/4 inch		
G	18666	NUT- lock, 5/8 inch NC distorted thread		
H	21863	BOLT- round hd. square nk. 3/8 NC x 3/4 inch		
J	21452	NUT- serrated flange lock, 3/8 inch NC		

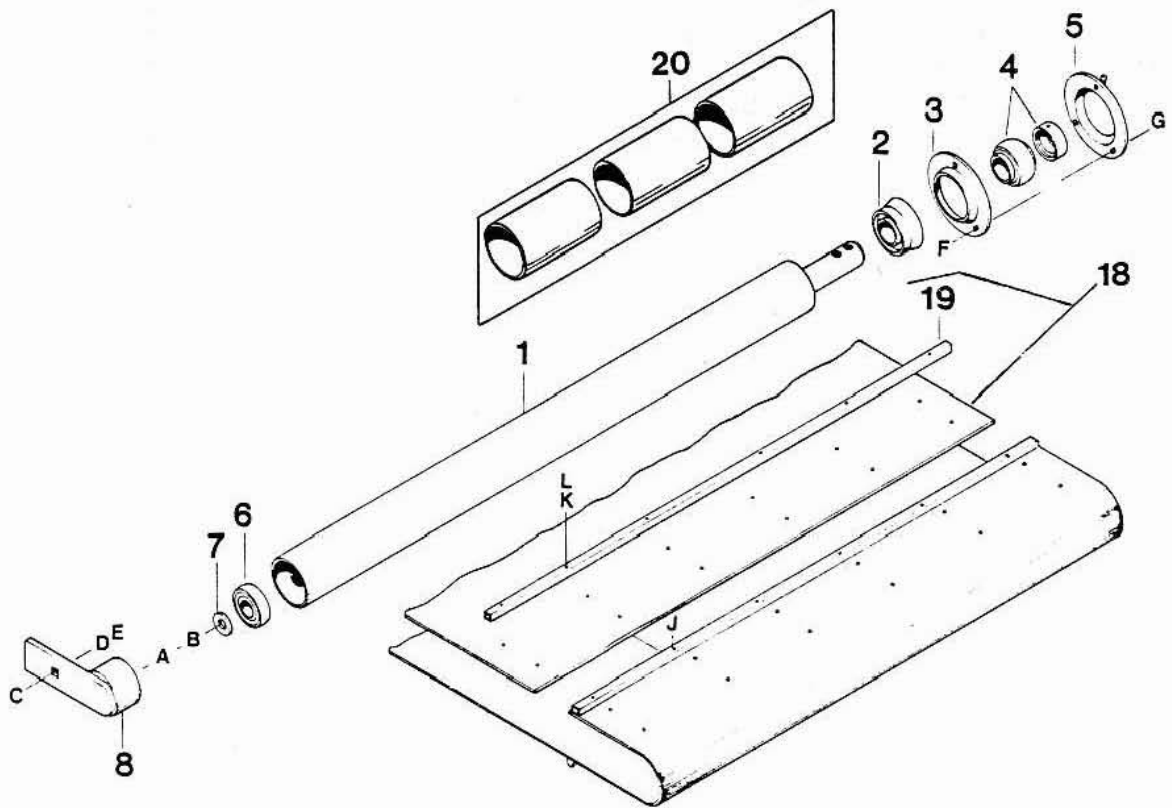
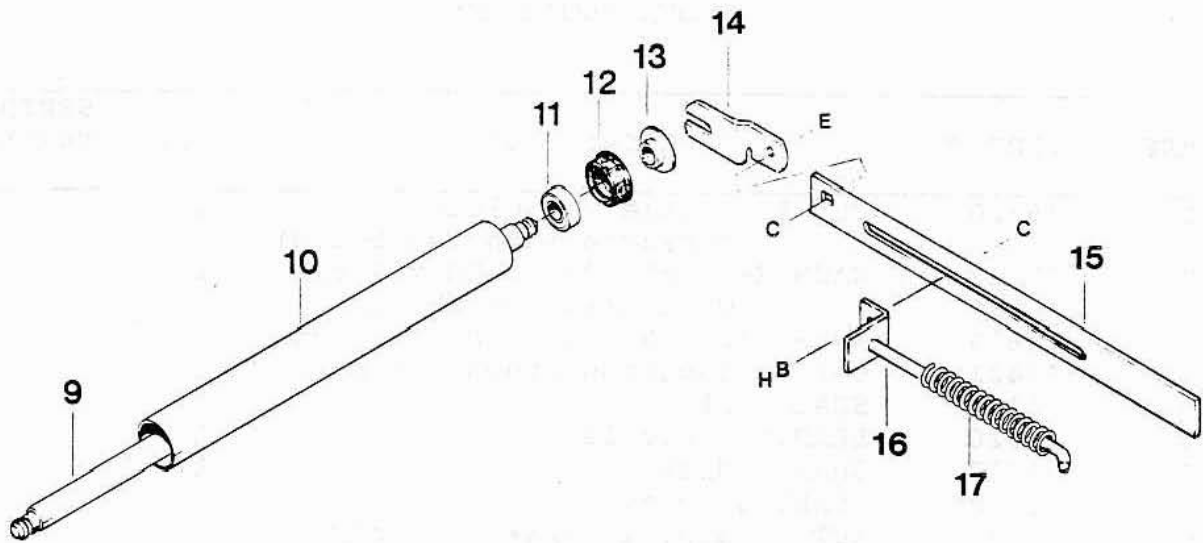
SICKLE DRIVE BOX



SICKLE DRIVE BOX

REF	PART NO.	DESCRIPTION	QTY.	SERIAL NUMBER
1	26320	DRIVE- sickle, complete (includes mounting bolts)	1	
2	21417	WASHER- flat, 25/32 ID x 1 5/8 OD x 1/8 inch thick	1	
3	18689	NUT- lock, 3/4 in. NC dist. thd.	1	
4	21421	COVER- includes items 4 & 5	1	
5	30814	SEAL- oil	1	
6	21420	BEARING- needle	1	
7	21712	SHAFT- drive	1	
8	21512	BEARING- cone	2	
9	21424	NUT- stake, 1 15/16 hex spiral	1	
10	21425	VALVE- relief	1	
11	21024	CONNECTOR- 3/8 NPT x 1/8 NPT	1	
12	26319	HOUSING- incl. #14,15 & mtg.bolts	1	
14	30815	SEAL- oil	1	
15	21513	BEARING- needle	1	
17	21514	O-RING- 2 5/8 ID x 1/8 inch	1	
18	26318	CAP- includes items 20 & 21	1	
20	21516	BEARING- needle	2	
21	21517	SEAL- oil	1	
25	21429	YOKE- output, with bushings	1	
26	21715	BUSHING- bronze	2	
27	21713	SPINDLE- yoke	2	
28	21519	BEARING- cup	2	
29	21716	PLUG- nylon	2	
30	21714	HOUSING- bearing	1	
31	21520	BOLT- hex head, 5/16 NC x 1"Gr.8	6	

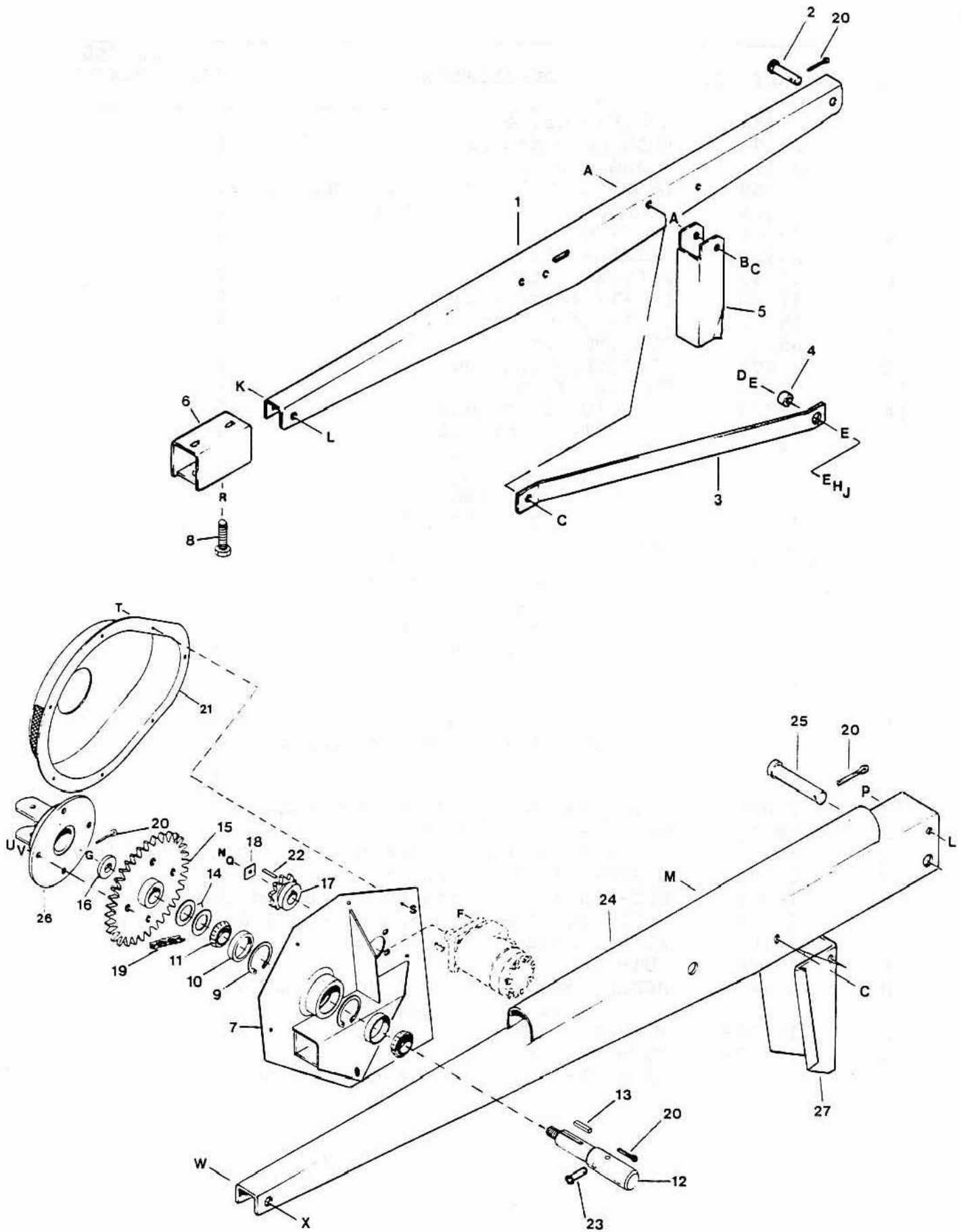
DRAPERS AND ROLLERS



DRAPERS AND ROLLERS

REF	PART NO.	DESCRIPTION	QTY.	SERIAL NUMBER
1	33754	ROLLER- drive	2	
2	26396	BUSHING- anti-wrap	2	
3	8316	FLANGE- bearing	2	
4	21869	BEARING- ball, with lock collar	2	
5	30596	FLANGE- bearing, with lube ftg.	2	
6	30550	BEARING- ball	2	
7	20535	WASHER- flat	2	
8	33759	SUPPORT- front	2	
9	37720	SHAFT- idler roller	2	
10	33773	TUBE- idler roller	2	
11	6596	BEARING- ball	4	
12	33001	RETAINER- bearing	4	
13	37803	WASHER- formed	4	
14	37725	SUPPORT- left idler	2	
	37724	SUPPORT- right idler	2	
15	37811	BAR- idler adjusting	4	
16	37780	ROD- idler spring	4	
17	37107	SPRING- idler tension	4	
18	33797	DRAPER- right side, 25 ft.	1	
	33796	DRAPER- left side, 25 ft.	1	
	-37293	DRAPER- right side, 30 ft.	1	
	-33798	DRAPER- left side, 30 ft.	1	
	37125	DRAPER- right side, 36 ft.	1	
	37124	DRAPER- left side, 36 ft.	1	
	33450	DRAPER- extension piece, 15 in. A/R		
19	14334	SLAT KIT- connector (includes 2 slats & hardware)	4	
20	18056	KIT- lagging, incl. three 6" pieces (2 kits per roller)	A/R	
A	20077	BOLT- hex head, 3/8 NC x 1 inch		
B	18637	WASHER- lock, 3/8 inch		
C	19966	BOLT- round hd. square nk. 3/8 NC x 1 1/4 inch		
D	18598	WASHER- flat, 13/32 inch I.D.		
E	18669	NUT- lock, 3/8 inch NC distorted thread		
F	21281	BOLT- round hd. square nk. 5/16 NC x 3/4 in.		
G	21403	NUT- serrated flange lock, 5/16 inch NC		
H	18590	NUT- hex, 3/8 inch NC		
J	5144 *	SCREW- machine, round Phillips head #10 NC x 1 1/4 inch		
K	18634*	WASHER- lock, 3/16 inch		
L	18647*	NUT- hex, #10 NC		
*	23589	PACKAGE- includes 9 each of items J,K,L		

REEL DRIVE & SUPPORT ARMS

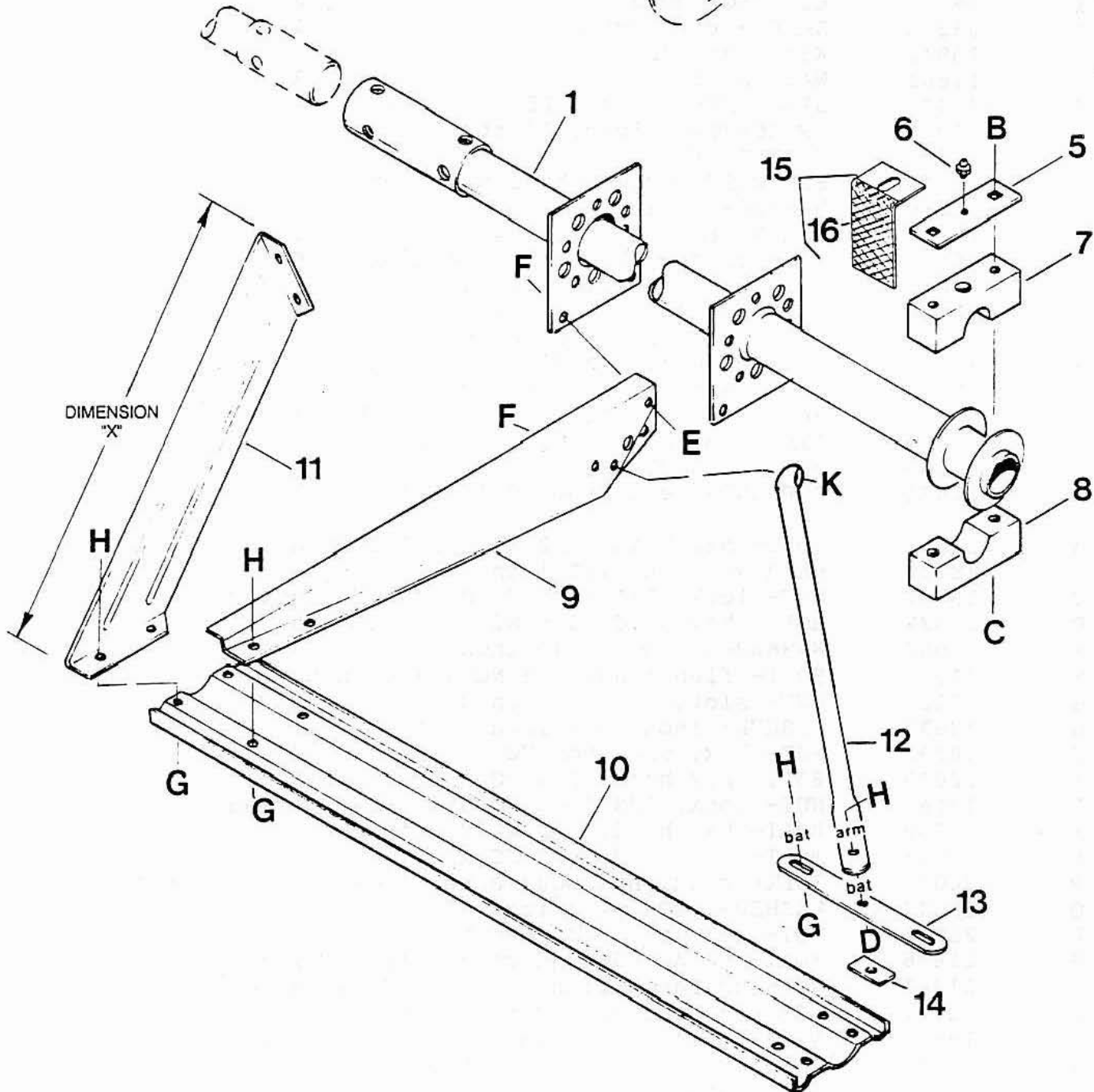
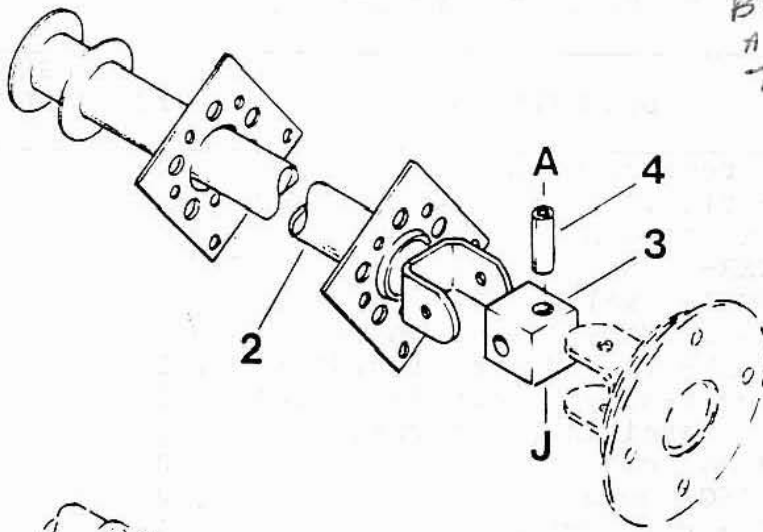


REEL DRIVE & SUPPORT ARMS

REF	PART NO.	DESCRIPTION	QTY.	SERIAL NUMBER
1	37865	ARM- reel support	2	
2	19958	PIN- clevis, 5/8 dia. x 3 1/4"	2	
3	26446	BRACE- diagonal	2	
4	8640	SPACER- tube	2	
5	37336	SUPPORT- reel prop	2	
6	37855	SUPPORT- reel (qty 2 on 36 ft.)	1	
7	37869	SUPPORT- reel drive (inc.#9 & 10)	1	
8	37866	SCREW- reel position (3 on 36')	2	
9	21545	RING- retaining, internal	2	
10	7900	BEARING- cup	2	
11	7910	BEARING- cone	2	
12	33532	SHAFT- reel drive	1	
13	26846	KEY- reel drive shaft	1	
14	19681	WASHER- flat	2	
15	26848	SPROCKET- driven, 25 & 30 ft.	1	
	33003	SPROCKET- driven, 36 ft.	1	
16	16235	WASHER- flat	1	
17	26847	SPROCKET- drive, hydraulic motor	1	
18	11060	WASHER- square	1	
19	20117	CHAIN- roller, #60 x 40 links	1	
20	18648	PIN- cotter, 3/16 x 1 1/4 inch	6	
21	26850	SHIELD- reel drive, 25 & 30 ft.	1	
	33010	SHIELD- reel drive, 36 ft.	1	
22	26995	SHIM- reel drive sprocket	A/R	
23	19809	PIN- clevis, 1/2 dia. x 2 inch	2	
24	37800	ARM- center reel support, 36 ft.	1	-76769
	37851	ARM- center reel support, 36 ft.	1	76770-
25	18629	PIN- clevis, 3/4 dia. x 3 3/4"	1	
26	33265	HUB- with clevis, 36 ft.	1	
27	37885	SUPPORT- reel prop, 36' center	1	
A	21581	BOLT- hex head, 1/2 NC x 3 1/2 inch		
B	18638	WASHER- lock, 1/2 inch		
C	18697	NUT- lock, 1/2 inch NC distorted thread		
D	21582	BOLT- hex head, 5/8 NC x 1 3/4 inch		
E	18600	WASHER- flat, 21/32 inch I.D.		
F	21821	BOLT- flange hd. 3/8 NC x 3/4 inch		
G	5512	NUT- slotted, 3/4 inch NF		
H	18639	WASHER- lock, 5/8 inch		
J	18592	NUT- hex, 5/8 inch NC		
K	30035	BOLT- hex head, 3/8 NC x 2 3/4 inch		
L	18669	NUT- lock, 3/8 inch NC distorted thread		
M	21589	BOLT- hex head, 1/2 NC x 4 inch		
N	21566	BOLT- hex head, 1/4 NC x 3/4 inch		
P	30080	BOLT- round hd. square nk. 3/8 NC x 4 1/2"		-76769
Q	18635	WASHER- lock, 1/4 inch		
R	21345	NUT- hex jam, 5/8 inch NC		
S	21476	BOLT- round hd. square nk. 1/4 NC x 3/4 "		
T	21445	NUT- serrated flange lock, 1/4 inch NC		
U	20077	BOLT- hex head, 3/8 NC x 1 inch		
V	18637	WASHER- lock, 3/8 inch		
W	21583	BOLT- hex head, 5/8 NC x 3 inch		
X	18666	NUT- lock, 5/8 inch NC distorted thread		

BAT REEL

KEEP ARMS ON HEADER 2" CLOSER ON BLACK HARVEST HEADER AS COMPARED TO TODD RED DRAPER HEADER

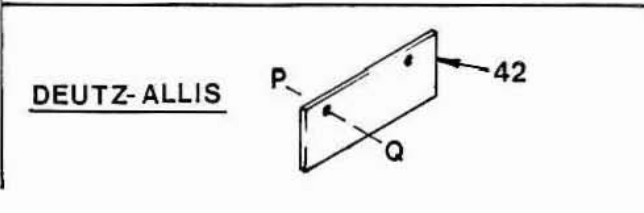
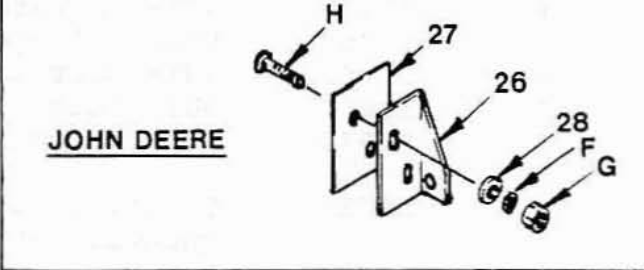
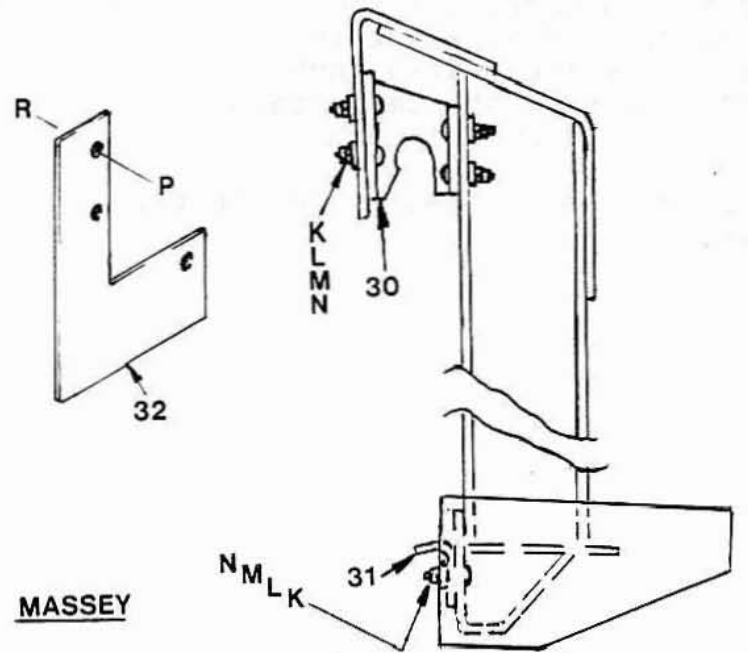
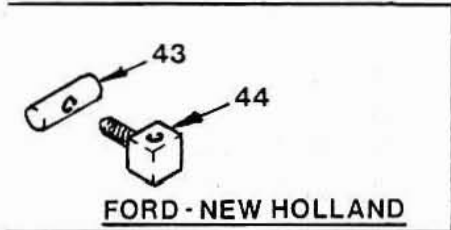
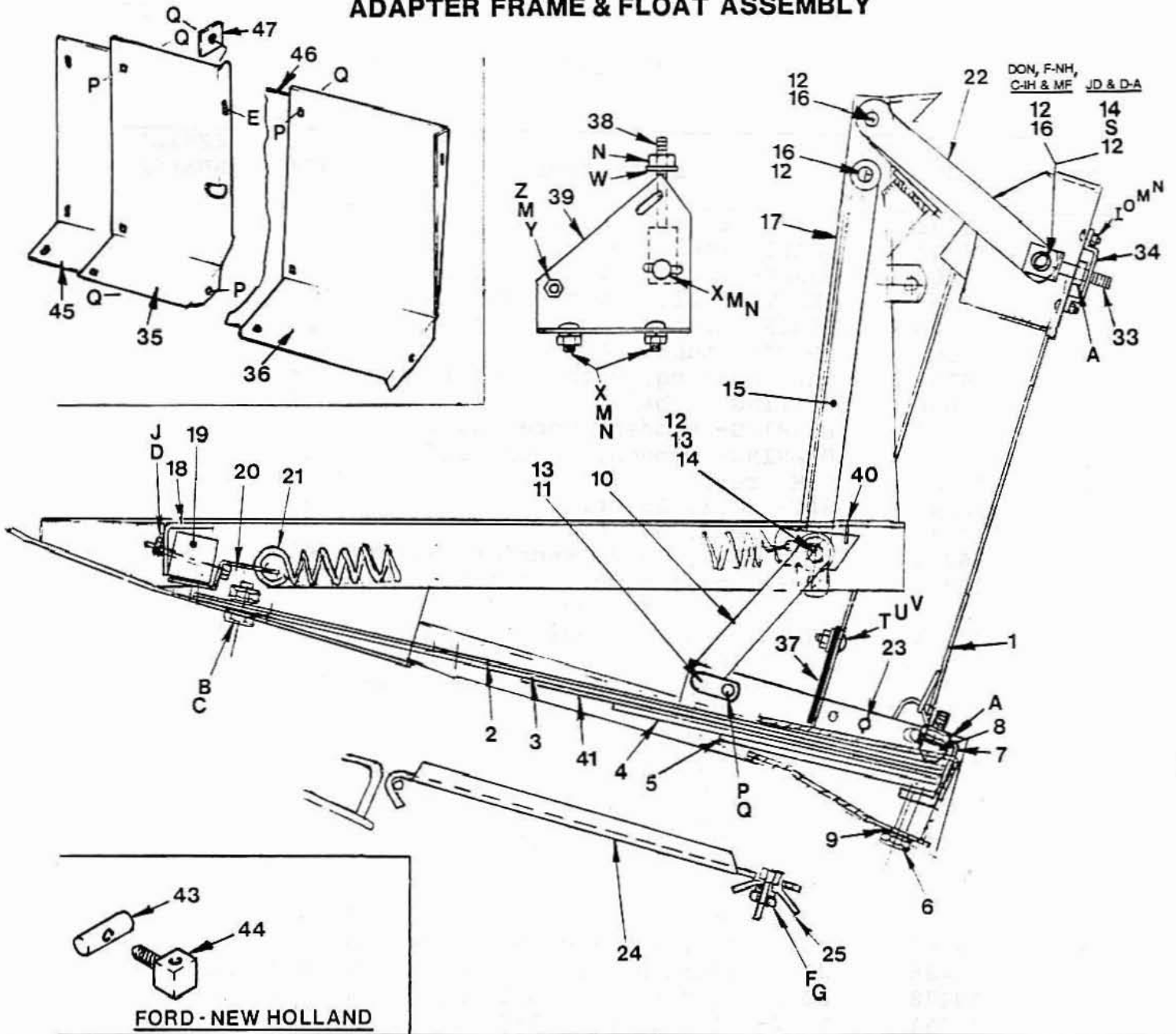


BAT REEL

REF	PART NO.	DESCRIPTION	QTY.	SERIAL NUMBER
1	37791	SHAFT- reel, 25 ft.	1	
	37792	SHAFT- reel, 30 ft.	1	
	37400	SHAFT- reel, left - 36 ft.	1	
2	32194	SHAFT- reel, right - 36 ft.	1	
3	32200	BLOCK- connecting, 36 ft.	1	
4	32202	SPACER- tube, 36 ft.	2	
5	26766	CAP- bearing, with lube fitting	1*	
6	30036	FITTING- lube	1*	
7	20410	BEARING- wooden, upper half	1*	
8	20411	BEARING- wooden, lower half	1*	
9	26729	ARM- reel	A/R	
10	32347	BAT- reel, 25 ft.	5	
	32348	BAT- reel, 30 ft.	5	
	26723	BAT- reel, 18 ft section- 36 ft.	10	
	26719	BAT- repair piece, 45 1/2 inch plus 4 of item 14	A/R	
11	22671	SHIELD- end, dimension "X"=817mm (32 3/16")	10*	
	40110	SHIELD- end, dimension "X"=723mm (28 1/2")	10*	
12	26755	TUBE- reel brace, 25 & 30 ft.	10	
13	32353	STRAP- reel brace	10	
14	16677	WASHER- rectangular	10	
15	26710	ANGLE- with reflector	1*	
16	26697	REFLECTOR- amber tape	1*	
A	30011	BOLT- hex head, 1/2 NC x 3 1/4 inch		
B	18669	NUT- lock, 3/8 inch NC distorted thread		
C	21486	BOLT- round hd. square nk. 3/8 NC x 4 inch		
D	30278	BOLT- flange head, 5/16 NC x 3/4 inch		
E	21821	BOLT- flange head, 3/8 NC x 3/4 inch		
F	21452	NUT- serrated flange lock, 3/8 inch NC		
G	21755	BOLT- flange head, 5/16 NC x 1/2 inch		
H	21403	NUT- serrated flange lock, 5/16 inch NC		
J	18697	NUT- lock, 1/2 inch NC distorted thread		
K	21975	BOLT- flange head, 3/8 NC x 1 inch		

* NOTE: Quantity for 36 ft. on * items is double the quantity shown.

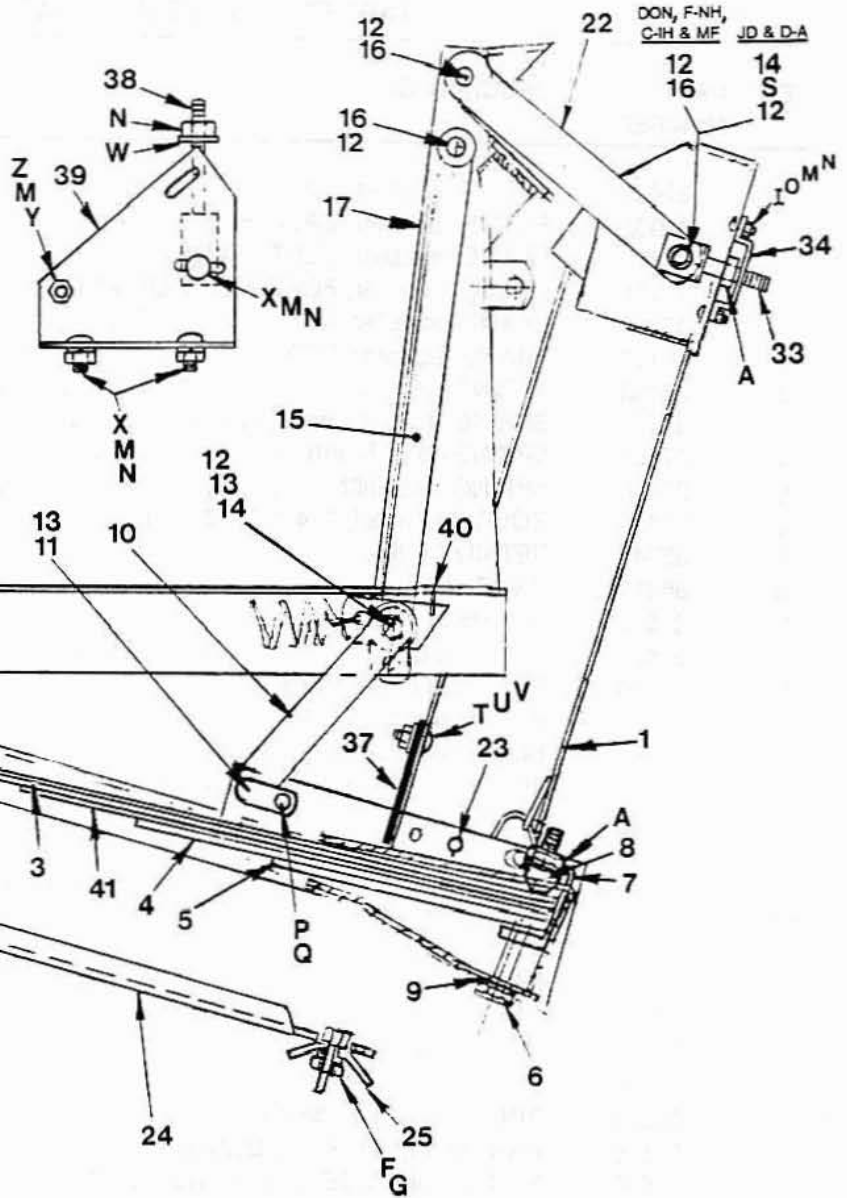
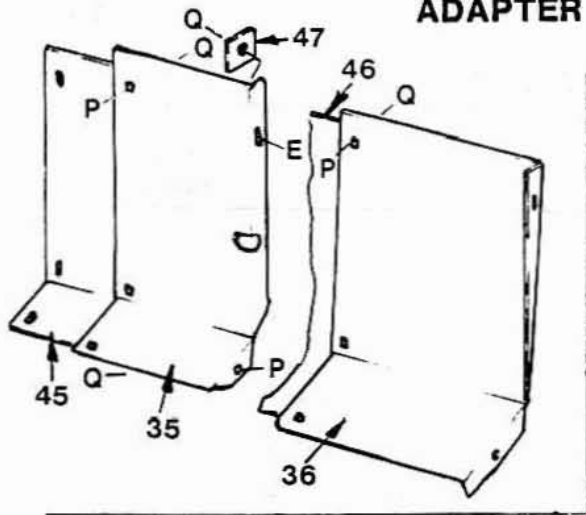
ADAPTER FRAME & FLOAT ASSEMBLY



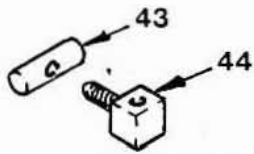
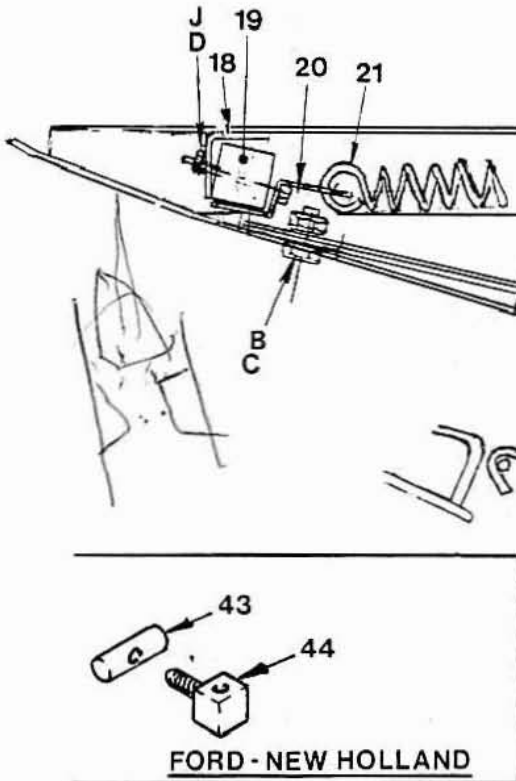
ADAPTER FRAME & FLOAT ASSEMBLY

REF	PART NUMBER	DESCRIPTION	QTY	SERIAL NUMBER
1	37661	FRAME- adapter, JD	1	
	37962	FRAME- adapter, CASE IH	1	
	40031	FRAME- adapter, DEUTZ ALLIS	1	
	40255	FRAME- adapter, FORD-NEW HOLLAND	1	
	37666	FRAME- adapter, MF	1	
	40170	FRAME- adapter, DON	1	
2	37453	SPRING- leaf, top	2	
3	37454	SPRING- leaf, second	2	
4	37455	SPRING- leaf, fourth	2	
5	37456	SPRING- leaf, fifth	2	
6	30859	BOLT- hex head, 3/4 NC x 8 inch	2	
7	37547	RETAINER- float	2	
8	36011	PIVOT- spring	2	
9	21540	WASHER- flat, hardened	2	
10	37554	ARM- radius	2	
11	40380	PIN- radius arm, lower	2	
12	18648	PIN- cotter, 3/16 x 1 1/4 inch	8	
13	37551	BUSHING- plastic	8	
14	20312	PIN- clevis, 3/4 x 3 1/4 inch (qty 4 for JD and DEUTZ ALLIS)	2	
15	37560	ARM- float link	2	-76769
	37610	ARM- float link	2	76770-
16	30464	PIN- clevis, 3/4 x 2 3/4 inch (qty 4 for JD and DEUTZ ALLIS)	6	
17	37520	FRAME- float	1	
18	37541	ANGLE- front	2	
19	26878	PAD- rubber	2	
20	37532	RETAINER- spring, front	2	
21	37388	SPRING- extension, float	2	
22	37775	BAR- link	2	
23	37950	PIN- with roll pin, float lock	2	-76769
24	37566	PAN- lower, JD, F-NH, DON & MF	1	
	37567	PAN- lower, CASE IH & DEUTZ ALLIS	1	
25	37574	WASHER- special	2	
26	37678	ANGLE- left mounting, JD	1	
	37679	ANGLE- right mounting, JD	1	
27	37682	BAR- mounting, JD	4	
28	22072	WASHER- flat, JD	4	
29	37995	PIN- clamp, CASE IH	2	
30	37808	SUPPORT- mounting	1	
31	37809	STOP- lower	2	
32	37680	SHIELD- rubber, R/H	1	
33	37635	CLEVIS- adjusting, guard angle JD	2	
	40089	CLEVIS- adjusting, guard angle DA	2	
34	37637	LOCK- guard angle, JD & DA	2	
35	37376	PANEL- delivery opening extension, left, JD, DON & MF	1	
	40246	PANEL- delivery opening extension, left, F-NH	1	
	37377	PANEL- delivery opening extension, right, JD, DON & MF	1	
	40247	PANEL- delivery opening extension, right, F-NH	1	
36	37378	PANEL- delivery opening extension, left, CASE IH & DEUTZ ALLIS	1	
	37379	PANEL- delivery opening extension, right, CASE IH & DTZ ALLIS	1	
37	37660	COVER- rubber, feeder draper shaft, JD, D-A, DON and MF	1	
	37655	COVER- rubber, feeder draper shaft, CASE-IH	1	
	40252	COVER- rubber, feeder draper shaft, F-NH	1	

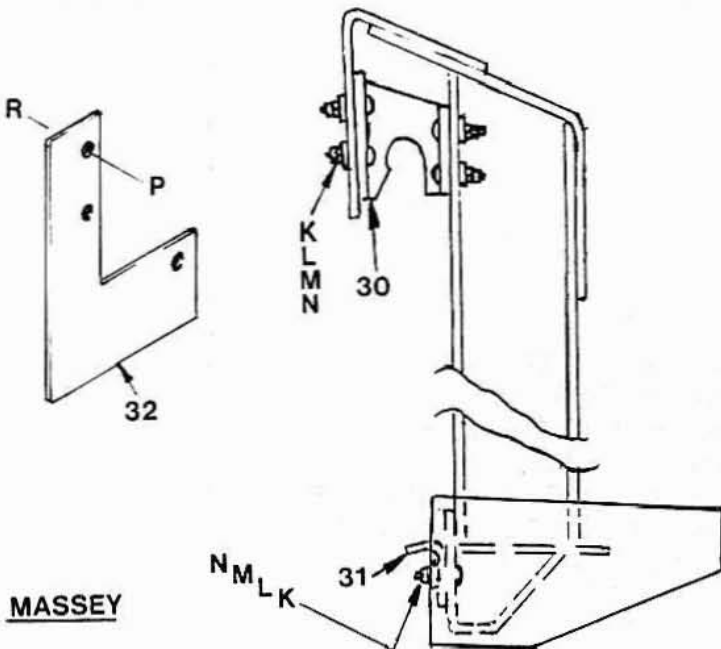
ADAPTER FRAME & FLOAT ASSEMBLY



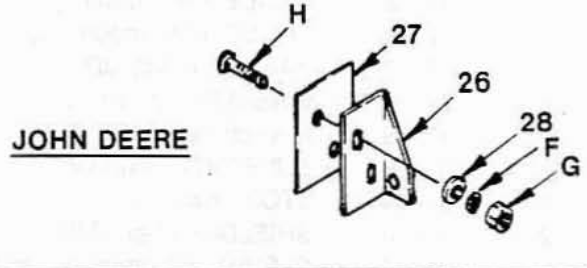
DON, F-NH,
C-IH & MF JD & D-A



FORD - NEW HOLLAND

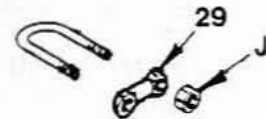


MASSEY

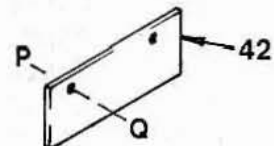


JOHN DEERE

CASE IH



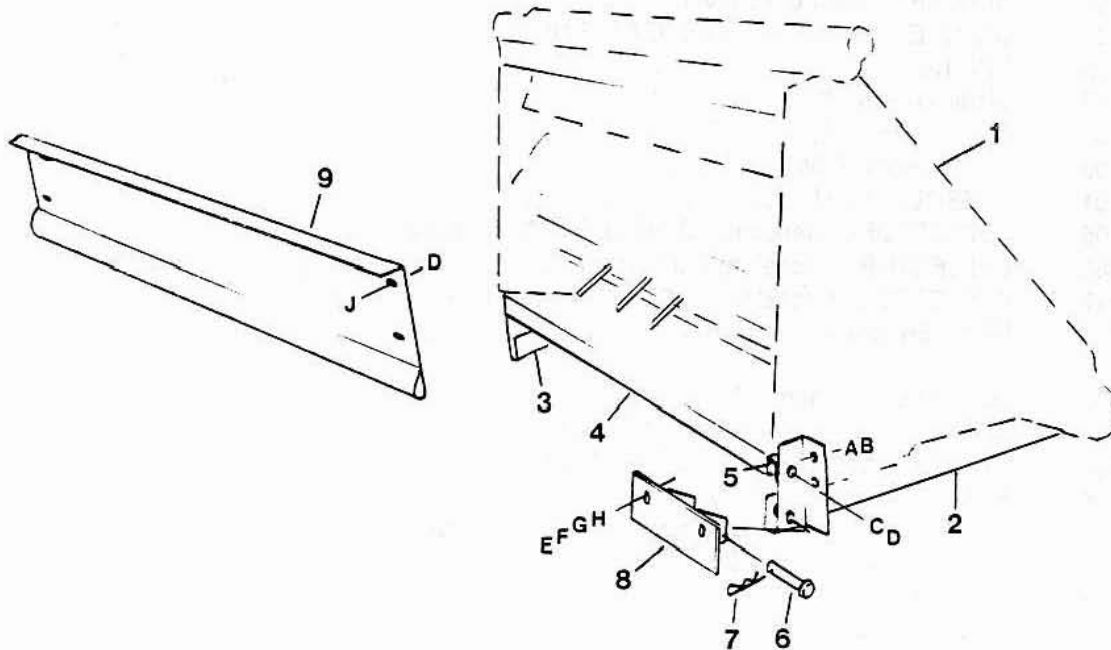
DEUTZ-ALLIS



ADAPTER FRAME & FLOAT ASSEMBLY

REF	PART NUMBER	DESCRIPTION	QTY	SERIAL NUMBER
38	37647	ADJUSTER- chain case height, JD	3	
39	37659	BRACKET- chain case pivot, JD	1	
	40096	BRACKET- chain case pivot, C-IH, F-NH & DA	1	
40	13125	PIN- hair	2	
41	37457	SPRING- leaf, third	2	
42	40086	FLAP- rubber, R/H DEUTZ ALLIS	1	
43	40300	PIN- straight, F-NH	2	
44	40301	EYEBOLT- F-NH	2	
45	40305	DEFLECTOR- extension, JD (9500 & 7720 models)	2	
	40365	DEFLECTOR- extension, Ford-NH	2	
46	40317	DEFLECTOR- extension, CASE-IH (1460 & 1660 models)	2	
47	40366	WASHER- square, Ford-NH	2	
A	18593	NUT- hex, 3/4 inch NC		
B	21590	BOLT- hex head, 3/4 NC x 1 1/4 inch		
C	18689	NUT- lock, 3/4 inch NC distorted thread		
D	19634	BOLT- hex head, 5/8 NC x 4 inch		
E	19965	BOLT- round head square neck, 3/8 NC x 1 inch		
F	18639	WASHER- lock, 5/8 inch		
G	18592	NUT- hex, 5/8 inch NC		
H	18524	BOLT- round hd. square nk. 5/8 NC x 2 inch		
I	21474	BOLT- round hd. square nk. 1/2 NC x 2 inch		
J	21388	NUT- lock, 5/8 inch NC nylon insert		
K	21469	BOLT- round hd. square nk. 1/2 NC x 1 1/2 inch		
L	4761	WASHER- flat, 17/32 ID x 3/16 thick		
M	18638	WASHER- lock, 1/2 inch		
N	18591	NUT- hex, 1/2 inch NC		
O	30172	NUT- spring, 1/2 inch		
P	21863	BOLT- round hd. square nk. 3/8 NC x 3/4 inch		
Q	30228	NUT- lock, flange head, 3/8 inch NC distorted thread		
R	18669	NUT- lock, 3/8 inch NC distorted thread		
S	18601	WASHER- flat, 3/4 inch I.D.		
T	21087	BOLT- round hd. square nk. 5/16 NC x 1 inch		
U	18597	WASHER- flat, 5/16 inch I.D.		
V	18690	NUT- lock, 5/16 inch NC distorted thread		
W	18599	WASHER- flat, 1/2 inch I.D.		
X	21471	BOLT- round hd. square nk. 1/2 NC x 1 1/4 inch - JD		
	21868	BOLT- round hd. square nk. 1/2 NC x 1 inch - C-IH, D-A & F-NH		
Y	18697	NUT- lock, 1/2 inch NC distorted thread		
Z	18723	BOLT- hex head, 1/2 NC x 1 1/2 inch - JD		
	21491	BOLT- hx hd, 1/2 NC x 1 1/4 inch- C-IH, D-A & F-NH		

DON ADAPTER MOUNTING GROUP



REF	PART NUMBER	DESCRIPTION	QTY	SERIAL NUMBER
1	REF	SPACER - feeder housing, see Combine Parts Catalog	1	
2	40195	BRACKET - left, spacer	1	
3	40196	BRACKET - right, spacer	1	
4	40211	PAN - spacer	1	
5	40212	ANGLE - mounting, bracket to pan	2	
6	18629	PIN - clevis, 3/4 x 3.74 inch effective length	2	
7	13125	PIN - hair	2	
8	40215	BRACKET - lower, adapter mounting	2	
9	40221	DEFLECTOR - crop, mounts across top of adapter frame opening	1	
A	21449	BOLT - flange head, 1/2 NC x 1 inch		
B	18697	NUT - lock, 1/2 inch NC distorted thread		
C	19965	BOLT - round head square neck, 3/8 NC x 1 inch		
D	30228	NUT - lock, flange head, 3/8 inch NC distorted thread		
E	18524	BOLT - round head square neck, 5/8 NC x 2 inch		
F	22072	WASHER - flat, .66 ID x 1.5 OD x .187 inch thick		
G	18639	WASHER - lock, 5/8 inch		
H	18592	NUT - hex, 5/8 inch NC		
J	21863	BOLT - round head square neck, 3/8 NC x 3/4 inch		

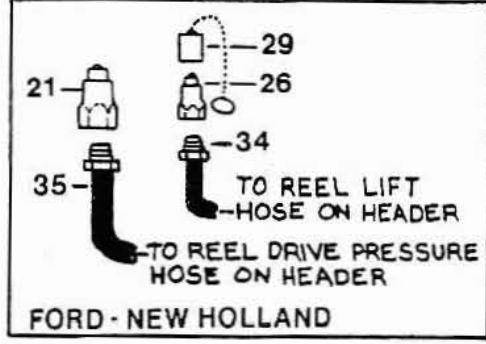
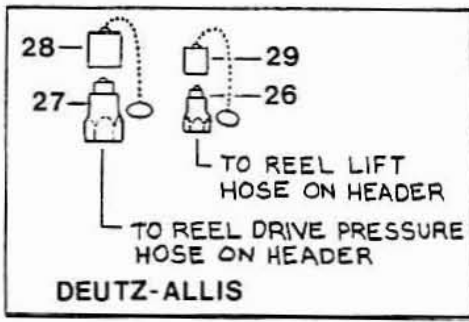
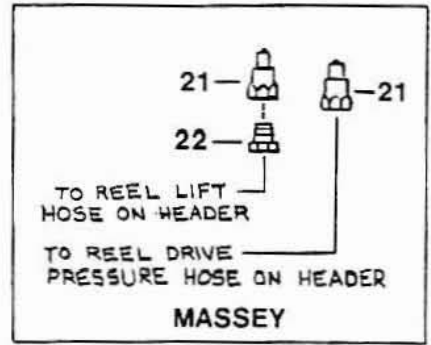
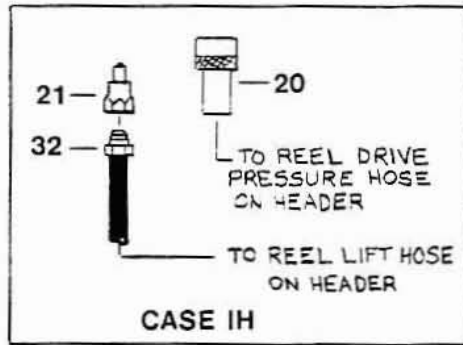
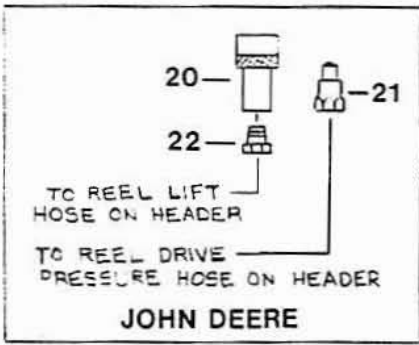
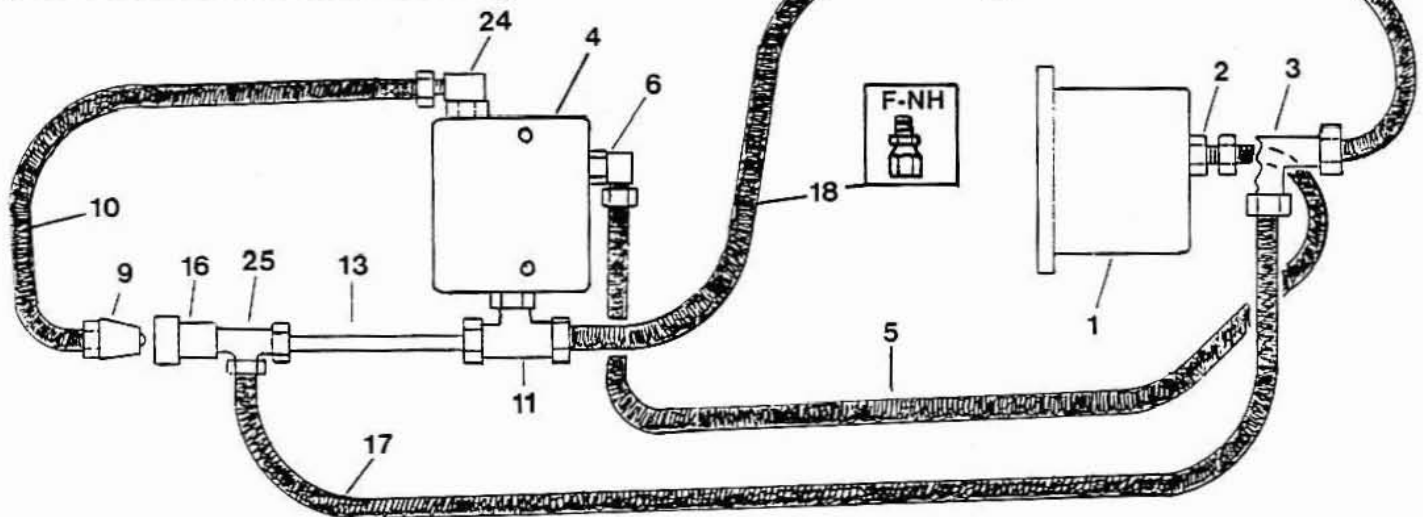
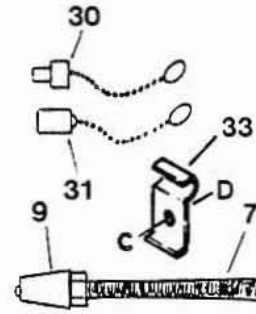
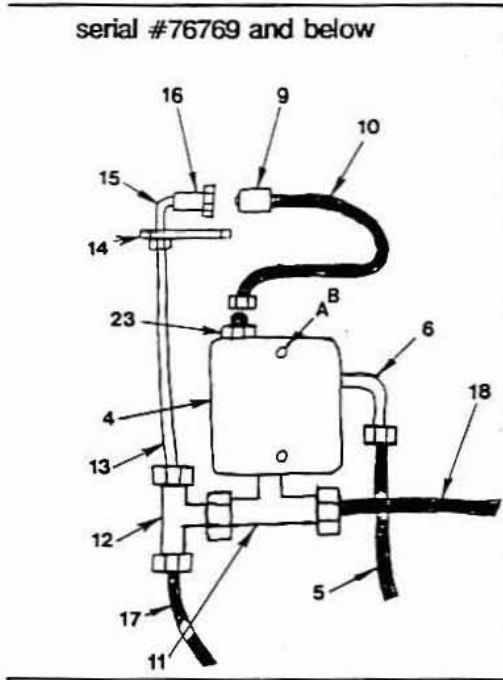
CHAPTER HYDRANCS

Fig. 1. Pressure loss



ADAPTER HYDRAULICS

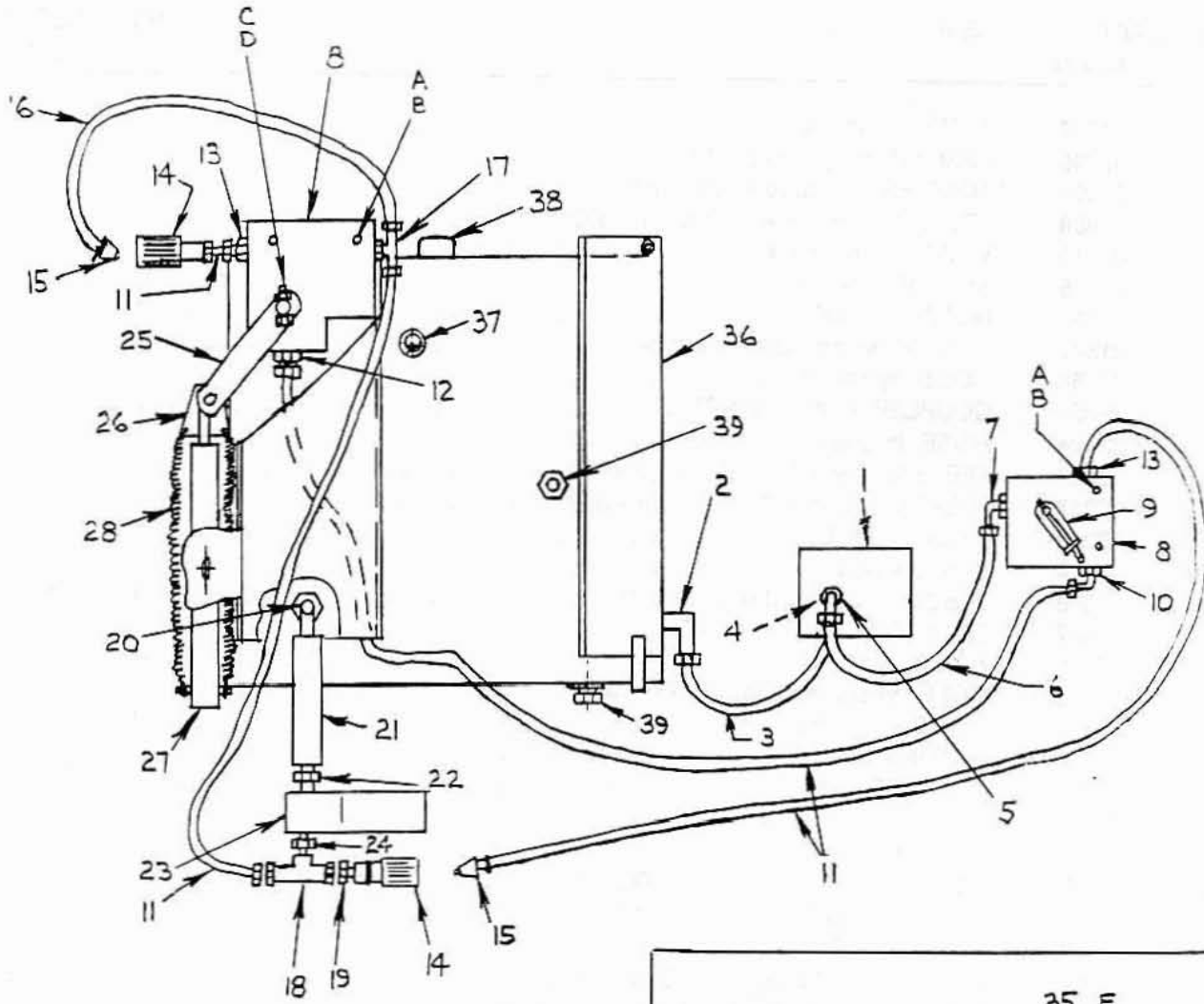
serial #76769 and below



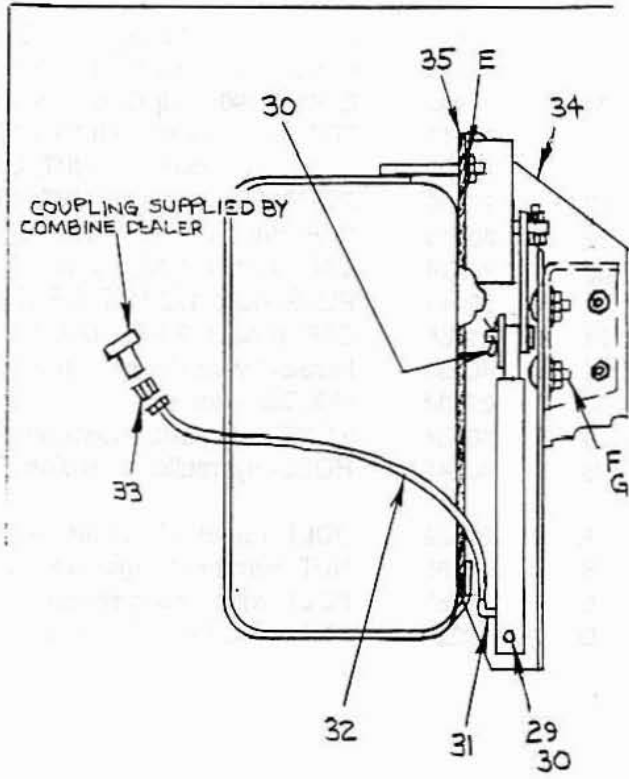
ADAPTER HYDRAULICS

REF	PART NUMBER	DESCRIPTION	QTY	SERIAL NUMBER
1	37712	PUMP- hydraulic	1	
	37796	SEAL KIT- for pump 37712		
2	30695	ADAPTER- 5/8 tube x 7/8 O-ring	1	
3	30858	TEE- 3/4 tube x 3/4 tube x 1 1/16 O-ring	1	
4	37710	VALVE- flow control	1	
	30045	SEAL KIT- for valve 37710		
5	37757	HOSE- hydraulic	1	
6	21843	ELBOW- 90, adj. ORB 5/8 tube	1	
7	37758	HOSE- hydraulic	1	
9	21855	COUPLER- male, 1/2 NPT	2	
10	33424	HOSE- hydraulic	1	
11	30560	TEE- 5/8 tube x 5/8 tube x 7/8 O-ring	1	
12	30857	TEE- 5/8 tube x 5/8 tube male x 5/8 tube female	1	-76769
13	37868	LINE- hydraulic	1	
14	37774	BAR- support	1	
15	30553	ELBOW- 90, 5/8 tube x 1/2 NPT	1	-76769
16	21857	COUPLER- female, 1/2 NPT	1	
17	37759	HOSE- hydraulic	1	
18	33423	HOSE- to combine return, JD, DA, MF	1	
	33424	HOSE- to combine return, C-IH	1	
	30926	FITTING- adapter 5/8 tube x 1/2 NPT, F-NH	1	
19	21857	COUPLER- female 1/2 NPT, JD, F-NH & MF	1	
	30908	COUPLER- female 1/2 NPT, D-A	1	
	21855	COUPLER- male, 1/2 NPT, C-IH	1	
20	21857	COUPLER- female 1/2 NPT JD & C-IH	1	
21	21855	COUPLER- male 1/2 NPT, quantity 2 for MF	1	
22	20043	CONNECTOR- 1/2 NPT male x 1/4 NPT female	1	
23	30695	ADAPTER- 5/8 tube x 7/8 O-ring - except MF	1	-76769
	21843	ELBOW- 90°, adj ORB, 5/8 tube - MF only	1	
24	21843	ELBOW- 90°, adj ORB, 5/8 tube	1	76770-
25	30817	TEE- 5/8 tube x 5/8 tube x 1/2 NPT	1	76770-
26	30825	COUPLER- male, 1/4 NPT, D-A & F-NH	1	
27	30909	COUPLER- male, 1/2 NPT, DTZ ALLIS	1	
28	30913	CAP- dust, 1/2 NPT, DEUTZ ALLIS	1	
29	21824	CAP- dust, 1/4 NPT, D-A & F-NH	1	
30	30914	PLUG- dust, 1/2 NPT, DEUTZ ALLIS	1	
31	21856	CAP- dust, 1/2 NPT, D-A & C-IH (qty 1 for DEUTZ ALLIS)	2	
32	40333	HOSE- hydraulic, extension, C-IH	1	
33	29934	HOLDER- hose	1	
34	40334	HOSE- hydraulic, extension, F-NH	1	
35	40245	HOSE- hydraulic, extension, F-NH	1	
A	30822	BOLT- round hd. square nk. 1/4 NC x 2 1/4 in.		
B	21455	NUT- serrated flange lock, 1/4 inch NC		
C	19965	BOLT- round head square neck. 3/8 NC x 1 inch		
D	30228	NUT- lock, flange head, 3/8 inch NC distorted thread		

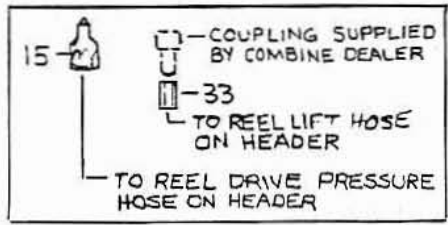
DON ADAPTER HYDRAULICS



FRONT VIEW



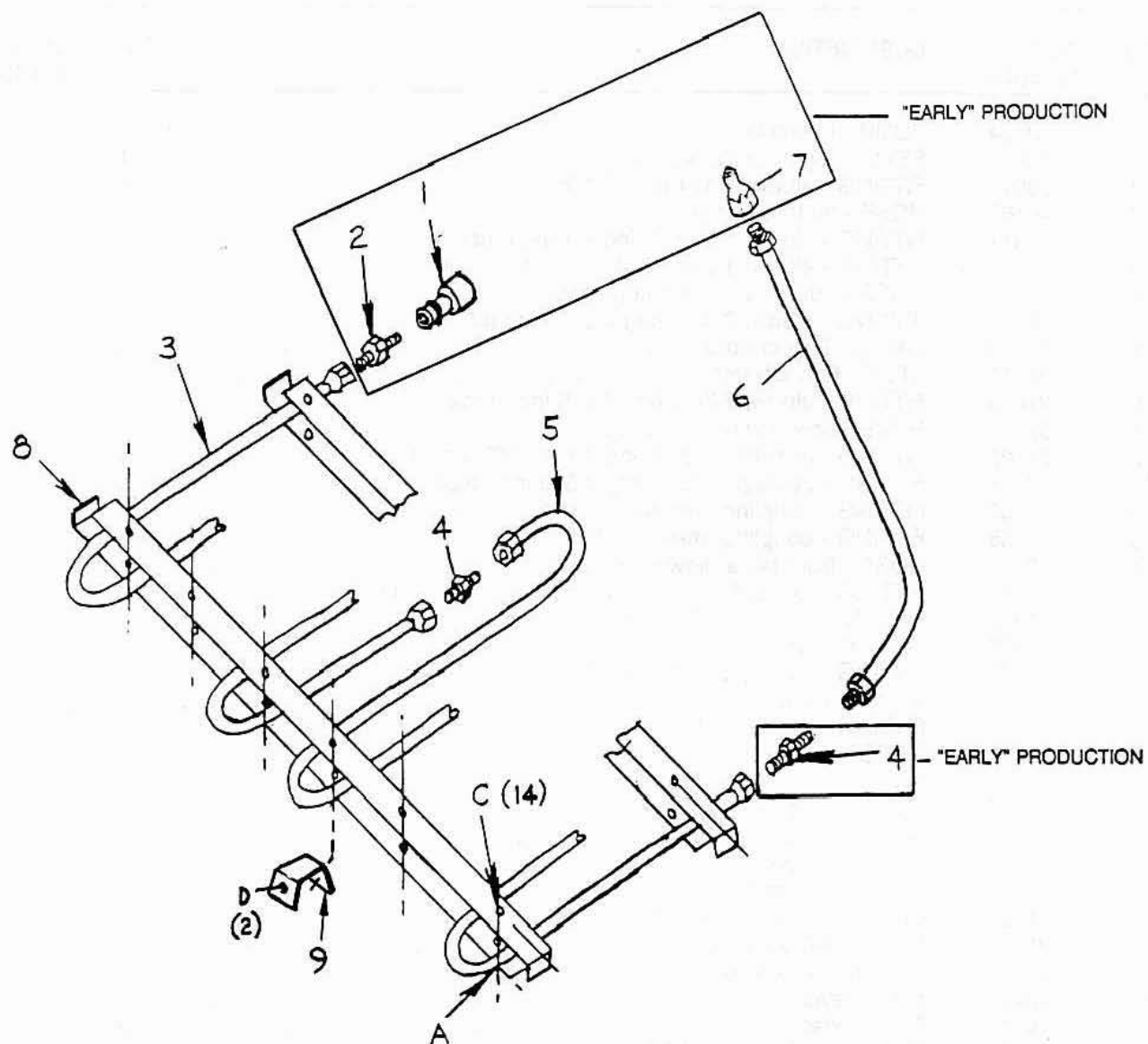
R/H SIDE VIEW



DON ADAPTER HYDRAULICS

REF	PART NUMBER	DESCRIPTION	QTY	SERIAL NUMBER
1	40164	PUMP - hydraulic	1	
	30915	SEAL KIT - for pump 40164	1	
2	30916	FITTING - elbow, 1 1/4 NPT x 1 inch tube	1	
3	40167	HOSE - tank to pump	1	
4	30917	FITTING - elbow, 1 5/8 O-ring x 1 inch tube	1	
5	21827	FITTING - elbow, 1 5/16 O-ring x 1 inch tube	1	
6	40168	HOSE - pump to flow control valve	1	
7	30609	FITTING - elbow, 7/8 O-ring x 3/4 inch tube	1	
8	37710	VALVE - flow control	2	
9	37515	STOP - flow control	1	
10	21843	FITTING - elbow, 7/8 O-ring x 5/8 inch tube	1	
11	33424	HOSE - flow control	4	
12	21882	FITTING - adapter, 7/8 O-ring x 1/2 NPT female	1	
13	30695	FITTING - adapter, 7/8 O-ring x 5/8 inch tube	2	
14	21857	FITTING - coupling, female 1/2 NPT	2	
15	21855	FITTING - coupling, male 1/2 NPT	3	
16	33423	HOSE - from tee at flow control	1	
17	30560	FITTING - tee, 5/8 tube x 5/8 tube x 7/8 inch O-ring	1	
18	21978	FITTING - tee, 1/2 NPT female (2) x 1/2 NPT male	1	
19	21976	FITTING - nipple, 1/2 NPT	1	
20	21850	FITTING - elbow, 3/4 NPT male	1	
21	21842	VALVE - check	1	
22	30293	FITTING - nipple, 3/4 NPT	1	
23	21807	FILTER - oil, with head	1	
	21808	FILTER - oil, element only	1	
24	5745	FITTING - connector, 3/4 NPT male x 1/2 NPT female	1	
25	40145	ARM - flow control	1	
26	40148	ANCHOR - cylinder	1	
27	23404	CYLINDER - single acting	1	
	21495	SEAL KIT - for cylinder 23404	1	
	21792	PISTON ROD - for cylinder 23404	1	
28	24318	SPRING - extension	2	
29	18704	PIN - clevis	1	
30	18648	PIN - cotter	2	
31	30281	FITTING - elbow, 1/4 NPT x 3/8 inch tube	1	
32	33426	HOSE - combine to cylinder	1	
33	40180	FITTING - adapter, 1/4 NPT female x M14-1.5	2	
34	40151	SUPPORT - tank, left	1	
35	40156	SUPPORT - tank, right	1	
36	29925	TANK - oil reservoir, includes item 37	1	
37	30918	INDICATOR - oil level sight glass	1	
38	21044	BREATHING / FILLER CAP	1	
39	1434	PLUG - pipe, 1/2 NPT	2	
A	30822	BOLT - round head square neck, 1/4 NC x 2 1/4 inch		
B	21455	NUT - serrated flange lock, 1/4 inch NC		
C	21268	BOLT - hex head, 5/16 NC x 1 1/2 inch		
D	18690	NUT - lock, 5/16 inch NC distorted thread		
E	30228	NUT - lock, flange head, 3/8 inch NC distorted thread		
F	21868	BOLT - round head square neck, 1/2 NC x 1 inch		
G	21383	NUT - serrated flange lock, 1/2 inch NC		

DON ADAPTER HYDRAULICS - COOLER



REF	PART NUMBER	DESCRIPTION	QTY	SERIAL NUMBER
1	21857	FITTING - coupling, female 1/2 NPT (early production)	1	
2	21746	FITTING - adapter, 1/2 NPT x 5/8 inch tube (early production)	1	
3	40131	LINE - hydraulic	1	
4	30558	FITTING - union, 5/8 inch tube (qty. 2 with hose 33424)	1	
5	40132	LINE - hydraulic	1	
6	33424	HOSE - cooler to adapter (male one end - early production)	1	
	40139	HOSE - cooler to draper motor line (male both ends)	1	
7	21855	FITTING - coupling, male 1/2 NPT (early production)	1	
8	40130	CLAMP - line	4	
9	40133	SUPPORT - clamp (double delivery headers only)	2	
A	21470	BOLT - round head square neck, 3/8 NC x 2 inch		
C	30228	NUT - lock, flange head 3/8 inch NC distorted thread		
D	21863	BOLT - round head square neck, 3/8 NC x 3/4 inch		

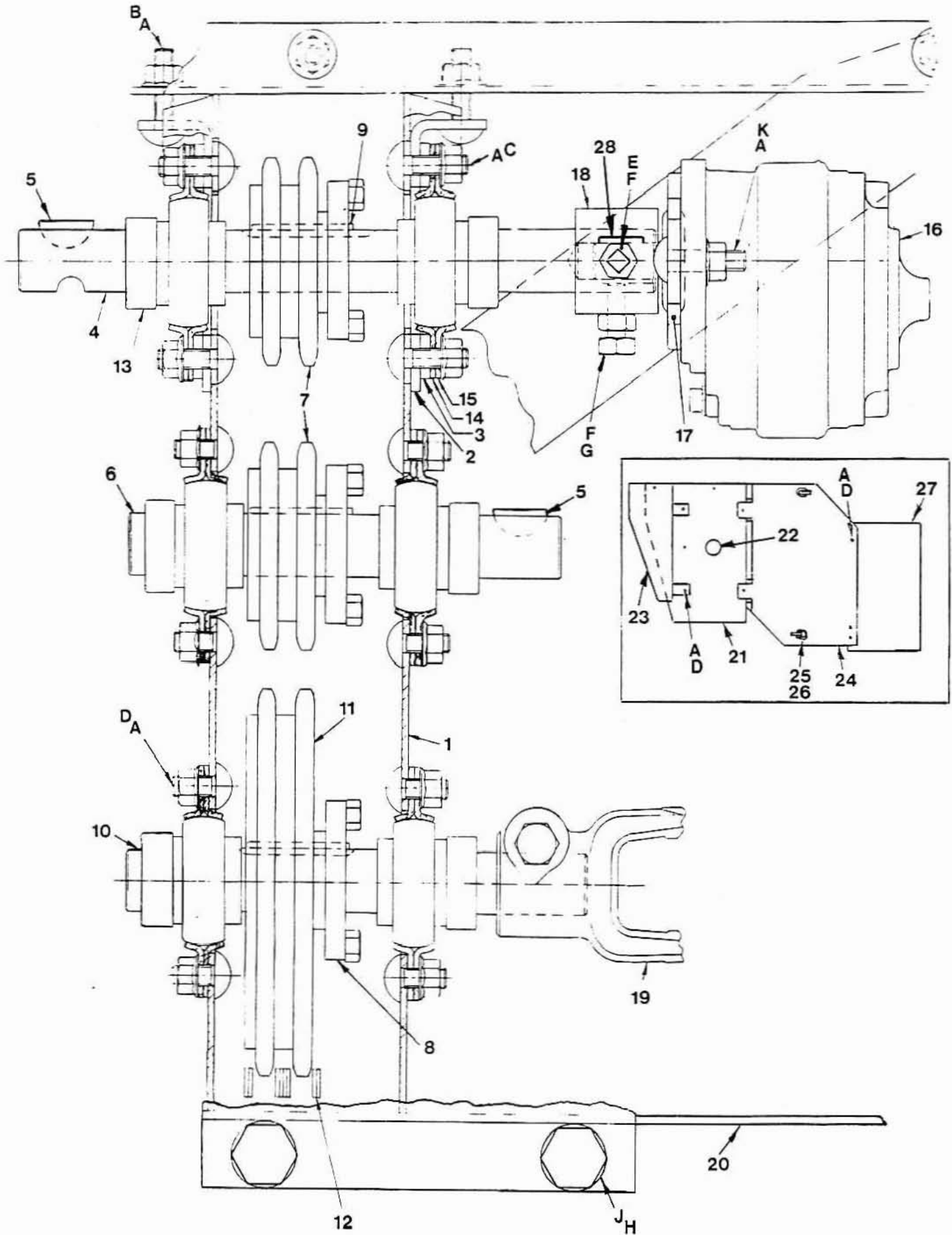
B

D

C



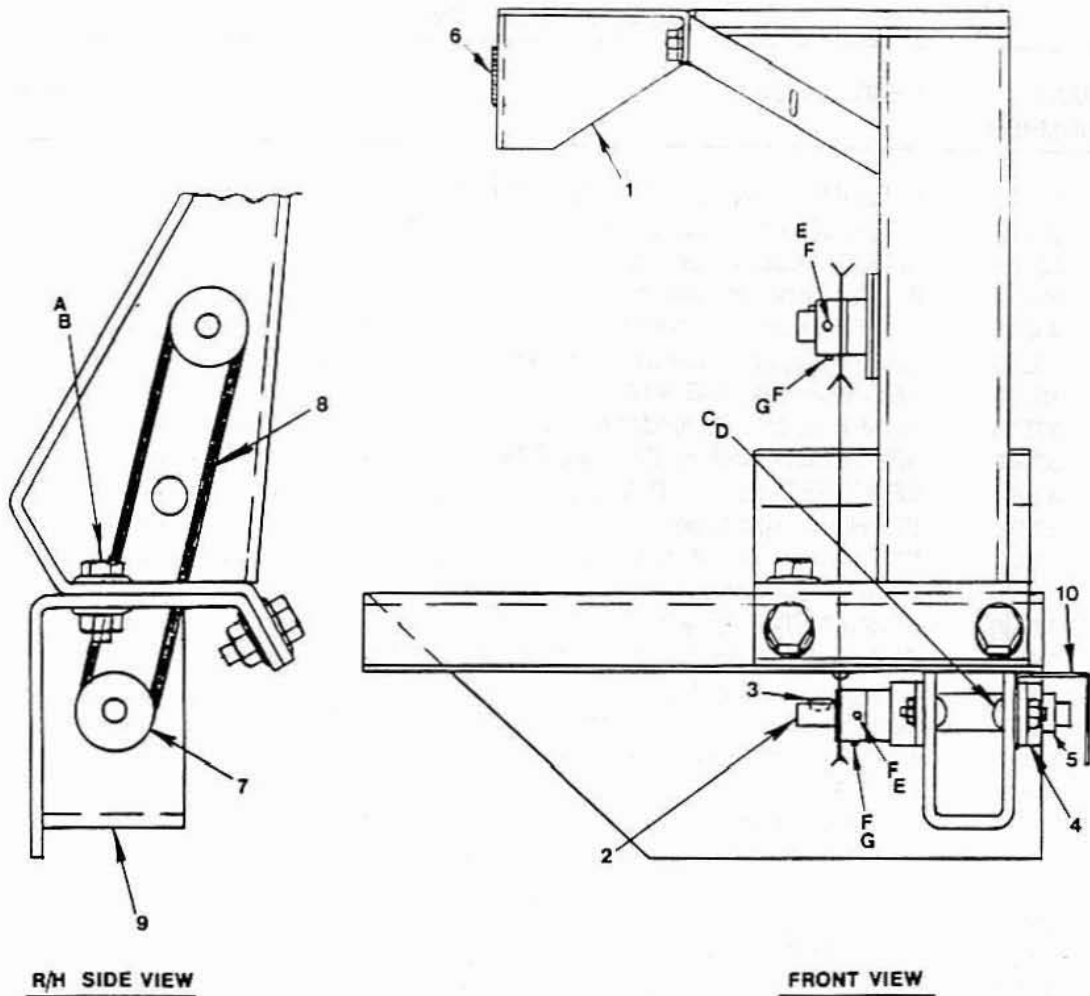
ADAPTER DRIVE CASE



ADAPTER DRIVE CASE

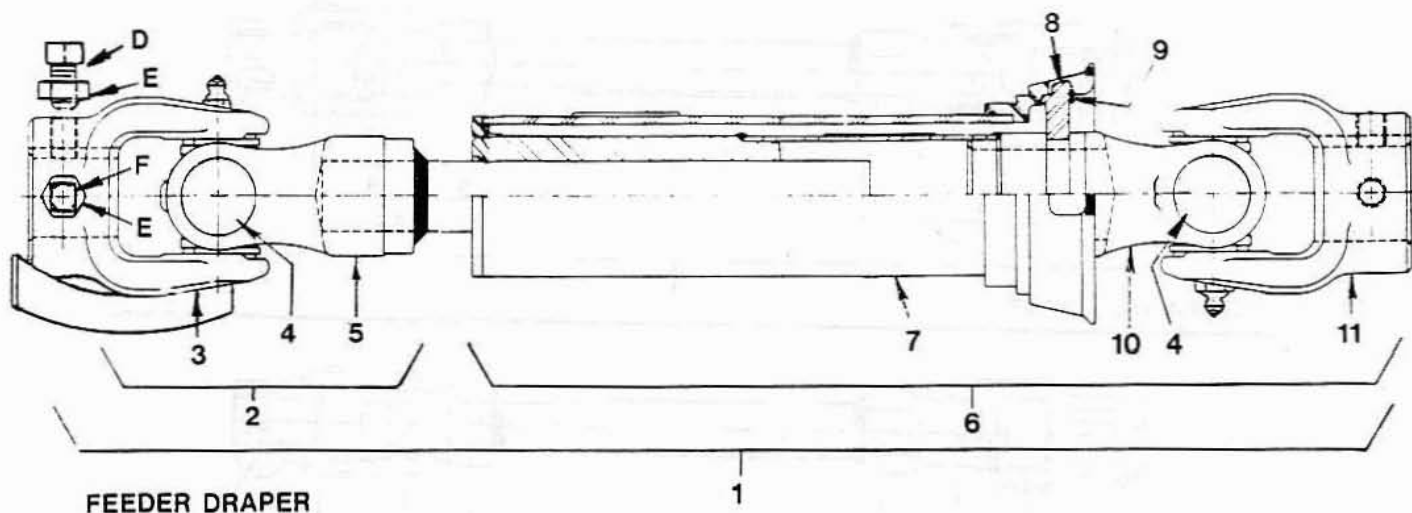
REF	PART NUMBER	DESCRIPTION	QTY	SERIAL NUMBER
1	37490	HOUSING- drive, all MF & DON, plus early prod'n. JD & C-IH (see break)	1	-76769
	37513	HOUSING- drive, JD, C-IH, D-A, F-NH	1	76770-
2	33508	ANGLE- upper mounting	2	
3	33509	PLATE- upper mounting	2	
4	40350	SHAFT- upper, to header driveline (except DON)	1	
	40349	SHAFT- upper, to header driveline, DON only	1	
5	13298	KEY- woodruff, SAE #18	3	
6	37505	SHAFT- middle, to feeder draper	1	
7	33000	SPROCKET- double: JD, C-IH, F-NH, DON & MF	2	
	40091	SPROCKET- double: D-A only	2	
8	30034	BUSHING- split taper	3	
9	7038	KEY- 1/4 x 1/4 x 2 inch	3	
10	37506	SHAFT- lower, input	1	
11	37108	SPROCKET- double, drive	1	
12	37114	CHAIN- roller, double: JD, C-IH, F-NH, DON & MF	1	
	40092	CHAIN- roller, double: D-A only	1	
	30925	LINK- connector, double (for chain 37114 or 40092)	1	
13	21859	BEARING- ball, with lock collar	6	
14	30601	FLANGE- bearing	6	
15	21860	FLANGE- bearing, with lube ftg.	6	
16	REF	PUMP- see Adapter Hydraulics	1	
17	37509	PLATE- motor mounting	1	
18	37510	COLLAR- shaft	1	
19	REF	DRIVELINE- see Adapter Drivelines		
20	37516	ADAPTER- mounting plate, JD & DON	1	
	37517	ADAPTER- mounting plate, CASE IH	1	
	REF	ADAPTER- see Massey Drive Adapter	1	
21	37511	COVER- drive: JD	1	-76769
	37508	COVER- drive: all MF & DON plus C-IH with serial no. 76769 and below	1	
	37575	COVER- drive: JD, C-IH, F-NH & D-A	1	76770-
22	30823	CAP- plastic	1	
23	37495	SHIELD- drive, left (use only with covers 37508 & 37511)	1	
24	37542	SHIELD- drive, right- JD with cover 37511 only	1	
25	21874	FASTENER- 1/4 turn (qty. 2 up to serial no. -76769)	1	
26	18597	WASHER- flat (qty. 2 up to serial no. -76769)	1	
27	37502	SHIELD- rubber, CASE IH	1	76770-
	37503	SHIELD- rubber, JD & D-A	1	76770-
	40242	SHIELD- rubber, F-NH	1	
28	40385	KEY- 3/16 sq. x 0.97 inch, (except DON)	1	
	18810	KEY- 1/4 sq. x 1.0 inch, DON only	1	
A	30228	NUT- lock, flange 3/8 inch NC distorted thd.		
B	30853	BOLT- round hd. square nk. 3/8 NC x 1 3/4" TFL		
C	19965	BOLT- round hd. square nk. 3/8 NC x 1 inch		
D	21863	BOLT- round hd. square nk. 3/8 NC x 3/4 inch		
E	18908	SCREW- set, sq. hd. cup pt. 3/8 NC x 1 inch		
F	18664	NUT- hex jam, 3/8 inch NC		
G	21248	SCREW- set, sq. hd. cup pt. 3/8 NC x 3/4 inch		
H	21449	BOLT- flange head, 1/2 NC x 1 inch		
J	21383	NUT- serrated flange lock, 1/2 inch NC		
K	19966	BOLT- round hd. square nk. 3/8 NC x 1 1/4 inch		

MASSEY DRIVE ADAPTER

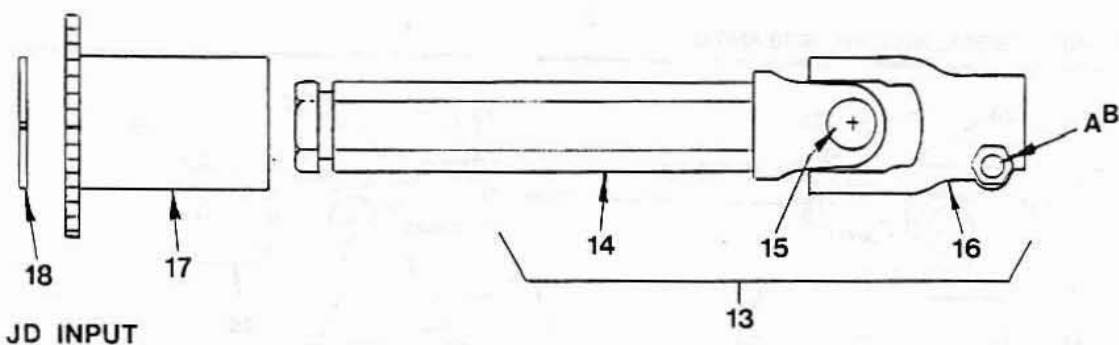


REF	PART NO.	DESCRIPTION	QTY.	SERIAL NUMBER
1	37557	ADAPTER- upper	1	
2	37568	SHAFT- pulley drive	1	
3	13298	KEY- woodruff, SAE# 18	2	
4	21935	BEARING ASS'Y- incl. block & #5	2	
5	21859	BEARING- ball, with lock collar	2	
6	25298	GROMMET- hose protector	1	
7	37733	PULLEY- with hub	2	
8	6078	BELT- drive	1	
9	37622	ADAPTER- lower	1	
10	37496	SHIELD	1	
A	21449	BOLT- flange head, 1/2 NC x 1 inch		
B	21383	NUT- serrated flange lock, 1/2 inch NC		
C	19965	BOLT- round hd. square nk. 3/8 NC x 1 inch		
D	30228	NUT- lock, flange 3/8 inch NC distorted thread		
E	18908	SCREW- set, square hd. cup pt. 3/8 NC x 1 inch		
F	18664	NUT- hex jam, 3/8 inch NC		
G	21248	SCREW- set, square hd. cup pt. 3/8 NC x 3/4 in.		

ADAPTER DRIVELINES



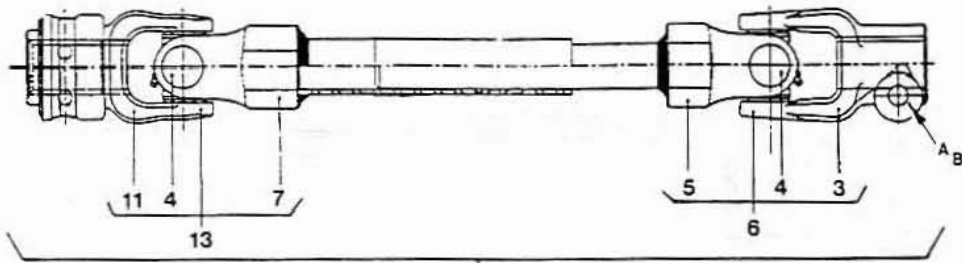
FEEDER DRAPER



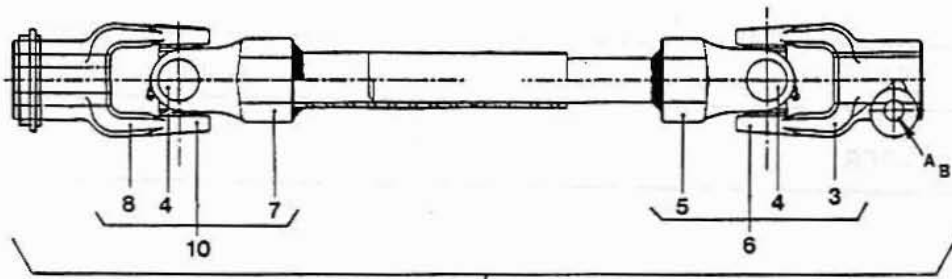
JD INPUT

REF	PART NO.	DESCRIPTION	QTY.	SERIAL NUMBER
1	40372	DRIVELINE- feeder draper	1	
2	40376	JOINT ASSEMBLY- male half	1	
3	36739	YOKE- feeder draper end	1	
4	37959	CROSS & BEARING KIT	2	
5	40377	YOKE with SHAFT	1	
6	36749	JOINT ASSEMBLY- female half	1	
7	36746	SHIELD- includes Ref. 8 & 9	1	-76769
8	36646	BEARING- nylon	1	-76769
9	36743	RETAINER- bearing	1	-76769
10	36745	YOKE with TUBE & ALIGNING PLUG	1	
11	36740	YOKE- drive case end	1	
13	37714	DRIVELINE- input, JD	1	
14	36760	YOKE with SHAFT	1	
15	30622	CROSS & BEARING KIT	1	
16	30621	YOKE- drive case end	1	
17	37553	SPROCKET- drive	1	
18	30865	RING- retaining	1	
A	21880	BOLT- hex head, 1/2 NC x 2 3/4 inch		
B	18697	NUT- lock, 1/2 inch NC distorted thread		
D	18908	SCREW- set, square hd. cup pt. 3/8 NC x 1 inch		
E	18664	NUT- hex jam, 3/8 inch NC		
F	21248	SCREW- set, square hd. cup pt. 3/8 NC x 3/4 in.		

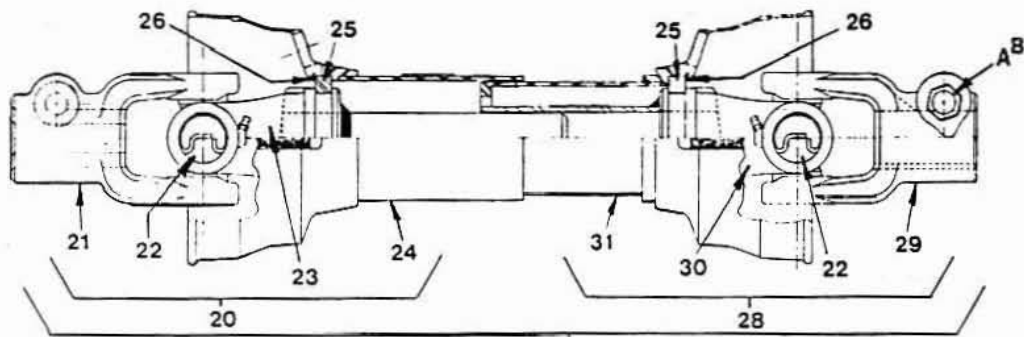
ADAPTER DRIVELINES



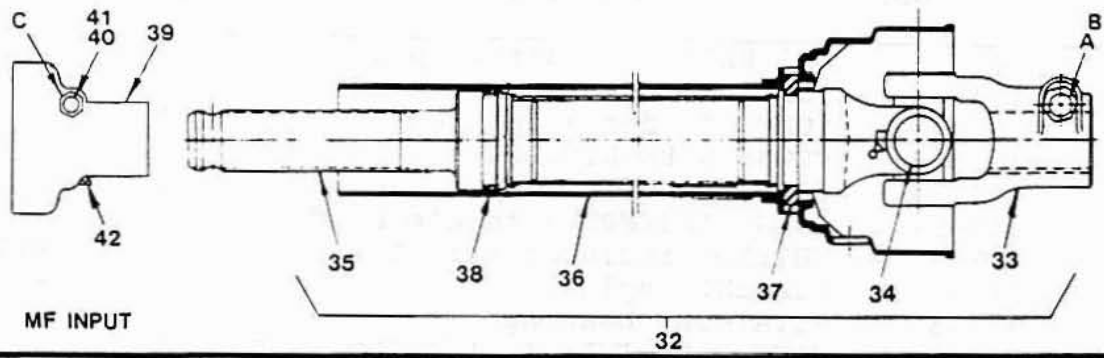
DEUTZ-ALLIS INPUT



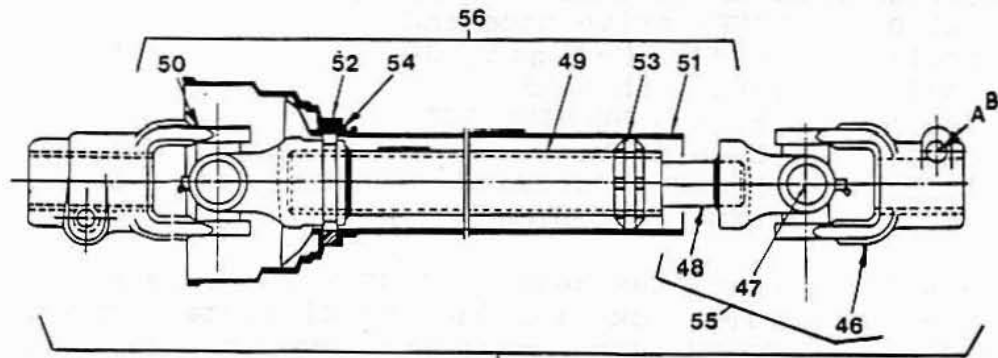
CASE IH INPUT, SERIAL NUMBER 76770 AND UP



CASE IH INPUT, SERIAL NUMBER 76769 AND BELOW



MF INPUT

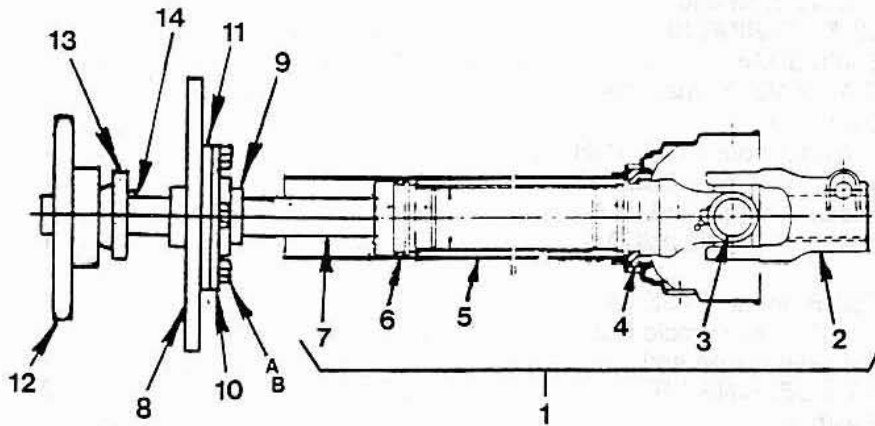


FORD-NEW HOLLAND INPUT

ADAPTER DRIVELINES

REF	PART NUMBER	DESCRIPTION	QTY	SERIAL NUMBER
1	40093	DRIVELINE-input, D-A, complete	1	76770-
2	37570	DRIVELINE-input, C-IH, complete	1	76770-
3	37993	YOKE- drive case end	1	76770-
4	15406	CROSS & BEARING KIT	2	76770-
5	37999	YOKE with SHAFT	1	76770-
6	37998	JOINT ASSEMBLY- male half	1	76770-
7	40113	YOKE with TUBE	1	76770-
8	37958	YOKE- feeder house end, C-IH	1	76770-
10	40112	JOINT ASS'Y- female half, C-IH	1	76770-
11	32084	YOKE-feeder house end, D-A	1	76770-
13	40094	JOINT ASS'Y- female half D-A	1	76770-
19	37715	DRIVELINE- input, CASE IH	1	-76769
20	36768	JOINT ASSEMBLY- male half	1	-76769
21	36778	YOKE- feeder house end	1	-76769
22	30622	CROSS & BEARING KIT	2	-76769
23	36774	YOKE with SHAFT	1	-76769
24	36772	SHIELD- outer, incl Ref 25 & 26	1	-76769
25	36758	BEARING- nylon	2	-76769
26	30323	RETAINER- bearing	2	-76769
28	36767	JOINT ASSEMBLY- female half	1	-76769
29	30621	YOKE- drive case end	1	-76769
30	36773	YOKE with TUBE & ALIGNING PLUG	1	-76769
31	36771	SHIELD- inner, incl Ref 25 & 26	1	-76769
32	37709	DRIVELINE- input, MF	1	
33	30621	YOKE- drive case end	1	
34	30622	CROSS & BEARING KIT	1	
35	36784	YOKE with SHAFT	1	
36	36785	SHIELD- outer	1	
37	30623	BEARING- nylon, shield	1	
38	36787	BEARING- nylon, support	1	
39	REF	COUPLING- order MF #147337M1	1	
40	REF	PIN- coupling, order MF #148162M1	1	
41	37727	SPRING- coupling pin	1	
42	18671	FITTING- lube	1	
45	40244	DRIVELINE- input, F-NH, complete	1	
46	37993	YOKE- drive case end	1	
47	15406	CROSS & BEARING KIT	2	
48	40249	YOKE with SHAFT	1	
49	30929	YOKE with TUBE (Walterscheid-Agmaster)	1	
	40391	YOKE with TUBE (Weasler)	1	
50	15549	YOKE- feeder house end	1	
51	30928	SHIELD- plastic (Walterscheid-Agmaster)	1	
	40392	SHIELD- plastic (Weasler)	1	
52	30623	BEARING- nylon, shield (Walterscheid-Agmaster)	1	
	30322	BEARING- nylon, shield (Weasler)	1	
53	30167	SUPPORT- shield	1	
54	30323	RETAINER- bearing (Weasler)	1	
55	40248	JOINT ASSEMBLY- male half	1	
56	40390	JOINT with TUBE and SHIELD	1	
A	21880	BOLT- hex head, 1/2 NC x 2 3/4 inch		
B	18697	NUT- lock, 1/2 inch NC distorted thread		
C	18724	NUT- lock, 1/4 inch NC distorted thread		

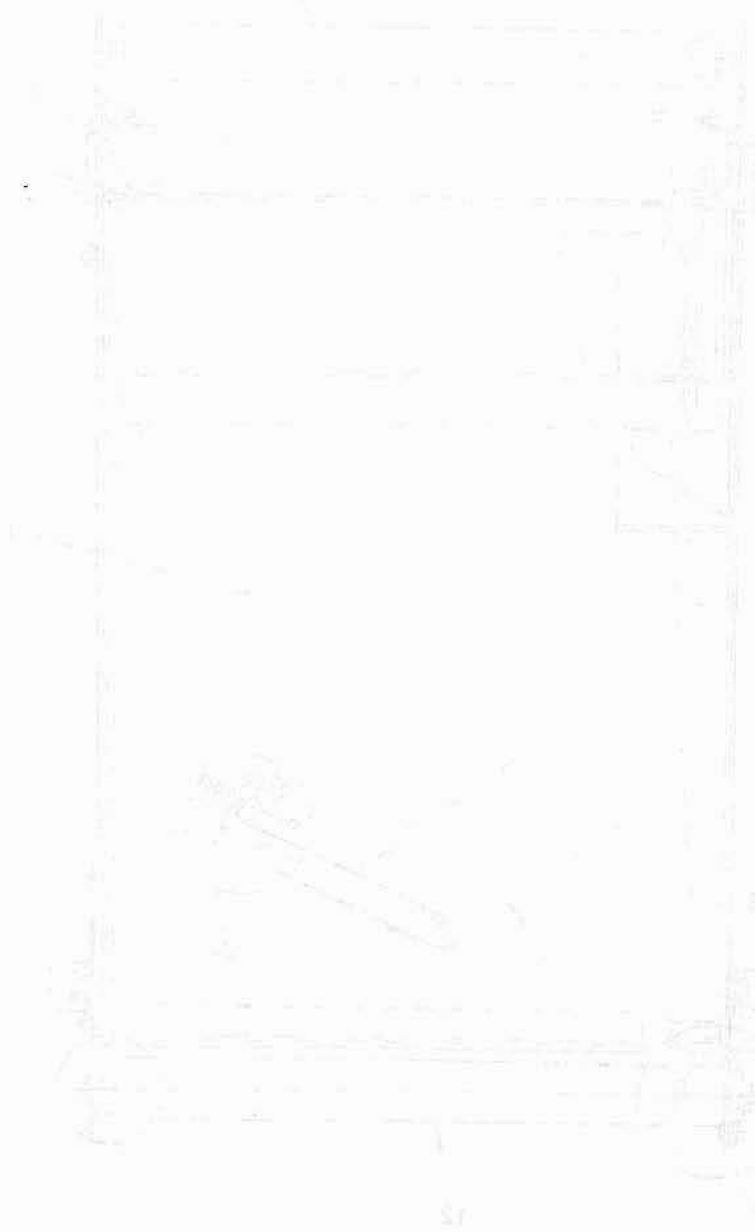
DON ADAPTER DRIVELINE



REF	PART NUMBER	DESCRIPTION	QTY	SERIAL NUMBER
1	40143	DRIVELINE - input, DON, includes items 2-7	1	
2	37993	YOKE - drive case end	1	
3	15406	CROSS & BEARING KIT	1	
4	30623	BEARING - nylon, shield	1	
5	36785	SHIELD - outer	1	
6	36787	BEARING - nylon, support	1	
7	40144	YOKE with SHAFT	1	
8	40142	PLATE - mounting	1	
9	21859	BEARING - ball	1	
10	21860	FLANGE - bearing, with lube fitting	1	
11	7701	FLANGE - bearing	1	
12	40141	SPROCKET - drive	1	
13	30034	BUSHING - split taper	1	
14	7038	KEY - 1/4 x 1/4 x 2 inch	1	
A	21863	BOLT - round head square neck, 3/8 NC x 3/4 inch		
B	30228	NUT - lock, flange 3/8 inch NC distorted thread		

PLAN

10/10/11

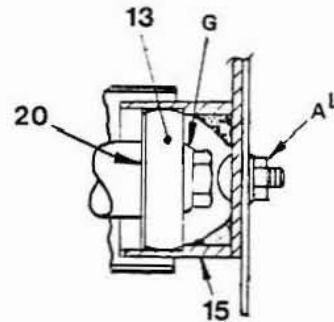
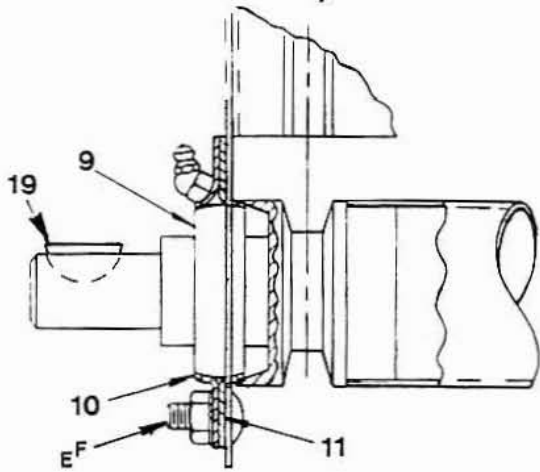
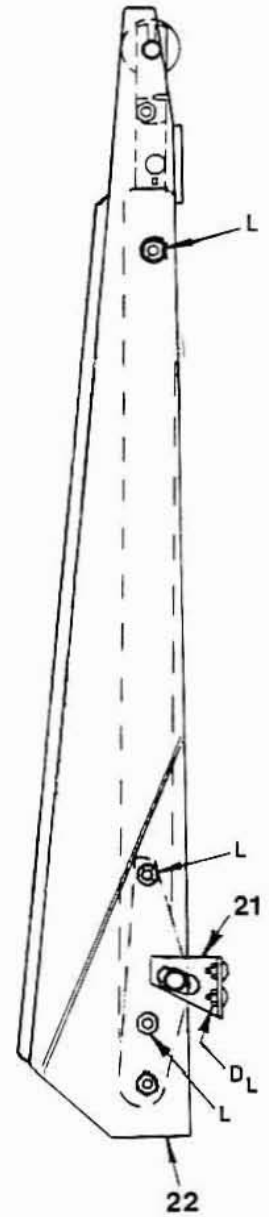
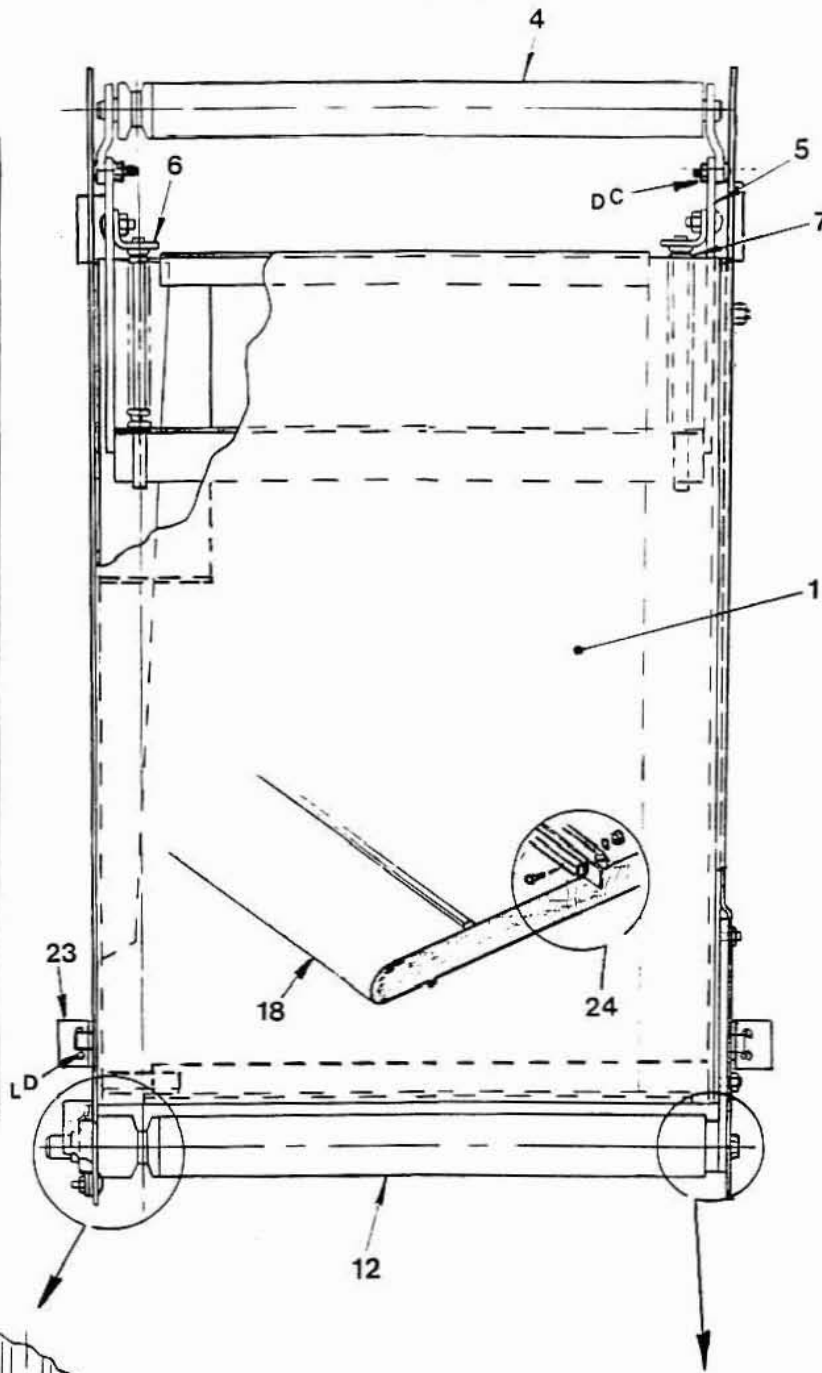
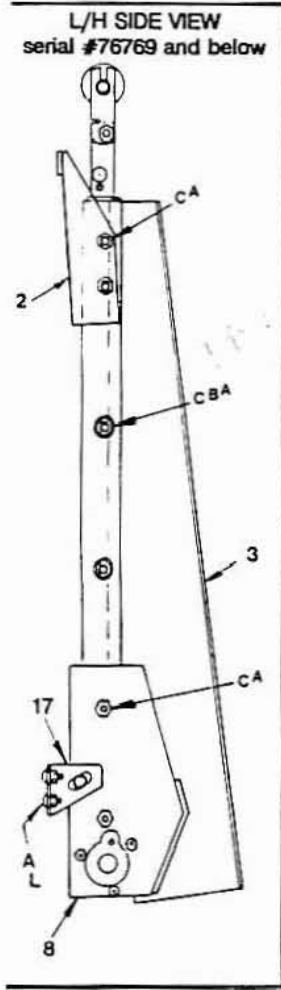


2

ADAPTER FEEDER DRAPER GROUP

TOP VIEW

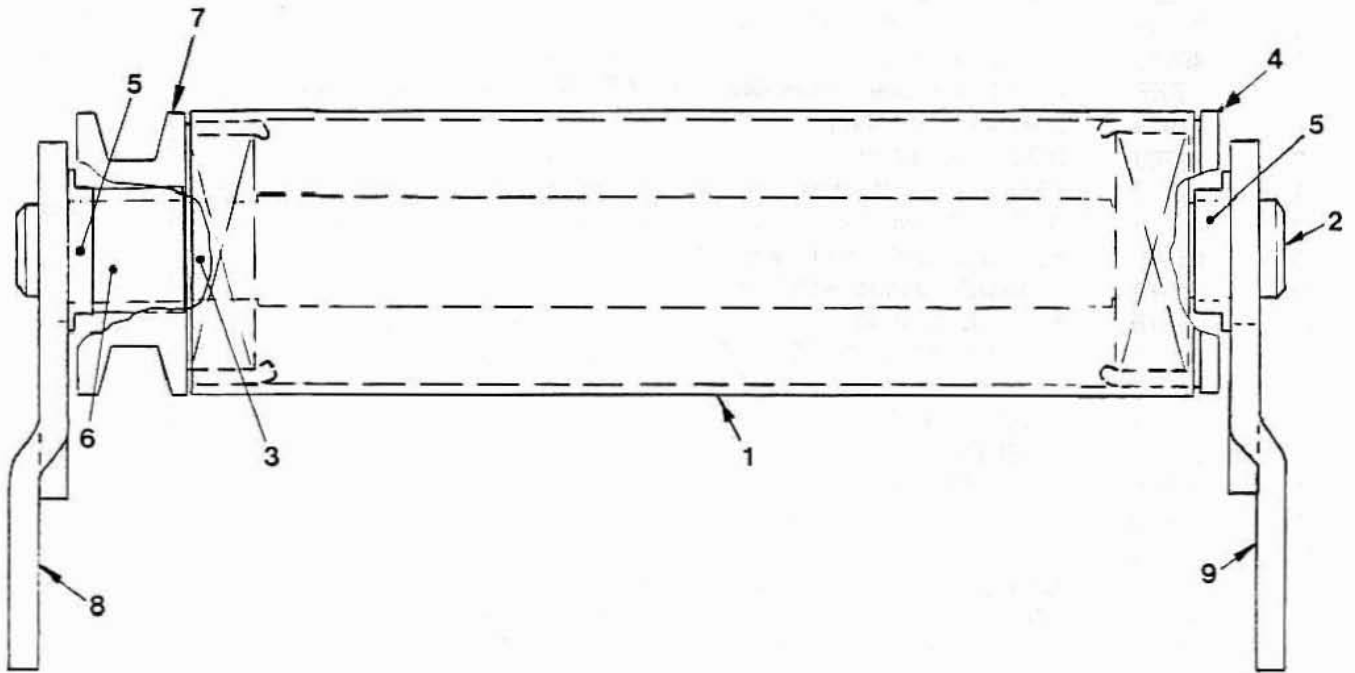
R/H SIDE VIEW



ADAPTER FEEDER DRAPER GROUP

REF	PART NUMBER	DESCRIPTION	QTY	SERIAL NUMBER
1	37896	CARRIER- feeder draper, JD & MF	1	-76769
	40000	CARRIER- feeder draper, JD, DON & MF	1	76770-
	37897	CARRIER- feeder draper, C-IH	1	-76769
	40001	CARRIER- feeder draper, C-IH, F-NH & D-A	1	76770-
2	37908	SUPPORT- front, L/H	1	-76769
3	40015	DEFLECTOR- L/H	1	-76769
4	REF	ASSEMBLY- see Feeder Draper Idler Roller	1	
5	37918	BAR- idler adjusting	2	
6	37780	ROD- idler spring	2	
7	37107	SPRING- idler tension	2	
8	40012	SUPPORT- left rear	1	-76769
9	21869	BEARING- ball, with lock collar	1	
10	21870	FLANGE- bearing, with lube ftg.	1	
11	8316	FLANGE- bearing	1	
12	40337	ROLLER- drive, JD, DON & MF	1	
	37925	ROLLER- drive, CASE IH, F-NH & D-A	1	
13	30550	BEARING- ball	1	
14	20535	WASHER- flat	1	
15	37935	SUPPORT- right rear	1	
17	40010	ANGLE- L/H rear support	2	-76769
18	37106	DRAPER- feeder, JD, DON & MF	1	
	37105	DRAPER- feeder, CASE IH, F-NH & D-A	1	
	33450	DRAPER- side draper extension, CASE IH, F-NH & D-A	2	
19	13298	KEY- woodruff, SAE #18	1	
20	40008	WASHER- flat	1	
21	40011	ANGLE- R/H rear support	1	
22	40005	DEFLECTOR- R/H side	1	
A	21863	BOLT- round hd. square nk. 3/8 NC x 3/4 in.		
B	18598	WASHER- flat, 13/32 inch I.D.		
C	18669	NUT- lock, 3/8 inch NC distorted thread		
D	19965	BOLT- round hd. square nk. 3/8 NC x 1 inch		
E	21281	BOLT- round hd. square nk. 5/16 NC x 3/4 in.		
F	21403	NUT- serrated flange lock, 5/16 inch NC		
G	20077	BOLT- hex head, 3/8 NC x 1 inch		
H	18637	WASHER- lock, 3/8 inch		
L	21452	NUT- serrated flange lock, 3/8 inch NC		

FEEDER DRAPER IDLER ROLLER

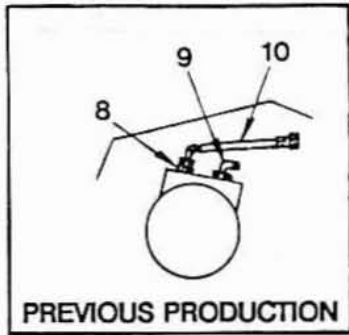


FEEDER DRAPER IDLER ROLLER

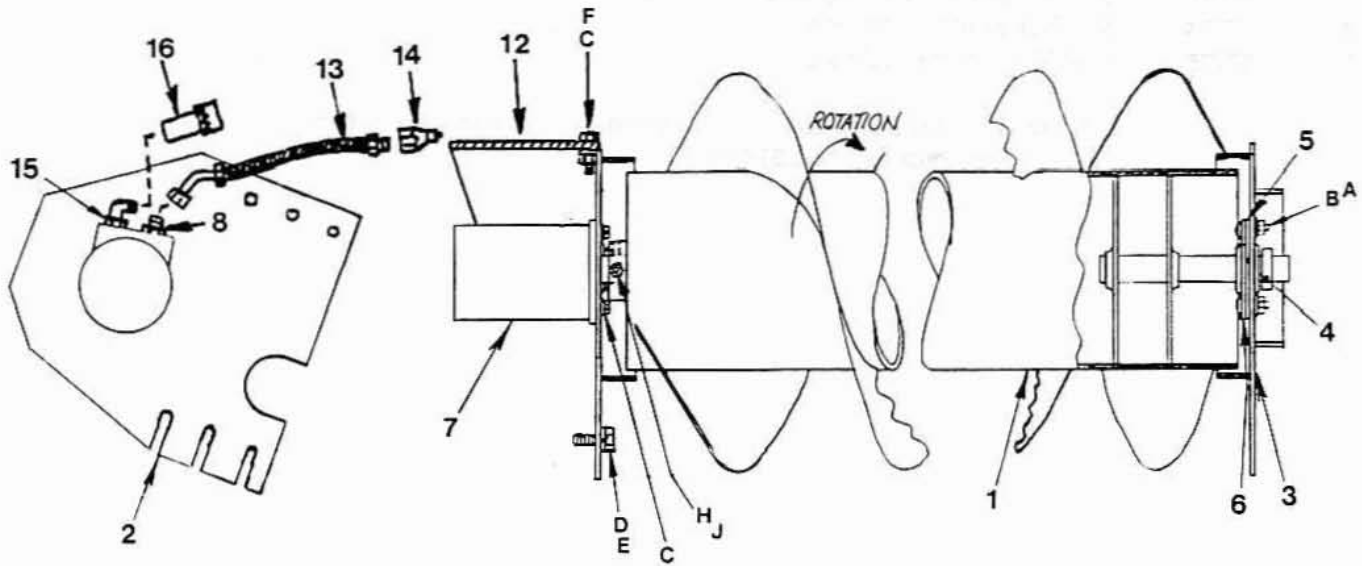
REF	PART NUMBER	DESCRIPTION	QTY	SERIAL NUMBER
1	37422	TUBE- idler roller, JD, DON & MF	1	
	37419	TUBE- idler roller, C-IH, F-NH & D-A	1	
2	37913	SHAFT- idler roller, JD, DON & MF	1	
	37914	SHAFT- idler roller, C-IH, F-NH & D-A	1	
3	6596	BEARING- ball	2	
4	33001	RETAINER- bearing	1	
5	37803	WASHER- formed	2	
6	37912*	SPACER- tube, left side	1	
7	37916	GUIDE- draper, with brg. retainer	1	
8	37724	SUPPORT- roller, left side	1	
9	37725	SUPPORT- roller, right side	1	

* NOTE: If replacing spacer, item 6, which is 29 mm long (1 1/8 inch), also order item 5 (37803).

CROSS AUGER



PREVIOUS PRODUCTION



SIDE VIEW

REAR VIEW

CROSS AUGER

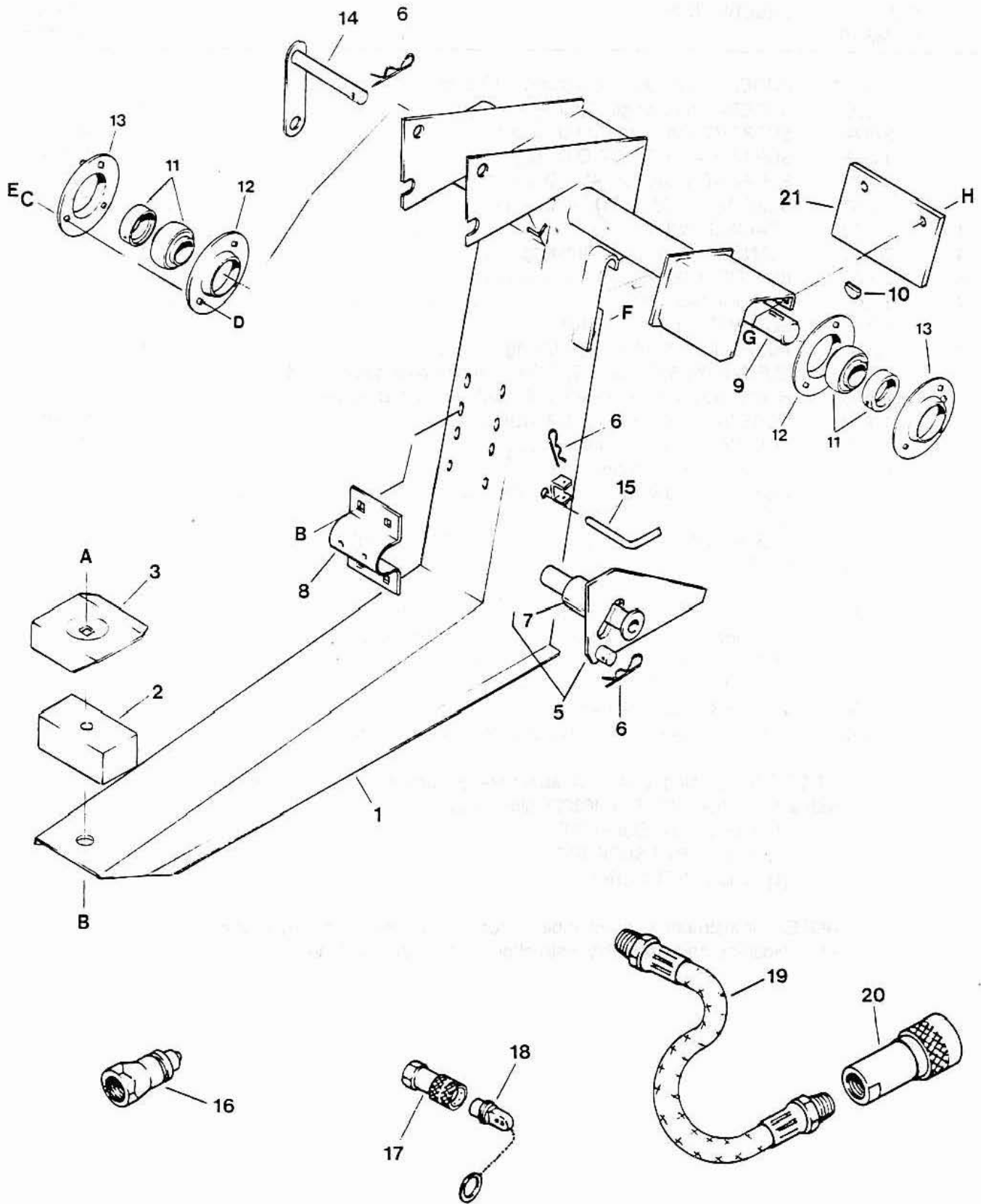
REF	PART NUMBER	DESCRIPTION	QTY	SERIAL NUMBER
1	40306*	AUGER- cross, double flighting - JD only	1	
	40320*	AUGER- cross, single flighting - except JD	1	
2	37474	SUPPORT- left, for 14" O.D. auger	1	-76769
	40356	SUPPORT- left, for 16" O.D. auger	1	76770-
3	37475	SUPPORT- right, for 14" O.D. auger	1	-76769
	40357	SUPPORT- right, for 16" O.D. auger	1	76770-
4	21869	BEARING- ball	1	
5	30596	FLANGE- bearing, with lube ftg.	1	
6	30600	FLANGE- bearing	1	
7	37101	MOTOR- hydraulic	1	
	37181	SEAL KIT- for motor 37101		
8	30695	ADAPTER- 5/8 tube x 7/8 O-ring	1	
9	21843	ELBOW- 90, 5/8 tube x 7/8 O-ring (units w/o quick coupler at motor)	1	
10	37136	HOSE- hydraulic (units without quick coupler at auger motor)	1	
11	18584	SCREW- set, 5/16 NC x 3/8 inch	2	-76769
	18908	SCREW- set, 3/8 x 1 inch	2	76770-
12	40149	COVER- rubber, auger motor	1	
13	37135	HOSE- hydraulic (units with quick coupler at auger motor)	1	
14	21855	COUPLER- male, 1/2 NPT	1	
15	30965	ELBOW- 90°, 1/2 NPT x 7/8 O-ring (units with quick coupler at motor)	1	
16	21857	COUPLER- female, 1/2 NPT	1	
A	21281	BOLT- round hd. square nk. 5/16 NC x 3/4 in.		
B	30280	NUT- lock, flange head, 5/16 inch NC distorted thread		
C	21821	BOLT- flange head, 3/8 NC x 3/4 inch		
D	21575	BOLT- hex head, 1/2 NC x 1 inch		
E	18638	WASHER- lock, 1/2 inch		
F	30228	NUT- lock, flange head, 3/8 inch NC distorted thread		

* NOTE: If replacing a 14" O.D. auger (serial number -76769 and below) with a 16" auger (40306 or 40320), also order:

- (1) 40356 - L/H SUPPORT
- (1) 40357 - R/H SUPPORT
- (1) 18908 - SET SCREW

NOTE: For instructions on plumbing Cross Auger into header hydraulics, see Unloading and Assembly instructions in Operator's Manual.

WINDROWER ADAPTER



WINDROWER ADAPTER

REF	PART NO.	DESCRIPTION	QTY.	SERIAL NUMBER
1	37590	ADAPTER- right leg	1	
	37591	ADAPTER- left leg c/w decals	1	
2	37127	PAD- rubber	2	
3	37614	SUPPORT- front	2	
5	40234	BUSHING ASSY- c/w mtg.brkt.-left	1	
	40235	BUSHING ASSY-c/w mtg.brkt.-right	1	
6	13125	PIN- hair	8	
7	37621	BUSHING- rubber	2	
8	37618	RETAINER- bushing	2	
9	40351	SHAFT- drive	1	
10	13298	KEY- woodruff, SAE #18	2	
11	21859	BEARING- ball, with lock collar	2	
12	7701	FLANGE- bearing	2	
13	21860	FLANGE- bearing, with lube ftg.	2	
14	37616	PIN- float spring	4	
15	28749	PIN- "L"	2	
16	21855	COUPLER- male, 1/2 NPT (attach to reel drive pressure hose on header)	1	
17	30442	COUPLER- female, 1/4 NPT (attach to reel lift hose on hdr.)	1	
18	21876	PLUG- dust	1	
19	34420	HOSE- hydraulic (attach to valve under left front corner of cab)	1	
20	REF	COUPLER- female, 1/2 NPT	1	
21	40233	SHIELD- rubber	1	76770-
A	30266	BOLT- round hd. square nk. 1/2 NC x 3 inch		
B	18697	NUT- lock, 1/2 inch NC distorted thread		
C	18637	WASHER- lock, 3/8 inch		
D	20077	BOLT- hex head, 3/8 NC x 1 inch		
E	18590	NUT- 3/8 inch NC		
F	21474	BOLT- round hd. square nk. 1/2 NC x 2 inch		
G	21863	BOLT- round hd. square nk. 3/8 NC x 3/4 inch		
H	30228	NUT- lock, flange hd. 3/8 in. NC distorted thd.		

DECALS AND REFLECTORS

! DANGER



ROTATING DRIVELINE CONTACT CAN CAUSE DEATH KEEP AWAY!

DO NOT OPERATE WITHOUT —

- ALL DRIVELINE, TRACTOR AND EQUIPMENT SHIELDS IN PLACE
- DRIVELINES SECURELY ATTACHED AT BOTH ENDS
- DRIVELINE SHIELDS THAT TURN FREELY ON DRIVELINE

1

! DANGER



SHIELD MISSING DO NOT OPERATE

2

! WARNING



To avoid bodily injury from fall of raised reel, completely raise reel, stop engine, remove ignition key, and set safety prop on each reel arm before working on or under reel.



Ensure prop contacts arm here in engaged position

storage position

32739

3

! WARNING



To avoid bodily injury, stop engine before opening power drive system shield. KEEP ALL SHIELDS AND GUARDS IN PLACE.

32738

4

11



10

K-22163-1

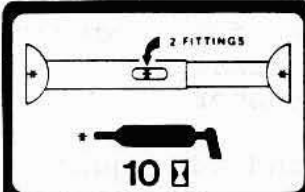
12



50

K-22165-1


13



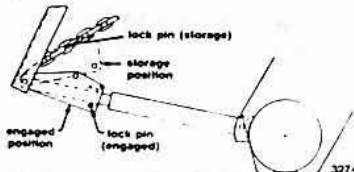
2 FITTINGS

10

! WARNING



To avoid bodily injury from fall of raised header, completely raise header, stop engine, remove ignition key, and engage both header safety locks before working on or under header. Safety locks are located on each header lift cylinder.



lock pin (storage)

storage position

engaged position

lock pin (engaged)

32740

6

! WARNING

STAY CLEAR OF THE MACHINE WHILE IT IS RUNNING. Contact with rotating reel, moving knife or conveying components can cause injury or death. Stop engine and remove key to perform any inspection, maintenance or repair work.

K-28403-1

5

14



25

K-22164-1

15

LIFT HERE

K-22296-1

8

IMPORTANT

To prevent reel failure, hardware, especially at the brace tubes, must be properly tightened.

5/16 NC-35 ft. lbs. (47 N.m)

3/8 NC-50 ft. lbs. (68 N.m)

K-31964-1

! CAUTION

To avoid possible injury or death from improper or unsafe machine operation:

- Read the Operator's Manual, and follow all safety instructions. If you do not have a manual, obtain one from your dealer.
- Do not allow untrained persons to operate the machine.
- Review safety instructions with all operators annually.
- Ensure that all safety signs are installed, properly maintained, and replaced as necessary.
- Make certain everyone is clear of machine before starting engine and during operation.
- Keep riders off the machine.
- Keep all shields in place, and keep clear of moving parts.
- Stop the engine, remove the key and wait for all movement to stop before leaving operator's position.
- Never service, adjust, lubricate, clean or unplug machine with engine running or key in ignition.
- Engage mechanical locks before servicing header or reel in the raised position.

32009

7

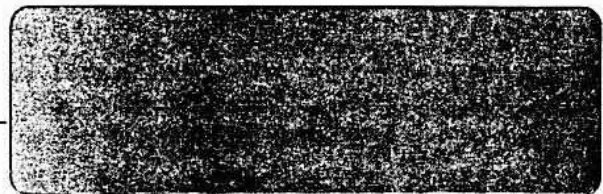
21

This product may be covered by one or more of the following patents:

CDN. # 1075914
 CDN. # 1228739
 CDN. # 1240159
 CDN. # 1244248
 CDN. # 1267292
 U.S. # 4346909
 U.S. # 4573309
 U.S. # 4660381
 U.S. # 4662181
 U.S. # 4905028
 U.S. # 4956966

Other patents pending.

9

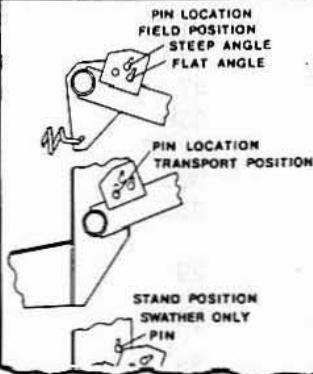


DECALS AND REFLECTORS

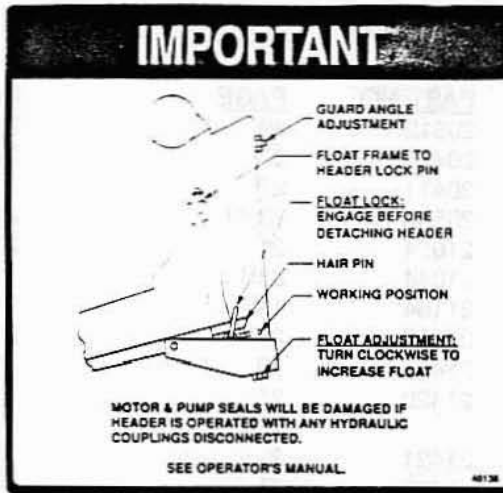
IMPORTANT

Ensure all hydraulic couplings are fully engaged before operating header. Failure to properly connect hydraulics may damage pump or motor seals.

— 16

IMPORTANT

— 17



— 18

DANGER

BEFORE GOING UNDER
UNIT, REST HEADER ON
GROUND OR:

1. ENGAGE FEEDER HOUSE
LIFT CYLINDER STOP AND,
2. LOCK MOUNTING FRAME
TO COMBINE FEEDER AND,
3. LOCK FLOAT FRAME TO
HEADER.

SEE OPERATOR'S
MANUAL.

DW 40136

— 19

IMPORTANT

HEADER INSTALLATION

1. SUPPORT FRONT OF HEADER ON 8 in. (203mm) BLOCKS NEAR EACH END OF CUTTERBAR AND REAR OF HEADER ON STAND OR GAGE WHEELS.
2. INSTALL MOUNTING LEGS ONTO TRACTOR LIFT LINKAGE.
3. WITH HEADER LIFT CYLINDERS FULLY RETRACTED, DRIVE TRACTOR FORWARD UNTIL MOUNTING LEGS ARE ENGAGED IN HEADER LEGS. STOP ENGINE AND REMOVE KEY.
4. INSERT PIN ON PLATE (1) INTO HOLE IN HEADER LEG AND INSTALL HAIR PIN (BOTH SIDES).
5. START ENGINE AND BACK UP UNTIL LINKAGE PULLS ON HEADER THROUGH PLATE (1), THEN RAISE HEADER FULLY. STOP ENGINE AND REMOVE KEY.
6. INSTALL PIN (2) AND ENGLAGE PIN RETAINER (3) BOTH SIDES.
7. ATTACH FLOAT SPRINGS TO MOUNTING LEGS AND RETURN SUPPORT STAND TO STORAGE POSITION.

SEE OPERATOR'S MANUAL FOR FULL DETAILS.

— 20

IMPORTANT

For proper feeding:
1. Position idler rollers (A) of header side supports to align with opening (B) in combine feeder. Note that this will result in side supports overlapping feeder support.
2. Position backhoe panel adjusters (C) to align header opening with opening (B) in combine feeder.

22

REF	PART NUMBER	DESCRIPTION	QTY	SERIAL NUMBER
1	30316	DECAL- DANGER: Rotating Driveline		
2	36651	DECAL- DANGER: Shield Missing		
3	32739	DECAL- WARNING: Reel Props		
4	32738	DECAL- WARNING: Shields & Guards		
5	28403	DECAL- WARNING: Clear While Running		
6	32740	DECAL- WARNING: Header Locks (Windrower)		
7	32009	DECAL- CAUTION: General Safety		
8	31964	DECAL- IMPORTANT: Reel Hardware		
9	26697	REFLECTOR- Amber		
10	26694	REFLECTOR- Red		
11	23163	DECAL- 10 Hour Grease		
12	23165	DECAL- 50 Hour Grease		
13	24777	DECAL- Driveline Grease		
14	23164	DECAL- 25 Hour Grease		
15	23296	DECAL- Lift Here		
16	37397	DECAL- Important: Hydraulic Couplings		
17	37900	DECAL- Important: Gauge Wheel Pin Positions		
18	40136	DECAL- Important: Adjustment Info. JD & D-A		
	40137	DECAL- Important: Adjustment Info. C-IH, F-NH & DON		
19	40135	DECAL- Danger: Servicing Raised Header		
20	40232	DECAL- Important: Attaching Header to Windrower		
21	32070	DECAL- Patents		
22	43698	DECAL- Important: Opening Width		

PAINT

23951	PAINT- black, spray bomb
23955	PAINT- black, 1 litre
23956	PAINT- red, 1 litre
23957	PAINT- white, 1 litre

NUMERICAL LIST

<u>PART NO.</u>	<u>PAGE</u>	<u>PART NO.</u>	<u>PAGE</u>	<u>PART NO.</u>	<u>PAGE</u>
193	5	20312	29	21860	35,39A,47
1434	33B	20410	27	21861	17
2149	7	20411	27	21865	19
4231	5	20535	23,41	21866	19
4453	5	21024	21	21869	23,41,45
4454	5	21044	33B		
		21194	19	21870	41
5512	5	21417	21	21874	3,35
5745	33B	21418	19	21876	47
6078	36	21420	21	21882	33B
6596	23,43			21935	17,36
7038	35,39A	21421	21	21976	33B
7701	47,39A	21424	21	21978	33B
		21425	21		
7900	5,25	21429	21	22072	29
7909	5	21494	11,13	22671	27
7910	5,25			23064	19
7920	5	21495	11,13,33B	23163	49
8316	23,41	21512	21	23164	49
		21513	21		
8640	11,13,25	21514	21	23165	49
11060	25	21516	21	23296	49
11529	5	21517	21	23404	33B
13125	3,31,31A,47	21519	21	23951	49
13298	17,35,36, 41,47	21520	21	23955	49
		21540	29	23956	49
		21545	25	23957	49
14334	23			24122	11
15406	39,39A	21712	21	24318	33B
15449	39	21713	21	24777	49
15616	11,13	21714	21	25298	36
16235	25	21715	21	26318	21
16539	3	21716	21	26319	21
16661	3,7				
16677	27	21717	19	26320	21
37792	23	21746	33C	26321	19
18584	45	21792	33B	26324	19
18597	35	21806	7	26370	19
18601	5,13	21807	33B	26396	23
18629	3,13,25,31A	21808	33B	26446	25
18648	5,11,13, 19,25,29,33B	21824	33	26479	3
		21827	33B	26486	3
18671	39	21837	7	26487	3
18689	21	21842	33B	26671	9
18704	33B	21843	33,33B,45		
18738	3,11,13	21850	33B	26694	49
		21855	7,33,33B	26697	49
			33C,45,47	26710	27
18810	35			26719	27
18908	45	21856	33	26723	27
19681	25	21857	7,9,33,33B		
19809	25		33C,45		
19958	13,25	21858	9		
20043	7,33	21859	17,35,36, 39A,47		
20117	25				

NUMERICAL LIST

<u>PART NO.</u>	<u>PAGE</u>	<u>PART NO.</u>	<u>PAGE</u>	<u>PART NO.</u>	<u>PAGE</u>
26729	27	30621	15,37,39	33010	25
26755	27	30622	15,37,39	33265	25
26766	27	30623	15,39,39A	33416	9
26834	9	30668	19	33423	9,33,33B
26846	25	30669	19	33424	7,9,33, 33B,33C
26847	25	30695	7,33,33B,45		
26848	25	30814	21	33426	33B
26850	25	30815	21	33450	23,41
26878	29	30817	33	33508	35
26995	25	30823	35	33509	35
				33532	25
28403	49	30825	33	33707	19
28749	47	30852	19		
28815	19	30854	9	33709	19
29168	11,13	30857	33	33710	19
29169	11,13	30858	33	33711	19
29925	33B			33746	19
29934	33	30859	29	33747	19
		30865	37		
30034	35,39A	30908	33	33748	19
30036	27	30909	33	33754	23
30045	33	30913	33	33759	23
30047	9	30914	33	33773	23
30167	15,39	30915	33B	33796	23
30281	33B	30916	33B		
		30917	33B	33797	23
30282	11,13	30918	33B	33798	23
30293	33B	30925	35	33808	3
30316	49	30926	33	33809	3
		30928	39	33811	3
30322	39	30929	39		
30323	39	30965	45	33955	19
30357	9	31062	3	34361	15
		31964	49	34362	15
30363	9	32009	49	34366	15
30375	7,11,13	32070	49		
30442	47	32070	49	34367	15
30464	29	32084	39	34390	19
		32116	11,13	34391	19
30550	23,41	32194	27	34399	19
30553	33	32200	27	34420	47
30558	7,33C	32202	27		
30560	33,33B	32347	27	35694	5
30596	23,45	32348	27	36011	29
		32353	27	36646	37
30600	45	32415	13	36651	49
30601	45	32416	13	36739	37
30608	19	32417	13		
30609	33B	324738	49		
30617	15	32739	49		
30618	15	32740	49		
30619	15	33000	35		
		33001	23,43		
		33003	25		

NUMERICAL LIST

<u>PART NO.</u>	<u>PAGE</u>	<u>PART NO.</u>	<u>PAGE</u>	<u>PART NO.</u>	<u>PAGE</u>
36740	37	37249	3	37517	35
36743	37	37251	7	37520	29
36745	37	37290	3	37532	29
36746	37	37292	17	37541	29
		37293	23	37542	35
36749	37			37547	29
36758	39	37336	25	37551	29
36760	37	37345	11,13	37553	37
36767	39	37354	19	37554	29
		37367	3	37557	36
36768	39	37376	29		
36771	39			37560	29
36772	39	37377	29	37566	29
36773	39	37378	29	37567	29
36774	39	37379	29	37568	36
		37388	29	37570	39
36778	39	37397	49		
36784	39			37573	17
36785	39,39A	37400	27	37574	29
36787	39,39A	37419	43	37575	35
		37422	43	37576	3
37101	45	37442	5	37577	3
37105	41	37453	29		
37106	41			37578	17
37107	23,41	37454	29	37579	17
37108	35	37455	29	37585	3
		37456	29	37590	47
37114	35	37457	31	37591	47
37118	17	37474	45		
37124	23			37610	29
37125	23	37475	45	37614	47
37126	7	37490	35	37616	47
		37495	35	37618	47
37127	47	37496	36		
37135	45			37621	47
37136	45	37502	35	37622	36
37140	3	37503	35	37635	29
37141	3	37505	35	37637	29
37148	3	37506	35	37647	31
		37508	35		
37166	5			37655	29
37167	7,9,11,13	37509	35	37659	31
37181	45	37510	35	37660	29
37236	3	37511	35	37661	29
37237	3	37513	35	37666	29
		37515	33B		
		37516	35		

NUMERICAL LIST

<u>PART NO.</u>	<u>PAGE</u>	<u>PART NO.</u>	<u>PAGE</u>	<u>PART NO.</u>	<u>PAGE</u>
37672	9	37830	13	40000	41
37678	29	37832	11	40001	41
37679	29	37833	13	40005	41
37680	29	37834	13	40008	41
37682	29	37835	19	40010	41
37697	3	37838	11,13	40011	41
37709	39	37839	11,13	40012	41
37710	33,33B	37841	13	40015	41
37711	7	37843	7	40031	29
37712	33	37844	7	40086	31
37714	37	37845	7,11	40089	29
37715	39	37846	7	40091	35
37720	23	37847	7	40092	35
37724	23,43	37851	25	40093	39
37725	23,43	37855	25	40094	39
37727	39	37863	3	40096	31
37733	36	37864	3	40105	3
37757	33	37865	25	40110	27
37758	33	37866	25	40112	39
37759	33	37868	33	40113	39
37774	33	37869	25	40114	3
37775	29	37872	5	40115	3
37780	23,41	37881	13	40130	33C
37784	7	37882	5	40131	33C
37785	7	37885	25	40132	33C
37786	7	37889	5	40133	33C
37787	7	37896	41	40135	49
37789	7	37897	41	40136	49
37791	27	37900	49	40137	49
37792	27	37908	41	40139	33C
37796	33	37912	43	40141	39A
37797	7,9	37913	43	40142	39A
37798	7	37914	43	40143	39A
37799	7,9	37916	43	40144	39A
37800	25	37918	41	40145	33B
37803	23,43	37925	41	40148	33B
37808	29	37935	41	40149	45
37809	29	37947	11	40151	33B
37811	23	37950	29	40156	33B
37822	7	37958	39	40164	33B
37823	7	37959	37	40167	33B
37826	7	37962	29	40168	33B
37828	7,11	37993	39,39A	40170	29
37829	11	37995	29	40180	33B
		37998	39	40195	31A
		37999	39	40196	31A
		38498	5	40211	31A
		38500	4	40212	31A
		38507	5	40215	31A
				40221	31A
				40232	49
				40233	47

NUMERICAL LIST

<u>PART NO.</u>	<u>PAGE</u>
40234	47
40235	47
40242	35
40244	39
40245	33
40246	29
40247	29
40248	39
40249	39
40252	29
40255	29
40300	31
40301	31
40305	31
40306	45
40317	31
40320	45
40331	13
40332	11
40333	33
40334	33
40337	41
40349	35
40350	35
40351	47
40356	45
40357	45
40365	31
40366	31
40372	37
40376	37
40377	37
40380	29
40385	35
40390	39
40391	39
40392	39
43177	9
43698	49