

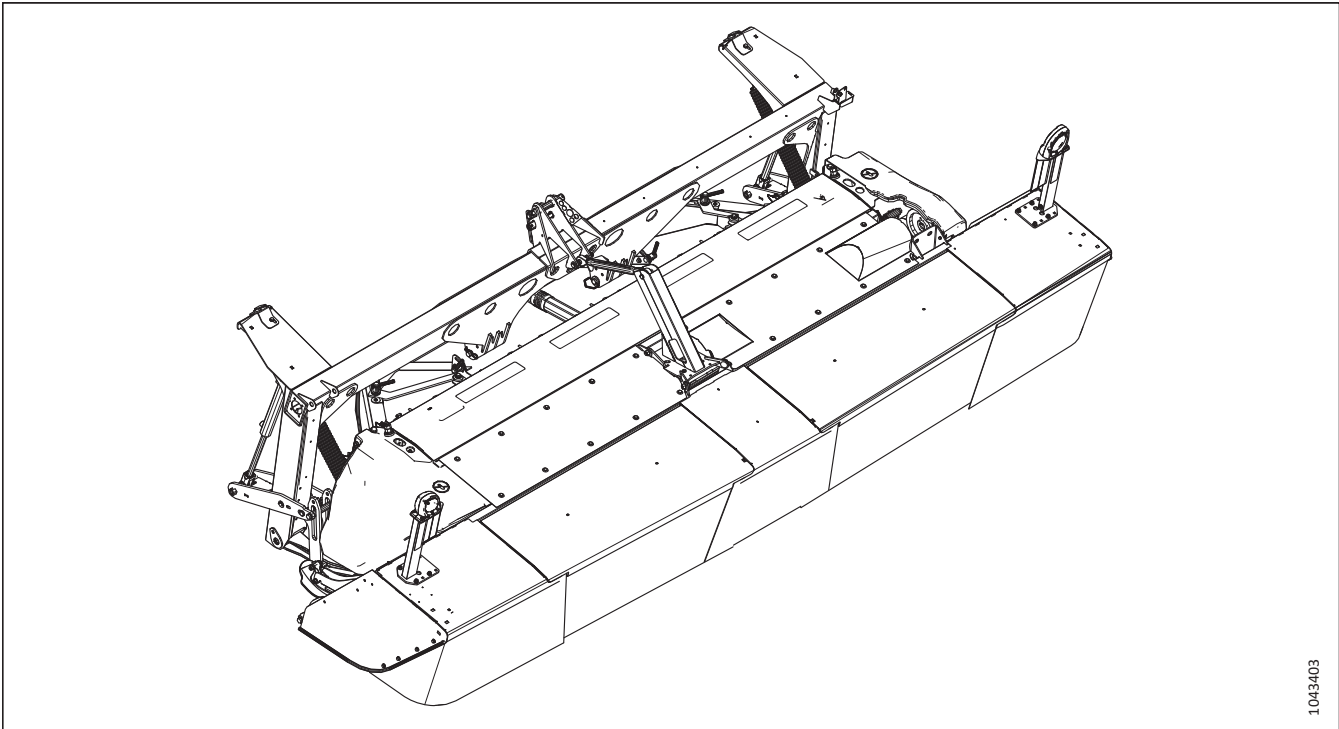
R1 FR Series Front Mount Rotary Disc

Parts Catalog

262819 Revision A

Original Instruction

R1 FR Series Front Mount Rotary Disc



1043403

Published: November 2024

NOTE:

Keep your MacDon publications up-to-date. The most current version can be downloaded from our website (www.macdon.com) or from our Dealer-only site (<https://portal.macdon.com>) (login required).

NOTE:

This catalog is currently only available in English.

© 2024 MacDon Industries, Ltd.

The information in this publication is based on the information available and in effect at the time of printing. MacDon Industries, Ltd. makes no representation or warranty of any kind, whether expressed or implied, with respect to the information in this publication. MacDon Industries, Ltd. reserves the right to make changes at any time without notice.

Introduction

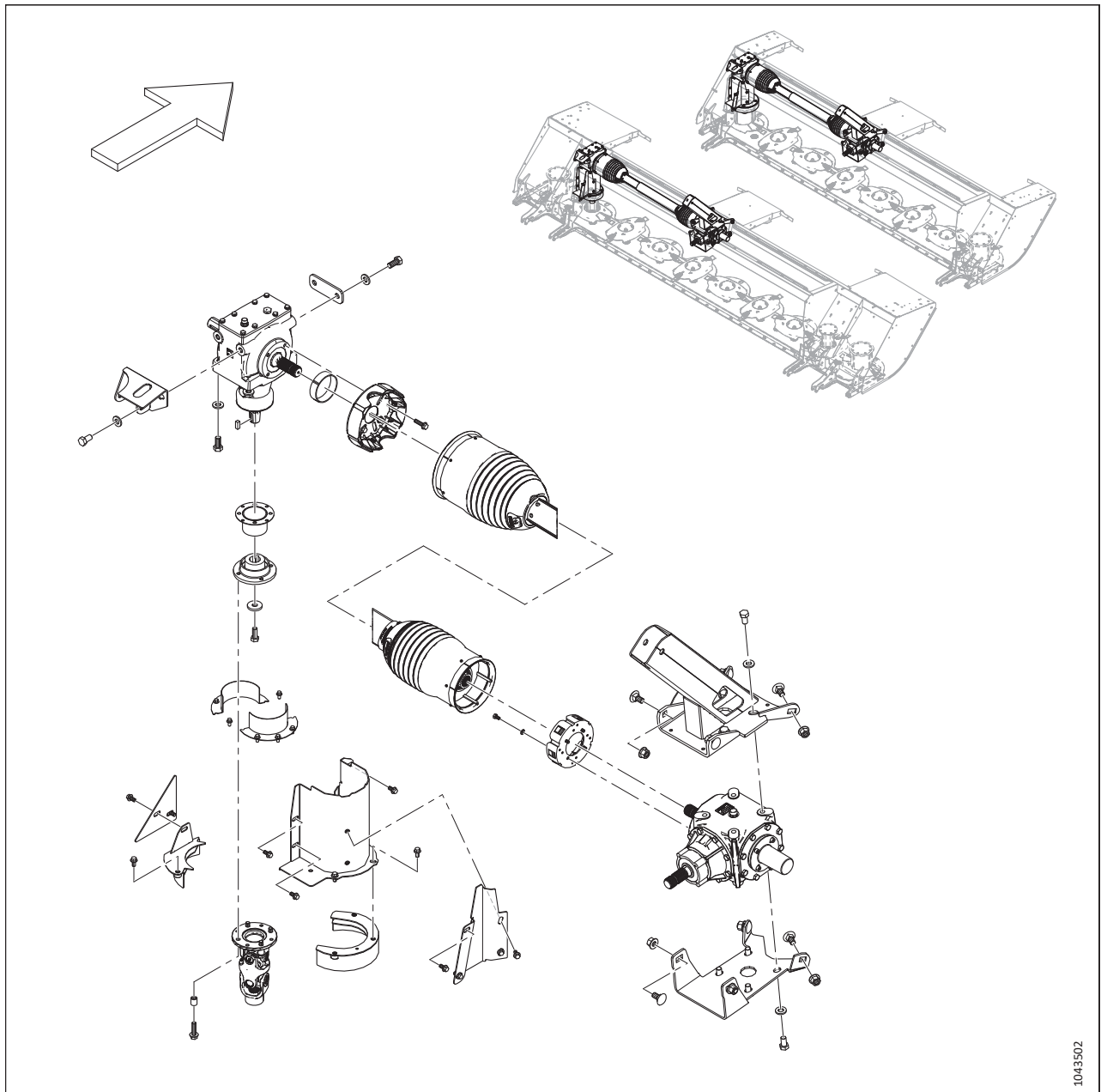
This parts catalog lists all the replacement parts that can be ordered for a MacDon R113 or R116 Front Mount Rotary Disc.

When ordering, be sure to use the complete and proper part number. Some parts vary with header size; be sure you are ordering the correct part number for your unit.

Bold text is used to indicate updates made at the current revision level. With each new revision of the catalog, previous revisions are returned to regular text.

Electrical connectors used on MacDon products are available for sale but not listed in this catalog. For the list of available connectors, refer to the Electrical Connectors Parts Catalog (MD #169641).

In this catalog, right-hand (RH) and left-hand (LH) are determined from the operator's seated driving position in the tractor cab. An arrow is sometimes used in illustrations to indicate forward position as shown below.



1043502

Abbreviations

A/R – as required (quantity varies)	ASSY – assembly	BHRN – button head rib neck
BV – ball valve	CCW – counterclockwise	CON – conical (spring washer)
CSK – countersink	C/W – complete with	CW – clockwise
DBLE – double	DK – double knife	DR – double reel
DT – distorted thread	FLG – flange	GA – gauge
GR – grade	GS – grass seed	HD – head
HDR – header	HFA – hydraulic fore-aft	HH – hex head
HNBR – hydrogenated nitrile butadiene rubber	HYD – hydraulic	I.D. – inside diameter
IP – internal plus (torx plus)	KP – knife pressure	KR – knife return
LG – long	LH – left hand (determined from Operator's position, facing forward)	LK – lock
MACH – machine	MD – MacDon	MFA – manual fore-aft
MY – model year	NC – national coarse thread	NF – national fine thread
NSS – not sold separately	NT – narrow transport	O.D. – outside diameter
OPT – optional	PO – pilot operated	PT – pull-type (mower conditioner)
RC – roller chain	REF – reference, part number called up elsewhere in catalog	REG – regular
RH – right hand (determined from Operator's position, facing forward)	RHSN – round head, square neck or square neck carriage bolt	RHSSN – round head, short, square neck
RTD – rotating tine drum	SAE – Society of Automotive Engineers (part produced to comply with)	SD – side draper
SER – serrated	SK – single knife	SKT HD – socket head
SMTH – smooth	SMV – slow moving vehicle	SOCK – socket
SP – self-propelled (windrower) header	SPCL – special	SPH – spherical
SPI – serrations per inch (knife Sections)	SR – single reel	STL – steel (stainless)
STR – standard	STVR – Stover	TFL – thread full length
THD – thread	TR – triple reel	UCA – upper cross auger
UDK – untimed double knife	UNC – unified coarse thread	UNEF – unified extra fine thread
UNF – unified fine thread	UNS – unified special thread series	VK – vertical knife
WF – wide frame	ZP – zinc plated	

Serial Number Breaks

The side of the serial number on which the dash (–) appears determines whether the part is used up to or after the serial number given.

Example:

- –451189: Used on machines up to and including serial number 451189
- 451190– : Used on machines including and after serial number 451190

Summary of Changes – R1 FR Series (MD #262819, Rev. A)

This list covers changes made since the last revision (MD #262485, Rev. A).

Section	Summary of Change	Internal Use Only
<i>6 Mechanical Drives, page 17</i>	<ul style="list-style-type: none"> Superseded driveline MD #369409 with driveline MD #384044. Superseded bracket MD #369245 with bracket MD #384040 in top gearbox support MD #369244. <p>Updated illustration from 1043490 to 1045720.</p>	ECN 65454
<i>9 Cross Shaft Driveline – Service Parts, page 25</i>	<ul style="list-style-type: none"> Superseded driveline MD #369409 with driveline MD #384044. <p>Illustration unchanged.</p>	ECN 65454
<i>10 Header Shields, page 27</i>	<ul style="list-style-type: none"> Added part numbers of product identification decals to footnote for left header shield MD #246874. Added dust cap MD #500635 and cable tie MD #16661. <p>Updated illustration from 1043513 to 1045642.</p>	ECN 65219 ECN 65662
<i>11 Roll Conditioner – Steel/ Polyurethane, page 31</i>	<ul style="list-style-type: none"> Added polyurethane parts, machined stop MD #384043, and bolt MD #136211 used to secure stop on polyurethane conditioners. Added panels MD #384113 and MD #384112. Updated illustration to show new location of sight glass on gearbox MD #307211. <p>Updated illustration from 1043712 to 1045626.</p>	ECN 65369 ECN 65903
<i>12 Roll Conditioner – Gear Drive Service Parts, page 35</i>	<ul style="list-style-type: none"> Updated illustration to show new location of sight glass on gearbox MD #307211. <p>Updated illustration from 1030416 to 1044806.</p>	ECN 65369
<i>13 Roll Conditioner – Shields, Baffle, page 37</i>	<ul style="list-style-type: none"> Added brush assembly MD #369031 and the hardware that accompanies it (M6 bolt MD #184641 and nut MD #152688). Replaced hardware where baffle curtain is mounted and baffle support hook MD #351164 with support hook MD #384049. <p>Updated illustration from 1043706 to 1045621.</p>	ECN 65411 ECN 65588
<i>14 Roll Conditioner – Shields, Deflectors, page 39</i>	<ul style="list-style-type: none"> Superseded curtain support plates MD #369696 and MD #369756 with plates MD #384163 and MD #384164. Superseded crop shield plates MD #369695 and MD #369755 with plates MD #384161 and MD #384162. Replaced nut MD #252188 with nut MD #136431. <p>Updated illustration from 1043703 to 1045630.</p>	ECN 65588 ECN 66218
<i>16 Adapter Frame – Mechanical Components, page 45</i>	<ul style="list-style-type: none"> Replaced grease zerk MD #7782 with grease zerk MD #30934. Updated lift arms MD #247800 and MD #351654 to show new painting holes. <p>Updated illustration from 1043675 to 1045618.</p>	ECN 65582 ECN 65662

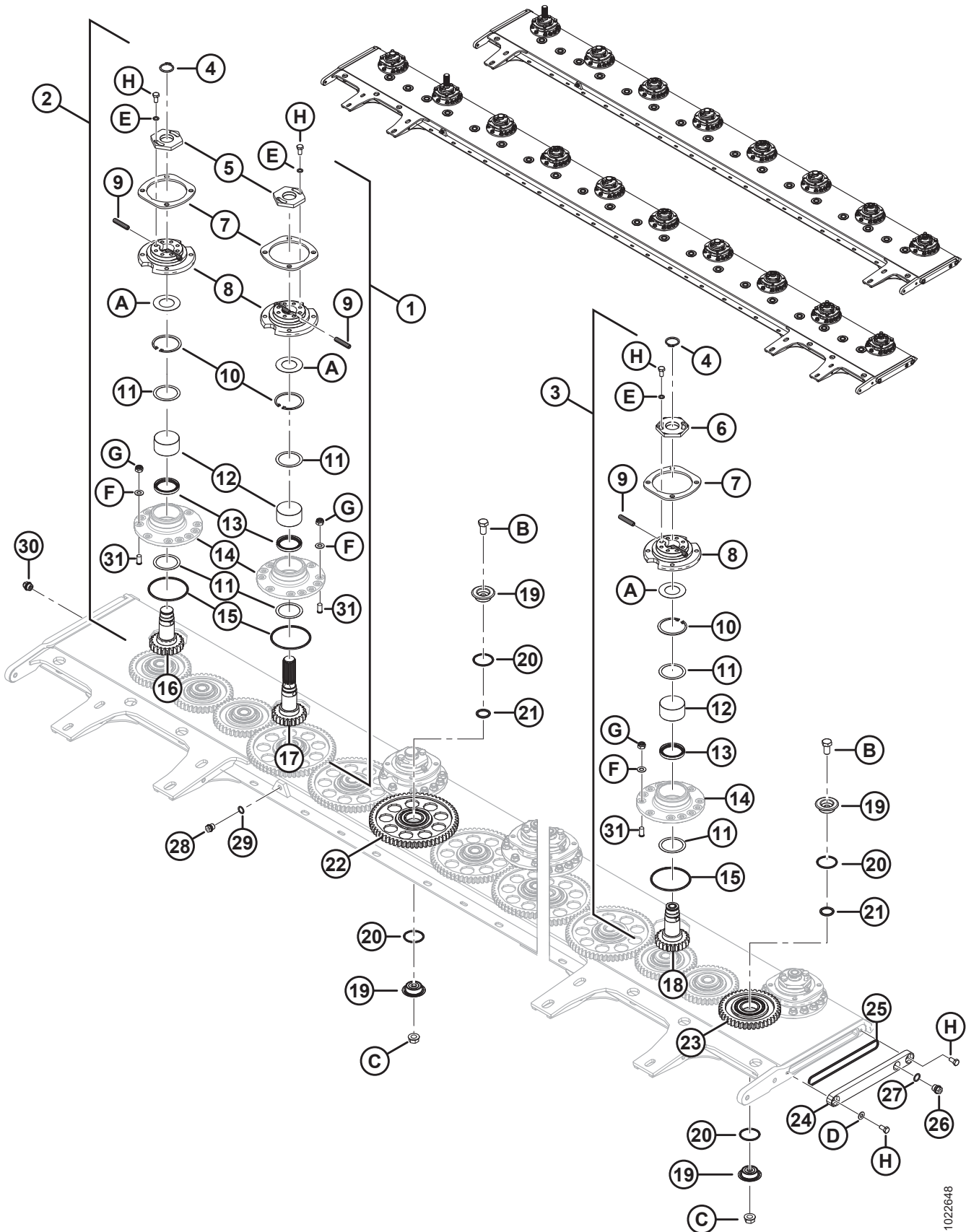
Section	Summary of Change	Internal Use Only
<i>18 Adapter Frame – Hydraulic Components, page 51</i>	<ul style="list-style-type: none"> • Updated illustration to show washer MD #184705, valve MD #351913_B, and new hydraulic routing. Updated illustration from 1043669 to 1045617.	ECN 65582
<i>22 Decals – Information and Reflectors, page 61</i>	<ul style="list-style-type: none"> • Added 1000 rpm decal MD #333547. Updated illustration from 1043477 to 1045643.	ECN 65654

TABLE OF CONTENTS

Introduction i
Abbreviations..... ii
Serial Number Breaks iii
Summary of Changes – R1 FR Series (MD #262819, Rev. A) iv

1 Cutterbar – Eight and Ten Disc..... 1
2 Cutterbar Components (Small Drum) – Eight and Ten Disc 5
3 Cutterbar Components – Eight and Ten Disc with Quick Change Blades 9
4 Cutterbar – Disc Timing Tool 13
5 Cutterbar to Frame 15
6 Mechanical Drives 17
7 T-Gearbox – Service Parts 21
8 Drive Gearbox – Service Parts..... 23
9 Cross Shaft Driveline – Service Parts 25
10 Header Shields 27
11 Roll Conditioner – Steel/Polyurethane 31
12 Roll Conditioner – Gear Drive Service Parts 35
13 Roll Conditioner – Shields, Baffle 37
14 Roll Conditioner – Shields, Deflectors 39
15 Roll Conditioner – Header Attachment..... 41
16 Adapter Frame – Mechanical Components 45
17 Adapter Frame – Electrical Components..... 49
18 Adapter Frame – Hydraulic Components 51
19 Center-Link and Adapter to Header Connections 55
20 Front Half Drivelines 57
21 Rear Half (Tractor Side) Drivelines..... 59
22 Decals – Information and Reflectors 61
23 Decals – Product Identification 63
24 Paint..... 65
25 (Option) Blade Update 67
26 (Option) Hydraulic Header Angle..... 69
27 (Option) Quick Change Blade Kit 71
28 (Option) R1 Service Kit 73
29 (Option) Tall Crop Dividers 75
Index 78

1 Cutterbar – Eight and Ten Disc



CUTTERBAR – EIGHT AND TEN DISC

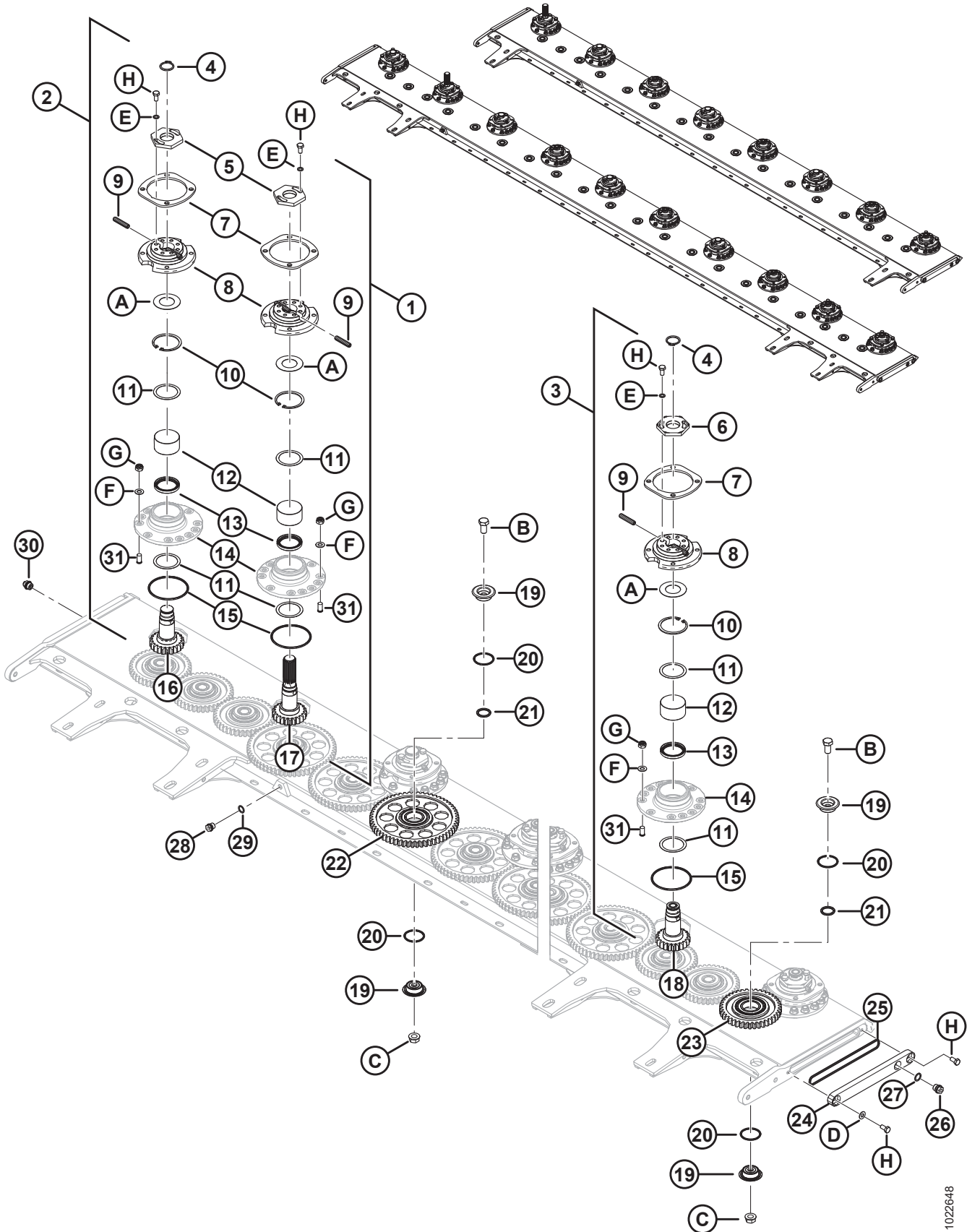
NOTE:

Quantities listed are for 8/10 disc unless otherwise noted.

Ref	Part Number	Description	8/10 Disc Qty	Serial Number
1	359040	SPINDLE – DRIVE ¹	1/1	
2	359026	SPINDLE – CLOCKWISE ¹	3/4	
3	359027	SPINDLE – COUNTER CLOCKWISE ¹	4/5	
4	259048	RING – RETAINING	7/9	
5	246612	NUT – SPECIAL (RH THREAD) ²	4/5	
6	246613	NUT – SPECIAL (LH THREAD) ²	4/5	
7	247923	PLATE – SPACER	8/10	
8	246614	HUB – SPINDLE	8/10	
9	246295	PIN – SHEAR	16/20	
10	246617	RING – SNAP	8/10	
11	247936	SHIM	8/10	
12	246328	BEARING – TAPER ROLLER	8/10	
13	247937	SEAL	8/10	
14	NSS	HOUSING – BEARING ³		
15	246316	O-RING – SPINDLE	8/10	
16	246623	GEAR – CLOCKWISE (RH THREAD) ⁴	3/4	
17	246622	GEAR – DRIVE, CLOCKWISE (RH THREAD) ⁴	1/1	
18	246624	GEAR – COUNTER CLOCKWISE (LH THREAD) ⁵	4/5	
19	246330	PIN – IDLER GEAR	32/40	
20	246315	O-RING – IDLER PIN	32/40	
21	246331	O-RING – IDLER PIN	16/20	
22	246308	GEAR – IDLER, LARGE, C/W BEARING ⁶	10/14	
23	246307	GEAR – IDLER, SMALL, C/W BEARING ⁶	6/6	
24	307175	PLATE – CUTTERBAR END	2/2	
25	247924	O-RING – END PLATE, 170 X 4.5 MM	2/2	
26	246631	PLUG – SIDE, M18 X 1.5	1/1	
27	246632	GASKET	1/1	
28	246627	PLUG	1/1	
29	246628	GASKET	1/1	
30	246318	BREATHER – CUTTERBAR	1/1	

1. Spindle does not include spacer plate (MD #247616 or 247923), O-ring (MD #246316), stud (MD #246991), or hardware (MD #246332, 246630).
2. Wrench (MD #246314) is attached to the header, and it is used to loosen/tighten the nut. For the location of the wrench, refer to Section [5 Cutterbar to Frame, page 15](#).
3. Not sold separately. Comes included with spindles (MD #246236, 246293, and 246294).
4. RH thread.
5. LH thread.
6. The idler gear includes a bearing and snap ring; the bearing and snap ring are not sold separately.

CUTTERBAR – EIGHT AND TEN DISC

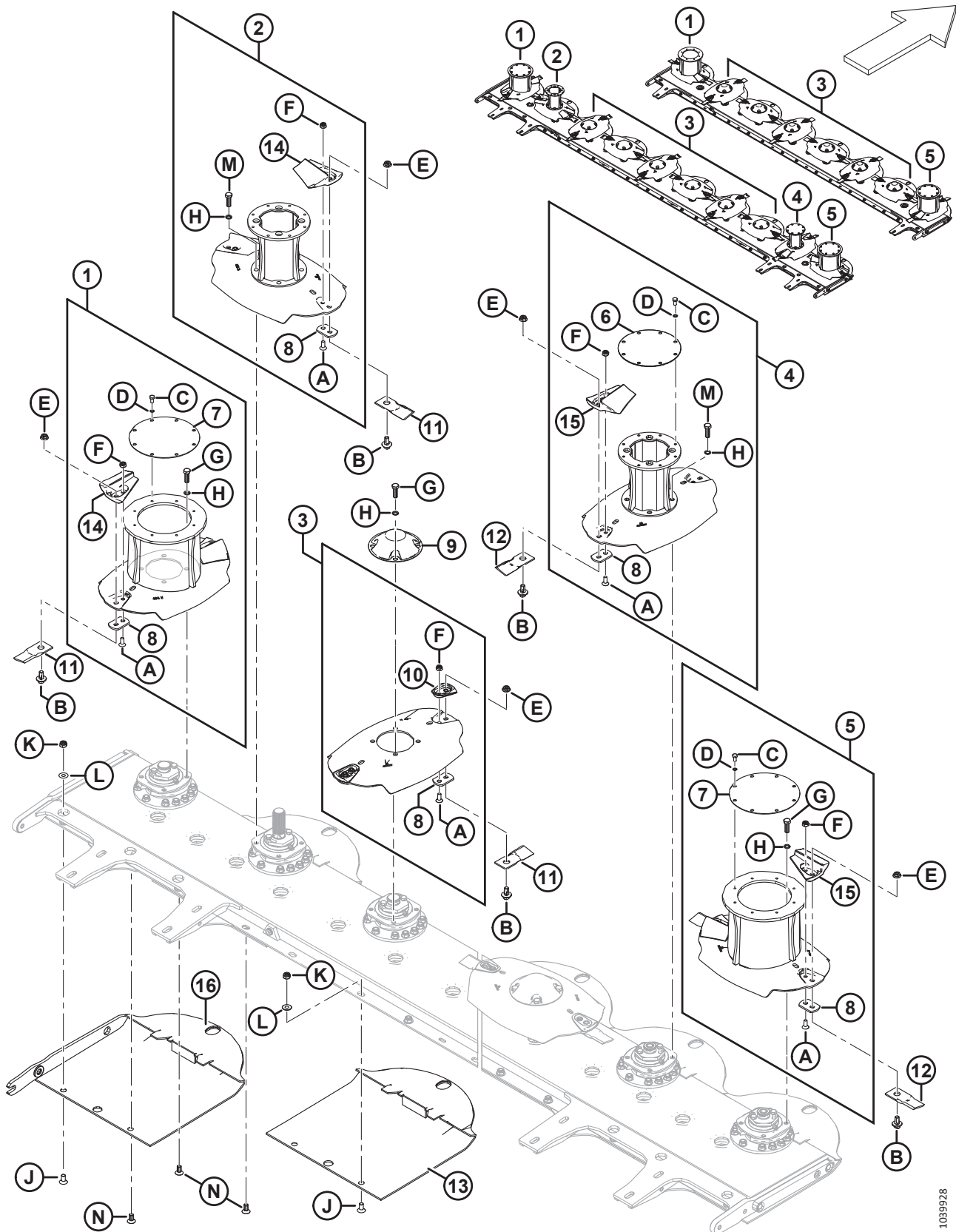


1022648

CUTTERBAR – EIGHT AND TEN DISC

Ref	Part Number	Description	8/10 Disc Qty	Serial Number
31	246991	STUD – M12 X 25	88/110	
A	246615	WASHER – SPECIAL, BELLEVILLE		
B	246310	BOLT – M16, IDLER PIN		
C	246311	NUT – IDLER PIN		
D	238016	WASHER – END CAP		
E	246625	WASHER – SPECIAL		
F	246630	WASHER – SPECIAL		
G	246332	NUT – M12, LOCKING		
H	238015	BOLT – M12, SPECIAL		

2 Cutterbar Components (Small Drum) – Eight and Ten Disc



1039928

CUTTERBAR COMPONENTS (SMALL DRUM) – EIGHT AND TEN DISC

IMPORTANT:

All cutting components, blades, and hardware should be replaced in pairs to maintain balance. Avoid mixing blades from different model years. 10 mm blade plate (MD #281606) requires accelerator bolt (MD #281605) and blade bolt (MD #281604).

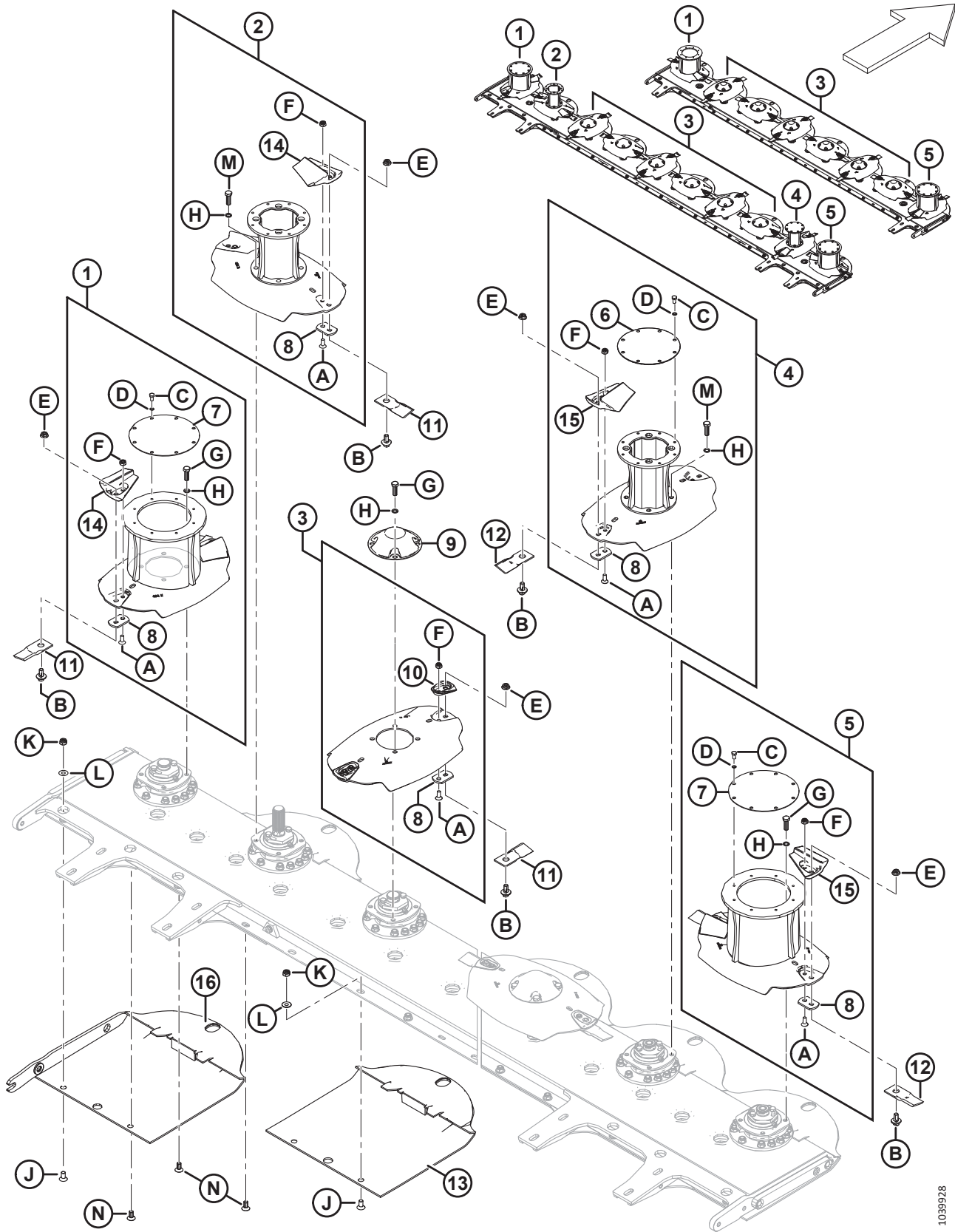
NOTE:

Quantities listed are for 8/10 disc unless otherwise noted.

Ref	Part Number	Description	8/10 Disc Qty	Serial Number
	238195	KIT – CUTTERBAR 10 DISC ⁷	0/1	
	259518	KIT – CUTTERBAR 8 DISC ⁷	1/0	
1	281366	ASSEMBLY – CW DRUM, 402 MM ⁸	1/1	
2	257085	ASSEMBLY – CW DRUM, 425 MM DRIVE ⁹	0/1	
3	281370	ASSEMBLY – DISC, 425 MM ⁹	6/6	
4	257086	ASSEMBLY – CCW DRUM, 425 MM ⁹	0/1	
5	281367	ASSEMBLY – CCW DRUM, 402 MM ⁹	1/1	
6	280504	PLATE – DRUM COVER	0/1	
7	246291	PLATE – DRUM COVER	1/2	
8	281606	PLATE – BLADE, 10 MM	16/20	
9	246305	COVER – DISC	6/6	
10	238227	KIT – 2 GUARDS C/W HARDWARE ¹⁰	12/12	
11	259199	BLADE – 18° CW BEVEL DOWN (QTY 6)	2/2	
	359122	KIT – UPDATED BLADES ¹¹	OPT	
12	259200	BLADE – 18° CCW BEVEL DOWN (QTY 6)	2/2	
	359122	KIT – UPDATED BLADES ¹¹	OPT	
13	281609	ROCKGUARD	6/8	
	359024	ROCKGUARD (LIGHT CROP – FLAT TOP) ¹²	OPT	
14	281966	ACCELERATOR – CW (PAIR)	2/4	
15	281967	ACCELERATOR – CCW (PAIR)	2/4	
16	238031	ROCKGUARD – REINFORCED, LH	1/1	
	238032	ROCKGUARD – REINFORCED, RH	1/1	
	238026	KIT – REINFORCED ROCKGUARD ¹³	A/R	

7. This kit comes with drive alignment tool (MD #325683).
8. This assembly does not include blades (MD #259199, 259200) or blade hardware (MD #281604, 246300). The drum assembly will come with a top cover plate for use on the R116 FR; the cover will need to be removed for the R113 FR.
9. This assembly does not include blades (MD #259199, 259200) or blade hardware (MD #281604, 246300).
10. This kit includes a matched pair of disc guards (NSS), two accelerator bolts (MD #281965), two accelerator nuts (MD #246303), and two accelerator bolts (MD #281605).
11. The blades in this kit have a larger cut length, providing a cleaner cut in lighter crops. For service parts, refer to [Section 25 \(Option\) Blade Update, page 67](#).
12. The optional rockguard has a flat top, which improves header performance when cutting in lighter crop.
13. The kit includes reinforced rockguards (MD #238031 and 238032), lower gearbox mount bracket (MD #238054), and hardware (MD #184681 and 136141).

CUTTERBAR COMPONENTS (SMALL DRUM) – EIGHT AND TEN DISC



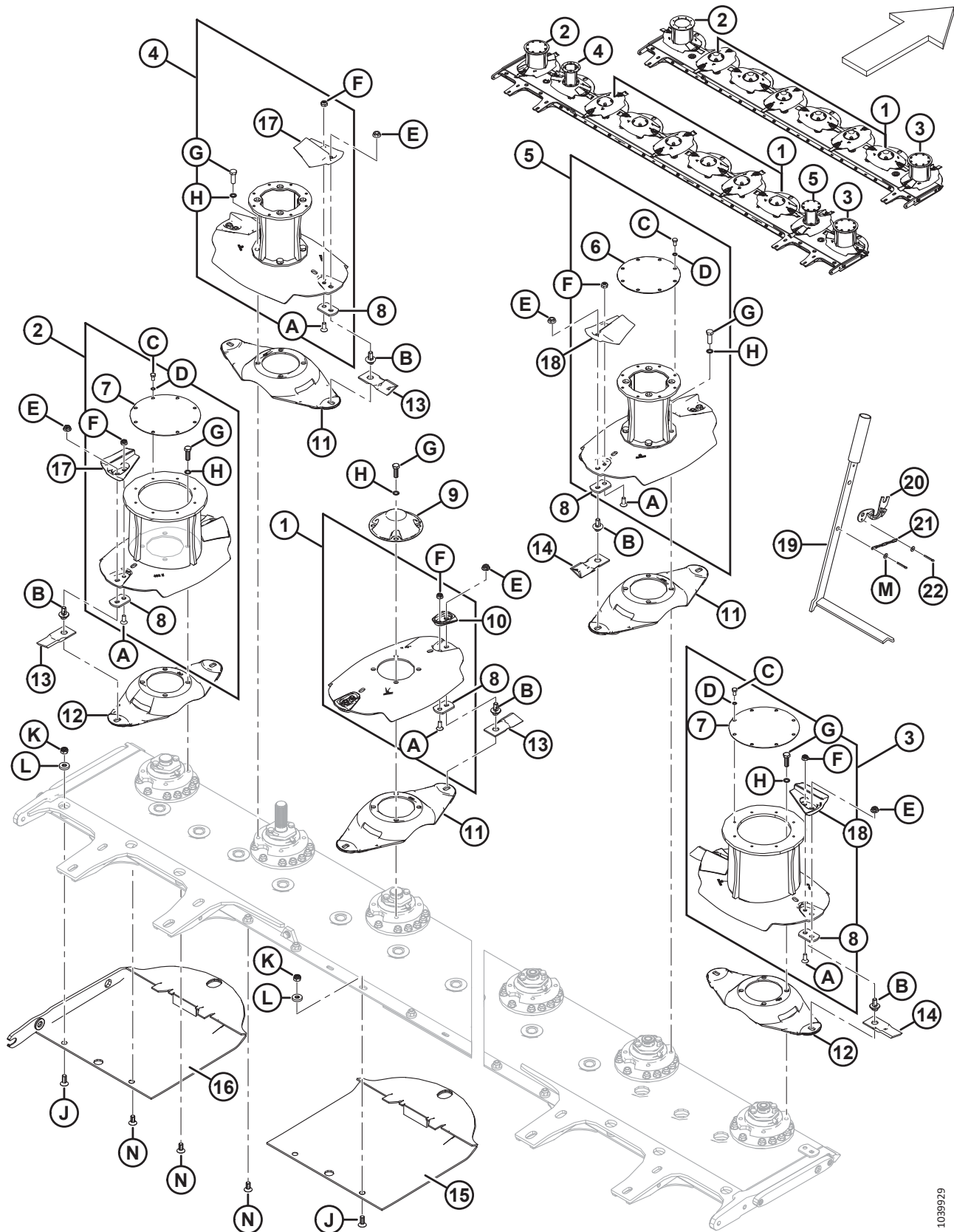
1039928

CUTTERBAR COMPONENTS (SMALL DRUM) – EIGHT AND TEN DISC

Ref	Part Number	Description	8/10 Disc Qty	Serial Number
A	281605	BOLT – ACCELERATOR		
B	281604	BOLT – BLADE		
C	246882	BOLT – HEX HEAD M8 SPECIAL		
D	246633	WASHER – SPECIAL M8 ZN PL		
E	246300	NUT – BLADE		
F	246303	NUT – ACCELERATOR		
G	246312	BOLT – M12 DISC COVER		
H	246952	WASHER – M12 LOCKING DISC		
J	259099	BOLT – COUNTERSUNK (30 MM)		
K	246332	NUT – NYLON INSERT LOCK M12 X 1.75 ZN PL CL-10		
L	259100	WASHER – M12 LOCKING		
M	281697	BOLT – M12 DISC		
N	338800	BOLT – FLAT CSK (25 MM) ¹⁴		

14. 25 mm countersunk bolts (MD #338800) are used at the second, third, and fourth rockguard bolt locations from the outboard ends of 10-disc cutterbars only; 30 mm countersunk bolts (MD #259099) are used at all other rockguard bolt locations.

3 Cutterbar Components – Eight and Ten Disc with Quick Change Blades



1039929

CUTTERBAR COMPONENTS – EIGHT AND TEN DISC WITH QUICK CHANGE BLADES

IMPORTANT:

All cutting components, blades, and hardware should be replaced in pairs to maintain balance.

NOTE:

Quantities listed are for 8/10 disc unless otherwise noted.

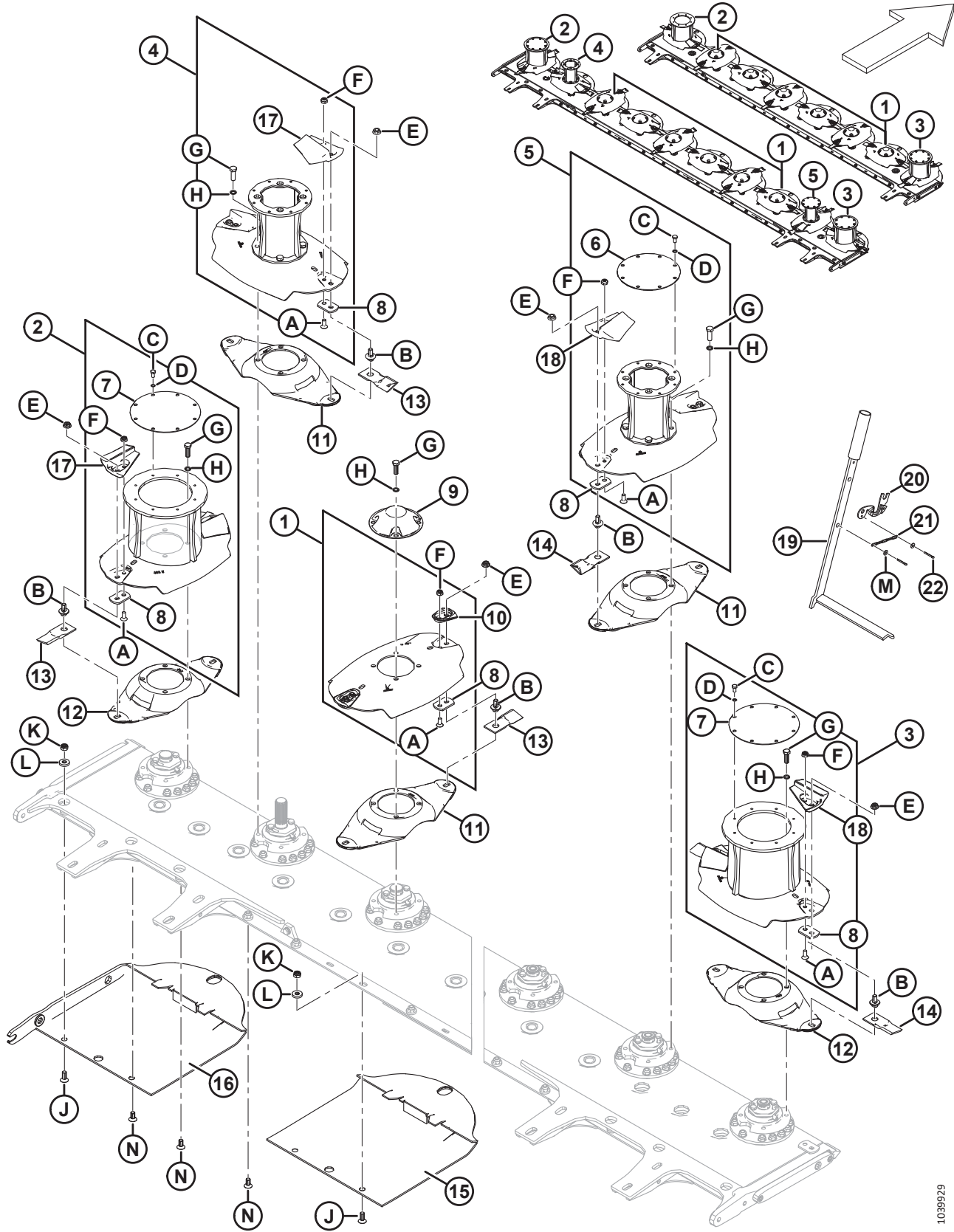
Ref	Part Number	Description	8/10 Disc Qty	Serial Number
1	281753	ASSEMBLY – DISC, 425 MM ¹⁵	6/6	
2	281865	ASSEMBLY – CW DRUM, 402 MM ¹⁵	1/1	
3	281866	ASSEMBLY – CCW DRUM, 402 MM ¹⁵	1/1	
4	257085	ASSEMBLY – CW DRUM, 425 MM DRIVE ¹⁵	0/1	
5	257086	ASSEMBLY – CCW DRUM, 425 MM ¹⁵	0/1	
6	280504	PLATE – DRUM COVER	0/1	
7	246291	PLATE – DRUM COVER	1/2	
8	246301	PLATE – BLADE, 5 MM	16/20	
9	246305	COVER – DISC	6/6	
10	238227	KIT – 2 GUARDS C/W HARDWARE ¹⁶	6/6	
11	281364	PLATE – QUICK CHANGE, 425MM	6/8	
12	281365	PLATE – QUICK CHANGE, 402MM	2/2	
13	259199	BLADE – 18° DEG CW BEVEL DOWN (QTY 6)	A/R	
14	259200	BLADE – 18° CCW BEVEL DOWN (QTY 6)	A/R	
15	281609	ROCKGUARD	6/8	
	359024	ROCKGUARD (LIGHT CROP – FLAT TOP) ¹⁷	OPT	
16	238031	ROCKGUARD – REINFORCED, LH	1/1	
	238032	ROCKGUARD – REINFORCED, RH	1/1	
17	281966	ACCELERATOR – CW (PAIR)	1/2	
18	281967	ACCELERATOR – CCW (PAIR)	1/2	
19	281362	TOOL – BLADE CHANGE	1/1	
20	281755	GAUGE – QUICK CHANGE	1/1	
21	259113	CHAIN – QUICK CHANGE	1/1	
22	259117	PIN – COTTER	2/2	
A	281965	BOLT – ACCELERATOR		
B	281363	BOLT – BLADE, QUICK CHANGE		
C	246882	BOLT – M8 SPECIAL		
D	246633	WASHER – SPECIAL M8		
E	246300	NUT – BLADE		
F	246303	NUT – ACCELERATOR		
G	281697	BOLT – M12 DISC COVER		

15. This assembly does not include blades (MD #259199, 259200) or hardware (MD #281363).

16. This kit includes a matched pair of disc guards (NSS), two accelerator bolts (MD #281965), two accelerator nuts (MD #246303), and two accelerator bolts (MD #281605).

17. The optional rockguard has a flat top, which improves header performance when cutting in lighter crop.

CUTTERBAR COMPONENTS – EIGHT AND TEN DISC WITH QUICK CHANGE BLADES



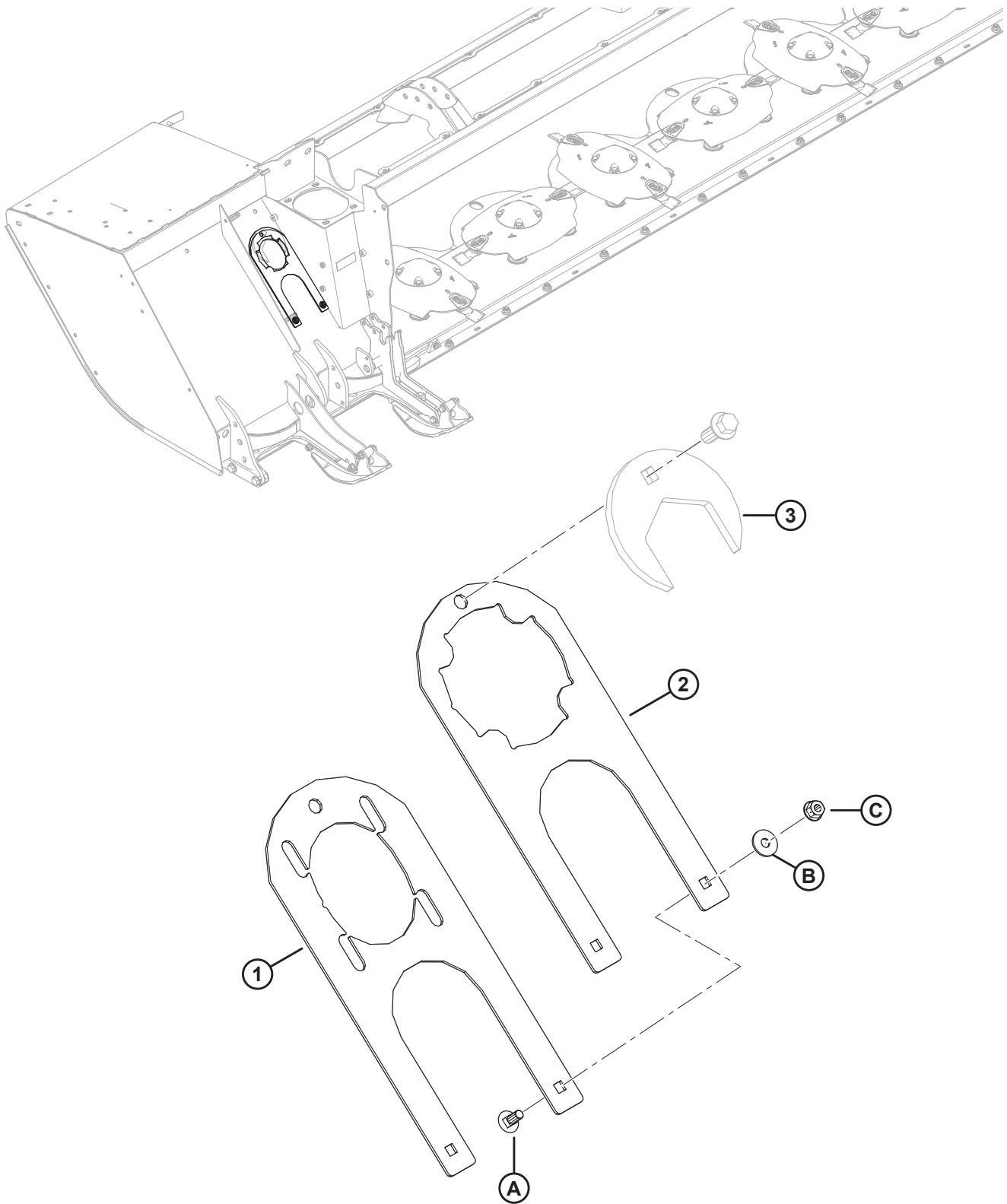
1039929

CUTTERBAR COMPONENTS – EIGHT AND TEN DISC WITH QUICK CHANGE BLADES

Ref	Part Number	Description	8/10 Disc Qty	Serial Number
H	246952	WASHER – M12 LOCKING DISC		
J	259099	BOLT – COUNTERSUNK (30 MM)		
K	246332	NUT – M12 LOCKING		
L	259100	WASHER – M12 LOCKING		
M	184701	WASHER – FLAT LARGE		
N	338800	BOLT – FLAT CSK (25 MM) ¹⁸		

18. 25 mm countersunk bolts (MD #338800) are used at the second, third, and fourth rockguard bolt locations from the outboard ends of 10-disc cutterbars only; 30 mm countersunk bolts (MD #259099) are used at all other rockguard bolt locations.

4 Cutterbar – Disc Timing Tool

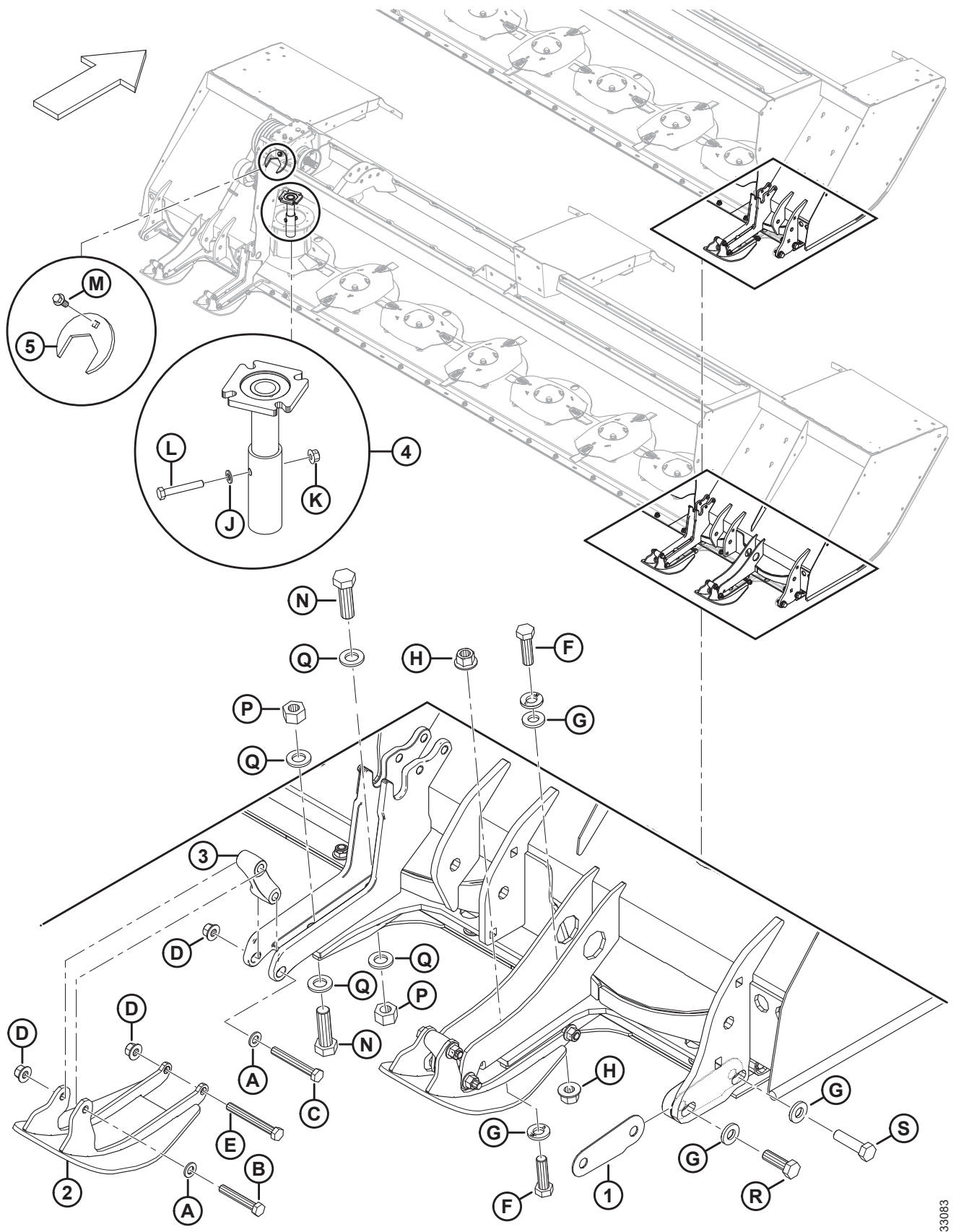


CUTTERBAR – DISC TIMING TOOL

Ref	Part Number	Description	Qty	Serial Number
1	239049	TOOL – DISC TIMING 1	1	
2	338995	TOOL – DISC TIMING 2	1	
3	REF	WRENCH – SAFECUT NUT ¹⁹	1	
A	197171	BOLT – RHSN M8 X 1.25 X 20-8.8-ZINC		
B	184709	WASHER – FLAT LARGE		
C	135337	NUT – HEX FLG CTR LK M8 X 1.25-8-AA1J		

19. Refer to Section 5 *Cutterbar to Frame*, page 15.

5 Cutterbar to Frame



CUTTERBAR TO FRAME

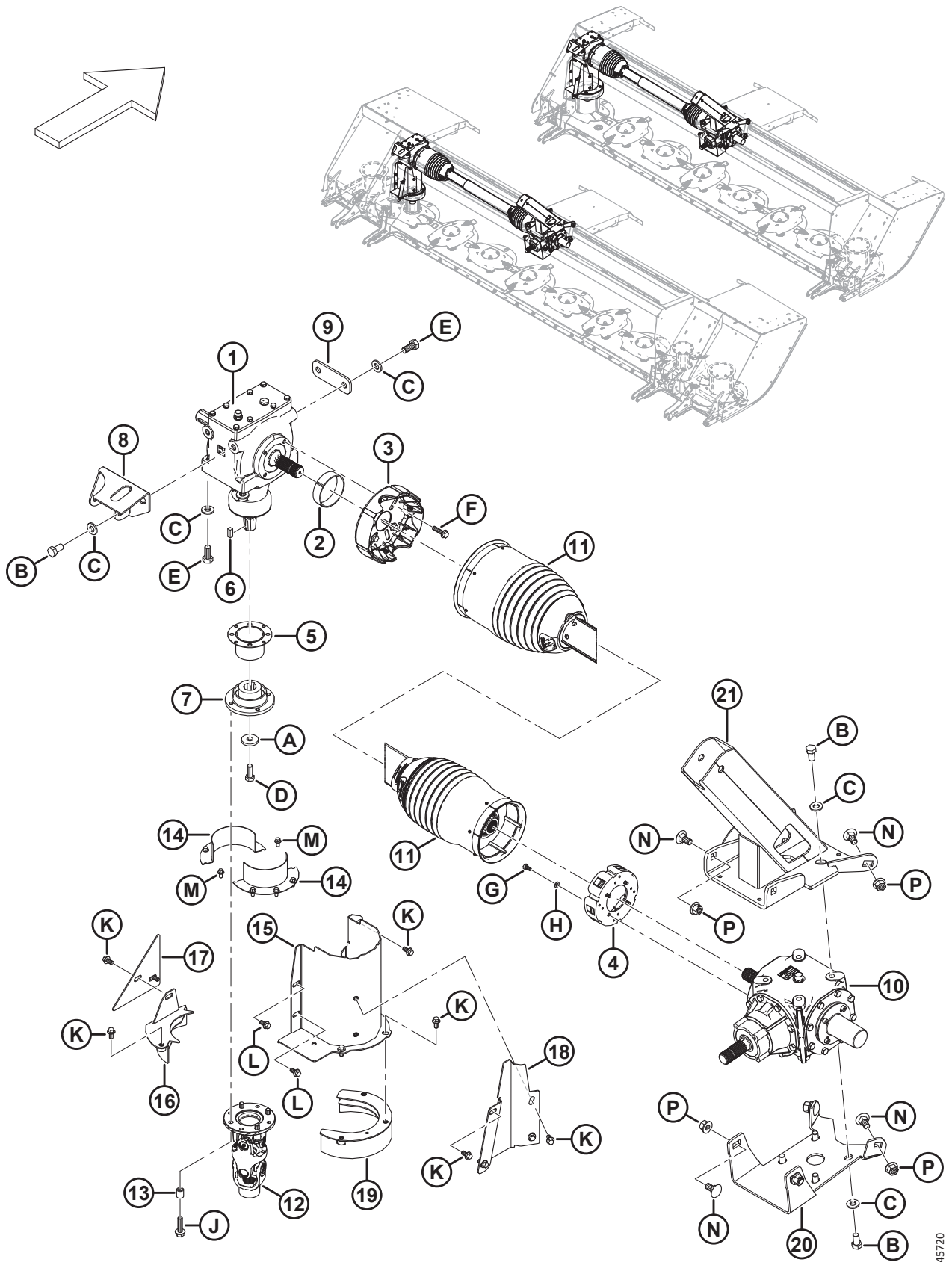
NOTE:

Quantities listed are for 8/10 disc unless otherwise noted.

Ref	Part Number	Description	8/10 Disc Qty	Serial Number
1	247206	SHIM – CUTTERBAR ²⁰	A/R	
2	257096	SHOE – WELDMENT	2/4	
3	238147	LINK – CAST	2/4	
4	325683	ASSEMBLY – TOOL, DRIVE ALIGNMENT ^{21 22}	A/R	
5	246314	WRENCH – SAFECUT NUT ²³	1/1	
A	184714	WASHER – FLAT REG M12-300HV-A3L		
B	135155	BOLT – HEX HD M12 X 1.75 X 75-8.8-A3L		
C	184673	BOLT – HEX HD M12 X 1.75 X 90-10.9-A3L		
D	136431	NUT – HEX FLG CTR LOC M12 X 1.75-10-A3L		
E	184672	BOLT – HEX HD M12 X 1.75 X 100-10.9-A3L		
F	136717	BOLT – HEX HD M16 X 2 X 55-10.9		
G	320226	WASHER – HARD M16-300HV-ZINC		
H	136440	NUT – HEX FLG CTR LOC M16 X 2-10-A3L		
J	184711	WASHER – FLAT REG M10-200HV-A3L		
K	135799	NUT – HEX FLG CTR LOC M10 X 1.5-10-A3L		
L	108172	BOLT – HEX HD M10 X 1.5 X 65-8.8-A3L		
M	148798	BOLT – HEX FLG HD M12 X 1.75 X 30-10.9-A3L		
N	136157	BOLT – HEX HD M20 X 2.5 X 65-10.9-AA1J		
P	136124	NUT – HEX M20 X 2.5-10-A3L		
Q	320225	WASHER – HARD M20-300HV-ZINC		
R	184681	BOLT – HEX HD M16 X 2 X 50-8.8-AA1J		
S	136141	BOLT – HEX HD M16 X 2 X 60-8.8-AA1J		

-
20. Before tightening the bolts on the cutterbar, shim both sides of the header evenly as required to a maximum gap of 2 mm per side.
 21. This assembly includes hardware (MD #184711, 135799, 108172).
 22. Align the T-gearbox hub and the cutterbar drive shaft to +/- 3.2 mm or 1/8 in. Use tool (MD #325683, not supplied with header) to achieve proper alignment. The drive alignment tool is also supplied in cutterbar kits (MD #238195, 259518) and gearbox kit (MD #259516).
 23. The wrench is attached to the header, and it is used to loosen/tighten special nut (MD #246612, 246613). Refer to Section 1 *Cutterbar – Eight and Ten Disc, page 1*.

6 Mechanical Drives



1045720

MECHANICAL DRIVES

Ref	Part Number	Description	Qty	Serial Number
1	259516	KIT – GEARBOX ²⁴	1	
2	246196	SPACER – GEARBOX	1	
3	369229	GUARD – MOUNT (T-GEARBOX) ²⁵	1	
4	369758	GUARD – MOUNT (DRIVE GEARBOX) ²⁶	1	
5	246087	SHIELD – WELDMENT	1	
6	222269	KEY – SQUARE, 0.375 IN. WIDE, 0.75 IN. LG ²⁷	1	
7	247103	HUB – DRIVE	1	
8	256375	BRACKET – WELDT	1	
9	247112	PLATE	1	
10	351919	DRIVE – GEARBOX ²⁸	1	
11	384044	DRIVELINE – CROSS SHAFT ²⁹	1	
12	259139	ASSEMBLY – DRIVELINE	1	
	259142	ASSEMBLY – CROSS JOURNAL CENTER GREASE FITTING ³⁰	1	
	247120	ASSEMBLY – CROSS JOURNAL CAP GREASE FITTING ³¹	1	
	247121	YOKE – SPLINED ³²	1	
	247122	YOKE – FLANGE ³³	1	
13	222291	SPACER	4	
14	246691	SHIELD – DRUM WELDT ³⁴	2	
	281497	SHIELD – DRUM WELDT (SMALL DRUM) ³⁵	2	
15	247826	SHIELD – VERTICAL WELDT ³⁴	1	
	281981	SHIELD – VERTICAL WELDT (SMALL DRUM) ³⁵	1	
16	246687	PLATE – BACK WELDMENT ³⁴	1	
	281493	PLATE – BACK WELDMENT (SMALL DRUM) ³⁵	1	
17	246770	PLATE – COVER ³⁴	1	
	281500	PLATE – COVER (SMALL DRUM) ³⁵	1	
18	247827	PLATE – SHIELD, VERTICAL DRIVE ³⁴	1	
	281501	PLATE – SHIELD, VERTICAL DRIVE (SMALL DRUM) ³⁵	1	
19	281378	DRUM – TOP ³⁴	1	
	281489	DRUM – TOP (SMALL DRUM) ³⁵	1	
20	369254	BRACKET – SUPPORT	1	
21	369244	SUPPORT – TOP GEARBOX WELDT	1	
A	4762	WASHER – FLAT		

24. Gearbox kit (MD #259516) includes T-gearbox (NSS) and cutterbar alignment tool (MD #325683). For service parts, refer to Section [7 T-Gearbox – Service Parts, page 21](#).

25. T-gearbox mount guard.

26. Drive gearbox mount guard.

27. 0.375-inch wide x 0.75-inch long square key.

28. For service parts, refer to Section [8 Drive Gearbox – Service Parts, page 23](#).

29. For service parts, refer to Section [9 Cross Shaft Driveline – Service Parts, page 25](#).

30. Assembly (MD #259142) includes a center zerk grease fitting.

31. Assembly (MD #241720) includes a cap zerk grease fitting.

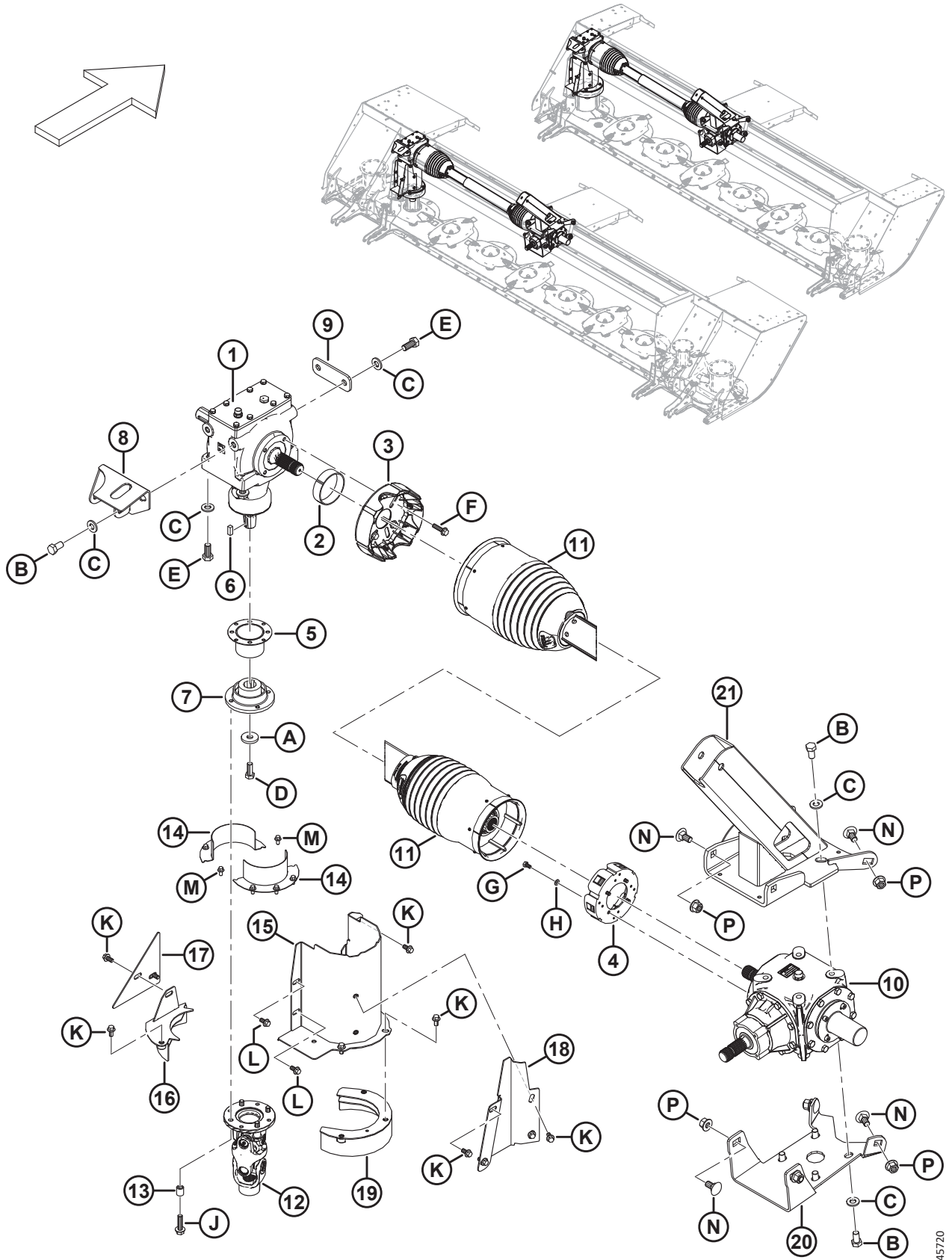
32. Splined yoke.

33. Flange yoke.

34. Used for R113 FR.

35. Used for R116 FR (small drum).

MECHANICAL DRIVES



1045720

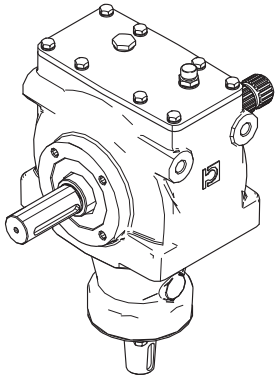
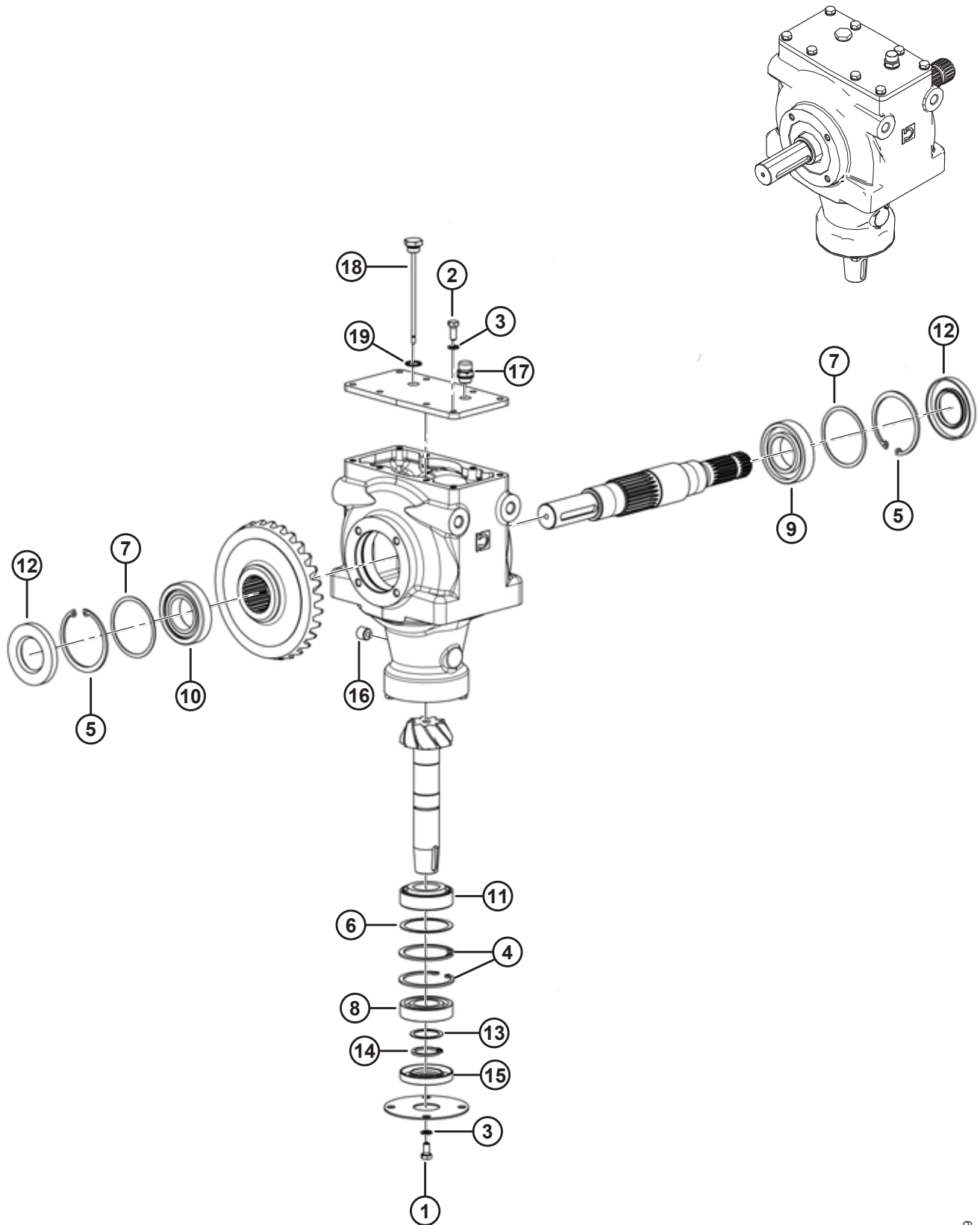
MECHANICAL DRIVES

Ref	Part Number	Description	Qty	Serial Number
B	136143	BOLT – HEX HD TFL M16 X 2 X 30-10.9-AA1J		
C	320226	WASHER – HARD M16-360HV-ZINC		
D	135491	BOLT – HEX HD TFL M14 X 2 X 35-8.8-AA1J		
E	136137	BOLT – HEX HD TFL M16 X 2 X 35-8.8-AA1J		
F	152947	BOLT – HEX FLG HD TFL M10 X 1.5 X 40-10.9-AA1J		
G	50139	BOLT – HEX HD TFL M8 X 1.25 X 16-8.8-AA1J		
H	184708	WASHER – FLAT M8-200HV-AA1J		
J	148799	BOLT – HEX FLG HD M12 X 1.75 X 45-10.9-AA1J		
K	152655	BOLT – HEX FLG HD M10 X 1.5 X 20-8.8-AA1J		
L	136151	BOLT – HEX FLG HD TFL M10 X 1.5 X 16-8.8-AA1J ³⁶		
	152655	BOLT – HEX FLG HD M10 X 1.5 X 20-8.8-AA1J ³⁷		
M	136485	BOLT – HEX FLG HD TFL M8 X 1.25 X 16-8.8-AA1J		
N	252691	BOLT – RHSN M16 X 2 X 35-10.9-AA1J		
P	136440	NUT – HEX FLG CTR LK M16 X 2-10-AA1J		

36. R113 FR uses two of these bolts (MD #163151) on vertical shield (MD #247826).

37. R116 FR uses two of these bolts (MD #152655) on vertical shield (small drum) (MD #281981).

7 T-Gearbox – Service Parts



T-GEARBOX – SERVICE PARTS

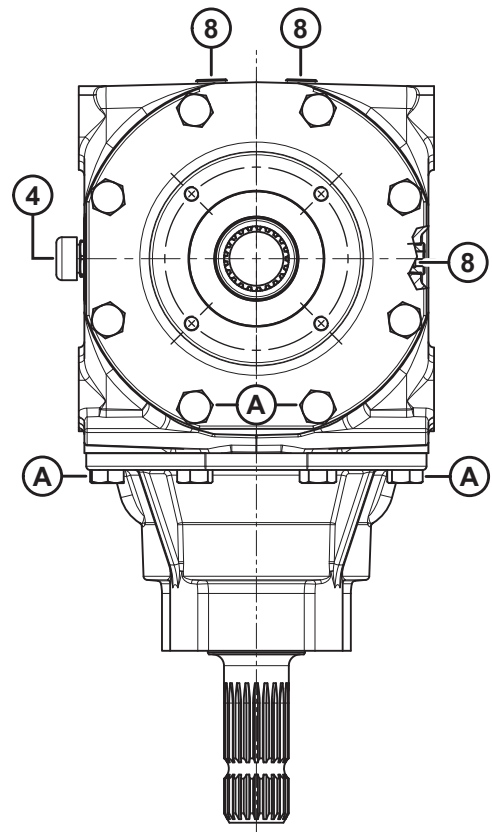
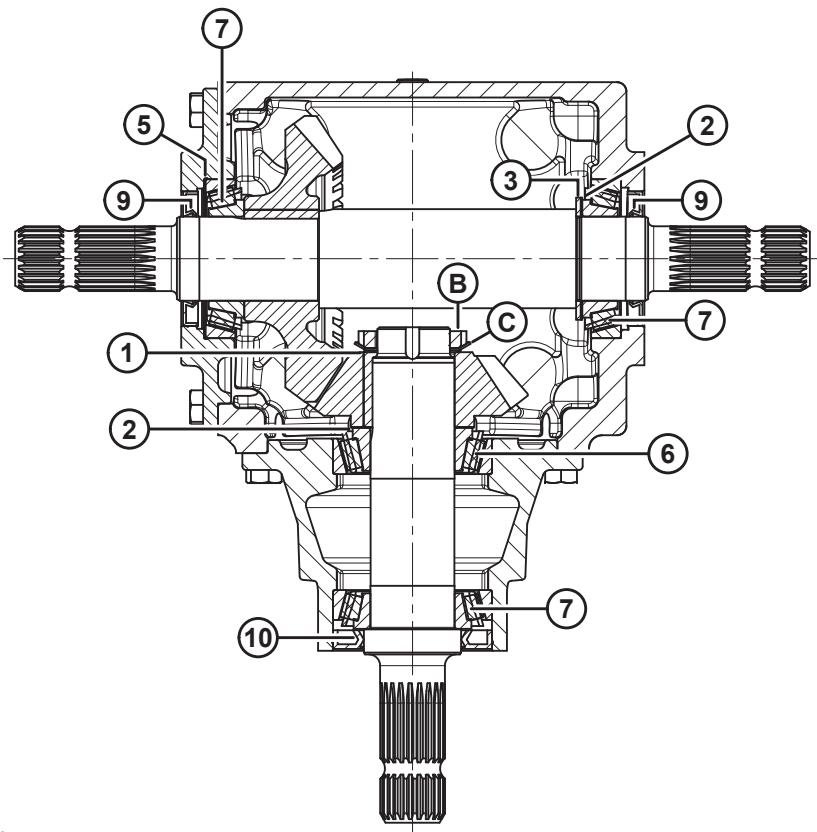
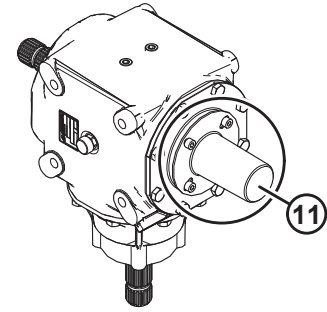
NOTE:

The parts that are illustrated but **NOT** listed are not available for sale. They have been illustrated for reference only.

Ref	Part Number	Description	Qty	Serial Number
	259516	KIT – T-GEARBOX ³⁸		
1	247079	SCREW – M8 X 16 X 1.25	4	
2	247080	SCREW – M8 X 20 X 1.25	1	
3	247081	LOCK WASHER – M8	5	
4	247082	CIRCLIP INTERNAL – 72 X 2.5	2	
5	247083	CIRCLIP INTERNAL – 85 X 3	2	
6	247084	SHIM – 72 MM BORE	1	
7	247085	SHIM – 83 MM BORE	2	
8	246082	BALL BEARING – CYLINDRICAL (45 X 85 X 19)	1	
9	246084	BALL BEARING – CYLINDRICAL (35 X 72 X 17)	1	
10	246080	BEARING – CROSS (45 X 85 X 20.75)	1	
11	246083	BEARING – TAPER (35 X 72 X 24.25)	1	
12	246085	SEAL – CROSS (RUBBER)	2	
13	247091	SHIM – 35 MM	1	
14	247094	CIRCLIP EXTERNAL – 35 X 2.5	1	
15	247095	SEAL – RUBBER (35 X 72 X 10)	1	
16	247096	PLUG – 3/8 IN. MAGNET	1	
17	246086	PLUG – 3/8 IN. BREATHER, C/W GASKET	1	
18	247099	PLUG – DIPSTICK (3/8 IN.)	1	
19	247100	GASKET	1	

38. Refer to Section 6 *Mechanical Drives*, page 17. The kit includes Drive Alignment Tool (MD #325683); refer to Section 5 *Cutterbar to Frame*, page 15.

8 Drive Gearbox – Service Parts



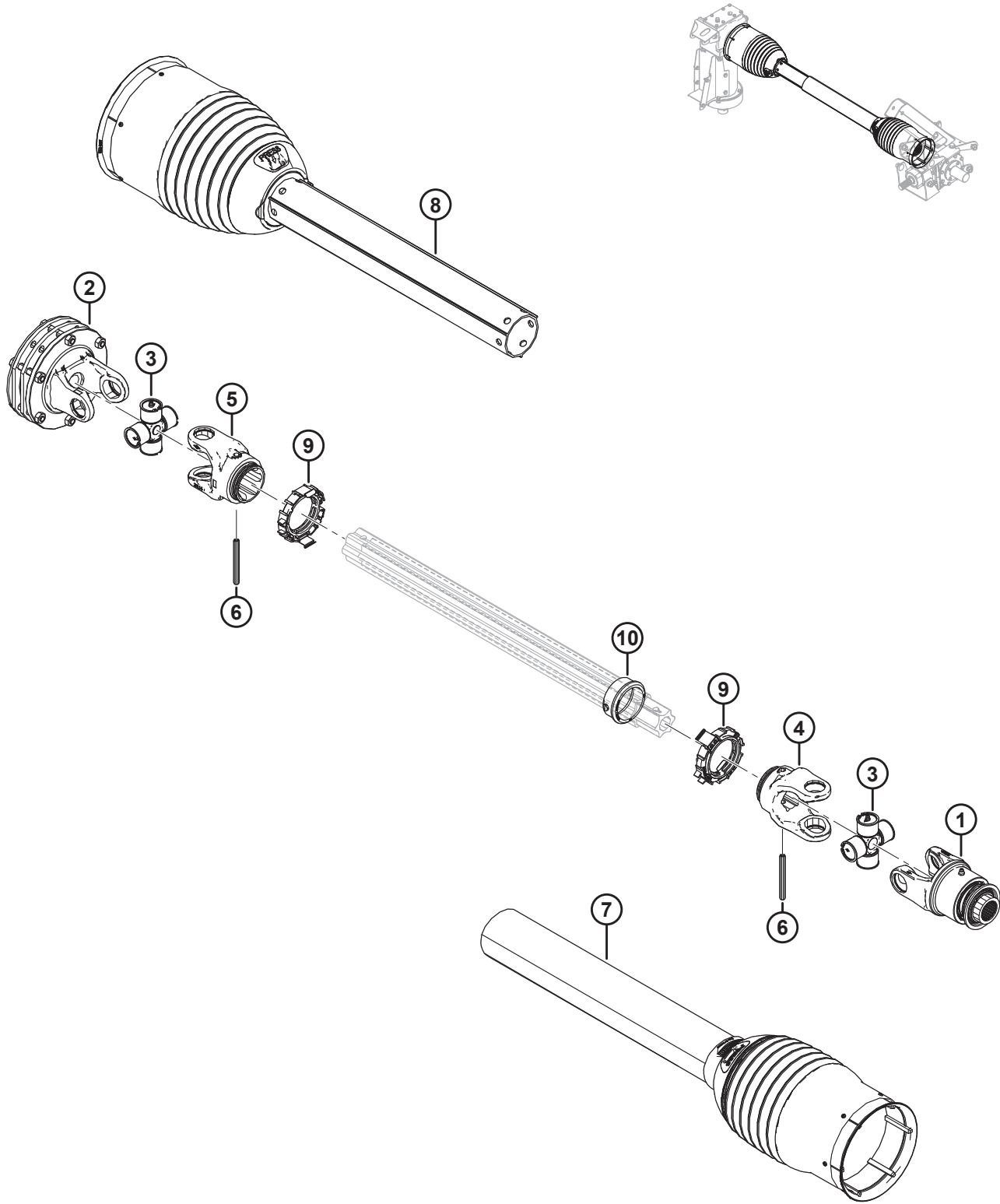
DRIVE GEARBOX – SERVICE PARTS

Ref	Part Number	Description	Qty	Serial Number
	351919	DRIVE – GEARBOX ³⁹		
1	247071	SHIM (51.5 X 40.3 X 1.0)	1	
2	247040	SHIM (45.3 X 65.3)	2	
3	369725	SHIM (45.3 X 65.3 X 2.5)	1	
4	369726	BREATHER	1	
5	369727	SHIM – KIT (70.3 X 84.7)	1	
6	369728	BEARING – TAPER	1	
7	369729	BEARING – TAPER	3	
8	150864	FITTING – PLUG	3	
9	369733	SEAL (45 X 72 X 8)	2	
10	369734	SEAL (52 X 85 X 41)	1	
11	369735	KIT – GUARD C/W HARDWARE ⁴⁰		
A	247056	BOLT		
B	369730	NUT – LOCK SPECIAL		
C	369731	WASHER		

39. Refer to Section *6 Mechanical Drives*, page 17.

40. The kit includes one guard (NSS) and four M8 x 14 socket head screws (NSS).

9 Cross Shaft Driveline – Service Parts

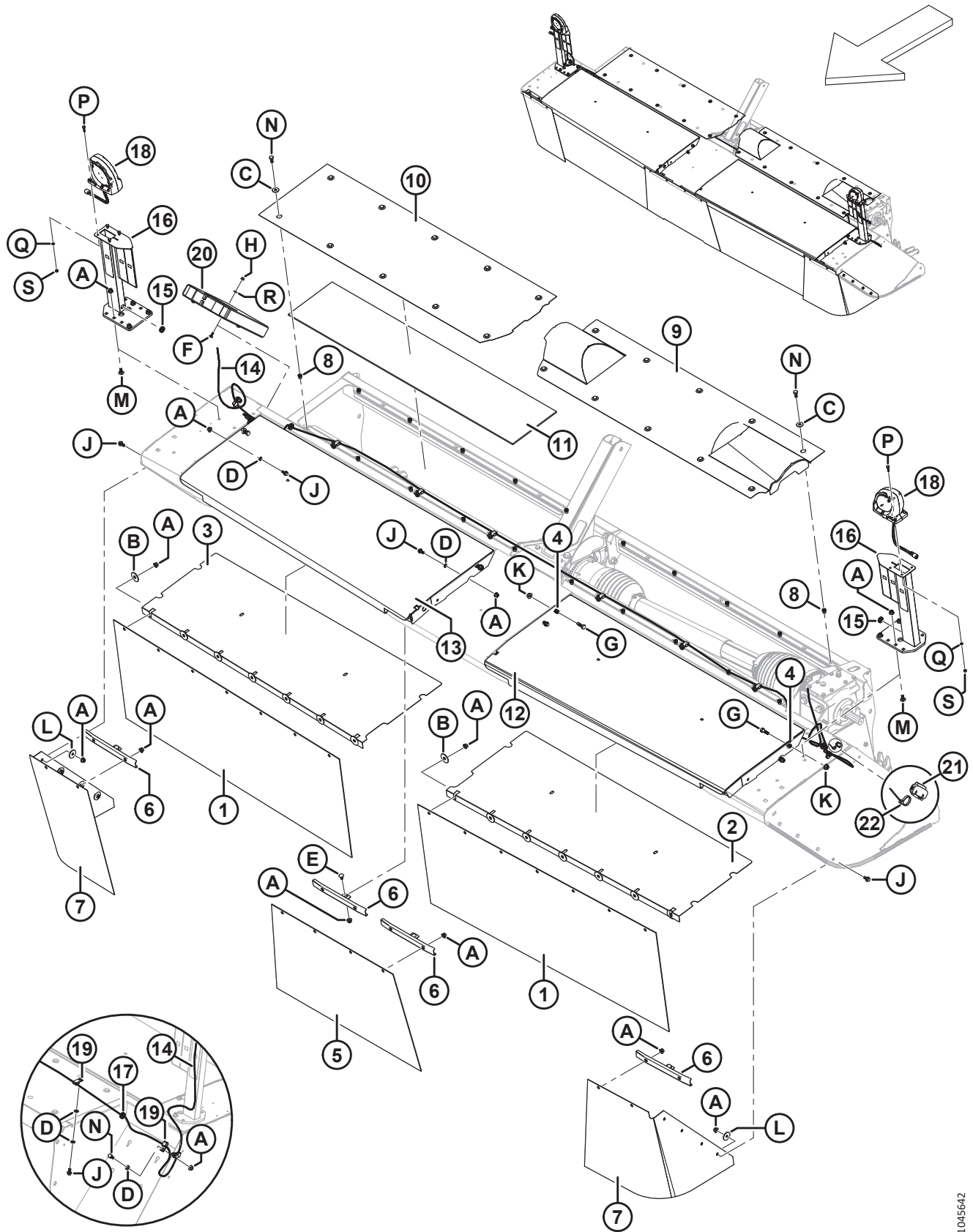


CROSS SHAFT DRIVELINE – SERVICE PARTS

Ref	Part Number	Description	Qty	Serial Number
	384044	DRIVELINE – CROSS SHAFT ⁴¹		
1	369765	YOKE – 1.375 IN. 21 T OVR RUN	1	
2	369766	YOKE – 1.375 IN. 21 T FR CLUTCH	1	
3	369634	CROSS – 2500/P500 SERIES	2	
4	369750	YOKE – INBOARD	1	
5	369743	YOKE – INBOARD	1	
6	369744	PIN	2	
7	369814	SHIELD – OUTER	1	
8	369767	SHIELD – INNER	1	
9	369815	RETAINER – SHIELD	2	
10	369816	GUIDE – SHIELD	1	

41. Refer to Section *6 Mechanical Drives*, page 17.

10 Header Shields



HEADER SHIELDS

NOTE:

R113 FR header shields are shown in the illustration; R116 FR header shields are similar.

Ref	Part Number	Description	Qty	Serial Number
1	223883	SHIELD – DOOR (RUBBER) ⁴²	2	
2	246388	LINER – COVER LH	1	
3	224471	LINER – COVER RH	1	
4	224313	SPACER	4	
5	223884	SHIELD – CENTER (RUBBER) ⁴²	1	
6	224686	SUPPORT – FRONT SHIELD	4	
7	223904	SHIELD – CORNER 13FT (RUBBER) ⁴²	2	
	223888	SHIELD – CORNER 16FT (RUBBER) ⁴²	2	
8	136843	RIVNUT – M10 X 1.5 HEX M100.7-3.8	20	
9	369798	ASSY – TOP SHIELD C/W DECALS, RED ⁴³	1	
10	369796	ASSY – TOP SHIELD C/W DECALS, RED ⁴³	1	
11	246346	LINER – FRAME	1	
12	246874	ASSEMBLY – LH COVER C/W DECALS ⁴⁴	1	
13	246876	ASSEMBLY – RH COVER C/W DECALS ⁴⁵	1	
14	256584	HARNESS – R1 SP	1	
15	256545	GROMMET – PRE CUT	2	
16	256338	ASSEMBLY – LAMP, MOUNT ⁴⁶	2	
17	206482	GROMMET	2	
18	203547	LAMP – CLEARANCE, DT CONNECTOR	2	
	139630	LENS – AMBER ⁴⁷		
19	135233	CLAMP – DOUBLE HOSE INSULATED	9	
20	118234	CASE – MANUALS	1	
21	500635	CONNECTOR – CAP PLUG 3-WAY	1	
22	16661	FASTENER – CABLE TIE, BLACK	1	
A	135799	NUT – HEX FLG CTR LOC M10 X 1.5-10		
B	42592	WASHER – FLAT		
C	184712	WASHER – FLAT LARGE M10-200HV		
D	184711	WASHER – FLAT REG M10-200HV-AA1J		
E	184657	BOLT – RHSSN M10 X 1.5 X 20-8.8-AA1J		
F	184641	BOLT – RHSN M6 X 1 X 20-8.8-AA1J		
G	152730	BOLT – HEX HD TFL M12 X 1.75 X 35-10.9-AA1J		
H	152668	NUT – HEX FLG CTR LOC M6 X 1-8		
J	152655	BOLT – HEX FLG HD M10 X 1.5 X 20-8.8-AA1J		

42. Rubber shield.

43. The top shield assembly includes decal (MD #190546).

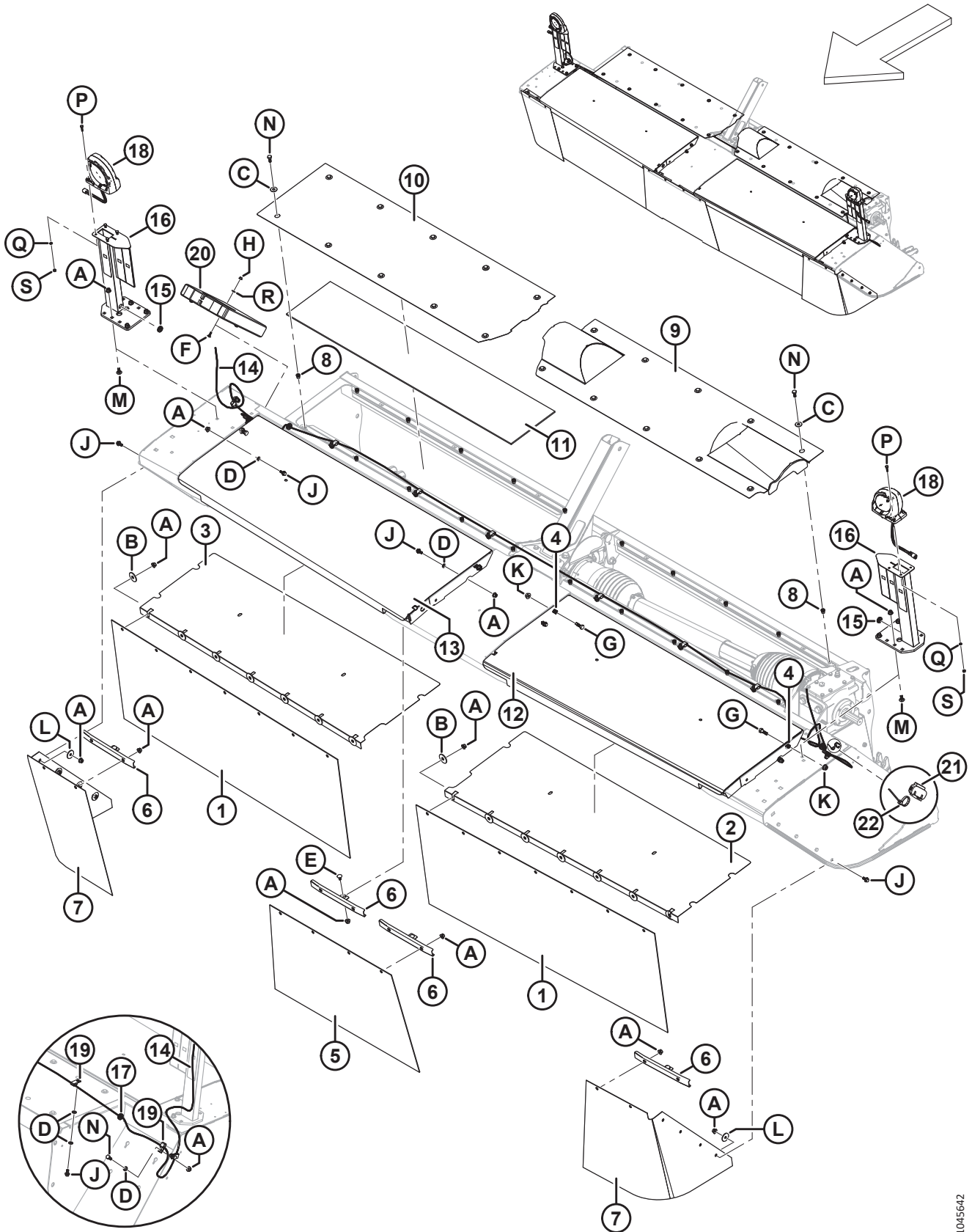
44. The left cover assembly includes information decals (MD #194465, 247167, and 194466) and product identification decals (MD #369402 and MD #369404).

45. The right cover assembly includes information decals (MD #194465, 247167, and 194466) and MacDon top decal (MD #246997).

46. The lamp mount assembly includes reflectors (MD #115145, 115146, and 115147).

47. Service part for clearance lamp (MD #203547).

HEADER SHIELDS

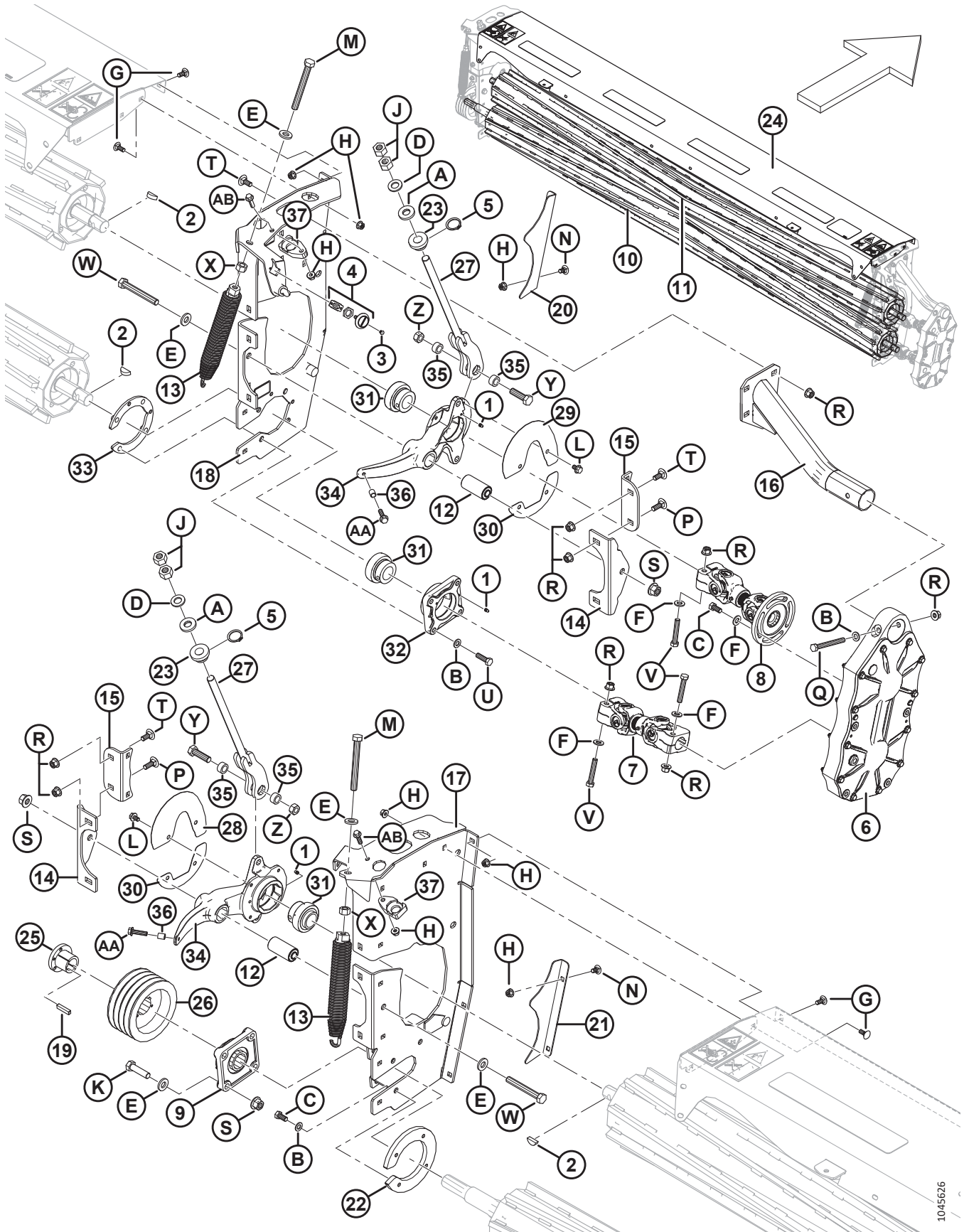


1045642

HEADER SHIELDS

Ref	Part Number	Description	Qty	Serial Number
K	148645	NUT – HEX FLG STVR LK M12 X 1.75-10-AA1J		
L	136428	WASHER – FLAT LARGE M10-200HV		
M	135785	BOLT – RHSN M10 X 1.5 X 25-8.8-AA1J		
N	30627	BOLT – HEX HD TFL M10 X 1.5 X 25-8.8-A3L		
P	21573	BOLT – HEX HD 1/4-20 X 1.0 GR5-AA1J		
Q	18635	WASHER – REG. LOCK 1/4 IN. NOM. ID AA1J		
R	18596	WASHER – FLAT SAE 9/32 ID X 5/8 OD AA1J		
S	18588	NUT – HEX 1/4-20 UNC GR 5 ZP		

11 Roll Conditioner – Steel/Polyurethane



1045626

ROLL CONDITIONER – STEEL/POLYURETHANE

NOTE:

A steel conditioner is shown in the illustration.

Ref	Part Number	Description	Qty	Serial Number
1	18671	FITTING – LUBE 1/4, 28 UNF	3	
2	30836	KEY – WOODRUFF (3/8 X 1 1/4 NOM.)	3	
3	113799	RIVET – POP	2	
4	320524	LATCH ASSY – 3 MM SLOT ⁴⁸	1	
5	136832	RING – EXT RETAINING HEAVY DUTY	2	
6	307211	DRIVE – GEAR (CONDITIONER ROLL TIMING) ⁴⁹	1	
7	221765	DRIVELINE – LOWER	1	
8	221768	DRIVELINE – UPPER	1	
9	221769	HOUSING – FLANGED	1	
10	259592	ROLL ASSY – LOWER ROLL STEEL	1	
	221937	ASSEMBLY – LOWER PU		
11	247832	ROLL ASSY – UPPER ROLL STEEL	1	
	221938	ASSEMBLY – UPPER PU		
12	222658	BUSHING – RUBBER	2	
13	222664	ASSEMBLY – SPRING	2	
14	222988	BRACKET – PIVOT	2	
15	223406	ANGLE – COND PANEL	2	
16	223467	SUPPORT – WELDMENT	1	
17	384113	LH PANEL – ASSY W/ DECALS ⁵⁰	1	
	256580	LH PANEL – ASSY W/ DECALS ⁵¹		
18	384112	RH PANEL – ASSY W/ DECALS ⁵⁰	1	
	247856	RH PANEL – ASSY W/ DECALS ⁵¹		
19	246424	KEY – 10 MM X 8 MM X 45 MM	1	
20	246747	GUARD – RH, STEEL ROLL	1	
	246751	GUARD – RH, POLYURETHANE ROLL		
21	246748	GUARD – LH, STEEL ROLL	1	
	246752	GUARD – LH, POLYURETHANE ROLL		
22	281324	PLATE – CLAMP, STEEL ROLL	1	
	281325	PLATE – CLAMP, POLYURETHANE ROLL		
23	246799	STOP – PLASTIC	2	
24	369763	ASSY – ROLL COND COVER C/W SLIPS ⁵²	1	
25	246844	BUSHING	1	
26	246847	PULLEY – 4 HB	1	
27	259621	STOP – WELDT	2	
28	247854	SHIELD – LH, W/ DECAL ⁵³	1	
29	247855	SHIELD – RH, W/ DECAL ⁵³	1	

48. The latch assembly includes latch (NSS), tolerance clip (NSS), and latch nut (NSS).

49. For service parts, refer to Section [12 Roll Conditioner – Gear Drive Service Parts, page 35](#).

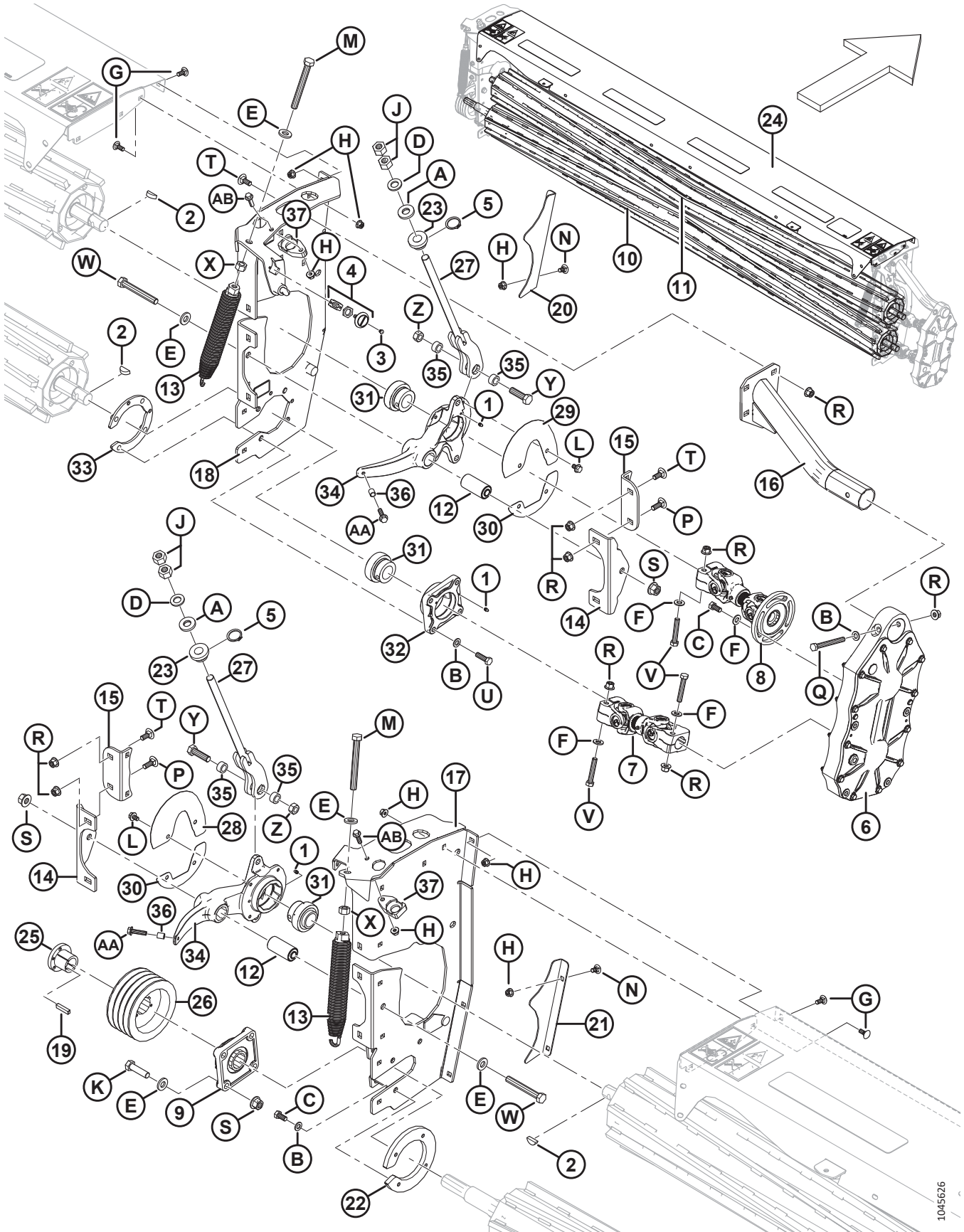
50. Model year 2025 only. The panel includes decals (MD #23164, 246956, and 246959).

51. Model year 2024 and prior machines only. The panel includes decals (MD #23164, 246956, and 246959).

52. The roll conditioner cover includes decals (MD #184371, 184385, and 246902), and four anti-slip strips (MD #132898).

53. The shield includes decal (MD #23164).

ROLL CONDITIONER – STEEL/POLYURETHANE



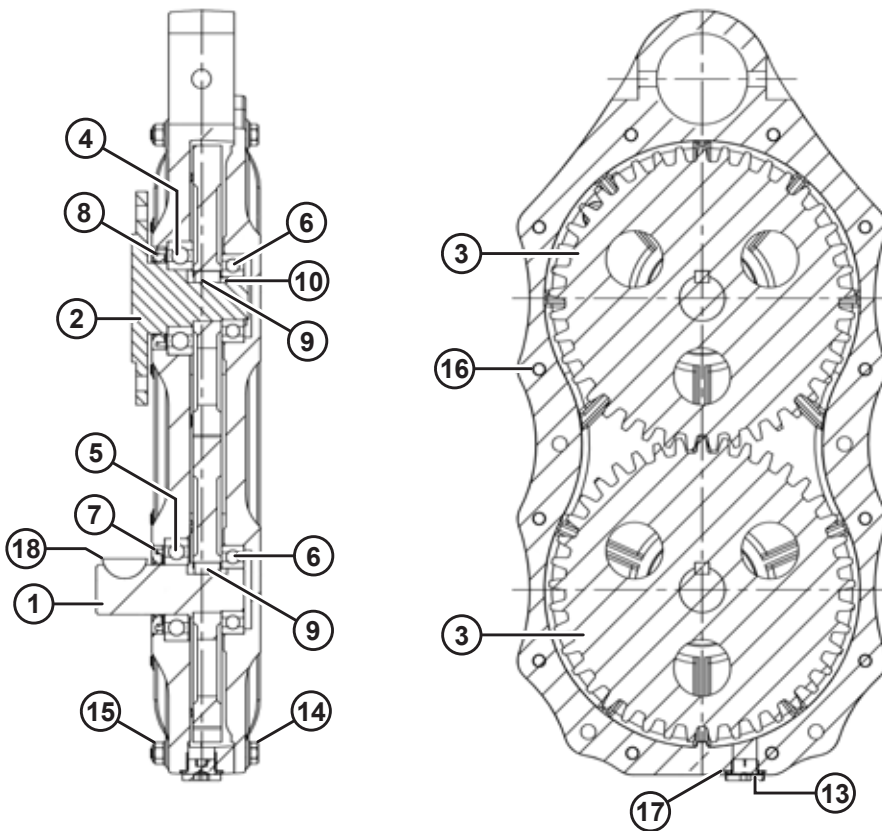
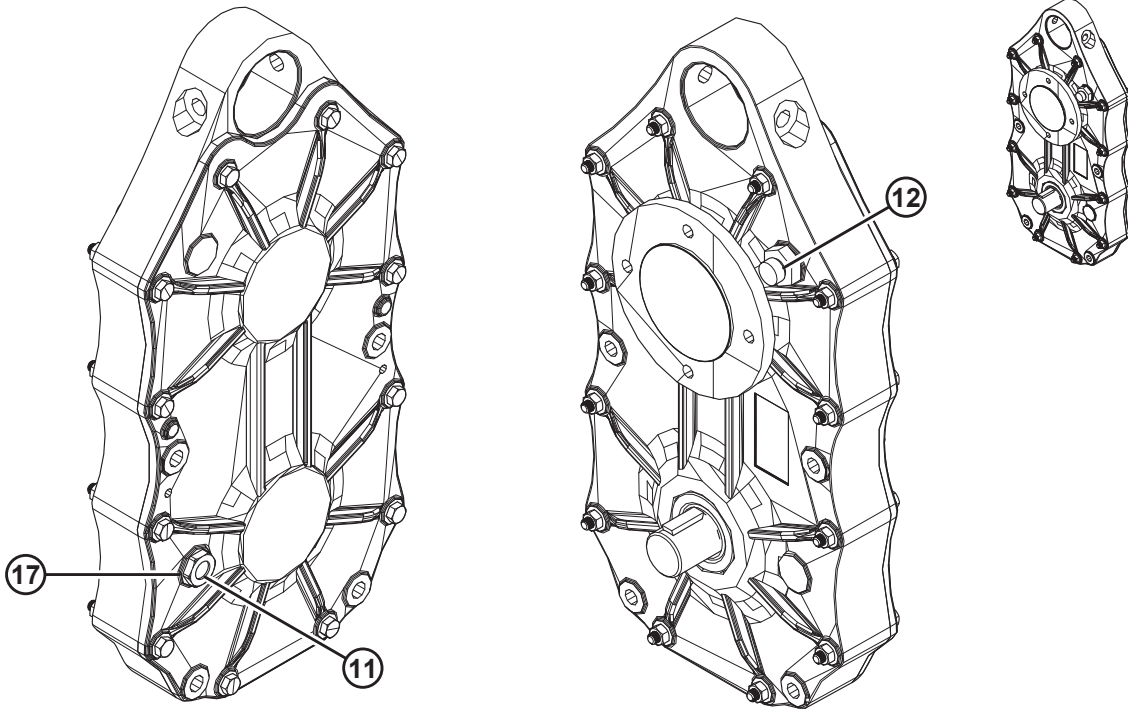
1045626

ROLL CONDITIONER – STEEL/POLYURETHANE

Ref	Part Number	Description	Qty	Serial Number
30	247305	SHIELD – ROLL ARM, LOWER	2	
31	247307	BEARING – SPH OD C/W COLLAR 1.5 IN BORE	3	
32	247309	HOUSING – MACHINED	1	
33	247420	PLATE – BRG HSG, FLOW DRILLED	1	
34	359253	ARM – ROLL C/W BUSHING ⁵⁴	2	
35	325857	TUBE – PIVOT	4	
36	338003	SPACER – ROLL ARM	2	
37	384043	MACHINED STOP ⁵⁵	2	
A	16235	WASHER – FLAT		
B	184714	WASHER – FLAT REG M12-300HV-A3L		
C	50155	BOLT – HEX HD TFL M12 X 1.75 X 25-8.8-A3L		
D	320225	WASHER – HARD M20-300HV-ZINC		
E	320226	WASHER – HARD M16-300HV-ZINC		
F	135369	WASHER – HARDENED		
G	135785	BOLT – RHSN M10 X 1.5 X 25-8.8-A3L		
H	135799	NUT – HEX FLG CTR LOC M10 X 1.5-10-A3L		
J	136124	NUT – HEX M20 X 2.5-10-A3L		
K	184681	BOLT – HEX HD M16 X 2 X 50-8.8-AA1J		
L	136151	BOLT – HEX FLG HD TFL M10 X 1.5 X 16-8.8-A3L		
M	136172	BOLT – HEX HD TFL M16 X 2 X 140-8.8-A3L		
N	136178	BOLT – RHSN M10 X 1.5 X 20-8.8-A3L		
P	136291	BOLT – RHSN TFL M12 X 1.75 X 35-8.8-A3L		
Q	136423	BOLT – HEX HD M12 X 1.75 X 110-8.8-A3L		
R	136431	NUT – HEX FLG CTR LOC M12 X 1.75-10-A3L		
S	136440	NUT – HEX FLG CTR LOC M16 X 2-10-A3L		
T	184667	BOLT – RHSN M12 X 1.75 X 30-8.8-A3L		
U	184669	BOLT – HEX HD M12 X 1.75 X 40-8.8-A3L		
V	184675	BOLT – HEX HD M12 X 1.75 X 70-8.8-A3L		
W	184678	BOLT – HEX HD M16 X 2 X 120-8.8-A3L		
X	184699	NUT – HEX M16 X 2-8-A3L		
Y	136717	BOLT – HEX HD M16 X 2 X 55-10.9		
Z	320208	NUT – HEX CTR LOCK M16 X 2-12-ZINC		
AA	152947	BOLT – HEX FLG HD TFL M10 X 1.5 X 40-10.9-AA1J		
AB	136211	BOLT – HEX FLG HD M10 X 1.5 X 35-8.8-AA1J ⁵⁶		

54. The roll arm includes one machined arm (NSS), one rubber bushing (MD #222658), one roll arm spacer (MD #338003), and one M10 hex head bolt (MD #152947).
55. Polyurethane conditioners only.
56. Bolt (MD #136211) is used to secure stop (MD #384043) on polyurethane conditioners only.

12 Roll Conditioner – Gear Drive Service Parts

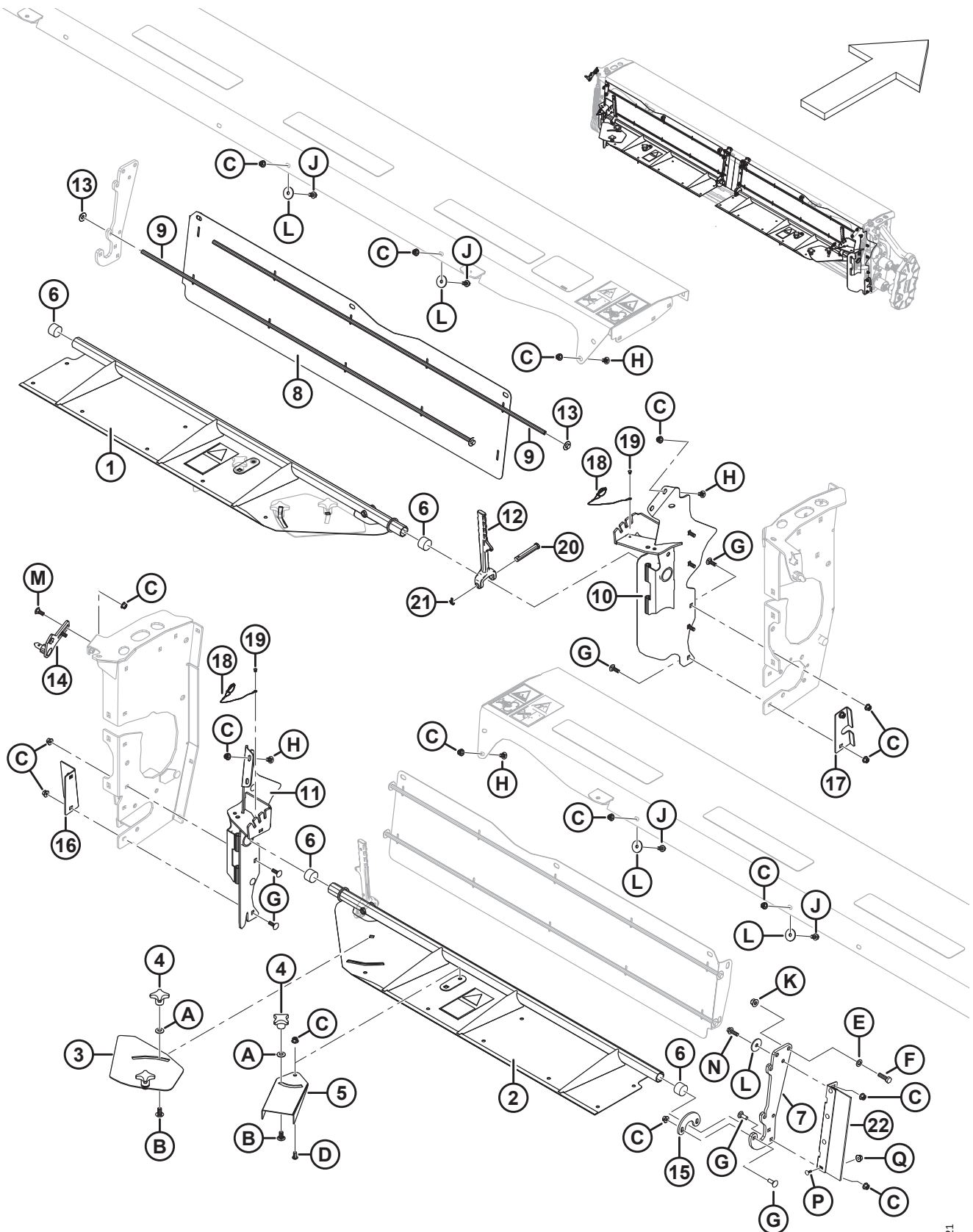


ROLL CONDITIONER – GEAR DRIVE SERVICE PARTS

Ref	Part Number	Description	Qty	Serial Number
	307211	DRIVE – GEAR (CONDITIONER ROLL TIMING) ⁵⁷		
1	247183	SHAFT – INPUT	1	
2	247184	SHAFT – OUTPUT, 4 BOLT FLANGE	1	
3	247185	GEAR – SPUR	2	
4	247186	BEARING – OUTPUT SHAFT	1	
5	247187	BEARING – INPUT SHAFT	1	
6	247188	BEARING	2	
7	247189	SEAL – INPUT SHAFT	1	
8	247190	SEAL – OUTPUT SHAFT	1	
9	247191	KEY – 10 X 8 X 18L, HARDENED	2	
10	247192	RING – SNAP	1	
11	247193	PLUG – OIL LEVEL, 1/2 BSPP	1	
12	247194	BREATHER – 1/2 BSPP	1	
13	247195	PLUG – DRAIN, 1/2 BSPP	1	
14	247196	BOLT – M8 X 70	12	
15	247197	NUT – M8	12	
16	247199	PIN – 6 X 12L	1	
17	247265	WASHER – 21.5 X 26 X 2T	1	
18	30836	KEY – WOODRUFF (3/8 X 1 1/4 NOM)	1	

57. Refer to Section *11 Roll Conditioner – Steel/Polyurethane*, page 31.

13 Roll Conditioner – Shields, Baffle



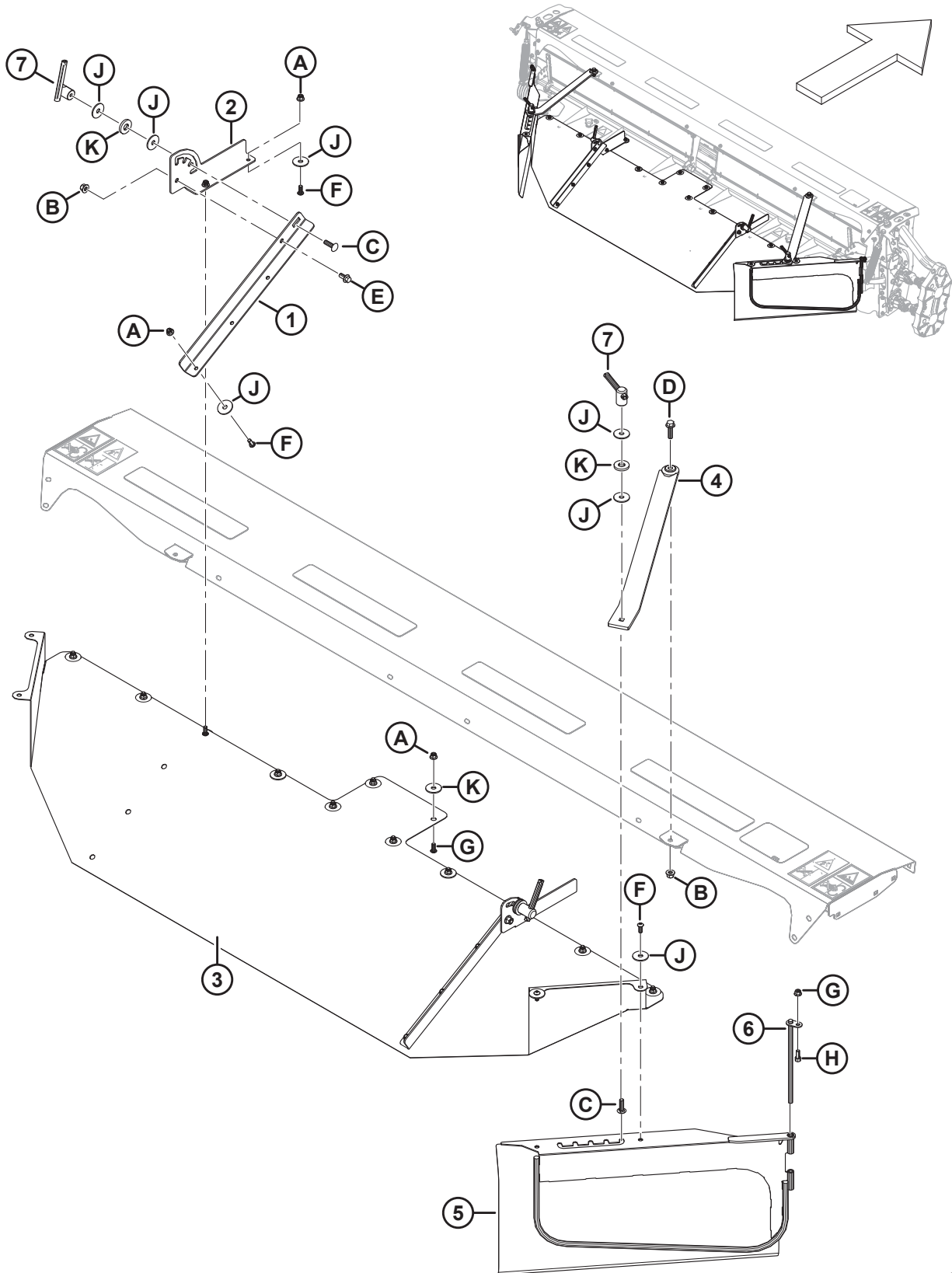
1045621

ROLL CONDITIONER – SHIELDS, BAFFLE

Ref	Part Number	Description	Qty	Serial Number
1	369779	BAFFLE RH ASSY W/ DECAL ⁵⁸	1	
2	369780	BAFFLE LH ASSY W/ DECAL ⁵⁸	1	
3	351165	PLATE	2	
4	246355	KNOB – PLASTIC-M12	6	
5	224869	FIN – BAFFLE	2	
6	137980	PLUG	4	
7	384049	HOOK – BAFFLE SUPPORT	2	
8	351152	CURTAIN – CONDITIONER	2	
9	351151	LINE	4	
10	351136	DEFLECTOR – RH WELDT	1	
11	351135	DEFLECTOR – LH WELDT	1	
12	281818	HANDLE – BAFFLE-MACHINED	2	
13	252219	NUT – PUSH ON CAP 1/2 STUD	8	
14	246226	STUD – WELDMENT	1	
15	224977	PLATE	2	
16	224039	SHIELD – LH	1	
17	223014	SHIELD – RH	1	
18	135945	LYNCH PIN – C/W LANYARD 3/16 PIN	2	
19	113799	RIVET – POP	2	
20	19958	PIN – CLEVIS	2	
21	18648	PIN – COTTER 3/16 DIA X 1.25 ZP	2	
22	369031	ASSEMBLY – BRUSH	2	
A	184596	WASHER – CON SPRING M12A STL		
B	152439	BOLT – RHSSN M12 X 1.75 X 25-8.8-AA1J		
C	135799	NUT – HEX FLG CTR LOC M10 X 1.5-10		
D	135723	SCREW – HEX SOC BTN HD M10 X 1.5 X 20-10.9-AA1J		
E	184714	WASHER – FLAT REG M12-300HV		
F	184669	BOLT – HEX HD M12 X 1.75 X 40-8.8-AA1J		
G	184662	BOLT – RHSN TFL M10 X 1.5 X 30-8.8-AA1J		
H	184657	BOLT – RHSSN M10 X 1.5 X 20-8.8-AA1J		
J	152655	BOLT – HEX FLG HD M10 X 1.5 X 20-8.8-AA1J		
K	136431	NUT – HEX FLG CTR LOC M12 X 1.75-10		
L	136428	WASHER – FLAT LARGE M10-200HV		
M	135785	BOLT – RHSN M10 X 1.5 X 25-8.8-AA1J		
N	184665	BOLT – HEX FLG HD M10 X 1.5 X 30-10.9-AA1J		
P	184641	BOLT – RHSN M6 X 1 X 20-8.8-AA1J		
Q	152668	NUT – HEX FLG CTR LOC M6 X 1-8		

58. The baffle includes decal (MD #190546).

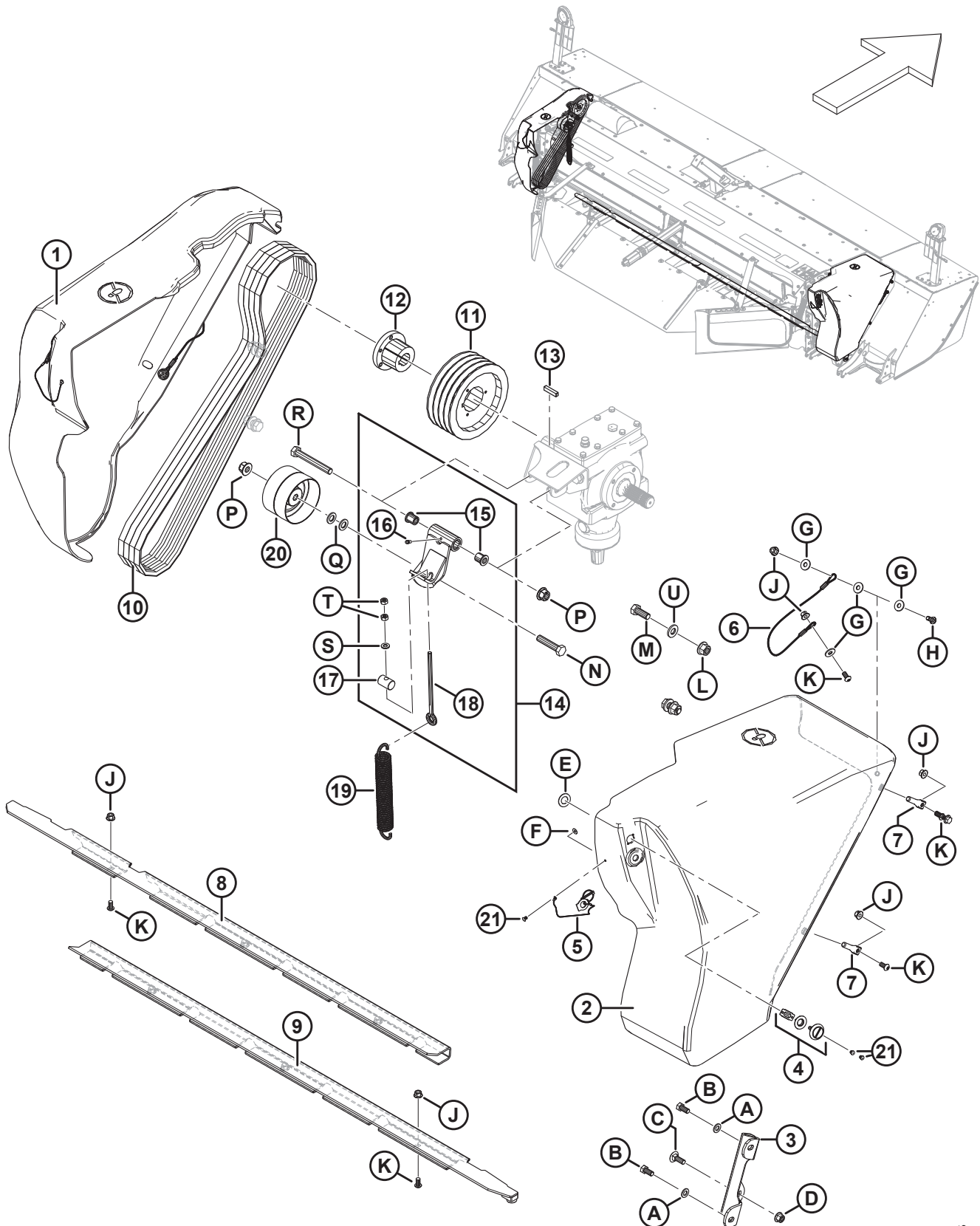
14 Roll Conditioner – Shields, Deflectors



ROLL CONDITIONER – SHIELDS, DEFLECTORS

Ref	Part Number	Description	Qty	Serial Number
1	384163	PLATE – CURTAIN SUPPORT LH	1	
	384164	PLATE – CURTAIN SUPPORT RH	1	
2	384161	PLATE – CROP SHIELD LH	1	
	384162	PLATE – CROP SHIELD RH	1	
3	369602	COVER – CROP SHIELD	1	
4	351166	ARM – DEFLECTOR-WELDED	2	
5	351148	DEFLECTOR – WELDED LH	1	
	351149	DEFLECTOR – WELDED RH	1	
6	325626	ROD – HINGE WELDT	2	
7	247693	HANDLE	4	
A	252807	NUT – HEX FLANGE NYLOC M10 X 1.5-8-AA1J		
B	136431	NUT – HEX FLG CTR LOC M12 X 1.75-10		
C	197122	BOLT – RHSSN M12 X 1.75 X 40-8.8-AA1J		
D	148799	BOLT – HEX FLG HD M12 X 1.75 X 45-10.9-AA1J		
E	136399	BOLT – HEX FLG HD TFL M12 X 1.75 X 25-8.8-AA1J		
F	135852	SCREW – HEX SOC BTN HD M10 X 1.5 X 25-10.9-AA1J		
G	135799	NUT – HEX FLG CTR LOC M10 X 1.5-10		
H	135693	SCREW – HEX SOC HD TFL M10 X 1.5 X 25-8.8-AA1J		
J	42592	WASHER – FLAT		
K	42045	WASHER – RUBBER		

15 Roll Conditioner – Header Attachment



1043695

ROLL CONDITIONER – HEADER ATTACHMENT

Ref	Part Number	Description	Qty	Serial Number
1	257093	SHIELD ASSEMBLY – LH ⁵⁹	1	
2	224562	SHIELD ASSEMBLY – RH ⁵⁹	1	
3	238054	BRACKET – LOWER GEARBOX MOUNT	1	
4	320524	LATCH ASSY – 3 MM SLOT ⁶⁰	2	
5	246583	LYNCH PIN – C/W LANYARD 3/16 PIN	2	
6	224605	CABLE – SHIELD ANCHOR	2	
7	112624	RETAINER – PIN	2	
8	256192	DEFLECTOR – WELDT, LH (R113 FR) ⁶¹	1	
	256640	PLATE – DEFLECTOR, LH (R116 FR) ⁶²	1	
9	256199	DEFLECTOR – WELDT, RH (R113 FR) ⁶¹	1	
	256641	PLATE – DEFLECTOR, RH (R116 FR) ⁶²	1	
10	222028	BELT – PU CONDITIONER DRIVE	1	
11	246846	PULLEY – 4 HB	1	
12	246845	BUSHING	1	
13	246424	KEY – 10 MM X 8 MM X 45 MM	1	
14	281695	KIT – BELT TENSIONER ⁶³	1	
15	221997	BUSHING – FLANGED 16 X 22 X 25L	2	
16	7782	FITTING – LUBRICATION 1/4-28 TAPER THD	1	
17	281644	PIN – STRAIGHT	1	
18	281986	BOLT – EYE 192 MM LG ⁶⁴	1	
19	245966	SPRING – EXTENSION	1	
20	149183	PULLEY – IDLER	1	
21	113799	RIVET – POP	6	
A	184714	WASHER – FLAT REG M12-300HV-A3L		
B	50155	BOLT – HEX HD TFL M12 X 1.75 X 25-8.8-A3L		
C	136291	BOLT – RHSN TFL M12 X 1.75 X 35-8.8-A3L		
D	136431	NUT – HEX FLG CTR LOC M12 X 1.75-10-A3L		
E	5113	WASHER – FLAT		
F	184701	WASHER – FLAT LARGE M5-200HV-A2L		
G	30635	WASHER – FLAT REG M10-STL-SOFT-A2L		
H	135852	SCREW – HEX SOC BTN HD M10 X 1.5 X 25-12.9-A3L		
J	135799	NUT – HEX FLG CTR LOC M10 X 1.5-10-A3L		
K	135723	SCREW – HEX SOC BTN HD M10 X 1.5 X 20-10.9-A3L		
L	111528	BOLT – HEX HD TFL M16 X 2 X 40-8.8-AA1J		
M	136440	NUT – HEX FLG CTR LK M16 X 2-10-AA1J		

59. The shield assembly includes lynch pin (MD #246583), pop rivet (MD #113799), cable (MD #224605), and hardware.

60. The latch assembly includes latch (NSS), tolerance clip (NSS), and latch nut (NSS).

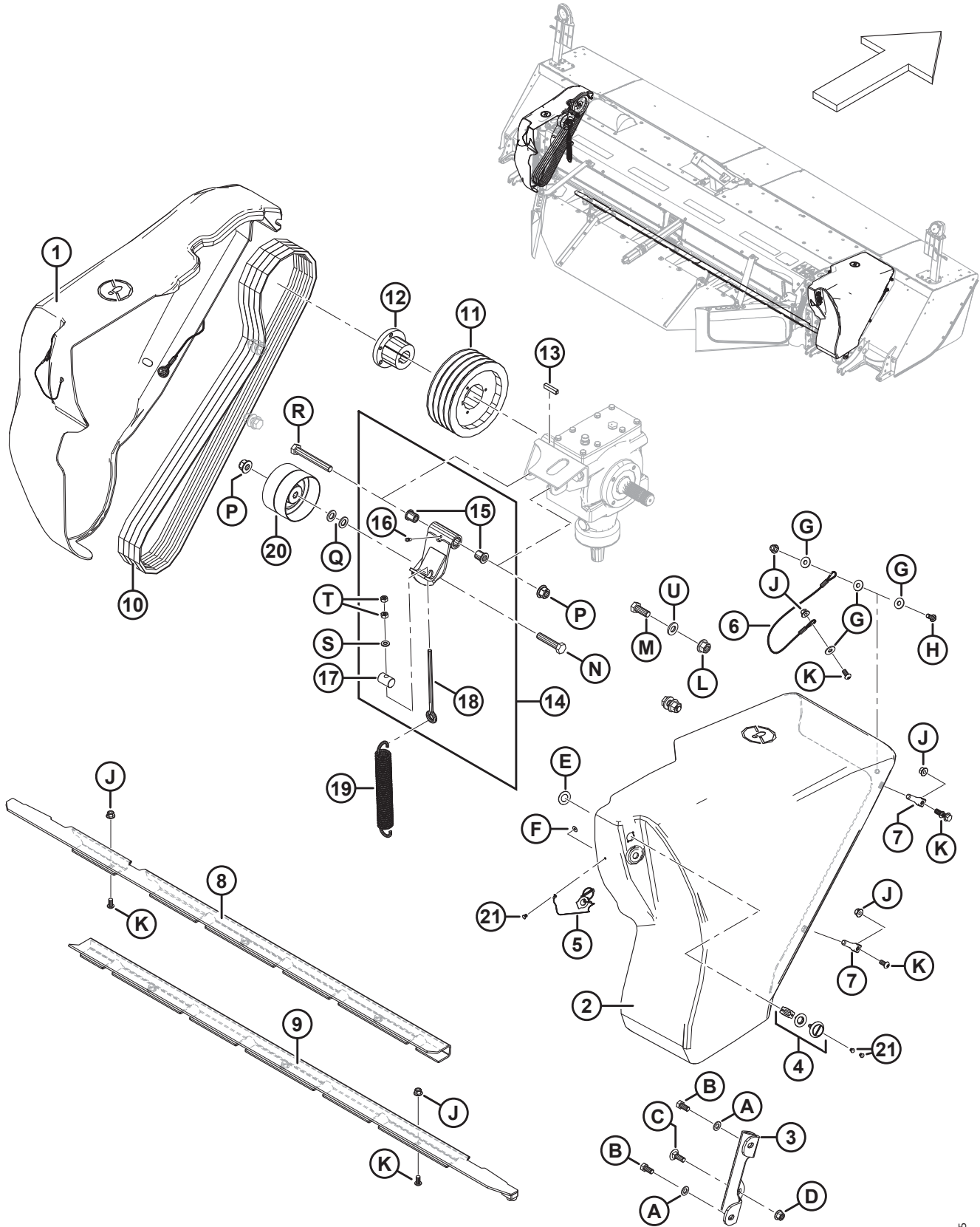
61. Used for R113 FR.

62. Used for R116 FR.

63. The kit includes tensioner weldment (NSS), two bushings (MD #221997), two hex nuts (MD #30505), washer (MD #30655), straight pin (MD #281644), grease fitting (MD #7782), grease decal (MD #23164), and 230 mm eye bolt (MD #281685). Use a 192 mm eye bolt (MD #281986) on a roll conditioner instead of the 230 mm eye bolt included in the kit.

64. Belt tensioner kit (MD #281695) includes a 230 mm eye bolt (MD #281685), but use the 192 mm eye bolt (MD #281986) on a roll conditioner.

ROLL CONDITIONER – HEADER ATTACHMENT



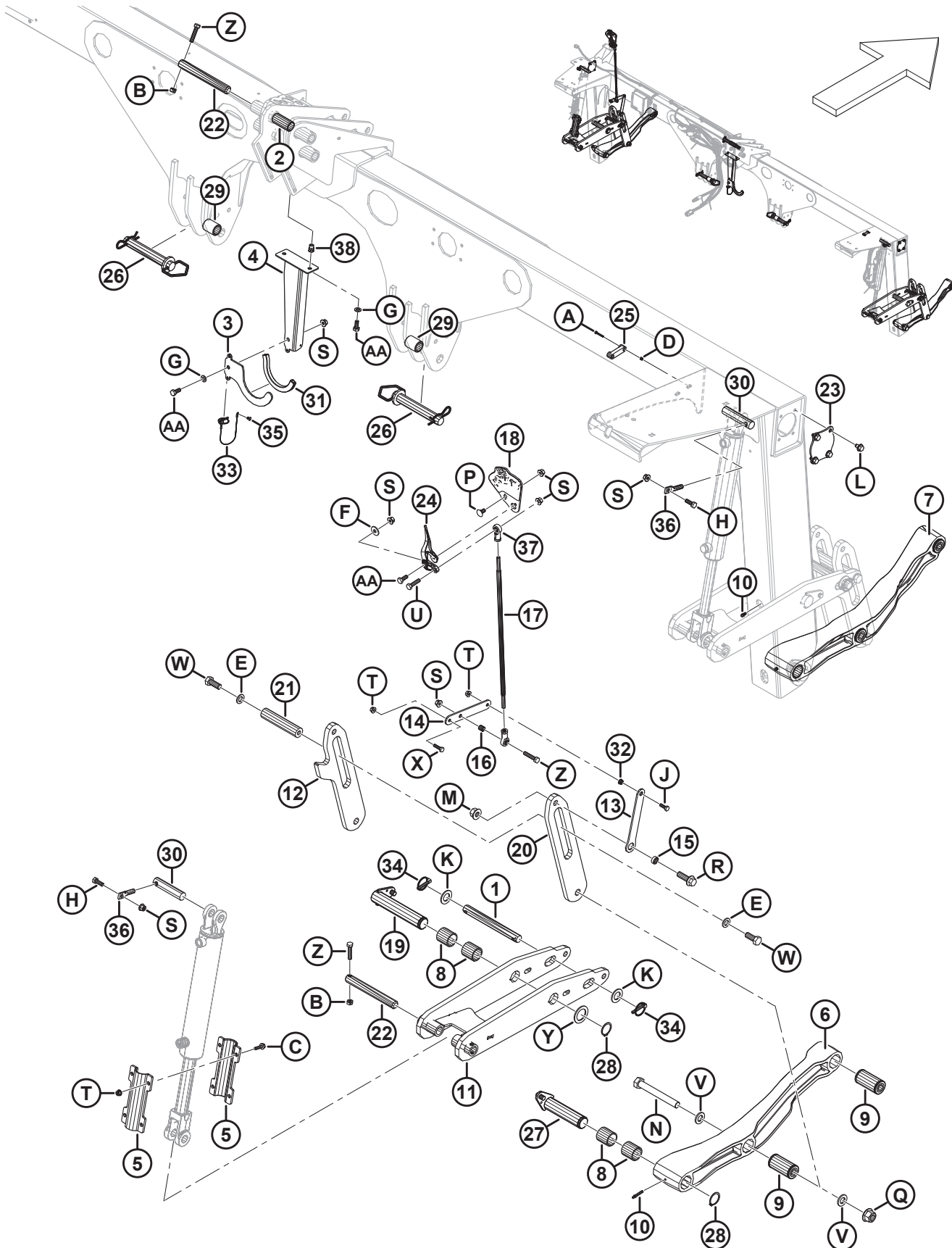
1043695

ROLL CONDITIONER – HEADER ATTACHMENT

Ref	Part Number	Description	Qty	Serial Number
N	181511	BOLT – HEX HD M16 X 2 X 75-10.9-A3L		
P	152520	NUT – HEX FLG TECH LOC M16 X 2-10-A3L		
Q	184717	WASHER – FLAT REG M16-200HV-A3L ⁶⁵		
R	184678	BOLT – HEX HD M16 X 2 X 120-8.8-A3L		
S	30655	WASHER – HARD ASTM F436 M10-340HV-AB2C		
T	30505	NUT – HEX M10 X 1.5-10-A3L		
U	320226	WASHER – HARD M16-360HV-ZINC		

65. Use one or two washers (MD #184717) between idler pulley (MD #149183) and tensioner weldment (NSS) as required to align the belt drive.

16 Adapter Frame – Mechanical Components



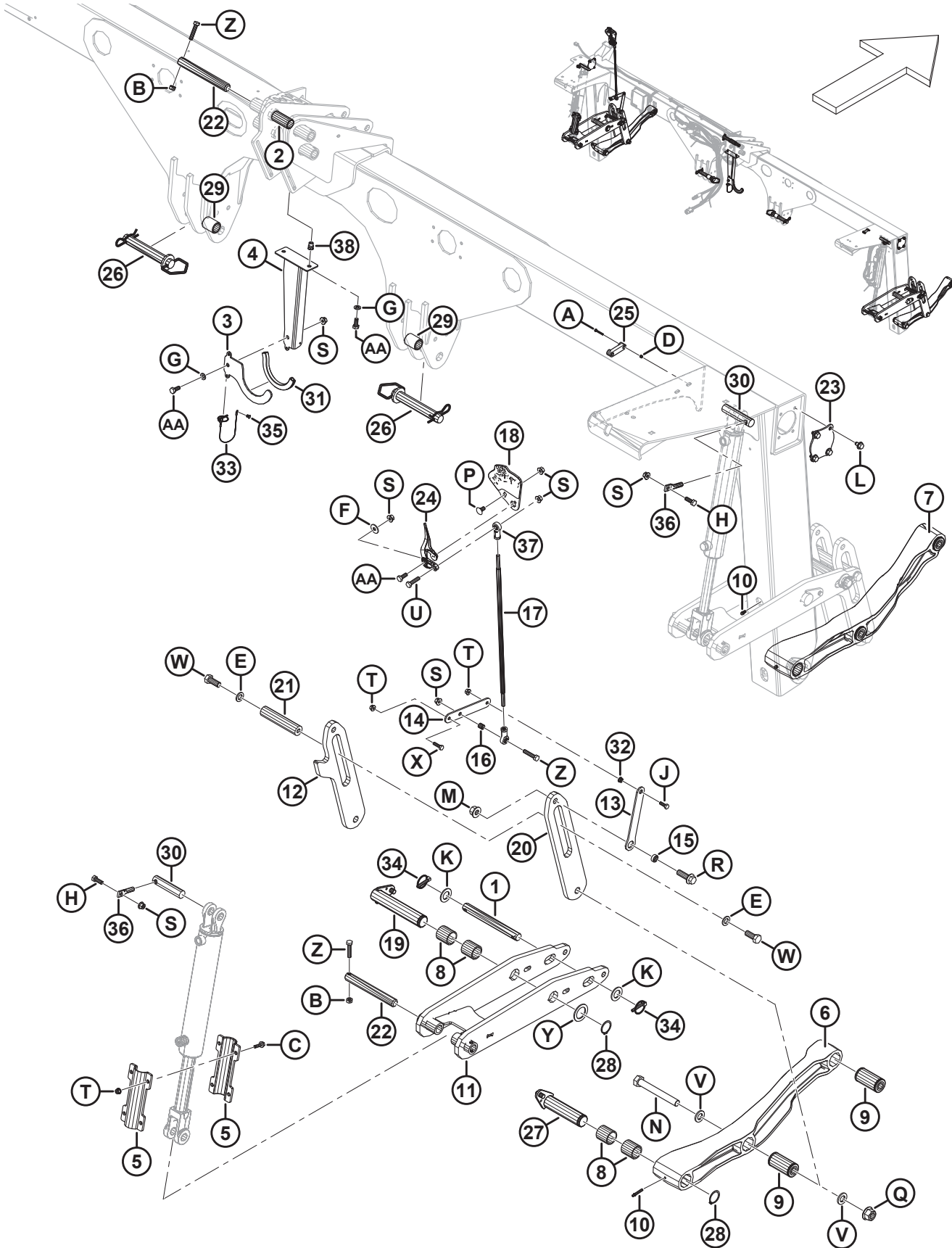
1045618

ADAPTER FRAME – MECHANICAL COMPONENTS

Ref	Part Number	Description	Qty	Serial Number
1	369839	PIN – STRAIGHT	2	
2	369838	BUSHING – TOP LINK	1	
3	369836	ARM – SUPPORT	1	
4	369833	SUPPORT – DRIVELINE WELDMENT	1	
5	369822	ASSEMBLY – CYLINDER STOP WELDT	2	
6	369808	ASSEMBLY – LH LIFT ARM ⁶⁶	1	
7	369809	ASSEMBLY – RH LIFT ARM ⁶⁶	1	
8	281457	BUSHING	8	
9	246198	BUSHING – RUBBER	4	
10	30934	FITTING – LUBE 1/4-28 TAPER THD	4	
11	369753	ARM – LIFT, WELDMENT	2	
12	369700	PLATE – FLOAT LINK	2	
13	369594	PLATE – SUPPORT	1	
14	369593	PLATE – SUPPORT	1	
15	369356	TUBE – SPACER	1	
16	369351	TUBE – SPACER	1	
17	369350	ROD – CONNECTING	1	
18	357455	ASSY – INDICATOR PLATE ⁶⁷	1	
	328142	DECAL – FSM	1	
19	351654	WELDT – LIFT ARM PIN	2	
20	351548	PLATE – FLOAT LINK	2	
21	351506	PIN – FLOAT LINK	2	
22	351432	PIN – PIVOT	3	
23	351257	PLATE – BEAM END CAP	2	
24	347923	INDICATOR NEEDLE	1	
25	322872	LEVEL – BUBBLE	1	
26	320309	PIN – HITCH ⁶⁸	2	
27	247800	PIN – WELDT-LIFT ARM	2	
28	247110	RING – RETAINING EXT, PLATED	4	
29	224322	BUSHING	2	
30	142376	PIN – CYLINDER	2	
31	141220	SEAL – EDGE TRIM	1	
32	139210	BUSHING – BRONZE	1	
33	135945	LYNCH PIN – C/W LANYARD 3/16 PIN	1	
34	135192	PIN – LYNCH 5/16	2	
35	113799	RIVET – POP	1	
36	112624	RETAINER – PIN	2	
37	NSS	JOINT – BALL M10 X 1.5 RH	2	
38	136876	RIVNUT – M10 X 1.5 HEX M10 3.8-7.9	2	
A	320388	SCREW – PAN HD TFL M4 X 0.7 X 30-4.8-ZINC		

66. The lift arm assembly includes two rubber bushings (MD #246198), two bushings (MD #281457), and one lube fitting (MD #7782).
67. The indicator plate assembly includes FSM decal (MD #328142).
68. The hitch pin comes complete with a hair pin (NSS).

ADAPTER FRAME – MECHANICAL COMPONENTS

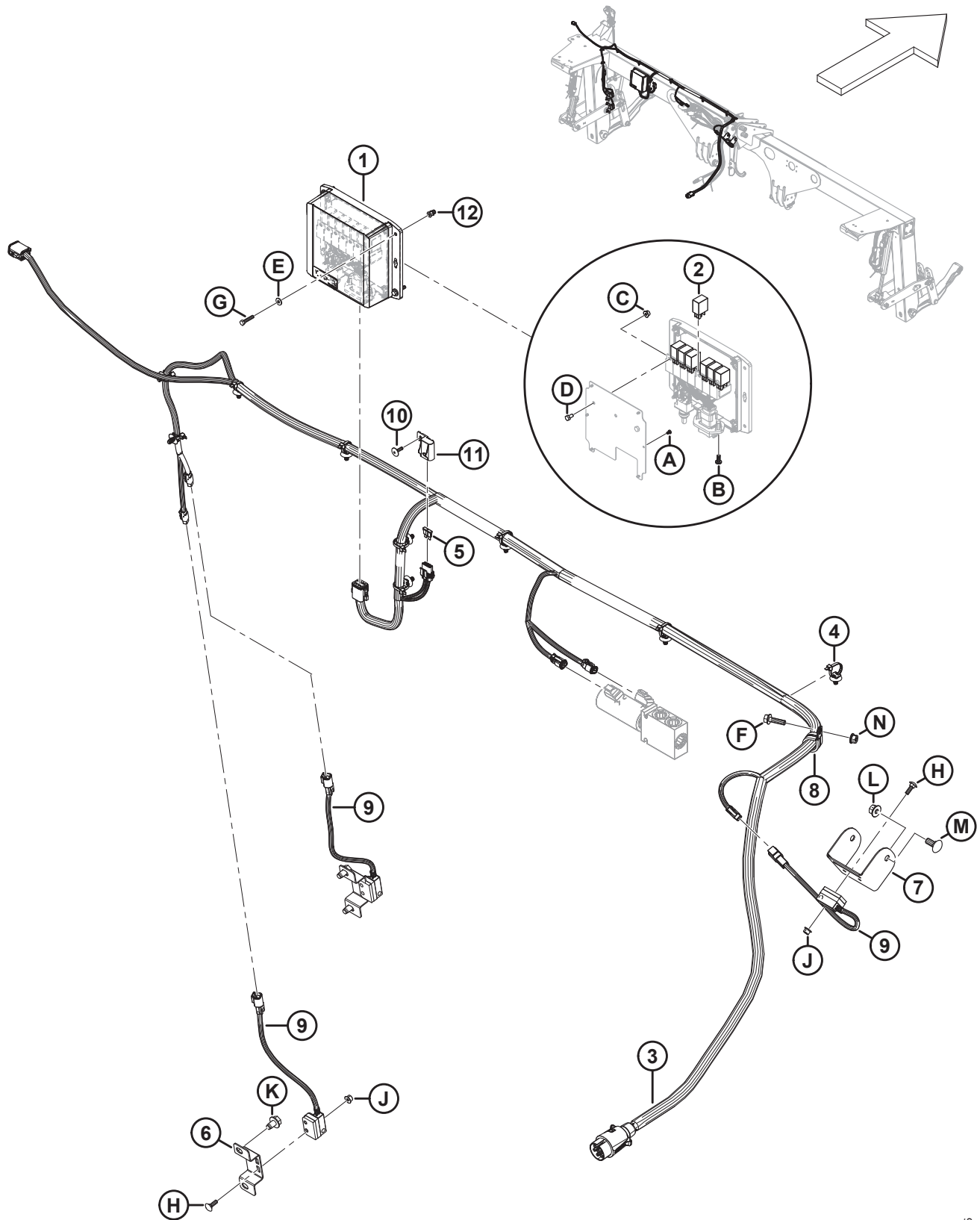


1045618

ADAPTER FRAME – MECHANICAL COMPONENTS

Ref	Part Number	Description	Qty	Serial Number
B	320206	NUT – HEX CTR LOC M10 X 1.5-8-ZINC		
C	252655	BOLT – HEX FLG HD TFL M8 X 1.25 X 30-8.8-AA1J		
D	197320	NUT – HEX NYLOC M4 X 0.7-8-AA1J		
E	184717	WASHER – FLAT REG M16-200HV-AA1J		
F	184712	WASHER – FLAT LARGE M10-200HV		
G	184711	WASHER – FLAT REG M10-200HV-AA1J		
H	184661	BOLT – HEX HD TFL M10 X 1.5 X 30-8.8-AA1J		
J	184652	BOLT – HEX HD TFL M8 X 1.25 X 25-8.8-AA1J		
K	156743	WASHER – FLAT		
L	136574	SCREW – HEX WASHER HD M10 X 1.5 X 16-450HV-AFOC		
M	136440	NUT – HEX FLG CTR LK M16 X 2-10-AA1J		
N	136422	BOLT – HEX HD M20 X 2.5 X 160-8.8-AA1J		
P	136178	BOLT – RHSN M10 X 1.5 X 20-8.8-AA1J		
Q	136122	NUT – HEX FLG CTR LOC M20 X 2.5-10-AA1J		
R	136101	BOLT – HEX FLG HD TFL M16 X 2 X 50-10.9-AA1J		
S	135799	NUT – HEX FLG CTR LOC M10 X 1.5-10		
T	135337	NUT – HEX FLG CTR LK M8 X 1.25-8-AA1J		
U	135319	BOLT – HEX HD M10 X 1.5 X 40-8.8-AA1J		
V	112130	WASHER – HARD ASTM F4363/4 IN. NOM. ID ABOC		
W	111528	BOLT – HEX HD TFL M16 X 2 X 40-8.8-AA1J		
X	50140	BOLT – HEX HD M8 X 1.25 X 30-8.8-AA1J		
Y	31145	WASHER – FLAT		
Z	30629	BOLT – HEX HD M10 X 1.5 X 50-8.8-A3L		
AA	30627	BOLT – HEX HD TFL M10 X 1.5 X 25-8.8-A3L		

17 Adapter Frame – Electrical Components



ADAPTER FRAME – ELECTRICAL COMPONENTS

NOTE:

For electrical harness parts, refer to Electrical Connector Parts Catalog (MD #169641).

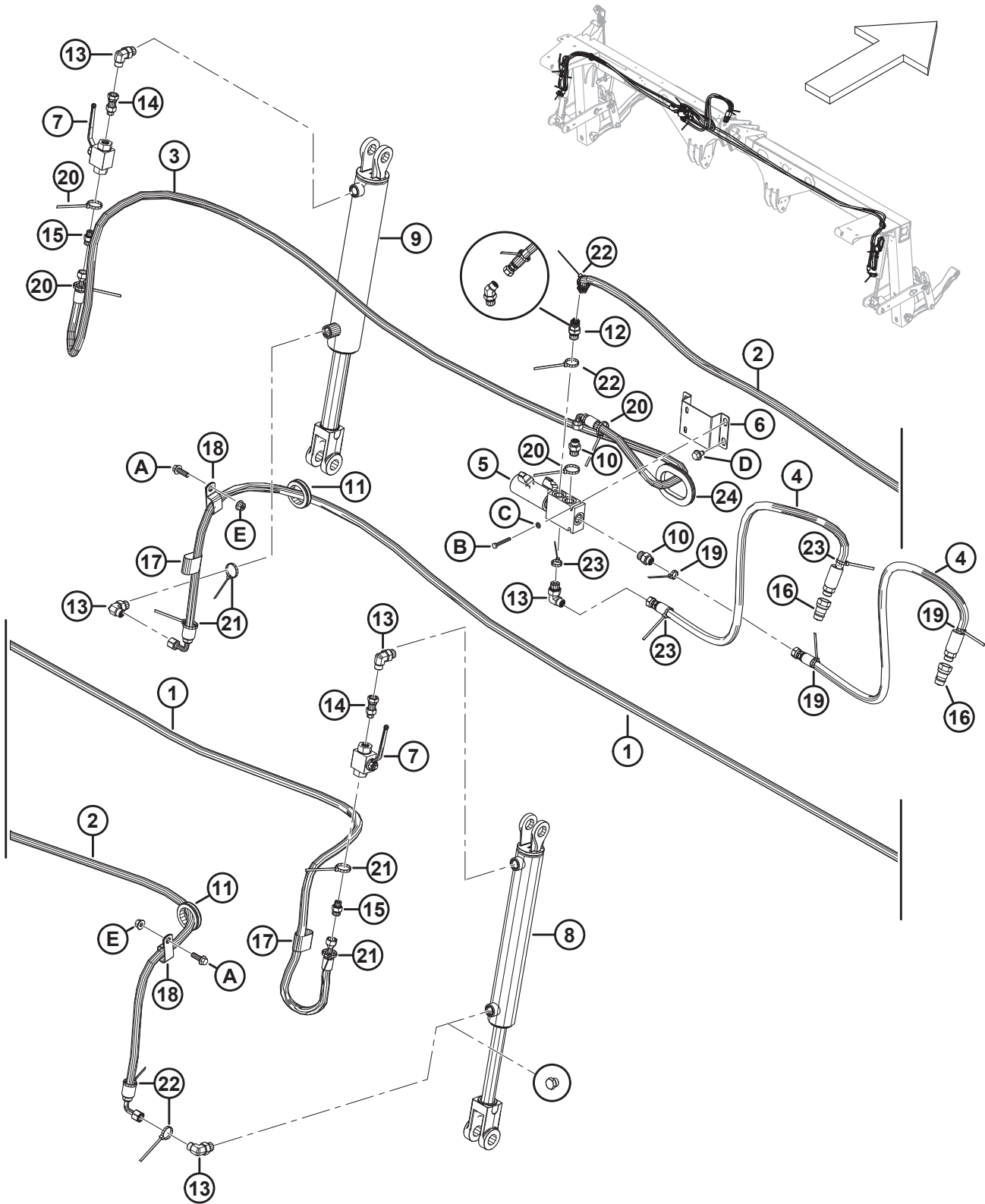
Ref	Part Number	Description	Qty	Serial Number
1	369188	ASSEMBLY – PUSH PULL RELAY LOGIC ⁶⁹	1	
2	134837	RELAY – MICRO, 12 VDC, SPDT ⁷⁰	7	
3	369186	HARNESS – MAIN, ROTARY PUSH PULL ⁷¹	1	
4	136655	FASTENER – FIR TREE MT W/ TIE	9	
5	135217	FUSE – ATC, 10 AMP	1	
6	351746	SUPPORT – SENSOR MOUNT	2	
7	351604	CHANNEL – SENSOR MOUNT	1	
8	209032	CLAMP – P-CLIP, INSULATED, 1 INCH	1	
9	200974	SWITCH – PROXIMITY	3	
10	136536	RIVET – BLIND 3/16 IN. X 0.50 IN. BLACK	1	
11	134523	COVER – ATO FUSE HOLDER	1	
12	252392	RIVNUT – M5 X 0.8 HEX 3.3-5.7	4	
A	320499	SCREW – PAN HD #6-19 X 1/4-RC45-ZINC		
B	252247	SCREW – PAN HD #12-14 X 1/2-RC45-AFOC		
C	136635	NUT – HEX FLG CTR LOC M5 X 0.8-8-AA1J		
D	136263	BOLT – HEX HD TFL M5 X 0.8 X10-8.8-AA1J		
E	293054	WASHER – FLAT LARGE		
F	252655	BOLT – HEX FLG HD TFL M8 X 1.25 X 30-8.8-AA1J		
G	252365	BOLT – HEX HD M5 X 0.8 X 25-8.8-AA1J		
H	184641	BOLT – RHSN M6 X 1 X 20-8.8-AA1J		
J	152668	NUT – HEX FLG CTR LOC M6 X 1-8		
K	136574	SCREW – HEX WASHER HD M10 X 1.5 X 16-450HV-AFOC		
L	135799	NUT – HEX FLG CTR LOC M10 X 1.5-10		
M	135785	BOLT – RHSN M10 X 1.5 X 25-8.8-AA1J		
N	135337	NUT – HEX FLG CTR LK M8 X 1.25-8-AA1J		

69. The relay assembly includes two screws (MD #252247), two nuts (MD #136635), and two bolts (MD #136263).

70. Service part for relay assembly (MD #369188).

71. The harness includes nine fir tree fasteners (MD #136655) and one 10-amp ATC fuse (MD #135217).

18 Adapter Frame – Hydraulic Components



1045617

ADAPTER FRAME – HYDRAULIC COMPONENTS

Ref	Part Number	Description	Qty	Serial Number
1	369805	HOSE – LIFT CYLINDER HYDRAULIC ⁷²	1	
2	369804	HOSE – LIFT CYLINDER HYDRAULIC ⁷³	1	
3	369803	HOSE – LIFT CYLINDER HYDRAULIC ⁷⁴	1	
4	369327	HOSE – HYDRAULIC ⁷⁵	2	
5	351913	VALVE – HEADER LIFT	1	
6	351753	SUPPORT – VALVE BLOCK MOUNT	1	
7	238222	VALVE – BALL	2	
8	223427	CYLINDER – HYDRAULIC (RH) ⁷⁶	1	
	247015	SEAL KIT		
	320289	BREATHER – #8 ORB		
9	223425	CYLINDER – HYDRAULIC (LH) ⁷⁷	1	
	247014	SEAL KIT		
10	191705	FITTING – ADAPTER HYD	2	
	44209	O-RING – 2.21 X 16.36		
	135865	O-RING – 1.78 X 9.25		
11	172899	GROMMET – 1.75 IN. I.D.	2	
12	136154	FITTING – ELBOW 45° HYD	1	
	44209	O-RING – 2.21 X 16.36		
	135865	O-RING – 1.78 X 9.25		
13	136149	FITTING – ELBOW 90°HYD	5	
	44209	O-RING – 2.21 X 16.36		
	135865	O-RING – 1.78 X 9.25		
14	136147	FITTING – CONNECTOR HYD	2	
	50219	O-RING – 1.98 X 11.89		
15	135778	FITTING – ADAPTER	2	
	50219	O-RING – 1.98 X 11.89		
	135865	O-RING – 1.78 X 9.25		
16	135563	FITTING – COUPLING HYD	2	
17	135444	CINCH STRAP 6 IN. LG	2	
18	103738	CLAMP – PVC INSULATED 13/16 IN. TUBE SIZE	2	
19	49227	FASTENER – CABLE TIE, GREEN	3	
20	40704	FASTENER – CABLE TIE, ORANGE	4	
21	40703	FASTENER – CABLE TIE, BLUE	4	
22	40702	FASTENER – CABLE TIE, RED	4	
23	40701	FASTENER – CABLE TIE, YELLOW	3	
24	112873	SEAL – EDGE TRIM	1	
A	184665	BOLT – HEX FLG HD M10 X 1.5 X 30-10.9-AA1J		
B	136594	BOLT – HEX HD M6 X 1 X 45-8.8-AA2L		

72. 5009 mm long.

73. 3070 mm long.

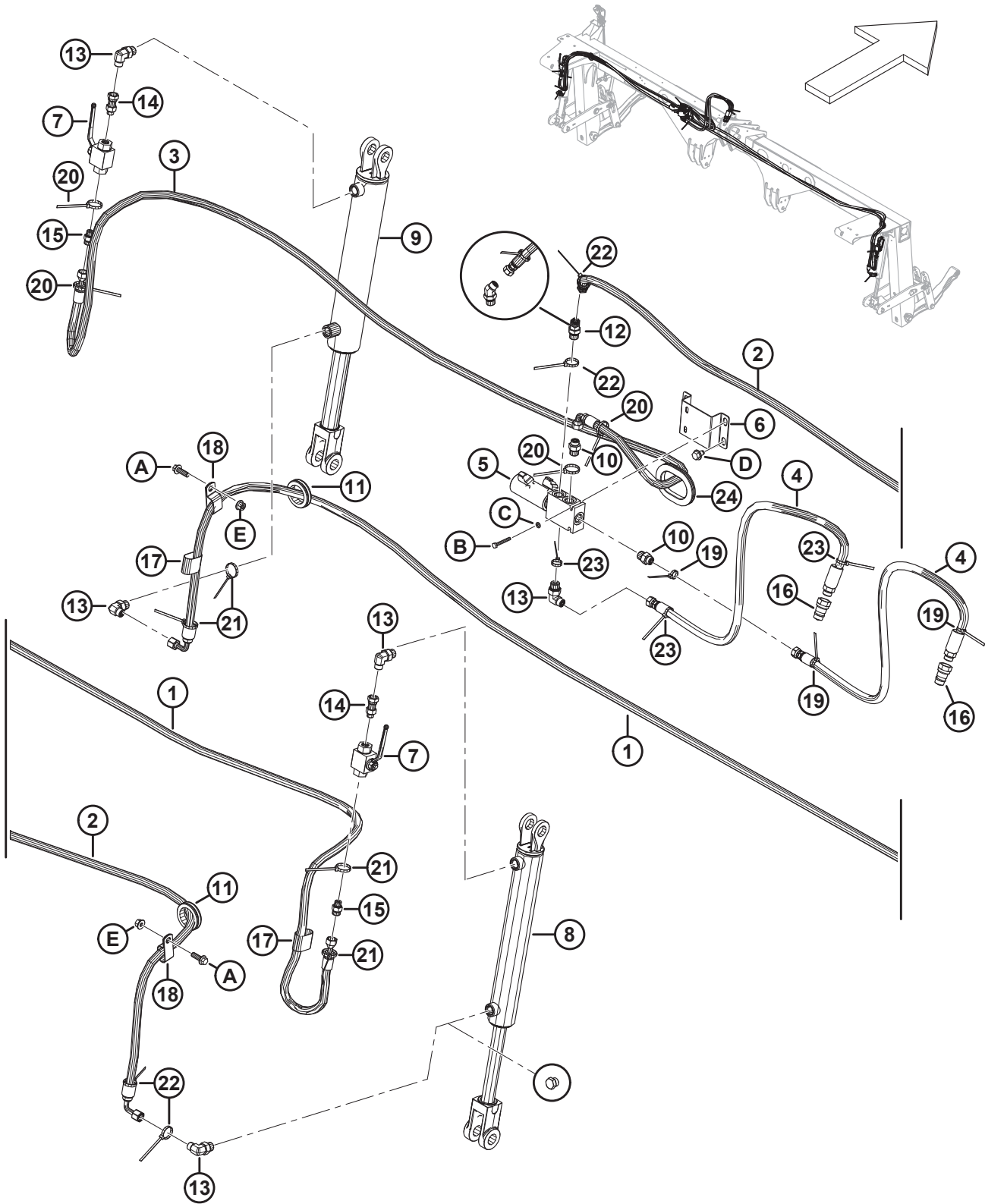
74. 2598 mm long.

75. 1500 mm long.

76. Right hydraulic cylinder.

77. Left hydraulic cylinder.

ADAPTER FRAME – HYDRAULIC COMPONENTS

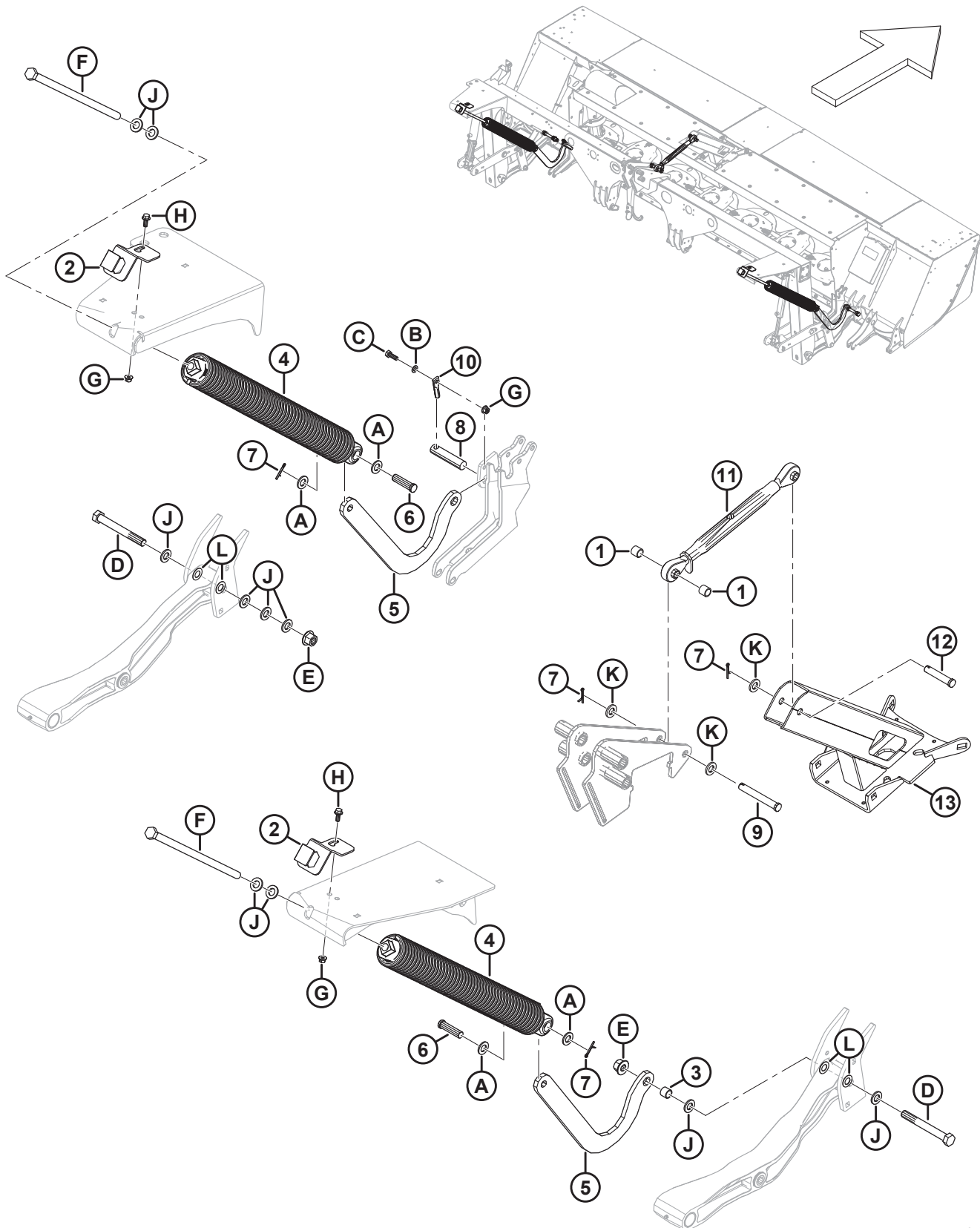


1045617

ADAPTER FRAME – HYDRAULIC COMPONENTS

Ref	Part Number	Description	Qty	Serial Number
C	184705	WASHER – FLAT M6-200HV-AA1J		
D	136574	SCREW – HEX WASHER HD M10 X 1.5 X 16-450HV-AFOC		
E	135799	NUT – HEX FLG CTR LOC M10 X 1.5-10		

19 Center-Link and Adapter to Header Connections

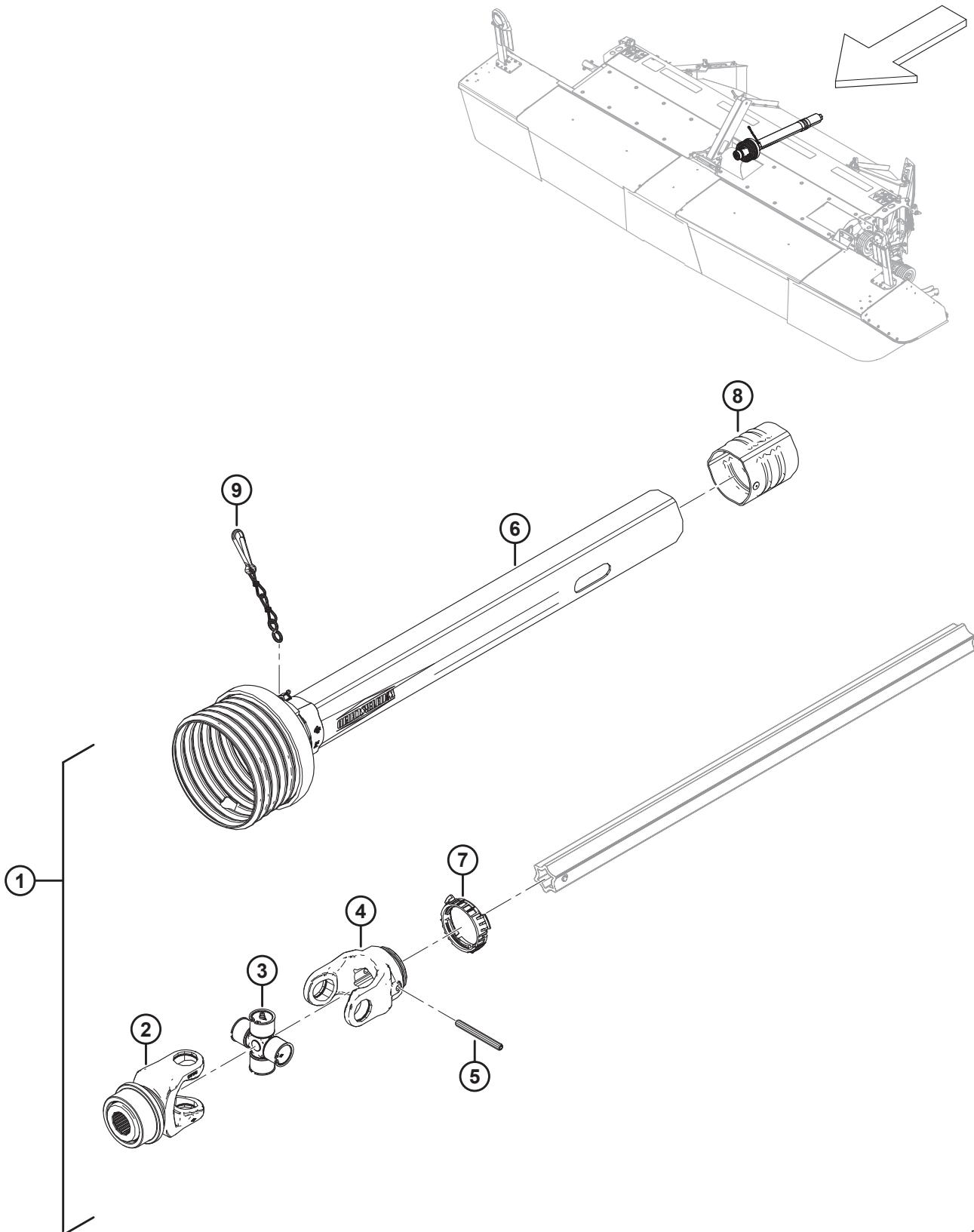


CENTER-LINK AND ADAPTER TO HEADER CONNECTIONS

Ref	Part Number	Description	Qty	Serial Number
1	367407	TUBE – SUPPORT (SPACER)	2	
2	268350	PLATE – SPRING LOCKS	2	
3	222231	SPACER – ZP	1	
4	238003	SPRING ASSEMBLY	2	
5	221833	ARM – LINK	2	
6	30463	PIN – CLEVIS	2	
7	18608	PIN – COTTER 3/16 DIA X 1.5 ZP	4	
8	142376	PIN – CYLINDER	1	
9	120333	PIN – CLEVIS, 18.95 MM, 127 MM	1	
10	112624	RETAINER – PIN	1	
11	42104	JOINT ASSY	1	
12	20312	PIN – CLEVIS	1	
13	REF	SUPPORT – TOP GEARBOX WELDT ⁷⁸	1	
A	18601	WASHER – FLAT SAE		
B	184711	WASHER – FLAT REG M10-200HV-AA1J		
C	184661	BOLT – HEX HD TFL M10 X 1.5 X 30-8.8-AA1J		
D	136650	BOLT – HEX HD M20 X 2.5 X 170-8.8		
E	136122	NUT – HEX FLG CTR LOC M20 X 2.5-10-AA1J		
F	136088	BOLT – HEX HD TFL M20 X 2.5 X 450 X SPCL-8.8-AA1J		
G	135799	NUT – HEX FLG CTR LOC M10 X 1.5-10		
H	135783	BOLT – HEX FLG HD TFL M10 X 1.5 X 25-10.9-AA1J		
J	112130	WASHER – HARD ASTM F4363/4 IN. NOM. ID AB0C		
K	21540	WASHER – HARD ASTM F436 M20-340HV-AB2C		
L	5113	WASHER – FLAT		

78. Refer to Section 6 *Mechanical Drives*, page 17.

20 Front Half Drivelines

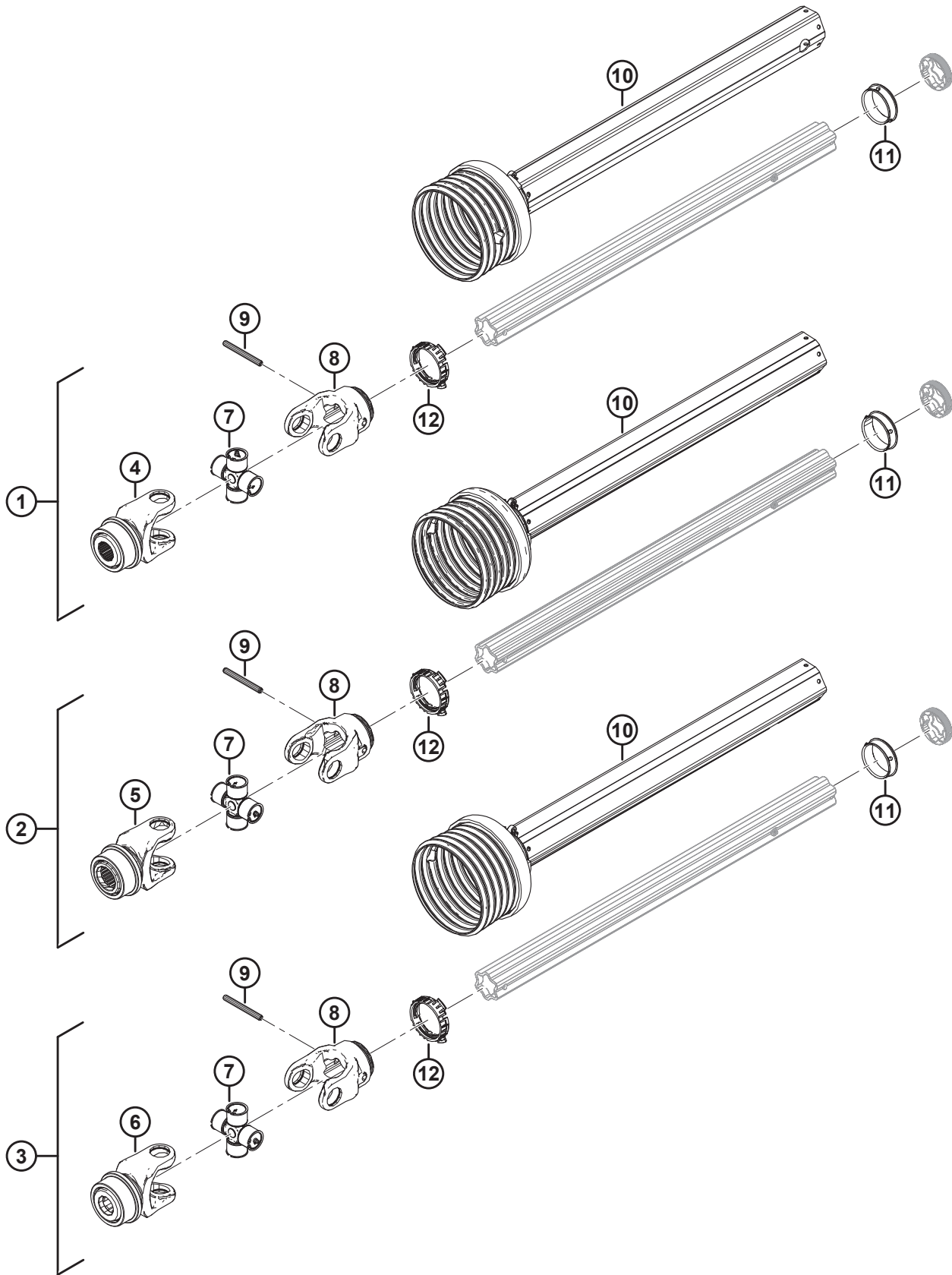


FRONT HALF DRIVELINES

Ref	Part Number	Description	Qty	Serial Number
1	369737	DRIVELINE – HALF 1.375 IN. 21 T ⁷⁹	1	
2	369742	YOKE – 1.375 IN. 21 T	1	
3	369634	CROSS – 2500/P500 SERIES	1	
4	369750	YOKE – INBOARD	1	
5	369744	PIN	1	
6	369751	SHIELD – OUTER	1	
7	237587	RING	1	
8	369752	COVER	1	
9	191138	CHAIN – DRIVESHAFT SHIELD	1	

79. The half driveline includes all listed parts.

21 Rear Half (Tractor Side) Drivelines



REAR HALF (TRACTOR SIDE) DRIVELINES

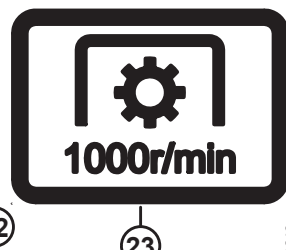
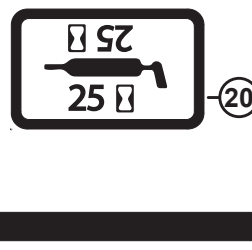
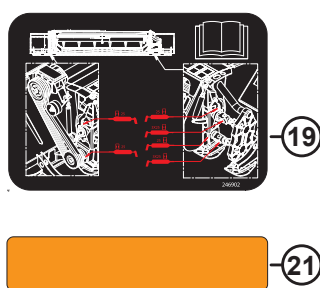
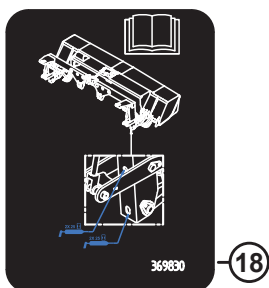
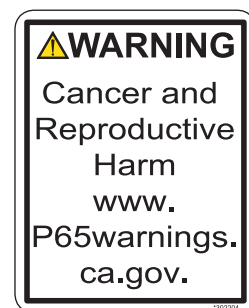
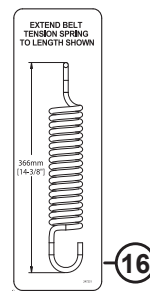
Ref	Part Number	Description	Qty	Serial Number
	B7513	KIT – DRIVELINE, 1-3/8 - 21T ⁸⁰		
	B7514	KIT – DRIVELINE, 1-3/4 - 20T ⁸¹		
	B7515	KIT – DRIVELINE, 1-3/8 - 6T ⁸²		
1	369738	DRIVELINE – HALF 1.375 IN. 21T	1	
2	369740	DRIVELINE – HALF 1.750 IN. 20T	1	
3	369739	DRIVELINE – HALF 1.375 IN. 6T	1	
4	369742	YOKE – 1.375 IN. 21T	1	
5	369749	YOKE – 1.750 IN. 20T	1	
6	369748	YOKE – 1.375 IN. 6T	1	
7	369634	CROSS – 2500/P500 SERIES	1	
8	369743	YOKE – INBOARD	1	
9	369744	PIN	1	
10	369745	KIT – SHIELD INNER	1	
11	369746	SUPPORT – SHIELD INBOARD	1	
12	237587	RING	1	

80. The kit includes 21-tooth half driveline (MD #369738). Kits are available through Whole Goods only.

81. The kit includes 20-tooth half driveline (MD #369740). Kits are available through Whole Goods only.

82. The kit includes 6-tooth half driveline (MD #369739). Kits are available through Whole Goods only.

22 Decals – Information and Reflectors



1045643

DECALS – INFORMATION AND REFLECTORS

Ref	Part Number	Description	Qty	Serial Number
1	113482	DECAL – GENERAL HAZARD		
2	184372	DECAL – READ MANUAL		
3	184371	DECAL – CHAIN ENTANGLEMENT		
4	166466	DECAL – HIGH PRESSURE FLUID		
5	184385	DECAL – KEEP SHIELDS IN PLACE (SQUARE CORNERS) ⁸³		
	246956	DECAL – KEEP SHIELDS IN PLACE (ROUND CORNERS) ⁸⁴		
6	190546	DECAL – SLIPPERY SURFACE, 2 PANEL		
7	194465	DECAL – STAND CLEAR BLADES, 2 PANEL		
8	194466	DECAL – STAND CLEAR THROWN OBJECTS, 2 PANEL		
9	246959	DECAL – PINCH POINT		
10	247167	DECAL – STOP DRIVE		
11	304865	DECAL – NO LIFT		
12	171287	DECAL – INSTALL LOCK 2 PANEL		
13	174436	DECAL – HIGH PRESSURE FLUID		
14	167502	DECAL – WARNING, PINCH HAZARD		
15	247166	DECAL – MOVING IMPLEMENT		
16	247231	DECAL – SPRING TENSION		
17	302204	DECAL – CA PROPOSITION 65		
18	369830	DECAL – GREASE ADAPTER FRAME		
19	246902	DECAL – GREASE, ROLLER CONDITIONER		
20	23164	DECAL – 25 HR LUBE		
	23165	DECAL – 50 HR LUBE		
	257190	DECAL – 100 HR LUBE		
21	115145	REFLECTOR – FLUORESCENT RED-ORANGE		
	115146	REFLECTOR – AMBER		
	115147	REFLECTOR – RED		
22	132117	STRIP – ANTI SLIP (450 MM LG, 50 MM WIDE) ⁸⁵		
	132898	STRIP – ANTI SLIP (450 MM LG, 80 MM WIDE) ⁸⁶		
23	333547	DECAL – 1000 RPM		

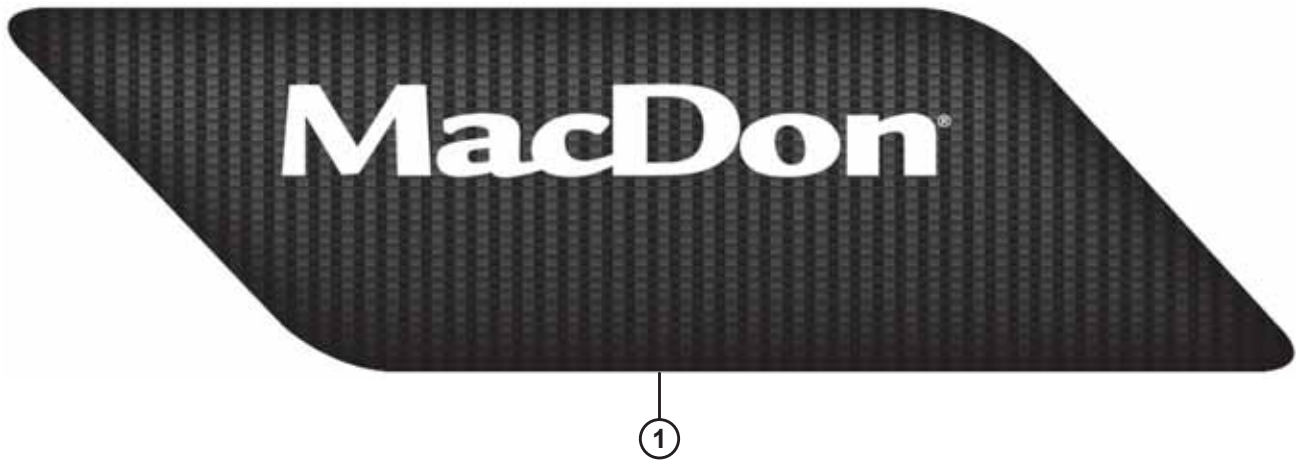
83. Square corners decal.

84. Round corners decal.

85. 450 mm x 50 mm; used on the header.

86. 450 mm x 80 mm; used on the roll conditioner.

23 Decals – Product Identification



DECALS – PRODUCT IDENTIFICATION

Ref	Part Number	Description	Qty	Serial Number
1	246896	DECAL – LH, END PANEL		
	246897	DECAL – RH, END PANEL		
2	369401	DECAL – END PANEL, R116 FR (WHITE, 217 MM LG) ⁸⁷		
	369402	DECAL – TOP, R116 FR (WHITE, 458 MM LG) ⁸⁸		
3	369403	DECAL – END PANEL, R113 FR (WHITE, 216 MM LG) ⁸⁹		
	369404	DECAL – TOP, R113 FR (WHITE, 454 MM LG) ⁹⁰		
4	246997	DECAL – TOP, MACDON (WHITE, 1140 MM LG) ⁹¹		

87. White lettering; 217 mm long.

88. White lettering; 458 mm long.

89. White lettering; 216 mm long.

90. White lettering; 454 mm long.

91. White lettering; 1140 mm long.

24 Paint

PREPARATION: WARNING! Removal of old paint by sanding, scraping or other means may generate dust or fumes that contain lead. Exposure to lead dust or fumes may cause brain damage or other adverse health effects, especially in children or pregnant women. Controlling exposure to lead or other hazardous substances requires the use of proper protective equipment, such as a properly fitted respirator (NIOSH Approved) and proper containment and clean up. For more information, call the National Lead Information Center at 1-800-424-LEAD (in US) or contact your local health authority.

Surface must be free of grease, rust, dirt and wax. Mask off or protect other areas from overspray. Product should be sprayed in a well-ventilated area. Use at room temperature 21 °C (70 °F) for best operation.

FOR BEST RESULTS: Shake until ball inside can rattle. Roll can at top, and swing bottom of can in a circle for at least 2 minutes, making ball travel around bottom groove. Shake up and down occasionally. Repeat shaking procedure for 10 seconds after each minute of spraying. Press spray button firmly, with the can 15-25 cm (6-10 inches) from surface. Apply several thin coats. To prevent dripping, clear the valve by holding can upside-down, and spray until only clear gas comes out.

Made in Canada / Fabriqué au Canada
For / Pour
MACDON INDUSTRIES LTD
WINNIPEG, MANITOBA

CANADA: CONSUMER CHEMICALS AND CONTAINERS REGULATIONS (CCCR)
CONTENTS MAY CATCH FIRE - CONTAINER MAY EXPLODE IF HEATED - MAY IRRITATE EYES - MAY IRRITATE SKIN
Do not smoke. Do not puncture or incinerate container. Do not breathe fumes. Do not swallow. Do not get on skin or clothing. Use only in a well-ventilated area. Keep away from flames, such as a pilot light, and any object that sparks, such as an electric motor. Stay away from heat. Keep out of reach of children.

FIRST AID TREATMENT: Contains Xylène, 1,2,4-Triméthylbenzène; Méthylethyl kétone; Éthylbenzène. If breathed in, move person to fresh air. If swallowed, call a Poison Control Centre or doctor immediately. Do not induce vomiting. If in eyes, rinse with water for 15 minutes. If on skin, rinse well with water.

USA: CONSUMER PRODUCT SAFETY COMMISSION REGULATIONS (CPSC)
CONTENTS MAY CATCH FIRE - CONTAINER MAY EXPLODE IF HEATED - HARMFUL IF ABSORBED THROUGH SKIN - HARMFUL IF HEAT IS SWALLOWED - CAUSES RESPIRATORY TRACT, EYE AND SKIN IRRITATION - MAY CAUSE SEVERE ALLERGIC RESPIRATORY AND SKIN REACTION - CANCER HAZARD - CAN CAUSE CANCER, DEVELOPMENTAL TOXICITY/TERTATOGENIC EFFECTS.

WARNING: This product contains a chemical known to the State of California to cause cancer and birth defects or other reproductive harm.

In a fire or if heated, a pressure increase will occur and the container may burst or explode. Can enter lungs and cause damage. Risk of cancer depends on duration and level of exposure. Contains material which can cause birth defects. Contains material which can cause developmental abnormalities. Do not puncture or incinerate container. Do not expose to heat or store at temperatures above 120°F. Use only with adequate ventilation. Do not breathe vapor or mist. Do not swallow. Do not get on skin or clothing. Avoid contact with eyes. Keep container tightly closed and sealed until ready for use. Wash thoroughly after handling. Avoid exposure during pregnancy. Keep out of reach of children.

FIRST AID TREATMENT: Contains Xylène, 1,2,4-Triméthylbenzène; Méthylethyl kétone; Éthylbenzène. If breathed in, move person to fresh air. If swallowed, call a Poison Control Centre or doctor immediately. Do not induce vomiting. If in eyes, rinse with water for 15 minutes. If on skin, rinse well with water.

PREPARATION: MISE EN GARDE! Enlèvement des anciennes peintures par ponçage, décapage ou toute autre méthode risque de dégager des poussières ou des vapeurs contaminées par le plomb. L'exposition à ces poussières ou vapeurs peut entraîner un dysfonctionnement du cerveau ou d'autres effets néfastes sur la santé, surtout chez les femmes enceintes et les enfants. L'utilisation d'équipement de protection approprié, tel qu'un appareil respiratoire bien ajusté et homologué par le NIOSH, ainsi que des moyens de confinement adéquats et un nettoyage soigneux de ces substances dangereuses. Pour obtenir plus de renseignements, communiquer avec le National Lead Information Center au 1-800-424-5123 (aux É.U.) ou avec le service local de santé publique.

Le surface doit être exempte de graisse, de rouille, de saleté et de cire. Manquer ou mouvoir les surfaces avoisinantes pour les protéger des sur-sprayings. Le produit doit être vaporisé dans un endroit bien aéré. Pour optimiser les résultats, utiliser à température ambiante 21 °C (70 °F).

POUR DES RÉSULTATS OPTIMUM: Agiter le contenant jusqu'à ce que la bille de mélange bouge librement. Ensuite, rouler le canette par le haut et en agiter le fond pendant au moins 2 minutes en faisant des mouvements circulaires pour que la bille se déplace autour du fond de la canette. Agiter de haut en bas de temps à autre. Agiter pendant 10 secondes pour chaque minute de vaporisation. Presser fermement sur le bouton de vaporisation en tenant la canette à 15-25 cm (6-10 pouces) de la surface. Appliquer plusieurs couches minces. Pour empêcher le gicler de substance, le nettoyer en tenant la canette à l'envers et en pressant sur le bouton de vaporisation jusqu'à ce qu'il n'ait rien sorti que du gaz inerte.

Tableau des produits conformes à la réglementation sur les COV de votre région.

CANADA: RÉGLEMENT SUR LES PRODUITS CHIMIQUES ET LES CONTENANTS DE CONSOMMATION (RPGCC)
LE CONTENU PEUT S'ENFLAMMER - CE CONTENANT PEUT EXPLOSER S'IL EST CHAUFFÉ - PEUT IRRITER LES YEUX - PEUT IRRITER LA PEAU
Ne pas fumer. Ne pas perfore. Ne pas brûler le contenant. Ne pas engorger les évents. Ne pas avaler. Éviter tout contact avec les yeux. Éviter tout contact avec la peau ou les vêtements. Éviter que dans un endroit bien aéré. Tenir des flammes, telle une flamme pilote, et de tout objet produisant des étincelles, tel un moteur électrique. Conserver loin des sources de chaleur. Tenir hors de portée des enfants.

PREMIERS SOINS: Contient Xylène, 1,2,4-Triméthylbenzène; Méthylethyl kétone; Éthylbenzène. En cas d'inhalation, transporter à l'air frais la personne exposée. En cas d'ingestion, appeler immédiatement un centre antipoison ou un médecin. Ne pas provoquer le vomissement. En cas de contact avec les yeux, rincer avec de l'eau pendant 15 minutes. En cas de contact avec la peau, bien rincer avec de l'eau.

MacDon Performance Parts

Industrial Touch Up Paint Peinture de retouche industrielle



DANGER!

**FLAMMABLE - CONTENTS UNDER PRESSURE
INFLAMMABLE - CONTENU SOUS PRESSION**



Part number / Numéro de pièce

Net weight with paint / Poids net avec peinture **12 oz / 340 g**

1

2

Read and understand all safety instructions before using this product.
Lire et comprendre toutes les consignes de sécurité avant d'utiliser ce produit.

Made in Canada / Fabriqué au Canada
For / Pour
MACDON INDUSTRIES LTD
WINNIPEG, MANITOBA

CANADA: CONSUMER CHEMICALS AND CONTAINERS REGULATIONS (CCCR)
CONTENTS MAY CATCH FIRE - CONTAINER MAY EXPLODE IF HEATED - MAY IRRITATE EYES - MAY IRRITATE SKIN
Do not smoke. Do not puncture or incinerate container. Do not breathe fumes. Do not swallow. Do not get on skin or clothing. Use only in a well-ventilated area. Keep away from flames, such as a pilot light, and any object that sparks, such as an electric motor. Stay away from heat. Keep out of reach of children.

FIRST AID TREATMENT: Contains Xylène, 1,2,4-Triméthylbenzène; Méthylethyl kétone; Éthylbenzène. If breathed in, move person to fresh air. If swallowed, call a Poison Control Centre or doctor immediately. Do not induce vomiting. If in eyes, rinse with water for 15 minutes. If on skin, rinse well with water.

USA: CONSUMER PRODUCT SAFETY COMMISSION REGULATIONS (CPSC)
FLAMMABLE LIQUID AND VAPOR. HARMFUL IF ABSORBED THROUGH SKIN. HARMFUL IF HEAT IS SWALLOWED. CAUSES RESPIRATORY TRACT, EYE AND SKIN IRRITATION. MAY CAUSE SEVERE ALLERGIC RESPIRATORY AND SKIN REACTION. CANCER HAZARD - CAN CAUSE CANCER, DEVELOPMENTAL TOXICITY/TERTATOGENIC EFFECTS.

WARNING: This product contains a chemical known to the State of California to cause cancer and birth defects or other reproductive harm.

Can enter lungs and cause damage. Risk of cancer depends on duration and level of exposure. Contains material which can cause birth defects. Contains material which can cause developmental abnormalities. Do not puncture or incinerate container. Do not expose to heat or store at temperatures above 120°F. Use only with adequate ventilation. Do not breathe vapor or mist. Do not swallow. Do not get on skin or clothing. Avoid contact with eyes. Keep container tightly closed and sealed until ready for use. Wash thoroughly after handling. Avoid exposure during pregnancy. Keep out of reach of children.

FIRST AID TREATMENT: Contains Xylène, 1,2,4-Triméthylbenzène; Méthylethyl kétone; Éthylbenzène. If breathed in, move person to fresh air. If swallowed, call a Poison Control Centre or doctor immediately. Do not induce vomiting. If in eyes, rinse with water for 15 minutes. If on skin, rinse well with water.

MacDon Performance Parts

Industrial Paint / Peinture industrielle



DANGER!
FLAMMABLE / INFLAMMABLE

One US quart

Part number / Numéro de pièce

946 ml

DIRECTIONS FOR USE
THIS PRODUCT IS READY TO USE. NO MIXING IS REQUIRED.

APPLICATION
Spray material at 40 to 55 PSI (2.7 to 3.8 MPa).

USING A PRIMER IS NOT NECESSARY WITH THIS PRODUCT.

Shake medium well and, allow to back and follow with full wet coat.

FOR VOC REGULATED AREAS:

These directions refer to the use of products which may be restricted or require special mixing instructions in VOC regulated areas. Follow mixing and usage recommendations in the VOC Compliance Products Chart for your area.

MODE D'EMPLOI
CE PRODUIT EST PRÊT À L'UTILISATION, AUCUN MÉLANGE N'EST REQUIS.

APPLICATION
Pulvériser à une pression de 40 à 55 lb/po (2,7 à 3,8 MPa).

L'UTILISATION D'UN APPRÊT N'EST PAS NÉCESSAIRE AVEC CE PRODUIT.

Agiter bien et laisser égoutter le produit. Appliquer une couche régulière de produit, puis appliquer une couche d'après.

RÉGLEMENTATION SUR LES COV

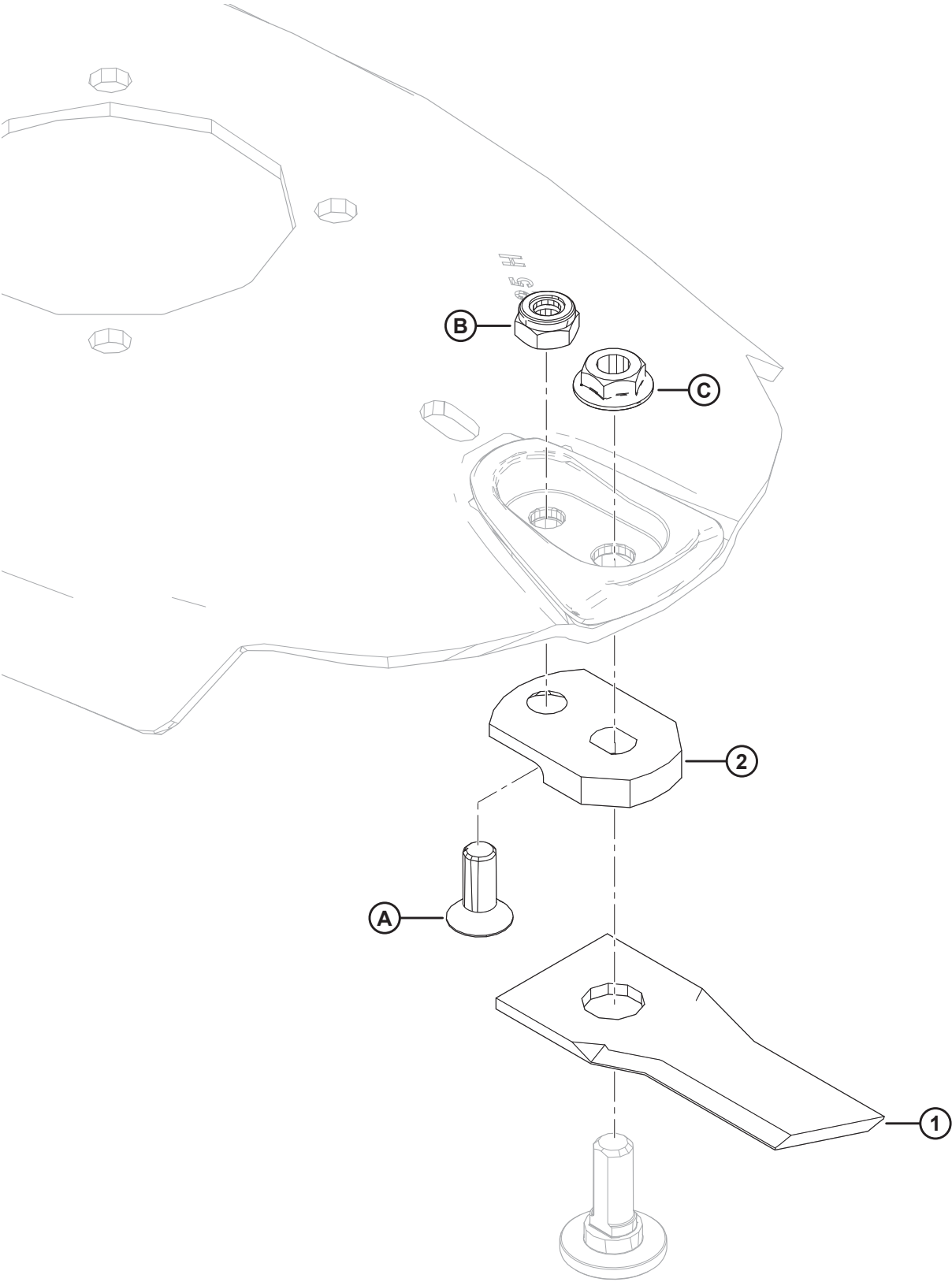
Ces directives concernent l'utilisation de produits pouvant être réglementés ou soumis à des instructions de mélange spéciales dans les régions où les émissions COV sont réglementées. Suivez les recommandations de mélange et d'emploi indiquées sur le Tableau des produits conformes à la réglementation sur les COV de votre région.

PAINT

Ref	Part Number	Description	Qty	Serial Number
1	135148	PAINT – BLACK (55-65 GLOSS LEVEL), SPRAY CAN, 12 OZ. (340 G) AEROSOL ⁹²		
	32879	PAINT – WHITE, SPRAY CAN, 12 OZ. (340 G) AEROSOL ⁹²		
	23950	PAINT – RED, SPRAY CAN, 12 OZ. (340 G) AEROSOL ⁹²		
2	25991	PAINT – BLACK (55-65 GLOSS LEVEL), 1 US QUART (946 ML)		
	32880	PAINT – RED, 1 US QUART (946 ML)		

92. To be used for small touch-ups only.

25 (Option) Blade Update



(OPTION) BLADE UPDATE

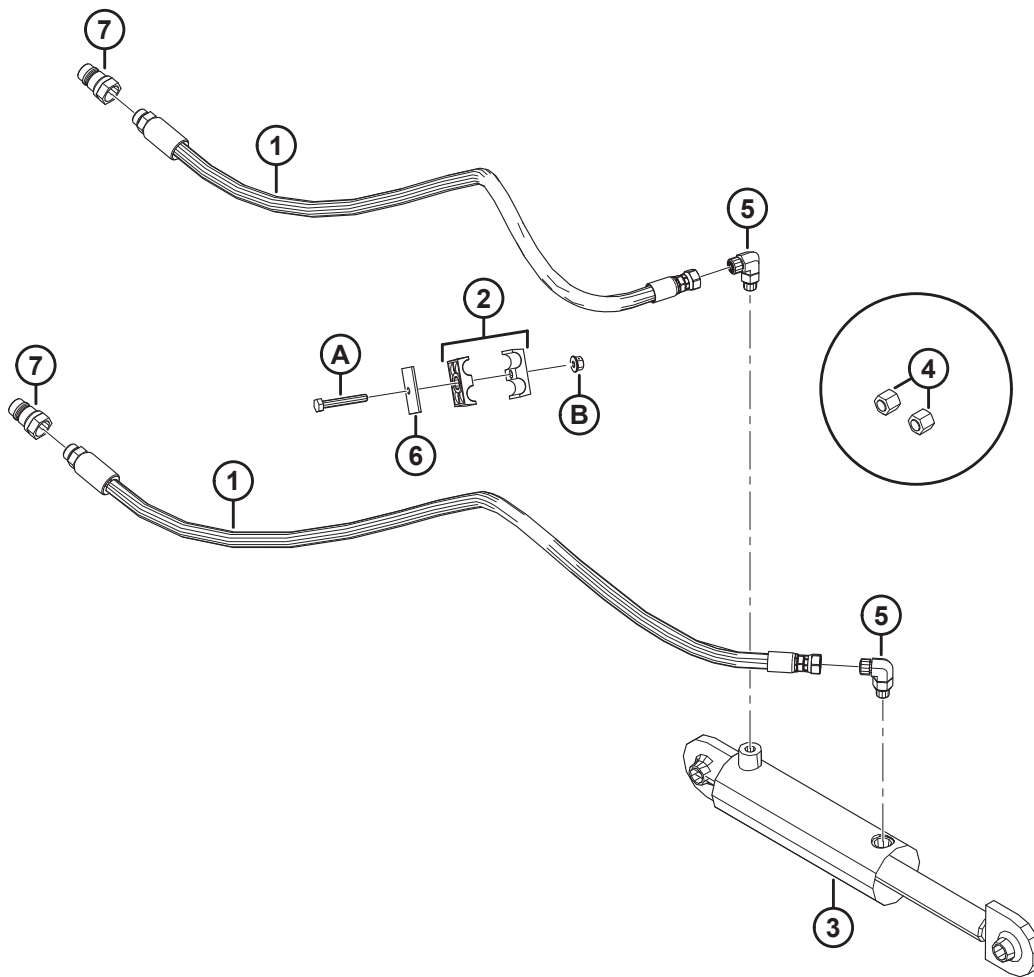
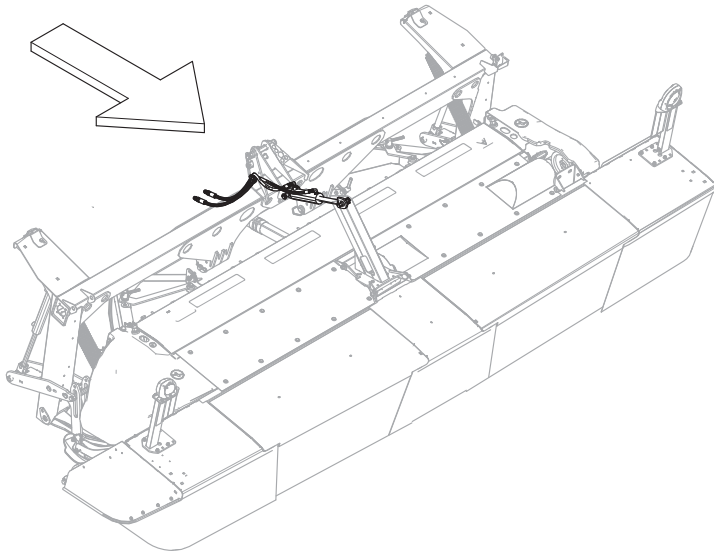
NOTE:

This kit is for model year 2024 and prior machines. The parts in this kit are already installed on model year 2025 headers.

Ref	Part Number	Description	Qty	Serial Number
	359122	KIT – UPDATED BLADES ⁹³		
1	359066	BLADE – CCW 18° BEVEL DOWN QTY 6	4	
	359065	BLADE – CW 18° BEVEL DOWN QTY 6	4	
2	338956	PLATE – BLADE SPACER	20	
A	281965	BOLT – ACCELERATOR		
B	246303	NUT – ACCELERATOR		
C	246300	NUT – BLADE		

93. The blades included in this kit have a larger cut length, providing a cleaner cut in lighter crops. The kit includes all listed parts and instructions.

26 (Option) Hydraulic Header Angle



(OPTION) HYDRAULIC HEADER ANGLE

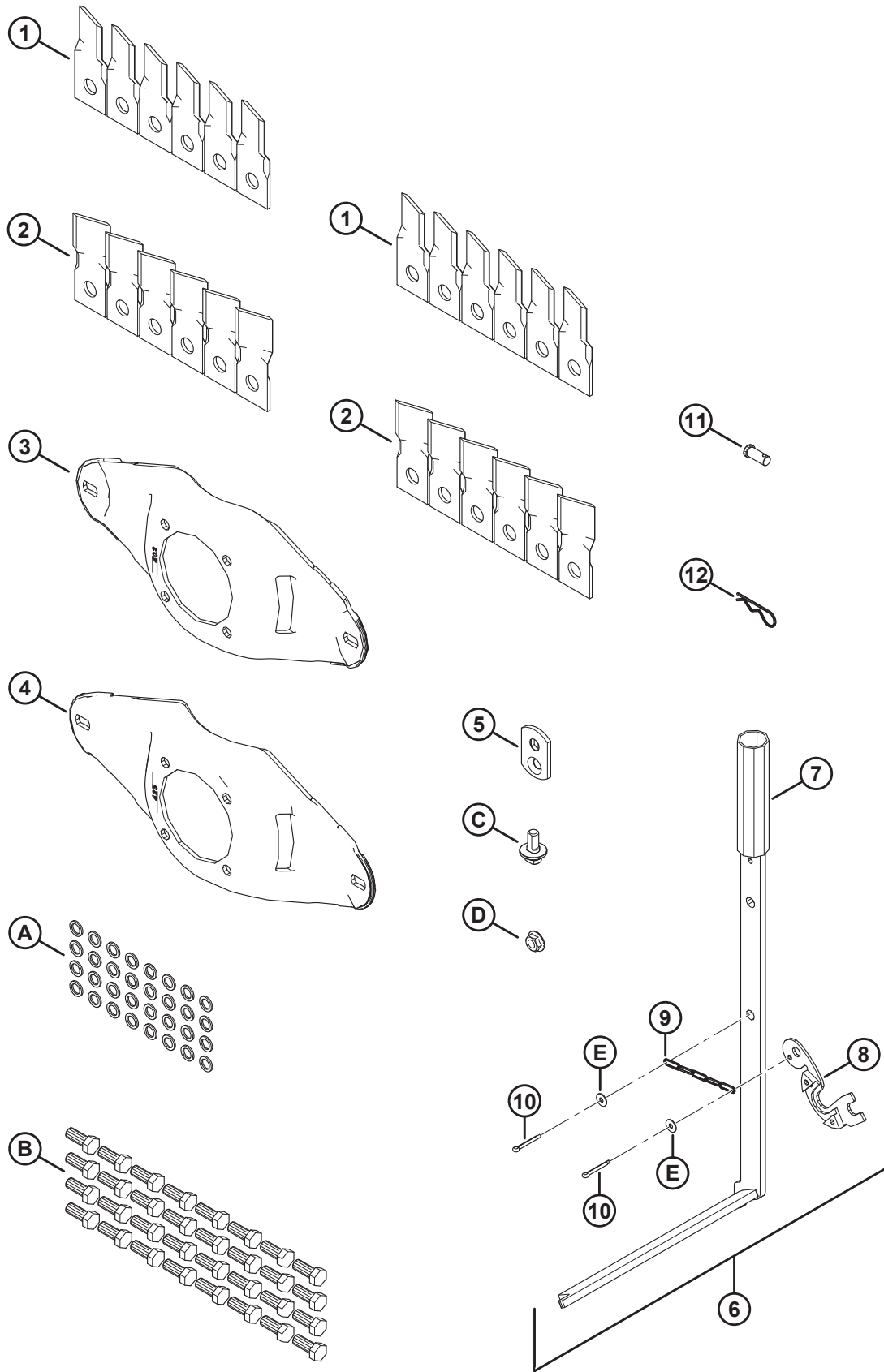
Ref	Part Number	Description	Qty	Serial Number
	B7516	KIT – HYDRAULIC HEADER ANGLE ⁹⁴		
1	369327	HOSE – HYDRAULIC	2	
2	247750	CLAMP – ASSY ⁹⁵	1	
3	149767	CYLINDER – HYDRAULIC	1	
	150519	SEAL KIT		
4	136325	FITTING – CAP HYD -6 ORFS ⁹⁶	2	
5	136095	FITTING – ELBOW 90° HYD	2	
	135865	O-RING – 1.78 X 9.25		
	50219	O-RING – 1.98 X 11.89		
6	184303	CLAMP – COVER PLATE	1	
7	135563	FITTING – COUPLING HYD	2	
A	184655	BOLT – HEX HD M8 X 1.25 X 55-8.8-AA1J		
B	135337	NUT – HEX FLG CTR LK M8 X 1.25-8-AA1J		

94. Kits are available through Whole Goods only.

95. The clamp assembly includes two clamp halves (NSS).

96. For shipping only.

27 (Option) Quick Change Blade Kit



(OPTION) QUICK CHANGE BLADE KIT

NOTE:

Quantities listed are for 8/10 disc unless otherwise noted.

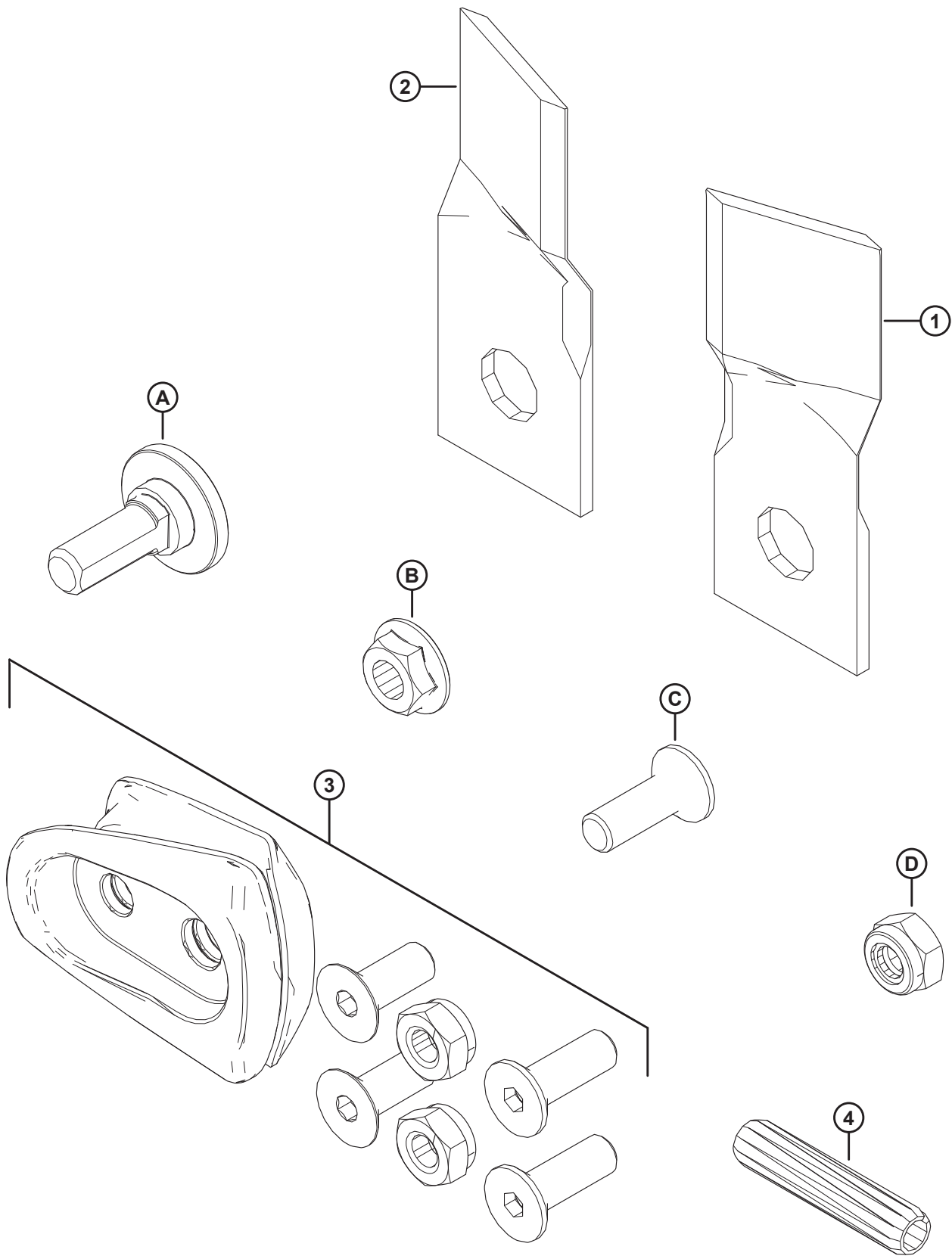
Ref	Part Number	Description	8/10 Disc Qty	Serial Number
	B6699	KIT – QCB, 8 DISC ⁹⁷		
	B6700	KIT – QCB, 10 DISC ⁹⁷		
	257136	KIT – QCB, 8 DISC ⁹⁸		
	257135	KIT – QCB, 10 DISC ⁹⁸		
1	259200	BLADE – CCW 18° BEVEL DOWN, QTY 6	2/2	
2	259199	BLADE – CW 18° BEVEL DOWN, QTY 6	2/2	
3	281365	PLATE – QUICK CHANGE, 402 MM	2/2	
4	281364	PLATE – QUICK CHANGE, 425 MM	6/8	
5	246301	PLATE – BLADE	16/20	
6	259112	KIT – BLADE CHANGE ⁹⁹	1/1	
7	281362	TOOL – BLADE CHANGE	1/1	
8	281755	GAUGE – QUICK CHANGE	1/1	
9	259113	CHAIN – QUICK CHANGE	1/1	
10	259117	PIN – COTTER	2/2	
11	281931	PIN – CLEVIS 7/16 X 1	1/1	
12	15380	PIN – HAIR	1/1	
A	246952	WASHER – M12-LOCKING-DISC		
B	30630	BOLT – HEX HD TFL M12 X 1.75 X 30-8.8-A3L		
C	281363	BOLT – BLADE, QUICK CHANGE		
D	246300	NUT – BLADE		
E	184701	WASHER – FLAT LARGE M5-200HV		

97. The kit includes all listed parts and instructions. Kits are available through Whole Goods only.

98. The kit includes all listed parts and instructions.

99. The kit includes tool (MD #281362), gauge (MD #281755), chain (MD #259113), two pins (MD #259117), and two washers (MD #184701).

28 (Option) R1 Service Kit



1039941

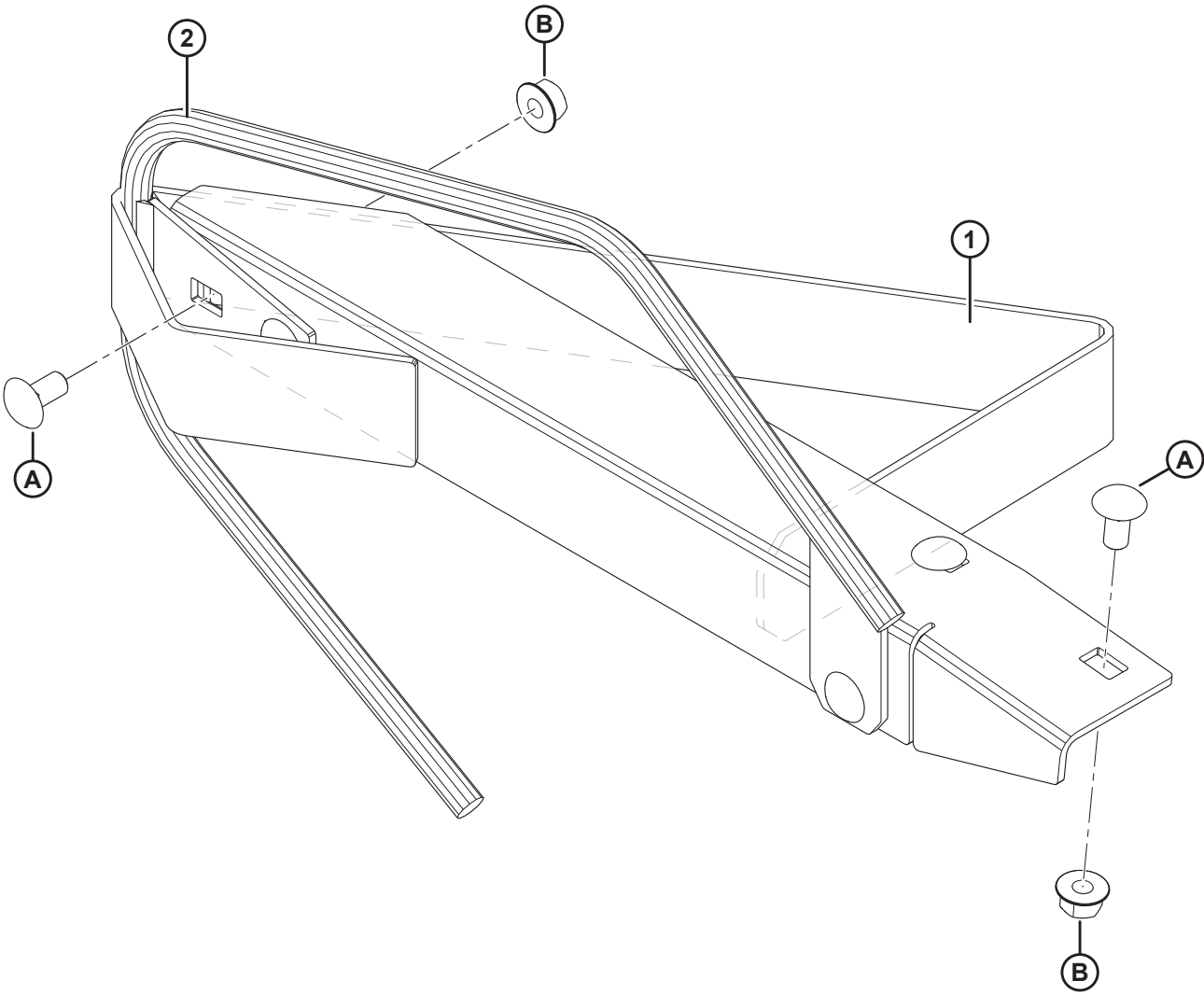
(OPTION) R1 SERVICE KIT

Ref	Part Number	Description	Qty	Serial Number
	259053	KIT – SERVICE R1 ¹⁰⁰		
1	259199	BLADE – CW 18° BEVEL DN QTY 6	4	
2	259200	BLADE – CCW 18° BEVEL DN QTY 6	4	
3	238227	KIT – 2 GUARDS C/W HARDWARE ¹⁰¹	4	
4	246295	PIN – SHEAR	2	
A	281604	BOLT – BLADE		
B	246300	NUT – BLADE		
C	281605	BOLT – ACCELERATOR		
D	246303	NUT – ACCELERATOR		

100. This kit contains blades and hardware to service an R1 Series Front Mount Rotary Disc.

101. This kit includes a matched pair of disc guards (NSS), two accelerator bolts (MD #281965), two accelerator nuts (MD #246303), and two accelerator bolts (MD #281605).

29 (Option) Tall Crop Dividers



(OPTION) TALL CROP DIVIDERS

Ref	Part Number	Description	Qty	Serial Number
	B5800	KIT – TALL CROP DIVIDERS ¹⁰²		
1	223236	DIVIDER WELDMENT – LH	1	
	223248	DIVIDER WELDMENT – RH	1	
2	223232	ROD WELDMENT – CROP DIVIDER	2	
A	152439	BOLT – RHSSN M12 X 1.75 X 25-8.8-A3L		
B	184697	NUT – HEX SER FLG M12 X 1.75-8-A3L		

102. Kits are available through Whole Goods only.

Index

4762	18	113799	32, 38, 42, 46
5113	42, 56	115145	62
7782	42	115146	62
15380	72	115147	62
16235	34	118234	28
16661	28	120333	56
18588	30	132117	62
18596	30	132898	62
18601	56	134523	50
18608	56	134837	50
18635	30	135148	66
18648	38	135155	16
18671	32	135192	46
19958	38	135217	50
20312	56	135233	28
21540	56	135319	48
21573	30	135337	14, 48, 50, 70
23164	62	135369	34
23165	62	135444	52
23950	66	135491	20
25991	66	135563	52, 70
30463	56	135693	40
30505	44	135723	38, 42
30627	30, 48	135778	52
30629	48	135783	56
30630	72	135785	30, 34, 38, 50
30635	42	135799	16, 28, 34, 38, 40, 42, 48, 50, 54, 56
30655	44	135852	40, 42
30836	32, 36	135865	52, 70
30934	46	135945	38, 46
31145	48	136088	56
32879	66	136095	70
32880	66	136101	48
40701	52	136122	48, 56
40702	52	136124	16, 34
40703	52	136137	20
40704	52	136141	16
42045	40	136143	20
42104	56	136147	52
42592	28, 40	136149	52
44209	52	136151	20, 34
49227	52	136154	52
50139	20	136157	16
50140	48	136172	34
50155	34, 42	136178	34, 48
50219	52, 70	136211	34
103738	52	136263	50
108172	16	136291	34, 42
111528	42, 48	136325	70
112130	48, 56	136399	40
112624	42, 46, 56	136422	48
112873	52	136423	34
113482	62		

INDEX

136428	30, 38	184675	34
136431	16, 34, 38, 40, 42	184678	34, 44
136440	16, 20, 34, 42, 48	184681	16, 34
136485	20	184697	76
136536	50	184699	34
136574	48, 50, 54	184701	12, 42, 72
136594	52	184705	54
136635	50	184708	20
136650	56	184709	14
136655	50	184711	16, 28, 48, 56
136717	16, 34	184712	28, 48
136832	32	184714	16, 34, 38, 42
136843	28	184717	44, 48
136876	46	190546	62
137980	38	191138	58
139210	46	191705	52
139630	28	194465	62
141220	46	194466	62
142376	46, 56	197122	40
148645	30	197171	14
148798	16	197320	48
148799	20, 40	200974	50
149183	42	203547	28
149767	70	206482	28
150519	70	209032	50
150864	24	221765	32
152439	38, 76	221768	32
152520	44	221769	32
152655	20, 28, 38	221833	56
152668	28, 38, 50	221937	32
152730	28	221938	32
152947	20, 34	221997	42
156743	48	222028	42
166466	62	222231	56
167502	62	222269	18
171287	62	222291	18
172899	52	222658	32
174436	62	222664	32
181511	44	222988	32
184303	70	223014	38
184371	62	223232	76
184372	62	223236	76
184385	62	223248	76
184596	38	223406	32
184641	28, 38, 50	223425	52
184652	48	223427	52
184655	70	223467	32
184657	28, 38	223883	28
184661	48, 56	223884	28
184662	38	223888	28
184665	38, 52	223904	28
184667	34	224039	38
184669	34, 38	224313	28
184672	16	224322	46
184673	16	224471	28

INDEX

224562	42	246614	2
224605	42	246615	4
224686	28	246617	2
224869	38	246622	2
224977	38	246623	2
237587	58, 60	246624	2
238003	56	246625	4
238015	4	246627	2
238016	4	246628	2
238026	6	246630	4
238031	6, 10	246631	2
238032	6, 10	246632	2
238054	42	246633	8, 10
238147	16	246687	18
238195	6	246691	18
238222	52	246747	32
238227	6, 10, 74	246748	32
239049	14	246751	32
245966	42	246752	32
246080	22	246770	18
246082	22	246799	32
246083	22	246844	32
246084	22	246845	42
246085	22	246846	42
246086	22	246847	32
246087	18	246874	28
246196	18	246876	28
246198	46	246882	8, 10
246226	38	246896	64
246291	6, 10	246897	64
246295	2, 74	246902	62
246300	8, 10, 68, 72, 74	246952	8, 12, 72
246301	10, 72	246956	62
246303	8, 10, 68, 74	246959	62
246305	6, 10	246991	4
246307	2	246997	64
246308	2	247014	52
246310	4	247015	52
246311	4	247040	24
246312	8	247056	24
246314	16	247071	24
246315	2	247079	22
246316	2	247080	22
246318	2	247081	22
246328	2	247082	22
246330	2	247083	22
246331	2	247084	22
246332	4, 8, 12	247085	22
246346	28	247091	22
246355	38	247094	22
246388	28	247095	22
246424	32, 42	247096	22
246583	42	247099	22
246612	2	247100	22
246613	2	247103	18

INDEX

247110.....	46	256580.....	32
247112.....	18	256584.....	28
247120.....	18	256640.....	42
247121.....	18	256641.....	42
247122.....	18	257085.....	6, 10
247166.....	62	257086.....	6, 10
247167.....	62	257093.....	42
247183.....	36	257096.....	16
247184.....	36	257135.....	72
247185.....	36	257136.....	72
247186.....	36	257190.....	62
247187.....	36	259048.....	2
247188.....	36	259053.....	74
247189.....	36	259099.....	8, 12
247190.....	36	259100.....	8, 12
247191.....	36	259112.....	72
247192.....	36	259113.....	10, 72
247193.....	36	259117.....	10, 72
247194.....	36	259139.....	18
247195.....	36	259142.....	18
247196.....	36	259199.....	6, 10, 72, 74
247197.....	36	259200.....	6, 10, 72, 74
247199.....	36	259516.....	18, 22
247206.....	16	259518.....	6
247231.....	62	259592.....	32
247265.....	36	268350.....	56
247305.....	34	280504.....	6, 10
247307.....	34	281324.....	32
247309.....	34	281325.....	32
247420.....	34	281362.....	10, 72
247693.....	40	281363.....	10, 72
247750.....	70	281364.....	10, 72
247800.....	46	281365.....	10, 72
247826.....	18	281366.....	6
247827.....	18	281367.....	6
247832.....	32	281370.....	6
247854.....	32	281378.....	18
247855.....	32	281457.....	46
247856.....	32	281489.....	18
247923.....	2	281493.....	18
247924.....	2	281497.....	18
247936.....	2	281500.....	18
247937.....	2	281501.....	18
252219.....	38	281604.....	8, 74
252247.....	50	281605.....	8, 74
252365.....	50	281606.....	6
252392.....	50	281609.....	6, 10
252655.....	48, 50	281644.....	42
252691.....	20	281695.....	42
252807.....	40	281697.....	8, 10
256192.....	42	281753.....	10
256199.....	42	281755.....	10, 72
256338.....	28	281818.....	38
256375.....	18	281865.....	10
256545.....	28	281866.....	10

INDEX

281931	72	359065	68
281965	10, 68	359066	68
281966	6, 10	359122	6, 68
281967	6, 10	359253	34
281981	18	367407	56
281986	42	369031	38
293054	50	369186	50
302204	62	369188	50
304865	62	369229	18
307175	2	369244	18
307211	32, 36	369254	18
320206	48	369327	52, 70
320208	34	369350	46
320225	16, 34	369351	46
320226	16, 20, 34, 44	369356	46
320289	52	369401	64
320309	46	369402	64
320388	46	369403	64
320499	50	369404	64
320524	32, 42	369593	46
322872	46	369594	46
325626	40	369602	40
325683	16	369634	26, 58, 60
325854	32	369700	46
325857	34	369725	24
328142	46	369726	24
333547	62	369727	24
338003	34	369728	24
338800	8, 12	369729	24
338956	68	369730	24
338995	14	369731	24
347923	46	369733	24
351135	38	369734	24
351136	38	369735	24
351148	40	369737	58
351149	40	369738	60
351151	38	369739	60
351152	38	369740	60
351165	38	369742	58, 60
351166	40	369743	26, 60
351257	46	369744	26, 58, 60
351432	46	369745	60
351506	46	369746	60
351548	46	369748	60
351604	50	369749	60
351654	46	369750	26, 58
351746	50	369751	58
351753	52	369752	58
351913	52	369753	46
351919	18, 24	369758	18
357455	46	369763	32
359024	6, 10	369765	26
359026	2	369766	26
359027	2	369767	26
359040	2	369779	38

INDEX

369780	38
369796	28
369798	28
369803	52
369804	52
369805	52
369808	46
369809	46
369814	26
369815	26
369816	26
369822	46
369830	62
369833	46
369836	46
369838	46
369839	46
384043	34
384044	18, 26
384049	38
384112	32
384113	32
384161	40
384162	40
384163	40
384164	40
500635	28

B

B5800	76
B6699	72
B6700	72
B7513	60
B7514	60
B7515	60
B7516	70

MacDon®

CUSTOMERS
MacDon.com

DEALERS
Portal.MacDon.com

Trademarks of products are the marks of their
respective manufacturers and/or distributors.

Printed in Canada