

PETER P

PARTS CATALOG

CENTER DELIVERY
AND
DOUBLE SWATH
DRAPER HEADERS
for Model 7000 Self Propelled Windrower



FORM NO. 12804

7/91

MacDon Industries Ltd.

680 Moray Street, Winnipeg, Manitoba
Canada R3J 3S3
(204) 885-5590, Fax 832-7749
Telex 07-57849

The first part of the document discusses the importance of maintaining accurate records of all transactions. It emphasizes that every entry should be supported by a valid receipt or invoice. This ensures transparency and allows for easy verification of the data.

In the second section, the author details the various methods used to collect and analyze the data. This includes both manual and automated processes. The goal is to identify trends and anomalies that might not be immediately apparent from a simple review of the raw data.

The third part of the report focuses on the results of the analysis. It shows that there is a significant correlation between the variables being studied. This finding is supported by statistical tests and visual representations of the data.

Finally, the document concludes with a series of recommendations based on the findings. These suggestions are aimed at improving the efficiency of the current processes and preventing future issues. The author believes that implementing these changes will lead to a more streamlined and effective operation.



TABLE OF CONTENTS

DRAPER HEADER

Main Frame & Lights: 12-18' Center Delivery & 21-30' Adjustable Opening Double Swath Headers 2,3

Backsheets: 12-18' Center Delivery Headers 4

Adjustable Opening Header - Shifting Decks 5

Adjustable Opening Header - Deck Latch Group 6,7

Main Frame: 21-30' Fixed Opening Double Swath Headers 8-11

Deck Latch Group - 21, 25 & 30' Fixed Opening Headers 12,13

Main Frame & Shields - 36' Header 14,15

Driveline 16,17

Center Delivery Header Hydraulics - 12, 15 & 18' 18-21

Adjustable Opening Double Swath Header Hydraulics - 21, 25 & 30' 22-29

 Draper Drive, Reel Drive & Deck Shift 22-25

 Deck Shift Cylinder 26,27

 Reel Lift 28,29

Fixed Opening Double Swath Header Hydraulics - 21, 25 & 30' 30-37

Double Swath Header Hydraulics - 36' 38-45

Hydraulic Gear Motor (Draper Drive) 46,47

Hydraulic Motor (Reel Drive) 48,49

Hydraulic Cylinders - 12 to 30' Headers 50,51

Seal Kits for 36' Header 51

Knife and Knife Drive - 12 to 30' Headers 52-57

Chain Case for 36' Header 58,59

Knife Drive Shaft for 36' Header 60,61

Knife and Drive Group for 36' Header 62,63

Wobble Box 64,65

Drapers and Rollers 66-69

Reel Drive Group 70,71

Bat Reel - 12 to 30' Headers 72,73

Bat Reel - 36' Header 74,75

Float Shoes - 12 to 30' Headers 76,77

Gauge Wheels - 12 to 30' Headers 78,79

Gauge Wheels - 36' Header 80,81

Auxiliary Float Spring 82,83

Decals & Paint 84,85

Linkage Modification Kit 86

Delivery Opening Modification Kit 87

HAY CONDITIONER

88-91

NUMERICAL LIST

92-99

13669 Nut, Locking 1/2" dia. x 1 1/2" L

15838 Washer, Jack 1/2" dia. x 1/4" T

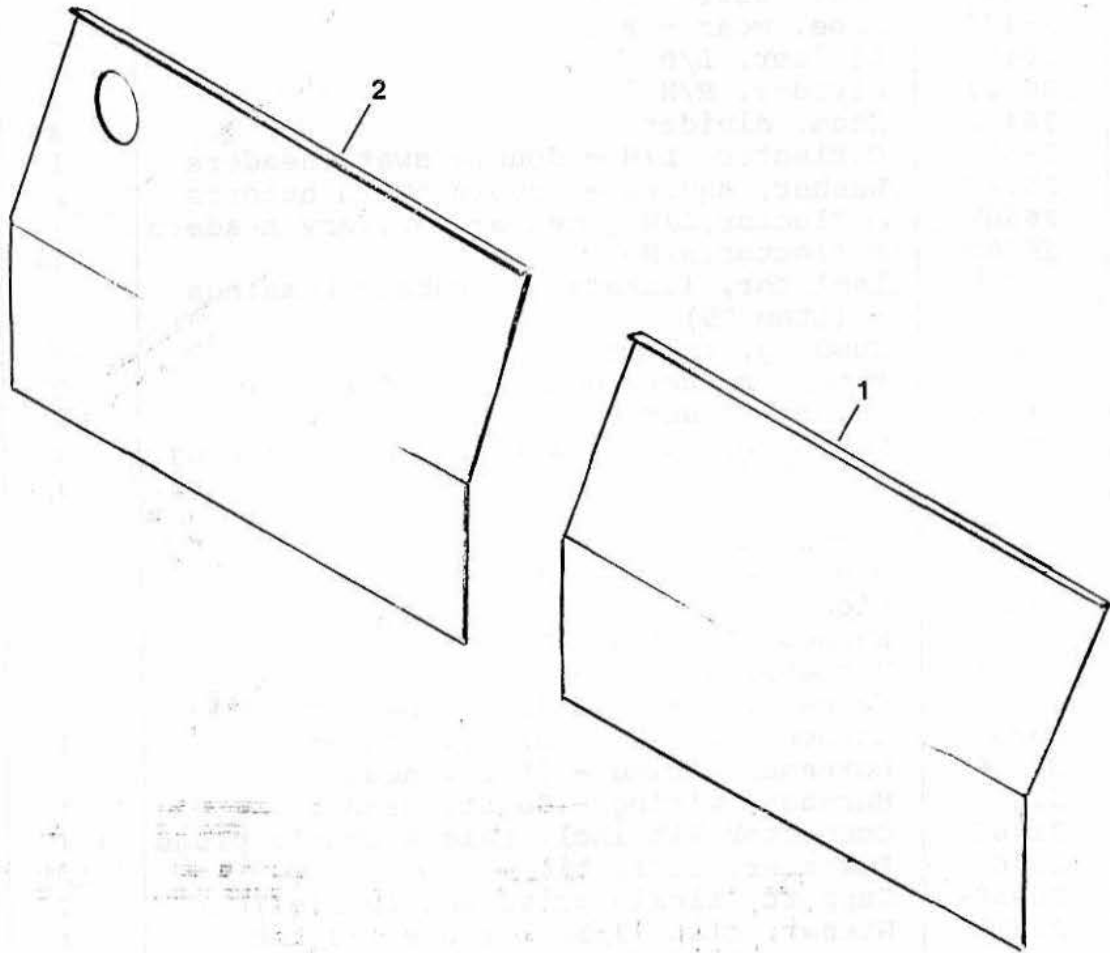
4771 Nut, Hex 1/2" dia. x 1/4" L

21530 Cap Screw, Hex 1/2" dia. x 1 1/2" L

17690 Nut, Lock 1/2" dia. x 1 1/2" L

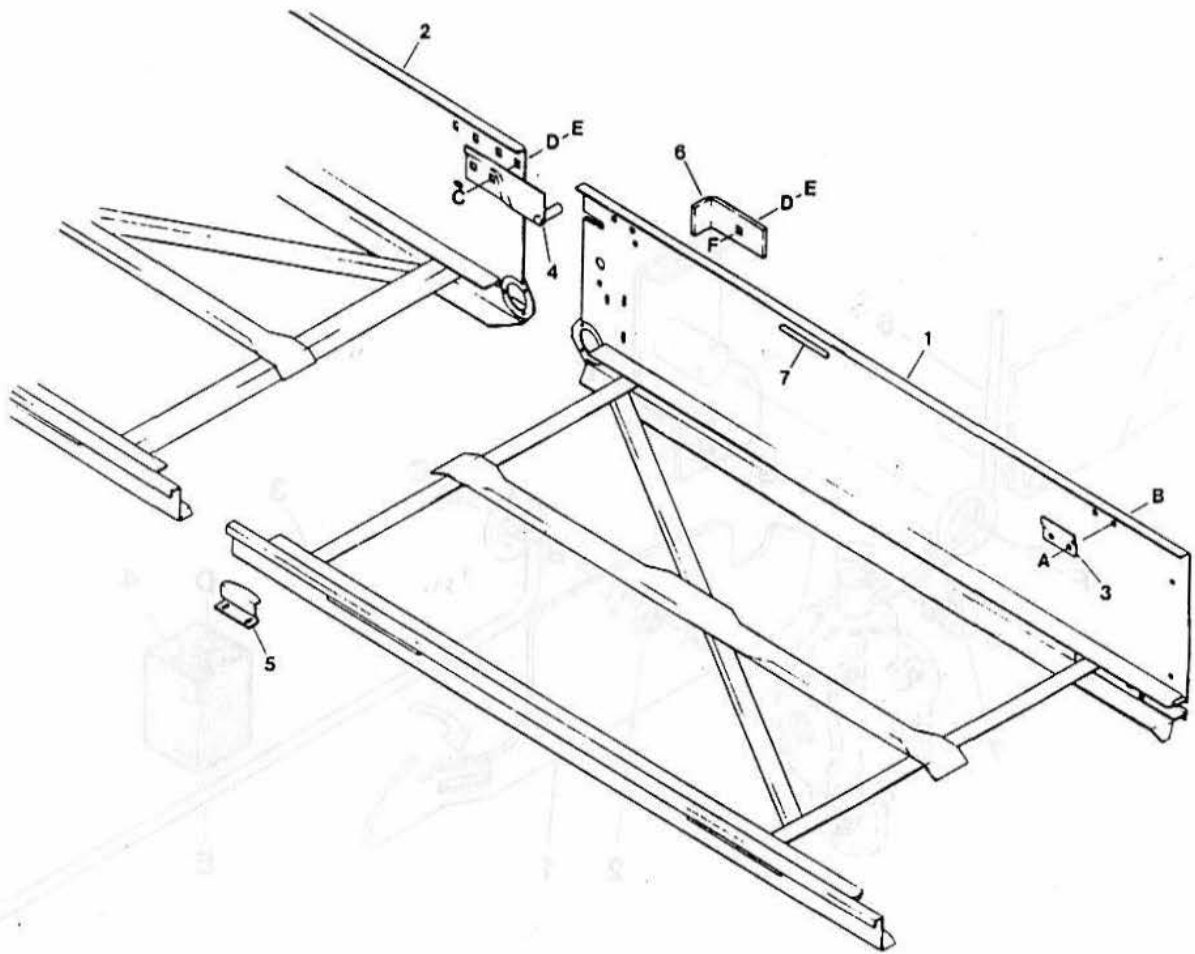
FOR FURTHER INFORMATION, PLEASE CONTACT THE MANUFACTURER'S REPRESENTATIVE.

Center Delivery Draper Header
 BACKSHEETS (WELDED)



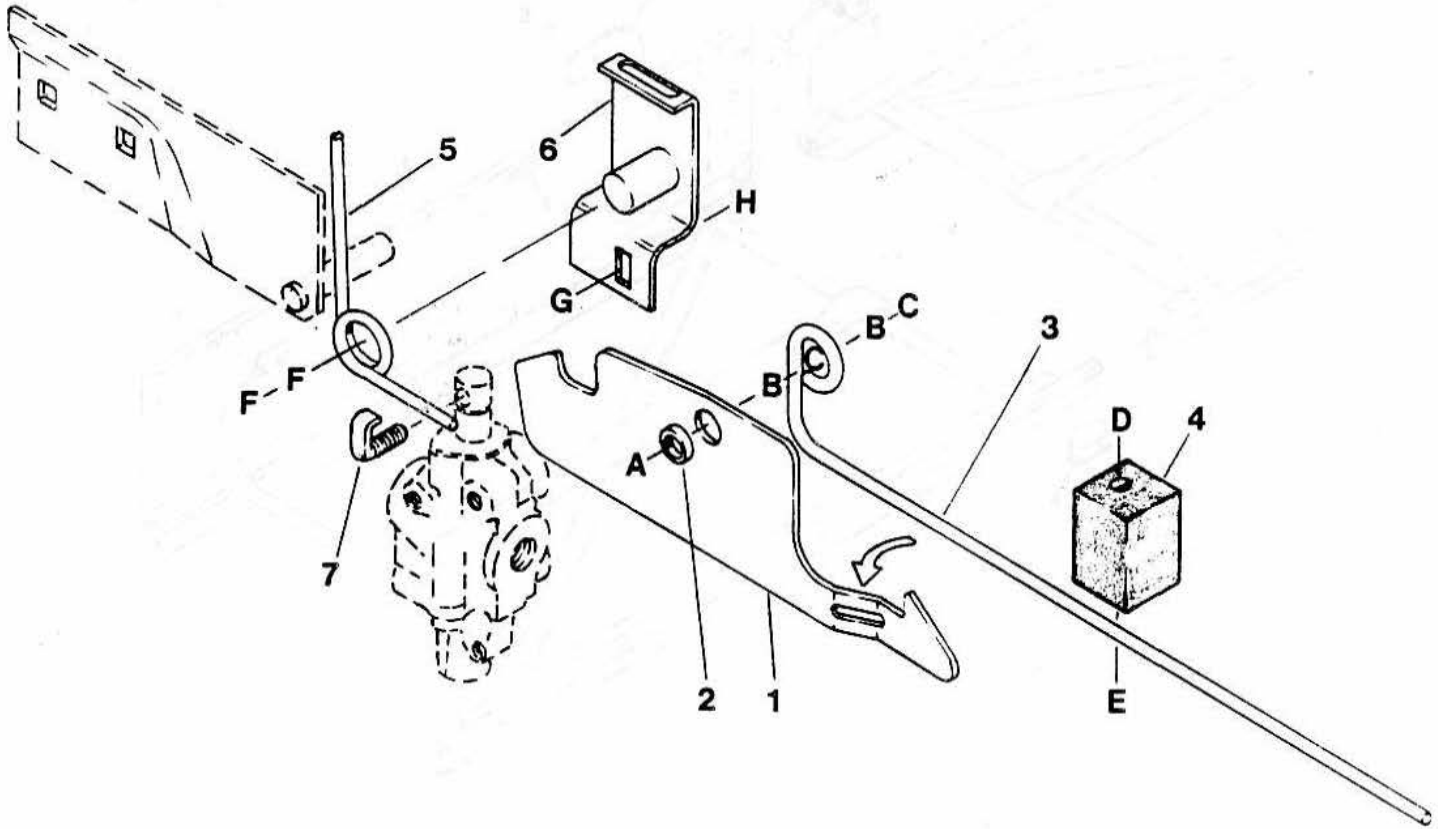
REF.	PART NO.	DESCRIPTION	QTY.	SERIAL NUMBER
1	26790	BACKSHEET - left, 12 ft. header	1	
	26791	BACKSHEET - left, 15 ft. header	1	
	26792	BACKSHEET - left, 18 ft. header	1	
2	26795	BACKSHEET - right, 12 ft. header	1	
	26796	BACKSHEET - right, 15 ft. header	1	
	26797	BACKSHEET - right, 18 ft. header	1	

**Adjustable Opening Draper Header
SHIFTING DECKS**



REF.	PART NO.	DESCRIPTION	QTY.	SERIAL NUMBER
1	33600	Deck, sliding L/H - 21' header	1	
	33601	Deck, sliding L/H - 25' header	1	
	33602	Deck, sliding L/H - 30' header	1	
2	33603	Deck, sliding R/H - 21' header	1	
	33604	Deck, sliding R/H - 25' header	1	
	33605	Deck, sliding R/H - 30' header	1	
3	33692	Guide, deck - rear	3	
4	33697	Hook, deck	1	
5	33330	Hold-down, deck - front, qty. 2 for 21' header	4	
6	33700	Stop, deck	2	
7	33596	Strip, wear	6	-72980
A	21863	Bolt, carriage 3/8 NC x 3/4 long		
B	21452	Nut, flange 3/8 NC		
C	21066	Bolt, carriage 1/2 NC x 1.0 long		
D	18638	Washer, lock 1/2		
E	18591	Nut, hex 1/2 NC		
F	21471	Bolt, carriage 1/2 NC x 1 1/4 long		

Adjustable Opening Draper Header
DECK LATCH GROUP

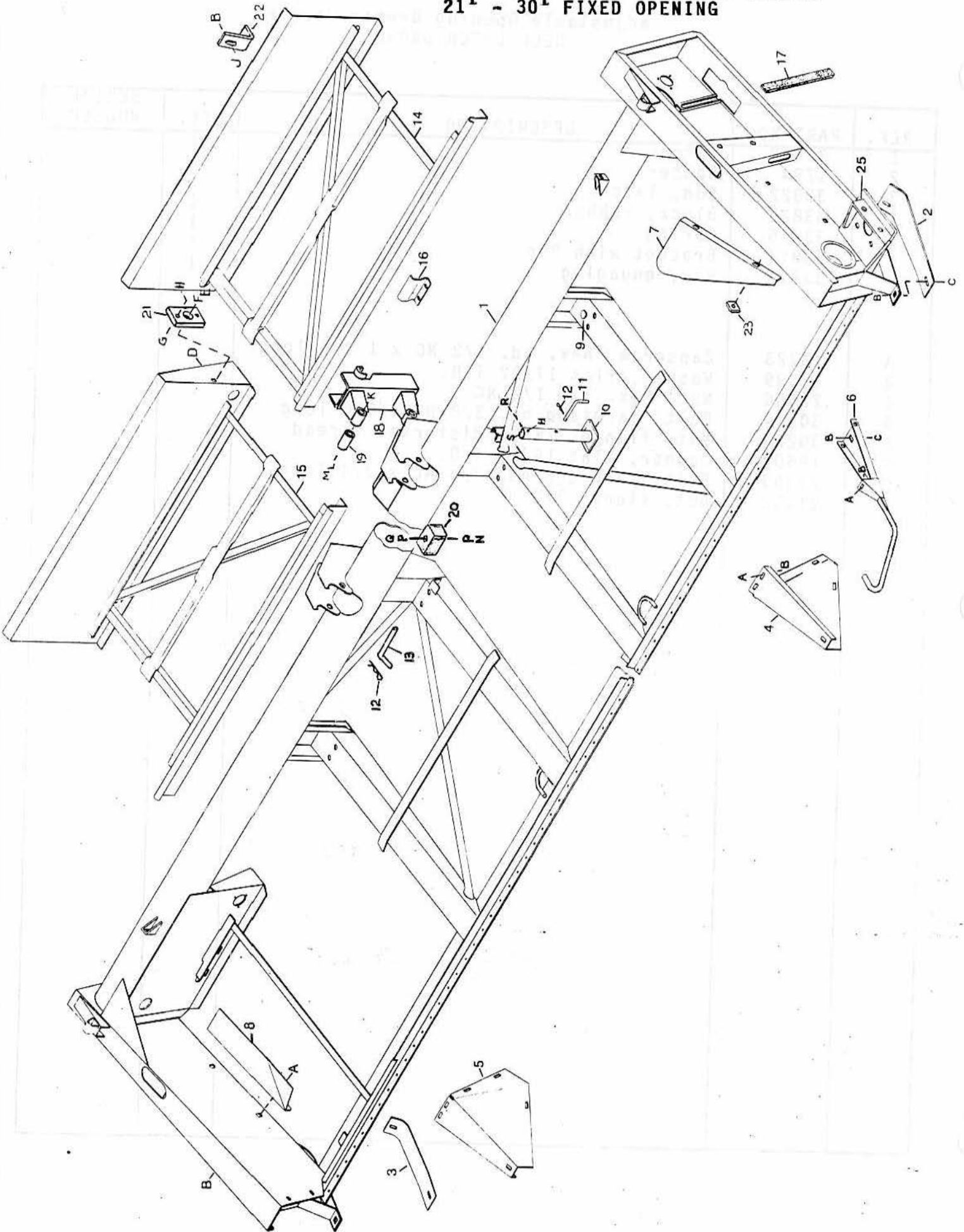


QTY	DESCRIPTION	PART NO.
1	rod	1000
1	bracket	1001
1	hook	1002
1	block	1003
1	bracket	1004
1	bracket	1005
1	bracket	1006
1	bracket	1007
1	bracket	1008
1	bracket	1009
1	bracket	1010
1	bracket	1011
1	bracket	1012
1	bracket	1013
1	bracket	1014
1	bracket	1015
1	bracket	1016
1	bracket	1017
1	bracket	1018
1	bracket	1019
1	bracket	1020

Adjustable Opening Draper Header
DECK LATCH GROUP

REF.	PART NO.	DESCRIPTION	QTY.	SERIAL NUMBER
1	33820	Latch	1	
2	1794	Spacer	1	
3	33822	Rod, latch	1	
4	33825	Block, rubber	1	
5	33826	Spring	1	
6	33814	Bracket with Pin	1	
7	33810	Pin, engaging	1	
A	18723	Capscrew, hex. hd. 1/2 NC x 1 1/4 long		
B	18599	Washer, flat 17/32 I.D.		
C	21056	Nut, hex. jam 1/2 NC		
D	30307	Bolt, carriage hd. 3/8 NC x 3.0 long		
E	30228	Nut, flange 3/8 NC distorted thread		
F	18602	Washer, flat 15/16 I.D.		
G	21863	Bolt, carriage hd. 3/8 NC x 3/4 long		
H	21452	Nut, flange 3/8 NC		

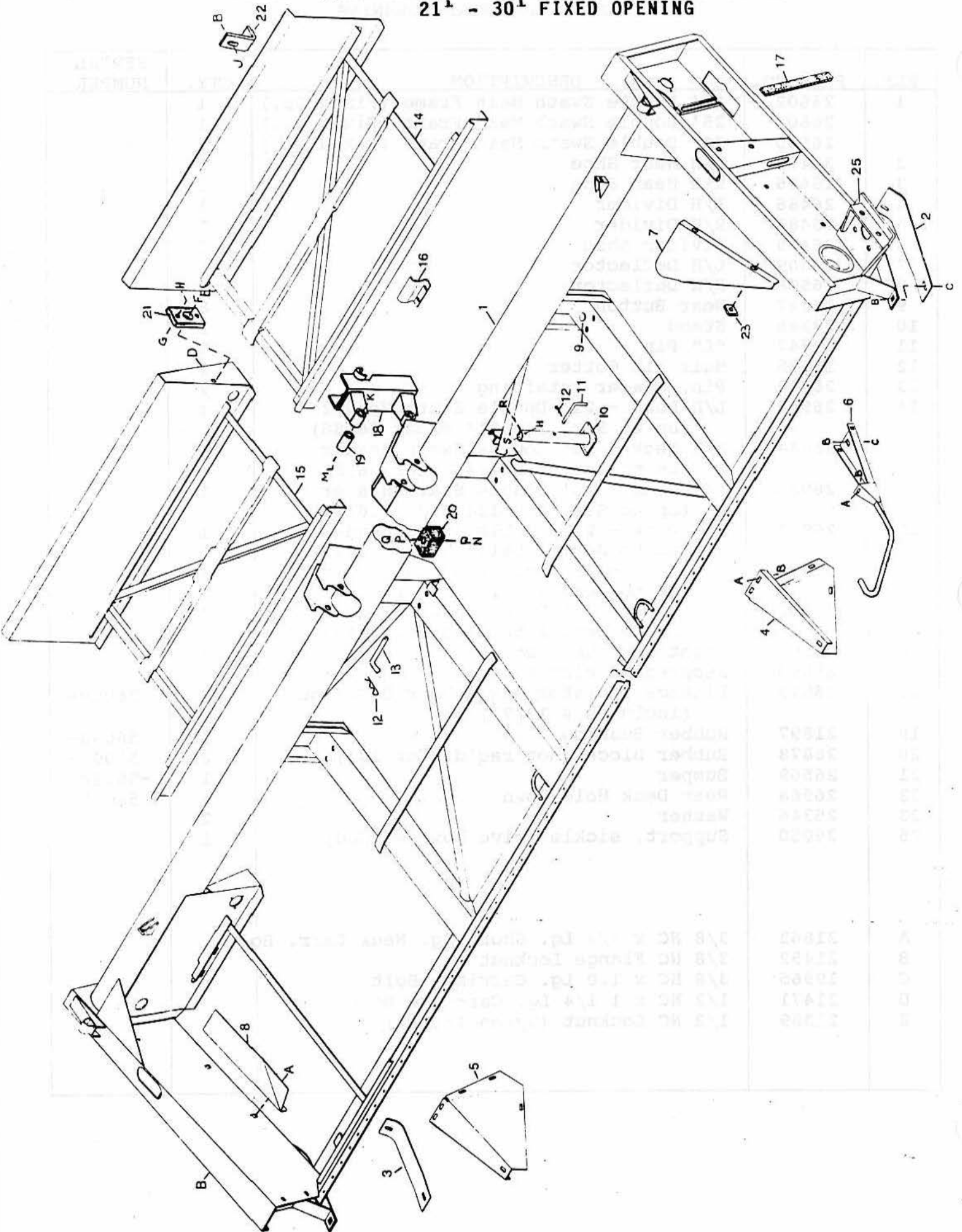
MAIN FRAME - DOUBLE SWATH DRAPER HEADER
21° - 30° FIXED OPENING



MAIN FRAME - DOUBLE SWATH DRAPER HEADER
21' - 30' FIXED OPENING

REF.	PART NO.	DESCRIPTION	QTY.	SERIAL NUMBER
1	26602	21' Double Swath Main Frame (Fixed Op.)	1	
	26604	25' Double Swath Main Frame (Fixed Op.)	1	
	26605	30' Double Swath Main Frame (Fixed Op.)	1	
2	26475	L/H Wear Shoe	1	
3	26476	R/H Wear Shoe	1	
4	26486	L/H Divider	1	
5	26487	R/H Divider	1	
6	26479	Divider Shoe	2	
7	26509	L/H Deflector	1	
8	26508	R/H Deflector	1	
9	14347	Wear Button	8	
10	28245	Stand	1	
11	13747	"L" Pin	1	
12	13125	Hair Pin Cotter	3	
13	28749	Pin, header retaining	2	
14	26943	L/H Deck - 21' Double Swath Header (up to Ser. # 56114 order 26186)	1	
	26944	L/H Deck - 25' Double Swath Header (up to Ser. # 56114 order 26187)	1	
	26945	L/H Deck - 30' Double Swath Header (up to Ser. # 56114 order 26188)	1	
15	26948	R/H Deck - 21' Double Swath Header (up to Ser. # 56114 order 26191)	1	
	26949	R/H Deck - 25' Double Swath Header (up to Ser. # 56114 order 26192)	1	
	26950	R/H Deck - 30' Double Swath Header (up to Ser. # 56114 order 26193)	1	
16	26566	Front Deck Hold-Down	4	
17	25060	Neoprene Stripping	1	
18	26879	Linkage Isolator c/w Rubber Bushings (includes # 19[2])	2	56090-
19	21897	Rubber Bushing	4	56090-
20	26878	Rubber Block (not req'd. for 30')	2	56090-
21	26569	Bumper	1	-56114
22	26568	Rear Deck Hold-Down	4	56090-
23	25346	Washer	2	
25	26050	Support, sickle drive box (welded)	1	
A	21863	3/8 NC x 3/4 Lg. Short Sq. Neck Carr. Bolt		
B	21452	3/8 NC Flange Locknut		
C	19965	3/8 NC x 1.0 Lg. Carriage Bolt		
D	21471	1/2 NC x 1 1/4 Lg. Carriage Bolt		
E	21389	1/2 NC Locknut (Nylon Insert)		

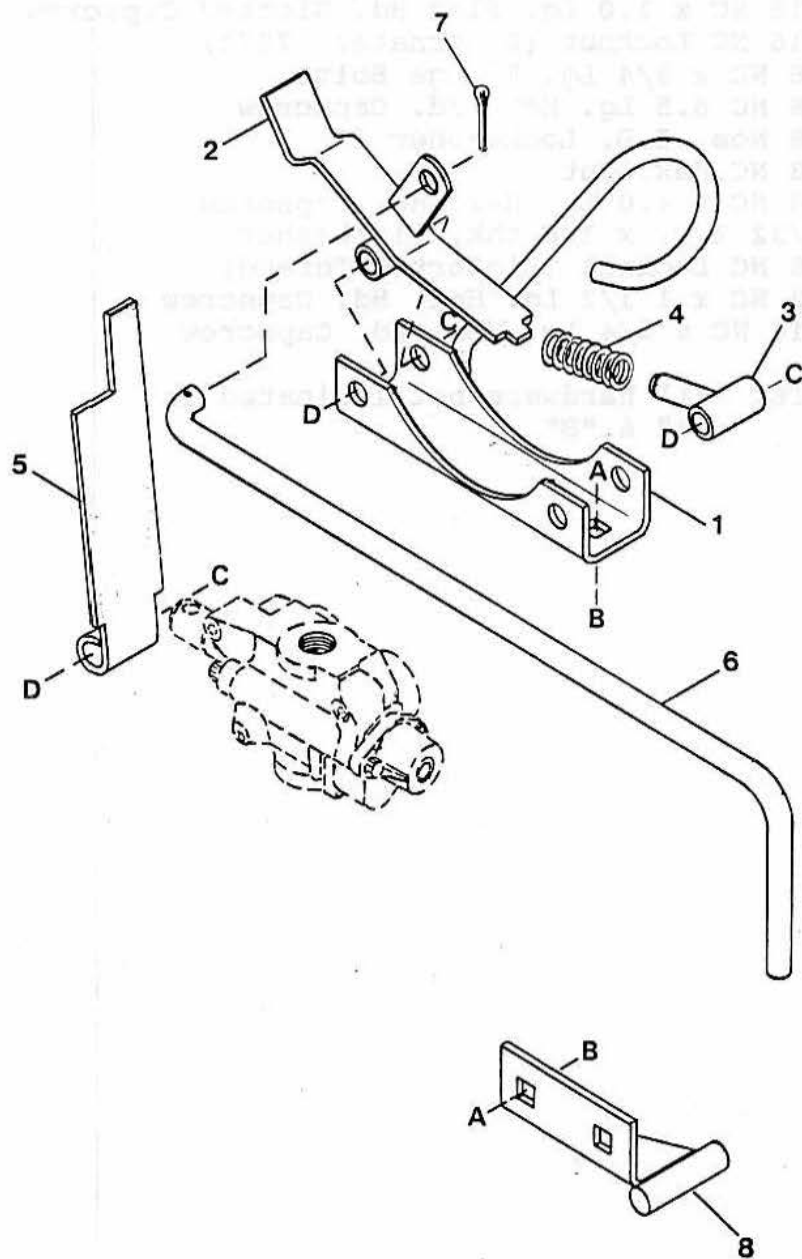
MAIN FRAME - DOUBLE SWATH DRAPER HEADER
21" - 30" FIXED OPENING



MAIN FRAME - DOUBLE SWATH DRAPER HEADER
 21' - 30' FIXED OPENING

REF.	PART NO.	DESCRIPTION	QTY.	SERIAL NUMBER
F	18599	17/32 I.D. Flatwasher		
G	30086	5/16 NC x 1.0 Lg. Flat Hd. Slotted Capscrew		
H	18690	5/16 NC Locknut (Alternate: 7271)		
J	21821	3/8 NC x 3/4 Lg. Flange Bolt		
K	21577	5/8 NC 6.5 Lg. Hex. Hd. Capscrew		
L	18639	5/8 Nom. I.D. Lockwasher		
M	18592	5/8 NC Hex. Nut		
N	21593	3/8 NC x 4.0 Lg. Hex. Hd. Capscrew		
P	20535	13/32 I.D. x 1/8 thk. Flatwasher		
Q	18669	3/8 NC Locknut (Distorted Thread)		
R	18723	1/2 NC x 1 1/2 Lg. Hex. Hd. Capscrew		
S	21558	5/16 NC x 3/4 Lg. Hex. Hd. Capscrew		
		NOTE: All hardware not indicated is "A" & "B"		

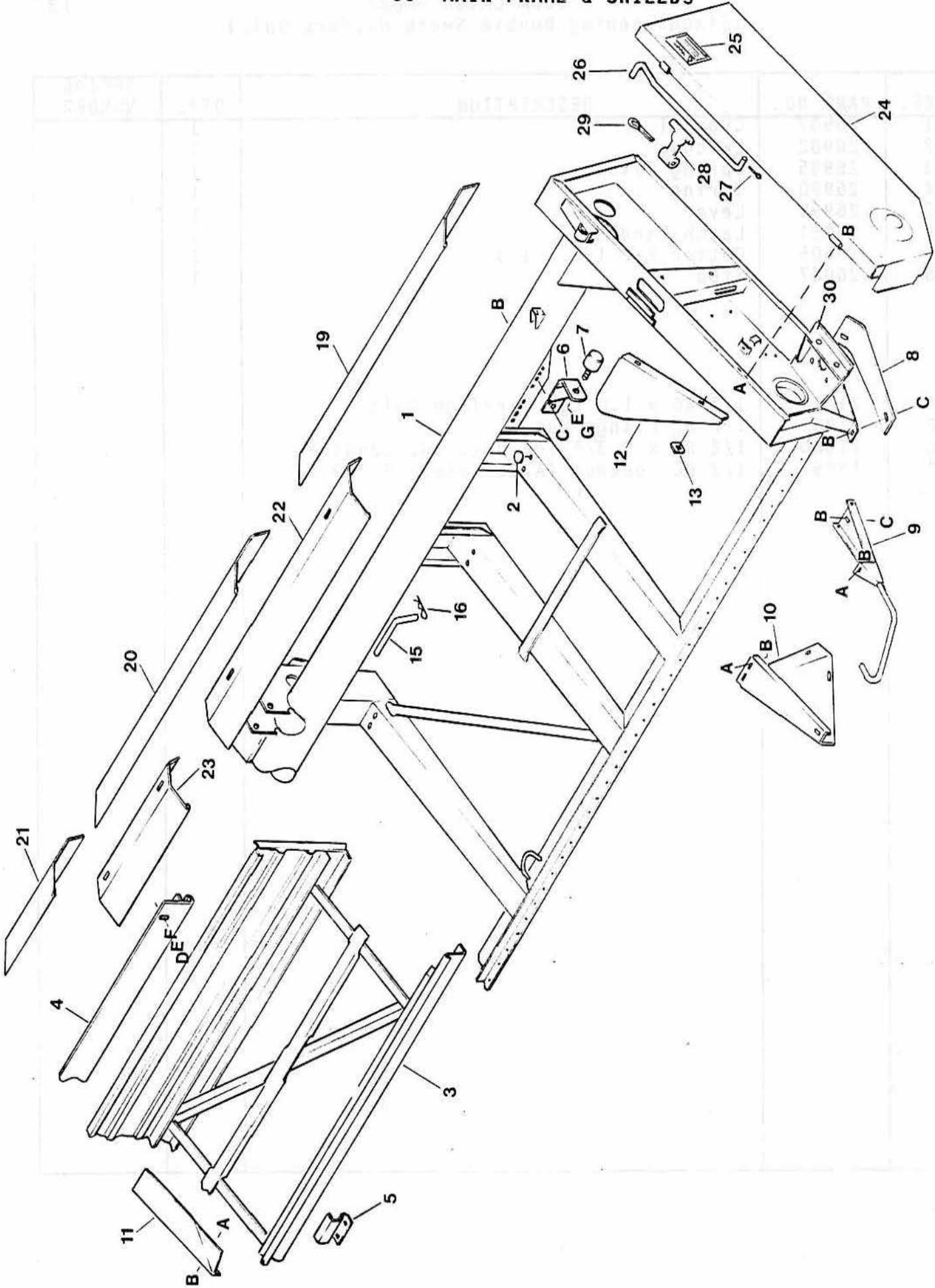
DECK LATCH GROUP
(Fixed Opening Double Swath Headers Only)



DECK LATCH GROUP
(Fixed Opening Double Swath Headers Only)

REF.	PART NO.	DESCRIPTION	QTY.	SERIAL NUMBER
1	26987	Channel	1	
2	26982	Latch	1	
3	26985	Spring Pivot	1	
4	26990	Spring	1	
5	26992	Lever	1	
6	26991	Latch Handle	1	
7	18605	Cotter Pin 1/8 x 1.0	1	
8	26067	Stop	1	
A	21066	1/2 NC x 1.0 Lg. Carriage Bolt		
B	21383	1/2 NC Flange Nut		
C	21880	1/2 NC x 2 3/4 Lg. Hex. Hd. Capscrew		
D	18697	1/2 NC Locknut (Alternate: 21389)		

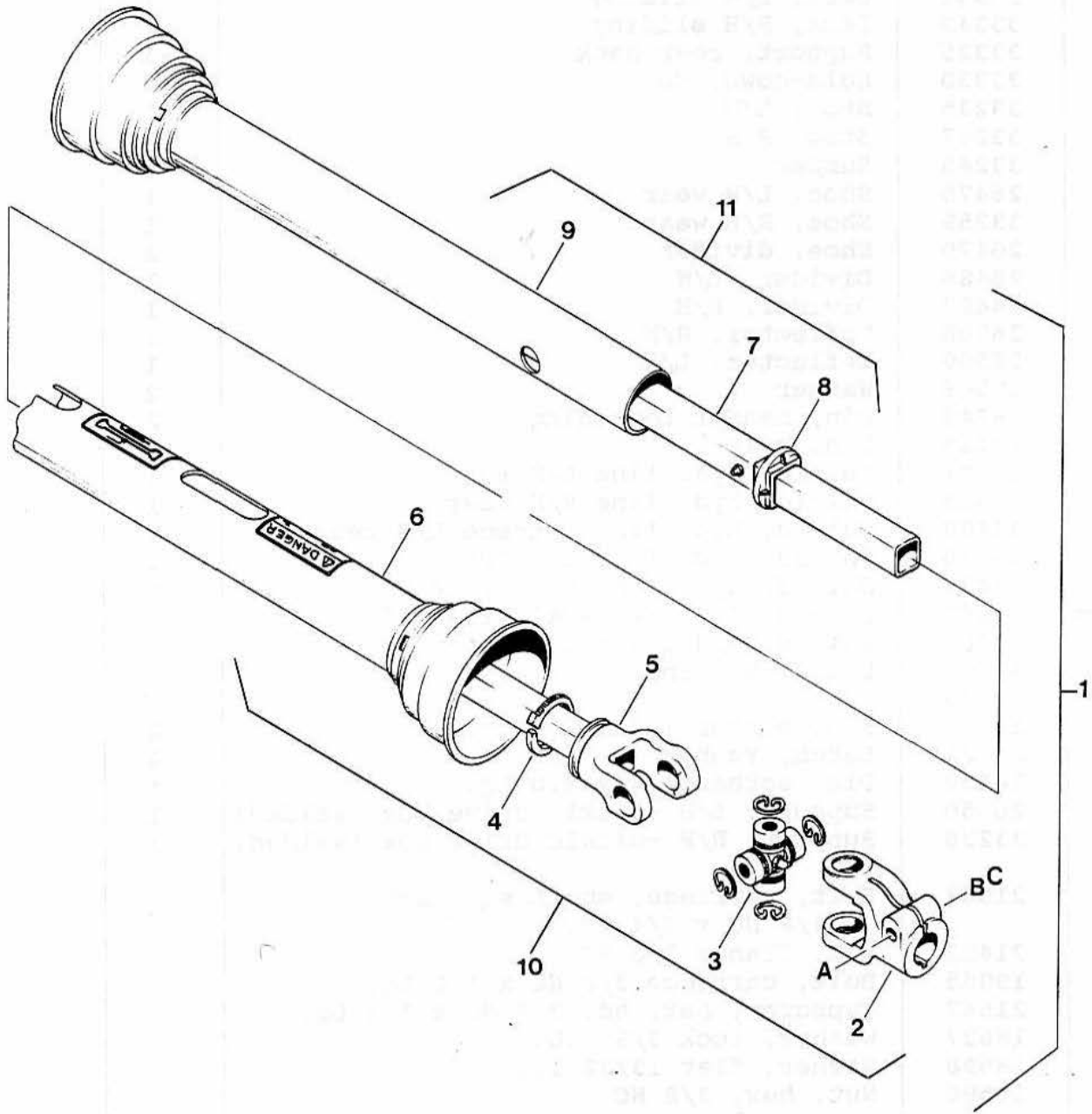
36" MAIN FRAME & SHIELDS



36' DOUBLE SWATH HEADER
MAIN FRAME & SHIELDS

REF.	PART NO.	DESCRIPTION	QTY.	SERIAL NUMBER
1	33454	Frame	1	
2	14347	Button, wear	8	
3	33342	Deck, L/H sliding	1	
	33343	Deck, R/H sliding	1	
4	33325	Support, rear deck	3	
5	33330	Hold-down, deck	4	
6	33235	Stop, L/H	1	
	33247	Stop, R/H	1	
7	33245	Bumper	2	
8	26475	Shoe, L/H wear	1	
	33259	Shoe, R/H wear	1	
9	26479	Shoe, divider	2	
10	26486	Divider, L/H	1	
	26487	Divider, R/H	1	
11	26508	Deflector, R/H	1	
12	26509	Deflector, L/H	1	
13	25346	Washer	2	
15	28749	Pin, header retaining	2	
16	13125	Pin, hair	2	
19	33484	Shield, hyd. line L/H rear	1	
20	33485	Shield, hyd. line R/H rear	1	
21	33488	Shield, hyd. line extreme R/H rear	1	
22	33486	Shield, hyd. line L/H front	1	
23	33487	Shield, hyd. line R/H front	1	
24	33382	Shield, L/H c/w decal (item 25)	1	
	33383	Shield, R/H c/w decal (item 25)	1	
25	32738	Decal, warning	2	
26	33405	Rod	2	
27	18605	Pin, cotter 1/8 x 1.0 Lg.	2	
28	21021	Latch, rubber	4	
29	18609	Pin, cotter 1/4 x 2.0 Lg.	4	
30	26050	Support, L/H -sickle drive box (welded)	1	
	33236	Support, R/H -sickle drive box (welded)	1	
A	21863	Bolt, carriage, short sq. neck 3/8 NC x 3/4 Lg.		
B	21452	Nut, Flange 3/8 NC		
C	19965	Bolt, carriage 3/8 NC x 1.0 Lg.		
D	21567	Capscrew, hex. hd. 3/8 NC x 3/4 Lg.		
E	18637	Washer, lock 3/8 I.D.		
F	18598	Washer, flat 13/32 I.D.		
G	18590	Nut, hex. 3/8 NC		
		NOTE: Hardware not indicated is "A" & "B"		

DRIVE LINE

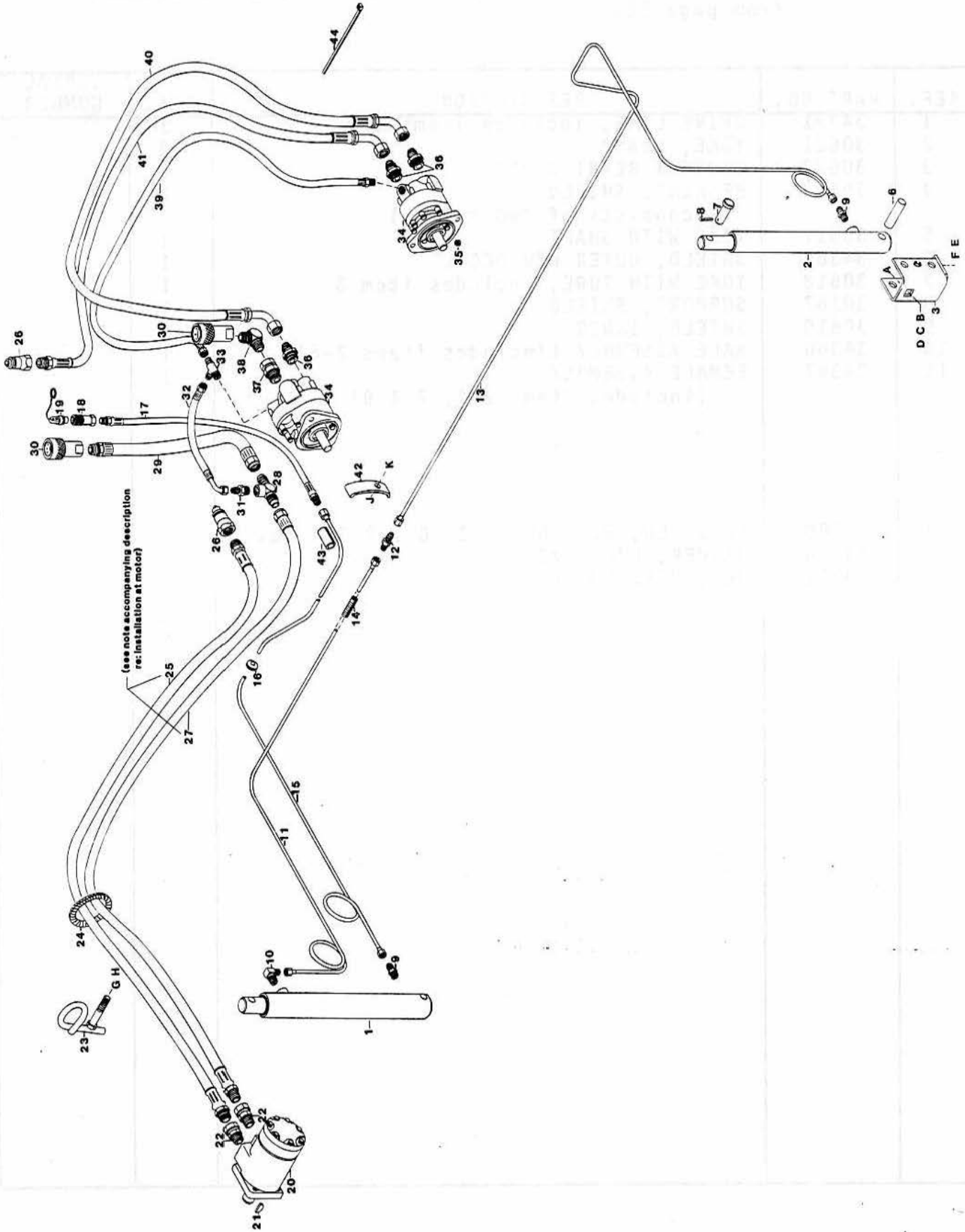


DRIVE LINE

NOTE: For component replacement on drive lines from windrowers with serial numbers 69626 and earlier, order components from page 52.

REF.	PART NO.	DESCRIPTION	QTY.	SERIAL NUMBER
1	34361	DRIVE LINE, includes items 2-9	1	
2	30621	YOKE, CLAMP	2	
3	30622	CROSS & BEARING KIT	2	
4	30623	BEARING, SHIELD (consists of two halves)	2	
5	30617	YOKE WITH SHAFT	1	
6	34362	SHIELD, OUTER C/W DECAL	1	
7	30618	YOKE WITH TUBE, includes item 8	1	
8	30167	SUPPORT, SHIELD	1	
9	30619	SHIELD, INNER	1	
10	34366	MALE ASSEMBLY (includes items 2-6)	1	
11	34367	FEMALE ASSEMBLY (includes items 2-4, 7 & 9)	1	
A	21880	CAPSCREW, HEX. HD. 1/2 NC x 2 3/4 LG.		
B	18638	WASHER, LOCK 1/2		
C	18591	NUT, HEX. 1/2 NC		

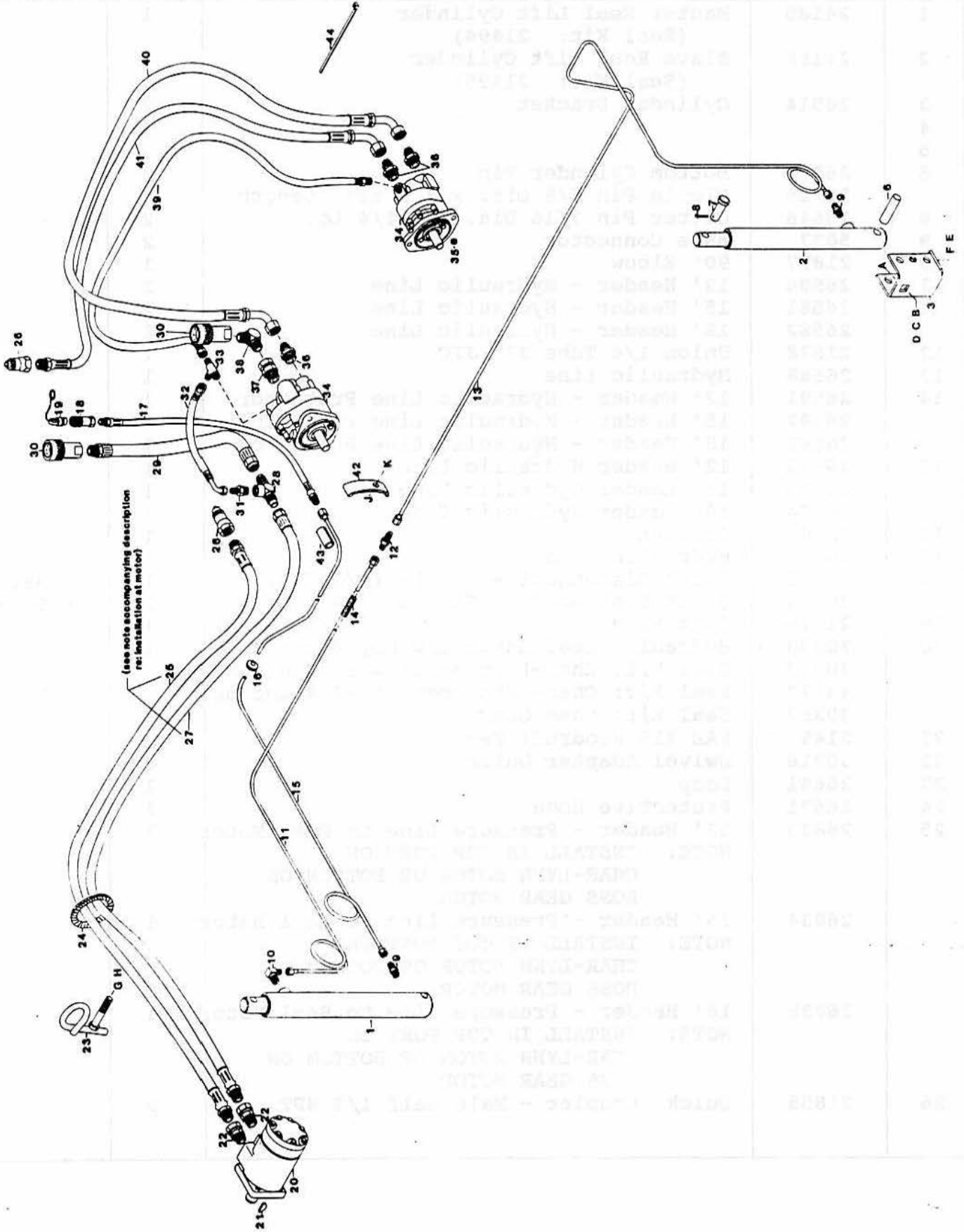
CENTER DELIVERY DRAPER HEADER HYDRAULICS



CENTER DELIVERY DRAPER HEADER HYDRAULICS

REF.	PART NO.	DESCRIPTION	QTY.	SERIAL NUMBER
1	24185	Master Reel Lift Cylinder (Seal Kit: 21494)	1	
2	24186	Slave Reel Lift Cylinder (Seal Kit: 21495)	1	
3	26514	Cylinder Bracket	2	
4				
5				
6	26519	Bottom Cylinder Pin	2	
7	18725	Clevis Pin 5/8 Dia. x 1.9 Eff. Length	2	
8	18648	Cotter Pin 3/16 Dia. x 1 1/4 Lg.	2	
9	5837	Male Connector	2	
10	21877	90° Elbow	1	
11	26586	12' Header - Hydraulic Line	1	
	26581	15' Header - Hydraulic Line	1	
	26582	18' Header - Hydraulic Line	1	
12	21878	Union 1/4 Tube 37° JIC	1	
13	26588	Hydraulic Line	1	
14	26591	12' Header - Hydraulic Line Protector	1	
	26592	15' Header - Hydraulic Line Protector	1	
	26593	18' Header - Hydraulic Line Protector	1	
15	26572	12' Header Hydraulic Line	1	
	26573	15' Header Hydraulic Line	1	
	26574	18' Header Hydraulic Line	1	
16	18500	Grommet	1	
17	16394	Hydraulic Hose	1	
18	21875	Quick Disconnect - Female (1/4 NPT)	1	-68982
	30442	Quick Disconnect - Female (1/4 NPT)	1	68983-
19	21876	Dust Plug	1	
20	30363	Hydraulic Reel Motor c/w Key (Item 21)	1	
	30047	Seal Kit: Char-Lynn model # ending -007		
	43177	Seal Kit: Char-Lynn model # -008 and up		
	30357	Seal Kit: Ross Gear		
21	2149	SAE #15 Woodruff Key	1	
22	30216	Swivel Adapter Union	2	
23	26681	Loop	1	
24	26671	Protective Hose	1	
25	26833	12' Header - Pressure Line to Reel Motor NOTE: INSTALL IN TOP PORT ON CHAR-LYNN MOTOR OR BOTTOM ON ROSS GEAR MOTOR	1	
	26834	15' Header - Pressure Line to Reel Motor NOTE: INSTALL IN TOP PORT ON CHAR-LYNN MOTOR OR BOTTOM ON ROSS GEAR MOTOR	1	
	26835	18' Header - Pressure Line to Reel Motor NOTE: INSTALL IN TOP PORT ON CHAR-LYNN MOTOR OR BOTTOM ON ROSS GEAR MOTOR	1	
26	21855	Quick Coupler - Male Half 1/2 NPT	2	

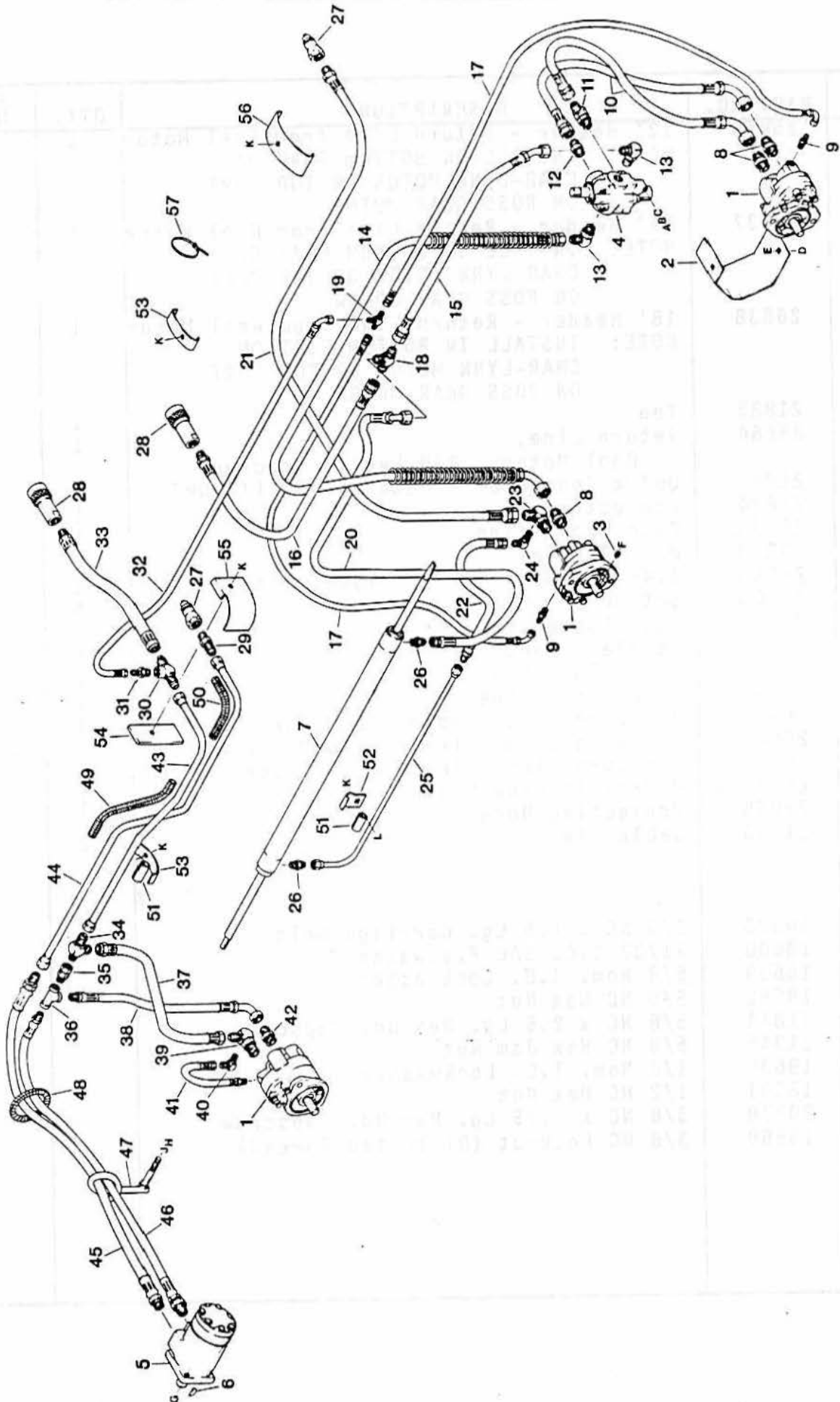
CENTER DELIVERY DRAPER HEADER HYDRAULICS



CENTER DELIVERY DRAPER HEADER HYDRAULICS

REF.	PART NO.	DESCRIPTION	QTY.	SERIAL NUMBER
27	26836	12" Header - Return Line from Reel Motor NOTE: INSTALL IN BOTTOM PORT ON CHAR-LYNN MOTOR OR TOP PORT ON ROSS GEAR MOTOR	1	
	26837	15" Header - Return Line from Reel Motor NOTE: INSTALL IN BOTTOM PORT ON CHAR-LYNN MOTOR OR TOP PORT ON ROSS GEAR MOTOR	1	
	26838	18" Header - Return Line from Reel Motor NOTE: INSTALL IN BOTTOM PORT ON CHAR-LYNN MOTOR OR TOP PORT ON ROSS GEAR MOTOR	1	
28	21883	Tee	1	
29	26664	Return Line, Reel Motor: R/H Leg to Tractor	1	
30	21857	Quick Connector - Female Half 1/2 NPT	2	
31	21884	Connector	1	
32	26839	Case Drain Line	1	
33	30210	Male Run Tee	1	
34	24180	1.48 CID Gear Motor: (Seal Kit 30038)	2	
35	26400	Set Screw	4	
36	21881	Male Connector	3	
37	21882	Female Connector	1	
38	21849	90° Male Elbow	1	
39	26840	Case Drain Line	1	
40	26843	Pressure Line - Motor to Motor	1	
41	26842	Pressure Line - Tractor to Motor	1	-56114
	26925	Pressure Line - Tractor to Motor	1	56115-
42	26674	Hydraulic Line Clamp	1	
43	22056	Protective Hose	1	
44	21763	Cable Tie	2	
A	18523	5/8 NC x 1.5 Lg. Carriage Bolt		
B	18600	21/32 I.D. SAE Flatwasher		
C	18639	5/8 Nom. I.D. Lockwasher		
D	18592	5/8 NC Hex Nut		
E	21871	5/8 NC x 2.5 Lg. Hex Hd. Capscrew		
F	21345	5/8 NC Hex Jam Nut		
G	18638	1/2 Nom. I.D. Lockwasher		
H	18591	1/2 NC Hex Nut		
J	20078	3/8 NC x 1.75 Lg. Hex Hd. Capscrew		
K	18669	3/8 NC Locknut (Distorted Thread)		

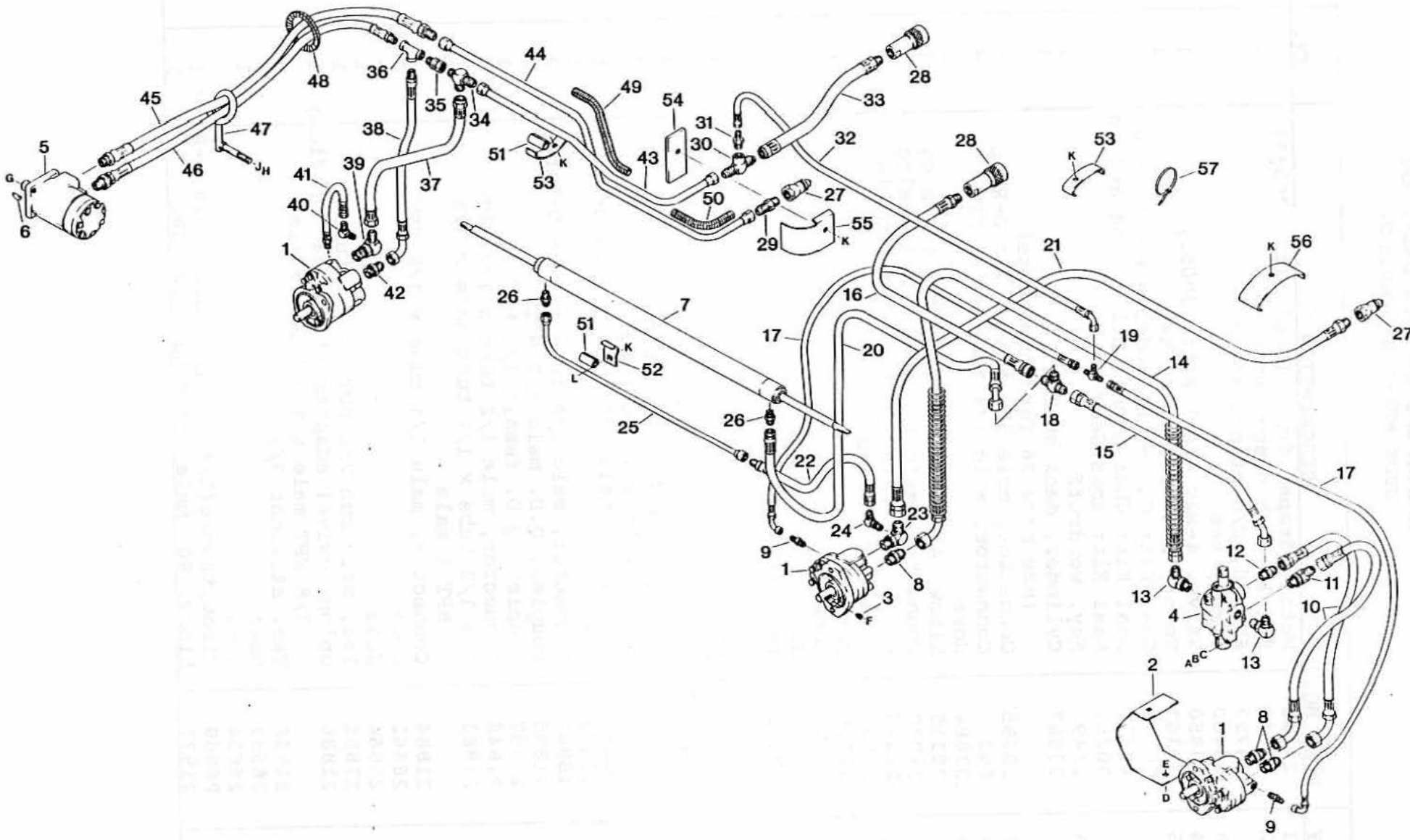
Adjustable Opening Draper Header DRAPER DRIVE, REEL DRIVE AND DECK SHIFT HYDRAULICS



**Adjustable Opening Draper Header
DRAPER DRIVE, REEL DRIVE AND
DECK SHIFT HYDRAULICS**

REF.	PART NO.	DESCRIPTION	QTY.	SERIAL NUMBER
1	24180	Motor, draper drive (Seal Kit: 30038)	3	
2	33792	Shield, L/H draper motor	1	
	33793	Shield, R/H draper motor	1	
3	26400	Screw, set	6	
4	33850	Valve, 4-way (Seal Kit: 30055)	1	
5	30363	Motor, reel drive c/w key	1	
	30047	Seal Kit: Char-Lynn model # ending -007		
	43177	Seal Kit: Char-Lynn model # -008 and up		
	30357	Seal Kit: Ross Gear		
6	2149	Key, woodruff	1	
7	33887	Cylinder, deck shift (see page 26 for components)	1	
8	30695	Connector, male 5/8 tube x 7/8 O-Ring	3	
9	5837	Connector, male 1/4 tube x 1/4 NPT	2	
10	33884	Hose	2	
11	30315	Elbow, 45° male 1/2 tube x 3/4 O-Ring	1	
12	21030	Connector, male 1/2 tube x 3/4 O-Ring	1	
13	21076	Elbow, 90° male 1/2 tube x 3/4 O-Ring	2	
14	33892	Hose c/w springs	1	
15	33885	Hose	1	
16	33882	Hose	1	
17	33883	Hose	2	
18	30694	Tee, union 1/2 tube	1	
19	18881	Tee, union 1/4 tube	1	
20	33881	Hose	1	
21	33423	Hose	1	
22	33880	Hose	1	
23	33854	Elbow, tapped (9/16 O-Ring) 5/8 tube x 7/8 O-Ring	1	
24	30282	Elbow, 90° male 3/8 tube x 9/16 O-Ring	1	
25	33871	Line	1	
26	15903	Connector, male 3/8 tube x 9/16 O-Ring	2	
27	21855	Coupler, Q.D. male 1/2 NPT	2	
28	21857	Coupler, Q.D. female 1/2 NPT	2	
29	21848	Connector, male 1/2 tube x 1/2 NPT	1	
30	21883	Tee 1/2 tube x 1/2 tube male x 3/8 NPT female	1	
31	21884	Connector, male 1/4 tube x 3/8 NPT	1	
32	26662	Hose	1	
33	26664	Hose	1	
34	21885	Tee, male run 3/8 NPT to 1/2 tube	1	
35	21886	Union, swivel adapter (1/16 dia. orifice) 3/8 NPT male x 3/8 NPSM female	1	
36	21888	Tee, straight 3/8 NPT	1	
37	26663	Hose	1	
38	26634	Hose	1	
39	26669	Elbow, tapped (1/4 NPT) 1/2 tube x 7/8 O-Ring	1	
40	21877	Elbow, 90° male 1/4 tube x 1/4 NPT	1	

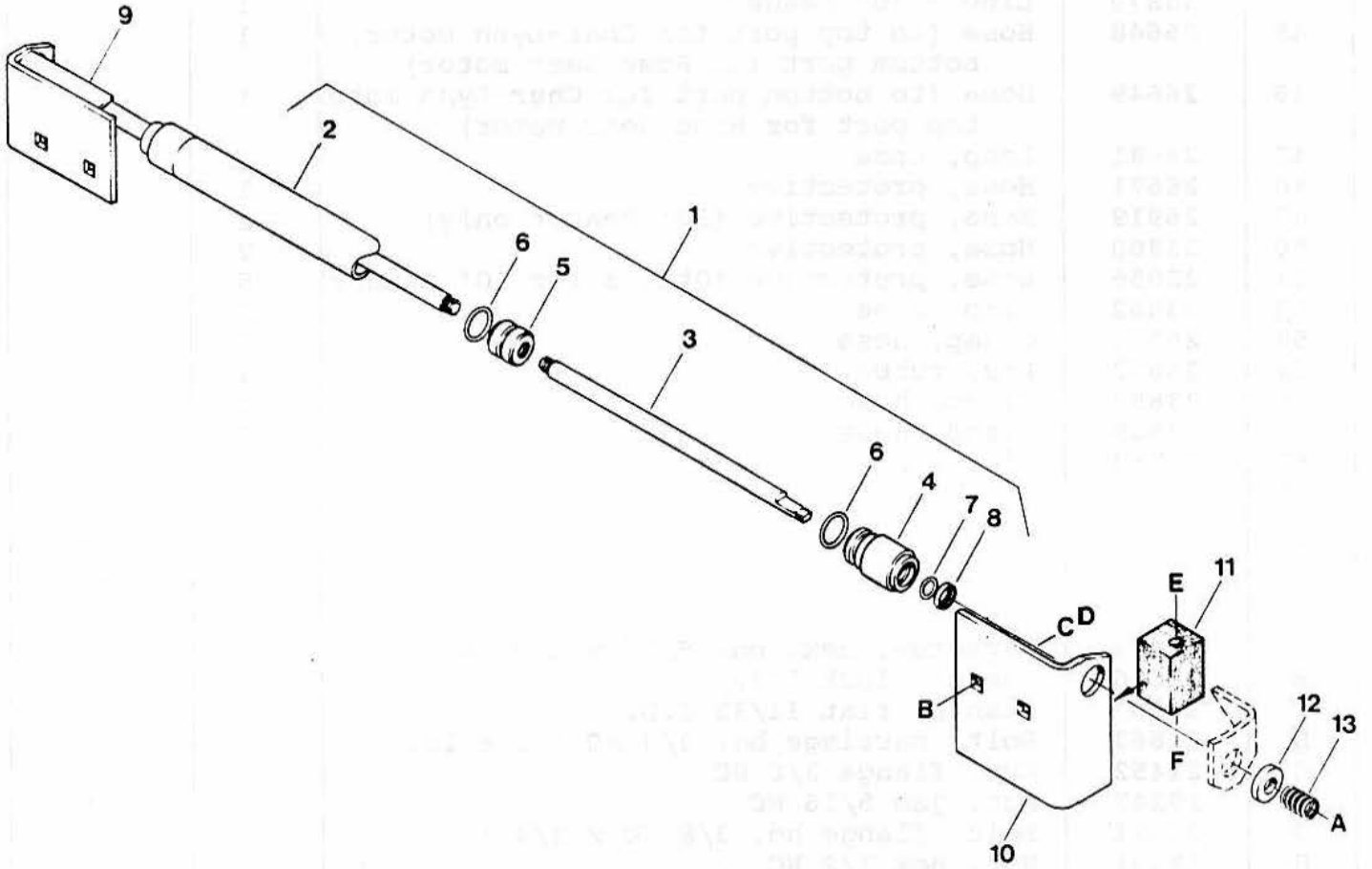
Adjustable Opening Draper Header
DRAPER DRIVE, REEL DRIVE AND
DECK SHIFT HYDRAULICS



**Adjustable Opening Draper Header
DRAPER DRIVE, REEL DRIVE AND
DECK SHIFT HYDRAULICS**

REF.	PART NO.	DESCRIPTION	QTY.	SERIAL NUMBER
41	26661	Hose	1	
42	21881	Connector, male 1/2 tube x 7/8 O-Ring	1	
43	33865	Line - 21' header	1	
	33866	Line - 25' header	1	
	33867	Line - 30' header	1	
44	33868	Line - 21' header	1	
	33869	Line - 25' header	1	
	33870	Line - 30' header	1	
45	26648	Hose (to top port for Char-Lynn motor, bottom port for Ross Gear motor)	1	
46	26649	Hose (to bottom port for Char-Lynn motor, top port for Ross Gear motor)	1	
47	26681	Loop, hose	1	
48	26671	Hose, protective	1	
49	26919	Hose, protective (30' header only)	2	
50	33860	Hose, protective	2	
51	22056	Hose, protective (Qty. 3 for 30' header)	5	
52	33852	Clip, hose	2	
53	26674	Clamp, hose	3	
54	26677	Pad, rubber	1	
55	33858	Clamp, hose	1	
56	33859	Clamp, hose	2	
57	21763	Tie, plastic	7	
A	21087	Capscrew, hex. hd. 5/16 x 1.0 lg.		
B	18636	Washer, lock 5/16		
C	18597	Washer, flat 11/32 I.D.		
D	21863	Bolt, carriage hd. 3/8 NC x 3/4 lg.		
E	21452	Nut, flange 3/8 NC		
F	19243	Nut, jam 5/16 NC		
G	21821	Bolt, flange hd. 3/8 NC x 3/4 lg.		
H	18591	Nut, hex 1/2 NC		
J	18638	Washer, lock 1/2		
K	18669	Nut, lock 3/8 NC distorted thread		
L	19965	Bolt, carriage hd. 3/8 NC x 1.0 lg.		

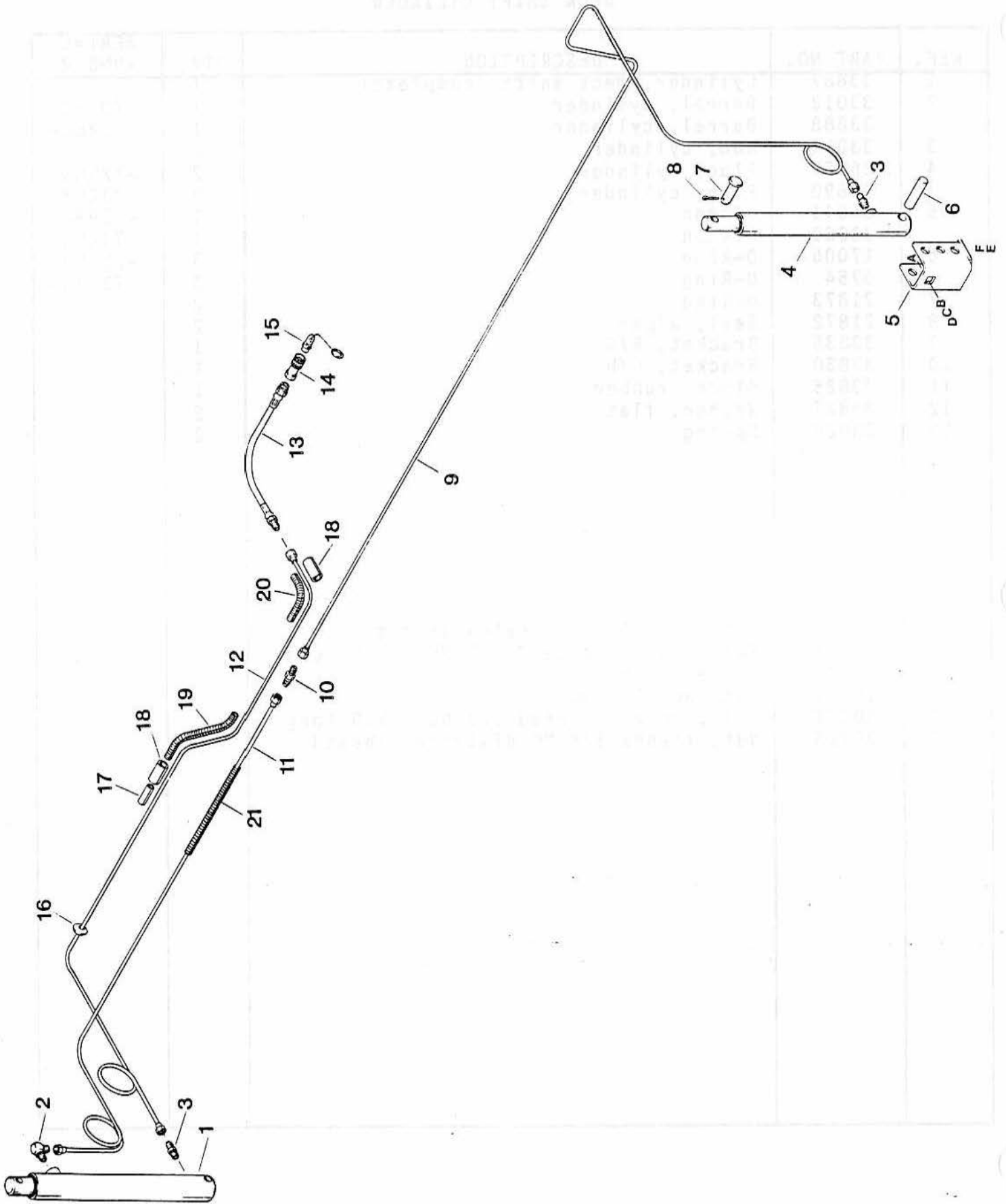
21", 25" & 30" Adjustable Opening Draper Header DECK SHIFT CYLINDER



21¹, 25¹ & 30¹
Adjustable Opening Draper Header
DECK SHIFT CYLINDER

REF.	PART NO.	DESCRIPTION	QTY.	SERIAL NUMBER
1	33887	Cylinder, deck shift (complete)	1	
2	33013	Barrel, cylinder	1	-72980
	33888	Barrel, cylinder	1	73288-
3	33014	Rod, cylinder	2	
4	26559	Plug, cylinder	2	-72980
	33890	Plug, cylinder	2	73288-
5	26541	Piston	1	-72980
	33889	Piston	1	73288-
6	17006	O-Ring	3	-72980
	5754	O-Ring	3	73288-
7	21873	O-Ring	2	
8	21872	Seal, wiper	2	
9	33835	Bracket, R/H	1	
10	33830	Bracket, L/H	1	
11	33825	Block, rubber	1	
12	33827	Washer, flat	2	
13	33828	Spring	2	
A	21389	Nut, lock 1/2 NC, nylon insert		
B	21066	Bolt, carriage head 1/2 NC x 1.0 long		
C	18638	Washer, lock 1/2		
D	18591	Nut, hex 1/2 NC		
E	30307	Bolt, carriage head 3/8 NC x 3.0 long		
F	30228	Nut, flange 3/8 NC distorted thread		

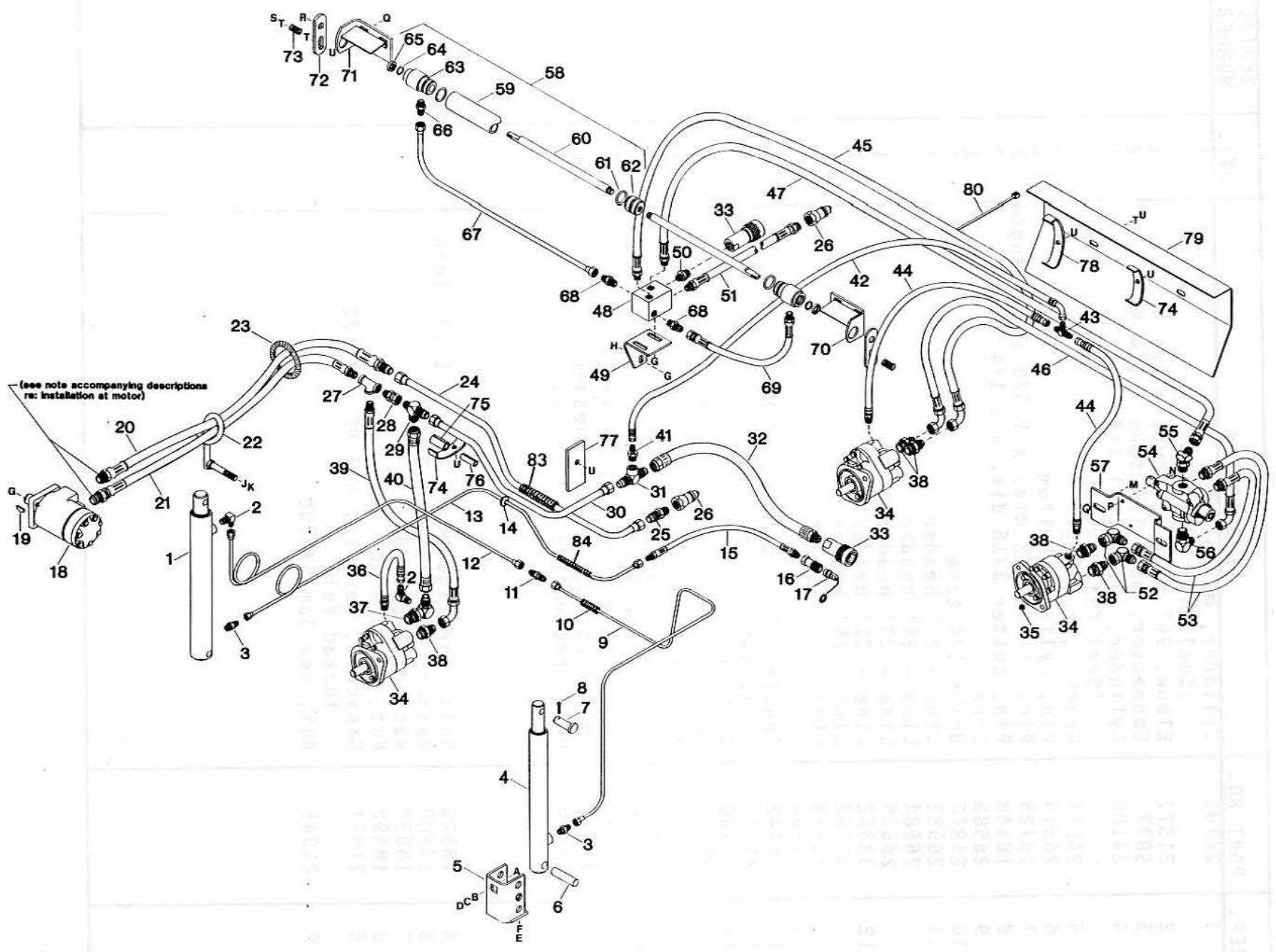
Adjustable Opening Draper Header REEL LIFT HYDRAULICS



**Adjustable Opening Draper Header
REEL LIFT HYDRAULICS**

REF.	PART NO.	DESCRIPTION	QTY.	SERIAL NUMBER
1	24185	Cylinder, master-reel lift (Seal Kit: 21494)	1	
2	21877	Elbow, 90° male 1/4 tube x 1/4 NPT	1	
3	5837	Connector, male 1/4 tube x 1/4 NPT	2	
4	24186	Cylinder, slave-reel lift (Seal Kit: 21495)	1	
5	26514	Bracket, cylinder	2	
6	26519	Pin, cylinder-bottom	2	
7	18725	Pin, clevis 5/8 dia. x 1 5/8 eff. length	2	
8	18648	Pin, cotter 3/16 dia. x 1 1/4 long	2	
9	26588	Line	1	
10	21878	Union 1/4 tube	1	
11	26583	Line - 21' header	1	
	26584	Line - 25' header	1	
	26585	Line - 30' header	1	
12	33862	Line - 21' header	1	
	33863	Line - 25' header	1	
	33864	Line - 30' header	1	
13	16394	Hose	1	
14	30442	Coupler, Q.D. female 1/4 NPT	1	
15	21876	Plug, dust	1	
16	18500	Grommet	1	
17	26678	Hose, protective (qty. 1 for 30' header)	2	
18	22056	Hose, protective	3	
19	26917	Hose, protective (30' header only)	1	
20	25286	Hose, protective	1	
21	26594	Hose, protective - 21' header	1	
	26595	Hose, protective - 25' header	1	
	26596	Hose, protective - 30' header	1	
A	18523	Bolt, carriage hd. 5/8 NC x 1 1/2 long		
B	18600	Washer, flat 21/32 I.D.		
C	18639	Washer, lock 5/8		
D	18592	Nut, hex 5/8 NC		
E	21871	Capscrew, hex. hd. 5/8 NC x 2 1/2 thread full		
F	21345	Nut, hex jam 5/8 NC		

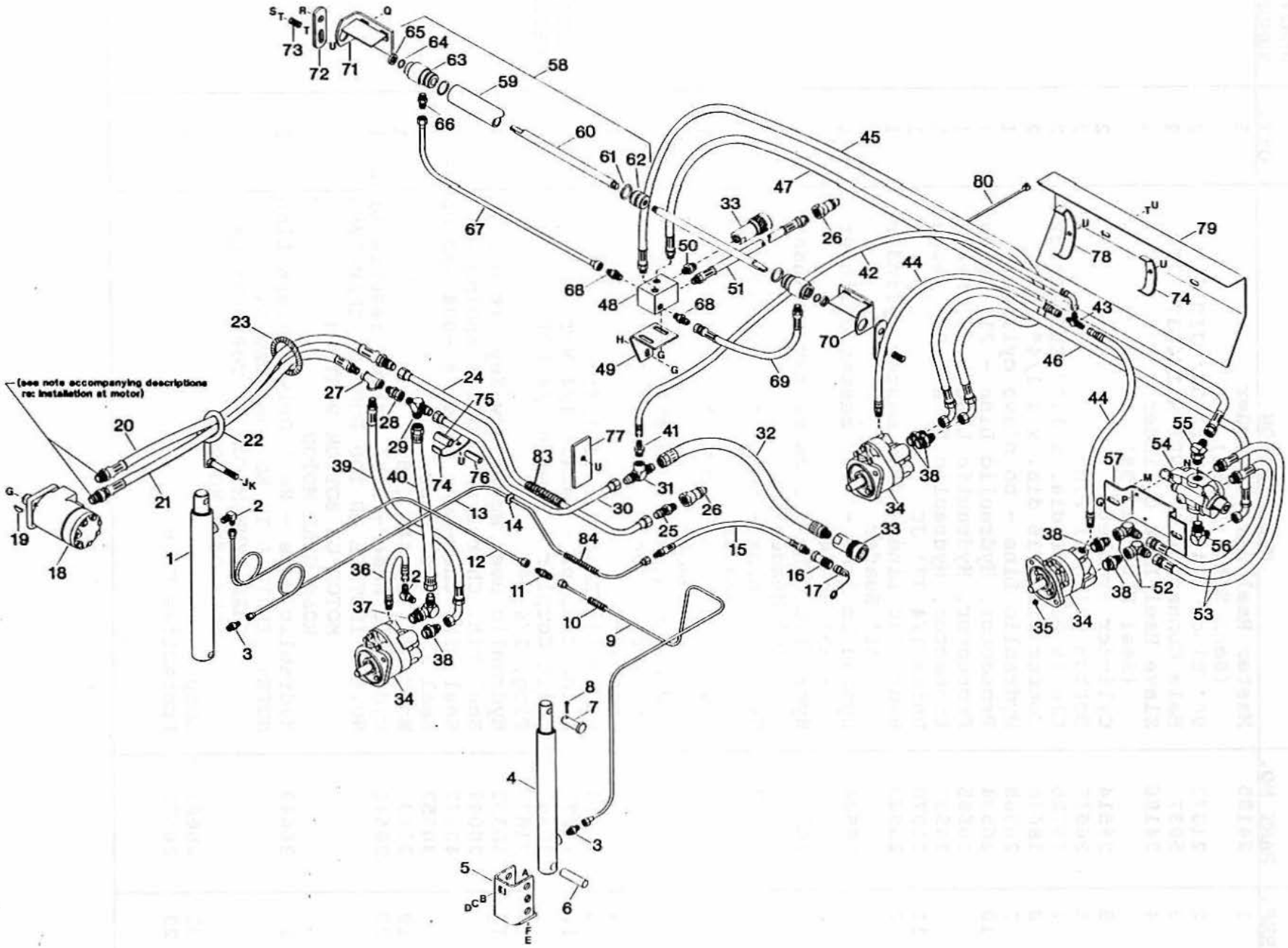
21^L, 25^L & 30^L
FIXED OPENING DOUBLE SWATH HEADER HYDRAULICS



FIXED OPENING DOUBLE SWATH HEADER HYDRAULICS

REF.	PART NO.	DESCRIPTION	QTY.	SERIAL NUMBER
1	24185	Master Reel Lift Cylinder (Seal Kit: 21494)	1	
2	21877	90° Elbow 1/4 NPT x 1/4 37° JIC	2	
3	5837	Male Connector 1/4 NPT x 1/4 37° JIC	2	
4	24186	Slave Reel Lift Cylinder (Seal Kit: 21495)	1	
5	26514	Cylinder Bracket	2	
6	26519	Bottom Cylinder Pin	2	
7	18725	Clevis Pin 5/8 dia. x 1.9" Eff. Length	2	
8	18648	Cotter Pin 3/16 dia. x 1 1/4" Lg.	2	
9	26588	Hydraulic Line - to slave cylinder	1	
10	26594	Protector, Hydraulic Line - 21' Header	1	
	26595	Protector, Hydraulic Line - 25' Header	1	
	26596	Protector, Hydraulic Line - 30' Header	1	
11	21878	Union 1/4 37° JC	1	
12	26583	Hydraulic Line - from master cylinder - 21' Header	1	
	26584	Hydraulic Line - from master cylinder - 25' Header	1	
	26585	Hydraulic Line - from master cylinder - 30' Header	1	
13	26927	Hydraulic Line - to master cylinder - 21' Header	1	
	26928	Hydraulic Line - to master cylinder - 25' Header	1	
	26929	Hydraulic Line - to master cylinder - 30' Header	1	
14	18500	Grommet	1	
15	16394	Hydraulic Hose - reel lift	1	
16	21875	Quick Coupler - Female 1/4 NPT	1	-68982
	30442	Quick Coupler - Female 1/4 NPT	1	68983-
17	21876	Plug, 1/4 NPT	1	
18	30363	Hydraulic Reel Motor c/w Key (Item 19)	1	
	30047	Seal Kit: Char-Lynn model # ending -007		
	43177	Seal Kit: Char-Lynn model # -008 and up		
	30357	Seal Kit: Ross Gear		
19	2149	Woodruff Key SAE #15	1	
20	26648	Hydraulic Hose - Reel Drive Pressure Line NOTE: INSTALL IN TOP PORT ON CHAR-LYNN MOTOR OR BOTTOM PORT ON ROSS GEAR MOTOR	1	
21	26649	Hydraulic Hose - Reel Drive Return Line NOTE: INSTALL IN BOTTOM PORT ON CHAR-LYNN MOTOR OR TOP PORT ON ROSS GEAR MOTOR	1	
22	26681	Loop	1	
23	26671	Protective Hose	1	

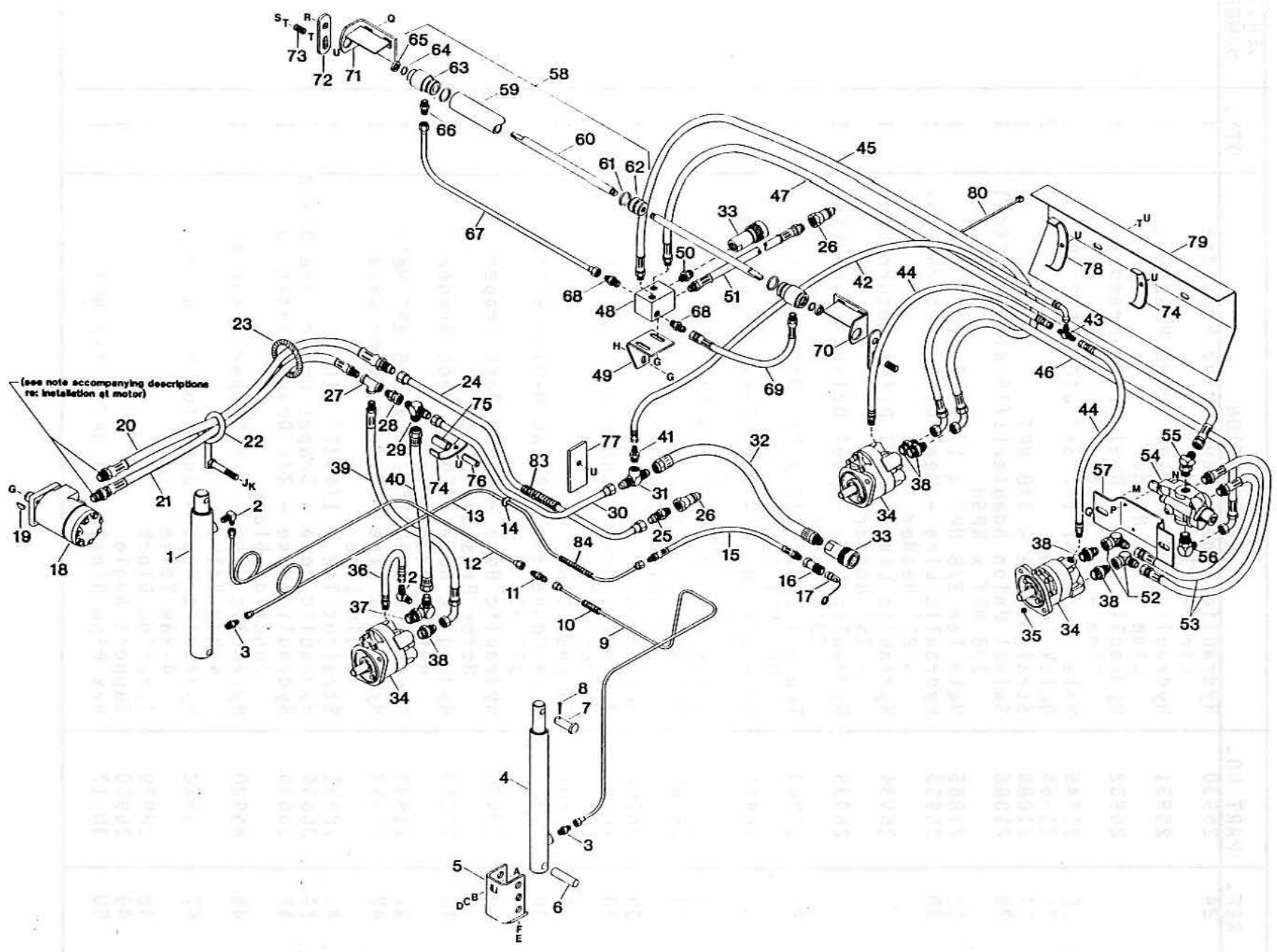
21^L, 25^L & 30^L
FIXED OPENING DOUBLE SWATH HEADER HYDRAULICS



21', 25' & 30'
FIXED OPENING DOUBLE SWATH HEADER HYDRAULICS

REF.	PART NO.	DESCRIPTION	QTY.	SERIAL NUMBER
24	26930	Hydraulic Line - Reel Drive Pressure Line - 21' Header	1	
	26931	Hydraulic Line - Reel Drive Pressure Line - 25' Header	1	
	26932	Hydraulic Line - Reel Drive Pressure Line - 30' Header	1	
25	21848	Male Connector 1/2 37° JIC x 1/2 NPT	1	
26	21855	Quick Coupler	2	
27	21888	Straight Tee - 3/8 NPT	1	
28	21886	Swivel Union Adapter(1/16 dia. orifice) 3/8 NPT x NPSM	1	
29	21885	Male Tee 3/8 NPT x 1/2 37° JIC	1	
30	26933	Hydraulic Line - Reel Drive Return Line - 21' Header	1	
	26934	Hydraulic Line - Reel Drive Return Line - 25' Header	1	
	26935	Hydraulic Line - Reel Drive Return Line - 30' Header	1	
31	21883	Tee - 1/2 37° JIC x 1/2 37° Male x 3/8 NPT Female	1	
32	26664	Hydraulic Hose - Reel Drive Return to R/H Tractor Leg	1	
33	21857	Quick Coupler - Female 1/2 NPT	2	
34	24180	Hydraulic Draper Drive Motor (Seal Kit: 30038)	3	
35	26400	Set Screw	6	
36	26661	Hydraulic Hose - Short Deck Draper Motor Case Drain	1	
37	26669	Tapped Elbow	1	
38	21881	Male Connector 7/8 SAE O-RING x 1/2 37° JIC	5	
39	26634	Hydraulic Hose - Short Deck Draper Motor Pressure Line	1	
40	26663	Hydraulic Hose - Short Deck Draper Motor Return Line	1	
41	21884	Connector 1/4 37° JIC x 3/8 NPT Male	1	
42	26662	Hydraulic Line - Draper Motor Case Drain Line	1	
43	18881	Straight Tee - 1/4 37° JIC	1	
44	26656	Hydraulic Hose - Draper Motor Case Drain	2	
45	26636	Hydraulic Hose - R/H Draper Motor to Junction Block	1	
46	26920	Hydraulic Hose - R/H Draper Motor to 4-Way Valve	1	
47	26922	Hydraulic Hose - Junction Block to 4-Way Valve	1	
48	26979	Junction Block	1	
49	26980	Support Angle	1	
50	30217	Hex Pipe Nipple 3/8 NPT x 1/2 NPT	1	

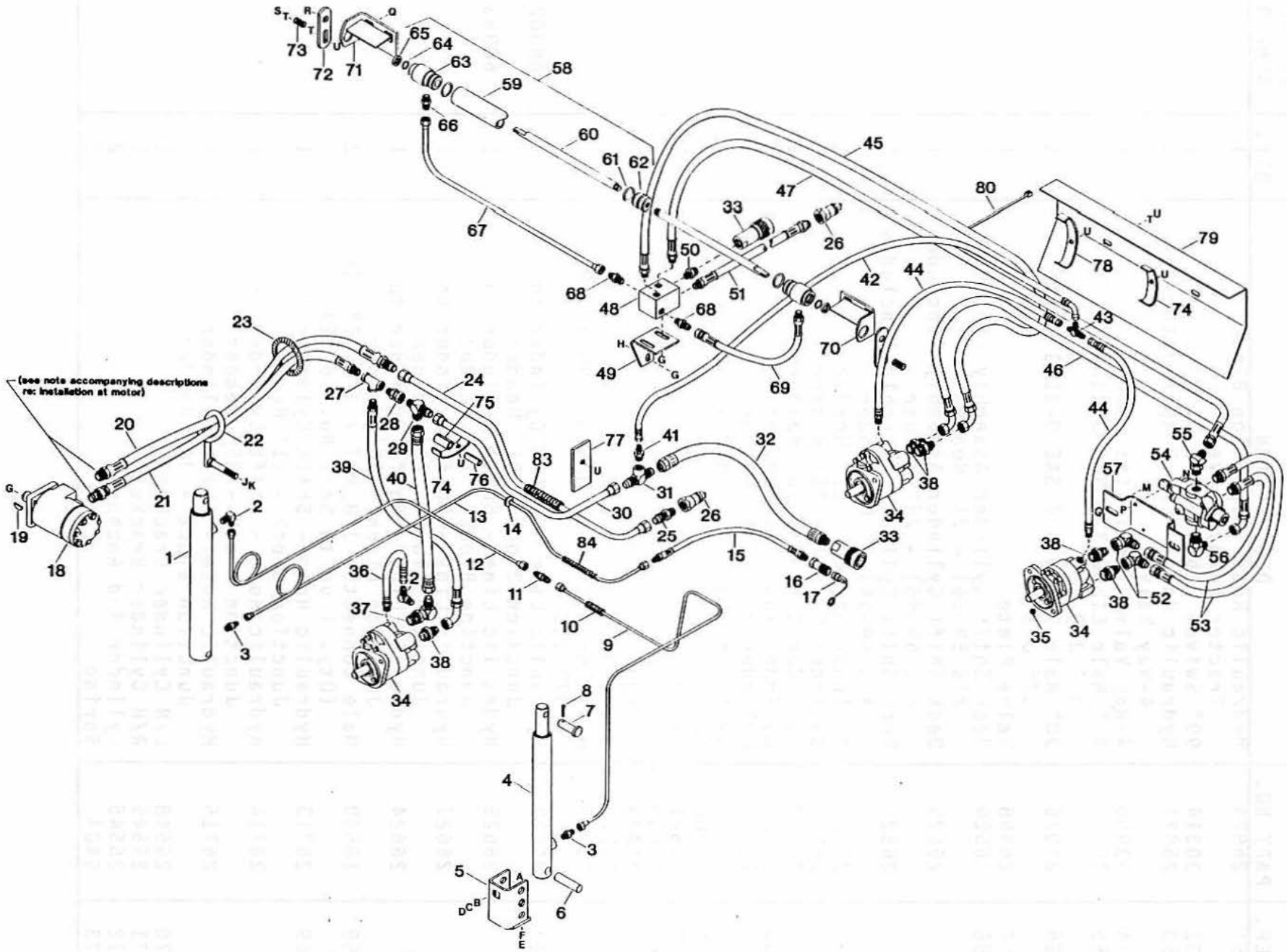
21^L, 25^L & 30^L
FIXED OPENING DOUBLE SWATH HEADER HYDRAULICS



21', 25' & 30'
FIXED OPENING DOUBLE SWATH HEADER HYDRAULICS

REF.	PART NO.	DESCRIPTION	QTY.	SERIAL NUMBER
51	26924	Hydraulic Hose - Junction Block to Tractor 4-Way Valve	1	
52	30314	90° Swivel Elbow - 1/2 37° JIC	2	
53	26921	Hydraulic Hose - L/H Draper Motor to 4-Way Valve	2	
54	33850	4-Way Valve (Seal Kit: 30055)	1	
55	30315	45° Male Elbow 3/4 SAE O-RING x 1/2 37° JIC	1	
56	21076	90° Male Elbow 3/4 SAE O-RING x 1/2 37° JIC	1	
57	26998	Valve Plate	1	
58	26526	Deck Shift Cylinder Assembly (includes #'s 59-66) - 21' Header	1	
	26529	Deck Shift Cylinder Assembly (includes #'s 59-66) - 25' Header	1	
	26528	Deck Shift Cylinder Assembly (includes #'s 59-66) - 30' Header	1	
59	26531	Cylinder Barrel - 21' Header	1	
	26532	Cylinder Barrel - 25' Header	1	
	26533	Cylinder Barrel - 30' Header	1	
60	26536	Cylinder Rod - 21' Header	2	
	26537	Cylinder Rod - 25' Header	2	
	26538	Cylinder Rod - 30' Header	2	
61	17006	O-Ring	3	
62	26541	Piston	1	
63	26559	Plug	2	
64	21873	O-Ring	2	
65	21872	Wiper Seal	2	
66	15903	Male Connector 3/8 SAE O-RING x 3/8 37° JIC	1	
67	26622	Hydraulic Line - Shift Cylinder to Junction Block - 21' Header	1	-68982
	26625	Hydraulic Line - Shift Cylinder to Junction Block - 21' Header	1	68983-
	26623	Hydraulic Line - Shift Cylinder to Junction Block - 25' Header	1	
	26624	Hydraulic Line - Shift Cylinder to Junction Block - 30' Header	1	
68	18880	Male Connector 3/8 NPT x 3/8 37° JIC (Qty. 1 up to Ser. No. 68982)	2	
69	26713	Hydraulic Hose - Shift Cylinder to Junction Block - 21' Header	1	
	26714	Hydraulic Hose - Shift Cylinder to Junction Block - 25' Header	1	
	26715	Hydraulic Hose - Shift Cylinder to Junction Block - 30' Header	1	
70	26548	L/H Cylinder Bracket	1	
71	26549	R/H Cylinder Bracket	1	
72	26545	Cylinder Rod Anchor	2	
73	9404	Spring	2	

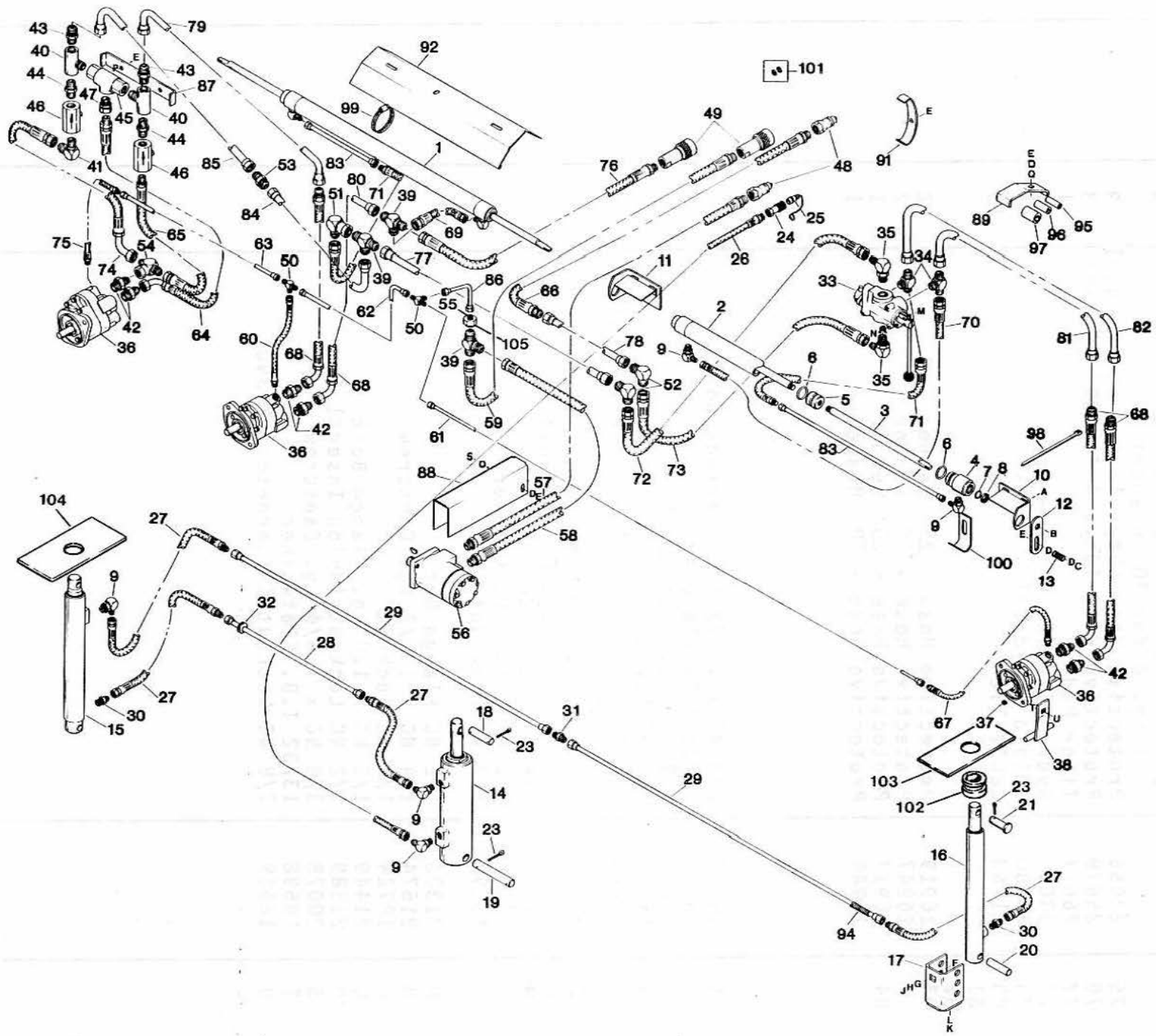
21^L, 25^L & 30^L
FIXED OPENING DOUBLE SWATH HEADER HYDRAULICS



21', 25' & 30'
FIXED OPENING DOUBLE SWATH HEADER HYDRAULICS

REF.	PART NO.	DESCRIPTION	QTY.	SERIAL NUMBER
74	26674	Hydraulic Line Clamp - Short (Qty. 6 for 30' Header)	5	
75	22056	Protective Hose (Qty. 12 for 30' Header)	9	
76	26678	Protective Hose (Qty. 4 for 30' Header)	3	
77	26677	Ticor Pad	1	
78	33859	Hydraulic Line Clamp - Long	1	
79	26680	Shield - Hydraulic Lines	1	
80	21763	Cable Tie	13	
81				
82				
83	26919	Protective Hose - 25' Header	2	
	26947	Protective Hose - 30' Header	2	
84	26917	Protective Hose - 25' Header	1	
	26946	Protective Hose - 30' Header	1	
A	18523	5/8 NC x 1 1/2 Lg. Carriage Bolt		
B	18600	21/32 I.D. Flatwasher		
C	18639	5/8 Nom. I.D. Lockwasher		
D	18592	5/8 NC Hex Nut		
E	21871	5/8 NC x 2 1/2 Lg. Thread Full Length Capscrew		
F	21345	5/8 NC Hex. Jam Nut		
G	21821	3/8 NC x 3/4 Lg. Flange Bolt		
H	21452	3/8 NC Flange Nut		
J	18638	1/2 Nom. I.D. Lockwasher		
K	18591	1/2 NC Hex. Nut		
L				
M	21383	1/2 NC Flange Nut		
N	21574	1/4 NC x 1 1/2 Lg. Capscrew		
P	18724	1/4 NC Locknut		
Q	21449	1/2 NC x 1.0 Lg. Flange Bolt		
R	21389	1/2 NC Locknut (Nylon Insert)		
S	20078	3/8 NC x 1 3/4 Lg. Capscrew		
T	18598	13/32 I.D. Flatwasher		
U	18669	3/8 NC Locknut (Alternate: 21390)		

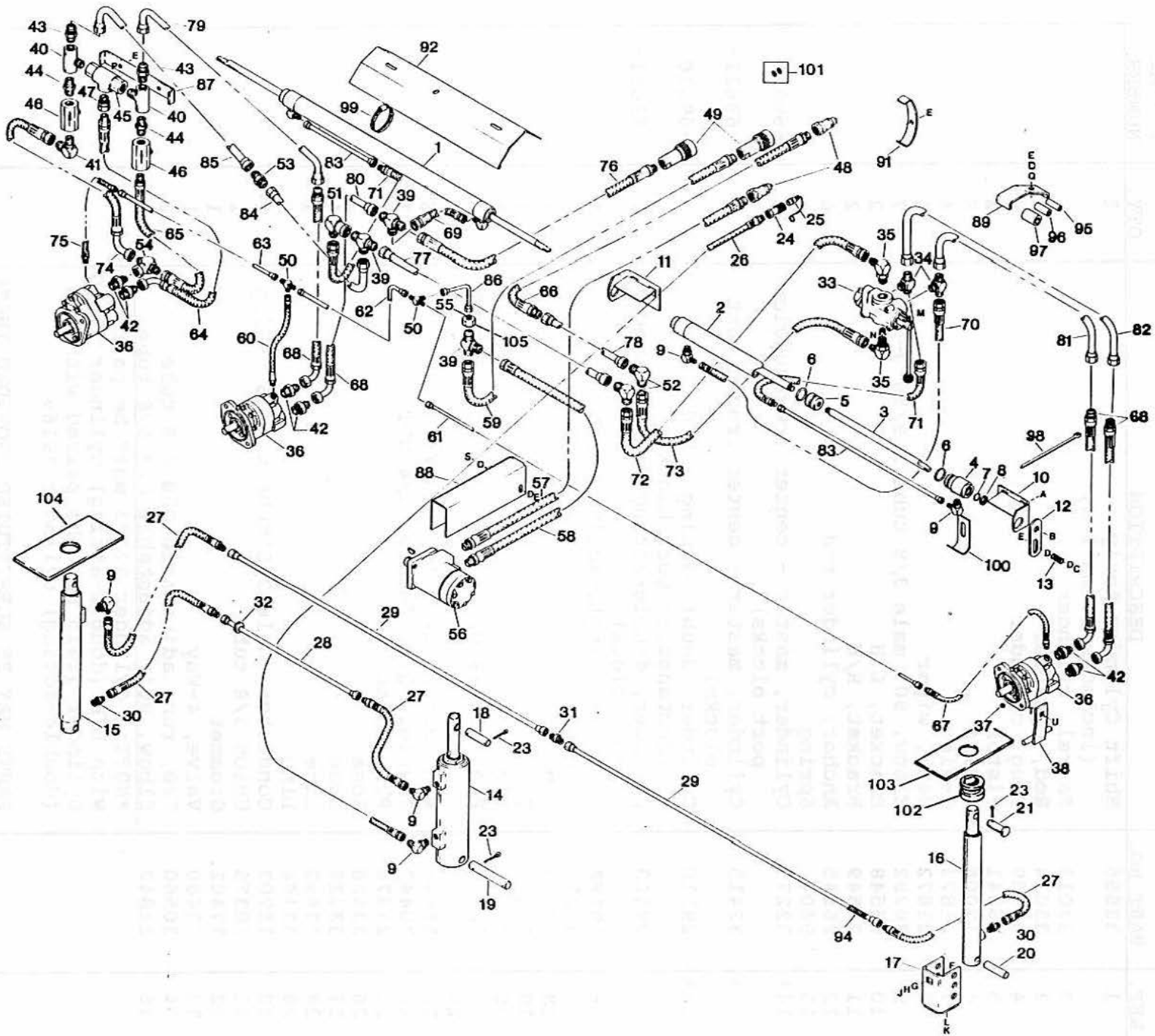
36" DOUBLE SWATH HEADER
HYDRAULICS



**36' DOUBLE SWATH HEADER
HYDRAULICS**

REF.	PART NO.	DESCRIPTION	QTY.	SERIAL NUMBER
1	33855	Shift Cylinder Ass'y. (includes items 2-8)	2	
2	33013	Barrel, cylinder	2	
3	33014	Rod, cylinder	4	
4	26559	Plug, cylinder	4	
5	26541	Piston	2	
6	17006	O-Ring	6	
7	21873	O-Ring	4	
8	21872	Seal, wiper	4	
9	30282	Elbow, 90° male 3/8 tube x 9/16 O-RING	7	
10	26548	Bracket, L/H	2	
11	26549	Bracket, R/H	2	
12	26545	Anchor, cylinder rod	4	
13	9404	Spring	4	
14*	32273	Cylinder, master - center (rectangular port blocks)	1	-69610
*	32415	Cylinder, master - center (round port blocks)	1	69611-
15*	29110	Cylinder, double-acting - R/H (rectangular port block)	1	-69610
*	29169	Cylinder, double-acting - R/H (round port block)	1	69611-
16	29168	Cylinder, single-acting - L/H	1	
17	33226	Channel	2	
18	33253	Pin	1	
19	33254	Pin	1	
20	33225	Pin	2	
21	18725	Pin, clevis O/ 5/8 x 1 7/8 eff. length	2	
22				
23	18648	Pin, cotter O/ 3/16 x 1 1/4 Lg.	6	
24	30442	Coupler, Q.D. female, 1/4 NPT	1	
25	21876	Plug, dust	1	
26	33426	Hose	1	
27	33428	Hose	4	
28	33463	Line	1	
29	33464	Line	2	
30	15903	Connector, male 3/8 tube x 9/16 O-Ring	2	
31	30375	Union 3/8 tube	1	
32	17402	Grommet	1	
33	33480	Valve, 4-Way	1	
34	30560	Tee, run, adjustable ORB 5/8 tube	2	
35	21843	Elbow, 90°, adjustable ORB 5/8 tube	2	
<p>*NOTE: Cylinder 32273 must be paired with L/H (double-acting) cylinder 29110 Cylinder 32415 must be paired with L/H (double-acting) cylinder 29169</p>				
<p>PARTS MAY BE SUBSTITUTED PROVIDED THESE PAIRINGS ARE MAINTAINED</p>				

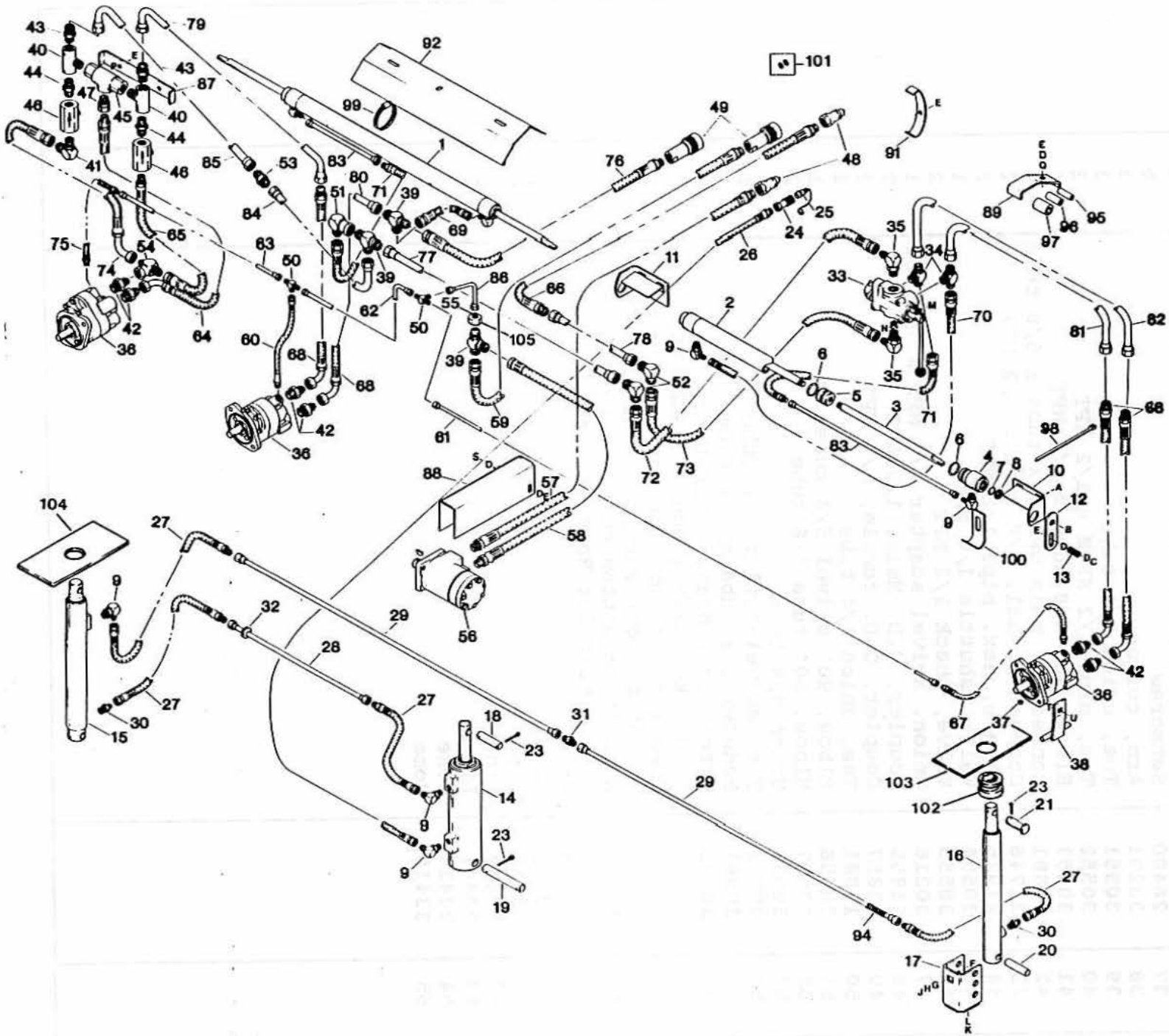
36" DOUBLE SWATH HEADER
HYDRAULICS



**36' DOUBLE SWATH HEADER
HYDRAULICS**

REF.	PART NO.	DESCRIPTION	QTY.	SERIAL NUMBER
36	24180	Motor, draper drive	3	
37	26400	Setscrew	6	
38	33231	Arm, torque	3	
39	30551	Tee, union 5/8 tube	3	
40	30552	Tee, pipe 1/2 NPSM x 1/2 NPT	2	
41	30553	Elbow, 90° 5/8 tube x 1/2 NPT	1	
42	21881	Connector, male ORB 1/2 tube x 5/8 tube	6	
43	21746	Connector, male 5/8 tube x 1/2 NPT	2	
44	21976	Nipple, hex. pipe 1/2 NPT	2	
45	30554	Valve, shuttle 1/2 NPT	1	
46	30555	Valve, check 1/2 NPT	2	
47	30216	Union, swivel adapter 1/2 NPT x 1/2 NPT	1	
48	21855	Coupler, Q.D. Male, 1/2 NPT	2	
49	21857	Coupler, Q.D. female, 1/2 NPT	2	
50	18881	Tee, union 1/4 tube	2	
51	30556	Elbow, 90° swivel 5/8 tube	1	
52	30557	Elbow, 90° tube 5/8 tube	2	
53	30558	Union 5/8 tube	1	
54	30559	Tee, swivel-outlet 1/2 tube	1	
55	30561	Reducer 5/8 tube x 1/4 tube	1	
56	30363	Motor, reel drive (Char-Lynn) c/w key 2149 (woodruff SAE #15)	1	
57	26834	Hose (to top port for Char-Lynn motor, bottom port for Ross Gear motor)	1	
58	33423	Hose (from bottom port for Char-Lynn, top port for Ross Gear motor)	1	
59	33424	Hose	1	
60	33425	Hose	1	
61	33465	Line	1	
62	33466	Line	1	
63	33467	Line	1	
64	33414	Hose	1	
65	33415	Hose	1	

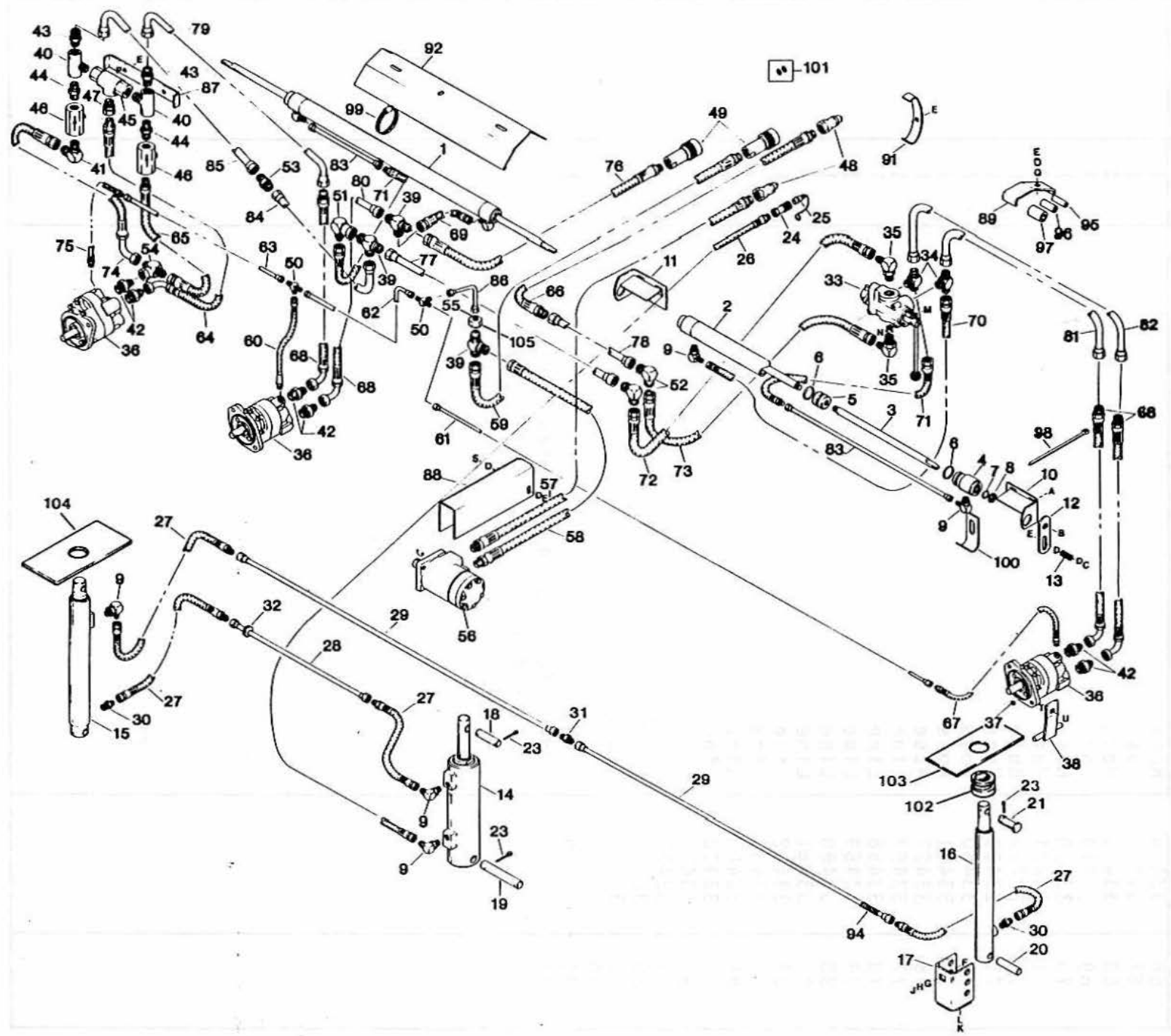
36" DOUBLE SWATH HEADER
HYDRAULICS



36⁺ DOUBLE SWATH HEADER
HYDRAULICS

REF.	PART NO.	DESCRIPTION	QTY.	SERIAL NUMBER
66	33416	Hose	1	
67	33417	Hose	1	
68	33418	Hose	4	
69	33419	Hose	1	
70	33420	Hose	1	
71	33421	Hose	2	
72	33422	Hose	1	
73	33429	Hose	1	
74	33430	Hose	1	
75	33431	Hose	1	
76	33427	Hose	1	
77	33457	Line	1	
78	33458	Line	1	
79	33459	Line	1	
80	33460	Line	1	
81	33461	Line	1	
82	33462	Line	1	
83	33468	Line	2	
84	33469	Line	1	
85	33470	Line	1	
86	33471	Line	1	
87	33483	Clamp	1	
88	33499	Channel	1	
89	33493	Clamp	13	
90				
91	33859	Clamp	1	
92		Hydraulic line shield (see Frame & Shields)		

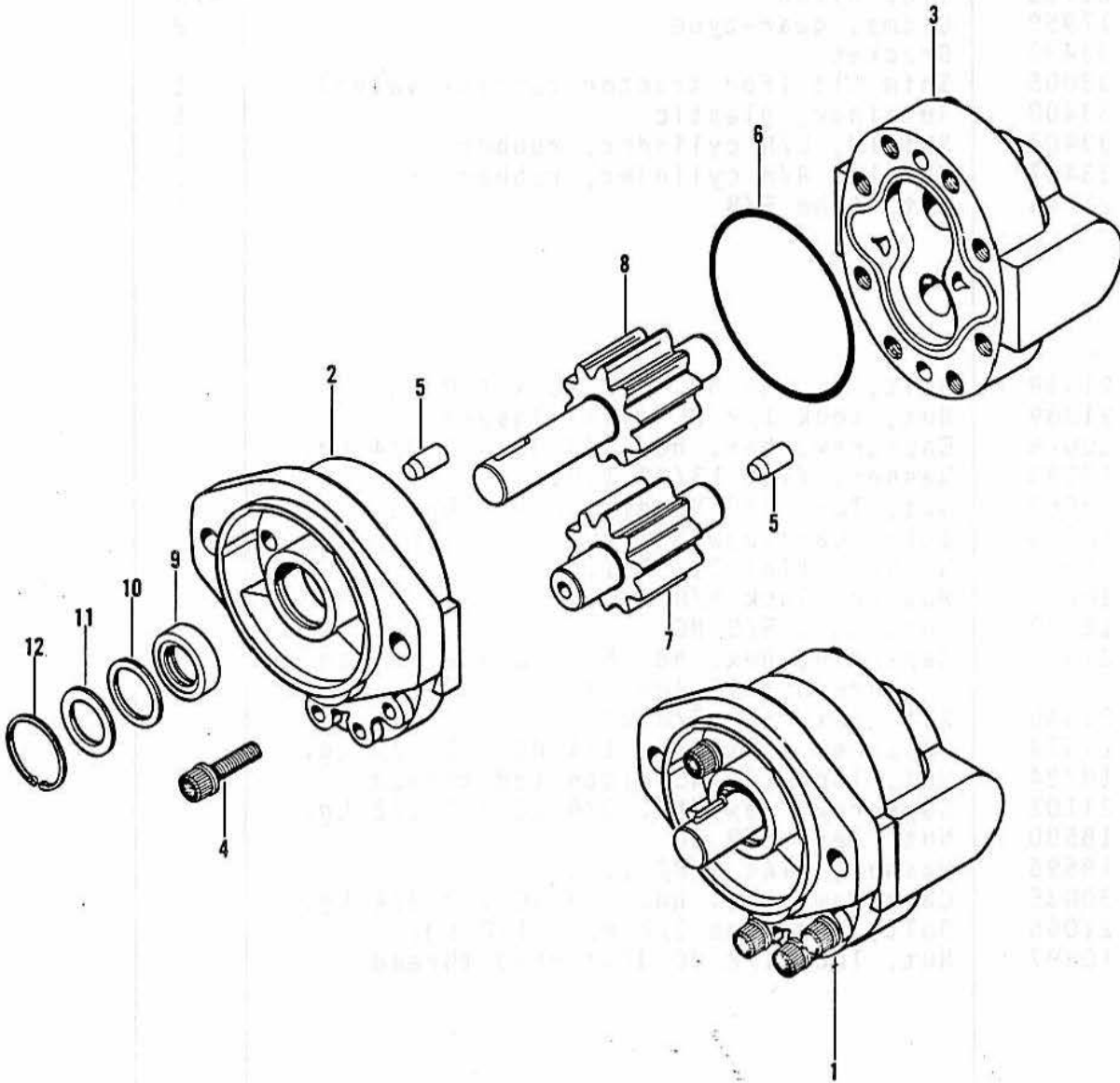
36" DOUBLE SWATH HEADER
HYDRAULICS



36" DOUBLE SWATH HEADER
HYDRAULICS

REF.	PART NO.	DESCRIPTION	QTY.	SERIAL NUMBER
94	33491	Hose, protective	1	
95	26678	Hose, protective (for 1/4 tube)	10	
96	33489	Hose, protective (for 1/2 tube)	5	
97	33490	Hose, protective (for 5/8 tube)	40	
98	21763	Tie, nylon	A/R	
99	17959	Clamp, gear-type	2	
100	33498	Bracket	2	
101	33005	Shim Kit (for tractor control valve)	1	
102	33408	Retainer, plastic	1	
103	33406	Shield, L/H cylinder, rubber	1	
104	33407	Shield, R/H cylinder, rubber	1	
105	21744	Nut, tube 5/8	1	
A	21449	Bolt, flange hd. 1/2 NC x 1.0 Lg.		
B	21389	Nut, lock 1/2 NC nylon insert		
C	20078	Capscrew, hex. hd. 3/8 NC x 1 3/4 Lg.		
D	18598	Washer, flat 13/32 I.D.		
E	18669	Nut, lock 3/8 NC distorted thread		
F	18523	Bolt, carriage 5/8 NC x 1 1/2 Lg.		
G	18600	Washer, flat 21/32 I.D.		
H	18639	Washer, lock 5/8 I.D.		
J	18592	Nut, hex. 5/8 NC		
K	21871	Capscrew, hex. hd. 5/8 NC x 2 1/2 Lg. thread full length		
L	21345	Nut, hex. jam 5/8 NC		
M	21574	Capscrew, hex. hd. 1/4 NC x 1 1/2 Lg.		
N	18724	Nut, lock 1/4 NC distorted thread		
P	21102	Capscrew, hex. hd. 3/8 NC x 2 1/2 Lg.		
Q	18590	Nut, hex. 3/8 NC		
R	18596	Washer, flat 9/32 I.D.		
S	30035	Capscrew, hex. hd. 3/8 NC x 2 3/4 Lg.		
T	21066	Bolt, carriage 1/2 NC x 1.0 Lg.		
U	18697	Nut, lock 1/2 NC distorted thread		

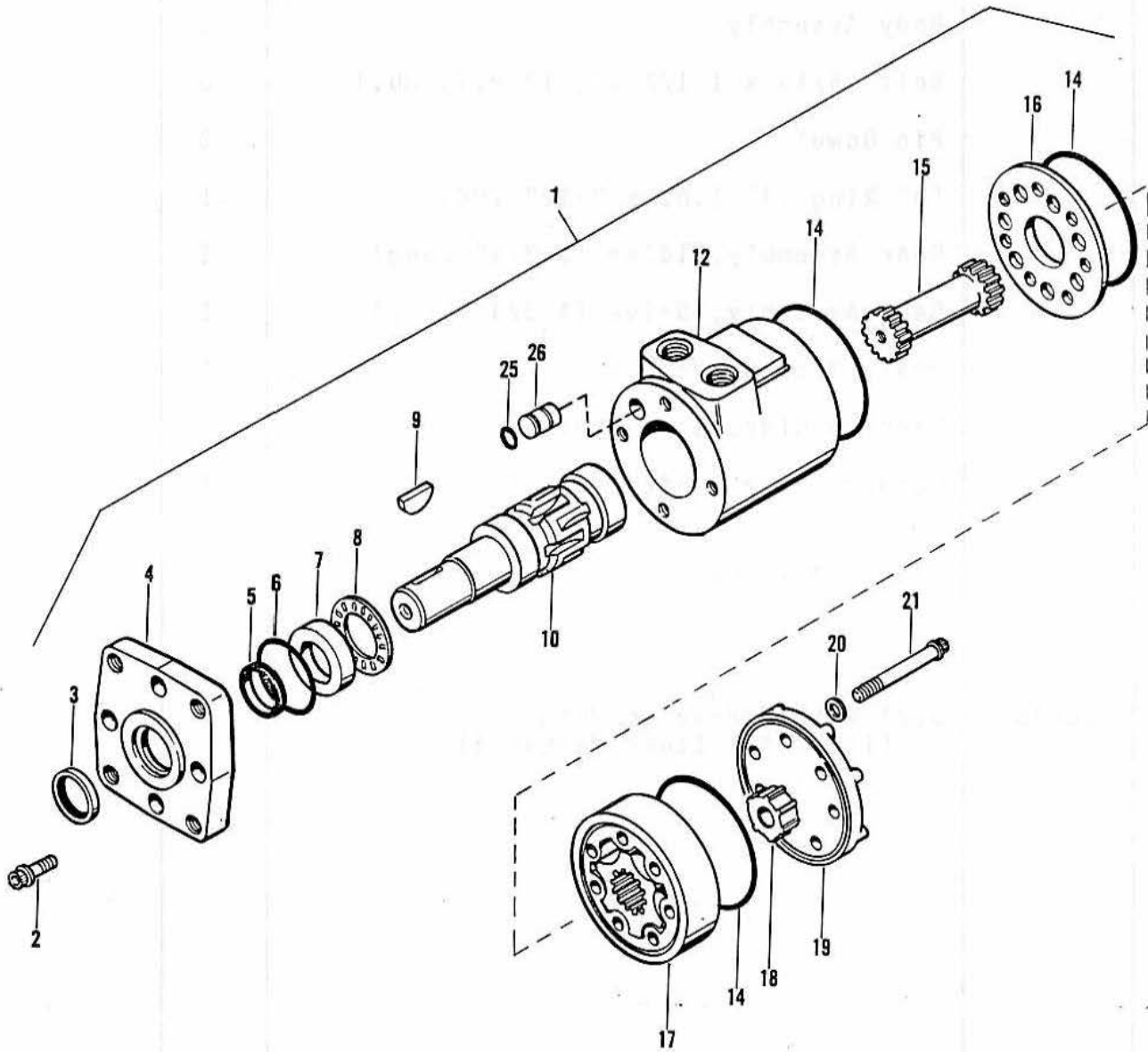
HYDRAULIC GEAR MOTOR
(Draper Drive)



**HYDRAULIC GEAR MOTOR
(Draper Drive)**

REF.	PART NO.	DESCRIPTION	QTY.	SERIAL NUMBER
1	24180	Motor Assembly, Gear (Draper Drive)	1	
2		Plate Assembly, Front	1	
3		Body Assembly	1	
4		Bolt (5/16 x 1 1/2 NC, 12 P.T. HD.)	8	
5		Pin Dowel	2	
6A		"O" Ring (3" I.D. x 3/32" THK)	1	
7		Gear Assembly, Idler (2 3/4" Long)	1	
8		Gear Assembly, Drive (4 3/4" Long)	1	
9A		Seal, Gear Shaft Oil	1	
10A		Back-up Ring, Gear Shaft	1	
11A		Washer, Gear Shaft (Steel)	1	
12A		Ring, Int. Snap	1	
	30038	Seal Kit, Hydraulic Motor (Incl. All Items Marked A)	1	

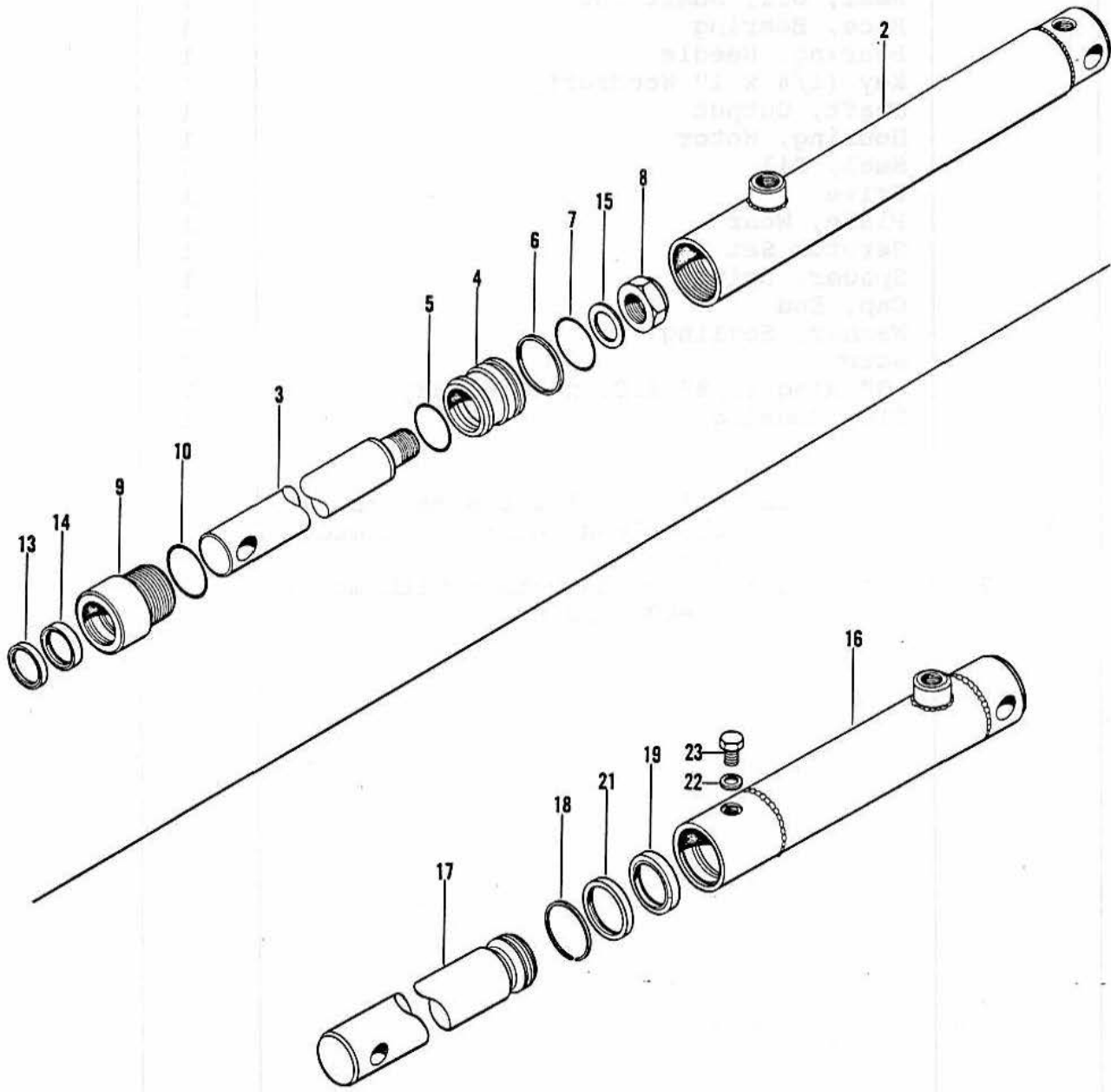
HYDRAULIC MOTOR
REEL DRIVE: (CHAR-LYNN ONLY)



HYDRAULIC MOTOR
REEL DRIVE (CHAR-LYNN ONLY)

REF.	PART NO.	DESCRIPTION	QTY.	SERIAL NUMBER
1	30363	Hydraulic Reel Drive Motor	1	
2		Screw 5/16 x 7/8 N.F., 12 PT. HD.	4	
3A		Seal, Dust Shaft End	1	
4		Flange, Mounting	1	
5A		Seal, Shaft End Pressure	1	
6A		Seal, Oil, Shaft End	1	
7		Race, Bearing	1	
8		Bearing, Needle	1	
9		Key (1/4 x 1" Woodruff)	1	
10		Shaft, Output	1	
12		Housing, Motor	1	
14A		Seal, Oil	3	
15		Drive	1	
16		Plate, Wear	1	
17		Gerotor Set	1	
18		Spacer, Drive	1	
19		Cap, End	1	
20A		Washer, Sealing	7	
21		Screw	7	
25A		"O" Ring (3/8" I.D. x 1/16 THK)	1	
26		Plug Housing	1	
		Seal Kits include all items marked "A"		
	30047	Kit, Seal: Char-Lynn motors with model # -007	1	
	43177	Kit, Seal: Char-Lynn motors with model # -008 and up	1	

HYDRAULIC CYLINDERS (REEL)



**HYDRAULIC CYLINDERS (REEL)
12' to 30'**

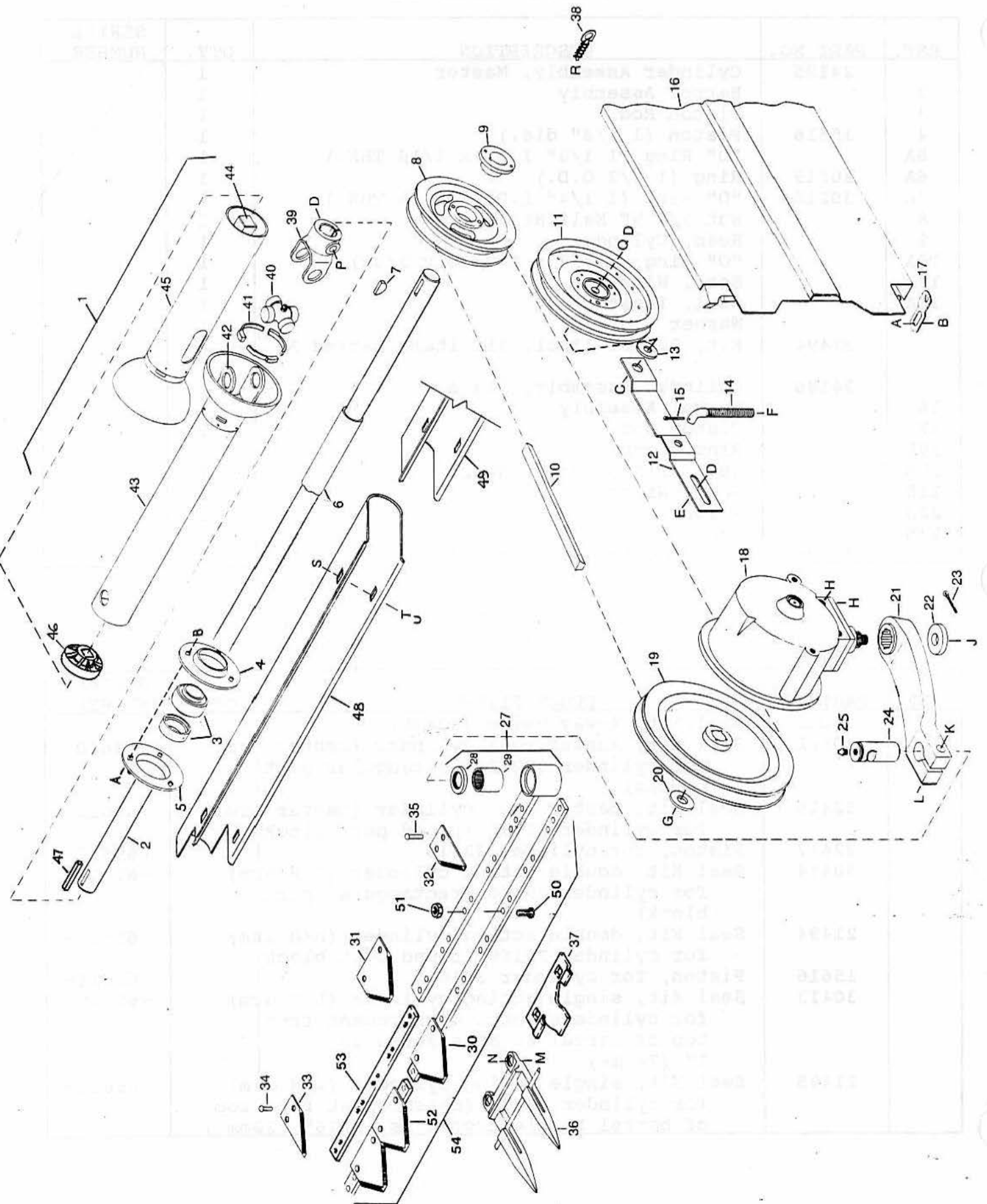
51

REF.	PART NO.	DESCRIPTION	QTY.	SERIAL NUMBER
	24185	Cylinder Assembly, Master	1	
2		Barrel Assembly	1	
3		Piston Rod	1	
4	15616	Piston (1 1/8" dia.)	1	
5A		"O" Ring (1 1/8" I.D. x 1/16 THK.)	1	
6A	30219	Ring (1 1/2 O.D.)	1	
7A	30218	"O" Ring (1 1/4" I.D. x 1/16 THK.)	1	
8		Nut 3/4 NF Half Hex.	1	
9		Head, Cylinder	1	
10A		"O" Ring (1 3/8 x 1 9/16 x 3/32)	1	
13A		Seal, Wiper	1	
14A		Seal, Inner	1	
15		Washer	1	
	21494	Kit, Repair (Incl. all items marked A)		
	24186	Cylinder Assembly, Slave	1	
16		Barrel Assembly	1	
17		Piston Rod	1	
18B		Ring, Lock	1	
19B		Seal, Piston Rod, Inner	1	
21B		Seal, Wiper	1	
22B		Washer	1	
23B		Screw	1	
	21495	Kit, Repair (Incl. all items marked B)		

**SEAL KITS
36'**

REF.	PART NO.	DESCRIPTION	QTY.	SERIAL NUMBER
	30055	Seal Kit, 4-way valve (33480)		
	30562	Seal Kit, master reel cylinder (center arm) for cylinder 32273 (rectangular port blocks)		-69610
	32416	Seal Kit, master reel cylinder (center arm) for cylinder 32415 (round port blocks)		69611-
	32417	Piston, for cylinder 32415		69611-
	30414	Seal Kit, double acting cylinder (R/H arm) for cylinder 29110 (rectangular port block)		-69610
	21494	Seal Kit, double acting cylinder (R/H arm) for cylinder 29169 (round port block)		69611-
	15616	Piston, for cylinder 29169		69611-
	30413	Seal Kit, single acting cylinder (L/H arm) for cylinders where measurement from top of barrel to bleedscrew is 3" (74 mm)		-69610
	21495	Seal Kit, single acting cylinder (L/H arm) for cylinder 29168 (measurement from top of barrel to bleedscrew is 13/16" [20mm])		69611-

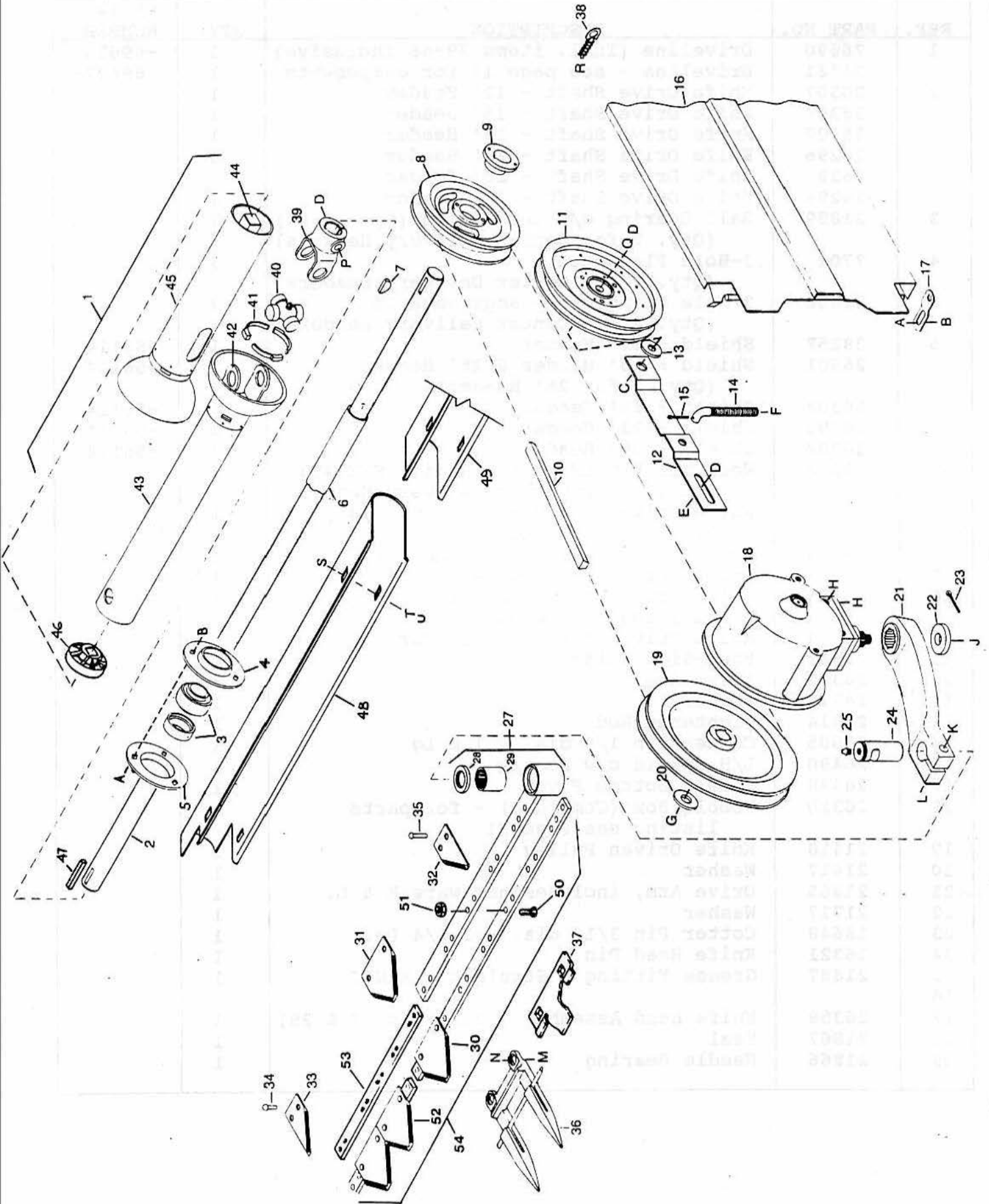
KNIFE & KNIFE DRIVE 12" to 30" Headers



**KNIFE & KNIFE DRIVE
12' to 30' Headers**

REF.	PART NO.	DESCRIPTION	QTY.	SERIAL NUMBER
1	26690	Driveline (Incl. items 39-46 inclusive)	1	-69626
	34361	Driveline - see page 16 for components	1	69627-
2	26307	Knife Drive Shaft - 12' Header	1	
	26308	Knife Drive Shaft - 15' Header	1	
	26309	Knife Drive Shaft - 18' Header	1	
	26296	Knife Drive Shaft - 21' Header	1	
	26297	Knife Drive Shaft - 25' Header	1	
	26298	Knife Drive Shaft - 30' Header	1	
3	21859	Ball Bearing c/w Lock Collar(Sph. O.D.) (Qty. 2 for Center Delivery Headers)	3	
4	7701	3-Hole Flangette (Qty. 2 for Center Delivery Headers)	3	
5	21860	3-Hole Flangette - Regreaseable (Qty. 2 for Center Delivery Headers)	3	
6	28257	Shield - 12' Header	1	-56114
	26301	Shield - 15' Header & 25' Header (Qty. 2 for 25' Header)	1	-56114
	26303	Shield - 18' Header	1	-56114
	26300	Shield - 21' Header	2	-56114
	26302	Shield - 30' Header	2	-56114
7	13298	Woodruff Key 1/4 x 1 1/8 dia. SAE #18 (Qty. 1 for Center Delivery Header)	2	
8	26313	Knife Drive Pulley - 12', 15', 18', 21', and 25' Headers	1	
	26323	Knife Drive Pulley - 30' Header	1	
9	21861	Taper Bushing c/w Bolts	1	
10	26316	Knife Drive Belt - 12', 15', 18', 21', and 25' Headers	1	
	26324	Knife Drive Belt - 30' Header	1	
11	21862	Back-Side Idler	1	
12	26315	Idler Arm	1	
13	18770	Washer	1	
14	26314	Tightener Rod	1	
15	18605	Cotter Pin 1/8 dia. x 1.0 Lg.	1	
16	26490	L/H Shield c/w Decals	1	
17	26498	Shield Bottom Pivot	1	
18	26320	Wobble Box (Complete) - for parts listing see Page 51	1	
19	21418	Knife Driven Pulley	1	
20	21417	Washer	1	
21	21865	Drive Arm, includes hardware K & L.	1	
22	21717	Washer	1	
23	18648	Cotter Pin 3/16 dia. x 1 1/4 Lg.	1	
24	26321	Knife Head Pin	1	
25	21887	Grease Fitting - Straight 1/8 NPT	1	
26				
27	26359	Knife Head Assembly (incl. #'s 28 & 29)	1	
28	21867	Seal	1	
29	21866	Needle Bearing	1	

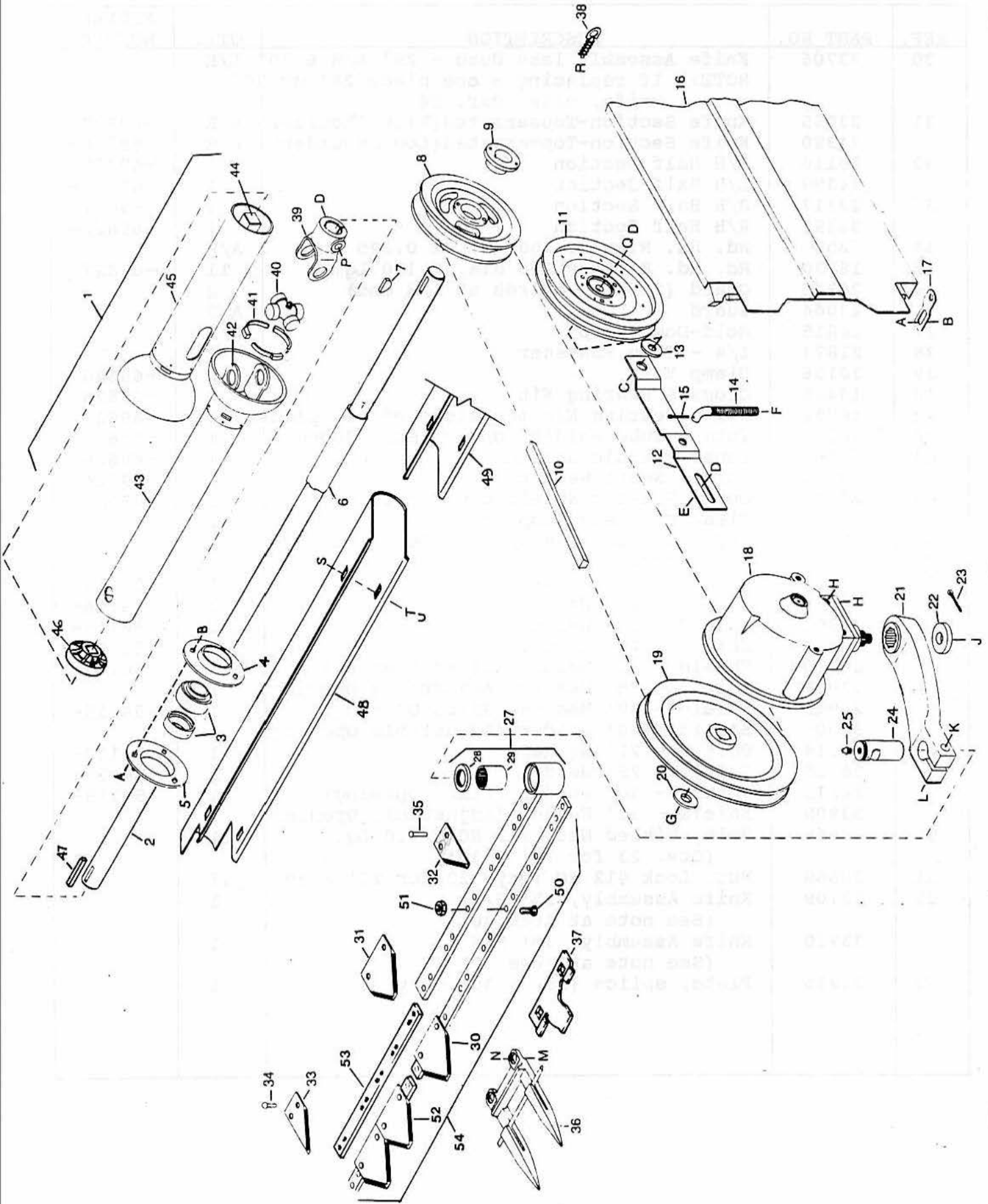
KNIFE & KNIFE DRIVE 12" to 30" Headers



**KNIFE & KNIFE DRIVE
12' to 30' Headers**

REF.	PART NO.	DESCRIPTION	QTY.	SERIAL NUMBER
30	33706	Knife Assembly less Head - 25' L/H & 30' L/H NOTE: If replacing a one piece 25' or 30' knife, order Ref. 54		
31	23065	Knife Section-Top serrated(High Shoulder)	A/R	-69827
	34390	Knife Section-Top serrated(Low Shoulder)	A/R	69828-
32	23116	L/H Half Section	1	-69827
	34399	L/H Half Section	1	69828-
33	23117	R/H Half Section	1	-69827
	34391	R/H Half Section	1	69828-
34	7258	Rd. Hd. Rivet 0.208 dia. x 0.625 Lg.	A/R	
35	18730	Rd. Hd. Rivet 0.208 dia. x 1.0 Lg.	11	-69827
36	26370	Guard (first 2 guards at L/H end)	2	
	23064	Guard	A/R	
37	28815	Hold-Down Clip	A/R	
38	21874	1/4 - Turn Fastener	2	
39	30166	Clamp Yoke	2	-69626
40	15406	Cross & Bearing Kit	2	-69626
41	16582	Nylon Bearing Kit (consists of six pieces)	1	-69626
42	30163	Yoke - Tube Weld't. c/w Plastic Support	1	-69626
43	30164	Inner Plastic Shield	1	-69626
44	30162	Yoke - Shaft Weld't.	1	-69626
45	26689	Outer Plastic Shield c/w Decals	1	-69626
46	30167	Plastic Shield Support	1	
47	4808	Key 1/4 x 1/4 x 4 1/4 Lg. (Center Delivery Headers Only)	1	
48	26906	Shield - 12' Header	1	56115-
	26907	Shield - 15' Header	1	56115-
	26908	Shield - 18' Header	1	56115-
	26909	Shield - 21' Header	1	56115-
	26910	Shield - 25' Header (Fixed Opening)	1	56115-
	33907	Shield - 25' Header (Adjustable Opening)	1	
	26911	Shield - 30' Header (Fixed Opening)	1	56115-
	33909	Shield - 30' Header (Adjustable Opening)	1	
49	26914	Shield - 21' Header	1	56115-
	26915	Shield - 25' Header	1	56115-
	26912	Shield - 30' Header (Fixed Opening)	1	56115-
	33908	Shield - 30' Header (Adjustable Opening)	1	
50	30668	Bolt, Ribbed Neck #12 NC x 1.0 Lg. (Qty. 23 for 25' & 30')	11	
51	30669	Nut, Lock #12 NC (Qty. 23 for 25' & 30')	11	
52	33709	Knife Assembly, 25' R/H. (See note at item 30)	1	
	33710	Knife Assembly, 30' R/H (See note at item 30)	1	
53	33955	Plate, splice (25' & 30' only)	1	

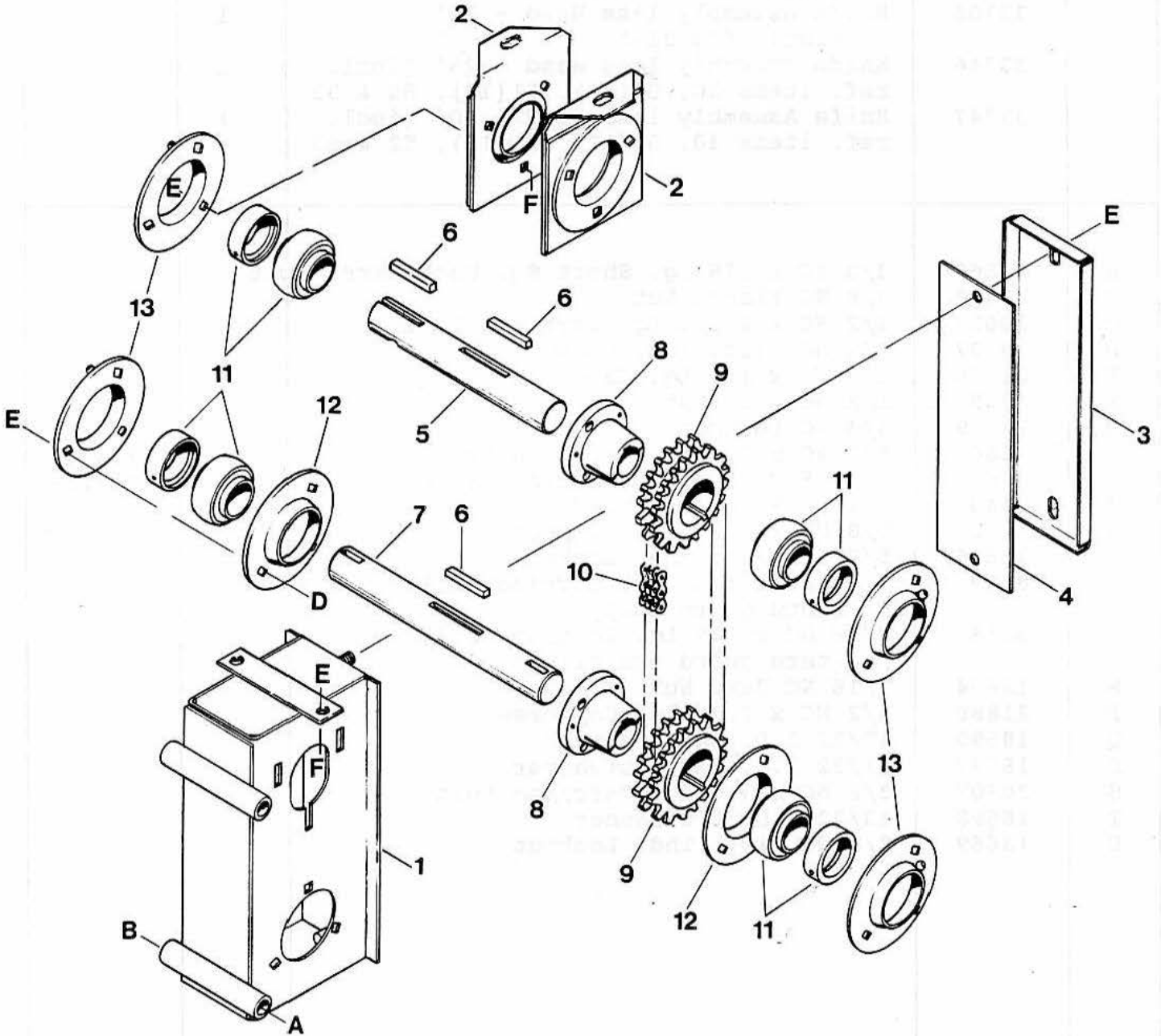
KNIFE & KNIFE DRIVE 12' to 30' Headers



**KNIFE & KNIFE DRIVE
12' to 30' Headers**

REF.	PART NO.	DESCRIPTION	QTY.	SERIAL NUMBER
54	33702	Knife Assembly less Head - 12' (incl. #'s 31-34)	1	
	33703	Knife Assembly less Head - 15' (incl. #'s 31-34)	1	
	33704	Knife Assembly less Head - 18' (incl. #'s 31-34)	1	
	33705	Knife Assembly less Head - 21' (incl. #'s 31-34)	1	
	33746	Knife Assembly less Head - 25' (incl. ref. items 30, 50(12), 51(12), 52 & 53	1	
	33747	Knife Assembly less Head - 30' (incl. ref. items 30, 50(12), 51(12), 52 & 53	1	
A	21863	3/8 NC x .75 Lg. Short Sq. Neck Carr. Bolt		
B	21452	3/8 NC Flange Nut		
C	30027	1/2 NC x 2 1/4 Lg. Carriage Bolt		
D	18697	1/2 NC Dist. Thd. Locknut		
E	21575	1/2 NC x 1.0 Lg. Capscrew		
F	18591	1/2 NC Hex. Nut		
G	18689	3/4 NC Locknut		
H	30809	5/8 NC x 2.0 Lg. Capscrew Gr. 8		-73374
	30861	5/8 NF x 2.0 Lg. Capscrew Gr. 8		73375-
J	5440	3/4 NC Slotted Hex. Nut		
K	30922	5/8 NC x 2 3/4 Lg. Capscrew		
L	18666	5/8 NC Dist. Thd. Locknut		
M	8219	7/16 NC x 1.25 Lg. Carriage Bolt (thru guard only)		
	8218	7/16 NC x 1.5 Lg. Carriage Bolt (thru guard and clip)		
N	18654	7/16 NC Hex. Nut		
P	21880	1/2 NC x 2.75 Lg. Capscrew		
Q	18599	17/32 I.D. SAE Flatwasher		
R	18597	11/32 I.D. SAE Flatwasher		
S	30307	3/8 NC x 3.0 Lg. Carriage Bolt		
T	18598	13/32 I.D. Flatwasher		
U	18669	3/8 NC Dist. Thd. Locknut		

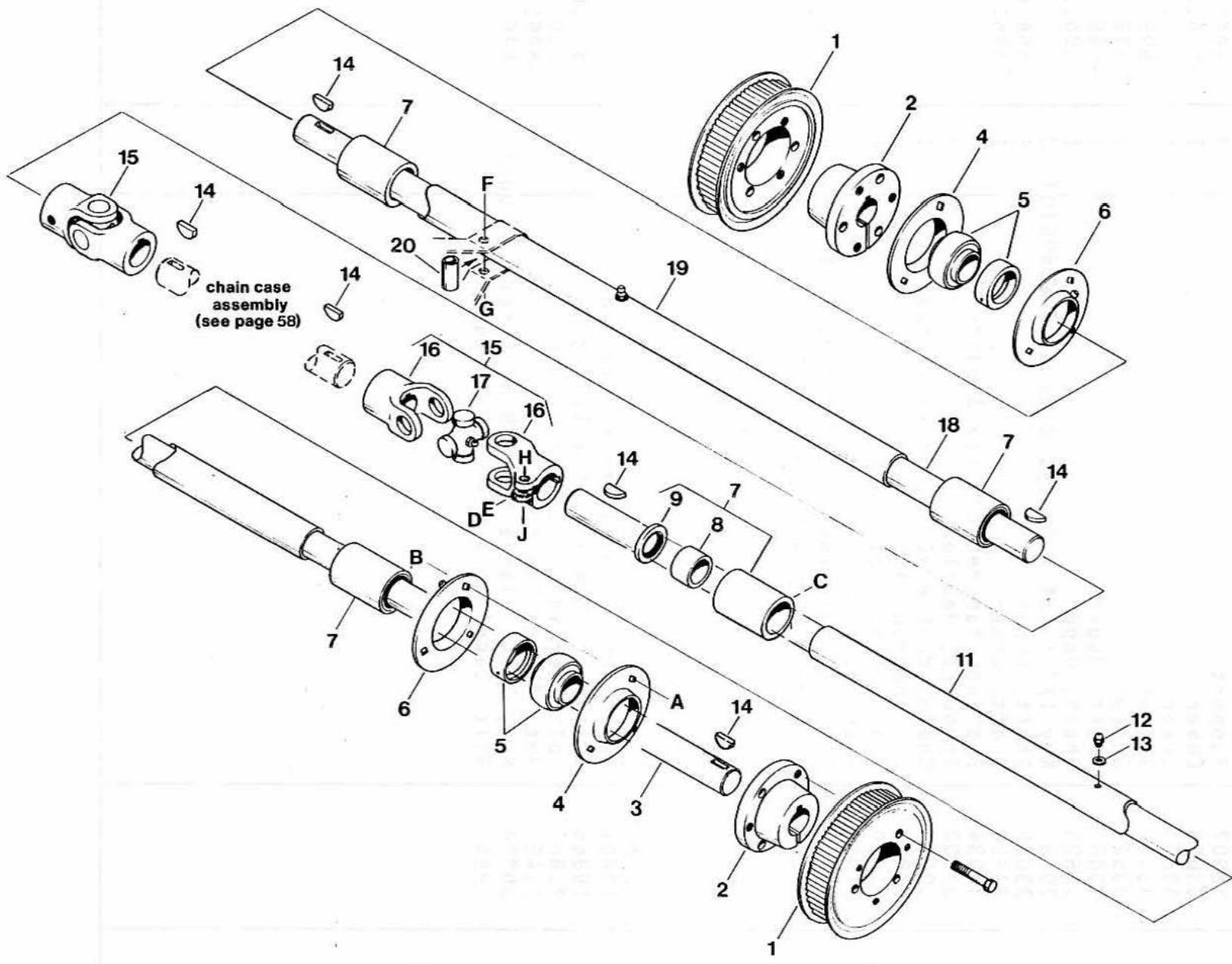
36" DOUBLE SWATH HEADER CHAIN CASE



36¹ DOUBLE SWATH HEADER
CHAIN CASE

REF.	PART NO.	DESCRIPTION	QTY.	SERIAL NUMBER
1	33334	Case, chain	1	-69610
	33517	Case, chain	1	69611-
2	33095	Support	1	-69610
	33507	Support	2	69611-
3	33088	Cover	1	-69610
	33524	Cover	1	69611-
4	33092	Gasket	1	-69610
	33523	Gasket	1	69611-
5	33087	Shaft, Upper	1	-69610
	33525	Shaft, Upper	1	69611-
6	7038	Key 1/4 x 1/4 x 2 (Qty. 2 up to S.N.69610)	3	
7	33086	Shaft, Lower	1	-69610
	33526	Shaft, Lower	1	69611-
8	30034	Bushing, tapered c/w key & bolts	2	
9	33000	Sprocket, double	2	
10	30511	Chain, double RC 50, 38 links c/w:	1	
	30803	Connector link		
11	21859	Bearing, ball c/w collar	4	
12	7701	Flangette	2	
13	21860	Flangette, re-lube c/w straight fitting	4	-69610
	30661	Flangette, re-lube c/w 45° fitting	4	69611-
A	30267	Capscrew, Hex. Hd. 1/2 NC x 6.0 Lg.		
B	18697	Nut, lock 1/2 NC distorted thread		
D	19965	Bolt, carriage 3/8 NC x 1.0 Lg.		-69610
	21863	Bolt, carriage 3/8 NC x 3/4 Lg.		69611-
E	21452	Nut, flange 3/8 NC		-69610
	30228	Nut, lock, flange hd. 3/8 NC (Prev. torque)		69611-
F	19966	Bolt, carriage 3/8 NC x 1.25 Lg.		

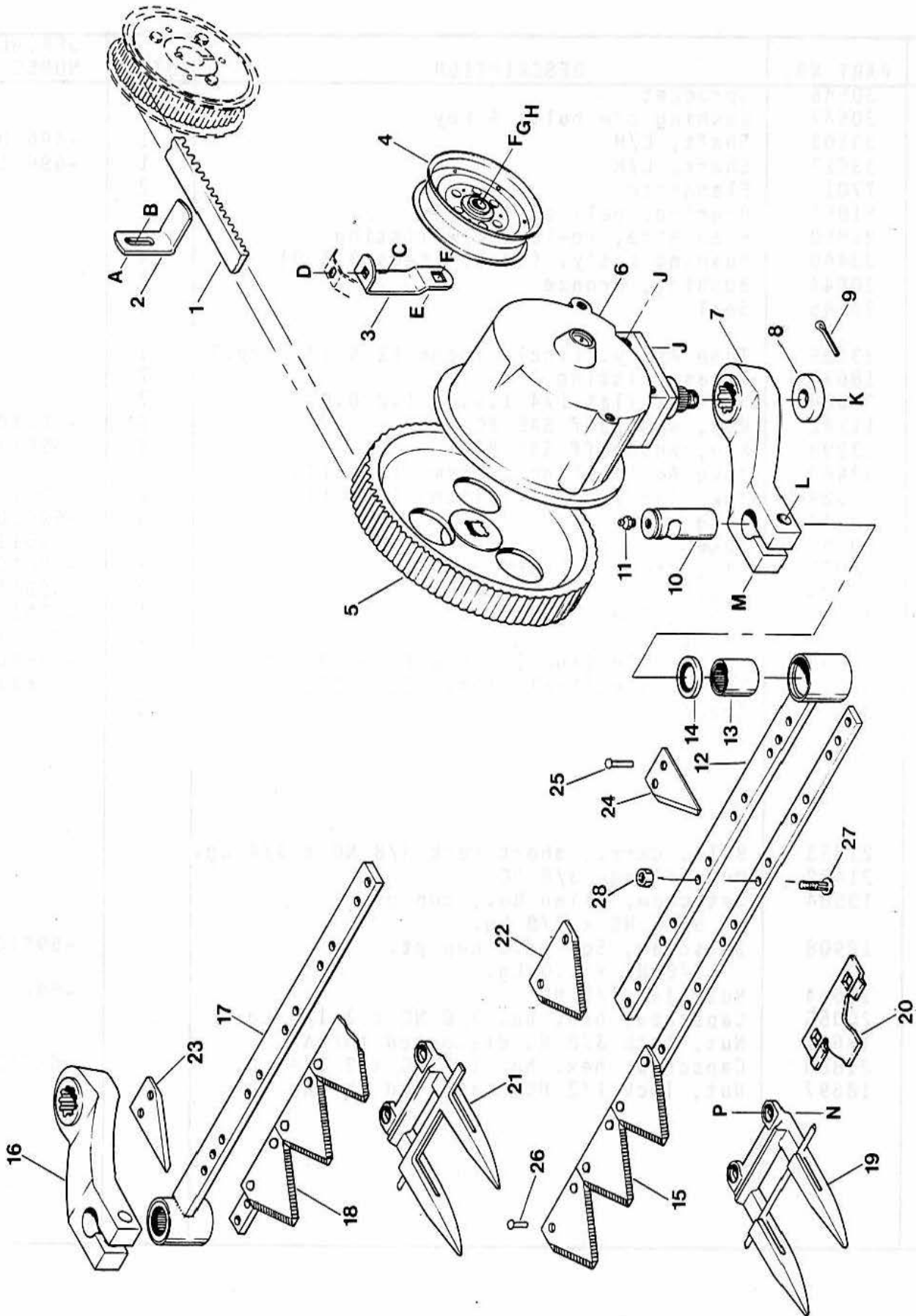
36" DOUBLE SWATH HEADER
KNIFE DRIVE SHAFT



36⁺ DOUBLE SWATH HEADER
KNIFE DRIVE SHAFT

REF.	PART NO.	DESCRIPTION	QTY.	SERIAL NUMBER
1	30546	Sprocket	2	
2	30547	Bushing c/w bolts & key	2	
3	33103	Shaft, L/H	1	-69610
	33527	Shaft, L/H	1	-69611
4	7701	Flangette	2	
5	21859	Bearing, ball c/w collar	2	
6	21860	Flangette, re-lube c/w fitting	2	
7	33440	Bushing Ass'y. (incl. items 8 & 9)	4	
8	30544	Bushing, bronze	4	
9	30545	Seal	4	
10				
11	33105	Tube Ass'y. (incl. items 12 & 13, Qty.3)	1	
12	18671	Grease Fitting	7	
13	30526	Washer, flat 1/4 I.D. x 1.2 O.D.	7	
14	11142	Key, woodruff SAE #C	6	-69610
	13298	Key, woodruff SAE #18	6	69611-
15	33443	Yoke Ass'y. (incl. items 16 & 17)	2	-69610
	33529	Yoke Ass'y. (incl. items 16 & 17)	2	69611-
16	30543	Yoke	4	-69610
	30166	Yoke	4	69611-
17	18922	Kit, cross & bearing	2	-69610
	15406	Kit, cross & bearing	2	69611-
18	33104	Shaft, R/H	1	-69610
	33528	Shaft, R/H	1	69611-
19	33106	Tube Ass'y. (Incl. items 12 & 13, Qty. 4)	1	-69610
	33510	Tube Ass'y. (Incl. items 12 & 13, Qty. 4)	1	69611-
20	33083	Spacer	5	
A	21863	Bolt, carr., short neck 3/8 NC x 3/4 Lg.		
B	21452	Nut, flange 3/8 NC		
C	18584	Setscrew, Allan Hd., cup pt. 5/16 NC x 3/8 Lg.		
D	18908	Setscrew, Sq. hd., cup pt. 3/8 NC x 1.0 Lg.		-69610
E	18664	Nut, jam 3/8 NC		-69610
F	20055	Capscrew, hex. hd. 3/8 NC x 2 1/4 Lg.		
G	18669	Nut, lock 3/8 NC distorted thread		
H	21880	Capscrew, hex. hd. 1/2 NC x 2 3/4 Lg.		69611-
J	18697	Nut, lock 1/2 NC distorted thread		

36" DOUBLE SWATH HEADER KNIFE & DRIVE GROUP

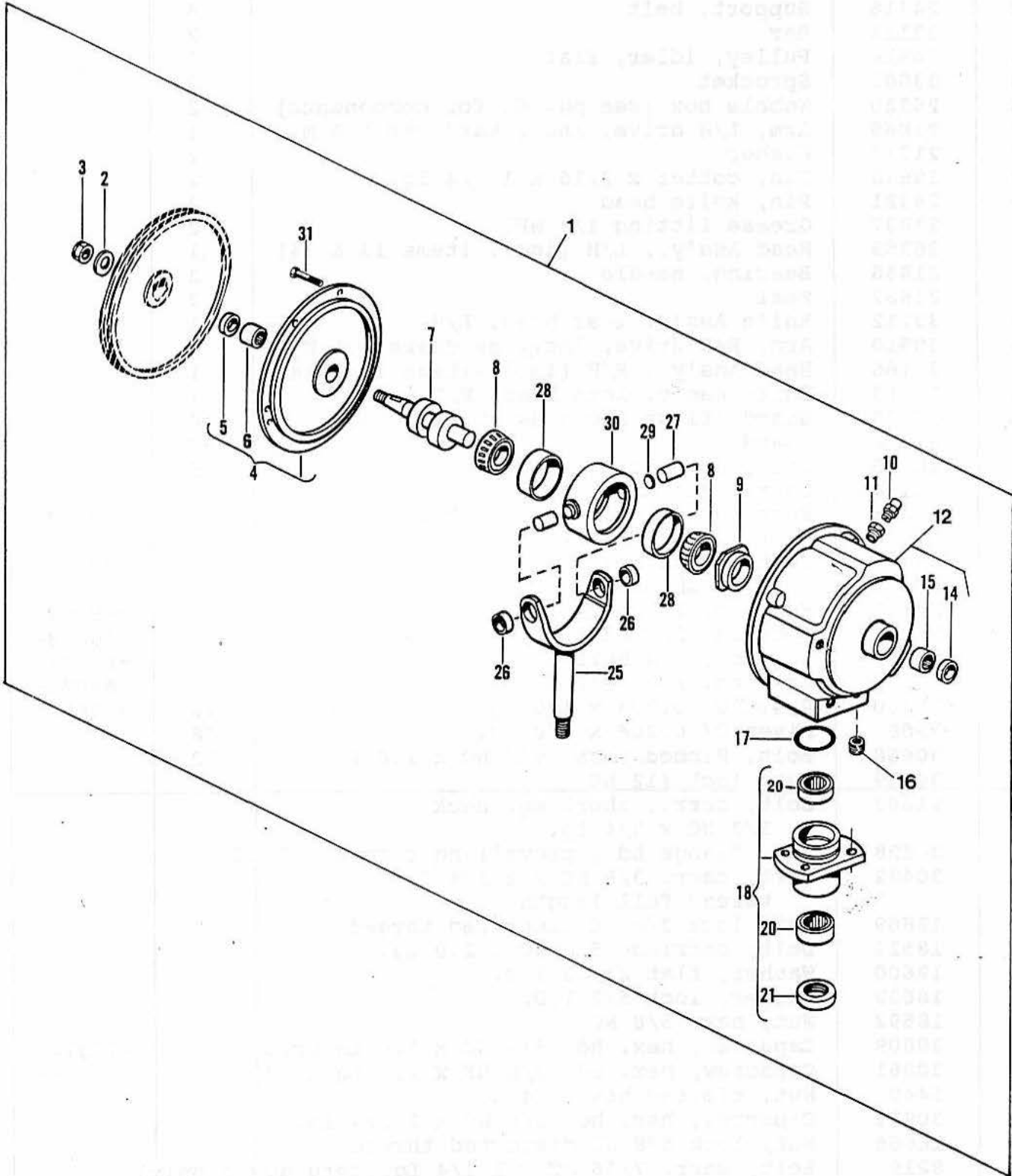


36' DOUBLE SWATH HEADER
KNIFE & DRIVE GROUP

63

REF.	PART NO.	DESCRIPTION	QTY.	SERIAL NUMBER
1	30548	Belt	2	
2	24716	Support, belt	4	
3	33113	Bar	2	
4	30514	Pulley, idler, flat	2	
5	33007	Sprocket	2	
6	26320	Wobble box (see pg. 64 for components)	2	
7	21865	Arm, L/H drive, incl. hardware L & M.	1	
8	21717	Washer	2	
9	18648	Pin, cotter x 3/16 x 1 1/4 Lg.	2	
10	26321	Pin, knife head	2	
11	21887	Grease fitting 1/8 NPT	2	
12	26359	Head Ass'y., L/H (incl. items 13 & 14)	1	
13	21866	Bearing, needle	2	
14	21867	Seal	2	
15	33712	Knife Ass'y. less head, L/H	1	
16	30510	Arm, R/H drive, incl. hardware L & M.	1	
17	33166	Head Ass'y., R/H (incl. items 13 & 14)	1	
18	33713	Knife Ass'y. less head, R/H	1	
19	26370	Guard (first 2 guards at each end)	4	
	23064	Guard	67	
20	28815	Clip, hold-down	35	
21	33114	Guard, center	1	
22	23065	Section, knife, top-serrated (high shoulder)	143	-69827
	34390	Section, knife, top-serrated (low shoulder)	143	69828-
23	23117	Section, R/H half	1	-69827
	34399	Section, R/H half	1	69828-
24	23116	Section, L/H half	1	-69827
	34399	Section, L/H half	1	69828-
25	18730	Rivet O/ 0.208 x 1.0 Lg.	22	-69827
26	7258	Rivet O/ 0.208 x 5/8 Lg.	268	
27	30668	Bolt, Ribbed neck, #12 NC x 1.0 Lg.	22	
28	30669	Nut, lock #12 NC	22	
A	21863	Bolt, carr., short sq. neck 3/8 NC x 3/4 Lg.		
B	30228	Nut, flange hd., prevailing torque 3/8 NC		
C	30432	Bolt, carr. 3/8 NC x 2 1/4 Lg. thread full length		
D	18669	Nut, lock 3/8 NC distorted thread		
E	18524	Bolt, carriage 5/8 NC x 2.0 Lg.		
F	18600	Washer, flat 21/32 I.D.		
G	18639	Washer, lock 5/8 I.D.		
H	18592	Nut, hex. 5/8 NC		
J	30809	Capscrew, hex. hd. 5/8 NC x 2.0 Lg.Gr.8		-73374
	30861	Capscrew, hex. hd. 5/8 NF x 2.0 Lg.Gr.8		73375-
K	5440	Nut, slotted hex. 3/4 NC		
L	30922	Capscrew, hex. hd. 5/8 NC x 2 3/4 Lg.		
M	18666	Nut, lock 5/8 NC distorted thread		
N	8219	Bolt, carr. 7/16 NC x 1 1/4 Lg. (thru guard only)		
	8218	Bolt, carr. 7/16 NC x 1 1/2 Lg. (thru guard & clip)		
P	18654	Nut, hex. 7/16 NC		

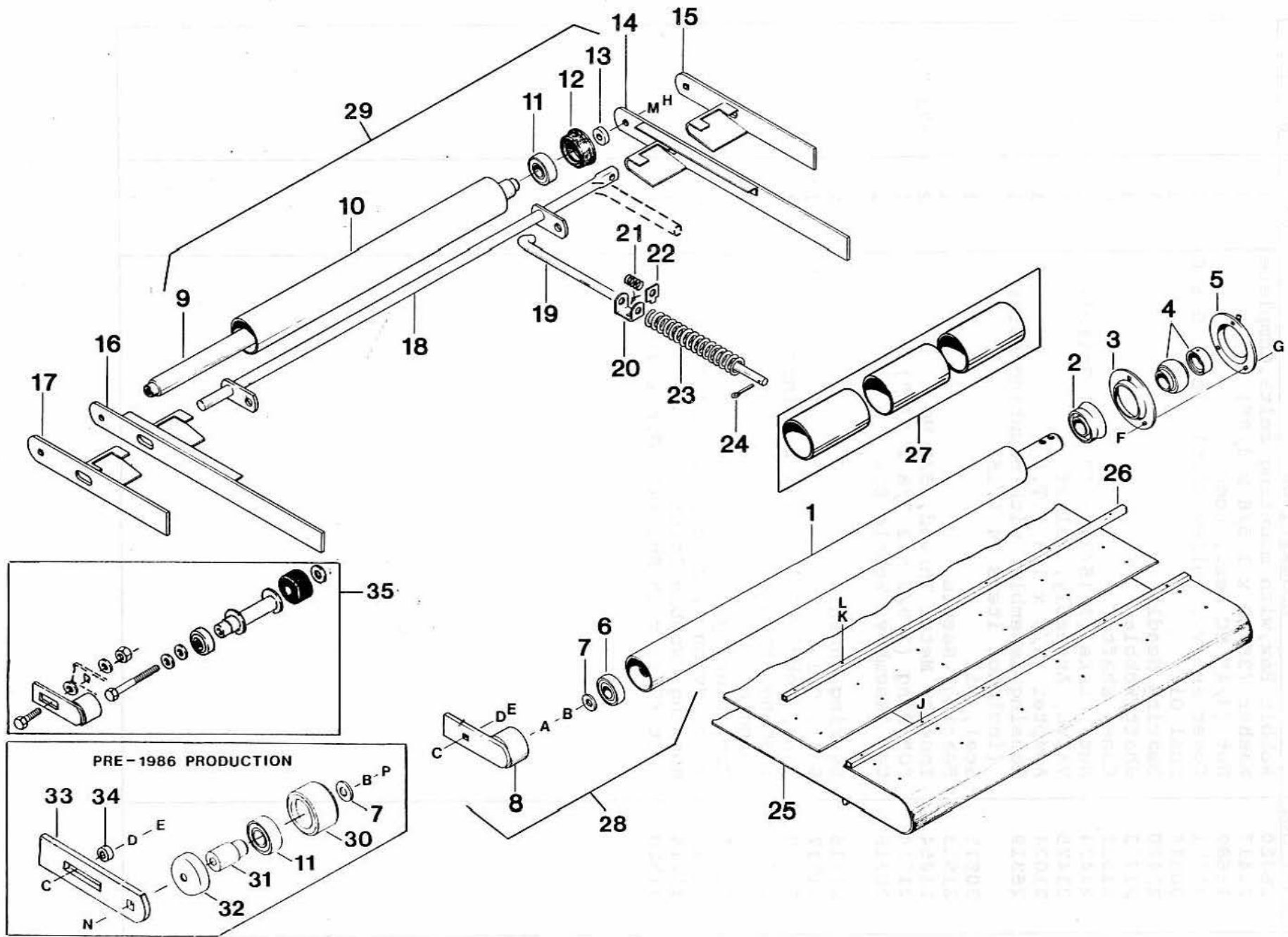
WOBBLE BOX



WOBBLE BOX (KNIFE DRIVE)

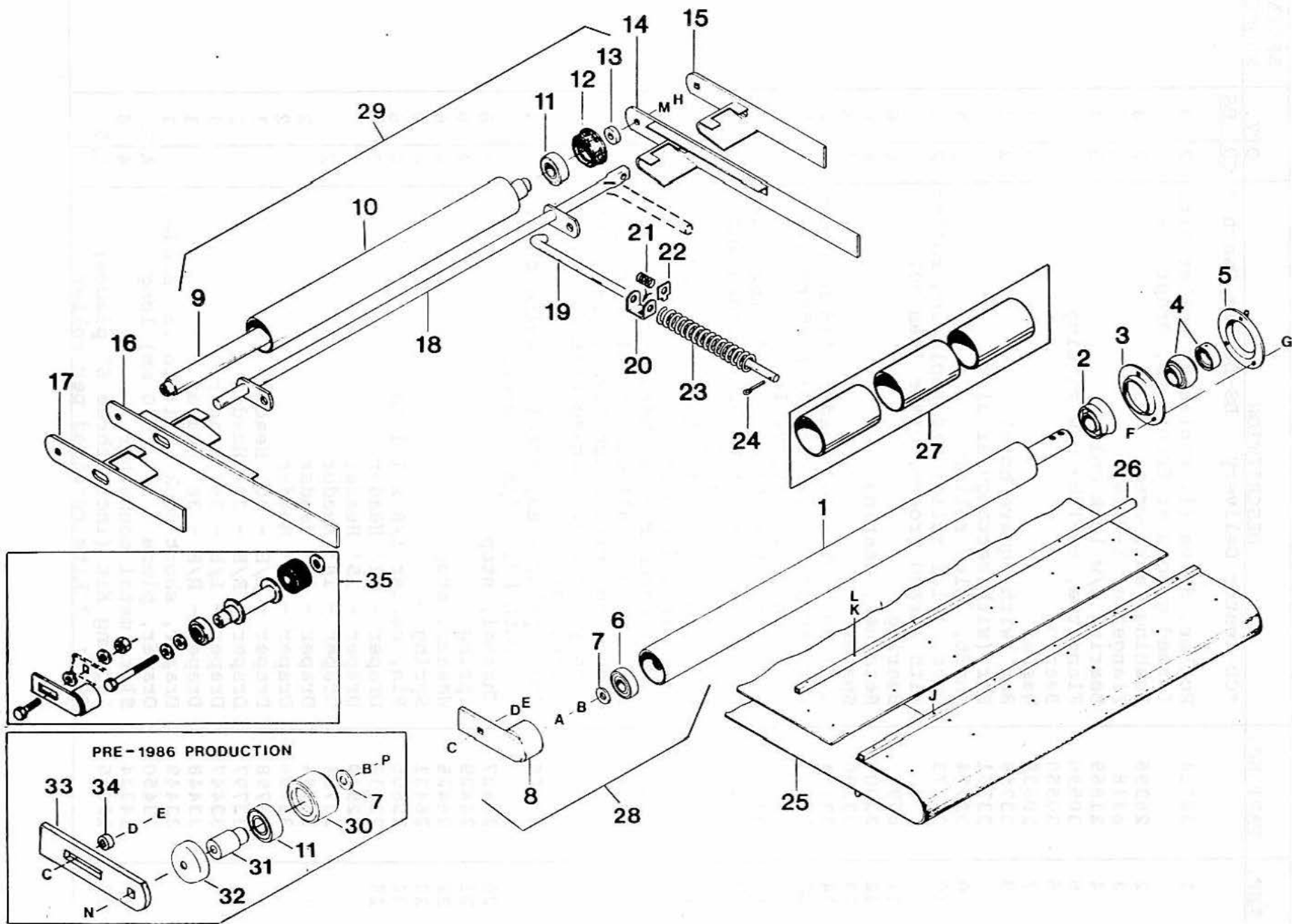
65

REF.	PART NO.	DESCRIPTION	QTY.	SERIAL NUMBER
1	26320	Wobble Box, with mounting bolts, Complete	1	
2	21417	Washer (25/32 x 1 5/8 x 1/8")	1	
3	18689	Nut (3/4" NC Hex., Lock)	1	
4	21421	Cover Ass'y., Pulley (Incl. Items 5 & 6)	1	
5	30814	Seal Oil	1	
6	21420	Bearing Needle	1	
7	21712	Shaft Wobble	1	
8	21512	Cone, Shaft	2	
9	21424	Nut, Stake (1 15/16 - 20 Hex. Spiral)	1	
10	21425	Valve, Assembly, Relief	1	
11	21024	Adapter (3/8 x 1/8 P.T.)	1	
12	26319	Housing Assembly, with mounting bolts (includes items 14 & 15)	1	
14	30815	Seal, Oil	1	
15	21513	Bearing, Needle	1	
16	21864	Insert, Metal Thread, 5/8 NC	2	-73374
17	21514	"O" Ring (2 5/8 x 2 7/8 x 1/8")	1	
18	26318	Cap Assembly, Wobble Box	1	
19				
20	21516	Bearing, Needle	2	
21	21517	Seal, Oil	1	
25	21429	Yoke, Wobble Joint with bushings	1	
26	21715	Bushing, Bronze	2	
27	21713	Spindle	2	
28	21519	Cup, Bearing	2	
29	21716	Plug, Nylon (7/8" dia. x 1/64 Thk.)	2	
30	21714	Housing, Wobble Joint	1	
31	21520	Bolt (5/16 x 1" Special, Grade 8)	6	



DRAPERS AND ROLLERS

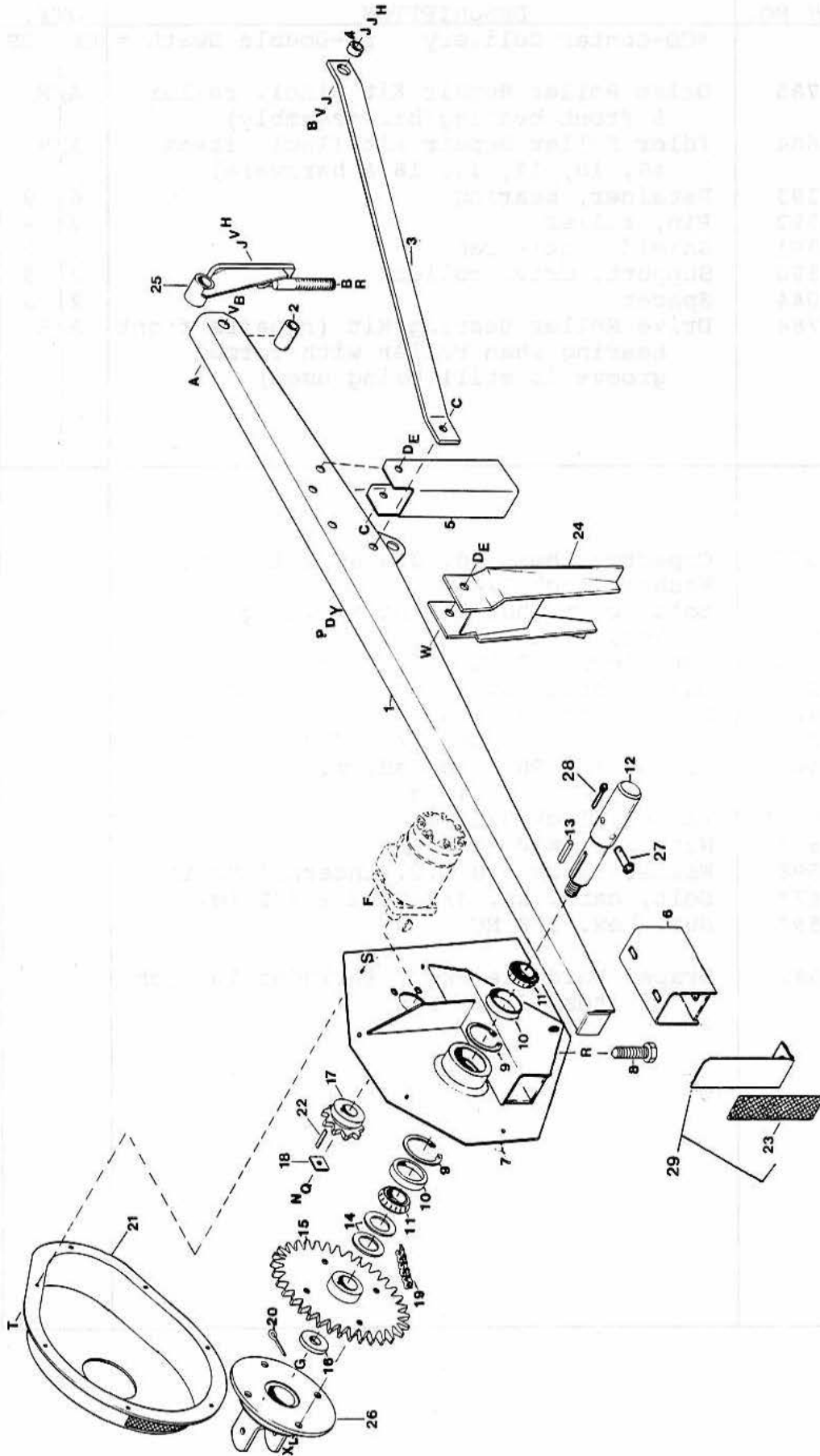
REF.	PART NO.	DESCRIPTION	QTY.		SERIAL NUMBER
			CD	DS	
		*CD-Center Delivery DS-Double Swath *			
1	33754	Roller, drive (if replacing roller with formed groove at front end, Order #28)	2	3	
2	26396	Bushing, anti-wrap	2	3	
3	8316	Flangette, 3-Hole	2	3	
4	21869	Bearing c/w lock collar	2	3	
5	30596	Flangette, re-lube c/w fitting	2	3	
6	30550	Bearing	2	3	
7	20535	Washer	2	3	
8	33759	Bar (with square hole)	2	3	
	23751	Bar (with rectangular slot)			
9	33774	Shaft, idler roller	2	3	
10	33773	Tube, idler roller (if replacing roller with formed groove, Order Item 29)	2	3	
11	6596	Bearing	4	6	
12	33001	Retainer, bearing	4	6	
13	33190	Spacer	4	6	
14	33764	Bar, support - 36' header sliding decks		2	
15	26411	Bar, support - 12' to 30' headers and 36' short deck (Qty. 1)	2	3	
16	33763	Bar, support - 36' header sliding decks		2	
17	26412	Bar, support - 12' to 30' headers and 36' short deck (Qty. 1)	2	3	
18	33768	Rod, tightener - 12' to 30' headers (L-shaped handle)	2	3	
	33202	Rod, tightener - 36' hdr. (straight end)		3	
19	26426	Rod, spring - all center del. & fixed opening dble. swath hdrs., short deck only for adj. opening dble. swath hdrs. (2)	4	6	
	33206	Rod, spring - adjustable opening dble. swath hdr. sliding decks		4	
20	26427	Channel, stop	4	6	
21	26429	Spring	4	6	
22	26428	Washer, stop	4	6	
23	26431	Spring	4	6	
24	18605	Pin, cotter 1/8 x 1 inch	4	6	
25	22939	Draper - 12' Header	2		
	22940	Draper - 15' Header	2		
	33794	Draper - 18' Header	2		
	33794	Draper - 21' Header		2	
	33796	Draper - 25' Header		2	
	33798	Draper - L/H - 30' Header		1	
	33797	Draper - R/H - 30' Header		1	
	33447	Draper - L/H - 36' Header		1	
	33448	Draper - R/H - 36' Header		1	
	33449	Draper, short deck - 21' to 36' Headers		1	
	33450	Draper, piece - 15" (380 mm) long	A/R		
26	14334	Slat, metal connector	4	6	
27	18056	Lagging Kit (incl. three 6" pieces)	A/R		
		NOTE: 2 kits required per roller			



DRAPERS AND ROLLERS

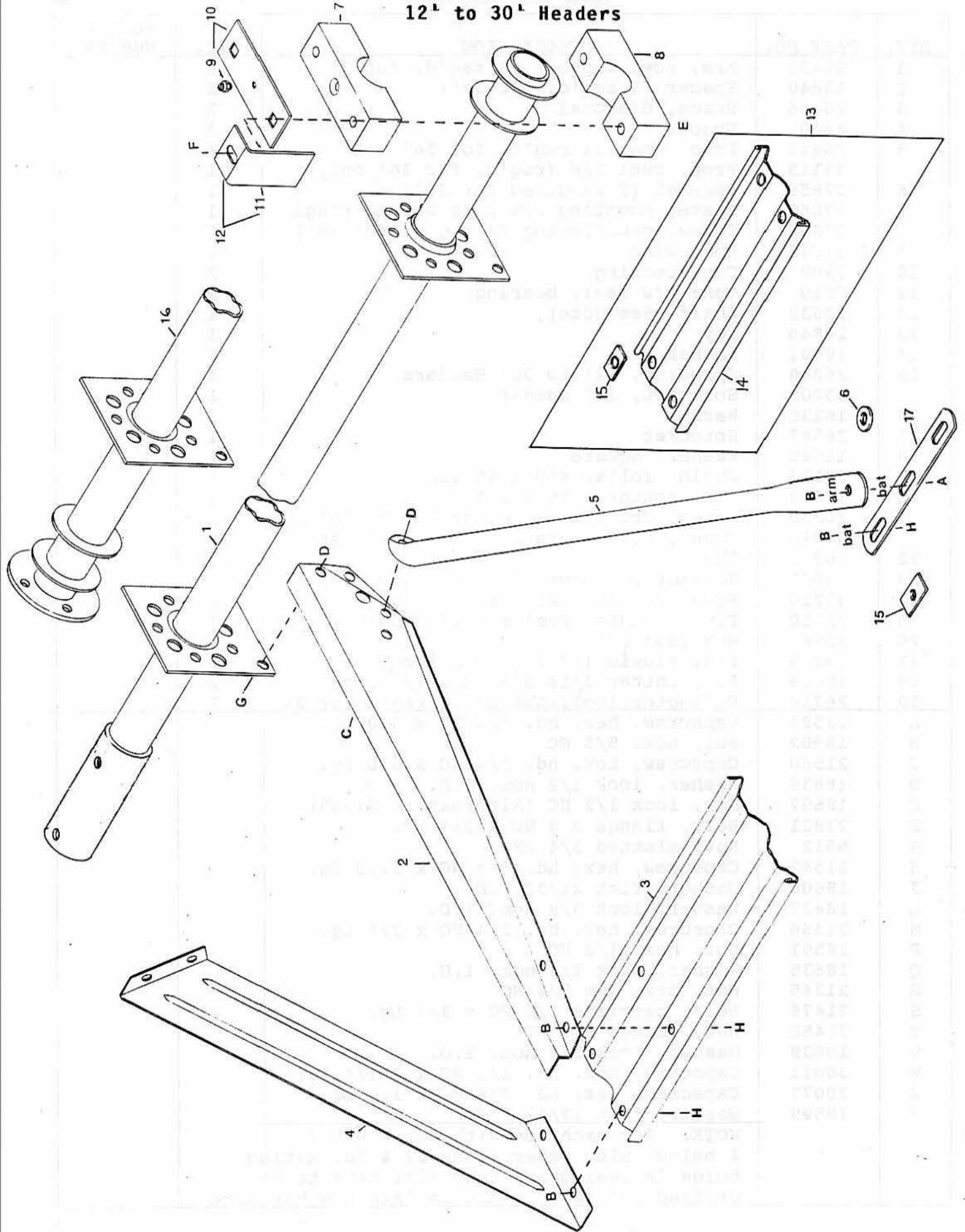
REF.	PART NO.	DESCRIPTION	QTY.		SERIAL NUMBER
			CD	DS	
		*CD-Center Delivery DS-Double Swath *	CD	DS	
28	33785	Drive Roller Repair Kit (incl. roller & front bearing/bar assembly)	A/R		
29	32684	Idler Roller Repair Kit (Incl. items #9, 10, 12, 13, 18 & hardware)	A/R		
30	26393	Retainer, bearing	6	9	
31	26392	Pin, roller	6	9	
32	26391	Shield, anti-wrap	6	9	
33	26390	Support, drive roller	2	3	
34	20044	Spacer	2	3	
35	33784	Drive Roller Bearing Kit (repairs front bearing when roller with formed groove is still being used)	A/R		
A	20077	Capscrew, hex. hd. 3/8 NC x 1.0 Lg.			
B	18637	Washer, lock 3/8			
C	19965	Bolt, carr. hd. 3/8 NC x 1.0 Lg.			
D	18598	Washer, flat 13/32 I.D.			
E	18669	Nut, lock 3/8 NC distorted thread			
F	21281	Bolt, carr. hd. 5/16 NC x 3/4 Lg.			
G	21403	Nut, flange 5/16 NC			
H	21264	Capscrew, hex. hd. 3/8 NC x 1 1/4 Lg.			
J	5144 *	Screw, rd. Phillips hd. mach. #10 NC x 1 1/4 Lg.			
K	18634*	Washer, lock 3/16			
L	18647*	Nut, hex. #10 NC			
M	30598	Washer, lock 3/8 I.D. internal tooth			
N	21478	Bolt, carr. hd. 3/8 NC x 2 1/2 Lg.			
P	18590	Nut, hex. 3/8 NC			
*	23589	Draper Hardware Pkg., includes 10 each of items J, K, & L			

REEL DRIVE



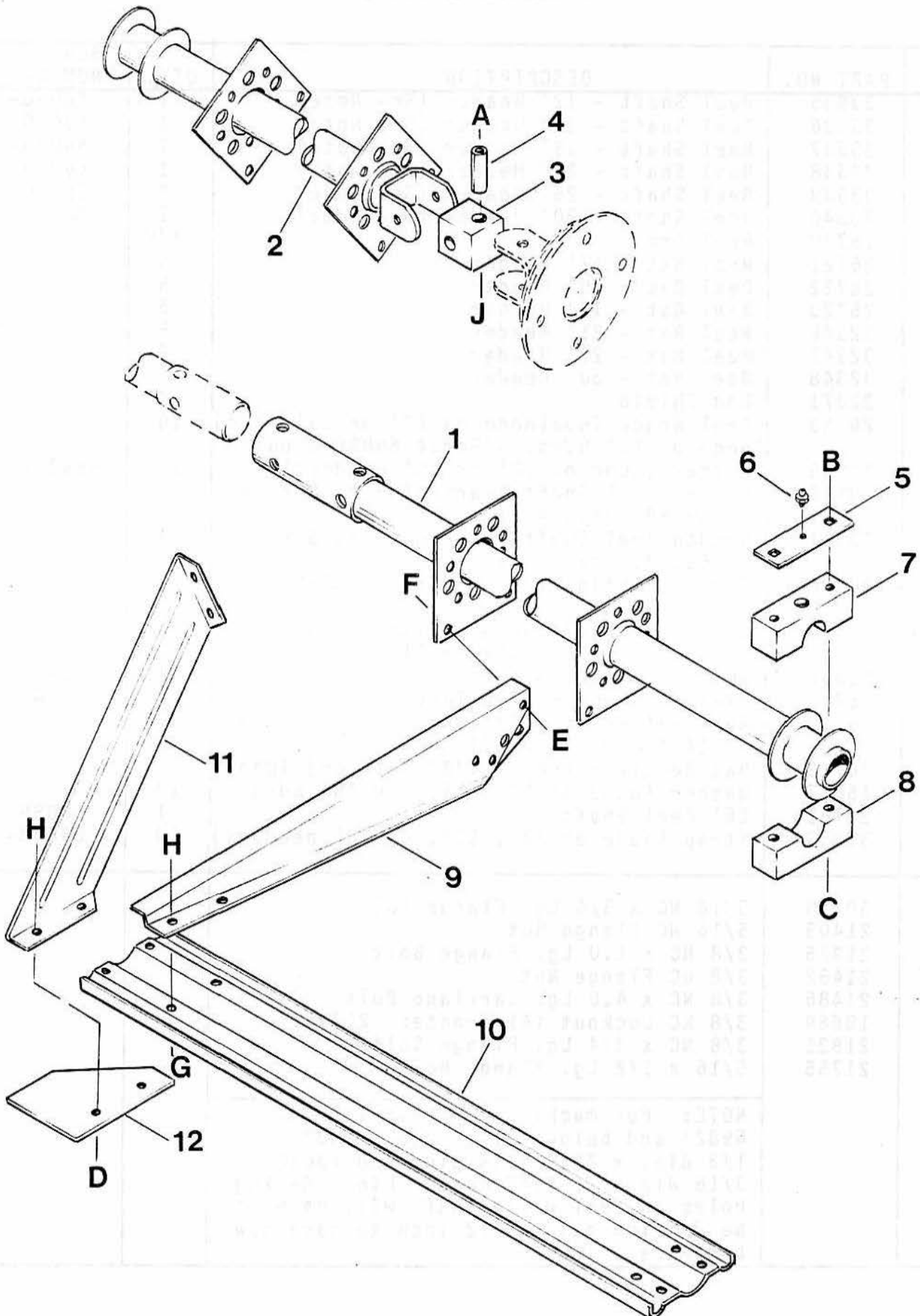
REF.	PART NO.	DESCRIPTION	QTY.	SERIAL NUMBER
1	26435	Arm, reel support (3 req'd. for 36')	2	
2	18640	Spacer (3 req'd. for 36')	2	
3	26446	Brace, diagonal	2	
4	8640	Spacer	2	
5	26445	Prop, reel (1 req'd. for 36' L/H)	2	
	33115	Prop, reel R/H (req'd. for 36' only)	1	
6	37855	Channel (2 required for 36')	1	
7	37869	Plate, mounting c/w cups & snap rings	1	
8	37866	Screw, positioning (3 req'd. for 36')	2	
9	21545	Snap Ring	2	
10	7900	Cup, bearing	2	
11	7910	Cone c/w seal, bearing	2	
12	33532	Shaft (See Note)	1	
13	26846	Key	1	
14	19681	Washer	2	
15	26848	Sprocket, 12' to 30' Headers	1	
	33003	Sprocket, 36' Header	1	
16	16235	Washer	1	
17	26847	Sprocket	1	
18	11060	Washer, square	1	
19	20117	Chain, roller #60 x 40 links	1	
20	18648	Pin, cotter 3/16 x 1 1/4	1	
21	26850	Cover, dr. c/w reflector-12' to 30' hdrs	1	
	33010	Cover, dr. c/w reflector-36' header	1	
22	26995	Shim	A/R	
23	26697	Reflector, amber (3 req'd. for 36')	2	
24	33220	Prop, center reel arm (36' only)	1	
25	33210	Pivot, center reel arm (36' only)	1	
26	33265	Hub (36' only)	1	
27	19809	Pin, clevis 1/2 dia. x 2 inch	2	
28	18648	Pin, cotter 3/16 dia. x 1 1/4 inch	2	
29	26710	Reflector, incl. item 23 (2 req'd for 36')	1	
A	21583	Capscrew, hex. hd. 5/8 NC x 3.0 Lg.		
B	18592	Nut, hex. 5/8 NC		
C	21560	Capscrew, hex. hd. 1/2 NC x 3.0 Lg.		
D	18638	Washer, lock 1/2 nom. I.D.		
E	18697	Nut, lock 1/2 NC (Alternate: 21389)		
F	21821	Bolt, flange 3/8 NC x 3/4 Lg.		
G	5512	Nut, slotted 3/4 NF		
H	21582	Capscrew, hex. hd. 5/8 NC x 1.75 Lg.		
J	18600	Washer, flat 21/32 I.D.		
L	18637	Washer, lock 3/8 nom. I.D.		
N	21566	Capscrew, hex. hd. 1/4 NC x 3/4 Lg.		
P	18591	Nut, hex. 1/2 NC		
Q	18635	Washer, lock 1/4 nom. I.D.		
R	21345	Nut, hex. jam 5/8 NC		
S	21476	Bolt, carriage 1/4 NC x 3/4 Lg.		
T	21455	Nut, flange 1/4 NC		
V	18639	Washer, lock 5/8 nom. I.D.		
W	30011	Capscrew, hex. hd. 1/2 NC x 3 1/4 Lg.		
X	20077	Capscrew, hex. hd. 3/8 NC x 1.0 Lg.		
Y	18599	Washer, flat 17/32 I.D.		
NOTE: For machines with Ser.# 69827 & below, also order items 27 & 28. Mating holes in reel shaft tube will have to be drilled out to 1/2 inch to take new hardware.				

STANDARD BAT REEL
12" to 30" Headers



STANDARD BAT REEL
12' to 30' Headers

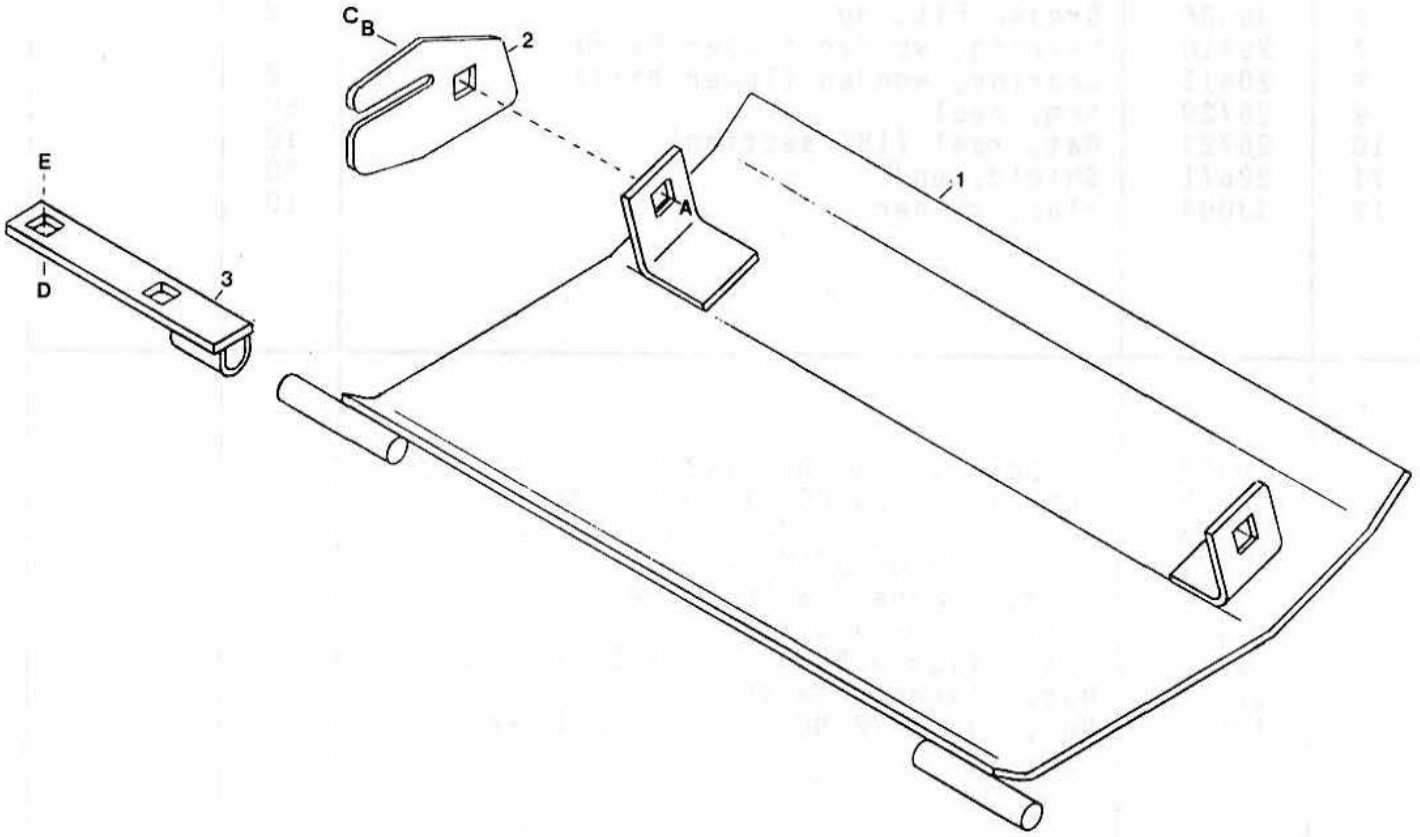
REF.	PART NO.	DESCRIPTION	QTY.	SERIAL NUMBER
1	33535	Reel Shaft - 12' Header (See Note)	1	56090-
	33536	Reel Shaft - 15' Header (See Note)	1	56090-
	33537	Reel Shaft - 18' Header (See Note)	1	56090-
	33538	Reel Shaft - 21' Header (See Note)	1	56090-
	33539	Reel Shaft - 25' Header (See Note)	1	56090-
	33540	Reel Shaft - 30' Header (See Note)	1	56090-
2	26729	Reel Arm	A/R	
3	26721	Reel Bat - 12' Header	5	
	26722	Reel Bat - 15' Header	5	
	26723	Reel Bat - 18' Header	5	
	32346	Reel Bat - 21' Header	5	
	32347	Reel Bat - 25' Header	5	
	32348	Reel Bat - 30' Header	5	
4	22671	End Shield	10	
5	26755	Reel Brace Tube(none on 12' or 15' hdrs) (none on 18' hdrs. w/Ser.# 69828 & up)	10	
6	20535	Washer (none on 12' or 15' Headers)	10	-69827
7	20410	Wooden Reel Shaft Bearing(up to Ser. # 56089, Qty. = 2)	1	
8	20411	Wooden Reel Shaft Bearing(up to Ser. # 56089, Qty. = 2)	1	
9	30036	Grease Fitting (up to Ser. # 56089, Qty. = 2)	1	
10	26766	Bearing Cap c/w Grease Fitting(up to Ser. # 56089, Qty. = 2)	1	
11	26696	Amber Reflective Tape	1	-68982
12	26710	Plate c/w Reflective Tape	1	-68982
13	26719	Reel Bat Repair Kit(contains 1 of item 14 & 4 of item 15)	A/R	
14	26718	Bat Repair Piece(45 1/2" [116 cm] long)		
15	16677	Washer (none on 12', 15', or 18' hdrs.)	10	
16	26761	25' Reel Shaft	1	-56089
17	32353	Strap (none on 12', 15', or 18' headers)	10	69828-
A	30278	5/16 NC x 3/4 Lg. Flange Bolt		
B	21403	5/16 NC Flange Nut		
C	21975	3/8 NC x 1.0 Lg. Flange Bolt		
D	21452	3/8 NC Flange Nut		
E	21486	3/8 NC x 4.0 Lg. Carriage Bolt		
F	18669	3/8 NC Locknut (Alternate: 21390)		
G	21821	3/8 NC x 3/4 Lg. Flange Bolt		
H	21755	5/16 x 1/2 Lg. Flange Bolt		
		NOTE: For machines with serial no. 69827 and below, also order 19809 1/2 dia. x 2" Clevis pin, and 18648 3/16 dia. x 1 1/4" Cotter Pin. Mating holes in reel drive shaft will have to be drilled out to 1/2 inch to take new hardware.		

36" DOUBLE SWATH HEADER
BAT REEL

36" DOUBLE SWATH HEADER
BAT REEL

REF.	PART NO.	DESCRIPTION	QTY.	SERIAL NUMBER
1	33537	Shaft, L/H reel	1	
2	33314	Shaft, R/H reel	1	
3	32200	Block	1	
4	32202	Spacer	2	
5	26766	Cap, bearing c/w grease fitting(Item 6)	2	
6	30036	Grease Fitting	2	
7	20410	Bearing, wooden (upper half)	2	
8	20411	Bearing, wooden (lower half)	2	
9	26729	Arm, reel	60	
10	26723	Bat, reel (18' section)	10	
11	22671	Shield, end	20	
12	33004	Flap, rubber	10	
A	30011	Capscrew, hex. hd. 1/2 NC x 3 1/4 Lg.		
B	18669	Nut, lock 3/8 NC distorted thread		
C	21486	Bolt, carriage 3/8 NC x 4.0 Lg.		
D	30278	Bolt, flange 5/16 NC x 3/4 Lg.		
E	21821	Bolt, flange 3/8 NC x 3/4 Lg.		
F	21452	Nut, flange 3/8 NC		
G	21755	Bolt, flange 5/16 NC x 1/2 Lg.		
H	21403	Nut, flange 5/16 NC		
J	18697	Nut, lock 1/2 NC distorted thread		

FLOAT SHOES

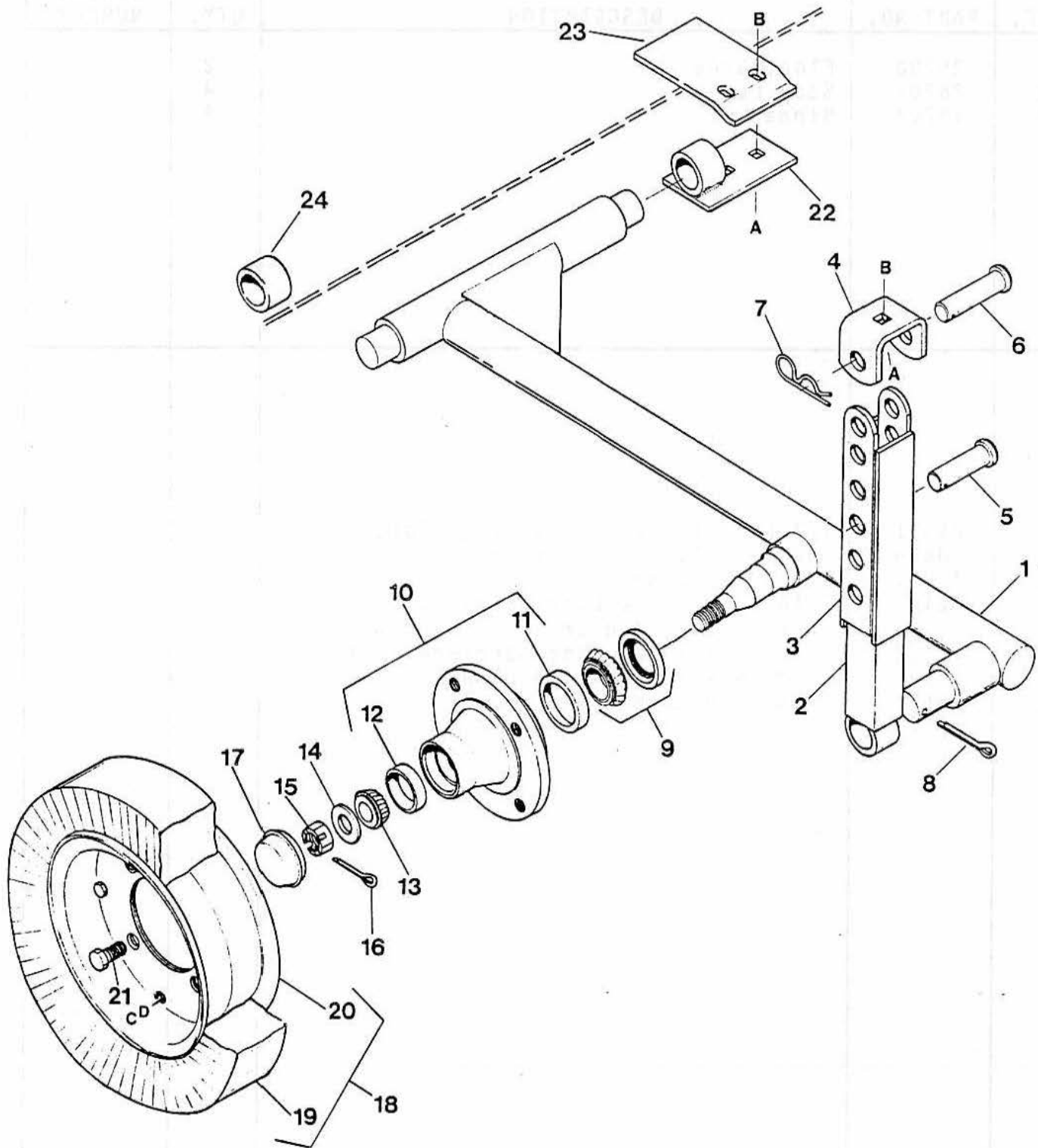


FLOAT SHOES (CENTER DELIVERY DRAPER HEADER, 12'-18')
(OPTIONAL FOR DOUBLE SWATH DRAPER HEADER, 21'-30')

77

REF.	PART NO.	DESCRIPTION	QTY.	SERIAL NUMBER
1	26700	Float Shoe	2	
2	26707	Stop Lug	4	
3	26704	Hinge	4	
A	21471	1/2 NC x 1 1/4 Lg. Carriage Bolt		
B	18638	1/2 nom. I.D. Lockwasher		
C	18591	1/2 NC Hex. Nut		
D	8218	7/16 NC x 1 1/2 Long Carriage Bolt - thru shoe & guard		
	21468	7/16 NC x 1 3/4 Long Carriage Bolt - thru shoe, guard & clip		
E	18654	7/16 NC Hex. Nut		

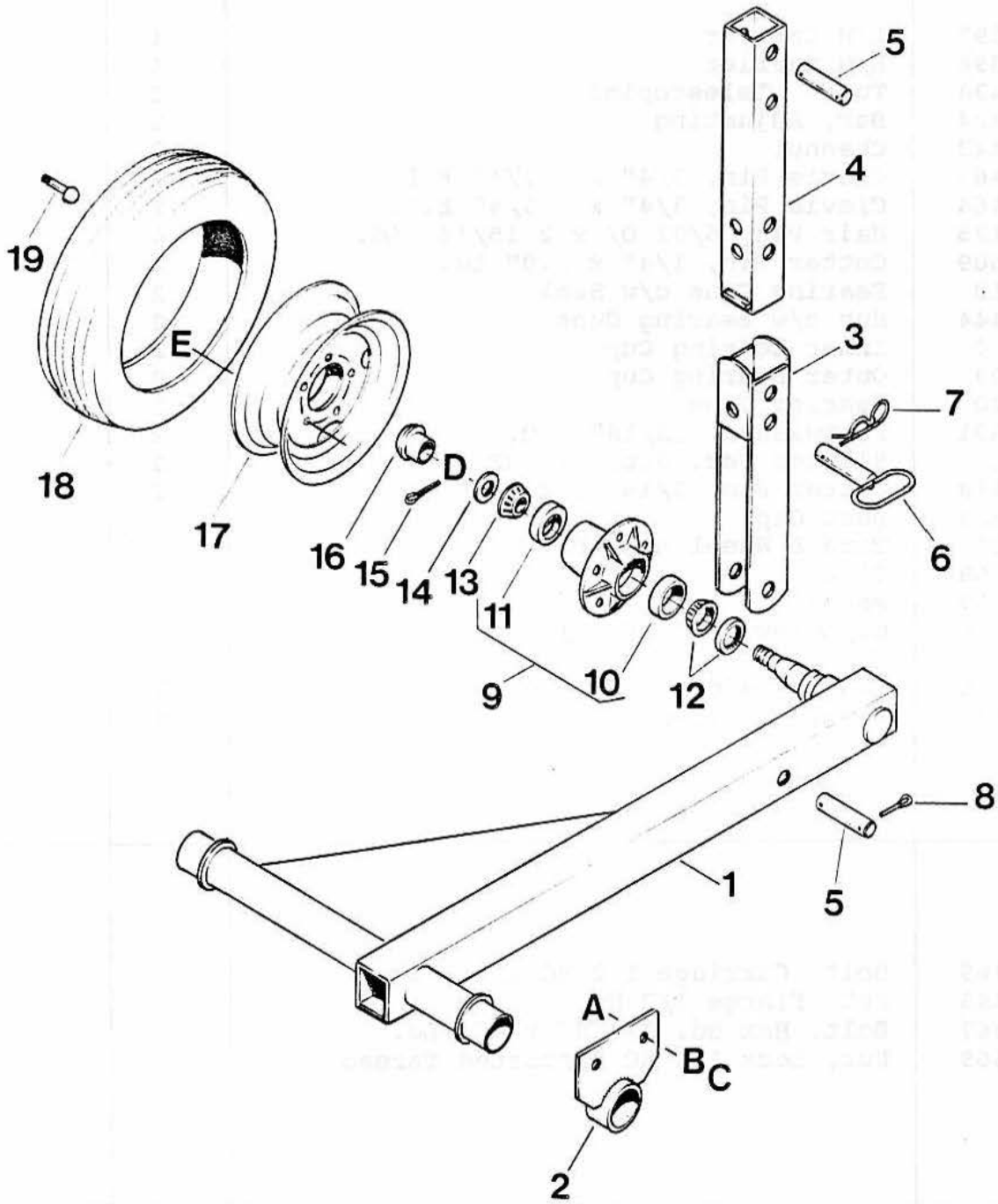
GAUGE WHEELS (OPTION) 12" to 30" Headers



**GAUGE WHEELS (OPTION)
12' to 30' Headers**

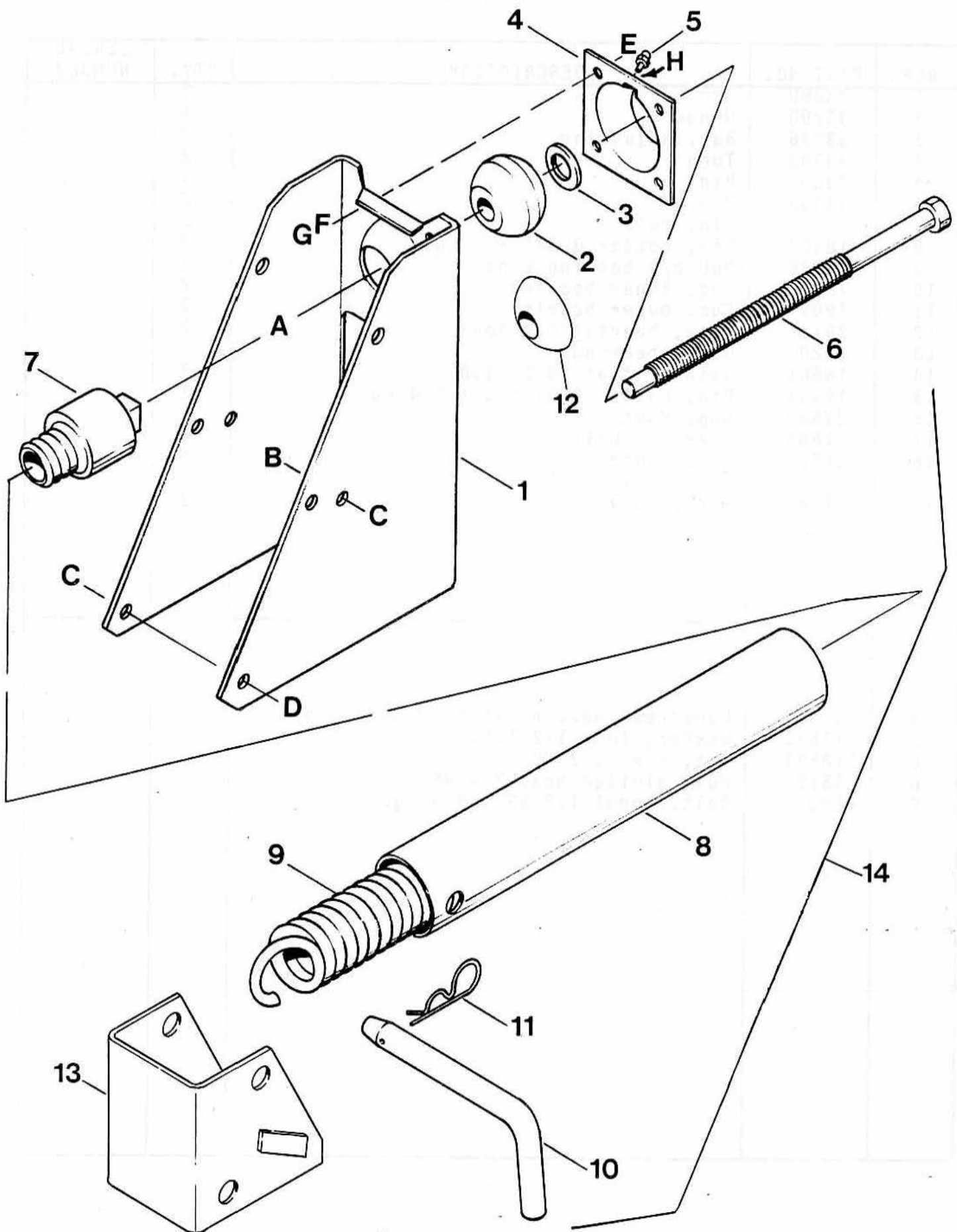
REF.	PART NO.	DESCRIPTION	QTY.	SERIAL NUMBER
	23638	Gauge Wheels Accessory Package		
1	26397	L/H Carrier	1	
	26398	R/H Carrier	1	
2	26434	Tube , Telescoping	2	
3	26424	Bar, Adjusting	2	
4	26443	Channel	2	
5	30463	Clevis Pin, 3/4" x 2 1/4" E.L.	2	
6	30464	Clevis Pin, 3/4" x 2 3/4" E.L.	2	
7	13125	Hair Pin, 5/32 O/ x 2 15/16" LG.	4	
8	18609	Cotter Pin, 1/4" x 2.0" LG.	2	
9	7910	Bearing Cone c/w Seal	2	
10	26444	Hub c/w Bearing Cups	2	
11	7900	Inner Bearing Cup	2	
12	7909	Outer Bearing Cup	2	
13	7920	Bearing Cone	2	
14	18601	Flatwasher, 13/16" I.D.	2	
15	5512	Slotted Hex. Nut, 3/4 NF	2	
16	18648	Cotter Pin, 3/16" x 1 1/4" LG.	2	
17	11529	Dust Cap	2	
18	30467	Tire & Wheel Assembly	2	
19	30468	Tire	2	
20	30469	Wheel	2	
21	30470	Capscrew, 1/2 NF x 1.0" LG.	8	
22	26447	Hinge	2	
23	26430	Plate (welded)	2	
24	26423	Spacer (welded)	2	
A	21469	Bolt, Carriage 1/2 NC x 1.5 Lg.		
B	21383	Nut, Flange 1/2 NC		
C	21567	Bolt, Hex Hd. 3/8 NC x 3/4 Lg.		
D	18669	Nut, Lock 3/8 NC Distorted Thread		

36" DOUBLE SWATH HEADER GAUGE WHEELS



36" DOUBLE SWATH HEADER
GAUGE WHEELS

REF.	PART NO.	DESCRIPTION	QTY.	SERIAL NUMBER
1	33280	Arm	2	
2	33290	Hinge	4	
3	33296	Bar, adjusting	2	
4	33302	Tube	2	
5	33307	Pin	4	
6	33309	Pin	2	
7	13125	Pin, hair	2	
8	18609	Pin, cotter \varnothing 1/4 x 2 Lg.	8	
9	21686	Hub c/w bearing cups	2	
10	7900	Cup, inner bearing	2	
11	7909	Cup, outer bearing	2	
12	7910	Cone, bearing c/w seal	2	
13	7920	Cone, bearing	2	
14	18601	Washer, flat 13/16 I.D.	2	
15	18648	Pin, cotter \varnothing 3/16 x 1 1/4 Lg.	2	
16	21687	Cap, dust	2	
17	21685	Wheel, 5-bolt	2	
18	21313	Tire, tubeless 8.5 L-14 (11 rib implement, 4-ply)	2	
19	21395	Stem, valve	2	
A	21575	Capscrew, hex. hd. 1/2 NC x 1.0 Lg.		
B	18638	Washer, lock 1/2 I.D.		
C	18591	Nut, hex. 1/2 NC		
D	5512	Nut, slotted hex. 3/4 NF		
E	193	Bolt, wheel 1/2 NF x 3/4 Lg.		


AUXILIARY FLOAT SPRING
AND ANCHOR

AUXILIARY FLOAT SPRING & ANCHOR

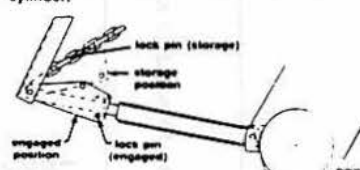
REF.	PART NO.	DESCRIPTION	QTY.	SERIAL NUMBER
1	33288	Anchor	2	
2	34651	Ball	2	69611-
3	21540	Washer, hardened	2	
4	34650	Flange c/w Grease Fitting	2	69611-
5	21299	Grease Fitting	2	69611-
6	24384	Drawbolt, spring	2	-69610
	24934	Drawbolt, spring	2	69611-
7	33275	Insert, spring	2	
8	33276	Tube, spring	2	
9	24319	Spring	2	
10	32275	Pin, securing	2	
11	13125	Pin, hair	2	
12	24321	Washer, bearing	2	-69610
13	33277	Anchor (not req'd. for 36' header)		
14	23770	Kit, Auxiliary Float Spring (Incl. items 1-13 & A-G)*		
<p>*THIS KIT IS RECOMMENDED WHEN PICK-UP REEL IS INSTALLED ON 30' HEADER</p>				
A	21378	Nut, hex. jam 3/4 NC		
B	21575	Capscrew, hex. hd. 1/2 NC x 1.0 Lg.		
C	18697	Nut, lock 1/2 NC Distorted Thread		
D	30267	Capscrew, hex. hd. 1/2 NC x 6.0 Lg.		
E	21558	Capscrew, hex. hd. 5/16 NC x 3/4 Lg.		
F	18636	Washer, lock 5/16 I.D.		
G	18589	Nut, hex. 5/16 NC		
H	18596	Washer, flat 9/32 I.D.		

DECALS

WARNING



To avoid bodily injury from fall of raised header, completely raise header, stop engine, remove ignition key, and engage both header safety locks before working on or under header. Safety locks are located on each header lift cylinder.



32740

WARNING

STAY CLEAR OF THE MACHINE WHILE IT IS RUNNING. Contact with rotating reel, moving knife or conveying components can cause injury or death. Stop engine and remove key to perform any inspection, maintenance or repair work. K-28403-1

WARNING



To avoid bodily injury, stop engine before opening power drive system shield. KEEP ALL SHIELDS AND GUARDS IN PLACE. 32738

DANGER



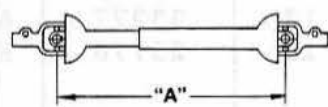
ROTATING DRIVELINE CONTACT CAN CAUSE DEATH KEEP AWAY!

DO NOT OPERATE WITHOUT -

- ALL DRIVELINE, TRACTOR AND EQUIPMENT SHIELDS IN PLACE
- DRIVELINES SECURELY ATTACHED AT BOTH ENDS
- DRIVELINE SHIELDS THAT TURN FREELY ON DRIVELINE

IMPORTANT

Drive shaft compressed length "A" must be 44 inches (1118mm) maximum. Shorten tube and shield if required.



K-28688-1

WARNING

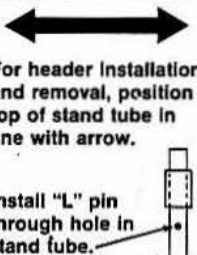


To avoid bodily injury from fall of raised reel, completely raise reel, stop engine, remove ignition key, and set safety prop on each reel arm before working on or under reel.



32738

IMPORTANT



For header installation and removal, position top of stand tube in line with arrow.

Install "L" pin through hole in stand tube.

K-28404-1

IMPORTANT

To prevent reel failure; hardware, especially at the brace tubes, must be properly tightened.

5/16 NC-35 ft. lbs. (47 N.m)
3/8 NC-50 ft. lbs. (68 N.m)

K-31064-1

IMPORTANT

INSTRUCTIONS FOR INSTALLATION AND REMOVAL OF HEADER

The following procedure is the easiest and safest method of installing and removing the header. For full details refer to the Operator's Manual.

HEADER INSTALLATION:

1. Draper header cutterbar must be supported on 6 in. (150 mm) blocks near each end. Auger header cutterbar must be directly on ground.
2. Position support stand as shown by location decal. Install "L" pin through stand tube.
3. With header lift cylinders fully retracted, drive tractor forward until the linkage hook-up pins are directly below the lift lugs. STOP ENGINE. Do not activate the header lift valve.
4. With safety "L" pin still in place, loosen support stand tightener so that back of header lowers onto hook-up pins.
5. Start engine and raise header fully up. STOP ENGINE. Install float springs and header retaining pins. Return support stand to its storage position.

HEADER REMOVAL:

1. With engine stopped, disconnect P.T.O. shaft at tractor, and uncouple all hydraulic lines.
2. Raise header fully up. STOP ENGINE. Remove header retaining pins. Remove float spring front pins and set springs in storage position.
3. Set 6 in. (150 mm) blocks beneath cutterbar. (draper header only)
4. Lower support stand as shown by location decal. Secure stand position with tightener. Install "L" pin through stand tube.
5. Lower header to the ground. Hold header lift pedal in down position and slowly rock tractor back and forth to fully retract cylinders and disengage hook-up pins from header legs.
6. Slowly back tractor away from header.

K-28401-1

LIFT HERE

K-23296-1

LATCH →

← UNLATCH

K-28041-1

CENTER DELIVERY →

← END DELIVERY

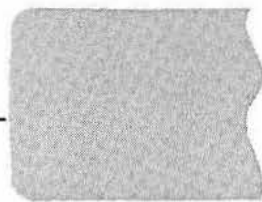
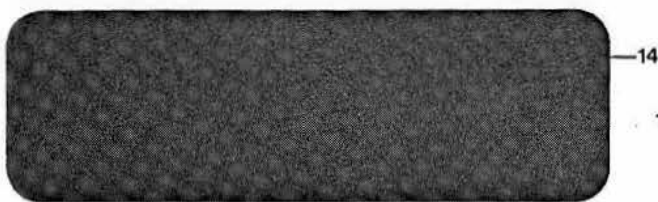
K-28940-1

10


K-23183-1

50

K-23185-1



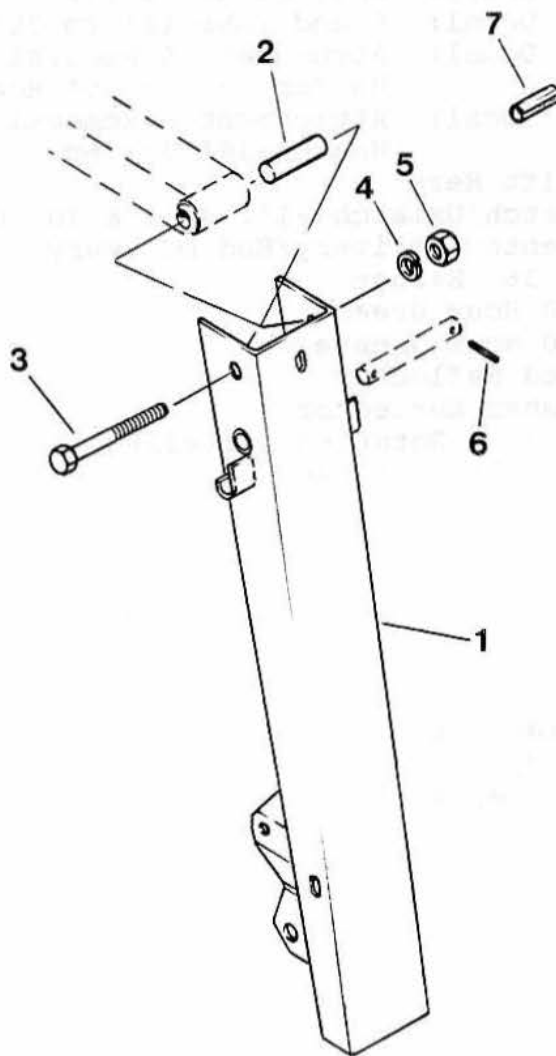
17



10 B

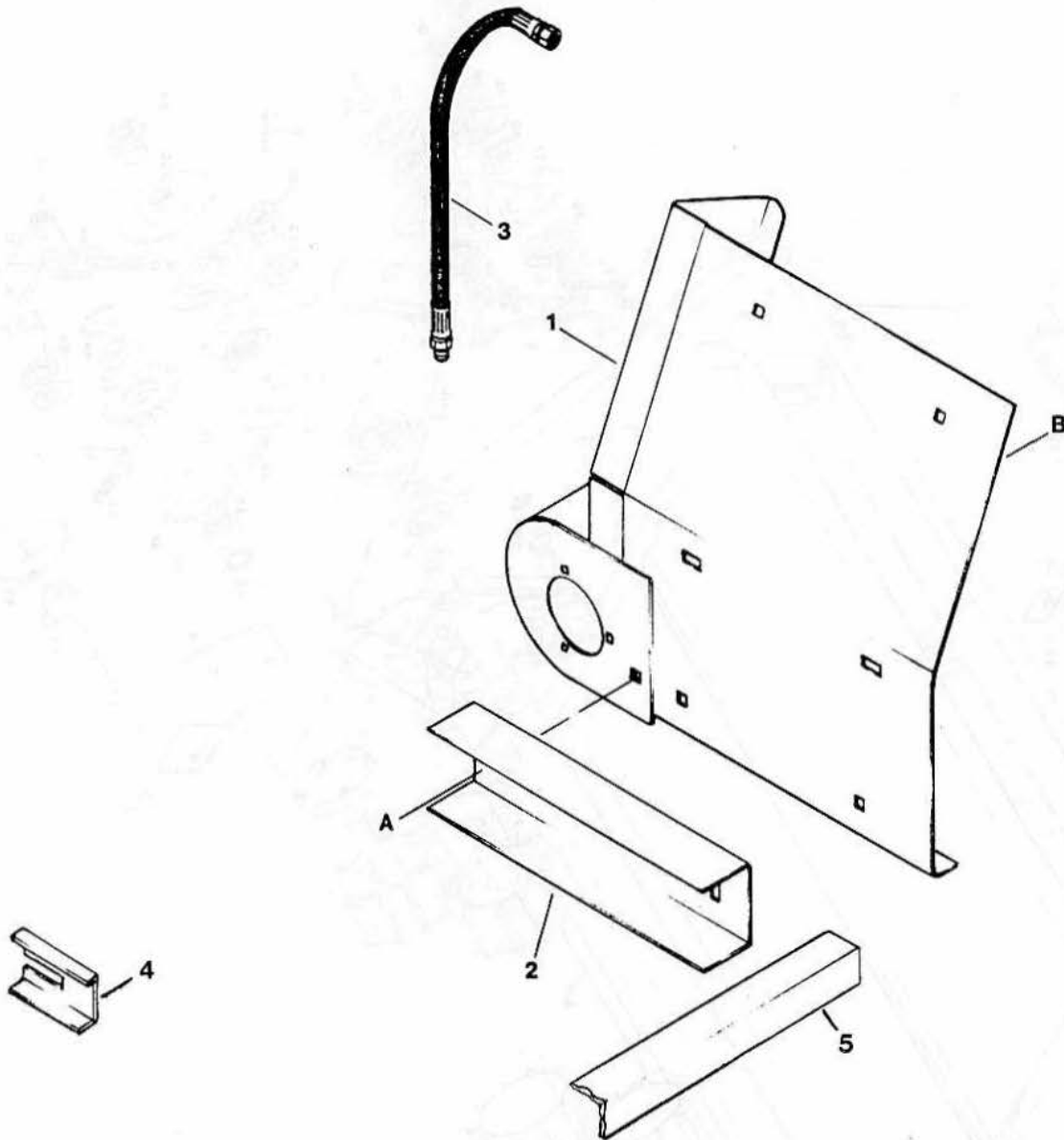
REF.	PART NO.	DESCRIPTION	QTY.	SERIAL NUMBER
1	32740	Warning Decal: Header Cylinder Stops		
2	32739	Warning Decal: Reel Props		
3	28403	Warning Decal: Clear While Running		
4	32738	Warning Decal: Shields & Guards		
5	26698	Important Decal: Drive Line Length		
6	31964	Important Decal: Reel Hardware Torque Specs		
7	28404	Important Decal: Stand Tube-12' to 30' Headers		
8	28401	Important Decal: Attachment & Removal of Header-12' to 30' Headers		
	28413	Important Decal: Attachment & Removal of Header-36' Header		
9	23296	Decal: Lift Here		
10	26941	Decal: Latch/Unlatch-21', 25', & 30' Headers		
11	26940	Decal: Center Delivery/End Delivery - 36' Header		
12	23163	Decal: 10 Hour Grease		
13	23165	Decal: 50 Hour Grease		
14	26694	Decal: Red Reflector		
15	26697	Decal: Amber Reflector		
16	30316	Danger Decal: Rotating Driveline		
17	24777	Decal: Driveline Grease		
		PAINT		
	23955	Paint - black, 1 litre		
	23956	Paint - red, 1 litre		
	23957	Paint - white, 1 litre		

LINKAGE MODIFICATION KIT FOR DRAPER ANGLE REDUCTION



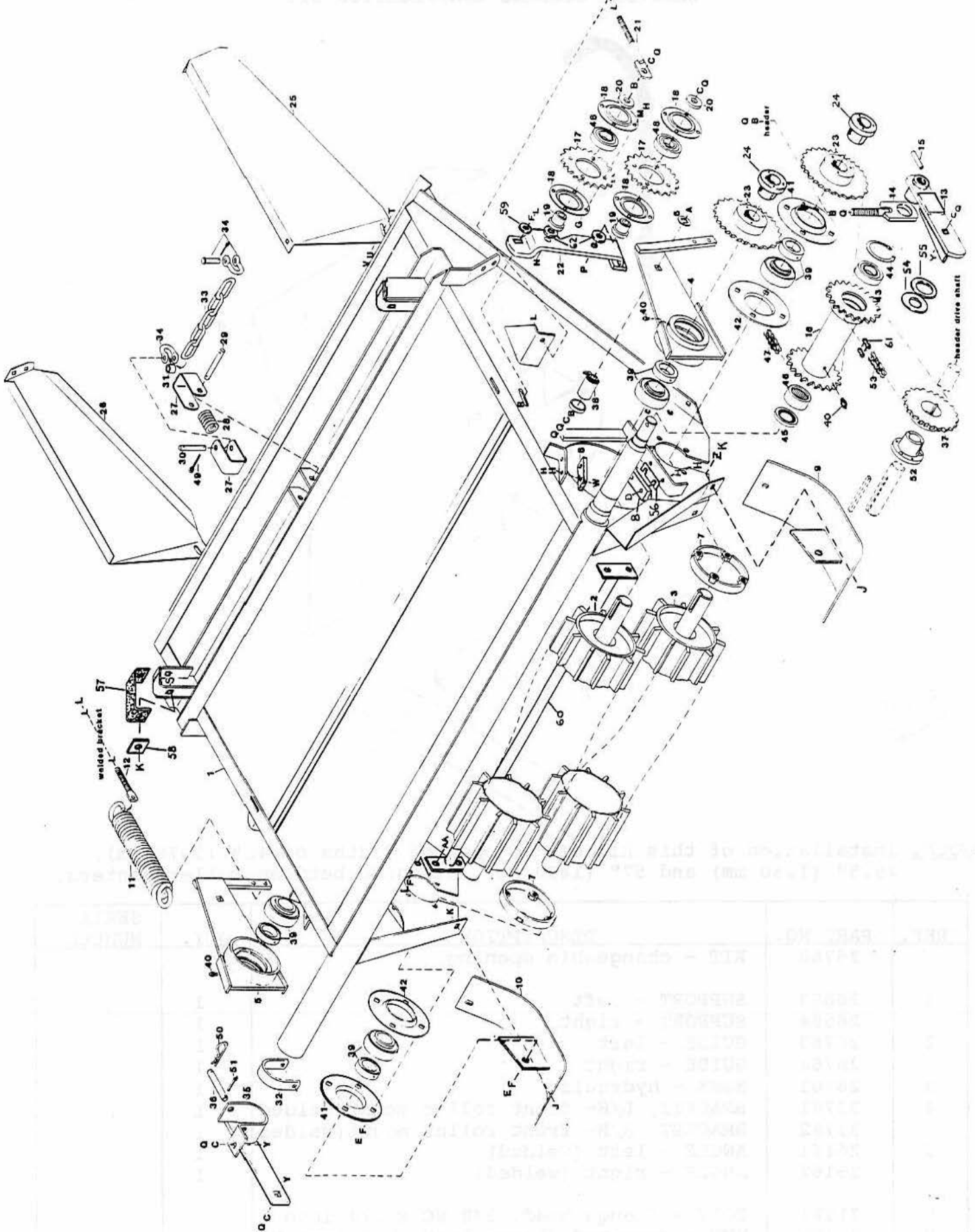
REF.	PART NO.	DESCRIPTION	QTY.	SERIAL NUMBER
	23799	KIT - lift linkage modification for draper angle reduction		
1	24972	CHANNEL - lift linkage	2	
2	24974	SPACER	2	
3	21720	BOLT - hex. hd., 5/8 NC x 4 1/2 inch	2	
4	18639	WASHER - lock, 5/8 inch	2	
5	18592	NUT - hex., 5/8 inch NC	2	
6	24409	PIN - 3/8 x 2 inch	2	
7	26678	HOSE - protective	1	

**Center Delivery Draper Header
DELIVERY OPENING MODIFICATION KIT**



NOTE: Installation of this kit allows opening widths of 42" (1070 mm), 49.5" (1260 mm) and 57" (1450 mm), measured between roller centers.

REF.	PART NO.	DESCRIPTION	QTY.	SERIAL NUMBER
	26768	KIT - changeable opening		
1	26683	SUPPORT - left	1	
	26684	SUPPORT - right	1	
2	26763	GUIDE - left	1	
	26764	GUIDE - right	1	
3	26703	HOSE - hydraulic	1	
4	33781	BRACKET, L/H- front roller mount(welded)	1	
	33782	BRACKET, R/H- front roller mount(welded)	1	
5	26161	ANGLE - left (welded)	1	
	26162	ANGLE - right (welded)	1	
A	21821	BOLT - flange head, 3/8 NC x 3/4 inch		
B	21452	NUT - serrated flange lock, 3/8 inch NC		

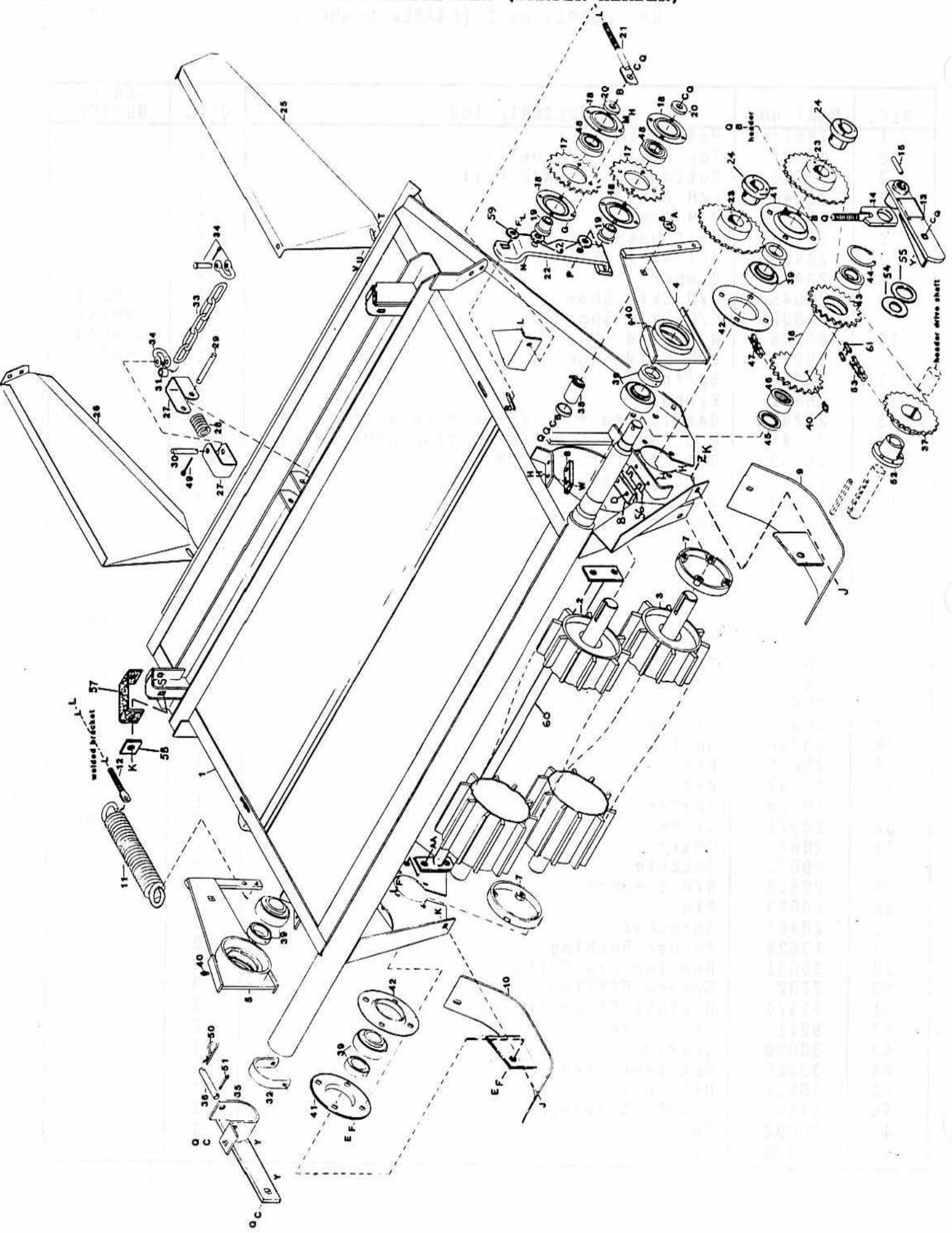


HAY CONDITIONER (DRAPER HEADER)

89

REF.	PART NO.	DESCRIPTION	QTY.	SERIAL NUMBER
1	28677	Main Frame	1	
2	28531	Top Roll - L/H Helix	1	
3	28530	Bottom Roll - R/H Helix	1	
4	28640	L/H Arm	1	
5	28641	R/H Arm	1	
6	28308	Flat Washer	2	
7	28494	Anti-wrap Band	2	
8	28484	Bumper	4	
9	28645	L/H Skid Shoe	1	-69260
	28802	L/H Skid Shoe	1	69261-
10	28646	R/H Skid Shoe	1	-69260
	28803	R/H Skid Shoe	1	69261-
11	28480	Spring	2	
12	28492	Eyebolt	2	
13	28740	Bar (up to S.N. 69260 also order # 14)	1	
14	28745	Rod (up to S.N. 69260 also order # 13)	1	
15	16008	Roll Pin 5/16 x 1.5 LG.	1	
16	28656	Sprocket Assy.	1	
17	28482	Sprocket	2	
18	28491	Bearing Retainer	4	
19	28505	Pin	2	
20	22072	Flatwasher	2	
21	28651	Draw Bolt	1	
22	28650	Support	1	-69260
	28796	Support	1	69261-
23	28496	Sprocket	2	
24	30256	Tapered Bushing	2	
25	28674	L/H Deflector Shield	1	
26	28675	R/H Deflector Shield	1	
27	28695	Clevis	2	
28	28700	Spring	1	
29	28696	Pin	1	
30	28697	Pin	1	
31	10178	Spacer	1	
32	28671	Clamp	1	-69260
33	28672	Chain	1	
34	28673	Shackle	2	
35	28668	R/H Support	1	
36	28699	Pin	1	
37	28486	Sprocket	1	
38	13626	Rubber Bushing	2	
39	30031	Bearing c/w Collar	4	
40	7782	Grease Fitting	3	
41	21374	Re-lube Flangette c/w fitting	2	
42	9211	Flangette	2	
43	30090	Bearing	1	
44	30220	Retainer Ring	1	
45	30221	Oil Seal	1	
46	5410	Needle Bearing	1	
47	30092	Chain	1	
48	30090	Bearing	2	

HAY CONDITIONER (DRAPER HEADER)



HAY CONDITIONER (DRAPER HEADER)

REF.	PART NO.	DESCRIPTION	QTY.	SERIAL NUMBER
49	18608	Cotter Pin	4	
50	15380	Hair Pin Cotter	1	
51	18606	Cotter Pin	1	
52	30034	Taper Lock Bushing	1	
53	30180	Roller Chain	1	
54	11460	Washer	1	-69260
55	13055	Washer	1	-69260
56	28703	Shim	6	
57	28800	Bumper	2	69261-
58	19588	Washer	4	69261-
59	18599	Washer 17/32 I.D.	1	69261-
60	28792	Tube	1	69261-
61	16659	Connector Link #60 H	1	
62	18600	Washer 21/32 I.D. (for shimming)	A/R	
A	21162	5/8 NC x 4.5 LG. Carriage Bolt		
B	18600	21/32 I.D. SAE Flatwasher		
C	18639	5/8 nom. I.D. Lockwasher		
D	21479	5/16 NC x 1.5 Lg. Carriage Bolt		
E	21491	1/2 NC x 1 1/4 LG. Hex. Hd. Capscrew		
F	18638	1/2 nom. I.D. Lockwasher		
G	21087	5/16 NC x 1.0 LG. Hex. Hd. Capscrew		
H	18589	5/16 NC Hex. Nut		
J	19965	3/8 NC x 1.0 LG. Carriage Bolt		
K	18669	3/8 NC Locknut		
L	18591	1/2 NC Hex. Nut		
M	18636	5/16 nom. I.D. Lockwasher		
N	21583	5/8 NC x 3.0 LG. Hex. Hd. Capscrew		
P	21584	5/8 NC x 2 1/2 LG. Hex. Hd. Capscrew		
Q	18592	5/8 NC Hex. Nut		
R	21469	1/2 NC x 1 1/2 LG. Carriage Bolt		
S	21484	3/8 NC x 1.5 Lg. Carriage Bolt		
T	21281	5/16 NC 3/4 LG. Carriage Bolt		
U	18597	11/32 I.D. SAE Flatwasher		
V	21403	5/16 NC Flange Nut		
W	21282	5/16 NC x 1.0 LG. Carriage Bolt		
X	21592	3/8 NC x 3 1/2 Lg. Hex. Hd. Capscrew		
Y	18523	5/8 x 1 1/2 LG. Carriage Bolt		
Z	18598	13/32 I.D. SAE Flatwasher		
AA	21471	1/2 NC x 1 1/4 Lg. Carriage Bolt		

NUMERICAL LISTING

<u>PART NUMBER</u>	<u>PAGE NO.</u>	<u>PART NUMBER</u>	<u>PAGE NO.</u>
		18605	13,15,53,67
1794	7	18606	91
2149	19,23,31	18608	91
4808	55	18609	15,79,81
5410	89	18639	86
5512	79	18640	71
5754	27	18648	19,29,31,39,53,71, 79,81
5837	19,23,29,31	18671	61
6596	67	18689	65
7038	59	18723	3
7258	55,63	18725	19,29,31,39
7701	53,59,61	18730	55,63
7782	89	18770	53
7900	71,79,81	18880	35
7909	79,81	18881	23,33,41
7910	71,79,81	18922	61
7920	79,81	19588	91
8316	67	19681	71
8640	71	19809	71
9211	89	20044	69
9404	35,39	20117	71
10178	89	20410	73,75
11060	71	20411	73,75
11142	61	20535	3,67,73
11460	91	21021	15
11529	79	21024	65
13055	91	21030	23
13125	3,9,15,79,81,83	21076	23,35
13298	53,61	21299	83
13626	89	21313	81
13747	3,9	21374	89
14334	67	21395	81
14347	9,15	21417	53,65
15380	91	21418	53
15406	55,61	21420	65
15616	51	21421	65
15903	23,35,39	21424	65
16008	89	21425	65
16235	71	21429	65
16394	19,29,31	21494	51
16539	3	21495	51
16582	55	21512	65
16659	91	21513	65
16677	73	21514	65
17006	27,35,39	21516	65
17402	39	21517	65
17959	45	21520	65
18056	67	21540	83
18500	19,29,31	21545	71
18592	86		
18599	91		
18601	79,81		

NUMERICAL LISTING

<u>PART NUMBER</u>	<u>PAGE NO.</u>	<u>PART NUMBER</u>	<u>PAGE NO.</u>
21595	91	22940	67
21685	81		
21686	81	23064	55, 63
21687	81	23065	55, 63
21712	65		
21713	65	23116	55
21714	65	23117	55
21715	65	23163	85
21716	65	23165	85
21717	53	23296	85
21719	65	23638	79
21720	86	23751	67
21744	41	23770	83
21746	41	23799	86
21763	3, 21, 25, 37, 45	23955	85
21843	39	23956	85
21848	23, 33	23957	85
21849	21	24180	21, 23, 33, 41, 47
21855	19, 23, 33, 41	24185	19, 29, 31, 51
21857	21, 23, 33, 41	24186	19, 29, 31, 51
21859	53, 59, 61	24319	83
21860	53, 59, 61	24321	83
21861	53	24384	83
21862	53	24409	86
		24777	85
21864	65	24934	83
21865	53	24972	86
21866	53	24974	86
21867	53	25016	3
21869	67	25060	9
21872	27, 35, 39	25286	29
21873	27, 35, 39	25346	3, 9, 15
21874	55	26001	3
21875	19, 31	26002	3, 9
21876	19, 29, 31, 39	26003	3
		26050	3, 9, 15
21877	19, 23, 29, 31	26067	13
		26161	87
		26162	87
21878	29, 31	26296	53
21881	21, 25, 33, 41	26297	53
21882	21	26298	53
21883	21, 23	26300	53
21884	21, 23, 33	26301	53
21885	23, 33	26302	53
21886	23, 33	26303	53
21887	53	26307	53
21888	23, 33	26308	53
21897	3, 9	26309	53
21976	41	26313	53
22056	21, 25, 29, 37	26314	53
22072	89	26315	53
22679	73, 75	26316	53
22939	67	26318	65

NUMERICAL LISTING

<u>PART NUMBER</u>	<u>PAGE NO.</u>	<u>PART NUMBER</u>	<u>PAGE NO.</u>
26319	65	26532	35
26320	53	26533	35
26321	53	26536	35
26323	53	26537	35
26324	53	26538	35
26359	53	26541	27, 35, 39
26370	55, 63	26545	35, 39
26390	69	26548	35, 39
26391	69	26549	35, 39
26392	69	26559	27, 35, 39
26393	69	26566	9
26396	67	26568	9
26397	79	26569	9
26398	79	26572	19
26400	21, 23, 33, 41	26573	19
26411	67	26574	19
26412	67	26581	19
26423	79	26583	29, 31
26424	79	26584	29, 31
26426	67	26585	29, 31
26427	67	26586	19
26428	67	26588	19, 29, 31
26429	67	26591	19
26430	79	26592	19
26431	67	26593	19
26434	79	26594	29, 31
26435	71	26595	29, 31
26443	79	26596	29, 31
26444	79	26604	9
26445	&1	26605	9
26446	71	26622	35
26447	79	26623	35
		26624	35
26490	53	26625	35
26498	53	26634	23, 33
		26636	33
26475	3, 9, 15	26648	25, 31
26476	3, 9	26649	25, 31
26479	3, 9, 15	26656	33
26486	3, 9, 15	26661	25, 33
26487	3, 9, 15	26662	23, 33
26507	3	26663	23, 33
26508	3, 9, 15	26664	21, 23, 33
26509	3, 9, 15	26669	23, 33
26514	19, 29, 31	26671	19, 25, 31
26519	19, 29, 31	26674	21, 25, 37
26526	35	26677	25, 37
26528	35	26678	29, 37, 45, 86
26529	35	26680	37
26531	35	26681	19, 25, 31
		26683	87
		26684	87

NUMERICAL LISTING

<u>PART NUMBER</u>	<u>PAGE NO.</u>	<u>PART NUMBER</u>	<u>PAGE NO.</u>
26689	55	26910	55
26690	53	26911	55
		26912	55
		26914	55
26694	85	26915	55
26696	73	26917	29, 37
26697	71, 85	26919	25, 37
26698	85	26920	33
26700	77	26921	35
26703	87		
26704	77	26922	33
26707	77	26924	35
26710	71, 73	26925	21
26713	35	26927	31
26714	35	26928	31
26715	35	26929	31
26718	73	26930	33
26719	73	26931	33
26721	73	26932	33
26722	73	26933	33
26723	73, 75	26934	33
26729	73, 75	26935	33
26755	73	26940	85
26761	73	26941	85
26763	87		
26764	87		
26766	73, 75	26943	9
26768	87		
26790	4	26944	9
26791	4	26945	9
26792	4	26946	37
26795	4	26947	37
26796	4	26948	9
26797	4	26949	9
26833	19	26950	9
26834	19, 41	26979	33
26835	19	26980	33
26836	21	26982	13
26837	21	26985	13
26838	21	26987	13
26839	21	26990	13
26840	21	26991	13
26842	21	26992	13
26843	21	26995	71
26846	71	26998	35
26847	71	28245	3, 9
26848	71	28257	53
26850	71	28308	89
26878	3, 9	28401	85
26879	3, 9		
26906	55	28403	85
26907	55	28404	85
26908	55	28413	85
26909	55	28480	89

<u>PART NUMBER</u>	<u>PAGE NO.</u>	<u>PART NUMBER</u>	<u>PAGE NO.</u>
28482	89	30163	55
28484	89	30164	55
28486	89	30166	55,61
28491	89	30167	17,55
28492	89	30180	91
28494	89	30210	21
28496	89	30216	19,41
28505	89	30217	33
28530	89	30218	51
28531	89	30219	51
28640	89	30220	89
28641	89	30221	89
28645	89	30256	89
28646	89	30282	23,39
28650	89	30314	35
28651	89	30315	23,35
28656	89	30316	85
28668	89	30363	19,23,31,41,49
28669	89		
28671	89	30375	39
28672	89	30413	51
28673	89	30414	51
28674	89	30442	19,29,31
28675	89	30463	79
28677	89	30464	79
28695	89	30467	79
28696	89	30468	79
28697	89	30469	79
28700	89	30470	79
28703	91	30510	63
28740	89	30511	59
28745	89	30514	63
28749	3,9,15	30526	61
28792	91	30543	61
28796	89	30544	61
28800	91	30545	61
28802	89	30546	61
28803	89	30547	61
28815	55,63		
29110	39	30548	63
29168	39	30550	67
29169	39	30551	41
30031	89	30552	41
30034	59,91	30553	41
30036	73,75	30554	41
30038	47	30555	41
30047	49	30556	41
30055	51	30557	41
30090	89	30558	41
30092	89	30559	41
30162	55	30560	39

NUMERICAL LISTING

<u>PART NUMBER</u>	<u>PAGE NO.</u>	<u>PART NUMBER</u>	<u>PAGE NO.</u>
30561	41	33114	63
30562	51	33115	71
30596	67	33166	63
30617	17	33190	67
30618	17	33202	67
30619	17	33206	67
30621	17	33210	71
30622	17	33220	71
30623	17	33225	39
30661	59	33226	39
30668	55, 63	33231	41
30669	55, 63	33235	15
		33236	15
		33245	15
30694	23	33247	15
30695	23	33253	39
30803	59	33254	39
30814	65	33259	15
30815	65	33265	71
31062	3		
31964	85	33275	83
32200	75	33276	83
32202	75	33277	83
32273	39	33280	81
32275	83	33288	83
		33290	81
32346	73	33296	81
32347	73	33302	81
32348	73	33307	81
32353	73	33309	81
32415	39		
32416	51		
32417	51		
32684	69	33314	75
32738	15, 85		
32739	85		
32740	85		
33000	59	33325	15
33001	67	33330	5, 15
33003	71	33334	59
33004	75	33342	15
33005	45	33343	15
33007	63		
33010	71	33382	15
33013	27, 39	33383	15
33014	27, 39	33405	15
		33406	45
33083	61	33407	45
33086	59	33408	45
33087	59	33414	41
33088	59	33415	41
33092	59	33416	43
33095	59	33417	43
33103	61	33418	43
33104	61	33419	43
33105	61	33420	43
33106	61	33421	43
33113	63	33422	43

NUMERICAL LISTING

<u>PART NUMBER</u>	<u>PAGE NO.</u>	<u>PART NUMBER</u>	<u>PAGE NO.</u>
33423	23, 41	33526	59
33424	41	33527	61
33425	41	33528	61
33426	39	33529	61
33427	43	33532	71
33428	39	33535	73
33429	43	33536	73
33430	43	33537	73, 75
33431	43	33538	73
33440	61	33539	73
33443	61	33540	73
33447	67	33590	3
33448	67	33591	3
33449	67	33592	3
33450	67	33596	5
33454	15	33600	5
33457	43	33601	5
33458	43	33602	5
33459	43	33603	5
33460	43	33604	5
33461	43	33605	5
33462	43	33692	5
33463	39	33697	5
33464	39	33700	5
33465	41	33702	55
33466	41	33703	55
33467	41	33704	55
33468	43	33705	57
33469	43	33706	55
33470	43	33709	55
33471	43	33710	55
33480	39	33712	63
33483	43	33713	63
33484	15	33746	57
33485	15	33747	57
33486	15	33754	67
33487	15	33759	67
33488	15	33763	67
33489	45	33764	67
33490	45	33768	67
33491	45	33773	67
33493	43	33774	67
		33781	87
		33782	87
33498	45	33784	69
33499	43	33785	69
33507	59	33792	23
33510	61	33793	23
33517	59	33794	67
33523	59	33796	67
		33797	67
33524	59	33798	67
33525	59	33804	3

NUMERICAL LISTING

<u>PART NUMBER</u>	<u>PAGE NO.</u>	<u>PART NUMBER</u>	<u>PAGE NO.</u>
33805	3	37855	71
33806	3	37866	71
33807	3	37869	71
33808	3	43177	19, 23, 31, 49
33809	3		
33810	7		
33814	7		
33820	7		
33822	7		
33825	7, 27		
33826	7		
33827	27		
33828	27		
33830	27		
33835	27		
33850	23, 35		
33852	25		
33854	23		
33855	39		
33858	25		
33859	37, 43		
33860	25		
33862	29		
33863	29		
33864	29		
33865	25		
33866	25		
33867	25		
33868	25		
33869	25		
33870	25		
33871	23		
33880	23		
33881	23		
33882	23		
33883	23		
33884	23		
33885	23		
33887	23, 27		
33888	27		
33889	27		
33890	27		
33892	23		
33907	55		
33908	55		
33909	55		
33955	55		
34361	17, 53		
34362	17		
34366	17		
34367	17		
34390	55, 63		
34391	55		
34399	55, 63		
34650	83		
34651	83		

MacDon

Designed to Deliver!