

**D65**  
**Draper Header for Combines and**  
**Self-Propelled Windrowers**

Parts Catalog  
214318 Revision B  
Original Instruction

## D65 Draper Header for Combines and Self-Propelled Windrowers



Published: July 2019

### **NOTE:**

Keep your MacDon publications up-to-date. The most current version can be downloaded from our website ([www.macdon.com](http://www.macdon.com)) or from our Dealer-only site (<https://portal.macdon.com>) (login required).

A Russian translation of this manual can be ordered from MacDon, downloaded from the MacDon Dealer Portal (<https://portal.macdon.com>) (login required), or downloaded from the MacDon international website (<http://www.macdon.com/world>).

© 2019 MacDon Industries, Ltd.

The information in this publication is based on the information available and in effect at the time of printing. MacDon Industries, Ltd. makes no representation or warranty of any kind, whether expressed or implied, with respect to the information in this publication. MacDon Industries, Ltd. reserves the right to make changes at any time without notice.

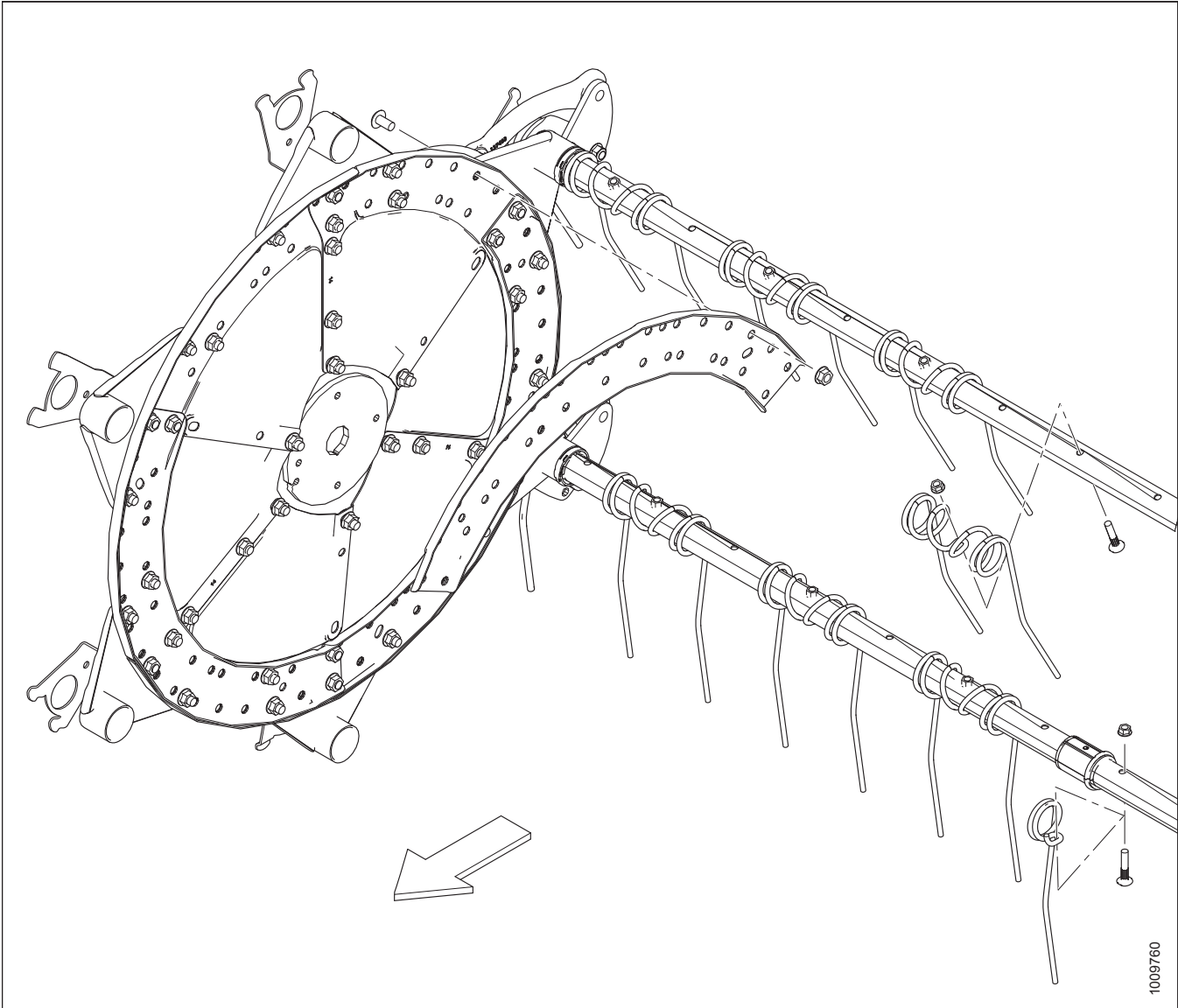
# Introduction

This Parts Catalog lists all the replacement parts that can be ordered for a MacDon D65 Draper Header for Combines and Self-Propelled Windrowers.

When ordering, be sure the complete and proper part number is given. Some parts vary with header size; be sure you are ordering the correct part number for your unit.

**Bold text is used to indicate updates made at the current revision level.** With each new revision of the catalog, previous revisions are returned to regular text.

In this catalog, right-hand (RH) and left-hand (LH) are determined from the operator's seated position in the combine. An arrow is sometimes used in illustrations to indicate forward position as shown below.



## Abbreviations

A/R – as required (quantity varies)	LH – left hand (determined from Operator's position, facing forward)	SP – self-propelled (windrower) header
ASSY – assembly	LK – lock	SPCL – special
BHRN – button head rib neck	MACH – machine	SPH – spherical
BV – ball valve	MD – MacDon	SPI – serrations per inch (knife sections)
CCW – counterclockwise	MFA – manual fore-aft	SR – single reel
CON – conical (spring washer)	MY – model year	STL – steel (stainless)
CSK – countersink	NC – national coarse thread	STR – standard
C/W – complete with	NF – national fine thread	STVR – Stover
CW – clockwise	NSS – not sold separately	TFL – thread full length
DBLE – double	O.D. – outside diameter	THD – thread
DK – double knife	OPT – optional	UCA – upper cross auger
DR – double reel	PO – pilot operated	UDK – untimed double knife
DT – distorted thread	PT – pull-type (mower conditioner)	UNC – unified coarse thread
FLG – flange	RC – roller chain	UNEF – unified extra fine thread
GA – gauge	REF – reference, part number called up elsewhere in catalog	UNF – unified fine thread
GR – grade	REG – regular	UNS – unified special thread series
GS – grass seed	RH – right hand (determined from Operator's position, facing forward)	VK – vertical knife
HD – head	RHSN – round head, square neck or square neck carriage bolt	ZP – zinc plated
HDR – header	RHSSN – round head, short, square neck	
HFA – hydraulic fore-aft	RTD – rotating tine drum	
HH – hex head	SAE – Society of Automotive Engineers (part produced to comply with)	
HNBR – hydrogenated nitrile butadiene rubber	SD – side draper	
HYD – hydraulic	SER – serrated	
I.D. – inside diameter	SK – single knife	
IP – internal plus (torx plus)	SKT HD – socket head	
KP – knife pressure	SMTH – smooth	
KR – knife return	SMV – slow moving vehicle	
LG – long	SOCK – socket	

## Serial Number Breaks

The side of the serial number on which the dash (–) appears determines whether the part is used "up to" or "after" the serial number given.

**Example:**

- –162249 Used on machines up to and including serial number 166249
- 166250– Used on machines including and after serial number 166250

## Summary of Changes – D65 (214318 Rev. B)

This list covers changes made since the last revision (214318 Rev. A).

Section	Summary of Change	Internal Use Only
OVERALL	Added serial number breaks to all parts specific to a given model year. Added footnotes to clarify serial number breaks. Added more information to the list descriptions. Cleaned-up/corrected any necessary list, note, or footnote information. Cleaned-up illustrations. Added metric widths to topic titles to follow MacDon Standards. Reorganized catalog to work with new version of Arbortext Editor 7.1.	Tech Pubs
<i>1 Header Frame, Dividers, and Shields, page 1</i>	Endshields 220915, 220916, 220986, and 220987 changed from service code 2 to 5. Serviced by 125465, 294269, 220988, 294270.	ECN 55477 ECN 56588
	Reversed ECN 56588, revised service code from 5 to 2 for endshields 220915, 220916, 220986, and 220987. Revised service code from 2 to 3 for 125465, 294269, 220988, 294270. No endshield change required.	ECN 56830
	Parts 32892, 172178, 158278, 245475, and 32891 service code 5 was 1, replaced by kits 294673, 294680, 294671, 294681, and 294672.	ECN 56532
	Divider rod storage bracket 132390 superseded by 253499. Updated illustration from 1018150 to 1030161 to show changes.	ECN 52003
<i>4 Guards, Hold-Downs, and Wearplates – Double Knife, Right End, page 13</i>	Cutterbar splice bar 165290 superseded by 294460.	ECN 55971
<i>5 Guards, Hold-Downs, and Wearplates – Double Knife, Middle and Left End, page 17</i>	Added bundles B4864 and B5009 for 15 ft headers.	Tech Pubs
<i>7 Segmented Knives – Single-Knife Headers, Fine-Tooth Sections, page 25</i>	"SECTIONS"; removed part numbers (279642 and 118491) from footnote and added to list for easier ordering.	Tech Pubs
<i>8 Segmented Knives – Single-Knife Headers, Coarse-Tooth Sections, page 29</i>	Added kits (294795, 294796, and 294797) for complete cutterbar replacement with one part number to list and illustration. Done only for the most common headers; single knife, 30–45 ft headers with coarse-tooth knife sections. Added footnote to clarify included parts. Updated illustration from 1000988 to 1029806 to show change.	ECN 56951
	"SECTIONS"; removed part numbers (279641 and 174845) from footnote and added to list for easier ordering.	Tech Pubs
<i>9 Segmented Knives – Double-Knife Headers, Fine-Tooth Sections, page 33</i>	"SECTIONS"; removed part numbers (279642 and 118491) from footnote and added to list for easier ordering.	Tech Pubs

Section	Summary of Change	Internal Use Only
<p><i>10 Segmented Knives – Double-Knife Headers, Coarse-Tooth Sections, page 37</i></p>	<p>Added kits (294791, 294792, 294793, and 294794) for complete cutterbar replacement with one part number to list and illustration. Done only for the most common headers; double knife, 30–45 ft headers with coarse-tooth knife sections. Added footnote to clarify included parts. Updated illustration from 1020887 to 1029807 to show change.</p>	ECN 56951
	<p>“SECTIONS”; removed part numbers (279641 and 174845) from footnote and added to list for easier ordering.</p>	Tech Pubs
<p><i>11 Knife Drive Hydraulics, page 43</i></p>	<p>Holder 220234 superseded by 255764. Removed “WELDMENT” from description and added “C/W DECAL”.</p>	ECN 55169
<p><i>12 Knife Drive – Timed Double-Knife Headers, page 49</i></p>	<p>Motor mount support 172810 superseded by 294385. Updated illustration from 1022624 to 1030160 to show changes.</p>	ECN 56274
<p><i>13 Knife Drive – Single-Knife and Untimed Double-Knife Headers, page 55</i></p>	<p>Motor mount bracket 174268 superseded by 294112.</p>	ECN 54966
<p><i>15 Draper Carrier Deck and Tensioner, page 61</i></p>	<p>Added button head screw (165434) and 50 pack lock nuts (135626) to list and illustration, previously missed. Added footnotes to kits 132777 and 172710 to clarify included parts.</p>	Parts
	<p>Added EasyGuard clip kits 294859 and 294858 to list and illustration. Updated illustration from 1018021 to 1029768 to show change.</p>	ECN 54224
	<p>15 ft LH and RH deck weldts 245019 and 245021 superseded by 294472 and 294473.</p>	ECN 56014
	<p>Added serviceable set screws (132451) to list and footnote for included parts of drive roller assembly 255410.</p>	ECN 57860
<p><i>16 Draper Deflectors – Windrower and Combine, page 69</i></p>	<p>LH and RH angle deflectors 125546 and 125547 superseded by 304257 and 304258.</p>	ECN 57304
<p><i>17 Draper Drive – Manual Deck Shift, page 71</i></p>	<p>Added bolt 21975 to list that connects hose holders 245964 and 245965 to frame, previously missed. Added callouts to illustration. Updated illustration from 1000684 to 1029796 to show change.</p>	ECN 56520
<p><i>18 Draper Drive – Hydraulic Deck Shift, page 73</i></p>	<p>Seal kit 37181 superseded by 220672.</p>	ECN 47234
<p><i>19 Deck Shift – Valve, page 77</i></p>	<p>Added number to list and callout to illustration for valve 145983 for easier ordering. Added footnote to 145983 to clarify included parts. Updated illustration from 1000727 to 1029925 to show change.</p>	Tech Pubs
<p><i>20 Pick-Up Reel – Single-Reel Header (4.6–10.7 m [15–35 ft.]), page 79</i></p>	<p>Removed 100 pack plastic fingers (174850) from list. Fingers were sold in 10 and 100 pack quantities, to simplify our product offering the 100 packs have been discontinued.</p>	ECN 58154

Section	Summary of Change	Internal Use Only
<p><i>21 Pick-Up Reel – Double-Reel Header (9.1–13.7 m [30–45 ft.]), page 85</i></p>	<p>Removed 100 pack plastic fingers (174850) from list. Fingers were sold in 10 and 100 pack quantities, to simplify our product offering the 100 packs have been discontinued.</p>	<p>ECN 58154</p>
	<p>45 ft header narrow stagger tine tube 137948 superseded by 253504. 45 ft header wide stagger tine tube 137949 superseded by 253503.</p>	<p>ECN 55449</p>
	<p>45 ft header narrow stagger tine tube 253504 superseded by 253839.</p>	<p>ECN 56190</p>
<p><i>23 Reel Components – Single Reel, page 93</i></p>	<p>Cam latch washer 137369 superseded by 273304. Cotter pin 18607 replaced by 18648.</p>	<p>ECN 55899</p>
	<p>Cam shim kit 245207 superseded by 294631. Cam kit 245216 superseded by 294634. Changed footnotes to correspond with supersessions.</p>	<p>ECN 56398</p>
<p><i>24 Reel Components – Center Arm, Double Reel, page 99</i></p>	<p>Fore-aft hose double reel drive shield 164986 superseded by 294065.</p>	<p>ECN 54888</p>
	<p>Cam latch washer 137369 superseded by 273304. Cotter pin 18607 replaced by 18648.</p>	<p>ECN 55899</p>
	<p>Cam shim kit 245207 superseded by 294631. Cam kit 245216 superseded by 294634. Changed footnotes to correspond with supersessions.</p>	<p>ECN 56398</p>
<p><i>25 Reel Components – Outer Arms, page 105</i></p>	<p>Cam latch washer 137369 superseded by 273304. Cotter pin 18607 replaced by 18648.</p>	<p>ECN 55899</p>
	<p>Cam shim kit 245207 superseded by 294631. Cam kit 245216 superseded by 294634. Changed footnotes to correspond with supersessions.</p>	<p>ECN 56398</p>
<p><i>26 Reel Support Arms and Lift Cylinders, page 109</i></p>	<p>Arm 125241 and clevis weldt 145656 superseded by 255282 and 253412. Added footnote to 255282 to clarify included parts.</p>	<p>ECN 55006</p>
	<p>Center prop rod 125356 and reel prop support 125785 superseded by 304217 and 304222.</p>	<p>ECN 57279</p>
	<p>Clevis 172664 superseded by 304314.</p>	<p>ECN 57585</p>
<p><i>27 Reel Drive Hydraulics – Lift and Fore-Aft – Single Reel (4.6–10.7 m [15–35 ft.]), page 113</i></p>	<p>Changed quantity of insulated clamp 103738 from 2 to 1. Added insulated clamp 50022 to list and illustration.</p>	<p>Tech Pubs</p>
	<p>Added hose bracket 294607 and hardware 21863 and 30228 to list and illustration.</p>	<p>ECN 56891</p>
	<p>Added insulated clamp 136410 to list and illustration. Updated illustration from 1017480 to 1029742 to show change.</p>	<p>ECN 58380</p>
<p><i>28 Reel Drive Hydraulics – Lift and Fore-Aft – Double Reel (9.1–13.7 m [30–45 ft.]), page 117</i></p>	<p>Added hose bracket 294607 and hardware 21863 and 30228 to list and illustration.</p>	<p>ECN 56891</p>
	<p>Added insulated clamp 136410 to list and illustration. Updated illustration from 1017481 to 1029743 to show change.</p>	<p>ECN 58380</p>



Section	Summary of Change	Internal Use Only
<p><i>30 Electrical Components, page 123</i></p>	<p>Added footnotes to RH and LH header lighting assemblies (125372 and 125427) to clarify included parts.</p>	<p>Tech Pubs</p>
	<p>RH and LH header lighting assemblies 125372 and 125427 replaced by lighting with reflector assembly 294376. Bracket 125343 replaced by 294374.</p>	<p>ECN 56047</p>
	<p>Lighting with reflector assembly 294376 superseded by 294687. Bracket 125343 superseded by 258205.</p>	<p>ECN 56341</p>
	<p>Bracket 258205 superseded by 294874.</p>	<p>ECN 57670</p>
	<p>Added moulding 31889, wiring harness holder 172142, speed sender 143875, wiring clip 21218, and hardware 21560, 30266, 50186, 109089, 18635, 18596, 134011, and 134010. Removed hardware 21576, 18591, 30027, and 21056. Updated illustration from 1000887 to 1029898 to show changes.</p>	<p>G294228 Tech Pubs</p>
<p><i>32 Decals and Reflectors, page 129</i></p>	<p>Corrected description by removing “PIN, 2 PANEL” from decal 109843.</p>	<p>Engineering</p>
	<p>Red-orange reflector 135979 superseded by 115145. Removed 135979 from list as 115145 was already listed.</p>	<p>ECN 56140</p>
<p><i>37 (Option) Brace Tube Kits, page 141</i></p>	<p>Added new chapter for brace tube repair parts. New illustration 1030153.</p>	<p>ECN 56531</p>
<p><i>38 (Option) Case Drain Kit, page 143</i></p>	<p>Added new chapter for optional case drain kit (B5842). New illustration 1029883.</p>	<p>Support</p>
<p><i>39 (Option) Combine Header Coupler Kit, page 145</i></p>	<p>Relocated O-rings in illustration to show correct position. Updated illustration from 1022732 to 1029766 to show change.</p>	<p>Support</p>
	<p>Coupler 111987 superseded by 294350.</p>	<p>ECN 54869</p>
<p><i>41 (Option) Double Draper Drive, page 151</i></p>	<p>Drive roller assembly 220105 superseded by 255410.</p>	<p>ECN 54849</p>
	<p>Added serviceable set screws (132451) to list and footnote for included parts of drive roller assembly 255410.</p>	<p>ECN 57860</p>
<p><i>45 (Option) Hydraulic Kit for Headers with Upper Cross Auger and Double Draper Drive, page 161</i></p>	<p>Zero leak gold fitting 163159 superseded by 167763.</p>	<p>ECN 52228</p>
<p><i>46 (Option) Multi-Crop Rapid Reel Conversion Kit, page 163</i></p>	<p>Bundle B5943 superseded by B6590. Brackets 245496, 245497, and 245337 superseded by 294598, 294601, and 294599. Added washer 40915 to list and illustration. Updated illustration from 1018034 to 1026035 to show changes.</p>	<p>ECN 55986</p>
<p><i>48 (Option) Rice Divider Rods, page 167</i></p>	<p>Added cable tie 21763 to illustration. Removed “NOT ILLUSTRATED” from list. Updated illustration from 1005115 to 1022974 to show change.</p>	<p>Tech Pubs</p>
<p><i>51 (Option) Skid Shoes – End and Center, page 173</i></p>	<p>Relocated parts in illustration to clarify included parts in kits 245396 and 245397. Updated illustration from 1005059 to 1029770 to show change.</p>	<p>Parts</p>

Section	Summary of Change	Internal Use Only
<p><i>52 (Option) Slow Speed Transport Package – Hitch Electrical, page 175</i></p>	<p>Transport lights and harness kit bundle B5594 superseded by B6573. RH rear transport light support 125381 superseded by 294392, added footnote to clarify included parts. Reorganized list, moved lens to be included with each of the lamps. Updated illustration from 1000629 to 1030134 to show changes.</p>	ECN 55600
	<p>SMV reflector sign 144538 superseded by 21032.</p>	ECN 56628
<p><i>53 (Option) Slow Speed Transport Package – Transport Hitch, page 179</i></p>	<p>Corrected bundle number typo from B5595 to B5565.</p>	Sales
	<p>Transport tow pole bundle B5565 superseded by B6145. Hitch storage on header kit 193193 replaced by 294815. Extension plate 193122 and frame leg support 193115 superseded by combined part (support angle) 294807. Hitch cradle support 193120 replaced by 244760. Corrected insulated clip 39272 quantity from 1 to 3. Removed nut 50186 and screw 105136 from list and illustration. Updated illustration from 1005073 to 1030009 to show changes.</p>	ECN 57072 B6145
<p><i>57 (Option) Stub Guard Conversion Kit, page 197</i></p>	<p>Added 15 ft stub guard conversion kit bundle B5009 to list. Added 15 ft quantities to footnotes.</p>	Tech Pubs
<p><i>58 (Option) Stubble Lights, page 199</i></p>	<p>Added new chapter for optional stubble lights (B6634). New illustration 1026466.</p>	Parts
<p><i>60 (Option) Tine Tube Reinforcing Kit, page 203</i></p>	<p>Changed tine tube bushing from NSS to it's serviceable pack of 25 (220939) in list. Changed tine tube bushing clamp from NSS to it's serviceable pack of 5 (220941) in list.</p>	Parts
<p><i>61 (Option) Upper Cross Auger, page 205</i></p>	<p>Added lube fitting 30934 to list and illustration. Universal joint 165064 replaced by 233395. Updated illustration from 1005390 to 1029758 to show changes.</p>	ECN 56178
	<p>UCA repair sleeve 245503 service code 5 was 1, replaced by kit 294682.</p>	ECN 56532
<p><i>62 (Option) Upper Cross Auger (High Capacity), page 209</i></p>	<p>Lube fitting 18671 and universal joint 165064 replaced by 30934 and 233395. Updated illustration from 1016573 to 1029759 to show changes.</p>	ECN 56178
	<p>UCA disc 158886 service code 5 was 1, replaced by kit 294677.</p>	ECN 56532
	<p>RH UCA assembly support 279090 superseded by 296554</p>	ECN 57869
	<p>UCA 30 ft, 35 ft, and 40–45 ft RH augers 279123, 279135, and 279274 superseded by 279898, 279900, and 279902. UCA 30 ft, 35 ft, and 40–45 ft LH augers 279248, 279258, and 279277 superseded by 279897, 279899, and 279901.</p>	ECN 55695

Section	Summary of Change	Internal Use Only
<p><i>63 (Option) Vertical Knife – Standard Reel Arm (2018 and Prior), page 213</i></p>	<p>Rear light vertical knife support 220715 superseded by 294393. Bundle B5758 superseded by B6572.</p>	<p>ECN 56218</p>
	<p>Bundle B6572 superseded by B6609 for 2019.</p>	<p>ECN 57259</p>
	<p>Discontinued vertical knife plumbing kit bundle B5406. Bundle B5757 superseded by B6608 for 2019.</p>	<p>ECN 57259 ECN 57334</p>
	<p>Added Parker Hannifin coupler 320076 (SC 5) to footnote as a suitable alternative to Faster coupler 135386. Added seal kit 111978 to list for Faster coupler only. Added information to footnote to clarify coupler and seal kit usage.</p>	<p>ECN 58441</p>
	<p>Changed section into 2018 and prior parts. There are no longer any bundles for 2018 and prior, only serviceable parts. Moved bundles B6608 and B6609 to new sections for 2019 parts. Serial numbers left out as it is not model year specific. Updated illustration from 1018160 to 1023945 to show changes.</p>	<p>Tech Pubs</p>
<p><i>64 (Option) Vertical Knife – Standard Reel Arm, Left End (2019), page 219</i></p>	<p>Added new chapter for 2019 left end vertical knife kits. New illustration 1026546. Serial numbers left out as it is not model year specific.</p>	<p>ECN 57334</p>
<p><i>65 (Option) Vertical Knife – Standard Reel Arm, Right End (2019), page 223</i></p>	<p>Added new chapter for 2019 right end vertical knife kits. New illustration 1026547. Serial numbers left out as it is not model year specific.</p>	<p>ECN 57334</p>
<p><i>66 (Option) Vertical Knife Hose Kits – Single Reel, page 229</i></p>	<p>Added new chapter for single reel vertical knife hose kits. Added note to clarify vertical knife kits that hose kits can be used in conjunction with. New illustration 1020958.</p>	<p>ECN 53368 ECN 54872</p>
<p><i>67 (Option) Vertical Knife Hose Kits – Double Reel, page 231</i></p>	<p>Added new chapter for double reel vertical knife hose kits. Added note to clarify vertical knife kits that hose kits can be used in conjunction with. New illustration 1020950.</p>	<p>ECN 53368</p>
<p><i>68 (Option) Vertical Knife Assembly – Service Parts, page 233</i></p>	<p>Added new chapter for vertical knife assembly service parts with new illustration 1029499.</p>	<p>ECN 58207</p>



## TABLE OF CONTENTS

Introduction .....	i
Abbreviations.....	ii
Serial Number Breaks .....	iii
Summary of Changes – D65 (214318 Rev. B).....	iv
<b>1 Header Frame, Dividers, and Shields.....</b>	<b>1</b>
<b>2 Guards, Hold-Downs, and Wearplates – Single Knife, Stub Guards .....</b>	<b>7</b>
<b>3 Guards, Hold-Downs, and Wearplates – Single Knife, Pointed and Pointed with End Stubs .....</b>	<b>9</b>
<b>4 Guards, Hold-Downs, and Wearplates – Double Knife, Right End .....</b>	<b>13</b>
<b>5 Guards, Hold-Downs, and Wearplates – Double Knife, Middle and Left End.....</b>	<b>17</b>
<b>6 Knife Components and Knifehead .....</b>	<b>21</b>
<b>7 Segmented Knives – Single-Knife Headers, Fine-Tooth Sections .....</b>	<b>25</b>
<b>8 Segmented Knives – Single-Knife Headers, Coarse-Tooth Sections.....</b>	<b>29</b>
<b>9 Segmented Knives – Double-Knife Headers, Fine-Tooth Sections.....</b>	<b>33</b>
<b>10 Segmented Knives – Double-Knife Headers, Coarse-Tooth Sections .....</b>	<b>37</b>
<b>11 Knife Drive Hydraulics .....</b>	<b>43</b>
<b>12 Knife Drive – Timed Double-Knife Headers .....</b>	<b>49</b>
<b>13 Knife Drive – Single-Knife and Untimed Double-Knife Headers .....</b>	<b>55</b>
<b>14 Knife Drive Box .....</b>	<b>59</b>
<b>15 Draper Carrier Deck and Tensioner.....</b>	<b>61</b>
<b>16 Draper Deflectors – Windrower and Combine .....</b>	<b>69</b>
<b>17 Draper Drive – Manual Deck Shift .....</b>	<b>71</b>
<b>18 Draper Drive – Hydraulic Deck Shift .....</b>	<b>73</b>
<b>19 Deck Shift – Valve.....</b>	<b>77</b>
<b>20 Pick-Up Reel – Single-Reel Header (4.6–10.7 m [15–35 ft.]) .....</b>	<b>79</b>
<b>21 Pick-Up Reel – Double-Reel Header (9.1–13.7 m [30–45 ft.]) .....</b>	<b>85</b>
<b>22 Reel Endshield Components .....</b>	<b>91</b>
<b>23 Reel Components – Single Reel.....</b>	<b>93</b>
<b>24 Reel Components – Center Arm, Double Reel .....</b>	<b>99</b>
<b>25 Reel Components – Outer Arms.....</b>	<b>105</b>
<b>26 Reel Support Arms and Lift Cylinders.....</b>	<b>109</b>
<b>27 Reel Drive Hydraulics – Lift and Fore-Aft – Single Reel (4.6–10.7 m [15–35 ft.]) .....</b>	<b>113</b>
<b>28 Reel Drive Hydraulics – Lift and Fore-Aft – Double Reel (9.1–13.7 m [30–45 ft.]) .....</b>	<b>117</b>
<b>29 Backsheet Deflectors.....</b>	<b>121</b>
<b>30 Electrical Components.....</b>	<b>123</b>
<b>31 Product Identification Decals.....</b>	<b>127</b>
<b>32 Decals and Reflectors .....</b>	<b>129</b>
<b>33 Decals – French .....</b>	<b>133</b>
<b>34 Decals – Portuguese.....</b>	<b>135</b>
<b>35 Decals – Russian .....</b>	<b>137</b>
<b>36 Decals – Spanish.....</b>	<b>139</b>
<b>37 (Option) Brace Tube Kits.....</b>	<b>141</b>
<b>38 (Option) Case Drain Kit.....</b>	<b>143</b>
<b>39 (Option) Combine Header Coupler Kit.....</b>	<b>145</b>

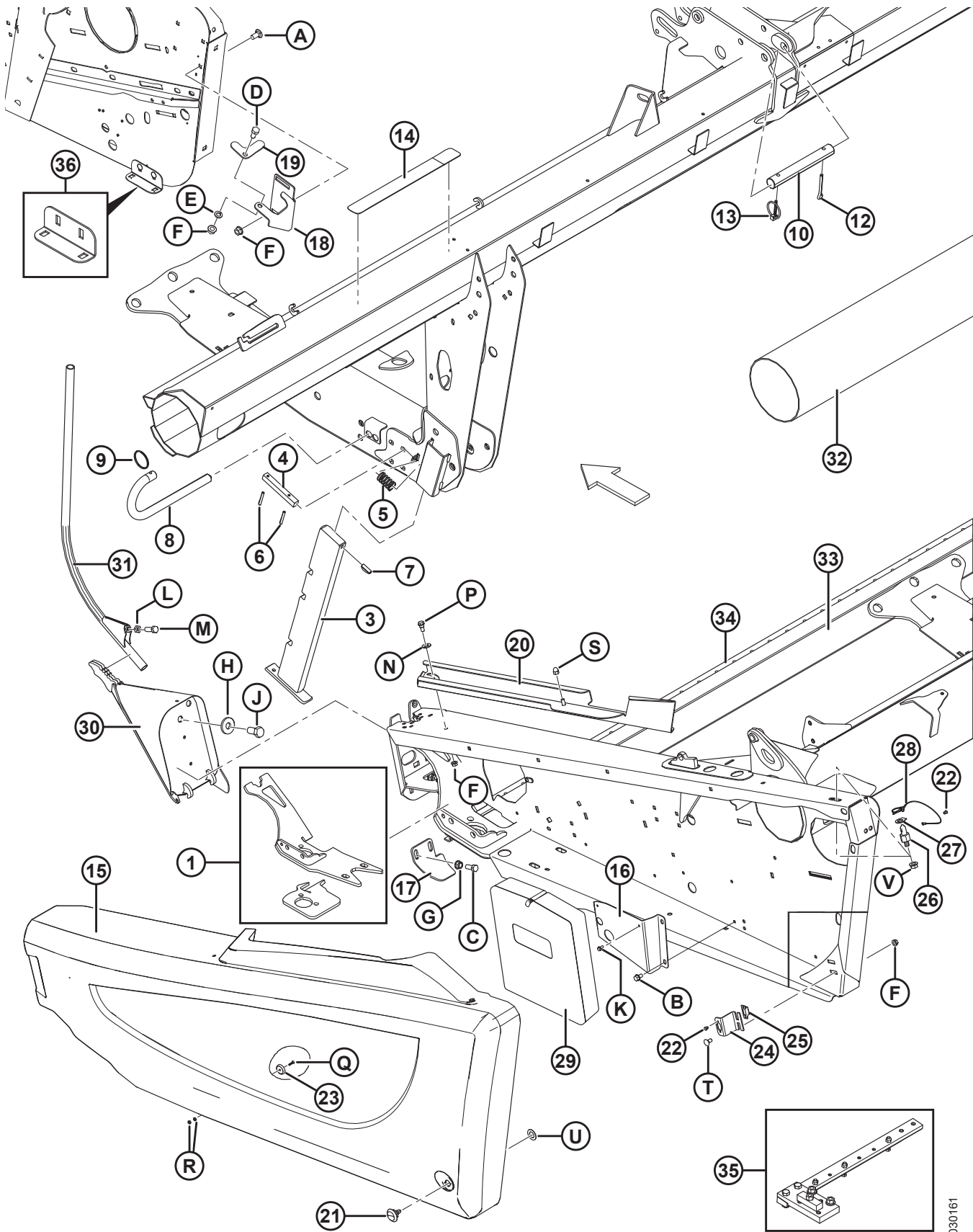
## TABLE OF CONTENTS

---

40	(Option) D65 Completion Package for Windrowers .....	149
41	(Option) Double Draper Drive.....	151
42	(Option) Draper Extension Kit.....	155
43	(Option) Draper Header Supports (Boots for M Series) .....	157
44	(Option) End Swath Deflector Rods .....	159
45	(Option) Hydraulic Kit for Headers with Upper Cross Auger and Double Draper Drive .....	161
46	(Option) Multi-Crop Rapid Reel Conversion Kit.....	163
47	(Option) Pick-Up Reel-End Fingers Kit .....	165
48	(Option) Rice Divider Rods .....	167
49	(Option) Rock Retarder Kit .....	169
50	(Option) Short Brace Kit for Center Reel Arm / Divider Latches.....	171
51	(Option) Skid Shoes – End and Center.....	173
52	(Option) Slow Speed Transport Package – Hitch Electrical.....	175
53	(Option) Slow Speed Transport Package – Transport Hitch.....	179
54	(Option) Slow Speed Transport Package – Wheels and Supports Parts.....	183
55	(Option) Stabilizer Wheels .....	191
56	(Option) Stabilizer Wheels – Secondary.....	195
57	(Option) Stub Guard Conversion Kit.....	197
58	(Option) Stubble Lights.....	199
59	(Option) Swath Forming Rods.....	201
60	(Option) Tine Tube Reinforcing Kit .....	203
61	(Option) Upper Cross Auger .....	205
62	(Option) Upper Cross Auger (High Capacity).....	209
63	(Option) Vertical Knife – Standard Reel Arm (2018 and Prior).....	213
64	(Option) Vertical Knife – Standard Reel Arm, Left End (2019) .....	219
65	(Option) Vertical Knife – Standard Reel Arm, Right End (2019) .....	223
66	(Option) Vertical Knife Hose Kits – Single Reel .....	229
67	(Option) Vertical Knife Hose Kits – Double Reel.....	231
68	(Option) Vertical Knife Assembly – Service Parts .....	233
	Index .....	236



# 1 Header Frame, Dividers, and Shields



1030161

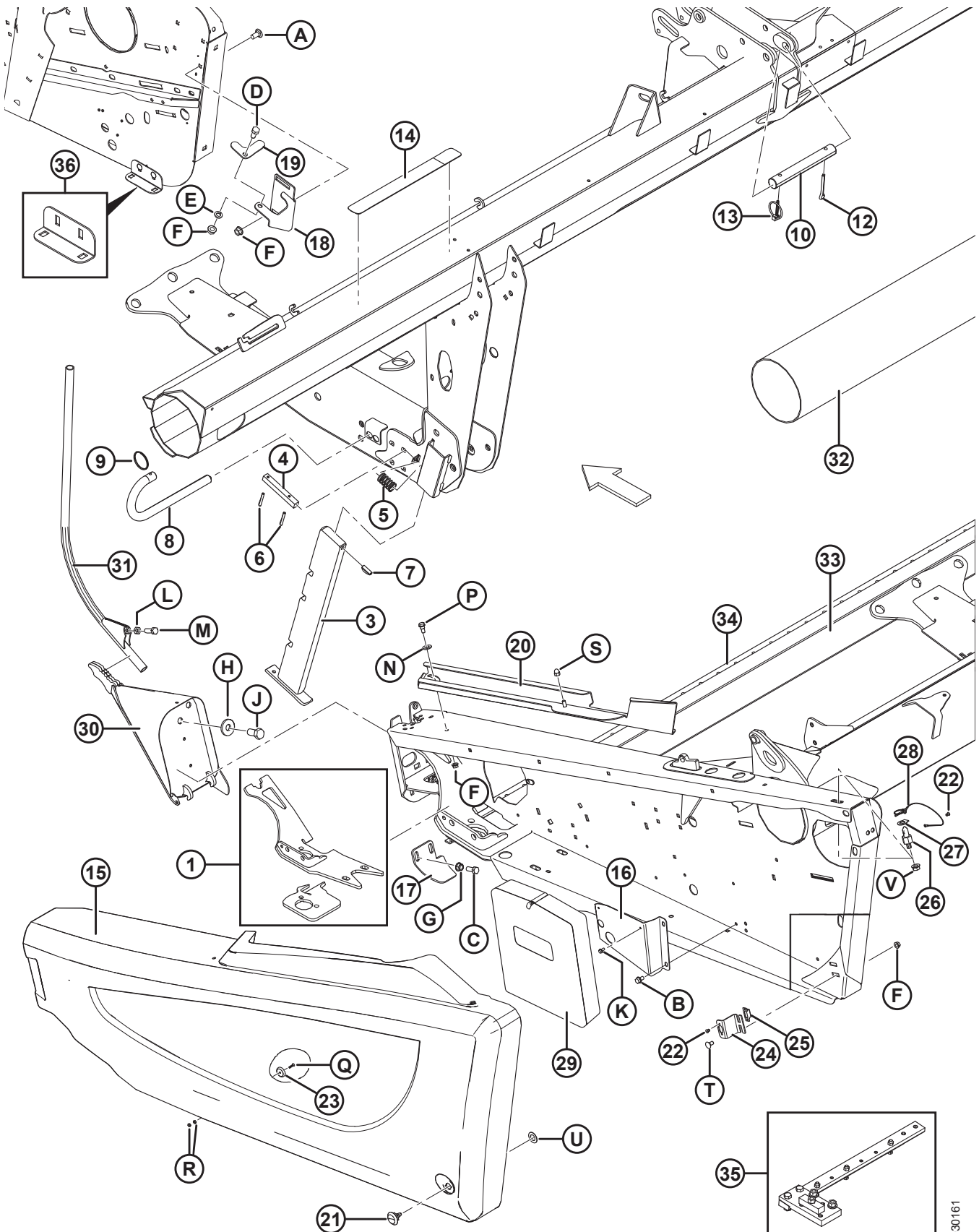


**HEADER FRAME, DIVIDERS, AND SHIELDS**

<b>Ref</b>	<b>Part Number</b>	<b>Description</b>	<b>Qty</b>	<b>Serial Number</b>
1	123751	KIT – WOBBLE BOX MOUNT (LH)	1	
	123752	KIT – WOBBLE BOX MOUNT (RH)	1	
3	132266	STAND – WELDT	1	
4	132269	PIN	1	
5	132265	SPRING – COMPRESSION	1	
6	7642	PIN – SPRING 3/16 DIA X 1.5 LG	2	
7	16087	PIN – SPRING 5/16 DIA X 1.0 LG	1	
8	124399	PIN – L, 19.1, 378	2	
9	118137	RING	2	
10	125363	PIN – STRAIGHT, TWO HOLES, 185 MM <sup>1</sup>	1	
	133751	PIN – STRAIGHT, TWO HOLES, 147 MM <sup>2</sup>	1	
12	18609	PIN – COTTER 1/4 DIA X 2 ZP	1	
13	102264	PIN – LYNCH 3/16 X 1-9/16 IN.	1	
14	132117	STRIP – ANTI-SLIP <sup>3</sup>		
	132898	STRIP – ANTI-SLIP <sup>4</sup>		
	170280	STRIP – ANTI-SLIP <sup>5</sup>		
	174131	STRIP – ANTI-SLIP <sup>6</sup>		
15	220915	ENDSHIELD – LH, C/W REFLECTORS (BLACK) <sup>7</sup>	1	
	220916	ENDSHIELD – RH, C/W REFLECTORS (BLACK) <sup>7</sup>	1	
	220986	ENDSHIELD – LH, C/W REFLECTORS (RED) <sup>7</sup>	1	
	220987	ENDSHIELD – RH, C/W REFLECTORS (RED) <sup>7</sup>	1	
16	123895	SUPPORT – MANUAL CASE	1	
17	245678	SHIELD – GUARD (LH)	1	
	245677	SHIELD – GUARD (RH)	1	
18	<b>253499</b>	<b>BRACKET – DIVIDER ROD STORAGE</b>	<b>1</b>	
19	132420	TAB – LOCK, DIVIDER ROD STORAGE	1	
20	125938	CHANNEL – SHIELD PIVOT (LH)	1	
	125993	CHANNEL – SHIELD PIVOT (RH)	1	
21	135815	LATCH – 3 MM SLOT	2	
22	113799	RIVET – POP	6	
23	135923	MAGNET AND CUP SET	2	

1. Excludes: 15–30 ft. single, single reel, 35 ft. single, single reel, 35 ft. double, single reel.
2. Includes: 15–30 ft. single, single reel, 35 ft. single, single reel, 35 ft. double, single reel.
3. Quantities: 15–20 ft. = 8, 25 ft. = 4, 30–45 ft. = 2.
4. Quantities: 40 ft. = 3, 45 ft. = 5.
5. Quantities: 25–40 ft. = 2, 45 ft. = 1.
6. Quantities: 15–20 ft. = 4, 30–40 ft. = 1.
7. For endshield decals, refer to Section [31 Product Identification Decals, page 127](#).

HEADER FRAME, DIVIDERS, AND SHIELDS



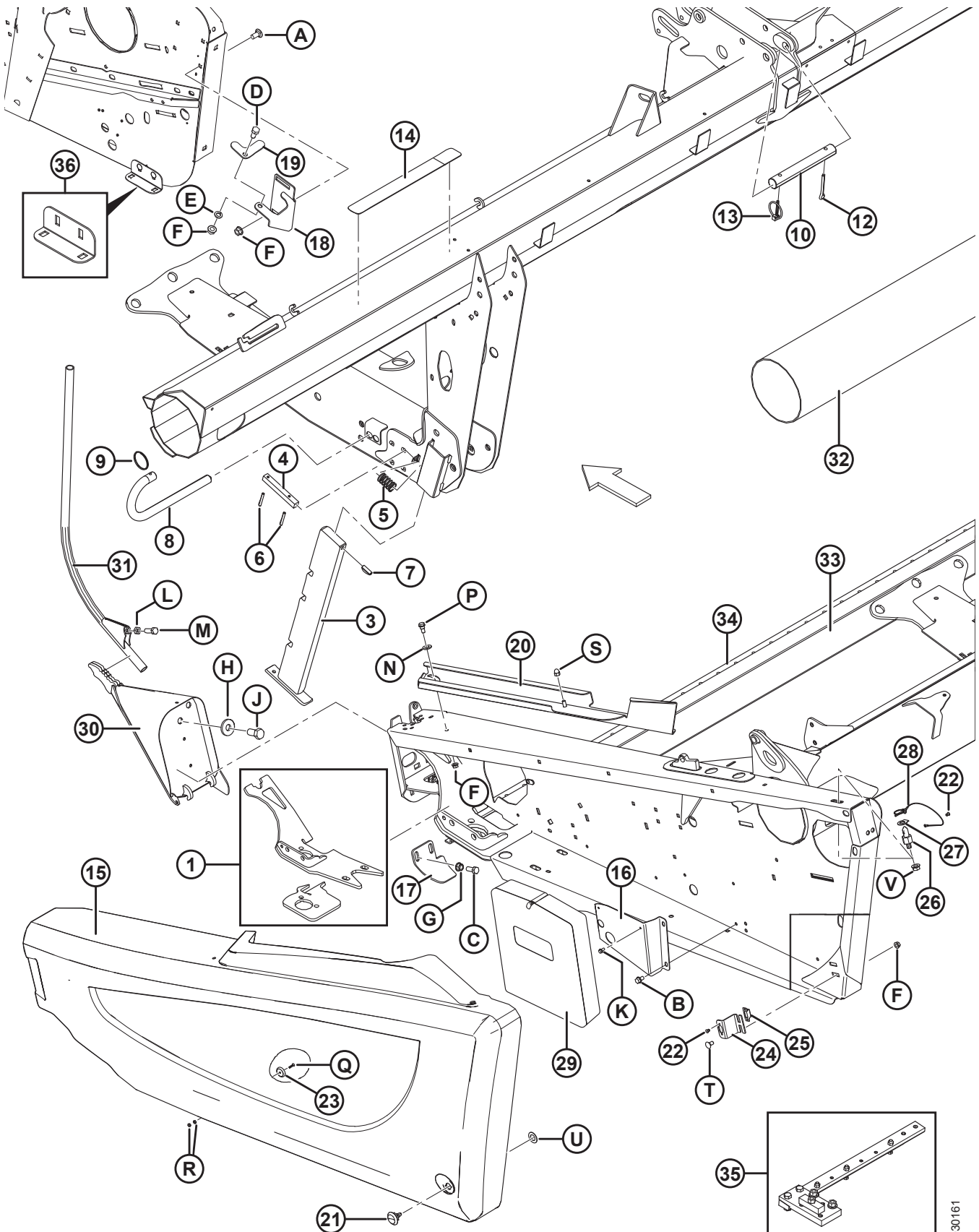
1030161

**HEADER FRAME, DIVIDERS, AND SHIELDS**

<b>Ref</b>	<b>Part Number</b>	<b>Description</b>	<b>Qty</b>	<b>Serial Number</b>
24	125475	SUPPORT – LATCH MOUNT	2	
25	135813	CLIP – TOLERANCE	2	
26	125476	STUD – SHIELD	2	
27	123656	TOOL – SHIELD	2	
28	135945	PIN – LYNCH, C/W LANYARD 3/16 PIN	2	
29	220107	CASE – MANUAL STORAGE	1	
	NSS	KIT – GLEANER SPEED SENSOR (3-WIRE) <sup>8</sup>	A/R	
30	123660	DIVIDER – WELDT (LH)	1	
	123661	DIVIDER – WELDT (RH)	1	
31	120127	DIVIDER – TUBE WELDT <sup>9</sup>	2	
32	<b>294673</b>	<b>KIT – TUBE BACK</b>	<b>A/R</b>	
33	<b>294680</b>	<b>KIT – CUTTERBAR RIGID 25 FT AND SMALLER <sup>10</sup></b>	<b>A/R</b>	
	<b>294671</b>	<b>KIT – CUTTERBAR 1300 MM, 30 FT AND UP <sup>11</sup></b>	<b>A/R</b>	
	<b>294681</b>	<b>KIT – CUTTERBAR 4491 MM, 30 FT AND UP <sup>11</sup></b>	<b>A/R</b>	
34	<b>294672</b>	<b>KIT – BAR GUARD</b>	<b>A/R</b>	
35	174391	JIG ASSY – WOBBLE BOX MOUNT, 30–45 FT <sup>12</sup>		
	174400	JIG ASSY – WOBBLE BOX MOUNT, 25 FT AND SMALLER <sup>12</sup>		
36	REF	ANGLE – DIVIDER, STORAGE <sup>13</sup>	OPT	
A	21863	BOLT – RHSSN 3/8 NC X 0.75 LG GR 5 ZP		
B	101898	SCREW – HEX WASH HD THD ROLLING 3/8 NC X 5/8		
C	21491	BOLT – HH 1/2 NC X 1.25 LG GR 5 ZP		
D	21567	BOLT – HEX HD .375-16 UNC X 0.75 LG		
E	18637	WASHER – REG. LOCK 3/8 IN. NOM. I.D. ZP		
F	30228	NUT – FLANGE DT SMOOTH FACE 0.375-16 UNC		
G	18591	NUT – HEX 1/2-13 UNC GR 5 ZP		
H	6647	WASHER – FLAT		
J	135579	BOLT – HEX HD, 3/4-16 UNF, 1.5 IN. LG, ZN PL GR 5		

8. New Gleaner S9 combines require a three-wire speed sensor where previous generations used a two-wire speed sensor. The two-wire sensor (MD #184440) is factory-installed as the reel speed sensor for all draper headers used with Gleaner combines. The Gleaner Three-Wire Speed Sensor kit (not sold separately) can be used to replace the factory-installed two-wire sensor. The kit is included in the header instruction manual compartment. Kit includes three-wire sensor (MD #152736) and instructions.
9. Standard divider rod shown. For rice divider rods, refer to Section [48 \(Option\) Rice Divider Rods, page 167](#).
10. 15–25 ft. only.
11. 30–45 ft. only.
12. Required to properly install wobble box mount (MD #123751 or 123752), comes complete with instructions. See your MacDon Dealer for more information.
13. Refer to Section [50 \(Option\) Short Brace Kit for Center Reel Arm / Divider Latches, page 171](#).

# HEADER FRAME, DIVIDERS, AND SHIELDS

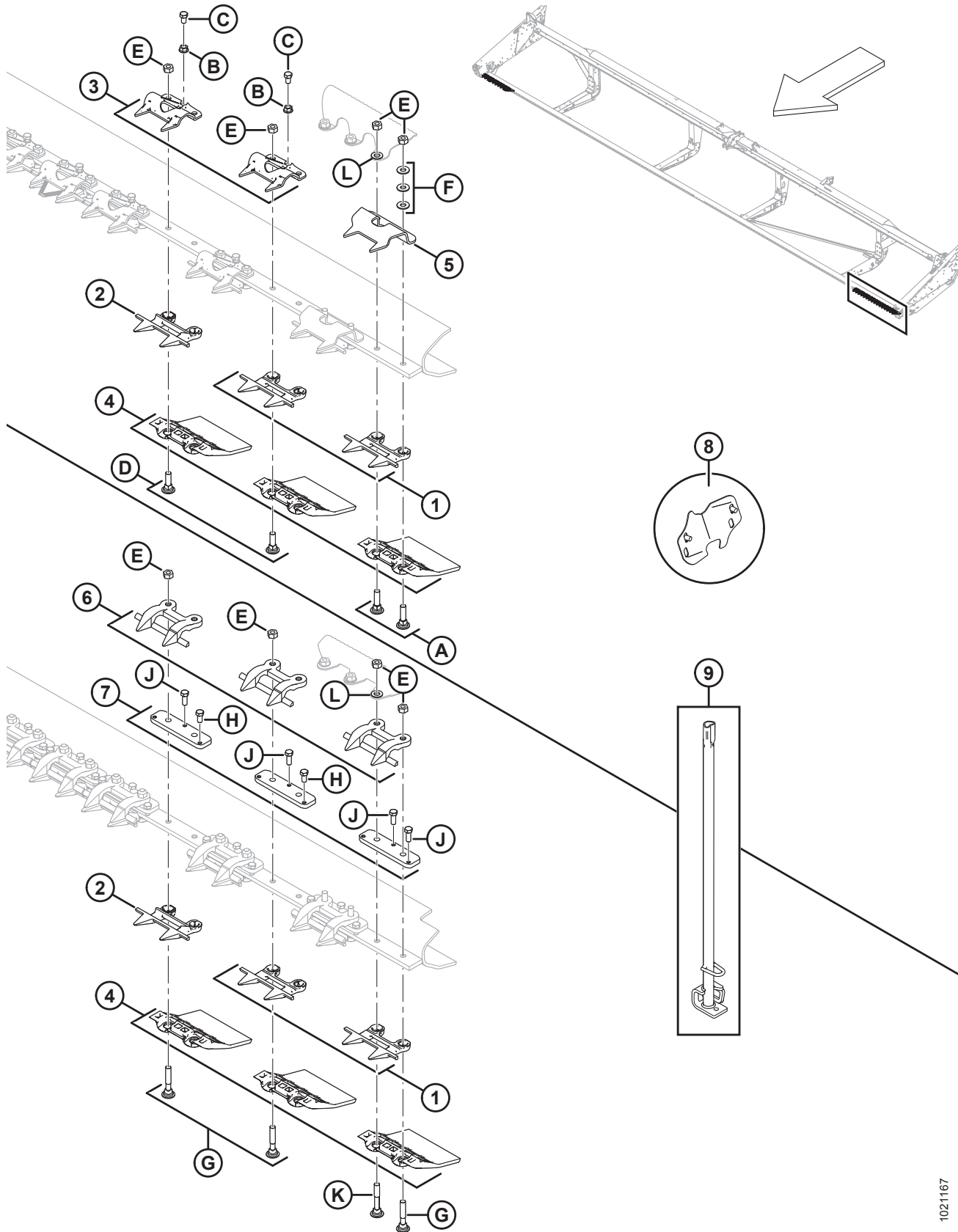


1030161

**HEADER FRAME, DIVIDERS, AND SHIELDS**

<b>Ref</b>	<b>Part Number</b>	<b>Description</b>	<b>Qty</b>	<b>Serial Number</b>
K	21055	SCREW – SELF TAP HEX WASH HD 1/4 NC X 1/2		
L	21056	NUT – HEX JAM 1/2-13 UNC GR 5 ZP		
M	18723	BOLT – HH 1/2 NC X 1.5 LG GR 5 ZP		
N	135369	WASHER – HARDENED		
P	172259	BOLT – SHOULDER .375-16 UNC		
Q	135928	SCREW – #8-32 X .75 IN. LG GR 2 ZN PL		
R	18796	NUT – HEX # 8-32 UNC GR 5 ZP		
S	135933	NUT – ACORN 3/8-16 NC BLK ZN PL		
T	21472	BOLT – RHSN 3/8 NC X 0.75 GR 5 ZP		
U	5113	WASHER – FLAT		
V	50186	NUT – FLG LOCK SM FACE DT 0.500-13 UNC GR 5		

## 2 Guards, Hold-Downs, and Wearplates – Single Knife, Stub Guards



**GUARDS, HOLD-DOWNS, AND WEARPLATES – SINGLE KNIFE, STUB GUARDS**

**NOTE:**

Illustration; TOP: Stub guards with sheet metal hold-downs, BOTTOM: Stub guards with forged hold-downs.

Ref	Part Number	Description	Qty	Serial Number
	B4865	KIT – CUTTERBAR POLY (20 FT HEADER) <sup>14</sup>		
	B4838	KIT – CUTTERBAR POLY (25 FT HEADER) <sup>14</sup>		
	B4839	KIT – CUTTERBAR POLY (30 FT HEADER) <sup>14</sup>		
	B4840	KIT – CUTTERBAR POLY (35 FT HEADER) <sup>14</sup>		
	B4841	KIT – CUTTERBAR POLY (40 FT HEADER) <sup>14</sup>		
	B5114	KIT – CUTTERBAR POLY (45 FT HEADER) <sup>14</sup>		
1	118347	SICKLE GUARD – STUB, W/O WEARBAR (DRIVE END)	4	
2	118346	SICKLE GUARD – STUB, W/ WEARBAR <sup>15</sup>		
3	118351	CLIP – SHEET METAL HOLD DOWN <sup>16</sup>		
4	129297	WEARPLATE – UNDER CUTTERBAR, POLYETHYLENE <sup>17</sup>		
5	165209	GUIDE – SHEET METAL STUB, KNIFEHEAD END	2	
6	34359	GUIDE <sup>17</sup>		
7	34980	BAR – ADJUSTER <sup>17</sup>		
8	220103	KIT – COVER, KNIFE CUTOUT (30–40 FT, STUB) <sup>18</sup>		
	220102	KIT – COVER, KNIFE CUTOUT (20–25 FT, STUB) <sup>18</sup>		
9	140135	TOOL WELDT – GUARD STRAIGHTENING TOOL	1	
A	120639	BOLT – RHSN SPECIAL 7/16 NC X 1.75 LG GR 5 ZP		
B	118193	NUT – FLANGE HEX .375 UNC		
C	118154	BOLT – HH 3/8 NC X 5/8 TFL GR 8 ZP		
D	120558	BOLT – RHSN SPECIAL 7/16 NC X 1.5 LG GR 5 ZP		
E	18654	NUT – HEX 7/16-14 UNC GR 5 ZP		
F	18670	WASHER – SAE FLAT 7/16 I.D. X 1.0 IN. O.D. ZP		
G	279575	BOLT – RHSN SPECIAL 7/16 NC X 2.5 LG GR 5 ZP		
H	50119	BOLT – HH 3/8 NC X 0.75 STAIN STL		
J	50120	BOLT – HH 3/8 NC X 1 STAIN STL		
K	132404	BOLT – RHSN SPECIAL 7/16-14 X 2.75-GR5-ZP		
L	18688	WASHER – SAE FLAT 0.74 IN. I.D. X 0.92 IN. O.D. ZP		

14. Includes cutterbar wearplate (MD #129297) and hardware. Kits available through Whole Goods only.

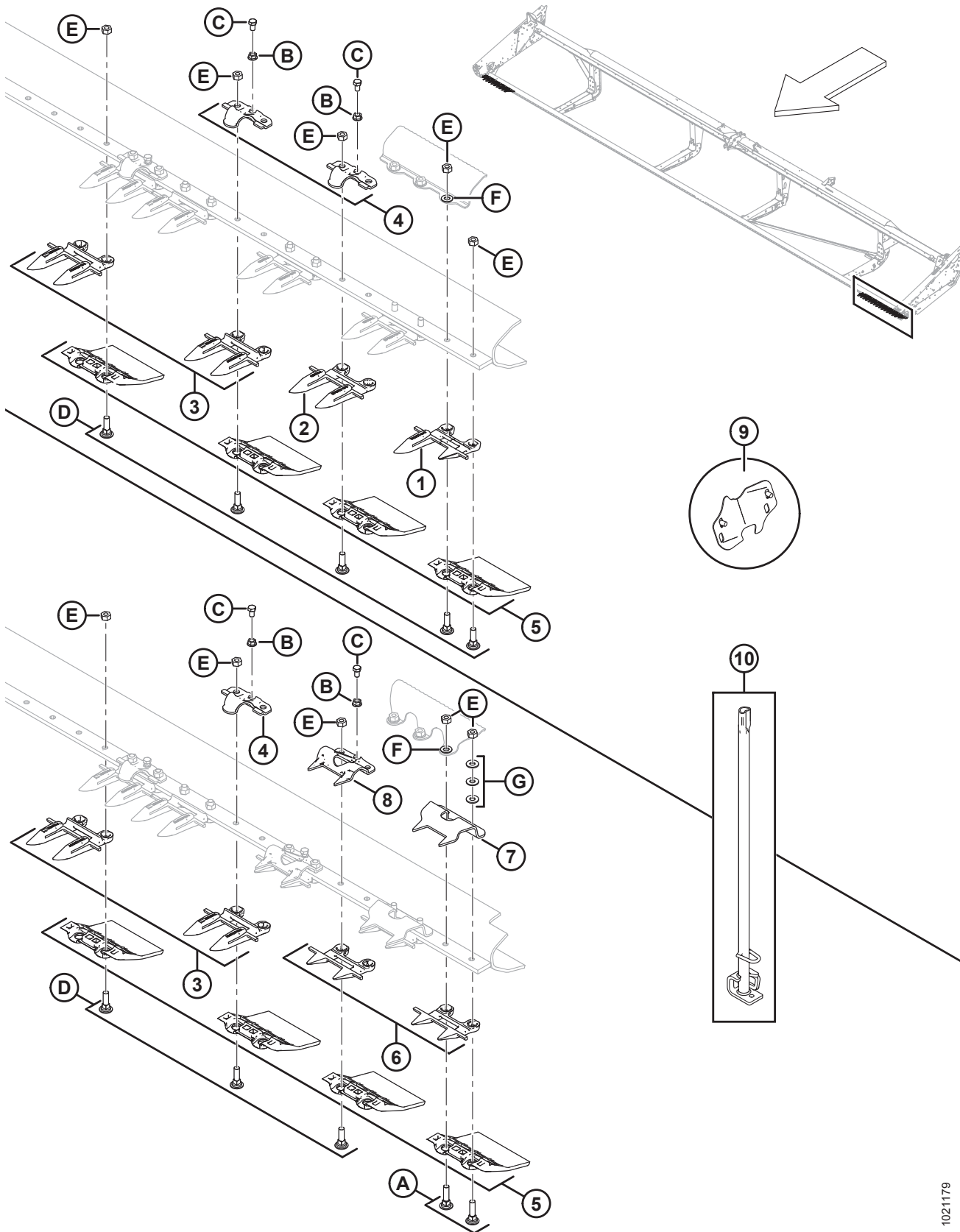
15. Complete cutterbar quantities: 20 ft. = 36, 25 ft. = 46, 30 ft. = 56, 35 ft. = 66, 40 ft. = 76.

16. Complete cutterbar quantities: 20 ft. = 38, 25 ft. = 48, 30 ft. = 58, 35 ft. = 68, 40 ft. = 78.

17. Complete cutterbar quantities: 20 ft. = 40, 25 ft. = 50, 30 ft. = 60, 35 ft. = 70, 40 ft. = 80.

18. Used with stub guards and sheet metal hold-downs. Includes two covers, hardware, and instructions.

### 3 Guards, Hold-Downs, and Wearplates – Single Knife, Pointed and Pointed with End Stubs





**GUARDS, HOLD-DOWNS, AND WEARPLATES – SINGLE KNIFE, POINTED AND POINTED WITH END STUBS**

**NOTE:**

Illustration; TOP: Single knife, pointed guards, BOTTOM: Single knife, pointed guards with end stubs.

Ref	Part Number	Description	Qty	Serial Number
	B4865	KIT – CUTTERBAR POLY (20 FT HEADER) <sup>19</sup>		
	B4838	KIT – CUTTERBAR POLY (25 FT HEADER) <sup>19</sup>		
	B4839	KIT – CUTTERBAR POLY (30 FT HEADER) <sup>19</sup>		
	B4840	KIT – CUTTERBAR POLY (35 FT HEADER) <sup>19</sup>		
	B4841	KIT – CUTTERBAR POLY (40 FT HEADER) <sup>19</sup>		
1	118301	SICKLE GUARD – LH, OUTBOARD (DRIVE END)	1	
	118302	SICKLE GUARD – RH, OUTBOARD	1	
2	118345	SICKLE GUARD – W/ POINTS, W/O WEARBAR (3 PER END)	3	
3	118344	SICKLE GUARD – W/ POINTS <sup>20</sup>		
4	118499	CLIP – HOLD-DOWN (25 PACK) <sup>21</sup>		
5	129297	WEARPLATE – UNDER CUTTERBAR, POLYETHYLENE <sup>22</sup>		
6	118347	SICKLE GUARD – STUB, W/O WEARBAR (DRIVE END)	4	
	118346	SICKLE GUARD – STUB, W/ WEARBAR	4	
7	165209	GUIDE – SHEET METAL STUB, KNIFEHEAD END	2	
8	118351	CLIP – SHEET METAL HOLD DOWN	6	
9	220101	KIT – COVER, KNIFE CUTOUT (30–40 FT, POINTED) <sup>23</sup>		
	220100	KIT – COVER, KNIFE CUTOUT (20–25 FT, POINTED) <sup>23</sup>		
10	140135	TOOL WELDT – GUARD STRAIGHTENING TOOL	1	
A	120639	BOLT – RHSN SPECIAL 7/16 NC X 1.75 LG GR 5 ZP <sup>24</sup>		
	21468	BOLT – RHSN 7/16 NC X 1.75 LG GR 5 ZP <sup>25</sup>		
B	118193	NUT – FLANGE HEX .375 UNC		
C	118154	BOLT – HH 3/8 NC X 5/8 TFL GR 8 ZP		
D	120558	BOLT – RHSN SPECIAL 7/16 NC X 1.5 LG GR 5 ZP <sup>24</sup>		
	8218	BOLT – RHSN 7/16 NC X 1.5 LG GR 5 ZP <sup>25</sup>		
E	18654	NUT – HEX 7/16-14 UNC GR 5 ZP		

19. Includes cutterbar wearplate (MD #129297) and hardware. Kits available through Whole Goods only.

20. Complete cutterbar quantities: 20 ft. = 31, 25 ft. (end stubs) = 42, 25 ft. (pointed) = 45, 30 ft. (end stubs) = 52, 30 ft. (pointed) = 55, 35 ft. = 65, 40 ft. = 75.

21. Complete cutterbar quantities: 20 ft. = 35, 25 ft. (end stubs) = 21, 25 ft. (pointed) = 25, 30 ft. (end stubs) = 26, 30 ft. (pointed) = 30, 35 ft. = 35, 40 ft. = 40.

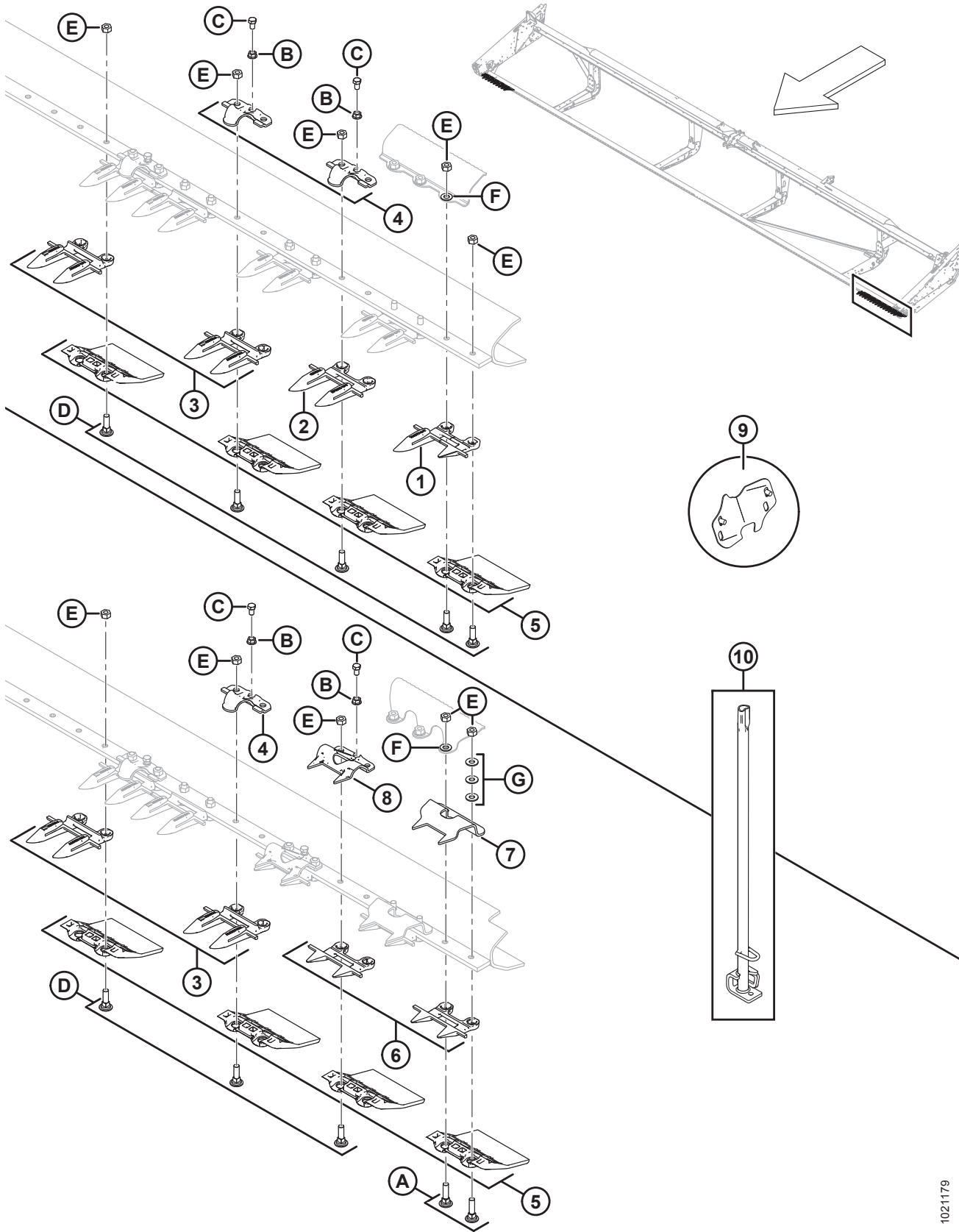
22. Complete cutterbar quantities: 20 ft. = 40, 25 ft. = 50, 30 ft. = 60, 35 ft. = 70, 40 ft. = 80.

23. Used with pointed guards and forged hold-downs. Includes two covers and hardware.

24. Used with cutterbar wearplate (MD #129297).

25. Used when cutterbar wearplate (MD #129297) is not present.

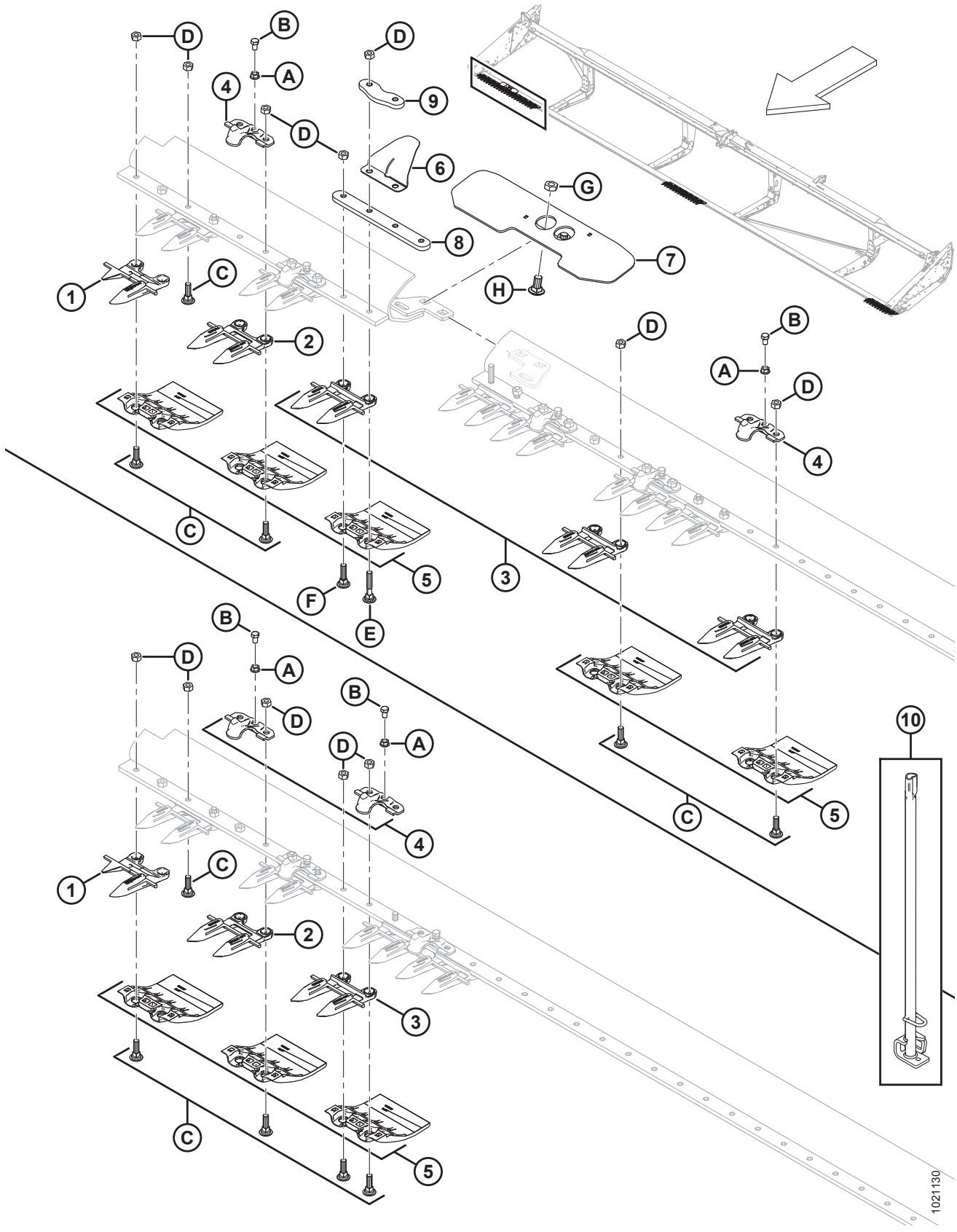
**GUARDS, HOLD-DOWNS, AND WEARPLATES – SINGLE KNIFE, POINTED AND POINTED WITH END STUBS**



**GUARDS, HOLD-DOWNS, AND WEARPLATES – SINGLE KNIFE, POINTED AND POINTED WITH END STUBS**

<b>Ref</b>	<b>Part Number</b>	<b>Description</b>	<b>Qty</b>	<b>Serial Number</b>
F	18688	WASHER – SAE FLAT 0.74 IN. I.D. X 0.92 IN. O.D. ZP		
G	18670	WASHER – SAE FLAT 7/16 I.D. X 1.0 IN. O.D. ZP		

# 4 Guards, Hold-Downs, and Wearplates – Double Knife, Right End



**GUARDS, HOLD-DOWNS, AND WEARPLATES – DOUBLE KNIFE, RIGHT END**

**NOTE:**

Illustration; TOP: Double knife, split frame right end (pointed), BOTTOM: Double knife, standard right end (pointed).

Ref	Part Number	Description	Qty	Serial Number
	B4864	KIT – CUTTERBAR POLY (15 FT HEADER) <sup>26</sup>		
	B4865	KIT – CUTTERBAR POLY (20 FT HEADER) <sup>26</sup>		
	B4838	KIT – CUTTERBAR POLY (25 FT HEADER) <sup>26</sup>		
	B4839	KIT – CUTTERBAR POLY (30 FT HEADER) <sup>26</sup>		
	B4840	KIT – CUTTERBAR POLY (35 FT HEADER) <sup>26</sup>		
	B4841	KIT – CUTTERBAR POLY (40 FT HEADER) <sup>26</sup>		
	B5114	KIT – CUTTERBAR POLY (45 FT HEADER) <sup>26</sup>		
	B5009	KIT – STUB GUARD CONVERSION (15 FT HEADER) <sup>27</sup>		
	B5010	KIT – STUB GUARD CONVERSION (20 FT HEADER) <sup>27</sup>		
	B5011	KIT – STUB GUARD CONVERSION (25 FT HEADER) <sup>27</sup>		
	B5012	KIT – STUB GUARD CONVERSION (30 FT HEADER) <sup>27</sup>		
	B5013	KIT – STUB GUARD CONVERSION (35 FT HEADER) <sup>27</sup>		
1	118302	SICKLE GUARD – RH, OUTBOARD	1	
2	118345	SICKLE GUARD – W/ POINTS, W/O WEARBAR (3 PER END)	3	
3	118344	SICKLE GUARD – W/ POINTS <sup>28</sup>		
4	118499	CLIP – HOLD-DOWN (25 PACK) <sup>29</sup>		
5	129297	WEARPLATE – UNDER CUTTERBAR, POLYETHYLENE <sup>30</sup>		
6	220114	COVER – HINGE AND SPLIT (SPLIT FRAME HDR ONLY)	1	
7	125418	SUPPORT – SPLIT CBAR CONNECTION WELDT (40 FT SPLIT FRAME HDR ONLY)	1	
	253552	SUPPORT – SPLIT CBAR CONNECTION WELDT (45 FT SPLIT FRAME HDR ONLY)	1	
8	<b>294460</b>	<b>BAR – CUTTERBAR SPLICE (SPLIT FRAME HDR ONLY)</b>	<b>1</b>	
9	220115	BAR – CUTTERBAR SPLICE (SPLIT FRAME HDR ONLY)	1	
10	140135	TOOL WELDT – GUARD STRAIGHTENING TOOL	1	
A	118193	NUT – FLANGE HEX .375 UNC		

26. Includes cutterbar wearplate (MD #129297) and hardware. Kits available through Whole Goods only.

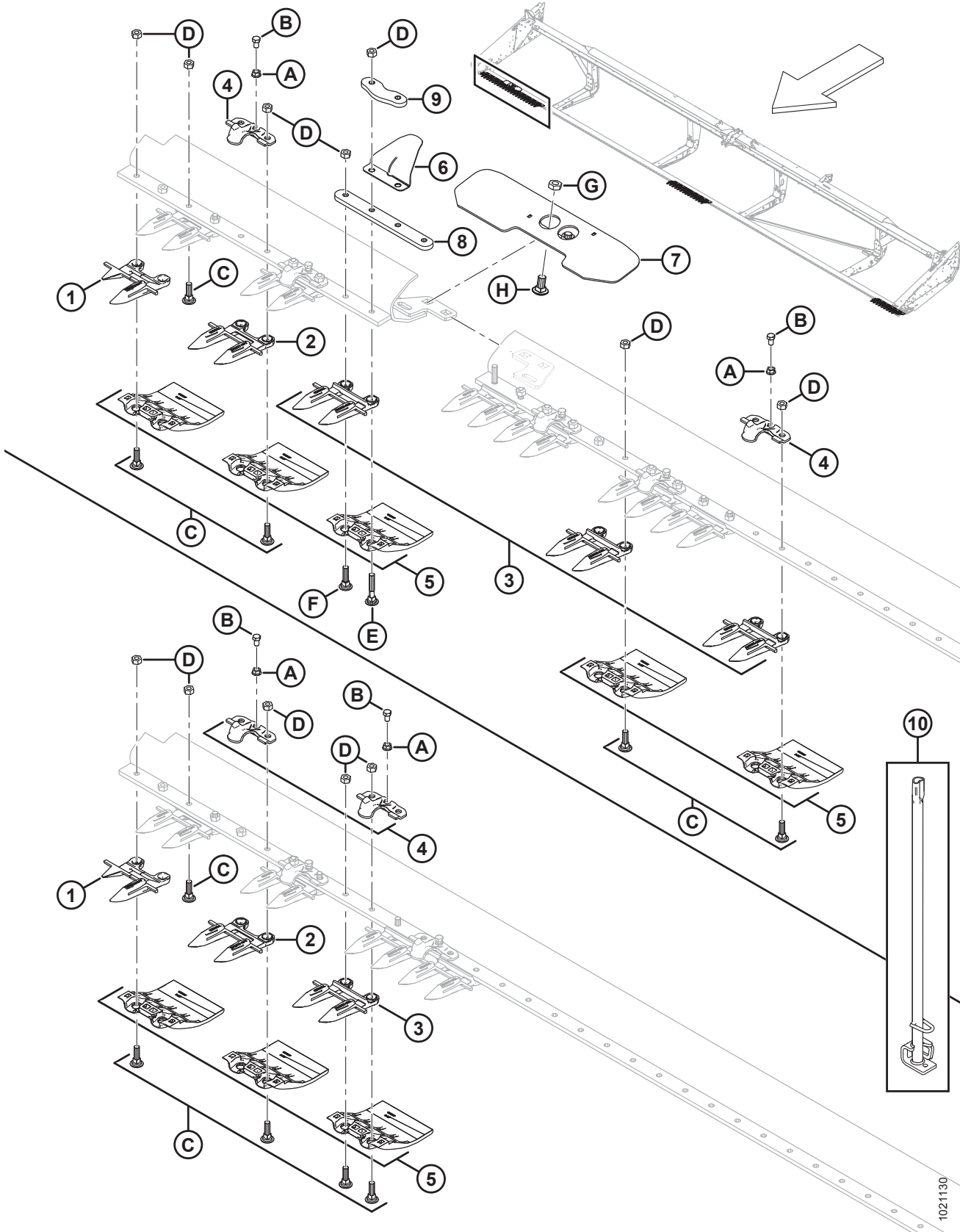
27. Double-knife headers. For service parts, refer to Section *57 (Option) Stub Guard Conversion Kit, page 197*. Kits available through Whole Goods only.

28. Complete cutterbar quantities: 15 ft. = 21, 20 ft. = 31, 25 ft. = 41, 30 ft. = 51, 35 ft. = 61, 40 ft. = 71, 45 ft. = 81.

29. Complete cutterbar quantities: 15 ft. = 25, 20 ft. = 35, 25 ft. = 45, 30 ft. = 55, 35 ft. = 65, 40 ft. = 39, 45 ft. = 44.

30. Complete cutterbar quantities: 15 ft. = 30, 20 ft. = 40, 25 ft. = 50, 30 ft. = 60, 35 ft. = 70, 40 ft. = 80, 45 ft. = 90.

GUARDS, HOLD-DOWNS, AND WEARPLATES – DOUBLE KNIFE, RIGHT END

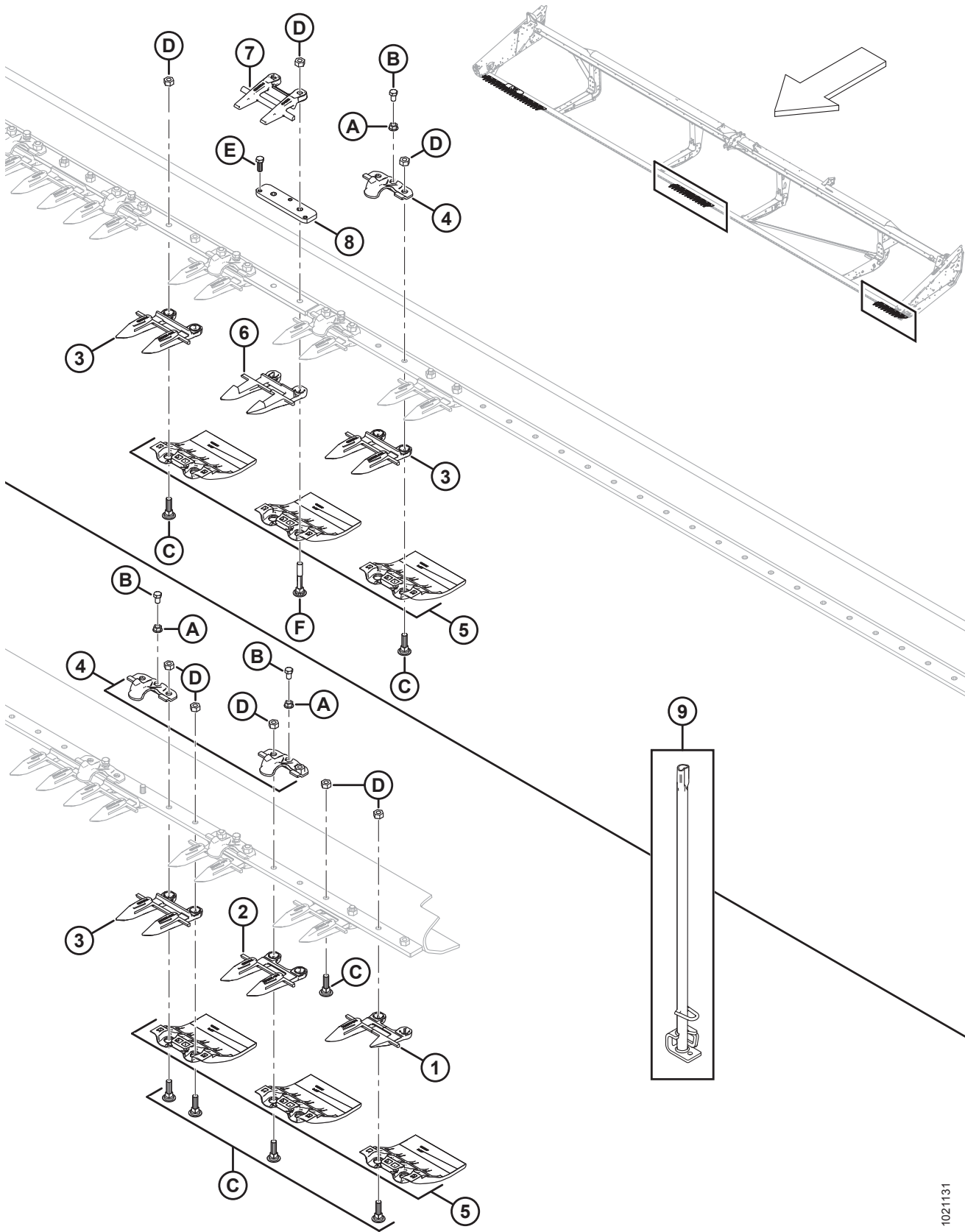


1021130

**GUARDS, HOLD-DOWNS, AND WEARPLATES – DOUBLE KNIFE, RIGHT END**

<b>Ref</b>	<b>Part Number</b>	<b>Description</b>	<b>Qty</b>	<b>Serial Number</b>
B	118154	BOLT – HH 3/8 NC X 5/8 TFL GR 8 ZP		
C	120558	BOLT – RHSN SPECIAL 7/16 NC 1.5 LG GR 5 ZP		
D	18654	NUT – HEX 7/16-14 UNC GR 5 ZP		
E	279575	BOLT – RHSN SPECIAL 7/16 NC X 2.5 LG GR 5 ZP		
F	120639	BOLT – RHSN SPECIAL 7/16 NC X 1.75 LG GR 5 ZP		
G	21941	NUT – HEX LOCK JAM (END DT THD) 5/8-11 UNC GR 5 ZP		
H	103562	BOLT – RHSN 5/8 NC X 1.25 GR 5 ZP		

# 5 Guards, Hold-Downs, and Wearplates – Double Knife, Middle and Left End





**GUARDS, HOLD-DOWNS, AND WEARPLATES – DOUBLE KNIFE, MIDDLE AND LEFT END**

**NOTE:**

Illustration; TOP: Double knife, middle (pointed), BOTTOM: Double knife, left end (pointed).

Ref	Part Number	Description	Qty	Serial Number
	<b>B4864</b>	<b>KIT – CUTTERBAR POLY (15 FT HEADER)</b> <sup>31</sup>		
	B4865	KIT – CUTTERBAR POLY (20 FT HEADER) <sup>31</sup>		
	B4838	KIT – CUTTERBAR POLY (25 FT HEADER) <sup>31</sup>		
	B4839	KIT – CUTTERBAR POLY (30 FT HEADER) <sup>31</sup>		
	B4840	KIT – CUTTERBAR POLY (35 FT HEADER) <sup>31</sup>		
	B4841	KIT – CUTTERBAR POLY (40 FT HEADER) <sup>31</sup>		
	B5114	KIT – CUTTERBAR POLY (45 FT HEADER) <sup>31</sup>		
	<b>B5009</b>	<b>KIT – STUB GUARD CONVERSION (15 FT HEADER)</b> <sup>32</sup>		
	B5010	KIT – STUB GUARD CONVERSION (20 FT HEADER) <sup>32</sup>		
	B5011	KIT – STUB GUARD CONVERSION (25 FT HEADER) <sup>32</sup>		
	B5012	KIT – STUB GUARD CONVERSION (30 FT HEADER) <sup>32</sup>		
	B5013	KIT – STUB GUARD CONVERSION (35 FT HEADER) <sup>32</sup>		
1	118301	SICKLE GUARD – LH, OUTBOARD	1	
2	118345	SICKLE GUARD – W/ POINTS, W/O WEARBAR (3 PER END)	3	
3	118344	SICKLE GUARD – W/ POINTS <sup>33</sup>		
4	118499	CLIP – HOLD-DOWN (25 PACK) <sup>34</sup>		
5	129297	WEARPLATE – UNDER CUTTERBAR, POLYETHYLENE <sup>35</sup>		
6	124338	SICKLE GUARD – CENTER, POINTED	1	
7	124344	GUIDE – TOP-CENTER	1	
8	34980	BAR – ADJUSTER	1	
9	140135	TOOL WELDT – GUARD STRAIGHTENING TOOL	1	
A	118193	NUT – FLANGE HEX .375 UNC		
B	118154	BOLT – HH 3/8 NC X 5/8 TFL GR 8 ZP		
C	120558	BOLT – RHSN SPECIAL 7/16 NC X 1.5 LG GR 5 ZP		
D	18654	NUT – HEX 7/16-14 UNC GR 5 ZP		

31. Includes cutterbar wearplate (MD #129297) and hardware. Kits available through Whole Goods only.

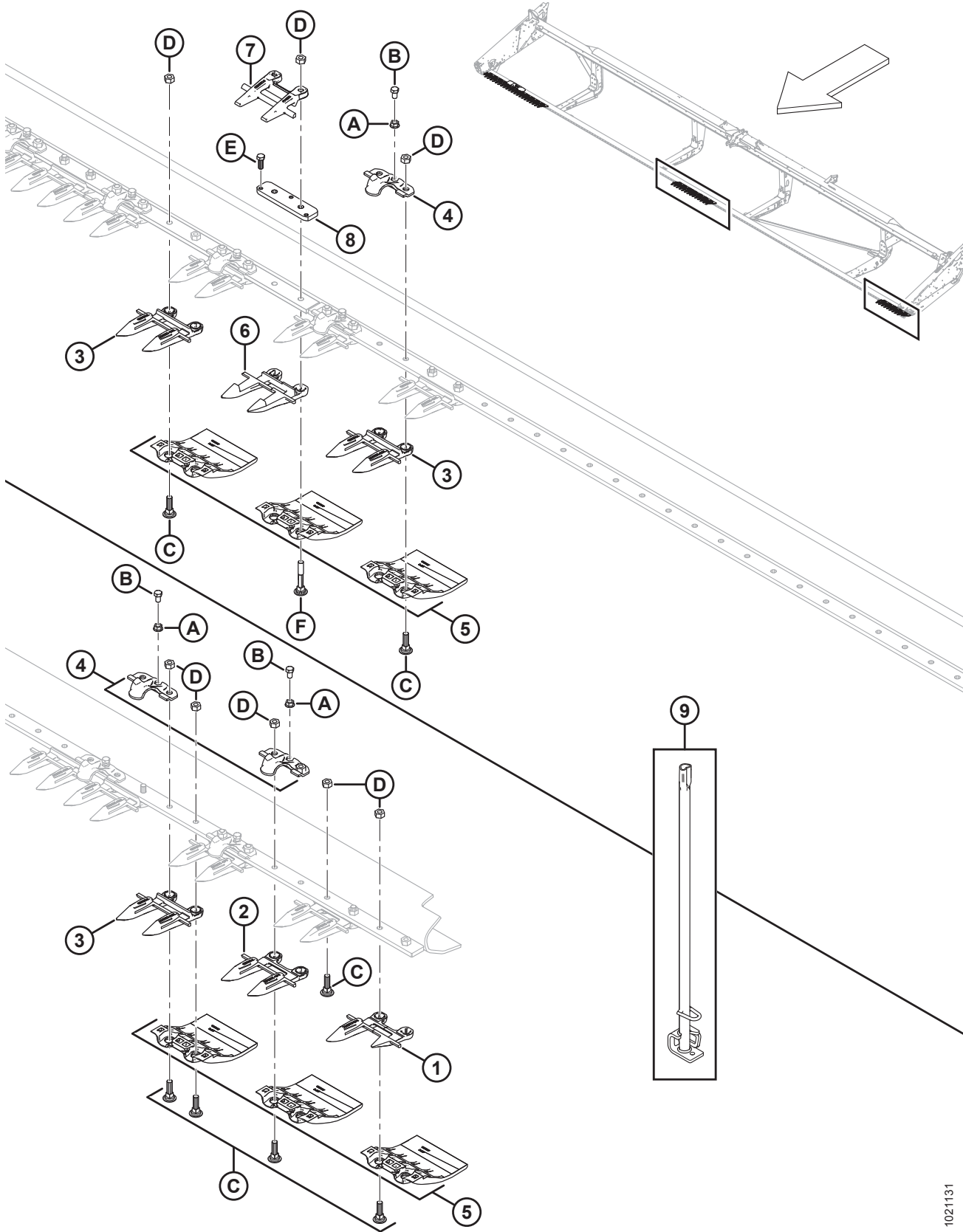
32. Double-knife headers. For service parts, refer to Section *57 (Option) Stub Guard Conversion Kit, page 197*. Kits available through Whole Goods only.

33. Complete cutterbar quantities: 15 ft. = 21, 20 ft. = 31, 25 ft. = 41, 30 ft. = 51, 35 ft. = 61, 40 ft. = 71, 45 ft. = 81.

34. Complete cutterbar quantities: 15 ft. = 25, 20 ft. = 35, 25 ft. = 45, 30 ft. = 55, 35 ft. = 65, 40 ft. = 39, 45 ft. = 44.

35. Complete cutterbar quantities: 15 ft. = 30, 20 ft. = 40, 25 ft. = 50, 30 ft. = 60, 35 ft. = 70, 40 ft. = 80, 45 ft. = 90.

GUARDS, HOLD-DOWNS, AND WEARPLATES – DOUBLE KNIFE, MIDDLE AND LEFT END

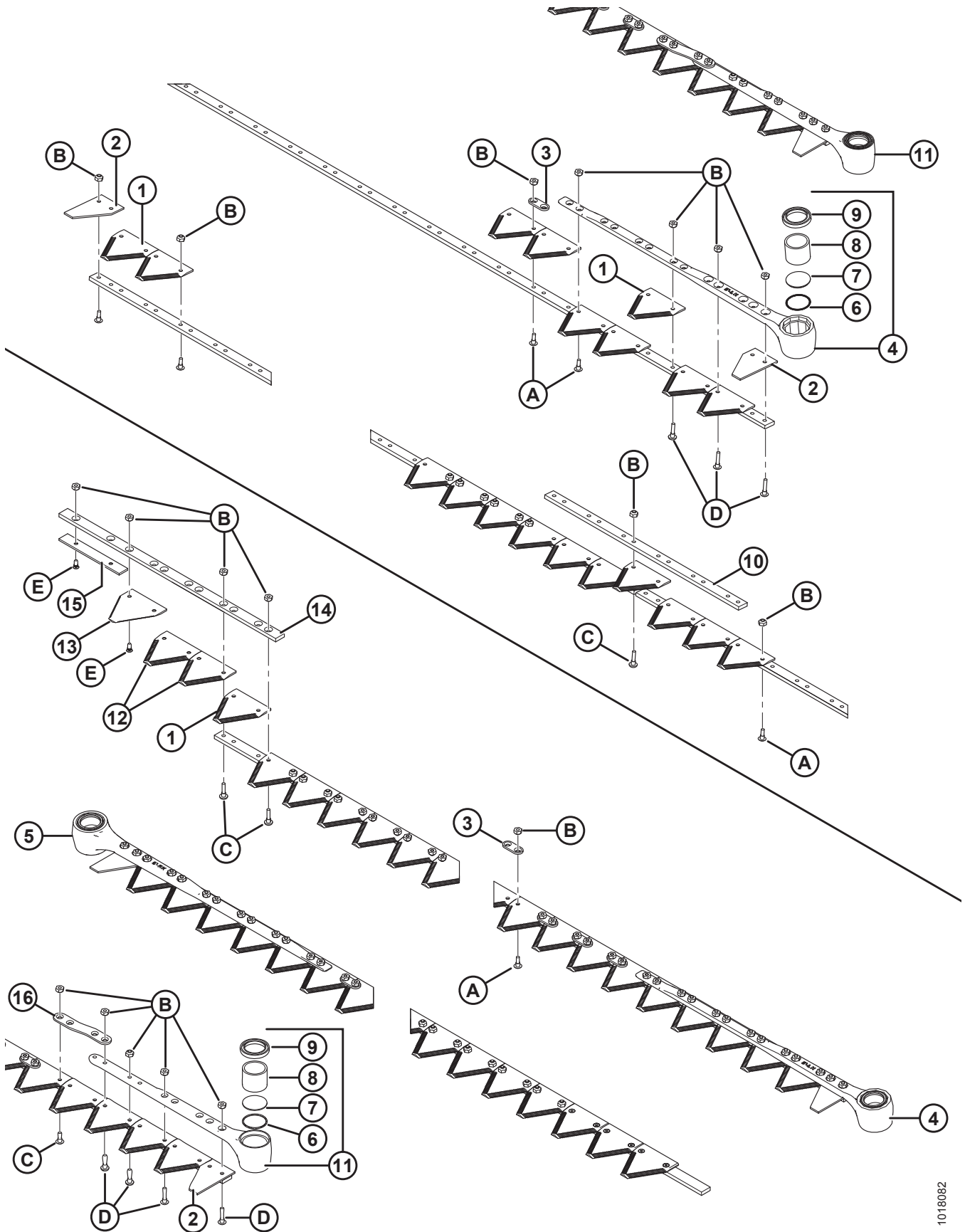


1021131

**GUARDS, HOLD-DOWNS, AND WEARPLATES – DOUBLE KNIFE, MIDDLE AND LEFT END**

<b>Ref</b>	<b>Part Number</b>	<b>Description</b>	<b>Qty</b>	<b>Serial Number</b>
E	50120	BOLT – HH 3/8 NC X 1 STAIN STL		
F	132404	BOLT – RHSN SPECIAL 7/16 NC X 2.75 LG GR 5 ZP		

# 6 Knife Components and Knifehead



## KNIFE COMPONENTS AND KNIFEHEAD

**NOTE:**

Top illustration shows single knife; bottom shows double knife.

**NOTE:**

To service knife assemblies refer to the following sections:

*7 Segmented Knives – Single-Knife Headers, Fine-Tooth Sections, page 25*

*8 Segmented Knives – Single-Knife Headers, Coarse-Tooth Sections, page 29*

*9 Segmented Knives – Double-Knife Headers, Fine-Tooth Sections, page 33*

*10 Segmented Knives – Double-Knife Headers, Coarse-Tooth Sections, page 37*

Ref	Part Number	Description	Qty	Serial Number
1	279641	COARSE SICKLE SECTION – 9 SPI (25 PACK) <sup>36</sup>		
	174845	COARSE SICKLE SECTION – BUSATIS 9 SPI (25 PACK) <sup>36</sup>	OPT	
	279642	FINE SICKLE SECTION – 14 SPI (25 PACK) <sup>36</sup>	OPT	
	118491	FINE SICKLE SECTION – BUSATIS 14 SPI (25 PACK) <sup>36</sup>	OPT	
2	279468	SECTION – END, HALF SECTION (10 PACK)	2	
3	174857	BAR – REINFORCING (25 PACK)	40	
4	132896	HEAD ASSEMBLY – LH, 5° ANGLE <sup>37</sup>	1	
5	132897	HEAD ASSEMBLY – RH, 5° ANGLE <sup>37</sup>	1	
6	115670	O-RING – SICKLE HEAD	1	
7	113937	PLUG – SICKLE HEAD	1	
8	100500	BEARING – NEEDLE, SICKLE HEAD	1	
9	113222	SEAL KIT – SICKLE HEAD <sup>38</sup>	1	
10	33955	BAR – SPLICE, 2-PIECE SICKLES <sup>39</sup>	1	
11	120832	HEAD ASSEMBLY – SICKLE <sup>40</sup>	2	
12	279310	COARSE SICKLE SECTION – BOTTOM CSK 9 SPI (10 PACK)	1	
	279851	COARSE SICKLE SECTION BUSATIS – BOTTOM CSK 9 SPI (10 PACK)	OPT	
	279312	FINE SICKLE SECTION – BOTTOM CSK 14 SPI (10 PACK)	OPT	
	279850	FINE SICKLE SECTION BUSATIS – BOTTOM CSK 14 SPI (10 PACK)	OPT	
	279996	KIT – CENTER OVERLAP FINE SICKLE <sup>41</sup>	OPT	
	279997	KIT – CENTER OVERLAP COARSE SICKLE <sup>42</sup>	OPT	

36. Quantities (individual sections): 15 ft. = 57, 20 ft. = 77, 25 ft. = 97, 30 ft. = 117, 35 ft. = 137, 40 ft. = 157.

37. 30–45 ft. only. Includes O-ring (MD #115670), plug (MD #113937), needle bearing (MD #100500), and seal (MD #113222).

38. Install with lip facing outward. Kit includes seal and instructions.

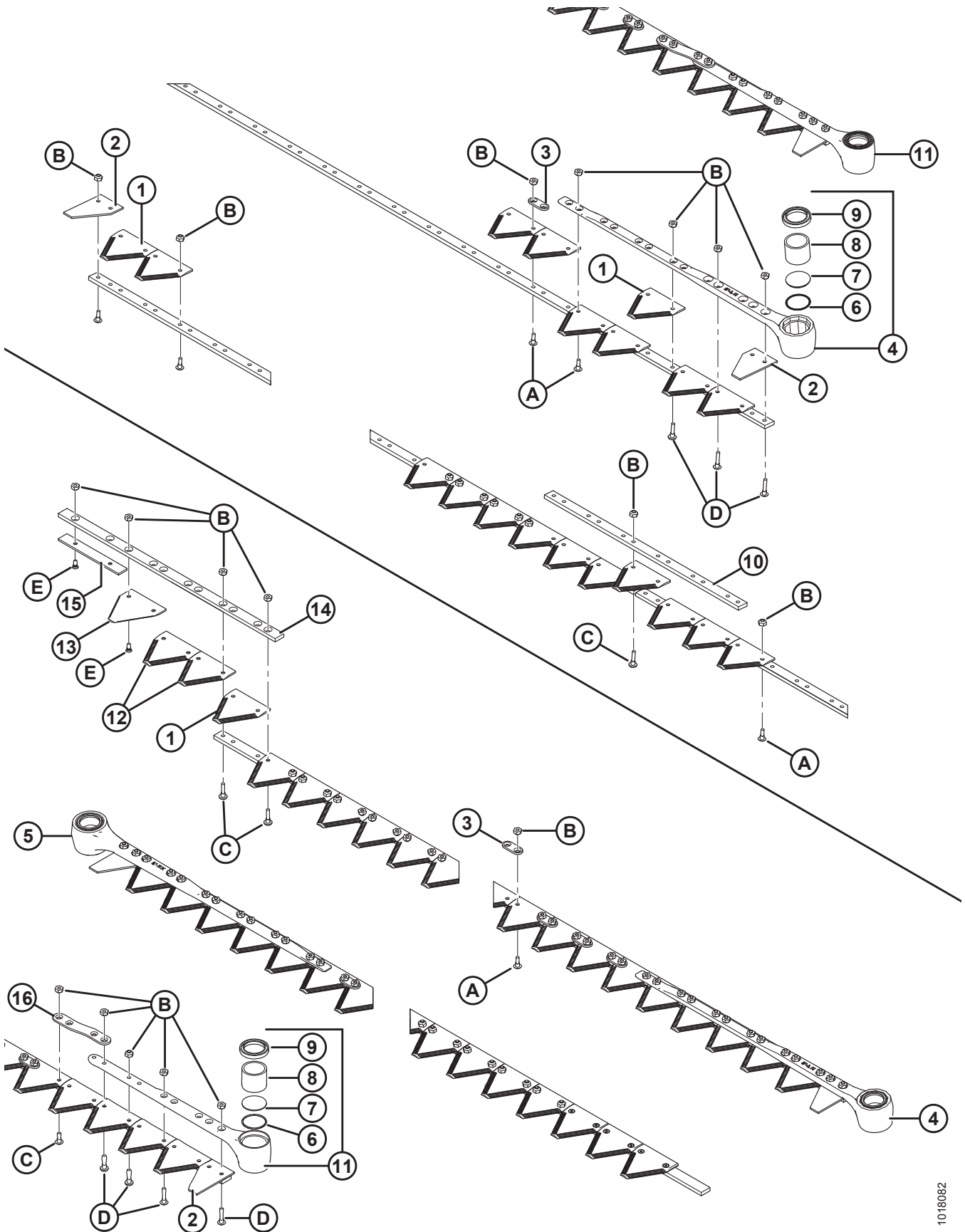
39. 35–40 ft. single knife.

40. 15–25 ft. only. Includes O-ring (MD #115670), plug (MD #113937), needle bearing (MD #100500), and seal (MD #113222).

41. Includes four top countersunk fine sickle sections (14 SPI), three bottom countersunk fine sickle sections (14 SPI), and all required hardware.

42. Includes four top countersunk coarse sickle sections (9 SPI), three bottom countersunk coarse sickle sections (9 SPI), and all required hardware.

# KNIFE COMPONENTS AND KNIFEHEAD



1018082

**KNIFE COMPONENTS AND KNIFEHEAD**

<b>Ref</b>	<b>Part Number</b>	<b>Description</b>	<b>Qty</b>	<b>Serial Number</b>
13	279314	COARSE SICKLE SECTION – TOP CSK 9 SPI (10 PACK) <sup>43</sup>	1	
	279999	COARSE SICKLE SECTION BUSATIS – TOP CSK 9 SPI (10 PACK) <sup>43</sup>	OPT	
	279316	FINE SICKLE SECTION – TOP CSK 14 SPI (10 PACK) <sup>43</sup>	OPT	
	279848	FINE SICKLE SECTION BUSATIS – TOP CSK 14 SPI (10 PACK) <sup>43</sup>	OPT	
14	124880	GUIDE – TOP, LH SICKLE	1	
15	124881	BAR – WEAR, LH SICKLE	1	
16	129329	BAR – REINFORCING <sup>44</sup>	1	
A	135628	SCREW – BHRN #12-24 NC X 0.67 IN. (50 PACK) <sup>45</sup>		
B	135626	NUT – CSK, CENTER LOCK, #12-24 NC (50 PACK) <sup>46</sup>		
C	135630	SCREW – BHRN, #12-24 NC X 0.920 IN. (50 PACK) <sup>47</sup>		
D	135632	SCREW – BHRN, #12-24 NC X 1.05 IN. (50 PACK) <sup>48</sup>		
E	174165	SCREW – 90° CSK SKT HD, #12-24 NC X 0.5 IN. (50 PACK)		

43. Install serrations down.

44. 15–25 ft. headers only.

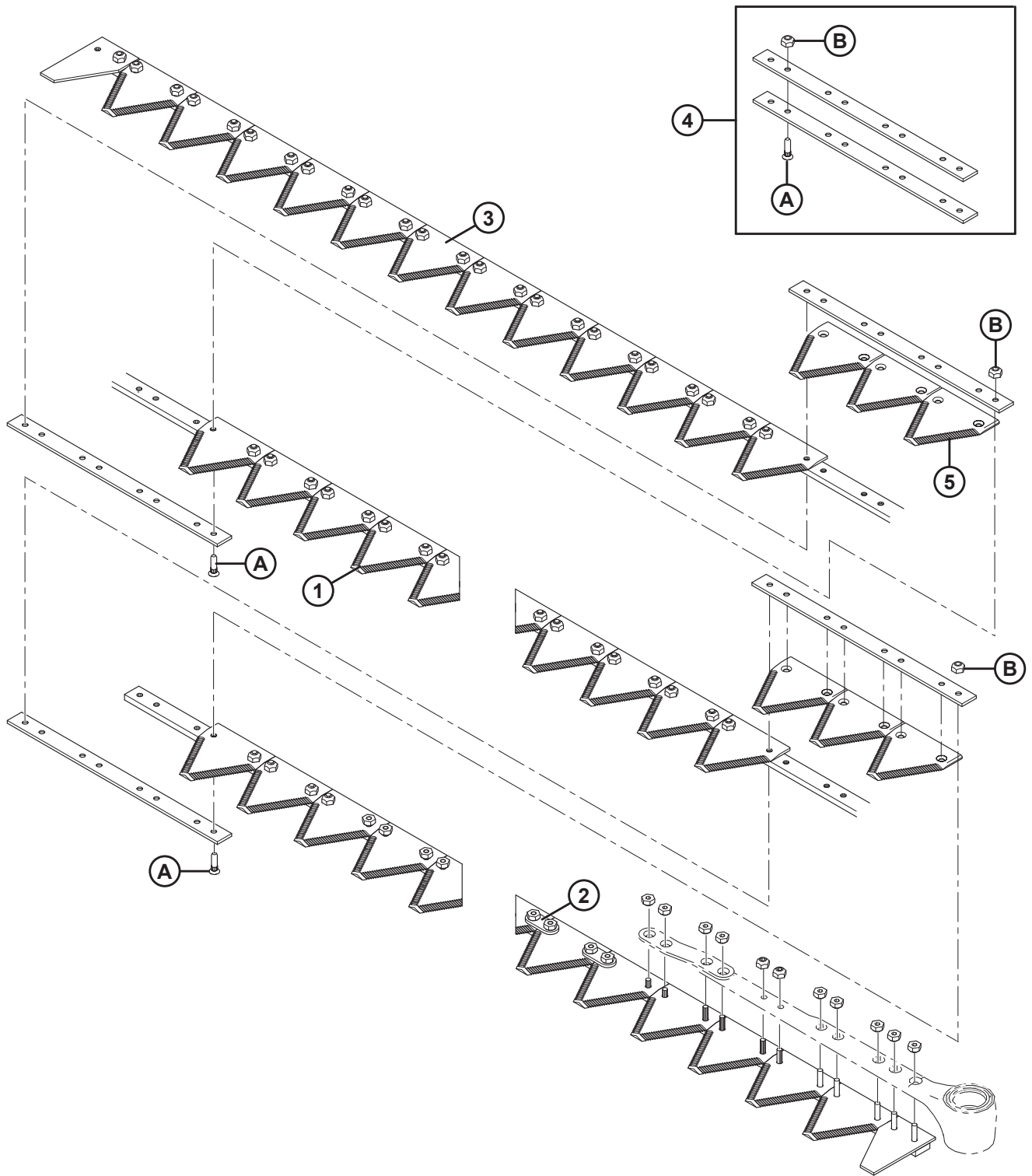
45. Pack of 1000 – MD #135629.

46. Pack of 2000 – MD #135627.

47. Pack of 1000 – MD #135631.

48. Pack of 1000 – MD #135633.

# 7 Segmented Knives – Single-Knife Headers, Fine-Tooth Sections





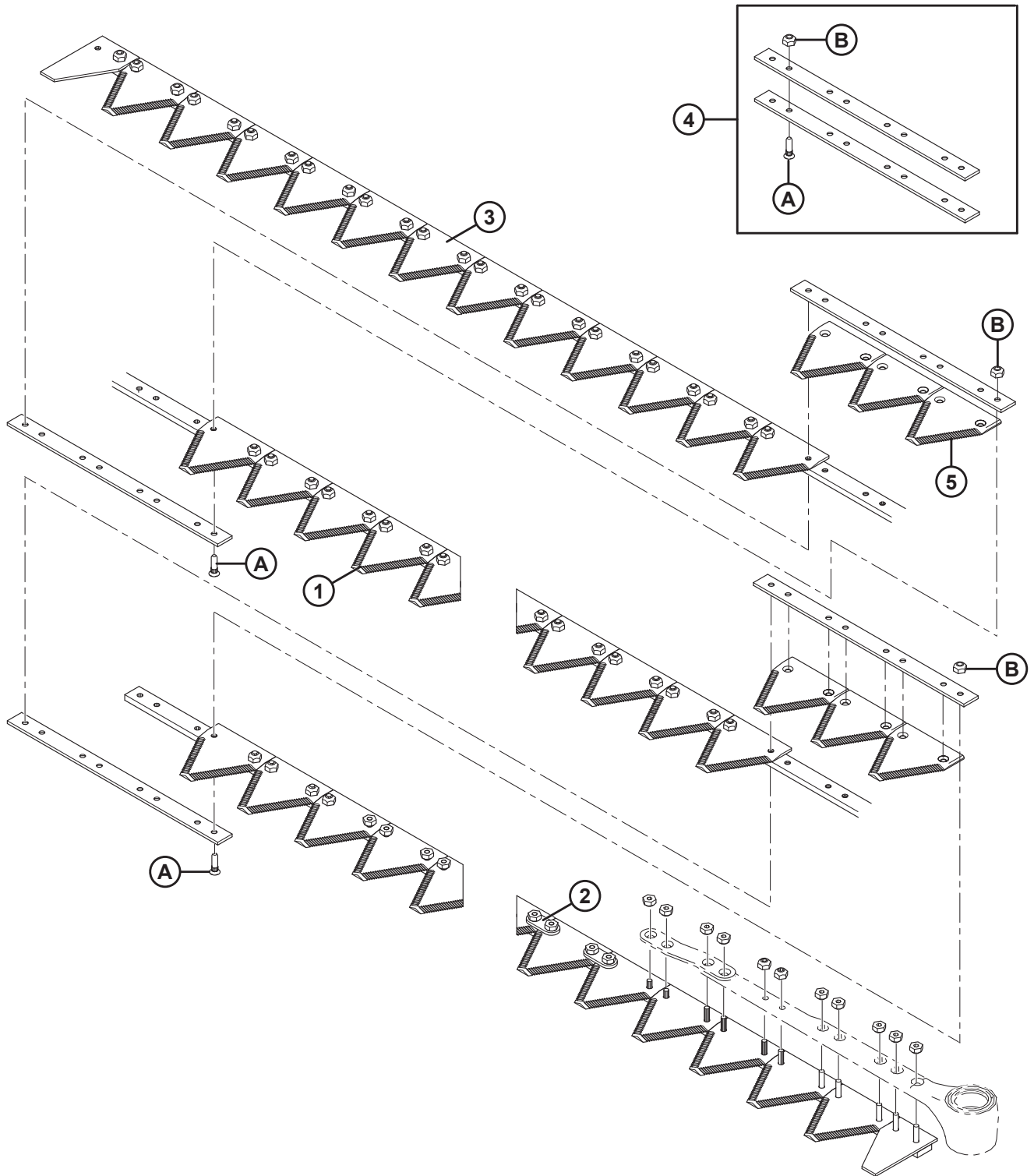
**SEGMENTED KNIVES – SINGLE-KNIFE HEADERS, FINE-TOOTH SECTIONS**

**NOTE:**

6.1–13.7 m (20–45 ft.) header knives are sold in segments, for a complete segment (less knifehead) refer to tables below:

<b>Ref</b>	<b>Part Number</b>	<b>Description</b>	<b>Qty</b>	<b>Serial Number</b>
		<b>6.1 METER (20 FOOT)</b>		
1	279398	LEFT HEAD SEGMENT	1	
2	279399	CENTER SEGMENT	1	
3	279400	RIGHT TAIL SEGMENT	1	
4	129043	MACDON SPLICE KIT	2	
5	<b>279642</b>	<b>SECTION – KONDEX FINE (25 PACK)</b>	<b>6</b>	
	<b>118491</b>	<b>SECTION – BUSATIS FINE (25 PACK)</b>	<b>6</b>	
		<b>7.6 METER (25 FOOT)</b>		
1	279398	LEFT HEAD SEGMENT	1	
2	279399	CENTER SEGMENT	1	
3	279401	RIGHT TAIL SEGMENT	1	
4	129043	MACDON SPLICE KIT	2	
5	<b>279642</b>	<b>SECTION – KONDEX FINE (25 PACK)</b>	<b>6</b>	
	<b>118491</b>	<b>SECTION – BUSATIS FINE (25 PACK)</b>	<b>6</b>	
		<b>9.1 METER (30 FOOT)</b>		
1	279398	LEFT HEAD SEGMENT	1	
2	279399	CENTER SEGMENT	2	
3	279402	RIGHT TAIL SEGMENT	1	
4	129043	MACDON SPLICE KIT	3	
5	<b>279642</b>	<b>SECTION – KONDEX FINE (25 PACK)</b>	<b>9</b>	
	<b>118491</b>	<b>SECTION – BUSATIS FINE (25 PACK)</b>	<b>9</b>	
		<b>10.7 METER (35 FOOT)</b>		
1	279398	LEFT HEAD SEGMENT	1	
2	279399	CENTER SEGMENT	2	
3	279403	RIGHT TAIL SEGMENT	1	
4	129043	MACDON SPLICE KIT	3	
5	<b>279642</b>	<b>SECTION – KONDEX FINE (25 PACK)</b>	<b>9</b>	
	<b>118491</b>	<b>SECTION – BUSATIS FINE (25 PACK)</b>	<b>9</b>	
		<b>12.2 METER (40 FOOT)</b>		
1	279398	LEFT HEAD SEGMENT	1	
2	279399	CENTER SEGMENT	3	
3	279404	RIGHT TAIL SEGMENT	1	
4	129043	MACDON SPLICE KIT	4	
5	<b>279642</b>	<b>SECTION – KONDEX FINE (25 PACK)</b>	<b>12</b>	
	<b>118491</b>	<b>SECTION – BUSATIS FINE (25 PACK)</b>	<b>12</b>	

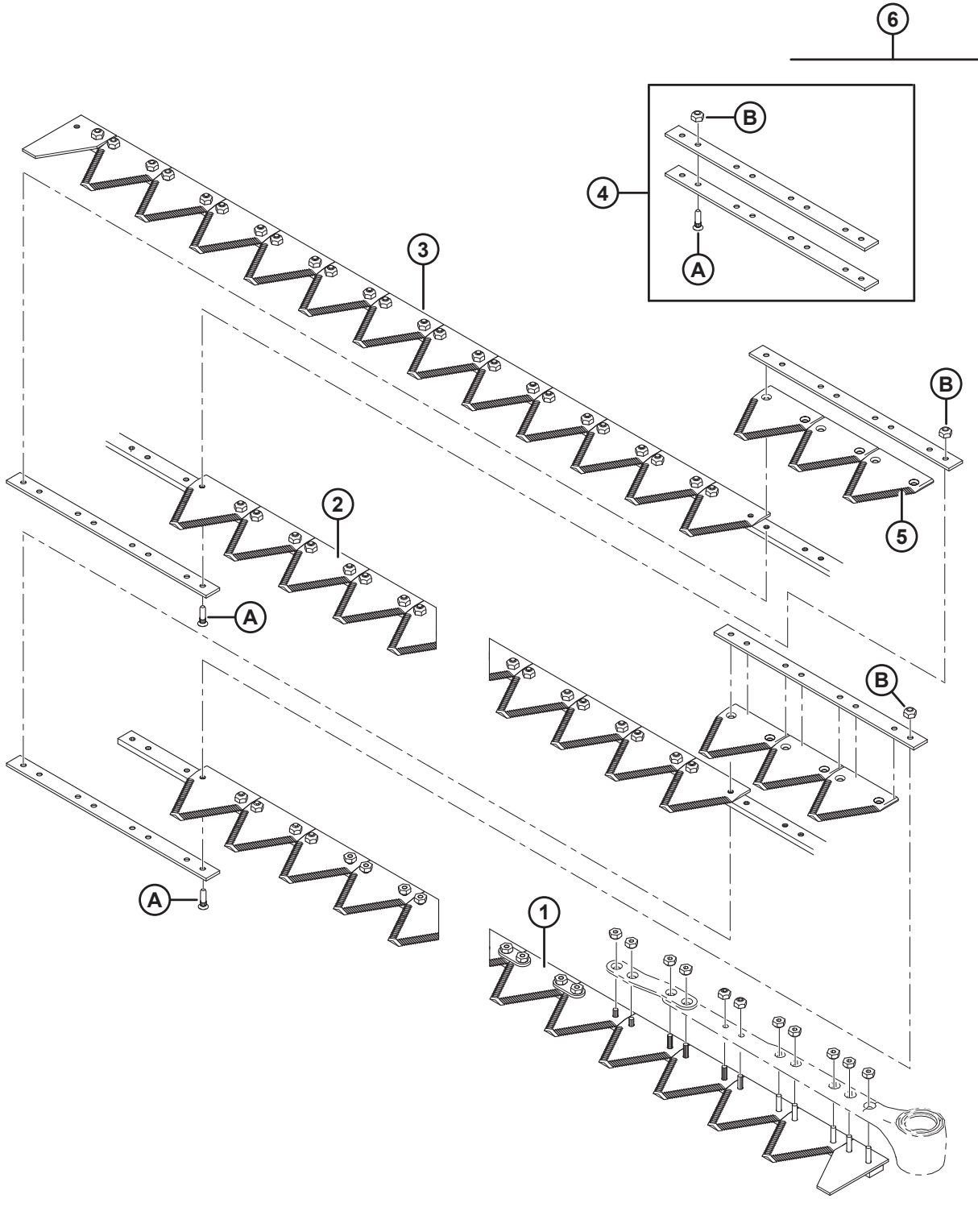
SEGMENTED KNIVES – SINGLE-KNIFE HEADERS, FINE-TOOTH SECTIONS



SEGMENTED KNIVES – SINGLE-KNIFE HEADERS, FINE-TOOTH SECTIONS

Ref	Part Number	Description	Qty	Serial Number
A	129299	SCREW – 90° CSK SKT HD, #12-24 NC X 0.812 IN.		
B	135626	NUT – CSK, CENTER LOCK, #12-24 NC (50 PACK)		

# 8 Segmented Knives – Single-Knife Headers, Coarse-Tooth Sections



1029806

**SEGMENTED KNIVES – SINGLE-KNIFE HEADERS, COARSE-TOOTH SECTIONS**

**NOTE:**

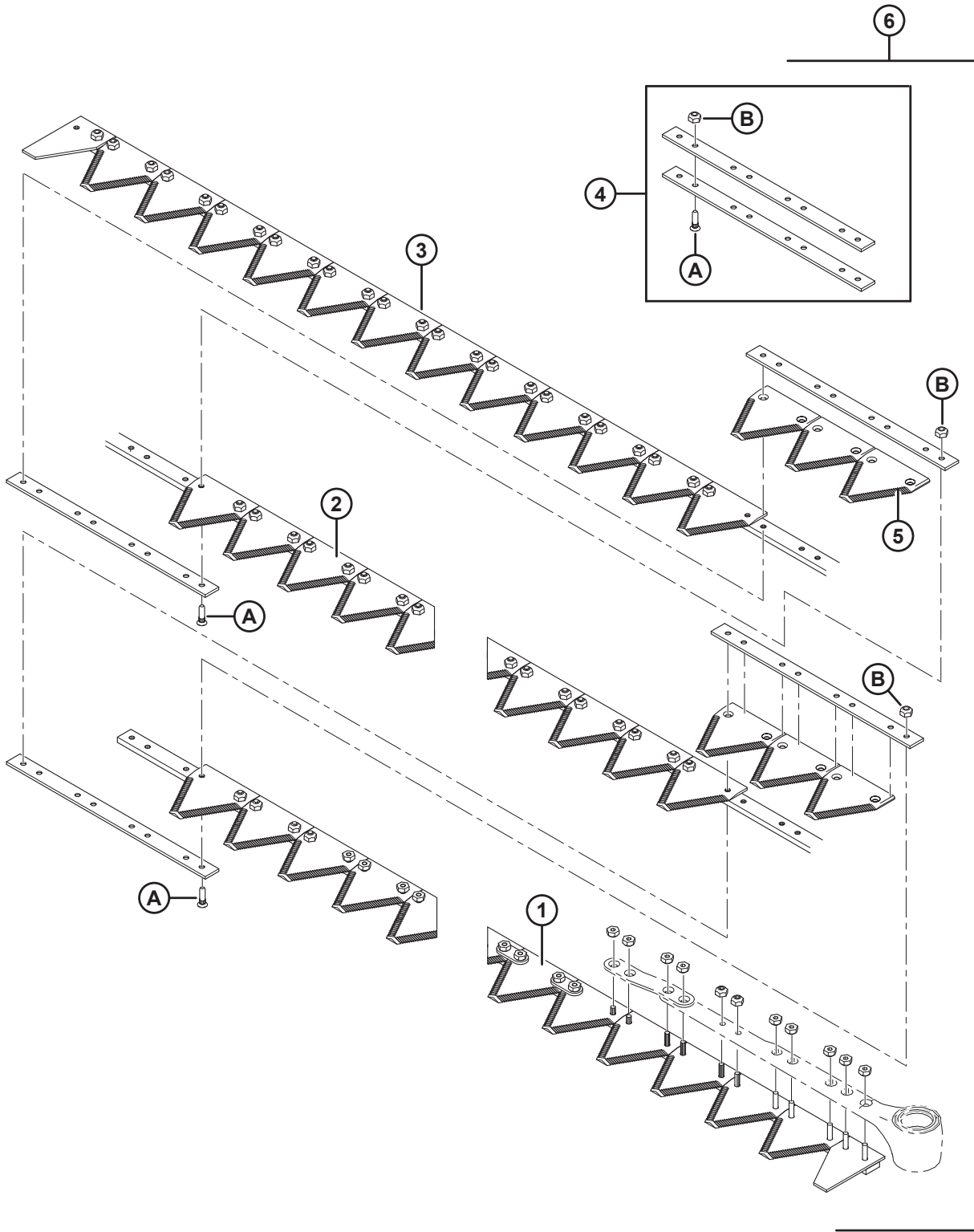
6.1–13.7 m (20–45 ft.) header knives are sold in segments, for a complete segment (less knifehead) refer to tables below:

Ref	Part Number	Description	Qty	Serial Number
		<b>6.1 METERS (20 FOOT)</b>		
1	279405	LEFT HEAD SEGMENT	1	
2	279406	CENTER SEGMENT	1	
3	279407	RIGHT TAIL SEGMENT	1	
4	129043	MACDON SPLICE KIT	2	
5	<b>279641</b>	<b>SECTION – KONDEX COARSE (25 PACK)</b>	<b>6</b>	
	<b>174845</b>	<b>SECTION – BUSATIS COARSE (25 PACK)</b>	<b>6</b>	
		<b>7.6 METER (25 FOOT)</b>		
1	279405	LEFT HEAD SEGMENT	1	
2	279406	CENTER SEGMENT	1	
3	279408	RIGHT TAIL SEGMENT	1	
4	129043	MACDON SPLICE KIT	2	
5	<b>279641</b>	<b>SECTION – KONDEX COARSE (25 PACK)</b>	<b>6</b>	
	<b>174845</b>	<b>SECTION – BUSATIS COARSE (25 PACK)</b>	<b>6</b>	
		<b>9.1 METER (30 FOOT)</b>		
1	279405	LEFT HEAD SEGMENT	1	
2	279406	CENTER SEGMENT	2	
3	279409	RIGHT TAIL SEGMENT	1	
4	129043	MACDON SPLICE KIT	3	
5	<b>279641</b>	<b>SECTION – KONDEX COARSE (25 PACK)</b>	<b>9</b>	
	<b>174845</b>	<b>SECTION – BUSATIS COARSE (25 PACK)</b>	<b>9</b>	
6	<b>294795</b>	<b>KIT – 30 FT SINGLE KNIFE <sup>49</sup></b>	<b>A/R</b>	
		<b>10.7 METER (35 FOOT)</b>		
1	279405	LEFT HEAD SEGMENT	1	
2	279406	CENTER SEGMENT	2	
3	279410	RIGHT TAIL SEGMENT	1	
4	129043	MACDON SPLICE KIT	3	
5	<b>279641</b>	<b>SECTION – KONDEX COARSE (25 PACK)</b>	<b>9</b>	
	<b>174845</b>	<b>SECTION – BUSATIS COARSE (25 PACK)</b>	<b>9</b>	
6	<b>294796</b>	<b>KIT – 35 FT SINGLE KNIFE <sup>50</sup></b>	<b>A/R</b>	

49. Kit is for complete cutterbar replacement. Kit includes left head segment (MD #279405), center segment (MD #279406), right tail segment (MD #279409), MacDon splice kit (MD #129043), and Kondex coarse section (MD #279641).

50. Kit is for complete cutterbar replacement. Kit includes left head segment (MD #279405), center segment (MD #279406), right tail segment (MD #279410), MacDon splice kit (MD #129043), and Kondex coarse section (MD #279641).

SEGMENTED KNIVES – SINGLE-KNIFE HEADERS, COARSE-TOOTH SECTIONS



1029806

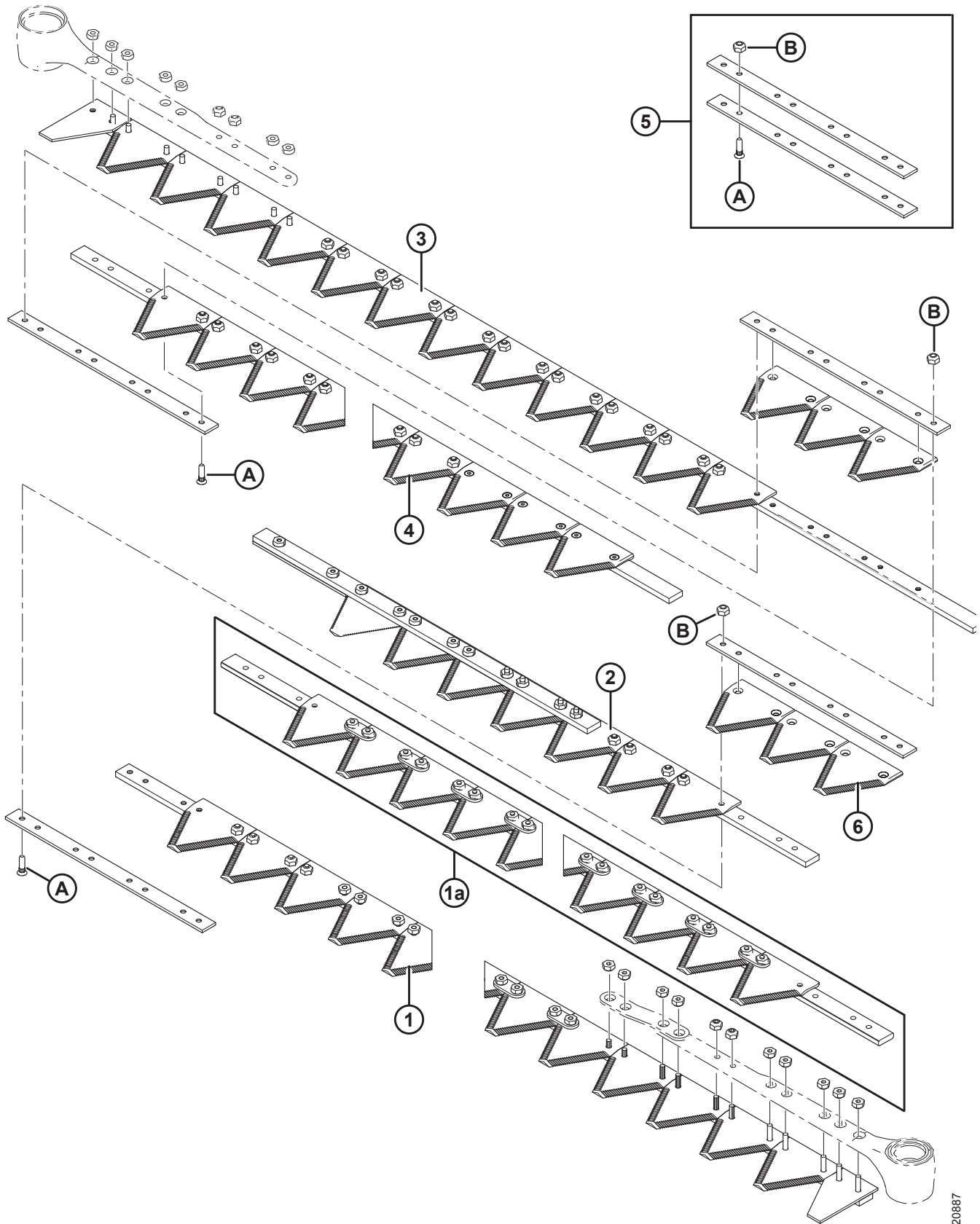
**SEGMENTED KNIVES – SINGLE-KNIFE HEADERS, COARSE-TOOTH SECTIONS**

<b>Ref</b>	<b>Part Number</b>	<b>Description</b>	<b>Qty</b>	<b>Serial Number</b>
		<b>12.2 METER (40 FOOT)</b>		
1	279405	LEFT HEAD SEGMENT	1	
2	279406	CENTER SEGMENT	3	
3	279411	RIGHT TAIL SEGMENT	1	
4	129043	MACDON SPLICE KIT	4	
5	<b>279641</b>	<b>SECTION – KONDEX COARSE (25 PACK)</b>	<b>12</b>	
	<b>174845</b>	<b>SECTION – BUSATIS COARSE (25 PACK)</b>	<b>12</b>	
6	<b>294797</b>	<b>KIT – 40 FT SINGLE KNIFE <sup>51</sup></b>	<b>A/R</b>	
A	129299	SCREW – 90° CSK SKT HD, #12-24 NC X 0.812 IN.		
B	135626	NUT – CSK, CENTER LOCK, #12-24 NC (50 PACK)		

---

51. Kit is for complete cutterbar replacement. Kit includes left head segment (MD #279405), center segment (MD #279406), right tail segment (MD #279411), MacDon splice kit (MD #129043), and Kondex coarse section (MD #279641).

# 9 Segmented Knives – Double-Knife Headers, Fine-Tooth Sections



1020887



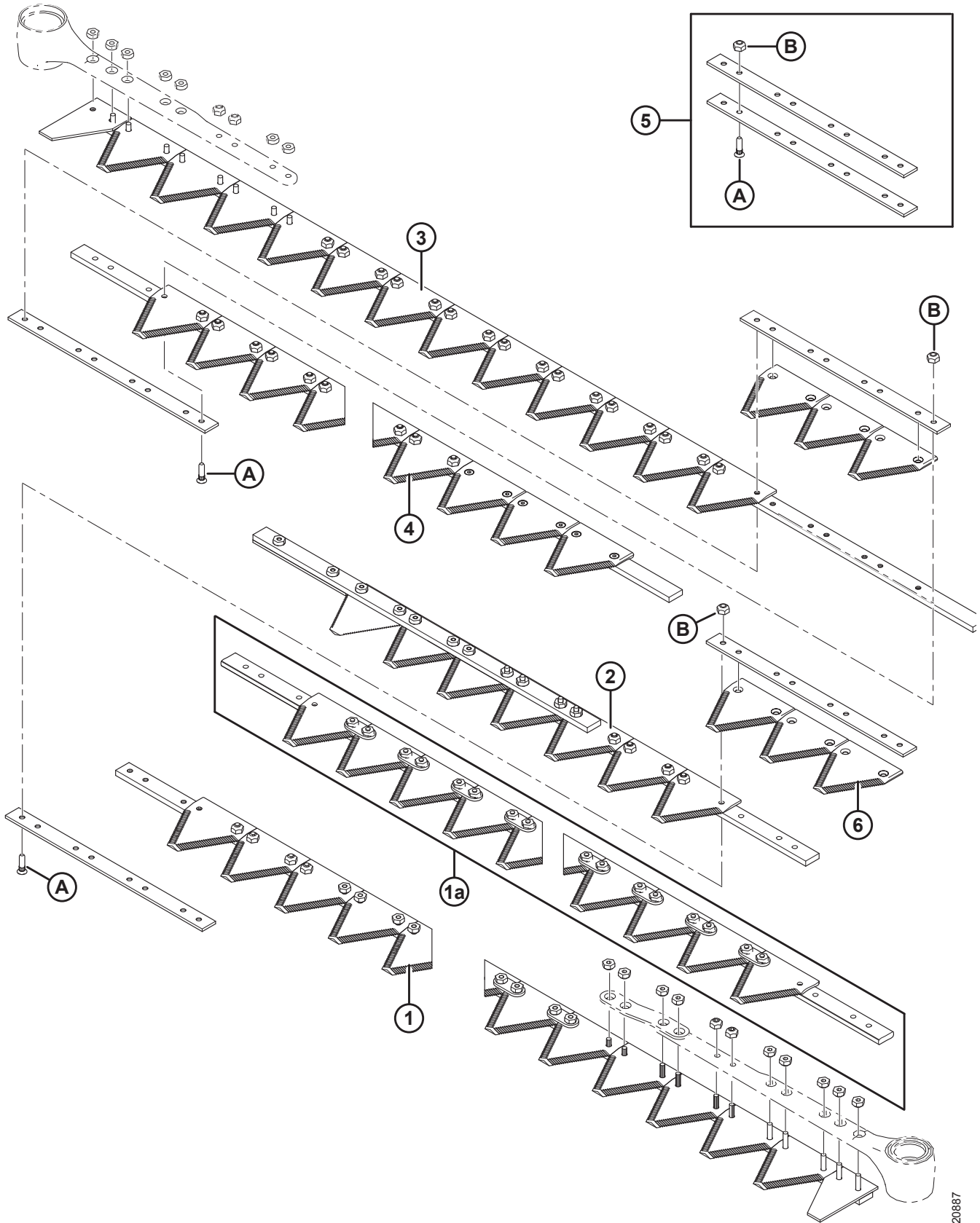
**SEGMENTED KNIVES – DOUBLE-KNIFE HEADERS, FINE-TOOTH SECTIONS**

**NOTE:**

- 4.6 m (15 ft.) header knives are sold complete, refer to tables below:
- 6.1–13.7 m (20–45 ft.) header knives are sold in segments, for a complete segment (less knifehead) refer to tables below:

Ref	Part Number	Description	Qty	Serial Number
		<b>4.6 METER (15 FOOT)</b>		
	279438	SICKLE – COMPLETE, FINE SER, 14 SPI (15 FT LH)	1	
	279439	SICKLE – COMPLETE, FINE SER, 14 SPI (15 FT RH)	1	
		<b>6.1 METER (20 FOOT)</b>		
1	279398	LEFT HEAD SEGMENT	1	
2	279413	LEFT TAIL SEGMENT	1	
3	279414	RIGHT COMPLETE	1	
5	129043	MACDON SPLICE KIT	1	
6	<b>279642</b>	<b>SECTION – KONDEX FINE (25 PACK)</b>	<b>3</b>	
	<b>118491</b>	<b>SECTION – BUSATIS FINE (25 PACK)</b>	<b>3</b>	
		<b>7.6 METER (25 FOOT)</b>		
1	279398	LEFT HEAD SEGMENT	1	
2	279415	LEFT TAIL SEGMENT	1	
3	279412	RIGHT HEAD SEGMENT	1	
4	279416	RIGHT, TAIL SEGMENT	1	
5	129043	MACDON SPLICE KIT	2	
6	<b>279642</b>	<b>SECTION – KONDEX FINE (25 PACK)</b>	<b>6</b>	
	<b>118491</b>	<b>SECTION – BUSATIS FINE (25 PACK)</b>	<b>6</b>	
		<b>9.1 METER (30 FOOT)</b>		
1	279398	LEFT HEAD SEGMENT	1	
2	279417	LEFT TAIL SEGMENT	1	
3	279412	RIGHT HEAD SEGMENT	1	
4	279418	RIGHT, TAIL SEGMENT	1	
5	129043	MACDON SPLICE KIT	2	
6	<b>279642</b>	<b>SECTION – KONDEX FINE (25 PACK)</b>	<b>6</b>	
	<b>118491</b>	<b>SECTION – BUSATIS FINE (25 PACK)</b>	<b>6</b>	
		<b>10.7 METER (35 FOOT)</b>		
1	279398	LEFT HEAD SEGMENT	1	
2	279419	LEFT TAIL SEGMENT	1	
3	279412	RIGHT HEAD SEGMENT	1	
4	279420	RIGHT, TAIL SEGMENT	1	
5	129043	MACDON SPLICE KIT	2	
6	<b>279642</b>	<b>SECTION – KONDEX FINE (25 PACK)</b>	<b>6</b>	
	<b>118491</b>	<b>SECTION – BUSATIS FINE (25 PACK)</b>	<b>6</b>	

SEGMENTED KNIVES – DOUBLE-KNIFE HEADERS, FINE-TOOTH SECTIONS

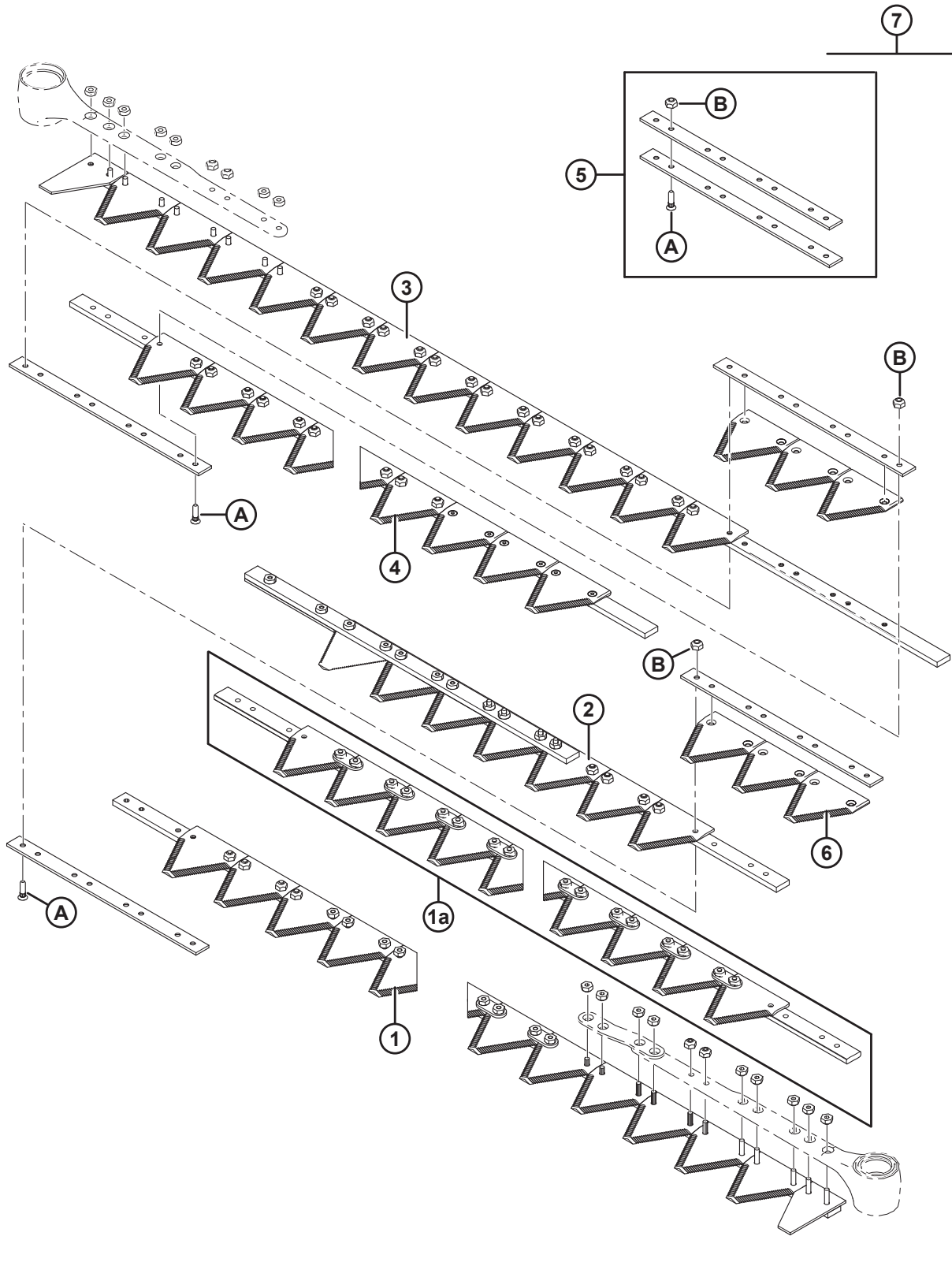


1020887

**SEGMENTED KNIVES – DOUBLE-KNIFE HEADERS, FINE-TOOTH SECTIONS**

<b>Ref</b>	<b>Part Number</b>	<b>Description</b>	<b>Qty</b>	<b>Serial Number</b>
		<b>12.2 METER (40 FOOT)</b>		
1	279398	LEFT HEAD SEGMENT	1	
1a	279399	CENTER SEGMENT	2	
2	279421	LEFT TAIL SEGMENT	1	
3	279412	RIGHT HEAD SEGMENT	1	
4	279422	RIGHT, TAIL SEGMENT	1	
5	129043	MACDON SPLICE KIT	4	
6	<b>279642</b>	<b>SECTION – KONDEX FINE (25 PACK)</b>	<b>12</b>	
	<b>118491</b>	<b>SECTION – BUSATIS FINE (25 PACK)</b>	<b>12</b>	
		<b>13.7 METER (45 FOOT)</b>		
1	279398	LEFT HEAD SEGMENT	1	
1a	279399	CENTER SEGMENT	2	
2	279423	LEFT TAIL SEGMENT	1	
3	279412	RIGHT HEAD SEGMENT	1	
4	279424	RIGHT, TAIL SEGMENT	1	
5	129043	MACDON SPLICE KIT	4	
6	<b>279642</b>	<b>SECTION – KONDEX FINE (25 PACK)</b>	<b>12</b>	
	<b>118491</b>	<b>SECTION – BUSATIS FINE (25 PACK)</b>	<b>12</b>	
A	129299	SCREW – 90° CSK SKT HD, #12-24 NC X 0.812 IN.		
B	135626	NUT – CSK, CENTER LOCK, #12-24 NC (50 PACK)		

# 10 Segmented Knives – Double-Knife Headers, Coarse-Tooth Sections



1029807

**SEGMENTED KNIVES – DOUBLE-KNIFE HEADERS, COARSE-TOOTH SECTIONS**

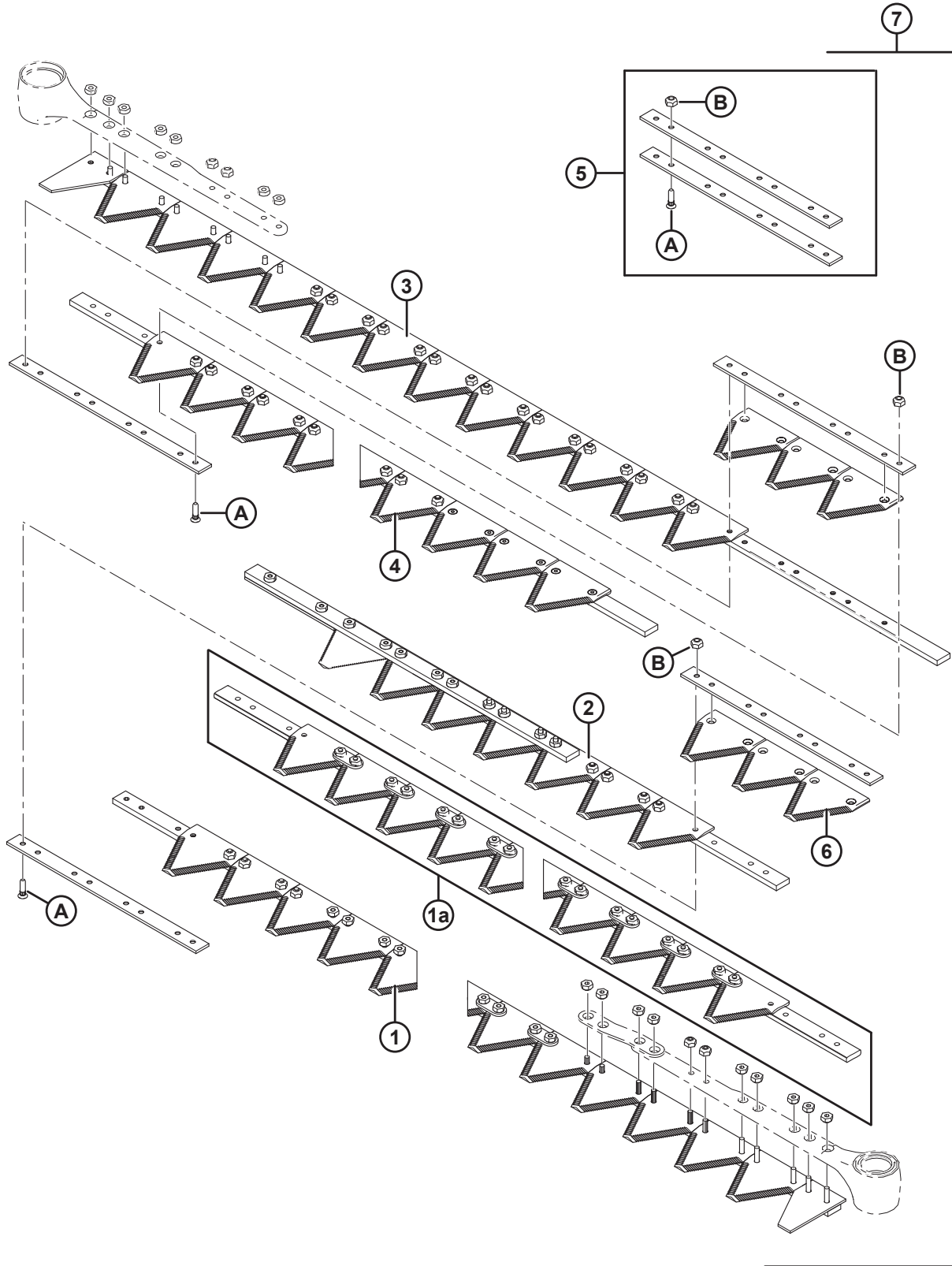
**NOTE:**

- 4.6 m (15 ft.) header knives are sold complete, refer to tables below:
- 6.1–13.7 m (20–45 ft.) header knives are sold in segments, for a complete segment (less knifehead) refer to tables below:

Ref	Part Number	Description	Qty	Serial Number
		<b>4.6 METER (15 FOOT)</b>		
	279440	SICKLE – COMPLETE, COARSE SER, 9 SPI. (15 FT LH)	1	
	279441	SICKLE – COMPLETE, COARSE SER, 9 SPI. (15 FT RH)	1	
		<b>6.1 METER (20 FOOT)</b>		
1	279405	LEFT HEAD SEGMENT	1	
2	279425	LEFT TAIL SEGMENT	1	
3	279426	RIGHT COMPLETE	1	
5	129043	MACDON SPLICE KIT	1	
6	<b>279641</b>	<b>SECTION – KONDEX COARSE (25 PACK)</b>	<b>3</b>	
	<b>174845</b>	<b>SECTION – BUSATIS COARSE (25 PACK)</b>	<b>3</b>	
		<b>7.6 METER (25 FOOT)</b>		
1	279405	LEFT HEAD SEGMENT	1	
2	279427	LEFT TAIL SEGMENT	1	
3	279428	RIGHT HEAD SEGMENT	1	
4	279429	RIGHT TAIL SEGMENT	1	
5	129043	MACDON SPLICE KIT	2	
6	<b>279641</b>	<b>SECTION – KONDEX COARSE (25 PACK)</b>	<b>6</b>	
	<b>174845</b>	<b>SECTION – BUSATIS COARSE (25 PACK)</b>	<b>6</b>	
		<b>9.1 METER (30 FOOT)</b>		
1	279405	LEFT HEAD SEGMENT	1	
2	279430	LEFT TAIL SEGMENT	1	
3	279428	RIGHT HEAD SEGMENT	1	
4	279432	RIGHT TAIL SEGMENT	1	
5	129043	MACDON SPLICE KIT	2	
6	<b>279641</b>	<b>SECTION – KONDEX COARSE (25 PACK)</b>	<b>6</b>	
	<b>174845</b>	<b>SECTION – BUSATIS COARSE (25 PACK)</b>	<b>6</b>	
7	<b>294791</b>	<b>KIT – 30 FT DOUBLE KNIFE <sup>52</sup></b>	<b>A/R</b>	

52. Kit is for complete cutterbar replacement. Kit includes left head segment (MD #279405), left tail segment (MD #279430), right head segment (MD #279428), right tail segment (MD #279432), MacDon splice kit (MD #129043), and Kondex coarse section (MD #279641).

SEGMENTED KNIVES – DOUBLE-KNIFE HEADERS, COARSE-TOOTH SECTIONS



1029807

**SEGMENTED KNIVES – DOUBLE-KNIFE HEADERS, COARSE-TOOTH SECTIONS**

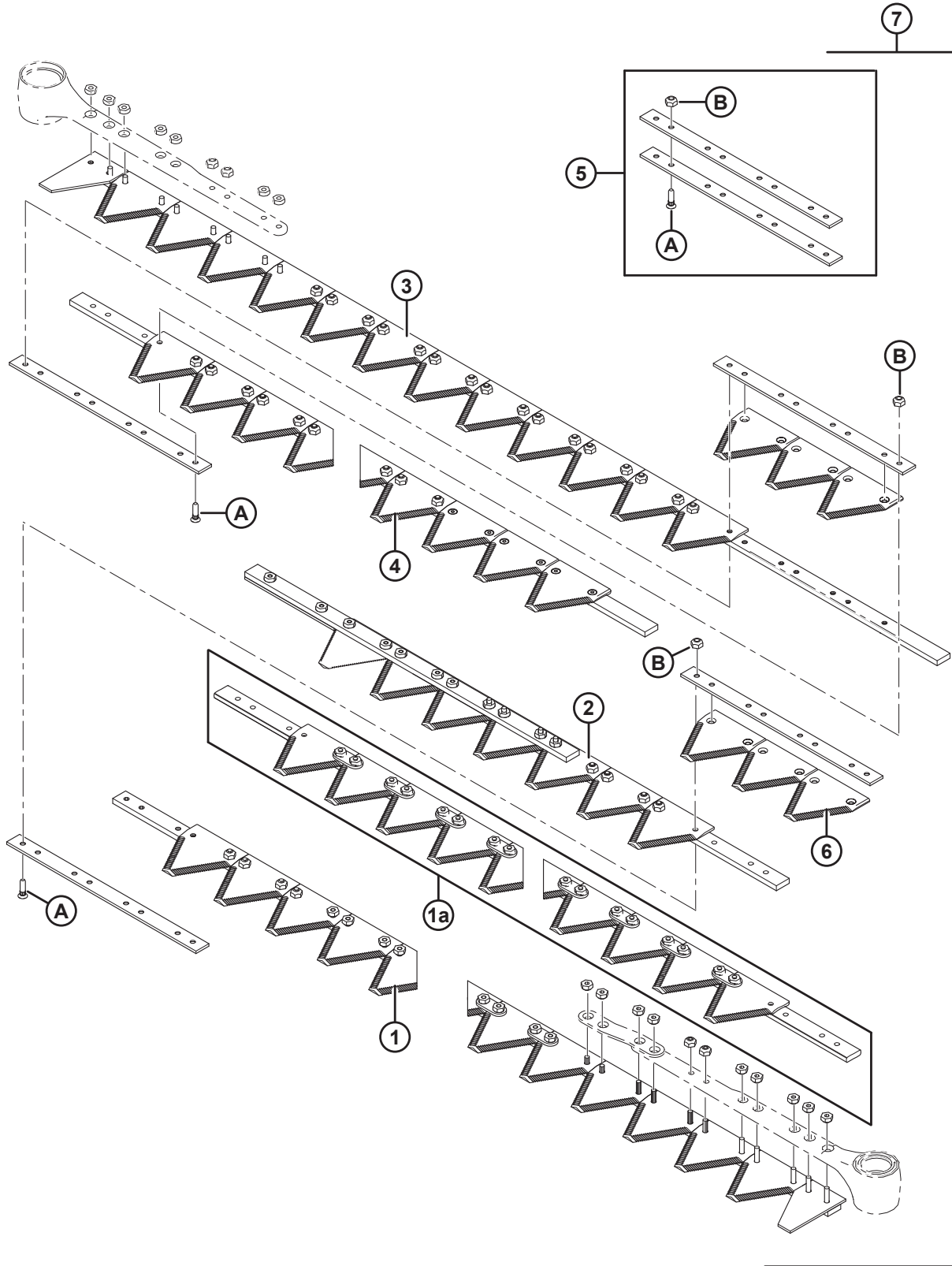
Ref	Part Number	Description	Qty	Serial Number
		<b>10.7 METER (35 FOOT)</b>		
1	279405	LEFT HEAD SEGMENT	1	
2	279431	LEFT TAIL SEGMENT	1	
3	279428	RIGHT HEAD SEGMENT	1	
4	279433	RIGHT TAIL SEGMENT	1	
5	129043	MACDON SPLICE KIT	2	
6	<b>279641</b>	<b>SECTION – KONDEX COARSE (25 PACK)</b>	<b>6</b>	
	<b>174845</b>	<b>SECTION – BUSATIS COARSE (25 PACK)</b>	<b>6</b>	
7	<b>294792</b>	<b>KIT – 35 FT DOUBLE KNIFE <sup>53</sup></b>	<b>A/R</b>	
		<b>12.2 METER (40 FOOT)</b>		
1	279405	LEFT HEAD SEGMENT	1	
1a	279406	CENTER SEGMENT	2	
2	279434	LEFT TAIL SEGMENT	1	
3	279428	RIGHT HEAD SEGMENT	1	
4	279435	RIGHT TAIL SEGMENT	1	
5	129043	MACDON SPLICE KIT	4	
6	<b>279641</b>	<b>SECTION – KONDEX COARSE (25 PACK)</b>	<b>12</b>	
	<b>174845</b>	<b>SECTION – BUSATIS COARSE (25 PACK)</b>	<b>12</b>	
7	<b>294793</b>	<b>KIT – 40 FT DOUBLE KNIFE <sup>54</sup></b>	<b>A/R</b>	
		<b>13.7 METER (45 FOOT)</b>		
1	279405	LEFT HEAD SEGMENT	1	
1a	279406	CENTER SEGMENT	2	
2	279436	LEFT TAIL SEGMENT	1	
3	279428	RIGHT HEAD SEGMENT	1	
4	279437	RIGHT TAIL SEGMENT	1	
5	129043	MACDON SPLICE KIT	4	
6	<b>279641</b>	<b>SECTION – KONDEX COARSE (25 PACK)</b>	<b>12</b>	
	<b>174845</b>	<b>SECTION – BUSATIS COARSE (25 PACK)</b>	<b>12</b>	
7	<b>294794</b>	<b>KIT – 45 FT DOUBLE KNIFE <sup>55</sup></b>	<b>A/R</b>	

53. Kit is for complete cutterbar replacement. Kit includes left head segment (MD #279405), left tail segment (MD #279431), right head segment (MD #279428), right tail segment (MD #279433), MacDon splice kit (MD #129043), and Kondex coarse section (MD #279641).

54. Kit is for complete cutterbar replacement. Kit includes left head segment (MD #279405), center segment (MD #279406), left tail segment (MD #279434), right head segment (MD #279428), right tail segment (MD #279435), MacDon splice kit (MD #129043), and Kondex coarse section (MD #279641).

55. Kit is for complete cutterbar replacement. Kit includes left head segment (MD #279405), center segment (MD #279406), left tail segment (MD #279436), right head segment (MD #279428), right tail segment (MD #279437), MacDon splice kit (MD #129043), and Kondex coarse section (MD #279641).

SEGMENTED KNIVES – DOUBLE-KNIFE HEADERS, COARSE-TOOTH SECTIONS



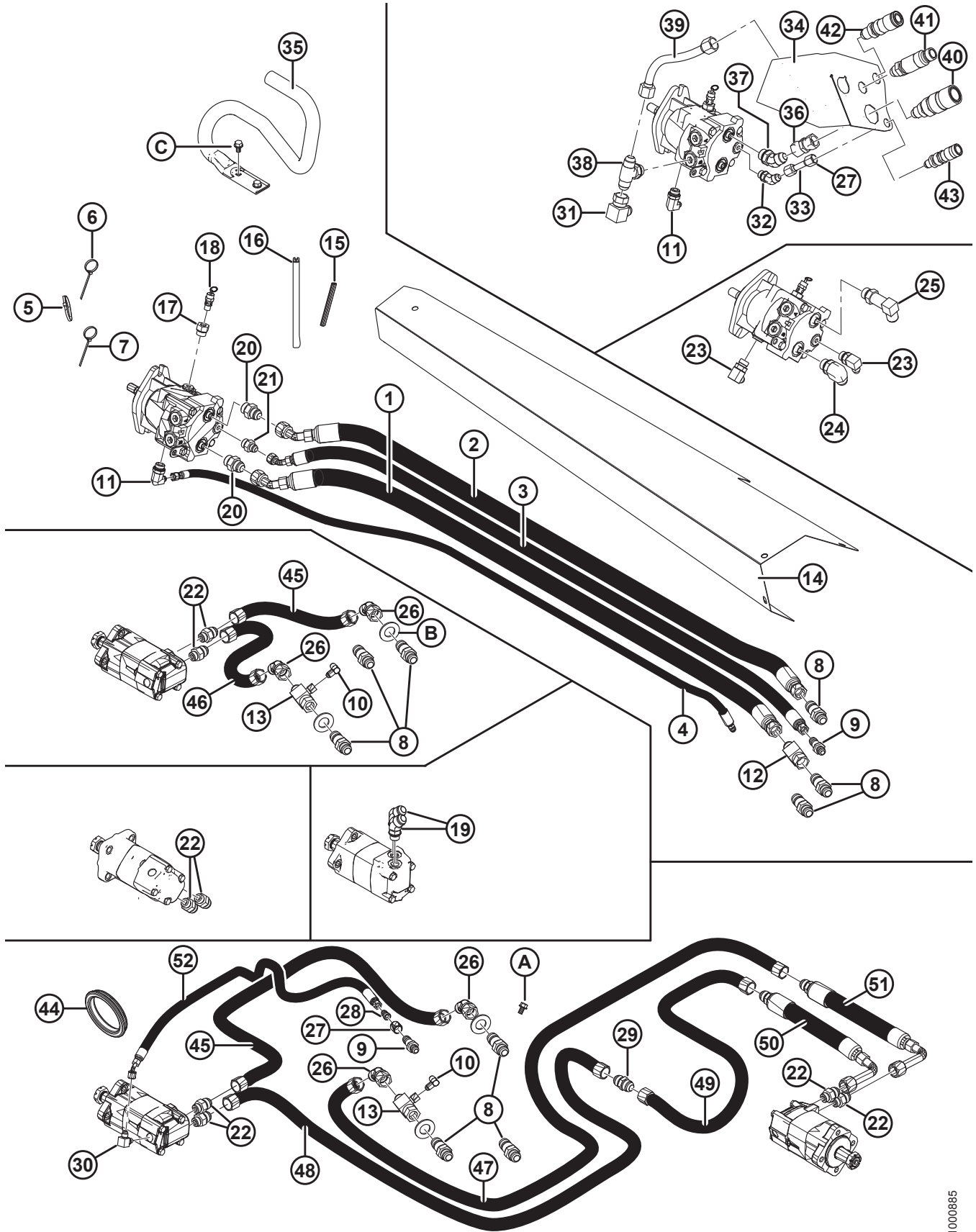
1029807



**SEGMENTED KNIVES – DOUBLE-KNIFE HEADERS, COARSE-TOOTH SECTIONS**

<b>Ref</b>	<b>Part Number</b>	<b>Description</b>	<b>Qty</b>	<b>Serial Number</b>
A	129299	SCREW – 90° CSK SKT HD, #12-24 NC X 0.812 IN.		
B	135626	NUT – CSK, CENTER LOCK, #12-24 NC (50 PACK)		

# 11 Knife Drive Hydraulics



**KNIFE DRIVE HYDRAULICS**

<b>Ref</b>	<b>Part Number</b>	<b>Description</b>	<b>Qty</b>	<b>Serial Number</b>
1	132903	HOSE – HYD KNIFE MOTOR RETURN (20 FT SK, DK)	1	
	120577	HOSE – HYD KNIFE MOTOR RETURN (25 FT SK, DK)	1	
	174356	HOSE – HYD KNIFE MOTOR RETURN (30 FT SK, DK)	1	
	174357	HOSE – HYD KNIFE MOTOR RETURN (35 FT SK, DK)	1	
2	132904	HOSE – HYD KNIFE MOTOR PRESS (20 FT SK, DK)	1	
	120573	HOSE – HYD KNIFE MOTOR PRESS (25 FT SK, DK)	1	
	120574	HOSE – HYD KNIFE MOTOR PRESS (30 FT SK, DK)	1	
	120575	HOSE – HYD KNIFE MOTOR PRESS (35 FT SK, DK)	1	
3	165367	HOSE – HYDRAULIC CASE DRAIN (20 FT DK)	1	
	165354	HOSE – HYDRAULIC CASE DRAIN (25 FT DK)	1	
	165355	HOSE – HYDRAULIC CASE DRAIN (30 FT DK)	1	
	165356	HOSE – HYDRAULIC CASE DRAIN (35 FT DK)	1	
4	172839	HOSE – HYD CASE DRAIN FLUSH (20 FT DK)	1	
	165476	HOSE – HYD CASE DRAIN FLUSH (25 FT DK)	1	
	165477	HOSE – HYD CASE DRAIN FLUSH (30 FT DK)	1	
	165478	HOSE – HYD CASE DRAIN FLUSH (35 FT DK)	1	
5	21763	FASTENER – CABLE TIE (BLACK) <sup>56</sup>	1	
6	40703	FASTENER – CABLE TIE (BLUE) <sup>57</sup>		
7	40704	FASTENER – CABLE TIE (ORANGE)	1	
8	135372	FITTING – 3/4 IN HYD BULK. 37° FLAIR UNION <sup>58</sup>	3	
9	30819	FITTING – 1/2 IN. HYD UNION <sup>59</sup>	1	
10	30539	FITTING – ELBOW 90° HYD <sup>60</sup>	1	
11	135352	FITTING – ELBOW 90° HYD (15–35 FT DK)	1	
12	50086	FITTING – HYD TEE (20–35 FT DK)	1	
13	135245	FITTING – HYD TEE, SPECIAL <sup>60</sup>	1	

56. 20–35 ft. double knife.

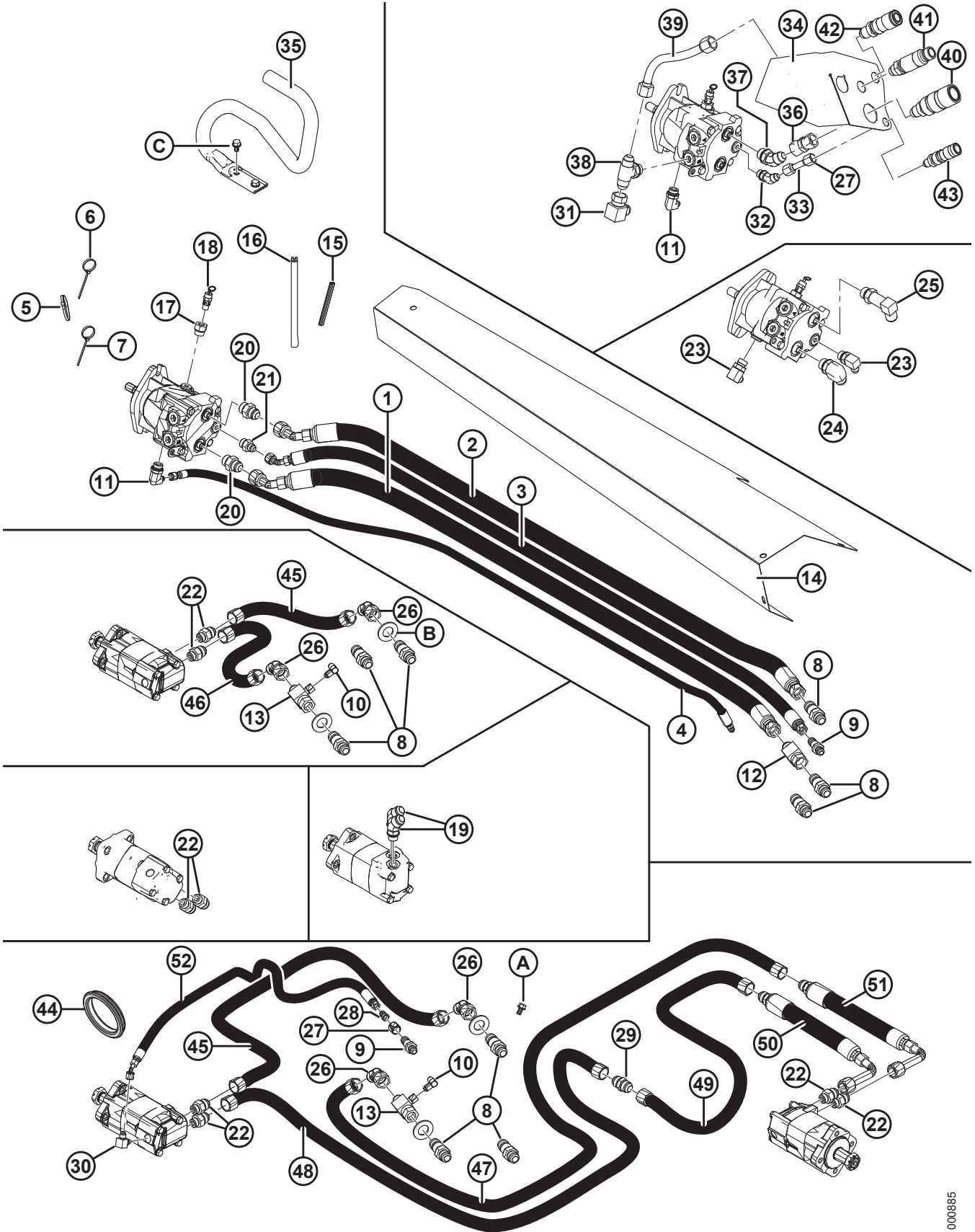
57. Quantities: 20–35 ft. double knife = 1, 40–45 ft. double knife = 3.

58. All headers except 15 ft. double knife.

59. 20–45 ft. headers only.

60. All single-knife and 40–45 ft. double-knife headers only.

# KNIFE DRIVE HYDRAULICS



1000885

**KNIFE DRIVE HYDRAULICS**

<b>Ref</b>	<b>Part Number</b>	<b>Description</b>	<b>Qty</b>	<b>Serial Number</b>
14	172160	COVER – KNIFE COUPLER (30 FT SK, DK)	1	
	172465	COVER – KNIFE COUPLER (25 FT SK, DK)	1	
	123580	COVER – KNIFE COUPLER (20 FT SK, DK)	1	
	172161	COVER – KNIFE COUPLER (35 FT SK, DK)	1	
	254109	COVER – KNIFE COUPLER (40 FT SK, DK/45 FT DK)	1	
	165417	COVER – KNIFE DRIVE HOSE (35 FT SK, DK, NOT ILLUSTRATED) <sup>61</sup>	1	
15	31889	MOULDING, SPEC 31886 (30 FT SK, DK)	1	
16	135190	SEAL – EDGE TRIM (25–35 FT SK, DK)	1	
17	135255	FITTING – ADAPTER HYD <sup>62</sup>	1	
18	120377	VALVE – RELIEF (ALL DK EXCEPT 40–45 FT)	1	
19	135182	FITTING – 45° HYD C/W O-RING (25–35 FT SK)	2	
20	21830	FITTING – ADAPTER HYD (25–35 FT DK)	2	
21	21881	FITTING – ADAPTER HYD (25–35 FT DK)	1	
22	30610	FITTING – CONNECTOR HYD (20–40 FT SK) <sup>63</sup>	2	
23	21801	FITTING – ELBOW 90° HYD (20 FT DK)	2	
24	30970	FITTING – ELBOW 90° HYD (20 FT DK)	1	
25	135612	FITTING – LONG ELBOW HYD (20 FT DK)	1	
26	135240	FITTING – 45° HYD (40 FT SK / 40–45 FT DK)	2	
27	21069	NUT – TUBE 37° JIC 1/2 IN. (40–45 FT DK)	1	
28	30981	FITTING – HYD REDUCER 1/2 X 3/8 (40–45 FT DK)	1	
29	30376	FITTING – UNION HYD (40–45 FT DK)	1	
30	50104	FITTING – ELBOW HYD (40–45 FT DK)	1	
31	50175	FITTING – ELBOW 90° HYD (15 FT DK)	1	
32	135241	FITTING – 45° HYD C/W O-RING (15 FT DK)	1	
33	120469	LINE (15 FT DK)	1	
34	<b>255764</b>	<b>HOLDER – C/W DECAL (15 FT DK)</b>	<b>1</b>	
35	220758	GUIDE – HOSE, KNIFE DRIVE <sup>64</sup>	1	
36	135380	FITTING – ADAPTER HYD (15 FT DK)	1	
37	50098	FITTING – 45° HYD C/W O-RING (15 FT DK)	1	
38	50050	FITTING – TEE HYD C/W O-RING (15 FT DK)	1	
39	132396	LINE (15 FT DK)	1	

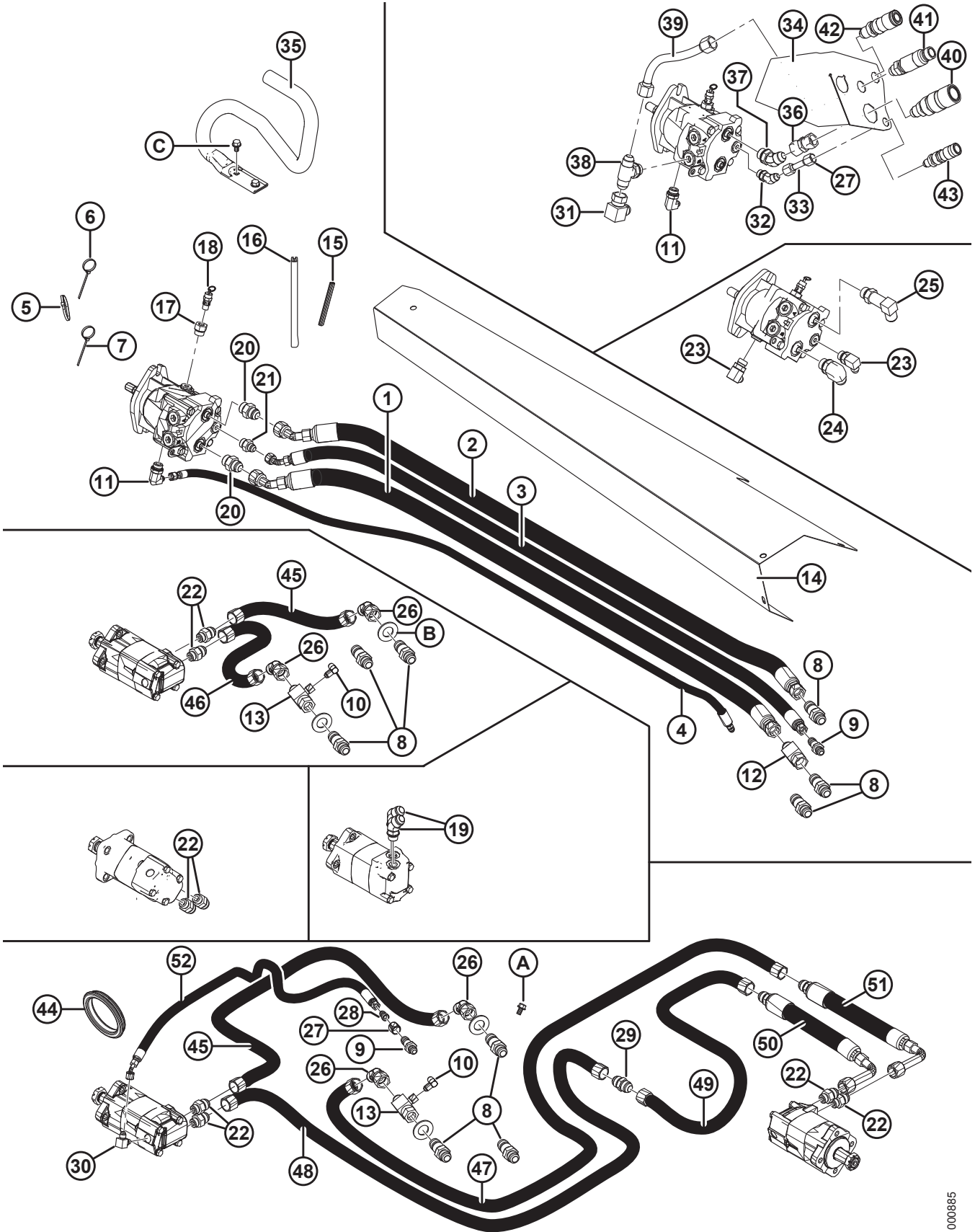
61. Knife drive hose cover MD #165417 is a separate shield used in addition to knife coupler cover MD #172161.

62. All double-knife headers except 40–45 ft.

63. 40–45 ft. double knife = 4.

64. For use with self-propelled windrowers only. Refer to Section *40 (Option) D65 Completion Package for Windrowers, page 149.*

# KNIFE DRIVE HYDRAULICS

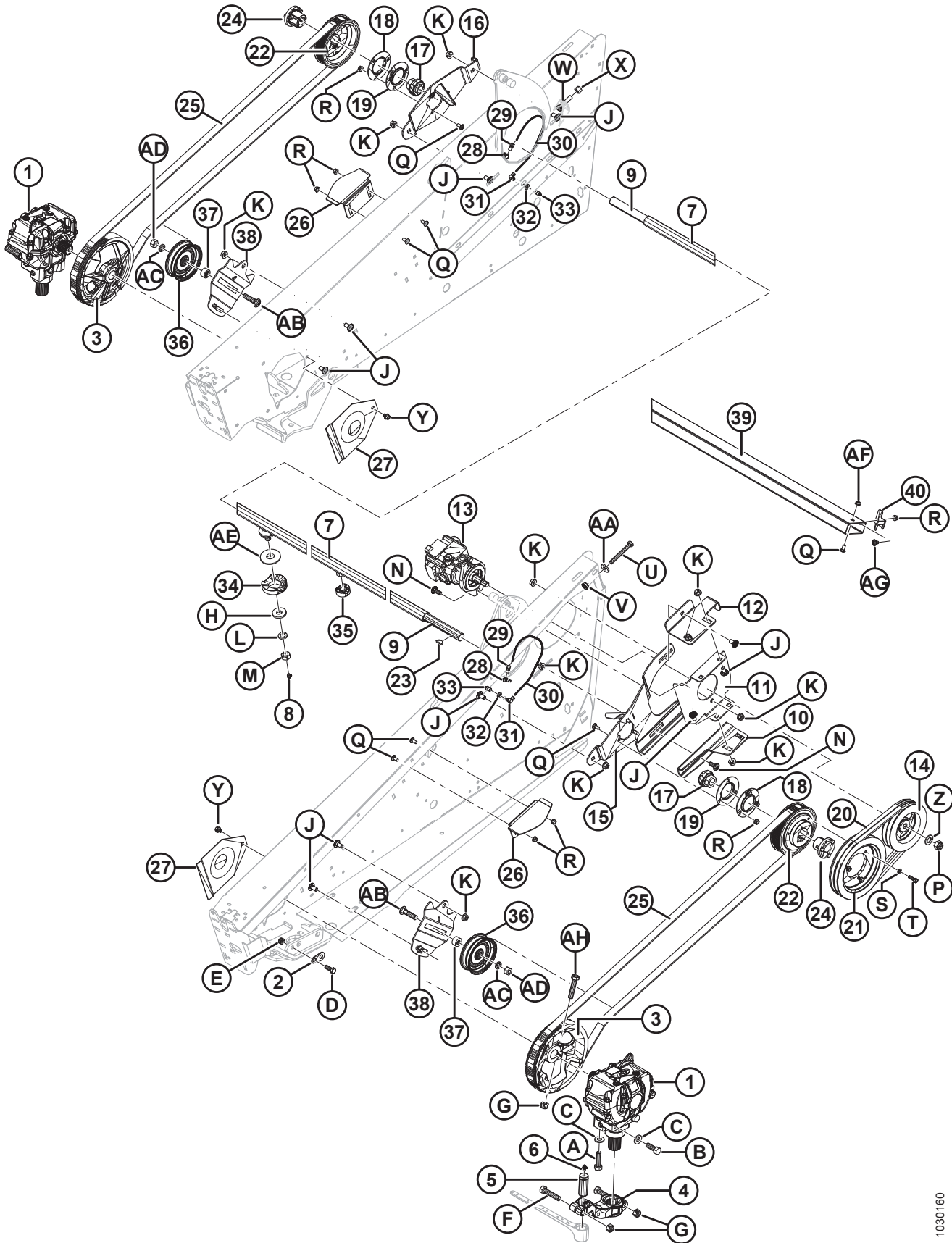


1000885

**KNIFE DRIVE HYDRAULICS**

<b>Ref</b>	<b>Part Number</b>	<b>Description</b>	<b>Qty</b>	<b>Serial Number</b>
40	135204	COUPLING – FEMALE HYD. 3/4 IN. FL FACE BULK (15 FT DK)	1	
41	135205	COUPLING – MALE HYD. 3/4 IN. FL FACE BULK (15 FT DK)	1	
42	135206	COUPLING – FEMALE HYD. 1/2 IN. FL FACE BULK (15 FT DK)	1	
43	135213	COUPLING – FEMALE HYD. 3/8 IN. FL FACE BULK (15 FT DK)	1	
44	125722	GROMMET – RUBBER (40 FT SK / 40–45 FT DK)	1	
45	174258	LINE – RIGID KNIFE DRIVE PRESS (40 FT SK DK)	1	
	125686	LINE – HYD (45 FT DK)	1	
46	174259	LINE – RIGID KNIFE DRIVE RETURN (40 FT SK)	1	
47	174260	LINE – RIGID KNIFE DRIVE RH MOTOR RETURN (40–45 FT DK)	1	
48	125670	LINE – KNIFE DRIVE LH/RH MOTOR (40–45 FT DK)	1	
49	165297	LINE (40–45 FT DK)	1	
50	125672	HOSE – HYD (40 FT DK)	1	
	165294	HOSE – HYD (45 FT DK)	1	
51	174256	HOSE (40 FT DK)	1	
	165294	HOSE – HYD (45 FT DK)	1	
52	174300	HOSE – FLEX AND RIGID (40 FT DK)	1	
	174299	HOSE – HYD (45 FT DK)	1	
A	30693	BOLT – FLG (SER FACE) .375-16 UNC X 0.50 LG		
B	18603	WASHER – SAE FLAT 1-1/16 I.D. X 2.0 IN. O.D. ZP		
C	101898	SCREW – HEX WASH HD THD ROLL 3/8 NC X 5/8		

# 12 Knife Drive – Timed Double-Knife Headers



1030160



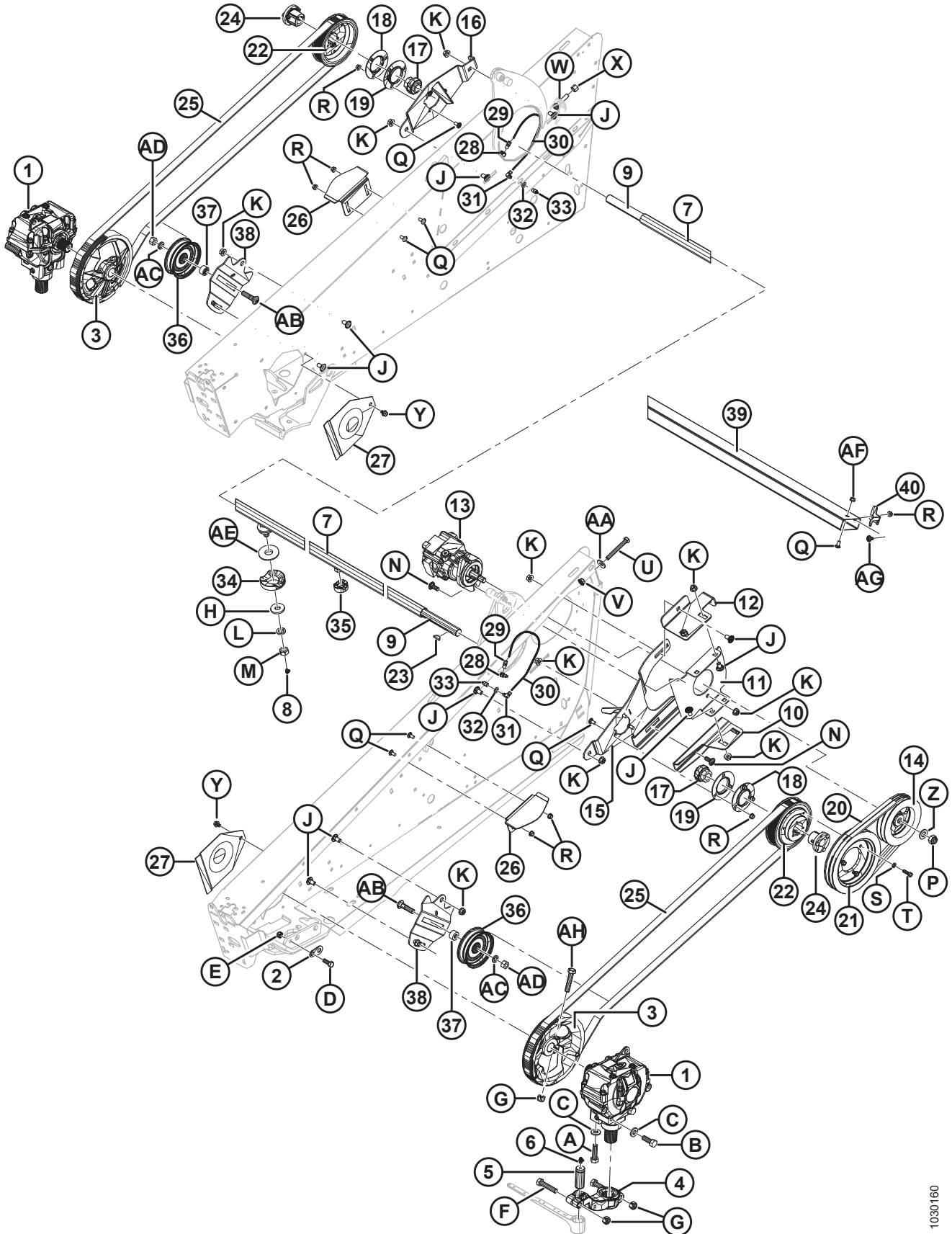
**KNIFE DRIVE – TIMED DOUBLE-KNIFE HEADERS**

<b>Ref</b>	<b>Part Number</b>	<b>Description</b>	<b>Qty</b>	<b>Serial Number</b>
1	100532	DRIVE – SICKLE <sup>65</sup>	2	
2	132033	PLATE – KNIFE DRIVE, LOCATING TAB	2	
3	252753	PULLEY ASSY – KNIFE DRIVE <sup>66</sup>	2	
4	174992	ARM – OUTPUT	2	
5	113229	PIN – SICKLE HEAD	2	
6	21194	FITTING – LUBE, 90°, 1/8 NPT	2	
7	120753	TUBE – CROSS SHAFT (15 FT HEADER)	1	
	120754	TUBE – CROSS SHAFT (20 FT HEADER)	1	
	113160	TUBE – CROSS SHAFT (25 FT HEADER)	1	
	113161	TUBE – CROSS SHAFT (30 FT HEADER)	1	
	120755	TUBE – CROSS SHAFT (35 FT HEADER)	1	
8	21010	FITTING – LUBE, 90°, 1/4 NPT	2	
9	120363	SHAFT – CROSS (15 FT HEADER)	1	
	120364	SHAFT – CROSS (20 FT HEADER)	1	
	120358	SHAFT – CROSS (25 FT HEADER)	1	
	120359	SHAFT – CROSS (30 FT HEADER)	1	
	120360	SHAFT – CROSS (35 FT HEADER)	1	
10	172108	SUPPORT – LOWER MOTOR	1	-179759
	172809	SUPPORT – LOWER MOTOR	1	179760-
11	120052	SUPPORT – MOTOR MOUNT	1	-179759
	<b>294385</b>	<b>SUPPORT – MOTOR MOUNT, DK</b>	<b>1</b>	<b>179760-</b>
12	172107	SUPPORT – DRIVE	1	-179759
	172812	SUPPORT – DRIVE	1	179760-
13	145392	MOTOR – HYDRAULIC, KNIFE DRIVE, C/W KEY	1	
	279003	SEAL KIT – KNIFE DRIVE MOTOR		
	135500	KEY – SQUARE, KNIFE DRIVE MOTOR		
14	120812	PULLEY – DRIVE, DOUBLE (15–25 FT HEADERS ONLY)	1	
	145384	PULLEY – DRIVE, DOUBLE (30–35 FT HEADERS ONLY)	1	
15	120317	SUPPORT – PULLEY (LH)	1	-179759
	174502	SUPPORT – PULLEY (LH)	1	179760-
16	174501	SUPPORT – PULLEY (RH)	1	
17	21859	BEARING – CROSS SHAFT, 1-3/16 IN. BORE	2	
18	49306	FLANGE – OUTER	2	
19	47858	FLANGE – INNER	2	

65. Refer to Section *14 Knife Drive Box*, page 59.

66. Includes bolt (MD #21406) and nut (MD #18666).

KNIFE DRIVE – TIMED DOUBLE-KNIFE HEADERS



1030160

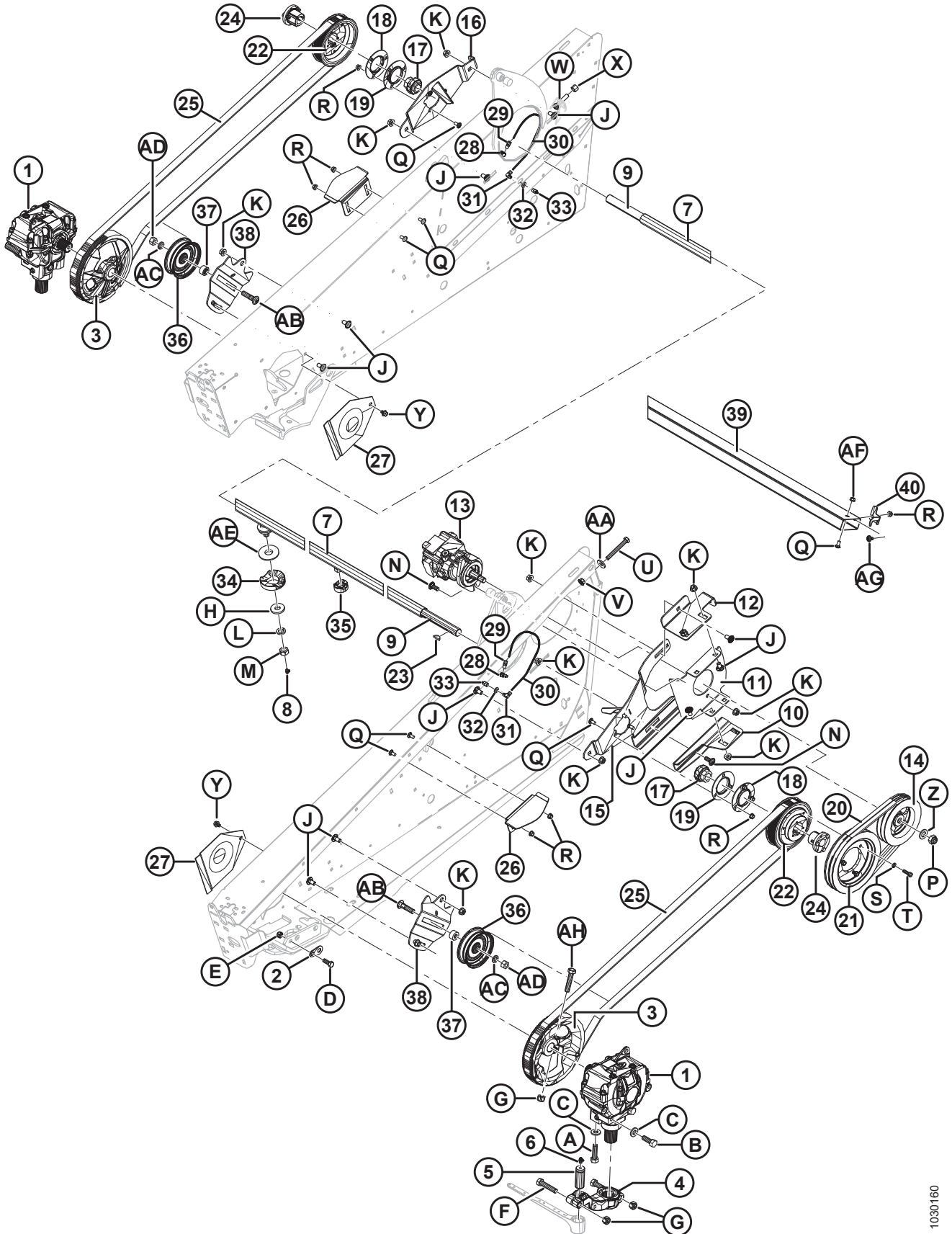
**KNIFE DRIVE – TIMED DOUBLE-KNIFE HEADERS**

<b>Ref</b>	<b>Part Number</b>	<b>Description</b>	<b>Qty</b>	<b>Serial Number</b>
20	120814	BELT – TIMING, DOUBLE (15–25 FT HEADERS ONLY)	1	
	120057	BELT – TIMING, DOUBLE (30–35 FT HEADERS ONLY)	1	
21	101853	PULLEY – MACHINED	1	
22	120056	SPROCKET – TIMING (72 TEETH)	2	
23	13298	KEY – WOODRUFF, CROSS SHAFT, 1/4 X 1-1/8 IN.	2	
24	30034	BUSHING – TAPER LOCK, CROSS SHAFT	2	
25	30548	BELT – TIMING	2	
26	132415	GUIDE – BELT	2	
27	102509	SHIELD – DRIVE BOX	2	
28	50187	FITTING – LUBE, ELBOW ADAPTER	2	
29	120366	FITTING – CONNECTOR	2	
30	112968	HOSE – GREASE	2	
31	120365	FITTING – ELBOW	2	
32	18598	WASHER – FLAT, 13/32 INCH I.D.	2	
33	50188	FITTING – LUBE, 1/8 NPT FEMALE	2	
34	220701	BLOCK – FOAM	2	
35	220706	BLOCK – FOAM <sup>67</sup>		
36	30514	PULLEY – IDLER	2	
37	172744	SPACER – PULLEY	2	
38	226673	SUPPORT – IDLER PULLEY	2	
39	220009	TUBE – KNIFE STORAGE (20 FT) <sup>68</sup>	1	
	220010	TUBE – KNIFE STORAGE (25 FT) <sup>68</sup>	1	
	220011	TUBE – KNIFE STORAGE (30 FT) <sup>68</sup>	1	
	220012	TUBE – KNIFE STORAGE (35 FT) <sup>68</sup>	1	
	220013	TUBE – KNIFE STORAGE (40 FT) <sup>68</sup>	1	
	125764	TUBE – KNIFE STORAGE (40–45 FT DK) <sup>68</sup>		
40	125530	BRACKET – KNIFE KEEPER	1	
A	120900	BOLT – HEX HEAD, L9, 5/8 NC X 2-1/4 INCH		
B	120899	BOLT – HEX HEAD, L9, 5/8 NC X 1-3/4 INCH		
C	120901	WASHER – FLAT, L9, HARDENED, 5/8 IN. I.D.		
D	21491	BOLT – HEX HEAD, 1/2 NC X 1-1/4 INCH, GR 5		
E	18697	NUT – LOCK, 1/2 NC, DISTORTED THREAD		
F	21583	BOLT – HEX HEAD, 5/8 NC X 3 INCH, GR 5		
G	18666	NUT – LOCK, 5/8 NC, DISTORTED THREAD		

67. Quantities: 20 ft. = 2, 25–40 ft. = 4.

68. Located inside round backtube of frame.

KNIFE DRIVE – TIMED DOUBLE-KNIFE HEADERS

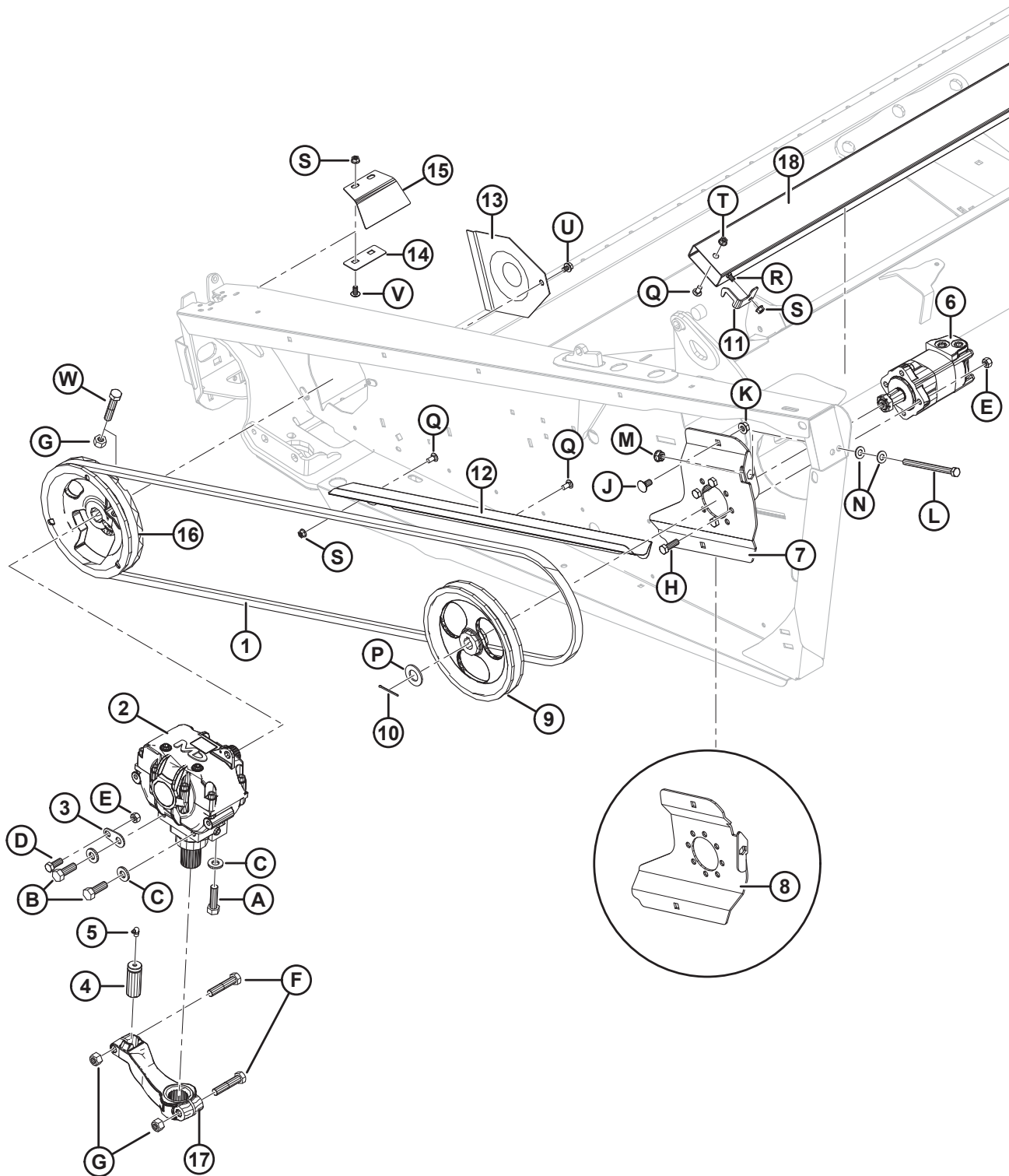


1030160

**KNIFE DRIVE – TIMED DOUBLE-KNIFE HEADERS**

<b>Ref</b>	<b>Part Number</b>	<b>Description</b>	<b>Qty</b>	<b>Serial Number</b>
H	6647	WASHER – FLAT, 19.8MM I.D X 50MM O.D X 6MM THICK		
J	21066	BOLT – RHSN, 1/2 NC X 1 INCH, GR 5		
K	50186	NUT – SMOOTH FLANGE, 1/2 NC, DISTORTED THREAD		
L	18640	WASHER – LOCK, 3/4 NC I.D.		
M	102636	NUT – HEX, 3/4 NC, SIDE LOCK DISTORTED THREAD		
N	21471	BOLT – RHSN, 1/2 NC X 1-1/4 INCH, GR 5		
P	112129	NUT – HEX, 3/4 UNF, DISTORTED THREAD		
Q	21863	BOLT – RHSN, 3/8 NC X 3/4 INCH, GR 5		
R	30228	NUT – SMOOTH FLANGE, 3/8 NC, DISTORTED THREAD		
S	18637	WASHER – LOCK, 3/8 INCH I.D.		
T	21264	BOLT – HEX HEAD, 3/8 NC X 1-1/4 INCH, GR 5		
U	30299	BOLT – HEX HEAD, 1/2 NC X 4 IN, THRD FULL LGTH, GR 5		
V	21383	NUT – SERRATED FLANGE, 1/2 NC		
W	120232	BOLT – RHSN, 1/2 NC X 2-1/2 INCH, GR 5		
X	21389	NUT – LOCK, 1/2 NC		
Y	30693	BOLT – SERRATED FLANGE, 3/8 NC X 1/2 INCH		
Z	18601	WASHER – FLAT, 13/16 I.D. X 1-1/2 INCH O.D.		
AA	4761	WASHER – FLAT, 13.5MM I.D X 35MM O.D X 4.5MM THICK		
AB	18525	BOLT – RHSN, 5/8 NC X 2-1/2 INCH, GR 5		
AC	18639	WASHER – REG. LOCK 5/8 IN. NOM. I.D. ZP		
AD	18592	NUT – HEX 5/8 X 11 UNC GR 5 ZP		
AE	10254	WASHER – FLAT		
AF	21452	NUT – FLANGE (SER FACE) .375-16 UNC		
AG	21472	BOLT – RHSN 3/8-16 X .75, GR 5		
AH	21406	BOLT – HH 5/8 NC X 3.5 GR 5 ZP		

# 13 Knife Drive – Single-Knife and Untimed Double-Knife Headers



1022625

**KNIFE DRIVE – SINGLE-KNIFE AND UNTIMED DOUBLE-KNIFE HEADERS**

Ref	Part Number	Description	Qty	Serial Number
1	145706	BELT – SK DRIVE <sup>69</sup>	1	
2	100532	DRIVE – WOBBLE BOX <sup>70</sup>	1	
3	132033	PLATE – WOBBLE BOX LOCATING TAB <sup>69</sup>	1	
4	113229	PIN – SICKLE HEAD <sup>69</sup>	1	
5	21194	FITTING – LUBRICATION 90° 1/8 NPT <sup>69</sup>	1	
6	174217	MOTOR – KNIFE DRIVE C/W NUT <sup>69</sup>	1	
	137375	NUT – SLOTTED JAM 1.0-20 UNEF		
	174304	SEAL KIT		
7	<b>294112</b>	<b>BRACKET – MOTOR MOUNT, WELDT</b>	<b>1</b>	
8	174270	BRACKET – MOTOR MOUNT, WELDT RH DK	1	
9	174215	PULLEY – SK DRIVE <sup>69</sup>	1	
10	21006	PIN – COTTER 1/8 DIA X 2.0 ZP <sup>69</sup>	1	
11	125530	BRACKET – LH KNIFE KEEPER	1	
12	245943	GUIDE – BELT <sup>69</sup>	1	
13	102509	SHIELD <sup>69</sup>	1	
14	120141	RETAINER – WOBBLE BOX POLY SHIELD <sup>69</sup>	1	
15	120140	SHIELD – LH, POLY WOBBLE BOX MOUNT	1	
	120194	SHIELD – RH, POLY WOBBLE BOX MOUNT <sup>71</sup>	1	
16	252752	PULLEY ASSY – WOBBLE BOX <sup>69</sup>	1	
17	174992	ARM – WOBBLE BOX DRIVE <sup>69</sup>	1	
18	220009	TUBE – KNIFE STORAGE (20 FT) <sup>72</sup>	1	
	220010	TUBE – KNIFE STORAGE (25 FT) <sup>72</sup>	1	
	220011	TUBE – KNIFE STORAGE (30 FT) <sup>72</sup>	1	
	220012	TUBE – KNIFE STORAGE (35 FT) <sup>72</sup>	1	
	220013	TUBE – KNIFE STORAGE (40 FT) <sup>72</sup>	1	
	125764	TUBE – KNIFE STORAGE (40–45 FT DK) <sup>72</sup>	1	
A	120900	BOLT – HEX HEAD- L9 5/8-11 UNC X 2.25 LG		
B	120899	BOLT – HEX HEAD- L9 5/8-11 UNC X 1.75 LG		
C	120901	WASHER – FLAT HARDENED 5/8 IN. NOMINAL (L9)		
D	21491	BOLT – HH 1/2 NC X 1.25 LG GR 5 ZP		
E	18697	NUT – HEX LOCK DT .500-13 UNC		
F	21583	BOLT – HH 5/8 NC X 3.0 LG GR 5 ZP		

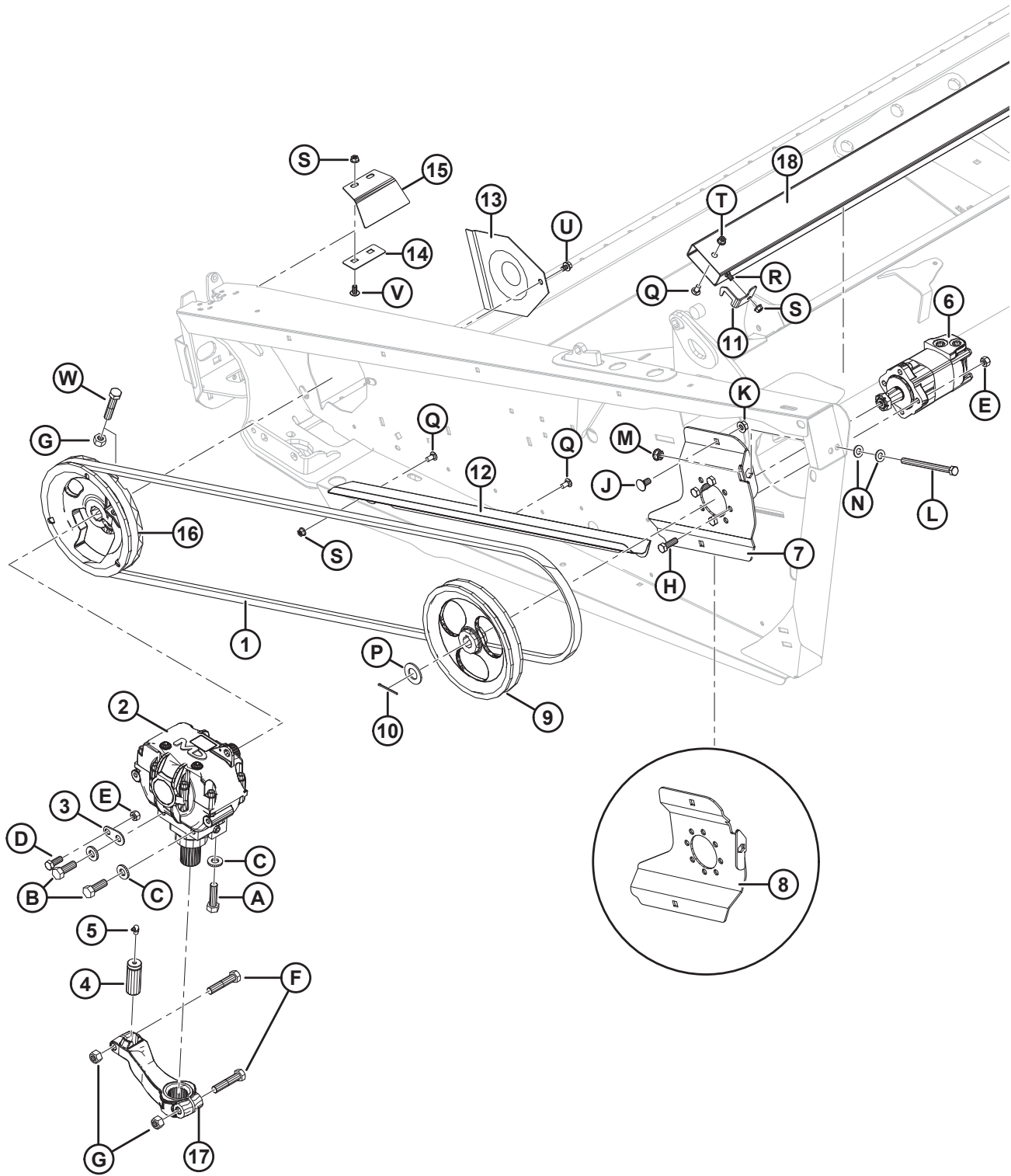
69. For untimed double-knife drive headers, quantity is two.

70. For untimed double-knife drive headers, quantity is two. For repair parts, refer to Section *14 Knife Drive Box*, page 59.

71. For untimed double-knife drive headers, quantity is one. For single-knife drive headers, quantity is zero.

72. Located inside round back tube of frame.

KNIFE DRIVE – SINGLE-KNIFE AND UNTIMED DOUBLE-KNIFE HEADERS



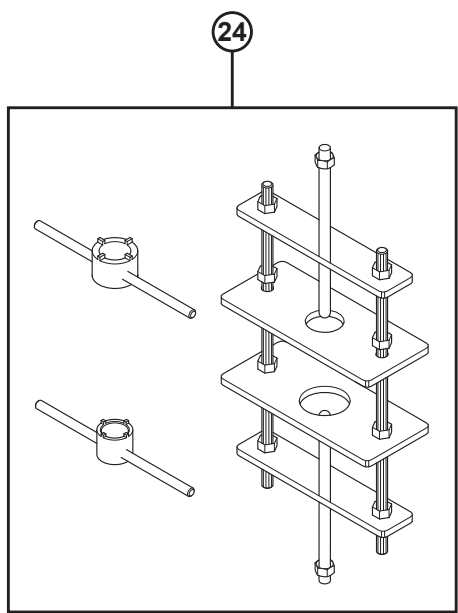
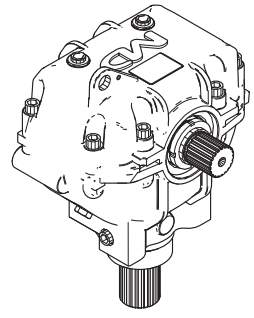
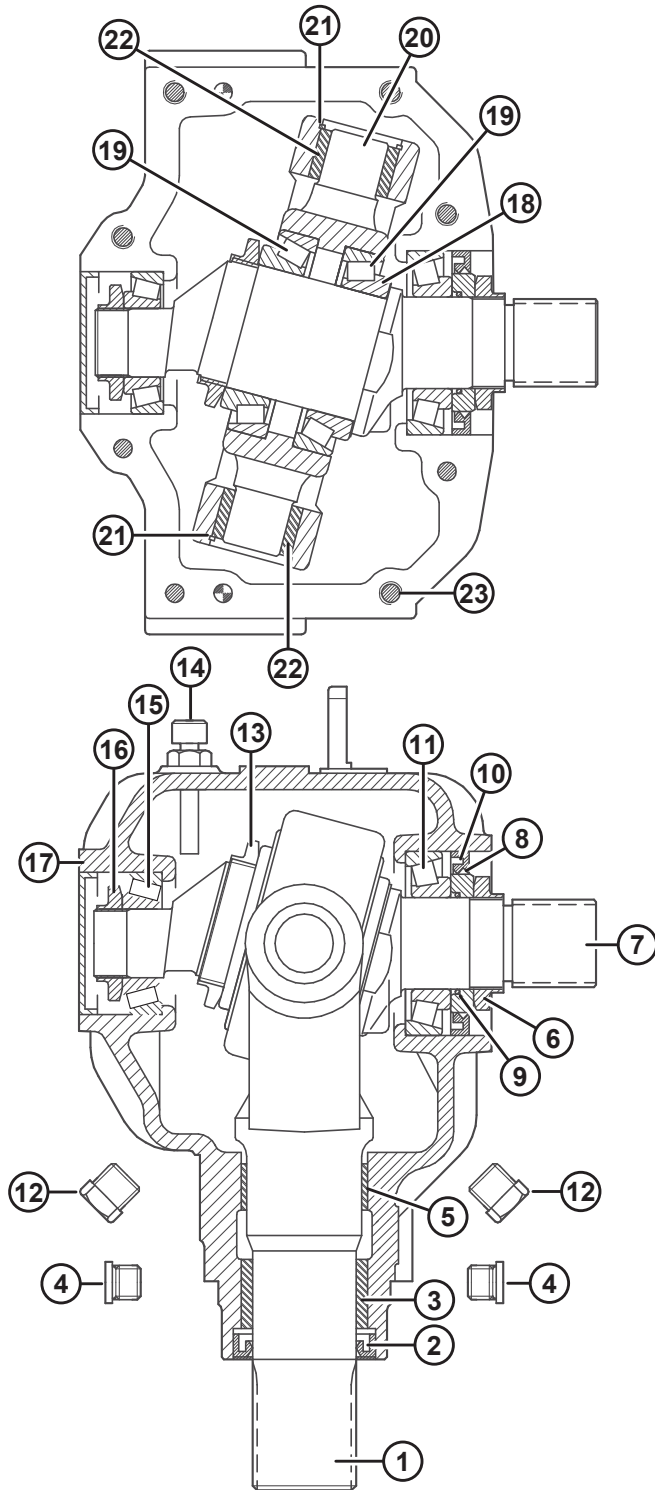
1022625



**KNIFE DRIVE – SINGLE-KNIFE AND UNTIMED DOUBLE-KNIFE HEADERS**

<b>Ref</b>	<b>Part Number</b>	<b>Description</b>	<b>Qty</b>	<b>Serial Number</b>
G	18666	NUT – HEX LOCK DT 5/8-11 UNC ZP		
H	18723	BOLT – HH 1/2 NC X 1.5 LG GR 5 ZP		
J	21066	BOLT – RHSN 1/2 NC X 1 GR 5 ZP		
K	50186	NUT – FLG LOCK SM FACE DT 0.500-13 UNC GR 5		
L	50226	BOLT – HH 1/2 NC X 6.5 TFL GR 5 ZP		
M	21383	NUT – FLANGE .500-13 UNC (SER FACE)		
N	18599	WASHER – SAE FLAT 17/32 I.D. X 1-1/16 IN. O.D. ZP		
P	18603	WASHER – SAE FLAT 1-1/16 I.D. X 2.0 IN. O.D. ZP		
Q	21863	BOLT – RHSSN 3/8 NC X 0.75 LG GR 5 ZP		
R	21472	BOLT – RHSN 3/8 NC X 0.75 GR 5 ZP		
S	30228	NUT – FLANGE DT SMOOTH FACE 0.375-16 UNC		
T	21452	NUT – FLANGE (SER. FACE) .375-16 UNC		
U	30693	BOLT – FLG (SER FACE) .375-16 UNC X 0.50 LG		
V	135157	SCREW – MACHINE		
W	21406	BOLT – HH 5/8 NC X 3.5 GR 5 ZP		

# 14 Knife Drive Box



1022991

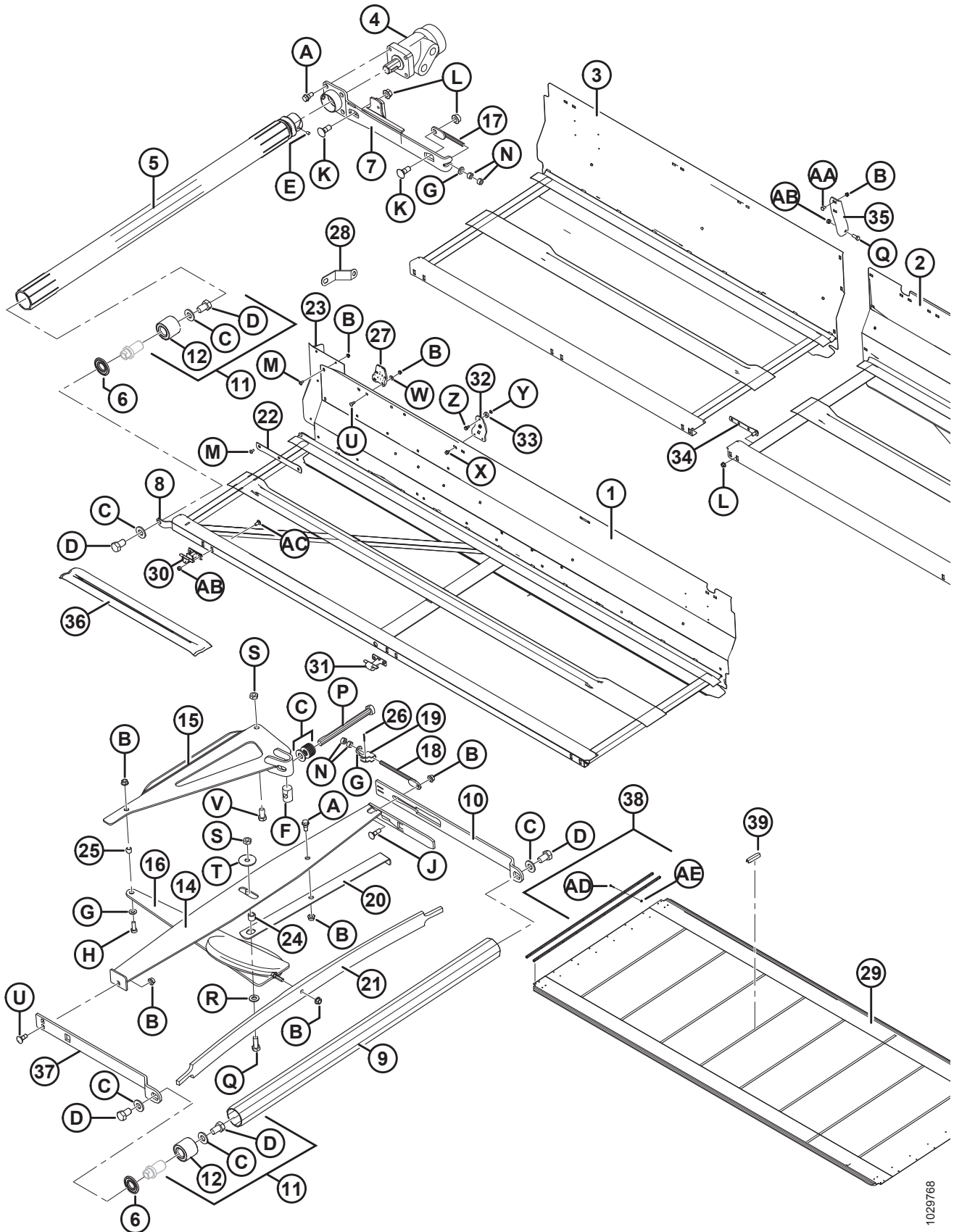
**KNIFE DRIVE BOX**

**NOTE:**

Apply Loctite® adhesive or equivalent to output yoke (MD #100706) and input shaft (MD #100710) before assembly.

<b>Ref</b>	<b>Part Number</b>	<b>Description</b>	<b>Qty</b>	<b>Serial Number</b>
	100532	DRIVE – SICKLE, COMPLETE	1	
1	100706	YOKE – OUTPUT	1	
2	100707	SEAL – OIL, OUTPUT SHAFT	1	
3	100708	BUSHING – BRONZE	1	
4	252423	PLUG – HEX SOCKET	2	
5	100726	BUSHING – STEEL	1	
6	100709	NUT – SPECIAL	1	
7	100710	SHAFT – INPUT	1	
8	102629	SPACER – 60 MM O.D.	1	
9	100712	O-RING	1	
10	102630	SEAL – OIL, INPUT SHAFT, 60 MM I.D.	1	
11	100714	BEARING ASSEMBLY – CUP AND CONE	1	
12	103096	PLUG – OIL DRAIN	2	
13	100715	NUT – LOCK, M55 X 2 IN.	1	
14	100716	PLUG – BREATHER, C/W DIPSTICK	1	
15	100717	BEARING ASSEMBLY – CUP AND CONE	1	
16	100718	NUT – LOCK, M30 X 1.5 IN.	1	
17	100719	CAP – DUST	1	
18	113152	SHIM – INPUT SHAFT	1	
19	100720	BEARING ASSEMBLY – CUP AND CONE	2	
20	100721	PIVOT	1	
21	100722	RING – RETAINING, INTERNAL	2	
22	100723	BUSHING – BRONZE	2	
23	113153	BOLT – SOCKET HEAD, M10 X 50 MM	8	
24	139003	TOOL KIT – SICKLE DRIVE BOX DISASSEMBLY/ASSEMBLY	A/R	

# 15 Draper Carrier Deck and Tensioner



1029768

**DRAPER CARRIER DECK AND TENSIONER**

<b>Ref</b>	<b>Part Number</b>	<b>Description</b>	<b>Qty</b>	<b>Serial Number</b>
1	<b>294472</b>	<b>DECK WELDT – C/W DECAL (15 FT LH)</b>	<b>1</b>	
	<b>294473</b>	<b>DECK WELDT – C/W DECAL (15 FT RH)</b>	<b>1</b>	
	245023	DECK WELDT – C/W DECAL (20 FT LH)	1	
	245025	DECK WELDT – C/W DECAL (20 FT RH)	1	
	245027	DECK WELDT – C/W DECAL (25 FT LH)	1	
	245029	DECK WELDT – C/W DECAL (25 FT RH)	1	
	245031	DECK WELDT – C/W DECAL (30 FT LH)	1	
	245033	DECK WELDT – C/W DECAL (30 FT RH)	1	
	245035	DECK WELDT – C/W DECAL (35 FT LH)	1	
	245037	DECK WELDT – C/W DECAL (35 FT RH)	1	
	245039	DECK WELDT – C/W DECAL (40 FT LH)	1	
	245041	DECK WELDT – C/W DECAL (40 FT RH)	1	
	245042	DECK WELDT – OUTER (40 FT RH)	1	
	2	123949	DECK WELDT – INNER (45 FT LH)	1
123948		DECK WELDT – INNER (45 FT RH)	1	
3	125602	DECK WELDT – OUTER (45 FT LH)	1	
	125607	DECK WELDT – OUTER (45 FT RH)	1	
4	220936	MOTOR – HYD 220 DANFOSS 2.44 CI	2	
	123306	KEY – WOODRUFF (1/4 X 1 NOM.)		
	220944	SEAL KIT		
5	255410	DRIVE ROLLER ASSY <sup>73</sup>	2	
	<b>132451</b>	<b>SCREW – SET HEX SOCKET KNURL CUP PT 3/8 NC X 3/8 LG</b>		
6	120845	SEAL – NILOS LSTO STEEL DISK	10	
7	255417	ARM – WELDT DECK SHIFT (RH) <sup>74</sup>	1	
	255416	ARM – WELDT DECK SHIFT (LH) <sup>74</sup>	1	
	255413	ARM WELDT (15 FT) <sup>75</sup>	2	
8	120058	ARM – ROLLER SUPPORT (RH)	1	
	145148	ARM – ROLLER SUPPORT (LH)	1	
9	174714	IDLER ROLLER ASSEMBLY <sup>76</sup>	2	
10	145122	ARM – SUPPORT REAR	2	
11	165735	PIN – ASSY DRAPER ROLLER <sup>77</sup>	6	

73. Includes two set screws (MD #132451), steel disk seal (MD #120845), and draper roller pin assembly (MD #165735).

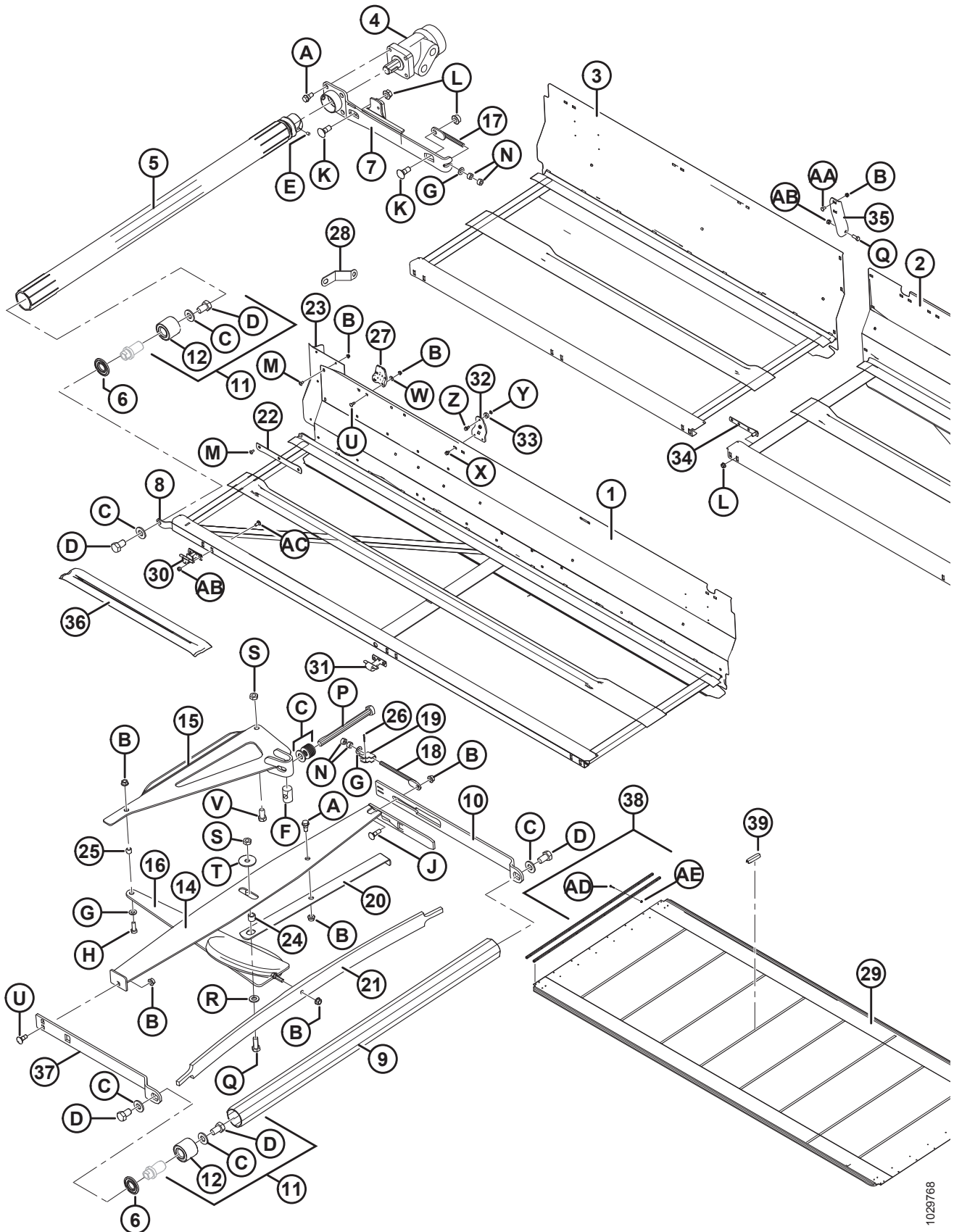
74. Excludes 15 ft. header.

75. 15 ft. header only.

76. Includes steel disk seal (MD #120845) and draper roller assembly (MD #165735).

77. Includes double row ball bearing (MD #132607) and hardware (MD #30441, 145249).

# DRAPER CARRIER DECK AND TENSIONER



1029768

**DRAPER CARRIER DECK AND TENSIONER**

Ref	Part Number	Description	Qty	Serial Number
12	132607	BEARING – DOUBLE ROW BALL 52 MM O.D. 25 MM I.D.	6	
14	220184	MEMBER – STABILIZER WELDT (RH)	1	
	220183	MEMBER – STABILIZER WELDT (LH)	1	
15	220181	BELL CRANK WELDT	2	
16	120462	MEMBER – COMPRESSION WELDT	2	
17	145593	ROD – ADJUSTER WELDT	2	
18	145345	ROD – ADJUSTER WELDT	2	
19	145357	LOOP – IDLER ARM	2	
20	145428	INDICATOR	2	
21	145548	SPRING – LEAF (TENSIONER)	2	
22	220015	BAR WELDT	2	
23	125588	EXTENSION – BACKSHEET (LH)	1	
	125589	EXTENSION – BACKSHEET (RH)	1	
24	132531	SPACER	2	
25	132532	SPACER	2	
26	18604	PIN – COTTER 3/32 DIA X 3/4 ZP	2	
27	145840	GUIDE – BACKSHEET <sup>78</sup>		
28	132096	HOLDER (25–45 FT ONLY)	1	
29	220634	DRAPER – 15 FT WCCO	2	
	220635	DRAPER – 20 FT WCCO	2	
	220636	DRAPER – 25 FT WCCO	2	
	220637	DRAPER – 30 FT WCCO	2	
	220638	DRAPER – 35 FT WCCO	2	
	220639	DRAPER – 40 FT WCCO	2	
	220640	DRAPER – 45 FT WCCO	2	
	220642	DRAPER – 150 FT BULK ROLL	A/R	
220641	DRAPER – REPAIR KIT <sup>79</sup>	A/R		
30	120009	SUPPORT – DECK (CASTING) <sup>80</sup>		
31	129913	SUPPORT – DECK (CASTING) <sup>81</sup>		
32	220176	SUPPORT – DRILLED <sup>82</sup>	4	
33	18867	BEARING – BALL CYL O.D. C/W TWO SEALS <sup>82</sup>	4	
34	132692	BAR – WELDT (45 FT ONLY)	2	
35	125622	SUPPORT – DECK CENTER (45 FT ONLY)	1	

78. Quantities: 25 and 45 ft. = 2 / 30–40 ft. = 4.

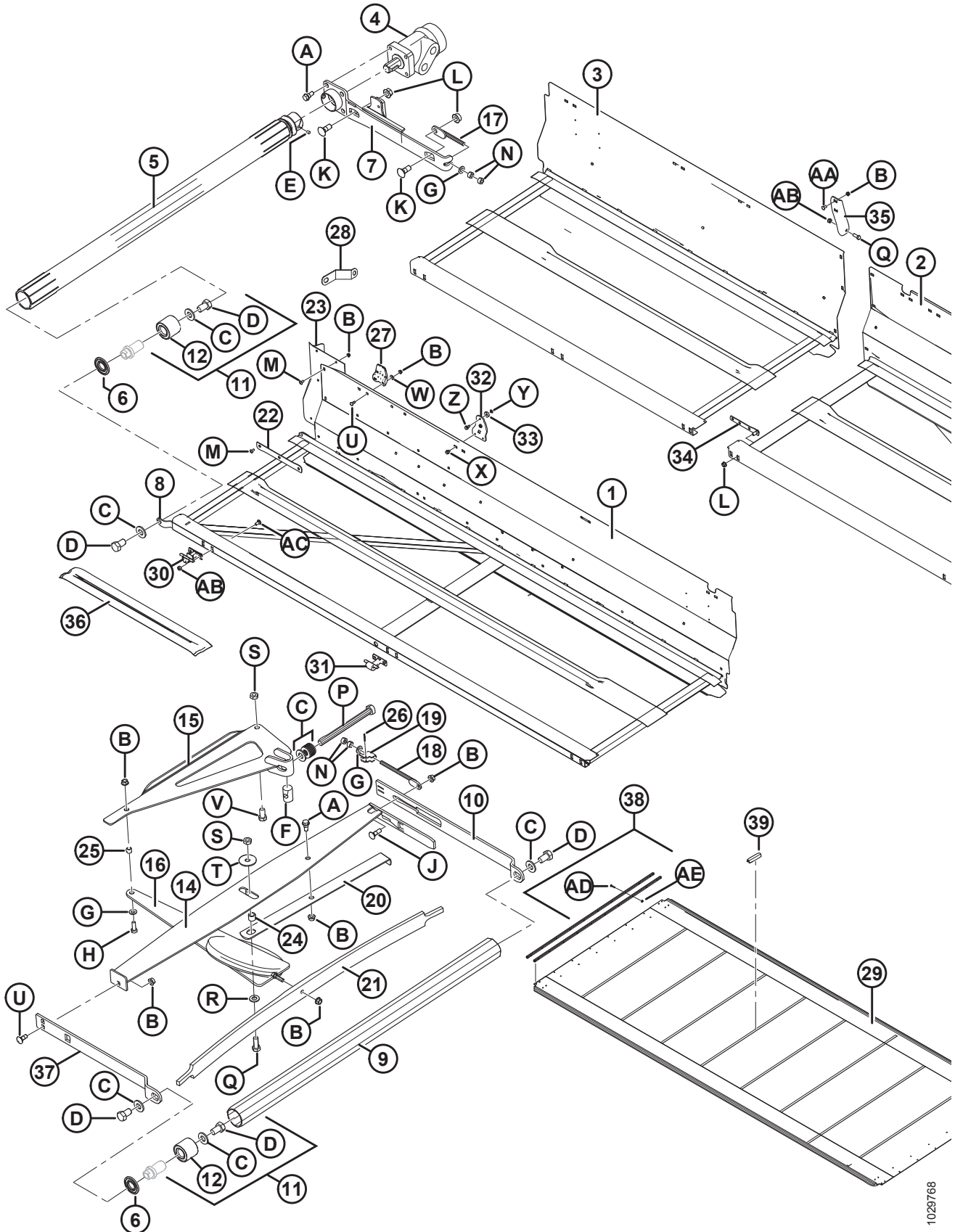
79. Includes 20 inch draper material and two slat connector tubes (not sold separately).

80. Quantities: 15–40 ft. = 4 / 45 ft. = 10.

81. Quantities: 25–30 ft. = 2 / 35–40 ft. = 4.

82. Excludes 45 ft. header.

# DRAPER CARRIER DECK AND TENSIONER



1029768



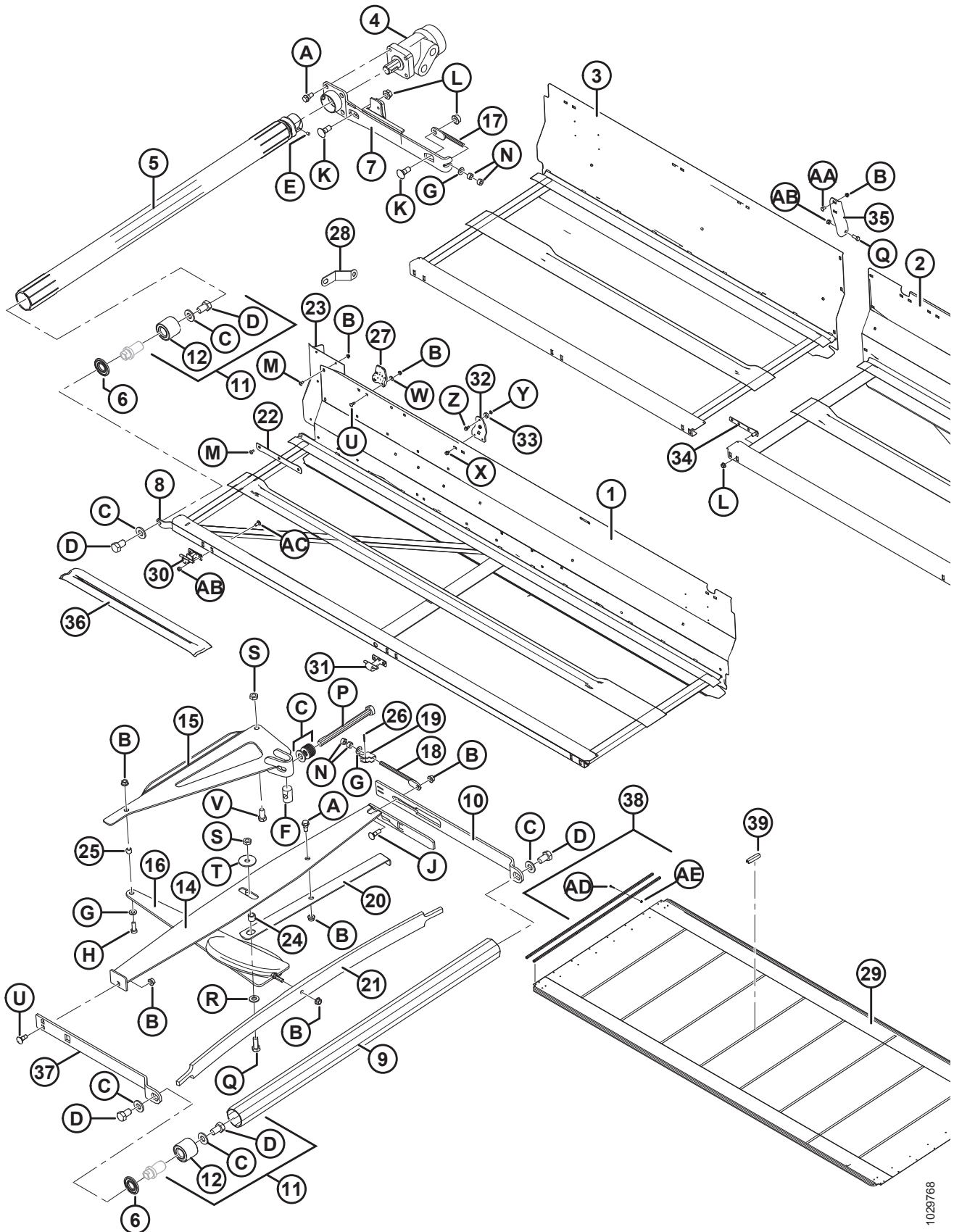
**DRAPER CARRIER DECK AND TENSIONER**

<b>Ref</b>	<b>Part Number</b>	<b>Description</b>	<b>Qty</b>	<b>Serial Number</b>
36	220418	SUPPORT – LOWER DRAPER TRACK (30 FT RG)	2	
	220264	SUPPORT – LOWER DRAPER TRACK (35 FT RG)	2	
	220391	SUPPORT – LOWER DRAPER TRACK (40–45 FT RG)	2	
37	145106	ARM – ROLLER SUPPORT	2	
38	132777	KIT – SLAT CONNECTOR <sup>83</sup>	A/R	
	172710	KIT – DRAPER CONNECTOR HARDWARE <sup>84</sup>	A/R	
39	<b>294858</b>	<b>KIT – EASYGUARD CLIPS, WCCO (25 PACK)</b>	<b>A/R</b>	
	<b>294859</b>	<b>KIT – EASYGUARD CLIPS, LEGG (25 PACK)</b>	<b>A/R</b>	
A	172259	BOLT – SHOULDER .375-16 UNC		
B	30228	NUT – FLANGE DT SMOOTH FACE 0.375-16 UNC		
C	30441	WASHER – HARDENED		
D	145249	BOLT – HH 5/8 NF X 1.0 LG GR 5 ZP		
E	132451	SCREW – SET HEX SOCKET CUP PT 3/8 NC X 3/8 LG		
F	145361	NUT – SPECIAL		
G	18598	WASHER – SAE FLAT 13/32 I.D. X 13/16 IN. O.D. ZP		
H	20077	BOLT – HEX HD 3/8 NC X 1.0 LG GR 5 ZP		
J	19966	BOLT – RHSN 3/8 NC X 1.25 LG GR 5 ZP		
K	21471	BOLT – RHSN 1/2 NC X 1.25 GR 5 ZP		
L	50186	NUT – FLG LOCK SM FACE DT 0.500-13 UNC GR 5		
M	135157	SCREW – MACHINE		
N	18590	NUT – HEX 3/8, 16 UNC GR 5 ZP		
P	135906	BOLT – HH 5/8 NC X 7.5 LG TFL GR 5 ZP		
Q	21491	BOLT – HH 1/2 NC X 1.25 LG GR 5 ZP		
R	18599	WASHER – SAE FLAT 17/32 I.D. X 1-1/16 IN. O.D. ZP		
S	137727	NUT – HEX JAM, DT 1/2-13 UNC GR 5 ZP		
T	42592	WASHER – FLAT		
U	19965	BOLT – RHSN 3/8 NC X 1.0 GR 5 ZP		
V	21575	BOLT – HH 1/2 NC X 1.0 LG GR 5 ZP		
W	20535	WASHER – FLAT		
X	30693	BOLT – FLG (SER FACE) .375-16 UNC X 0.50 LG		
Y	18637	WASHER – REG. LOCK 3/8 IN. NOM. I.D. ZP		
Z	101897	SCREW – HEX WASH HD THD ROLLING 3/8 NC X 3/4		

83. Kit includes two slat connector tubes (not sold separately), 12 button head screws (MD #165434), and 12 lock nuts (not sold separately). Lock nuts can be purchased in a pack of 50 (MD #135626).

84. Kit includes 25 button head screws (MD #165434), and 25 lock nuts (not sold separately). Lock nuts can only be purchased in a pack of 50 (MD #135626) outside of kit.

DRAPER CARRIER DECK AND TENSIONER

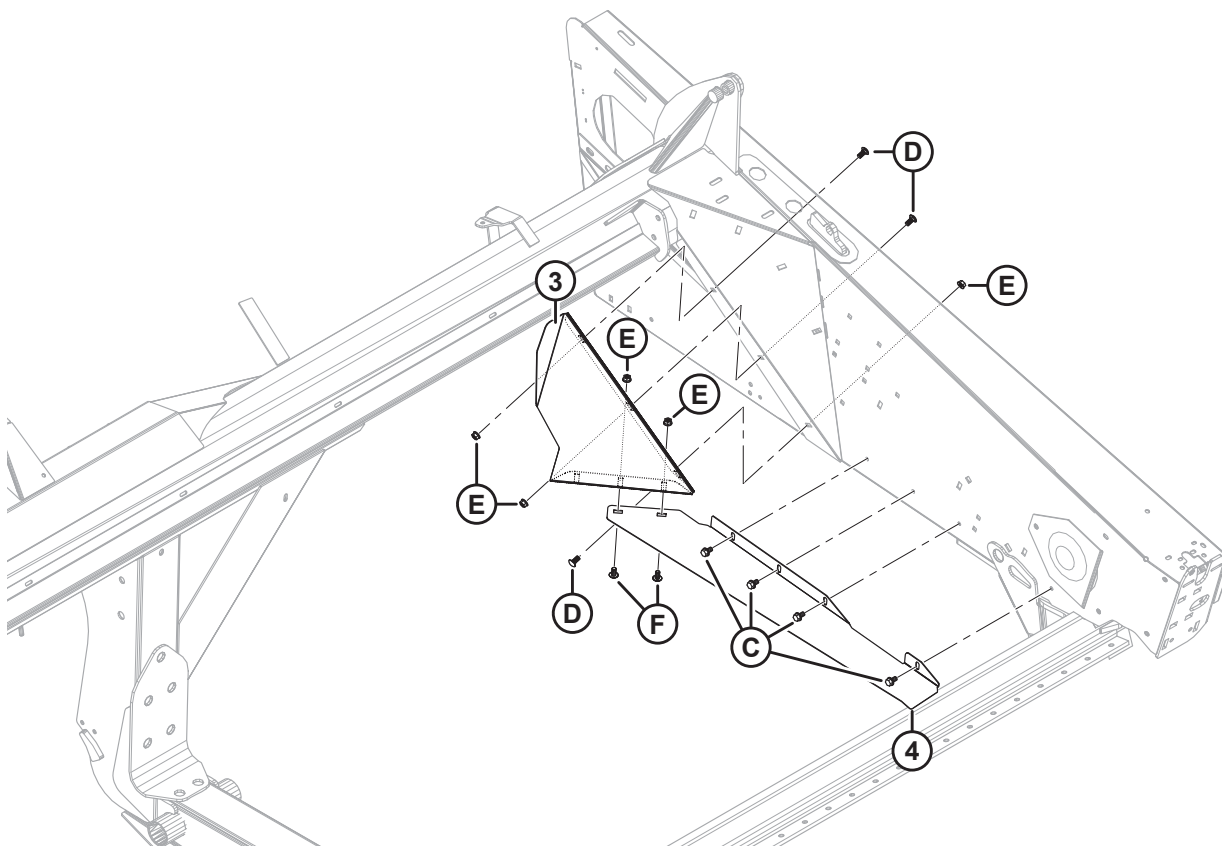
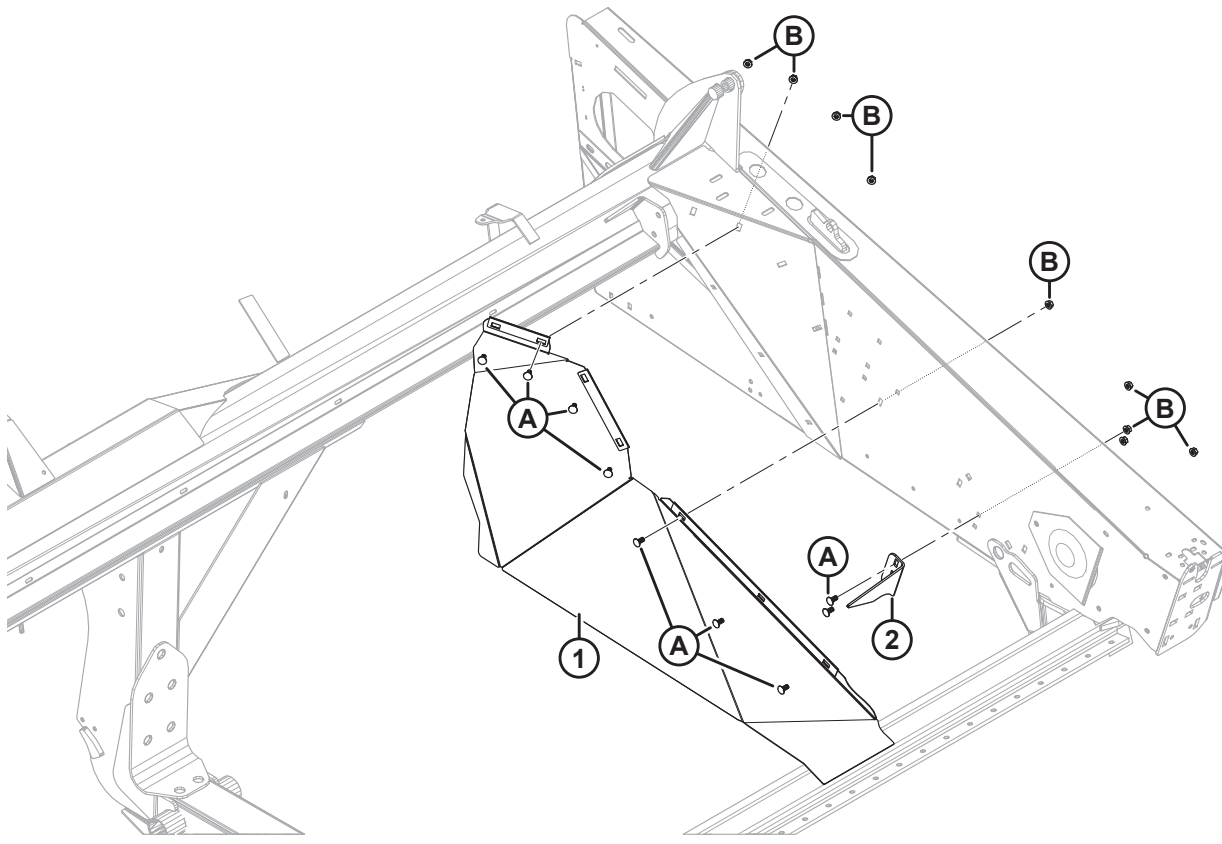


1029768

**DRAPER CARRIER DECK AND TENSIONER**

<b>Ref</b>	<b>Part Number</b>	<b>Description</b>	<b>Qty</b>	<b>Serial Number</b>
AA	21863	BOLT – RHSSN 3/8 NC X 0.75 LG GR 5 ZP		
AB	18697	NUT – HEX LOCK DT .500-13 UNC		
AC	21066	BOLT – RHSN 1/2 NC X 1 GR 5 ZP		
AD	<b>165434</b>	<b>SCREW – BUTTON HD RIB NK</b>		
AE	<b>135626</b>	<b>NUT – CSK CENTER LOCK, #12–24 NC (50 PACK)</b>		

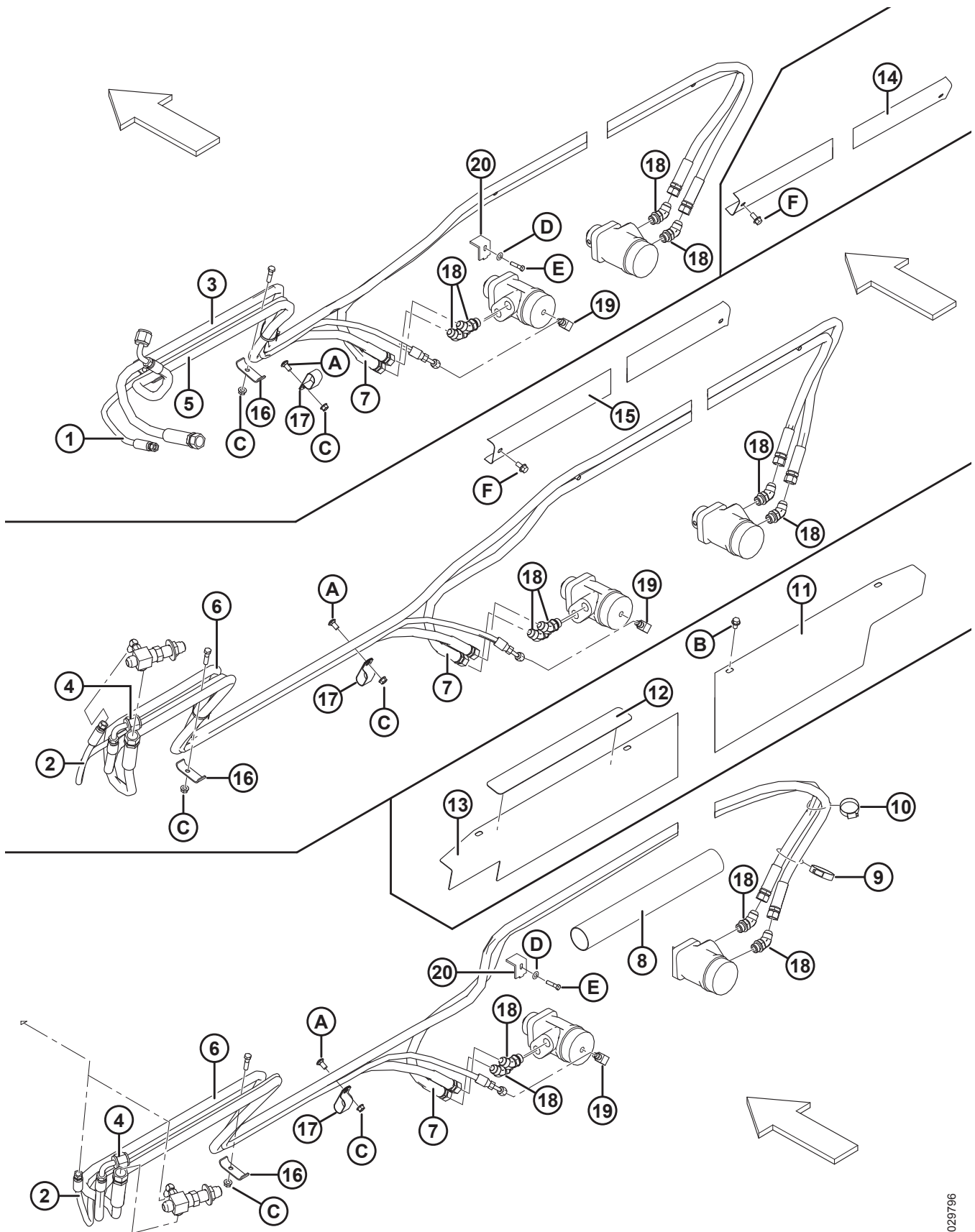
# 16 Draper Deflectors – Windrower and Combine



**DRAPER DEFLECTORS – WINDROWER AND COMBINE**

<b>Ref</b>	<b>Part Number</b>	<b>Description</b>	<b>Qty</b>	<b>Serial Number</b>
		<b>WINDROWER</b>		
1	125749	DEFLECTOR – DRAPER (LH)	1	
	125751	DEFLECTOR – DRAPER (RH)	1	
2	172327	SUPPORT – DRAPER DEFLECTOR (LH)	1	
	172328	SUPPORT – DRAPER DEFLECTOR (RH)	1	
A	21863	BOLT – RHSSN 3/8 NC X 0.75 LG GR 5 ZP		
B	30228	NUT – FLANGE DT SMOOTH FACE 0.375-16 UNC		
		<b>COMBINE</b>		
3	125741	DEFLECTOR – REAR COMBINE DRAPER (LH)	1	
	125742	DEFLECTOR – REAR COMBINE DRAPER (RH)	1	
4	<b>304257</b>	<b>DEFLECTOR – ANGLE (LH)</b>	<b>1</b>	
	<b>304258</b>	<b>DEFLECTOR – ANGLE (RH)</b>	<b>1</b>	
C	101898	SCREW – HEX WASH HD THD ROLLING 3/8 NC X 5/8		
D	21863	BOLT – RHSSN 3/8 NC X 0.75 LG GR 5 ZP		
E	30228	NUT – FLANGE DT SMOOTH FACE 0.375-16 UNC		
F	135157	SCREW – MACHINE		

# 17 Draper Drive – Manual Deck Shift



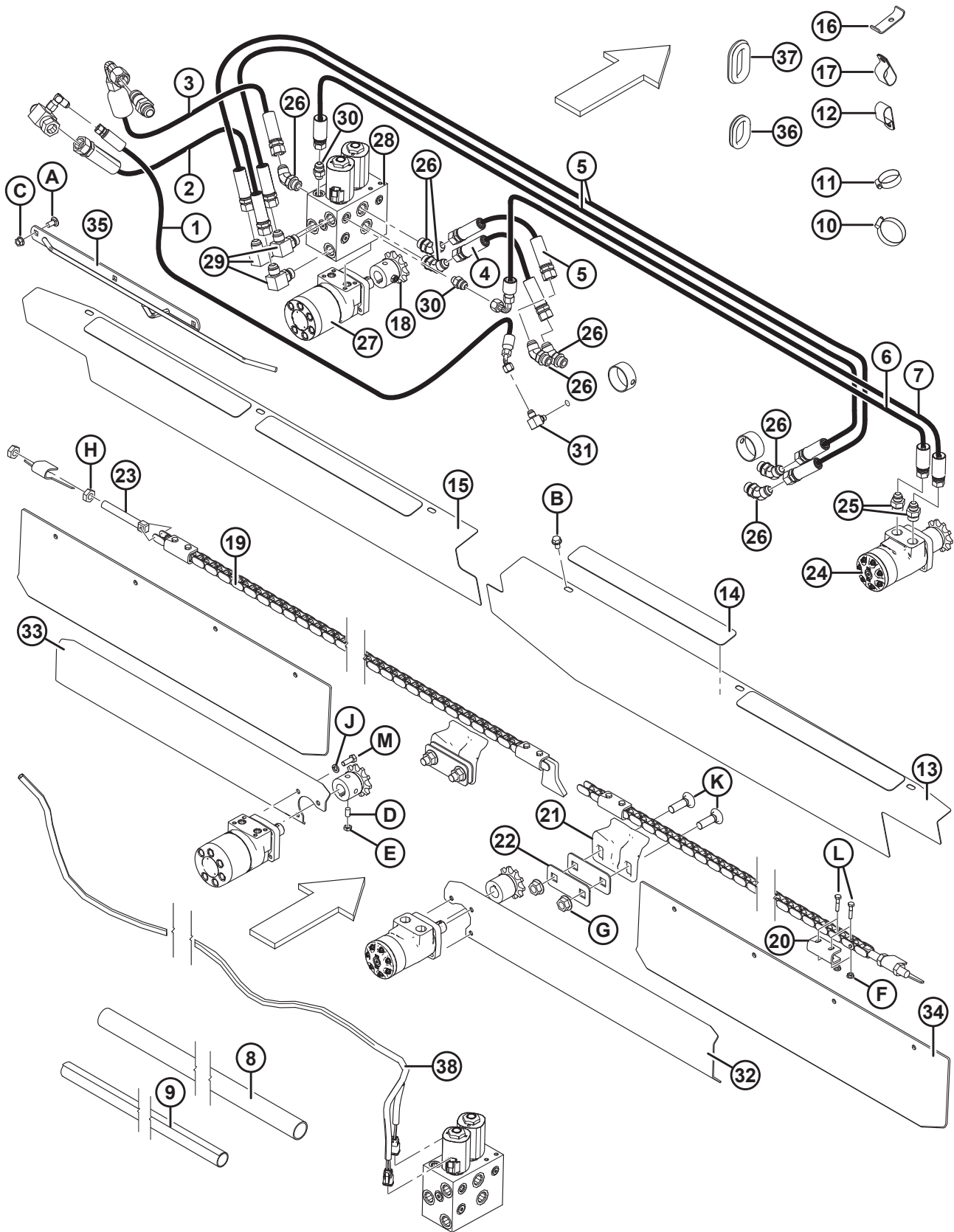
1029796

**DRAPER DRIVE – MANUAL DECK SHIFT**

<b>Ref</b>	<b>Part Number</b>	<b>Description</b>	<b>Qty</b>	<b>Serial Number</b>
1	120568	HOSE – HYD 1/4 IN. DIA 100R17 1950 LG <sup>85</sup>	1	
2	159587	HOSE – HYD 1/4 IN. ID, 2350 MM LG, METAL REIN. <sup>86</sup>	1	
3	120988	HOSE – HYD 1/2 IN. 1900 LG 100R17 <sup>85</sup>	1	
4	120570	HOSE – HYD 1/2 IN. ID, 2200 MM LG, METAL REIN. <sup>86</sup>	1	
5	220491	HOSE – HYD 1/2 IN. ID, 4700 MM LG, METAL REIN. <sup>85</sup>	1	
6	220412	HOSE – HYD 1/2 IN. ID, 5250 MM LG, METAL REIN. <sup>86</sup>	1	
7	132867	HOSE – HYD 0.5 IN. ID, 3440 MM LG, METAL REIN.	1	
8	132017	SLEEVE – PLASTIC <sup>87</sup>	1	
9	17958	CLAMP – HOSE GEAR TYPE <sup>87</sup>	1	
10	30639	CLAMP – HOSE GEAR TYPE <sup>87</sup>	1	
11	132871	HOLDER – RH WITH ANTI-SLIP <sup>87</sup>	1	
12	132117	STRIP – ANTI-SLIP <sup>87</sup>	4	
13	132870	HOLDER – LH WITH ANTI-SLIP <sup>87</sup>	1	
14	245964	HOLDER – HOSES <sup>88</sup>	1	
15	245965	HOLDER – HOSES <sup>89</sup>	1	
16	103351	HOLDER	2	
17	50022	CLAMP – INSULATED 15/16 INCH <sup>90</sup>		
18	50103	FITTING – ELBOW 45° HYD C/W O-RING	4	
19	50104	FITTING – ELBOW 90° HYD	1	
20	145558	CLAMP – DECK SHIFT <sup>91</sup>	2	
A	21863	BOLT – RHSSN 3/8 NC X 0.75 LG GR 5 ZP		
B	101898	SCREW – HEX WASH HD THD ROLL 3/8 NC X 5/8		
C	30228	NUT – FLG DT SMOOTH FACE 0.375-16 UNC		
D	18600	WASHER – SAE FLAT 21/32 I.D. X 1-5/16 IN. O.D. ZP		
E	21594	BOLT – HEX HD 0.625-11 UNC X 1.50		
F	<b>21975</b>	<b>BOLT – HEX FLG SER HD3/8-16 X 1.0 GR 5-AA1J</b>		

85. 15 ft. manual deck shift only.  
 86. 20–45 ft. manual deck shift only.  
 87. 25–40 ft. manual deck shift only.  
 88. 15–20 ft. manual deck shift only.  
 89. 45 ft. rigid only.  
 90. Quantities: 15 ft. = 1, 20–45 ft. = 2.  
 91. Excludes 45 ft. rigid.

# 18 Draper Drive – Hydraulic Deck Shift





**DRAPER DRIVE – HYDRAULIC DECK SHIFT**

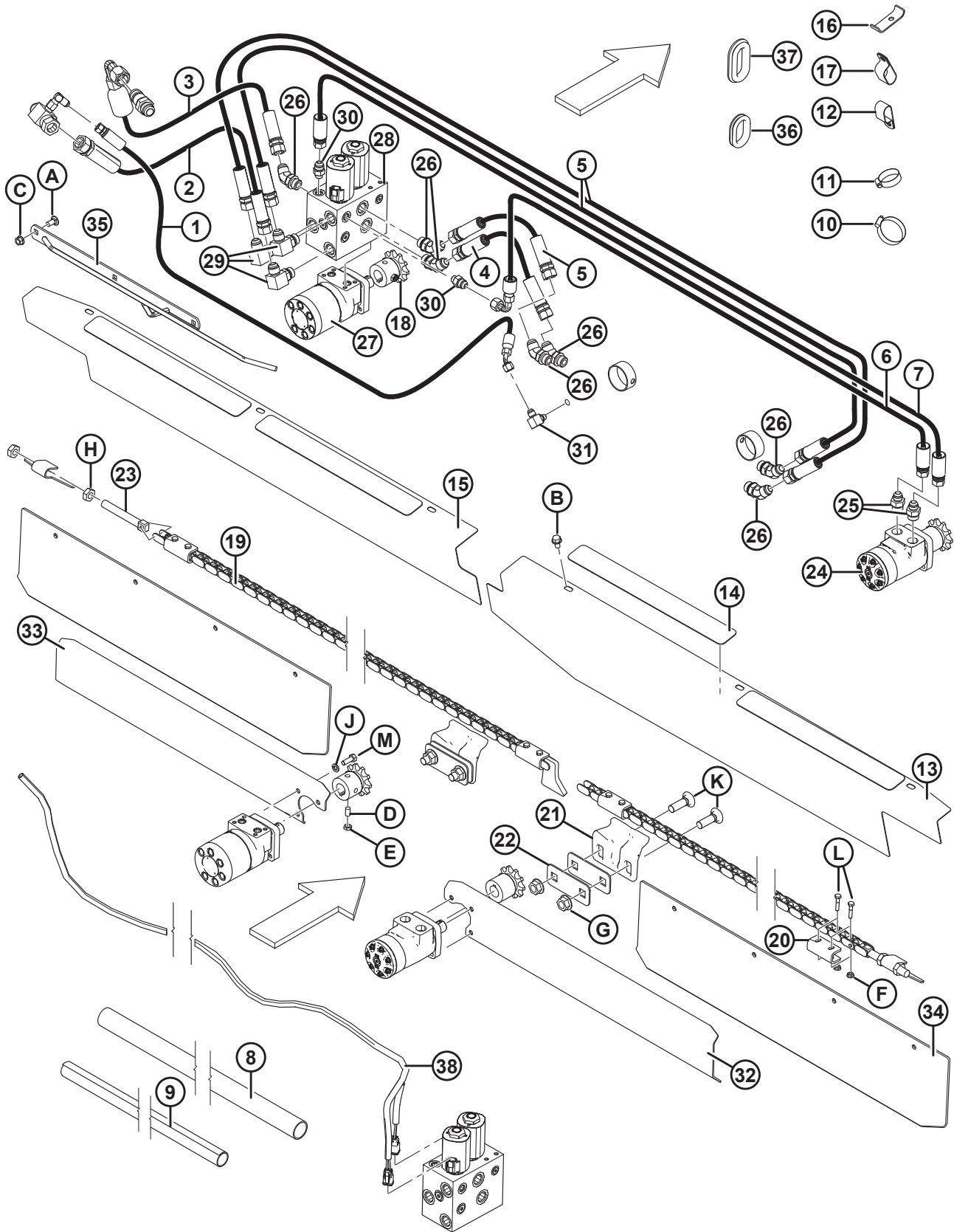
<b>Ref</b>	<b>Part Number</b>	<b>Description</b>	<b>Qty</b>	<b>Serial Number</b>
	B5664	KIT – HYDRAULIC DECK SHIFT KIT <sup>92</sup>		
1	120589	HOSE – HYD, 3800 LG 100R17	1	
2	120989	HOSE – HYD, 1/2 IN. ID, 1430 MM LG, METAL REIN.	1	
3	120566	HOSE – HYD, 1/2 IN. 100R17 1750 LG	1	
4	120588	HOSE – HYD, 1/2 IN. ID, 3200 MM LG, METAL REIN.	2	
5	132867	HOSE – HYD, .5 IN. ID, 3440 MM LG, METAL REIN. <sup>93</sup>	2	
6	120584	HOSE – HYD, 3/8 IN. ID, 3485 MM LG, METAL REIN.	1	
7	120563	HOSE – HYD, 3/8 IN. ID, 3490 MM LG, METAL REIN.	1	
8	132015	SLEEVE – HOSE	1	
9	132017	SLEEVE – PLASTIC <sup>94</sup>	1	
10	17958	CLAMP – HOSE GEAR TYPE <sup>94</sup>	1	
11	30639	CLAMP – HOSE GEAR TYPE <sup>94</sup>	1	
12	103738	CLAMP – PVC INSULATED 13/16 IN. TUBE SIZE	1	
13	132871	HOLDER – RH WITH ANTI-SLIP <sup>94</sup>	1	
14	132117	STRIP – ANTI-SLIP <sup>94</sup>	4	
15	132870	HOLDER – LH WITH ANTI-SLIP <sup>94</sup>	1	
16	103351	HOLDER <sup>94</sup>	2	
17	50022	CLAMP – INSULATED 15/16 INCH <sup>94</sup>	3	
18	120371	SPROCKET – RC60B, 10T	2	
19	145168	CHAIN – ROLLER 60	2	
	6636	LINK – CONNECTOR		
20	100581	STOP	4	
21	165040	GUIDE – DECK SHIFT CHAIN	2	
22	132021	SHIM – CHAIN GUIDE	4	
23	102602	STUD	2	
24	120518	MOTOR – HYD, 4 BOLT EATON	1	
	132758	SEAL KIT		
25	21881	FITTING – ADAPTER HYD	2	
26	50103	FITTING – ELBOW 45° HYD C/W O-RING <sup>93</sup>	7	
27	120374	MOTOR – HYD, GEROTOR TYPE, 9.9 CU IN., 4-BOLT	1	
	<b>220672</b>	<b>SEAL KIT</b>		
	16605	O-RING – MANIFOLD PORT		

92. Kits available through Whole Goods only.

93. Quantity: 25–40 ft. kit = 1.

94. Excludes 25–40 ft. kit.

# DRAPER DRIVE – HYDRAULIC DECK SHIFT

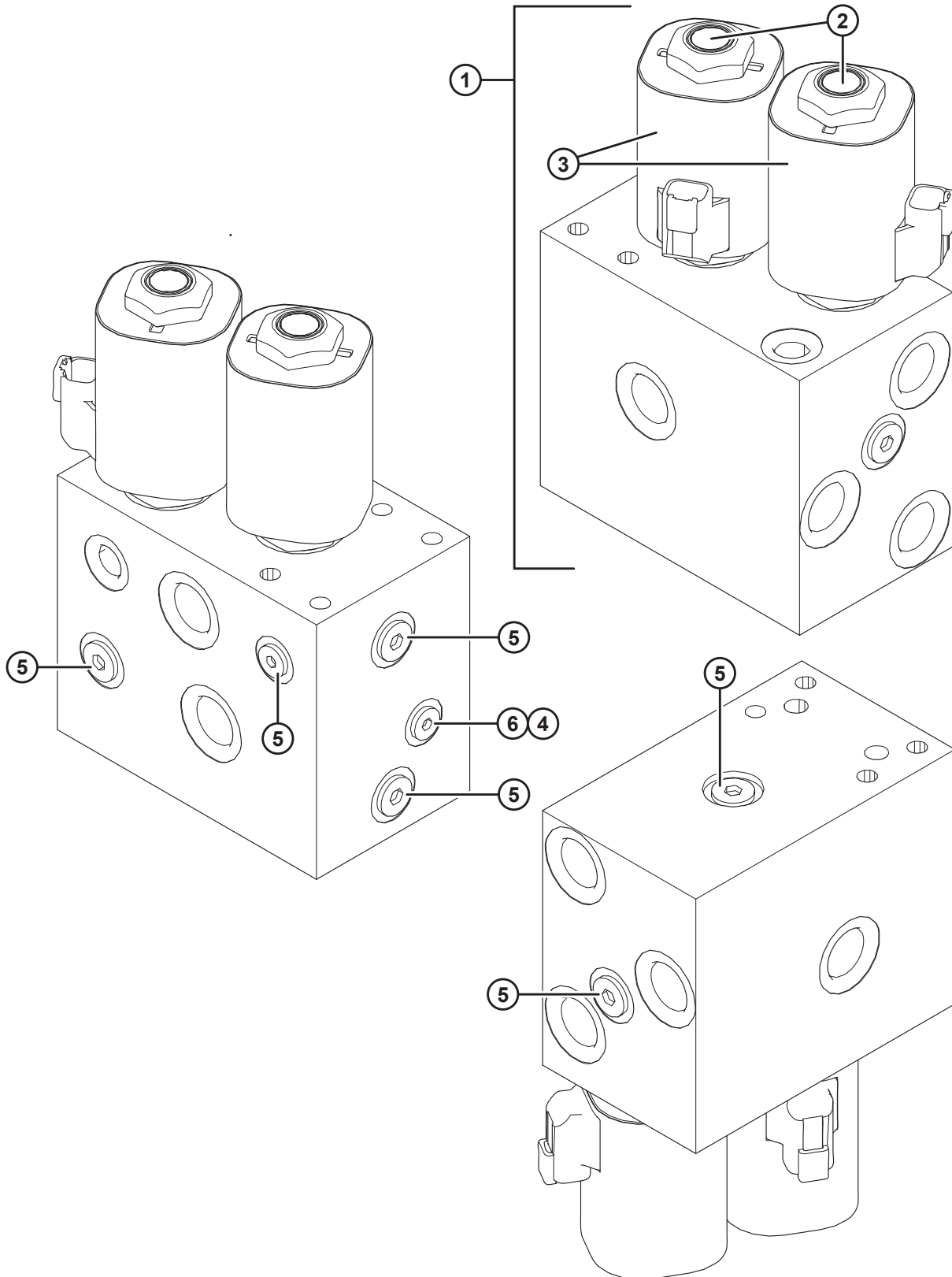


1000737

**DRAPER DRIVE – HYDRAULIC DECK SHIFT**

<b>Ref</b>	<b>Part Number</b>	<b>Description</b>	<b>Qty</b>	<b>Serial Number</b>
28	145983	VALVE – 2 POSITION SOLENOID OPERATED 4 WAY	1	
	132786	SEAL KIT		
	132782	VALVE – 4 WAY CARTRIDGE (SV1, SV2)	2	
	132783	COIL – ELECTRIC, CL1	2	
	132784	PLUG – ORIFICE, ORF 1		
	100577	PLUG – PORT, PLG6		
	102711	PLUG – PORT, PLG4		
29	21843	FITTING – ELBOW 90° HYD	3	
30	21031	FITTING – CONNECTOR HYD	2	
31	50104	FITTING – ELBOW 90° HYD	1	
32	125478	COVER – RIGHT DECK SHIFT CHAIN	1	
33	125565	COVER – LEFT DECK SHIFT CHAIN	1	
34	125566	COVER – DECK SHIFT CHAIN, POLY	2	
35	125652	GUIDE WELDT – LEFT DECK HOSE	1	
36	172899	GROMMET – 1.75 IN. I.D.	2	
37	123982	GROMMET – 53.7 MM I.D.	1	
38	120507	HARNESS – WIRING DECK SHIFT	1	
A	21863	BOLT – RHSSN 3/8 NC X 0.75 LG GR 5 ZP		
B	101898	SCREW – HEX WASH HD THD ROLL 3/8 NC X 5/8		
C	30228	NUT – FLANGE DT SMOOTH FACE 0.375-16 UNC		
D	135295	SCREW – SET HEX SOCKET CUP PT 3/8 NC X 3/4 LG		
E	18664	NUT – HEX JAM 3/8, 16 UNC GR 5 ZP		
F	21455	NUT – FLG (SER FACE) 1/4 NC GR 5 ZP		
G	50225	NUT – FLG LOCK SM FACE DT 0.625-11 UNC GR 5		
H	21345	NUT – HEX JAM 5/8-11 UNC GR 5 ZP		
J	18637	WASHER – REG. LOCK 3/8 IN. NOM. I.D. ZP		
K	136043	BOLT – RHSN 5/8-11 X 1.75 GR 5 ZP		
L	30942	BOLT – HH 1/4 NC X 1.25 LG GR 5 ZP		
M	20077	BOLT – HEX HD 3/8 NC X 1.0 LG GR 5 ZP		

# 19 Deck Shift – Valve



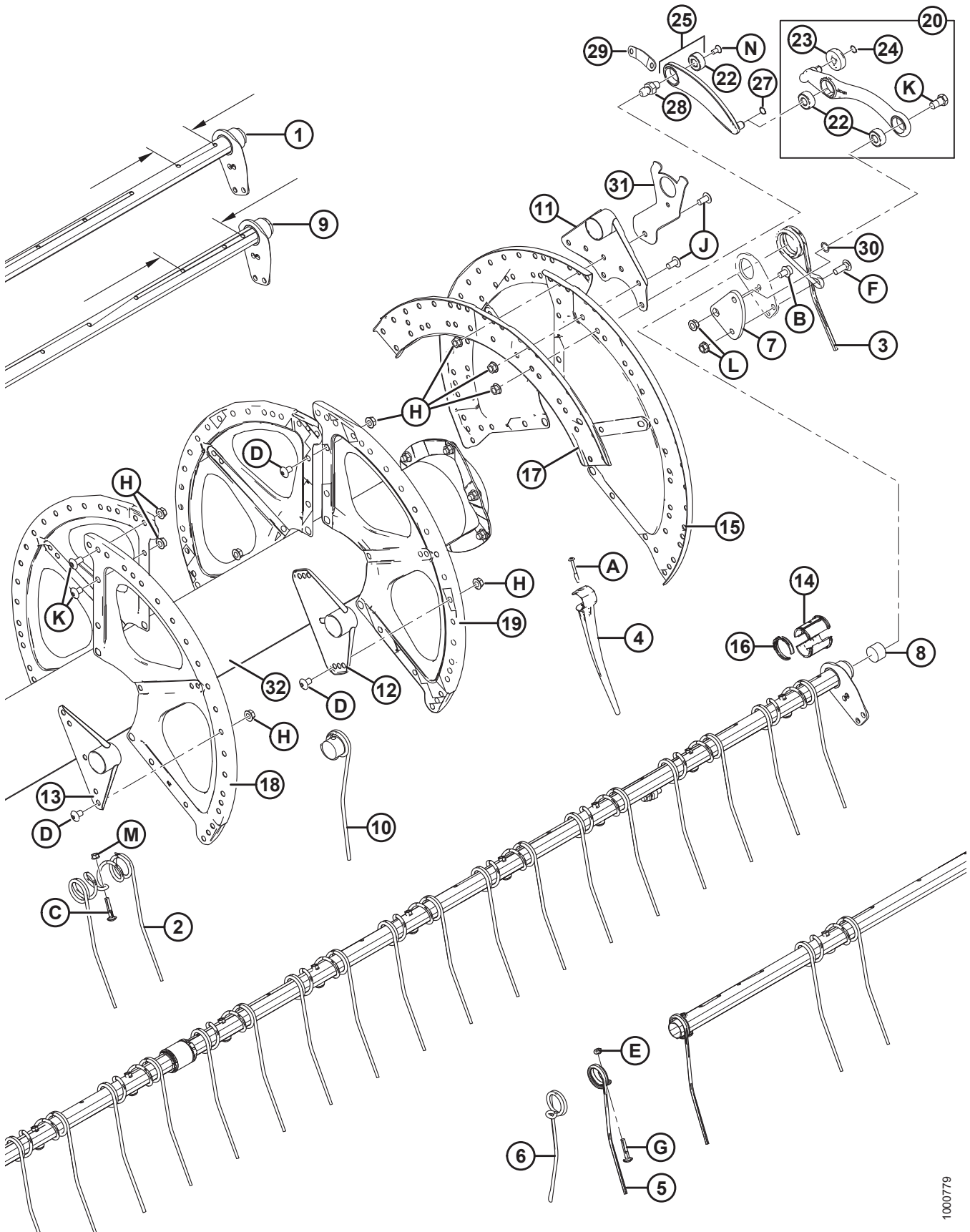
**DECK SHIFT – VALVE**

<b>Ref</b>	<b>Part Number</b>	<b>Description</b>	<b>Qty</b>	<b>Serial Number</b>
1	145983	VALVE – 2 POSITION SOLENOID OPERATED 4 WAY <sup>95</sup>	1	
	132786	SEAL KIT	1	
2	132782	VALVE – 4-WAY CARTRIDGE	2	
3	132783	COIL – ELECTRIC	2	
4	132784	PLUG – ORIFICE, ORF1	1	
5	100577	PLUG – PORT, PLG6	5	
6	102711	PLUG – PORT, PLG4	2	

---

95. Includes seal kit (MD #132786), two valves (MD #132782), two electric coils (MD #132783), and plugs (MD #132784, 100577, 102711).

# 20 Pick-Up Reel – Single-Reel Header (4.6–10.7 m [15–35 ft.])



**PICK-UP REEL – SINGLE-REEL HEADER (4.6–10.7 M [15–35 FT.])**

**NOTE:**

Quantities for narrow and wide stagger tine tubes vary; Narrow stagger = 120 mm / Wide stagger = 196.2 mm.

Ref	Part Number	Description	Qty 5/6/9 Bat	Serial Number
	B5939	KIT – 15 FT TINE TUBE CONVERSION (6 TO 9 BAT PLASTIC FINGERS) <sup>96</sup>		
	B5654	KIT – 15 FT TINE TUBE CONVERSION (6 TO 9 BAT STEEL FINGERS) <sup>96</sup>		
	B5940	KIT – 20 FT TINE TUBE CONVERSION (6 TO 9 BAT PLASTIC FINGERS) <sup>96</sup>		
	B5655	KIT – 20 FT TINE TUBE CONVERSION (6 TO 9 BAT STEEL FINGERS) <sup>96</sup>		
	B5937	KIT – 25 FT TINE TUBE CONVERSION (6 TO 9 BAT PLASTIC FINGERS) <sup>96</sup>		
	B5656	KIT – 25 FT TINE TUBE CONVERSION (6 TO 9 BAT STEEL FINGERS) <sup>96</sup>		
1	137415	TINE TUBE – NARROW STAGGER (15 FT HEADER) <sup>97</sup>		
	137568	TINE TUBE – NARROW STAGGER (20 FT HEADER) <sup>98</sup>		
	137421	TINE TUBE – NARROW STAGGER (25 FT HEADER) <sup>99</sup>		
	137650	TINE TUBE – NARROW STAGGER (30 FT HEADER) <sup>100</sup>		
	137642	TINE TUBE – NARROW STAGGER (35 FT HEADER) <sup>101</sup>		
2	137092	FINGER – DOUBLE, STEEL <sup>102</sup>		
3	164895	FINGER – CAM END	5/6/9	-244009
	245084	FINGER – CAM END	5/6/9	244010–
4	174849	FINGER – PLASTIC HEAVY DUTY (10 PACK) <sup>103</sup>		
5	164894	FINGER – TAIL END	5/6/9	-244009
	245083	FINGER – TAIL END	5/6/9	244010–
6	137519	FINGER – SINGLE CONCENTRIC (LH) <sup>104</sup>	0/6/9	
7	137285	ARM – CRANK MACHINING	5/6/9	
8	137980	PLUG – TINE TUBE	10/12/18	

96. Kits available through Whole Goods only.

97. Quantities (5/6/9 Bat): 15 ft. steel = 3/3/5, 15 ft. plastic = 3/3/4.

98. Quantities (5/6/9 Bat): 20 ft. steel = 3/3/5, 20 ft. plastic = 3/3/4.

99. Quantities (5/6/9 Bat): 25 ft. steel = 3/3/5, 25 ft. plastic = 3/3/4.

100. Quantities (5/6/9 Bat): 30 ft. steel and plastic = 3/3/0.

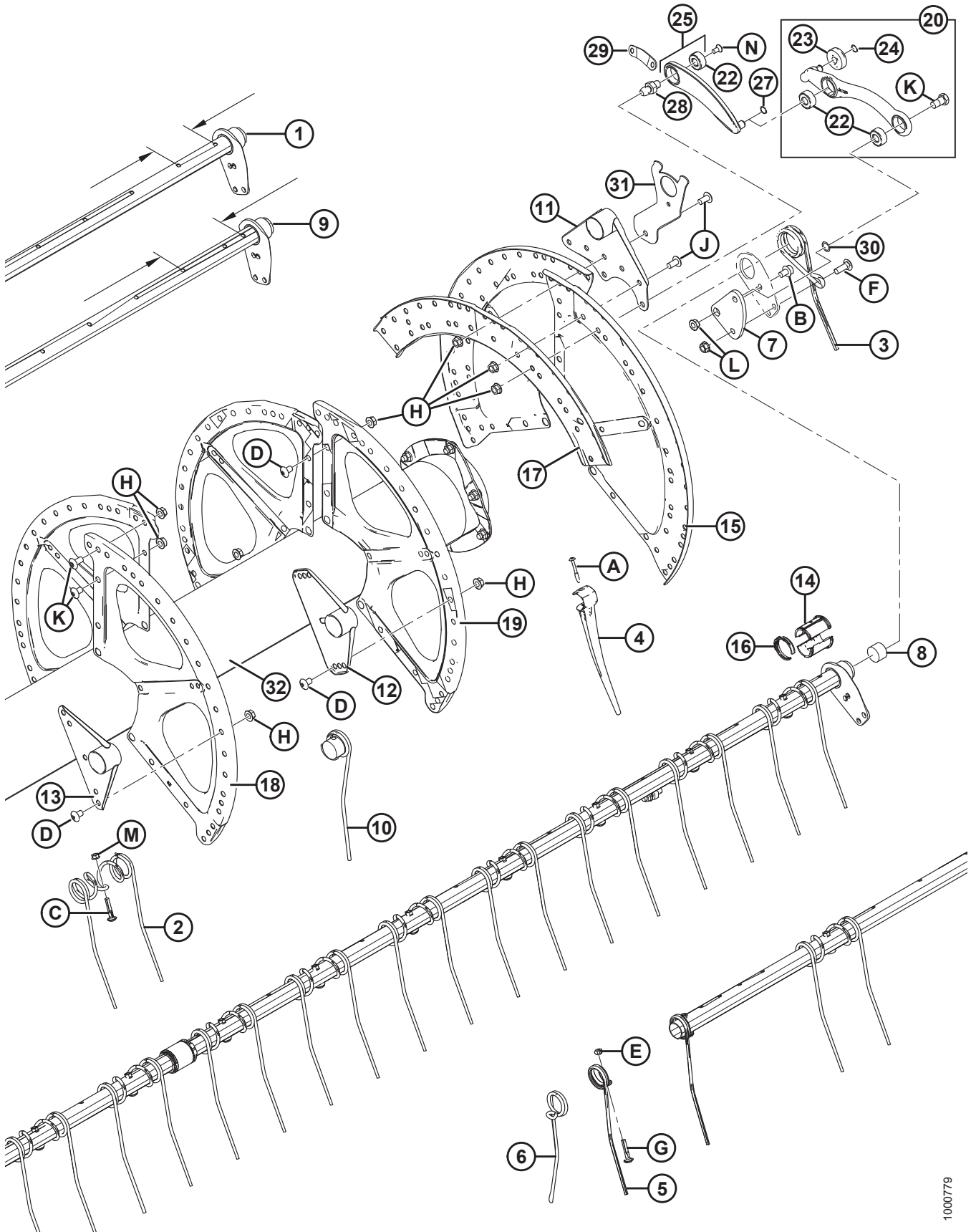
101. Quantities (5/6/9 Bat): 35 ft. steel and plastic = 3/3/0.

102. Quantities (5/6/9 Bat): 15 ft. steel = 70/84/126, 20 ft. steel = 93/111/167, 25 ft. steel = 120/144/216,  
30 ft. steel = 145/174/0, 35 ft. steel = 170/204/0.

103. Quantities (5/6/9 Bat): 15 ft. plastic = 140/168/252, 20 ft. plastic = 191/231/348, 25 ft. plastic = 249/297/444,  
30 ft. plastic = 296/354/0, 35 ft. plastic = 351/420/0.

104. Steel fingered reels only.

PICK-UP REEL – SINGLE-REEL HEADER (4.6–10.7 M [15–35 FT.])



1000779



**PICK-UP REEL – SINGLE-REEL HEADER (4.6–10.7 M [15–35 FT.])**

Ref	Part Number	Description	Qty 5/6/9 Bat	Serial Number
9	137416	TINE TUBE – WIDE STAGGER (15 FT HEADER) <sup>105</sup>		
	137569	TINE TUBE – WIDE STAGGER (20 FT HEADER) <sup>106</sup>		
	137422	TINE TUBE – WIDE STAGGER (25 FT HEADER) <sup>107</sup>		
	137651	TINE TUBE – WIDE STAGGER (30 FT HEADER) <sup>108</sup>		
	137643	TINE TUBE – WIDE STAGGER (35 FT HEADER) <sup>109</sup>		
10	137754	FINGER – SINGLE CONCENTRIC (RH) <sup>110</sup>		
11	137506	ARM WELDT – CAM END	5/6/9	
12	137535	ARM WELDT <sup>111</sup>		
13	137543	ARM WELDT – TAIL END	5/6/9	
14	220939	BUSHING HALF – TINE TUBE (25 PACK) <sup>112</sup>		
15	137536	SECTOR – CAM END, 14 GA (EXCLUDES 35 FT)	3/3/3	
	164044	SECTOR – CAM END, 14 GA (35 FT ONLY)	3/3/3	
16	220941	CLAMP – TINE TUBE BUSH, CENTER RIB (5 PACK) <sup>113</sup>		
17	137532	CHANNEL – CAM DISC	3/3/3	
18	137142	SECTOR – 16 GA (EXCLUDES 35 FT)	3/3/3	
	164046	SECTOR – 16 GA (35 FT ONLY)	3/3/3	
19	137277	SECTOR – 18 GA (EXCLUDES 35 FT) <sup>114</sup>		
	164045	SECTOR – 18 GA (35 FT ONLY)	12/0/0	
20	137293	ASSEMBLY – TINE CONTROL ARM	5/6/9	
22	273265	BEARING	15/18/27	
23	50184	BEARING – CAM FOLLOWER <sup>115</sup>	5/6/9	
24	30523	RING – EXT RETAINING	5/6/9	
25	137297	ARM, C/W BEARINGS <sup>116</sup>	5/6/9	

105. Quantities (5/6/9 Bat): 15 ft. steel = 2/3/4, 15 ft. plastic = 2/3/5.

106. Quantities (5/6/9 Bat): 20 ft. steel = 2/3/4, 20 ft. plastic = 2/3/5.

107. Quantities (5/6/9 Bat): 25 ft. steel = 2/3/4, 25 ft. plastic = 2/3/5.

108. Quantities (5/6/9 Bat): 30 ft. steel and plastic = 2/3/0.

109. Quantities (5/6/9 Bat): 35 ft. steel and plastic = 2/3/0.

110. Quantities (5/6/9 Bat): 15 ft. steel = 2/3/4, 20 ft. steel = 3/3/5, 25 ft. steel = 6/9/12, 30–35 ft. steel = 6/9/0.

111. Quantities (5/6/9 Bat): 15 ft. steel and plastic = 5/6/9, 20 ft. steel and plastic = 10/12/18, 25 ft. steel and plastic = 15/18/27, 30 ft. steel and plastic = 15/18/0, 35 ft. steel and plastic = 20/24/0.

112. Includes 25 tine tube bushings. Quantities (5/6/9 Bat): 15 ft. steel and plastic = 0/36/54, 20 ft. steel and plastic = 0/48/72, 25 ft. steel and plastic = 0/60/90, 30 ft. steel and plastic = 50/0/0, 35 ft. steel and plastic = 60/0/0.

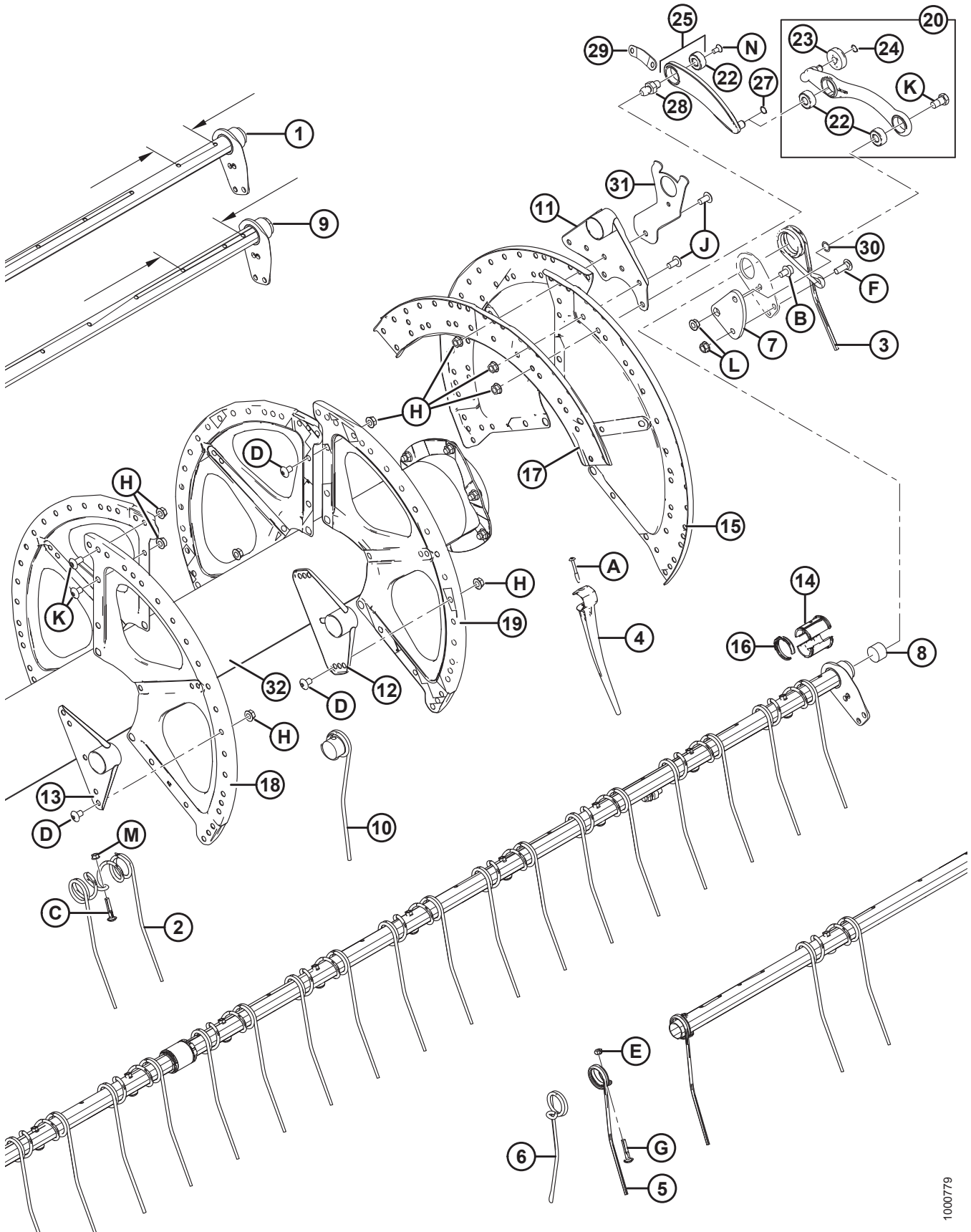
113. Quantities (5/6/9 Bat): 15 ft. steel and plastic = 15/18/27, 20 ft. steel and plastic = 20/24/36, 25 ft. steel and plastic = 25/30/45, 30 ft. steel and plastic = 25/30/0, 35 ft. steel and plastic = 30/36/0.

114. Quantities (5/6/9 Bat): 15 ft. steel and plastic = 0/3/3, 20 ft. steel and plastic = 0/6/6, 25 ft. steel and plastic = 0/9/9, 30 ft. steel and plastic = 9/0/0.

115. Quantities (5/6/9 Bat): 15–25 ft. steel and plastic = 5/6/9, 30–35 ft. steel and plastic = 5/0/0.

116. Includes bearing (MD #273265).

PICK-UP REEL – SINGLE-REEL HEADER (4.6–10.7 M [15–35 FT.])



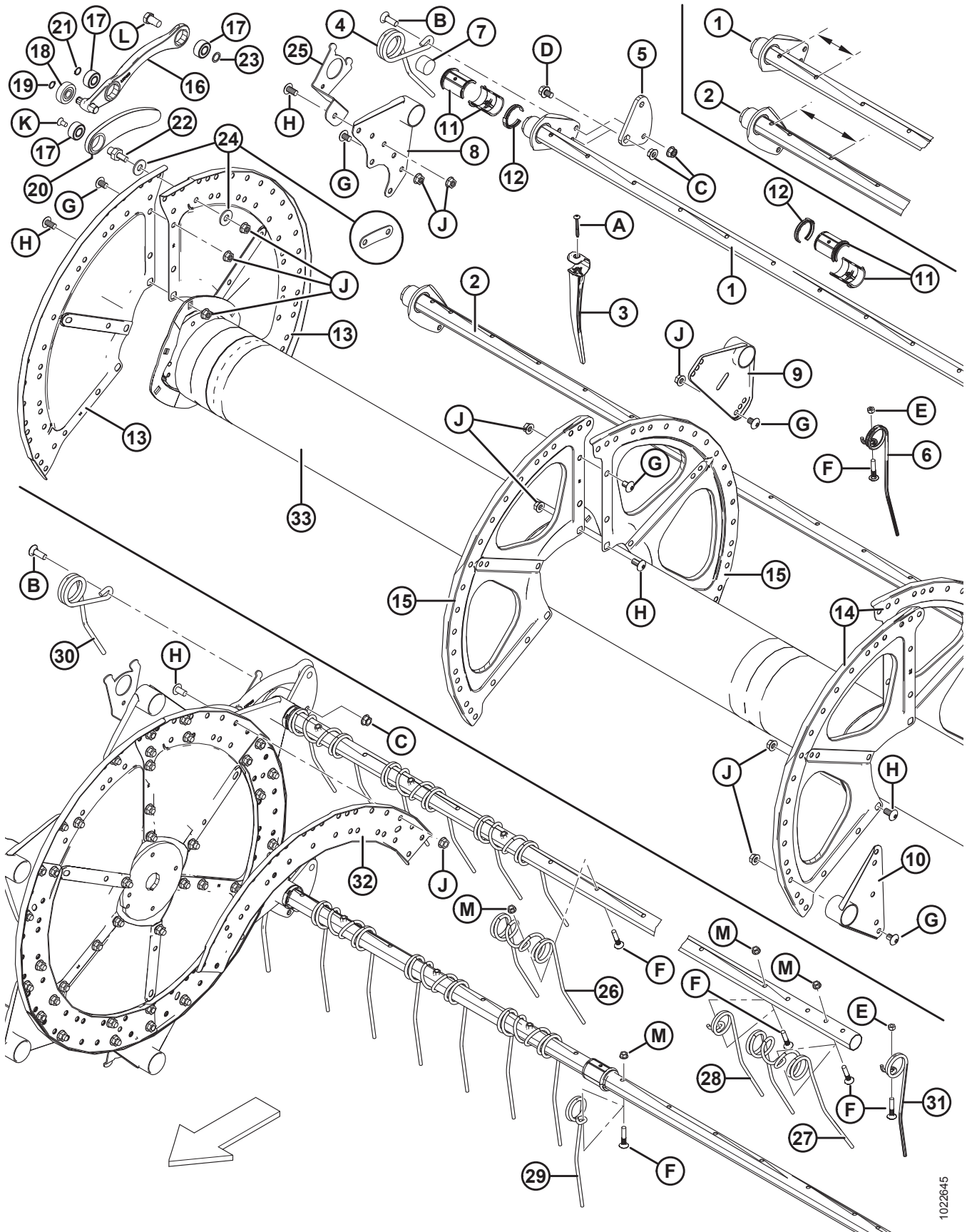
1000779

**PICK-UP REEL – SINGLE-REEL HEADER (4.6–10.7 M [15–35 FT.])**

<b>Ref</b>	<b>Part Number</b>	<b>Description</b>	<b>Qty 5/6/9 Bat</b>	<b>Serial Number</b>
27	137523	RING – EXT RETAINING	5/6/9	
28	279700	STUD – LINK (5 PACK)	5/6/9	
29	220025	STRAP – LINK PIN 5 BAT (30–35 FT ONLY)	10/10/10	–244009
30	137529	SHIM – CRANK BEARING	5/6/9	
31	REF	SUPPORT – ENDSHIELD REEL <sup>117</sup>		
32	137910	CENTER TUBE – 15 FT, C/W REFLECTORS	1	
	137911	CENTER TUBE – 20 FT, C/W REFLECTORS	1	
	137909	CENTER TUBE – 25 FT, C/W REFLECTORS	1	
	137912	CENTER TUBE – 30 FT, C/W REFLECTORS	1	
	137914	CENTER TUBE – 35 FT, C/W REFLECTORS	1	
A	252687	SCREW – 48 DEGREE PLASTITE DOUBLE HELIX		
B	105066	BOLT – HH FLG (SER FACE) 1/2-NC X 0.75 GR 5 ZP		
C	137118	BOLT – BHRN 3/8 NC WITH RETAINER		
D	105135	SCREW – MACHINE		
E	18669	NUT – HEX LOCK DT 3/8-16 UNC ZP		
F	21469	BOLT – RHSN 1/2 NC X 1.5 LG GR 5 ZP		
G	137118	BOLT – ROUND HD 3/8 NC RIB NK NC		
H	50186	NUT – FLG LOCK SM FACE DT 0.500-13 UNC GR 5		
J	105136	SCREW – MACHINE		
K	105141	BOLT – LOCKING SHOULDER		
L	21383	NUT – FLANGE .500-13 UNC (SER FACE)		
M	30228	NUT – FLG DT SMOOTH FACE 0.375-16 UNC		
N	113420	BOLT – CSK TORX 3/8 NC X 3/4 LG		

117. Refer to Section 22 *Reel Endshield Components*, page 91.

# 21 Pick-Up Reel – Double-Reel Header (9.1–13.7 m [30–45 ft.]



1022645

**PICK-UP REEL – DOUBLE-REEL HEADER (9.1–13.7 M [30–45 FT.])**

**NOTE:**

Illustration; TOP: Right-hand reel, BOTTOM: Left-hand reel.

**NOTE:**

Quantities for narrow and wide stagger tine tubes vary; Narrow stagger = 120 mm / Wide stagger = 196.2 mm.

Ref	Part Number	Description	Qty 5/6/9 Bat	Serial Number
	B6029	KIT – 30 FT DUAL REEL TINE TUBE CONVERSION (6 TO 9 BAT PLASTIC FINGERS) <sup>118</sup>		
	B5657	KIT – 30 FT DUAL REEL TINE TUBE CONVERSION (6 TO 9 BAT STEEL FINGERS) <sup>118</sup>		
1	137415	TINE TUBE – NARROW STAGGER (30 FT HEADER)	6/6/10	
	137570	TINE TUBE – NARROW STAGGER (35 FT HEADER) <sup>119</sup>	6/6/10	-244009
	245141	TINE TUBE – NARROW STAGGER (35 FT HEADER) <sup>120</sup>	6/6/10	
	245266	TINE TUBE – NARROW STAGGER (35 FT HEADER) <sup>121</sup>	6/6/10	266820-
	245130	TINE TUBE – NARROW STAGGER (40 FT HEADER) <sup>122</sup>	6/6/0	
	137568	TINE TUBE – NARROW STAGGER (40 FT HEADER) <sup>123</sup>	6/6/0	
	<b>253839</b>	<b>TINE TUBE – NARROW STAGGER (45 FT HEADER)</b>	<b>6/0/0</b>	
2	137416	TINE TUBE – WIDE STAGGER (30 FT HEADER)	4/6/8	
	137571	TINE TUBE – WIDE STAGGER (35 FT HEADER) <sup>119</sup>	4/6/8	-244009
	245142	TINE TUBE – WIDE STAGGER (35 FT HEADER) <sup>120</sup>	4/6/8	
	245267	TINE TUBE – WIDE STAGGER (35 FT HEADER) <sup>121</sup>	4/6/8	266820-
	245131	TINE TUBE – WIDE STAGGER (40 FT HEADER) <sup>122</sup>	4/6/0	
	137569	TINE TUBE – WIDE STAGGER (40 FT HEADER) <sup>123</sup>	4/6/0	
	<b>253503</b>	<b>TINE TUBE – WIDE STAGGER (45 FT HEADER)</b>	<b>4/0/0</b>	
3	174849	FINGER – PLASTIC HEAVY DUTY (10 PACK) <sup>124</sup>		
4	245084	FINGER – CAM END (RH REEL)	5/6/9	
5	137285	ARM – CRANK MACHINING	10/12/18	
6	164894	FINGER – TAIL END (RH REEL) <sup>125</sup>		
7	137980	PLUG – TINE TUBE	20/24/36	
8	137506	ARM WELDT – CAM END	10/12/18	

118.Kits available through Whole Goods only.

119.Prior to 2014 model year (three-sector reels).

120.2014 model year (three-sector reels) AND reel brace kit MD #B5826.

121.2015 model year and forward (four-sector reels).

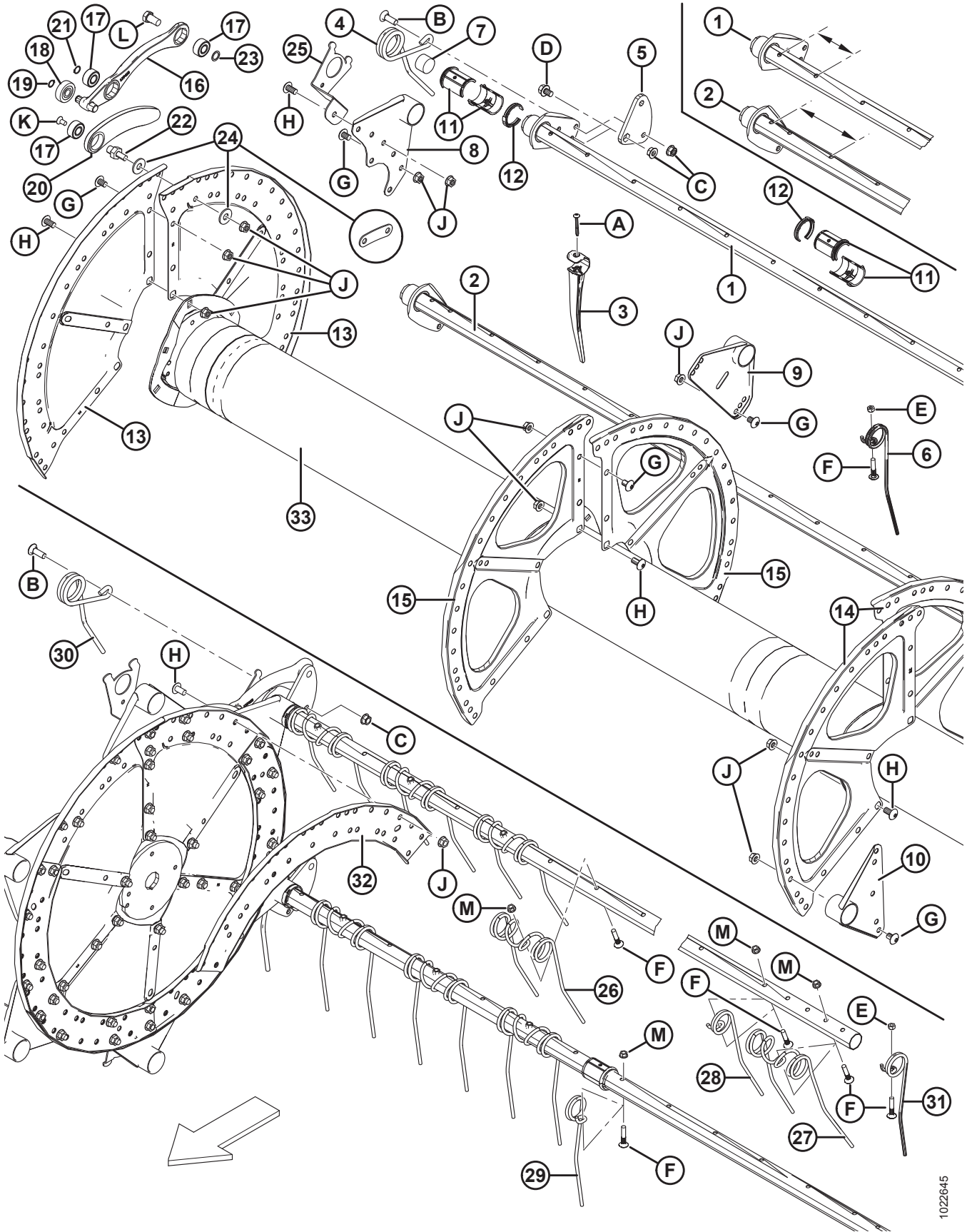
122.2014 model year (three-sector reels) AND reel brace kit MD #B5825.

123.Prior to 2014 model year (three-sector reels) and 2015 model year and forward (four-sector reels).

124.Quantities (5/6/9 Bat): 30 ft. plastic = 280/336/504, 35 ft. plastic = 332/399/598, 40 ft. plastic = 384/462/0, 45 ft. plastic = 433/0/0.

125.Quantities (5/6/9 Bat): 30–35 ft. steel and plastic = 5/6/9, 40 ft. steel and plastic = 5/6/0, 45 ft. plastic = 5/0/0.

PICK-UP REEL – DOUBLE-REEL HEADER (9.1–13.7 M [30–45 FT.])



1022645

**PICK-UP REEL – DOUBLE-REEL HEADER (9.1–13.7 M [30–45 FT.])**

Ref	Part Number	Description	Qty 5/6/9 Bat	Serial Number
9	137535	ARM WELDT <sup>126</sup>		
10	137543	ARM WELDT – TAIL END	10/12/18	
11	220939	BUSHING HALF – TINE TUBE (BOX OF 25)	60/72/108	
12	220941	CLAMP – TINE TUBE BUSH, CENTER RIB (5 PACK) <sup>127</sup>		
13	137536	SECTOR – CAM END, 14 GA	6	
14	137142	SECTOR – TAIL END, 16 GA	6	
15	137277	SECTOR – MID-SPAN, 18 GA	6	
16	137293	ARM – TINE CONTROL ASSEMBLY <sup>128</sup>	10/12/18	
17	273265	BEARING	30/36/54	
18	50184	BEARING – CAM FOLLOWER	10/12/18	
19	30523	RING – EXT RETAINING	10/12/18	
20	137297	ARM – C/W BEARING <sup>129</sup>	10/12/18	
21	137523	RING – EXT RETAINING	10/12/18	
22	279700	STUD – LINK (BOX OF 5)	10/12/18	
23	137529	SHIM – CRANK BEARING	10/12/18	
24	137699	WASHER – USS HARDENED, FLAT 1/2 NOM. I.D.	20/0/0	244010–
	220025	STRAP – LINK PIN 5 BAT (SERVICE ONLY) <sup>130</sup>	20/0/0	–244009
25	REF	SUPPORT – ENDSHIELD REEL <sup>131</sup>		
26	137092	FINGER – DOUBLE, STEEL <sup>132</sup>		
27	137971	FINGER – DOUBLE, RH REEL TAIL END <sup>133</sup>		
28	137519	FINGER – SINGLE CONCENTRIC, LH OFFSET <sup>134</sup>		
29	137754	FINGER – SINGLE CONCENTRIC, RH OFFSET <sup>135</sup>		
30	164895	FINGER – CAM END (LH REEL)	5/6/9	
31	245083	FINGER – TAIL END (LH REEL) <sup>136</sup>	5/6/9	
32	137532	CHANNEL – CAM DISC	3/3/3	

126. Quantities (5/6/9 Bat): 30–35 ft. steel and plastic = 10/12/18, 40 ft. steel and plastic = 10/12/0, 45 ft. plastic = 10/0/0.

127. Quantities (5/6/9 Bat): 30 ft. steel and plastic = 15/18/27, 35 ft. steel and plastic = 15/17/27, 40 ft. steel and plastic = 15/18/0, 45 ft. plastic = 15/0/0.

128. Includes two bearings (MD #273265), cam follower bearing (MD #50184), and retaining ring (MD #30523).

129. Includes bearing (MD #273265).

130. Service part for units made in 2013 model year and prior. For units made in 2014 model year and forward, order washer MD #137699.

131. Refer to Section [22 Reel Endshield Components, page 91](#).

132. Quantities (5/6/9 Bat): 30 ft. steel = 135/162/243, 35 ft. steel = 156/186/280, 40 ft. steel = 182/219/0.

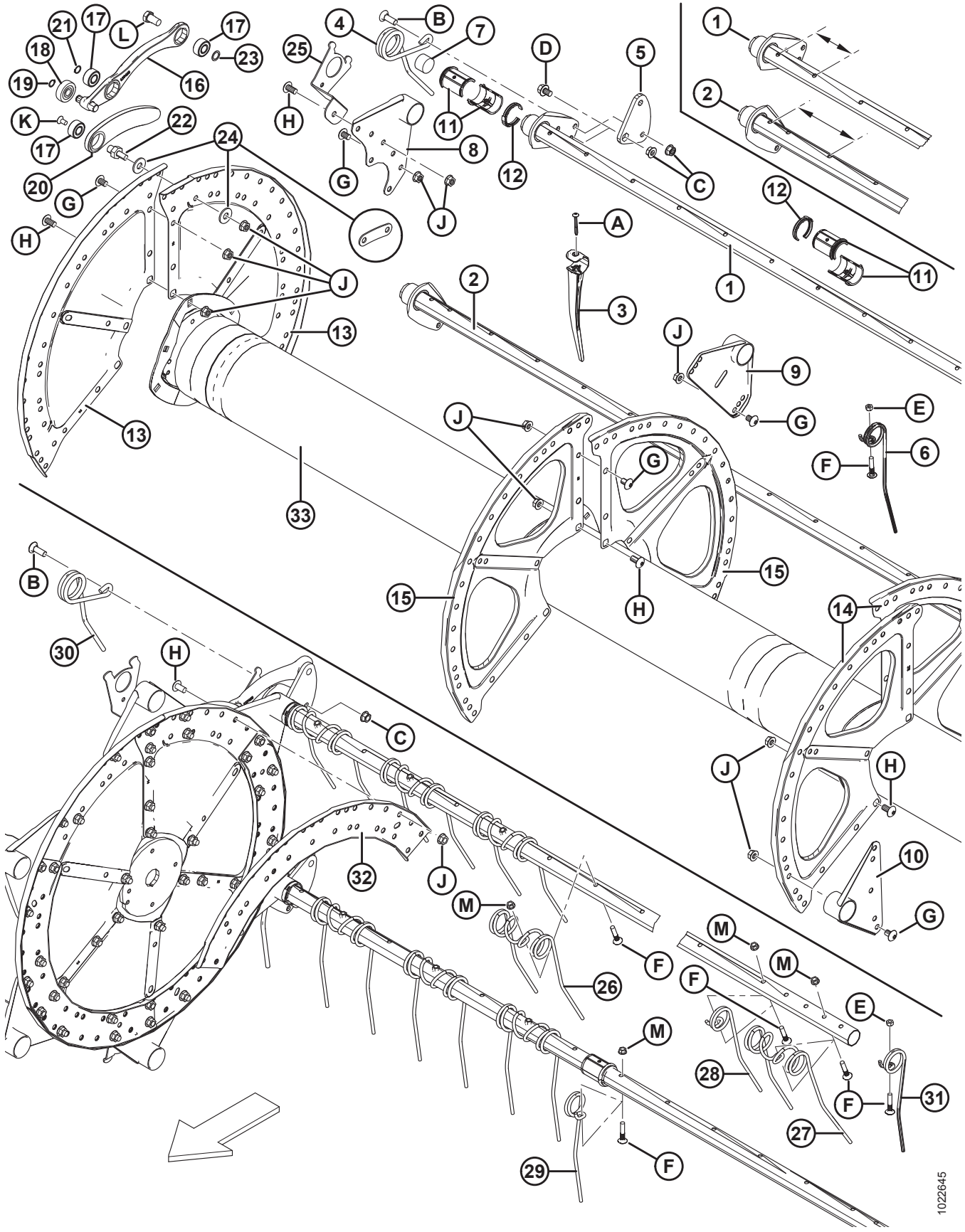
133. Quantities: 30 ft. = 3, 35 ft. = 3.

134. Quantities (5/6/9 Bat): 30 ft. steel = 5/6/9, 35 ft. steel = 9/12/17, 40 ft. steel = 11/12/0.

135. Quantities (5/6/9 Bat): 30 ft. steel = 4/6/8, 35 ft. steel = 3/3/5, 40 ft. steel = 2/3/0.

136. Quantities (5/6/9 Bat): 30–35 ft. steel and plastic = 5/6/9, 40 ft. steel and plastic = 5/6/0, 45 ft. plastic = 5/0/0.

PICK-UP REEL – DOUBLE-REEL HEADER (9.1–13.7 M [30–45 FT.])



1022645



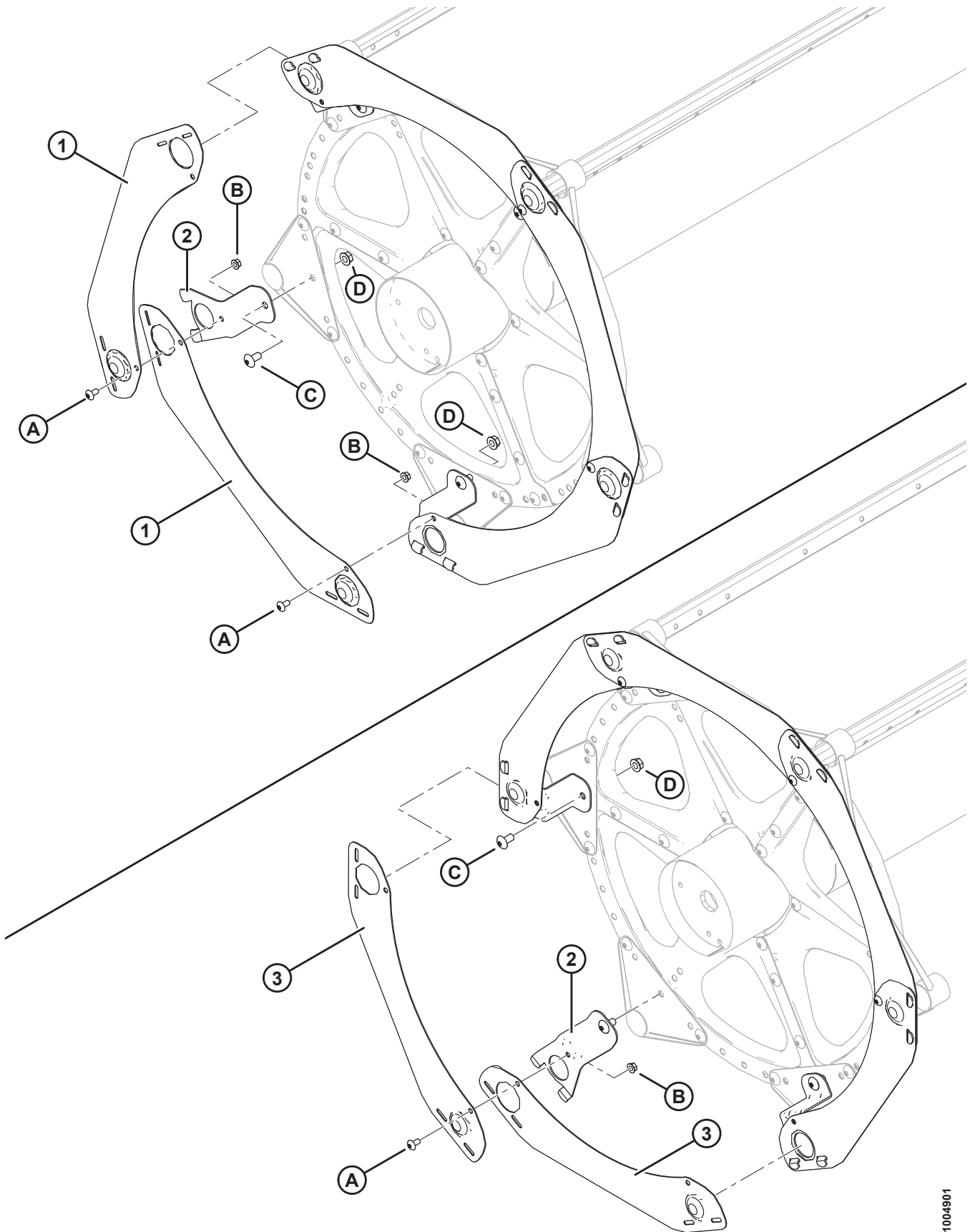
**PICK-UP REEL – DOUBLE-REEL HEADER (9.1–13.7 M [30–45 FT.])**

<b>Ref</b>	<b>Part Number</b>	<b>Description</b>	<b>Qty 5/6/9 Bat</b>	<b>Serial Number</b>
33	137910	CENTER TUBE – 30 FT LH, C/W REFLECTORS	1	
	137913	CENTER TUBE – 30 FT RH, C/W REFLECTORS	1	
	137915	CENTER TUBE – 35 FT LH, C/W REFLECTORS <sup>137</sup>	1	-266819
	137916	CENTER TUBE – 35 FT RH, C/W REFLECTORS <sup>137</sup>	1	-266819
	245272	CENTER TUBE – 35 FT LH, C/W REFLECTORS <sup>138</sup>	1	266820–
	245273	CENTER TUBE – 35 FT RH, C/W REFLECTORS <sup>138</sup>	1	266820–
	137917	CENTER TUBE – 40 FT LH, C/W REFLECTORS <sup>137</sup>	1	-266819
	137918	CENTER TUBE – 40 FT RH, C/W REFLECTORS <sup>137</sup>	1	-266819
	245276	CENTER TUBE – 40 FT LH, C/W REFLECTORS <sup>138</sup>	1	266820–
	245277	CENTER TUBE – 40 FT RH, C/W REFLECTORS <sup>138</sup>	1	266820–
	137968	CENTER TUBE – 45 FT LH, C/W REFLECTORS	1	
	137969	CENTER TUBE – 45 FT RH, C/W REFLECTORS	1	
A	252687	SCREW – SET, TORX, 48° DBL HELIX 1/4 x 2-1/4 ZP		
B	21469	BOLT – RHSN 1/2 NC X 1.5 LG GR 5 ZP		
C	21383	NUT – FLANGE .500-13 UNC (SER FACE)		
D	105066	BOLT – HH FLG (SER FACE) 1/2 -NC X 0.75 GR 5		
E	18669	NUT – HEX LOCK DT 3/8-16 UNC ZP		
F	137118	BOLT – BHRN 3/8 NC, C/W RETAINER		
G	105135	SCREW – MACH, TORX TRUSS HEAD, 1/2 X 0.75 IN. LG		
H	105136	SCREW – MACH, TORX TRUSS HEAD, 1/2 X 1.0 IN. LG		
J	50186	NUT – FLG LOCK SM FACE DT 0.500-13 UNC GR 5		
K	113420	BOLT – CSK TORX 3/8 NC X 3/4 LG		
L	105141	BOLT – SHOULDER, 5/8-18 UNF, 30 MM LG, ZP, GR 5		
M	30228	NUT – FLG DT SMOOTH FACE 0.375-16 UNC		

137.2014 model year and prior (three-sector reels).

138.2015 model year and forward (four-sector reels).

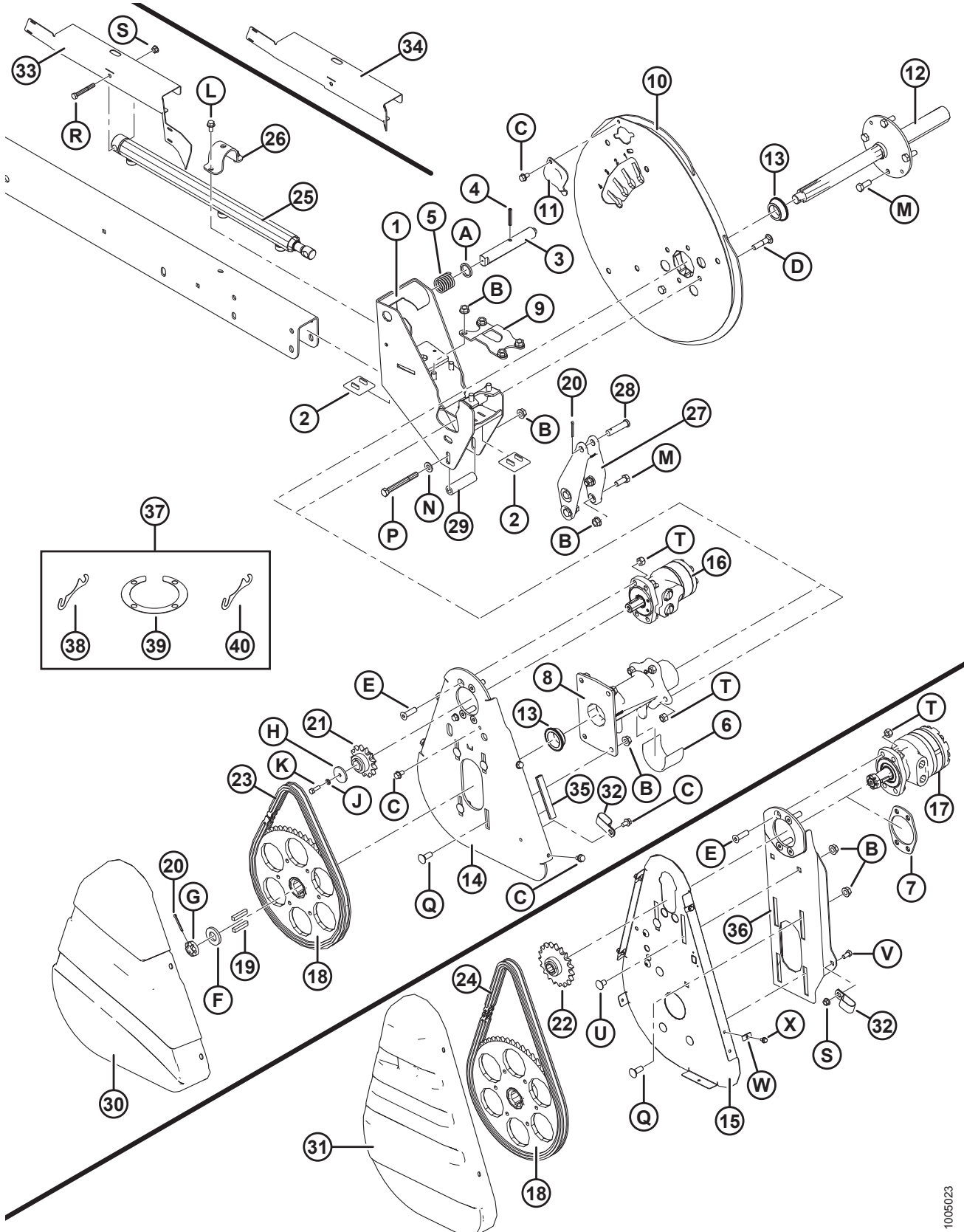
## 22 Reel Endshield Components



**REEL ENDSHIELD COMPONENTS**

<b>Ref</b>	<b>Part Number</b>	<b>Description</b>	<b>Qty 5/6/9 Bat</b>	<b>Serial Number</b>
1	164754	ENDSHIELD – 5 BAT SEGMENTED 5 SERIES	5	
2	164958	SUPPORT – ENDSHIELD REEL	5/6/9	
3	164965	ENDSHIELD – 6 BAT SEGMENTED 5 SERIES	6	
	164967	ENDSHIELD – 9 BAT SEGMENTED 5 SERIES	9	
A	135157	SCREW – MACHINE, TORX TRUSS HD 3/8 X .75 IN.		
B	30228	NUT – FLG DT SMOOTH FACE 0.375-16 UNC		
C	105136	SCREW – MACHINE, TORX TRUSS HD 1/2 X 1.0 IN.		
D	50186	NUT – FLG LOCK SM FACE DT 0.500-13 UNC GR 5		

# 23 Reel Components – Single Reel



1005023

**REEL COMPONENTS – SINGLE REEL**

**NOTE:**

2012–2013 model year D65 Draper Headers came standard with standard-torque reel motors.

Ref	Part Number	Description	Qty	Serial Number
1	279979	SUPPORT WELDT – RH CAM	1	
2	137626	PAD – REEL DRIVE WEAR	2	
3	164815	PIN – CAM LATCH	1	
4	16681	PIN – SPRING 5/16 DIA X 2.0 LG	1	
5	137221	SPRING – COMPRESSION	1	
6	137315	SLEEVE (PLASTIC)	1	
7	245112	PLATE – SPACER MOTOR (HIGH TORQUE) <sup>139</sup>	1	
8	164817	REEL DRIVE HUB C/W BEARING CUPS	1	
9	164953	CLAMP – DRIVE HUB	1	
10	<b>294634</b>	<b>KIT – CAM</b> <sup>140</sup>	<b>1</b>	
11	137476	COVER – CAM BEARING ACCESS	1	
12	137291	REEL DRIVESHAFT WELDMENT	1	
13	164213	BEARING – CONE, C/W SEAL	2	
14	164963	DRIVE PLATE – LOW TORQUE DRIVE (STANDARD TORQUE)	1	
15	137352	SUPPORT – REEL DRIVE BACKPLATE (HIGH TORQUE)	1	
16	164072	MOTOR – HYDRAULIC (STANDARD TORQUE) <sup>141</sup>	1	
	164143	SEAL KIT – STANDARD TORQUE MOTOR		
	1113	KEY		
17	273258	MOTOR – HYDRAULIC, 15.9 CU. IN. (HIGH TORQUE) <sup>142</sup>	1	
	273259	SEAL KIT – HIGH TORQUE MOTOR		
18	137347	SPROCKET – MACHINING 56 TOOTH, RC 60	1	
19	137721	KEY – REEL DRIVE SHAFT	2	
20	<b>18648</b>	<b>PIN – COTTER 3/16 DIA X 1.25 ZP</b>	<b>2</b>	
21	164126	SPROCKET – RC 60 13 TOOTH (STANDARD TORQUE)	1	
22	137354	SPROCKET – RC 60 19 TOOTH (HIGH TORQUE)	1	
	164141	SPROCKET – MACHINING 48 TOOTH, RC 60 (HIGH TORQUE, HIGH SPEED)	1	
23	164096	CHAIN – RC-60, 66 PITCHES RIVETED, ENDLESS (STANDARD TORQUE)	1	
24	137515	CHAIN – RC-60, 76 PITCHES RIVETED, ENDLESS (HIGH TORQUE)	1	
	245106	CHAIN – RC-60, 68 PITCHES RIVETED, ENDLESS (HIGH TORQUE) <sup>139</sup>	1	

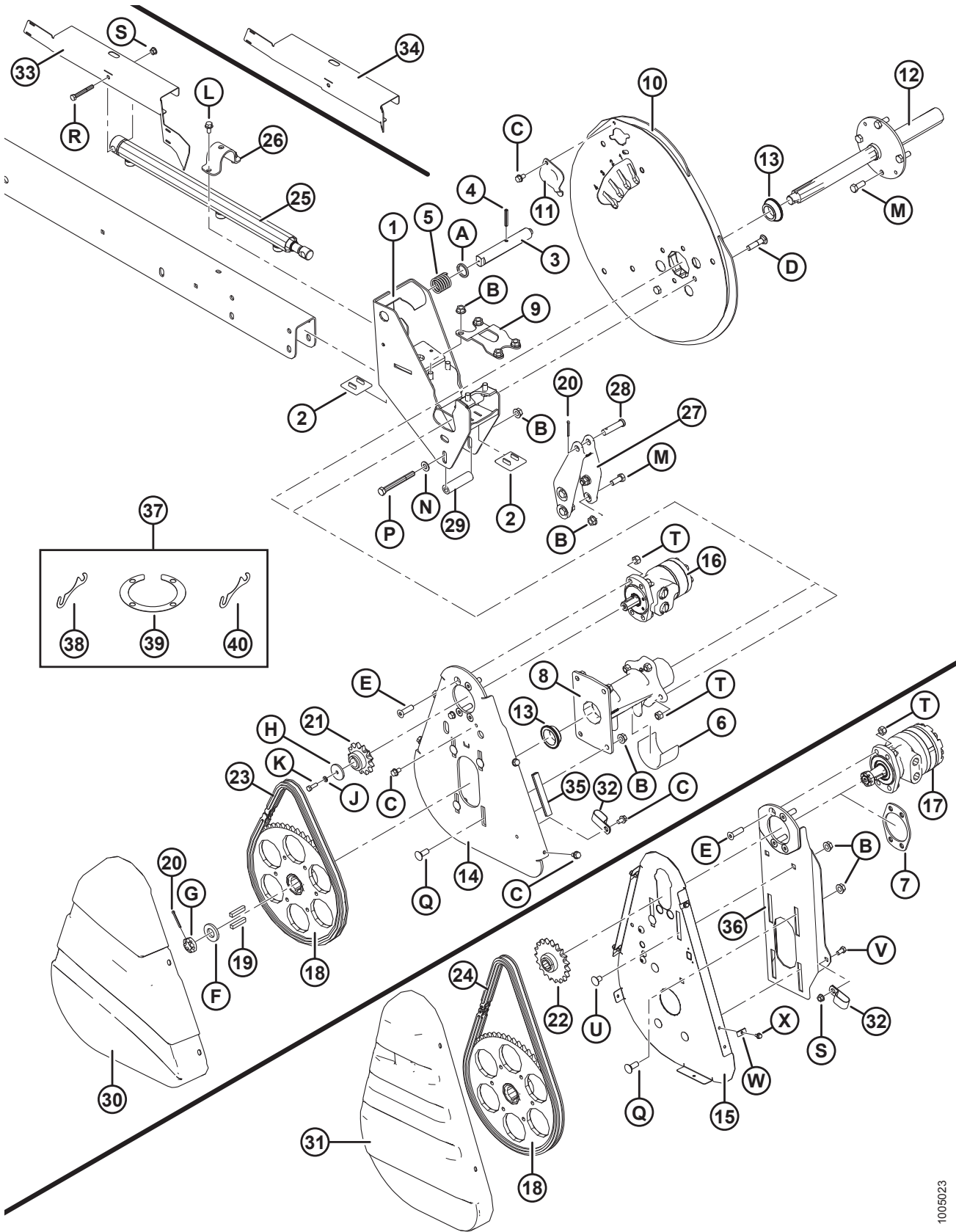
139.Spacer plate (MD #245112) and 68 pitch chain (MD #245106) required to add high-torque motor (MD #273258) option to a D65 single-reel header.

140.Includes cam shim kit (MD #294631).

141.Use with plastic finger reels.

142.Use with steel finger reels (rice).

REEL COMPONENTS – SINGLE REEL



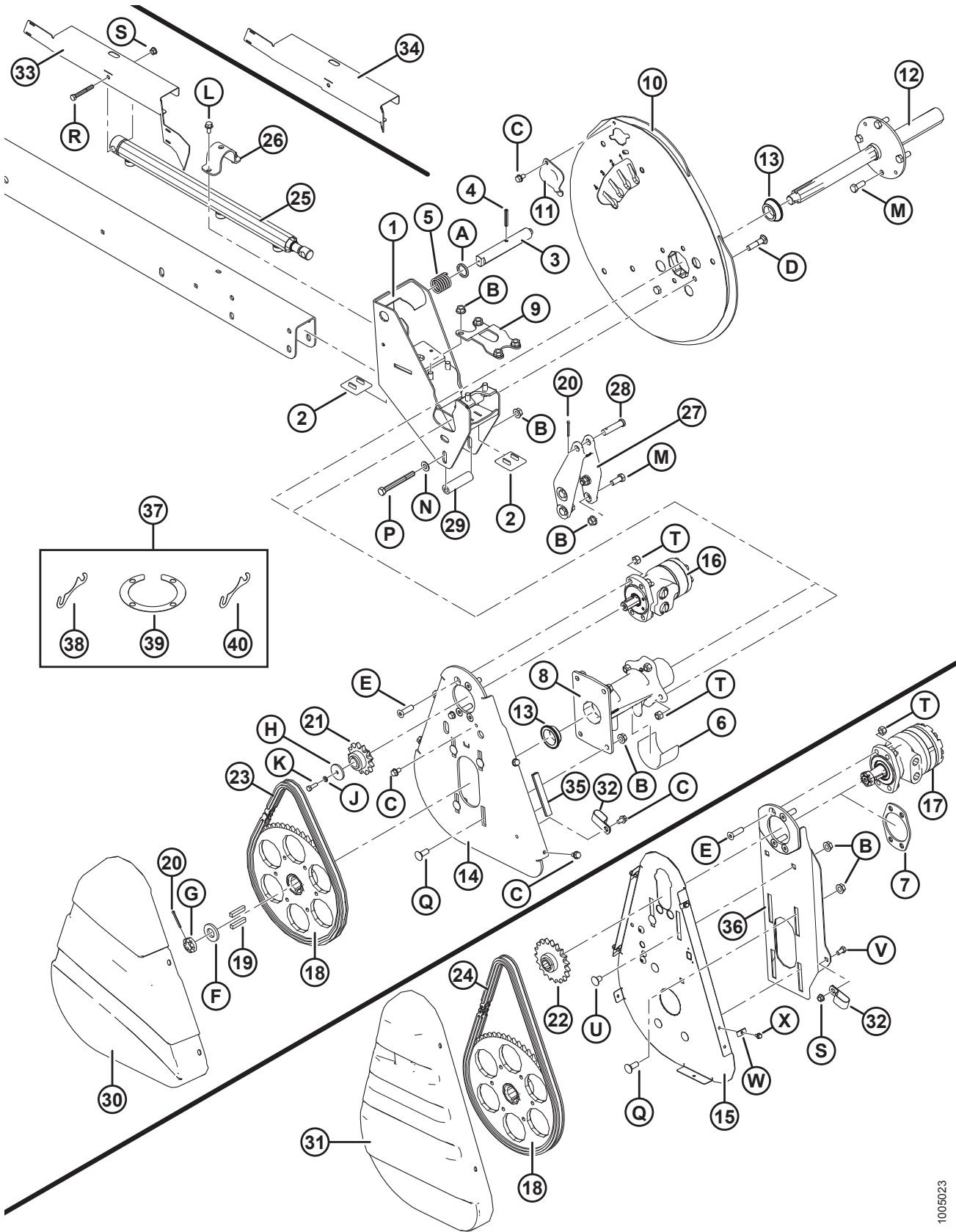
1005023

**REEL COMPONENTS – SINGLE REEL**

<b>Ref</b>	<b>Part Number</b>	<b>Description</b>	<b>Qty</b>	<b>Serial Number</b>
25	164933	CYLINDER – FORE-AFT	1	
	113435	SEAL KIT		
26	164930	CLAMP – FORE-AFT	1	
27	164887	CASTING – FORE-AFT RH ARM	1	
28	18725	PIN – CLEVIS	1	
29	164945	SPACER	2	
30	220884	COVER (STANDARD TORQUE)	1	
31	164955	COVER – REEL DRIVE (HIGH TORQUE)	1	
32	103738	CLAMP – PVC INSULATED 13/16 IN. TUBE SIZE	1	
33	220887	SHIELD – RH SINGLE (STANDARD TORQUE)	1	
34	123670	SHIELD – RH SINGLE (HIGH TORQUE)	1	
35	176334	MOULDING – FRAME (STANDARD TORQUE ONLY)	1	
36	164750	MOTOR MOUNT WELDT (HIGH TORQUE ONLY)	1	
37	<b>294631</b>	<b>KIT – CAM SHIM</b> <sup>143</sup>	<b>A/R</b>	
38	164061	SHIM – HUB TO CAM (1.2 MM)	A/R	
39	137753	SHIM RING – 4 BOLT FLANGE	A/R	
40	245199	SHIM – HUB TO CAM (0.6 MM)	A/R	
A	<b>273304</b>	<b>WASHER – CAM LATCH</b>		
B	50186	NUT – FLG LOCK SM FACE DT 0.500-13 UNC GR 5		
C	101898	SCREW – HEX WASH HD THD ROLLING 3/8 NC X 5/8		
D	30027	BOLT – RHSN 1/2 NC X 2.25 LG GR 5 ZP		
E	137503	BOLT – CSK SOCKET 1/2 NC X 1.75 GR. 5 ZP		
F	31774	WASHER – FLAT		
G	137375	NUT – SLOTTED JAM 1.0 IN.-20 UNEF-ZN PL		
H	164138	WASHER (STANDARD TORQUE ONLY)		
J	18636	WASHER – REG. LOCK 5/16 IN. NOM. I.D. ZP (STANDARD TORQUE ONLY)		
K	21087	BOLT – HEX HD 5/16 NC X 1.0 LG GR 5 ZP (STANDARD TORQUE ONLY)		
L	21821	BOLT – HH FLG (SER FACE) 3/8 NC X 0.75 GR 5 ZP		
M	21491	BOLT – HH 1/2 NC X 1.25 LG GR 5 ZP		
N	18599	WASHER – SAE FLAT 17/32 I.D. X 1-1/16 IN. O.D. ZP		
P	30209	BOLT – HH 1/2 NC X 4.5 LG GR 5 ZP		
Q	114233	BOLT – RHSSN 1/2 NC X 1.25 GR 5 ZP		
R	30035	BOLT – HH 3/8 NC X 2.75 LG GR 5 ZP		

143.Includes four shims (MD #164061), two shim rings (MD # 137753), and shim (MD #245199).

REEL COMPONENTS – SINGLE REEL



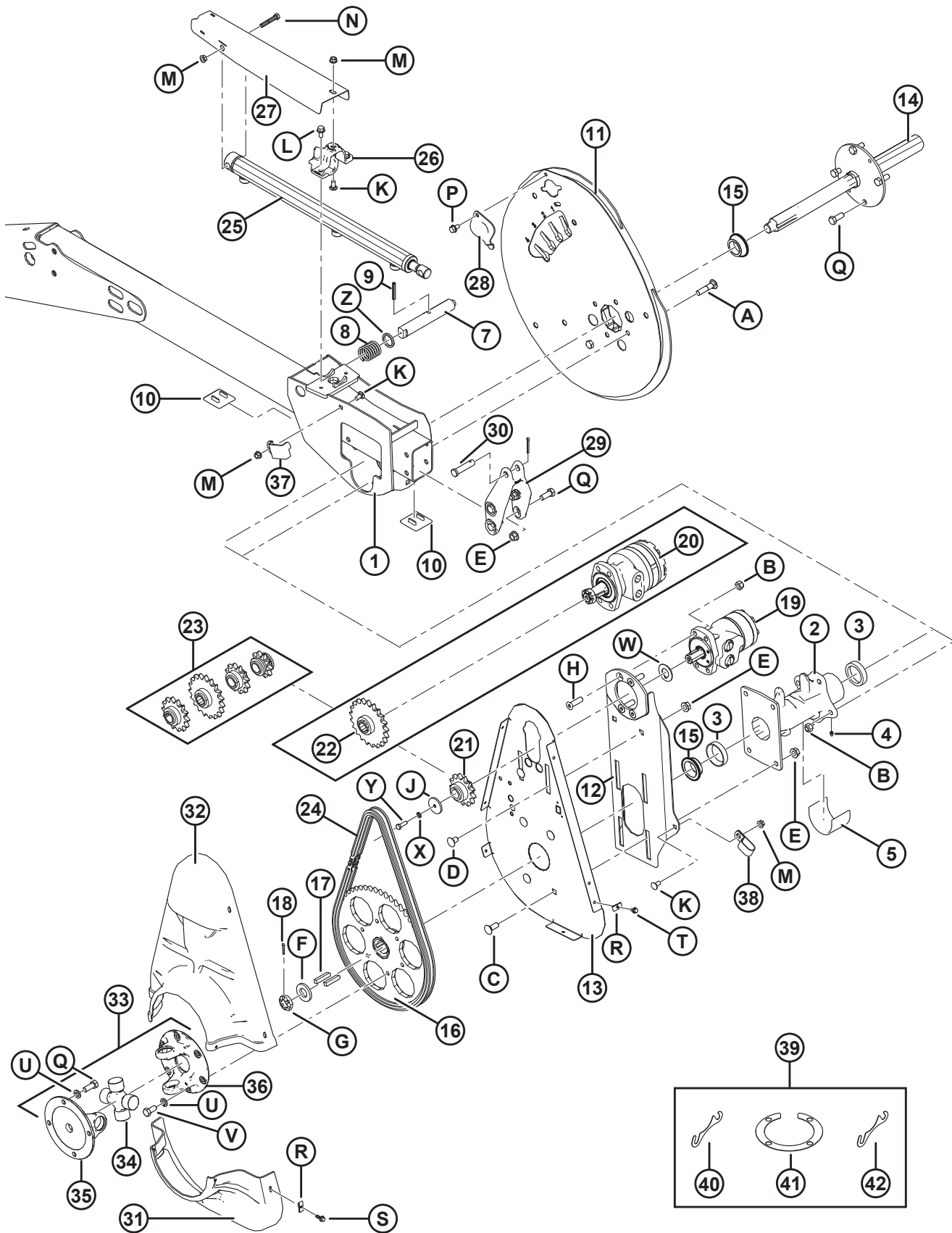
1005023



**REEL COMPONENTS – SINGLE REEL**

<b>Ref</b>	<b>Part Number</b>	<b>Description</b>	<b>Qty</b>	<b>Serial Number</b>
S	30228	NUT – FLG DT SMOOTH FACE 0.375-16 UNC		
T	18697	NUT – HEX LOCK DT .500-13 UNC		
U	105069	BOLT – RHSSN 1/2 NC X 0.75 GR 5 ZP (HIGH TORQUE ONLY)		
V	21567	BOLT – HEX HD .375-16 UNC X 0.75 LG (HIGH TORQUE ONLY)		
W	137702	NUT – 1/4-20 SHEET METAL (HIGH TORQUE ONLY)		
X	21968	BOLT – HH FLG (SER FACE) 1/4 NC X 0.5 GR 5 ZP (HIGH TORQUE ONLY)		

# 24 Reel Components – Center Arm, Double Reel



**REEL COMPONENTS – CENTER ARM, DOUBLE REEL**

**NOTE:**

2012–2013 model year D65 Draper Headers came standard with standard-torque reel motors.

Ref	Part Number	Description	Qty	Serial Number
1	253092	SUPPORT – CENTER ARM REEL DRIVE WELDMENT	1	
2	164817	HUB – REEL DRIVE, C/W BEARING CUPS	1	
3	164214	BEARING – CUP	1	
4	18671	FITTING – LUBE 1/4-28 UNF	1	
5	137315	SLEEVE – PLASTIC	1	
7	164815	PIN – CAM LATCH	1	
8	137221	SPRING – COMPRESSION	1	
9	16681	PIN – SPRING 5/16 DIA X 2.0 LG	1	
10	137626	PAD – REEL DRIVE WEAR	2	
11	<b>294634</b>	<b>KIT – CAM</b> <sup>144</sup>	<b>1</b>	
12	164750	MOUNT – MOTOR WELDT	1	
13	137352	SUPPORT – REEL DRIVE BACK PLATE	1	
14	137291	REEL – DRIVESHAFT WELDMENT	1	
15	164213	BEARING – CONE, C/W SEAL	2	
16	137347	SPROCKET – MACH 56 TOOTH RC 60 (LOW/HIGH TORQUE)	1	
	164141	SPROCKET – MACH 48 TOOTH RC 60 (HIGH TORQUE, HIGH SPEED)	1	
17	137721	KEY – REEL DRIVE SHAFT	2	
18	<b>18648</b>	<b>PIN – COTTER 3/16 DIA X 1.25 ZP</b>	<b>2</b>	
19	164072	MOTOR – HYDRAULIC (STANDARD TORQUE)	1	
	164143	SEAL KIT – STANDARD TORQUE MOTOR		
	1113	KEY		
20	273258	MOTOR – HYD. 15.9 CU. IN. (HIGH TORQUE)	1	
	273259	SEAL KIT – HIGH TORQUE MOTOR		
21	164126	SPROCKET – RC 60 13 TOOTH (STANDARD TORQUE) <sup>145</sup>	1	
22	137354	SPROCKET – RC 60 19 TOOTH (HIGH TORQUE) <sup>146</sup>	1	
23	220086	SPROCKET – RC 60 19 TOOTH (STANDARD TORQUE, HIGH SPEED) <sup>147</sup>	1	
	137348	SPROCKET – 10 TOOTH 2000-2100 PSI (DOWN RICE ONLY) <sup>148</sup>	OPT	
	137356	SPROCKET – 14 TOOTH 3000 PSI (DOWN RICE ONLY) <sup>148</sup>	OPT	
	137350	SPROCKET – 21 TOOTH (REEL DRIVE FLOW TOO LOW FOR SPEED REELS) <sup>148</sup>	OPT	
	137970	SPROCKET – 12 TOOTH, 2500 PSI (DOWN RICE ONLY) <sup>148</sup>	OPT	

144. Includes cam shim kit (MD #294631).

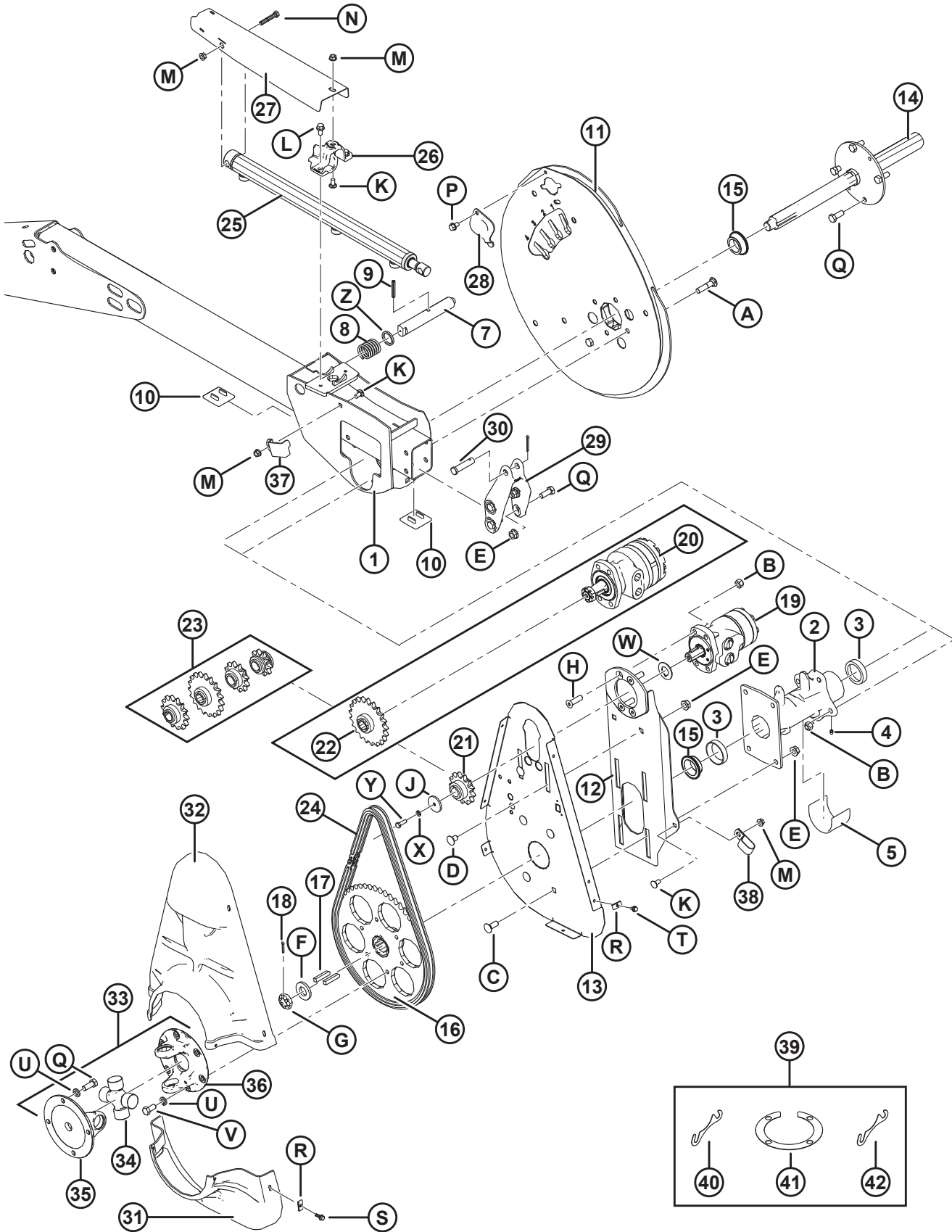
145. To be used with low-torque reel motors. Use with plastic finger reels.

146. To be used with high-torque reel motors. Use with steel finger reels (rice).

147. To be used with standard-torque reel motors on export units only.

148. High-torque, steel-fingered reels only. Required on combines that have low reel drive pressure.

REEL COMPONENTS – CENTER ARM, DOUBLE REEL



1004923

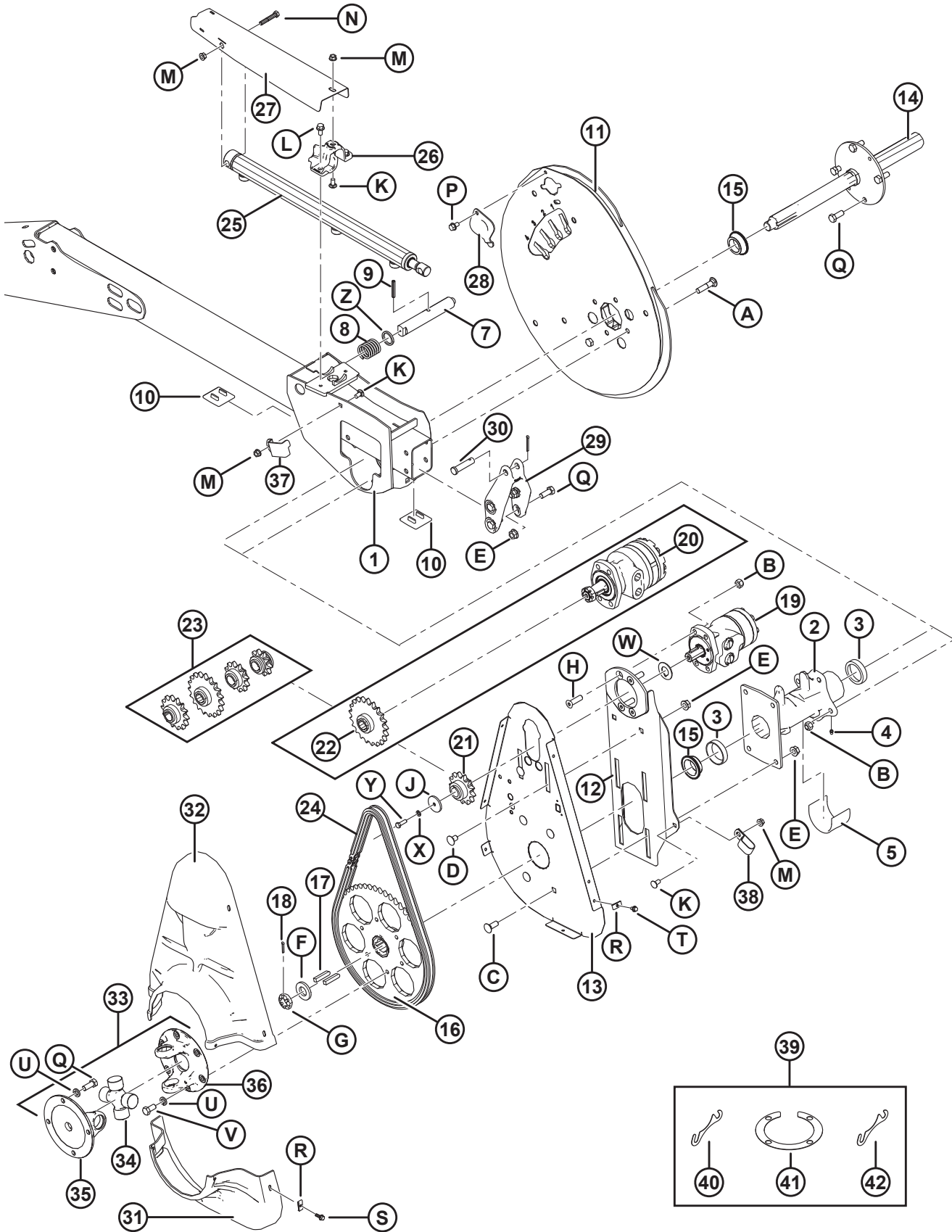
**REEL COMPONENTS – CENTER ARM, DOUBLE REEL**

<b>Ref</b>	<b>Part Number</b>	<b>Description</b>	<b>Qty</b>	<b>Serial Number</b>
24	137515	CHAIN – RC-60, 76 PITCHES RIVETED, ENDLESS	1	
25	164933	CYLINDER – FORE-AFT	1	
	113435	SEAL KIT		
26	164855	CASTING – CLAMP FORE-AFT CYLINDER	1	
27	<b>294065</b>	<b>SHIELD – FORE-AFT HOSES DUAL REEL DRIVE</b>	<b>1</b>	
28	137476	COVER – CAM BEARING ACCESS	1	
29	164885	CASTING – FORE-AFT CENTER ARM	1	
30	18725	PIN – CLEVIS	1	
31	164948	SHIELD – REEL DRIVE LOWER HALF	1	
32	164947	SHIELD – REEL DRIVE TOP HALF	1	
33	137691	U JOINT – REEL DRIVE <sup>149</sup>	1	
34	137825	CROSS JOURNAL ASSEMBLY	1	
35	137826	YOKE – FLANGE (4 BOLT)	1	
36	137827	YOKE – FLANGE (6 BOLT)	1	
37	164858	RETAINER – HOSE	1	
38	103738	CLAMP – PVC INSULATED 13/16 IN. TUBE SIZE	1	
39	<b>294631</b>	<b>KIT – CAM SHIM <sup>150</sup></b>	<b>A/R</b>	
40	164061	SHIM – HUB TO CAM (1.2 MM)	A/R	
41	137753	SHIM RING – 4 BOLT FLANGE	A/R	
42	245199	SHIM – HUB TO CAM (0.6 MM)	A/R	
A	30027	BOLT – RHSN 1/2 NC x 2.25 LG GR 5 ZP		
B	18697	NUT – HEX LOCK DT .500-13 UNC		
C	114233	BOLT – RHSSN 1/2 NC X 1.25 GR 5 ZP		
D	105069	BOLT – RHSSN 1/2 NC X 0.75 GR 5 ZP		
E	50186	NUT – FLG LOCK SM FACE DT 0.500-13 UNC GR 5		
F	31774	WASHER – FLAT		
G	137375	NUT – SLOTTED JAM 1.0 IN. - 20 UNEF - ZN PL		
H	137503	BOLT – CSK SOCKET 1/2 NC X 1.75 GR. 5 ZP		
J	164138	WASHER (STANDARD TORQUE ONLY)		
K	21863	BOLT – RHSSN 3/8 NC X 0.75 LG GR 5 ZP		
	21567	BOLT – HEX HD .375-16 UNC X 0.75 LG (HIGH TORQUE ONLY)		
L	21821	BOLT – HH FLG (SER FACE) 3/8 NC X 0.75 GR 5 ZP		
M	30228	NUT – FLG DT SMOOTH FACE 0.375-16 UNC		
N	20055	BOLT – HH 3/8 NC X 2.25 LG GR 5 ZP		

149.Includes cross journal assembly (MD #137825), four bolt yoke (MD #137826), and six bolt yoke (MD #137827).

150.Includes four shims (MD #164061), two shim rings (MD #137753), and shim (MD #245199).

REEL COMPONENTS – CENTER ARM, DOUBLE REEL



1004923

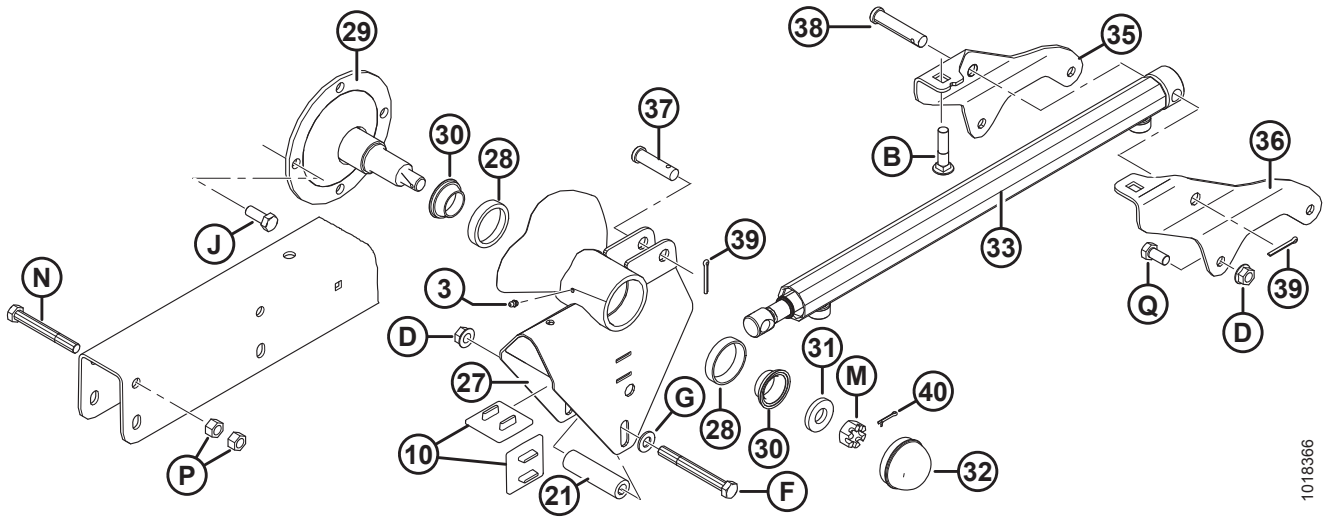
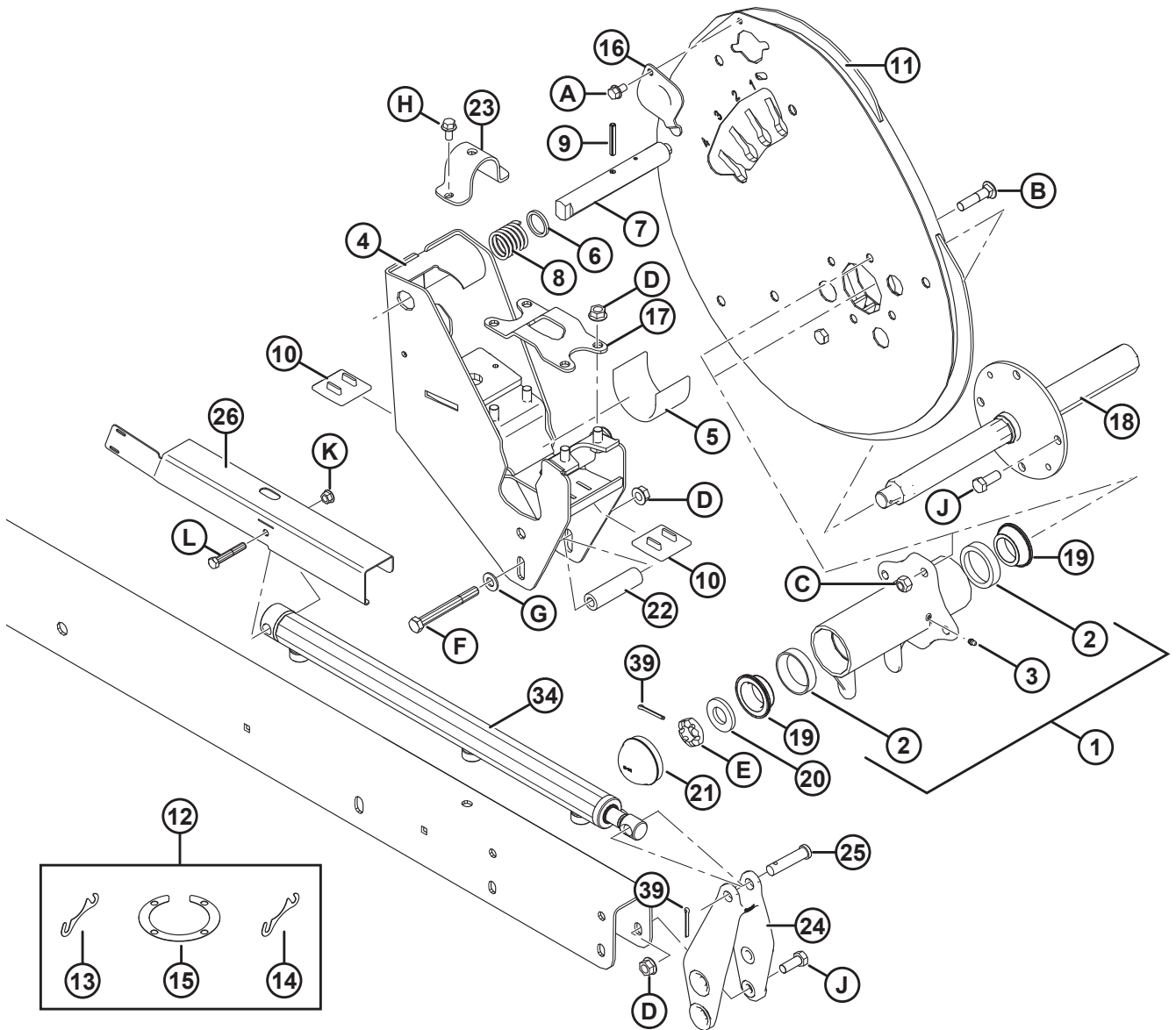
**REEL COMPONENTS – CENTER ARM, DOUBLE REEL**

<b>Ref</b>	<b>Part Number</b>	<b>Description</b>	<b>Qty</b>	<b>Serial Number</b>
P	101898	SCREW – HEX WASH HD THD ROLLING 3/8 NC X 5/8		
Q	21491	BOLT – HH 1/2 NC X 1.25 LG GR 5 ZP		
R	137702	NUT – 1/4-20 SHEET METAL		
S	21456	BOLT – HH FLG (SER FACE) 1/4 NC X 0.75 GR 5 ZP		
T	21968	BOLT – HH FLG (SER FACE) 1/4 NC X 0.5 GR 5 ZP		
U	18638	WASHER – REG. LOCK 1/2 IN. NOM. I.D. ZP		
V	21575	BOLT – HH 1/2 NC X 1.0 LG GR 5 ZP		
W	210033	WASHER – FLAT (STANDARD TORQUE ONLY) <sup>151</sup>		
X	18636	WASHER – REG LK 5/16 IN. NOM. I.D. ZP (STANDARD TORQUE ONLY)		
Y	21087	BOLT – HEX HD 5/16 NC X 1.0 LG GR 5 ZP (STANDARD TORQUE ONLY)		
Z	<b>273304</b>	<b>WASHER – CAM LATCH</b>		

---

151.To be used with standard-torque reel motors.

## 25 Reel Components – Outer Arms





**REEL COMPONENTS – OUTER ARMS**

<b>Ref</b>	<b>Part Number</b>	<b>Description</b>	<b>Qty</b>	<b>Serial Number</b>
1	164821	HUB – RH REEL, C/W CUPS <sup>152</sup>	1	
2	164214	BEARING – CUP	2	
3	18671	FITTING – LUBE 1/4-28 UNF	2	
4	279979	SUPPORT WELDT – RH CAM	1	
5	137315	SLEEVE – PLASTIC	1	
6	<b>273304</b>	<b>WASHER – CAM LATCH</b>	<b>1</b>	
7	137456	PIN – CAM LATCH	1	
8	137221	SPRING – COMPRESSION	1	
9	16681	PIN – SPRING 5/16 DIA X 2.0 LG	1	
10	137626	PAD – REEL DRIVE WEAR	6	
11	<b>294634</b>	<b>CAM KIT</b> <sup>153</sup>	<b>1</b>	
12	<b>294631</b>	<b>KIT – CAM SHIM</b> <sup>154</sup>	<b>A/R</b>	
13	164061	SHIM – HUB TO CAM (1.2 MM)	A/R	
14	245199	SHIM – HUB TO CAM (0.6 MM)	A/R	
15	137753	SHIM RING – 4 BOLT FLANGE	A/R	
16	137476	COVER – CAM BEARING ACCESS	1	
17	164953	CLAMP – DRIVE HUB	1	
18	137451	SHAFT WELDMENT – REEL DRIVE, RH REEL	1	
19	164213	BEARING – CONE, C/W SEAL	2	
20	31774	WASHER – FLAT	1	
21	140250	CAP – DUST	1	
22	164945	SPACER	2	
23	164930	CLAMP – FORE-AFT	1	
24	164887	CASTING – FORE-AFT RH ARM	1	
25	18725	PIN – CLEVIS	1	
26	123627	SHIELD – RH DUAL	1	
27	253290	SUPPORT – TAIL, C/W CUPS <sup>155</sup>	1	
28	164215	BEARING – CUP ROLLER	2	
29	105364	SHAFT – TAIL END	1	
30	164216	BEARING – CONE, C/W SEAL	2	
31	16235	WASHER – FLAT	1	
32	30520	CAP – DUST	1	
33	164934	CYLINDER – FORE-AFT, LH ARM	1	
	113435	SEAL KIT		

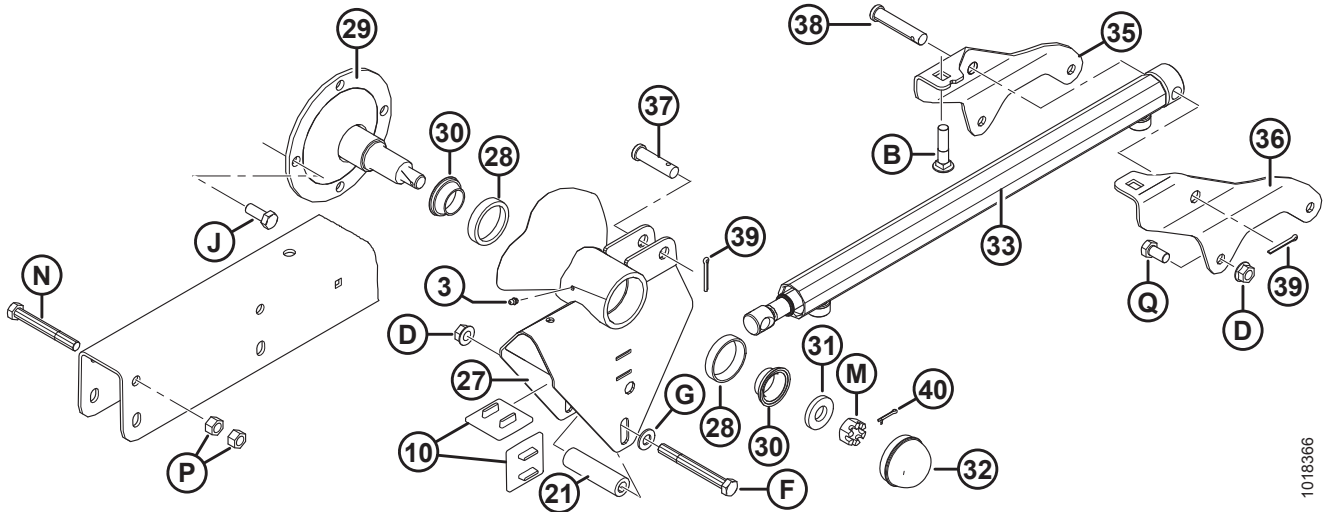
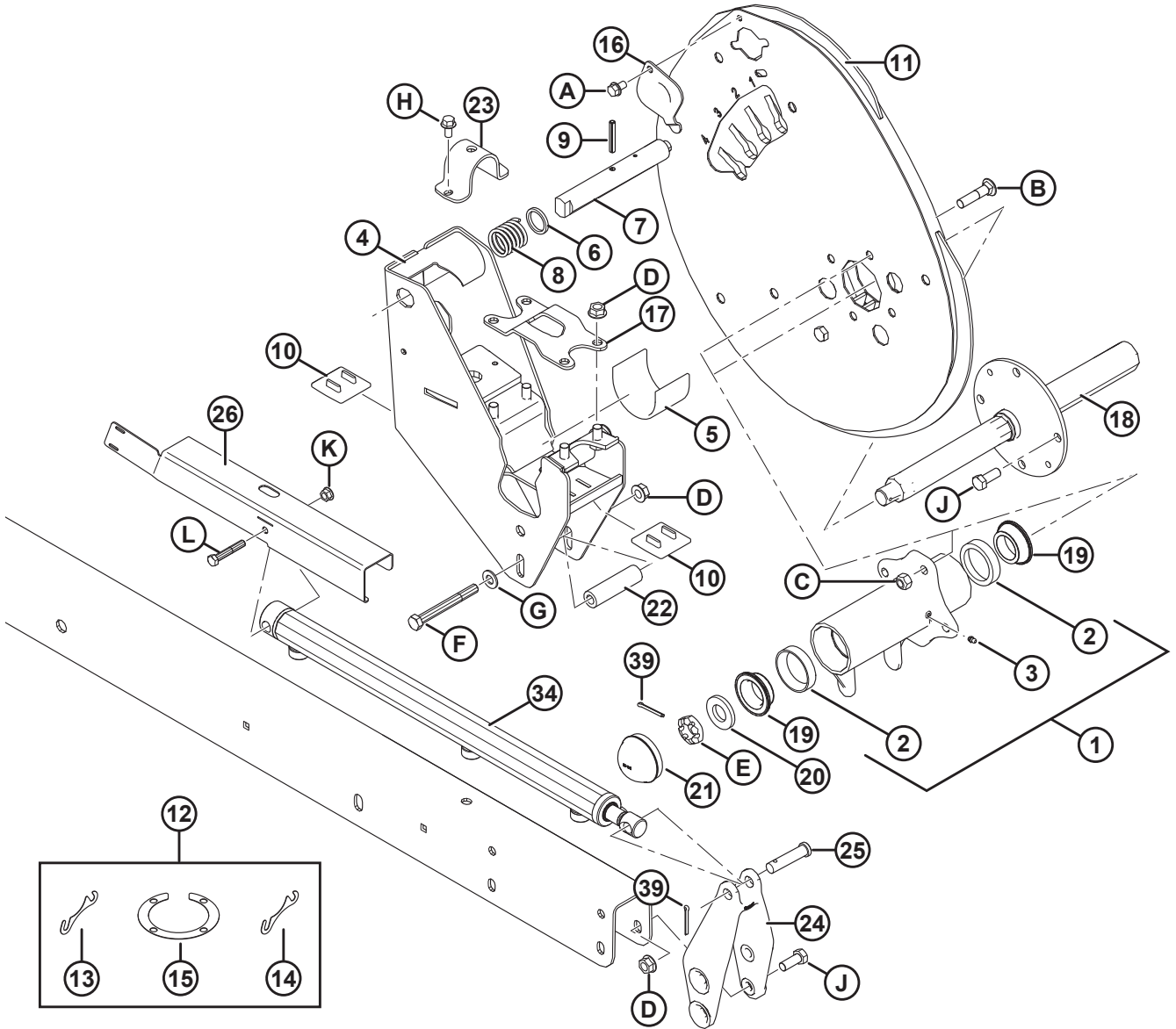
152. Includes two bearings (MD #164214) and lube fitting (MD #18671).

153. Includes cam shim kit (MD #294631).

154. Includes four shims (MD #164061), two shims (MD #245199), and shim ring (MD #137753).

155. Includes lube fitting (MD #18671) and bearing (MD #164215).

REEL COMPONENTS – OUTER ARMS

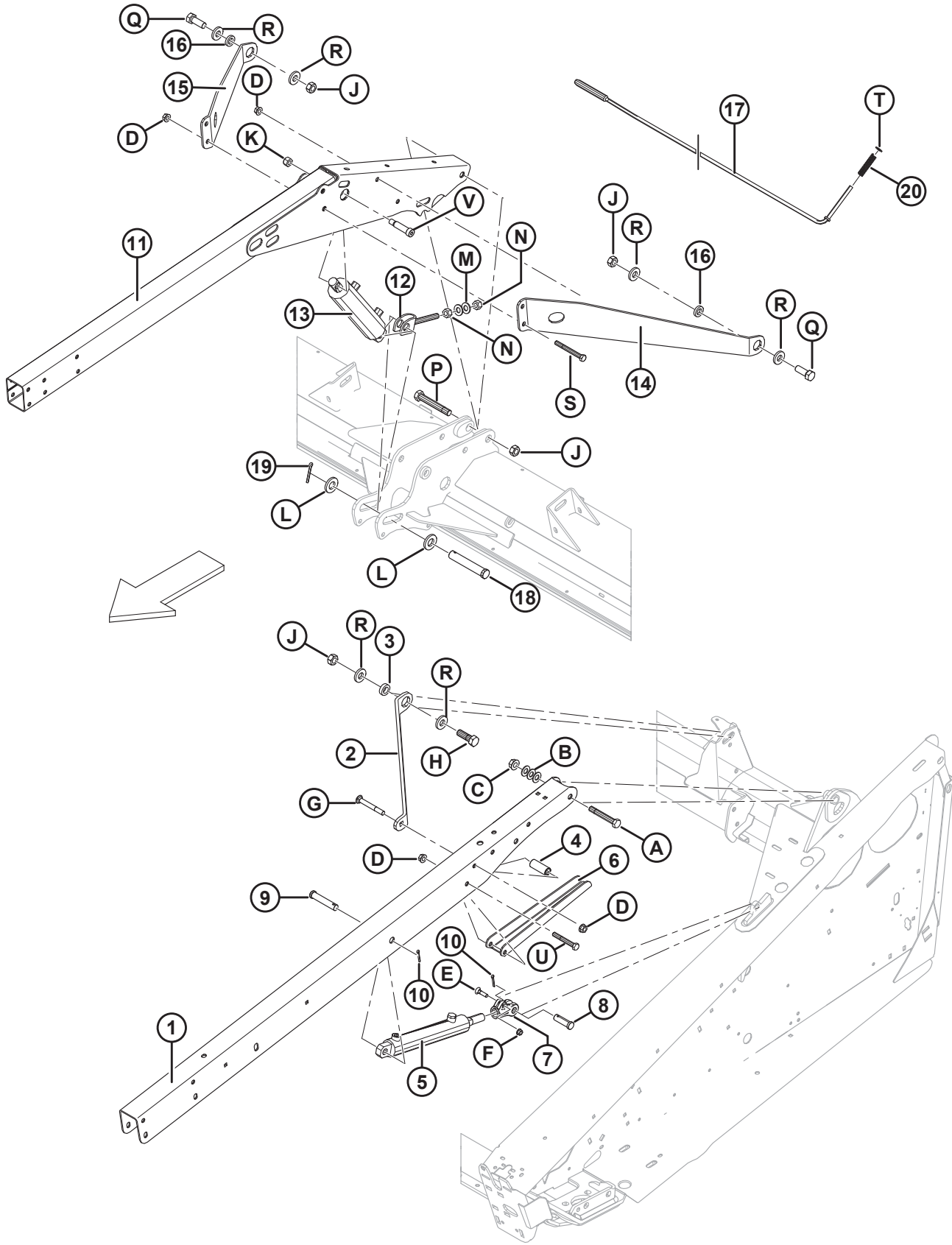


1018366

**REEL COMPONENTS – OUTER ARMS**

<b>Ref</b>	<b>Part Number</b>	<b>Description</b>	<b>Qty</b>	<b>Serial Number</b>
34	164933	CYLINDER – FORE-AFT, RH ARM	1	
	113435	SEAL KIT		
35	164780	SUPPORT – FORE-AFT LH ARM (INBOARD SIDE)	1	
36	164781	SUPPORT – FORE-AFT LH ARM (OUTBOARD SIDE)	1	
37	103879	PIN – CLEVIS	1	
38	18738	PIN – CLEVIS	1	
39	<b>18648</b>	<b>PIN – COTTER 3/16 DIA X 1.25 ZP</b>		
40	18605	PIN – COTTER 1/8 DIA X 1 ZP		
A	101898	SCREW – HEX WASH HD THD ROLLING 3/8 NC X 5/8		
B	30027	BOLT – RHSN 1/2 NC X 2.25 LG GR 5 ZP		
C	18697	NUT – HEX LOCK DT .500-13 UNC		
D	50186	NUT – FLG LOCK SM FACE DT 0.500-13 UNC GR 5		
E	137375	NUT – SLOTTED JAM 1.0 IN. - 20 UNEF - ZN PL		
F	30209	BOLT – HH 1/2 NC X 4.5 LG GR 5 ZP		
G	18599	WASHER – SAE FLAT 17/32 I.D. X 1-1/16 IN. O.D. ZP		
H	21821	BOLT – HH FLG (SER FACE) 3/8 NC X 0.75 GR 5 ZP		
J	21491	BOLT – HH 1/2 NC X 1.25 LG GR 5 ZP		
K	30228	NUT – FLG DT SMOOTH FACE 0.375-16 UNC		
L	20055	BOLT – HH 3/8 NC X 2.25 LG GR 5 ZP		
M	5512	NUT – HEX SLOTTED .750-16 UNF ZN PL		
N	21589	BOLT – HH 1/2 NC X 4.0 LG GR 5 ZP		
P	18591	NUT – HEX 1/2-13 UNC GR 5 ZP		
Q	21575	BOLT – HH 1/2 NC X 1.0 LG GR 5 ZP		

# 26 Reel Support Arms and Lift Cylinders



**REEL SUPPORT ARMS AND LIFT CYLINDERS**

<b>Ref</b>	<b>Part Number</b>	<b>Description</b>	<b>Qty</b>	<b>Serial Number</b>
1	<b>255282</b>	<b>ARM – DECAL ASSY</b> <sup>156</sup>	<b>2</b>	
2	172155	BRACE – DIAGONAL (SINGLE REEL ONLY)	2	
3	172158	SPACER – DIAGONAL BRACE (SINGLE REEL ONLY)	2	
4	174333	SPACER – SINGLE REEL ONLY	2	
5	245992	CYLINDER, HYD – LH SINGLE REEL/RH DOUBLE REEL (MONARCH) <sup>157</sup>	2	
	132474	SEAL KIT		
	174879	BREATHER – ORB #6		
	245993	CYLINDER, HYD – LH DOUBLE REEL/RH SINGLE REEL (MONARCH) <sup>158</sup>	2	
	132475	SEAL KIT		
	174493	CYLINDER LH – HYD, DBLE REEL (WAJAX) <sup>159</sup>	1	
	123991	SEAL KIT (WAJAX)		
	174492	CYLINDER RH – HYD, DBLE REEL (WAJAX) <sup>159</sup>	1	
	123990	SEAL KIT (WAJAX)		
6	<b>304222</b>	<b>SUPPORT – REEL PROP</b>	<b>2</b>	
7	<b>304314</b>	<b>CLEVIS</b>	<b>2</b>	
8	18626	PIN – CLEVIS	2	
9	20312	PIN – CLEVIS	2	
10	18648	PIN – COTTER 3/16 DIA X 1.25 ZP	4	
11	164773	ARM – CENTER WELDMENT (DOUBLE REEL ONLY)	1	
12	<b>253412</b>	<b>CLEVIS WELDT (DOUBLE REEL ONLY)</b>	<b>1</b>	
13	245671	CYLINDER – HYD, DBLE REEL, CENTER	1	
	132476	SEAL KIT		
14	125435	BRACE – LH REEL ARM (DOUBLE REEL ONLY)	1	
15	125433	BRACE – RH REEL ARM (DOUBLE REEL ONLY)	1	
16	145461	SPACER – DIAGONAL BRACE (DOUBLE REEL ONLY)	2	
17	<b>304217</b>	<b>ROD – CENTER PROP WELDT (DOUBLE REEL ONLY)</b>	<b>1</b>	
18	49341	PIN – CLEVIS (DOUBLE REEL ONLY)	1	
19	18609	PIN – COTTER 1/4 DIA X 2 ZP (DOUBLE REEL ONLY)	1	
20	18349	SPRING – COMPRESSION (DOUBLE REEL ONLY)	1	
A	172922	BOLT – HH 5/8 NC X 4.125 LG GR 5 ZP		

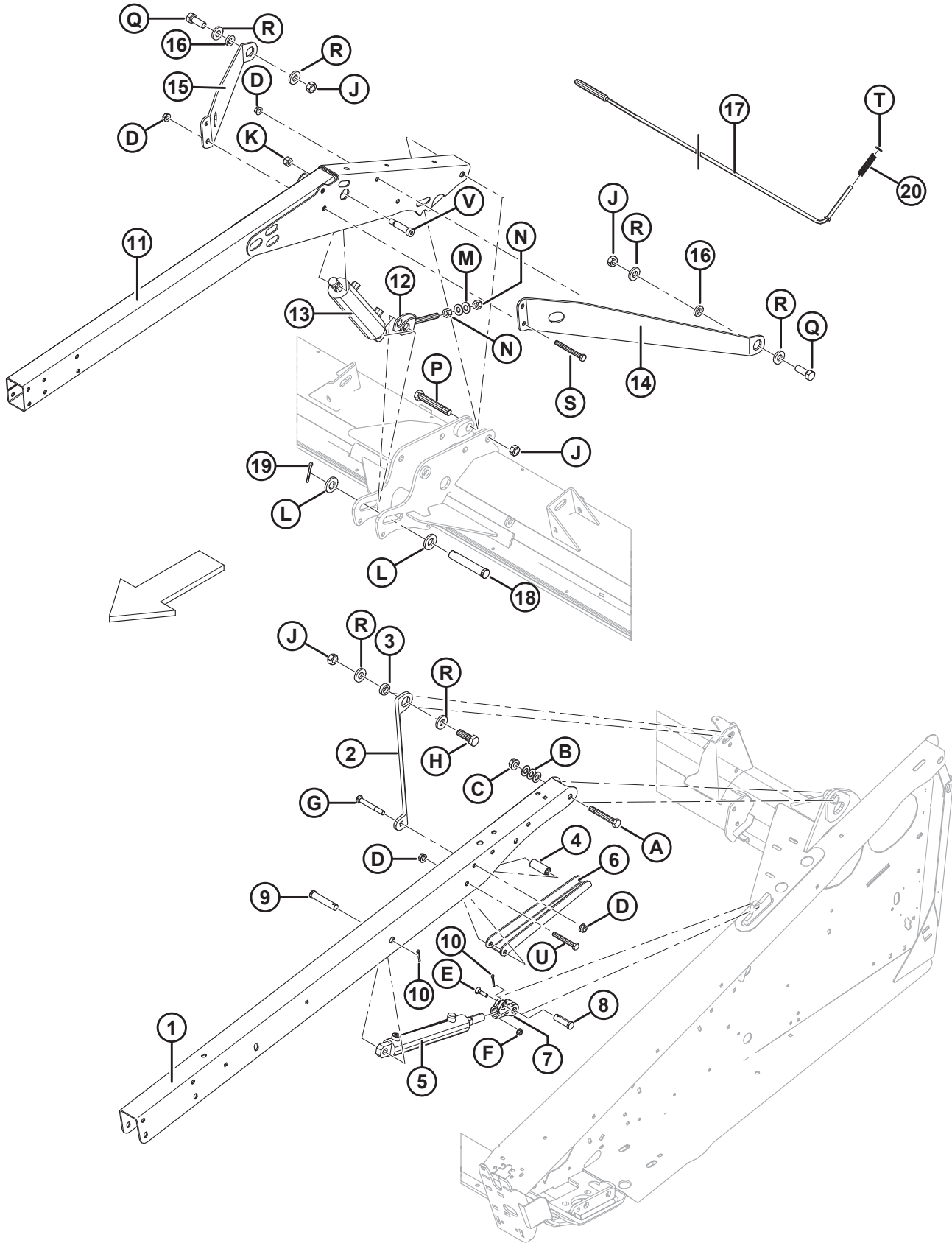
156. Includes decals MD #131393 and 174632.

157. Hydraulic cylinder (MD #245992) is used on the left-hand side for single-reel headers and on the right-hand side for double-reel headers.

158. Hydraulic cylinder (MD #245993) is used on the left-hand side for double-reel headers and on the right-hand side for single-reel headers.

159. Label reads: HY–SPEC HYDRAULIK.

# REEL SUPPORT ARMS AND LIFT CYLINDERS

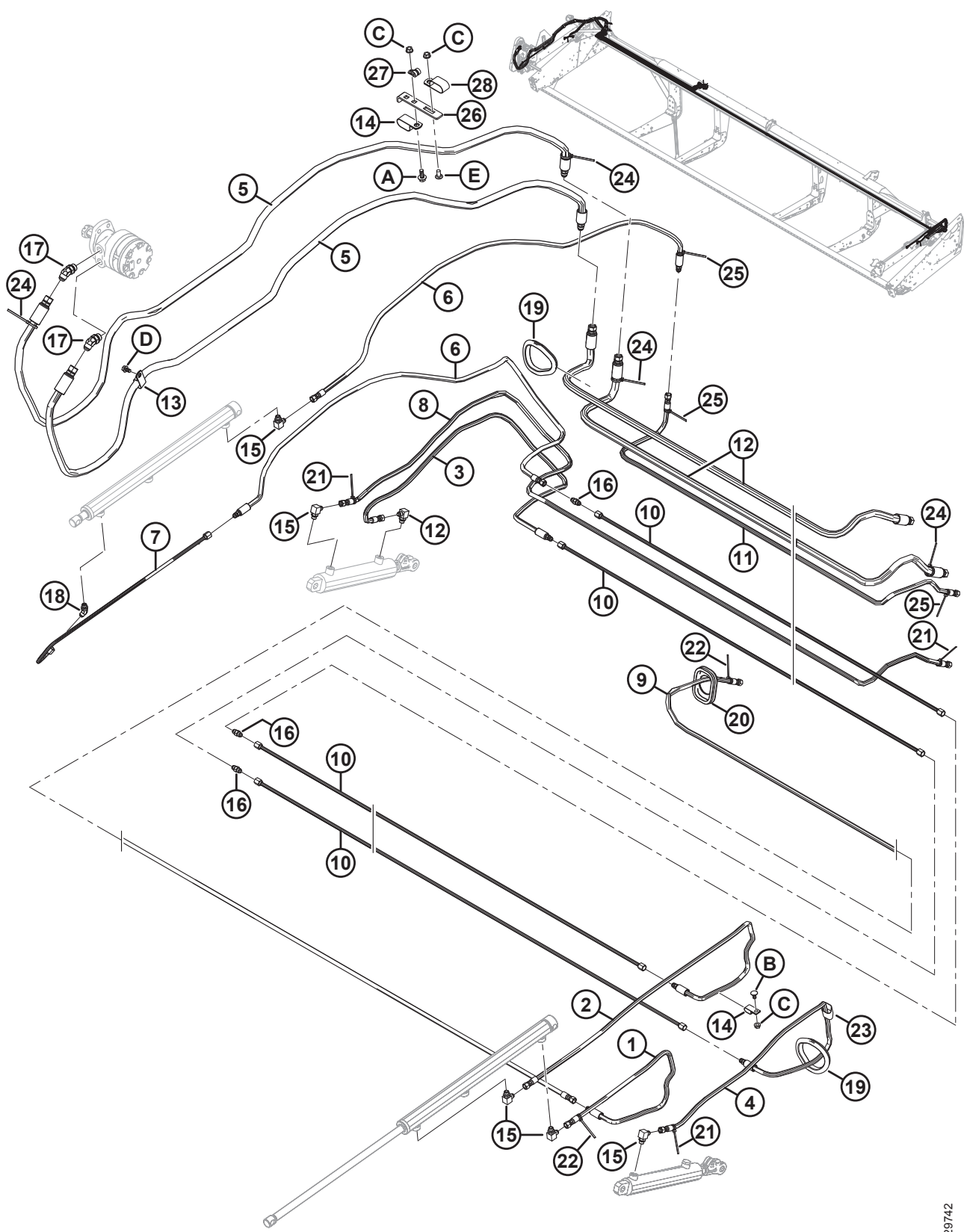


1000884

**REEL SUPPORT ARMS AND LIFT CYLINDERS**

<b>Ref</b>	<b>Part Number</b>	<b>Description</b>	<b>Qty</b>	<b>Serial Number</b>
B	18600	WASHER – SAE FLAT 21/32 I.D. X 1-5/16 IN. O.D. ZP		
C	50225	NUT – FLANGE DT SMOOTH FACE .625-11 UNC		
D	50186	NUT – FLG LOCK SM FACE DT 0.500-13 UNC GR 5		
E	21484	BOLT – RHSN 3/8 NC X 1.5 LG GR 5 ZP		
F	30228	NUT – FLANGE DT SMOOTH FACE 0.375-16 UNC		
G	30824	BOLT – RHSN 1/2 NC X 4.0 LG GR 5 ZP		
H	136016	BOLT – HEX HD 3/4-10 UNC X 2.25 IN. LG		
J	102636	NUT – HEX DT .750-10 UNC SIDE LOCK		
K	18666	NUT – HEX LOCK DT 5/8-11 UNC ZP		
L	174858	WASHER – FLAT		
M	30441	WASHER – HARDENED		
N	18592	NUT – HEX 5/8-11 UNC GR 5 ZP		
P	21599	BOLT – HH 3/4 NC X 5.0 LG GR 5 ZP		
Q	30512	BOLT – HH 3/4 NC X 2.0 LG GR 5 ZP		
R	16235	WASHER – FLAT		
S	30209	BOLT – HH 1/2 NC X 4.5 LG GR 5 ZP		
T	18688	WASHER – SAE FLAT 0.47 IN. I.D. X 0.92 IN. O.D. ZP		
U	21581	BOLT – HH 1/2 NC X 3.5 LG GR 5 ZP		
V	135737	BOLT – SHOULDER SOCKET HEAD-3/4 X 2.25 LG		

# 27 Reel Drive Hydraulics – Lift and Fore-Aft – Single Reel (4.6–10.7 m [15–35 ft.]



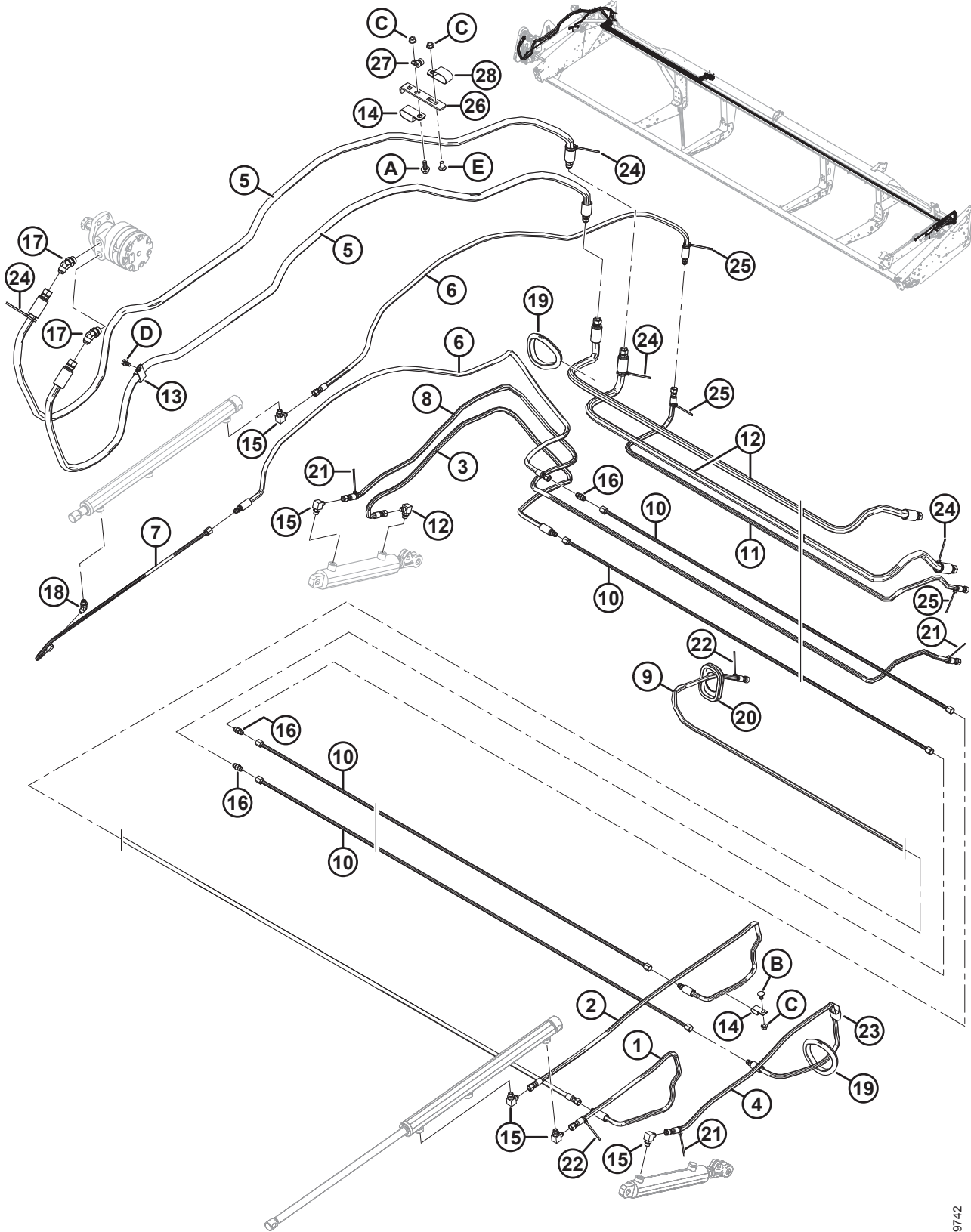
1029742



**REEL DRIVE HYDRAULICS – LIFT AND FORE-AFT – SINGLE REEL (4.6–10.7 M [15–35 FT.])**

<b>Ref</b>	<b>Part Number</b>	<b>Description</b>	<b>Qty</b>	<b>Serial Number</b>
1	106708	HOSE – HYD, 0.25 IN ID, 970 MM LG	1	
2	132911	HOSE – HYD, 0.25 IN ID, 1700 MM LG	1	
3	220849	HOSE – HYD, 0.25 IN ID, 1480 MM LG	1	
4	220676	HOSE – HYD, 0.25 IN ID, 1300 MM LG	1	
5	172978	HOSE – HYD, 0.5 IN ID, 3000 MM LG	2	
6	165267	HOSE – HYD, 0.25 IN ID, 1830 MM LG	2	
7	123618	LINE – HYD, 3/8 IN DIA, BENT	1	
8	220861	HOSE – HYD, 0.25 IN ID, 1400 MM LG (15 FT ONLY)	1	
	172220	HOSE – HYD, 0.25 IN ID, 2564 MM LG (20 FT ONLY)	1	
	172221	HOSE – HYD, 0.25 IN ID, 3326 MM LG (25 FT ONLY)	1	
	172222	HOSE – HYD, 0.25 IN ID, 4088 MM LG (30 FT ONLY)	1	
	172223	HOSE – HYD, 0.25 IN ID, 4850 MM LG (35 FT ONLY)	1	
9	172228	HOSE – HYD, 0.25 IN ID, 4500 MM LG (15 FT ONLY)	1	
	172184	HOSE – HYD, 0.25 IN ID, 5261 MM LG (20 FT ONLY)	1	
	172183	HOSE – HYD, 0.25 IN ID, 6023 MM LG (25 FT ONLY)	1	
	172185	HOSE – HYD, 0.25 IN ID, 6785 MM LG (30 FT ONLY)	1	
	172186	HOSE – HYD, 0.25 IN ID, 7547 MM LG (35 FT ONLY)	1	
10	123677	LINE – HYD, 3/8 IN DIA, 3950 MM LG (15 FT ONLY)	2	
	123663	LINE – HYD, 3/8 IN DIA, 5480 MM LG (20 FT ONLY)	2	
	123676	LINE – HYD, 3/8 IN DIA, 3500 MM LG (25 FT ONLY)	4	
	123702	LINE – HYD, 3/8 IN DIA, 4243 MM LG (30 FT ONLY)	4	
	123701	LINE – HYD, 3/8 IN DIA, 5005 MM LG (35 FT ONLY)	4	
11	172986	HOSE – HYD, 0.25 IN ID, 1913 MM LG (25 FT ONLY)	1	
	120552	HOSE – HYD, 0.25 IN ID, 2675 MM LG (30 FT ONLY)	1	
	172988	HOSE – HYD, 0.25 IN ID, 3437 MM LG (35 FT ONLY)	1	
12	172981	HOSE – HYD, 0.5 IN ID, 1900 MM LG (25 FT ONLY)	2	
	172982	HOSE – HYD, 0.5 IN ID, 2662 MM LG (30 FT ONLY)	2	
	172983	HOSE – HYD, 0.5 IN ID, 3424 MM LG (35 FT ONLY)	2	
13	103738	CLAMP – PVC INSULATED 13/16 IN. TUBE SIZE	1	
14	135234	CLAMP – DOUBLE HOSE INSULATED	2	
15	30282	FITTING – ELBOW 90° HYD	5	
16	30375	FITTING – UNION HYD	3	
17	50103	FITTING – ELBOW 45° HYD C/W O-RING	2	
18	30284	FITTING – ELBOW 45° HYD C/W O-RING	1	
19	125722	GROMMET – RUBBER	2	

REEL DRIVE HYDRAULICS – LIFT AND FORE-AFT – SINGLE REEL (4.6–10.7 M [15–35 FT.])



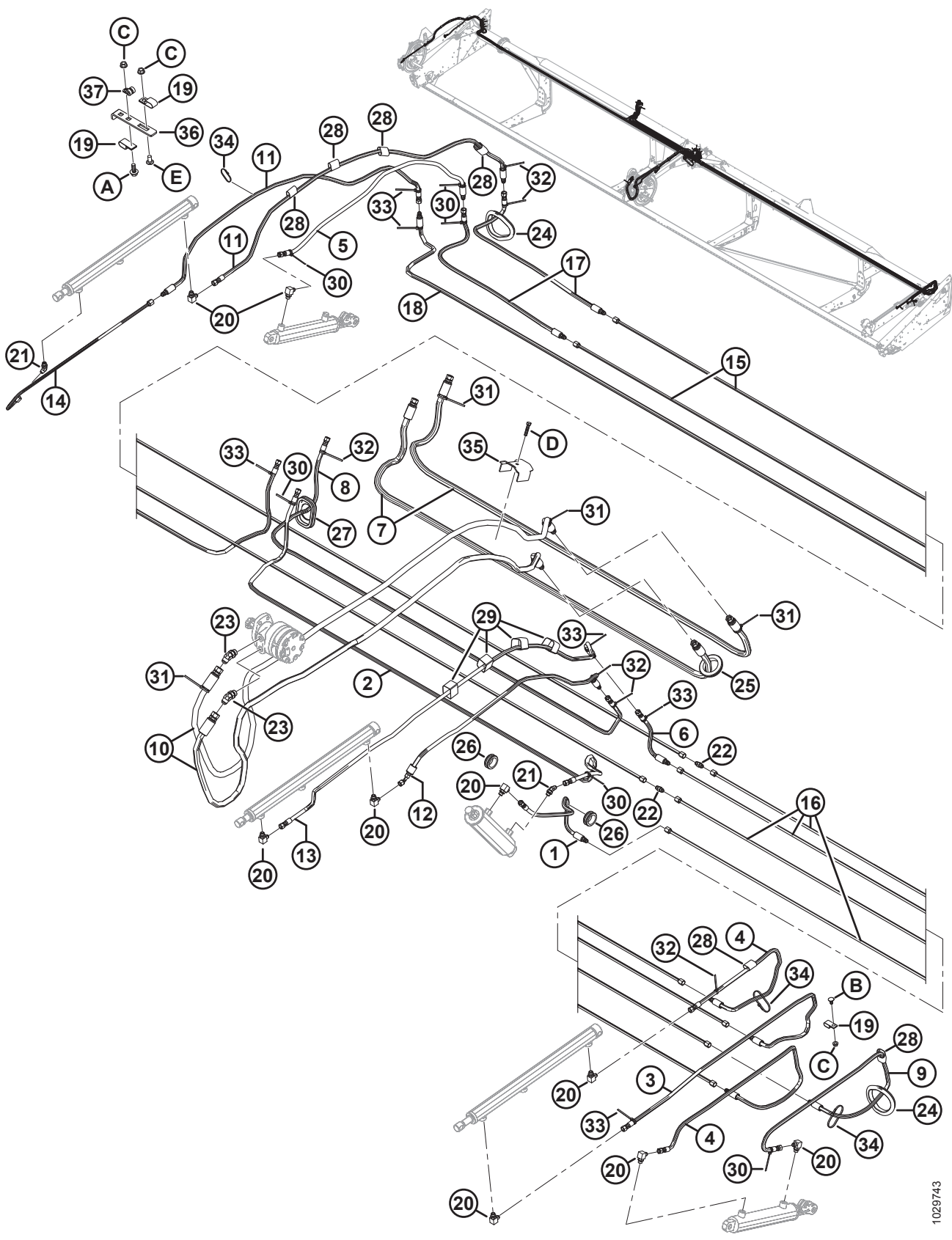
1029742

**REEL DRIVE HYDRAULICS – LIFT AND FORE-AFT – SINGLE REEL (4.6–10.7 M [15–35 FT.])**

<b>Ref</b>	<b>Part Number</b>	<b>Description</b>	<b>Qty</b>	<b>Serial Number</b>
20	172877	GROMMET – 2.38 IN. I.D. (20 FT ONLY)	1	
	172993	GROMMET (25-35 FT ONLY)	1	
21	21763	FASTENER – CABLE TIE, BLACK	3	
22	49227	FASTENER – CABLE TIE, GREEN	2	
23	135443	FASTENER – CINCH STRAP 4 IN. LG	2	
24	40701	FASTENER – CABLE TIE, YELLOW (25-35 FT ONLY)	4	
25	40702	FASTENER – CABLE TIE, RED (25-35 FT ONLY)	3	
26	<b>294607</b>	<b>BRACKET – HOSES</b>	<b>1</b>	
27	<b>136410</b>	<b>CLAMP – INSULATED 3/8 IN.</b>	<b>1</b>	
28	<b>50022</b>	<b>CLAMP – INSULATED 15/16 INCH</b>	<b>1</b>	
A	21447	BOLT – HH LG FLG (SERR FACE) 3/8 NC X 1.0 GR 5 ZP		
B	21472	BOLT – RHSN 3/8 NC X 0.75 GR 5 ZP		
C	30228	NUT – FLANGE DT SMOOTH FACE 0.375-16 UNC		
D	101898	SCREW – HEX WASH HD THD ROLLING 3/8 NC X 5/8		
E	<b>21863</b>	<b>BOLT – RHSSN 3/8-16 X 0.75 LG GR5 AA1J</b>		

# 28 Reel Drive Hydraulics – Lift and Fore-Aft – Double Reel

(9.1–13.7 m [30–45 ft.])

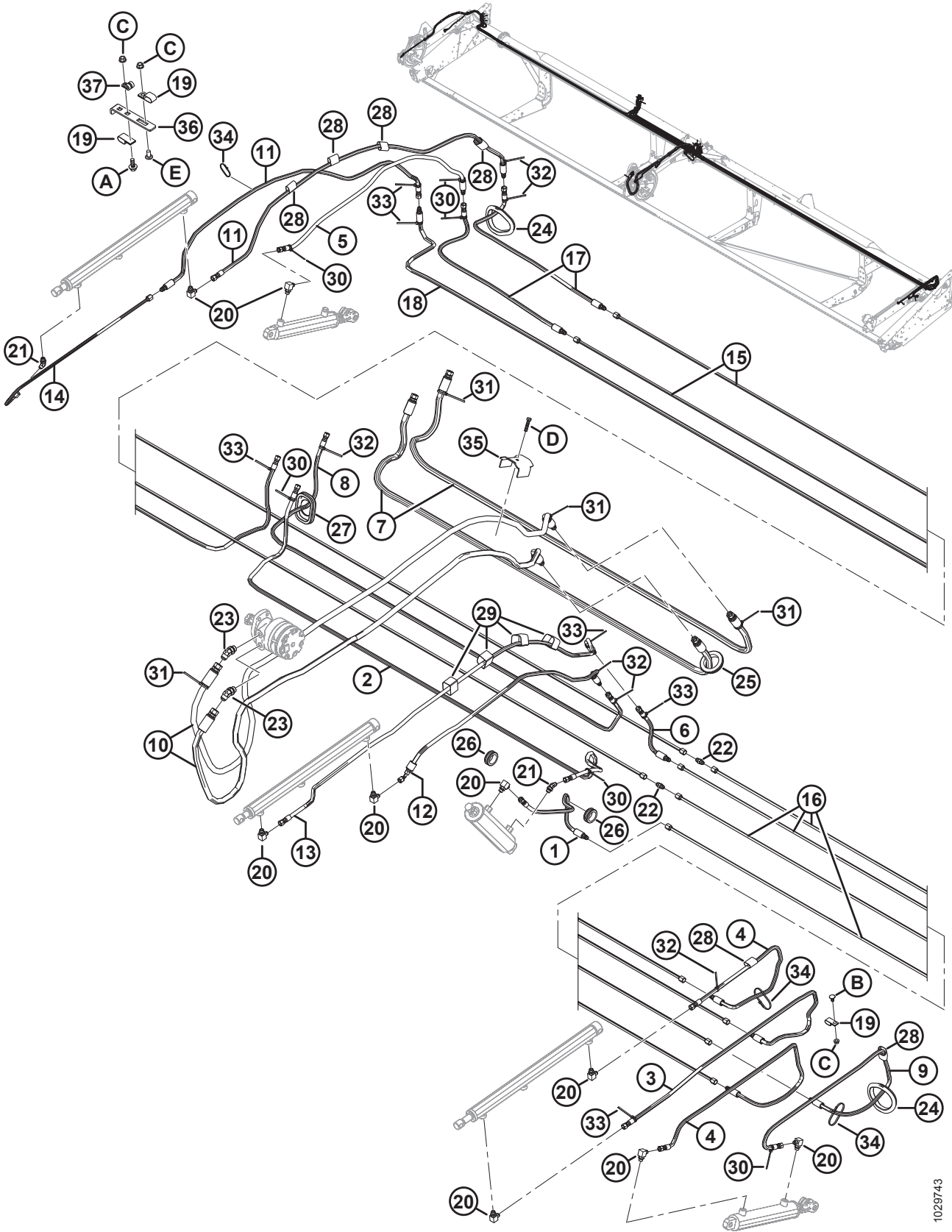


1029743

**REEL DRIVE HYDRAULICS – LIFT AND FORE-AFT – DOUBLE REEL (9.1–13.7 M [30–45 FT.])**

<b>Ref</b>	<b>Part Number</b>	<b>Description</b>	<b>Qty</b>	<b>Serial Number</b>
1	36849	HOSE – HYD, 0.25 IN. ID, 780 MM LG	1	
2	120552	HOSE – HYD, 0.25 IN. ID, 2675 MM LG	1	
3	132911	HOSE – HYD, 0.25 IN. ID, 1700 MM LG	1	
4	132912	HOSE – HYD, 0.25 IN. ID, 1270 MM LG	2	
5	220676	HOSE – HYD, 0.25 IN. ID, 1300 MM LG	1	
6	172897	HOSE – HYD, 0.25 IN. ID, 300 MM LG	1	
7	174407	HOSE – HYD, 0.5 IN. ID, 2150 MM LG	2	
8	174408	HOSE – HYD, 0.25 IN. ID, 2150 MM LG	1	
9	220849	HOSE – HYD, 0.25 IN. ID, 1480 MM LG	1	
10	172978	HOSE – HYD, 0.5 IN ID, 3000 MM LG	2	
11	165267	HOSE – HYD, 0.25 IN ID, 1830 MM LG	2	
12	172985	HOSE – HYD, 0.25 IN ID, 2017 MM LG	1	
13	120996	HOSE – HYD, 0.25 IN ID, 2200 MM LG	1	
14	123618	LINE – HYD, 3/8 IN DIA, BENT	1	
15	123702	LINE – HYD, 3/8 IN DIA, 4243 MM LG (30 FT ONLY)	2	
	123701	LINE – HYD, 3/8 IN DIA, 5005 MM LG (35 FT ONLY)	2	
	113881	LINE – HYD, 3/8 IN DIA, 5230 MM LG (40 FT ONLY)	2	
	220675	LINE – HYD, 3/8 IN DIA, 4470 MM LG (45 FT ONLY)	2	
16	123702	LINE – HYD, 3/8 IN DIA, 4243 MM LG (30 FT ONLY)	4	
	123701	LINE – HYD, 3/8 IN DIA, 5005 MM LG (35 FT ONLY)	4	
	123598	LINE – HYD, 3/8 IN DIA, 5767 MM LG (40 FT ONLY)	4	
	123703	LINE – HYD, 3/8 IN DIA, 6529 MM LG (45 FT ONLY)	4	
17	172175	HOSE – HYD, 0.25 IN. ID, 733 MM LG (40 FT ONLY)	2	
	172146	HOSE – HYD, 0.25 IN. ID, 2250 MM LG (45 FT ONLY)	2	
18	123620	HOSE – HYD, 0.25 IN. ID, 4438 MM LG (40 FT ONLY)	1	
	123673	HOSE – HYD, 0.25 IN. ID, 5200 MM LG (45 FT ONLY)	1	
19	135234	CLAMP – DOUBLE HOSE INSULATED	3	
20	30282	FITTING – ELBOW 90° HYD	9	
21	30284	FITTING – ELBOW 45° HYD C/W O-RING	2	
22	30375	FITTING – UNION HYD	2	
23	50103	FITTING – ELBOW 45° HYD C/W O-RING	2	
24	125722	GROMMET – RUBBER 99 MM ID	2	
25	172877	GROMMET – 2.38 IN. I.D.	1	
26	174149	GROMMET – 1.50 IN. I.D.	2	
27	172993	GROMMET	1	
28	135443	FASTENER – CINCH STRAP 4 IN. LG	6	

REEL DRIVE HYDRAULICS – LIFT AND FORE-AFT – DOUBLE REEL (9.1–13.7 M [30–45 FT.]



1029743

**REEL DRIVE HYDRAULICS – LIFT AND FORE-AFT – DOUBLE REEL (9.1–13.7 M [30–45 FT.])**

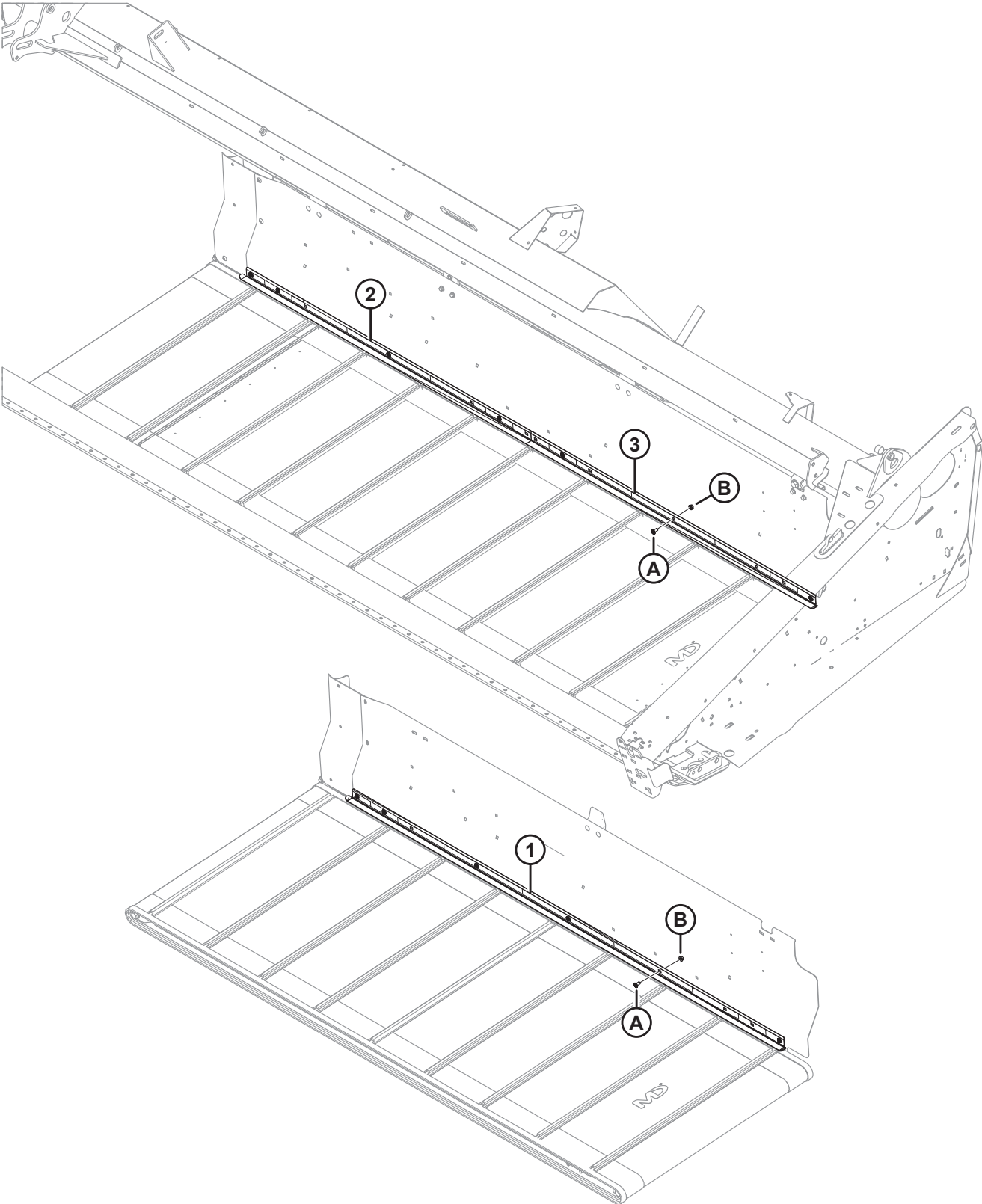
<b>Ref</b>	<b>Part Number</b>	<b>Description</b>	<b>Qty</b>	<b>Serial Number</b>
29	135444	FASTENER – CINCH STRAP 6 IN. LG	4	
30	21763	FASTENER – CABLE TIE, BLACK <sup>160</sup>		
31	40701	FASTENER – CABLE TIE, YELLOW	4	
32	40702	FASTENER – CABLE TIE, RED <sup>161</sup>		
33	49227	FASTENER – CABLE TIE, GREEN <sup>162</sup>		
34	30753	FASTENER – CABLE TIE, 305 MM LG	6	
35	123599	HOLDER – CENTER REEL ARM HYD HOSE	1	
36	<b>294607</b>	<b>BRACKET – HOSES</b>	<b>1</b>	
37	<b>136410</b>	<b>CLAMP – INSULATED 3/8 IN.</b>	<b>1</b>	
A	21447	BOLT – HH LG FLG (SER FACE) 3/8 NC X 1.0 GR 5 ZP		
B	21472	BOLT – RHSN 3/8 NC X 0.75 GR 5 ZP		
C	30228	NUT – FLANGE DT SMOOTH FACE 0.375-16 UNC		
D	20078	BOLT – HH 3/8 NC X 1.75 LG GR 5 ZP		
E	<b>21863</b>	<b>BOLT – RHSSN 3/8-16 X 0.75 LG GR5 AA1J</b>		

160. Quantities: 30-35 = 6, 40-45 foot = 8.

161. Quantities: 30-35 foot = 5, 40-45 foot = 6.

162. Quantities: 30-35 foot = 4, 40-45 foot = 6.

# 29 Backsheet Deflectors

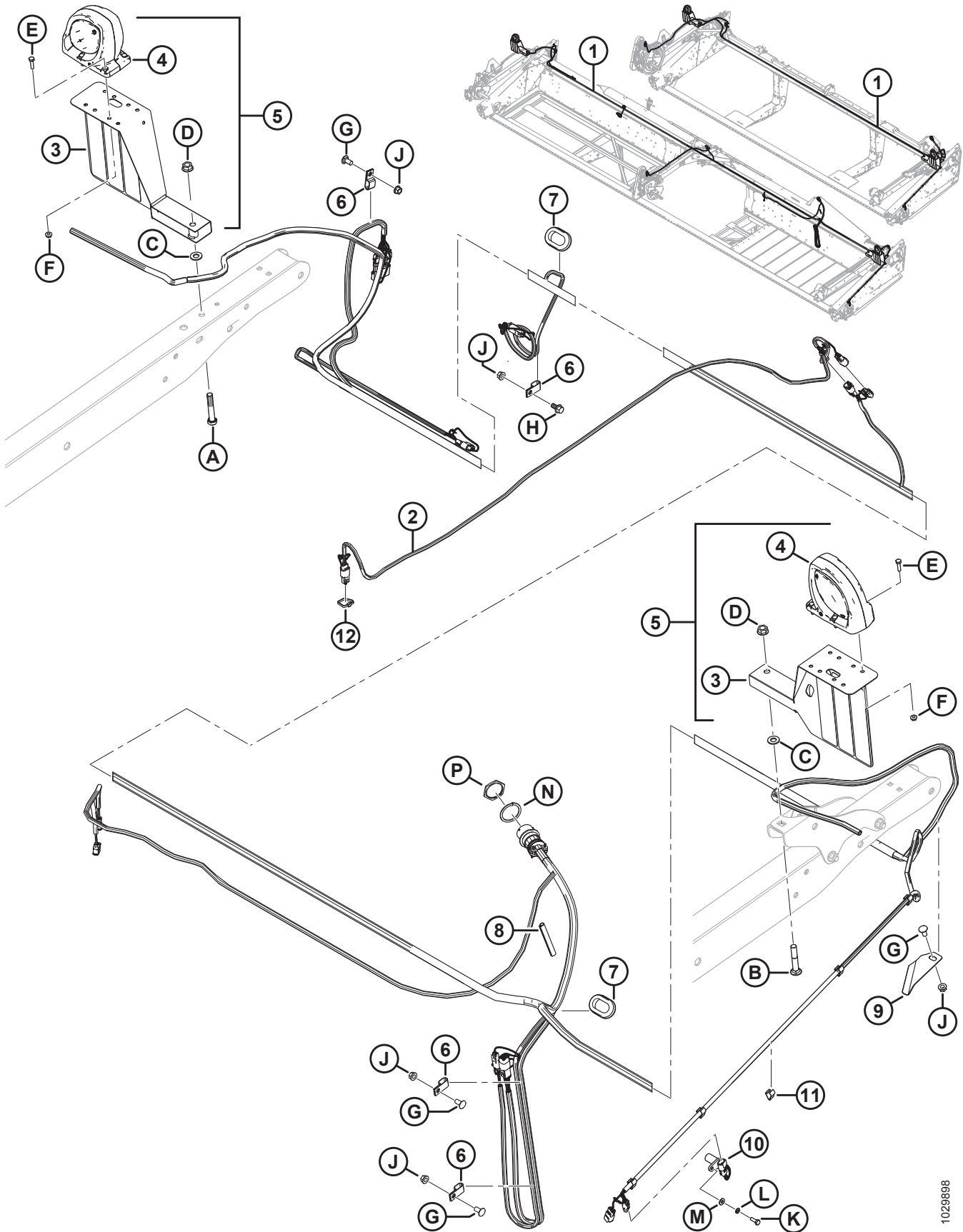




**BACKSHEET DEFLECTORS**

<b>Ref</b>	<b>Part Number</b>	<b>Description</b>	<b>Qty</b>	<b>Serial Number</b>
1	123662	DEFLECTOR – 25 FT	2	
2	123937	DEFLECTOR – 30 FT (LH)	2	
	123939	DEFLECTOR – 35 FT (LH)	2	
	245114	DEFLECTOR – 40 FT (LH)	2	
3	123938	DEFLECTOR – 30 FT (RH)	2	
	123940	DEFLECTOR – 35 FT (RH)	2	
	245115	DEFLECTOR – 40 FT (RH)	2	
A	21863	BOLT – RHSSN 3/8 NC X 0.75 LG GR 5 ZP		
B	30228	NUT – FLG DT SMOOTH FACE 0.375-16 UNC		

# 30 Electrical Components



1028898

**ELECTRICAL COMPONENTS**

**NOTE:**

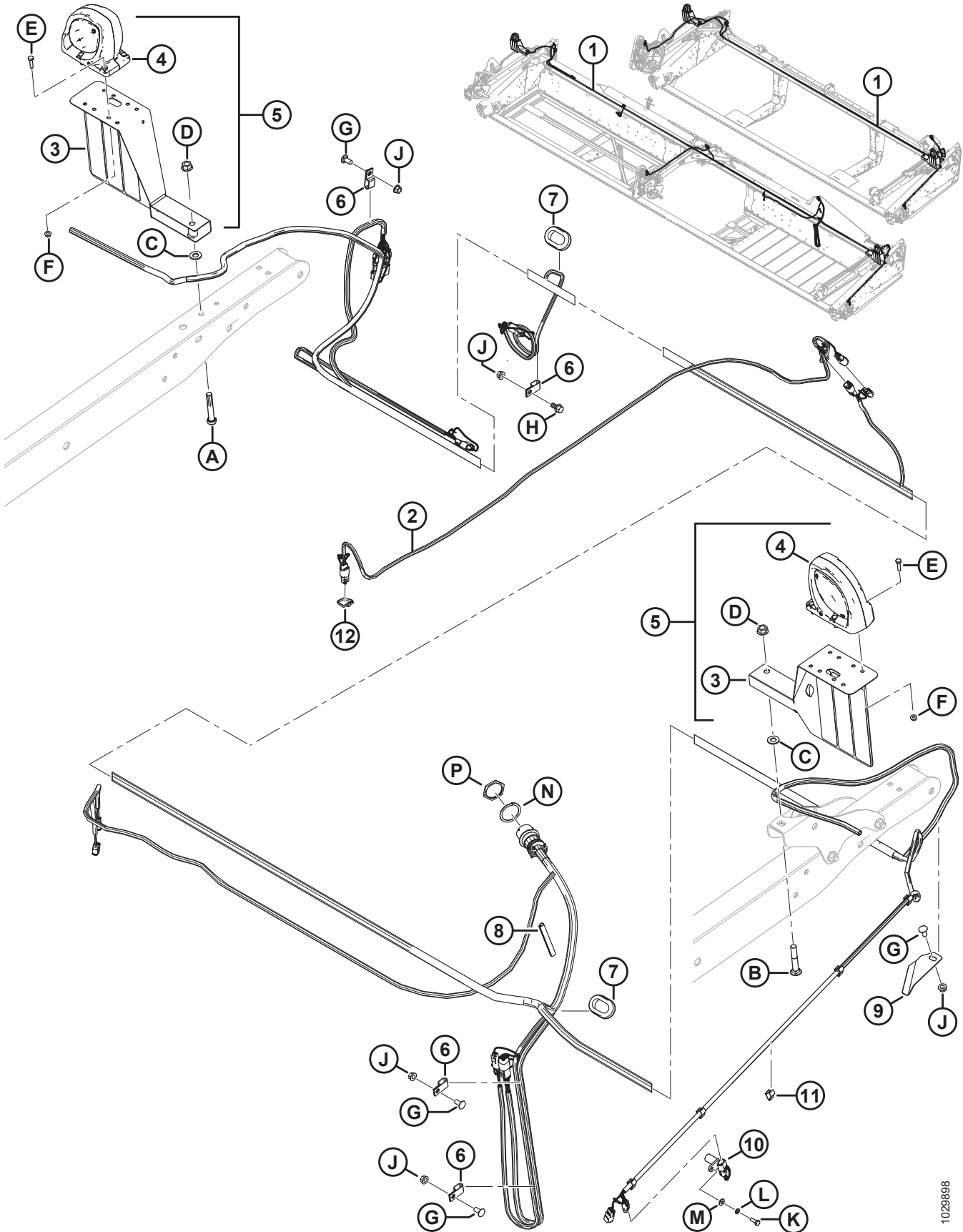
For specific electrical harness parts, refer to Electrical Connector Parts Catalog (MD #169641).

Ref	Part Number	Description	Qty	Serial Number
1	220860	HARNESS – 15 FT WIRING	1	
	220862	HARNESS – 20 FT WIRING	1	
	220858	HARNESS – 25 FT WIRING	1	
	220536	HARNESS – 30 FT RIGID WIRING	1	
	220537	HARNESS – 35 FT RIGID WIRING	1	
	220538	HARNESS – 40 FT RIGID WIRING (DR ONLY)	1	
	220539	HARNESS – 45 FT RIGID WIRING (DR ONLY)	1	
2	220574	HARNESS – WIRING REEL SPEED SENSOR	1	
3	<b>294874</b>	<b>ASSY – BRACKET W/ REFLECTORS</b> <sup>163</sup>	<b>2</b>	
4	138150	LAMP – CLEARANCE	2	
	139630	LENS – AMBER		
5	<b>294687</b>	<b>ASSY – RH HEADER LIGHTING</b> <sup>164</sup>	<b>A/R</b>	
6	135233	CLAMP – DBLE HOSE INSUL. (30–45 FT SR/DR ONLY)	4	
7	172899	GROMMET – 1.75 IN. I.D. (30–45 FT SR/DR ONLY)	2	
8	<b>31889</b>	<b>MOULDING (30–45 FT SR/DR ONLY)</b>	<b>1</b>	
9	<b>172142</b>	<b>HOLDER – WIRING HARNESS</b>	<b>1</b>	
10	<b>143875</b>	<b>SENDER – SPEED</b>	<b>1</b>	
11	<b>21218</b>	<b>CLIP – WIRING</b>	<b>5</b>	
12	21763	FASTENER – CABLE TIE (BLACK)	1	
A	<b>21560</b>	<b>BOLT – HEX HD 1/2-13 X 3 GR 5-AA1J</b>		
B	<b>30266</b>	<b>BOLT – RHSN 1/2-13 X 3.0 GR5-AA1J</b>		
C	18599	WASHE50186R – SAE FLAT 17/32 I.D. X 1-1/16 IN. O.D. ZP		
D	<b>50186</b>	<b>NUT – FLG LK DT 1/2-13 UNC GR5 AA1J</b>		
E	21573	BOLT – HEX HD 1/4 NC X 1.0 LG GR 5 ZP		
F	21455	NUT – FLG (SER FACE) 1/4 NC GR 5 ZP		
G	21863	BOLT – RHSSN 3/8 NC X 0.75 LG GR 5 ZP		
H	21821	BOLT – HH FLG (SER FACE) 3/8 NC X 0.75 GR 5 ZP		
J	30228	NUT – FLG DT SMOOTH FACE 0.375-16 UNC		
K	<b>109089</b>	<b>BOLT – HEX HD 1/4-28 X 0.75 GR5-AA1J</b>		
L	<b>18635</b>	<b>WASHER – REG. LOCK 1/4 IN. NOM. ID AA1J</b>		

163.Includes six reflectors, two of each (MD #115145, 115146, 115147).

164.Complete light assembly, includes header light bracket (MD #294874), clearance lamp (MD #138150), and hardware (MD #21573, 21455).

ELECTRICAL COMPONENTS

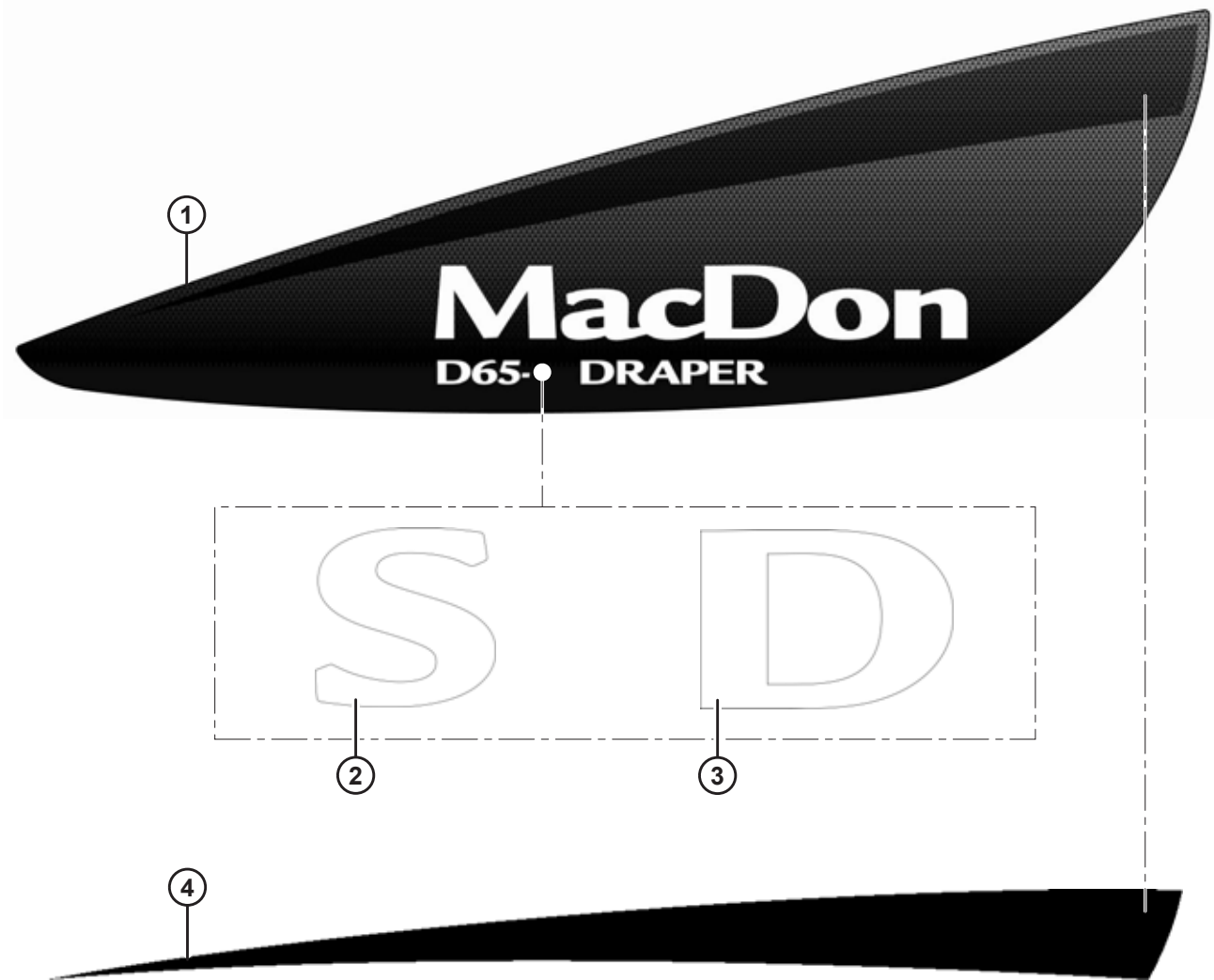


1029698

ELECTRICAL COMPONENTS

Ref	Part Number	Description	Qty	Serial Number
M	18596	WASHER – FLAT SAE 9/32 ID X 5/8 OD AA1J		
N	134011	WASHER – LOCK SPRING,DEUTSCH HD, SIZE 24		
P	134010	NUT – PANEL, HD30, SIZE 24		

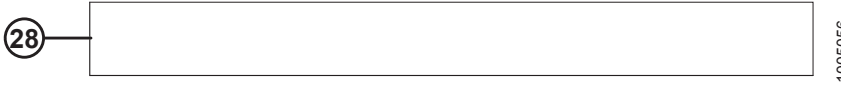
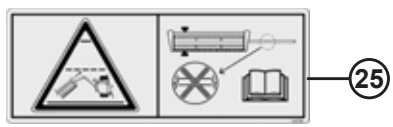
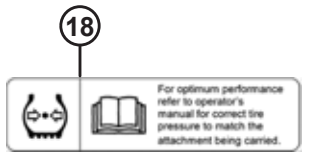
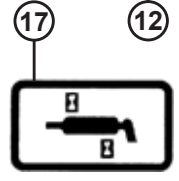
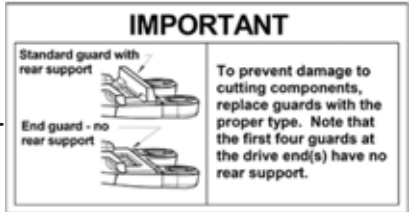
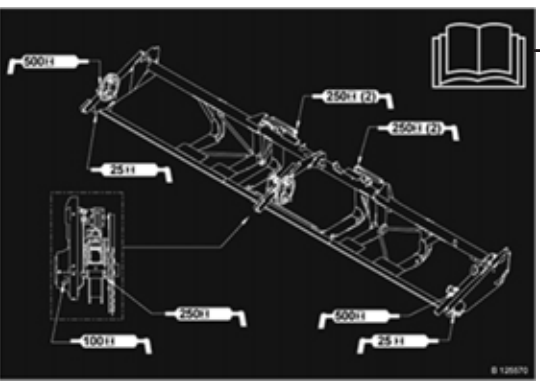
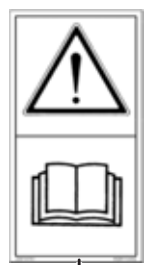
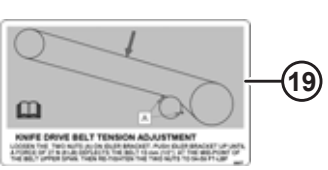
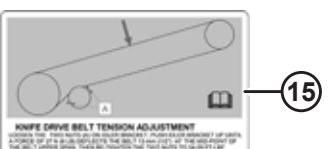
# 31 Product Identification Decals



**PRODUCT IDENTIFICATION DECALS**

<b>Ref</b>	<b>Part Number</b>	<b>Description</b>	<b>Qty</b>	<b>Serial Number</b>
1	123772	DECAL – LH MACDON RIGID		
	123774	DECAL – RH MACDON RIGID		
2	123776	DECAL – "S" (SINGLE KNIFE)		
3	123777	DECAL – "D" (DOUBLE KNIFE)		
4	123763	DECAL – STRIPE, RED LH		
	123764	DECAL – STRIPE, RED RH		
	123765	DECAL – STRIPE, YELLOW LH		
	123766	DECAL – STRIPE, YELLOW RH		
	123767	DECAL – STRIPE, GREEN LH (JOHN DEERE)		
	123768	DECAL – STRIPE, GREEN RH (JOHN DEERE)		
	245091	DECAL – STRIPE, GREEN LH (CLAAS LEXION)		
	245092	DECAL – STRIPE, GREEN RH (CLAAS LEXION)		
	123769	DECAL – STRIPE, SILVER LH		
	123770	DECAL – STRIPE, SILVER RH		

# 32 Decals and Reflectors



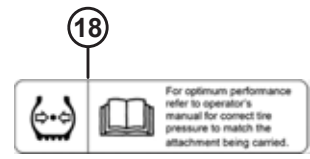
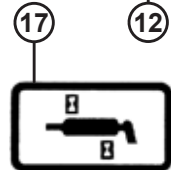
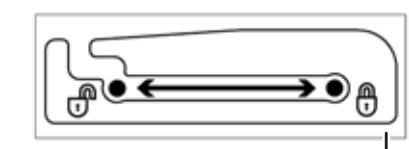
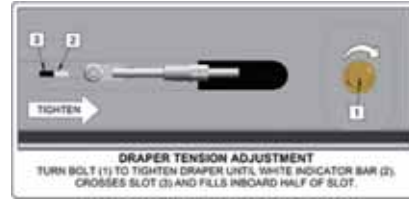
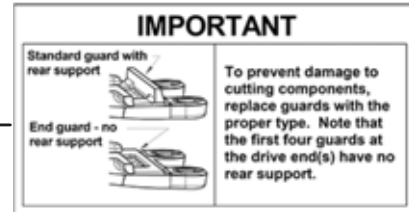
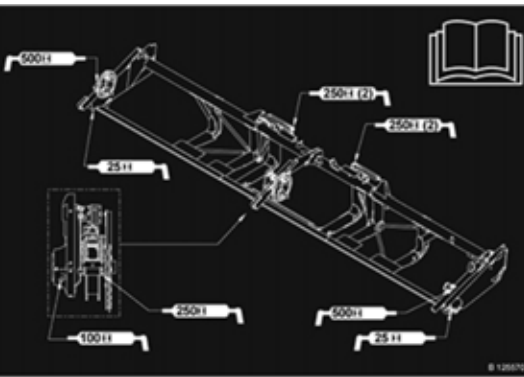
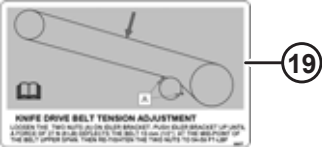
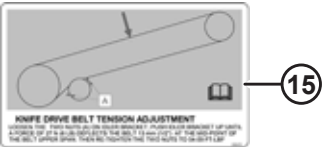
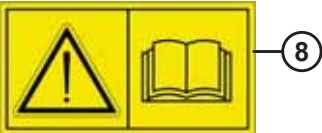


**DECALS AND REFLECTORS**

Ref	Part Number	Description	Qty	Serial Number
1	174632	DECAL – REEL ENTANGLEMENT		
2	166466	DECAL – HIGH PRESSURE FLUID		
3	113482	DECAL – GENERAL HAZARD		
4	174436	DECAL – HIGH PRESSURE FLUID		
5	220799	DECAL – TRANSPORT HITCH PIN, 2 PANEL		
6	129313	DECAL – IMPORTANT: GUARDS <sup>165</sup>		
7	220084	DECAL – DRAPER TENSION		
8	184372	DECAL – READ MANUAL		
9	131391	DECAL – HEADER HAZARD		
10	193034	DECAL – TRANSPORT GAUGE WHEEL SETTING		
11	109843	DECAL – GENERAL CAUTION		
12	220236	DECAL – REEL PROP LOCK		
13	131392	DECAL – REEL HAZARD		
14	131393	DECAL – REEL HAZARD		
15	245476	DECAL – KNIFE DRIVE BELT TENSION (LH)		
16	125572	DECAL – GREASE, DK		
	125571	DECAL – GREASE, SK		
	220673	DECAL – GREASE, UDK		
17	23164	DECAL – 25 HR LUBE		
	23165	DECAL – 50 HR LUBE		
18	111221	DECAL – TIRE PRESSURE		
19	245477	DECAL – KNIFE DRIVE BELT TENSION (RH)		
20	220797	DECAL – WARNING		
21	32070	DECAL – PATENT NUMBER		
22	184422	DECAL – PINCH POINT EU		
23	174436	DECAL – HIGH PRESSURE FLUID		
24	174684	DECAL – VERTICAL KNIFE		
25	220798	DECAL – WARNING		
26	158217	DECAL – REEL POSITION		

165. Drive-end guards vary depending on the type of guards used on the header. Refer to Sections *2 Guards, Hold-Downs, and Wearplates – Single Knife, Stub Guards, page 7* through *5 Guards, Hold-Downs, and Wearplates – Double Knife, Middle and Left End, page 17* for drive-end guard types and quantities.

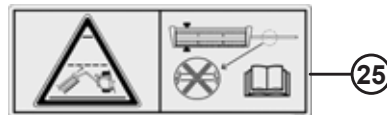
DECALS AND REFLECTORS



This product may be covered by one or more of the following patents:

CDN. # 1075914	U.S. # 35543
CDN. # 1226739	U.S. # 4346909
CDN. # 1240158	U.S. # 4573309
CDN. # 1244248	U.S. # 4660361
CDN. # 1267292	U.S. # 4662161
CDN. # 1322104	U.S. # 4909026
AUSTRALIA # 615149	U.S. # 5086613
AUSTRALIA # 617821	U.S. # 5157905
KAZAKHSTAN # 4372	U.S. # 5243810
RUSSIA # 1828389	U.S. # 5261290
UKRAINE # 3440	U.S. # 5435239
ITALY # 0717922	U.S. # 5459986
FRANCE # 0717922	U.S. # 5473872
GERMANY # 0717922	U.S. # 5678398
U.K. # 0717922	U.S. # 5791128
	U.S. # 5927606
	U.S. # 5970695
	U.S. # 5992759
	U.S. # 6029429

Other patents pending.



1005056

**DECALS AND REFLECTORS**

Ref	Part Number	Description	Qty	Serial Number
27	115145	REFLECTOR – FLUOR. RED–ORANGE, 230 MM <sup>166</sup>		
	115146	REFLECTOR – AMBER, 230 MM <sup>166</sup>		
	115147	REFLECTOR – RED, 230 MM <sup>166</sup>		
	165524	REFLECTOR – RED, 230 MM <sup>167</sup>		
	172948	REFLECTOR – DOUBLE RED AND RED–ORANGE		
	172951	REFLECTOR – DOUBLE RED AND RED–ORANGE <sup>168</sup>		
	132852	REFLECTOR – AMBER		
	165973	REFLECTOR – AMBER <sup>168</sup>		
28	132852	REFLECTOR – AMBER, 638 MM LG <sup>169</sup>		

---

166.Reflector with square corners. For use on metal surfaces.

167.Reflector with round corners. For use on plastic surfaces.

168.35 ft. only.

169.For use on reel center tube.

### 33 Decals – French

**IMPORTANT**

Doigts standards avec guide



Doigts d'extrémités sans guide



Afin d'éviter des dommages au couteau, remplacez les doigts endommagés avec les modèles correspondants. Notez que les premiers quatre doigts à chaque entraînement n'ont pas de guides.

245433

1

**IMPORTANT**



Dans des températures inférieures à 10° C, faites tourner la plateforme pour 5 minutes avant de la faire tourner à plein régime.

245438



2

**BOUCHON DE VIDANGE D'HUILE**




245439

3

Pour une meilleure performance, référez-vous au manuel d'opération afin d'associer une bonne pression des pneus au attachements compris sur la plateforme.

245441

4



**RÉGLAGE DE LA TENSION DES TAPIS**  
TOURNER LE BOULON (1) AFIN DE TENDRE LE TAPIS JUSQU'À CE QUE L'INDICATEUR BLANC (2), APPARAISSE DANS LA FENÊTRE (3) ET LA REMPLIE À MOITIÉ.

245442

5



**RÉGLAGE DE LA TENSION DES TAPIS**  
TOURNER LE BOULON (1) AFIN DE TENDRE LE TAPIS JUSQU'À CE QUE L'INDICATEUR BLANC (2), APPARAISSE DANS LA FENÊTRE (3) ET LA REMPLIE À MOITIÉ.

245443

6

**RÉGLAGE DE LA ROUE DE GAUGE**

OPÉRER AVEC LES RESSORTS COMPRIMÉS À UNE LONGUEUR APPROXIMATIVE DE 100 mm  
MESURER LE RESSORT COMME INDIQUE. COMPRSSION DES RESSORTS MINIMALE DE 205 mm  
VOIR LE MANUEL D'OPÉRATION



245444

7

**NIVEAU D'HUILE**

Vérifier le niveau d'huile toutes les 25 heures d'opération. Assurez-vous que la barre de coupe entre légèrement en contact avec le sol. Maintenir le niveau d'huile afin que le voyan inférieur soit plein et que le voyan supérieur soit vide. Utiliser de l'huile neuve 15W40.



25



245440

8

**DECALS – FRENCH**

<b>Ref</b>	<b>Part Number</b>	<b>Description</b>	<b>Qty</b>	<b>Serial Number</b>
1	245433	DECAL – IMPORTANT: GUARDS, FRENCH		
2	245438	DECAL – IMPORTANT: OIL OPERATING TEMP, FRENCH		
3	245439	DECAL – ADAPTER OIL DRAIN, FRENCH		
4	245441	DECAL – TIRE PRESSURE, FRENCH		
5	245428	DECAL – LH DRAPER TENSION, FRENCH		
6	245432	DECAL – RH DRAPER TENSION, FRENCH		
7	245443	DECAL – GAUGE WHEEL SETTING, FRENCH		
8	245440	DECAL – ADAPTER OIL LEVEL, FRENCH		

# 34 Decals – Portuguese

**IMPORTANTE**

Dedo padrão com apoio traseiro



Dedo das extremidades sem apoio traseiro



Para prevenir danos aos componentes de corte, substitua os dedos somente pelos tipos apropriados. Note que os dedos das extremidades não possuem apoio traseiro.

1

**IMPORTANTE**



Em temperaturas inferiores a 10 graus C, funcione a plataforma por 5 minutos em marcha lenta antes de operar em velocidade máxima.

2

**DRENO DO ÓLEO**




3

LE



4

LD



5

**NÍVEL DE ÓLEO**

Cheque o nível de óleo a cada 25 horas de trabalho. Certifique-se que a barra de corte esteja tocando levemente o solo para verificação. Mantenha o nível de óleo de maneira que o visor inferior esteja completo e o visor superior esteja vazio. Utilize óleo 15W40 limpo para reposição.



25



6

**AJUSTE DAS RODAS ESTABILIZADORAS**

OPERE COM AS MOLAS COMPRIMIDAS EM APROXIMADAMENTE 100 mm. MEÇA O COMPRIMENTO DA MOLLA CONFORME MOSTRADO. NÃO OPERE COM COMPRIMENTO DE MOLLA INFERIOR A 255 mm. VEJA O MANUAL DO OPERADOR.



7



**AJUSTE DE TENSIONAMENTO DA ESTEIRA**

GIRE O PARAFUSO (1) PARA TENSIONAR A ESTEIRA ATÉ QUE A BARRA INDICADORA BRANCA (2) ATRAVESSE A CAVA (3) E COMPLETE ATÉ A METADE DA CAVA.


8



**AJUSTE DE TENSIONAMENTO DA ESTEIRA**

GIRE O PARAFUSO (1) PARA TENSIONAR A ESTEIRA ATÉ QUE A BARRA INDICADORA BRANCA (2) ATRAVESSE A CAVA (3) E COMPLETE ATÉ A METADE DA CAVA.

9



Para otimizar sua performance, veja no manual do operador a pressão correta dos pneus em função dos opcionais instalados, do modelo e balanço de plataforma.

10

**DECALS – PORTUGUESE**

<b>Ref</b>	<b>Part Number</b>	<b>Description</b>	<b>Qty</b>	<b>Serial Number</b>
1	220817	DECAL – IMPORTANT: GUARDS, PORTUGUESE		
2	220818	DECAL – IMPORTANT: OIL OPERATING TEMP, PORT.		
3	220819	DECAL – ADAPTER OIL DRAIN, PORTUGUESE		
4	220820	DECAL – LH WING BALANCE ADJUSTMENT, PORTUGUESE		
5	220821	DECAL – RH WING BALANCE ADJUSTMENT, PORTUGUESE		
6	220822	DECAL – ADAPTER OIL LEVEL, PORTUGUESE		
7	220823	DECAL – GAUGE WHEEL SETTING, PORTUGUESE		
8	220824	DECAL – LH DRAPER TENSION, PORTUGUESE		
9	220836	DECAL – RH DRAPER TENSION, PORTUGUESE		
10	220885	DECAL – TIRE PRESSURE, PORTUGUESE		

# 35 Decals – Russian



1



2



3



4



5



6



7



8



9



**DECALS – RUSSIAN**

<b>Ref</b>	<b>Part Number</b>	<b>Description</b>	<b>Qty</b>	<b>Serial Number</b>
1	220831	DECAL – LH DRAPER TENSION, RUSSIAN		
2	220832	DECAL – IMPORTANT: GUARDS, RUSSIAN		
3	220833	DECAL – TRANSPORT GAUGE WHEEL SETTING, RUSSIAN		
4	220834	DECAL – RH DRAPER TENSION, RUSSIAN		
5	220863	DECAL – GAUGE WHEEL SETTING, RUSSIAN		
6	220868	DECAL – IMPORTANT: OIL OPERATING TEMP. RUSSIAN		
7	220871	DECAL – ADAPTER OIL DRAIN, RUSSIAN		
8	220872	DECAL – ADAPTER OIL LEVEL, RUSSIAN		
9	166309	DECAL – TIRE PRESSURE, RUSSIAN		

# 36 Decals – Spanish

**IMPORTANTE**

Puntón estandar con guía



Puntón sin guía



Para evitar peligro de rotura en las piezas de corte, reemplace los puntones con el modelo correspondiente. Note que los primeros cuatro puntones junto a la caja de mando de las cuchillas no tienen guía.

1

**IMPORTANTE**



En temperaturas inferiores a 10 grados C, hacer andar la plataforma regulando por 5 minutos antes de operar a máximo régimen.

2

**DRENAJE DE ACEITE**




3

L/ Izq



4


L/ Der




5

**NIVEL DE ACEITE**

Chequear el nivel de aceite cada 25 horas de operación. Asegurar que la barra de corte esté ligeramente en contacto con el suelo. Mantener el nivel de aceite para que la ventana inferior esté llena y la superior esté vacía. Utilice aceite 15W40 limpio.



25 

6

**INDICADOR AJUSTE RUEDA**

OPERAR CON RESORTES COMPRIMIDOS A UNA DISTANCIA DE 320 mm APPROX. MIDA LA COMPRESIÓN DEL RESORTE COMO SE MUESTRA. NO OPERAR CON UNA COMPRESIÓN MENOR A 295 mm. VEA EL MANUAL DEL OPERADOR.




7



8



9



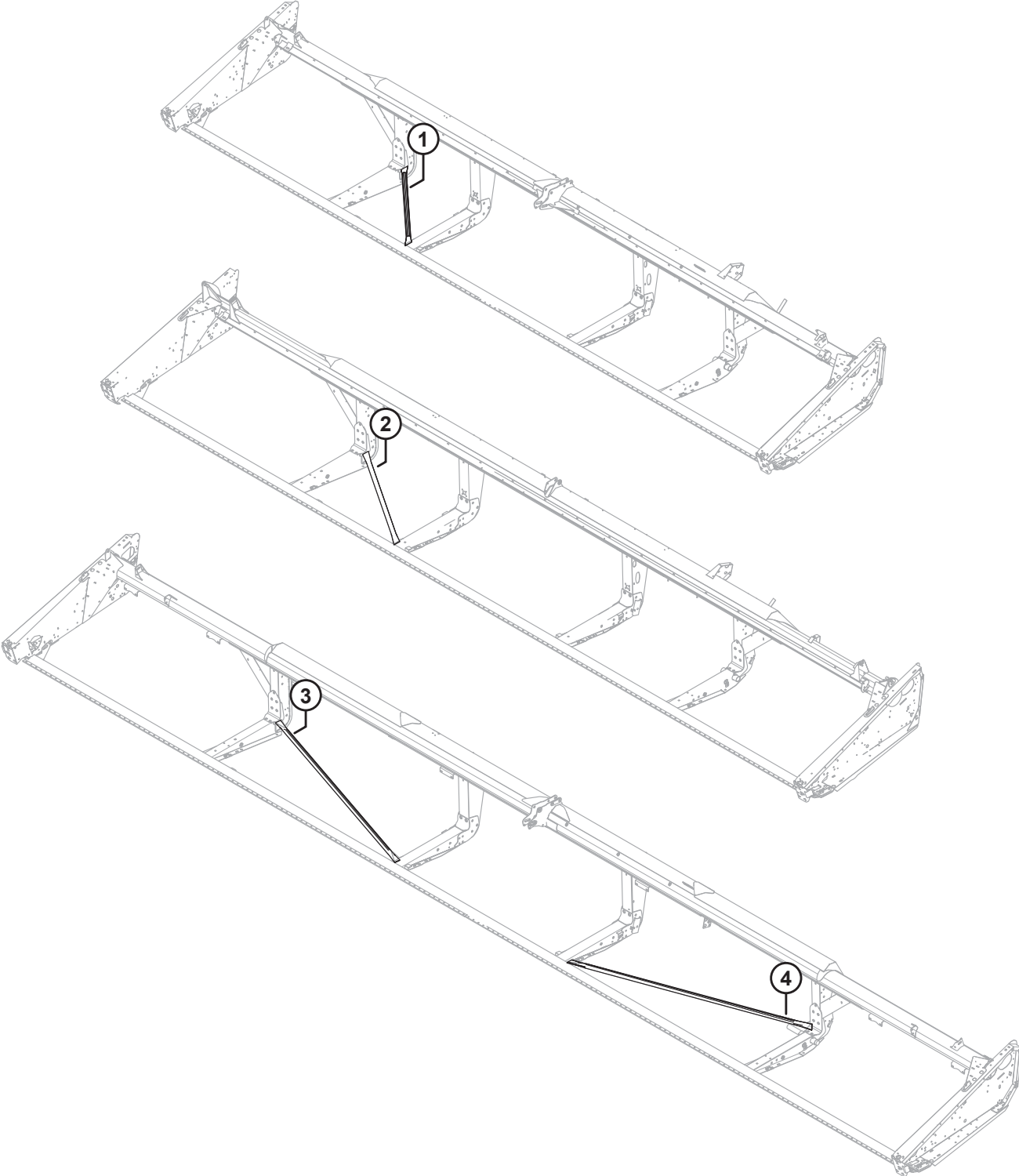
Para un óptimo rendimiento consulte el manual del operador respecto a la correcta presión de los neumáticos dependiendo del equipo que remolca.

10

**DECALS – SPANISH**

<b>Ref</b>	<b>Part Number</b>	<b>Description</b>	<b>Qty</b>	<b>Serial Number</b>
1	220807	DECAL – IMPORTANT: GUARDS, SPANISH		
2	220808	DECAL – IMPORTANT: OIL OPERATING TEMP, SPANISH		
3	220809	DECAL – ADAPTER OIL DRAIN, SPANISH		
4	220810	DECAL – LH WING BALANCE ADJUSTMENT, SPANISH		
5	220811	DECAL – RH WING BALANCE ADJUSTMENT, SPANISH		
6	220812	DECAL – ADAPTER OIL LEVEL, SPANISH		
7	220813	DECAL – GAUGE WHEEL SETTING, SPANISH		
8	220814	DECAL – LH DRAPER TENSION, SPANISH		
9	220835	DECAL – RH DRAPER TENSION, SPANISH		
10	220876	DECAL – TIRE PRESSURE, SPANISH		

# 37 (Option) Brace Tube Kits



**(OPTION) BRACE TUBE KITS**

**IMPORTANT:**

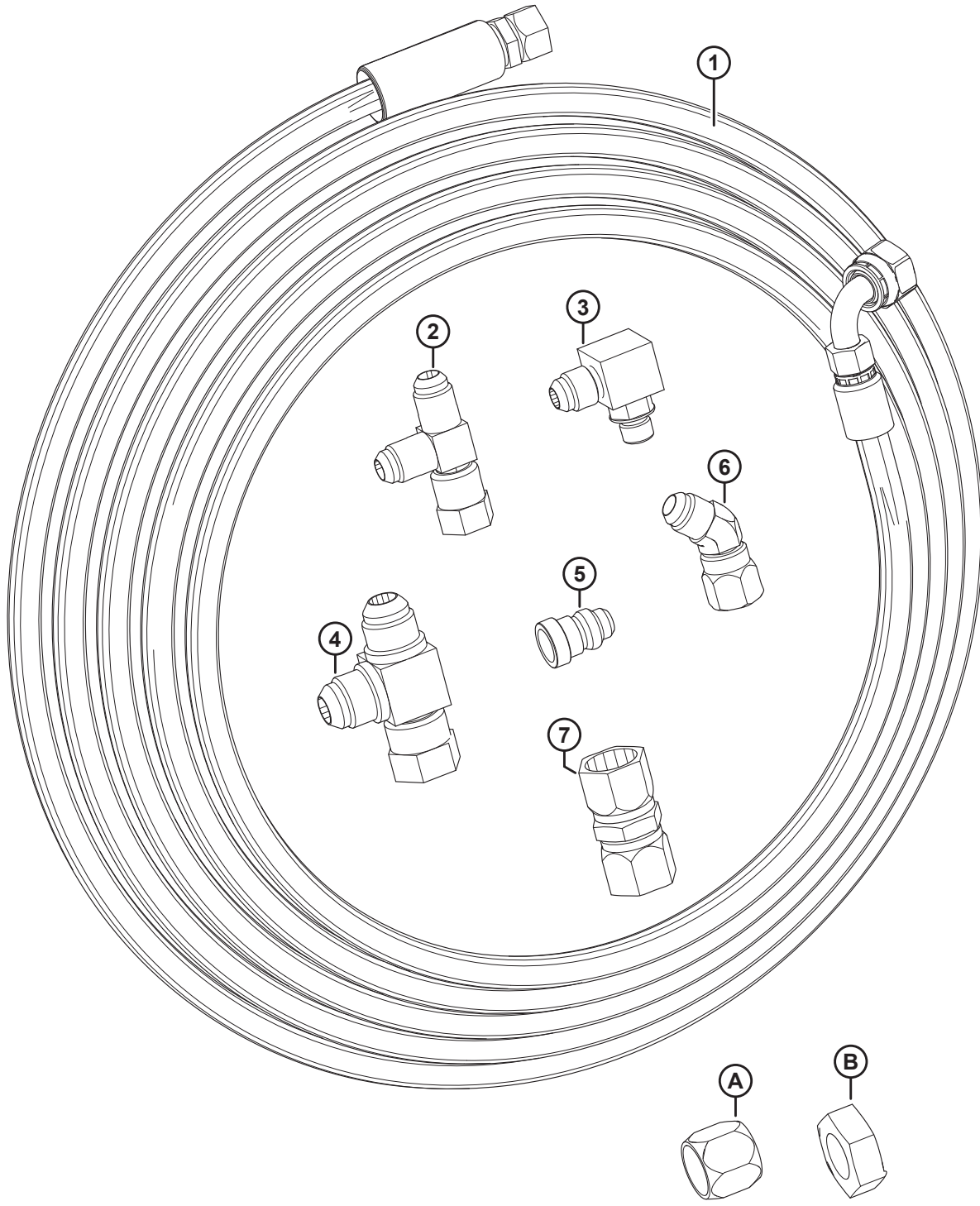
Kits provided by MacDon Industries Ltd. in order to assist you in fixing damage caused by the end user to certain machinery manufactured by MacDon Industries Ltd. By receiving and installing these parts you assume all risk and liability of any nature arising out of the installation of this part. MacDon Industries Ltd. and its affiliates disclaim any and all liability arising from installation of this part. If installation of this part requires welding, such welding should be performed by an individual certified by an accredited institute in your jurisdiction with the necessary welding qualifications and/or certifications.

**NOTE:**

Brace kits can be used on single or double knife.

<b>Ref</b>	<b>Part Number</b>	<b>Description</b>	<b>Qty</b>	<b>Serial Number</b>
1	294650	KIT – TUBE WELDT BRACE,30 FT	1	
2	294664	KIT – TUBE WELDT BRACE 35 FT	1	
3	294662	KIT – TUBE WELDT BRACE 40 AND 45 FT	1	
4	294663	KIT – TUBE WELDT 40 AND 45 FT LH	1	

# 38 (Option) Case Drain Kit

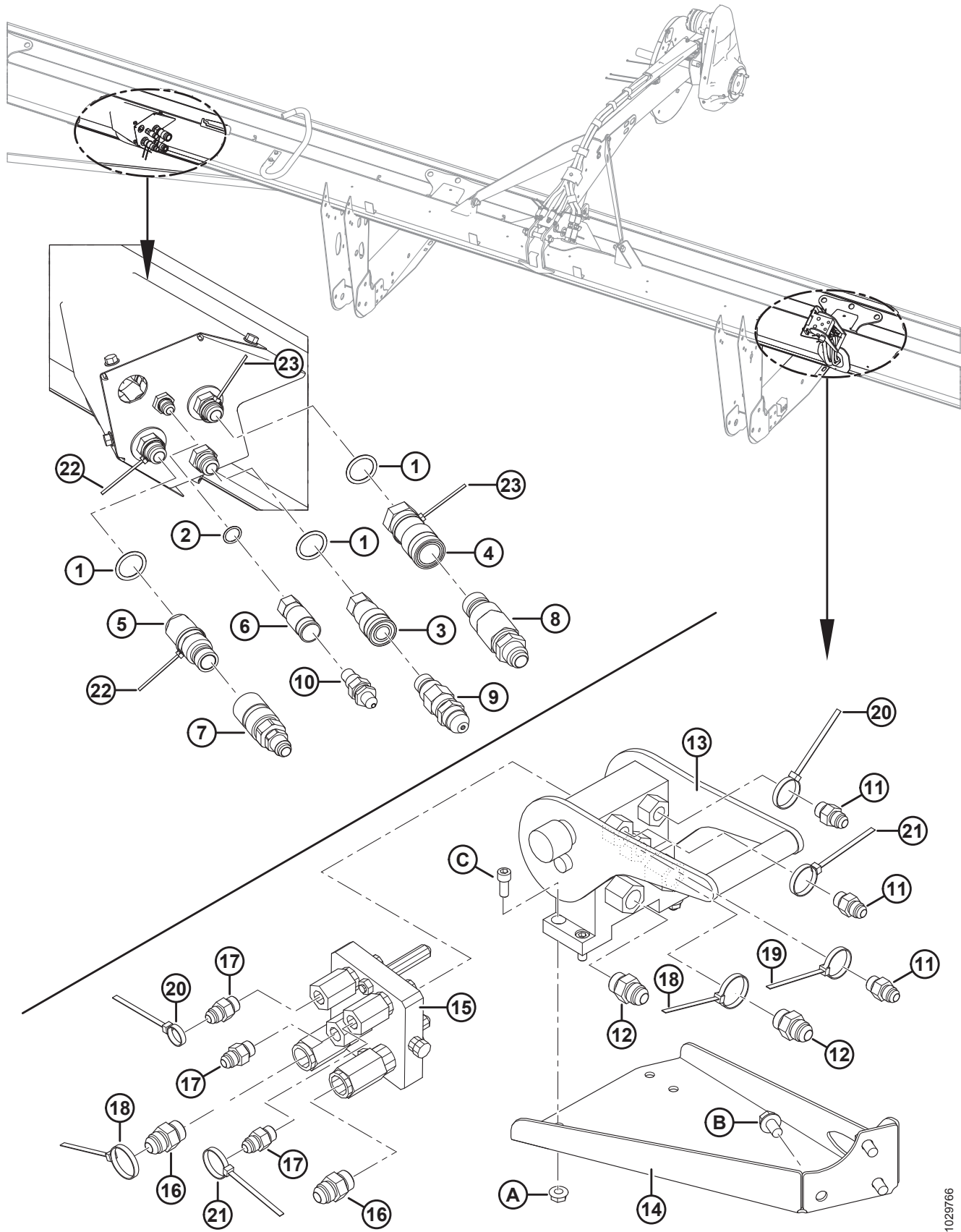


(OPTION) CASE DRAIN KIT

Ref	Part Number	Description	Qty Single Knife/Untimed DK/Timed DK	Serial Number
	B5842	RIGID DRAPER HEADER CASE DRAIN KIT (FOR M105/155, W110/150, COMBINES) <sup>170</sup>		
1	220841	HOSE – HYDRAULIC, 1/4 IN. I.D.	1/1/1	
2	30873	FITTING – HYDRAULIC TEE	1/1/1	
3	50104	FITTING – ELBOW 90° HYDRAULIC	1/1/1	
4	108268	FITTING – HYDRAULIC TEE	0/0/1	
5	30981	FITTING – ADAPTER HYD REDUCER 1/2 X 3/8	0/0/1	
6	30875	FITTING – ELBOW 45° HYDRAULIC	1/1/1	
7	135540	FITTING – FEMALE UNION HYD	1/1/1	
A	21069	NUT – TUBE 37° JIC 1/2 IN.		
B	7674	NUT – HEX JAM 3/4–16 UNF GR 5 ZP		

170.Kits available through Whole Goods only.

# 39 (Option) Combine Header Coupler Kit



1029766

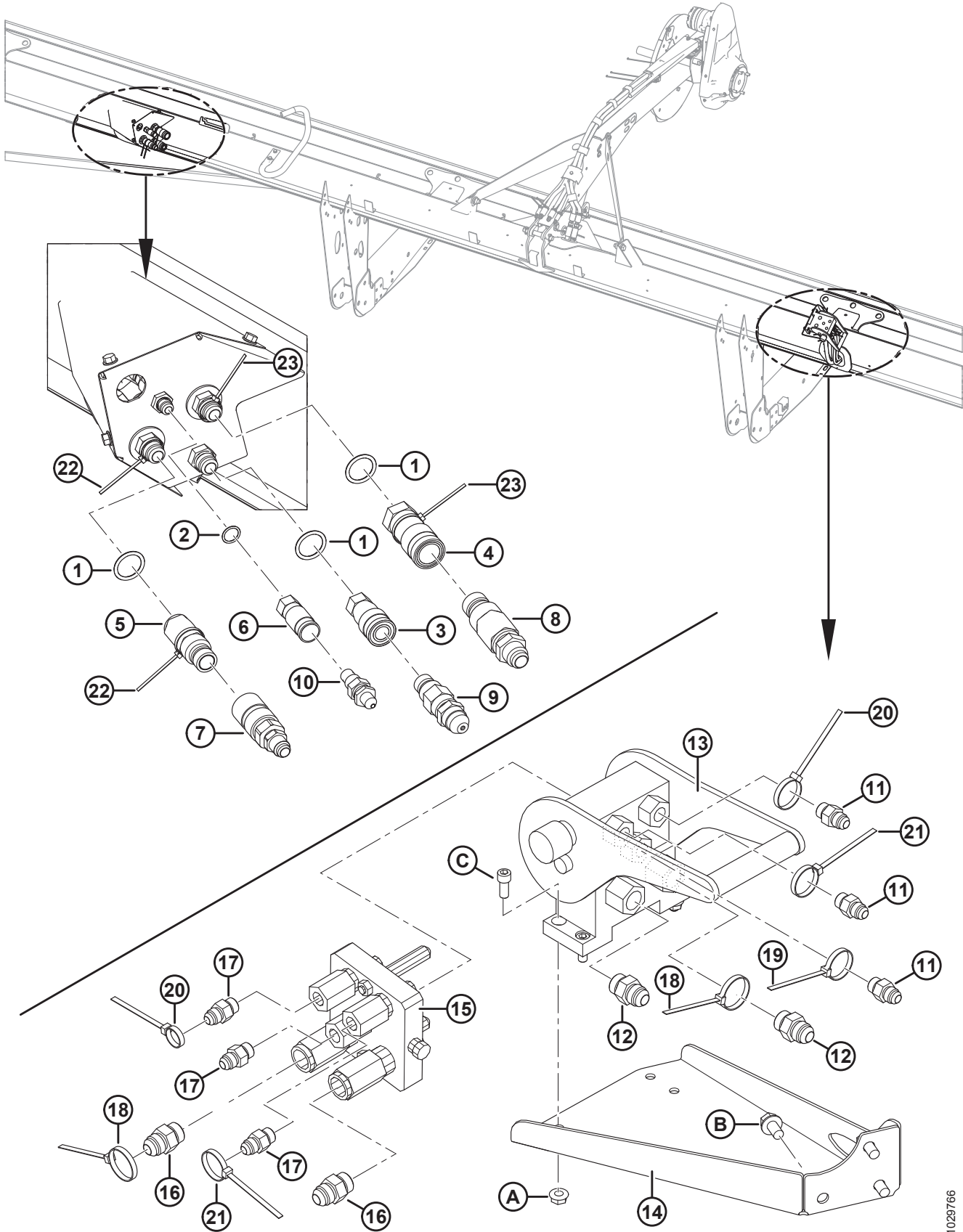


(OPTION) COMBINE HEADER COUPLER KIT

Ref	Part Number	Description	Qty	Serial Number
	B5747	KIT – HYDRAULIC QUICK COUPLER <sup>171</sup>		
1	30971	O-RING (SAE #12)	3	
2	44209	O-RING (SAE #8)	1	
3	135474	COUPLER – HYDRAULIC, 1/2 IN. FEMALE FF	1	
4	135565	COUPLER – FEMALE HYD. 3/4 IN. FLAT FACE	1	
5	135566	COUPLING – MALE HYD. 3/4 IN. FLAT FACE	1	
6	135312	COUPLER – FEMALE HYD. 3/8 IN. FLAT FACE	1	
7	135204	COUPLING – FEMALE HYD. 3/4 IN. FLAT FACE BULK.	1	
8	135205	COUPLING – MALE HYD. 3/4 IN. FLAT FACE BULK.	1	
9	135236	COUPLING – MALE HYD. 1/2 IN. FLAT FACE BULK.	1	
10	135237	COUPLER – MALE HYD. 3/8 IN. FLAT FACE BULKHEAD	1	
11	15903	FITTING – CONN 3/8 TUBE 37° FLARE X 9/16-18 ORB	3	
12	21030	FITTING – CONN 1/2 TUBE 37° FLARE X 3/4-16 ORB	2	
13	153151	COUPLING – MULTI (HEADER SIDE)	1	
	129800	KIT – COVER MULTI-COUPLER		
	129801	KIT – LATCH BUTTON CNH MULTI-COUPLER		
	129976	COUPLING – 1/4 IN.		
	129977	COUPLING – 3/8 IN.		
14	125553	HOLDER – REEL DRIVE MULTI-COUPLER	1	
15	135238	COUPLING – MULTI LINK (ADAPTER SIDE)	1	
	111981	SEAL KIT – 1/4 IN. COUPLER		
	111982	SEAL KIT – 3/8 IN. COUPLER		
	111983	KIT – SCREW		
	111984	KIT – DOWEL		
	111985	COUPLER – 3/8 IN. (LONG)		
	111986	COUPLER – 1/4 IN.		
	<b>294350</b>	<b>COUPLER – 3/8 IN. (SHORT)</b>		
16	135373	FITTING – HYD 8 ORB MALE X 8 JIC SVL FEMALE	2	
17	135015	FITTING – ADAPTER HYD	3	
18	40701	FASTENER – CABLE TIE (YELLOW)	2	
19	21763	FASTENER – CABLE TIE (BLACK)	2	
20	49227	FASTENER – CABLE TIE (GREEN)	2	
21	40702	FASTENER – CABLE TIE (RED)	2	

171.Kits available through Whole Goods only.

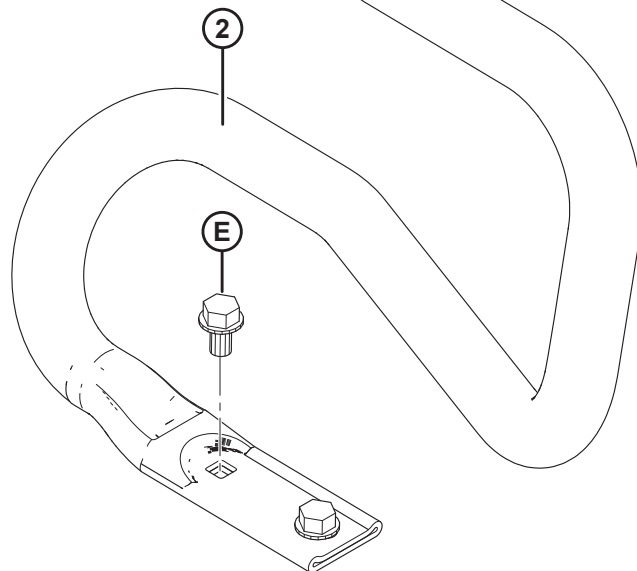
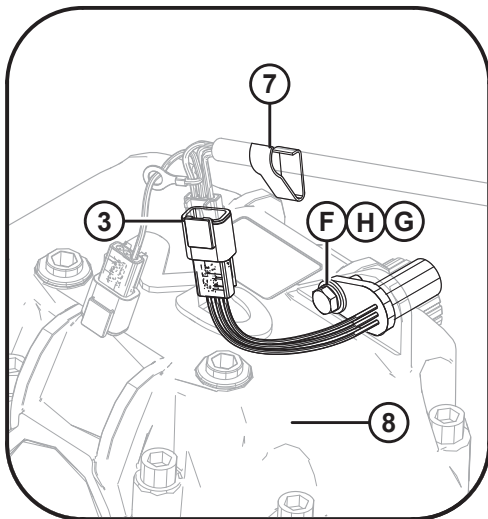
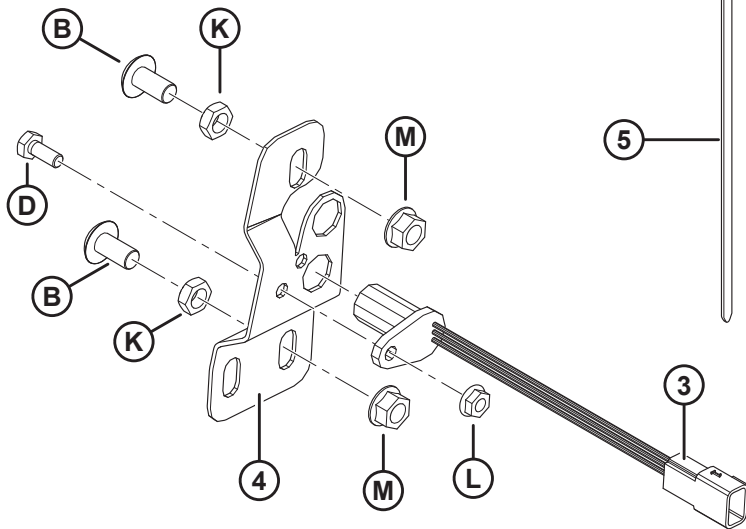
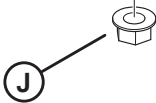
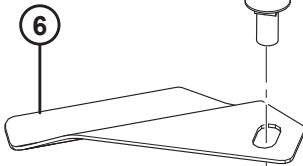
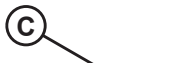
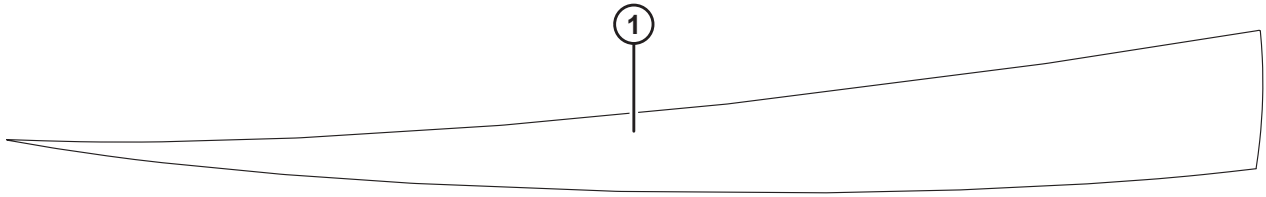
(OPTION) COMBINE HEADER COUPLER KIT



(OPTION) COMBINE HEADER COUPLER KIT

<b>Ref</b>	<b>Part Number</b>	<b>Description</b>	<b>Qty</b>	<b>Serial Number</b>
22	40703	FASTENER – CABLE TIE (BLUE)	2	
23	40704	FASTENER – CABLE TIE (ORANGE)	2	
A	30280	NUT – FLG SIDE LK SMTH FACE 5/16 NC GR 5 ZP		
B	101898	SCREW – HEX WASH HD THD ROLLING 3/8 NC X 5/8		
C	135397	BOLT – SOCKET HD HEX 5/16 NC X 3/4		

# 40 (Option) D65 Completion Package for Windrowers

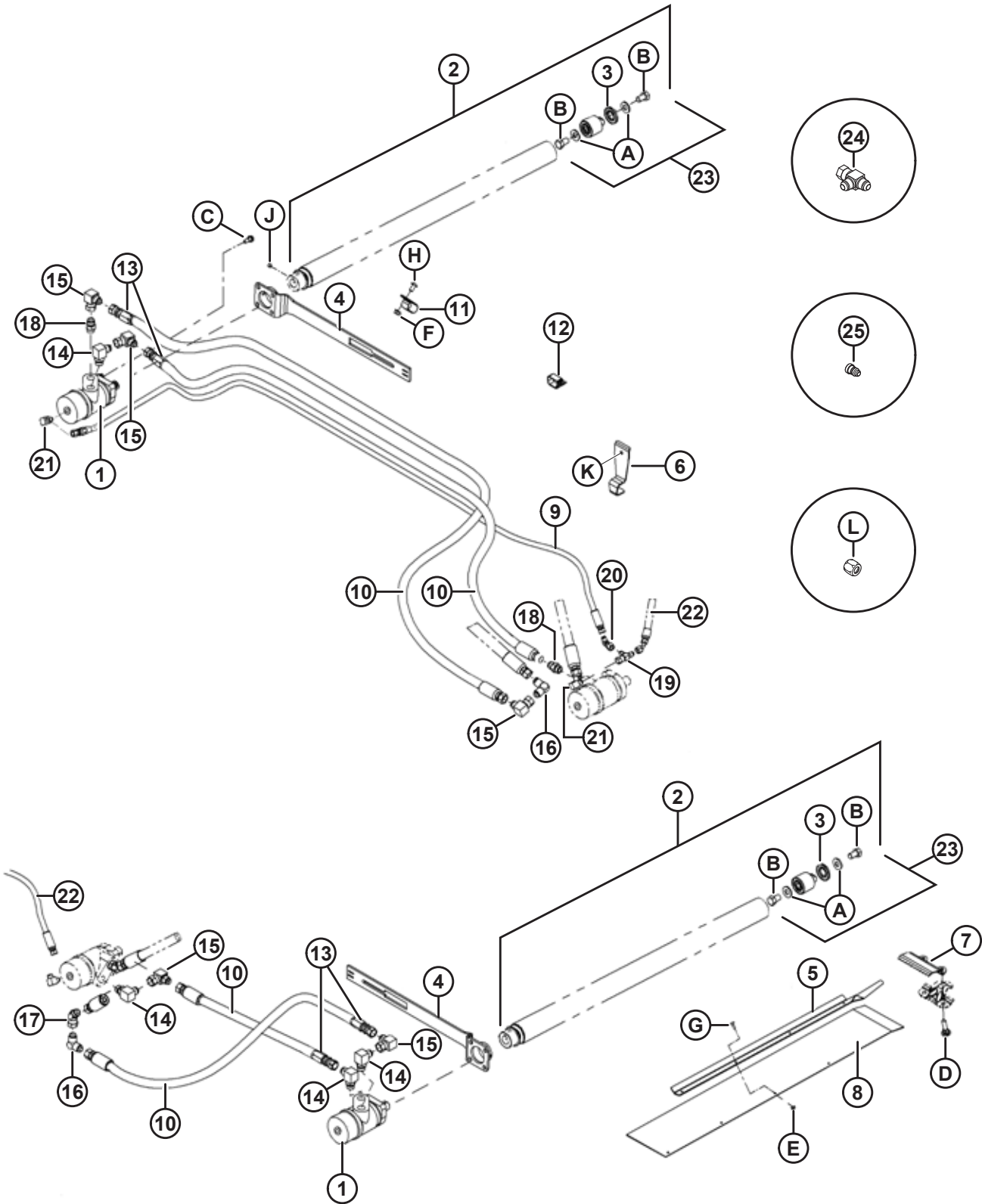


(OPTION) D65 COMPLETION PACKAGE FOR WINDROWERS

Ref	Part Number	Description	Qty	Serial Number
1	123763	DECAL – STRIPE, RED LH	1	
	123764	DECAL – STRIPE, RED RH	1	
2	220758	GUIDE – HOSE, KNIFE DRIVE	1	
3	143875	SENDER – SPEED	2	
4	137509	SUPPORT – SWATHER SPEED SENSOR	1	
5	21763	FASTENER – CABLE TIE (BLACK)	1	
6	172142	HOLDER – WIRING HARNESS	1	
7	21218	CLIP – WIRING	5	
8	REF	DRIVE – WOBBLE BOX <sup>172</sup>		
A	21055	SCREW – SELF TAP HEX WASH HD 1/4 NC X 1/2		
B	135157	SCREW – MACHINE		
C	21863	BOLT – RHSSN 3/8 NC X 0.75 LG GR 5 ZP		
D	21572	BOLT – HEX HD 1/4 NC X 0.625 LG GR 5 ZP		
E	101898	SCREW – HEX WASH HD THD ROLLING 3/8 NC X 5/8		
F	109089	BOLT – HH 1/4 NF X 0.75 GR 5 ZP		
G	18596	WASHER – SAE FLAT 9/32 I.D. X 5/8 IN. O.D. ZP		
H	18635	WASHER – REG. LOCK 1/4 IN. NOM. I.D. ZP		
J	30228	NUT – FLG DT SMOOTH FACE 0.375-16 UNC		
K	18664	NUT – HEX JAM 3/8-16 UNC GR 5 ZP		
L	21455	NUT – FLG (SER FACE) 1/4 NC GR 5 ZP		
M	21452	NUT – FLANGE (SER. FACE) .375-16 UNC		

172. Illustrated for reference only.

# 41 (Option) Double Draper Drive



(OPTION) DOUBLE DRAPER DRIVE

**NOTE:**

For headers with both Upper Cross Auger and Double Draper Drive kits installed, an additional hydraulic kit (MD #B5606) is required. Refer to Section 45 (Option) Hydraulic Kit for Headers with Upper Cross Auger and Double Draper Drive, page 161.

Ref	Part Number	Description	Qty	Serial Number
	B6154	KIT – DOUBLE DRAPER DRIVE <sup>173</sup>		
1	220936	MOTOR – HYD DANFOSS 2.44 CI	2	
	220944	SEAL KIT	2	
2	<b>255410</b>	<b>DRIVE ROLLER ASSY <sup>174</sup></b>	<b>2</b>	
	<b>132451</b>	<b>SCREW – SET HEX SOCKET KNURL CUP PT 3/8 NC X 3/8 LG</b>		
3	120845	SEAL – NILOS LSTO STEEL DISK	2	
4	255431	ARM – WELDT	2	
5	174695	SUPPORT	1	
6	174697	CLAMP	8	
7	174706	RETAINER – DEFLECTOR	1	
8	174707	DEFLECTOR – RUBBER	1	
9	174708	HOSE – HYD	1	
10	174709	HOSE – HYD	4	
11	50022	CLAMP – INSULATED 15/16 IN.	4	
12	135443	FASTENER – CINCH STRAP 4 IN. LG	8	
13	174710	FITTING – REUSABLE HOSE END <sup>175</sup>	4	
14	21843	FITTING – ELBOW 90° HYD	4	
15	30556	FITTING – ELBOW 90° HYD	5	
16	30557	FITTING – ELBOW 90° HYD	2	
17	135434	FITTING – ELBOW 45° SWIVEL SAE	1	
18	30695	FITTING – CONNECTOR HYD	2	
19	30873	FITTING – HYD TEE	2	
20	30875	FITTING – ELBOW 45° HYD	4	
21	50104	FITTING – ELBOW 90° HYD	2	
22	220841	HOSE – HYD	1	
23	165735	PIN ASSY – DRAPER ROLLER	2	
	132607	BEARING – DOUBLE ROW BALL 52 O.D. X 25 BORE		
24	108268	FITTING – HYD TEE <sup>176</sup>	1	
25	30981	FITTING – ADAPTER HYD REDUCER 1/2 X 3/8 <sup>177</sup>	1	

173. Kits available through Whole Goods only.

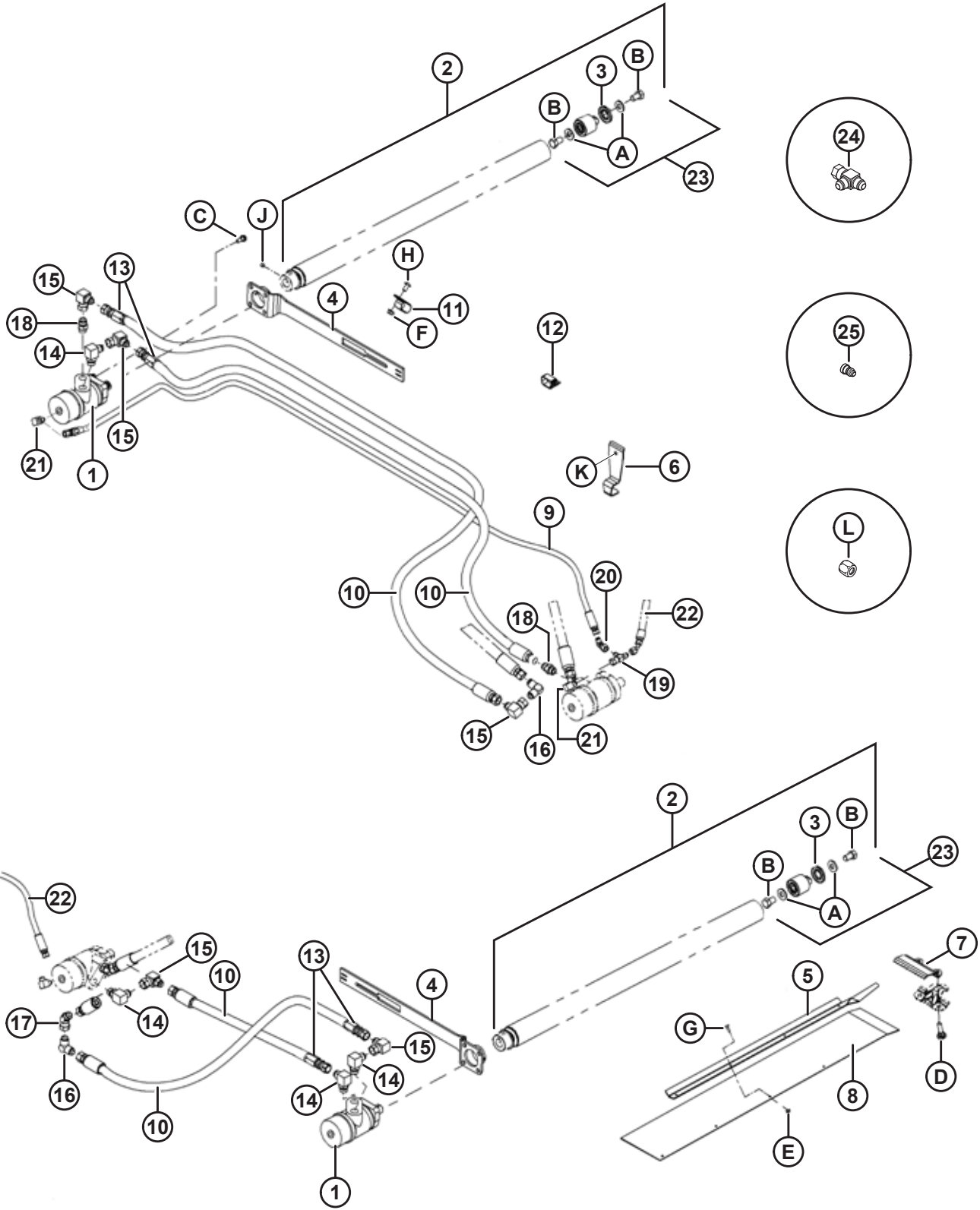
174. Includes two set screws (MD #132451), steel disk seal (MD #120845), and draper roller pin assembly (MD #165735).

175. Provided with hose (MD #174709).

176. Only used with M105 or M155 Self-Propelled Windrowers.

177. Only used on timed double-knife headers with M105 or M155 Self-Propelled Windrowers.

(OPTION) DOUBLE DRAPER DRIVE

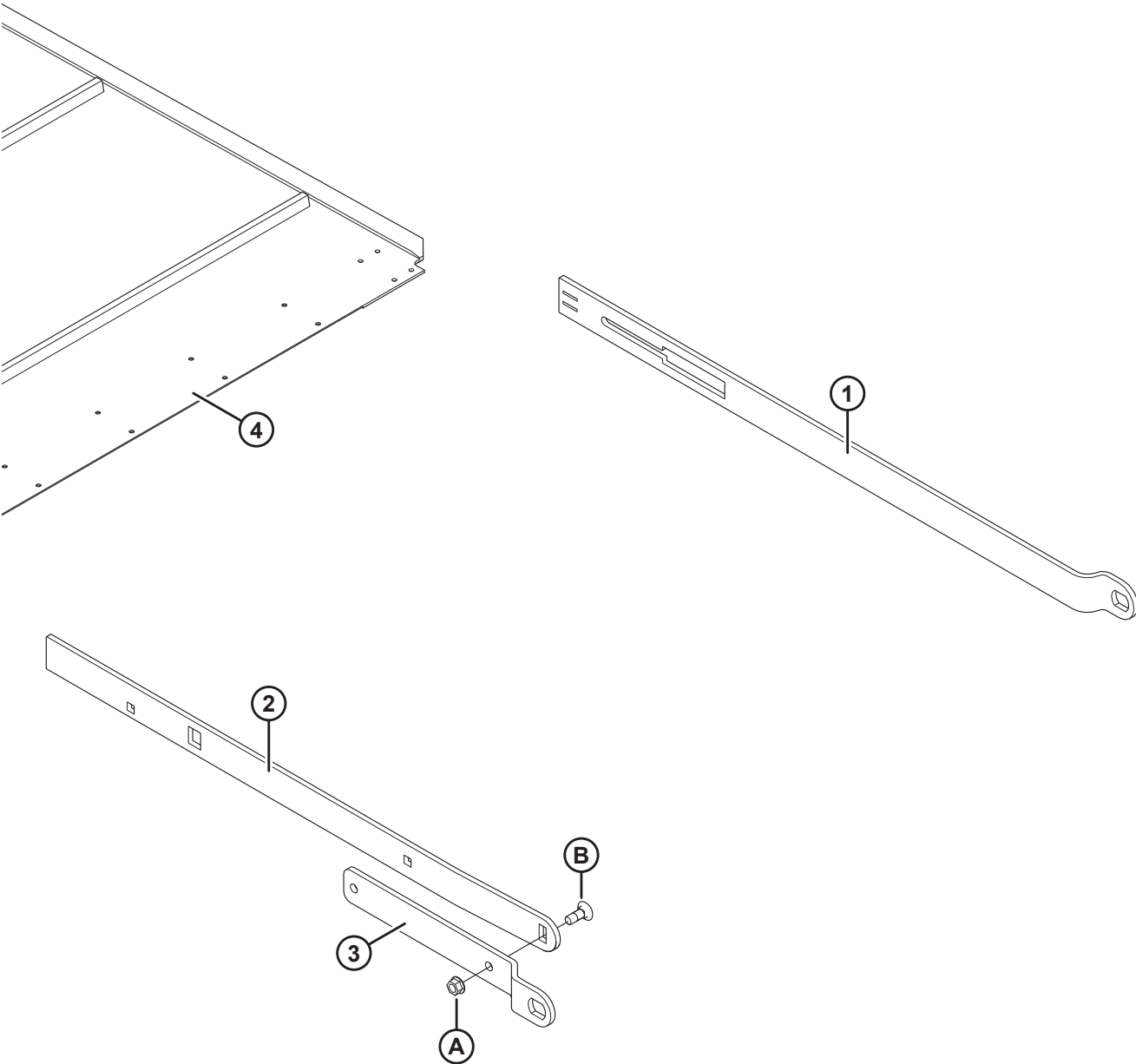




(OPTION) DOUBLE DRAPER DRIVE

Ref	Part Number	Description	Qty	Serial Number
A	30441	WASHER – HARDENED		
B	145249	BOLT – HH 5/8 NF X 1.0 LG GR 5 ZP		
C	172259	BOLT – SHOULDER .375-16 UNC		
D	120639	BOLT – RHSN SPECIAL 7/16 NC X 1.75 LG GR 5 ZP		
E	30669	NUT – CSK CENTER LOCK #12-24 NC		
F	30228	NUT – FLANGE DT SMOOTH FACE 0.375-16 UNC		
G	30696	SCREW – BHRN #12-24 NC X 0.67 IN. LG		
H	135157	SCREW – MACHINE		
J	132451	SCREW – SET HEX SKT KNURL CUP 3/8 NC X 3/8 LG		
K	21863	BOLT – RHSSN 3/8 NC X 0.75 LG GR 5 ZP		
L	21069	NUT – TUBE 37° JIC 1/2 IN. <sup>177</sup>		

# 42 (Option) Draper Extension Kit



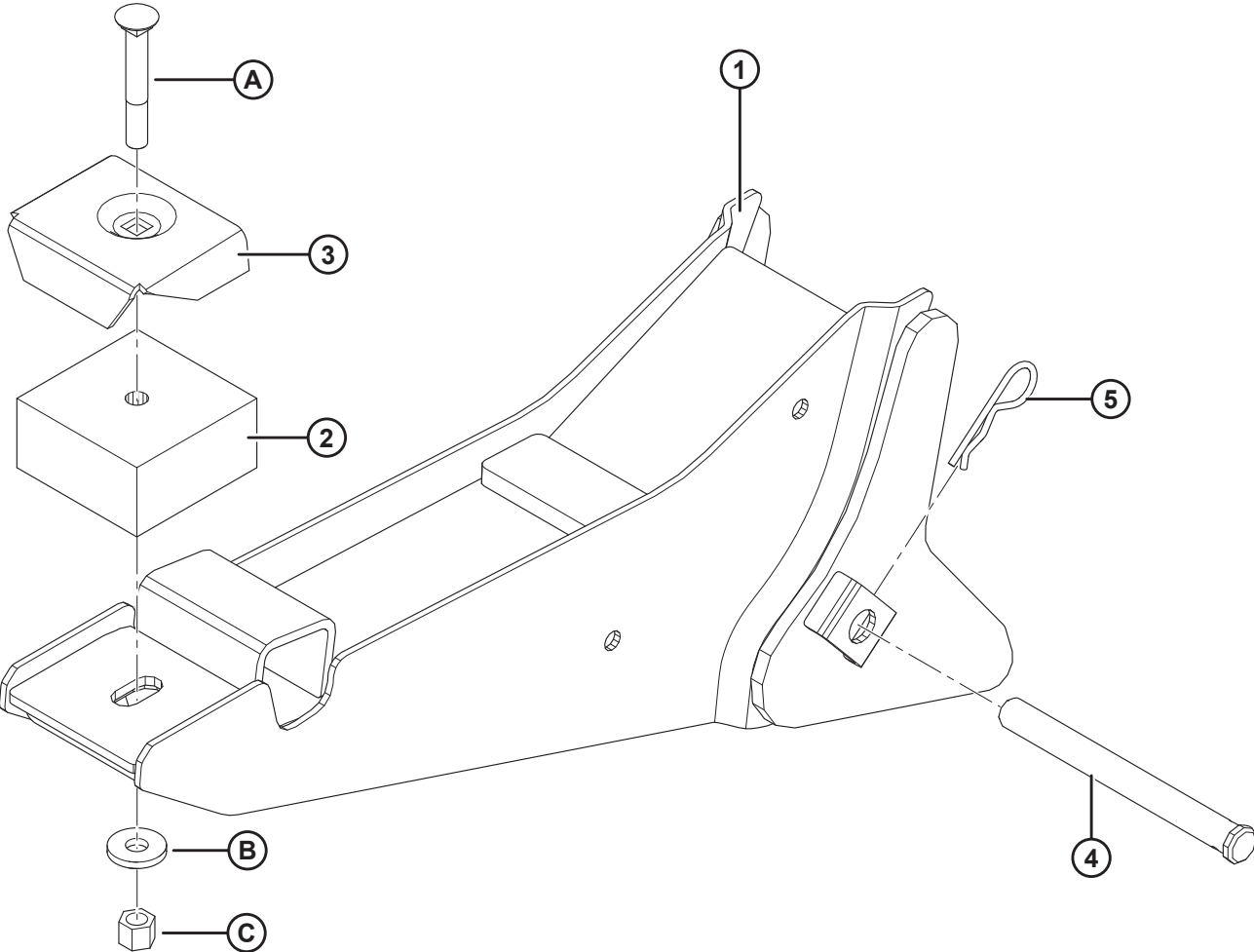
(OPTION) DRAPER EXTENSION KIT

Ref	Part Number	Description	Qty	Serial Number
	B5407	KIT – DRAPER EXTENSION <sup>178</sup>	1	
1	174528	ARM – REAR SUPPORT	2	
2	174559	ARM – INNER ROLLER SUPPORT	2	
3	174560	ARM – OUTER ROLLER SUPPORT	2	
4	220641	DRAPER – REPAIR KIT	2	
A	30228	NUT – FLANGE DT SMOOTH FACE 0.375-16 UNC		
B	19965	BOLT – RHSN 3/8 NC X 1.0 GR 5 ZP		

---

178.Kits available through Whole Goods only.

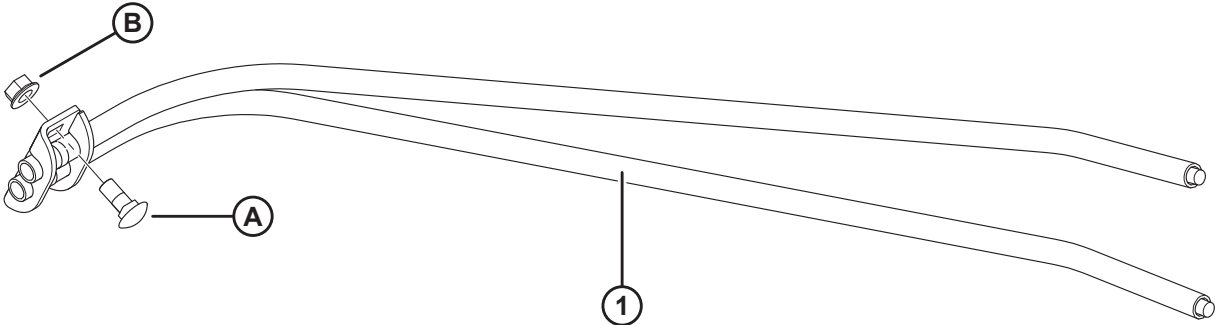
# 43 (Option) Draper Header Supports (Boots for M Series)



(OPTION) DRAPER HEADER SUPPORTS (BOOTS FOR M SERIES)

Ref	Part Number	Description	Qty	Serial Number
1	163088	SUPPORT – DRAPER HEADER, WELDT	2	
2	42498	PAD – RUBBER	2	
3	44575	SUPPORT	2	
4	135408	PIN – CLEVIS	2	
5	13125	PIN – HAIR	2	
A	30849	BOLT – RHSN 1/2 NC X 3.5 LG GR 5 ZP		
B	4761	WASHER – FLAT		
C	21389	NUT – HEX LOCK .500-13 UNC		

# 44 (Option) End Swath Deflector Rods



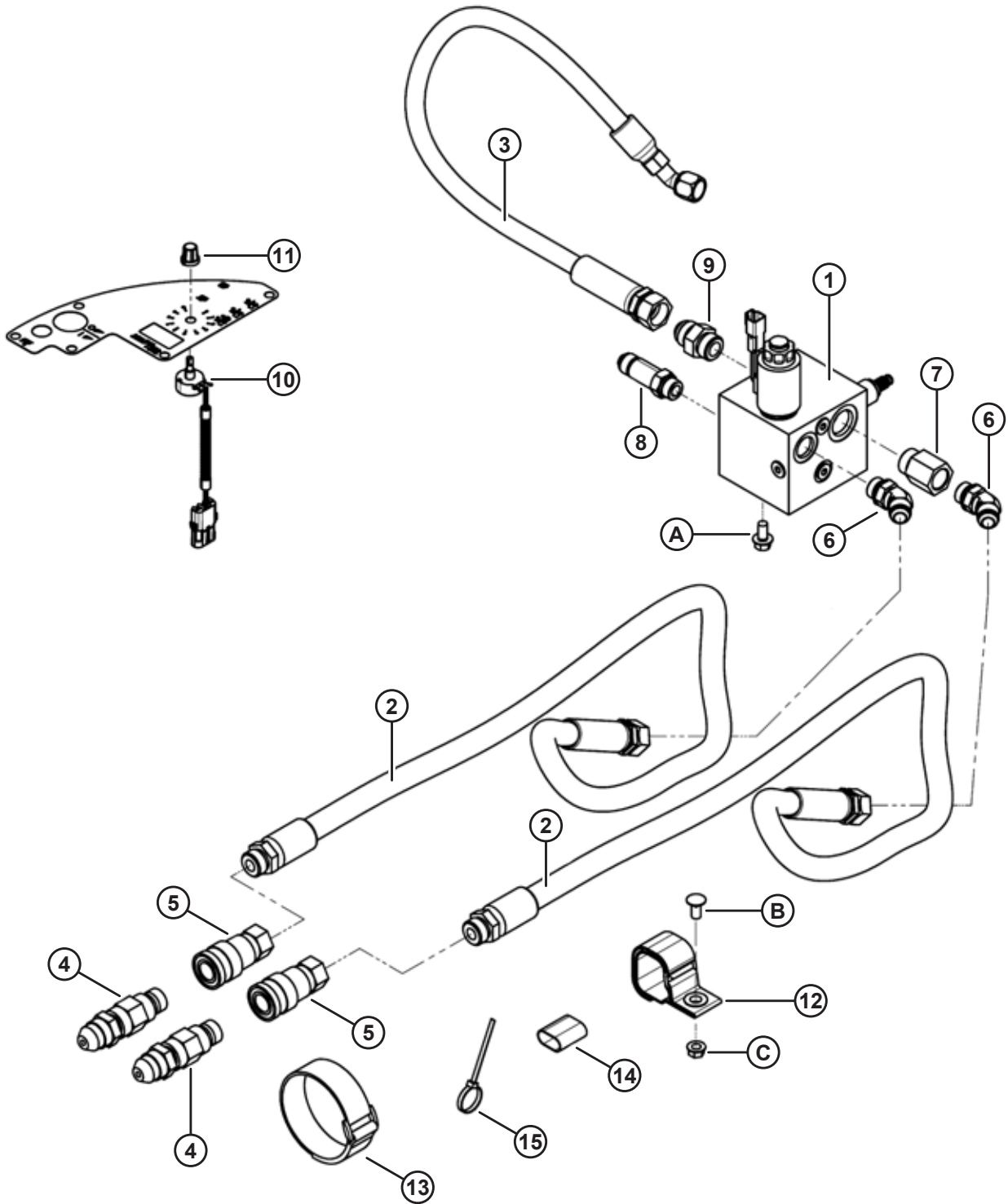
(OPTION) END SWATH DEFLECTOR RODS

Ref	Part Number	Description	Qty	Serial Number
	B5088	KIT – SWATH DEFLECTOR ROD LH <sup>179</sup>		
	B5089	KIT – SWATH DEFLECTOR ROD RH <sup>179</sup>		
1	120645	DOUBLE SWATH DEFLECTOR ROD WELDT – LH	1	
	120648	DOUBLE SWATH DEFLECTOR ROD WELDT – RH	1	
A	21471	BOLT – RHSN 1/2 NC X 1.25 GR 5 ZP		
B	50186	NUT – FLG LOCK SM FACE DT 0.500-13 UNC GR 5		

---

179.Kits available through Whole Goods only.

# 45 (Option) Hydraulic Kit for Headers with Upper Cross Auger and Double Draper Drive



1000313

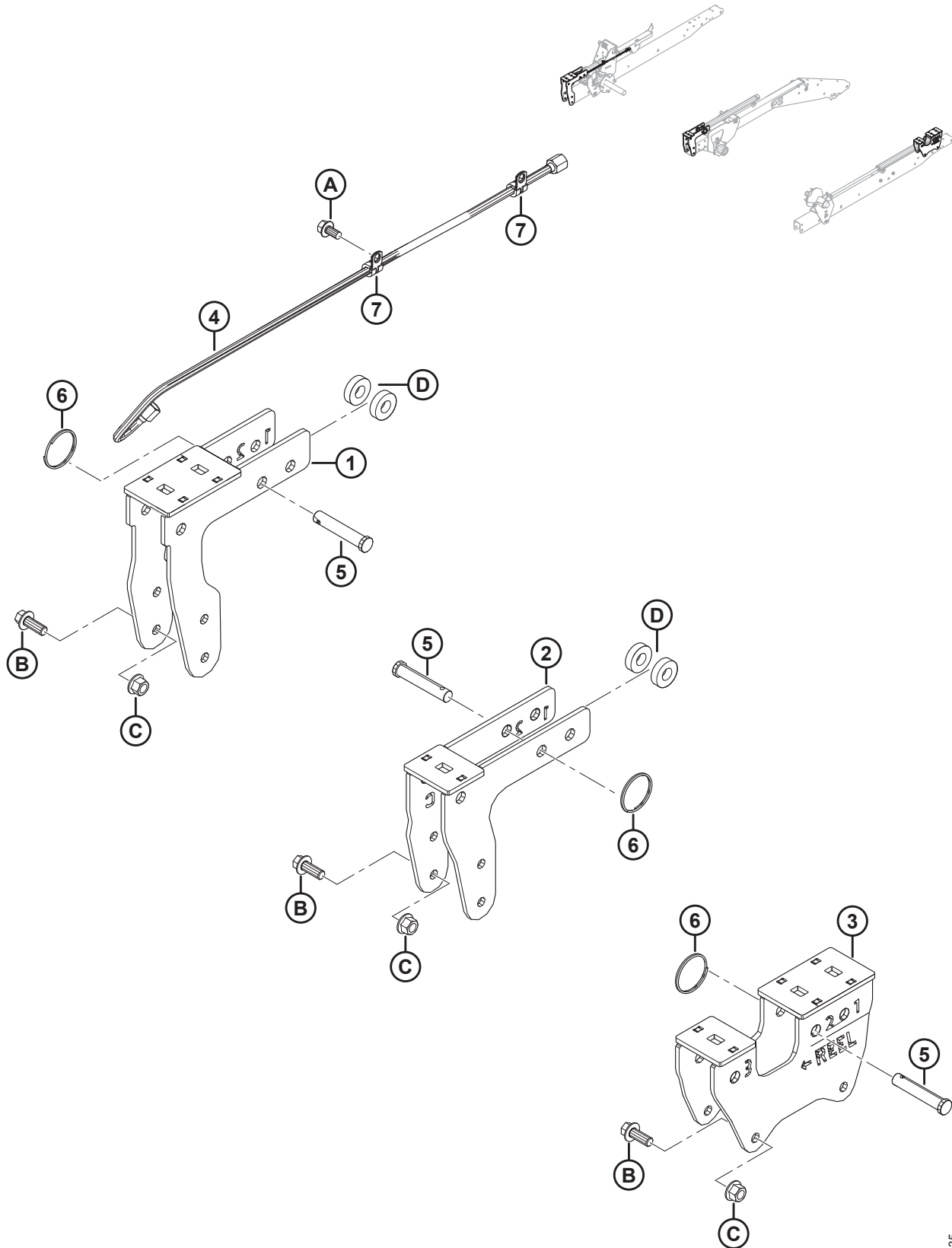


**(OPTION) HYDRAULIC KIT FOR HEADERS WITH UPPER CROSS AUGER AND DOUBLE DRAPER DRIVE**

Ref	Part Number	Description	Qty	Serial Number
	B5606	KIT – HYDRAULIC, UPPER CROSS AUGER <sup>180</sup>		
1	139508	MANIFOLD – DRIVE	1	
	49846	SEAL KIT		
	100577	PLUG		
	139542	VALVE – RELIEF		
	158174	PLUG		
	163149	FITTING – ZERO LEAK GOLD		
	<b>167763</b>	<b>FITTING – ZERO LEAK GOLD</b>		
	163166	CONTROL – PROPORTIONAL FLOW		
	163167	SENSE CHECK KIT		
	163173	COIL		
	163178	SEAL KIT		
	162283	VALVE – DIFF PRESS SENSING		
	162284	SEAL KIT		
	163168	PLUG ORIFICE		
	162287	PLUG ORIFICE		
2	220090	HOSE – HYDRAULIC	2	
3	144807	HOSE – HYDRAULIC	1	
4	135236	COUPLING – MALE HYD. 1/2 IN. FLAT FACE BULKHEAD	2	
5	135474	COUPLER – HYDRAULIC, 1/2 IN. FEMALE FF	2	
6	50103	FITTING – ELBOW 45° HYD, C/W O-RING	2	
7	135660	FITTING – ADAPTER HYD	1	
8	135848	FITTING – ADAPTER LONG	1	
9	21830	FITTING – CONNECTOR HYD	1	
10	109718	GAUGE – POTENTIOMETER C/W HARDWARE	1	
11	138691	KNOB – SPEED CONTROL	1	
12	163598	STRAP – VELCRO, HANGING	3	
13	135981	FASTENER – VELCRO STRAP 305 MM	2	
14	135443	FASTENER – CINCH STRAP 4 IN. LG	4	
15	40702	FASTENER – CABLE TIE (RED)	2	
A	21821	BOLT – HH FLG (SER FACE) 3/8 NC X 3/4, GR 5 ZP		
B	21863	BOLT – RHSSN 3/8 NC X 3/4, GR 5 ZP		
C	30228	NUT – FLANGE DT SMOOTH FACE 3/8-16 UNC		

180.Kits available through Whole Goods only.

# 46 (Option) Multi-Crop Rapid Reel Conversion Kit

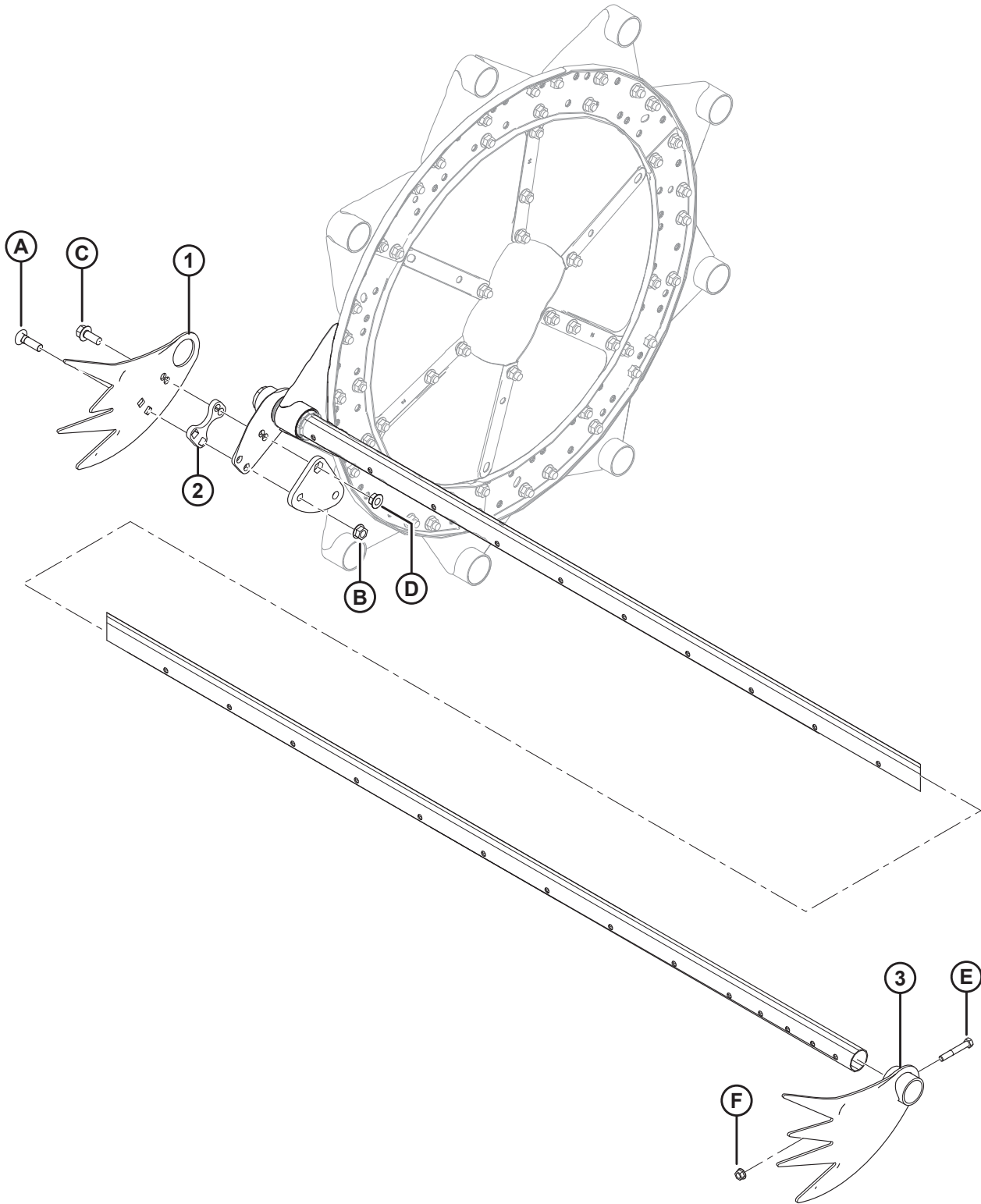


(OPTION) MULTI-CROP RAPID REEL CONVERSION KIT

Ref	Part Number	Description	Qty	Serial Number
	<b>B6590</b>	<b>KIT – MULTI-CROP RAPID REEL CONVERSION</b> <sup>181</sup>		
1	<b>294598</b>	<b>BRACKET – RH CAM BRACKET</b>	<b>1</b>	
2	<b>294601</b>	<b>BRACKET – CENTER CAM BRACKET</b>	<b>1</b>	
3	<b>294599</b>	<b>BRACKET – LH CAM BRACKET</b>	<b>1</b>	
4	245362	HOSE – HYD, 0.25 IN. I.D., 950 MM LG, 100R17, METAL REIN.	1	
5	18624	PIN – CLEVIS, 15.71 MM, 70 MM, ZN PL	3	
6	118137	RING – EXTERNAL, 2 INCH, .087	3	
7	135233	CLAMP – DOUBLE HOSE INSULATED	2	
A	101898	SCREW – HEX WASH HD THD ROLLING 3/8 NC X 5/8		
B	148798	BOLT – HEX FLG HD M12 X 1.75 X 30-10.9-A3L		
C	136431	NUT – HEX FLG CTR LOC M12 X 1.75-10-A3L		
D	<b>40915</b>	<b>WASHER – FLAT</b>		

181.Kit required to reduce the time needed to change the reel position from current location to the rapeseed/canola position. Intended for our Western European and North American markets, where straight-cut canola applications are required. Includes all listed parts and instructions. Kits available through Whole Goods only.

# 47 (Option) Pick-Up Reel-End Fingers Kit

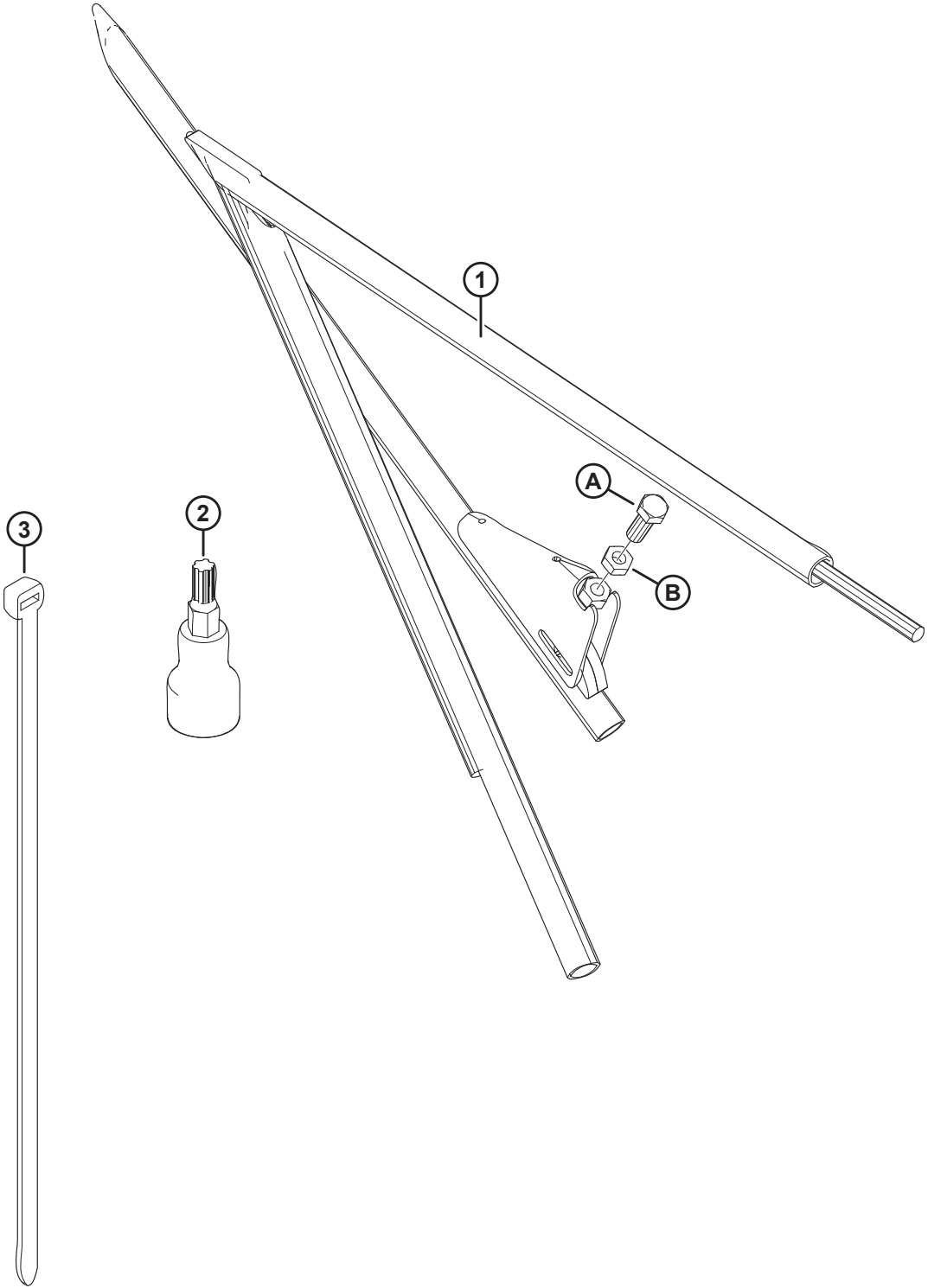


(OPTION) PICK-UP REEL-END FINGERS KIT

Ref	Part Number	Description	Qty	Serial Number
	B4831	KIT – PICK-UP REEL, END FINGERS <sup>182</sup>		
1	137794	FINGER – LODGED CROP, CAM END	3	
2	137795	SHIM – LODGED CROP FINGER	3	
3	137924	FINGER – LODGED CROP, TAIL END	3	
A	30515	BOLT – RHSN, 1/2 NC X 1-3/4, GR 5		
B	50186	NUT – LOCK, SMOOTH FLANGE, 1/2 NC DT		
C	30368	BOLT – FLANGE HEAD 1/2 NC X 1-1/4 GR 5		
D	21383	NUT – SERATED FLANGE LOCK, 1/2 NC		
E	21102	BOLT – HEX HD 3/8 NC X 2-1/2 GR 5		
F	30228	NUT – LOCK, SMOOTH FLG, 3/8 NC, DT		

182.Kits available through Whole Goods only.

# 48 (Option) Rice Divider Rods



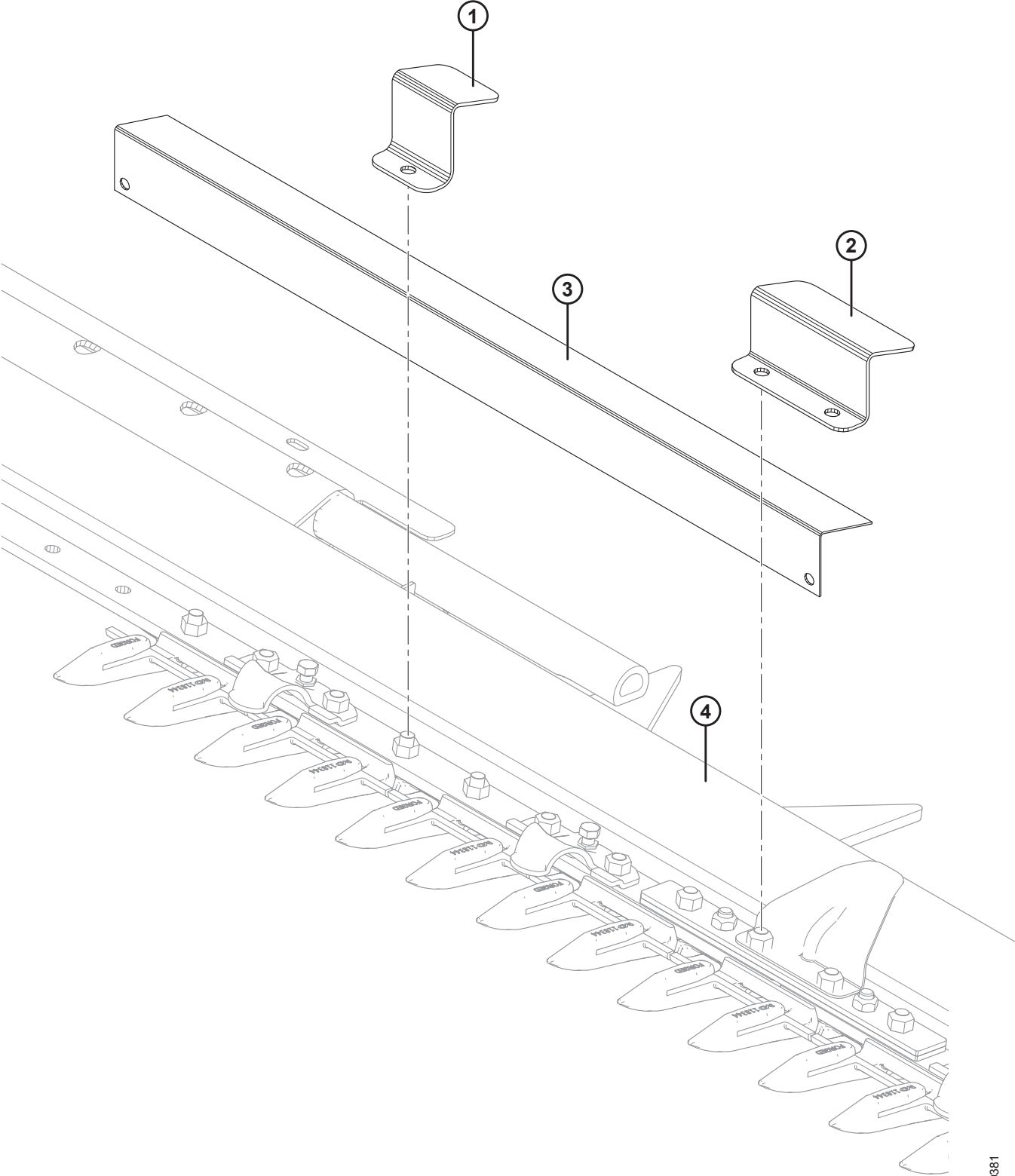
(OPTION) RICE DIVIDER RODS

Ref	Part Number	Description	Qty	Serial Number
	B5609	KIT – RICE DIVIDER RODS <sup>183</sup>		
1	123681	DIVIDER – RICE LH TUBE WELDT	1	
	123682	DIVIDER – RICE RH TUBE WELDT	1	
2	164009	SOCKET – TORX PLUS IP 27	1	
3	21763	FASTENER – CABLE TIE, 160 MM LG, BLACK	1	
A	172875	SCREW – SET		
B	21056	NUT – HEX JAM 1/2-13 UNC GR 5 ZP		

---

183.Kits available through Whole Goods only.

# 49 (Option) Rock Retarder Kit



1009381



(OPTION) ROCK RETARDER KIT

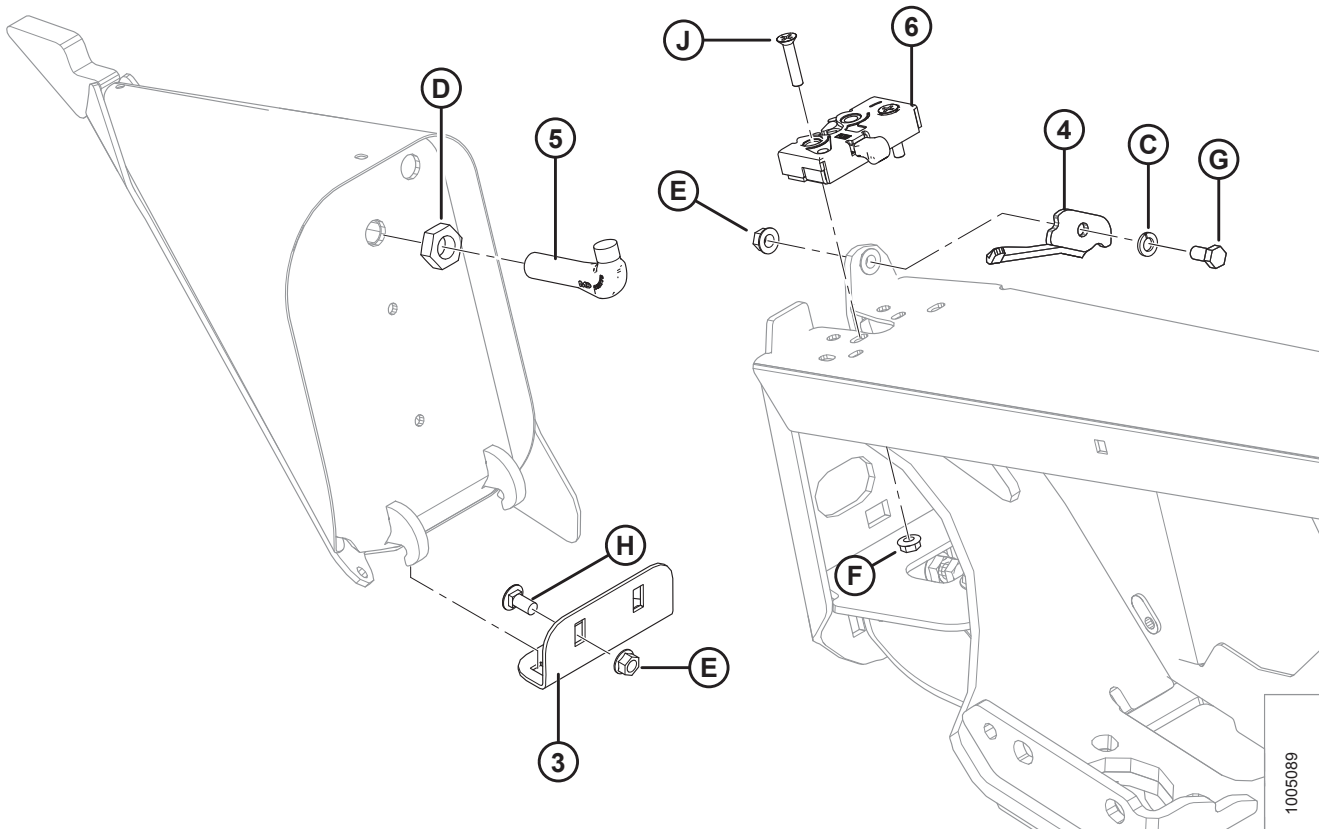
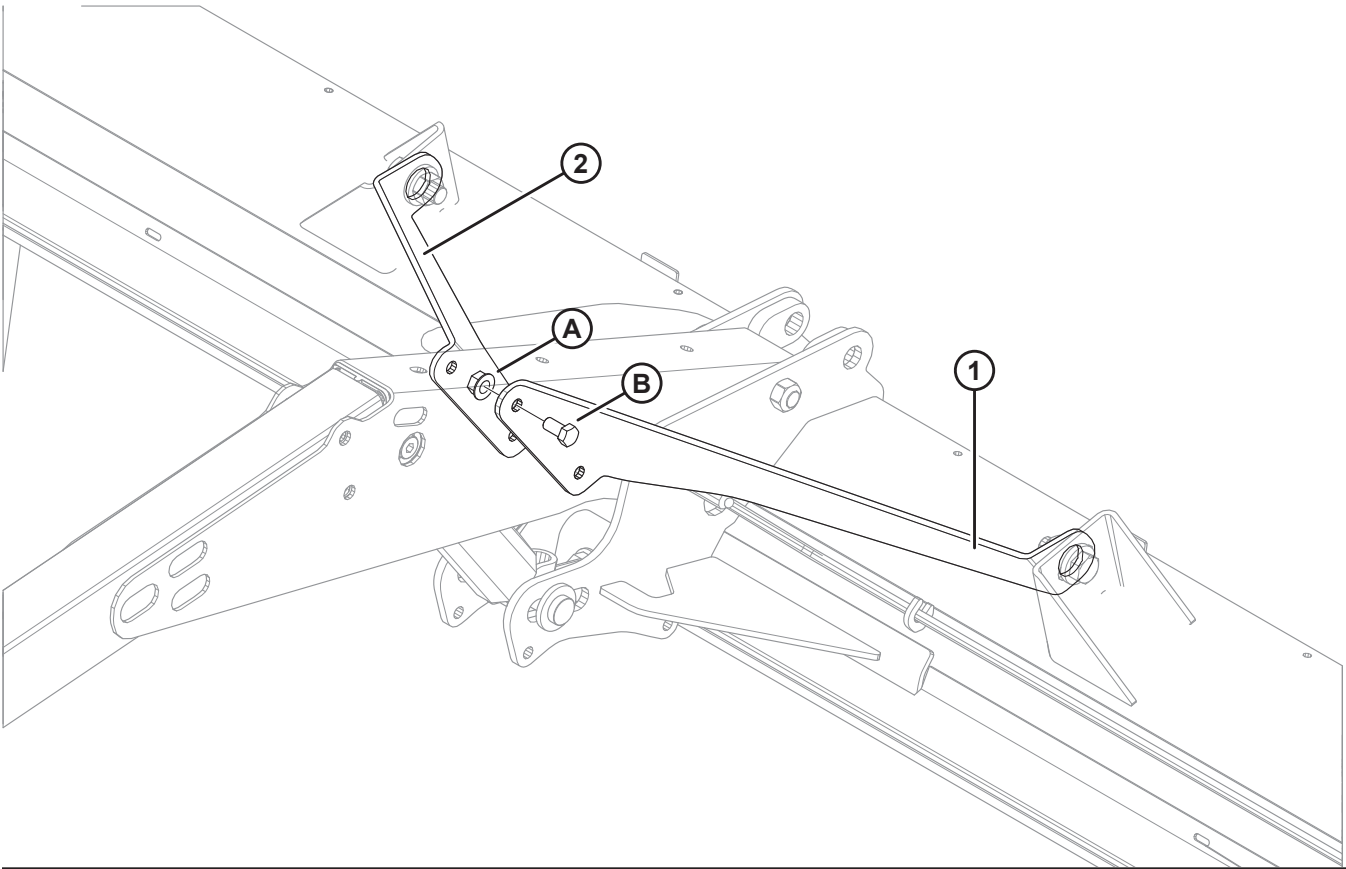
Ref	Part Number	Description	Qty	Serial Number
	B5084	KIT – ROCK RETARDER (30–35 FT HEADER) <sup>184</sup>		
	B5085	KIT – ROCK RETARDER (40–45 FT HEADER) <sup>184</sup>		
1	129577	SUPPORT – ROCK RETARDER CLAMP <sup>185</sup>		
2	129578	SUPPORT – ROCK RETARDER CLAMP <sup>186</sup>	2	
3	129581	SUPPORT – ROCK RETARDER, 990 MM LONG	3	
	129582	SUPPORT – ROCK RETARDER, 913 MM LONG	4	
	129584	SUPPORT – ROCK RETARDER, 888 MM LONG	2	
	129589	SUPPORT – ROCK RETARDER, 1066 MM LONG	2	
4	REF	CUTTERBAR		

184. Kits available through Whole Goods only.

185. Quantities: 30–35 ft. = 32, 40–45 ft. = 40.

186. For use at flex joint.

# 50 (Option) Short Brace Kit for Center Reel Arm / Divider Latches



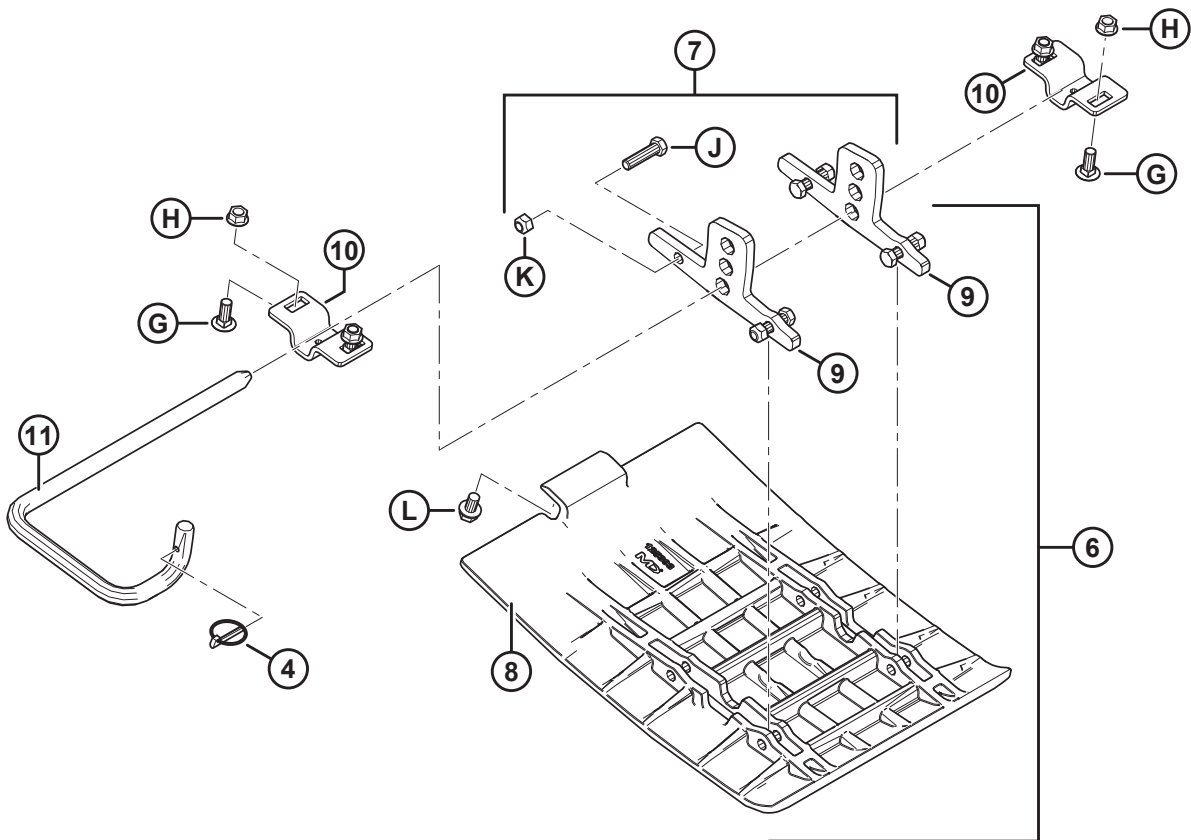
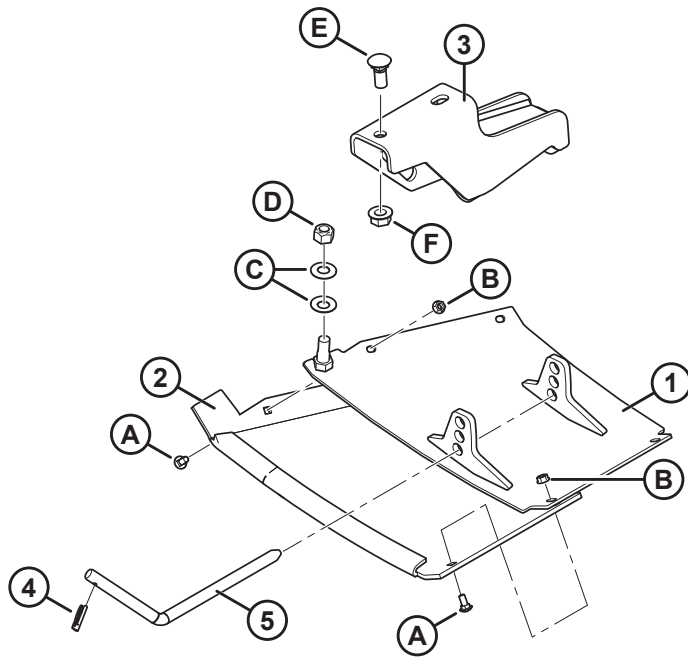
(OPTION) SHORT BRACE KIT FOR CENTER REEL ARM / DIVIDER LATCHES

Ref	Part Number	Description	Qty	Serial Number
	B5605	KIT – SHORT BRACE FOR CENTER REEL ARM <sup>187</sup>		
1	164825	BRACE – SHORT LH	1	
2	164800	BRACE – SHORT RH	1	
A	50186	NUT – FLANGE LOCK SM FACE DT 0.500-13 UNC GR 5		
B	21575	BOLT – HH 1/2 NC X 1.0 LG GR 5 ZP		
	B5607	KIT – DIVIDER LATCHES <sup>187</sup>		
3	132403	ANGLE – DIVIDER, STORAGE <sup>188</sup>	2	
4	132248	LATCH – LH, DIVIDER SAFETY	1	
	132253	LATCH – RH, DIVIDER SAFETY	1	
5	132773	HOOK – DIVIDER LATCH	2	
6	120932	LATCH – LH	1	
	120933	LATCH – RH	1	
C	18637	WASHER – REG. LOCK 3/8 IN. NOM. I.D. ZP		
D	7674	NUT – HEX JAM 3/4-16 UNF GR 5 ZP		
E	30228	NUT – FLANGE DT SMOOTH FACE 0.375-16 UNC		
F	30280	NUT – FLG SIDE LK SMTH FACE 5/16 NC GR 5 ZP		
G	21567	BOLT – HEX HD .375-16 UNC X 0.75 LG		
H	21863	BOLT – RHSSN 3/8 NC X 0.75 LG GR 5 ZP		
J	30504	SCREW – FLAT CSK MACH 5/16 NC X 1-1/2 LG GR 5 ZP		

187. Kits available through Whole Goods only.

188. Refer to Section 1 *Header Frame, Dividers, and Shields, page 1*, for mounting position on header endsheet.

# 51 (Option) Skid Shoes – End and Center



(OPTION) SKID SHOES – END AND CENTER

Ref	Part Number	Description	Qty	Serial Number
	B4963	KIT – OUTER SKID SHOE <sup>189</sup>		
	B5615	KIT – INNER SKID SHOE <sup>189</sup>		
1	172133	SHOE – LH, WELDT	1	
	172134	SHOE – RH, WELDT	1	
2	165188	SHOE – LH PLASTIC WEAR	1	
	165386	SHOE – RH PLASTIC WEAR	1	
3	165727	SUPPORT – OUTER SHOE WELDT	2	
4	50193	PIN – LYNCH	4	
5	165722	ROD – ENGAGING	2	
6	245396	KIT – SHOE CENTER <sup>190</sup>	4	
7	245397	KIT – SHOE CENTER HARDWARE <sup>191</sup>	A/R	
8	125393	SHOE – CENTER (POLY ONLY)	4	
9	NSS	LUG <sup>192</sup>	2	
10	165429	BRACKET – SHOE SUPPORT	4	
11	165168	ROD – ENGAGING LH	1	
	165588	ROD – ENGAGING RH	1	
A	21281	BOLT – RHSN 5/16 NC X 0.75 GR 5 ZP		
B	21403	NUT – FLG (SER FACE) 5/16 NC GR 5 ZP		
C	135448	WASHER – BELLEVILLE		
D	18666	NUT – HEX LOCK DT 5/8-11 UNC ZP		
E	18523	BOLT – RHSN 5/8 NC X 1.5 GR 5 ZP		
F	50225	NUT – FLANGE DT SMOOTH FACE .625-11 UNC		
G	19965	BOLT – RHSN 3/8 NC X 1.0 GR 5 ZP		
H	30228	NUT – FLANGE DT SMOOTH FACE 0.375-16 UNC		
J	21561	BOLT – HH 3/8 NC X 1.5 LG GR 5 ZP		
K	18669	NUT – HEX LOCK DT 3/8-16 UNC ZP		
L	101898	SCREW – HEX WASH HD THD ROLLING 3/8 NC X 5/8		

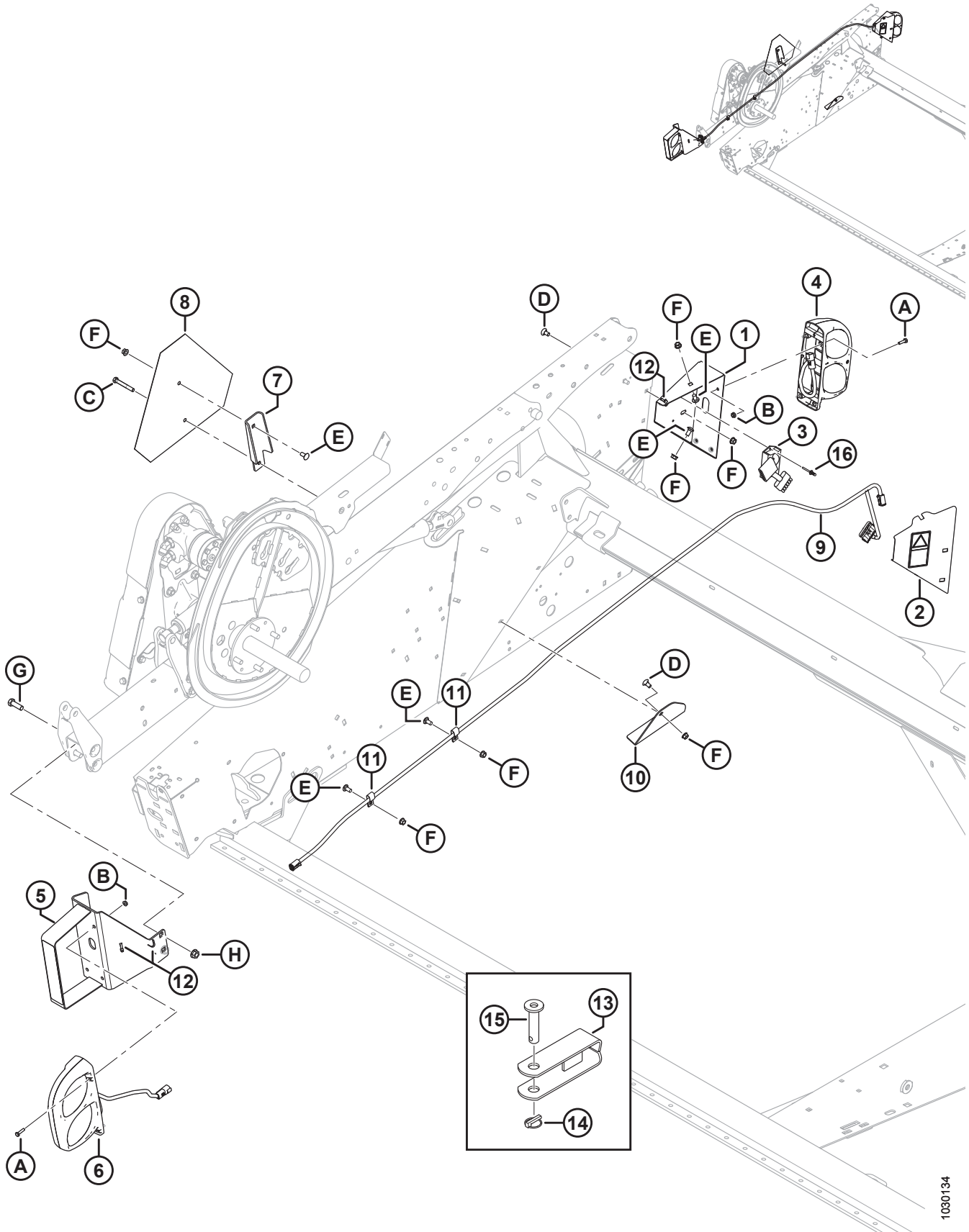
189.Kits available through Whole Goods only.

190.Includes shoe (MD #125393), two lugs (not sold separately), and hardware (MD #21561, 18669).

191.Includes two lugs (not sold separately), and hardware (MD #21561, 18669).

192.Not sold separately, included with kits MD #245396 and 245397.

# 52 (Option) Slow Speed Transport Package – Hitch Electrical



1030134

(OPTION) SLOW SPEED TRANSPORT PACKAGE – HITCH ELECTRICAL

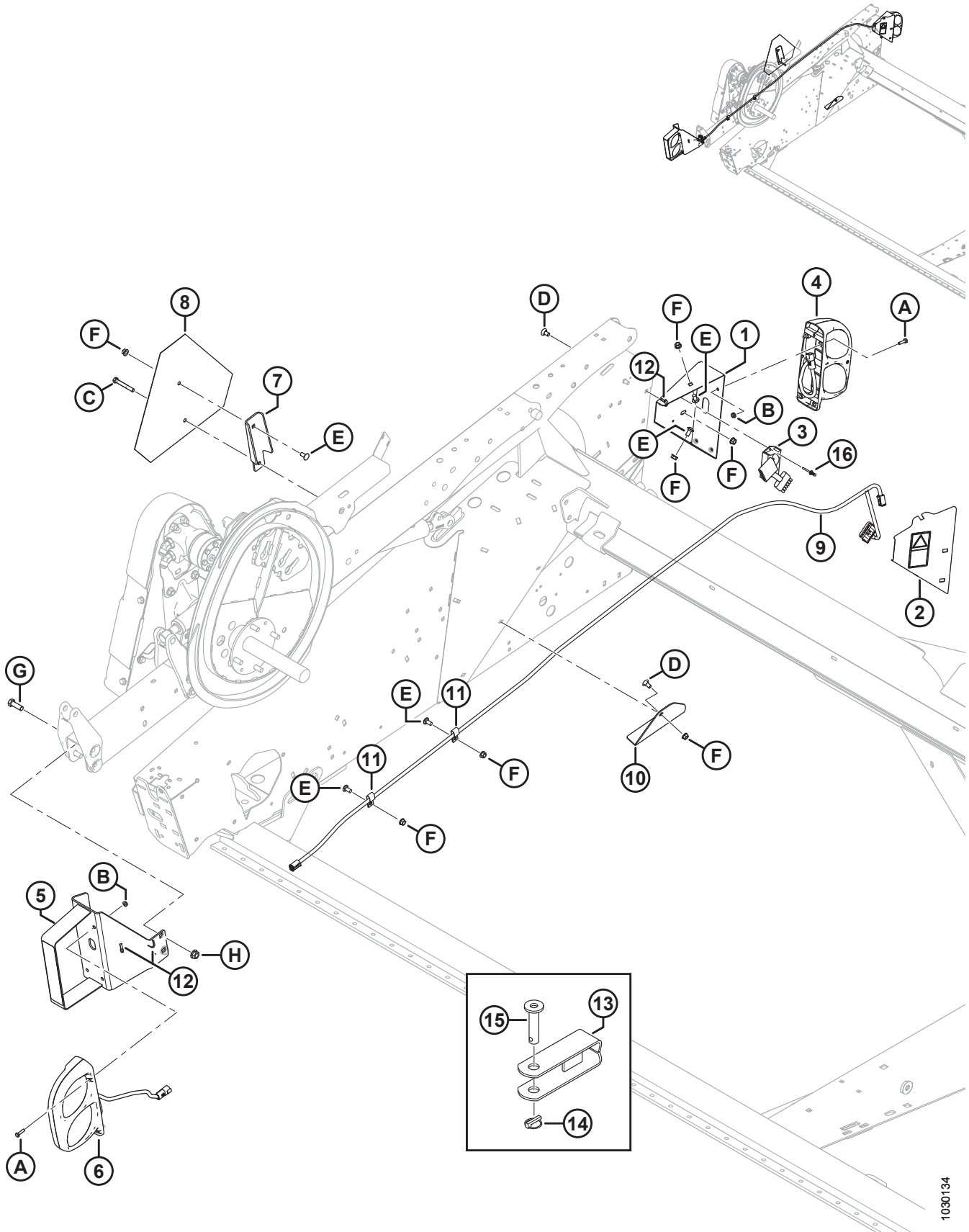
Ref	Part Number	Description	Qty	Serial Number
	<b>B6573</b>	<b>KIT – TRANSPORT LIGHTS AND HARNESS</b> <sup>193</sup>		
1	125378	SUPPORT – LH TRANSPORT LIGHT	1	
2	220289	COVER – DECAL ASSY	1	
3	171068	RELAY – TRANSPORT LIGHTING MODULE	1	
4	138087	LAMP – STOP/TURN/TAIL <sup>194</sup>	1	
	139630	LENS – AMBER	1	
	139632	LENS – BLACK (OPAQUE)	1	
	139633	LENS – CLEAR (RUSSIAN)	1	
	139631	LENS – RED	1	
5	<b>294392</b>	<b>SUPPORT – SST RH REARLIGHT</b> <sup>195</sup>	<b>1</b>	
6	138086	LAMP – STOP/TURN/TAIL <sup>194</sup>	1	
	139630	LENS – AMBER	1	
	139632	LENS – BLACK (OPAQUE)	1	
	139633	LENS – CLEAR (RUSSIAN)	1	
	139631	LENS – RED	1	
7	174926	BRACKET – SMV MOUNTING	1	
8	<b>21032</b>	<b>REFLECTOR – SMV SIGN</b>	<b>1</b>	
9	193080	HARNESS	1	
10	125808	SUPPORT – DIVIDER ROD LOWER	1	
11	135233	CLAMP – DOUBLE HOSE INSULATED	2	
12	21763	FASTENER – CABLE TIE (BLACK)	3	
13	113536	CLEVIS – WELDT	1	
14	113561	PIN – LYNCH	1	
15	118239	PIN – HITCH	1	
16	136868	RIVET – BLIND, MULTI-GRIP		
A	21573	BOLT – HEX HD 1/4 NC X 1.0 LG GR 5 ZP		
B	21455	NUT – FLG (SER FACE) 1/4 NC GR 5 ZP		
C	21568	BOLT – HH 3/8 NC X 3.0 LG GR 5 ZP		
D	21472	BOLT – RHSN 3/8 NC X 0.75 GR 5 ZP		
E	21863	BOLT – RHSSN 3/8 NC X 0.75 LG GR 5 ZP		
F	30228	NUT – FLANGE DT SMOOTH FACE 0.375-16 UNC		

193.Kits available through Whole Goods only.

194.Turn, tail, and brake bulbs not sold by MacDon, but can be replaced with red (tail/brake) bulb - 1077, and amber (turn) bulb - 7506.

195.Includes amber and red reflectors (MD #115146, 115147).

(OPTION) SLOW SPEED TRANSPORT PACKAGE – HITCH ELECTRICAL



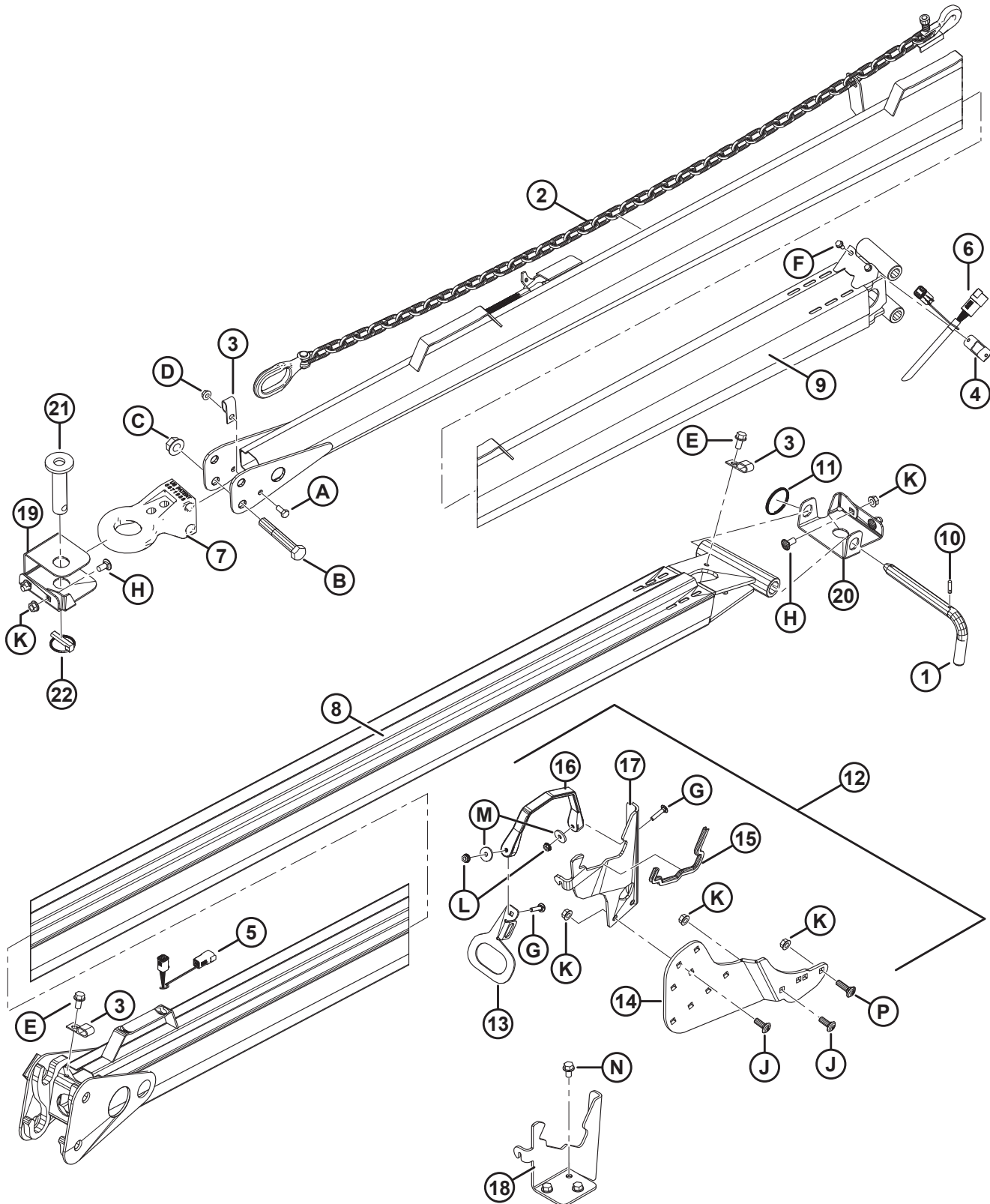
1030134



(OPTION) SLOW SPEED TRANSPORT PACKAGE – HITCH ELECTRICAL

<b>Ref</b>	<b>Part Number</b>	<b>Description</b>	<b>Qty</b>	<b>Serial Number</b>
G	18723	BOLT – HH 1/2 NC X 1.5 LG TFL GR 5 ZP		
H	50186	NUT – FLG LOCK SM FACE DT 0.500-13 UNC GR 5		

# 53 (Option) Slow Speed Transport Package – Transport Hitch



1030009

**(OPTION) SLOW SPEED TRANSPORT PACKAGE – TRANSPORT HITCH**

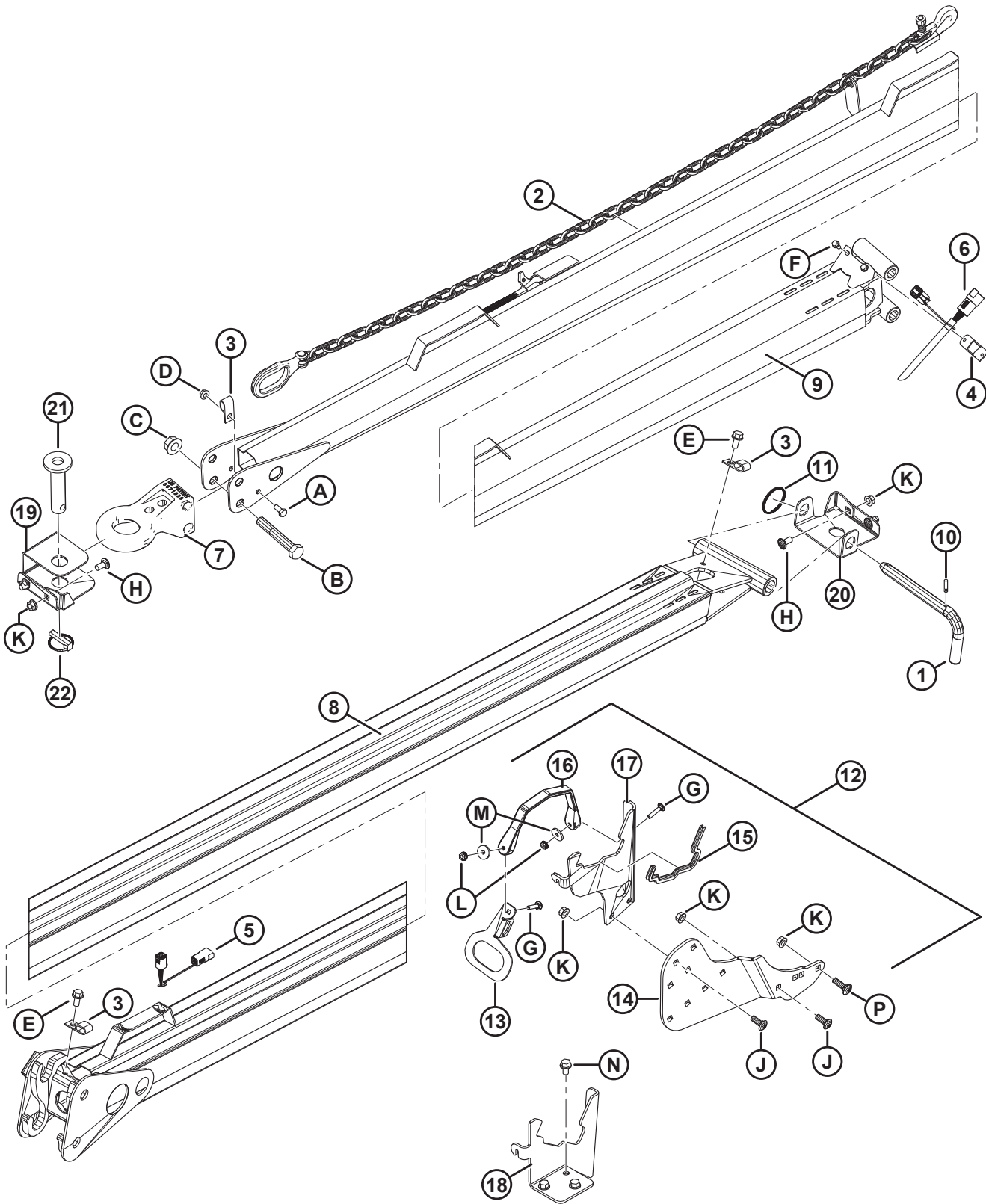
<b>Ref</b>	<b>Part Number</b>	<b>Description</b>	<b>Qty</b>	<b>Serial Number</b>
	<b>B6145</b>	<b>KIT – TRANSPORT (TOW POLE)</b> <sup>196</sup>		
1	144415	ASSY – L-PIN <sup>197</sup>	1	
2	21404	CHAIN – SAFETY 59 LG	1	
3	39272	CLIP – INSULATED	<b>3</b>	
4	193057	CLIP – WIRING HARNESS DEUTSCH CONNECTOR	1	
5	193059	HARNESS – TRANSPORT HITCH (HEADER END)	1	
6	193058	HARNESS – TRANSPORT HITCH (TOW END)	1	
7	113566	HITCH BASE	1	
8	193202	HITCH – WELDT (HEADER END)	1	
9	193212	HITCH – C/W DECALS (TOW END)	1	
10	16010	PIN – SPRING 3/16 DIA X 1.0 LG	1	
11	118137	RING	1	
12	<b>294815</b>	<b>KIT – HITCH STORAGE ON HEADER</b> <sup>198</sup>	<b>A/R</b>	
13	193183	PLATE – LATCH HANDLE	2	
14	<b>294807</b>	<b>ANGLE – SUPPORT</b>	<b>2</b>	
15	135704	SEAL – EDGE TRIM	2	
16	193187	STRAP – RUBBER	2	
17	<b>244760</b>	<b>SUPPORT – HITCH CRADLE</b>	<b>2</b>	
18	220326	SUPPORT – HITCH CRADLE	1	
19	193188	SUPPORT – HITCH LH ENDSHEET	1	
20	279065	SUPPORT – HITCH RH ENDSHEET	1	
21	118239	PIN – HITCH	1	
22	113561	PIN – LYNCH	1	
A	21558	BOLT – HEX HD 5/16 NC X 0.75 LG GR 5 ZP		
B	19634	BOLT – HH 5/8 NC X 4.0 LG GR 5 ZP		
C	50225	NUT – FLANGE DT SMOOTH FACE .625-11 UNC		
D	30280	NUT – FLG SIDE LK SMTH FACE 5/16 NC GR 5 ZP		
E	101897	SCREW – HEX WASH HD THD ROLLING 3/8 NC X 3/4		
F	21055	SCREW – SELF TAP HEX WASH HD 1/4 NC X 1/2		
G	135623	BOLT – RHSN 1/4 NC X 1.25 LG GR 5 ZP		

196. Kits available through Whole Goods only.

197. Includes L-pin (not sold separately) and spring pin (MD #16010).

198. Kit includes two hitch cradle supports (MD #244760), three rubber straps (MD #193187), three edge trim seals (MD #135704), latch handle plate (MD #193183), hitch LH endsheet support (MD #193188), hitch RH endsheet support (MD #279065), hitch cradle support (MD #220326), hitch cradle support (MD #220760), two support angles (MD #294807), and hardware (MD #100456, 30228, 21863, 19966, 135623, 40628, 135248).

(OPTION) SLOW SPEED TRANSPORT PACKAGE – TRANSPORT HITCH

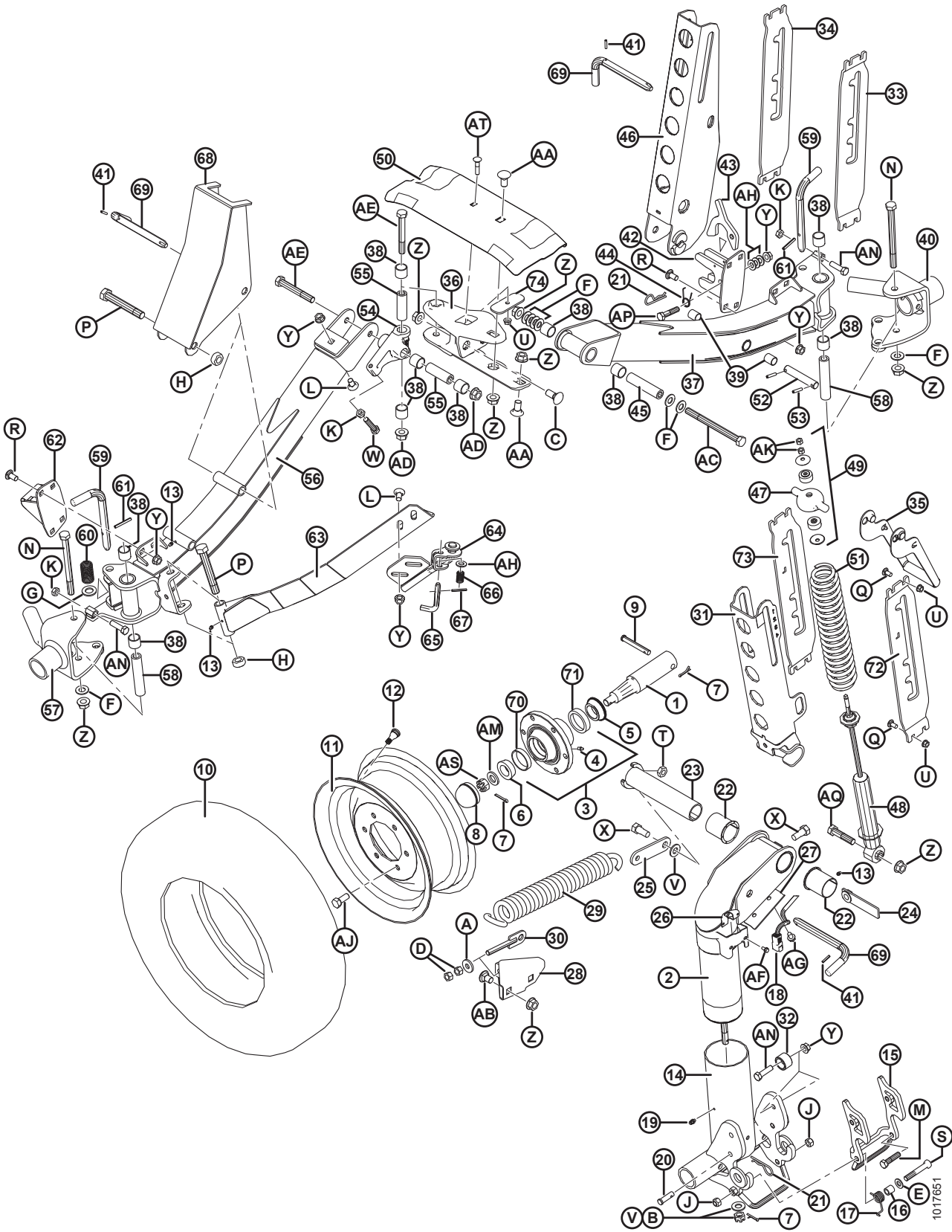


1030009

(OPTION) SLOW SPEED TRANSPORT PACKAGE – TRANSPORT HITCH

Ref	Part Number	Description	Qty	Serial Number
H	21863	BOLT – RHSSN 3/8 NC X 0.75 LG GR 5 ZP		
J	100456	BOLT – RHSSN 3/8 NC X 1.0 GR 5 ZP		
K	30228	NUT – FLANGE DT SMOOTH FACE 0.375-16 UNC		
L	135248	NUT – FLG DT SMTH FACE 1/4-20 NC GR 5 ZP		
M	40628	WASHER – FLAT		
N	101898	SCREW – HEX WASH HD THD ROLLING 3/8 NC X 5/8		
P	19966	BOLT – RHSN 3/8-16 X 1.25 GR 5 ZP		

# 54 (Option) Slow Speed Transport Package – Wheels and Supports Parts



(OPTION) SLOW SPEED TRANSPORT PACKAGE – WHEELS AND SUPPORTS PARTS

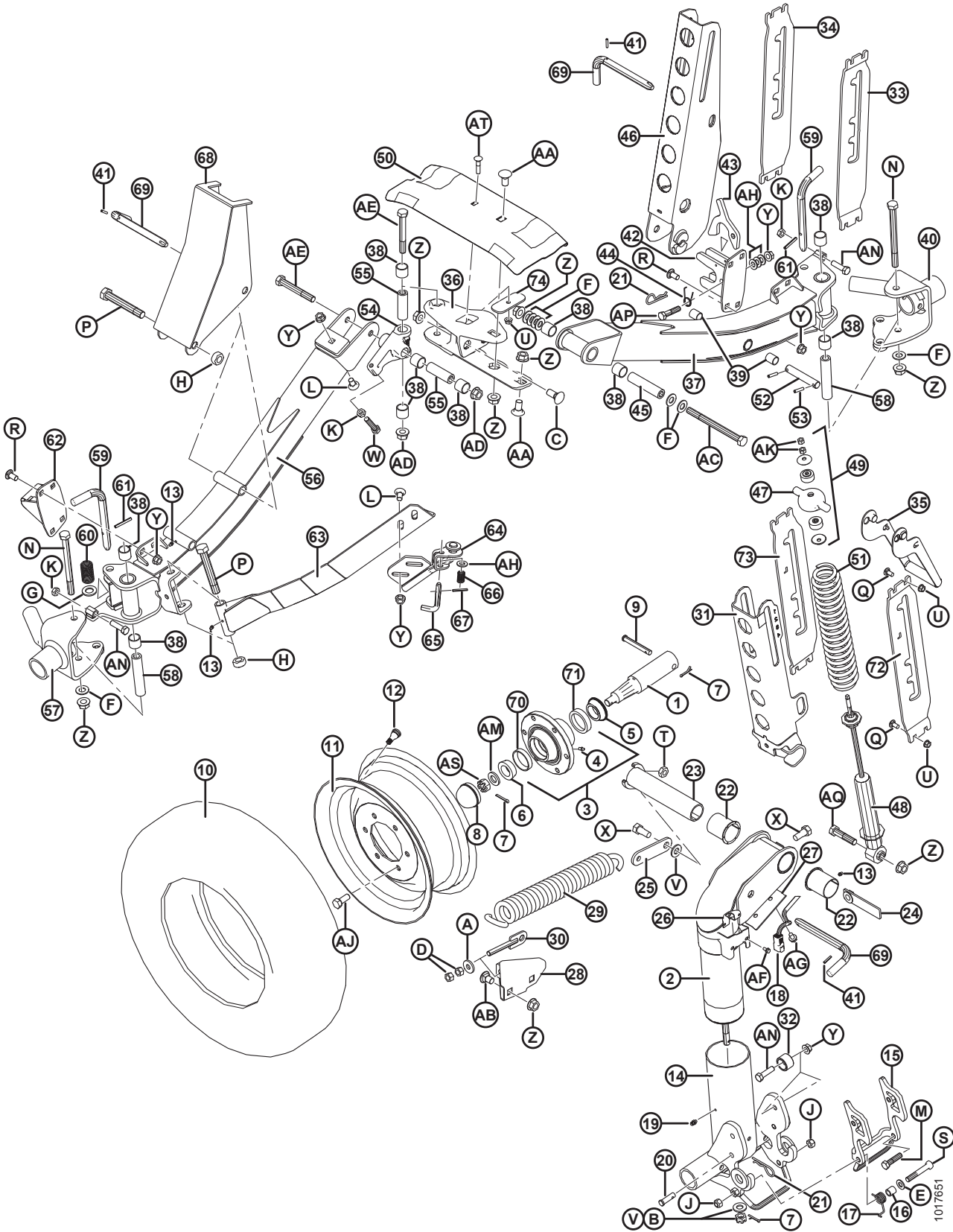
Ref	Part Number	Description	Qty	Serial Number
	B6449	KIT – TRANSPORT SUPPORTS AND HUBS <sup>199</sup>		
	B6153	KIT – SST NEW PIVOT WITH BUSHINGS <sup>199</sup>		
1	144378	SPINDLE	4	
2	244722	PIVOT WELDT	1	
3	41982	HUB – C/W BEARING CUPS <sup>200</sup>	4	
4	50174	FITTING – LUBE, DRIVE TYPE 1/4 IN. (CTD HUB)	4	
	21887	FITTING – LUBE, 1/8 NPT (ARMSTRONG HUB)	4	
5	30517	BEARING – CONE, C/W SEAL	4	
6	21376	BEARING – CONE ROLLER (NO SEAL)	4	
7	18648	PIN – COTTER 3/16 DIA X 1.25 ZP	7	
8	30520	CAP – DUST	4	
9	101007	PIN – CLEVIS	4	
10	193031	TIRE – ST 205/75 R15 STEEL BELTED RADIAL	4	
11	144531	WHEEL – 15 X 6 LB	4	
12	21153	STEM – TIRE VALVE ASSEMBLY #TR-415	4	
13	18671	FITTING – LUBE 1/4-28 UNF	5	
14	144971	SPINDLE WELDT	1	
15	144976	LATCH WELDT	1	
16	144742	SPACER – 3/4 IN. O.D. X .120 WALL X 19 LONG	1	
17	144741	SPRING – TORSION	1	
18	REF	HARNESS <sup>201</sup>		
19	21010	FITTING – LUBE 90° 1/4-28 TAPER THD	2	
20	19927	PIN – CLEVIS	1	
21	13125	PIN – HAIR	1	
22	35694	BUSHING – PLASTIC	2	
23	144374	PIN – WELDT	1	
24	144577	BAR – NUT ASSY	1	
25	144471	BAR	1	
26	193057	CLIP – WIRING HARNESS DEUTSCH CONNECTOR	1	
27	144739	HOLDER	1	
28	144873	SUPPORT – WELDT	1	
29	144724	SPRING – EXTENSION	1	
30	144425	BOLT – EYE WELDT	1	
31	144968	CHANNEL WELDT	1	

199. Kits available through Whole Goods only.

200. Includes lube fitting (MD #50174), bearing cup (MD #7900), and bearing cup (MD #30516).

201. Refer to Section 52 (Option) Slow Speed Transport Package – Hitch Electrical, page 175.

(OPTION) SLOW SPEED TRANSPORT PACKAGE – WHEELS AND SUPPORTS PARTS





(OPTION) SLOW SPEED TRANSPORT PACKAGE – WHEELS AND SUPPORTS PARTS

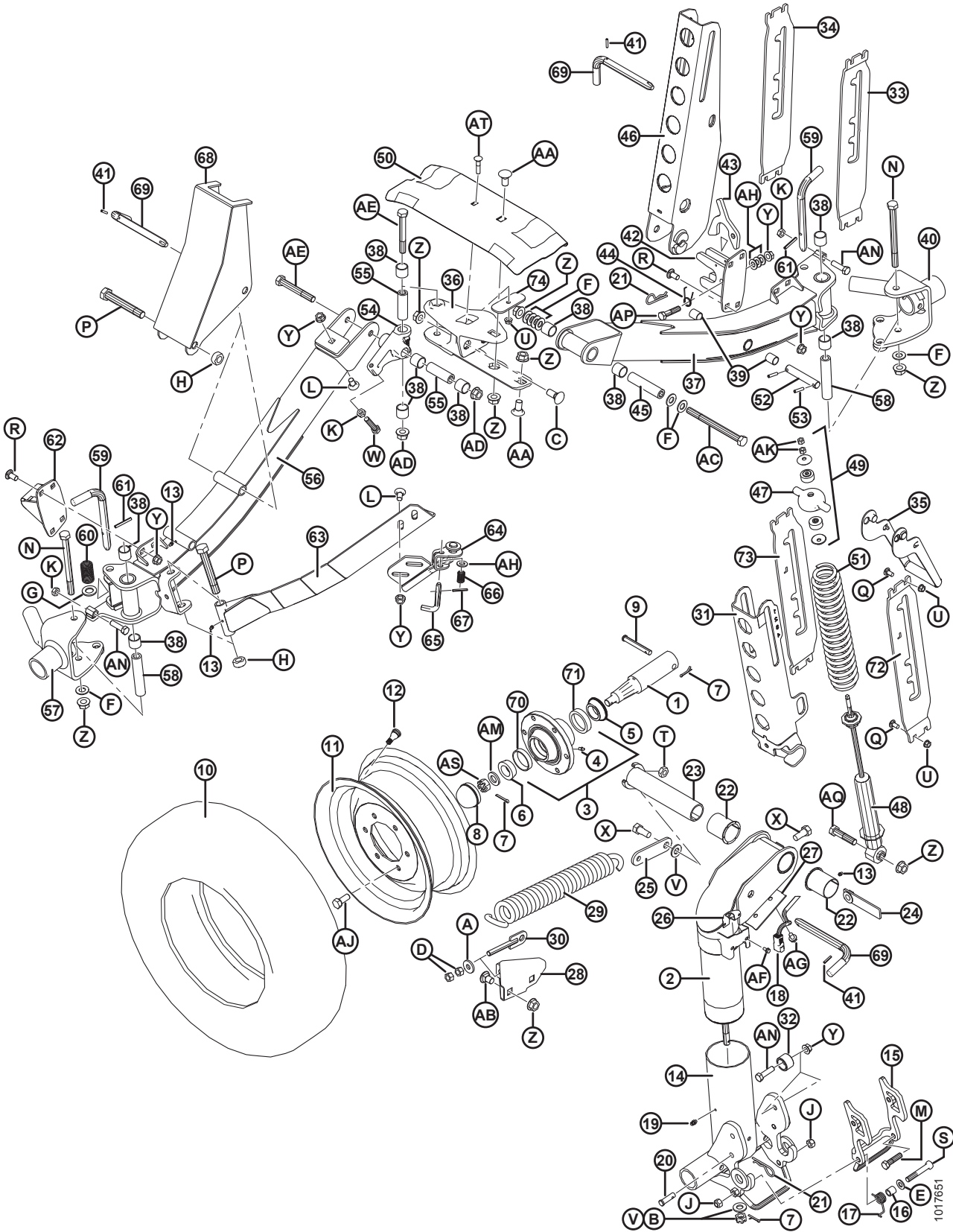
Ref	Part Number	Description	Qty	Serial Number
32	193008	ROLLER	2	
33	193214	SUPPORT – LH (USED RIGHT SIDE OF HEADER)	1	
34	193215	SUPPORT – RH (USED RIGHT SIDE OF HEADER)	1	
35	144899	HANDLE – WELDT	2	
36	125256	SUPPORT – RH PIVOT CASTING MACHINED	1	
37	294094	TUBE – AXLE, C/W BUSHINGS <sup>202</sup>	1	
38	133992	BUSHING – COMPOSITE	10	
39	156501	BUSHING – PLASTIC	2	
40	294036	PIVOT – LH WELDT	1	
41	16010	PIN – SPRING 3/16 DIA X 1.0 LG	3	
42	193009	LATCH – WELDT	1	
43	193016	LATCH	1	
44	144505	SPRING – TORSION	1	
45	144880	SPACER	1	
46	144956	CHANNEL WELDT	1	
47	144966	CASTING – SPRING CAP	2	
48	144934	SHOCK – TENNECO <sup>203</sup>	2	
49	174922	KIT – SHOCK MOUNTING	2	
50	220099	SUPPORT – DRAPER, TRANSPORT	1	
51	144962	SPRING – COMPRESSION	2	
52	144376	PIN – STRAIGHT	1	
53	16266	PIN – SPRING 1/4 DIA X 1.25 LG	2	
54	244748	PIVOT – ASSY W/ BUSHINGS <sup>204</sup>	1	
55	244671	SPACER	2	
56	294091	AXLE – ASSY, C/W BUSHINGS <sup>204</sup>	1	
57	294037	PIVOT – RH WELDT	1	
58	193022	SPACER	2	
59	144989	L-PIN	2	
60	29028	SPRING – COMPRESSION	2	
61	2148	PIN – SPRING 1/4 DIA X 2.0 LG	2	
62	193014	LATCH WELDT	1	
63	144324	BRACE – ANGLE WELDT	1	
64	144433	LATCH WELDT	1	
65	144409	L-PIN	1	
66	35618	SPRING – COMPRESSION	1	

202.Includes composite bushing (MD #133992) and plastic bushing (MD #156501).

203.Includes shock mounting kit (MD #174922).

204.Includes composite bushing (MD #133992) and hardware (MD #21056, 30833).

(OPTION) SLOW SPEED TRANSPORT PACKAGE – WHEELS AND SUPPORTS PARTS

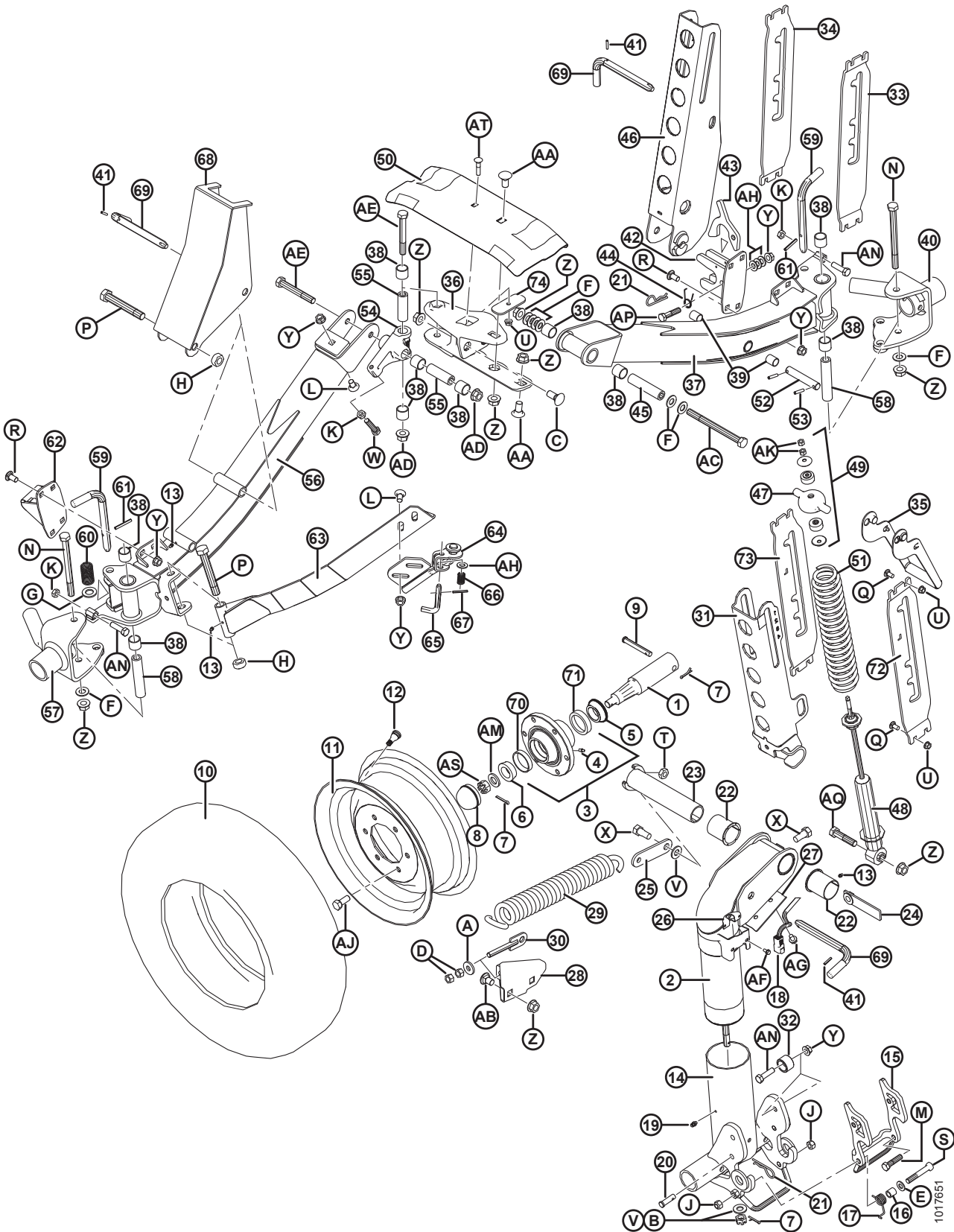


(OPTION) SLOW SPEED TRANSPORT PACKAGE – WHEELS AND SUPPORTS PARTS

Ref	Part Number	Description	Qty	Serial Number
67	7642	PIN – SPRING 3/16 DIA X 1.5 LG	1	
68	144321	SUPPORT – C'BAR WELDT	1	
69	144415	ASSY – L-PIN <sup>205</sup>	3	
70	7900	CUP – ROLLER BEARING	4	
71	30516	CUP – ROLLER BEARING	4	
72	193216	SUPPORT – LH (USED LEFT SIDE OF HEADER)	1	
73	193217	SUPPORT – RH (USED LEFT SIDE OF HEADER)	1	
74	125236	BAR – DRAPER SUPPORT RETENTION	1	
A	4761	WASHER – FLAT		
B	6649	NUT – SLOTTED HEX 0.625 IN. NC ZN PL		
C	18523	BOLT – RHSN 5/8 NC X 1.5 GR 5 ZP		
D	18591	NUT – HEX 1/2-13 UNC GR 5 ZP		
E	18599	WASHER – SAE FLAT 17/32 I.D. X 1-1/16 IN. O.D. ZP		
F	18600	WASHER – SAE FLAT 21/32 I.D. X 1-5/16 IN. O.D. ZP		
G	18601	WASHER – SAE FLAT 13/16 I.D. X 1.5 IN. O.D. ZP		
H	102636	NUT – HEX, SIDE LOCK DT .750-10 UNC		
J	18697	NUT – HEX LOCK DT .500-13 UNC		
K	21056	NUT – HEX JAM 1/2-13 UNC GR 5 ZP		
L	21066	BOLT – RHSN 1/2 NC X 1 GR 5 ZP		
M	21576	BOLT – HH 1/2 NC X 2.0 LG GR 5 ZP		
N	21591	BOLT – HH 5/8 NC X 7.5 LG GR 5 ZP		
P	21599	BOLT – HH 3/4 NC X 5.0 LG GR 5 ZP		
Q	100456	BOLT – RHSSN 3/8 NC X 1.0 GR 5 ZP		
R	21868	BOLT – RHSSN 1/2 NC X 1.0 GR 5 ZP		
S	21560	BOLT – HH 1/2 NC X 3.0 LG GR 5 ZP		
T	21941	NUT – HEX LOCK JAM (DT) 5/8-11 UNC GR 5 ZP		
U	30228	NUT – FLANGE DT SMOOTH FACE 0.375-16 UNC		
V	30441	WASHER – HARDENED		
W	30833	BOLT – HH 1/2 NC X 2.25 TFL GR 5 ZP		
X	48050	BOLT – SHOULDER .625-11 UNC		
Y	50186	NUT – FLANGE LOCK SM FACE DT 0.500-13 UNC GR 5		
Z	50225	NUT – FLANGE DT SMOOTH FACE .625-11 UNC		
AA	103562	BOLT – RHSN 5/8 NC X 1.25 GR 5 ZP		
AB	117015	BOLT – RHSSN 5/8 NC X 1.0 GR 5 ZP		

205.Includes L-pin (not sold separately) and spring pin (MD #16010).

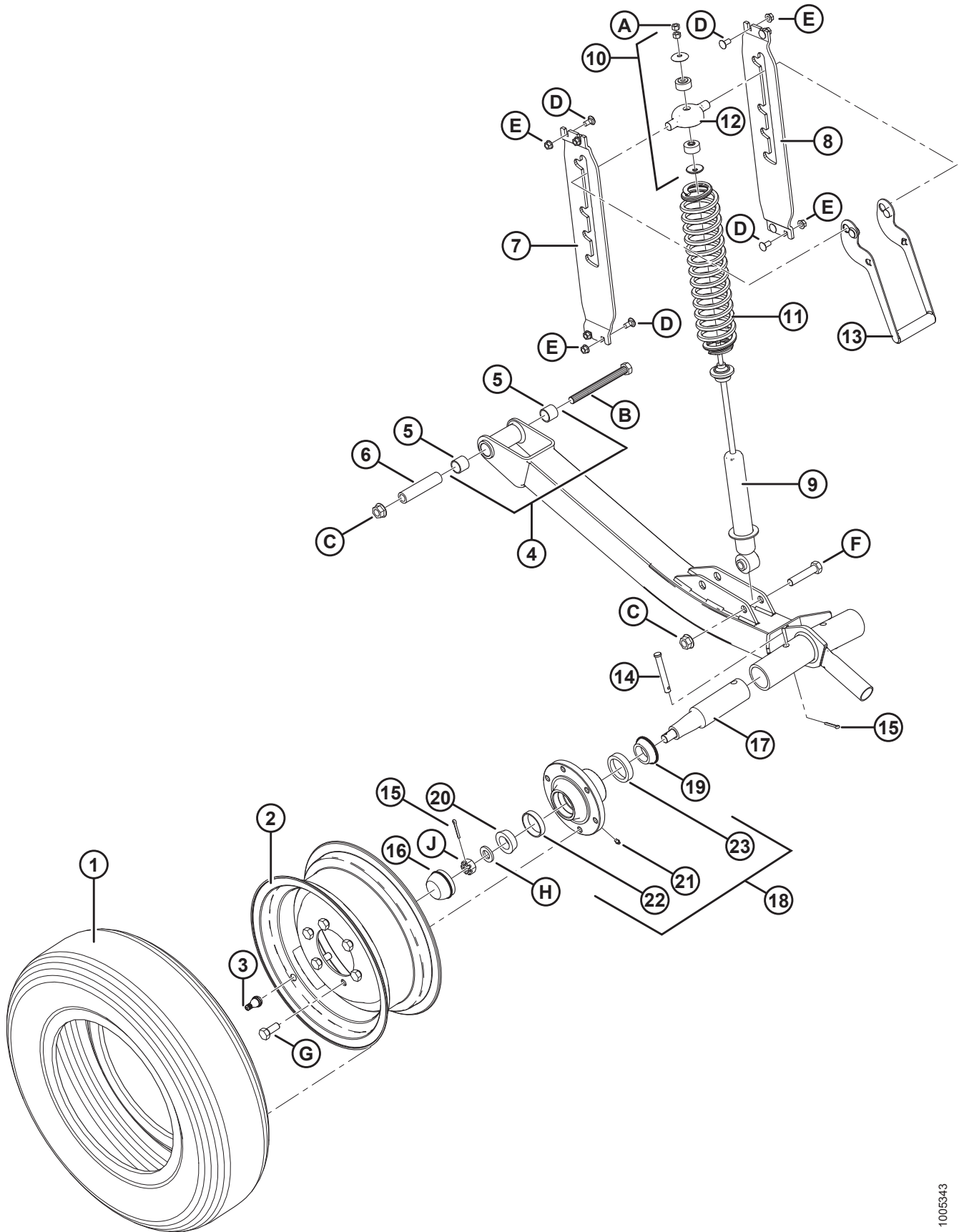
(OPTION) SLOW SPEED TRANSPORT PACKAGE – WHEELS AND SUPPORTS PARTS



(OPTION) SLOW SPEED TRANSPORT PACKAGE – WHEELS AND SUPPORTS PARTS

Ref	Part Number	Description	Qty	Serial Number
AC	193211	BOLT – HEX HEAD 5/8 NC X 7.5 LG GR 8 ZP		
AD	188467	NUT – FLANGE DT SMOOTH FACE .625-18 UNC GR. G		
AE	252305	BOLT – HH FINE 5/8-18 X 4.5 GR 8 ZP		
AF	21055	SCREW – SELF TAP HEX WASH HD 1/4 NC X 1/2		
AG	101898	SCREW – HEX WASH HD THD ROLLING 3/8 NC X 5/8		
AH	18599	WASHER – SAE FLAT 17/32 I.D. X 1-1/16 IN. O.D. ZP		
AJ	18916	BOLT – 90° WHEEL 9/16 NF X 1.75 OL		
AK	18866	NUT – HEX 3/8-24 UNF GR 5 ZP		
AM	21540	WASHER – HARDENED		
AN	50072	BOLT – HH 1/2 NC X 1.75 LG TFL GR 5 ZP		
AP	21578	BOLT – HH 1/2 NC X 2.25 LG GR 5 ZP		
AQ	30922	BOLT – HH 5/8 NC X 2.75 GR 5 ZP		
AS	5512	NUT – HEX SLOTTED .750-16 UNF ZN PL		
AT	50197	BOLT – RHSN 3/8 NC x 1.75 LG GR 5 ZP		

# 55 (Option) Stabilizer Wheels



(OPTION) STABILIZER WHEELS

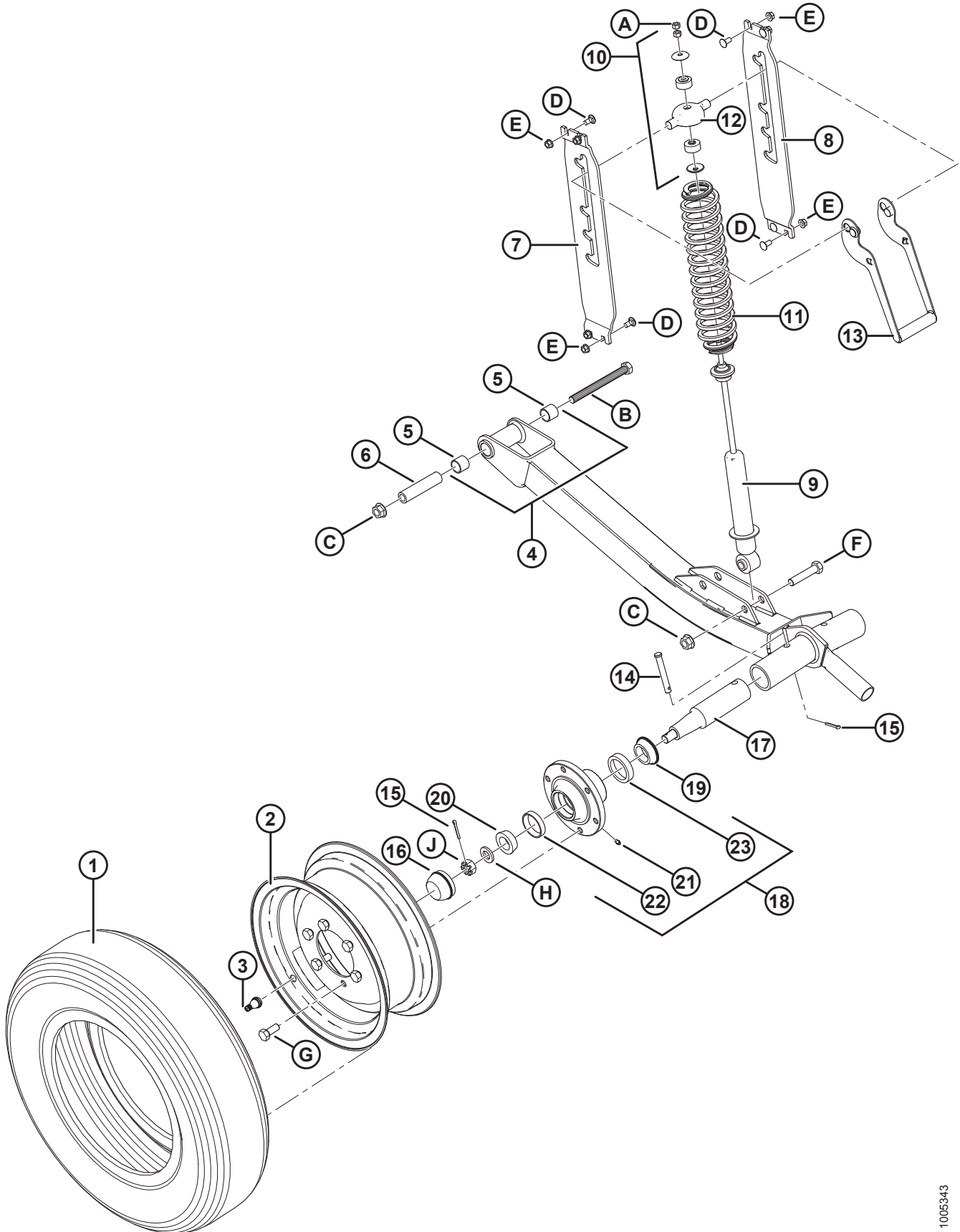
Ref	Part Number	Description	Qty	Serial Number
	C1986	KIT – STABILIZER WHEELS (30–45 FT ONLY) <sup>206</sup>		
1	193031	TIRE – ST 205/75 R15 STEEL BELTED RADIAL	2	
2	144531	WHEEL – 15 X 6 LB	2	
3	21153	STEM – TIRE VALVE ASSEMBLY #TR-415	2	
4	144860	TUBE – AXLE, C/W BUSHINGS <sup>207</sup>	2	
5	133992	BUSHING – COMPOSITE	4	
6	144880	SPACER	2	
7	193214	SUPPORT – LH	2	
8	193215	SUPPORT – RH	2	
9	144934	SHOCK – TENNECO	2	
10	174922	KIT – SHOCK MOUNTING	2	
11	144935	SPRING – COMPRESSION	2	
12	144966	CASTING – SPRING CAP	2	
13	144899	HANDLE – WELDT	2	
14	101007	PIN – CLEVIS	2	
15	18648	PIN – COTTER 3/16 DIA X 1.25 ZP	4	
16	30520	CAP – DUST	2	
17	144378	SPINDLE	2	
18	41982	HUB – C/W BEARING CUPS <sup>208</sup>	2	
19	30517	BEARING – CONE, INNER W/ SEAL	2	
20	21376	BEARING – CONE, OUTER	2	
21	50174	FITTING – LUBRICATION DRIVE TYPE 1/4 IN. (CTD HUB)	2	
	21887	FITTING – LUBE, 1/8 NPT (ARMSTRONG HUB)	2	
22	7900	BEARING – CUP, OUTER	2	
23	30516	BEARING – CUP, INNER	2	
A	18866	NUT – HEX 3/8-24 UNF GR 5 ZP		
B	21577	BOLT – HH 5/8 NC X 6.5 LG GR 5 ZP		
C	50225	NUT – FLANGE DT SMOOTH FACE 5/8-11 UNC		
D	21863	BOLT – RHSSN 3/8 NC X 0.75 LG GR 5 ZP		
E	30228	NUT – FLANGE DT SMOOTH FACE 3/8-16 UNC		
F	21583	BOLT – HH 5/8 NC X 3.0 LG GR 5 ZP		
G	18916	BOLT – 90° WHEEL 9/16 NF X 1.75 OL		

206. Kits available through Whole Goods only.

207. Includes two bushings (MD #133992).

208. Includes lube fitting (MD #50174 or 21887) and bearings (MD #7900, 30516).

(OPTION) STABILIZER WHEELS



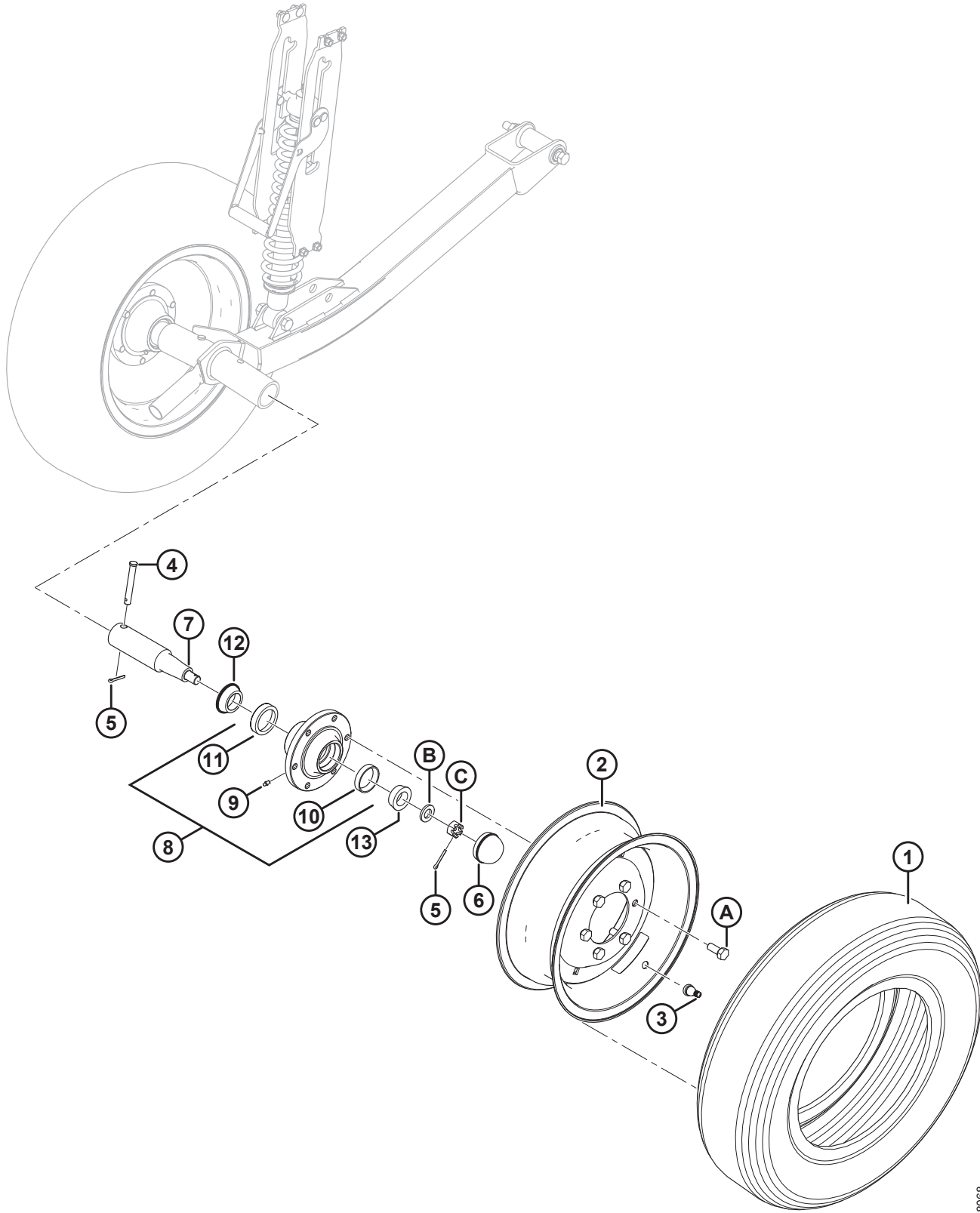
1005343



(OPTION) STABILIZER WHEELS

Ref	Part Number	Description	Qty	Serial Number
H	21540	WASHER – HARDENED		
J	5512	NUT – HEX SLOTTED .750-16 UNF ZN PL		

# 56 (Option) Stabilizer Wheels – Secondary



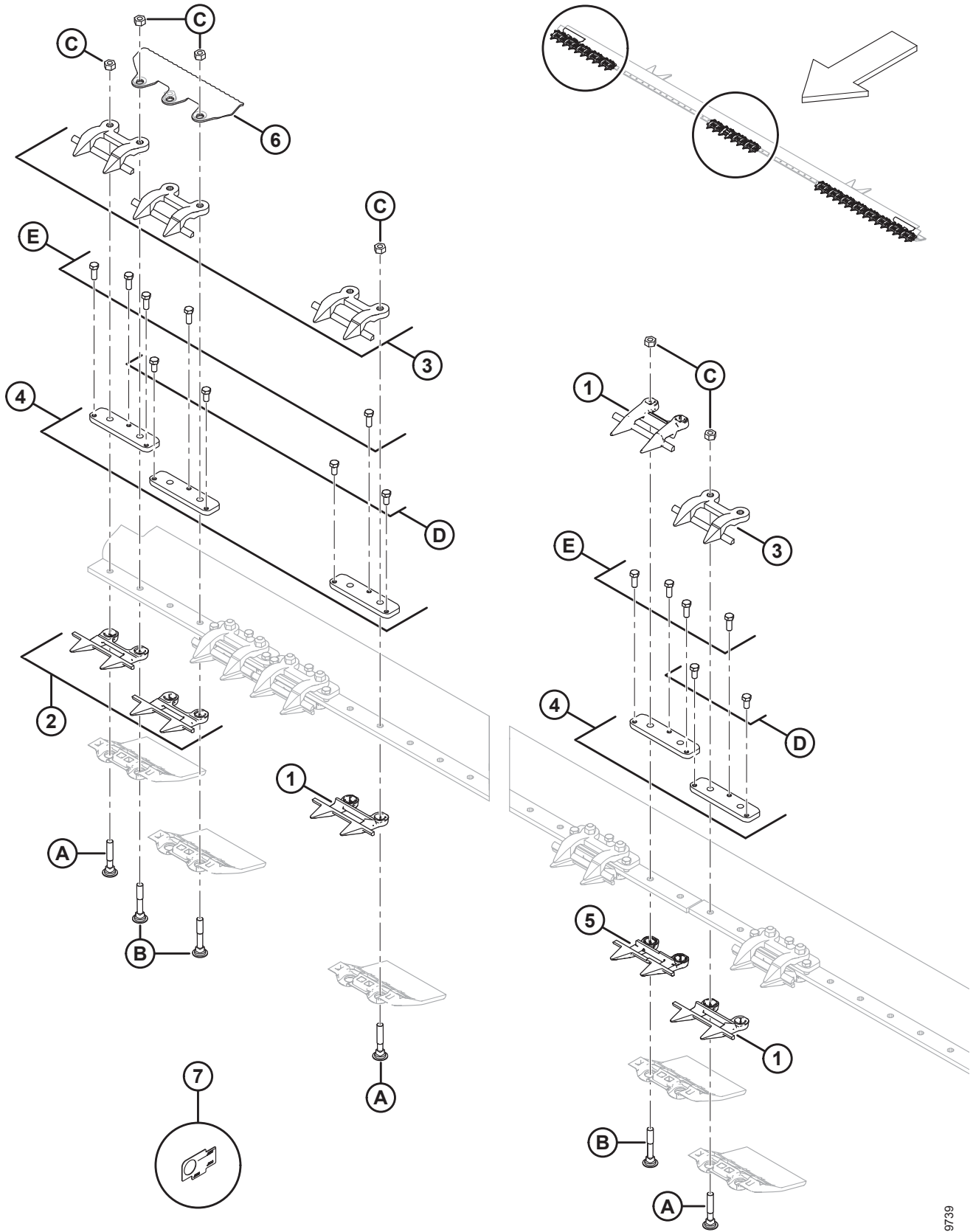
(OPTION) STABILIZER WHEELS – SECONDARY

Ref	Part Number	Description	Qty	Serial Number
	B6179	KIT – SECOND STABILIZER WHEEL <sup>209</sup>		
1	193031	TIRE – ST 205/75 R15 STEEL BELTED RADIAL	1	
2	144531	WHEEL – 15 X 6 LB	1	
3	21153	STEM – TIRE VALVE ASSEMBLY #TR-415	1	
4	101007	PIN – CLEVIS	1	
5	18648	PIN – COTTER 3/16 DIA X 1.25 ZP	2	
6	30520	CAP – DUST	1	
7	144378	SPINDLE	1	
8	41982	HUB – C/W BEARING CUPS <sup>210</sup>	1	
9	50174	FITTING – LUBRICATION DRIVE TYPE 1/4 IN. (CTD HUB)	1	
	21887	FITTING – LUBE, 1/8 NPT (ARMSTRONG HUB)	1	
10	7900	BEARING – CUP, OUTER	1	
11	30516	BEARING – CUP, INNER	1	
12	30517	BEARING – CONE, INNER W/ SEAL	1	
13	21376	BEARING – CONE, OUTER	1	
A	18916	BOLT – 90° WHEEL 9/16 NF X 1.75 OL		
B	21540	WASHER – HARD ASTM F436 M20-340HV-AB2C		
C	5512	NUT – HEX SLOTTED .750-16 UNF ZN PL		

209.Kits available through Whole Goods only.

210.Includes lube fitting (MD #50174 or 21887) and bearings (MD #7900, 30516).

# 57 (Option) Stub Guard Conversion Kit



**(OPTION) STUB GUARD CONVERSION KIT**

**NOTE:**

Illustration; Right end and middle shown (left end is similar). Double knife, stub guards only.

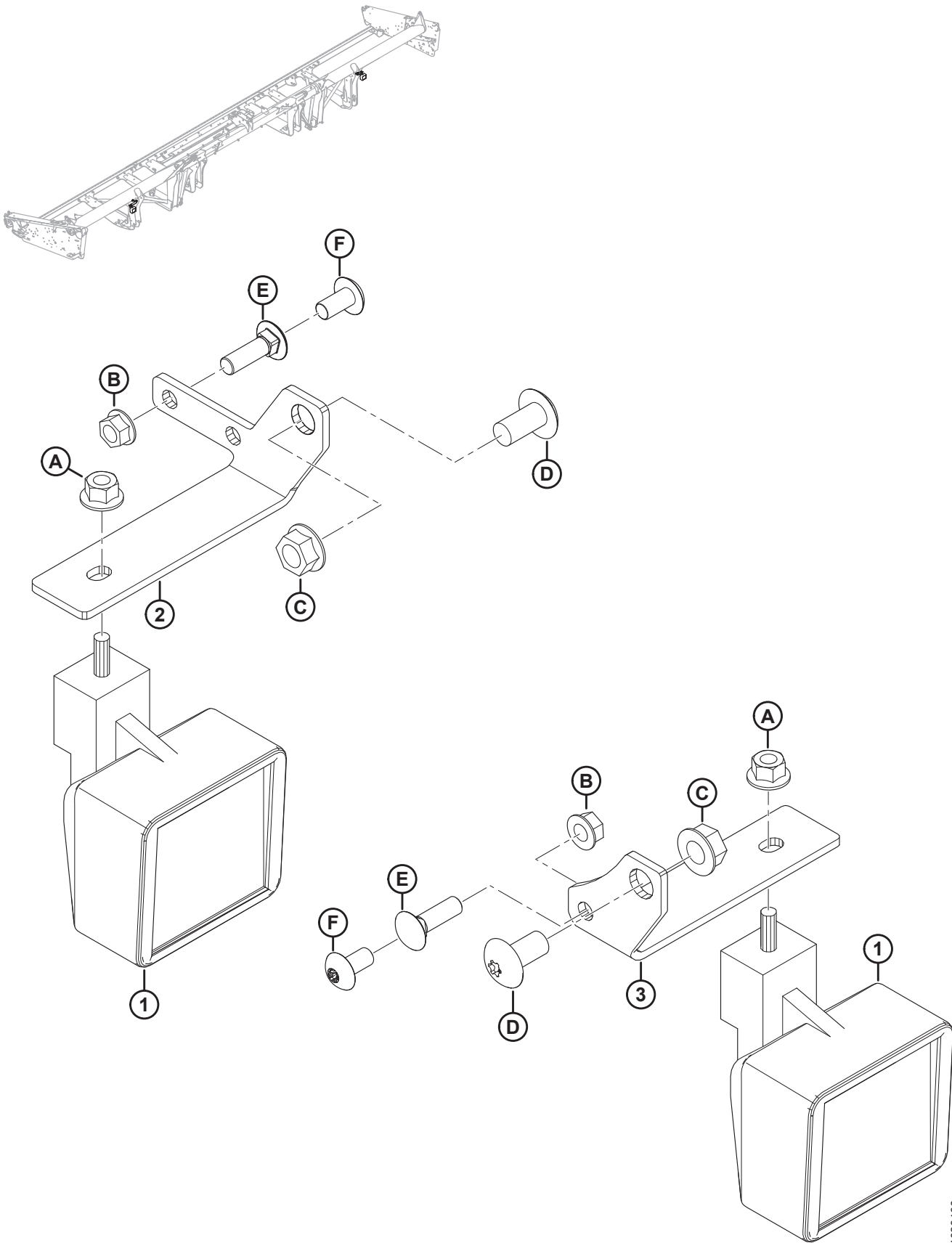
Ref	Part Number	Description	Qty	Serial Number
	<b>B5009</b>	<b>KIT – STUB GUARD CONVERSION (15 FT HEADER)</b> <sup>211</sup>		
	B5010	KIT – STUB GUARD CONVERSION (20 FT HEADER) <sup>211</sup>		
	B5011	KIT – STUB GUARD CONVERSION (25 FT HEADER) <sup>211</sup>		
	B5012	KIT – STUB GUARD CONVERSION (30 FT HEADER) <sup>211</sup>		
	B5013	KIT – STUB GUARD CONVERSION (35 FT HEADER) <sup>211</sup>		
1	118346	SICKLE GUARD <sup>212</sup>		
2	118347	SICKLE GUARD – STUB, W/O WEARBAR (4 PER END)	8	
3	34359	GUIDE <sup>213</sup>		
4	34980	BAR – ADJUSTER <sup>213</sup>		
5	124775	SICKLE GUARD – CENTER, STUB	1	
6	132405	RETAINER – DEFLECTOR	2	
7	NSS	TOOL – STUB GAUGE	1	
A	279575	BOLT – RHSN 7/16-14 X 2.5-GR5-ZP		
B	132404	BOLT – RHSN SPECIAL 7/16 NC X 2.75 LG GR 5 ZP		
C	18654	NUT – HEX 7/16-14 UNC GR 5 ZP		
D	50119	BOLT – HH 3/8 NC X 0.75 STAIN STL		
E	50120	BOLT – HH 3/8 NC X 1 STAIN STL		

211.Kits available through Whole Goods only.

212.Complete cutterbar quantities: 15 ft. = 22, 20 ft. = 36, 25 ft. = 46, 30 ft. = 56, 35 ft. = 66.

213.Complete cutterbar quantities: 15 ft. = 30, 20 ft. = 40, 25 ft. = 50, 30 ft. = 60, 35 ft. = 70.

# 58 (Option) Stubble Lights



(OPTION) STUBBLE LIGHTS

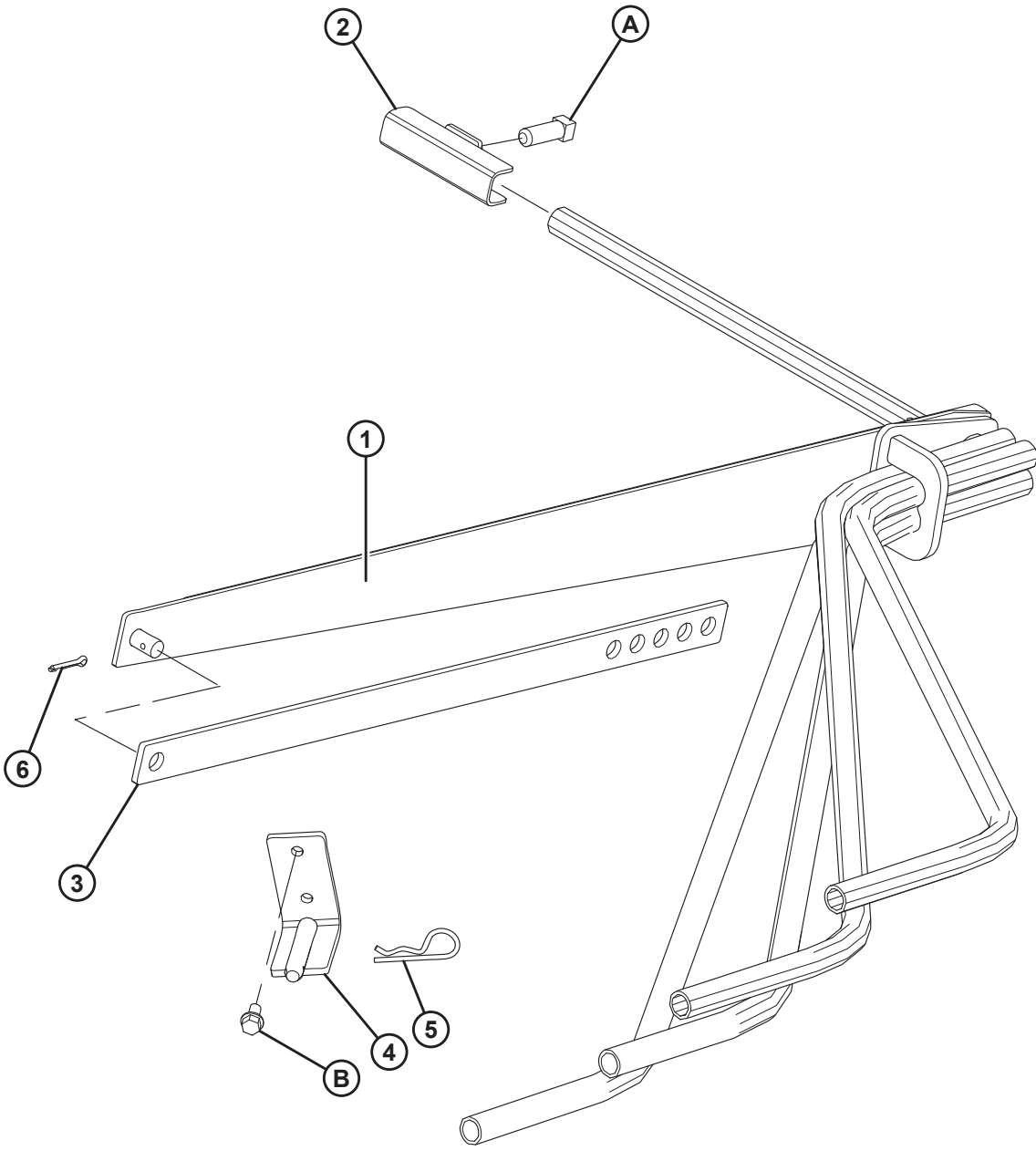
Ref	Part Number	Description	Qty	Serial Number
	B6634	KIT – STUBBLE LIGHT 30-45 FT JD <sup>214</sup>		
1	109717	LIGHT – WORK	2	
2	304021	SUPPORT – LH STUBBLE LIGHT	1	
3	245450	SUPPORT – RH STUBBLE LIGHT	1	
A	50101	NUT – HEX FLG STVR LOC M10 X 1.5-10-AA1J		
B	30228	NUT – FLG DT SMTH FACE 3/8 NC-GR5-AA1J		
C	50186	NUT – FLG LK SM FACE DT 1/2-13 UNC-GR5-AA1J		
D	105136	SCREW – MACHINE		
E	19966	BOLT – RHSN 3/8-16 X 1.25-GR5-AA1J <sup>215</sup>		
F	135157	SCREW – MACHINE <sup>216</sup>		

214.Used with John Deere combines only. Kits available through Whole Goods only.

215.Bolt used when mounting with slow speed transport installed.

216.Screw used when the support is mounted to header leg. No slow speed transport installed.

# 59 (Option) Swath Forming Rods





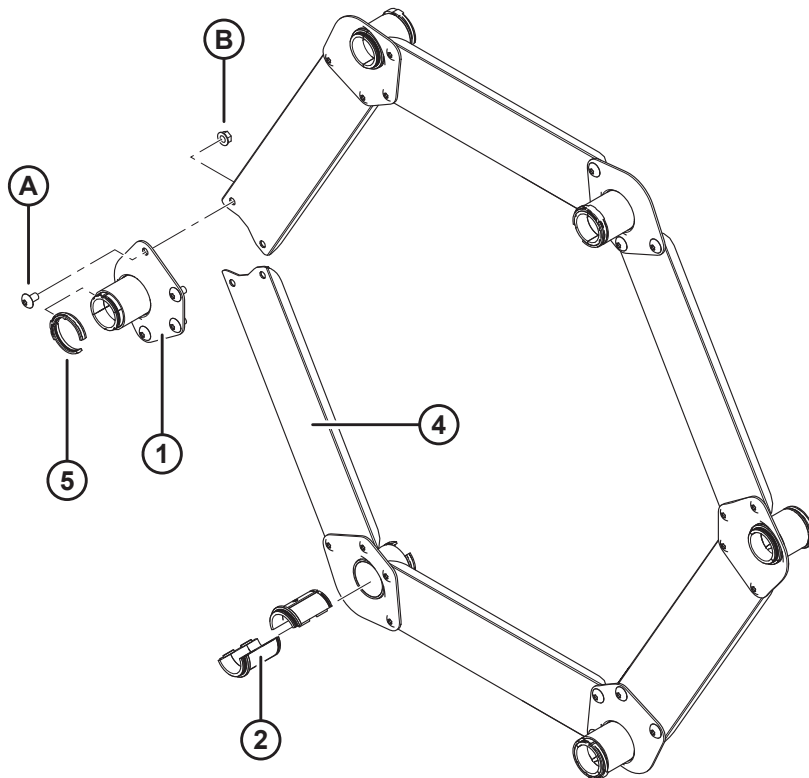
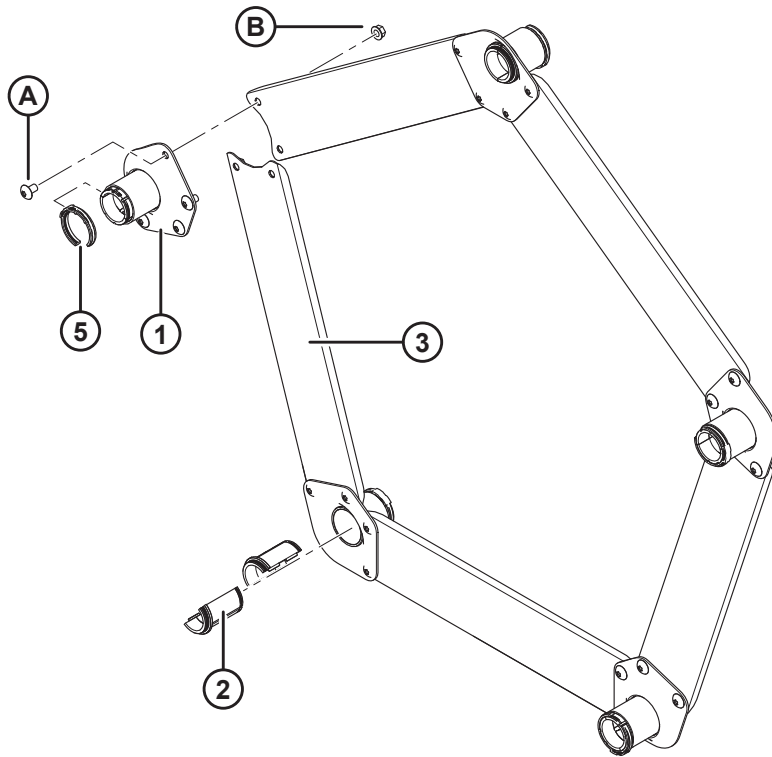
(OPTION) SWATH FORMING RODS

Ref	Part Number	Description	Qty	Serial Number
	B4803	KIT – SWATHING FORMING RODS ASSEMBLY <sup>217</sup>		
1	172025	TUBE – FORMING ROD WELDT, LH	1	
	172046	TUBE – FORMING ROD WELDT, RH	1	
2	132107	CHANNEL WELDT – FORMING ROD RETAINER	2	
3	132094	BAR – FORMING ROD LINK	2	
4	132101	LUG WELDT – FORMING ROD SUPT	2	
5	13125	PIN – HAIR	2	
6	18648	PIN – COTTER, 3/16 DIA X 1.25 ZP	2	
A	21344	SCREW – SET SQ HD CUP PT 5/8 NC X 1.75 LG		
B	101897	SCREW – HEX WASH HD THD ROLLING 3/8 NC X 3/4		

---

217.Kits available through Whole Goods only.

# 60 (Option) Tine Tube Reinforcing Kit



(OPTION) TINE TUBE REINFORCING KIT

**NOTE:**

Illustration; TOP: 5 bat, BOTTOM: 6 bat.

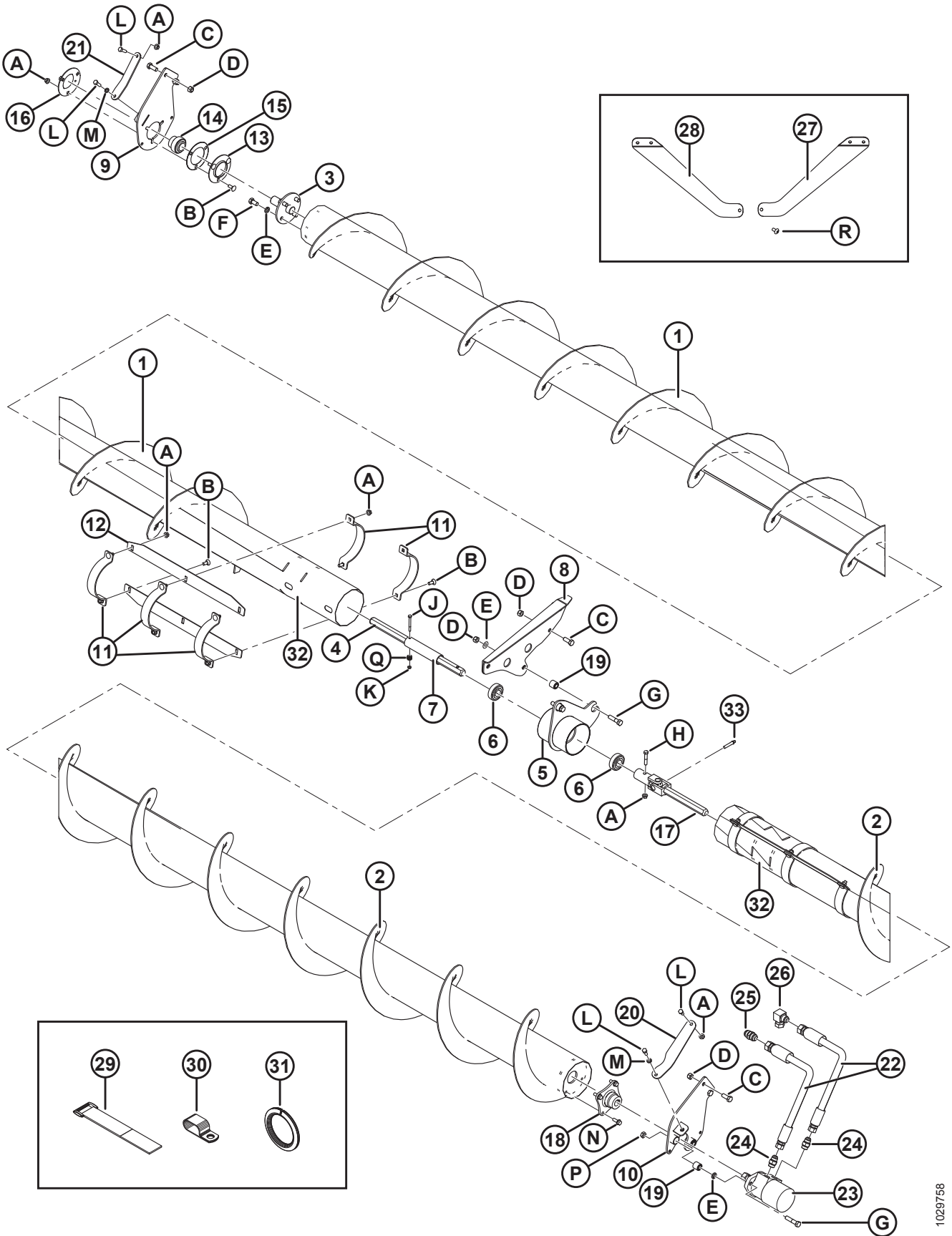
Ref	Part Number	Description	Qty 5/6 Bat	Serial Number
	B5825	KIT – D60/5, FD70/5 TINE TUBE REINFORCING (FOR 5 BAT REEL HEADERS IN HEAVY REEL LOAD CONDITIONS) <sup>218</sup>		
	B5826	KIT – D60/5, FD70/5 TINE TUBE REINFORCING (FOR 6 BAT REEL HEADERS IN HEAVY REEL LOAD CONDITIONS) <sup>218</sup>		
1	164988	SUPPORT – WELDT	5/6	
2	220939	BUSHING – TINE TUBE (BOX OF 25) <sup>219</sup>	10/12	
3	164993	CHANNEL – TIE BAR (5 BAT REEL)	5/0	
4	164995	CHANNEL – TIE BAR (6 BAT REEL)	0/6	
5	220941	CLAMP – TINE TUBE BUSHING, CENTER RIB (BOX OF 5) <sup>220</sup>	5/6	
A	135450	SCREW – MACHINE		
B	30228	NUT – FLANGE DT SMOOTH FACE 0.375-16 UNC		

218.Kits available through Whole Goods only.

219.Not sold individually; to service this part, a box of 25 tine tube bushings must be ordered.

220.Not sold individually; to service this part, a box of 5 tine tube bushing clamps must be ordered.

# 61 (Option) Upper Cross Auger



(OPTION) UPPER CROSS AUGER

**NOTE:**

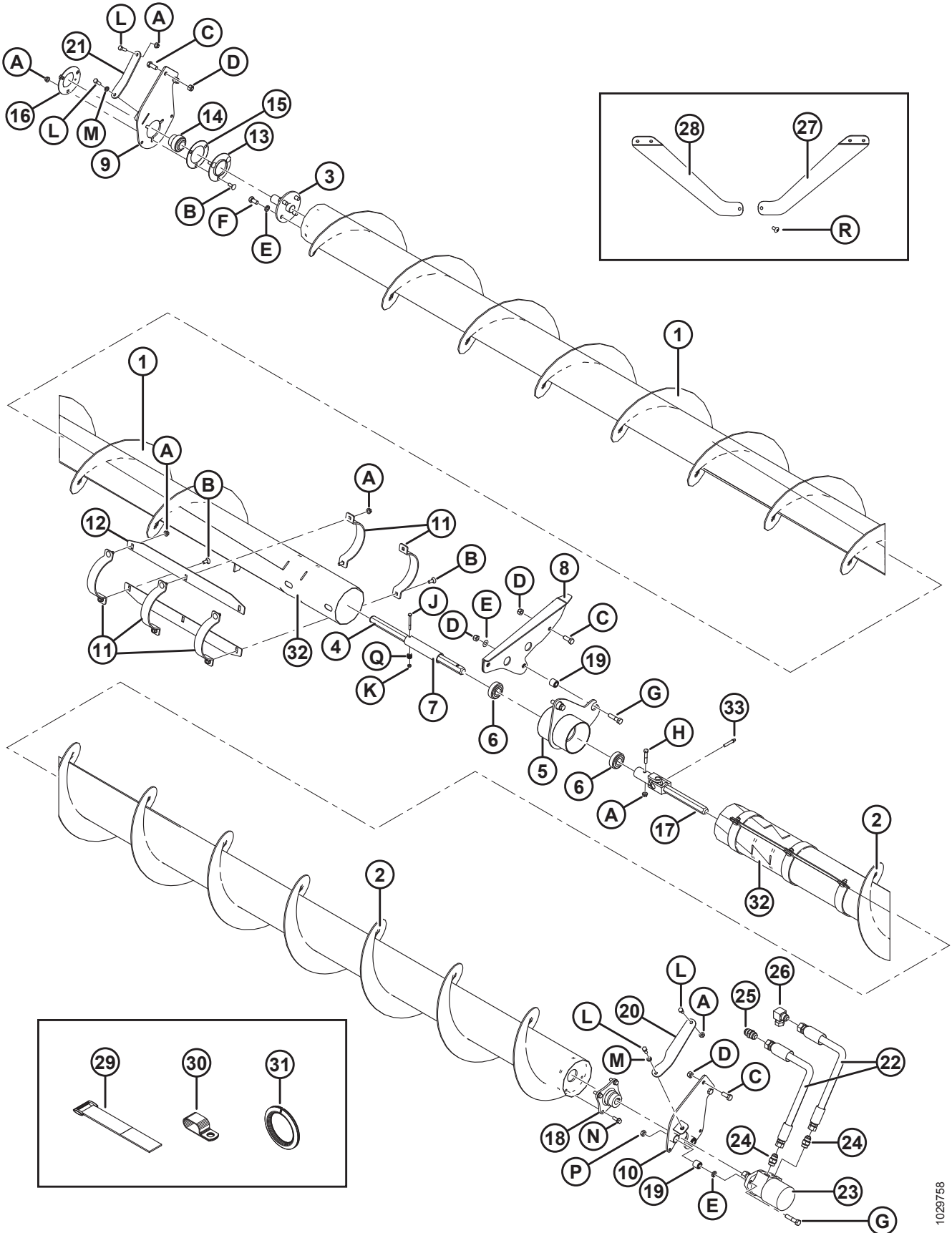
For headers with both Upper Cross Auger and Double Draper Drive kits installed, an additional hydraulic kit (MD #B5606) is required. Refer to Section 45 (Option) Hydraulic Kit for Headers with Upper Cross Auger and Double Draper Drive, page 161.

Ref	Part Number	Description	Qty	Serial Number
	B4844	KIT – UPPER CROSS AUGER (15 FT HEADER) <sup>221</sup>		
	B4845	KIT – UPPER CROSS AUGER (20 FT HEADER) <sup>221</sup>		
	B4846	KIT – UPPER CROSS AUGER (25 FT HEADER) <sup>221</sup>		
	B4847	KIT – UPPER CROSS AUGER (30 FT HEADER) <sup>221</sup>		
	B4848	KIT – UPPER CROSS AUGER (35 FT HEADER) <sup>221</sup>		
	B4849	KIT – UPPER CROSS AUGER (40 AND 45 FT HEADER) <sup>221</sup>		
1	132300	AUGER – RH WELDT (30 FT)	1	
	132336	AUGER – RH WELDT (35 FT)	1	
	165436	AUGER – RH WELDT (40 AND 45 FT)	1	
2	132308	AUGER – LH WELDT (30 FT)	1	
	132333	AUGER – LH WELDT (35 FT)	1	
	165439	AUGER – LH WELDT (40 AND 45 FT)	1	
3	132303	SHAFT – END WELDT	1	
4	174081	SHAFT – HEX	1	
5	172511	SUPPORT – CENTER HANGER ASSY <sup>222</sup>	1	
6	172507	BEARING – BALL HEX BORE	2	
7	174082	SPACER	1	
8	174035	SUPPORT – CENTER WELDT	1	
9	174176	SUPPORT RH – DECAL ASSY	1	
10	174168	SUPPORT LH – DECAL ASSY	1	
11	129521	CLAMP (190 MM BETWEEN BOLT HOLES)	8	
	129522	CLAMP (217 MM BETWEEN BOLT HOLES)	8	
12	165590	BAR – BEATER (30–45 FT)	4	
13	49306	FLANGE	1	
14	21859	BEARING – SPH O.D. EXT INNER RACE 1-3/16 BORE	1	
15	172340	SHIM	1	
16	30661	FLANGE	1	
17	<b>233395</b>	<b>JOINT – UNIVERSAL</b>	<b>1</b>	
18	172533	HUB – MACHINED	1	
19	21810	BUSHING – RUBBER	4	
20	174075	BRACE – LH	1	

221.Kits available through Whole Goods only.

222.Includes two bearings (MD #172507) and two bushings (MD #21810).

(OPTION) UPPER CROSS AUGER

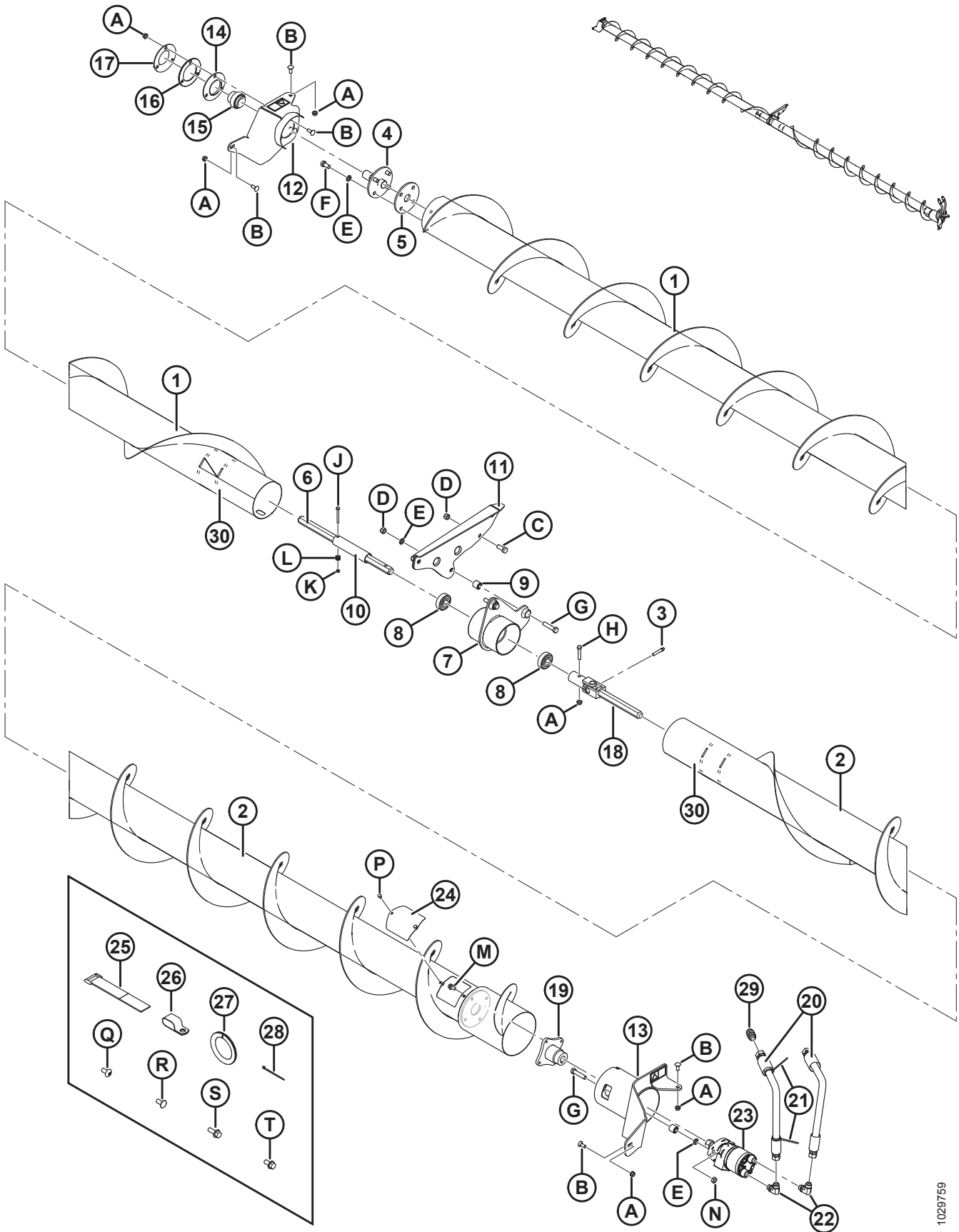


(OPTION) UPPER CROSS AUGER

Ref	Part Number	Description	Qty	Serial Number
21	174080	BRACE – RH	1	
22	132362	HOSE – HYDRAULIC (30 FT HEADERS)	2	
	174836	HOSE – HYDRAULIC (35 FT HEADERS)	2	
	174837	HOSE – HYDRAULIC (40 FT HEADERS)	2	
23	172232	MOTOR – HYD C/W NUT	1	
	220672	SEAL KIT		
	174180	NUT – LOCKING PATCH 3/4-16 UNF GR 5 ZP	1	
24	30695	FITTING – CONNECTOR HYD	2	
25	30376	FITTING – UNION HYD	1	
26	50175	FITTING – ELBOW 90° HYD	1	
27	174076	BRACE – LH	1	
28	174088	BRACE – RH	1	
29	135443	FASTENER – CINCH STRAP 4 IN. LG	2	
	135444	FASTENER – CINCH STRAP 6 IN. LG	2	
30	103738	CLAMP – PVC INSULATED 13/16 IN. TUBE SIZE	1	
31	45427	MOULDING – RH (SPEC 31886)	1	
32	<b>294682</b>	<b>KIT – WELDT UCA REPAIR SLEEVE</b> <sup>223</sup>	<b>A/R</b>	
33	<b>30934</b>	<b>FITTING – 1/4-28 TAPER THD</b>	<b>1</b>	
A	30228	NUT – FLANGE DT SMOOTH FACE 3/8-16 UNC		
B	19965	BOLT – RHSN 3/8 NC X 1.0 GR 5 ZP		
C	21491	BOLT – HH 1/2 NC X 1.25 LG GR 5 ZP		
D	18697	NUT – HEX LOCK DT 1/2-13 UNC		
E	18638	WASHER – REG. LOCK 1/2 IN. NOM. I.D. ZP		
F	21575	BOLT – HH 1/2 NC X 1.0 LG GR 5 ZP		
G	21578	BOLT – HH 1/2 NC X 2.25 LG GR 5 ZP		
H	21354	BOLT – HH 3/8 NC X 2.0 LG GR 5 ZP		
J	21854	BOLT – HH 1/4 NC X 2.5 LG GR 5 ZP		
K	18724	NUT – HEX LOCK DT 1/4-20 UNC ZP		
L	20077	BOLT – HH 3/8 NC X 1.0 LG GR 5 ZP		
M	18637	WASHER – REG. LOCK 3/8 IN. NOM. I.D. ZP		
N	135193	SCREW – HEX WASH HD THD ROLLING 3/8 NC X 1		
P	137727	NUT – HEX JAM, DT, 1/2-13 UNC GR 5 ZP		
Q	18596	WASHER – SAE FLAT 9/32 I.D. X 5/8 IN. O.D. ZP		
R	135157	SCREW – MACHINE		

223.To repair coupler on upper cross auger if it is worn, instead of replacing complete auger assembly.

# 62 (Option) Upper Cross Auger (High Capacity)



1029759



(OPTION) UPPER CROSS AUGER (HIGH CAPACITY)

Ref	Part Number	Description	Qty	Serial Number
	B5965	KIT – HIGH CAPACITY UCA (30 FT HEADERS) <sup>224</sup>		
	B5966	KIT – HIGH CAPACITY UCA (35 FT HEADERS) <sup>224</sup>		
	B5967	KIT – HIGH CAPACITY UCA (40 AND 45 FT HEADERS) <sup>224</sup>		
1	<b>279898</b>	<b>AUGER – UCA HC RH WELDT (30 FT)</b>	<b>1</b>	
	<b>279900</b>	<b>AUGER – UCA HC RH WELDT (35 FT)</b>	<b>1</b>	
	<b>279902</b>	<b>AUGER – UCA HC RH WELDT (40 AND 45 FT)</b>	<b>1</b>	
2	<b>279897</b>	<b>AUGER – UCA HC LH WELDT (30 FT)</b>	<b>1</b>	
	<b>279899</b>	<b>AUGER – UCA HC LH WELDT (35 FT)</b>	<b>1</b>	
	<b>279901</b>	<b>AUGER – UCA HC LH WELDT (40 AND 45 FT)</b>	<b>1</b>	
3	<b>30934</b>	<b>FITTING – 1/4-28 TAPER THD</b>	<b>1</b>	
4	132303	SHAFT – END WELDT	1	
5	<b>294677</b>	<b>KIT – DISC 21–36 FT UCA</b>	<b>A/R</b>	
6	174081	SHAFT – HEX	1	
7	172511	SUPPORT – CENTER HANGER ASSY <sup>225</sup>	1	
8	172507	BEARING – BALL HEX BORE	2	
9	21810	BUSHING – RUBBER	4	
10	174082	SPACER	1	
11	174035	SUPPORT – CENTER WELDT	1	
12	279090	SUPPORT – RH UCA ASSY <sup>226</sup>	1	
13	279155	SUPPORT – UCA LH MOUNT ASSY <sup>227</sup>	1	
14	49306	FLANGE	1	
15	21859	BEARING – SPH OD EXT INNER RACE 1-3/16 BORE	1	
16	172340	SHIM	1	
17	30661	FLANGE	1	
18	<b>233395</b>	<b>JOINT – UNIVERSAL</b>	<b>1</b>	
19	279106	HUB – UCA HC MOTOR	1	
20	279117	HOSE – HYDRAULIC (30 FT HEADERS)	2	
	279118	HOSE – HYDRAULIC (35 FT HEADERS)	2	
	279119	HOSE – HYDRAULIC (40 FT HEADERS)	2	
21	40702	FASTENER – CABLE TIE (RED)	2	
22	130292	FITTING – ELBOW HYD	2	

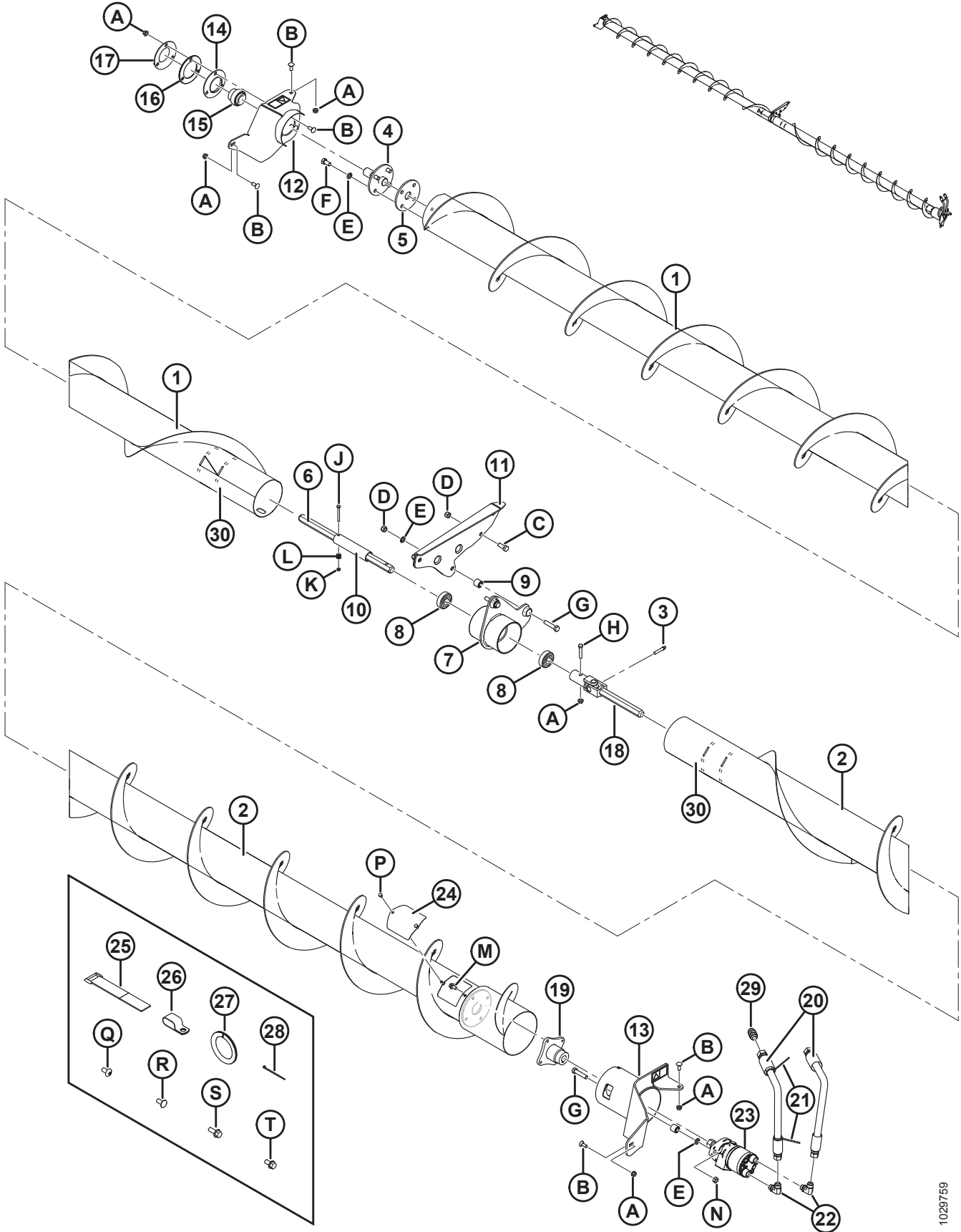
224.Kits available through Whole Goods only.

225.Includes bearing (MD #172507) and rubber bushing (MD #21810).

226.Includes decal (MD #279085).

227.Includes decal (MD #279085) and rubber bushing (MD #21810).

(OPTION) UPPER CROSS AUGER (HIGH CAPACITY)



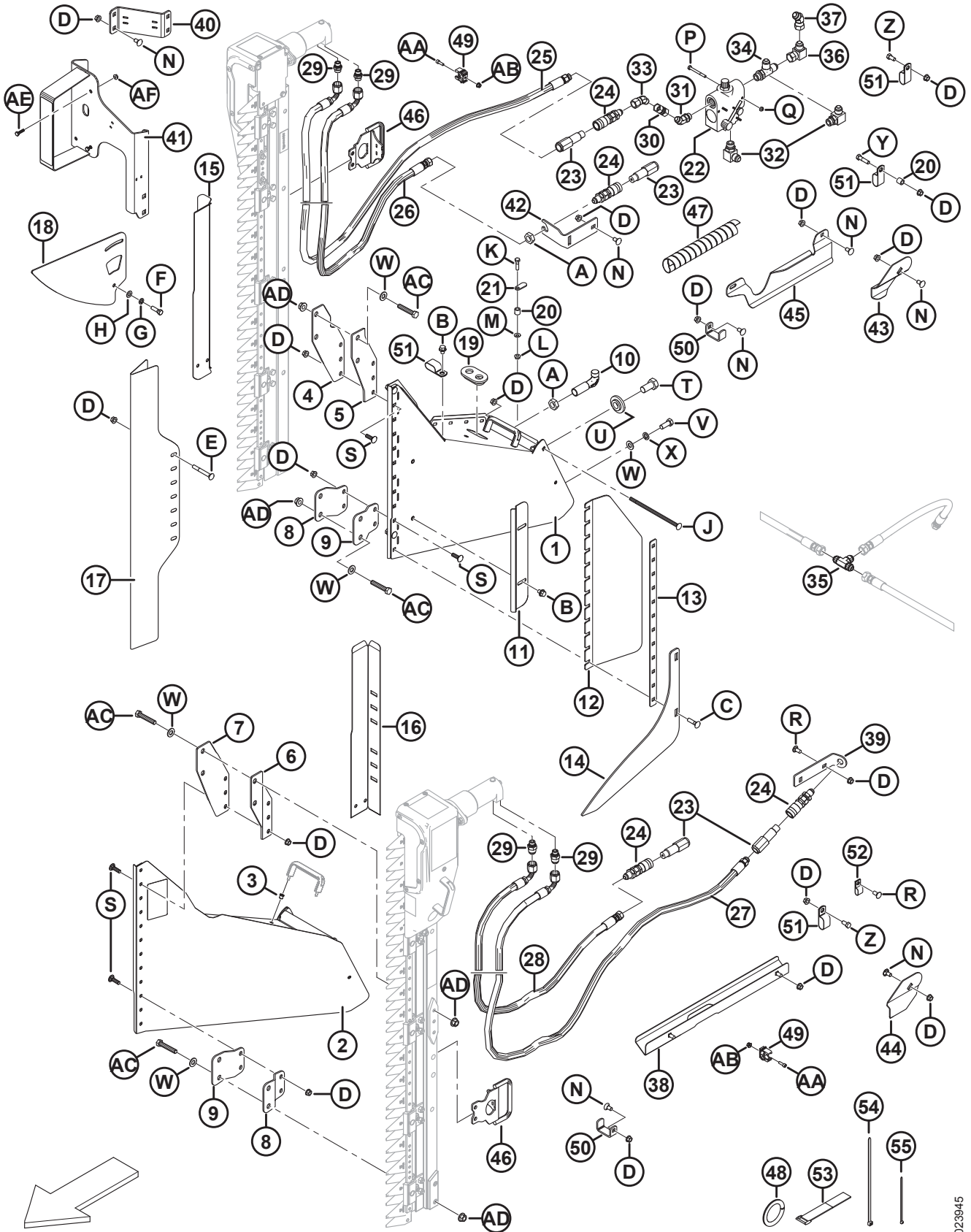
1029759

**(OPTION) UPPER CROSS AUGER (HIGH CAPACITY)**

<b>Ref</b>	<b>Part Number</b>	<b>Description</b>	<b>Qty</b>	<b>Serial Number</b>
23	245530	MOTOR – HYD	1	
	220672	SEAL KIT		
	2149	KEY – WOODRUFF		
	174180	NUT – LOCKING PATCH 3/4-16 UNF GR 5 ZP		
24	279261	COVER – UCA ACCESS	1	
25	135443	FASTENER – CINCH STRAP 4 IN. LG	3	
	135444	FASTENER – CINCH STRAP 6 IN. LG	2	
26	103738	CLAMP – PVC INSULATED 13/16 IN. TUBE SIZE	7	
27	45427	MOULDING – RH (SPEC 31886)	1	
28	16661	FASTENER – CABLE TIE (BLACK)	1	
29	30376	FITTING – UNION HYD	1	
30	<b>294682</b>	<b>KIT – WELDT UCA REPAIR SLEEVE</b> <sup>228</sup>	<b>A/R</b>	
A	30228	NUT – FLANGE DT SMOOTH FACE 0.375-16 UNC		
B	19965	BOLT – RHSN 3/8-16 X 1 GR 5 ZP		
C	21491	BOLT – HH 1/2 NC X 1.25 LG GR 5 ZP		
D	18697	NUT – HEX LOCK DT .500-13 UNC		
E	18638	WASHER – REG. LOCK 1/2 IN. NOM. I.D. ZP		
F	21575	BOLT – HH 1/2 NC X 1.0 LG GR 5 ZP		
G	21578	BOLT – HH 1/2 NC X 2.25 LG GR 5 ZP		
H	21354	BOLT – HH 3/8 NC X 2.0 LG GR 5 ZP		
J	21854	BOLT – HH 1/4 NC X 2.5 LG GR 5 ZP		
K	18724	NUT – HEX LOCK DT 1/4-20 UNC ZP		
L	18596	WASHER – SAE FLAT 9/32 I.D. X 5/8 IN. O.D. ZP		
M	135963	BOLT – HH FLG (SM FACE) 3/8 NC X 0.75 GR 5 ZP		
N	137727	NUT – HEX JAM DT 1/2-13 UNC GR 5 ZP		
P	21580	BOLT – HEX HD 1/4 NC X 0.5 LG GR 5 ZP		
Q	135157	SCREW – MACHINE		
R	21863	BOLT – RHSSN 3/8 NC X 0.75 LG GR 5 ZP		
S	135966	BOLT – HH FLG (SM FACE) 3/8 NC X 1.0 GR 5 ZP		
T	101897	SCREW – HEX WASH HD THD ROLLING 3/8 NC X 3/4		

228.To repair a worn coupler on upper cross auger instead of replacing complete auger assembly.

# 63 (Option) Vertical Knife – Standard Reel Arm (2018 and Prior)



1023945

**(OPTION) VERTICAL KNIFE – STANDARD REEL ARM (2018 AND PRIOR)**

**IMPORTANT:**

Existing vertical knives (2018 and prior) can be serviced with the following parts. To add on complete vertical knife kits (2019) to your D65 header, refer to Sections *64 (Option) Vertical Knife – Standard Reel Arm, Left End (2019), page 219* and *65 (Option) Vertical Knife – Standard Reel Arm, Right End (2019), page 223*.

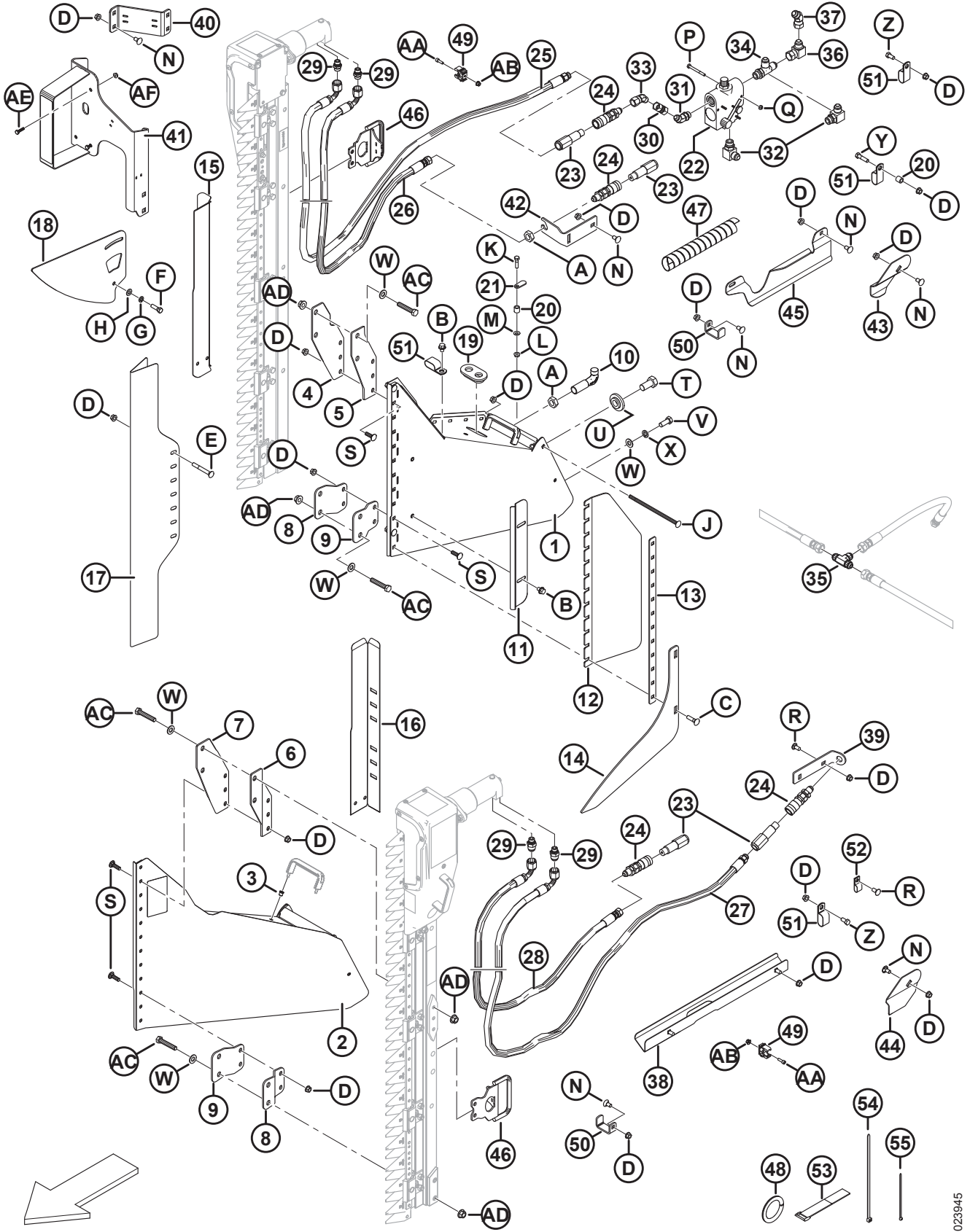
Ref	Part Number	Description	Qty	Serial Number
1	279494	SUPPORT ASSY – RH VERT KNIFE, C/W DECAL <sup>229</sup>	1	
2	279485	SUPPORT ASSY – LH VERT KNIFE, C/W DECAL <sup>229</sup>	1	
3	252578	RIVNUT – M6 X 1 RND 0.7-4.2	4	
4	279156	SUPPORT – VK, TOP RH OUTBOARD	1	
5	279157	SUPPORT – VK, TOP RH INBOARD	1	
6	279158	SUPPORT – VK, TOP LH OUTBOARD	1	
7	279159	SUPPORT – VK, TOP LH INBOARD	1	
8	279498	SUPPORT – VK, BOTTOM, OUTBOARD	2	
9	279499	SUPPORT – VK, BOTTOM, INBOARD	2	
10	132773	HOOK – DIVIDER LATCH	2	
11	174242	DEFLECTOR – VERTICAL KNIFE	2	
12	174321	DEFLECTOR – PLASTIC VERTICAL KNIFE	2	
13	174240	RETAINER – DEFLECTOR VERTICAL KNIFE	2	
14	220197	LIFTER – VERTICAL KNIFE	2	
15	174318	SHIELD – HOSES RH VERTICAL KNIFE	1	
16	174322	SHIELD – HOSES LH VERTICAL KNIFE	1	
17	165380	SHIELD – VERTICAL KNIFE	2	
18	174238	GUIDE – TOP VERTICAL KNIFE	2	
19	165103	GROMMET	2	
20	174324	SPACER	3	
21	174243	LEVER – SAFETY	2	
22	174422	VALVE <sup>230</sup>	1	
	30054	SEAL KIT		
23	135386	COUPLER – MALE HYD. 3/8 IN. FLAT FACE (FASTER) <sup>231</sup>	4	
	<b>111978</b>	<b>SEAL KIT – 3/8 MALE (FASTER ONLY)</b>		
24	135213	COUPLING – FEMALE HYD. 3/8 IN. FLAT FACE BULKHEAD	4	
25	174262	HOSE – RH VERT. KNIFE PRESSURE, 3425 MM LG	1	
26	174547	HOSE – RH VERTICAL KNIFE RETURN, 3350 MM LG	1	
27	174263	HOSE – LH VERT. KNIFE PRESSURE, 3125 MM LG	1	
28	174585	HOSE – LH VERTICAL KNIFE RETURN, 2750 MM LG	1	

229.Includes decal (MD #174684) and two rivnuts (MD #252578).

230.Includes seal kit (MD #30054).

231.Faster coupler (MD #135386) is interchangeable with Parker Hannifin coupler (NSS). Seal kit (MD #111978) is only intended for Faster coupler and cannot be used with Parker Hannifin coupler. Length can be used to differentiate the two couplers; Faster coupler = 101 mm and Parker Hannifin coupler = 84 mm.

(OPTION) VERTICAL KNIFE – STANDARD REEL ARM (2018 AND PRIOR)

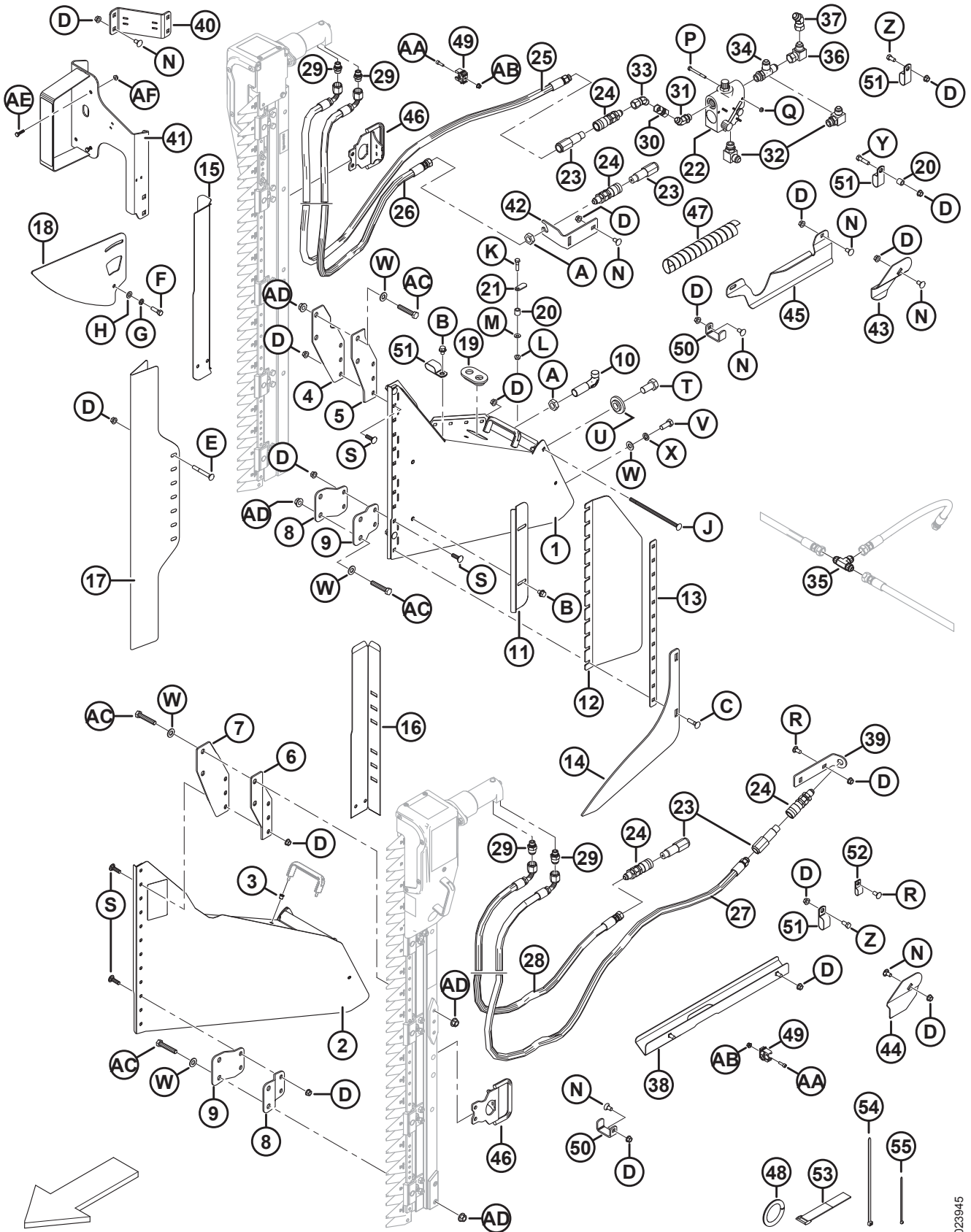


1023945

(OPTION) VERTICAL KNIFE – STANDARD REEL ARM (2018 AND PRIOR)

Ref	Part Number	Description	Qty	Serial Number
29	252296	FITTING – ADAPTER 10 JIC X 6 BSPP (ZIEGLER ONLY)	4	
	136654	SEAL KIT (ZIEGLER ONLY)		
	21746	FITTING – CONNECTOR HYD (SABRE ONLY)	4	
30	135540	FITTING – FEMALE UNION HYD	1	
31	135241	FITTING – ELBOW 45° HYD C/W O-RING	1	
32	21843	FITTING – ELBOW 90° HYD	2	
33	135685	FITTING – ELBOW 45° HYD	1	
34	50019	FITTING – TEE HYD STR THD RUN TEE C/W O-RING	1	
35	30551	FITTING – TEE HYD	1	
36	30556	FITTING – ELBOW 90° HYD	1	
37	135434	FITTING – ELBOW 45° SWIVEL SAE	1	
38	174586	SUPPORT WELDMENT – LH VERTICAL KNIFE	1	
39	174538	SUPPORT – HOSE LH VERTICAL KNIFE	1	
40	174883	SUPPORT – LAMP, VERTICAL KNIFE KIT	1	
41	<b>294393</b>	<b>SUPPORT – RH REAR LIGHT VERT KNIFE</b>	1	
42	174521	SUPPORT – COUPLER	1	
43	174514	HOLDER – RH HOSE VERTICAL KNIFE	1	
44	174513	HOLDER – LH HOSE VERTICAL KNIFE	1	
45	125229	GUIDE – RH HOSES, VERT KNIFE	1	
46	279144	HANDLE – VERT KNIFE (ZIEGLER ONLY)	2	
47	252537	GUARD – HOSE, SPIRAL	1	
48	45427	MOULDING – RH (SPEC 31886)	1	
49	252314	CLIP – PIPE, 20 MM	8	
50	132418	CLAMP – HOSE VERTICAL KNIFE	3	
51	103738	CLAMP – PVC INSULATED 13/16 IN. TUBE SIZE	13	
52	135233	CLAMP – DOUBLE HOSE INSULATED	1	
53	135443	FASTENER – CINCH STRAP 4 IN. LG	3	
54	30753	FASTENER – CABLE TIE BLACK, 305 MM LG	6	
55	21763	FASTENER – CABLE TIE BLACK, 160 MM LG	10	
A	7674	NUT – HEX JAM 3/4 16 UNF GR 5 ZP		
B	30693	BOLT – FLANGE (SER FACE) .375-16 UNC X 0.5 LG		
C	21484	BOLT – RHSN 3/8 NC X 1.5 LG GR 5 ZP		
D	30228	NUT – FLANGE DT SMOOTH FACE 0.375-16 UNC		
E	30307	BOLT – RHSN 3/8 NC X 3.0 LG GR 5 ZP		
F	21264	BOLT – HH 3/8 NC X 1.25 LG GR 5 ZP		
G	18637	WASHER – REG. LOCK 3/8 IN. NOM. ID ZP		
H	18598	WASHER – SAE FLAT 13/32 ID X 13/16 IN OD ZP		

(OPTION) VERTICAL KNIFE – STANDARD REEL ARM (2018 AND PRIOR)



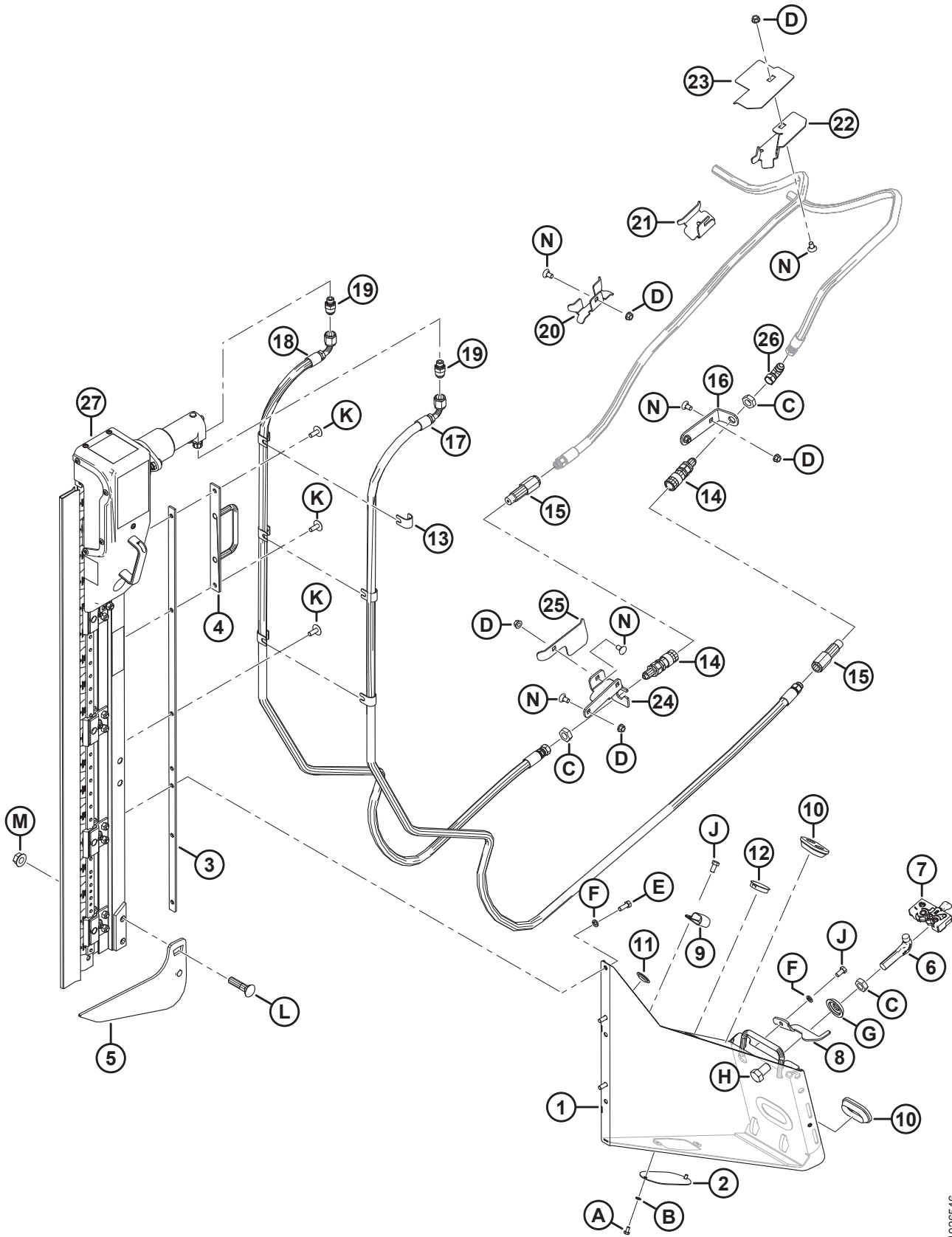
1023945



(OPTION) VERTICAL KNIFE – STANDARD REEL ARM (2018 AND PRIOR)

Ref	Part Number	Description	Qty	Serial Number
J	135665	BOLT – RHSN 3/8 NC X 8 LG GR 5 ZP		
K	21526	BOLT – HH 5/16 NC X 1.25 LG GR 5 ZP		
L	30280	NUT – FLG SIDE LK SMTH FACE 5/16 NC GR 5 ZP		
M	184579	WASHER – CONICAL SPRING M8A		
N	21472	BOLT – RHSN 3/8 NC X 0.75 GR 5 ZP		
P	21854	BOLT – HH 1/4 NC X 2.5 LG GR 5 ZP		
Q	18724	NUT – HEX LOCK DT 1/4-20 UNC ZP		
R	21863	BOLT – RHSSN 3/8 NC X 0.75 LG GR 5 ZP		
S	19966	BOLT – RHSN 3/8 NC X 1.25 LG GR 5 ZP		
T	135579	BOLT – HEX HD 3/4-16 UNF		
U	220324	WASHER – VERTICAL KNIFE		
V	21491	BOLT – HH 1/2 NC X 1.25 LG GR 5 ZP		
W	18599	WASHER – SAE FLAT 17/32 ID X 1 1/16 IN OD ZP		
X	18638	WASHER – REG. LOCK 1/2 IN. NOM. ID ZP		
Y	21561	BOLT – HH 3/8 NC X 1.5 LG GR 5 ZP		
Z	21567	BOLT – HEX HD .375-16 UNC X 0.75 LG		
AA	136652	SCREW – HEX SOC HD M6 X 1 X 20-12.9-A2L		
AB	152668	NUT – HEX FLG CTR LOC M6 X 1-8-A2L		
AC	252541	BOLT – HEX HD M12 X 1.75 X 65-8.8-A3L		
AD	148645	NUT – HEX FLG STVR LOC M12 X 1.75-10-A3L		
AE	21573	BOLT – HEX HD 1/4 NC X 1.0 LG GR 5 ZP		
AF	21455	NUT – FLG (SER FACE) 1/4 NC GR 5 ZP		

# 64 (Option) Vertical Knife – Standard Reel Arm, Left End (2019)



(OPTION) VERTICAL KNIFE – STANDARD REEL ARM, LEFT END (2019)

**NOTE:**

To add on complete vertical knife kits or replace parts added in 2019, refer to the following table:

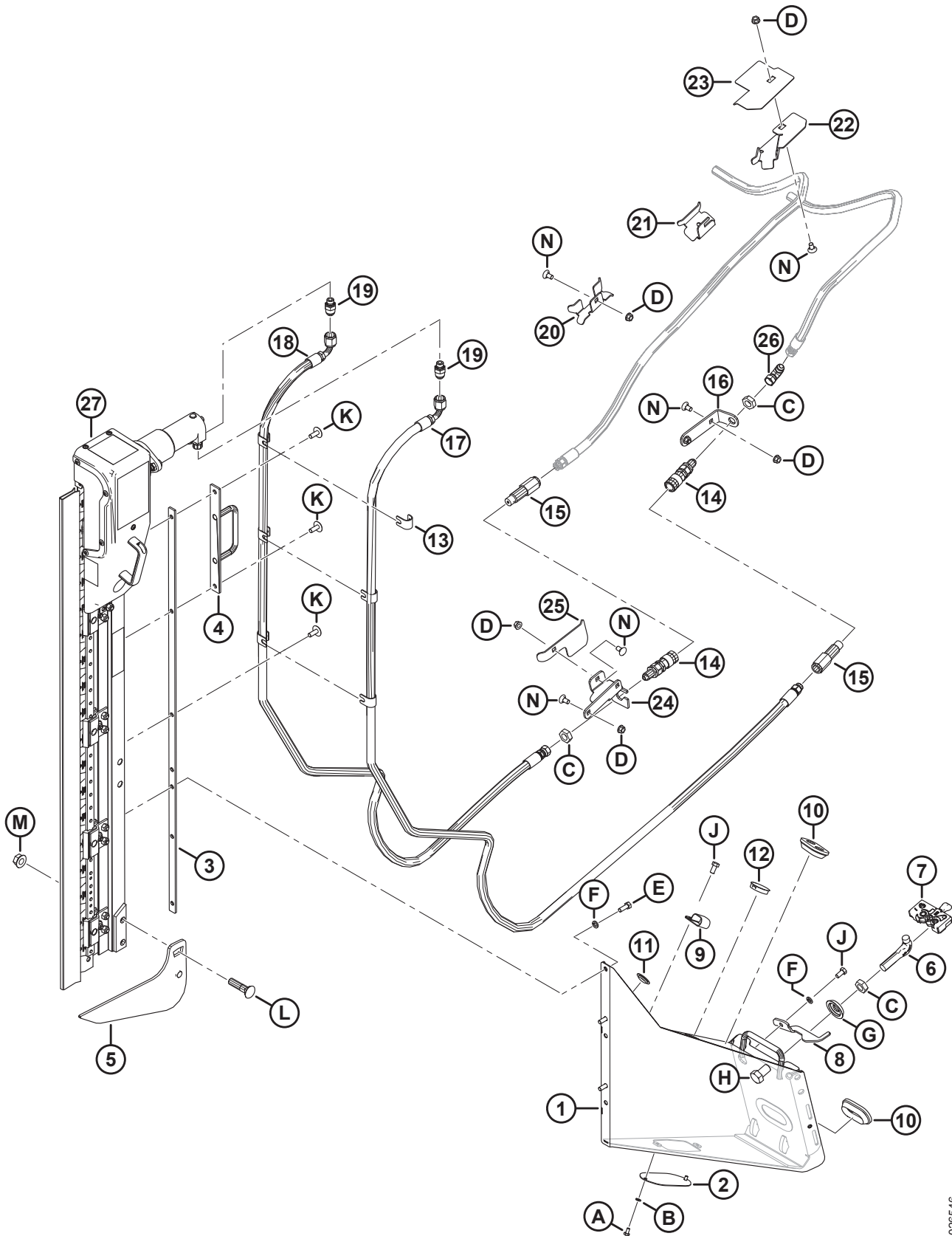
Ref	Part Number	Description	Qty	Serial Number
	B6608	KIT – VERTICAL KNIFE MOUNT, LH <sup>232</sup>		
	B6410	KIT – ZIEGLER LH/RH VERTICAL KNIFES <sup>233</sup>		
1	294721	SUPPORT ASSEMBLY – LH NA	1	
2	253582	PLATE	1	
3	253668	SUPPORT WELDMENT	1	
4	253570	SUPPORT WELDMENT	1	
5	253708	LIFTER LEFT WELDMENT	1	
6	132773	HOOK – DIVIDER LATCH	1	
7	120932	LATCH – LH	1	
8	132248	LATCH – LH, DIVIDER SAFETY	1	
9	103738	CLAMP – PVC INSULATED 13/16 IN. TUBE SIZE	1	
10	165103	GROMMET	2	
11	30433	PLUG – PLASTIC SNAP-IN	2	
12	135613	PLUG – PLASTIC SNAP-IN	1	
13	279798	SUPPORT	6	
14	135213	COUPLING – FEMALE HYD. 3/8 FLAT FACE BULKHEAD	2	
15	135386	COUPLER – MALE HYD. 3/8 IN. FLAT FACE (FASTER) <sup>234</sup>	2	
	111978	SEAL KIT – 3/8 MALE (FASTER ONLY)		
16	245915	SUPPORT – HOSE COUPLER	1	
17	294509	HOSE – HYD	1	
18	294508	HOSE – HYD	1	
19	252296	FITTING – ADAPTER–10 JIC X–6 BSPP	2	
20	245931	SUPPORT – HOSE	1	
21	245956	SUPPORT – HOSE	1	
22	253702	SUPPORT – HOSE, LH	1	
23	253704	GUIDE – HOSE, LH	1	
24	245928	SUPPORT – LH COUPLER	1	
25	245936	DEFLECTOR – LH HOSE	1	
26	30314	FITTING – ELBOW 90° HYD	1	

232. Additional hose kit is required to install left and right vertical knife. For vertical knife hose kits refer to Sections 66 *(Option) Vertical Knife Hose Kits – Single Reel, page 229* or 67 *(Option) Vertical Knife Hose Kits – Double Reel, page 231*. Kits available through Whole Goods only.

233. Kit includes two knives. Kits available through Whole Goods only.

234. Faster coupler (MD #135386) is interchangeable with Parker Hannifin coupler (NSS). Seal kit (MD #111978) is only intended for Faster coupler and cannot be used with Parker Hannifin coupler. Length can be used to differentiate the two couplers; Faster coupler = 101 mm and Parker Hannifin coupler = 84 mm.

(OPTION) VERTICAL KNIFE – STANDARD REEL ARM, LEFT END (2019)



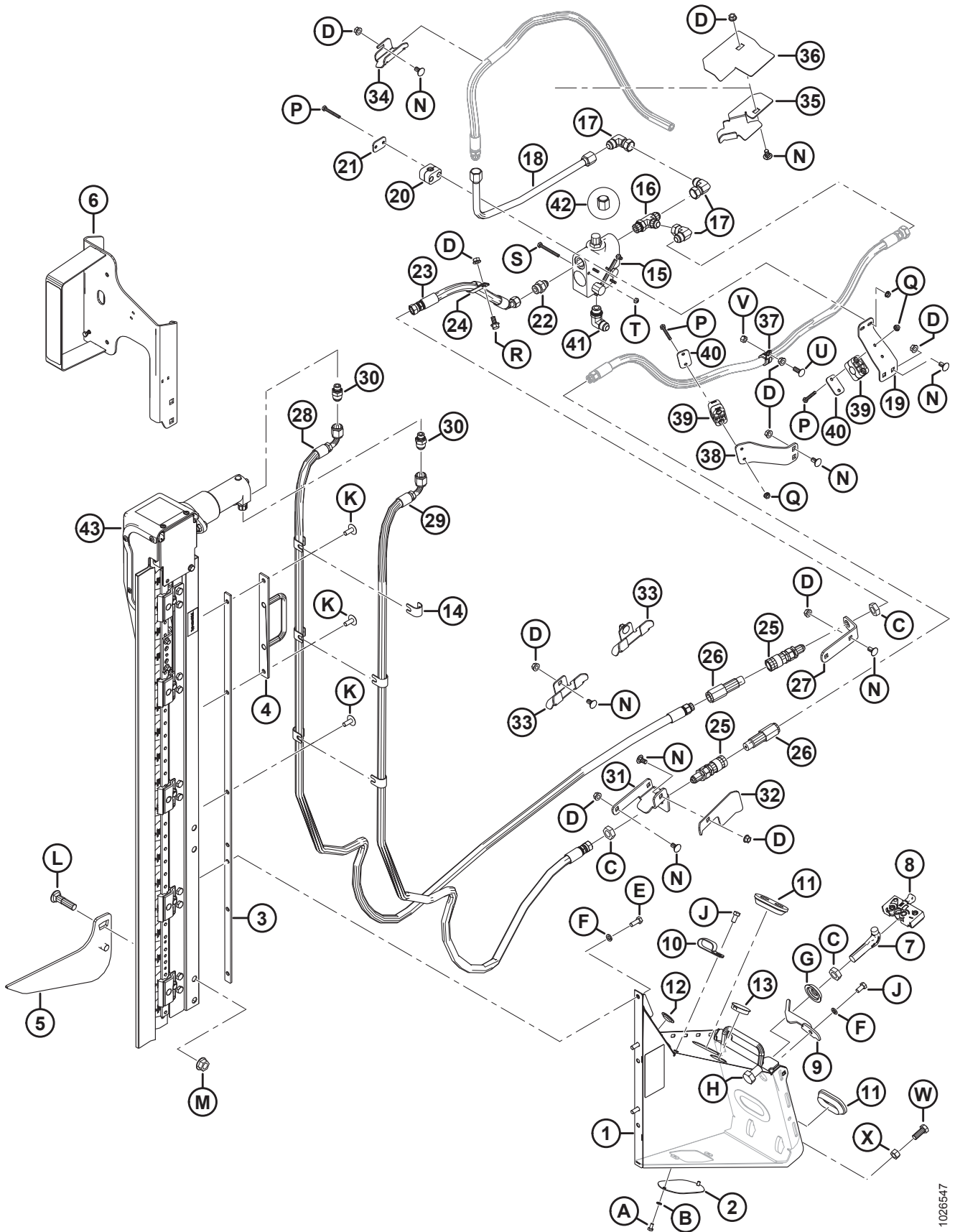
1026546

(OPTION) VERTICAL KNIFE – STANDARD REEL ARM, LEFT END (2019)

Ref	Part Number	Description	Qty	Serial Number
27	NSS	ZIEGLER VERTICAL KNIFE <sup>235</sup>		
A	21580	BOLT – HEX HD 1/4 NC X 0.5 LG GR 5 ZP		
B	18635	WASHER – REG. LOCK 1/4 IN. NOM. ID ZP		
C	7674	NUT – HEX JAM 3/4-16 UNF GR 5 ZP		
D	30228	NUT – FLANGE DT SMOOTH FACE 0.375-16 UNC		
E	20077	BOLT – HEX HD 3/8 NC X 1.0 LG GR 5 ZP		
F	18637	WASHER – REG. LOCK 3/8 IN. NOM. ID ZP		
G	253477	WASHER – VERTICAL KNIFE		
H	21590	BOLT – HH 3/4 NC X 1.25 LG GR 5 ZP		
J	21567	BOLT – HEX HD .375-16 UNC X 0.75 LG		
K	135507	SCREW – MACHINE TRUSS HD TORX, 38 NC X 1 LG		
L	30759	BOLT – RHSSN 5/8 NC X 2.5 LG GR 5 ZP		
M	50225	NUT – FLANGE DT SMOOTH FACE .625-11 UNC		
N	21472	BOLT – RHSN 3/8-16 X .75-GR5		

235. Not sold separately, can be ordered as a set of two knives (MD #B6410).

# 65 (Option) Vertical Knife – Standard Reel Arm, Right End (2019)



1026547

(OPTION) VERTICAL KNIFE – STANDARD REEL ARM, RIGHT END (2019)

**NOTE:**

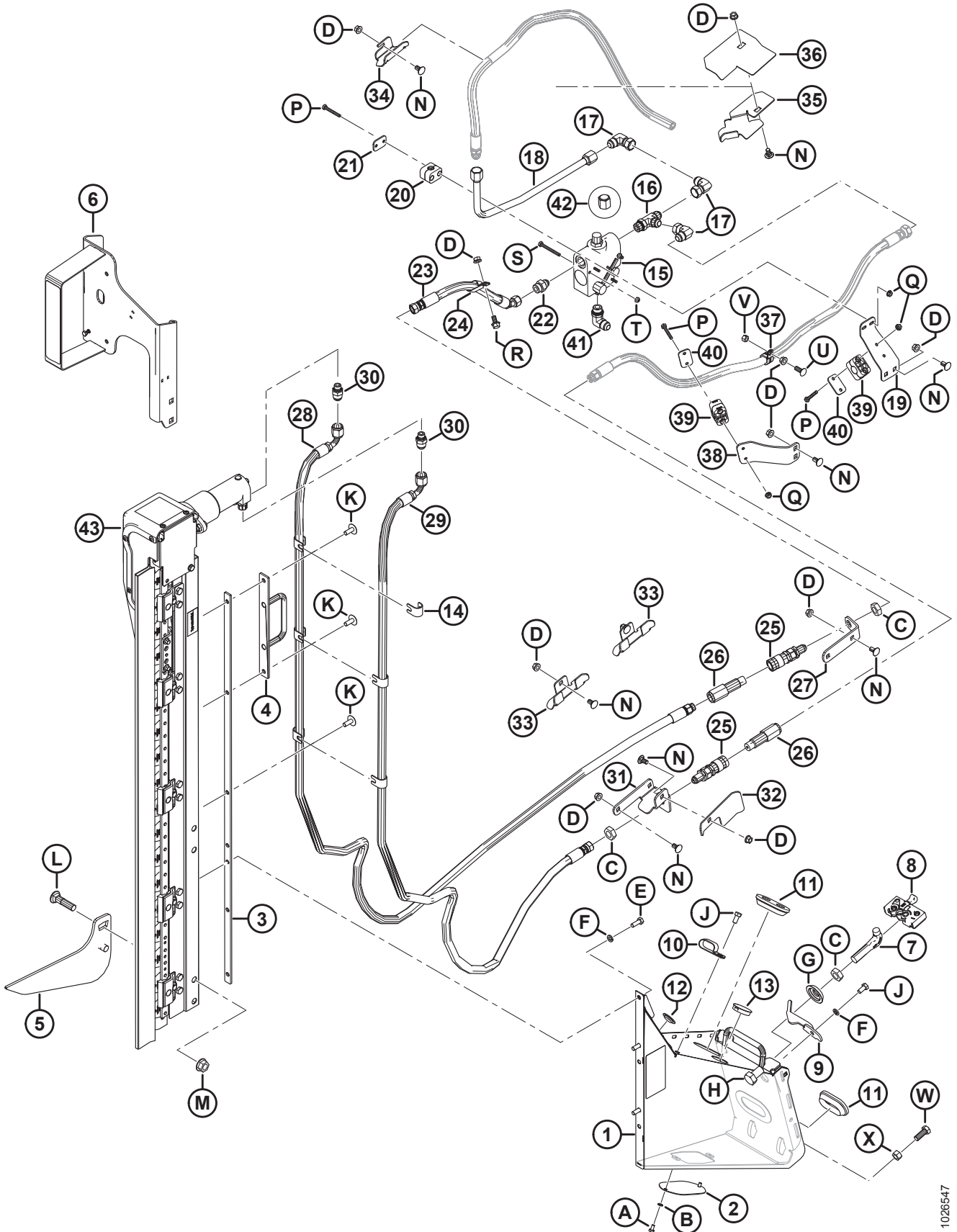
To add on complete vertical knife kits or replace parts added in 2019, refer to the following table:

Ref	Part Number	Description	Qty	Serial Number
	B6609	KIT – VERTICAL KNIFE MOUNT, RH <sup>236</sup>		
	B6410	KIT – ZIEGLER LH/RH VERTICAL KNIFES <sup>237</sup>		
1	294722	SUPPORT ASSEMBLY – RH NA	1	
2	253582	PLATE	1	
3	253668	SUPPORT WELDMENT	1	
4	253570	SUPPORT WELDMENT	1	
5	253706	LIFTER RIGHT WELDMENT	1	
6	294393	SUPPORT – RH LIGHT VERT KNIFE	1	
	115146	REFLECTOR – AMBER		
	115147	REFLECTOR – RED		
7	132773	HOOK – DIVIDER LATCH	1	
8	120933	LATCH – RH	1	
9	132253	LATCH – RH, DIVIDER SAFETY	1	
10	103738	CLAMP – PVC INSULATED 13/16 IN. TUBE SIZE	7	
11	165103	GROMMET	2	
12	30433	PLUG – PLASTIC SNAP-IN	2	
13	135613	PLUG – PLASTIC SNAP-IN	1	
14	279798	SUPPORT	6	
15	174422	VALVE	1	
	30054	SEAL KIT		
16	50019	FITTING – TEE HYD STR THD RUN TEE CW O-RING	1	
17	30556	FITTING – ELBOW 90° HYD	3	
18	255471	LINE – HYDRAULIC	1	
19	279001	SUPPORT – HOSE CLAMP	1	
20	252399	CLAMP – ASSY	1	
21	255461	PLATE – COVER	1	
22	21881	FITTING – ADAPTER HYD	1	
23	255462	HOSE – HYD	1	
24	135235	CLAMP – DOUBLE HOSE INSULATED	1	
25	135213	COUPLING – FEMALE HYD. 3/8 FLAT FACE BULKHEAD	2	

236. Additional hose kit is required to install left and right vertical knife. For vertical knife hose kits refer to Sections 66 (Option) Vertical Knife Hose Kits – Single Reel, page 229 or 67 (Option) Vertical Knife Hose Kits – Double Reel, page 231. Kits available through Whole Goods only.

237. Kit includes two knives. Kits available through Whole Goods only.

(OPTION) VERTICAL KNIFE – STANDARD REEL ARM, RIGHT END (2019)



1026547



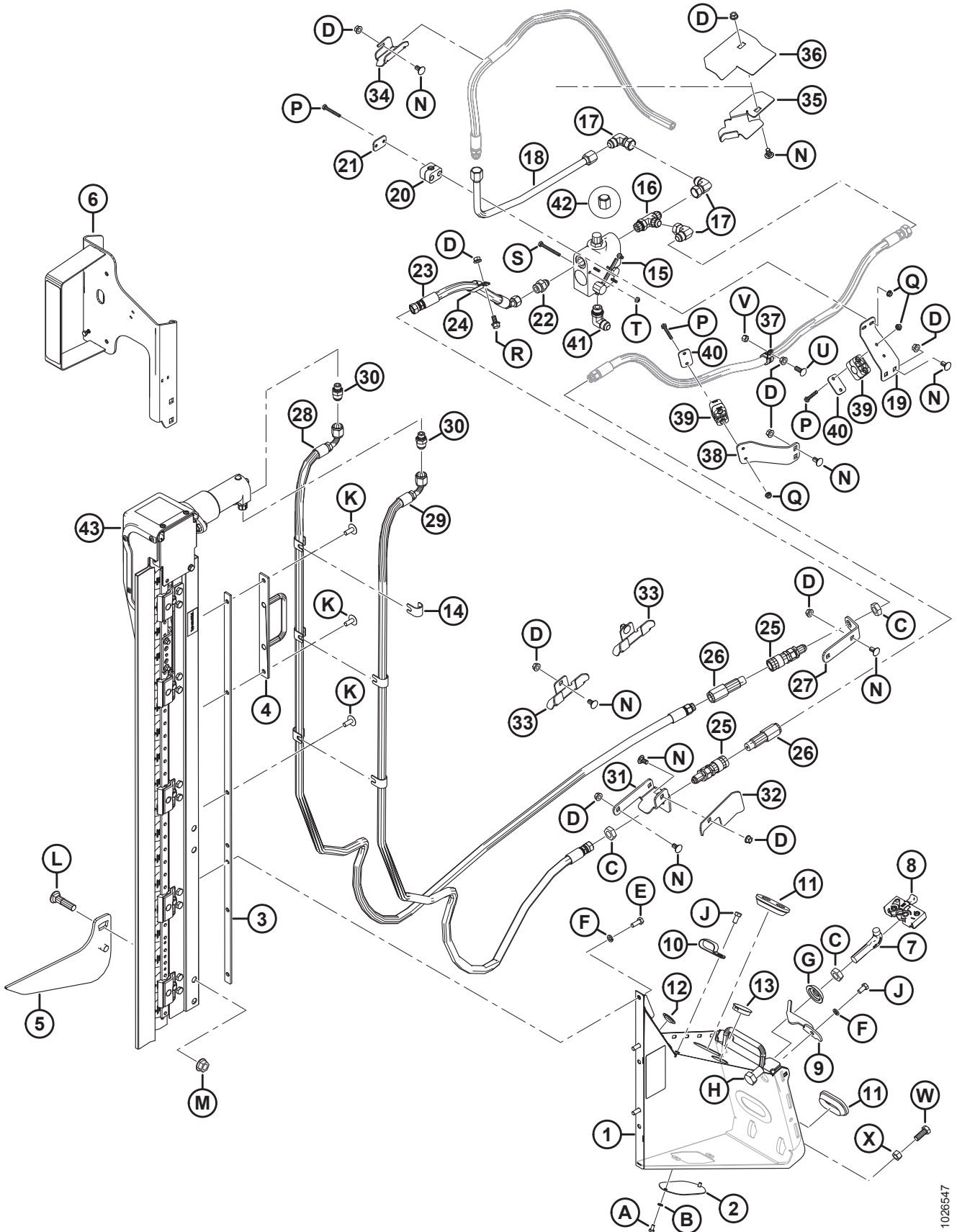
## (OPTION) VERTICAL KNIFE – STANDARD REEL ARM, RIGHT END (2019)

Ref	Part Number	Description	Qty	Serial Number
26	135386	COUPLER – MALE HYD. 3/8 IN. FLAT FACE (FASTER) <sup>238</sup>	2	
	111978	SEAL KIT – 3/8 MALE (FASTER ONLY)		
27	245915	SUPPORT – HOSE COUPLER	1	
28	294509	HOSE – HYD	1	
29	294508	HOSE – HYD	1	
30	252296	FITTING – ADAPTER–10 JIC X–6 BSPP	2	
31	245955	SUPPORT – RH COUPLER	1	
32	279017	DEFLECTOR – RH HOSE	1	
33	245931	SUPPORT – HOSE	2	
34	245956	SUPPORT – HOSE	1	
35	253703	SUPPORT – HOSE, RH	1	
36	253705	GUIDE – HOSE, RH	1	
37	135709	CLAMP – INSULATED 3/4 IN	1	
38	245946	SUPPORT – HOSE CLAMP	1	
39	252368	CLAMP – ASSY	2	
40	255460	PLATE – COVER	2	
41	21843	FITTING – ELBOW 90° HYD	1	
42	112935	CAP – 5/8 IN. TUBE 37° FLARE	1	
43	NSS	ZIEGLER VERTICAL KNIFE <sup>239</sup>		
A	21580	BOLT – HEX HD 1/4 NC X 0.5 LG GR 5 ZP		
B	18635	WASHER – REG. LOCK 1/4 IN. NOM. ID ZP		
C	7674	NUT – HEX JAM 3/4-16 UNF GR 5 ZP		
D	30228	NUT – FLANGE DT SMOOTH FACE 0.375-16 UNC		
E	20077	BOLT – HEX HD 3/8 NC X 1.0 LG GR 5 ZP		
F	18637	WASHER – REG. LOCK 3/8 IN. NOM. ID ZP		
G	253477	WASHER – VERTICAL KNIFE		
H	21590	BOLT – HH 3/4 NC X 1.25 LG GR 5 ZP		
J	21567	BOLT – HEX HD .375-16 UNC X 0.75 LG		
K	135507	SCREW – MACHINE TRUSS HD TORX, 38 NC X 1 LG		
L	30759	BOLT – RHSSN 5/8 NC X 2.5 LG GR 5 ZP		
M	50225	NUT – FLANGE DT SMOOTH FACE .625-11 UNC		
N	21472	BOLT – RHSN 3/8-16 X .75-GR5		
P	21570	BOLT – HH 1/4 NC X 2.0 LG GR 5 ZP		

238.Faster coupler (MD #135386) is interchangeable with Parker Hannifin coupler (NSS). Seal kit (MD #111978) is only intended for Faster coupler and cannot be used with Parker Hannifin coupler. Length can be used to differentiate the two couplers; Faster coupler = 101 mm and Parker Hannifin coupler = 84 mm.

239.Not sold separately, can be ordered as a set of two knives (MD #B6410).

(OPTION) VERTICAL KNIFE – STANDARD REEL ARM, RIGHT END (2019)

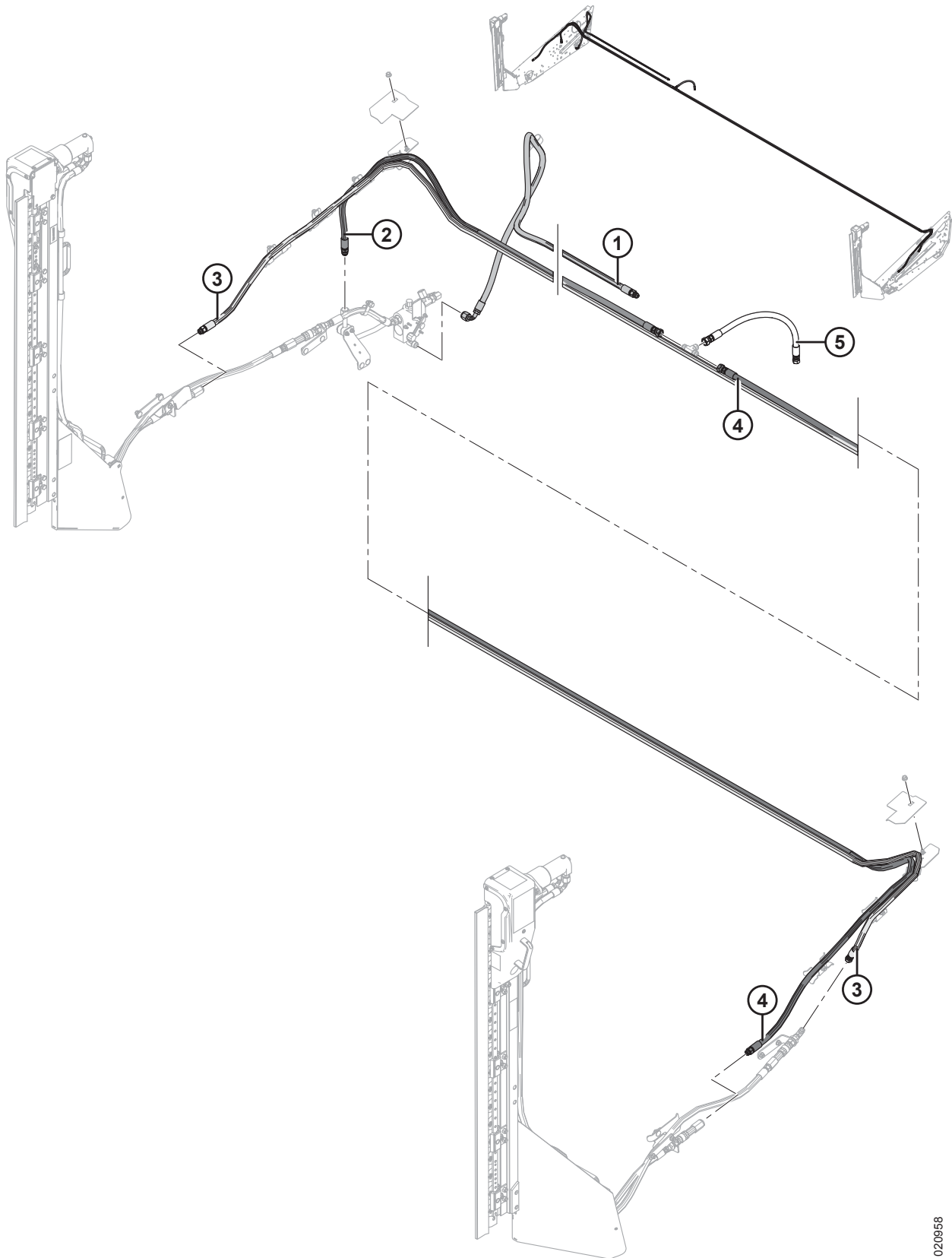


1026547

(OPTION) VERTICAL KNIFE – STANDARD REEL ARM, RIGHT END (2019)

Ref	Part Number	Description	Qty	Serial Number
Q	135248	NUT – FLG SMTH FACE 1/4-20 NC GR 5 ZP CTR LK DT THD		
R	21821	BOLT – HH FLG (SERR FACE) 3/8 NC X 0.75 GR 5 ZP		
S	21854	BOLT – HH 1/4 NC X 2.5 LG GR 5 ZP		
T	18724	NUT – HEX LOCK DT 1/4-20 UNC ZP		
U	100456	BOLT – RHSSN 3/8 NC X 1.0 GR 5 ZP		
V	135511	NUT – CENTER LOCK .375-16 UNC GR 5 ZP		
W	21491	BOLT – HH 1/2 NC X 1.25 LG GR 5 ZP		
X	18591	NUT – HEX 1/2-13 UNC GR 5 ZP		

# 66 (Option) Vertical Knife Hose Kits – Single Reel



1020958

(OPTION) VERTICAL KNIFE HOSE KITS – SINGLE REEL

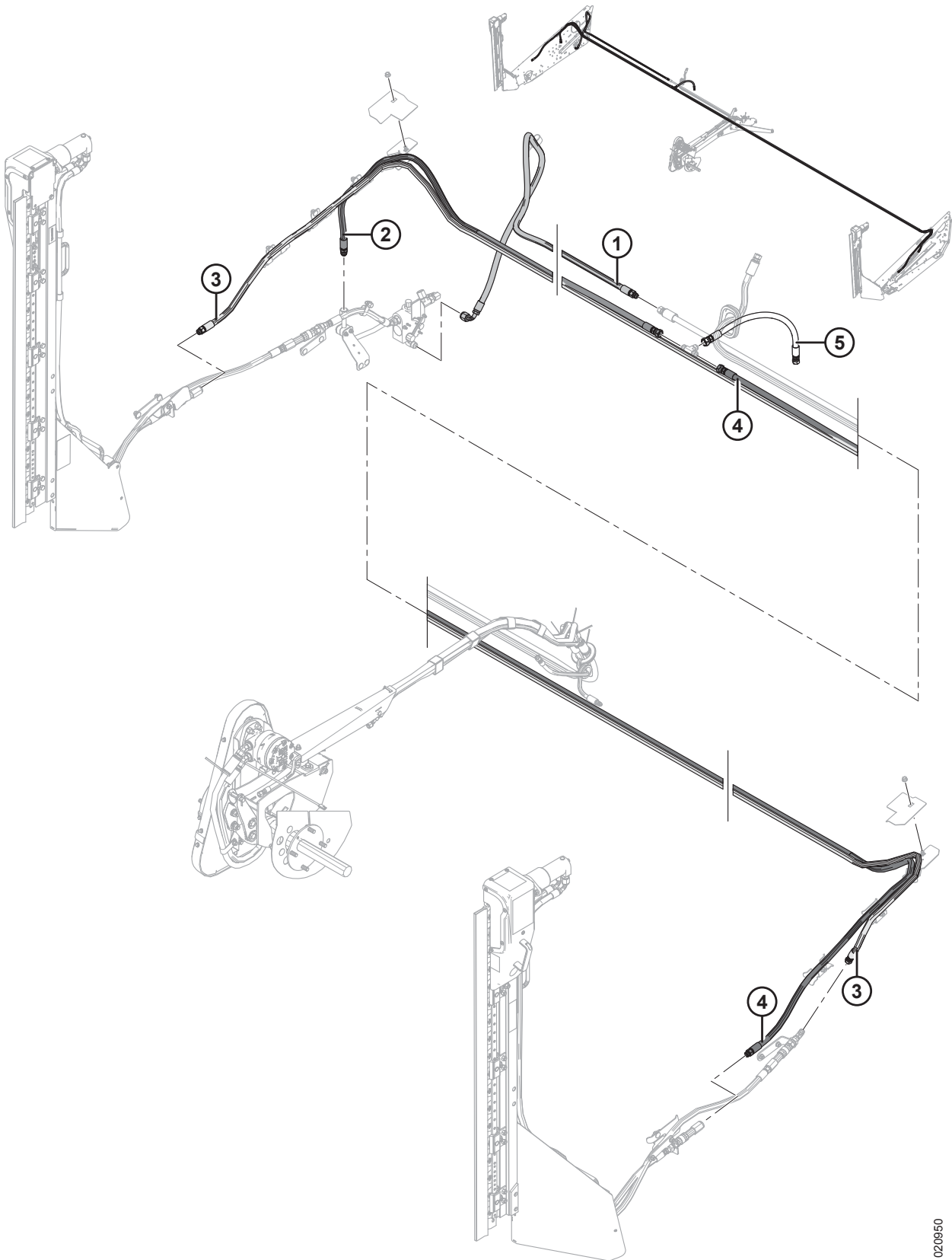
**NOTE:**

Hose kits to be used in conjunction with vertical knife kits MD #B6608 and MD #B6609.

Ref	Part Number	Description	Qty	Serial Number
	B6263	KIT – DBL VERTICAL KNIFE HOSE (15 FT RIGID, SR) <sup>240</sup>	1	
	B6264	KIT – DBL VERTICAL KNIFE HOSE (20 FT RIGID, SR) <sup>240</sup>	1	
	B6265	KIT – DBL VERTICAL KNIFE HOSE (25 FT RIGID, SR) <sup>240</sup>	1	
	B6266	KIT – DBL VERTICAL KNIFE HOSE (30 FT RIGID, SR) <sup>240</sup>	1	
	B6267	KIT – DBL VERTICAL KNIFE HOSE (35 FT RIGID, SR) <sup>240</sup>	1	
1	255947	HOSE – HYDRAULIC (EXCEPT 20 FT)	1	
2	255572	HOSE – HYDRAULIC (15 FT RIGID, SR)	1	
	255573	HOSE – HYDRAULIC (20 FT RIGID, SR)	1	
	255574	HOSE – HYDRAULIC (25 FT RIGID, SR)	1	
	255558	HOSE – HYDRAULIC (30 FT RIGID, SR)	1	
	255559	HOSE – HYDRAULIC (35 FT RIGID, SR)	1	
3	255575	HOSE – HYDRAULIC (15 FT RIGID, SR)	1	
	255576	HOSE – HYDRAULIC (20 FT RIGID, SR)	1	
	255577	HOSE – HYDRAULIC (25 FT RIGID, SR)	1	
	255544	HOSE – HYDRAULIC (30 FT RIGID, SR)	1	
	255545	HOSE – HYDRAULIC (35 FT RIGID, SR)	1	
4	255578	HOSE – HYDRAULIC (15 FT RIGID, SR)	1	
	255579	HOSE – HYDRAULIC (20 FT RIGID, SR)	1	
	255580	HOSE – HYDRAULIC (25 FT RIGID, SR)	1	
	255562	HOSE – HYDRAULIC (30 FT RIGID, SR)	1	
	255563	HOSE – HYDRAULIC (35 FT RIGID, SR)	1	
5	255497	HOSE – HYDRAULIC	1	

240.Kits available through Whole Goods only.

# 67 (Option) Vertical Knife Hose Kits – Double Reel



1020950

(OPTION) VERTICAL KNIFE HOSE KITS – DOUBLE REEL

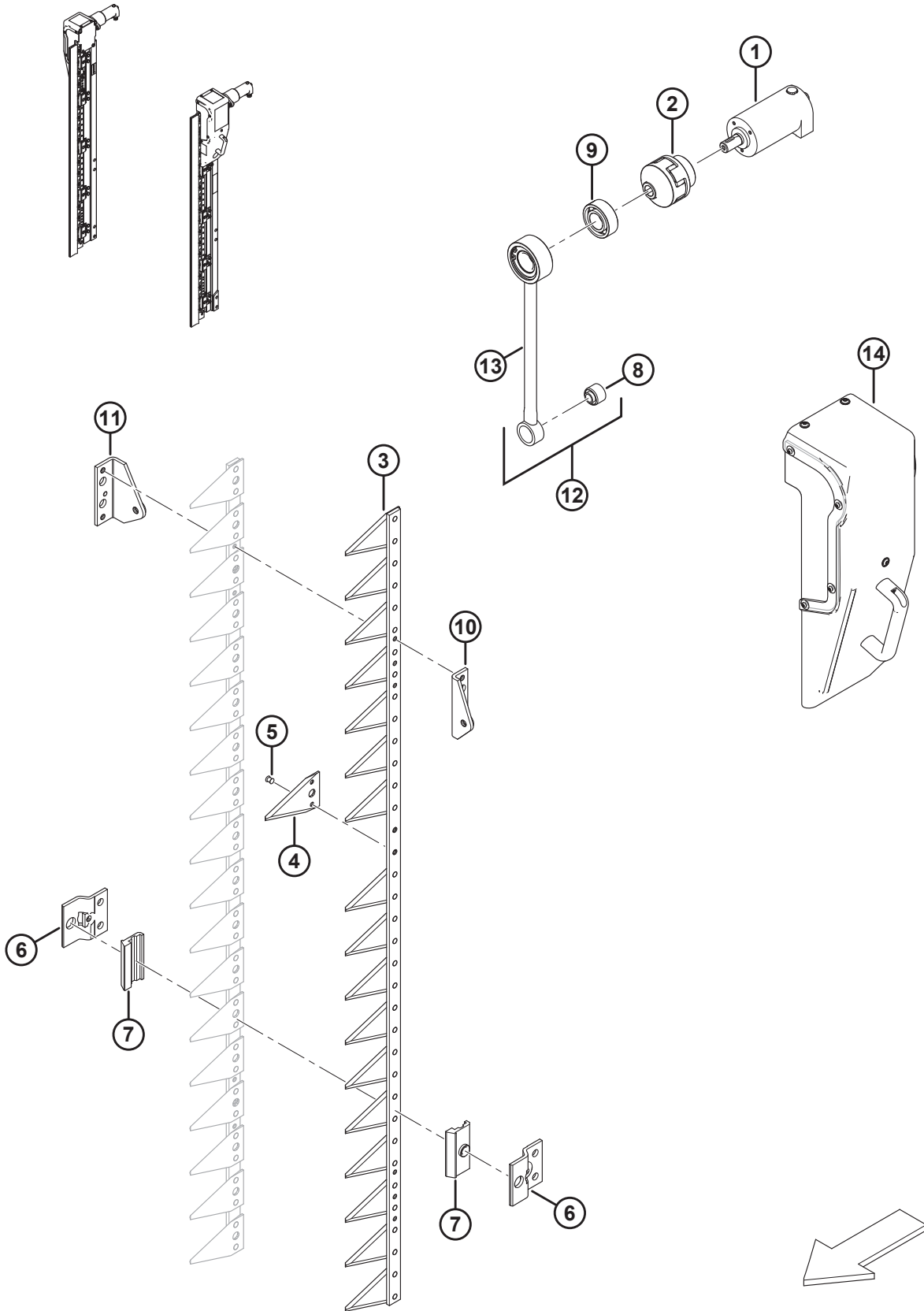
**NOTE:**

Hose kits to be used in conjunction with vertical knife kits MD #B6608 and MD #B6609.

Ref	Part Number	Description	Qty	Serial Number
	B6255	KIT – DBL VERTICAL KNIFE HOSE (30 FT RIGID, DR) <sup>241</sup>	1	
	B6256	KIT – DBL VERTICAL KNIFE HOSE (35 FT RIGID, DR) <sup>241</sup>	1	
	B6257	KIT – DBL VERTICAL KNIFE HOSE (40 FT RIGID, DR) <sup>241</sup>	1	
	B6258	KIT – DBL VERTICAL KNIFE HOSE (45 FT RIGID, DR) <sup>241</sup>	1	
1	255554	HOSE – HYDRAULIC (30 FT RIGID, DR)	1	
	255555	HOSE – HYDRAULIC (35 FT RIGID, DR)	1	
	255556	HOSE – HYDRAULIC (40 FT RIGID, DR)	1	
	255557	HOSE – HYDRAULIC (45 FT RIGID, DR)	1	
2	255558	HOSE – HYDRAULIC (30 FT RIGID, DR)	1	
	255559	HOSE – HYDRAULIC (35 FT RIGID, DR)	1	
	255560	HOSE – HYDRAULIC (40 FT RIGID, DR)	1	
	255561	HOSE – HYDRAULIC (45 FT RIGID, DR)	1	
3	255544	HOSE – HYDRAULIC (30 FT RIGID, DR)	1	
	255545	HOSE – HYDRAULIC (35 FT RIGID, DR)	1	
	255546	HOSE – HYDRAULIC (40 FT RIGID, DR)	1	
	255547	HOSE – HYDRAULIC (45 FT RIGID, DR)	1	
4	255562	HOSE – HYDRAULIC (30 FT RIGID, DR)	1	
	255563	HOSE – HYDRAULIC (35 FT RIGID, DR)	1	
	255564	HOSE – HYDRAULIC (40 FT RIGID, DR)	1	
	255565	HOSE – HYDRAULIC (45 FT RIGID, DR)	1	
5	255497	HOSE – HYDRAULIC	1	

241.Kits available through Whole Goods only.

# 68 (Option) Vertical Knife Assembly – Service Parts





(OPTION) VERTICAL KNIFE ASSEMBLY – SERVICE PARTS

**NOTE:**

All parts listed are for service only. Vertical Knives can be ordered as a set of two knives (MD #B6410).

Ref	Part Number	Description	Qty	Serial Number
1	304611	HYDRAULIC MOTOR		
2	304612	COUPLING – ELASTIC SHAFT		
3	304614	ASSEMBLY – KNIFE <sup>242</sup>		
4	304615	SECTION – KNIFE		
5	304616	RIVET		
6	304617	HOLDER – KNIFE		
7	304618	PLATE – GUIDE		
8	304619	BUSHING – RUBBER METAL		
9	304620	BEARING – SELF-ALIGNING		
10	304621	HEAD – KNIFE FRONT		
11	304622	HEAD – KNIFE REAR		
12	304623	ASSEMBLY – CONNECTING ROD <sup>243</sup>		
13	304624	ROD – CONNECTING		
14	304625	GUARD – LEFT/RIGHT CRANK <sup>244</sup>		

242. Includes knife sections (MD #304615) and rivets (MD #304616).

243. Includes connecting rod (MD #304624) and bushing (MD #304619).

244. Includes a front plate, which is shipped in the left guard configuration. If the guard will be on used the right knife, the plate must be moved to the opposite side of the guard.



# Index

1113 .....	94, 100	18669.....	84, 90, 174
2148 .....	186	18670.....	8, 12
2149 .....	212	18671.....	100, 106, 184
4761 .....	54, 158, 188	18688.....	8, 12, 112
5113 .....	6	18697.....	52, 56, 68, 98, 102, 108, 188, 208, 212
5512 .....	108, 190, 194, 196	18723.....	6, 58, 178
6636 .....	74	18724.....	208, 212, 218, 228
6647 .....	4, 54	18725.....	96, 102, 106
6649 .....	188	18738.....	108
7642 .....	2, 188	18796.....	6
7674 .....	144, 172, 216, 222, 226	18866.....	190, 192
7900 .....	188, 192, 196	18867.....	64
8218 .....	10	18916.....	190, 192, 196
10254.....	54	19634.....	180
13125.....	158, 184, 202	19927.....	184
13298.....	52	19965.....	66, 156, 174, 208, 212
15903.....	146	19966.....	66, 182, 200, 218
16010.....	180, 186	20055.....	102, 108
16087.....	2	20077.....	66, 76, 208, 222, 226
16235.....	106, 112	20078.....	120
16266.....	186	20312.....	110
16605.....	74	20535.....	66
16661.....	212	21006.....	56
16681.....	94, 100, 106	21010.....	50, 184
17958.....	72, 74	21030.....	146
18349.....	110	21031.....	76
18523.....	174, 188	21032.....	176
18525.....	54	21055.....	6, 150, 180, 190
18590.....	66	21056.....	6, 168, 188
18591.....	4, 108, 188, 228	21066.....	54, 58, 68, 188
18592.....	54, 112	21069.....	46, 144, 154
18596.....	126, 150, 208, 212	21087.....	96, 104
18598.....	52, 66, 216	21102.....	166
18599.....	58, 66, 96, 108, 124, 188, 190, 218	21153.....	184, 192, 196
18600.....	72, 112, 188	21194.....	50, 56
18601.....	54, 188	21218.....	124, 150
18603.....	48, 58	21264.....	54, 216
18604.....	64	21281.....	174
18605.....	108	21344.....	202
18609.....	2, 110	21345.....	76
18624.....	164	21354.....	208, 212
18626.....	110	21376.....	184, 192, 196
18635.....	124, 150, 222, 226	21383.....	54, 58, 84, 90, 166
18636.....	96, 104	21389.....	54, 158
18637.....	4, 54, 66, 76, 172, 208, 216, 222, 226	21403.....	174
18638.....	104, 208, 212, 218	21404.....	180
18639.....	54	21406.....	54, 58
18640.....	54	21447.....	116, 120
18648.....	94, 100, 108, 110, 184, 192, 196, 202	21452.....	54, 58, 150
18654.....	8, 10, 16, 18, 198	21455.....	76, 124, 150, 176, 218
18664.....	76, 150	21456.....	104
18666.....	52, 58, 112, 174	21468.....	10

## INDEX

21469.....	84, 90	166, 172, 174, 176, 182, 188, 192, 200, 204, 208,
21471.....	54, 66, 160	212, 216, 222, 226
21472.....	6, 54, 58, 116, 120, 176, 218, 222, 226	30266.....
21484.....	112, 216	124
21491.....	4, 52, 56, 66, 96, 104, 108, 208, 212, 218, 228	30280.....
21526.....	218	148, 172, 180, 218
21540.....	190, 194, 196	30282.....
21558.....	180	114, 118
21560.....	124, 188	30284.....
21561.....	174, 218	114, 118
21567.....	4, 98, 102, 172, 218, 222, 226	30299.....
21568.....	176	54
21570.....	226	30307.....
21572.....	150	216
21573.....	124, 176, 218	30314.....
21575.....	66, 104, 108, 172, 208, 212	220
21576.....	188	30368.....
21577.....	192	166
21578.....	190, 208, 212	30375.....
21580.....	212, 222, 226	114, 118
21581.....	112	30376.....
21583.....	52, 56, 192	46, 208, 212
21589.....	108	30433.....
21590.....	222, 226	220, 224
21591.....	188	30441.....
21594.....	72	66, 112, 154, 188
21599.....	112, 188	30504.....
21746.....	216	172
21763.....	44, 116, 120, 124, 146, 150, 168, 176, 216	30512.....
21801.....	46	112
21810.....	206, 210	30514.....
21821.....	96, 102, 108, 124, 162, 228	52
21830.....	46, 162	30515.....
21843.....	76, 152, 216, 226	166
21854.....	208, 212, 218, 228	30516.....
21859.....	50, 206, 210	188, 192, 196
21863.....	4, 54, 58, 68, 70, 72, 76, 102, 116, 120, 122,	30517.....
	124, 150, 154, 162, 172, 176, 182, 192, 212, 218	184, 192, 196
21868.....	188	30520.....
21881.....	46, 74, 224	106, 184, 192, 196
21887.....	184, 192, 196	30523.....
21941.....	16, 188	82, 88
21968.....	98, 104	30539.....
21975.....	72	44
23164.....	130	30548.....
23165.....	130	52
29028.....	186	30551.....
30027.....	96, 102, 108	216
30034.....	52	30556.....
30035.....	96	152, 216, 224
30054.....	214, 224	30557.....
30209.....	96, 108, 112	152
30228.....	4, 54, 58, 66, 70, 72, 76, 84, 90, 92, 98, 102,	30610.....
	108, 112, 116, 120, 122, 124, 150, 154, 156, 162,	46
		30639.....
		72, 74
		30661.....
		206, 210
		30669.....
		154
		30693.....
		48, 54, 58, 66, 216
		30695.....
		152, 208
		30696.....
		154
		30753.....
		120, 216
		30759.....
		222, 226
		30819.....
		44
		30824.....
		112
		30833.....
		188
		30849.....
		158
		30873.....
		144, 152
		30875.....
		144, 152
		30922.....
		190
		30934.....
		208, 210
		30942.....
		76
		30970.....
		46
		30971.....
		146
		30981.....
		46, 144, 152
		31774.....
		96, 102, 106
		31889.....
		46, 124
		32070.....
		130
		33955.....
		22
		34359.....
		8, 198
		34980.....
		8, 18, 198
		35618.....
		186

## INDEX

35694.....	184	100715.....	60
36849.....	118	100716.....	60
39272.....	180	100717.....	60
40628.....	182	100718.....	60
40701.....	116, 120, 146	100719.....	60
40702.....	116, 120, 146, 162, 210	100720.....	60
40703.....	44, 148	100721.....	60
40704.....	44, 148	100722.....	60
40915.....	164	100723.....	60
41982.....	184, 192, 196	100726.....	60
42498.....	158	101007.....	184, 192, 196
42592.....	66	101853.....	52
44209.....	146	101897.....	66, 180, 202, 212
44575.....	158	101898.....	4, 48, 70, 72, 76, 96, 104, 108, 116, 148, 150, 164, 174, 182, 190
45427.....	208, 212, 216	102264.....	2
47858.....	50	102509.....	52, 56
48050.....	188	102602.....	74
49227.....	116, 120, 146	102629.....	60
49306.....	50, 206, 210	102630.....	60
49341.....	110	102636.....	54, 112, 188
49846.....	162	102711.....	76, 78
50019.....	216, 224	103096.....	60
50022.....	72, 74, 116, 152	103351.....	72, 74
50050.....	46	103562.....	16, 188
50072.....	190	103738.....	74, 96, 102, 114, 208, 212, 216, 220, 224
50086.....	44	103879.....	108
50098.....	46	105066.....	84, 90
50101.....	200	105069.....	98, 102
50103.....	72, 74, 114, 118, 162	105135.....	84, 90
50104.....	46, 72, 76, 144, 152	105136.....	84, 90, 92, 200
50119.....	8, 198	105141.....	84, 90
50120.....	8, 20, 198	105364.....	106
50174.....	184, 192, 196	106708.....	114
50175.....	46, 208	108268.....	144, 152
50184.....	82, 88	109089.....	124, 150
50186.....	6, 54, 58, 66, 84, 90, 92, 96, 102, 108, 112, 124, 160, 166, 172, 178, 188, 200	109717.....	200
50187.....	52	109718.....	162
50188.....	52	109843.....	130
50193.....	174	111221.....	130
50197.....	190	111978.....	214, 220, 226
50225.....	76, 112, 174, 180, 188, 192, 222, 226	111981.....	146
50226.....	58	111982.....	146
100456.....	182, 188, 228	111983.....	146
100500.....	22	111984.....	146
100532.....	50, 56, 60	111985.....	146
100577.....	76, 78, 162	111986.....	146
100581.....	74	112129.....	54
100706.....	60	112935.....	226
100707.....	60	112968.....	52
100708.....	60	113152.....	60
100709.....	60	113153.....	60
100710.....	60	113160.....	50
100712.....	60	113161.....	50
100714.....	60	113222.....	22

## INDEX

113229.....	50, 56	120558.....	8, 10, 16, 18
113420.....	84, 90	120563.....	74
113435.....	96, 102, 106, 108	120566.....	74
113482.....	130	120568.....	72
113536.....	176	120570.....	72
113561.....	176, 180	120573.....	44
113566.....	180	120574.....	44
113799.....	2	120575.....	44
113881.....	118	120577.....	44
113937.....	22	120584.....	74
114233.....	96, 102	120588.....	74
115145.....	132	120589.....	74
115146.....	132, 224	120639.....	8, 10, 16, 154
115147.....	132, 224	120645.....	160
115670.....	22	120648.....	160
117015.....	188	120753.....	50
118137.....	2, 164, 180	120754.....	50
118154.....	8, 10, 16, 18	120755.....	50
118193.....	8, 10, 14, 18	120812.....	50
118239.....	176, 180	120814.....	52
118301.....	10, 18	120832.....	22
118302.....	10, 14	120845.....	62, 152
118344.....	10, 14, 18	120899.....	52, 56
118345.....	10, 14, 18	120900.....	52, 56
118346.....	8, 10, 198	120901.....	52, 56
118347.....	8, 10, 198	120932.....	172, 220
118351.....	8, 10	120933.....	172, 224
118491.....	22, 26, 34, 36	120988.....	72
118499.....	10, 14, 18	120989.....	74
120009.....	64	120996.....	118
120052.....	50	123306.....	62
120056.....	52	123580.....	46
120057.....	52	123598.....	118
120058.....	62	123599.....	120
120127.....	4	123618.....	114, 118
120140.....	56	123620.....	118
120141.....	56	123627.....	106
120194.....	56	123656.....	4
120232.....	54	123660.....	4
120317.....	50	123661.....	4
120358.....	50	123662.....	122
120359.....	50	123663.....	114
120360.....	50	123670.....	96
120363.....	50	123673.....	118
120364.....	50	123676.....	114
120365.....	52	123677.....	114
120366.....	52	123681.....	168
120371.....	74	123682.....	168
120374.....	74	123701.....	114, 118
120377.....	46	123702.....	114, 118
120462.....	64	123703.....	118
120469.....	46	123751.....	2
120507.....	76	123752.....	2
120518.....	74	123763.....	128, 150
120552.....	114, 118	123764.....	128, 150

## INDEX

123765 .....	128	125742 .....	70
123766 .....	128	125749 .....	70
123767 .....	128	125751 .....	70
123768 .....	128	125764 .....	52, 56
123769 .....	128	125808 .....	176
123770 .....	128	125938 .....	2
123772 .....	128	125993 .....	2
123774 .....	128	129043 .....	26, 30, 32, 34, 36, 38, 40
123776 .....	128	129297 .....	8, 10, 14, 18
123777 .....	128	129299 .....	28, 32, 36, 42
123895 .....	2	129313 .....	130
123937 .....	122	129329 .....	24
123938 .....	122	129521 .....	206
123939 .....	122	129522 .....	206
123940 .....	122	129577 .....	170
123948 .....	62	129578 .....	170
123949 .....	62	129581 .....	170
123982 .....	76	129582 .....	170
123990 .....	110	129584 .....	170
123991 .....	110	129589 .....	170
124338 .....	18	129800 .....	146
124344 .....	18	129801 .....	146
124399 .....	2	129913 .....	64
124775 .....	198	129976 .....	146
124880 .....	24	129977 .....	146
124881 .....	24	130292 .....	210
125229 .....	216	131391 .....	130
125236 .....	188	131392 .....	130
125256 .....	186	131393 .....	130
125363 .....	2	132015 .....	74
125378 .....	176	132017 .....	72, 74
125393 .....	174	132021 .....	74
125418 .....	14	132033 .....	50, 56
125433 .....	110	132094 .....	202
125435 .....	110	132096 .....	64
125475 .....	4	132101 .....	202
125476 .....	4	132107 .....	202
125478 .....	76	132117 .....	2, 72, 74
125530 .....	52, 56	132248 .....	172, 220
125553 .....	146	132253 .....	172, 224
125565 .....	76	132265 .....	2
125566 .....	76	132266 .....	2
125571 .....	130	132269 .....	2
125572 .....	130	132300 .....	206
125588 .....	64	132303 .....	206, 210
125589 .....	64	132308 .....	206
125602 .....	62	132333 .....	206
125607 .....	62	132336 .....	206
125622 .....	64	132362 .....	208
125652 .....	76	132396 .....	46
125670 .....	48	132403 .....	172
125672 .....	48	132404 .....	8, 20, 198
125686 .....	48	132405 .....	198
125722 .....	48, 114, 118	132415 .....	52
125741 .....	70	132418 .....	216

## INDEX

132420 .....	2	135372 .....	44
132451 .....	62, 66, 152, 154	135373 .....	146
132474 .....	110	135380 .....	46
132475 .....	110	135386 .....	214, 220, 226
132476 .....	110	135397 .....	148
132531 .....	64	135408 .....	158
132532 .....	64	135434 .....	152, 216
132607 .....	64, 152	135443 .....	116, 118, 152, 162, 208, 212, 216
132692 .....	64	135444 .....	120, 208, 212
132758 .....	74	135448 .....	174
132773 .....	172, 214, 220, 224	135450 .....	204
132777 .....	66	135474 .....	146, 162
132782 .....	76, 78	135500 .....	50
132783 .....	76, 78	135507 .....	222, 226
132784 .....	76, 78	135511 .....	228
132786 .....	76, 78	135540 .....	144, 216
132852 .....	132	135565 .....	146
132867 .....	72, 74	135566 .....	146
132870 .....	72, 74	135579 .....	4, 218
132871 .....	72, 74	135612 .....	46
132896 .....	22	135613 .....	220, 224
132897 .....	22	135623 .....	180
132898 .....	2	135626 .....	24, 28, 32, 36, 42, 68
132903 .....	44	135628 .....	24
132904 .....	44	135630 .....	24
132911 .....	114, 118	135632 .....	24
132912 .....	118	135660 .....	162
133751 .....	2	135665 .....	218
133992 .....	186, 192	135685 .....	216
134010 .....	126	135704 .....	180
134011 .....	126	135709 .....	226
135015 .....	146	135737 .....	112
135157 .....	58, 66, 70, 92, 150, 154, 200, 208, 212	135813 .....	4
135182 .....	46	135815 .....	2
135190 .....	46	135848 .....	162
135193 .....	208	135906 .....	66
135204 .....	48, 146	135923 .....	2
135205 .....	48, 146	135928 .....	6
135206 .....	48	135933 .....	6
135213 .....	48, 214, 220, 224	135945 .....	4
135233 .....	124, 164, 176, 216	135963 .....	212
135234 .....	114, 118	135966 .....	212
135235 .....	224	135981 .....	162
135236 .....	146, 162	136016 .....	112
135237 .....	146	136043 .....	76
135238 .....	146	136410 .....	116, 120
135240 .....	46	136431 .....	164
135241 .....	46, 216	136652 .....	218
135245 .....	44	136654 .....	216
135248 .....	182, 228	136868 .....	176
135255 .....	46	137092 .....	80, 88
135295 .....	76	137118 .....	84, 90
135312 .....	146	137142 .....	82, 88
135352 .....	44	137221 .....	94, 100, 106
135369 .....	6	137277 .....	82, 88



## INDEX

137285 .....	80, 86	137913 .....	90
137291 .....	94, 100	137914 .....	84
137293 .....	82, 88	137915 .....	90
137297 .....	82, 88	137916 .....	90
137315 .....	94, 100, 106	137917 .....	90
137347 .....	94, 100	137918 .....	90
137348 .....	100	137924 .....	166
137350 .....	100	137968 .....	90
137352 .....	94, 100	137969 .....	90
137354 .....	94, 100	137970 .....	100
137356 .....	100	137971 .....	88
137375 .....	56, 96, 102, 108	137980 .....	80, 86
137415 .....	80, 86	138086 .....	176
137416 .....	82, 86	138087 .....	176
137421 .....	80	138150 .....	124
137422 .....	82	138691 .....	162
137451 .....	106	139003 .....	60
137456 .....	106	139508 .....	162
137476 .....	94, 102, 106	139542 .....	162
137503 .....	96, 102	139630 .....	124, 176
137506 .....	82, 86	139631 .....	176
137509 .....	150	139632 .....	176
137515 .....	94, 102	139633 .....	176
137519 .....	80, 88	140135 .....	8, 10, 14, 18
137523 .....	84, 88	140250 .....	106
137529 .....	84, 88	143875 .....	124, 150
137532 .....	82, 88	144321 .....	188
137535 .....	82, 88	144324 .....	186
137536 .....	82, 88	144374 .....	184
137543 .....	82, 88	144376 .....	186
137568 .....	80, 86	144378 .....	184, 192, 196
137569 .....	82, 86	144409 .....	186
137570 .....	86	144415 .....	180, 188
137571 .....	86	144425 .....	184
137626 .....	94, 100, 106	144433 .....	186
137642 .....	80	144471 .....	184
137643 .....	82	144505 .....	186
137650 .....	80	144531 .....	184, 192, 196
137651 .....	82	144577 .....	184
137691 .....	102	144724 .....	184
137699 .....	88	144739 .....	184
137702 .....	98, 104	144741 .....	184
137721 .....	94, 100	144742 .....	184
137727 .....	66, 208, 212	144807 .....	162
137753 .....	96, 102, 106	144860 .....	192
137754 .....	82, 88	144873 .....	184
137794 .....	166	144880 .....	186, 192
137795 .....	166	144899 .....	186, 192
137825 .....	102	144934 .....	186, 192
137826 .....	102	144935 .....	192
137827 .....	102	144956 .....	186
137909 .....	84	144962 .....	186
137910 .....	84, 90	144966 .....	186, 192
137911 .....	84	144968 .....	184
137912 .....	84	144971 .....	184

## INDEX

144976 .....	184	164754 .....	92
144989 .....	186	164773 .....	110
145106 .....	66	164780 .....	108
145122 .....	62	164781 .....	108
145148 .....	62	164800 .....	172
145168 .....	74	164815 .....	94, 100
145249 .....	66, 154	164817 .....	94, 100
145345 .....	64	164821 .....	106
145357 .....	64	164825 .....	172
145361 .....	66	164855 .....	102
145384 .....	50	164858 .....	102
145392 .....	50	164885 .....	102
145428 .....	64	164887 .....	96, 106
145461 .....	110	164894 .....	80, 86
145548 .....	64	164895 .....	80, 88
145558 .....	72	164930 .....	96, 106
145593 .....	64	164933 .....	96, 102, 108
145706 .....	56	164934 .....	106
145840 .....	64	164945 .....	96, 106
145983 .....	76, 78	164947 .....	102
148645 .....	218	164948 .....	102
148798 .....	164	164953 .....	94, 106
152668 .....	218	164955 .....	96
153151 .....	146	164958 .....	92
156501 .....	186	164963 .....	94
158174 .....	162	164965 .....	92
158217 .....	130	164967 .....	92
159587 .....	72	164988 .....	204
162283 .....	162	164993 .....	204
162284 .....	162	164995 .....	204
162287 .....	162	165040 .....	74
163088 .....	158	165103 .....	214, 220, 224
163149 .....	162	165168 .....	174
163166 .....	162	165188 .....	174
163167 .....	162	165209 .....	8, 10
163168 .....	162	165267 .....	114, 118
163173 .....	162	165294 .....	48
163178 .....	162	165297 .....	48
163598 .....	162	165354 .....	44
164009 .....	168	165355 .....	44
164044 .....	82	165356 .....	44
164045 .....	82	165367 .....	44
164046 .....	82	165380 .....	214
164061 .....	96, 102, 106	165386 .....	174
164072 .....	94, 100	165417 .....	46
164096 .....	94	165429 .....	174
164126 .....	94, 100	165434 .....	68
164138 .....	96, 102	165436 .....	206
164141 .....	94, 100	165439 .....	206
164143 .....	94, 100	165476 .....	44
164213 .....	94, 100, 106	165477 .....	44
164214 .....	100, 106	165478 .....	44
164215 .....	106	165524 .....	132
164216 .....	106	165588 .....	174
164750 .....	96, 100	165590 .....	206

## INDEX

165722 .....	174	172983 .....	114
165727 .....	174	172985 .....	118
165735 .....	62, 152	172986 .....	114
165973 .....	132	172988 .....	114
166309 .....	138	172993 .....	116, 118
166466 .....	130	174035 .....	206, 210
167763 .....	162	174075 .....	206
170280 .....	2	174076 .....	208
171068 .....	176	174080 .....	208
172025 .....	202	174081 .....	206, 210
172046 .....	202	174082 .....	206, 210
172107 .....	50	174088 .....	208
172108 .....	50	174131 .....	2
172133 .....	174	174149 .....	118
172134 .....	174	174165 .....	24
172142 .....	124, 150	174168 .....	206
172146 .....	118	174176 .....	206
172155 .....	110	174180 .....	208, 212
172158 .....	110	174215 .....	56
172160 .....	46	174217 .....	56
172161 .....	46	174238 .....	214
172175 .....	118	174240 .....	214
172183 .....	114	174242 .....	214
172184 .....	114	174243 .....	214
172185 .....	114	174256 .....	48
172186 .....	114	174258 .....	48
172220 .....	114	174259 .....	48
172221 .....	114	174260 .....	48
172222 .....	114	174262 .....	214
172223 .....	114	174263 .....	214
172228 .....	114	174270 .....	56
172232 .....	208	174299 .....	48
172259 .....	6, 66, 154	174300 .....	48
172327 .....	70	174304 .....	56
172328 .....	70	174318 .....	214
172340 .....	206, 210	174321 .....	214
172465 .....	46	174322 .....	214
172507 .....	206, 210	174324 .....	214
172511 .....	206, 210	174333 .....	110
172533 .....	206	174356 .....	44
172710 .....	66	174357 .....	44
172744 .....	52	174391 .....	4
172809 .....	50	174400 .....	4
172812 .....	50	174407 .....	118
172839 .....	44	174408 .....	118
172875 .....	168	174422 .....	214, 224
172877 .....	116, 118	174436 .....	130
172897 .....	118	174492 .....	110
172899 .....	76, 124	174493 .....	110
172922 .....	110	174501 .....	50
172948 .....	132	174502 .....	50
172951 .....	132	174513 .....	216
172978 .....	114, 118	174514 .....	216
172981 .....	114	174521 .....	216
172982 .....	114	174528 .....	156

## INDEX

174538.....	216	220010.....	52, 56
174547.....	214	220011.....	52, 56
174559.....	156	220012.....	52, 56
174560.....	156	220013.....	52, 56
174585.....	214	220015.....	64
174586.....	216	220025.....	84, 88
174632.....	130	220084.....	130
174684.....	130	220086.....	100
174695.....	152	220090.....	162
174697.....	152	220099.....	186
174706.....	152	220100.....	10
174707.....	152	220101.....	10
174708.....	152	220102.....	8
174709.....	152	220103.....	8
174710.....	152	220107.....	4
174714.....	62	220114.....	14
174836.....	208	220115.....	14
174837.....	208	220176.....	64
174845.....	22, 30, 32, 38, 40	220181.....	64
174849.....	80, 86	220183.....	64
174857.....	22	220184.....	64
174858.....	112	220197.....	214
174879.....	110	220236.....	130
174883.....	216	220264.....	66
174922.....	186, 192	220289.....	176
174926.....	176	220324.....	218
174992.....	50, 56	220326.....	180
176334.....	96	220391.....	66
184372.....	130	220412.....	72
184422.....	130	220418.....	66
184579.....	218	220491.....	72
188467.....	190	220536.....	124
193008.....	186	220537.....	124
193009.....	186	220538.....	124
193014.....	186	220539.....	124
193016.....	186	220574.....	124
193022.....	186	220634.....	64
193031.....	184, 192, 196	220635.....	64
193034.....	130	220636.....	64
193057.....	180, 184	220637.....	64
193058.....	180	220638.....	64
193059.....	180	220639.....	64
193080.....	176	220640.....	64
193183.....	180	220641.....	64, 156
193187.....	180	220642.....	64
193188.....	180	220672.....	74, 208, 212
193202.....	180	220673.....	130
193211.....	190	220675.....	118
193212.....	180	220676.....	114, 118
193214.....	186, 192	220701.....	52
193215.....	186, 192	220706.....	52
193216.....	188	220758.....	46, 150
193217.....	188	220797.....	130
210033.....	104	220798.....	130
220009.....	52, 56	220799.....	130

## INDEX

220807 .....	140	245033 .....	62
220808 .....	140	245035 .....	62
220809 .....	140	245037 .....	62
220810 .....	140	245039 .....	62
220811 .....	140	245041 .....	62
220812 .....	140	245042 .....	62
220813 .....	140	245083 .....	80, 88
220814 .....	140	245084 .....	80, 86
220817 .....	136	245091 .....	128
220818 .....	136	245092 .....	128
220819 .....	136	245106 .....	94
220820 .....	136	245112 .....	94
220821 .....	136	245114 .....	122
220822 .....	136	245115 .....	122
220823 .....	136	245130 .....	86
220824 .....	136	245131 .....	86
220831 .....	138	245141 .....	86
220832 .....	138	245142 .....	86
220833 .....	138	245199 .....	96, 102, 106
220834 .....	138	245266 .....	86
220835 .....	140	245267 .....	86
220836 .....	136	245272 .....	90
220841 .....	144, 152	245273 .....	90
220849 .....	114, 118	245276 .....	90
220858 .....	124	245277 .....	90
220860 .....	124	245362 .....	164
220861 .....	114	245396 .....	174
220862 .....	124	245397 .....	174
220863 .....	138	245428 .....	134
220868 .....	138	245432 .....	134
220871 .....	138	245433 .....	134
220872 .....	138	245438 .....	134
220876 .....	140	245439 .....	134
220884 .....	96	245440 .....	134
220885 .....	136	245441 .....	134
220887 .....	96	245443 .....	134
220915 .....	2	245450 .....	200
220916 .....	2	245476 .....	130
220936 .....	62, 152	245477 .....	130
220939 .....	82, 88, 204	245530 .....	212
220941 .....	82, 88, 204	245671 .....	110
220944 .....	62, 152	245677 .....	2
220986 .....	2	245678 .....	2
220987 .....	2	245915 .....	220, 226
226673 .....	52	245928 .....	220
233395 .....	206, 210	245931 .....	220, 226
244671 .....	186	245936 .....	220
244722 .....	184	245943 .....	56
244748 .....	186	245946 .....	226
244760 .....	180	245955 .....	226
245023 .....	62	245956 .....	220, 226
245025 .....	62	245964 .....	72
245027 .....	62	245965 .....	72
245029 .....	62	245992 .....	110
245031 .....	62	245993 .....	110

## INDEX

252296 .....	216, 220, 226	255564 .....	232
252305 .....	190	255565 .....	232
252314 .....	216	255572 .....	230
252368 .....	226	255573 .....	230
252399 .....	224	255574 .....	230
252423 .....	60	255575 .....	230
252537 .....	216	255576 .....	230
252541 .....	218	255577 .....	230
252578 .....	214	255578 .....	230
252687 .....	84, 90	255579 .....	230
252752 .....	56	255580 .....	230
252753 .....	50	255764 .....	46
253092 .....	100	255947 .....	230
253290 .....	106	273258 .....	94, 100
253412 .....	110	273259 .....	94, 100
253477 .....	222, 226	273265 .....	82, 88
253499 .....	2	273304 .....	96, 104, 106
253503 .....	86	279001 .....	224
253552 .....	14	279003 .....	50
253570 .....	220, 224	279017 .....	226
253582 .....	220, 224	279065 .....	180
253668 .....	220, 224	279090 .....	210
253702 .....	220	279106 .....	210
253703 .....	226	279117 .....	210
253704 .....	220	279118 .....	210
253705 .....	226	279119 .....	210
253706 .....	224	279144 .....	216
253708 .....	220	279155 .....	210
253839 .....	86	279156 .....	214
254109 .....	46	279157 .....	214
255282 .....	110	279158 .....	214
255410 .....	62, 152	279159 .....	214
255413 .....	62	279261 .....	212
255416 .....	62	279310 .....	22
255417 .....	62	279312 .....	22
255431 .....	152	279314 .....	24
255460 .....	226	279316 .....	24
255461 .....	224	279398 .....	26, 34, 36
255462 .....	224	279399 .....	26, 36
255471 .....	224	279400 .....	26
255497 .....	230, 232	279401 .....	26
255544 .....	230, 232	279402 .....	26
255545 .....	230, 232	279403 .....	26
255546 .....	232	279404 .....	26
255547 .....	232	279405 .....	30, 32, 38, 40
255554 .....	232	279406 .....	30, 32, 40
255555 .....	232	279407 .....	30
255556 .....	232	279408 .....	30
255557 .....	232	279409 .....	30
255558 .....	230, 232	279410 .....	30
255559 .....	230, 232	279411 .....	32
255560 .....	232	279412 .....	34, 36
255561 .....	232	279413 .....	34
255562 .....	230, 232	279414 .....	34
255563 .....	230, 232	279415 .....	34

## INDEX

279416	34	294350	146
279417	34	294385	50
279418	34	294392	176
279419	34	294393	216, 224
279420	34	294460	14
279421	36	294472	62
279422	36	294473	62
279423	36	294508	220, 226
279424	36	294509	220, 226
279425	38	294598	164
279426	38	294599	164
279427	38	294601	164
279428	38, 40	294607	116, 120
279429	38	294631	96, 102, 106
279430	38	294634	94, 100, 106
279431	40	294650	142
279432	38	294662	142
279433	40	294663	142
279434	40	294664	142
279435	40	294671	4
279436	40	294672	4
279437	40	294673	4
279438	34	294677	210
279439	34	294680	4
279440	38	294681	4
279441	38	294682	208, 212
279468	22	294687	124
279485	214	294721	220
279494	214	294722	224
279498	214	294791	38
279499	214	294792	40
279575	8, 16, 198	294793	40
279641	22, 30, 32, 38, 40	294794	40
279642	22, 26, 34, 36	294795	30
279700	84, 88	294796	30
279798	220, 224	294797	32
279848	24	294807	180
279850	22	294815	180
279851	22	294858	66
279897	210	294859	66
279898	210	294874	124
279899	210	304021	200
279900	210	304217	110
279901	210	304222	110
279902	210	304257	70
279979	94, 106	304258	70
279996	22	304314	110
279997	22	304611	234
279999	24	304612	234
294036	186	304614	234
294037	186	304615	234
294065	102	304616	234
294091	186	304617	234
294094	186	304618	234
294112	56	304619	234

## INDEX

304620.....	234
304621.....	234
304622.....	234
304623.....	234
304624.....	234
304625.....	234

## B

B4803.....	202
B4831.....	166
B4838.....	8, 10, 14, 18
B4839.....	8, 10, 14, 18
B4840.....	8, 10, 14, 18
B4841.....	8, 10, 14, 18
B4844.....	206
B4845.....	206
B4846.....	206
B4847.....	206
B4848.....	206
B4849.....	206
B4864.....	14, 18
B4865.....	8, 10, 14, 18
B4963.....	174
B5009.....	14, 18, 198
B5010.....	14, 18, 198
B5011.....	14, 18, 198
B5012.....	14, 18, 198
B5013.....	14, 18, 198
B5084.....	170
B5085.....	170
B5088.....	160
B5089.....	160
B5114.....	8, 14, 18
B5407.....	156
B5605.....	172
B5606.....	162
B5607.....	172
B5609.....	168
B5615.....	174
B5654.....	80
B5655.....	80
B5656.....	80
B5657.....	86
B5664.....	74
B5747.....	146
B5825.....	204
B5826.....	204
B5842.....	144
B5937.....	80
B5939.....	80
B5940.....	80
B5965.....	210
B5966.....	210
B5967.....	210

B6029.....	86
B6145.....	180
B6153.....	184
B6154.....	152
B6179.....	196
B6255.....	232
B6256.....	232
B6257.....	232
B6258.....	232
B6263.....	230
B6264.....	230
B6265.....	230
B6266.....	230
B6267.....	230
B6410.....	220, 224
B6449.....	184
B6573.....	176
B6590.....	164
B6608.....	220
B6609.....	224
B6634.....	200

## C

C1986.....	192
------------	-----





**MacDon Industries Ltd.**

680 Moray Street  
Winnipeg, Manitoba  
Canada R3J 3S3  
t. (204) 885-5590 f. (204) 832-7749

**MacDon, Inc.**

10708 N. Pomona Avenue  
Kansas City, Missouri  
United States 64153-1924  
t. (816) 891-7313 f. (816) 891-7323

**MacDon Australia Pty. Ltd.**

A.C.N. 079 393 721  
P.O. Box 103 Somerton, Victoria, Australia  
Australia 3061  
t.+61 3 8301 1911 f.+61 3 8301 1912

**MacDon Brasil Agribusiness Ltda.**

Rua Grã Nicco, 113, sala 404, B. 04  
Mossunguê, Curitiba, Paraná  
CEP 81200-200 Brasil  
t. +55 (41) 2101-1713 f. +55 (41) 2101-1699

**LLC MacDon Russia Ltd.**

123317 Moscow, Russia  
10 Presnenskaya nab, Block C  
Floor 5, Office No. 534, Regus Business Centre  
t. +7 495 775 6971 f. +7 495 967 7600

**MacDon Europe GmbH**

Hagenauer Strasse 59  
65203 Wiesbaden  
Germany

CUSTOMERS

**MacDon.com**

DEALERS

**Portal.MacDon.com**

Trademarks of products are the marks of their  
respective manufacturers and/or distributors.

Printed in Canada