

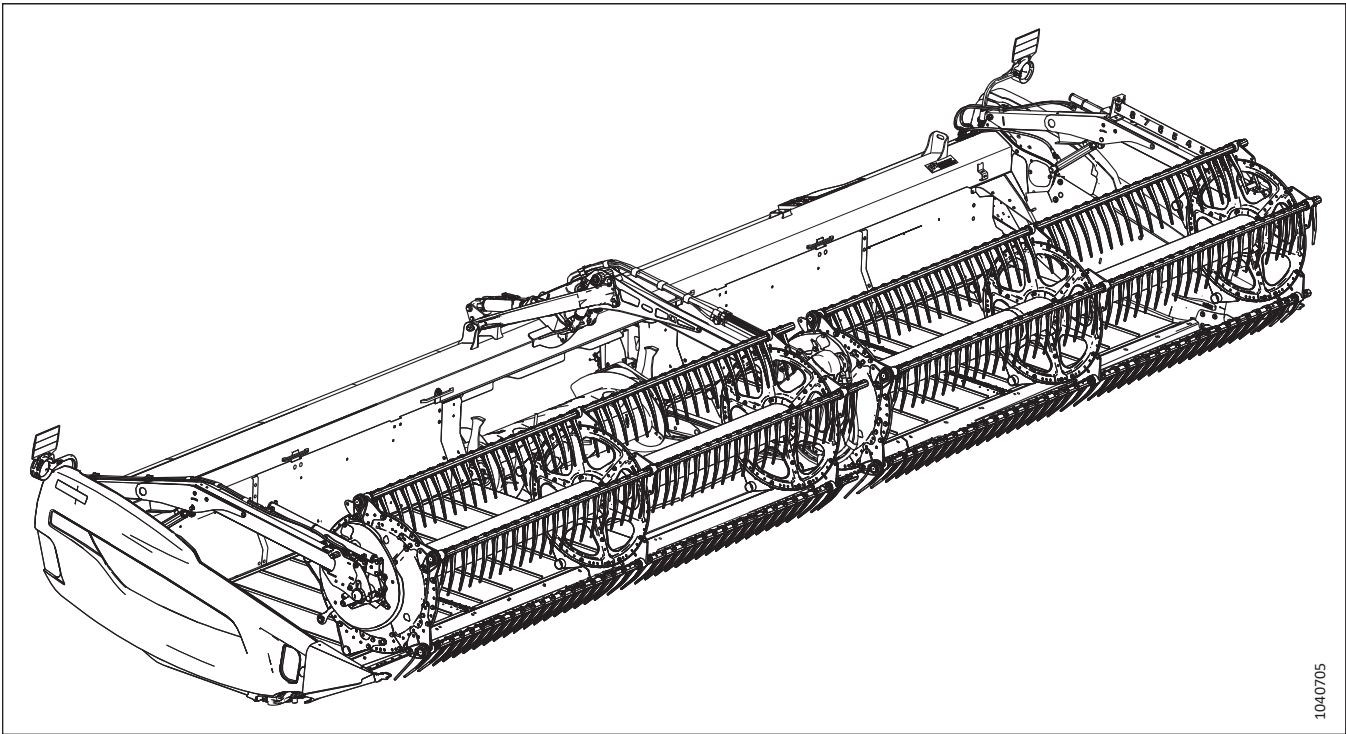
D2 Series Draper Header for Windrowers

Parts Catalog

262310 Revision A

Original Instruction

D2 Series Draper Header for Windrowers



Published: November 2023

NOTE:

Keep your MacDon publications up-to-date. The most current English version can be downloaded from our website (www.macdon.com) or from our Dealer-only site (<https://portal.macdon.com>) (login required).

© 2023 MacDon Industries, Ltd.

The information in this publication is based on the information available and in effect at the time of printing. MacDon Industries, Ltd. makes no representation or warranty of any kind, whether expressed or implied, with respect to the information in this publication. MacDon Industries, Ltd. reserves the right to make changes at any time without notice.

Introduction

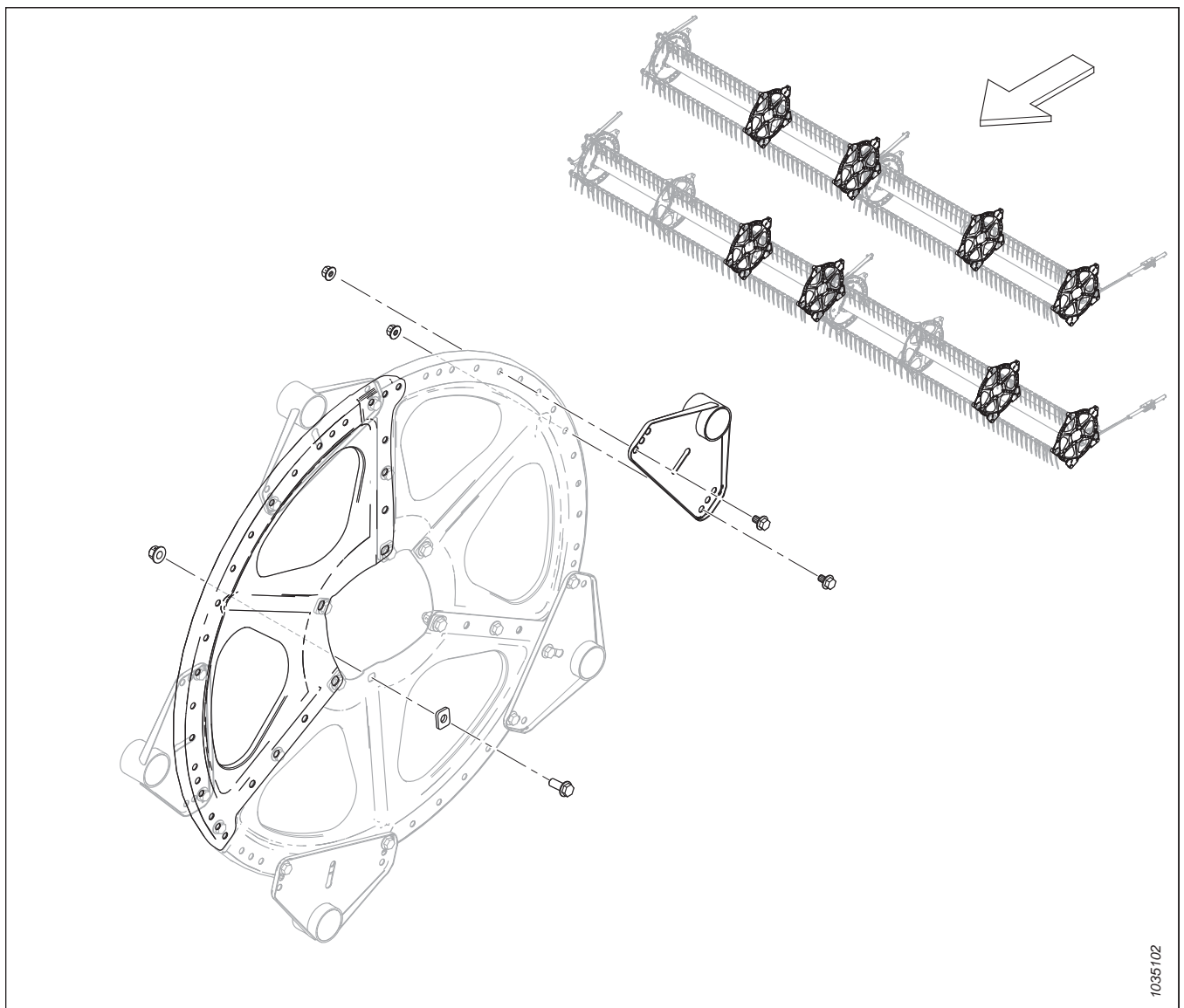
This Parts Catalog lists all the replacement parts that can be ordered for a MacDon D2 Series Draper Header for M Series, M1 Series, and M2 Series Windrowers.

When ordering, be sure the complete and proper part number is given. Some parts vary with header size; be sure you are ordering the correct part number for your unit.

Bold text is used to indicate updates made at the current revision level. With each new revision of the catalog, previous revisions are returned to regular text.

Electrical connectors used on MacDon products are available for sale but not listed in this catalog. For the list of available connectors, refer to the Electrical Connectors Parts Catalog (MD #169641).

In this catalog, right and left are determined from the operator's seated position in the combine. An arrow is sometimes used in illustrations to indicate forward position.



1035102

Abbreviations

A/R – as required (quantity varies)	ASSY – assembly	BHRN – button head rib neck
BV – ball valve	CCW – counterclockwise	CON – conical (spring washer)
CSK – countersink	C/W – complete with	CW – clockwise
DBLE – double	DK – double knife	DR – double reel
DT – distorted thread	FLG – flange	GA – gauge
GR – grade	GS – grass seed	HD – head
HDR – header	HFA – hydraulic fore-aft	HH – hex head
HNBR – hydrogenated nitrile butadiene rubber	HYD – hydraulic	I.D. – inside diameter
IP – internal plus (torx plus)	KP – knife pressure	KR – knife return
LG – long	LH – left hand (determined from Operator's position, facing forward)	LK – lock
MACH – machine	MD – MacDon	MFA – manual fore-aft
MY – model year	NC – national coarse thread	NF – national fine thread
NSS – not sold separately	NT – narrow transport	O.D. – outside diameter
OPT – optional	PO – pilot operated	PT – pull-type (mower conditioner)
RC – roller chain	REF – reference, part number called up elsewhere in catalog	REG – regular
RH – right hand (determined from Operator's position, facing forward)	RHSN – round head, square neck or square neck carriage bolt	RHSSN – round head, short, square neck
RTD – rotating tine drum	SAE – Society of Automotive Engineers (part produced to comply with)	SD – side draper
SER – serrated	SK – single knife	SKT HD – socket head
SMTH – smooth	SMV – slow moving vehicle	SOCK – socket
SP – self-propelled (windrower) header	SPCL – special	SPH – spherical
SPI – serrations per inch (knife Sections)	SR – single reel	STL – steel (stainless)
STR – standard	STVR – Stover	TFL – thread full length
THD – thread	TR – triple reel	UCA – upper cross auger
UDK – untimed double knife	UNC – unified coarse thread	UNEF – unified extra fine thread
UNF – unified fine thread	UNS – unified special thread series	VK – vertical knife
WF – wide frame	ZP – zinc plated	

Serial Number Breaks

The side of the serial number on which the dash (–) appears determines whether the part is used "up to" or "after" the serial number given.

Example:

- –451189 Used on machines up to and including serial number 451189
- 451190– Used on machines including and after serial number 451190

Summary of Changes – D2 Series Draper Header for Windrowers (262310 Rev. A)

This list covers changes made since the last revision (215852 Rev. A).

Section	Summary of Change	Internal Use Only
<i>Throughout</i>	Added references to M2 Series Windrowers.	Engineering
<i>Throughout</i>	Revised notes and footnotes throughout the parts catalog for clarity.	Technical Publications
<i>3 Manual Case and Knife Storage, page 5</i>	Added references to spare knives (items #7–9) and added footnotes for clarity. Updated illustration from 1040219 to 1043054 to show changes.	ECN 64378
	Replaced manual case 174612 with manual case 220107, updated illustration 1043054.	ECN 64612
<i>14 Draper – Drive Roller, page 27</i>	Revised footnote on drive roller service assembly 319676 to state that the assembly includes a ribbed roller.	Parts
<i>26 Guards, Hold-Downs, and Cutterbar Shoes – Double Knife, Pointed (D225, D230, and D235), page 51</i>	Revised topic title, parts list, and footnotes; D225–D235 headers are available in pointed double-knife configurations. Added Pointed Guards kits 286661, 286662, and 286663.	ECN 64366 SPEC 286368
<i>27 Guards, Hold-Downs, and Cutterbar Shoes – Double Knife, PlugFree™ (D215, D220, D225, D230, D235, and D241), page 53</i>	Revised topic title, parts list, and footnotes to include D220; D215–D241 headers are available in PlugFree™ double-knife configurations. Added PlugFree™ Guards kit 286834.	ECN 64366 SPEC 286369
<i>28 Knives – Single-Knife Headers (D225, D230, and D235), page 55</i>	Revised topic title. Added fine knife kits 286609, 286610, and 286611, and fine knife segments 286579, 286581, 286582, 286583, and 286584. Added ultra coarse kits 286779, 286780, and 286782, and ultra coarse knife segments 286758, 286760, 286761, 286763, and 286764. Added and revised footnotes for clarity.	Parts Engineering
<i>29 Knives – Double-Knife Headers (D215, D220, and D225), page 59</i>	Revised topic title. Added coarse knife kits 286602, 286753, and 286754, and coarse knife segments 286562, 286563, 286573, 286864, 286865, 286744, 286879, and 286880. Added ultra coarse knife kits 286783, 286784, and 286785, and ultra coarse knife segments 286758, 286759, 286765, 286766, 286874, 286875, 286883, and 286884. Added and revised footnotes for clarity.	Parts Engineering
<i>30 Knives – Double-Knife Headers (D230 and D235), page 65</i>	Revised topic title. Added fine knife kits 286615 and 286616, and fine knife segments 286579, 286580, 286870, 286871, 286591, and 286592. Added ultra coarse knife kits 286786 and 286787, and ultra coarse knife segments 286758, 286759, 286761, 286767, 286768, 286875, and 286876. Added and revised footnotes for clarity.	Parts Engineering
<i>31 Knives – Double-Knife Headers (D241), page 69</i>	Revised topic title. Added fine knife kit 286618 and fine knife segments 286579, 286580, 286871, and 286593. Added ultra coarse knife kit 286789 and ultra coarse knife segments 286758, 286759, 286761, 286876, and 286769. Added footnotes for clarity.	Parts Engineering
<i>56 Skid Shoes – End and Center, page 125</i>	Replaced bolt 30628 with bolt 135335, added flat washer 184711. Updated illustration from 1040324 to 1043090 to show changes.	ECN 64715
<i>57 Hydraulics – Manifold, Single Knife, page 127</i>	Added a new section for single-knife manifold 283500 with new illustration 1043236.	Engineering
<i>58 Hydraulics – Manifold, Double Knife, Timed, page 129</i>	Added a new section for timed double-knife manifold 283501 with new illustration 1043237.	Engineering

Section	Summary of Change	Internal Use Only
<i>59 Hydraulics – Manifold, Double Knife, Untimed, page 131</i>	Added a new section for untimed double-knife manifold 283502 with new illustration 1043238.	Engineering
<i>67 Hydraulics – Draper Drive, Hydraulic Deck Shift (D230 and D235), page 149</i>	Revised footnote on RH deck shift manifold 232747; adapter fitting 184461 made qty 6, was qty 4. Revised footnote on LH deck shift manifold 232746; adapter fitting 184461 made qty 8, was qty 6.	ECN 64662
<i>85 Hydraulic Line Covers – Center, M1/M2 Series (D220), page 191</i>	Hydraulic cover support bracket 283849 made qty 3, was qty 4. Updated illustration from 1041124 to 1043123 to show changes.	ECN 64670
<i>92 Electrical – Reel Fore-Aft Sensor (2023 and Prior), page 205</i>	Superseded reel fore-aft indicator 328532 with indicator 323937.	ECN 63777
	Added extra bushing 206340 and spacer 328534 (quantities of 2, was 1). Replaced washer 184706 with large washer 43219, added washer 184711. Replaced nut 135799 with 135337. Replaced bolt 109613 with 136595. Replaced bolt 152655 with screw 135894. Updated illustration from 1040543 to 1043109 show changes.	ECN 63831
	Made reel fore-aft parts in this section service only for model year 2023 and prior units; some parts have been superseded by reel fore-aft sensor kit 368338. Added footnotes for clarity.	ECN 64090 ECN 64242
<i>93 Electrical – Reel Fore-Aft Sensor (2024 and Later), page 207</i>	Added new section for model year 2024 reel fore-aft sensor assemblies with new illustration 1043110.	ECN 64090 ECN 64242
<i>94 Electrical – Reel Speed Sensor, page 209</i>	Added clip 500321 and revised routing of reel speed sensor. Updated illustration from 1041372 to 1043117 to show changes.	ECN 64385
<i>95 Electrical – Knife Speed Sensor, page 211</i>	Added CAN terminator 134043 to harness 323046.	ECN 64351
<i>96 Decals and Reflectors – D2 Series, page 213</i>	Added missing decals 233745, 279085, 313881, 316662, 316639, 316649, 327086, 327717, and 327802. Updated illustration from 1041385 to 1043241 to show changes.	Product Support, Technical Publications
<i>102 Paint, page 225</i>	Added paint section with illustration 1037431 for consistency.	Technical Publications
<i>107 Windrower Completion – M Series Hydraulics (D215 and D220), page 235</i>	Added footnotes to various fittings to specify which ports they connect to on the manifold for clarity.	Engineering
<i>108 Windrower Completion – M Series Hydraulics (D225, D230, D235, and D241), page 239</i>	Added footnotes to various fittings to specify which ports they connect to on the manifold for clarity.	Engineering
<i>110 Windrower Completion – M1/M2 Series Hydraulics, Hoses and Latch (D215 and D220), page 245</i>	Added footnotes to various fittings to specify which ports they connect to on the manifold for clarity.	Engineering
<i>111 Windrower Completion – M1/M2 Series Hydraulics, Hoses and Latch (D225, D230, D235, and D241), page 251</i>	Added footnotes to various fittings to specify which ports they connect to on the manifold for clarity.	Engineering
<i>114 (Option) Draper Header Supports (Boots for M Series and M1/M2 Series Windrowers), page 261</i>	Removed bundle B7266.	ECN 64385

Section	Summary of Change	Internal Use Only
<i>115 (Option) Dual Use Kit – M1/M2 Series Windrowers, page 263</i>	Added new section for M1/M2 Series Dual Use kit B7501 with new illustration 1043206. Added footnotes throughout for clarity.	ECN 64255
<i>116 (Option) EasyMove™ – Slow Speed Transport, Base Kit and Stabilizer Wheels, page 265</i>	Added a footnote to state that pivot support assembly 303380 includes two composite bushings 210661 and two composite bushings 133992.	Publications
	Superseded header dampener 210340 with header dampener 327798. Added a footnote to state that the dampener includes composite bushing 133992.	ECN 63236
	Added California Proposition 65 decal 302204 to the parts list.	ECN 64111
<i>117 (Option) EasyMove™ – Slow Speed Transport, Wheels, Tires, and Tow Poles, page 271</i>	Added Long Tow Pole collector C2173. Superseded Tires kit B6275 with B7398. Superseded tire 230483 with 327808, added tire pressure decal 327802. Added footnotes throughout for clarity.	ECN 62597
	Discontinued 316904 and removed screws 42292; bolt 184679 made hardware B, was hardware R. Revised description of short channel support 327680 for short tow poles (B7391) and added long channel support 327817 (replaces two of support 327680) for long tow poles (B7392). Updated illustration from 1038286 to 1041769 to show changes.	ECN 64203
<i>124 (Option) Module Programming Kit, page 289</i>	Added new section for Module Programming kit 368385 with new illustration 1041682.	ECN 62887 ECN 64148
<i>135 (Option) Stabilizer Wheels, page 317</i>	Superseded Stabilizer Wheels kit C2051 with C2171. Superseded Tires kit B6275 with B7398. Superseded tire 230483 with 327808, added tire pressure decal 327802. Added footnotes throughout for clarity.	ECN 62597
<i>138 (Option) Stubble Lights, page 325</i>	Revised footnotes to reference M2 Series Windrowers.	Engineering
<i>142 (Option) VertiBlade™ Vertical Knife Kit, page 337</i>	Added European Vertical Knife Components kit B7464 and European Vertical Knife kit B7466, added footnotes for clarity.	ECN 63630
	Replaced hex flange bolts 152655 with Torx® truss head screws 136395, updated illustration from 1032942 to 1041737 to show changes.	ECN 64134
<i>144 (Option) VertiBlade™ Vertical Knife Hydraulics, page 345</i>	Added footnotes throughout for clarity.	Technical Publications

TABLE OF CONTENTS

Introduction i

Abbreviations..... ii

Serial Number Breaks iii

Summary of Changes – D2 Series Draper Header for Windrowers (262310 Rev. A) iv

1 Header Frame End Panels 1

2 Header Frame – Split Frame Hardware 3

3 Manual Case and Knife Storage 5

4 Divider Cones..... 7

5 Divider Rods and Storage..... 9

6 Endshields 11

7 Endshield Mount Components..... 13

8 Draper 15

9 Draper – Backsheet Panels (D215 and D220)..... 17

10 Draper – Backsheet Panels (D225)..... 19

11 Draper – Backsheet Panels (D230 and D235)..... 21

12 Draper – Backsheet Panels (D241)..... 23

13 Draper – Tensioner 25

14 Draper – Drive Roller 27

15 Draper – Decks (D215 and D220)..... 29

16 Draper – Decks (D225, D230, and D235)..... 31

17 Draper – Decks (D241)..... 33

18 Draper – Tracks 35

19 Draper – Seals (D215 and D220)..... 37

20 Draper – Seals (D225, D230, and D235) 39

21 Draper – Seals (D241)..... 41

22 Draper Deflectors – Narrow 43

23 Draper Deflectors – Wide..... 45

24 Guards, Hold-Downs, and Cutterbar Shoes – Single Knife, Pointed (D230 and D235) 47

25 Guards, Hold-Downs, and Cutterbar Shoes – Single Knife, PlugFree™ (D225 and D230) 49

26 Guards, Hold-Downs, and Cutterbar Shoes – Double Knife, Pointed (D225, D230, and D235)..... 51

**27 Guards, Hold-Downs, and Cutterbar Shoes – Double Knife, PlugFree™ (D215, D220, D225, D230, D235,
and D241)..... 53**

28 Knives – Single-Knife Headers (D225, D230, and D235) 55

29 Knives – Double-Knife Headers (D215, D220, and D225) 59

30 Knives – Double-Knife Headers (D230 and D235) 65

31 Knives – Double-Knife Headers (D241) 69

32 Knife Drive – Single and Double Knife 73

33 Knife Drive Box 75

34 Reel Support Arm and Lift Cylinders – Center Arm, Double Reel 77

35 Reel Support Arm and Lift Cylinders – Outer Arms, Double Reel 79

36 Reel Support Arm and Lift Cylinders – Outer Arms, Single Reel 81

37 Reel Arm Components – Right Arm, Single Reel 83

38 Reel Arm Components – Right Arm, Double Reel..... 85

39 Reel Arm Components – Center Arm, Double Reel..... 87

TABLE OF CONTENTS

40 Reel Arm Components – Left Arm 89

41 Reel Drive – Single Reel 91

42 Reel Drive – Double Reel 95

43 Reel Cam Components – Right Arm, Double Reel..... 99

44 Reel – Tine Tube..... 101

45 Reel Discs – Cam End and Linkage 103

46 Reel Discs – Mid Span 105

47 Reel Discs – Tail End..... 107

48 Reel – Center Tubes, Single Reel 109

49 Reel – Center Tubes, Double Reel..... 111

50 Reel – Endshields, Cam End, Outboard (9 Bat)..... 113

51 Reel – Endshields, Tail End, Outboard (9 Bat) 115

52 Reel – Endshields, Cam End, Outboard (5 Bat and 6 Bat)..... 117

53 Reel – Endshields, Tail End, Outboard (5 Bat and 6 Bat) 119

54 Reel – Endshields, Cam End, Inboard (5 Bat and 6 Bat) 121

55 Reel – Endshields, Tail End, Inboard (5 Bat and 6 Bat) 123

56 Skid Shoes – End and Center 125

57 Hydraulics – Manifold, Single Knife 127

58 Hydraulics – Manifold, Double Knife, Timed..... 129

59 Hydraulics – Manifold, Double Knife, Untimed 131

60 Hydraulics – Knife Drive, Double Knife, Left Side (D215 and D220) 133

61 Hydraulics – Knife Drive, Single and Double Knife, Left Side (D225, D230, D235, and D241) 135

62 Hydraulics – Knife Drive, Double Knife, Right Side (D215 and D220) 139

63 Hydraulics – Knife Drive, Double Knife, Right Side (D225, D230, and D235)..... 141

64 Hydraulics – Knife Drive, Double Knife, Right Side (D241) 143

65 Hydraulics – Draper Drive, Center Delivery (D215 and D220)..... 145

66 Hydraulics – Draper Drive, Center Delivery (D225, D230, D235, and D241) 147

67 Hydraulics – Draper Drive, Hydraulic Deck Shift (D230 and D235) 149

68 Hydraulics – Draper Drive, Manifold Lines 153

69 Hydraulics – Lift and Fore-Aft, Single Reel, Left Arm (D215 and D220)..... 155

70 Hydraulics – Lift and Fore-Aft, Single Reel, Left Arm (D225)..... 157

71 Hydraulics – Lift and Fore-Aft, Single Reel, Right Arm (D215 and D220)..... 159

72 Hydraulics – Lift and Fore-Aft, Single Reel, Right Arm (D225)..... 161

73 Hydraulics – Lift and Fore-Aft, Double Reel, Left Arm (D230, D235, and D241) 163

74 Hydraulics – Lift and Fore-Aft, Double Reel, Center Arm (D230, D235, and D241) 165

75 Hydraulics – Lift and Fore-Aft, Double Reel, Right Arm (D230 and D235)..... 167

76 Hydraulics – Lift and Fore-Aft, Double Reel, Right Arm (D241) 169

77 Hydraulics – Reel Drive, Single Reel 171

78 Hydraulics – Reel Drive, Double Reel 175

79 Hydraulics – Upper Cross Auger 179

80 Hydraulic Line Covers (D225, D230, and D235) 181

81 Hydraulic Line Covers (D241) 183

82 Hydraulic Line Covers – Center, M Series (D215) 185

TABLE OF CONTENTS

83	Hydraulic Line Covers – Center, M1/M2 Series (D215)	187
84	Hydraulic Line Covers – Center, M Series (D220)	189
85	Hydraulic Line Covers – Center, M1/M2 Series (D220)	191
86	Hydraulic Line Covers – Center, M Series (D225, D230, D235, and D241)	193
87	Hydraulic Line Covers – Center, M1/M2 Series (D225, D230, D235, and D241).....	195
88	Electrical – Harness (D215, D220, and D225)	197
89	Electrical – Harness (D230, D235, and D241)	199
90	Electrical – Clearance Lights	201
91	Electrical – Reel Height Sensor.....	203
92	Electrical – Reel Fore-Aft Sensor (2023 and Prior)	205
93	Electrical – Reel Fore-Aft Sensor (2024 and Later).....	207
94	Electrical – Reel Speed Sensor	209
95	Electrical – Knife Speed Sensor	211
96	Decals and Reflectors – D2 Series.....	213
97	Decals – Product Identification	215
98	Decals – French	217
99	Decals – Portuguese.....	219
100	Decals – Russian	221
101	Decals – Spanish.....	223
102	Paint.....	225
103	Windrower Completion – D2 SP Series Retaining Pins	227
104	Windrower Completion – Draper Drive Hydraulics, Center Delivery, Case Drain	229
105	Windrower Completion – Draper Drive Hydraulics, Case Drain Relief	231
106	Windrower Completion – M Series Electronically Timed Double Knife Kit.....	233
107	Windrower Completion – M Series Hydraulics (D215 and D220)	235
108	Windrower Completion – M Series Hydraulics (D225, D230, D235, and D241).....	239
109	Windrower Completion – M1/M2 Series Hydraulics, Hose Support Arm and Mount	243
110	Windrower Completion – M1/M2 Series Hydraulics, Hoses and Latch (D215 and D220)	245
111	Windrower Completion – M1/M2 Series Hydraulics, Hoses and Latch (D225, D230, D235, and D241)	251
112	(Option) Crop Lifters and Storage Rack.....	257
113	(Option) Divider Storage Bracket	259
114	(Option) Draper Header Supports (Boots for M Series and M1/M2 Series Windrowers).....	261
115	(Option) Dual Use Kit – M1/M2 Series Windrowers	263
116	(Option) EasyMove™ – Slow Speed Transport, Base Kit and Stabilizer Wheels	265
117	(Option) EasyMove™ – Slow Speed Transport, Wheels, Tires, and Tow Poles.....	271
118	(Option) End Swath Deflector Rods	275
119	(Option) Floating Crop Dividers.....	277
120	(Option) Four-Point Guard Kits, Single Knife	281
121	(Option) Four-Point Guard Kits, Double Knife.....	283
122	(Option) High Wear Skid Shoes	285
123	(Option) Lodged Crop Reel Fingers	287
124	(Option) Module Programming Kit	289
125	(Option) Reel Tine Tube Conversion Kits – Single Reel, 6 Bat to 9 Bat	291

TABLE OF CONTENTS

126 (Option) Reel Tine Tube Conversion Kits – Double Reel, 5 Bat to 6 Bat..... 295

127 (Option) Reel Tine Tube Conversion Kits – Double Reel, 6 Bat to 9 Bat..... 299

128 (Option) Reel – Two Speed..... 303

129 (Option) Rice Divider Rods 305

130 (Option) Rock Retarder Kit 307

131 (Option) Service Kit – Pointed Guards, Coarse Knives 309

132 (Option) Service Kit – PlugFree™ Guards, Coarse Knives 311

133 (Option) Service Kit – Pointed Guards, Fine Knives..... 313

134 (Option) Service Kit – PlugFree™ Guards, Fine Knives..... 315

135 (Option) Stabilizer Wheels 317

136 (Option) Steel Finger Kit 321

137 (Option) Steel Reel End Finger Kits 323

138 (Option) Stubble Lights..... 325

139 (Option) Swath Forming Rods – Center Delivery 327

140 (Option) Upper Cross Auger – One-Piece Auger (D215 and D220)..... 329

141 (Option) Upper Cross Auger – Two-Piece Auger (D225, D230, D235, and D241) 333

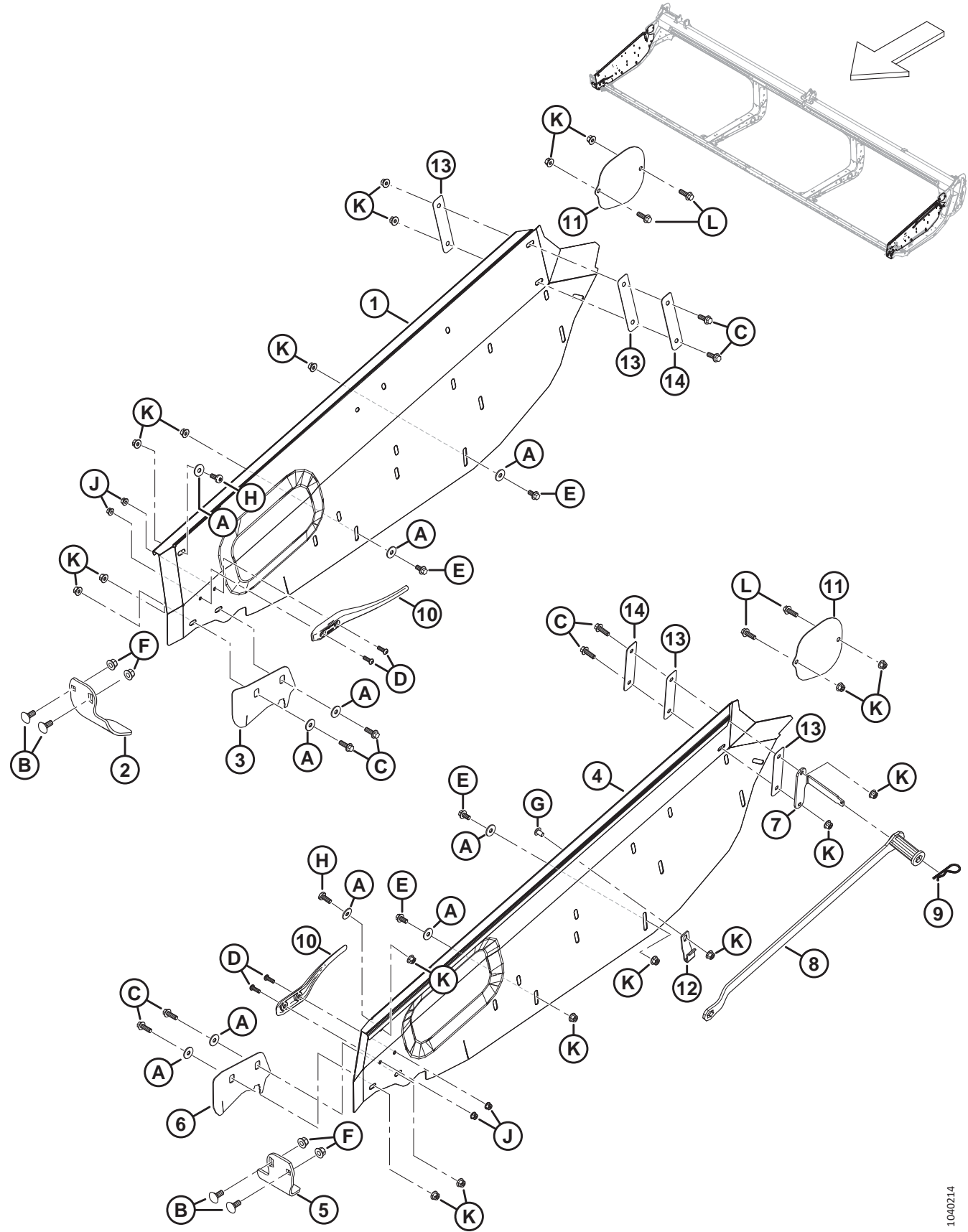
142 (Option) VertiBlade™ Vertical Knife Kit 337

143 (Option) VertiBlade™ Vertical Knife Components 341

144 (Option) VertiBlade™ Vertical Knife Hydraulics 345

Index 348

1 Header Frame End Panels

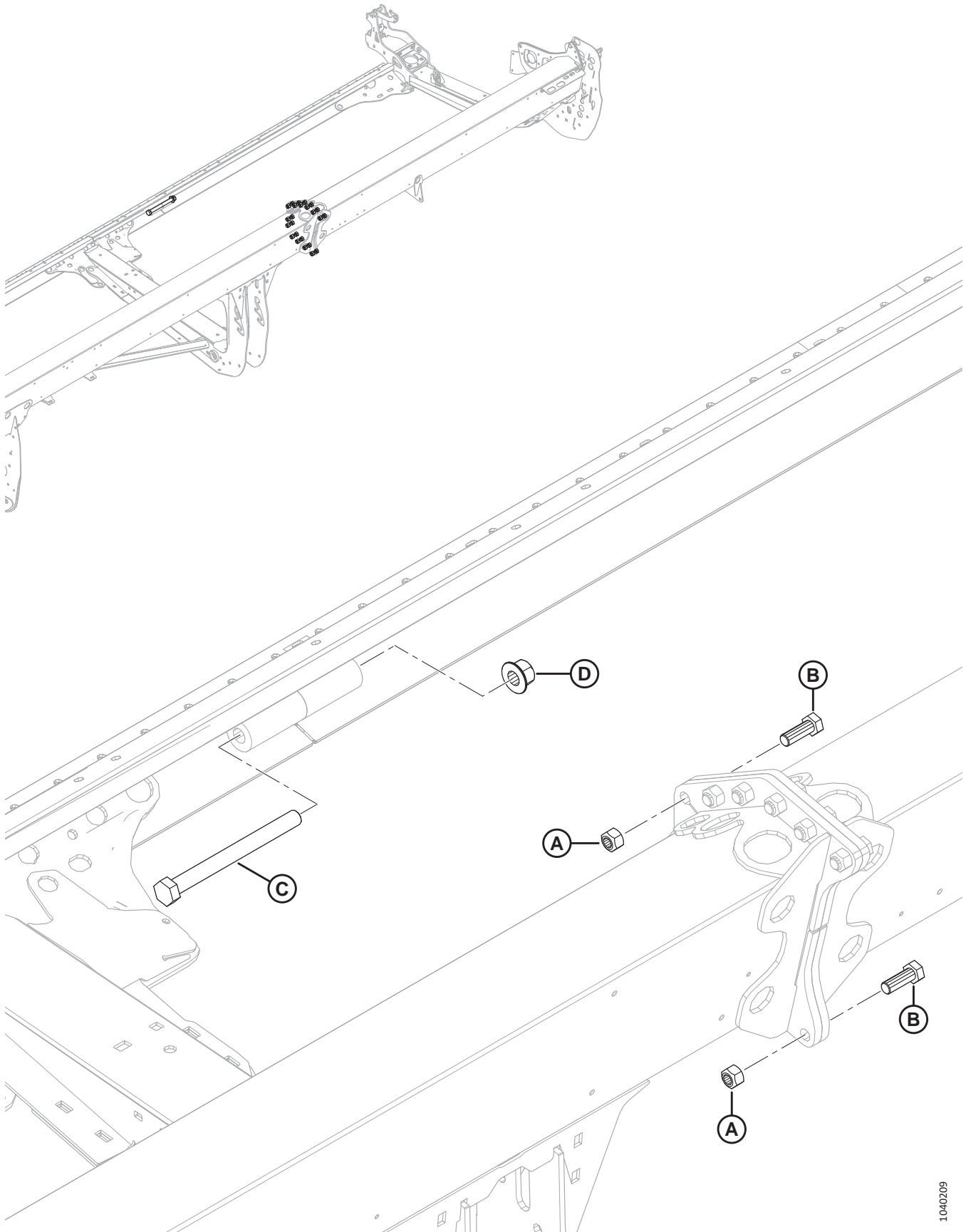


HEADER FRAME END PANELS

Ref	Part Number	Description	Qty	Serial Number
1	360749	END PANEL – RH	1	
2	289358	GUARD – RH KNIFE HEAD	1	
3	360751	COVER – RH KNIFE OPENING ¹	1	
4	360748	END PANEL – LH	1	
5	289220	GUARD – LH KNIFE HEAD	1	
6	360750	COVER – LH KNIFE OPENING ¹	1	
7	340122	BRACKET – WRENCH HOLDER	1	
8	360361	TOOL – HEADER ADJUSTER WELDT ²	1	
9	13125	PIN – HAIR	1	
10	289742	DEFLECTOR – FINGER	2	
11	289261	SHIELD – UCA COVER	2	
12	340113	RETAINER – WRENCH FRONT	1	
13	340193	INSULATOR – HEADER PANELS	4	
14	340215	PLATE	2	
A	184712	WASHER – FLAT LARGE M10-200HV		
B	184667	BOLT – RHSN M12 X 1.75 X 30-8.8-ZINC		
C	184665	BOLT – HEX FLG HD M10 X 1.5 X 30-10.9-AA1J		
D	184649	SCREW – HEX SOC BTN HD M8 X 1.25 X 25		
E	152655	BOLT – HEX FLG HD M10 X 1.5 X 20-8.8-AA1J		
F	136431	NUT – HEX FLG CTR LOC M12 X 1.75-10		
G	136640	SCREW – TORX TRUSS HD M10 X 1.5 X 16 X SPCL-8.8-AA1J		
H	320304	SCREW – TORX TRUSS HD M10 X 1.5 X 25-SPCL-8.8-ZINC		
J	135337	NUT – HEX FLG CTR LK M8 X 1.25-8-AA1J		
K	135799	NUT – HEX FLG CTR LOC M10 X 1.5-10		
L	184661	BOLT – HEX HD TFL M10 X 1.5 X 30-8.8-AA1J		

1. Not recommended in all conditions. Used primarily in rice and fine grasses to keep crop from getting caught in the delivery opening.
2. Kit includes header adjuster tool (NSS) and instructions.

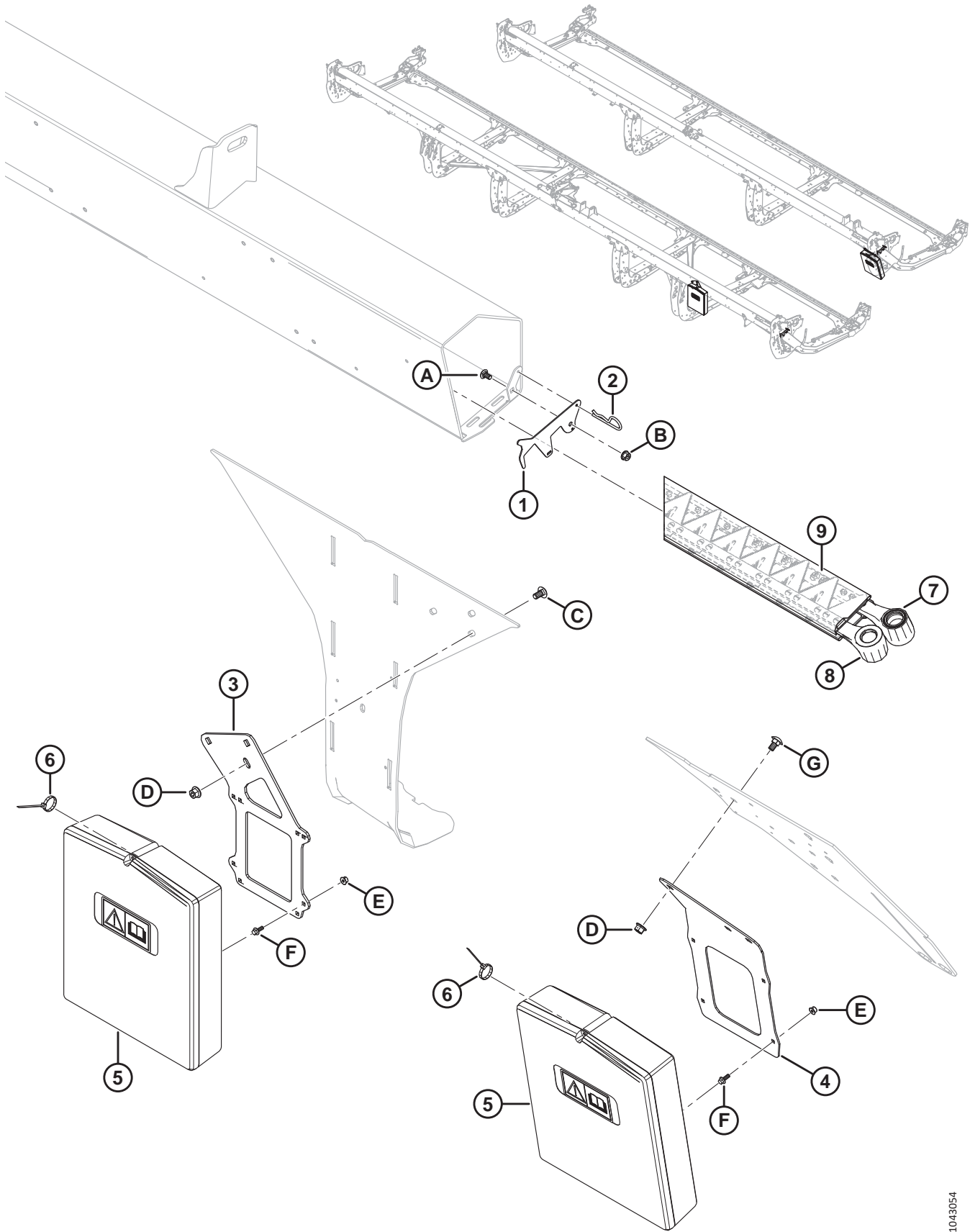
2 Header Frame – Split Frame Hardware



HEADER FRAME – SPLIT FRAME HARDWARE

Ref	Part Number	Description	Qty	Serial Number
A	320026	NUT – HEX TOP LOCK M16 X 2-10-ZINC		
B	136671	BOLT – HEX HD M16 X 2 X 45-10.9-ZINC		
C	252581	BOLT – HEX HD M20 X 2.5 X 220-10.9-AA1J		
D	136122	NUT – HEX FLG CTR LOC M20 X 2.5-10-AA1J		

3 Manual Case and Knife Storage



MANUAL CASE AND KNIFE STORAGE

Ref	Part Number	Description	Qty	Serial Number
1	286741	LATCH – RETAINER, KNIFE STORAGE	1	
2	13125	PIN – HAIR	1	
3	360175	SUPPORT – MANUAL CASE (30–41 FT HEADERS) ³	1	
4	360166	SUPPORT – MANUAL CASE (15–25 FT HEADERS) ⁴	1	
5	220107	CASE – MANUAL	1	
6	21763	FASTENER – CABLE TIE, BLACK	1	
7	REF	KNIFE – SPARE, SK ⁵	1	
	REF	KNIFE – SPARE, DK, LH ⁶	1	
8	REF	KNIFE – SPARE, DK, RH ⁶	1	
9	NSS	SHIELD – KNIFE	A/R	
A	191489	BOLT – RHSSN TFL M8 X 1.25 X 16-8.8-AA1J		
B	135337	NUT – HEX FLG CTR LK M8 X 1.25-8-AA1J		
C	184657	BOLT – RHSSN M10 X 1.5 X 20-8.8-AA1J		
D	135799	NUT – HEX FLG CTR LOC M10 X 1.5-10		
E	152668	NUT – HEX FLG CTR LOC M6 X 1-8		
F	135959	BOLT – HEX FLG HD M6 X 1 X 16-10.9-AA1J		
G	136178	BOLT – RHSN M10 X 1.5 X 20-8.8-AA1J		

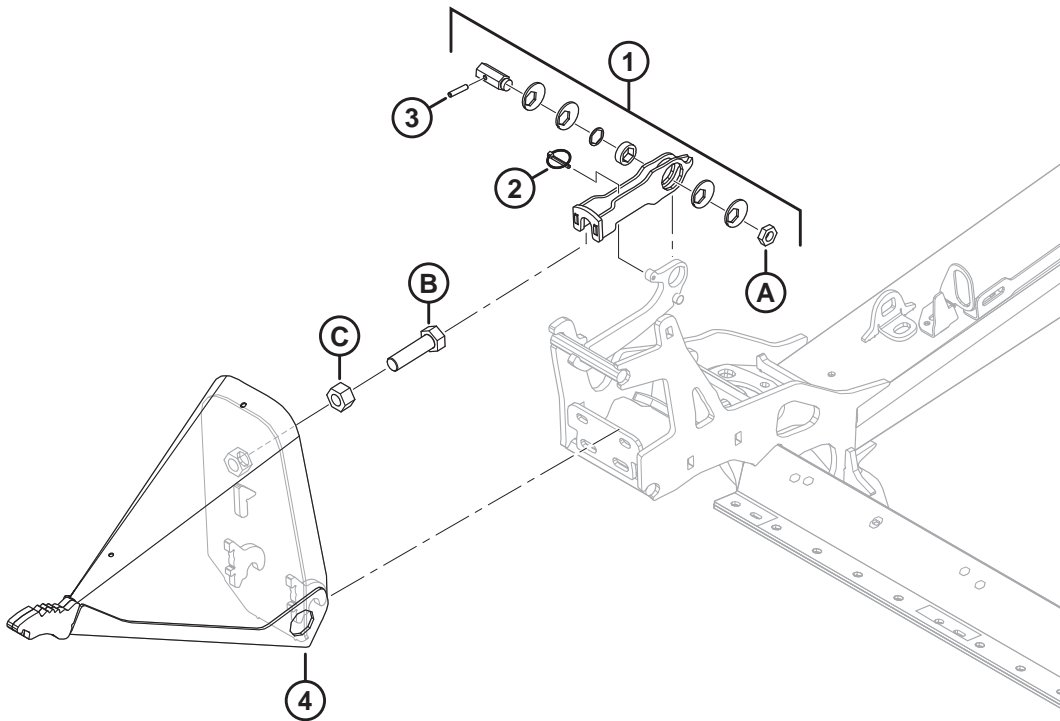
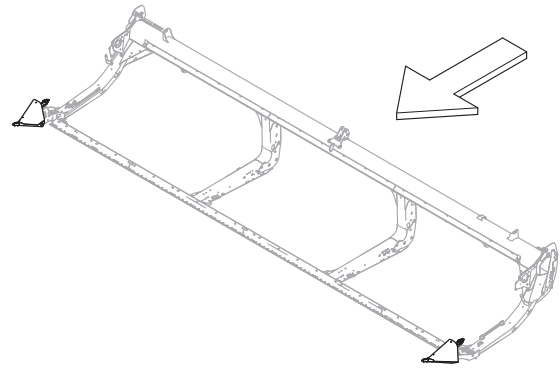
3. Used on D230, D235, and D241 headers.

4. Used on D215, D220, and D225 headers.

5. For service parts, refer to Section *28 Knives – Single-Knife Headers (D225, D230, and D235)*, page 55.

6. For service parts, refer to Sections , *30 Knives – Double-Knife Headers (D230 and D235)*, page 65, *31 Knives – Double-Knife Headers (D241)*, page 69, and *29 Knives – Double-Knife Headers (D215, D220, and D225)*, page 59.

4 Divider Cones

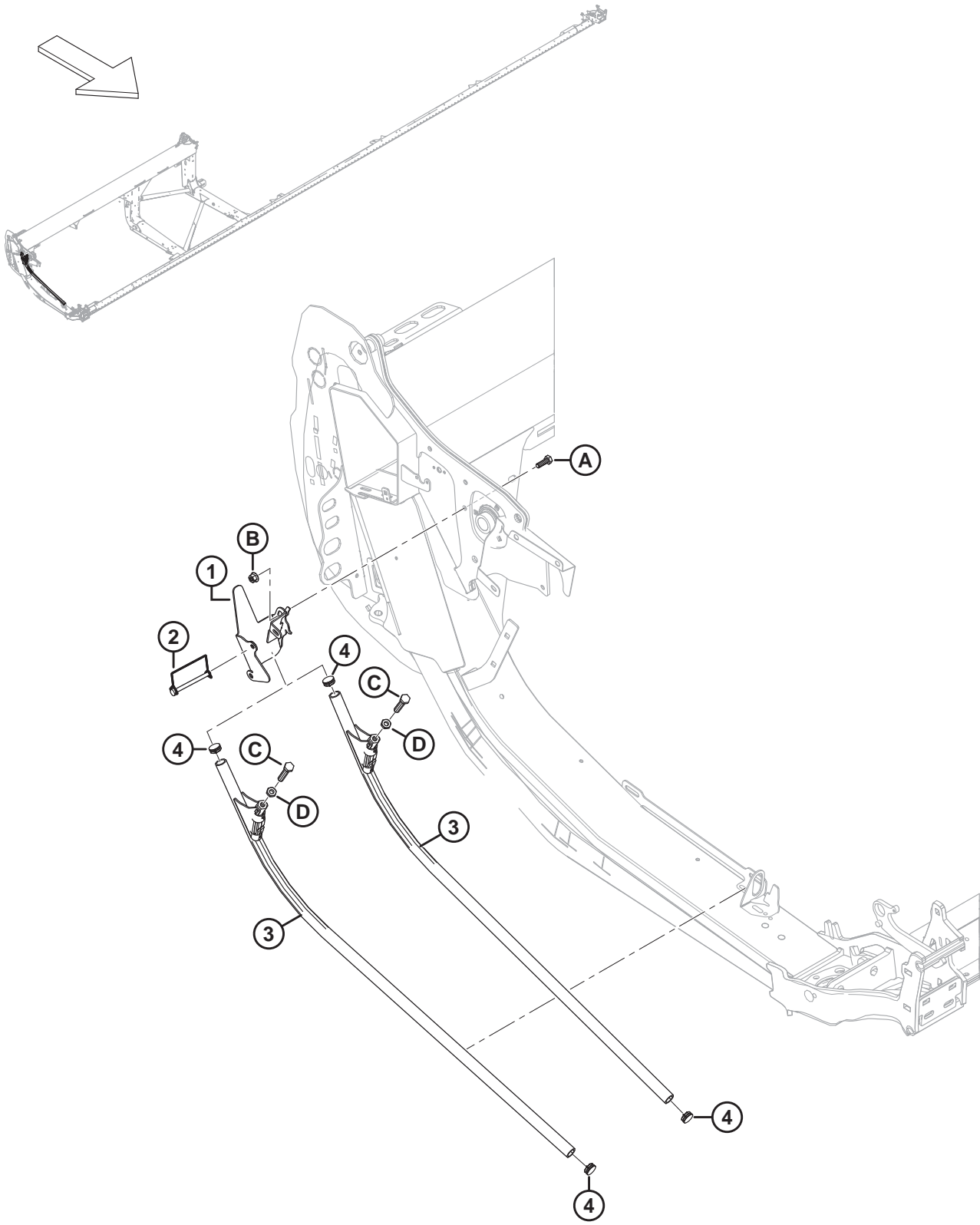


DIVIDER CONES

Ref	Part Number	Description	Qty	Serial Number
1	313767	KIT – DIVIDER LATCH ⁷	2	
2	50193	PIN – LYNCH	2	
3	16266	PIN – SPRING 1/4 DIA X 1.25 LG	2	
4	289235	DIVIDER ASSEMBLY – LH ⁸	1	
	289359	DIVIDER ASSEMBLY – RH ⁸	1	
A	320218	NUT – HEX THIN M16 X 2-SPCL-5-ZINC		
B	136339	BOLT – HEX HD FINE TFL M20 X 1.5 X 70 X 8.8-ZINC		
C	136342	NUT – HEX FINE M20 X 1.5 X 10-AA3L		

-
7. The Divider Latch Kit includes latch (NSS), lynch pin (MD #50193), spring pin (MD #16266), eccentric disc (NSS), bushing (NSS), hexagonal shaft (NSS), shim (NSS), latch (NSS), decals (MD #289762, MD #289763), and nut (MD #320218). For decals, refer to Section [96 Decals and Reflectors – D2 Series, page 213](#).
8. Includes bolt (MD #136339) and nut (MD #136342).

5 Divider Rods and Storage

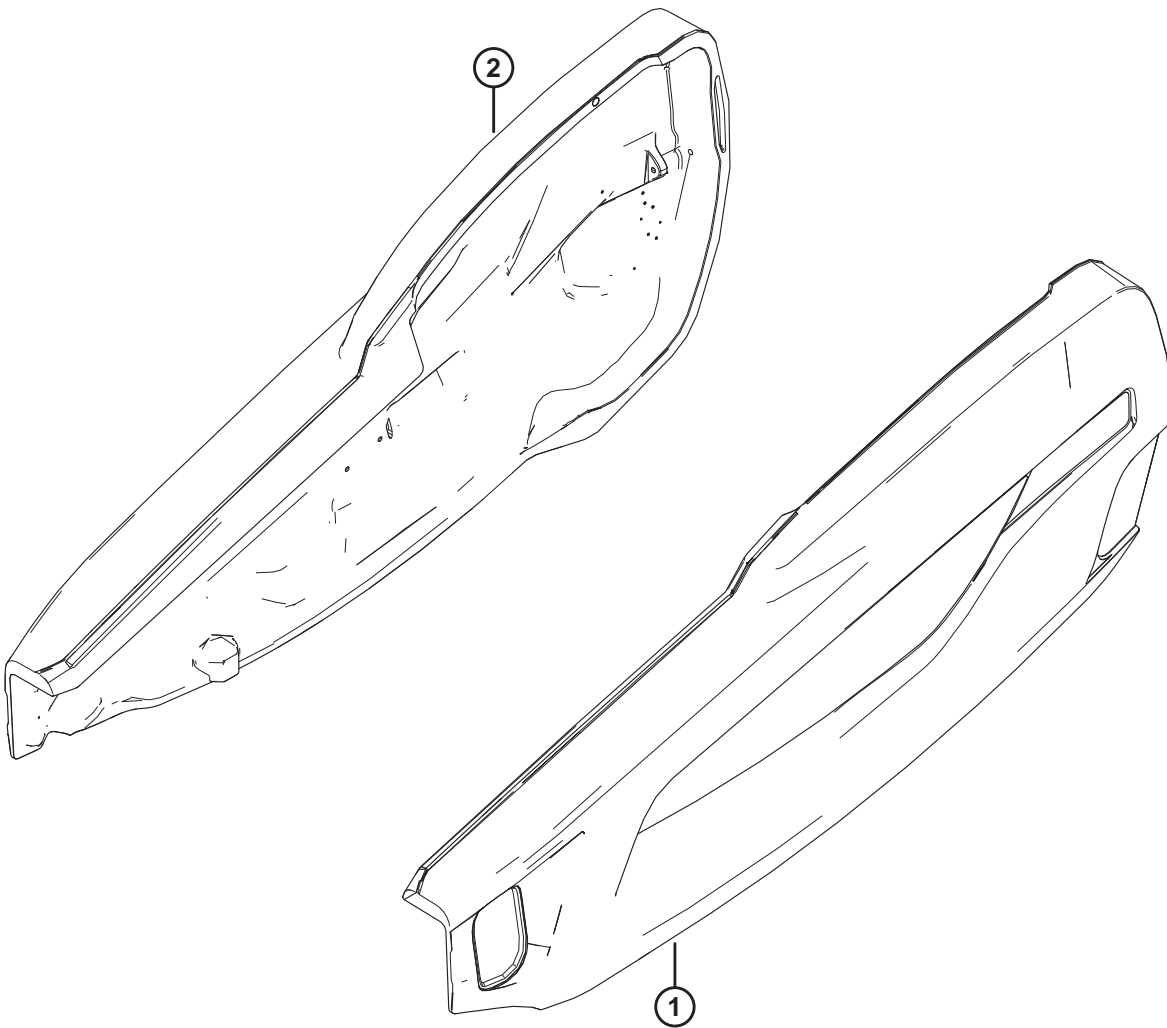
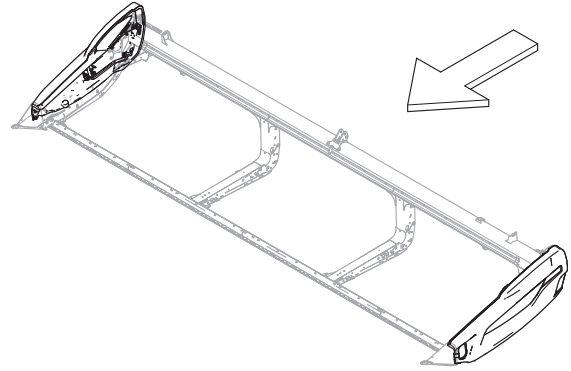


DIVIDER RODS AND STORAGE

Ref	Part Number	Description	Qty	Serial Number
1	360127	SUPPORT WELDT – ROD STORAGE	1	
2	136749	PIN – LYNCH	1	
3	289654	DIVIDER – ROD ASSY ⁹	2	
4	335301	PLUG – PLASTIC, SNAP-IN	2	
A	184661	BOLT – HEX HD TFL M10 X 1.5 X 30-8.8-AA1J		
B	135799	NUT – HEX FLG CTR LOC M10 X 1.5-10		
C	252541	BOLT – HEX HD TFL M12 X 1.75 X 65-8.8-AA3L		
D	184696	NUT – HEX THIN M12 X 1.75-05-AA1J		

9. Includes bolt (MD #252541), nut (MD #184696), and two plugs (MD #335301).

6 Endshields



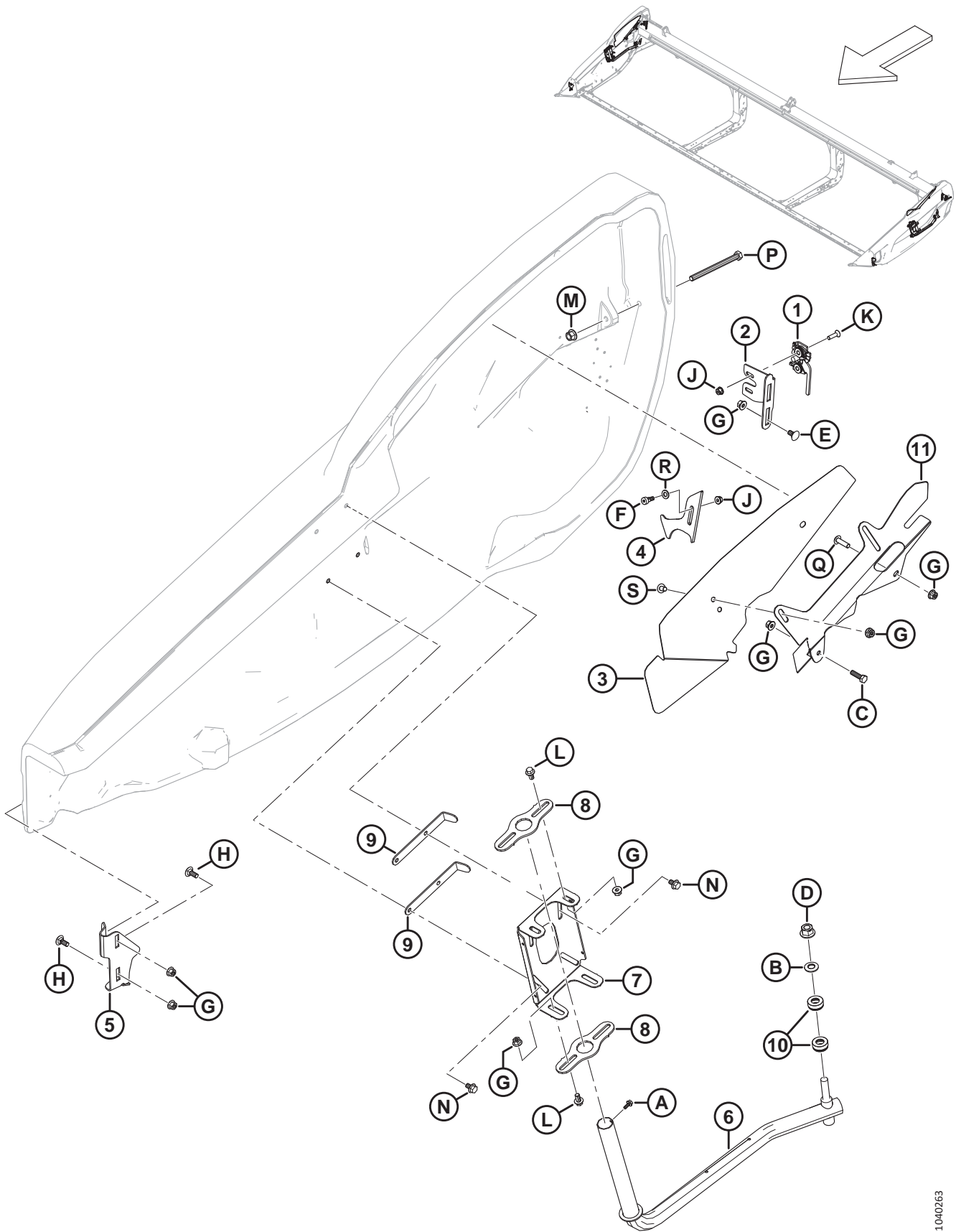
ENDSHIELDS

Ref	Part Number	Description	Qty	Serial Number
1	360554	SHIELD ASSY – BLACK, LH ¹⁰	1	
2	360555	SHIELD ASSY – BLACK, RH ¹⁰	1	
	165524	REFLECTOR – RED, 230 MM ¹¹		

10. Refer to Section *97 Decals – Product Identification, page 215* for product identification decals.

11. Refer to Section *96 Decals and Reflectors – D2 Series, page 213*. This reflector is used on the right endshield only.

7 Endshield Mount Components

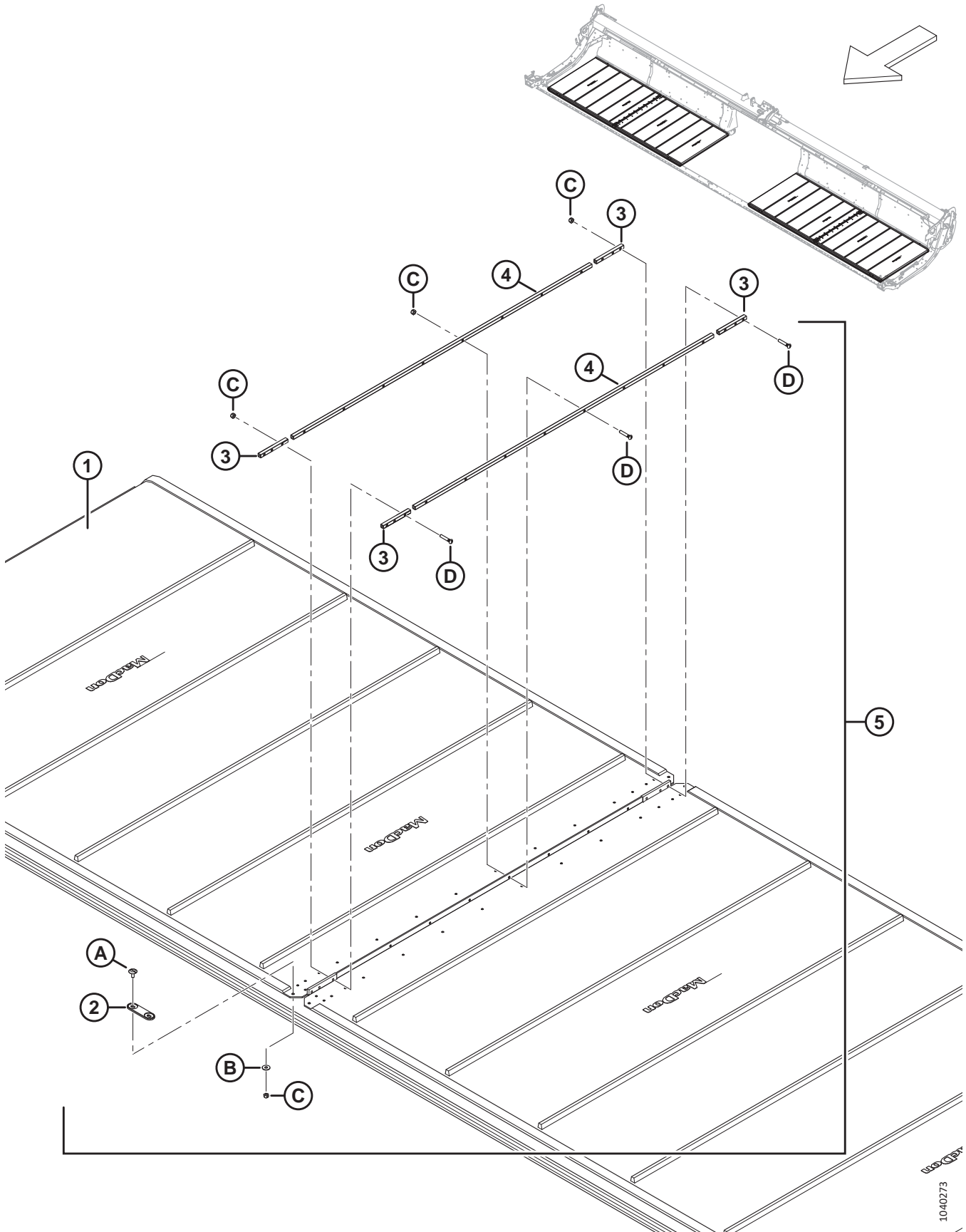


1040263

ENDSHIELD MOUNT COMPONENTS

Ref	Part Number	Description	Qty	Serial Number
1	289925	LATCH – RH 2 STAGE	1	
	289924	LATCH – LH 2 STAGE	1	
2	289621	SUPPORT – RH LATCH	1	
	289618	SUPPORT – LH LATCH	1	
3	360379	SHIELD – RH NECK	1	
	360378	SHIELD – LH NECK	1	
4	360798	LATCH – RH	1	
	360797	LATCH – LH	1	
5	289483	SUPPORT – RH FRONT	1	
	289380	SUPPORT – LH FRONT	1	
6	289439	ARM – RH WELDT	1	
	289375	ARM – LH WELDT	1	
7	313432	PIVOT – SHIELD RH	1	
	313303	PIVOT – SHIELD LH	1	
8	313304	PIVOT	4	
9	313783	RETAINER	4	
10	289487	BEARING – THRUST	4	
11	360375	SUPPORT – RH NECK SHIELD	1	
	360374	SUPPORT – LH NECK SHIELD	1	
A	252284	SCREW – HEX WSHR HD M6 X 1 X 16-450HV		
B	184718	WASHER – CON SPRING M16 STL SAE 1050-1075		
C	30628	BOLT – HEX HD M10 X 1.5 X 35-8.8-AA1J		
D	136736	NUT – HEX FLG TOP LOCK M16 X 1.5-10-AA2L		
E	136178	BOLT – RHSN M10 X 1.5 X 20-8.8-AA1J		
F	135894	SCREW – HEX SOC HD SHLDR M10		
G	135799	NUT – HEX FLG CTR LOC M10 X 1.5-10		
H	135785	BOLT – RHSN M10 X 1.5 X 25-8.8-AA1J		
J	135337	NUT – HEX FLG CTR LK M8 X 1.25-8-AA1J		
K	135336	SCREW – CSK MCH M8 X 1.25 X 30 GR5 AA1J		
L	152655	BOLT – HEX FLG HD M10 X 1.5 X 20-8.8-AA1J		
M	136431	NUT – HEX FLG CTR LOC M12 X 1.75-10		
N	136231	BOLT – HEX SER FLG HD M10 X 1.5 X 16 X SPCL-8.8		
P	135696	BOLT – HEX HD M12 X 1.75 X 150-8.8-AA1J		
Q	320327	SCREW – TORX TRUSS HD M10 X 1.5 X 35-SPCL-8.8-ZINC		
R	184711	WASHER – FLAT REG M10-200HV-AA1J		
S	136640	SCREW – TORX TRUSS HD M10 X 1.5 X 16 X SPCL-8.8-AA1J		

8 Draper



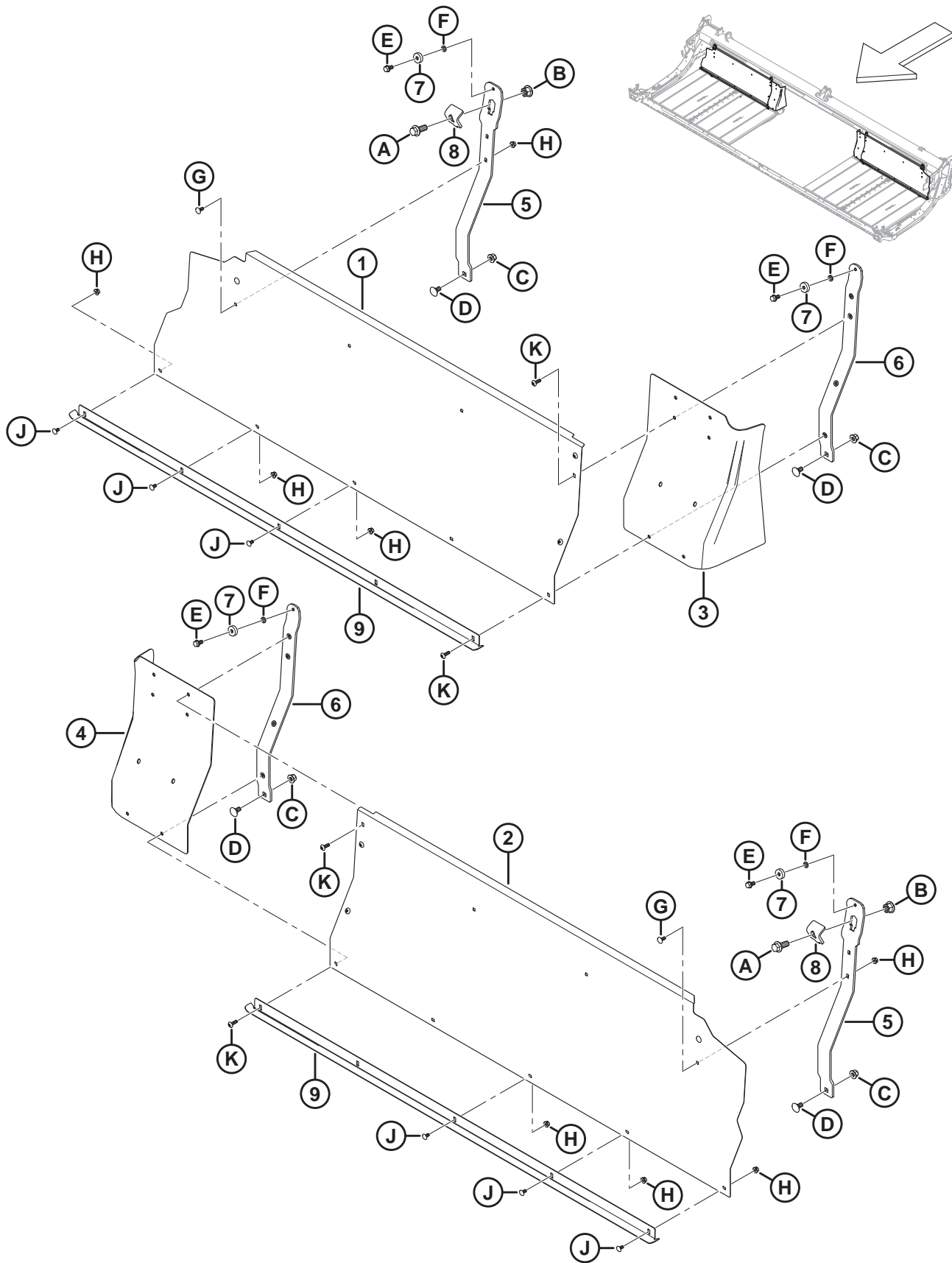
1040273

DRAPER

Ref	Part Number	Description	Qty	Serial Number
1	319674	KIT – DRAPER 15 FT, 50 INCH WIDE ¹²	2	
	319675	KIT – DRAPER 20 FT, 50 INCH WIDE ¹²	2	
	319098	KIT – DRAPER 25 FT, 50 INCH WIDE ¹²	2	
	319099	KIT – DRAPER 30 FT, 50 INCH WIDE ¹²	2	
	319100	KIT – DRAPER 35 FT, 50 INCH WIDE ¹²	2	
	319102	KIT – DRAPER 41 FT, 50 INCH WIDE ¹²	2	
	319105	KIT – DRAPER REPAIR 50 INCH, 500 MM (19.7 IN.) LG ¹³	A/R	
	319540	KIT – BULK DRAPER 50 IN. ¹⁴	OPT	
2	319662	CONNECTOR – BRIDGE	2	
3	NSS	BAR – CONNECTOR DRAPER HEM ¹⁵	8	
	319347	KIT – DRAPER CONNECTOR 50 INCH, HEM ¹⁶	A/R	
4	NSS	BAR – CONNECTOR DRAPER CENTER ¹⁷	4	
	319346	KIT – DRAPER CONNECTOR 50 INCH, CENTER ¹⁸	A/R	
5	319095	KIT – DRAPER CONNECTOR 50 INCH ¹⁹	2	
A	320148	SCREW – TRUSS SLT HD M6 X 1.0 16-SPCL-8.8-ZINC		
B	184706	WASHER – FLAT LARGE M6-200HV		
C	286479	NUT – CTR LOC CSK M6 X 1 50PK ²⁰		
D	319345	KIT – SCREW M6 X 34 C/W NUT 30PK ²¹		

-
12. The kit includes draper (NSS) and draper connector kit (MD #319095).
 13. The kit includes draper repair piece (NSS) and two draper connector kits (MD #319095).
 14. The kit includes a bulk draper roll and instructions.
 15. Not sold separately (NSS). Order either the draper hem connector kit (MD #319347) or the draper connector kit (MD #319095).
 16. The kit includes two draper hem connector bars (NSS) and hardware (MD #226259 and MD #320240).
 17. Not sold separately (NSS). Order either the draper center connector kit (MD #319346) or the draper connector kit (MD #319095).
 18. The kit includes two draper center connector bars (NSS) and hardware (MD #226259 and MD #320240).
 19. One kit per side; Includes two draper center connector bars (NSS), four draper hem connector bars (NSS), bridge connector (MD #319662), and hardware.
 20. The kit includes 50 nuts.
 21. The kit includes 30 screws and 30 nuts.

9 Draper – Backsheet Panels (D215 and D220)

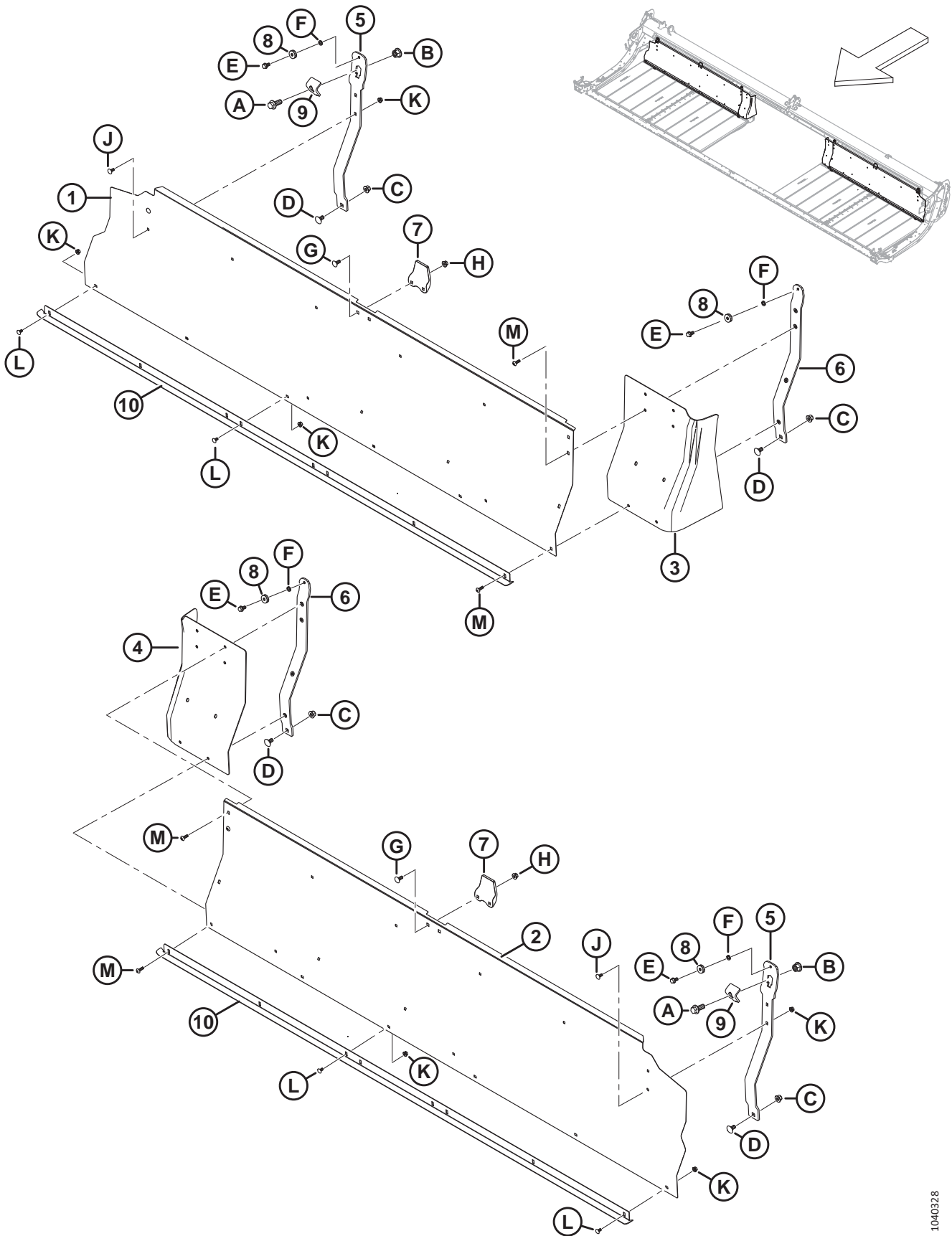


DRAPER – BACKSHEET PANELS (D215 AND D220)

Ref	Part Number	Description	Qty	Serial Number
1	319630	PANEL – BACKSHEET 15 FT RH	1	
	319632	PANEL – BACKSHEET 20 FT RH	1	
2	319629	PANEL – BACKSHEET 15 FT LH	1	
	319631	PANEL – BACKSHEET 20 FT LH	1	
3	319223	EXTENSION – BACKSHEET RH	1	
4	319222	EXTENSION – BACKSHEET LH	1	
5	275941	SUPPORT – DECK OUTBOARD, RIGID	2	
6	275938	SUPPORT – INBOARD RIGID DECK ASSY ²²	2	
7	18867	BEARING – BALL CYL OD C/W TWO SEALS	4	
8	145558	CLAMP – DECK SHIFT	2	
9	319719	DEFLECTOR – 15FT	2	
	319720	DEFLECTOR – 20FT	2	
A	320060	BOLT – HEX FLG HD TFL M16 X 2 X 40-10.9-ZINC		
B	136440	NUT – HEX FLG CTR LK M16 X 2-10-AA1J		
C	136431	NUT – HEX FLG CTR LOC M12 X 1.75-10		
D	135903	BOLT – RHSN M12 X 1.75 X 25-8.8-ZINC		
E	101897	SCREW – HEX WASH HD 3/8 NC X 3/4		
F	18637	WASHER – REG. LOCK 3/8 IN. NOM. I.D.		
G	197171	BOLT – RHSN M8 X 1.25 X 20-8.8-ZINC		
H	135337	NUT – HEX FLG CTR LK M8 X 1.25-8-AA1J		
J	191489	BOLT – RHSSN TFL M8 X 1.25 X 16-8.8-AA1J		
K	320290	SCREW – TORX TRUSS HD M8 X 1.25 X 25-SPCL-8.8-ZINC		

22. Includes four rivnuts (MD #320181).

10 Draper – Backsheet Panels (D225)

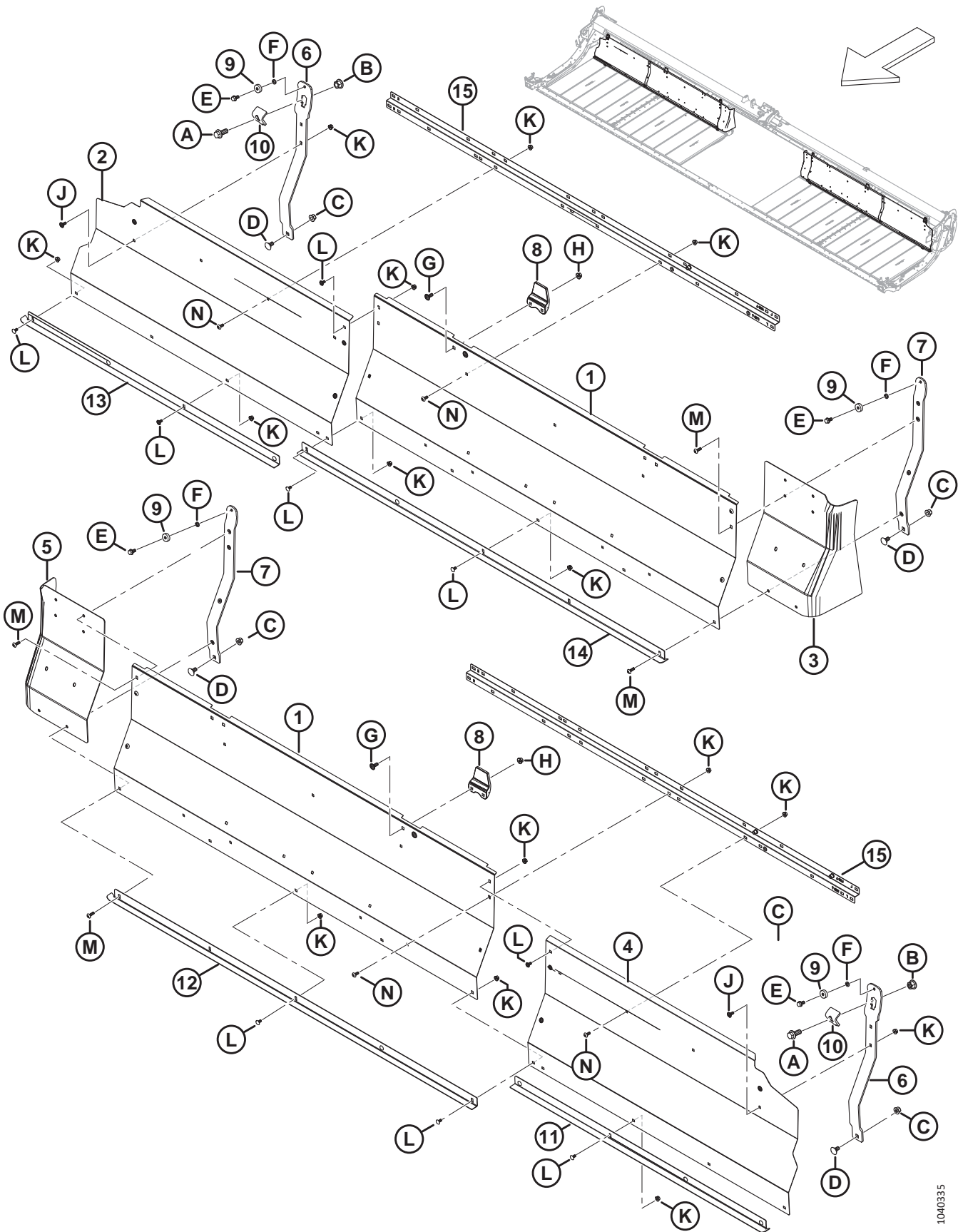


DRAPER – BACKSHEET PANELS (D225)

Ref	Part Number	Description	Qty	Serial Number
1	275405	PANEL – BACKSHEET 25 FT RH	1	
2	275404	PANEL – BACKSHEET 25 FT LH	1	
3	319223	EXTENSION – BACKSHEET RH	1	
4	319222	EXTENSION – BACKSHEET LH	1	
5	275941	SUPPORT – DECK OUTBOARD, RIGID	2	
6	275938	SUPPORT – INBOARD RIGID DECK ASSY ²³	2	
7	145840	GUIDE – BACKSHEET	2	
8	18867	BEARING – BALL CYL OD C/W TWO SEALS	4	
9	145558	CLAMP – DECK SHIFT	2	
10	319721	DEFLECTOR – 25FT	2	
A	320060	BOLT – HEX FLG HD TFL M16 X 2 X 40-10.9-ZINC		
B	136440	NUT – HEX FLG CTR LK M16 X 2-10-AA1J		
C	136431	NUT – HEX FLG CTR LOC M12 X 1.75-10		
D	135903	BOLT – RHSN M12 X 1.75 X 25-8.8-ZINC		
E	101897	SCREW – HEX WASH HD 3/8 NC X 3/4		
F	18637	WASHER – REG. LOCK 3/8 IN. NOM. I.D.		
G	135785	BOLT – RHSN M10 X 1.5 X 25-8.8-AA1J		
H	135799	NUT – HEX FLG CTR LOC M10 X 1.5-10		
J	197171	BOLT – RHSN M8 X 1.25 X 20-8.8-ZINC		
K	135337	NUT – HEX FLG CTR LK M8 X 1.25-8-AA1J		
L	191489	BOLT – RHSSN TFL M8 X 1.25 X 16-8.8-AA1J		
M	320290	SCREW – TORX TRUSS HD M8 X 1.25 X 25-SPCL-8.8-ZINC		

23. Includes four rivnuts (MD #320181).

11 Draper – Backsheet Panels (D230 and D235)

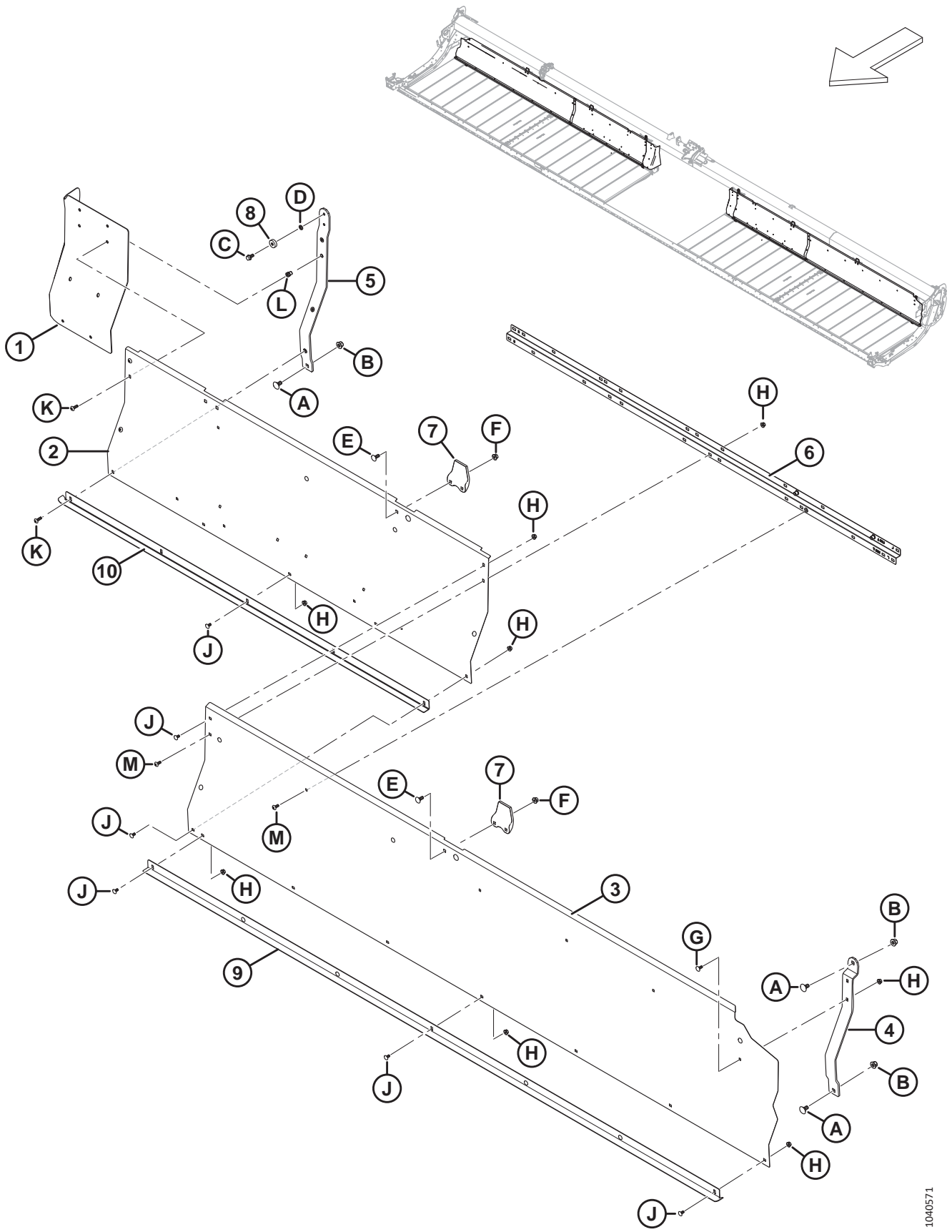


DRAPER – BACKSHEET PANELS (D230 AND D235)

Ref	Part Number	Description	Qty	Serial Number
1	275837	PANEL – BACKSHEET 30, 35, 41 FT INNER	2	
2	275461	PANEL – BACKSHEET 30 FT RH OUTER	1	
	275320	PANEL – BACKSHEET 35 FT RH OUTER	1	
3	319223	EXTENSION – BACKSHEET RH	1	
4	275460	PANEL – BACKSHEET 30 FT LH OUTER	1	
	275319	PANEL – BACKSHEET 35 FT LH OUTER	1	
5	319222	EXTENSION – BACKSHEET LH	1	
6	275941	SUPPORT – DECK OUTBOARD, RIGID	2	
7	275938	SUPPORT – INBOARD RIGID DECK ASSY ²⁴	2	
8	145840	GUIDE – BACKSHEET	2	
9	18867	BEARING – BALL CYL OD C/W TWO SEALS	4	
10	145558	CLAMP – DECK SHIFT	2	
11	319722	DEFLECTOR – LH, 30 FT	1	
	319724	DEFLECTOR – LH, 35 FT	1	
12	319715	DEFLECTOR – LH INBOARD, 30–41 FT	1	
13	319723	DEFLECTOR – RH, 30 FT	1	
	319725	DEFLECTOR – RH, 35 FT	1	
14	319716	DEFLECTOR – RH INBOARD, 30–41 FT	1	
15	360509	SUPPORT – BACKSHEET	2	
A	320060	BOLT – HEX FLG HD TFL M16 X 2 X 40-10.9-ZINC		
B	136440	NUT – HEX FLG CTR LK M16 X 2-10-AA1J		
C	136431	NUT – HEX FLG CTR LOC M12 X 1.75-10		
D	135903	BOLT – RHSN M12 X 1.75 X 25-8.8-ZINC		
E	101897	SCREW – HEX WASH HD 3/8 NC X 3/4		
F	18637	WASHER – REG. LOCK 3/8 IN. NOM. I.D.		
G	135785	BOLT – RHSN M10 X 1.5 X 25-8.8-AA1J		
H	135799	NUT – HEX FLG CTR LOC M10 X 1.5-10		
J	197171	BOLT – RHSN M8 X 1.25 X 20-8.8-ZINC		
K	135337	NUT – HEX FLG CTR LK M8 X 1.25-8-AA1J		
L	191489	BOLT – RHSSN TFL M8 X 1.25 X 16-8.8-AA1J		
M	320290	SCREW – TORX TRUSS HD M8 X 1.25 X 25-SPCL-8.8-ZINC		
N	320190	SCREW – TORX TRUSS HD M8 X 1.25 X 20-SPCL-8.8-ZINC		

24. Includes four rivnuts (MD #320181).

12 Draper – Backsheet Panels (D241)

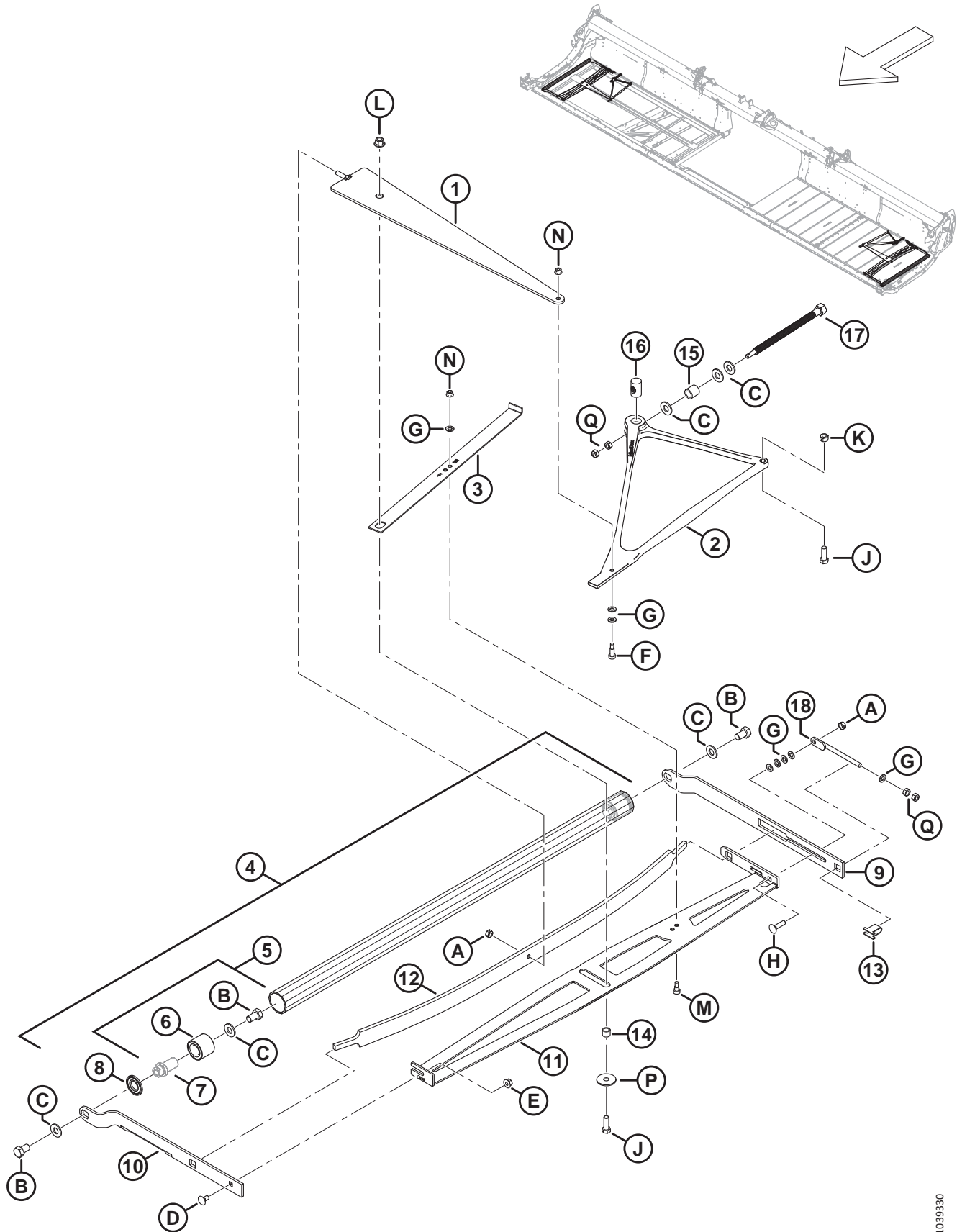


DRAPER – BACKSHEET PANELS (D241)

Ref	Part Number	Description	Qty	Serial Number
1	319222	EXTENSION – BACKSHEET LH	1	
	319223	EXTENSION – BACKSHEET RH	1	
2	275837	PANEL – BACKSHEET 30, 35, 41 FT INNER	2	
3	275484	PANEL – BACKSHEET 41 FT LH OUTER	1	
	275483	PANEL – BACKSHEET 41 FT RH OUTER	1	
4	275675	SUPPORT – DECK	2	
5	319366	KIT – DECK SUPPORT C/W BOLT ²⁵	2	
6	360509	SUPPORT – BACKSHEET	2	
7	145840	GUIDE – BACKSHEET	4	
8	18867	BEARING – BALL CYL OD C/W TWO SEALS	2	
9	319726	DEFLECTOR – LH, 41 FT	1	
	319727	DEFLECTOR – RH, 41 FT	1	
10	319715	DEFLECTOR – LH INBOARD, 30–41 FT	1	
	319716	DEFLECTOR – RH INBOARD, 30–41 FT	1	
A	135903	BOLT – RHSN M12 X 1.75 X 25-8.8-ZINC		
B	136431	NUT – HEX FLG CTR LOC M12 X 1.75-10		
C	101897	SCREW – HEX WASH HD 3/8 NC X 3/4		
D	18637	WASHER – REG. LOCK 3/8 IN. NOM. I.D.		
E	135785	BOLT – RHSN M10 X 1.5 X 25-8.8-AA1J		
F	135799	NUT – HEX FLG CTR LOC M10 X 1.5-10		
G	197171	BOLT – RHSN M8 X 1.25 X 20-8.8-ZINC		
H	135337	NUT – HEX FLG CTR LK M8 X 1.25-8-AA1J		
J	191489	BOLT – RHSSN TFL M8 X 1.25 X 16-8.8-AA1J		
K	320290	SCREW – TORX TRUSS HD M8 X 1.25 X 25-SPCL-8.8-ZINC		
L	320181	RIVNUT – M8 X 1.25 HEX 3.8-7.9		
M	320190	SCREW – TORX TRUSS HD M8 X 1.25 X 20-SPCL-8.8-ZINC		

25. The kit includes inboard flex deck support assembly (NSS), screw (MD #101897), and four rivnuts (MD #320181).

13 Draper – Tensioner



DRAPER – TENSIONER

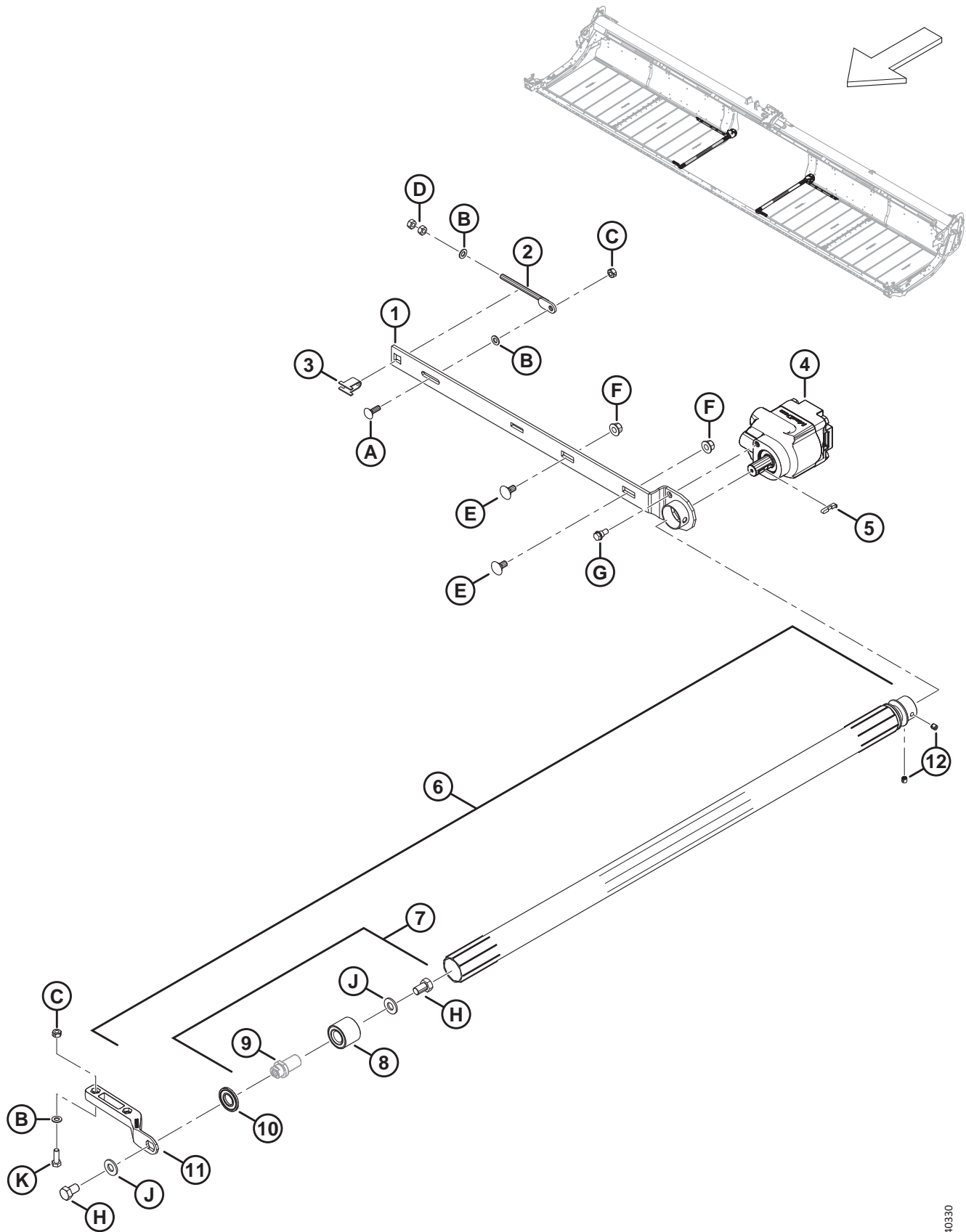
Ref	Part Number	Description	Qty	Serial Number
1	319051	MEMBER – COMPRESSION WELDT	2	
2	275902	CASTING – TENSIONER BELLCRANK	2	
3	275877	INDICATOR – TENSIONER	2	
4	275211	IDLER ROLLER ASSY SERVICE ²⁶	2	
5	165735	PIN ASSY – DRAPER ROLLER ²⁷	4	
6	132607	BEARING – DOUBLE ROW BALL 52 OD X 25 BORE	4	
7	NSS	PIN ²⁸		
8	120845	SEAL – NILOS LSTO STEEL DISK	4	
9	275324	ARM – IDLER ROLLER REAR	2	
10	319708	ARM – RH FRONT IDLER ROLLER	1	
	319707	ARM – LH FRONT IDLER ROLLER	1	
11	275375	MEMBER – RH STABILIZER WELDT	1	
	275348	MEMBER – LH STABILIZER WELDT	1	
12	227747	SPRING – LEAF	2	
13	275232	SUPPORT – ADJUSTER SCREW	2	
14	132531	SPACER	2	
15	227656	SPACER – TENSIONER BOLT	2	
16	275879	NUT – SPECIAL LEAD-SCREW	2	
17	320167	BOLT – HEX HD M16 X 4.0-SPCL-8.8-AA1J	2	
18	227914	BOLT – ADJUSTER WELDT	2	
A	320206	NUT – HEX CTR LOC M10 X 1.5-8-ZINC		
B	145249	BOLT – HEX HD TFL 5/8-18 X 1.0 GR5-AA1J		
C	30441	WASHER – HARDENED ASTM F436 5/8		
D	135785	BOLT – RHSN M10 X 1.5 X 25-8.8-AA1J		
E	135799	NUT – HEX FLG CTR LOC M10 X 1.5-10		
F	197275	SCREW – HEX SOC HD SHLDR M10 X 20		
G	184711	WASHER – FLAT REG M10-200HV-AA1J		
H	152732	BOLT – RHSN M10 X 1.5 X 40-8.8-AA1J		
J	152730	BOLT – HEX HD TFL M12 X 1.75 X 35-10.9-AA1J		
K	136759	NUT – HEX CTR LOC M12 X 1.75-8-AA1J		
L	136431	NUT – HEX FLG CTR LOC M12 X 1.75-10		
M	135894	SCREW – HEX SOC HD SHLDR M10		
N	135337	NUT – HEX FLG CTR LK M8 X 1.25-8-AA1J		
P	42592	WASHER – FLAT		
Q	30505	NUT – HEX M10 X 1.5-10-AA1J		

26. Includes two pin assemblies (MD #165735) and two seals (MD #120845).

27. Includes pin (NSS), bearing (MD #132607), and hardware (MD #30441, MD #145249).

28. Not sold separately; included in pin assembly (MD #165735).

14 Draper – Drive Roller



DRAPER – DRIVE ROLLER

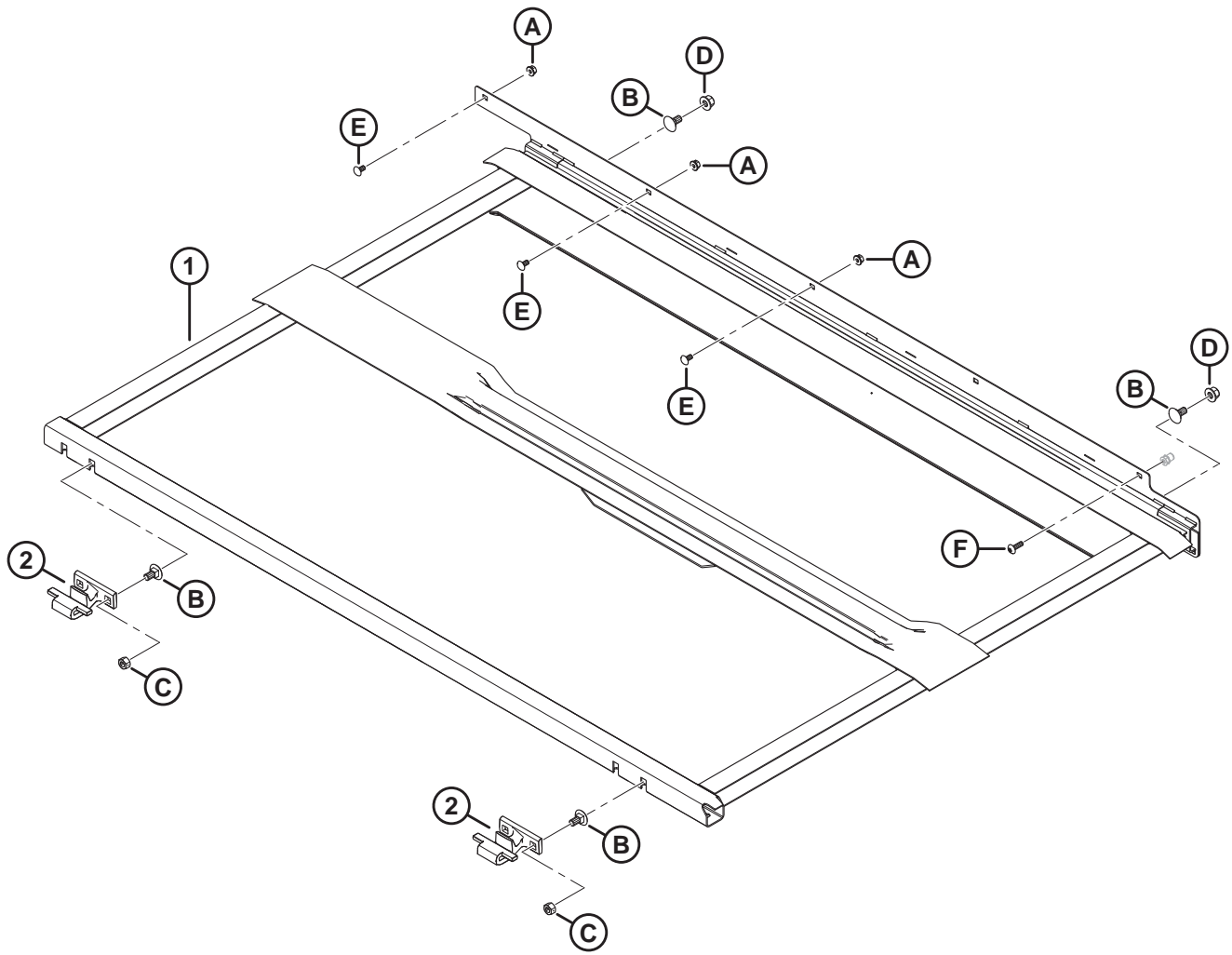
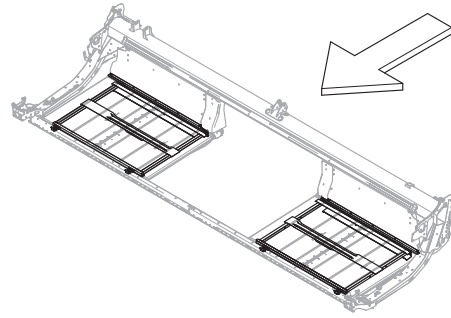
Ref	Part Number	Description	Qty	Serial Number
1	275332	ARM – DRIVE ROLLER WELDT	2	
2	227914	BOLT – ADJUSTER WELDT	2	
3	275232	SUPPORT – ADJUSTER SCREW	2	
4	275860	MOTOR – HYD GEAR DRAPER DRIVE	2	
	319583	SEAL KIT – DRAPER DRIVE MOTOR		
5	275864	KEY – DRAPER DRIVE MOTOR	2	
6	319676	DRIVE ROLLER ASSY SERVICE ²⁹	2	
7	165735	PIN ASSY – DRAPER ROLLER ³⁰	2	
8	132607	BEARING – DOUBLE ROW BALL 52 OD X 25 BORE	2	
9	NSS	PIN ³¹		
10	120845	SEAL – NILOS LSTO STEEL DISK	2	
11	319265	ARM – FRONT DRAPER DRIVE MACH	2	
12	320182	SCREW – SET SOC M10 X 1.5 X 10-8.8-BO	4	
A	184662	BOLT – RHSN TFL M10 X 1.5 X 30-8.8-AA1J		
B	184711	WASHER – FLAT REG M10-200HV-AA1J		
C	320206	NUT – HEX CTR LOC M10 X 1.5-8-ZINC		
D	30505	NUT – HEX M10 X 1.5-10-AA1J		
E	135903	BOLT – RHSN M12 X 1.75 X 25-8.8-ZINC		
F	136431	NUT – HEX FLG CTR LOC M12 X 1.75-10		
G	172259	BOLT – SHOULDER .375-16 UNC-AA1J		
H	145249	BOLT – HEX HD TFL 5/8-18 X 1.0 GR5-AA1J		
J	30441	WASHER – HARDENED ASTM F436 5/8		
K	184661	BOLT – HEX HD TFLM 10 X 1.5 X 30-8.8-AA1J		

29. Includes ribbed roller (NSS), pin assembly (MD #165735), seal (MD #120845), and two set screws (MD #320182).

30. Includes pin (NSS), bearing (MD #132607), and hardware (MD #30441, MD #145249).

31. Not sold separately; included in pin assembly (MD #165735).

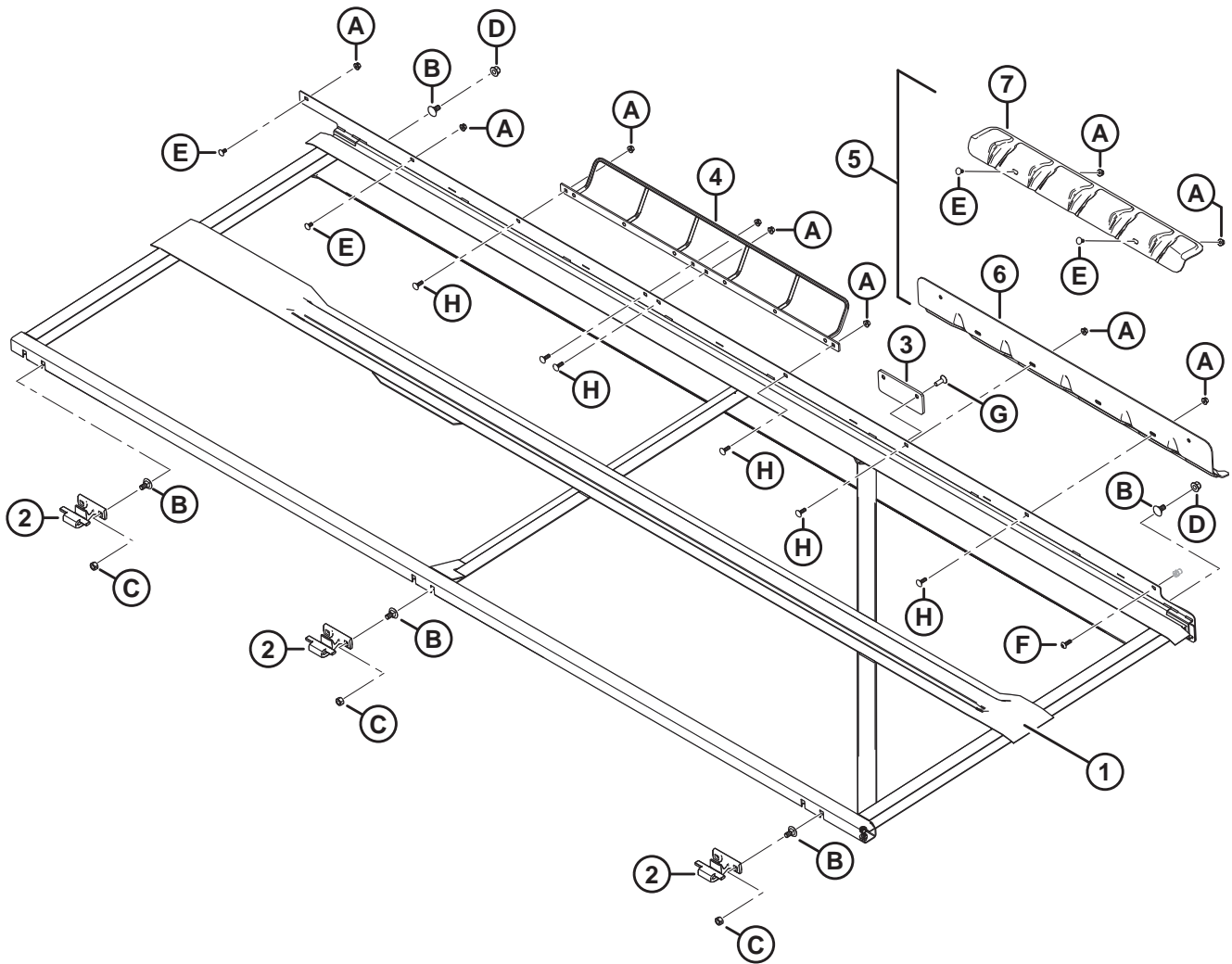
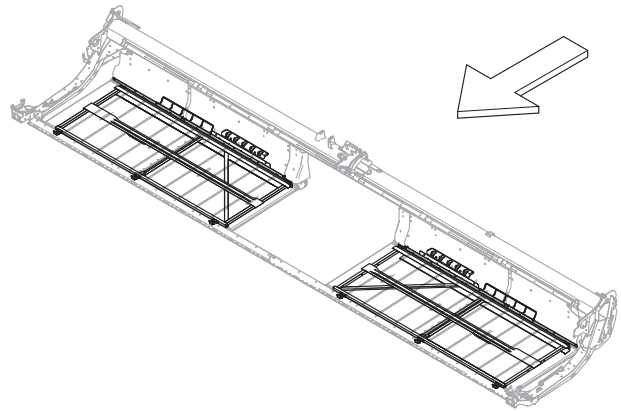
15 Draper – Decks (D215 and D220)



DRAPER – DECKS (D215 AND D220)

Ref	Part Number	Description	Qty	Serial Number
1	319481	DECK WELDT – 15 FT RH RIGID	1	
	319480	DECK WELDT – 15 FT LH RIGID	1	
	319483	DECK WELDT – 20 FT RH RIGID	1	
	319482	DECK WELDT – 20 FT LH RIGID	1	
2	319225	CASTING – DECK FRONT HOOK	4	
A	135337	NUT – HEX FLG CTR LK M8 X 1.25-8-AA1J		
B	135903	BOLT – RHSN M12 X 1.75 X 25-8.8-ZINC		
C	136759	NUT – HEX CTR LOC M12 X 1.75-8-AA1J		
D	136431	NUT – HEX FLG CTR LOC M12 X 1.75-10		
E	191489	BOLT – RHSSN TFL M8 X 1.25 X 16-8.8-AA1J		
F	320290	SCREW – TORX TRUSS HD M8 X 1.25 X 25-SPCL-8.8-ZINC		

16 Draper – Decks (D225, D230, and D235)



DRAPER – DECKS (D225, D230, AND D235)

Ref	Part Number	Description	Qty	Serial Number
1	275407	DECK WELDT – 25 FT RH RIGID	1	
	275406	DECK WELDT – 25 FT LH RIGID	1	
	275465	DECK WELDT – 30 FT RH RIGID	1	
	275464	DECK WELDT – 30 FT LH RIGID	1	
	275309	DECK WELDT – 35 FT RH RIGID	1	
	275308	DECK WELDT – 35 FT LH RIGID	1	
2	319225	CASTING – DECK FRONT HOOK ³²		
3	309079	GUARD – PLASTIC	2	
4	232585	SUPPORT – HOSE WELDT	2	
5	360249	COVER SET – HYDRAULIC DECK SHIFT ³³	2	
6	NSS	COVER – CHAIN ³⁴	2	
7	NSS	SUPPORT – HOSE ³⁵	2	
A	135337	NUT – HEX FLG CTR LK M8 X 1.25-8-AA1J		
B	135903	BOLT – RHSN M12 X 1.75 X 25-8.8-ZINC		
C	136759	NUT – HEX CTR LOC M12 X 1.75-8-AA1J		
D	136431	NUT – HEX FLG CTR LOC M12 X 1.75-10		
E	191489	BOLT – RHSSN TFL M8 X 1.25 X 16-8.8-AA1J		
F	320290	SCREW – TORX TRUSS HD M8 X 1.25 X 25-SPCL-8.8-ZINC		
G	136857	SCREW – HEX SOC CSK HD TFL M10 X 1.5 X 30-ZINC		
H	184648	BOLT – RHSN M8 X 1.25 X 25-8.8-AA1J		

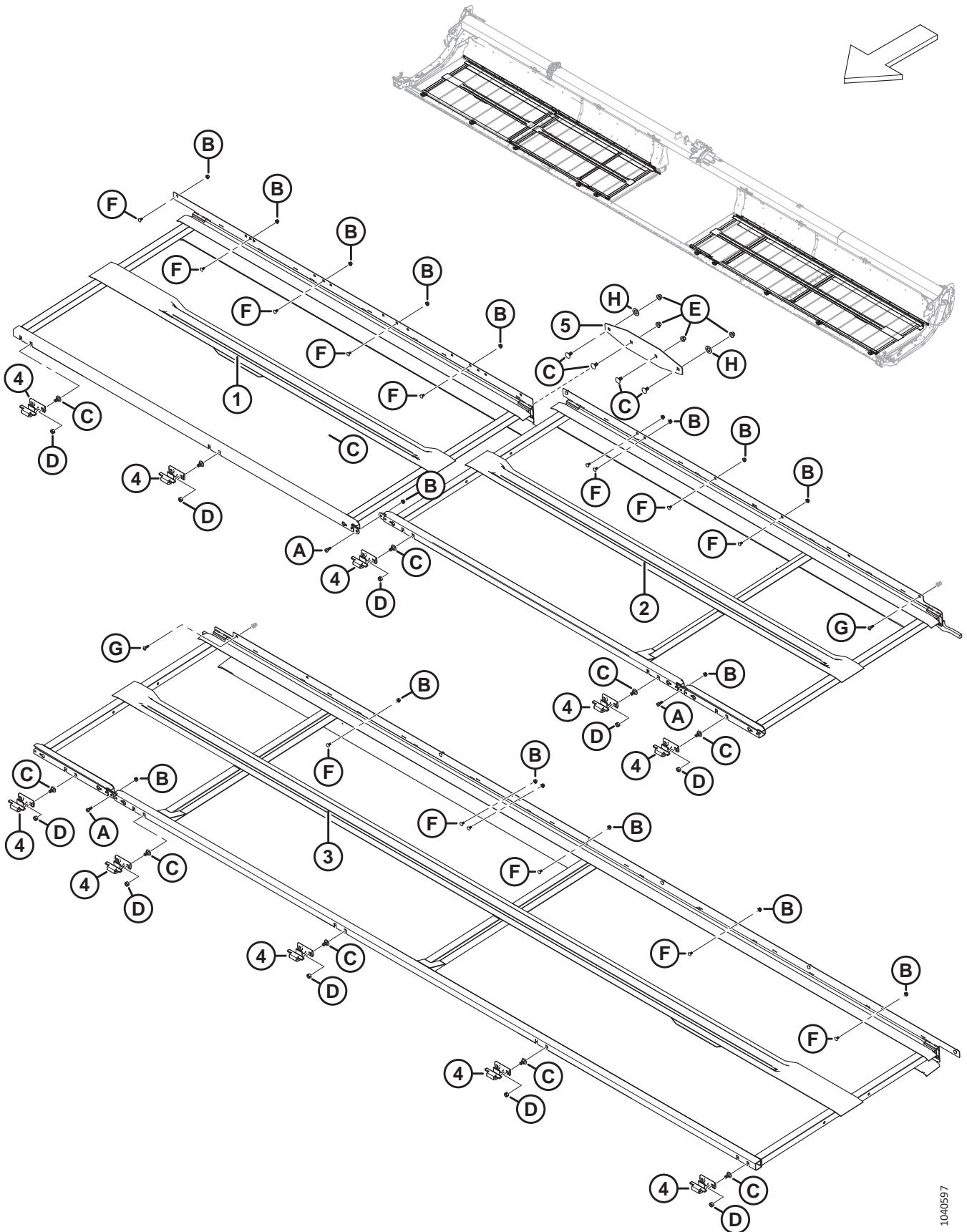
32. Quantities: D225 and D230 = 6; D235 = 8.

33. The hydraulic deck shift cover set includes one chain cover (NSS) and one hose support (NSS).

34. Not sold separately. To service the chain cover, order hydraulic deck shift cover set (MD #360249).

35. Not sold separately. To service the hose support, order hydraulic deck shift cover set (MD #360249).

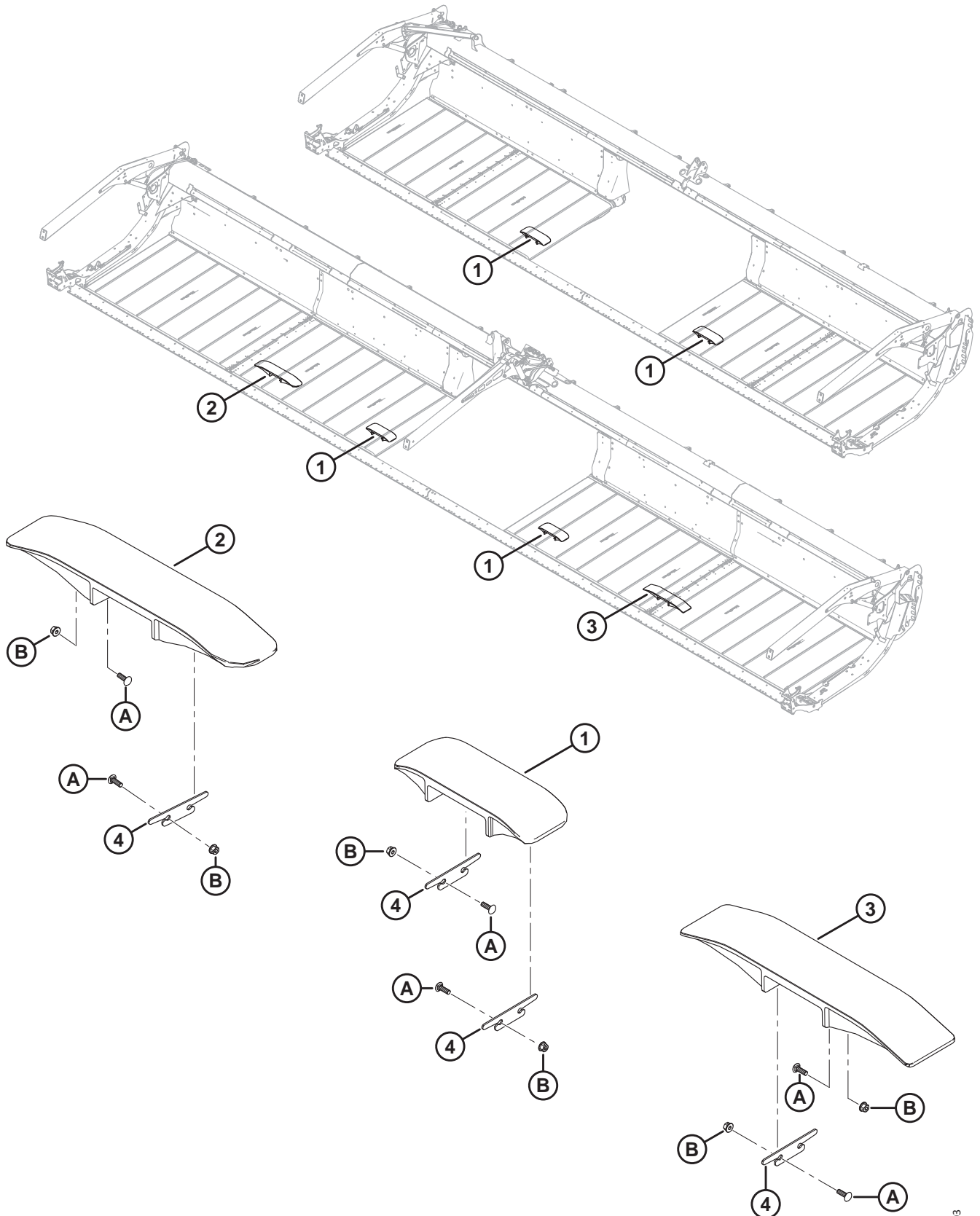
17 Draper – Decks (D241)



DRAPER – DECKS (D241)

Ref	Part Number	Description	Qty	Serial Number
1	275770	DECK WELDT – RH OUTBOARD	1	
2	275514	DECK WELDT – 41 FT RH INBOARD	1	
3	275513	DECK WELDT – 41 FT LH	1	
4	319225	CASTING – DECK FRONT HOOK	10	
5	275690	PLATE – DECK FRAME JOINT	1	
A	135894	SCREW – HEX SOC HD SHLDR M10		
B	135337	NUT – HEX FLG CTR LK M8 X 1.25-8-AA1J		
C	135903	BOLT – RHSN M12 X 1.75 X 25-8.8-ZINC		
D	136759	NUT – HEX CTR LOC M12 X 1.75-8-AA1J		
E	136431	NUT – HEX FLG CTR LOC M12 X 1.75-10		
F	191489	BOLT – RHSSN TFL M8 X 1.25 X 16-8.8-AA1J		
G	320290	SCREW – TORX TRUSS HD M8 X 1.25 X 25-SPCL-8.8-ZINC		
H	112130	WASHER – HARD ASTM F4363/4 IN. NOM. ID ABOC		

18 Draper – Tracks



1040603

DRAPER – TRACKS

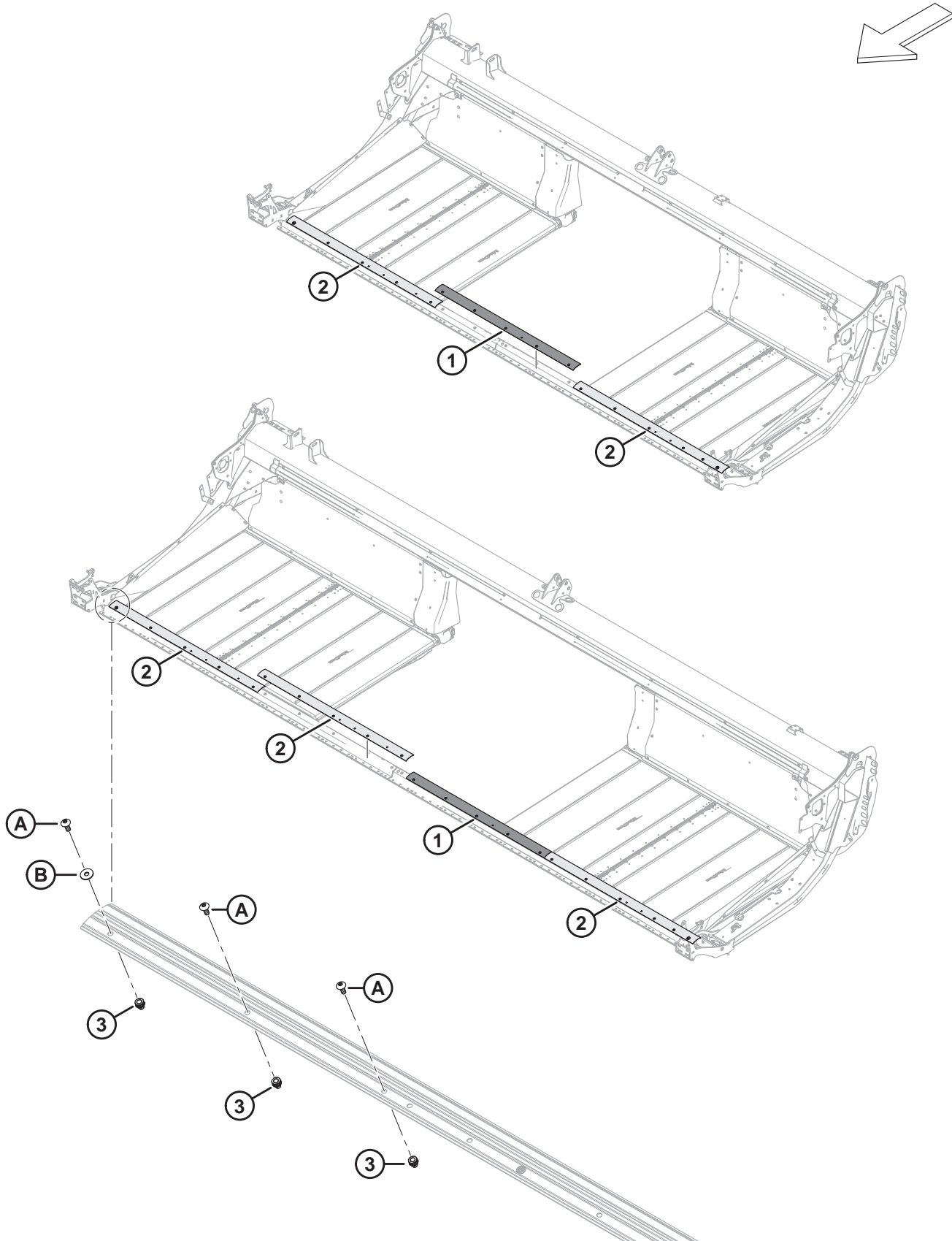
Ref	Part Number	Description	Qty	Serial Number
1	360150	TRACK – SHORT PLASTIC	2	
2	360151	TRACK – ANGLED PLASTIC ³⁶	1	
3	340841	TRACK – STANDARD PLASTIC ³⁷	1	
4	340681	SHIM – DRAPER TRACK ³⁸		
A	136824	BOLT – RHSSN M8 X 1.25 X 25-8.8-AA1J		
B	135337	NUT – HEX FLG CTR LK M8 X 1.25-8-AA1J		

36. Double-reel headers only. Used on the RH draper deck.

37. Double-reel headers only. Used on the LH draper deck.

38. Quantities: single reel = 4; double reel = 6.

19 Draper – Seals (D215 and D220)



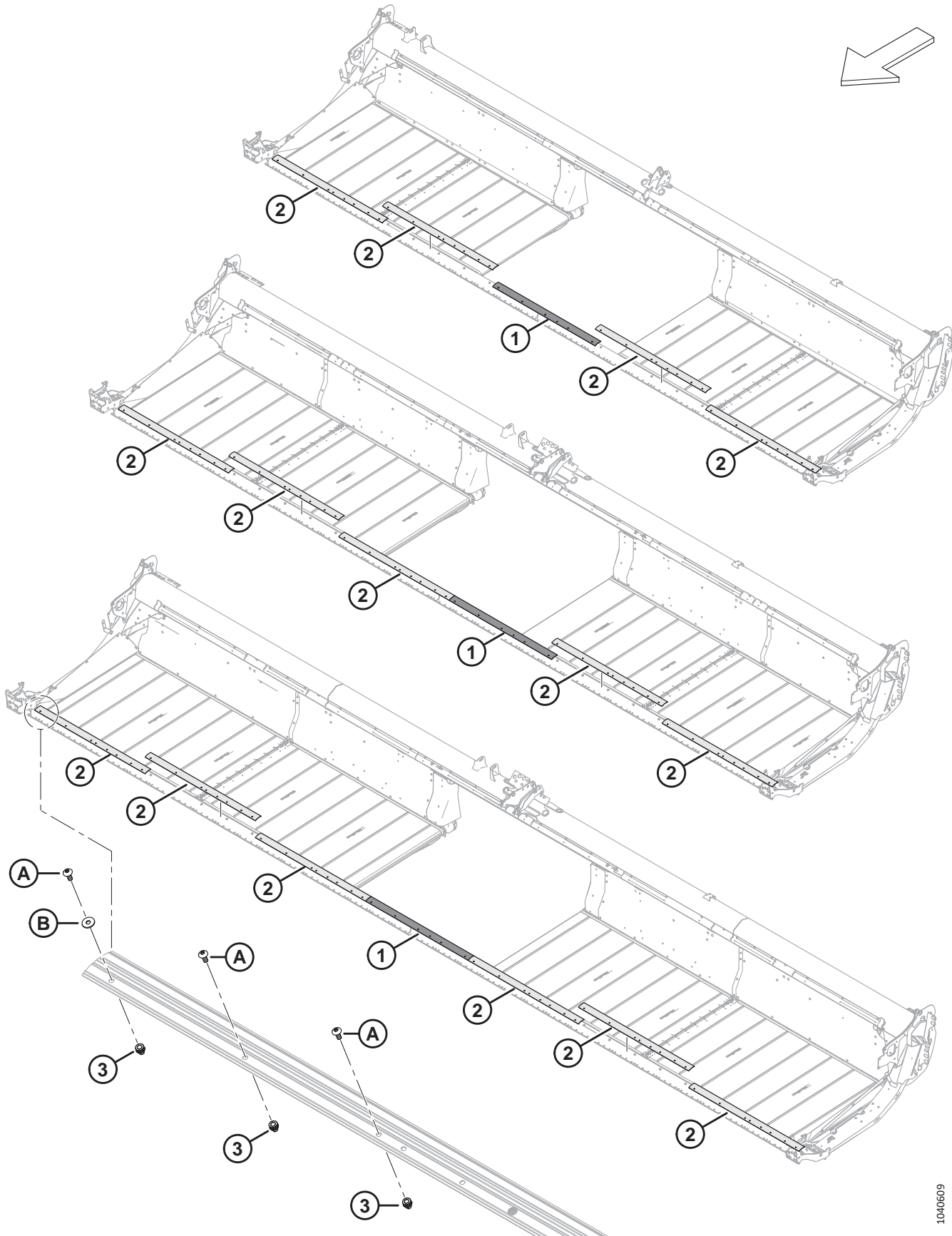
DRAPER – SEALS (D215 AND D220)

Ref	Part Number	Description	Qty	Serial Number
1	319430	PLATE – CBAR SEAL, RIGID	1	
2	319431	PLATE – CBAR SEAL MIDDLE ³⁹		
3	320448	RIVNUT – M8 X 1.25 HEX ⁴⁰		
A	320190	SCREW – TORX TRUSS HD M8 X 1.25 X 20-SPCL-8.8-ZINC		
B	184709	WASHER – FLAT LARGE M8-200HV		

39. Quantities: D215 = 2, D220 = 3.

40. Quantities: D215 = 17, D220 = 22.

20 Draper – Seals (D225, D230, and D235)



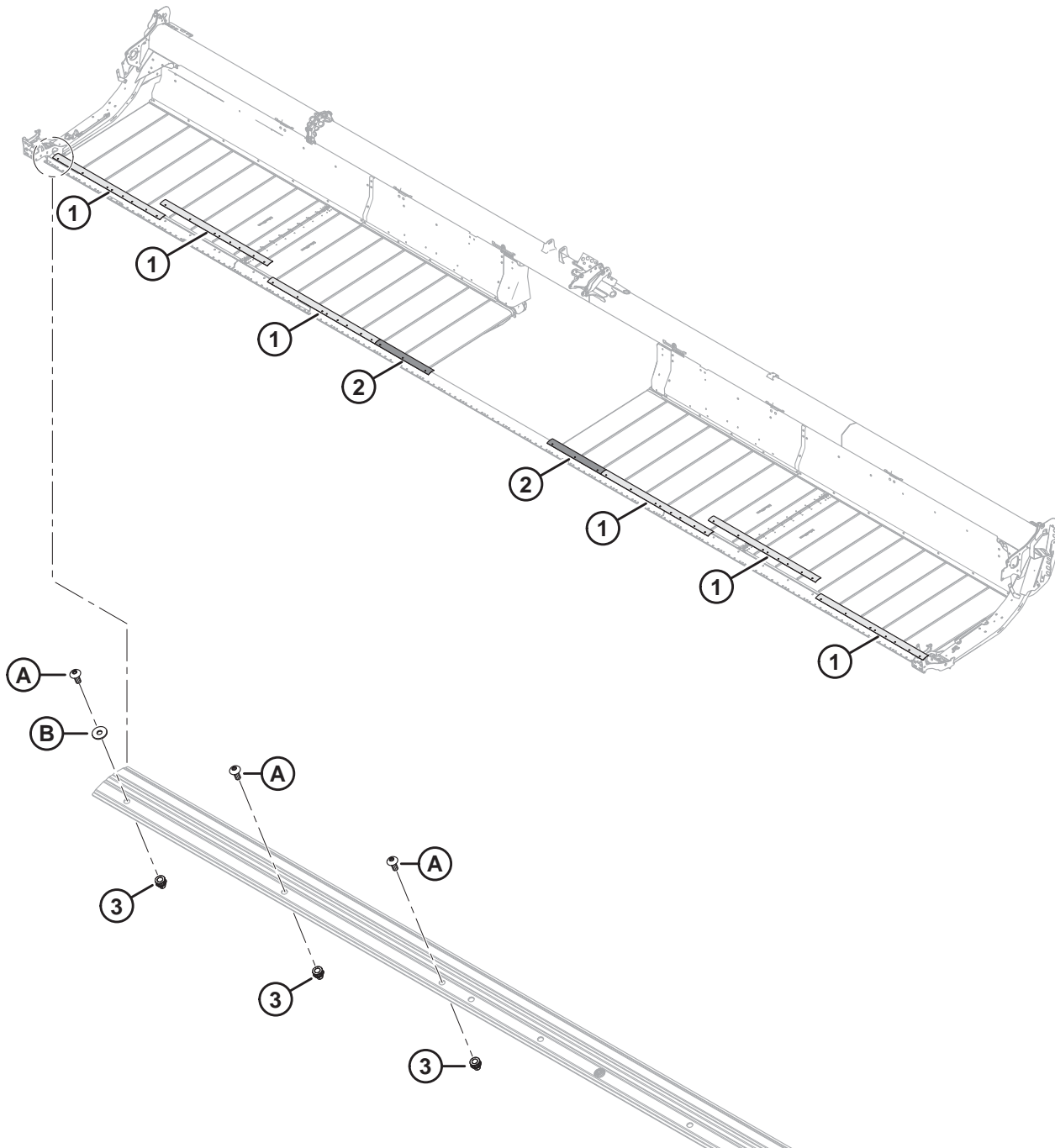
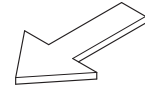
DRAPER – SEALS (D225, D230, AND D235)

Ref	Part Number	Description	Qty	Serial Number
1	319430	PLATE – CBAR SEAL, RIGID	1	
2	319431	PLATE – CBAR SEAL MIDDLE ⁴¹		
3	320448	RIVNUT – M8 X 1.25 HEX ⁴²		
A	320190	SCREW – TORX TRUSS HD M8 X 1.25 X 20-SPCL-8.8-ZINC		
B	184709	WASHER – FLAT LARGE M8-200HV		

41. Quantities: D225 = 4, D230 = 5, and D235 = 6.

42. Quantities: D225 = 27, D230 = 32, and D235 = 37.

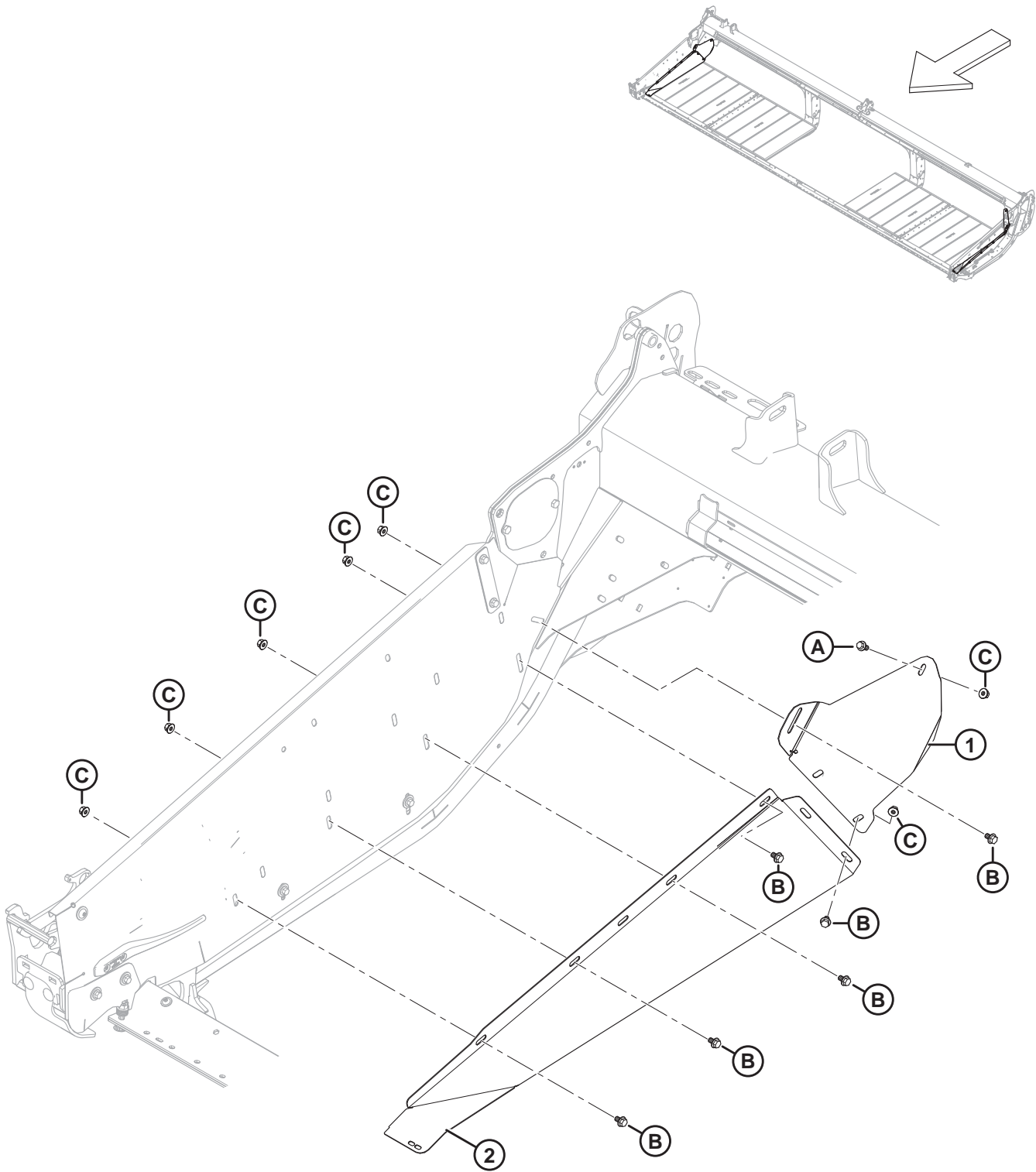
21 Draper – Seals (D241)



DRAPER – SEALS (D241)

Ref	Part Number	Description	Qty	Serial Number
1	319431	PLATE – CBAR SEAL MIDDLE	6	
2	319429	PLATE – CBAR SEAL INCREMENTAL	2	
3	320448	RIVNUT – M8 X 1.25 HEX	37	
A	320190	SCREW – TORX TRUSS HD M8 X 1.25 X 20-SPCL-8.8-ZINC		
B	184709	WASHER – FLAT LARGE M8-200HV		

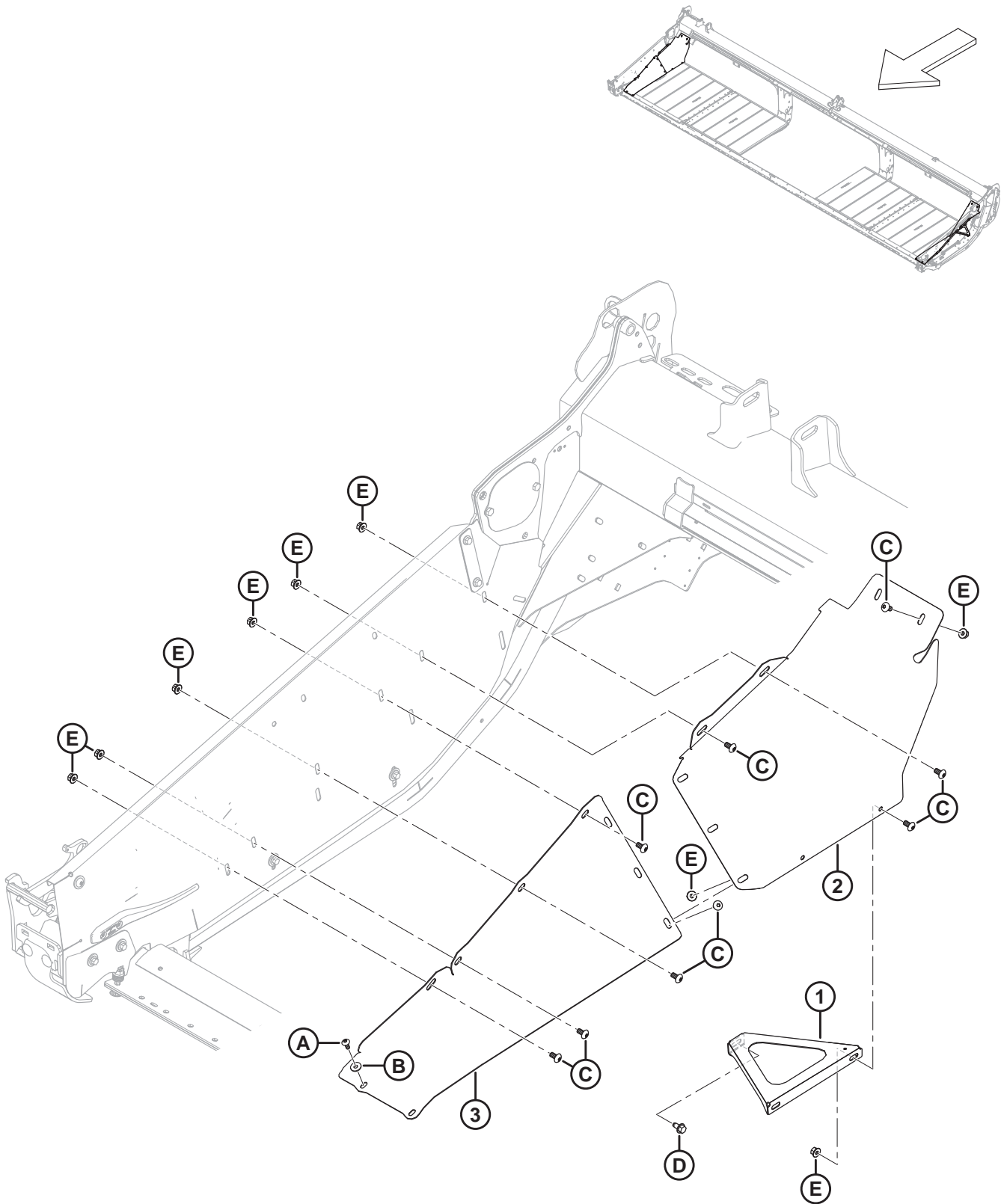
22 Draper Deflectors – Narrow



DRAPER DEFLECTORS – NARROW

Ref	Part Number	Description	Qty	Serial Number
1	360755	DEFLECTOR – RH NARROW REAR	1	
	360754	DEFLECTOR – LH NARROW REAR	1	
2	360521	DEFLECTOR – RH NARROW FRONT	1	
	360520	DEFLECTOR – LH NARROW FRONT	1	
A	152655	BOLT – HEX FLG HD M10 X 1.5 X 20-8.8-AA1J		
B	136151	BOLT – HEX FLG HD TFL M10 X 1.5 X 16-8.8-AA1J		
C	135799	NUT – HEX FLG CTR LOC M10 X 1.5-10		

23 Draper Deflectors – Wide

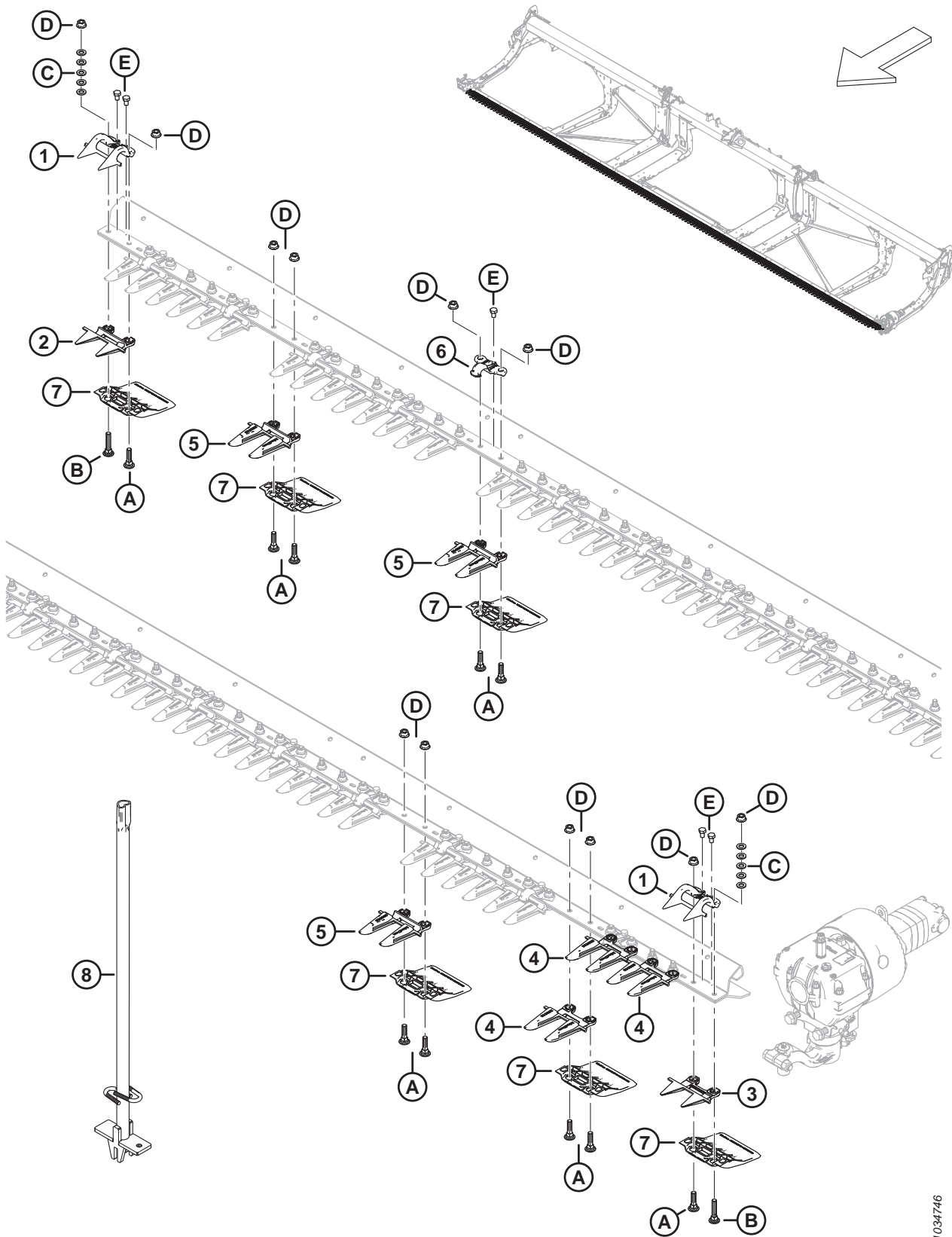


DRAPER DEFLECTORS – WIDE

Ref	Part Number	Description	Qty	Serial Number
	340274	KIT – WIDE DEFLECTOR ⁴³		
1	360770	GUSSET – RH WIDE DEFLECTOR	1	
	360769	GUSSET – LH WIDE DEFLECTOR	1	
2	360760	DEFLECTOR – RH WIDE REAR	1	
	360759	DEFLECTOR – LH WIDE REAR	1	
3	360758	DEFLECTOR – RH WIDE FRONT	1	
	360757	DEFLECTOR – LH WIDE FRONT	1	
A	320190	SCREW – TORX TRUSS HD M8 X 1.25 X 20-SPCL-8.8-ZINC		
B	184709	WASHER – FLAT LARGE M8-200HV		
C	136395	SCREW – TORX TRUSS HD M10 X 1.5 X 20 X SPCL-8.8-A3L		
D	136209	SCREW – HEX WASHER HD M10 X 1.5 X 20-SPCL-450HV		
E	135799	NUT – HEX FLG CTR LOC M10 X 1.5-10		

43. The Wide Deflector kit (MD #340274) is recommended for windrowing end delivery operation in heavy crop conditions to keep the windrow away from the uncut crop. The Wide Deflector kit is **NOT** compatible with lodged crop reel fingers. Kit includes all listed parts and instructions.

24 Guards, Hold-Downs, and Cutterbar Shoes – Single Knife, Pointed (D230 and D235)



GUARDS, HOLD-DOWNS, AND CUTTERBAR SHOES – SINGLE KNIFE, POINTED (D230 AND D235)

Ref	Part Number	Description	Qty	Serial Number
	286669	KIT – POINTED GUARDS 30 FT SK ⁴⁴	A/R	
	286670	KIT – POINTED GUARDS 35 FT SK ⁴⁵	A/R	
1	286331	HOLD-DOWN – PLUG FREE END	2	
2	286318	KNIFE GUARD – PLUG FREE	1	
3	286319	KNIFE GUARD – PLUG FREE END	1	
4	286316	KNIFE GUARD – POINTED END	3	
5	286315	KNIFE GUARD – POINTED ⁴⁶		
6	286329	HOLD-DOWN – POINTED ⁴⁷		
7	286257	SHOE – WEARPLATE CUTTERBAR ⁴⁸		
8	286705	TOOL – WELDT	A/R	
A	226295	BOLT – RHSN SPCL M12 X 47-8.8		
B	226280	BOLT – RHSN SPCL M12 X 60-8.8		
C	184714	WASHER – FLAT REG M12-300HV		
D	136036	NUT – HEX SM FLG M12 X 1.75-8-AA1J		
E	136005	BOLT – HEX HD FINE TFL M10 X 1.25 X 16-8.8-AA1J		

44. The kit includes 55 pointed guards (MD #286315), 3 pointed end guards (MD #286316), 1 PlugFree™ guard (MD #286318), and 1 PlugFree™ end guard (MD #286319).

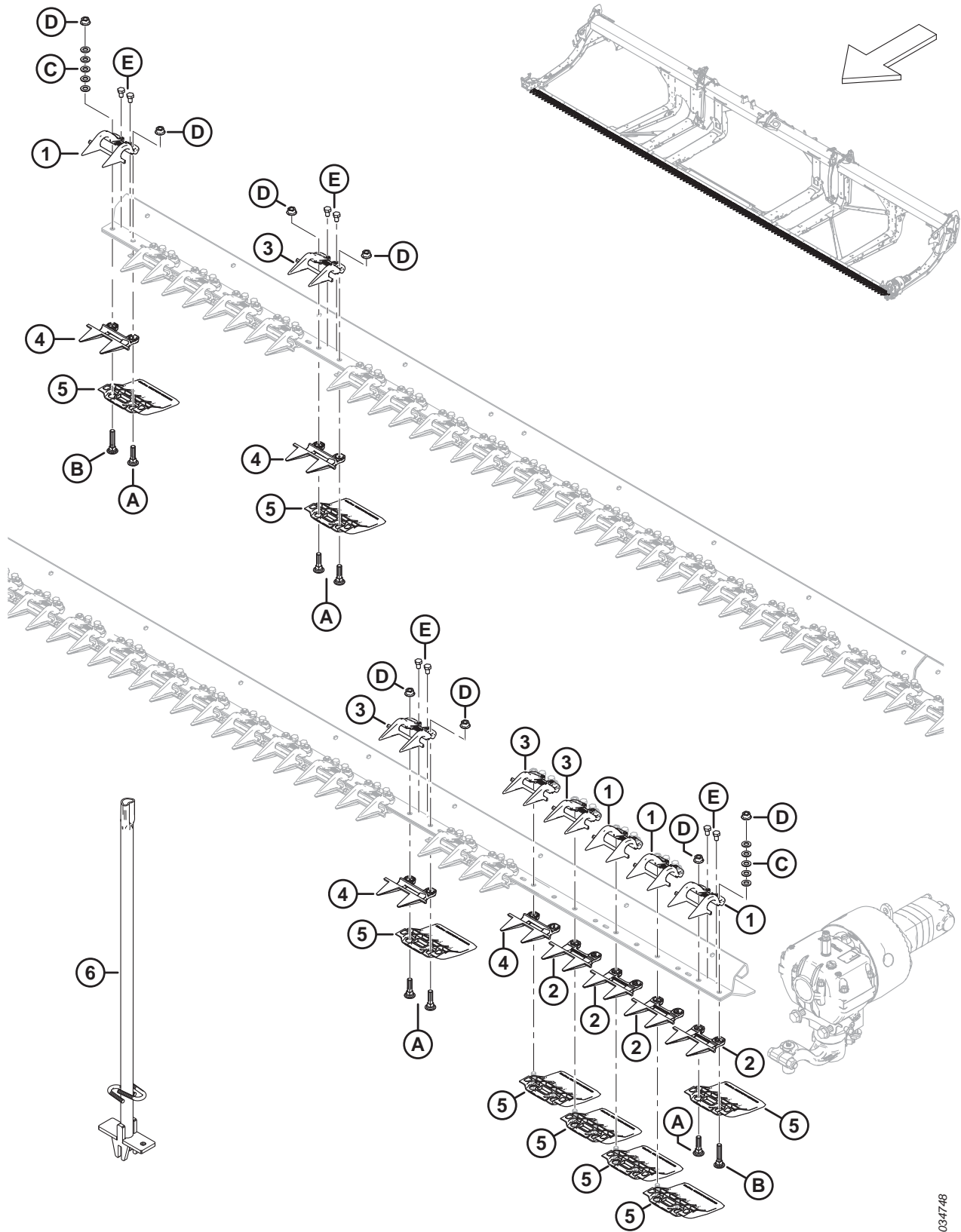
45. The kit includes 65 pointed guards (MD #286315), 3 pointed end guards (MD #286316), 1 PlugFree™ guard (MD #286318), and 1 PlugFree™ end guard (MD #286319).

46. Quantities: D230 = 55, D235 = 65.

47. Quantities: D230 = 29, D235 = 34.

48. Quantities: D230 = 60, D235 = 70.

25 Guards, Hold-Downs, and Cutterbar Shoes – Single Knife, PlugFree™ (D225 and D230)



GUARDS, HOLD-DOWNS, AND CUTTERBAR SHOES – SINGLE KNIFE, PLUGFREE™ (D225 AND D230)

Ref	Part Number	Description	Qty	Serial Number
	286679	KIT – PLUGFREE GUARDS 25 FT SK ⁴⁹	A/R	
	286680	KIT – PLUGFREE GUARDS 30 FT SK ⁵⁰	A/R	
1	286331	HOLD-DOWN – PLUG FREE END	4	
2	286319	KNIFE GUARD – PLUG FREE END	4	
3	286330	HOLD-DOWN – PLUG FREE ⁵¹		
4	286318	KNIFE GUARD – PLUG FREE SHORT ⁵¹		
5	286257	SHOE – WEARPLATE CUTTERBAR ⁵²		
6	286705	TOOL – WELDT	A/R	
A	226295	BOLT – RHSN SPCL M12 X 47-8.8		
B	226280	BOLT – RHSN SPCL M12 X 60-8.8		
C	184714	WASHER – FLAT REG M12-300HV		
D	136036	NUT – HEX SM FLG M12 X 1.75-8-AA1J		
E	136005	BOLT – HEX HD FINE TFL M10 X 1.25 X 16-8.8-AA1J		

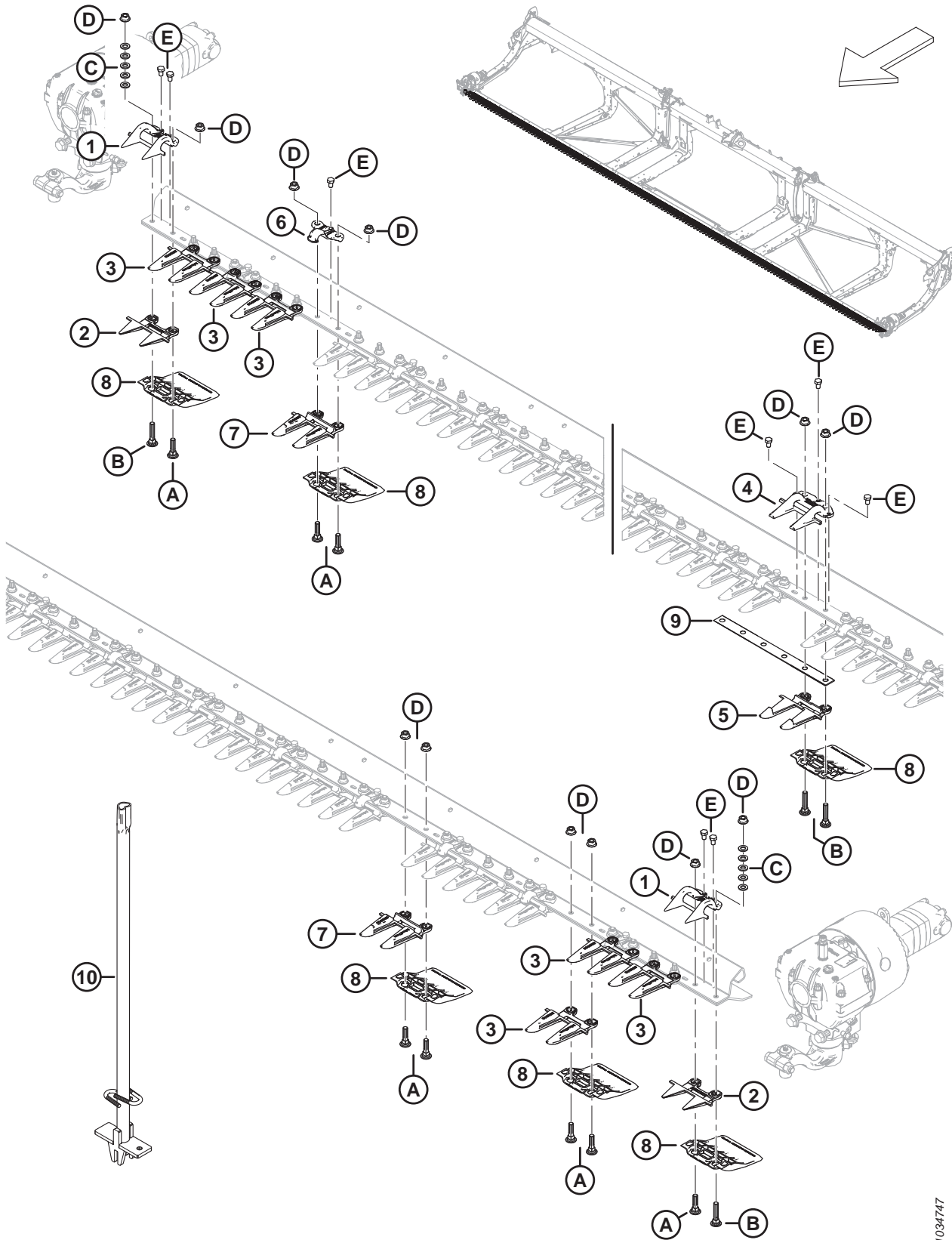
49. The kit includes 46 PlugFree™ guards (MD #286318) and 4 end guards (MD #286319).

50. The kit includes 56 PlugFree™ guards (MD #286318) and 4 end guards (MD #286319).

51. Quantities: D225 = 46, D230 = 56.

52. Quantities: D225 = 50, D230 = 60.

26 Guards, Hold-Downs, and Cutterbar Shoes – Double Knife, Pointed (D225, D230, and D235)



1034747

GUARDS, HOLD-DOWNS, AND CUTTERBAR SHOES – DOUBLE KNIFE, POINTED (D225, D230, AND D235)

Ref	Part Number	Description	Qty	Serial Number
	286661	KIT – POINTED GUARDS 25 FT DK ⁵³	A/R	
	286662	KIT – POINTED GUARDS 30 FT DK ⁵⁴	A/R	
	286663	KIT – POINTED GUARDS 35 FT DK ⁵⁵	A/R	
1	286331	HOLD-DOWN – PLUG FREE END	2	
2	286319	KNIFE GUARD – PLUG FREE END	2	
3	286316	KNIFE GUARD – POINTED END	6	
4	286332	HOLD-DOWN – POINTED CENTER	1	
5	286317	KNIFE GUARD – POINTED CENTER	1	
6	286329	HOLD-DOWN – POINTED ⁵⁶		
7	286315	KNIFE GUARD – POINTED ⁵⁷		
8	286257	SHOE – WEARPLATE CUTTERBAR ⁵⁸		
9	226861	SHIM – DK OVERLAP	1	
10	286705	TOOL – WELDT	A/R	
A	226295	BOLT – RHSN SPCL M12 X 47-8.8		
B	226280	BOLT – RHSN SPCL M12 X 60-8.8		
C	184714	WASHER – FLAT REG M12-300HV		
D	136036	NUT – HEX SM FLG M12 X 1.75-8-AA1J		
E	136005	BOLT – HEX HD FINE TFL M10 X 1.25 X 16-8.8-AA1J		

53. The kit includes 41 pointed guards (MD #286315), 6 pointed end guards (MD #286316), 1 pointed center guard (MD #286317), 2 PlugFree™ end guards (MD #286319), and 1 pointed center hold-down (MD #286332).

54. The kit includes 51 pointed guards (MD #286315), 6 pointed end guards (MD #286316), 1 pointed center guard (MD #286317), 2 PlugFree™ end guards (MD #286319), and 1 pointed center hold-down (MD #286332).

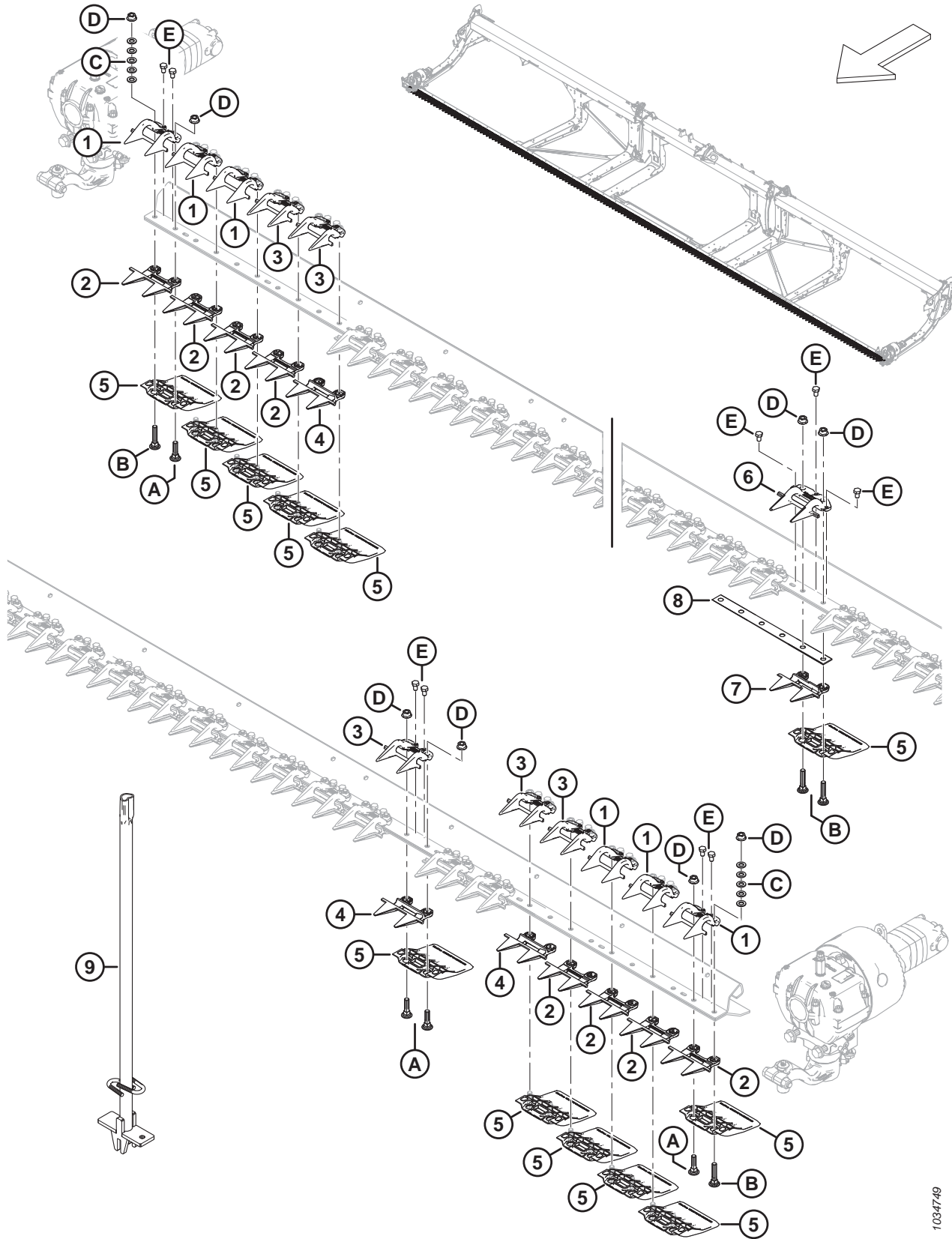
55. The kit includes 61 pointed guards (MD #286315), 6 pointed end guards (MD #286316), 1 pointed center guard (MD #286317), 2 PlugFree™ end guards (MD #286319), and 1 pointed center hold-down (MD #286332).

56. Quantities: D225 = 45, D230 = 55, and D235 = 65.

57. Quantities: D225 = 41, D230 = 51, and D235 = 61.

58. Quantities: D225 = 50, D230 = 60, and D235 = 70.

27 Guards, Hold-Downs, and Cutterbar Shoes – Double Knife, PlugFree™ (D215, D220, D225, D230, D235, and D241)



GUARDS, HOLD-DOWNS, AND CUTTERBAR SHOES – DOUBLE KNIFE, PLUGFREE™ (D215, D220, D225, D230, D235, AND D241)

Ref	Part Number	Description	Qty	Serial Number
	286833	KIT – PLUGFREE GUARDS 15 FT DK ⁵⁹	A/R	
	286834	KIT – PLUGFREE GUARDS 20 FT DK ⁶⁰	A/R	
	286672	KIT – PLUGFREE GUARDS 25 FT DK ⁶¹	A/R	
	286673	KIT – PLUGFREE GUARDS 30 FT DK ⁶²	A/R	
	286674	KIT – PLUGFREE GUARDS 35 FT DK ⁶³	A/R	
	286676	KIT – PLUGFREE GUARDS 41 FT DK ⁶⁴	A/R	
1	286331	HOLD-DOWN – PLUG FREE END	6	
2	286319	KNIFE GUARD – PLUG FREE END	8	
3	286330	HOLD-DOWN – PLUG FREE ⁶⁵		
4	286318	KNIFE GUARD – PLUG FREE SHORT ⁶⁶		
5	286257	SHOE – WEARPLATE CUTTERBAR ⁶⁷		
6	286333	HOLD-DOWN – PLUG FREE CENTER	1	
7	286320	KNIFE GUARD – PLUG FREE CENTER	1	
8	226861	SHIM – DK OVERLAP	1	
9	286705	TOOL – WELDT	A/R	
A	226295	BOLT – RHSN SPCL M12 X 47-8.8		
B	226280	BOLT – RHSN SPCL M12 X 60-8.8		
C	184714	WASHER – FLAT REG M12-300HV		
D	136036	NUT – HEX SM FLG M12 X 1.75-8-AA1J		
E	136005	BOLT – HEX HD FINE TFL M10 X 1.25 X 16-8.8-AA1J		

59. The kit includes 21 PlugFree™ guards (MD #286318), 8 end guards (MD #286319), 1 center guard (MD #286320), and 1 center hold-down (MD #286333).

60. The kit includes 31 PlugFree™ guards (MD #286318), 8 end guards (MD #286319), 1 center guard (MD #286320), and 1 center hold-down (MD #286333).

61. The kit includes 41 PlugFree™ guards (MD #286318), 8 end guards (MD #286319), 1 center guard (MD #286320), and 1 center hold-down (MD #286333).

62. The kit includes 51 PlugFree™ guards (MD #286318), 8 end guards (MD #286319), 1 center guard (MD #286320), and 1 center hold-down (MD #286333).

63. The kit includes 61 PlugFree™ guards (MD #286318), 8 end guards (MD #286319), 1 center guard (MD #286320), and 1 center hold-down (MD #286333).

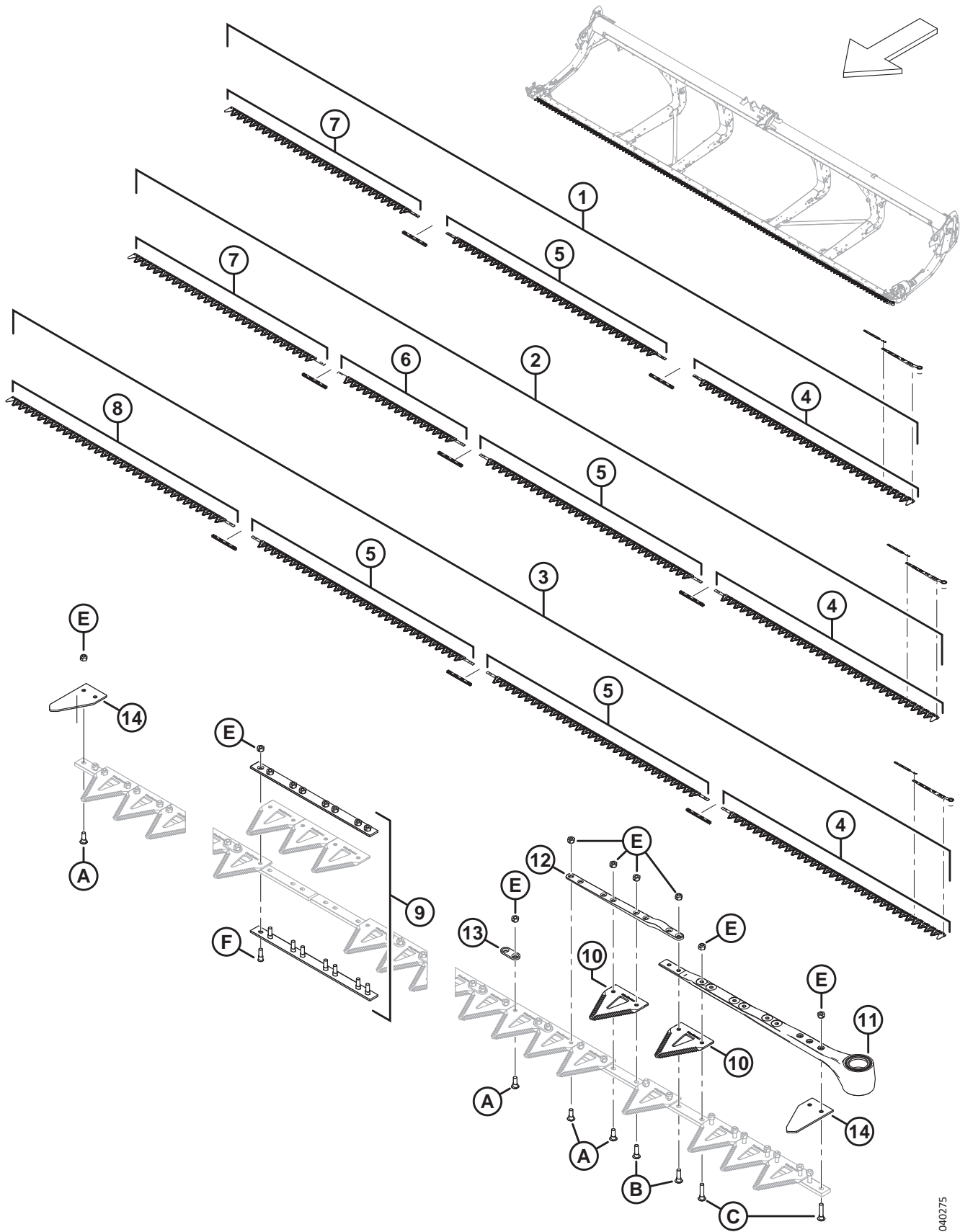
64. The kit includes 73 PlugFree™ guards (MD #286318), 8 end guards (MD #286319), 1 center guard (MD #286320), and 1 center hold-down (MD #286333).

65. Quantities: D215 = 23, D220 = 33, D225 = 43, D230 = 53, D235 = 63, and D241 = 75.

66. Quantities: D215 = 21, D220 = 31, D225 = 41, D230 = 51, D235 = 61, and D241 = 73.

67. Quantities: D215 = 30, D220 = 40, D225 = 50, D230 = 60, D235 = 70, and D241 = 82.

28 Knives – Single-Knife Headers (D225, D230, and D235)

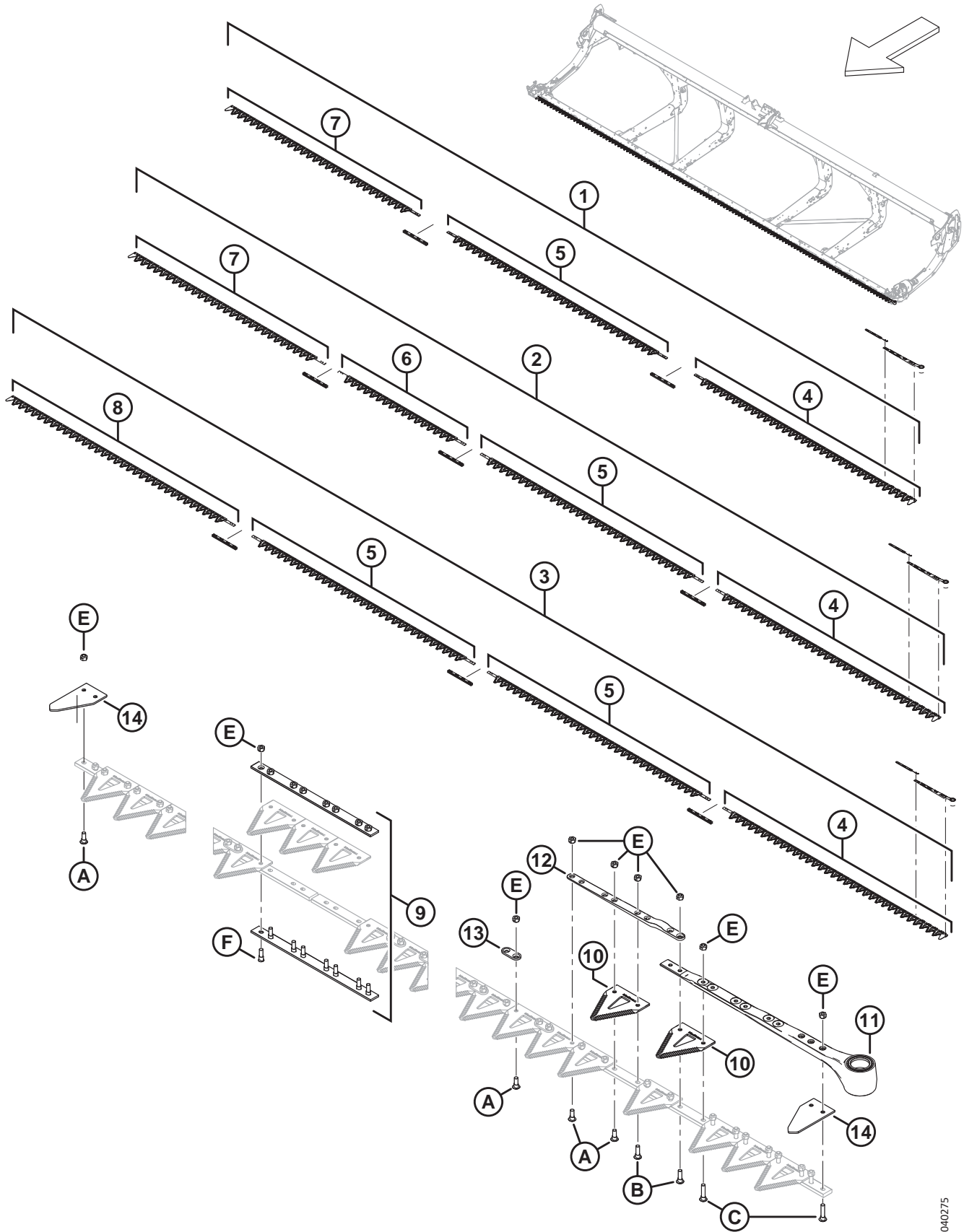


KNIVES – SINGLE-KNIFE HEADERS (D225, D230, AND D235)

Ref	Part Number	Description	Qty	Serial Number
1	286597	KIT – KNIFE 25 FT SK COARSE ⁶⁸	1	
	286609	KIT – KNIFE 25 FT SK FINE ⁶⁹	1	
	286779	KIT – KNIFE 25 FT SK ULTRA COARSE ⁷⁰	OPT	
2	286598	KIT – KNIFE 30 FT SK COARSE ⁷¹	1	
	286610	KIT – KNIFE 30 FT SK FINE ⁷²	1	
	286780	KIT – KNIFE 30 FT SK ULTRA COARSE ⁷³	OPT	
3	286599	KIT – KNIFE 35 FT SK COARSE ⁷⁴	1	
	286611	KIT – KNIFE 35 FT SK FINE ⁷⁵	1	
	286781	KIT – KNIFE 35 FT SK ULTRA COARSE ⁷⁶	OPT	
4	286562	KNIFE – HEAD SEGMENT LH COARSE 2676 MM	1	
	286579	KNIFE – HEAD SEGMENT LH FINE 2676 MM	1	
	286758	KNIFE – HEAD SEGMENT LH ULTRA COARSE 2676 MM	OPT	
5	286564	KNIFE – CENTER SEGMENT COARSE 2663 MM ⁷⁷		
	286581	KNIFE – CENTER SEGMENT FINE 2663 MM ⁷⁷		
	286760	KNIFE – CENTER SEGMENT ULTRA COARSE 2663 MM ⁷⁷	OPT	
6	286565	KNIFE – CENTER SEGMENT COARSE 1520 MM ⁷⁸		
	286582	KNIFE – CENTER SEGMENT FINE 1520 MM ⁷⁸		
	286761	KNIFE – CENTER SEGMENT ULTRA COARSE 1520 MM ⁷⁸	OPT	

68. The kit includes one ClearCut™ coarse section, 25 pack (MD #286461), two knife splice kits (MD #286493), one LH coarse knife head segment (MD #286562), one center coarse knife segment (MD #286564), and one tail coarse knife segment (MD #286566).
69. The kit includes one ClearCut™ fine section, 25 pack (MD #286462), two knife splice kits (MD #286493), one LH fine knife head segment (MD #286579), one center fine knife segment (MD #286581), and one tail fine knife segment (MD #286583).
70. The kit includes one ClearCut™ ultra coarse section, 25 pack (MD #286627), two knife splice kits (MD #286493), one LH ultra coarse knife head segment (MD #286758), one center ultra coarse knife segment (MD #286760), and one tail ultra coarse knife segment (MD #286763).
71. The kit includes one ClearCut™ coarse section, 25 pack (MD #286461), three knife splice kits (MD #286493), one LH coarse knife head segment (MD #286562), one center coarse knife segment (MD #286564), one center coarse knife segment (MD #286565), and one tail coarse knife segment (MD #286566).
72. The kit includes one ClearCut™ fine section, 25 pack (MD #286462), three knife splice kits (MD #286493), one LH fine knife head segment (MD #286579), one center fine knife segment (MD #286581), one center fine knife segment (MD #286582), and one tail fine knife segment (MD #286583).
73. The kit includes one ClearCut™ ultra coarse section, 25 pack (MD #286627), three knife splice kits (MD #286493), one LH ultra coarse knife head segment (MD #286758), one center ultra coarse knife segment (MD #286760), one center ultra coarse knife segment (MD #286761), and one tail ultra coarse knife segment (MD #286763).
74. The kit includes one ClearCut™ coarse section, 25 pack (MD #286461), three knife splice kits (MD #286493), one LH coarse knife head segment (MD #286562), two center coarse knife segments (MD #286564), and one tail coarse knife segment (MD #286567).
75. The kit includes one ClearCut™ fine section, 25 pack (MD #286462), three knife splice kits (MD #286493), one LH fine knife head segment (MD #286579), two center fine knife segments (MD #286581), and one tail fine knife segment (MD #286584).
76. The kit includes one ClearCut™ ultra coarse section, 25 pack (MD #286627), three knife splice kits (MD #286493), one LH ultra coarse knife head segment (MD #286758), two center ultra coarse knife segments (MD #286760), and one tail ultra coarse knife segment (MD #286764).
77. Quantities: D225 = 1, D230 = 1, D235 = 2.
78. Quantities: D225 = 0, D230 = 1, D235 = 0.

KNIVES – SINGLE-KNIFE HEADERS (D225, D230, AND D235)



1040275

KNIVES – SINGLE-KNIFE HEADERS (D225, D230, AND D235)

Ref	Part Number	Description	Qty	Serial Number
7	286566	KNIFE – TAIL SEGMENT SK COARSE 2295 MM ⁷⁹		
	286583	KNIFE – TAIL SEGMENT SK FINE 2295 MM ⁷⁹		
	286763	KNIFE – TAIL SEGMENT SK ULTRA COARSE 2295 MM ⁷⁹	OPT	
8	286567	KNIFE – TAIL SEGMENT SK COARSE 2676 MM ⁸⁰		
	286584	KNIFE – TAIL SEGMENT SK FINE 2676 MM ⁸⁰		
	286764	KNIFE – TAIL SEGMENT SK ULTRA COARSE 2676 MM ⁸⁰	OPT	
9	286493	KIT – KNIFE SPLICE ⁸¹		
10	286461	SECTION – CLEARCUT COARSE (25 PACK) ⁸²		
	286462	SECTION – CLEARCUT FINE (25 PACK) ⁸²		
	286627	SECTION – CLEARCUT ULTRA COARSE (25 PACK) ⁸²	OPT	
11	226941	KNIFE HEAD ASSEMBLY	1	
	115670	O-RING – 1.78 X 34.64	1	
	113937	DISC	1	
	113222	SEAL KIT	1	
	100500	BEARING – NEEDLE	1	
12	286440	BAR – FORGED	1	
13	286481	BAR – REINFORCEMENT (25 PACK)		
14	226983	SECTION – END	2	
A	286475	SCREW – M6 X 18 MM, C/W NUT (50 PACK)		
B	286476	SCREW – M6 X 22 MM, C/W NUT (25 PACK)		
C	286477	SCREW – M6 X 29 MM, C/W NUT (25 PACK)		
D	286478	SCREW – CSK M6 X 14 MM, C/W NUT (25 PACK)		
E	286479	NUT – CTR LOC CSK M6 X 1 (50 PACK)		
F	286621	SCREW – CSK M6 X 22 MM, C/W NUT (25 PACK)		

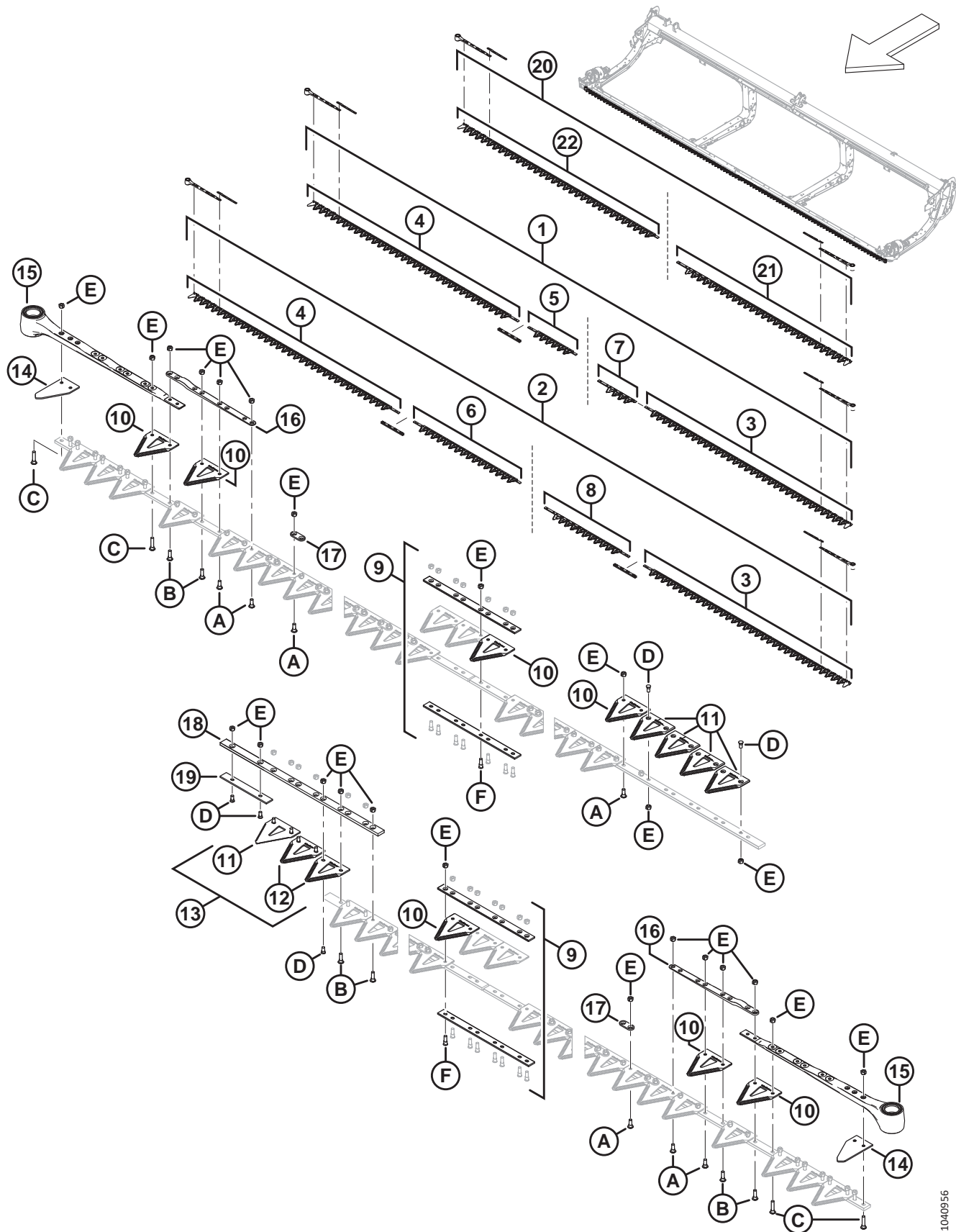
79. Quantities: D225 = 1, D230 = 1, D235 = 0.

80. Quantities: D225 = 0, D230 = 0, D235 = 1.

81. Quantities: D225 = 2, D230 = 3, D235 = 3.

82. Quantities (individual sections): D225 = 99, D230 = 119, D235 = 139.

29 Knives – Double-Knife Headers (D215, D220, and D225)



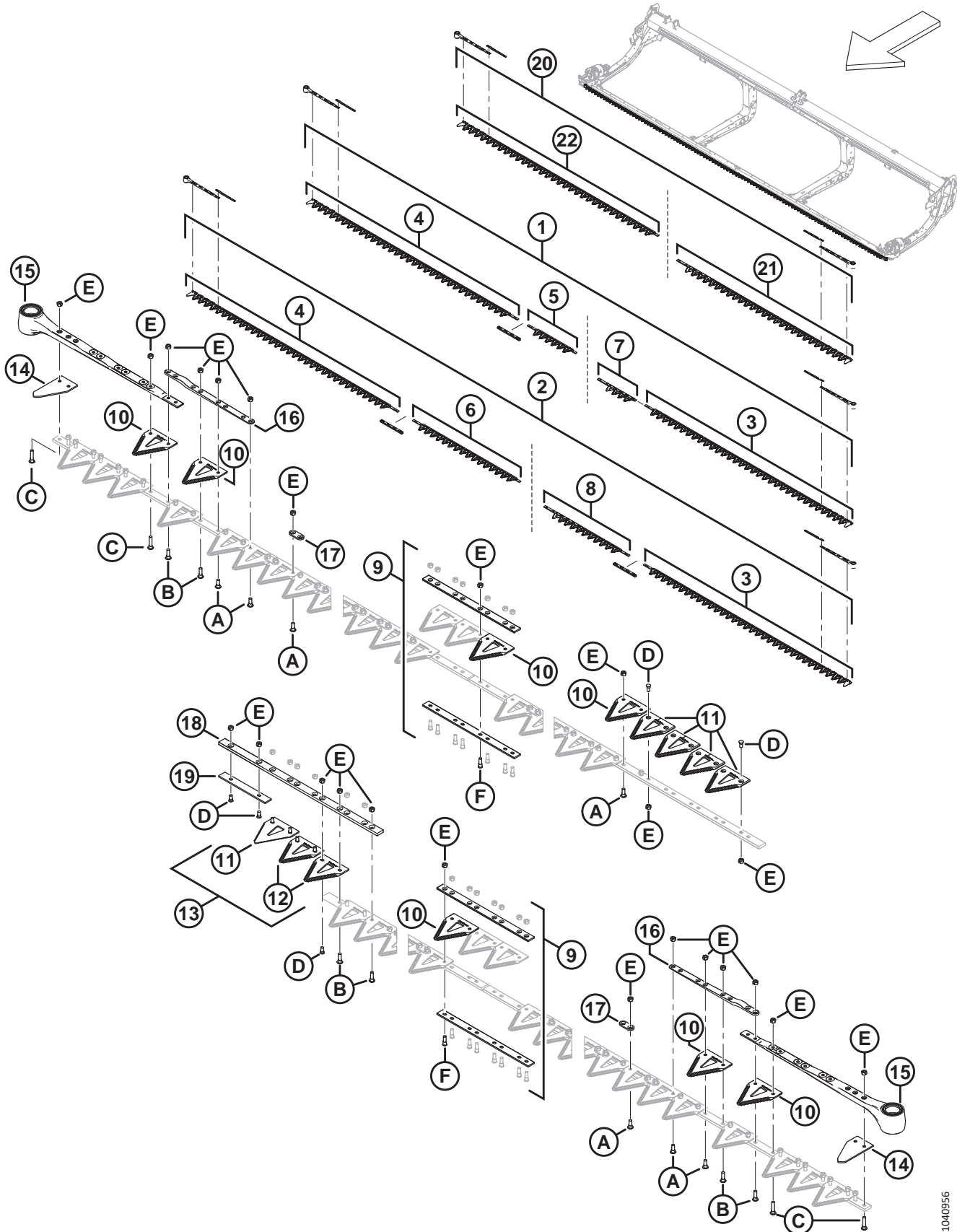
1040956

KNIVES – DOUBLE-KNIFE HEADERS (D215, D220, AND D225)

Ref	Part Number	Description	Qty	Serial Number
1	286757	KIT – KNIFE 20 FT DK FINE ⁸³	1	
	286754	KIT – KNIFE 20 FT DK COARSE ⁸⁴	1	
	286784	KIT – KNIFE 20 FT DK ULTRA COARSE ⁸⁵	OPT	
2	286614	KIT – KNIFE 25 FT DK FINE ⁸⁶	1	
	286602	KIT – KNIFE 25 FT DK COARSE ⁸⁷	1	
	286785	KIT – KNIFE 25 FT DK ULTRA COARSE ⁸⁸	OPT	
3	286579	KNIFE – HEAD SEGMENT LH FINE 2676 MM ⁸⁹	1	
	286562	KNIFE – HEAD SEGMENT LH COARSE 2676 MM ⁸⁹	1	
	286759	KNIFE – HEAD SEGMENT LH ULTRA COARSE 2676 MM ⁸⁹	OPT	
4	286580	KNIFE – HEAD SEGMENT RH FINE 2676 MM ⁸⁹	1	
	286563	KNIFE – HEAD SEGMENT RH COARSE 2676 MM ⁸⁹	1	
	286758	KNIFE – HEAD SEGMENT RH ULTRA COARSE 2676 MM ⁸⁹	OPT	
5	286869	KNIFE – TAIL SEGMENT RH FINE 623 MM ⁹⁰		
	286864	KNIFE – TAIL SEGMENT RH COARSE 623 MM ⁹⁰		
	286874	KNIFE – TAIL SEGMENT RH ULTRA COARSE 623 MM ⁹⁰		
6	286870	KNIFE – TAIL SEGMENT RH FINE 1385 MM ⁹¹		
	286865	KNIFE – TAIL SEGMENT RH COARSE 1385 MM ⁹¹		
	286875	KNIFE – TAIL SEGMENT RH ULTRA COARSE 1385 MM ⁹¹		
7	286749	KNIFE – TAIL SEGMENT LH FINE 485 MM ⁹⁰		
	286744	KNIFE – TAIL SEGMENT LH COARSE 485 MM ⁹⁰		
	286765	KNIFE – TAIL SEGMENT LH ULTRA COARSE 485 MM ⁹⁰		
8	286590	KNIFE – TAIL SEGMENT LH FINE 1094 MM ⁹¹		
	286573	KNIFE – TAIL SEGMENT LH COARSE 1094 MM ⁹¹		
	286766	KNIFE – TAIL SEGMENT LH ULTRA COARSE 1094 MM ⁹¹		
9	286493	KIT – KNIFE SPLICE ⁹²		

83. The kit includes one ClearCut™ fine section, 25 pack (MD #286462), one knife splice kit (MD #286493), one LH fine knife head segment (MD #286579), one RH fine knife head segment (MD #286580), one RH tail fine knife segment (MD #286869), and one LH tail fine knife segment (MD #286749).
84. The kit includes one ClearCut™ coarse section, 25 pack (MD #286461), one knife splice kit (MD #286493), one LH coarse knife head segment (MD #286562), one RH coarse knife head segment (MD #286563), one RH tail coarse knife segment (MD #286864), and one LH tail coarse knife segment (MD #286744).
85. The kit includes one ClearCut™ ultra coarse section, 25 pack (MD #286627), one knife splice kit (MD #286493), one LH ultra coarse knife head segment (MD #286758), one RH ultra coarse knife head segment (MD #286759), one RH tail ultra coarse knife segment (MD #286874), and one LH tail ultra coarse knife segment (MD #286765).
86. The kit includes one ClearCut™ fine section, 25 pack (MD #286462), two knife splice kits (MD #286493), one LH fine knife head segment (MD #286579), one RH fine knife head segment (MD #286580), one RH tail fine knife segment (MD #286870), and one LH tail fine knife segment (MD #286590).
87. The kit includes one ClearCut™ coarse section, 25 pack (MD #286461), two knife splice kits (MD #286493), one LH coarse knife head segment (MD #286562), one RH coarse knife head segment (MD #286563), one RH tail coarse knife segment (MD #286865), and one LH tail coarse knife segment (MD #286573).
88. The kit includes one ClearCut™ ultra coarse section, 25 pack (MD #286627), two knife splice kits (MD #286493), one LH ultra coarse knife head segment (MD #286758), one RH ultra coarse knife head segment (MD #286759), one RH tail ultra coarse knife segment (MD #286875), and one LH tail ultra coarse knife segment (MD #286766).
89. D220 and D225 only.
90. Quantities: D220 = 1 and D225 = 0.
91. Quantities: D220 = 0 and D225 = 1.
92. The kit includes bottom splice bar (NSS), top splice bar (NSS), eight screws (MD #286314), and eight nuts (MD #226259). Quantities: D215 = 0, D220 = 1, and D225 = 2.

KNIVES – DOUBLE-KNIFE HEADERS (D215, D220, AND D225)



1040956

KNIVES – DOUBLE-KNIFE HEADERS (D215, D220, AND D225)

Ref	Part Number	Description	Qty	Serial Number
10	286462	SECTION – CLEARCUT FINE (25 PACK) ⁹³		
	286461	SECTION – CLEARCUT COARSE (25 PACK) ⁹³		
	286627	SECTION – CLEARCUT ULTRA COARSE (25 PACK) ⁹³	OPT	
11	286465	SECTION – CLEARCUT FINE TOP CSK (10 PACK) ⁹⁴		
	286463	SECTION – CLEARCUT COARSE TOP CSK (10 PACK) ⁹⁴		
	286628	SECTION – CLEARCUT ULTRA COARSE TOP CSK (10 PACK) ⁹⁴	OPT	
12	286466	SECTION – CLEARCUT FINE BOTTOM CSK (10 PACK) ⁹⁵		
	286464	SECTION – CLEARCUT COARSE BOTTOM CSK (10 PACK) ⁹⁵		
	286629	SECTION – CLEARCUT ULTRA COARSE BOTTOM CSK (10 PACK) ⁹⁵	OPT	
13	286862	KIT – CLEARCUT FINE CENTER ⁹⁶	A/R	
	286861	KIT – CLEARCUT COARSE CENTER ⁹⁷	A/R	
	286863	KIT – CLEARCUT ULTRA COARSE CENTER ⁹⁸	OPT	
14	226983	SECTION – END	2	
15	226941	KNIFE HEAD ASSEMBLY	1	
	115670	O-RING – 1.78 X 34.64	1	
	113937	DISC	1	
	113222	SEAL KIT	1	
	100500	BEARING – NEEDLE	1	
16	286440	BAR – FORGED	1	
17	286481	BAR – REINFORCEMENT (25 PACK)		
18	286362	BAR – KNIFE OVERLAP GUIDE	1	
19	286363	BAR – WEAR	1	
20	286756	KIT – KNIFE 15 FT DK FINE ⁹⁹	1	
	286753	KIT – KNIFE 15 FT DK COARSE ¹⁰⁰	1	
	286783	KIT – KNIFE 15 FT DK ULTRA COARSE ¹⁰¹	OPT	
21	286881	KNIFE – DK FINE 15 FT LH SERVICE ¹⁰²	1	
	286880	KNIFE – DK COARSE 15 FT LH SERVICE ¹⁰²	1	
	286884	KNIFE – DK ULTRA COARSE 15 FT LH SERVICE ¹⁰²	OPT	
22	286882	KNIFE – DK FINE 15 FT RH SERVICE ¹⁰²	1	
	286879	KNIFE – DK COARSE 15 FT RH SERVICE ¹⁰²	1	
	286883	KNIFE – DK ULTRA COARSE 15 FT RH SERVICE ¹⁰²	OPT	

93. Quantities (individual sections); D215 = 59, D220 = 79, and D225 = 99.

94. Quantities (individual sections); D215 = 5, D220 = 5, and D225 = 5.

95. Quantities (individual sections); D215 = 2, D220 = 2, and D225 = 2.

96. The kit includes five ClearCut™ fine top CSK sections (NSS), two ClearCut™ fine bottom CSK sections (NSS), and hardware.

97. The kit includes five ClearCut™ coarse top CSK sections (NSS), two ClearCut™ coarse bottom CSK sections (NSS), and hardware.

98. The kit includes five ClearCut™ ultra coarse top CSK sections (NSS), two ClearCut™ ultra coarse bottom CSK sections (NSS), and hardware.

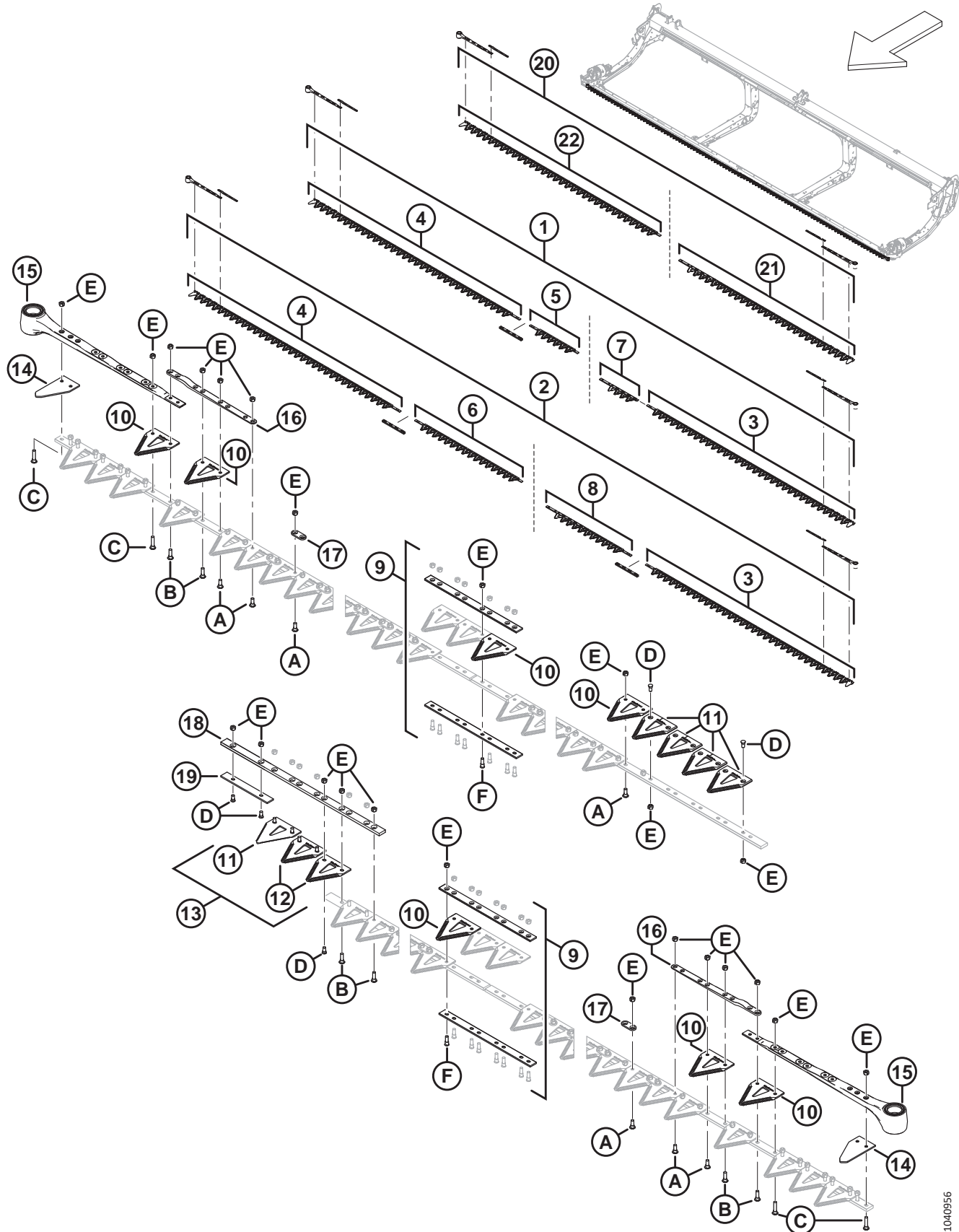
99. The kit includes one RH fine knife (MD #286881) and one LH fine knife (MD #286882).

100. The kit includes one RH coarse knife (MD #286879) and one LH coarse knife (MD #286880).

101. The kit includes one RH ultra coarse knife (MD #286883) and one LH ultra coarse knife (MD #286884).

102. D215 only.

KNIVES – DOUBLE-KNIFE HEADERS (D215, D220, AND D225)

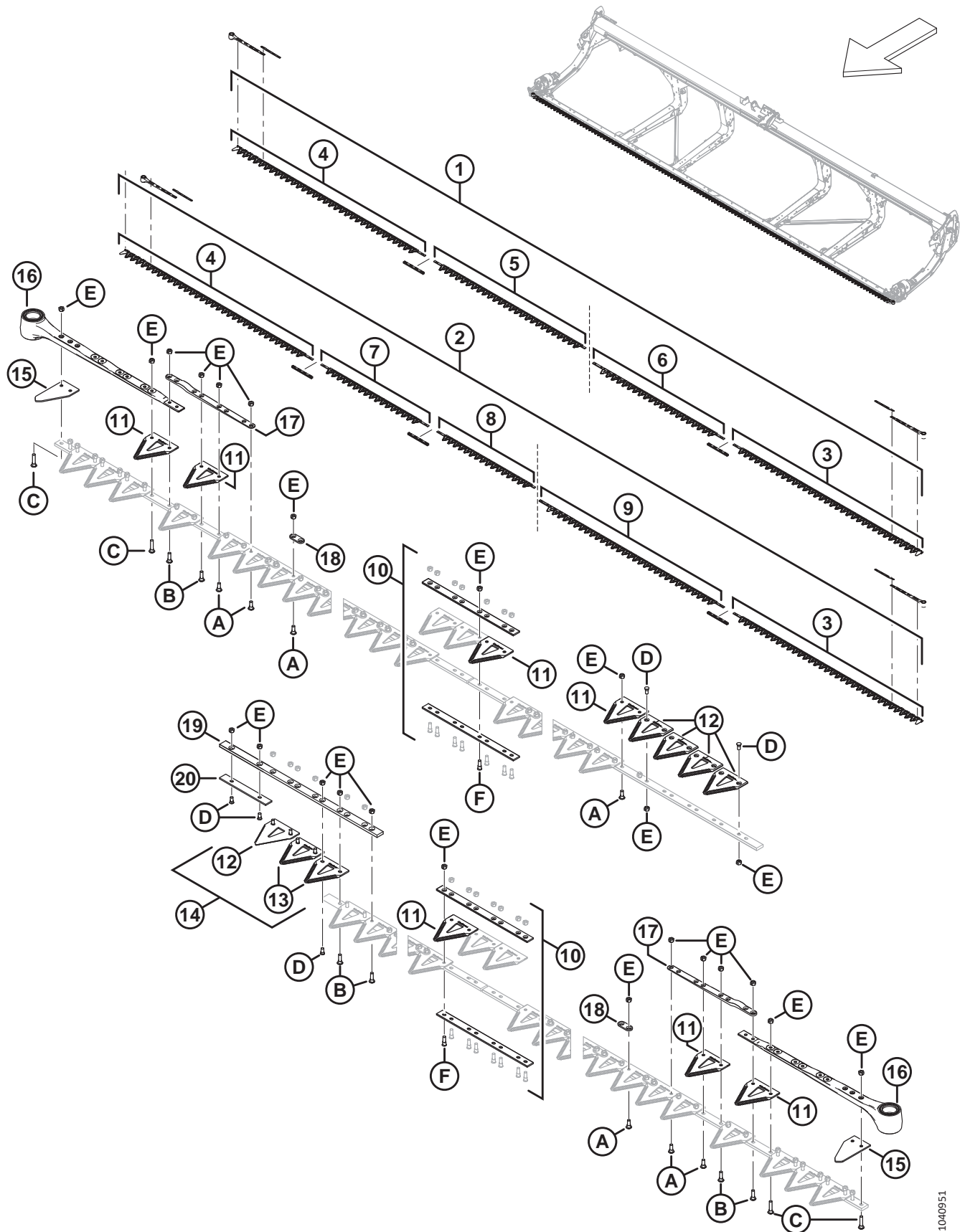


1040956

KNIVES – DOUBLE-KNIFE HEADERS (D215, D220, AND D225)

Ref	Part Number	Description	Qty	Serial Number
A	286475	SCREW – M6 X 18 MM, C/W NUT (50 PACK)		
B	286476	SCREW – M6 X 22 MM, C/W NUT (25 PACK)		
C	286477	SCREW – M6 X 29 MM, C/W NUT (25 PACK)		
D	286478	SCREW – CSK M6 X 14 MM, C/W NUT (25 PACK)		
E	286479	NUT – CTR LOC CSK M6 X 1 (50 PACK)		
F	286621	SCREW – CSK M6 X 22 MM, C/W NUT (25 PACK)		

30 Knives – Double-Knife Headers (D230 and D235)



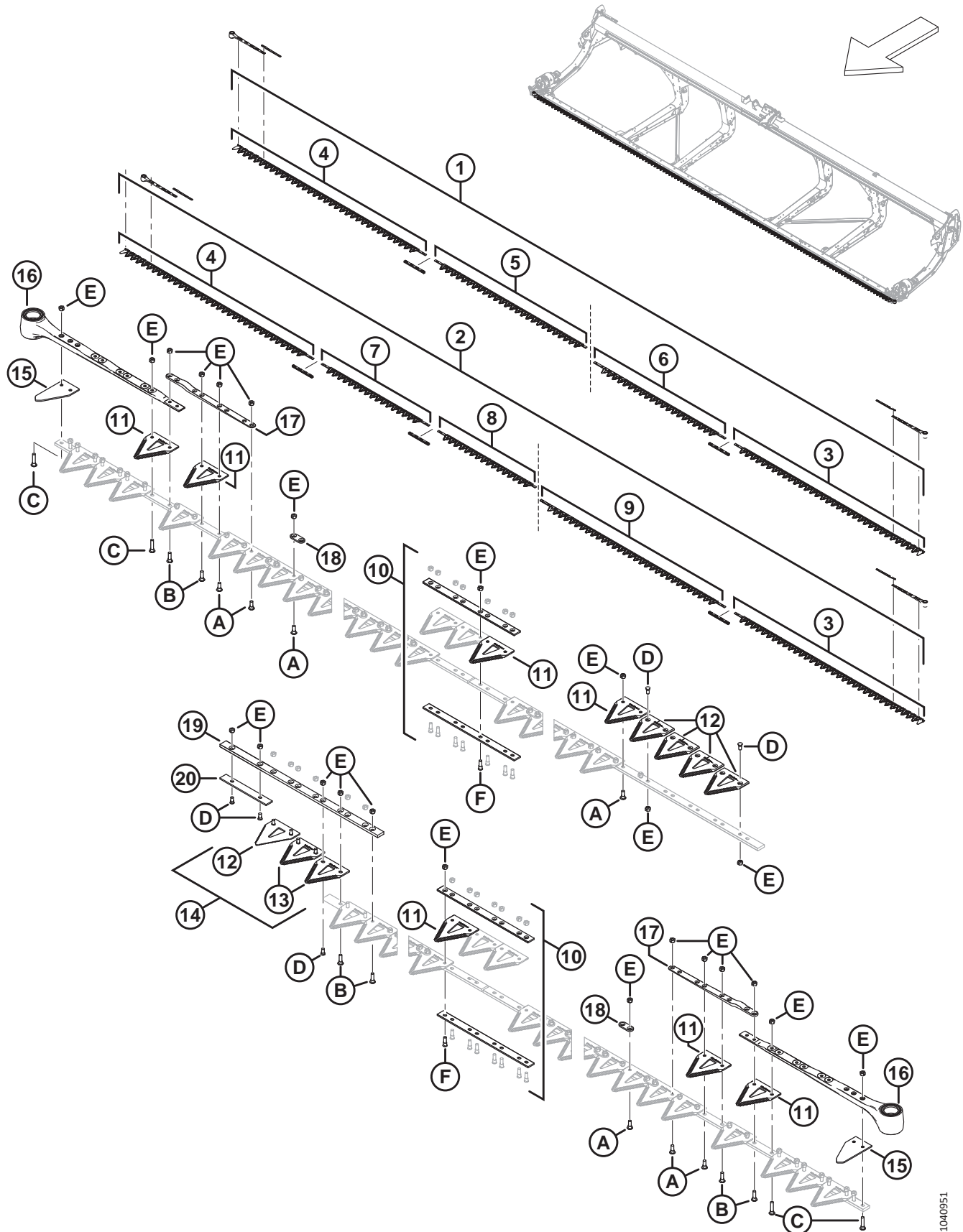
1040951

KNIVES – DOUBLE-KNIFE HEADERS (D230 AND D235)

Ref	Part Number	Description	Qty	Serial Number
1	286885	KIT – KNIFE 30 FT DK COARSE ¹⁰³	1	
	286615	KIT – KNIFE 30 FT DK FINE ¹⁰⁴	1	
	286786	KIT – KNIFE 30 FT DK ULTRA COARSE ¹⁰⁵	OPT	
2	286886	KIT – KNIFE 35 FT DK COARSE ¹⁰⁶	1	
	286616	KIT – KNIFE 35 FT DK FINE ¹⁰⁷	1	
	286787	KIT – KNIFE 35 FT DK ULTRA COARSE ¹⁰⁸	OPT	
3	286562	KNIFE – HEAD SEGMENT LH COARSE 2676 MM	1	
	286579	KNIFE – HEAD SEGMENT LH FINE 2676 MM	1	
	286758	KNIFE – HEAD SEGMENT LH ULTRA COARSE 2676 MM	OPT	
4	286563	KNIFE – HEAD SEGMENT RH COARSE 2676 MM	1	
	286580	KNIFE – HEAD SEGMENT RH FINE 2676 MM	1	
	286759	KNIFE – HEAD SEGMENT RH ULTRA COARSE 2676 MM	OPT	
5	286866	KNIFE – TAIL SEGMENT RH COARSE 2147 MM ¹⁰⁹		
	286871	KNIFE – TAIL SEGMENT RH FINE 2147 MM ¹⁰⁹		
	286876	KNIFE – TAIL SEGMENT RH ULTRA COARSE 2147 MM ¹⁰⁹	OPT	
6	286574	KNIFE – TAIL SEGMENT LH COARSE 1856 MM ¹⁰⁹		
	286591	KNIFE – TAIL SEGMENT LH FINE 1856 MM ¹⁰⁹		
	286767	KNIFE – TAIL SEGMENT LH ULTRA COARSE 1856 MM ¹⁰⁹	OPT	
7	286565	KNIFE – CENTER SEGMENT COARSE 1520 MM ¹¹⁰		
	286582	KNIFE – CENTER SEGMENT FINE 1520 MM ¹¹⁰		
	286761	KNIFE – CENTER SEGMENT ULTRA COARSE 1520 MM ¹¹⁰	OPT	
8	286865	KNIFE – TAIL SEGMENT RH COARSE 1385 MM ¹¹⁰		
	286870	KNIFE – TAIL SEGMENT RH FINE 1385 MM ¹¹⁰		
	286875	KNIFE – TAIL SEGMENT RH ULTRA COARSE 1385 MM ¹¹⁰	OPT	

103. The kit includes one ClearCut™ coarse section, 25 pack (MD #286461), two knife splice kits (MD #286493), one LH coarse knife head segment (MD #286562), one RH coarse knife head segment (MD #286563), one RH tail coarse knife segment (MD #286866), and one LH tail coarse knife segment (MD #286574).
104. The kit includes one ClearCut™ fine section, 25 pack (MD #286462), two knife splice kits (MD #286493), one LH fine knife head segment (MD #286579), one RH fine knife head segment (MD #286580), one RH tail fine knife segment (MD #286871), and one LH tail fine knife segment (MD #286591).
105. The kit includes one ClearCut™ ultra coarse section, 25 pack (MD #286627), two knife splice kits (MD #286493), one LH ultra coarse knife head segment (MD #286758), one RH ultra coarse knife head segment (MD #286759), one RH tail ultra coarse knife segment (MD #286876), and one LH tail ultra coarse knife segment (MD #286767).
106. The kit includes one ClearCut™ coarse section, 25 pack (MD #286461), three knife splice kits (MD #286493), one LH coarse knife head segment (MD #286562), one RH coarse knife head segment (MD #286563), one center coarse knife segment (MD #286565), one RH tail coarse knife segment (MD #286865), and one LH tail coarse knife segment (MD #286575).
107. The kit includes one ClearCut™ fine section, 25 pack (MD #286462), three knife splice kits (MD #286493), one LH fine knife head segment (MD #286579), one RH fine knife head segment (MD #286580), one center fine knife segment (MD #286582), one RH tail fine knife segment (MD #286870), and one LH tail fine knife segment (MD #286592).
108. The kit includes one ClearCut™ ultra coarse section, 25 pack (MD #286627), three knife splice kits (MD #286493), one LH ultra coarse knife head segment (MD #286758), one RH ultra coarse knife head segment (MD #286759), one center ultra coarse knife segment (MD #286761), one RH tail ultra coarse knife segment (MD #286875), and one LH tail ultra coarse knife segment (MD #286768).
109. Quantities: D230 = 1 and D235 = 0.
110. Quantities: D230 = 0 and D235 = 1.

KNIVES – DOUBLE-KNIFE HEADERS (D230 AND D235)



1040951

KNIVES – DOUBLE-KNIFE HEADERS (D230 AND D235)

Ref	Part Number	Description	Qty	Serial Number
9	286575	KNIFE – TAIL SEGMENT LH COARSE 2618 MM ¹¹⁰		
	286592	KNIFE – TAIL SEGMENT LH FINE 2618 MM ¹¹⁰		
	286768	KNIFE – TAIL SEGMENT LH ULTRA COARSE 2618 MM ¹¹⁰	OPT	
10	286493	KIT – KNIFE SPLICE ¹¹¹		
11	286461	SECTION – CLEARCUT COARSE (25 PACK) ¹¹²		
	286462	SECTION – CLEARCUT FINE (25 PACK) ¹¹²		
	286627	SECTION – CLEARCUT ULTRA COARSE (25 PACK) ¹¹²	OPT	
12	286463	SECTION – CLEARCUT COARSE TOP CSK (10 PACK) ¹¹³		
	286465	SECTION – CLEARCUT FINE TOP CSK (10 PACK) ¹¹³		
	286628	SECTION – CLEARCUT ULTRA COARSE TOP CSK (10 PACK) ¹¹³	OPT	
13	286464	SECTION – CLEARCUT COARSE BOTTOM CSK (10 PACK) ¹¹⁴		
	286466	SECTION – CLEARCUT FINE BOTTOM CSK (10 PACK) ¹¹⁴		
	286629	SECTION – CLEARCUT ULTRA COARSE BOTTOM CSK (10 PACK)	OPT	
14	286861	KIT – CLEARCUT COARSE CENTER ^{114 115}		
	286862	KIT – CLEARCUT FINE CENTER ¹¹⁶		
	286863	KIT – CLEARCUT ULTRA COARSE CENTER ¹¹⁷	OPT	
15	226983	SECTION – END	2	
16	226941	KNIFE HEAD ASSEMBLY	1	
	115670	O-RING – 1.78 X 34.64	1	
	113937	DISC	1	
	113222	SEAL KIT	1	
	100500	BEARING – NEEDLE	1	
17	286440	BAR – FORGED	1	
18	286481	BAR – REINFORCEMENT (25 PACK)		
19	286362	BAR – KNIFE OVERLAP GUIDE	1	
20	286363	BAR – WEAR	1	
A	286475	SCREW – M6 X 18 MM, C/W NUT (50 PACK)		
B	286476	SCREW – M6 X 22 MM, C/W NUT (25 PACK)		
C	286477	SCREW – M6 X 29 MM, C/W NUT (25 PACK)		
D	286478	SCREW – CSK M6 X 14 MM, C/W NUT (25 PACK)		
E	286479	NUT – CTR LOC CSK M6 X 1 (50 PACK)		
F	286621	SCREW – CSK M6 X 22 MM, C/W NUT (25 PACK)		

111. The kit includes bottom splice bar (NSS), top splice bar (NSS), eight screws (MD #286314), and eight nuts (MD #226259). Quantities: D230 = 2 and D235 = 3.

112. Quantities (individual sections): D230 = 119 and D235 = 139.

113. Quantities (individual sections): D230 = 5 and D235 = 5.

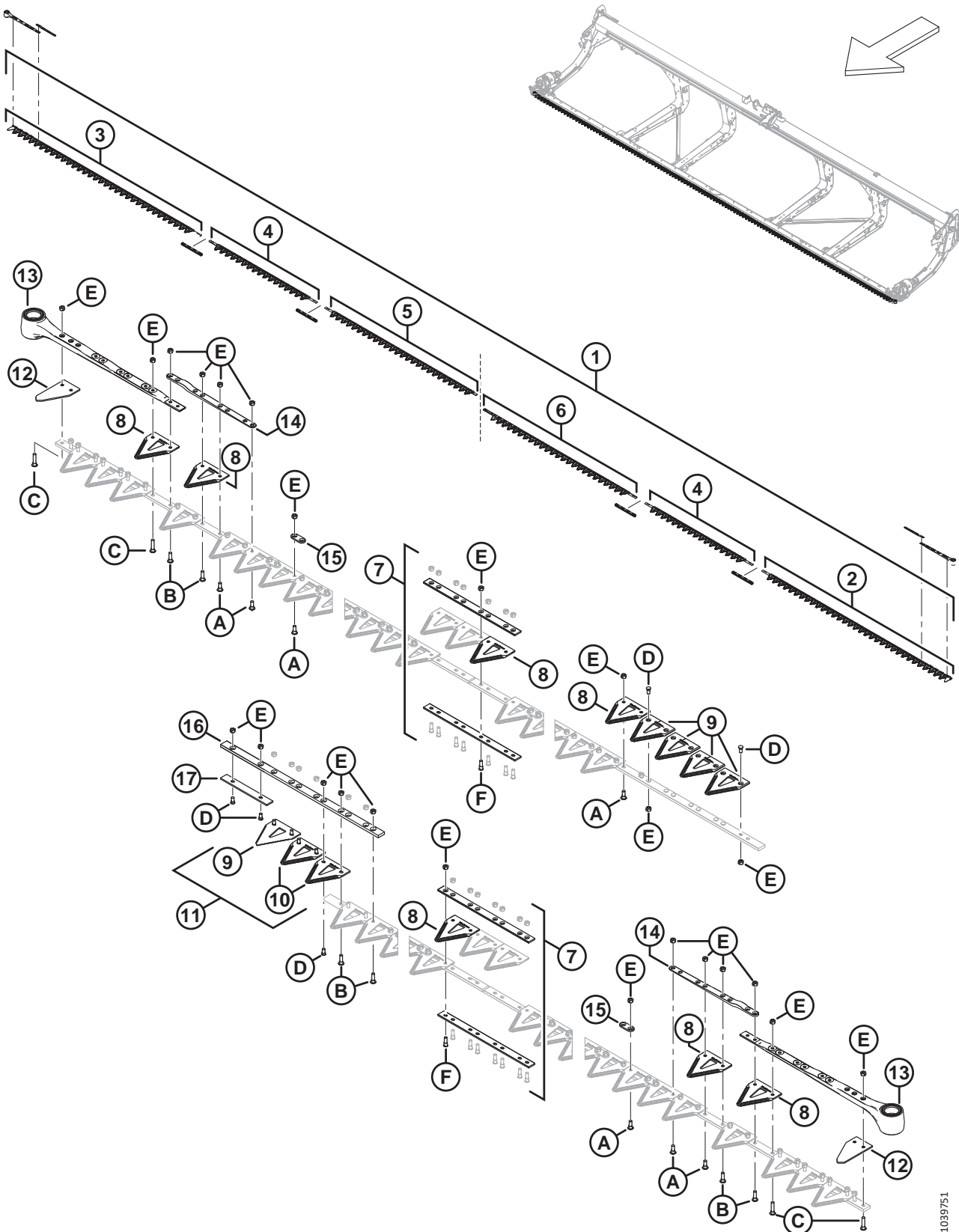
114. Quantities (individual sections): D230 = 2 and D235 = 2

115. The kit includes five ClearCut™ coarse top CSK sections (NSS), two ClearCut™ coarse bottom CSK sections (NSS), and hardware.

116. The kit includes five ClearCut™ fine top CSK sections (NSS), two ClearCut™ fine bottom CSK sections (NSS), and hardware.

117. The kit includes five ClearCut™ ultra coarse top CSK sections (NSS), two ClearCut™ ultra coarse bottom CSK sections (NSS), and hardware.

31 Knives – Double-Knife Headers (D241)



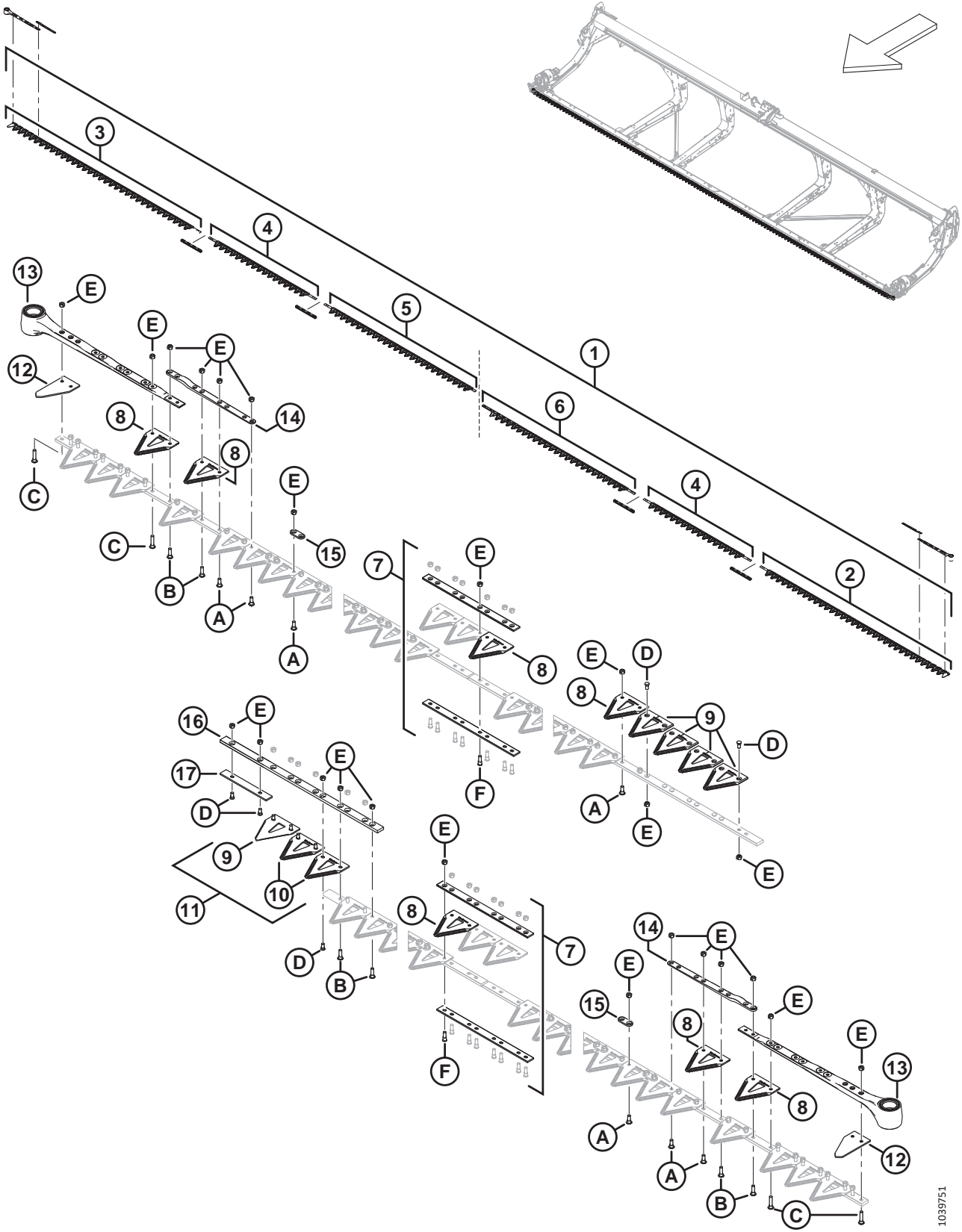
1039751

KNIVES – DOUBLE-KNIFE HEADERS (D241)

Ref	Part Number	Description	Qty	Serial Number
1	286888	KIT – KNIFE 41 FT DK COARSE ¹¹⁸	1	
	286618	KIT – KNIFE 41 FT DK FINE ¹¹⁹	OPT	
	286789	KIT – KNIFE 41 FT DK ULTRA COARSE ¹²⁰	OPT	
2	286562	KNIFE – HEAD SEGMENT LH COARSE 2676 MM	1	
	286579	KNIFE – HEAD SEGMENT LH FINE 2676 MM	OPT	
	286758	KNIFE – HEAD SEGMENT LH ULTRA COARSE 2676 MM	OPT	
3	286563	KNIFE – HEAD SEGMENT RH COARSE 2676 MM	1	
	286580	KNIFE – HEAD SEGMENT RH FINE 2676 MM	OPT	
	286759	KNIFE – HEAD SEGMENT RH ULTRA COARSE 2676 MM	OPT	
4	286565	KNIFE – CENTER SEGMENT COARSE 1520 MM	2	
	286582	KNIFE – CENTER SEGMENT FINE 1520 MM	OPT	
	286761	KNIFE – CENTER SEGMENT ULTRA COARSE 1520 MM	OPT	
5	286866	KNIFE – TAIL SEGMENT RH COARSE 2147 MM	1	
	286871	KNIFE – TAIL SEGMENT RH FINE 2147 MM	OPT	
	286876	KNIFE – TAIL SEGMENT RH ULTRA COARSE 2147 MM	OPT	
6	286576	KNIFE – TAIL SEGMENT LH COARSE 2161 MM	1	
	286593	KNIFE – TAIL SEGMENT LH FINE 2161 MM	OPT	
	286769	KNIFE – TAIL SEGMENT LH ULTRA COARSE 2161 MM	OPT	
7	286493	KIT – KNIFE SPLICE ¹²¹	4	
8	286461	SECTION – CLEARCUT COARSE (25 PACK)		
	286462	SECTION – CLEARCUT FINE (25 PACK)	OPT	
	286627	SECTION – CLEARCUT ULTRA COARSE (25 PACK)	OPT	
9	286463	SECTION – CLEARCUT COARSE TOP CSK (10 PACK)		
	286465	SECTION – CLEARCUT FINE TOP CSK (10 PACK)	OPT	
	286628	SECTION – CLEARCUT ULTRA COARSE TOP CSK (10 PACK)	OPT	
10	286464	SECTION – CLEARCUT COARSE BOTTOM CSK (10 PACK)		
	286466	SECTION – CLEARCUT FINE BOTTOM CSK (10 PACK)	OPT	
	286629	SECTION – CLEARCUT ULTRA COARSE BOTTOM CSK (10 PACK)	OPT	

118. The kit includes one ClearCut™ coarse section, 25 pack (MD #286461), four knife splice kits (MD #286493), one LH coarse knife head segment (MD #286562), one RH coarse knife head segment (MD #286563), two center coarse knife segments (MD #286565), one RH tail coarse knife segment (MD #286866), and one LH tail coarse knife segment (MD #286576).
119. The kit includes one ClearCut™ fine section, 25 pack (MD #286462), four knife splice kits (MD #286493), one LH fine knife head segment (MD #286579), one RH fine knife head segment (MD #286580), two center fine knife segments (MD #286582), one RH tail fine knife segment (MD #286871), and one LH tail fine knife segment (MD #286593).
120. The kit includes one ClearCut™ ultra coarse section, 25 pack (MD #286627), four knife splice kits (MD #286493), one LH ultra coarse knife head segment (MD #286758), one RH ultra coarse knife head segment (MD #286759), two center ultra coarse knife segments (MD #286761), one RH tail ultra coarse knife segment (MD #286876), and one LH tail ultra coarse knife segment (MD #286769).
121. The kit includes bottom splice bar (NSS), top splice bar (NSS), eight screws (MD #286314), and eight nuts (MD #226259).

KNIVES – DOUBLE-KNIFE HEADERS (D241)



1039751

KNIVES – DOUBLE-KNIFE HEADERS (D241)

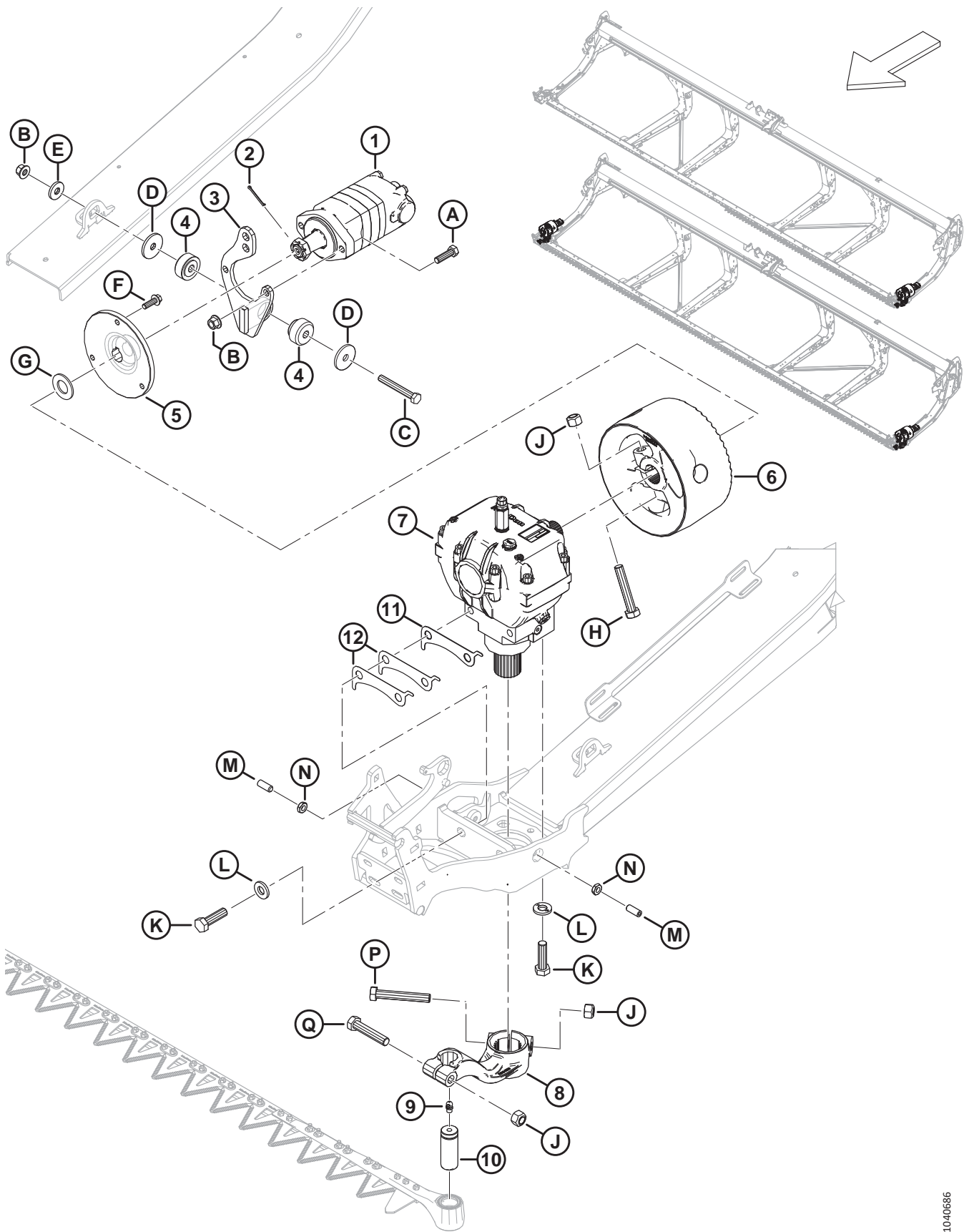
Ref	Part Number	Description	Qty	Serial Number
11	286861	KIT – CLEARCUT COARSE CENTER ¹²²	A/R	
	286862	KIT – CLEARCUT FINE CENTER ¹²³	OPT	
	286863	KIT – CLEARCUT ULTRA COARSE CENTER ¹²⁴	OPT	
12	226983	SECTION – END	2	
13	226941	KNIFE HEAD ASSEMBLY	2	
	115670	O-RING – 1.78 X 34.64		
	113937	DISC		
	113222	SEAL KIT		
	100500	BEARING – NEEDLE		
14	286440	BAR – FORGED	2	
15	286481	BAR – REINFORCEMENT (25 PACK)		
16	286362	BAR – KNIFE OVERLAP GUIDE	1	
17	286363	BAR – WEAR	1	
A	286475	SCREW – M6 X 18 MM, C/W NUT (50 PACK)		
B	286476	SCREW – M6 X 22 MM, C/W NUT (25 PACK)		
C	286477	SCREW – M6 X 29 MM, C/W NUT (25 PACK)		
D	286478	SCREW – CSK M6 X 14 MM, C/W NUT (25 PACK)		
E	286479	NUT – CTR LOC CSK M6 X 1 (50 PACK)		
F	286621	SCREW – CSK M6 X 22 MM, C/W NUT (25 PACK)		

122. The kit includes five ClearCut™ coarse top CSK sections (NSS), two ClearCut™ coarse bottom CSK sections (NSS), and hardware.

123. The kit includes five ClearCut™ fine top CSK sections (NSS), two ClearCut™ fine bottom CSK sections (NSS), and hardware.

124. The kit includes five ClearCut™ ultra coarse top CSK sections (NSS), two ClearCut™ ultra coarse bottom CSK sections (NSS), and hardware.

32 Knife Drive – Single and Double Knife



KNIFE DRIVE – SINGLE AND DOUBLE KNIFE

Ref	Part Number	Description	Qty	Serial Number
1	283002	MOTOR – EATON 2000 100 CC ¹²⁵	1	
	174304	SEAL KIT – EATON 2000 MOTOR		
	137375	NUT – SLTD JAM 1.0 -20 UNEF		
2	18606	PIN – COTTER 1/8 DIA X 1.5 ZP	1	
3	286826	SUPPORT – WELDT SAE-A MOTOR	1	
4	143107	BUSHING – RUBBER ¹²⁶	1	
5	286087	HUB – MACHINED	1	
6	286703	FLYWHEEL – KNIFE DRIVE C/W DECAL	1	
7	286089	DRIVE – KNIFE ¹²⁷	1	
8	226926	ARM – LH KNIFE DRIVE C/W DECAL	1	
	226927	ARM – RH KNIFE DRIVE C/W DECAL (DOUBLE KNIFE ONLY) ¹²⁸	1	
9	21194	FITTING – LUBRICATION 90° 1/8 NPT	1	
10	113229	PIN – SICKLE HEAD	1	
11	226400	SHIM – KNIFE DRIVE BOX, 1.2 MM ¹²⁹		
12	360870	SHIM – KNIFE DRIVE BOX, 0.6 MM ¹²⁹		
A	184669	BOLT – HEX HD M12 X 1.75 X 40-8.8-AA1J	2	
B	136431	NUT – HEX FLG CTR LOC M12 X 1.75-10	3	
C	184673	BOLT – HEX HD M12 X 1.75 X 90-10.9-AA1J	1	
D	11695	WASHER – FLAT	2	
E	4761	WASHER – FLAT	1	
F	184663	BOLT – HEX HD TFL M10 X 1.5 X 30-10.9-AA1J	3	
G	18603	WASHER – FLAT SAE 1 1/16 ID X 2.0 IN OD AA1J	1	
H	320214	BOLT – HEX HD M16 X 2 X 90-10.9-ZINC	1	
J	320026	NUT – HEX TOP LOCK M16 X 2-10-ZINC	3	
K	320311	BOLT – HEX HD M16 X 2 X 55-12.9-ZINC	4	
L	120901	WASHER – HARD L9 SPCL 5/8-82/85 HR 15N-ABOC	4	
M	320089	SCREW – SET M12 X 1.75 X 30 ¹³⁰	2	
N	184696	NUT – HEX THIN M12 X 1.75-05-AA1J	2	
P	320215	BOLT – HEX HD M16 X 2 X 100-10.9-ZINC	1	
Q	152602	BOLT – HEX HD M16 X 2 X 80-10.9-AA1J	1	

125. Motor includes seal kit (MD #174304), key, and slotted nut (MD #137375).

126. The rubber bushing (MD #143107) includes both halves shown in the illustration.

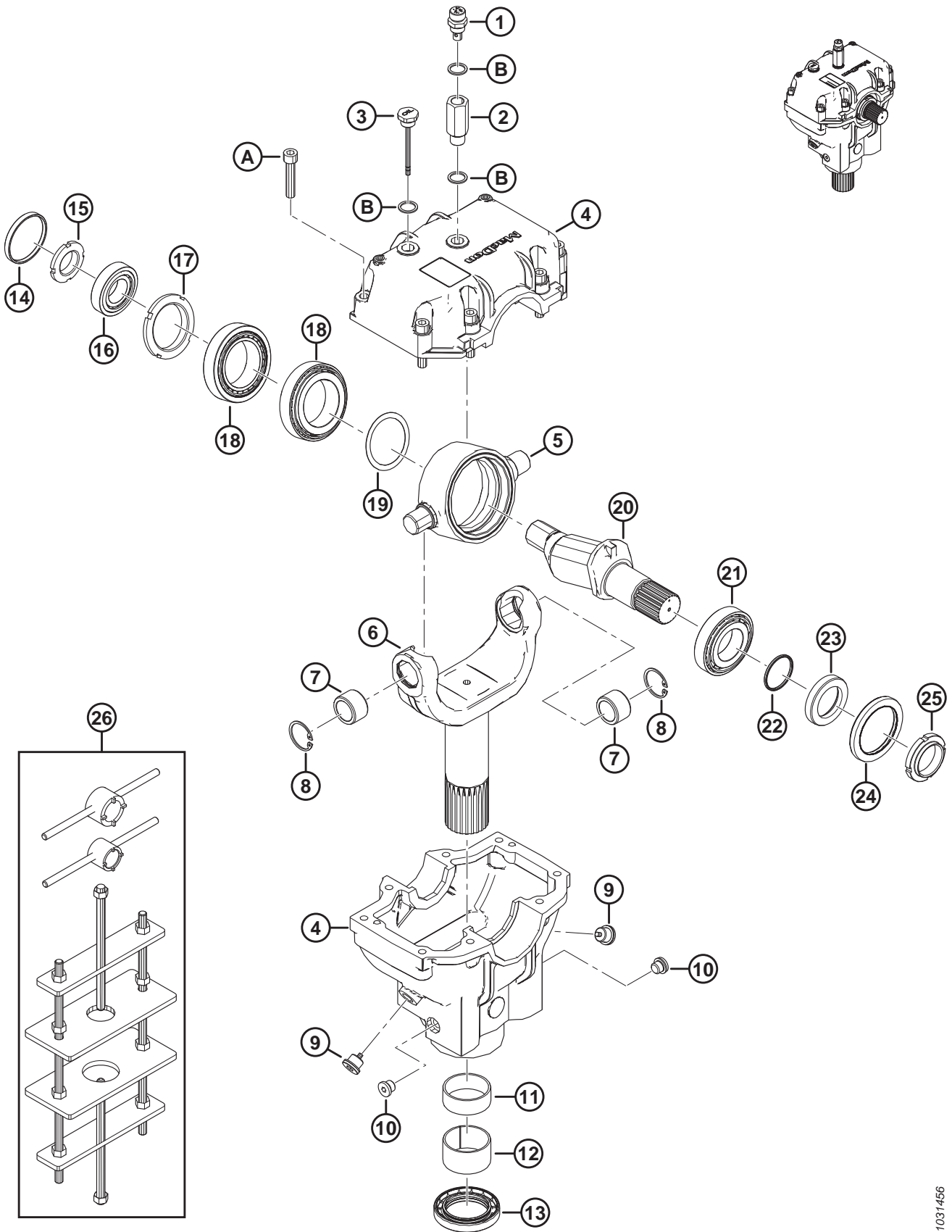
127. For repair parts, refer to Section [33 Knife Drive Box, page 75](#).

128. Double-knife headers only.

129. Shim quantity varies for assembly clearances. Maximum allowable shims is four 1.2 mm shims (MD #226400) (or three 1.2 mm shims and two 0.6 mm shims [MD #360870]).

130. Set screw is used to adjust knife drive (MD #286089) left to right within the specified tolerance. Tighten lock nut (MD #184696) once knife drive has been adjusted correctly.

33 Knife Drive Box



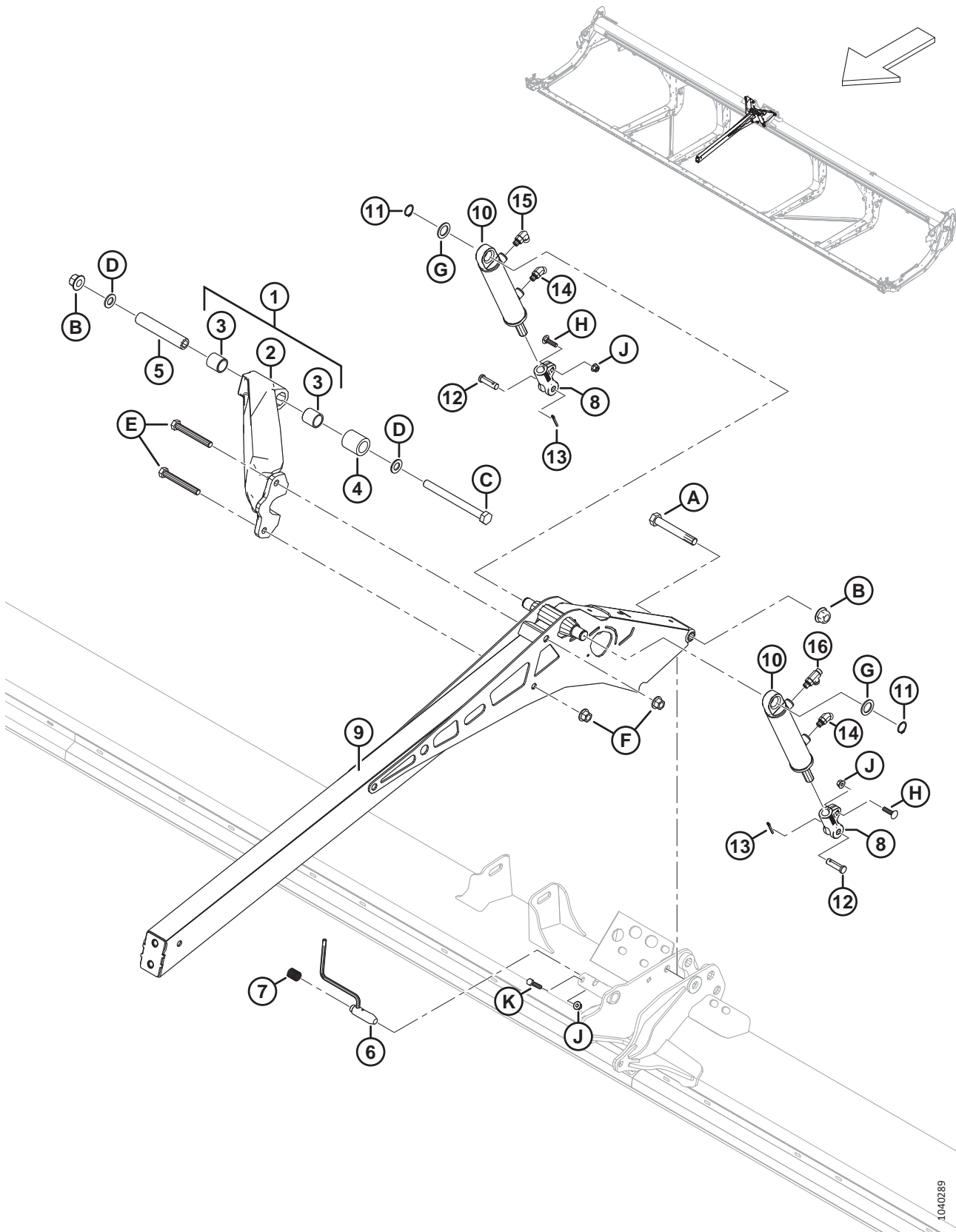
KNIFE DRIVE BOX

Ref	Part Number	Description	Qty	Serial Number
	286089	DRIVE – KNIFE		
1	286489	PLUG – BREATHER	1	
2	257089	EXTENSION	1	
3	286490	PLUG – LEVEL	1	
4	286485	CASTING – KNIFE DRIVE BOX ¹³¹	1	
5	100721	PIVOT	1	
6	286483	YOKE	1	
7	100723	BUSHING – BRONZE	2	
8	100722	RING – RETAINING INTERNAL	2	
9	286488	PLUG – DRAIN	2	
10	252423	PLUG – DRAIN	2	
11	100726	BUSHING – STEEL	1	
12	286486	BUSHING – STEEL	1	
13	286445	SEAL – OIL	1	
14	100719	CAP – DUST	1	
15	100718	NUT – SPECIAL LOCK M30 X 1.5 CLASS 8.8	1	
16	100717	ASSEMBLY – BEARING (CUP AND CONE)	1	
17	100715	NUT – SPECIAL LOCK M55 X 2 CLASS 8.8	1	
18	100720	ASSEMBLY – BEARING (CUP AND CONE)	2	
19	113152	KIT – SHIM	1	
20	100710	SHAFT	1	
21	100714	BEARING – ASSEMBLY CUP AND CONE	1	
22	100712	O-RING – 2.62 X 40.95	1	
23	102629	SPACER	1	
24	102630	SEAL – OIL (DOUBLE LIP)	1	
25	100709	NUT – SPECIAL M40 X 1.5 CLASS 8.8	1	
26	139003	KIT – WOBBLE BOX TOOL ¹³²	A/R	
A	113153	SCREW – HEX SOC HD M10 X 1.5 X 50-8.8-BO		
B	257054	WASHER – COPPER		

131. The knife drive box casting includes top and bottom knife drive box castings and eight screws (MD #113153).

132. The kit includes large socket tool, small socket tool, and wobble box jig frame.

34 Reel Support Arm and Lift Cylinders – Center Arm, Double Reel



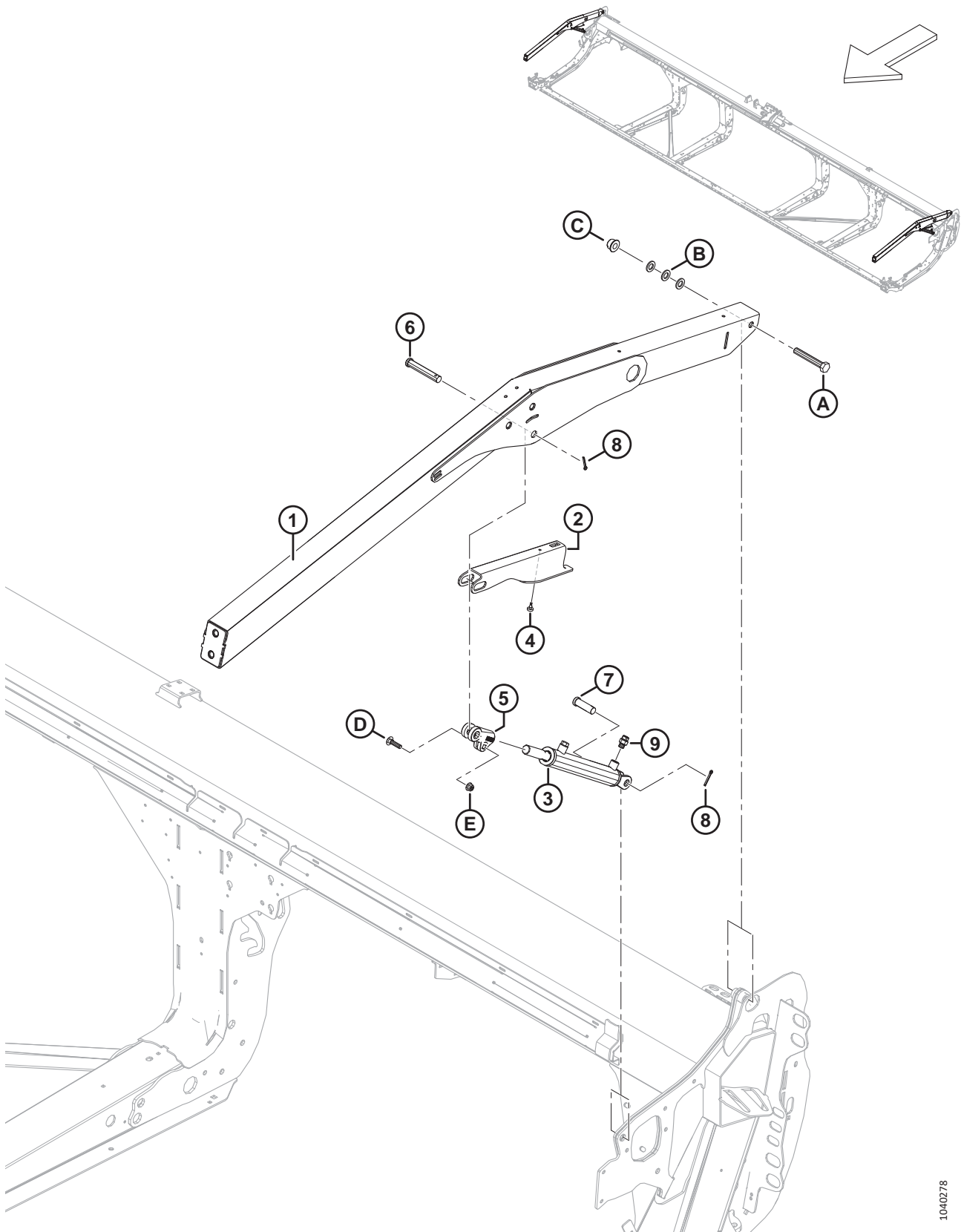
1040289

REEL SUPPORT ARM AND LIFT CYLINDERS – CENTER ARM, DOUBLE REEL

Ref	Part Number	Description	Qty	Serial Number
1	311627	BRACE – SUB ASSY C/W BUSHINGS ¹³³	1	
2	273798	BRACE – MACHINED	1	
3	311613	BUSHING	2	
4	311612	SPACER – BRACE REEL PIVOT	1	
5	311611	TUBE – PIVOT REEL BRACE	1	
6	273680	WELDT – PIN	1	
7	289880	SPRING – COMPRESSION	1	
8	273860	CLEVIS – CYL END MACHINED	2	
9	273795	ARM – CENTER WELDT	1	
10	273790	CYLINDER – HYD	2	
	311285	SEAL KIT		
11	30144	RING – EXT RETAINING	2	
12	18621	PIN – CLEVIS	2	
13	18648	PIN – COTTER 3/16 DIA X 1.25 ZP	2	
14	136144	FITTING – ELBOW 45° HYD	2	
	50219	O-RING – 1.98 X 11.89		
	135865	O-RING – 1.78 X 9.25		
15	136095	FITTING – ELBOW 90° HYD	1	
	50219	O-RING – 1.98 X 11.89		
	135865	O-RING – 1.78 X 9.25		
16	136240	FITTING – TEE HYD	1	
	50219	O-RING – 1.98 X 11.89		
	135865	O-RING – 1.78 X 9.25		
A	320196	BOLT – HEX HD M20 X 2.5 X 140-SPCL-10.9-ZINC		
B	136122	NUT – HEX FLG CTR LOC M20 X 2.5-10-AA1J		
C	252581	BOLT – HEX HD M20 X 2.5 X 220-10.9-AA1J		
D	136701	WASHER – NORDLOCK M20		
E	320168	BOLT – HEX HD M16 X 2 X 125-8.8-ZINC		
F	136440	NUT – HEX FLG CTR LK M16 X 2-10-AA1J		
G	156178	WASHER – THRUST		
H	152732	BOLT – RHSN M10 X 1.5 X 40-8.8-AA1J		
J	135799	NUT – HEX FLG CTR LOC M10 X 1.5-10		
K	30629	BOLT – HEX HD M10 X 1.5 X 50-8.8-A3L		

133. Includes machined brace (MD #273798) and two bushings (MD #311613).

35 Reel Support Arm and Lift Cylinders – Outer Arms, Double Reel



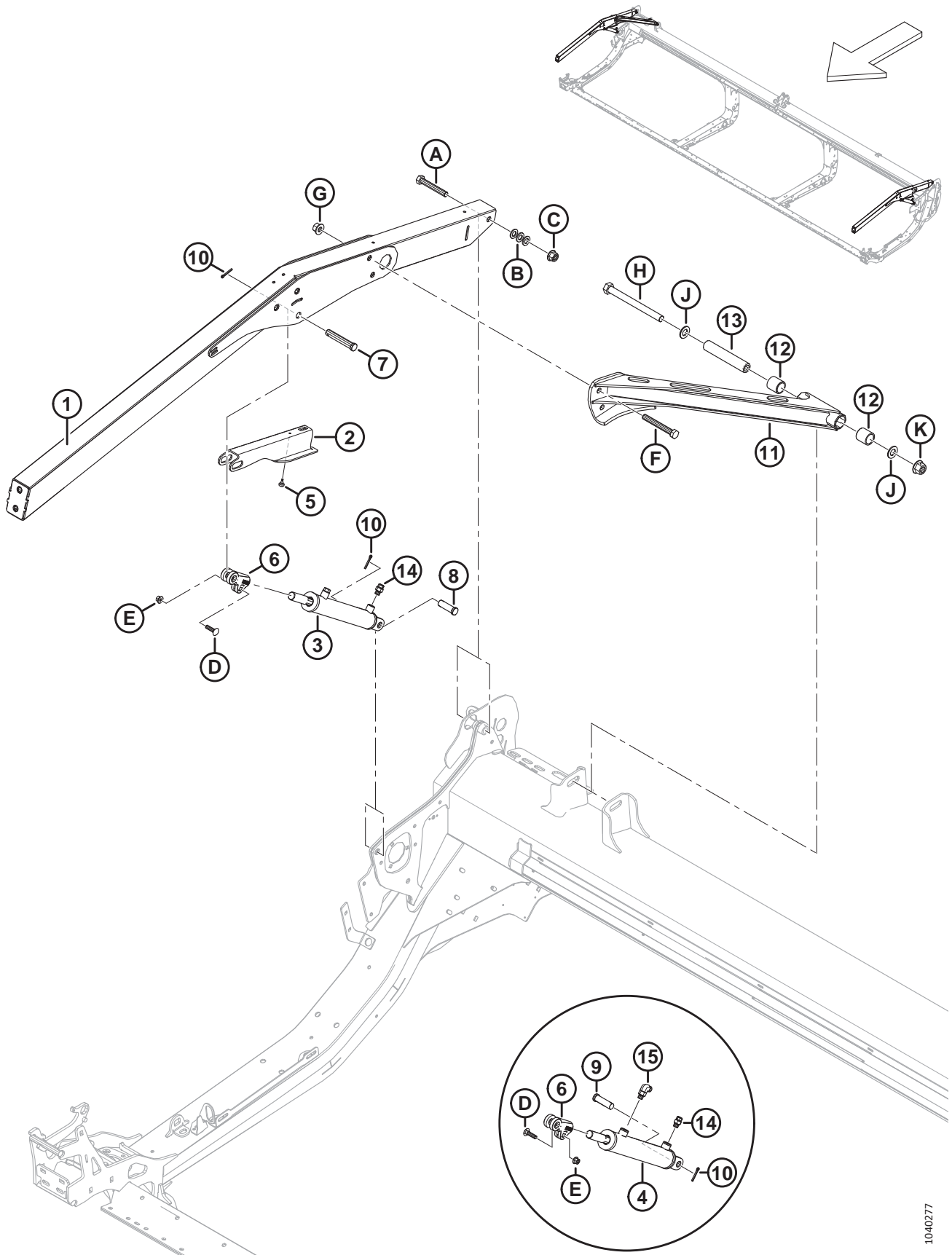
1040278

REEL SUPPORT ARM AND LIFT CYLINDERS – OUTER ARMS, DOUBLE REEL

Ref	Part Number	Description	Qty	Serial Number
1	311949	ARM – OUTER W/ DECAL ¹³⁴	2	
2	340191	SUPPORT – REEL PROP	2	
3	273787	CYLINDER – HYD	2	
	311284	SEAL KIT		
	174879	BREATHER – ORB #6		
4	273653	BUMPER – RUBBER	2	
5	228338	CLEVIS – CYL END MACHINED	2	
6	18629	PIN – CLEVIS	2	
7	18626	PIN – CLEVIS	2	
8	18648	PIN – COTTER 3/16 DIA X 1.25 ZP	4	
9	135778	FITTING – ADAPTER	2	
	50219	O-RING – 1.98 X 11.89		
	135865	O-RING – 1.78 X 9.25		
A	136310	BOLT – HEX HD M16 X 2 X 105-SPCL-8.8-AA1J		
B	184717	WASHER – FLAT REG M16-200HV-AA1J		
C	152520	NUT – HEX FLG TECH LK M16 X 2-10-AA1J		
D	152732	BOLT – RHSN M10 X 1.5 X 40-8.8-AA1J		
E	135799	NUT – HEX FLG CTR LOC M10 X 1.5-10		

134. Arm includes two reel entanglement hazard decals (MD #360541).

36 Reel Support Arm and Lift Cylinders – Outer Arms, Single Reel



REEL SUPPORT ARM AND LIFT CYLINDERS – OUTER ARMS, SINGLE REEL

Ref	Part Number	Description	Qty	Serial Number
1	360035	ASSY – SR OUTER ARM W/ DECAL ¹³⁵	2	
2	340191	SUPPORT – REEL PROP	2	
3	273788	CYLINDER – HYD (RH) ¹³⁶	1	
	323687	SEAL KIT		
	174879	BREATHER – ORB #6		
4	273789	CYLINDER – HYD (LH) ¹³⁶	1	
	323688	SEAL KIT		
5	273653	BUMPER – RUBBER	2	
6	228338	CLEVIS – CYL END MACHINED	2	
7	18629	PIN – CLEVIS	2	
8	18626	PIN – CLEVIS (RH) ¹³⁷	1	
9	322970	PIN – CLEVIS 3/4 X 1-31/32 (LH) ¹³⁷	1	
10	18648	PIN – COTTER 3/16 DIA X 1.25 ZP	4	
11	340648	BRACE – SR W/ BUSHINGS ¹³⁸	1	
12	311613	BUSHING	2	
13	311611	TUBE – PIVOT REEL BRACE	1	
14	135778	FITTING – ADAPTER	2	
	50219	O-RING – 1.98 X 11.89		
	135865	O-RING – 1.78 X 9.25		
15	136095	FITTING – ELBOW 90° HYD ¹³⁹	1	
	50219	O-RING – 1.98 X 11.89		
	135865	O-RING – 1.78 X 9.25		
A	136310	BOLT – HEX HD M16 X 2 X 105-SPCL-8.8-AA1J		
B	184717	WASHER – FLAT REG M16-200HV-AA1J		
C	152520	NUT – HEX FLG TECH LK M16 X 2-10-AA1J		
D	152732	BOLT – RHSN M10 X 1.5 X 40-8.8-AA1J		
E	135799	NUT – HEX FLG CTR LOC M10 X 1.5-10		
F	320168	BOLT – HEX HD M16 X 2 X 125-8.8-AA1J		
G	136440	NUT – HEX FLG CTR LK M16 X 2-10-AA1J		
H	252581	BOLT – HEX HD M20 X 2.5 X 220-10.9-AA1J		
J	136701	WASHER – NORDLOCK M20		
K	136122	NUT – HEX FLG CTR LOC M20 X 2.5-10-AA1J		

135. Arm includes two reel entanglement hazard decals (MD #360541).

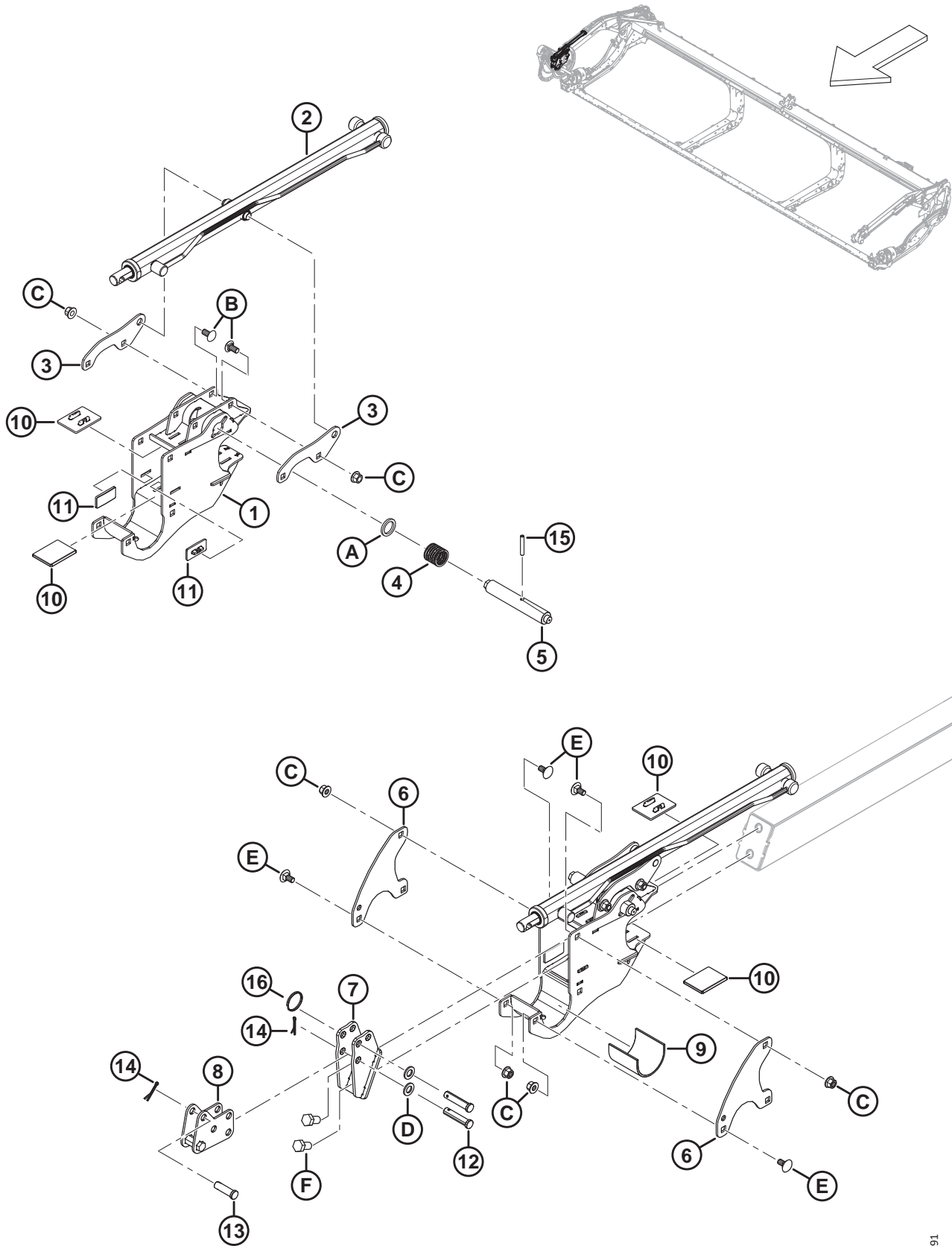
136. For RH cylinder (MD #273788), order seal kit (MD #323687); for LH cylinder (MD #273789), order seal kit (MD #323688).

137. To secure the RH cylinder to the right endsheet, use clevis pin (MD #18626); to secure the LH cylinder to the left endsheet, use clevis pin (MD #322970).

138. The brace includes two bushings (MD #311613).

139. Used on the left cylinder only.

37 Reel Arm Components – Right Arm, Single Reel

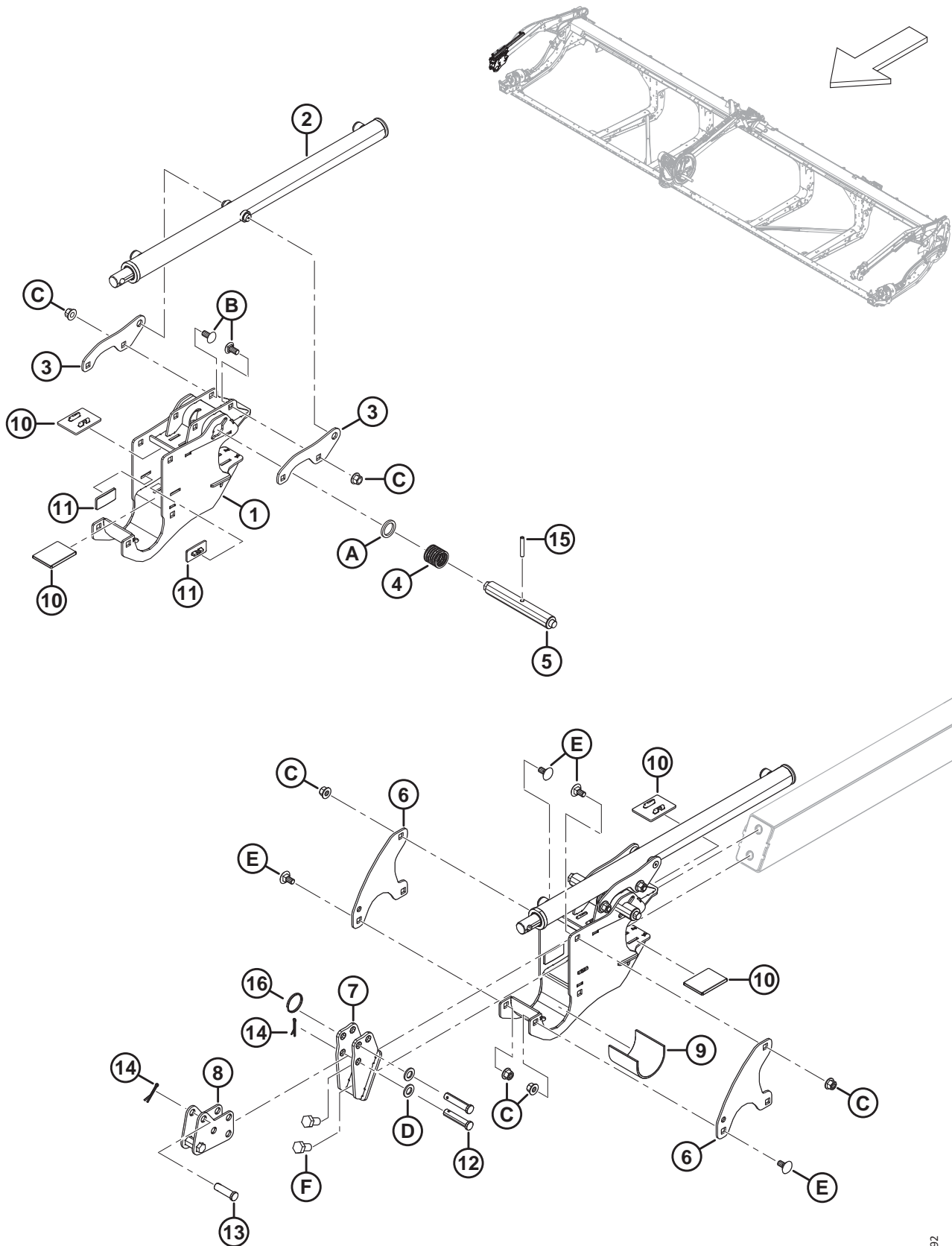


REEL ARM COMPONENTS – RIGHT ARM, SINGLE REEL

Ref	Part Number	Description	Qty	Serial Number
1	340224	SUPPORT – REEL C/W DECAL	1	
2	273283	CYLINDER – FORE AFT ¹⁴⁰	1	
	313964	SEAL KIT		
3	273138	LUG	2	
4	273861	SPRING – COMP - LEFT HAND HELIX	1	
5	273278	PIN – CAM LATCH, DRIVES RH	1	
6	273122	PLATE – REEL RETAINER	2	
7	311237	SUPPORT – FRONT ANCHOR WELDT	1	
8	311238	ANCHOR – FORE AFT SUB WELDT	1	
9	228381	SLEEVE – REEL HUB SUPPORT	1	
10	273831	PAD – REEL DRIVE WEAR	4	
11	273777	PAD – REEL DRIVE WEAR	2	
12	18704	PIN – CLEVIS, 15 MM X 68 MM OAL	2	
13	18621	PIN – CLEVIS, 15 MM X 50 MM OAL	1	
14	18607	PIN – COTTER 5/32 DIA X 1.5 ZP	2	
15	16681	PIN – SPRING 5/16 DIA X 2.0 LG	1	
16	320207	RING – SPLIT	1	
A	273304	WASHER – CAM LATCH		
B	152439	BOLT – RHSSN M12 X 1.75 X 25-8.8-AA1J		
C	136431	NUT – HEX FLG CTR LOC M12 X 1.75-10		
D	184717	WASHER – FLAT REG M16-200HV-AA1J		
E	135903	BOLT – RHSN M12 X 1.75 X 25-8.8-ZINC		
F	136143	BOLT – HEX HD TFL M16 X 2 X 30-10.9-AA1J		

140. Right arm, single reel only.

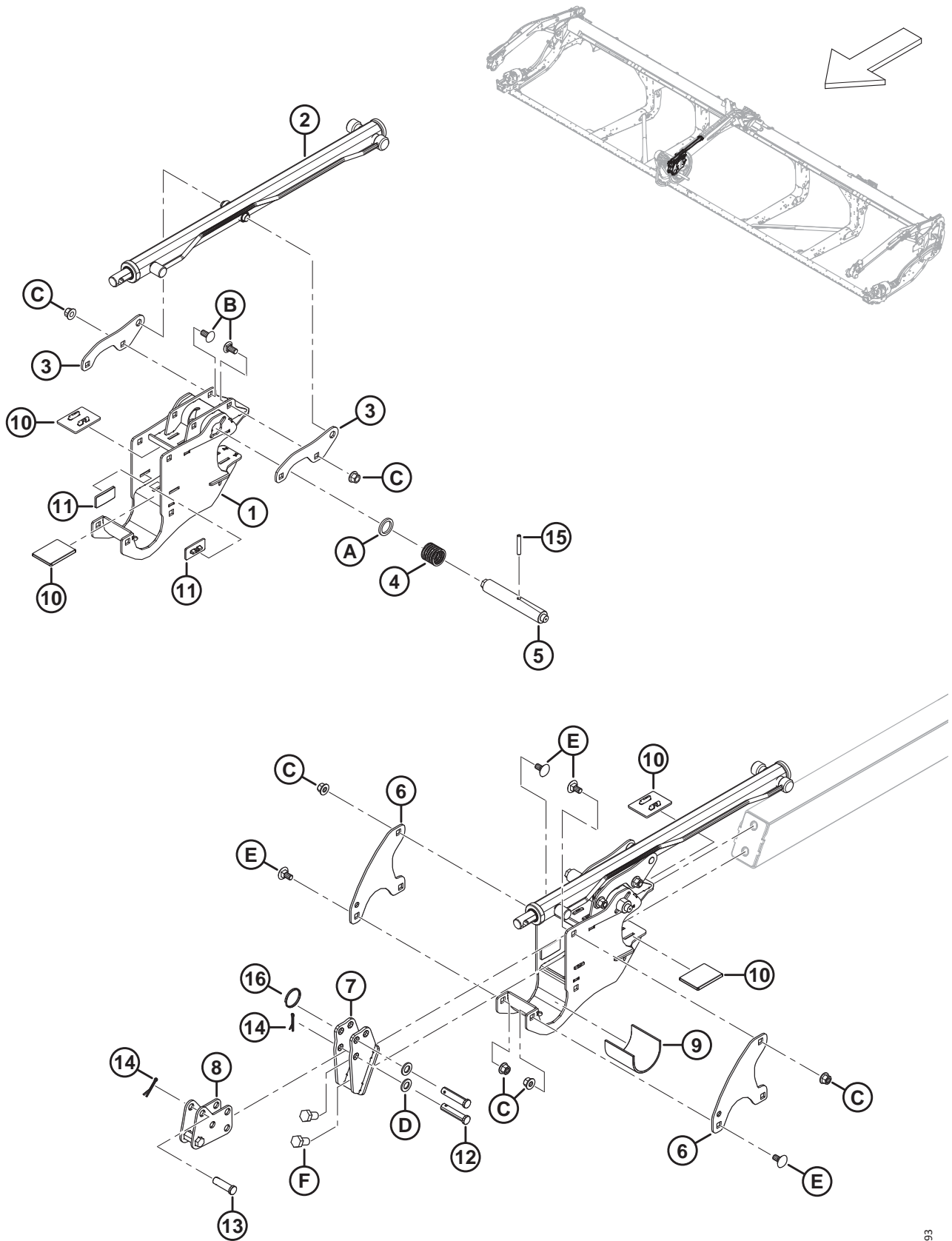
38 Reel Arm Components – Right Arm, Double Reel



REEL ARM COMPONENTS – RIGHT ARM, DOUBLE REEL

Ref	Part Number	Description	Qty	Serial Number
1	340224	SUPPORT – REEL CENTER C/W DECAL	1	
2	273284	CYLINDER – FORE AFT (RIGHT ARM ONLY)	1	
	313964	SEAL KIT		
3	273138	LUG	2	
4	273861	SPRING – COMP - LEFT HAND HELIX	1	
5	273281	PIN – CAM LATCH RH CAMS	1	
6	273122	PLATE – REEL RETAINER	2	
7	311237	SUPPORT – FRONT ANCHOR WELDT	1	
8	311238	ANCHOR – FORE AFT SUB WELDT	1	
9	228381	SLEEVE – REEL HUB SUPPORT	1	
10	273831	PAD – REEL DRIVE WEAR	4	
11	273777	PAD – REEL DRIVE WEAR	2	
12	18704	PIN – CLEVIS, 15 MM X 68 MM OAL	2	
13	18621	PIN – CLEVIS, 15 MM X 50 MM OAL	1	
14	18607	PIN – COTTER 5/32 DIA X 1.5 ZP	3	
15	16681	PIN – SPRING 5/16 DIA X 2.0 LG	1	
16	320207	RING – SPLIT	1	
A	273304	WASHER – CAM LATCH		
B	152439	BOLT – RHSSN M12 X 1.75 X 25-8.8-AA1J		
C	136431	NUT – HEX FLG CTR LOC M12 X 1.75-10		
D	184717	WASHER – FLAT REG M16-200HV-AA1J		
E	135903	BOLT – RHSN M12 X 1.75 X 25-8.8-ZINC		
F	136143	BOLT – HEX HD TFL M16 X 2 X 30-10.9-AA1J		

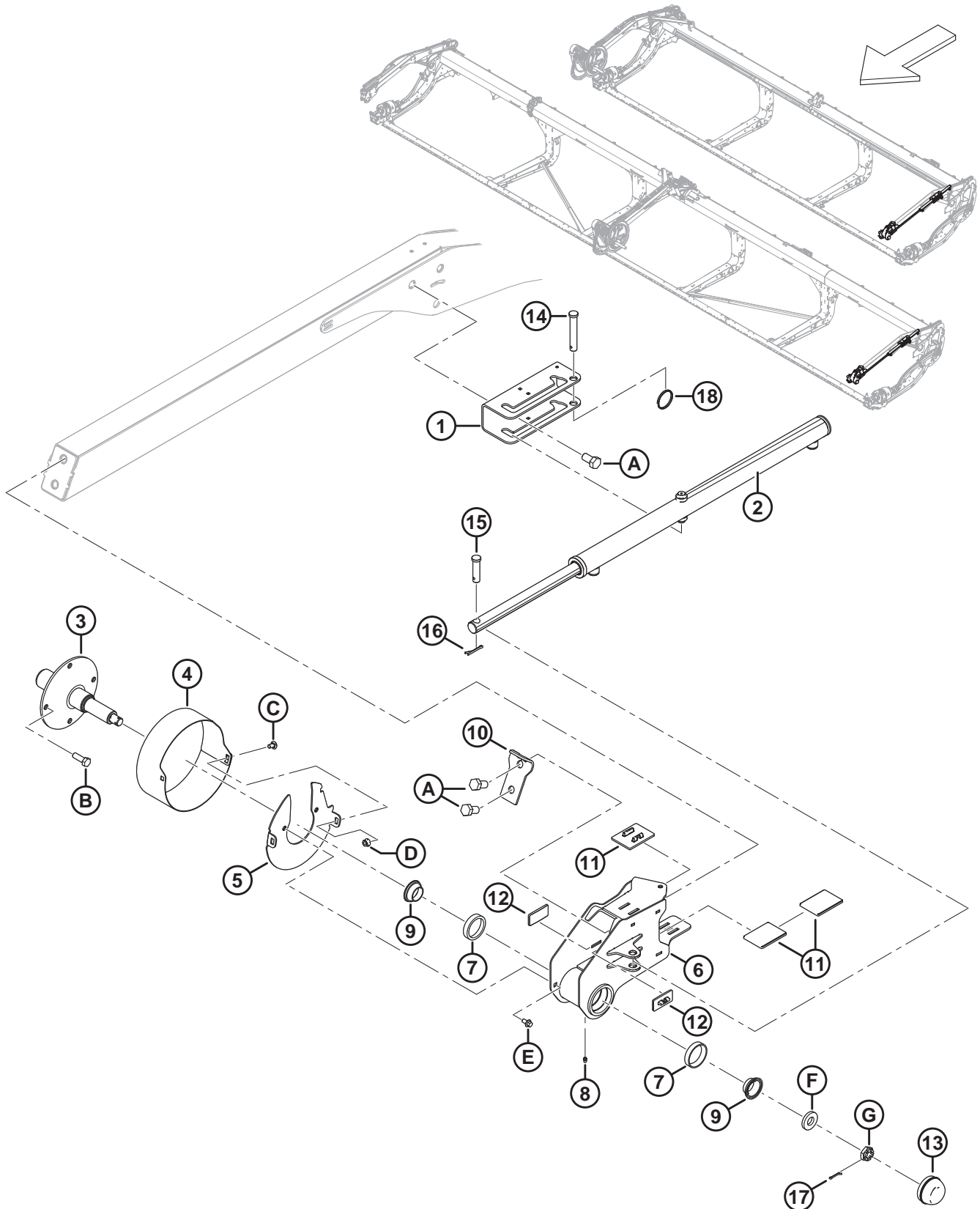
39 Reel Arm Components – Center Arm, Double Reel



REEL ARM COMPONENTS – CENTER ARM, DOUBLE REEL

Ref	Part Number	Description	Qty	Serial Number
1	340224	SUPPORT – REEL CENTER C/W DECAL	1	
2	273283	CYLINDER – FORE AFT	1	
	313964	SEAL KIT		
3	273138	LUG	2	
4	273861	SPRING – COMP - LEFT HAND HELIX	1	
5	273278	PIN – CAM LATCH-DRIVES AND RH CTR	1	
6	273122	PLATE – REEL RETAINER	2	
7	311237	SUPPORT – FRONT ANCHOR WELDT	1	
8	311238	ANCHOR – FORE AFT SUB WELDT	1	
9	228381	SLEEVE – REEL HUB SUPPORT	1	
10	273831	PAD – REEL DRIVE WEAR	4	
11	273777	PAD – REEL DRIVE WEAR	2	
12	18704	PIN – CLEVIS, 15 MM X 68 MM OAL	2	
13	18621	PIN – CLEVIS, 15 MM X 50 MM OAL	1	
14	18607	PIN – COTTER 5/32 DIA X 1.5 ZP	3	
15	16681	PIN – SPRING 5/16 DIA X 2.0 LG	1	
16	320207	RING – SPLIT	1	
A	273304	WASHER – CAM LATCH		
B	152439	BOLT – RHSSN M12 X 1.75 X 25-8.8-AA1J		
C	136431	NUT – HEX FLG CTR LOC M12 X 1.75-10		
D	184717	WASHER – FLAT REG M16-200HV-AA1J		
E	135903	BOLT – RHSN M12 X 1.75 X 25-8.8-ZINC		
F	136143	BOLT – HEX HD TFL M16 X 2 X 30-10.9-AA1J		

40 Reel Arm Components – Left Arm



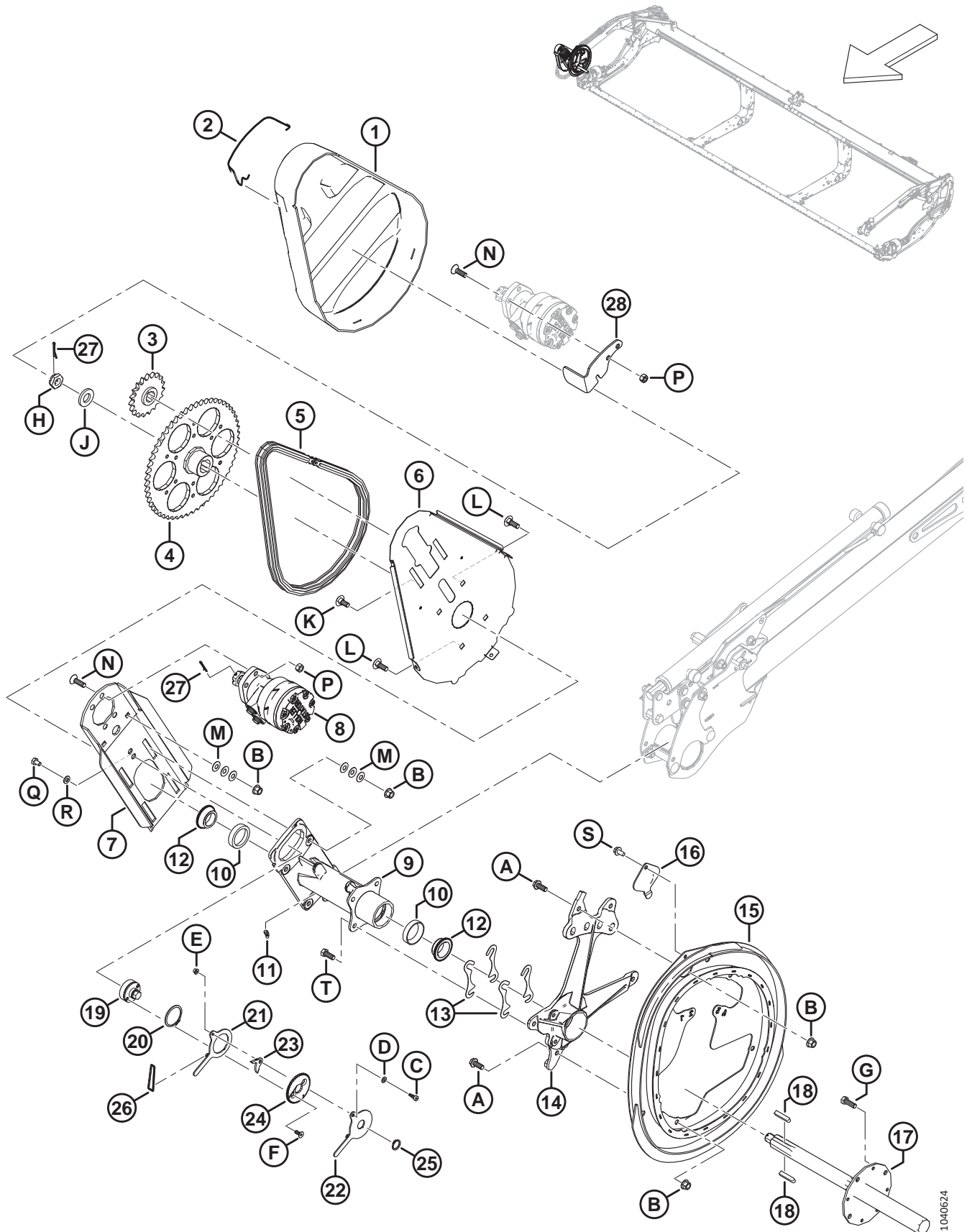
1040298

REEL ARM COMPONENTS – LEFT ARM

Ref	Part Number	Description	Qty	Serial Number
1	273637	BRACKET – CYLINDER MOUNT	1	
2	273284	CYLINDER – FORE AFT	1	
	313964	SEAL KIT		
3	228322	SHAFT – TAIL MACHINED	1	
4	273309	SHIELD – LH REEL TAIL END	1	
5	311632	DISC – WELDMENT	1	
6	273772	TAIL END REEL SUPPORT – C/W CUPS ¹⁴¹	1	
7	164215	BEARING – CUP ROLLER	2	
8	18671	FITTING – LUBE 1/4 - 28 UNF	1	
9	164216	BEARING – CONE C/W SEAL	2	
10	311359	PLATE – STOP REEL	1	
11	273831	PAD – REEL DRIVE WEAR	3	
12	273777	PAD – REEL DRIVE WEAR	2	
13	30520	CAP – DUST	1	
14	19958	PIN – CLEVIS	1	
15	103879	PIN – CLEVIS	1	
16	18607	PIN – COTTER 5/32 DIA X 1.5 ZP	2	
17	18605	PIN – COTTER 1/8 DIA X 1 ZP	1	
18	320207	RING – SPLIT	1	
A	136143	BOLT – HEX HD TFL M16 X 2 X 30-10.9-AA1J		
B	152730	BOLT – HEX HD TFL M12 X 1.75 X 35-10.9-AA1J		
C	191489	BOLT – RHSSN TFL M8 X 1.25 X 16-8.8-AA1J		
D	135337	NUT – HEX FLG CTR LK M8 X 1.25-8-AA1J		
E	136485	BOLT – HEX FLG HD TFL M8 X 1.25 X 16-8.8-AA1J		
F	16235	WASHER – FLAT		
G	136445	NUT – HEX SLTD FINE M20 X 1.5-SPCL-22HA-ZINC		

141. The tail end reel support includes lube fitting (MD #18671) and two cup roller bearings (MD #164215).

41 Reel Drive – Single Reel



REEL DRIVE – SINGLE REEL

Ref	Part Number	Description	Qty	Serial Number
1	228614	COVER – REEL DRIVE SR	1	
2	228611	SPRING – REEL DRIVE COVER	1	
3	273875	SPROCKET – RC 60, 19 TOOTH	1	
4	228299	SPROCKET – MACHINING 56 TOOTH	1	
5	273907	CHAIN – RC 60 ENDLESS 76 LINKS	1	
	273963	CHAIN – RC C/W CONNECTOR 76 LINKS	OPT	
6	228604	SUPPORT – REEL DRIVE BACKPLATE	1	
7	360144	PLATE – MOTOR MOUNT W/ GRAPHITE	1	
8	273258	MOTOR – HYD-15.9 CU.IN. 506 SERIES ¹⁴²	1	
	273259	SEAL KIT ¹⁴³		
	273078	MOTOR – HYD-260 CC HIGH CAPACITY BEARING ¹⁴⁴	OPT	
	311620	SEAL KIT ¹⁴⁵		
	137375	NUT – SLTD JAM 1.0-20 UNEF		
9	273758	HUB – REEL DRIVE ¹⁴⁶	1	
10	164214	BEARING – CUP	2	
11	21301	FITTING – LUBRICATION	1	
12	164213	BEARING – CONE C/W SEAL	2	
13	164061	SHIM – HUB TO CAM	4	
14	228292	SUPPORT – CAM MACHINING	1	
15	273926	CAM – WELDMENT	1	
16	137476	COVER – CAM BEARING ACCESS	1	
17	228301	SHAFT – REEL DRIVE MACHINED	1	
18	137721	KEY – REEL DRIVE SHAFT	2	
19	228460	TIGHTENER – CHAIN	1	
20	111521	RING – RETAINING	1	
21	228478	ARM – INNER	1	
22	228479	ARM – OUTER	1	
23	228485	LATCH	1	
24	228477	DISC – LOCK	1	
25	191353	RING – RETAINING EXTERNAL	1	
26	136882	O-RING – 3.5 X 40.5	1	
27	18607	PIN – COTTER 5/32 DIA X 1.5 ZP	2	
28	360186	RETAINER – COVER	1	
A	320180	BOLT – HEX FLG HD M12 X 1.75 X 30-SPCL-8.8-AA1J		
B	136431	NUT – HEX FLG CTR LOC M12 X 1.75-10		
C	197135	SCREW – HEX SOC HD SHLDR M8 X 10		
D	184708	WASHER – FLAT M8-200HV-AA1J		
E	152668	NUT – HEX FLG CTR LOC M6 X 1-8		
F	136592	SCREW – HEX SOC CSK HD TFL M8 X 1.25 X 20-8.8-ZINC		
G	152730	BOLT – HEX HD TFL M12 X 1.75 X 35-10.9-AA1J		

142. Standard factory-installed motor.

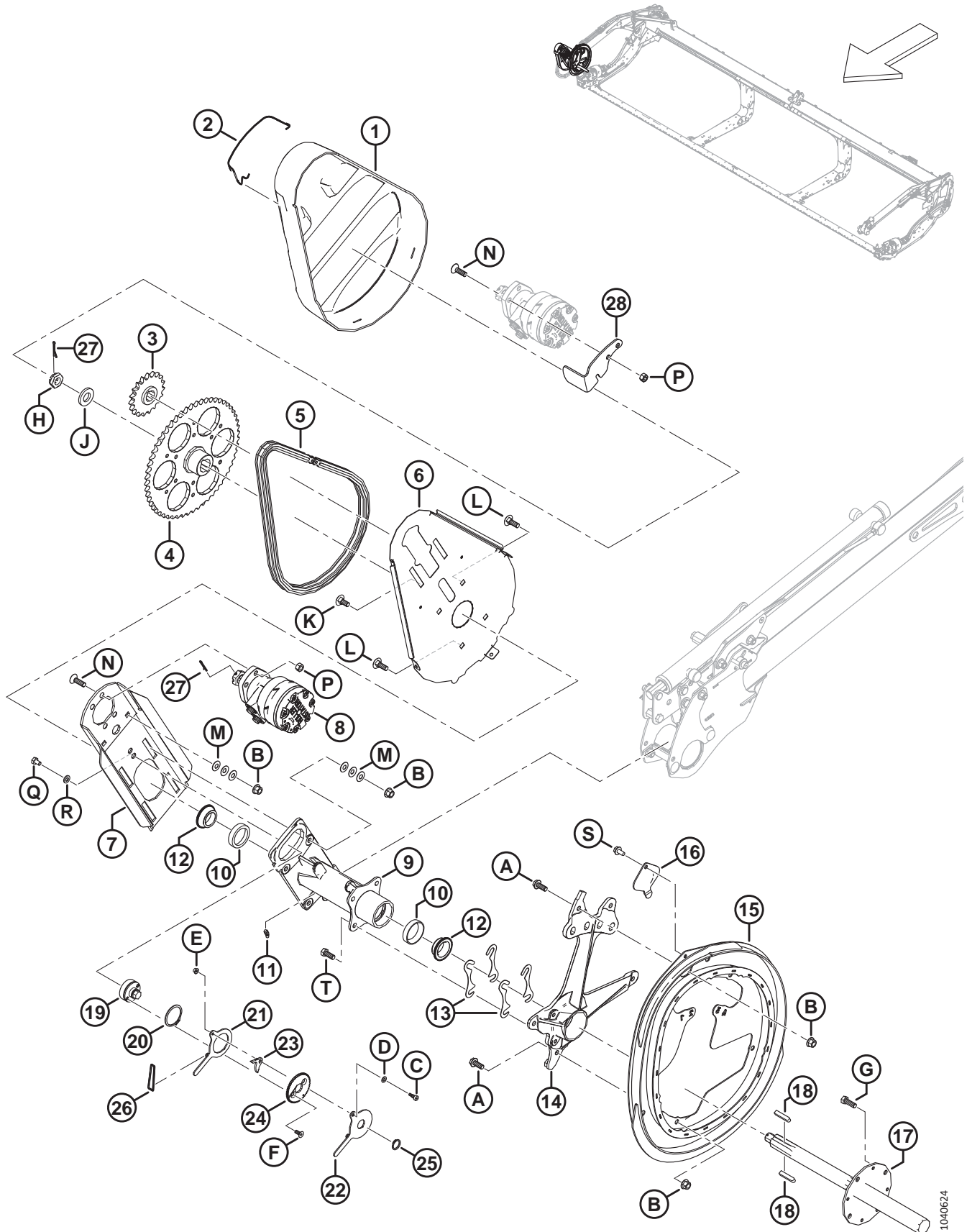
143. Seal kit for standard motor (MD #273258).

144. Optional high capacity motor for high reel loads.

145. Seal kit for optional high capacity motor (MD #273078).

146. Hub includes two cup bearings (MD #164214) and lubrication fitting (MD #21301).

REEL DRIVE – SINGLE REEL

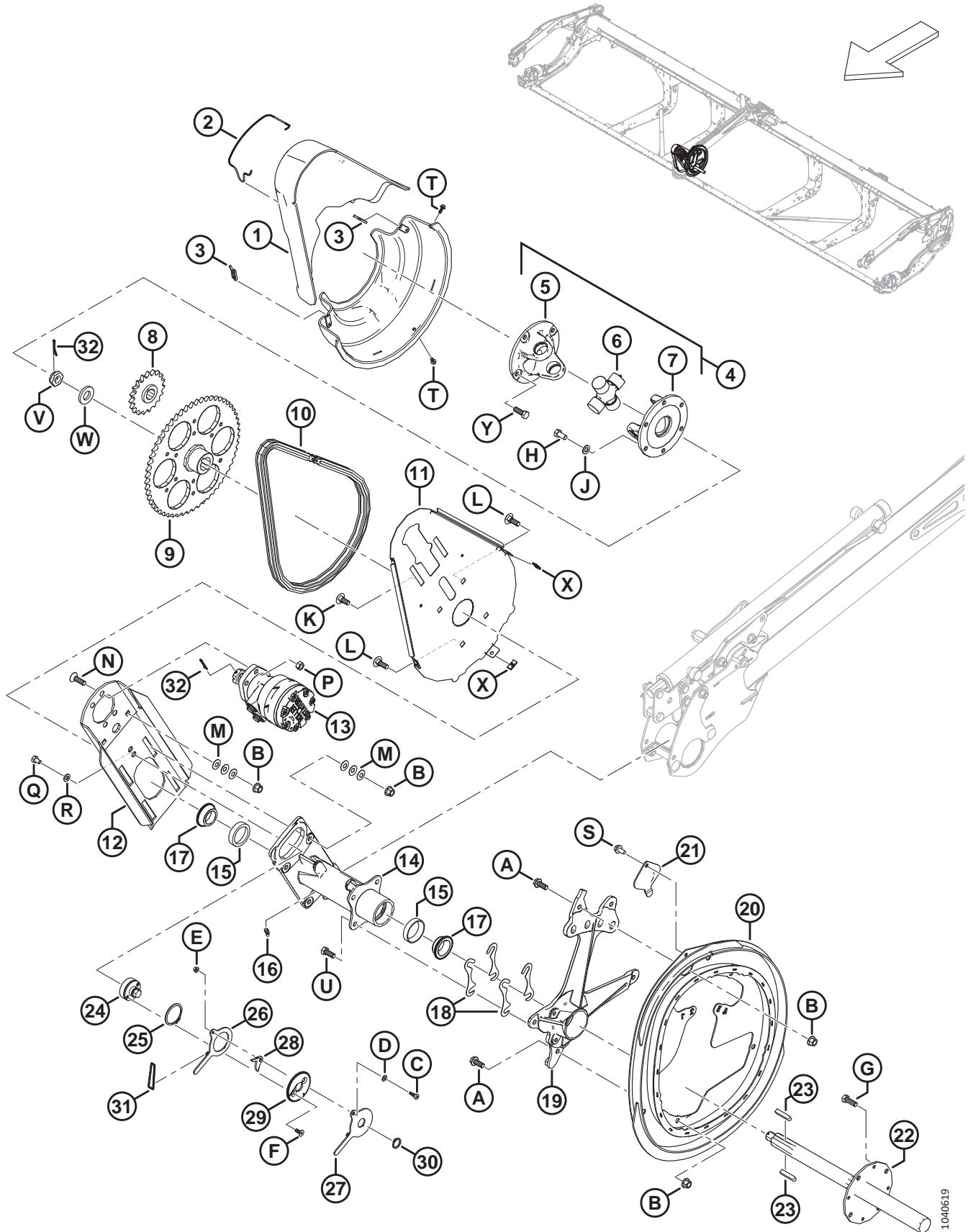


1040624

REEL DRIVE – SINGLE REEL

Ref	Part Number	Description	Qty	Serial Number
H	136446	NUT – HEX SLTD FINE M24 X 1.5-SPCL-22HA-ZINC		
J	31774	WASHER – FLAT 1-1/8-30HRC-ACOC		
K	184667	BOLT – RHSN M12 X 1.75 X 30-8.8-ZINC		
L	136291	BOLT – RHSN TFL M12 X 1.75 X 35-8.8-ZINC		
M	136702	WASHER – CON SPRING M12-ZINC		
N	136401	SCREW – CSK HEX SOC M12 X 1.75 X 40-10.9-AA1J		
P	136759	NUT – HEX CTR LOC M12 X 1.75-8-AA1J		
Q	136842	BOLT – HEX HD TFL M10 X 1.5 X 16-8.8-ZINC		
R	30655	WASHER – HARD M10-340HV-AB0C		
S	136209	SCREW – HEX WSHR M10 X 1.5X20-450HV		
T	30630	BOLT – HEX HD TFL M12 X 1.75 X 30-8.8-A3L		

42 Reel Drive – Double Reel



1040619

REEL DRIVE – DOUBLE REEL

Ref	Part Number	Description	Qty	Serial Number
1	228619	COVER SET – CENTER REEL DRIVE ¹⁴⁷	1	
2	228611	SPRING – REEL DRIVE COVER	1	
3	228848	CLIP – COVER DUAL REEL DRIVE	2	
4	228382	REEL DRIVE U-JOINT ¹⁴⁸	1	
5	228384	YOKE – FLANGE 4 BOLT	1	
6	137825	CROSS JOURNAL ASSEMBLY	1	
7	228385	YOKE – FLANGE 6 BOLT	1	
8	273875	SPROCKET – RC 60, 19 TOOTH	1	
9	228299	SPROCKET – MACHINING 56 TOOTH	1	
10	273907	CHAIN – RC 60 ENDLESS 76 LINKS	1	
	273963	CHAIN – RC C/W CONNECTOR 76 LINKS	OPT	
11	228604	SUPPORT – REEL DRIVE BACKPLATE	1	
12	340216	PLATE – MOTOR MOUNT W/ GRAPHITE	1	
13	273258	MOTOR – HYD-15.9 CU.IN. 506 SERIES ¹⁴⁹	1	
	273259	SEAL KIT ¹⁵⁰		
	273078	MOTOR – HYD-260 CC HIGH CAPACITY BEARING ¹⁵¹	OPT	
	311620	SEAL KIT ¹⁵²		
	137375	NUT – SLTD JAM 1.0-20 UNEF		
14	273758	HUB – REEL DRIVE ¹⁵³	1	
15	164214	BEARING – CUP	2	
16	21301	FITTING – LUBRICATION	1	
17	164213	BEARING – CONE C/W SEAL	2	
18	164061	SHIM – HUB TO CAM	4	
19	228292	SUPPORT – CAM MACHINING	1	
20	273926	CAM – WELDMENT	1	
21	137476	COVER – CAM BEARING ACCESS	1	
22	228301	SHAFT – REEL DRIVE MACHINED	1	
23	137721	KEY – REEL DRIVE SHAFT	2	
24	228460	TIGHTENER – CHAIN	1	
25	111521	RING – RETAINING	1	
26	228478	ARM – INNER	1	
27	228479	ARM – OUTER	1	
28	228485	LATCH	1	
29	228477	DISC – LOCK	1	
30	191353	RING – RETAINING EXTERNAL	1	
31	136882	O-RING – 3.5 X 40.5	1	
32	18607	PIN – COTTER 5/32 DIA X 1.5 ZP	2	

147. Set includes upper and lower drive reel covers.

148. U-joint includes cross journal assembly (MD #137825), four bolt flange yoke (MD #228384), and six bolt flange yoke (MD #228385).

149. Standard factory-installed motor.

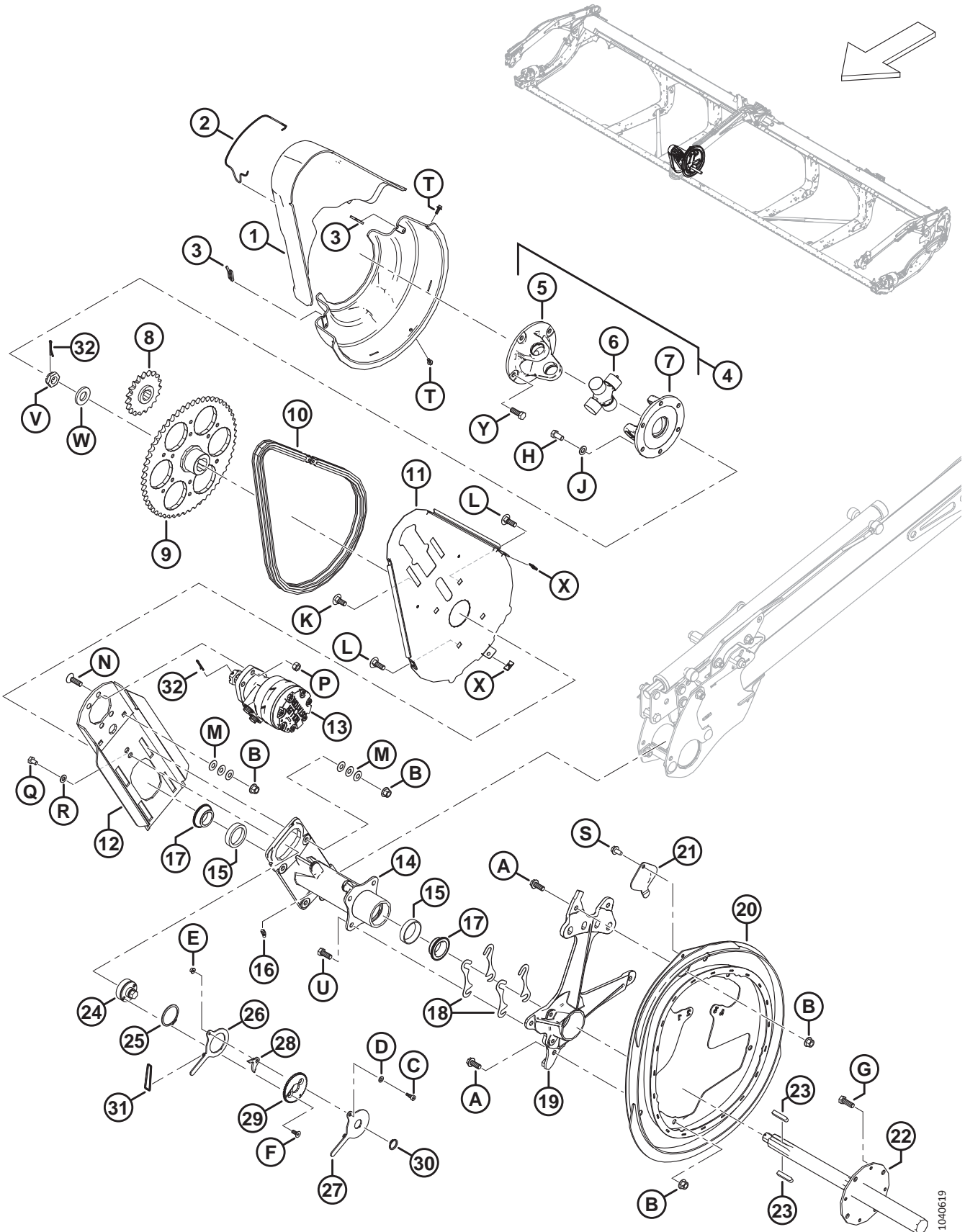
150. Seal kit for standard motor (MD #273258).

151. Optional high capacity motor for high reel loads.

152. Seal kit for optional high capacity motor (MD #273078).

153. Hub includes two cup bearings (MD #164214) and lubrication fitting (MD #21301).

REEL DRIVE – DOUBLE REEL

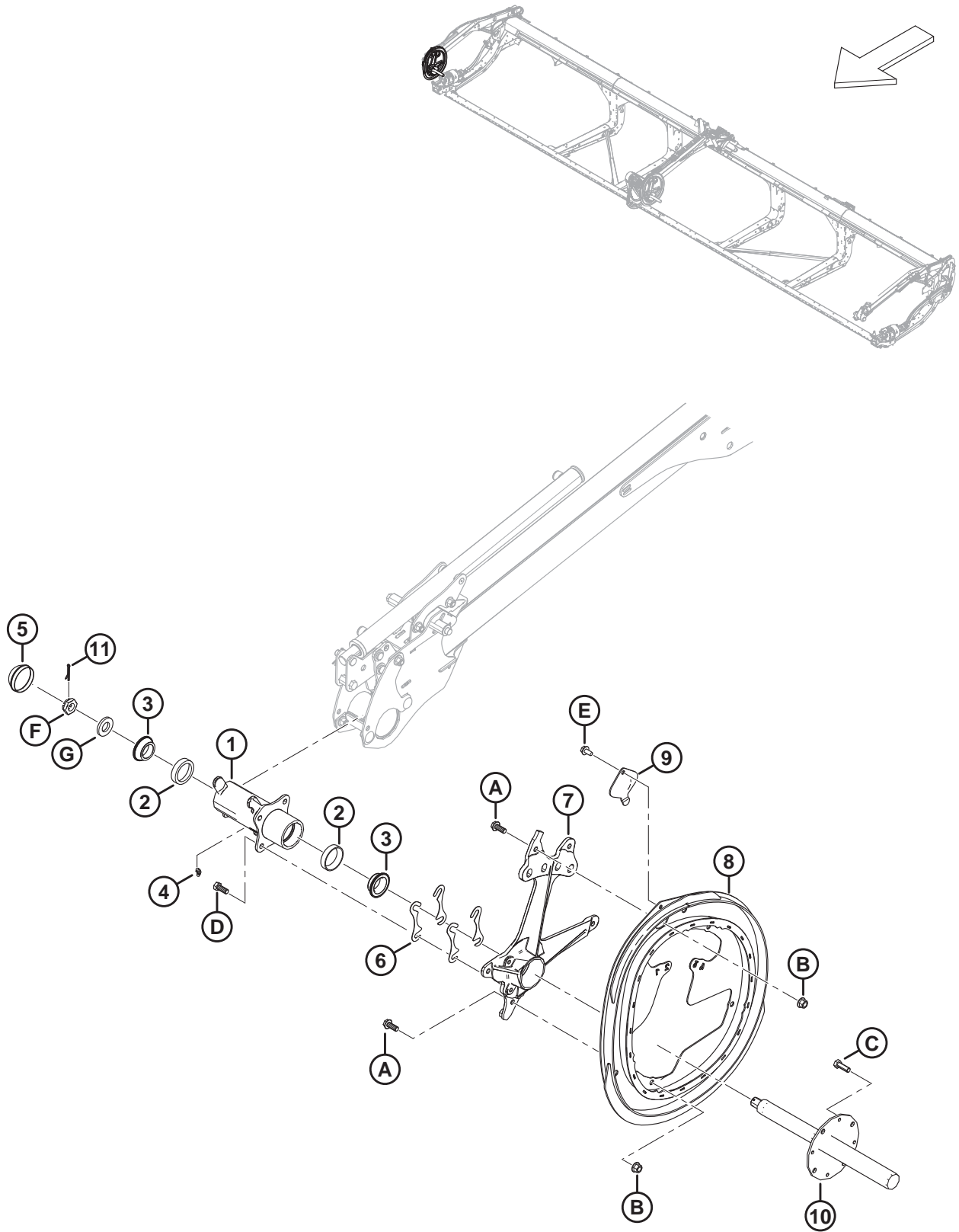


1040619

REEL DRIVE – DOUBLE REEL

Ref	Part Number	Description	Qty	Serial Number
A	320180	BOLT – HEX FLG HD M12 X 1.75 X 30-SPCL-8.8-AA1J		
B	136431	NUT – HEX FLG CTR LOC M12 X 1.75-10		
C	197135	SCREW – HEX SOC HD SHLDR M8 X 10		
D	184708	WASHER – FLAT M8-200HV-AA1J		
E	152668	NUT – HEX FLG CTR LOC M6 X 1-8		
F	136592	SCREW – HEX SOC CSK HD TFL M8 X 1.25 X 20-8.8-ZINC		
G	152730	BOLT – HEX HD TFL M12 X 1.75 X 35-10.9-AA1J		
H	50155	BOLT – HEX HD TFL M12 X 1.75 X 25-8.8-AA1J		
J	184714	WASHER – FLAT REG M12-300HV		
K	184667	BOLT – RHSN M12 X 1.75 X 30-8.8-ZINC		
L	136291	BOLT – RHSN TFL M12 X 1.75 X 35-8.8-ZINC		
M	136702	WASHER – CON SPRING M12-ZINC		
N	136401	SCREW – CSK HEX SOC M12 X 1.75 X 40-10.9-AA1J		
P	136759	NUT – HEX CTR LOC M12 X 1.75-8-AA1J		
Q	136842	BOLT – HEX HD TFL M10 X 1.5 X 16-8.8-ZINC		
R	30655	WASHER – HARD M10-340HV-AB0C		
S	136209	SCREW – HEX WSHR M10 X 1.5X20-450HV		
T	135959	BOLT – HEX FLG HD M6 X 1 X 16-10.9-AA1J		
U	30630	BOLT – HEX HD TFL M12 X 1.75 X 30-8.8-A3L		
V	136446	NUT – HEX SLTD FINE M24 X 1.5-SPCL-22HA-ZINC		
W	31774	WASHER – FLAT 1-1/8-30HRC-ACOC		
X	136443	NUT – SPRING "U" TYPE M6 X 1		
Y	152730	BOLT – HEX HD TFL M12 X 1.75 X 35-10.9-AA1J		

43 Reel Cam Components – Right Arm, Double Reel

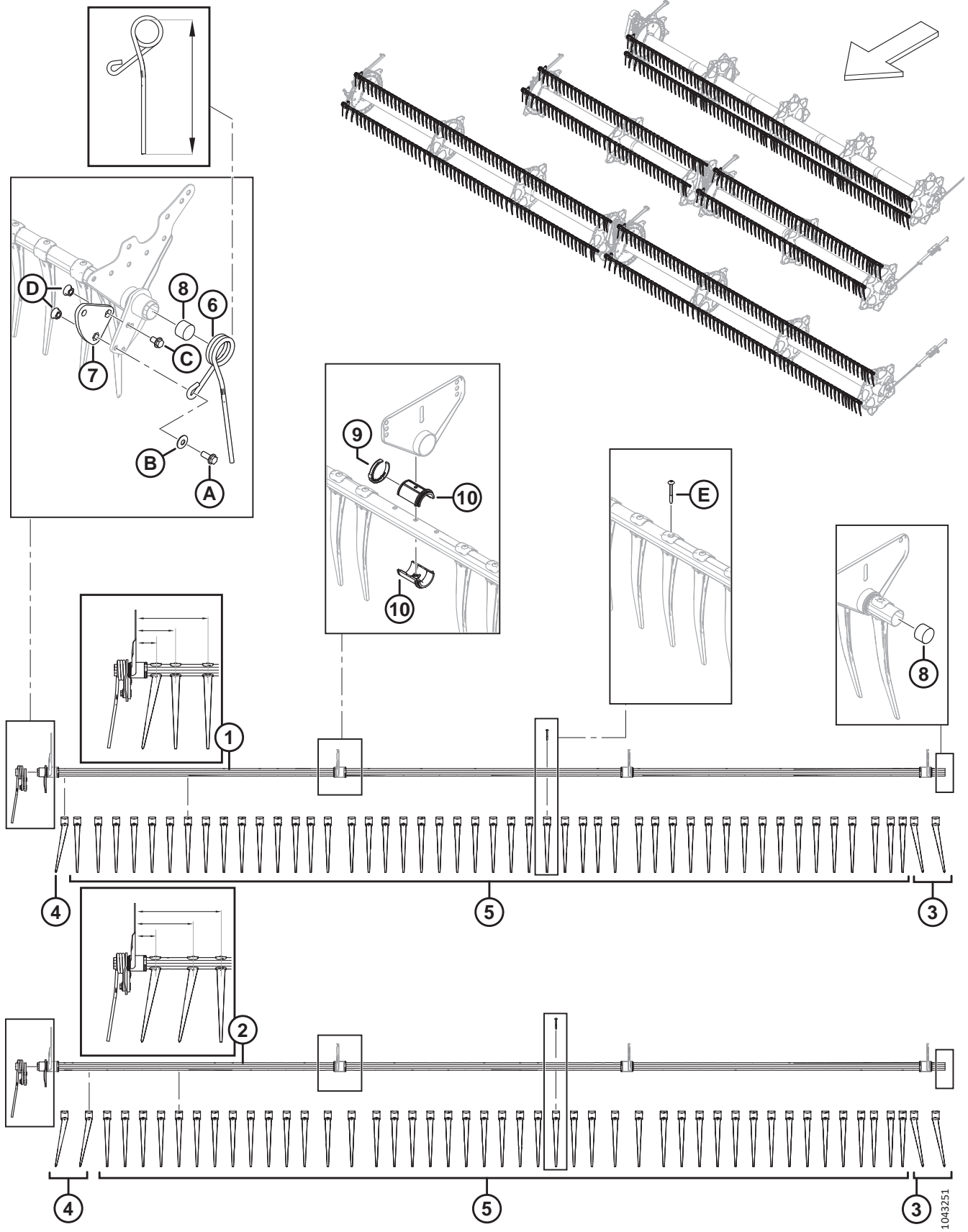


REEL CAM COMPONENTS – RIGHT ARM, DOUBLE REEL

Ref	Part Number	Description	Qty	Serial Number
1	273759	HUB ASSEMBLY – RH CAM ¹⁵⁴	1	
2	164214	BEARING – CUP	2	
3	164213	BEARING – CONE C/W SEAL	2	
4	21301	FITTING – LUBRICATION	1	
5	140250	CAP – DUST	1	
6	164061	SHIM – HUB TO CAM	4	
7	228292	SUPPORT – CAM MACHINING	1	
8	273926	CAM – WELDMENT	1	
9	137476	COVER – CAM BEARING ACCESS	1	
10	228302	SHAFT – MACHINED RH REEL	1	
11	18607	PIN – COTTER 5/32 DIA X 1.5 ZP	1	
A	320180	BOLT – HEX FLG HD M12 X 1.75 X 30-SPCL-8.8-AA1J		
B	136431	NUT – HEX FLG CTR LOC M12 X 1.75-10		
C	152730	BOLT – HEX HD TFL M12 X 1.75 X 35-10.9-AA1J		
D	30630	BOLT – HEX HD TFL M12 X 1.75 X 30-8.8-A3L		
E	136209	SCREW – HEX WSHR M10 X 1.5 X 20-450HV		
F	136446	NUT – HEX SLTD FINE M24 X 1.5-SPCL-22HA-ZINC		
G	31774	WASHER – FLAT 1-1/8-30 HRC-AC0C		

154. The hub assembly includes two bearing cups (MD #164214) and lubrication fitting (MD #21301).

44 Reel – Tine Tube



REEL – TINE TUBE

NOTE:

Finger configuration varies for narrow or wide and left, right, and center tine tubes.

Ref	Part Number	Description	Qty	Serial Number
1	311368	TINE TUBE WELDT – 15 FT SR NARROW ¹⁵⁵	3	
	311190	TINE TUBE WELDT – 20 FT SR NARROW ¹⁵⁵	3	
	360201	TINE TUBE WELDT – 25 FT SR NARROW ¹⁵⁵	3	
	311368	TINE TUBE WELDT – 30 FT DR NARROW ¹⁵⁵	6	
	311207	TINE TUBE WELDT – 35 FT DR NARROW ¹⁵⁵	6	
	311303	TINE TUBE WELDT – 41 FT DR NARROW ¹⁵⁵	6	
2	311365	TINE TUBE WELDT – 15 FT SR WIDE ¹⁵⁵	3	
	311193	TINE TUBE WELDT – 20 FT SR WIDE ¹⁵⁵	3	
	360199	TINE TUBE WELDT – 25 FT SR WIDE ¹⁵⁵	2	
	311365	TINE TUBE WELDT – 30 FT DR WIDE ¹⁵⁵	4	
	311210	TINE TUBE WELDT – 35 FT DR WIDE ¹⁵⁵	4	
	311306	TINE TUBE WELDT – 41 FT DR WIDE ¹⁵⁵	4	
3	311524	FINGER – PLASTIC, LH ANGLED (10 PACK)	A/R	
4	311523	FINGER – PLASTIC, RH ANGLED (10 PACK)	A/R	
5	174849	FINGER – PLASTIC, STRAIGHT (10 PACK) ¹⁵⁶		
6	311327	FINGER – CAM END BENT, LH REEL (315 MM LG) ¹⁵⁷	1	
	311325	FINGER – CAM END OUTBOARD, RH REEL (305 MM LG) ¹⁵⁷	1	
7	228319	ARM – CRANK MACHINING (SR, DR) ¹⁵⁸	1	
8	137980	PLUG – TINE TUBE	2	
9	220941	CLAMP – TINE TUBE BUSHING, CENTER RIB (5 PACK)	A/R	
10	220939	TINE TUBE BUSHING (25 PACK)	A/R	
A	320192	BOLT – HEX FLG HD M12 X 1.75 X 30-SPCL-8.8-AA1J		
B	184597	WASHER – CON SPRING M12-AA1J ¹⁵⁹		
C	320187	BOLT – HEX FLG HD M12 X 1.75 X 20-SPCL-8.8-AA1J		
D	184697	NUT – HEX SER FLG M12 X 1.75-8-AA1J		
E	252687	SCREW – 48° PLASTITE TWIN HELIX		

155. Narrow or wide tine tubes can be distinguished by the first three fingers of the RH side. Narrow tine tubes have one RH angled finger (MD #311523) followed by two straight fingers (MD #174849) and measure 76 mm, 146 mm, and 265 mm as illustrated. Wide tine tubes have two RH angled fingers (MD #311523) followed by one straight finger (MD #174849) and measure 76 mm, 214 mm, and 315 mm as illustrated.

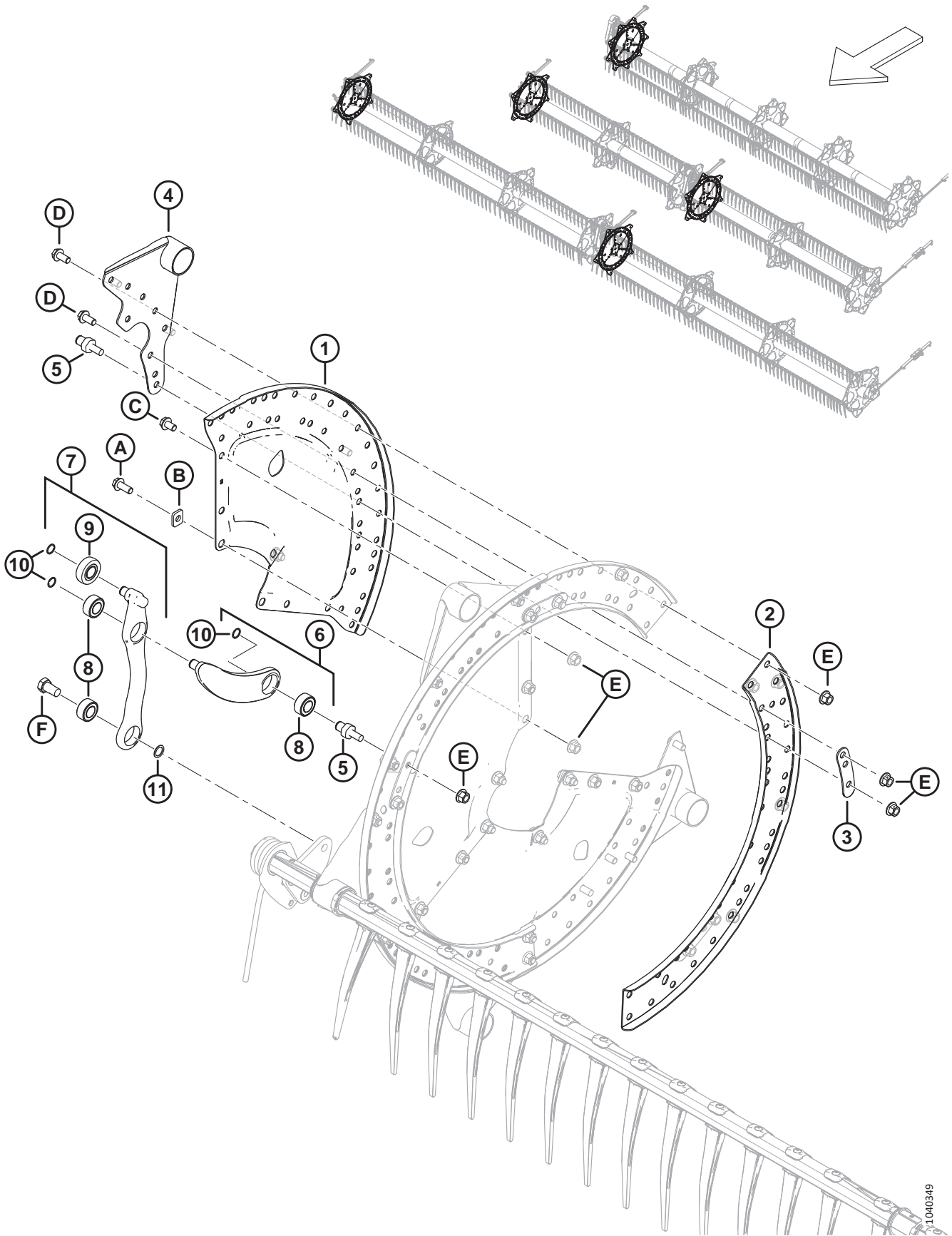
156. Quantities per tine tube (LH/RH): NARROW – D230 = 40/41, D235 = 47/48, and D241 = 56/57. WIDE – D230 = 37/38, D235 = 44/45, and D241 = 52/54. Quantities per tine tube (single reel): NARROW – D215 = 40, D220 = 55, and D225 = 70. WIDE – D215 = 37, D220 = 51, and D225 = 71.

157. There are two lengths of finger that can be ordered. The finger at the RH side of the reel is shorter than fingers at the center of the header. The correct finger must be installed in the correct position to prevent damage. Determine the proper length (315 or 305 mm) of a finger by measuring the finger from the inside top loop to the finger tip as shown in illustration.

158. Steel; for single- and double-reel headers only.

159. Be sure to note the orientation of washer (MD #184597). The concave (inward facing) surface of the washer should be installed facing away from the tine tube crank arm assembly.

45 Reel Discs – Cam End and Linkage



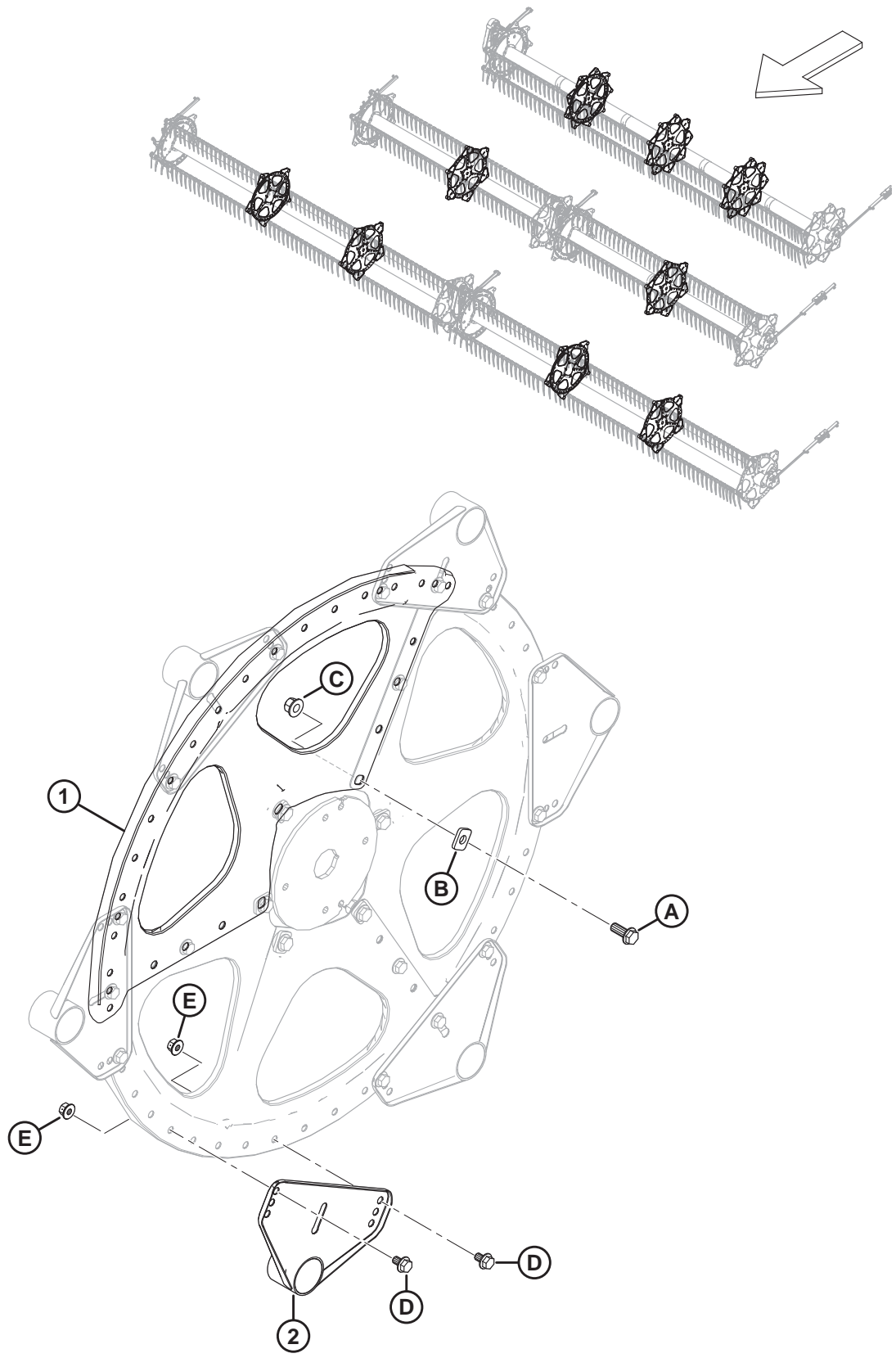
REEL DISCS – CAM END AND LINKAGE

Ref	Part Number	Description	Qty 5/6/9 Bat	Serial Number
1	273373	SECTOR – CAM END	3/3/3	
2	273376	CHANNEL – CAM DISC	3/3/3	
3	311672	STRAP	5/6/9	
4	335924	ARM WELDT – CAM END	5/6/9	
5	340146	STUD (FOR LINKAGE)	5/6/9	
6	311615	ARM – ASSEMBLY ¹⁶⁰	5/6/9	
7	311617	ARM – TINE CONTROL ASSY ¹⁶¹	5/6/9	
8	273347	BEARING	15/18/27	
9	273524	BEARING – CAM FOLLOWER	5/6/9	
10	273536	RING – RETAINING	15/18/27	
11	137529	SHIM – CRANK BEARING	5/6/9	
A	320180	BOLT – HEX FLG HD M12 X 1.75 X 30-SPCL-8.8-AA1J		
B	273666	WASHER		
C	320179	BOLT – HEX FLG HD TFL M12 X 1.75 X 20-SPCL-8.8-AA1J		
D	320175	BOLT – HEX FLG HD TFL M12 X 1.75 X 25-SPCL-8.8-AA1J		
E	136431	NUT – HEX FLG CTR LOC M12 X 1.75-10		
F	228316	BOLT – HEX HD M16 X 1.5 X 15-SPCL-8.8-AA1J		

160. The arm assembly includes arm (NSS), bearing (MD #273347), and retaining ring (MD #273536).

161. The tine control assembly includes arm (NSS), cam follower bearing (MD #273524), two bearings (MD #273347), and retaining ring (MD #273536).

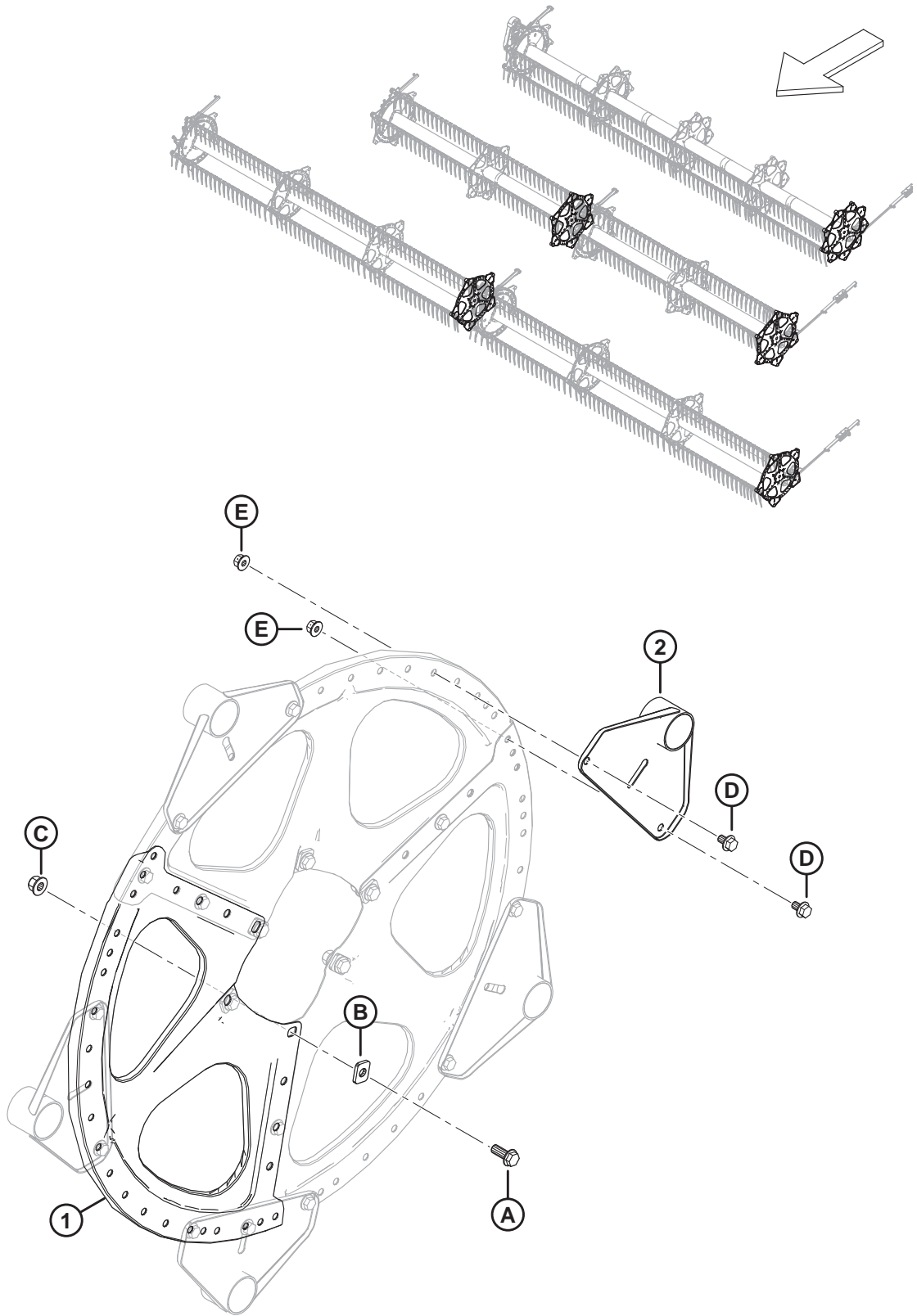
46 Reel Discs – Mid Span



REEL DISCS – MID SPAN

Ref	Part Number	Description	Qty 5/6/9 Bat	Serial Number
1	273375	SECTOR – MID SPAN AND TAIL END	3/3/3	
2	273523	ARM WELDT – MID SPAN	5/6/9	
A	320180	BOLT – HEX FLG HD M12 X 1.75 X 30-SPCL-8.8-AA1J		
B	273666	WASHER		
C	136431	NUT – HEX FLG CTR LOC M12 X 1.75-10		
D	136151	BOLT – HEX FLG HD TFL M10 X 1.5 X 16-8.8-AA1J		
E	135799	NUT – HEX FLG CTR LOC M10 X 1.5-10		

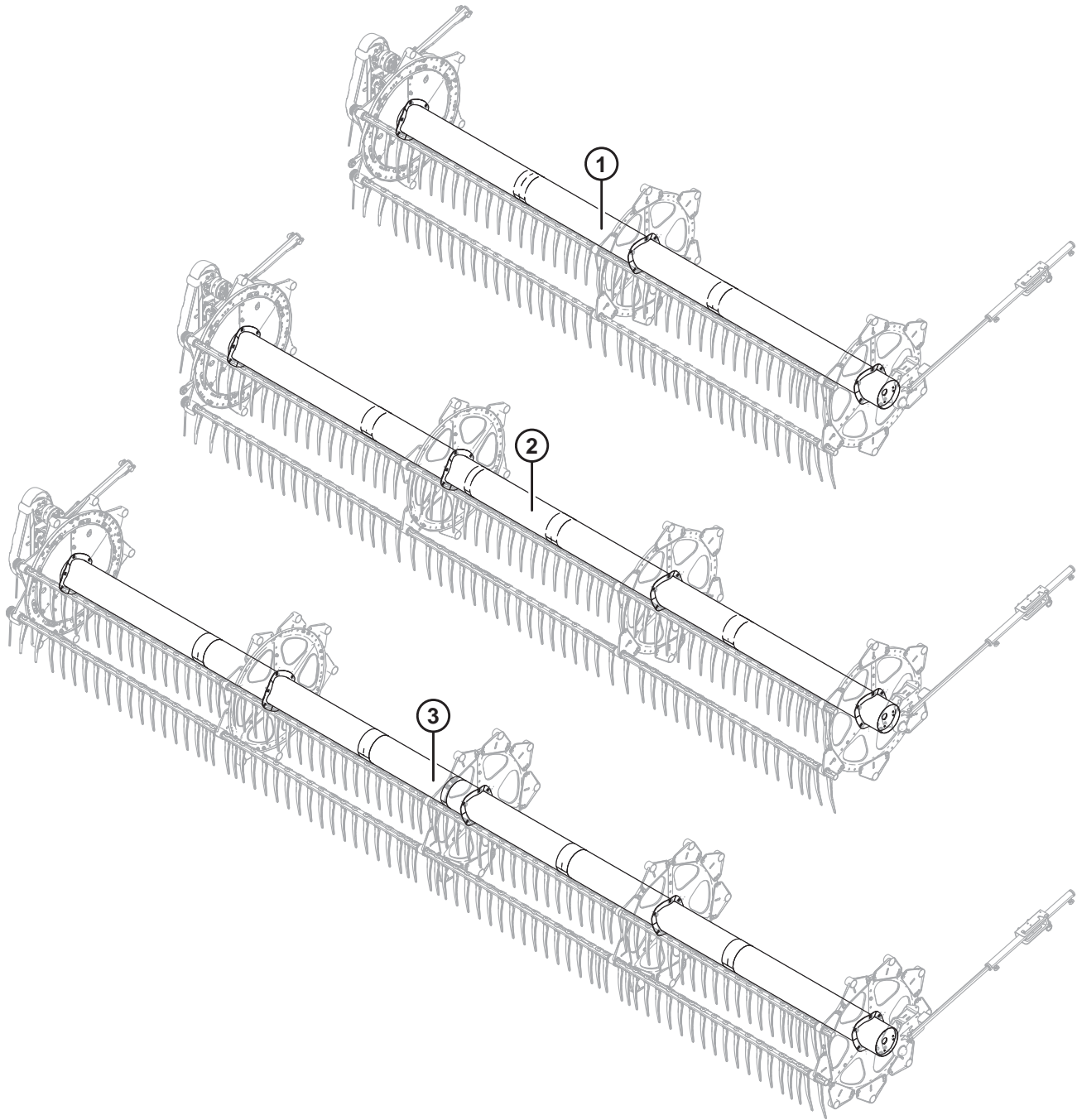
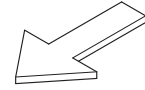
47 Reel Discs – Tail End



REEL DISCS – TAIL END

Ref	Part Number	Description	Qty 5/6/9 Bat	Serial Number
1	273375	SECTOR – MID SPAN AND TAIL END	3/3/3	
2	311347	ARM WELDT – TAIL END	5/6/9	
A	320180	BOLT – HEX FLG HD M12 X 1.75 X 30-SPCL-8.8-AA1J		
B	273666	WASHER		
C	136431	NUT – HEX FLG CTR LOC M12 X 1.75-10		
D	136151	BOLT – HEX FLG HD TFL M10 X 1.5 X 16-8.8-AA1J		
E	135799	NUT – HEX FLG CTR LOC M10 X 1.5-10		

48 Reel – Center Tubes, Single Reel

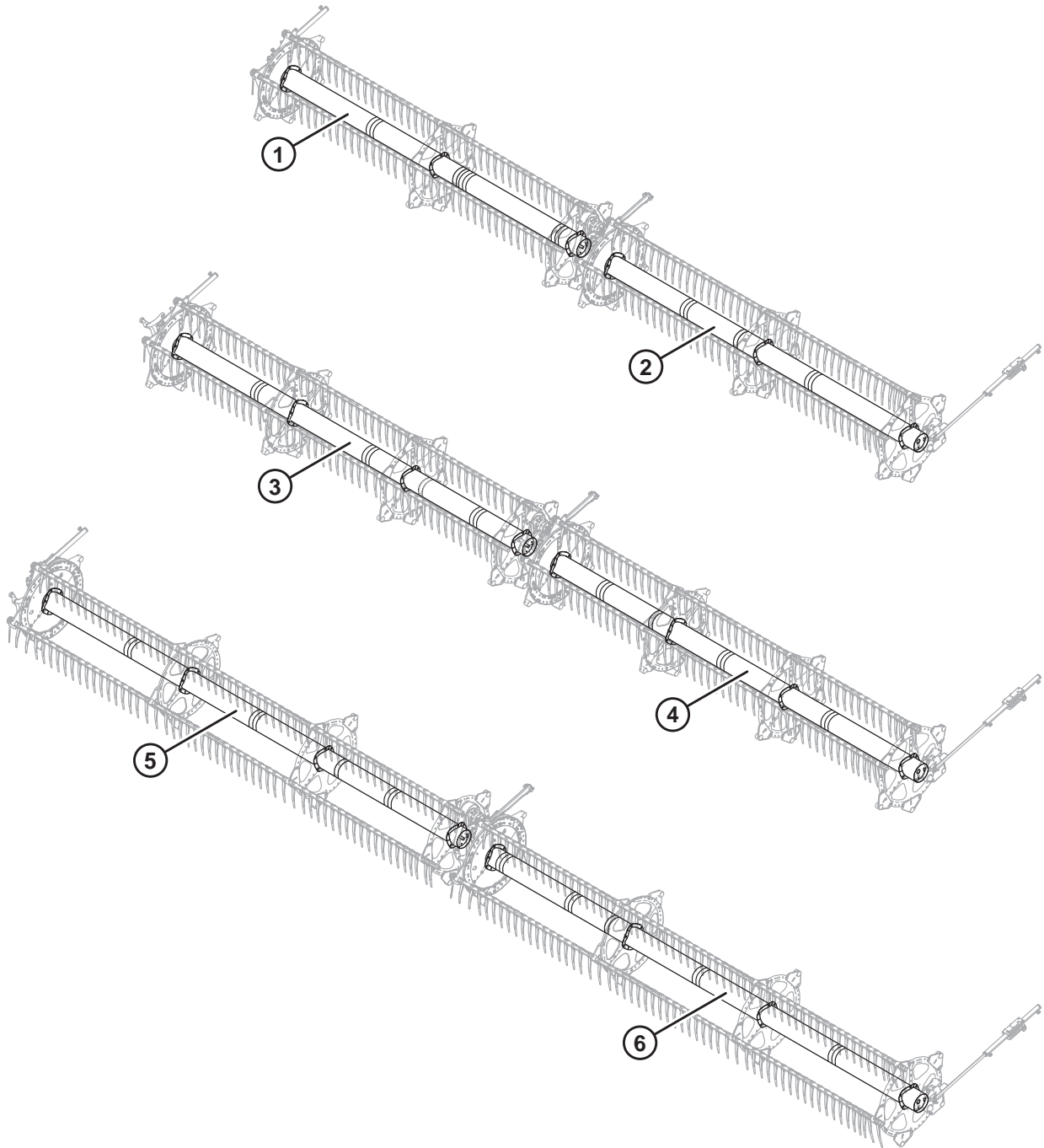
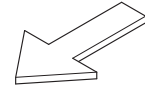


REEL – CENTER TUBES, SINGLE REEL

Ref	Part Number	Description	Qty	Serial Number
1	311643	CENTER TUBE – W/ DECALS, 15 FT (AMBER, RED-ORANGE DECALS) 162	1	
2	311658	CENTER TUBE – W/ DECALS, 20 FT (AMBER, RED-ORANGE DECALS) 163	1	
3	360376	CENTER TUBE – W/ DECALS, 25 FT (AMBER, RED-ORANGE DECALS) 164	1	

162. Used for D215 headers.
 163. Used for D220 headers.
 164. Used for D225 headers.

49 Reel – Center Tubes, Double Reel

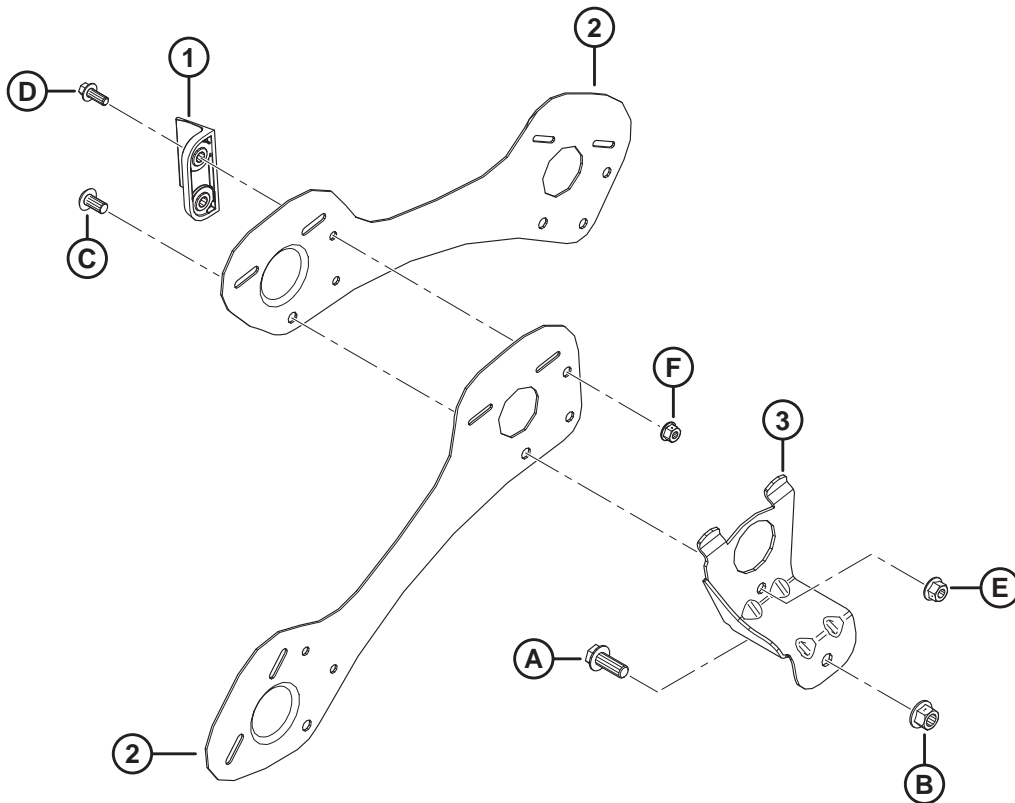
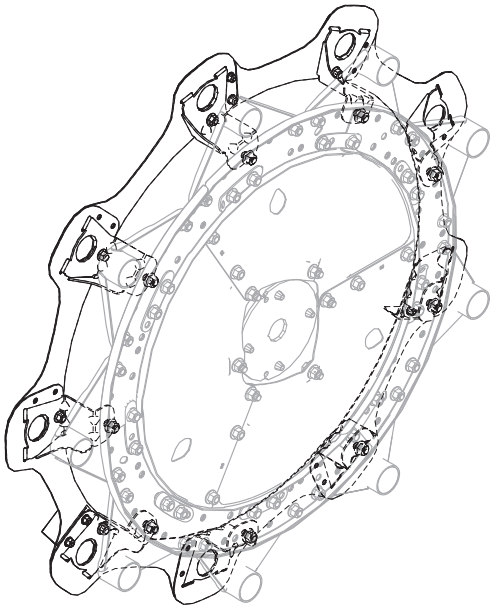


REEL – CENTER TUBES, DOUBLE REEL

Ref	Part Number	Description	Qty	Serial Number
1	311644	CENTER TUBE – W/ DECALS, 30 FT RH (AMBER, RED-ORANGE DECALS) ¹⁶⁵	1	
2	311643	CENTER TUBE – W/ DECALS, 30 FT LH (AMBER, RED-ORANGE DECALS) ¹⁶⁵	1	
3	311646	CENTER TUBE – W/ DECALS, 35 FT RH (AMBER, RED-ORANGE DECALS) ¹⁶⁶	1	
4	311645	CENTER TUBE – W/ DECALS, 35 FT LH (AMBER, RED-ORANGE DECALS) ¹⁶⁶	1	
5	311648	CENTER TUBE – W/ DECALS, 41 FT RH (AMBER, RED-ORANGE DECALS) ¹⁶⁷	1	
6	311647	CENTER TUBE – W/ DECALS, 41 FT LH (AMBER, RED-ORANGE DECALS) ¹⁶⁷	1	

165. Used for D230 headers.
 166. Used for D235 headers.
 167. Used for D241 headers.

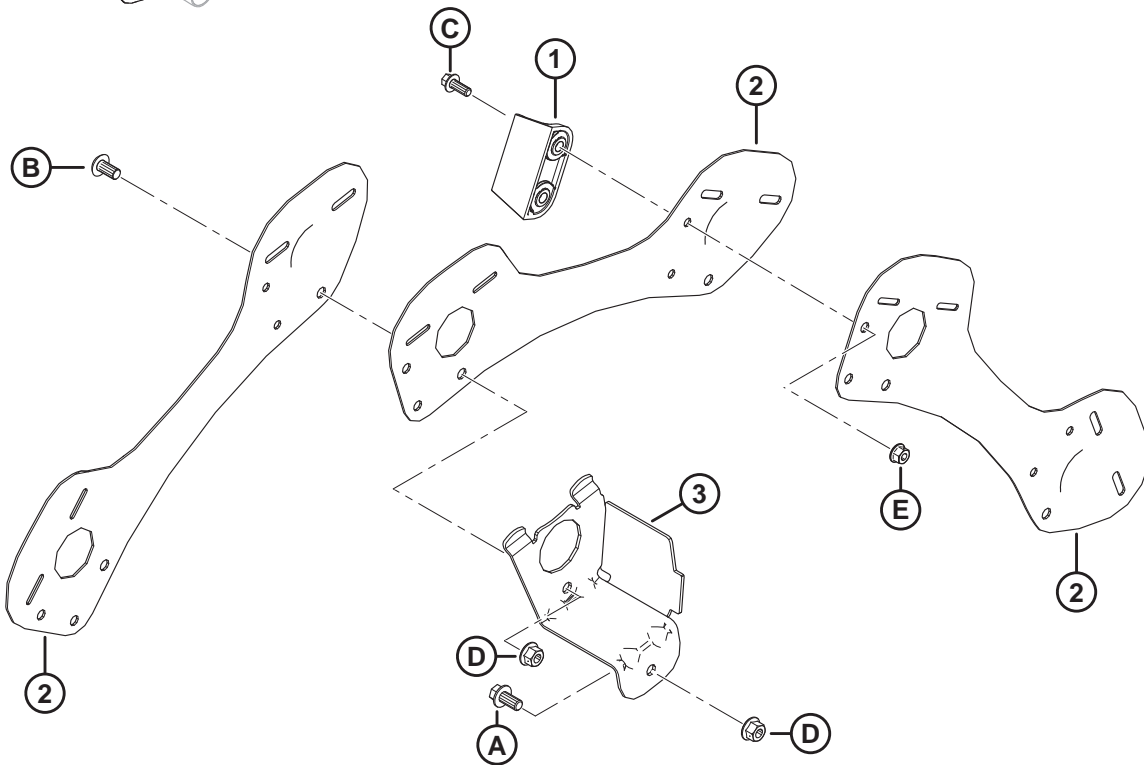
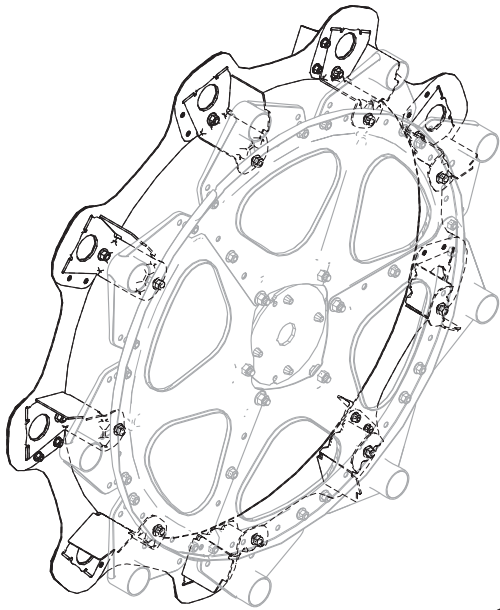
50 Reel – Endshields, Cam End, Outboard (9 Bat)



REEL – ENDSHIELDS, CAM END, OUTBOARD (9 BAT)

Ref	Part Number	Description	Qty	Serial Number
1	313035	PADDLE – REEL END, HYTREL	3	
2	311863	SHIELD – OUTBOARD RH 9 BAT	9	
3	311964	SUPPORT – WELDT CAM END	9	
A	320180	BOLT – HEX FLG HD M12 X 1.75 X 30-SPCL-8.8-ZINC		
B	136431	NUT – HEX FLG CTR LOC M12 X 1.75-10		
C	136395	SCREW – TORX TRUSS HD M10 X 1.5 X 20 X SPCL-8.8-A3L		
D	136300	BOLT – HEX FLG HD TFL M8 X 1.25 X 20-8.8-AA3L		
E	135799	NUT – HEX FLG CTR LOC M10 X 1.5-10		
F	135337	NUT – HEX FLG CTR LK M8 X 1.25-8-AA1J		

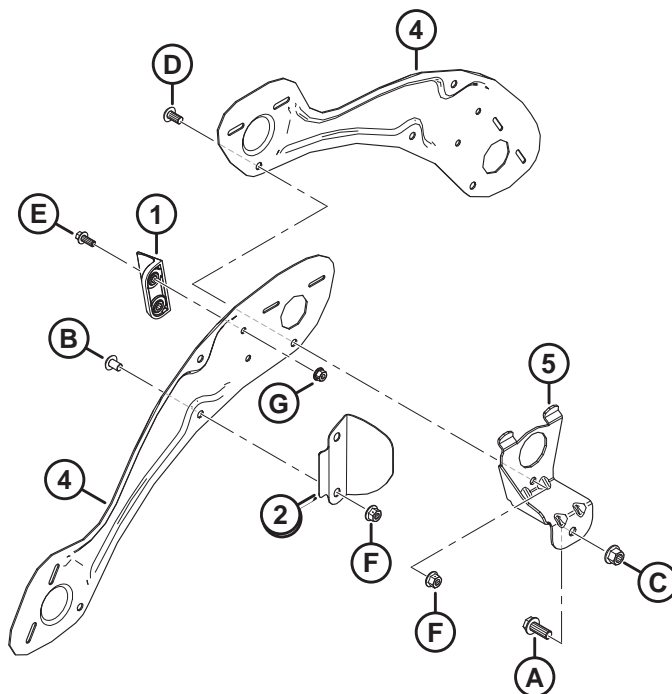
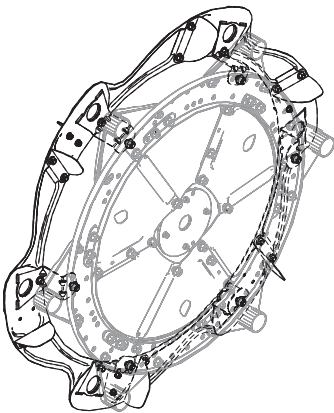
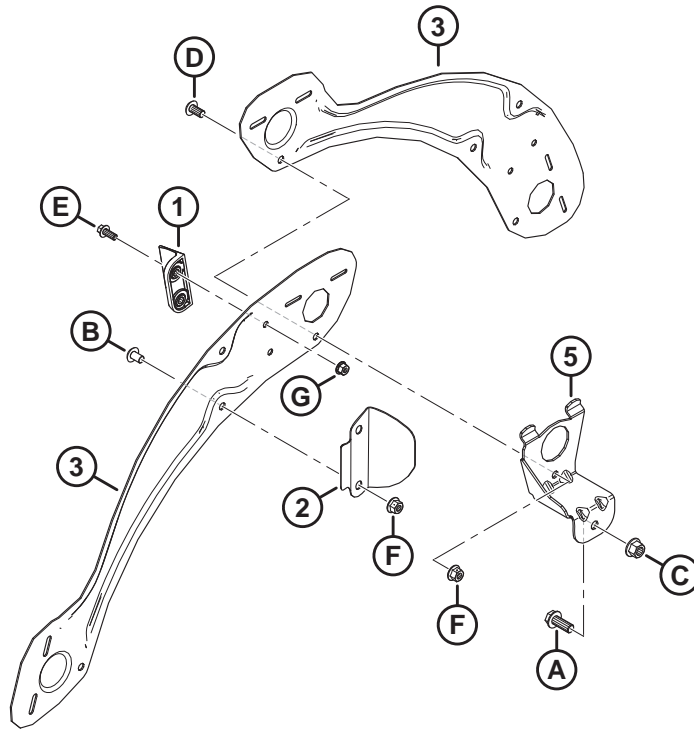
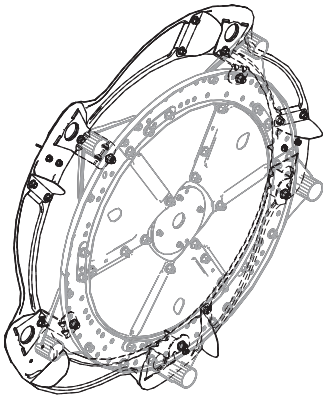
51 Reel – Endshields, Tail End, Outboard (9 Bat)



REEL – ENDSHIELDS, TAIL END, OUTBOARD (9 BAT)

Ref	Part Number	Description	Qty	Serial Number
1	313035	PADDLE – REEL END, HYTREL	3	
2	311864	SHIELD – OUTBOARD LH 9 BAT	9	
3	311965	SUPPORT – WELDT TAIL END	9	
A	152655	BOLT – HEX FLG HD M10 X 1.5 X 20-8.8-AA1J		
B	136395	SCREW – TORX TRUSS HD M10 X 1.5 X 20 X SPCL-8.8-A3L		
C	136300	BOLT – HEX FLG HD TFL M8 X 1.25 X 20-8.8-AA3L		
D	135799	NUT – HEX FLG CTR LOC M10 X 1.5-10		
E	135337	NUT – HEX FLG CTR LK M8 X 1.25-8-AA1J		

52 Reel – Endshields, Cam End, Outboard (5 Bat and 6 Bat)



REEL – ENDSHIELDS, CAM END, OUTBOARD (5 BAT AND 6 BAT)

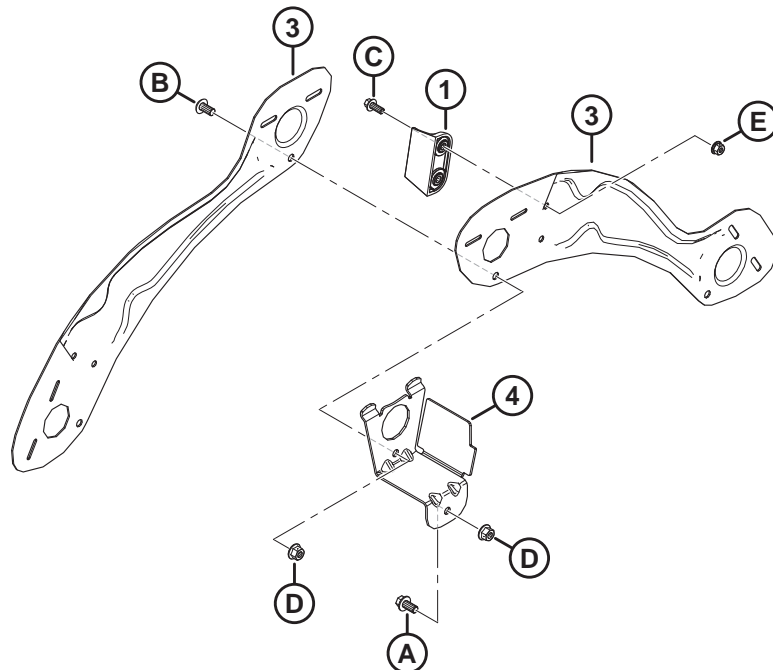
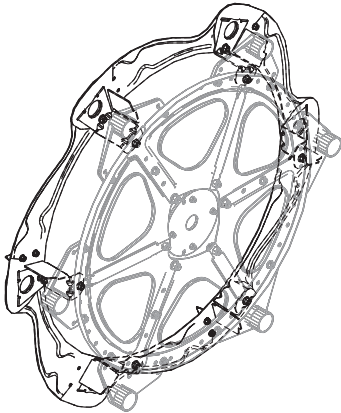
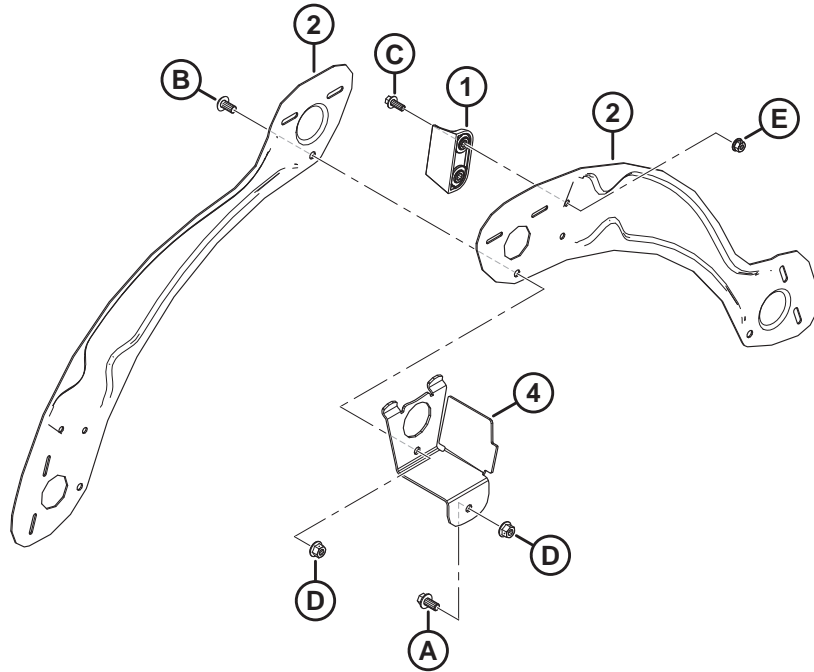
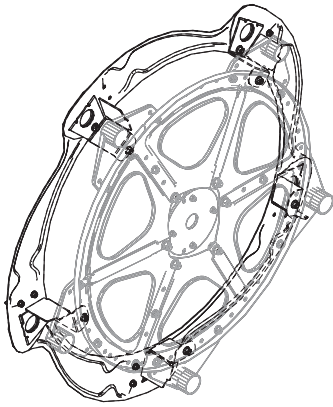
NOTE:

Top illustration shows 5 bat; bottom illustration shows 6 bat.

Ref	Part Number	Description	Qty	Serial Number
1	313035	PADDLE – REEL END, HYTREL	3	
2	311729	DEFLECTOR – CAM OUTBOARD ¹⁶⁸		
3	311694	SHIELD – OUTBOARD RH 5 BAT	5	
4	311752	SHIELD – OUTBOARD RH 6 BAT	6	
5	311964	SUPPORT – WELDT CAM END ¹⁶⁸		
A	320180	BOLT – HEX FLG HD M12 X 1.75 X 30-SPCL-8.8-ZINC		
B	136640	SCREW – TORX TRUSS HD M10 X 1.5 X 16 X SPCL-8.8-AA1J		
C	136431	NUT – HEX FLG CTR LOC M12 X 1.75-10		
D	136395	SCREW – TORX TRUSS HD M10 X 1.5 X 20 X SPCL-8.8-A3L		
E	136300	BOLT – HEX FLG HD TFL M8 X 1.25 X 20-8.8-AA3L		
F	135799	NUT – HEX FLG CTR LOC M10 X 1.5-10		
G	135337	NUT – HEX FLG CTR LK M8 X 1.25-8-AA1J		

168. Quantities: 5 bat = 5, 6 bat = 6.

53 Reel – Endshields, Tail End, Outboard (5 Bat and 6 Bat)



REEL – ENDSHIELDS, TAIL END, OUTBOARD (5 BAT AND 6 BAT)

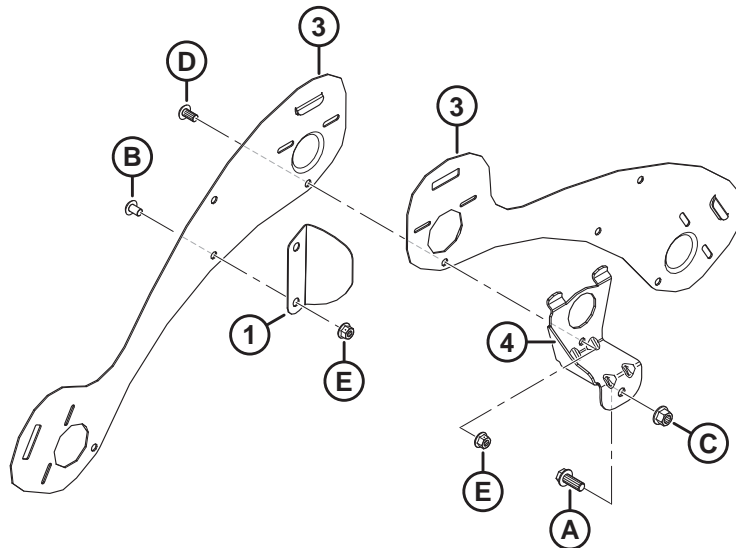
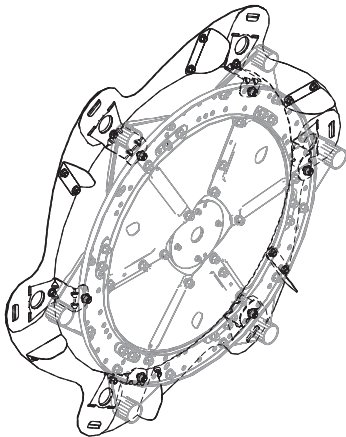
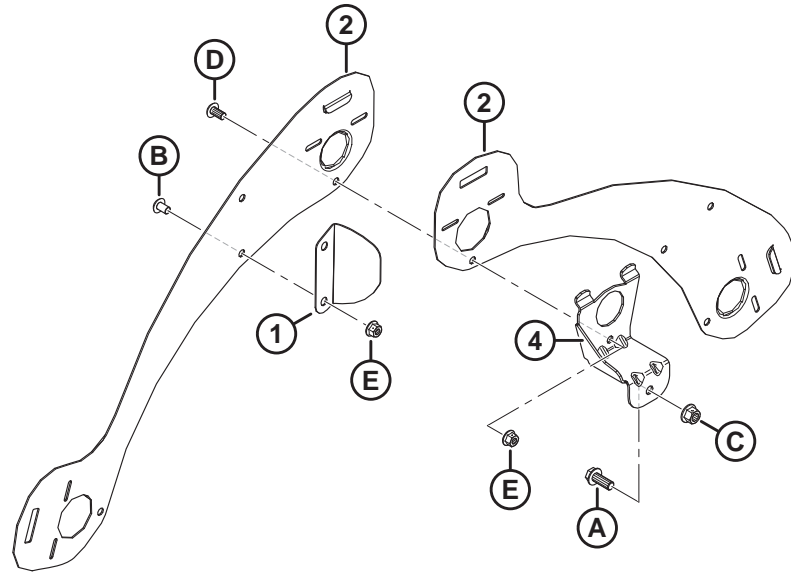
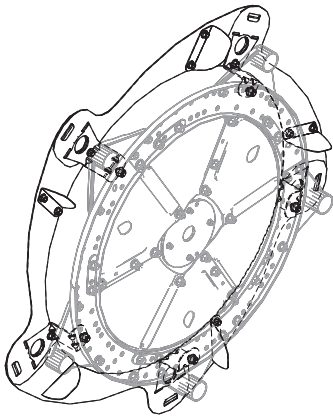
NOTE:

Top illustration shows 5 bat; bottom illustration shows 6 bat.

Ref	Part Number	Description	Qty	Serial Number
1	313035	PADDLE – REEL END, HYTREL	3	
2	311695	SHIELD – OUTBOARD LH 5 BAT	5	
3	311753	SHIELD – OUTBOARD LH 6 BAT	6	
4	311965	SUPPORT – WELDT TAIL END ¹⁶⁹		
A	152655	BOLT – HEX FLG HD M10 X 1.5 X 20-8.8-AA1J		
B	136395	SCREW – TORX TRUSS HD M10 X 1.5 X 20 X SPCL-8.8-A3L		
C	136300	BOLT – HEX FLG HD TFL M8 X 1.25 X 20-8.8-AA3L		
D	135799	NUT – HEX FLG CTR LOC M10 X 1.5-10		
E	135337	NUT – HEX FLG CTR LK M8 X 1.25-8-AA1J		

169. Quantities: 5 bat = 5, 6 bat = 6.

54 Reel – Endshields, Cam End, Inboard (5 Bat and 6 Bat)



REEL – ENDSHIELDS, CAM END, INBOARD (5 BAT AND 6 BAT)

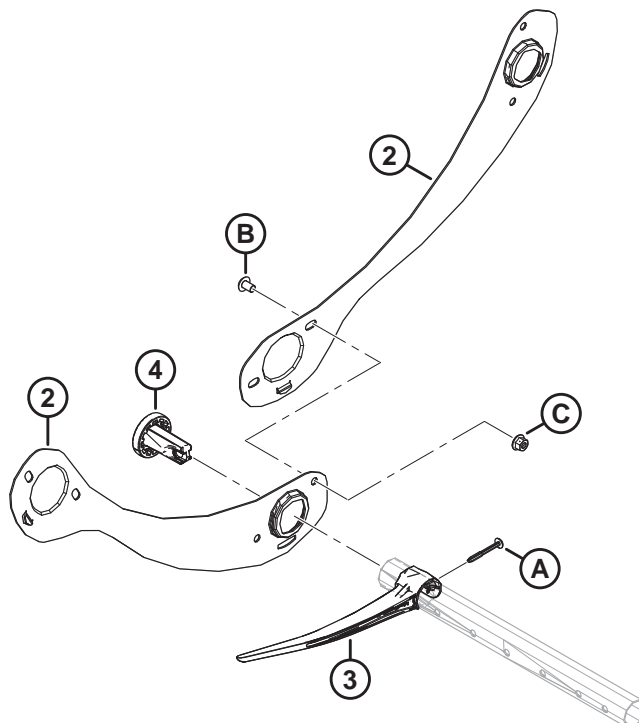
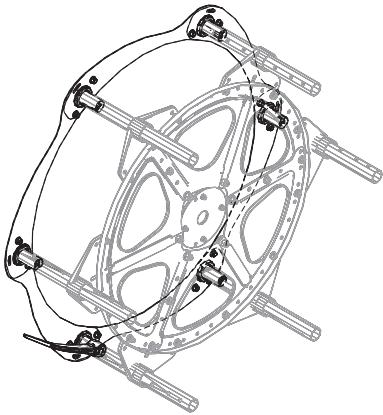
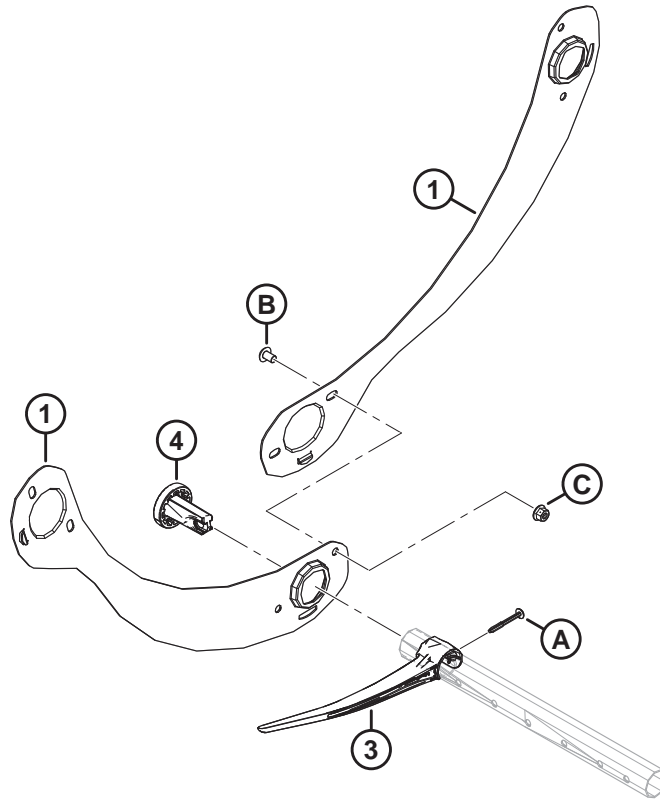
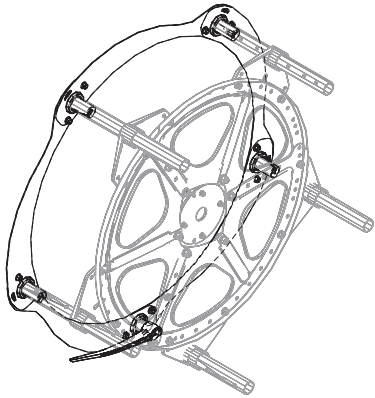
NOTE:

Top illustration shows 5 bat; bottom illustration shows 6 bat.

Ref	Part Number	Description	Qty	Serial Number
1	311906	DEFLECTOR – CAM INBOARD ¹⁷⁰		
2	273823	SHIELD – 5 BAT LH REEL CAM END	5	
3	273813	SHIELD – 6 BAT LH REEL CAM END	6	
4	311964	SUPPORT – WELDT CAM END ¹⁷⁰		
A	320180	BOLT – HEX FLG HD M12 X 1.75 X 30-SPCL-8.8-ZINC		
B	136640	SCREW – TORX TRUSS HD M10 X 1.5 X 16 X SPCL-8.8-AA1J		
C	136431	NUT – HEX FLG CTR LOC M12 X 1.75-10		
D	136395	SCREW – TORX TRUSS HD M10 X 1.5 X 20 X SPCL-8.8-A3L		
E	135799	NUT – HEX FLG CTR LOC M10 X 1.5-10		

170. Quantities: 5 bat = 5, 6 bat = 6.

55 Reel – Endshields, Tail End, Inboard (5 Bat and 6 Bat)



REEL – ENDSHIELDS, TAIL END, INBOARD (5 BAT AND 6 BAT)

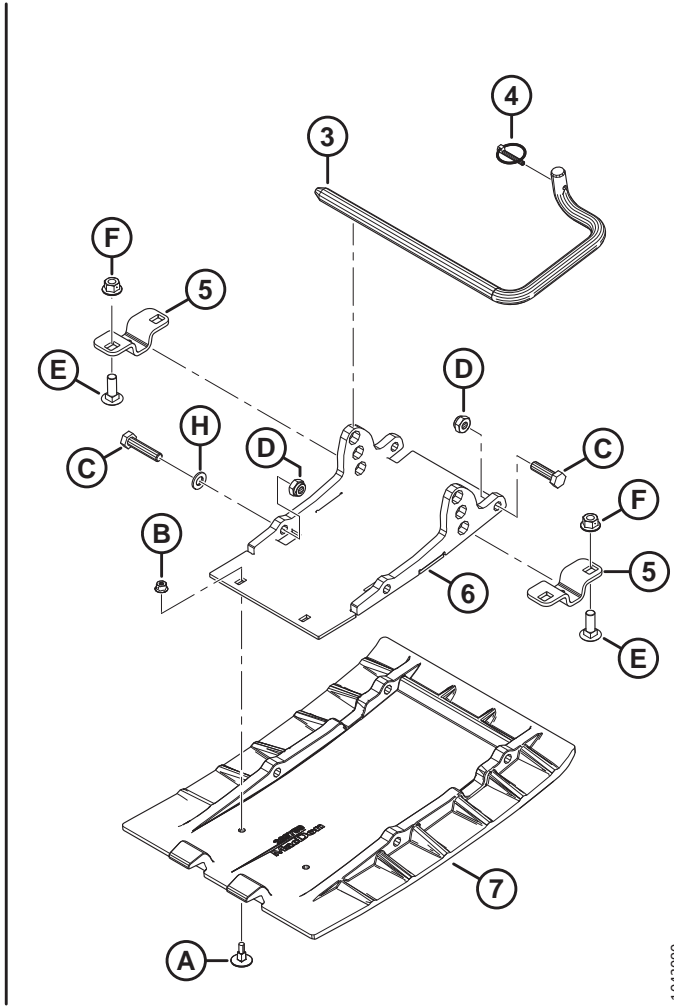
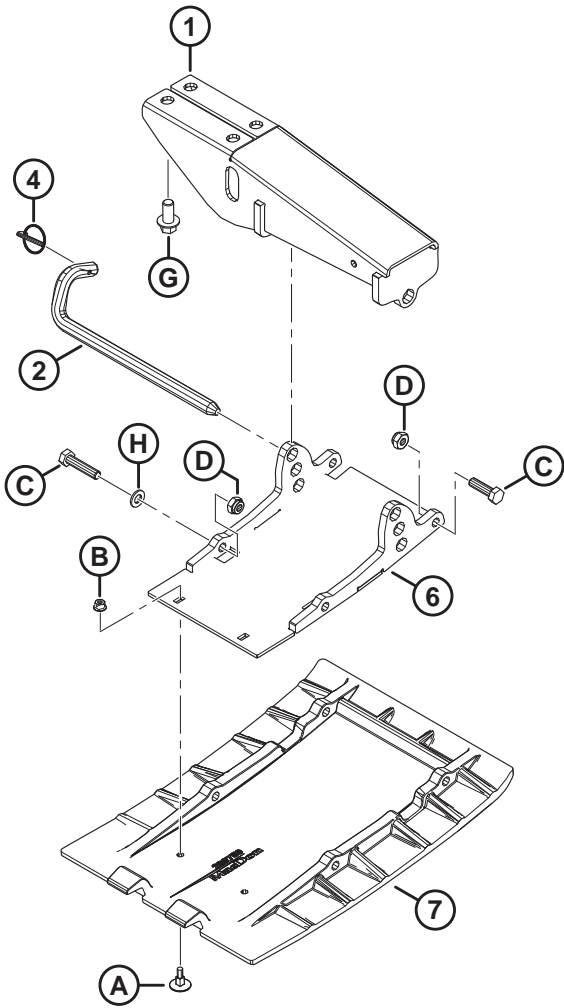
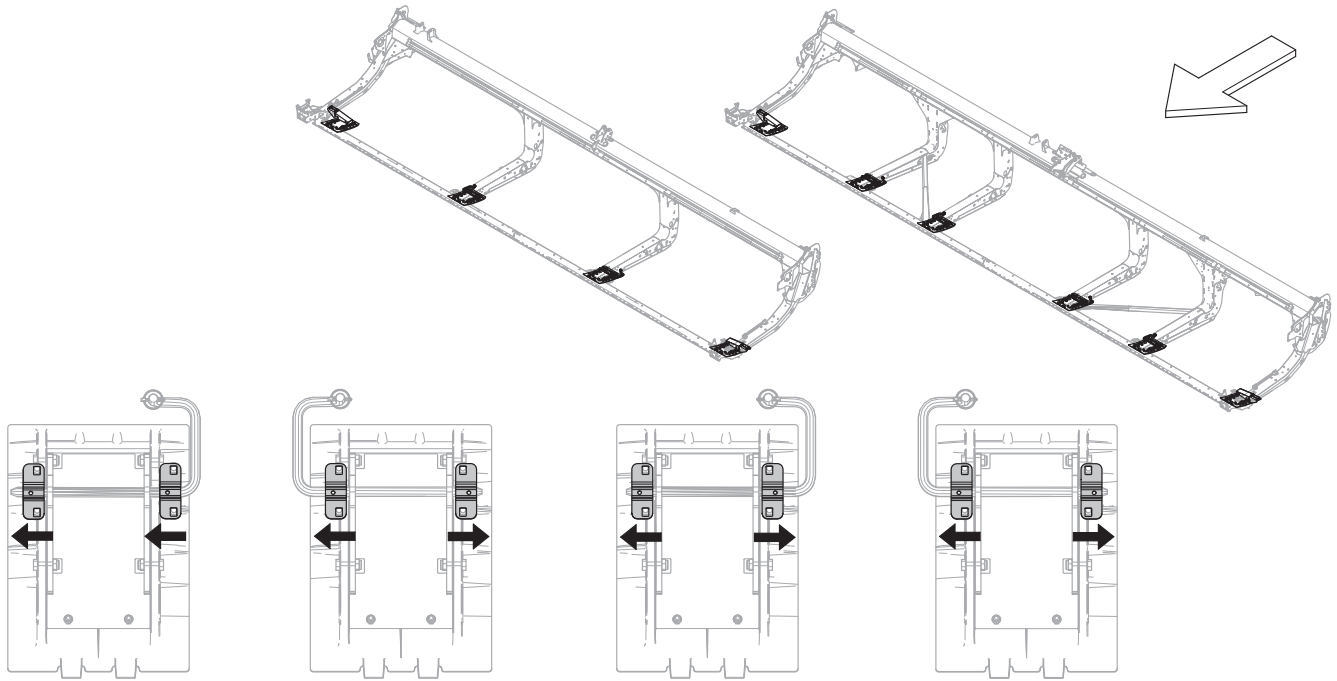
NOTE:

Top illustration shows 5 bat; bottom illustration shows 6 bat.

Ref	Part Number	Description	Qty	Serial Number
1	311795	SHIELD – 5 BAT RH REEL, TAIL END	5	
2	311822	SHIELD – 6 BAT RH REEL TAIL END	6	
3	311524	FINGER – PLASTIC, LH ANGLED (10 PACK) ¹⁷¹		
4	273968	BUSHING – ENDSHIELD	5	
A	252687	SCREW – 48° PLASTITE TWIN HELIX		
B	136640	SCREW – TORX TRUSS HD M10 X1.5 X 16 X SPCL-8.8-AA1J		
C	135799	NUT – HEX FLG CTR LOC M10 X 1.5-10		

171. Quantities: 5 bat = 5, 6 bat = 6.

56 Skid Shoes – End and Center



SKID SHOES – END AND CENTER

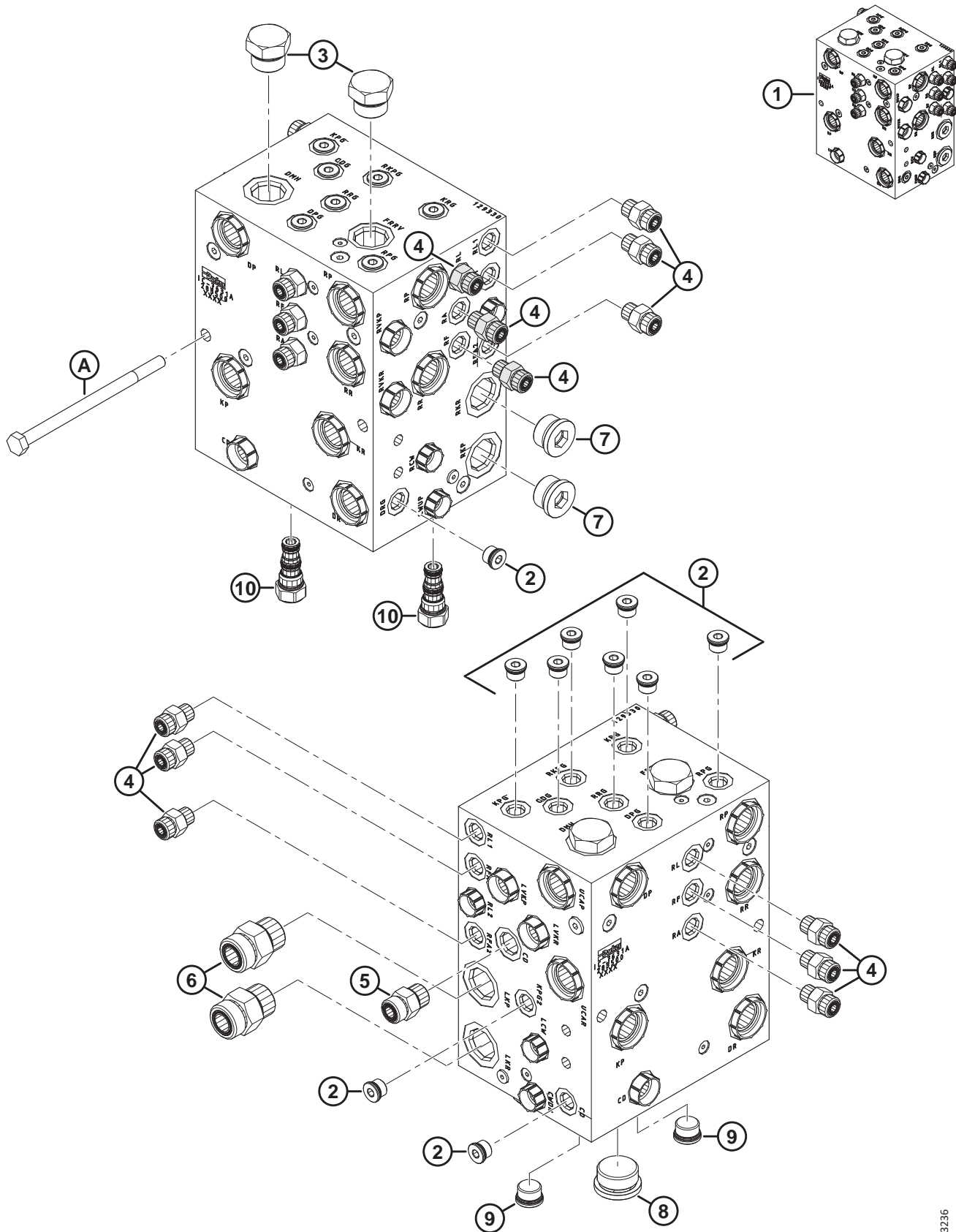
Ref	Part Number	Description	Qty	Serial Number
1	312680	MOUNT WELDT – SKID SHOE (END)	2	
2	312675	ROD – ENGAGING	2	
3	165588	ROD – ENGAGING RH ¹⁷²	2	
	165168	ROD – ENGAGING LH ¹⁷²	2	
4	50193	PIN – LYNCH ¹⁷³		
5	232806	BRACKET – SHOE SUPPORT ¹⁷⁴		
6	289869	SUPPORT WELDT – PLATE ¹⁷³		
7	289759	SHOE – WEARPLATE, POLYETHYLENE ¹⁷³		
A	252176	BOLT – ELEV CSK M6 X 1 X 23-8.8		
B	152668	NUT – HEX FLG CTR LOC M6 X 1-8		
C	135335	BOLT – HEX HD M10 X 1.5 X 45-8.8-AA1J		
D	184692	NUT – HEX NYLOC M10 X 1.5-8-AA1J		
E	184662	BOLT – RHSN TFL M10 X 1.5 X 30-8.8-AA1J		
F	135799	NUT – HEX FLG CTR LOC M10 X 1.5-10		
G	136399	BOLT – HEX FLG HD TFL M12 X 1.75 X 25-8.8-AA1J		
H	184711	WASHER – FLAT REG M10-200HV-AA1J		

172. Right engaging rod is shown in the illustration. Quantities of RH engaging rod (MD #165588) and LH engaging rod (MD #165168) are one of each for D215, D220, and D225 headers, and two of each for D230, D235, and D241 headers.

173. Quantities: D215, D220, and D225 = 4; D230, D235, and D241 = 6.

174. Orientation of this bracket varies, be sure to install as per shown for each center skid shoe. Compare location of small hole with arrows. Quantities: D215, D220, and D225 = 4; D230, D235, and D241 = 8.

57 Hydraulics – Manifold, Single Knife

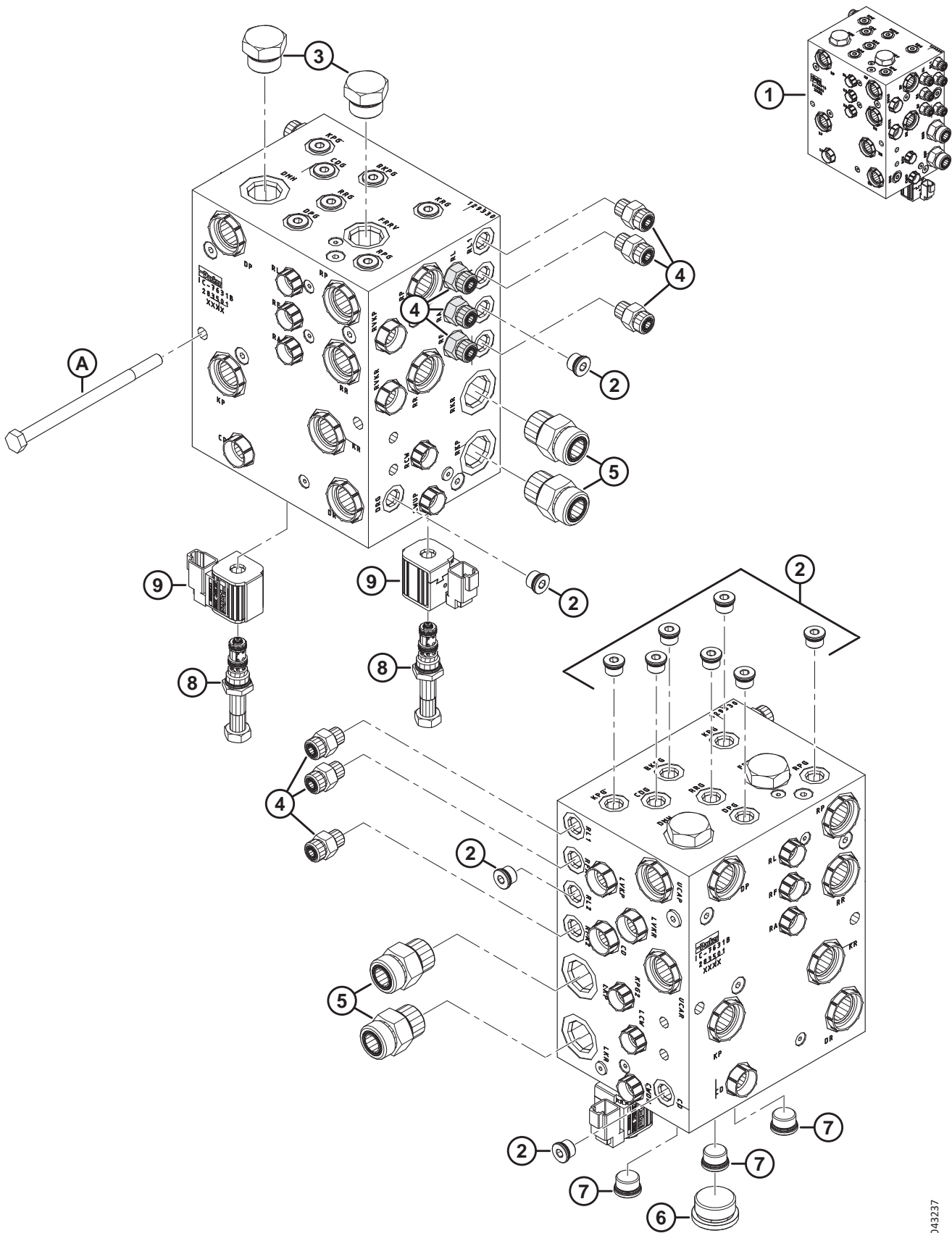


HYDRAULICS – MANIFOLD, SINGLE KNIFE

Ref	Part Number	Description	Qty	Serial Number
1	283500	ASSY – SK MANIFOLD ¹⁷⁵	1	
2	100577	FITTING – PLUG HYD 6 ORB HEX SOC	10	
	50219	O-RING – Ø1.98 X Ø11.89		
3	103575	FITTING – PLUG HYD 12 ORB HEX HD	2	
	30971	O-RING – Ø2.95 X Ø23.47		
4	135778	FITTING – ADAPTER	12	
	50219	O-RING – Ø1.98 X Ø11.89		
	135865	O-RING – Ø1.78 X Ø9.25		
5	135780	FITTING – ADAPTER	1	
	44209	O-RING – Ø2.21 X Ø16.36		
	135866	O-RING – Ø1.78 X Ø12.42		
6	135788	FITTING – ADAPTER	2	
	30971	O-RING – Ø2.95 X Ø23.47		
	135868	O-RING – Ø1.78 X Ø18.77		
7	136269	FITTING – PLUG HYD 12 ORB HEX SOC	2	
	30971	O-RING – Ø2.95 X Ø23.47		
8	136524	FITTING – PLUG HYD 16 ORB HEX SOC	1	
	50220	O-RING – Ø2.95 X Ø29.74		
9	158174	FITTING – PLUG HYD 8 ORB HEX SOC	2	
	44209	O-RING – 2.21 X 16.36		
10	283567	PLUG – CAVITY	2	
	283569	SEAL KIT		
A	136850	BOLT – HEX HD M10 X 1.5 X 160-8.8-AA1J		

175. The single-knife manifold (MD #283500) includes all the plugs and fittings (less hardware) listed in this section.

58 Hydraulics – Manifold, Double Knife, Timed

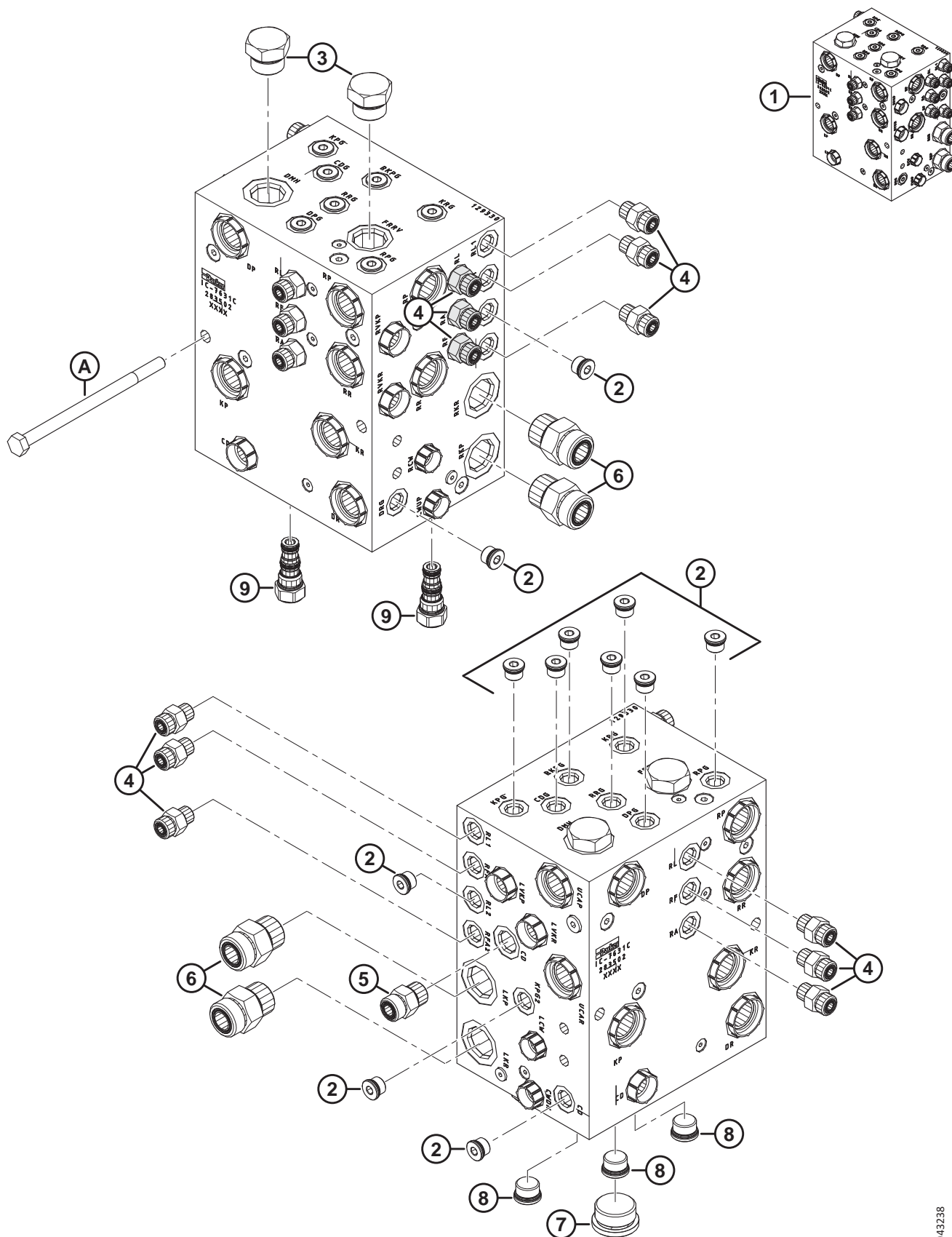


HYDRAULICS – MANIFOLD, DOUBLE KNIFE, TIMED

Ref	Part Number	Description	Qty	Serial Number
1	283501	ASSY – TIMED DK MANIFOLD ¹⁷⁶	1	
2	100577	FITTING – PLUG HYD 6 ORB HEX SOC	11	
	50219	O-RING – Ø1.98 X Ø11.89		
3	103575	FITTING – PLUG HYD 12 ORB HEX HD	2	
	30971	O-RING – Ø2.95 X Ø23.47		
4	135778	FITTING – ADAPTER	9	
	50219	O-RING – Ø1.98 X Ø11.89		
	135865	O-RING – Ø1.78 X Ø9.25		
5	135788	FITTING – ADAPTER	4	
	30971	O-RING – Ø2.95 X Ø23.47		
	135868	O-RING – Ø1.78 X Ø18.77		
6	136524	FITTING – PLUG HYD 16 ORB HEX SOC	1	
	50220	O-RING – Ø2.95 X Ø29.74		
7	158174	FITTING – PLUG HYD 8 ORB HEX SOC	3	
	44209	O-RING – Ø2.21 X Ø16.36		
8	283568	VALVE – PROPORTIONAL FLOW CNTRL	2	
	283569	SEAL KIT		
9	283570	COIL – 12 VDC - .500 IN.	2	
A	136850	BOLT – HEX HD M10 X 1.5 X 160-8.8-AA1J		

176. The timed double-knife manifold (MD #283501) includes all the plugs and fittings (less hardware) listed in this section.

59 Hydraulics – Manifold, Double Knife, Untimed

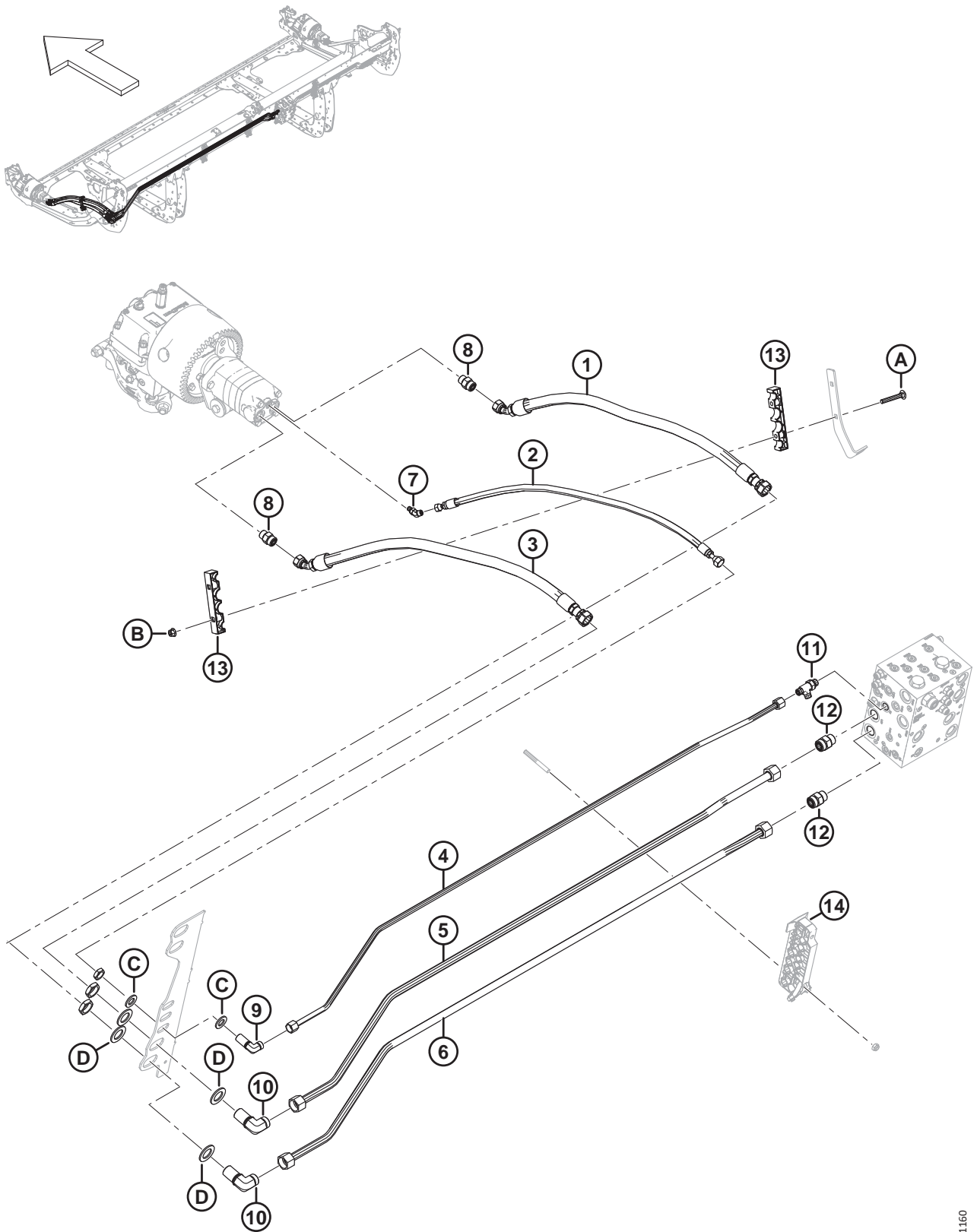


HYDRAULICS – MANIFOLD, DOUBLE KNIFE, UNTIMED

Ref	Part Number	Description	Qty	Serial Number
1	283502	ASSY – DK UNTIMED MANIFOLD ¹⁷⁷	1	
2	100577	FITTING – PLUG HYD 6 ORB HEX SOC	12	
	50219	O-RING – Ø1.98 X Ø11.89		
3	103575	FITTING – PLUG HYD 12 ORB HEX HD	2	
	30971	O-RING – Ø2.95 X Ø23.47		
4	135778	FITTING – ADAPTER	12	
	50219	O-RING – Ø1.98 X Ø11.89		
	135865	O-RING – Ø1.78 X Ø9.25		
5	135780	FITTING – ADAPTER	1	
	44209	O-RING – Ø2.21 X Ø16.36		
	135866	O-RING – Ø1.78 X Ø12.42		
6	135788	FITTING – ADAPTER	4	
	30971	O-RING – Ø2.95 X Ø23.47		
	135868	O-RING – Ø1.78 X Ø18.77		
7	136524	FITTING – PLUG HYD 16 ORB HEX SOC	1	
	50220	O-RING – Ø2.95 X Ø29.74		
8	158174	FITTING – PLUG HYD 8 ORB HEX SOC	3	
	44209	O-RING – Ø2.21 X Ø16.36		
9	283567	PLUG – CAVITY	2	
	283569	SEAL KIT		
A	136850	BOLT – HEX HD M10 X 1.5 X 160-8.8-AA1J		

177. The untimed double-knife manifold (MD #283502) includes all the plugs and fittings (less hardware) listed in this section.

60 Hydraulics – Knife Drive, Double Knife, Left Side (D215 and D220)



1041160

HYDRAULICS – KNIFE DRIVE, DOUBLE KNIFE, LEFT SIDE (D215 AND D220)

Ref	Part Number	Description	Qty	Serial Number
1	283063	HOSE – HYD	1	
2	283065	HOSE – HYD	1	
3	283202	HOSE – HYD	1	
4	323480	LINE – HYDRAULIC (D215) ¹⁷⁸	1	
	323553	LINE – HYDRAULIC (D220) ¹⁷⁹	1	
5	323481	LINE – HYDRAULIC (D215) ¹⁷⁸	1	
	323552	LINE – HYDRAULIC (D220) ¹⁷⁹	1	
6	323482	LINE – HYDRAULIC (D215) ¹⁷⁸	1	
	323551	LINE – HYDRAULIC (D220) ¹⁷⁹	1	
7	252307	FITTING – ELBOW 45° HYD	1	
	50223	O-RING – Ø1.83 X Ø8.92		
	135957	O-RING – Ø1.78 X Ø7.65		
8	184461	FITTING – ADAPTER HYD	2	
	44210	O-RING – Ø2.46 X Ø19.18		
	135867	O-RING – Ø1.78 X Ø15.60		
9	136244	FITTING – ELBOW 90° BULKHEAD HYD ¹⁸⁰	1	
	135866	O-RING – Ø1.78 X Ø12.42		
10	136245	FITTING – ELBOW 90° BULKHEAD HYD ¹⁸⁰	2	
	135868	O-RING – Ø1.78 X Ø18.77		
11	136453	FITTING – TEE HYD	1	
	44209	O-RING – Ø2.21 X Ø16.36		
	135865	O-RING – Ø1.78 X Ø9.25		
12	135788	FITTING – ADAPTER	2	
	30971	O-RING – Ø2.95 X Ø23.47		
	135868	O-RING – Ø1.78 X Ø18.77		
13	283984	CLAMP – LINE KNIFE	2	
14	REF	ASSY – LINE CLAMP ¹⁸¹		
A	136495	BOLT – RHSN M10 X 1.5 X 70-8.8-AA1J		
B	135799	NUT – HEX FLG CTR LOC M10 X 1.5-10		
C	18601	WASHER – FLAT SAE		
D	136355	WASHER – FLAT 2.0 IN OD ZP		

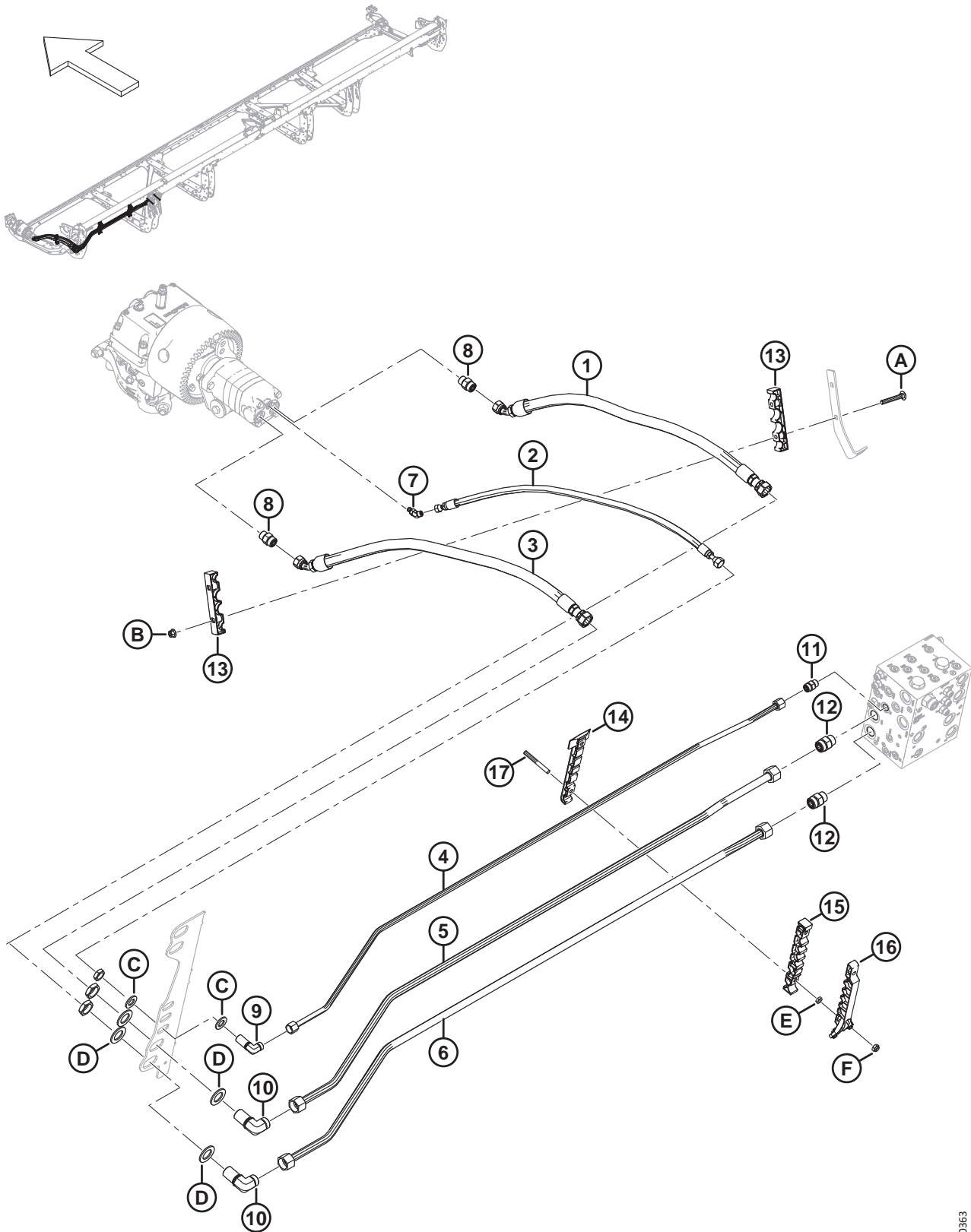
178. Used on D215 headers only.

179. Used on D220 headers only.

180. The fitting includes a securing nut.

181. Refer to Sections *82 Hydraulic Line Covers – Center, M Series (D215)*, page 185 to *85 Hydraulic Line Covers – Center, M1/M2 Series (D220)*, page 191 for line clamp service parts.

61 Hydraulics – Knife Drive, Single and Double Knife, Left Side (D225, D230, D235, and D241)



1040363

HYDRAULICS – KNIFE DRIVE, SINGLE AND DOUBLE KNIFE, LEFT SIDE (D225, D230, D235, AND D241)

Ref	Part Number	Description	Qty	Serial Number
1	283063	HOSE – HYD	1	
2	283065	HOSE – HYD	1	
3	283202	HOSE – HYD	1	
4	283233	LINE – HYDRAULIC (D225) ¹⁸²	1	
	283048	LINE – HYDRAULIC (D230) ¹⁸³	1	
	283201	LINE – HYDRAULIC (D235) ¹⁸⁴	1	
	283458	LINE – HYDRAULIC (D241) ¹⁸⁵	1	
5	283232	LINE – HYDRAULIC (D225) ¹⁸²	1	
	283047	LINE – HYDRAULIC (D230) ¹⁸³	1	
	283104	LINE – HYDRAULIC (D235) ¹⁸⁴	1	
	283457	LINE – HYDRAULIC (D241) ¹⁸⁵	1	
6	283231	LINE – HYDRAULIC (D225) ¹⁸²	1	
	283046	LINE – HYDRAULIC (D230) ¹⁸³	1	
	283102	LINE – HYDRAULIC (D235) ¹⁸⁴	1	
	283456	LINE – HYDRAULIC (D241) ¹⁸⁵	1	
7	252307	FITTING – ELBOW 45° HYD	1	
	50223	O-RING – Ø1.83 X Ø8.92		
	135957	O-RING – Ø1.78 X Ø7.65		
8	184461	FITTING – ADAPTER HYD	2	
	44210	O-RING – Ø2.46 X Ø19.18		
	135867	O-RING – Ø1.78 X Ø15.60		
9	136244	FITTING – ELBOW 90° BULKHEAD HYD ¹⁸⁶	1	
	135866	O-RING – Ø1.78 X Ø12.42		
10	136245	FITTING – ELBOW 90° BULKHEAD HYD ¹⁸⁶	2	
	135868	O-RING – Ø1.78 X Ø18.77		
11	135780	FITTING – ADAPTER	1	
	44209	O-RING – Ø2.21 X Ø16.36		
	135866	O-RING – Ø1.78 X Ø12.42		
12	135788	FITTING – ADAPTER	2	
	30971	O-RING – Ø2.95 X Ø23.47		
	135868	O-RING – Ø1.78 X Ø18.77		
13	283984	CLAMP – LINE KNIFE	2	
14	283797	CLAMP – LINE BOTTOM LH ¹⁸⁷		
15	283807	CLAMP – LINE MIDDLE LH		
16	340548	KIT – LH TOP LINE CLAMP ¹⁸⁸		

182. Used on D225 headers only.

183. Used on D230 headers only.

184. Used on D235 headers only.

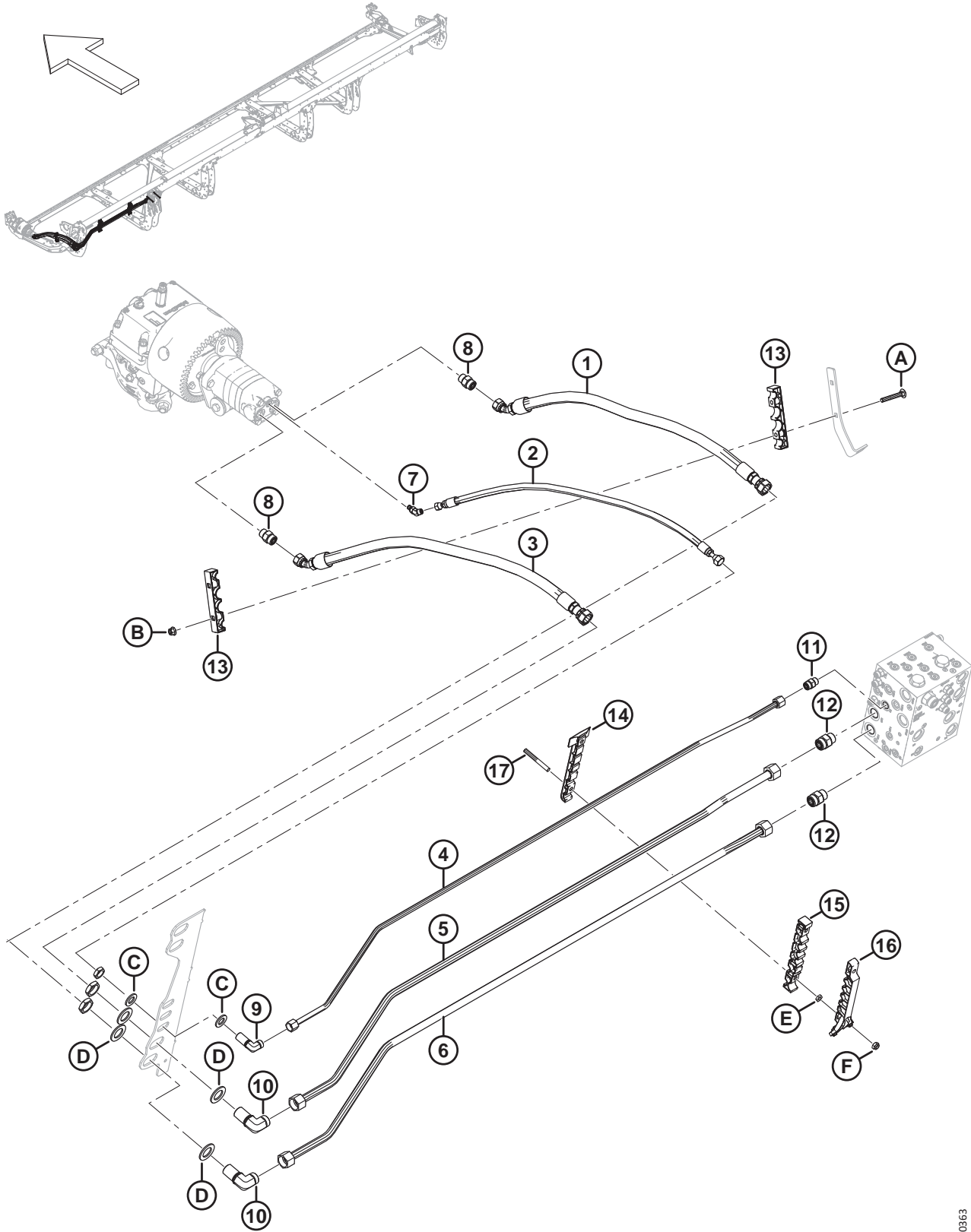
185. Used on D241 headers only.

186. The fitting includes a securing nut.

187. Quantities: D225 = 1, D230 = 2, D235 = 3, and D241 = 4.

188. Includes LH top line clamp (NSS) and two Torx® screws (MD #320336). Quantities: D225 = 1, D230 = 2, D235 = 3, and D241 = 4.

HYDRAULICS – KNIFE DRIVE, SINGLE AND DOUBLE KNIFE, LEFT SIDE (D225, D230, D235, AND D241)



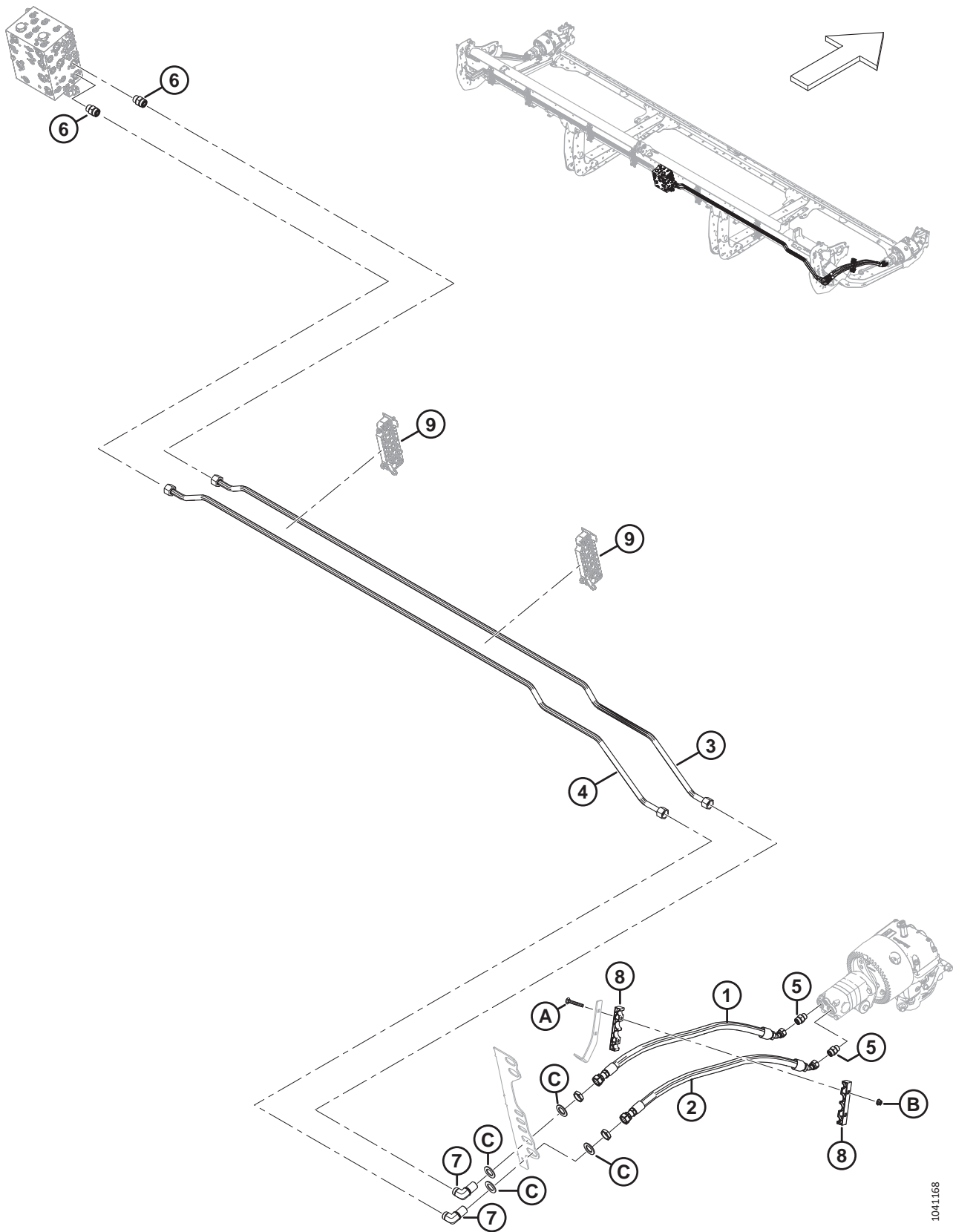
1040363

HYDRAULICS – KNIFE DRIVE, SINGLE AND DOUBLE KNIFE, LEFT SIDE (D225, D230, D235, AND D241)

Ref	Part Number	Description	Qty	Serial Number
17	312654	STUD – THRD CLAMP PATCH WING ¹⁸⁹		
A	136495	BOLT – RHSN M10 X 1.5 X 70-8.8-AA1J		
B	135799	NUT – HEX FLG CTR LOC M10 X 1.5-10		
C	18601	WASHER – FLAT SAE		
D	136355	WASHER – FLAT 2.0 IN OD ZP		
E	136442	NUT – HEX THIN M10 X 1.5-05-AA1J		
F	184692	NUT – HEX NYLOC M10 X 1.5-8-AA1J		

189. Quantities: D225 = 2, D230 = 4, D235 = 6, and D241 = 8.

62 Hydraulics – Knife Drive, Double Knife, Right Side (D215 and D220)



1041168

HYDRAULICS – KNIFE DRIVE, DOUBLE KNIFE, RIGHT SIDE (D215 AND D220)

Ref	Part Number	Description	Qty	Serial Number
1	283202	HOSE – HYD	1	
2	283063	HOSE – HYD	1	
3	323454	LINE – HYDRAULIC (D215) ¹⁹⁰	1	
	323555	LINE – HYDRAULIC (D220) ¹⁹¹	1	
4	323453	LINE – HYDRAULIC (D215) ¹⁹⁰	1	
	323554	LINE – HYDRAULIC (D220) ¹⁹¹	1	
5	184461	FITTING – ADAPTER HYD	2	
	44210	O-RING Ø2.46 X Ø19.18		
	135867	O-RING Ø1.78 X Ø15.60		
6	135788	FITTING – ADAPTER	2	
	30971	O-RING – Ø2.95 X Ø23.47		
	135868	O-RING – Ø1.78 X Ø18.77		
7	136245	FITTING – ELBOW 90° BULKHEAD HYD ¹⁹²	2	
	135868	O-RING – Ø1.78 X Ø18.77		
8	283984	CLAMP – LINE KNIFE	2	
9	REF	ASSY – LINE CLAMP ¹⁹³		
A	136495	BOLT – RHSN M10 X 1.5 X 70-8.8-AA1J		
B	135799	NUT – HEX FLG CTR LOC M10 X 1.5-10		
C	136355	WASHER – FLAT 2.0 IN OD ZP		

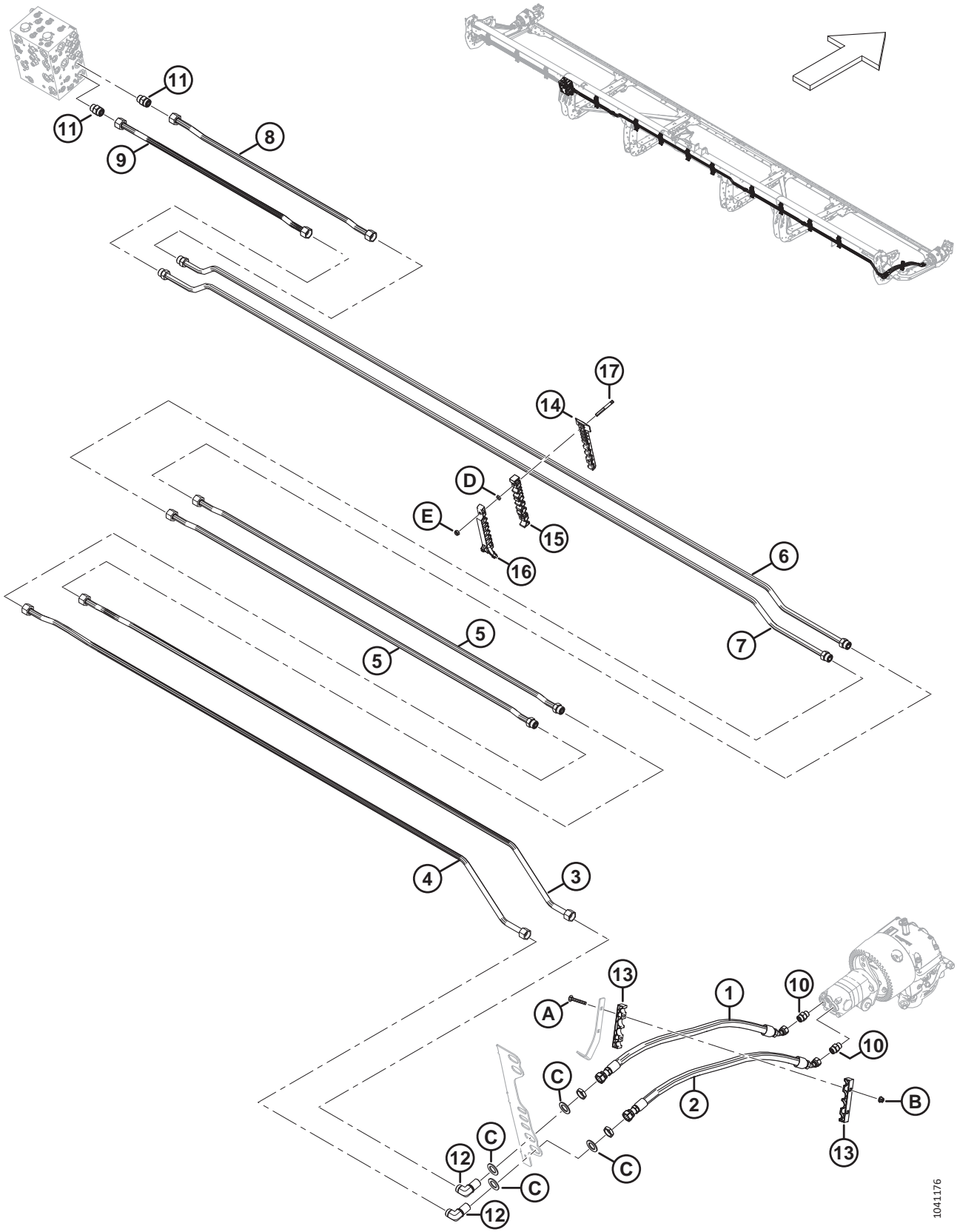
190. Used on D215 headers only.

191. Used on D220 headers only.

192. The fitting includes a securing nut (NSS).

193. Refer to Sections *82 Hydraulic Line Covers – Center, M Series (D215)*, page 185 to *85 Hydraulic Line Covers – Center, M1/M2 Series (D220)*, page 191 for line clamp service parts.

63 Hydraulics – Knife Drive, Double Knife, Right Side (D225, D230, and D235)



1041176

HYDRAULICS – KNIFE DRIVE, DOUBLE KNIFE, RIGHT SIDE (D225, D230, AND D235)

Ref	Part Number	Description	Qty	Serial Number
1	283202	HOSE – HYD	1	
2	283063	HOSE – HYD	1	
3	283241	LINE – HYDRAULIC (D225 AND D235) ¹⁹⁴	1	
	283321	LINE – HYDRAULIC (D230) ¹⁹⁵	1	
4	283240	LINE – HYDRAULIC (D225 AND D235) ¹⁹⁴	1	
	283320	LINE – HYDRAULIC (D230) ¹⁹⁵	1	
5	283323	LINE – HYDRAULIC (D235) ¹⁹⁶	2	
	135868	O-RING – Ø1.78 X Ø18.77		
6	283242	LINE – HYDRAULIC	1	
	135868	O-RING – Ø1.78 X Ø18.77		
7	283239	LINE – HYDRAULIC	1	
	135868	O-RING – Ø1.78 X Ø18.77		
8	283243	LINE – HYDRAULIC	1	
9	283238	LINE – HYDRAULIC	1	
10	184461	FITTING – ADAPTER HYD	2	
	44210	O-RING Ø2.46 X Ø19.18		
	135867	O-RING Ø1.78 X Ø15.60		
11	135788	FITTING – ADAPTER	2	
	30971	O-RING – Ø2.95 X Ø23.47		
	135868	O-RING – Ø1.78 X Ø18.77		
12	136245	FITTING – ELBOW 90° BULKHEAD HYD ¹⁹⁷	2	
	135868	O-RING – Ø1.78 X Ø18.77		
13	283984	CLAMP – LINE KNIFE	2	
14	283820	CLAMP – LINE BOTTOM RH ¹⁹⁸		
15	283818	CLAMP – LINE MIDDLE RH ¹⁹⁸		
16	340549	KIT – RH TOP LINE CLAMP ¹⁹⁹		
17	312654	STUD – THRD CLAMP PATCH WING		
A	136495	BOLT – RHSN M10 X 1.5 X 70-8.8-AA1J		
B	135799	NUT – HEX FLG CTR LOC M10 X 1.5-10		
C	136355	WASHER – FLAT 2.0 IN OD ZP		
D	136442	NUT – HEX THIN M10 X 1.5-05-AA1J		
E	184692	NUT – HEX NYLOC M10 X 1.5-8-AA1J		

194. Used on D225 and D235 headers only.

195. Used on D230 headers only.

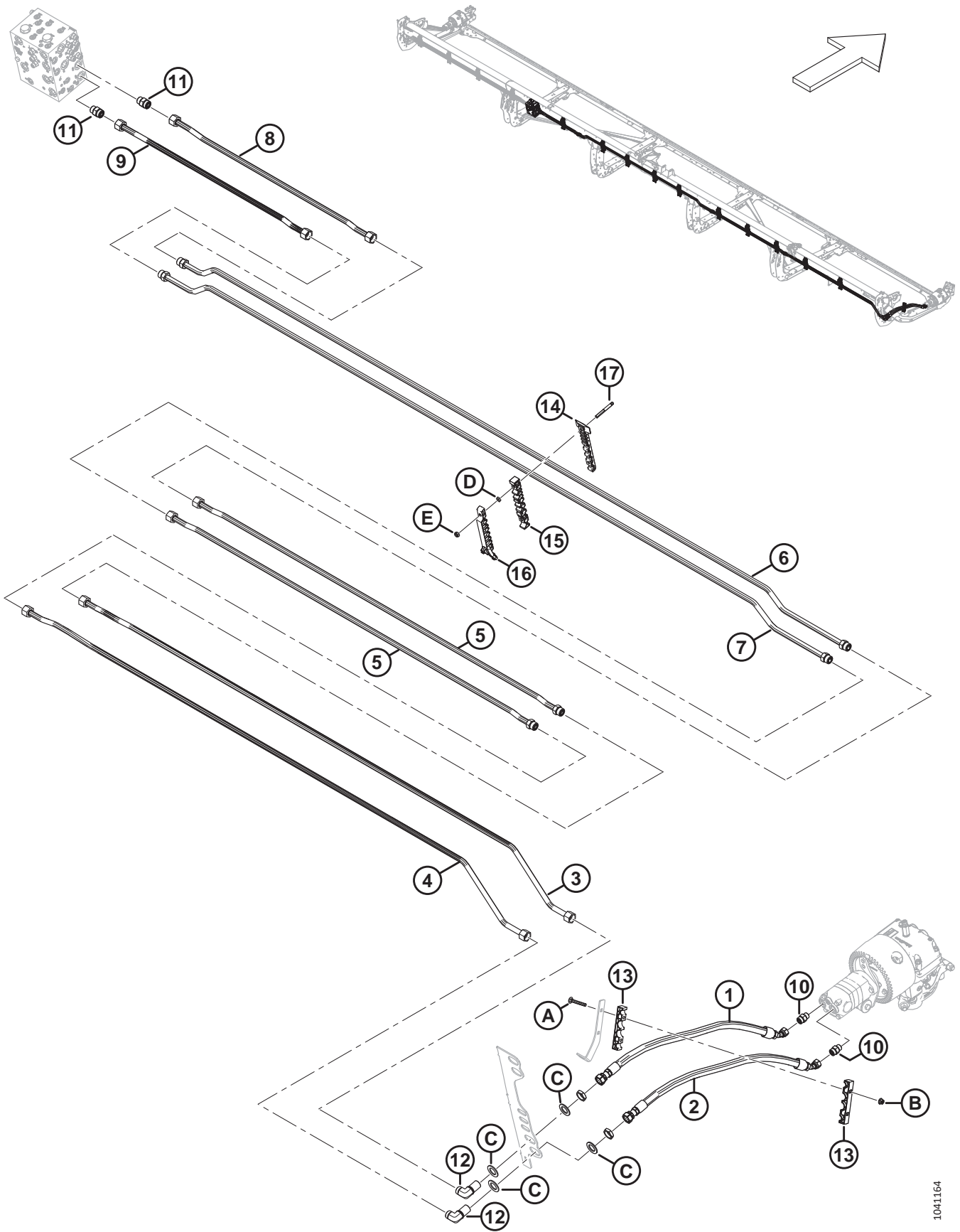
196. Used on D235 headers only.

197. The fitting includes a securing nut (NSS).

198. Quantities: D225 = 7, D230 = 8, and D235 = 9.

199. Includes RH top line clamp (NSS) and two Torx® screws (MD #320336). Quantities: D225 = 7, D230 = 8, and D235 = 9.

64 Hydraulics – Knife Drive, Double Knife, Right Side (D241)



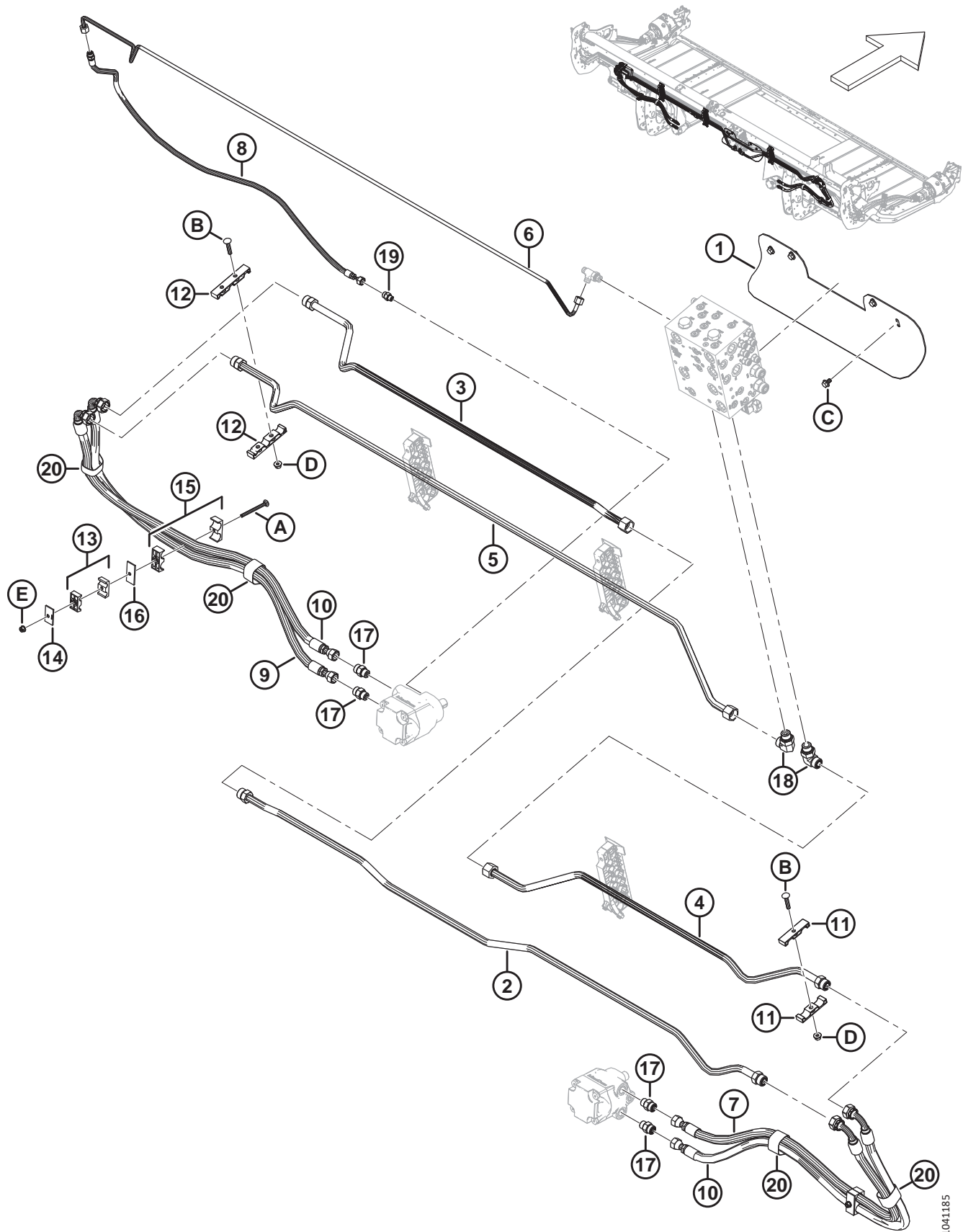
HYDRAULICS – KNIFE DRIVE, DOUBLE KNIFE, RIGHT SIDE (D241)

Ref	Part Number	Description	Qty	Serial Number
1	283202	HOSE – HYD	1	
2	283063	HOSE – HYD	1	
3	283413	LINE – HYDRAULIC (D241)	1	
4	283412	LINE – HYDRAULIC (D241)	1	
5	283515	LINE – HYDRAULIC (D241)	2	
	135868	O-RING – Ø1.78 X Ø18.77		
6	283242	LINE – HYDRAULIC (D241)	1	
	135868	O-RING – Ø1.78 X Ø18.77		
7	283239	LINE – HYDRAULIC (D241)	1	
	135868	O-RING – Ø1.78 X Ø18.77		
8	283243	LINE – HYDRAULIC (D241)	1	
9	283238	LINE – HYDRAULIC (D241)	1	
10	184461	FITTING – ADAPTER HYD	2	
	44210	O-RING Ø2.46 X Ø19.18		
	135867	O-RING Ø1.78 X Ø15.60		
11	135788	FITTING – ADAPTER	2	
	30971	O-RING – Ø2.95 X Ø23.47		
	135868	O-RING – Ø1.78 X Ø18.77		
12	136245	FITTING – ELBOW 90° BULKHEAD HYD ²⁰⁰	2	
	135868	O-RING – Ø1.78 X Ø18.77		
13	283984	CLAMP – LINE KNIFE	2	
14	283820	CLAMP – LINE BOTTOM RH	10	
15	283818	CLAMP – LINE MIDDLE RH	10	
16	340549	KIT – RH TOP LINE CLAMP ²⁰¹	10	
17	312654	STUD – THRD CLAMP PATCH WING	20	
A	136495	BOLT – RHSN M10 X 1.5 X 70-8.8-AA1J		
B	135799	NUT – HEX FLG CTR LOC M10 X 1.5-10		
C	136355	WASHER – FLAT 2.0 IN OD ZP		
D	136442	NUT – HEX THIN M10 X 1.5-05-AA1J		
E	184692	NUT – HEX NYLOC M10 X 1.5-8-AA1J		

200. The fitting includes a securing nut (NSS).

201. Includes RH top line clamp (NSS) and two Torx® screws (MD #320336).

65 Hydraulics – Draper Drive, Center Delivery (D215 and D220)



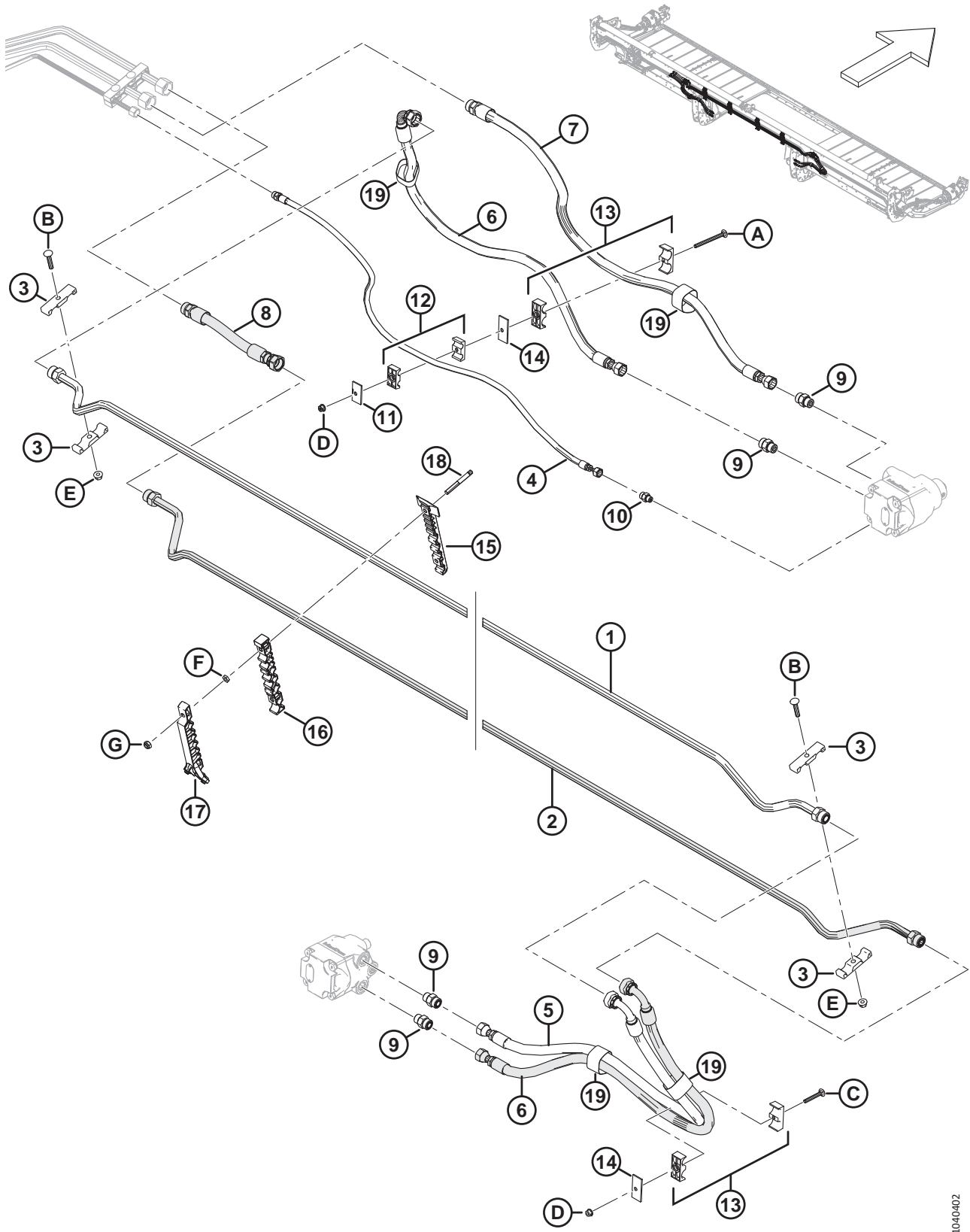
1041185

HYDRAULICS – DRAPER DRIVE, CENTER DELIVERY (D215 AND D220)

Ref	Part Number	Description	Qty	Serial Number
1	360039	COVER – HYDRAULICS	1	
2	323839	LINE – HYDRAULIC	1	
3	323838	LINE – HYDRAULIC	1	
4	323475	LINE – HYDRAULIC	1	
5	323473	LINE – HYDRAULIC	1	
6	323472	LINE – HYDRAULIC	1	
7	323633	HOSE – HYD	1	
8	323632	HOSE – HYD	1	
9	323630	HOSE – HYD	1	
10	323629	HOSE – HYD	2	
11	283993	CLAMP – LINE DRAPER	2	
12	283990	CLAMP – LINE DRAPER	2	
13	232395	CLAMP – ASSY ²⁰²	1	
14	184303	CLAMP – COVER PLATE	1	
15	232219	CLAMP – ASSY ²⁰²	2	
16	232233	CLAMP – COVER PLATE	2	
17	184461	FITTING – ADAPTER HYD	4	
	44210	O-RING – 2.46 X 19.18		
	135867	O-RING – 1.78 X 15.60		
18	135821	FITTING – ELBOW 90° HYD	2	
	30971	O-RING – 2.95 X 23.47		
	135868	O-RING – 1.78 X 18.77		
19	135778	FITTING – ADAPTER	1	
	50219	O-RING – 1.98 X 11.89		
	135865	O-RING – 1.78 X 9.25		
20	135443	CINCH STRAP – 4 IN. LG	4	
A	252633	BOLT – RHSN M8 X 1.25 X 100-8.8-AA1J		
B	184658	BOLT – RHSSN M10 X 1.5 X 50-8.8-AA1J		
C	136151	BOLT – HEX FLG HD TFL M10 X 1.5 X 16-8.8-AA1J		
D	135799	NUT – HEX FLG CTR LOC M10 X 1.5-10		
E	135337	NUT – HEX FLG CTR LK M8 X 1.25-8-AA1J		

202. The clamp assembly includes two clamp halves (NSS). It does **NOT** include the cover plate or hardware.

66 Hydraulics – Draper Drive, Center Delivery (D225, D230, D235, and D241)



1040402

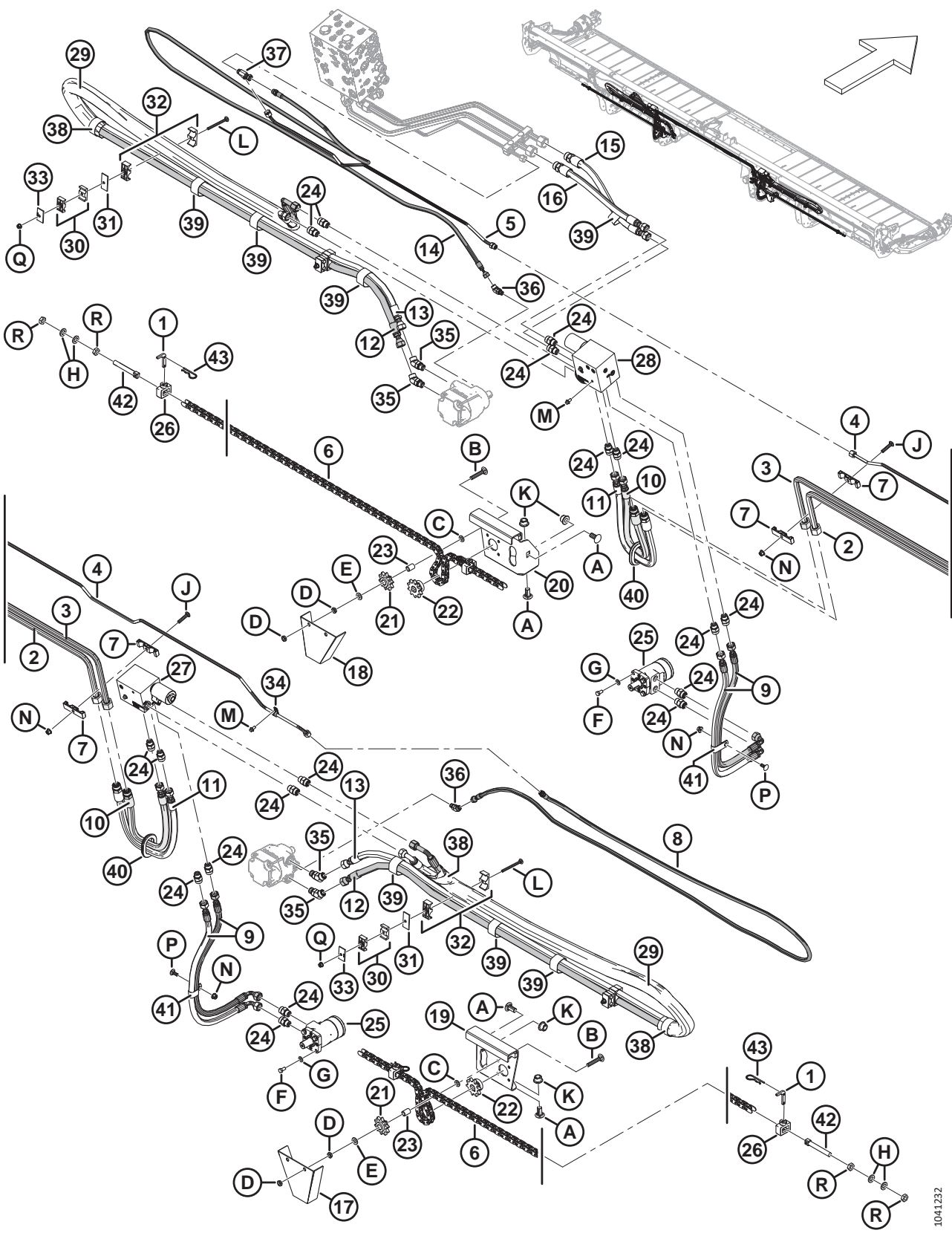
HYDRAULICS – DRAPER DRIVE, CENTER DELIVERY (D225, D230, D235, AND D241)

Ref	Part Number	Description	Qty	Serial Number
1	283245	LINE – HYDRAULIC	1	
	135868	O-RING – Ø1.78 X Ø18.77		
2	283244	LINE – HYDRAULIC	1	
	135868	O-RING – Ø1.78 X Ø18.77		
3	283993	CLAMP – LINE DRAPER	4	
4	283297	HOSE – HYDRAULIC	1	
	135865	O-RING – Ø1.78 X Ø9.25		
5	283296	HOSE – HYDRAULIC	1	
6	283295	HOSE – HYDRAULIC	2	
7	283294	HOSE – HYDRAULIC	1	
	135868	O-RING – Ø1.78 X Ø18.77		
8	283293	HOSE – HYDRAULIC	1	
	135868	O-RING – Ø1.78 X Ø18.77		
9	184461	FITTING – ADAPTER HYD	4	
	44210	O-RING – Ø2.46 X Ø19.18		
	135867	O-RING – Ø1.78 X Ø15.60		
10	135778	FITTING – ADAPTER	1	
	50219	O-RING – Ø1.98 X Ø11.89		
	135865	O-RING – Ø1.78 X Ø9.25		
11	184303	CLAMP – COVER PLATE	1	
12	232395	CLAMP – ASSY ²⁰³	1	
13	232219	CLAMP – ASSY ²⁰³	2	
14	232233	CLAMP – COVER PLATE	5	
15	283820	CLAMP – LINE BOTTOM RH	4	
16	283818	CLAMP – LINE MIDDLE RH	4	
17	340549	KIT – RH TOP LINE CLAMP ²⁰⁴	4	
18	312654	STUD – THRD CLAMP PATCH WING	8	
19	135443	CINCH STRAP – 4 IN. LG	4	
A	252633	BOLT-RHSN M8X1.25X100-8.8-AA1J		
B	184658	BOLT – RHSSN M10 X 1.5 X 50-8.8-AA1J		
C	136486	BOLT – RHSN M8 X 1.25 X 60-8.8-AA1J		
D	135337	NUT – HEX FLG CTR LK M8 X 1.25-8-AA1J		
E	135799	NUT – HEX FLG CTR LOC M10 X 1.5-10		
F	136442	NUT – HEX THIN M10 X 1.5-05-AA1J		
G	184692	NUT – HEX NYLOC M10 X 1.5-8-AA1J		

203. The clamp assembly includes two clamp halves (NSS). It does **NOT** include the cover plate or hardware.

204. Includes RH top line clamp (NSS) and two Torx® screws (MD #320336).

67 Hydraulics – Draper Drive, Hydraulic Deck Shift (D230 and D235)



1041232

HYDRAULICS – DRAPER DRIVE, HYDRAULIC DECK SHIFT (D230 AND D235)

Ref	Part Number	Description	Qty	Serial Number
1	360163	HOOK – PIN BENT	4	
2	283299	LINE – HYDRAULIC	1	
3	283298	LINE – HYDRAULIC	1	
4	323410	LINE – HYDRAULIC	1	
5	323409	LINE – HYDRAULIC	1	
6	319604	CHAIN – RC-60 ZN 127 PITCHES	2	
	6636	LINK – ROLLER CHAIN CONNECTOR ²⁰⁵	A/R	
7	283993	CLAMP – LINE DRAPER	4	
8	283790	HOSE – HYD	1	
9	283307	HOSE – HYD	4	
10	283306	HOSE – HYD	2	
11	283305	HOSE – HYD	2	
12	283304	HOSE – HYD	2	
13	283303	HOSE – HYD	2	
14	283302	HOSE – HYD	1	
15	283301	HOSE – HYD	1	
16	283300	HOSE – HYD	1	
17	283620	COVER – RH DECK SHIFT MOTOR	1	
18	251420	COVER – LH DECK SHIFT MOTOR	1	
19	251415	SUBWELDT – RH MOTOR MOUNT	1	
20	251414	SUBWELDT – LH MOTOR MOUNT	1	
21	233280	ASSEMBLY – SPROCKET C/W BUSHING ²⁰⁶	4	
	156501	BUSHING – PLASTIC	4	
22	232369	SPROCKET – RC60B-10T	2	
23	224795	TUBE – SPACER	4	
24	184461	FITTING – ADAPTER HYD	18	
	44210	O-RING – 2.46 X 19.18		
	135867	O-RING – 1.78 X 15.60		
25	120518	MOTOR – HYD	2	
	132758	SEAL KIT		
	123306	KEY – WOODRUFF (1/4 X 1 NOM.)		
26	232813	STOP – CHAIN, MACHINED	4	
27	232747	MANIFOLD – RH DECK SHIFT ²⁰⁷	1	
	232371	VALVE – 4-WAY CARTRIDGE		
	184461	FITTING – ADAPTER HYD		
28	232746	MANIFOLD – LH DECK SHIFT ²⁰⁸	1	
	184461	FITTING – ADAPTER HYD		
	232371	VALVE – 4-WAY CARTRIDGE		
29	232632	SLEEVE – HOSE	2	
30	232395	CLAMP – ASSY ²⁰⁹	4	
31	232233	CLAMP – COVER PLATE	4	

205. Service part for chain (MD #319604).

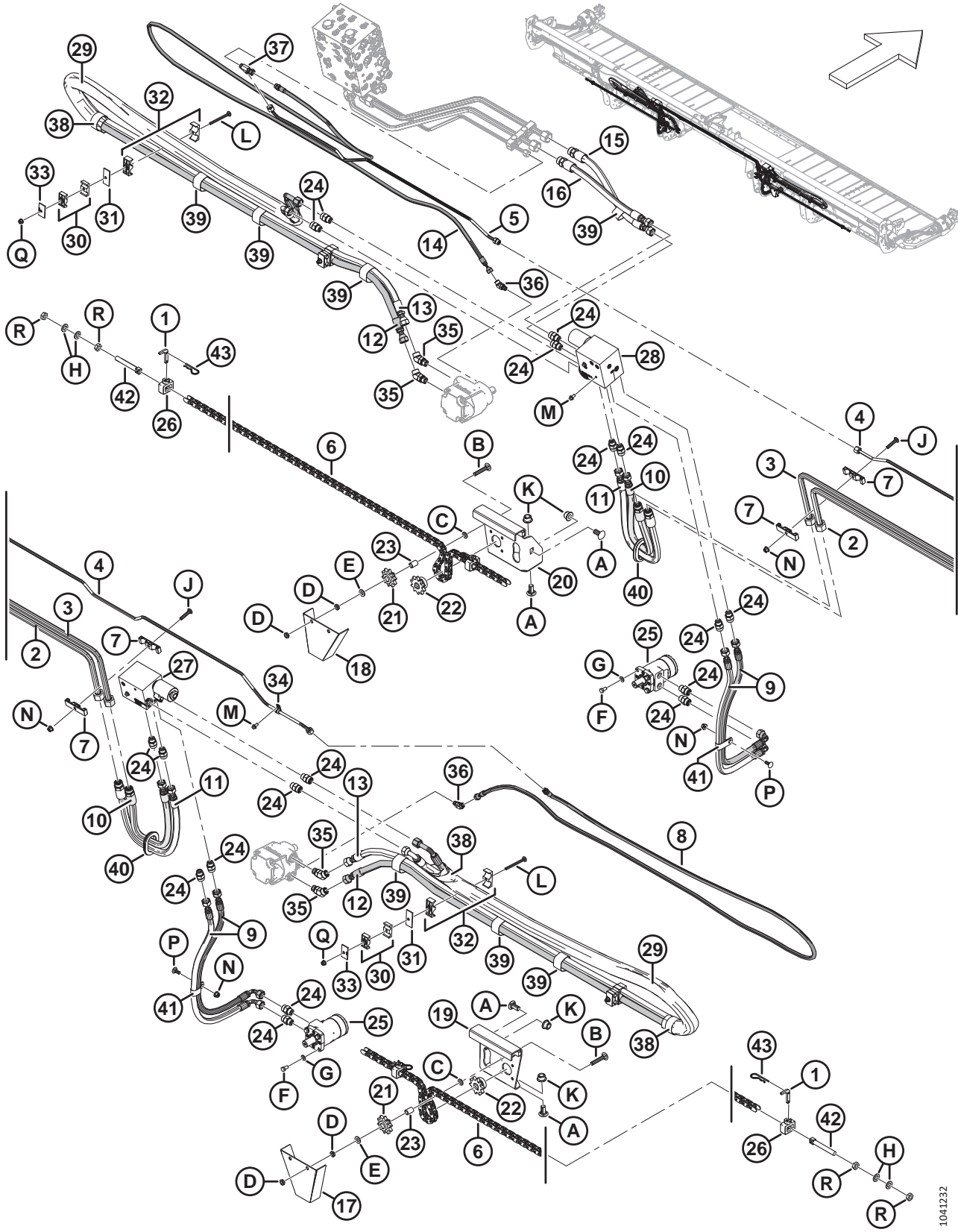
206. The sprocket assembly includes sprocket (NSS) and plastic bushing (MD #156501).

207. The right deck shift manifold includes one valve (MD #232371) and six adapter fittings (MD #184461).

208. The left deck shift manifold includes one valve (MD #232371) and eight adapter fittings (MD #184461).

209. The clamp assembly includes two clamp halves (NSS). It does **NOT** include the cover plate or hardware.

HYDRAULICS – DRAPER DRIVE, HYDRAULIC DECK SHIFT (D230 AND D235)

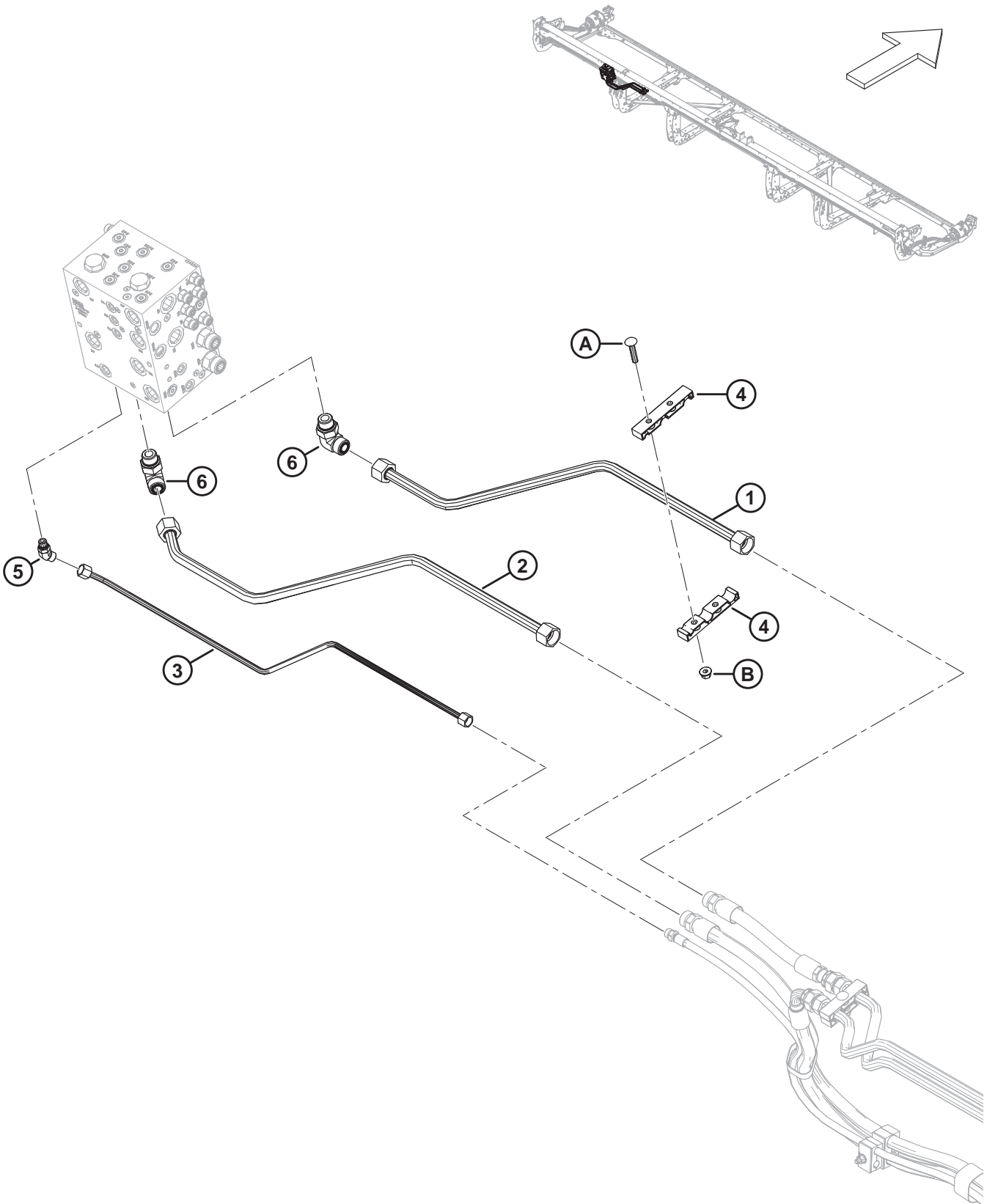


1041232

HYDRAULICS – DRAPER DRIVE, HYDRAULIC DECK SHIFT (D230 AND D235)

Ref	Part Number	Description	Qty	Serial Number
32	232219	CLAMP – ASSY ²⁰⁹	4	
33	184303	CLAMP – COVER PLATE	4	
34	136410	CLAMP – INSULATED 3/8 IN.	1	
35	136327	FITTING – ELBOW 45° HYD	4	
	44210	O-RING – 2.46 X 19.18		
	135867	O-RING – 1.78 X 15.60		
36	136144	FITTING – ELBOW 45° HYD	2	
	50219	O-RING – 1.98 X 11.89		
	135865	O-RING – 1.78 X 9.25		
37	136097	FITTING – TEE HYD	1	
	135865	O-RING – 1.78 X 9.25		
38	135444	CINCH STRAP – 6 IN. LG	4	
39	135443	CINCH STRAP – 4 IN. LG	7	
40	123982	GROMMET – 53.7 MM I.D.	2	
41	103738	CLAMP – PVC INSULATED 13/16 IN. TUBE SIZE	2	
42	102602	STUD	2	
43	13125	PIN – HAIR	4	
A	252638	BOLT – RHSSN M16 X 2 X 35-8.8-AA1J		
B	320203	BOLT – RHSN M12 X 1.75 X 70-8.8-ZINC		
C	184714	WASHER – FLAT REG M12-300HV		
D	184696	NUT – HEX THIN M12 X 1.75-05-AA1J		
E	135369	WASHER – HARDENED ASTM F436 1/2		
F	21567	BOLT – HEX HD 3/8-16 X 0.75 GR5-AA1J		
G	18598	WASHER – FLAT SAE 13/32 ID X 13/16 IN. OD AA1J		
H	184717	WASHER – FLAT REG M16-200HV-AA1J		
J	184658	BOLT – RHSSN M10 X 1.5 X 50-8.8-AA1J		
K	152520	NUT – HEX FLG TECH LK M16 X 2-10-AA1J		
L	252633	BOLT – RHSN M8 X 1.25 X 100-8.8-AA1J		
M	136485	BOLT – HEX FLG HD TFL M8 X 1.25 X 16-8.8-AA1J		
N	135799	NUT – HEX FLG CTR LOC M10 X 1.5-10		
P	135785	BOLT – RHSN M10 X 1.5 X 25-8.8-AA1J		
Q	135337	NUT – HEX FLG CTR LK M8 X 1.25-8-AA1J		
R	21345	NUT – HEX JAM 5/8-11 UNC GR5 AA1J		

68 Hydraulics – Draper Drive, Manifold Lines

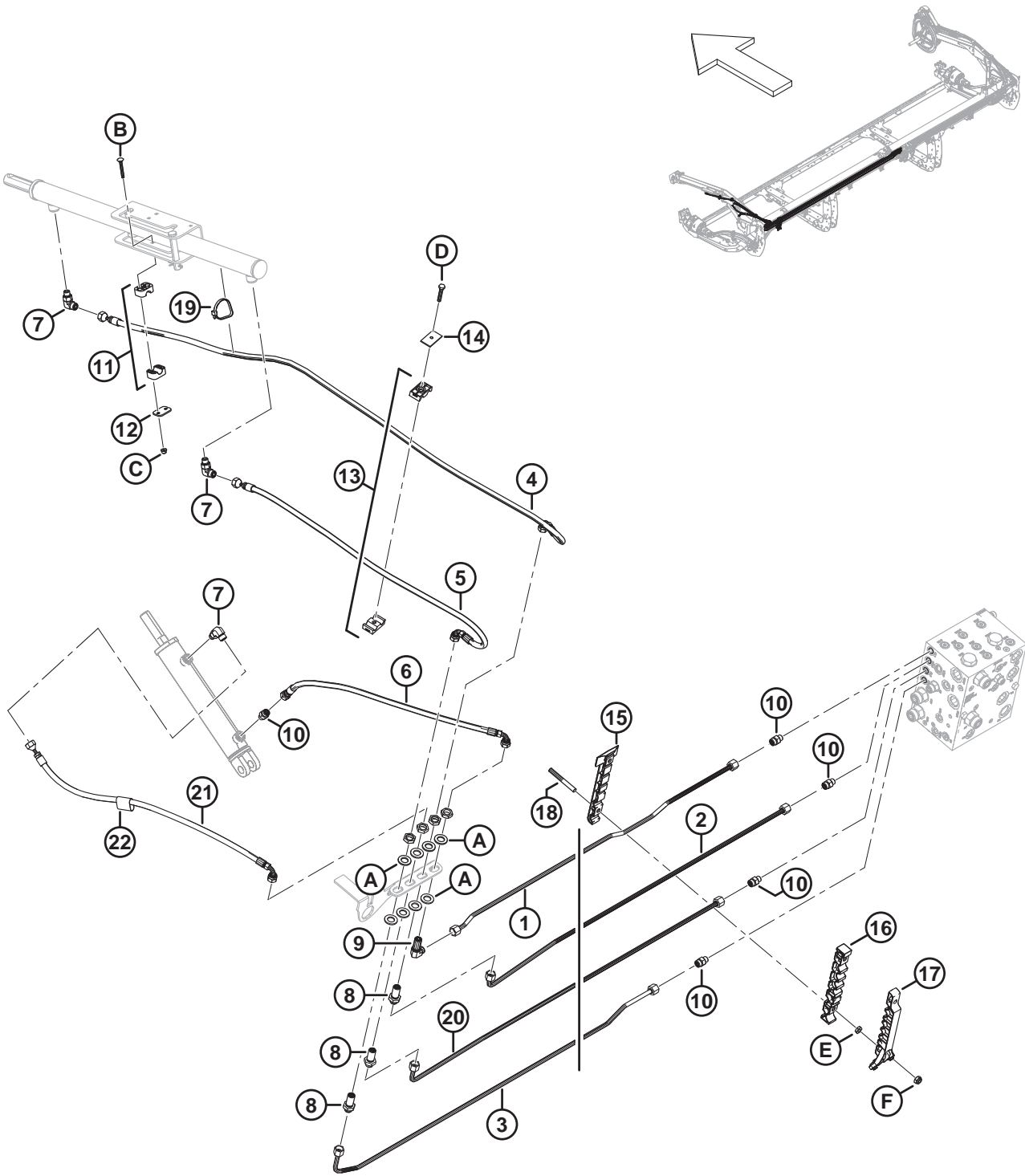


1040408

HYDRAULICS – DRAPER DRIVE, MANIFOLD LINES

Ref	Part Number	Description	Qty	Serial Number
1	283283	LINE – HYDRAULIC	1	
2	283284	LINE – HYDRAULIC	1	
3	283285	LINE – HYDRAULIC	1	
4	283990	CLAMP – LINE DRAPER	2	
5	136144	FITTING – ELBOW 45° HYD	1	
	135865	O-RING – Ø1.78 X Ø9.25		
	50219	O-RING – Ø1.98 X Ø11.89		
6	135821	FITTING – ELBOW 90° HYD	2	
	135868	O-RING – Ø1.78 X Ø18.77		
	30971	O-RING – Ø2.95 X Ø23.47		
A	184658	BOLT – RHSSN M10 X 1.5 X 50-8.8-AA1J		
B	135799	NUT – HEX FLG CTR LOC M10 X 1.5-10		

69 Hydraulics – Lift and Fore-Aft, Single Reel, Left Arm (D215 and D220)



HYDRAULICS – LIFT AND FORE-AFT, SINGLE REEL, LEFT ARM (D215 AND D220)

Ref	Part Number	Description	Qty	Serial Number
1	323505	LINE – HYDRAULIC (D215) ²¹⁰	1	
	323556	LINE – HYDRAULIC (D220) ²¹¹	1	
2	323536	LINE – HYDRAULIC (D215) ²¹⁰	1	
	323557	LINE – HYDRAULIC (D220) ²¹¹	1	
3	323483	LINE – HYDRAULIC (D215) ²¹⁰	1	
	323559	LINE – HYDRAULIC (D220) ²¹¹	1	
4	283057	HOSE – HYD	1	
5	283058	HOSE – HYD	1	
6	283059	HOSE – HYD	1	
7	136095	FITTING – ELBOW 90° HYD	3	
8	136145	FITTING – BULKHEAD UNION HYD ²¹²	3	
	135865	O-RING – Ø1.78 X Ø9.25		
9	136150	FITTING – ELBOW 90° BLKHD HYD ²¹²	1	
	135865	O-RING – Ø1.78 X Ø9.25		
10	135778	FITTING – ADAPTER	5	
	50219	O-RING – Ø1.98 X Ø11.89		
	135865	O-RING – Ø1.78 X Ø9.25		
11	283791	CLAMP – ASSY ²¹³	1	
12	255461	PLATE – COVER	1	
13	232395	CLAMP – ASSY ²¹³	1	
14	184303	CLAMP – COVER PLATE	1	
15	283820	CLAMP – LINE BOTTOM RH	1	
16	283818	CLAMP – LINE MIDDLE RH	1	
17	340549	KIT – RH TOP LINE CLAMP ²¹⁴	1	
18	312654	STUD – THRD CLAMP PATCH WING	2	
19	30753	FASTENER – CABLE TIE, BLACK	1	
20	323537	LINE – HYDRAULIC (D215)	1	
	323558	LINE – HYDRAULIC (D220)	1	
21	283060	HOSE – HYD	1	
22	135443	CINCH STRAP – 4 IN. LG	1	
A	136540	WASHER – FLAT		
B	184644	BOLT – RHSN M6 X 1 X 50-8.8-ZINC		
C	152668	NUT – HEX FLG CTR LOC M6 X 1-8		
D	30660	BOLT – HEX HD M8 X 1.25 X 45-8.8-AA1J		
E	136442	NUT – HEX THIN M10 X 1.5-05-AA1J		
F	184692	NUT – HEX NYLOC M10 X 1.5-8-AA1J		

210. Used on D215 headers only.

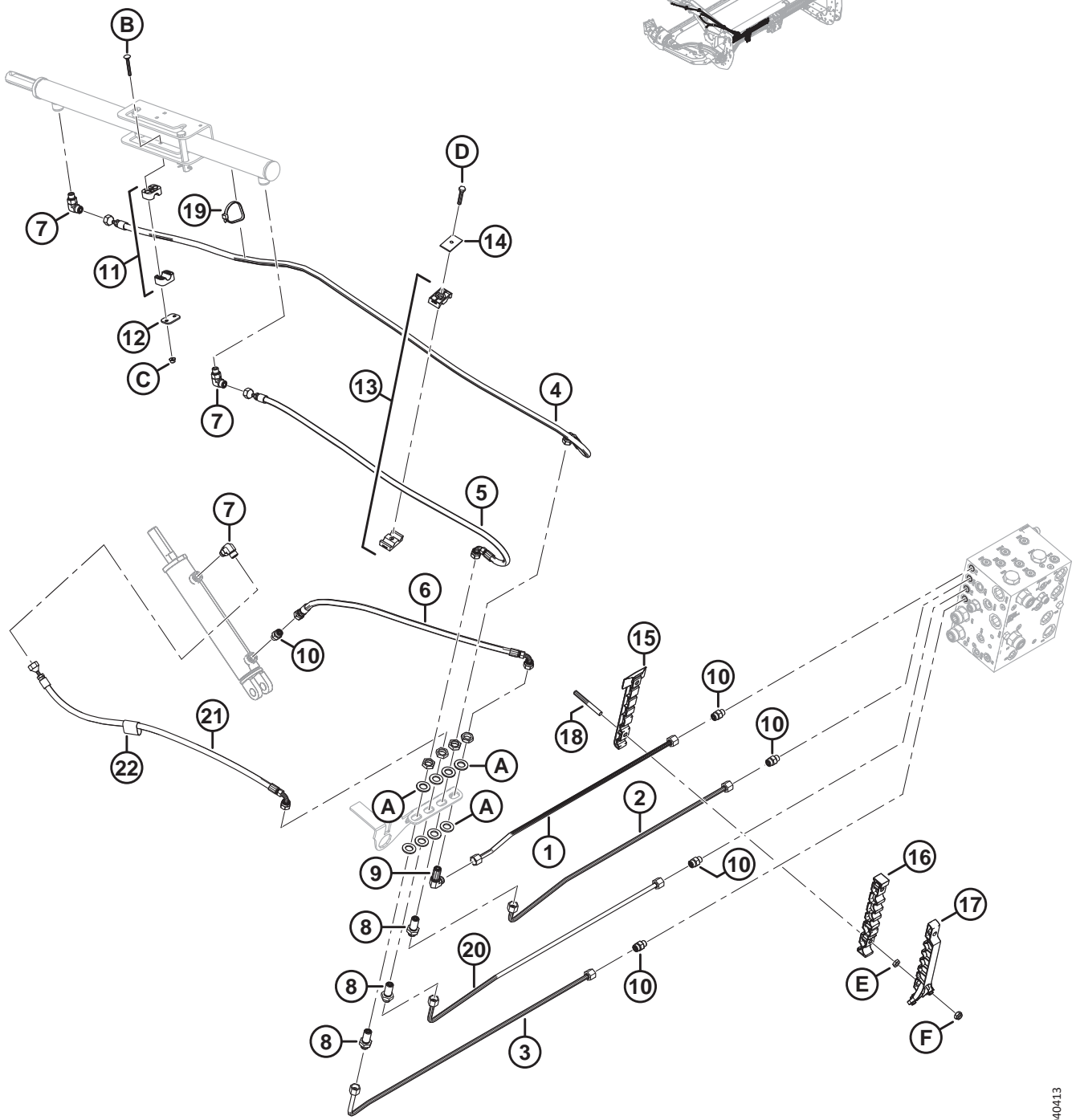
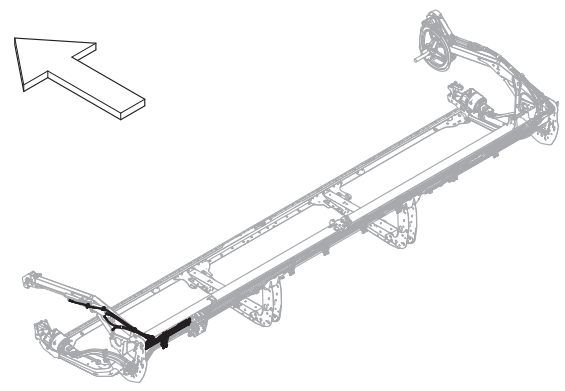
211. Used on D220 headers only.

212. The fitting includes a securing nut (NSS).

213. The clamp assembly includes two clamp halves (NSS). It does **NOT** include the cover plate or hardware.

214. Includes RH top line clamp (NSS) and two Torx® screws (MD #320336).

70 Hydraulics – Lift and Fore-Aft, Single Reel, Left Arm (D225)



HYDRAULICS – LIFT AND FORE-AFT, SINGLE REEL, LEFT ARM (D225)

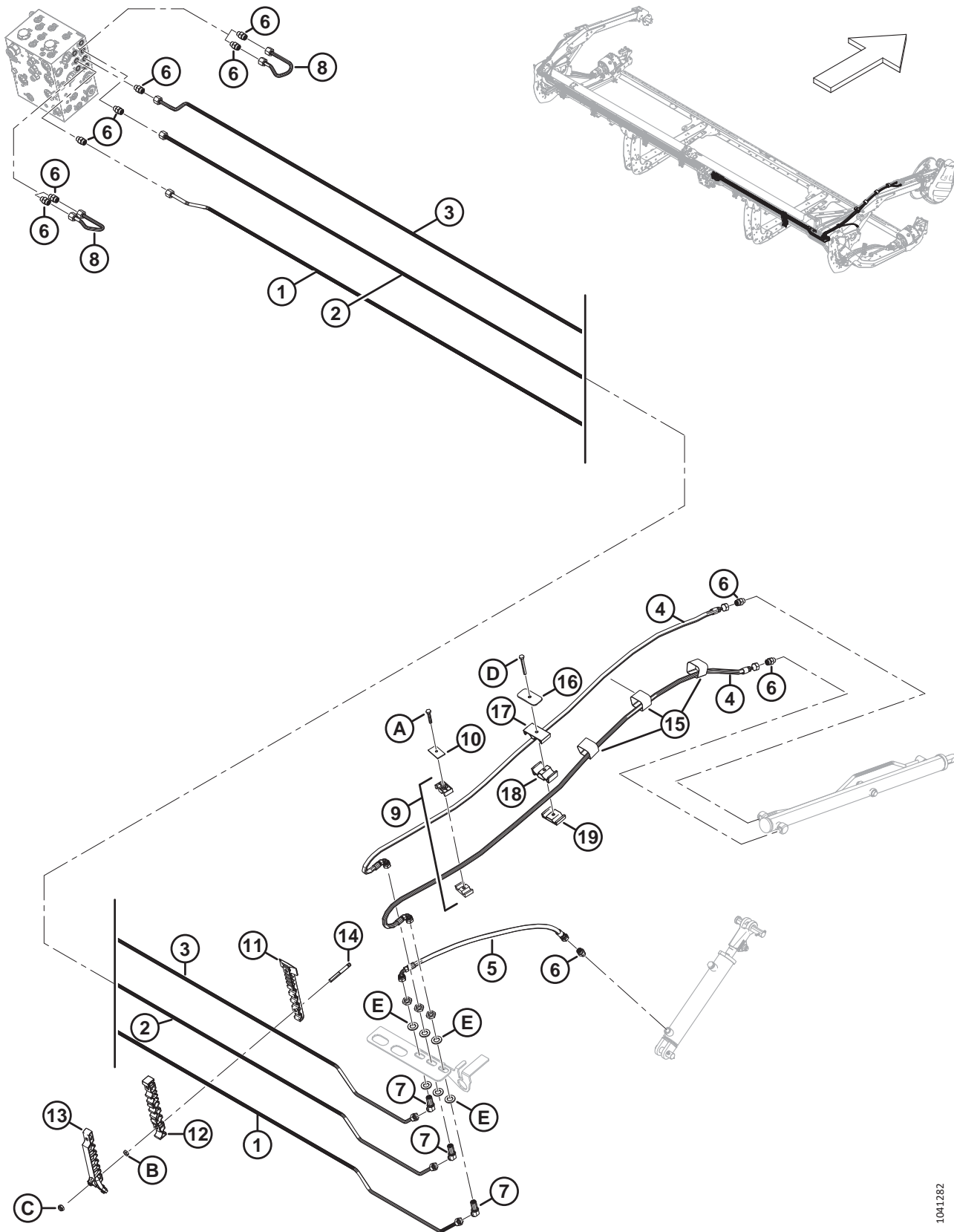
Ref	Part Number	Description	Qty	Serial Number
1	283249	LINE – HYDRAULIC (D225)	1	
2	283248	LINE – HYDRAULIC (D225)	1	
3	283246	LINE – HYDRAULIC (D225)	1	
4	283057	HOSE – HYD	1	
5	283058	HOSE – HYD	1	
6	283059	HOSE – HYD	1	
7	136095	FITTING – ELBOW 90° HYD	3	
8	136145	FITTING – BULKHEAD UNION HYD ²¹⁵	3	
	135865	O-RING – Ø1.78 X Ø9.25		
9	136150	FITTING – ELBOW 90° BLKHD HYD ²¹⁵	1	
	135865	O-RING – Ø1.78 X Ø9.25		
10	135778	FITTING – ADAPTER	5	
	50219	O-RING – Ø1.98 X Ø11.89		
	135865	O-RING – Ø1.78 X Ø9.25		
11	283791	CLAMP – ASSY ²¹⁶	1	
12	255461	PLATE – COVER	1	
13	232395	CLAMP – ASSY ²¹⁶	1	
14	184303	CLAMP – COVER PLATE	1	
15	283797	CLAMP – LINE BOTTOM LH	1	
16	283807	CLAMP – LINE MIDDLE LH	1	
17	340548	KIT – LH TOP LINE CLAMP ²¹⁷	1	
18	312654	STUD – THRD CLAMP PATCH WING	2	
19	30753	FASTENER – CABLE TIE, BLACK	1	
20	283247	LINE – HYDRAULIC (D225)	1	
21	283060	HOSE – HYD	1	
22	135443	CINCH STRAP – 4 IN. LG	1	
A	136540	WASHER – FLAT		
B	184644	BOLT – RHSN M6 X 1 X 50-8.8-ZINC		
C	152668	NUT – HEX FLG CTR LOC M6 X 1-8		
D	30660	BOLT – HEX HD M8 X 1.25 X 45-8.8-AA1J		
E	136442	NUT – HEX THIN M10 X 1.5-05-AA1J		
F	184692	NUT – HEX NYLOC M10 X 1.5-8-AA1J		

215. The fitting includes a securing nut (NSS).

216. The clamp assembly includes two clamp halves (NSS). It does **NOT** include the cover plate or hardware.

217. Includes LH top line clamp (NSS) and two Torx® screws (MD #320336).

71 Hydraulics – Lift and Fore-Aft, Single Reel, Right Arm (D215 and D220)



HYDRAULICS – LIFT AND FORE-AFT, SINGLE REEL, RIGHT ARM (D215 AND D220)

Ref	Part Number	Description	Qty	Serial Number
1	323463	LINE – HYDRAULIC (D215) ²¹⁸	1	
	323564	LINE – HYDRAULIC (D220) ²¹⁹	1	
	135865	O-RING – Ø1.78 X Ø9.25		
2	323464	LINE – HYDRAULIC (D215) ²¹⁸	1	
	323563	LINE – HYDRAULIC (D220) ²¹⁹	1	
	135865	O-RING – Ø1.78 X Ø9.25		
3	323465	LINE – HYDRAULIC (D215) ²¹⁸	1	
	323562	LINE – HYDRAULIC (D220) ²¹⁹	1	
	135865	O-RING – Ø1.78 X Ø9.25		
4	283327	HOSE – HYD	2	
5	283059	HOSE – HYD	1	
6	135778	FITTING – ADAPTER	10	
	50219	O-RING – Ø1.98 X Ø11.89		
	135865	O-RING – Ø1.78 X Ø9.25		
7	136146	FITTING – ELBOW 45° BLKHD HYD ²²⁰	3	
8	283251	LINE – HYDRAULIC	2	
9	232395	CLAMP – ASSY ²²¹	1	
10	184303	CLAMP – COVER PLATE	1	
11	283820	CLAMP – LINE BOTTOM RH	1	
12	283818	CLAMP – LINE MIDDLE RH	1	
13	340549	KIT – RH TOP LINE CLAMP ²²²	1	
14	312654	STUD – THRD CLAMP PATCH WING	2	
15	135444	CINCH STRAP – 4 IN. LG	3	
16	323023	PLATE – CLAMP CENTER REEL ARM	1	
17	283989	PLATE – HOSE REEL TOP	1	
18	283988	PLATE – HOSE REEL MIDDLE	1	
19	283987	PLATE – HOSE REEL BOTTOM	1	
A	30660	BOLT – HEX HD M8 X 1.25 X 45-8.8-AA1J		
B	136442	NUT – HEX THIN M10 X 1.5-05-AA1J		
C	184692	NUT – HEX NYLOC M10 X 1.5-8-AA1J		
D	184656	BOLT – HEX HD M8 X 1.25 X 70-8.8-AA1J		
E	136540	WASHER – FLAT		

218. Used on D215 headers only.

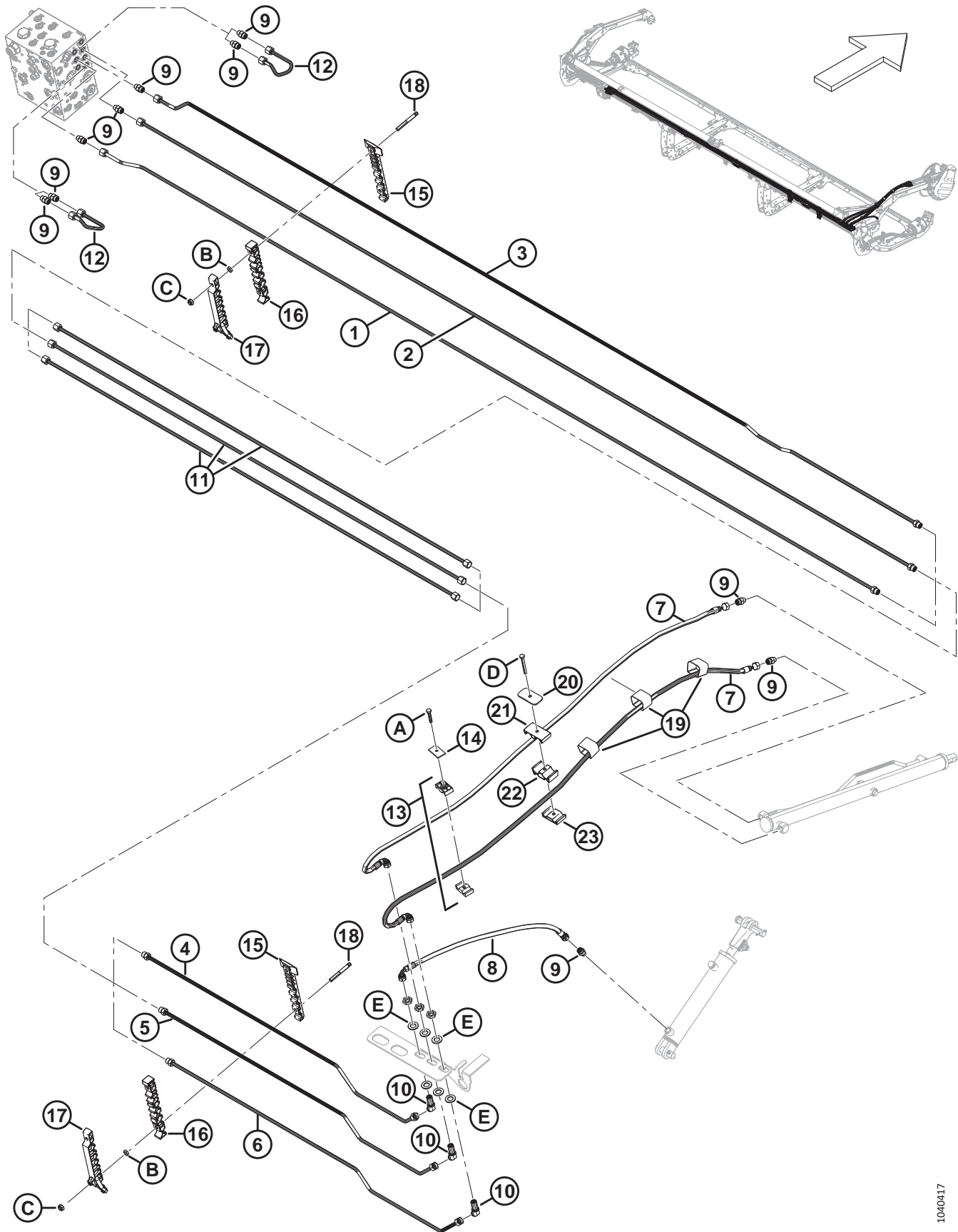
219. Used on D220 headers only.

220. The fitting includes a securing nut (NSS).

221. The clamp assembly includes two clamp halves (NSS). It does **NOT** include the cover plate or hardware.

222. Includes RH top line clamp (NSS) and two Torx® screws (MD #320336).

72 Hydraulics – Lift and Fore-Aft, Single Reel, Right Arm (D225)



HYDRAULICS – LIFT AND FORE-AFT, SINGLE REEL, RIGHT ARM (D225)

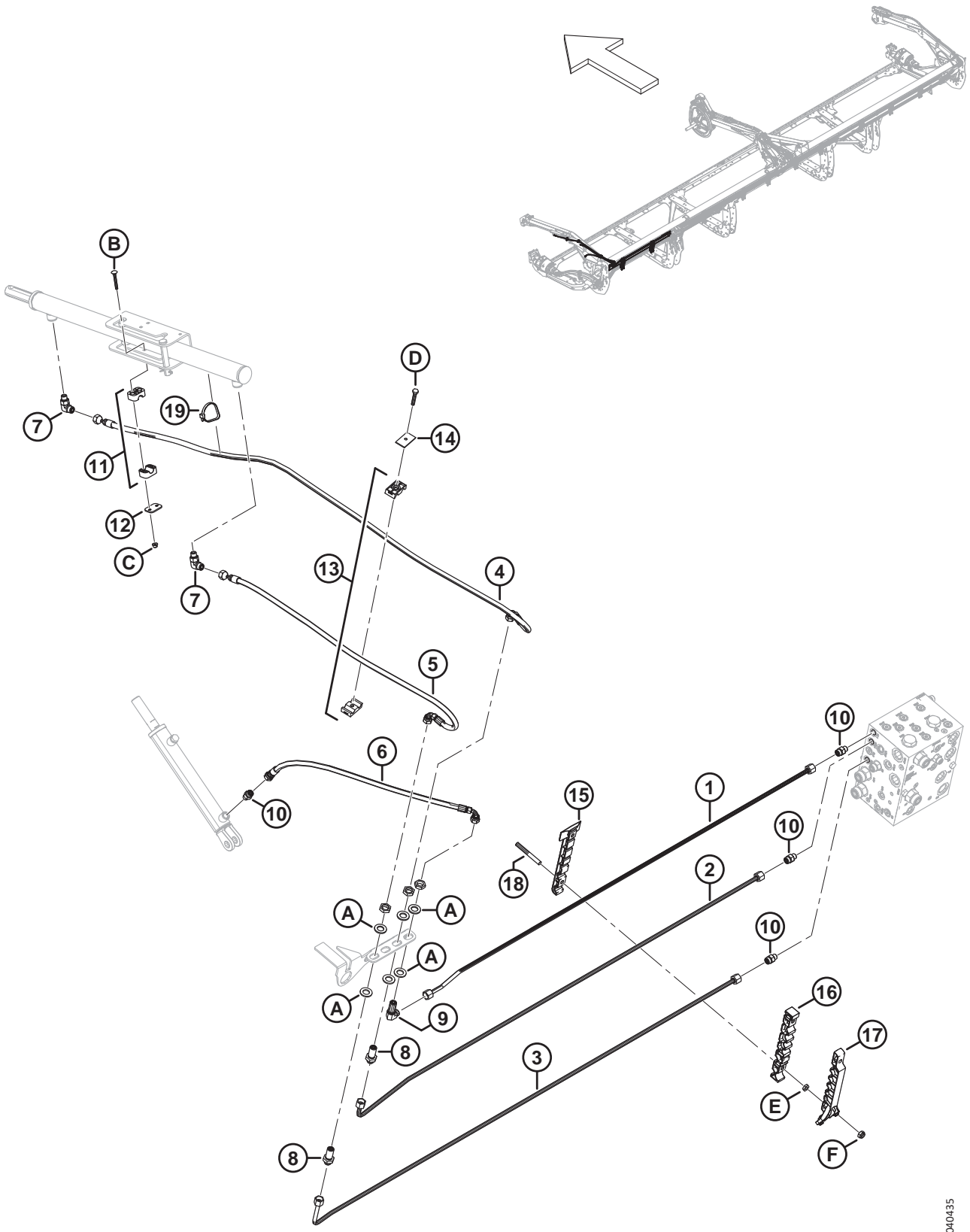
Ref	Part Number	Description	Qty	Serial Number
1	283260	LINE – HYDRAULIC (D225)	1	
	135865	O-RING – Ø1.78 X Ø9.25		
2	283262	LINE – HYDRAULIC (D225)	1	
	135865	O-RING – Ø1.78 X Ø9.25		
3	283258	LINE – HYDRAULIC (D225)	1	
	135865	O-RING – Ø1.78 X Ø9.25		
4	283259	LINE – HYDRAULIC (D225)	1	
	135865	O-RING – Ø1.78 X Ø9.25		
5	283261	LINE – HYDRAULIC (D225)	1	
	135865	O-RING – Ø1.78 X Ø9.25		
6	283263	LINE – HYDRAULIC (D225)	1	
	135865	O-RING – Ø1.78 X Ø9.25		
7	283327	HOSE – HYD	2	
8	283059	HOSE – HYD	1	
9	135778	FITTING – ADAPTER	10	
	50219	O-RING – Ø1.98 X Ø11.89		
	135865	O-RING – Ø1.78 X Ø9.25		
10	136146	FITTING – ELBOW 45° BLKHD HYD ²²³	3	
11	283750	LINE – HYDRAULIC (D225)	3	
	135865	O-RING – Ø1.78 X Ø9.25		
12	283251	LINE – HYDRAULIC	2	
13	232395	CLAMP – ASSY ²²⁴	1	
14	184303	CLAMP – COVER PLATE	1	
15	283820	CLAMP – LINE BOTTOM RH	7	
16	283818	CLAMP – LINE MIDDLE RH	7	
17	340549	KIT – RH TOP LINE CLAMP ²²⁵	7	
18	312654	STUD – THRD CLAMP PATCH WING	14	
19	135444	CINCH STRAP – 4 IN. LG	3	
20	323023	PLATE – CLAMP CENTER REEL ARM	1	
21	283989	PLATE – HOSE REEL TOP	1	
22	283988	PLATE – HOSE REEL MIDDLE	1	
23	283987	PLATE – HOSE REEL BOTTOM	1	
A	30660	BOLT – HEX HD M8 X 1.25 X 45-8.8-AA1J		
B	136442	NUT – HEX THIN M10 X 1.5-05-AA1J		
C	184692	NUT – HEX NYLOC M10 X 1.5-8-AA1J		
D	184656	BOLT – HEX HD M8 X 1.25 X 70-8.8-AA1J		
E	136540	WASHER – FLAT		

223. The fitting includes a securing nut (NSS).

224. The clamp assembly includes two clamp halves (NSS). It does **NOT** include the cover plate or hardware.

225. Includes RH top line clamp (NSS) and two Torx® screws (MD #320336).

73 Hydraulics – Lift and Fore-Aft, Double Reel, Left Arm (D230, D235, and D241)



HYDRAULICS – LIFT AND FORE-AFT, DOUBLE REEL, LEFT ARM (D230, D235, AND D241)

Ref	Part Number	Description	Qty	Serial Number
1	283056	LINE – HYDRAULIC (D230) ²²⁶	1	
	283144	LINE – HYDRAULIC (D235) ²²⁷	1	
	283183	LINE – HYDRAULIC (D241) ²²⁸	1	
2	283055	LINE – HYDRAULIC (D230) ²²⁶	1	
	283143	LINE – HYDRAULIC (D235) ²²⁷	1	
	283182	LINE – HYDRAULIC (D241) ²²⁸	1	
3	283053	LINE – HYDRAULIC (D230) ²²⁶	1	
	283141	LINE – HYDRAULIC (D235) ²²⁷	1	
	283180	LINE – HYDRAULIC (D241) ²²⁸	1	
4	283057	HOSE – HYD	1	
5	283058	HOSE – HYD	1	
6	283059	HOSE – HYD	1	
7	136095	FITTING – ELBOW 90° HYD	2	
8	136145	FITTING – BULKHEAD UNION HYD ²²⁹	2	
9	136150	FITTING – ELBOW 90° BLKHD HYD ²²⁹	1	
10	135778	FITTING – ADAPTER	4	
	50219	O-RING – Ø1.98 X Ø11.89		
	135865	O-RING – Ø1.78 X Ø9.25		
11	283791	CLAMP – ASSY ²³⁰	1	
12	255461	PLATE – COVER	1	
13	232395	CLAMP – ASSY ²³⁰	1	
14	184303	CLAMP – COVER PLATE	1	
15	283797	CLAMP – LINE BOTTOM LH ²³¹		
16	283807	CLAMP – LINE MIDDLE LH ²³¹		
17	340548	KIT – LH TOP LINE CLAMP ²³²		
18	312654	STUD – THRD CLAMP PATCH WING ²³³		
19	30753	FASTENER – CABLE TIE, BLACK	1	
A	136540	WASHER – FLAT		
B	184644	BOLT – RHSN M6 X 1 X 50-8.8-ZINC		
C	152668	NUT – HEX FLG CTR LOC M6 X 1-8		
D	30660	BOLT – HEX HD M8 X 1.25 X 45-8.8-AA1J		
E	136442	NUT – HEX THIN M10 X 1.5-05-AA1J		
F	184692	NUT – HEX NYLOC M10 X 1.5-8-AA1J		

226. Used on D230 headers only.

227. Used on D235 headers only.

228. Used on D241 headers only.

229. The fitting includes a securing nut (NSS).

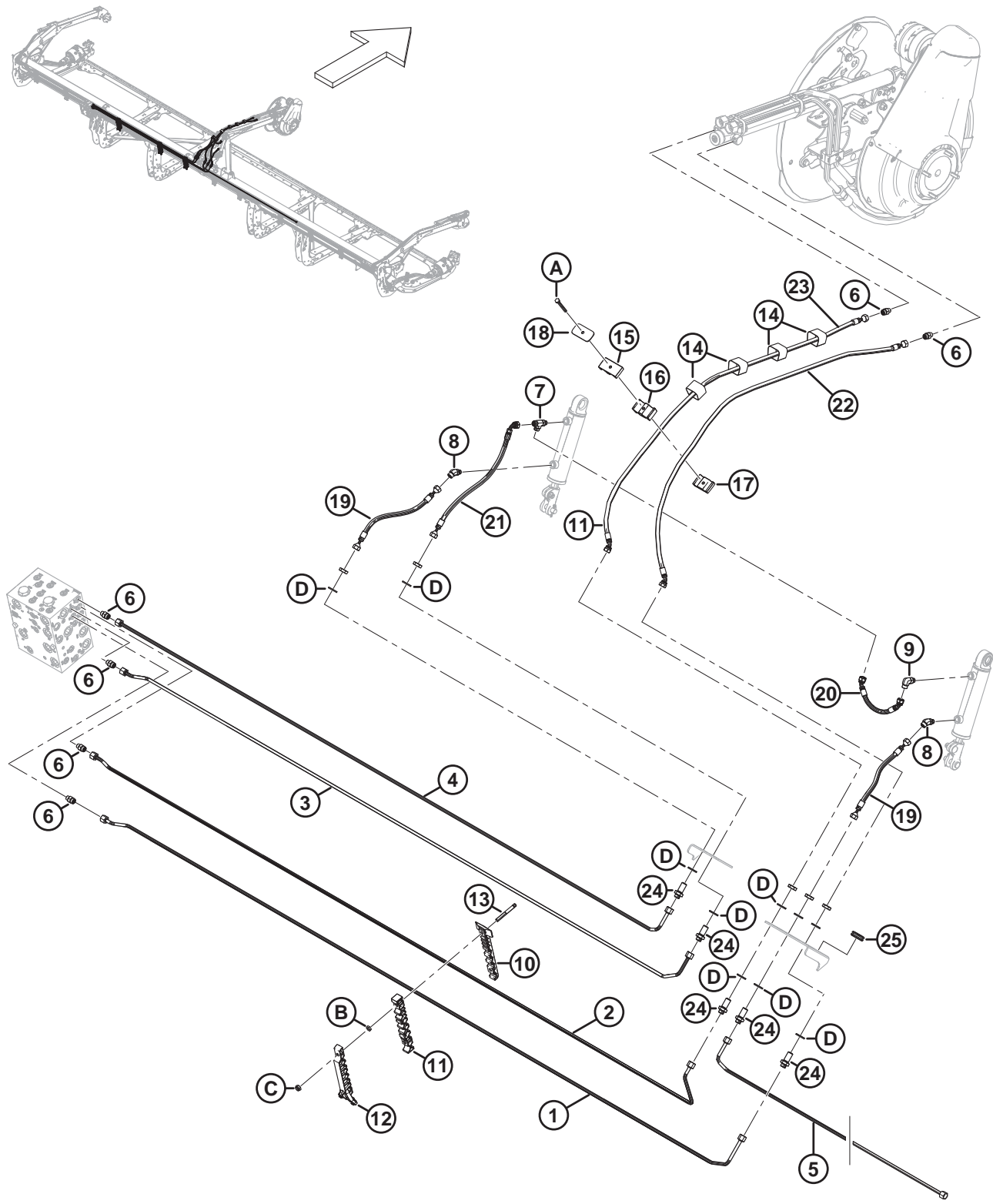
230. The clamp assembly includes two clamp halves (NSS). It does **NOT** include the cover plate or hardware.

231. Quantities: D230 = 2, D235 = 3, and D241 = 4.

232. Includes LH top line clamp (NSS) and two Torx® screws (MD #320336). Quantities: D230 = 2, D235 = 3, and D241 = 4.

233. Quantities: D230 = 4, D235 = 6, and D241 = 8.

74 Hydraulics – Lift and Fore-Aft, Double Reel, Center Arm (D230, D235, and D241)



1040437

HYDRAULICS – LIFT AND FORE-AFT, DOUBLE REEL, CENTER ARM (D230, D235, AND D241)

Ref	Part Number	Description	Qty	Serial Number
1	283523	LINE – HYDRAULIC	1	
2	283520	LINE – HYDRAULIC	1	
3	283522	LINE – HYDRAULIC	1	
4	283521	LINE – HYDRAULIC	1	
5	283526	LINE – HYDRAULIC (D230, D235) ²³⁴	1	
	283810	LINE – HYDRAULIC (D241) ²³⁵	1	
6	135778	FITTING – ADAPTER	6	
	50219	O-RING – Ø1.98 X Ø11.89		
	135865	O-RING – Ø1.78 X Ø9.25		
7	136240	FITTING – TEE HYD	1	
	50219	O-RING – Ø1.98 X Ø11.89		
	135865	O-RING – Ø1.78 X Ø9.25		
8	136144	FITTING – ELBOW 45° HYD	2	
	50219	O-RING – Ø1.98 X Ø11.89		
	135865	O-RING – Ø1.78 X Ø9.25		
9	136095	FITTING – ELBOW 90° HYD	1	
	50219	O-RING – Ø1.98 X Ø11.89		
	135865	O-RING – Ø1.78 X Ø9.25		
10	283820	CLAMP – LINE BOTTOM RH	3	
11	283818	CLAMP – LINE MIDDLE RH	3	
12	340549	KIT – RH TOP LINE CLAMP ²³⁶	3	
13	312654	STUD – THRD CLAMP PATCH WING	6	
14	135444	CINCH STRAP – 6 IN. LG	4	
15	283989	CLAMP – HOSE REEL TOP	1	
16	283988	CLAMP – HOSE REEL MIDDLE	1	
17	283987	CLAMP – HOSE REEL BOTTOM	1	
18	323023	PLATE – CLAMP CENTER REEL ARM	1	
19	283582	HOSE – HYD, 1/4 IN ID, 350 MM LG, 100R17	2	
20	283785	HOSE – HYD, 1/4 IN ID, 240 MM LG, 100R17	1	
21	283747	HOSE – HYD, 1/4 IN ID, 475 MM LG, 100R17	1	
22	323018	HOSE – HYD, 1/4 IN ID, 1530 MM LG, 100R17	1	
23	283581	HOSE – HYD, 1/4 IN ID, 1505 MM LG, 100R17	1	
24	136145	FITTING – BULKHEAD UNION HYD ²³⁷	5	
	135865	O-RING – Ø1.78 X Ø9.25		
25	112640	GROMMET	1	
A	184656	BOLT – HEX HD M8 X 1.25 X 70-8.8-AA1J		
B	136442	NUT – HEX THIN M10 X 1.5-05-AA1J		
C	184692	NUT – HEX NYLOC M10 X 1.5-8-AA1J		
D	136540	WASHER – FLAT		

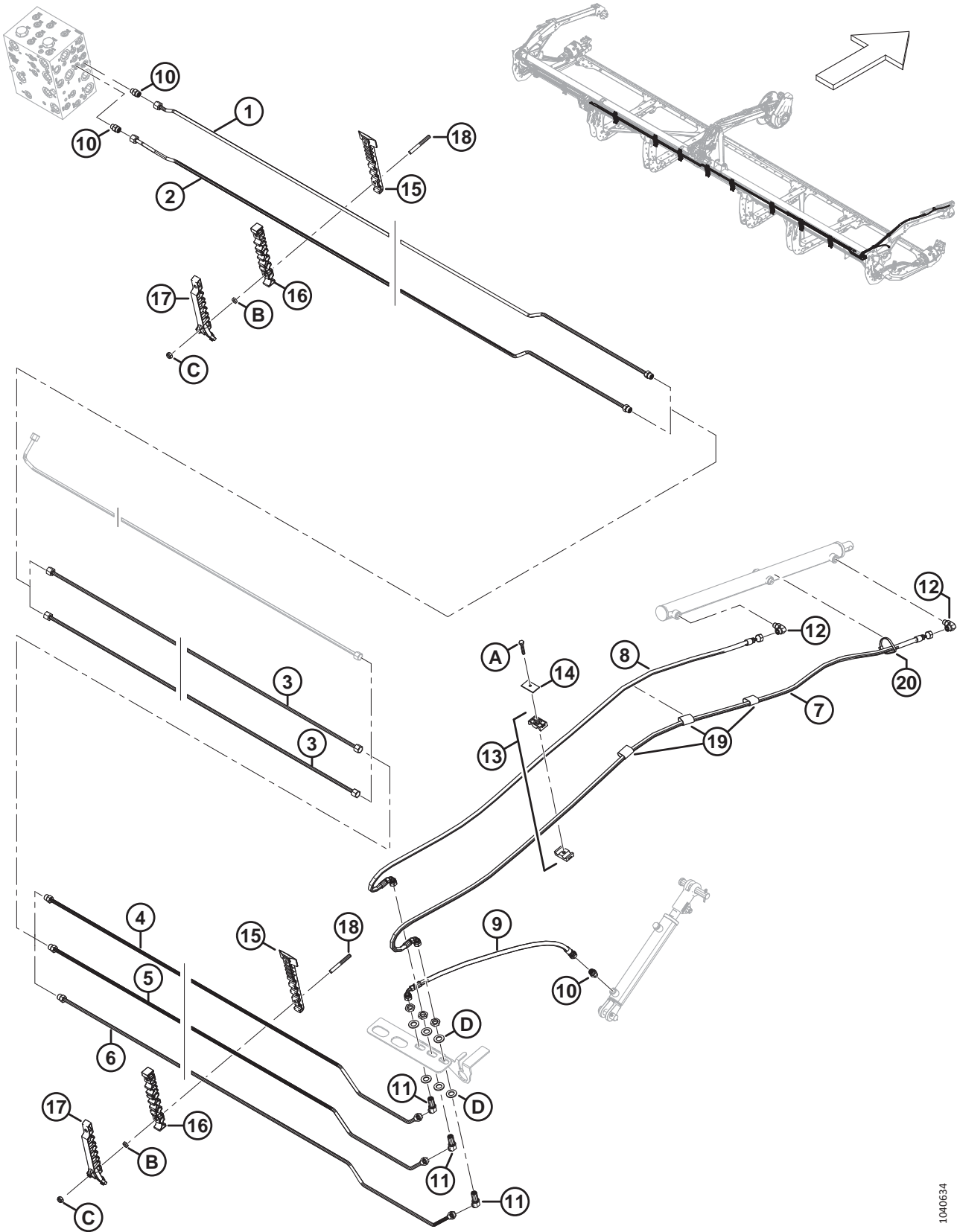
234. Used on D230 and D235 headers only.

235. Used on D241 headers only.

236. Includes RH top line clamp (NSS) and two Torx® screws (MD #320336).

237. The fitting includes a securing nut (NSS).

75 Hydraulics – Lift and Fore-Aft, Double Reel, Right Arm (D230 and D235)



HYDRAULICS – LIFT AND FORE-AFT, DOUBLE REEL, RIGHT ARM (D230 AND D235)

Ref	Part Number	Description	Qty	Serial Number
1	283533	LINE – HYDRAULIC (D230 AND D235)	1	
	135865	O-RING – Ø1.78 X Ø9.25		
2	283540	LINE – HYDRAULIC (D230 AND D235)	1	
	135865	O-RING – Ø1.78 X Ø9.25		
3	283750	LINE – HYDRAULIC (D230 AND D235)	2	
4	283527	LINE – HYDRAULIC (D230) ²³⁸	1	
	283528	LINE – HYDRAULIC (D235) ²³⁹	1	
	135865	O-RING – Ø1.78 X Ø9.25		
5	283534	LINE – HYDRAULIC (D230) ²³⁸	1	
	283535	LINE – HYDRAULIC (D235) ²³⁹	1	
	135865	O-RING – Ø1.78 X Ø9.25		
6	283541	LINE – HYDRAULIC (D230) ²³⁸	1	
	283542	LINE – HYDRAULIC (D235) ²³⁹	1	
	135865	O-RING – Ø1.78 X Ø9.25		
7	283074	HOSE – HYD	1	
8	283075	HOSE – HYD	1	
9	283059	HOSE – HYD	1	
10	135778	FITTING – ADAPTER	3	
	50219	O-RING – Ø1.98 X Ø11.89		
	135865	O-RING – Ø1.78 X Ø9.25		
11	136146	FITTING – ELBOW 45° BLKHD HYD ²⁴⁰	3	
12	136095	FITTING – ELBOW 90° HYD	2	
	50219	O-RING – Ø1.98 X Ø11.89		
	135865	O-RING – Ø1.78 X Ø9.25		
13	232395	CLAMP – ASSY ²⁴¹	2	
14	184303	CLAMP – COVER PLATE	2	
15	283820	CLAMP – LINE BOTTOM RH ²⁴²		
16	283818	CLAMP – LINE MIDDLE RH ²⁴²		
17	340549	KIT – RH TOP LINE CLAMP ²⁴³		
18	312654	STUD – THRD CLAMP PATCH WING ²⁴⁴		
19	135443	CINCH STRAP – 4 IN. LG	3	
20	30753	FASTENER – CABLE TIE, BLACK	1	
A	30660	BOLT – HEX HD M8 X 1.25 X 45-8.8-AA1J		
B	136442	NUT – HEX THIN M10 X 1.5-05-AA1J		
C	184692	NUT – HEX NYLOC M10 X 1.5-8-AA1J		
D	136540	WASHER – FLAT		

238. Used on D230 headers only.

239. Used on D235 headers only.

240. The fitting includes a securing nut (NSS).

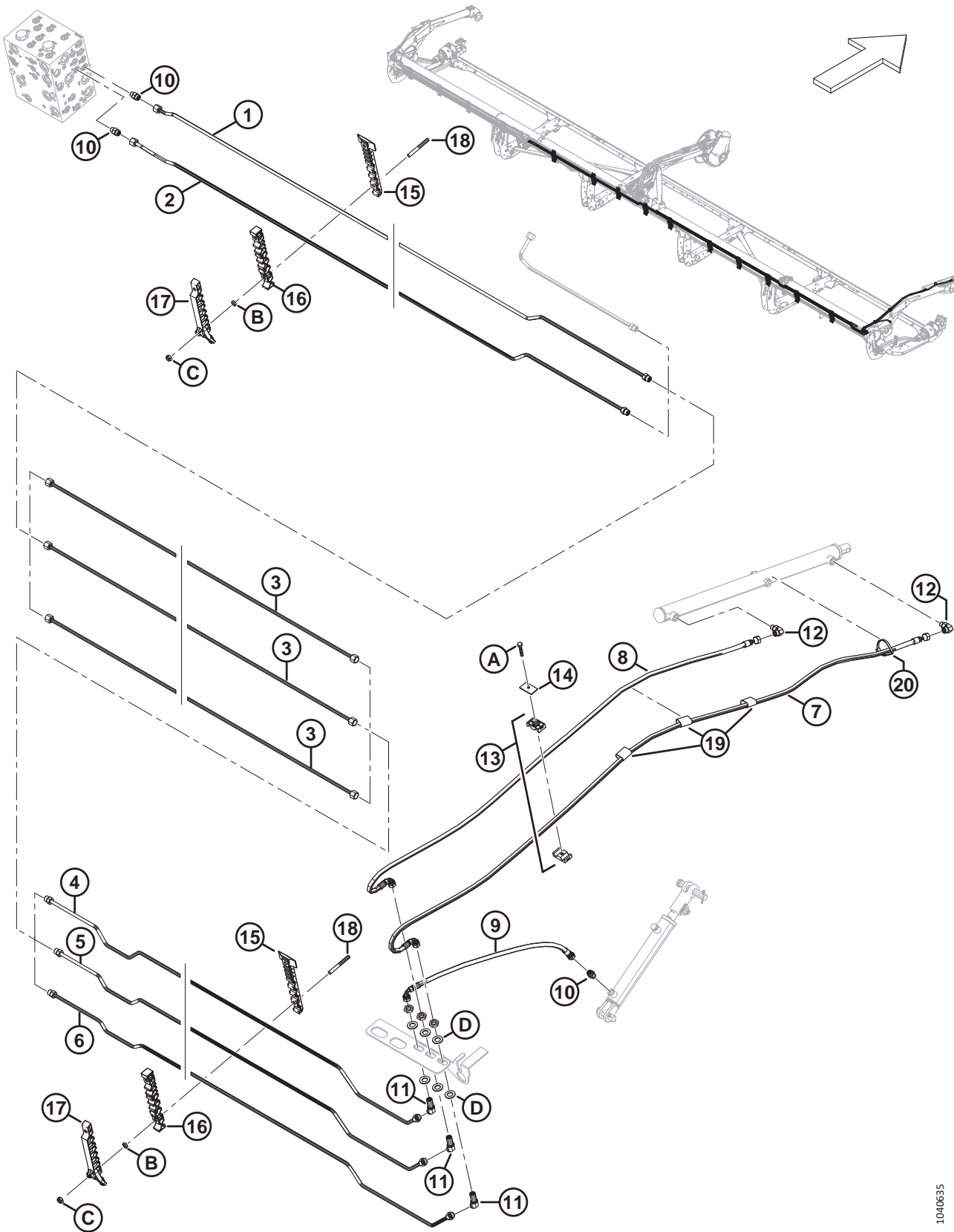
241. The clamp assembly includes two clamp halves (NSS). It does **NOT** include the cover plate or hardware.

242. Quantities: D230 = 8; D235 = 9.

243. Includes RH top line clamp (NSS) and two Torx® screws (MD #320336). Quantities: D230 = 8; D235 = 9.

244. Quantities: D230 = 16; D235 = 18.

76 Hydraulics – Lift and Fore-Aft, Double Reel, Right Arm (D241)



HYDRAULICS – LIFT AND FORE-AFT, DOUBLE REEL, RIGHT ARM (D241)

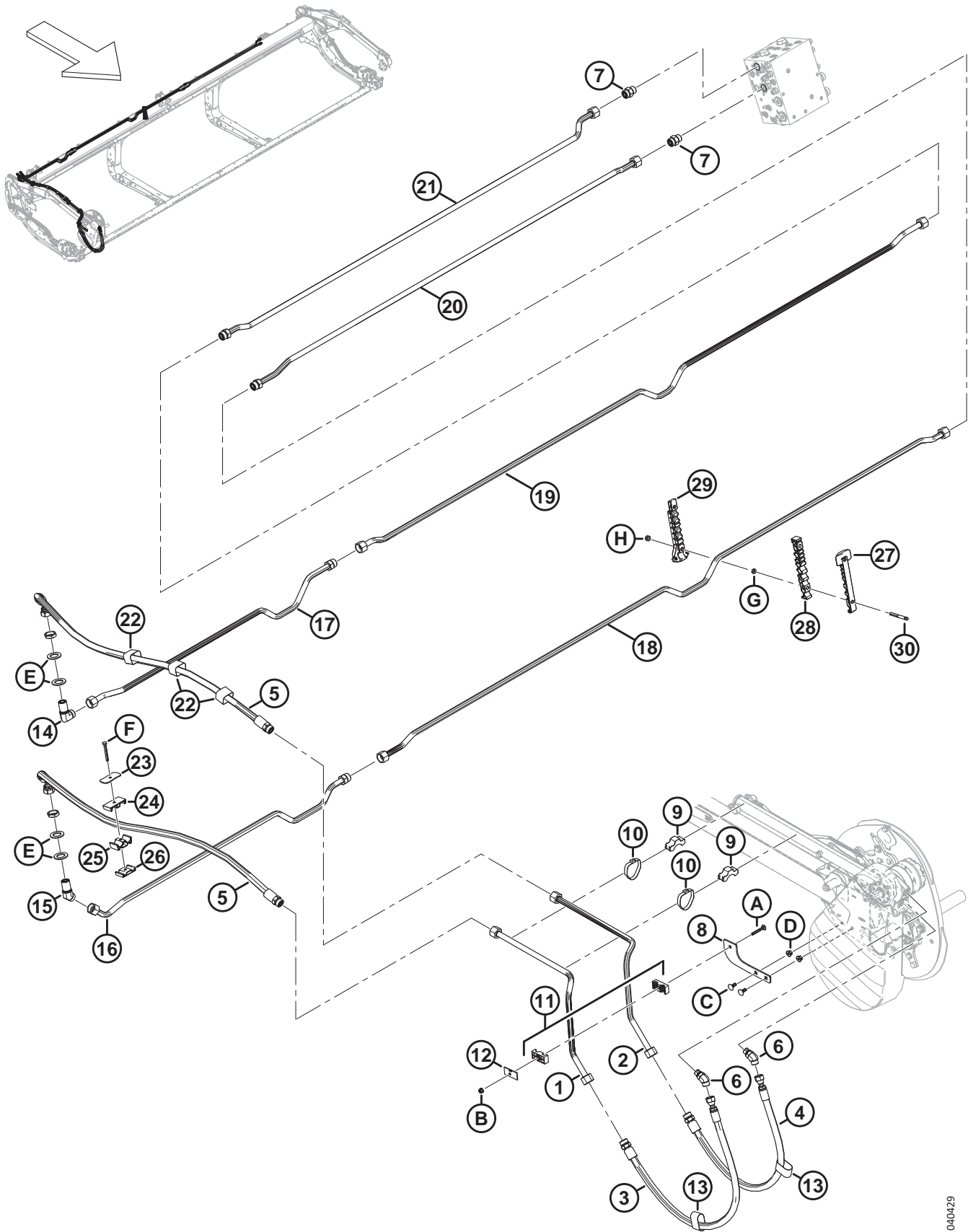
Ref	Part Number	Description	Qty	Serial Number
1	283533	LINE – HYDRAULIC (D241)	1	
	135865	O-RING – Ø1.78 X Ø9.25		
2	283540	LINE – HYDRAULIC (D241)	1	
	135865	O-RING – Ø1.78 X Ø9.25		
3	283529	LINE – HYDRAULIC (D241)	3	
4	283431	LINE – HYDRAULIC (D241)	1	
	135865	O-RING – Ø1.78 X Ø9.25		
5	283432	LINE – HYDRAULIC (D241)	1	
	135865	O-RING – Ø1.78 X Ø9.25		
6	283433	LINE – HYDRAULIC (D241)	1	
	135865	O-RING – Ø1.78 X Ø9.25		
7	283074	HOSE – HYD	1	
8	283075	HOSE – HYD	1	
9	283059	HOSE – HYD	1	
10	135778	FITTING – ADAPTER	3	
	50219	O-RING – Ø1.98 X Ø11.89		
	135865	O-RING – Ø1.78 X Ø9.25		
11	136146	FITTING – ELBOW 45° BLKHD HYD ²⁴⁵	3	
12	136095	FITTING – ELBOW 90° HYD	2	
	50219	O-RING – Ø1.98 X Ø11.89		
	135865	O-RING – Ø1.78 X Ø9.25		
13	232395	CLAMP – ASSY ²⁴⁶	2	
14	184303	CLAMP – COVER PLATE	2	
15	283820	CLAMP – LINE BOTTOM RH	10	
16	283818	CLAMP – LINE MIDDLE RH	10	
17	340549	KIT – RH TOP LINE CLAMP ²⁴⁷	10	
18	312654	STUD – THRD CLAMP PATCH WING	20	
19	135443	CINCH STRAP – 4 IN. LG	3	
20	30753	FASTENER – CABLE TIE, BLACK	1	
A	30660	BOLT – HEX HD M8 X 1.25 X 45-8.8-AA1J		
B	136442	NUT – HEX THIN M10 X 1.5-05-AA1J		
C	184692	NUT – HEX NYLOC M10 X 1.5-8-AA1J		
D	136540	WASHER – FLAT		

245. The fitting includes a securing nut (NSS).

246. The clamp assembly includes two clamp halves (NSS). It does **NOT** include the cover plate or hardware.

247. Includes RH top line clamp (NSS) and two Torx® screws (MD #320336).

77 Hydraulics – Reel Drive, Single Reel



1040429

HYDRAULICS – REEL DRIVE, SINGLE REEL

Ref	Part Number	Description	Qty	Serial Number
1	323428	LINE – HYDRAULIC	1	
2	323429	LINE – HYDRAULIC	1	
3	283092	HOSE – HYD	1	
	135868	O-RING – Ø1.78 X Ø18.77		
4	283091	HOSE – HYD	1	
	135868	O-RING – Ø1.78 X Ø18.77		
5	323519	HOSE – HYD	2	
	135868	O-RING – Ø1.78 X Ø18.77		
6	136327	FITTING – ELBOW 45° HYD	2	
	44210	O-RING – Ø2.46 X Ø19.18		
	135867	O-RING – Ø1.78 X Ø15.60		
7	135788	FITTING – ADAPTER	2	
	30971	O-RING – Ø2.95 X Ø23.47		
	135868	O-RING – Ø1.78 X Ø18.77		
8	273285	SUPPORT – BRACKET	1	
9	232405	CLAMP – LINE	2	
10	112823	CLAMP – HOSE	2	
11	232397	CLAMP – ASSY ²⁴⁸	1	
12	232233	CLAMP – COVER PLATE	1	
13	135443	CINCH STRAP 4 IN. LG	2	
14	136245	FITTING – ELBOW 90° BULKHEAD HYD ²⁴⁹	1	
	135868	O-RING – Ø1.78 X Ø18.77		
15	136527	FITTING – ELBOW 45° BULKHEAD ²⁴⁹	1	
	135868	O-RING – Ø1.78 X Ø18.77		
16	283255	LINE – HYDRAULIC (D225) ²⁵⁰	1	
	135868	O-RING – Ø1.78 X Ø18.77		
17	283254	LINE – HYDRAULIC (D225) ²⁵⁰	1	
	135868	O-RING – Ø1.78 X Ø18.77		
18	283256	LINE – HYDRAULIC (D225) ²⁵⁰	1	
19	283253	LINE – HYDRAULIC (D225) ²⁵⁰	1	
20	323471	LINE – HYDRAULIC (D215) ²⁵¹	1	
	323561	LINE – HYDRAULIC (D220) ²⁵²	1	
	283257	LINE – HYDRAULIC (D225) ²⁵⁰	1	
	135868	O-RING – Ø1.78 X Ø18.77		
21	323469	LINE – HYDRAULIC (D215) ²⁵¹	1	
	323560	LINE – HYDRAULIC (D220) ²⁵²	1	
	283252	LINE – HYDRAULIC (D225) ²⁵⁰	1	
	135868	O-RING – Ø1.78 X Ø18.77		

248. The clamp assembly includes two clamp halves (NSS). It does **NOT** include the cover plate or hardware.

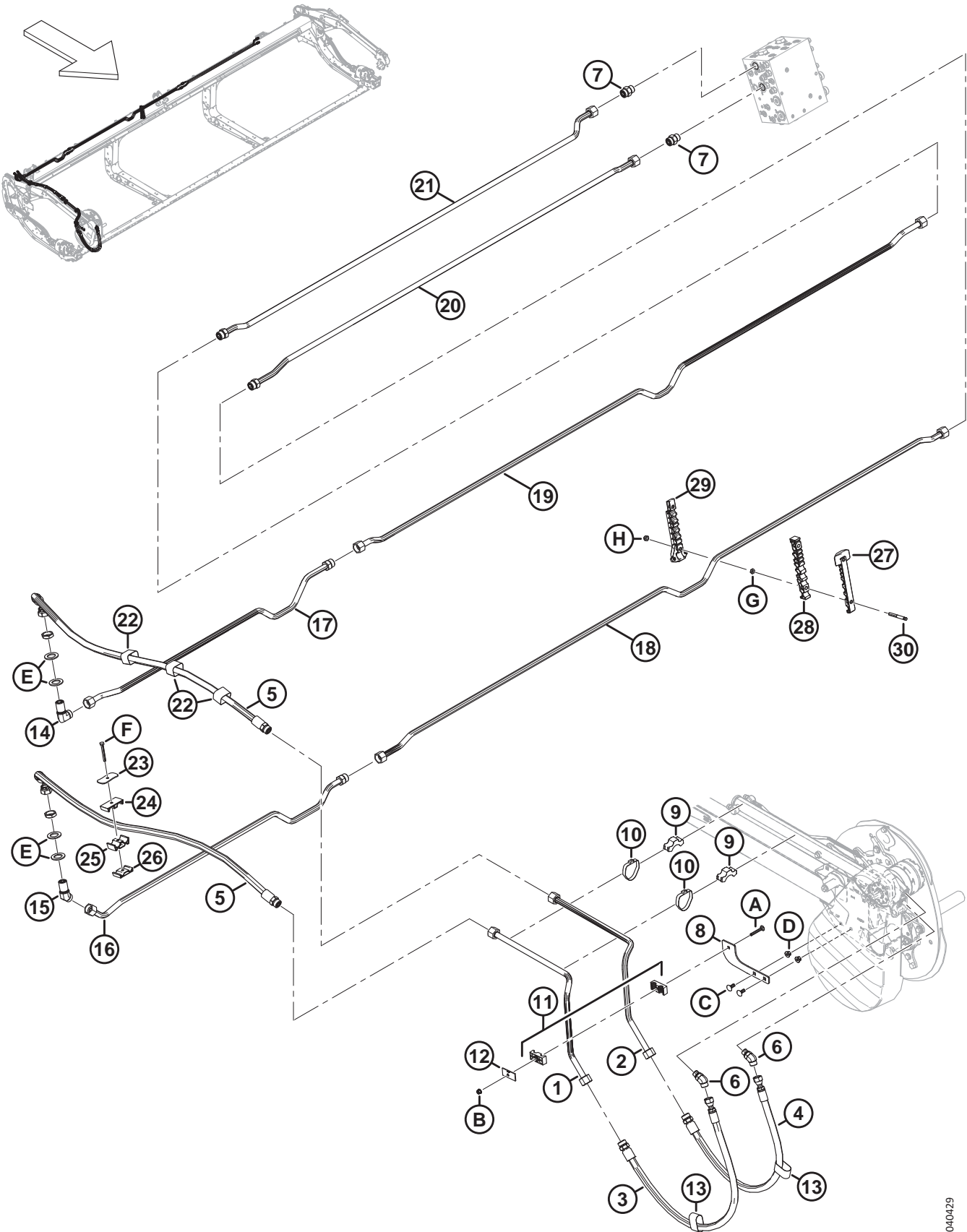
249. The fitting includes a securing nut (NSS).

250. Used on D225 headers only.

251. Used on D215 headers only.

252. Used on D220 headers only.

HYDRAULICS – REEL DRIVE, SINGLE REEL



1040429

HYDRAULICS – REEL DRIVE, SINGLE REEL

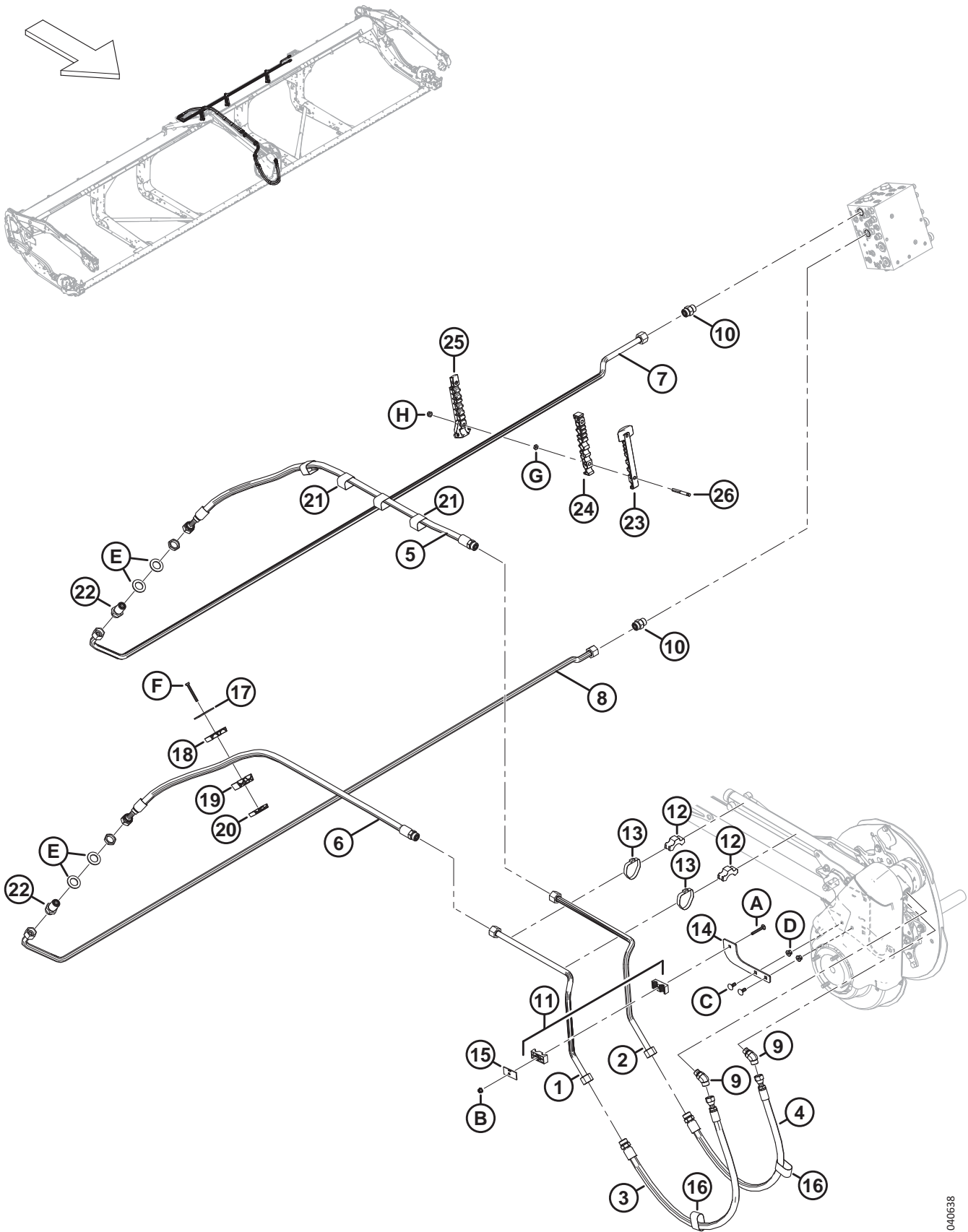
Ref	Part Number	Description	Qty	Serial Number
22	135444	CINCH STRAP – 4 IN. LG	3	
23	323023	PLATE – CLAMP CENTER REEL ARM	1	
24	283989	PLATE – HOSE REEL TOP	1	
25	283988	PLATE – HOSE REEL MIDDLE	1	
26	283987	PLATE – HOSE REEL BOTTOM	1	
27	283820	CLAMP – LINE BOTTOM RH ²⁵³		
28	283818	CLAMP – LINE MIDDLE RH ²⁵³		
29	340549	KIT – RH TOP LINE CLAMP ²⁵⁴		
30	312654	STUD – THRD CLAMP PATCH WING ²⁵⁵		
A	136486	BOLT – RHSN M8 X 1.25 X 60-8.8-AA1J		
B	135337	NUT – HEX FLG CTR LK M8 X 1.25-8-AA1J		
C	135785	BOLT – RHSN M10 X 1.5 X 25-8.8-AA1J		
D	135799	NUT – HEX FLG CTR LOC M10 X 1.5-10		
E	136355	WASHER – FLAT 2.0 IN. OD ZP		
F	184656	BOLT – HEX HD M8 X 1.25 X 70-8.8-AA1J		
G	136442	NUT – HEX THIN M10 X 1.5-05-AA1J		
H	184692	NUT – HEX NYLOC M10 X 1.5-8-AA1J		

253. Quantities: D215 = 0, D220 = 1, and D225 = 7.

254. Includes RH top line clamp (NSS) and two Torx® screws (MD #320336). Quantities: D215 = 0, D220 = 1, and D225 = 7.

255. Quantities: D215 = 0, D220 = 2, and D225 = 14.

78 Hydraulics – Reel Drive, Double Reel



HYDRAULICS – REEL DRIVE, DOUBLE REEL

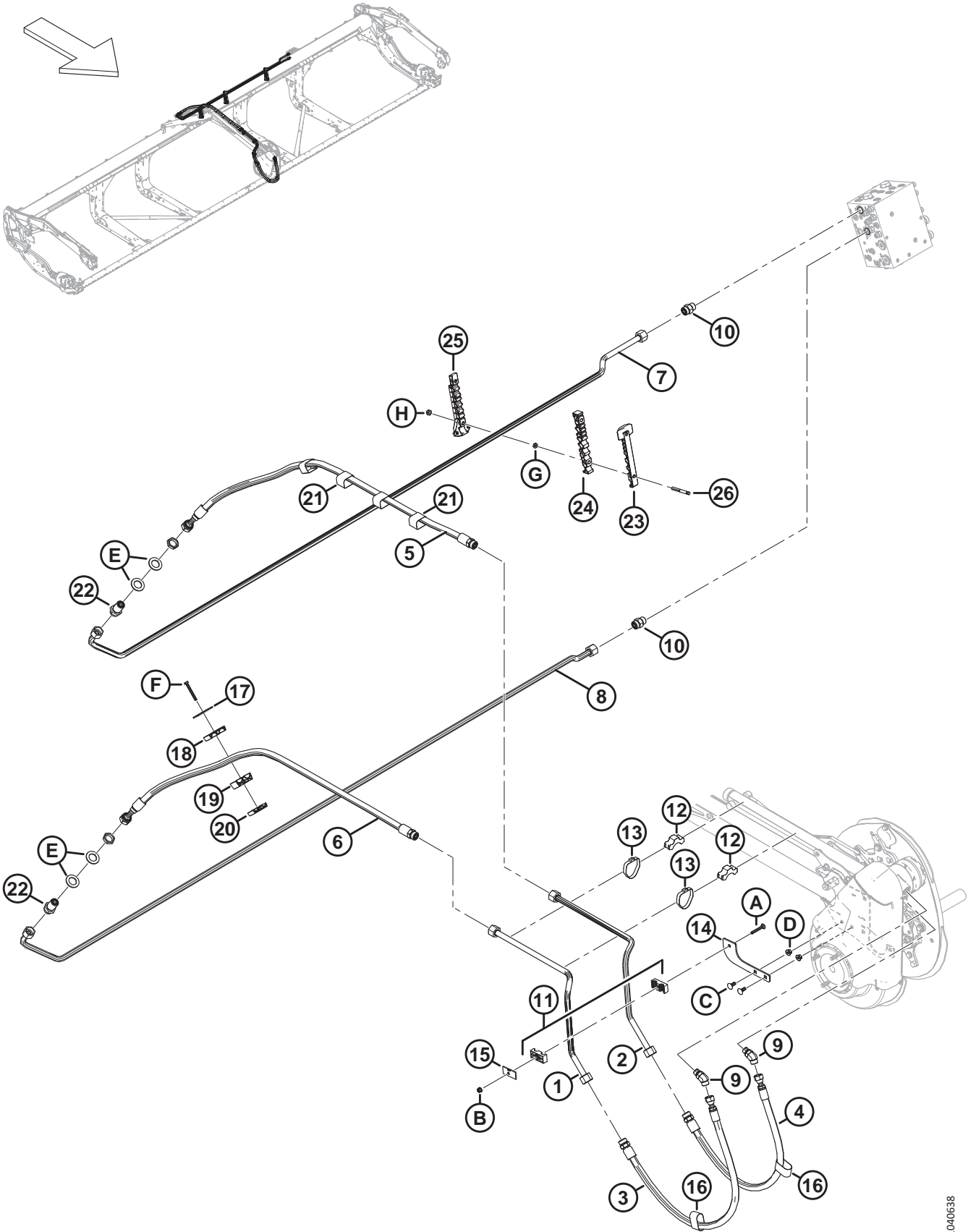
Ref	Part Number	Description	Qty	Serial Number
1	323428	LINE – HYDRAULIC	1	
2	323429	LINE – HYDRAULIC	1	
3	283092	HOSE – HYD	1	
	135868	O-RING – Ø1.78 X Ø18.77		
4	283091	HOSE – HYD	1	
	135868	O-RING – Ø1.78 X Ø18.77		
5	283580	HOSE – HYD	1	
	135868	O-RING – Ø1.78 X Ø18.77		
6	323017	HOSE – HYD	1	
	135868	O-RING – Ø1.78 X Ø18.77		
7	323921	LINE – HYDRAULIC	1	
8	283525	LINE – HYDRAULIC	1	
9	136327	FITTING – ELBOW 45° HYD	2	
	44210	O-RING – Ø2.46 X Ø19.18		
	135867	O-RING – Ø1.78 X Ø15.60		
10	135788	FITTING – ADAPTER	2	
	30971	O-RING – Ø2.95 X Ø23.47		
	135868	O-RING – Ø1.78 X Ø18.77		
11	273285	SUPPORT – BRACKET	1	
12	232405	CLAMP – LINE	2	
13	112823	CLAMP – HOSE	2	
14	232397	CLAMP – ASSY ²⁵⁶	1	
15	232233	CLAMP – COVER PLATE	1	
16	135443	CINCH STRAP 4 IN. LG	2	
17	323023	PLATE – CLAMP CENTER REEL ARM	1	
18	283989	CLAMP – HOSE REEL TOP	1	
19	283988	CLAMP – HOSE REEL MIDDLE	1	
20	283987	CLAMP – HOSE REEL BOTTOM	1	
21	135444	CINCH STRAP – 4 IN. LG	4	
22	136254	FITTING – BULKHEAD HYD ²⁵⁷	2	
	135868	O-RING – Ø1.78 X Ø18.77		
23	283820	CLAMP – LINE BOTTOM RH	3	
24	283818	CLAMP – LINE MIDDLE RH	3	
25	340549	KIT – RH TOP LINE CLAMP ²⁵⁸	3	
26	312654	STUD – THRD CLAMP PATCH WING	6	
A	136486	BOLT – RHSN M8 X 1.25 X 60-8.8-AA1J		
B	135337	NUT – HEX FLG CTR LK M8 X 1.25-8-AA1J		
C	135785	BOLT – RHSN M10 X 1.5 X 25-8.8-AA1J		
D	135799	NUT – HEX FLG CTR LOC M10 X 1.5-10		
E	136355	WASHER – FLAT 2.0 IN. OD ZP		
F	184656	BOLT – HEX HD M8 X 1.25 X 70-8.8-AA1J		

256. The clamp assembly includes two clamp halves (NSS). It does **NOT** include the cover plate or hardware.

257. The fitting includes a securing nut (NSS).

258. Includes RH top line clamp (NSS) and two Torx® screws (MD #320336).

HYDRAULICS – REEL DRIVE, DOUBLE REEL

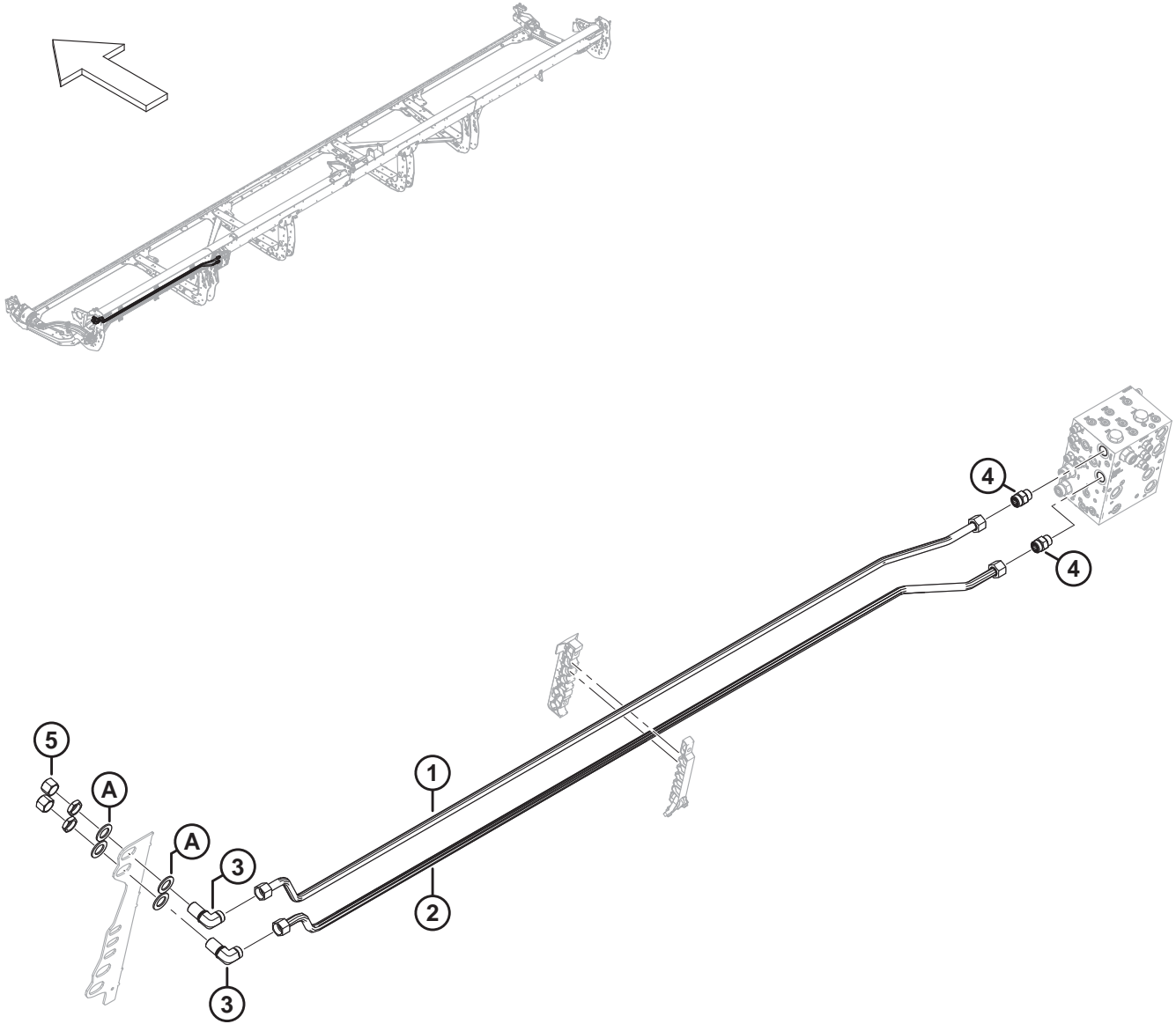


1040638

HYDRAULICS – REEL DRIVE, DOUBLE REEL

Ref	Part Number	Description	Qty	Serial Number
G	136442	NUT – HEX THIN M10 X 1.5-05-AA1J		
H	184692	NUT – HEX NYLOC M10 X 1.5-8-AA1J		

79 Hydraulics – Upper Cross Auger



HYDRAULICS – UPPER CROSS AUGER

Ref	Part Number	Description	Qty	Serial Number
	B7270	KIT – 15 FT. UPPER CROSS AUGER HYDRAULICS ²⁵⁹		
	B7271	KIT – 20 FT. UPPER CROSS AUGER HYDRAULICS ²⁵⁹		
	B7338	KIT – 25 FT. UPPER CROSS AUGER HYDRAULICS ²⁵⁹		
	B7117	KIT – 30 FT. UPPER CROSS AUGER HYDRAULICS ²⁵⁹		
	B7118	KIT – 35 FT. UPPER CROSS AUGER HYDRAULICS ²⁵⁹		
	B7120	KIT – 41 FT. UPPER CROSS AUGER HYDRAULICS ²⁵⁹		
1	323541	LINE – HYDRAULIC (D215) ²⁶⁰	1	
	323569	LINE – HYDRAULIC (D220) ²⁶¹	1	
	323354	LINE – HYDRAULIC (D225) ²⁶²	1	
	283052	LINE – HYDRAULIC (D230) ²⁶³	1	
	283164	LINE – HYDRAULIC (D235) ²⁶⁴	1	
	283462	LINE – HYDRAULIC (D241) ²⁶⁵	1	
2	323542	LINE – HYDRAULIC (D215) ²⁶⁰	1	
	323568	LINE – HYDRAULIC (D220) ²⁶¹	1	
	323355	LINE – HYDRAULIC (D225) ²⁶²	1	
	283051	LINE – HYDRAULIC (D230) ²⁶³	1	
	283205	LINE – HYDRAULIC (D235) ²⁶⁴	1	
	283461	LINE – HYDRAULIC (D241) ²⁶⁵	1	
3	136245	FITTING – ELBOW 90° BULKHEAD HYD ²⁶⁶	2	
	135868	O-RING – Ø1.78 X Ø18.77		
4	135788	FITTING – ADAPTER (UCAP, UCAR)	2	
	30971	O-RING – Ø2.95 X Ø23.47		
	135868	O-RING – Ø1.78 X Ø18.77		
5	135889	CAP – HYD SAE - 12 ORFS	2	
A	136355	WASHER – FLAT 2.0 IN OD ZP	4	

259. Kits are available through Whole Goods only.

260. Used on D215 headers only.

261. Used on D220 headers only.

262. Used on D225 headers only.

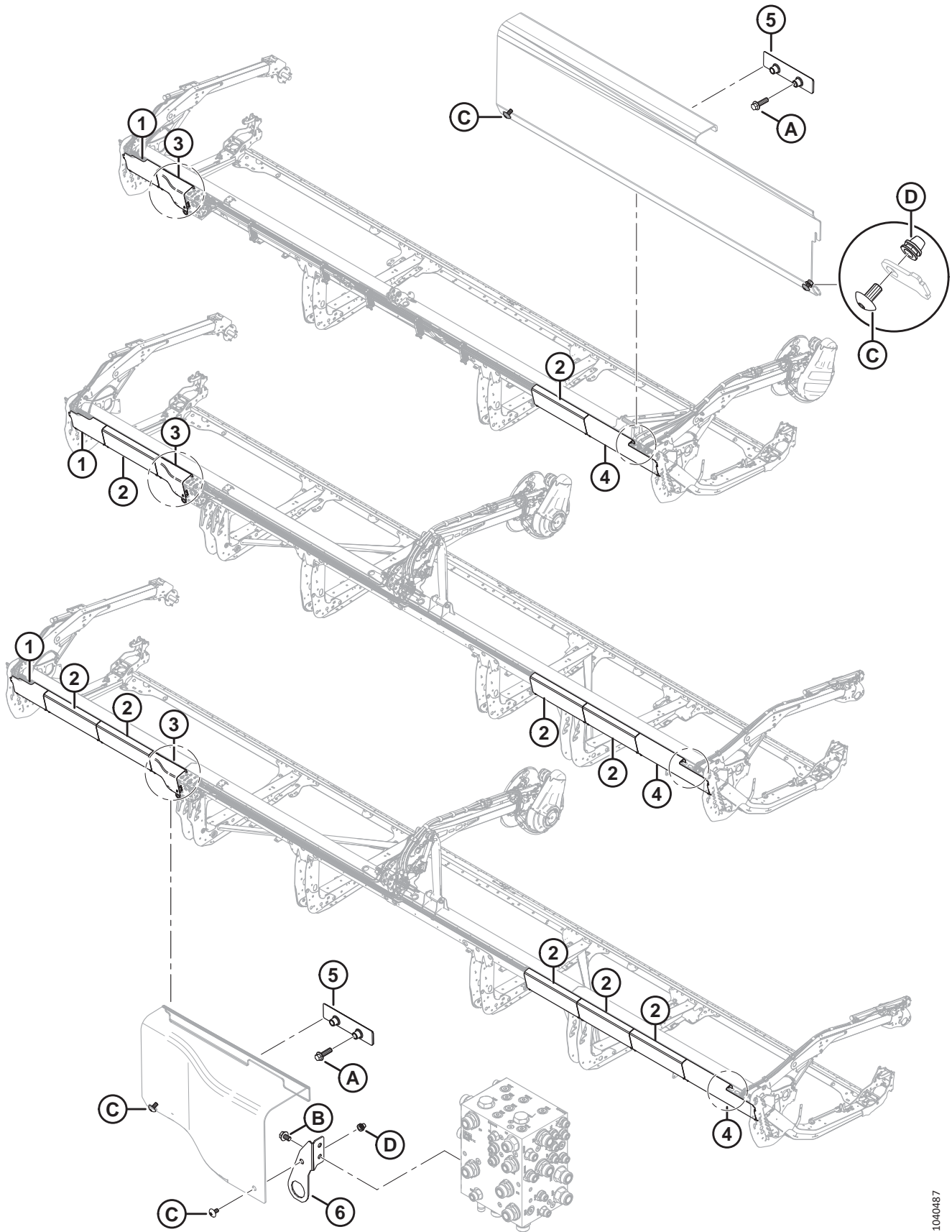
263. Used on D230 headers only.

264. Used on D235 headers only.

265. Used on D241 headers only.

266. The fitting includes a securing nut.

80 Hydraulic Line Covers (D225, D230, and D235)



HYDRAULIC LINE COVERS (D225, D230, AND D235)

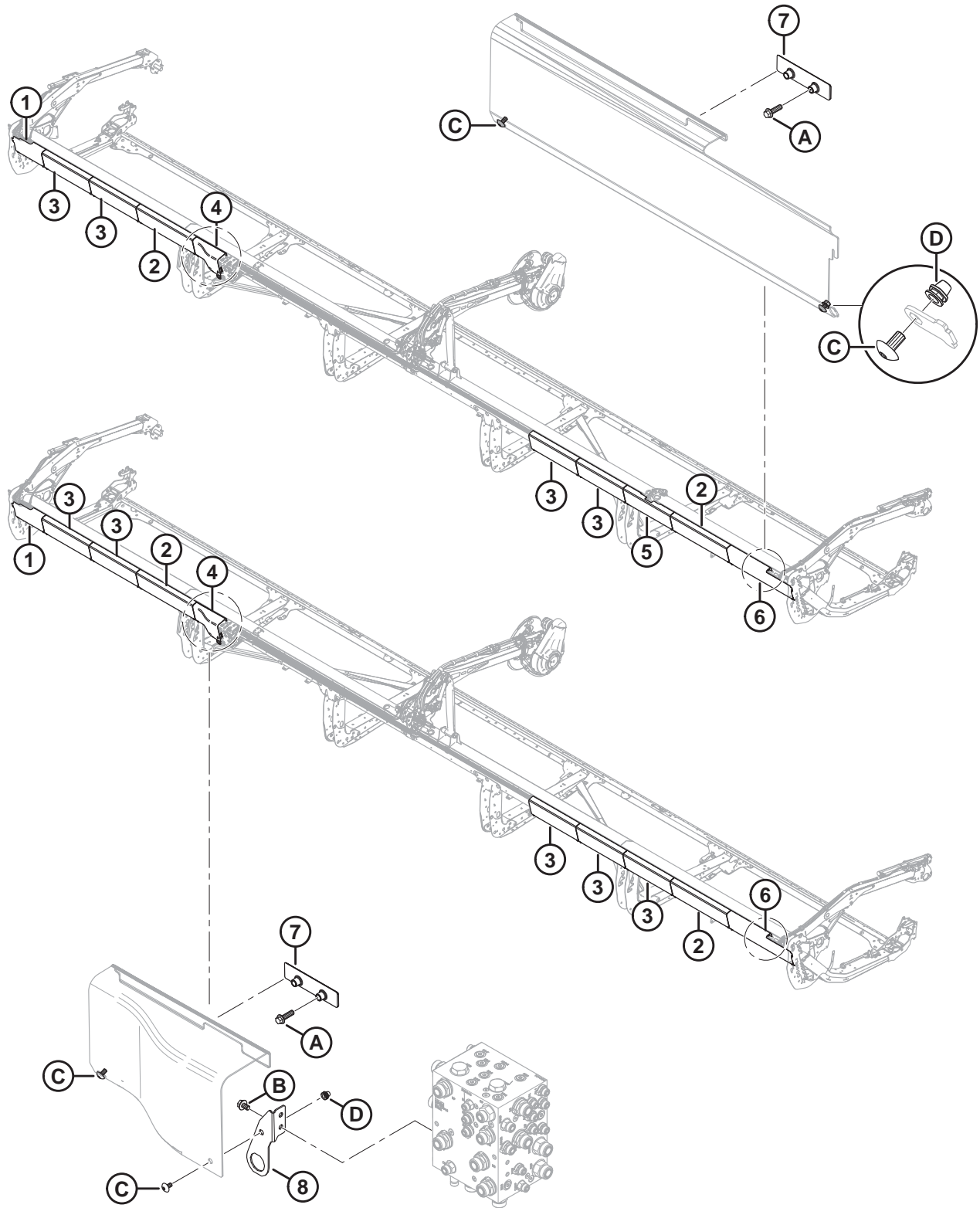
Ref	Part Number	Description	Qty	Serial Number
1	323164	COVER – HYD LH END PLASTIC	1	
2	323169	COVER – HYD COMMON PLASTIC ²⁶⁷		
3	323795	COVER – HYD MANIFOLD LH	1	
4	323166	COVER – HYD RH END PLASTIC	1	
5	283849	BRACKET – HYD COVER SUPPORT	2	
6	323772	ASSY – CONNECTOR BRACKET ²⁶⁸	1	
A	136211	BOLT – HEX FLG HD M10 X 1.5 X 35-8.8-AA1J		
B	136151	BOLT – HEX FLG HD TFL M10 X 1.5 X 16-8.8-AA1J		
C	320336	SCREW – TORX TRUSS HD M8 X 1.25 X 16-SPCL-8.8-AA1T ²⁶⁹		
D	320448	RIVNUT – M8 X 1.25 HEX		

267. Quantities: D225 = 1, D230 = 3, and D235 = 5.

268. The assembly includes cover mounting connector bracket (NSS) and rivnut (MD #320448).

269. Quantities: D225 = 8, D230 = 12, and D235 = 16.

81 Hydraulic Line Covers (D241)



HYDRAULIC LINE COVERS (D241)

NOTE:

Top illustration shows split-frame header; bottom illustration shows one-piece header.

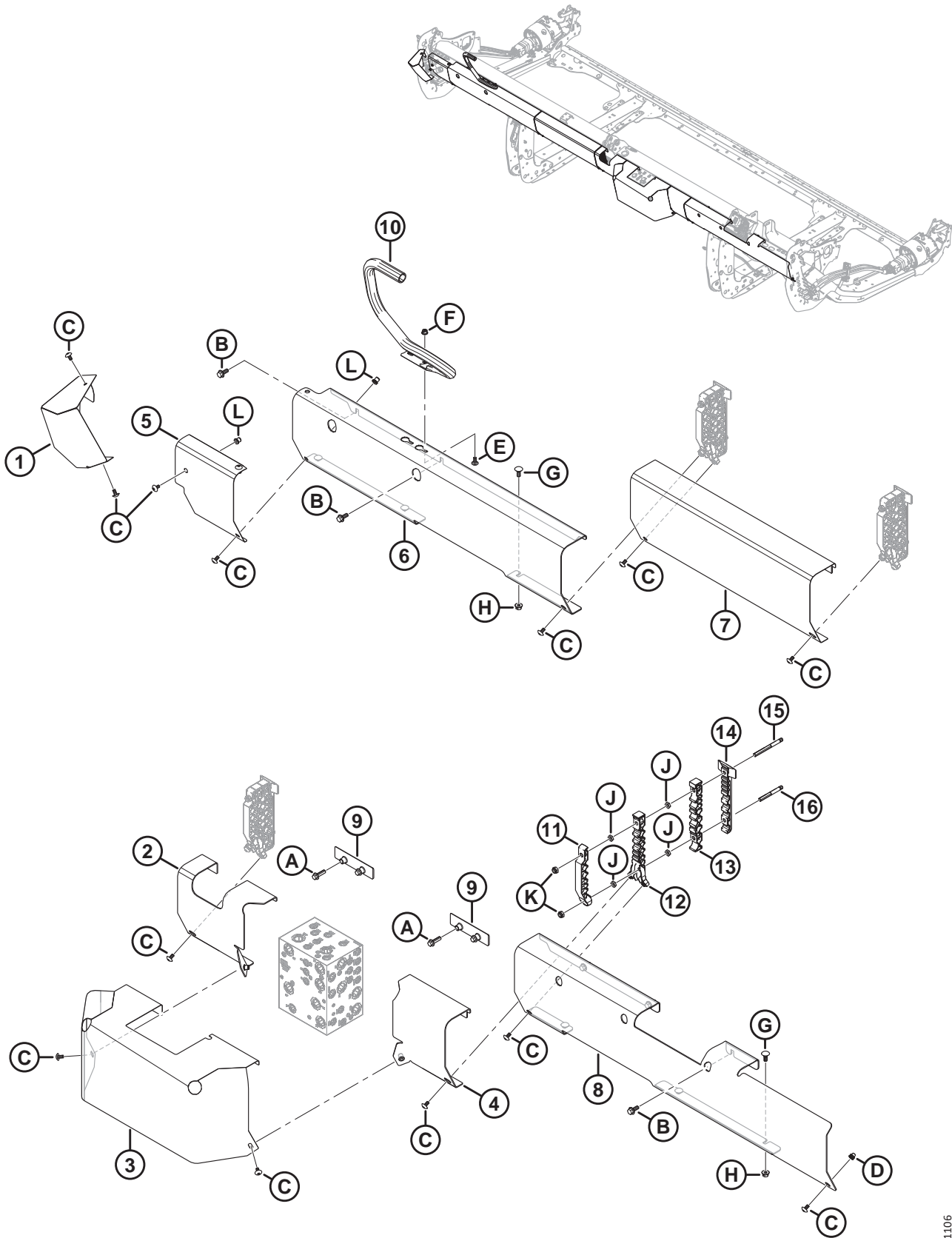
Ref	Part Number	Description	Qty	Serial Number
1	323164	COVER – HYD LH END PLASTIC	1	
2	323172	COVER – HYD LONG PLASTIC	2	
3	323169	COVER – HYD COMMON PLASTIC ²⁷⁰		
4	323795	COVER – HYD MANIFOLD LH	1	
5	323165	COVER – HYD SPLIT PLASTIC ²⁷¹		
6	323166	COVER – HYD RH END PLASTIC	1	
7	283849	BRACKET – HYD COVER SUPPORT	2	
8	323772	ASSY – CONNECTOR BRACKET ²⁷²	1	
A	136211	BOLT – HEX FLG HD M10 X 1.5 X 35-8.8-AA1J		
B	136151	BOLT – HEX FLG HD TFL M10 X 1.5 X 16-8.8-AA1J		
C	320336	SCREW – TORX TRUSS HD M8 X 1.25 X 16-SPCL-8.8-AA1T		
D	320448	RIVNUT – M8 X 1.25 HEX		

270. Quantities: D241 split-frame = 4, D241 one-piece = 5.

271. Quantities: D241 split-frame = 1, D241 one-piece = 0.

272. The assembly includes cover mounting connector bracket (NSS) and rivnut (MD #320448).

82 Hydraulic Line Covers – Center, M Series (D215)



1041106

HYDRAULIC LINE COVERS – CENTER, M SERIES (D215)

NOTE:

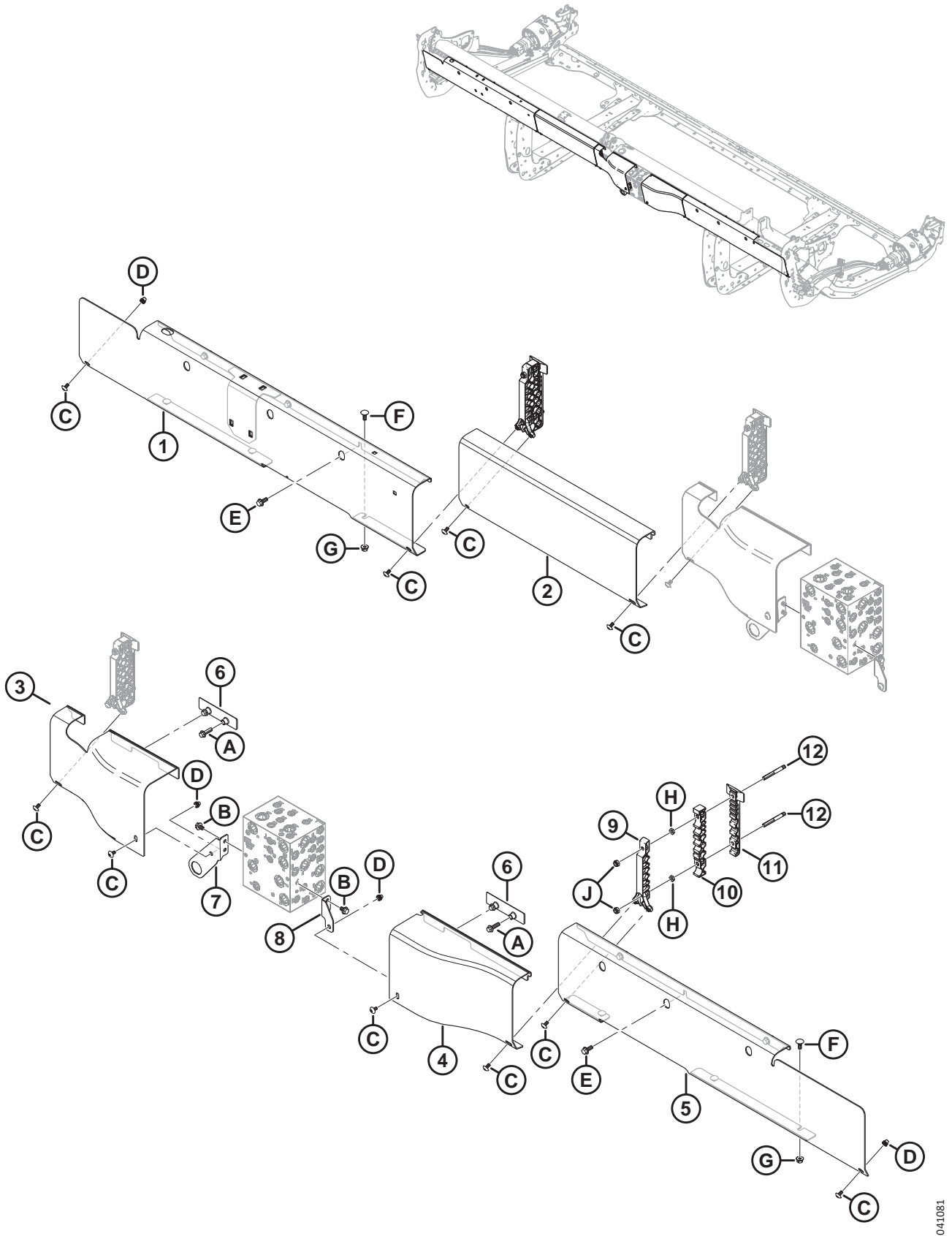
The hydraulic covers listed in this topic are used only for D215 headers configured for M Series Windrowers.

Ref	Part Number	Description	Qty	Serial Number
1	323735	COVER – LH M SERIES WELDMENT	1	
2	323739	COVER – MANIFOLD LH W/ RIVNUT ²⁷³	1	
3	323741	COVER – MANIFOLD W/ SPACER	1	
4	323742	COVER – MANIFOLD RH W/ RIVNUT ²⁷³	1	
5	323736	COVER – LH COVER W/ RIVNUT ²⁷⁴	1	
6	323737	COVER – 15 FT M-SERIES W/ RIVNUT ²⁷⁴	1	
7	323738	COVER – CENTER LINE W/ SPACER	1	
8	360036	COVER – 15 FT SWATHER RHS	1	
9	283849	BRACKET – HYD COVER SUPPORT	2	
10	220758	GUIDE – HOSE	1	
11	340575	CLAMP – LINE TOP M-SERIES	3	
12	340576	CLAMP – LINE MID M-SERIES	3	
13	283818	CLAMP – LINE MIDDLE RH	3	
14	283820	CLAMP – LINE BOTTOM RH	3	
15	323337	STUD – THRD CLAMP PATCH EXTENDED	3	
16	312655	STUD – THRD CLAMP PATCH BLACK	3	
A	136211	BOLT – HEX FLG HD M10 X 1.5 X 35-8.8-AA1J		
B	135783	BOLT – HEX FLG HD TFL M10 X 1.5 X 25-10.9-AA1J		
C	320336	SCREW – TORX TRUSS HD M8 X 1.25 X 16-SPCL-8.8-AA1T		
D	320448	RIVNUT – M8 X 1.25 HEX		
E	197171	BOLT – RHSN M8 X 1.25 X 20-8.8-ZINC		
F	135337	NUT – HEX FLG CTR LK M8 X 1.25-8-AA1J		
G	135785	BOLT – RHSN M10 X 1.5 X 25-8.8-AA1J		
H	135799	NUT – HEX FLG CTR LOC M10 X 1.5-10		
J	136442	NUT – HEX THIN M10 X 1.5-05-AA1J		
K	184692	NUT – HEX NYLOC M10 X 1.5-8-AA1J		
L	252179	RIVNUT – M8 X 1.25 HEX 0.7-3.8		

273. Left and right manifold covers include rivnut (MD #252179).

274. Cover includes rivnut (MD #252179).

83 Hydraulic Line Covers – Center, M1/M2 Series (D215)



1041081

HYDRAULIC LINE COVERS – CENTER, M1/M2 SERIES (D215)

NOTE:

The hydraulic covers listed in this topic are used only for D215 headers configured for M1 or M2 Series Windrowers.

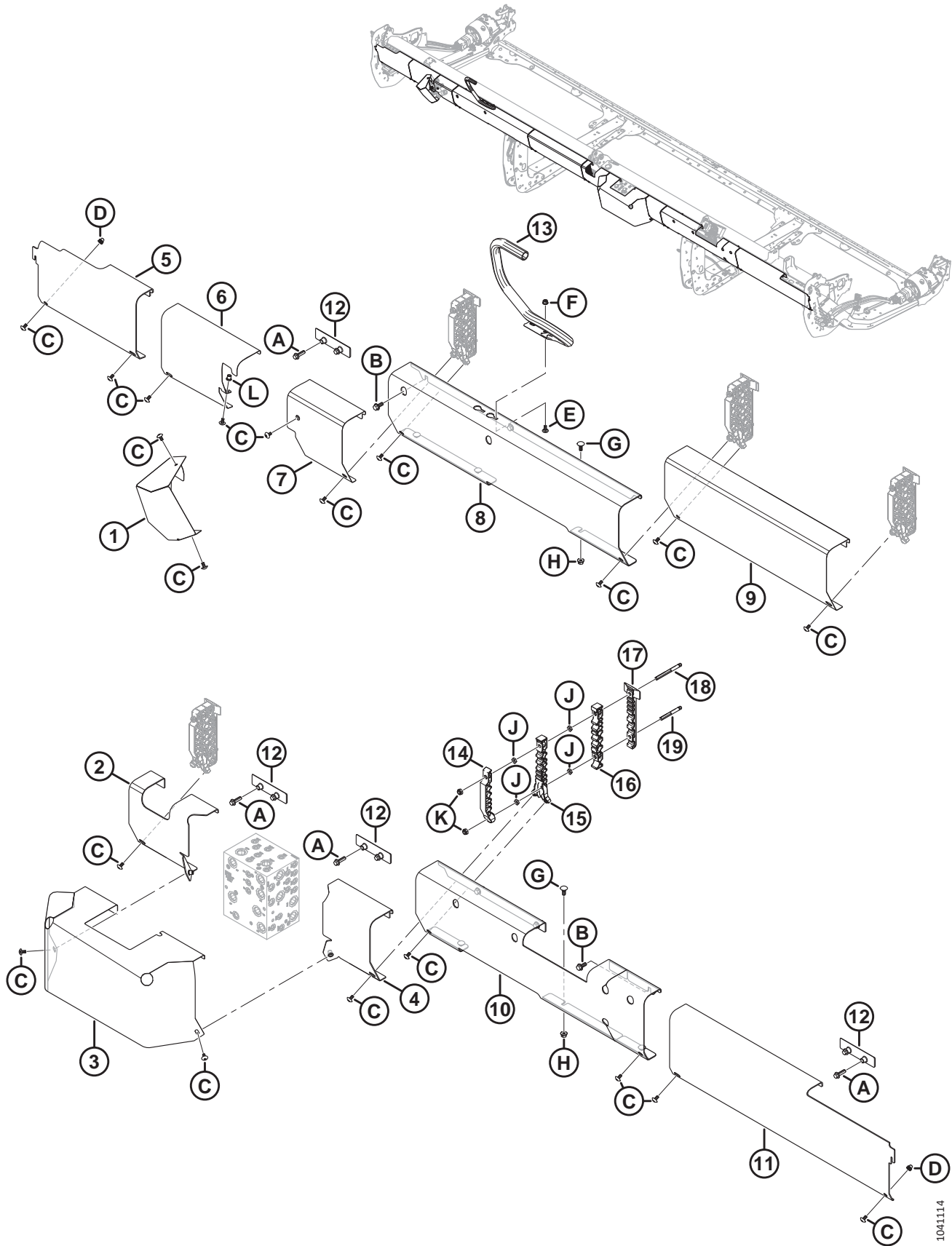
Ref	Part Number	Description	Qty	Serial Number
1	323914	COVER – SWATHER 15FT WELDT	1	
2	323169	COVER – HYD COMMON PLASTIC	1	
3	323545	COVER – HYD MANIFOLD LH 15FT	1	
4	323575	COVER – HYD MANIFOLD RH 15FT/20FT	1	
5	323576	COVER – WINDROWER LONG RHS 15FT	1	
6	283849	BRACKET – HYD COVER SUPPORT	2	
7	323926	ASSY – CONNECTOR BRACKET ²⁷⁵	1	
8	323773	ASSY – RH SHIELD BRACKET ²⁷⁶	1	
9	340549	KIT – RH TOP LINE CLAMP ²⁷⁷	3	
10	283818	CLAMP – LINE MIDDLE RH	3	
11	283820	CLAMP – LINE BOTTOM RH	3	
12	312654	STUD – THRD CLAMP PATCH WING	6	
A	136211	BOLT – HEX FLG HD M10 X 1.5 X 35-8.8-AA1J		
B	136151	BOLT – HEX FLG HD TFL M10 X 1.5 X 16-8.8-AA1J		
C	320336	SCREW – TORX TRUSS HD M8 X 1.25 X 16-SPCL-8.8-AA1T		
D	320448	RIVNUT – M8 X 1.25 HEX		
E	135783	BOLT – HEX FLG HD TFL M10 X 1.5 X 25-10.9-AA1J		
F	135785	BOLT – RHSN M10 X 1.5 X 25-8.8-AA1J		
G	135799	NUT – HEX FLG CTR LOC M10 X 1.5-10		
H	136442	NUT – HEX THIN M10 X 1.5-05-AA1J		
J	184692	NUT – HEX NYLOC M10 X 1.5-8-AA1J		

275. The assembly includes cover mounting connector bracket (NSS) and rivnut (MD #320448).

276. The assembly includes cover mounting connector bracket (NSS) and rivnut (MD #320448).

277. Includes RH top line clamp (NSS) and two Torx® screws (MD #320336).

84 Hydraulic Line Covers – Center, M Series (D220)



1041114

HYDRAULIC LINE COVERS – CENTER, M SERIES (D220)

NOTE:

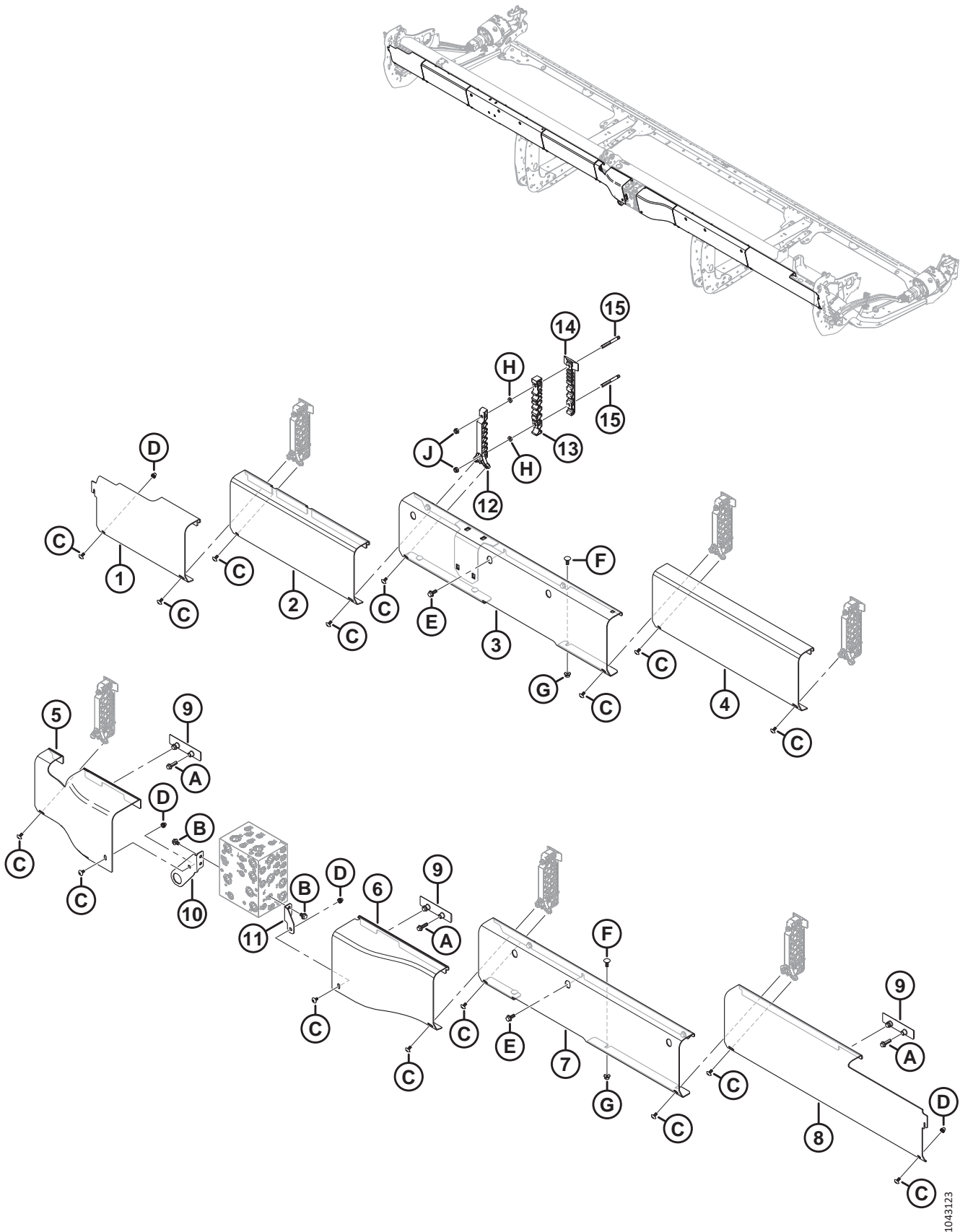
The hydraulic covers listed in this topic are used only for D220 headers configured for M Series Windrowers.

Ref	Part Number	Description	Qty	Serial Number
1	323735	COVER – LH M SERIES WELDMENT	1	
2	323739	COVER – MANIFOLD LH W/ RIVNUT ²⁷⁸	1	
3	323741	COVER – MANIFOLD W/ SPACER	1	
4	323742	COVER – MANIFOLD RH W/ RIVNUT ²⁷⁸	1	
5	323164	COVER – HYD LH END PLASTIC	1	
6	323743	COVER – 20 FT LH M SERIES W/ NUT ²⁷⁹	1	
7	323744	COVER – 20 FT RH M SERIES W/ NUT	1	
8	323583	COVER – SWATHER LHS COVER EXTENDED	1	
9	323738	COVER – CENTER LINE W/ SPACER	1	
10	323329	COVER – SWATHER RHS COVER EXTENDED	1	
11	323166	COVER HYD RH END PLASTIC	1	
12	283849	BRACKET – HYD COVER SUPPORT	4	
13	220758	GUIDE – HOSE	1	
14	340575	CLAMP – LINE TOP M-SERIES	4	
15	340576	CLAMP – LINE MID M-SERIES	4	
16	283818	CLAMP – LINE MIDDLE RH	4	
17	283820	CLAMP – LINE BOTTOM RH	4	
18	323337	STUD – THRD CLAMP PATCH EXTENDED	4	
19	312655	STUD – THRD CLAMP PATCH BLACK	4	
A	136211	BOLT – HEX FLG HD M10 X 1.5 X 35-8.8-AA1J		
B	135783	BOLT – HEX FLG HD TFL M10 X 1.5 X 25-10.9-AA1J		
C	320336	SCREW – TORX TRUSS HD M8 X 1.25 X 16-SPCL-8.8-AA1T		
D	320448	RIVNUT – M8 X 1.25 HEX		
E	197171	BOLT – RHSN M8 X 1.25 X 20-8.8-ZINC		
F	135337	NUT – HEX FLG CTR LK M8 X 1.25-8-AA1J		
G	135785	BOLT – RHSN M10 X 1.5 X 25-8.8-AA1J		
H	135799	NUT – HEX FLG CTR LOC M10 X 1.5-10		
J	136442	NUT – HEX THIN M10 X 1.5-05-AA1J		
K	184692	NUT – HEX NYLOC M10 X 1.5-8-AA1J		
L	252179	RIVNUT – M8 X 1.25 HEX 0.7-3.8		

278. Left and right manifold covers include rivnut (MD #252179).

279. Cover includes rivnut (MD #252179).

85 Hydraulic Line Covers – Center, M1/M2 Series (D220)



1043123

HYDRAULIC LINE COVERS – CENTER, M1/M2 SERIES (D220)

NOTE:

The hydraulic covers listed in this topic are used only for D220 headers configured for M1 or M2 Series Windrowers.

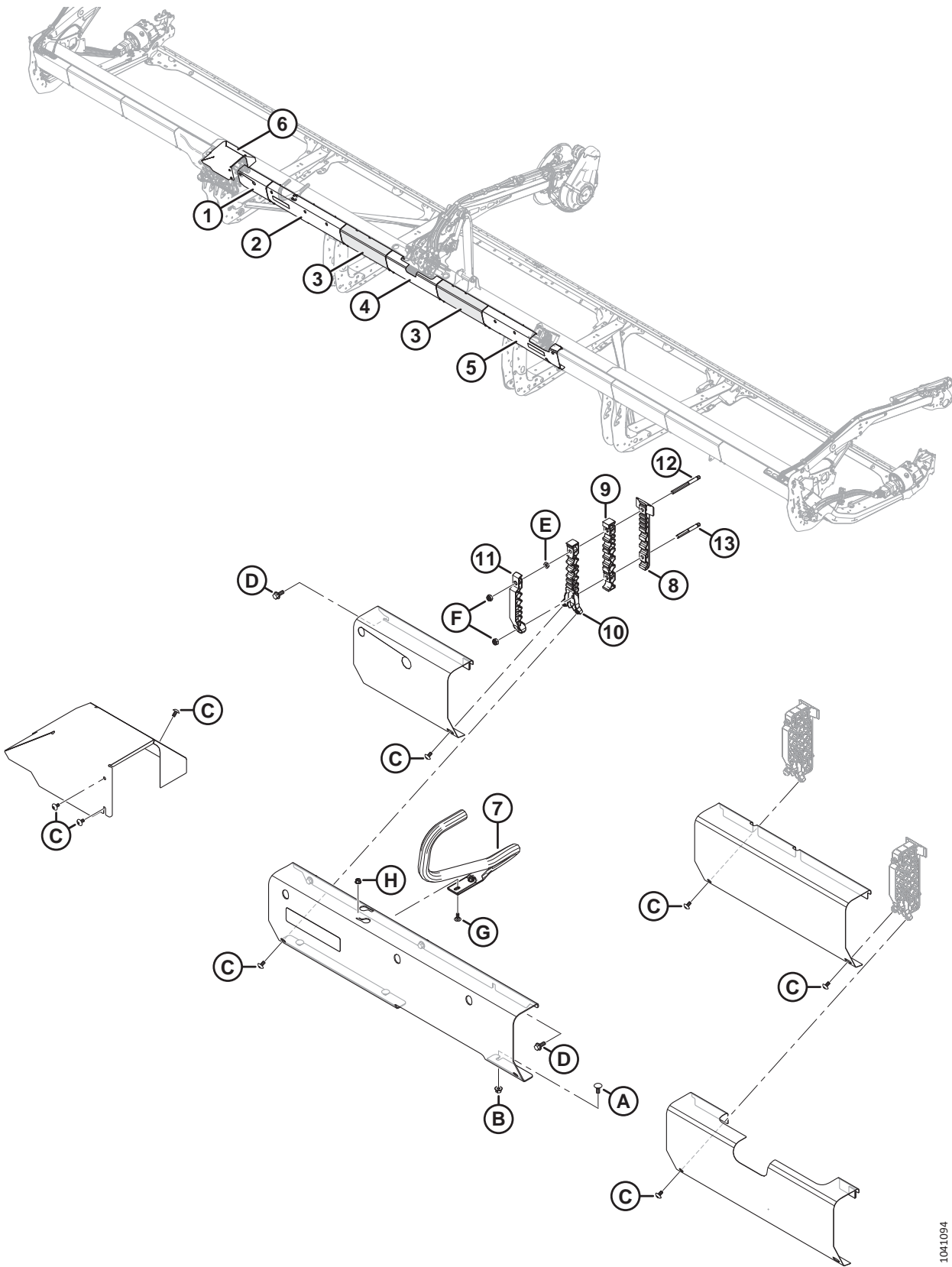
Ref	Part Number	Description	Qty	Serial Number
1	323164	COVER – HYD LH END PLASTIC	1	
2	323918	COVER – HYD RIGID OUTER CENTER	1	
3	323915	COVER – LH WELDT 20FT	1	
4	323169	COVER – HYD COMMON PLASTIC	1	
5	323545	COVER – HYD MANIFOLD LH 15FT	1	
6	323575	COVER – HYD MANIFOLD RH 15FT/20FT	1	
7	251575	COVER – WINDROWER LONG RHS	1	
8	323166	COVER – HYD RH END PLASTIC	1	
9	283849	BRACKET – HYD COVER SUPPORT	3	
10	323926	ASSY – CONNECTOR BRACKET ²⁸⁰	1	
11	323773	ASSY – RH SHIELD BRACKET ²⁸¹	1	
12	340549	KIT – RH TOP LINE CLAMP ²⁸²	6	
13	283818	CLAMP – LINE MIDDLE RH	6	
14	283820	CLAMP – LINE BOTTOM RH	6	
15	312654	STUD – THRD CLAMP PATCH WING	12	
A	136211	BOLT – HEX FLG HD M10 X 1.5 X 35-8.8-AA1J		
B	136151	BOLT – HEX FLG HD TFL M10 X 1.5 X 16-8.8-AA1J		
C	320336	SCREW – TORX TRUSS HD M8 X 1.25 X 16-SPCL-8.8-AA1T		
D	320448	RIVNUT – M8 X 1.25 HEX		
E	135783	BOLT – HEX FLG HD TFL M10 X 1.5 X 25-10.9-AA1J		
F	135785	BOLT – RHSN M10 X 1.5 X 25-8.8-AA1J		
G	135799	NUT – HEX FLG CTR LOC M10 X 1.5-10		
H	136442	NUT – HEX THIN M10 X 1.5-05-AA1J		
J	184692	NUT – HEX NYLOC M10 X 1.5-8-AA1J		

280. The assembly includes cover mounting connector bracket (NSS) and rivnut (MD #320448).

281. The assembly includes cover mounting connector bracket (NSS) and rivnut (MD #320448).

282. Includes RH top line clamp (NSS) and two Torx® screws (MD #320336).

86 Hydraulic Line Covers – Center, M Series (D225, D230, D235, and D241)



1041094

HYDRAULIC LINE COVERS – CENTER, M SERIES (D225, D230, D235, AND D241)

NOTE:

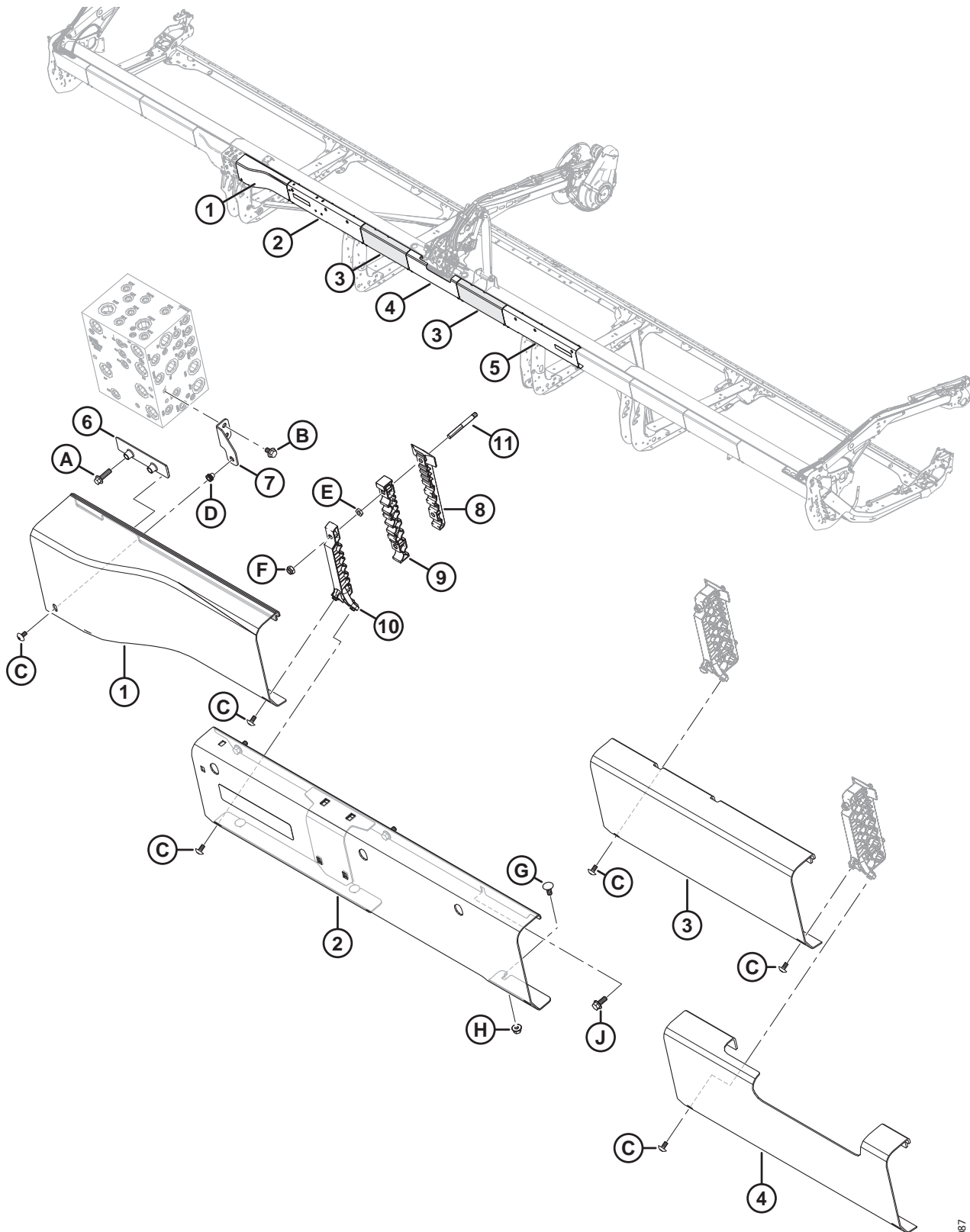
The hydraulic covers listed in this topic are used only for D225–D241 headers configured for M Series Windrowers.

Ref	Part Number	Description	Qty	Serial Number
1	323746	COVER – LH COVER SHORT W/ SPACER	1	
2	323747	COVER – LH COVER W/ REFLECTOR ²⁸³	1	
3	323748	COVER – MID EXTENDED W/ SPACERS	2	
4	323749	COVER – CENTER COVER EXTENDED	1	
5	323750	COVER – RH COVER W/ REFLECTOR ²⁸⁴	1	
6	323710	WELDMENT – COVER LHS M-SERIES	1	
7	220758	GUIDE – HOSE	1	
8	283820	CLAMP – LINE BOTTOM RH	5	
9	283818	CLAMP – LINE MIDDLE RH	5	
10	340576	CLAMP – LINE MID M-SERIES	5	
11	340575	CLAMP – LINE TOP M-SERIES	5	
12	323337	STUD – THRD CLAMP PATCH EXTENDED	5	
13	312655	STUD – THRD CLAMP PATCH BLACK	5	
A	135785	BOLT – RHSN M10 X 1.5 X 25-8.8-AA1J		
B	135799	NUT – HEX FLG CTR LOC M10 X 1.5-10		
C	320336	SCREW – TORX TRUSS HD M8 X 1.25 X 16-SPCL-8.8-AA1T		
D	135783	BOLT – HEX FLG HD TFL M10 X 1.5 X 25-10.9-AA1J		
E	136442	NUT – HEX THIN M10 X 1.5-05-AA1J		
F	184692	NUT – HEX NYLOC M10 X 1.5-8-AA1J		
G	197171	BOLT – RHSN M8 X 1.25 X 20-8.8-ZINC		
H	135337	NUT – HEX FLG CTR LK M8 X 1.25-8-AA1J		

283. Complete assembly includes LH windrower cover (NSS) and amber reflector (MD #115146).

284. Complete assembly includes RH windrower cover (NSS) and amber reflector (MD #115146).

87 Hydraulic Line Covers – Center, M1/M2 Series (D225, D230, D235, and D241)



1041087

HYDRAULIC LINE COVERS – CENTER, M1/M2 SERIES (D225, D230, D235, AND D241)

NOTE:

The hydraulic covers listed in this topic are used only for D225–D241 headers configured for M1 or M2 Series Windrowers.

Ref	Part Number	Description	Qty	Serial Number
	B7501	KIT – D2 COMBINE-M1/M2 DUAL USE ²⁸⁵		
1	283697	COVER – HYD MANIFOLD, RH	1	
2	323917	COVER – LH SWATHER W/ REFLECTOR ²⁸⁶	1	
3	323918	COVER – HYD RIGID OUTER CENTER	2	
4	323168	COVER – HYD RIGID CENTER PLASTIC	1	
5	323518	COVER – RH SWATHER W/ REFLECTOR ²⁸⁷	1	
6	283849	BRACKET – HYD COVER SUPPORT	1	
7	323773	ASSY – RH SHIELD BRACKET ²⁸⁸	1	
8	283820	CLAMP – LINE BOTTOM RH	5	
9	283818	CLAMP – LINE MIDDLE RH	5	
10	340549	KIT – RH TOP LINE CLAMP ²⁸⁹	5	
11	312654	STUD – THRD CLAMP PATCH WING	10	
A	136211	BOLT – HEX FLG HD M10 X 1.5 X 35-8.8-AA1J		
B	136151	BOLT – HEX FLG HD TFL M10 X 1.5 X 16-8.8-AA1J		
C	320336	SCREW – TORX TRUSS HD M8 X 1.25 X 16-SPCL-8.8-AA1T		
D	320448	RIVNUT – M8 X 1.25 HEX		
E	136442	NUT – HEX THIN M10 X 1.5-05-AA1J		
F	184692	NUT – HEX NYLOC M10 X 1.5-8-AA1J		
G	135785	BOLT – RHSN M10 X 1.5 X 25-8.8-AA1J		
H	135799	NUT – HEX FLG CTR LOC M10 X 1.5-10		
J	135783	BOLT – HEX FLG HD TFL M10 X 1.5 X 25-10.9-AA1J		

285. The M1/M2 Windrower Dual Use kit (B7501) includes one LH windrower cover (MD #323917), one RH windrower cover (MD #323518), six Torx® screws (MD #320336), six M10 hex nuts (MD #135799), six M10 carriage bolts (MD #135785), and six M10 hex flange bolts (MD #135783). For more information, refer to Section [115 \(Option\) Dual Use Kit – M1/M2 Series Windrowers, page 263](#). Kits are available through Whole Goods only.

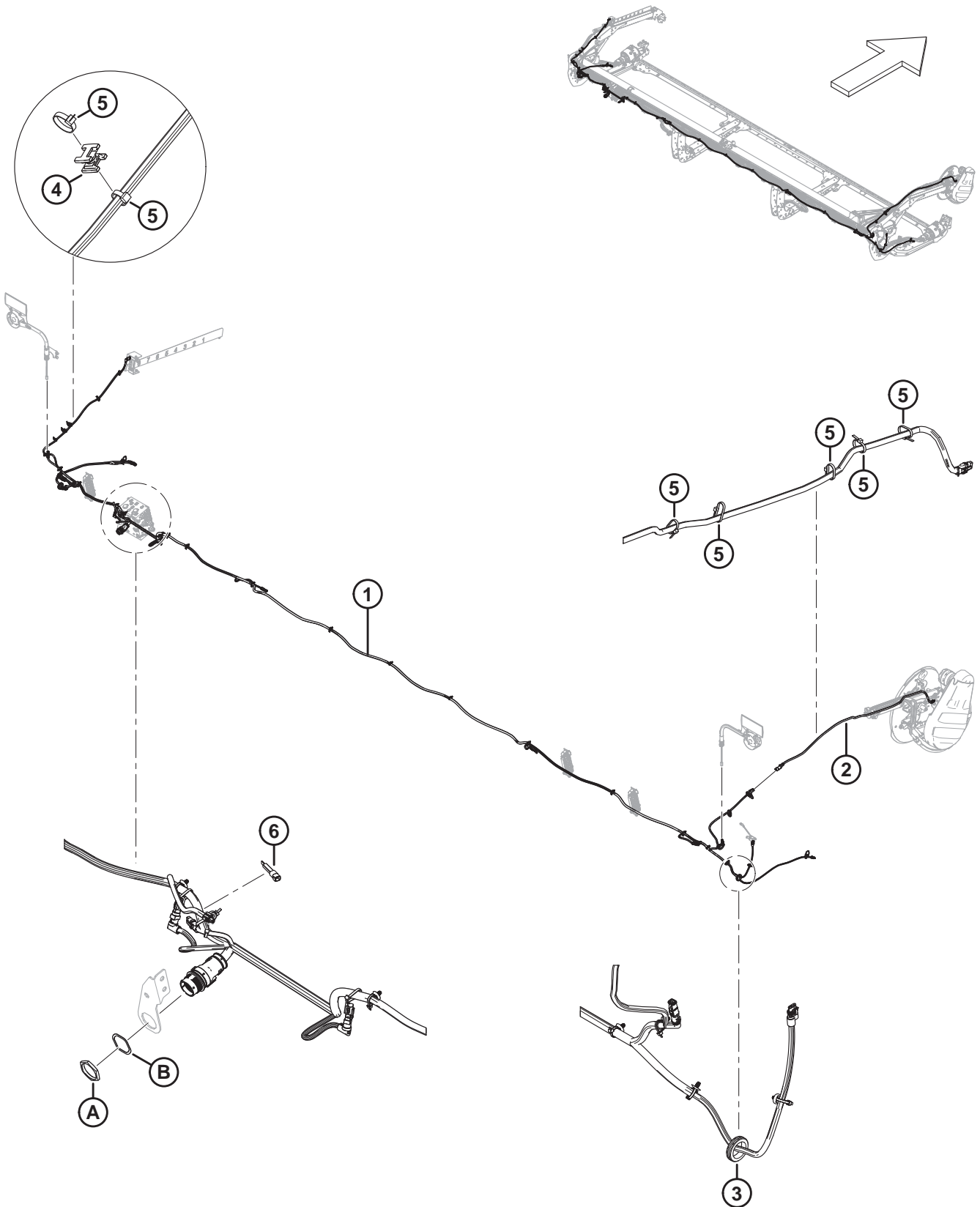
286. Complete assembly includes LH windrower cover (NSS) and amber reflector (MD #115146).

287. Complete assembly includes RH windrower cover (NSS) and amber reflector (MD #115146).

288. The assembly includes cover mounting connector bracket (NSS) and rivnut (MD #320448).

289. Includes RH top line clamp (NSS) and two Torx® screws (MD #320336).

88 Electrical – Harness (D215, D220, and D225)



ELECTRICAL – HARNESS (D215, D220, AND D225)

Ref	Part Number	Description	Qty	Serial Number
1	323197	HARNESS – D215, MAIN ²⁹⁰	1	
	323195	HARNESS – D220, MAIN ²⁹⁰	1	
	323039	HARNESS – D225, MAIN ²⁹⁰	1	
2	323145	HARNESS – HDR EXT. REEL ARM	1	
3	323130	GROMMET – RUBBER	1	
4	134442	SPACER – DUAL SWIVEL SADDLE ²⁹¹		
5	21763	FASTENER – CABLE TIE, BLACK, 160 MM LG	A/R	
6	254218	PLUG – HDR ID, 15/20 FT DK, 00100 ²⁹²	A/R	
	254220	PLUG – HDR ID, 25 FT, 01111 ²⁹³	A/R	
A	134728	NUT – PANEL, HDP 20, SIZE 24		
B	134730	WASHER – LOCK, HDP 20, SIZE 24		

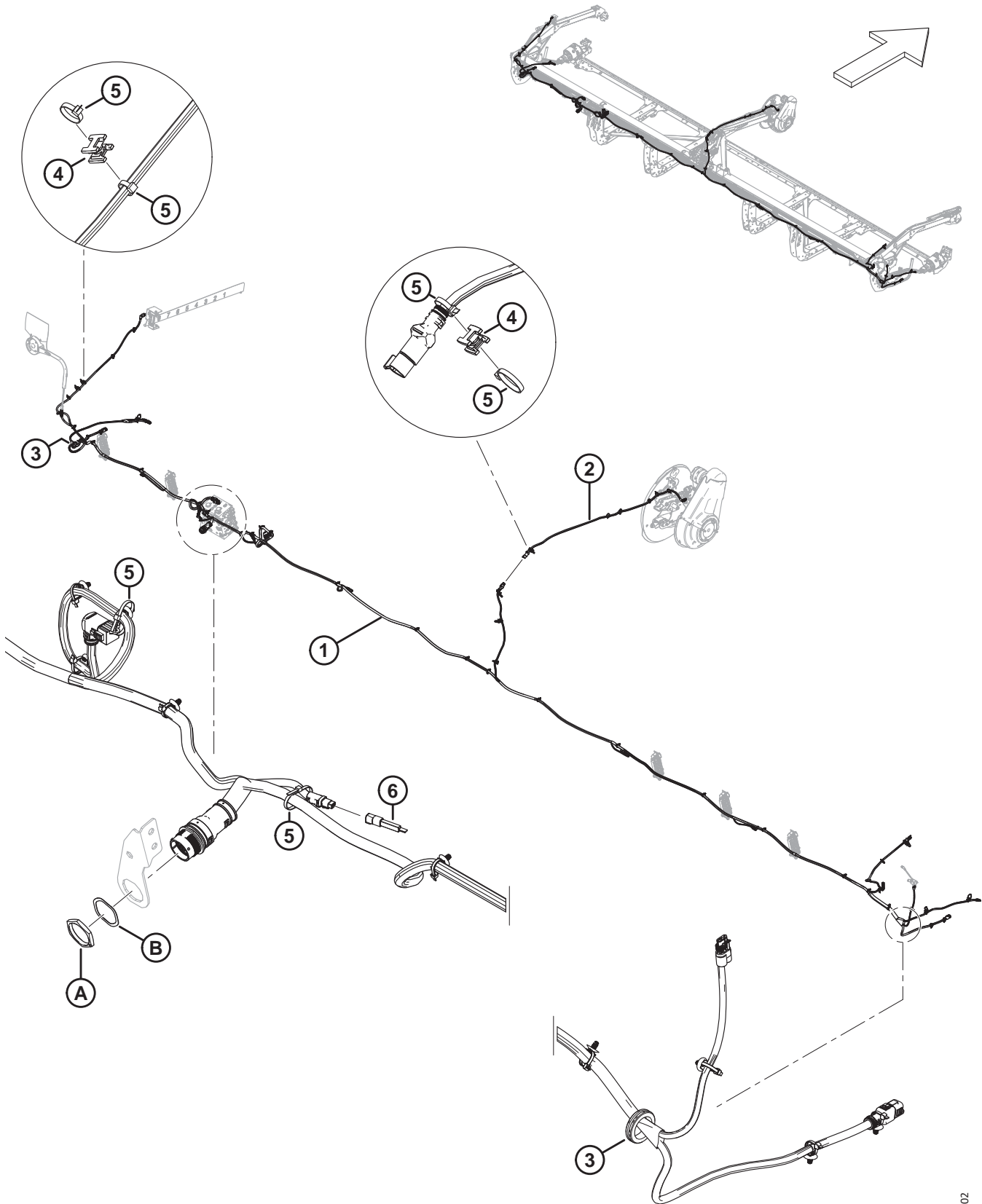
290. The harness comes complete with all fir tree fasteners (MD #136655) attached.

291. Quantities: D215 = 8, D220 = 8, D225 = 9.

292. Header ID plug for double-knife D215 headers used with M Series Windrowers only.

293. Header ID plug for double-knife D220 and D225 headers used with M Series Windrowers only.

89 Electrical – Harness (D230, D235, and D241)



ELECTRICAL – HARNESS (D230, D235, AND D241)

Ref	Part Number	Description	Qty	Serial Number
1	323040	HARNESS – D230, MAIN ²⁹⁴	1	
	323041	HARNESS – D235, MAIN ²⁹⁴	1	
	323042	HARNESS – D241, MAIN ²⁹⁴	1	
	136655	FASTENER – FIR TREE MT W/ TIE	A/R	
2	323145	HARNESS – HDR EXT. REEL ARM	1	
3	323130	GROMMET – RUBBER	2	
4	134442	SPACER – DUAL SWIVEL SADDLE ²⁹⁵		
5	21763	FASTENER – CABLE TIE, BLACK, 160 MM LG	A/R	
6	254220	PLUG – HDR ID, 25 FT DK, 01111 ²⁹⁶	A/R	
	254219	PLUG – HDR ID, 20/25 FT SK, 01101 ²⁹⁷	A/R	
	254179	PLUG – HDR ID, 30 FT DK, 10111 ²⁹⁸	A/R	
A	134728	NUT – PANEL, HDP 20, SIZE 24		
B	134730	WASHER – LOCK, HDP 20, SIZE 24		

294. The harness comes complete with all fir tree fasteners (MD #136655) attached.

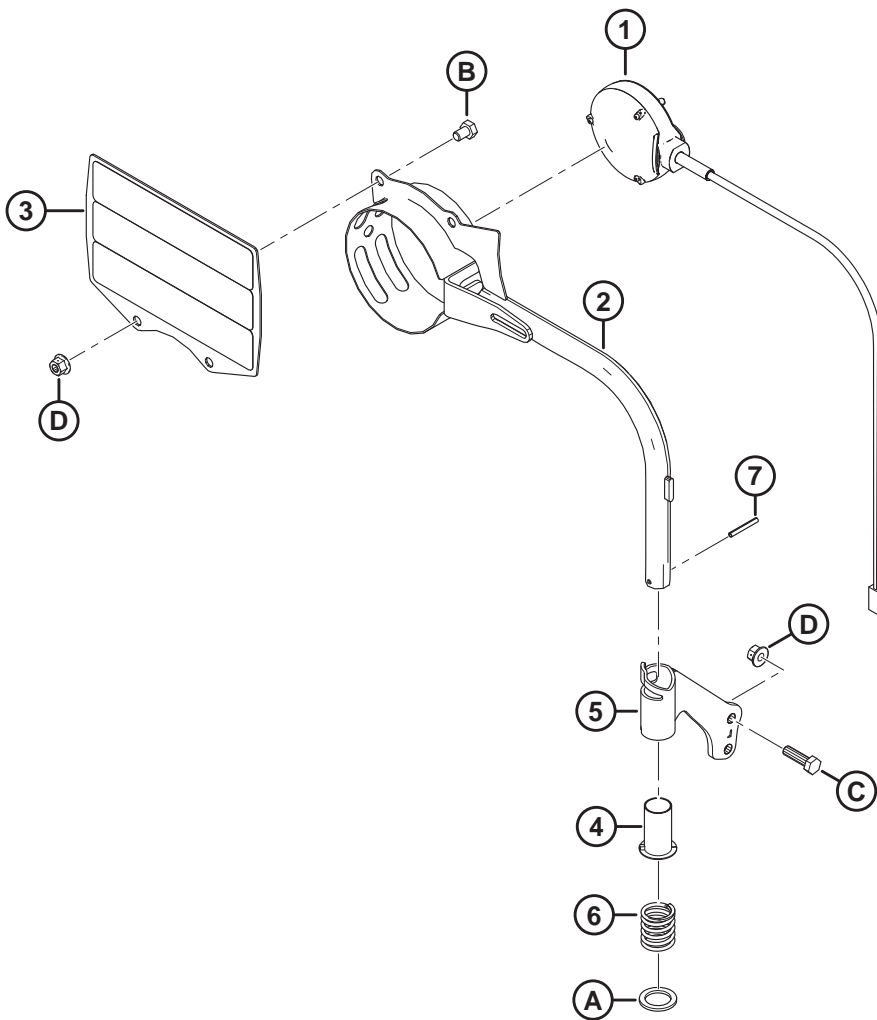
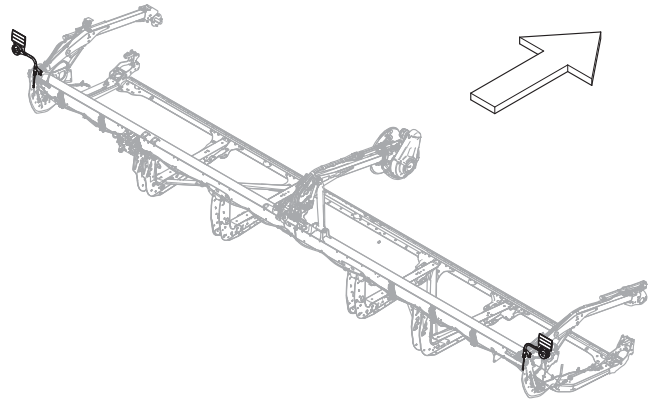
295. Quantities: D230 = 12, D235 = 10, D241 = 9.

296. Header ID plug for double-knife D230 and D235 headers used with M Series Windrowers only.

297. Header ID plug for single-knife D235 headers used with M Series Windrowers only.

298. Header ID plug for double-knife D241 headers used with M Series Windrowers only.

90 Electrical – Clearance Lights



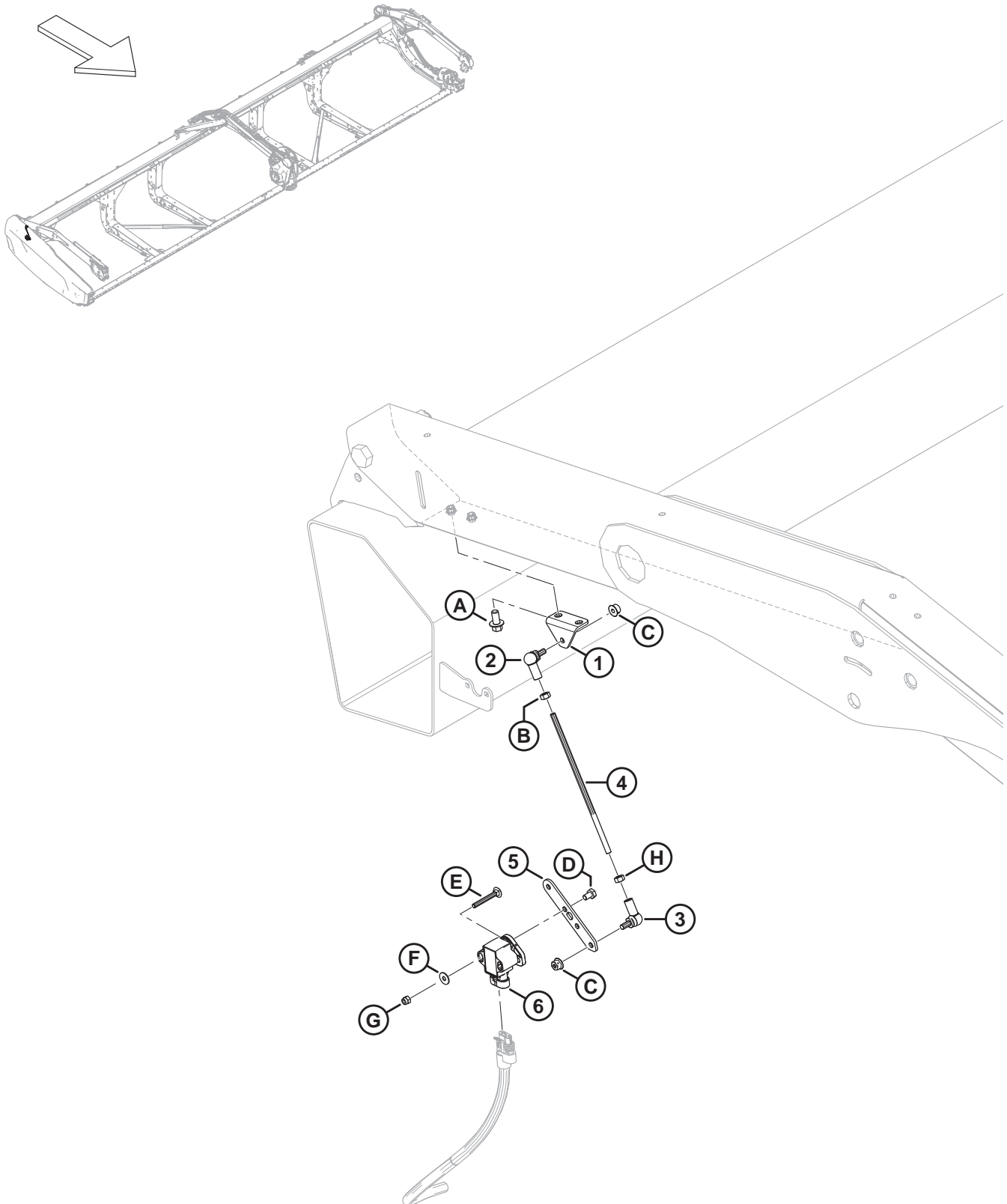
ELECTRICAL – CLEARANCE LIGHTS

Ref	Part Number	Description	Qty	Serial Number
1	313940	LIGHT – MARKER, AMBER	2	
2	313192	WELDT – CLEARANCE LIGHT	2	
3	313644	ASSY – RIGID REFLECTOR ²⁹⁹	2	
4	233912	BUSHING	2	
5	233914	ASSY – LH TUBE MOUNT ³⁰⁰	1	
	233913	ASSY – RH TUBE MOUNT ³⁰⁰	1	
6	313064	SPRING – COMPRESSION	2	
7	7642	PIN – SPRING 3/16 DIA X 1.5 LG	2	
A	320248	WASHER – FLAT		
B	50071	BOLT – HEX HD TFL M10 X 1.5 X 15-8.8-AA1J		
C	30628	BOLT – HEX HD M10 X 1.5 X 35-8.8-AA1J		
D	135799	NUT – HEX FLG CTR LOC M10 X 1.5-10		

299. The reflector assembly includes two reflectors (MD #307727).

300. The tube mount assembly includes bushing (MD #233912).

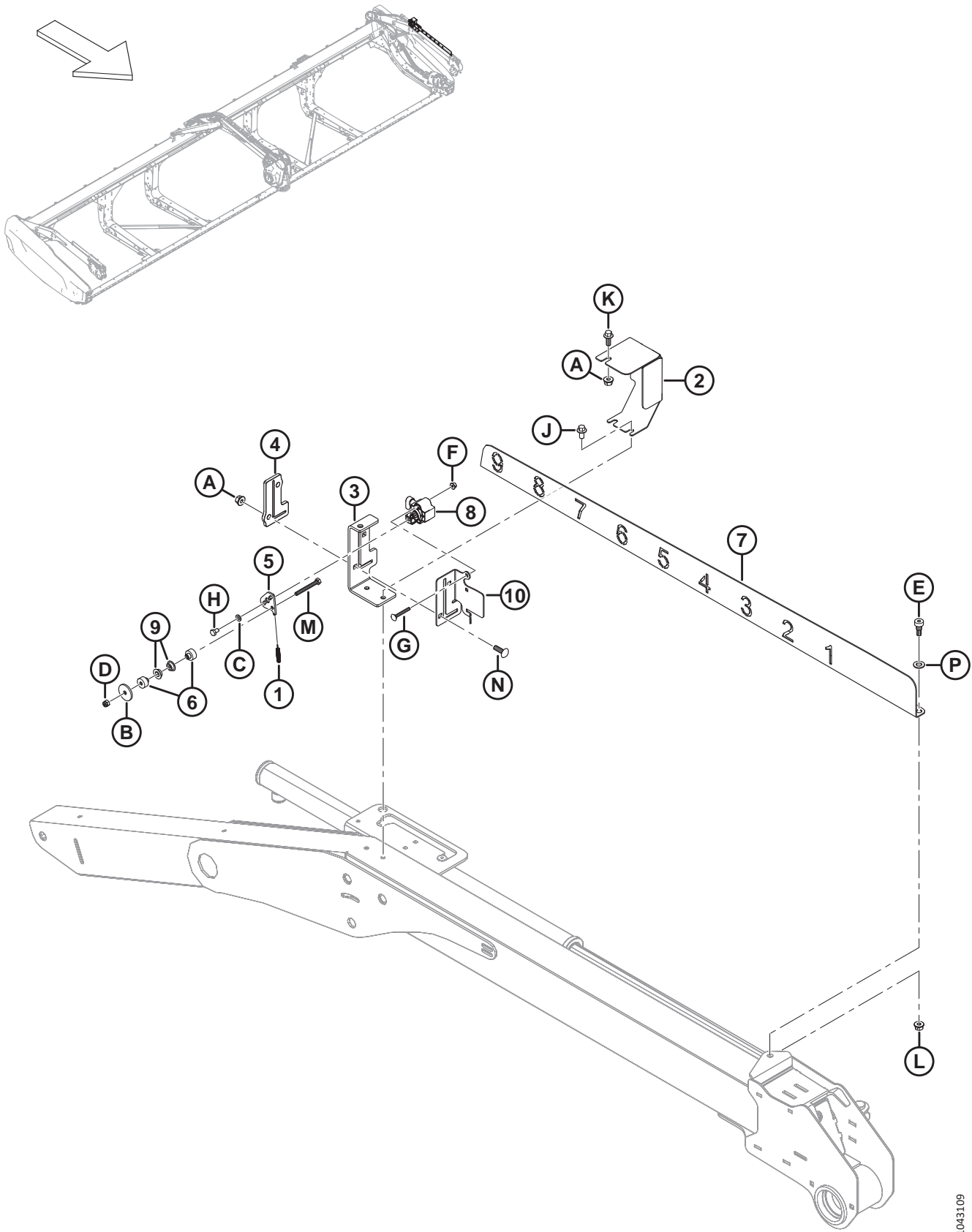
91 Electrical – Reel Height Sensor



ELECTRICAL – REEL HEIGHT SENSOR

Ref	Part Number	Description	Qty	Serial Number
1	251881	BRACKET	1	
2	291484	BALL JOINT – RH THREAD	1	
3	291485	BALL JOINT – LH THREAD	1	
4	232676	ROD – THREADED	1	
5	251879	ARM – FLOAT SENSOR	1	
6	248643	ROTARY SENSOR – DUAL OUTPUT	1	
A	136485	BOLT – HEX FLG HD TFL M8 X 1.25 X 16-8.8-AA1J		
B	184683	NUT – HEX ISO 4032 M6 X 1-8-ZINC		
C	152668	NUT – HEX FLG CTR LOC M6 X 1-8		
D	136561	BOLT – HEX HD TFL M6 X 1 X 10-8.8-AA1J		
E	136604	BOLT – RHSN TFL M5 X 0.8 X 40-8.8-AA1J		
F	184701	WASHER – FLAT LARGE M5-200HV		
G	197230	NUT – HEX NYLOC M5 X 0.8-8-AA1J		
H	136613	NUT – HEX LH ISO 4032 M6 X 1-8 ZINC		

92 Electrical – Reel Fore-Aft Sensor (2023 and Prior)



ELECTRICAL – REEL FORE-AFT SENSOR (2023 AND PRIOR)

NOTE:

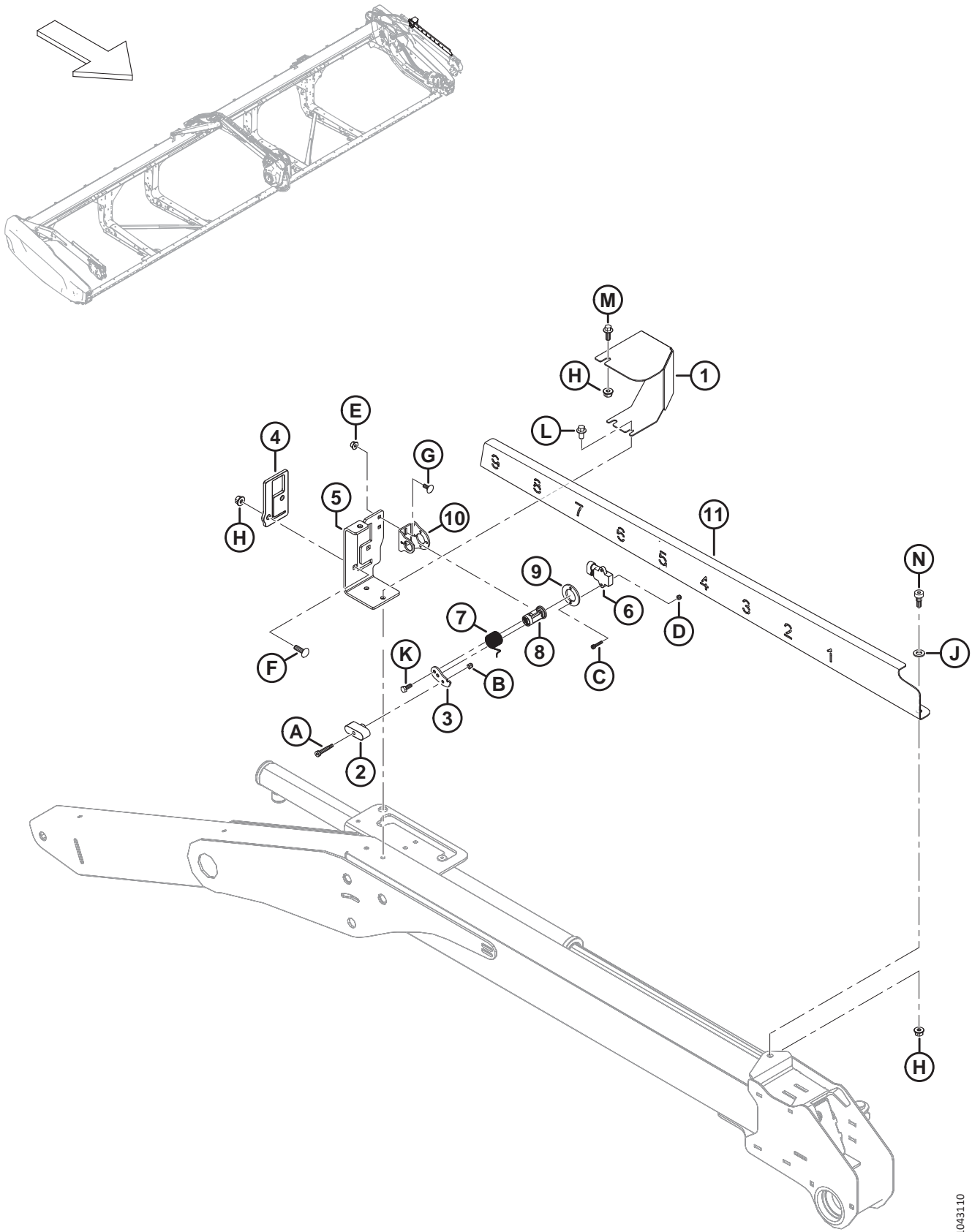
Unless otherwise stated, the parts and hardware listed in this section are used to service units made in model year 2023 and prior.

Ref	Part Number	Description	Qty	Serial Number
1	328556	SPRING – EXTENSION ³⁰¹	1	-486189
2	328547	COVER – F/A SENSOR ³⁰²	1	-486189
3	340218	SUPPORT – REEL F/A INDICATOR ³⁰²	1	-486189
4	311318	GUIDE – REEL F/A ³⁰²	1	-486189
5	328539	ARM – F/A SENSOR ³⁰¹	1	-486189
6	328534	SPACER – SENSOR BUSHING ³⁰¹	2	-486189
7	323937	INDICATOR – REEL F/A ³⁰²	1	-486189
8	248643	ROTARY SENSOR – DUAL OUTPUT	1	-486189
9	206340	BUSHING – SHOULDER, M10	2	-486189
10	340183	PLATE – SENSOR SUPPORT ³⁰²	1	-486189
A	135337	NUT – HEX FLG CTR LK M8 X 1.25-8-AA1J		
B	43219	WASHER – FLAT		
C	184705	WASHER – FLAT M6-200HV-AA1J		
D	184685	NUT – HEX NYLOC M6 X 1-8-AA1J		
E	135894	SCREW– HEX SOC HD SHLDR M10		
F	136635	NUT – HEX FLG CTR LOC M5 X 0.8-8-AA1J		
G	197229	BOLT – RHSN TFL M5 X 0.8 X 35-4.6-AA1J		
H	136561	BOLT – HEX HD TFL M6 X 1 X 10-8.8-AA1J		
J	136485	BOLT – HEX FLG HD TFL M8 X 1.25 X 16-8.8-AA1J		
K	136300	BOLT – HEX FLG HD TFL M8 X 1.25 X 20-8.8-AA3L		
L	135337	NUT – HEX FLG CTR LOC M8 X 1.25-8-AA1J		
M	136595	BOLT – HEX HD TFL M6 X 1 X 55-8.8-AA1J		
N	136824	BOLT – RHSSN M8 X 1.25 X 25-8.8-AA1J		
P	184711	WASHER – FLAT REG M10-200HV-AA1J		

301. Service part only for model year 2023 and prior units.

302. Superseded by Reel Fore-Aft Sensor kit (MD #368338) for model year 2024. For service parts, refer to Section 93 *Electrical – Reel Fore-Aft Sensor (2024 and Later), page 207.*

93 Electrical – Reel Fore-Aft Sensor (2024 and Later)

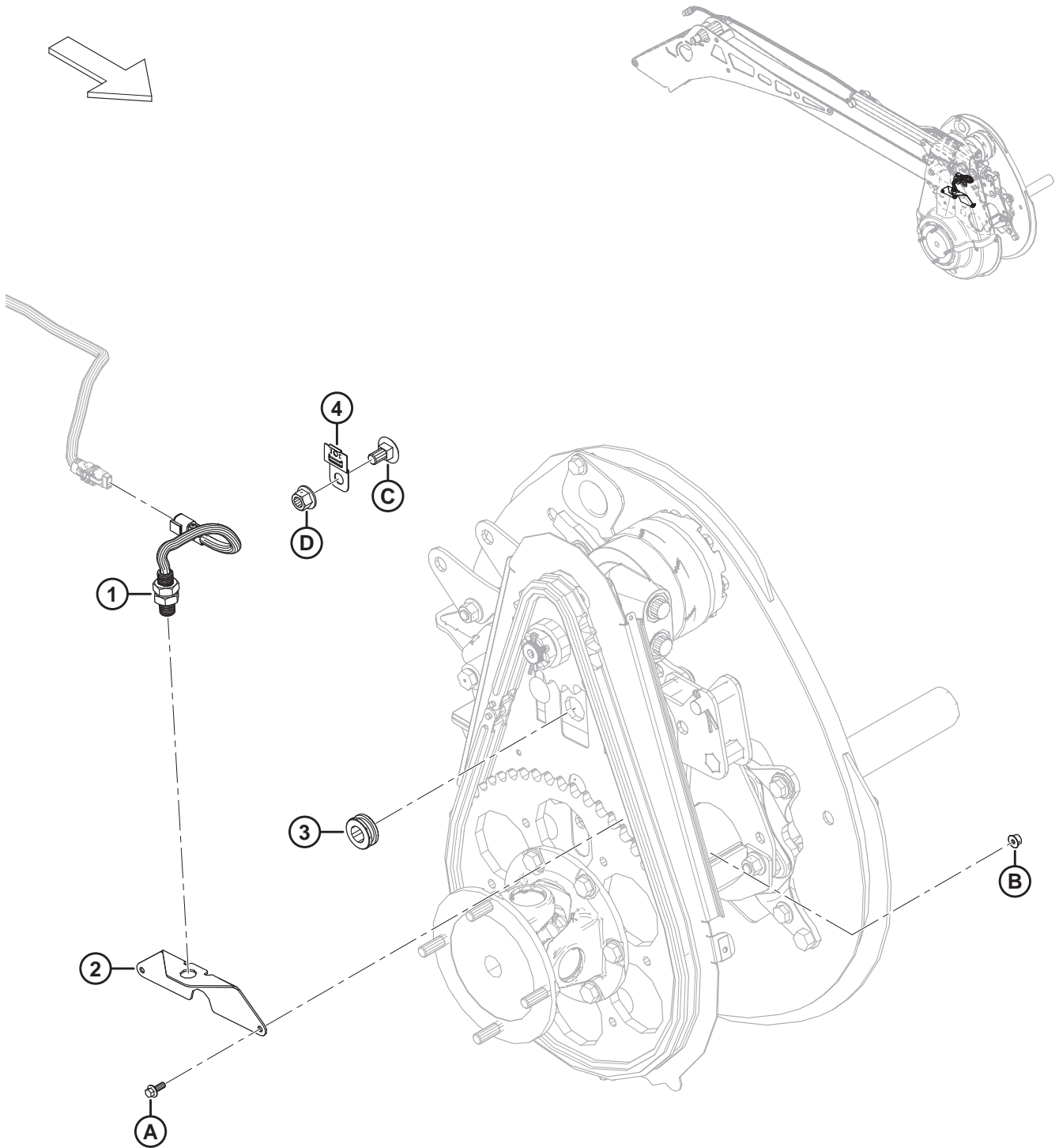


ELECTRICAL – REEL FORE-AFT SENSOR (2024 AND LATER)

Ref	Part Number	Description	Qty	Serial Number
	368338	KIT – FORE AFT SENSOR ³⁰³	A/R	
1	368239	COVER – FORE AFT SENSOR	1	486190–
2	360840	SLIDER – FORE/AFT	1	486190–
3	340956	ARM – SENSOR	1	486190–
4	360828	GUIDE – REEL F/A	1	486190–
5	360824	SUPPORT – REEL F/A INDICATOR	1	486190–
6	500303	SENSOR – ROTARY DUAL CONTACTLESS	1	486190–
7	360212	SPRING – TORSION	1	486190–
8	352163	ASSY – SENSOR PIVOT	1	486190–
9	352001	SPACER – SENSOR	1	486190–
10	340955	SUPPORT – SENSOR	1	486190–
11	360823	INDICATOR – REEL F/A	1	486190–
A	320409	SCREW – HEX SOC HD SHLDR 6 X 25-M5 X 0.8 X 9.5-12.9-ZINC		
B	197230	NUT – HEX NYLOC M5 X 0.8-8-AA1J		
C	320410	SCREW – HEX SOC HD M4 X 0.7X20-A2SS		
D	320390	NUT – HEX NYLOC M4 X 0.7-8-A2-SS		
E	152668	NUT – HEX FLG CTR LOC M6 X 1-8		
F	136824	BOLT – RHSSN M8 X 1.25 X 25-8.8-AA1J		
G	136748	BOLT – RHSN M6 X 1 X 16-8.8-ZINC		
H	135337	NUT – HEX FLG CTR LK M8 X 1.25-8-AA1J		
J	184711	WASHER – FLAT REG M10-200HV-AA1J		
K	184642	BOLT – HEX HD TFL M6 X 1 X 16-8.8-AA1J		
L	136485	BOLT – HEX FLG HD TFL M8 X 1.25 X 16-8.8-AA1J		
M	136300	BOLT – HEX FLG HD TFL M8 X 1.25 X 20-8.8-AA3L		
N	135894	SCREW – HEX SOC HD SHLDR M10		

303. The Fore-Aft Sensor kit (MD #368338) is used to upgrade model year 2023 and prior units to the model year 2024 reel fore-aft sensor design. The kit includes all parts and hardware listed in this section, and instructions.

94 Electrical – Reel Speed Sensor

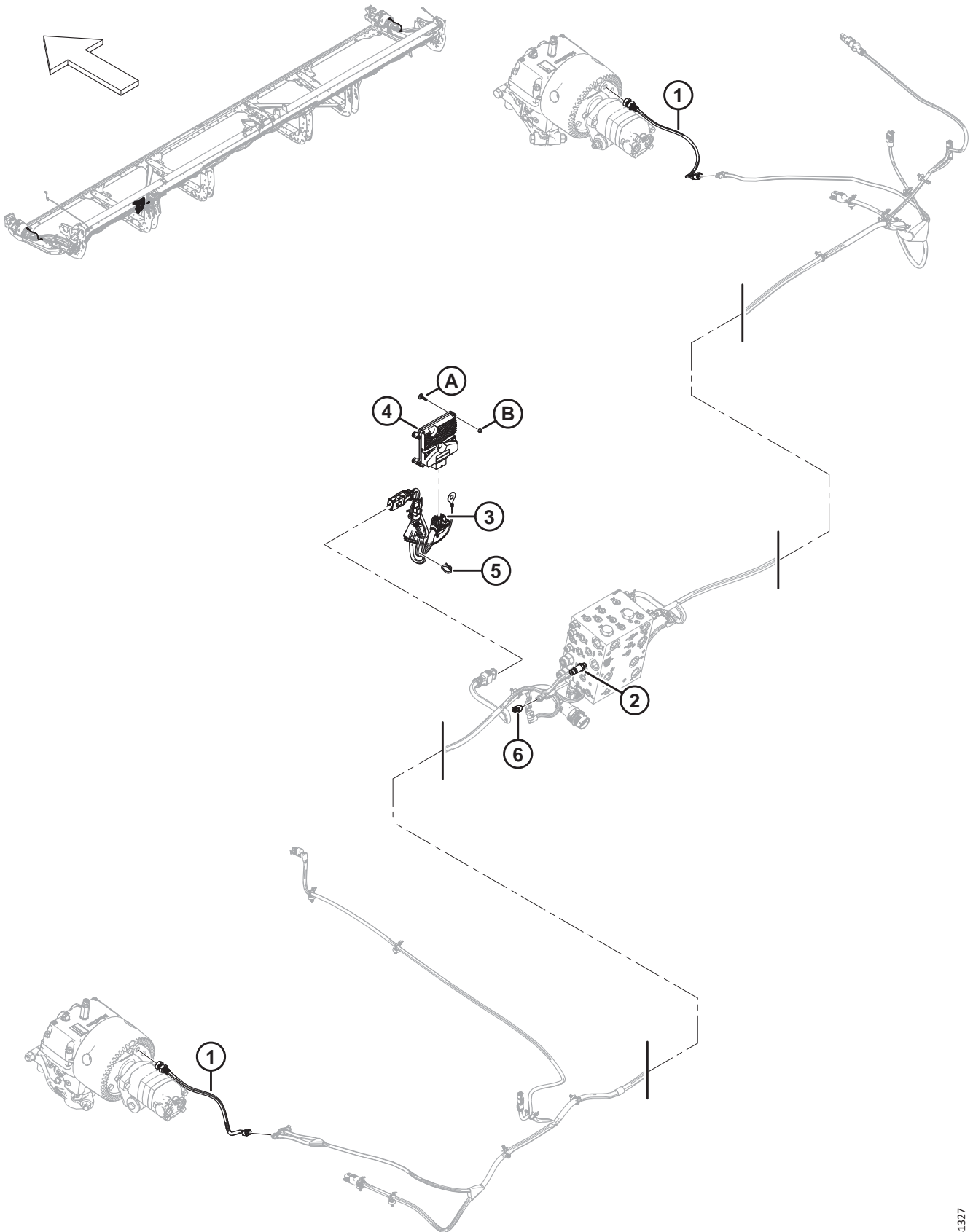


ELECTRICAL – REEL SPEED SENSOR

Ref	Part Number	Description	Qty	Serial Number
	B7501	KIT – D2 COMBINE-M1/M2 DUAL USE ³⁰⁴		
1	136167	SENSOR – SPEED	1	
2	273031	SUPPORT – REEL SPEED SENSOR	1	
3	273032	GROMMET – 3/4 IN. I.D. 1 3/8 IN. O.D.	1	
4	500321	CLIP – DEUTSCH, DT, SIDE MOUNT	1	
A	135959	BOLT – HEX FLG HD M6 X 1 X 16-10.9-AA1J		
B	152668	NUT – HEX FLG CTR LOC M6 X 1-8		
C	135903	BOLT – RHSN M12 X 1.75 X 25-8.8-ZINC		
D	136431	NUT – HEX FLG CTR LOC M12 X 1.75-10		

304. The M1/M2 Windrower Dual Use kit (B7501) includes reel speed sensor parts (items #1–4), hardware A, and hardware B listed in this section. For more information, refer to Section [115 \(Option\) Dual Use Kit – M1/M2 Series Windrowers, page 263](#). Kits are available through Whole Goods only.

95 Electrical – Knife Speed Sensor



ELECTRICAL – KNIFE SPEED SENSOR

NOTE:

D2 SP Series Headers used with M Series Windrowers require the Electronically Timed Double Knife Kit (MD #323625). For service parts, refer to Section *106 Windrower Completion – M Series Electronically Timed Double Knife Kit, page 233*.

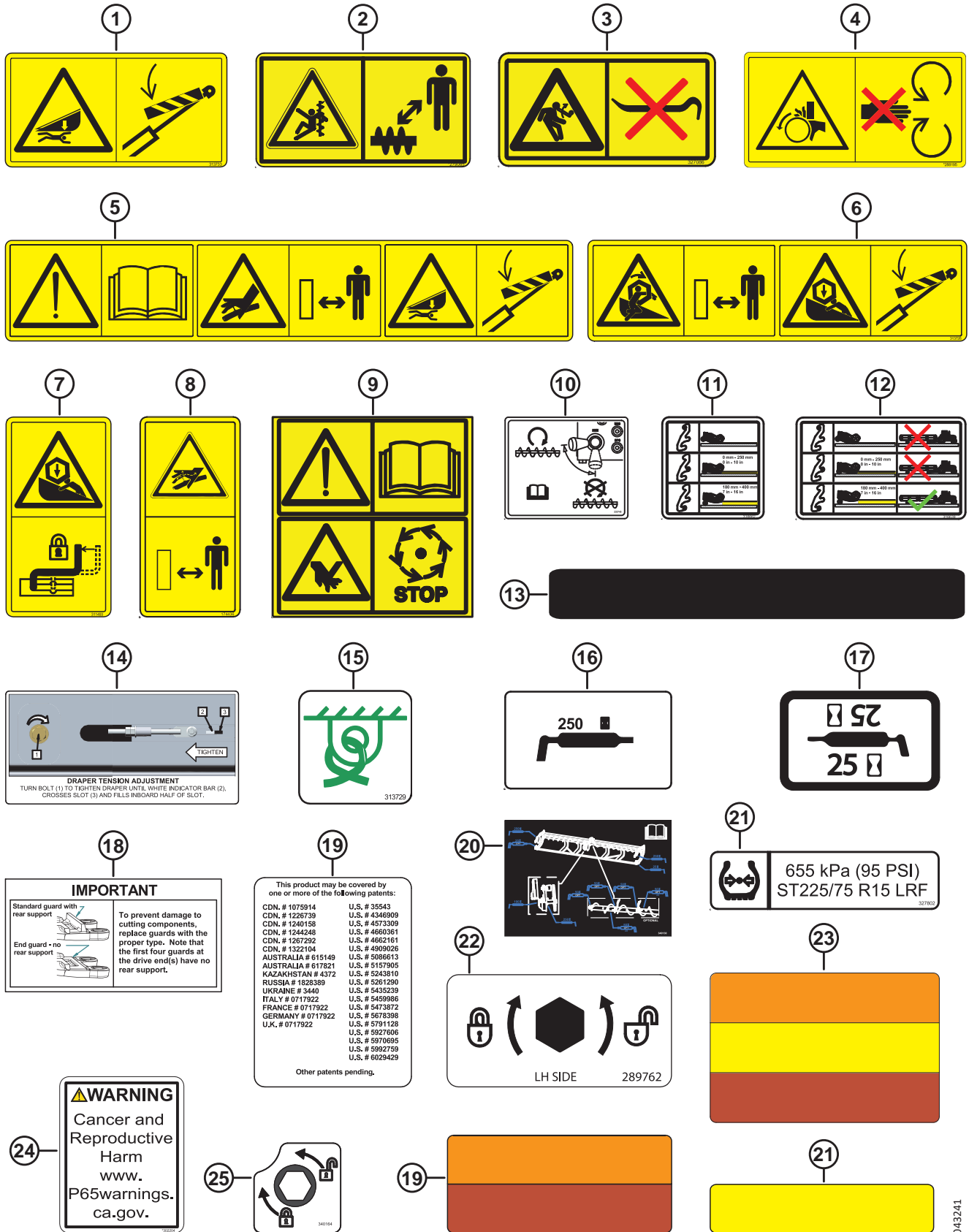
Ref	Part Number	Description	Qty	Serial Number
	B7501	KIT – D2 COMBINE-M1/M2 DUAL USE ³⁰⁵		
1	136167	SENSOR – SPEED ³⁰⁶		
2	207346	SENDER – PRESSURE	1	
3	323046	HARNESS – D2 CNTRL EXT.	1	
	134043	RECEPT – DEUTSCH, DT04-3P-P006 (CAN TERMINATOR) ³⁰⁷		
4	500567	ASSY – STW ESX-3CS WITH ETDK SW	1	
5	21763	FASTENER – CABLE TIE, BLACK	1	
6	323866	CONNECTOR – CAP, DEUT, DTM, 2POS	1	
A	197408	BOLT – RHSN M6 X 1 X 25 LG ZP		
B	136773	NUT HEX CTR LOC M6 X 1-8-AA1J		

305. The M1/M2 Windrower Dual Use kit (B7501) includes one knife speed sensor (MD #136167). For more information, refer to Section *115 (Option) Dual Use Kit – M1/M2 Series Windrowers, page 263*. Kits are available through Whole Goods only.

306. Quantities: untimed double-knife drive = 1 (left end of header), timed double-knife drive = 2.

307. CAN terminator.

96 Decals and Reflectors – D2 Series



DECALS AND REFLECTORS – D2 SERIES

Ref	Part Number	Description	Qty	Serial Number
1	313733	DECAL – HEADER HAZARD		
2	279085	DECAL – WARNING, AUGER		
3	327086	DECAL – ENERGY RELEASE		
4	288195	DECAL – ROTATING PART		
5	313725	DECAL – MANUAL/HPF/HAZARD		
6	360541	DECAL – REEL ENTANGLEMENT/HAZARD		
7	311493	DECAL – CENTER REEL PROP LOCK		
8	174436	DECAL – HIGH PRESSURE FLUID		
9	313881	DECAL – VERTICAL KNIFE HAZARD		
10	233745	DECAL – UCA VALVE		
11	316662	DECAL – HEIGHT SETTING ³⁰⁸		
12	316639	DECAL – HEIGHT SETTING, RH		
	316649	DECAL – HEIGHT SETTING, LH		
13	132117	STRIP – ANTI SLIP		
14	279528	DECAL – RH DRAPER TENSION		
	220084	DECAL – LH DRAPER TENSION		
15	313729	DECAL – TIE DOWN		
16	323516	DECAL – GREASE (250 HRS)		
17	23164	DECAL – 25 HR LUBE		
	23165	DECAL – 50 HR LUBE		
	115759	DECAL – GREASE 100 HR		
18	129313	DECAL – IMPORTANT: GUARDS		
19	32070	DECAL – PATENT NUMBER		
20	313768	DECAL – GREASE, SR, 2PC AUGER RIGID		
	340129	DECAL – GREASE, DR, 2PC AUGER RIGID		
21	327802	DECAL – TIRE PRESSURE, 655 KPA (95 PSI) ³⁰⁹		
	327717	DECAL – TIRE PRESSURE, 552 KPA (80 PSI) ³¹⁰		
22	289762	DECAL – DIVIDER LATCH-LH		
	289763	DECAL – DIVIDER LATCH-RH		
23	307727	REFLECTOR (CLEARANCE LIGHTS)		
24	302204	DECAL – CA PROPOSITION 65		
25	340164	DECAL – CAM LATCH		
27	313787	REFLECTOR – RED/ORANGE, 230 MM ³¹¹		
	273873	REFLECTOR – DOUBLE-RED/ORANGE, 655 MM (8 IN. CENTER TUBE) ³¹²		
28	115146	REFLECTOR – AMBER, 230 MM		
	273440	REFLECTOR – AMBER, 655 MM (8 IN. CENTER TUBE) ³¹²		
	165524	REFLECTOR – RED, 230 MM ³¹³		

308. The decal is used for the stabilizer wheels option.

309. Tire pressure decal MD #327802 (655 kPa [95 psi]) is used with tire MD #327808.

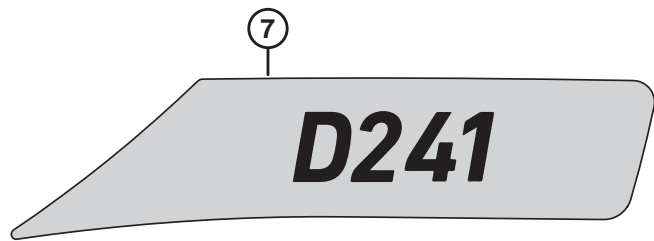
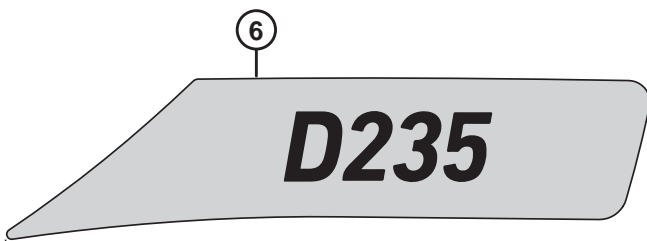
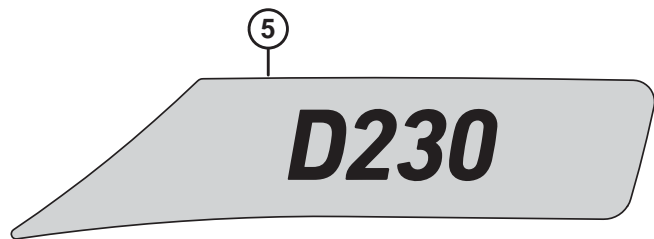
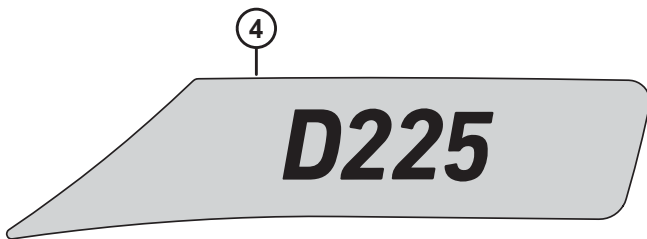
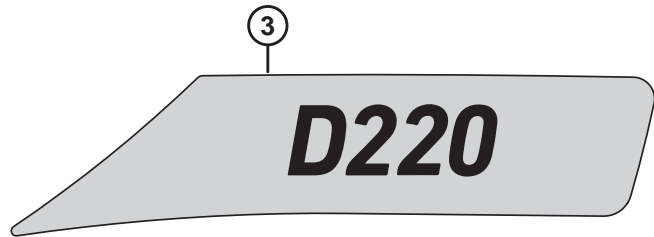
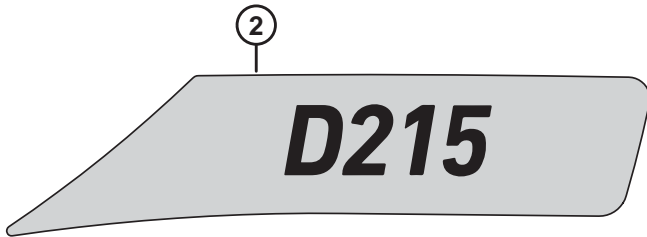
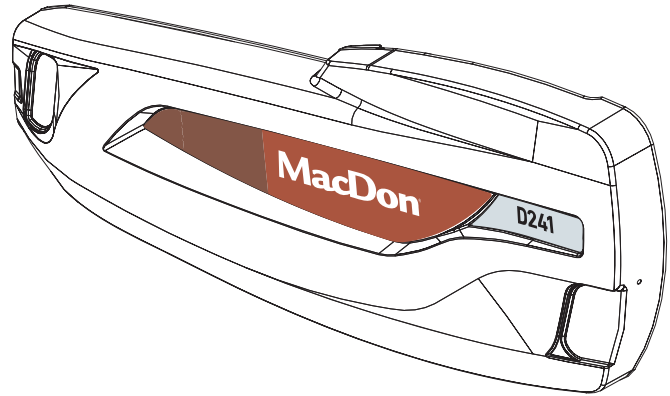
310. Tire pressure decal MD #327717 (552 kPa [80 psi]) remains available as a service part for superseded tire MD #230483.

311. The reflector is used for plastic/PVC surfaces.

312. The reflector is used on the reel center tubes.

313. The reflector is used on the right header endshield.

97 Decals – Product Identification



DECALS – PRODUCT IDENTIFICATION

Ref	Part Number	Description	Qty	Serial Number
1	313421	DECAL – MACDON RED, LH	1	
	313422	DECAL – MACDON RED, RH	1	
	313554	DECAL – MACDON GREEN, LH	1	
	313555	DECAL – MACDON GREEN, RH	1	
	313580	DECAL – MACDON YELLOW, LH	1	
	313581	DECAL – MACDON YELLOW, RH	1	
	313574	DECAL – MACDON GREY, LH	1	
	313575	DECAL – MACDON GREY, RH	1	
2	340201	DECAL – D215, MODEL NUMBER, LH	1	
	340202	DECAL – D215, MODEL NUMBER, RH	1	
3	340203	DECAL – D220, MODEL NUMBER, LH	1	
	340204	DECAL – D220, MODEL NUMBER,, RH	1	
4	313423	DECAL – D225 MODEL NUMBER, LH	1	
	313424	DECAL – D225 MODEL NUMBER, RH	1	
5	313531	DECAL – D230 MODEL NUMBER, LH	1	
	313532	DECAL – D230 MODEL NUMBER, RH	1	
6	313533	DECAL – D235 MODEL NUMBER, LH	1	
	313534	DECAL – D235 MODEL NUMBER, RH	1	
7	313537	DECAL – D241 MODEL NUMBER, LH	1	
	313538	DECAL – D241 MODEL NUMBER, RH	1	

98 Decals – French



DECALS – FRENCH

Ref	Part Number	Description	Qty	Serial Number
1	340049	DECAL – OIL, IMPORTANT, FRENCH		
2	245433	DECAL – IMPORTANT: GUARDS, FRENCH		
3	245432	DECAL – RH DRAPER TENSION, FRENCH		
4	245428	DECAL – LH DRAPER TENSION, FRENCH		

99 Decals – Portuguese



DECALS – PORTUGUESE

Ref	Part Number	Description	Qty	Serial Number
1	340051	DECAL – OIL, IMPORTANT, PORTUGUESE		
2	220817	DECAL – IMPORTANT: GUARDS, PORTUGUESE		
3	220836	DECAL – RH DRAPER TENSION, PORTUGUESE		
4	220824	DECAL – LH DRAPER TENSION, PORTUGUESE		

100 Decals – Russian



DECALS – RUSSIAN

Ref	Part Number	Description	Qty	Serial Number
1	340052	DECAL – OIL, IMPORTANT, RUSSIAN		
2	220832	DECAL – IMPORTANT: GUARDS, RUSSIAN		
3	220834	DECAL – RH DRAPER TENSION, RUSSIAN		
4	220831	DECAL – LH DRAPER TENSION, RUSSIAN		

101 Decals – Spanish



DECALS – SPANISH

Ref	Part Number	Description	Qty	Serial Number
1	340050	DECAL – OIL, IMPORTANT, SPANISH		
2	220807	DECAL – IMPORTANT: GUARDS, SPANISH		
3	220835	DECAL – RH DRAPER TENSION, SPANISH		
4	220814	DECAL – LH DRAPER TENSION, SPANISH		

PREPARATION: WARNING! Removal of old paint by sanding, scraping or other means may generate dust or fumes that contain lead. Exposure to lead dust or fumes may cause brain damage or other adverse health effects, especially in children or pregnant women. Controlling exposure to lead or other hazardous substances requires the use of proper protective equipment, such as a properly fitted respirator (NIOSH Approved) and proper containment and clean up. For more information, call the National Lead Information Center at 1-800-424-LEAD (in US) or contact your local health authority.

Surface must be free of grease, rust, dirt and wax. Mask off or protect other areas from overspray. Product should be sprayed in a well-ventilated area. Use at room temperature 21 °C (70 °F) for best operation.

FOR BEST RESULTS: Shake until ball inside can rattle. Hold can at top, and swing bottom of can in a circle for at least 2 minutes, making ball travel around bottom groove. Shake up and down occasionally. Repeat shaking procedure for 10 seconds after each minute of spraying. Press spray button firmly, with the can 15-25 cm (6-10 inches) from surface. Apply several thin coats. To prevent dripping, clear the valve by holding can upside-down, and spray until only clear gas comes out.

Made in Canada / Fabriqué au Canada
For / Pour
MACDON INDUSTRIES LTD
WINNIPEG, MANITOBA

CANADA: CONSUMER CHEMICALS AND CONTAINERS REGULATIONS (CCCR)
CONTENTS MAY CATCH FIRE - CONTAINER MAY EXPLODE IF HEATED - MAY IRRITATE EYES - MAY IRRITATE SKIN
Do not smoke. Do not puncture or incinerate container. Do not breathe fumes. Do not swallow. Do not get on skin or clothing. Use only in a well-ventilated area. Keep away from flames, such as a pilot light, and any object that sparks, such as an electric motor. Stay away from heat. Keep out of reach of children.

FIRST AID TREATMENT: Contains Xylene, 1,2,4-Trimethylbenzene; Methyl ethyl ketone; Ethylbenzene. If breathed in, move person to fresh air. If swallowed, call a Poison Control Centre or doctor immediately. Do not induce vomiting. If in eyes, rinse with water for 15 minutes. If on skin, rinse well with water.

USA: CONSUMER PRODUCT SAFETY COMMISSION REGULATIONS (CPSC)
CONTENTS MAY CATCH FIRE - CONTAINER MAY EXPLODE IF HEATED - HARMFUL IF ABSORBED THROUGH SKIN - HARMFUL IF HEAT IS SWALLOWED - CAUSES RESPIRATORY TRACT, EYE AND SKIN IRRITATION - MAY CAUSE SEVERE ALLERGIC RESPIRATORY AND SKIN REACTION - CANCER HAZARD - CAN CAUSE CANCER, DEVELOPMENTAL TOXICITY/TERATOGENIC EFFECTS.

WARNING: This product contains a chemical known to the State of California to cause cancer and birth defects or other reproductive harm.

In a fire or if heated, a pressure increase will occur and the container may burst or explode. Can enter lungs and cause damage. Risk of cancer depends on duration and level of exposure. Contains material which can cause birth defects. Contains material which can cause developmental abnormalities. Do not puncture or incinerate container. Do not expose to heat or store at temperatures above 120°F. Use only with adequate ventilation. Do not breathe vapor or mist. Do not swallow. Do not get on skin or clothing. Avoid contact with eyes. Keep container tightly closed and sealed until ready for use. Wash thoroughly after handling. Avoid exposure during pregnancy. Keep out of reach of children.

FIRST AID TREATMENT: Contains Xylene, 1,2,4-Trimethylbenzene; Methyl ethyl ketone; Ethylbenzene. If breathed in, move person to fresh air. If swallowed, call a Poison Control Centre or doctor immediately. Do not induce vomiting. If in eyes, rinse with water for 15 minutes. If on skin, rinse well with water.

PREPARATION: MISE EN GARDE! Enlèvement des anciennes peintures par ponçage, décapage ou toute autre méthode risque de dégager des poussières ou des vapeurs contaminées par le plomb. L'exposition à ces poussières ou vapeurs peut entraîner un dysfonctionnement du cerveau ou d'autres effets néfastes sur la santé, surtout chez les femmes enceintes et les enfants. L'utilisation d'équipement de protection approprié, tel qu'un appareil respiratoire bien ajusté et homologué par le NIOSH, ainsi que des moyens de confinement adéquats et un nettoyage soigné de ces substances dangereuses. Pour obtenir plus de renseignements, communiquer avec le National Lead Information Center au 1-800-424-5123 (aux É.U.) ou avec le service local de santé publique.

Le surface doit être exempte de graisse, de rouille, de saleté et de cire. Manquer ou mouvoir les surfaces avoisinantes pour les protéger des sur-sprayings. Le produit doit être vaporisé dans un endroit bien aéré. Pour optimiser les résultats, utiliser à température ambiante 21 °C (70 °F).

POUR DES RÉSULTATS OPTIMUM: Agiter le contenant jusqu'à ce que la bille de mélange bouge librement. Secouez le canette par le haut et en agitez le fond pendant au moins 2 minutes en faisant des mouvements circulaires pour que la bille se déplace autour du fond de la canette. Agitez de haut en bas de temps à autre. Agitez pendant 10 secondes pour chaque minute de vaporisation. Prenez soin de bien agiter le produit avant de vaporiser. Appliquez plusieurs couches minces. Pour empêcher le gicler de s'échapper, le nettoyer en tenant la canette à l'envers et en pressant sur le bouton de vaporisation jusqu'à ce qu'il n'y ait plus que du gaz incandescent.

Tableau des produits conformes à la réglementation sur les COV de votre région.

CANADA: RÉGLEMENT SUR LES PRODUITS CHIMIQUES ET LES CONTENANTS DE CONSOMMATION (RPGCC)
LE CONTENU PEUT S'ENFLAMMER - CE CONTENANT PEUT EXPLOSER S'IL EST CHAUFFÉ - PEUT IRRITER LES YEUX - PEUT IRRITER LA PEAU
Ne pas fumer. Ne pas perfore. Ne pas brûler le contenant. Ne pas engoiser les émanations. Ne pas avaler. Éviter tout contact avec les yeux. Éviter tout contact avec la peau ou les vêtements. Éviter que dans un endroit bien aéré. Tenir les flammes, telle une flamme pilote, et de tout objet produisant des étincelles, tel un moteur électrique. Conserver loin des sources de chaleur. Tenir hors de portée des enfants.

PREMIERS SOINS: Contient Xylène, 1,2,4-Triméthylbenzène; Méthylethylcétone; Éthylbenzène. En cas d'inhalation, transporter à l'air frais la personne exposée. En cas d'ingestion, appeler immédiatement un centre antipoison ou un médecin. Ne pas provoquer le vomissement. En cas de contact avec les yeux, rincer avec de l'eau pendant 15 minutes. En cas de contact avec la peau, bien rincer avec de l'eau.

MacDon Performance Parts

**Industrial Touch Up Paint
Peinture de retouche industrielle**



DANGER!

**FLAMMABLE - CONTENTS UNDER PRESSURE
INFLAMMABLE - CONTENU SOUS PRESSION**



Part number / Numéro de pièce

Net weight with paint / Poids net avec peinture **12 oz / 340 g**

1

2

Read and understand all safety instructions before using this product.
Lire et comprendre toutes les consignes de sécurité avant d'utiliser ce produit.

Made in Canada / Fabriqué au Canada
For / Pour
MACDON INDUSTRIES LTD
WINNIPEG, MANITOBA

CANADA: CONSUMER CHEMICALS AND CONTAINERS REGULATIONS (CCCR)
CONTENTS MAY CATCH FIRE - CONTAINER MAY EXPLODE IF HEATED - MAY IRRITATE EYES - MAY IRRITATE SKIN
Do not smoke. Do not puncture or incinerate container. Do not breathe fumes. Do not swallow. Do not get on skin or clothing. Use only in a well-ventilated area. Keep away from flames, such as a pilot light, and any object that sparks, such as an electric motor. Stay away from heat. Keep out of reach of children.

FIRST AID TREATMENT: Contains Xylene, 1,2,4-Trimethylbenzene; Methyl ethyl ketone; Ethylbenzene. If breathed in, move person to fresh air. If swallowed, call a Poison Control Centre or doctor immediately. Do not induce vomiting. If in eyes, rinse with water for 15 minutes. If on skin, rinse well with water.

USA: CONSUMER PRODUCT SAFETY COMMISSION REGULATIONS (CPSC)
FLAMMABLE LIQUID AND VAPOR. HARMFUL IF ABSORBED THROUGH SKIN. HARMFUL IF HEAT IS SWALLOWED. CAUSES RESPIRATORY TRACT, EYE AND SKIN IRRITATION. MAY CAUSE SEVERE ALLERGIC RESPIRATORY AND SKIN REACTION. CANCER HAZARD - CAN CAUSE CANCER, DEVELOPMENTAL TOXICITY/TERATOGENIC EFFECTS.

WARNING: This product contains a chemical known to the State of California to cause cancer and birth defects or other reproductive harm.

Can enter lungs and cause damage. Risk of cancer depends on duration and level of exposure. Contains material which can cause birth defects. Contains material which can cause developmental abnormalities. Do not puncture or incinerate container. Do not expose to heat or store at temperatures above 120°F. Use only with adequate ventilation. Do not breathe vapor or mist. Do not swallow. Do not get on skin or clothing. Avoid contact with eyes. Keep container tightly closed and sealed until ready for use. Wash thoroughly after handling. Avoid exposure during pregnancy. Keep out of reach of children.

FIRST AID TREATMENT: Contains Xylene, 1,2,4-Trimethylbenzene; Methyl ethyl ketone; Ethylbenzene. If breathed in, move person to fresh air. If swallowed, call a Poison Control Centre or doctor immediately. Do not induce vomiting. If in eyes, rinse with water for 15 minutes. If on skin, rinse well with water.

MacDon Performance Parts

Industrial Paint / Peinture industrielle



**DANGER!
FLAMMABLE / INFLAMMABLE**



One US quart

Part number / Numéro de pièce

946 ml

DIRECTIONS FOR USE
THIS PRODUCT IS READY TO USE. NO MIXING IS REQUIRED.

APPLICATION
Spray material at 40 to 55 PSI (2.7 to 3.8 MPa).

USING A PRIMER IS NOT NECESSARY WITH THIS PRODUCT.

Shake medium well, allow to back and follow with full wet coat.

FOR VOC REGULATED AREAS:

These directions refer to the use of products which may be restricted or require special mixing instructions in VOC regulated areas. Follow mixing and usage recommendations in the VOC Compliance Products Chart for your area.

MODE D'EMPLOI
CE PRODUIT EST PRÊT À L'UTILISATION, AUCUN MÉLANGE N'EST REQUIS.

APPLICATION
Pulvériser à une pression de 40 à 55 lb/po (2,7 à 3,8 MPa).

L'UTILISATION D'UN APPRÊT N'EST PAS NÉCESSAIRE AVEC CE PRODUIT.

Agiter bien et appliquer avec une couche épaisse.

RÉGLEMENTATION SUR LES COV

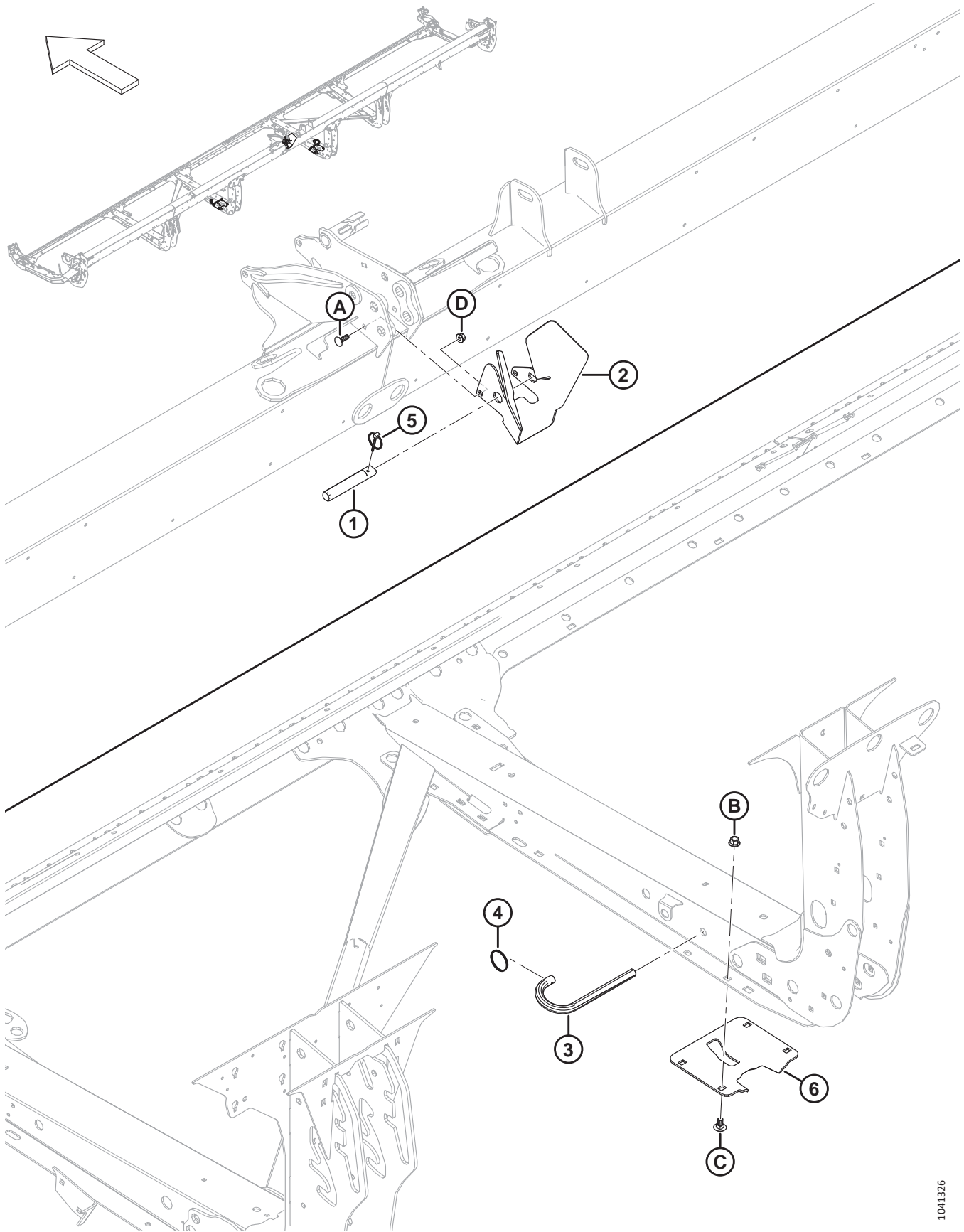
Ces directives concernent l'utilisation de produits pouvant être réglementés en vertu de la loi fédérale sur les émissions de COV. Suivez les recommandations de mélange et d'usage indiquées dans le tableau des produits conformes à la réglementation sur les COV de votre région.

PAINT

Ref	Part Number	Description	Qty	Serial Number
1	135148	PAINT – BLACK (55-65 GLOSS LEVEL), SPRAY CAN, 12 OZ. (340 G) AEROSOL ³¹⁴		
	32879	PAINT – WHITE, SPRAY CAN, 12 OZ. (340 G) AEROSOL ³¹⁴		
	23950	PAINT – RED, SPRAY CAN, 12 OZ. (340 G) AEROSOL ³¹⁴		
2	25991	PAINT – BLACK (55-65 GLOSS LEVEL), 1 US QUART (946 ML)		
	23957	PAINT – WHITE, 1 US QUART (946 ML)		
	32880	PAINT – RED, 1 US QUART (946 ML)		

314. To be used for small touch-ups only.

103 Windrower Completion – D2 SP Series Retaining Pins

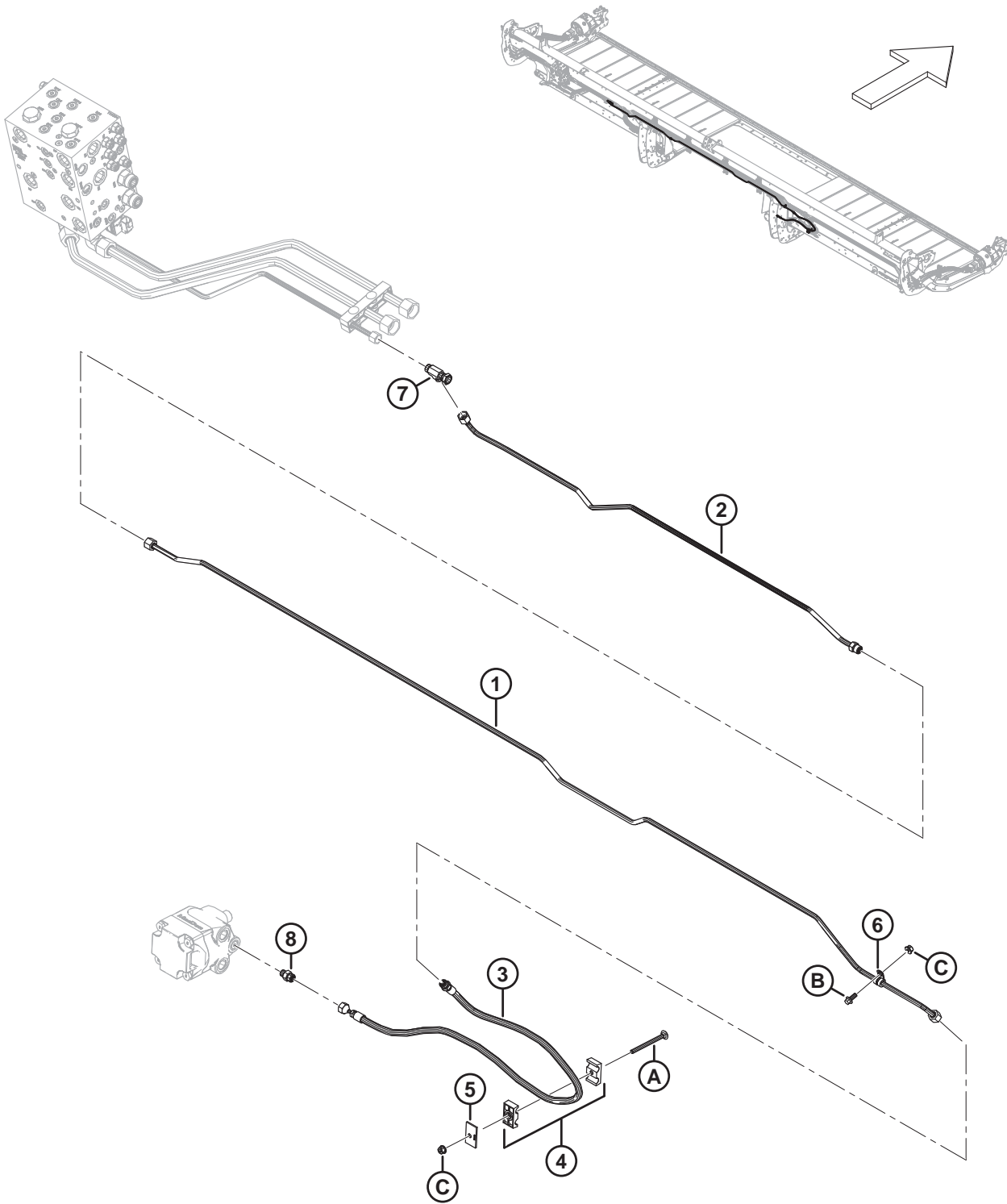


WINDROWER COMPLETION – D2 SP SERIES RETAINING PINS

Ref	Part Number	Description	Qty	Serial Number
	B7501	KIT – D2 COMBINE-M1/M2 DUAL USE ³¹⁵		
1	360360	PIN	1	
2	283291	GUIDE – TILT CYLINDER	1	
3	124399	PIN	2	
4	118137	RING	2	
5	102264	PIN – LYNCH 3/16 X 1 9/16 IN.	1	
6	NSS	SUPPORT – FORMED	2	
A	184662	BOLT – RHSN TFL M10 X 1.5 X 30-8.8-AA1J		
B	136431	NUT – HEX FLG CTR LOC M12 X 1.75-10	8	
C	135903	BOLT – RHSN M12 X 1.75 X 25-8.8-ZINC	8	
D	135799	NUT – HEX FLG CTR LOC M10 X 1.5-10	2	

315. The M1/M2 Windrower Dual Use kit (B7501) includes items #1–5, hardware A, and hardware D listed in this section. For more information, refer to Section [115 \(Option\) Dual Use Kit – M1/M2 Series Windrowers, page 263](#). Kits are available through Whole Goods only.

104 Windrower Completion – Draper Drive Hydraulics, Center Delivery, Case Drain



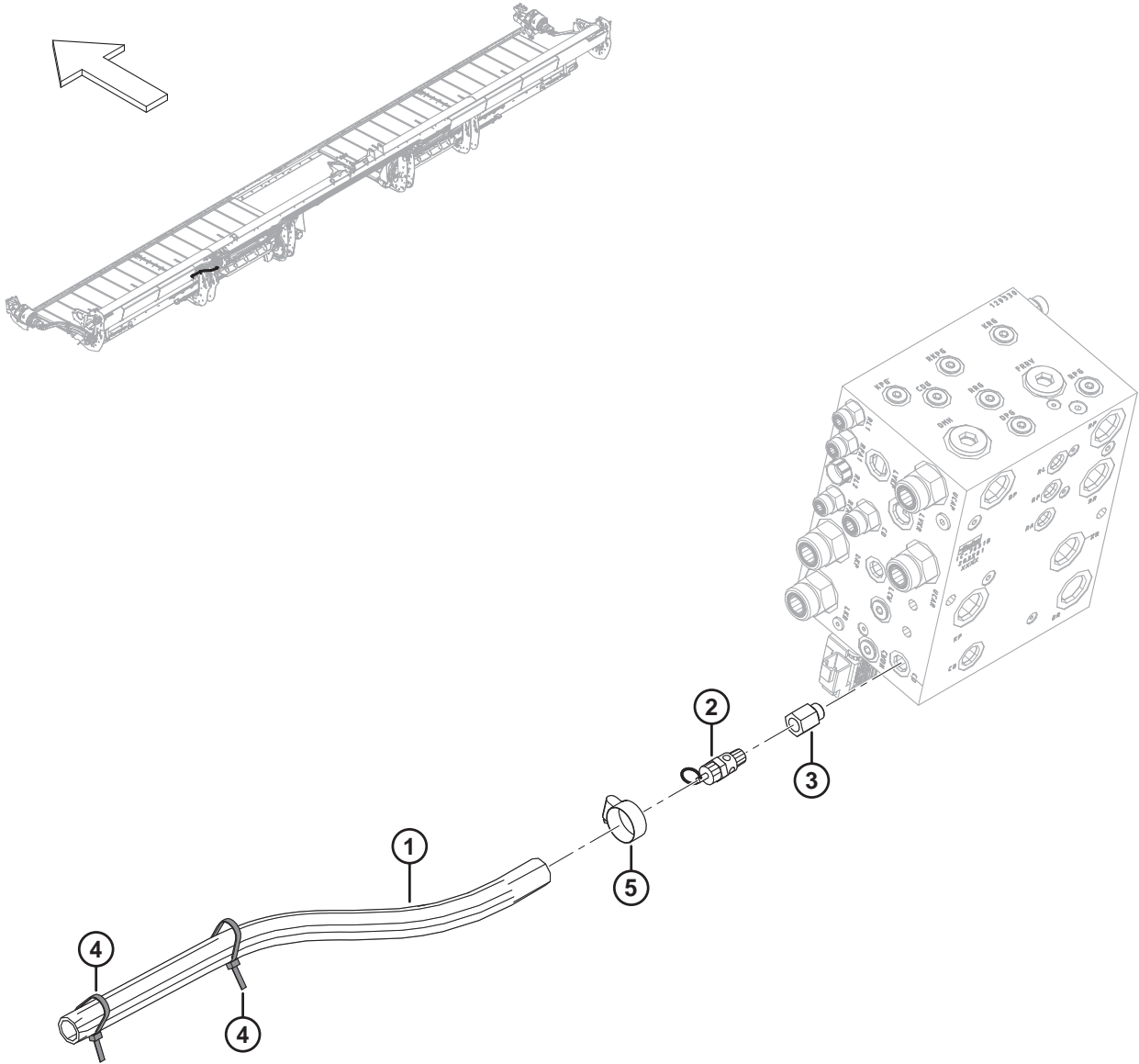
WINDROWER COMPLETION – DRAPER DRIVE HYDRAULICS, CENTER DELIVERY, CASE DRAIN

Ref	Part Number	Description	Qty	Serial Number
	B7501	KIT – D2 COMBINE-M1/M2 DUAL USE ³¹⁶		
1	323410	LINE – HYDRAULIC	1	
2	323409	LINE – HYDRAULIC	1	
3	323830	HOSE – HYD	1	
4	232395	CLAMP – ASSY ³¹⁷	1	
5	184303	CLAMP – COVER PLATE	1	
6	136410	CLAMP – INSULATED 3/8 IN.	1	
7	136097	FITTING – TEE HYD	1	
8	135778	FITTING – ADAPTER	1	
	50219	O-RING – 1.98 X 11.89		
	135865	O-RING – 1.78 X 9.25		
A	252633	BOLT – RHSN M8 X 1.25 X 100-8.8-AA1J		
B	136300	BOLT – HEX FLG HD TFL M8 X 1.25 X 20-8.8-AA3L		
C	135337	NUT – HEX FLG CTR LK M8 X 1.25-8-AA1J		

316. The M1/M2 Windrower Dual Use kit (B7501) includes all listed parts and hardware in this section. For more information, refer to Section [115 \(Option\) Dual Use Kit – M1/M2 Series Windrowers, page 263](#). Kits are available through Whole Goods only.

317. The clamp assembly includes two clamp halves (NSS). It does **NOT** include the cover plate or hardware.

105 Windrower Completion – Draper Drive Hydraulics, Case Drain Relief

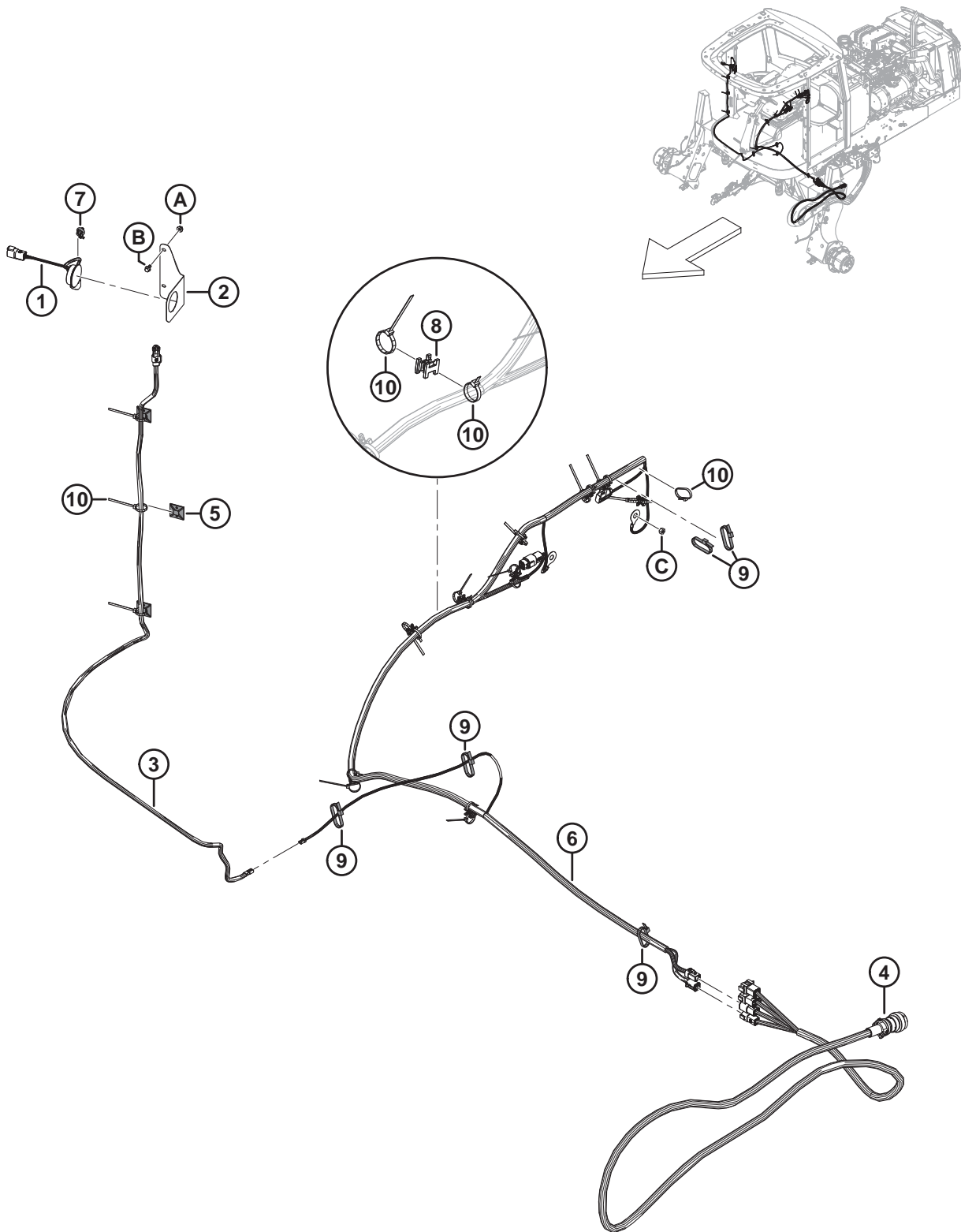


WINDROWER COMPLETION – DRAPER DRIVE HYDRAULICS, CASE DRAIN RELIEF

Ref	Part Number	Description	Qty	Serial Number
	B7501	KIT – D2 COMBINE-M1/M2 DUAL USE ³¹⁸		
1	323657	HOSE – HEATER, CD RELIEF	1	
2	198927	VALVE – RELIEF	1	
3	136464	FITTING – ADAPTER HYD	1	
4	21763	FASTENER – CABLE TIE, BLACK	2	
5	21349	CLAMP – HOSE GEAR TYPE	1	

318. The M1/M2 Windrower Dual Use kit (B7501) includes all listed parts in this section. For more information, refer to Section *115 (Option) Dual Use Kit – M1/M2 Series Windrowers, page 263*. Kits are available through Whole Goods only.

106 Windrower Completion – M Series Electronically Timed Double Knife Kit

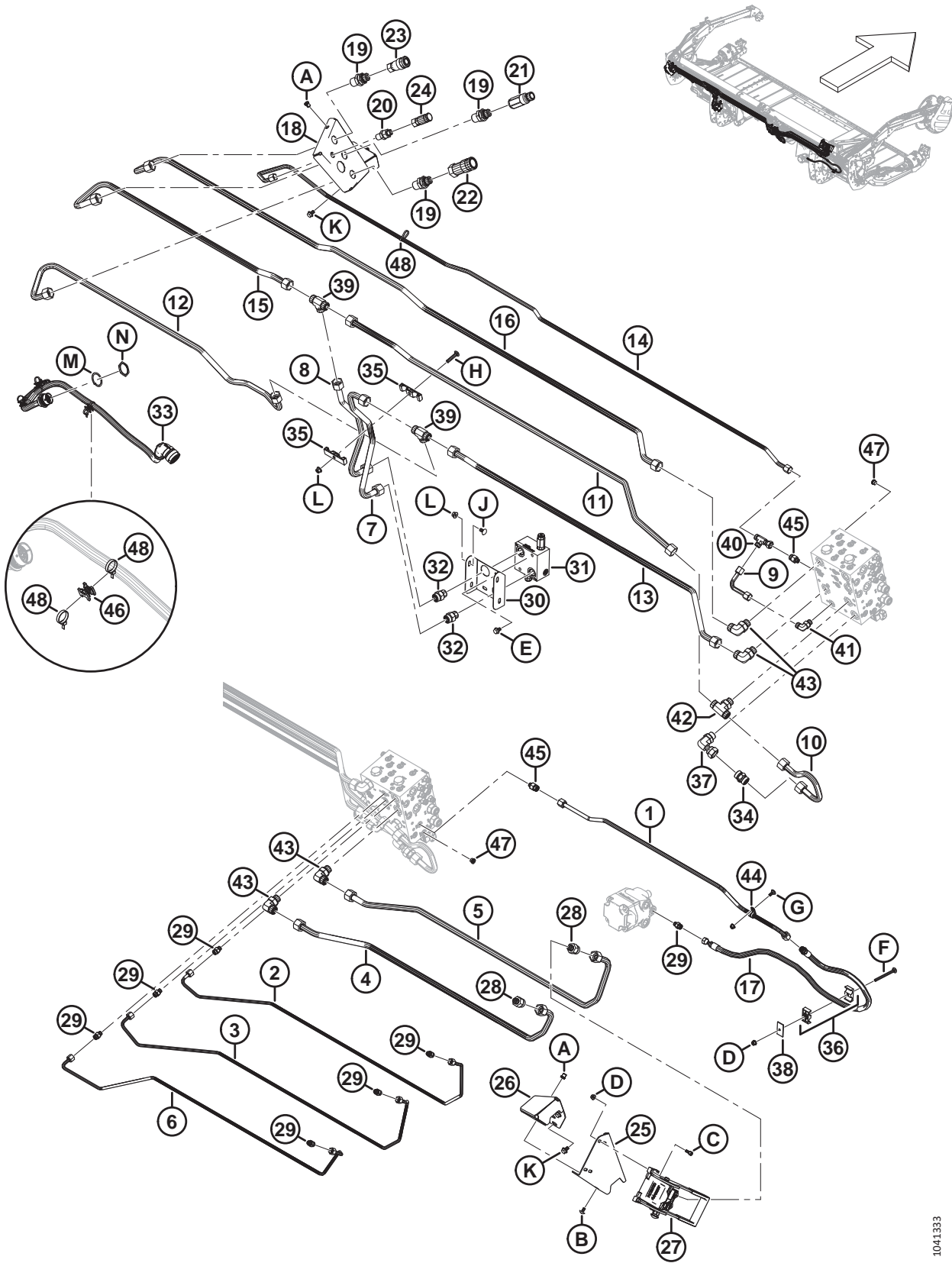


WINDROWER COMPLETION – M SERIES ELECTRONICALLY TIMED DOUBLE KNIFE KIT

Ref	Part Number	Description	Qty	Serial Number
	323625	KIT – ASSY-M SERIES ETDK ³¹⁹		
1	500563	MODULE – CAB DISPLAY DIAGNOSTICS	1	
2	323619	BRACKET – DISPLAY MOUNT	1	
3	323390	HARNESS – ADAPTER, D2-M, DISPLAY	1	
4	323388	HARNESS – ADAPTER, D2-M	1	
5	305330	MOUNT – CABLE TIE 4 WAY ADHESIVE	3	
6	160725	HARNESS – ADAPTER D2-M, PWR	1	
7	136655	FASTENER – FIR TREE MT W/ TIE	1	
8	134442	SPACER – DUAL SWIVEL SADDLE	9	
9	30753	FASTENER – CABLE TIE, BLACK, 305 MM LG	6	
10	21763	FASTENER – CABLE TIE, BLACK, 160 MM LG	24	
A	181712	NUT – HEX DT SMTH FLG 1/4-20-GR5-AA1J		
B	21968	BOLT – HEX FLG SER HD 1/4-20 X 0.5 GR 5-AA1J		
C	18589	NUT – HEX 5/16-18 UNC GR 5 ZP		

319. The ETDK kit (MD #323625) includes all listed parts and instructions.

107 Windrower Completion – M Series Hydraulics (D215 and D220)



WINDROWER COMPLETION – M SERIES HYDRAULICS (D215 AND D220)

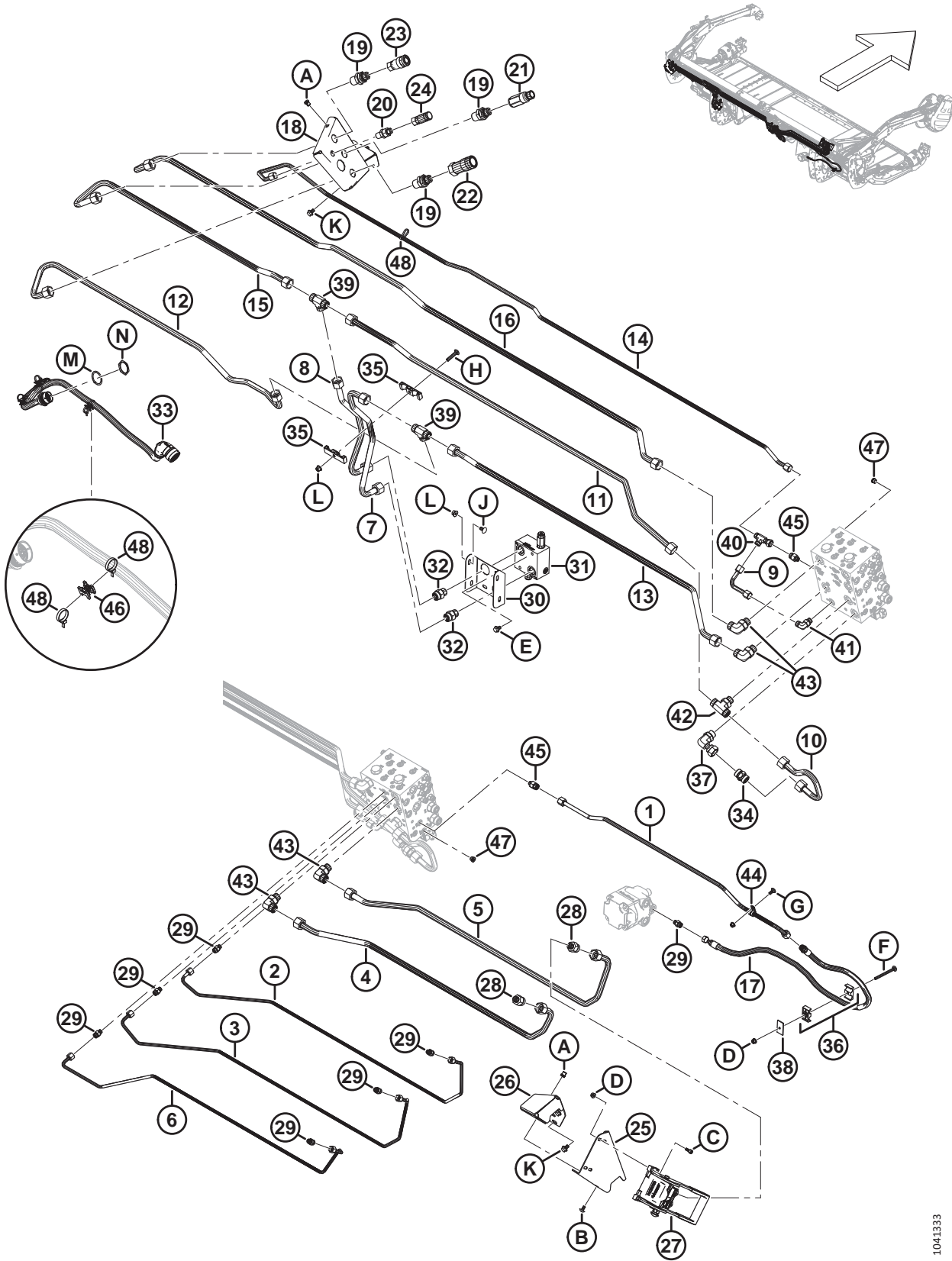
Ref	Part Number	Description	Qty	Serial Number
1	323544	LINE – HYDRAULIC	1	
2	323504	LINE – HYDRAULIC	1	
3	323503	LINE – HYDRAULIC	1	
4	323502	LINE – HYDRAULIC	1	
5	323501	LINE – HYDRAULIC	1	
6	323498	LINE – HYDRAULIC	1	
7	323566	LINE – HYDRAULIC	1	
8	323565	LINE – HYDRAULIC	1	
9	323543	LINE – HYDRAULIC	1	
10	323489	LINE – HYDRAULIC	1	
11	323535	LINE – HYDRAULIC	1	
12	323495	LINE – HYDRAULIC	1	
13	323494	LINE – HYDRAULIC	1	
14	323491	LINE – HYDRAULIC	1	
15	323490	LINE – HYDRAULIC	1	
16	323488	LINE – HYDRAULIC	1	
17	323650	HOSE – HYD	1	
18	323733	ASSY – COUPLER SUPPORT W/NUTS ³²⁰	1	
19	136784	FITTING – ADAPTER BLK HD HYD	3	
20	136195	FITTING – UNION HYD BLK HD	1	
	44209	O-RING – 2.21 X 16.36		
	135866	O-RING – 1.78 X 12.42		
21	135566	COUPLING – MALE HYD. 3/4 IN FLAT FACE	1	
22	135565	COUPLER – FEMALE HYD. 3/4 IN. FLAT FACE	1	
23	135474	COUPLER – HYDRAULIC, 1/2 IN FEMALE FF	1	
24	135312	COUPLER – FEMALE HYD.3/8 IN. FLAT FACE	1	
25	323923	SUPPORT – MULTICOUPLER	1	
26	323712	ASSY – RH SUPPORT M-SERIES ³²⁰	1	
27	153151	COUPLING – MULTI ³²¹	1	
	129800	KIT – COVER CNH MULTI-COUPLER		
	129801	KIT – LATCH BUTTON		
	129976	COUPLING 1/4 IN.		
	129977	COUPLING 3/8 IN.		
28	136756	FITTING – ADAPTER	2	
29	135778	FITTING – ADAPTER ³²²	7	
	50219	O-RING – 1.98 X 11.89		
	135865	O-RING – 1.78 X 9.25		
30	323547	CHANNEL – VALVE SUPPORT	1	
31	243840	VALVE – DRAPER KNIFE RELIEF	1	

320. The assembly includes two rivnuts (MD #252179).

321. The multicoupler includes cover kit (MD #129800), latch button kit (MD #129801), and couplings (MD #129976, 129977).

322. Three of these fittings connect to ports RL, RF, and RA on the manifold.

WINDROWER COMPLETION – M SERIES HYDRAULICS (D215 AND D220)



1041333

WINDROWER COMPLETION – M SERIES HYDRAULICS (D215 AND D220)

Ref	Part Number	Description	Qty	Serial Number
32	135788	FITTING – ADAPTER	2	
	30971	O-RING – 2.95 X 23.47		
	135868	O-RING – 1.78 X 18.77		
33	323419	HARNESS – ADPTR, D2-MMINI EXT	1	
34	323298	FITTING – ADAPTER INLINE CHECK	1	
35	283993	CLAMP – LINE DRAPER	2	
36	247750	CLAMP – ASSY ³²³	1	
37	242352	FITTING – ELBOW HYD	1	
38	184303	CLAMP – COVER PLATE	1	
39	136808	FITTING – TEE HYD	2	
40	136459	FITTING – TEE HYD	1	
	135866	O-RING – 1.78 X 12.42		
41	136220	FITTING – ELBOW 90° HYD ³²⁴	1	
	44209	O-RING – 2.21 X 16.36		
	135866	O-RING – 1.78 X 12.42		
42	135887	FITTING – BRANCH TEE HYD ³²⁵	1	
43	135821	FITTING – ELBOW 90° HYD ³²⁶	4	
	30971	O-RING – 2.95 X 23.47		
	135868	O-RING – 1.78 X 18.77		
44	135818	CLAMP – INSULATED 1/2 IN.	1	
45	135779	FITTING – ADAPTER ³²⁷	2	
46	134442	SPACER – DUAL SWIVEL SADDLE	3	
47	100577	FITTING – PLUG HYD 6 ORB HEX SOC ³²⁸	2	
	50219	O-RING – 1.98 X 11.89		
48	21763	FASTENER – CABLE TIE, BLACK	7	
A	252179	RIVNUT – M8 X 1.25 HEX 0.7-3.8		
B	320336	SCREW – TORX TRUSS HD M8 X 1.25 X 16-SPCL-8.8-ZINC		
C	167307	SCREW – HEX SOC HD M8 X 1.25 X 20-8.8-AA1J		
D	135337	NUT – HEX FLG CTR LK M8 X 1.25-8-AA1J		
E	136151	BOLT – HEX FLG HD TFL M10 X 1.5 X 16-8.8-AA1J		
F	252633	BOLT – RHSN M8 X 1.25 X 100-8.8-AA1J		
G	197171	BOLT – RHSN M8 X 1.25 X 20-8.8-ZINC		
H	184658	BOLT – RHSSN M10 X 1.5 X 50-8.8-AA1J		
J	184657	BOLT – RHSSN M10 X 1.5 X 20-8.8-AA1J		
K	136231	BOLT – HEX SER FLG HD M10 X 1.5 X 16 X SPCL-8.8		
L	135799	NUT – HEX FLG CTR LOC M10 X 1.5-10		
M	134011	WASHER – LOCK SPRING, DEUTSCH HD, SIZE 24		
N	134010	NUT – PANEL, HD30, SIZE 24		

323. The clamp assembly includes two clamp halves (NSS). It does **NOT** include the cover plate or hardware.

324. This fitting connects to port CD on the manifold.

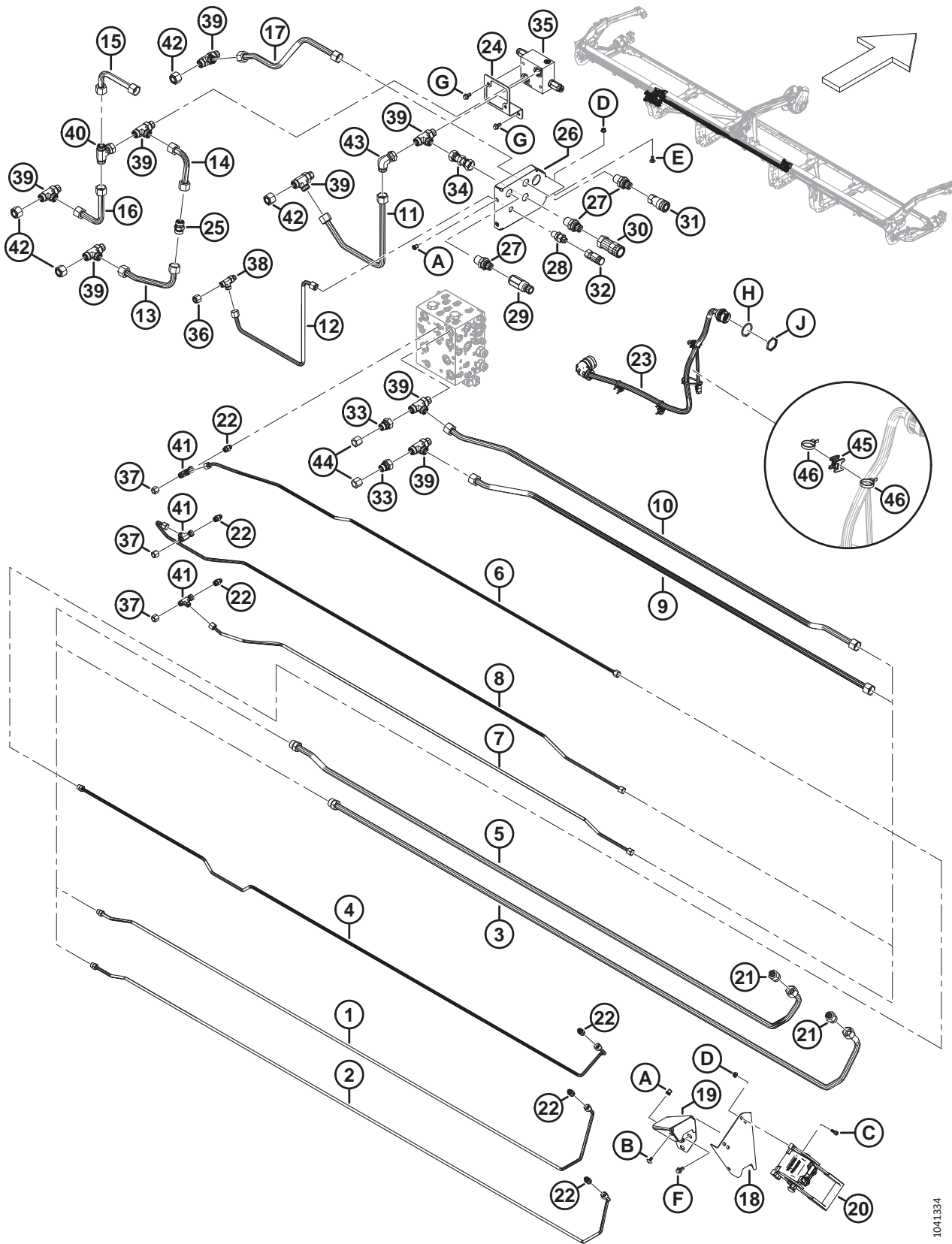
325. This fitting connects to port KR on the manifold.

326. These fittings connect to ports DP, KP, RP, and RR on the manifold.

327. These fittings connect to ports LCW and RCW on the manifold.

328. These fittings connect to ports CWUP and CWDN on the manifold.

108 Windrower Completion – M Series Hydraulics (D225, D230, D235, and D241)



1041334

WINDROWER COMPLETION – M SERIES HYDRAULICS (D225, D230, D235, AND D241)

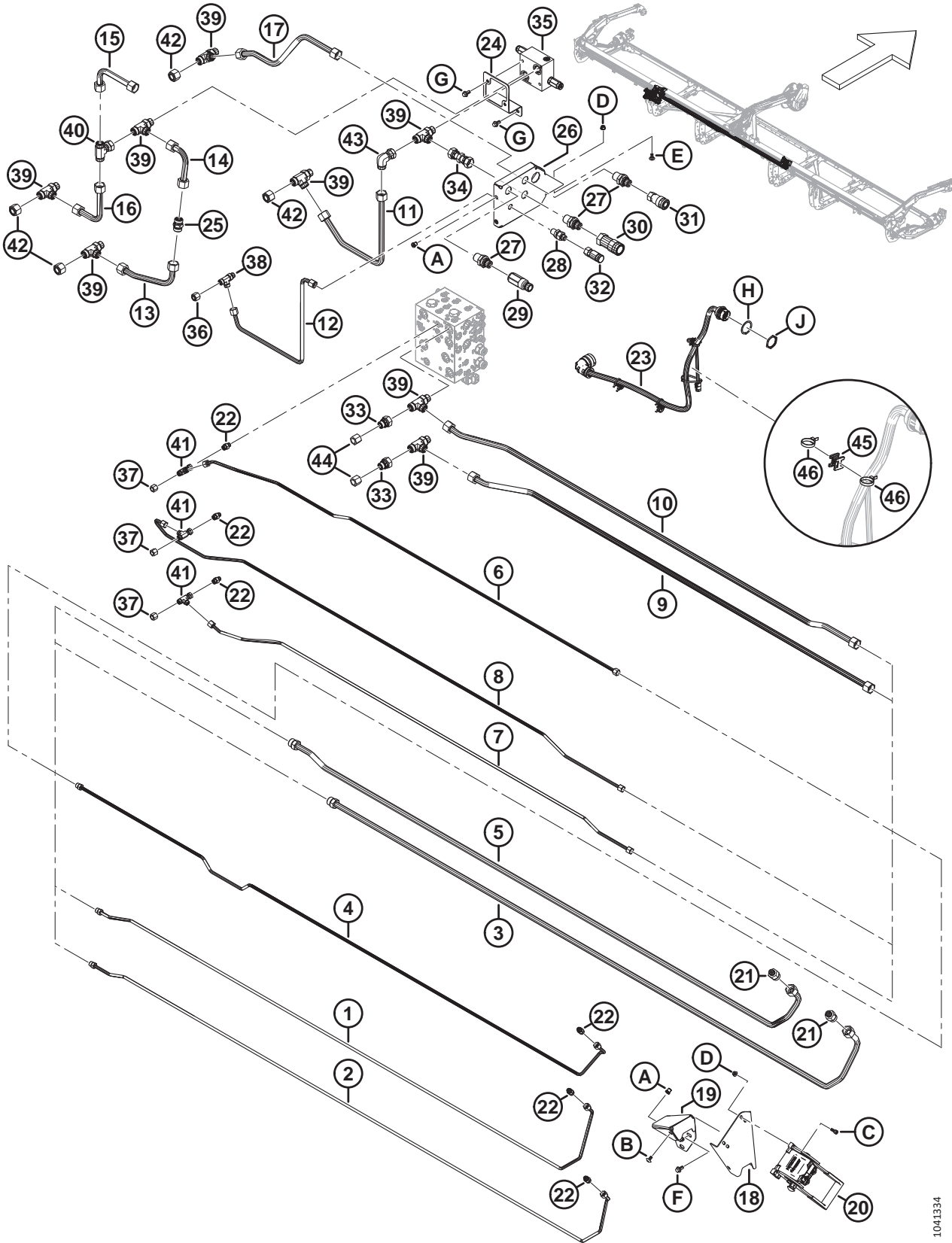
Ref	Part Number	Description	Qty	Serial Number
1	323260	LINE – HYDRAULIC	1	
2	323259	LINE – HYDRAULIC	1	
3	323249	LINE – HYDRAULIC	1	
4	323247	LINE – HYDRAULIC	1	
5	323246	LINE – HYDRAULIC	1	
6	323861	LINE – HYDRAULIC	1	
7	323308	LINE – HYDRAULIC	1	
8	323307	LINE – HYDRAULIC	1	
9	323305	LINE – HYDRAULIC	1	
10	323304	LINE – HYDRAULIC	1	
11	323310	LINE – HYDRAULIC	1	
12	323299	LINE – HYDRAULIC	1	
13	323297	LINE – HYDRAULIC	1	
14	323296	LINE – HYDRAULIC	1	
15	323295	LINE – HYDRAULIC	1	
16	323294	LINE – HYDRAULIC	1	
17	323237	LINE – HYDRAULIC	1	
18	323923	SUPPORT – MULTICOUPLER	1	
19	323712	ASSY – RH SUPPORT M-SERIES ³²⁹	1	
20	153151	COUPLING – MULTI ³³⁰	1	
	129800	KIT – COVER CNH MULTI-COUPLER		
	129801	KIT – LATCH BUTTON		
	129976	COUPLING 1/4 IN.		
	129977	COUPLING 3/8 IN.		
21	136756	FITTING – ADAPTER	2	
22	135778	FITTING – ADAPTER ³³¹	6	
	50219	O-RING – 1.98 X 11.89		
	135865	O-RING – 1.78 X 9.25		
23	323419	HARNESS – ADPTR, D2-MMINI EXT	1	
24	323320	SUPPORT – VALVE MANIFOLD	1	
25	323298	FITTING – ADAPTER INLINE CHECK	1	
26	323228	ASSY – SUPPORT C/W RIVNUTS ³²⁹	1	
27	136784	FITTING – ADAPTER BLKHD HYD	3	
28	136195	FITTING – UNION HYD BLKHD	1	
	44209	O-RING – 2.21 X 16.36		
	135866	O-RING – 1.78 X 12.42		
29	135566	COUPLING – MALE HYD. 3/4 IN FLAT FACE	1	
30	135565	COUPLER – FEMALE HYD. 3/4 IN. FLAT FACE	1	
31	135474	COUPLER – HYDRAULIC, 1/2 IN FEMALE FF	1	
32	135312	COUPLER – FEMALE HYD. 3/8 IN. FLAT FACE	1	
33	252525	FITTING – ADAPTER HYD	2	

329. The assembly includes two rivnuts (MD #252179).

330. The multicoupler includes cover kit (MD #129800), latch button kit (MD #129801), and couplings (MD #129976, 129977).

331. Three of these fittings connect to ports RL, RF, and RA on the manifold.

WINDROWER COMPLETION – M SERIES HYDRAULICS (D225, D230, D235, AND D241)



1041334

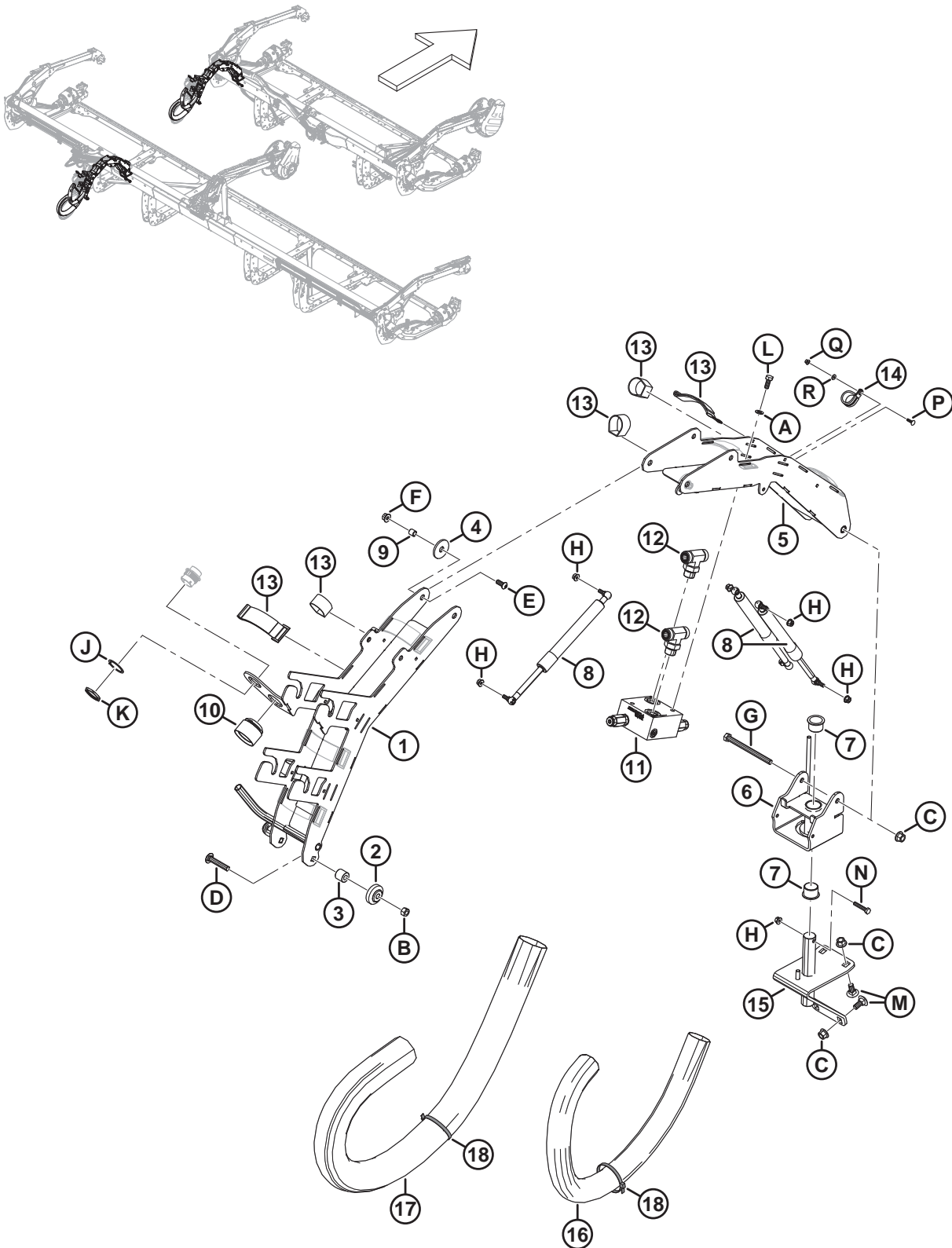
WINDROWER COMPLETION – M SERIES HYDRAULICS (D225, D230, D235, AND D241)

Ref	Part Number	Description	Qty	Serial Number
34	252058	FITTING – UNION HYD	1	
35	243840	VALVE – DRAPER KNIFE RELIEF	1	
36	136741	FITTING – CAP HYD -8 ORFS	1	
37	136325	FITTING – CAP HYD -6 ORFS	3	
38	136258	FITTING – TEE HYD ³³²	1	
	44209	O-RING – 2.21 X 16.36		
	135866	O-RING – 1.78 X 12.42		
39	136257	FITTING – TEE HYD ³³³	8	
	135868	O-RING – 1.78 X 18.77		
	30971	O-RING – 2.95 X 23.47		
40	136256	FITTING – TEE HYD	1	
	135868	O-RING – 1.78 X 18.77		
41	136097	FITTING – TEE HYD	3	
42	135889	FITTING – CAP HYD -12 ORFS	4	
43	135888	FITTING – ELBOW 90° HYD	1	
44	135860	FITTING – CAP HYD -10 ORFS	2	
45	134442	SPACER – DUAL SWIVEL SADDLE	3	
46	21763	FASTENER – CABLE TIE, BLACK	7	
A	252179	RIVNUT – M8 X 1.25 HEX 0.7-3.8		
B	320336	SCREW – TORX TRUSS HD M8 X 1.25 X 16-SPCL-8.8-ZINC		
C	167307	SCREW – HEX SOC HD M8 X 1.25 X 20-8.8-AA1J		
D	135337	NUT – HEX FLG CTR LK M8 X 1.25-8-AA1J		
E	197171	BOLT – RHSN M8 X 1.25 X 20-8.8-ZINC		
F	152670	BOLT – HEX FLG HD M10 X 1.5 X 20-SPC-8.8-AA1J		
G	152655	BOLT – HEX FLG HD M10 X 1.5 X 20-8.8-AA1J		
H	134011	WASHER – LOCK SPRING, DEUTSCH HD, SIZE 24		
J	134010	NUT – PANEL, HD30, SIZE 24		

332. This fitting connects to port CD on the manifold.

333. Six of these fittings connect to ports DP, KP, RP, RR, KR, and DR on the manifold; the other two fittings connect to ports P1 and P2 on relief valve (MD #243840).

109 Windrower Completion – M1/M2 Series Hydraulics, Hose Support Arm and Mount



WINDROWER COMPLETION – M1/M2 SERIES HYDRAULICS, HOSE SUPPORT ARM AND MOUNT

Ref	Part Number	Description	Qty	Serial Number
	B7501	KIT – D2 COMBINE-M1/M2 DUAL USE ³³⁴		
1	323762	CHANNEL – WELDMENT REAR	1	
2	253644	JOINT – BALL	1	
3	253607	TUBE – SPACER	1	
4	243900	PLATE – SPACER	2	
5	243831	CHANNEL – WELDMENT FRONT	1	
6	243830	ASSY – PIVOT WITH BUSHINGS ³³⁵	1	
7	243661	BUSHING – PLASTIC	2	
8	243826	CYLINDER – GAS SPRING EXT 1400 N	3	
9	243711	TUBE – SPACER	2	
10	243604	CAP – HARNESS	1	
11	243840	VALVE – DRAPER KNIFE RELIEF	1	
12	135887	FITTING – BRANCH TEE HYD	2	
	30971	O-RING – 2.95 X 23.47		
	135868	O-RING – 1.78 X 18.77		
13	135444	CINCH STRAP – 6 IN. LG	12	
14	135714	CLAMP – INSULATED 1 1/8 IN.	1	
15	323907	MOUNT – HOSE SUPPORT WELDT	1	
16	253645	SLEEVE – HOSES (1168 MM LG) ³³⁶	1	
17	253646	SLEEVE – HOSES (1105 MM LG) ³³⁷	1	
18	30753	FASTENER – CABLE TIE, BLACK	2	
A	184711	WASHER – FLAT REG M10-200HV-AA1J		
B	136759	NUT – HEX CTR LOCM12 X 1.75-8-AA1J		
C	136431	NUT – HEX FLG CTR LOC M12 X 1.75-10		
D	136112	BOLT – RHSSN M12 X 1.75 X 65-8.8-AA1J		
E	135852	SCREW – HEX SOC BTN HD M10 X 1.5 X 25-10.9-AA1J		
F	135799	NUT – HEX FLG CTR LOC M10 X 1.5-10		
G	135696	BOLT – HEX HD M12 X 1.75 X 150-8.8-AA1J		
H	135337	NUT – HEX FLG CTR LK M8 X 1.25-8-AA1J		
J	134603	WASHER – LOCK, HD30, SIZE 18		
K	134602	NUT – PANEL, HD30, SIZE 18		
L	30627	BOLT – HEX HD TFL M10 X 1.5 X 25-8.8-A3L		
M	184667	BOLT – RHSN M12 X 1.75 X 30-8.8-ZINC		
N	30660	BOLT – HEX HD M8 X 1.25 X 45-8.8-AA1J		
P	197225	BOLT – RHSN M5 X 0.8 X 20-4.6-AA1J		
Q	136635	NUT – HEX FLG CTR LOC M5 X 0.8-8-AA1J		
R	293054	WASHER – FLAT LARGE		

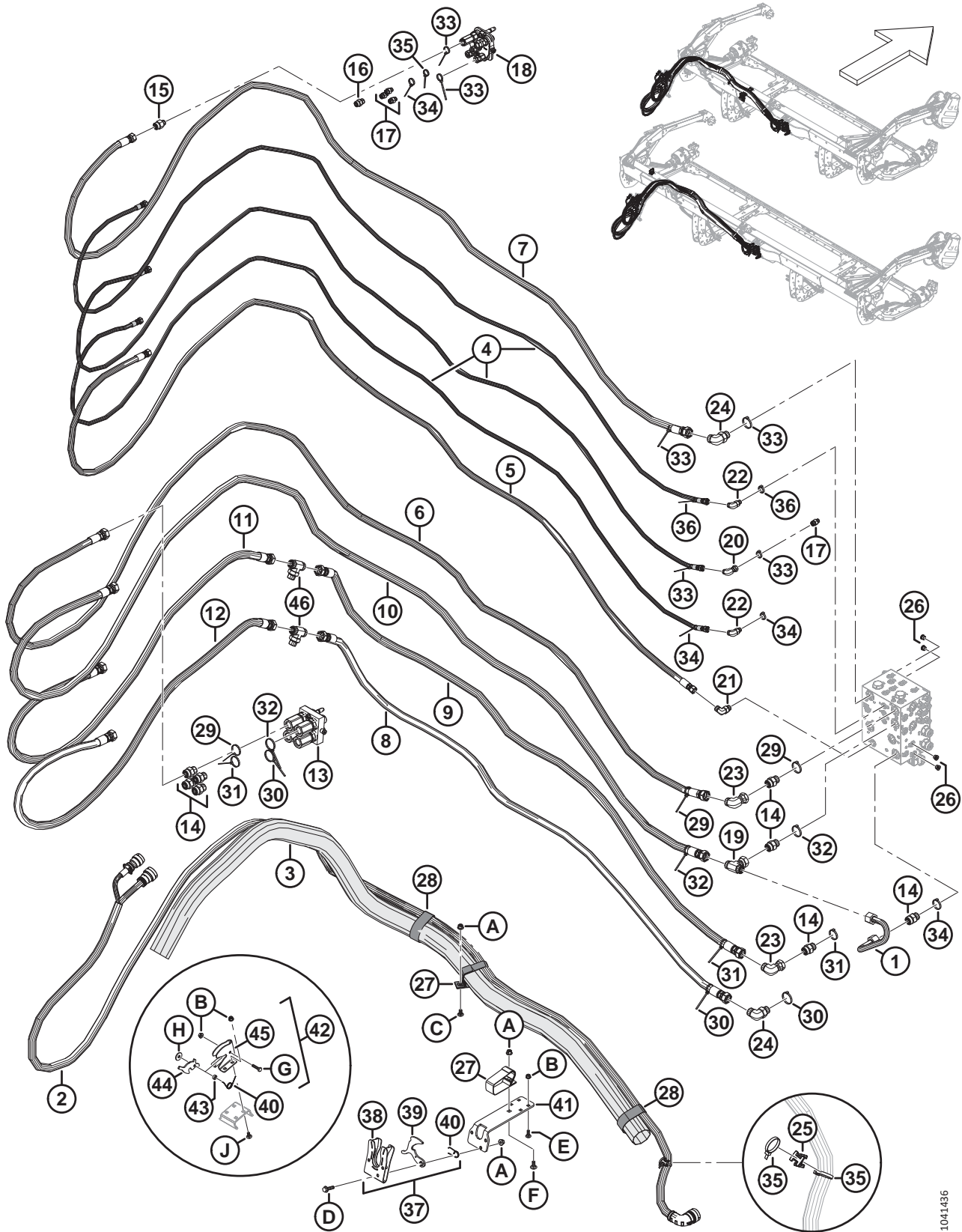
334. The M1/M2 Windrower Dual Use kit (B7501) includes all listed parts and hardware in this section. For more information, refer to Section [115 \(Option\) Dual Use Kit – M1/M2 Series Windrowers, page 263](#). Kits are available through Whole Goods only.

335. Pivot assembly includes two bushings (MD #243661).

336. 1168 mm long.

337. 1105 mm long.

110 Windrower Completion – M1/M2 Series Hydraulics, Hoses and Latch (D215 and D220)



1041436

WINDROWER COMPLETION – M1/M2 SERIES HYDRAULICS, HOSES AND LATCH (D215 AND D220)

Ref	Part Number	Description	Qty	Serial Number
1	323884	LINE – HYD, DRAPER RETURN	1	
2	323906	HARNESS – ADAPTER, D215/20- M1	1	
3	323880	SLEEVE – HOSES	1	
4	323512	HOSE – HYD, REEL LIFT FORE/AFT	3	
5	323511	HOSE – HYD, CASE DRAIN	1	
6	323510	HOSE – HYD, REEL PRESSURE	1	
7	323509	HOSE – HYD, DRAPER PRESSURE	1	
8	323508	HOSE – HYD, KNIFE PRESSURE A	1	
9	323507	HOSE – HYD, KNIFE RETURN A	1	
10	323506	HOSE – HYD, REEL RETURN	1	
11	233642	HOSE – HYD, KNIFE RETURN B	1	
12	233640	HOSE – HYD, KNIFE PRESSURE B	1	
13	243542	COUPLER – MULTI MOBILE ³³⁸	1	
	135479	SEAL KIT	1	
	208172	KIT – CARTRIDGE	4	
	111984	KIT – DOWEL	1	
	208288	KIT – SCREW	1	
14	135788	FITTING – ADAPTER ³³⁹	8	
	30971	O-RING – 2.95 X 23.47		
	135868	O-RING – 1.78 X 18.77		
15	135781	FITTING – ADAPTER	1	
	44209	O-RING – 2.21 X 16.36		
	135867	O-RING – 1.78 X 15.60		
16	135780	FITTING – ADAPTER	1	
	44209	O-RING – 2.21 X 16.36		
	135866	O-RING – 1.78 X 12.42		
17	135778	FITTING – ADAPTER ³⁴⁰	4	
	50219	O-RING – 1.98 X 11.89		
	135865	O-RING – 1.78 X 9.25		
18	135238	COUPLING – MULTI LINK ³⁴¹	1	
	111981	SEAL KIT – 1/4 IN. COUPLER	1	
	111982	SEAL KIT – 3/8 IN. COUPLER	1	
	111983	KIT – SCREW	2	
	111984	KIT – DOWEL	2	
	111985	COUPLER – 3/8 IN.	1	
	111986	COUPLER – 1/4 IN.	3	
	294350	COUPLER – 3/8 IN.	1	

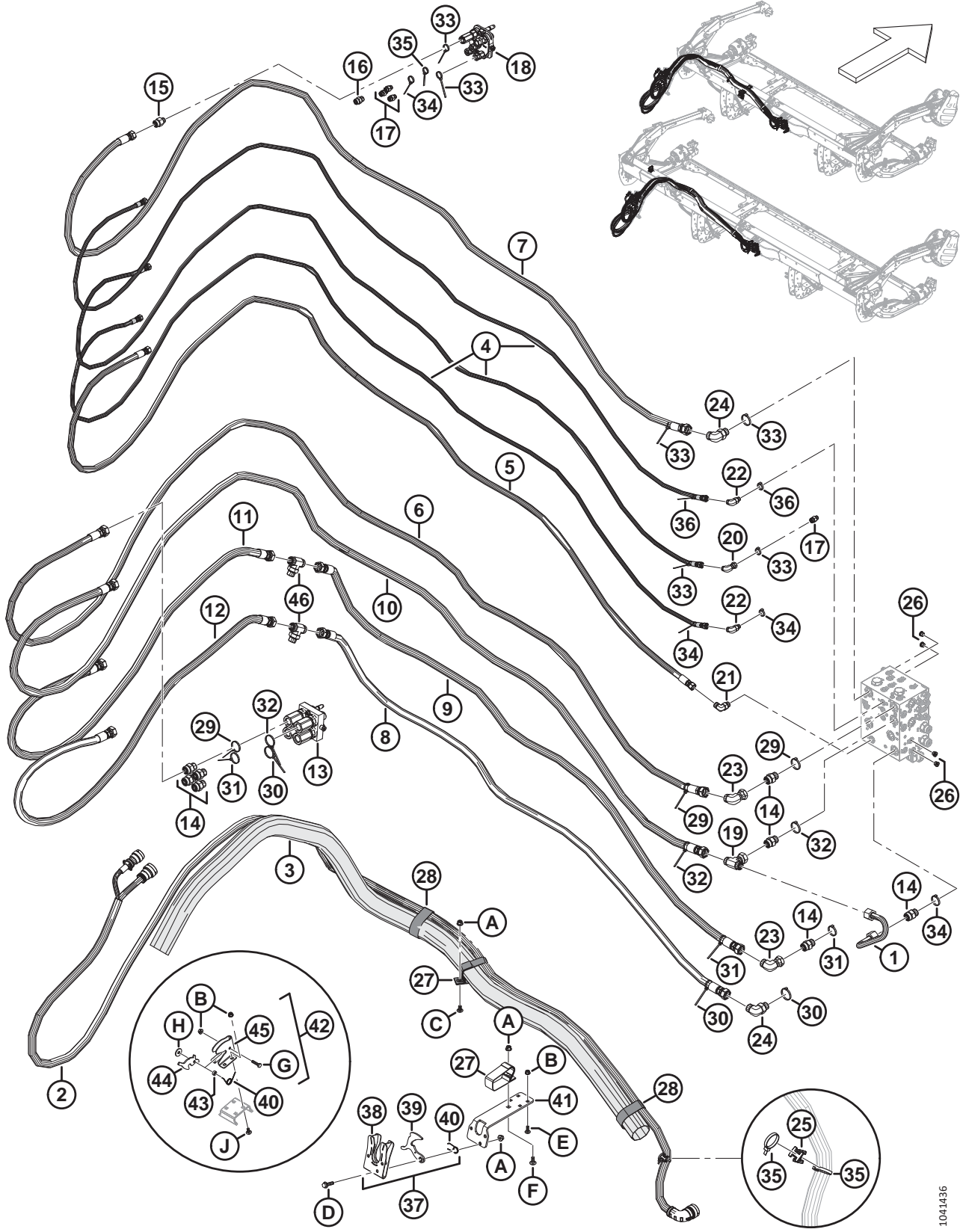
338. The multicoupler includes one seal kit (MD #135479), four cartridge kits (MD #208170), one dowel kit (MD #111987), and one screw kit (MD #208288).

339. Four of these fittings connect to ports RP, RR, KR, and DR on the manifold.

340. One of these fittings connects to port RF on the manifold.

341. The multicoupler includes one 1/4 inch coupler seal kit (MD #111981), one 3/8 inch coupler seal kit (MD #111982), two screw kits (MD #111983), two dowel kits (MD #111984), one 3/8 inch coupler (MD #111985), three 1/4 inch couplers (MD #111986), and one 3/8 inch coupler (MD #294350).

WINDROWER COMPLETION – M1/M2 SERIES HYDRAULICS, HOSES AND LATCH (D215 AND D220)



1041436

WINDROWER COMPLETION – M1/M2 SERIES HYDRAULICS, HOSES AND LATCH (D215 AND D220)

Ref	Part Number	Description	Qty	Serial Number
19	136256	FITTING – TEE HYD	1	
	135868	O-RING – 1.78 X 18.77		
20	136249	FITTING – ELBOW 90° HYD	1	
	135865	O-RING – 1.78 X 9.25		
21	136220	FITTING – ELBOW 90° HYD ³⁴²	1	
	44209	O-RING – 2.21 X 16.36		
	135866	O-RING – 1.78 X 12.42		
22	136095	FITTING – ELBOW 90° HYD ³⁴³	2	
	135865	O-RING – 1.78 X 9.25		
	50219	O-RING – 1.98 X 11.89		
23	135888	FITTING – ELBOW 90° HYD	2	
	135868	O-RING – 1.78 X 18.77		
24	135821	FITTING – ELBOW 90° HYD ³⁴⁴	2	
	30971	O-RING – 2.95 X 23.47		
	135868	O-RING – 1.78 X 18.77		
25	134442	SPACER – DUAL SWIVEL SADDLE	1	
26	100577	FITTING – PLUG HYD 6 ORB HEX SOC ³⁴⁵	4	
	50219	O-RING – 1.98 X 11.89		
27	300539	CINCH STRAP – HANGING 12 IN. LG	2	
28	295929	CINCH STRAP – 12 IN. LG	2	
29	49232	FASTENER – CABLE TIE, WHITE	3	
30	40704	FASTENER – CABLE TIE, ORANGE	3	
31	40703	FASTENER – CABLE TIE, BLUE	3	
32	40701	FASTENER – CABLE TIE, YELLOW	3	
33	49227	FASTENER – CABLE TIE, GREEN	6	
34	40702	FASTENER – CABLE TIE, RED	4	
35	21763	FASTENER – CABLE TIE, BLACK, 160 MM LG	3	
36	30753	FASTENER – CABLE TIE, BLACK, 305 MM LG	2	
37	253905	ASSY – LATCH ³⁴⁶	1	
38	243995	BRACKET – WELDMENT ³⁴⁷	1	
39	253635	HOOK – WELDMENT ³⁴⁷	1	
40	144505	SPRING – TORSION	2	
41	323862	BRACKET – LATCH EXTENSION ³⁴⁷	1	
42	243985	ASSEMBLY – LATCH ³⁴⁸	1	
43	243986	TUBE – SPACER ³⁴⁹	1	

342. This fitting connects to port CD on the manifold.

343. These fittings connect to ports RL and RA on the manifold.

344. These fittings connect to ports DP and KP on the manifold.

345. These fittings connect to ports CWUP, CWDN, LCW, and RCW on the manifold.

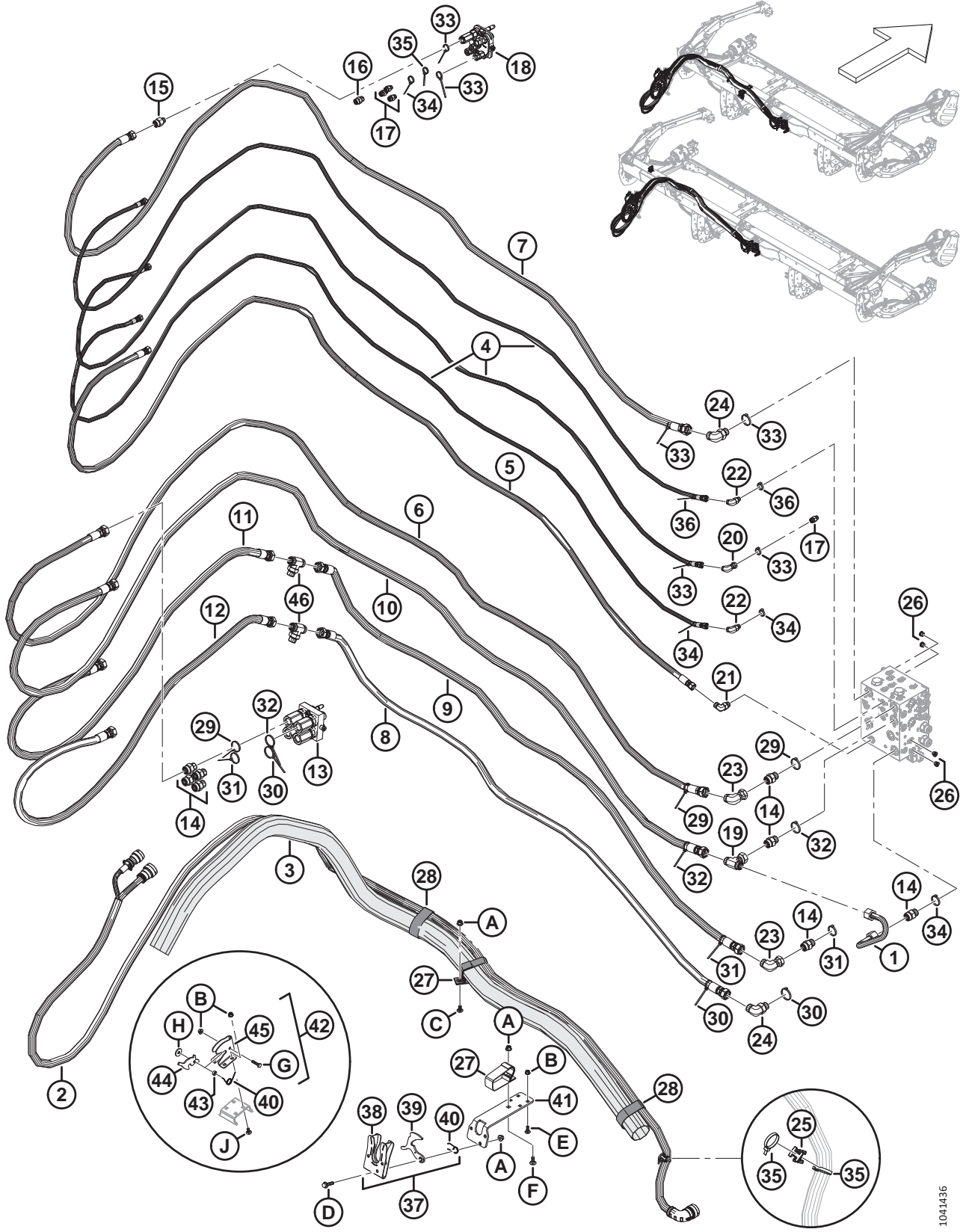
346. Used for D215 headers only. The latch assembly includes bracket (MD #243995), hook (MD #253635), torsion spring (MD #144505), one bolt (MD #152947) and one nut (MD #135799).

347. Used for D215 headers only.

348. Used for D220 headers only. The latch assembly includes bracket (MD #243983), latch link (MD #243984), torsion spring (MD #144505), spacer (MD #243986), one bolt (MD #184654), one washer (MD #118029), and one nut (MD #135337).

349. Used for D220 headers only.

WINDROWER COMPLETION – M1/M2 SERIES HYDRAULICS, HOSES AND LATCH (D215 AND D220)



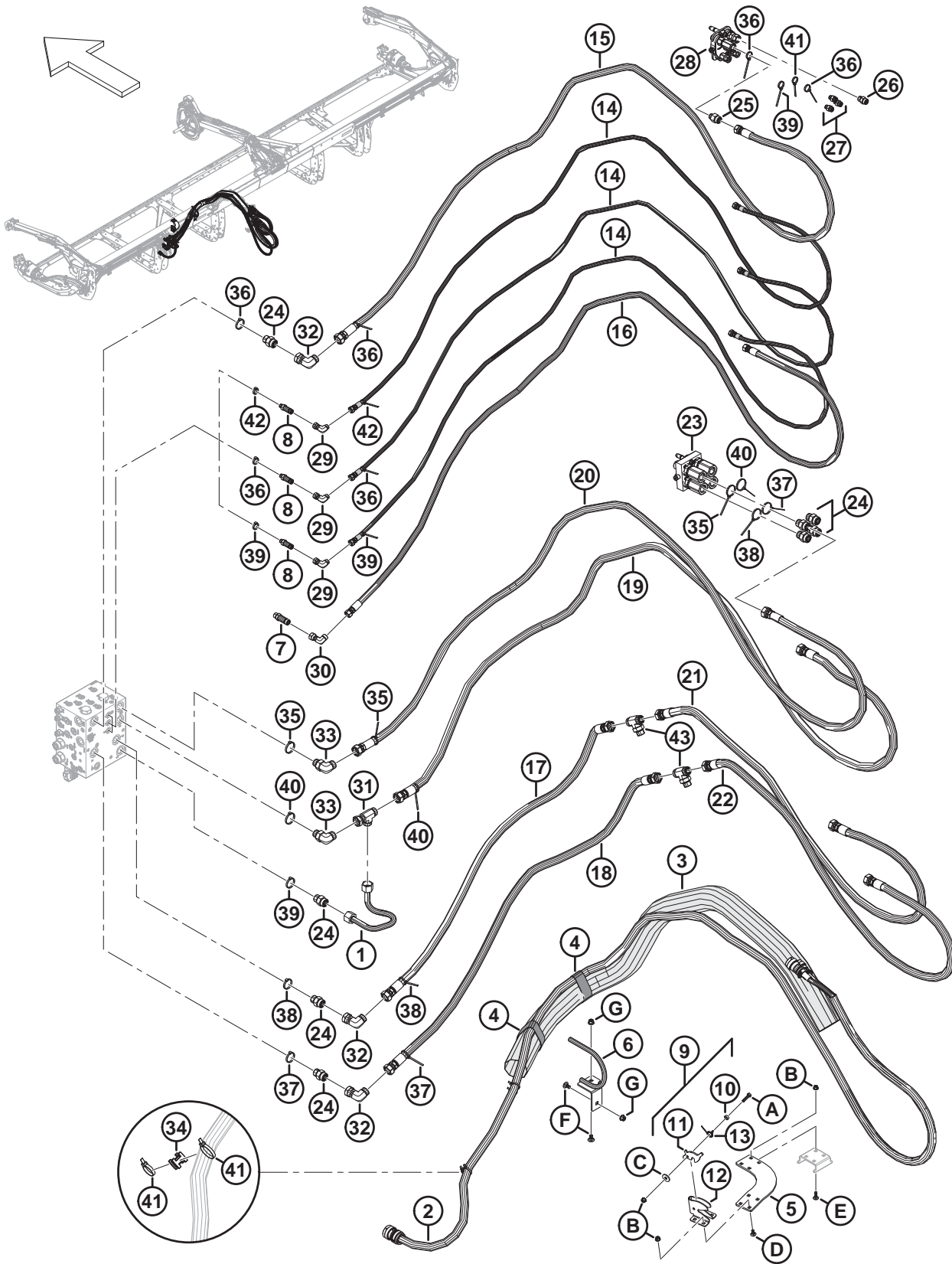
1041436

WINDROWER COMPLETION – M1/M2 SERIES HYDRAULICS, HOSES AND LATCH (D215 AND D220)

Ref	Part Number	Description	Qty	Serial Number
44	243984	LINK – LATCH ³⁴⁹	1	
45	243983	BRACKET – LATCH ³⁴⁹	1	
46	REF	FITTING – BRANCH TEE HYD ³⁵⁰	2	
A	135799	NUT – HEX FLG CTR LOC M10 X 1.5-10		
B	135337	NUT – HEX FLG CTR LK M8 X 1.25-8-AA1J		
C	184657	BOLT – RHSSN M10 X 1.5 X 20-8.8-AA1J		
D	152947	BOLT – HEX FLG HD TFL M10 X 1.5 X 40-10.9-AA1J		
E	184648	BOLT – RHSN M8 X 1.25 X 25-8.8-AA1J		
F	135785	BOLT – RHSN M10 X 1.5 X 25-8.8-AA1J		
G	184654	BOLT – HEX HD M8 X 1.25 X 35-8.8-AA1J		
H	118029	WASHER – FLAT		
J	197171	BOLT – RHSN M8 X 1.25 X 20-8.8-ZINC		

350. For service parts, refer to Section *109 Windrower Completion – M1/M2 Series Hydraulics, Hose Support Arm and Mount, page 243.*

111 Windrower Completion – M1/M2 Series Hydraulics, Hoses and Latch (D225, D230, D235, and D241)



1041461

WINDROWER COMPLETION – M1/M2 SERIES HYDRAULICS, HOSES AND LATCH (D225, D230, D235, AND D241)

Ref	Part Number	Description	Qty	Serial Number
	B7501	KIT – D2 COMBINE-M1/M2 DUAL USE ³⁵¹		
1	141783	LINE – HYDRAULIC	1	
2	283744	HARNESS – ADAPTER, D2-M1	1	
3	233588	SLEEVE – HOSES	1	
4	295929	CINCH STRAP – 12 IN. LG	2	
5	323765	BRACKET – LATCH MOUNT	1	
6	310702	SUPPORT – HOOK WELDT	1	
7	320474	FITTING – HYD CONNECTOR, LONG ³⁵²	1	
	44209	O-RING – 2.21 X 16.36		
	135866	O-RING – 1.78 X 12.42		
8	252902	FITTING – HYD CONNECTOR, LONG ³⁵³	3	
	50219	O-RING – 1.98 X 11.89		
	135865	O-RING – 1.78 X 9.25		
9	243985	ASSEMBLY – LATCH ³⁵⁴	1	
10	243986	TUBE – SPACER	1	
11	243984	LINK – LATCH	1	
12	243983	BRACKET – LATCH	1	
13	144505	SPRING – TORSION	1	
14	323887	HOSE – HYD, LIFT AND FORE-AFT	3	
15	323885	HOSE – HYD, DRAPER PRESSURE	1	
16	323883	HOSE – HYD, CASE DRAIN	1	
17	323881	HOSE – HYD, KNIFE RETURN A	1	
18	323879	HOSE – HYD, KNIFE PRESSURE A	1	
19	233646	HOSE – HYD, REEL RETURN	1	
20	233644	HOSE – HYD, REEL PRESSURE	1	
21	233642	HOSE – HYD, KNIFE RETURN B	1	
22	233640	HOSE – HYD, KNIFE PRESSURE B	1	
23	243542	COUPLER – MULTI MOBILE ³⁵⁵	1	
	135479	SEAL KIT	1	
	208172	KIT – CARTRIDGE	4	
	111984	KIT – DOWEL	1	
	208288	KIT – SCREW	1	

351. The M1/M2 Windrower Dual Use kit (B7501) includes all listed parts and hardware in this section. For more information, refer to Section [115 \(Option\) Dual Use Kit – M1/M2 Series Windrowers, page 263](#). Kits are available through Whole Goods only.

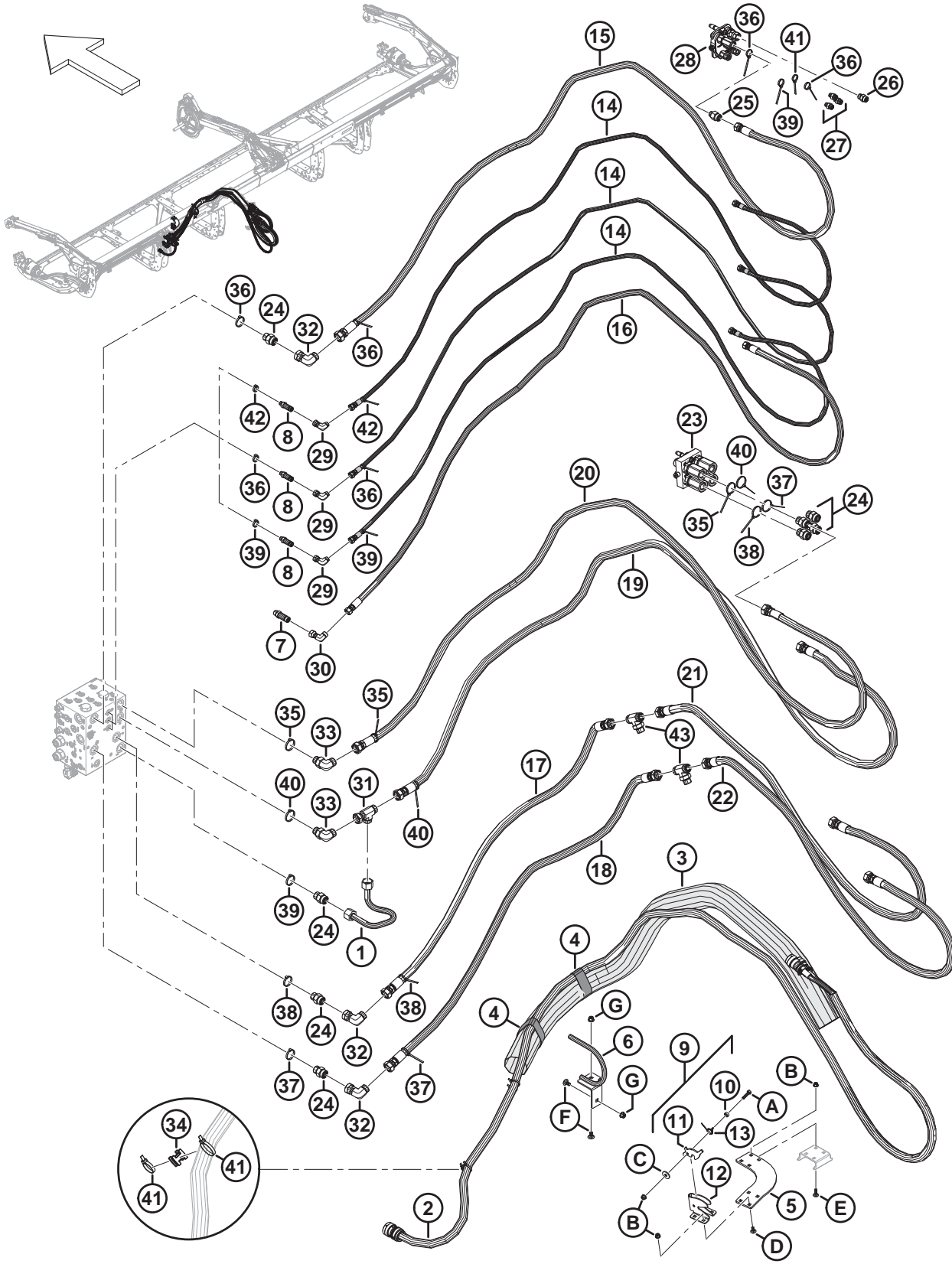
352. This fitting connects to port CD on the manifold.

353. These fittings connect to ports RL, RF, and RA on the manifold.

354. Used for D225–D241 headers. The latch assembly includes bracket (MD #243983), latch link (MD #243984), torsion spring (MD #144505), spacer (MD #243986), one bolt (MD #184654), one washer (MD #118029), and one nut (MD #135337).

355. The multicoupler includes one seal kit (MD #135479), four cartridge kits (MD #208170), one dowel kit (MD #111987), and one screw kit (MD #208288).

WINDROWER COMPLETION – M1/M2 SERIES HYDRAULICS, HOSES AND LATCH (D225, D230, D235, AND D241)



1041461

WINDROWER COMPLETION – M1/M2 SERIES HYDRAULICS, HOSES AND LATCH (D225, D230, D235, AND D241)

Ref	Part Number	Description	Qty	Serial Number
24	135788	FITTING – ADAPTER ³⁵⁶	8	
	30971	O-RING – 2.95 X 23.47		
	135868	O-RING – 1.78 X 18.77		
25	135781	FITTING – ADAPTER	1	
	44209	O-RING – 2.21 X 16.36		
	135867	O-RING – 1.78 X 15.60		
26	135780	FITTING – ADAPTER	1	
	44209	O-RING – 2.21 X 16.36		
	135866	O-RING – 1.78 X 12.42		
27	135778	FITTING – ADAPTER	3	
	50219	O-RING – 1.98 X 11.89		
	135865	O-RING – 1.78 X 9.25		
28	135238	COUPLING – MULTI LINK ³⁵⁷	1	
	111981	SEAL KIT – 1/4 IN. COUPLER	1	
	111982	SEAL KIT – 3/8 IN. COUPLER	1	
	111983	KIT – SCREW	2	
	111984	KIT – DOWEL	2	
	111985	COUPLER – 3/8 IN.	1	
	111986	COUPLER – 1/4 IN.	3	
29	136249	FITTING – ELBOW 90° HYD	3	
	135865	O-RING – 1.78 X 9.25		
30	136034	FITTING – ELBOW 90° HYD	1	
	135866	O-RING – 1.78 X 12.42		
31	135985	FITTING – TEE HYD	1	
	135868	O-RING – 1.78 X 18.77		
32	135888	FITTING – ELBOW 90° HYD ³⁵⁸	3	
	135868	O-RING – 1.78 X 18.77		
33	135821	FITTING – ELBOW 90° HYD ³⁵⁹	2	
	30971	O-RING – 2.95 X 23.47		
	135868	O-RING – 1.78 X 18.77		
34	134442	SPACER – DUAL SWIVEL SADDLE	2	
35	49232	FASTENER – CABLE TIE, WHITE	3	
36	49227	FASTENER – CABLE TIE, GREEN	6	
37	40704	FASTENER – CABLE TIE, ORANGE	3	
38	40703	FASTENER – CABLE TIE, BLUE	3	
39	40702	FASTENER – CABLE TIE, RED	4	
40	40701	FASTENER – CABLE TIE, YELLOW	3	

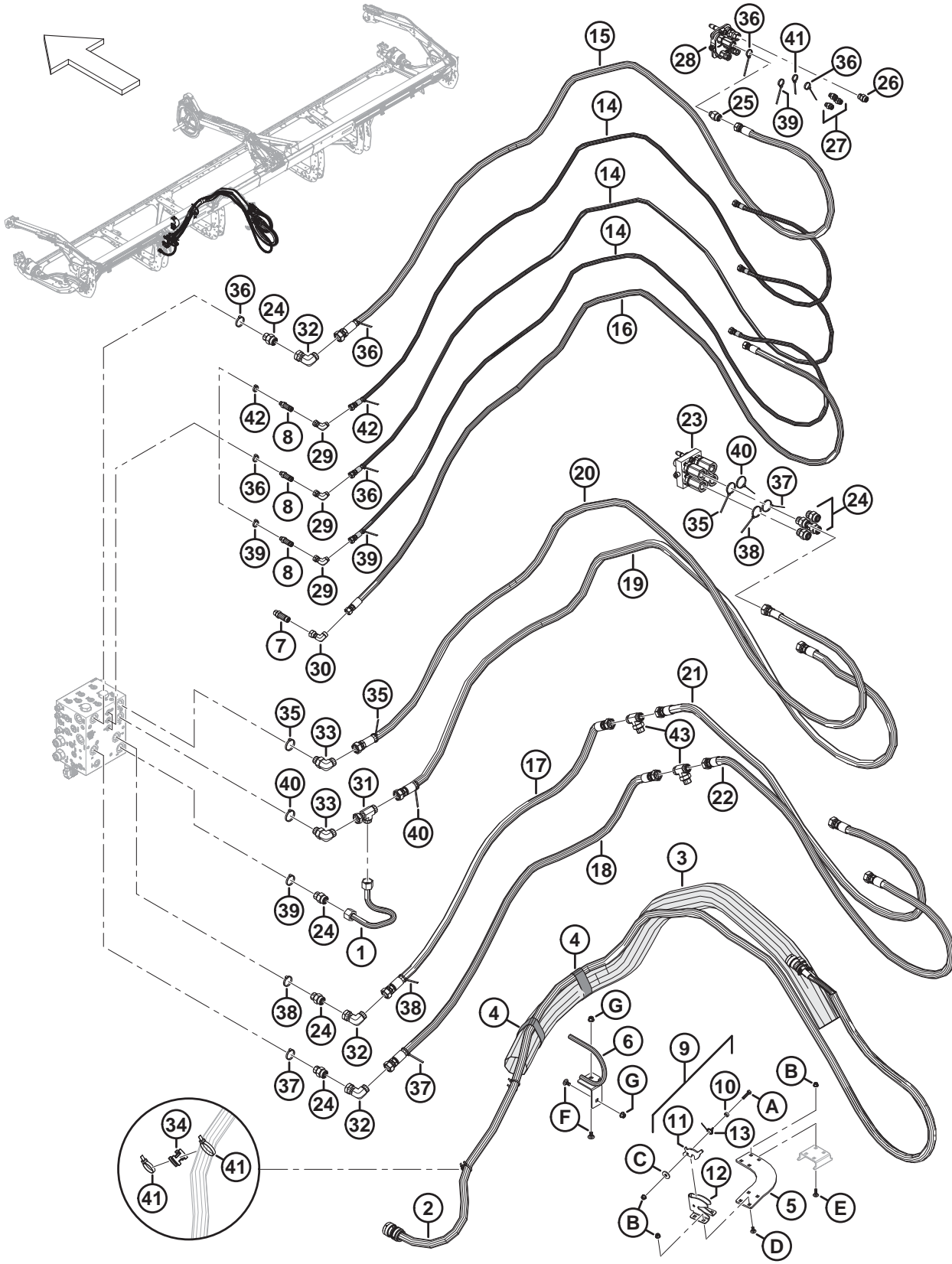
356. Three of these fittings connect to ports DP, KP, and KR on the manifold; one other fitting connects to port DR on the manifold.

357. The multicoupler includes one 1/4 inch coupler seal kit (MD #111981), one 3/8 inch coupler seal kit (MD #111982), two screw kits (MD #111983), two dowel kits (MD #111984), one 3/8 inch coupler (MD #111985), three 1/4 inch couplers (MD #111986), and one 3/8 inch coupler (MD #294350).

358. These fittings connect to three adapter fittings (MD #135788), which connect to ports DP, KP, and KR.

359. These fittings connect to ports RP and RR on the manifold.

WINDROWER COMPLETION – M1/M2 SERIES HYDRAULICS, HOSES AND LATCH (D225, D230, D235, AND D241)



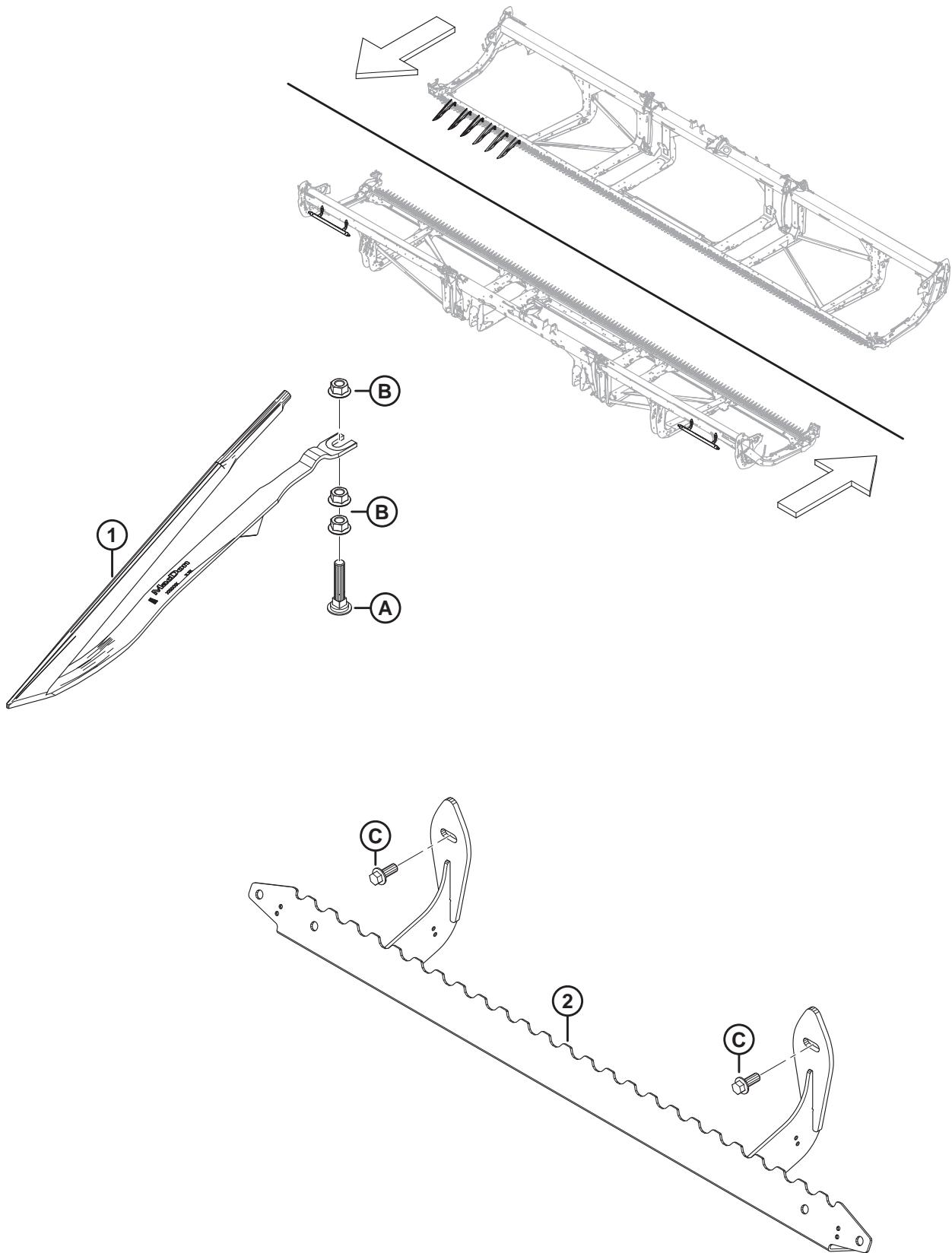
1041461

WINDROWER COMPLETION – M1/M2 SERIES HYDRAULICS, HOSES AND LATCH (D225, D230, D235, AND D241)

Ref	Part Number	Description	Qty	Serial Number
41	21763	FASTENER – CABLE TIE, BLACK, 160 MM LG	5	
42	30753	FASTENER – CABLE TIE, BLACK, 305 MM LG	2	
43	REF	FITTING – BRANCH TEE HYD ³⁶⁰	2	
A	184654	BOLT – HEX HD M8 X 1.25 X 35-8.8-AA1J		
B	135337	NUT – HEX FLG CTR LK M8 X 1.25-8-AA1J		
C	118029	WASHER – FLAT		
D	197171	BOLT – RHSN M8 X 1.25 X 20-8.8-ZINC		
E	184648	BOLT – RHSN M8 X 1.25 X 25-8.8-AA1J		
F	136178	BOLT – RHSN M10 X 1.5 X 20-8.8-AA1J		
G	135799	NUT – HEX FLG CTR LOC M10 X 1.5-10		

360. For service parts, refer to Section *109 Windrower Completion – M1/M2 Series Hydraulics, Hose Support Arm and Mount*, page 243.

112 (Option) Crop Lifters and Storage Rack



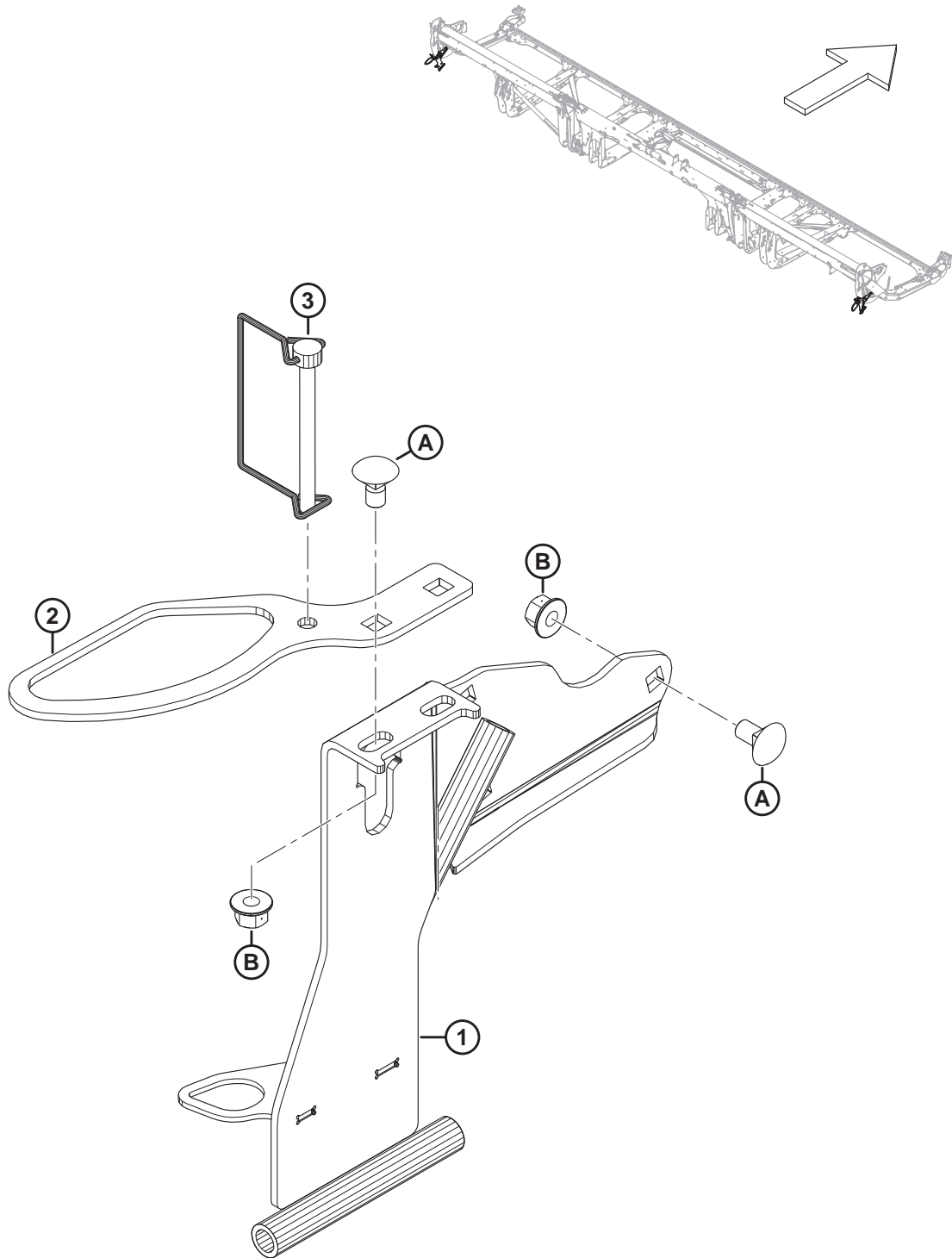
(OPTION) CROP LIFTERS AND STORAGE RACK

Ref	Part Number	Description	Qty	Serial Number
	B7022	KIT – CROP LIFTER ³⁶¹		
	B7023	KIT – LIFTER STORAGE RACK ³⁶²		
1	233748	DEFLECTOR – CROP LIFTER	A/R	
2	233770	SUPPORT – LIFTER STORAGE WELDT	1	
A	226280	BOLT – RHSN SPCL M12 X 60-8.8		
B	136036	NUT – HEX SM FLG M12 X 1.75-8-AA1J		
C	136312	BOLT – HEX FLG HD TFL M10 X 1.5 X 25-10.9-AA1J		

361. Crop lifters are recommended for severely lodged cereal crops where the Operator wants maximum possible stubble height. Quantity of kits required varies depending on header size: D215 and D220 = 2 kits; D225 and D230 = 3 kits; D235 and D241 = 4 kits. Kits are available through Whole Goods only.

362. Quantities of Lifter Storage Rack kits required varies depending on header size. D225 = 1 kit; D230, D235, and D241. The Lifter Storage Rack kit is **NOT** compatible with D215 and D220 headers. Kits are available through Whole Goods only.

113 (Option) Divider Storage Bracket

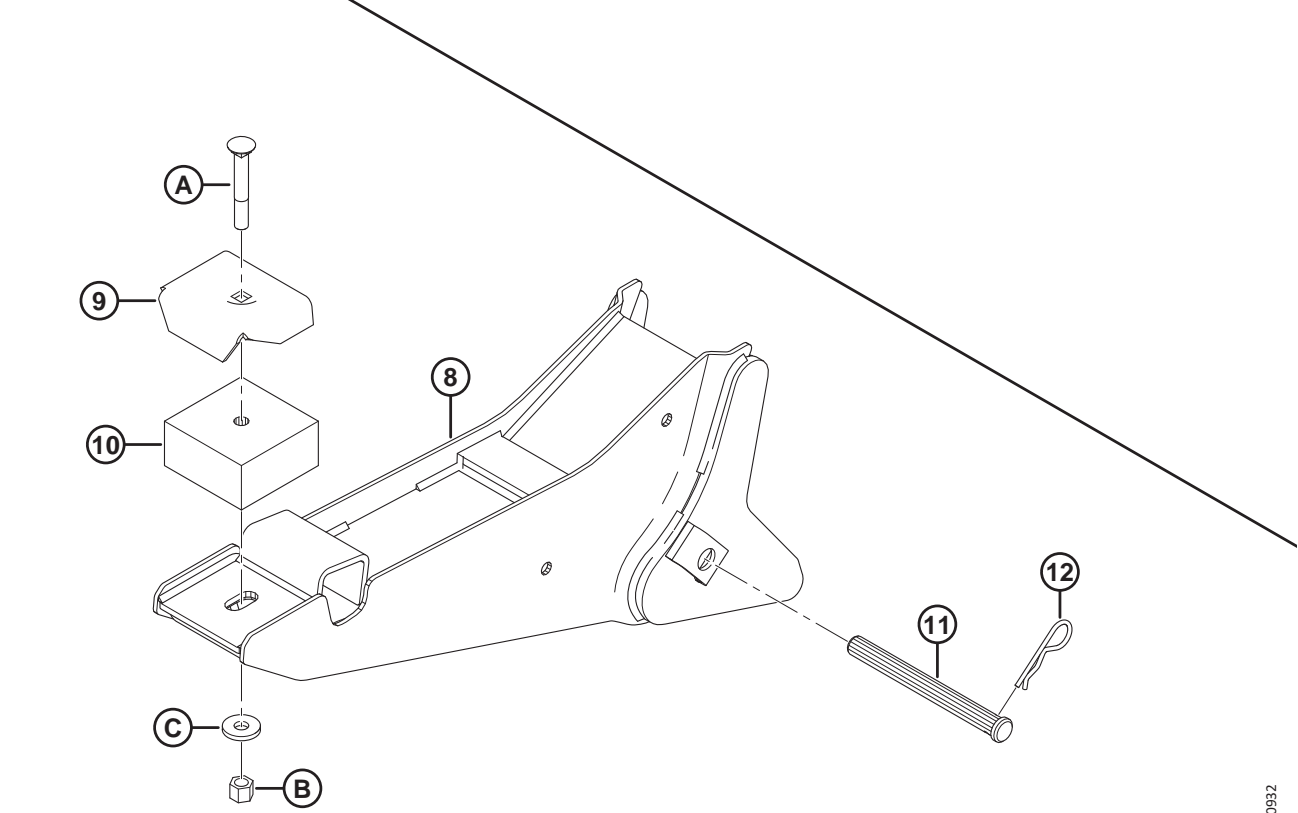
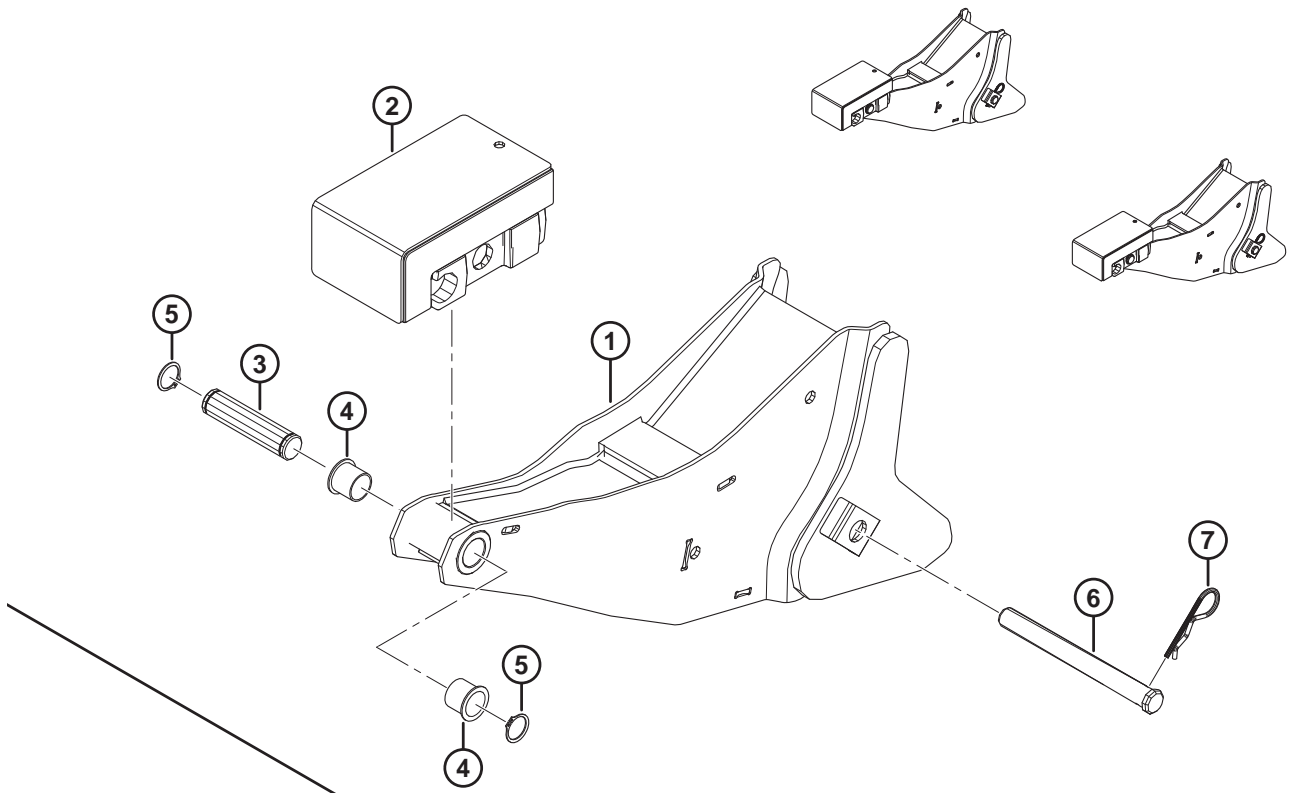


(OPTION) DIVIDER STORAGE BRACKET

Ref	Part Number	Description	Qty	Serial Number
	B7030	KIT – DIVIDER STORAGE BRACKET ³⁶³		
1	313566	LH DIVIDER STORAGE – WELDT	1	
	313705	RH DIVIDER STORAGE – WELDT	1	
2	311464	SUPPORT – STORAGE RICE RODS	2	
3	136749	PIN – LYNCH	2	
A	136178	BOLT – RHSN M10 X 1.5 X 20-8.8-AA1J		
B	135799	NUT – HEX FLG CTR LOC M10 X 1.5-10		

363. Kits are available through Whole Goods only.

114 (Option) Draper Header Supports (Boots for M Series and M1/M2 Series Windrowers)



1040932

(OPTION) DRAPER HEADER SUPPORTS (BOOTS FOR M SERIES AND M1/M2 SERIES WINDROWERS)

NOTE:

Top illustration shows M1/M2 Series header supports; bottom illustration shows M Series header supports.

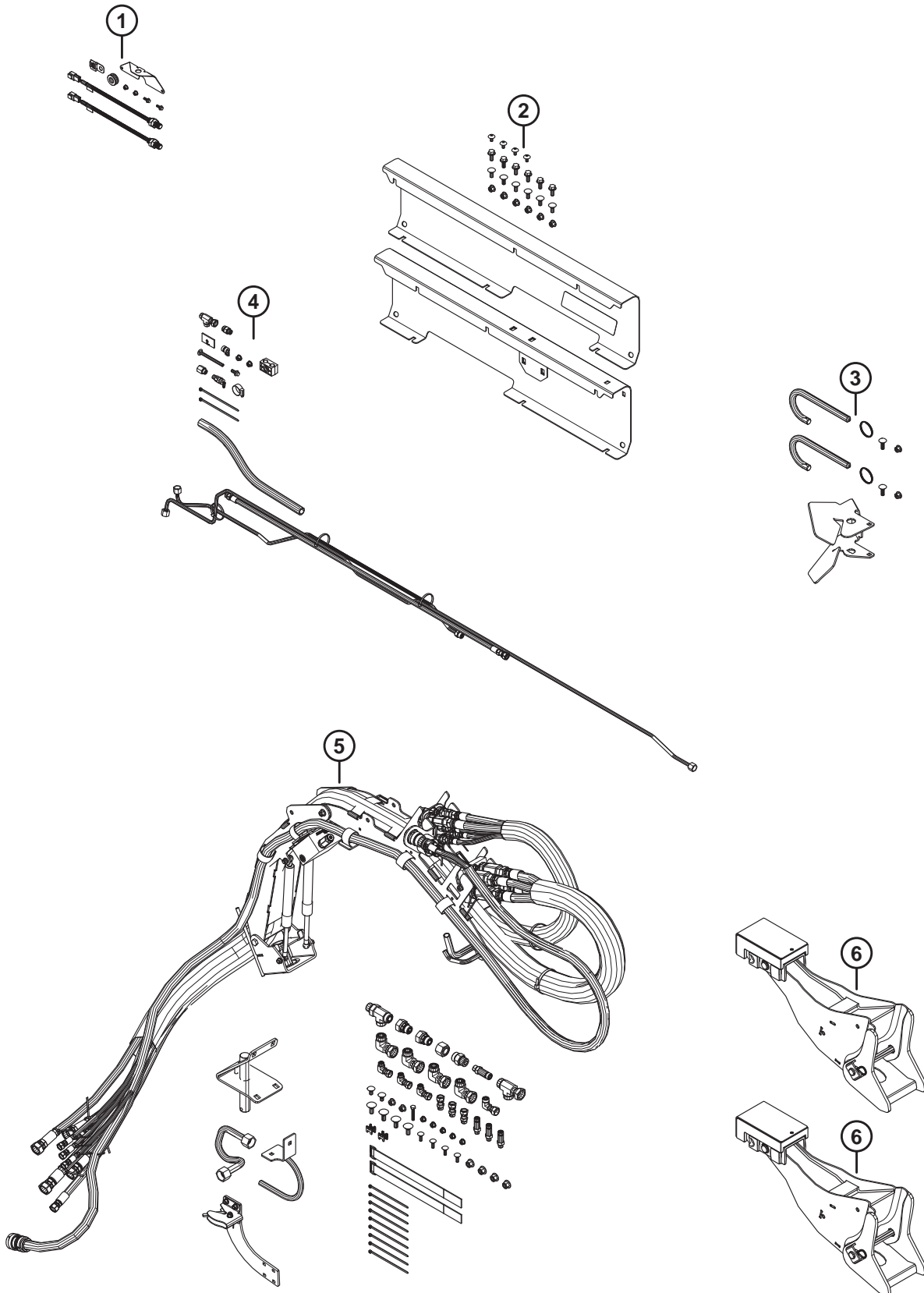
Ref	Part Number	Description	Qty	Serial Number
	B7501	KIT – D2 COMBINE-M1/M2 DUAL USE ³⁶⁴		
1	310031	SUPPORT WELDT D2 HEADER BOOT ³⁶⁵	2	
2	258703	ASSY – RUBBER BLOCK FLEX ³⁶⁵	2	
3	258318	PIN – PIVOT ³⁶⁵	2	
4	206966	BUSHING – PLASTIC, FLNG, 1 INCH BORE ³⁶⁵	4	
5	18898	RING – EXT RETAINING ³⁶⁵	4	
6	135408	PIN – CLEVIS ³⁶⁵	2	
7	13125	PIN – HAIR ³⁶⁵	2	
8	163088	SUPPORT – DRAPER HEADER, WELDT ³⁶⁶	2	
9	44575	SUPPORT ³⁶⁶	2	
10	42498	PAD – RUBBER ³⁶⁶	2	
11	135408	PIN – CLEVIS ³⁶⁶	2	
12	13125	PIN – HAIR ³⁶⁶	2	
A	30849	BOLT – RHSN 1/2-13 X 3.5 GR5-AA1J ³⁶⁶		
B	21389	NUT – HEX NYLOC 1/2-13 UNC GR8 AA1J ³⁶⁶		
C	4761	WASHER – FLAT ³⁶⁶		

364. The M1/M2 Windrower Dual Use kit (B7501) includes M1/M2 Series header support parts (items #1–7) listed in this section. For more information, refer to Section [115 \(Option\) Dual Use Kit – M1/M2 Series Windrowers, page 263](#). Kits are available through Whole Goods only.

365. M1/M2 Series only.

366. M Series only.

115 (Option) Dual Use Kit – M1/M2 Series Windrowers



(OPTION) DUAL USE KIT – M1/M2 SERIES WINDROWERS

Ref	Part Number	Description	Qty	Serial Number
	B7501	KIT – D2 COMBINE-M1/M2 DUAL USE ³⁶⁷		
1	NSS	KIT – SPEED SENSORS ³⁶⁸	1	
2	NSS	KIT – HYDRAULIC LINE COVERS ³⁶⁹	1	
3	NSS	KIT – RETAINING PINS ³⁷⁰	1	
4	NSS	KIT – CASE DRAIN HYDRAULICS ³⁷¹	1	
5	NSS	KIT – HOSE MANAGEMENT ARM ³⁷²	1	
6	NSS	KIT – DRAPER HEADER SUPPORTS ³⁷³	2	

367. The kit is used to convert a combine-configured D2 Series Draper Header for use on a M1 Series or M2 Series Windrower. Kits are available through Whole Goods only.

368. For service parts, refer to Sections *94 Electrical – Reel Speed Sensor, page 209* and *95 Electrical – Knife Speed Sensor, page 211*.

369. For service parts, refer to Section *87 Hydraulic Line Covers – Center, M1/M2 Series (D225, D230, D235, and D241), page 195*.

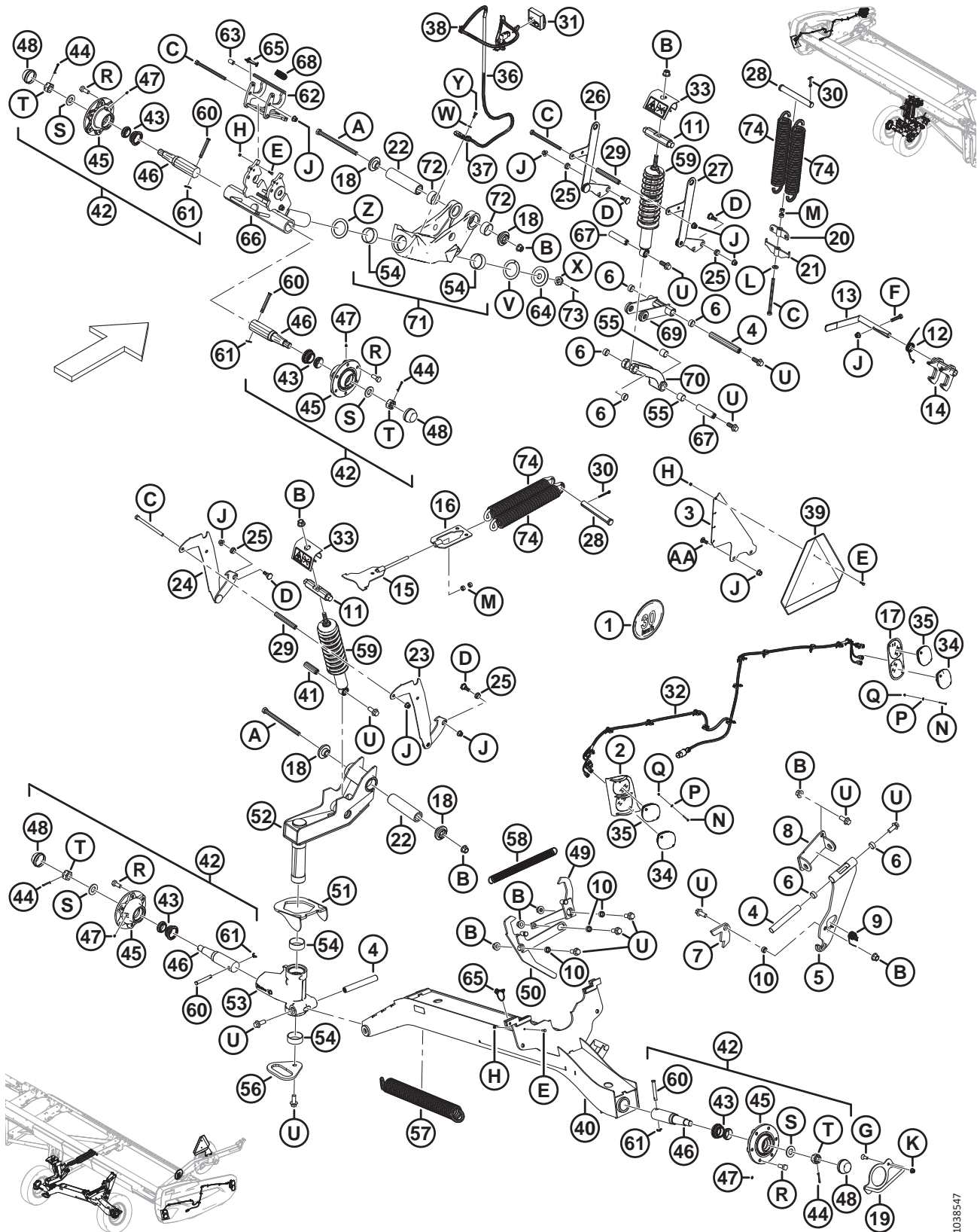
370. For service parts, refer to Section *103 Windrower Completion – D2 SP Series Retaining Pins, page 227*

371. For service parts, refer to Sections *104 Windrower Completion – Draper Drive Hydraulics, Center Delivery, Case Drain, page 229* and *105 Windrower Completion – Draper Drive Hydraulics, Case Drain Relief, page 231*.

372. For service parts, refer to Sections *109 Windrower Completion – M1/M2 Series Hydraulics, Hose Support Arm and Mount, page 243* and *111 Windrower Completion – M1/M2 Series Hydraulics, Hoses and Latch (D225, D230, D235, and D241), page 251*.

373. For service parts, refer to Section *114 (Option) Draper Header Supports (Boots for M Series and M1/M2 Series Windrowers), page 261*.

116 (Option) EasyMove™ – Slow Speed Transport, Base Kit and Stabilizer Wheels



1038547

(OPTION) EASYMOVE™ – SLOW SPEED TRANSPORT, BASE KIT AND STABILIZER WHEELS

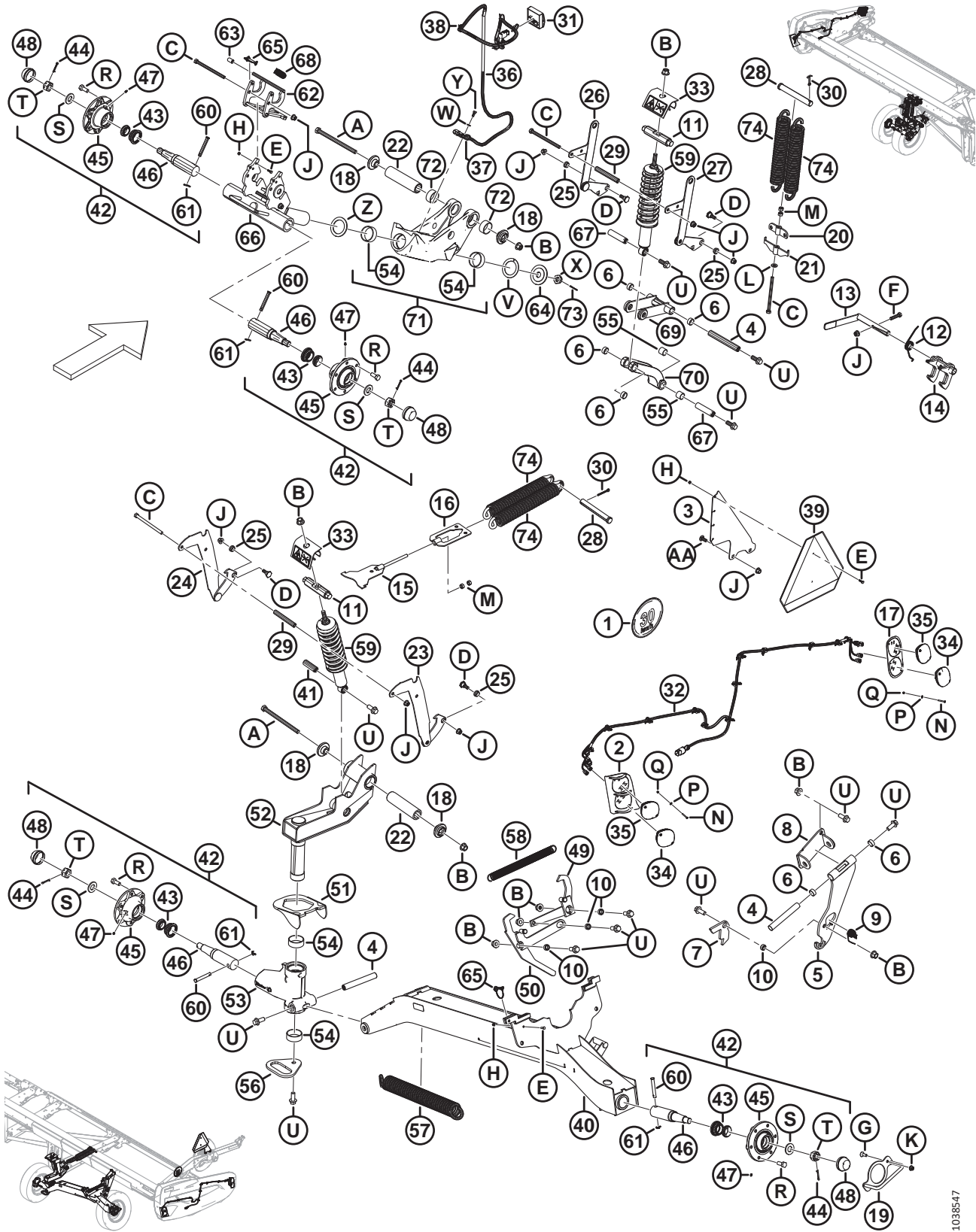
Ref	Part Number	Description	Qty	Serial Number
	B6288	EASYMOVE™ SLOW SPEED TRANSPORT – STABILIZER WHEELS AND BASE KIT ³⁷⁴		
1	327561	KIT – DECALS, SIS BRACKET	1	
	193243	DECAL – SIS 30 KM/H, SMALL	1	
	193241	DECAL – SIS, 30 KM/H	1	
	193240	DECAL – SIS 20 MILE/H, SMALL	1	
	193242	DECAL – SIS 20 MILE/H	1	
2	327429	LIGHT BEZEL – WELDT, LH ³⁷⁵	1	
	327179	LIGHT BEZEL – WELDT, RH ³⁷⁵	1	
3	327428	LUG	1	
4	316794	PIN	3	
5	316358	SUPPORT – ASSY ³⁷⁶	1	
6	210690	BUSHING – COMPOSITE	6	
7	303961	PLATE – LATCH	1	
8	327704	PIVOT – WELDT	1	
9	303379	SPRING – TORSION	1	
10	252958	SPACER	4	
11	316284	PIN	2	
12	316119	SPRING – TORSION	1	
13	316118	HANDLE – ASSY	1	
	287701	GRIP – HANDLE	1	
14	316110	LATCH – WELDT	1	
15	316096	SUPPORT – WELDT	1	
16	316095	SUPPORT – WELDT	1	
17	313406	BEZEL – LH FRONT ³⁷⁵	1	
	313425	BEZEL – RH FRONT ³⁷⁵	1	
18	303839	CASTING – PLATE	4	
19	303766	HANDLE – WELDT	1	
20	303693	SPRING TENSION SUPPORT – WELDT	1	
21	303691	SPRING ADJUST SUPPORT – WELDT	1	
22	303525	PIN – PIVOT	2	
23	327756	SUPPORT, HEIGHT ADJUST – WELDT, RH	1	
24	327755	SUPPORT, HEIGHT ADJUST – WELDT, LH	1	
25	303492	BUSHING – COMPOSITE	4	
26	303491	SUPPORT, HEIGHT ADJUST – WELDT	1	
27	303486	SUPPORT, HEIGHT ADJUST – WELDT	1	
28	292692	PIN – CLEVIS	2	
29	210985	SPACER	2	
30	18609	PIN – COTTER 1/4 DIA X 2 ZP	2	
31	327255	MODULE – TRANSPORT LED W/ TAPE	1	

374. Kits are available through Whole Goods only.

375. The bezels are mounted onto the header endshields with pan head screw (MD #320154), flat washer (MD #18798), and Nyloc hex nut (MD #197320).

376. The support assembly includes support (NSS) and two composite bushings (MD #210690).

(OPTION) EASYMOVE™ – SLOW SPEED TRANSPORT, BASE KIT AND STABILIZER WHEELS



1038547

(OPTION) EASYMOVE™ – SLOW SPEED TRANSPORT, BASE KIT AND STABILIZER WHEELS

Ref	Part Number	Description	Qty	Serial Number
32	323049	HARNESS – TRANSPORT EXT LTS	2	
33	327089	ANTI PRY – ASSY	2	
34	316044	LIGHT – RED	2	
35	284215	LIGHT – AMBER	4	
36	284548	HARNESS – TRANSPORT EXT LEG	1	
37	135716	CLAMP – INSULATED 5/8 IN.	1	
38	21763	FASTENER – CABLE TIE, BLACK	7	
39	21032	SMV SIGN – METAL AND REFLECTOR	1	
40	327786	SUPPORT, AXLE – WELDT	1	
41	316793	PIN	1	
42	316330	HUB – ASSY ³⁷⁷	4	
43	316851	KIT – WHEEL BEARING ³⁷⁸	4	
44	18608	PIN – COTTER 3/16 DIA X 1.5 ZP	4	
45	316847	HUB	4	
46	316848	SPINDLE	4	
47	18671	FITTING – LUBE 1/4 - 28 UNF	4	
48	30520	CAP – DUST	4	
49	327751	ARM – WELDT	1	
50	327749	LEVER – WELDT	1	
51	303832	HOOK – WELDT	1	
52	327672	PIVOT – ASSY	1	
53	303380	ASSY – SUPPORT, PIVOT ³⁷⁹	1	
54	210661	BUSHING – COMPOSITE	4	
55	133992	BUSHING – COMPOSITE	6	
56	303033	PLATE – HANDLE	1	
57	303021	SPRING – EXTENSION	1	
58	247222	SPRING – EXTENSION	1	
59	327798	DAMPENER – HEADER ³⁸⁰	2	
60	101007	PIN – CLEVIS	4	
61	18648	PIN – COTTER 3/16 DIA X 1.25 ZP	4	
62	327535	LATCH – ASSY ³⁸¹	1	
63	327534	GRIP – HANDLE	1	
64	327745	DISC	1	
65	320205	PIN – LYNCH DIA 5/16 IN. X 1.75 IN. LG W/ TETHER	2	
66	327716	SPINDLE – WELDT	1	
67	316293	PIN	2	
68	303898	SPRING – EXTENSION	1	

377. The hub assembly includes cotter pin (MD #18608), lube fitting (MD #18671), six wheel bolts (MD #18916), dust cap (MD #30520), hub (MD #316847), spindle (MD #316848), wheel bearing kit (MD #316851), slotted nut (MD #316859), and washer (MD #316860).

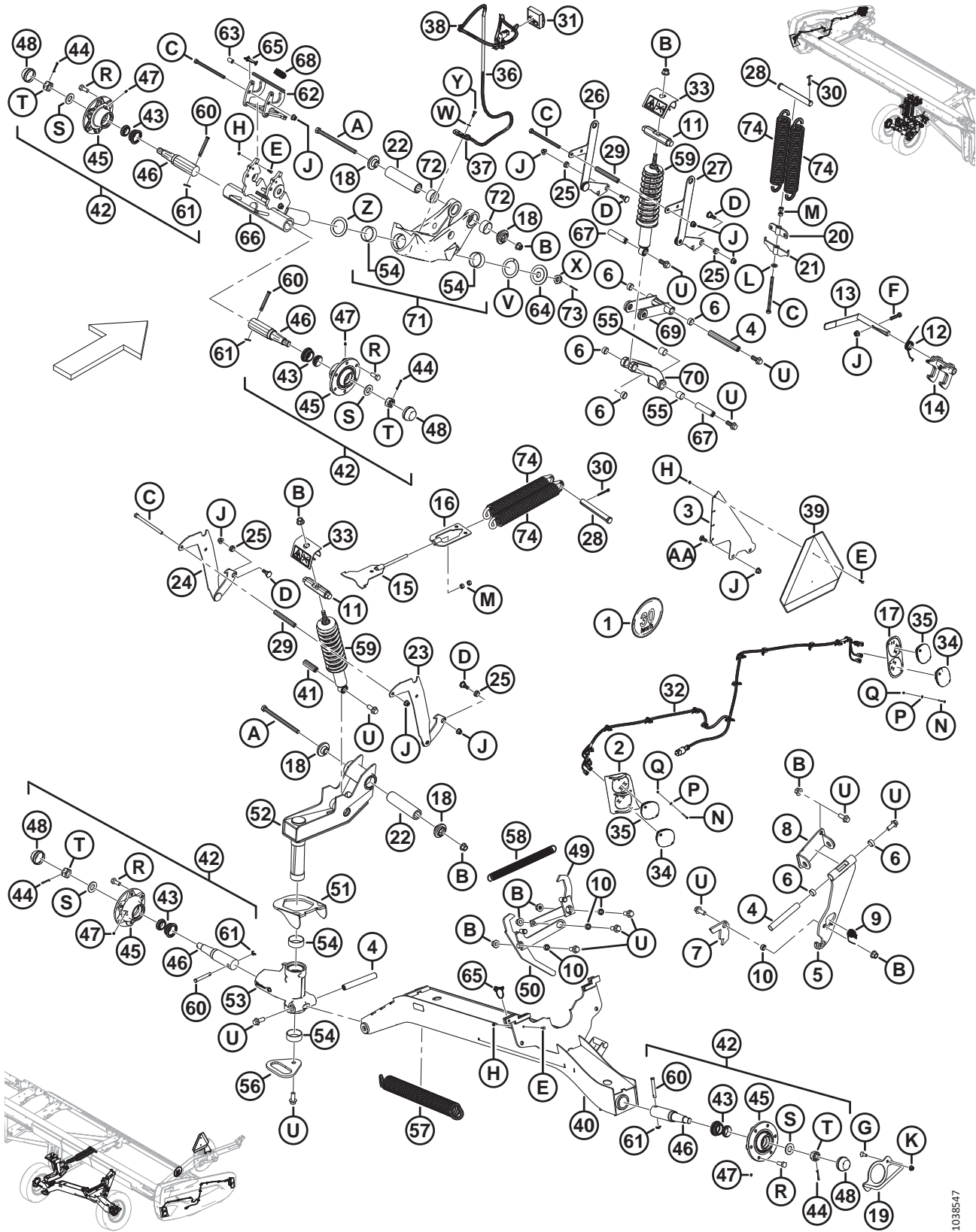
378. The kit includes bearings (NSS) and seal (NSS).

379. The pivot support assembly includes two composite bushings (MD #210661) and two composite bushings (MD #133992).

380. The dampener includes composite bushing (MD #133992).

381. The latch assembly includes latch (NSS) and handle grip (MD #327534).

(OPTION) EASYMOVE™ – SLOW SPEED TRANSPORT, BASE KIT AND STABILIZER WHEELS



1038547

(OPTION) EASYMOVE™ – SLOW SPEED TRANSPORT, BASE KIT AND STABILIZER WHEELS

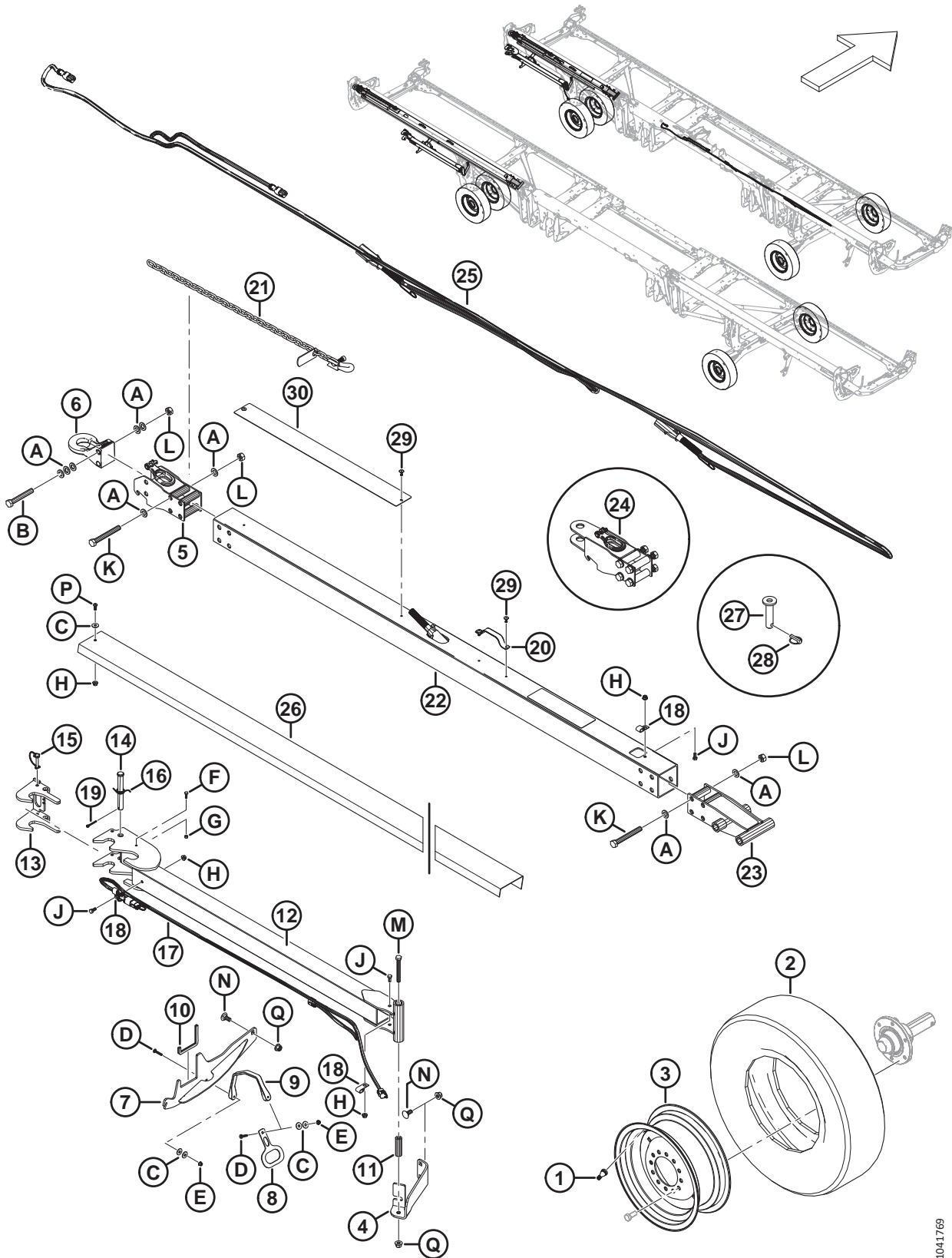
Ref	Part Number	Description	Qty	Serial Number
69	327738	ARM SUPPORT – ASSY ³⁸²	1	
70	303341	CAST SUPPORT – ASSY ³⁸³	1	
71	303283	PIVOT – ASSY ³⁸⁴	2	
72	327600	BUSHING – COMPOSITE	4	
73	18607	PIN – COTTER 5/32 DIA X 1.5 ZP	1	
74	144724	SPRING – EXTENSION	4	
	316649	DECAL – HEIGHT SETTING, LH	1	
	316639	DECAL – HEIGHT SETTING, RH	1	
	327086	DECAL – ENERGY RELEASE	2	
	165524	REFLECTOR – RED	2	
	302204	DECAL – CA PROPOSITION 65	1	
A	320011	BOLT – HEX HD M16 X 2 X 240-10.9-ZINC		
B	136440	NUT – HEX FLG CTR LK M16 X 2-10-AA1J		
C	252272	BOLT – HEX HD TFL M12 X 1.75 X 180-10.9-ZINC		
D	303251	BOLT – 19 MM SHLDR M12 SPCL		
E	184646	BOLT – HEX HD TFL M6 X 1 X 20-8.8-AA1J		
F	152779	BOLT – HEX HD M12 X 1.75 X 55-8.8-AA1J		
G	136857	SCREW – HEX SOC CSK HD TFL M10 X 1.5 X 30-ZINC		
H	136773	NUT – HEX CTR LOC M6 X 1-8-AA1J		
J	136431	NUT – HEX FLG CTR LOC M12 X 1.75-10		
K	135799	NUT – HEX FLG CTR LOC M10 X 1.5-10		
L	135369	WASHER – HARDENED ASTM F436 1/2		
M	135156	NUT – HEX M12 X 1.75-10-AA1J		
N	320154	SCREW – PAN HD DIN 7985 M4 X 0.7 X 35-4.8-ZINC BLACK		
P	18798	WASHER – FLAT SAE 7/32 ID X 7/16 IN OD AA1J		
Q	197320	NUT – HEX NYLOC M4 X 0.7-8-AA1J		
R	18916	BOLT – 90° WHEEL 9/16 NF X 1.75 OL - AA1J		
S	316860	WASHER		
T	316859	NUT – SLOTTED		
U	320060	BOLT – HEX FLG HD TFL M16 X 2 X 40-10.9-ZINC		
V	210918	WASHER – THRUST		
W	184708	WASHER – FLAT M8-200HV-AA1J		
X	136446	NUT – HEX SLTD FINE M24 X 1.5-SPCL-22HA-ZINC		
Y	30715	BOLT – HEX HD TFL M8 X 1.25 X 20-8.8-AA1J		
Z	327710	WASHER – THRUST		
AA	152702	BOLT – RHSN M12 X 1.75 X 30-8.8-AA1J		

382. The arm support assembly includes arm support (NSS) and two composite bushings (MD #210690).

383. The support assembly includes support (NSS), two composite bushings (MD #133992), and two composite bushings (MD #210690).

384. The pivot assembly includes pivot (NSS), two composite bushings (MD #210661), and two composite bushings (MD #327600).

117 (Option) EasyMove™ – Slow Speed Transport, Wheels, Tires, and Tow Poles



(OPTION) EASYMOVE™ – SLOW SPEED TRANSPORT, WHEELS, TIRES, AND TOW POLES

Ref	Part Number	Description	Qty	Serial Number
	B7398	EASYMOVE™ SLOW SPEED TRANSPORT – WHEELS AND TIRES ³⁸⁵		
1	230968	STEM – TIRE VALVE ASSY #TR-416	2	
2	327808	TIRE – ST 225/75 R15 LRF	2	
3	327807	WHEEL – 15 X 6 WHITE ³⁸⁶	2	
	144531	WHEEL – 15 X 6 LB ³⁸⁷	A/R	
	327802	DECAL – TIRE PRESSURE, 655 KPA (95 PSI) ³⁸⁸	2	
	327717	DECAL – TIRE PRESSURE, 552 KPA (80 PSI) ³⁸⁹	A/R	
	C2173	EASYMOVE™ SLOW SPEED TRANSPORT – LONG TOW POLE ³⁸⁵		
	B7392	EASYMOVE™ SLOW SPEED TRANSPORT – LONG TOW POLE ³⁸⁵		
4	327649	ANGLE – SUPPORT	1	
5	327694	HITCH – BASE	1	
6	113566	HITCH – PINTLE	1	
7	327771	WELDMENT – SUPPORT	1	
8	327304	PLATE – HANDLE	1	
9	193187	STRAP – RUBBER	1	
10	141220	SEAL – EDGE TRIM	1	
11	327294	TUBE	1	
12	327740	HITCH, EXTENSION – WELDT	1	
13	327739	LATCH – WELDT	1	
14	320213	PIN – CLEVIS	1	
15	320205	PIN – LYNCH DIA 5/16 IN. X 1.75 IN. LG W/ TETHER	1	
16	303169	SPRING – TORSION	1	
17	284549	HARNESS – TRANSPORT EXT HITCH	1	
18	39272	CLIP – INSULATED	3	
19	18608	PIN – COTTER 3/16 DIA X 1.5 ZP	1	
20	327563	HANDLE	2	
21	327532	CHAIN – SAFETY	1	
22	327696	TUBE – HITCH, LONG	1	
23	327692	HITCH, END – WELDT	1	
24	327664	ASSY – CLEVIS HITCH	1	
25	284550	HARNESS – TRANSPORT LIGHTS	1	
26	327817	SUPPORT – CHANNEL, LONG	1	
27	118239	PIN – HITCH	1	
28	113561	PIN – LYNCH	1	

385. Kits are available through Whole Goods only.

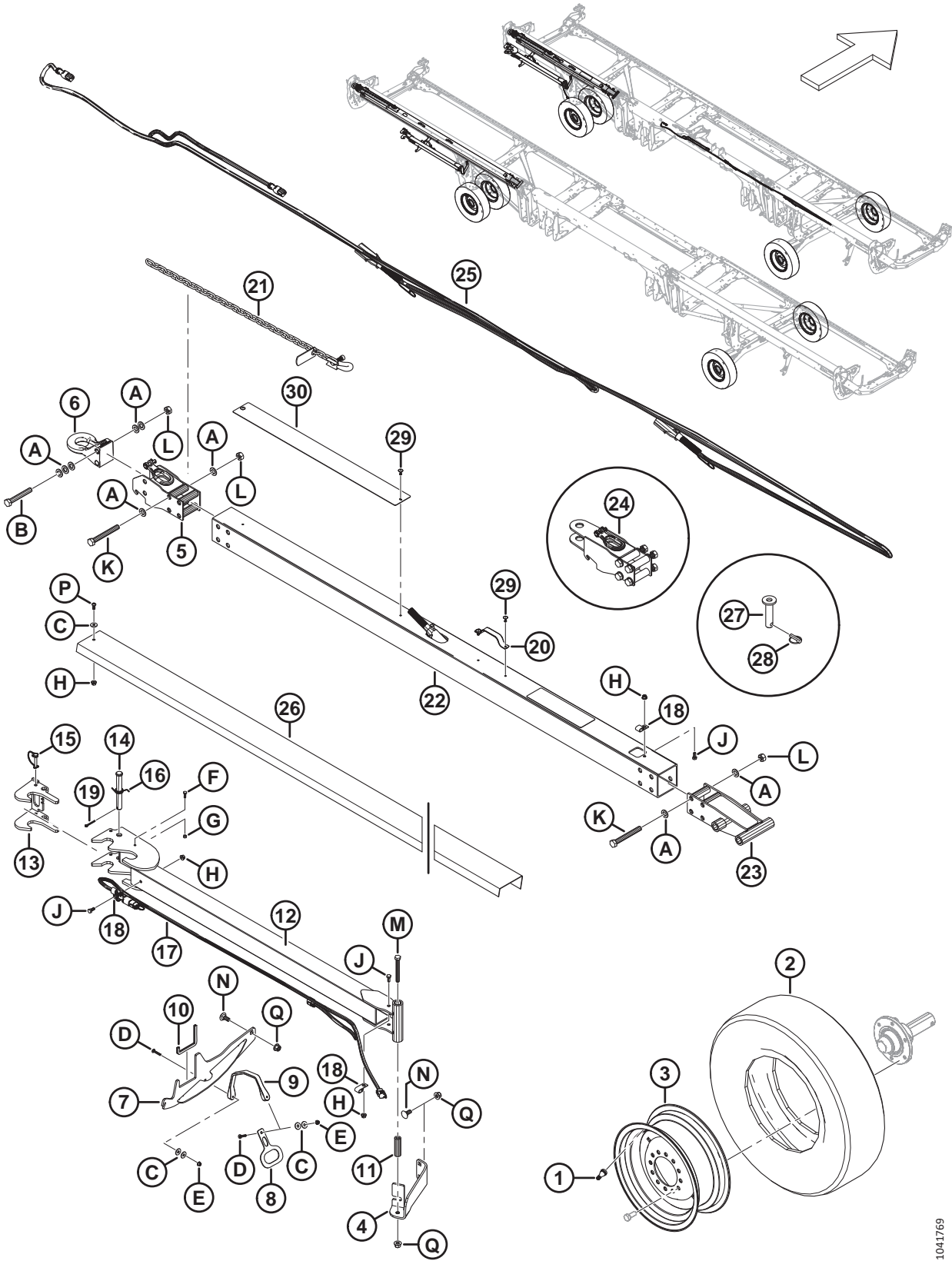
386. Wheel MD #327807 is used with tire MD #327808.

387. Wheel MD #144531 remains available as a service part for superseded tire MD #230483. Wheel MD #144531 is **NOT** included in Tires Kit MD #B7398.

388. Tire pressure decal MD #327802 (655 kPa [95 psi]) is used with tire MD #327808.

389. Tire pressure decal MD #327717 (552 kPa [80 psi]) remains available as a service part for superseded tire MD #230483.

(OPTION) EASYMOVE™ – SLOW SPEED TRANSPORT, WHEELS, TIRES, AND TOW POLES

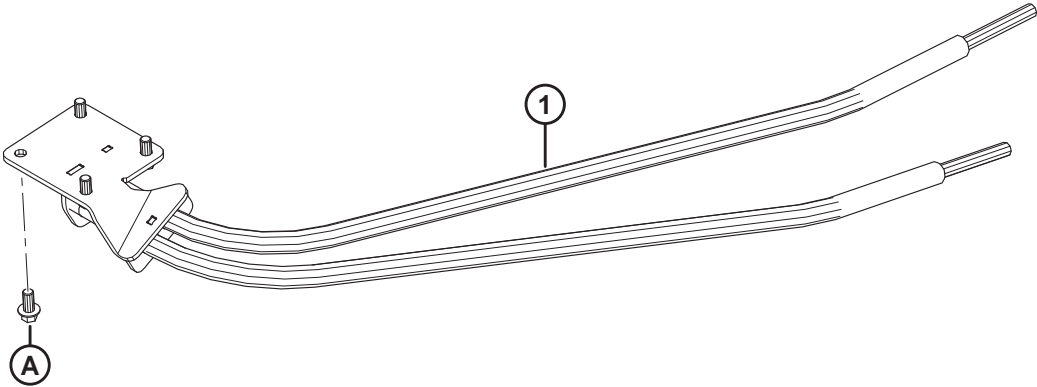
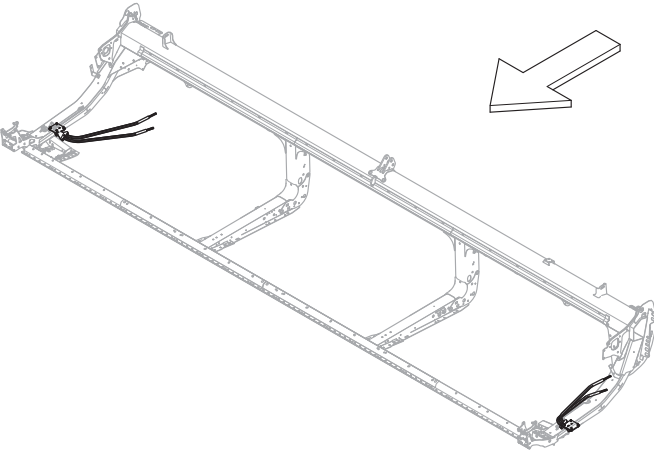


1041769

(OPTION) EASYMOVE™ – SLOW SPEED TRANSPORT, WHEELS, TIRES, AND TOW POLES

Ref	Part Number	Description	Qty	Serial Number
29	320039	RIVET – POP 4.8 MM X 27.2 MM		
30	327659	PLATE – WEAR	1	
	327588	DECAL – HITCH DAMAGE HAZARD	1	
A	184717	WASHER – FLAT REG M16-200HV-AA1J		
B	184679	BOLT – HEX HD M16 X 2 X 110-10.9-AA1J		
C	184709	WASHER – FLAT LARGE M8-200HV		
D	184643	BOLT – RHSSN M6 X 1.0 X 35-8.8-AA1J		
E	152668	NUT – HEX FLG CTR LOC M6 X 1-8		
F	184646	BOLT – HEX HD TFL M6 X 1 X 20-8.8-AA1J		
G	136773	NUT – HEX CTR LOC M6 X 1-8-AA1J		
H	135337	NUT – HEX FLG CTR LK M8 X 1.25-8-AA1J		
J	30715	BOLT – HEX HD TFL M8 X 1.25 X 20-8.8-AA1J		
K	320219	BOLT – HEX HD M16 X 2 X 130-12.9-ZINC		
L	320208	NUT – HEX TOP LOCK M16 X 2-12-ZINC		
M	184672	BOLT – HEX HD M12 X 1.75 X 100-10.9-AA1J		
N	184667	BOLT – RHSN M12 X 1.75 X 30-8.8-ZINC		
P	320176	SCREW – HEX SOC BTN HD M8 X 1.25 X 20-10.9-AA1J		
Q	136431	NUT – HEX FLG CTR LOC M12 X 1.75-10		

118 (Option) End Swath Deflector Rods



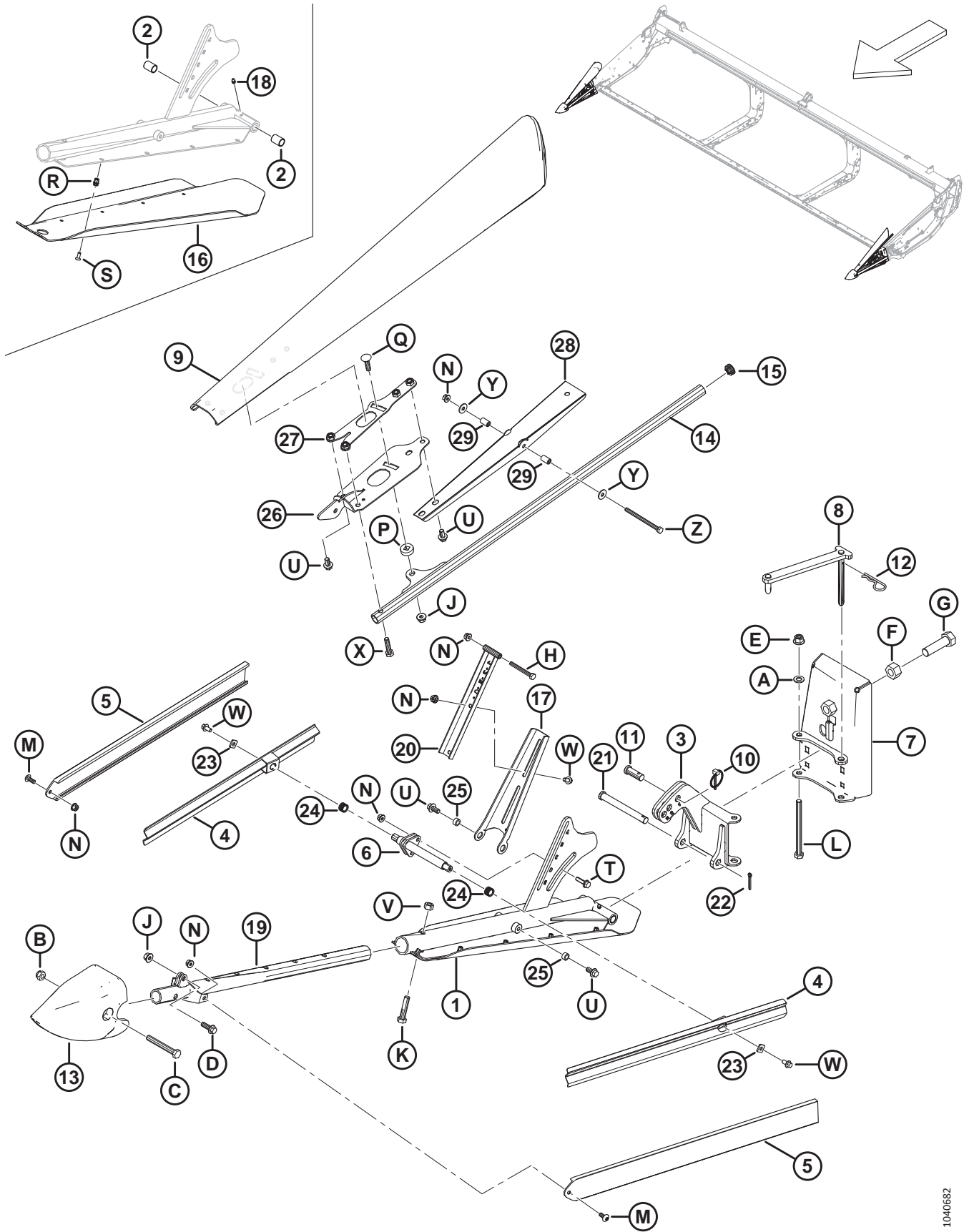
(OPTION) END SWATH DEFLECTOR RODS

Ref	Part Number	Description	Qty	Serial Number
	B6447	KIT – END SWATH DEFLECTOR ROD, LH ³⁹⁰		
	B6448	KIT – END SWATH DEFLECTOR ROD, RH ³⁹¹		
1	289566	END DEFLECTOR ROD WELDT – LH	1	
	289567	END DEFLECTOR ROD WELDT – RH	1	
A	136399	BOLT – HEX FLG HD TFL M12 X 1.75 X 25-8.8-AA1J		

390. The LH End Swath Deflector Rod kit (MD #B6447) includes one left end deflector rod (MD #289566), hardware, and instructions. Kits are available through Whole Goods only.

391. The RH End Swath Deflector Rod kit (MD #B6448) includes one right end deflector rod (MD #289567), hardware, and instructions. Kits are available through Whole Goods only.

119 (Option) Floating Crop Dividers



(OPTION) FLOATING CROP DIVIDERS

Ref	Part Number	Description	Qty	Serial Number
	B7346	KIT – FLOATING END DIVIDERS ³⁹²		
1	360072	ASSY – LH SHOE SUPPORT ³⁹³	1	
	360114	ASSY – RH SHOE SUPPORT ³⁹⁴	1	
2	258391	BUSHING	4	
3	360079	HINGE WELDT – LH	1	
	360119	HINGE WELDT – RH	1	
4	360077	RAIL – DEFLECTOR WELDT	4	
5	360122	DEFLECTOR – EXTRUDED	4	
6	360106	WELDT – SIDE SUPPORT	2	
7	360069	REAR PLATE WELDT – LH	1	
	360134	REAR PLATE WELDT – RH	1	
8	360004	LINK WELDT – LH	1	
	360168	LINK WELDT – RH	1	
9	360723	DEFLECTOR – LH	1	
	360939	KIT – DEFLECTOR, LH ³⁹⁵	A/R	
	360848	DEFLECTOR – RH	1	
	360940	KIT – DEFLECTOR, RH ³⁹⁶	A/R	
10	102264	PIN – LYNCH 3/16 X 1 9/16 IN.	2	
11	18619	PIN – CLEVIS	2	
12	13125	PIN – HAIR	2	
13	313461	CONE – DIVIDER	2	
14	360103	TUBE – WELDMENT	2	
15	335301	PLUG – PLASTIC, SNAP-IN	2	
16	340212	SHOE – LH	1	
	340210	SHOE – RH	1	
17	360110	SUPPORT – LH TOP DEFLECTOR	1	
	360120	SUPPORT – RH TOP DEFLECTOR	1	
18	18671	FTITTING – LUBE 1/4-28 UNF	2	
19	360076	SUPPORT WELDT – FRONT	2	
20	360108	DEFLECTOR SUPPORT	2	
21	49378	PIN – CLEVIS	2	
22	18648	PIN – COTTER 3/16 DIA X 1.25 ZP	2	
23	233841	SUPPORT – DEFLECTOR	4	
24	26429	SPRING – COMPRESSION	4	

392. Kits are available through Whole Goods only.

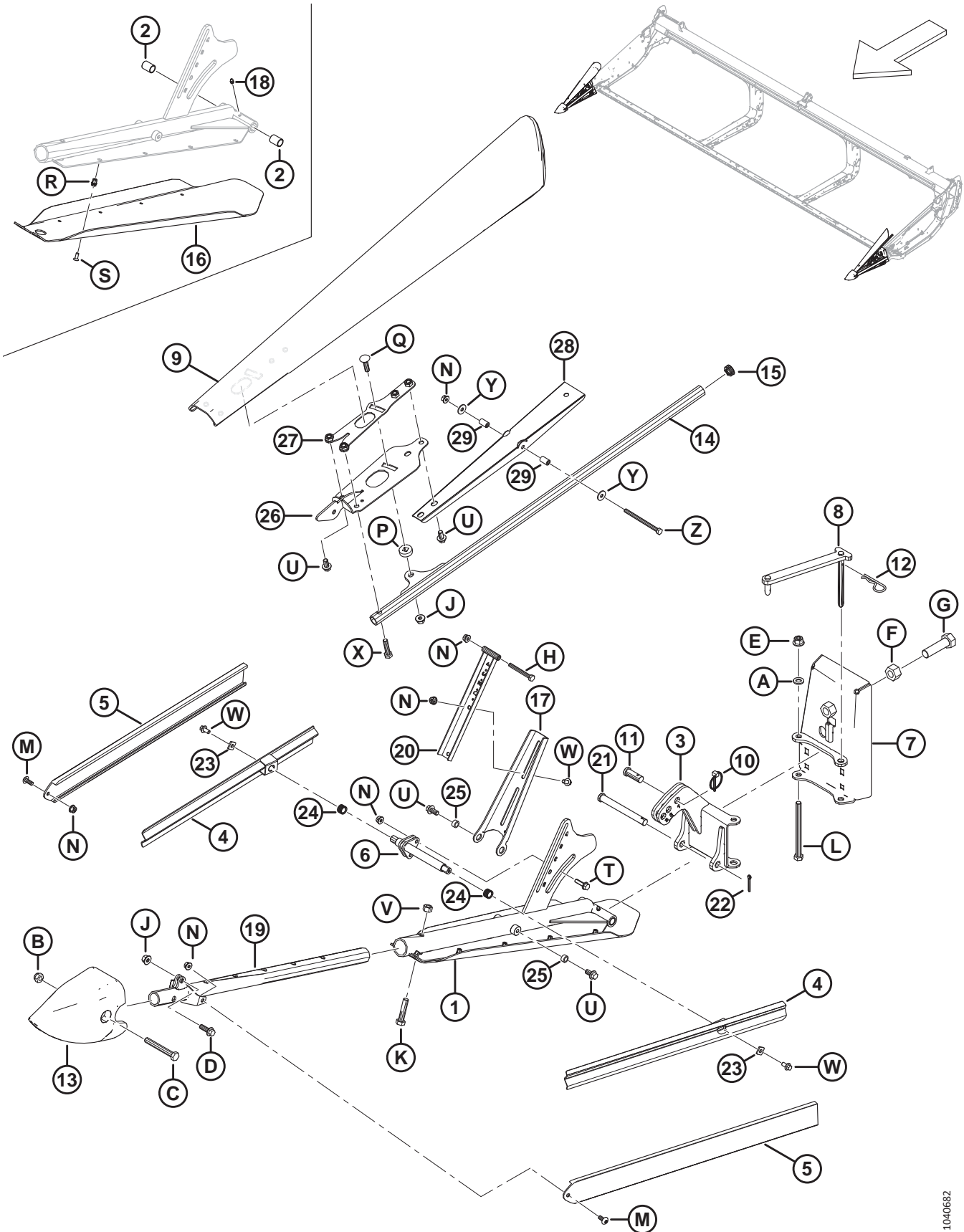
393. The assembly includes LH support weldment (NSS), LH shoe (MD #340212), grease fitting (MD #18671), two bushings (MD #258391), ten screws (MD #320220), and ten rivnuts (MD #320404).

394. The assembly includes RH support weldment (NSS), RH shoe (MD #340210), grease fitting (MD #18671), two bushings (MD #258391), ten screws (MD #320220), and ten rivnuts (MD #320404).

395. The LH Deflector kit is used to service superseded LH deflector (MD #360095). The kit includes deflector channel (MD #360850), left retainer (MD #360734), left deflector (MD #360723), left support (MD #360720), two pivot tubes (MD #360847), hardware, and instructions.

396. The RH Deflector kit is used to service superseded RH deflector (MD #360081). The kit includes deflector channel (MD #360850), right retainer (MD #360863), right deflector (MD #360848), right support (MD #360862), two pivot tubes (MD #360847), hardware, and instructions.

(OPTION) FLOATING CROP DIVIDERS

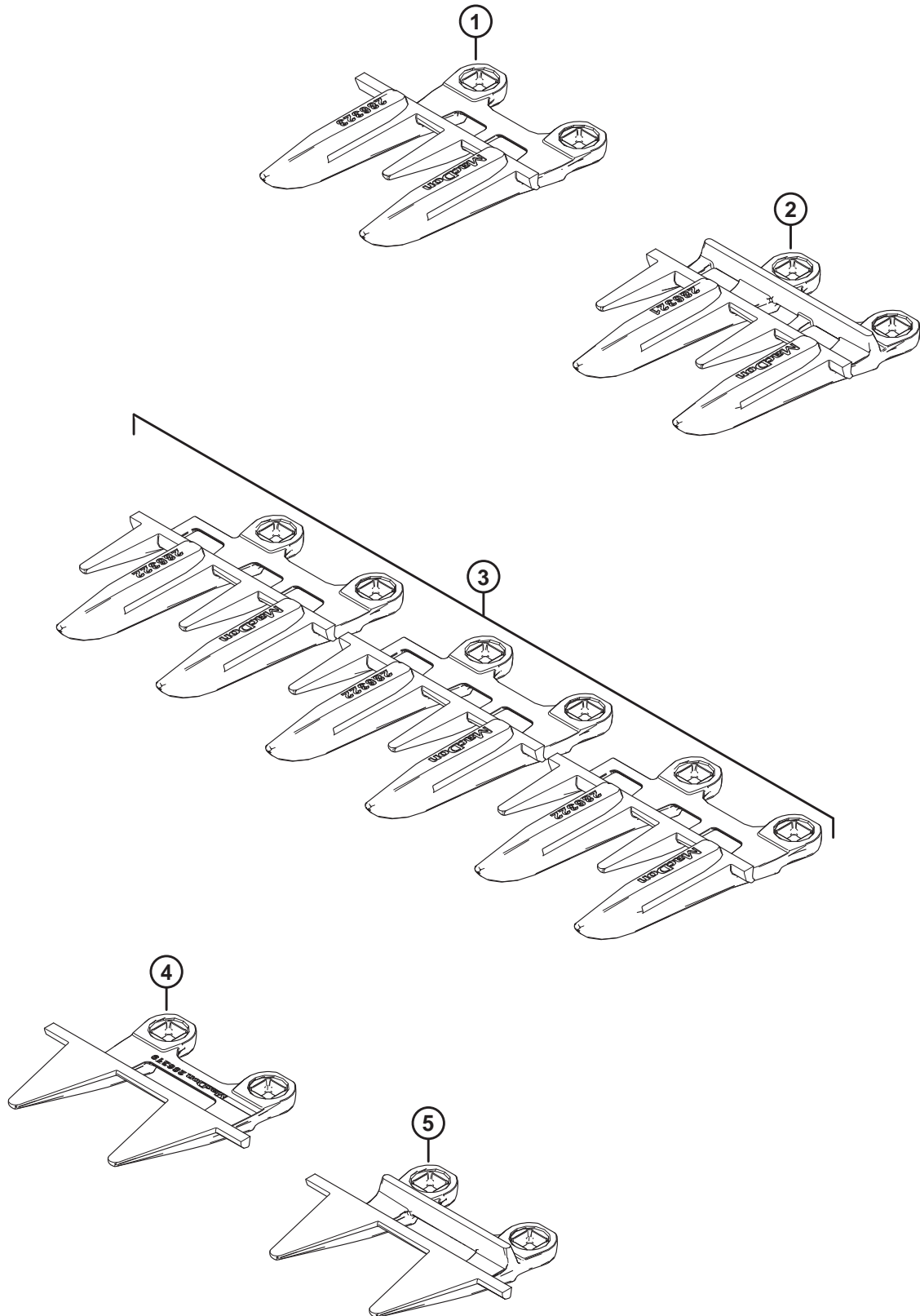


1040682

(OPTION) FLOATING CROP DIVIDERS

Ref	Part Number	Description	Qty	Serial Number
25	19542	SPACER	4	
26	360720	SUPPORT – LH WELDMENT	1	
	360862	SUPPORT – RH WELDMENT	1	
27	360734	RETAINER – LH WELDMENT	1	
	360863	RETAINER – RH WELDMENT	1	
28	360850	CHANNEL – TOP DEFLECTOR	2	
29	360847	TUBE – PIVOT	4	
A	184714	WASHER – FLAT REG M12-300HV		
B	184695	NUT – HEX NYLOC M12 X 1.75-8-AA1J		
C	184673	BOLT – HEX HD M12 X 1.75 X 90-10.9-AA1J		
D	184665	BOLT – HEX FLG HD M10 X 1.5 X 30-10.9-AA1J		
E	136431	NUT – HEX FLG CTR LOC M12 X 1.75-10		
F	136342	NUT – HEX FINE M20 X 1.5 X 10-AA3L		
G	136339	BOLT – HEX HD FINE TFL M20 X 1.5 X 70 X 8.8-ZINC		
H	184656	BOLT – HEX HD M8 X 1.25 X 70-8.8-AA1J		
J	135799	NUT – HEX FLG CTR LOC M10 X 1.5-10		
K	152779	BOLT – HEX HD M12 X 1.75 X 55-8.8-AA1J		
L	135696	BOLT – HEX HD M12 X 1.75 X 150-8.8-AA1J		
M	320190	SCREW – TORX TRUSS HD M8 X 1.25 X 20-SPCL-8.8-ZINC		
N	135337	NUT – HEX FLG CTR LK M8 X 1.25-8-AA1J		
P	360105	WASHER – SPECIAL		
Q	152732	BOLT – RHSN M10 X 1.5 X 40-8.8-AA1J		
R	320404	RIVNUT – M6 X 1.0 HEX 1.0-3.5		
S	320220	SCREW – TORX CSK HD TFL M6 X 1 X 16-SPCL-8.8-ZINC		
T	252655	BOLT – HEX FLG HD TFL M8 X 1.25 X 30-8.8-AA1J		
U	152655	BOLT – HEX FLG HD M10 X 1.5 X 20-8.8-AA1J		
V	136759	NUT – HEX CTR LOC M12 X 1.75-8-AA1J		
W	136485	BOLT – HEX FLG HD TFL M8 X 1.25 X 16-8.8-AA1J		
X	135319	BOLT – HEX HD M10 X 1.5 X 40-8.8-AA1J		
Y	184709	WASHER – FLAT LARGE M8-200HV		
Z	135523	BOLT – HEX HD M8 X 1.25 X 110-8.8-AA1J		

120 (Option) Four-Point Guard Kits, Single Knife



(OPTION) FOUR-POINT GUARD KITS, SINGLE KNIFE

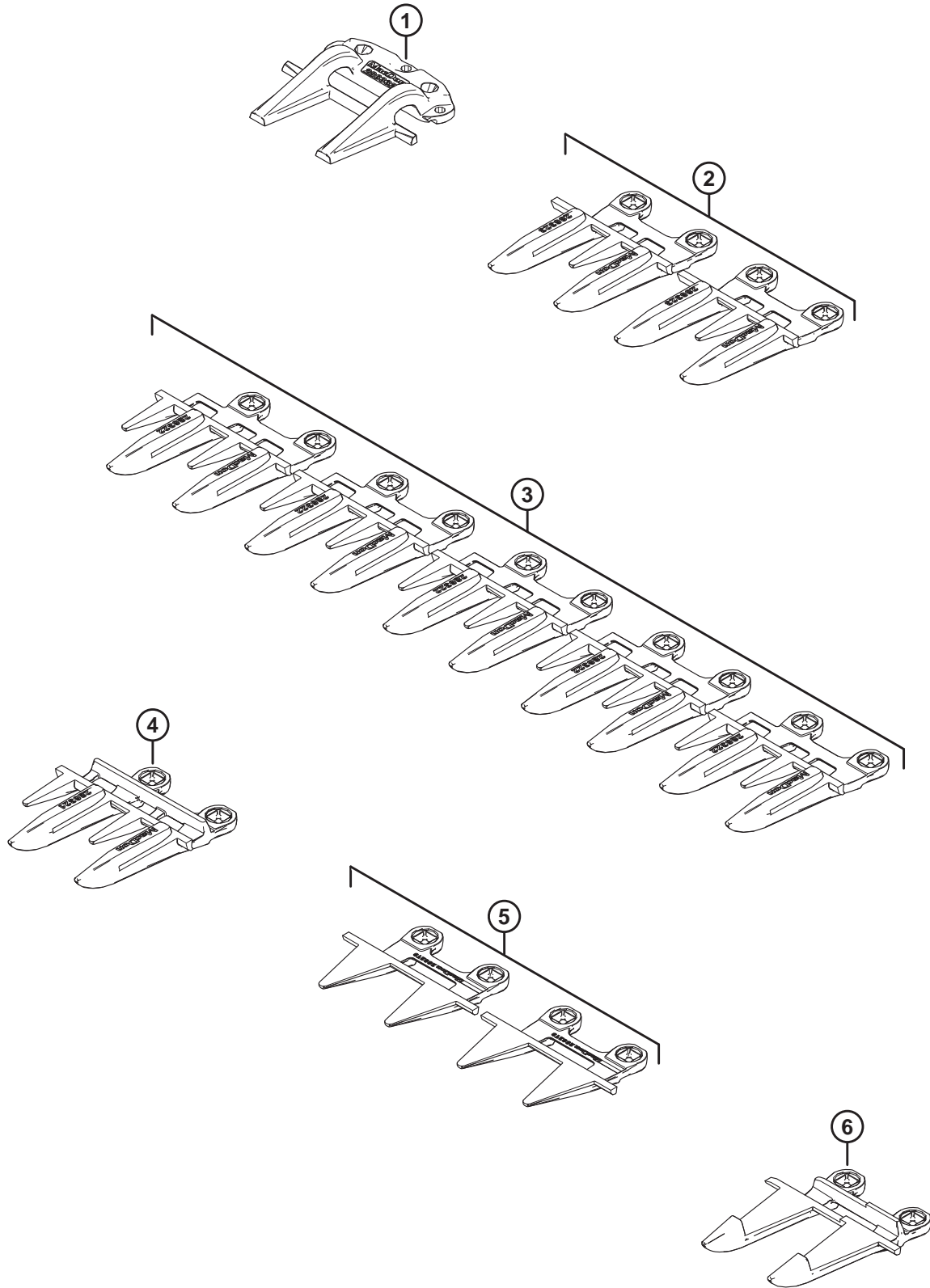
Ref	Part Number	Description	Qty	Serial Number
	286838	KIT – 4 POINT GUARDS 20 FT SK		
	286690	KIT – 4 POINT GUARDS 25 FT SK		
	286691	KIT – 4 POINT GUARDS 30 FT SK		
	286692	KIT – 4 POINT GUARDS 35 FT SK		
1	286323	KNIFE GUARD – 4-POINT SPECIAL ³⁹⁷	1	
2	286321	KNIFE GUARD – 4-POINT ³⁹⁸		
3	286322	KNIFE GUARD – 4-POINT END ³⁹⁹	3	
4	286319	KNIFE GUARD – PLUGFREE END ³⁹⁹	1	
5	286318	KNIFE GUARD – PLUGFREE ³⁹⁷	1	

397. Used at the right end of the header.

398. Quantities: D220 = 34, D225 = 44, D230 = 54, D235 = 64.

399. Used at the drive end of the header.

121 (Option) Four-Point Guard Kits, Double Knife



(OPTION) FOUR-POINT GUARD KITS, DOUBLE KNIFE

Ref	Part Number	Description	Qty	Serial Number
	286683	KIT – 4 POINT GUARDS 25 FT DK		
	286684	KIT – 4 POINT GUARDS 30 FT DK		
	286685	KIT – 4 POINT GUARDS 35 FT DK		
	286686	KIT – 4 POINT GUARDS 40 FT DK		
	286687	KIT – 4 POINT GUARDS 41 FT DK		
1	286332	HOLD-DOWN – POINTED CENTER ⁴⁰⁰	1	
2	286323	KNIFE GUARD – 4-POINT SPECIAL ⁴⁰¹	2	
3	286322	KNIFE GUARD – 4-POINT END ⁴⁰²	5	
4	286321	KNIFE GUARD – 4-POINT ⁴⁰³		
5	286319	KNIFE GUARD – PLUGFREE END ⁴⁰⁴	2	
6	286317	KNIFE GUARD – POINTED CENTER ⁴⁰⁰	1	

400. Used near the center of the header.

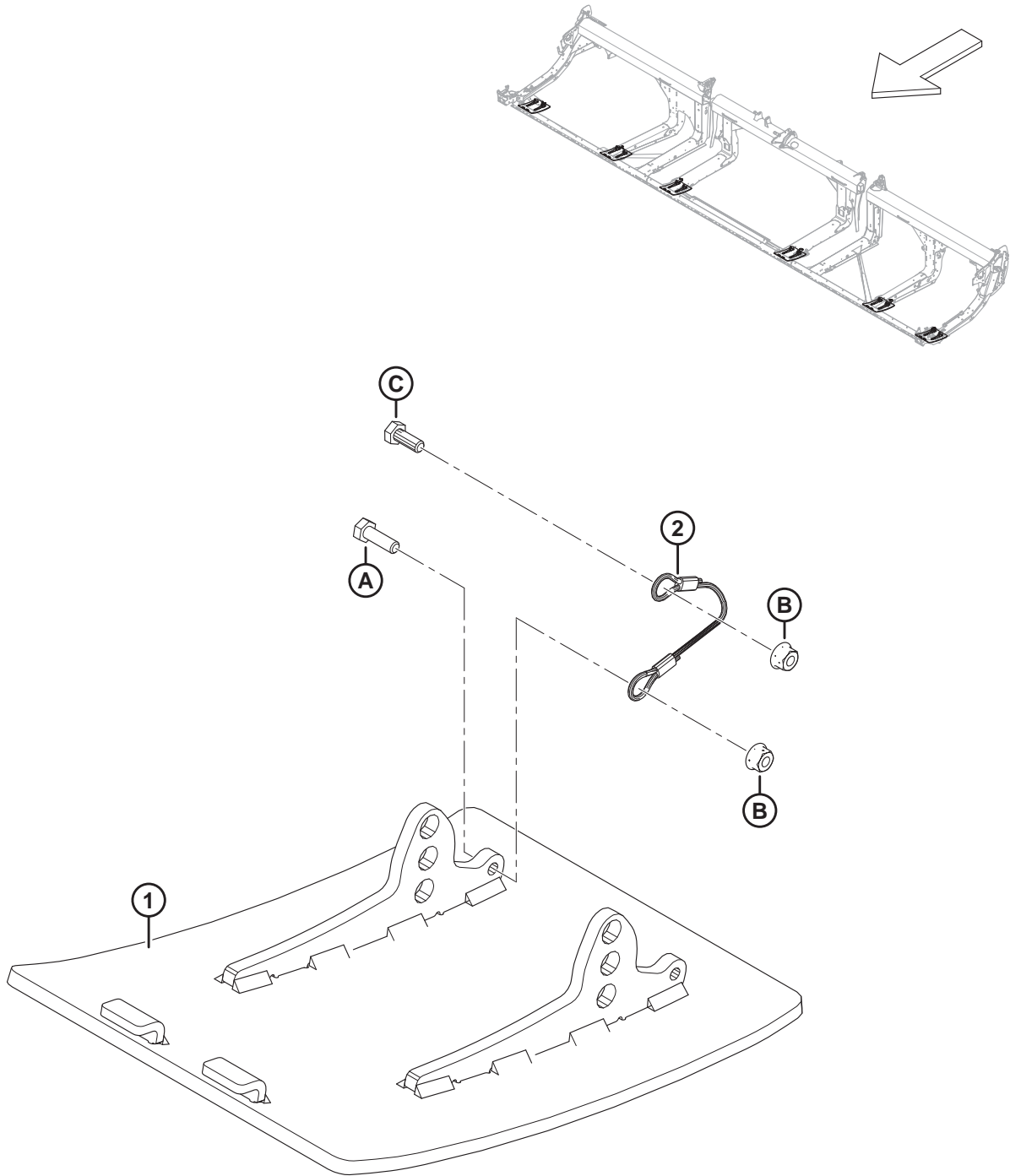
401. One 4-point special knife guard is used at the right end of the header, and to the left of the pointed center knife guard and pointed center hold-down.

402. Three 4-point end knife guards are used at the drive end of the header, and two 4-point end knife guards are used at the right end of the header.

403. Quantities: D215 = 20, D220 = 30, D225 = 40, D230 = 50, D235 = 60, D241 = 72.

404. One PlugFree™ end knife guard is used at each end of the header.

122 (Option) High Wear Skid Shoes

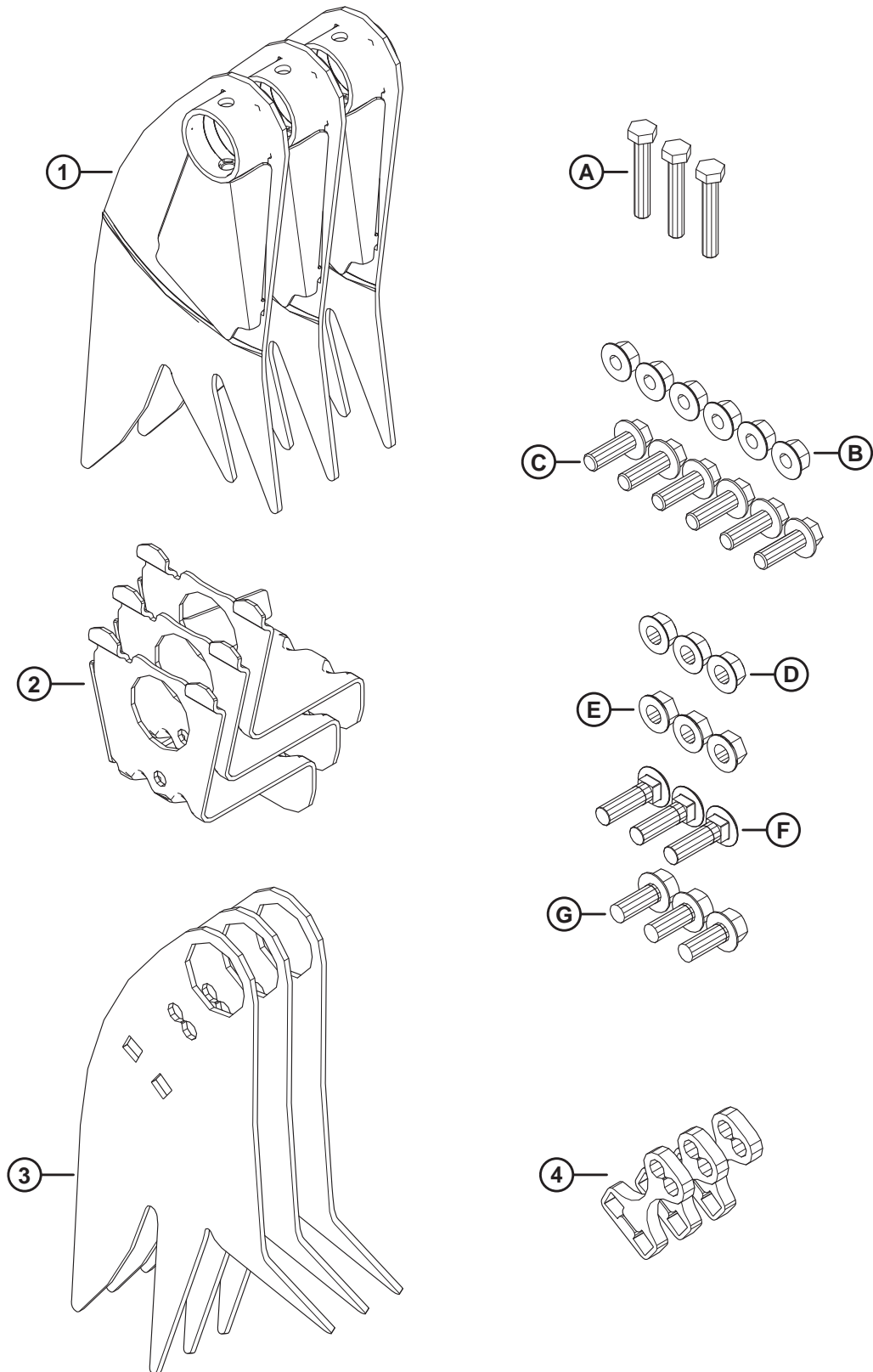


(OPTION) HIGH WEAR SKID SHOES

Ref	Part Number	Description	Qty	Serial Number
	B6801	KIT – HIGH WEAR, ABRASION RESISTANT STEEL SKID SHOES ⁴⁰⁵		
1	313374	WELDT – HIGH WEAR SHOE	2	
2	312673	CABLE – STOP	2	
A	184652	BOLT – HEX HD TFL M8 X 1.25 X 25-8.8-AA1J		
B	135337	NUT – HEX FLG CTR LK M8 X 1.25-8-AA1J		
C	30715	BOLT – HEX HD TFL		

405. The kit includes two high wear steel skid shoes, two cable stops, hardware, and instructions. Two kits are required for D225 and smaller headers. Three kits are required for D230 and larger headers. Kits are available through Whole Goods only.

123 (Option) Lodged Crop Reel Fingers

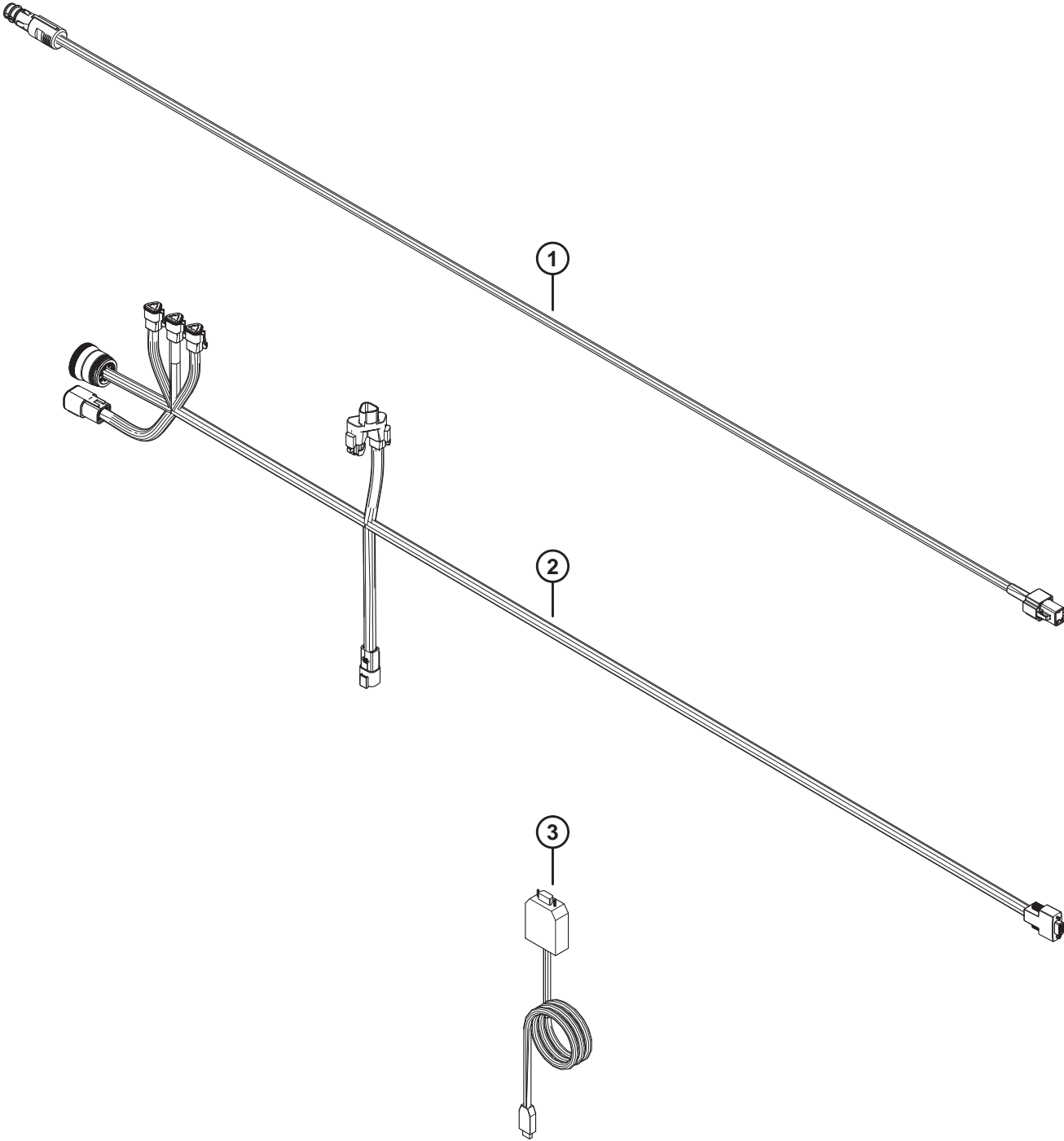


(OPTION) LODGED CROP REEL FINGERS

Ref	Part Number	Description	Qty	Serial Number
	B7230	KIT – LODGED CROP FINGER ⁴⁰⁶		
1	360045	WELDT – TAIL END RIGID FINGER	3	
2	340091	SUPPORT – WELDT	3	
3	360044	FINGER – RIGID	3	
4	273615	SHIM	3	
A	184664	BOLT – HEX HD M10 X 1.5 X 60-8.8-AA1J		
B	184697	NUT – HEX SER FLG M12 X 1.75-8-AA1J		
C	152731	BOLT – HEX FLG HD TFL M12 X 1.75 X 35-10.9-AA1J		
D	21383	NUT – FLG SER FACE 1/2-13 UNC GR5 AA1J		
E	50186	NUT – FLG LK DT 1/2-13 UNC GR5 AA1J		
F	30515	BOLT – RHSN 1/2-13 X 1.75-GR5-AA1J		
G	30368	BOLT – HH FLG SER 1/2-13 X 1.25-GR5-AA1J		

406. The Lodged Crop Reel Fingers kit includes three fingers for the cam end of the reel, three fingers for the tail end of the reel, three supports, three shims, all listed hardware, and instructions. Lodged crop reel fingers are **NOT** compatible with the Wide Draper Deflector kit. Kits are available through Whole Goods only.

124 (Option) Module Programming Kit

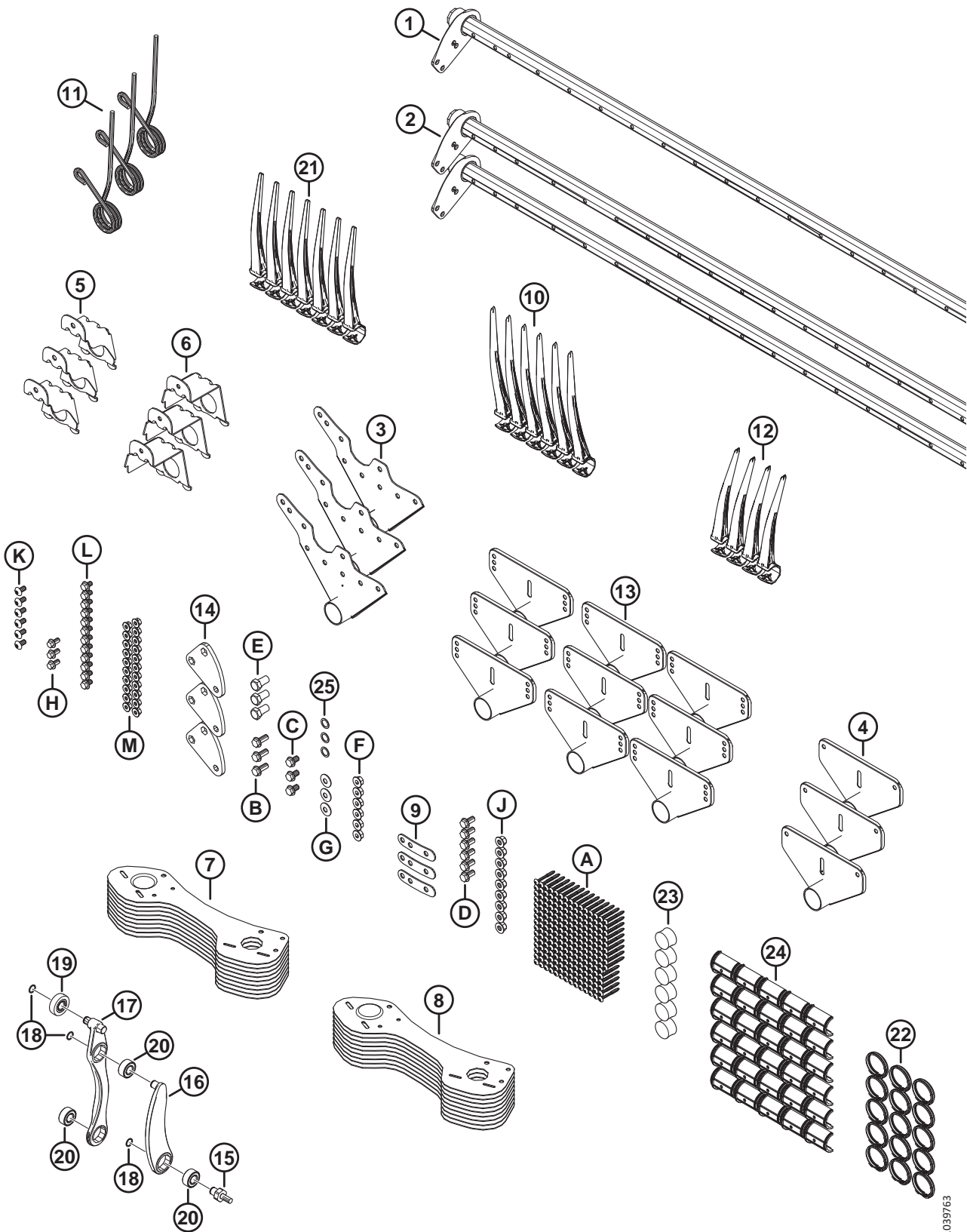


(OPTION) MODULE PROGRAMMING KIT

Ref	Part Number	Description	Qty	Serial Number
	368385	KIT – MODULE PROGRAMMING ⁴⁰⁷		
1	308943	HARNESS – EXT CAB PWR BOSCH/AUS	1	
2	500557	HARNESS – DIAG., PROGRAMMING	1	
3	500593	CABLE – PCAN TO USB	1	

407. The Module Programming kit includes all listed parts and instructions.

125 (Option) Reel Tine Tube Conversion Kits – Single Reel, 6 Bat to 9 Bat



1039763

(OPTION) REEL TINE TUBE CONVERSION KITS – SINGLE REEL, 6 BAT TO 9 BAT

Ref	Part Number	Description	Qty	Serial Number
	B7360	KIT – 20FT SR 6B to 9B CONV. ⁴⁰⁸		
	B7361	KIT – 25FT SR 6B TO 9B CONV. ⁴⁰⁸	1	
1	311193	TINE TUBE – 20FT SR WIDE ⁴⁰⁹	1	
	360199	TINE TUBE – 25FT SR WIDE ⁴¹⁰	1	
2	311190	TINE TUBE – 20FT SR NARROW ⁴⁰⁹	2	
	360201	TINE TUBE – 25FT SR NARROW ⁴¹⁰	2	
3	335924	ARM WELDT – CAM END	3	
4	311347	ARM WELDT – TAIL END	3	
5	311964	SUPPORT – WELDT CAM END	3	
6	311965	SUPPORT – WELDT TAIL END	3	
7	311864	SHIELD – OUTBOARD LH 9 BAT	9	
8	311863	SHIELD – OUTBOARD RH 9 BAT	9	
9	311672	STRAP	3	
10	311524	FINGER – PLASTIC, LH ANGLED, 52 MM (PKG OF 10)	6	
11	311325	FINGER – CAM END OUTBOARD	3	
12	311523	FINGER – PLASTIC, RH ANGLED, 52 MM (PKG OF 10)	4	
13	273523	ARM WELDT – MID SPAN ⁴¹¹		
14	228319	ARM – CRANK MACHINING	3	
15	340146	STUD	3	
16	311615	ARM – ASSEMBLY ⁴¹²	3	
17	311617	ARM – TINE CONTROL ASSY ⁴¹³	3	
18	273536	RING – RETAINING	9	
19	273524	BEARING – CAM FOLLOWER	3	
20	273347	BEARING	9	
21	174849	FINGER – PLASTIC HEAVY DUTY (PKG OF 10) ⁴¹⁴		
22	220941	CLAMP – TINE TUBE BUSHING, CENTER RIB (BOX OF 5) ⁴¹⁵		
23	137980	PLUG – TINE TUBE	6	
24	220939	TINE TUBE BUSHING (BOX OF 25) ⁴¹⁶		
25	137529	SHIM – CRANK BEARING	3	
A	252687	SCREW – 48° PLASTITE TWIN HELIX		
B	320192	BOLT – HEX FLG HD M12 X 1.75 X 30-SPCL-8.8-ZINC		
C	320187	BOLT – HEX FLG HD M12 X 1.75 X 20-SPCL-8.8-ZINC		
D	320175	BOLT – HEX FLG HD TFL M12 X 1.75 X 25-SPCL-8.8-ZINC		
E	228316	BOLT – HEX HD M16 X 1.5 X 30-SPCL-8.8-ZINC		

408. Kits are available through Whole Goods only.

409. Used on D220 headers only.

410. Used on D225 headers only.

411. Quantities: D220 = 6, D225 = 9.

412. The arm assembly includes one retaining ring (MD #273536) and one bearing (MD #273347).

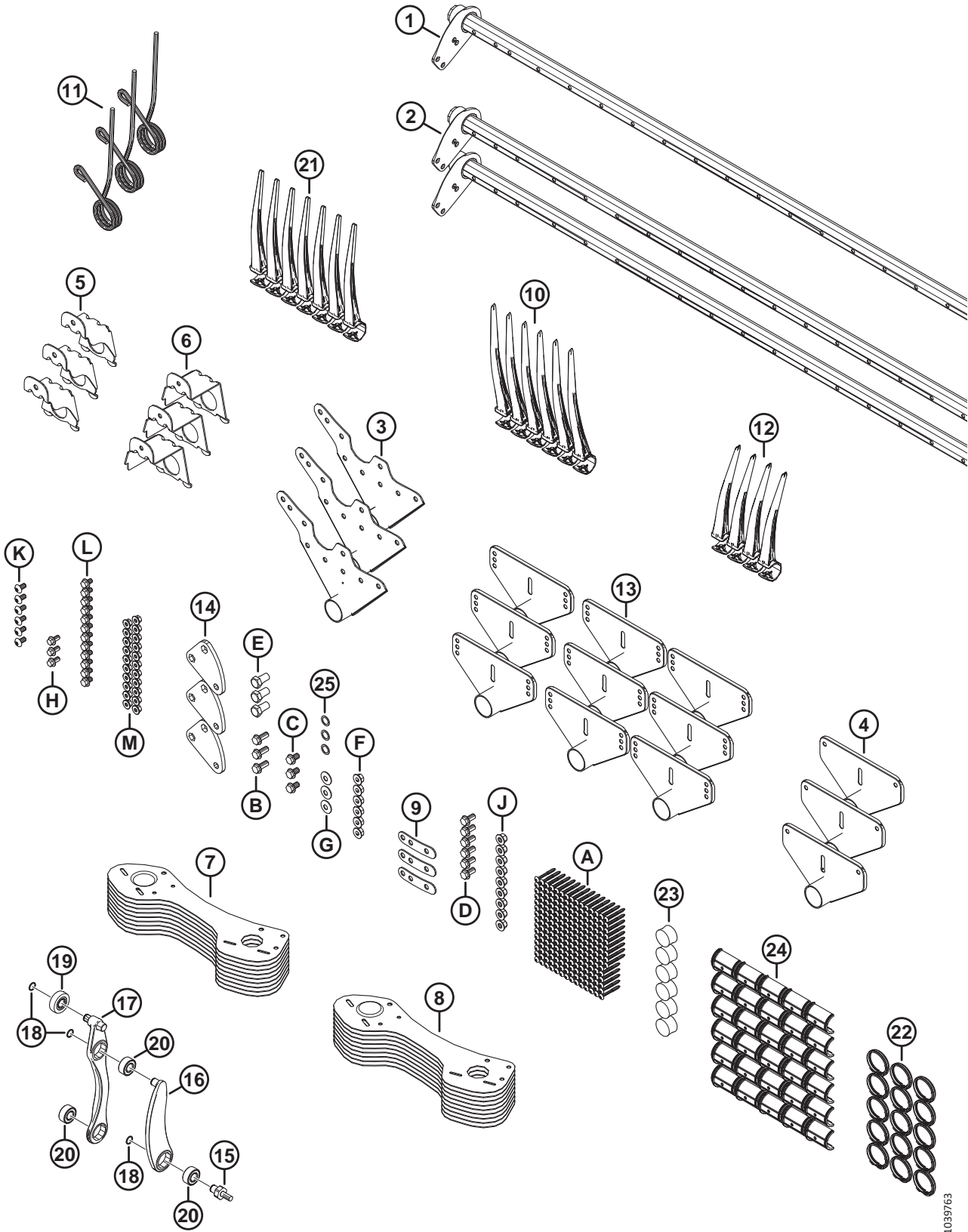
413. The tine control arm assembly includes two retaining rings (MD #273536), one cam follower bearing (MD #273524), and two bearings (MD #273347).

414. Quantities: D220 = 161, D225 = 211.

415. Quantities: D220 = 12, D225 = 15.

416. Quantities: D220 = 24, D225 = 30.

(OPTION) REEL TINE TUBE CONVERSION KITS – SINGLE REEL, 6 BAT TO 9 BAT

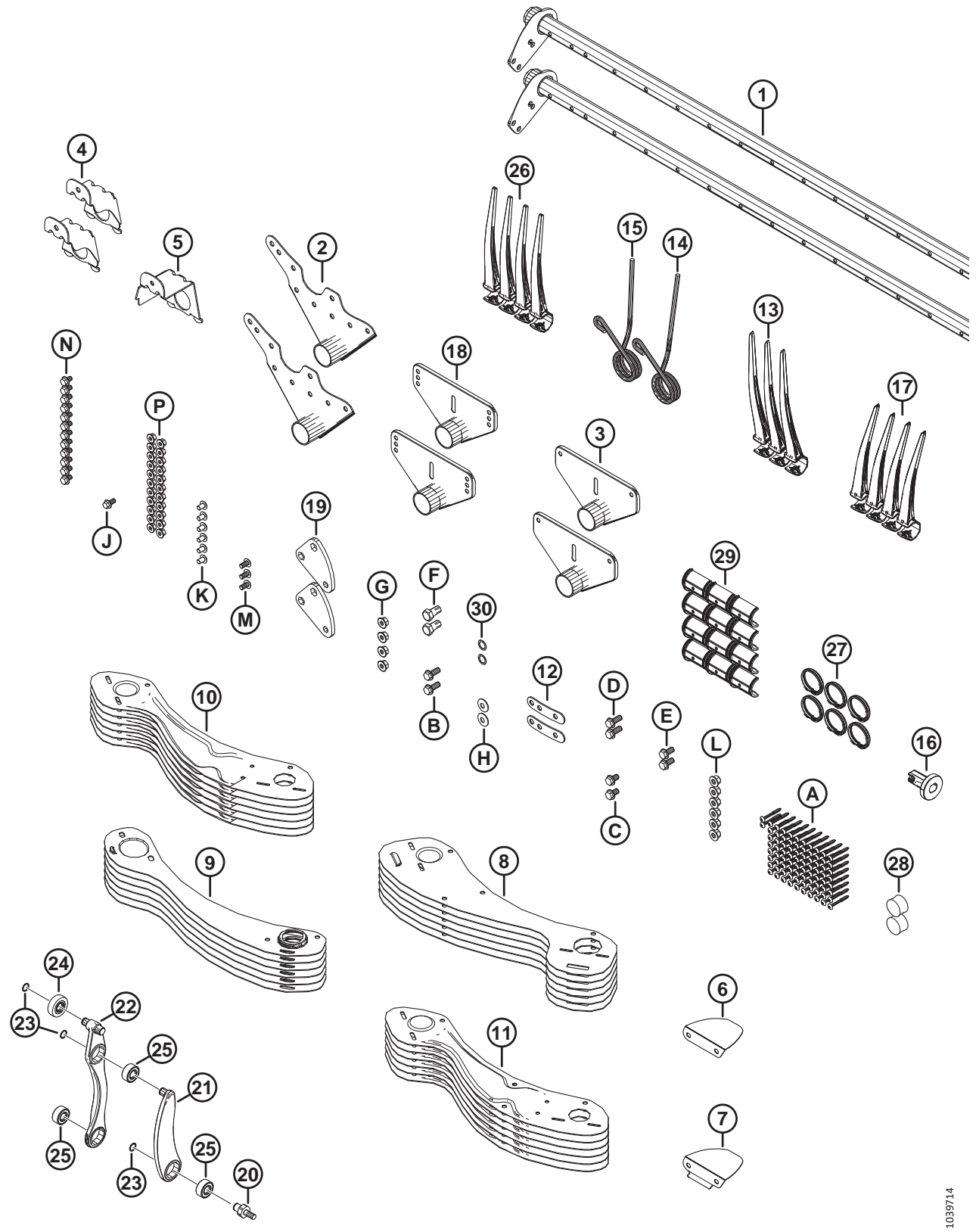


1039763

(OPTION) REEL TINE TUBE CONVERSION KITS – SINGLE REEL, 6 BAT TO 9 BAT

Ref	Part Number	Description	Qty	Serial Number
F	184697	NUT – HEX SER FLG M12 X 1.75-8-AA1J		
G	184597	WASHER – CON SPRING M12-ZINC		
H	152655	BOLT – HEX FLG HD M10 X 1.5 X 20-8.8-AA1J		
J	136431	NUT – HEX FLG CTR LOC M12 X 1.75-10		
K	136395	SCREW – TORX TRUSS HD M10 X 1.5 X 20 X SPCL-8.8-A3L		
L	136151	BOLT – HEX FLG HD TFL M10 X 1.5 X 16-8.8-AA1J		
M	135799	NUT – HEX FLG CTR LOC M10 X 1.5-10		

126 (Option) Reel Tine Tube Conversion Kits – Double Reel, 5 Bat to 6 Bat



(OPTION) REEL TINE TUBE CONVERSION KITS – DOUBLE REEL, 5 BAT TO 6 BAT

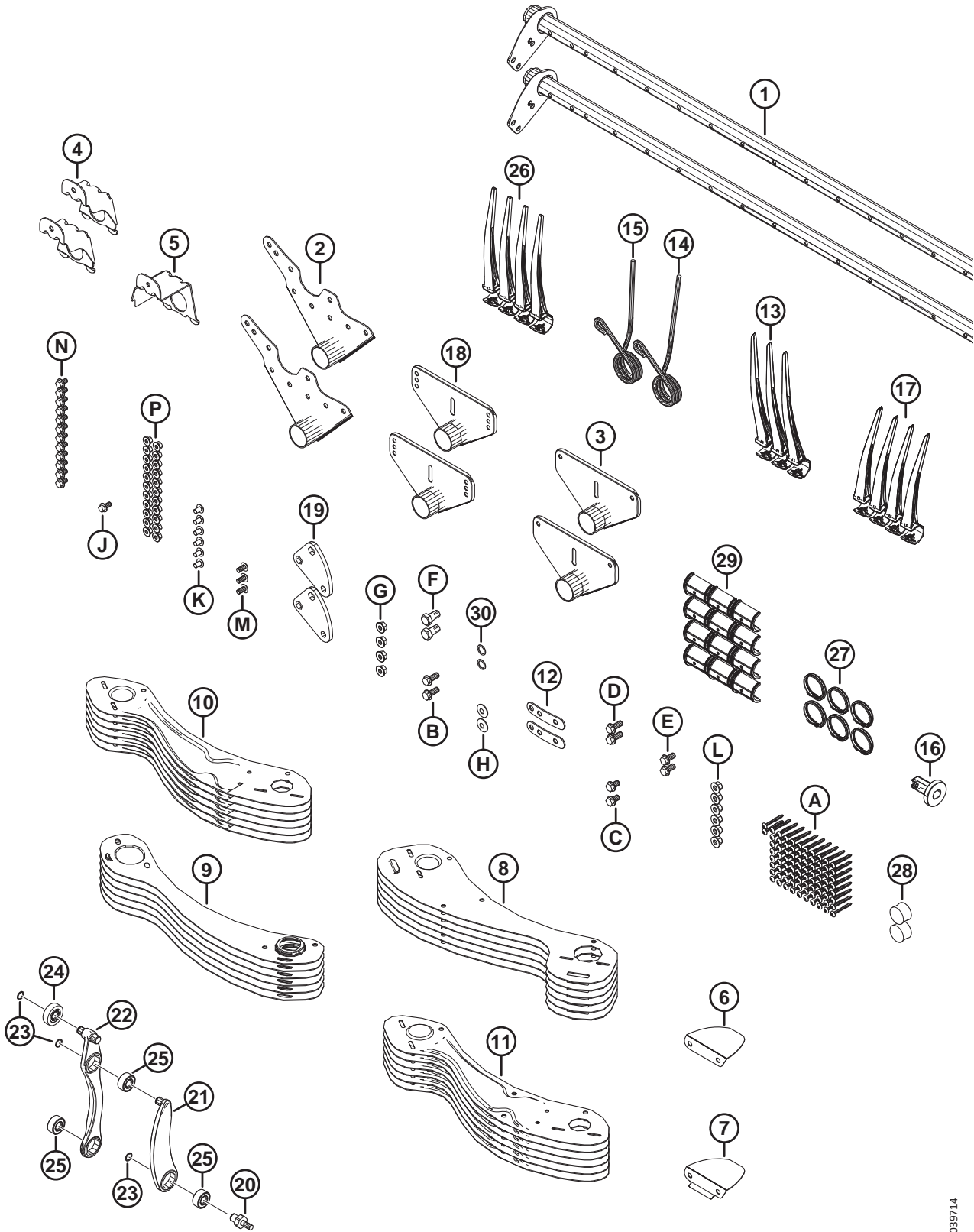
Ref	Part Number	Description	Qty	Serial Number
	B7359	KIT – 41FT DR 5B TO 6B CONV. ⁴¹⁷		
1	311306	TINE TUBE – 41FT DR WIDE	2	
2	335924	ARM WELDT – CAM END	2	
3	311347	ARM WELDT – TAIL END	2	
4	311964	SUPPORT – WELDT CAM END	2	
5	311965	SUPPORT – WELDT TAIL END	1	
6	311906	DEFLECTOR – CAM INBOARD	1	
7	311729	DEFLECTOR – CAM OUTBOARD	1	
8	273813	SHIELD – 6 BAT LH REEL CAM END	6	
9	311822	SHIELD – 6 BAT RH REEL TAIL END	6	
10	311753	SHIELD – OUTBOARD LH 6 BAT	6	
11	311752	SHIELD – OUTBOARD RH 6 BAT	6	
12	311672	STRAP	2	
13	311524	FINGER – PLASTIC, LH ANGLED, 52 MM (PKG OF 10)	2	
14	311327	FINGER – CAM END BENT	1	
15	311325	FINGER – CAM END OUTBOARD	1	
16	273968	BUSHING – ENDSHIELD	1	
17	311523	FINGER – PLASTIC, RH ANGLED, 52 MM (PKG OF 10)	4	
18	273523	ARM WELDT – MID SPAN	4	
19	228319	ARM – CRANK MACHINING	2	
20	340146	STUD	2	
21	311615	ARM – ASSEMBLY ⁴¹⁸	2	
22	311617	ARM – TINE CONTROL ASSY ⁴¹⁹	2	
23	273536	RING – RETAINING	6	
24	273524	BEARING – CAM FOLLOWER	2	
25	273347	BEARING	6	
26	174849	FINGER – PLASTIC HEAVY DUTY (PKG OF 10)	106	
27	220941	CLAMP – TINE TUBE BUSHING-CENTER RIB (BOX OF 5)	8	
28	137980	PLUG – TINE TUBE	3	
29	220939	TINE TUBE BUSHING (BOX OF 25)	16	
30	137529	SHIM – CRANK BEARING	2	
A	252687	SCREW – 48° PLASTITE TWIN HELIX		
B	320192	BOLT – HEX FLG HD M12 X 1.75 X 30-SPCL-8.8-ZINC		
C	320187	BOLT – HEX FLG HD M12 X 1.75 X 20-SPCL-8.8-ZINC		
D	320180	BOLT – HEX FLG HD M12 X 1.75 X 30-SPCL-8.8-ZINC		
E	320175	BOLT – HEX FLG HD TFLM12 X 1.75 X 25-SPCL-8.8-ZINC		
F	228316	BOLT – HEX HD M16 X 1.5 X 30-SPCL-8.8-ZINC		
G	184697	NUT – HEX SER FLG M12 X 1.75-8-AA1J		
H	184597	WASHER – CON SPRING M12-ZINC		

417. Kits are available through Whole Goods only.

418. The arm assembly includes one retaining ring (MD #273536) and one bearing (MD #273347).

419. The tine control arm assembly includes two retaining rings (MD #273536), one cam follower bearing (MD #273524), and two bearings (MD #273347).

(OPTION) REEL TINE TUBE CONVERSION KITS – DOUBLE REEL, 5 BAT TO 6 BAT

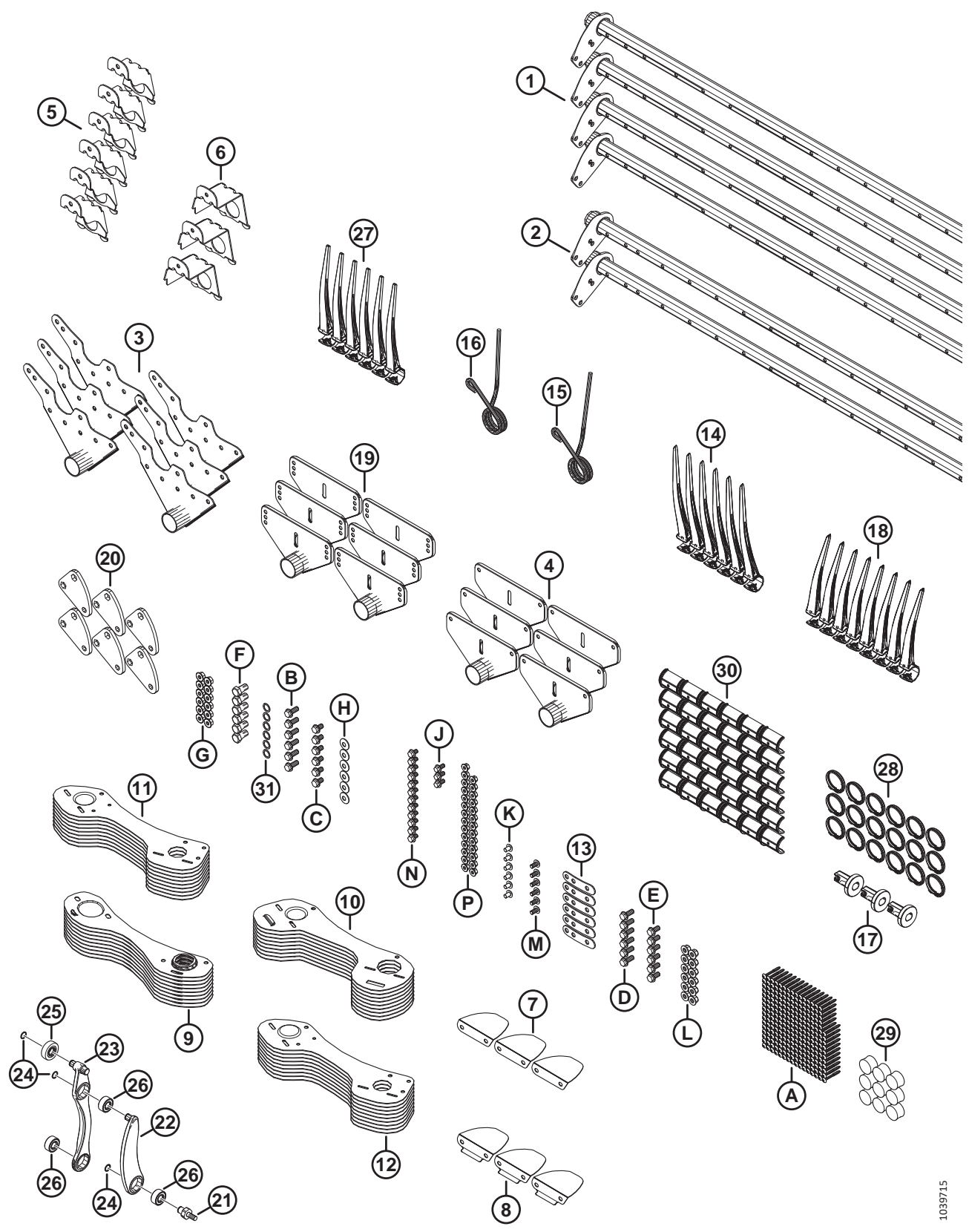


1039714

(OPTION) REEL TINE TUBE CONVERSION KITS – DOUBLE REEL, 5 BAT TO 6 BAT

Ref	Part Number	Description	Qty	Serial Number
J	152655	BOLT – HEX FLG HD M10 X 1.5 X 20-8.8-AA1J		
K	136640	SCREW – TORX TRUSS HD M10 X 1.5 X 16 X SPCL-8.8-AA1J		
L	136431	NUT – HEX FLG CTR LOC M12 X 1.75-10		
M	136395	SCREW – TORX TRUSS HD M10 X 1.5 X 20 X SPCL-8.8-A3L		
N	136151	BOLT – HEX FLG HD TFL M10 X 1.5 X 16-8.8-AA1J		
P	135799	NUT – HEX FLG CTR LOC M10 X 1.5-10		

127 (Option) Reel Tine Tube Conversion Kits – Double Reel, 6 Bat to 9 Bat



(OPTION) REEL TINE TUBE CONVERSION KITS – DOUBLE REEL, 6 BAT TO 9 BAT

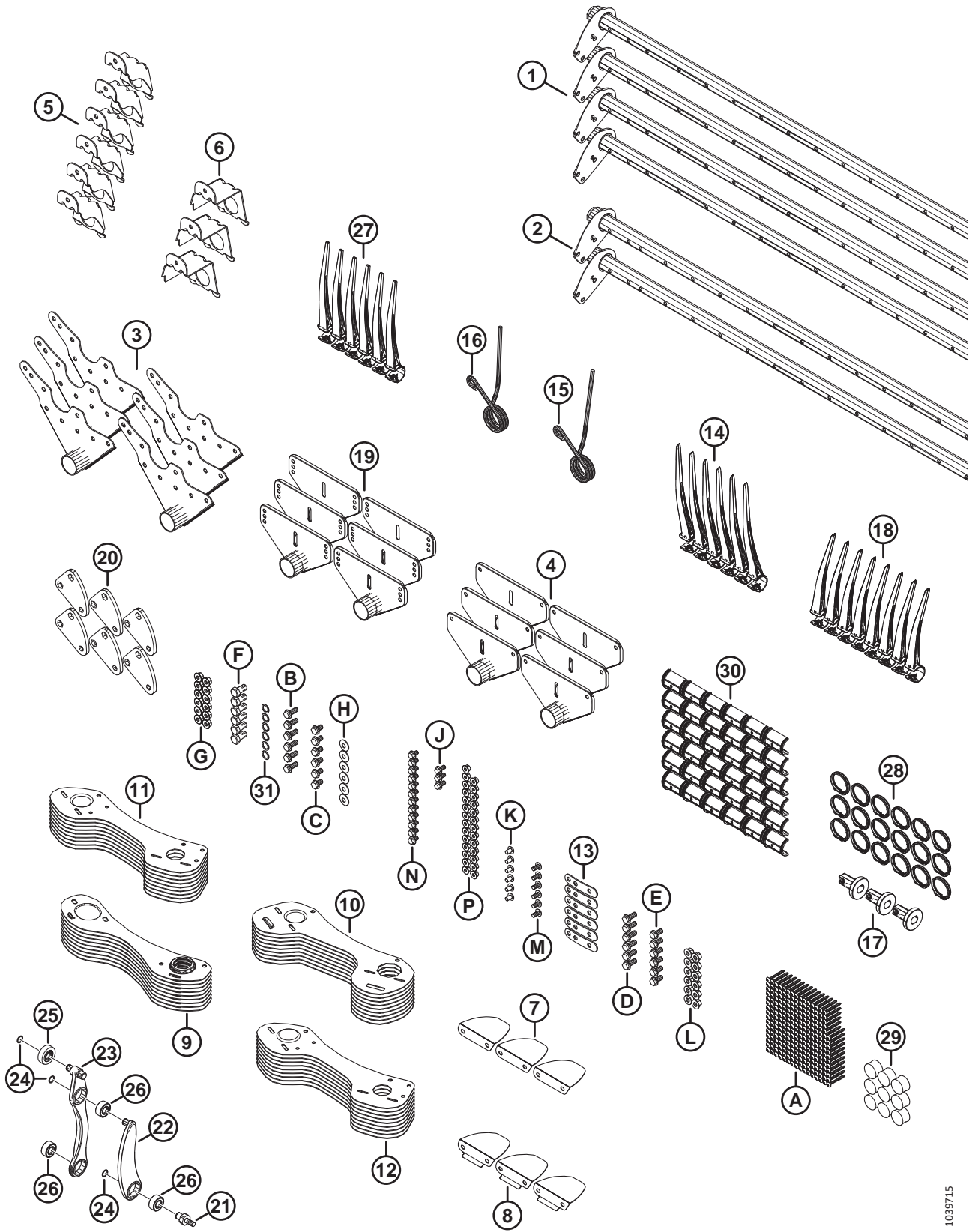
Ref	Part Number	Description	Qty	Serial Number
	B7362	KIT – 30FT DR 6B TO 9B CONV. ⁴²⁰		
1	311368	TINE TUBE – 30FT DR NARROW	4	
2	311365	TINE TUBE – 30FT DR WIDE	2	
3	335924	ARM WELDT – CAM END	6	
4	311347	ARM WELDT – TAIL END	6	
5	311964	SUPPORT – WELDT CAM END	6	
6	311965	SUPPORT – WELDT TAIL END	3	
7	311906	DEFLECTOR – CAM INBOARD	3	
8	311729	DEFLECTOR – CAM OUTBOARD	3	
9	311870	SHIELD – 9 BAT RH REEL, TAIL END	9	
10	311868	SHIELD – 9 BAT LH REEL, CAM END	9	
11	311864	SHIELD – OUTBOARD LH 9 BAT	9	
12	311863	SHIELD – OUTBOARD RH 9 BAT	9	
13	311672	STRAP	6	
14	360540	FINGER – PLASTIC, LH ANGLED, 45 MM (PKG OF 10)	6	
15	311327	FINGER – CAM END BENT	3	
16	311325	FINGER – CAM END OUTBOARD	3	
17	273968	BUSHING – ENDSHIELD	3	
18	311523	FINGER – PLASTIC, RH ANGLED, 52 MM (PKG OF 10)	8	
19	273523	ARM WELDT – MID SPAN	6	
20	228319	ARM – CRANK MACHINING	6	
21	340146	STUD	6	
22	311615	ARM – ASSEMBLY ⁴²¹	6	
23	311617	ARM – TINE CONTROL ASSY ⁴²²	6	
24	273536	RING – RETAINING	18	
25	273524	BEARING – CAM FOLLOWER	6	
26	273347	BEARING	18	
27	174849	FINGER – PLASTIC HEAVY DUTY (PKG OF 10)	237	
28	220941	CLAMP – TINE TUBE BUSHING, CENTER RIB (BOX OF 5)	18	
29	137980	PLUG – TINE TUBE	9	
30	220939	TINE TUBE BUSHING (BOX OF 25)	36	
31	137529	SHIM – CRANK BEARING	6	
A	252687	SCREW – 48° PLASTITE TWIN HELIX		
B	320192	BOLT – HEX FLG HD M12 X 1.75 X 30-SPCL-8.8-ZINC		
C	320187	BOLT – HEX FLG HD M12 X 1.75 X 20-SPCL-8.8-ZINC		
D	320180	BOLT – HEX FLG HD M12 X 1.75 X 30-SPCL-8.8-ZINC		
E	320175	BOLT – HEX FLG HD TFL M12 X 1.75 X 25-SPCL-8.8-ZINC		
F	228316	BOLT – HEX HD M16 X 1.5 X 30-SPCL-8.8-ZINC		
G	184697	NUT – HEX SER FLG M12 X 1.75-8-AA1J		

420. Kits are available through Whole Goods only.

421. The arm assembly includes one retaining ring (MD #273536) and one bearing (MD #273347).

422. The tine control arm assembly includes two retaining rings (MD #273536), one cam follower bearing (MD #273524), and two bearings (MD #273347).

(OPTION) REEL TINE TUBE CONVERSION KITS – DOUBLE REEL, 6 BAT TO 9 BAT

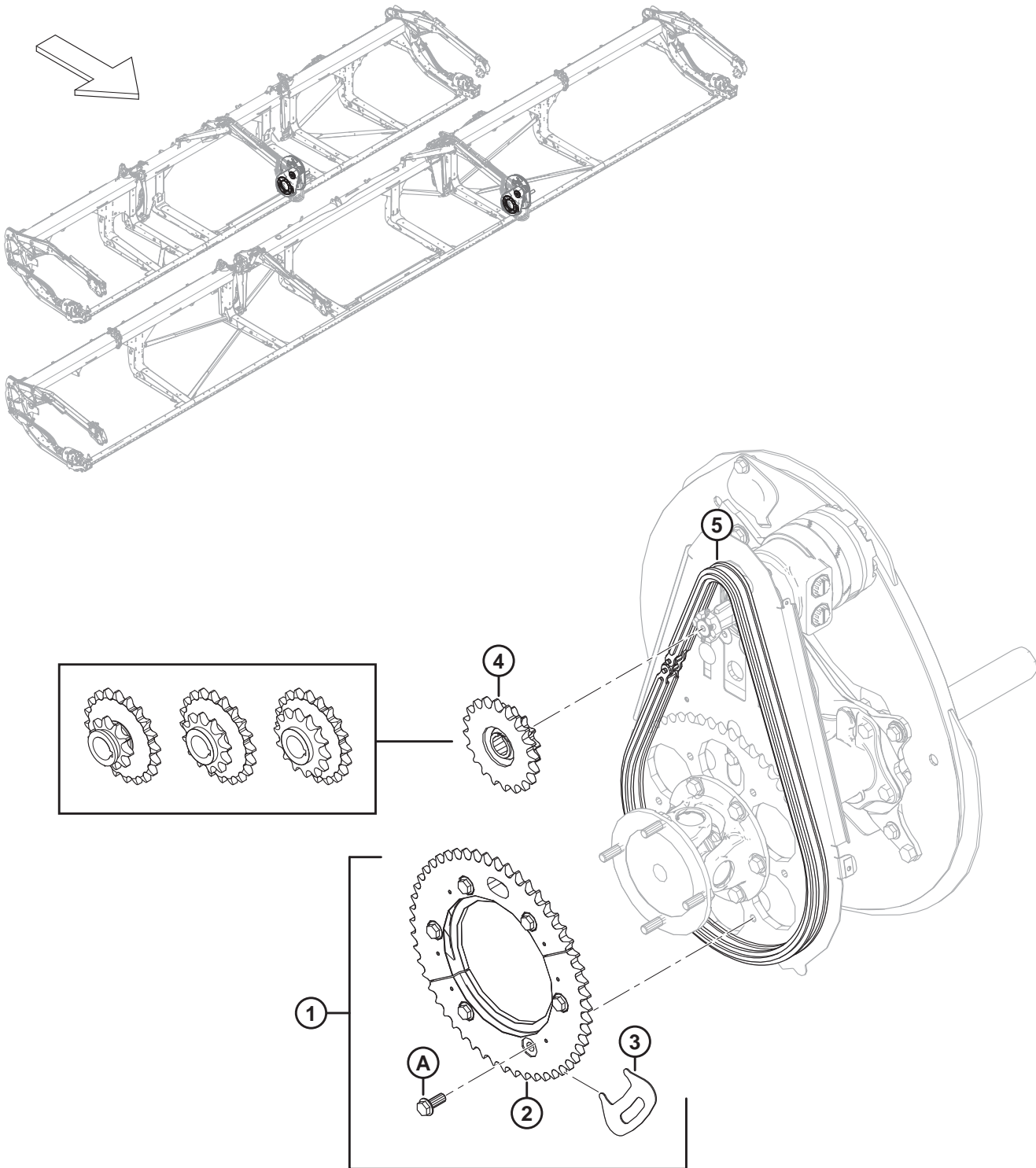


1039715

(OPTION) REEL TINE TUBE CONVERSION KITS – DOUBLE REEL, 6 BAT TO 9 BAT

Ref	Part Number	Description	Qty	Serial Number
H	184597	WASHER – CON SPRING M12-ZINC		
J	152655	BOLT – HEX FLG HD M10 X 1.5 X 20-8.8-AA1J		
K	136640	SCREW – TORX TRUSS HD M10 X 1.5 X 16 X SPCL-8.8-AA1J		
L	136431	NUT – HEX FLG CTR LOC M12 X 1.75-10		
M	136395	SCREW – TORX TRUSS HD M10 X 1.5 X 20 X SPCL-8.8-A3L		
N	136151	BOLT – HEX FLG HD TFL M10 X 1.5 X 16-8.8-AA1J		
P	135799	NUT – HEX FLG CTR LOC M10 X 1.5-10		

128 (Option) Reel – Two Speed



(OPTION) REEL – TWO SPEED

Ref	Part Number	Description	Qty	Serial Number
1	311882	KIT – 2 SPEED ⁴²³	1	
2	273689	SPROCKET – MACHINED 52 T	1	
3	273594	TOOL – SPROCKET	1	
4	273453	SPROCKET – DUAL 14-20 (WINDROWER) ⁴²⁴	1	
5	273907	CHAIN – RC 60 ENDLESS 76 LINKS ⁴²⁵	OPT	
	273963	CHAIN – RC C/W CONNECTOR 76 LINKS ⁴²⁶	OPT	
A	320192	BOLT – HEX FLG HD M12 X 1.75 X 30-SPCL-8.8-AA1J		

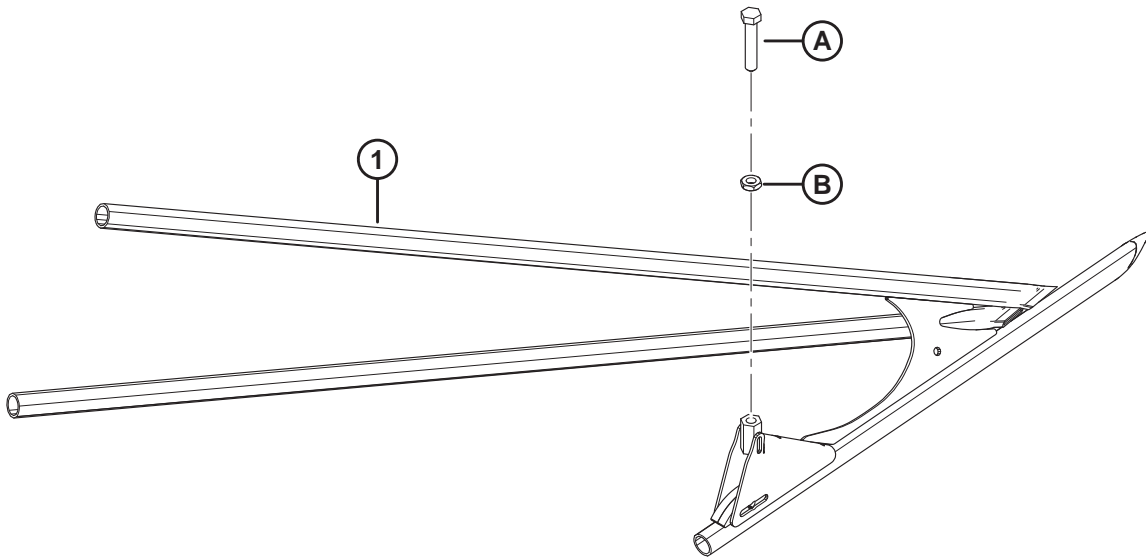
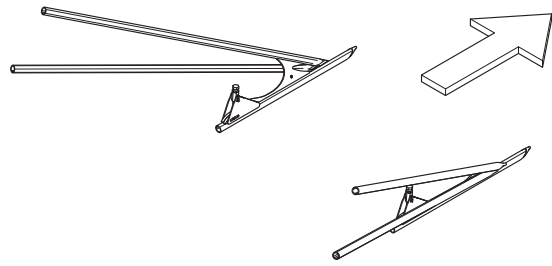
423. The kit includes 52-tooth machined sprocket (MD #273689), sprocket tool (MD #273594), six bolts (MD #320180), and instructions.

424. Windrower, 3000 psi reel drive circuit pressure.

425. The chain is **NOT** included in kit (MD #311882). A new chain is recommended if the kit is being installed on a unit with hours and it is not a new header. A worn chain will affect the register of the sprocket halves to one another.

426. The chain is **NOT** included in kit (MD #311882). A new chain is recommended if the kit is being installed on a unit with hours and it is not a new header. A worn chain will affect the register of the sprocket halves to one another.

129 (Option) Rice Divider Rods

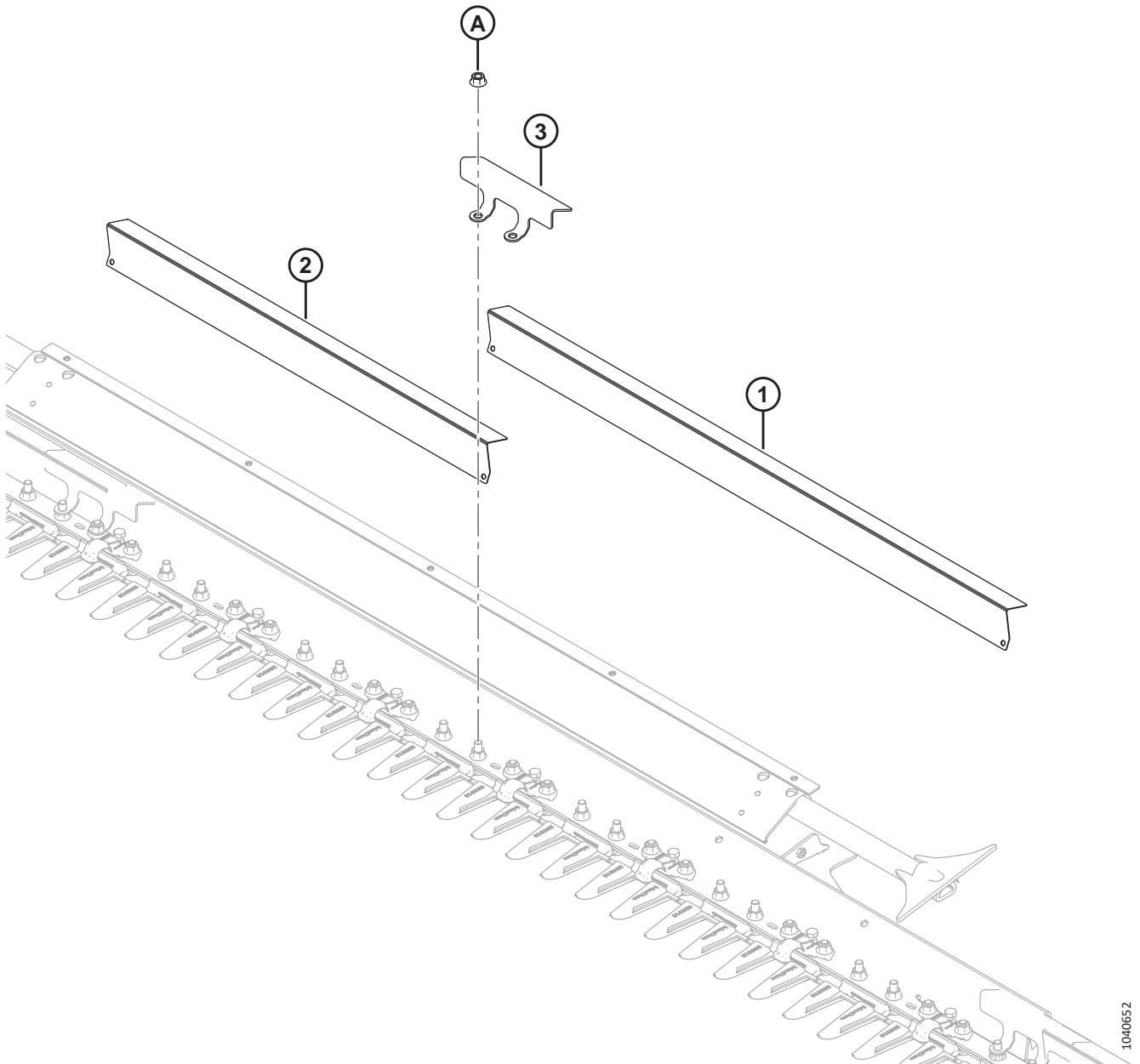
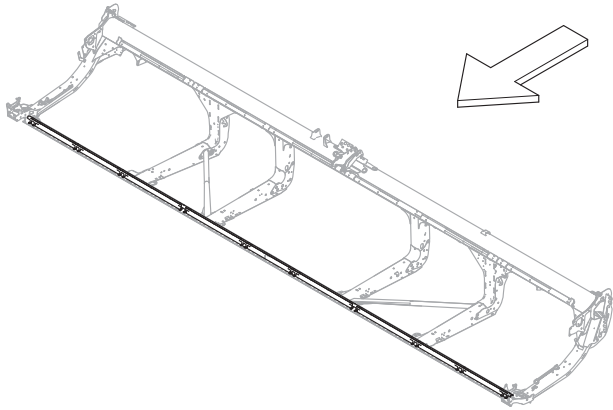


(OPTION) RICE DIVIDER RODS

Ref	Part Number	Description	Qty	Serial Number
	B7238	RICE DIVIDER RODS ⁴²⁷		
1	340095	DIVIDER – RICE LH TUBE WELDT	1	
	340096	DIVIDER – RICE RH TUBE WELDT	1	
A	232762	SET SCREW – MACHINED		
B	184696	NUT – HEX THIN M12 X 1.75-05-AA1J		

427. Kits are available through Whole Goods only.

130 (Option) Rock Retarder Kit



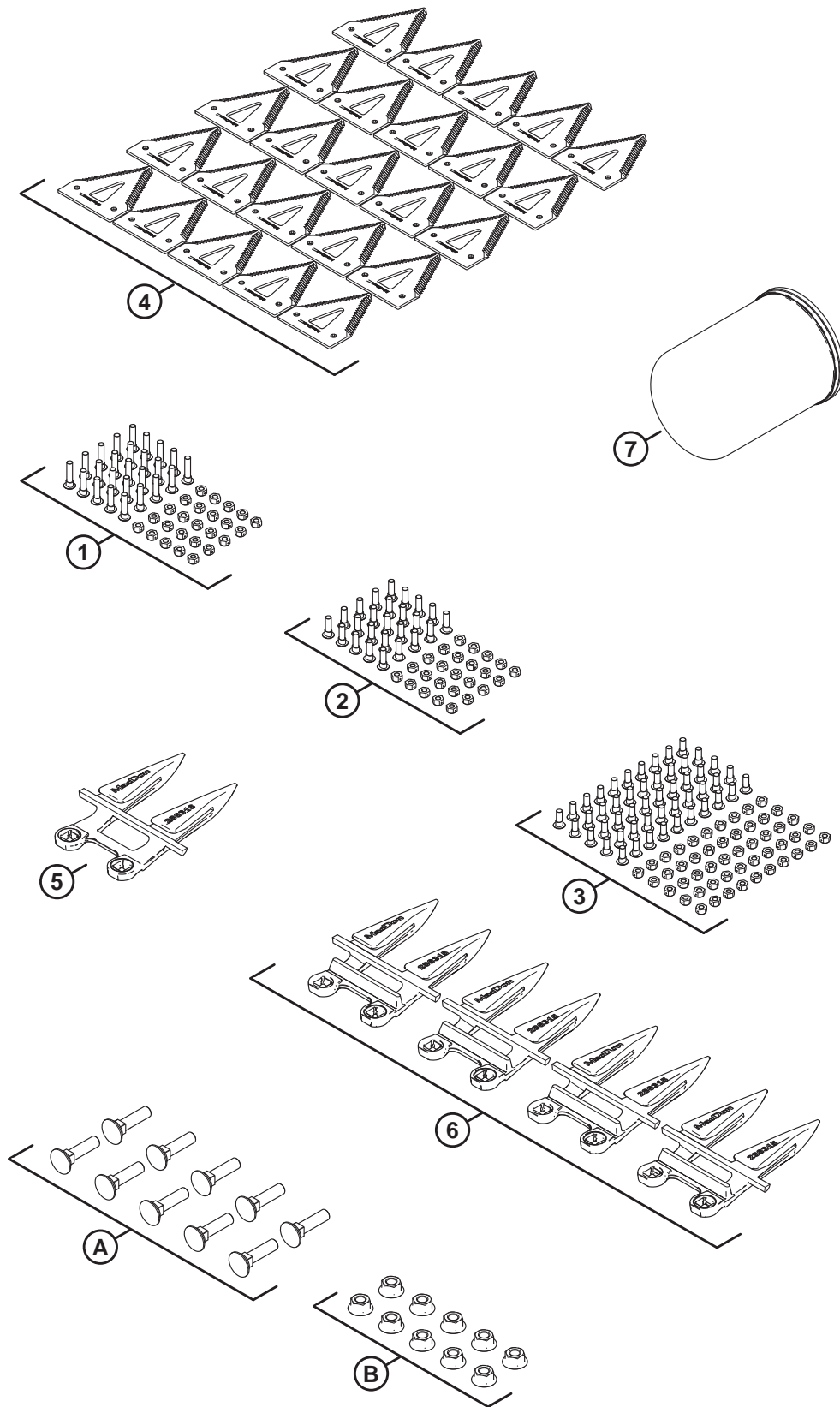
1040652

(OPTION) ROCK RETARDER KIT

Ref	Part Number	Description	Qty	Serial Number
	B7122	KIT – ROCK RETARDER, D225, D230, D235, AND D241 ⁴²⁸		
1	233800	DEFLECTOR – ROCK GUARD LONG	4	
2	233799	DEFLECTOR – ROCK GUARD SHORT	9	
3	233635	CLAMP – ROCK GUARD	14	
A	136036	NUT – HEX SM FLG M12 X 1.75-8-AA1J		

428. Kits are available through Whole Goods only.

131 (Option) Service Kit – Pointed Guards, Coarse Knives



(OPTION) SERVICE KIT – POINTED GUARDS, COARSE KNIVES

NOTE:

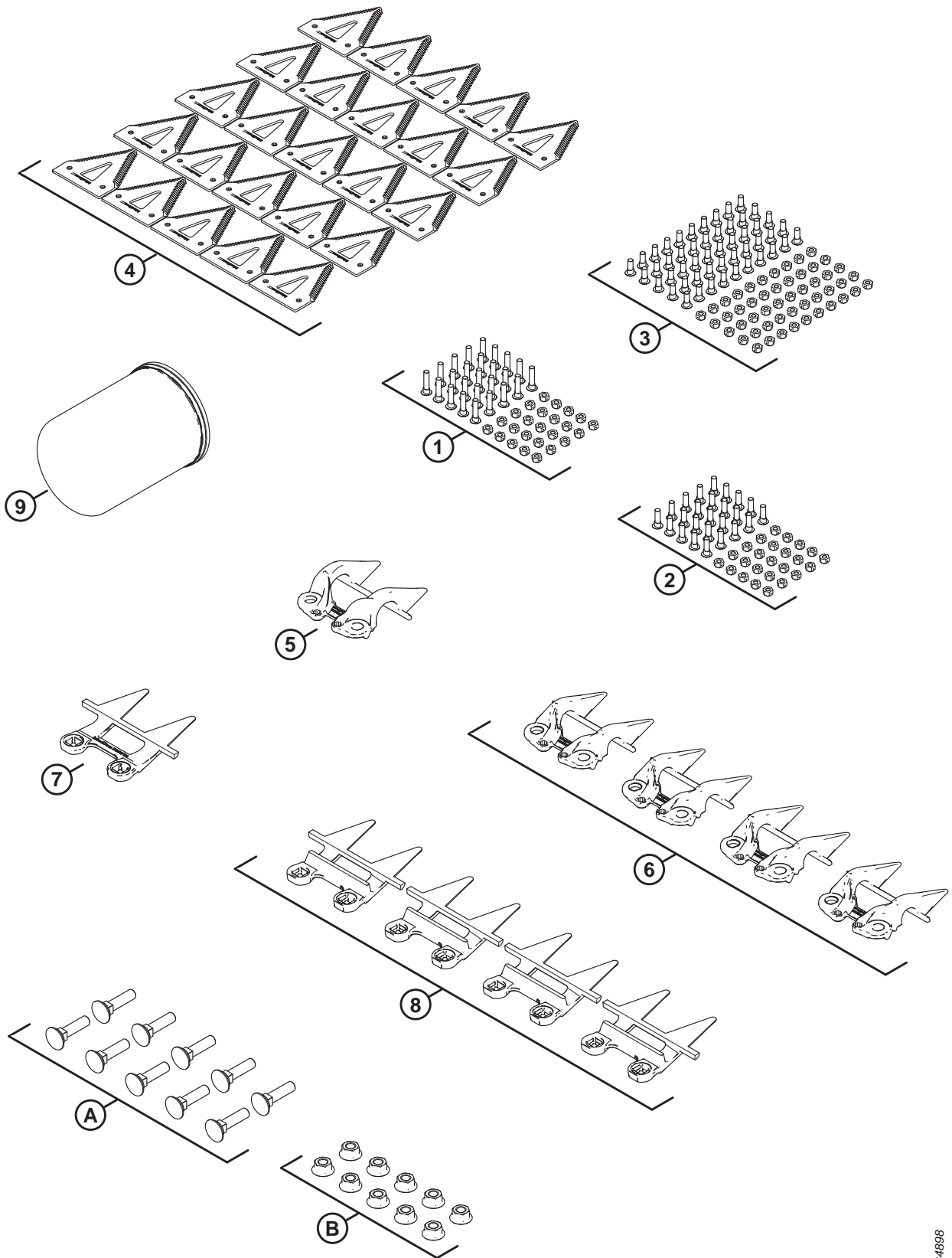
This kit not available for sale in North America.

Ref	Part Number	Description	Qty	Serial Number
	B7155	KIT – SERVICE, POINTED, COARSE ⁴²⁹		
	311789	KIT – D2 SERVICE PTD CRS ⁴³⁰		
1	286477	KIT – SCREW M6 X 29 C/W NUT 25PK	1	
2	286476	KIT – SCREW M6 X 22 C/W NUT 25PK	1	
3	286475	KIT – SCREW M6 X 18 C/W NUT 50PK	1	
4	286461	SECTION – CLEARCUT COARSE 25PK	1	
5	286316	KNIFE GUARD – POINTED END	1	
6	286315	KNIFE GUARD – POINTED	4	
7	320360	FILTER – HYD C/W 2X SEALS	1	
A	226295	BOLT – RHSN SPCL M12 X 47-8.8		
B	136036	NUT – HEX SM FLG M12 X 1.75-8-AA1J		

429. Kits are available through Whole Goods only.

430. The kit includes all listed parts.

132 (Option) Service Kit – PlugFree™ Guards, Coarse Knives



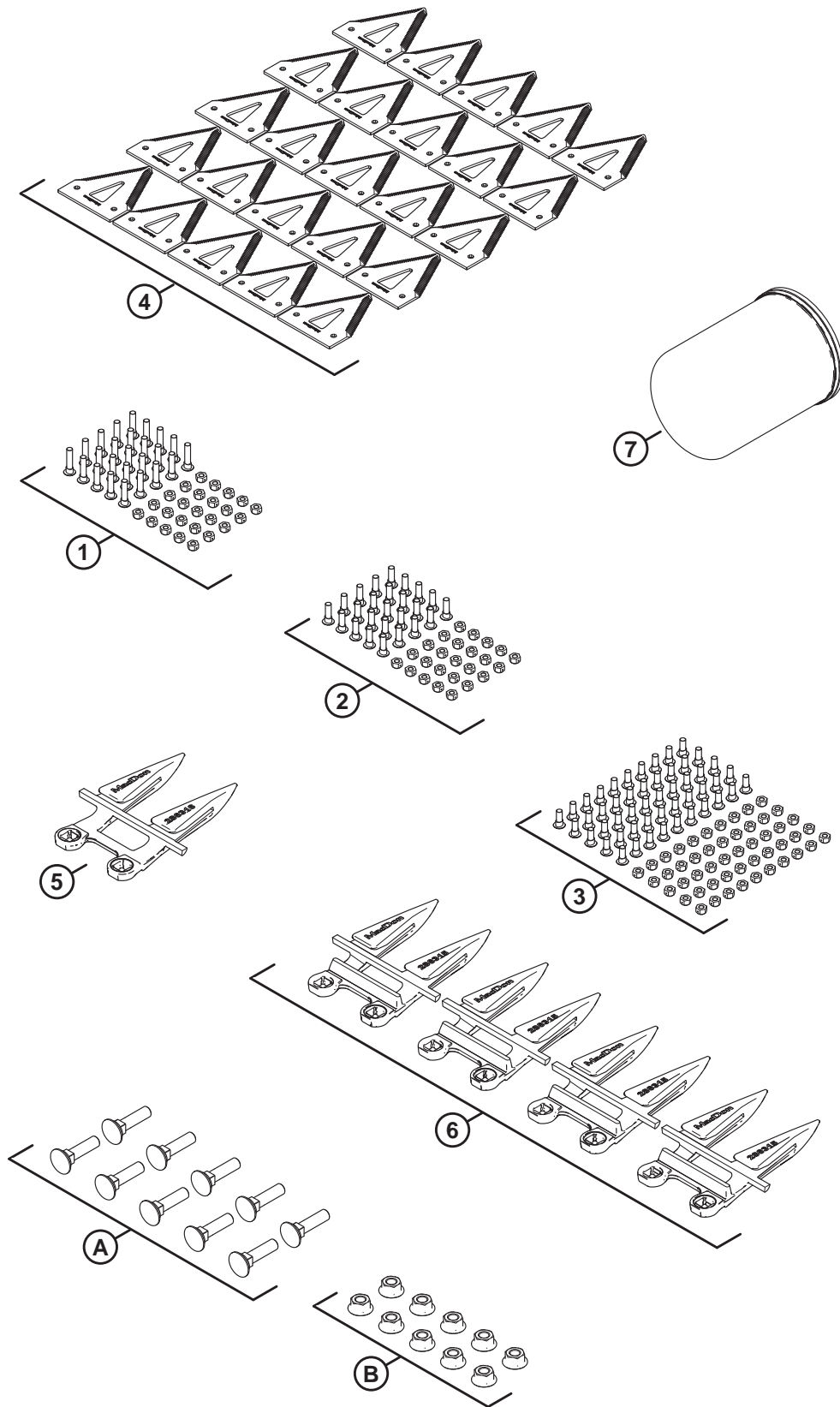
(OPTION) SERVICE KIT – PLUGFREE™ GUARDS, COARSE KNIVES

Ref	Part Number	Description	Qty	Serial Number
	B7156	KIT – SERVICE, PLUGFREE, COARSE ⁴³¹		
	311790	KIT – D2 SERVICE PF CRS ⁴³²		
1	286477	KIT – SCREW M6 X 29 C/W NUT 25PK	1	
2	286476	KIT – SCREW M6 X 22 C/W NUT 25PK	1	
3	286475	KIT – SCREW M6 X 18 C/W NUT 50PK	1	
4	286461	SECTION – CLEARCUT COARSE 25PK	1	
5	286331	HOLD-DOWN – PLUGFREE END	1	
6	286330	HOLD-DOWN – PLUGFREE	4	
7	286319	KNIFE GUARD – PLUGFREE END	1	
8	286318	KNIFE GUARD – PLUGFREE	4	
9	320360	FILTER – HYD C/W 2X SEALS	1	
A	226295	BOLT – RHSN SPCL M12 X 47-8.8		
B	136036	NUT – HEX SM FLG M12 X 1.75-8-AA1J		

431. Kits are available through Whole Goods only.

432. The kit includes all listed parts.

133 (Option) Service Kit – Pointed Guards, Fine Knives



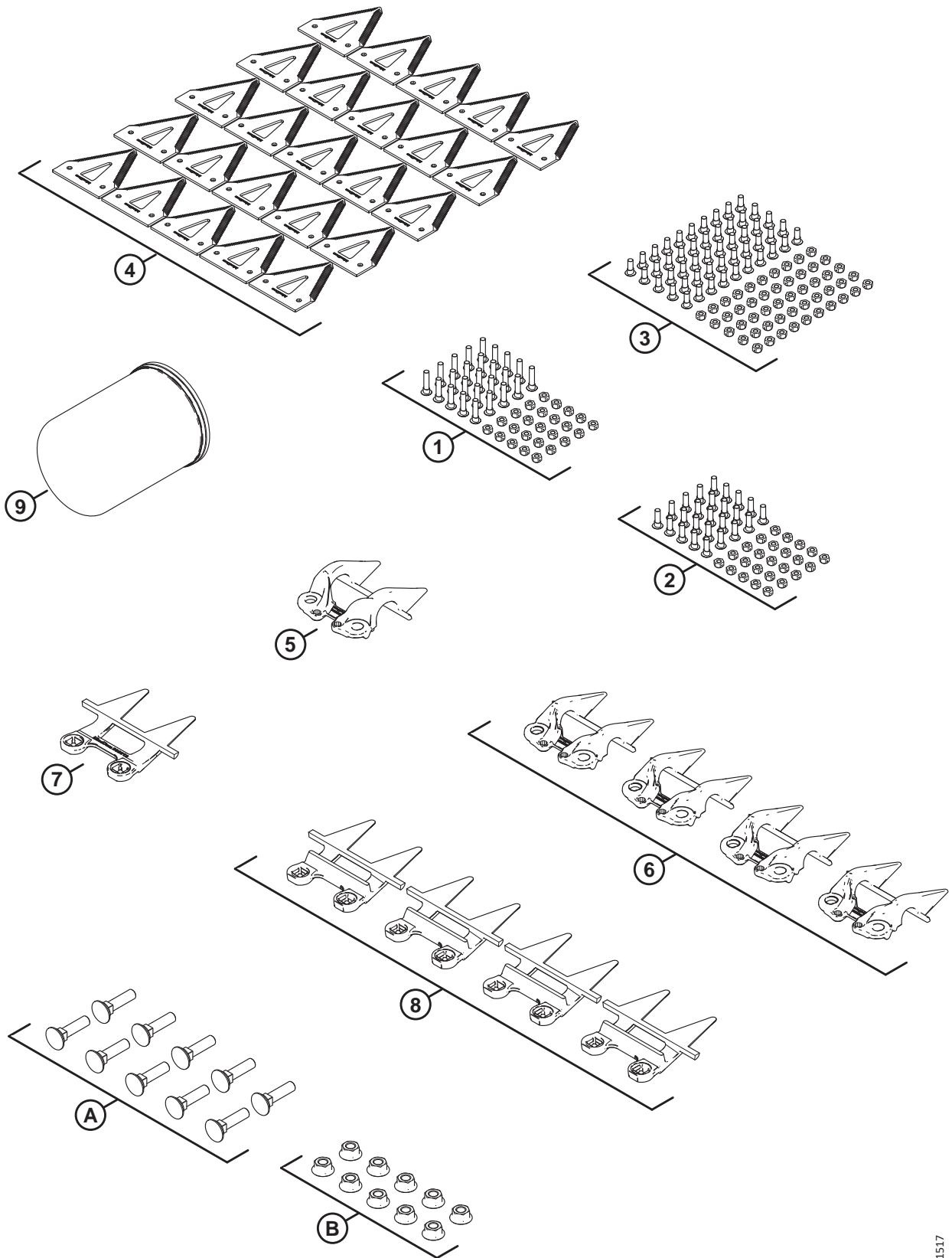
(OPTION) SERVICE KIT – POINTED GUARDS, FINE KNIVES

Ref	Part Number	Description	Qty	Serial Number
	B7157	KIT – SERVICE, POINTED, FINE ⁴³³		
	311791	KIT – D2 SERVICE PTD FINE ⁴³⁴		
1	286477	KIT – SCREW M6 X 29 C/W NUT 25PK	1	
2	286476	KIT – SCREW M6 X 22 C/W NUT 25PK	1	
3	286475	KIT – SCREW M6 X 18 C/W NUT 50PK	1	
4	286462	SECTION – CLEARCUT FINE 25PK	1	
5	286316	KNIFE GUARD – POINTED END	1	
6	286315	KNIFE GUARD – POINTED	4	
7	320360	FILTER – HYD C/W 2X SEALS	1	
A	226295	BOLT – RHSN SPCL M12 X 47-8.8		
B	136036	NUT – HEX SM FLG M12 X 1.75-8-AA1J		

433. Kits are available through Whole Goods only.

434. The kit includes all listed parts.

134 (Option) Service Kit – PlugFree™ Guards, Fine Knives



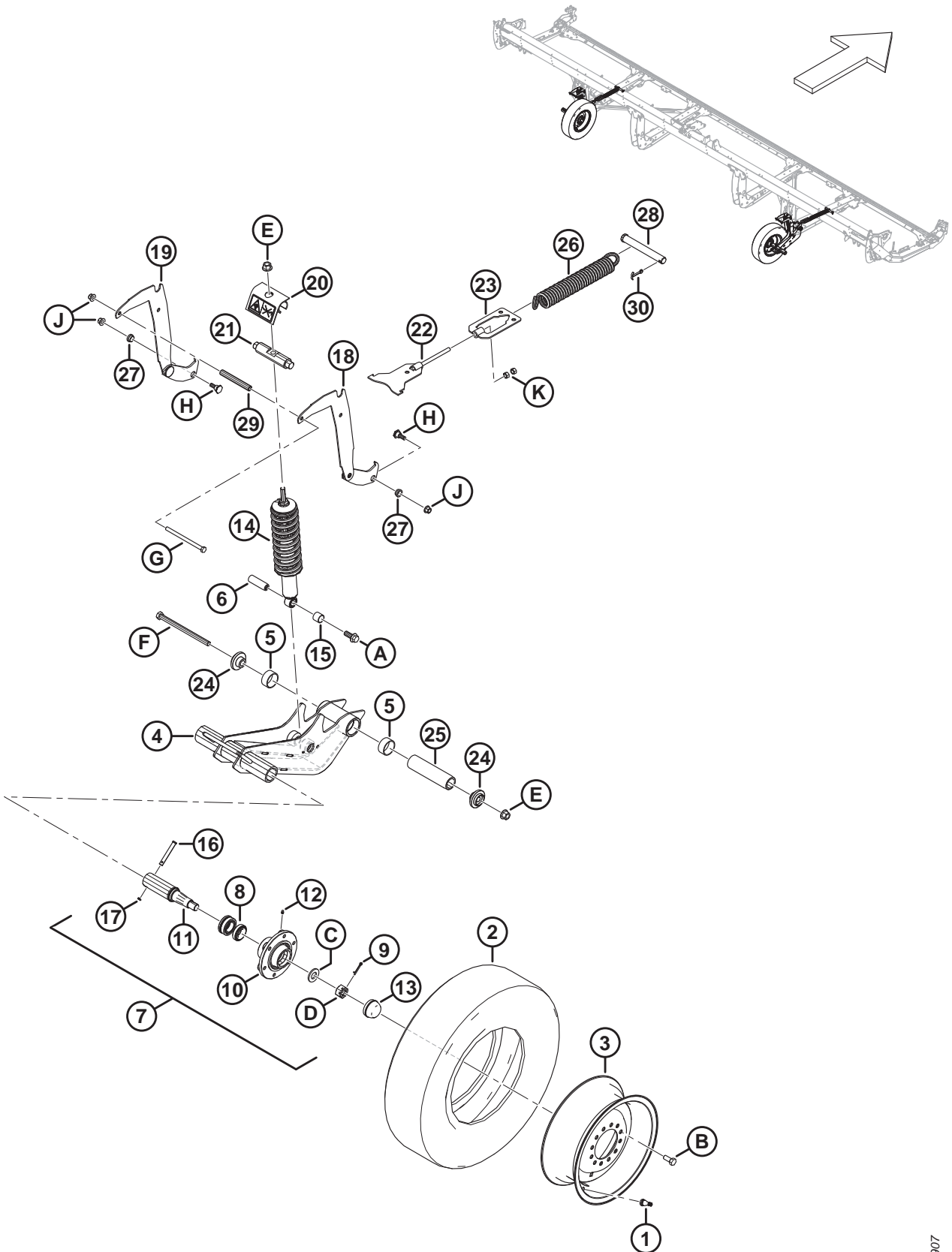
(OPTION) SERVICE KIT – PLUGFREE™ GUARDS, FINE KNIVES

Ref	Part Number	Description	Qty	Serial Number
	B7158	KIT – SERVICE, PLUGFREE, FINE ⁴³⁵		
	311792	KIT – D2 SERVICE KIT PF FINE ⁴³⁶		
1	286477	KIT – SCREW M6 X 29 C/W NUT 25PK	1	
2	286476	KIT – SCREW M6 X 22 C/W NUT 25PK	1	
3	286475	KIT – SCREW M6 X 18 C/W NUT 50PK	1	
4	286462	SECTION – CLEARCUT FINE 25PK	1	
5	286331	HOLD-DOWN – PLUGFREE END	1	
6	286330	HOLD-DOWN – PLUGFREE	4	
7	286319	KNIFE GUARD – PLUGFREE END	1	
8	286318	KNIFE GUARD – PLUGFREE	4	
9	320360	FILTER – HYD C/W 2X SEALS	1	
A	226295	BOLT – RHSN SPCL M12 X 47-8.8		
B	136036	NUT – HEX SM FLG M12 X 1.75-8-AA1J		

435. Kits are available through Whole Goods only.

436. The kit includes all listed parts.

135 (Option) Stabilizer Wheels



(OPTION) STABILIZER WHEELS

NOTE:

The Stabilizer Wheels Kit (MD #C2171) is compatible with D230, D235, and D241 headers only.

Ref	Part Number	Description	Qty	Serial Number
	C2171	STABILIZER WHEELS – KIT ⁴³⁷		
	B7398	KIT – TIRES, 225/75R15 LRF ⁴³⁷		
1	230968	STEM – TIRE VALVE ASSY #TR-416	2	
2	327808	TIRE – ST 225/75 R15 LRF	2	
3	327807	WHEEL – 15 X 6 WHITE ⁴³⁸	2	
	144531	WHEEL – 15 X 6 LB ⁴³⁹	A/R	
	327802	DECAL – TIRE PRESSURE, 655 KPA (95 PSI) ⁴⁴⁰	2	
	327717	DECAL – TIRE PRESSURE, 552 KPA (80 PSI) ⁴⁴¹	A/R	
	B6460	KIT – STABILIZER WHEELS ⁴³⁷		
4	327682	ASSY – PIVOT ARM ⁴⁴²	2	
5	327600	BUSHING – COMPOSITE	4	
6	316793	PIN	2	
7	316330	ASSY – HUB ⁴⁴³	2	
8	316851	KIT – WHEEL BEARING	2	
9	18608	PIN – COTTER 3/16 DIA X 1.5 ZP	2	
10	316847	HUB	2	
11	316848	SPINDLE	2	
12	18671	FITTING – LUBE 1/4-28 UNF	2	
13	30520	CAP – DUST	2	
14	327798	DAMPENER – HEADER ⁴⁴⁴	2	
15	133992	BUSHING – COMPOSITE	2	
16	101007	PIN – CLEVIS	2	
17	18648	PIN – COTTER 3/16 DIA X 1.25 ZP	2	
18	327656	WELDT – SUPPORT, HEIGHT ADJUST	2	
19	327655	WELDT – SUPPORT, HEIGHT ADJUST	2	
20	327089	ASSY – ANTI PRY ⁴⁴⁵	2	

437. Kits are available through Whole Goods only.

438. Wheel MD #327807 is used with tire MD #327808.

439. Wheel MD #144531 remains available as a service part for superseded tire MD #230483. Wheel MD #144531 is **NOT** included in Tires Kit MD #B7398.

440. Tire pressure decal MD #327802 (655 kPa [95 psi]) is used with tire MD #327808.

441. Tire pressure decal MD #327717 (552 kPa [80 psi]) remains available as a service part for superseded tire MD #230483.

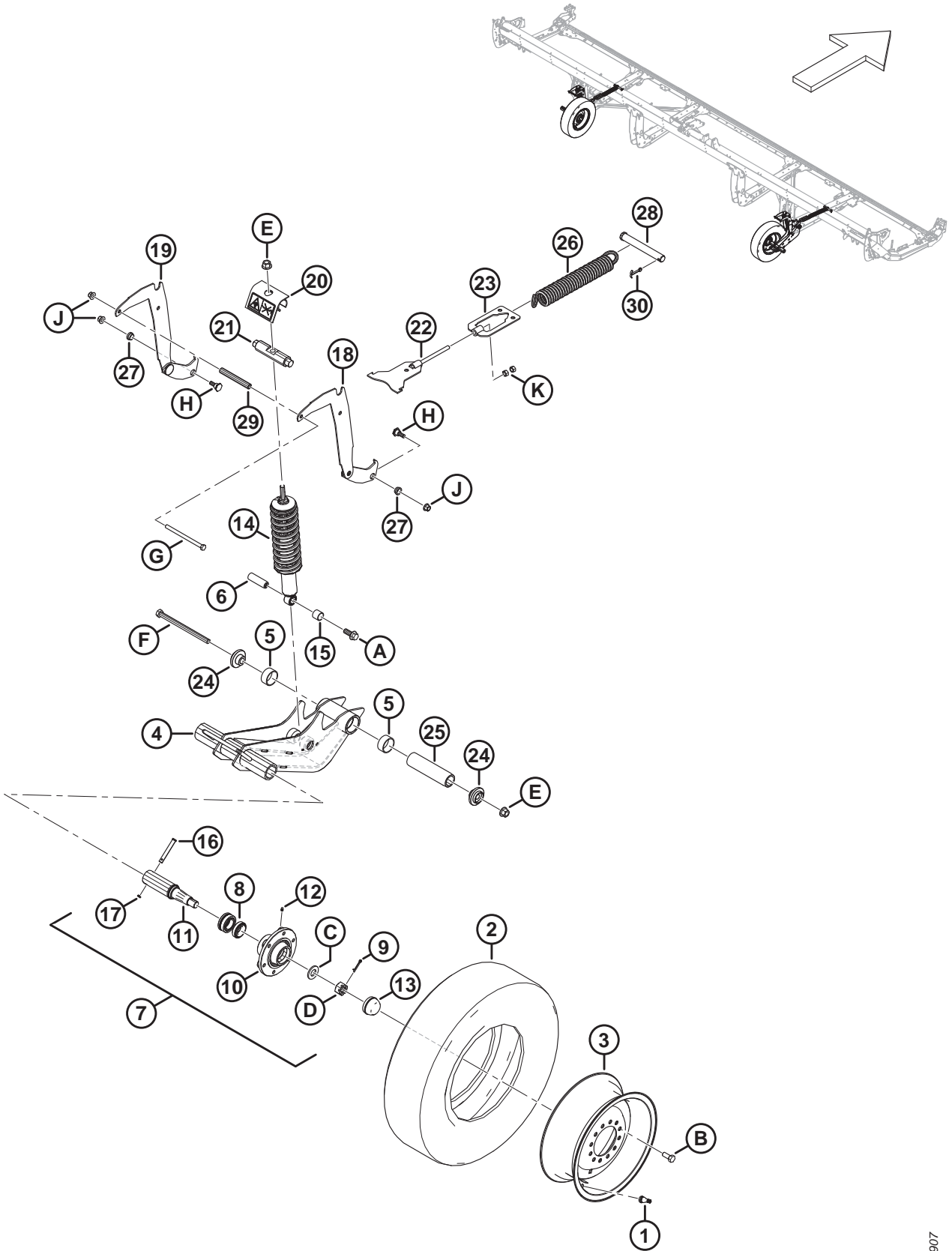
442. The pivot arm assembly includes two composite bushings (MD #327600).

443. The hub assembly includes pin (MD #18608), fitting (MD #18671), six bolts (MD #18916), dust cap (MD #30520), hub (MD #316847), spindle (MD #316848), wheel bearing kit (MD #316851), nut (MD #316859), and washer (MD #316860).

444. The dampener includes composite bushing (MD #133992).

445. The anti-pry assembly includes energy release decal (MD #327086).

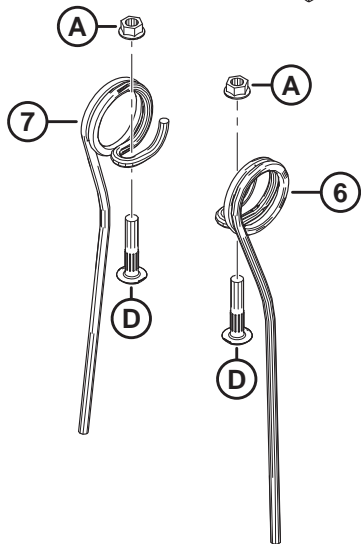
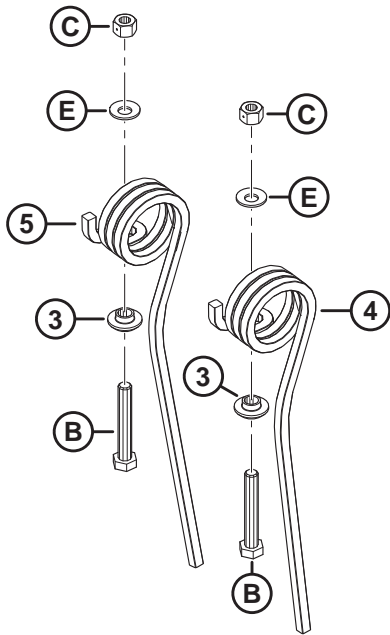
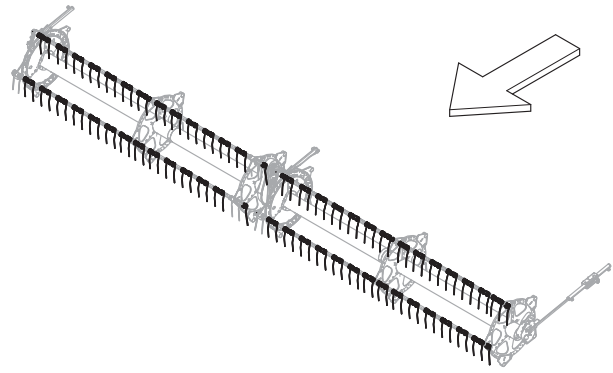
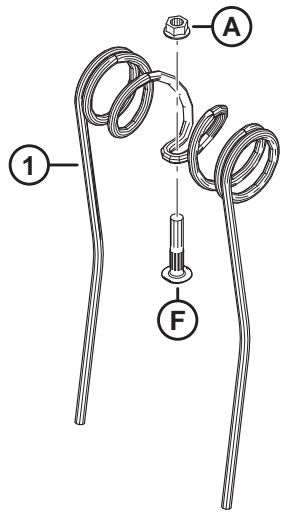
(OPTION) STABILIZER WHEELS



(OPTION) STABILIZER WHEELS

Ref	Part Number	Description	Qty	Serial Number
21	316284	PIN	2	
22	316096	SUPPORT – WELDT	2	
23	316095	SUPPORT – WELDT	2	
24	303839	CASTING – PLATE	4	
25	303525	PIN – PIVOT	2	
26	303520	SPRING – EXTENSION	2	
27	303492	BUSHING – COMPOSITE	4	
28	292692	PIN – CLEVIS	2	
29	210985	SPACER	2	
30	18609	PIN – COTTER 1/4 DIA X 2 ZP	2	
	327086	DECAL – ENERGY RELEASE	2	
	316662	DECAL – HEIGHT SETTING	2	
A	320060	BOLT – HEX FLG HD TFL M16 X 2 X 40-10.9-ZINC		
B	18916	BOLT – 90° WHEEL 9/16 NF X 1.75 OL-AA1J		
C	316860	WASHER		
D	316859	NUT – SLOTTED		
E	136440	NUT – HEX FLG CTR LK M16 X 2-10-AA1J		
F	320011	BOLT – HEX HD M16 X 2 X 240-10.9-ZINC		
G	252272	BOLT – HEX HD TFL M12 X 1.75 X 180-10.9-ZINC		
H	303251	BOLT – 19 MM SHLDR M12 SPCL		
J	136431	NUT – HEX FLG CTR LOC M12 X 1.75-10		
K	135156	NUT – HEX M12 X 1.75-10-AA1J		

136 (Option) Steel Finger Kit



(OPTION) STEEL FINGER KIT

Ref	Part Number	Description	Qty	Serial Number
	360676	KIT – STEEL FINGER, 15 FT SR, 6 BAT ⁴⁴⁶		
	360677	KIT – STEEL FINGER, 15 FT SR, 9 BAT ⁴⁴⁶		
	360678	KIT – STEEL FINGER, 20 FT SR, 6 BAT ⁴⁴⁶		
	360685	KIT – STEEL FINGER, 20 FT SR, 9 BAT ⁴⁴⁶		
	360679	KIT – STEEL FINGER, 25 FT SR, 6 BAT ⁴⁴⁶		
	360680	KIT – STEEL FINGER, 25 FT SR, 9 BAT ⁴⁴⁶		
	311054	KIT – STEEL FINGER, 30 FT DR, 5 BAT ⁴⁴⁶		
	311055	KIT – STEEL FINGER, 30 FT DR, 6 BAT ⁴⁴⁶		
	311068	KIT – STEEL FINGER, 35 FT DR, 5 BAT ⁴⁴⁶		
	311069	KIT – STEEL FINGER, 35 FT DR, 6 BAT ⁴⁴⁶		
1	137092	FINGER ⁴⁴⁷		
2	220941	CLAMP – TINE TUBE BUSHING - CENTER RIB (BOX OF 5) ⁴⁴⁸		
3	273052	RETAINER – END FINGER ⁴⁴⁹		
4	311321	FINGER – TAIL END OUTBOARD ⁴⁵⁰		
5	311322	FINGER – TAIL END INBOARD ⁴⁵¹		
6	137754	FINGER – RH SINGLE CONCENTRIC ⁴⁵²		
7	137519	FINGER – LH SINGLE CONCENTRIC ⁴⁵³		
A	30228	NUT – FLG DT SM FACE 3/8-16 UNC-GR5-AA1J		
B	108172	BOLT – HEX HD M10 X 1.5 X 65-8.8-AA1J		
C	135800	NUT – HEX CTR LOC SPCL M10 X 1.5-9-AA1J		
D	137118	BOLT –BTN HD RIB NK 3/8 NC		
E	184584	WASHER – CON SPRING M10 STL SAE		

446. The kit includes all listed parts and instructions. Refer to the footnotes on individual service parts for quantities.

447. Quantities: D215 SR 6 Bat = 84, D215 SR 9 Bat = 126, D220 SR 6 Bat = 96, D220 SR 9 Bat = 144, D225 SR 6 Bat = 135, D225 SR 9 Bat = 190, D230 DR 5 Bat = 135, D230 DR 6 Bat = 135, D235 DR 5 Bat = 143, D235 DR 6 Bat = 171.

448. Quantities: D215 SR 6 Bat = 4, D215 SR 9 Bat = 6, D220 SR 6 Bat = 5, D220 SR 9 Bat = 8, D225 SR 6 Bat = 6, D225 SR 9 Bat = 9, D230 DR 5 Bat = 6, D230 DR 6 Bat = 8, D235 DR 5 Bat = 8, D235 DR 6 Bat = 10.

449. Quantities: D215 SR 6 Bat = 6, D215 SR 9 Bat = 9, D220 SR 6 Bat = 6, D220 SR 9 Bat = 9, D225 SR 6 Bat = 6, D225 SR 9 Bat = 9, D230 DR 5 Bat = 10, D230 DR 6 Bat = 12, D235 DR 5 Bat = 10, D235 DR 6 Bat = 12.

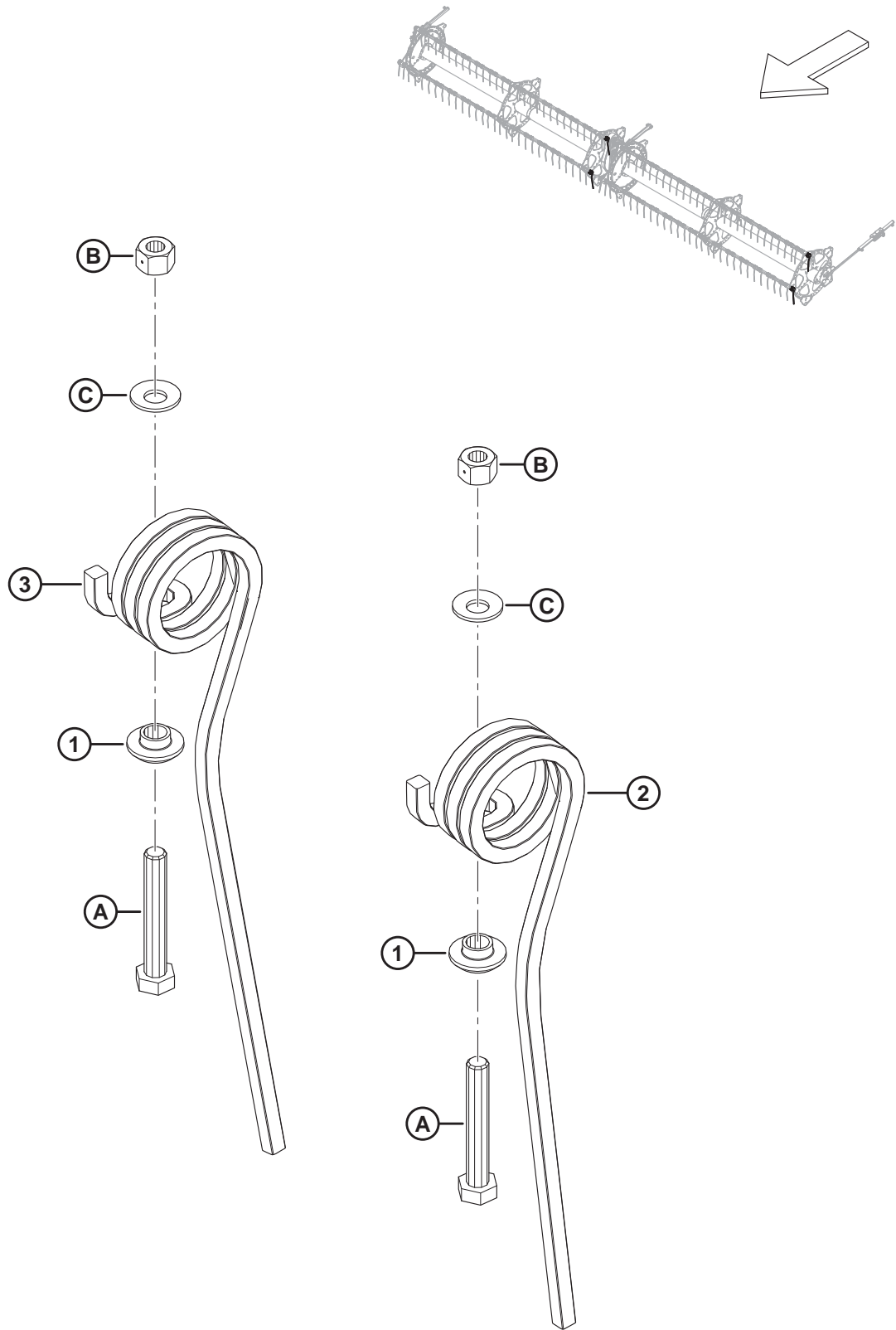
450. Quantities: D215 SR 6 Bat = 6, D215 SR 9 Bat = 9, D220 SR 6 Bat = 6, D220 SR 9 Bat = 9, D225 SR 6 Bat = 6, D225 SR 9 Bat = 9, D230 DR 5 Bat = 5, D230 DR 6 Bat = 6, D235 DR 5 Bat = 5, D235 DR 6 Bat = 6.

451. Quantities: D215 SR 6 Bat = 0, D215 SR 9 Bat = 0, D220 SR 6 Bat = 0, D220 SR 9 Bat = , D225 SR 6 Bat = 0, D225 SR 9 Bat = 0, D230 DR 5 Bat = 5, D230 DR 6 Bat = 6, D235 DR 5 Bat = 5, D235 DR 6 Bat = 6.

452. Quantities: D215 SR 6 Bat = 3, D215 SR 9 Bat = 4, D220 SR 6 Bat = 18, D220 SR 9 Bat = 25, D225 SR 6 Bat = 12, D225 SR 9 Bat = 9, D230 DR 5 Bat = 4, D230 DR 6 Bat = 6, D235 DR 5 Bat = 18, D235 DR 6 Bat = 24.

453. Quantities: D215 SR 6 Bat = 0, D215 SR 9 Bat = 0, D220 SR 6 Bat = 30, D220 SR 9 Bat = 47, D225 SR 6 Bat = 9, D225 SR 9 Bat = 34, D230 DR 5 Bat = 10, D230 DR 6 Bat = 12, D235 DR 5 Bat = 30, D235 DR 6 Bat = 36.

137 (Option) Steel Reel End Finger Kits



(OPTION) STEEL REEL END FINGER KITS

Ref	Part Number	Description	Qty	Serial Number
	311959	KIT – STEEL END FINGER, OUTBOARD ⁴⁵⁴		
	311972	KIT – STEEL END FINGER, INBOARD ⁴⁵⁵		
1	273052	RETAINER – END FINGER	1	
2	311321	FINGER – TAIL END OUTBOARD ⁴⁵⁶		
3	311322	FINGER – TAIL END INBOARD ⁴⁵⁷		
A	108172	BOLT – HEX HD M10 X 1.5 X 65-8.8-AA1J		
B	135800	NUT – HEX CTR LOC SPCL M10 X 1.5-9-AA1J		
C	184584	WASHER – CON SPRING M10 STL SAE		

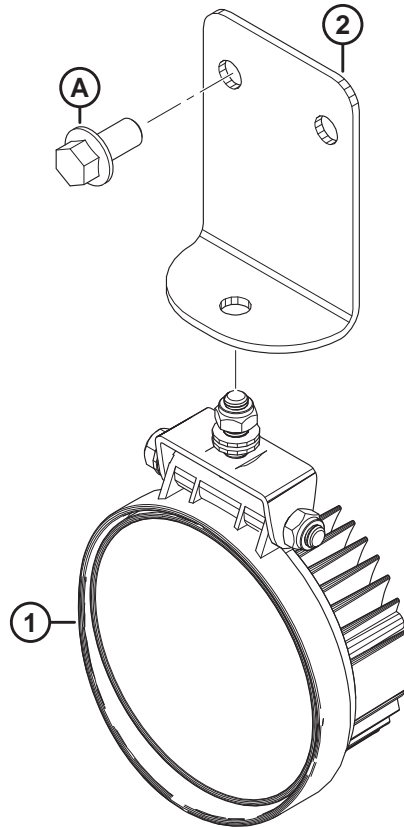
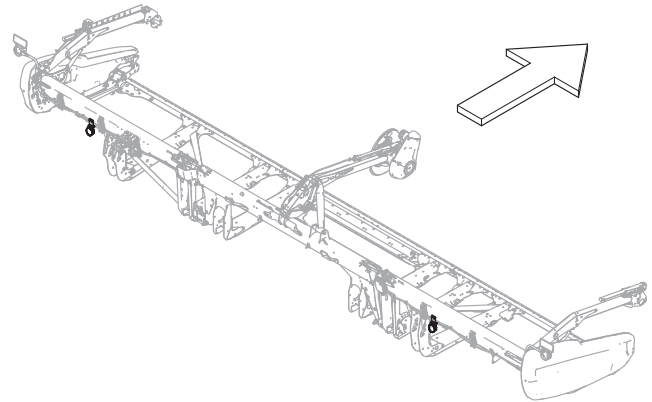
454. The Outboard Steel End Finger Kit includes one tail end outboard steel finger (MD #311321), all listed hardware, and instructions.

455. The Inboard Steel End Finger Kit includes one tail end inboard steel finger (MD #311322), all listed hardware, and instructions.

456. Quantities: kit MD #311959 = 1, kit MD #311972 = 0.

457. Quantities: kit MD #311959 = 0, kit MD #311972 = 1.

138 (Option) Stubble Lights



(OPTION) STUBBLE LIGHTS

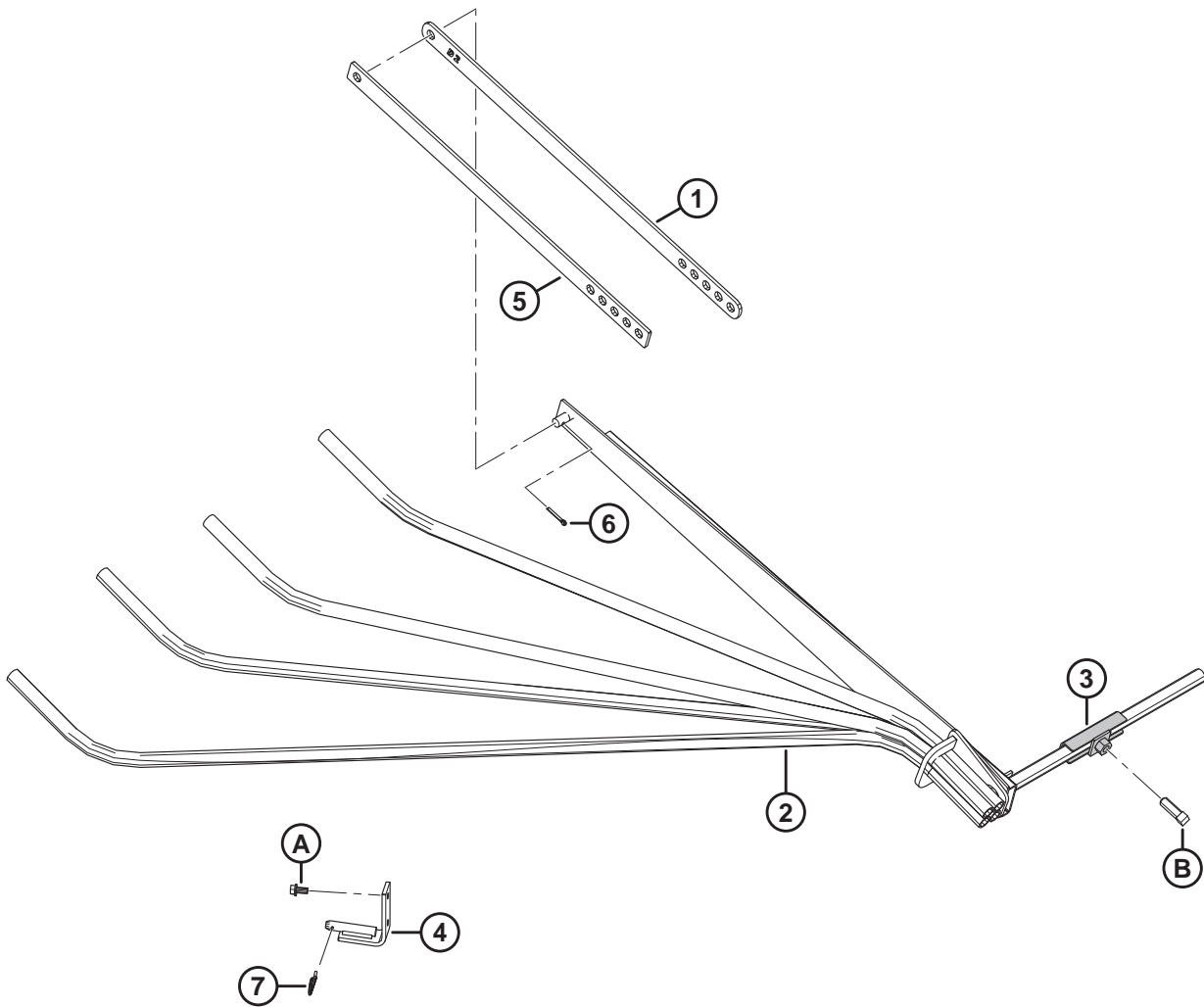
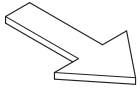
NOTE:

The Stubble Lights Kit (MD #B7029) is compatible with D225, D230, D235, and D241 headers only.

Ref	Part Number	Description	Qty	Serial Number
	B7027	KIT – STUBBLE LIGHTS ⁴⁵⁸		
1	258458	LIGHT	2	
2	258454	BRACKET – STUBBLE LIGHTS	2	
A	152655	BOLT – HEX FLG HD M10 X 1.5 X 20-8.8-AA1J		

458. Used only with M1 or M2 Series Windrowers. Kits are available through Whole Goods only.

139 (Option) Swath Forming Rods – Center Delivery

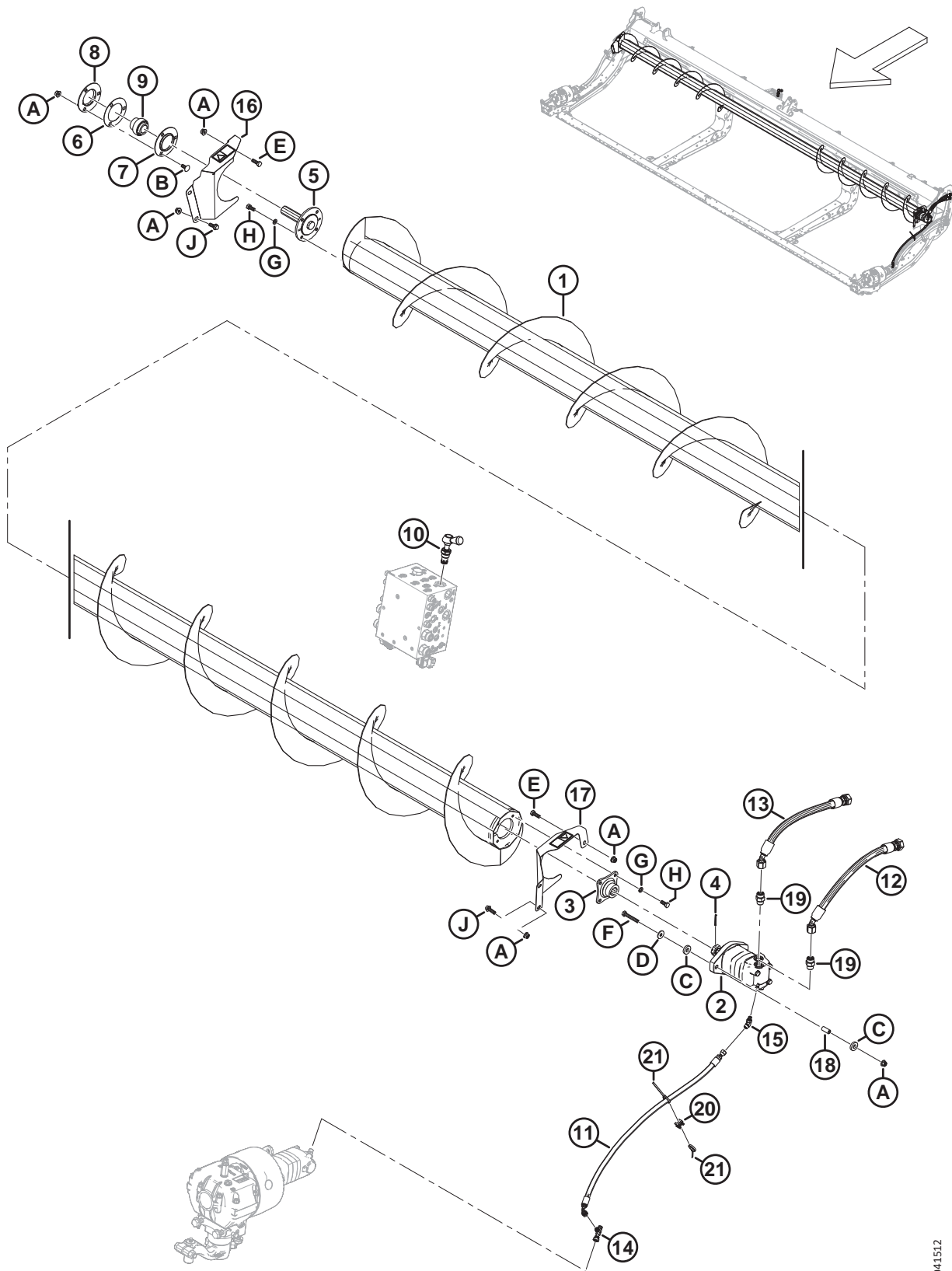


(OPTION) SWATH FORMING RODS – CENTER DELIVERY

Ref	Part Number	Description	Qty	Serial Number
	B7383	KIT – D1-D2 CTR SWATH FORMING RODS ⁴⁵⁹		
1	360516	BAR – FORMING ROD LINK	2	
2	172046	TUBE – FORMING ROD WELDT, RH	1	
	172025	TUBE – FORMING ROD WELDT, LH	1	
3	132107	CHANNEL WELDT ROD RETAINER	2	
4	132101	LUG WELDT – FORMING ROD SUPT	2	
5	132094	BAR – FORMING ROD LINK	2	
6	18648	PIN – COTTER 3/16 DIA X 1.25 ZP	2	
7	13125	PIN – HAIR	2	
A	101897	SCREW – HEX WASH HD 3/8 NC X 3/4		
B	21344	SCREW – SET CUP POINT 5 8-11 X 1.75		

459. Kits are available through Whole Goods only.

140 (Option) Upper Cross Auger – One-Piece Auger (D215 and D220)

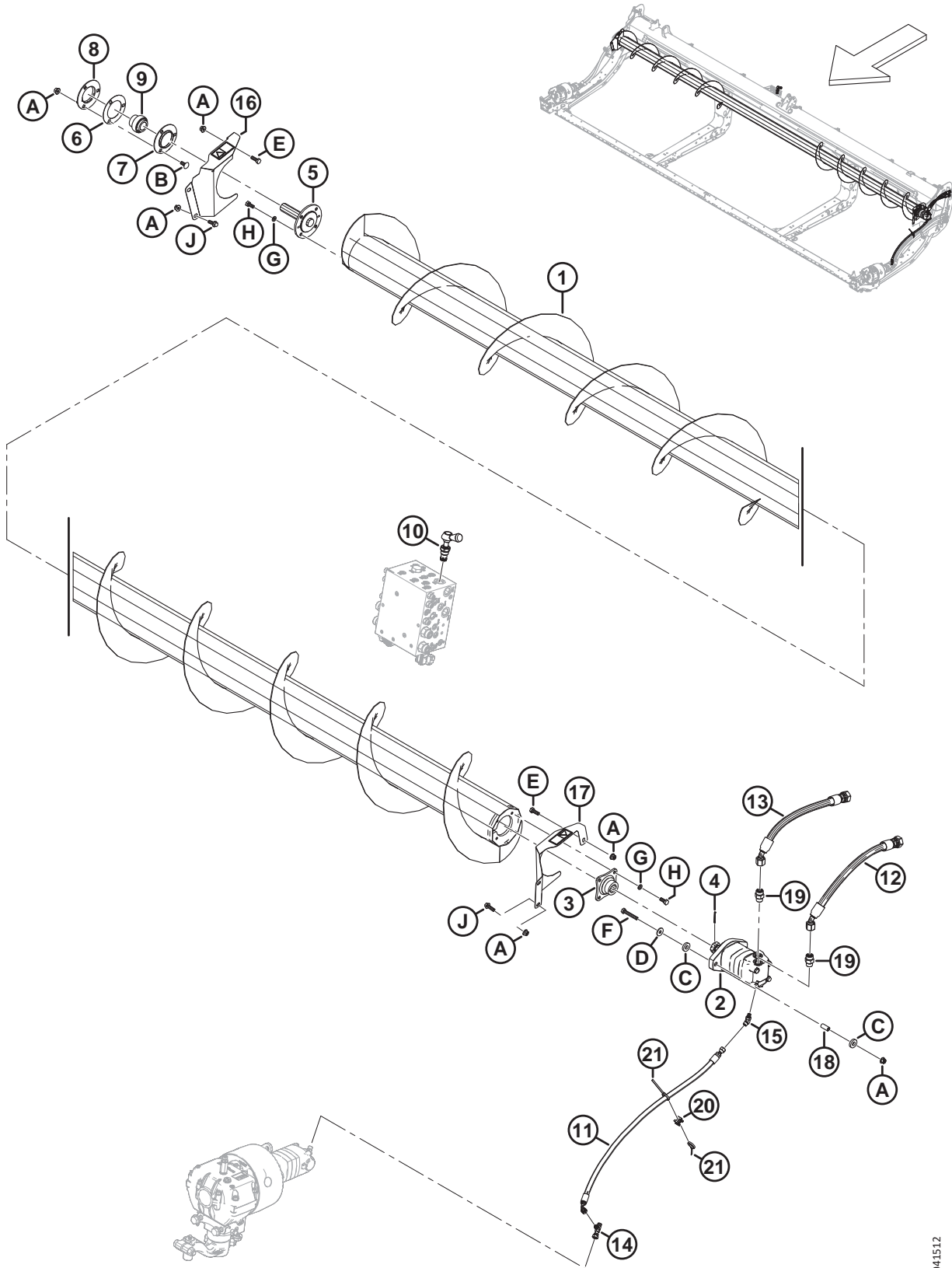


(OPTION) UPPER CROSS AUGER – ONE-PIECE AUGER (D215 AND D220)

Ref	Part Number	Description	Qty	Serial Number
	B7290	KIT – D215 UPPER CROSS AUGER ⁴⁶⁰		
	B7291	KIT – D220 UPPER CROSS AUGER ⁴⁶⁰		
1	360217	AUGER – WELDT 15FT	1	
	360218	AUGER – WELDT 20FT	1	
2	283555	MOTOR – HYD-100CC SAE B	1	
	174304	SEAL KIT – EATON 2000 MOTOR		
	137375	NUT – SLTD JAM 1.0 -20 UNEF		
3	233443	HUB – WELDT	1	
4	18606	PIN – COTTER 1/8 DIA X 1.5 ZP	1	
5	360235	HUB – MACHINED	1	
6	172340	SHIM	1	
7	49306	FLANGE	1	
8	30661	FLANGE	1	
9	21859	BEARING – SPH OD EXT INNER RACE 1 3/16 BORE	1	
10	283571	VALVE – BYPASS	1	
	245158	SEAL KIT		
11	283077	HOSE – HYD	1	
12	283062	HOSE – HYD	1	
13	283061	HOSE – HYD	1	
14	252621	FITTING – TEE HYD	1	
	135957	O-RING – 1.78 X 7.65		
15	252307	FITTING – ELBOW 45° HYD	1	
	50223	O-RING – 1.83 X 8.92		
	135957	O-RING – 1.78 X 7.65		
16	233725	SHIELD – ASSEMBLY RH C/W DECAL	1	
17	233724	SHIELD – ASSEMBLY LH C/W DECAL	1	
18	233445	SPACER	2	
19	184461	FITTING – ADAPTER HYD	2	
	44210	O-RING – 2.46 X 19.18		
	135867	O-RING – 1.78 X 15.60		
20	134442	SPACER – DUAL SWIVEL SADDLE	1	
21	21763	FASTENER – CABLE TIE, BLACK	2	
	302204	DECAL – CA PROPOSITION 65	1	
	233745	DECAL – UCA VALVE	1	
	279085	DECAL – WARNING, AUGER	2	
A	135799	NUT – HEX FLG CTR LOC M10 X 1.5-10		
B	135785	BOLT – RHSN M10 X 1.5 X 25-8.8-AA1J		
C	233446	WASHER – RUBBER		
D	184712	WASHER – FLAT LARGE M10-200HV		
E	184661	BOLT – HEX HD TFL M10 X 1.5 X 30-8.8-AA1J		
F	108172	BOLT – HEX HD M10 X 1.5 X 65-8.8-AA1J		
G	30632	WASHER – LOCK SPRING M10		

460. Kits are available through Whole Goods only.

(OPTION) UPPER CROSS AUGER – ONE-PIECE AUGER (D215 AND D220)

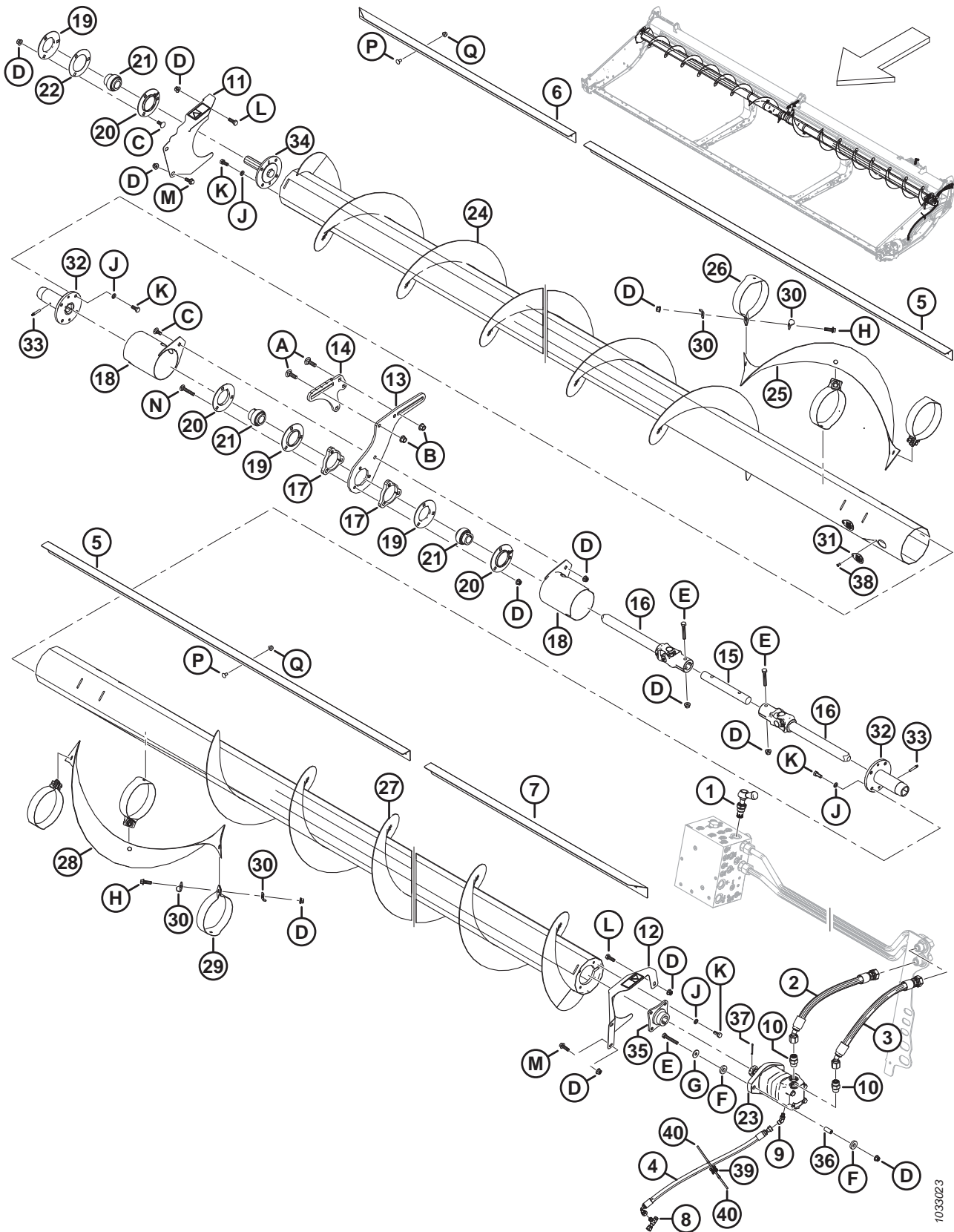


1041512

(OPTION) UPPER CROSS AUGER – ONE-PIECE AUGER (D215 AND D220)

Ref	Part Number	Description	Qty	Serial Number
H	30627	BOLT – HEX HD TFL M10 X 1.5 X 25-8.8-A3L		
J	184665	BOLT – HEX FLG HD M10 X 1.5 X 30-10.9-AA1J		

141 (Option) Upper Cross Auger – Two-Piece Auger (D225, D230, D235, and D241)



1033023

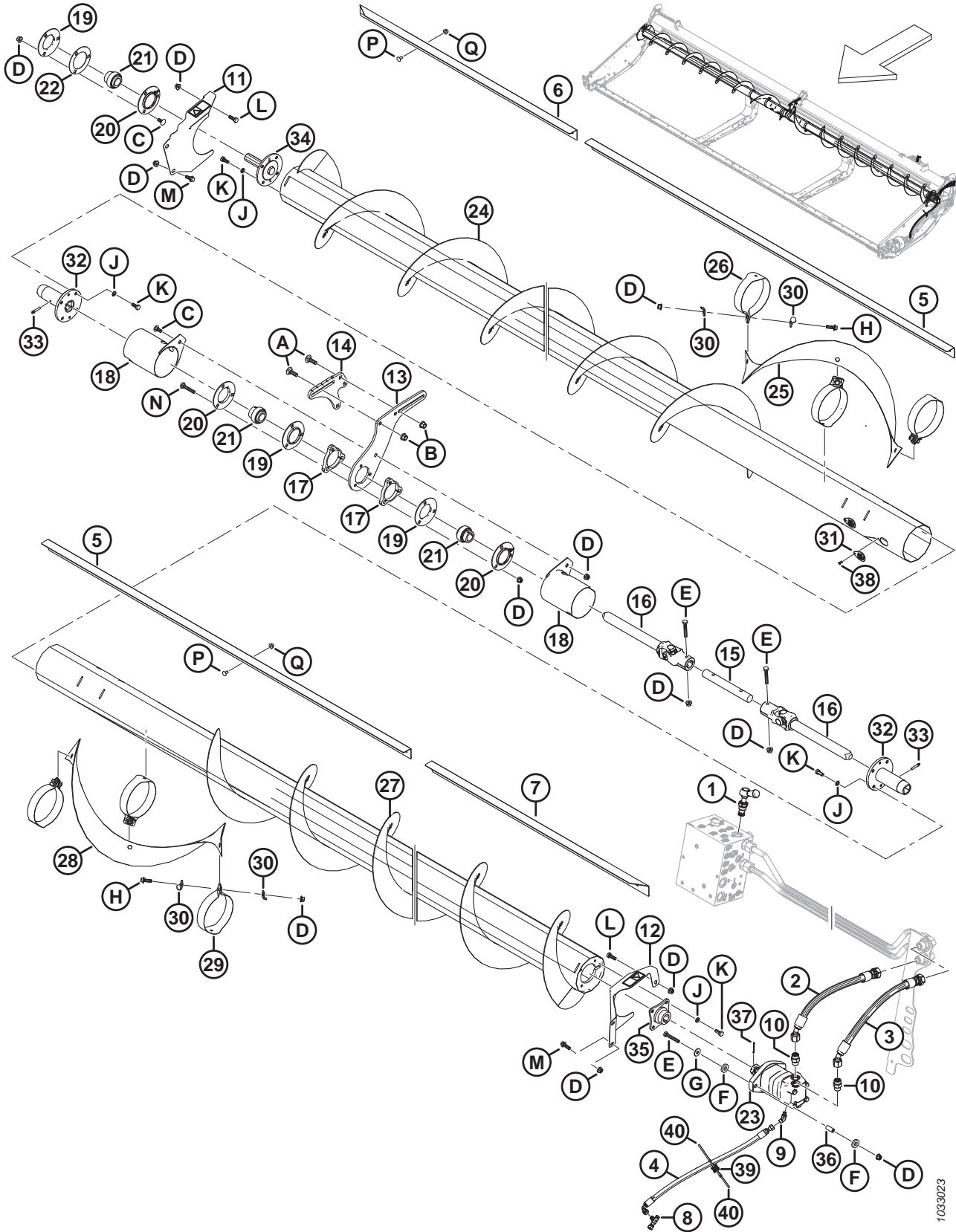
(OPTION) UPPER CROSS AUGER – TWO-PIECE AUGER (D225, D230, D235, AND D241)

Ref	Part Number	Description	Qty	Serial Number
	B6413	KIT – D225 UPPER CROSS AUGER ⁴⁶¹		
	B6414	KIT – D230 UPPER CROSS AUGER ⁴⁶¹		
	B6415	KIT – D235 UPPER CROSS AUGER ⁴⁶¹		
	B6416	KIT – D241 UPPER CROSS AUGER ⁴⁶¹		
1	283571	VALVE – BYPASS	1	
	245158	SEAL KIT		
2	283061	HOSE – HYD	1	
3	283062	HOSE – HYD	1	
4	283077	HOSE – HYD	1	
5	275521	DEFLECTOR – INBOARD 30, 35, AND 41 FT ⁴⁶²	2	
6	275530	DEFLECTOR – 25 FT	1	
	275533	DEFLECTOR – RH OUTBOARD 30 FT	1	
	275543	DEFLECTOR – RH OUTBOARD 35 FT	1	
	275614	DEFLECTOR – RH OUTBOARD 41 FT	1	
7	275530	DEFLECTOR – 25 FT	1	
	275532	DEFLECTOR – LH OUTBOARD 30 FT	1	
	275542	DEFLECTOR – LH OUTBOARD 35 FT	1	
	275524	DEFLECTOR – LH OUTBOARD 41 FT	1	
8	252621	FITTING – TEE HYD	1	
	135957	O-RING – Ø1.78 X Ø7.65		
9	252307	FITTING – ELBOW 45° HYD	1	
	50223	O-RING – Ø1.83 X Ø8.92		
	135957	O-RING – Ø1.78 X Ø7.65		
10	184461	FITTING – ADAPTER HYD	2	
	44210	O-RING – Ø2.46 X Ø19.18		
	135867	O-RING – Ø1.78 X Ø15.60		
11	233725	SHIELD – ASSEMBLY RH C/W DECAL	1	
12	233724	SHIELD – ASSEMBLY LH C/W DECAL	1	
13	233738	PLATE – SUPPORT, CENTER SLIDING	1	
14	233736	PLATE – SUPPORT, CENTER FIXED	1	
15	233519	SHAFT	1	
16	233513	JOINT – UNIVERSAL	2	
17	233450	PLATE – SPACER	2	
18	233371	GUARD – WELDT	2	
19	49306	FLANGE	3	
20	30661	FLANGE	3	
21	21859	BEARING – SPH OD EXT INNER RACE 1 3/16 BORE	3	
22	172340	SHIM	1	
23	283555	MOTOR – HYD-100 CC SAE B	1	
	174304	SEAL KIT – EATON 2000 MOTOR		
	137375	NUT – SLTD JAM 1.0-20 UNEF		

461. Kits are available through Whole Goods only.

462. Inboard deflectors (MD #275521) are not used on D225 headers.

(OPTION) UPPER CROSS AUGER – TWO-PIECE AUGER (D225, D230, D235, AND D241)

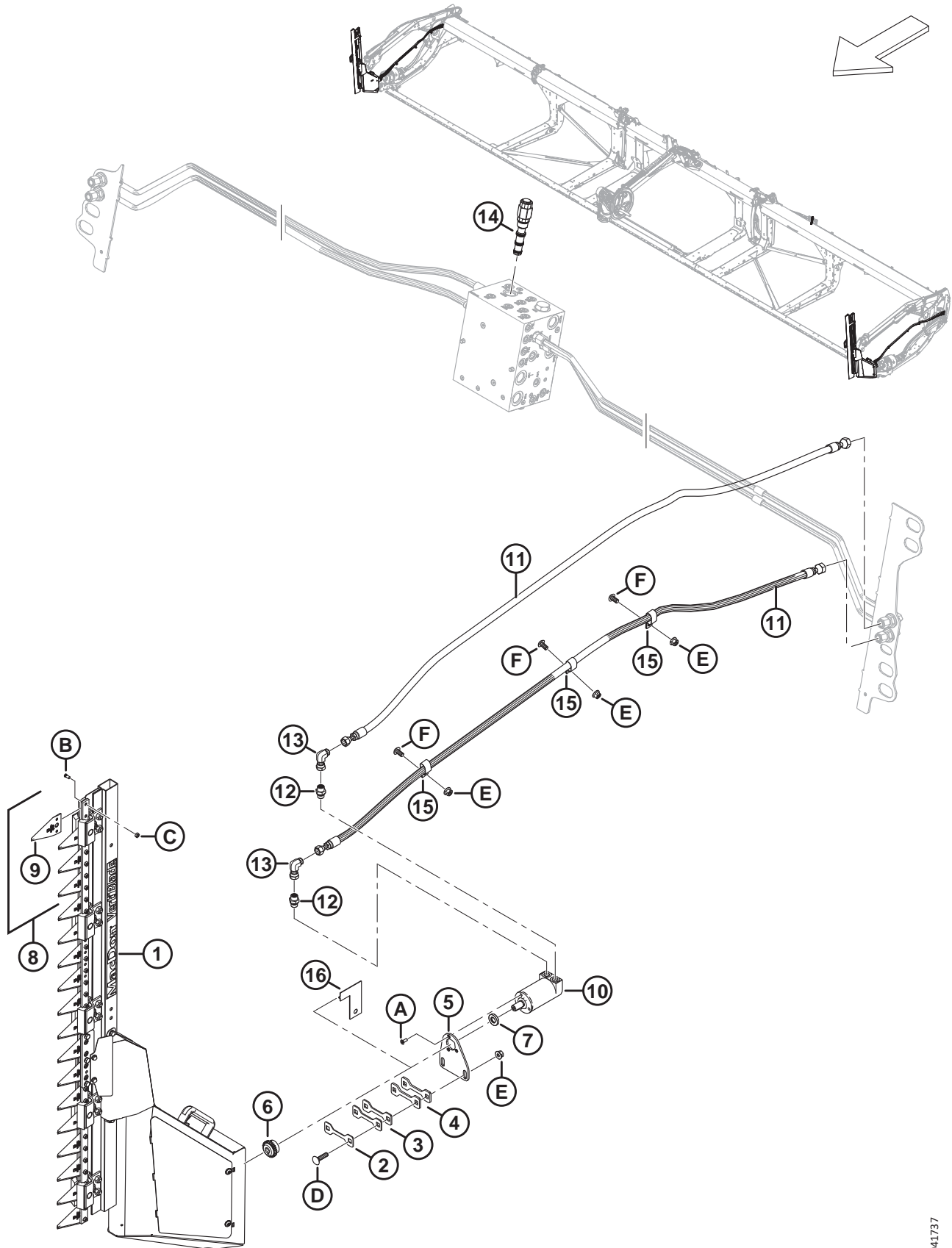


1033023

(OPTION) UPPER CROSS AUGER – TWO-PIECE AUGER (D225, D230, D235, AND D241)

Ref	Part Number	Description	Qty	Serial Number
24	233654	AUGER – WELDT RH 25 FT	1	
	233656	AUGER – WELDT RH 30 FT	1	
	233658	AUGER – WELDT RH 35 FT	1	
	233660	AUGER – WELDT RH 41 FT	1	
25	233705	FLIGHTING – RH	1	
26	233621	STRAP – RH	3	
27	233655	AUGER – WELDT LH 25 FT	1	
	233657	AUGER – WELDT LH 30 FT	1	
	233659	AUGER – WELDT LH 35 FT	1	
	233661	AUGER – WELDT LH 41 FT	1	
28	233706	FLIGHTING – LH	1	
29	233622	STRAP – LH	3	
30	233623	PLATE	12	
31	233625	COVER	4	
32	233514	HUB – WELDT UCA SLIDING	2	
33	30934	FITTING – 1/4-28 TAPER THD (LUBRICATION)	2	
34	233447	HUB – MACHINED	1	
35	233443	HUB – WELDT, UCA 1.25 TAPER SFAFT	1	
36	233445	SPACER	2	
37	18606	PIN – COTTER 1/8 DIA X 1.5 ZP	1	
38	18768	RIVET – BLIND Ø0.188 IN. X 0.251 TO 0.375 GRIP RANGE	4	
39	134442	SPACER – DUAL SWIVEL SADDLE	1	
40	21763	FASTENER – CABLE TIE, BLACK	2	
	302204	DECAL – CA PROPOSITION 65	1	
	233745	DECAL – UCA VALVE	1	
	279085	DECAL – WARNING, AUGER	2	
A	135900	BOLT – RHSN TFL M12 X 1.75 X 40-8.8-ZINC		
B	136431	NUT – HEX FLG CTR LOC M12 X 1.75-10		
C	135785	BOLT – RHSN M10 X 1.5 X 25-8.8-AA1J		
D	135799	NUT – HEX FLG CTR LOC M10 X 1.5-10		
E	108172	BOLT – HEX HD M10 X 1.5 X 65-8.8-AA1J		
F	233446	WASHER – RUBBER		
G	184712	WASHER – FLAT LARGE M10-200HV		
H	184665	BOLT – HEX FLG HD M10 X 1.5 X 30-10.9-AA1J		
J	30632	WASHER – LOCK SPRING M10		
K	30627	BOLT – HEX HD TFL M10 X 1.5 X 25-8.8-A3L		
L	184661	BOLT – HEX HD TFL M10 X 1.5 X 30-8.8-AA1J		
M	184665	BOLT – HEX FLG HD M10 X 1.5 X 30-10.9-AA1J		
N	136113	BOLT – RHSN M10 X 1.5 X 60-8.8-AA1J		
P	191489	BOLT – RHSSN TFL M8 X 1.25 X 16-8.8-AA1J		
Q	135337	NUT – HEX FLG CTR LK M8 X 1.25-8-AA1J		

142 (Option) VertiBlade™ Vertical Knife Kit



(OPTION) VERTIBLADE™ VERTICAL KNIFE KIT

Ref	Part Number	Description	Qty	Serial Number
	B7029	KIT – VERTIBLADE VERTICAL KNIVES ⁴⁶³		
	B7464	KIT – VERTICAL KNIFE COMPONENTS ⁴⁶⁴		
	B7466	KIT – VERTICAL KNIFE ⁴⁶⁵		
1	313502	KNIFE – VERTICAL ASSEMBLY, RH ⁴⁶⁶	1	
	313501	KNIFE – VERTICAL ASSEMBLY, LH ⁴⁶⁶	1	
2	313750	SHIM – 2 MM THK	A/R	
3	313749	SHIM – 3 MM THK	A/R	
4	313745	SHIM – 4.5 MM THK	A/R	
5	313744	SUPPORT – MOTOR VERTICAL KNIFE	2	
6	313808	HUB	2	
7	313801	SPACER	2	
8	313797	KIT – VERTICAL KNIFE SECTIONS ⁴⁶⁷	A/R	
9	313788	SECTION – VERTICAL KNIFE	A/R	
10	304611	MOTOR – HYDRAULIC	2	
11	283066	HOSE – HYD	4	
12	136653	FITTING – ADAPTER	4	
	135865	O-RING – Ø1.78 X Ø9.25		
	136654	O-RING – 1.50 X 2.10 X 14.70		
13	136249	FITTING – ELBOW 90° HYD	4	
14	283008	VALVE – PRIORITY FLOW REG (FRRV) ⁴⁶⁸	1	
	283579	SEAL KIT		
15	135235	CLAMP – DOUBLE HOSE INSULATED	6	
16	313780	GUIDE – VERTICAL KNIFE ⁴⁶⁹	1	
A	320220	SCREW – TORX CSK HD TFL M6 X 1 X 16-SPCL-8.8-ZINC		
B	313789	SCREW – VERTICAL KNIFE SECTION		
C	313790	NUT – VERTICAL KNIFE SECTION		
D	152732	BOLT – RHSN M10 X 1.5 X 40-8.8-AA1J		

463. Kits are available through Whole Goods only.

464. For European markets. This kit includes everything in base vertical knife kit B7029 less the left and right vertical knives (MD #313501 and 313502), motors (MD #304611), knife sections kit (MD #313797), spacers (MD #313801), and hubs (MD #313808). To complete European vertical knives, order European Vertical Knife kit B7466. Kits are available through Whole Goods only.

465. For European markets. This kit includes the left and right vertical knives (MD #313501 and 313502), motors (MD #304611), knife sections kit (MD #313797), spacers (MD #313801), and hubs (MD #313808) only. To complete European vertical knives, order European Vertical Knife Components kit B7464. Kits are available through Whole Goods only.

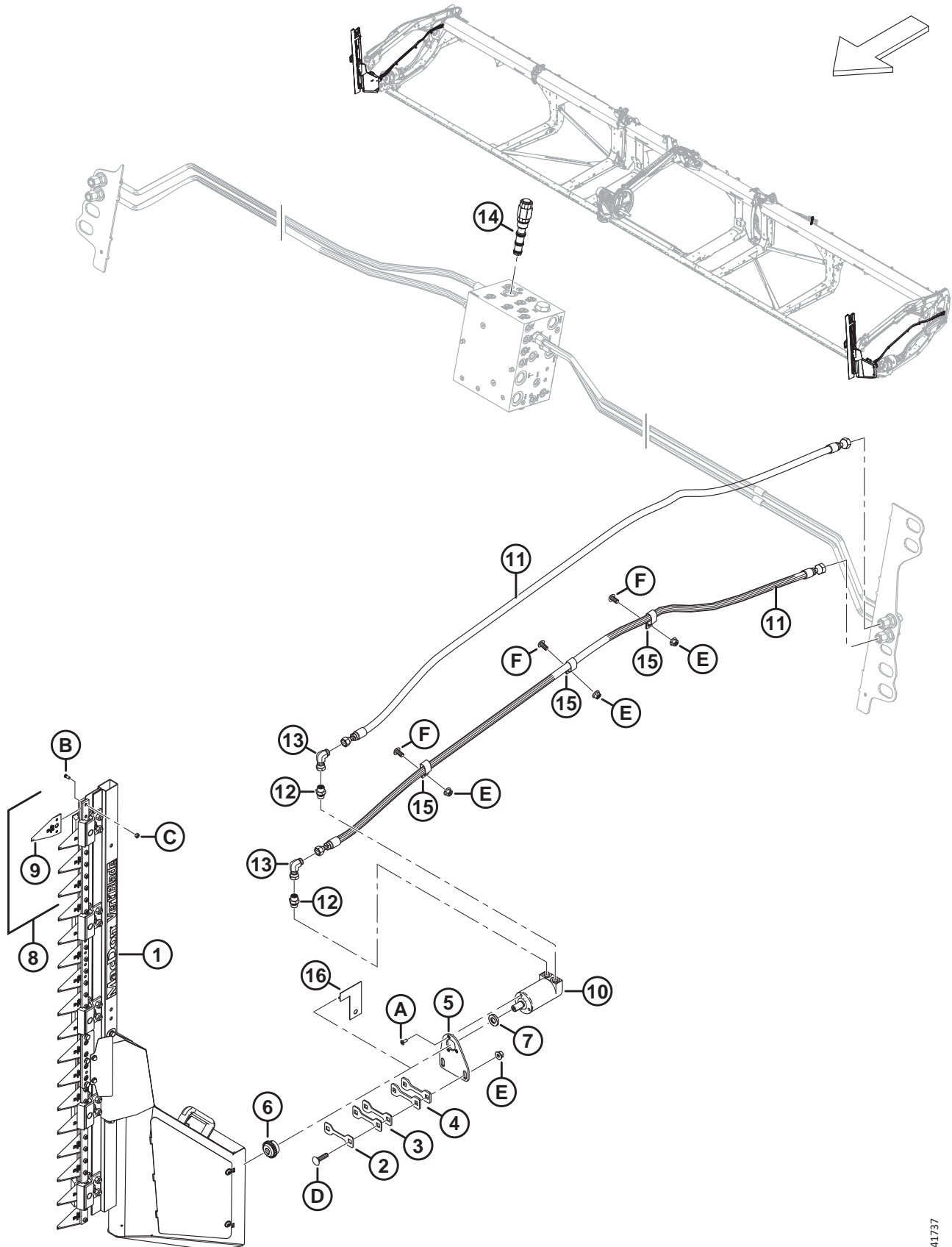
466. For vertical knife components, refer to Section [143 \(Option\) VertiBlade™ Vertical Knife Components, page 341](#).

467. The kit includes four vertical knife sections (MD #313788), eight vertical knife section screws (MD #313789), and eight vertical knife section nuts (MD #313790).

468. Connects to port FRRV.

469. The guide is used as a tool to determine the correct number of shims (MD #313750, MD #313749, and MD #313745) required to fill the gap between the frame plate and the guide. The guide is removed after determining the gap. Refer to the installation instructions for more details.

(OPTION) VERTIBLADE™ VERTICAL KNIFE KIT

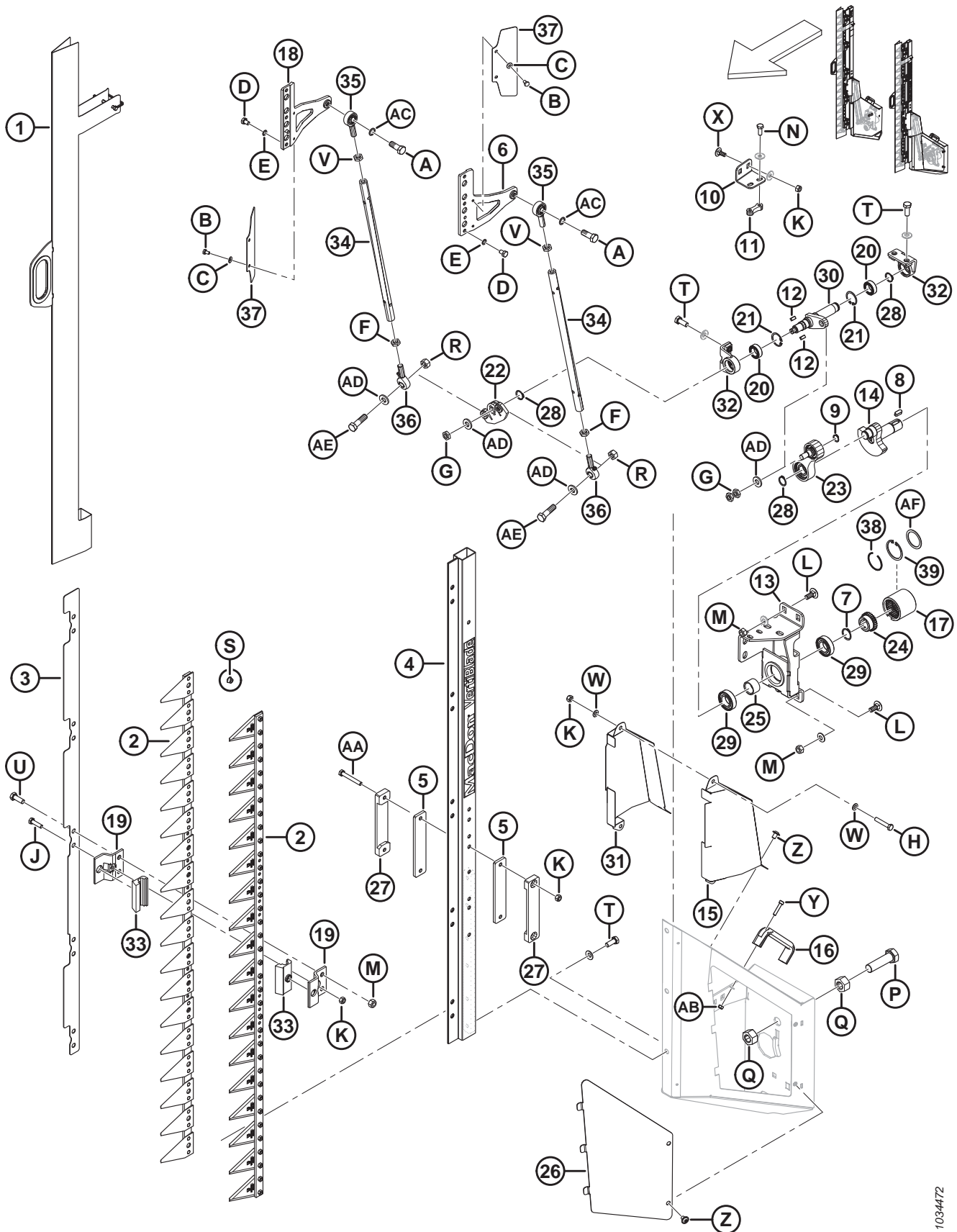


1041737

(OPTION) VERTIBLADE™ VERTICAL KNIFE KIT

Ref	Part Number	Description	Qty	Serial Number
E	135799	NUT – HEX FLG CTR LOC M10 X 1.5-10		
F	136395	SCREW – TORX TRUSS HD M10 X 1.5 X 20 X SPCL-8.8-A3L		

143 (Option) VertiBlade™ Vertical Knife Components

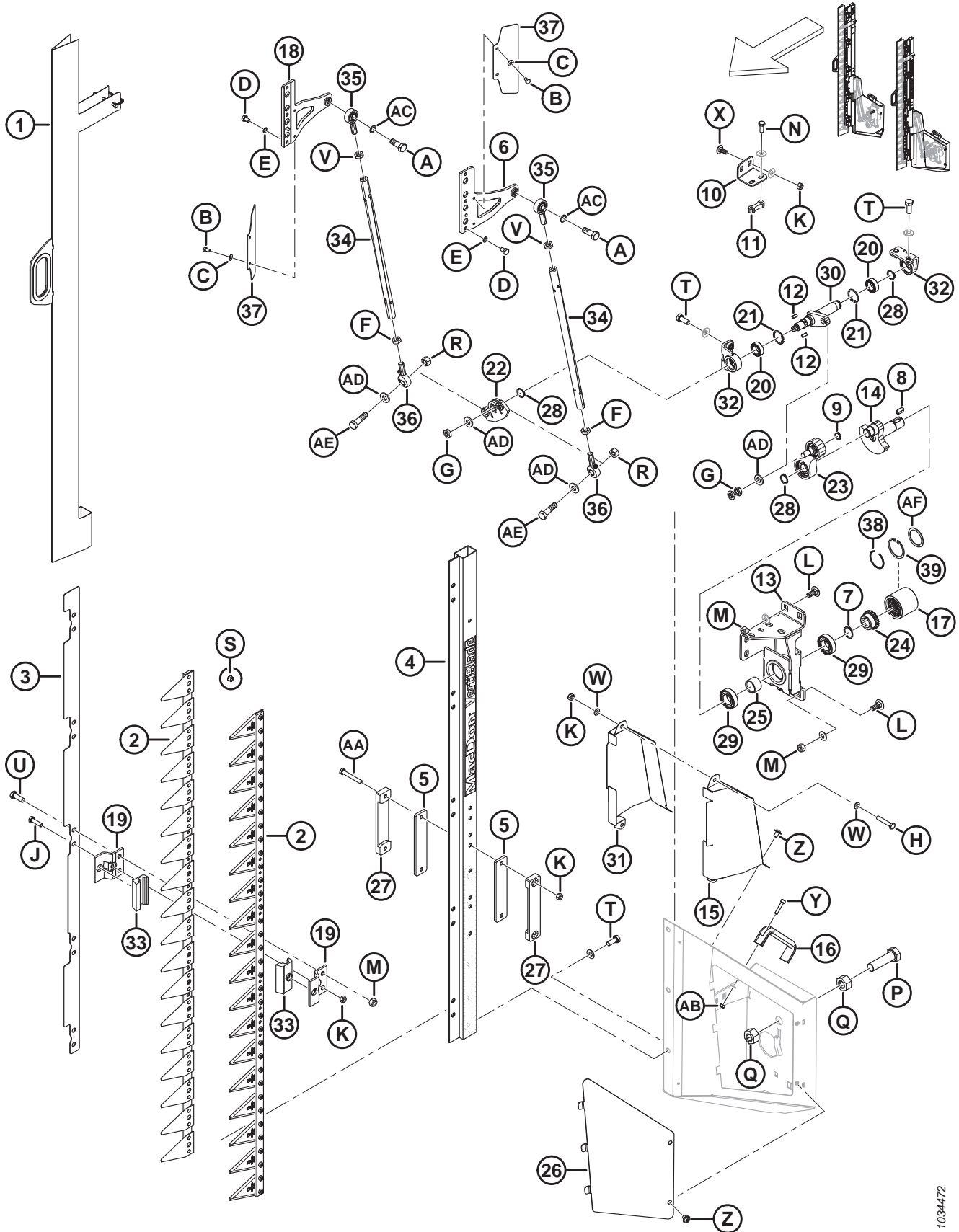


1034472

(OPTION) VERTIBLADE™ VERTICAL KNIFE COMPONENTS

Ref	Part Number	Description	Qty	Serial Number
	313501	KNIFE – VERTICAL ASSEMBLY, LH		
	313502	KNIFE – VERTICAL ASSEMBLY, RH		
1	313798	SHIELD – VERTICAL KNIFE	2	
2	313799	KNIFE ASSY – VERTICAL KNIFE	4	
3	313800	PLATE – ADAPTER POSITIONING	2	
4	313802	BAR	2	
5	313805	GUIDE – INNER	4	
6	313807	KNIFEHEAD – LH	2	
7	313810	RING – RETAINING EXTERNAL	2	
8	313815	KEY	2	
9	313819	RING – RETAINING EXTERNAL	2	
10	313882	BRACKET – CRANK DRIVE RH	1	
	313820	BRACKET – CRANK DRIVE LH	1	
11	313821	PLATE – THREADED	2	
12	313824	KEY	4	
13	313884	SUPPORT – RH DRIVE WELDMENT	1	
	313825	SUPPORT – LH DRIVE WELDMENT	1	
14	313828	SHAFT – CRANK	2	
15	313836	COVER – RH KNIFE OUTER	2	
	313835	COVER – LH KNIFE OUTER	2	
16	313841	HANDLE	2	
17	313809	COUPLING	2	
18	313869	KNIFEHEAD – RH	2	
19	313804	GUIDE – KNIFE	20	
20	313817	BEARING – ANGULAR	4	
21	313818	RING – RETAINING INTERNAL	4	
22	313826	ARM – OSCILLATING	2	
23	313827	PITTMAN ASSEMBLY	2	
24	313813	HUB	2	
25	313814	SLEEVE – CRANKSHAFT SPACER	2	
26	313834	COVER – RH SIDE	1	
	313833	COVER – LH SIDE	1	
27	313806	GUIDE – OUTER	4	
28	313811	RING – RETAINING EXTERNAL	6	
29	313812	BEARING	4	
30	313883	SHAFT – DRIVE, RH	1	
	313822	SHAFT – DRIVE, LH	1	
31	313838	COVER – RH KNIFE INNER	1	
	313837	COVER – LH KNIFE INNER	1	
32	313816	SUPPORT – OUTPUT SHAFT	4	
33	313803	GUIDE	20	
34	313829	TUBE	4	
35	313830	JOINT – BALL	4	
36	313831	JOINT – BALL BEARING	4	

(OPTION) VERTIBLADE™ VERTICAL KNIFE COMPONENTS



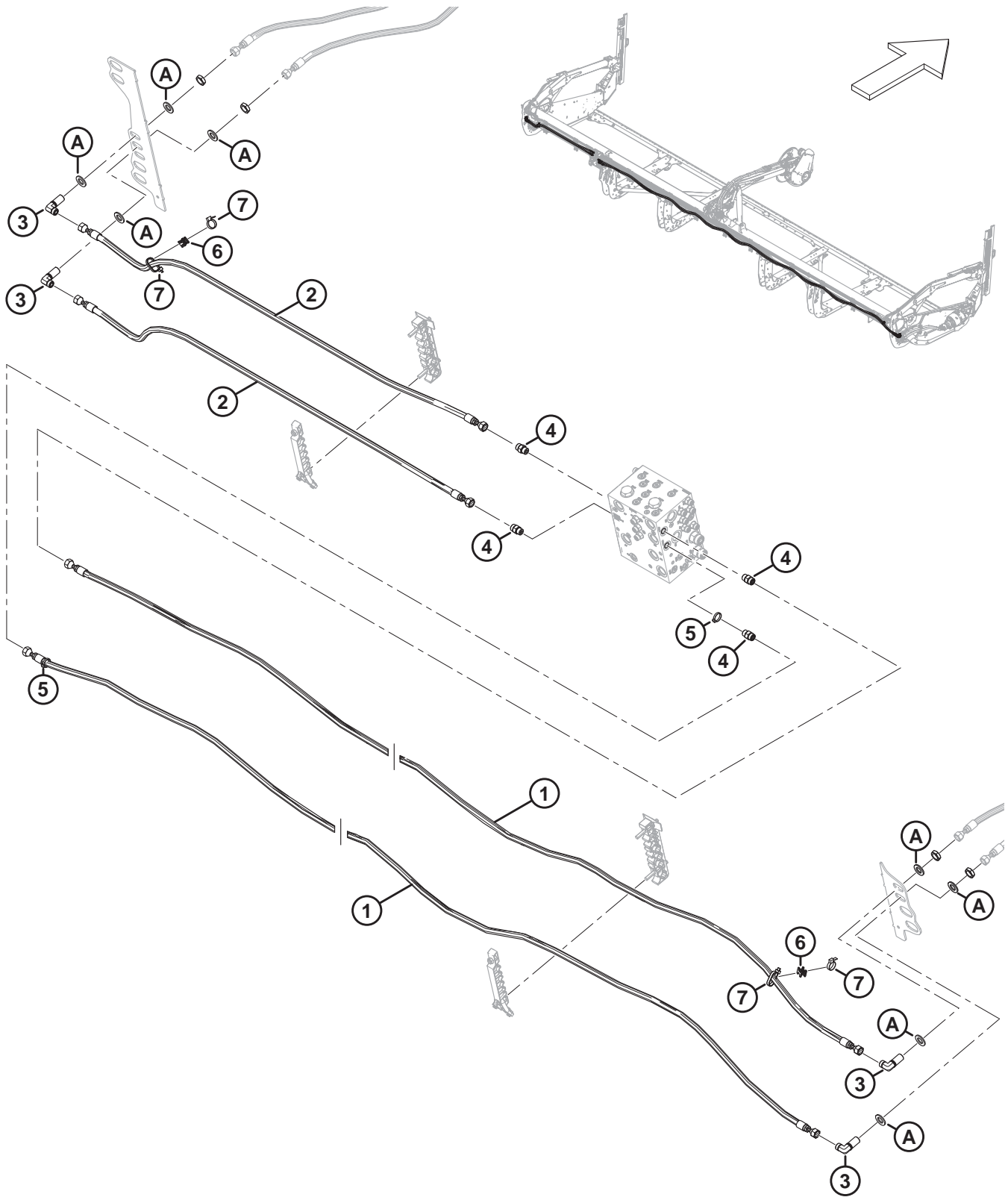
1034472

(OPTION) VERTIBLADE™ VERTICAL KNIFE COMPONENTS

Ref	Part Number	Description	Qty	Serial Number
37	313839	DEFLECTOR	4	
38	340077	RING – RETAINING ⁴⁷⁰	1	
39	340078	RING – INTERNAL ⁴⁷⁰	1	
	23165	DECAL – 50 HR LUBE		
	313881	DECAL – VERTICAL KNIFE HAZARD		
A	313847	SCREW – M12 X 1.75 X 32		
B	136561	BOLT – HEX HD TFL M6 X 1 X 10-8.8-AA1J		
C	30631	WASHER – LOCK SPRING M6		
D	313848	SCREW – HEX M8 X 1 X 12		
E	313849	WASHER – LOCK SCHNORR		
F	313844	NUT – HEX, M12 X 1.75 LH THD LOCK		
G	313845	NUT – HEX M12 X 1.5		
H	30660	BOLT – HEX HD M8 X 1.25 X 45-8.8-AA1J		
J	50140	BOLT – HEX HD M8 X 1.25 X 30-8.8-AA1J		
K	135337	NUT – HEX FLG CTR LK M8 X 1.25-8-AA1J		
L	135785	BOLT – RHSN M10 X 1.5 X 25-8.8-AA1J		
M	135799	NUT – HEX FLG CTR LOC M10 X 1.5-10		
N	136302	BOLT – HEX SER FLG HD TFL M8 X 1.25 X 20-8.8-ZINC		
P	136339	BOLT – HEX HD FINE TFL M20 X 1.5 X 70 X 8.8-ZINC		
Q	136342	NUT – HEX FINE M20 X 1.5 X 10-AA3L		
R	136759	NUT – HEX CTR LOC M12 X 1.75-8-AA1J		
S	152668	NUT – HEX FLG CTR LOC M6 X 1-8		
T	152670	BOLT – HEX FLG HD M10 X 1.5 X 20-SPC-8.8-AA1J		
U	184661	BOLT – HEX HD TFL M10 X 1.5 X 30-8.8-AA1J		
V	184696	NUT – HEX THIN M12 X 1.75-05-AA1J		
W	184708	WASHER – FLAT M8-200HV-AA1J		
X	197171	BOLT – RHSN M8 X 1.25 X 20-8.8-ZINC		
Y	252236	SCREW – HEX SOC M6 X 1 X 25-10.9 AA1T		
Z	252292	SCREW – HEX SOC BTN HD M8 X 1.25 X 12-10.9-AA1J		
AA	252398	BOLT – HEX HD M8 X 1.25 X 60-8.8-ZINC		
AB	136773	NUT – HEX CTR LOC M6 X 1-8-AA1J		
AC	313846	WASHER – LOCK SCHNORR		
AD	313832	WASHER		
AE	313843	SCREW – M12 X 1.75 X 43		
AF	340076	WASHER ⁴⁷⁰		

470. Service part for coupling (MD #313809).

144 (Option) VertiBlade™ Vertical Knife Hydraulics



(OPTION) VERTIBLADE™ VERTICAL KNIFE HYDRAULICS

Ref	Part Number	Description	Qty	Serial Number
	B7274	KIT – 15 FT. VERTIBLADE PLUMBING PKG ⁴⁷¹		
	B7275	KIT – 20 FT. VERTIBLADE PLUMBING PKG ⁴⁷¹		
	B7339	KIT – 25 FT. VERTIBLADE PLUMBING PKG ⁴⁷¹		
	B7127	KIT – 30 FT. VERTIBLADE PLUMBING PKG ⁴⁷¹		
	B7128	KIT – 35 FT. VERTIBLADE PLUMBING PKG ⁴⁷¹		
	B7130	KIT – 41 FT. VERTIBLADE PLUMBING PKG ⁴⁷¹		
1	323636	HOSE – HYDRAULIC (D215) ⁴⁷²	2	
	323856	HOSE – HYDRAULIC (D220) ⁴⁷³	2	
	323357	HOSE – HYDRAULIC (D225) ⁴⁷⁴	2	
	311807	HOSE – HYDRAULIC (D230) ⁴⁷⁵	2	
	311810	HOSE – HYDRAULIC (D235) ⁴⁷⁶	2	
	311815	HOSE – HYDRAULIC (D241) ⁴⁷⁷	2	
2	323637	HOSE – HYDRAULIC (D215) ⁴⁷²	2	
	323855	HOSE – HYDRAULIC (D220) ⁴⁷³	2	
	323373	HOSE – HYDRAULIC (D225) ⁴⁷⁴	2	
	311808	HOSE – HYDRAULIC (D230) ⁴⁷⁵	2	
	311811	HOSE – HYDRAULIC (D235) ⁴⁷⁶	2	
	311814	HOSE – HYDRAULIC (D241) ⁴⁷⁷	2	
3	136244	FITTING – ELBOW 90° BULKHEAD HYD ⁴⁷⁸	4	
	135866	O-RING – Ø1.78 X Ø12.42		
4	135780	FITTING – ADAPTER	4	
	44209	O-RING – Ø2.21 X Ø16.36		
	135866	O-RING – Ø1.78 X Ø12.42		
5	252795	FASTENER – CABLE TIE, PINK	4	
6	134442	SPACER – DUAL SWIVEL SADDLE	2	
7	30753	FASTENER – CABLE TIE, BLACK	4	
	136438	FITTING – ELBOW 45° HYD (NOT ILLUSTRATED) ⁴⁷⁹	2	
A	18601	WASHER – FLAT SAE		

471. The kit includes all listed parts to make the header vertical knife (VertiBlade™) ready if not factory configured. Kits are available through Whole Goods only.

472. Used for D215 headers.

473. Used for D220 headers.

474. Used for D225 headers.

475. Used for D230 headers.

476. Used for D235 headers.

477. Used for D241 headers.

478. The fitting includes a securing nut.

479. This elbow fitting is included in the kit but is used only on headers configured for M Series Windrowers.

Index

4761	74, 262	30368	288
6636	150	30441	26, 28
7642	202	30505	26, 28
11695	74	30515	288
13125	2, 6, 152, 262, 278, 328	30520	90, 268, 318
16235	90	30627	244, 332, 336
16266	8	30628	14, 202
16681	84, 86, 88	30629	78
18589	234	30630	94, 98, 100
18598	152	30631	344
18601	134, 138, 346	30632	330, 336
18603	74	30655	94, 98
18605	90	30660	156, 158, 160, 162, 164, 168, 170, 244, 344
18606	74, 330, 336	30661	330, 334
18607	84, 86, 88, 90, 92, 96, 100, 270	30715	270, 274, 286
18608	268, 272, 318	30753	156, 158, 164, 168, 170, 234, 244, 248, 256, 346
18609	266, 320	30849	262
18619	278	30934	336
18621	78, 84, 86, 88	30971	128, 130, 132, 134, 136, 140, 142, 144, 146, 154, 172, 176, 180, 238, 242, 244, 246, 248, 254
18626	80, 82	31774	94, 98, 100
18629	80, 82	32070	214
18637	18, 20, 22, 24	32879	226
18648	78, 80, 82, 268, 278, 318, 328	32880	226
18671	90, 268, 278, 318	39272	272
18704	84, 86, 88	40701	248, 254
18768	336	40702	248, 254
18798	270	40703	248, 254
18867	18, 20, 22, 24	40704	248, 254
18898	262	42498	262
18916	270, 320	42592	26
19542	280	43219	206
19958	90	44209	128, 130, 132, 134, 136, 236, 238, 240, 242, 246, 248, 252, 254, 346
21032	268	44210	134, 136, 140, 142, 144, 146, 148, 150, 152, 172, 176, 330, 334
21194	74	44575	262
21301	92, 96, 100	49227	248, 254
21344	328	49232	248, 254
21345	152	49306	330, 334
21349	232	49378	278
21383	288	50071	202
21389	262	50140	344
21567	152	50155	98
21763	6, 198, 200, 212, 232, 234, 238, 242, 248, 256, 268, 330, 336	50186	288
21859	330, 334	50193	8, 126
21968	234	50219	78, 80, 82, 128, 130, 132, 146, 148, 152, 154, 156, 158, 160, 162, 164, 166, 168, 170, 230, 236, 238, 240, 246, 248, 252, 254
23164	214	50220	128, 130, 132
23165	214, 344	50223	134, 136, 330, 334
23950	226		
23957	226		
25991	226		
26429	278		
30144	78		
30228	322		

INDEX

100500.....	58, 62, 68, 72	129800.....	236, 240
100577.....	128, 130, 132, 238, 248	129801.....	236, 240
100709.....	76	129976.....	236, 240
100710.....	76	129977.....	236, 240
100712.....	76	132094.....	328
100714.....	76	132101.....	328
100715.....	76	132107.....	328
100717.....	76	132117.....	214
100718.....	76	132531.....	26
100719.....	76	132607.....	26, 28
100720.....	76	132758.....	150
100721.....	76	133992.....	268, 318
100722.....	76	134010.....	238, 242
100723.....	76	134011.....	238, 242
100726.....	76	134043.....	212
101007.....	268, 318	134442.....	198, 200, 234, 238, 242, 248, 254, 330, 336, 346
101897.....	18, 20, 22, 24, 328	134602.....	244
102264.....	228, 278	134603.....	244
102602.....	152	134728.....	198, 200
102629.....	76	134730.....	198, 200
102630.....	76	135148.....	226
103575.....	128, 130, 132	135156.....	270, 320
103738.....	152	135235.....	338
103879.....	90	135238.....	246, 254
108172.....	322, 324, 330, 336	135312.....	236, 240
111521.....	92, 96	135319.....	280
111981.....	246, 254	135335.....	126
111982.....	246, 254	135336.....	14
111983.....	246, 254	135337.....	2, 6, 14, 18, 20, 22, 24, 26, 30, 32, 34, 36, 90, 114, 116, 118, 120, 146, 148, 152, 174, 176, 186, 190, 194, 206, 208, 230, 238, 242, 244, 250, 256, 274, 280, 286, 336, 344
111984.....	246, 252, 254	135369.....	152, 270
111985.....	246, 254	135408.....	262
111986.....	246, 254	135443.....	146, 148, 152, 156, 158, 168, 170, 172, 176
112130.....	34	135444.....	152, 160, 162, 166, 174, 176, 244
112640.....	166	135474.....	236, 240
112823.....	172, 176	135479.....	246, 252
113152.....	76	135523.....	280
113153.....	76	135565.....	236, 240
113222.....	58, 62, 68, 72	135566.....	236, 240
113229.....	74	135696.....	14, 244, 280
113561.....	272	135714.....	244
113566.....	272	135716.....	268
113937.....	58, 62, 68, 72	135778.....	80, 82, 128, 130, 132, 146, 148, 156, 158, 160, 162, 164, 166, 168, 170, 230, 236, 240, 246, 254
115146.....	214	135779.....	238
115670.....	58, 62, 68, 72	135780.....	128, 132, 136, 246, 254, 346
115759.....	214	135781.....	246, 254
118029.....	250, 256	135783.....	186, 188, 190, 192, 194, 196
118137.....	228	135785.....	14, 20, 22, 24, 26, 152, 174, 176, 186, 188, 190, 192, 194, 196, 250, 330, 336, 344
118239.....	272	135788.....	128, 130, 132, 134, 136, 140, 142, 144, 172, 176, 180, 238, 246, 254
120518.....	150		
120845.....	26, 28		
120901.....	74		
123306.....	150		
123982.....	152		
124399.....	228		
129313.....	214		

INDEX

135799	2, 6, 10, 14, 20, 22, 24, 26, 44, 46, 78, 80, 82, 106, 108, 114, 116, 118, 120, 122, 124, 126, 134, 138, 140, 142, 144, 146, 148, 152, 154, 174, 176, 186, 188, 190, 192, 194, 196, 202, 228, 238, 244, 250, 256, 260, 270, 280, 294, 298, 302, 330, 336, 340, 344	136245	134, 136, 140, 142, 144, 172, 180
135800	322, 324	136249	248, 254, 338
135818	238	136254	176
135821	146, 154, 238, 248, 254	136256	242, 248
135852	244	136257	242
135860	242	136258	242
135865	78, 80, 82, 128, 130, 132, 134, 146, 148, 152, 154, 156, 158, 160, 162, 164, 166, 168, 170, 230, 236, 240, 246, 248, 252, 254, 338	136269	128
135866	128, 132, 134, 136, 236, 238, 240, 242, 246, 248, 252, 254, 346	136291	94, 98
135867	134, 136, 140, 142, 144, 146, 148, 150, 152, 172, 176, 246, 254, 330, 334	136300	114, 116, 118, 120, 206, 208, 230
135868	128, 130, 132, 134, 136, 140, 142, 144, 146, 148, 154, 172, 176, 180, 238, 242, 244, 246, 248, 254	136302	344
135887	238, 244	136310	80, 82
135888	242, 248, 254	136312	258
135889	180, 242	136325	242
135894	14, 26, 34, 206, 208	136327	152, 172, 176
135900	336	136339	8, 280, 344
135903	18, 20, 22, 24, 28, 30, 32, 34, 84, 86, 88, 210, 228	136342	8, 280, 344
135957	134, 136, 330, 334	136355	134, 138, 140, 142, 144, 174, 176, 180
135959	6, 98, 210	136395	46, 114, 116, 118, 120, 122, 294, 298, 302, 340
135985	254	136399	126, 276
136005	48, 50, 52, 54	136401	94, 98
136034	254	136410	152, 230
136036	48, 50, 52, 54, 258, 308, 310, 312, 314, 316	136431	2, 14, 18, 20, 22, 24, 26, 28, 30, 32, 34, 74, 84, 86, 88, 92, 98, 100, 104, 106, 108, 114, 118, 122, 210, 228, 244, 270, 274, 280, 294, 298, 302, 320, 336
136095	78, 82, 156, 158, 164, 166, 168, 170, 248	136438	346
136097	152, 230, 242	136440	18, 20, 22, 78, 82, 270, 320
136112	244	136442	138, 142, 144, 148, 156, 158, 160, 162, 164, 166, 168, 170, 174, 178, 186, 188, 190, 192, 194, 196
136113	336	136443	98
136122	4, 78, 82	136445	90
136143	84, 86, 88, 90	136446	94, 98, 100, 270
136144	78, 152, 154, 166	136453	134
136145	156, 158, 164, 166	136459	238
136146	160, 162, 168, 170	136464	232
136150	156, 158, 164	136485	90, 152, 204, 206, 208, 280
136151	44, 106, 108, 146, 182, 184, 188, 192, 196, 238, 294, 298, 302	136486	148, 174, 176
136167	210, 212	136495	134, 138, 140, 142, 144
136178	6, 14, 256, 260	136524	128, 130, 132
136195	236, 240	136527	172
136209	46, 94, 98, 100	136540	156, 158, 160, 162, 164, 166, 168, 170
136211	182, 184, 186, 188, 190, 192, 196	136561	204, 206, 344
136220	238, 248	136592	92, 98
136231	14, 238	136595	206
136240	78, 166	136604	204
136244	134, 136, 346	136613	204
		136635	206, 244
		136640	2, 14, 118, 122, 124, 298, 302
		136653	338
		136654	338
		136655	200, 234
		136671	4
		136701	78, 82

INDEX

136702	94, 98	163088	262
136736	14	164061	92, 96, 100
136741	242	164213	92, 96, 100
136748	208	164214	92, 96, 100
136749	10, 260	164215	90
136756	236, 240	164216	90
136759	26, 30, 32, 34, 94, 98, 244, 280, 344	165168	126
136773	212, 270, 274, 344	165524	12, 214, 270
136784	236, 240	165588	126
136808	238	165735	26, 28
136824	36, 206, 208	167307	238, 242
136842	94, 98	172025	328
136850	128, 130, 132	172046	328
136857	32, 270	172259	28
136882	92, 96	172340	330, 334
137092	322	174304	74, 330, 334
137118	322	174436	214
137375	74, 92, 96, 330, 334	174849	102, 292, 296, 300
137476	92, 96, 100	174879	80, 82
137519	322	181712	234
137529	104, 292, 296, 300	184303	146, 148, 152, 156, 158, 160, 162, 164, 168, 170, 230, 238
137721	92, 96	184461	134, 136, 140, 142, 144, 146, 148, 150, 330, 334
137754	322	184584	322, 324
137825	96	184597	102, 294, 296, 302
137980	102, 292, 296, 300	184642	208
139003	76	184643	274
140250	100	184644	156, 158, 164
141220	272	184646	270, 274
141783	252	184648	32, 250, 256
143107	74	184649	2
144505	248, 252	184652	286
144531	272, 318	184654	250, 256
144724	270	184656	160, 162, 166, 174, 176, 280
145249	26, 28	184657	6, 238, 250
145558	18, 20, 22	184658	146, 148, 152, 154, 238
145840	20, 22, 24	184661	2, 10, 28, 330, 336, 344
152439	84, 86, 88	184662	28, 126, 228
152520	80, 82, 152	184663	74
152602	74	184664	288
152655	2, 14, 44, 116, 120, 242, 280, 294, 298, 302, 326	184665	2, 280, 332, 336
152668	6, 92, 98, 126, 156, 158, 164, 204, 208, 210, 274, 344	184667	2, 94, 98, 244, 274
152670	242, 344	184669	74
152702	270	184672	274
152730	26, 90, 92, 98, 100	184673	74, 280
152731	288	184679	274
152732	26, 78, 80, 82, 280, 338	184683	204
152779	270, 280	184685	206
152947	250	184692	126, 138, 142, 144, 148, 156, 158, 160, 162, 164, 166, 168, 170, 174, 178, 186, 188, 190, 192, 194, 196
153151	236, 240	184695	280
156178	78	184696	10, 74, 152, 306, 344
156501	150	184697	102, 288, 294, 296, 300
158174	128, 130, 132		
160725	234		

INDEX

184701	204	226926	74
184705	206	226927	74
184706	16	226941	58, 62, 68, 72
184708	92, 98, 270, 344	226983	58, 62, 68, 72
184709	38, 40, 42, 46, 274, 280	227656	26
184711	14, 26, 28, 126, 206, 208, 244	227747	26
184712	2, 330, 336	227914	26, 28
184714	48, 50, 52, 54, 98, 152, 280	228292	92, 96, 100
184717	80, 82, 84, 86, 88, 152, 274	228299	92, 96
184718	14	228301	92, 96
191353	92, 96	228302	100
191489	6, 18, 20, 22, 24, 30, 32, 34, 90, 336	228316	104, 292, 296, 300
193187	272	228319	102, 292, 296, 300
193240	266	228322	90
193241	266	228338	80, 82
193242	266	228381	84, 86, 88
193243	266	228382	96
197135	92, 98	228384	96
197171	18, 20, 22, 24, 186, 190, 194, 238, 242, 250, 256, 344	228385	96
197225	244	228460	92, 96
197229	206	228477	92, 96
197230	204, 208	228478	92, 96
197275	26	228479	92, 96
197320	270	228485	92, 96
197408	212	228604	92, 96
198927	232	228611	92, 96
206340	206	228614	92
206966	262	228619	96
207346	212	228848	96
208172	246, 252	230968	272, 318
208288	246, 252	232219	146, 148, 152
210661	268	232233	146, 148, 150, 172, 176
210690	266	232369	150
210918	270	232371	150
210985	266, 320	232395	146, 148, 150, 156, 158, 160, 162, 164, 168, 170, 230
220084	214	232397	172, 176
220107	6	232405	172, 176
220758	186, 190, 194	232585	32
220807	224	232632	150
220814	224	232676	204
220817	220	232746	150
220824	220	232747	150
220831	222	232762	306
220832	222	232806	126
220834	222	232813	150
220835	224	233280	150
220836	220	233371	334
220939	102, 292, 296, 300	233443	330, 336
220941	102, 292, 296, 300, 322	233445	330, 336
224795	150	233446	330, 336
226280	48, 50, 52, 54, 258	233447	336
226295	48, 50, 52, 54, 310, 312, 314, 316	233450	334
226400	74	233513	334
226861	52, 54	233514	336

INDEX

233519	334	248643	204, 206
233588	252	251414	150
233621	336	251415	150
233622	336	251420	150
233623	336	251575	192
233625	336	251879	204
233635	308	251881	204
233640	246, 252	252058	242
233642	246, 252	252176	126
233644	252	252179	186, 190, 238, 242
233646	252	252236	344
233654	336	252272	270, 320
233655	336	252284	14
233656	336	252292	344
233657	336	252307	134, 136, 330, 334
233658	336	252398	344
233659	336	252423	76
233660	336	252525	240
233661	336	252541	10
233705	336	252581	4, 78, 82
233706	336	252621	330, 334
233724	330, 334	252633	146, 148, 152, 230, 238
233725	330, 334	252638	152
233736	334	252655	280
233738	334	252687	102, 124, 292, 296, 300
233745	214, 330, 336	252795	346
233748	258	252902	252
233770	258	252958	266
233799	308	253607	244
233800	308	253635	248
233841	278	253644	244
233912	202	253645	244
233913	202	253646	244
233914	202	253905	248
242352	238	254179	200
243542	246, 252	254218	198
243604	244	254219	200
243661	244	254220	198, 200
243711	244	255461	156, 158, 164
243826	244	257054	76
243830	244	257089	76
243831	244	258318	262
243840	236, 242, 244	258391	278
243900	244	258454	326
243983	250, 252	258458	326
243984	250, 252	258703	262
243985	248, 252	273031	210
243986	248, 252	273032	210
243995	248	273052	322, 324
245158	330, 334	273078	92, 96
245428	218	273122	84, 86, 88
245432	218	273138	84, 86, 88
245433	218	273258	92, 96
247222	268	273259	92, 96
247750	238	273278	84, 88

INDEX

273281..... 86	275406..... 32
273283..... 84, 88	275407..... 32
273284..... 86, 90	275460..... 22
273285..... 172, 176	275461..... 22
273304..... 84, 86, 88	275464..... 32
273309..... 90	275465..... 32
273347..... 104, 292, 296, 300	275483..... 24
273373..... 104	275484..... 24
273375..... 106, 108	275513..... 34
273376..... 104	275514..... 34
273440..... 214	275521..... 334
273453..... 304	275524..... 334
273523..... 106, 108, 292, 296, 300	275530..... 334
273524..... 104, 292, 296, 300	275532..... 334
273536..... 104, 292, 296, 300	275533..... 334
273594..... 304	275542..... 334
273615..... 288	275543..... 334
273637..... 90	275614..... 334
273653..... 80, 82	275675..... 24
273666..... 104, 106, 108	275690..... 34
273680..... 78	275770..... 34
273689..... 304	275837..... 22, 24
273758..... 92, 96	275860..... 28
273759..... 100	275864..... 28
273772..... 90	275877..... 26
273777..... 84, 86, 88, 90	275879..... 26
273787..... 80	275902..... 26
273788..... 82	275938..... 18, 20, 22
273789..... 82	275941..... 18, 20, 22
273790..... 78	279085..... 214, 330, 336
273795..... 78	279528..... 214
273798..... 78	283002..... 74
273813..... 122, 296	283008..... 338
273823..... 122	283046..... 136
273831..... 84, 86, 88, 90	283047..... 136
273860..... 78	283048..... 136
273861..... 84, 86, 88	283051..... 180
273873..... 214	283052..... 180
273875..... 92, 96	283053..... 164
273907..... 92, 96, 304	283055..... 164
273926..... 92, 96, 100	283056..... 164
273963..... 92, 96, 304	283057..... 156, 158, 164
273968..... 124, 296, 300	283058..... 156, 158, 164
275211..... 26	283059..... 156, 158, 160, 162, 164, 168, 170
275232..... 26, 28	283060..... 156, 158
275308..... 32	283061..... 330, 334
275309..... 32	283062..... 330, 334
275319..... 22	283063..... 134, 136, 140, 142, 144
275320..... 22	283065..... 134, 136
275324..... 26	283066..... 338
275332..... 28	283074..... 168, 170
275348..... 26	283075..... 168, 170
275375..... 26	283077..... 330, 334
275404..... 20	283091..... 172, 176
275405..... 20	283092..... 172, 176

INDEX

283096.....	168	283303.....	150
283102.....	136	283304.....	150
283104.....	136	283305.....	150
283141.....	164	283306.....	150
283143.....	164	283307.....	150
283144.....	164	283320.....	142
283164.....	180	283321.....	142
283180.....	164	283323.....	142
283182.....	164	283327.....	160, 162
283183.....	164	283412.....	144
283201.....	136	283413.....	144
283202.....	134, 136, 140, 142, 144	283431.....	170
283205.....	180	283432.....	170
283231.....	136	283433.....	170
283232.....	136	283456.....	136
283233.....	136	283457.....	136
283238.....	142, 144	283458.....	136
283239.....	142, 144	283461.....	180
283240.....	142	283462.....	180
283241.....	142	283500.....	128
283242.....	142, 144	283501.....	130
283243.....	142, 144	283502.....	132
283244.....	148	283515.....	144
283245.....	148	283520.....	166
283246.....	158	283521.....	166
283247.....	158	283522.....	166
283248.....	158	283523.....	166
283249.....	158	283525.....	176
283251.....	160, 162	283526.....	166
283252.....	172	283527.....	168
283253.....	172	283528.....	168
283254.....	172	283529.....	170
283255.....	172	283533.....	170
283256.....	172	283534.....	168
283257.....	172	283535.....	168
283258.....	162	283540.....	168, 170
283259.....	162	283541.....	168
283260.....	162	283542.....	168
283261.....	162	283555.....	330, 334
283262.....	162	283567.....	128, 132
283263.....	162	283568.....	130
283283.....	154	283569.....	128, 130, 132
283284.....	154	283570.....	130
283285.....	154	283571.....	330, 334
283291.....	228	283579.....	338
283293.....	148	283580.....	176
283294.....	148	283581.....	166
283295.....	148	283582.....	166
283296.....	148	283620.....	150
283297.....	148	283697.....	196
283298.....	150	283744.....	252
283299.....	150	283747.....	166
283300.....	150	283750.....	162, 168
283301.....	150	283785.....	166
283302.....	150	283790.....	150

INDEX

283791	156, 158, 164	286488	76
283797	136, 158, 164	286489	76
283807	136, 158, 164	286490	76
283810	166	286493	58, 60, 68, 70
283818	142, 144, 148, 156, 160, 162, 166, 168, 170, 174, 176, 186, 188, 190, 192, 194, 196	286562	56, 60, 66, 70
283820	142, 144, 148, 156, 160, 162, 166, 168, 170, 174, 176, 186, 188, 190, 192, 194, 196	286563	60, 66, 70
283849	182, 184, 186, 188, 190, 192, 196	286564	56
283984	134, 136, 140, 142, 144	286565	56, 66, 70
283987	160, 162, 166, 174, 176	286566	58
283988	160, 162, 166, 174, 176	286567	58
283989	160, 162, 166, 174, 176	286573	60
283990	146, 154	286574	66
283993	146, 148, 150, 238	286575	68
284215	268	286576	70
284548	268	286579	56, 60, 66, 70
284549	272	286580	60, 66, 70
284550	272	286581	56
286087	74	286582	56, 66, 70
286089	74, 76	286583	58
286257	48, 50, 52, 54	286584	58
286315	48, 52, 310, 314	286590	60
286316	48, 52, 310, 314	286591	66
286317	52, 284	286592	68
286318	48, 50, 54, 282, 312, 316	286593	70
286319	48, 50, 52, 54, 282, 284, 312, 316	286597	56
286320	54	286598	56
286321	282, 284	286599	56
286322	282, 284	286602	60
286323	282, 284	286609	56
286329	48, 52	286610	56
286330	50, 54, 312, 316	286611	56
286331	48, 50, 52, 54, 312, 316	286614	60
286332	52, 284	286615	66
286333	54	286616	66
286362	62, 68, 72	286618	70
286363	62, 68, 72	286621	58, 64, 68, 72
286440	58, 62, 68, 72	286627	58, 62, 68, 70
286445	76	286628	62, 68, 70
286461	58, 62, 68, 70, 310, 312	286629	62, 68, 70
286462	58, 62, 68, 70, 314, 316	286661	52
286463	62, 68, 70	286662	52
286464	62, 68, 70	286663	52
286465	62, 68, 70	286669	48
286466	62, 68, 70	286670	48
286475	58, 64, 68, 72, 310, 312, 314, 316	286672	54
286476	58, 64, 68, 72, 310, 312, 314, 316	286673	54
286477	58, 64, 68, 72, 310, 312, 314, 316	286674	54
286478	58, 64, 68, 72	286676	54
286479	16, 58, 64, 68, 72	286679	50
286481	58, 62, 68, 72	286680	50
286483	76	286683	284
286485	76	286684	284
286486	76	286685	284
		286686	284
		286687	284

INDEX

286690.....	282	286886.....	66
286691.....	282	286888.....	70
286692.....	282	287701.....	266
286703.....	74	288195.....	214
286705.....	48, 50, 52, 54	289220.....	2
286741.....	6	289235.....	8
286744.....	60	289261.....	2
286749.....	60	289358.....	2
286753.....	62	289359.....	8
286754.....	60	289375.....	14
286756.....	62	289380.....	14
286757.....	60	289439.....	14
286758.....	56, 60, 66, 70	289483.....	14
286759.....	60, 66, 70	289487.....	14
286760.....	56	289566.....	276
286761.....	56, 66, 70	289567.....	276
286763.....	58	289618.....	14
286764.....	58	289621.....	14
286765.....	60	289654.....	10
286766.....	60	289742.....	2
286767.....	66	289759.....	126
286768.....	68	289762.....	214
286769.....	70	289763.....	214
286779.....	56	289869.....	126
286780.....	56	289880.....	78
286781.....	56	289924.....	14
286783.....	62	289925.....	14
286784.....	60	291484.....	204
286785.....	60	291485.....	204
286786.....	66	292692.....	266, 320
286787.....	66	293054.....	244
286789.....	70	294350.....	246, 254
286826.....	74	295929.....	248, 252
286833.....	54	300539.....	248
286834.....	54	302204.....	214, 270, 330, 336
286838.....	282	303021.....	268
286861.....	62, 68, 72	303033.....	268
286862.....	62, 68, 72	303169.....	272
286863.....	62, 68, 72	303251.....	270, 320
286864.....	60	303283.....	270
286865.....	60, 66	303341.....	270
286866.....	66, 70	303379.....	266
286869.....	60	303380.....	268
286870.....	60, 66	303486.....	266
286871.....	66, 70	303491.....	266
286874.....	60	303492.....	266, 320
286875.....	60, 66	303520.....	320
286876.....	66, 70	303525.....	266, 320
286879.....	62	303691.....	266
286880.....	62	303693.....	266
286881.....	62	303766.....	266
286882.....	62	303832.....	268
286883.....	62	303839.....	266, 320
286884.....	62	303898.....	268
286885.....	66	303961.....	266

INDEX

304611	338	311789	310
305330	234	311790	312
307727	214	311791	314
308943	290	311792	316
309079	32	311795	124
310031	262	311807	346
310702	252	311808	346
311054	322	311810	346
311055	322	311811	346
311068	322	311814	346
311069	322	311815	346
311190	102, 292	311822	124, 296
311193	102, 292	311863	114, 292, 300
311207	102	311864	116, 292, 300
311210	102	311868	300
311237	84, 86, 88	311870	300
311238	84, 86, 88	311882	304
311284	80	311906	122, 296, 300
311285	78	311949	80
311303	102	311959	324
311306	102, 296	311964	114, 118, 122, 292, 296, 300
311318	206	311965	116, 120, 292, 296, 300
311321	322, 324	311972	324
311322	322, 324	312654	138, 142, 144, 148, 156, 158, 160, 162, 164, 166, 168, 170, 174, 176, 188, 192, 196
311325	102, 292, 296, 300	312655	186, 190, 194
311327	102, 296, 300	312673	286
311347	292, 296, 300	312675	126
311359	90	312680	126
311365	102, 300	313035	114, 116, 118, 120
311368	102, 300	313064	202
311464	260	313192	202
311493	214	313303	14
311523	102, 292, 296, 300	313304	14
311524	102, 124, 292, 296	313374	286
311611	78, 82	313406	266
311612	78	313421	216
311613	78, 82	313422	216
311615	104, 292, 296, 300	313423	216
311617	104, 292, 296, 300	313424	216
311620	92, 96	313425	266
311627	78	313432	14
311632	90	313461	278
311643	110, 112	313501	338, 342
311644	112	313502	338, 342
311645	112	313531	216
311646	112	313532	216
311647	112	313533	216
311648	112	313534	216
311658	110	313537	216
311672	104, 292, 296, 300	313538	216
311694	118	313554	216
311695	120	313555	216
311729	118, 296, 300	313566	260
311752	118, 296	313574	216
311753	120, 296		

INDEX

313575	216	313833	342
313580	216	313834	342
313581	216	313835	342
313644	202	313836	342
313705	260	313837	342
313725	214	313838	342
313729	214	313839	344
313733	214	313841	342
313744	338	313843	344
313745	338	313844	344
313749	338	313845	344
313750	338	313846	344
313767	8	313847	344
313768	214	313848	344
313780	338	313849	344
313783	14	313869	342
313787	214	313881	214, 344
313788	338	313882	342
313789	338	313883	342
313790	338	313884	342
313797	338	313940	202
313798	342	313964	84, 86, 88, 90
313799	342	316044	268
313800	342	316095	266, 320
313801	338	316096	266, 320
313802	342	316110	266
313803	342	316118	266
313804	342	316119	266
313805	342	316284	266, 320
313806	342	316293	268
313807	342	316330	268, 318
313808	338	316358	266
313809	342	316639	214, 270
313810	342	316649	214, 270
313811	342	316662	214, 320
313812	342	316793	268, 318
313813	342	316794	266
313814	342	316847	268, 318
313815	342	316848	268, 318
313816	342	316851	268, 318
313817	342	316859	270, 320
313818	342	316860	270, 320
313819	342	319051	26
313820	342	319095	16
313821	342	319098	16
313822	342	319099	16
313824	342	319100	16
313825	342	319102	16
313826	342	319105	16
313827	342	319222	18, 20, 22, 24
313828	342	319223	18, 20, 22, 24
313829	342	319225	30, 32, 34
313830	342	319265	28
313831	342	319345	16
313832	344	319346	16

INDEX

319347..... 16	320206..... 26, 28
319366..... 24	320207..... 84, 86, 88, 90
319429..... 42	320208..... 274
319430..... 38, 40	320213..... 272
319431..... 38, 40, 42	320214..... 74
319480..... 30	320215..... 74
319481..... 30	320218..... 8
319482..... 30	320219..... 274
319483..... 30	320220..... 280, 338
319540..... 16	320248..... 202
319583..... 28	320290..... 18, 20, 22, 24, 30, 32, 34
319604..... 150	320304..... 2
319629..... 18	320311..... 74
319630..... 18	320327..... 14
319631..... 18	320336..... 182, 184, 186, 188, 190, 192, 194, 196, 238, 242
319632..... 18	320360..... 310, 312, 314, 316
319662..... 16	320390..... 208
319674..... 16	320404..... 280
319675..... 16	320409..... 208
319676..... 28	320410..... 208
319707..... 26	320448..... 38, 40, 42, 182, 184, 186, 188, 190, 192, 196
319708..... 26	320474..... 252
319715..... 22, 24	322970..... 82
319716..... 22, 24	323017..... 176
319719..... 18	323018..... 166
319720..... 18	323023..... 160, 162, 166, 174, 176
319721..... 20	323039..... 198
319722..... 22	323040..... 200
319723..... 22	323041..... 200
319724..... 22	323042..... 200
319725..... 22	323046..... 212
319722..... 24	323049..... 268
319727..... 24	323130..... 198, 200
320011..... 270, 320	323145..... 198, 200
320026..... 4, 74	323164..... 182, 184, 190, 192
320039..... 274	323165..... 184
320060..... 18, 20, 22, 270, 320	323166..... 182, 184, 190, 192
320089..... 74	323168..... 196
320148..... 16	323169..... 182, 184, 188, 192
320154..... 270	323172..... 184
320167..... 26	323195..... 198
320168..... 78, 82	323197..... 198
320175..... 104, 292, 296, 300	323228..... 240
320176..... 274	323237..... 240
320179..... 104	323246..... 240
320180..... 92, 98, 100, 104, 106, 108, 114, 118, 122, 296, 300	323247..... 240
320181..... 24	323249..... 240
320182..... 28	323259..... 240
320187..... 102, 292, 296, 300	323260..... 240
320190..... 22, 24, 38, 40, 42, 46, 280	323294..... 240
320192..... 102, 292, 296, 300, 304	323295..... 240
320196..... 78	323296..... 240
320203..... 152	323297..... 240
320205..... 268, 272	323298..... 238, 240

INDEX

323299	240	323519	172
323304	240	323535	236
323305	240	323536	156
323307	240	323537	156
323308	240	323541	180
323310	240	323542	180
323320	240	323543	236
323329	190	323544	236
323337	186, 190, 194	323545	188, 192
323354	180	323547	236
323355	180	323551	134
323357	346	323552	134
323373	346	323553	134
323388	234	323554	140
323390	234	323555	140
323409	150, 230	323556	156
323410	150, 230	323557	156
323419	238, 240	323558	156
323428	172, 176	323559	156
323429	172, 176	323560	172
323453	140	323561	172
323454	140	323562	160
323463	160	323563	160
323464	160	323564	160
323465	160	323565	236
323469	172	323566	236
323471	172	323568	180
323472	146	323569	180
323473	146	323575	188, 192
323475	146	323576	188
323480	134	323583	190
323481	134	323619	234
323482	134	323625	234
323483	156	323629	146
323488	236	323630	146
323489	236	323632	146
323490	236	323633	146
323491	236	323636	346
323494	236	323637	346
323495	236	323650	236
323498	236	323657	232
323501	236	323687	82
323502	236	323688	82
323503	236	323710	194
323504	236	323712	236, 240
323505	156	323733	236
323506	246	323735	186, 190
323507	246	323736	186
323508	246	323737	186
323509	246	323738	186, 190
323510	246	323739	186, 190
323511	246	323741	186, 190
323512	246	323742	186, 190
323516	214	323743	190
323518	196	323744	190

INDEX

323746	194	327672	268
323747	194	327682	318
323748	194	327692	272
323749	194	327694	272
323750	194	327696	272
323762	244	327704	266
323765	252	327710	270
323772	182, 184	327716	268
323773	188, 192, 196	327717	214, 272, 318
323795	182, 184	327738	270
323830	230	327739	272
323838	146	327740	272
323839	146	327745	268
323855	346	327749	268
323856	346	327751	268
323861	240	327755	266
323862	248	327756	266
323866	212	327771	272
323879	252	327786	268
323880	246	327798	268, 318
323881	252	327802	214, 272, 318
323883	252	327807	272, 318
323884	246	327808	272, 318
323885	252	327817	272
323887	252	328534	206
323906	246	328539	206
323907	244	328547	206
323914	188	328556	206
323915	192	335301	10, 278
323917	196	335924	104, 292, 296, 300
323918	192, 196	340049	218
323921	176	340050	224
323923	236, 240	340051	220
323926	188, 192	340052	222
323937	206	340076	344
327086	214, 270, 320	340077	344
327089	268, 318	340078	344
327179	266	340091	288
327255	266	340095	306
327294	272	340096	306
327304	272	340113	2
327428	266	340122	2
327429	266	340129	214
327532	272	340146	104, 292, 296, 300
327534	268	340164	214
327535	268	340183	206
327561	266	340191	80, 82
327563	272	340193	2
327588	274	340201	216
327600	270, 318	340202	216
327649	272	340203	216
327655	318	340204	216
327656	318	340210	278
327659	274	340212	278
327664	272	340215	2

INDEX

340216..... 96	360374..... 14
340218..... 206	360375..... 14
340224..... 84, 86, 88	360376..... 110
340274..... 46	360378..... 14
340548..... 136, 158, 164	360379..... 14
340549..... 142, 144, 148, 156, 160, 162, 166, 168, 170, 174, 176, 188, 192, 196	360509..... 22, 24
340575..... 186, 190, 194	360516..... 328
340576..... 186, 190, 194	360520..... 44
340648..... 82	360521..... 44
340681..... 36	360540..... 300
340841..... 36	360541..... 214
340955..... 208	360554..... 12
340956..... 208	360555..... 12
352001..... 208	360676..... 322
352163..... 208	360677..... 322
360004..... 278	360678..... 322
360035..... 82	360679..... 322
360036..... 186	360680..... 322
360039..... 146	360685..... 322
360044..... 288	360720..... 280
360045..... 288	360723..... 278
360069..... 278	360734..... 280
360072..... 278	360748..... 2
360076..... 278	360749..... 2
360077..... 278	360750..... 2
360079..... 278	360751..... 2
360103..... 278	360754..... 44
360105..... 280	360755..... 44
360106..... 278	360757..... 46
360108..... 278	360758..... 46
360110..... 278	360759..... 46
360114..... 278	360760..... 46
360119..... 278	360769..... 46
360120..... 278	360770..... 46
360122..... 278	360797..... 14
360127..... 10	360798..... 14
360134..... 278	360823..... 208
360144..... 92	360824..... 208
360150..... 36	360828..... 208
360151..... 36	360840..... 208
360163..... 150	360847..... 280
360166..... 6	360848..... 278
360168..... 278	360850..... 280
360175..... 6	360862..... 280
360186..... 92	360863..... 280
360199..... 102, 292	360870..... 74
360201..... 102, 292	360939..... 278
360212..... 208	360940..... 278
360217..... 330	368239..... 208
360218..... 330	368338..... 208
360235..... 330	368385..... 290
360249..... 32	500303..... 208
360360..... 228	500321..... 210
360361..... 2	500557..... 290
	500563..... 234

INDEX

500567 212
500593 290

B

B6288 266
B6413 334
B6414 334
B6415 334
B6416 334
B6447 276
B6448 276
B6460 318
B6801 286
B7022 258
B7023 258
B7027 326
B7029 338
B7030 260
B7117 180
B7118 180
B7120 180
B7122 308
B7127 346
B7128 346
B7130 346
B7155 310
B7156 312
B7157 314
B7158 316
B7230 288
B7238 306
B7270 180
B7271 180
B7274 346
B7275 346
B7290 330
B7291 330
B7338 180
B7339 346
B7346 278
B7359 296
B7360 292
B7361 292
B7362 300
B7383 328
B7392 272
B7398 272, 318
B7464 338
B7466 338
B7501 196, 210, 212, 228, 230, 232, 244, 252, 262,
264

C

C2171 318
C2173 272

MacDon®

CUSTOMERS
MacDon.com

DEALERS
Portal.MacDon.com

Trademarks of products are the marks of their
respective manufacturers and/or distributors.

Printed in Canada