

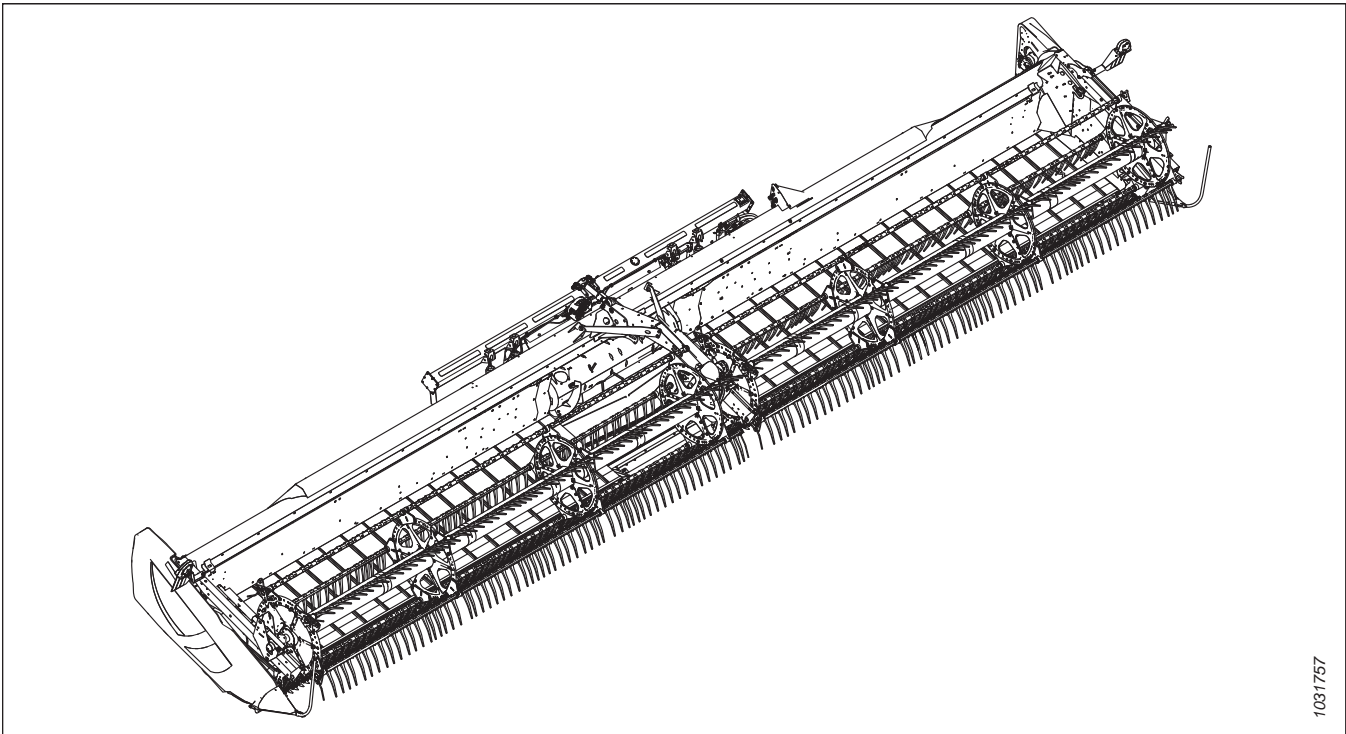
**D1 Series
Draper Header for Combines with
FM100 Float Module**

Parts Catalog

262013 Revision B

Original Instruction

D1 Series Draper Header for Combines and FM100 Float Module



Published: March 2023

NOTE:

Keep your MacDon publications up-to-date. The most current version can be downloaded from our website (www.macdon.com) or from our Dealer-only site (<https://portal.macdon.com>) (login required).

This document is available in English, French, Portuguese, Russian, and Spanish versions. The most current version can be downloaded from our MacDon website (www.macdon.com) or from our Dealer-only site (<https://portal.macdon.com>) (login required).

© 2023 MacDon Industries, Ltd.

The information in this publication is based on the information available and in effect at the time of printing. MacDon Industries, Ltd. makes no representation or warranty of any kind, whether expressed or implied, with respect to the information in this publication. MacDon Industries, Ltd. reserves the right to make changes at any time without notice.

Introduction

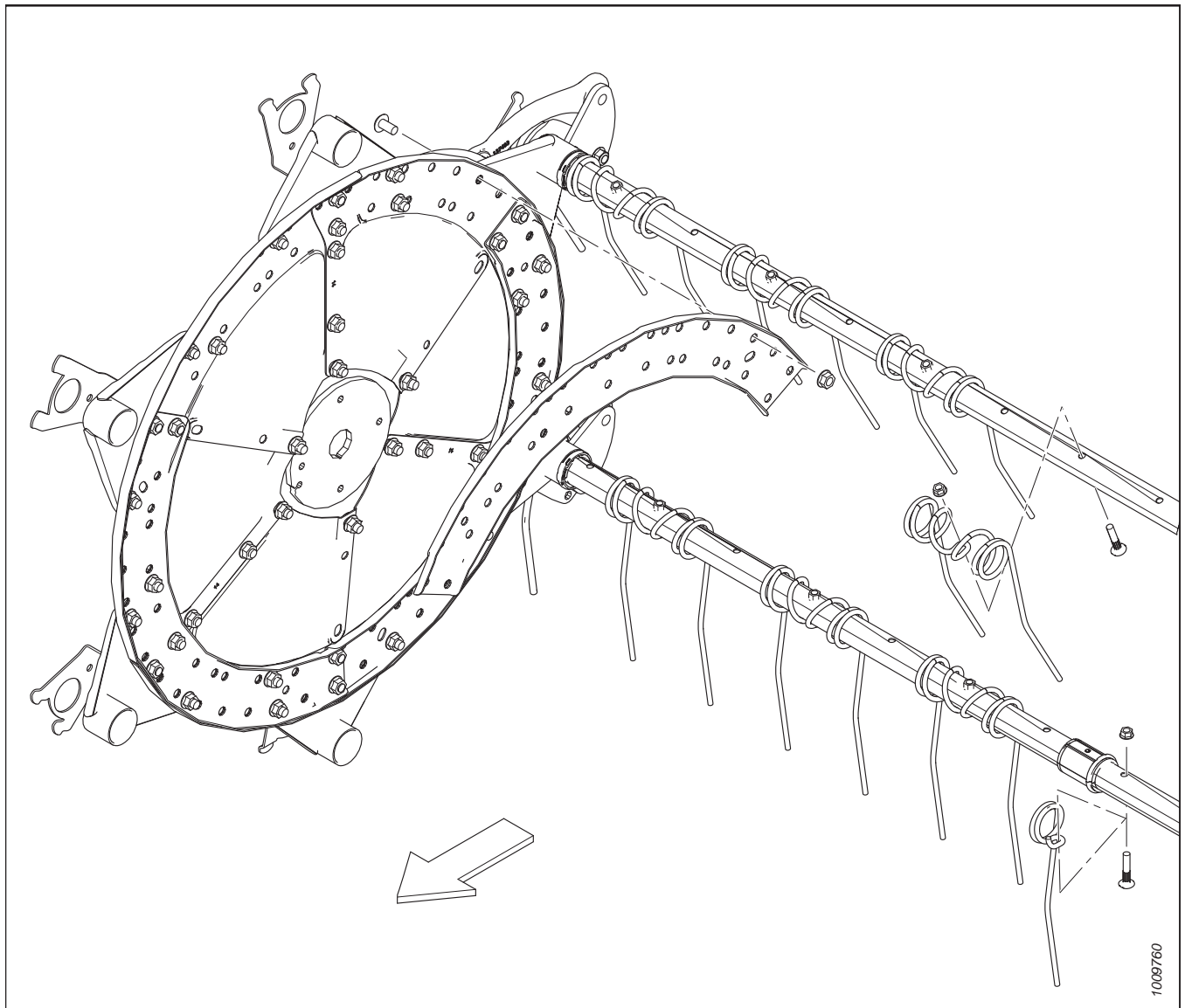
This Parts Catalog lists all the replacement parts that can be ordered for a MacDon D1 Series Combine Draper Header and a FM100 Float Module. Chapters *1 Header Frame – Dividers and Stand, page 1 to 92 (Option) Vertical Knife Assembly – Service Parts, page 285* list replacement parts for a D1 Series Combine Draper Header, and chapters *93 Float Module Frame and Components, page 287 to 173 (Option) Tilt Harness Kit, page 493* list replacement parts for a FM100 Float Module.

When ordering, be sure the complete and proper part number is given. Some parts vary with header size; be sure you are ordering the correct part number for your unit.

Bold text is used to indicate updates made at the current revision level. With each new revision of the catalog, previous revisions are returned to regular text.

Electrical connectors used on MacDon products are available for sale but not listed in this catalog. For the list of available connectors, refer to the Electrical Connectors Parts Catalog (MD #169641).

In this catalog, right and left are determined from the operator's seated position in the combine. An arrow is sometimes used in illustrations to indicate forward position.



Abbreviations

A/R – as required (quantity varies)	ASSY – assembly	BHRN – button head rib neck
BV – ball valve	CCW – counterclockwise	CON – conical (spring washer)
CSK – countersink	C/W – complete with	CW – clockwise
DBLE – double	DK – double knife	DR – double reel
DT – distorted thread	FLG – flange	GA – gauge
GR – grade	GS – grass seed	HD – head
HDR – header	HFA – hydraulic fore-aft	HH – hex head
HNBR – hydrogenated nitrile butadiene rubber	HYD – hydraulic	I.D. – inside diameter
IP – internal plus (torx plus)	KP – knife pressure	KR – knife return
LG – long	LH – left hand (determined from Operator's position, facing forward)	LK – lock
MACH – machine	MD – MacDon	MFA – manual fore-aft
MY – model year	NC – national coarse thread	NF – national fine thread
NSS – not sold separately	NT – narrow transport	O.D. – outside diameter
OPT – optional	PO – pilot operated	PT – pull-type (mower conditioner)
RC – roller chain	REF – reference, part number called up elsewhere in catalog	REG – regular
RH – right hand (determined from Operator's position, facing forward)	RHSN – round head, square neck or square neck carriage bolt	RHSSN – round head, short, square neck
RTD – rotating tine drum	SAE – Society of Automotive Engineers (part produced to comply with)	SD – side draper
SER – serrated	SK – single knife	SKT HD – socket head
SMTH – smooth	SMV – slow moving vehicle	SOCK – socket
SP – self-propelled (windrower) header	SPCL – special	SPH – spherical
SPI – serrations per inch (knife Sections)	SR – single reel	STL – steel (stainless)
STR – standard	STVR – Stover	TFL – thread full length
THD – thread	TR – triple reel	UCA – upper cross auger
UDK – untimed double knife	UNC – unified coarse thread	UNEF – unified extra fine thread
UNF – unified fine thread	UNS – unified special thread series	VK – vertical knife
WF – wide frame	ZP – zinc plated	

Serial Number Breaks

The side of the serial number on which the dash (–) appears determines whether the part is used "up to" or "after" the serial number given.

Example:

- –451189 Used on machines up to and including serial number 451189
- 451190– Used on machines including and after serial number 451190

Summary of Changes – D1 Series (262013 Rev. B)

This list covers changes made since the last revision (215746 Rev. B; 262013 Rev. A not published).

Section	Summary of Change	Internal Use Only
Throughout	Added registered trademark symbols (®) where applicable.	Technical Publications
<i>2 Header Frame – Endshields, page 5</i>	Removed Torx socket 164009 from the manual case.	ECN 62840
	Removed erroneous endshields from the parts catalog; incorrect endshield part numbers where added in revision A.	Technical Publications
<i>22 Draper Carrier Deck and Tensioner, page 69</i>	Added a reference to the optional polyethylene draper tracks kit, added a footnote for clarity. Updated illustration from 1037314 to 1040161 to show changes.	ECN 62756
	Added deck shift clamp 145558, washer 18600, and bolt 21582. Updated illustration from 1040161 to 1040991 to show changes.	Parts
<i>33 Reel Support Arms and Lift Cylinders, page 115</i>	Arm decal assembly 255282 and 255788 superseded by 335966 and 335967. Arm decal assembly 255282 and 255788 remains available for model year 2022 and prior. Added serial number breaks for clarity.	ECN 63501
<i>36 Electrical Components, page 127</i>	Updated part descriptions of header ID plugs 254219, 254220, 254179, 254180, and 254181. Added new header ID plugs 254301, 254302, and 254305 to the parts list.	ECN 61239
<i>39 Decals and Reflectors, page 135</i>	Added new reel hazard decal 335965 for model year 2023 and later units; decal 131393 remains available for model year 2022 and prior. Added serial number breaks for clarity. Updated illustration from 1031438 to 1040556 to show changes.	ECN 63501
<i>40 Decals – Product Identification, page 139</i>	Discontinued lime green accent decals 304132/304133 and lime green front decals 255116/255317.	ECN 62604 ECN 62686
	Discontinued lime green decals have been superseded by existing grey decals; 304132 superseded with 304130, 304133 superseded with 304131, 255116 superseded with 255115, and 255317 superseded with 255316.	ECN 62740
<i>51 (Option) Floating Crop Dividers Adaptor Kit, page 163</i>	Added new chapter for optional floating crop dividers adaptor kit with new illustration 1040557.	ECN 62649
<i>57 (Option) Polyethylene Draper Tracks, page 175</i>	Added new chapter for optional polyethylene draper tracks with new illustration 1040527.	ECN 62756
<i>69 (Option) Stubble Lights, page 205</i>	Added extension harness 138744, added footnote for clarity. Updated illustration from 1026466 to 1040733 to show changes.	ECN 63642
<i>75 (Option) Upper Cross Auger – Left End, D130, D135, and D140 (2021 and Prior), page 221</i>	Switched nuts 135248 and 135337 in the parts list; nut 135337 is now hardware J and nut 135248 is now hardware M.	Parts
<i>80 (Option) Upper Cross Auger – Left End, D130, D135, and D140 (2022 and Later), page 239</i>	Switched nuts 135248 and 135337 in the parts list; nut 135337 is now hardware J and nut 135248 is now hardware M.	Parts
<i>81 (Option) Upper Cross Auger – Right End, D130, D135, and D140 (2022 and Later), page 243</i>	Updated descriptions of end shaft 132303 and disc kit 294677, and updated footnote on disc kit 294677 for consistency with 2021 and prior topics.	Technical Publications

Section	Summary of Change	Internal Use Only
<i>83 (Option) Upper Cross Auger – Right End, D145 (2022 and Later), page 249</i>	Updated descriptions of end shaft 132303 and disc kit 294677, and updated footnote on disc kit 294677 for consistency with 2021 and prior topics.	Technical Publications
<i>106 Drives, page 321</i>	Replaced bolt 21491 with bolt 18723.	UECN 31485 ECN 63264
<i>107 Pump Assemblies – Identifying Pump, page 325</i>	Updated note; model year 2023 float modules will only use the Bosch/Rexroth pump stack.	ECN 63175
<i>108 Pump Assembly – Bosch/Rexroth, page 327</i>	Superseded tail support bracket 295242 with bracket 326286.	ECN 63389
<i>109 Pump Assembly – Parker Hannifin (2022 Only), page 331</i>	Added fitting 136155. Updated illustration from 1038040 to 1040745 to show changes.	ECN 63344
<i>112 Draper Drive Pump Service Kit, page 341</i>	Replaced O-ring 294832 with O-rings 320415 and 320417. Updated illustration from 1038342 to 1038774 to show changes.	ECN 63049
<i>118 Hydraulics – Drive Manifold Assembly, page 359</i>	Elbow fitting 136458 replaced with straight fitting 135786. Updated illustration from 1023846 to 1038427 to show changes.	ECN 62734
<i>127 AGCO Gleaner® – Feed Auger Conversion Parts, page 381</i>	Revised note to reflect supersession of AGCO Gleaner® Completion Package bundle MD #B6675 with bundle MD #B6964.	ECN 60225 Technical Publications
<i>129 AGCO IDEAL™ – Fillers Kit, page 385</i>	Added new section for AGCO IDEAL™ Fillers kit 347173 with new illustration 1040734.	ECN 62517
<i>133 Case IH and New Holland CR/CX – Float Module Completion, page 397</i>	Superseded CNH transition frame 279493 with transition frame assembly 347300 for MY2023 units, and with service kit 335906 for MY2022 and prior units. Added latch 347141, pin 237363, nut 136476, bolt 197319, and nut 197320. Added footnotes for clarity. Updated illustration from 1017190 to 1040715 to show changes.	ECN 62348
<i>134 Case IH 2300/2500 Series – Float Module Completion, page 399</i>	Superseded attachment brackets 322783 and 322862 with anchors 347964 and 347965.	ECN 61789
	Superseded transition frame 335270 with transition frame 347731. Updated illustration from 1032085 to 1040744 to show changes.	ECN 63393
<i>141 CLAAS Lexion 500/700 Series – Float Module Completion, page 417</i>	Superseded latch 337311 with latch 335849.	ECN 62425
	Superseded lever 347569 with lever 304669. Added pins 13125 and 19809, and added a footnote to service-only pin 113561 for clarity. Updated illustration from 1038090 to 1040746 to show changes.	ECN 63222
<i>146 John Deere 60/70 S/T Series – Float Module Completion, page 429</i>	Replaced brackets 245760 and 245761 with anchors 347179 and 347180.	ECN 63248
	Added footnotes throughout for clarity.	Technical Publications
<i>151 Versatile – Float Module Completion, page 441</i>	Superseded latch 337311 with latch 335849.	ECN 62425
	Superseded lever 347569 with lever 304669. Added pins 13125 and 19809, and added a footnote to service-only pin 113561 for clarity. Updated illustration from 1038100 to 1040748 to show changes.	ECN 63222
<i>164 John Deere Conversion Kits, page 471</i>	Replaced brackets 245760 and 245761 with anchors 347179 and 347180.	ECN 63248

Section	Summary of Change	Internal Use Only
<i>170 (Option) Hillside Extension, page 485</i>	Revised footnotes to reflect new quantity of screws 320397; kits now come with six screws instead of twelve.	ECN 62702
	Revised footnotes to clarify that kits B6057 and 312824 include metric hardware, and that machines requiring imperial hardware should order the appropriate screw.	Parts
<i>173 (Option) Tilt Harness Kit, page 493</i>	Added tilt/drapeer speed support 304111, screw 136886, and nut 152668. Updated illustration from 1037281 to 1040811 to show changes.	ECN 63888

TABLE OF CONTENTS

Introduction	i
Abbreviations.....	ii
Serial Number Breaks	iii
Summary of Changes – D1 Series (262013 Rev. B).....	iv
1 Header Frame – Dividers and Stand.....	1
2 Header Frame – Endshields	5
3 Guards, Hold-Downs, and Wearplates – Single Knife, Stub Guards	7
4 Guards, Hold-Downs, and Wearplates – Single Knife, Pointed and Pointed with End Stubs	9
5 Guards, Hold-Downs, and Wearplates – Double Knife, Right End	13
6 Guards, Hold-Downs, and Wearplates – Double Knife, Middle and Left End.....	17
7 Knife Components and Knifehead	21
8 Segmented Knives – Single-Knife Headers, Fine-Tooth Sections	25
9 Segmented Knives – Single-Knife Headers, Coarse-Tooth Sections.....	29
10 Segmented Knives – Single-Knife Headers, Ultra Coarse-Tooth Sections	33
11 Segmented Knives – Double-Knife Headers, Fine-Tooth Sections.....	35
12 Segmented Knives – Double-Knife Headers, Coarse-Tooth Sections	39
13 Segmented Knives – Double-Knife Headers, Ultra Coarse-Tooth Sections	43
14 Knife Drive – Single-Knife and Untimed Double-Knife Headers	47
15 Knife Drive – Timed Double-Knife Headers	51
16 Knife Drive Box	57
17 Knife Drive Hydraulics – Single-Knife (D120, D130, D135, and D140).....	59
18 Knife Drive Hydraulics – Single-Knife (D125, D130, and D135)	61
19 Knife Drive Hydraulics – Timed Double-Knife (D120)	63
20 Knife Drive Hydraulics – Timed Double-Knife (D125, D130, and D135)	65
21 Knife Drive Hydraulics – Untimed Double-Knife (D140 and D145).....	67
22 Draper Carrier Deck and Tensioner.....	69
23 Draper Deflectors – Combine.....	75
24 Draper Backsheet Deflectors	77
25 Draper Drive – Manual Deck Shift	79
26 Pick-Up Reel – Single-Reel Headers (D120, D125, D130, and D135).....	81
27 Pick-Up Reel – Double-Reel Headers (D130, D135, D140, and D145)	87
28 Reel Endshield Components	95
29 Reel Components – Single Reel, Right Arm	97
30 Reel Components – Double Reel, Right Arm	103
31 Reel Components – Double Reel, Center Arm	107
32 Reel Components – Single/Double Reel, Left Arm.....	113
33 Reel Support Arms and Lift Cylinders.....	115
34 Reel Drive Hydraulics – Lift and Fore-Aft – Single Reel (D120, D125, D130, and D135).....	119
35 Reel Drive Hydraulics – Lift and Fore-Aft – Double Reel (D130, D135, D140, and D145)	123
36 Electrical Components.....	127
37 Reel Height Sensor.....	131
38 Skid Shoes – End and Center	133
39 Decals and Reflectors	135

TABLE OF CONTENTS

40	Decals – Product Identification	139
41	Decals – French	141
42	Decals – Portuguese.....	143
43	Decals – Russian	145
44	Decals – Spanish.....	147
45	Paint.....	149
46	(Option) Combine Header Coupler Kit.....	151
47	(Option) Crop Lifters	153
48	(Option) Crop Lifter Rack	155
49	(Option) Double Draper Drive.....	157
50	(Option) Draper Extension Kit.....	161
51	(Option) Floating Crop Dividers Adaptor Kit.....	163
52	(Option) Foot Switch	165
53	(Option) Multi-Crop Rapid Reel Conversion Kit.....	167
54	(Option) Pick-up Reel-End Fingers Kit.....	169
55	(Option) Pointed Guard Kit, Single Knife.....	171
56	(Option) Pointed Guard Kit, Double Knife.....	173
57	(Option) Polyethylene Draper Tracks	175
58	(Option) Reel Arm Extension Kit.....	177
59	(Option) Rice Divider Rods	179
60	(Option) Rock Retarder Kit	181
61	(Option) Short Brace Kit for Center Reel Arm / Divider Latches.....	183
62	(Option) Short Brace Kit for Short Reel Arms – Single Reel	185
63	(Option) Slow Speed Transport Package – Hitch Electrical.....	187
64	(Option) Slow Speed Transport Package – Transport Hitch.....	191
65	(Option) Slow Speed Transport Package – Wheels and Supports.....	193
66	(Option) Stabilizer Wheels	199
67	(Option) Stabilizer Wheels – Secondary.....	201
68	(Option) Stub Guard Conversion Kit.....	203
69	(Option) Stubble Lights.....	205
70	(Option) Sunflower Attachment – Base Kit	207
71	(Option) Sunflower Attachment – Pans	211
72	(Option) Sunflower Attachment – Deflectors	213
73	(Option) Tine Tube Reinforcing Kit	215
74	(Option) Upper Cross Auger – D125	217
75	(Option) Upper Cross Auger – Left End, D130, D135, and D140 (2021 and Prior).....	221
76	(Option) Upper Cross Auger – Right End, D130, D135, and D140 (2021 and Prior).....	225
77	(Option) Upper Cross Auger – Left End, D145 (2021 and Prior).....	229
78	(Option) Upper Cross Auger – Right End, D145 (2021 and Prior).....	233
79	(Option) Upper Cross Auger – Center Support Repair Kit	237
80	(Option) Upper Cross Auger – Left End, D130, D135, and D140 (2022 and Later)	239
81	(Option) Upper Cross Auger – Right End, D130, D135, and D140 (2022 and Later).....	243
82	(Option) Upper Cross Auger – Left End, D145 (2022 and Later)	245

TABLE OF CONTENTS

83	(Option) Upper Cross Auger – Right End, D145 (2022 and Later)	249
84	(Option) Vertical Knife – Standard Reel Arm (2018 and Prior).....	251
85	(Option) Vertical Knife – Standard Reel Arm, Left End (2019–2021).....	257
86	(Option) Vertical Knife – Standard Reel Arm, Right End (2019–2021).....	261
87	(Option) Vertical Knife – Standard Reel Arm, Left End (2022)	265
88	(Option) Vertical Knife – Standard Reel Arm, Right End (2022)	269
89	(Option) Vertical Knife – Short Reel Arms.....	275
90	(Option) Vertical Knife Hose Kits – Standard and Short Reel Arms, Single Reel.....	281
91	(Option) Vertical Knife Hose Kits – Standard and Short Reel Arms, Double Reel	283
92	(Option) Vertical Knife Assembly – Service Parts	285
93	Float Module Frame and Components	287
94	Feed Deck – Frame, Front Links, and Pivot Pins	289
95	Feed Deck – Draper Drive and Rollers	291
96	Feed Deck – Pans and Fillers.....	295
97	Float Module – Transition Pan	297
98	Float Module – Attaching Parts.....	299
99	Float Module – Center and Corner Fillers	301
100	Float Module – Side Fillers	303
101	Auger Assembly and Completion	305
102	Auger Assembly and Completion – Configuration	307
103	Auger Internal Components	309
104	Auger Assembly – Service Parts	311
105	Auger Float Linkage	319
106	Drives	321
107	Pump Assemblies – Identifying Pump	325
108	Pump Assembly – Bosch/Rexroth.....	327
109	Pump Assembly – Parker Hannifin (2022 Only).....	331
110	Pump Assembly – Eaton (2022 Only)	335
111	Knife Drive Pump Service Kit	339
112	Draper Drive Pump Service Kit.....	341
113	Input Driveline and Support	343
114	Hydraulics – Frame Components.....	349
115	Hydraulics – Center-Link and Header Tilt / Reel Fore-Aft.....	351
116	Hydraulics – Feed Deck.....	353
117	Hydraulics – Drives and Header Connection.....	355
118	Hydraulics – Drive Manifold Assembly	359
119	Drive Manifold Assembly – Service Parts.....	361
120	Selector Valve	363
121	Float Linkage and Components	365
122	Float Indicator and Auto Header Height Control.....	369
123	Electrical Components – FM100	373
124	Decals – FM100	375
125	AGCO Challenger®/Massey Ferguson® – Float Module Completion	377

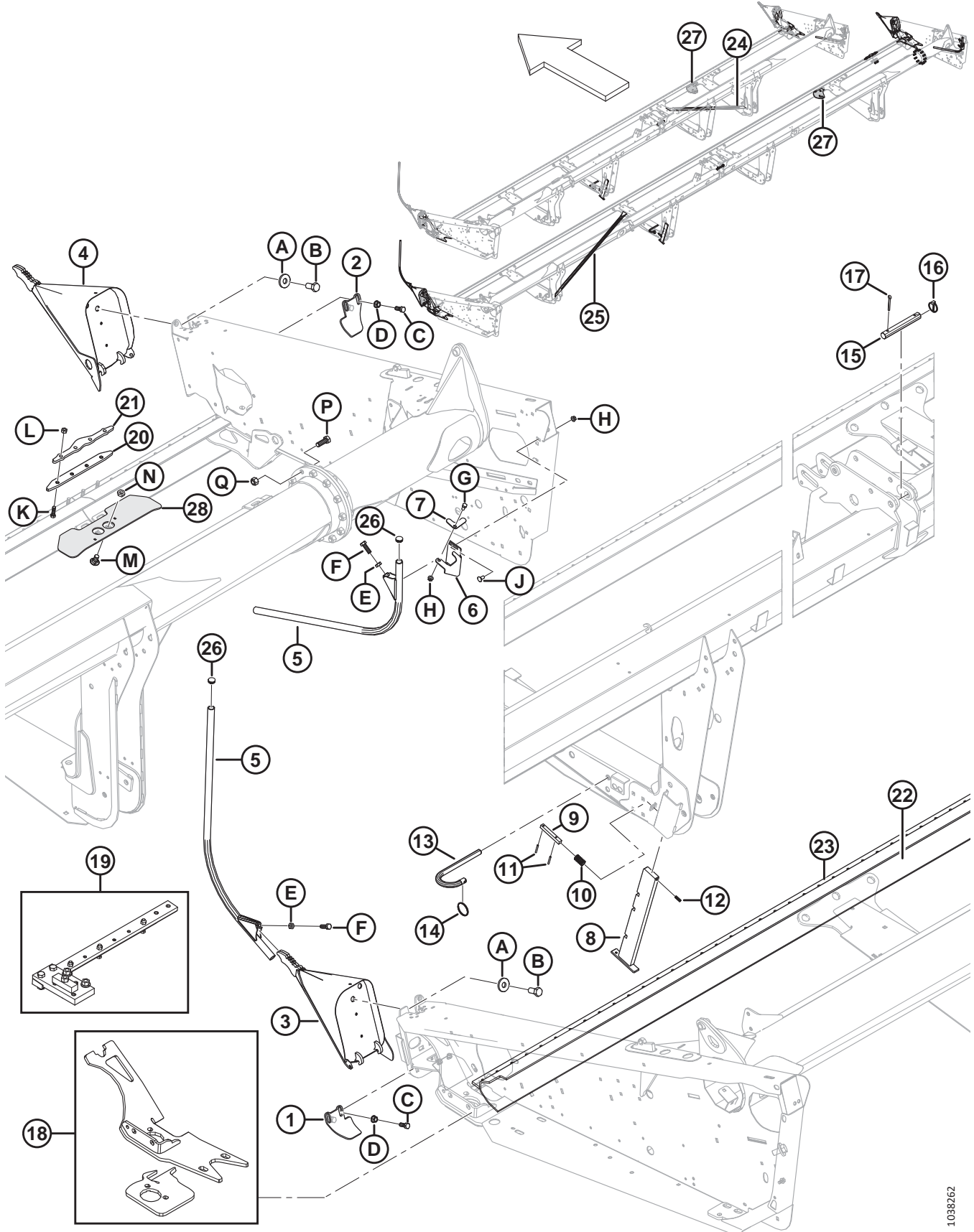
TABLE OF CONTENTS

126	AGCO Gleaner® – Float Module Completion	379
127	AGCO Gleaner® – Feed Auger Conversion Parts	381
128	AGCO IDEAL™ – Float Module Completion.....	383
129	AGCO IDEAL™ – Fillers Kit	385
130	AGCO Challenger®/Massey Ferguson® and Gleaner® – Hydraulic Completion	387
131	AGCO IDEAL™ – Hydraulic Completion	391
132	AGCO – Electrical Completion	395
133	Case IH and New Holland CR/CX – Float Module Completion	397
134	Case IH 2300/2500 Series – Float Module Completion	399
135	Case IH and New Holland CR/CX – Hydraulic Completion	401
136	Case IH 2300/2500 Series – Hydraulic Completion	405
137	Case IH and New Holland CR/CX – Electrical Completion	409
138	Case IH 2300/2500 Series – Electrical Completion	411
139	New Holland 10 Volt Auto Header Height Control Converter Kit	413
140	New Holland CR Fillers Conversion Kit	415
141	CLAAS Lexion 500/700 Series – Float Module Completion	417
142	CLAAS Lexion 500/700 Series – Hydraulic Completion	419
143	CLAAS Lexion 500/700 Series – Electrical Completion.....	423
144	CLAAS Reel Height Resistor Kit.....	425
145	John Deere 50 Series – Float Module Completion	427
146	John Deere 60/70 S/T Series – Float Module Completion.....	429
147	John Deere 50 Series – Hydraulic Completion	431
148	John Deere 60/70 S/T Series – Hydraulic Completion	433
149	John Deere 50 Series – Electrical Completion	437
150	John Deere 60/70 S/T Series – Electrical Completion.....	439
151	Versatile – Float Module Completion.....	441
152	Versatile – Hydraulic Completion	443
153	Versatile – Electrical Completion.....	447
154	Auger Conversion Kits – Fingers and Flighting	449
155	FM100 on D65 Conversion Kit.....	451
156	Gear Pump Conversion Kits	453
157	Gear Set Conversion Kits.....	455
158	Sprocket and Chain Conversion Kit	457
159	AGCO Challenger®/Massey Ferguson® Conversion Kit	459
160	AGCO Gleaner® Conversion Kit	461
161	AGCO IDEAL™ Conversion Kit	463
162	Auger Dent Repair Kit.....	467
163	Auger Patch Kit	469
164	John Deere Conversion Kits	471
165	Rostselmash Conversion Kit	473
166	Reel Speed Sensors	477
167	(Option) Auger Flighting Kits	479
168	(Option) Dual Sensor Auto Header Height Control	481

TABLE OF CONTENTS

169 (Option) FM100 Full Interface Filler – D1 483
170 (Option) Hillside Extension 485
171 (Option) In-Cab Side Draper Speed Control Kits 487
172 (Option) Stripper Bars 491
173 (Option) Tilt Harness Kit 493
Index 496

1 Header Frame – Dividers and Stand

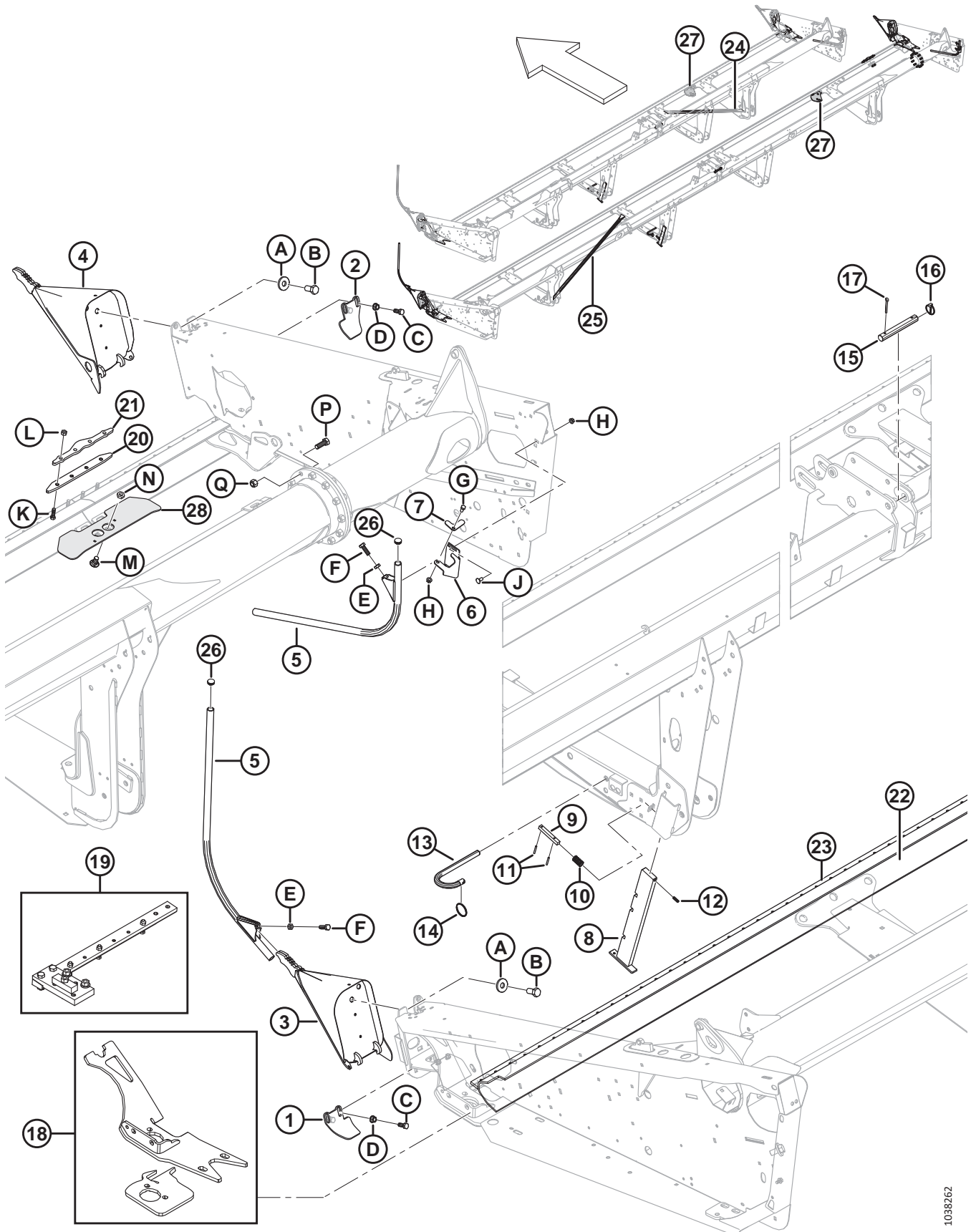


HEADER FRAME – DIVIDERS AND STAND

Ref	Part Number	Description	Qty	Serial Number
1	245678	SHIELD – LH, GUARD	1	
2	245677	SHIELD – RH, GUARD	1	
3	123660	DIVIDER – WELDT (LH)	1	
4	123661	DIVIDER – WELDT (RH)	1	
5	120127	DIVIDER – TUBE WELDT ¹	2	
6	253499	BRACKET – DIVIDER ROD STORAGE	1	
7	132420	TAB-LOCK – DIVIDER ROD STORAGE	1	
8	132266	STAND – WELDT	1	
9	132269	PIN – TWO HOLES, 12.7 MM SQUARE, 100 MM LG	1	
10	132265	SPRING – COMPRESSION	1	
11	7642	PIN – SPRING 3/16 DIA X 1.5 LG	2	
12	16087	PIN – SPRING 5/16 DIA X 1.0 LG	1	
13	124399	PIN	2	
14	118137	RING – Ø50.8 MM	2	
15	133751	PIN – STRAIGHT, TWO HOLES, 147 MM (30-35 DK SINGLE REEL)	1	
	125363	PIN – STRAIGHT, TWO HOLES, 185 MM (35-45 DK/UDK DOUBLE REEL)	1	
16	102264	PIN – LYNCH 3/16 X 1 9/16 IN	1	
17	18609	PIN – COTTER 1/4 DIA X 2 ZP	1	
18	123751	KIT – LH WOBBLE BOX MOUNT	1	
	123752	KIT – RH WOBBLE BOX MOUNT	1	
19	174400	JIG ASSY – WOBBLE BOX MOUNT, 20-25 FT ²	A/R	
	174391	JIG ASSY – WOBBLE BOX MOUNT, 30-45 FT ²	A/R	
20	258150	BAR – CUTTERBAR SPLICE (SPLIT FRAME ONLY)	1	
21	255442	BAR – CUTTERBAR SPLICE (SPLIT FRAME ONLY)	1	
22	294671	KIT – CUTTERBAR REPAIR PIECE, 1300 MM ³	A/R	
	294681	KIT – CUTTERBAR REPAIR PIECE, 4491 MM ³	A/R	
23	294672	KIT – GUARD BAR, 1530 MM	A/R	
24	294650	KIT – TUBE WELDT BRACE, 30 FT, RH ⁴	OPT	
	294664	KIT – TUBE WELDT BRACE, 35 FT, RH ⁴	OPT	
25	294662	KIT – TUBE WELDT BRACE, 40 AND 45 FT, RH ⁴	OPT	
	294663	KIT – TUBE WELDT BRACE, 40 AND 45 FT, LH ⁴	OPT	
26	335301	PLUG – PLASTIC, SNAP-IN ⁵	4	
27	335752	KIT – SUPPORT BRACKET ⁶	A/R	

- Standard divider rod shown. For rice divider rods, refer to Section [59 \(Option\) Rice Divider Rods, page 179](#).
- Required to properly install wobble box mount (MD #123751 or 123752), comes complete with instructions. See your MacDon Dealer for more information.
- 30–45 ft. only.
- Optional brace kit is used to repair diagonal brace underneath header frame.
- Inserted on each end of divider rod (MD #120127).
- Kit used to replace worn out or broken support bracket. Welding is required.

HEADER FRAME – DIVIDERS AND STAND

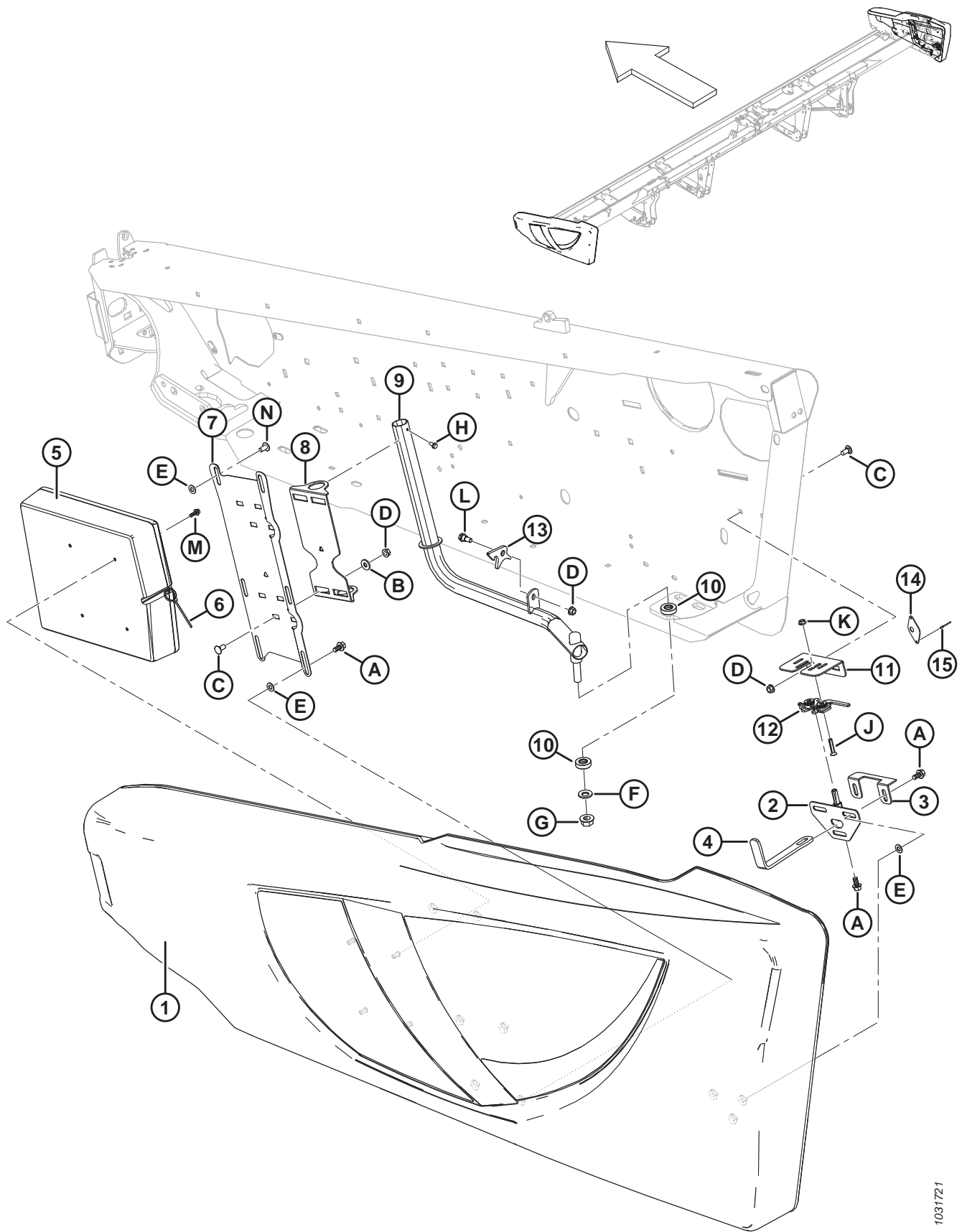


1038262

HEADER FRAME – DIVIDERS AND STAND

Ref	Part Number	Description	Qty	Serial Number
28	125418	SUPPORT – SPLIT CBAR CONNECTION WELDT (40 FT SPLIT FRAME HDR ONLY)	1	
	253552	SUPPORT – SPLIT CBAR CONNECTION WELDT (45 FT SPLIT FRAME HDR ONLY)	1	
A	6647	WASHER – FLAT		
B	135579	BOLT – HEX HD 3/4-16 UNF		
C	21491	BOLT – HH 1/2 NC X 1.25 LG GR 5 ZP		
D	21383	NUT – FLANGE .500-13 UNC (SER FACE)		
E	21056	NUT – HEX JAM 1/2-13 UNC GR 5 ZP		
F	18723	BOLT – HH 1/2 NC X 1.5 LG GR 5 ZP		
G	21567	BOLT – HEX HD .375-16 UNC X 0.75 LG		
H	30228	NUT – FLANGE DT SMOOTH FACE 0.375-16 UNC		
J	21863	BOLT – RHSSN 3/8 NC X 0.75 LG GR 5 ZP		
K	113814	BOLT – HH 7/16 NC X 1.5 LG GR.5 ZP (SPLIT FRAME ONLY)		
L	18654	NUT – HEX 7/16-14 UNC GR 5 ZP (SPLIT FRAME ONLY)		
M	103562	BOLT – RHSN 5/8 NC X 1.25 GR 5 ZP		
N	21941	NUT – HEX LOCK JAM (END DTTHD) 5/8-11 UNC GR 5 ZP (SPLIT FRAME ONLY)		
P	135340	BOLT – HH 5/8 NC X 1.75 LG GR 8 ZP (SPLIT FRAME ONLY)		
Q	134438	NUT – HEX LOCK DT 5/8-11-GR8-ZP (SPLIT FRAME ONLY)		

2 Header Frame – Endshields



1031721

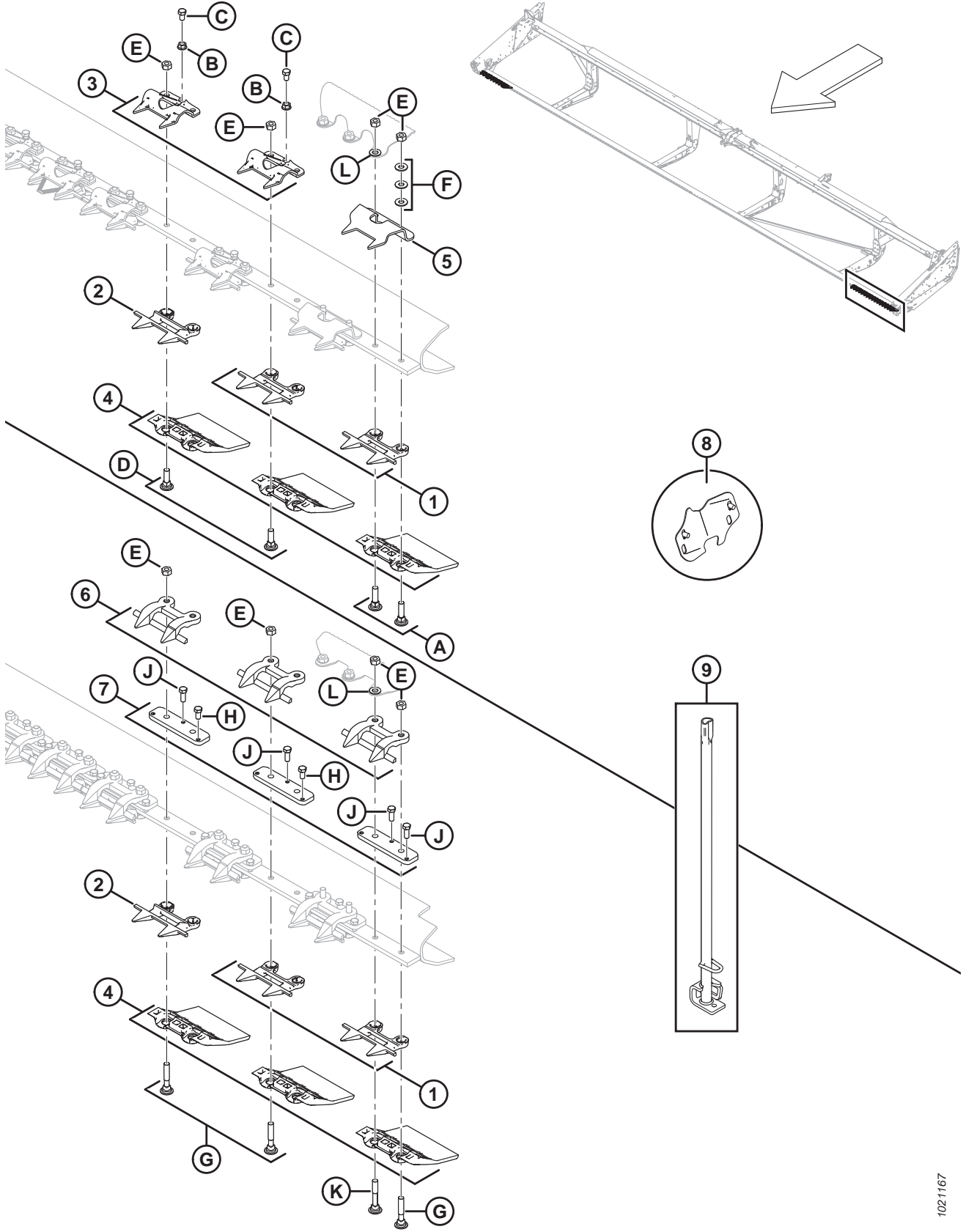
HEADER FRAME – ENDSHIELDS

Ref	Part Number	Description	Qty	Serial Number
1	255004	SHIELD – LH, C/W TEE NUTS, BLACK ⁷	1	
	255019	SHIELD – RH, C/W TEE NUTS, BLACK ⁷	1	
	304601	SHIELD ASSY – RED, LH, BLACK ACCENT ⁷	1	
	304602	SHIELD ASSY – RED, RH, BLACK ACCENT ⁷	1	
	165524	REFLECTOR – RED, 230 MM ⁸		
2	253624	PIN – ENDSHIELD LATCH WELDT	2	
3	253627	RETAINER – ENDSHIELD	2	
4	253164	SUPPORT – ENDSHIELD LATCH	2	
5	220107	CASE – MANUAL (LH ENDSHIELD ONLY)	1	
6	21763	FASTENER – CABLE TIE (BLACK)	1	
7	304304	SUPPORT – LH SHIELD	1	346190–
	253297	SUPPORT – LH SHIELD	1	–346189
	253298	SUPPORT – RH SHIELD	1	
8	253299	PIVOT – SHIELD	2	
9	255678	TUBE WELDMENT LH SHIELD	1	
	255679	TUBE WELDMENT RH SHIELD	1	
10	125176	BEARING – THRUST	4	
11	253601	SUPPORT – ENDSHIELD LATCH LH	1	
	253602	SUPPORT – ENDSHIELD LATCH RH	1	
12	134003	ASSY – STIRRUP LATCH LH	1	
	134002	ASSY – STIRRUP LATCH RH	1	
13	255041	LATCH – ENDSHIELD	2	
14	165858	GUIDE – ENDSHIELD LATCH (EXPORT ONLY)	1	
15	14338	RIVET – BLIND 1/8 X .125 (EXPORT ONLY)	2	
A	21821	BOLT – HH FLG (SER FACE) 3/8 NC X 0.75 GR 5 ZP		
B	20535	WASHER – FLAT		
C	21863	BOLT – RHSSN 3/8 NC X 0.75 LG GR 5 ZP		
D	30228	NUT – FLANGE DT SMTH FACE 0.375-16 UNC		
E	18598	WASHER – SAE FLAT 13/32 I.D. X 13/16 IN. O.D. ZP		
F	184718	WASHER – CON SPRING M16 STL SAE 1050-1075		
G	50225	NUT – FLANGE DT SMTH FACE .625-11 UNC		
H	21055	SCREW – SELF TAP HEX WASH HD 1/4 NC X 1/2		
J	30504	SCREW – FLAT CSK MACH 5/16 NC X 1-1/2 LG GR 5 ZP		
K	30280	NUT – FLG SIDE LK SMTH FACE 5/16 NC GR 5 ZP		
L	172259	BOLT – SHOULDER .375-16 UNC		
M	NSS	BOLT – HH SER FLG 1/4-20 X 0.625-GR5-AA3L		
N	135157	SCREW – MACHINE		

7. For endshield decals, refer to Sections *40 Decals – Product Identification, page 139*.

8. Refer to Section *39 Decals and Reflectors, page 135*. Reflector (MD #165524) used on right endshield only.

3 Guards, Hold-Downs, and Wearplates – Single Knife, Stub Guards



GUARDS, HOLD-DOWNS, AND WEARPLATES – SINGLE KNIFE, STUB GUARDS

NOTE:

Illustration; TOP: Stub guards with sheet metal hold-downs, BOTTOM: Stub guards with forged hold-downs.

Ref	Part Number	Description	Qty	Serial Number
	B4865	KIT – CUTTERBAR POLY (20 FT HEADER) ⁹		
	B4838	KIT – CUTTERBAR POLY (25 FT HEADER) ⁹		
	B4839	KIT – CUTTERBAR POLY (30 FT HEADER) ⁹		
	B4840	KIT – CUTTERBAR POLY (35 FT HEADER) ⁹		
	B4841	KIT – CUTTERBAR POLY (40 FT HEADER) ⁹		
	B5114	KIT – CUTTERBAR POLY (45 FT HEADER) ⁹		
1	118347	SICKLE GUARD – STUB, W/O WEARBAR (DRIVE END)	4	
2	118346	SICKLE GUARD – STUB, W/ WEARBAR ¹⁰		
3	118351	CLIP – SHEET METAL HOLD DOWN ¹¹		
4	129297	WEARPLATE – UNDER CUTTERBAR, POLYETHYLENE ¹²		
5	165209	GUIDE – SHEET METAL STUB, KNIFEHEAD END	2	
6	34359	GUIDE ¹²		
7	34980	BAR – ADJUSTER ¹²		
8	220103	KIT – COVER, KNIFE CUTOUT (30–40 FT, STUB) ¹³		
	220102	KIT – COVER, KNIFE CUTOUT (20–25 FT, STUB) ¹³		
9	140135	TOOL WELDT – GUARD STRAIGHTENING TOOL	1	
A	120639	BOLT – RHSN SPECIAL 7/16 NC X 1.75 LG GR 5 ZP		
B	118193	NUT – FLANGE HEX .375 UNC		
C	118154	BOLT – HH 3/8 NC X 5/8 TFL GR 8 ZP		
D	120558	BOLT – RHSN SPECIAL 7/16 NC X 1.5 LG GR 5 ZP		
E	18654	NUT – HEX 7/16-14 UNC GR 5 ZP		
F	18670	WASHER – SAE FLAT 7/16 I.D. X 1.0 IN. O.D. ZP		
G	279575	BOLT – RHSN SPECIAL 7/16 NC X 2.5 LG GR 5 ZP		
H	50119	BOLT – HH 3/8 NC X 0.75 STAIN STL		
J	50120	BOLT – HH 3/8 NC X 1 STAIN STL		
K	132404	BOLT – RHSN SPECIAL 7/16-14 X 2.75-GR5-ZP		
L	18688	WASHER – SAE FLAT 0.74 IN. I.D. X 0.92 IN. O.D. ZP		

9. Includes cutterbar wearplate (MD #129297) and hardware. Kits available through Whole Goods only.

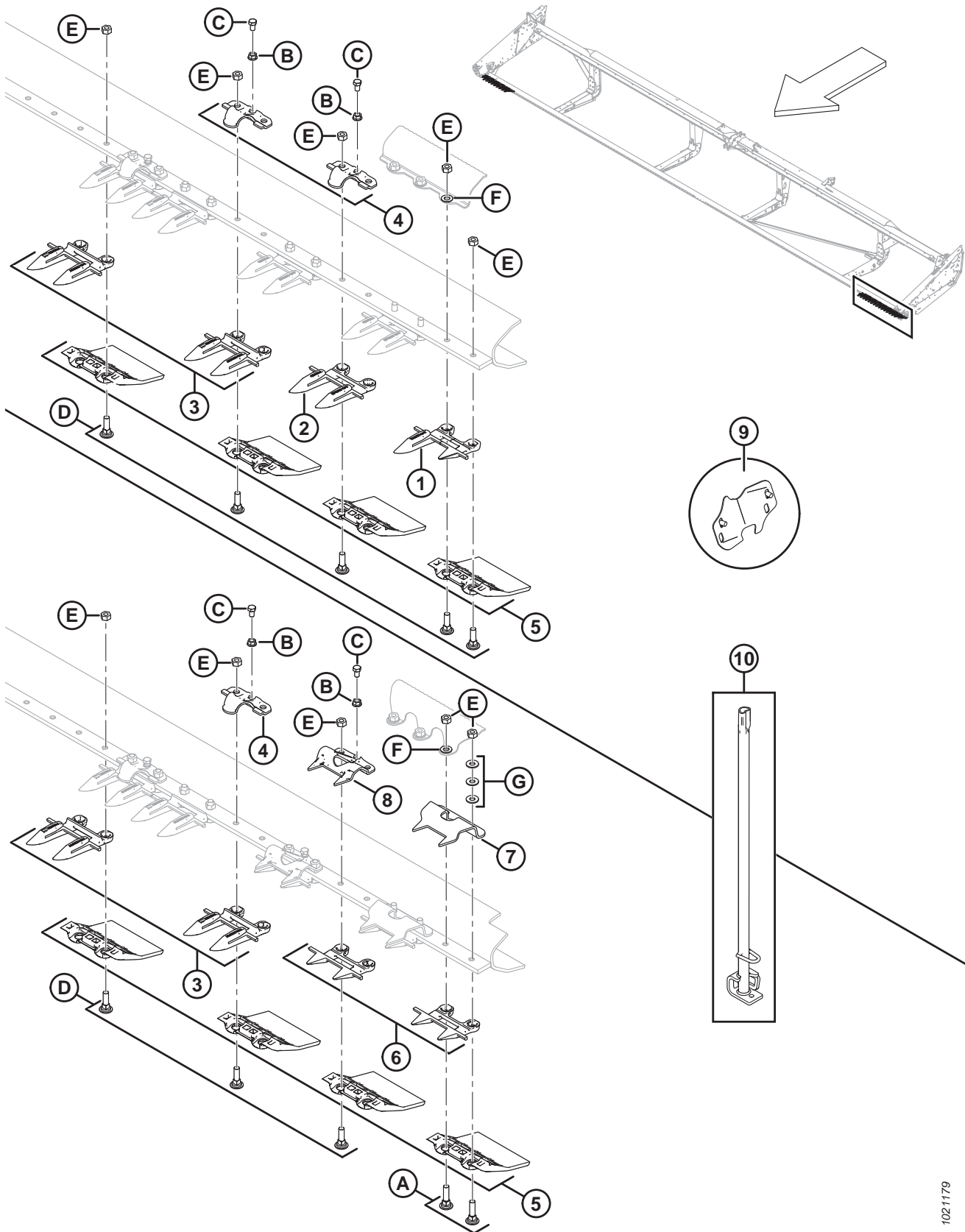
10. Complete cutterbar quantities: 20 ft. = 36, 25 ft. = 46, 30 ft. = 56, 35 ft. = 66, 40 ft. = 76.

11. Complete cutterbar quantities: 20 ft. = 38, 25 ft. = 48, 30 ft. = 58, 35 ft. = 68, 40 ft. = 78.

12. Complete cutterbar quantities: 20 ft. = 40, 25 ft. = 50, 30 ft. = 60, 35 ft. = 70, 40 ft. = 80.

13. Used with stub guards and sheet metal hold-downs. Includes two covers, hardware, and instructions.

4 Guards, Hold-Downs, and Wearplates – Single Knife, Pointed and Pointed with End Stubs



GUARDS, HOLD-DOWNS, AND WEARPLATES – SINGLE KNIFE, POINTED AND POINTED WITH END STUBS

NOTE:

Illustration; TOP: Single knife, pointed guards, BOTTOM: Single knife, pointed guards with end stubs.

Ref	Part Number	Description	Qty	Serial Number
	B4865	KIT – CUTTERBAR POLY (20 FT HEADER) ¹⁴		
	B4838	KIT – CUTTERBAR POLY (25 FT HEADER) ¹⁴		
	B4839	KIT – CUTTERBAR POLY (30 FT HEADER) ¹⁴		
	B4840	KIT – CUTTERBAR POLY (35 FT HEADER) ¹⁴		
	B4841	KIT – CUTTERBAR POLY (40 FT HEADER) ¹⁴		
	304990	KIT – POINTED GUARDS 25 FT SK ¹⁵		
	304991	KIT – POINTED GUARDS 30 FT SK ¹⁵		
	304992	KIT – POINTED GUARDS 35 FT SK ¹⁵		
	304993	KIT – POINTED GUARDS 40 FT SK ¹⁵		
1	118301	SICKLE GUARD – LH, OUTBOARD (DRIVE END)	1	
	118302	SICKLE GUARD – RH, OUTBOARD	1	
2	118345	SICKLE GUARD – W/ POINTS, W/O WEARBAR (3 PER END)	3	
3	118344	SICKLE GUARD – W/ POINTS ¹⁶		
4	118162	CLIP – HOLD-DOWN ¹⁷		
5	129297	WEARPLATE – UNDER CUTTERBAR, POLYETHYLENE ¹⁸		
6	118347	SICKLE GUARD – STUB, W/O WEARBAR (DRIVE END)	4	
	118346	SICKLE GUARD – STUB, W/ WEARBAR	4	
7	165209	GUIDE – SHEET METAL STUB, KNIFEHEAD END	2	
8	118351	CLIP – SHEET METAL HOLD DOWN	6	
9	220101	KIT – COVER, KNIFE CUTOUT (30–40 FT, POINTED) ¹⁹		
	220100	KIT – COVER, KNIFE CUTOUT (20–25 FT, POINTED) ¹⁹		
10	140135	TOOL WELDT – GUARD STRAIGHTENING TOOL	1	

14. Includes cutterbar wearplate (MD #129297) and hardware. Kits available through Whole Goods only.

15. Complete cutterbar kits for pointed guards. Kit includes outboard guards (MD #118301, 118302), and sickle guards (MD #118344, 118345). Refer to Section 55 (Option) *Pointed Guard Kit, Single Knife, page 171*.

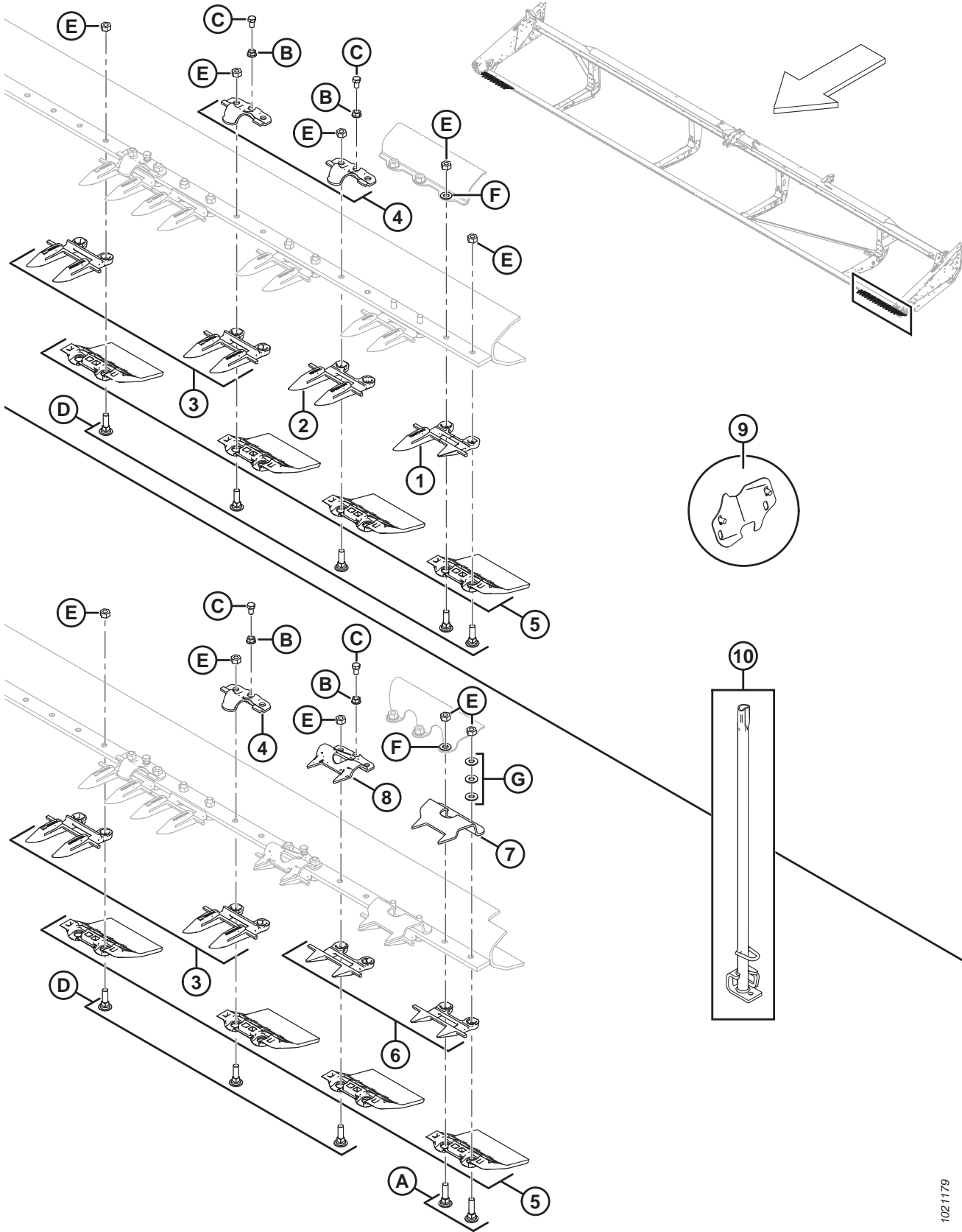
16. Complete cutterbar quantities: 20 ft. = 31, 25 ft. (end stubs) = 42, 25 ft. (pointed) = 45, 30 ft. (end stubs) = 52, 30 ft. (pointed) = 55, 35 ft. = 65, 40 ft. = 75.

17. Complete cutterbar quantities: 20 ft. = 35, 25 ft. (end stubs) = 21, 25 ft. (pointed) = 25, 30 ft. (end stubs) = 26, 30 ft. (pointed) = 30, 35 ft. = 35, 40 ft. = 40.

18. Complete cutterbar quantities: 20 ft. = 40, 25 ft. = 50, 30 ft. = 60, 35 ft. = 70, 40 ft. = 80.

19. Used with pointed guards and forged hold-downs. Includes two covers and hardware.

GUARDS, HOLD-DOWNS, AND WEARPLATES – SINGLE KNIFE, POINTED AND POINTED WITH END STUBS



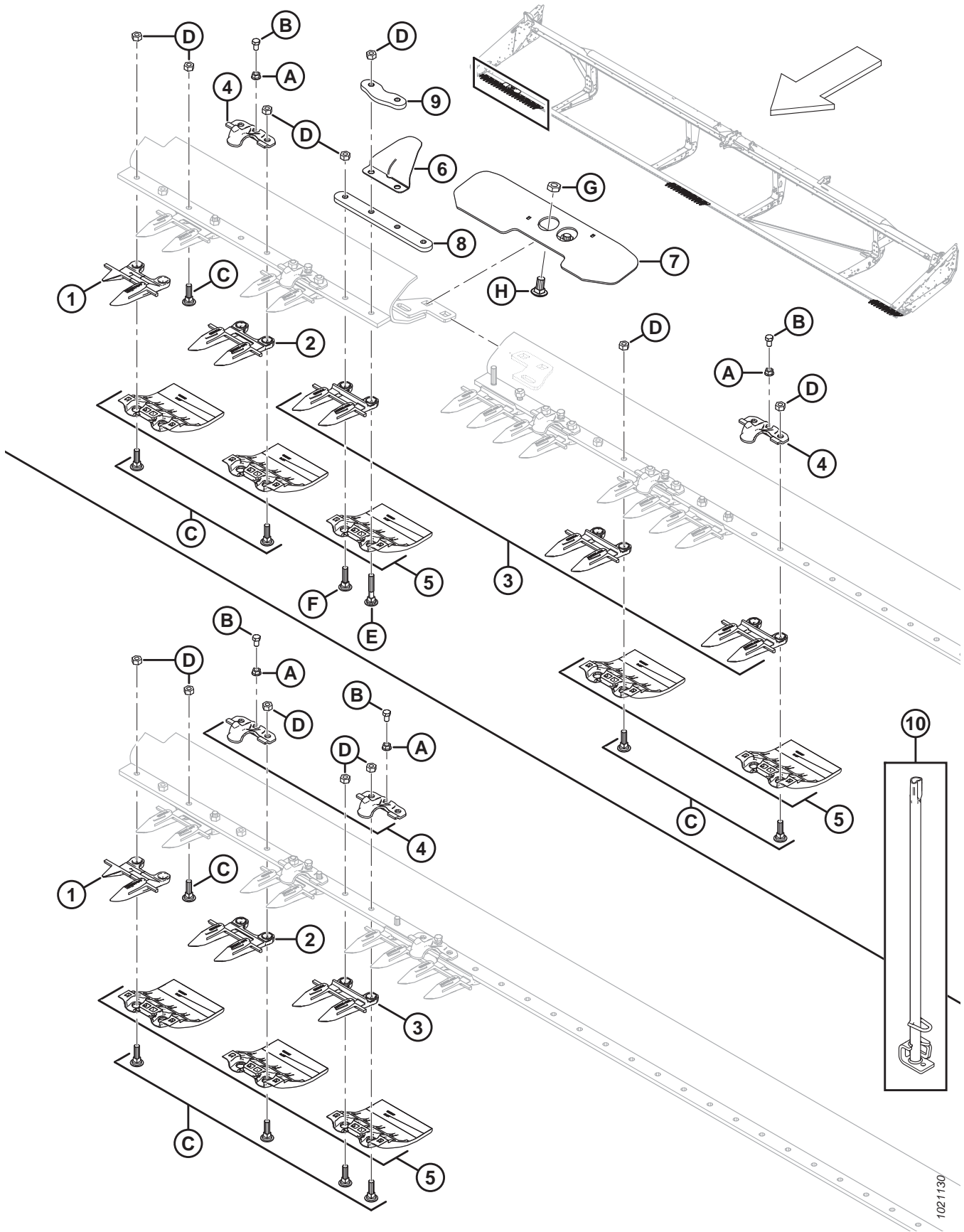
GUARDS, HOLD-DOWNS, AND WEARPLATES – SINGLE KNIFE, POINTED AND POINTED WITH END STUBS

Ref	Part Number	Description	Qty	Serial Number
A	120639	BOLT – RHSN SPECIAL 7/16 NC X 1.75 LG GR 5 ZP ²⁰		
	21468	BOLT – RHSN 7/16 NC X 1.75 LG GR 5 ZP ²¹		
B	118193	NUT – FLANGE HEX .375 UNC		
C	118154	BOLT – HH 3/8 NC X 5/8 TFL GR 8 ZP		
D	120558	BOLT – RHSN SPECIAL 7/16 NC X 1.5 LG GR 5 ZP ²⁰		
	8218	BOLT – RHSN 7/16 NC X 1.5 LG GR 5 ZP ²¹		
E	18654	NUT – HEX 7/16-14 UNC GR 5 ZP		
F	18688	WASHER – SAE FLAT 0.74 IN. I.D. X 0.92 IN. O.D. ZP		
G	18670	WASHER – SAE FLAT 7/16 I.D. X 1.0 IN. O.D. ZP		

20. Used with cutterbar wearplate (MD #129297).

21. Used when cutterbar wearplate (MD #129297) is not present.

5 Guards, Hold-Downs, and Wearplates – Double Knife, Right End



GUARDS, HOLD-DOWNS, AND WEARPLATES – DOUBLE KNIFE, RIGHT END

NOTE:

Illustration; TOP: Double knife, split frame right end (pointed), BOTTOM: Double knife, standard right end (pointed).

Ref	Part Number	Description	Qty	Serial Number
	B4865	KIT – CUTTERBAR POLY (20 FT HEADER) ²²		
	B4838	KIT – CUTTERBAR POLY (25 FT HEADER) ²²		
	B4839	KIT – CUTTERBAR POLY (30 FT HEADER) ²²		
	B4840	KIT – CUTTERBAR POLY (35 FT HEADER) ²²		
	B4841	KIT – CUTTERBAR POLY (40 FT HEADER) ²²		
	B5114	KIT – CUTTERBAR POLY (45 FT HEADER) ²²		
	304985	KIT – POINTED GUARDS 25 FT DK ²³		
	304986	KIT – POINTED GUARDS 30 FT DK ²³		
	304987	KIT – POINTED GUARDS 35 FT DK ²³		
	304988	KIT – POINTED GUARDS 40 FT DK ²³		
	304989	KIT – POINTED GUARDS 45 FT DK ²³		
	B5010	KIT – STUB GUARD CONVERSION (20 FT HEADER) ²⁴		
	B5011	KIT – STUB GUARD CONVERSION (25 FT HEADER) ²⁴		
	B5012	KIT – STUB GUARD CONVERSION (30 FT HEADER) ²⁴		
	B5013	KIT – STUB GUARD CONVERSION (35 FT HEADER) ²⁴		
1	118302	SICKLE GUARD – RH, OUTBOARD	1	
2	118345	SICKLE GUARD – W/ POINTS, W/O WEARBAR (3 PER END)	3	
3	118344	SICKLE GUARD – W/ POINTS ²⁵		
4	118162	CLIP – HOLD-DOWN ²⁶		
5	129297	WEARPLATE – UNDER CUTTERBAR, POLYETHYLENE ²⁷		
6	220114	COVER – HINGE AND SPLIT (SPLIT FRAME HDR ONLY)	1	
7	125418	SUPPORT – SPLIT CBAR CONNECTION WELDT (40 FT SPLIT FRAME HDR ONLY)	1	
	253552	SUPPORT – SPLIT CBAR CONNECTION WELDT (45 FT SPLIT FRAME HDR ONLY)	1	
8	294460	BAR – CUTTERBAR SPLICE (SPLIT FRAME HDR ONLY)	1	
9	220115	BAR – CUTTERBAR SPLICE (SPLIT FRAME HDR ONLY)	1	
10	140135	TOOL WELDT – GUARD STRAIGHTENING TOOL	1	
A	118193	NUT – FLANGE HEX .375 UNC		

22. Includes cutterbar wearplate (MD #129297) and hardware. Kits available through Whole Goods only.

23. Complete cutterbar kits for pointed guards. Kit includes outboard guards (MD #118301, 118302), center guard (MD #124338), top center guide (MD #124344), and sickle guards (MD #118344, 118345). Refer to Section 56 (Option) *Pointed Guard Kit, Double Knife, page 173*.

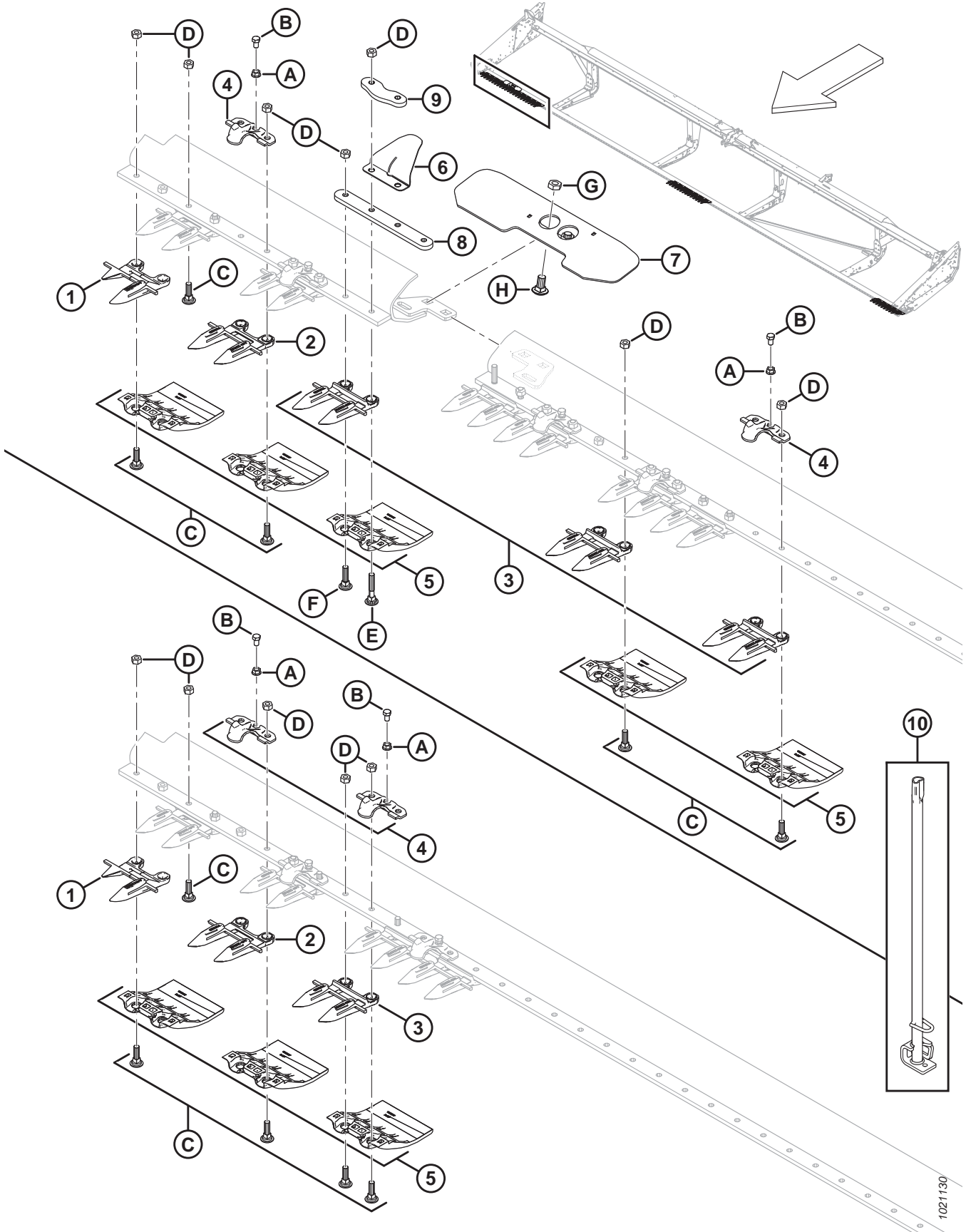
24. Double-knife headers. For service parts, refer to Section 68 (Option) *Stub Guard Conversion Kit, page 203*. Kits available through Whole Goods only.

25. Complete cutterbar quantities: 20 ft. = 31, 25 ft. = 41, 30 ft. = 51, 35 ft. = 61, 40 ft. = 71, 45 ft. = 81.

26. Complete cutterbar quantities: 20 ft. = 35, 25 ft. = 45, 30 ft. = 55, 35 ft. = 65, 40 ft. = 39, 45 ft. = 44.

27. Complete cutterbar quantities: 20 ft. = 40, 25 ft. = 50, 30 ft. = 60, 35 ft. = 70, 40 ft. = 80, 45 ft. = 90.

GUARDS, HOLD-DOWNS, AND WEARPLATES – DOUBLE KNIFE, RIGHT END

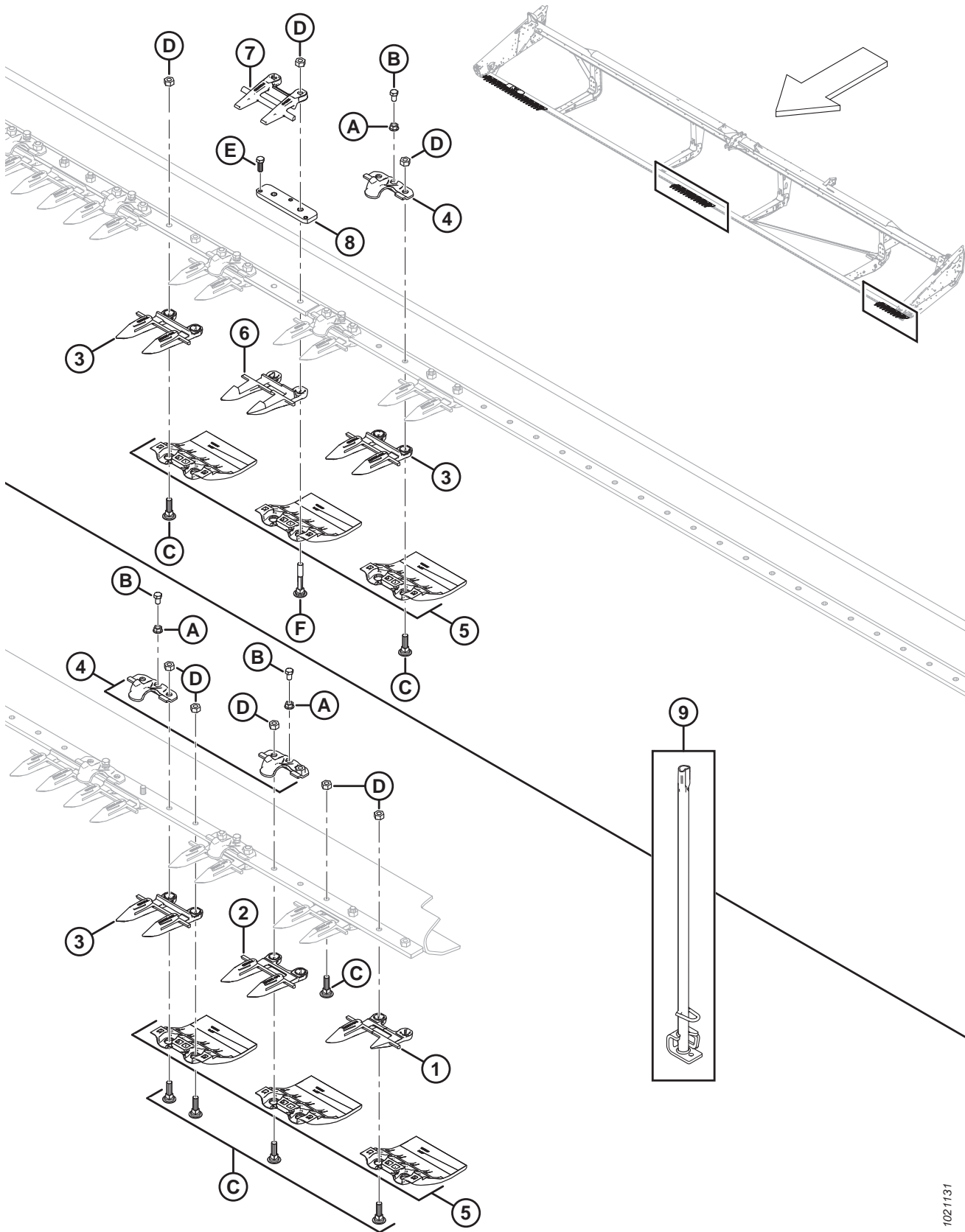


1021130

GUARDS, HOLD-DOWNS, AND WEARPLATES – DOUBLE KNIFE, RIGHT END

Ref	Part Number	Description	Qty	Serial Number
B	118154	BOLT – HH 3/8 NC X 5/8 TFL GR 8 ZP		
C	120558	BOLT – RHSN SPECIAL 7/16 NC 1.5 LG GR 5 ZP		
D	18654	NUT – HEX 7/16-14 UNC GR 5 ZP		
E	279575	BOLT – RHSN SPECIAL 7/16 NC X 2.5 LG GR 5 ZP		
F	120639	BOLT – RHSN SPECIAL 7/16 NC X 1.75 LG GR 5 ZP		
G	21941	NUT – HEX LOCK JAM (END DT THD) 5/8-11 UNC GR 5 ZP		
H	103562	BOLT – RHSN 5/8 NC X 1.25 GR 5 ZP		

6 Guards, Hold-Downs, and Wearplates – Double Knife, Middle and Left End



GUARDS, HOLD-DOWNS, AND WEARPLATES – DOUBLE KNIFE, MIDDLE AND LEFT END

NOTE:

Illustration; TOP: Double knife, middle (pointed), BOTTOM: Double knife, left end (pointed).

Ref	Part Number	Description	Qty	Serial Number
	B4865	KIT – CUTTERBAR POLY (20 FT HEADER) ²⁸		
	B4838	KIT – CUTTERBAR POLY (25 FT HEADER) ²⁸		
	B4839	KIT – CUTTERBAR POLY (30 FT HEADER) ²⁸		
	B4840	KIT – CUTTERBAR POLY (35 FT HEADER) ²⁸		
	B4841	KIT – CUTTERBAR POLY (40 FT HEADER) ²⁸		
	B5114	KIT – CUTTERBAR POLY (45 FT HEADER) ²⁸		
	304985	KIT – POINTED GUARDS 25 FT DK ²⁹		
	304986	KIT – POINTED GUARDS 30 FT DK ²⁹		
	304987	KIT – POINTED GUARDS 35 FT DK ²⁹		
	304988	KIT – POINTED GUARDS 40 FT DK ²⁹		
	304989	KIT – POINTED GUARDS 45 FT DK ²⁹		
	B5010	KIT – STUB GUARD CONVERSION (20 FT HEADER) ³⁰		
	B5011	KIT – STUB GUARD CONVERSION (25 FT HEADER) ³⁰		
	B5012	KIT – STUB GUARD CONVERSION (30 FT HEADER) ³⁰		
	B5013	KIT – STUB GUARD CONVERSION (35 FT HEADER) ³⁰		
1	118301	SICKLE GUARD – LH, OUTBOARD	1	
2	118345	SICKLE GUARD – W/ POINTS, W/O WEARBAR (3 PER END)	3	
3	118344	SICKLE GUARD – W/ POINTS ³¹		
4	118162	CLIP – HOLD-DOWN ³²		
5	129297	WEARPLATE – UNDER CUTTERBAR, POLYETHYLENE ³³		
6	124338	SICKLE GUARD – CENTER, POINTED	1	
7	124344	GUIDE – TOP-CENTER	1	
8	34980	BAR – ADJUSTER	1	
9	140135	TOOL WELDT – GUARD STRAIGHTENING TOOL	1	
A	118193	NUT – FLANGE HEX .375 UNC		
B	118154	BOLT – HH 3/8 NC X 5/8 TFL GR 8 ZP		
C	120558	BOLT – RHSN SPECIAL 7/16 NC X 1.5 LG GR 5 ZP		
D	18654	NUT – HEX 7/16-14 UNC GR 5 ZP		

28. Includes cutterbar wearplate (MD #129297) and hardware. Kits available through Whole Goods only.

29. Complete cutterbar kits for pointed guards. Kit includes outboard guards (MD #118301, 118302), center guard (MD #124338), top center guide (MD #124344), and sickle guards (MD #118344, 118345). Refer to Section [56 \(Option\) Pointed Guard Kit, Double Knife, page 173](#).

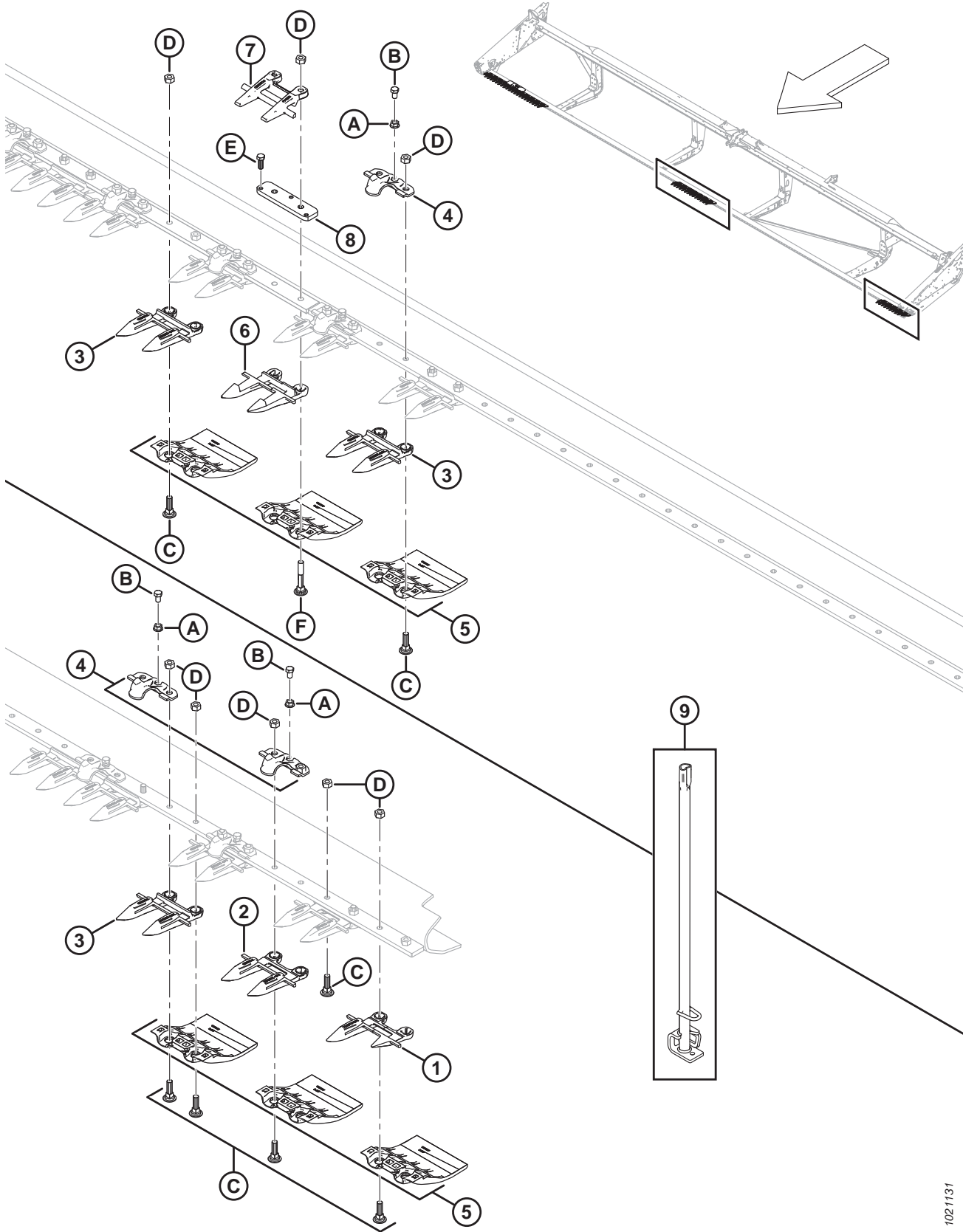
30. Double-knife headers. For service parts, refer to Section [68 \(Option\) Stub Guard Conversion Kit, page 203](#). Kits available through Whole Goods only.

31. Complete cutterbar quantities: 20 ft. = 31, 25 ft. = 41, 30 ft. = 51, 35 ft. = 61, 40 ft. = 71, 45 ft. = 81.

32. Complete cutterbar quantities: 20 ft. = 35, 25 ft. = 45, 30 ft. = 55, 35 ft. = 65, 40 ft. = 39, 45 ft. = 44.

33. Complete cutterbar quantities: 20 ft. = 40, 25 ft. = 50, 30 ft. = 60, 35 ft. = 70, 40 ft. = 80, 45 ft. = 90.

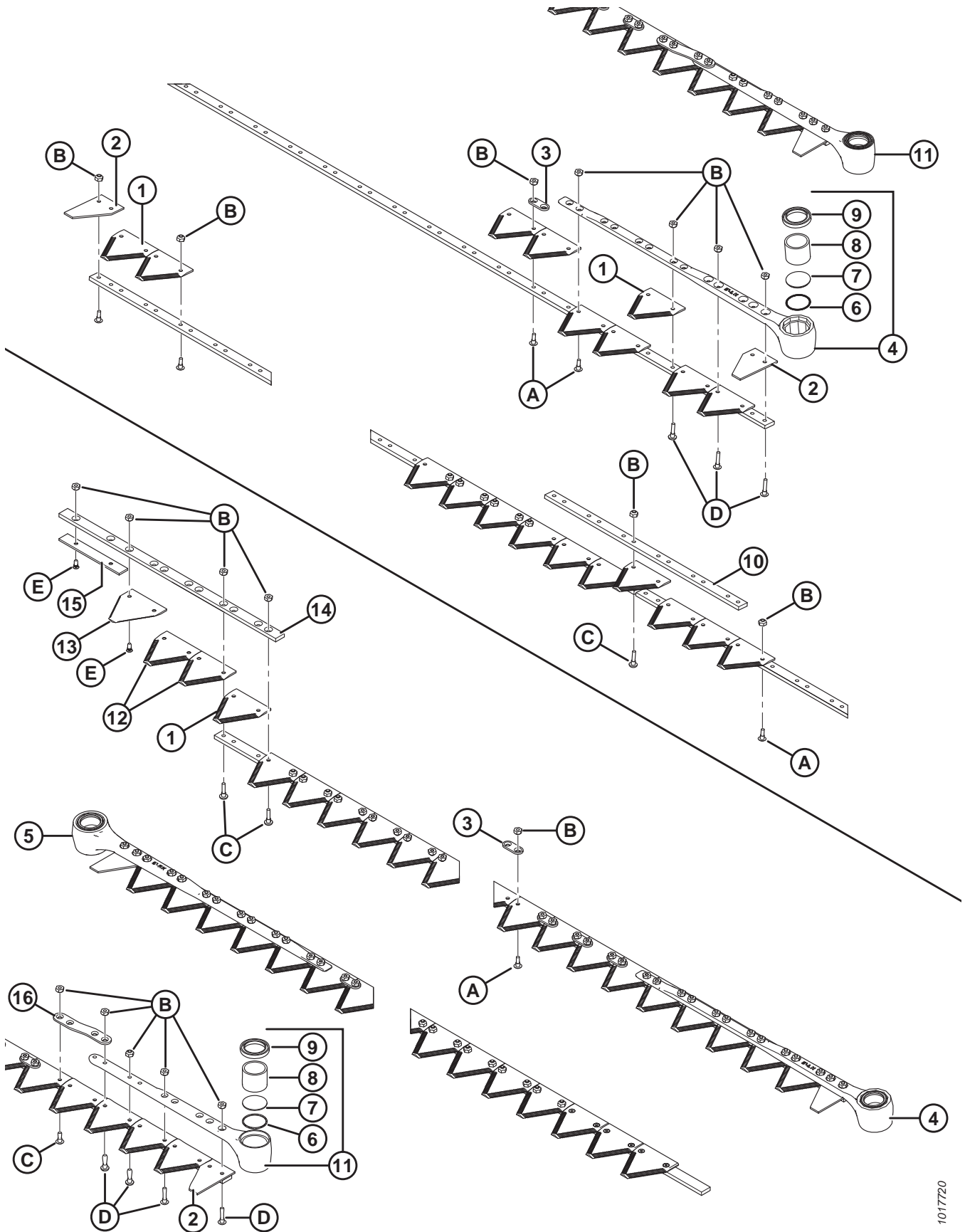
GUARDS, HOLD-DOWNS, AND WEARPLATES – DOUBLE KNIFE, MIDDLE AND LEFT END



GUARDS, HOLD-DOWNS, AND WEARPLATES – DOUBLE KNIFE, MIDDLE AND LEFT END

Ref	Part Number	Description	Qty	Serial Number
E	50120	BOLT – HH 3/8 NC X 1 STAIN STL		
F	132404	BOLT – RHSN SPECIAL 7/16 NC X 2.75 LG GR 5 ZP		

7 Knife Components and Knifehead



1017720

KNIFE COMPONENTS AND KNIFEHEAD

NOTE:

Top of illustration shows single knife; bottom shows double knife.

NOTE:

To service knife assemblies, refer to the following sections:

8 Segmented Knives – Single-Knife Headers, Fine-Tooth Sections, page 25

9 Segmented Knives – Single-Knife Headers, Coarse-Tooth Sections, page 29

10 Segmented Knives – Single-Knife Headers, Ultra Coarse-Tooth Sections, page 33

11 Segmented Knives – Double-Knife Headers, Fine-Tooth Sections, page 35

12 Segmented Knives – Double-Knife Headers, Coarse-Tooth Sections, page 39

13 Segmented Knives – Double-Knife Headers, Ultra Coarse-Tooth Sections, page 43

Ref	Part Number	Description	Qty	Serial Number
1	279641	COARSE SICKLE SECTION – 9 SPI (25 PACK) ³⁴		
	174845	COARSE SICKLE SECTION – 9 SPI (25 PACK) ³⁴	OPT	
	294947	SECT PKG – ULTRA COARSE, 4 SPI (25 PACK) ³⁴	OPT	
	279642	FINE SICKLE SECTION – 14 SPI (25 PACK) ³⁴	OPT	
	118491	FINE SICKLE SECTION – 14 SPI (25 PACK) ³⁴	OPT	
2	279468	SECTION – END, HALF SECTION (10 PACK)	2	
3	174857	BAR – REINFORCING (25 PACK)	40	
4	132896	HEAD ASSEMBLY – LH, 5° ANGLE ³⁵	1	
5	132897	HEAD ASSEMBLY – RH, 5° ANGLE ³⁵	1	
6	115670	O-RING – SICKLE HEAD	1	
7	113937	PLUG – SICKLE HEAD	1	
8	100500	BEARING – NEEDLE, SICKLE HEAD	1	
9	113222	SEAL – SICKLE HEAD ³⁶	1	
10	33955	BAR – SPLICE, 2-PIECE SICKLES ³⁷	1	
11	120832	HEAD ASSEMBLY – SICKLE ³⁸	2	

34. Quantities (individual sections): 20 ft. = 77, 25 ft. = 97, 30 ft. = 117, 35 ft. = 137, 40 ft. = 157.

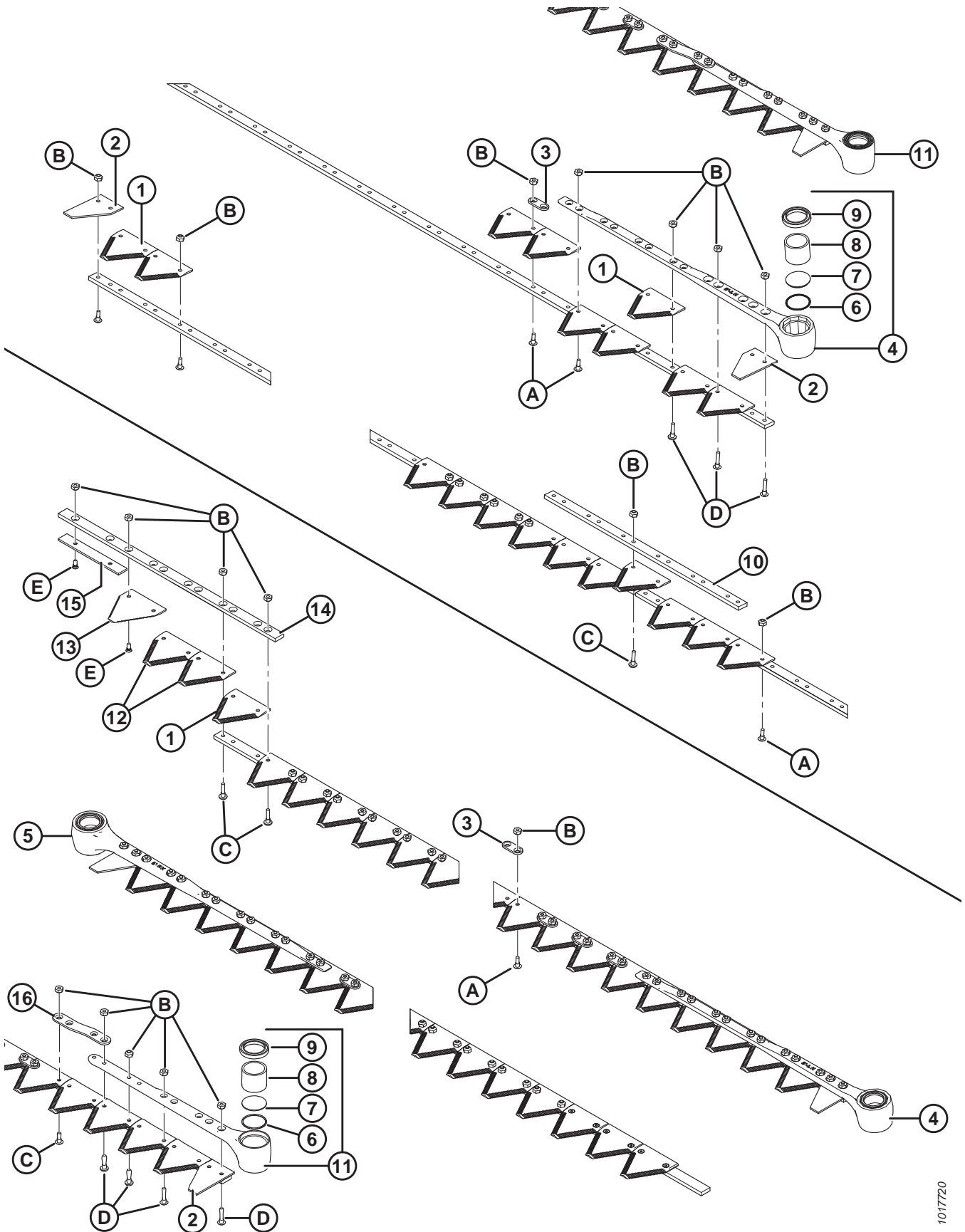
35. 30–45 ft. only. Includes O-ring (MD #115670), plug (MD #113937), bearing (MD #100500), and seal (MD #113222).

36. Install with lip facing outward.

37. 35–40 ft. single knife.

38. 20–25 ft. only. Includes items O-ring (MD #115670), plug (MD #113937), bearing (MD #100500), and seal (MD #113222).

KNIFE COMPONENTS AND KNIFEHEAD



1017720

KNIFE COMPONENTS AND KNIFEHEAD

Ref	Part Number	Description	Qty	Serial Number
12	279310	COARSE SICKLE SECTION – BOTTOM CSK 9 SPI (10 PACK)	2	
	279851	COARSE SICKLE SECTION – BOTTOM CSK 9 SPI (10 PACK)	OPT	
	279312	FINE SICKLE SECTION – BOTTOM CSK 14 SPI (10 PACK)	OPT	
	279850	FINE SICKLE SECTION – BOTTOM CSK 14 SPI (10 PACK)	OPT	
	279996	KIT – CENTER OVERLAP FINE SICKLE ³⁹	OPT	
	279997	KIT – CENTER OVERLAP COARSE SICKLE ⁴⁰	OPT	
	335326	KIT – CENTER OVERLAP ULTRA COARSE SICKLE ⁴¹	OPT	
13	279314	COARSE SICKLE SECTION – TOP CSK 9 SPI (10 PACK) ⁴²	4	
	279999	COARSE SICKLE SECTION – TOP CSK 9 SPI (10 PACK) ⁴²	OPT	
	279316	FINE SICKLE SECTION – TOP CSK 14 SPI (10 PACK) ⁴²	OPT	
	279848	FINE SICKLE SECTION – TOP CSK 14 SPI (10 PACK) ⁴²	OPT	
14	124880	GUIDE – TOP, LH SICKLE	1	
15	124881	BAR – WEAR, LH SICKLE	1	
16	129329	BAR – REINFORCING ⁴³	1	
A	135628	SCREW – BHRN #12-24 NC X 0.67 IN. (50 PACK) ⁴⁴		
B	135626	NUT – CSK, CENTER LOCK, #12-24 NC (50 PACK) ⁴⁵		
C	135630	SCREW – BHRN, #12-24 NC X 0.920 IN. (50 PACK) ⁴⁶		
D	135632	SCREW – BHRN, #12-24 NC X 1.05 IN. (50 PACK) ⁴⁷		
E	174165	SCREW – 90° CSK SKT HD, #12-24 NC X 0.5 IN. (50 PACK)		

39. Includes four top countersunk fine sickle sections (14 SPI), three bottom countersunk fine sickle sections (14 SPI), and all required hardware.

40. Includes four top countersunk coarse sickle sections (9 SPI), three bottom countersunk coarse sickle sections (9 SPI), and all required hardware.

41. Includes four top countersunk ultra coarse sickle sections (4 SPI), three bottom countersunk ultra coarse sickle sections (4 SPI), and all required hardware.

42. For LH knife, top countersunk sickle section is installed serrations down on top guide (MD #124880). For RH knife, top countersunk sickle sections are installed serrations up.

43. 20–25 ft. headers only.

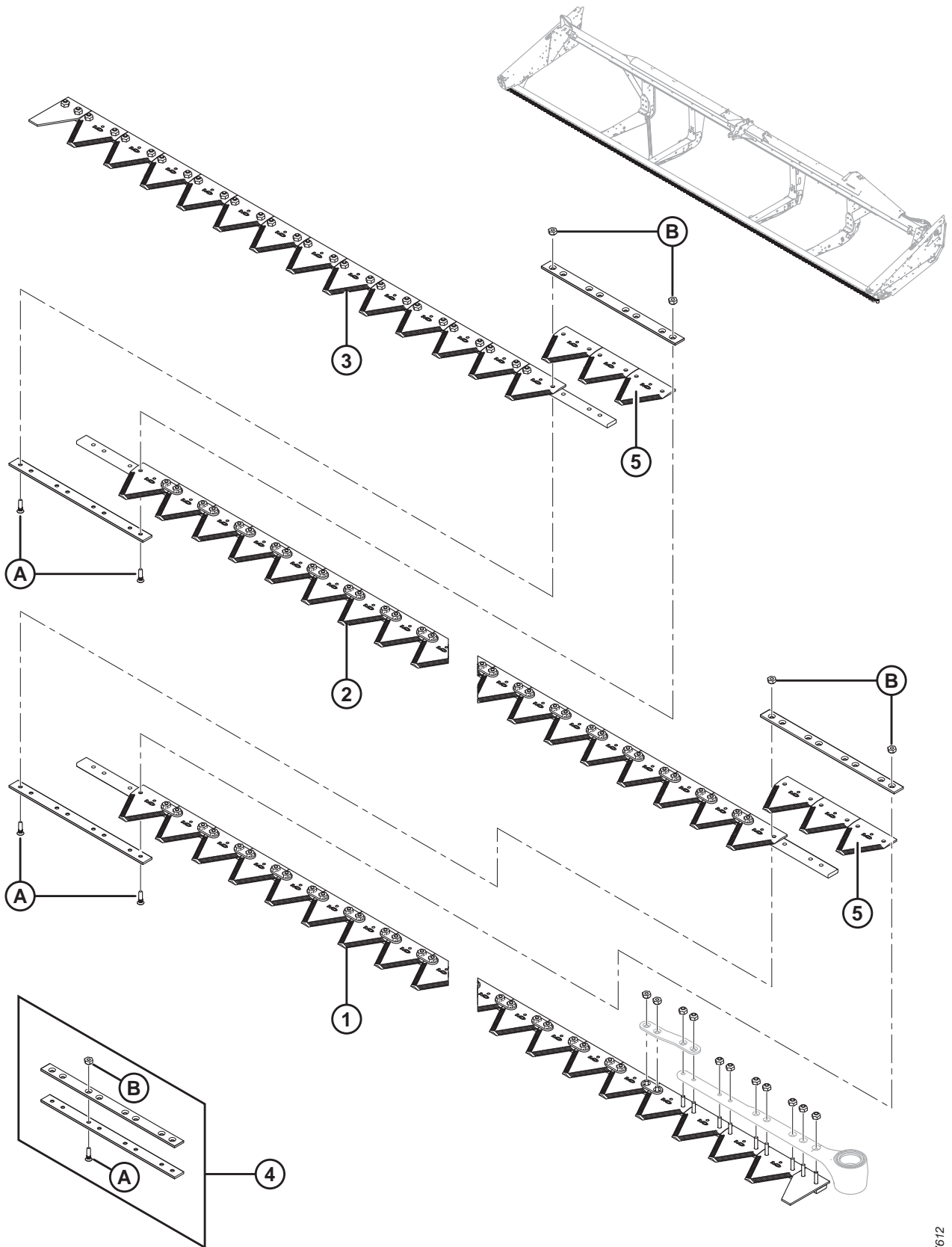
44. Pack of 1000 – MD #135629.

45. Pack of 2000 – MD #135627.

46. Pack of 1000 – MD #135631.

47. Pack of 1000 – MD #135633.

8 Segmented Knives – Single-Knife Headers, Fine-Tooth Sections



1017612

SEGMENTED KNIVES – SINGLE-KNIFE HEADERS, FINE-TOOTH SECTIONS

NOTE:

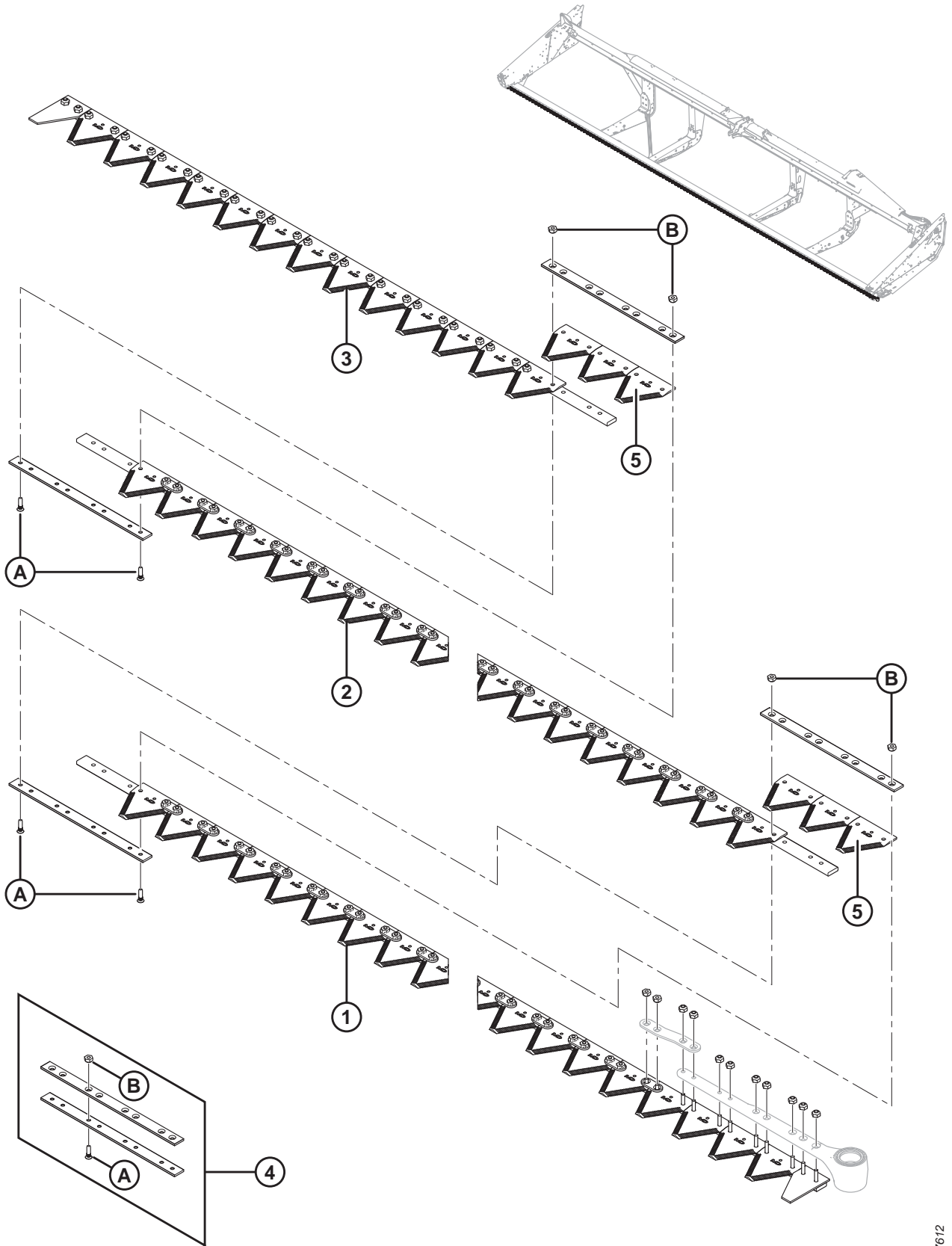
6.1–13.7 m (20–45 ft.) header knives are sold in segments; for a complete segment (less knifehead), refer to tables below:

Ref	Part Number	Description	Qty	Serial Number
		6.1 METER (20 FOOT)		
	335488	KIT – 20 FT FINE SINGLE KNIFE ⁴⁸		
1	279398	LEFT HEAD SEGMENT	1	
2	279399	CENTER SEGMENT	1	
3	279400	RIGHT, TAIL SEGMENT	1	
4	129043	MACDON SPLICE KIT ⁴⁹	2	
5	279642	SECTION – KONDEX FINE, 14 SPI (25 PACK)	6	
	118491	SECTION – BUSATIS FINE, 14 SPI (25 PACK)	6	
		7.6 METER (25 FOOT)		
	335489	KIT – 25 FT FINE SINGLE KNIFE ⁴⁸		
1	279398	LEFT HEAD SEGMENT	1	
2	279399	CENTER SEGMENT	1	
3	279401	RIGHT, TAIL SEGMENT	1	
4	129043	MACDON SPLICE KIT ⁴⁹	2	
5	279642	SECTION – KONDEX FINE, 14 SPI (25 PACK)	6	
	118491	SECTION – BUSATIS FINE, 14 SPI (25 PACK)	6	
		9.1 METER (30 FOOT)		
	335490	KIT – 30 FT FINE SINGLE KNIFE ⁴⁸		
1	279398	LEFT HEAD SEGMENT	1	
2	279399	CENTER SEGMENT	2	
3	279402	RIGHT, TAIL SEGMENT	1	
4	129043	MACDON SPLICE KIT ⁴⁹	3	
5	279642	SECTION – KONDEX FINE, 14 SPI (25 PACK)	9	
	118491	SECTION – BUSATIS FINE, 14 SPI (25 PACK)	9	
		10.7 METER (35 FOOT)		
	335491	KIT – 35 FT FINE SINGLE KNIFE ⁴⁸		
1	279398	LEFT HEAD SEGMENT	1	
2	279399	CENTER SEGMENT	2	
3	279403	RIGHT, TAIL SEGMENT	1	
4	129043	MACDON SPLICE KIT ⁴⁹	3	
5	279642	SECTION – KONDEX FINE, 14 SPI (25 PACK)	9	
	118491	SECTION – BUSATIS FINE, 14 SPI (25 PACK)	9	

48. Complete knife assembly kit.

49. Includes two splice bars and hardware.

SEGMENTED KNIVES – SINGLE-KNIFE HEADERS, FINE-TOOTH SECTIONS



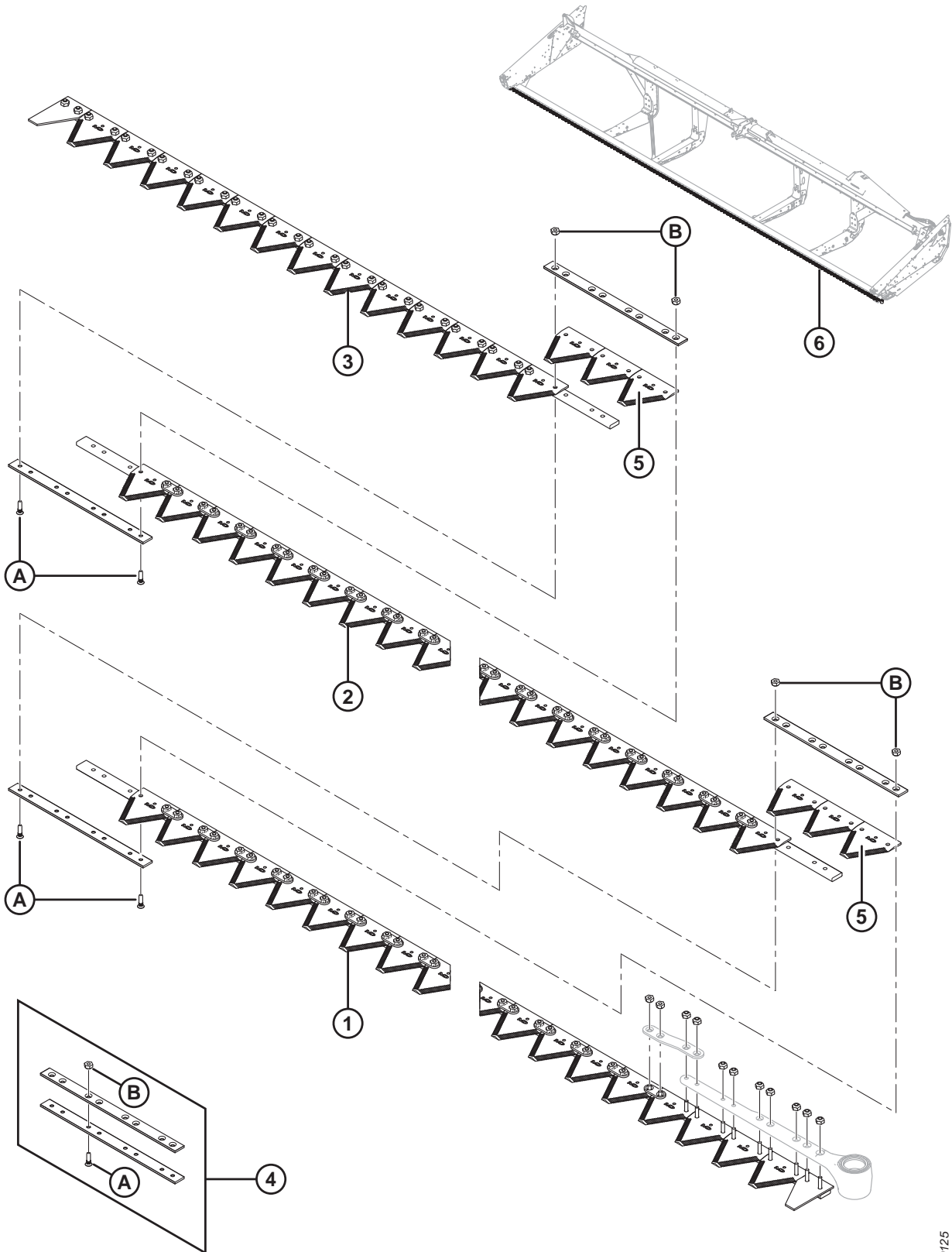
1017612

SEGMENTED KNIVES – SINGLE-KNIFE HEADERS, FINE-TOOTH SECTIONS

Ref	Part Number	Description	Qty	Serial Number
		12.2 METER (40 FOOT)		
	335492	KIT – 40 FT FINE SINGLE KNIFE ⁴⁸		
1	279398	LEFT HEAD SEGMENT	1	
2	279399	CENTER SEGMENT	3	
3	279404	RIGHT, TAIL SEGMENT	1	
4	129043	MACDON SPLICE KIT ⁵⁰	4	
5	279642	SECTION – KONDEX FINE, 14 SPI (25 PACK)	12	
	118491	SECTION – BUSATIS FINE, 14 SPI (25 PACK)	12	
A	129299	SCREW – 90° CSK SKT HD, #12-24 NC X 0.812 IN.		
B	135626	NUT – CSK, CENTER LOCK, #12-24 NC (50 PACK)		

50. Includes two splice bars and hardware.

9 Segmented Knives – Single-Knife Headers, Coarse-Tooth Sections



SEGMENTED KNIVES – SINGLE-KNIFE HEADERS, COARSE-TOOTH SECTIONS

NOTE:

6.1–13.7 m (20–45 ft.) header knives are sold in segments; for a complete segment (less knifehead), refer to tables below:

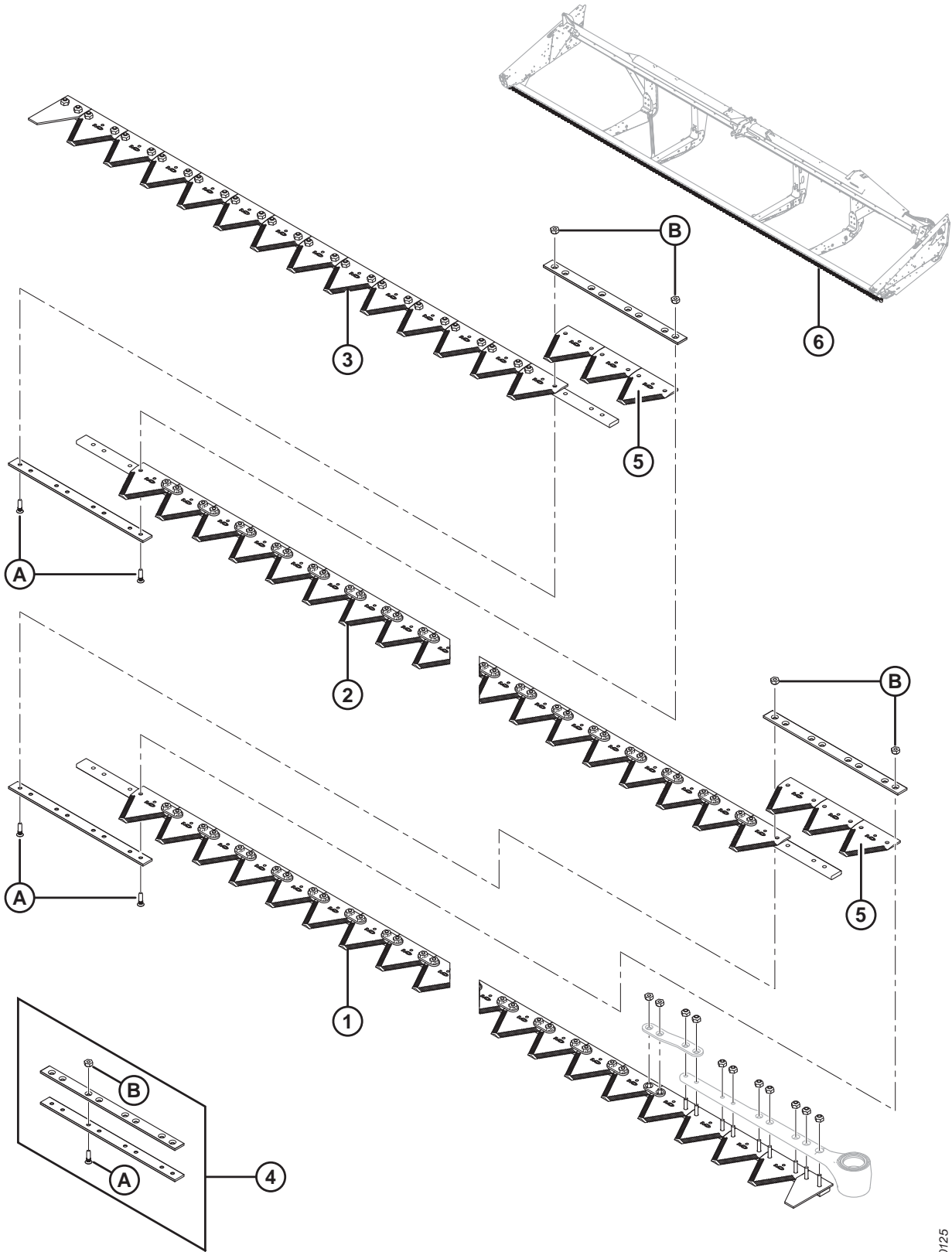
Ref	Part Number	Description	Qty	Serial Number
		6.1 METER (20 FOOT)		
1	279405	LEFT HEAD SEGMENT	1	
2	279406	CENTER SEGMENT	1	
3	279407	RIGHT, TAIL SEGMENT	1	
4	129043	MACDON SPLICE KIT ⁵¹	2	
5	279641	SECTION – KONDEX COARSE, 9 SPI (25 PACK)	6	
	174845	SECTION – BUSATIS COARSE, 9 SPI (25 PACK)	6	
		7.6 METER (25 FOOT)		
1	279405	LEFT HEAD SEGMENT	1	
2	279406	CENTER SEGMENT	1	
3	279408	RIGHT, TAIL SEGMENT	1	
4	129043	MACDON SPLICE KIT ⁵¹	2	
5	279641	SECTION – KONDEX COARSE, 9 SPI (25 PACK)	6	
	174845	SECTION – BUSATIS COARSE, 9 SPI (25 PACK)	6	
		9.1 METER (30 FOOT)		
1	279405	LEFT HEAD SEGMENT	1	
2	279406	CENTER SEGMENT	2	
3	279409	RIGHT, TAIL SEGMENT	1	
4	129043	MACDON SPLICE KIT ⁵¹	3	
5	279641	SECTION – KONDEX COARSE, 9 SPI (25 PACK)	9	
	174845	SECTION – BUSATIS COARSE, 9 SPI (25 PACK)	9	
6	294795	KIT – 30 FT SINGLE KNIFE ⁵²	A/R	
		10.7 METER (35 FOOT)		
1	279405	LEFT HEAD SEGMENT	1	
2	279406	CENTER SEGMENT	2	
3	279410	RIGHT, TAIL SEGMENT	1	
4	129043	MACDON SPLICE KIT ⁵¹	3	
5	279641	SECTION – KONDEX COARSE, 9 SPI (25 PACK)	9	
	174845	SECTION – BUSATIS COARSE, 9 SPI (25 PACK)	9	
6	294796	KIT – 35 FT SINGLE KNIFE ⁵³	A/R	

51. Includes two splice bars and hardware.

52. Kit includes left head segment (MD #279405), center segment (MD #279406), right tail segment (MD #279409), splice kit (MD #129043), and Kondex coarse section (MD #279641).

53. Kit includes left head segment (MD #279405), center segment (MD #279406), right tail segment (MD #279410), splice kit (MD #129043), and Kondex coarse section (MD #279641).

SEGMENTED KNIVES – SINGLE-KNIFE HEADERS, COARSE-TOOTH SECTIONS



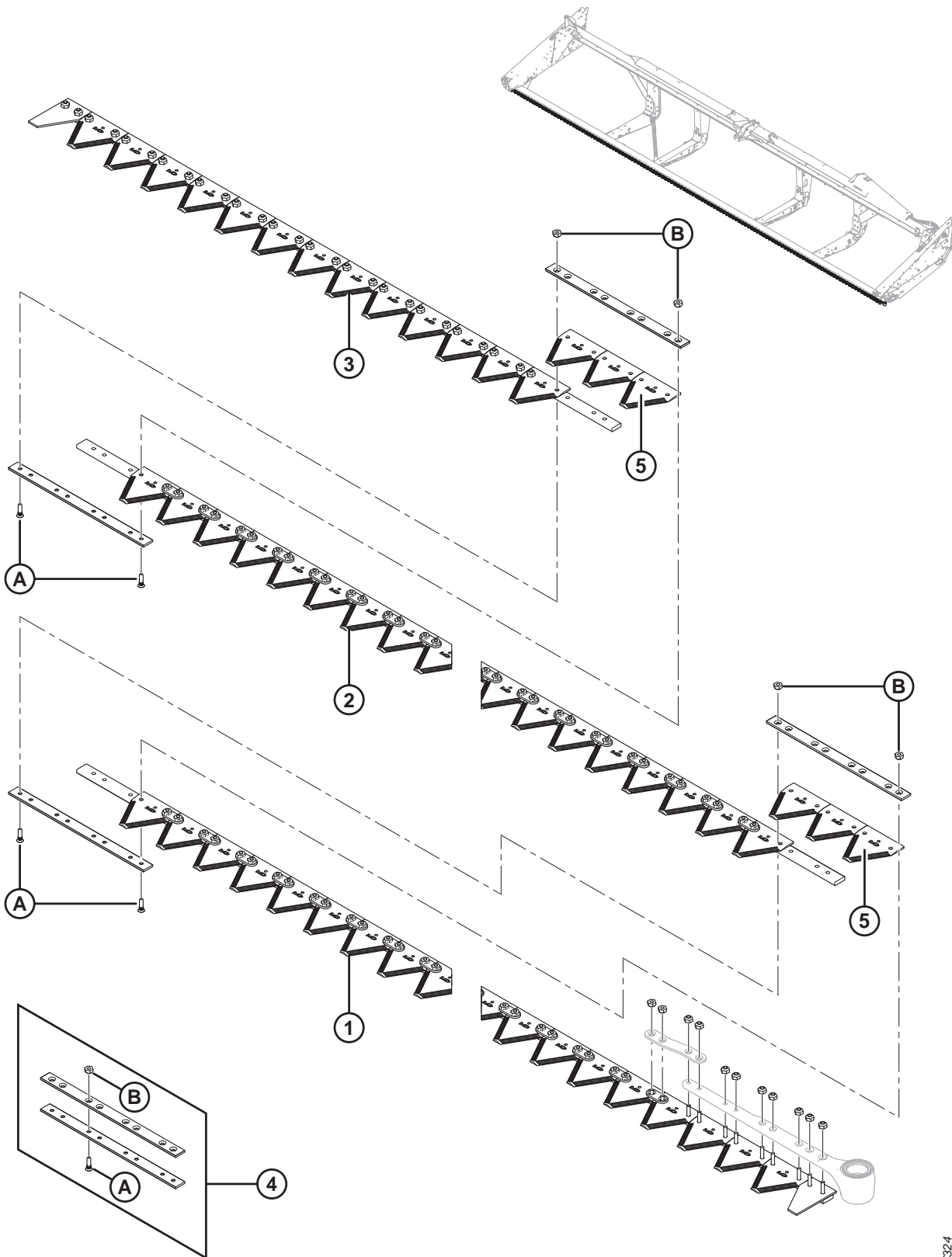
1030125

SEGMENTED KNIVES – SINGLE-KNIFE HEADERS, COARSE-TOOTH SECTIONS

Ref	Part Number	Description	Qty	Serial Number
		12.2 METER (40 FOOT)		
1	279405	LEFT HEAD SEGMENT	1	
2	279406	CENTER SEGMENT	3	
3	279411	RIGHT, TAIL SEGMENT	1	
4	129043	MACDON SPLICE KIT ⁵¹	4	
5	279641	SECTION – KONDEX COARSE, 9 SPI (25 PACK)	12	
	174845	SECTION – BUSATIS COARSE, 9 SPI (25 PACK)	12	
6	294797	KIT – 40 FT SINGLE KNIFE ⁵⁴	A/R	
A	129299	SCREW – 90° CSK SKT HD, #12-24 NC X 0.812 IN.		
B	135626	NUT – CSK, CENTER LOCK, #12-24 NC (50 PACK)		

54. Kit includes left head segment (MD #279405), center segment (MD #279406), right tail segment (MD #279411), splice kit (MD #129043), and Kondex coarse section (MD #279641).

10 Segmented Knives – Single-Knife Headers, Ultra Coarse-Tooth Sections



1037324

SEGMENTED KNIVES – SINGLE-KNIFE HEADERS, ULTRA COARSE-TOOTH SECTIONS

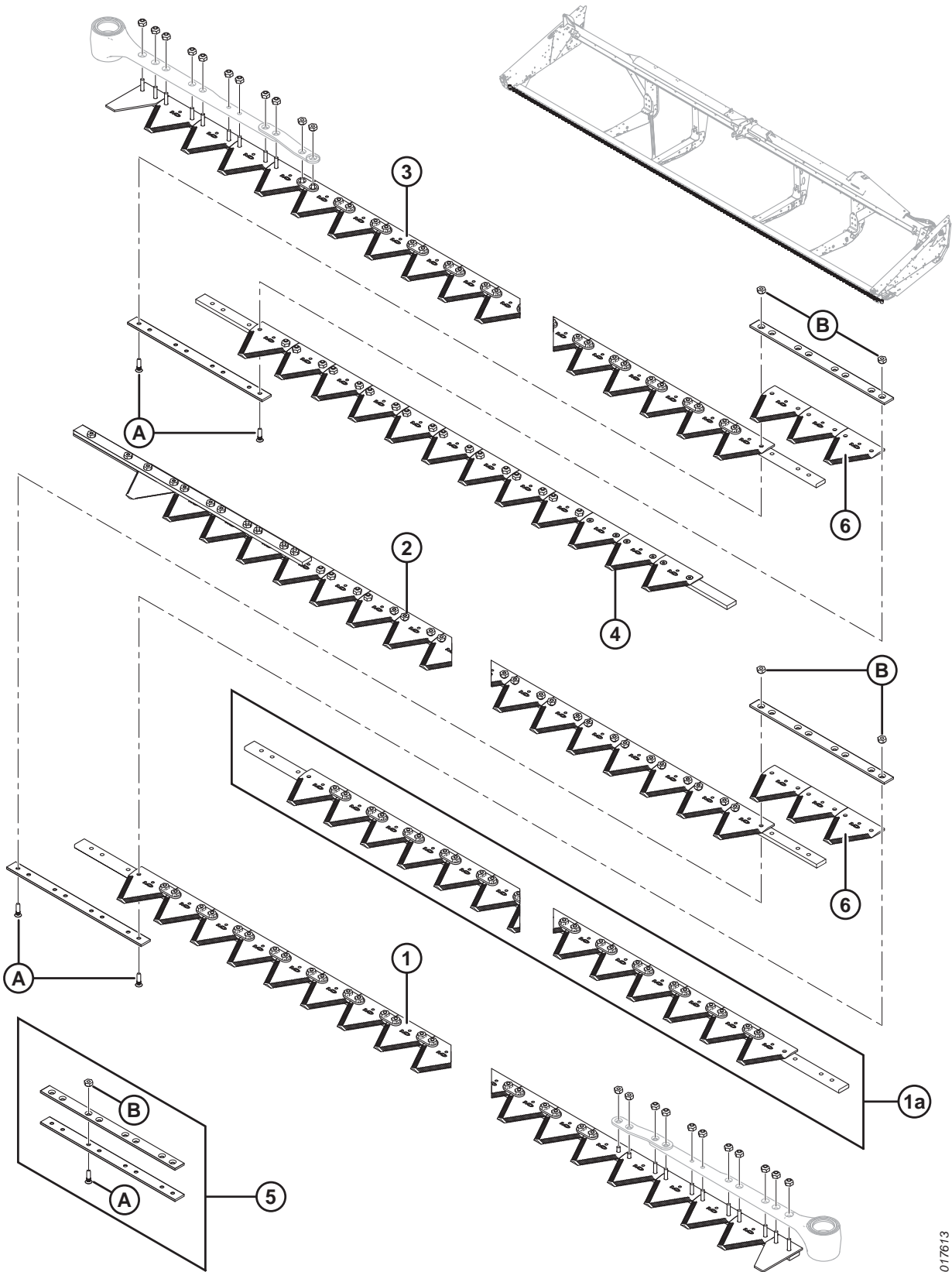
Ref	Part Number	Description	Qty	Serial Number
		7.6 METER (25 FOOT)		
	335513	KIT – 25 FT ULTRA COARSE SINGLE KNIFE ⁵⁵		
1	335533	ASSEMBLY – KNIFE SEGMENT ULTRA COARSE ⁵⁶	1	
2	335534	ASSEMBLY – KNIFE SEGMENT ULTRA COARSE ⁵⁶	1	
3	335535	ASSEMBLY – KNIFE SEGMENT ULTRA COARSE ⁵⁶	1	
4	129043	SPLICE KIT ⁵⁷	2	
5	294947	SECTION – PACKAGE ULTRA COARSE, 4 SPI	1	
		9.1 METER (30 FOOT)		
	335514	KIT – 30 FT ULTRA COARSE SINGLE KNIFE ⁵⁵		
1	335533	ASSEMBLY – KNIFE SEGMENT ULTRA COARSE ⁵⁶	1	
2	335534	ASSEMBLY – KNIFE SEGMENT ULTRA COARSE ⁵⁶	2	
3	335536	ASSEMBLY – KNIFE SEGMENT 4 SPI ⁵⁶	1	
4	129043	SPLICE KIT 2 1/8 IN. ⁵⁷	3	
5	294947	SECTION – PACKAGE ULTRA COARSE, 4 SPI	1	
		10.7 METER (35 FOOT)		
	335515	KIT – 35 FT ULTRA COARSE SINGLE KNIFE ⁵⁵		
1	335533	ASSEMBLY – KNIFE SEGMENT ULTRA COARSE ⁵⁶	1	
2	335534	ASSEMBLY – KNIFE SEGMENT ULTRA COARSE ⁵⁶	2	
3	335531	KNIFE SEGMENT, TAIL	1	
4	129043	SPLICE KIT 2 1/8 IN. ⁵⁷	3	
5	294947	SECTION – PACKAGE ULTRA COARSE, 4 SPI	1	
		12.2 METER (40 FOOT)		
	335516	KIT – 40 FT ULTRA COARSE SINGLE KNIFE ⁵⁵		
1	335533	ASSEMBLY – KNIFE SEGMENT ULTRA COARSE ⁵⁶	1	
2	335534	ASSEMBLY – KNIFE SEGMENT ULTRA COARSE ⁵⁶	3	
3	335530	KNIFE SEGMENT, TAIL	1	
4	129043	SPLICE KIT 2 1/8 IN. ⁵⁷	4	
5	294947	SECTION – PACKAGE ULTRA COARSE, 4 SPI	1	
A	129299	SCREW – 90° CSK SKT HD, #12-24 NC X 0.812 IN.		
B	30669	NUT – CENTER LOCK, #12-24		

55. Complete knife assembly kit.

56. Includes hardware.

57. Includes two splice bars and hardware.

11 Segmented Knives – Double-Knife Headers, Fine-Tooth Sections



1017613

SEGMENTED KNIVES – DOUBLE-KNIFE HEADERS, FINE-TOOTH SECTIONS

NOTE:

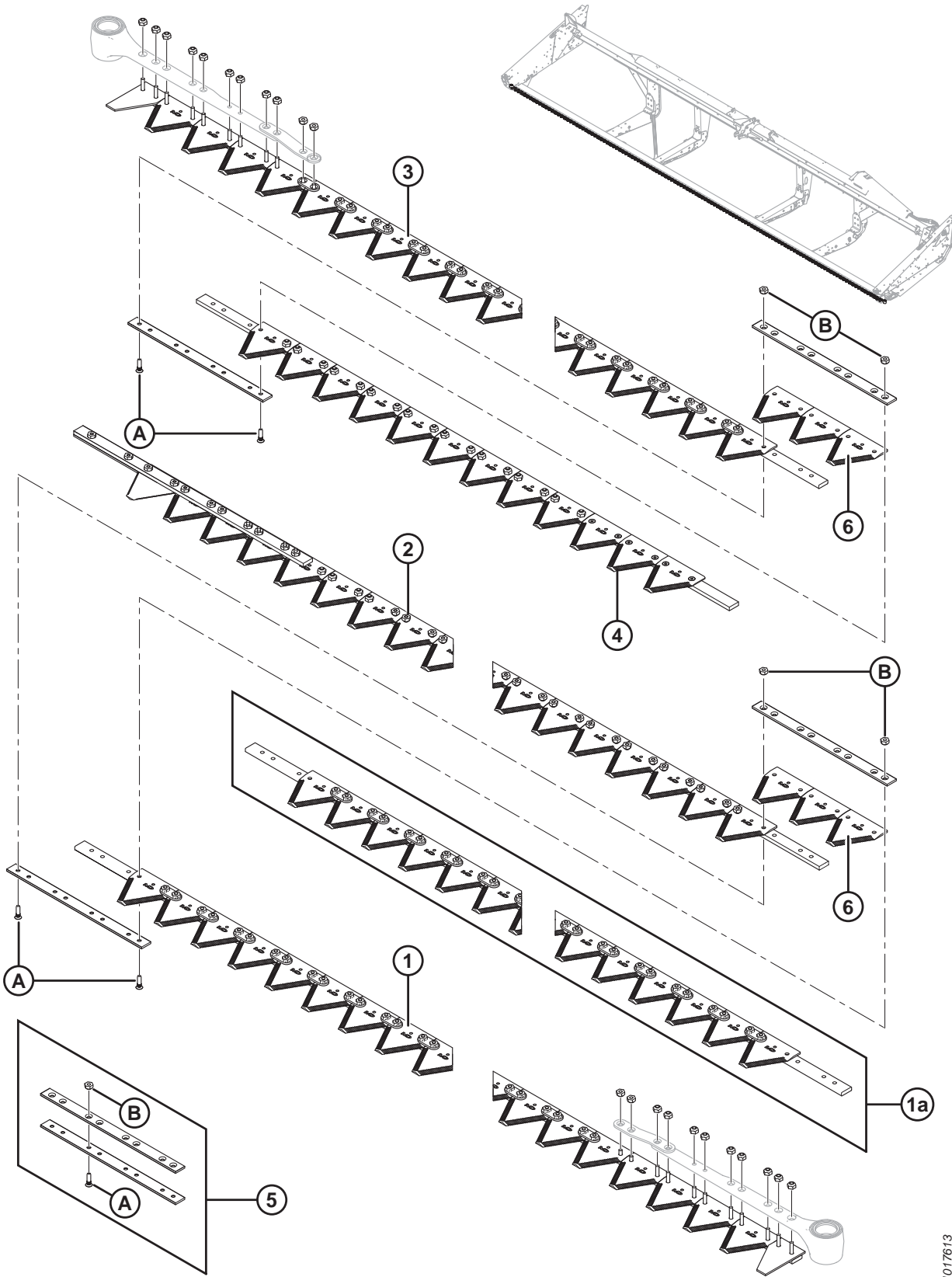
6.1–13.7 m (20–45 ft.) header knives are sold in segments; for a complete segment (less knifehead), refer to tables below:

Ref	Part Number	Description	Qty	Serial Number
		6.1 METER (20 FOOT)		
	335479	KIT – 20 FT FINE DOUBLE KNIFE ⁵⁸		
1	279398	LEFT HEAD SEGMENT	1	
2	279413	LEFT TAIL SEGMENT	1	
3	279414	RIGHT COMPLETE	1	
5	129043	MACDON SPLICE KIT ⁵⁹	1	
6	279642	SECTION – KONDEX FINE, 14 SPI (25 PACK)	3	
	118491	SECTION – BUSATIS FINE, 14 SPI (25 PACK)	3	
		7.6 METER (25 FOOT)		
	335483	KIT – 25 FT FINE DOUBLE KNIFE ⁵⁸		
1	279398	LEFT HEAD SEGMENT	1	
2	279415	LEFT TAIL SEGMENT	1	
3	279412	RIGHT HEAD SEGMENT	1	
4	279416	RIGHT, TAIL SEGMENT	1	
5	129043	MACDON SPLICE KIT ⁵⁹	2	
6	279642	SECTION – KONDEX FINE, 14 SPI (25 PACK)	6	
	118491	SECTION – BUSATIS FINE, 14 SPI (25 PACK)	6	
		9.1 METER (30 FOOT)		
	335484	KIT – 30 FT FINE DOUBLE KNIFE ⁵⁸		
1	279398	LEFT HEAD SEGMENT	1	
2	279417	LEFT TAIL SEGMENT	1	
3	279412	RIGHT HEAD SEGMENT	1	
4	279418	RIGHT, TAIL SEGMENT	1	
5	129043	MACDON SPLICE KIT ⁵⁹	2	
6	279642	SECTION – KONDEX FINE, 14 SPI (25 PACK)	6	
	118491	SECTION – BUSATIS FINE, 14 SPI (25 PACK)	6	

58. Complete knife assembly kit.

59. Includes two splice bars and hardware.

SEGMENTED KNIVES – DOUBLE-KNIFE HEADERS, FINE-TOOTH SECTIONS



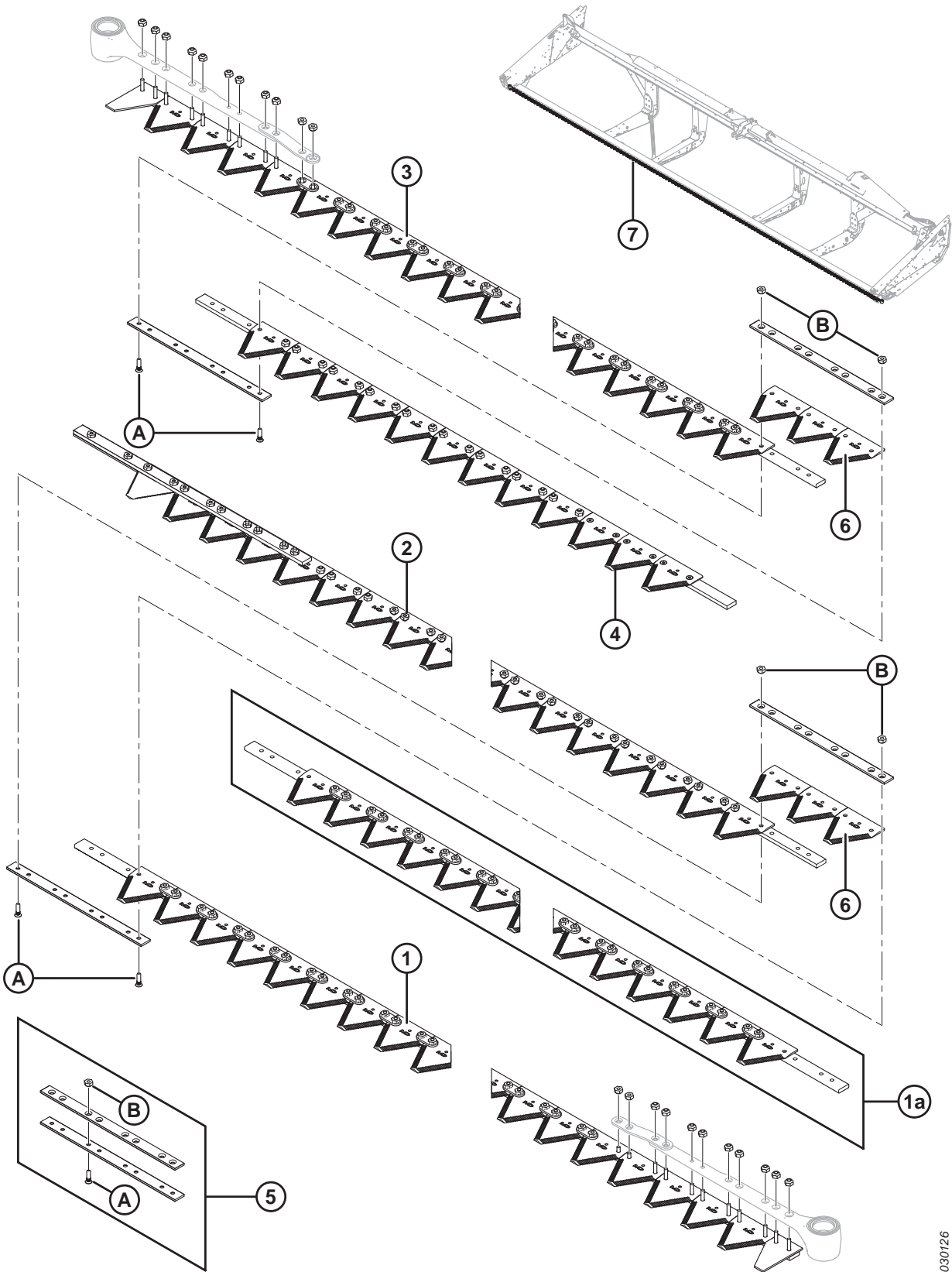
1017613

SEGMENTED KNIVES – DOUBLE-KNIFE HEADERS, FINE-TOOTH SECTIONS

Ref	Part Number	Description	Qty	Serial Number
		10.7 METER (35 FOOT)		
	335485	KIT – 35 FT FINE DOUBLE KNIFE ⁵⁸		
1	279398	LEFT HEAD SEGMENT	1	
2	279419	LEFT TAIL SEGMENT	1	
3	279412	RIGHT HEAD SEGMENT	1	
4	279420	RIGHT, TAIL SEGMENT	1	
5	129043	MACDON SPLICE KIT ⁶⁰	2	
6	279642	SECTION – KONDEX FINE, 14 SPI (25 PACK)	6	
	118491	SECTION – BUSATIS FINE, 14 SPI (25 PACK)	6	
		12.2 METER (40 FOOT)		
	335486	KIT – 40 FT FINE DOUBLE KNIFE ⁵⁸		
1	279398	LEFT HEAD SEGMENT	1	
1a	279399	CENTER SEGMENT	2	
2	279421	LEFT TAIL SEGMENT	1	
3	279412	RIGHT HEAD SEGMENT	1	
4	279422	RIGHT, TAIL SEGMENT	1	
5	129043	MACDON SPLICE KIT ⁶⁰	4	
6	279642	SECTION – KONDEX FINE, 14 SPI (25 PACK)	12	
	118491	SECTION – BUSATIS FINE, 14 SPI (25 PACK)	12	
		13.7 METER (45 FOOT)		
	335487	KIT – 45 FT FINE DOUBLE KNIFE ⁵⁸		
1	279398	LEFT HEAD SEGMENT	1	
1a	279399	CENTER SEGMENT	2	
2	279423	LEFT TAIL SEGMENT	1	
3	279412	RIGHT HEAD SEGMENT	1	
4	279424	RIGHT, TAIL SEGMENT	1	
5	129043	MACDON SPLICE KIT ⁶⁰	4	
6	279642	SECTION – KONDEX FINE, 14 SPI (25 PACK)	12	
	118491	SECTION – BUSATIS FINE, 14 SPI (25 PACK)	12	
A	129299	SCREW – 90° CSK SKT HD, #12-24 NC X 0.812 IN.		
B	135626	NUT – CSK, CENTER LOCK, #12-24 NC (50 PACK)		

60. Includes two splice bars and hardware.

12 Segmented Knives – Double-Knife Headers, Coarse-Tooth Sections



1030126

SEGMENTED KNIVES – DOUBLE-KNIFE HEADERS, COARSE-TOOTH SECTIONS

NOTE:

6.1–13.7 m (20–45 ft.) header knives are sold in segments; for a complete segment (less knifehead), refer to tables below:

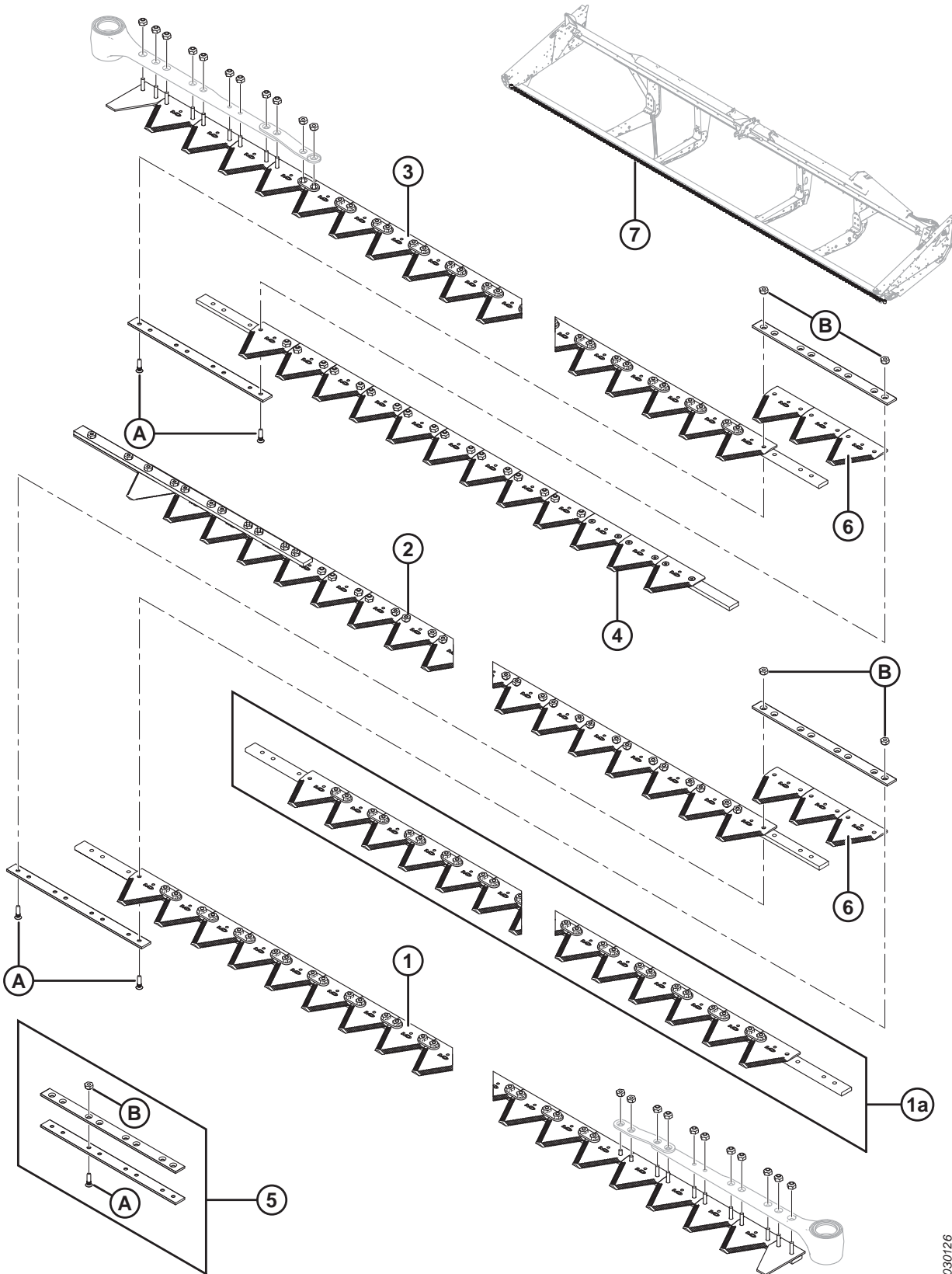
Ref	Part Number	Description	Qty	Serial Number
		6.1 METER (20 FOOT)		
1	279405	LEFT HEAD SEGMENT	1	
2	279425	LEFT TAIL SEGMENT	1	
3	279426	RIGHT COMPLETE	1	
5	129043	MACDON SPLICE KIT ⁶¹	1	
6	279641	SECTION – KONDEX COARSE, 9 SPI (25 PACK)	3	
	174845	SECTION – BUSATIS COARSE, 9 SPI (25 PACK)	3	
		7.6 METER (25 FOOT)		
1	279405	LEFT HEAD SEGMENT	1	
2	279427	LEFT TAIL SEGMENT	1	
3	279428	RIGHT HEAD SEGMENT	1	
4	279429	RIGHT, TAIL SEGMENT	1	
5	129043	MACDON SPLICE KIT ⁶¹	2	
6	279641	SECTION – KONDEX COARSE, 9 SPI (25 PACK)	6	
	174845	SECTION – BUSATIS COARSE, 9 SPI (25 PACK)	6	
		9.1 METER (30 FOOT)		
1	279405	LEFT HEAD SEGMENT	1	
2	279430	LEFT TAIL SEGMENT	1	
3	279428	RIGHT HEAD SEGMENT	1	
4	279432	RIGHT, TAIL SEGMENT	1	
5	129043	MACDON SPLICE KIT ⁶¹	2	
6	279641	SECTION – KONDEX COARSE, 9 SPI (25 PACK)	6	
	174845	SECTION – BUSATIS COARSE, 9 SPI (25 PACK)	6	
7	294791	KIT – 30 FT DOUBLE KNIFE ⁶²	A/R	
		10.7 METER (35 FOOT)		
1	279405	LEFT HEAD SEGMENT	1	
2	279431	LEFT TAIL SEGMENT	1	
3	279428	RIGHT HEAD SEGMENT	1	
4	279433	RIGHT, TAIL SEGMENT	1	
5	129043	MACDON SPLICE KIT ⁶¹	2	
6	279641	SECTION – KONDEX COARSE, 9 SPI (25 PACK)	6	
	174845	SECTION – BUSATIS COARSE, 9 SPI (25 PACK)	6	
7	294792	KIT – 35 FT DOUBLE KNIFE ⁶³	A/R	

61. Includes two splice bars and hardware.

62. Kit includes left head segment (MD #279405), left tail segment (MD #279430), right head segment (MD #279428), right tail segment (MD #279432), splice kit (MD #129043), and Kondex coarse section (MD #279641).

63. Kit includes left head segment (MD #279405), left tail segment (MD #279431), right head segment (MD #279428), right tail segment (MD #279433), splice kit (MD #129043), and Kondex coarse section (MD #279641).

SEGMENTED KNIVES – DOUBLE-KNIFE HEADERS, COARSE-TOOTH SECTIONS



1030126

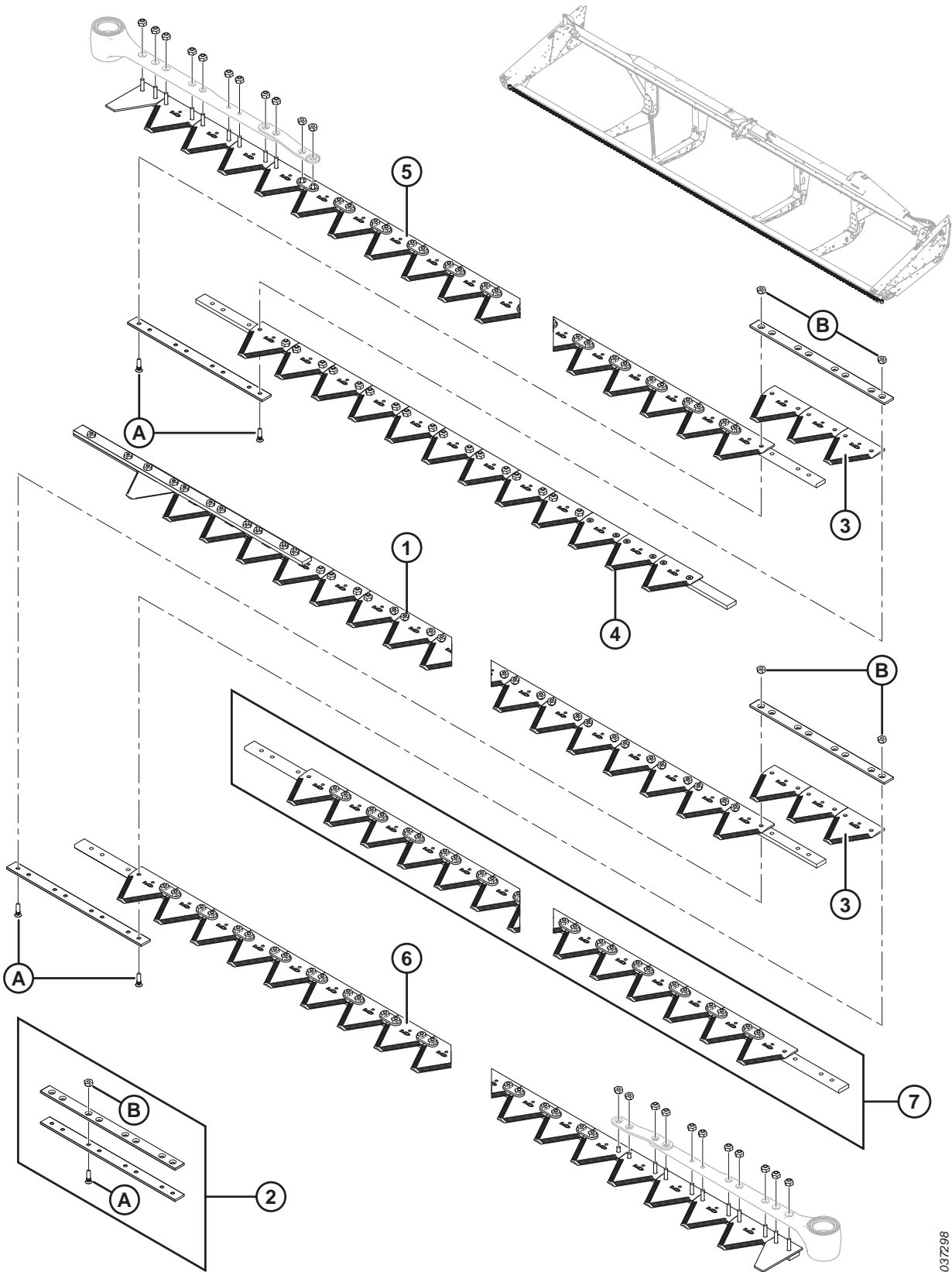
SEGMENTED KNIVES – DOUBLE-KNIFE HEADERS, COARSE-TOOTH SECTIONS

Ref	Part Number	Description	Qty	Serial Number
		12.2 METER (40 FOOT)		
1	279405	LEFT HEAD SEGMENT	1	
1a	279406	CENTER SEGMENT	2	
2	279434	LEFT TAIL SEGMENT	1	
3	279428	RIGHT HEAD SEGMENT	1	
4	279435	RIGHT, TAIL SEGMENT	1	
5	129043	MACDON SPLICE KIT ⁶⁴	4	
6	279641	SECTION – KONDEX COARSE, 9 SPI (25 PACK)	12	
	174845	SECTION – BUSATIS COARSE, 9 SPI (25 PACK)	12	
7	294793	KIT – 40 FT DOUBLE KNIFE ⁶⁴	A/R	
		13.7 METER (45 FOOT)		
1	279405	LEFT HEAD SEGMENT	1	
1a	279406	CENTER SEGMENT	2	
2	279436	LEFT TAIL SEGMENT	1	
3	279428	RIGHT HEAD SEGMENT	1	
4	279437	RIGHT, TAIL SEGMENT	1	
5	129043	MACDON SPLICE KIT ⁶⁴	4	
6	279641	SECTION – KONDEX COARSE, 9 SPI (25 PACK)	12	
	174845	SECTION – BUSATIS COARSE, 9 SPI (25 PACK)	12	
7	294794	KIT – 45 FT DOUBLE KNIFE ⁶⁵	A/R	
A	129299	SCREW – 90° CSK SKT HD, #12-24 NC X 0.812 IN.		
B	135626	NUT – CSK, CENTER LOCK, #12-24 NC (50 PACK)		

64. Kit includes left head segment (MD #279405), center segment (MD #279406), left tail segment (MD #279434), right head segment (MD #279428), right tail segment (MD #279435), splice kit (MD #129043), and Kondex coarse section (MD #279641).

65. Kit includes left head segment (MD #279405), center segment (MD #279406), left tail segment (MD #279436), right head segment (MD #279428), right tail segment (MD #279437), splice kit (MD #129043), and Kondex coarse section (MD #279641).

13 Segmented Knives – Double-Knife Headers, Ultra Coarse-Tooth Sections



1037298

SEGMENTED KNIVES – DOUBLE-KNIFE HEADERS, ULTRA COARSE-TOOTH SECTIONS

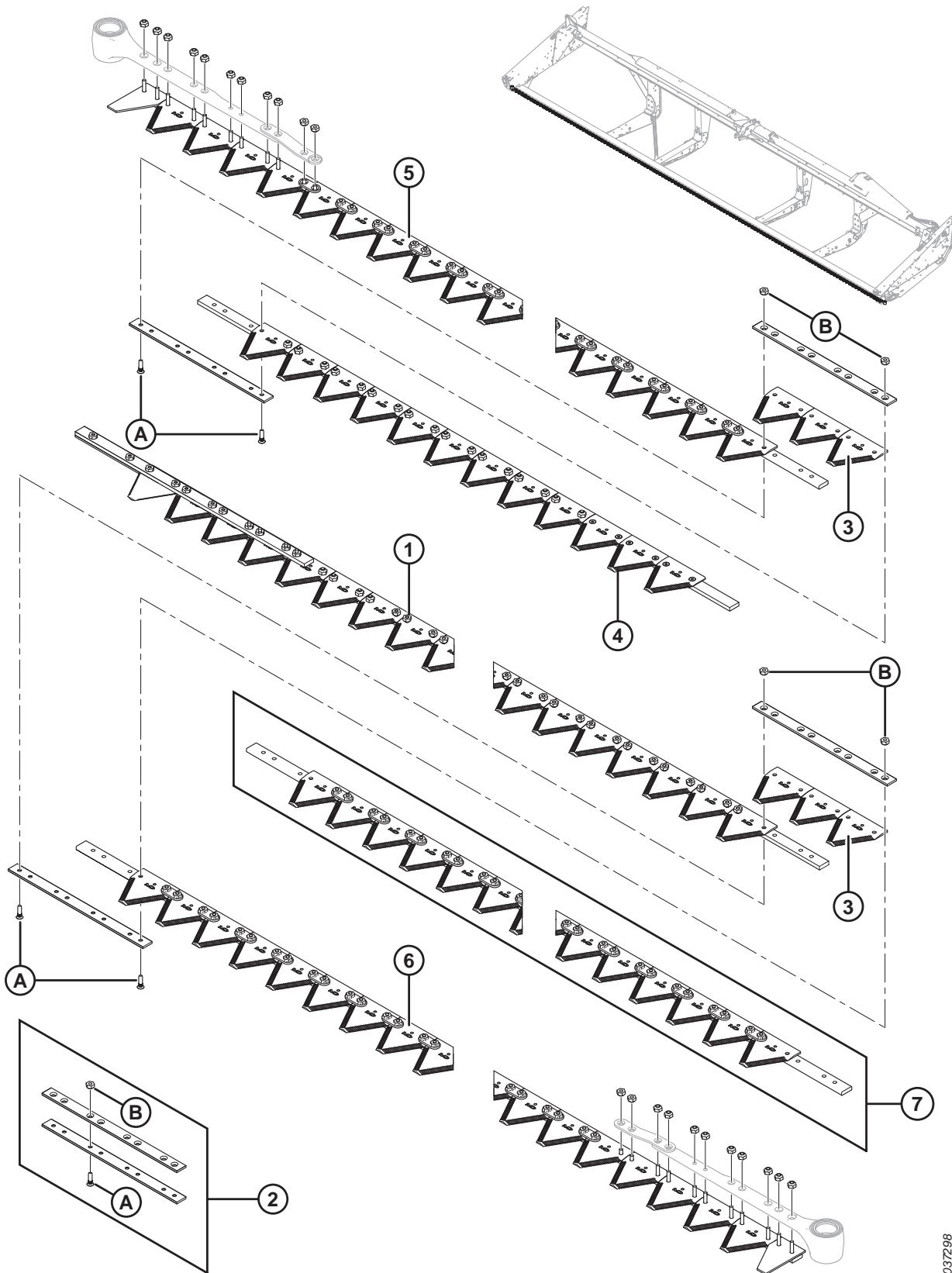
Ref	Part Number	Description	Qty	Serial Number
		7.6 METER (25 FOOT)		
	335508	KIT – 25 FT ULTRA COARSE DOUBLE KNIFE ⁶⁶		
1	335525	LEFT TAIL SEGMENT	1	
2	129043	SPLICE KIT 2 1/8 IN. ⁶⁷	2	
3	294947	SECTION – PACKAGE ULTRA COARSE, 4 SPI	1	
4	335520	RIGHT, TAIL SEGMENT	1	
5	335532	ASSEMBLY KNIFE SEG ULTRA COARSE ⁶⁸	1	
6	335533	ASSEMBLY KNIFE SEG ULTRA COARSE ⁶⁸	1	
		9.1 METER (30 FOOT)		
	335509	KIT – 30 FT ULTRA COARSE DOUBLE KNIFE ⁶⁶		
1	335526	LEFT TAIL SEGMENT	1	
2	129043	SPLICE KIT 2 1/8 IN. ⁶⁷	2	
3	294947	SECTION – PACKAGE ULTRA COARSE, 4 SPI	1	
4	335522	RIGHT, TAIL SEGMENT		
5	335532	ASSEMBLY KNIFE SEG ULTRA COARSE ⁶⁸	1	
6	335533	ASSEMBLY KNIFE SEG ULTRA COARSE ⁶⁸	1	
		10.7 METER (35 FOOT)		
	335510	KIT – 35 FT ULTRA COARSE DOUBLE KNIFE ⁶⁶		
1	335529	LEFT TAIL SEGMENT	1	
2	129043	SPLICE KIT 2 1/8 IN. ⁶⁷	2	
3	294947	SECTION – PACKAGE ULTRA COARSE, 4 SPI	1	
4	335523	RIGHT, TAIL SEGMENT	1	
5	335532	ASSEMBLY KNIFE SEG ULTRA COARSE ⁶⁸	1	
6	335533	ASSEMBLY KNIFE SEG ULTRA COARSE ⁶⁸	1	
		12.2 METER (40 FOOT)		
	335511	KIT – 40 FT ULTRA COARSE DOUBLE KNIFE ⁶⁶		
1	335527	LEFT, TAIL SEGMENT	1	
2	129043	SPLICE KIT 2 1/8 IN. ⁶⁷	4	
3	294947	SECTION – PACKAGE ULTRA COARSE, 4 SPI	1	
4	335519	RIGHT, TAIL SEGMENT	1	
5	335532	ASSEMBLY KNIFE SEG ULTRA COARSE ⁶⁸	1	
6	335533	ASSEMBLY KNIFE SEG ULTRA COARSE ⁶⁸	1	
7	335534	ASSEMBLY KNIFE SEG ULTRA COARSE ⁶⁸	2	

66. Complete knife assembly kit.

67. Includes two splice bars and hardware.

68. Includes hardware.

SEGMENTED KNIVES – DOUBLE-KNIFE HEADERS, ULTRA COARSE-TOOTH SECTIONS

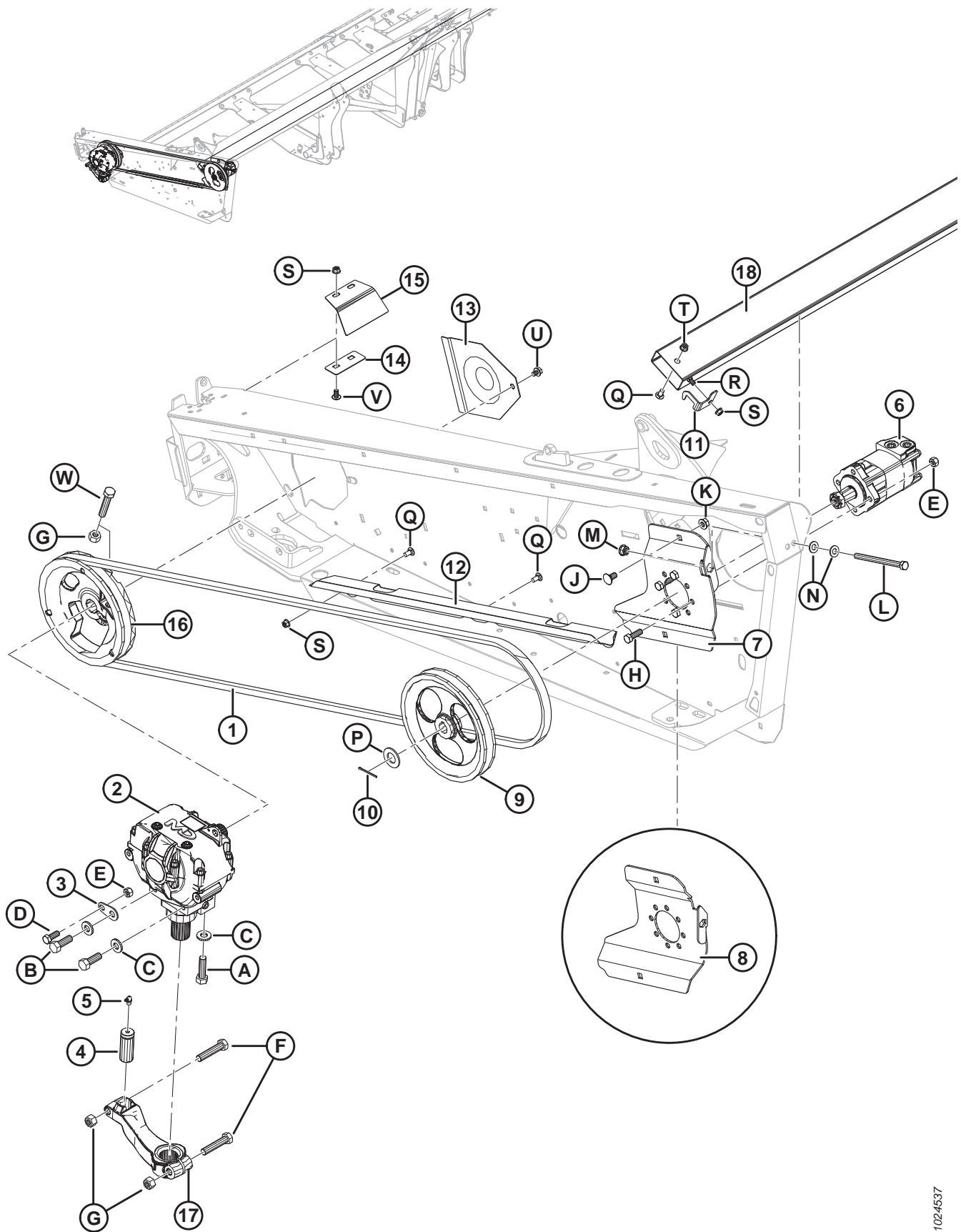


1037298

SEGMENTED KNIVES – DOUBLE-KNIFE HEADERS, ULTRA COARSE-TOOTH SECTIONS

Ref	Part Number	Description	Qty	Serial Number
		13.7 METER (45 FOOT)		
	335512	KIT – 45 FT ULTRA COARSE DOUBLE KNIFE ⁶⁶		
1	335528	LEFT, TAIL SEGMENT	1	
2	129043	SPLICE KIT 2 1/8 IN. ⁶⁷	2	
3	294947	SECTION – PACKAGE ULTRA COARSE, 4 SPI	1	
4	335521	RIGHT, TAIL SEGMENT	1	
5	335532	ASSEMBLY KNIFE SEG ULTRA COARSE ⁶⁸	1	
6	335533	ASSEMBLY KNIFE SEG ULTRA COARSE ⁶⁸	1	
7	335534	ASSEMBLY KNIFE SEG ULTRA COARSE ⁶⁸	2	
A	129299	SCREW – 90° CSK SKT HD, #12-24 NC X 0.812 IN.		
B	30669	NUT – CENTER LOCK, #12-24		

14 Knife Drive – Single-Knife and Untimed Double-Knife Headers



KNIFE DRIVE – SINGLE-KNIFE AND UNTIMED DOUBLE-KNIFE HEADERS

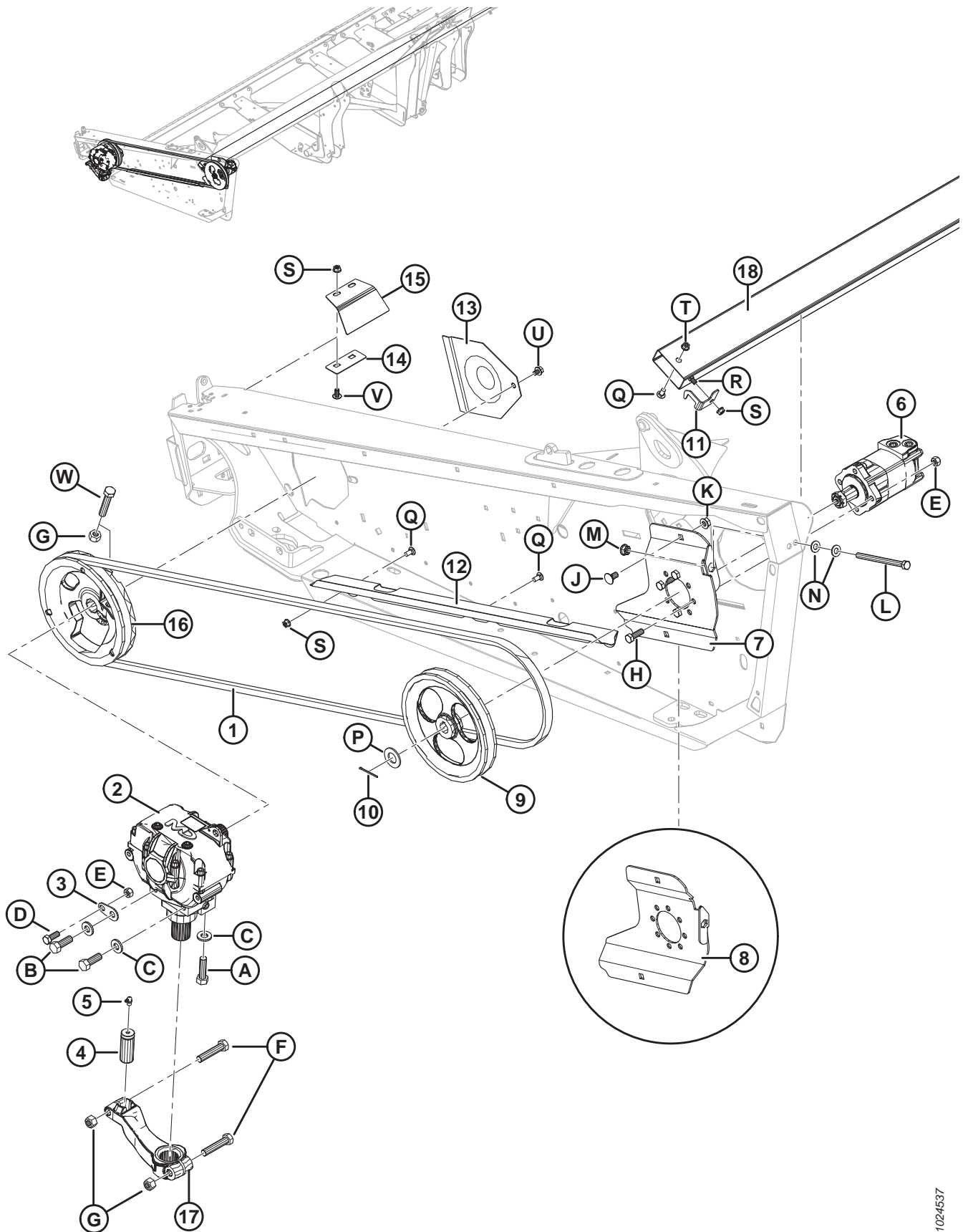
Ref	Part Number	Description	Qty	Serial Number
1	145706	BELT – SK DRIVE ⁶⁹	1	
2	100532	DRIVE – WOBBLE BOX ⁷⁰	1	
3	132033	PLATE – WOBBLE BOX LOCATING TAB ⁶⁹	1	
4	113229	PIN – SICKLE HEAD ⁶⁹	1	
5	21194	FITTING – LUBRICATION 90° 1/8 NPT ⁶⁹	1	
6	174217	MOTOR – KNIFE DRIVE ⁶⁹	1	
	174304	SEAL KIT		
7	294112	BRACKET – MOTOR MOUNT, WELDT	1	
8	174270	BRACKET – MOTOR MOUNT, WELDT RH DK	1	
9	174215	PULLEY – SK DRIVE ⁶⁹	1	
10	21006	PIN – COTTER 1/8 DIA X 2.0 ZP ⁶⁹	1	
11	125530	BRACKET – LH KNIFE KEEPER	1	
12	245943	GUIDE – BELT ⁶⁹	1	
13	102509	SHIELD ⁶⁹	1	
14	120141	RETAINER – WOBBLE BOX SHIELD ⁶⁹	1	
15	120140	SHIELD – LH WOBBLE BOX MOUNT	1	
	120194	SHIELD – RH WOBBLE BOX MOUNT	1	
16	252752	PULLEY ASSY – WOBBLE BOX SK ⁶⁹	1	
17	174992	ARM – WOBBLE BOX DRIVE ⁶⁹	1	
18	220009	TUBE – KNIFE STORAGE, 20 FT ⁷¹	1	
	220010	TUBE – KNIFE STORAGE, 25 FT ⁷¹	1	
	220011	TUBE – KNIFE STORAGE, 30 FT ⁷¹	1	
	220012	TUBE – KNIFE STORAGE, 35 FT ⁷¹	1	
	220013	TUBE – KNIFE STORAGE, 40 FT ⁷¹	1	
	125764	TUBE – KNIFE STORAGE, 40 AND 45 FT DK ⁷¹	1	
A	120900	BOLT – HEX HEAD - L9 5/8-11 UNC X 2.25 LG		
B	120899	BOLT – HEX HEAD - L9 5/8-11 UNC X 1.75 LG		
C	120901	WASHER – FLAT HARDENED 5/8 IN. NOMINAL (L9)		
D	21491	BOLT – HH 1/2 NC X 1.25 LG GR 5 ZP		
E	18697	NUT – HEX LOCK DT .500-13 UNC		
F	21583	BOLT – HH 5/8 NC X 3.0 LG GR 5 ZP		
G	18666	NUT – HEX LOCK DT 5/8-11 UNC ZP		
H	18723	BOLT – HH 1/2 NC X 1.5 LG GR 5 ZP		
J	21066	BOLT – RHSN 1/2 NC X 1 GR 5 ZP		
K	50186	NUT – FLG LOCK SM FACE DT 0.500-13 UNC GR 5		
L	50226	BOLT – HH 1/2 NC X 6.5 TFL GR 5 ZP		
M	21383	NUT – FLANGE .500-13 UNC (SER FACE)		
N	18599	WASHER – SAE FLAT 17/32 I.D. X 1-1/16 IN. O.D. ZP		
P	18603	WASHER – SAE FLAT 1-1/16 I.D. X 2.0 IN. O.D. ZP		

69. For untimed double-knife drive headers, quantity is two.

70. For untimed double-knife drive headers, quantity is two. For repair parts, refer to Section [16 Knife Drive Box, page 57](#).

71. Knife storage tube located inside round backtube of header frame.

KNIFE DRIVE – SINGLE-KNIFE AND UNTIMED DOUBLE-KNIFE HEADERS

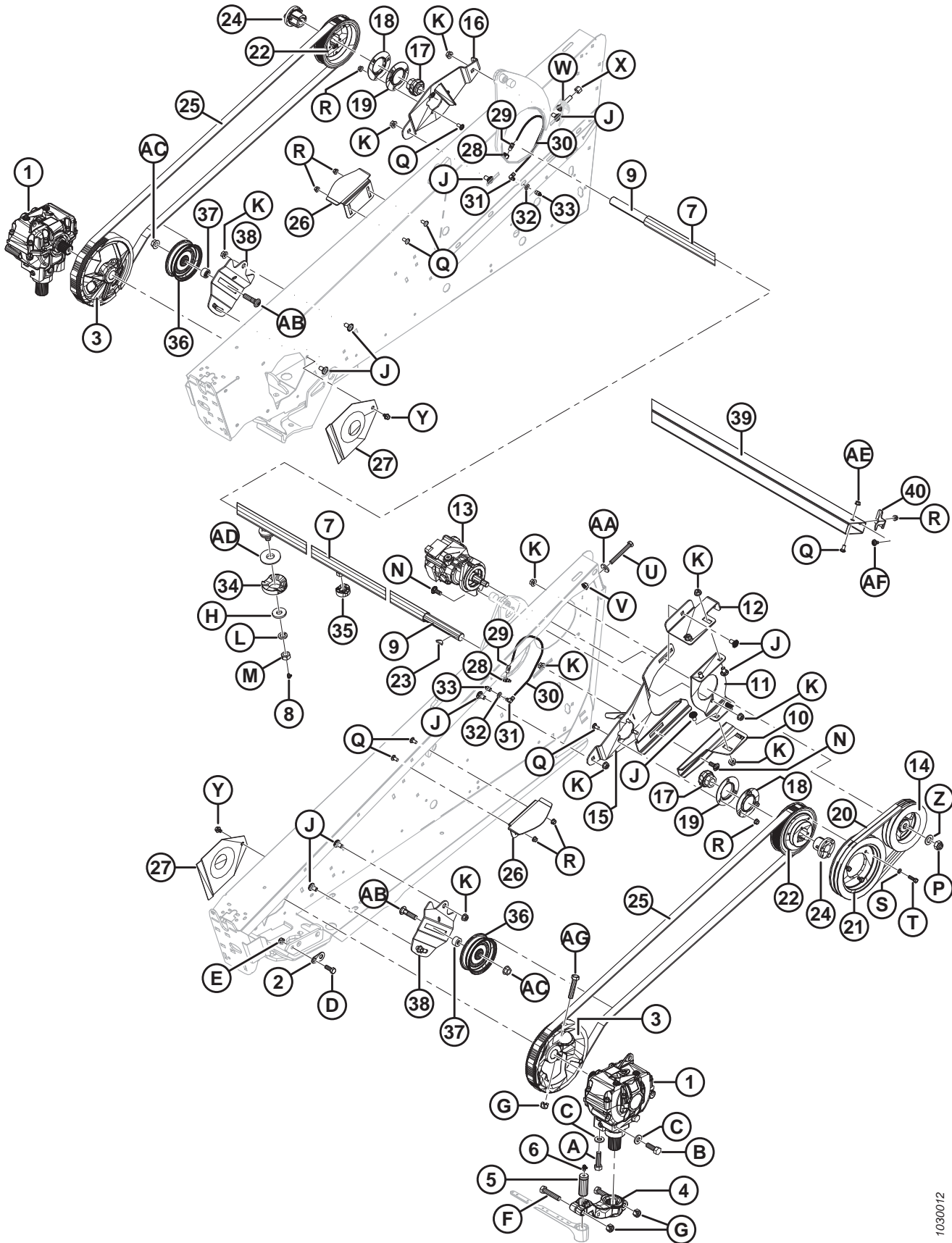


1024537

KNIFE DRIVE – SINGLE-KNIFE AND UNTIMED DOUBLE-KNIFE HEADERS

Ref	Part Number	Description	Qty	Serial Number
Q	21863	BOLT – RHSSN 3/8 NC X 0.75 LG GR 5 ZP		
R	21472	BOLT – RHSN 3/8 NC X 0.75 GR 5 ZP		
S	30228	NUT – FLANGE DT SMOOTH FACE 0.375-16 UNC		
T	21452	NUT – FLANGE (SER FACE) .375-16 UNC		
U	30693	BOLT – FLANGE (SER FACE) .375-16 UNC X 0.50 LG		
V	135157	SCREW – MACHINE		
W	21406	BOLT – HH 5/8 NC X 3.5 GR 5 ZP		

15 Knife Drive – Timed Double-Knife Headers



1030012

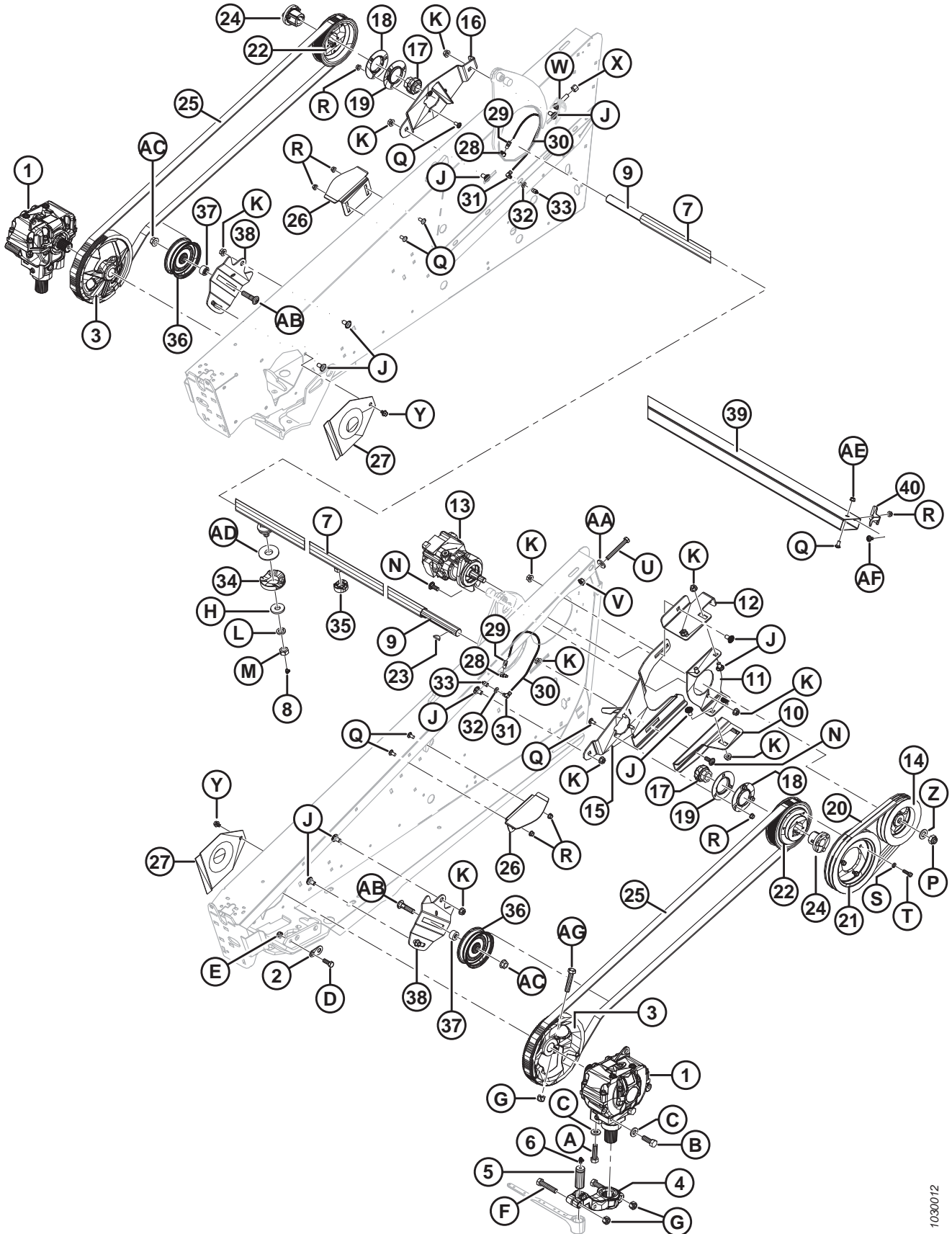
KNIFE DRIVE – TIMED DOUBLE-KNIFE HEADERS

Ref	Part Number	Description	Qty	Serial Number
1	100532	DRIVE – SICKLE ⁷²	2	
2	132033	PLATE – KNIFE DRIVE, LOCATING TAB	2	
3	252753	PULLEY ASSY – KNIFE DRIVE ⁷³	2	
4	174992	ARM – OUTPUT	2	
5	113229	PIN – SICKLE HEAD	2	
6	21194	FITTING – LUBE, 90°, 1/8 NPT	2	
7	120754	TUBE – CROSS SHAFT (20 FT HEADER)	1	
	113160	TUBE – CROSS SHAFT (25 FT HEADER)	1	
	113161	TUBE – CROSS SHAFT (30 FT HEADER)	1	
	120755	TUBE – CROSS SHAFT (35 FT HEADER)	1	
8	21010	FITTING – LUBE, 90°, 1/4 NPT	2	
9	120364	SHAFT – CROSS (20 FT HEADER)	1	
	120358	SHAFT – CROSS (25 FT HEADER)	1	
	120359	SHAFT – CROSS (30 FT HEADER)	1	
	120360	SHAFT – CROSS (35 FT HEADER)	1	
10	172809	SUPPORT – LOWER MOTOR	1	
11	294385	SUPPORT – MOTOR MOUNT	1	
12	172812	SUPPORT – DRIVE	1	
13	232147	MOTOR – HYDRAULIC, KNIFE DRIVE, C/W KEY	1	
	279003	SEAL KIT – KNIFE DRIVE MOTOR		
	111895	KEY – SQUARE, KNIFE DRIVE MOTOR		
14	120812	PULLEY – DRIVE, DOUBLE (20–25 FT HEADERS ONLY)	1	
	145384	PULLEY – DRIVE, DOUBLE (30–35 FT HEADERS ONLY)	1	
15	174502	SUPPORT – PULLEY (LH)	1	
16	174501	SUPPORT – PULLEY (RH)	1	
17	21859	BEARING – CROSS SHAFT, 1-3/16 IN. BORE	2	
18	49306	FLANGE – OUTER	2	
19	47858	FLANGE – INNER	2	
20	120814	BELT – TIMING, DOUBLE (20–25 FT HEADERS ONLY)	1	
	120057	BELT – TIMING, DOUBLE (30–35 FT HEADERS ONLY)	1	
21	101853	PULLEY – MACHINED	1	
22	120056	SPROCKET – TIMING (72 TEETH)	2	
23	13298	KEY – WOODRUFF, CROSS SHAFT, 1/4 X 1-1/8 IN.	2	
24	30034	BUSHING – TAPER LOCK, CROSS SHAFT	2	
25	30548	BELT – TIMING	2	
26	132415	GUIDE – BELT	2	
27	102509	SHIELD – DRIVE BOX	2	
28	50187	FITTING – LUBE, ELBOW ADAPTER	2	
29	120366	FITTING – CONNECTOR	2	
30	112968	HOSE – GREASE	2	

72. Refer to Section *16 Knife Drive Box*, page 57.

73. Includes bolt (MD #21406) and nut (MD #18666).

KNIFE DRIVE – TIMED DOUBLE-KNIFE HEADERS



1030012

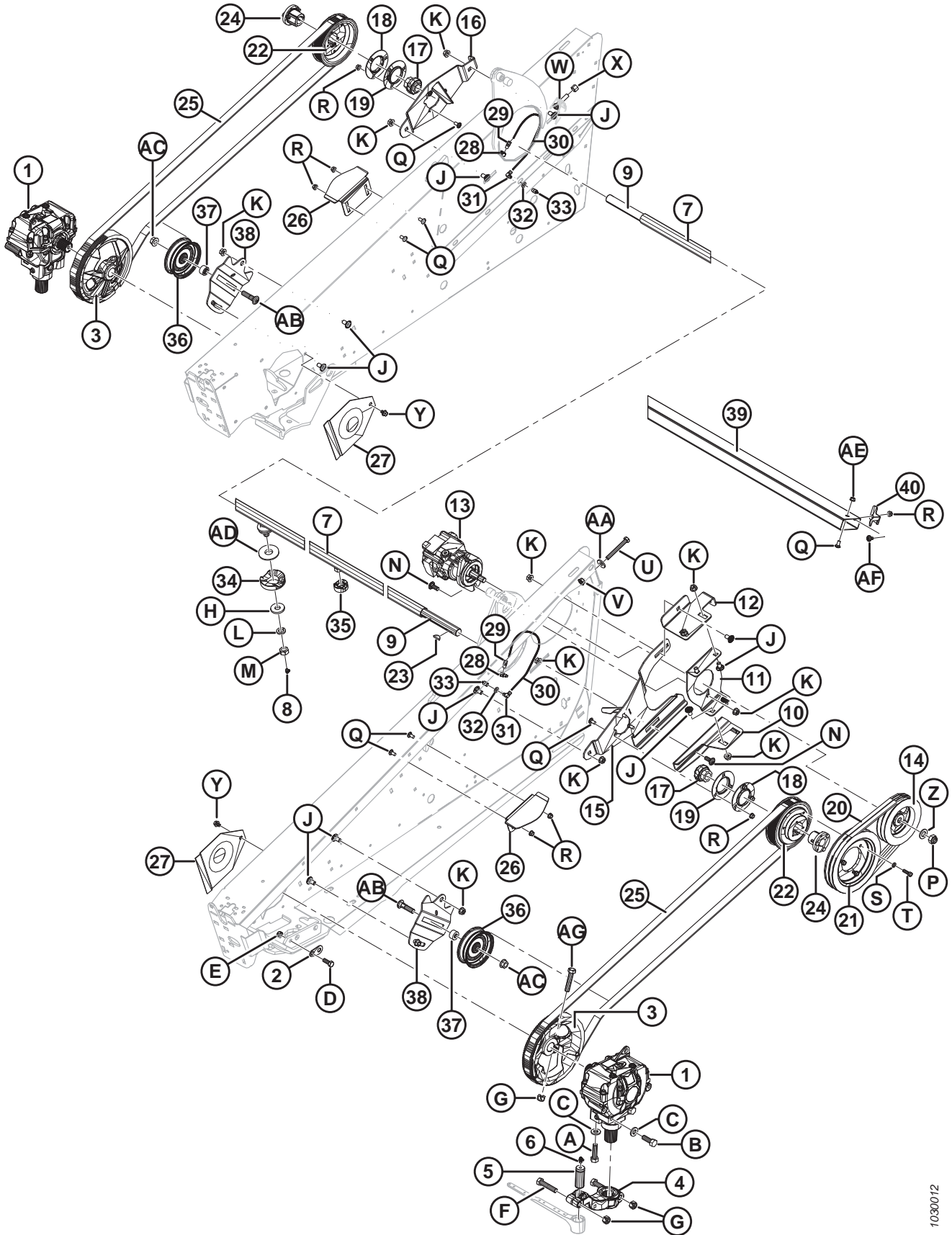
KNIFE DRIVE – TIMED DOUBLE-KNIFE HEADERS

Ref	Part Number	Description	Qty	Serial Number
31	120365	FITTING – ELBOW	2	
32	18598	WASHER – FLAT, 13/32 INCH I.D.	2	
33	50188	FITTING – LUBE, 1/8 NPT FEMALE	2	
34	220701	BLOCK – FOAM	2	
35	220706	BLOCK – FOAM ⁷⁴		
36	30514	PULLEY – IDLER	2	
37	253517	SPACER – PULLEY	2	
38	226673	SUPPORT – IDLER PULLEY	2	
39	220009	TUBE – KNIFE STORAGE (20 FT) ⁷⁵	1	
	220010	TUBE – KNIFE STORAGE (25 FT) ⁷⁵	1	
	220011	TUBE – KNIFE STORAGE (30 FT) ⁷⁵	1	
	220012	TUBE – KNIFE STORAGE (35 FT) ⁷⁵	1	
	220013	TUBE – KNIFE STORAGE (40 FT) ⁷⁵	1	
	125764	TUBE – KNIFE STORAGE (40–45 FT DK) ⁷⁵		
40	125530	BRACKET – KNIFE KEEPER	1	
A	120900	BOLT – HEX HEAD, L9, 5/8 NC X 2-1/4 INCH		
B	120899	BOLT – HEX HEAD, L9, 5/8 NC X 1-3/4 INCH		
C	120901	WASHER – FLAT, L9, HARDENED, 5/8 IN. I.D.		
D	21491	BOLT – HEX HEAD, 1/2 NC X 1-1/4 INCH, GR 5		
E	18697	NUT – LOCK, 1/2 NC, DISTORTED THREAD		
F	21583	BOLT – HEX HEAD, 5/8 NC X 3 INCH, GR 5		
G	18666	NUT – LOCK, 5/8 NC, DISTORTED THREAD		
H	6647	WASHER – FLAT, 19.8 MM I.D X 50 MM O.D X 6 MM THICK		
J	21066	BOLT – RHSN, 1/2 NC X 1 INCH, GR 5		
K	50186	NUT – SMOOTH FLANGE, 1/2 NC, DISTORTED THREAD		
L	18640	WASHER – LOCK, 3/4 NC I.D.		
M	102636	NUT – HEX, 3/4 NC, SIDE LOCK DISTORTED THREAD		
N	21471	BOLT – RHSN, 1/2 NC X 1-1/4 INCH, GR 5		
P	112129	NUT – HEX, 3/4 UNF, DISTORTED THREAD		
Q	21863	BOLT – RHSN, 3/8 NC X 3/4 INCH, GR 5		
R	30228	NUT – SMOOTH FLANGE, 3/8 NC, DISTORTED THREAD		
S	18637	WASHER – LOCK, 3/8 INCH I.D.		
T	21264	BOLT – HEX HEAD, 3/8 NC X 1-1/4 INCH, GR 5		
U	30299	BOLT – HEX HEAD, 1/2 NC X 4 IN, THRD FULL LGTH, GR 5		
V	21383	NUT – SERRATED FLANGE, 1/2 NC		
W	120232	BOLT – RHSN, 1/2 NC X 2-1/2 INCH, GR 5		
X	21389	NUT – LOCK, 1/2 NC		
Y	30693	BOLT – SERRATED FLANGE, 3/8 NC X 1/2 INCH		

74. Quantities: 20 ft. = 2, 25–40 ft. = 4.

75. Knife storage tube located inside round backtube of header frame.

KNIFE DRIVE – TIMED DOUBLE-KNIFE HEADERS

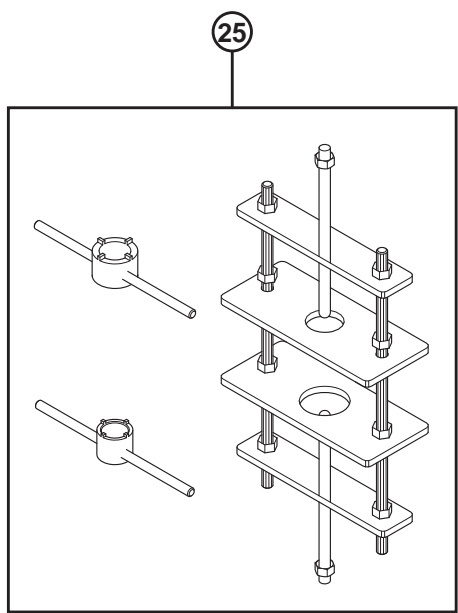
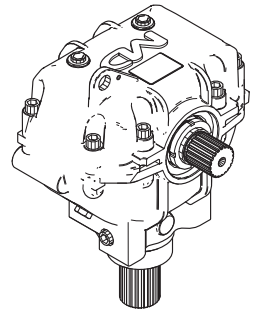
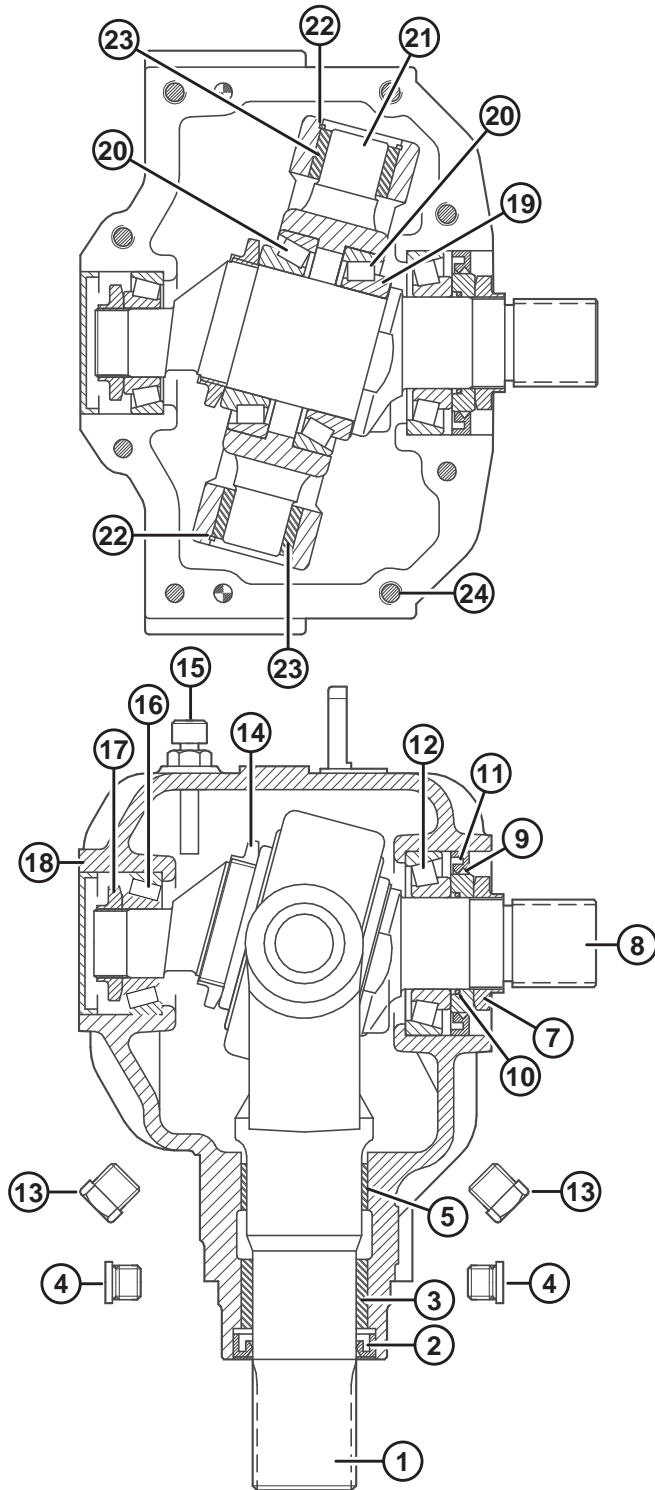


1030012

KNIFE DRIVE – TIMED DOUBLE-KNIFE HEADERS

Ref	Part Number	Description	Qty	Serial Number
Z	18601	WASHER – FLAT, 13/16 I.D. X 1-1/2 INCH O.D.		
AA	4761	WASHER – FLAT, 13.5 MM I.D X 35 MM O.D X 4.5 MM THICK		
AB	18525	BOLT – RHSN, 5/8 NC X 2-1/2 INCH, GR 5		
AC	50225	NUT – FLG DT 5/8-11 UNC GR 5 AA1J		
AD	10254	WASHER – FLAT		
AE	21452	NUT – FLANGE (SER FACE) .375-16 UNC		
AF	21472	BOLT – RHSN 3/8-16 X .75, GR 5		
AG	21406	BOLT – HH 5/8 NC X 3.5 GR 5 ZP		

16 Knife Drive Box



1016902

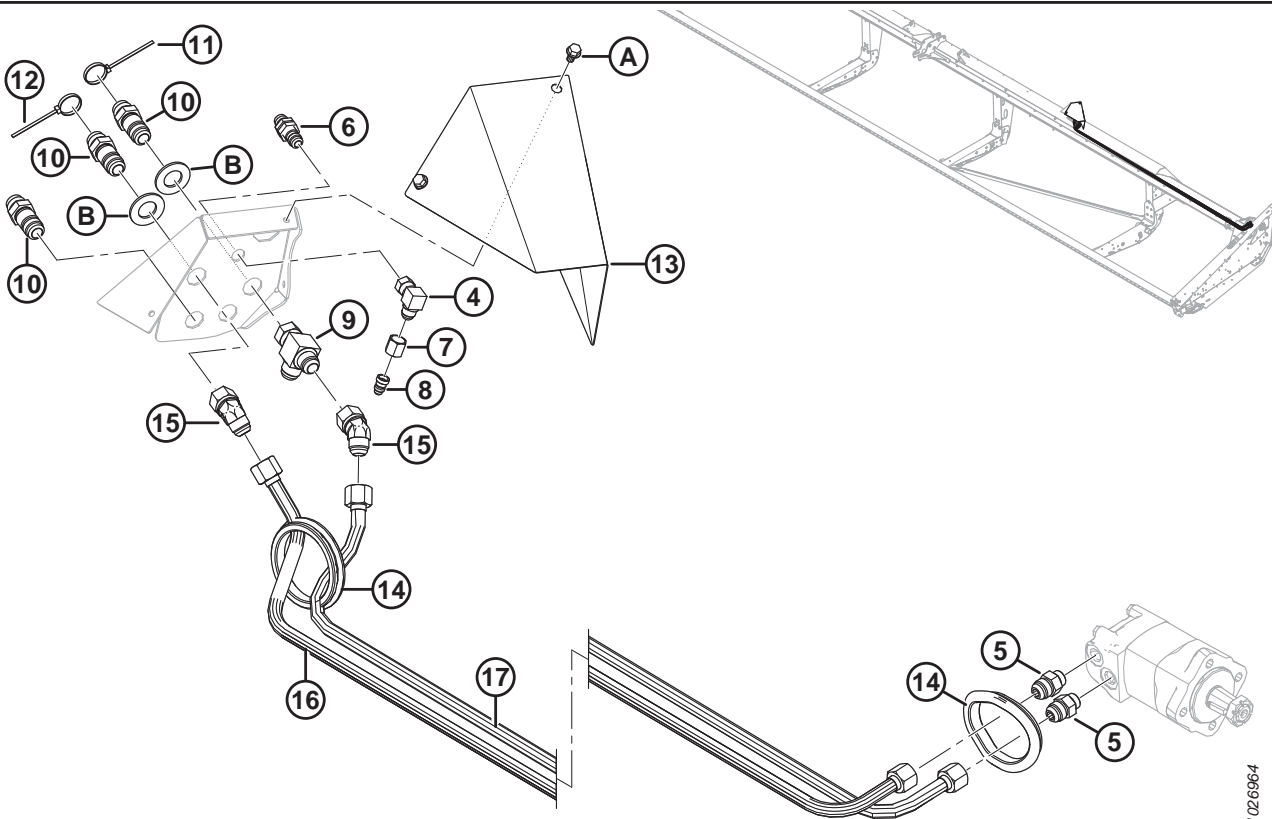
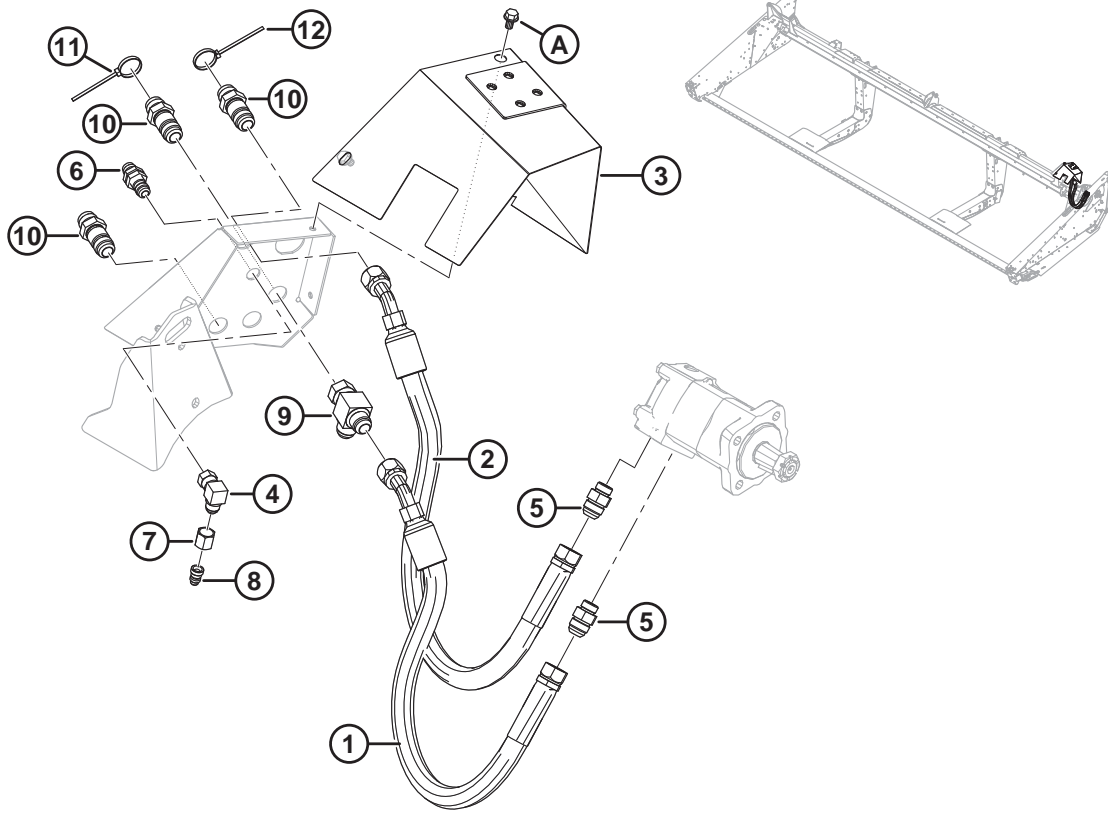
KNIFE DRIVE BOX

NOTE:

Apply retaining compound (Loctite® 603 or equivalent) to output yoke (MD #100706) and input shaft (MD #100710) before assembly.

Ref	Part Number	Description	Qty	Serial Number
	100532	DRIVE – SICKLE, COMPLETE	1	
1	100706	YOKE – OUTPUT	1	
2	100707	SEAL – OIL, OUTPUT SHAFT	1	
3	100708	BUSHING – BRONZE	1	
4	252423	PLUG – HEX SOCKET	2	
5	100726	BUSHING – STEEL	1	
7	100709	NUT – SPECIAL	1	
8	100710	SHAFT – INPUT	1	
9	102629	SPACER – 60 MM O.D.	1	
10	100712	O-RING	1	
11	102630	SEAL – OIL, INPUT SHAFT, 60 MM I.D.	1	
12	100714	BEARING ASSEMBLY – CUP AND CONE	1	
13	103096	PLUG – OIL DRAIN	2	
14	100715	NUT – LOCK, M55 X 2 IN.	1	
15	100716	PLUG – BREATHER, C/W DIPSTICK	1	
16	100717	BEARING ASSEMBLY – CUP AND CONE	1	
17	100718	NUT – LOCK, M30 X 1.5 IN.	1	
18	100719	CAP – DUST	1	
19	113152	SHIM – INPUT SHAFT	1	
20	100720	BEARING ASSEMBLY – CUP AND CONE	2	
21	100721	PIVOT	1	
22	100722	RING – RETAINING, INTERNAL	2	
23	100723	BUSHING – BRONZE	2	
24	113153	BOLT – SOCKET HEAD, M10 X 50 MM	8	
25	139003	TOOL KIT – SICKLE DRIVE BOX DISASSEMBLY/ASSEMBLY	A/R	

17 Knife Drive Hydraulics – Single-Knife (D120, D130, D135, and D140)



1026964

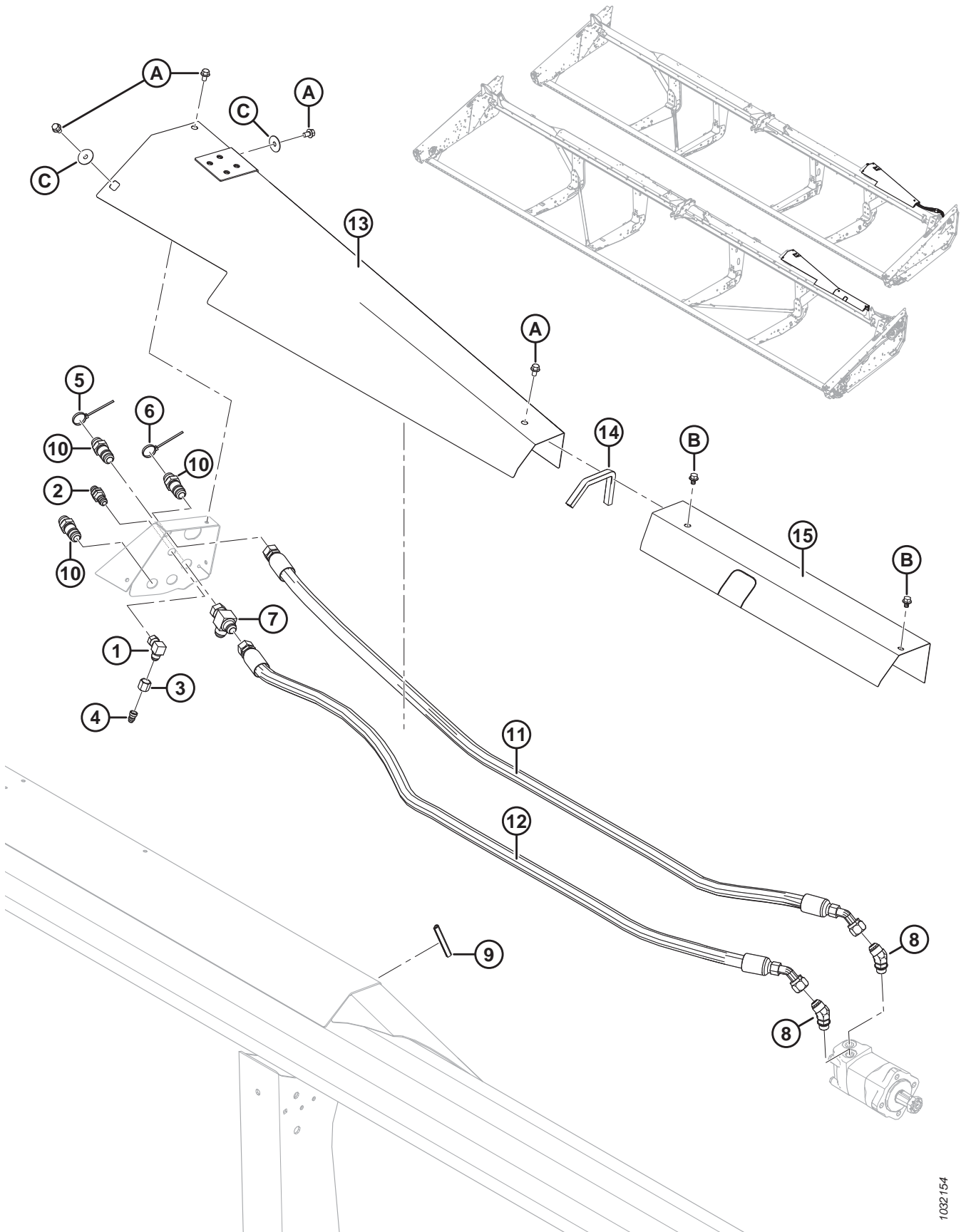
KNIFE DRIVE HYDRAULICS – SINGLE-KNIFE (D120, D130, D135, AND D140)

NOTE:

Illustration; TOP: 20 ft., BOTTOM: 40 ft.

Ref	Part Number	Description	Qty	Serial Number
1	132903	HOSE – HYDRAULIC	1	
2	132904	HOSE – HYDRAULIC	1	
3	255866	COVER – WELDT RIGID COUPLERS (20 FT ONLY)	1	
4	30314	FITTING – ELBOW 90° HYD	1	
5	30610	FITTING – CONNECTOR HYD	2	
6	30819	FITTING – 1/2 IN. HYD UNION	1	
7	21069	NUT – TUBE 37° JIC 1/2 IN.	1	
8	30981	FITTING – ADAPTER HYD REDUCER 1/2 X 3/8	1	
9	50086	FITTING – HYD TEE	1	
10	135372	FITTING – 3/4 IN. HYD BULKHEAD 37° FLARE UNION	3	
11	40703	FASTENER – CABLE TIE, BLUE	1	
12	40704	FASTENER – CABLE TIE, ORANGE	1	
13	254109	COVER – RIGID COUPLERS (40 FT ONLY)	1	
14	125722	GROMMET – RUBBER 99 MM ID	2	
15	135240	FITTING – ELBOW 45° HYD	2	
16	174258	LINE – 40 FT RIGID KNIFE DRIVE PRESSURE	1	
17	174259	LINE – 40 FT RIGID SK KNIFE DRIVE RETURN	1	
A	50076	BOLT – HEX FLG (SER FACE) 3/8 NC X 0.63 GR 5 ZP		
B	18603	WASHER – SAE FLAT 1 1/16 ID X 2.0 IN OD ZP (40 FT ONLY)		

18 Knife Drive Hydraulics – Single-Knife (D125, D130, and D135)

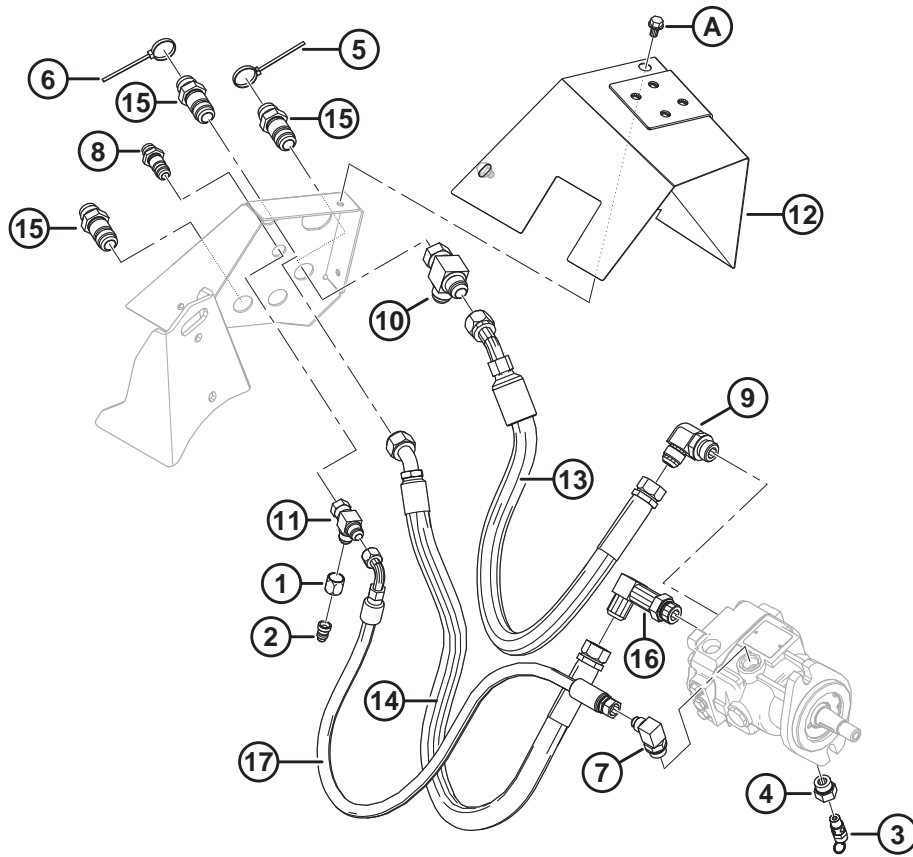
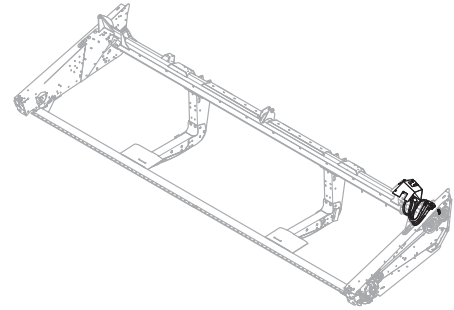


1032154

KNIFE DRIVE HYDRAULICS – SINGLE-KNIFE (D125, D130, AND D135)

Ref	Part Number	Description	Qty	Serial Number
1	30314	FITTING – ELBOW 90° HYD	1	
2	30819	FITTING – 1/2 IN. HYD UNION	1	
3	21069	NUT – TUBE 37° JIC 1/2 IN.	1	
4	30981	FITTING – ADAPTER HYD REDUCER 1/2 X 3/8	1	
5	40703	FASTENER – CABLE TIE, BLUE	1	
6	40704	FASTENER – CABLE TIE, ORANGE	1	
7	50086	FITTING – HYD TEE	1	
8	135182	FITTING – ELBOW 45° HYD CW O-RING	2	
9	135190	SEAL – EDGE TRIM	1	
10	135372	FITTING – 3/4 IN. HYD BULKHEAD 37° FLARE UNION	3	
11	120573	HOSE – HYD (25 FT ONLY)	1	
	120574	HOSE – HYD (30 FT ONLY)	1	
	120575	HOSE – HYD (35 FT ONLY)	1	
12	120577	HOSE – HYD (25 FT ONLY)	1	
	174356	HOSE – HYD (30 FT ONLY)	1	
	174357	HOSE – HYD (35 FT ONLY)	1	
13	255506	COVER – WELDT RIGID COUPLERS (25 FT ONLY)	1	
	304320	COVER – WELDT RIGID COUPLERS (30 FT ONLY)	1	
	304322	COVER – WELDT KNIFE COUPLERS (35 FT ONLY)	1	
14	31889	MOULDING – (30 FT ONLY)	1	
15	165417	COVER – KNIFE DRIVE HOSES (35 FT ONLY)	1	
A	50076	BOLT – HEX FLG (SER FACE) 3/8 NC X 0.63 GR 5 ZP		
B	30693	BOLT – FLANGE SER FACE .375-16 UNC X 0.50 LG (35 FT ONLY)		
C	18963	WASHER – FLAT		

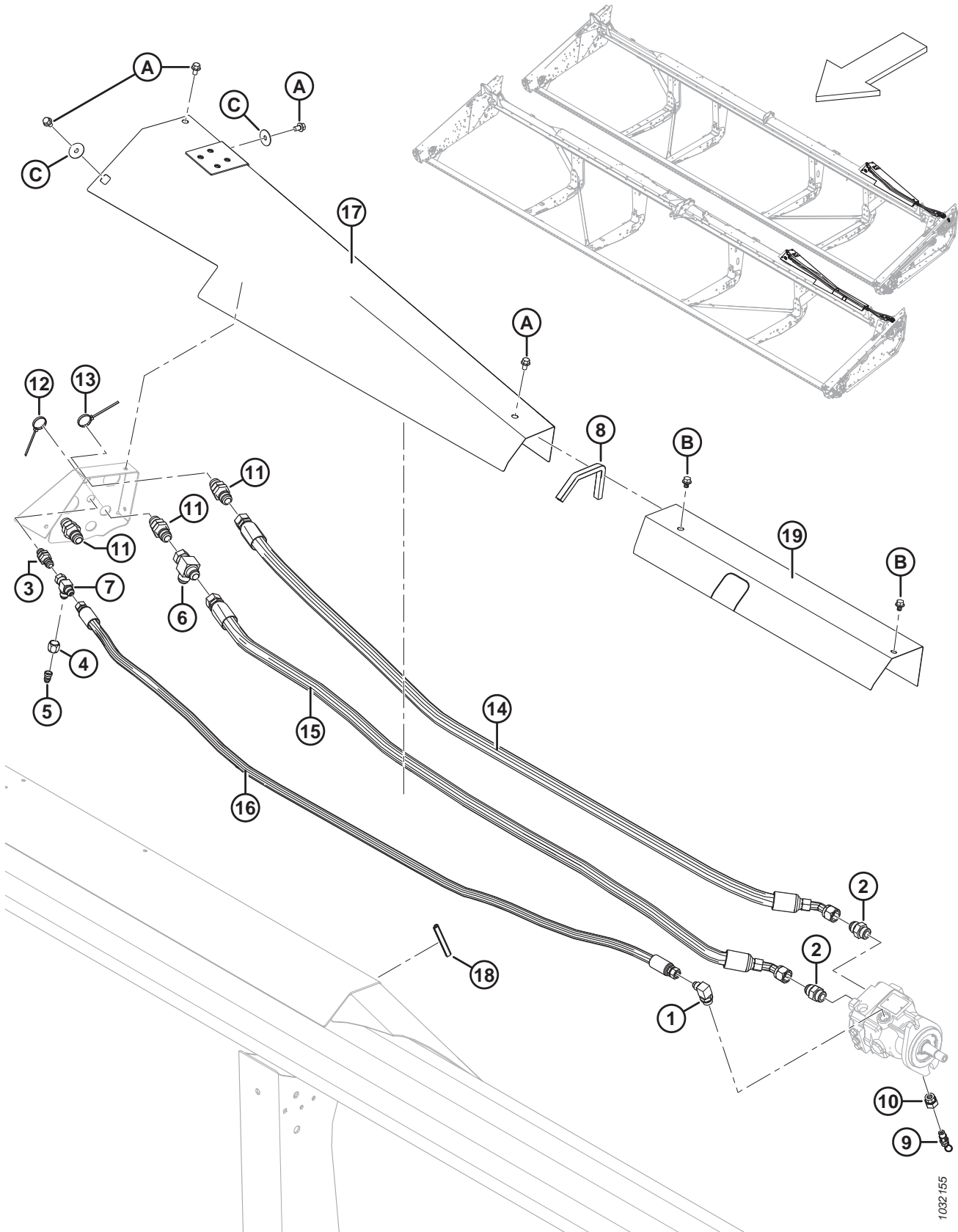
19 Knife Drive Hydraulics – Timed Double-Knife (D120)



KNIFE DRIVE HYDRAULICS – TIMED DOUBLE-KNIFE (D120)

Ref	Part Number	Description	Qty	Serial Number
1	21069	NUT – TUBE 37° JIC 1/2 IN.	1	
2	30981	FITTING – ADAPTER HYD REDUCER 1/2 X 3/8	1	
3	120377	VALVE – RELIEF	1	
4	135255	FITTING – ADAPTER HYD C/W O-RING	1	
5	40703	FASTENER – CABLE TIE, BLUE	1	
6	40704	FASTENER – CABLE TIE, ORANGE	1	
7	21801	FITTING – ELBOW 90° HYD	1	
8	30819	FITTING – 1/2 IN. HYD UNION	1	
9	30970	FITTING – ELBOW 90° HYD	1	
10	50086	FITTING – HYD TEE	1	
11	108268	FITTING – HYD TEE	1	
12	255866	COVER – WELDT RIGID COUPLERS	1	
13	132903	HOSE – HYDRAULIC	1	
14	132904	HOSE – HYDRAULIC	1	
15	135372	FITTING – 3/4 IN. HYD BULKHEAD 37° FLARE UNION	3	
16	135612	FITTING – LONG ELBOW HYD	1	
17	255211	HOSE – HYDRAULIC	1	
A	50076	BOLT – HEX FLG (SER FACE) 3/8 NC X 0.63 GR 5 ZP		

20 Knife Drive Hydraulics – Timed Double-Knife (D125, D130, and D135)

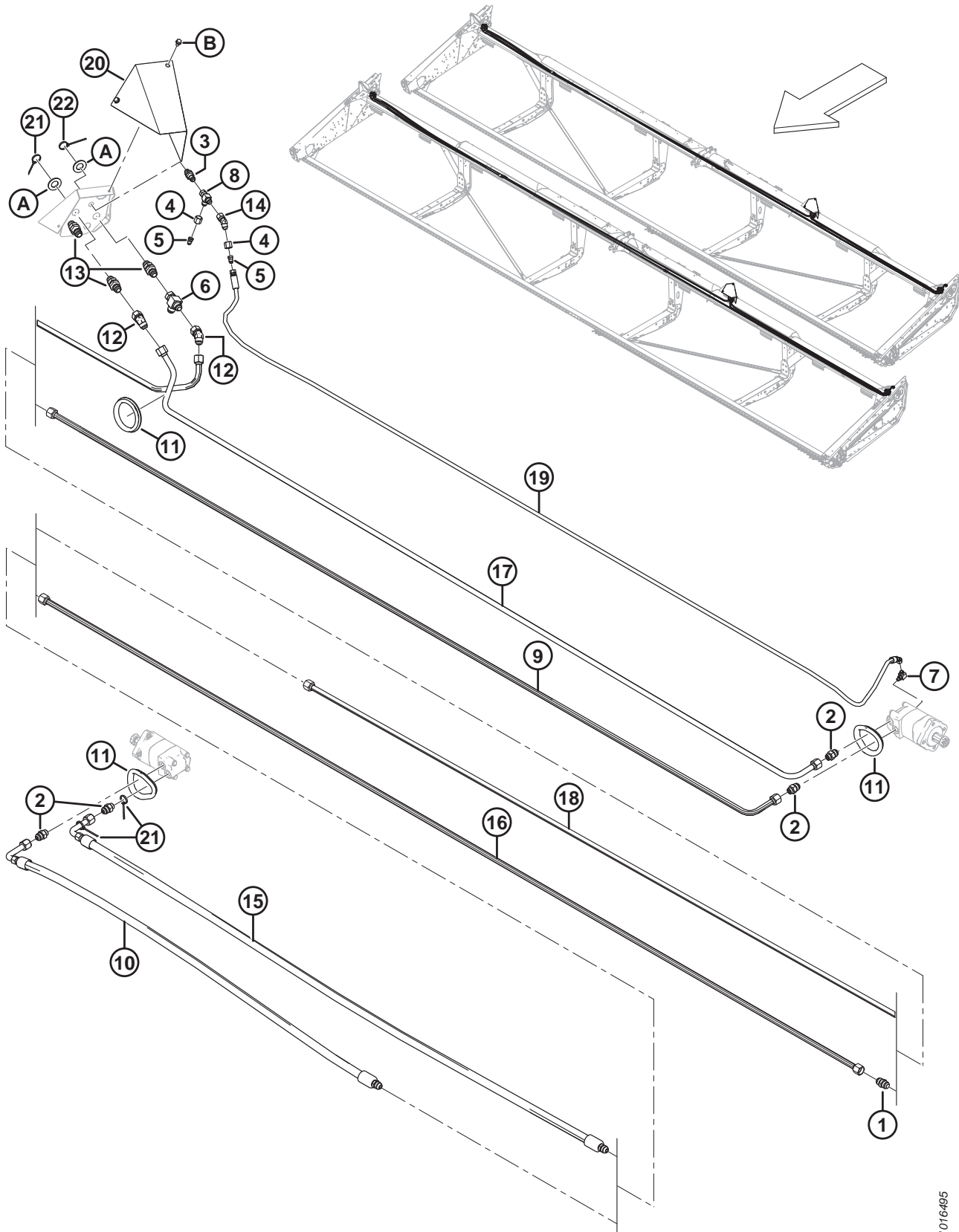


1032155

KNIFE DRIVE HYDRAULICS – TIMED DOUBLE-KNIFE (D125, D130, AND D135)

Ref	Part Number	Description	Qty	Serial Number
1	21801	FITTING – ELBOW 90° HYD	1	
2	21830	FITTING – CONNECTOR HYD	2	
3	30819	FITTING – 1/2 IN. HYD UNION	1	
4	21069	NUT – TUBE 37° JIC 1/2 IN.	1	
5	30981	FITTING – ADAPTER HYD REDUCER 1/2 X 3/8	1	
6	50086	FITTING – HYD TEE	1	
7	108268	FITTING – HYD TEE	1	
8	135190	SEAL – EDGE TRIM	1	
9	120377	VALVE – RELIEF	1	
10	135255	FITTING – ADAPTER HYD C/W O-RING	1	
11	135372	FITTING – 3/4 IN. HYD BULKHEAD 37° FLARE UNION	3	
12	40703	FASTENER – CABLE TIE, BLUE	1	
13	40704	FASTENER – CABLE TIE, ORANGE	1	
14	120573	HOSE – HYD (25 FT ONLY)	1	
	120574	HOSE – HYD (30 FT ONLY)	1	
	120575	HOSE – HYD (35 FT ONLY)	1	
15	120577	HOSE – HYD (25 FT ONLY)	1	
	174356	HOSE – HYD (30 FT ONLY)	1	
	174357	HOSE – HYD (35 FT ONLY)	1	
16	255311	HOSE – HYD (25 FT ONLY)	1	
	254047	HOSE – HYD (30 FT ONLY)	1	
	254044	HOSE – HYD (35 FT ONLY)	1	
17	255506	COVER – WELDT RIGID COUPLERS (25 FT ONLY)	1	
	304320	COVER – WELDT RIGID COUPLERS (30 FT ONLY)	1	
	304322	COVER – WELDT KNIFE COUPLERS (35 FT ONLY)	1	
18	31889	MOULDING (30 FT ONLY)	1	
19	165417	COVER – KNIFE DRIVE HOSES (35 FT ONLY)	1	
A	50076	BOLT – HEX FLG (SER FACE) 3/8 NC X 0.63 GR 5 ZP		
B	30693	BOLT – FLANGE SER FACE .375-16 UNC X 0.50 LG (35 FT ONLY)		
C	18963	WASHER – FLAT		

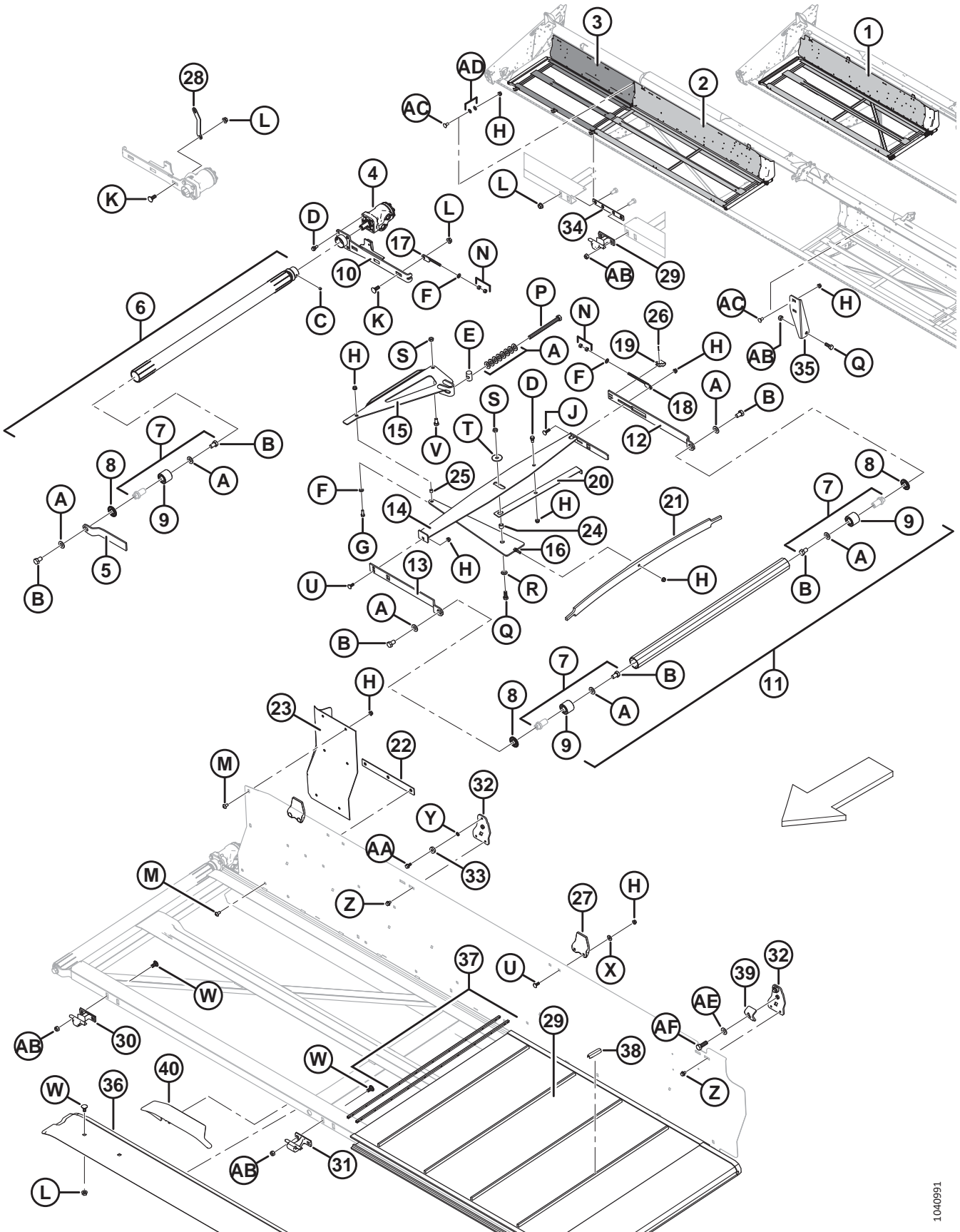
21 Knife Drive Hydraulics – Untimed Double-Knife (D140 and D145)



KNIFE DRIVE HYDRAULICS – UNTIMED DOUBLE-KNIFE (D140 AND D145)

Ref	Part Number	Description	Qty	Serial Number
1	30376	FITTING – UNION HYD	1	
2	30610	FITTING – CONNECTOR HYD	4	
3	30819	FITTING – 1/2 IN. HYD UNION	1	
4	21069	NUT – TUBE, 37° JIC 1/2 IN.	2	
5	30981	FITTING – ADAPTER HYD REDUCER 1/2 X 3/8	2	
6	50086	FITTING – HYD TEE	1	
7	50104	FITTING – ELBOW 90° HYD	1	
8	108268	FITTING – HYD TEE	1	
9	125670	LINE – KNIFE DRIVE LH TO RH MOTOR	1	
10	125672	HOSE – HYD (40 FT ONLY)	1	
	165294	HOSE – HYD (45 FT ONLY)	1	
11	125722	GROMMET – RUBBER, 99 MM ID, 131 MM OD	3	
12	135240	FITTING – ELBOW 45° HYD	2	
13	135372	FITTING – 3/4 IN. HYD BULKHEAD 37° FLARE UNION	3	
14	135685	FITTING – ELBOW 45° HYD	1	
15	174256	HOSE – HYD (40 FT ONLY)	1	
	165294	HOSE – HYD (45 FT ONLY)	1	
16	165297	LINE – 3/4 IN DIA, STRAIGHT, 4220, 45 RH PRESSURE	1	
17	174258	LINE – RIGID KNIFE DRIVE PRESSURE (40 FT ONLY)	1	
	294996	LINE – RIGID KNIFE DRIVE PRESSURE (45 FT ONLY)	1	
18	174260	LINE – RIGID KNIFE DRIVE RH MOTOR RETURN	1	
19	174300	HOSE – FLEX AND RIGID CASE DRAIN (40 FT ONLY)	1	
	174299	HOSE – FLEX AND RIGID CASE DRAIN (45 FT ONLY)	1	
20	254109	COVER – RIGID KNIFE COUPLERS	1	
21	40703	FASTENER – CABLE TIE (BLUE)	3	
22	40704	FASTENER – CABLE TIE (ORANGE)	1	
A	18603	WASHER – SAE FLAT 1-1/16 ID X 2.0 IN OD ZP		
B	50076	BOLT – HEX FLG (SER FACE) 3/8 NC X 0.63 GR 5 ZP		

22 Draper Carrier Deck and Tensioner



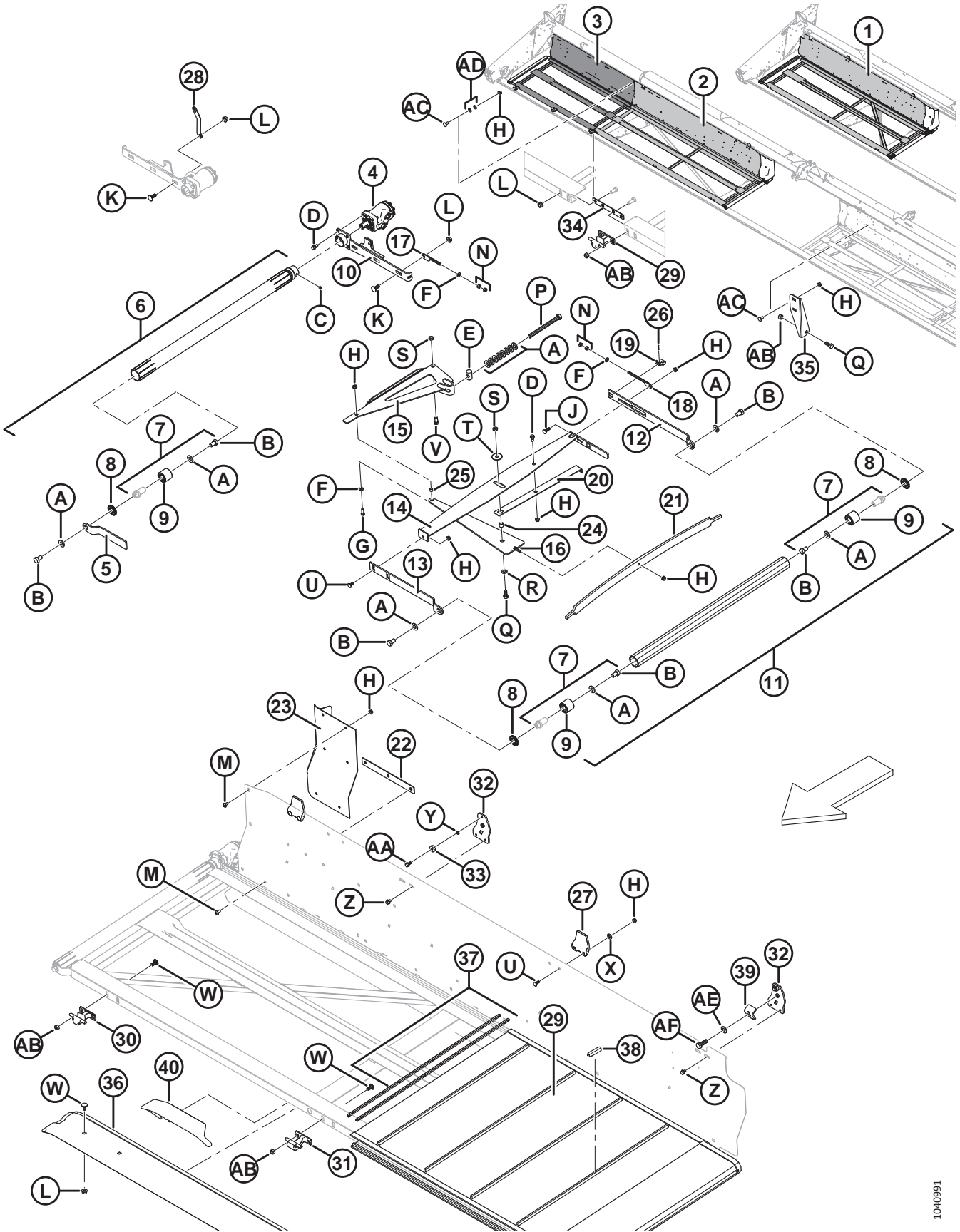
1040991

DRAPER CARRIER DECK AND TENSIONER

Ref	Part Number	Description	Qty	Serial Number
1	245023	DECK WELDT – C/W DECAL (20 FT LH)	1	
	245025	DECK WELDT – C/W DECAL (20 FT RH)	1	
	245027	DECK WELDT – C/W DECAL (25 FT LH)	1	
	245029	DECK WELDT – C/W DECAL (25 FT RH)	1	
	245031	DECK WELDT – C/W DECAL (30 FT LH)	1	
	245033	DECK WELDT – C/W DECAL (30 FT RH)	1	
	245035	DECK WELDT – C/W DECAL (35 FT LH)	1	
	245037	DECK WELDT – C/W DECAL (35 FT RH)	1	
	245039	DECK WELDT – C/W DECAL (40 FT LH)	1	
	245041	DECK WELDT – C/W DECAL (40 FT RH)	1	
2	123949	DECK WELDT – INNER (45 FT LH)	1	
	123948	DECK WELDT – INNER (40 FT RH SPLIT FRAME AND 45 FT RH)	1	
3	245042	DECK WELDT – OUTER (40 FT RH SPLIT FRAME)	1	
	125602	DECK WELDT – OUTER (45 FT LH)	1	
	125607	DECK WELDT – OUTER (45 FT RH)	1	
4	220936	MOTOR – HYD 220 DANFOSS 2.44 CI	2	
	123306	KEY – WOODRUFF (1/4 X 1 NOM.)		
	220944	SEAL KIT		
5	145148	ARM – ROLLER SUPPORT (LH)	1	
	120058	ARM – ROLLER SUPPORT (RH)	1	
6	255410	ASSY – RIBBED ROLLER W/ SCREWS ⁷⁶	2	
7	165735	PIN – ASSY DRAPER ROLLER ⁷⁷	6	
8	120845	SEAL – NILOS LSTO STEEL DISK	10	
9	132607	BEARING – DBLE ROW BALL 52 MM O.D. 25 MM I.D.	6	
10	255416	ARM – WELDT DECK SHIFT (LH)	1	
	255417	ARM – WELDT DECK SHIFT (RH)	1	
11	174714	IDLER ROLLER ASSEMBLY ⁷⁸	2	
12	145122	ARM – SUPPORT REAR	2	
13	145106	ARM – ROLLER SUPPORT	2	
14	220183	MEMBER – STABILIZER WELDT (LH)	1	
	220184	MEMBER – STABILIZER WELDT (RH)	1	
15	220181	BELL CRANK WELDT	2	
16	120462	MEMBER – COMPRESSION WELDT	2	
17	145593	ROD – ADJUSTER WELDT, DRIVE END	2	
18	145345	ROD – ADJUSTER WELDT, IDLER END	2	
19	145357	BRACKET – IDLER ARM	2	
20	145428	INDICATOR	2	
21	145548	SPRING – LEAF (TENSIONER)	2	
22	304783	BAR	2	

76. Includes steel disk seal (MD #120845), draper roller pin assembly (MD #165735), and two set screws (MD #132451).
77. Includes double row ball bearing (MD #132607).
78. Includes steel disk seal (MD #120845) and draper roller pin assembly (MD #165735).

DRAPER CARRIER DECK AND TENSIONER



1040991

DRAPER CARRIER DECK AND TENSIONER

Ref	Part Number	Description	Qty	Serial Number
23	125588	EXTENSION – BACKSHEET (LH)	1	
	125589	EXTENSION – BACKSHEET (RH)	1	
24	132531	SPACER – 12.95 MM I.D., 19.05 MM O.D., 15 MM LG	2	
25	132532	SPACER – 9.75 MM I.D., 12.7 MM O.D., 12 MM LG	2	
26	18604	PIN – COTTER 3/32 DIA X 3/4 ZP	2	
27	145840	GUIDE – BACKSHEET ⁷⁹	2/4	
28	132096	HOLDER (25–45 FT ONLY)	1	
29	220635	DRAPER – 20 FT, WCCO ⁸⁰	2	
	220636	DRAPER – 25 FT, WCCO ⁸⁰	2	
	220637	DRAPER – 30 FT, WCCO ⁸⁰	2	
	172195	DRAPER – 30 FT, LEGG (OPTION) ⁸⁰	2	
	220638	DRAPER – 35 FT, WCCO ⁸⁰	2	
	172196	DRAPER – 35 FT, LEGG (OPTION) ⁸⁰	2	
	220639	DRAPER – 40 FT/40 FT SPLIT, WCCO ⁸⁰	2	
	172197	DRAPER – 40 FT/40 FT SPLIT, LEGG (OPTION) ⁸⁰	2	
	220640	DRAPER – 45 FT, WCCO ⁸⁰	2	
	172198	DRAPER – 45 FT, LEGG (OPTION) ⁸⁰	2	
	220642	DRAPER – 150 FT BULK ROLL	A/R	
	220641	DRAPER – REPAIR KIT ⁸¹	A/R	
30	120009	SUPPORT – DECK (CASTING) ⁸²	4/10	
31	129913	SUPPORT – DECK (CASTING) ⁸³	2/4	
32	220176	SUPPORT – DRILLED ⁸⁴	4	
33	18867	BEARING – BALL CYL C/W TWO SEALS ⁸⁴	4	
34	132692	BAR – WELDT (45 FT ONLY)	2	
35	125622	SUPPORT – DECK CENTER (45 FT ONLY)	1	
36	220418	SUPPORT – LOWER DRAPER TRACK (30 FT RG)	2	
	220264	SUPPORT – LOWER DRAPER TRACK (35 FT RG)	2	
	220391	SUPPORT – LOWER DRAPER TRACK (40–45 FT RG)	2	
37	132777	KIT – SLAT CONNECTOR ⁸⁵	A/R	
	172710	KIT – DRAPER CONNECTOR HARDWARE ⁸⁶	A/R	
38	294858	DRAPER CLIPS – TAPER CLEAT, 25 PACK ⁸⁷	A/R	
	294859	DRAPER CLIPS – SQUARE CLEAT, 25 PACK ⁸⁷	A/R	

79. Quantities: 25 and 45 ft. = 2, 30–40 ft. = 4.

80. Includes slat connector kit MD #132777.

81. Includes 20 inch draper material and two connector slats.

82. Quantities: 20–40 ft. = 4, 45 ft. = 10.

83. Quantities: 25–30 ft. = 2, 35–40 ft. = 4.

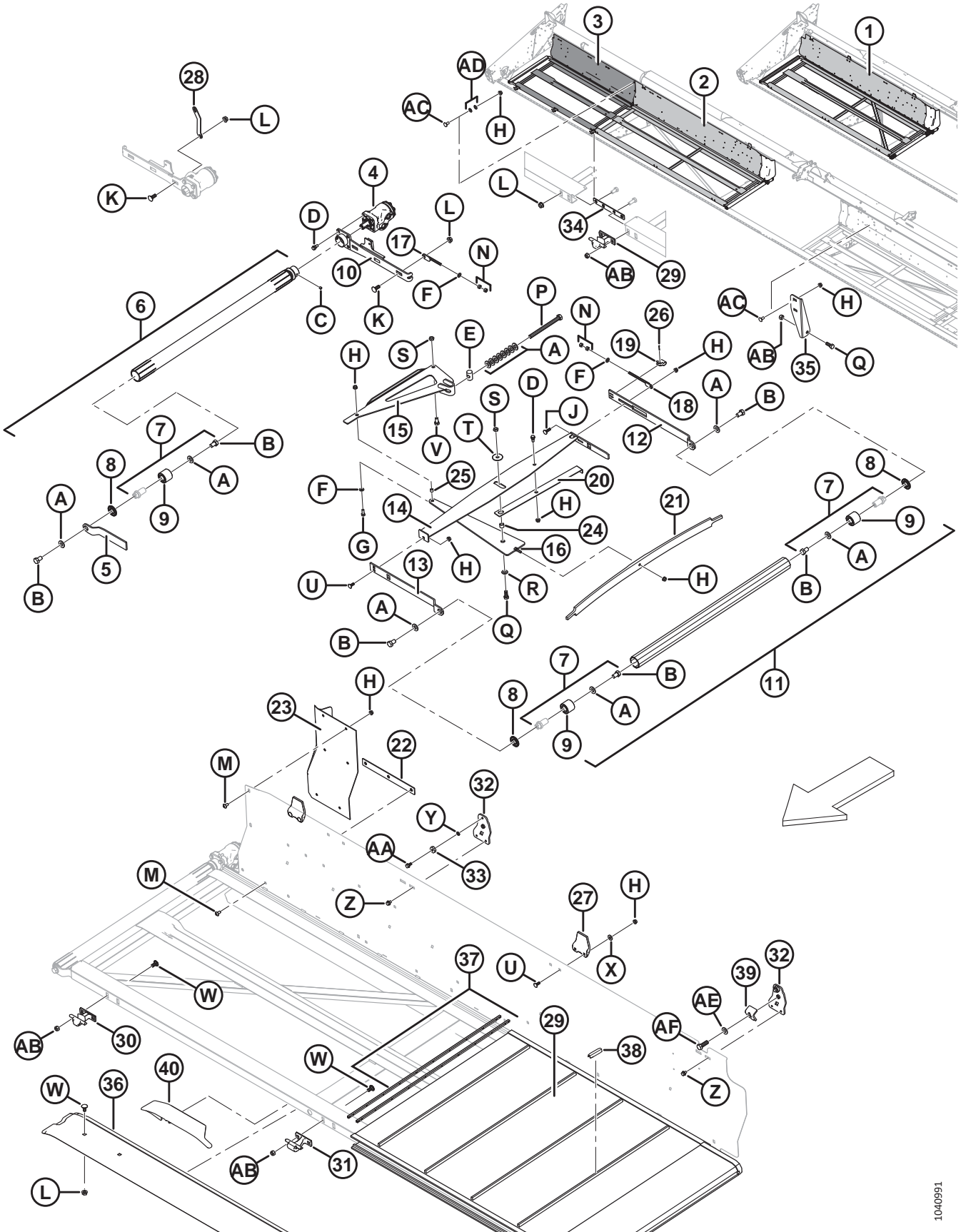
84. Excludes 45 ft. header.

85. Includes two tubes and connector hardware.

86. Includes 25 screws and nuts.

87. Kit includes 25 clips (NSS) and instructions. One kit is required per draper for 15–25 ft. headers, and two kits are required per draper for 30–45 ft. headers.

DRAPER CARRIER DECK AND TENSIONER



1040991

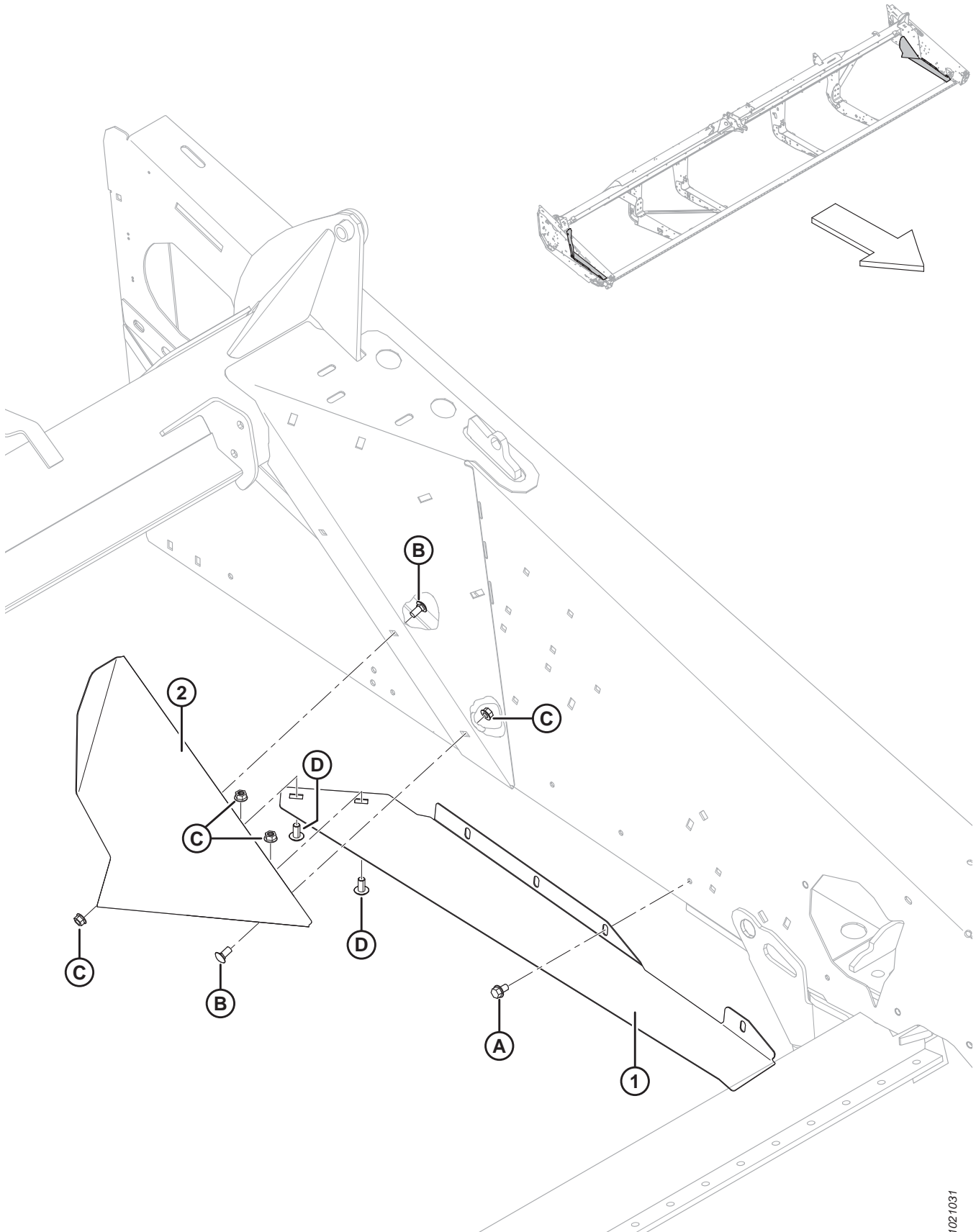
DRAPER CARRIER DECK AND TENSIONER

Ref	Part Number	Description	Qty	Serial Number
39	145558	CLAMP – DECK SHIFT	2	
40	REF	KIT – BRACKET D1XL DRAPER TRACK ⁸⁸	OPT	
A	30441	WASHER – HARDENED		
B	145249	BOLT – HH 5/8 NF X 1.0 LG GR 5 ZP		
C	132451	SCREW – SET HEX SOCKET CUP PT 3/8 NC X 3/8 LG		
D	172259	BOLT – SHOULDER .375-16 UNC		
E	145361	NUT – SPECIAL		
F	18598	WASHER – SAE FLAT 13/32 I.D. X 13/16 IN. O.D. ZP		
G	20077	BOLT – HEX HD 3/8 NC X 1.0 LG GR 5 ZP		
H	30228	NUT – FLANGE DT SMOOTH FACE 0.375-16 UNC		
J	19966	BOLT – RHSN 3/8 NC X 1.25 LG GR 5 ZP		
K	21471	BOLT – RHSN 1/2 NC X 1.25 GR 5 ZP		
L	50186	NUT – FLG LOCK SM FACE DT 0.500-13 UNC GR 5		
M	135157	SCREW – MACHINE		
N	18590	NUT – HEX 3/8, 16 UNC GR 5 ZP		
P	135906	BOLT – HH 5/8 NC X 7.5 LG TFL GR 5 ZP		
Q	21491	BOLT – HH 1/2 NC X 1.25 LG GR 5 ZP		
R	18599	WASHER – SAE FLAT 17/32 I.D. X 1-1/16 IN. O.D. ZP		
S	137727	NUT – HEX JAM, DT 1/2-13 UNC GR 5 ZP		
T	42592	WASHER – FLAT		
U	19965	BOLT – RHSN 3/8 NC X 1.0 GR 5 ZP		
V	21575	BOLT – HH 1/2 NC X 1.0 LG GR 5 ZP		
W	21066	BOLT – RHSN 1/2 NC X 1 GR 5 ZP		
X	20535	WASHER – FLAT		
Y	18637	WASHER – REG. LOCK 3/8 IN. NOM. I.D. ZP		
Z	30693	BOLT – FLG (SER FACE) .375-16 UNC X 0.50 LG		
AA	101897	SCREW – HEX WASH HD THD ROLLING 3/8 NC X 3/4		
AB	18697	NUT – HEX LOCK DT .500-13 UNC		
AC	21863	BOLT – RHSSN 3/8 NC X 0.75 LG GR 5 ZP		
AD	172363	WASHER – BELLEVILLE 3/8 ⁸⁹		
AE	18600	WASHER – SAE FLAT 21/32 I.D. X 1 5/16 O.D. AA1J		
AF	21582	BOLT – HEX HEAD 5/8-11 X 1.75 GR5-AA1J		

88. The optional polyethylene Draper Tracks kit is designed to reduce draper wear. For service parts, refer to Section 57 *(Option) Polyethylene Draper Tracks, page 175.*

89. 45 ft. headers only.

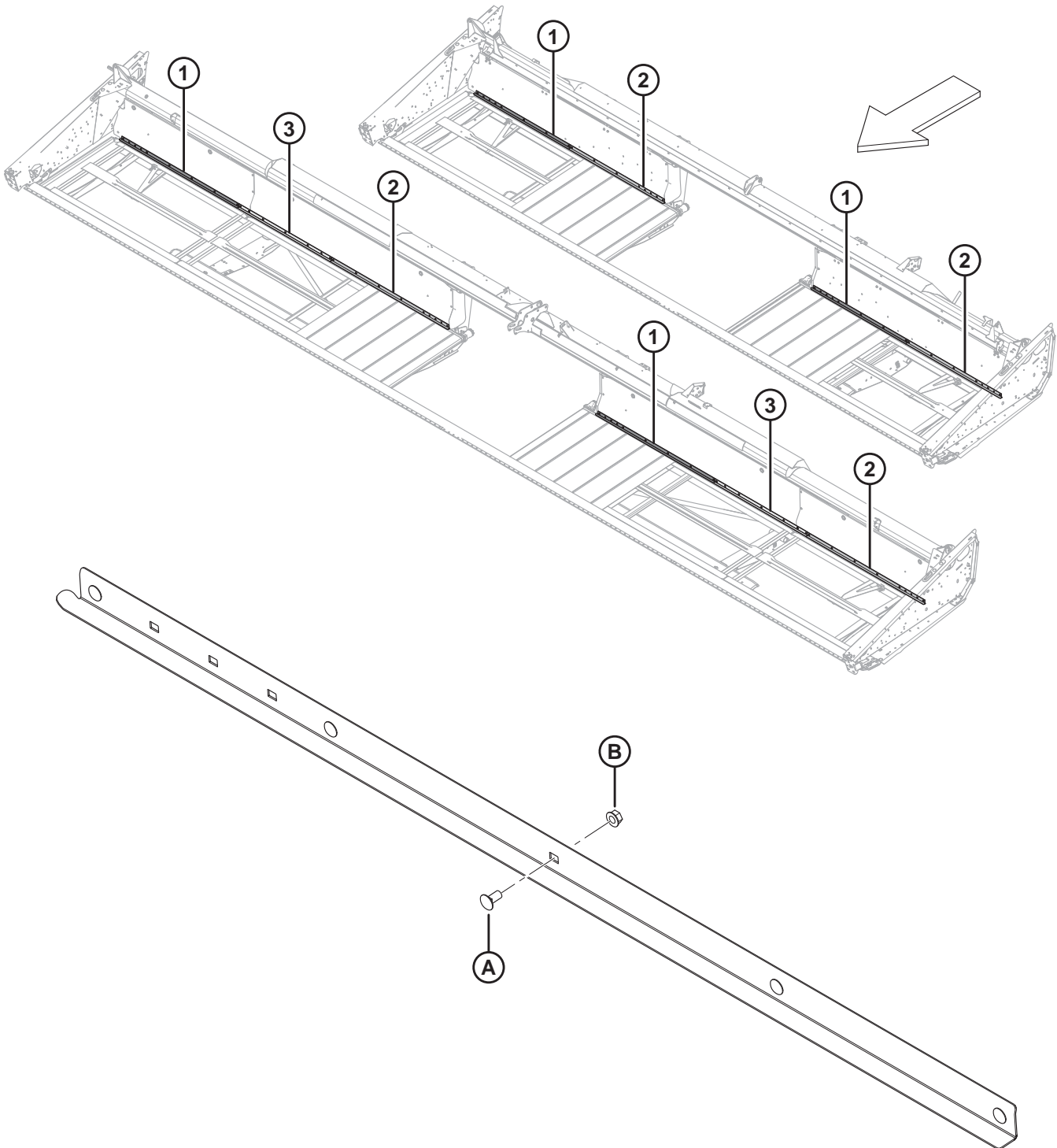
23 Draper Deflectors – Combine



DRAPER DEFLECTORS – COMBINE

Ref	Part Number	Description	Qty	Serial Number
1	304257	DEFLECTOR – ANGLE, LH	1	
	304258	DEFLECTOR – ANGLE, RH	1	
2	125741	DEFLECTOR – REAR COMBINE DRAPER, LH	1	
	125742	DEFLECTOR – REAR COMBINE DRAPER, RH	1	
A	101898	SCREW – HEX WASH HD THD ROLLING 3/8 NC X 5/8		
B	21863	BOLT – RHSSN 3/8 NC X 0.75 LG GR 5 ZP		
C	30228	NUT – FLANGE DT SMOOTH FACE 0.375-16 UNC		
D	135157	SCREW – MACHINE		

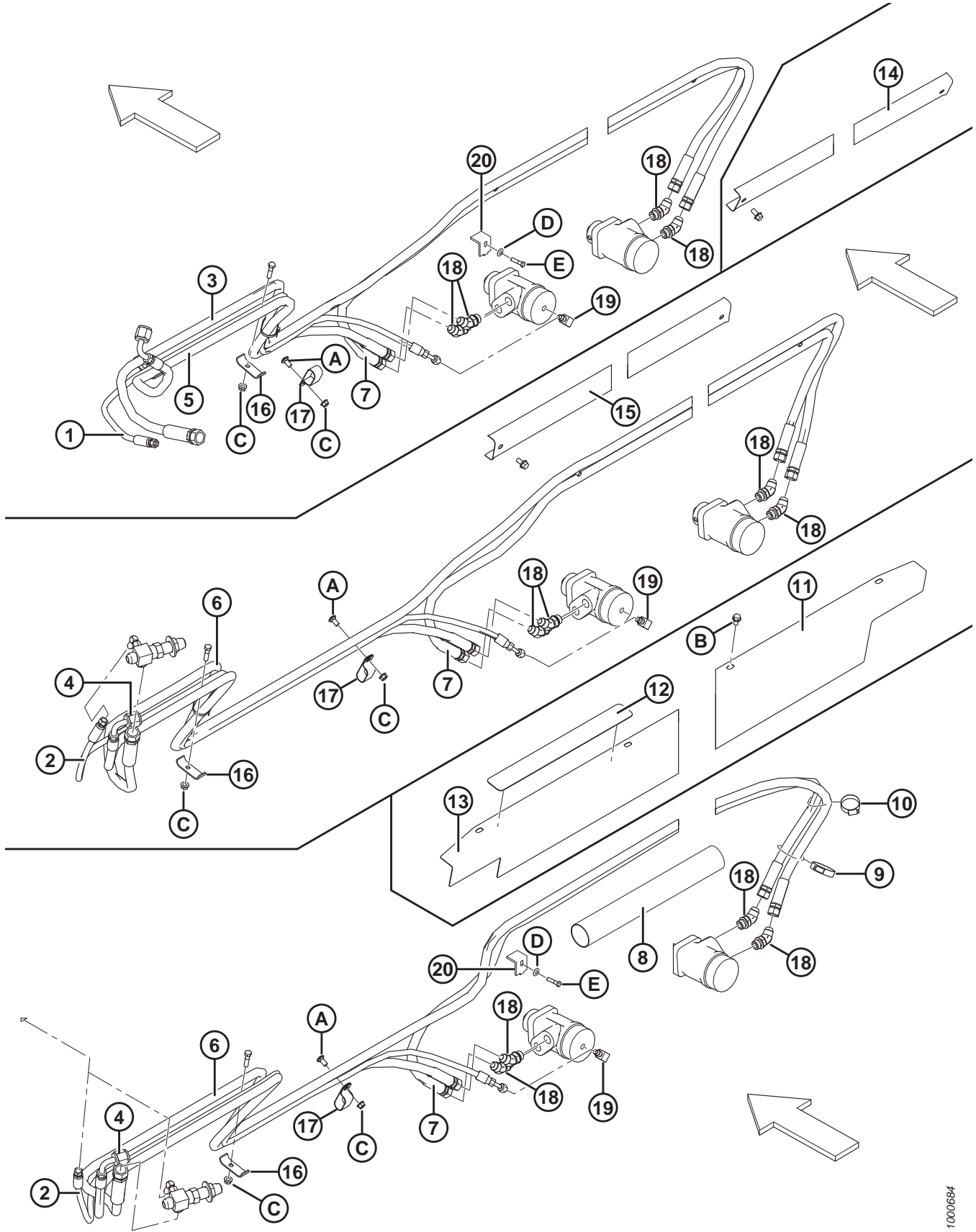
24 Draper Backsheet Deflectors



DRAPER BACKSHEET DEFLECTORS

Ref	Part Number	Description	Qty	Serial Number
1	123662	DEFLECTOR – 25 FT	2	
2	123937	DEFLECTOR – 30 FT (LH)	2	
	123939	DEFLECTOR – 35 FT (LH)	2	
	245114	DEFLECTOR – 40 FT (LH)	2	
3	123938	DEFLECTOR – 30 FT (RH)	2	
	123940	DEFLECTOR – 35 FT (RH)	2	
	245115	DEFLECTOR – 40 FT (RH)	2	
A	21863	BOLT – RHSSN 3/8 NC X 0.75 LG GR 5 ZP		
B	30228	NUT – FLG DT SMOOTH FACE 0.375-16 UNC		

25 Draper Drive – Manual Deck Shift



DRAPER DRIVE – MANUAL DECK SHIFT

NOTE:

Illustration; TOP: 15–20 ft. headers, MIDDLE: 45 ft. headers, BOTTOM: 25–40 ft. headers.

Ref	Part Number	Description	Qty	Serial Number
1	120568	HOSE – HYD 1/4 IN. DIA 100R17 1950 LG ⁹⁰	1	
2	159587	HOSE – HYD 1/4 IN. ID, 2350 MM LG, METAL REIN. ⁹¹	1	
3	120988	HOSE – HYD 1/2 IN. 1900 LG 100R17 ⁹⁰	1	
4	120570	HOSE – HYD 1/2 IN. ID, 2200 MM LG, METAL REIN. ⁹¹	1	
5	220491	HOSE – HYD 1/2 IN. ID, 4700 MM LG, METAL REIN. ⁹⁰	1	
6	220412	HOSE – HYD 1/2 IN. ID, 5250 MM LG, METAL REIN. ⁹¹	1	
7	132867	HOSE – HYD 0.5 IN. ID, 3440 MM LG, METAL REIN.	1	
8	132017	SLEEVE – PLASTIC ⁹²	1	
9	17958	CLAMP – HOSE GEAR TYPE ⁹²	1	
10	30639	CLAMP – HOSE GEAR TYPE ⁹²	1	
11	132871	HOLDER – RH WITH ANTI-SLIP ⁹²	1	
12	132117	STRIP – ANTI-SLIP ⁹²	4	
13	132870	HOLDER – LH WITH ANTI-SLIP ⁹²	1	
14	245964	HOLDER – HOSES ⁹³	1	
15	245965	HOLDER – HOSES ⁹⁴	1	
16	103351	HOLDER	2	
17	50022	CLAMP – INSULATED 15/16 INCH ⁹⁵		
18	50103	FITTING – ELBOW 45° HYD C/W O-RING	4	
19	50104	FITTING – ELBOW 90° HYD	1	
20	145558	CLAMP – DECK SHIFT ⁹⁶	2	
	21763	FASTENER – CABLE TIE, BLACK (NOT ILLUSTRATED)	2	
A	21863	BOLT – RHSSN 3/8 NC X 0.75 LG GR 5 ZP		
B	101898	SCREW – HEX WASH HD THD ROLL 3/8 NC X 5/8		
C	30228	NUT – FLG DT SMOOTH FACE 0.375-16 UNC		
D	18600	WASHER – SAE FLAT 21/32 I.D. X 1-5/16 IN. O.D. ZP		
E	21582	BOLT – HH 5/8 NC X 1.75 LG GR5 ZP		

90. 15 ft. manual deck shift only.

91. 20–45 ft. manual deck shift only.

92. 25–40 ft. manual deck shift only.

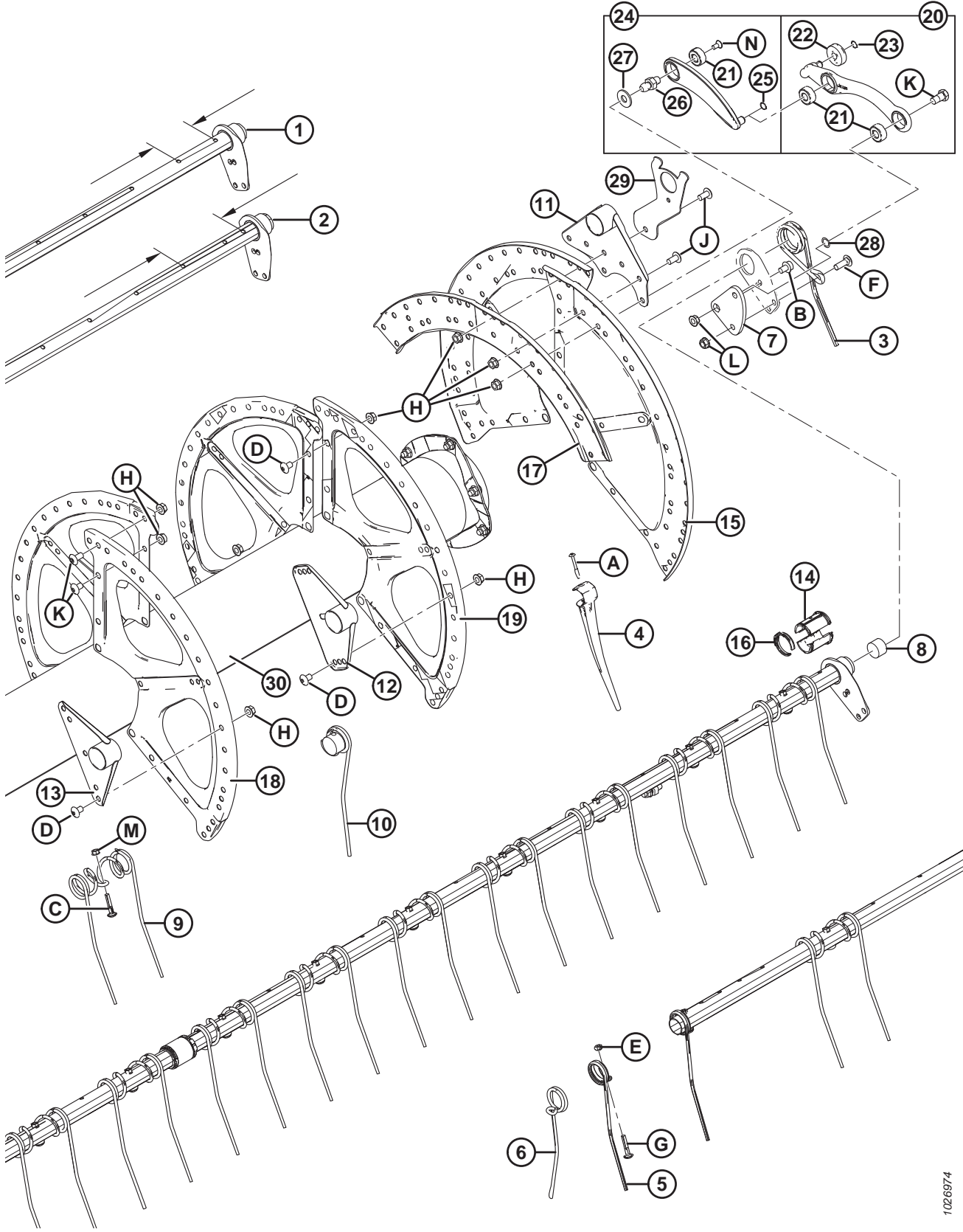
93. 15–20 ft. manual deck shift only.

94. 45 ft. rigid only.

95. Quantities: 20–45 ft. = 2.

96. Excludes 45 ft. rigid.

26 Pick-Up Reel – Single-Reel Headers (D120, D125, D130, and D135)



PICK-UP REEL – SINGLE-REEL HEADERS (D120, D125, D130, AND D135)

IMPORTANT:

Quantities for narrow (#1) and wide (#2) stagger tine tubes vary; Narrow stagger = 120 mm / Wide stagger = 196 mm. See illustration for measurement location.

Ref	Part Number	Description	Qty 5/6/9 Bat	Serial Number
	B5940	KIT – 20 FT TINE TUBE CONV, 6–9 BAT PLASTIC FINGERS ⁹⁷		
	B5655	KIT – 20 FT TINE TUBE CONV, 6–9 BAT STEEL FINGERS ⁹⁷		
	B5937	KIT – 25 FT TINE TUBE CONV, 6–9 BAT PLASTIC FINGERS ⁹⁷		
	B5656	KIT – 25 FT TINE TUBE CONV, 6–9 BAT STEEL FINGERS ⁹⁷		
1	137568	TINE TUBE – NARROW STAGGER (20 FT HEADER) ⁹⁸		
	137421	TINE TUBE – NARROW STAGGER (25 FT HEADER) ⁹⁹		
	137650	TINE TUBE – NARROW STAGGER (30 FT HEADER) ¹⁰⁰		
	137642	TINE TUBE – NARROW STAGGER (35 FT HEADER) ¹⁰¹		
2	137569	TINE TUBE – WIDE STAGGER (20 FT HEADER) ¹⁰²		
	137422	TINE TUBE – WIDE STAGGER (25 FT HEADER) ¹⁰³		
	137651	TINE TUBE – WIDE STAGGER (30 FT HEADER) ¹⁰⁴		
	137643	TINE TUBE – WIDE STAGGER (35 FT HEADER) ¹⁰⁵		
3	245084	FINGER – CAM END	5/6/9	
4	174849	FINGER – PLASTIC HEAVY DUTY (10 PACK) ¹⁰⁶		
5	245083	FINGER – TAIL END	5/6/9	
6	137519	FINGER – SINGLE CONCENTRIC (LH) ¹⁰⁷	0/6/9	
7	137285	ARM – CRANK MACHINING	5/6/9	
8	137980	PLUG – TINE TUBE	10/12/18	
9	137092	FINGER ¹⁰⁸		
10	137754	FINGER – SINGLE CONCENTRIC (RH) ¹⁰⁹		
11	137506	ARM WELDT – CAM END	5/6/9	
12	137535	ARM WELDT ¹¹⁰		
13	137543	ARM WELDT – TAIL END	5/6/9	

97. Kits available through Whole Goods only.

98. Quantities (5/6/9 Bat): 20 ft. steel = 3/3/5, 20 ft. plastic = 3/3/4.

99. Quantities (5/6/9 Bat): 25 ft. steel = 3/3/5, 25 ft. plastic = 3/3/4.

100. Quantities (5/6/9 Bat): 30 ft. steel and plastic = 3/3/0.

101. Quantities (5/6/9 Bat): 35 ft. steel and plastic = 3/3/0.

102. Quantities (5/6/9 Bat): 20 ft. steel = 2/3/4, 20 ft. plastic = 2/3/5.

103. Quantities (5/6/9 Bat): 25 ft. steel = 2/3/4, 25 ft. plastic = 2/3/5.

104. Quantities (5/6/9 Bat): 30 ft. steel and plastic = 2/3/0.

105. Quantities (5/6/9 Bat): 35 ft. steel and plastic = 2/3/0.

106. Quantities (5/6/9 Bat): 15 ft. plastic = 140/168/252, 20 ft. plastic = 191/231/348, 25 ft. plastic = 249/297/444, 30 ft. plastic = 296/354/0, 35 ft. plastic = 351/420/0.

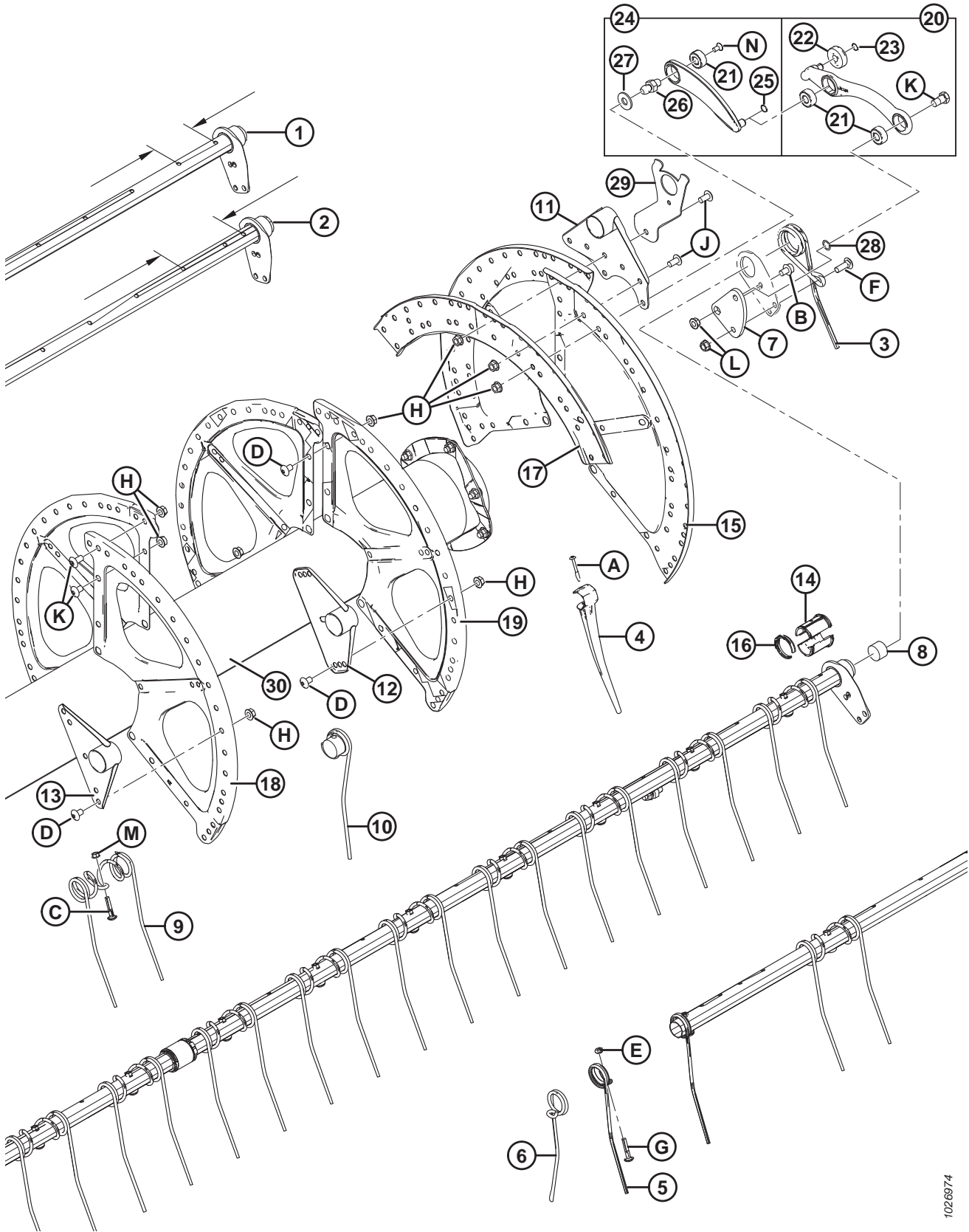
107. Steel-fingered reels only.

108. Quantities (5/6/9 Bat): 15 ft. steel = 70/84/126, 20 ft. steel = 93/111/167, 25 ft. steel = 120/144/216, 30 ft. steel = 145/174/0, 35 ft. steel = 170/204/0.

109. Quantities (5/6/9 Bat); 20 ft. steel = 3/3/5, 25 ft. steel = 6/9/12, 30 ft. steel and plastic = 6/9/0.

110. Quantities (5/6/9 Bat): 20 ft. steel and plastic = 10/12/18, 25 ft. steel and plastic = 15/18/27, 30 ft. steel and plastic = 15/18/0, 35 ft. steel and plastic = 20/24/0.

PICK-UP REEL – SINGLE-REEL HEADERS (D120, D125, D130, AND D135)



1026974

PICK-UP REEL – SINGLE-REEL HEADERS (D120, D125, D130, AND D135)

Ref	Part Number	Description	Qty 5/6/9 Bat	Serial Number
14	220939	BUSHING HALF – TINE TUBE (25 PACK) ¹¹¹		
15	137536	SECTOR – CAM END, 14 GA (EXCLUDES 35 FT)	3/3/3	
	164044	SECTOR – CAM END, 14 GA (35 FT ONLY)	3/3/3	
16	220941	CLAMP – TINE TUBE BUSH, CENTER RIB (5 PACK) ¹¹²		
17	137532	CHANNEL – CAM DISC	3/3/3	
18	137142	SECTOR – 16 GA (EXCLUDES 35 FT)	3/3/3	
	164046	SECTOR – 16 GA (35 FT ONLY)	3/3/3	
19	137277	SECTOR – 18 GA (EXCLUDES 35 FT) ¹¹³		
	164045	SECTOR – 18 GA (35 FT ONLY)	12/12/12	
20	311617	ARM – TINE CONTROL ASSEMBLY ¹¹⁴	5/6/9	396190–
	304955	ARM – CAM CONTROL LINKAGE ¹¹⁵	5/6/9	–396189
21	273347	BEARING	15/18/27	396190–
	273265	BEARING	15/18/27	–396189
22	273524	BEARING – CAM FOLLOWER	5/6/9	396190–
	50184	BEARING – CAM FOLLOWER	5/6/9	–396189
23	273536	RING – EXT RETAINING	5/6/9	396190–
	30523	RING – EXT RETAINING	5/6/9	–396189
24	311615	ARM – ASSEMBLY ¹¹⁶	5/6/9	396190–
	304955	ARM – CAM CONTROL LINKAGE ¹¹⁵	5/6/9	–396189
25	273536	RING – EXT RETAINING	5/6/9	396190–
	137523	RING – EXT RETAINING	5/6/9	–396189
26	304954	STUD – LINK	5/6/9	396190–
	279700	STUD – LINK (5 PACK)	5/6/9	–396189
27	137699	WASHER – HARD ASTM F43614-400HV-AB2C (5 BAT ONLY)	5	
28	137529	SHIM – CRANK BEARING	5/6/9	
29	REF	SUPPORT – ENDSHIELD REEL ¹¹⁷		
30	137911	CENTER TUBE – 20 FT, C/W REFLECTORS	1	
	137909	CENTER TUBE – 25 FT, C/W REFLECTORS	1	
	137912	CENTER TUBE – 30 FT, C/W REFLECTORS	1	
	137914	CENTER TUBE – 35 FT, C/W REFLECTORS	1	

111. Includes 25 tine tube bushings. Quantities (5/6/9 Bat): 20 ft. steel and plastic = 0/48/72, 25 ft. steel and plastic = 0/60/90, 30 ft. steel and plastic = 50/0/0, 35 ft. steel and plastic = 60/0/0.

112. Quantities (5/6/9 Bat): 20 ft. steel and plastic = 20/24/36, 25 ft. steel and plastic = 25/30/45, 30 ft. steel and plastic = 25/30/0, 35 ft. steel and plastic = 30/36/0.

113. Quantities (5/6/9 Bat): 20 ft. steel and plastic = 0/6/6, 25 ft. steel and plastic = 0/9/9, 30 ft. steel and plastic = 9/0/0.

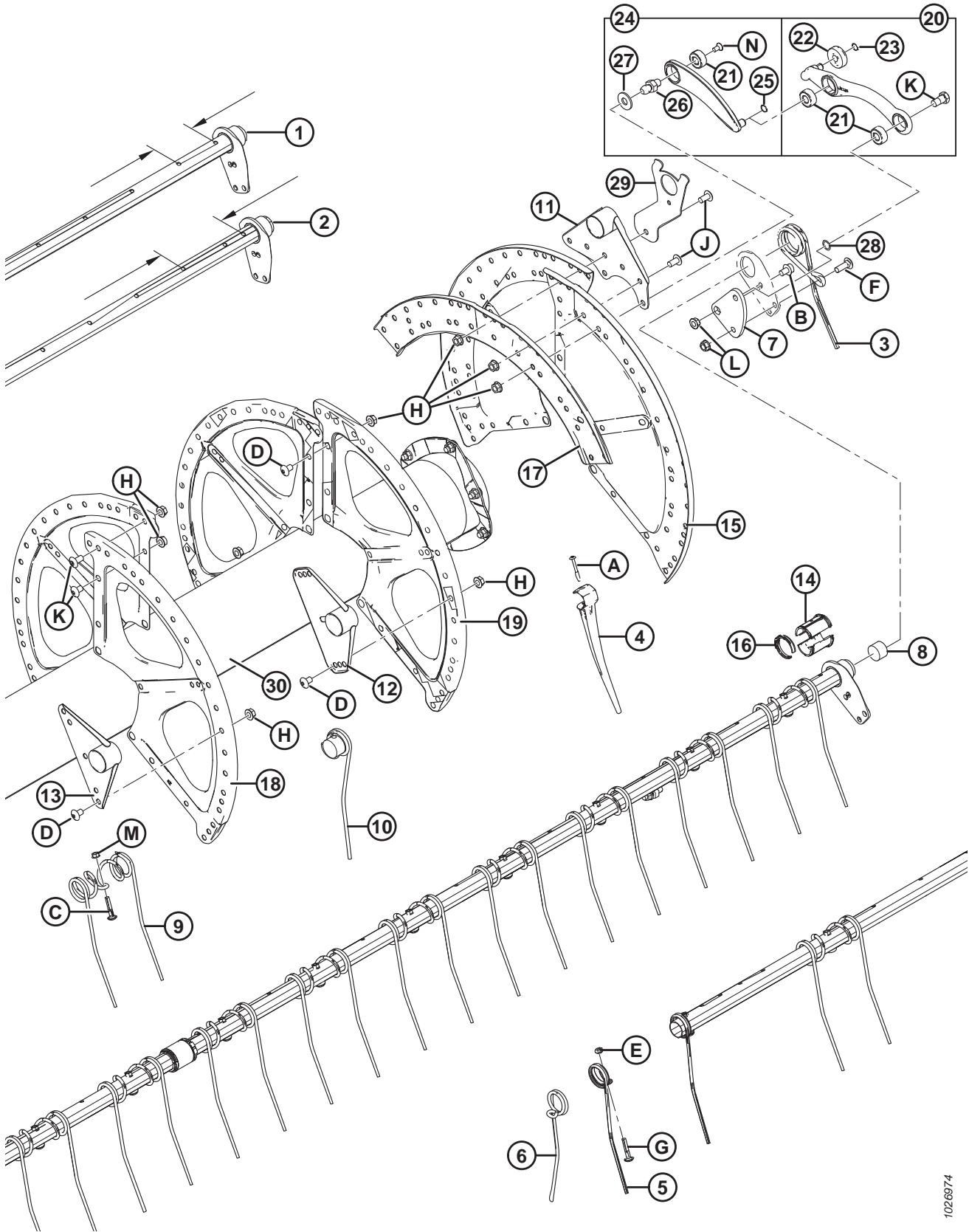
114. Includes two bearings (MD #273347), cam follower bearing (MD #273524), and two retaining rings. For 2020 and prior machines, order cam control linkage arm (MD #304955).

115. Includes assembly arm (MD #311615), tine control assembly arm (MD #311617), link stud (MD #304954), and two retaining rings (MD #273536).

116. Includes bearing (MD #273347) and retaining ring (MD #273536). For 2020 and prior machines, order cam control linkage arm (MD #304955).

117. Refer to Section [28 Reel Endshield Components, page 95](#).

PICK-UP REEL – SINGLE-REEL HEADERS (D120, D125, D130, AND D135)



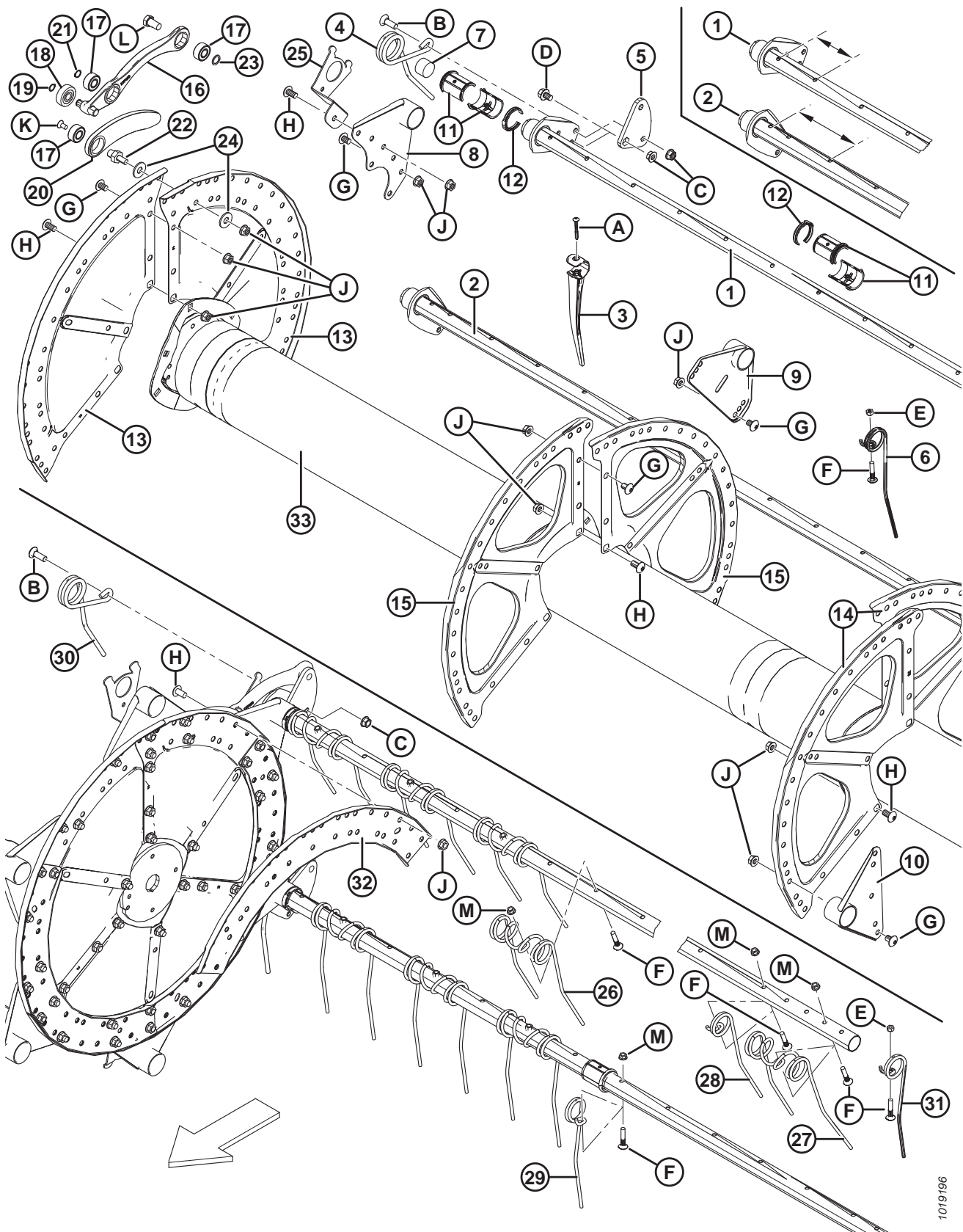
1026974

PICK-UP REEL – SINGLE-REEL HEADERS (D120, D125, D130, AND D135)

Ref	Part Number	Description	Qty 5/6/9 Bat	Serial Number
A	252687	SCREW – TORX, 48° DBL HELIX 1/4 x 2-1/4 ZP		
B	105066	BOLT – HH FLG (SER FACE) 1/2-NC X 0.75 GR 5 ZP		
C	137118	BOLT – BHRN 3/8 NC WITH RETAINER		
D	105135	SCREW – MACHINE		
E	18669	NUT – HEX LOCK DT 3/8-16 UNC ZP		
F	21469	BOLT – RHSN 1/2 NC X 1.5 LG GR 5 ZP		
G	137118	BOLT – ROUND HD 3/8 NC RIB NK NC		
H	50186	NUT – FLG LOCK SM FACE DT 0.500-13 UNC GR 5		
J	105136	SCREW – MACHINE		
K	105141	BOLT – LOCKING SHOULDER		
L	21383	NUT – FLANGE .500-13 UNC (SER FACE)		
M	30228	NUT – FLG DT SMOOTH FACE 0.375-16 UNC		
N	113420	BOLT – CSK TORX 3/8 NC X 3/4 LG ¹¹⁸		-396189

118. Model year 2021 and later machines use retaining ring MD #273536.

27 Pick-Up Reel – Double-Reel Headers (D130, D135, D140, and D145)



1019196

PICK-UP REEL – DOUBLE-REEL HEADERS (D130, D135, D140, AND D145)

NOTE:

Illustration; TOP: Right-hand reel, BOTTOM: Left-hand reel.

IMPORTANT:

Quantities for narrow (#1) and wide (#2) stagger tine tubes vary.

- **4-inch finger spacing:** Narrow stagger (#1) = 159 mm / Wide stagger (#2) = 175 mm. See the illustration for measurement location.
- **6-inch finger spacing:** Narrow stagger (#1) = 120 mm / Wide stagger (#2) = 196 mm. See the illustration for measurement location.

Ref	Part Number	Description	Qty 5/6/9 Bat	Serial Number
	B5657	KIT – 30 FT DR TINE TUBE CONV, 6–9 BAT STEEL FINGERS, 6 IN. SPACING ¹¹⁹		
	B5938	KIT – 30 FT DR TINE TUBE CONV, 5–6 BAT PLASTIC FINGERS, 6 IN. SPACING ¹¹⁹		
	B5674	KIT – 35 FT DR TINE TUBE CONV, 5–6 BAT PLASTIC FINGERS, 6 IN. SPACING ¹¹⁹		
	B6347	KIT – 30 FT DR TINE TUBE CONV, 6–9 BAT PLASTIC FINGERS, 4 IN. SPACING ¹¹⁹		
	B6344	KIT – 30 FT DR TINE TUBE CONV, 5–6 BAT PLASTIC FINGERS, 4 IN. SPACING ¹¹⁹		
	B6345	KIT – 35 FT DR TINE TUBE CONV, 5–6 BAT PLASTIC FINGERS, 4 IN. SPACING ¹¹⁹		
		2018 AND LATER (4 IN. FINGER SPACING)		
1	255749	TINE TUBE – NARROW STAGGER (30 FT HEADER) ¹²⁰	6/6/10	321190–
	255716	TINE TUBE – NARROW STAGGER (35 FT HEADER) ¹²¹	6/6/10	321190–
	255908	TINE TUBE – NARROW STAGGER (40 FT HEADER) ¹²¹	6/6/0	321190–
	255738	TINE TUBE – NARROW STAGGER (45 FT HEADER) ¹²²	6/0/0	321190–
2	255746	TINE TUBE – WIDE STAGGER (30 FT HEADER) ¹²⁰	4/6/8	321190–
	255712	TINE TUBE – WIDE STAGGER (35 FT HEADER) ¹²¹	4/6/8	321190–
	255905	TINE TUBE – WIDE STAGGER (40 FT HEADER) ¹²¹	4/6/0	321190–
	255735	TINE TUBE – WIDE STAGGER (45 FT HEADER) ¹²²	4/0/0	321190–
		2017 AND PRIOR (6 IN. FINGER SPACING)		
1	137415	TINE TUBE – NARROW STAGGER (30 FT HEADER) ¹²⁰	6/6/10	–321189
	137570	TINE TUBE – NARROW STAGGER (35 FT HEADER) ¹²³	6/6/10	–321189
	245266	TINE TUBE – NARROW STAGGER (35 FT HEADER) ¹²⁴	6/6/10	–321189
	137568	TINE TUBE – NARROW STAGGER (40 FT HEADER) ¹²⁵	6/6/0	–321189
	253839	TINE TUBE – NARROW STAGGER (45 FT HEADER) ¹²³	6/0/0	–321189

119. Kits available through Whole Goods only.

120. 3 disc.

121. 3 or 4 disc / plastic finger.

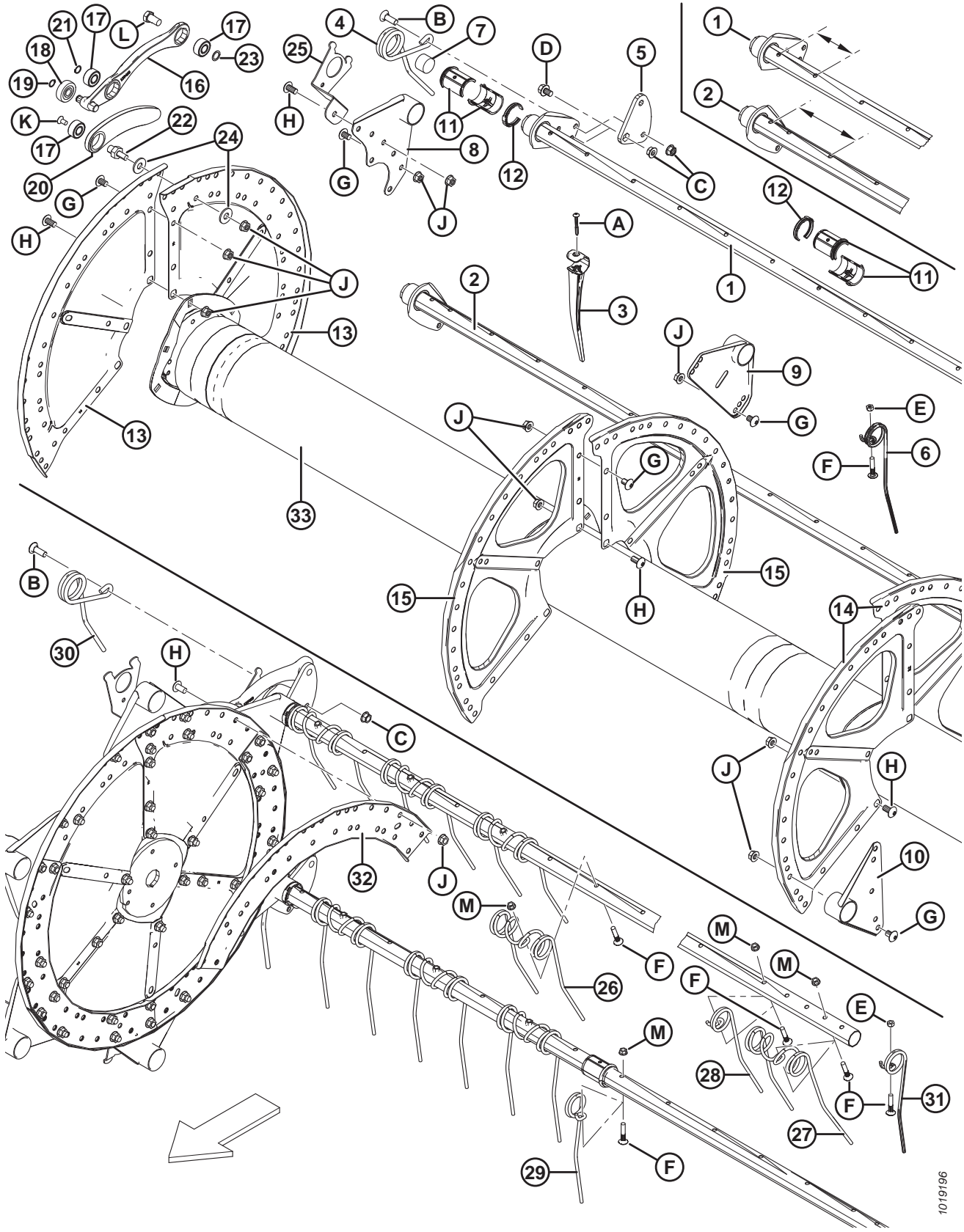
122. 4 disc / plastic finger.

123. 3 disc / steel or plastic finger.

124. 4 disc / steel or plastic finger.

125. 3 or 4 disc / steel or plastic finger.

PICK-UP REEL – DOUBLE-REEL HEADERS (D130, D135, D140, AND D145)



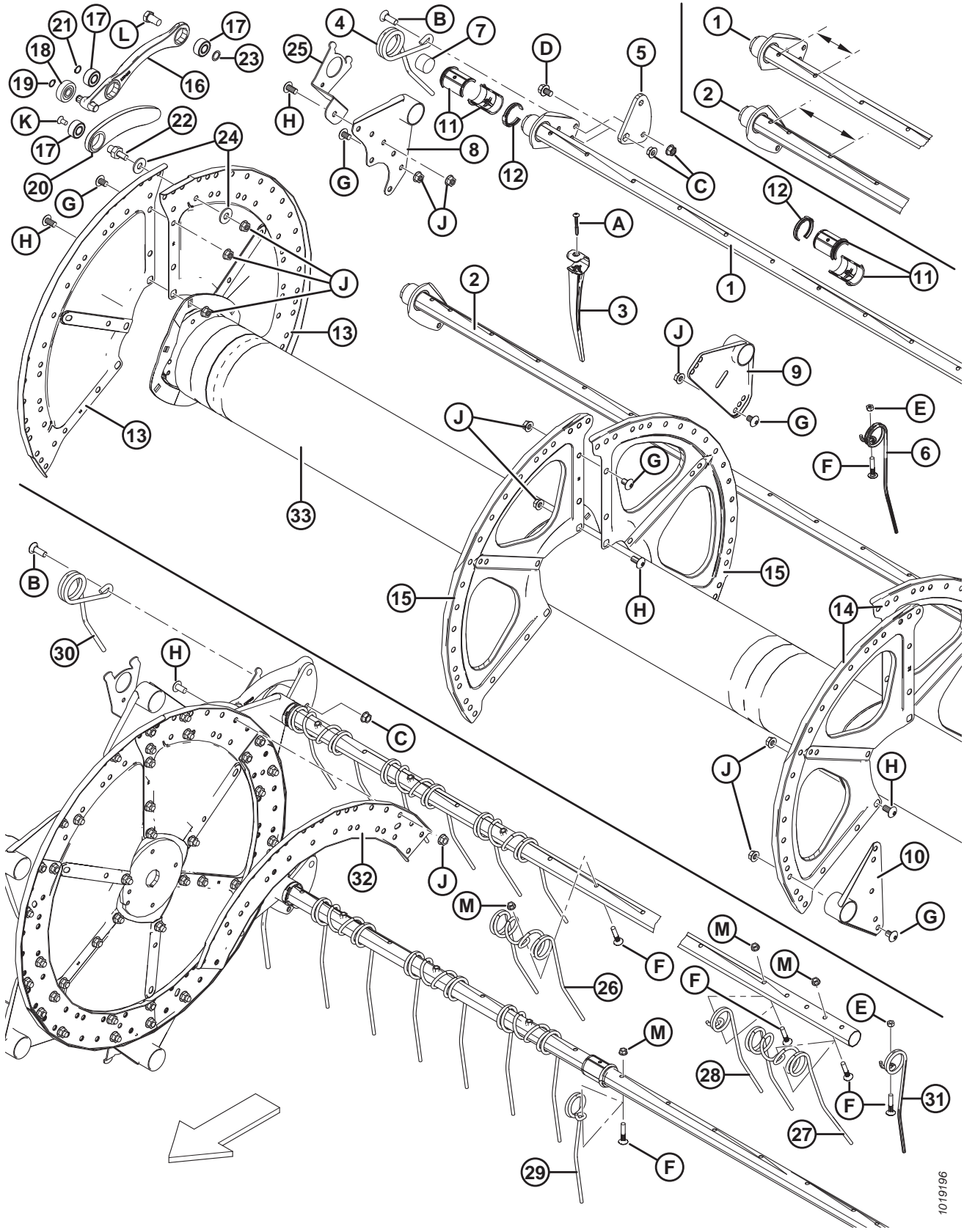
1019196

PICK-UP REEL – DOUBLE-REEL HEADERS (D130, D135, D140, AND D145)

Ref	Part Number	Description	Qty 5/6/9 Bat	Serial Number
2	137416	TINE TUBE – WIDE STAGGER (30 FT HEADER) ¹²⁰	4/6/8	-321189
	137571	TINE TUBE – WIDE STAGGER (35 FT HEADER) ¹²³	4/6/8	-321189
	245267	TINE TUBE – WIDE STAGGER (35 FT HEADER) ¹²⁴	4/6/8	-321189
	137569	TINE TUBE – WIDE STAGGER (40 FT HEADER) ¹²⁵	4/6/0	-321189
	253503	TINE TUBE – WIDE STAGGER (45 FT HEADER) ¹²³	4/0/0	-321189
3	174849	FINGER – PLASTIC HEAVY DUTY (10 PACK) ¹²⁶		
4	245084	FINGER – CAM END (RH REEL)	5/6/9	
5	164894	FINGER – TAIL END (RH REEL) ¹²⁷		
6	137285	ARM – CRANK MACHINING	10/12/18	
7	137980	PLUG – TINE TUBE	20/24/36	
8	137506	ARM WELDT – CAM END	10/12/18	
9	137535	ARM WELDT ¹²⁸		
10	137543	ARM WELDT – TAIL END	10/12/18	
11	220939	BUSHING HALF – TINE TUBE (BOX OF 25)	60/72/108	
12	220941	CLAMP – TINE TUBE BUSH, CENTER RIB (5 PACK) ¹²⁹		
13	137536	SECTOR – CAM END, 14 GA	6/6/6	
14	137142	SECTOR – TAIL END, 16 GA	6/6/6	
15	137277	SECTOR – MID-SPAN, 18 GA	6/6/6	
16	311617	ARM – TINE CONTROL ASSEMBLY ¹³⁰	10/12/18	396190–
	304955	ARM – CAM CONTROL LINKAGE ¹³¹	10/12/18	-396189
17	273347	BEARING	30/36/54	396190–
	273265	BEARING	30/36/54	-396189
18	273524	BEARING – CAM FOLLOWER	10/12/18	396190–
	50184	BEARING – CAM FOLLOWER	10/12/18	-396189

126. Quantities, 4-inch spacing (5/6/9 Bat): 30 ft. plastic = 428/562/820, 35 ft. plastic = 516/618/0, 40 ft. plastic = 606/0/0, 45 ft. plastic = 638/0/0.
 Quantities, 6-inch spacing (5/6/9 Bat): 30 ft. plastic = 280/336/504, 35 ft. plastic = 332/399/598, 40 ft. plastic = 384/462/0, 45 ft. plastic = 433/0/0.
127. Quantities (5/6/9 Bat): 30–35 ft. steel and plastic = 5/6/9, 40 ft. steel and plastic = 5/6/0, 45 ft. plastic = 5/0/0.
128. Quantities (5/6/9 Bat): 30–35 ft. steel and plastic = 10/12/18, 40 ft. steel and plastic = 10/12/0, 45 ft. plastic = 10/0/0.
129. Quantities (5/6/9 Bat): 30 ft. steel and plastic = 15/18/27, 35 ft. steel and plastic = 15/17/27, 40 ft. steel and plastic = 15/18/0, 45 ft. plastic = 15/0/0.
130. Includes two bearings (MD #273347), cam follower bearing (MD #273524), and two retaining rings. For 2020 and prior machines, order cam control linkage arm (MD #304955).
131. Includes assembly arm (MD #311615), tine control assembly arm (MD #311617), link stud (MD #304954), and two retaining rings (MD #273536).

PICK-UP REEL – DOUBLE-REEL HEADERS (D130, D135, D140, AND D145)



1019196

PICK-UP REEL – DOUBLE-REEL HEADERS (D130, D135, D140, AND D145)

Ref	Part Number	Description	Qty 5/6/9 Bat	Serial Number
19	273536	RING – EXT RETAINING	10/12/18	396190–
	30523	RING – EXT RETAINING	10/12/18	–396189
20	311615	ARM – ASSEMBLY ¹³²	10/12/18	396190–
	304955	ARM – CAM CONTROL LINKAGE ¹³¹	10/12/18	–396189
21	273536	RING – EXT RETAINING	10/12/18	396190–
	137523	RING – EXT RETAINING	10/12/18	–396189
22	304954	STUD – LINK	10/12/18	396190–
	279700	STUD – LINK (BOX OF 5)	10/12/18	–396189
23	137529	SHIM – CRANK BEARING	10/12/18	
24	137699	WASHER – USS HARD, FLAT 1/2 NOM. I.D. (5 BAT ONLY)	20/0/0	
25	REF	SUPPORT – ENDSHIELD REEL ¹³³		
26	137092	FINGER – DOUBLE, STEEL ¹³⁴		
27	137971	FINGER – DOUBLE, RH REEL TAIL END ¹³⁵		
28	137519	FINGER – SINGLE CONCENTRIC, LH OFFSET ¹³⁶		
29	137754	FINGER – SINGLE CONCENTRIC, RH OFFSET ¹³⁷		
30	164895	FINGER – CAM END (LH REEL)	5/6/9	
31	245083	FINGER – TAIL END (LH REEL) ¹³⁸		
32	137532	CHANNEL – CAM DISC	6/6/6	

132. Includes bearing (MD #273347) and retaining ring (MD #273536). For 2020 and prior machines, order cam control linkage arm (MD #304955).

133. Refer to Section [28 Reel Endshield Components, page 95](#).

134. Quantities (5/6/9 Bat): 30 ft. steel = 135/162/243, 35 ft. steel = 156/186/280, 40 ft. steel = 182/219/0.

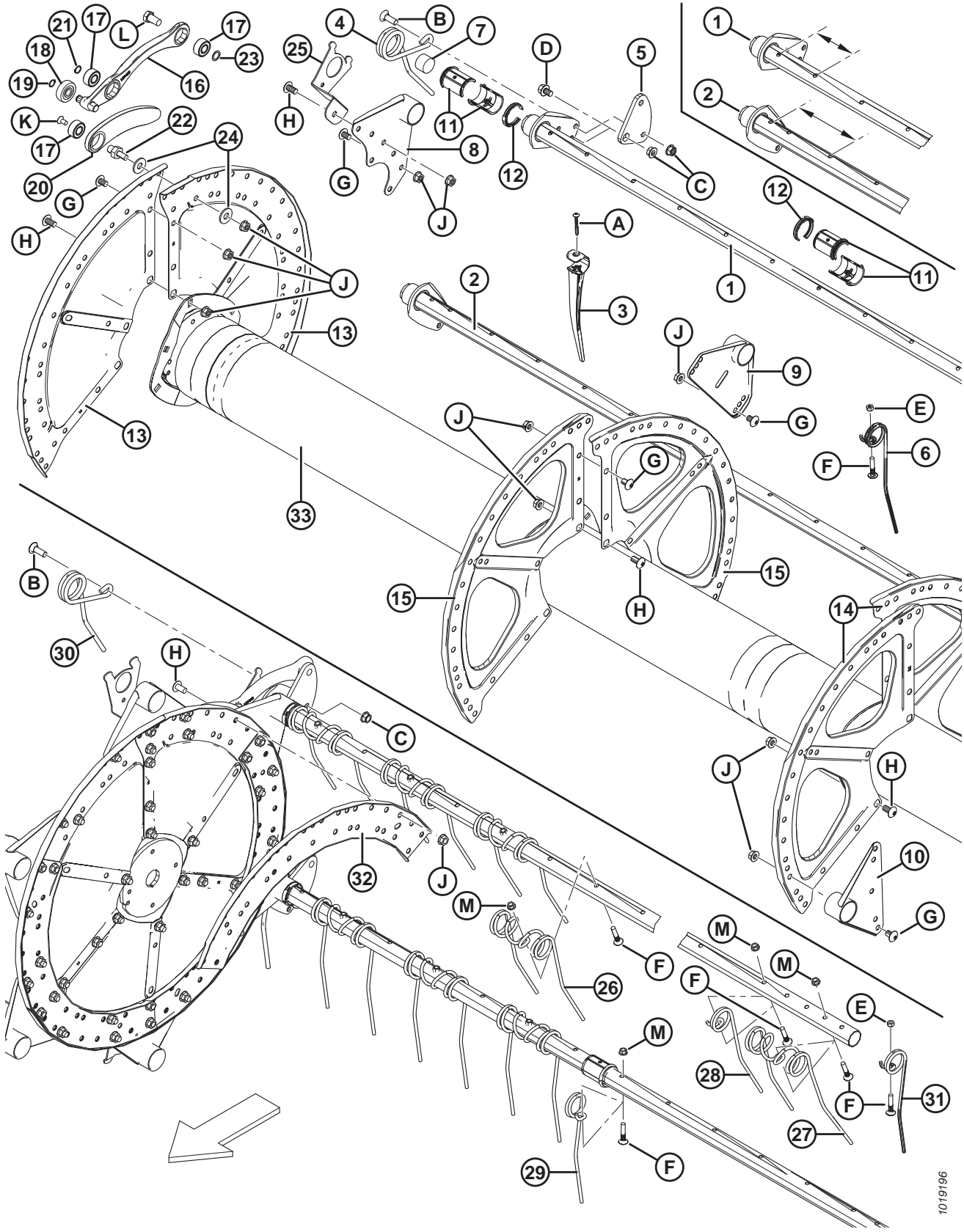
135. Quantities: 30 ft. = 3, 35 ft. = 3. Used on steel-fingered reels only.

136. Quantities (5/6/9 Bat): 30 ft. steel = 5/6/9, 35 ft. steel = 9/12/17, 40 ft. steel = 11/12/0.

137. Quantities (5/6/9 Bat): 30 ft. steel = 4/6/8, 35 ft. steel = 3/3/5, 40 ft. steel = 2/3/0.

138. Quantities (5/6/9 Bat): 30–35 ft. steel and plastic = 5/6/9, 40 ft. steel and plastic = 5/6/0, 45 ft. plastic = 5/0/0.

PICK-UP REEL – DOUBLE-REEL HEADERS (D130, D135, D140, AND D145)



1019196

PICK-UP REEL – DOUBLE-REEL HEADERS (D130, D135, D140, AND D145)

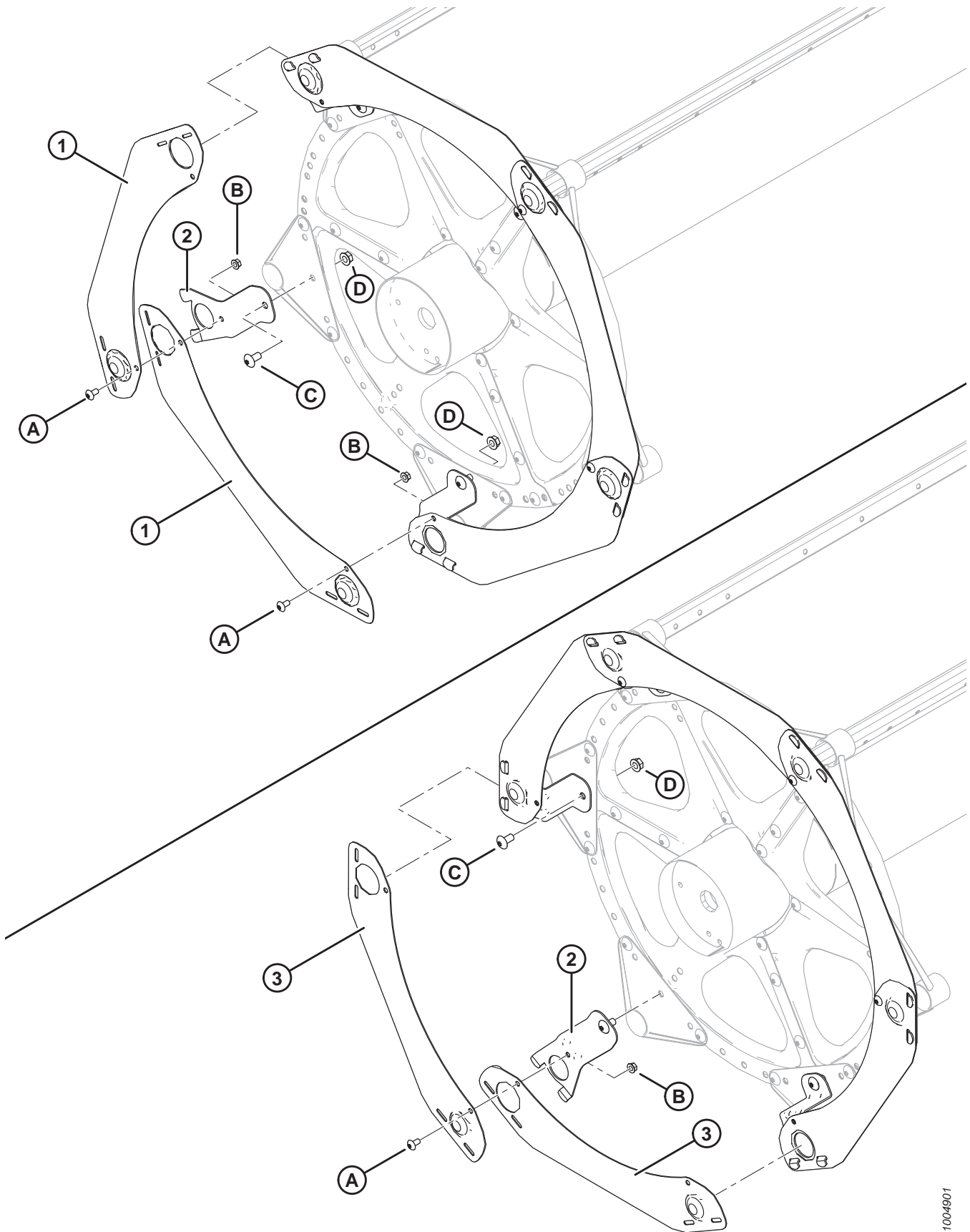
Ref	Part Number	Description	Qty 5/6/9 Bat	Serial Number
33	137910	CENTER TUBE – 30 FT LH, C/W REFLECTORS (3 DISC REEL) ¹³⁹	1	
	137913	CENTER TUBE – 30 FT RH, C/W REFLECTORS (3 DISC REEL) ¹³⁹	1	
	137915	CENTER TUBE – 35 FT LH, C/W REFLECTORS (3 DISC REEL) ¹³⁹	1	
	137916	CENTER TUBE – 35 FT RH, C/W REFLECTORS (3 DISC REEL) ¹³⁹	1	
	245272	CENTER TUBE – 35 FT LH, C/W REFLECTORS (4 DISC REEL) ¹⁴⁰	1	
	245273	CENTER TUBE – 35 FT RH, C/W REFLECTORS (4 DISC REEL) ¹⁴⁰	1	
	137917	CENTER TUBE – 40 FT LH, C/W REFLECTORS (3 DISC REEL) ¹³⁹	1	
	137918	CENTER TUBE – 40 FT RH, C/W REFLECTORS (3 DISC REEL) ¹³⁹	1	
	245276	CENTER TUBE – 40 FT LH, C/W REFLECTORS (4 DISC REEL) ¹⁴⁰	1	
	245277	CENTER TUBE – 40 FT RH, C/W REFLECTORS (4 DISC REEL) ¹⁴⁰	1	
	137968	CENTER TUBE – 45 FT LH, C/W REFLECTORS (3 DISC REEL) ¹³⁹	1	
	137969	CENTER TUBE – 45 FT RH, C/W REFLECTORS (3 DISC REEL) ¹³⁹	1	
	253514	CENTER TUBE – 45 FT LH, C/W REFLECTORS (4 DISC REEL) ¹⁴⁰	1	
	253515	CENTER TUBE – 45 FT RH, C/W REFLECTORS (4 DISC REEL) ¹⁴⁰	1	
A	252687	SCREW – SET, TORX, 48° DBL HELIX 1/4 X 2-1/4 ZP		
B	21469	BOLT – RHSN 1/2 NC X 1.5 LG GR 5 ZP		
C	21383	NUT – FLANGE .500-13 UNC (SER FACE)		
D	105066	BOLT – HH FLG (SER FACE) 1/2 -NC X 0.75 GR 5		
E	18669	NUT – HEX LOCK DT 3/8-16 UNC ZP		
F	137118	BOLT – BHRN 3/8 NC, C/W RETAINER		
G	105135	SCREW – MACH, TORX TRUSS HEAD, 1/2 X 0.75 IN. LG		
H	105136	SCREW – MACH, TORX TRUSS HEAD, 1/2 X 1.0 IN. LG		
J	50186	NUT – FLG LOCK SM FACE DT 0.500-13 UNC GR 5		
K	113420	BOLT – CSK TORX 3/8 NC X 3/4 LG ¹⁴¹		-396189
L	105141	BOLT – SHOULDER, 5/8-18 UNF, 30 MM LG, ZP, GR 5		
M	30228	NUT – FLG DT SMOOTH FACE 0.375-16 UNC		

139. 3 disc.

140. 4 disc.

141. Model year 2021 and later machines use retaining ring MD #273536.

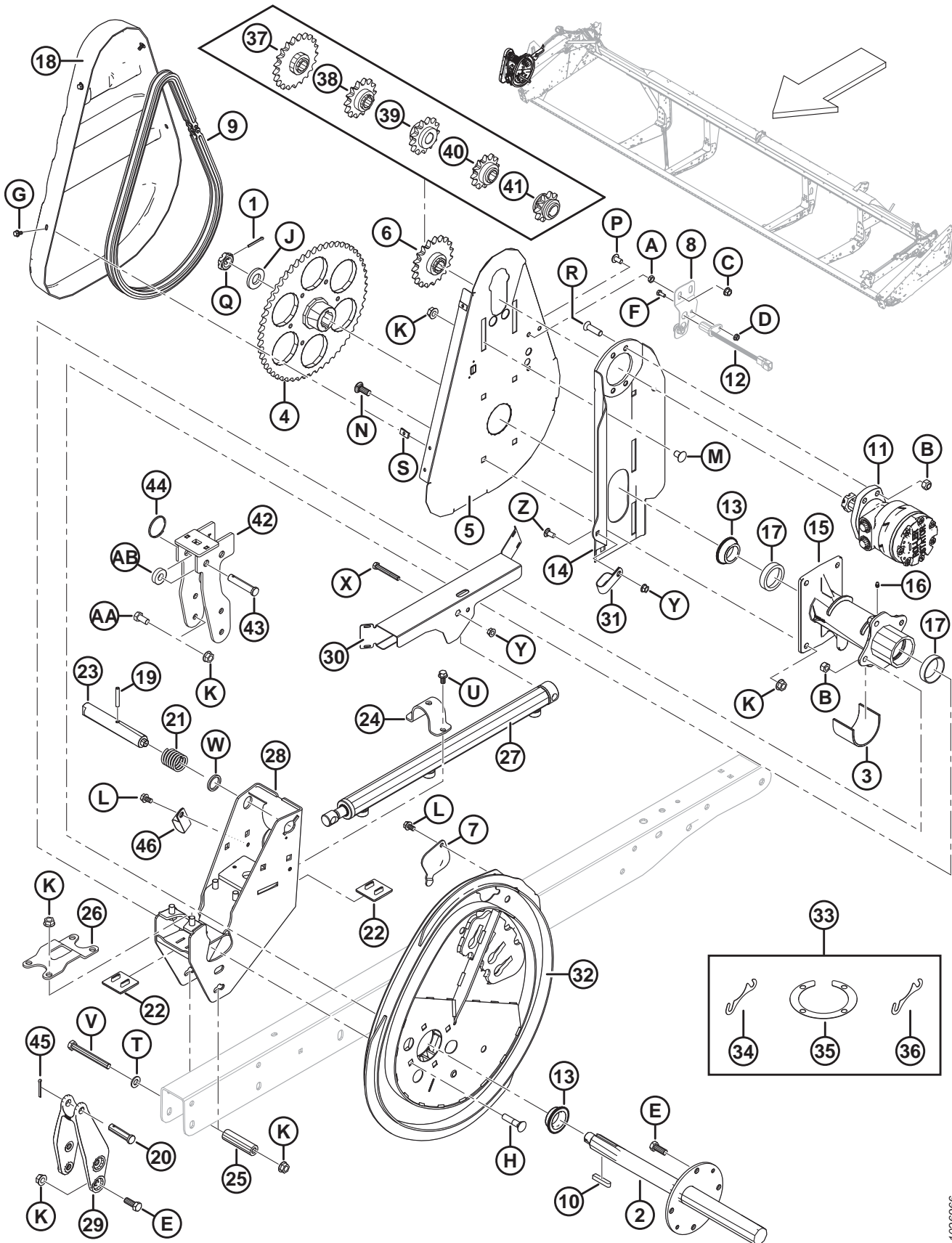
28 Reel Endshield Components



REEL ENDSHIELD COMPONENTS

Ref	Part Number	Description	Qty 5/6/9 Bat	Serial Number
1	164754	ENDSHIELD – 5-BAT SEGMENTED, 5-SERIES	5	
2	164958	SUPPORT – ENDSHIELD REEL	5/6/9	
3	164965	ENDSHIELD – 6-BAT SEGMENTED, 5-SERIES	6	
	164967	ENDSHIELD – 9-BAT SEGMENTED, 5-SERIES	9	
A	135157	SCREW – MACHINE, TORX TRUSS HD 3/8 X .75 IN.		
B	30228	NUT – FLG DT SMOOTH FACE 0.375-16 UNC		
C	105136	SCREW – MACHINE, TORX TRUSS HD 1/2 X 1.0 IN.		
D	50186	NUT – FLANGE LOCK SM FACE DT 0.500-13 UNC GR5		

29 Reel Components – Single Reel, Right Arm



REEL COMPONENTS – SINGLE REEL, RIGHT ARM

Ref	Part Number	Description	Qty	Serial Number
1	18607	PIN – COTTER 5/32 DIA X 1.5 ZP	1	
2	137291	REEL DRIVE SHAFT	1	
3	137315	SLEEVE	1	
4	137347	SPROCKET – MACHINING 56 TOOTH, RC 60	1	
5	137352	SUPPORT – REEL DRIVE BACK PLATE	1	
6	137354	SPROCKET – RC 60, 19 TOOTH	1	
7	137476	COVER – CAM BEARING ACCESS	1	
8	REF	SUPPORT – SWATHER SPEED SENSOR ¹⁴²	1	
9	137515	CHAIN – RC-60, 76 PITCHES RIVETED, ENDLESS	1	
10	137721	KEY – REEL DRIVE SHAFT	2	
11	273258	MOTOR – HYD, 15.9 CU.IN. 506 SERIES ¹⁴³	1	
	273259	SEAL KIT, MOTOR MD #273258		
	137375	NUT – SLOTTED JAM 1.0-20 UNEF		
	273078	MOTOR – HYD-260 CC, HIGH CAPACITY BEARING ¹⁴⁴	OPT	
	311620	SEAL KIT, MOTOR MD #273078		
	137375	NUT – SLOTTED JAM 1.0-20 UNEF		
12	REF	SENDER – SPEED ¹⁴²	1	
13	164213	BEARING – CONE C/W SEAL	2	
14	164750	MOTOR MOUNT WELDT	1	
15	164817	REEL DRIVE HUB C/W BEARING CUPS	1	
16	18671	FITTING – LUBE 1/4-28 UNF	1	
17	164214	BEARING – CUP	2	
18	164955	COVER – REEL DRIVE	1	
19	16681	PIN – SPRING 5/16 DIA X 2.0 LG	1	
20	18725	PIN – CLEVIS	1	
21	137221	SPRING – COMPRESSION	1	
22	137626	PAD – REEL DRIVE WEAR	2	
23	164815	PIN – CAM LATCH	1	
24	164930	CLAMP – FORE AFT	1	
25	164945	SPACER	1	
26	164953	CLAMP – DRIVE HUB	1	
27	164933	CYLINDER – FORE AFT	1	
	113435	SEAL KIT		
28	279979	SUPPORT WELDT – RH CAM	1	
29	164887	CASTING – FORE AFT RH ARM	1	
30	123670	SHIELD – RH SINGLE	1	
31	103738	CLAMP – PVC INSULATED 13/16 IN. TUBE SIZE	1	
32	294634	CAM KIT ¹⁴⁵	1	

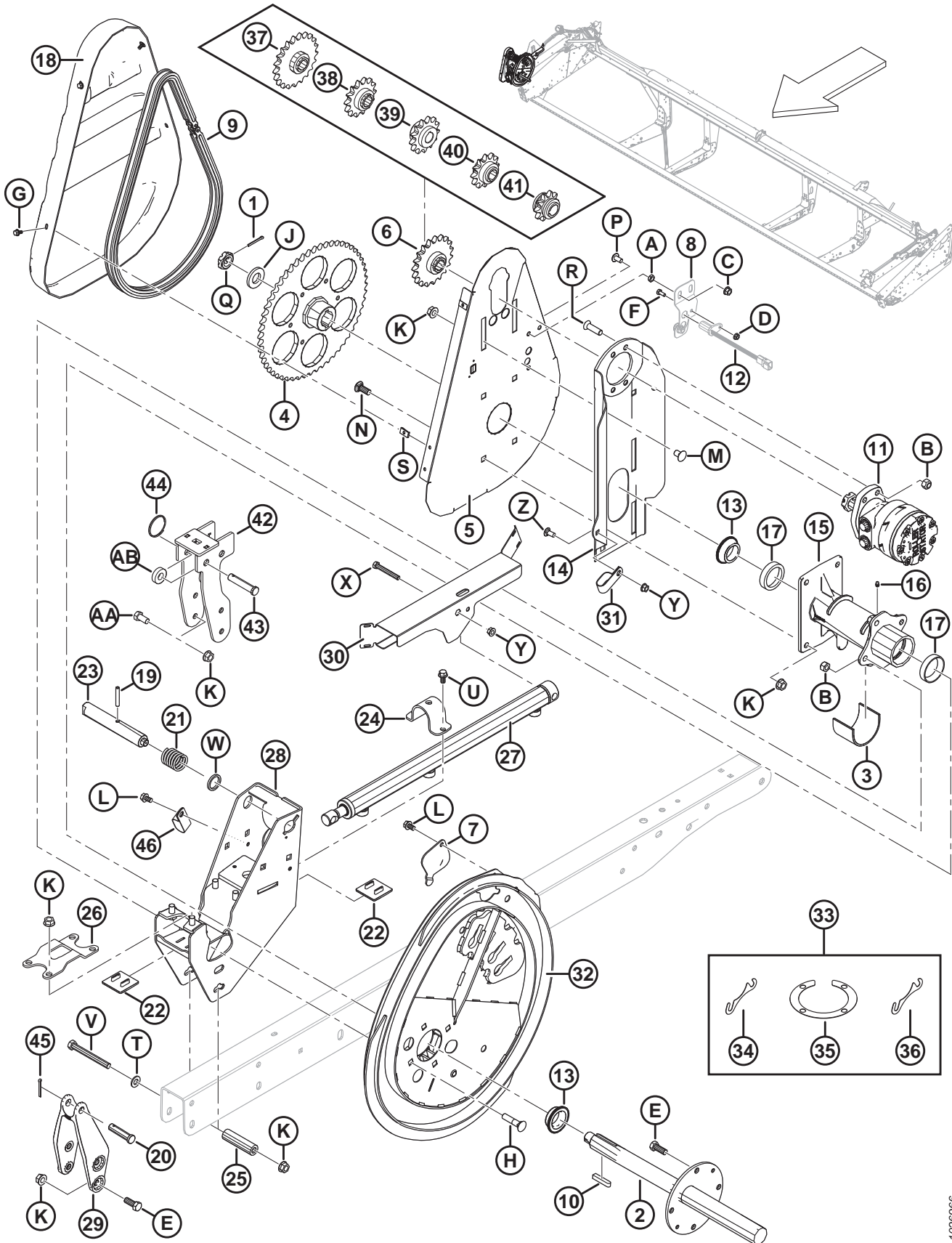
142. Used on self-propelled windrower headers only.

143. Motor used for regular torque applications. Nut and key supplied with motor (MD #273258). Permissible to service nut with slotted jam nut (MD #137375).

144. Motor used for high torque applications (high capacity bearing). Nut and key supplied with motor (MD #273078). Permissible to service nut with slotted jam nut (MD #137375).

145. Includes cam shim kit (MD #294631).

REEL COMPONENTS – SINGLE REEL, RIGHT ARM



1026966

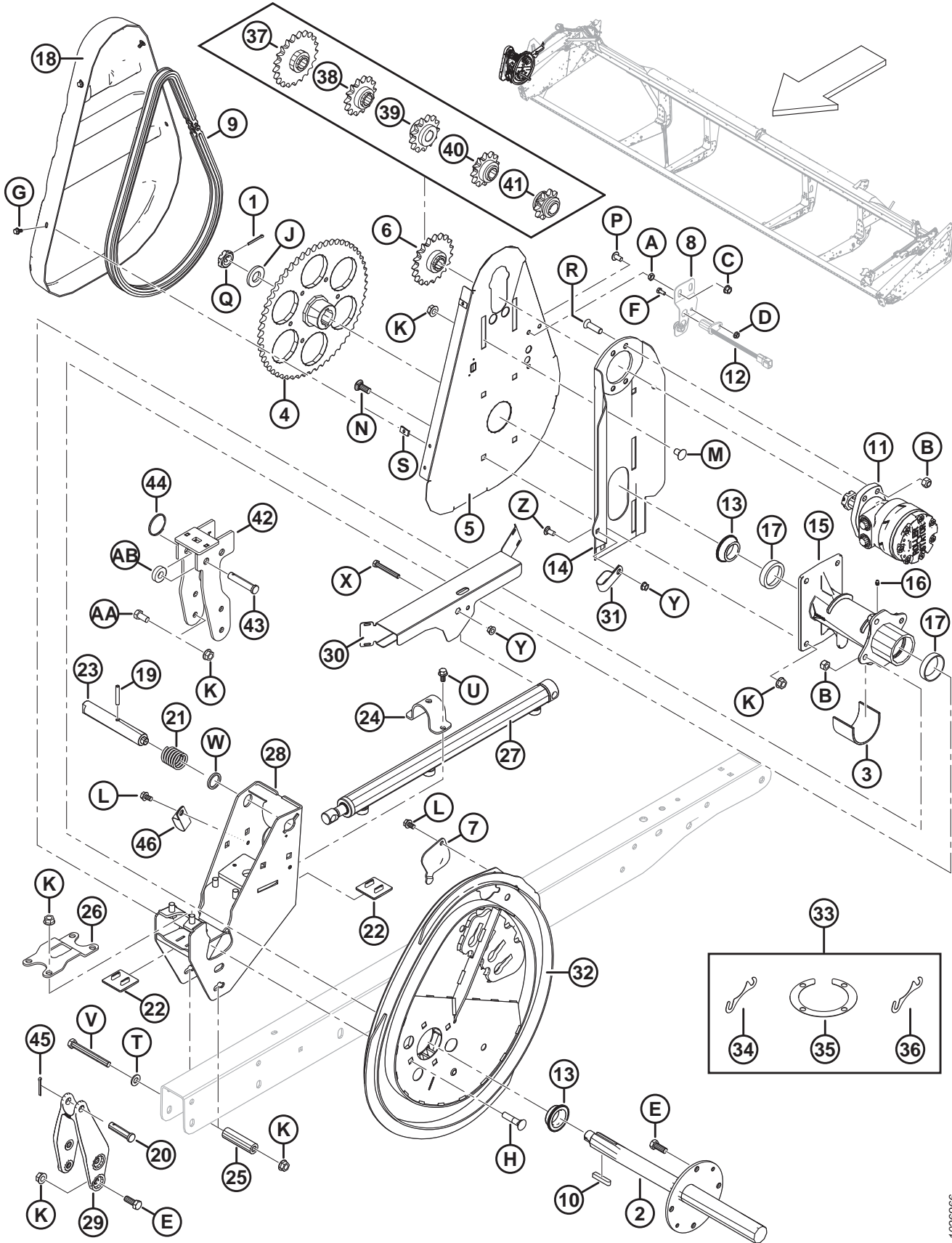
REEL COMPONENTS – SINGLE REEL, RIGHT ARM

Ref	Part Number	Description	Qty	Serial Number
33	294631	KIT – CAM SHIM ¹⁴⁶	A/R	
34	137753	SHIM RING – 4 BOLT FLANGE	A/R	
35	164061	SHIM – HUB TO CAM	A/R	
36	245199	SHIM – HUB TO CAM	A/R	
37	137350	SPROCKET – 21 TOOTH, RC 60 ¹⁴⁷	OPT	
38	137356	SPROCKET – 14 TOOTH 3000 PSI (DOWN RICE ONLY) ¹⁴⁷	OPT	
39	164126	SPROCKET – 13 TOOTH, RC 60 ¹⁴⁷	OPT	
40	137970	SPROCKET – 12 TOOTH 2500 PSI (DOWN RICE ONLY) ¹⁴⁷	OPT	
41	137348	SPROCKET – 10 TOOTH 2000 PSI (DOWN RICE ONLY) ¹⁴⁷	OPT	
42	304017	BRACKET – RHS CAM WELDT (EXPORT ONLY)	1	
43	18738	PIN – CLEVIS (EXPORT ONLY)	1	
44	118137	RING (EXPORT ONLY)	1	
45	18648	PIN – COTTER 3/16 DIA X 1.25 ZP	1	
46	50022	CLAMP – INSULATED 15/16 INCH	1	
A	18664	NUT – HEX JAM 3/8-16 UNC GR 5 ZP		
B	18697	NUT – HEX LOCK DT .500-13 UNC		
C	21452	NUT – FLANGE (SER FACE) .375-16 UNC		
D	21455	NUT – FLG (SER FACE) 1/4 NC GR 5 ZP		
E	21491	BOLT – HH 1/2 NC X 1.25 LG GR 5 ZP		
F	21572	BOLT – HEX HD 1/4 NC X 1.25 LG GR 5 ZP		
G	21968	BOLT – HH FLG (SER FACE) 1/4 NC X 0.5 GR 5 ZP		
H	30027	BOLT – RHSSN 1/2 NC X 2.25 LG GR 5 ZP		
J	31774	WASHER – FLAT		
K	50186	NUT – FLANGE LOCK SM FACE DT 0.500-13 UNC GR 5		
L	101898	SCREW – HEX WASH HD THD ROLLING 3/8 NC X 5/8		
M	105069	BOLT – RHSSN 1/2 NC X 0.75 GR 5 ZP		
N	114233	BOLT – RHSSN 1/2 NC X 1.25 GR 5 ZP		
P	135157	SCREW – MACHINE		
Q	137375	NUT – SLOTTED JAM 1.0 IN-20 UNEF-ZN PL		
R	137503	BOLT – CSK SOCK. 1/2 NC X 1.75 GR. 5 ZP		
S	137702	NUT – 1/4-20 SHEET METAL		
T	18599	WASHER – SAE FLAT 17/32 I.D. X 1-1/16 IN. O.D. ZP		
U	21821	BOLT – HH FLG (SER FACE) 3/8 NC X 0.75 GR 5 ZP		
V	30209	BOLT – HH 1/2 NC X 4.5 LG GR 5 ZP		
W	273304	WASHER – CAM LATCH		
X	30035	BOLT – HH 3/8 NC X 2.75 LG GR 5 ZP		
Y	30228	NUT – FLANGE DT SMOOTH FACE 0.375-16 UNC		
Z	21863	BOLT – RHSSN 3/8 NC X 0.75 LG GR 5 ZP		

146. Includes four shims (MD #164061), two shim rings (MD #137753), and shim (MD #245199).

147. High-torque, steel-fingered reels only. Required on combines that have low reel drive pressure.

REEL COMPONENTS – SINGLE REEL, RIGHT ARM

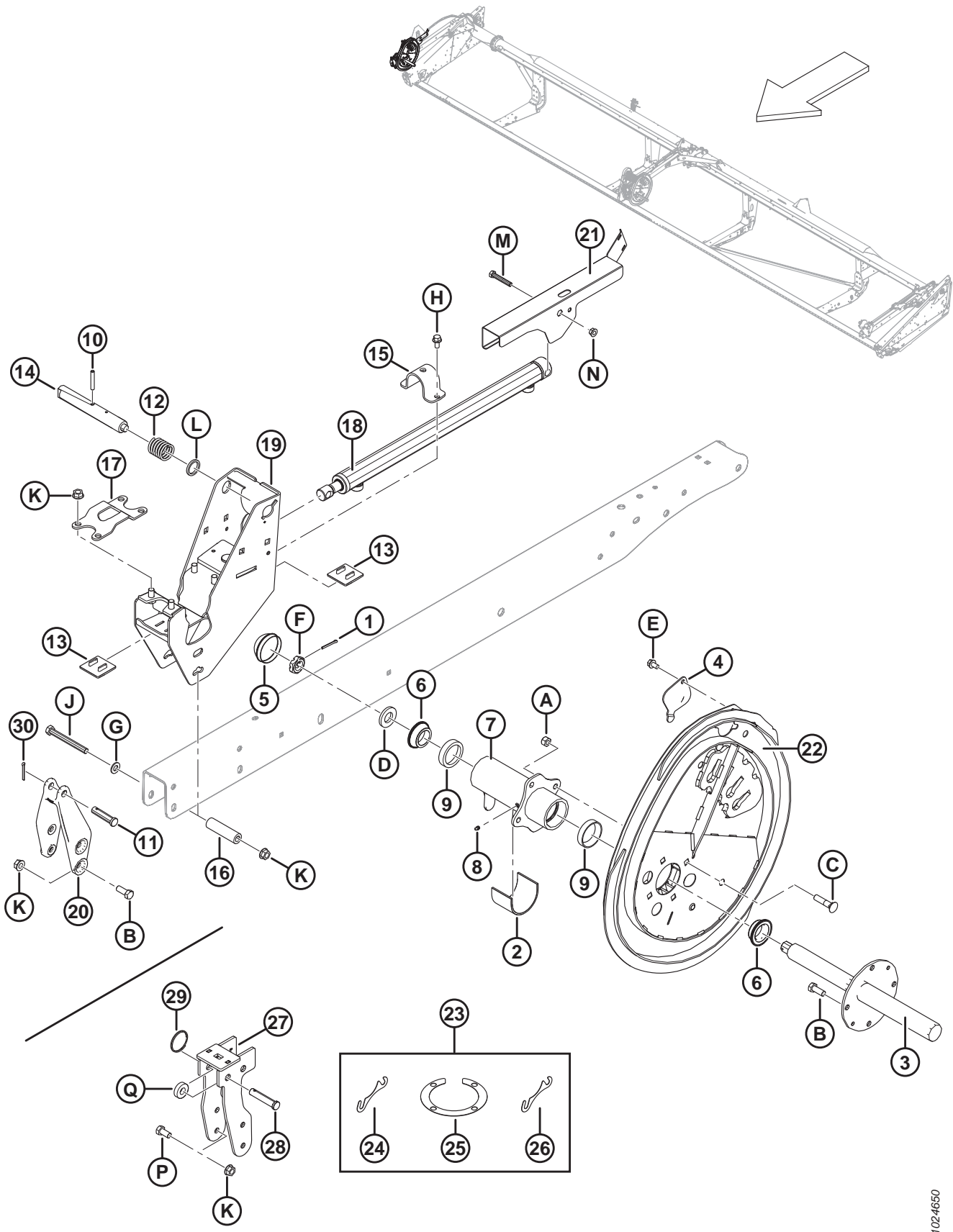


1026966

REEL COMPONENTS – SINGLE REEL, RIGHT ARM

Ref	Part Number	Description	Qty	Serial Number
AA	21575	BOLT – HH 1/2 NC X 1.0 LG GR 5 ZP		
AB	40915	WASHER – FLAT		

30 Reel Components – Double Reel, Right Arm



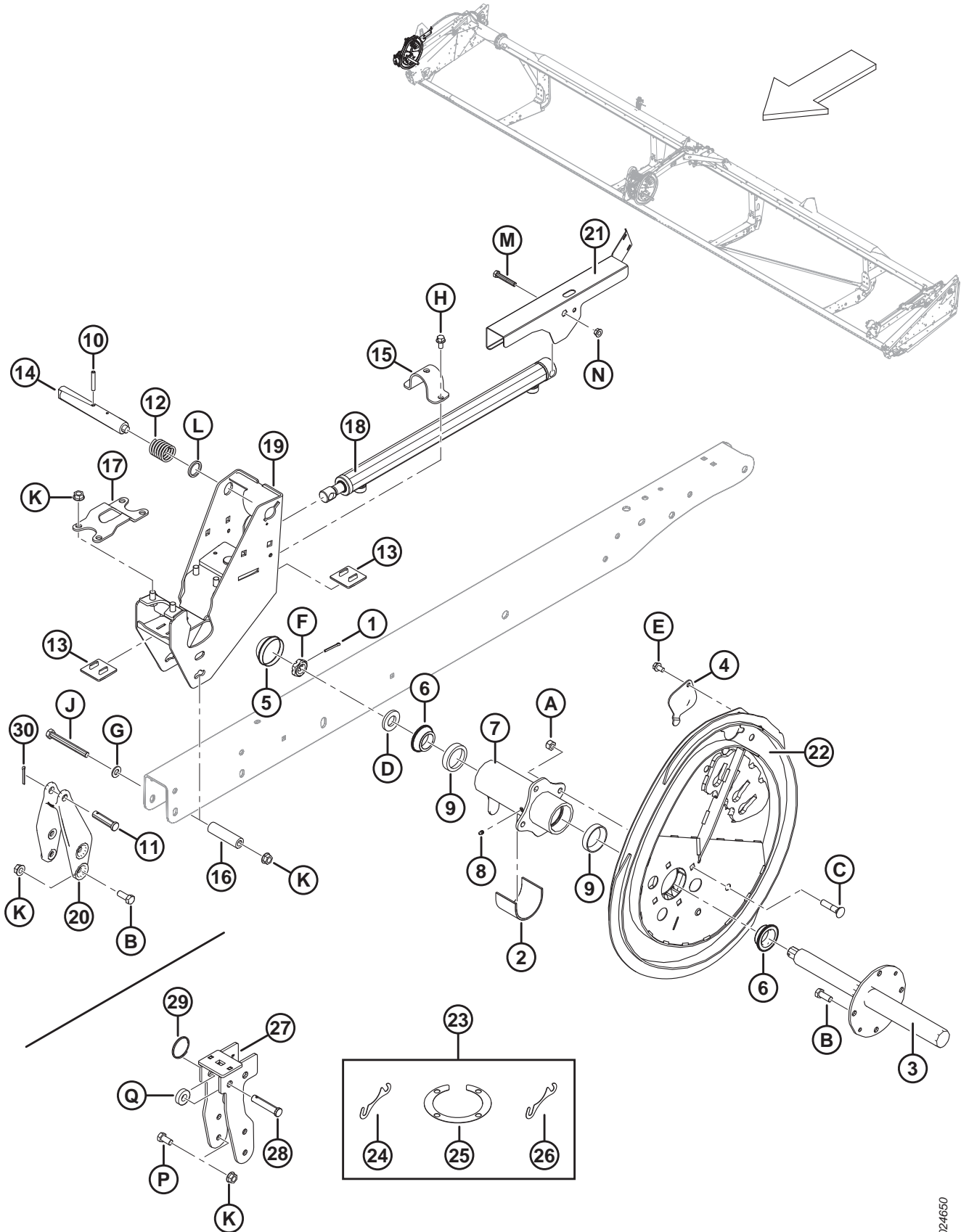
REEL COMPONENTS – DOUBLE REEL, RIGHT ARM

Ref	Part Number	Description	Qty	Serial Number
1	18648	PIN – COTTER 3/16 DIA X 1.25 ZP	1	
2	137315	SLEEVE	1	
3	137451	REEL DRIVE SHAFT RH	1	
4	137476	COVER – CAM BEARING ACCESS	1	
5	140250	CAP – DUST	1	
6	164213	BEARING – CONE C/W SEAL	2	
7	164821	HUB – RH REEL C/W CUPS	1	
8	18671	FITTING – LUBE 1/4-28 UNF	1	
9	164214	BEARING – CUP	2	
10	16681	PIN – SPRING 5/16 DIA X 2.0 LG	1	
11	18725	PIN – CLEVIS	1	
12	137221	SPRING – COMPRESSION	1	
13	137626	PAD – REEL DRIVE WEAR	2	
14	137456	PIN – CAM LATCH	1	
15	164930	CLAMP – FORE AFT	1	
16	164945	SPACER	1	
17	164953	CLAMP – DRIVE HUB	1	
18	164933	CYLINDER – FORE AFT	1	
	113435	SEAL KIT		
19	279979	SUPPORT WELDT – RH CAM	1	
20	164887	CASTING – FORE AFT RH ARM	1	
21	123627	SHIELD – RH DUAL (RH ARM ON RH REEL)	1	
22	294634	CAM KIT ¹⁴⁸	1	
23	294631	KIT – CAM SHIM ¹⁴⁹	A/R	
24	164061	SHIM – HUB TO CAM (1.2 MM)	A/R	
25	137753	SHIM RING – 4 BOLT FLANGE	A/R	
26	245199	SHIM – HUB TO CAM (0.6 MM)	A/R	
27	304017	BRACKET – RHS CAM WELDT (EXPORT ONLY)	1	
28	18624	PIN – CLEVIS (EXPORT ONLY)	1	
29	118137	RING (EXPORT ONLY)	1	
30	18648	PIN – COTTER 3/16 DIA X 1.25 ZP	1	
A	18697	NUT – HEX LOCK DT .500-13 UNC		
B	21491	BOLT – HH 1/2 NC X 1.25 LG GR 5 ZP		
C	30027	BOLT – RHSN 1/2 NC X 2.25 LG GR 5 ZP		
D	31774	WASHER – FLAT		
E	101898	SCREW – HEX WASH HD THD ROLLING 3/8 NC X 5/8		
F	137375	NUT – SLOTTED JAM 1.0 IN.-20 UNEF-ZN PL		
G	18599	WASHER – SAE FLAT 17/32 I.D. X 1-1/16 IN. O.D. ZP		
H	21821	BOLT – HH FLG (SER FACE) 3/8 NC X 0.75 GR 5 ZP		
J	30209	BOLT – HH 1/2 NC X 4.5 LG GR 5 ZP		

148. Includes cam shim kit (MD #294631).

149. Includes four shims (MD #164061), two shim rings (MD #137753), and shim (MD #245199).

REEL COMPONENTS – DOUBLE REEL, RIGHT ARM

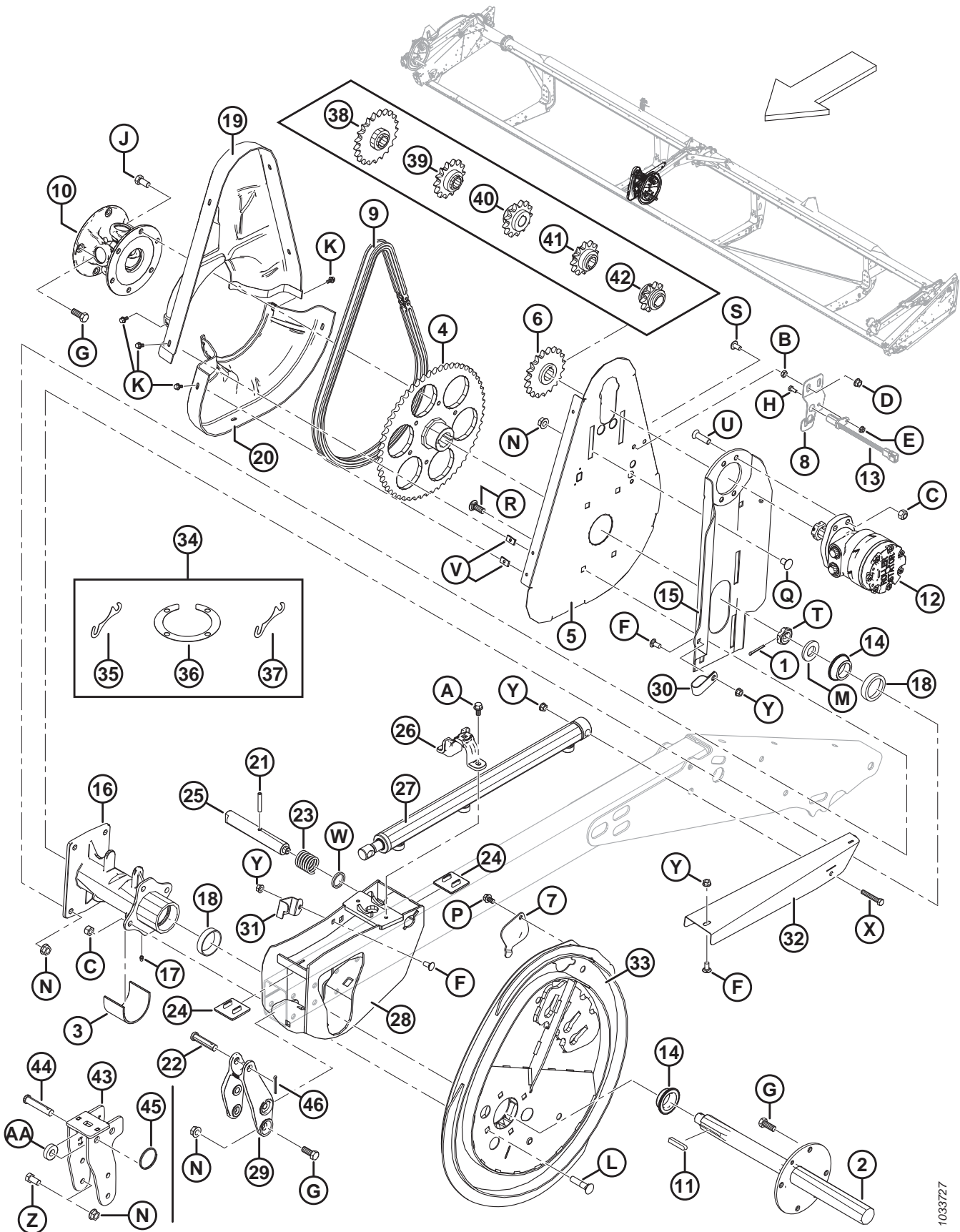


1024650

REEL COMPONENTS – DOUBLE REEL, RIGHT ARM

Ref	Part Number	Description	Qty	Serial Number
K	50186	NUT – FLANGE LOCK SM FACE DT 0.500-13 UNC GR 5		
L	273304	WASHER – CAM LATCH		
M	20055	BOLT – HH 3/8 NC X 2.25 LG GR 5 ZP		
N	30228	NUT – FLANGE DT SMOOTH FACE 0.375-16 UNC		
P	21575	BOLT – HH 1/2 NC X 1.0 LG GR 5 ZP		
Q	40915	WASHER – FLAT		

31 Reel Components – Double Reel, Center Arm



1033727

REEL COMPONENTS – DOUBLE REEL, CENTER ARM

Ref	Part Number	Description	Qty	Serial Number
1	18648	PIN – COTTER 3/16 DIA X 1.25 ZP	1	
2	137291	REEL DRIVE SHAFT	1	
3	137315	SLEEVE	1	
4	137347	SPROCKET – MACHINING 56 TOOTH, RC 60	1	
	164141	SPROCKET – MACHINING 48 TOOTH, RC 60 ¹⁵⁰	1	
5	137352	SUPPORT – REEL DRIVE BACK PLATE	1	
6	137354	SPROCKET – RC 60 19 TOOTH	1	
7	137476	COVER – CAM BEARING ACCESS	1	
8	REF	SUPPORT – SWATHER SPEED SENSOR ¹⁵¹	1	
9	137515	CHAIN – RC-60, 76 PITCHES RIVETED, ENDLESS	1	
	164109	CHAIN – RC-60, 70 PITCHES RIVETED, ENDLESS ¹⁵⁰	1	
10	137691	REEL DRIVE U JOINT	1	
	137825	CROSS JOURNAL ASSEMBLY		
	137826	YOKE – FLANGE, 4 BOLT		
	137827	YOKE – FLANGE, 6 BOLT		
11	137721	KEY – REEL DRIVE SHAFT	2	
12	273258	MOTOR – HYD, 15.9 CU.IN. 506 SERIES ¹⁵²	1	
	273259	SEAL KIT, MOTOR MD #273258		
	137375	NUT – SLOTTED JAM 1.0-20 UNEF		
	273078	MOTOR – HYD-260 CC, HIGH CAPACITY BEARING ¹⁵³	OPT	
	311620	SEAL KIT, MOTOR MD #273078		
	137375	NUT – SLOTTED JAM 1.0-20 UNEF		
13	REF	SENDER – SPEED ¹⁵¹	1	
14	164213	BEARING – CONE C/W SEAL	2	
15	164750	MOTOR MOUNT WELDT	1	
16	164817	REEL DRIVE HUB – C/W BEARING CUPS	1	
17	18671	FITTING – LUBE 1/4-28 UNF	1	
18	164214	BEARING – CUP	2	
19	164947	SHIELD – REEL DRIVE TOP HALF	1	
20	164948	SHIELD – LOWER DUAL REEL DRIVE	1	
21	16681	PIN – SPRING 5/16 DIA X 2.0 LG	1	
22	18725	PIN – CLEVIS	1	
23	137221	SPRING – COMPRESSION	1	
24	137626	PAD – REEL DRIVE WEAR	2	
25	164815	PIN – CAM LATCH	1	
26	164855	CASTING – CLAMP FORE AFT CYLINDER	1	
27	164933	CYLINDER – FORE AFT	1	
	113435	SEAL KIT		

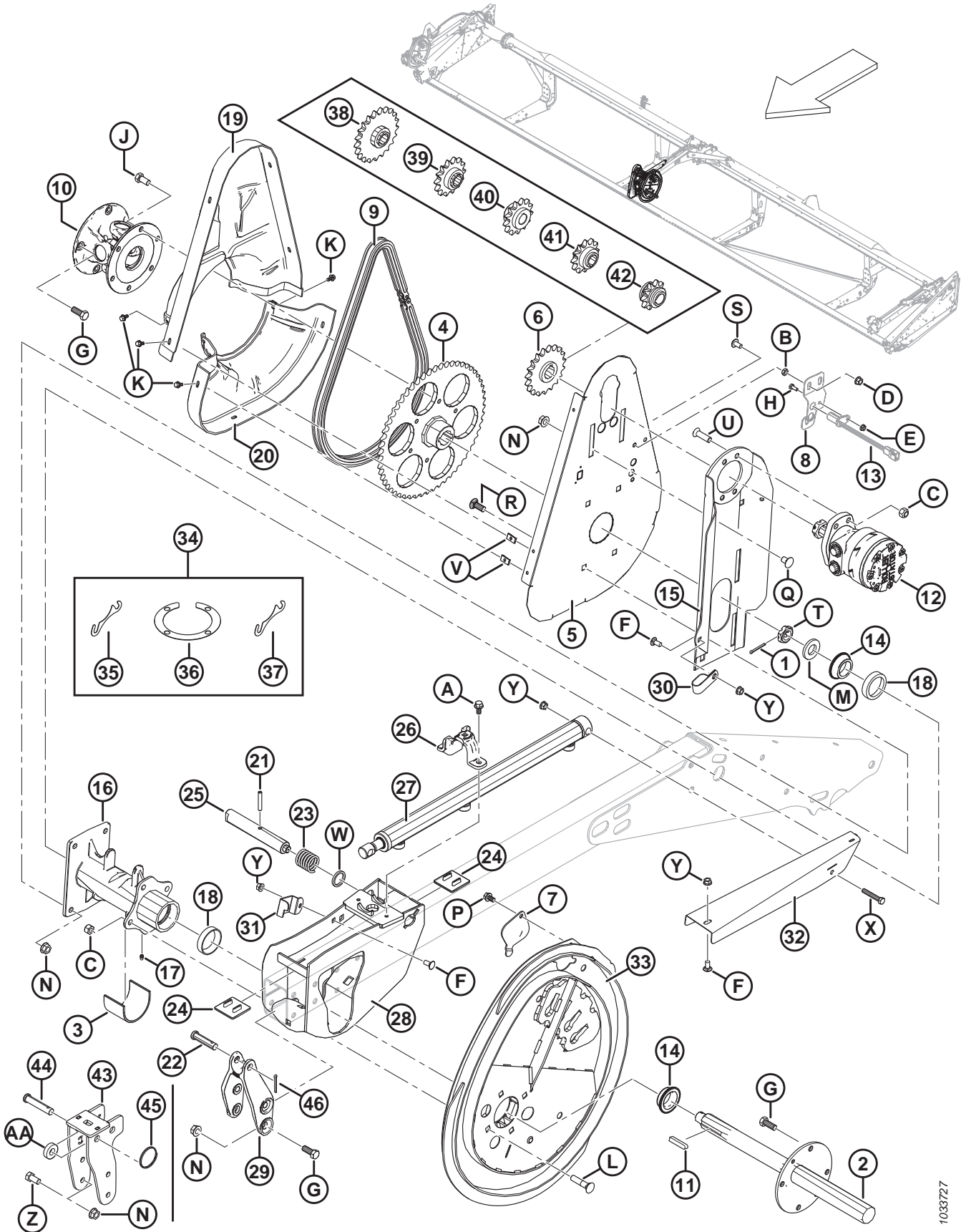
150. Double-reel, high-torque, high-speed reels only.

151. Used on self-propelled windrower headers only.

152. Motor used for regular torque applications. Nut and key supplied with motor (MD #273258). Permissible to service nut with slotted jam nut (MD #137375).

153. Motor used for high torque applications (high capacity bearing). Nut and key supplied with motor (MD #273078). Permissible to service nut with slotted jam nut (MD #137375).

REEL COMPONENTS – DOUBLE REEL, CENTER ARM



1033727

REEL COMPONENTS – DOUBLE REEL, CENTER ARM

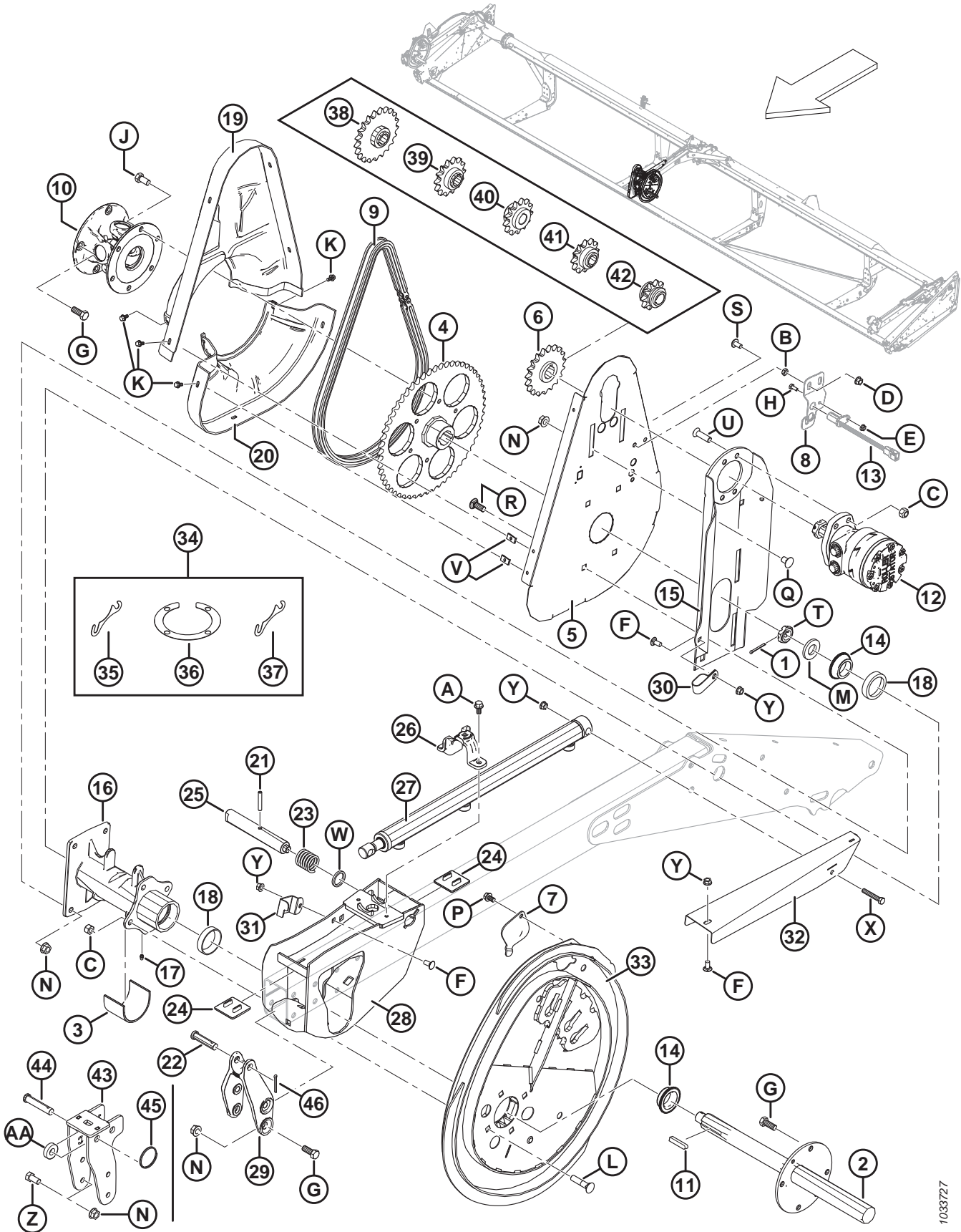
Ref	Part Number	Description	Qty	Serial Number
28	253092	SUPPORT WELDT – DR DRIVE	1	
29	164885	CASTING – FORE AFT CENTER ARM	1	
30	103738	CLAMP – PVC INSULATED 13/16 IN. TUBE SIZE	1	
31	164858	RETAINER – HOSE	1	
32	294065	SHIELD – FORE AFT HOSES DUAL REEL DRIVE	1	
33	294634	CAM KIT ¹⁵⁴	1	
34	294631	KIT – CAM SHIM ¹⁵⁵	A/R	
35	164061	SHIM – HUB TO CAM (1.2 MM)	A/R	
36	137753	SHIM RING – 4 BOLT FLANGE	A/R	
37	245199	SHIM – HUB TO CAM (0.6 MM)	A/R	
38	137350	SPROCKET – 21 TOOTH, RC 60 ¹⁵⁶	OPT	
39	137356	SPROCKET – 14 TOOTH, 3000 PSI (DOWN RICE ONLY) ¹⁵⁶	OPT	
40	164126	SPROCKET – 13 TOOTH, RC 60 ¹⁵⁶	OPT	
41	137970	SPROCKET – 12 TOOTH, 2500 PSI (DOWN RICE ONLY) ¹⁵⁶	OPT	
42	137348	SPROCKET – 10 TOOTH, 2000 PSI (DOWN RICE ONLY) ¹⁵⁶	OPT	
43	304018	BRACKET – CTR CAM WELDT (EXPORT ONLY)	1	
44	18624	PIN – CLEVIS (EXPORT ONLY)	1	
45	118137	RING (EXPORT ONLY)	1	
46	18648	PIN – COTTER 3/16 DIA X 1.25 ZP	1	
A	21821	BOLT – HH FLG (SER FACE) 3/8 NC X 0.75 GR 5 ZP		
B	18664	NUT – HEX JAM 3/8-16 UNC GR 5 ZP		
C	18697	NUT – HEX LOCK DT .500-13 UNC		
D	21452	NUT – FLANGE (SER FACE) .375-16 UNC		
E	21455	NUT – FLG (SER FACE) 1/4 NC GR 5 ZP		
F	21863	BOLT – RHSSN 3/8 NC X 0.75 LG GR 5 ZP		
G	21491	BOLT – HH 1/2 NC X 1.25 LG GR 5 ZP		
H	21572	BOLT – HEX HD 1/4 NC X 1.25 LG GR 5 ZP		
J	21575	BOLT – HH 1/2 NC X 1.0 LG GR 5 ZP		
K	21968	BOLT – HH FLG (SER FACE) 1/4 NC X 0.5 GR 5 ZP		
L	30027	BOLT – RHSN 1/2 NC X 2.25 LG GR 5 ZP		
M	31774	WASHER – FLAT		
N	50186	NUT – FLANGE LOCK SM FACE DT 0.500-13 UNC GR 5		
P	101898	SCREW – HEX WASH HD THD ROLLING 3/8 NC X 5/8		
Q	105069	BOLT – RHSSN 1/2 NC X 0.75 GR 5 ZP		
R	114233	BOLT – RHSSN 1/2 NC X 1.25 GR 5 ZP		
S	135157	SCREW – MACHINE, TORX TRUSS HEAD, 3/8 IN., .75 IN LG		
T	137375	NUT – SLOTTED JAM 1.0 IN-20 UNEF-ZN PL		
U	137503	BOLT – CSK SOCK. 1/2 NC X 1.75 GR. 5 ZP		

154. Includes cam shim kit (MD #294631).

155. Includes four shims (MD #164061), two shim rings (MD #137753), and shim (MD #245199).

156. High-torque, steel-fingered reels only. Required on combines that have low reel drive pressure.

REEL COMPONENTS – DOUBLE REEL, CENTER ARM

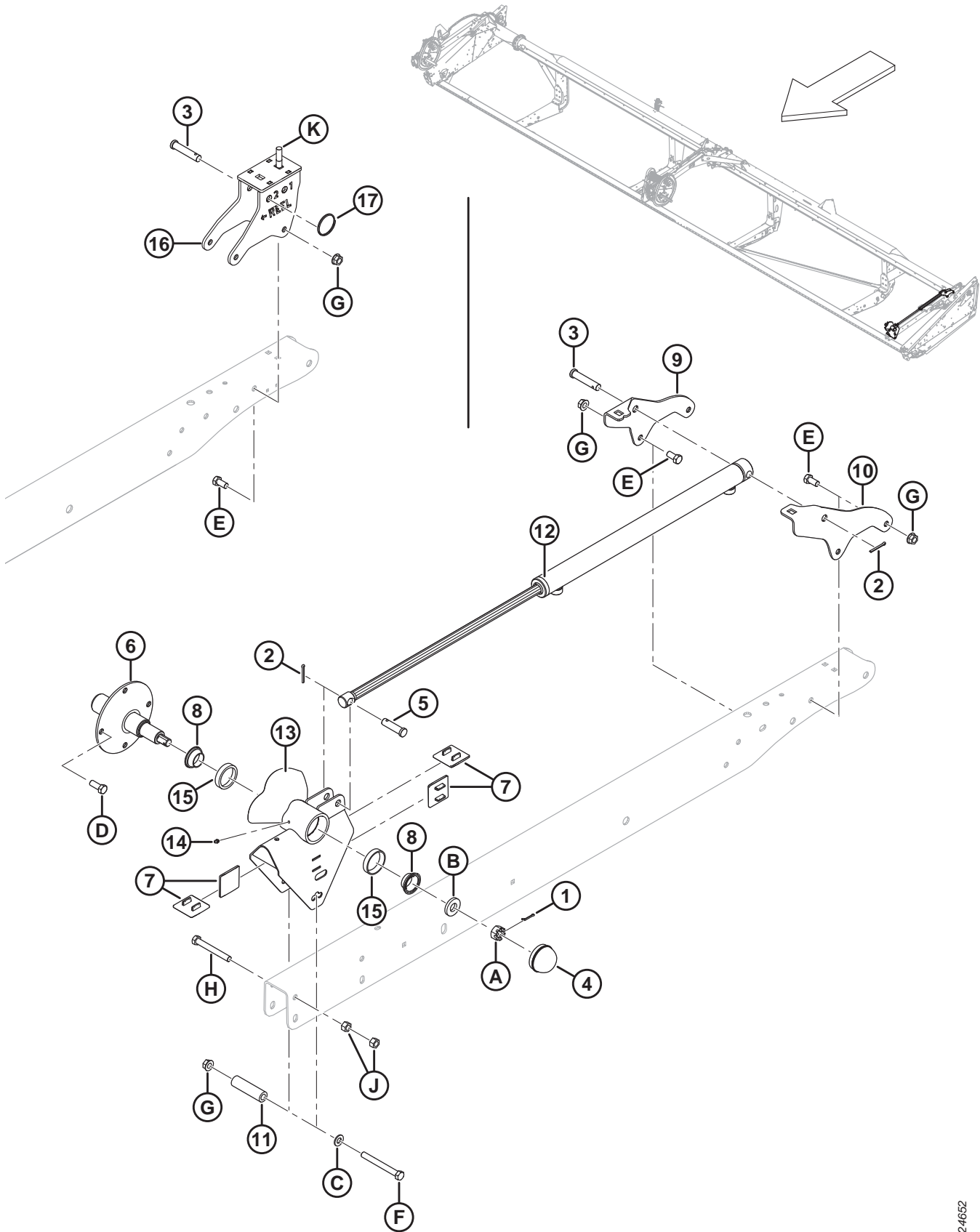


1033727

REEL COMPONENTS – DOUBLE REEL, CENTER ARM

Ref	Part Number	Description	Qty	Serial Number
V	137702	NUT – 1/4-20 SHEET METAL		
W	273304	WASHER – CAM LATCH		
X	20055	BOLT – HH 3/8 NC X 2.25 LG GR 5 ZP		
Y	30228	NUT – FLANGE DT SMOOTH FACE 0.375-16 UNC		
Z	21575	BOLT – HH 1/2 NC X 1.0 LG GR 5 ZP		
AA	40915	WASHER – FLAT		

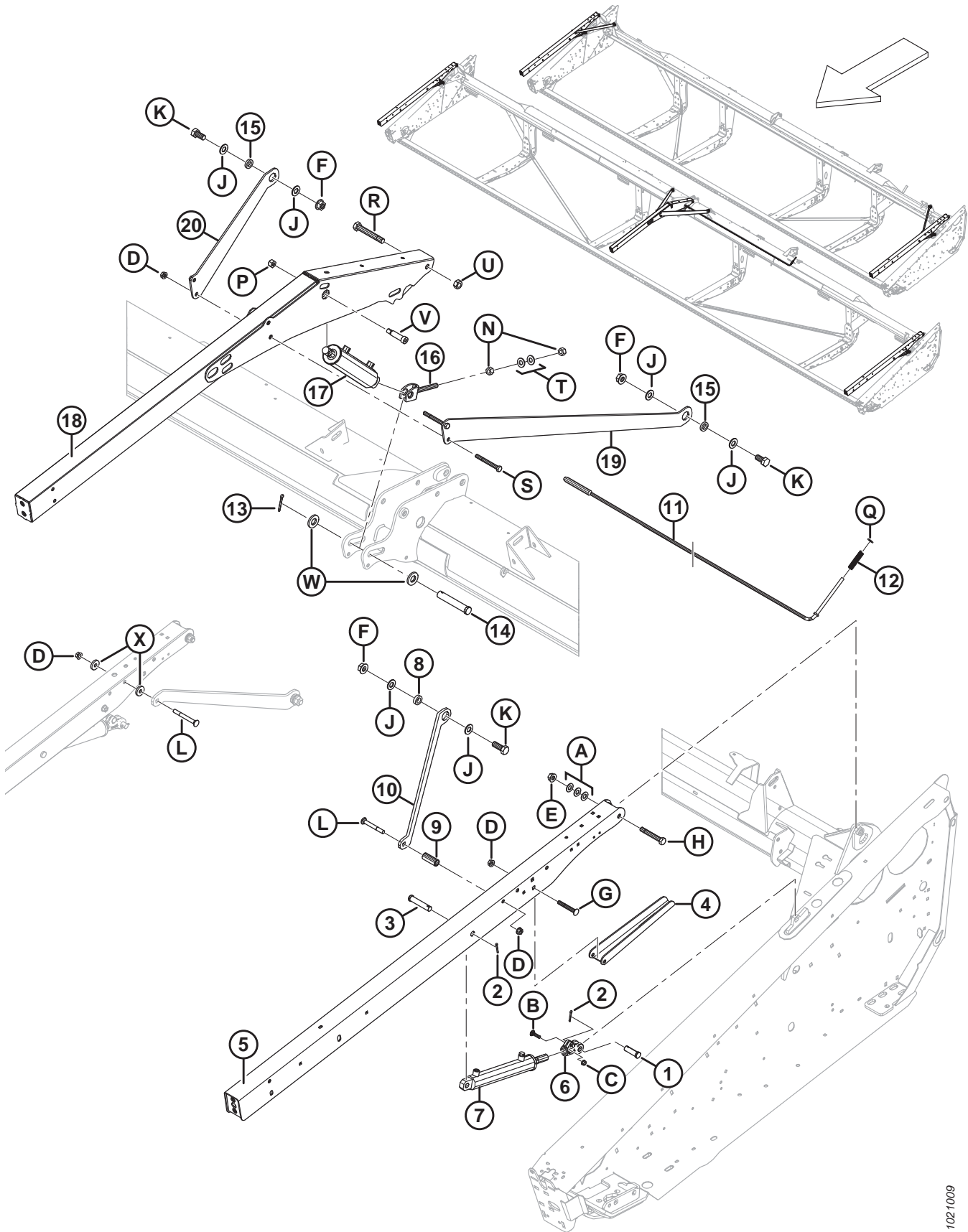
32 Reel Components – Single/Double Reel, Left Arm



REEL COMPONENTS – SINGLE/DOUBLE REEL, LEFT ARM

Ref	Part Number	Description	Qty	Serial Number
1	18605	PIN – COTTER 1/8 DIA X 1 ZP	1	
2	18648	PIN – COTTER 3/16 DIA X 1.25 ZP	2	
3	18624	PIN – CLEVIS	1	
4	30520	CAP – DUST	1	
5	103879	PIN – CLEVIS	1	
6	105364	SHAFT – TAIL END	1	
7	137626	PAD – REEL DRIVE WEAR	4	
8	164216	BEARING – CONE C/W SEAL	2	
9	164780	SUPPORT – FORE/AFT LH ARM, INBOARD SIDE	1	
10	164781	SUPPORT – FORE/AFT LH ARM, OUTBOARD SIDE	1	
11	164945	SPACER	1	
12	164934	CYLINDER – FORE AFT	1	
	113435	SEAL KIT		
13	253290	SUPPORT – TAIL C/W CUPS	1	
14	18671	FITTING – LUBE 1/4-28 UNF	1	
15	164215	BEARING – CUP ROLLER	2	
16	304019	BRACKET – LHS CAM WELDT (EXPORT ONLY)	1	
17	118137	RING (EXPORT ONLY)	1	
A	5512	NUT – HEX SLOTTED .750-16 UNF ZN PL		
B	16235	WASHER – FLAT		
C	18599	WASHER – SAE FLAT 17/32 I.D. X 1-1/16 IN. O.D. ZP		
D	21491	BOLT – HH 1/2 NC X 1.25 LG GR 5 ZP		
E	21575	BOLT – HH 1/2 NC X 1.0 LG GR 5 ZP		
F	30209	BOLT – HH 1/2 NC X 4.5 LG GR 5 ZP		
G	50186	NUT – FLANGE LOCK SM FACE DT 0.500-13 UNC GR 5		
H	21589	BOLT – HH 1/2 NC X 4.0 LG GR 5 ZP		
J	18591	NUT – HEX 1/2-13 UNC GR 5 ZP		
K	30027	BOLT – RHSN 1/2 NC X 2.25 LG GR 5 ZP		

33 Reel Support Arms and Lift Cylinders



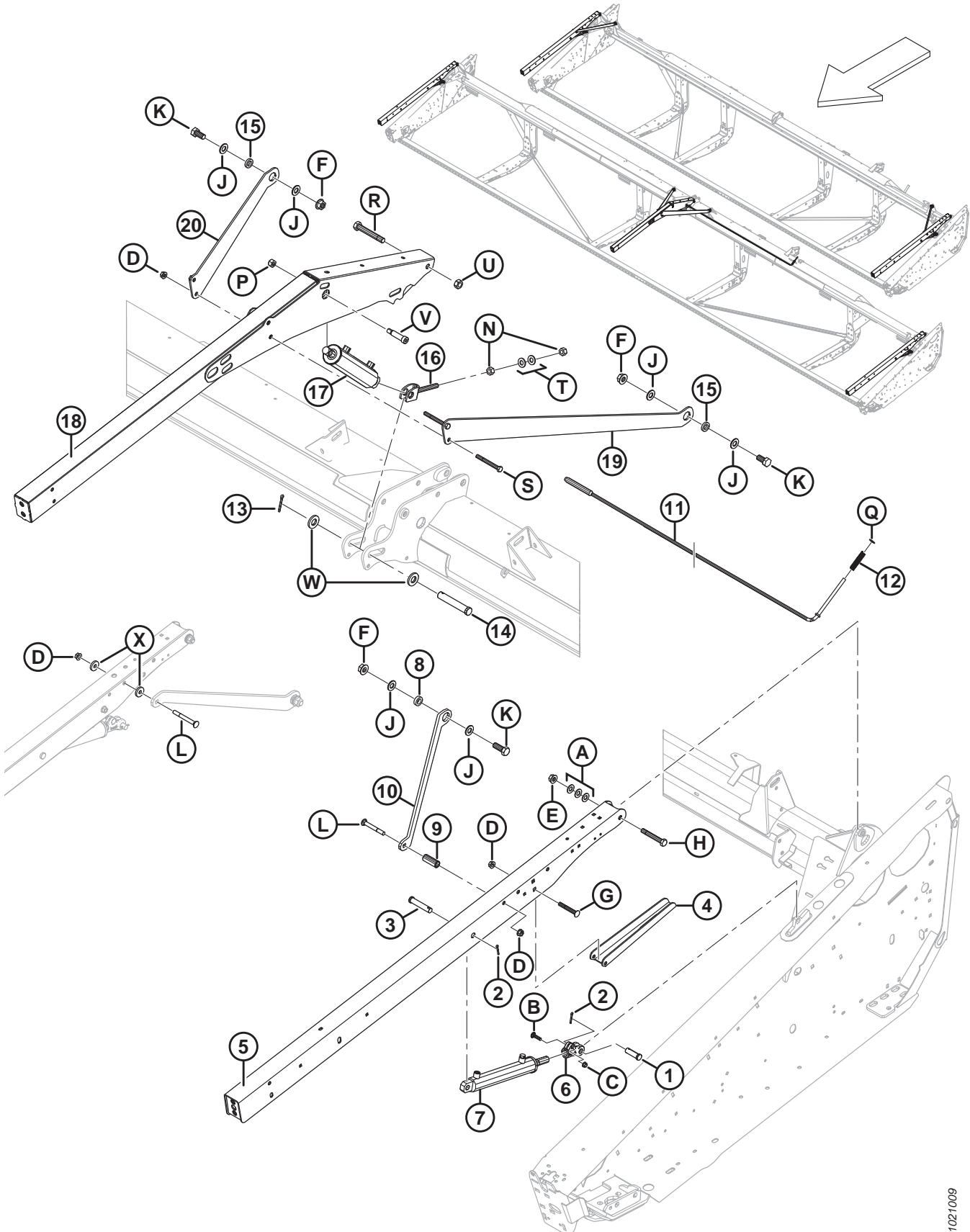
REEL SUPPORT ARMS AND LIFT CYLINDERS

Ref	Part Number	Description	Qty	Serial Number
1	18626	PIN – CLEVIS	2	
2	18648	PIN – COTTER 3/16 DIA X 1.25 ZP	4	
3	20312	PIN – CLEVIS	2	
4	304222	SUPPORT – REEL PROP	2	
5	255282	ARM – OUTER C/W DECALS ¹⁵⁷	2	-451189
	335966	ARM – OUTER C/W DECALS ¹⁵⁸	2	451190-
	255788	ARM – OUTER C/W DECALS (EXPORT ONLY) ¹⁵⁷	2	-451189
	335967	ARM – OUTER C/W DECALS (EXPORT ONLY) ¹⁵⁸	2	451190-
6	304314	CLEVIS	2	
7	245992	CYLINDER – LH HYDRAULIC	1	
	132474	SEAL KIT		
	245993	CYLINDER – RH HYDRAULIC	1	
	132475	SEAL KIT		
8	172158	SPACER – DIAGONAL BRACE (SINGLE REEL ONLY)	2	
9	174333	SPACER (SINGLE REEL ONLY)	2	
10	172155	BRACE – DIAGONAL (SINGLE REEL ONLY)	2	
	255831	BRACE – DIAGONAL SHORT (EXPORT SINGLE REEL ONLY)	2	
11	304228	ROD – CENTER PROP WELDT (DOUBLE REEL ONLY)	1	
12	18349	SPRING – COMPRESSION (DOUBLE REEL ONLY)	1	
13	18609	PIN – COTTER 1/4 DIA X 2 ZP (DOUBLE REEL ONLY)	1	
14	49341	PIN – CLEVIS (DOUBLE REEL ONLY)	1	
15	145461	SPACER – DIAGONAL BRACE (DOUBLE REEL ONLY)	2	
16	253412	CLEVIS WELDT (DOUBLE REEL ONLY)	1	
17	245671	CYLINDER – HYD, CENTER ARM (DOUBLE REEL ONLY)	1	
	132476	SEAL KIT		
18	164773	ARM – CENTER WELDMENT (DOUBLE REEL ONLY)	1	
19	125435	BRACE – LH REEL ARM (DOUBLE REEL ONLY)	1	
	164825	BRACE – SHORT RH (EXPORT DOUBLE REEL ONLY)	1	
20	125433	BRACE – RH REEL ARM (DOUBLE REEL ONLY)	1	
	164800	BRACE – SHORT LH (EXPORT DOUBLE REEL ONLY)	1	
A	18600	WASHER – SAE FLAT 21/32 ID X 1 5/16 IN OD ZP		
B	21484	BOLT – RHSN 3/8-16 X 1.5-GR5-ZP		
C	30228	NUT – FLANGE DT SMOOTH FACE 0.375-16 UNC		
D	50186	NUT – FLANGE LOCK SM FACE DT 0.500-13 UNC GR5		
E	50225	NUT – FLANGE DT SMOOTH FACE .625-11 UNC		
F	135367	NUT – FLANGE DT SMTH FACE 0.75-10 UNC GR. G		
G	151192	BOLT – RHSSN 1/2 NC X 3.5 LG GR 5 ZP		
H	172922	BOLT – HH 5/8 NC X 4.125 LG GR 5 ZP		
J	176009	WASHER – NORDLOCK 3/4 IN. SP		

157. Includes decals (MD #131393, 174632).

158. Includes decals (MD #335965, 174632).

REEL SUPPORT ARMS AND LIFT CYLINDERS

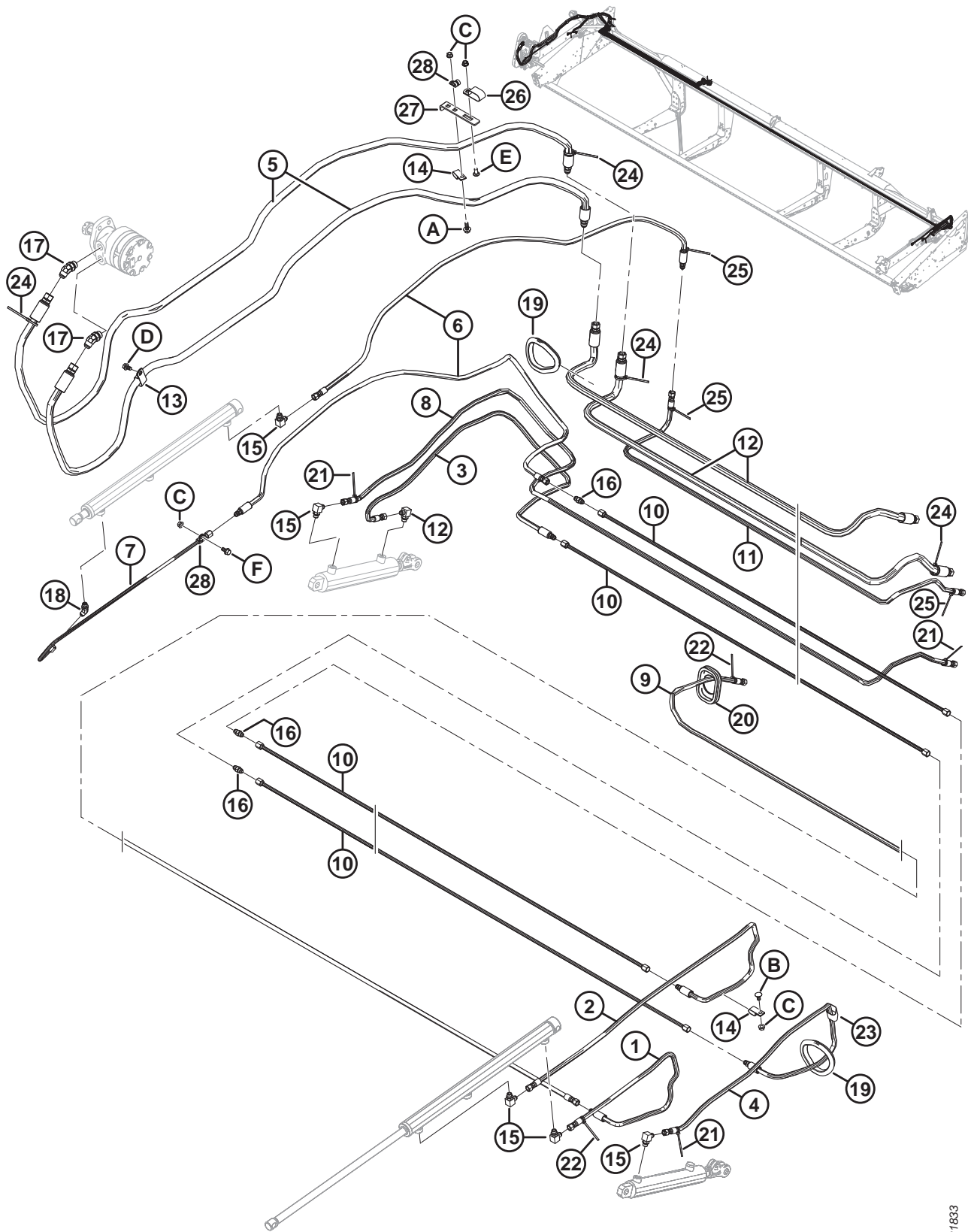


1021009

REEL SUPPORT ARMS AND LIFT CYLINDERS

Ref	Part Number	Description	Qty	Serial Number
K	30512	BOLT – HEX HD 3/4-10 X 2.0 GR5-AA1J (SINGLE REEL ONLY)		
L	30824	BOLT – RHSN 1/2 NC X 4.0 LG GR 5 ZP (SINGLE REEL ONLY)		
	129847	BOLT – RHSN 1/2 NC X 4.5 LG GR 5 ZP (EXPORT SINGLE REEL ONLY)		
N	18592	NUT – HEX 5/8-11 UNC GR 5 ZP (DOUBLE REEL ONLY)		
P	18666	NUT – HEX LOCK DT 5/8-11 UNC ZP (DOUBLE REEL ONLY)		
Q	18688	WASHER – SAE FLAT 0.47 IN. ID X 0.92 IN OD ZP (DOUBLE REEL ONLY)		
R	30549	BOLT – HEX HD 3/4-10 X 5.5 GR5-AA1J (DOUBLE REEL ONLY)		
S	30209	BOLT – HH 1/2 NC X 4.5 LG GR 5 ZP (DOUBLE REEL ONLY)		
T	30441	WASHER – HARDENED (DOUBLE REEL ONLY)		
U	102636	NUT – HEX DT .750-10 UNC SIDE LOCK (DOUBLE REEL ONLY)		
V	135737	BOLT – SHOULDER SOCKET HEAD-3/4 X 2.25 LG (DOUBLE REEL ONLY)		
W	174858	WASHER – FLAT (DOUBLE REEL ONLY)		
X	18770	WASHER – FLAT (EXPORT SINGLE REEL ONLY)		

34 Reel Drive Hydraulics – Lift and Fore-Aft – Single Reel (D120, D125, D130, and D135)

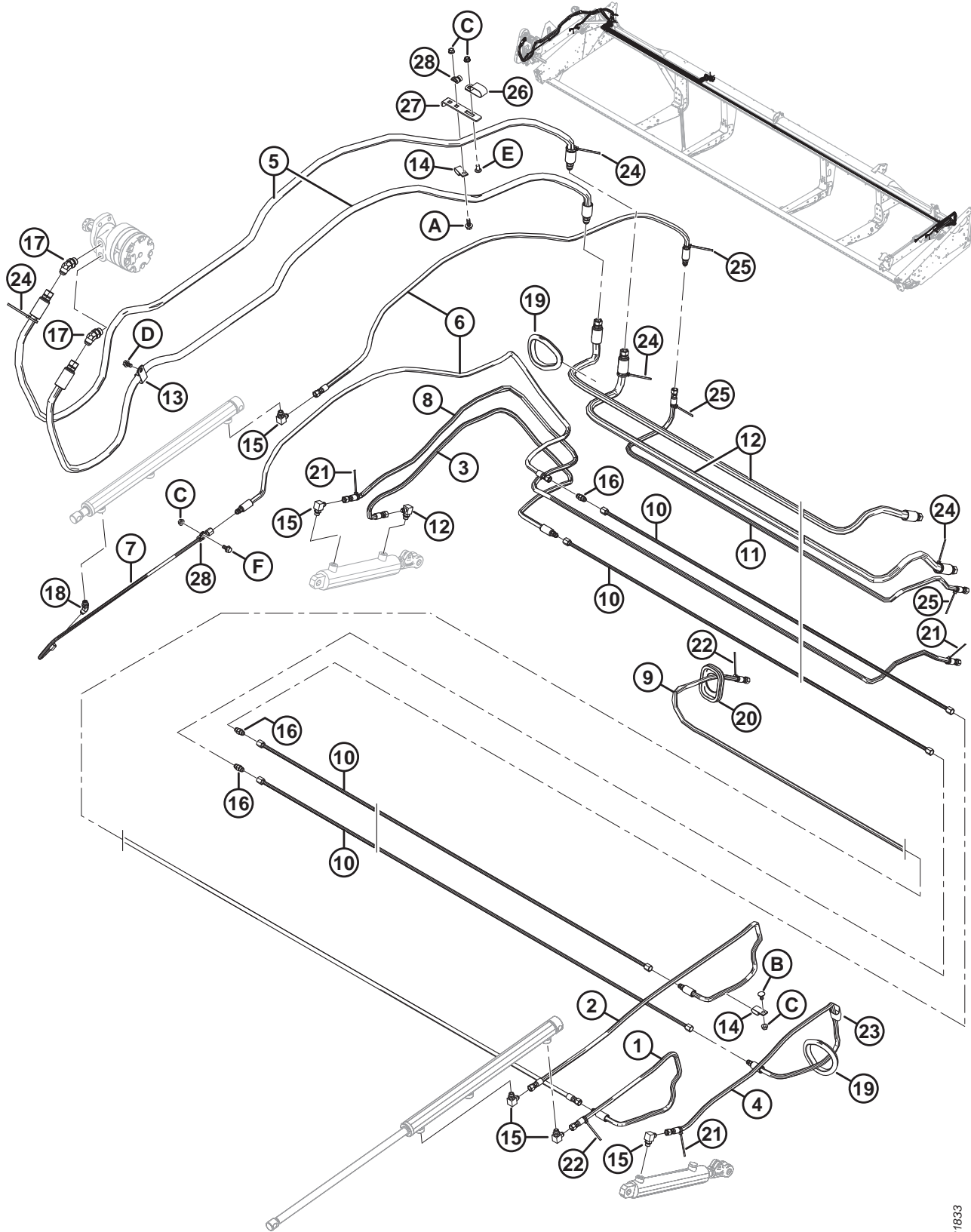


1031833

REEL DRIVE HYDRAULICS – LIFT AND FORE-AFT – SINGLE REEL (D120, D125, D130, AND D135)

Ref	Part Number	Description	Qty	Serial Number
1	106708	HOSE – HYD, 0.25 IN ID, 970 MM LG	1	
2	132911	HOSE – HYD, 0.25 IN ID, 1700 MM LG	1	
3	220849	HOSE – HYD, 0.25 IN ID, 1480 MM LG	1	
4	220676	HOSE – HYD, 0.25 IN ID, 1300 MM LG	1	
5	172978	HOSE – HYD, 0.5 IN ID, 3000 MM LG	2	
6	165267	HOSE – HYD, 0.25 IN ID, 1830 MM LG	2	
7	253815	LINE – HYD, 3/8 IN DIA, BENT	1	
8	172220	HOSE – HYD, 0.25 IN ID, 2564 MM LG (20 FT ONLY)	1	
	172221	HOSE – HYD, 0.25 IN ID, 3326 MM LG (25 FT ONLY)	1	
	172222	HOSE – HYD, 0.25 IN ID, 4088 MM LG (30 FT ONLY)	1	
	172223	HOSE – HYD, 0.25 IN ID, 4850 MM LG (35 FT ONLY)	1	
9	172184	HOSE – HYD, 0.25 IN ID, 5261 MM LG (20 FT ONLY)	1	
	172183	HOSE – HYD, 0.25 IN ID, 6023 MM LG (25 FT ONLY)	1	
	172185	HOSE – HYD, 0.25 IN ID, 6785 MM LG (30 FT ONLY)	1	
	172186	HOSE – HYD, 0.25 IN ID, 7547 MM LG (35 FT ONLY)	1	
10	123663	LINE – HYD, 3/8 IN DIA, 5480 MM LG (20 FT ONLY)	2	
	123676	LINE – HYD, 3/8 IN DIA, 3500 MM LG (25 FT ONLY)	4	
	123702	LINE – HYD, 3/8 IN DIA, 4243 MM LG (30 FT ONLY)	4	
	123701	LINE – HYD, 3/8 IN DIA, 5005 MM LG (35 FT ONLY)	4	
11	172986	HOSE – HYD, 0.25 IN ID, 1913 MM LG (25 FT ONLY)	1	
	120552	HOSE – HYD, 0.25 IN ID, 2675 MM LG (30 FT ONLY)	1	
	172988	HOSE – HYD, 0.25 IN ID, 3437 MM LG (35 FT ONLY)	1	
12	172981	HOSE – HYD, 0.5 IN ID, 1900 MM LG (25 FT ONLY)	2	
	172982	HOSE – HYD, 0.5 IN ID, 2662 MM LG (30 FT ONLY)	2	
	172983	HOSE – HYD, 0.5 IN ID, 3424 MM LG (35 FT ONLY)	2	
13	103738	CLAMP – PVC INSULATED 13/16 IN. TUBE SIZE	1	
14	135234	CLAMP – DOUBLE HOSE INSULATED	2	
15	30282	FITTING – ELBOW 90° HYD	5	
16	30375	FITTING – UNION HYD	3	
17	50103	FITTING – ELBOW 45° HYD C/W O-RING	2	
18	30284	FITTING – ELBOW 45° HYD C/W O-RING	1	
19	125722	GROMMET – RUBBER	2	
20	172877	GROMMET – 2.38 IN. I.D. (20 FT ONLY)	1	
	172993	GROMMET (25-35 FT ONLY)	1	
21	21763	FASTENER – CABLE TIE, BLACK	3	
22	49227	FASTENER – CABLE TIE, GREEN	2	
23	135443	FASTENER – CINCH STRAP 4 IN. LG	2	
24	40701	FASTENER – CABLE TIE, YELLOW (25-35 FT ONLY)	4	
25	40702	FASTENER – CABLE TIE, RED (25-35 FT ONLY)	3	
26	50022	CLAMP – INSULATED 15/16 INCH	1	
27	294607	BRACKET – HOSES	1	
28	136410	CLAMP – INSULATED 3/8 IN.	2	

REEL DRIVE HYDRAULICS – LIFT AND FORE-AFT – SINGLE REEL (D120, D125, D130, AND D135)

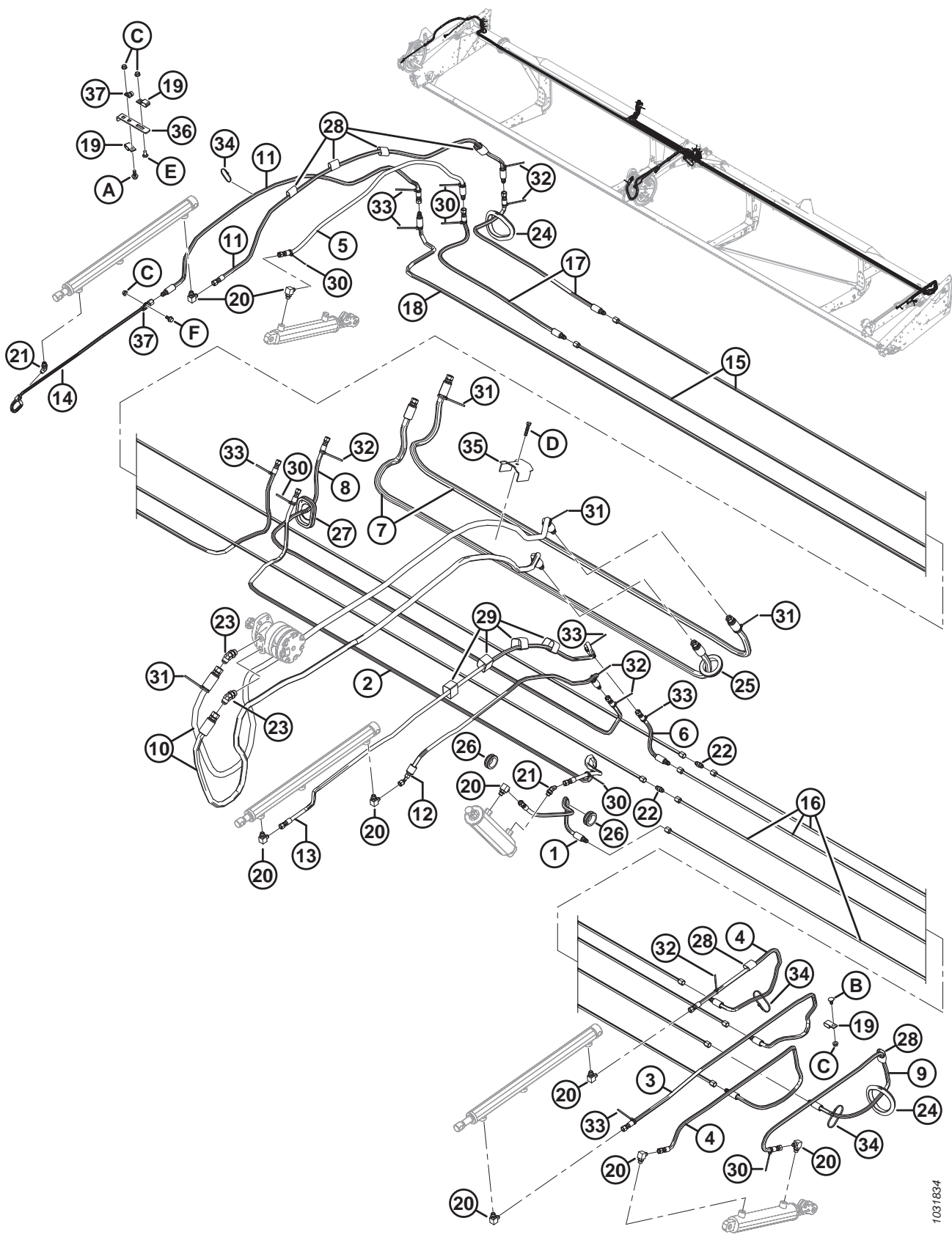


1031833

REEL DRIVE HYDRAULICS – LIFT AND FORE-AFT – SINGLE REEL (D120, D125, D130, AND D135)

Ref	Part Number	Description	Qty	Serial Number
A	21447	BOLT – HH LG FLG (SER FACE) 3/8 NC X 1.0 GR 5 ZP		
B	21472	BOLT – RHSN 3/8 NC X 0.75 GR 5 ZP		
C	30228	NUT – FLANGE DT SMOOTH FACE 0.375-16 UNC		
D	101898	SCREW – HEX WASH HD THD ROLLING 3/8 NC X 5/8		
E	21863	BOLT – RHSSN 3/8 NC X 0.75 LG GR 5 ZP		
F	21821	BOLT – HEX FLG SER HD 3/8-16 X 0.75 GR5-AA1J		

35 Reel Drive Hydraulics – Lift and Fore-Aft – Double Reel (D130, D135, D140, and D145)



1031834

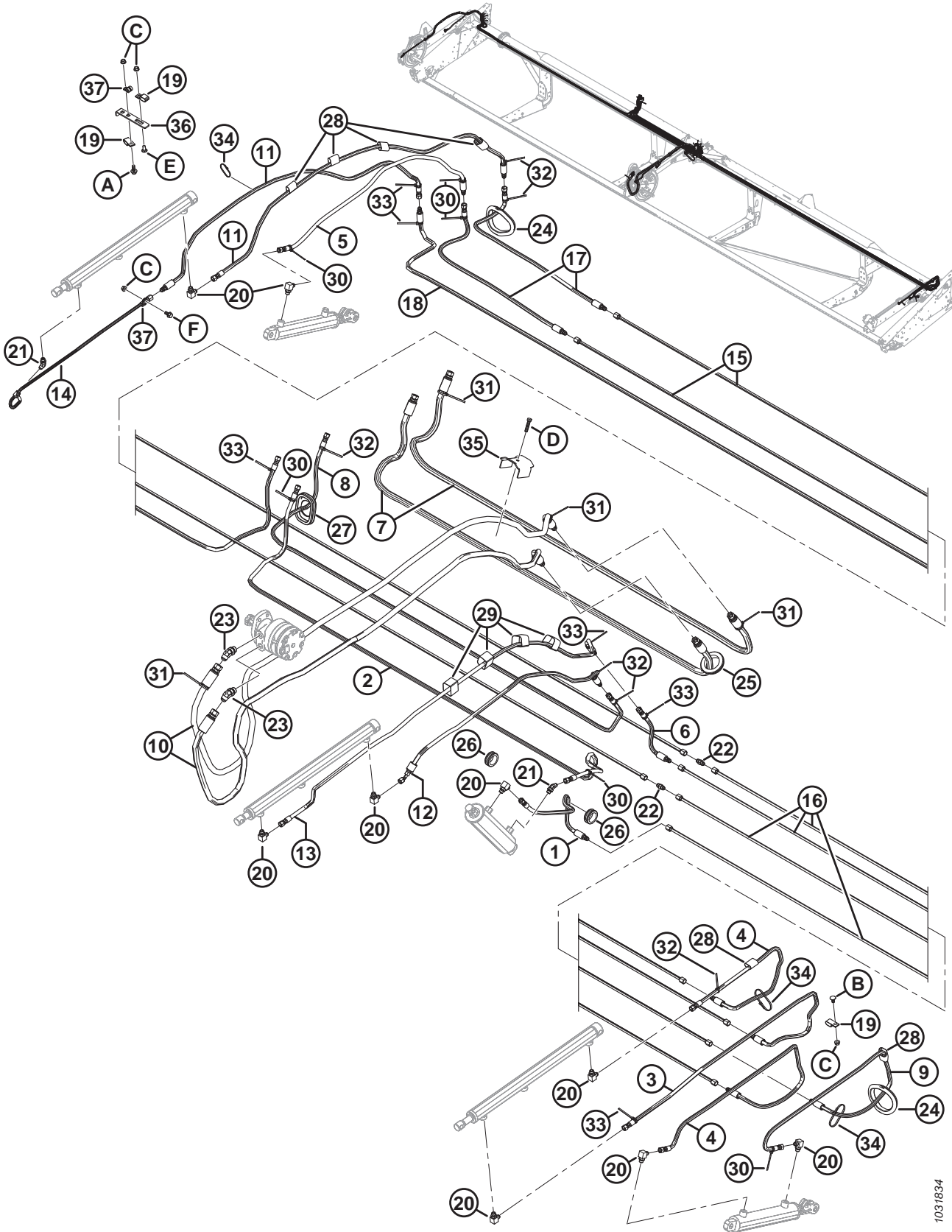
REEL DRIVE HYDRAULICS – LIFT AND FORE-AFT – DOUBLE REEL (D130, D135, D140, AND D145)

Ref	Part Number	Description	Qty	Serial Number
1	36849	HOSE – HYD, 0.25 IN. ID, 780 MM LG	1	
2	120552	HOSE – HYD, 0.25 IN. ID, 2675 MM LG	1	
3	132911	HOSE – HYD, 0.25 IN. ID, 1700 MM LG	1	
4	132912	HOSE – HYD, 0.25 IN. ID, 1270 MM LG	2	
5	220676	HOSE – HYD, 0.25 IN. ID, 1300 MM LG	1	
6	172897	HOSE – HYD, 0.25 IN. ID, 300 MM LG	1	
7	174407	HOSE – HYD, 0.5 IN. ID, 2150 MM LG	2	
8	174408	HOSE – HYD, 0.25 IN. ID, 2150 MM LG	1	
9	220849	HOSE – HYD, 0.25 IN. ID, 1480 MM LG	1	
10	172978	HOSE – HYD, 0.5 IN ID, 3000 MM LG	2	
11	165267	HOSE – HYD, 0.25 IN ID, 1830 MM LG	2	
12	172985	HOSE – HYD, 0.25 IN ID, 2017 MM LG	1	
13	120996	HOSE – HYD, 0.25 IN ID, 2200 MM LG	1	
14	253815	LINE – HYD, 3/8 IN DIA, BENT	1	
15	123702	LINE – HYD, 3/8 IN DIA, 4243 MM LG (30 FT ONLY)	2	
	123701	LINE – HYD, 3/8 IN DIA, 5005 MM LG (35 FT ONLY)	2	
	113881	LINE – HYD, 3/8 IN DIA, 5230 MM LG (40 FT ONLY)	2	
	220675	LINE – HYD, 3/8 IN DIA, 4470 MM LG (45 FT ONLY)	2	
16	123702	LINE – HYD, 3/8 IN DIA, 4243 MM LG (30 FT ONLY)	4	
	123701	LINE – HYD, 3/8 IN DIA, 5005 MM LG (35 FT ONLY)	4	
	123598	LINE – HYD, 3/8 IN DIA, 5767 MM LG (40 FT ONLY)	4	
	123703	LINE – HYD, 3/8 IN DIA, 6529 MM LG (45 FT ONLY)	4	
17	172175	HOSE – HYD, 0.25 IN. ID, 733 MM LG (40 FT ONLY)	2	
	172146	HOSE – HYD, 0.25 IN. ID, 2250 MM LG (45 FT ONLY)	2	
18	123620	HOSE – HYD, 0.25 IN. ID, 4438 MM LG (40 FT ONLY)	1	
	123673	HOSE – HYD, 0.25 IN. ID, 5200 MM LG (45 FT ONLY)	1	
19	135234	CLAMP – DOUBLE HOSE INSULATED	3	
20	30282	FITTING – ELBOW 90° HYD	9	
21	30284	FITTING – ELBOW 45° HYD C/W O-RING	2	
22	30375	FITTING – UNION HYD	2	
23	50103	FITTING – ELBOW 45° HYD C/W O-RING	2	
24	125722	GROMMET – RUBBER 99 MM ID	2	
25	172877	GROMMET – 2.38 IN. I.D.	1	
26	174149	GROMMET – 1.50 IN. I.D.	2	
27	172993	GROMMET	1	
28	135443	FASTENER – CINCH STRAP 4 IN. LG	6	
29	135444	FASTENER – CINCH STRAP 6 IN. LG	4	
30	21763	FASTENER – CABLE TIE, BLACK ¹⁵⁹		
31	40701	FASTENER – CABLE TIE, YELLOW	4	
32	40702	FASTENER – CABLE TIE, RED ¹⁶⁰		

159. Quantities: 30-35 foot = 6, 40-45 foot = 8.

160. Quantities: 30-35 foot = 5, 40-45 foot = 6.

REEL DRIVE HYDRAULICS – LIFT AND FORE-AFT – DOUBLE REEL (D130, D135, D140, AND D145)



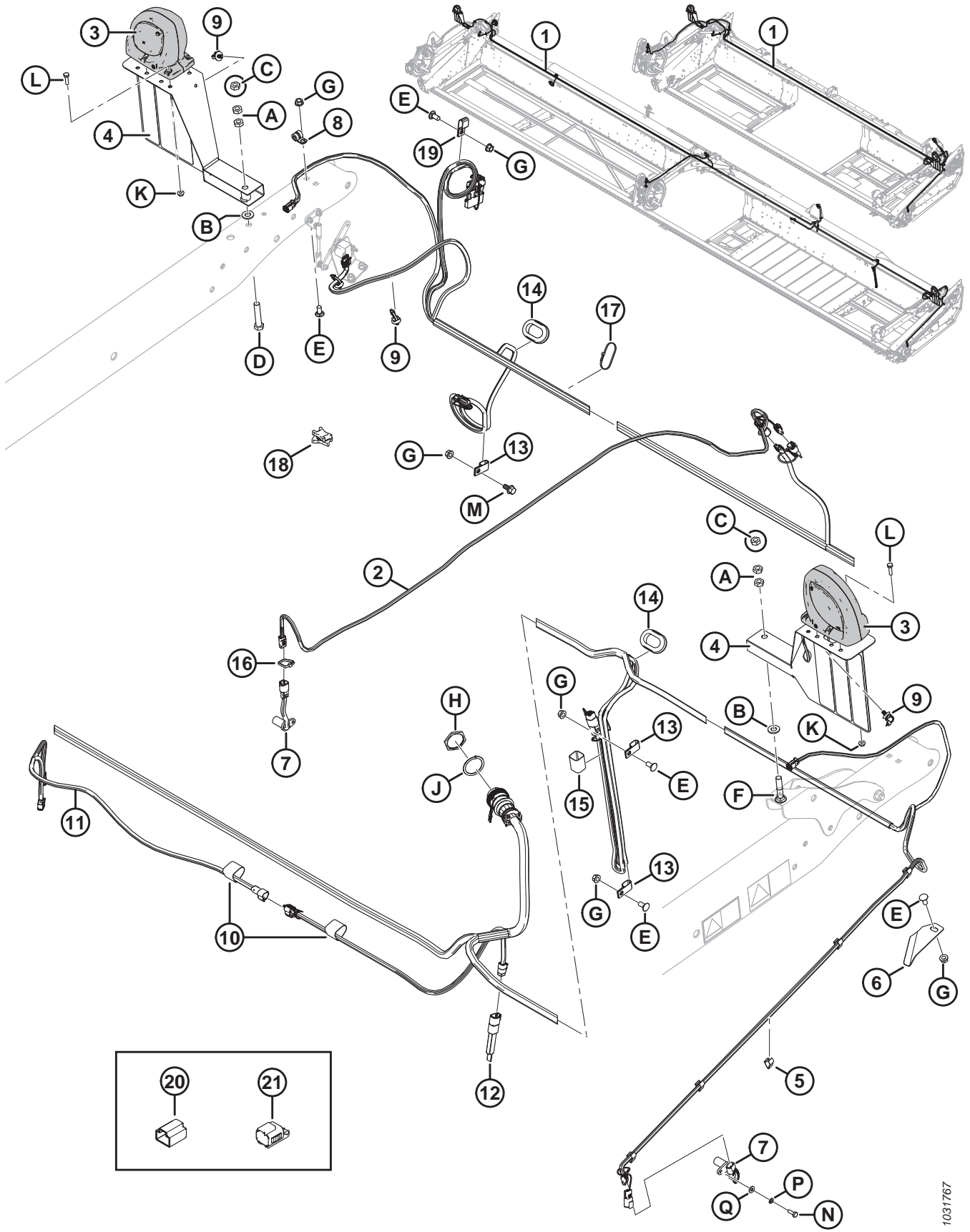
1031634

REEL DRIVE HYDRAULICS – LIFT AND FORE-AFT – DOUBLE REEL (D130, D135, D140, AND D145)

Ref	Part Number	Description	Qty	Serial Number
33	49227	FASTENER – CABLE TIE, GREEN ¹⁶¹		
34	30753	FASTENER – CABLE TIE, 305 MM LG	6	
35	123599	HOLDER – CENTER REEL ARM HYD HOSE	1	
36	294607	BRACKET – HOSES	1	
37	136410	CLAMP – INSULATED 3/8 IN.	2	
A	21447	BOLT – HH LG FLG (SER FACE) 3/8 NC X 1.0 GR 5 ZP		
B	21472	BOLT – RHSN 3/8 NC X 0.75 GR 5 ZP		
C	30228	NUT – FLANGE DT SMOOTH FACE 0.375-16 UNC		
D	20078	BOLT – HH 3/8 NC X 1.75 LG GR 5 ZP		
E	21863	BOLT – RHSSN 3/8 NC X 0.75 LG GR 5 ZP		
F	21821	BOLT – HEX FLG SER HD 3/8-16 X 0.75 GR5-AA1J		

161. Quantities: 30–35 foot = 4, 40–45 foot = 6.

36 Electrical Components



ELECTRICAL COMPONENTS

NOTE:

For specific electrical harness parts, refer to Electrical Connector Parts Catalog (MD #169641).

Ref	Part Number	Description	Qty	Serial Number
1	304390	HARNESS – MAIN, D120	1	
	304391	HARNESS – MAIN, D125	1	
	304392	HARNESS – MAIN, D130	1	
	304393	HARNESS – MAIN, D135	1	
	304394	HARNESS – MAIN, D140	1	
	304395	HARNESS – MAIN, D145	1	
2	255426	HARNESS – REEL EXT., D100	1	
3	203547	LAMP – CLEARANCE, DT CONNECTOR	2	
	139630	LENS – AMBER		
4	294874	ASSY – BRACKET W/ REFLECTORS (2018–LATER) ¹⁶²	2	321190–
	125343	BRACKET – HEADER LIGHT (2017–PRIOR)	2	–321189
5	21218	CLIP – WIRING	5	
6	172142	HOLDER – WIRING HARNESS	1	
7	143875	SENDER – SPEED	2	
8	136410	CLAMP – INSULATED 3/8 IN.	1	
9	136655	FASTENER – FIR TREE MT W/ TIE	4	
10	135443	FASTENER – CINCH STRAP 4 IN. LG	1	
11	255344	HARNESS – HDS, D100 (SR/DR 25-40 FT)	1	
12	254219	PLUG – HEADER ID, 20/25 FT SK, 01101	1	
	254302	PLUG – HEADER ID, 30 FT SK, 00101	1	
	254301	PLUG – HEADER ID, 35 FT SK, 01001	1	
	254305	PLUG – HEADER ID, 40 FT SK, 01000	1	
	254220	PLUG – HEADER ID, 25 FT DK, 01111	1	
	254179	PLUG – HEADER ID, 30 FT DK, 10111	1	
	254180	PLUG – HEADER ID, 35 FT DK, 11101	1	
	254181	PLUG – HEADER ID, 40/45 FT DK, 11100	1	
13	135233	CLAMP – DOUBLE HOSE INSULATED (SR/DR 30-45 FT)	3	
14	172899	GROMMET – 1.75 IN. ID (SR/DR 30-45 FT)	2	
15	135444	FASTENER – CINCH STRAP 6 IN. LG (SR/DR 30-45 FT)	1	
16	21763	FASTENER – CABLE TIE, BLACK, 160 MM LG ¹⁶³	1	
17	30753	FASTENER – CABLE TIE, BLACK, 305 MM LG	3	
18	134443	SPACER – DUAL SADDLE, H.T. TYPE DSWS5 (SR/DR 25-45 FT) ¹⁶⁴		
19	135234	CLAMP – DOUBLE HOSE INSULATED (SR/DR 30-45 FT)	1	
20	134954	DUST CAP – PLUG, 3 POS, DTM ¹⁶⁵	A/R	

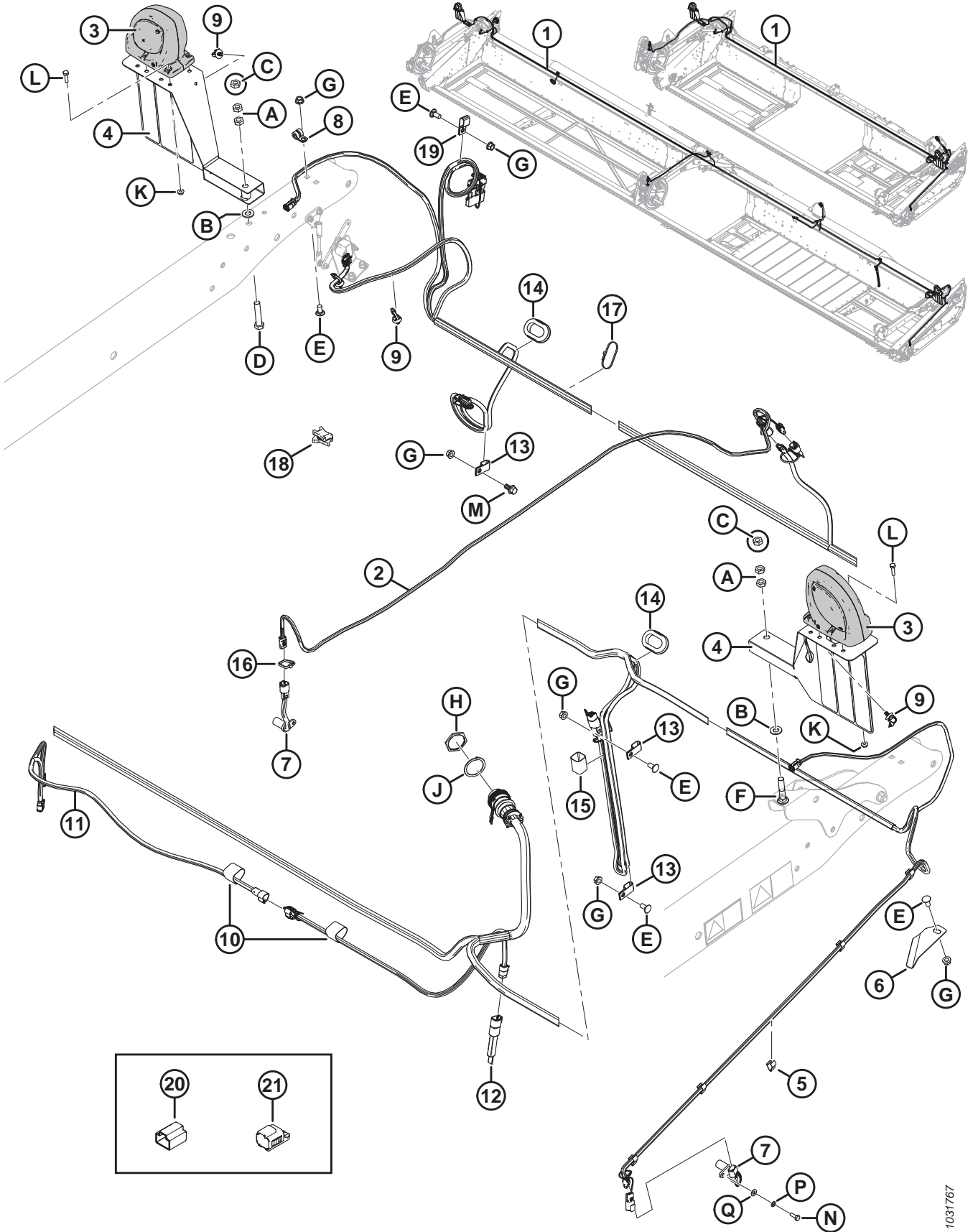
162. Includes reflectors (MD #115145, 115146, and 115147).

163. Quantities: 25 foot = 2, 30-35 foot = 3, 45 foot = 2.

164. Quantities: 30 foot single reel and 40-45 foot double reel = 1, 25 foot single reel and 35 foot single/double reel = 2.

165. Cap required to cover socket when reel speed sensor is not installed.

ELECTRICAL COMPONENTS



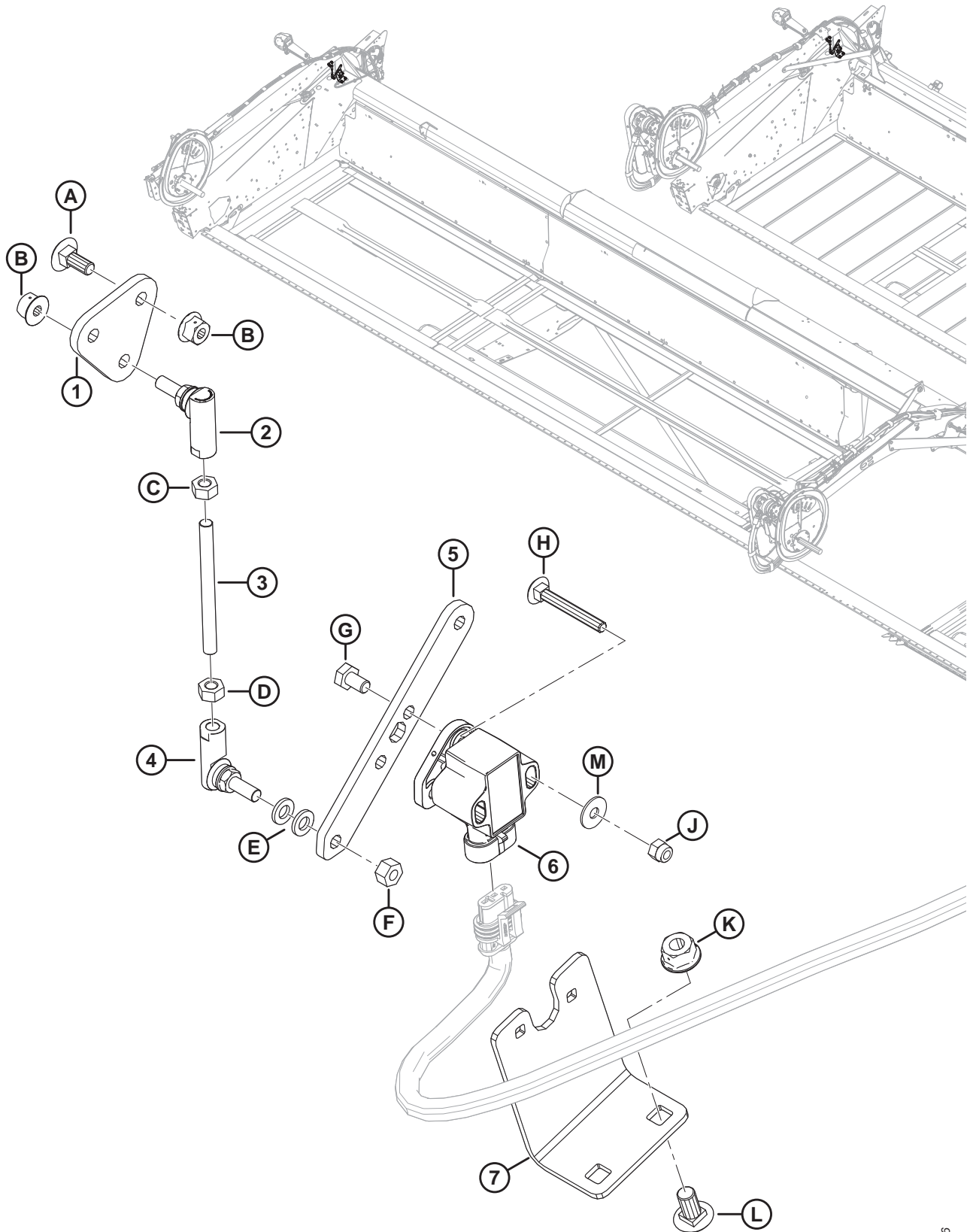
1031767

ELECTRICAL COMPONENTS

Ref	Part Number	Description	Qty	Serial Number
21	134741	CAP – PLUG, DEUTSCH, DT, 2 POS ¹⁶⁶	A/R	
A	137727	NUT – HEX JAM DT 1/2-13 UNC GR 5 AA1J (2018–LATER)		321190–
	18591	NUT – HEX 1/2-13 UNC GR 5 ZP (2017–PRIOR)		–321189
B	18599	WASHER – SAE FLAT 17/32 ID X 1 1/16 IN OD ZP		
C	21056	NUT – HEX JAM 1/2-13 UNC GR 5 ZP (2017–PRIOR)		–321189
D	21760	BOLT – HEX HD 1/2-13 X 2.5 GR 5 AA1J (2018–LATER)		321190–
	21576	BOLT – HH 1/2 NC X 2.0 LG GR 5 ZP (2017–PRIOR)		–321189
E	21863	BOLT – RHSSN 3/8 NC X 0.75 LG GR 5 ZP		
F	21489	BOLT – RHSN 1/2 NC X 2.5 LG GR 5 AA1J (2018–LATER)		321190–
	30027	BOLT – RHSN 1/2 NC X 2.25 LG GR 5 ZP (2017–PRIOR)		–321189
G	30228	NUT – FLANGE DT SMOOTH FACE 0.375-16 UNC		
H	134010	NUT – PANEL, HD30, SIZE 24		
J	134011	WASHER – LOCK SPRING, DEUTSCH HD, SIZE 24		
K	21455	NUT – FLG (SER FACE) 1/4 NC GR 5 ZP		
L	21573	BOLT – HEX HD 1/4 NC X 1.0 LG GR 5 ZP		
M	21821	BOLT – HH FLG (SER FACE) 3/8 NC X 0.75 GR 5 ZP		
N	109089	BOLT – HH 1/4 NF X 0.75 GR 5 ZP		
P	18635	WASHER – REG. LOCK 1/4 IN. NOM. ID ZP		
Q	18596	WASHER – SAE FLAT 9/32 ID X 5/8 IN OD ZP		

166. Caps required to cover LH and RH light socket pins (P521 and P520) when exposed due to lights not being installed as per export configuration.

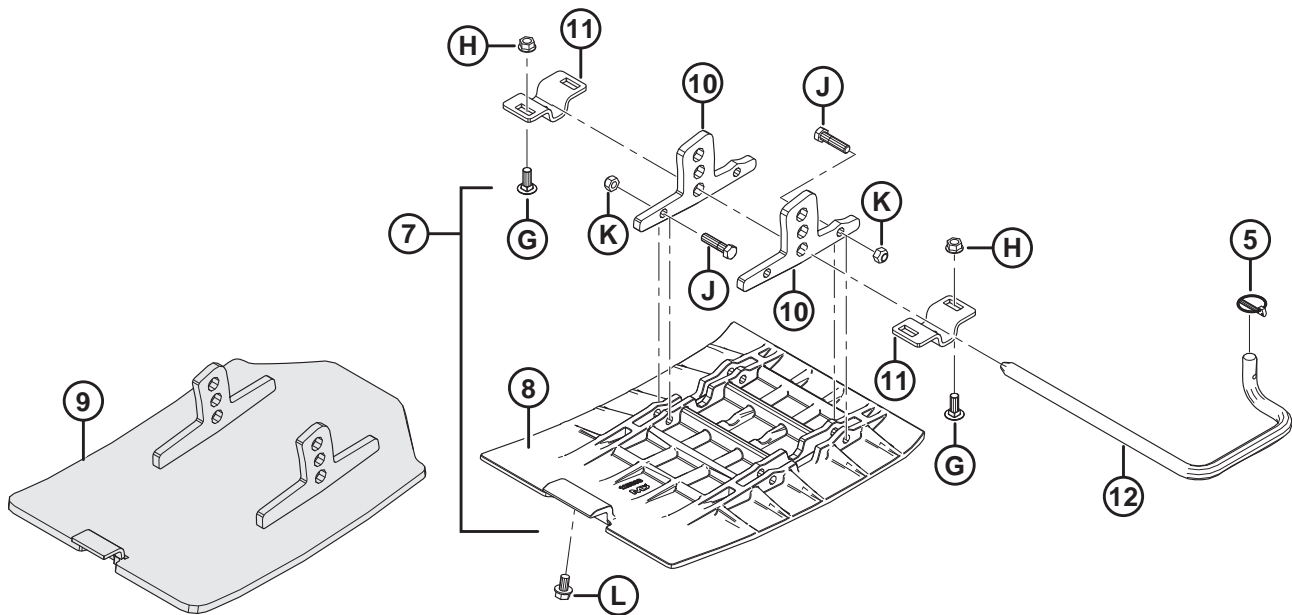
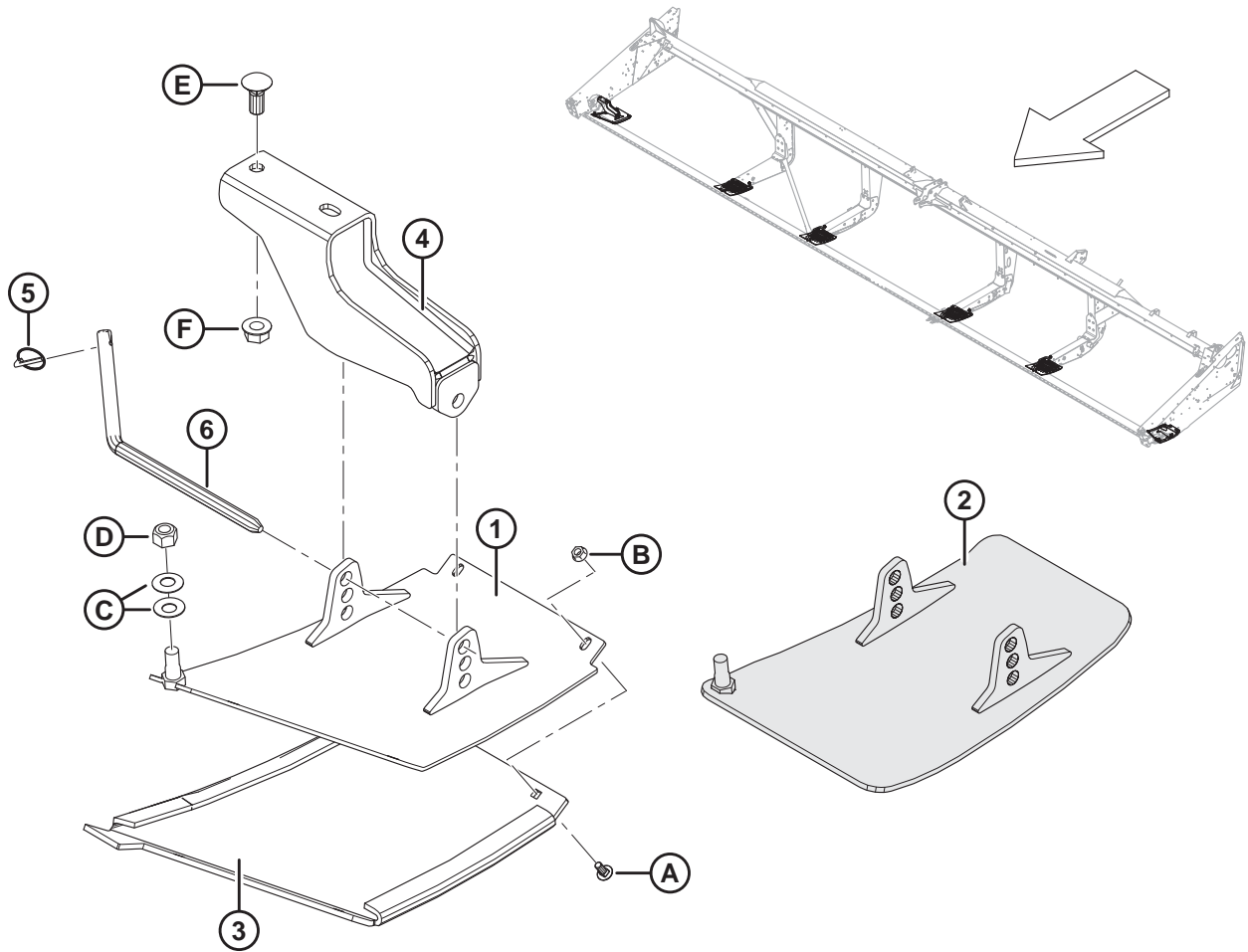
37 Reel Height Sensor



REEL HEIGHT SENSOR

Ref	Part Number	Description	Qty	Serial Number
1	254096	PLATE – BALL JOINT MOUNTING	1	
2	291485	BALL JOINT – LH THREAD	1	
3	232650	ROD – THREADED	1	
4	291484	BALL JOINT – RH THREAD	1	
5	254095	ARM – FLOAT SENSOR	1	
6	248643	ROTARY SENSOR – DUAL OUTPUT	1	
7	254089	BRACKET – SENSOR MOUNTING	1	
A	136748	BOLT – RHSN M6 X 1 X 16-8.8-A2L		
B	152668	NUT – HEX FLG CTR LOC M6 X 1-8-A2L		
C	136613	NUT – HEX LH ISO 4032 M6 X 1-8-AA2L		
D	184683	NUT – HEX ISO 4032 M6 X 1-8-A2L		
E	184705	WASHER – FLAT M6-200HV-A2L		
F	136773	NUT – HEX CTR LOC M6 X 1-8-AA3L		
G	136561	BOLT – HEX HD TFL M6 X 1 X 10-8.8-A3L		
H	136604	BOLT – RHSN TFL M5 X 0.8 X 40-8.8-AA2L		
J	197230	NUT – HEX NYLOC M5 X 0.8-8-A2L		
K	135337	NUT – HEX FLG CTR LOC M8 X 1.25-8-A2L		
L	191489	BOLT – RHSSN TFL M8 X 1.25 X 16-8.8-A2L		
M	184701	WASHER – FLAT LARGE M5-200HV		

38 Skid Shoes – End and Center



1037426

SKID SHOES – END AND CENTER

Ref	Part Number	Description	Qty	Serial Number
	B4963	KIT – OUTBOARD SKID SHOES (POLYETHYLENE) ¹⁶⁷	1	
	B5615	KIT – INBOARD SKID SHOES (POLYETHYLENE) ¹⁶⁷	2	
	B9053	KIT – SKID SHOES (STEEL) ¹⁶⁷	1	
1	172133	SHOE – LH, WELDT (POLYETHYLENE ONLY)	1	
	172134	SHOE – RH, WELDT (POLYETHYLENE ONLY)	1	
2	313875	SHOE – LH, WELDT (STEEL ONLY)	1	
	313873	SHOE – RH, WELDT (STEEL ONLY)	1	
3	165188	SHOE – LH PLASTIC WEAR (POLYETHYLENE ONLY)	1	
	165386	SHOE – RH PLASTIC WEAR (POLYETHYLENE ONLY)	1	
4	165727	SUPPORT – OUTER SHOE WELDT	2	
5	50193	PIN – LYNCH	6	
6	165722	ROD – ENGAGING	2	
7	245396	KIT – SHOE CENTER ¹⁶⁸	4	
	245397	KIT – SHOE CENTER HARDWARE ¹⁶⁹	A/R	
8	125393	SHOE – CENTER (POLYETHYLENE ONLY)	4	
9	335608	SHOE – WELDT, CENTER (STEEL ONLY)	4	
10	NSS	LUG (POLYETHYLENE ONLY) ¹⁷⁰	8	
11	165429	BRACKET – SHOE SUPPORT	8	
12	165168	ROD – ENGAGING LH	4	
	165588	ROD – ENGAGING RH	4	
A	21281	BOLT – RHSN 5/16 NC X 0.75 GR 5 ZP		
B	21403	NUT – FLG (SER FACE) 5/16 NC GR 5 ZP		
C	135448	WASHER – BELLEVILLE		
D	18666	NUT – HEX LOCK DT 5/8-11 UNC ZP		
E	18523	BOLT – RHSN 5/8 NC X 1.5 GR 5 ZP		
F	50225	NUT – FLANGE DT SMOOTH FACE .625-11 UNC		
G	19965	BOLT – RHSN 3/8 NC X 1.0 GR 5 ZP		
H	30228	NUT – FLANGE DT SMOOTH FACE 0.375-16 UNC		
J	21561	BOLT – HH 3/8 NC X 1.5 LG GR 5 ZP		
K	18669	NUT – HEX LOCK DT 3/8-16 UNC ZP		
L	101898	SCREW – HEX WASH HD THD ROLLING 3/8 NC X 5/8		

167. Kits available through Whole Goods only.

168. Includes shoe (MD #125393), two lugs (not sold separately), and hardware (MD #21561, 18669).

169. Includes two lugs (not sold separately), and hardware (MD #21561, 18669).

170. Not sold separately; to service this part, order shoe center hardware kit (MD #245397).

39 Decals and Reflectors



1



2



8



9



15



16



20



21



25



3



4



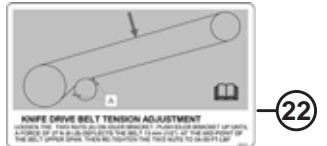
10



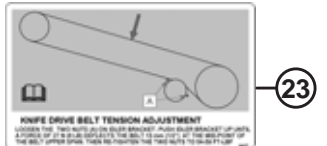
11



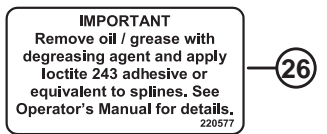
17



22



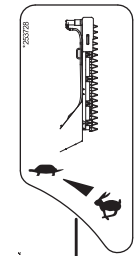
23



26



5



12

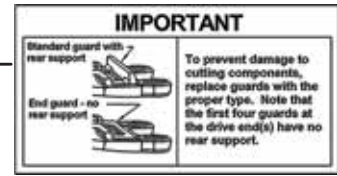


18



19

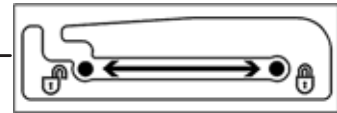
24



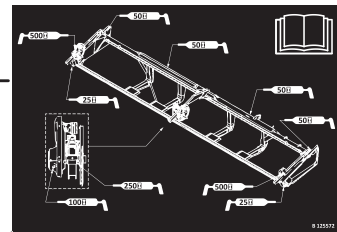
6



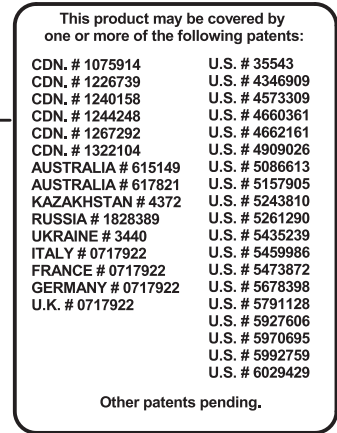
7



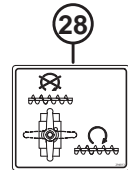
13



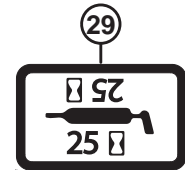
14



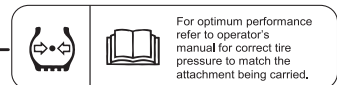
19



28



29



31



30



32



33

1040556

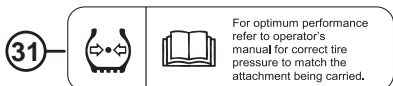
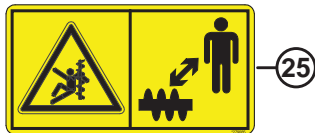
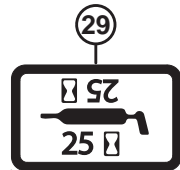
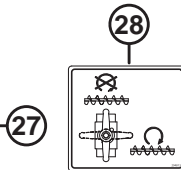
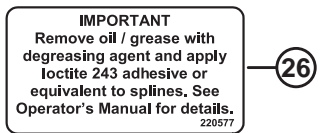
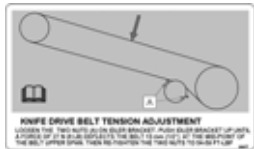
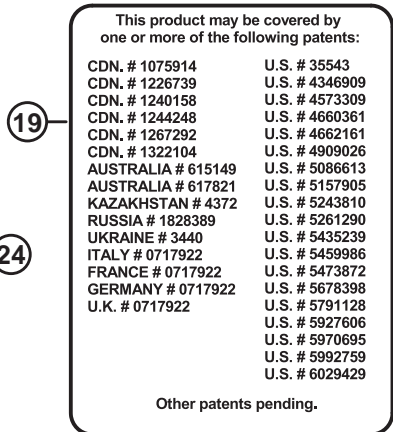
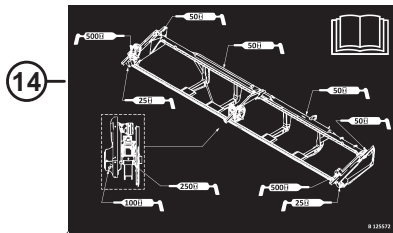
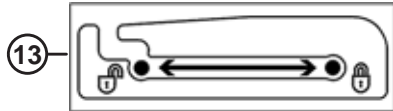
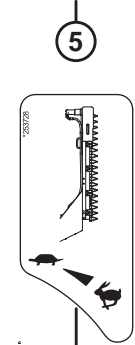
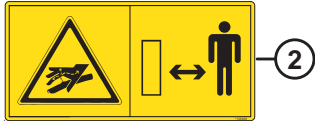
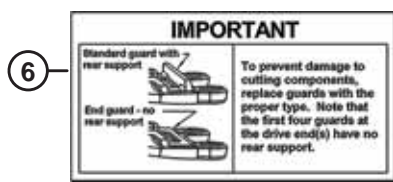
DECALS AND REFLECTORS

Ref	Part Number	Description	Qty	Serial Number
1	174632	DECAL – REEL ENTANGLEMENT		
2	166466	DECAL – HIGH PRESSURE FLUID		
3	113482	DECAL – GENERAL HAZARD		
4	174436	DECAL – HIGH PRESSURE FLUID		
5	220799	DECAL – TRANSPORT HITCH PIN, 2 PANEL		
6	129313	DECAL – IMPORTANT: GUARDS ¹⁷¹		
7	220084	DECAL – DRAPER TENSION, LH		
	279528	DECAL – DRAPER TENSION, RH		
8	184372	DECAL – READ MANUAL		
9	131391	DECAL – HEADER HAZARD		
10	184422	DECAL – PINCH POINT EU		
11	174684	DECAL – VERTICAL KNIFE		
12	253728	DECAL – VERTICAL KNIFE HYD		
13	220236	DECAL – REEL PROP LOCK		
14	125572	DECAL – GREASE, DK		
	125571	DECAL – GREASE, SK		
	220673	DECAL – GREASE, UDK		
15	131392	DECAL – REEL HAZARD		
16	335965	DECAL – REEL HAZARD		451190–
	131393	DECAL – REEL HAZARD		–451189
17	109843	DECAL – GENERAL CAUTION PIN, 2 PANEL		
18	193034	DECAL – TRANSPORT GAUGE WHEEL SETTING		
19	32070	DECAL – PATENT NUMBER		
20	220797	DECAL – WARNING		
21	220798	DECAL – WARNING		
22	245476	DECAL – KNIFE DRIVE BELT TENSION (LH)		
23	245477	DECAL – KNIFE DRIVE BELT TENSION (RH)		
24	304865	DECAL – NO LIFT		
25	279085	DECAL – WARNING, AUGER		
26	220577	DECAL – IMPORTANT		
27	302204	DECAL – CA PROPOSITION 65		
28	294813	DECAL – UPPER CROSS AUGER VALVE		
29	23164	DECAL – 25 HR LUBE		
	23165	DECAL – 50 HR LUBE		
30	158217	DECAL – REEL POSITION		
31	111221	DECAL – TIRE PRESSURE		
32	132852	REFLECTOR – AMBER, 638 MM LG ¹⁷²		

171. Drive-end guards vary depending on the type of guards used on the header. Refer to Section 3 *Guards, Hold-Downs, and Wearplates – Single Knife, Stub Guards, page 7* through Section 6 *Guards, Hold-Downs, and Wearplates – Double Knife, Middle and Left End, page 17* for drive-end guard types and quantities.

172. For use on reel center tube.

DECALS AND REFLECTORS



1040556

DECALS AND REFLECTORS

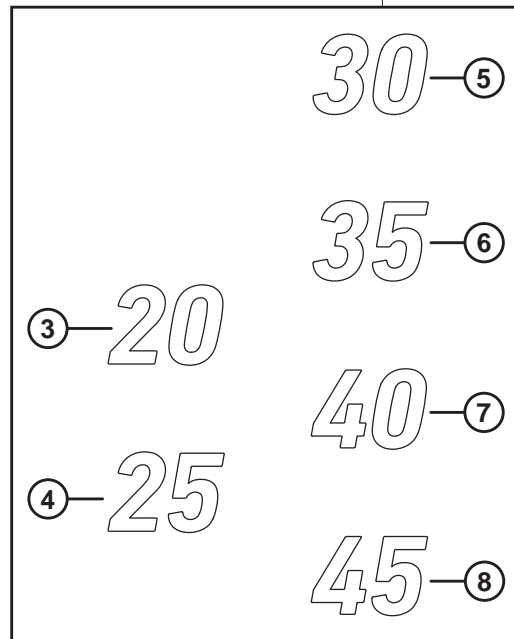
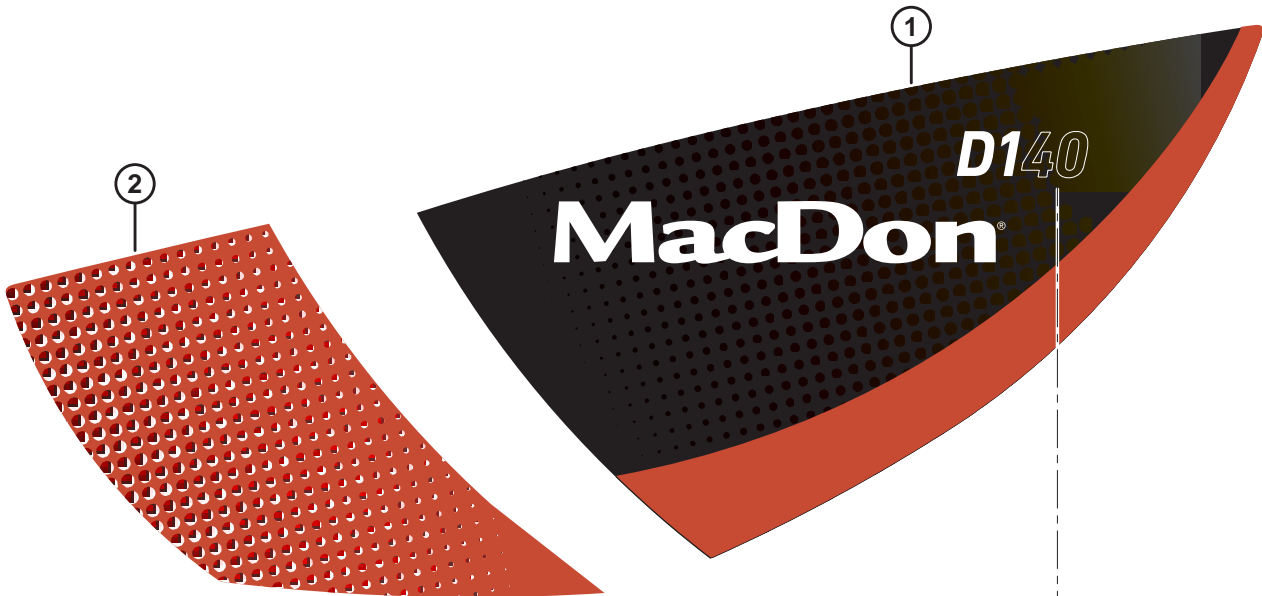
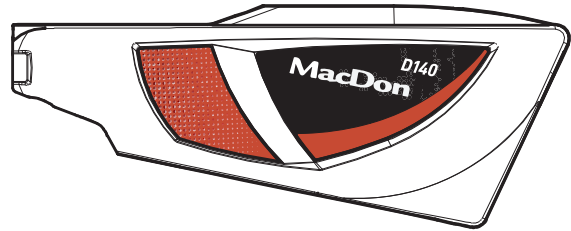
Ref	Part Number	Description	Qty	Serial Number
33	115145	REFLECTOR – FLUOR. RED-ORANGE, 230 MM ¹⁷³		
	115146	REFLECTOR – AMBER, 230 MM ¹⁷³		
	115147	REFLECTOR – RED, 230 MM ¹⁷³		
	165524	REFLECTOR – RED, 230 MM ¹⁷⁴		
	172948	REFLECTOR – DOUBLE RED AND RED-ORANGE		
	172951	REFLECTOR – DOUBLE RED AND RED-ORANGE ¹⁷⁵		
	132852	REFLECTOR – AMBER		
	165973	REFLECTOR – AMBER ¹⁷⁵		

173. Reflector with square corners. For use on metal surfaces.

174. Reflector with round corners. For use on plastic surfaces.

175. 35 ft. only.

40 Decals – Product Identification



DECALS – PRODUCT IDENTIFICATION

Ref	Part Number	Description	Qty	Serial Number
1	304126	DECAL – D1 LH RED ACCENT		
	304127	DECAL – D1 RH RED ACCENT		
	304124	DECAL – D1 LH GREEN ACCENT		
	304125	DECAL – D1 RH GREEN ACCENT		
	304128	DECAL – D1 LH YELLOW ACCENT		
	304129	DECAL – D1 RH YELLOW ACCENT		
	304130	DECAL – D1 LH GREY ACCENT		
	304131	DECAL – D1 RH GREY ACCENT		
	304134	DECAL – D1 LH BLACK ACCENT		
	304135	DECAL – D1 RH BLACK ACCENT		
2	255014	DECAL – LH FRONT, RED		
	255021	DECAL – RH FRONT, RED		
	255131	DECAL – LH FRONT, GREEN		
	255133	DECAL – RH FRONT, GREEN		
	255259	DECAL – LH FRONT, YELLOW		
	255260	DECAL – RH FRONT, YELLOW		
	255115	DECAL – LH FRONT, GREY		
	255316	DECAL – RH FRONT, GREY		
	255117	DECAL – LH FRONT, BLACK		
	255318	DECAL – RH FRONT, BLACK		
3	304139	DECAL – "20"		
4	304140	DECAL – "25"		
5	304141	DECAL – "30"		
6	304142	DECAL – "35"		
7	304143	DECAL – "40"		
8	304144	DECAL – "45"		

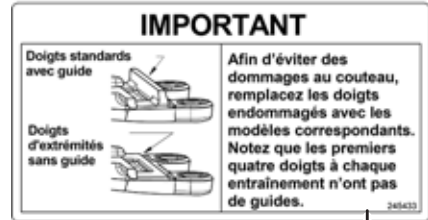
41 Decals – French



1



2



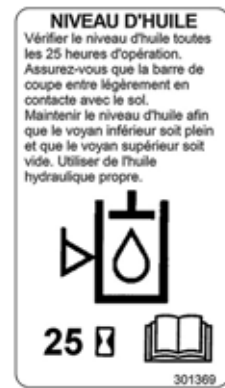
3



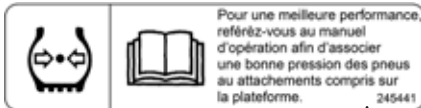
4



5



6



7



8


DECALS – FRENCH

Ref	Part Number	Description	Qty	Serial Number
1	245428	DECAL – LH DRAPER TENSION, FRENCH		
2	245432	DECAL – RH DRAPER TENSION, FRENCH		
3	245433	DECAL – IMPORTANT: GUARDS, FRENCH		
4	245438	DECAL – IMPORTANT: OIL OPERATING TEMP, FRENCH		
5	245439	DECAL – ADAPTER OIL DRAIN, FRENCH		
6	301369	DECAL – ADAPTER OIL LEVEL, FRENCH		
7	245441	DECAL – TIRE PRESSURE, FRENCH		
8	245443	DECAL – GAUGE WHEEL SETTING, FRENCH		


42 Decals – Portuguese

IMPORTANTE

Dedo padrão com apoio traseiro



Dedo das extremidades sem apoio traseiro



Para prevenir danos aos componentes de corte, substitua os dedos somente pelos tipos apropriados. Note que os dedos das extremidades não possuem apoio traseiro.

1

IMPORTANTE



Em temperaturas inferiores a 10 graus C, funcione a plataforma por 5 minutos em marcha lenta antes de operar em velocidade máxima.

2

DRENO DO ÓLEO



3

NÍVEL DE ÓLEO

Cheque o nível de óleo a cada 25 horas de trabalho. Certifique-se que a barra de corte esteja tocando levemente o solo para verificação. Mantenha o nível de óleo de maneira que o visor inferior esteja completo e o visor superior esteja vazio. Utilize óleo hidráulico limpo.



25  301496

4

AJUSTE DAS RODAS ESTABILIZADORAS

OPERE COM AS MOLAS COMPRIDAS EM APROXIMADAMENTE 320 mm. MEÇA O COMPRIMENTO DA MOLLA CONFORME MOSTRADO. NÃO OPERE COM COMPRIMENTO DE MOLLA INFERIOR A 295 mm. VEJA O MANUAL DO OPERADOR.



5

AJUSTE DE TENSIONAMENTO DA ESTEIRA

GIRE O PARAFUSO (1) PARA TENSIONAR A ESTEIRA ATÉ QUE A BARRA INDICADORA BRANCA (2) ATRAVESSA A CAVA (3) E COMPLETE ATÉ A METADE DA CAVA.



6


AJUSTE DE TENSIONAMENTO DA ESTEIRA

GIRE O PARAFUSO (1) PARA TENSIONAR A ESTEIRA ATÉ QUE A BARRA INDICADORA BRANCA (2) ATRAVESSA A CAVA (3) E COMPLETE ATÉ A METADE DA CAVA.



7

Para otimizar sua performance, veja no manual do operador a pressão correta dos pneus em função dos opcionais instalados, do modelo e tamanho de plataforma.



8

DECALS – PORTUGUESE

Ref	Part Number	Description	Qty	Serial Number
1	220817	DECAL – IMPORTANT: GUARDS, PORTUGUESE		
2	220818	DECAL – IMPORTANT: OIL OPERATING TEMP, PORT		
3	220819	DECAL – ADAPTER OIL DRAIN, PORTUGUESE		
4	301496	DECAL – ADAPTER OIL LEVEL, PORTUGUESE		
5	220823	DECAL – GAUGE WHEEL SETTING, PORTUGUESE		
6	220824	DECAL – LH DRAPER TENSION, PORTUGUESE		
7	220836	DECAL – RH DRAPER TENSION, PORTUGUESE		
8	220885	DECAL – TIRE PRESSURE, PORTUGUESE		

43 Decals – Russian



1



2



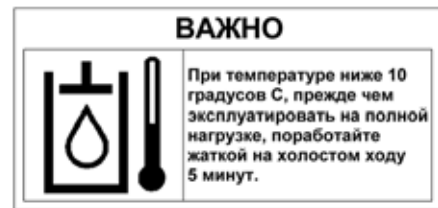
3



4



5



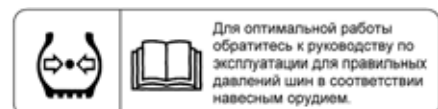
6



7



8



9

DECALS – RUSSIAN

Ref	Part Number	Description	Qty	Serial Number
1	220831	DECAL – LH DRAPER TENSION, RUSSIAN		
2	220832	DECAL – IMPORTANT: GUARDS, RUSSIAN		
3	220833	DECAL – TRANSPORT GAUGE WHEEL SETTING, RUSSIAN		
4	220834	DECAL – RH DRAPER TENSION, RUSSIAN		
5	220863	DECAL – GAUGE WHEEL SETTING, RUSSIAN		
6	220868	DECAL – IMPORTANT: OIL OPERATING TEMP. RUSSIAN		
7	220871	DECAL – ADAPTER OIL DRAIN, RUSSIAN		
8	301497	DECAL – ADAPTER OIL LEVEL, RUSSIAN		
9	166309	DECAL – TIRE PRESSURE, RUSSIAN		

44 Decals – Spanish

IMPORTANTE

Puntón estandar con guía



Puntón sin guía



Para evitar peligro de rotura en las piezas de corte, reemplace los puntones con el modelo correspondiente. Note que los primeros cuatro puntones junto a la caja de mando de las cuchillas no tienen guía.

1

IMPORTANTE



En temperaturas inferiores a 10 grados C, hacer andar la plataforma regulando por 5 minutos antes de operar a máximo régimen.

2

DRENAJE DE ACEITE



3

NIVEL DE ACEITE

Chequear el nivel de aceite cada 25 horas de operación. Asegurar que la barra de corte esté ligeramente en contacto con el suelo. Mantener el nivel de aceite para que la ventana inferior esté llena y la superior esté vacía. Utilice aceite hidráulico limpio.



25 

301495

4

INDICADOR ADJUSTE RUEDA

OPERAR CON RESORTES COMPRIMIDOS A UNA DISTANCIA DE 320 mm APROX. MIRA LA COMBES ON DEL RESORTE COMO SE MUESTRA. NO OPERAR CON UNA COMPRESION MENOR A 235 mm. VEA EL MANUAL DEL OPERADOR.



5




AJUSTE TENSION LONA
GIRAR TORNILLO (1) PARA TENSAR LA LONA HASTA QUE EL TESTIGO BLANCO (2), PASE LA RANURA (3) Y LLENE LA MITAD DE LA RANURA.

6



AJUSTE TENSION LONA
GIRAR TORNILLO (1) PARA TENSAR LA LONA HASTA QUE EL TESTIGO BLANCO (2), PASE LA RANURA (3) Y LLENE LA MITAD DE LA RANURA.

7



Para un óptimo rendimiento consulte el manual del operador respecto a la correcta presión de los neumáticos dependiendo del equipo que remolca.

8

DECALS – SPANISH

Ref	Part Number	Description	Qty	Serial Number
1	220807	DECAL – IMPORTANT: GUARDS, SPANISH		
2	220808	DECAL – IMPORTANT: OIL OPERATING TEMP. SPANISH		
3	220809	DECAL – ADAPTER OIL DRAIN, SPANISH		
4	301495	DECAL – ADAPTER OIL LEVEL, SPANISH		
5	220813	DECAL – GAUGE WHEEL SETTING, SPANISH		
6	220814	DECAL – LH DRAPER TENSION, SPANISH		
7	220835	DECAL – RH DRAPER TENSION, SPANISH		
8	220876	DECAL – TIRE PRESSURE, SPANISH		

45 Paint

MacDon Performance Parts

Industrial Touch Up Paint Peinture de retouche industrielle

DANGER!

FLAMMABLE • CONTENTS UNDER PRESSURE
INFLAMMABLE • CONTENU SOUS PRESSION

Part number / Numéro de pièce

Net weight with paint 12 oz / 340 g
Poids net avec peinture

1

MacDon Performance Parts

Industrial Paint / Peinture industrielle

DANGER!

FLAMMABLE / INFLAMMABLE

One US quart Part number / Numéro de pièce 946 ml

Read and understand all safety instructions before using this product.
Lisez de près et bien comprendre toutes les consignes de sécurité avant d'utiliser ce produit.

Made in Canada / Fabriqué au Canada
For / Pour
MACDON INDUSTRIES LTD
WINNIPEG, MANITOBA

CANADA: CONSUMER CHEMICALS AND CONTAINERS REGULATIONS (CCCR)
CONTENTS MAY CATCH FIRE - CONTAINER MAY EXPLODE IF HEATED - MAY IRRITATE EYES - MAY IRRITATE SKIN
Do not smoke. Do not puncture or incinerate container. Do not breathe fumes. Do not swallow. Do not get on skin or clothing. Use only in a well-ventilated area. Keep away from flames, such as a pilot light, and any object that sparks, such as an electric motor. Store away from heat. Keep out of reach of children.

FIRST AID TREATMENT: Contains Xylene, 1,2,4-Trimethylbenzene; Methyl ethyl ketone; Ethylbenzene. If breathed in, move person to fresh air. If swallowed, call a Poison Control Centre or doctor immediately. Do not induce vomiting. If in eyes, rinse with water for 15 minutes. If on skin, rinse well with water.

USA: CONSUMER PRODUCT SAFETY COMMISSION REGULATIONS (CPSC)
CONTENTS MAY CATCH FIRE - CONTAINER MAY EXPLODE IF HEATED - HARMFUL IF ABSORBED THROUGH SKIN - HARMFUL IF FEARED IF SWALLOWED - CAUSES RESPIRATORY TRACT, EYE AND SKIN IRRITATION - MAY CAUSE SEVERE ALLERGIC RESPIRATORY AND SKIN REACTION - CANCER HAZARD - CAN CAUSE CANCER, DEVELOPMENTAL TOXICITY/TERATOGENIC EFFECTS.

WARNING: This product contains a chemical known to the State of California to cause cancer and birth defects or other reproductive harm.

In a fire or heated, a pressure increase will occur and the container may burst or explode. Can enter lungs and cause damage. Risk of cancer depends on duration and level of exposure. Contains material which can cause birth defects. Contains material which can cause developmental abnormalities. Do not puncture or incinerate container. Do not expose to heat or store at temperatures above 120°F. Use only with adequate ventilation. Do not breathe vapor or mist. Do not swallow. Do not get on skin or clothing. Avoid contact with eyes. Keep container tightly closed and sealed until ready for use. Wash thoroughly after handling. Avoid exposure during pregnancy. Keep out of reach of children.

FIRST AID TREATMENT: Contains Xylene, 1,2,4-Trimethylbenzene; Methyl ethyl ketone; Ethylbenzene. If breathed in, move person to fresh air. If swallowed, call a Poison Control Centre or doctor immediately. Do not induce vomiting. If in eyes, rinse with water for 15 minutes. If on skin, rinse well with water.

DIRECTIONS FOR USE
THIS PRODUCT IS READY TO USE. NO MIXING IS REQUIRED.

APPLICATION
Spray material at 40 to 55 PSI (2.7 to 3.8 MPa).

USING A PNEUMATIC IS NOT NECESSARY WITH THIS PRODUCT.
Spray medium wet coat, allow to tack and follow with full wet coat.

FOR VOC REGULATED AREAS
These directions refer to the use of products which may be restricted or require special mixing instructions in VOC regulated areas. Follow mixing and usage recommendations in the VOC Compliance Products Chart for your area.

MODE D'EMPLOI
CE PRODUIT EST PRÊT À L'UTILISATION, AUCUN MÉLANGE N'EST REQUIS.

APPLICATION
Pulvériser à une pression de 40 à 55 lb/po (2,7 à 3,8 MPa).

L'UTILISATION D'UN APPRÊT N'EST PAS NÉCESSAIRE AVEC CE PRODUIT.
Appliquez une couche moyennement chargée, laissez sécher jusqu'à ce qu'elle devienne poussiéreuse, puis appliquez une couche chargée.

RÉGULATION SUR LES COV
Ces directives concernent l'utilisation de produits pouvant être réglementés ou soumis à des instructions de mélange spéciales dans les régions où les émissions COV sont réglementées. Suivez les recommandations de mélange et d'emploi indiquées en Tableau des produits conformes à la réglementation sur les COV de votre région.

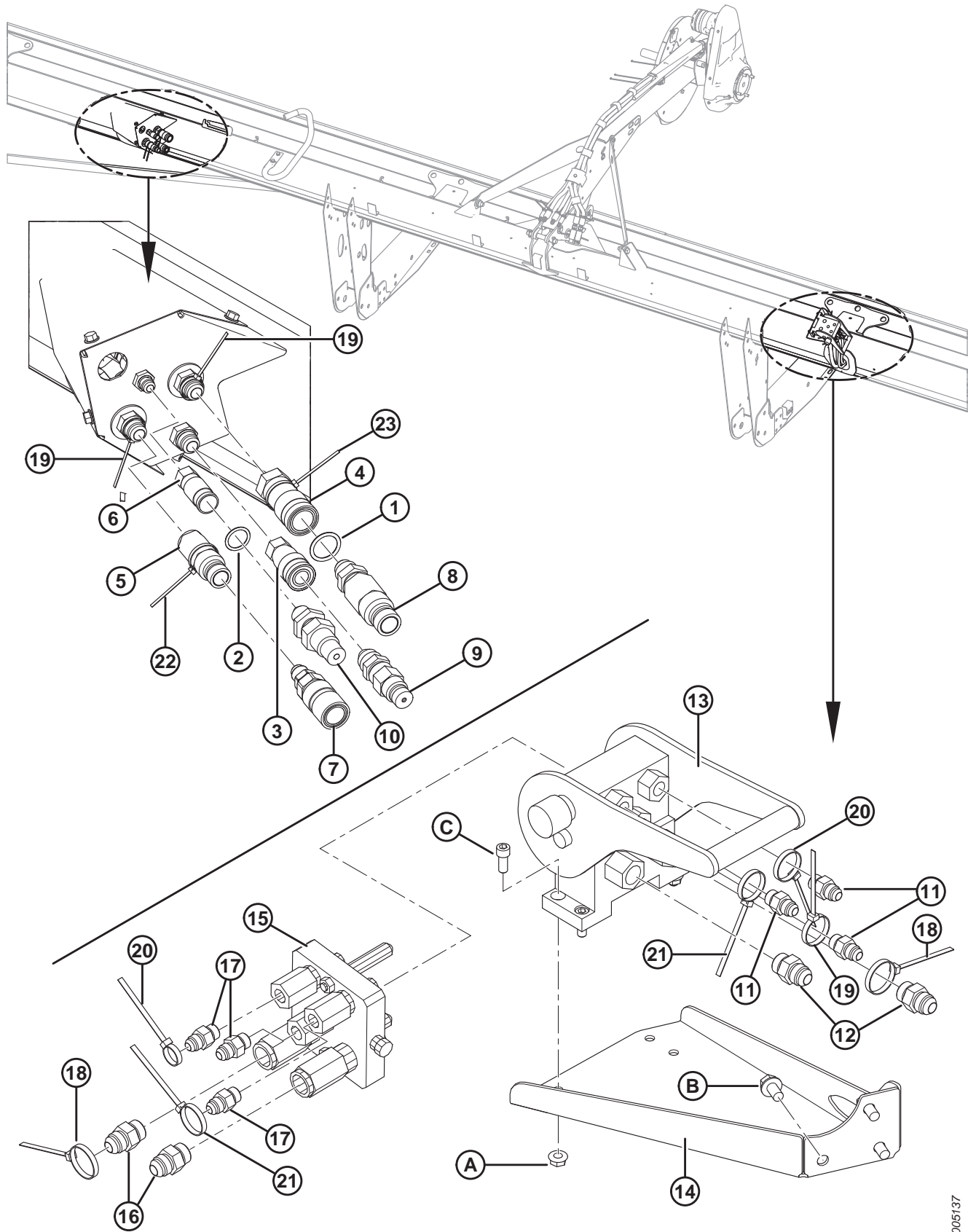
1037431

PAINT

Ref	Part Number	Description	Qty	Serial Number
1	135148	PAINT – BLACK (55-65 GLOSS LEVEL), SPRAY CAN, 12 OZ. (340 G) AEROSOL ¹⁷⁶		
	32879	PAINT – WHITE, SPRAY CAN, 12 OZ. (340 G) AEROSOL ¹⁷⁶		
	23950	PAINT – RED, SPRAY CAN, 12 OZ. (340 G) AEROSOL ¹⁷⁶		
2	25991	PAINT – BLACK (55-65 GLOSS LEVEL), 1 US QUART (946 ML)		
	23957	PAINT – WHITE, 1 US QUART (946 ML)		
	32880	PAINT – RED, 1 US QUART (946 ML)		

176. To be used for small touch-ups only.

46 (Option) Combine Header Coupler Kit

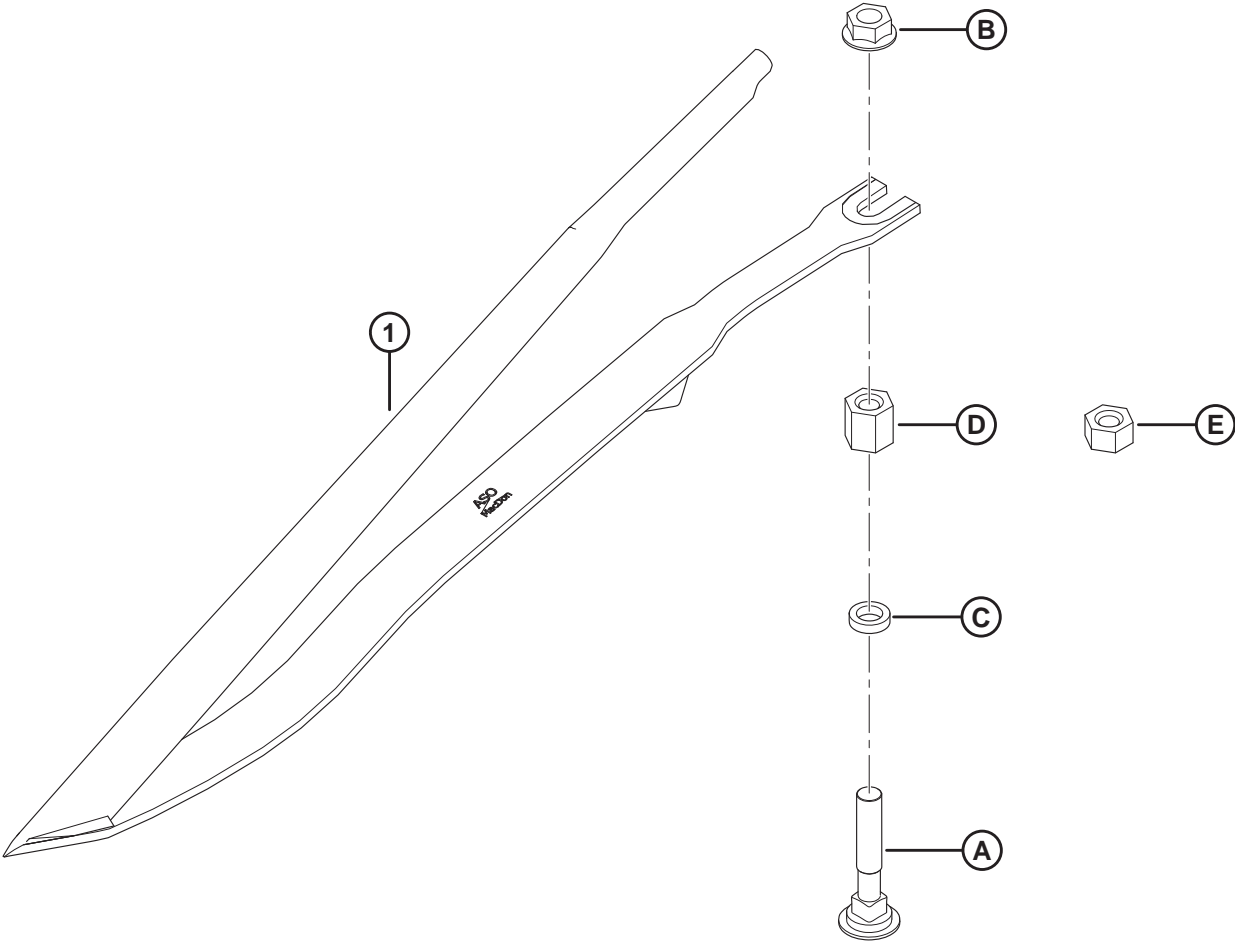
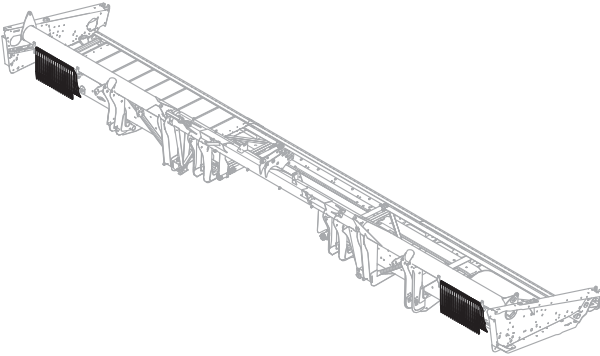


(OPTION) COMBINE HEADER COUPLER KIT

Ref	Part Number	Description	Qty	Serial Number
	B5747	KIT – HYDRAULIC QUICK COUPLER ¹⁷⁷		
1	30971	O-RING (SAE #12)	3	
2	44209	O-RING (SAE #8)	1	
3	135474	COUPLER – HYDRAULIC, 1/2 IN. FEMALE FF	1	
4	135565	COUPLER – FEMALE HYD. 3/4 IN. FLAT FACE	1	
5	135566	COUPLING – MALE HYD. 3/4 IN. FLAT FACE	1	
6	135312	COUPLER – FEMALE HYD. 3/8 IN. FLAT FACE	1	
7	135204	COUPLING – FEMALE HYD. 3/4 IN. FLAT FACE BULK.	1	
8	135205	COUPLING – MALE HYD. 3/4 IN. FLAT FACE BULK.	1	
9	135236	COUPLING – MALE HYD. 1/2 IN. FLAT FACE BULK.	1	
10	135237	COUPLER – MALE HYD. 3/8 IN. FLAT FACE BULKHEAD	1	
11	15903	FITTING – CONN 3/8 TUBE 37° FLARE X 9/16-18 ORB	3	
12	21030	FITTING – CONN 1/2 TUBE 37° FLARE X 3/4-16 ORB	2	
13	153151	COUPLING – MULTI (HEADER SIDE)	1	
	129800	KIT – COVER		
	129801	KIT – LATCH BUTTON		
	129976	COUPLING – 1/4 IN.		
	129977	COUPLING – 3/8 IN.		
14	125553	HOLDER – REEL DRIVE MULTI-COUPLER	1	
15	135238	COUPLING – MULTI LINK (ADAPTER SIDE)	1	
	111981	SEAL KIT – 1/4 IN. COUPLER		
	111982	SEAL KIT – 3/8 IN. COUPLER		
	111983	KIT – SCREW		
	111984	KIT – DOWEL		
	111985	COUPLER – 3/8 IN. (LONG)		
	111986	COUPLER – 1/4 IN.		
	294350	COUPLER – SHORT, 3/8 IN. (SHORT)		
16	135373	FITTING – HYD 8 ORB MALE X 8 JIC SVL FEMALE	2	
17	135015	FITTING – ADAPTER HYD	3	
18	40701	FASTENER – CABLE TIE (YELLOW)	2	
19	21763	FASTENER – CABLE TIE (BLACK)	2	
20	49227	FASTENER – CABLE TIE (GREEN)	2	
21	40702	FASTENER – CABLE TIE (RED)	2	
22	40703	FASTENER – CABLE TIE (BLUE)	2	
23	40704	FASTENER – CABLE TIE (ORANGE)	2	
A	30280	NUT – FLG SIDE LK SMTH FACE 5/16 NC GR 5 ZP		
B	101898	SCREW – HEX WASH HD THD ROLLING 3/8 NC X 5/8		
C	135397	BOLT – SOCKET HD HEX 5/16 NC X 3/4		

177. Kits available through Whole Goods only.

47 (Option) Crop Lifters



(OPTION) CROP LIFTERS

NOTE:

A single kit (MD #B6411) contains ten steel crop lifters (MD #255929) and hardware.

Ref	Part Number	Description	Qty	Serial Number
	B6411	KIT – CROP LIFTERS ¹⁷⁸		
1	255929	STEEL CROP LIFTER ¹⁷⁹	A/R	
A	279575	BOLT – RHSN 7/16-14 X 2.5-GR5-ZP		
B	21761	NUT – FLG SMOOTH FACE 1/16 NC GR 5 ZP		
C	255930	WASHER – FLAT		
D	255927	NUT – HEX COUPLING 7/16-14 20 MM LG ¹⁸⁰		
E	255928	NUT – HEX COUPLING 7/16-14 11 MM LG ¹⁸¹		

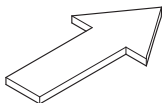
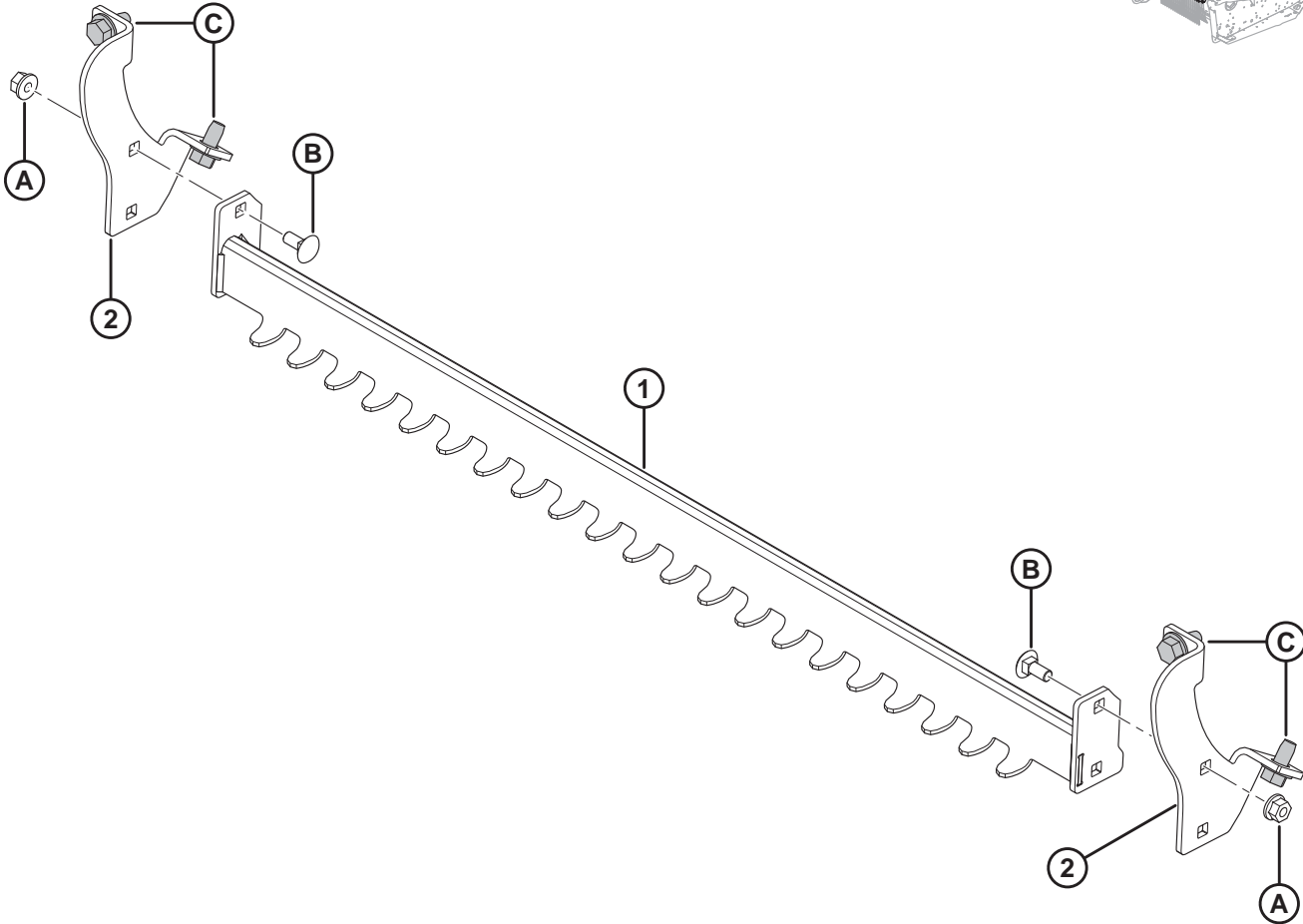
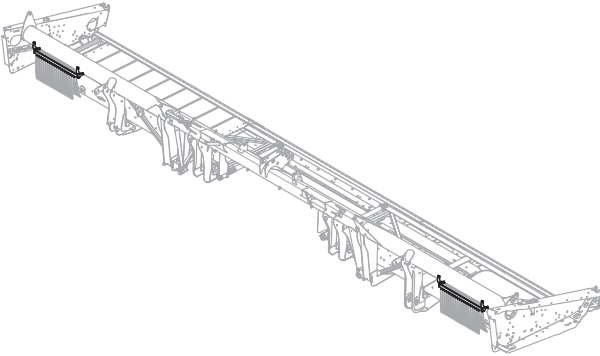
178. Quantity of kits required varies depending on header width. Complete header quantities: 15–25 ft. = 2, 25–30 ft. = 3, 35–40 ft. = 4, 45 ft. = 5. Kits available through Whole Goods only with a new header. For existing headers, order steel crop lifters (MD #255929) and hardware A–E as required.

179. Complete header quantities: 15–25 ft. = 20, 25–30 ft. = 30, 35–40 ft. = 40, 45 ft. = 50.

180. For tracked combines.

181. For wheeled combines.

48 (Option) Crop Lifter Rack

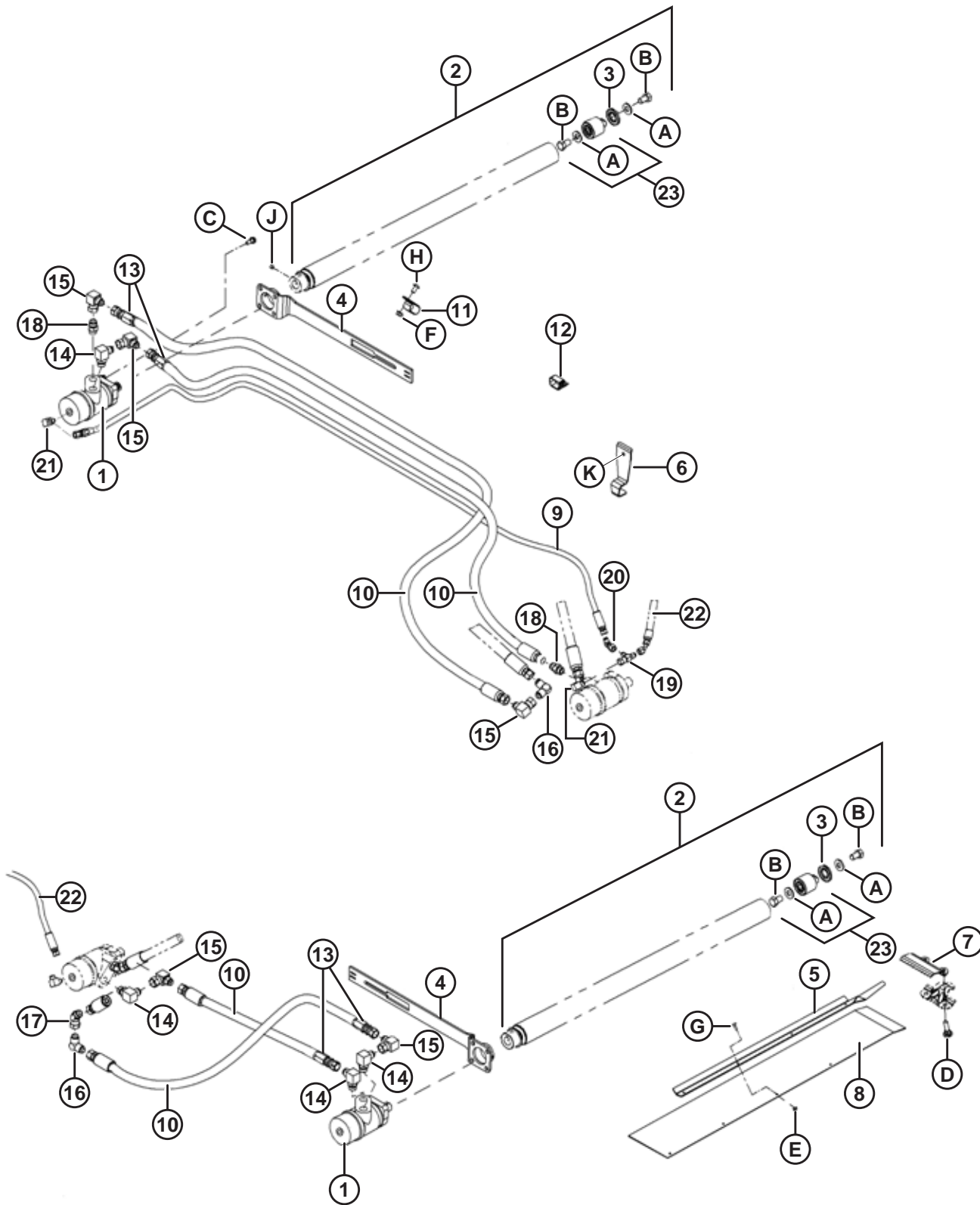


(OPTION) CROP LIFTER RACK

Ref	Part Number	Description	Qty	Serial Number
	B6376	CROP LIFTER RACK ¹⁸²		
1	279636	SUPPORT – LIFTER RACK WELDT	2	
2	279876	SUPPORT – LIFTER RACK	4	
A	152863	NUT – HEX FLG STVR LOC M8 X 1.25-10-AA2L		
B	197171	BOLT – RHSN M8 X 1.25 X 20-8.8-A2L		
C	136209	SCREW – HEX WASHER HD M10 X 1.5 X 20-450HV-A3L		

182. Kits available through Whole Goods only.

49 (Option) Double Draper Drive



(OPTION) DOUBLE DRAPER DRIVE

Ref	Part Number	Description	Qty	Serial Number
	B6154	KIT – DOUBLE DRAPER ¹⁸³		
1	220936	MOTOR – HYD DANFOSS 2.44 CI	2	
	220944	SEAL KIT	2	
2	255410	ASSY – RIBBED ROLLER W/ SCREWS ¹⁸⁴	2	
3	120845	SEAL – NILOS LSTO STEEL DISK	2	
4	255431	ARM – WELDT	2	
5	174695	SUPPORT	1	
6	174697	CLAMP	8	
7	174706	RETAINER – DEFLECTOR	1	
8	174707	DEFLECTOR – RUBBER	1	
9	174708	HOSE – HYD	1	
10	174709	HOSE – HYD	4	
11	50022	CLAMP – INSULATED 15/16 IN.	4	
12	135443	FASTENER – CINCH STRAP 4 IN. LG	8	
13	174710	FITTING – REUSABLE HOSE END ¹⁸⁵	4	
14	21843	FITTING – ELBOW 90° HYD	4	
15	30556	FITTING – ELBOW 90° HYD	5	
16	30557	FITTING – ELBOW 90° HYD	2	
17	135434	FITTING – ELBOW 45° SWIVEL SAE	1	
18	30695	FITTING – CONNECTOR HYD	2	
19	30873	FITTING – HYD TEE	2	
20	30875	FITTING – ELBOW 45° HYD	4	
21	50104	FITTING – ELBOW 90° HYD	2	
22	220841	HOSE – HYD	1	
23	165735	PIN ASSY – DRAPER ROLLER	2	
	132607	BEARING – DOUBLE ROW BALL 52 O.D. X 25 BORE		
	108268	FITTING – HYD TEE (NOT ILLUSTRATED) ¹⁸⁶	1	
	30981	FITTING – ADAPTER HYD REDUCER 1/2 X 3/8 (NOT ILLUSTRATED) ¹⁸⁷	1	
A	30441	WASHER – HARDENED		
B	145249	BOLT – HH 5/8 NF X 1.0 LG GR 5 ZP		
C	172259	BOLT – SHOULDER .375-16 UNC		
D	120639	BOLT – RHSN SPECIAL 7/16 NC X 1.75 LG GR 5 ZP		
E	135626	NUT – CSK CENTER LOCK #12-24 NC (50 PACK)		
F	30228	NUT – FLANGE DT SMOOTH FACE 0.375-16 UNC		
G	135628	SCREW – BHRN #12-24 NC X 0.67 IN. LG (50 PACK)		
H	135157	SCREW – MACHINE		
J	132451	SCREW – SET HEX SKT KNURL CUP 3/8 NC X 3/8 LG		

183. Kits available through Whole Goods only.

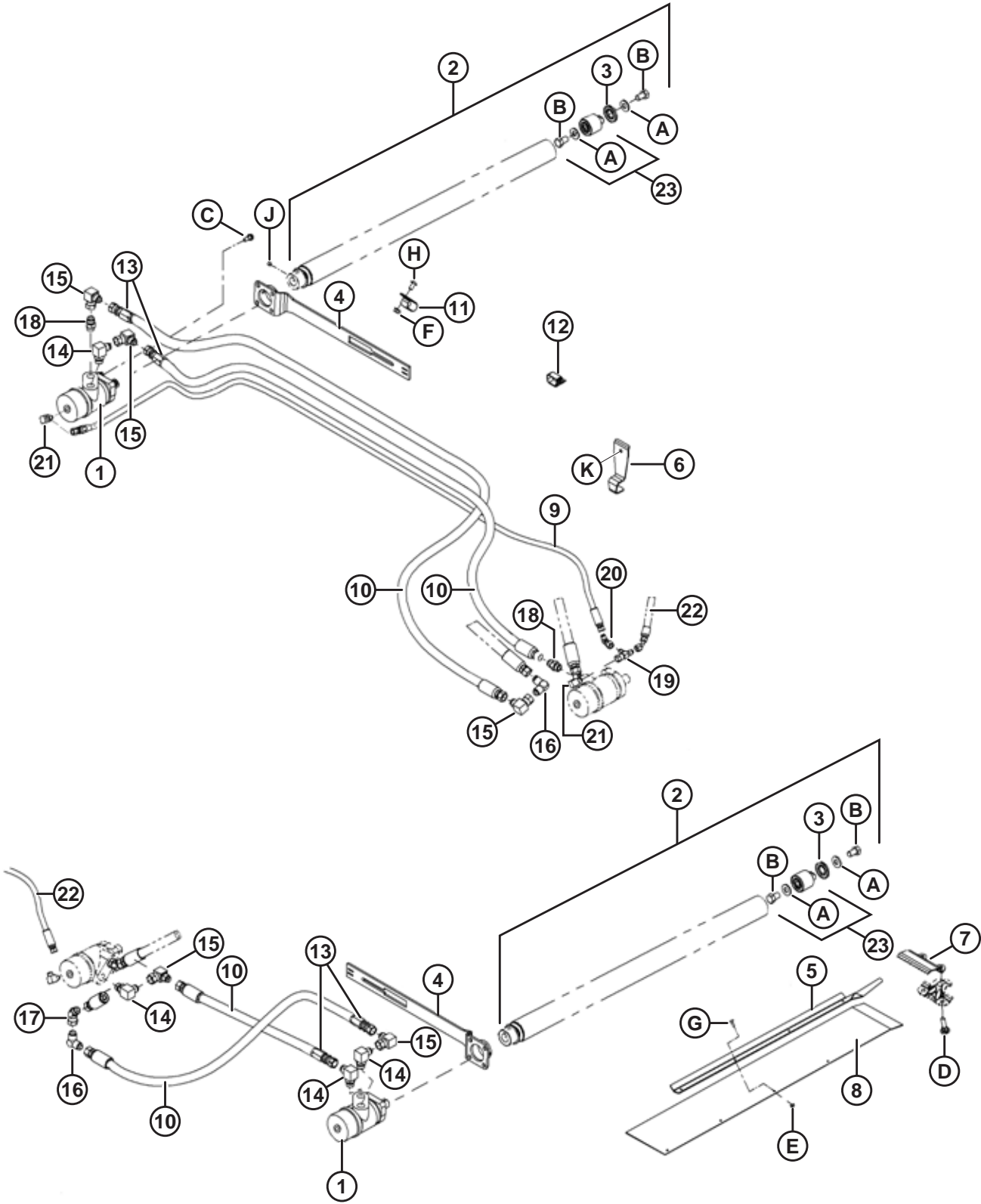
184. Includes steel disk seal (MD #120845), draper roller pin assembly (MD #165735), and two set screws (MD #132451).

185. Provided with hose (MD #174709).

186. Only used with self-propelled windrowers.

187. Only used on timed double-knife headers with self-propelled windrowers.

(OPTION) DOUBLE DRAPER DRIVE

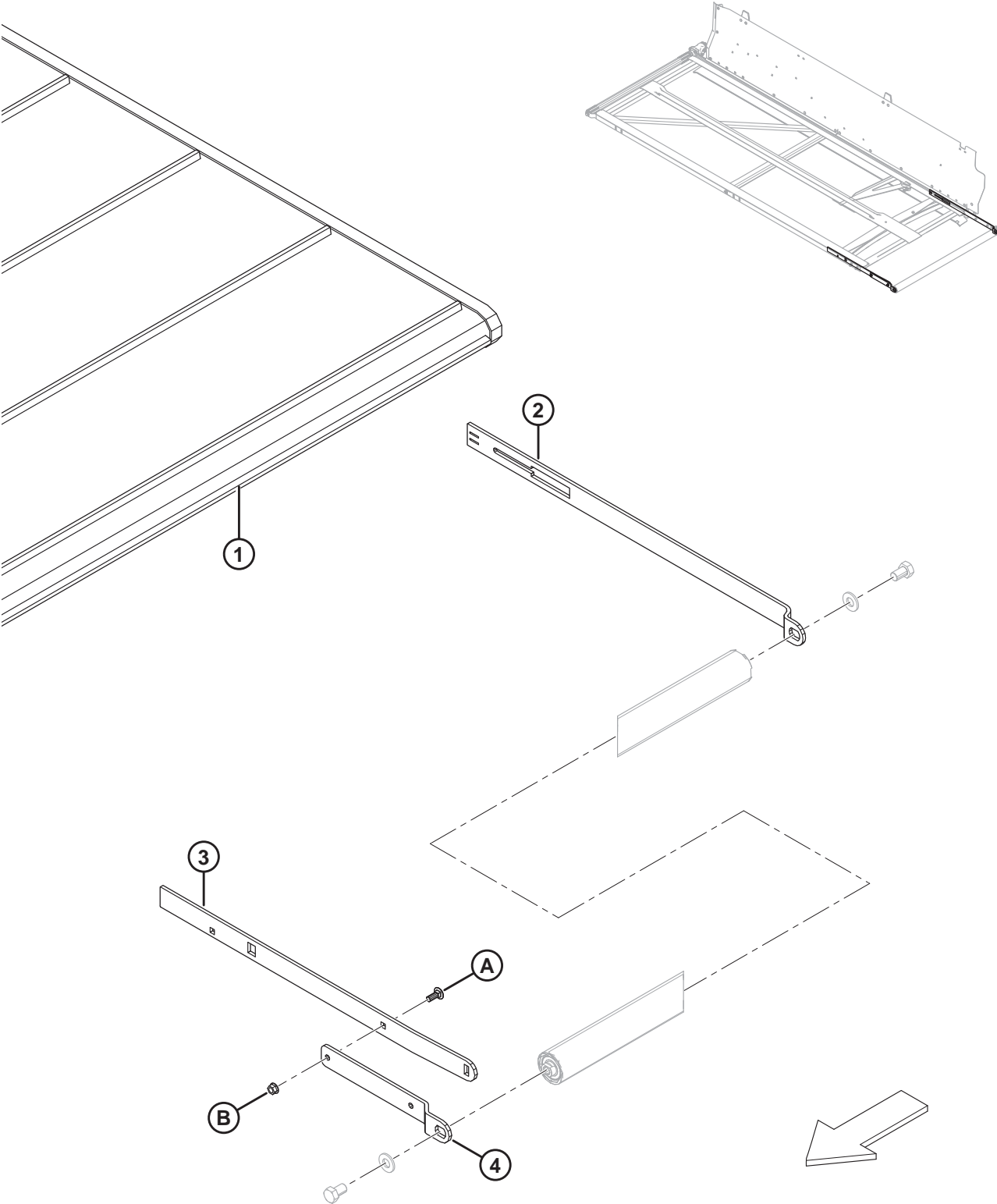


1019890

(OPTION) DOUBLE DRAPER DRIVE

Ref	Part Number	Description	Qty	Serial Number
K	21863	BOLT – RHSSN 3/8 NC X 0.75 LG GR 5 ZP		
	21069	NUT – TUBE 37° JIC 1/2 IN. (NOT ILLUSTRATED) ¹⁸⁷		

50 (Option) Draper Extension Kit

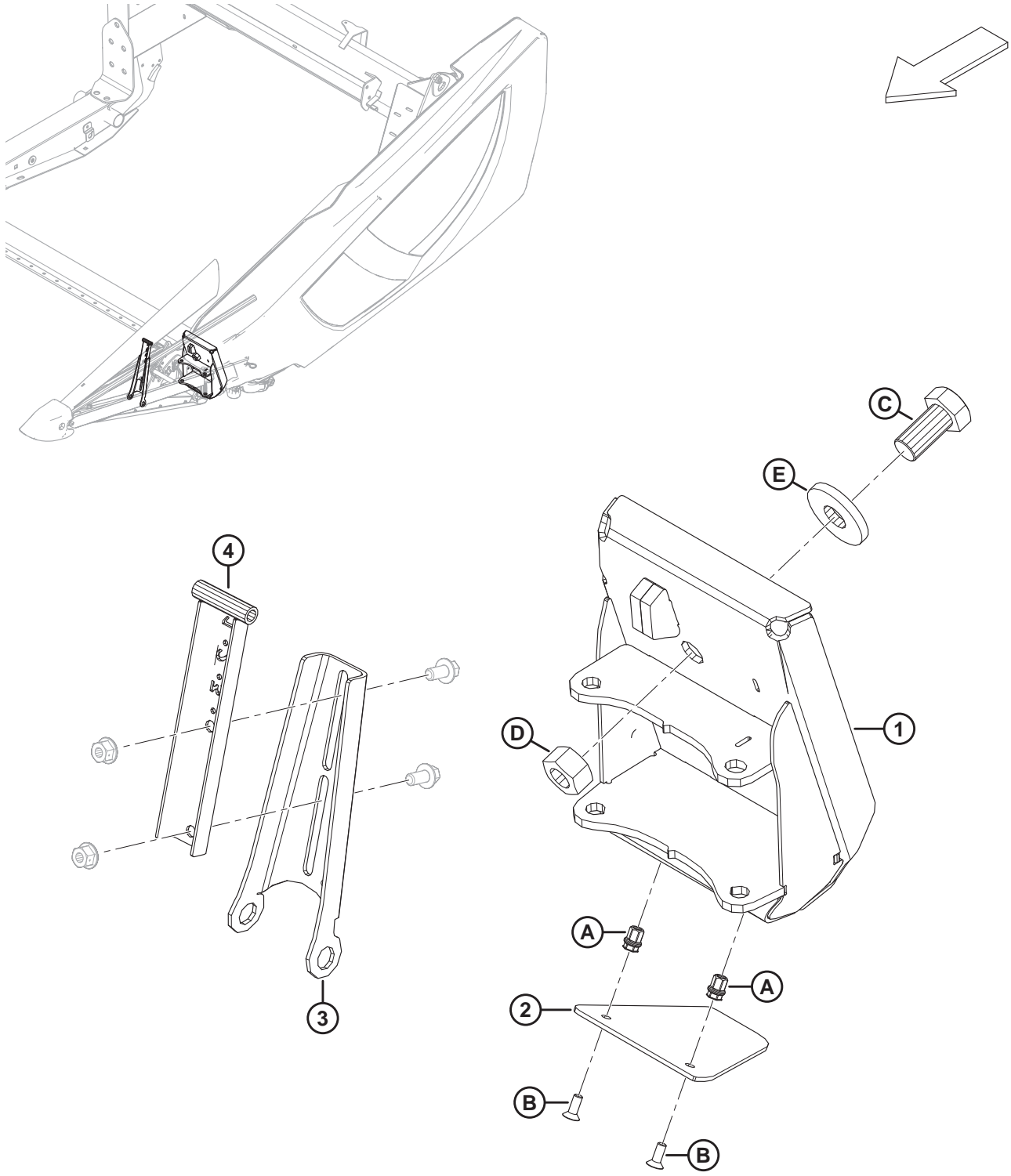


(OPTION) DRAPER EXTENSION KIT

Ref	Part Number	Description	Qty	Serial Number
	B5407	KIT – DRAPER EXTENSION ¹⁸⁸	1	
1	220641	DRAPER – REPAIR KIT	2	
2	174528	ARM – REAR SUPPORT	2	
3	174559	ARM – INNER ROLLER SUPPORT	2	
4	174560	ARM – OUTER ROLLER SUPPORT	2	
A	19965	BOLT – RHSN 3/8 NC X 1.0 GR 5 ZP		
B	30228	NUT – FLANGE DT SMOOTH FACE 0.375-16 UNC		

188. Kits available through Whole Goods only.

51 (Option) Floating Crop Dividers Adaptor Kit



(OPTION) FLOATING CROP DIVIDERS ADAPTOR KIT

NOTE:

The Floating Crop Dividers Adaptor kit (MD #B7384) replaces six parts from the 2-Series Floating Crop Dividers kit (MD #B7346), allowing the floating crop dividers to be installed on 1-Series Headers.

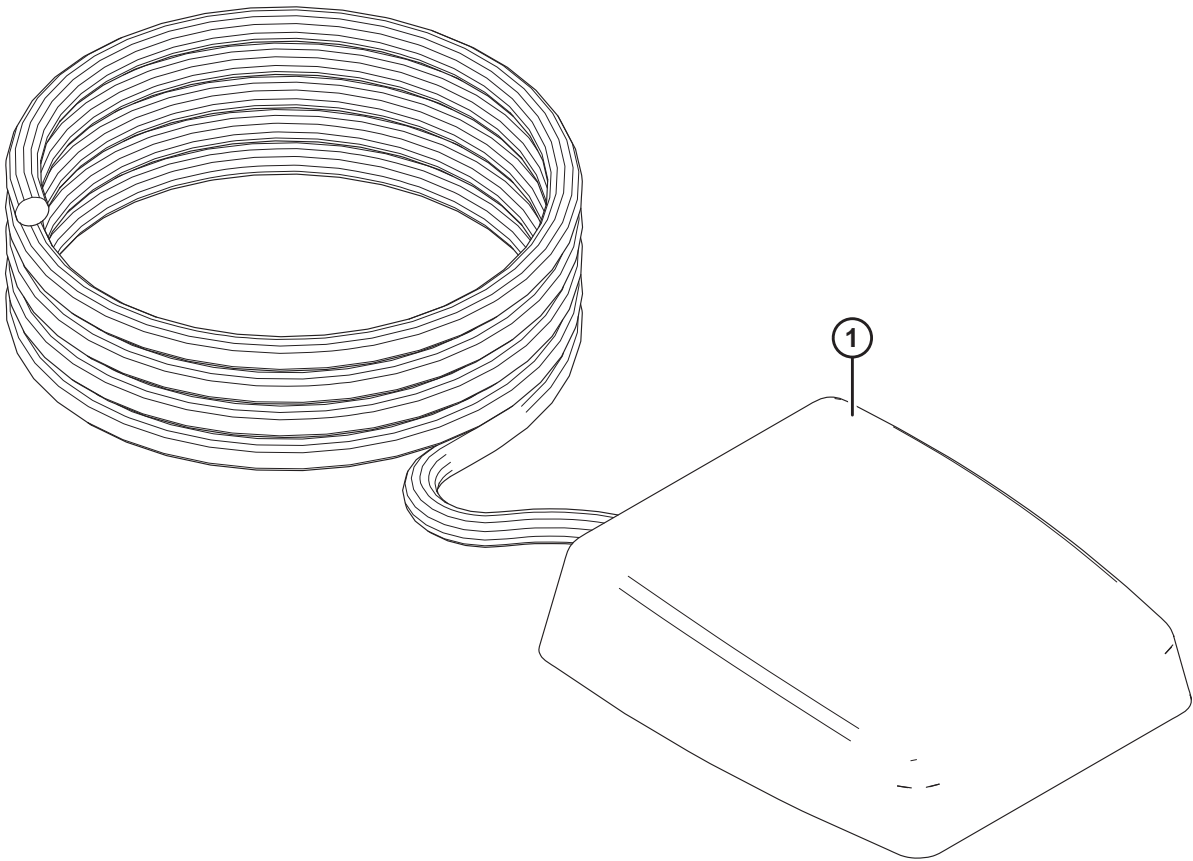
Ref	Part Number	Description	Qty	Serial Number
	B7384	KIT – FD1 ADAPTOR FOR FD2 FCD ¹⁸⁹	1	
1	360265	ASSY – LH BACKPLATE FCD FOR FD1 ¹⁹⁰	1	
	360336	ASSY – RH BACKPLATE FCD FOR FD1 ¹⁹¹	1	
2	360266	SHOE – LH UHMW	1	
	360342	SHOE – RH UHMW	1	
3	360269	SUPPORT – LH TOP DEFLECTOR	1	
	360333	SUPPORT – RH TOP DEFLECTOR	1	
4	360267	WELDT – DEFLECTOR SUPPORT	2	
A	320404	RIVNUT – SM FL M6 X 1.0 HEX 1.0-3.5		
B	320220	SCREW – TORX CSK HD TFL M6 X 1 X 16-SPCL-8.8-ZINC		
C	135579	BOLT – HEX HD 3/4-16 X 1.5-GR5-AA1J		
D	18720	NUT – HEX 3/4-16 UNF GR5 ZN PL		
E	6647	WASHER – FLAT		

189. Kit includes all listed parts and instructions. Kits available through Whole Goods only.

190. Assembly includes LH shoe (MD #360266), rivnuts (MD #320404), and screws (MD #360220).

191. Assembly includes RH shoe (MD #360342), rivnuts (MD #320404), and screws (MD #360220).

52 (Option) Foot Switch



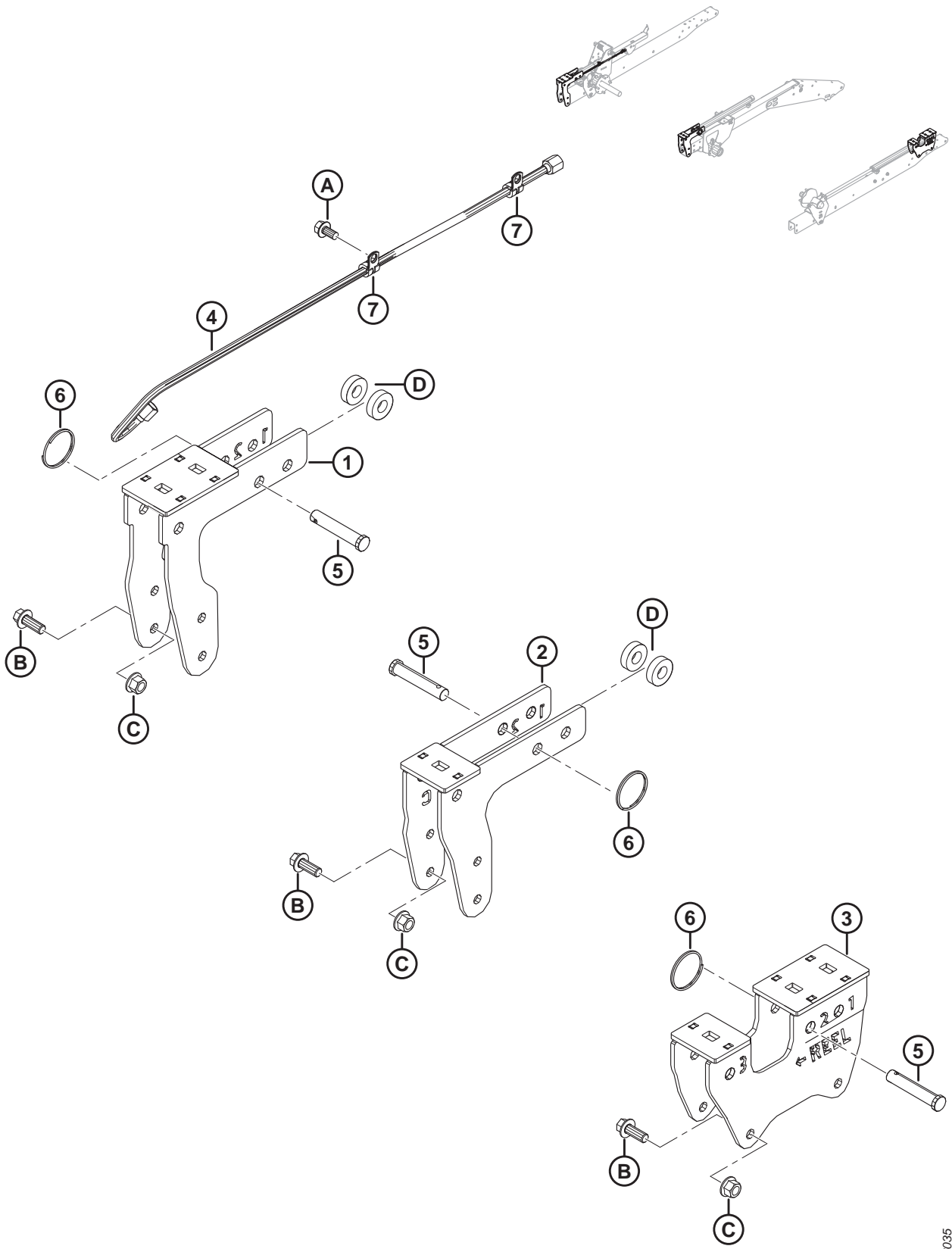
(OPTION) FOOT SWITCH

Ref	Part Number	Description	Qty	Serial Number
	B6212	KIT – HEADER TILT FOOT SWITCH ¹⁹²		
1	287537	KIT – FOOT SWITCH ¹⁹³	1	

192. Kits available through Whole Goods only.

193. Kit provides an additional way to control the selection between reel fore-aft and tilt on an AGCO (Challenger®, Gleaner®, or Massey Ferguson®) or John Deere combine operating a MacDon FM100 Float Module and Draper or FlexDraper® header. The foot switch can be used to toggle the tilt functionality ON instead of using the existing selector switch. Kit includes foot switch and instructions.

53 (Option) Multi-Crop Rapid Reel Conversion Kit

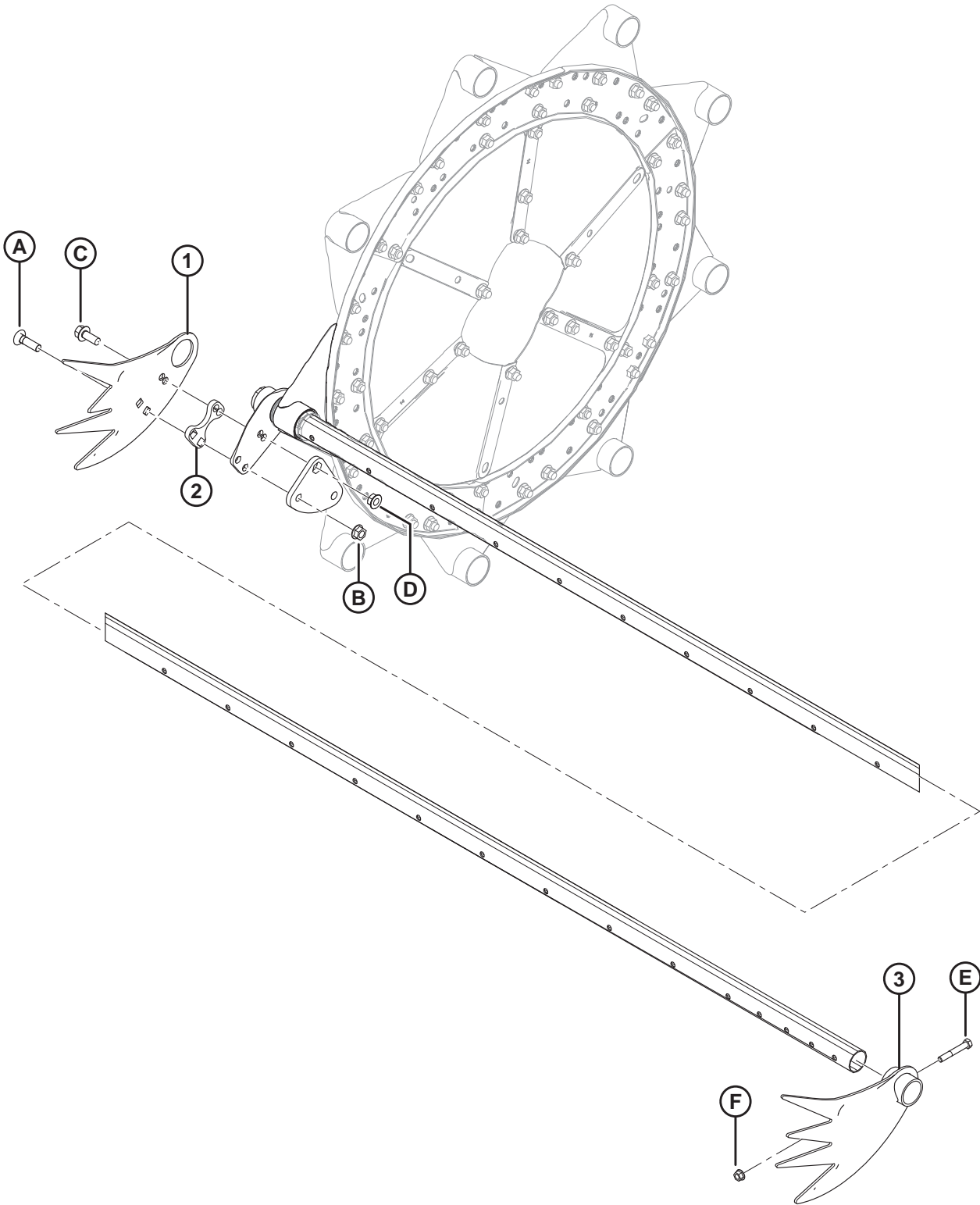


(OPTION) MULTI-CROP RAPID REEL CONVERSION KIT

Ref	Part Number	Description	Qty	Serial Number
	B6590	KIT – MULTI-CROP RAPID REEL CONVERSION ¹⁹⁴		
1	294598	BRACKET – RHS CAM BRACKET	1	
2	294601	BRACKET – CENTER CAM BRACKET	1	
3	294599	BRACKET – LHS CAM BRACKET	1	
4	245362	HOSE – HYD, 0.25 IN. I.D., 950 MM LG, 100R17, METAL REIN.	1	
5	18624	PIN – CLEVIS, 15.71 MM, 70 MM, ZN PL	3	
6	118137	RING – EXTERNAL, 2 INCH, .087	3	
7	135233	CLAMP – DOUBLE HOSE INSULATED	2	
A	101898	SCREW – HEX WASH HD THD ROLLING 3/8 NC X 5/8		
B	148798	BOLT – HEX FLG HD M12 X 1.75 X 30-10.9-A3L		
C	136431	NUT – HEX FLG CTR LOC M12 X 1.75-10-A3L		
D	40915	WASHER – FLAT		

194. Kit required to reduce the time needed to change the reel position from current location to the rapeseed/canola position. Intended for our Western European and North American markets, where straight-cut canola applications are required. Includes all listed parts and instructions. Kits available through Whole Goods only.

54 (Option) Pick-up Reel-End Fingers Kit

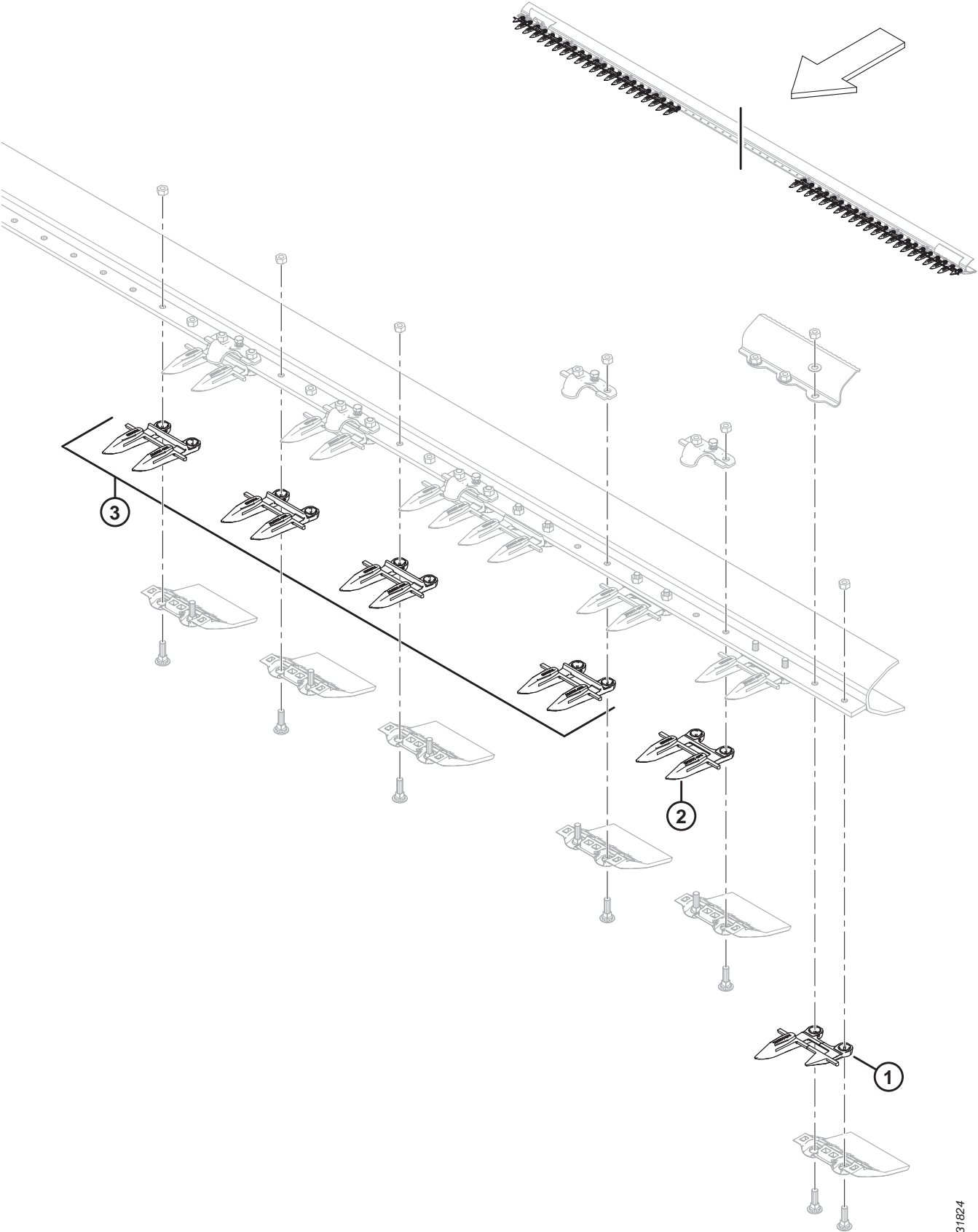


(OPTION) PICK-UP REEL-END FINGERS KIT

Ref	Part Number	Description	Qty	Serial Number
	B4831	KIT – PICK-UP REEL, END FINGERS ¹⁹⁵		
1	137794	FINGER – LODGED CROP, CAM END	3	
2	137795	SHIM – LODGED CROP FINGER	3	
3	137924	FINGER – LODGED CROP, TAIL END	3	
A	30515	BOLT – RHSN, 1/2 NC X 1-3/4, GR 5		
B	50186	NUT – LOCK, SMOOTH FLANGE, 1/2 NC DT		
C	30368	BOLT – FLANGE HEAD 1/2 NC X 1-1/4 GR 5		
D	21383	NUT – SERRATED FLANGE LOCK, 1/2 NC		
E	21102	BOLT – HEX HD 3/8 NC X 2-1/2 GR 5		
F	30228	NUT – LOCK, SMOOTH FLG, 3/8 NC, DT		

195. Kits available through Whole Goods only.

55 (Option) Pointed Guard Kit, Single Knife



(OPTION) POINTED GUARD KIT, SINGLE KNIFE

NOTE:

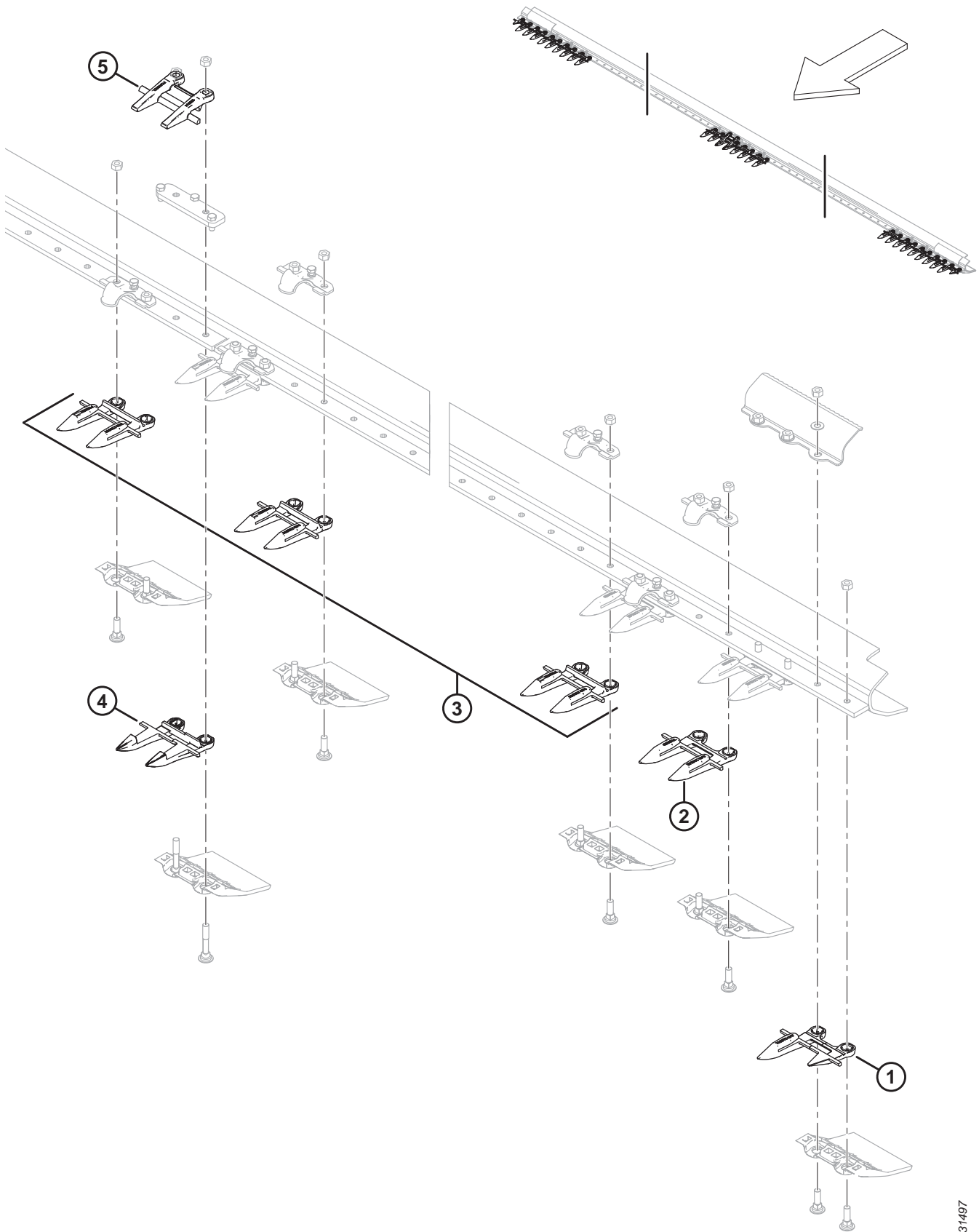
Illustration; Left end shown (right end is similar). Single knife, pointed guards only.

Ref	Part Number	Description	Qty	Serial Number
	304990	KIT – POINTED GUARDS 25 FT SK ¹⁹⁶		
	304991	KIT – POINTED GUARDS 30 FT SK ¹⁹⁶		
	304992	KIT – POINTED GUARDS 35 FT SK ¹⁹⁶		
	304993	KIT – POINTED GUARDS 40 FT SK ¹⁹⁶		
1	118301	SICKLE GUARD – LH, OUTBOARD (DRIVE END)	1	
	118302	SICKLE GUARD – RH, OUTBOARD	1	
2	118345	SICKLE GUARD – W/ POINTS, W/O WEARBAR (DRIVE END)	3	
3	118344	SICKLE GUARD – W/ POINTS ¹⁹⁷		

196. Includes all listed parts.

197. Quantities per kit: 25 ft. = 45, 30 ft. = 55, 35 ft. = 65, 40 ft. = 75.

56 (Option) Pointed Guard Kit, Double Knife



(OPTION) POINTED GUARD KIT, DOUBLE KNIFE

NOTE:

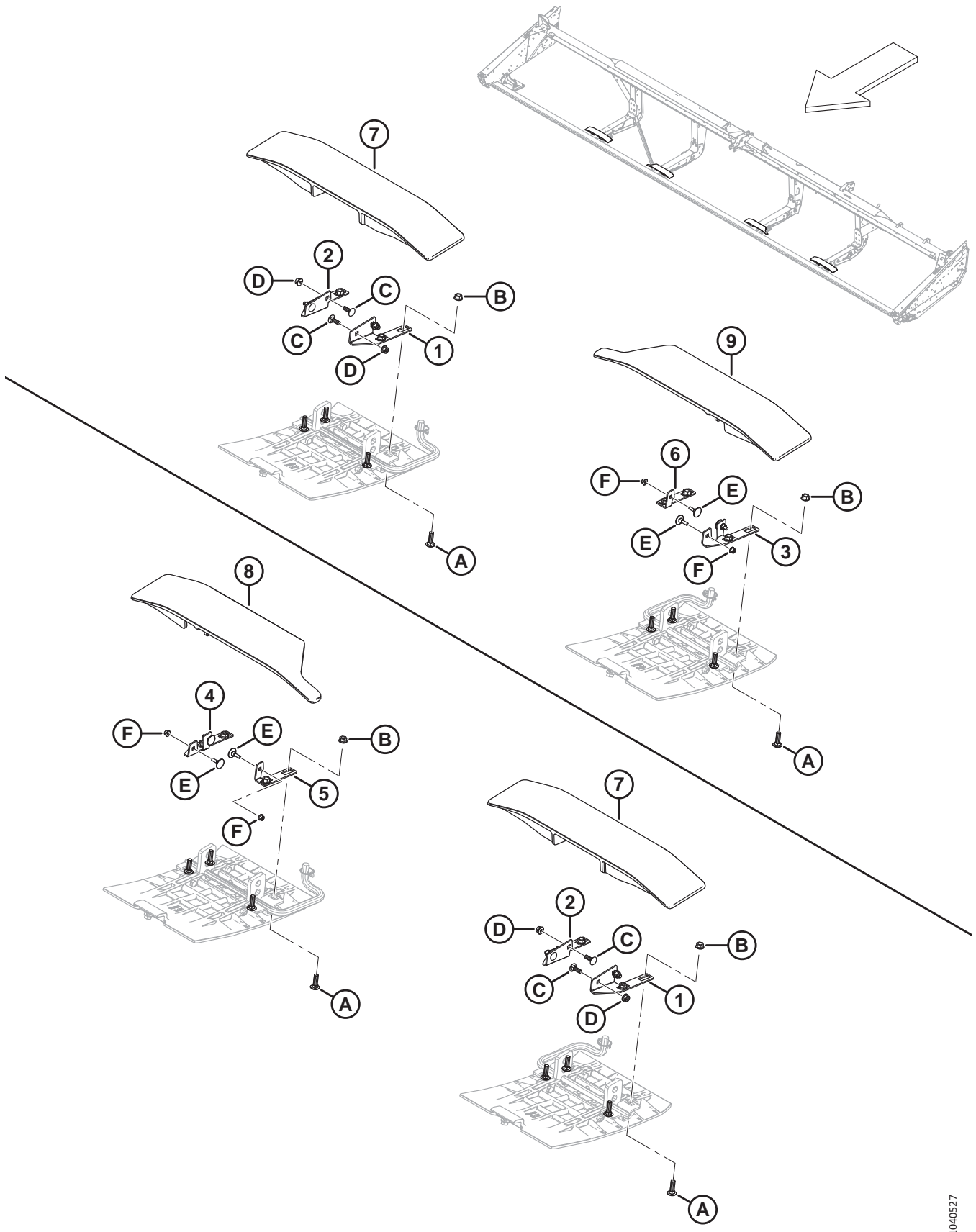
Illustration; Left end and middle shown (right end is similar). Double knife, pointed guards only.

Ref	Part Number	Description	Qty	Serial Number
	304985	KIT – POINTED GUARDS 25 FT DK ¹⁹⁸		
	304986	KIT – POINTED GUARDS 30 FT DK ¹⁹⁸		
	304987	KIT – POINTED GUARDS 35 FT DK ¹⁹⁸		
	304988	KIT – POINTED GUARDS 40 FT DK ¹⁹⁸		
	304989	KIT – POINTED GUARDS 45 FT DK ¹⁹⁸		
1	118301	SICKLE GUARD – LH, OUTBOARD	1	
	118302	SICKLE GUARD – RH, OUTBOARD	1	
2	118345	SICKLE GUARD – W/ POINTS, W/O WEARBAR (3 PER END)	6	
3	118344	SICKLE GUARD – W/ POINTS ¹⁹⁹		
4	124338	SICKLE GUARD – CENTER, POINTED	1	
5	124344	GUIDE – TOP-CENTER	1	

198. Includes all listed parts.

199. Quantities per kit: 25 ft. = 41, 30 ft. = 51, 35 ft. = 61, 40 ft. = 71, 45 ft. = 81.

57 (Option) Polyethylene Draper Tracks



(OPTION) POLYETHYLENE DRAPER TRACKS

NOTE:

Illustration; TOP: right side of the header, BOTTOM: left side of the header.

Ref	Part Number	Description	Qty	Serial Number
	335846	KIT – BRACKET D1XL DRAPER TRACK ²⁰⁰		
1	335800	BRACKET – POLY TRACK MOUNT	2	
2	335802	BRACKET – POLY TRACK MOUNT	2	
3	335833	BRACKET – POLY TRACK MOUNT	1	
4	335839	BRACKET – POLY TRACK MOUNT	1	
5	335845	BRACKET – POLY TRACK MOUNT	1	
6	335840	BRACKET – POLY TRACK MOUNT	1	
7	335832	TRACK – SHORT PLASTIC ²⁰¹	2	
8	335804	TRACK – SHORT PLASTIC ²⁰²	1	
9	335773	TRACK – SHORT PLASTIC ²⁰³	1	
A	19966	BOLT – RHSN 3/8-16 X 1.25-GR5-AA1J		
B	30228	NUT – FLG DT SM FACE 3/8-16 UNC-GR5-AA1J		
C	184648	BOLT – RHSN M8 X 1.25 X 25-8.8-AA1J		
D	135337	NUT – HEX FLG CTR LK M8 X 1.25-8-AA1J		
E	197241	BOLT – ELEV CSK M6 X 1 X 26-8.8		
F	152668	NUT – HEX FLG CTR LOC M6 X 1-8		

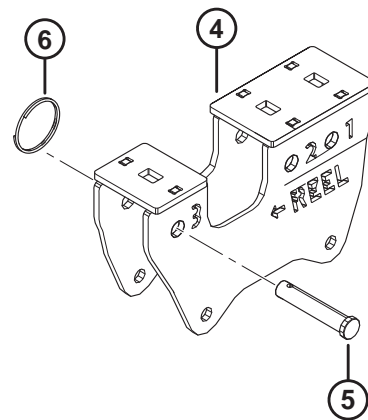
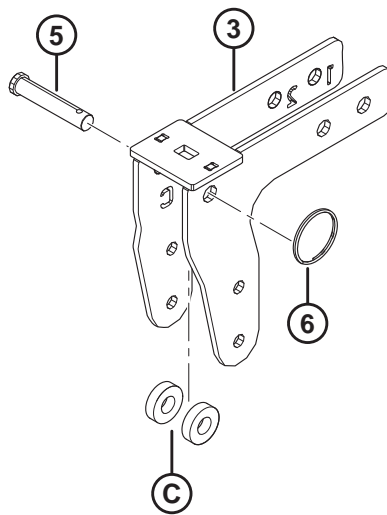
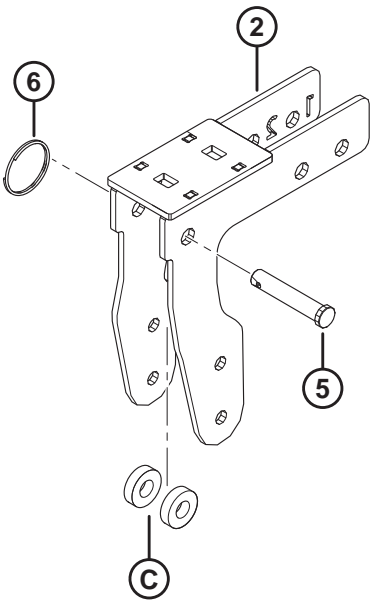
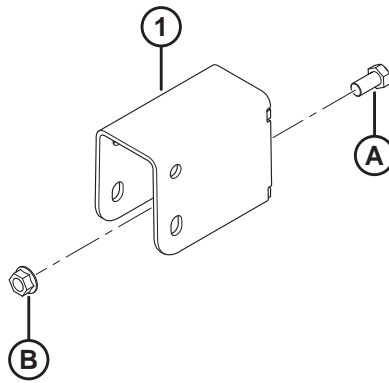
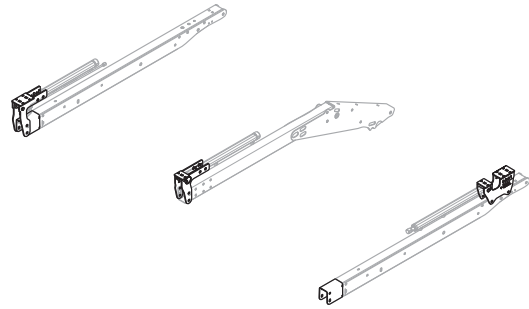
200. Kit includes all listed parts and instructions.

201. Track (MD #335832) is used on the outer header frame legs.

202. Track (MD #335804) is used on the LH center header leg.

203. Track (MD #335773) is used on the RH center header leg.

58 (Option) Reel Arm Extension Kit



(OPTION) REEL ARM EXTENSION KIT

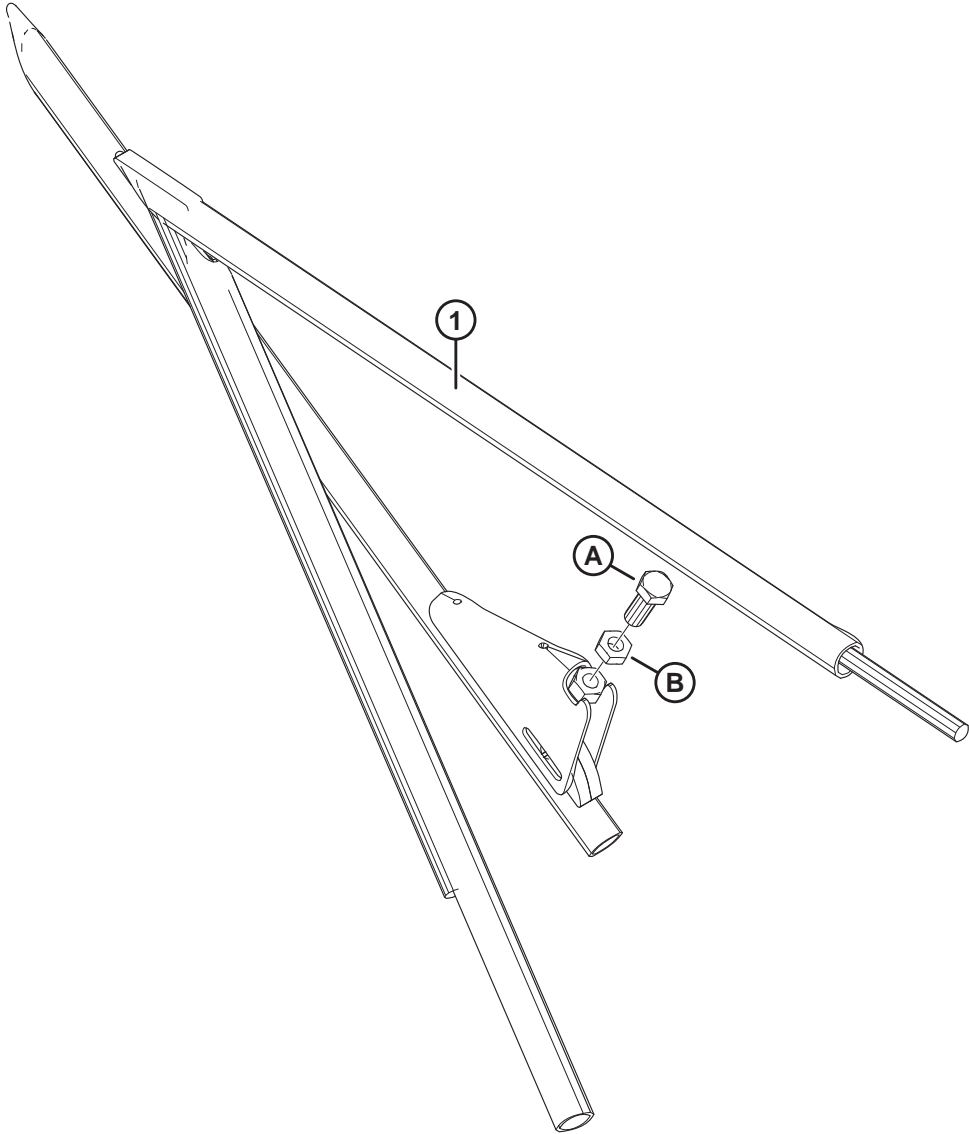
NOTE:

Reel Arm Extension Kit (MD #B6591) is **NOT** compatible with Vertical Knife Mounts (MD #B6137 and B6138).

Ref	Part Number	Description	Qty	Serial Number
	B6591	KIT – REEL ARM EXTENSION (EXPORT ONLY) ²⁰⁴		
1	245926	SUPPORT WELDMENT	2	
2	294598	BRACKET – RHS CAM WELDT	1	
3	294601	BRACKET – CENTER CAM WELDT	1	
4	294599	BRACKET – LHS CAM WELDT	1	
5	18624	PIN – CLEVIS, 15.71 MM, 70 MM, ZN PL	3	
6	118137	RING – EXTERNAL, 2 INCH, .087	3	
A	21575	BOLT – HH 1/2 NC X 1.0 LG GR 5 ZP		
B	50186	NUT – FLG LOCK SMTH FACE DT 0.500-13 UNC GR 5		
C	40915	WASHER – FLAT		

204. Kit provides extended reel fore/aft range (from furthest forward to furthest rearward) on headers equipped with short reel arms. Kit includes all listed parts and instructions. Kits available through Whole Goods only.

59 (Option) Rice Divider Rods

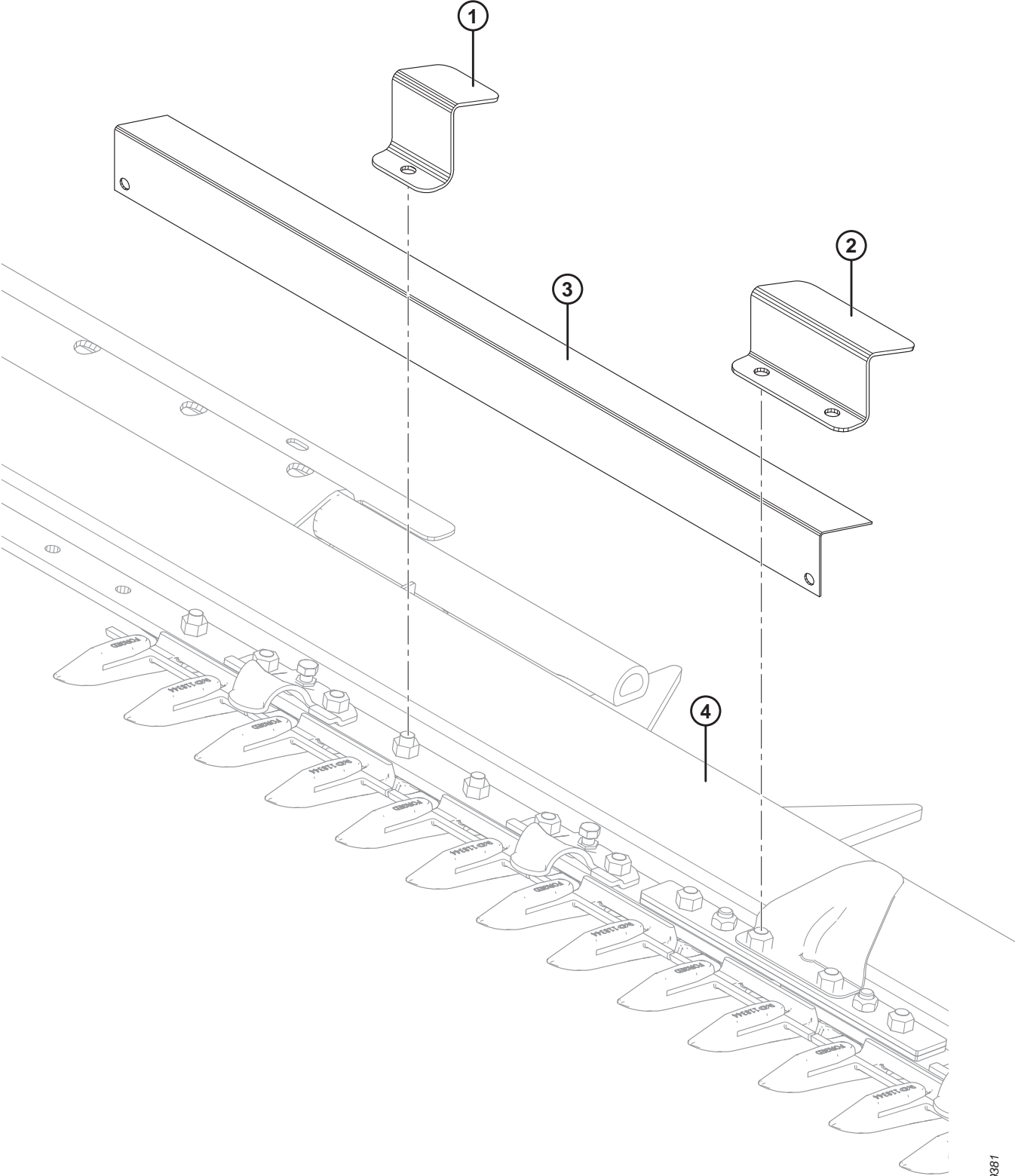


(OPTION) RICE DIVIDER RODS

Ref	Part Number	Description	Qty	Serial Number
	B5609	KIT – RICE DIVIDER RODS ²⁰⁵		
1	123681	DIVIDER – RICE LH TUBE WELDT	1	
	123682	DIVIDER – RICE RH TUBE WELDT	1	
A	172875	SCREW – SET		
B	21056	NUT – HEX JAM 1/2-13 UNC GR 5 ZP		

205. Kits available through Whole Goods only.

60 (Option) Rock Retarder Kit



1009381

(OPTION) ROCK RETARDER KIT

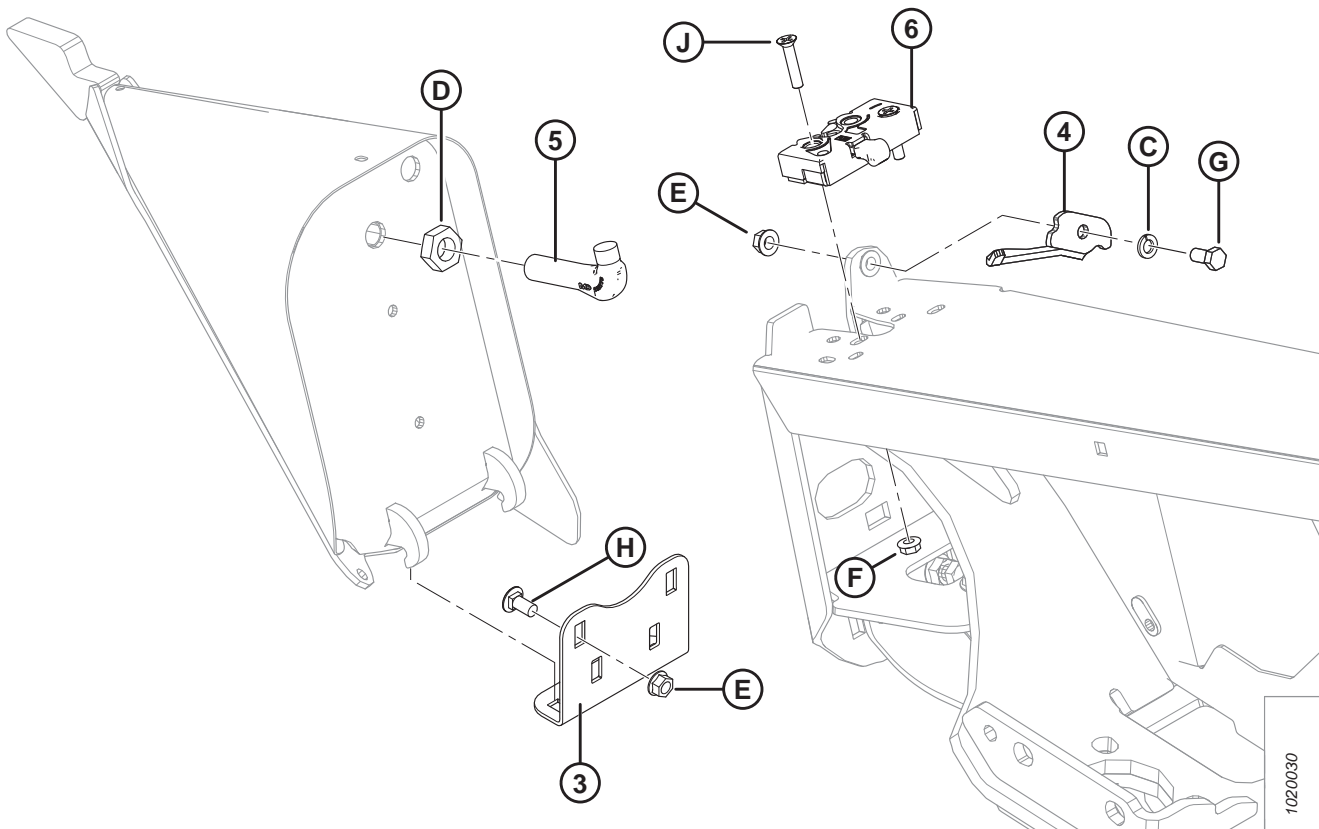
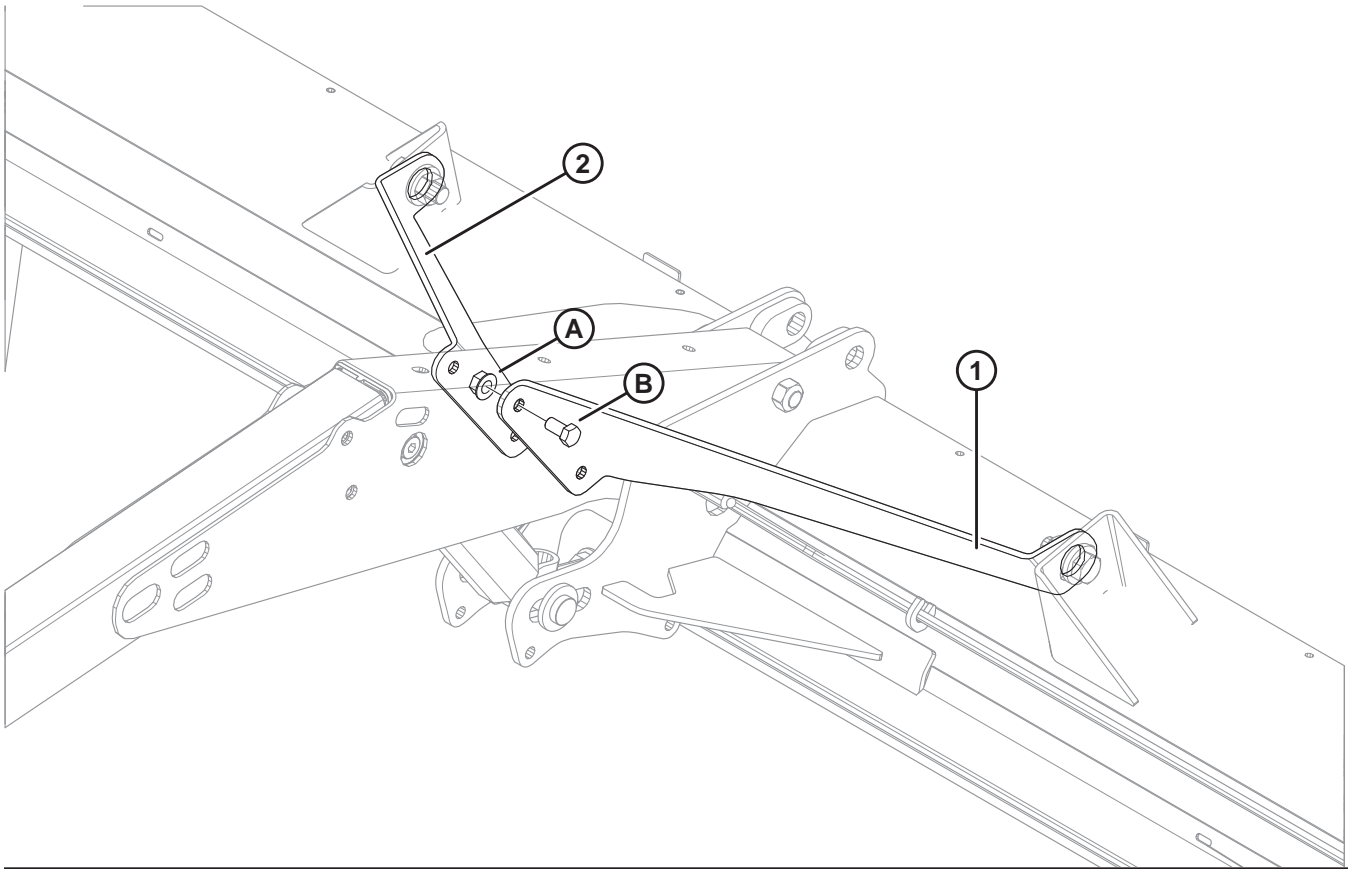
Ref	Part Number	Description	Qty	Serial Number
	B5084	KIT – ROCK RETARDER (25–35 FT HEADER) ²⁰⁶		
	B5085	KIT – ROCK RETARDER (40–45 FT HEADER) ²⁰⁶		
1	129577	SUPPORT – ROCK RETARDER CLAMP ²⁰⁷		
2	129578	SUPPORT – ROCK RETARDER CLAMP ²⁰⁸	2	
3	129581	SUPPORT – ROCK RETARDER, 990 MM LONG	3	
	129582	SUPPORT – ROCK RETARDER, 913 MM LONG	4	
	129584	SUPPORT – ROCK RETARDER, 888 MM LONG	2	
	129589	SUPPORT – ROCK RETARDER, 1066 MM LONG	2	
4	REF	CUTTERBAR		

206. Kits available through Whole Goods only.

207. Quantities: 25–35 ft. = 32, 40–45 ft. = 40.

208. For use at flex joint.

61 (Option) Short Brace Kit for Center Reel Arm / Divider Latches



1020030

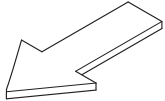
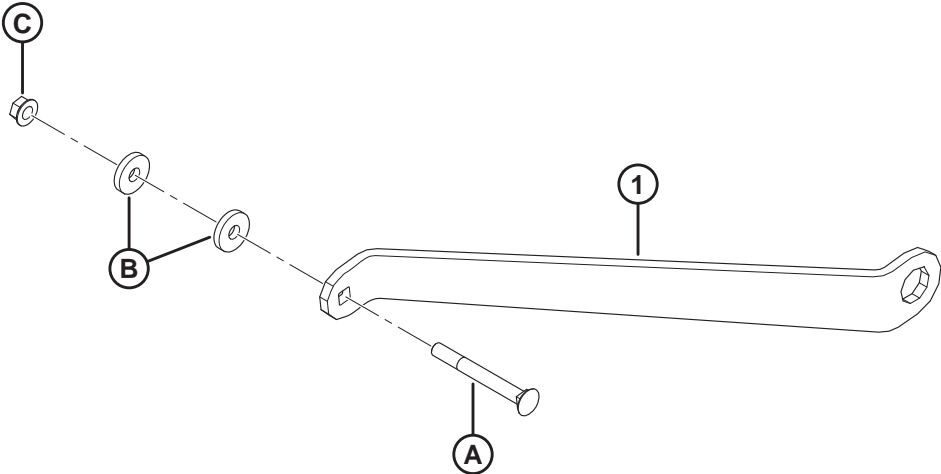
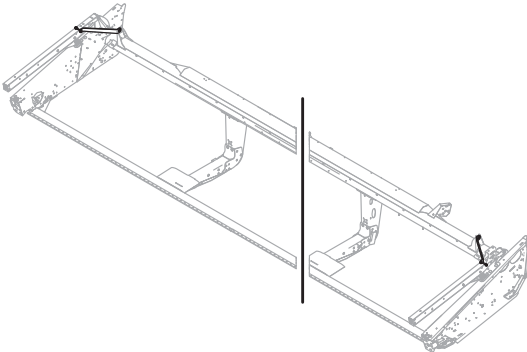
(OPTION) SHORT BRACE KIT FOR CENTER REEL ARM / DIVIDER LATCHES

Ref	Part Number	Description	Qty	Serial Number
	B5605	KIT – SHORT BRACE FOR CENTER REEL ARM ²⁰⁹		
1	164825	BRACE – SHORT LH	1	
2	164800	BRACE – SHORT RH	1	
A	50186	NUT – FLANGE LOCK SM FACE DT 0.500-13 UNC GR 5		
B	21575	BOLT – HH 1/2 NC X 1.0 LG GR 5 ZP		
	B6158	KIT – DIVIDER LATCHES ²⁰⁹		
3	255791	ANGLE – DIVIDER, STORAGE ²¹⁰	2	
4	132248	LATCH – LH, DIVIDER SAFETY	1	
	132253	LATCH – RH, DIVIDER SAFETY	1	
5	132773	HOOK – DIVIDER LATCH	2	
6	120932	LATCH – LH	1	
	120933	LATCH – RH	1	
C	18637	WASHER – REG. LOCK 3/8 IN. NOM. I.D. ZP		
D	7674	NUT – HEX JAM 3/4-16 UNF GR 5 ZP		
E	30228	NUT – FLANGE DT SMOOTH FACE 0.375-16 UNC		
F	30280	NUT – FLG SIDE LK SMTH FACE 5/16 NC GR 5 ZP		
G	21567	BOLT – HEX HD .375-16 UNC X 0.75 LG		
H	21863	BOLT – RHSSN 3/8 NC X 0.75 LG GR 5 ZP		
J	30504	SCREW – FLAT CSK MACH 5/16 NC X 1-1/2 LG GR 5 ZP		

209. Kits available through Whole Goods only.

210. Used to store divider on header endsheet when divider is not in use. For mounting position on header endsheet, refer to Section *1 Header Frame – Dividers and Stand, page 1*.

62 (Option) Short Brace Kit for Short Reel Arms – Single Reel



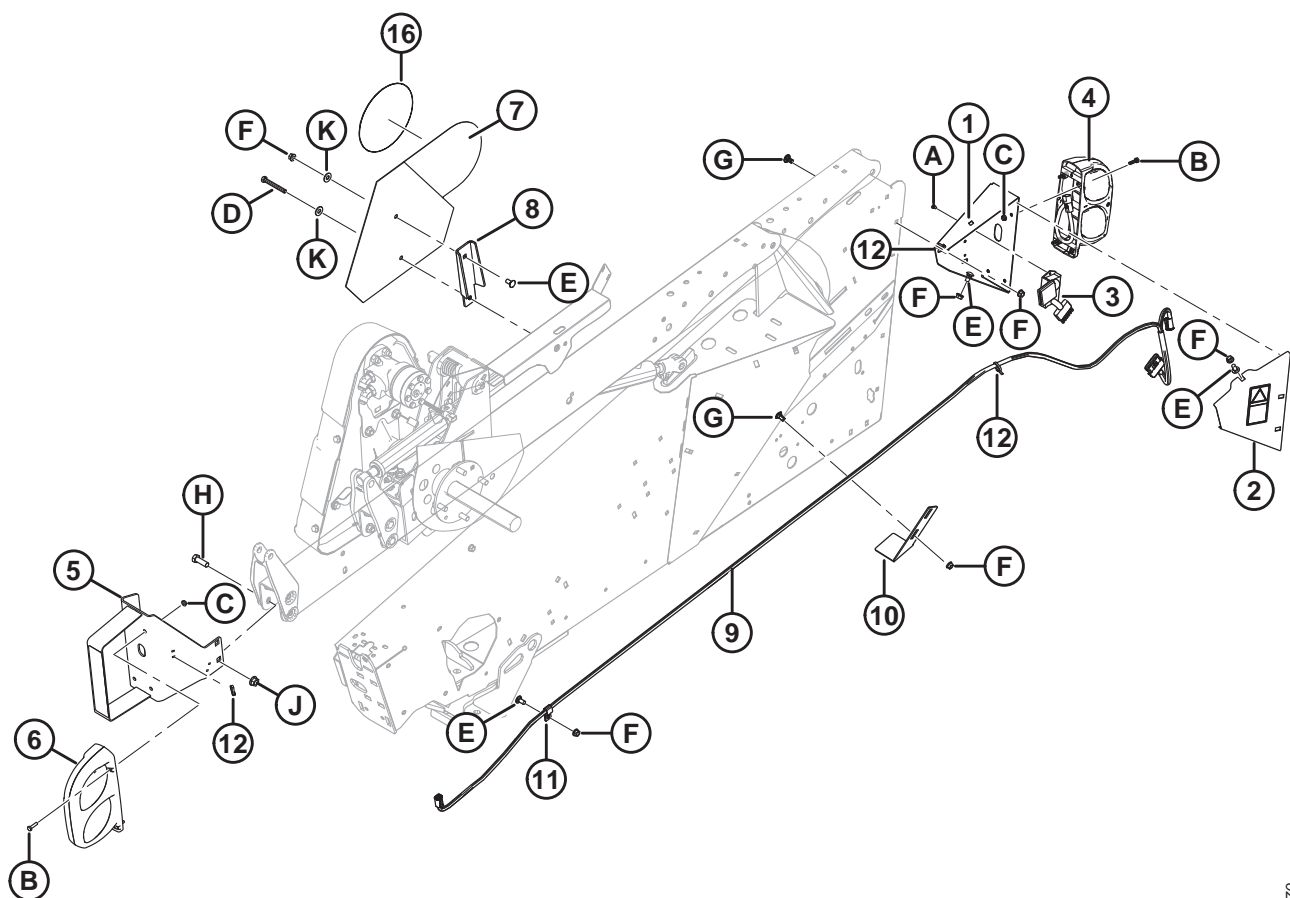
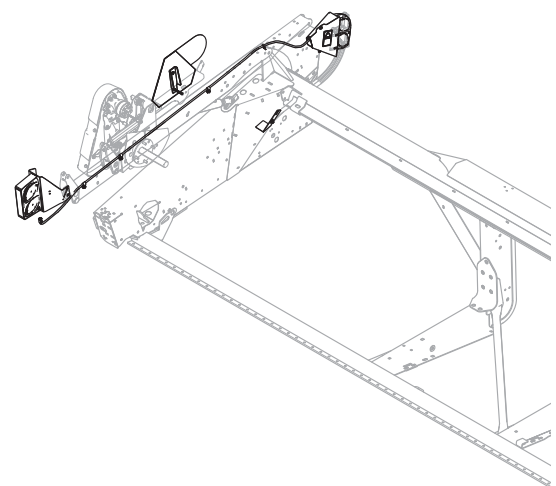
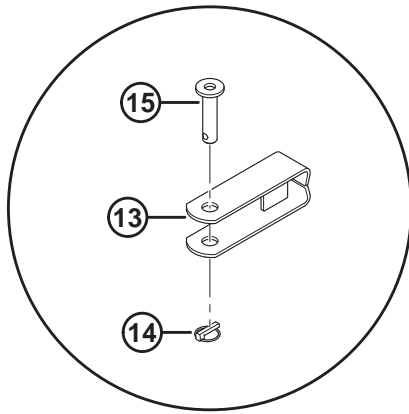
(OPTION) SHORT BRACE KIT FOR SHORT REEL ARMS – SINGLE REEL

Ref	Part Number	Description	Qty	Serial Number
	B6401	KIT – SINGLE REEL SHORT BRACE (EXPORT ONLY) ²¹¹		
	255845	KIT – SINGLE REEL SHORT BRACES (EXPORT ONLY) ²¹²		
1	255831	BRACE – DIAGONAL SHORT	2	
A	129847	BOLT – RHSN 1/2 NC X 4.5 LG GR 5 ZP		
B	18770	WASHER – FLAT		
C	50186	NUT – FLG LOCK SMTH FACE DT 0.500-13 UNC GR 5		

211. Kit provides outer reel arm braces for single-reel headers equipped with short reel arms. Kit includes Single Reel Short Braces kit (MD #255845). Kits available through Whole Goods only.

212. Kit includes two diagonal short braces (MD #255831), two bolts (MD #129847), two washers (MD #18770), two nuts (MD #50186), and instructions.

63 (Option) Slow Speed Transport Package – Hitch Electrical



(OPTION) SLOW SPEED TRANSPORT PACKAGE – HITCH ELECTRICAL

Ref	Part Number	Description	Qty	Serial Number
	B6606	KIT – TRANSPORT LIGHTS AND HARNESS (NORTH AMERICA AND AUSTRALIA) ²¹³		
	B6607	KIT – TRANSPORT LIGHTS AND HARNESS (EUROPE) ²¹³		
1	244727	SUPPORT – LH TRANSPORT LIGHT	1	
2	274414	COVER – WITH SAFETY DECAL ²¹⁴	1	
3	171068	RELAY – TRANSPORT LIGHTING MODULE ²¹⁵	1	
4	138087	LAMP – STOP/TURN/TAIL ²¹⁶	1	
5	294392	SUPPORT – SST RH REAR LIGHT	1	
	115146	REFLECTOR – AMBER	A/R	
	115147	REFLECTOR – RED	A/R	
6	138086	LAMP – STOP/TURN/TAIL ²¹⁶	1	
	139630	LENS – AMBER	1	
	139631	LENS – RED	1	
	139632	LENS – BLACK (OPAQUE)	1	
	139633	LENS – CLEAR (RUSSIAN)	1	
7	258262	ASSY – BRACKET W/ SMV ²¹⁷	1	
	115148	DECAL – SMV ²¹⁵	1	
	258253	BRACKET – SPEED ID SYMBOL (EUROPE) ²¹⁸	A/R	
8	174926	BRACKET – SMV MOUNTING	1	
9	254175	HARNESS	1	
10	253500	SUPPORT – DIVIDER ROD LOWER	1	
11	135233	CLAMP – DOUBLE HOSE INSULATED	2	
12	21763	FASTENER – CABLE TIE (BLACK)	3	
13	113536	CLEVIS WELDT ²¹⁵	1	
14	113561	PIN – LYNCH ²¹⁵	1	
15	118239	PIN – HITCH ²¹⁵	1	
16	193241	DECAL – SIS, 30 KM/H	1	
	193243	DECAL – SIS, 30 KM/H (SMALL)	1	
	193242	DECAL – SIS, 20 MILE/H	1	
	193240	DECAL – SIS, 20 MILE/H (SMALL)	1	
A	136868	RIVET – BLIND		
B	21573	BOLT – HEX HD 1/4 NC X 1.0 LG GR 5 ZP		
C	21455	NUT – FLG (SER FACE) 1/4 NC GR 5 ZP		
D	21568	BOLT – HH 3/8 NC X 3.0 LG GR 5 ZP (SINGLE REEL)		
	21102	BOLT – HH 3/8 NC X 2.5 LG GR 5 ZP (DOUBLE REEL)		

213. Kits available through Whole Goods only.

214. Includes decal (MD #184422).

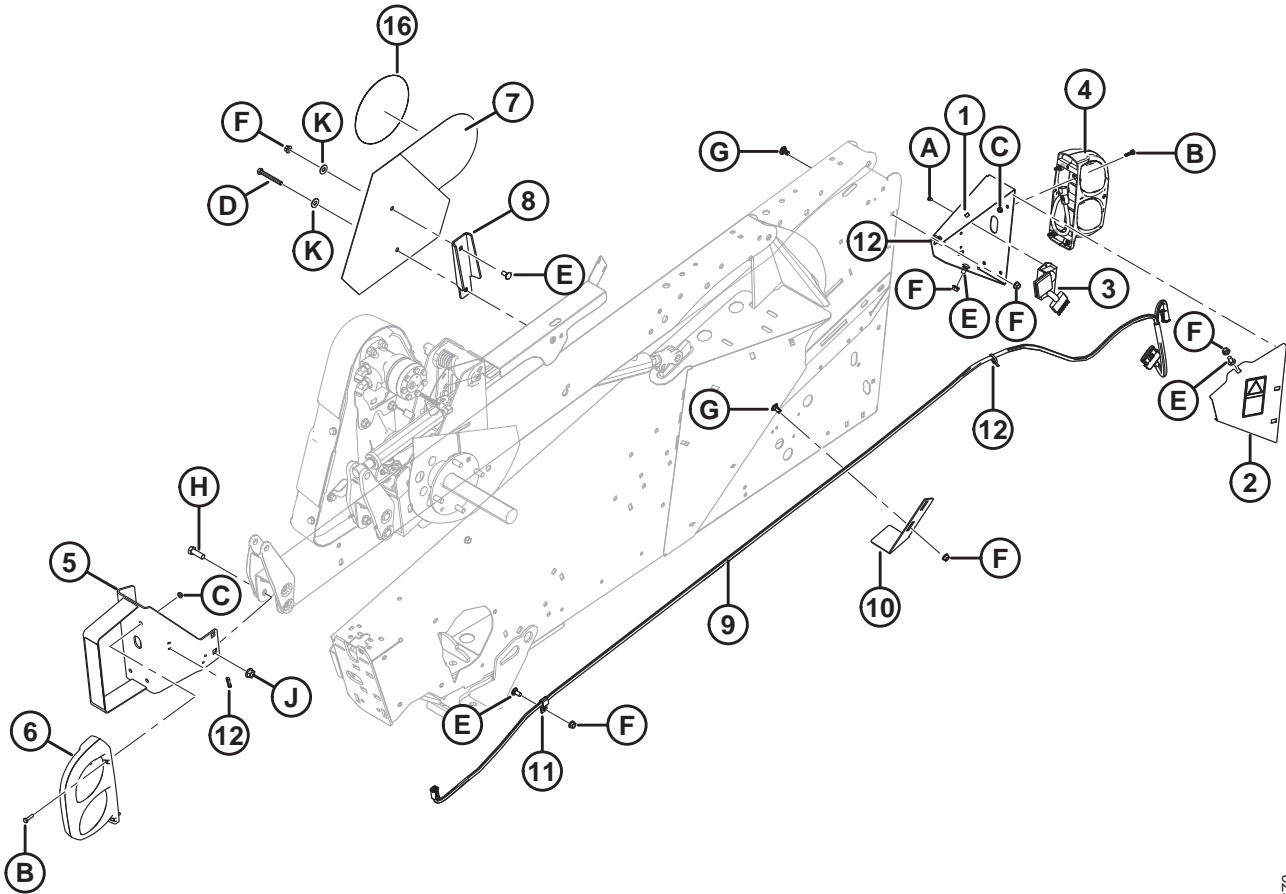
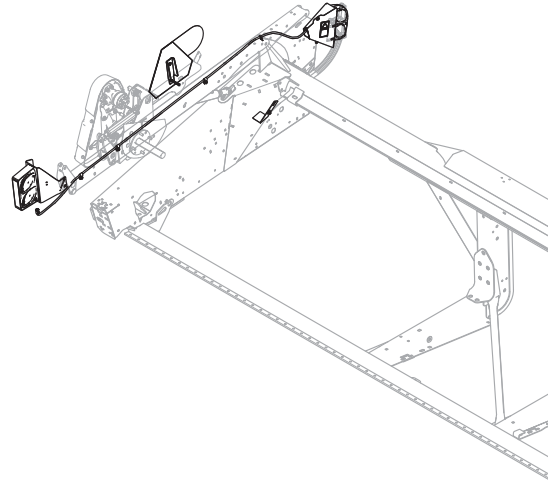
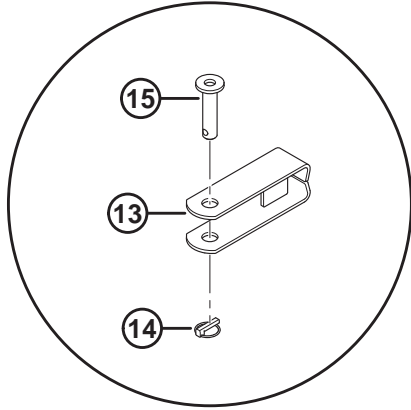
215. For B6606 only.

216. Turn, tail, and brake bulbs not sold by MacDon, but can be replaced with red (tail/brake) bulb - 1077, and amber (turn) bulb - 7506.

217. Includes SMV decal (MD #115148). For B6606 only.

218. For B6607 only.

(OPTION) SLOW SPEED TRANSPORT PACKAGE – HITCH ELECTRICAL



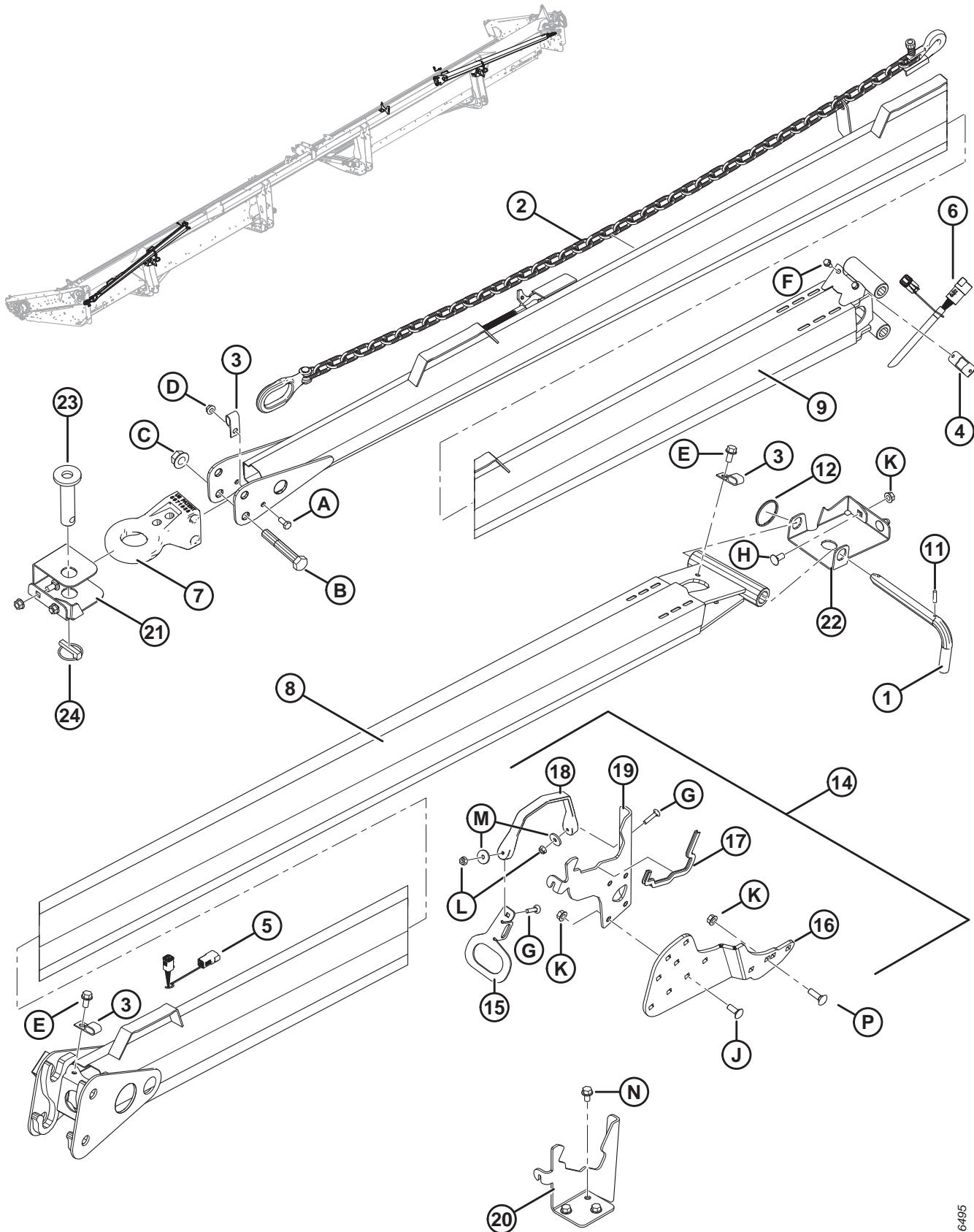
1031670

(OPTION) SLOW SPEED TRANSPORT PACKAGE – HITCH ELECTRICAL

Ref	Part Number	Description	Qty	Serial Number
E	21863	BOLT – RHSSN 3/8 NC X 0.75 LG GR 5 ZP		
F	30228	NUT – FLANGE DT SMOOTH FACE 0.375-16 UNC		
G	21472	BOLT – RHSN 3/8 NC X 0.75 GR 5 ZP		
H	18723	BOLT – HH 1/2 NC X 1.5 LG TFL GR 5 ZP		
J	50186	NUT – FLG LOCK SM FACE DT 0.500-13 UNC GR 5		
K	18670	WASHER – FLAT SAE 7/16 I.D. X 1.0 IN. O.D. AA1J ²¹⁹		

219. For B6606 only.

64 (Option) Slow Speed Transport Package – Transport Hitch



1026495

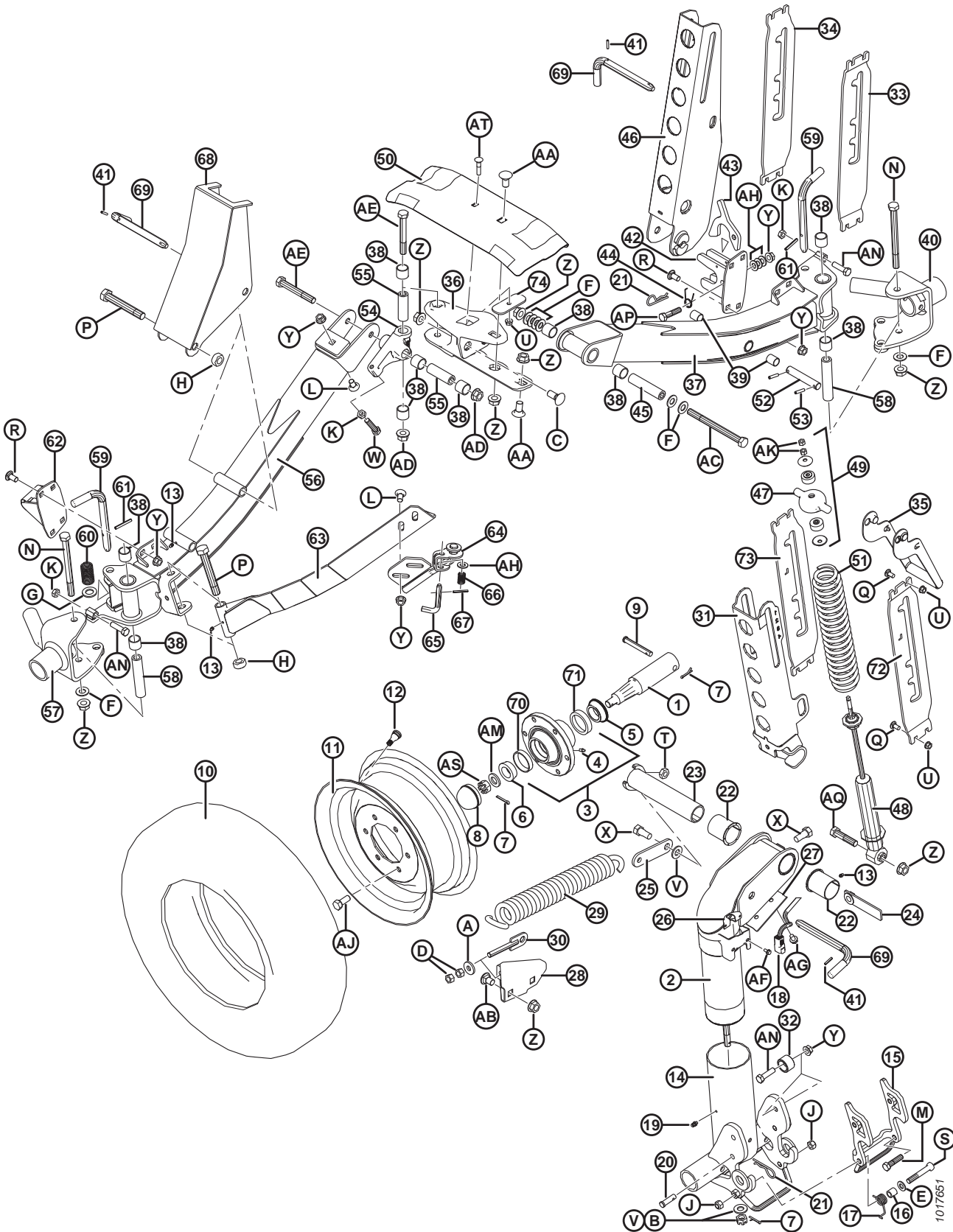
(OPTION) SLOW SPEED TRANSPORT PACKAGE – TRANSPORT HITCH

Ref	Part Number	Description	Qty	Serial Number
	B6145	KIT – TRANSPORT (TOW POLE) ²²⁰		
1	144415	ASSY – L-PIN	1	
2	21404	CHAIN – SAFETY 59 LG	1	
3	39272	CLIP – INSULATED	2	
4	193057	CLIP – WIRING HARNESS DEUTSCH CONNECTOR	1	
5	193059	HARNESS – TRANSPORT HITCH (HEADER END)	1	
6	193058	HARNESS – TRANSPORT HITCH (TOW END)	1	
7	113566	HITCH BASE	1	
8	193202	HITCH – WELDT (HEADER END)	1	
9	193212	HITCH – C/W DECALS (TOW END) ²²¹	1	
11	16010	PIN – SPRING 3/16 DIA X 1.0 LG	1	
12	118137	RING	1	
14	294815	KIT – HITCH STORAGE ON HEADER	1	
15	193183	PLATE – LATCH HANDLE	2	
16	294807	ANGLE – SUPPORT	2	
17	135704	SEAL – EDGE TRIM	2	
18	193187	STRAP – RUBBER	2	
19	244760	SUPPORT – HITCH CRADLE	2	
20	220326	SUPPORT – HITCH CRADLE	1	
21	193188	SUPPORT – HITCH LH ENDSHEET	1	
22	279065	SUPPORT – HITCH RH ENDSHEET	1	
23	118239	PIN – HITCH	1	
24	113561	PIN – LYNCH	1	
A	21558	BOLT – HEX HD 5/16 NC X 0.75 LG GR 5 ZP		
B	19634	BOLT – HH 5/8 NC X 4.0 LG GR 5 ZP		
C	50225	NUT – FLANGE DT SMOOTH FACE .625-11 UNC		
D	30280	NUT – FLG SIDE LK SMTH FACE 5/16 NC GR 5 ZP		
E	101897	SCREW – HEX WASH HD THD ROLLING 3/8 NC X 3/4		
F	21055	SCREW – SELF TAP HEX WASH HD 1/4 NC X 1/2		
G	135623	BOLT – RHSN 1/4 NC X 1.25 LG GR 5 ZP		
H	21863	BOLT – RHSSN 3/8 NC X 0.75 LG GR 5 ZP		
J	100456	BOLT – RHSSN 3/8 NC X 1.0 GR 5 ZP		
K	30228	NUT – FLANGE DT SMOOTH FACE 0.375-16 UNC		
L	135248	NUT – FLG DT SMTH FACE 1/4-20 NC GR 5 ZP		
M	40628	WASHER – FLAT		
N	101898	SCREW – HEX WASH HD THD ROLLING 3/8 NC X 5/8		
P	19966	BOLT – RHSN 3/8-16 X 1.25 GR 5 ZP		

220. Kits available through Whole Goods only.

221. Includes decals (MD #220797, 220798).

65 (Option) Slow Speed Transport Package – Wheels and Supports



(OPTION) SLOW SPEED TRANSPORT PACKAGE – WHEELS AND SUPPORTS

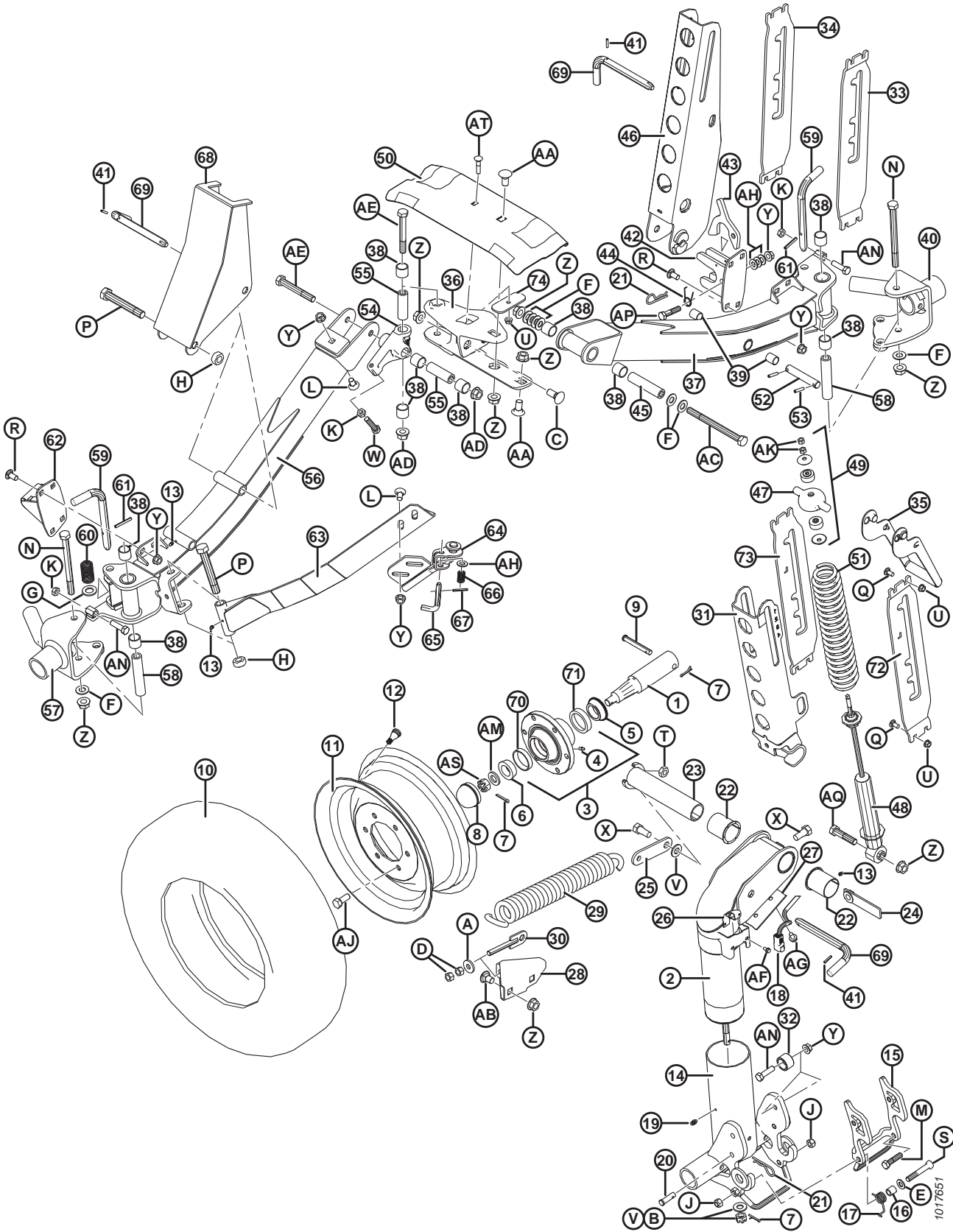
Ref	Part Number	Description	Qty	Serial Number
	B5224	KIT – STABILIZER WHEELS ²²²		
	B6449	KIT – TRANSPORT SUPPORTS AND HUBS ²²²		
1	144378	SPINDLE	4	
2	244722	PIVOT WELDT	1	
3	41982	HUB – C/W BEARING CUPS ²²³	4	
4	50174	FITTING – LUBE, DRIVE TYPE 1/4 IN. (CTD HUB)	4	
	21887	FITTING – LUBE, 1/8 NPT (ARMSTRONG HUB)	4	
5	30517	BEARING – CONE, C/W SEAL	4	
6	21376	BEARING – CONE ROLLER (NO SEAL)	4	
7	18648	PIN – COTTER 3/16 DIA X 1.25 ZP	7	
8	30520	CAP – DUST	4	
9	101007	PIN – CLEVIS	4	
10	193031	TIRE – ST 205/75 R15 STEEL BELTED RADIAL	4	
11	144531	WHEEL – 15 X 6 LB	4	
12	21153	STEM – TIRE VALVE ASSEMBLY #TR-415	4	
13	18671	FITTING – LUBE 1/4-28 UNF	5	
14	144971	SPINDLE WELDT	1	
15	144976	LATCH WELDT	1	
16	144742	SPACER – 3/4 IN. O.D. X .120 WALL X 19 LONG	1	
17	144741	SPRING – TORSION	1	
18	REF	HARNESS ²²⁴		
19	21010	FITTING – LUBE 90° 1/4-28 TAPER THD	2	
20	19927	PIN – CLEVIS	1	
21	13125	PIN – HAIR	1	
22	35694	BUSHING – PLASTIC	2	
23	144374	PIN – WELDT	1	
24	144577	BAR – NUT ASSY	1	
25	144471	BAR	1	
26	193057	CLIP – WIRING HARNESS DEUTSCH CONNECTOR	1	
27	144739	HOLDER	1	
28	144873	SUPPORT – WELDT	1	
29	144724	SPRING – EXTENSION	1	
30	144425	BOLT – EYE WELDT	1	
31	144968	CHANNEL WELDT	1	
32	193008	ROLLER	2	
33	193214	SUPPORT – LH (USED RIGHT SIDE OF HEADER)	1	
34	193215	SUPPORT – RH (USED RIGHT SIDE OF HEADER)	1	
35	144899	HANDLE – WELDT	2	
36	125256	SUPPORT – WELDT	1	

222. Kits available through Whole Goods only.

223. Includes lube fitting (MD #50174), bearing cup (MD #7900), and bearing cup (MD #30516).

224. Refer to Section 63 (Option) Slow Speed Transport Package – Hitch Electrical, page 187.

(OPTION) SLOW SPEED TRANSPORT PACKAGE – WHEELS AND SUPPORTS



(OPTION) SLOW SPEED TRANSPORT PACKAGE – WHEELS AND SUPPORTS

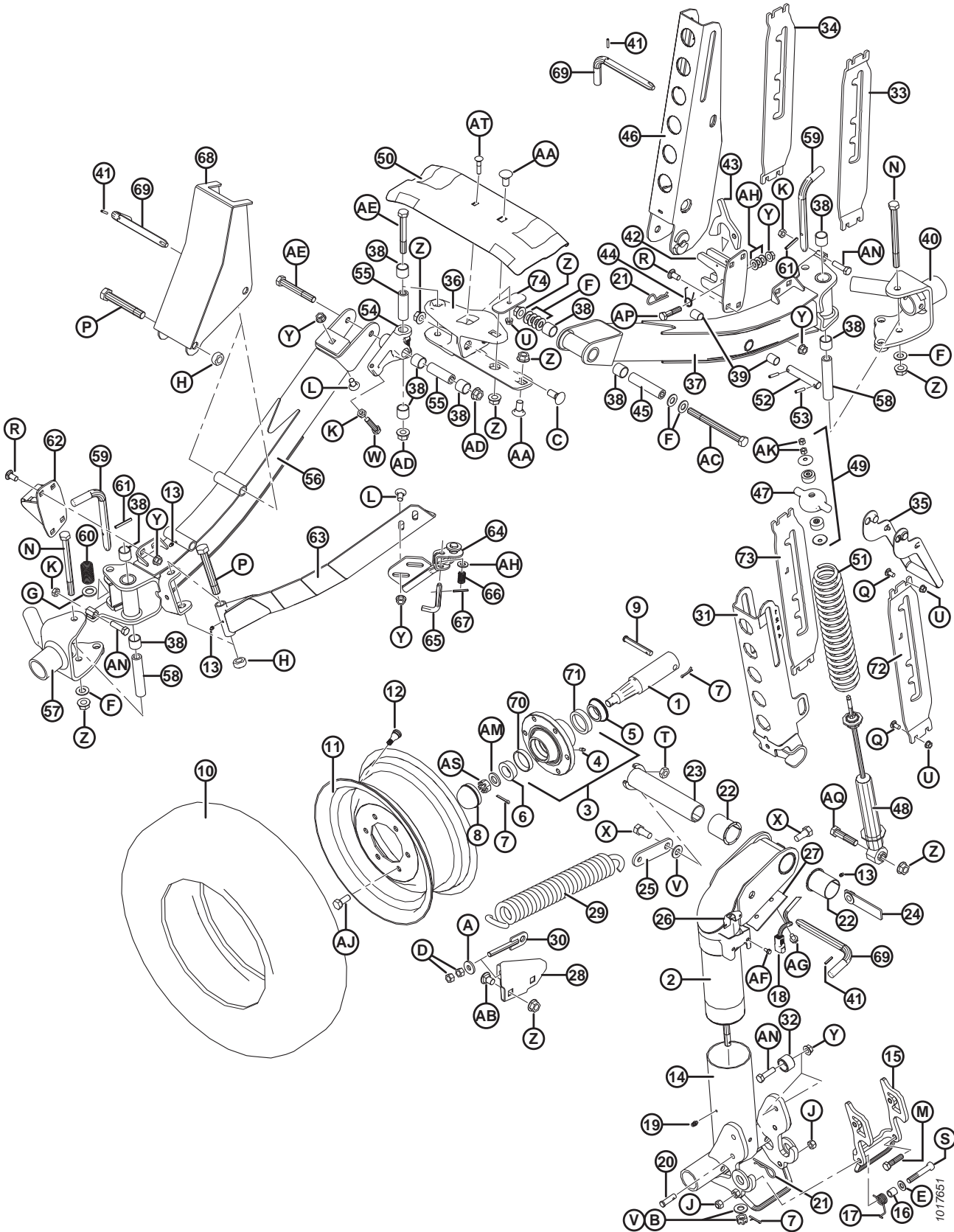
Ref	Part Number	Description	Qty	Serial Number
37	294094	TUBE – AXLE, C/W BUSHINGS ²²⁵	1	
38	133992	BUSHING – COMPOSITE	10	
39	156501	BUSHING – PLASTIC	2	
40	294036	PIVOT – LH WELDT	1	
41	16010	PIN – SPRING 3/16 DIA X 1.0 LG	3	
42	193009	LATCH – WELDT	1	
43	193016	LATCH	1	
44	144505	SPRING – TORSION	1	
45	144880	SPACER	1	
46	144956	CHANNEL WELDT	1	
47	144966	CASTING – SPRING CAP	2	
48	144934	SHOCK – TENNECO ²²⁶	2	
49	174922	KIT – SHOCK MOUNTING	2	
50	220099	SUPPORT – DRAPER, TRANSPORT	1	
51	144962	SPRING – COMPRESSION	2	
52	144376	PIN – STRAIGHT	1	
53	16266	PIN – SPRING 1/4 DIA X 1.25 LG	2	
54	244748	PIVOT – ASSY W/ BUSHINGS ²²⁷	1	
55	244671	SPACER	2	
56	294091	AXLE – ASSY, C/W BUSHINGS ²²⁷	1	
57	294037	PIVOT – RH WELDT	1	
58	193022	SPACER	2	
59	144989	L-PIN	2	
60	29028	SPRING – COMPRESSION	2	
61	2148	PIN – SPRING 1/4 DIA X 2.0 LG	2	
62	193014	LATCH WELDT	1	
63	144324	BRACE – ANGLE WELDT	1	
64	144433	LATCH WELDT	1	
65	144409	L-PIN	1	
66	35618	SPRING – COMPRESSION	1	
67	7642	PIN – SPRING 3/16 DIA X 1.5 LG	1	
68	144321	SUPPORT – C'BAR WELDT	1	
69	144415	ASSY – L-PIN	3	
70	7900	CUP – ROLLER BEARING	4	
71	30516	CUP – ROLLER BEARING	4	
72	193216	SUPPORT – LH (USED LEFT SIDE OF HEADER)	1	
73	193217	SUPPORT – RH (USED LEFT SIDE OF HEADER)	1	
74	125236	BAR – DRAPER SUPPORT RETENTION	1	
A	4761	WASHER – FLAT		
B	6649	NUT – SLOTTED HEX 0.625 IN. NC ZN PL		

225. Includes composite bushing (MD #133992) and plastic bushing (MD #156501).

226. Includes shock mounting kit (MD #174922).

227. Includes composite bushing (MD #133992) and hardware (MD #21056, 30833).

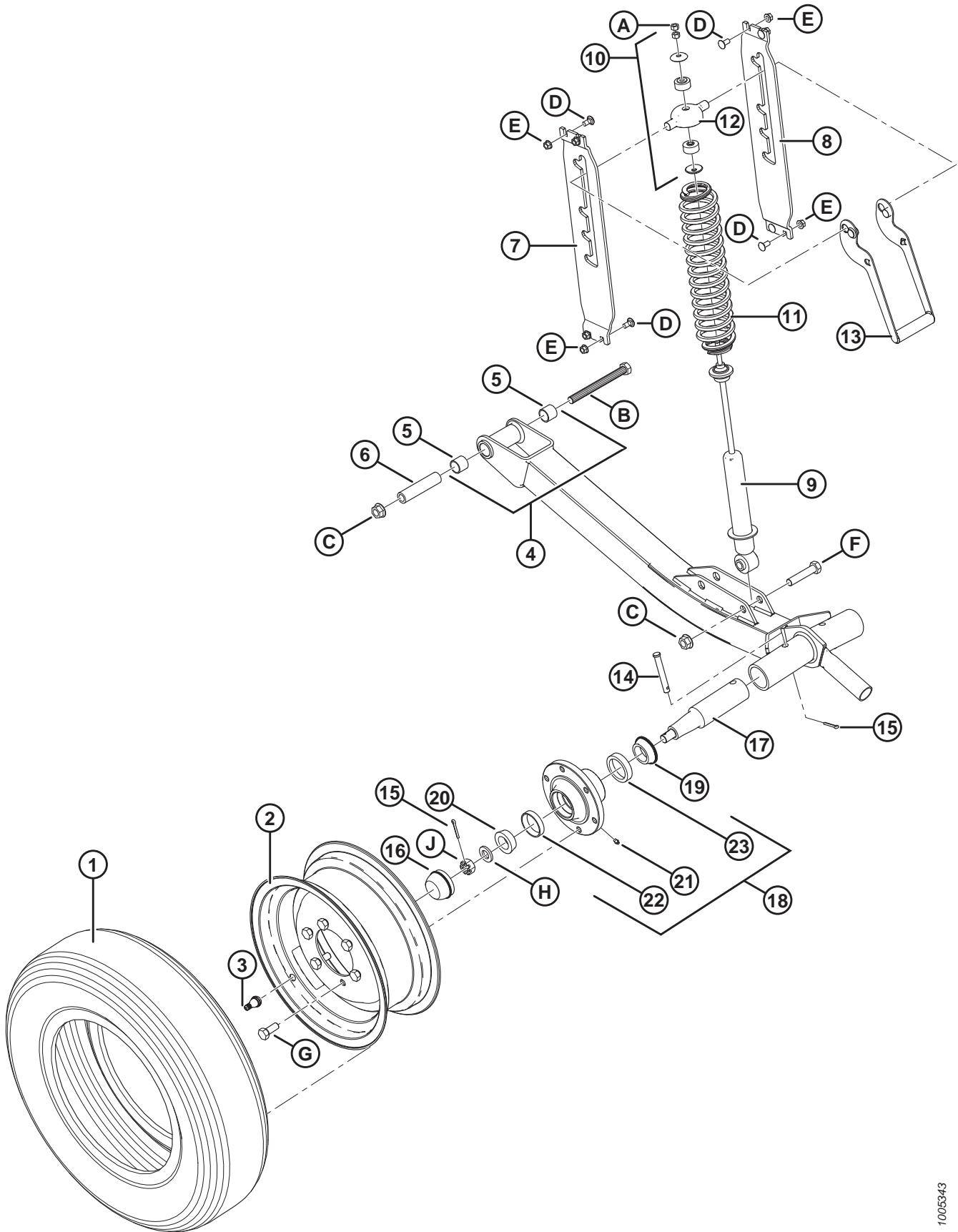
(OPTION) SLOW SPEED TRANSPORT PACKAGE – WHEELS AND SUPPORTS



(OPTION) SLOW SPEED TRANSPORT PACKAGE – WHEELS AND SUPPORTS

Ref	Part Number	Description	Qty	Serial Number
C	18523	BOLT – RHSN 5/8 NC X 1.5 GR 5 ZP		
D	18591	NUT – HEX 1/2-13 UNC GR 5 ZP		
E	18599	WASHER – SAE FLAT 17/32 I.D. X 1-1/16 IN. O.D. ZP		
F	18600	WASHER – SAE FLAT 21/32 I.D. X 1-5/16 IN. O.D. ZP		
G	18601	WASHER – SAE FLAT 13/16 I.D. X 1.5 IN. O.D. ZP		
H	102636	NUT – HEX, SIDE LOCK DT .750-10 UNC		
J	18697	NUT – HEX LOCK DT .500-13 UNC		
K	21056	NUT – HEX JAM 1/2-13 UNC GR 5 ZP		
L	21066	BOLT – RHSN 1/2 NC X 1 GR 5 ZP		
M	21576	BOLT – HH 1/2 NC X 2.0 LG GR 5 ZP		
N	21591	BOLT – HH 5/8 NC X 7.5 LG GR 5 ZP		
P	21599	BOLT – HH 3/4 NC X 5.0 LG GR 5 ZP		
Q	100456	BOLT – RHSSN 3/8 NC X 1.0 GR 5 ZP		
R	21868	BOLT – RHSSN 1/2 NC X 1.0 GR 5 ZP		
S	21560	BOLT – HH 1/2 NC X 3.0 LG GR 5 ZP		
T	21941	NUT – HEX LOCK JAM (DT) 5/8-11 UNC GR 5 ZP		
U	30228	NUT – FLANGE DT SMOOTH FACE 0.375-16 UNC		
V	30441	WASHER – HARDENED		
W	30833	BOLT – HH 1/2 NC X 2.25 TFL GR 5 ZP		
X	48050	BOLT – SHOULDER .625-11 UNC		
Y	50186	NUT – FLANGE LOCK SM FACE DT 0.500-13 UNC GR 5		
Z	50225	NUT – FLANGE DT SMOOTH FACE .625-11 UNC		
AA	103562	BOLT – RHSN 5/8 NC X 1.25 GR 5 ZP		
AB	117015	BOLT – RHSSN 5/8 NC X 1.0 GR 5 ZP		
AC	193211	BOLT – HEX HEAD 5/8 NC X 7.5 LG GR 8 ZP		
AD	188467	NUT – FLANGE DT SMOOTH FACE .625-18 UNC GR. G		
AE	252305	BOLT – HH FINE 5/8-18 X 4.5 GR 8 ZP		
AF	21055	SCREW – SELF TAP HEX WASH HD 1/4 NC X 1/2		
AG	101898	SCREW – HEX WASH HD THD ROLLING 3/8 NC X 5/8		
AH	18599	WASHER – SAE FLAT 17/32 I.D. X 1-1/16 IN. O.D. ZP		
AJ	18916	BOLT – 90° WHEEL 9/16 NF X 1.75 OL		
AK	18866	NUT – HEX 3/8-24 UNF GR 5 ZP		
AM	21540	WASHER – HARDENED		
AN	50072	BOLT – HH 1/2 NC X 1.75 LG TFL GR 5 ZP		
AP	21578	BOLT – HH 1/2 NC X 2.25 LG GR 5 ZP		
AQ	30922	BOLT – HH 5/8 NC X 2.75 GR 5 ZP		
AS	5512	NUT – HEX SLOTTED .750-16 UNF ZN PL		
AT	50197	BOLT – RHSN 3/8 NC x 1.75 LG GR 5 ZP		

66 (Option) Stabilizer Wheels



1005343

(OPTION) STABILIZER WHEELS

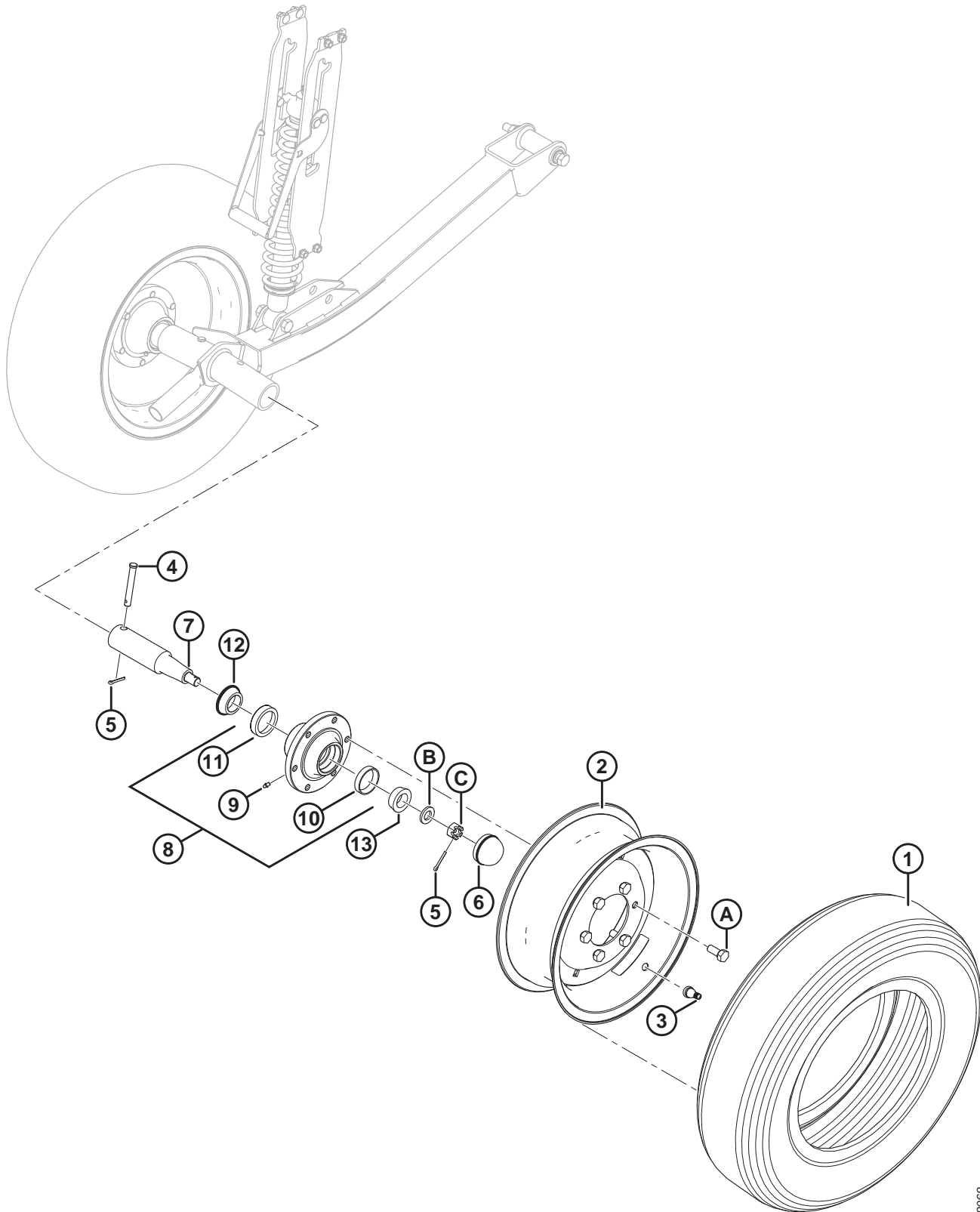
Ref	Part Number	Description	Qty	Serial Number
	C1986	KIT – STABILIZER WHEELS (30–45 FT ONLY) ²²⁸		
1	193031	TIRE – ST 205/75 R15 STEEL BELTED RADIAL	2	
2	144531	WHEEL – 15 X 6 LB	2	
3	21153	STEM – TIRE VALVE ASSEMBLY #TR-415	2	
4	144860	TUBE – AXLE, C/W BUSHINGS ²²⁹	2	
5	133992	BUSHING – COMPOSITE	4	
6	144880	SPACER	2	
7	193214	SUPPORT – LH	2	
8	193215	SUPPORT – RH	2	
9	144934	SHOCK – TENNECO	2	
10	174922	KIT – SHOCK MOUNTING	2	
11	144935	SPRING – COMPRESSION	2	
12	144966	CASTING – SPRING CAP	2	
13	144899	HANDLE – WELDT	2	
14	101007	PIN – CLEVIS	2	
15	18648	PIN – COTTER 3/16 DIA X 1.25 ZP	2	
16	30520	CAP – DUST	2	
17	144378	SPINDLE	2	
18	41982	HUB – C/W BEARING CUPS ²³⁰	2	
19	30517	BEARING – CONE, INNER W/ SEAL	2	
20	21376	BEARING – CONE, OUTER	2	
21	50174	FITTING – LUBRICATION DRIVE TYPE 1/4 IN. (CTD HUB)	2	
	21887	FITTING – LUBE, 1/8 NPT (ARMSTRONG HUB)	2	
22	7900	BEARING – CUP, OUTER	2	
23	30516	BEARING – CUP, INNER	2	
A	18866	NUT – HEX 3/8-24 UNF GR 5 ZP		
B	21577	BOLT – HH 5/8 NC X 6.5 LG GR 5 ZP		
C	50225	NUT – FLANGE DT SMOOTH FACE 5/8-11 UNC		
D	21863	BOLT – RHSSN 3/8 NC X 0.75 LG GR 5 ZP		
E	30228	NUT – FLANGE DT SMOOTH FACE 3/8-16 UNC		
F	21583	BOLT – HH 5/8 NC X 3.0 LG GR 5 ZP		
G	18916	BOLT – 90° WHEEL 9/16 NF X 1.75 OL		
H	21540	WASHER – HARDENED		
J	5512	NUT – HEX SLOTTED .750-16 UNF ZN PL		

228. Kits available through Whole Goods only.

229. Includes two bushings (MD #133992).

230. Includes lube fitting (MD #50174 or 21887) and bearings (MD #7900, 30516).

67 (Option) Stabilizer Wheels – Secondary



1018068

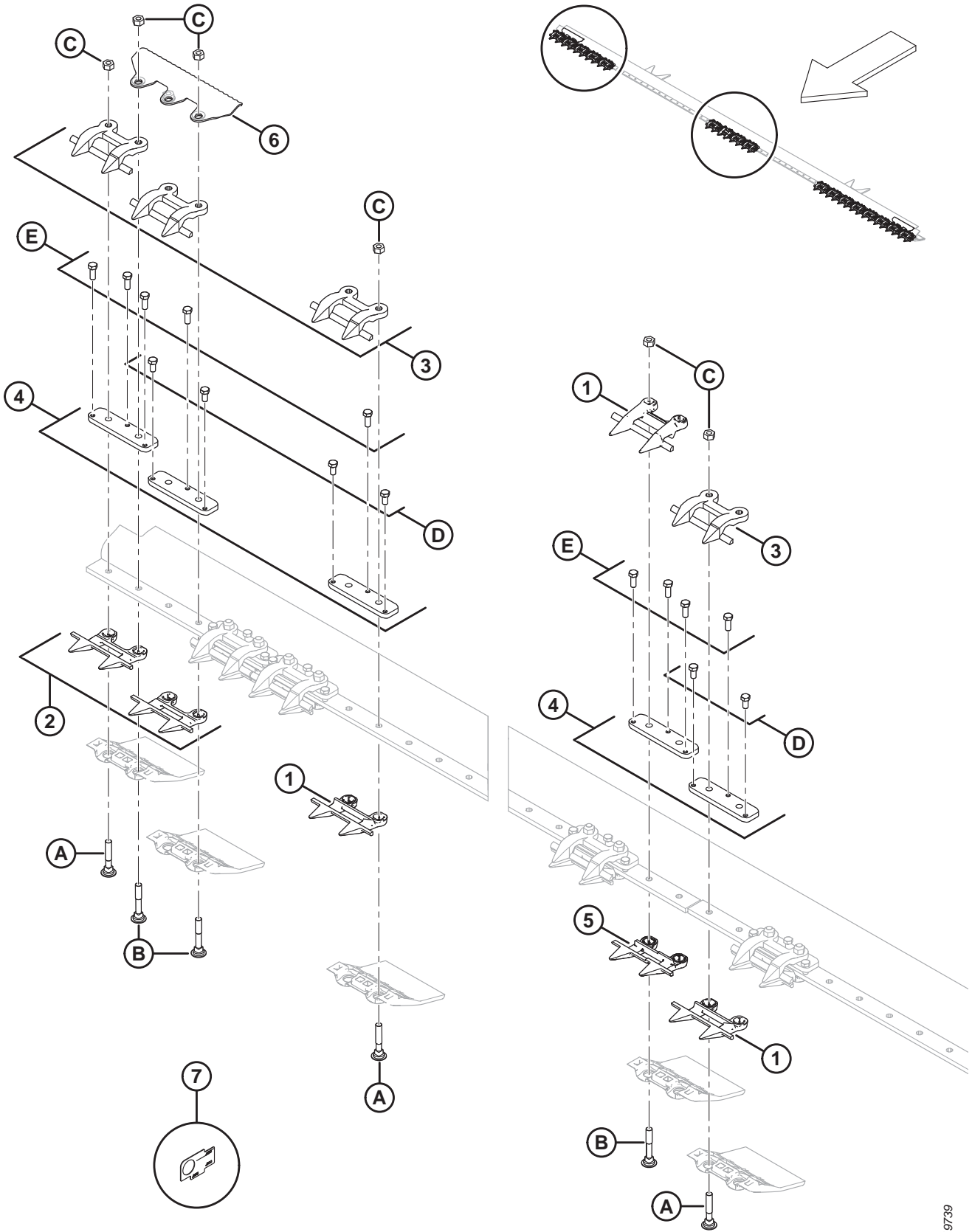
(OPTION) STABILIZER WHEELS – SECONDARY

Ref	Part Number	Description	Qty	Serial Number
	B6179	KIT – SECOND STABILIZER WHEEL ²³¹		
1	193031	TIRE – ST 205/75 R15 STEEL BELTED RADIAL	1	
2	144531	WHEEL – 15 X 6 LB	1	
3	21153	STEM – TIRE VALVE ASSEMBLY #TR-415	1	
4	101007	PIN – CLEVIS	1	
5	18648	PIN – COTTER 3/16 DIA X 1.25 ZP	2	
6	30520	CAP – DUST	1	
7	144378	SPINDLE	1	
8	41982	HUB – C/W BEARING CUPS ²³²	1	
9	50174	FITTING – LUBRICATION DRIVE TYPE 1/4 IN. (CTD HUB)	1	
	21887	FITTING – LUBE, 1/8 NPT (ARMSTRONG HUB)	1	
10	7900	BEARING – CUP, OUTER	1	
11	30516	BEARING – CUP, INNER	1	
12	30517	BEARING – CONE, INNER W/ SEAL	1	
13	21376	BEARING – CONE, OUTER	1	
A	18916	BOLT – 90° WHEEL 9/16 NF X 1.75 OL		
B	21540	WASHER – HARD ASTM F436 M20-340HV-AB2C		
C	5512	NUT – HEX SLOTTED .750-16 UNF ZN PL		

231. Kits available through Whole Goods only.

232. Includes lube fitting (MD #50174 or 21887) and bearing cups (MD #7900, 30516).

68 (Option) Stub Guard Conversion Kit



(OPTION) STUB GUARD CONVERSION KIT

NOTE:

Illustration; Right end and middle shown (left end is similar). Double knife, stub guards only.

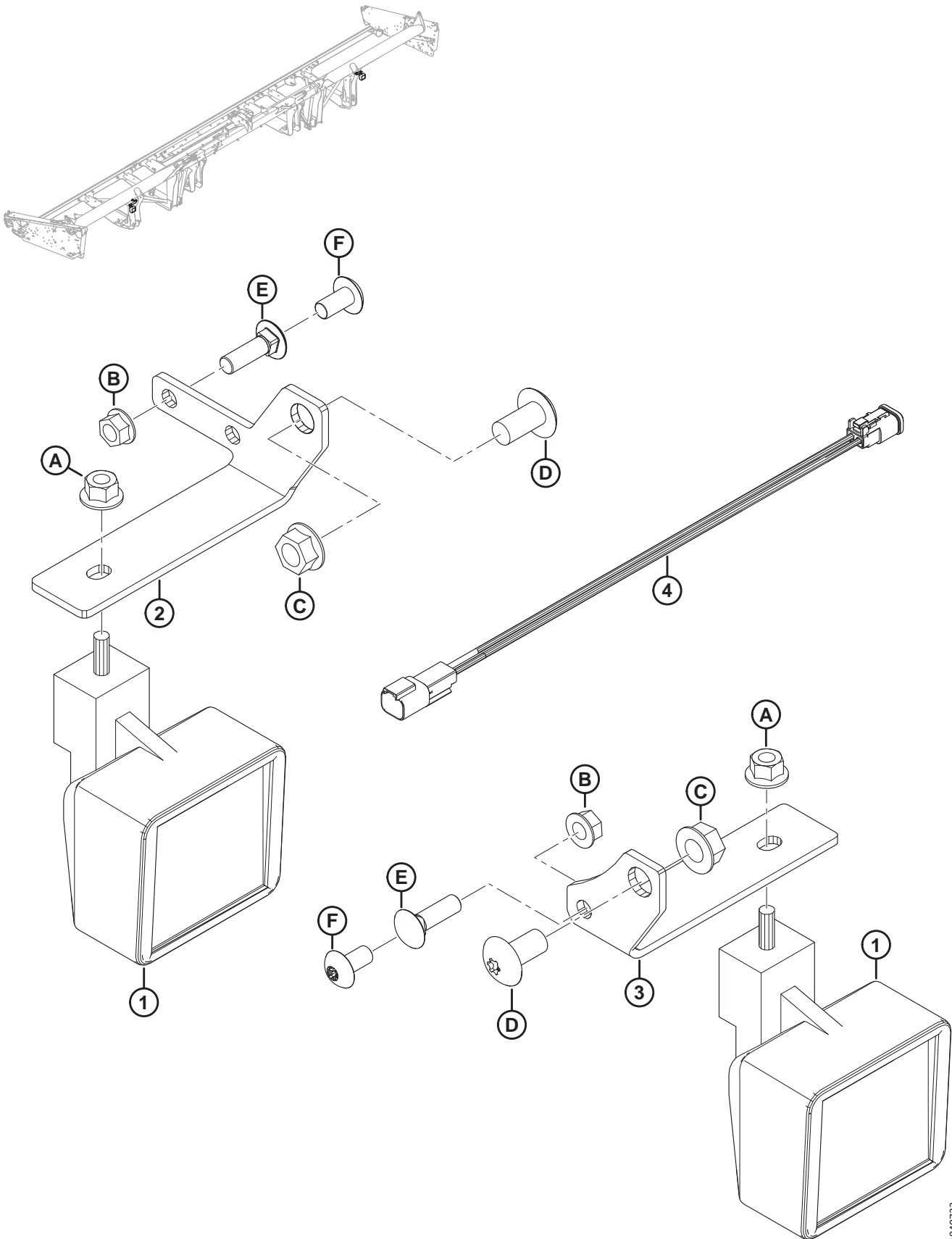
Ref	Part Number	Description	Qty	Serial Number
	B5010	KIT – STUB GUARD CONVERSION (D120X HEADER) ²³³		
	B5011	KIT – STUB GUARD CONVERSION (D125X HEADER) ²³³		
	B5012	KIT – STUB GUARD CONVERSION (30 FT HEADER) ²³³		
	B5013	KIT – STUB GUARD CONVERSION (35 FT HEADER) ²³³		
1	118346	SICKLE GUARD ²³⁴		
2	118347	SICKLE GUARD – STUB, W/O WEARBAR (4 PER END)	8	
3	34359	GUIDE ²³⁵		
4	34980	BAR – ADJUSTER ²³⁵		
5	124775	SICKLE GUARD – CENTER, STUB	1	
6	132405	RETAINER – DEFLECTOR	2	
7	NSS	TOOL – STUB GAUGE	1	
A	279575	BOLT – RHSN 7/16-14 X 2.5-GR5-ZP		
B	132404	BOLT – RHSN SPECIAL 7/16 NC X 2.75 LG GR 5 ZP		
C	18654	NUT – HEX 7/16-14 UNC GR 5 ZP		
D	50119	BOLT – HH 3/8 NC X 0.75 STAIN STL		
E	50120	BOLT – HH 3/8 NC X 1 STAIN STL		

233. Kits available through Whole Goods only.

234. Complete cutterbar quantities: 15 ft. = 22, 20 ft. = 36, 25 ft. = 46, 30 ft. = 56, 35 ft. = 66.

235. Complete cutterbar quantities: 15 ft. = 30, 20 ft. = 40, 25 ft. = 50, 30 ft. = 60, 35 ft. = 70.

69 (Option) Stubble Lights



(OPTION) STUBBLE LIGHTS

Ref	Part Number	Description	Qty	Serial Number
	B6634	KIT – STUBBLE LIGHT 30-45 FT JD ²³⁶		
1	109717	LIGHT – WORK	2	
2	304021	SUPPORT – LH STUBBLE LIGHT	1	
3	245450	SUPPORT – RH STUBBLE LIGHT	1	
4	138744	HARNESS – M205, DWA EXTENSION ²³⁷	1	
A	50101	NUT – HEX FLG STVR LOC M10 X 1.5-10-AA1J		
B	30228	NUT – FLG DT SMTH FACE 3/8 NC-GR5-AA1J		
C	50186	NUT – FLG LK SM FACE DT 1/2-13 UNC-GR5-AA1J		
D	105136	SCREW – MACHINE		
E	19966	BOLT – RHSN 3/8-16 X 1.25-GR5-AA1J ²³⁸		
F	135157	SCREW – MACHINE ²³⁹		

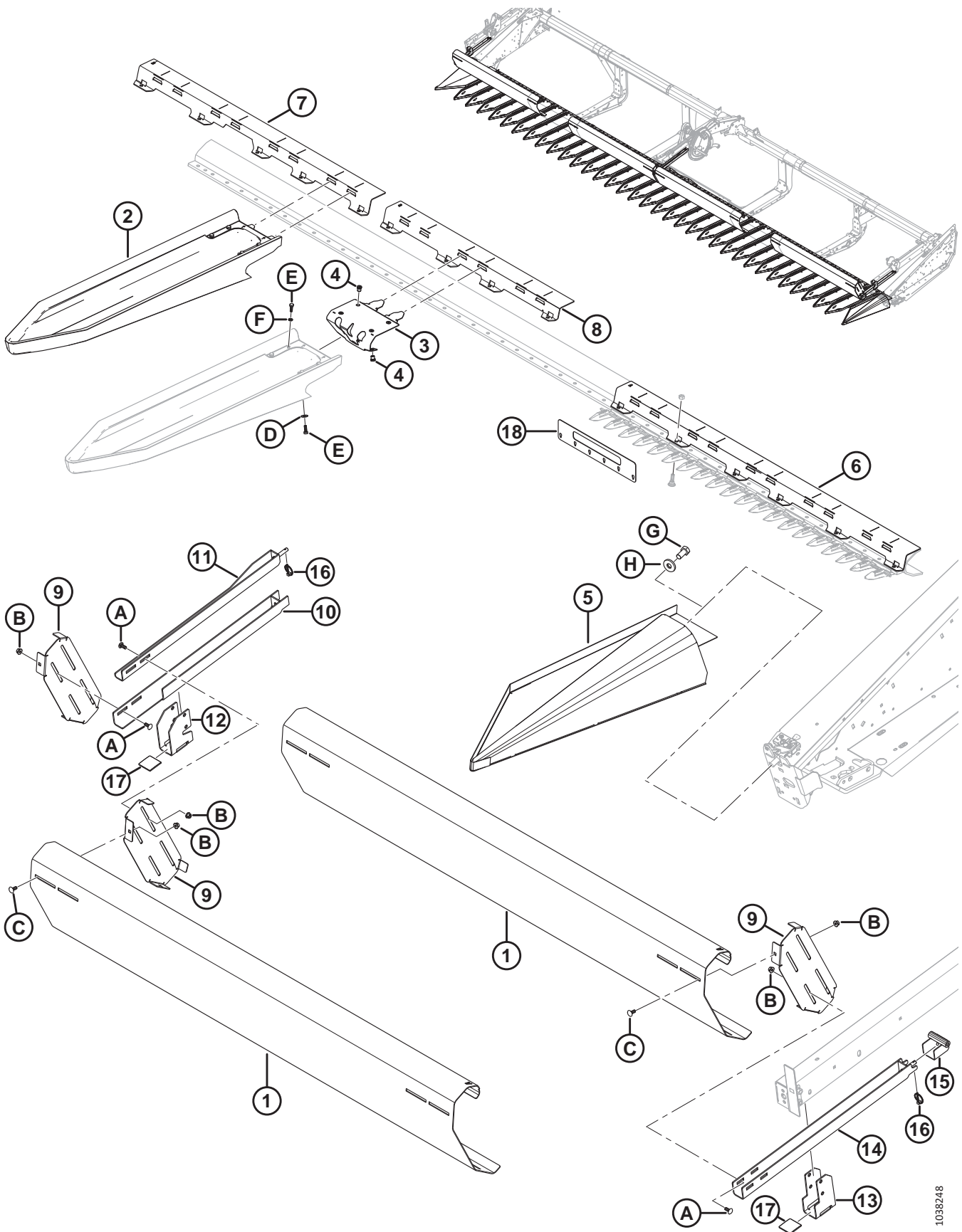
236. Used with John Deere combines only. Kits available through Whole Goods only.

237. Harness (MD #138744) is used on the left stubble light when the slow speed transport option is installed on John Deere-configured headers.

238. Bolt used when mounting with slow speed transport installed.

239. Screw used when the support is mounted to header leg. No slow speed transport installed.

70 (Option) Sunflower Attachment – Base Kit



1038248

(OPTION) SUNFLOWER ATTACHMENT – BASE KIT

Ref	Part Number	Description	Qty	Serial Number
	C2082	KIT – 30 FOOT SUNFLOWER ATTACHMENT ²⁴⁰		
	C2083	KIT – 35 FOOT SUNFLOWER ATTACHMENT ²⁴⁰		
	C2084	KIT – 40 FOOT SUNFLOWER ATTACHMENT ²⁴⁰		
	C2085	KIT – 45 FOOT SUNFLOWER ATTACHMENT ²⁴⁰		
	B7269	KIT – SUNFLOWER ATTACHMENT BASE ²⁴¹		
1	119530	DEFLECTOR – LEAN BAR A ²⁴²		
2	119722	PAN – QUICK ATTACH ²⁴³		
3	119723	ASSEMBLY – PAN LATCH ²⁴⁴		
4	252179	RIVNUT – M8 X 1.25 HEX 0.7-3.8 ²⁴⁵		
5	119392	PAN – END LH WELDT	1	
	119442	PAN – END RH WELDT	1	
6	119415	SUPPORT – PAN 5 FT A ²⁴⁶		
7	119460	SUPPORT – PAN 4 FT B ²⁴⁷		
8	119457	SUPPORT – PAN 3 FT C ²⁴⁸		
9	119384	BRACKET – LEAN BAR MOUNT	4	
10	119285	SUPPORT – LEAN BAR ²⁴⁹	1	
11	119284	BRACKET – LEAN BAR MOUNT WELDT ²⁴⁹	1	
12	119282	SUPPORT – LEAN BAR ²⁴⁹	1	
13	119728	SUPPORT – LEAN BAR ²⁵⁰	2	
14	119729	BRACKET – LEAN BAR MOUNT WELDT ²⁵⁰	2	
15	119747	SUPPORT – REEL ARM ²⁵⁰	2	
16	102264	PIN – LYNCH 3/16 X 9/16 IN.	3	
17	137626	PAD – REEL DRIVE WEAR	3	
18	119543	TOOL – GUARD TIP CHECK	1	
	119446	SUPPORT – PAN HINGE D (NOT ILLUSTRATED) ²⁵¹	1	
	119447	SUPPORT – PAN HINGE E (NOT ILLUSTRATED) ²⁵¹	1	
	119454	SUPPORT – PAN HINGE F (NOT ILLUSTRATED) ²⁵¹	1	
	119455	SUPPORT – PAN HINGE G (NOT ILLUSTRATED) ²⁵¹	1	
A	136506	BOLT – RHSSN M10 X 1.5 X 25-8.8-AA1J		
B	135799	NUT – HEX FLG CTR LOC M10 X 1.5-10		

240. Kit contains base kit (MD #B7269), pans kit (MD #B7273), and deflectors kit (MD #B7282, B7283, B7284, or B7285).

Kits available through Whole Goods only.

241. Kits available through Whole Goods only.

242. Quantities: D130 = 4; D135 = 4; D140 = 4; D145 = 6.

243. Includes latch (MD #119723), clamp (NSS), six bolts (MD #184652), four lock spring washers (MD #30716), and two flat washers (MD 184709). Quantities: D130 = 30; D135 = 35; D140 = 40; D145 = 45.

244. Includes six rivnuts (MD #252179).

245. Six installed on each pan latch assembly (MD #119723).

246. Quantities: D130 = 2; D135 = 2; D140 = 4; D145 = 4.

247. Quantities: D130 = 3; D135 = 2; D140 = 3; D145 = 2.

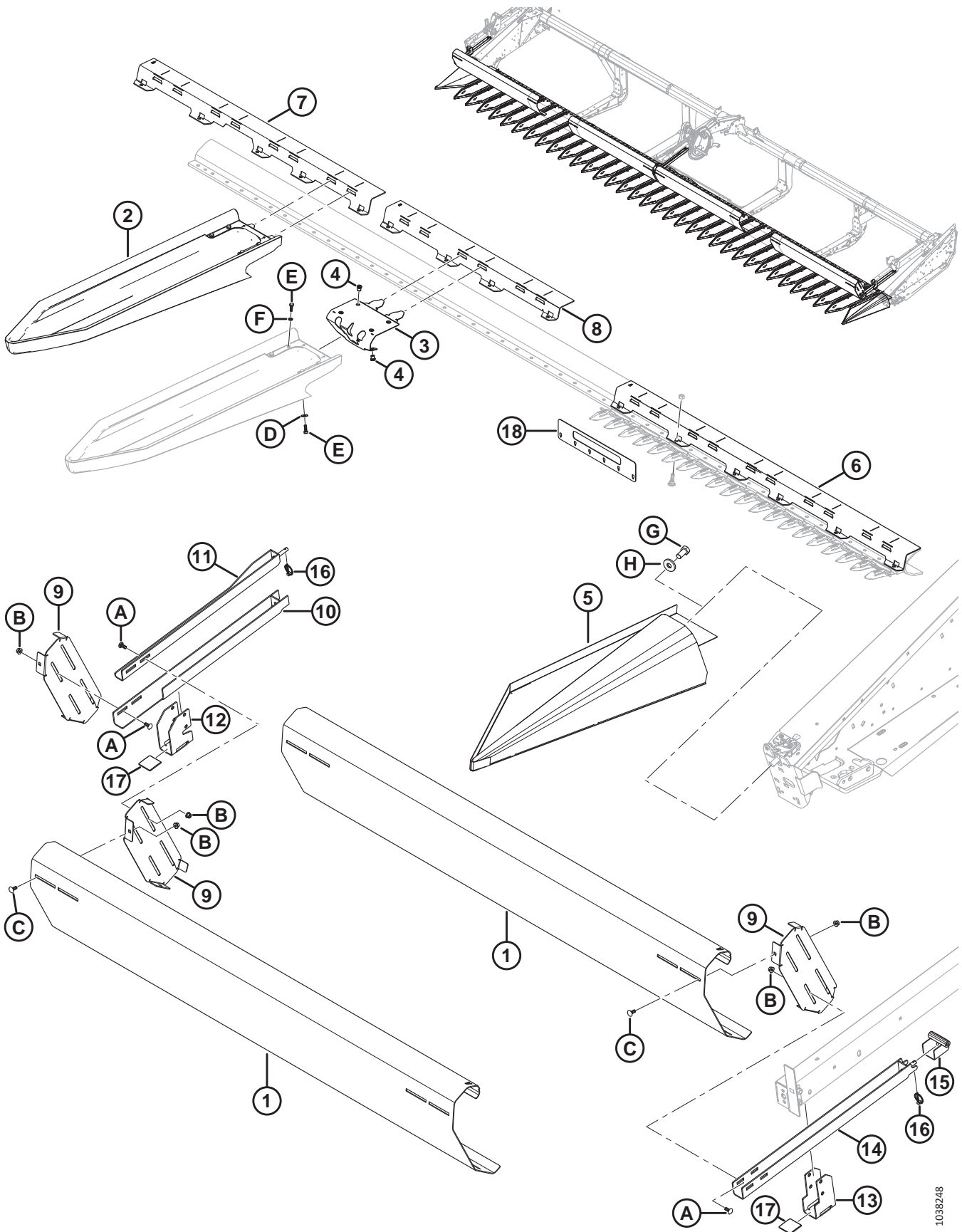
248. Quantities: D130 = 2; D135 = 5; D140 = 2; D145 = 5.

249. Used on reel center arm.

250. Used on reel outer arms.

251. Included in the kit but is not used on D1 headers; used on FD1 headers only.

(OPTION) SUNFLOWER ATTACHMENT – BASE KIT



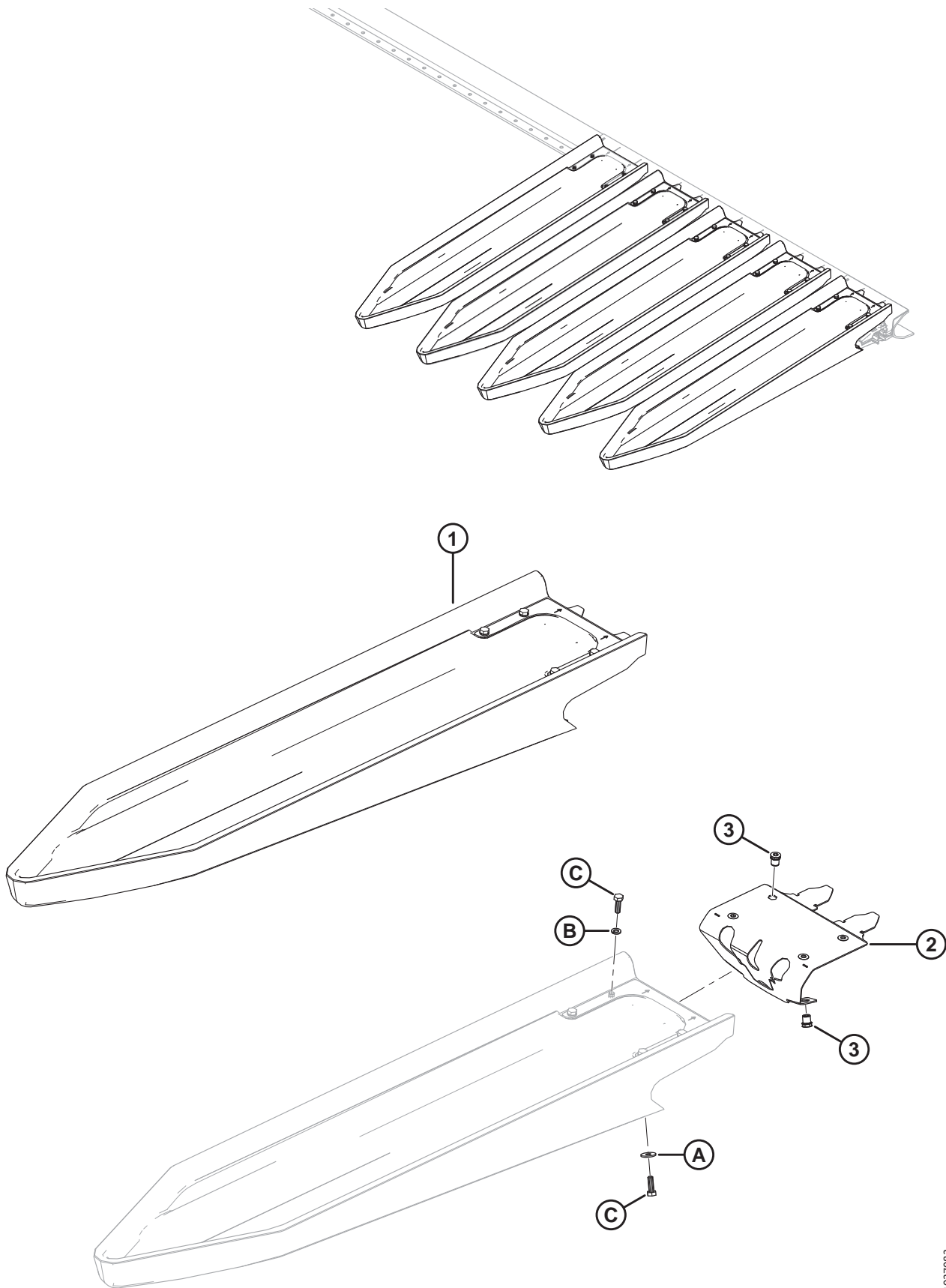
1038248

(OPTION) SUNFLOWER ATTACHMENT – BASE KIT

Ref	Part Number	Description	Qty	Serial Number
C	135785	BOLT – RHSN M10 X 1.5 X 25-8.8-AA1J		
D	184709	WASHER – FLAT LARGE M8-200HV		
E	184652	BOLT – HEX HD TFL M8 X 1.25 X 25-8.8-AA1J		
F	30716	WASHER – LOCK SPRING M8-CS-1055-1065-AA1J		
G	135579	BOLT – HEX HD 3/4-16 X 1.5-GR5-AA1J ²⁵²		
H	6647	WASHER – FLAT ²⁵²		

252. Used if latch assembly is not installed.

71 (Option) Sunflower Attachment – Pans



(OPTION) SUNFLOWER ATTACHMENT – PANS

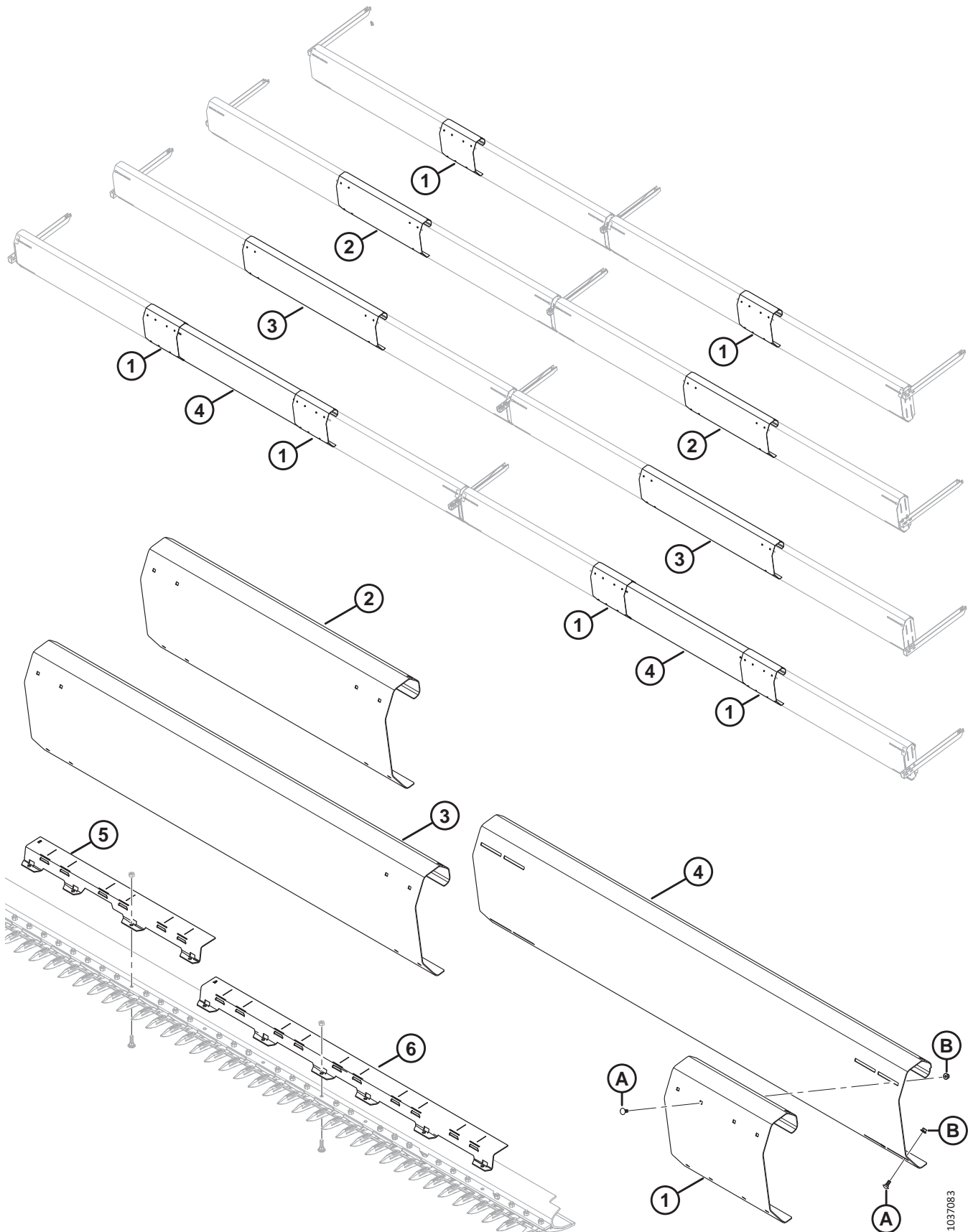
Ref	Part Number	Description	Qty	Serial Number
	B7273	KIT – SUNFLOWER PAN (5 PANS) ²⁵³	1	
1	119722	PAN – QUICK ATTACH ²⁵⁴	5	
2	119723	ASSEMBLY – PAN LATCH ²⁵⁵	5	
3	252179	RIVNUT – M8 X 1.25 HEX0.7-3.8	30	
A	184709	WASHER – FLAT LARGE M8-200HV		
B	30716	WASHER – LOCK SPRING M8-CS-1055-1065-AA1J		
C	184652	BOLT – HEX HD TFL M8 X 1.25 X 25-8.8-AA1J		

253. Kit contains 5 pans. Base kit (MD #B7269) contains pans for 30-ft. header. 35-ft. header requires 1 pan kit, 40-ft. header requires 2 pan kits, and 45-ft. header requires 3 pan kits. Kits available through Whole Goods only.

254. Includes latch (MD #119723), clamp (NSS), six bolts (MD #184652), four lock spring washers (MD #30716), and two flat washers (MD 184709).

255. Includes six rivnuts (MD #252179).

72 (Option) Sunflower Attachment – Deflectors



1037083

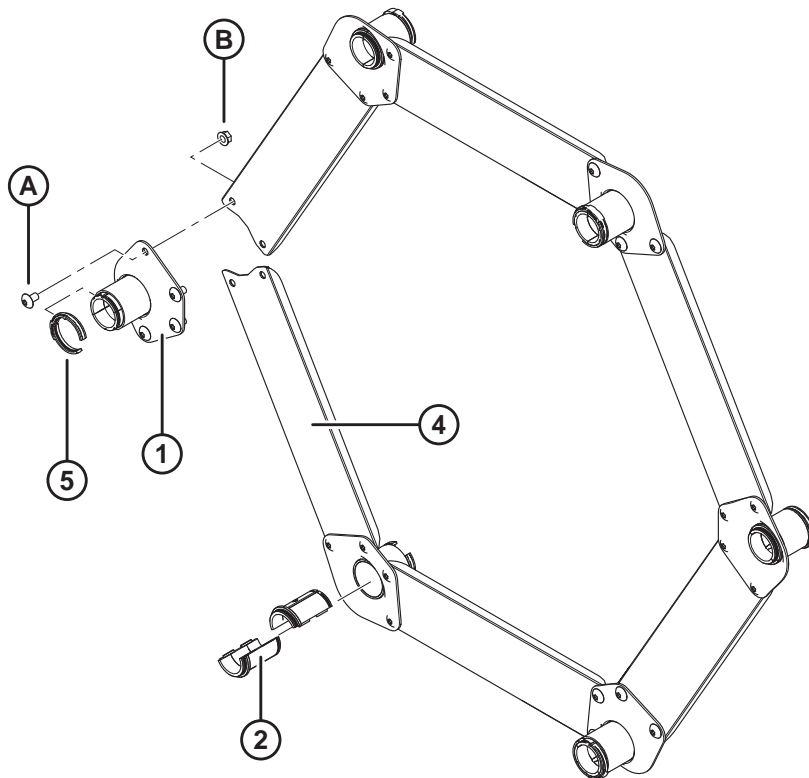
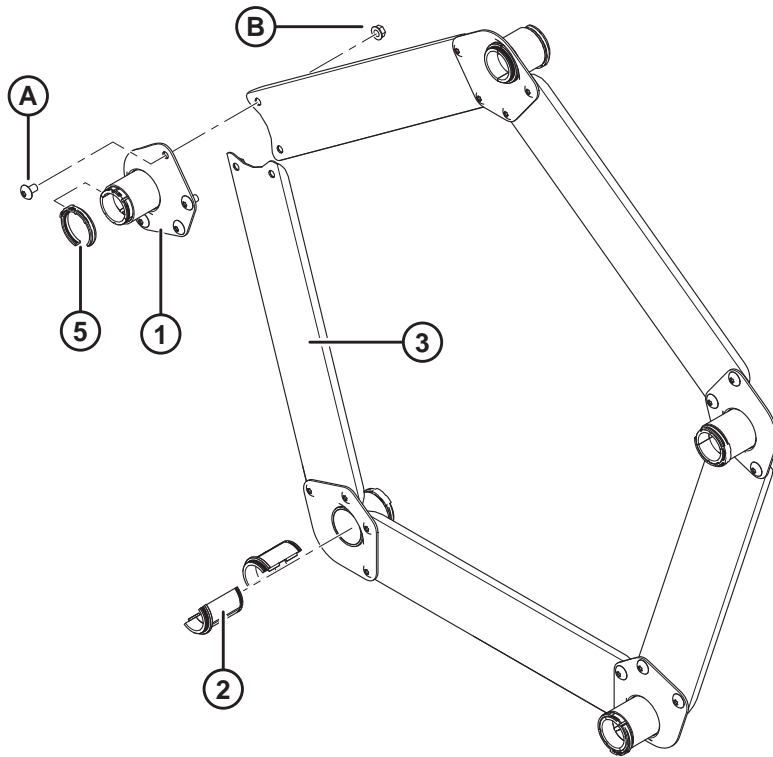
(OPTION) SUNFLOWER ATTACHMENT – DEFLECTORS

Ref	Part Number	Description	Qty	Serial Number
	B7282	KIT – SUNFLOWER DEFLECTOR 30 FT ²⁵⁶		
	B7283	KIT – SUNFLOWER DEFLECTOR 35 FT ²⁵⁶		
	B7284	KIT – SUNFLOWER DEFLECTOR 40 FT ²⁵⁶		
	B7285	KIT – SUNFLOWER DEFLECTOR 45 FT ²⁵⁶		
1	119519	DEFLECTOR – LEAN BAR B (30 AND 45 FT) ²⁵⁷		
2	119531	DEFLECTOR – LEAN BAR C (35 FT)	2	
3	119518	DEFLECTOR – LEAN BAR D (40 FT)	2	
4	119530	DEFLECTOR – LEAN BAR A (45 FT)	2	
5	119457	SUPPORT – PAN 3 FT C (35 AND 45 FT)	3	
6	119415	SUPPORT – PAN 5 FT A (40 AND 45 FT)	2	
A	135785	BOLT – RHSN M10 X 1.5 X 25-8.8-AA1J (45 FT)		
B	135799	NUT – HEX FLG CTR LOC M10 X 1.5-10 (45 FT)		

256. Kits available through Whole Goods only.

257. Quantities: 30 ft. = 2, 45 ft. = 4

73 (Option) Tine Tube Reinforcing Kit



(OPTION) TINE TUBE REINFORCING KIT

NOTE:

Illustration; TOP: 5 bat, BOTTOM: 6 bat.

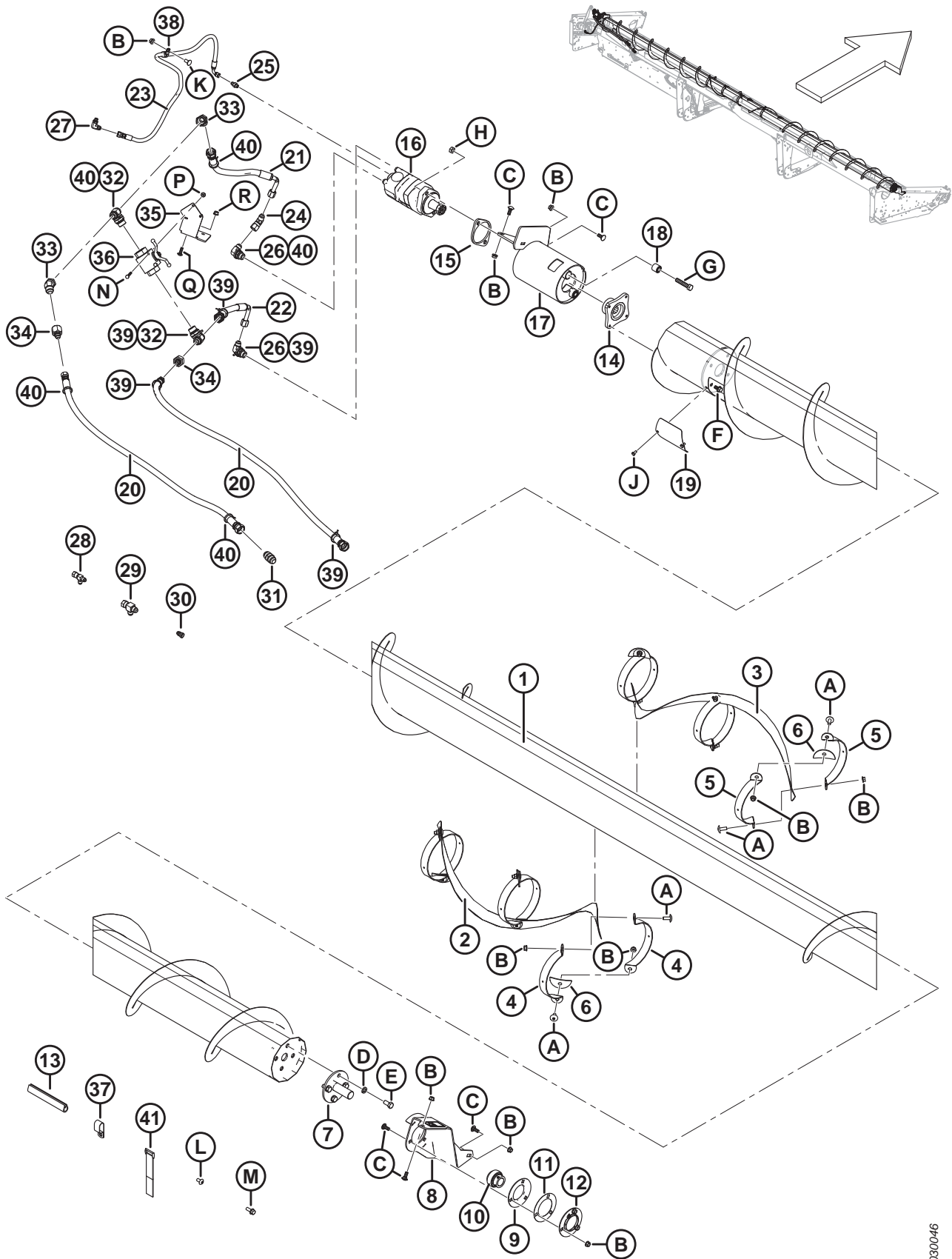
Ref	Part Number	Description	Qty 5/6 Bat	Serial Number
	B5825	KIT – D60/5, FD70/5 TINE TUBE REINFORCING (FOR 5 BAT REEL HEADERS IN HEAVY REEL LOAD CONDITIONS) ²⁵⁸		
	B5826	KIT – D60/5, FD70/5 TINE TUBE REINFORCING (FOR 6 BAT REEL HEADERS IN HEAVY REEL LOAD CONDITIONS) ²⁵⁸		
1	164988	SUPPORT – WELDT	5/6	
2	220939	BUSHING – TINE TUBE (BOX OF 25) ²⁵⁹	10/12	
3	164993	CHANNEL – TIE BAR (5 BAT REEL)	5/0	
4	164995	CHANNEL – TIE BAR (6 BAT REEL)	0/6	
5	220941	CLAMP – TINE TUBE BUSHING, CENTER RIB (BOX OF 5) ²⁶⁰	5/6	
A	135450	SCREW – MACHINE		
B	30228	NUT – FLANGE DT SMOOTH FACE 0.375-16 UNC		

258. Kits available through Whole Goods only.

259. Not sold individually; to service this part, a box of 25 tine tube bushings must be ordered.

260. Not sold individually; to service this part, a box of 5 tine tube bushing clamps must be ordered.

74 (Option) Upper Cross Auger – D125



1030046

(OPTION) UPPER CROSS AUGER – D125

Ref	Part Number	Description	Qty	Serial Number
	B6461	KIT – 1 SERIES 25 FT UCA (NORTH AMERICA) ²⁶¹		
	B9044	KIT – 1 SERIES EUROPEAN COMBINE 25 FT UCA ²⁶¹		
1	294435	AUGER – UCA HC WELDT 25 FT	1	
2	294161	FLIGHTING – LH CENTER	1	
3	294163	FLIGHTING – RH CENTER	1	
4	294426	SUPPORT – LH	6	
5	294427	SUPPORT – RH	6	
6	255883	PLATE	6	
7	132303	SHAFT – END WELDT, WITH DISC	1	
	294677	KIT – DISC 21-36 FT UCA (DISC ONLY) ²⁶²	OPT	
8	296554	SUPPORT – RH UCA ASSY ²⁶³	1	
9	49306	FLANGE	1	
10	21859	BEARING – SPH OD EXT INNER RACE 1-3/16 BORE	1	
11	172340	SHIM	1	
12	30661	FLANGE	1	
13	45427	MOULDING – RH	1	
14	253722	HUB – UCA HC MOTOR	1	
15	253446	PLATE – SPACER	1	
16	255829	MOTOR – UCA (130 CC) ²⁶⁴	1	
	283002	MOTOR – EATON 2000 (100 CC) ²⁶⁵	1	
	174304	SEAL KIT		
	137375	NUT – SLOTTED JAM 1.0-20 UNEF		
17	296556	SUPPORT – ASSEMBLY ²⁶⁶	1	
18	21810	BUSHING – RUBBER	2	
19	279261	COVER – UCA ACCESS	1	
20	294220	HOSE – HYDRAULIC	2	
21	279716	HOSE – HYD, 0.5 IN. I.D., 400 MM LG, 100R17, METAL REIN.	1	
22	279717	HOSE – HYD, 0.5 IN. I.D., 270 MM LG, 100R17, METAL REIN.	1	
23	254248	HOSE – HYD, 0.25 IN. I.D., 900 MM LG, 100R17, METAL REINFORCED	1	
24	135685	FITTING – ELBOW 45° HYD	1	
25	112184	FITTING – ADAPTER HYD	1	
26	21801	FITTING – ELBOW 90° HYD	2	
27	50104	FITTING – ELBOW 90° HYD	1	
28	30873	FITTING – HYD TEE	1	
29	108268	FITTING – HYD TEE	1	
30	30981	FITTING – ADAPTER HYD REDUCER 1/2 X 3/8 ²⁶⁷	1	
	21069	NUT – TUBE 37° JIC 1/2 IN.	1	

261. Kits available through Whole Goods only.

262. Kit used to repair disc on shaft (MD #132303).

263. Support includes decal (MD #279085).

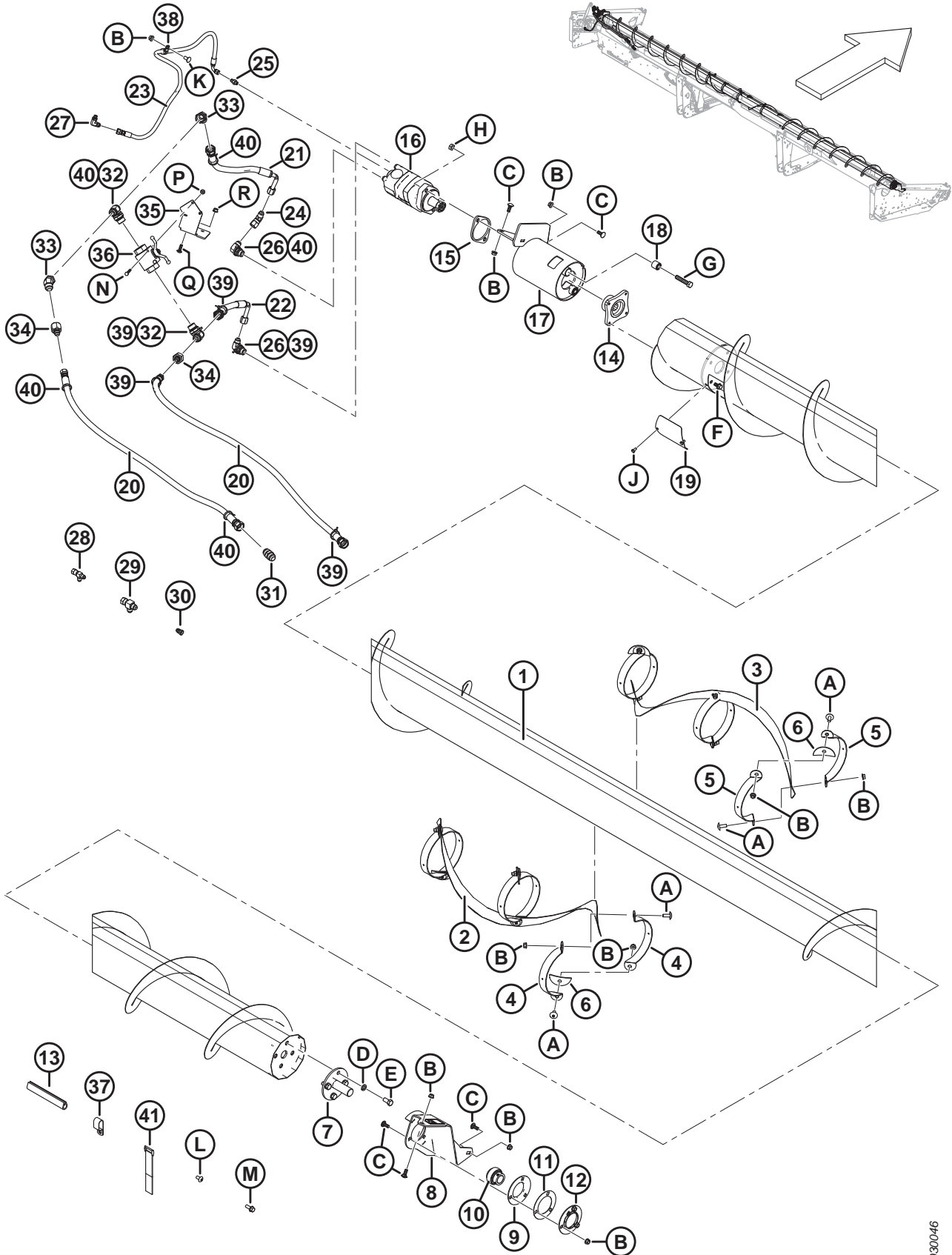
264. For use on all SP headers and combine headers not in the European market.

265. For use in European market with increased UCA speed.

266. Includes two bushings (MD #21810) and decal (MD #279085).

267. Includes tube nut (MD #21069).

(OPTION) UPPER CROSS AUGER – D125

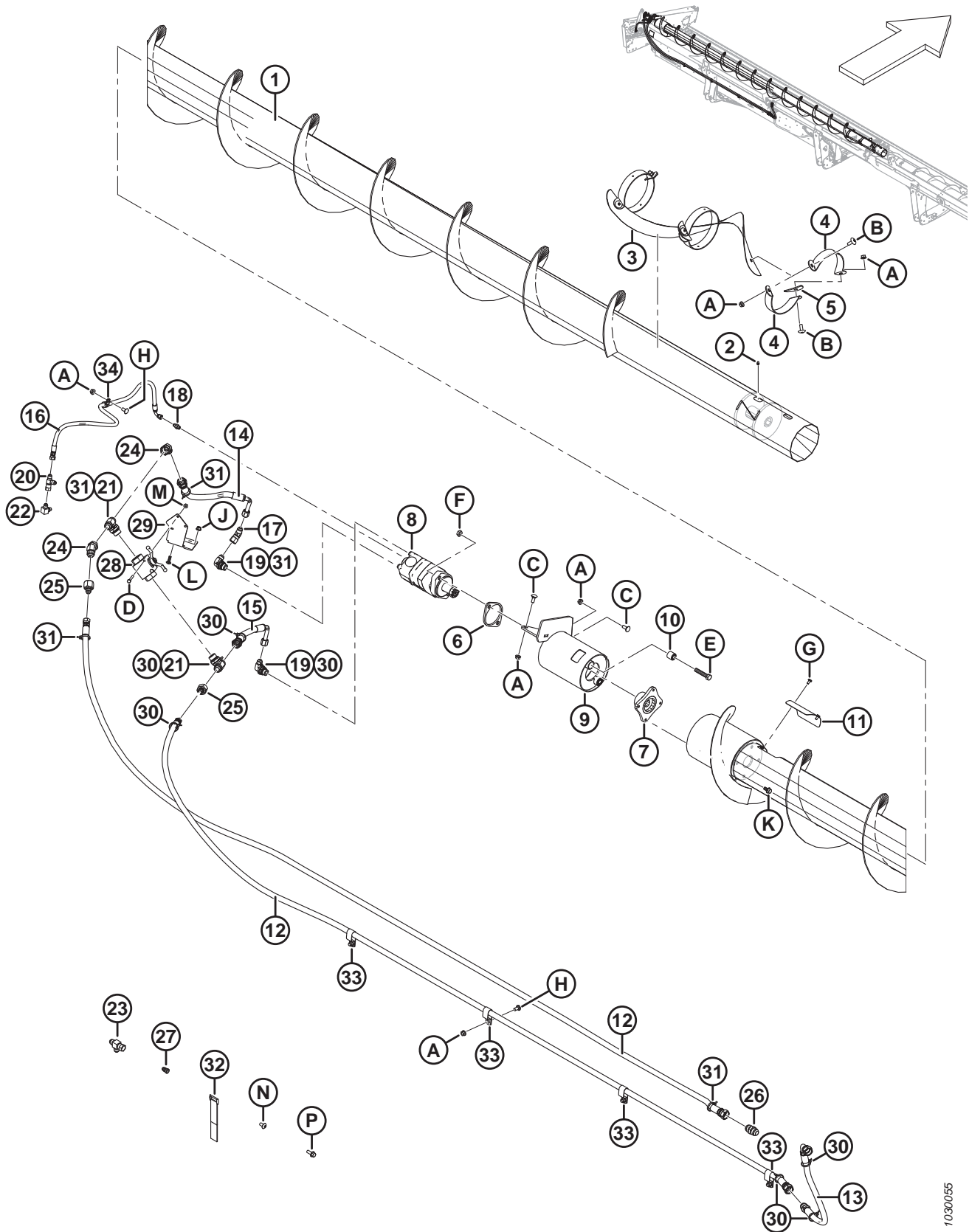


1030046

(OPTION) UPPER CROSS AUGER – D125

Ref	Part Number	Description	Qty	Serial Number
31	30376	FITTING – UNION HYD	1	
32	50050	FITTING – TEE HYD STR THD BRANCH TEE CW O-RING	2	
33	135240	FITTING – ELBOW 45° HYD	2	
34	136952	FITTING – ADAPTER HYD REDUCER	2	
35	279966	BRACKET – BV MOUNT, RIGID	1	
36	294263	VALVE – BALL	1	
37	103738	CLAMP – PVC INSULATED 13/16 IN. TUBE SIZE	7	
38	135818	CLAMP – INSULATED 1/2 IN.	1	
39	252795	FASTENER – CABLE TIE, PINK	5	
40	252794	FASTENER – CABLE TIE, PURPLE	5	
41	135443	CINCH STRAP (4 IN. LG)	3	
	135444	CINCH STRAP (6 IN. LG)	2	
A	135507	SCREW – MACHINE, TRUSS HD TORX, 38 NC X 1 LG		
B	30228	NUT – FLG DT SMTH FACE 0.375-16 UNC		
C	19965	BOLT – RHSN 3/8-16 X 1-GR5-ZP		
D	18638	WASHER – REG. LOCK 1/2 IN. NOM. I.D. ZP		
E	21575	BOLT – HH 1/2 NC X 1.0 LG GR 5 ZP		
F	135963	BOLT – HH FLG (SM FACE) 3/8 NC X 0.75 GR 5 ZP		
G	21760	BOLT – HH 1/2 NC X 2.5 LG GR 5 ZP		
H	137727	NUT – HEX JAM-DT 1/2-13 UNC GR 5 ZP		
J	21580	BOLT – HEX HD 1/4 NC X 0.5 LG GR 5 ZP		
K	21863	BOLT – RHSSN 3/8 NC X 0.75 LG GR 5 ZP		
L	135157	SCREW – MACHINE		
M	135966	BOLT – HH FLG SM FACE 3/8 NC X 1.0 GR 5 ZP		
N	21854	BOLT – HH 1/4 NC X 2.5 LG GR 5 ZP		
P	135248	NUT – HEX FLG CTR LOC		
Q	136824	BOLT – RHSSN M8 X 1.25 X 25-8.8-A2L		
R	135337	NUT – HEX FLG CTR LOC M8 X 1.25-8-A2L		

75 (Option) Upper Cross Auger – Left End, D130, D135, and D140 (2021 and Prior)



1030055

(OPTION) UPPER CROSS AUGER – LEFT END, D130, D135, AND D140 (2021 AND PRIOR)

Ref	Part Number	Description	Qty	Serial Number
1	294519	AUGER – UCA SP LH WELDT 30 FT	1	
	294517	AUGER – UCA SP LH WELDT 35 FT	1	
	294516	AUGER – UCA SP LH WELDT 40 FT	1	
	294682	KIT – WELDT UCA REPAIR SLEEVE ²⁶⁸	A/R	
2	30934	FITTING – 1/4-28 TAPER THD	1	
3	335719	FLIGHTING – LH CENTER	1	
4	294424	SUPPORT – LH	6	
5	255883	PLATE	3	
6	253446	PLATE – SPACER	1	
7	253722	HUB – UCA HC MOTOR	1	
8	255829	MOTOR – UCA (130 CC) ²⁶⁹	1	
	283002	MOTOR – EATON 2000 (100 CC) ²⁷⁰	1	
	174304	SEAL KIT		
	137375	NUT – SLOTTED JAM 1.0-20 UNEF		
9	296556	SUPPORT – ASSEMBLY ²⁷¹	1	
10	21810	BUSHING – RUBBER	2	
11	279261	COVER – UCA ACCESS	1	
12	294221	HOSE – HYDRAULIC (30 FT)	2	
	294222	HOSE – HYDRAULIC (35 FT)	2	
	294223	HOSE – HYDRAULIC (40 FT)	2	
13	294226	HOSE – HYD, 0.5 IN. I.D., 800 MMLG, 100R17, METAL REIN.	2	
14	279716	HOSE – HYD, 0.5 IN. I.D., 400 MM LG, 100R17, METAL REIN.	1	
15	279717	HOSE – HYD, 0.5 IN. I.D., 270 MM LG, 100R17, METAL REIN.	1	
16	254248	HOSE – HYD, 0.25 IN. I.D., 900 MM LG, 100R17, METAL REINFORCED	1	
17	135685	FITTING – ELBOW 45° HYD	1	
18	112184	FITTING – ADAPTER HYD	1	
19	21801	FITTING – ELBOW 90° HYD	2	
20	30873	FITTING – HYD TEE	1	
21	50050	FITTING – TEE HYD STR THD BRANCH TEE CW O-RING	2	
22	50104	FITTING – ELBOW 90° HYD	1	
23	108268	FITTING – HYD TEE	1	
24	135240	FITTING – ELBOW 45° HYD	2	
25	136952	FITTING – ADAPTER HYD REDUCER	2	
26	30376	FITTING – UNION HYD	1	
27	30981	FITTING – ADAPTER HYD REDUCER 1/2 X 3/8 ²⁷²	1	
	21069	NUT – TUBE 37° JIC 1/2 IN.	1	
28	294263	VALVE – BALL	1	
29	279966	BRACKET – BV MOUNT, RIGID	1	

268. The kit is for 2021 and prior upper cross augers that use hex shafts at the center support; intended to repair damage to the auger. Welding is required.

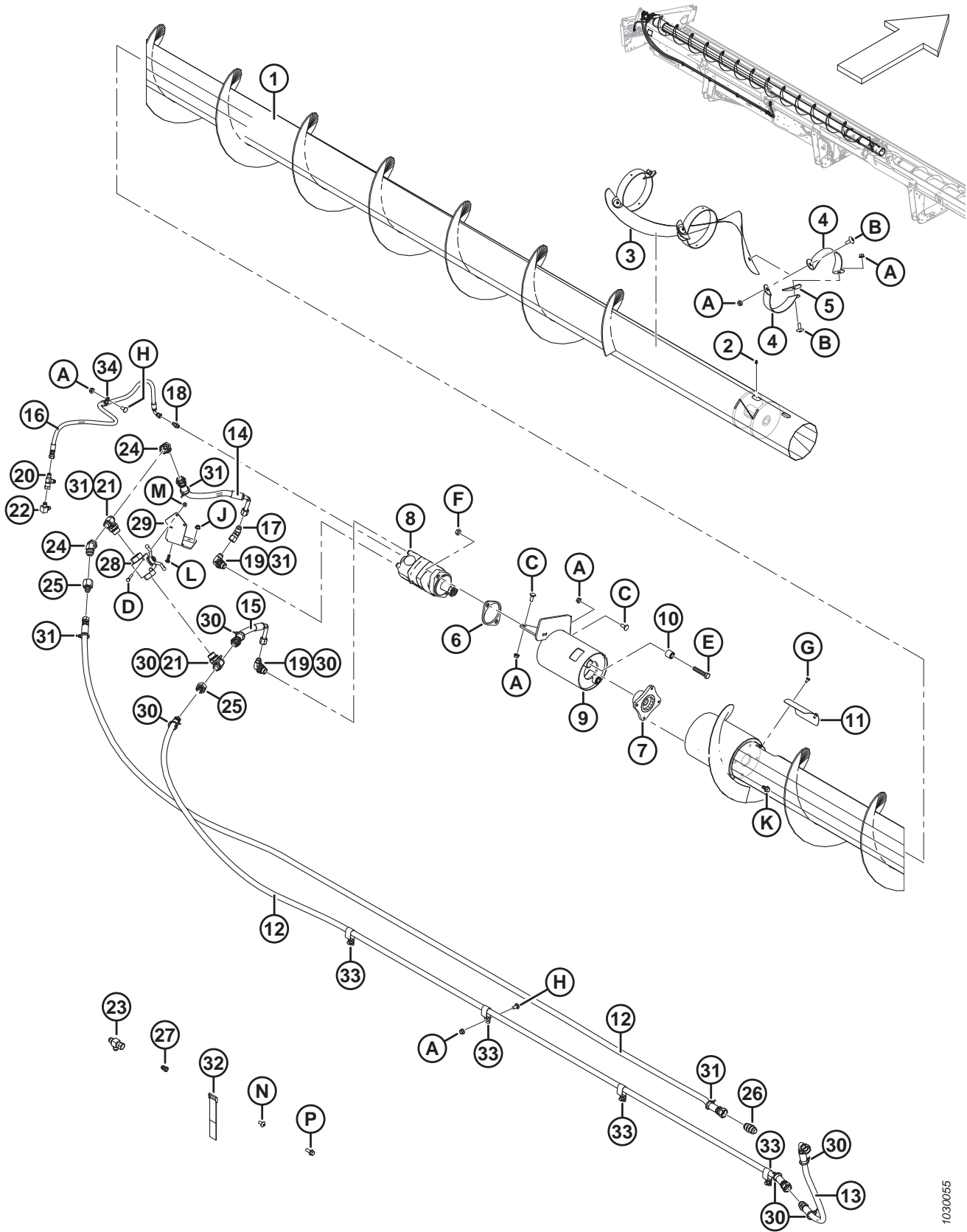
269. For use on all SP headers and combine headers not in the European market.

270. For use in European market with increased UCA speed.

271. Includes two bushings (MD #21810) and decal (MD #279085).

272. Includes tube nut (MD #21069).

(OPTION) UPPER CROSS AUGER – LEFT END, D130, D135, AND D140 (2021 AND PRIOR)

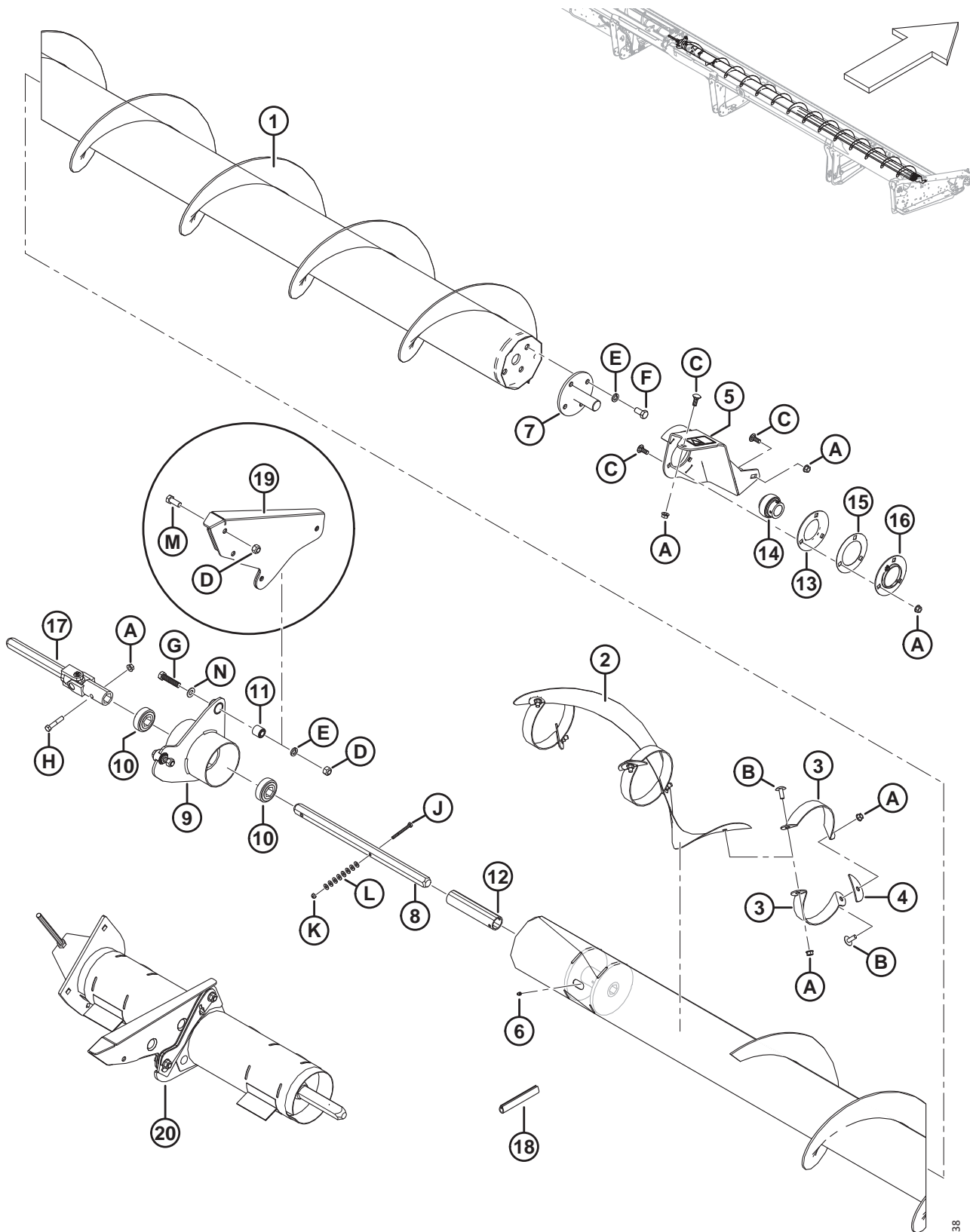


1030055

(OPTION) UPPER CROSS AUGER – LEFT END, D130, D135, AND D140 (2021 AND PRIOR)

Ref	Part Number	Description	Qty	Serial Number
30	252795	FASTENER – CABLE TIE, PINK	8	
31	252794	FASTENER – CABLE TIE, PURPLE	7	
32	135443	CINCH STRAP (4 IN. LG)	3	
	135444	CINCH STRAP (6 IN. LG)	2	
33	103738	CLAMP – PVC INSULATED 13/16 IN. TUBE SIZE	7	
34	135818	CLAMP – INSULATED 1/2 IN.	1	
A	30228	NUT – FLG DT SMTH FACE 0.375-16 UNC		
B	135507	SCREW – MACHINE, TRUSS HD TORX, 38 NC X 1 LG		
C	19965	BOLT – RHSN 3/8-16 X 1-GR5-ZP		
D	21854	BOLT – HH 1/4 NC X 2.5 LG GR 5 ZP		
E	21760	BOLT – HH 1/2 NC X 2.5 LG GR 5 ZP		
F	137727	NUT – HEX JAM-DT 1/2-13 UNC GR 5 ZP		
G	21580	BOLT – HEX HD 1/4 NC X 0.5 LG GR 5 ZP		
H	21863	BOLT – RHSSN 3/8 NC X 0.75 LG GR 5 ZP		
J	135337	NUT – HEX FLG CTR LOC M8 X 1.25-8-A2L		
K	135963	BOLT – HH FLG (SM FACE) 3/8 NC X 0.75 GR 5 ZP		
L	136824	BOLT – RHSSN M8 X 1.25 X 25-8.8-A2L		
M	135248	NUT – HEX FLG CTR LOC		
N	135157	SCREW – MACHINE		
P	135966	BOLT – HH FLG SM FACE 3/8 NC X 1.0 GR 5 ZP		

76 (Option) Upper Cross Auger – Right End, D130, D135, and D140 (2021 and Prior)



1038238

(OPTION) UPPER CROSS AUGER – RIGHT END, D130, D135, AND D140 (2021 AND PRIOR)

Ref	Part Number	Description	Qty	Serial Number
1	294436	AUGER – UCA RH WELDT 30 FT	1	
	294437	AUGER – UCA HC RH WELDT 35 FT	1	
	294438	AUGER – UCA HC RH WELDT 40 FT	1	
	294682	KIT – WELDT UCA REPAIR SLEEVE ²⁷³	A/R	
2	335592	FLIGHTING – RH CENTER	1	
3	294425	SUPPORT – RH	6	
4	255883	PLATE	3	
5	296554	SUPPORT – RH UCA ASSY ²⁷⁴	1	
6	30934	FITTING – 1/4-28 TAPER THD	1	
7	132303	SHAFT – END WELDT, WITH DISC	1	
	294677	KIT – DISC 21-36 FT UCA (DISC ONLY) ²⁷⁵	OPT	
8	174081	SHAFT – HEX	1	
9	172511	SUPPORT – CENTER HANGER ASSY ²⁷⁶	1	
10	172507	BEARING – BALL HEX BORE	2	
11	21810	BUSHING – RUBBER	2	
12	174082	SPACER	1	
13	49306	FLANGE	1	
14	21859	BEARING – SPH OD EXT INNER RACE 1-3/16 BORE	1	
15	172340	SHIM	1	
16	30661	FLANGE	1	
17	233395	JOINT – UNIVERSAL	1	
18	45427	MOULDING – RH	1	
19	174035	SUPPORT – CENTER WELDT (30-35 FT ONLY) ²⁷⁷	1	
20	335589	KIT – UCA CENTER SUPPORT REPAIR ²⁷⁸	OPT	
A	30228	NUT – FLG DT SMTH FACE 0.375-16 UNC		
B	135507	SCREW – MACHINE, TRUSS HD TORX, 38 NC X 1 LG		
C	19965	BOLT – RHSN 3/8-16 X 1-GR5-ZP		
D	18697	NUT – HEX LOCK DT .500-13 UNC		
E	18638	WASHER – REG. LOCK 1/2 IN. NOM. I.D. ZP		
F	21575	BOLT – HH 1/2 NC X 1.0 LG GR 5 ZP		
G	21578	BOLT – HH 1/2 NC X 2.25 LG GR 5 ZP		
H	21354	BOLT – HH 3/8 NC X 2.0 LG GR 5 ZP		
J	21854	BOLT – HH 1/4 NC X 2.5 LG GR 5 ZP		

273. The kit is for 2021 and prior upper cross augers that use hex shafts at the center support; intended to repair damage to the auger. Welding is required.

274. Includes decal (MD #279085).

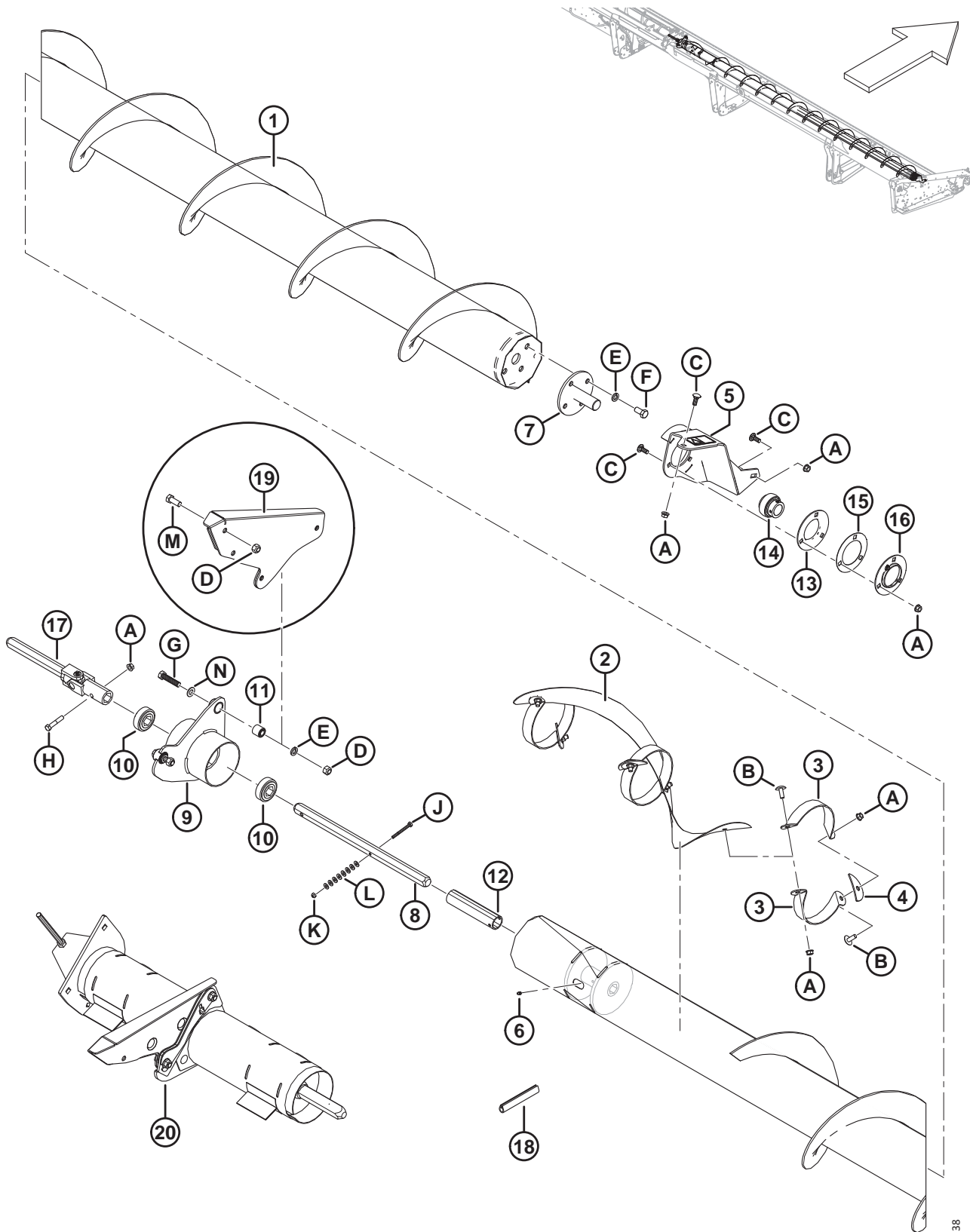
275. Kit used to repair disc on shaft (MD #132303).

276. Includes two bearings (MD #172507) and two bushings (MD #21810).

277. Support only required for 30–35 ft. headers. 40 ft. header has support (MD #172511) attached directly to the header frame.

278. Kit is used to upgrade the center support assembly on 2-piece upper cross augers. Replaces U-joint (MD #233395), center support (MD #172511), bearings (MD #172507), hex shaft (MD 174081), spacer (MD #174082), and hardware. Includes two repair sleeve kits (MD #NSS). Refer to Section [79 \(Option\) Upper Cross Auger – Center Support Repair Kit, page 237](#).

(OPTION) UPPER CROSS AUGER – RIGHT END, D130, D135, AND D140 (2021 AND PRIOR)

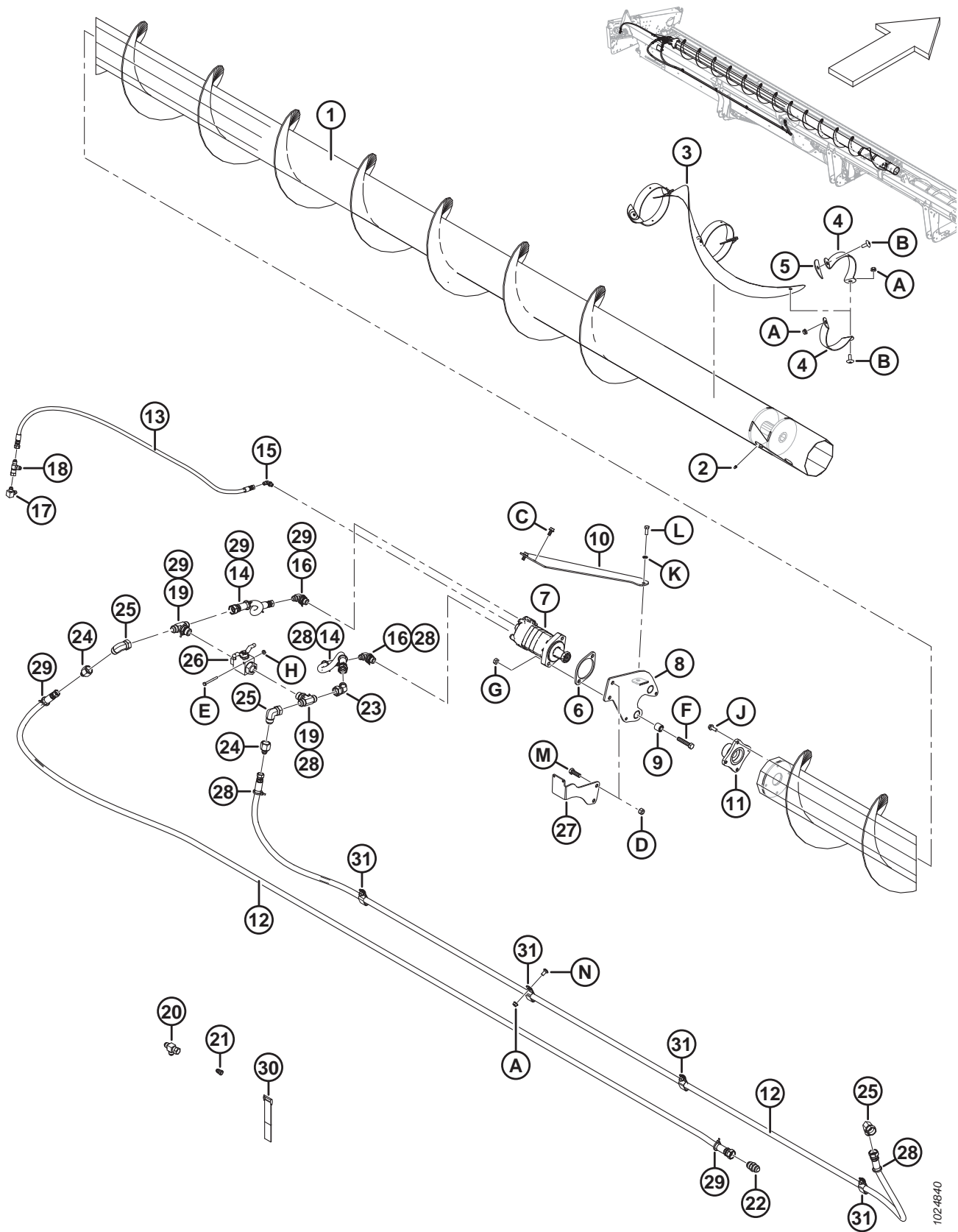


1038238

(OPTION) UPPER CROSS AUGER – RIGHT END, D130, D135, AND D140 (2021 AND PRIOR)

Ref	Part Number	Description	Qty	Serial Number
K	18724	NUT – HEX LOCK DT 1/4-20 UNC ZP		
L	18596	WASHER – SAE FLAT 9/32 I.D. X 5/8 IN. O.D. ZP		
M	21491	BOLT – HH 1/2 NC X 1.25 LG GR 5 ZP		
N	184589	WASHER – FLAT 9/16 X 1.375 AA1J		

77 (Option) Upper Cross Auger – Left End, D145 (2021 and Prior)



102-4840

(OPTION) UPPER CROSS AUGER – LEFT END, D145 (2021 AND PRIOR)

Ref	Part Number	Description	Qty	Serial Number
1	294515	AUGER – UCA SP LH WELDT 45 FT	1	
	294682	KIT – WELDT UCA REPAIR SLEEVE ²⁷⁹	A/R	
2	30934	FITTING – 1/4-28 TAPER THD	1	
3	335719	FLIGHTING – LH CENTER	1	
4	294424	SUPPORT – LH	6	
5	255883	PLATE	3	
6	253446	PLATE – SPACER	1	
7	255829	MOTOR – UCA (130 CC) ²⁸⁰	1	
	283002	MOTOR – EATON 2000 (100 CC) ²⁸¹	1	
	174304	SEAL KIT		
	137375	NUT – SLOTTED JAM 1.0-20 UNEF		
8	174168	SUPPORT – LH HANGER ASSY ²⁸²	1	
9	21810	BUSHING – RUBBER	2	
10	279925	BRACE – LH	1	
11	279775	HUB MACHINING	1	
12	294224	HOSE – HYDRAULIC (45 FT)	2	
13	294225	HOSE – HYDRAULIC (45 FT)	1	
14	279715	HOSE – HYD, 0.5 IN. I.D., 500 MM LG, 100R17, METAL REIN.	2	
15	135647	FITTING – ELBOW 90° HYD	1	
16	21801	FITTING – ELBOW 90° HYD	2	
17	50104	FITTING – ELBOW 90° HYD	1	
18	30873	FITTING – HYD TEE	1	
19	50050	FITTING – TEE HYD STR THD BRANCH TEE CW O-RING	2	
20	108268	FITTING – HYD TEE	1	
21	30981	FITTING – ADAPTER HYD REDUCER 1/2 X 3/8 ²⁸³	1	
	21069	NUT – TUBE 37° JIC 1/2 IN.	1	
22	30376	FITTING – UNION HYD	1	
23	135240	FITTING – ELBOW 45° HYD	1	
24	136952	FITTING – ADAPTER HYD REDUCER	2	
25	50175	FITTING – ELBOW 90° HYD	2	
26	294263	VALVE – BALL	1	
27	279834	BRACKET – BALL VALVE MOUNT	1	
28	252795	FASTENER – CABLE TIE, PINK	6	
29	252794	FASTENER – CABLE TIE, PURPLE	5	
30	135443	CINCH STRAP (4 IN. LG)	3	
	135444	CINCH STRAP (6 IN. LG)	4	
31	103738	CLAMP – PVC INSULATED 13/16 IN. TUBE SIZE	7	

279. The kit is for 2021 and prior upper cross augers that use hex shafts at the center support; intended to repair damage to the auger. Welding is required.

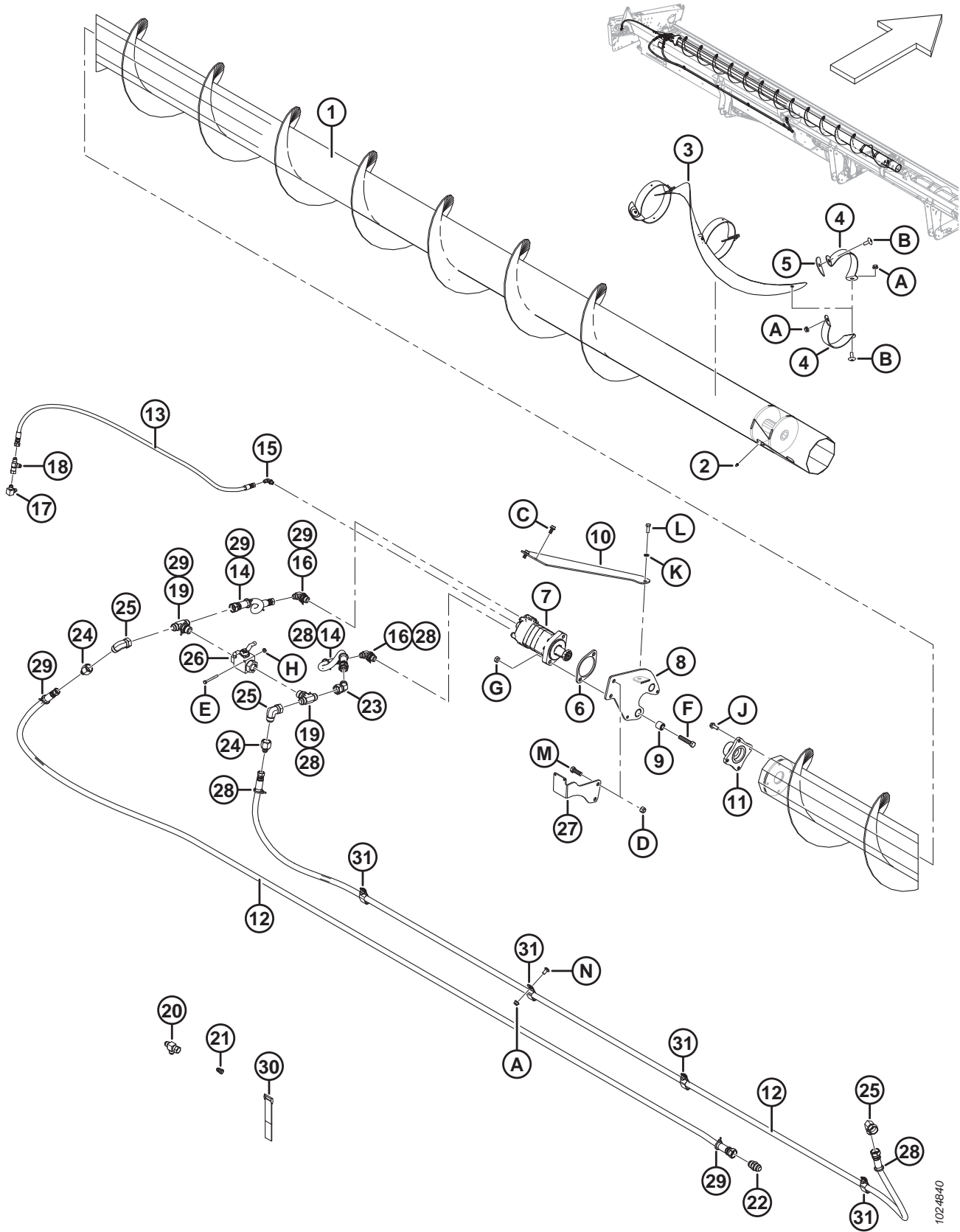
280. For use on all SP headers and combine headers not in the European market.

281. For use in European market with increased UCA speed.

282. Includes two bushings (MD #21810) and decal (MD #174682).

283. Includes tube nut (MD #21069).

(OPTION) UPPER CROSS AUGER – LEFT END, D145 (2021 AND PRIOR)

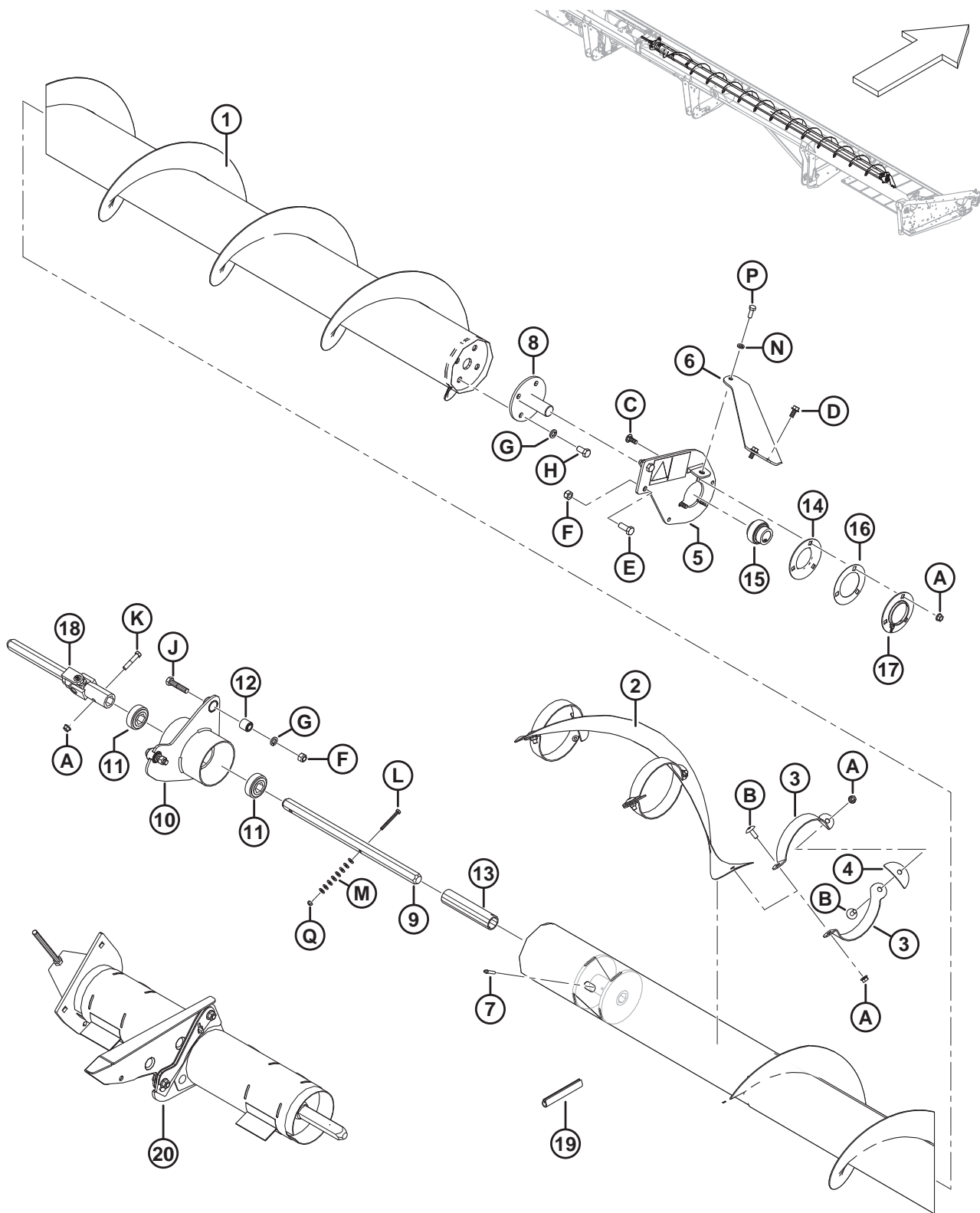


102-4840

(OPTION) UPPER CROSS AUGER – LEFT END, D145 (2021 AND PRIOR)

Ref	Part Number	Description	Qty	Serial Number
A	30228	NUT – FLG DT SMTH FACE 0.375-16 UNC		
B	135507	SCREW – MACHINE, TRUSS HD TORX, 38 NC X 1 LG		
C	101897	SCREW – HEX WASH HD THD ROLLING 3/8 NC X 3/4		
D	18697	NUT – HEX LOCK DT .500-13 UNC		
E	21854	BOLT – HH 1/4 NC X 2.5 LG GR 5 ZP		
F	21760	BOLT – HH 1/2 NC X 2.5 LG GR 5 ZP		
G	137727	NUT – HEX JAM-DT 1/2-13 UNC GR 5 ZP		
H	135248	NUT – HEX FLG CTR LOC		
J	135193	SCREW – HEX WASH HD THD ROLLING 3/8 NC X 1.0		
K	18637	WASHER – REG. LOCK 3/8 IN. NOM. I.D. ZP		
L	20077	BOLT – HEX HD 3/8 NC X 1.0 LG GR 5 ZP		
M	18723	BOLT – HH 1/2 NC X 1.5 LG TFL GR 5 ZP		
N	21863	BOLT – RHSSN 3/8 NC X 0.75 LG GR 5 ZP		

78 (Option) Upper Cross Auger – Right End, D145 (2021 and Prior)



1038242

(OPTION) UPPER CROSS AUGER – RIGHT END, D145 (2021 AND PRIOR)

Ref	Part Number	Description	Qty	Serial Number
1	294518	AUGER – UCA SP RH WELDT 45 FT	1	
	294682	KIT – WELDT UCA REPAIR SLEEVE ²⁸⁴	A/R	
2	335592	FLIGHTING – RH CENTER	1	
3	294425	SUPPORT – RH	6	
4	255883	PLATE	3	
5	174176	SUPPORT RH – DECAL ASSY ²⁸⁵	1	
6	279926	BRACE – RH	1	
7	30934	FITTING – 1/4-28 TAPER THD	1	
8	132303	SHAFT – END WELDT, WITH DISC	1	
	294677	KIT – DISC 21-36 FT UCA (DISC ONLY) ²⁸⁶	OPT	
9	174081	SHAFT – HEX	1	
10	172511	SUPPORT – CENTER HANGER ASSY ²⁸⁷	1	
11	172507	BEARING – BALL HEX BORE	2	
12	21810	BUSHING – RUBBER	2	
13	174082	SPACER	1	
14	49306	FLANGE	1	
15	21859	BEARING – SPH OD EXT INNER RACE 1-3/16 BORE	1	
16	172340	SHIM	1	
17	30661	FLANGE	1	
18	233395	JOINT – UNIVERSAL	1	
19	45427	MOULDING – RH	1	
20	335589	KIT – UCA CENTER SUPPORT REPAIR ²⁸⁸	OPT	
A	30228	NUT – FLG DT SMTH FACE 0.375-16 UNC		
B	135507	SCREW – MACHINE, TRUSS HD TORX, 38 NC X 1 LG		
C	19965	BOLT – RHSN 3/8-16 X 1-GR5-ZP		
D	101897	SCREW – HEX WASH HD THD ROLLING 3/8 NC X 3/4		
E	21491	BOLT – HH 1/2 NC X 1.25 LG GR 5 ZP		
F	18697	NUT – HEX LOCK DT .500-13 UNC		
G	18638	WASHER – REG. LOCK 1/2 IN. NOM. I.D. ZP		
H	21575	BOLT – HH 1/2 NC X 1.0 LG GR 5 ZP		
J	21578	BOLT – HH 1/2 NC X 2.25 LG GR 5 ZP		
K	21354	BOLT – HH 3/8 NC X 2.0 LG GR 5 ZP		
L	21854	BOLT – HH 1/4 NC X 2.5 LG GR 5 ZP		
M	18596	WASHER – SAE FLAT 9/32 I.D. X 5/8 IN. O.D. ZP		

284. The kit is for 2021 and prior upper cross augers that use hex shafts at the center support; intended to repair damage to the auger. Welding is required.

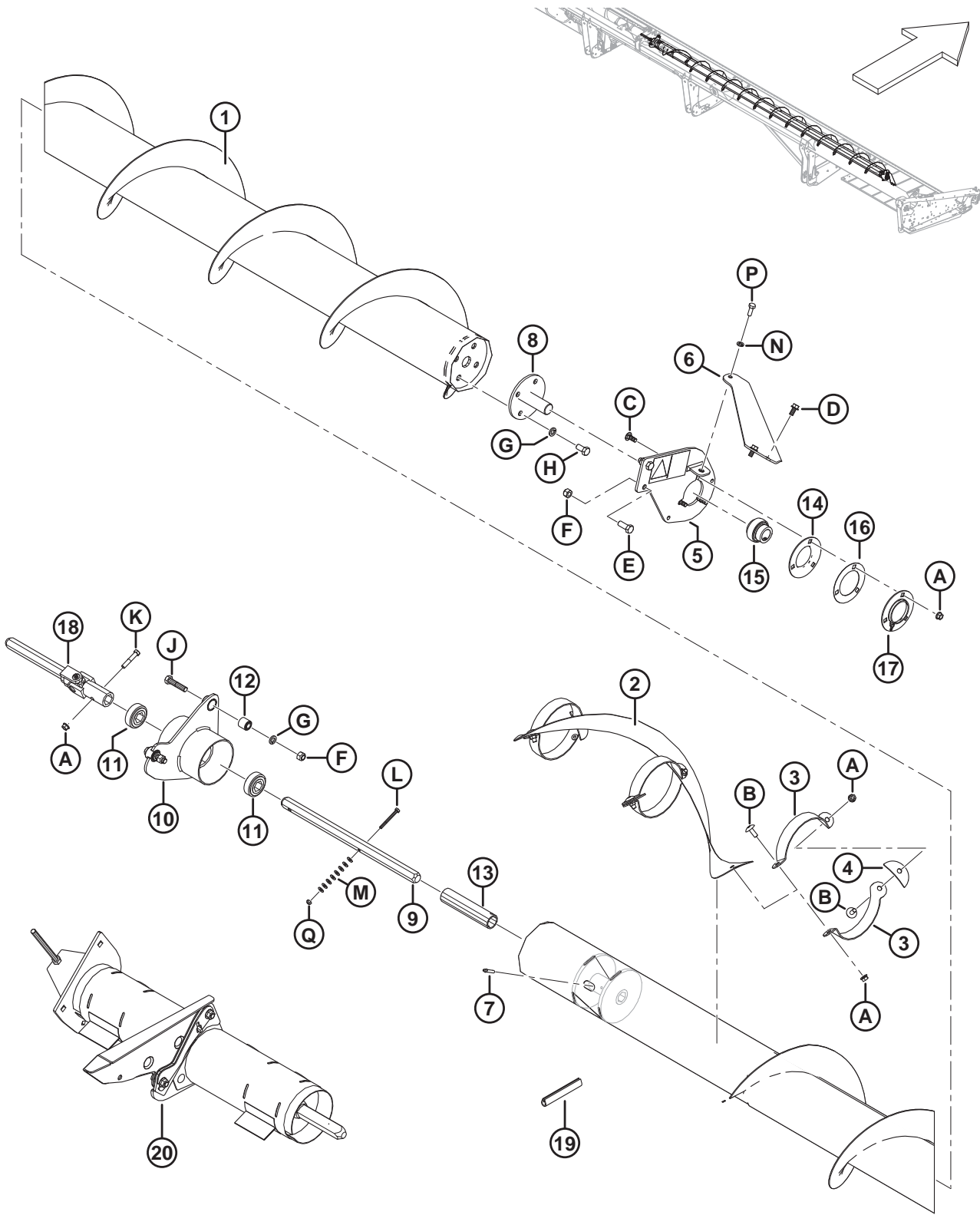
285. Includes decal (MD #174682).

286. Kit used to repair disc on shaft (MD #132303).

287. Includes two bearings (MD #172507) and two bushings (MD #21810).

288. Kit is used to upgrade the center support assembly on 2-piece upper cross augers. Replaces U-joint (MD #233395), center support (MD #172511), bearings (MD #172507), hex shaft (MD 174081), spacer (MD #174082), and hardware. Includes two repair sleeve kits (MD #NSS). Refer to Section [79 \(Option\) Upper Cross Auger – Center Support Repair Kit, page 237](#).

(OPTION) UPPER CROSS AUGER – RIGHT END, D145 (2021 AND PRIOR)

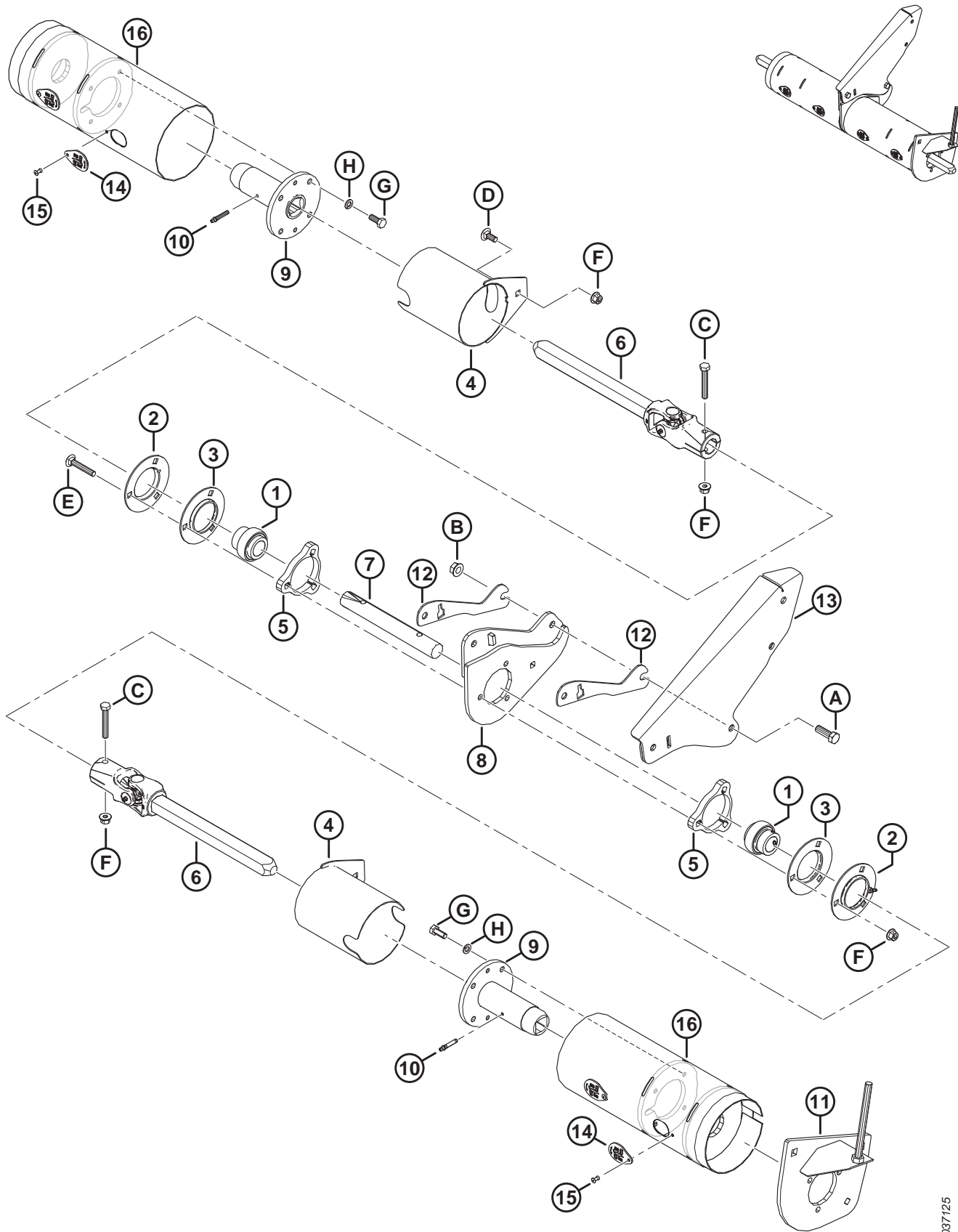


1038242

(OPTION) UPPER CROSS AUGER – RIGHT END, D145 (2021 AND PRIOR)

Ref	Part Number	Description	Qty	Serial Number
N	18637	WASHER – REG. LOCK 3/8 IN. NOM. I.D. ZP		
P	20077	BOLT – HEX HD 3/8 NC X 1.0 LG GR 5 ZP		
Q	18724	NUT – HEX LOCK DT 1/4-20 UNC ZP		

79 (Option) Upper Cross Auger – Center Support Repair Kit



1037125

(OPTION) UPPER CROSS AUGER – CENTER SUPPORT REPAIR KIT

NOTE:

The UCA Center Support Repair kit (MD #335589) is used to upgrade upper cross augers that currently have center support assembly (MD #172511) and hex shafts installed. The new center support assembly included in this kit uses square shafts, which will improve shaft and hub life.

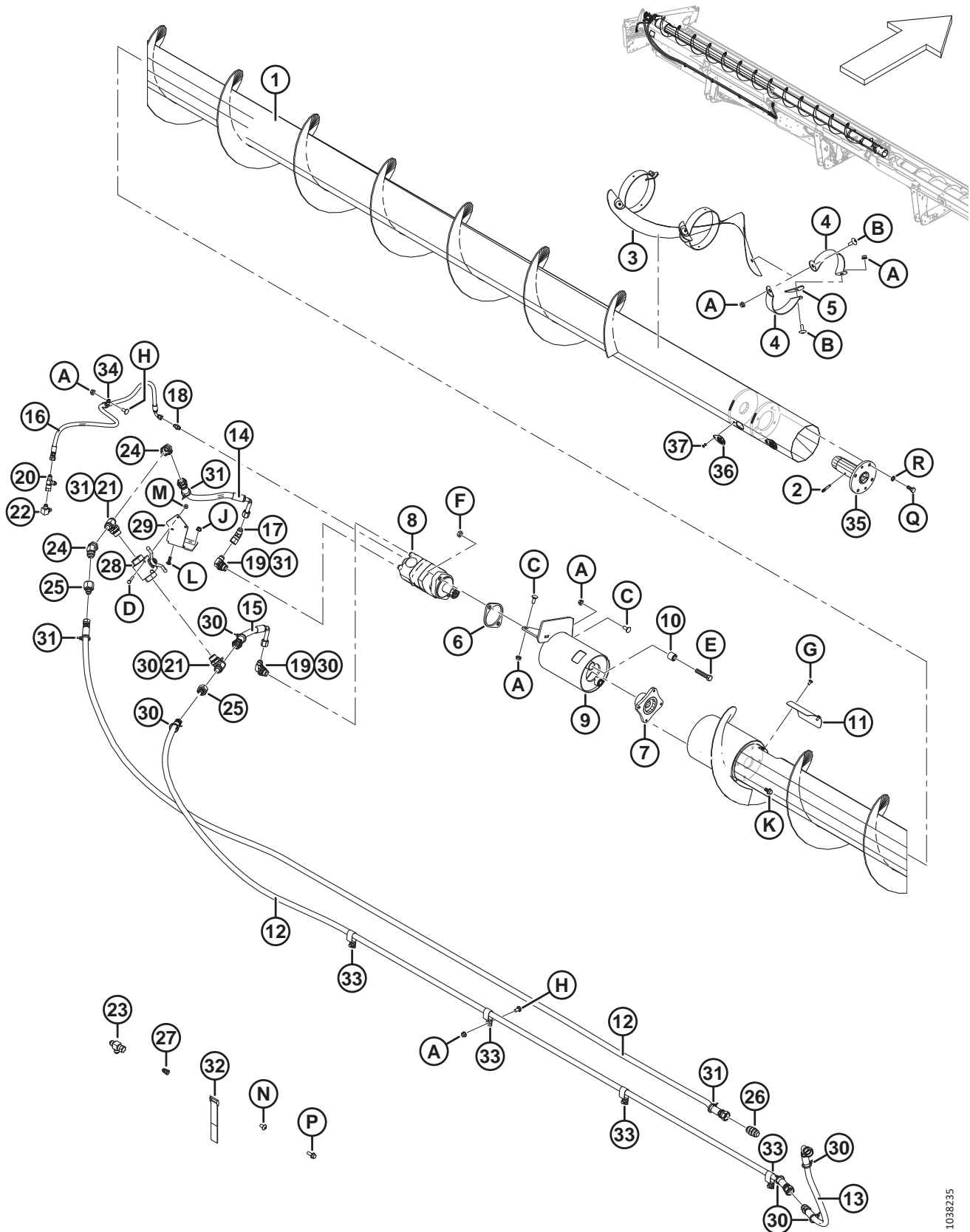
Ref	Part Number	Description	Qty	Serial Number
	335589	KIT – UCA CENTER SUPPORT REPAIR ²⁸⁹		
1	21859	BEARING – SPH OD EXT INNER RACE 1 3/16 BORE	2	
2	30661	FLANGE	2	
3	49306	FLANGE	2	
4	233371	GUARD – WELDT	2	
5	233450	PLATE – SPACER	2	
6	233513	JOINT – UNIVERSAL	2	
7	233519	SHAFT	1	
8	335615	SUPPORT – BEARING MOUNT WELDT	1	
9	233514	HUB – WELDT UCA SLIDING	2	
10	30934	FITTING – 1/4-28 TAPER THD	2	
11	335610	SUPPORT – CENTER UCA ²⁹⁰	1	
12	335625	SHIM – UCA CENTER SUPPORT	2	
13	335622	SUPPORT – SR CENTER WELDT ²⁹¹	1	
14	233625	COVER	4	
15	18768	RIVET – BLIND Ø0.188 IN. X 0.251 TO 0.375 GRIP RANGE	4	
16	NSS	AUGER – UCA HC REPAIR TUBE WELDT	2	
A	18723	BOLT – HEX HD 1/2-13 X 1.5 GR5-AA1J		
B	50186	NUT – FLG LK DT 1/2-13 UNC GR5 AA1J		
C	108172	BOLT – HEX HD M10 X 1.5 X 65-8.8-AA1J		
D	135785	BOLT – RHSN M10 X 1.5 X 25-8.8-AA1J		
E	136113	BOLT – RHSN M10 X 1.5 X 60-8.8-AA1J		
F	135799	NUT – HEX FLG CTR LOC M10 X 1.5-10		
G	30627	BOLT – HEX HD TFL M10 X 1.5 X 25-8.8-A3L		
H	30632	WASHER – LOCK SPRING M10		

289. Kit includes all listed parts and instructions.

290. Included in the kit but is not used on D1 headers; used on 972, 973, and 974 headers only.

291. Used on single-reel headers only.

80 (Option) Upper Cross Auger – Left End, D130, D135, and D140 (2022 and Later)



1038235

(OPTION) UPPER CROSS AUGER – LEFT END, D130, D135, AND D140 (2022 AND LATER)

Ref	Part Number	Description	Qty	Serial Number
	B9011	KIT – 1 SERIES 30 FT UCA (NORTH AMERICA) ²⁹²		
	B9010	KIT – 1 SERIES 35 FT UCA (NORTH AMERICA) ²⁹²		
	B9009	KIT – 1 SERIES 40 FT UCA (NORTH AMERICA) ²⁹²		
	B9045	KIT – 1 SERIES COMBINE 30 FT UCA (EUROPE) ²⁹²		
	B9046	KIT – 1 SERIES COMBINE 35 FT UCA (EUROPE) ²⁹²		
	B9047	KIT – 1 SERIES COMBINE 40 FT UCA (EUROPE) ²⁹²		
1	335336	AUGER – UCA SP LH WELDT 30 FT	1	
	335707	AUGER – UCA SP LH WELDT 35 FT	1	
	335478	AUGER – UCA SP LH WELDT 40 FT	1	
2	30934	FITTING – 1/4-28 TAPER THD	1	
3	335719	FLIGHTING – LH CENTER	1	
4	294424	SUPPORT – LH	6	
5	255883	PLATE	3	
6	253446	PLATE – SPACER	1	
7	253722	HUB – UCA HC MOTOR	1	
8	255829	MOTOR – UCA (130 CC) ²⁹³	1	
	283002	MOTOR – EATON 2000 (100 CC) ²⁹⁴	1	
	174304	SEAL KIT		
	137375	NUT – SLOTTED JAM 1.0-20 UNEF		
9	296556	SUPPORT – ASSEMBLY ²⁹⁵	1	
10	21810	BUSHING – RUBBER	2	
11	279261	COVER – UCA ACCESS	1	
12	294221	HOSE – HYDRAULIC (30 FT)	2	
	294222	HOSE – HYDRAULIC (35 FT)	2	
	294223	HOSE – HYDRAULIC (40 FT)	2	
13	294226	HOSE – HYD, 0.5 IN. I.D., 800 MMLG, 100R17, METAL REIN.	2	
14	279716	HOSE – HYD, 0.5 IN. I.D., 400 MM LG, 100R17, METAL REIN.	1	
15	279717	HOSE – HYD, 0.5 IN. I.D., 270 MM LG, 100R17, METAL REIN.	1	
16	254248	HOSE – HYD, 0.25 IN. I.D., 900 MM LG, 100R17, METAL REINFORCED	1	
17	135685	FITTING – ELBOW 45° HYD	1	
18	112184	FITTING – ADAPTER HYD	1	
19	21801	FITTING – ELBOW 90° HYD	2	
20	30873	FITTING – HYD TEE	1	
21	50050	FITTING – TEE HYD STR THD BRANCH TEE CW O-RING	2	
22	50104	FITTING – ELBOW 90° HYD	1	
23	108268	FITTING – HYD TEE	1	
24	135240	FITTING – ELBOW 45° HYD	2	
25	136952	FITTING – ADAPTER HYD REDUCER	2	
26	30376	FITTING – UNION HYD	1	

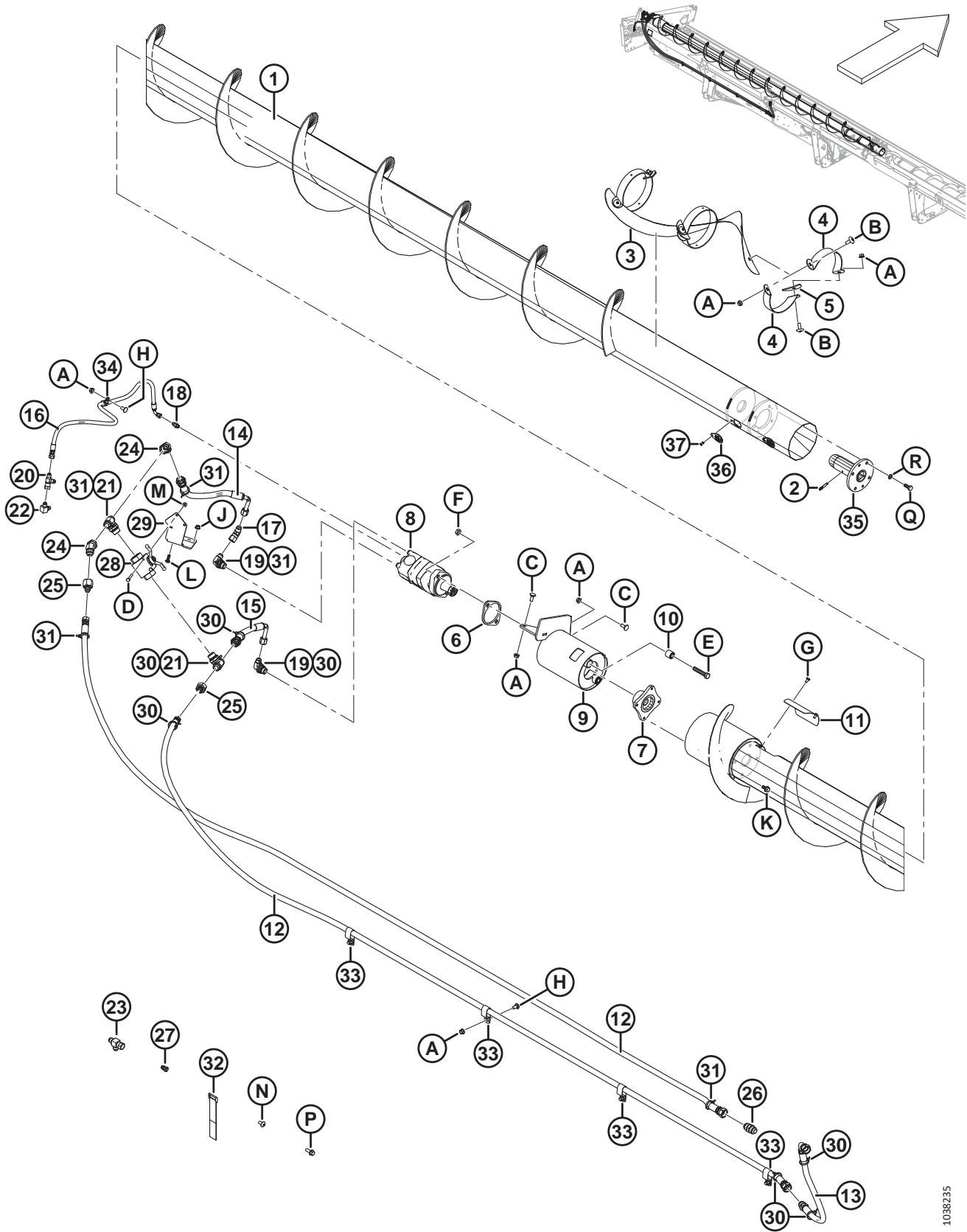
292. Kits available through Whole Goods only.

293. For use on all SP headers and combine headers not in the European market.

294. For use in European market with increased UCA speed.

295. Includes two bushings (MD #21810) and decal (MD #279085).

(OPTION) UPPER CROSS AUGER – LEFT END, D130, D135, AND D140 (2022 AND LATER)



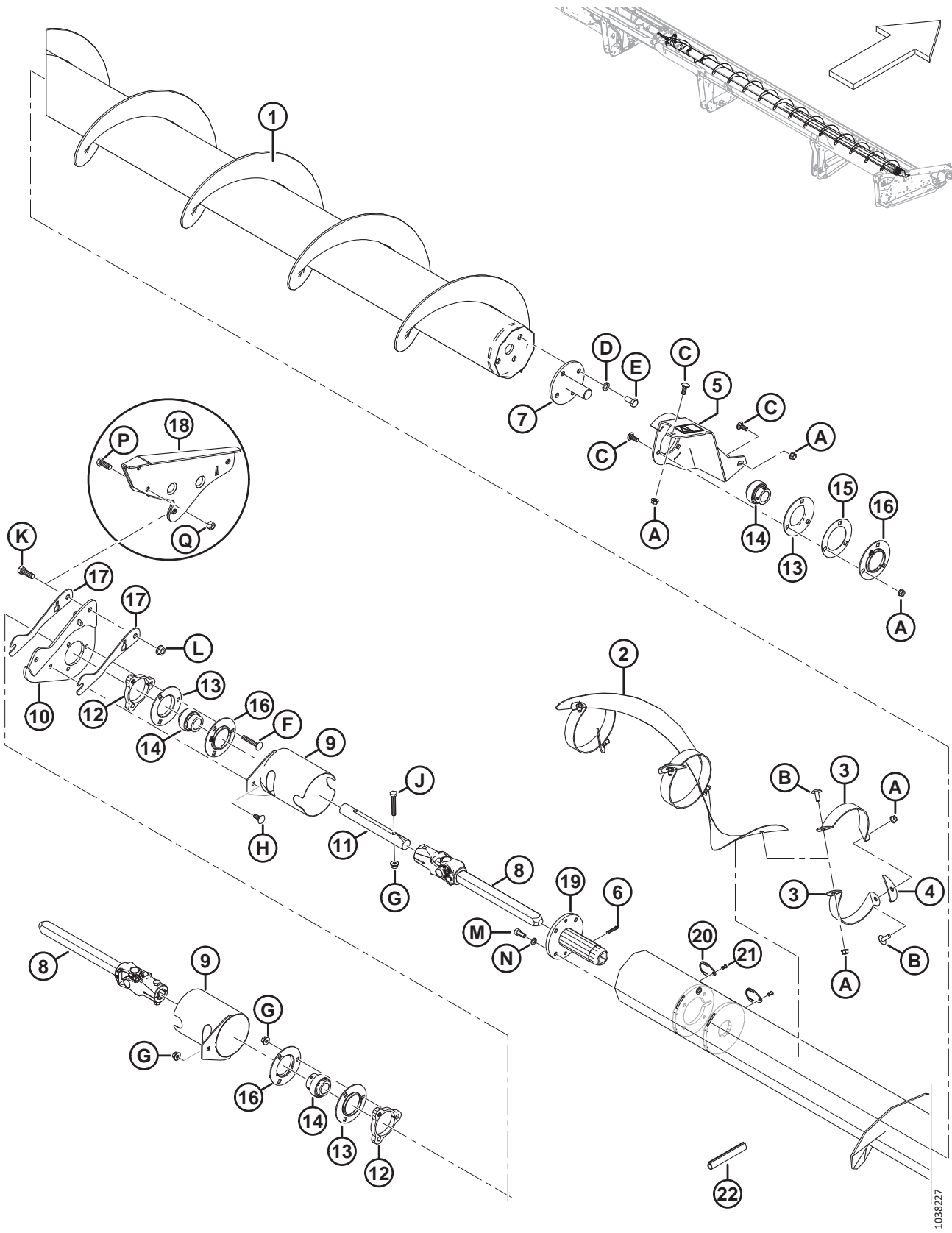
1038235

(OPTION) UPPER CROSS AUGER – LEFT END, D130, D135, AND D140 (2022 AND LATER)

Ref	Part Number	Description	Qty	Serial Number
27	30981	FITTING – ADAPTER HYD REDUCER 1/2 X 3/8 ²⁹⁶	1	
	21069	NUT – TUBE 37° JIC 1/2 IN.	1	
28	294263	VALVE – BALL	1	
29	279966	BRACKET – BV MOUNT, RIGID	1	
30	252795	FASTENER – CABLE TIE, PINK	8	
31	252794	FASTENER – CABLE TIE, PURPLE	7	
32	135443	CINCH STRAP (4 IN. LG)	3	
	135444	CINCH STRAP (6 IN. LG)	2	
33	103738	CLAMP – PVC INSULATED 13/16 IN. TUBE SIZE	7	
34	135818	CLAMP – INSULATED 1/2 IN.	1	
35	233514	HUB – WELDT UCA SLIDING	1	
36	233625	COVER	2	
37	18768	RIVET – BLIND Ø0.188 IN. X 0.251 TO 0.375 GRIP RANGE	2	
A	30228	NUT – FLG DT SMTH FACE 0.375-16 UNC		
B	135507	SCREW – MACHINE, TRUSS HD TORX, 38 NC X 1 LG		
C	19965	BOLT – RHSN 3/8-16 X 1-GR5-ZP		
D	21854	BOLT – HH 1/4 NC X 2.5 LG GR 5 ZP		
E	21760	BOLT – HH 1/2 NC X 2.5 LG GR 5 ZP		
F	137727	NUT – HEX JAM-DT 1/2-13 UNC GR 5 ZP		
G	21580	BOLT – HEX HD 1/4 NC X 0.5 LG GR 5 ZP		
H	21863	BOLT – RHSSN 3/8 NC X 0.75 LG GR 5 ZP		
J	135337	NUT – HEX FLG CTR LOC M8 X 1.25-8-A2L		
K	135963	BOLT – HH FLG (SM FACE) 3/8 NC X 0.75 GR 5 ZP		
L	136824	BOLT – RHSSN M8 X 1.25 X 25-8.8-A2L		
M	135248	NUT – HEX FLG CTR LOC		
N	135157	SCREW – MACHINE		
P	135966	BOLT – HH FLG SM FACE 3/8 NC X 1.0 GR 5 ZP		
Q	30627	BOLT – HEX HD TFL M10 X 1.5 X 25-8.8-A3L		
R	30632	WASHER – LOCK SPRING M10		

296. Includes tube nut (MD #21069).

81 (Option) Upper Cross Auger – Right End, D130, D135, and D140 (2022 and Later)



103827

(OPTION) UPPER CROSS AUGER – RIGHT END, D130, D135, AND D140 (2022 AND LATER)

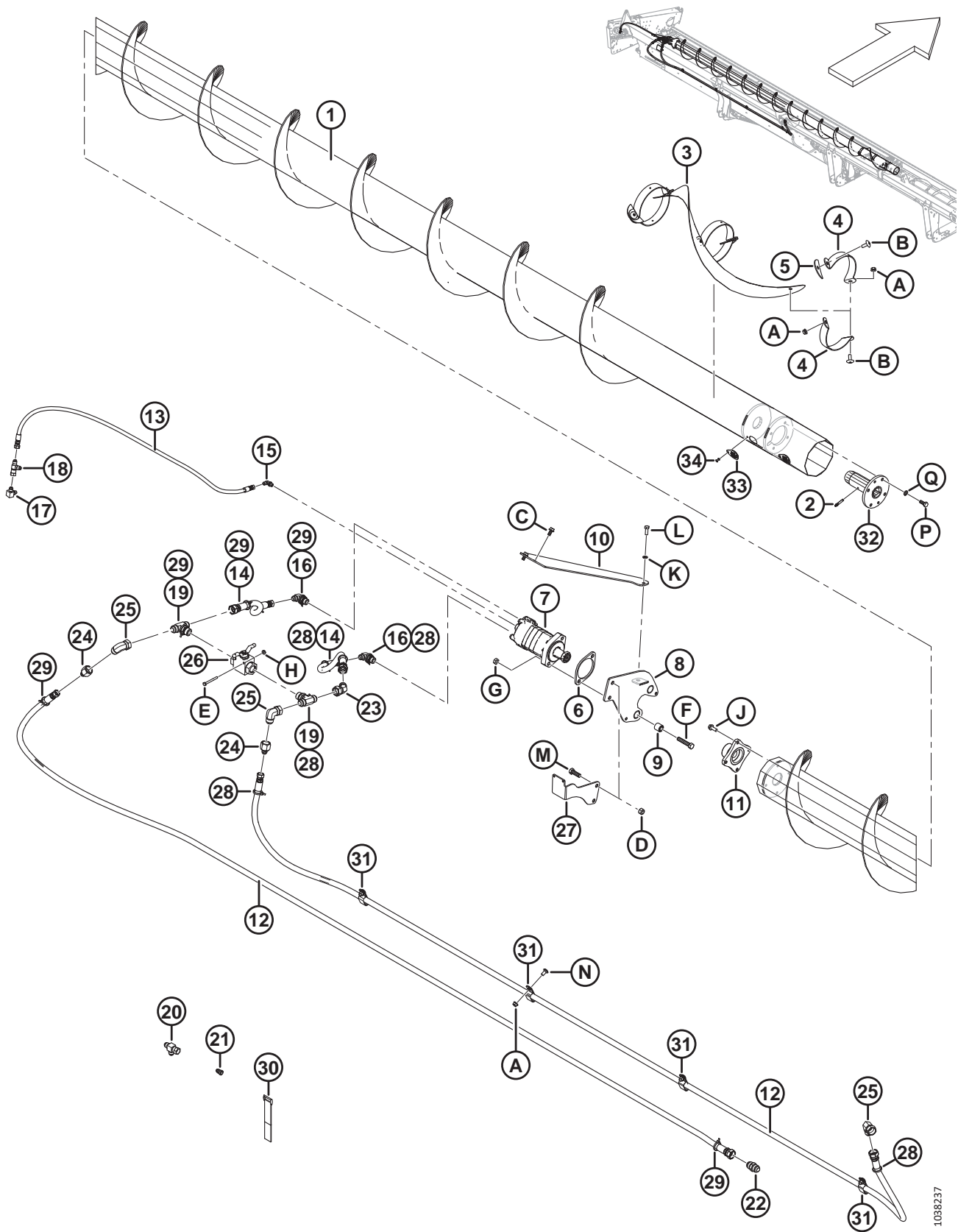
Ref	Part Number	Description	Qty	Serial Number
1	335337	AUGER – UCA RH WELDT 30 FT	1	
	335686	AUGER – UCA HC RH WELDT 35 FT	1	
	335480	AUGER – UCA HC RH WELDT 40 FT	1	
2	335592	FLIGHTING – RH CENTER	1	
3	294425	SUPPORT – RH	6	
4	255883	PLATE	3	
5	296554	SUPPORT – RH UCA ASSY ²⁹⁷	1	
6	30934	FITTING – 1/4-28 TAPER THD	1	
7	132303	SHAFT – END WELDT, WITH DISC	1	
	294677	KIT – DISC 21–36 FT UCA (DISC ONLY) ²⁹⁸	OPT	
8	233513	JOINT – UNIVERSAL	2	
9	233371	GUARD – WELDT	2	
10	335615	SUPPORT – BEARING MOUNT WELDT	1	
11	233519	SHAFT	1	
12	233450	PLATE – SPACER	2	
13	49306	FLANGE	3	
14	21859	BEARING – SPH OD EXT INNER RACE 1 3/16 BORE	3	
15	172340	SHIM	1	
16	30661	FLANGE	3	
17	335625	SHIM – UCA CENTER SUPPORT	2	
18	335622	SUPPORT – SR CENTER WELDT ²⁹⁹	1	
19	233514	HUB – WELDT UCA SLIDING	1	
20	233625	COVER	2	
21	18768	RIVET – BLIND Ø0.188 IN. X 0.251 TO 0.375 GRIP RANGE	2	
22	45427	MOULDING – RH	1	
A	30228	NUT – FLANGE DT SMOOTH FACE 0.375-16 UNC		
B	135507	SCREW – MACHINE, TRUSS HD TORX, 3/8 NC X 1 LG		
C	19965	BOLT – RHSN 3/8-16 X 1-GR5-ZP		
D	18638	WASHER – REG. LOCK 1/2 IN. NOM. ID ZP		
E	21575	BOLT – HH 1/2 NC X 1.0 LG GR 5 ZP		
F	136113	BOLT – RHSN M10 X 1.5 X 60-8.8-AA1J		
G	135799	NUT – HEX FLG CTR LOC M10 X 1.5-10		
H	135785	BOLT – RHSN M10 X 1.5 X 25-8.8-AA1J		
J	108172	BOLT – HEX HD M10 X 1.5 X 65-8.8-AA1J		
K	18723	BOLT – HEX HD 1/2-13 X 1.5 GR5-AA1J		
L	50186	NUT – FLG LK DT 1/2-13 UNC GR5 AA1J		
M	30627	BOLT – HEX HD TFL M10 X 1.5 X 25-8.8-A3L		
N	30632	WASHER – LOCK SPRING M10		
P	21491	BOLT – HH 1/2 NC X 1.25 LG GR 5 ZP		
Q	18697	NUT – HEX LOCK DT .500-13UNC		

297. Includes warning decal (MD #279085).

298. Kit used to repair disc on shaft (MD #132303).

299. Used on single-reel headers only.

82 (Option) Upper Cross Auger – Left End, D145 (2022 and Later)



1038237

(OPTION) UPPER CROSS AUGER – LEFT END, D145 (2022 AND LATER)

Ref	Part Number	Description	Qty	Serial Number
	B9049	KIT – 1 SERIES 45 FT UCA (NORTH AMERICA) ³⁰⁰		
	B9050	KIT – 1 SERIES EUROPEAN COMBINE 45 FT UCA ³⁰⁰		
1	335600	AUGER – UCA LH WELDT 45 FT	1	
2	30934	FITTING – 1/4-28 TAPER THD	1	
3	335719	FLIGHTING – LH CENTER	1	
4	294424	SUPPORT – LH	6	
5	255883	PLATE	3	
6	253446	PLATE – SPACER	1	
7	255829	MOTOR – UCA (130 CC) ³⁰¹	1	
	283002	MOTOR – EATON 2000 (100 CC) ³⁰²	1	
	174304	SEAL KIT		
	137375	NUT – SLOTTED JAM 1.0-20 UNEF		
8	174168	SUPPORT – LH HANGER ASSY ³⁰³	1	
9	21810	BUSHING – RUBBER	2	
10	279925	BRACE – LH	1	
11	279775	HUB MACHINING	1	
12	294224	HOSE – HYDRAULIC (45 FT)	2	
13	294225	HOSE – HYDRAULIC (45 FT)	1	
14	279715	HOSE – HYD, 0.5 IN. I.D., 500 MM LG, 100R17, METAL REIN.	2	
15	135647	FITTING – ELBOW 90° HYD	1	
16	21801	FITTING – ELBOW 90° HYD	2	
17	50104	FITTING – ELBOW 90° HYD	1	
18	30873	FITTING – HYD TEE	1	
19	50050	FITTING – TEE HYD STR THD BRANCH TEE CW O-RING	2	
20	108268	FITTING – HYD TEE	1	
21	30981	FITTING – ADAPTER HYD REDUCER 1/2 X 3/8 ³⁰⁴	1	
	21069	NUT – TUBE 37° JIC 1/2 IN.	1	
22	30376	FITTING – UNION HYD	1	
23	135240	FITTING – ELBOW 45° HYD	1	
24	136952	FITTING – ADAPTER HYD REDUCER	2	
25	50175	FITTING – ELBOW 90° HYD	2	
26	294263	VALVE – BALL	1	
27	279834	BRACKET – BALL VALVE MOUNT	1	
28	252795	FASTENER – CABLE TIE, PINK	6	
29	252794	FASTENER – CABLE TIE, PURPLE	5	
30	135443	CINCH STRAP (4 IN. LG)	3	
	135444	CINCH STRAP (6 IN. LG)	4	
31	103738	CLAMP – PVC INSULATED 13/16 IN. TUBE SIZE	7	

300. Kits available through Whole Goods only.

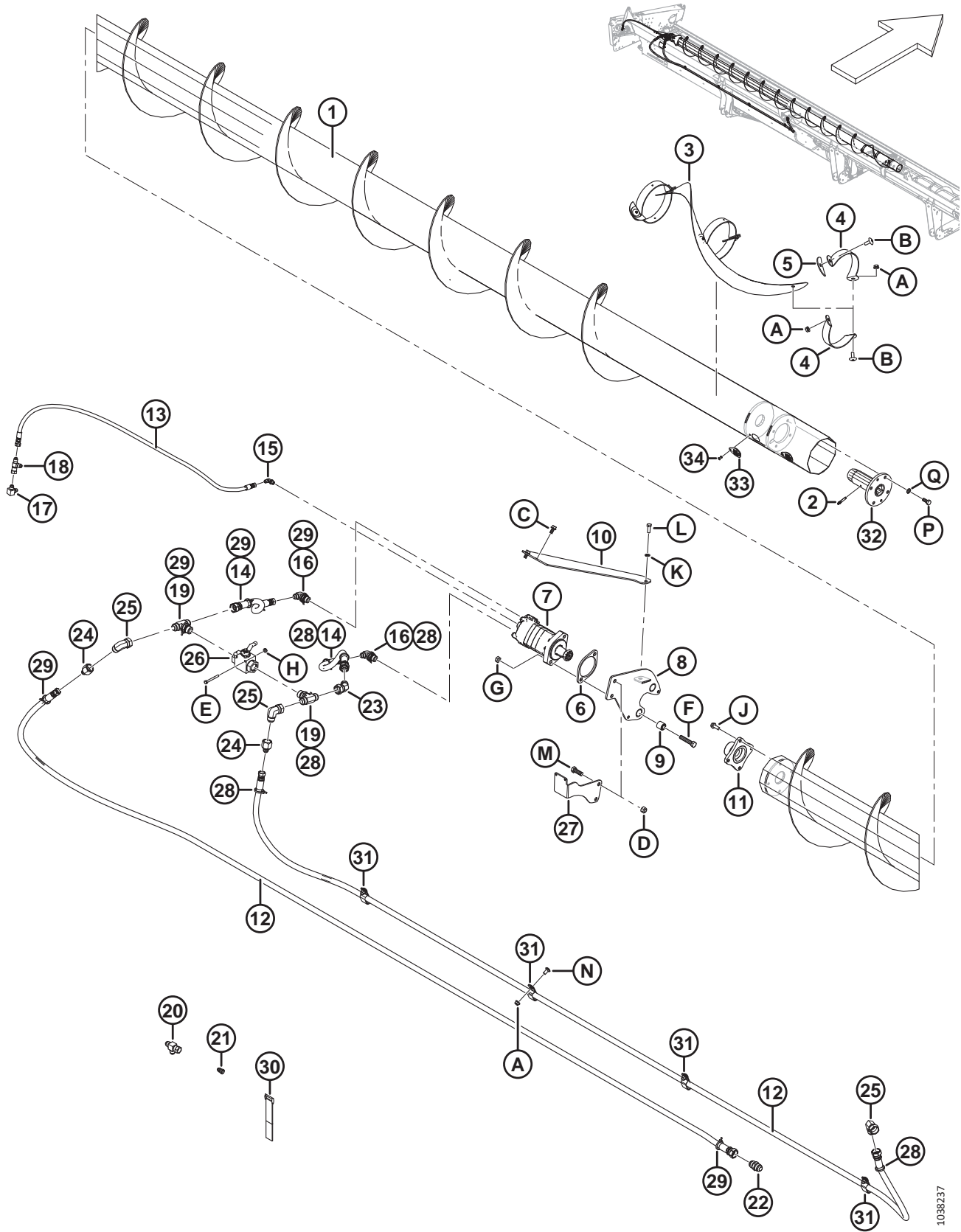
301. For use on all SP headers and combine headers not in the European market.

302. For use in European market with increased UCA speed.

303. Includes two bushings (MD #21810) and decal (MD #174682).

304. Includes tube nut (MD #21069).

(OPTION) UPPER CROSS AUGER – LEFT END, D145 (2022 AND LATER)

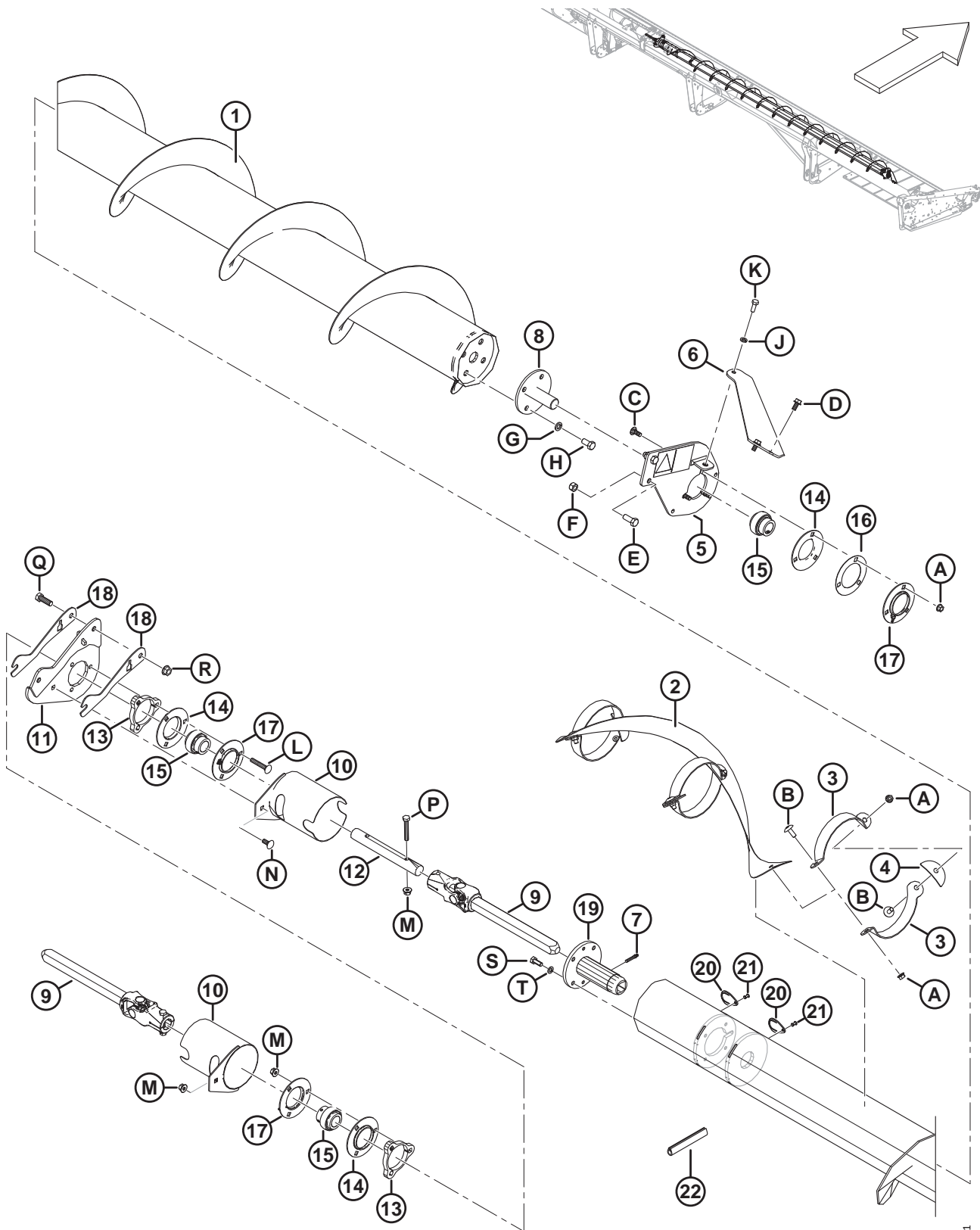


1038237

(OPTION) UPPER CROSS AUGER – LEFT END, D145 (2022 AND LATER)

Ref	Part Number	Description	Qty	Serial Number
32	233514	HUB – WELDT UCA SLIDING	1	
33	233625	COVER	2	
34	18768	RIVET – BLIND Ø0.188 IN. X 0.251 TO 0.375 GRIP RANGE	2	
A	30228	NUT – FLG DT SMTH FACE 0.375-16 UNC		
B	135507	SCREW – MCH TORX HD 3/8-16 X 1 GR5 AA1J		
C	101897	SCREW – HEX WASH HD THD ROLLING 3/8 NC X 3/4		
D	18697	NUT – HEX LOCK DT .500-13 UNC		
E	21854	BOLT – HH 1/4 NC X 2.5 LG GR 5 ZP		
F	21760	BOLT – HH 1/2 NC X 2.5 LG GR 5 ZP		
G	137727	NUT – HEX JAM-DT 1/2-13 UNC GR 5 ZP		
H	135248	NUT – HEX FLG CTR LOC 1/4-20 NC GR 5 ZP		
J	135193	SCREW – HEX WASH HD THD ROLLING 3/8 NC X 1.0		
K	18637	WASHER – REG. LOCK 3/8 IN. NOM. I.D. ZP		
L	20077	BOLT – HEX HD 3/8 NC X 1.0 LG GR 5 ZP		
M	18723	BOLT – HH 1/2 NC X 1.5 LG TFL GR 5 ZP		
N	21863	BOLT – RHSSN 3/8 NC X 0.75 LG GR 5 ZP		
P	30627	BOLT – HEX HD TFL M10 X 1.5 X 25-8.8-A3L		
Q	30632	WASHER – LOCK SPRING M10		

83 (Option) Upper Cross Auger – Right End, D145 (2022 and Later)



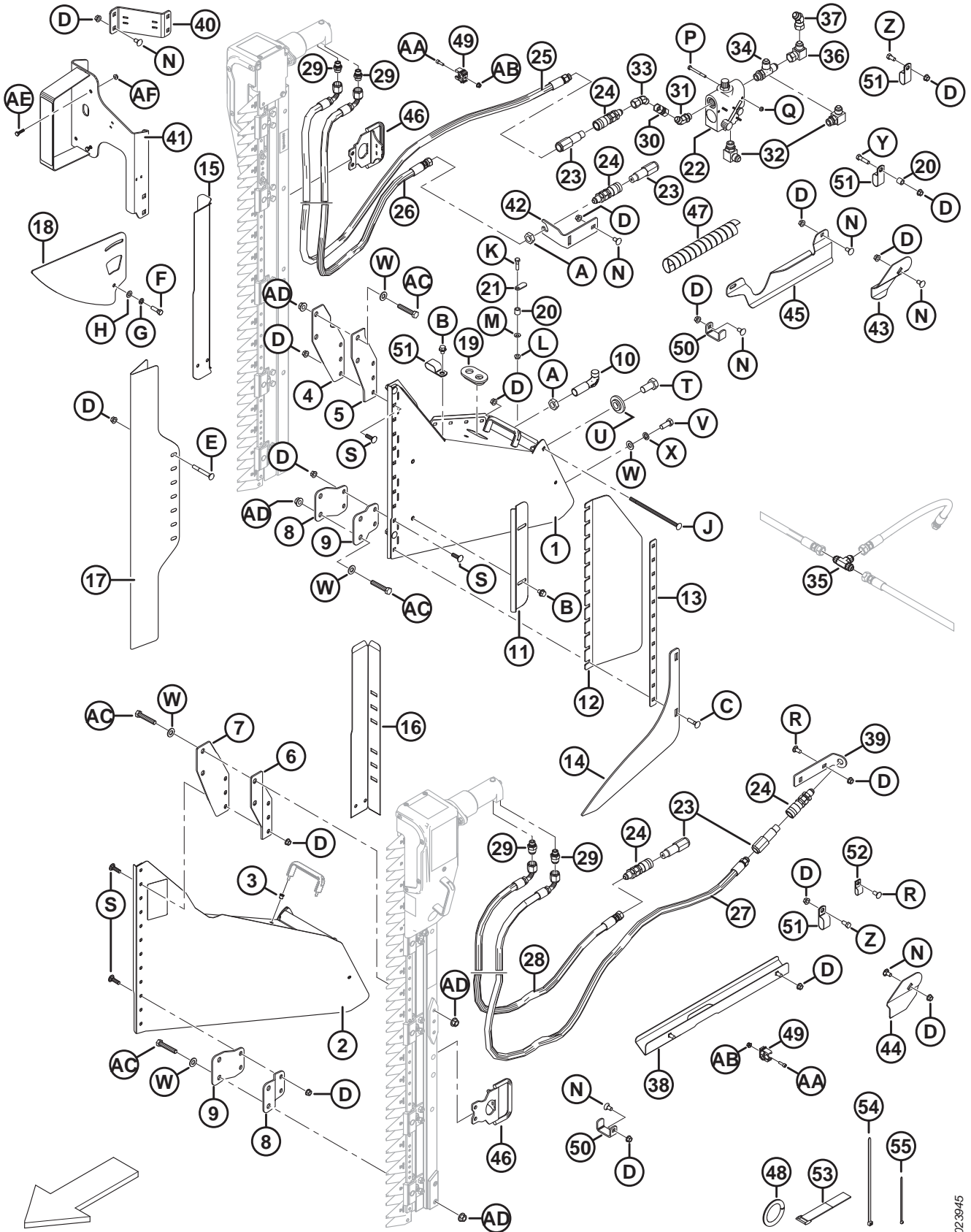
1038231

(OPTION) UPPER CROSS AUGER – RIGHT END, D145 (2022 AND LATER)

Ref	Part Number	Description	Qty	Serial Number
1	335598	AUGER – UCA RH WELDT 45 FT	1	
2	335592	FLIGHTING – RH CENTER	1	
3	294425	SUPPORT – RH	6	
4	255883	PLATE	3	
5	174176	SUPPORT RH – DECAL ASSY	1	
6	279926	BRACE – RH	1	
7	30934	FITTING – 1/4-28 TAPER THD	1	
8	132303	SHAFT – END WELDT, WITH DISC	1	
	294677	KIT – DISC 21–36 FT UCA (DISC ONLY) ³⁰⁵	OPT	
9	233513	JOINT – UNIVERSAL	2	
10	233371	GUARD – WELDT	2	
11	335615	SUPPORT – BEARING MOUNT WELDT	1	
12	233519	SHAFT	1	
13	233450	PLATE – SPACER	2	
14	49306	FLANGE	3	
15	21859	BEARING – SPH OD EXT INNER RACE 1 3/16 BORE	3	
16	172340	SHIM	1	
17	30661	FLANGE	3	
18	335625	SHIM – UCA CENTER SUPPORT	2	
19	233514	HUB – WELDT UCA SLIDING	1	
20	233625	COVER	2	
21	18768	RIVET – BLIND Ø0.188 IN. X 0.251 TO 0.375 GRIP RANGE	2	
22	45427	MOULDING – RH	1	
A	30228	NUT – FLANGE DT SMOOTH FACE 0.375-16 UNC		
B	135507	SCREW – MACHINE, TRUSS HD TORX, 38NC X 1LG		
C	19965	BOLT – RHSN 3/8-16 X 1-GR5-ZP		
D	101897	SCREW – HEX WASH HD THD ROLLING 3/8 NC X 3/4		
E	21491	BOLT – HH 1/2 NC X 1.25 LG GR 5 ZP		
F	18697	NUT – HEX LOCK DT .500-13UNC		
G	18638	WASHER – REG. LOCK 1/2 IN. NOM. ID ZP		
H	21575	BOLT – HH 1/2 NC X 1.0 LG GR 5 ZP		
J	18637	WASHER – REG. LOCK 3/8 IN. NOM. ID ZP		
K	20077	BOLT – HEX HD 3/8 NC X 1.0 LG GR 5 ZP		
L	136113	BOLT – RHSN M10 X 1.5 X 60-8.8-AA1J		
M	135799	NUT – HEX FLG CTR LOC M10 X 1.5-10		
N	135785	BOLT – RHSN M10 X 1.5 X 25-8.8-AA1J		
P	108172	BOLT – HEX HD M10 X 1.5 X 65-8.8-AA1J		
Q	18723	BOLT – HEX HD 1/2-13 X 1.5 GR5-AA1J		
R	50186	NUT – FLG LK DT 1/2-13 UNC GR5 AA1J		
S	30627	BOLT – HEX HD TFL M10 X 1.5 X 25-8.8-A3L		
T	30632	WASHER – LOCK SPRING M10		

305. Kit used to repair disc on shaft (MD #132303).

84 (Option) Vertical Knife – Standard Reel Arm (2018 and Prior)



1023945

(OPTION) VERTICAL KNIFE – STANDARD REEL ARM (2018 AND PRIOR)

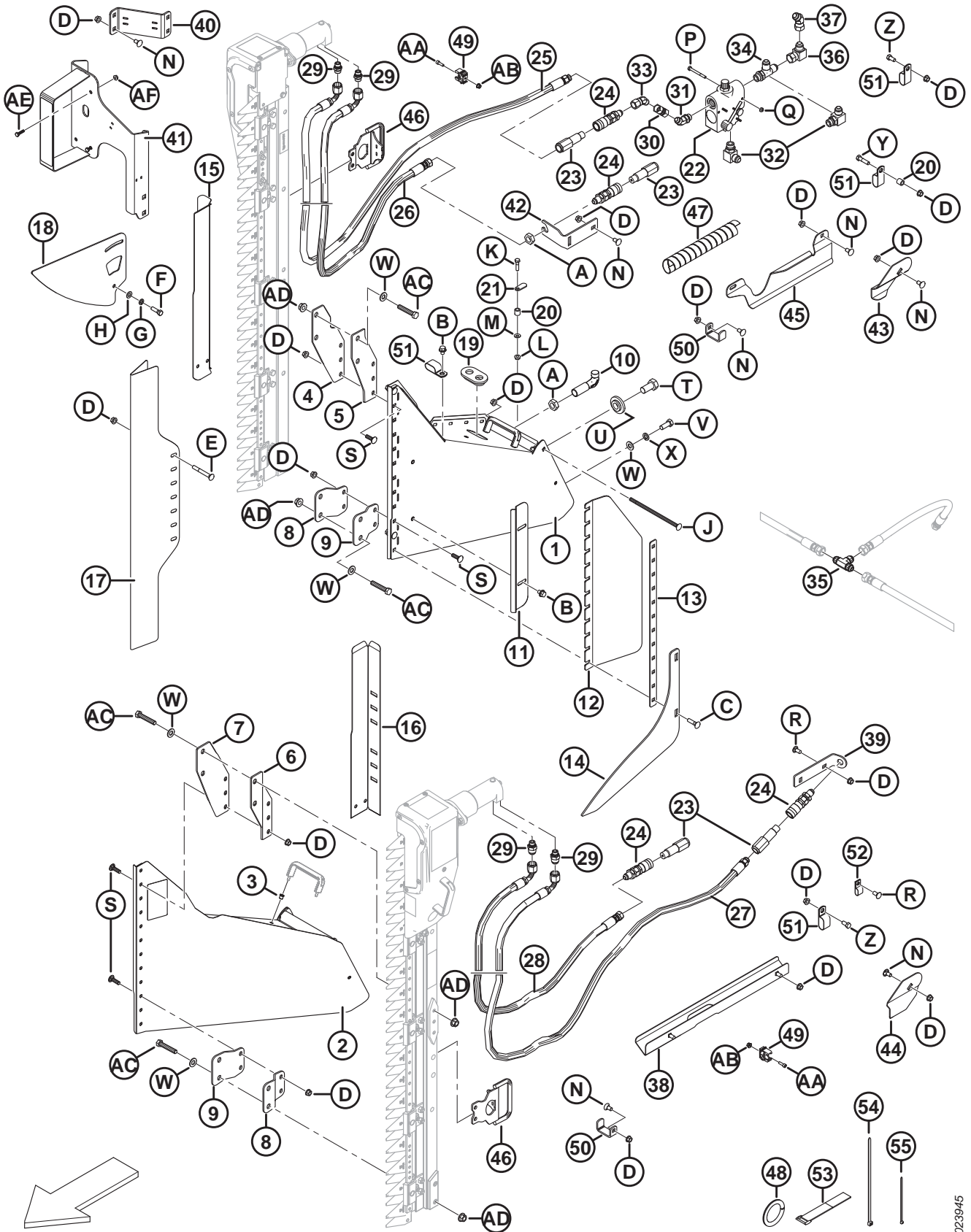
Ref	Part Number	Description	Qty	Serial Number
1	279494	SUPPORT ASSY – RH VERT KNIFE, C/W DECAL ³⁰⁶	1	-346189
2	279485	SUPPORT ASSY – LH VERT KNIFE, C/W DECAL ³⁰⁶	1	-346189
3	252578	RIVNUT – M6 X 1 RND 0.7-4.2	4	-346189
4	279156	SUPPORT – VK, TOP RH OUTBOARD	1	-346189
5	279157	SUPPORT – VK, TOP RH INBOARD	1	-346189
6	279158	SUPPORT – VK, TOP LH OUTBOARD	1	-346189
7	279159	SUPPORT – VK, TOP LH INBOARD	1	-346189
8	279498	SUPPORT – VK, BOTTOM, OUTBOARD	2	-346189
9	279499	SUPPORT – VK, BOTTOM, INBOARD	2	-346189
10	132773	HOOK – DIVIDER LATCH	2	-346189
11	174242	DEFLECTOR – VERTICAL KNIFE	2	-346189
12	174321	DEFLECTOR – PLASTIC VERTICAL KNIFE	2	-346189
13	174240	RETAINER – DEFLECTOR VERTICAL KNIFE	2	-346189
14	220197	LIFTER – VERTICAL KNIFE	2	-346189
15	174318	SHIELD – HOSES RH VERTICAL KNIFE	1	-346189
16	174322	SHIELD – HOSES LH VERTICAL KNIFE	1	-346189
17	165380	SHIELD – VERTICAL KNIFE	2	-346189
18	174238	GUIDE – TOP VERTICAL KNIFE	2	-346189
19	165103	GROMMET	2	-346189
20	174324	SPACER	3	-346189
21	174243	LEVER – SAFETY	2	-346189
22	174422	VALVE ³⁰⁷	1	-346189
	30054	SEAL KIT		-346189
23	135386	COUPLER – MALE HYD. 3/8 IN. FLAT FACE ³⁰⁸	4	-346189
	111978	SEAL KIT (FASTER ONLY)		-346189
24	135213	COUPLING – FEMALE HYD. 3/8 IN. FLAT FACE BULKHEAD	4	-346189
25	174262	HOSE – RH VERT. KNIFE PRESSURE, 3425 MM LG	1	-346189
26	174547	HOSE – RH VERTICAL KNIFE RETURN, 3350 MM LG	1	-346189
27	174263	HOSE – LH VERT. KNIFE PRESSURE, 3125 MM LG	1	-346189
28	174585	HOSE – LH VERTICAL KNIFE RETURN, 2750 MM LG	1	-346189
29	252296	FITTING – ADAPTER 10 JIC X 6 BSPP (ZIEGLER ONLY)	4	-346189
	136654	SEAL KIT (ZIEGLER ONLY)		-346189
	21746	FITTING – CONNECTOR HYD (SABRE ONLY)	4	-346189
30	135540	FITTING – FEMALE UNION HYD	1	-346189
31	135241	FITTING – ELBOW 45° HYD C/W O-RING	1	-346189
32	21843	FITTING – ELBOW 90° HYD	2	-346189
33	135685	FITTING – ELBOW 45° HYD	1	-346189
34	50019	FITTING – TEE HYD STR THD RUN TEE C/W O-RING	1	-346189
35	30551	FITTING – TEE HYD	1	-346189

306. Includes decal (MD #174684) and two rivnuts (MD #252578).

307. Includes seal kit (MD #30054).

308. Faster coupler (MD #135386) is interchangeable with Parker Hannifin coupler (NSS). Seal kit (MD #111978) is only intended for Faster coupler and cannot be used with Parker Hannifin coupler. Length can be used to differentiate the two couplers; Faster coupler = 101 mm and Parker Hannifin coupler = 84 mm.

(OPTION) VERTICAL KNIFE – STANDARD REEL ARM (2018 AND PRIOR)

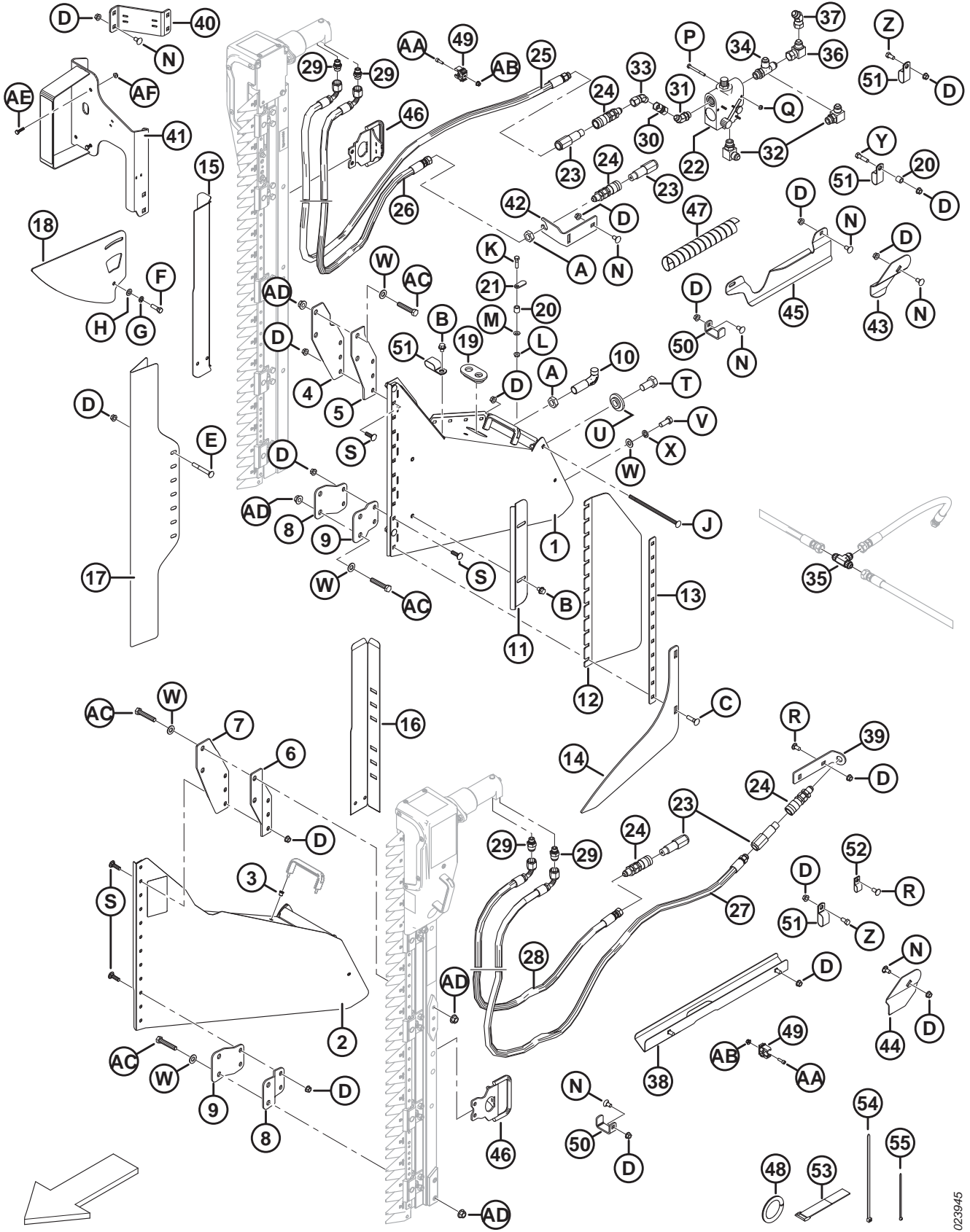


10239/45

(OPTION) VERTICAL KNIFE – STANDARD REEL ARM (2018 AND PRIOR)

Ref	Part Number	Description	Qty	Serial Number
36	30556	FITTING – ELBOW 90° HYD	1	-346189
37	135434	FITTING – ELBOW 45° SWIVEL SAE	1	-346189
38	174586	SUPPORT WELDMENT – LH VERTICAL KNIFE	1	-346189
39	174538	SUPPORT – HOSE LH VERTICAL KNIFE	1	-346189
40	174883	SUPPORT – LAMP, VERTICAL KNIFE KIT	1	-346189
41	294393	SUPPORT – RH REAR LIGHT VERT KNIFE	1	-346189
42	174521	SUPPORT – COUPLER	1	-346189
43	174514	HOLDER – RH HOSE VERTICAL KNIFE	1	-346189
44	174513	HOLDER – LH HOSE VERTICAL KNIFE	1	-346189
45	125229	GUIDE – RH HOSES, VERT KNIFE	1	-346189
46	279144	HANDLE – VERT KNIFE (ZIEGLER ONLY)	2	-346189
47	252537	GUARD – HOSE, SPIRAL	1	-346189
48	45427	MOULDING – RH (SPEC 31886)	1	-346189
49	252314	CLIP – PIPE, 20 MM	8	-346189
50	132418	CLAMP – HOSE VERTICAL KNIFE	3	-346189
51	103738	CLAMP – PVC INSULATED 13/16 IN. TUBE SIZE	13	-346189
52	135233	CLAMP – DOUBLE HOSE INSULATED	1	-346189
53	135443	FASTENER – CINCH STRAP 4 IN. LG	3	-346189
54	30753	FASTENER – CABLE TIE BLACK, 305 MM LG	6	-346189
55	21763	FASTENER – CABLE TIE BLACK, 160 MM LG	10	-346189
A	7674	NUT – HEX JAM 3/4 16 UNF GR 5 ZP		
B	30693	BOLT – FLANGE (SER FACE) .375-16 UNC X 0.5 LG		
C	21484	BOLT – RHSN 3/8 NC X 1.5 LG GR 5 ZP		
D	30228	NUT – FLANGE DT SMOOTH FACE 0.375-16 UNC		
E	30307	BOLT – RHSN 3/8 NC X 3.0 LG GR 5 ZP		
F	21264	BOLT – HH 3/8 NC X 1.25 LG GR 5 ZP		
G	18637	WASHER – REG. LOCK 3/8 IN. NOM. ID ZP		
H	18598	WASHER – SAE FLAT 13/32 ID X 13/16 IN OD ZP		
J	135665	BOLT – RHSN 3/8 NC X 8 LG GR 5 ZP		
K	21526	BOLT – HH 5/16 NC X 1.25 LG GR 5 ZP		
L	30280	NUT – FLG SIDE LK SMTH FACE 5/16 NC GR 5 ZP		
M	184579	WASHER – CONICAL SPRING M8A		
N	21472	BOLT – RHSN 3/8 NC X 0.75 GR 5 ZP		
P	21854	BOLT – HH 1/4 NC X 2.5 LG GR 5 ZP		
Q	18724	NUT – HEX LOCK DT 1/4-20 UNC ZP		
R	21863	BOLT – RHSSN 3/8 NC X 0.75 LG GR 5 ZP		
S	19966	BOLT – RHSN 3/8 NC X 1.25 LG GR 5 ZP		
T	135579	BOLT – HEX HD 3/4-16 UNF		
U	220324	WASHER – VERTICAL KNIFE		
V	21491	BOLT – HH 1/2 NC X 1.25 LG GR 5 ZP		
W	18599	WASHER – SAE FLAT 17/32 ID X 1 1/16 IN OD ZP		
X	18638	WASHER – REG. LOCK 1/2 IN. NOM. ID ZP		

(OPTION) VERTICAL KNIFE – STANDARD REEL ARM (2018 AND PRIOR)

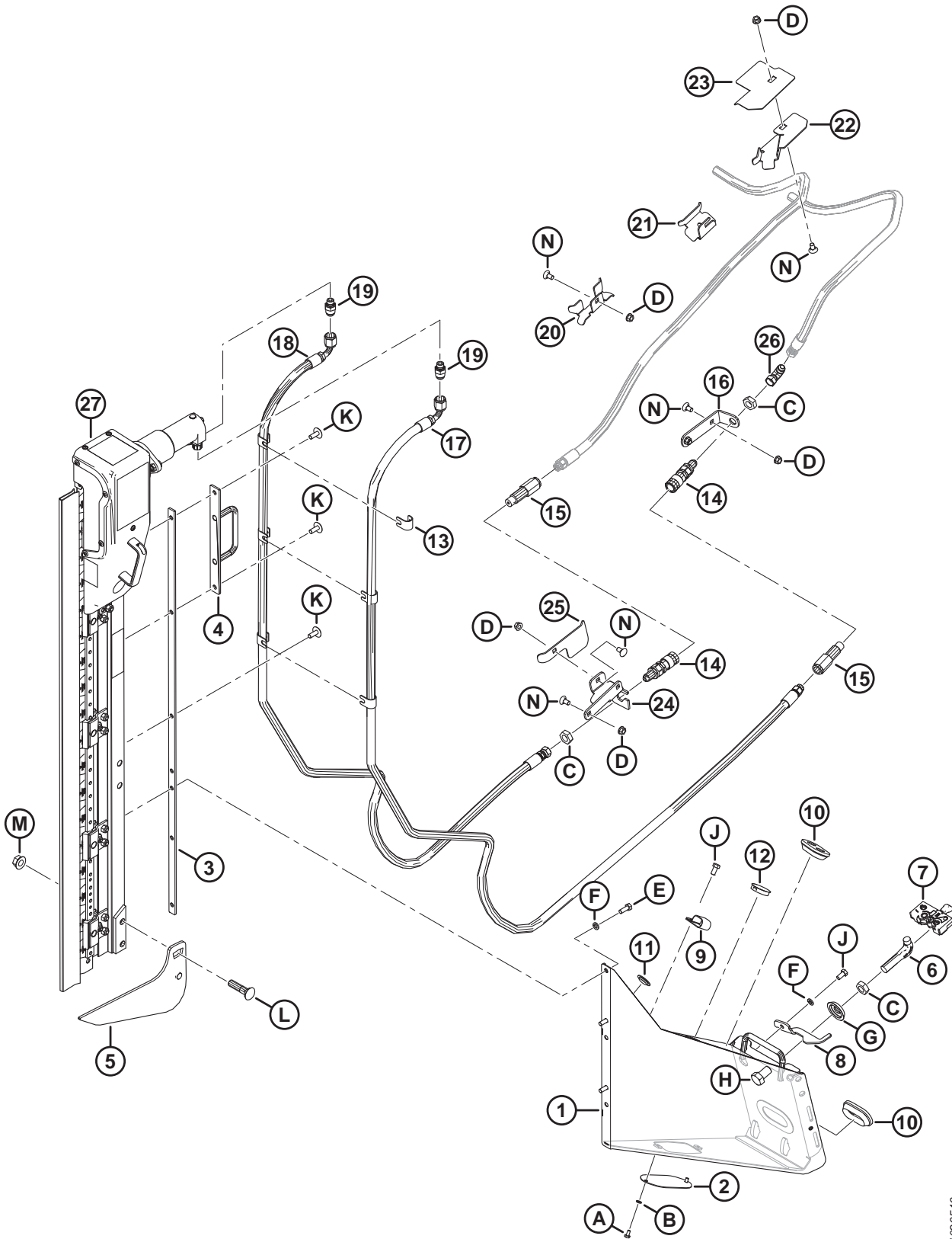


10239/45

(OPTION) VERTICAL KNIFE – STANDARD REEL ARM (2018 AND PRIOR)

Ref	Part Number	Description	Qty	Serial Number
Y	21561	BOLT – HH 3/8 NC X 1.5 LG GR 5 ZP		
Z	21567	BOLT – HEX HD .375-16 UNC X 0.75 LG		
AA	136652	SCREW – HEX SOC HD M6 X 1 X 20-12.9-A2L		
AB	152668	NUT – HEX FLG CTR LOC M6 X 1-8-A2L		
AC	252541	BOLT – HEX HD M12 X 1.75 X 65-8.8-A3L		
AD	148645	NUT – HEX FLG STVR LOC M12 X 1.75-10-A3L		
AE	21573	BOLT – HEX HD 1/4 NC X 1.0 LG GR 5 ZP		
AF	21455	NUT – FLG (SER FACE) 1/4 NC GR 5 ZP		

85 (Option) Vertical Knife – Standard Reel Arm, Left End (2019–2021)



1026546

(OPTION) VERTICAL KNIFE – STANDARD REEL ARM, LEFT END (2019–2021)

Ref	Part Number	Description	Qty	Serial Number
	B6410	KIT – ZIEGLER LH/RH VERTICAL KNIVES FOR D1/FD1 ³⁰⁹		346190–
1	REF	SUPPORT ASSEMBLY – LH NA ³¹⁰	1	346190–421189
	335869	KIT – VERTICAL KNIFE MOUNTS ³¹¹		
2	253582	PLATE	1	346190–421189
3	253668	SUPPORT WELDMENT	1	346190–421189
4	253570	SUPPORT WELDMENT	1	346190–421189
5	253708	LIFTER LEFT WELDMENT	1	346190–421189
6	132773	HOOK – DIVIDER LATCH	1	346190–421189
7	120932	LATCH – LH	1	346190–421189
8	132248	LATCH – LH, DIVIDER SAFETY	1	346190–421189
9	103738	CLAMP – PVC INSULATED 13/16 IN. TUBE SIZE	1	346190–421189
10	165103	GROMMET	2	346190–421189
11	30433	PLUG – PLASTIC SNAP-IN	2	346190–421189
12	135613	PLUG – PLASTIC SNAP-IN	1	346190–421189
13	279798	SUPPORT	6	346190–421189
14	135213	COUPLING – FEMALE HYD. 3/8 FLAT FACE BULKHEAD	2	346190–421189
15	135386	COUPLER – MALE HYD. 3/8 IN. FLAT FACE (FASTER) ³¹²	2	346190–421189
	111978	SEAL KIT – 3/8 MALE (FASTER ONLY)		346190–421189
16	245915	SUPPORT – HOSE COUPLER	1	346190–421189
17	294985	HOSE – HYD	1	346190–421189
18	294508	HOSE – HYD	1	346190–421189
19	252296	FITTING – ADAPTER-10 JIC X-6 BSPP	2	346190–421189
20	245931	SUPPORT – HOSE	1	346190–421189
21	245956	SUPPORT – HOSE	1	346190–421189
22	253702	SUPPORT – HOSE, LH	1	346190–421189
23	253704	GUIDE – HOSE, LH	1	346190–421189
24	245928	SUPPORT – LH COUPLER	1	346190–421189
25	245936	DEFLECTOR – LH HOSE	1	346190–421189
26	30314	FITTING – ELBOW 90° HYD	1	346190–421189
27	NSS	ZIEGLER VERTICAL KNIFE ³¹³		346190–421189
A	21580	BOLT – HEX HD 1/4 NC X 0.5 LG GR 5 ZP		
B	18635	WASHER – REG. LOCK 1/4 IN. NOM. ID ZP		
C	7674	NUT – HEX JAM 3/4-16 UNF GR 5 ZP		

309. Kit includes two knives. Kits available through Whole Goods only.

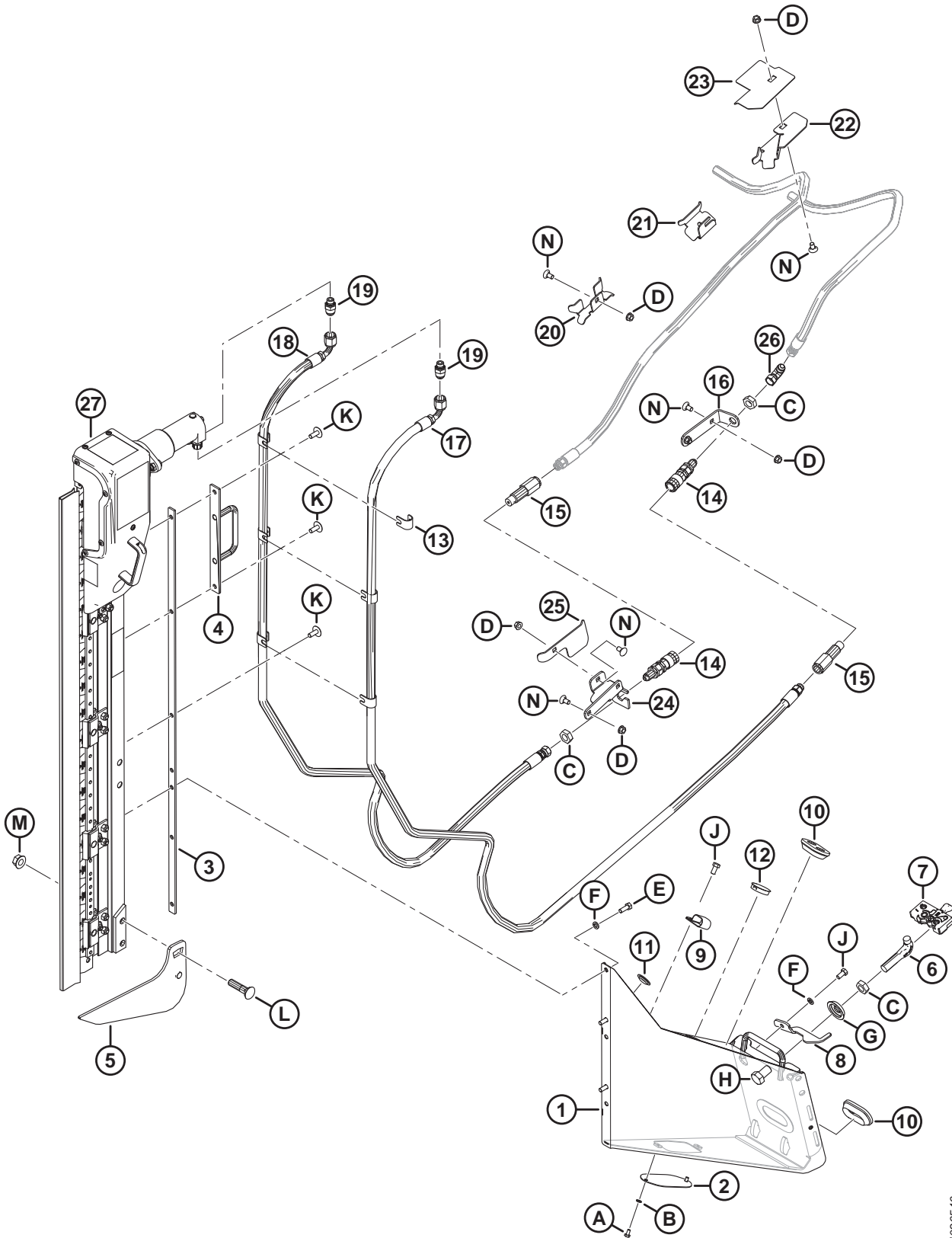
310. If replacing the LH support assembly, order the Vertical Knife Mounts kit (MD #335869). The vertical knife mounts have a new design, and the kit includes both LH and RH mounts, hoses, and hardware required to convert to the new configuration.

311. Includes both LH and RH mounts, hoses, and hardware required to convert to the new configuration.

312. Faster coupler (MD #135386) is interchangeable with Parker Hannifin coupler (NSS). Seal kit (MD #111978) is only intended for Faster coupler and cannot be used with Parker Hannifin coupler. Length can be used to differentiate the two couplers; Faster coupler = 101 mm and Parker Hannifin coupler = 84 mm.

313. Not sold separately, can be ordered as a set of two knives (MD #B6410). For service parts, refer to Section [92 \(Option\) Vertical Knife Assembly – Service Parts, page 285](#).

(OPTION) VERTICAL KNIFE – STANDARD REEL ARM, LEFT END (2019–2021)

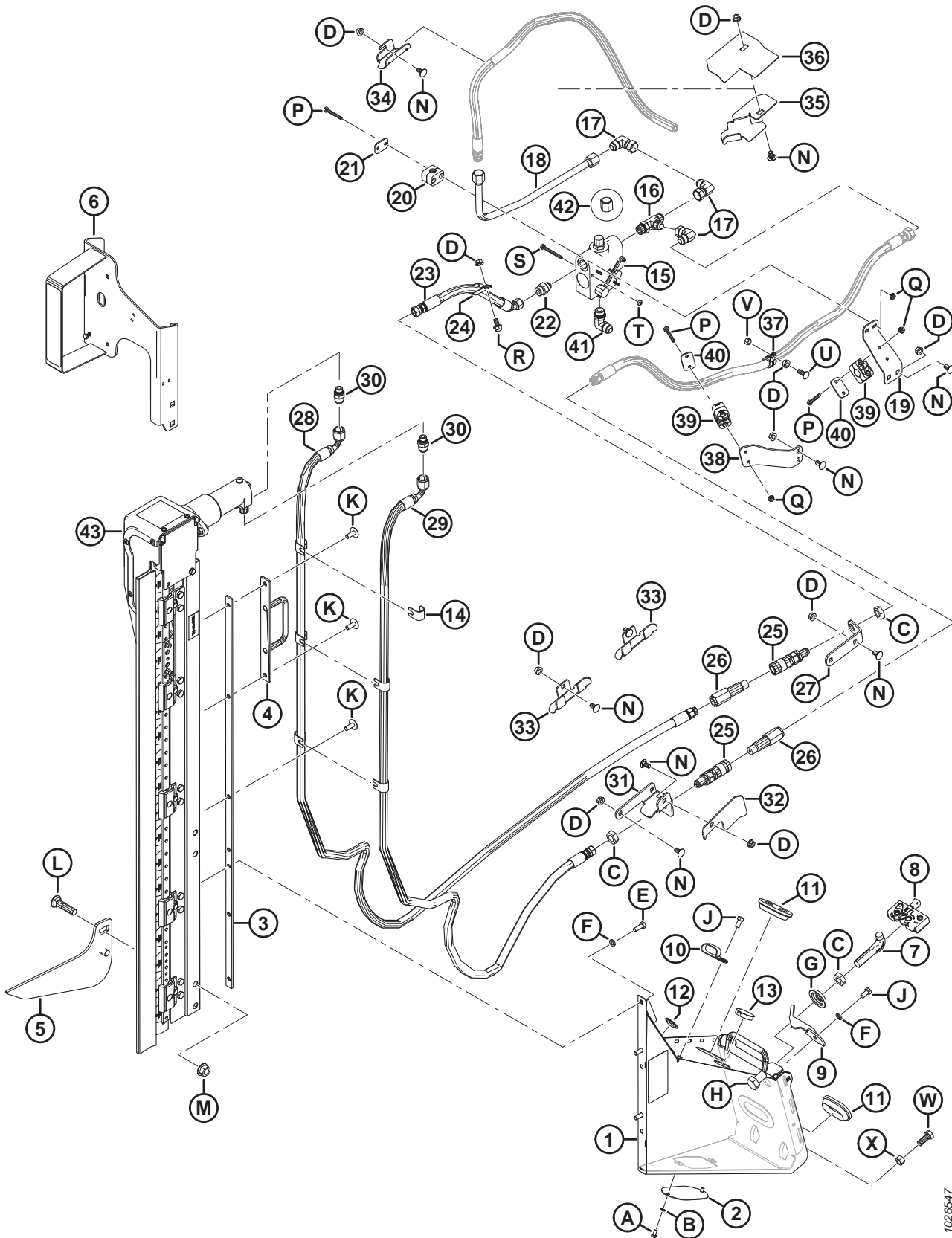


1026546

(OPTION) VERTICAL KNIFE – STANDARD REEL ARM, LEFT END (2019–2021)

Ref	Part Number	Description	Qty	Serial Number
D	30228	NUT – FLANGE DT SMOOTH FACE 0.375-16 UNC		
E	20077	BOLT – HEX HD 3/8 NC X 1.0 LG GR 5 ZP		
F	18637	WASHER – REG. LOCK 3/8 IN. NOM. ID ZP		
G	253477	WASHER – VERTICAL KNIFE		
H	21590	BOLT – HH 3/4 NC X 1.25 LG GR 5 ZP		
J	21567	BOLT – HEX HD .375-16 UNC X 0.75 LG		
K	135507	SCREW – MACHINE TRUSS HD TORX, 38 NC X 1 LG		
L	30759	BOLT – RHSSN 5/8 NC X 2.5 LG GR 5 ZP		
M	50225	NUT – FLANGE DT SMOOTH FACE .625-11 UNC		
N	21472	BOLT – RHSN 3/8-16 X .75-GR5		

86 (Option) Vertical Knife – Standard Reel Arm, Right End (2019–2021)



1026547

(OPTION) VERTICAL KNIFE – STANDARD REEL ARM, RIGHT END (2019–2021)

Ref	Part Number	Description	Qty	Serial Number
	B6410	KIT – ZIEGLER LH/RH VERTICAL KNIFES FOR D1/FD1 ³¹⁴		346190–
1	REF	SUPPORT ASSEMBLY – RH NA ³¹⁵	1	346190–421189
	335869	KIT – VERTICAL KNIFE MOUNTS ³¹⁶		
2	253582	PLATE	1	346190–421189
3	253668	SUPPORT WELDMENT	1	346190–421189
4	253570	SUPPORT WELDMENT	1	346190–421189
5	253709	LIFTER RIGHT WELDMENT	1	346190–421189
6	294393	SUPPORT – RH LIGHT VERT KNIFE	1	346190–421189
	115146	REFLECTOR – AMBER		346190–421189
	115147	REFLECTOR – RED		346190–421189
7	132773	HOOK – DIVIDER LATCH	1	346190–421189
8	120933	LATCH – RH	1	346190–421189
9	132253	LATCH – RH, DIVIDER SAFETY	1	346190–421189
10	103738	CLAMP – PVC INSULATED 13/16 IN. TUBE SIZE	7	346190–421189
11	165103	GROMMET	2	346190–421189
12	30433	PLUG – PLASTIC SNAP-IN	2	346190–421189
13	135613	PLUG – PLASTIC SNAP-IN	1	346190–421189
14	279798	SUPPORT	6	346190–421189
15	174422	VALVE	1	346190–421189
	30054	SEAL KIT		346190–421189
16	50019	FITTING – TEE HYD STR THD RUN TEE CW O-RING	1	346190–421189
17	30556	FITTING – ELBOW 90° HYD	3	346190–421189
18	255471	LINE – HYDRAULIC	1	346190–421189
19	279001	SUPPORT – HOSE CLAMP	1	346190–421189
20	252399	CLAMP – ASSY	1	346190–421189
21	255461	PLATE – COVER	1	346190–421189
22	21881	FITTING – ADAPTER HYD	1	346190–421189
23	255462	HOSE – HYD	1	346190–421189
24	135235	CLAMP – DOUBLE HOSE INSULATED	1	346190–421189
25	135213	COUPLING – FEMALE HYD. 3/8 FLAT FACE BULKHEAD	2	346190–421189
26	135386	COUPLER – MALE HYD. 3/8 IN. FLAT FACE (FASTER) ³¹⁷	2	346190–421189
	111978	SEAL KIT – 3/8 MALE (FASTER ONLY)		346190–421189
27	245915	SUPPORT – HOSE COUPLER	1	346190–421189
28	294985	HOSE – HYD	1	346190–421189
29	294508	HOSE – HYD	1	346190–421189
30	252296	FITTING – ADAPTER-10 JIC X-6 BSPP	2	346190–421189
31	245955	SUPPORT – RH COUPLER	1	346190–421189

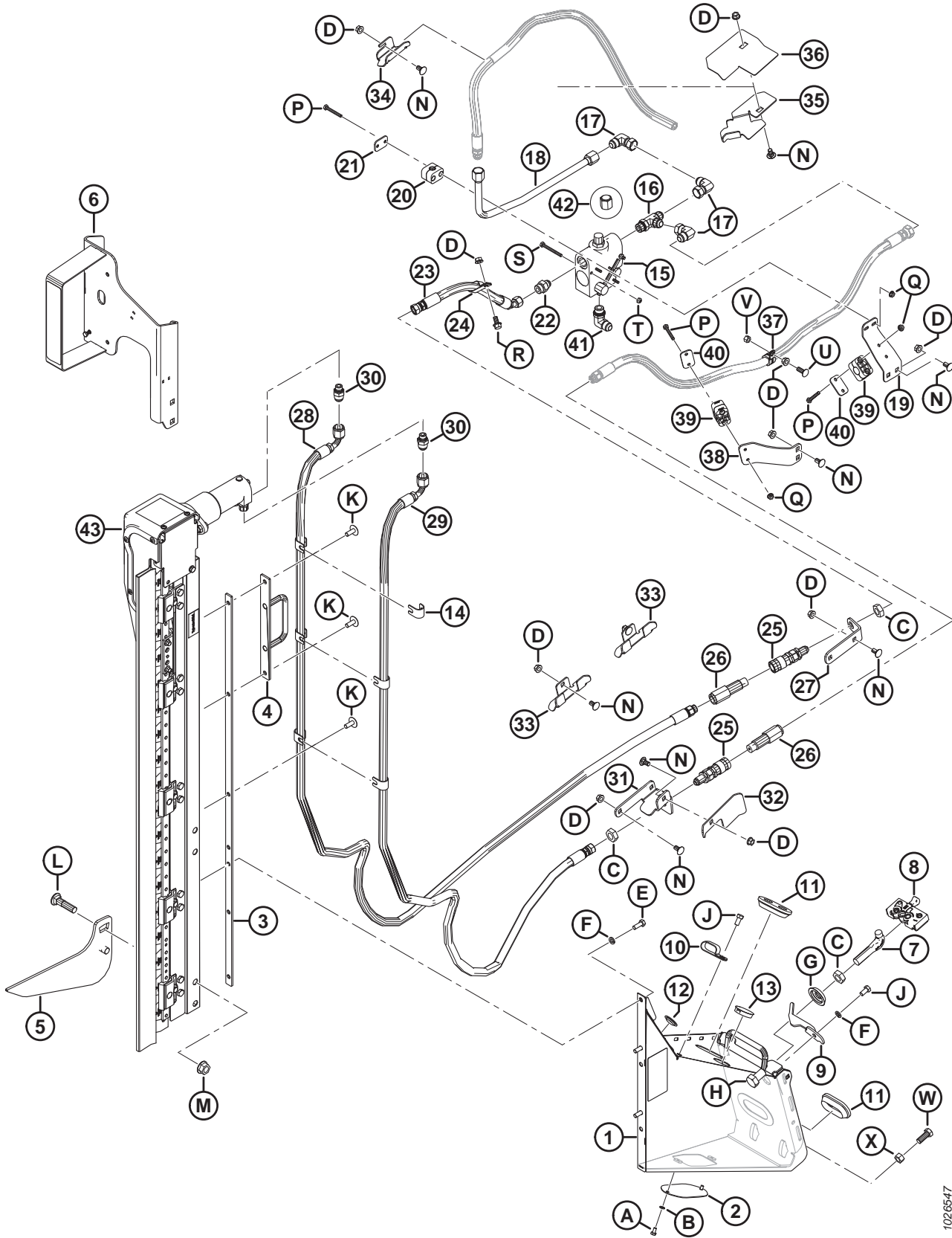
314. Kit includes two knives. Kits available through Whole Goods only.

315. If replacing the RH support assembly, order the Vertical Knife Mounts kit (MD #335869). The vertical knife mounts have a new design, and the kit includes both LH and RH mounts, hoses, and hardware required to convert to the new configuration.

316. Includes both LH and RH mounts, hoses, and hardware required to convert to the new configuration.

317. Faster coupler (MD #135386) is interchangeable with Parker Hannifin coupler (NSS). Seal kit (MD #111978) is only intended for Faster coupler and cannot be used with Parker Hannifin coupler. Length can be used to differentiate the two couplers; Faster coupler = 101 mm and Parker Hannifin coupler = 84 mm.

(OPTION) VERTICAL KNIFE – STANDARD REEL ARM, RIGHT END (2019–2021)



1026547

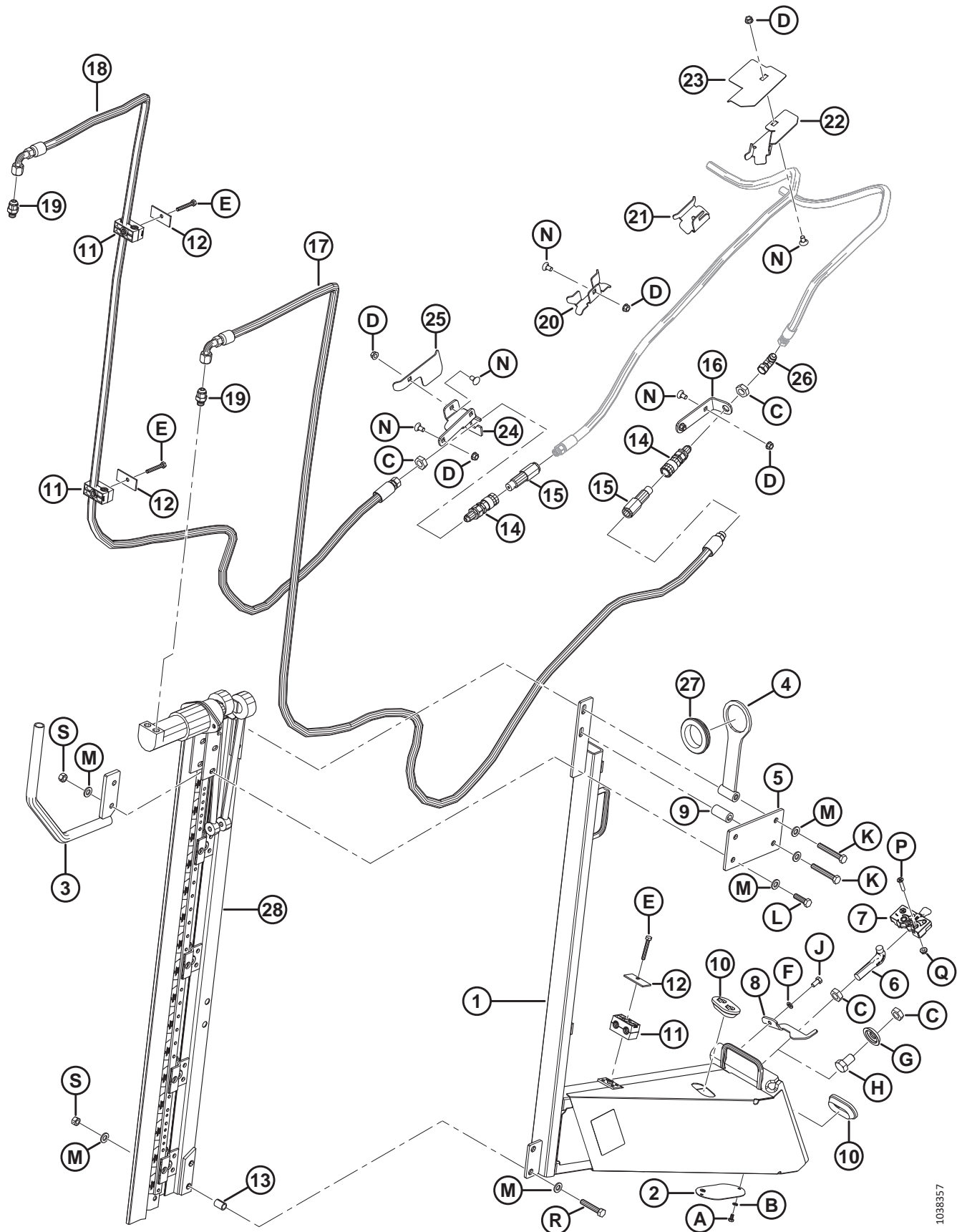
(OPTION) VERTICAL KNIFE – STANDARD REEL ARM, RIGHT END (2019–2021)

Ref	Part Number	Description	Qty	Serial Number
32	279017	DEFLECTOR – RH HOSE	1	346190–421189
33	245931	SUPPORT – HOSE	2	346190–421189
34	245956	SUPPORT – HOSE	1	346190–421189
35	253703	SUPPORT – HOSE, RH	1	346190–421189
36	253705	GUIDE – HOSE, RH	1	346190–421189
37	135709	CLAMP – INSULATED 3/4 IN	1	346190–421189
38	245946	SUPPORT – HOSE CLAMP	1	346190–421189
39	252368	CLAMP – ASSY	2	346190–421189
40	255460	PLATE – COVER	2	346190–421189
41	21843	FITTING – ELBOW 90° HYD	1	346190–421189
42	112935	CAP – 5/8 IN. TUBE 37° FLARE	1	346190–421189
43	NSS	ZIEGLER VERTICAL KNIFE ³¹⁸		346190–421189
	294995	HOSE – HYD, 12.5 IN. I.D., 520 MM LG, 100R17 METAL REIN. (NOT ILLUSTRATED) ³¹⁹	1	346190–421189
	50102	FITTING – HYD TEE (NOT ILLUSTRATED) ³¹⁹	1	346190–421189
A	21580	BOLT – HEX HD 1/4 NC X 0.5 LG GR 5 ZP		
B	18635	WASHER – REG. LOCK 1/4 IN. NOM. ID ZP		
C	7674	NUT – HEX JAM 3/4-16 UNF GR 5 ZP		
D	30228	NUT – FLANGE DT SMOOTH FACE 0.375-16 UNC		
E	20077	BOLT – HEX HD 3/8 NC X 1.0 LG GR 5 ZP		
F	18637	WASHER – REG. LOCK 3/8 IN. NOM. ID ZP		
G	253477	WASHER – VERTICAL KNIFE		
H	21590	BOLT – HH 3/4 NC X 1.25 LG GR 5 ZP		
J	21567	BOLT – HEX HD .375-16 UNC X 0.75 LG		
K	135507	SCREW – MACHINE TRUSS HD TORX, 38 NC X 1 LG		
L	30759	BOLT – RHSSN 5/8 NC X 2.5 LG GR 5 ZP		
M	50225	NUT – FLANGE DT SMOOTH FACE .625-11 UNC		
N	21472	BOLT – RHSN 3/8-16 X .75-GR5		
P	21570	BOLT – HH 1/4 NC X 2.0 LG GR 5 ZP		
Q	135248	NUT – FLG SMTH FACE 1/4-20 NC GR 5 ZP CTR LK DT THD		
R	21821	BOLT – HH FLG (SERR FACE) 3/8 NC X 0.75 GR 5 ZP		
S	21854	BOLT – HH 1/4 NC X 2.5 LG GR 5 ZP		
T	18724	NUT – HEX LOCK DT 1/4-20 UNC ZP		
U	100456	BOLT – RHSSN 3/8 NC X 1.0 GR 5 ZP		
V	135511	NUT – CENTER LOCK .375-16 UNC GR 5 ZP		
W	21491	BOLT – HH 1/2 NC X 1.25 LG GR 5 ZP		
X	18591	NUT – HEX 1/2-13 UNC GR 5 ZP		

318. Not sold separately, can be ordered as a set of two knives (MD #B6410). For service parts, refer to Section 92 (*Option Vertical Knife Assembly – Service Parts, page 285*).

319. For D1XL only. Part is required to make vertical knife bundles (MD #B6608 and B6609) compatible with D1XL Headers.

87 (Option) Vertical Knife – Standard Reel Arm, Left End (2022)



1038357

(OPTION) VERTICAL KNIFE – STANDARD REEL ARM, LEFT END (2022)

Ref	Part Number	Description	Qty	Serial Number
	B9048	KIT – VERTICAL KNIFE LH, LONG MOUNT ³²⁰		421190–
	B6410	KIT – ZIEGLER LH/RH VERTICAL KNIVES FOR D1/FD1 ³²¹		421190–
1	335864	SUPPORT ASSEMBLY – LH LONG ³²²	1	421190–
2	253582	PLATE	1	421190–
3	335785	DIVIDER – TUBE WELDMENT	1	421190–
4	335784	SUPPORT – HOSE BRACKET	1	421190–
5	335779	SUPPORT – MOTOR BRACKET	1	421190–
6	132773	HOOK – DIVIDER LATCH	1	421190–
7	120932	LATCH – LH	1	421190–
8	132248	LATCH – LH, DIVIDER SAFETY	1	421190–
9	335810	TUBE – SPACER	1	421190–
10	165103	GROMMET	2	421190–
11	202991	CLAMP – TUBING	3	421190–
12	232233	CLAMP – COVER PLATE	3	421190–
13	335867	SPACER – SPLIT	2	421190–
14	135213	COUPLING – FEMALE HYD. 3/8 FLAT FACE BULKHEAD	2	421190–
15	135386	COUPLER – MALE HYD. 3/8 IN. FLAT FACE (FASTER) ³²³	2	421190–
	111978	SEAL KIT – 3/8 MALE (FASTER ONLY)		421190–
16	245915	SUPPORT – HOSE COUPLER	1	421190–
17	335760	HOSE – HYDRAULIC, 0.5 IN ID, 3740 MM LG, 100 R17	1	421190–
18	335759	HOSE – HYDRAULIC, 0.5 IN ID, 3020 MM LG, 100 R17	1	421190–
19	252296	FITTING – ADAPTER-10 JIC X-6 BSPP	2	421190–
20	245931	SUPPORT – HOSE	1	421190–
21	245956	SUPPORT – HOSE	1	421190–
22	253702	SUPPORT – HOSE, LH	1	421190–
23	253704	GUIDE – HOSE, LH	1	421190–
24	245928	SUPPORT – LH COUPLER	1	421190–
25	245936	DEFLECTOR – LH HOSE	1	421190–
26	30314	FITTING – ELBOW 90° HYD	1	421190–
27	172877	GROMMET – 2.38" I.D.	1	421190–
28	NSS	ZIEGLER VERTICAL KNIFE ³²⁴		421190–
A	21580	BOLT – HEX HD 1/4 NC X 0.5 LG GR 5 ZP		
B	18635	WASHER – REG. LOCK 1/4 IN. NOM. ID ZP		
C	7674	NUT – HEX JAM 3/4-16 UNF GR 5 ZP		

320. Kits available through Whole Goods only.

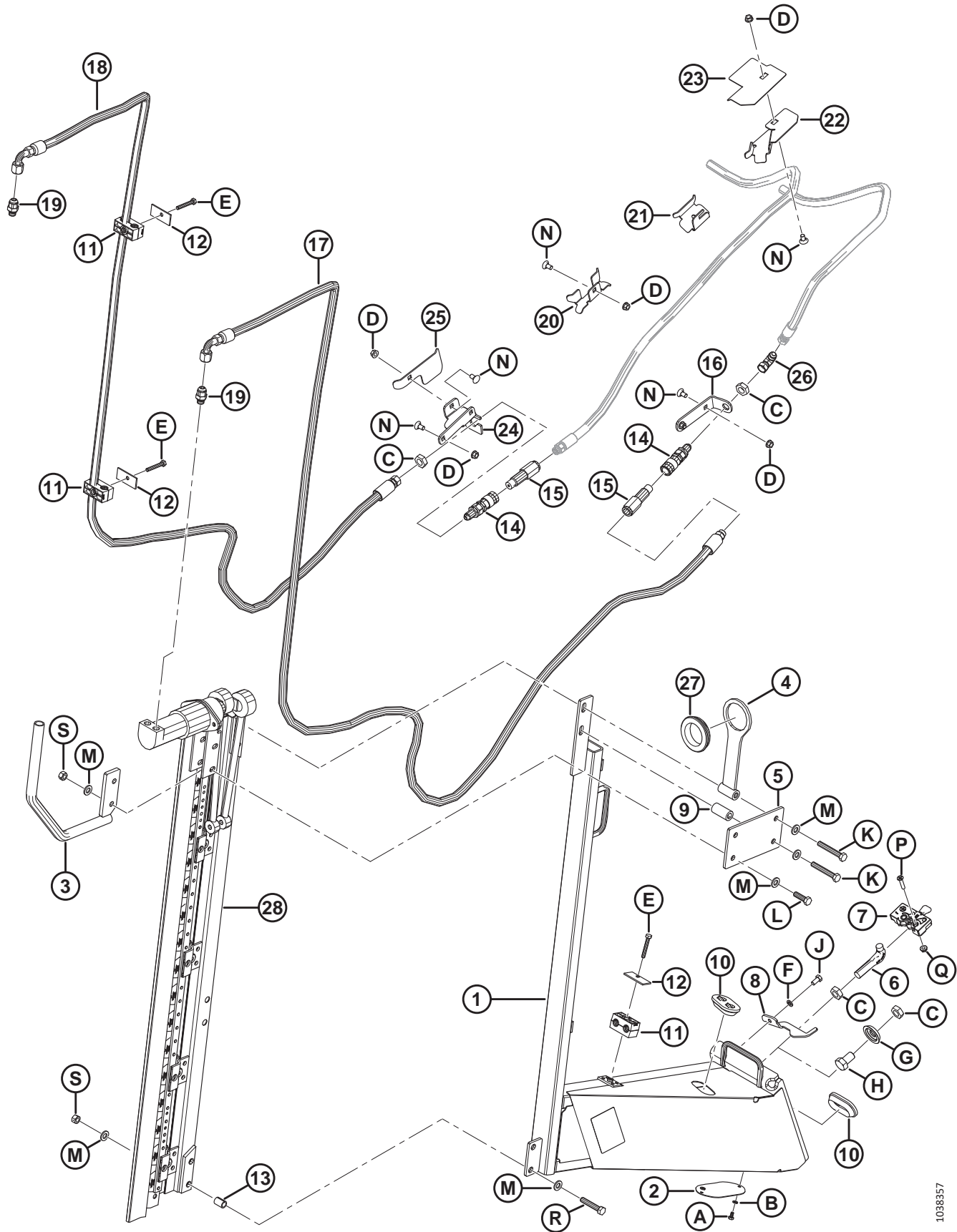
321. Kit includes two knives. Kits available through Whole Goods only.

322. Includes LH support (NSS), plate (MD #253582), two bolts (MD #21580), two washers (MD #18635), and decal (MD #174684).

323. Faster coupler (MD #135386) is interchangeable with Parker Hannifin coupler (NSS). Seal kit (MD #111978) is only intended for Faster coupler and cannot be used with Parker Hannifin coupler. Length can be used to differentiate the two couplers; Faster coupler = 101 mm and Parker Hannifin coupler = 84 mm.

324. Not sold separately, can be ordered as a set of two knives (MD #B6410). For service parts, refer to Section [92 \(Option\) Vertical Knife Assembly – Service Parts, page 285](#).

(OPTION) VERTICAL KNIFE – STANDARD REEL ARM, LEFT END (2022)

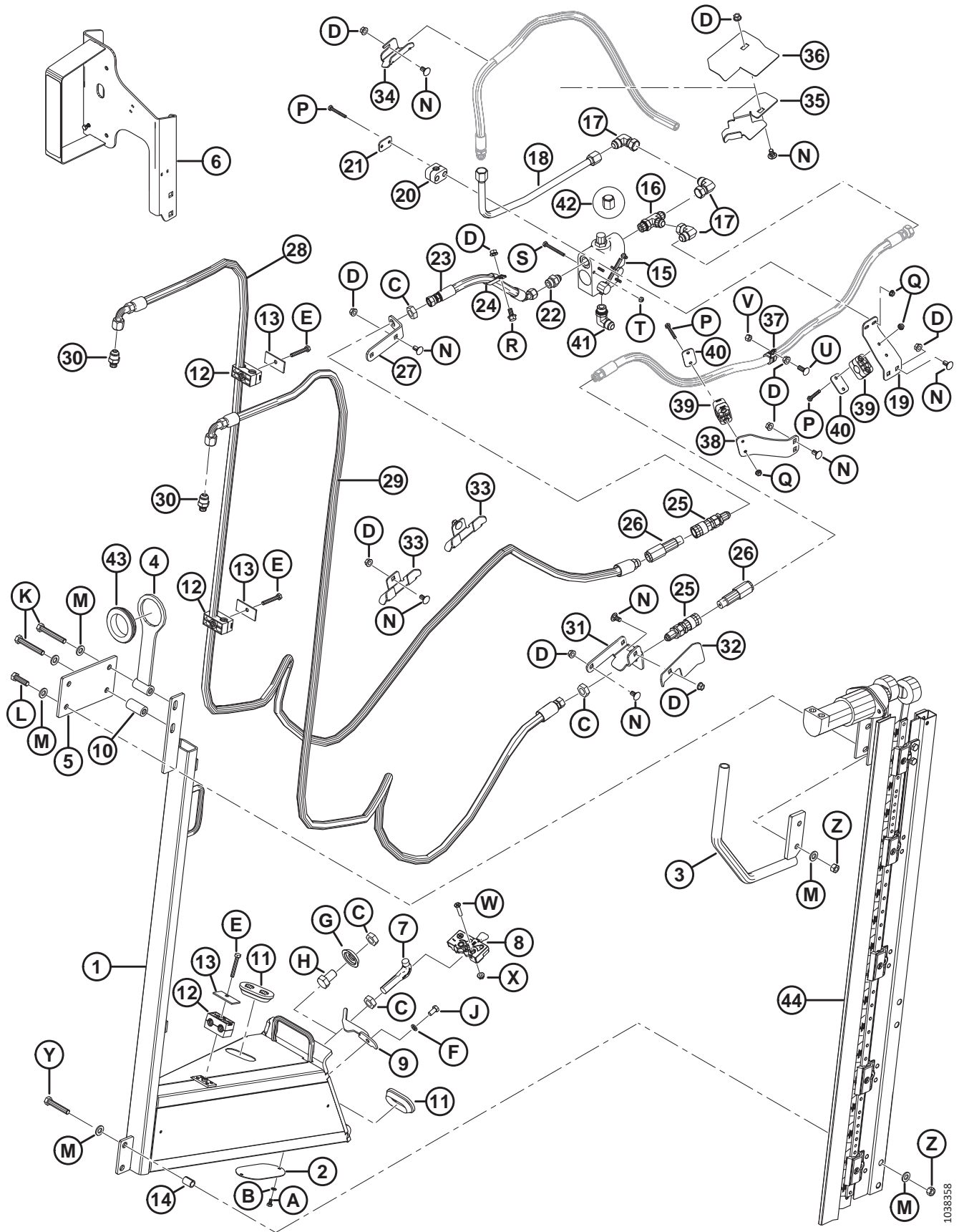


1038357

(OPTION) VERTICAL KNIFE – STANDARD REEL ARM, LEFT END (2022)

Ref	Part Number	Description	Qty	Serial Number
D	30228	NUT – FLANGE DT SMOOTH FACE 0.375-16 UNC		
E	184655	BOLT – HEX HD M8 X 1.25 X 55-8.8-AA1J		
F	18637	WASHER – REG. LOCK 3/8 IN. NOM. ID ZP		
G	253477	WASHER – VERTICAL KNIFE		
H	21590	BOLT – HH 3/4 NC X 1.25 LG GR 5 ZP		
J	21567	BOLT – HEX HD .375-16 UNC X 0.75 LG		
K	184674	BOLT – HEX HD TFL M12 X 1.75 X 80-8.8-AA1J		
L	184669	BOLT – HEX HD M1 2X 1.75 X 40-8.8-AA1J		
M	30636	WASHER – FLAT NARROW M12-STL-SOFT-AA1J		
N	21472	BOLT – RHSN 3/8-16 X .75-GR5		
P	30504	SCREW – FLAT CSK MACH 5/16 NC X 1 1/2 LG GR 5 ZP		
Q	30280	NUT – FLG SIDE LK SMTH FACE 5/16 NC GR 5 ZP		
R	252541	BOLT – HEX HD TFL M12 X 1.75 X 65-8.8-AA3L		
S	136759	NUT – HEX CTR LOC M12 X 1.75-8-AA1J		

88 (Option) Vertical Knife – Standard Reel Arm, Right End (2022)



(OPTION) VERTICAL KNIFE – STANDARD REEL ARM, RIGHT END (2022)

Ref	Part Number	Description	Qty	Serial Number
	B9051	KIT – VERTICAL KNIFE RH, LONG MOUNT ³²⁵		421190–
	B6410	KIT – ZIEGLER LH/RH VERTICAL KNIVES FOR D1/FD1 ³²⁶		421190–
1	335866	SUPPORT ASSEMBLY – RH LONG ³²⁷	1	421190–
2	253582	PLATE	1	421190–
3	335785	DIVIDER – TUBE WELDMENT	1	421190–
4	335784	SUPPORT – HOSE BRACKET	1	421190–
5	335779	SUPPORT – MOTOR BRACKET	1	421190–
6	294393	SUPPORT – RH LIGHT VERT KNIFE	1	421190–
	115146	REFLECTOR – AMBER		421190–
	115147	REFLECTOR – RED		421190–
7	132773	HOOK – DIVIDER LATCH	1	421190–
8	120932	LATCH – LH	1	421190–
9	132248	LATCH – LH, DIVIDER SAFETY	1	421190–
10	335810	TUBE – SPACER	1	421190–
11	165103	GROMMET	2	421190–
12	202991	CLAMP – TUBING	3	421190–
13	232233	CLAMP – COVER PLATE	3	421190–
14	335867	SPACER – SPLIT	2	421190–
15	174422	VALVE	1	421190–
	30054	SEAL KIT		421190–
16	50019	FITTING – TEE HYD STR THD RUN TEE CW O-RING	1	421190–
17	30556	FITTING – ELBOW 90° HYD	3	421190–
18	255471	LINE – HYDRAULIC	1	421190–
19	279001	SUPPORT – HOSE CLAMP	1	421190–
20	252399	CLAMP – ASSY	1	421190–
21	255461	PLATE – COVER	1	421190–
22	21881	FITTING – ADAPTER HYD	1	421190–
23	255462	HOSE – HYD	1	421190–
24	135235	CLAMP – DOUBLE HOSE INSULATED	1	421190–
25	135213	COUPLING – FEMALE HYD. 3/8 FLAT FACE BULKHEAD	2	421190–
26	135386	COUPLER – MALE HYD. 3/8 IN. FLAT FACE (FASTER) ³²⁸	2	421190–
	111978	SEAL KIT – 3/8 MALE (FASTER ONLY)		421190–
27	245915	SUPPORT – HOSE COUPLER	1	421190–
28	335760	HOSE – HYDRAULIC, 0.5 IN ID, 3740 MM LG, 100 R17	1	421190–
29	335759	HOSE – HYDRAULIC, 0.5 IN ID, 3020 MM LG, 100 R17	1	421190–
30	252296	FITTING – ADAPTER-10 JIC X-6 BSPP	2	421190–
31	245955	SUPPORT – RH COUPLER	1	421190–

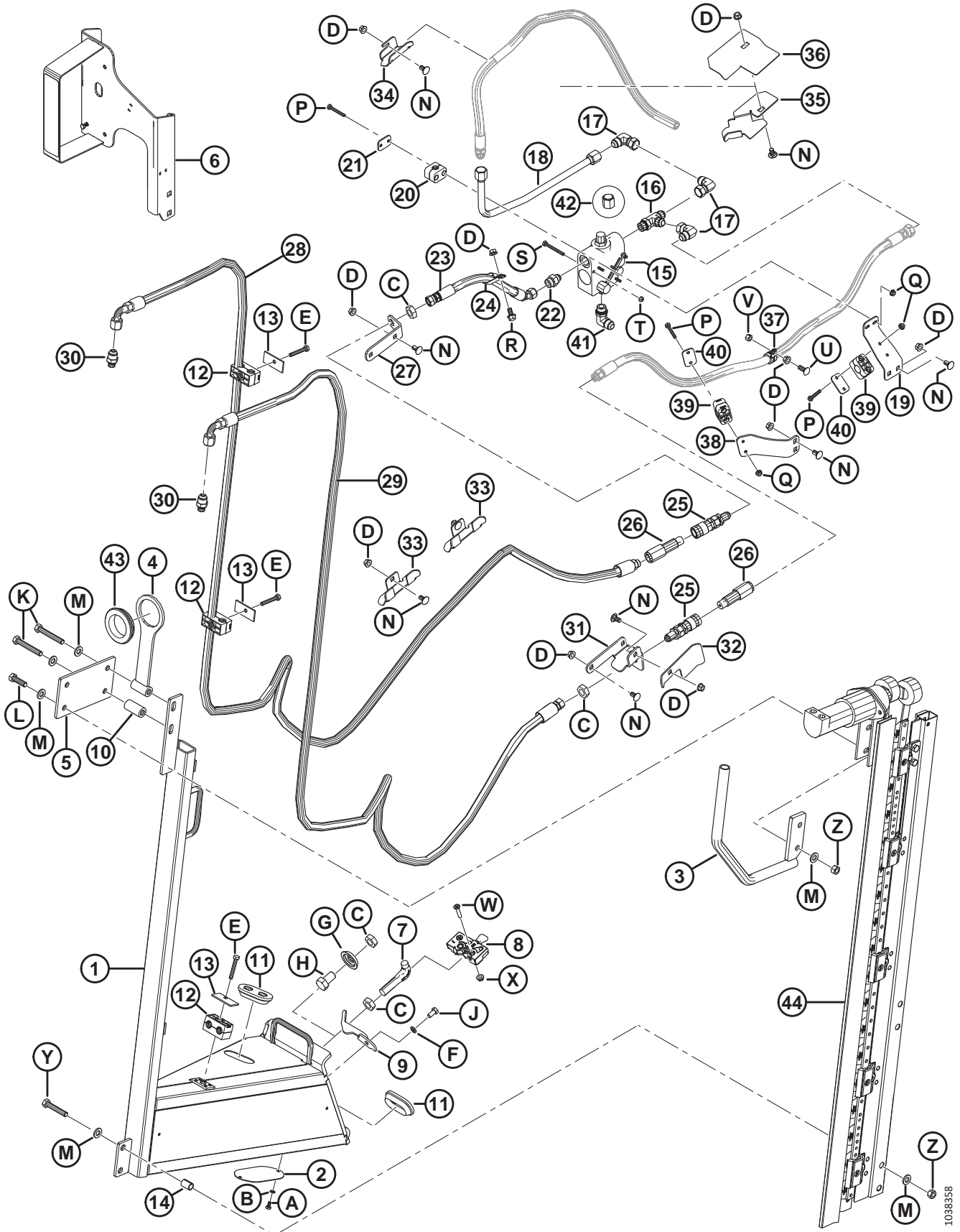
325. Kits available through Whole Goods only.

326. Kit includes two knives. Kits available through Whole Goods only.

327. Includes RH support (NSS), plate (MD #253582), two bolts (MD #21580), two washers (MD #18635), and decal (MD #174684).

328. Faster coupler (MD #135386) is interchangeable with Parker Hannifin coupler (NSS). Seal kit (MD #111978) is only intended for Faster coupler and cannot be used with Parker Hannifin coupler. Length can be used to differentiate the two couplers; Faster coupler = 101 mm and Parker Hannifin coupler = 84 mm.

(OPTION) VERTICAL KNIFE – STANDARD REEL ARM, RIGHT END (2022)



1038358

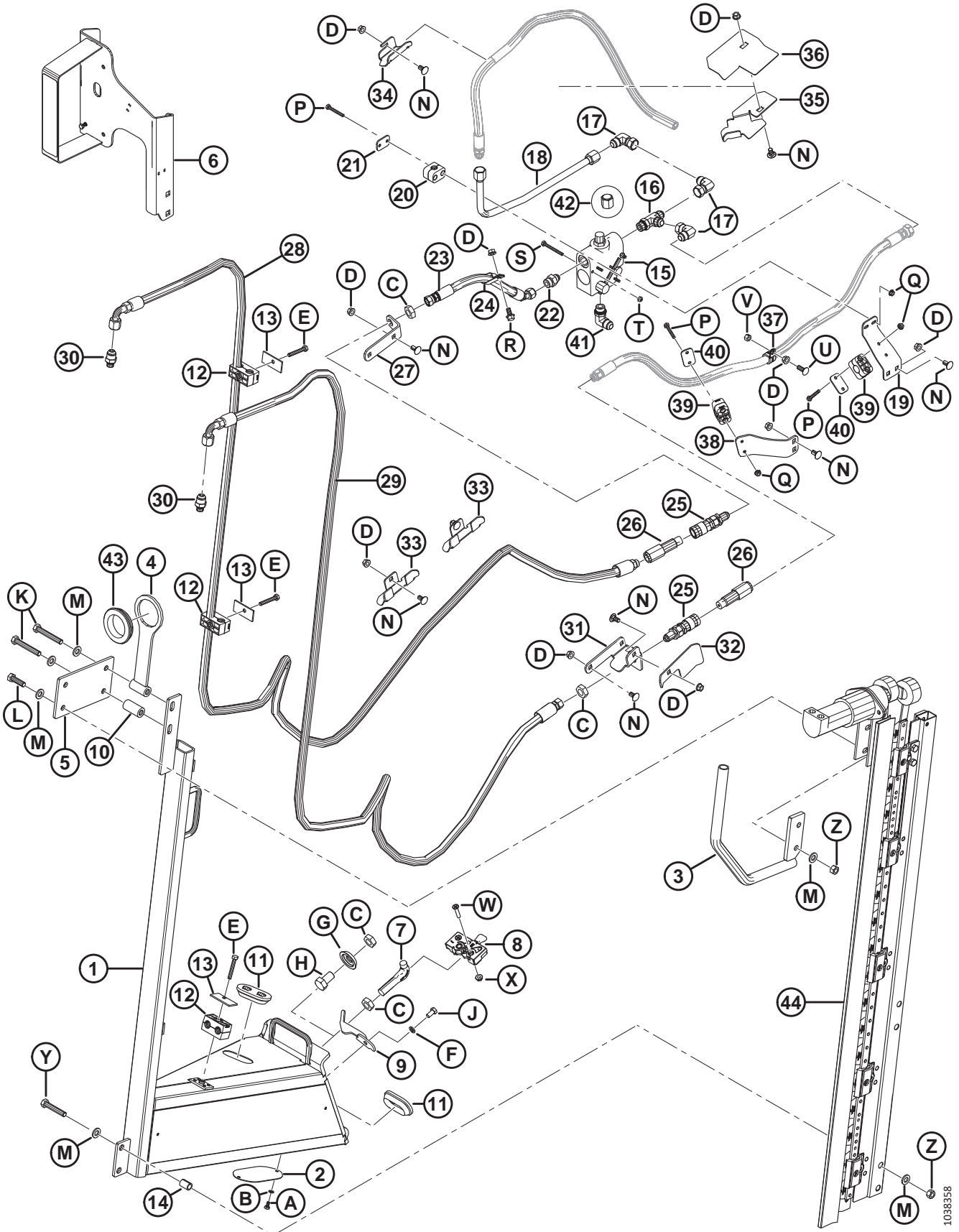
(OPTION) VERTICAL KNIFE – STANDARD REEL ARM, RIGHT END (2022)

Ref	Part Number	Description	Qty	Serial Number
32	279017	DEFLECTOR – RH HOSE	1	421190–
33	245931	SUPPORT – HOSE	2	421190–
34	245956	SUPPORT – HOSE	1	421190–
35	253703	SUPPORT – HOSE, RH	1	421190–
36	253705	GUIDE – HOSE, RH	1	421190–
37	135709	CLAMP – INSULATED 3/4 IN	1	421190–
38	245946	SUPPORT – HOSE CLAMP	1	421190–
39	252368	CLAMP – ASSY	2	421190–
40	255460	PLATE – COVER	2	421190–
41	21843	FITTING – ELBOW 90° HYD	1	421190–
42	112935	CAP – 5/8 IN. TUBE 37° FLARE	1	421190–
43	172877	GROMMET – 2.38" I.D.	1	421190–
44	NSS	ZIEGLER VERTICAL KNIFE ³²⁹		421190–
	294995	HOSE – HYD, 12.5 IN. I.D., 520 MM LG, 100R17 METAL REIN. (NOT ILLUSTRATED) ³³⁰	1	421190–
	50102	FITTING – HYD TEE (NOT ILLUSTRATED) ³³⁰	1	421190–
A	21580	BOLT – HEX HD 1/4 NC X 0.5 LG GR 5 ZP		
B	18635	WASHER – REG. LOCK 1/4 IN. NOM. ID ZP		
C	7674	NUT – HEX JAM 3/4-16 UNF GR 5 ZP		
D	30228	NUT – FLANGE DT SMOOTH FACE 0.375-16 UNC		
E	184655	BOLT – HEX HD M8 X 1.25 X 55-8.8-AA1J		
F	18637	WASHER – REG. LOCK 3/8 IN. NOM. ID ZP		
G	253477	WASHER – VERTICAL KNIFE		
H	21590	BOLT – HH 3/4 NC X 1.25 LG GR 5 ZP		
J	21567	BOLT – HEX HD .375-16 UNC X 0.75 LG		
K	184674	BOLT – HEX HD TFL M12 X 1.75 X 80-8.8-AA1J		
L	184669	BOLT – HEX HD M1 2X 1.75 X 40-8.8-AA1J		
M	30636	WASHER – FLAT NARROW M12-STL-SOFT-AA1J		
N	21472	BOLT – RHSN 3/8-16 X .75-GR5		
P	21570	BOLT – HH 1/4 NC X 2.0 LG GR 5 ZP		
Q	135248	NUT – FLG SMTH FACE 1/4-20 NC GR 5 ZP CTR LK DT THD		
R	21821	BOLT – HH FLG (SERR FACE) 3/8 NC X 0.75 GR 5 ZP		
S	21854	BOLT – HH 1/4 NC X 2.5 LG GR 5 ZP		
T	18724	NUT – HEX LOCK DT 1/4-20 UNC ZP		
U	100456	BOLT – RHSSN 3/8 NC X 1.0 GR 5 ZP		
V	135511	NUT – CENTER LOCK .375-16 UNC GR 5 ZP		
W	30504	SCREW – FLAT CSK MACH 5/16 NC X 1 1/2 LG GR 5 ZP		
X	30280	NUT – FLG SIDE LK SMTH FACE 5/16 NC GR 5 ZP		

329. Not sold separately, can be ordered as a set of two knives (MD #B6410). For service parts, refer to Section 92 (Option) *Vertical Knife Assembly – Service Parts, page 285*.

330. For D1XL only. Part is required to make vertical knife bundles (MD #B6608 and B6609) compatible with D1XL Headers.

(OPTION) VERTICAL KNIFE – STANDARD REEL ARM, RIGHT END (2022)

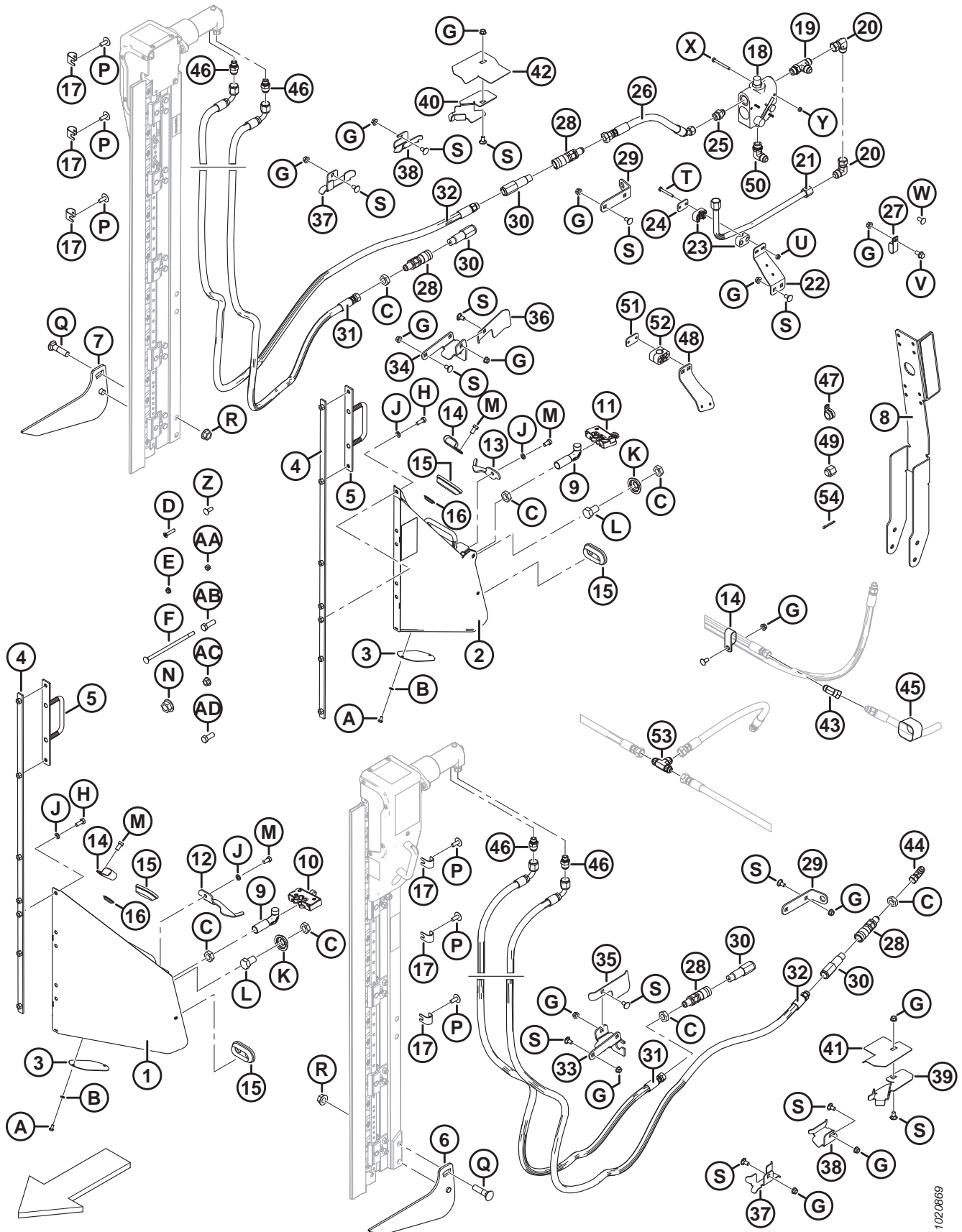


1038358

(OPTION) VERTICAL KNIFE – STANDARD REEL ARM, RIGHT END (2022)

Ref	Part Number	Description	Qty	Serial Number
Y	252541	BOLT – HEX HD TFL M12 X 1.75 X 65-8.8-AA3L		
Z	136759	NUT – HEX CTR LOC M12 X 1.75-8-AA1J		

89 (Option) Vertical Knife – Short Reel Arms



1020869

(OPTION) VERTICAL KNIFE – SHORT REEL ARMS

NOTE:

Vertical Knife Mounts (MD #B6137 and B6138) are **NOT** compatible with Reel Arm Extension Kit (MD #B6591).

Ref	Part Number	Description	Qty B6137/B6138	Serial Number
	B6137	KIT – VERTICAL KNIFE, LEFT (EXPORT ONLY) ³³¹	1/0	
	B6138	KIT – VERTICAL KNIFE, RIGHT (EXPORT ONLY) ³³¹	0/1	
1	253681	SUPPORT ASSEMBLY (LH) ³³²	1/0	
2	253680	SUPPORT ASSEMBLY (RH) ³³²	0/1	
3	253582	PLATE	1/0	
4	253668	SUPPORT WELDMENT	1/1	
5	253570	SUPPORT WELDMENT	1/1	
6	253708	LIFTER LEFT WELDMENT	1/0	
7	253709	LIFTER RIGHT WELDMENT	0/1	
8	253696	SUPPORT ASSEMBLY ³³³	0/1	
9	132773	HOOK – DIVIDER LATCH	1/1	
10	120932	LATCH (LH)	1/0	
11	120933	LATCH (RH)	0/1	
12	132248	LATCH – LH, DIVIDER SAFETY	1/0	
13	132253	LATCH – RH, DIVIDER SAFETY	0/1	
14	103738	CLAMP – PVC INSULATED 13/16 IN. TUBE SIZE	1/7	
15	165103	GROMMET	2/2	
16	253678	PLUG	3/3	
17	279798	SUPPORT	6/6	
18	174422	VALVE ³³⁴	0/1	
	30054	SEAL KIT		
19	50019	FITTING – TEE HYD STR THD RUN TEE CW O-RING	0/1	
20	30556	FITTING – ELBOW 90° HYD	0/3	
21	255471	LINE – HYDRAULIC	0/1	
22	279001	SUPPORT – HOSE CLAMP	0/1	
23	252399	CLAMP – ASSY	0/1	
24	255461	PLATE – COVER	0/1	
25	21881	FITTING – ADAPTER HYD	0/1	
26	255462	HOSE – HYD	0/1	
27	135235	CLAMP – DOUBLE HOSE INSULATED	0/1	
28	135213	COUPLING – FEMALE HYD. 3/8 FLAT FACE BULKHEAD	2/2	
29	245915	SUPPORT – HOSE COUPLER	1/1	

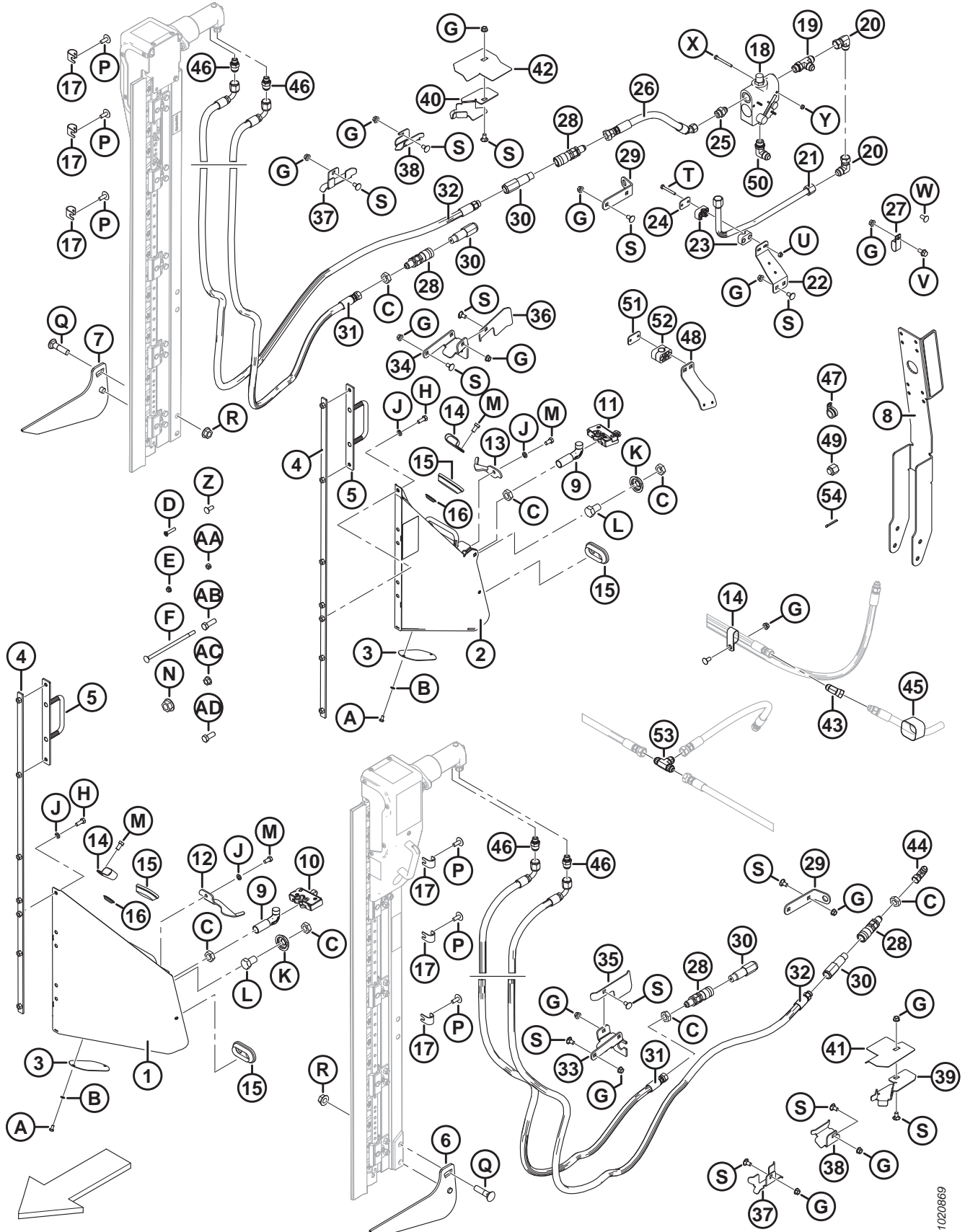
331. Additional hose kit is required to install left and right vertical knife. For vertical knife hose kits, refer to Section 90 *(Option) Vertical Knife Hose Kits – Standard and Short Reel Arms, Single Reel, page 281* and 91 *(Option) Vertical Knife Hose Kits – Standard and Short Reel Arms, Double Reel, page 283*. Kits available through Whole Goods only.

332. Includes plate (MD #253582), bolt (MD #21580), washer (MD #18635), and decal (MD #174684).

333. Includes reflector (MD #115147).

334. Includes seal kit (MD #30054).

(OPTION) VERTICAL KNIFE – SHORT REEL ARMS



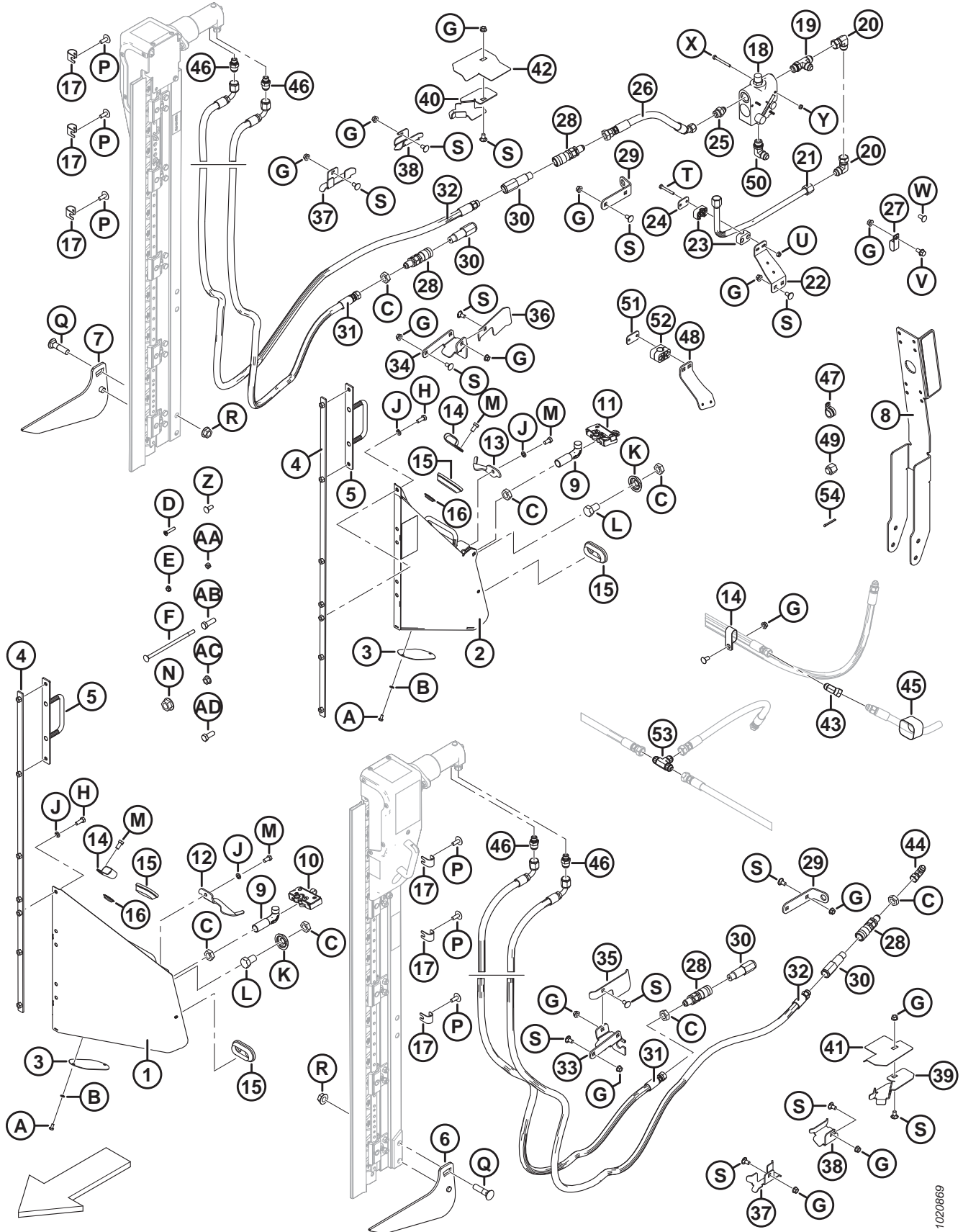
1020669

(OPTION) VERTICAL KNIFE – SHORT REEL ARMS

Ref	Part Number	Description	Qty B6137/B6138	Serial Number
30	135386	COUPLER – MALE HYD. 3/8 IN. FLAT FACE (FASTER) ³³⁵	2/2	
	111978	SEAL KIT – 3/8 MALE (FASTER ONLY)		
31	255509	HOSE – HYD	1/1	
32	255510	HOSE – HYD	1/1	
33	245928	SUPPORT – LH COUPLER	1/0	
34	245955	SUPPORT – RH COUPLER	0/1	
35	245936	DEFLECTOR – LH HOSE	1/0	
36	279017	DEFLECTOR – RH HOSE	0/1	
37	245931	SUPPORT – HOSE	1/2	
38	245956	SUPPORT – HOSE	1/1	
39	253702	SUPPORT – HOSE, LH	1/0	
40	253703	SUPPORT – HOSE, RH	0/1	
41	253704	GUIDE – HOSE, LH	1/0	
42	253705	GUIDE – HOSE, RH	0/1	
43	135685	FITTING – ELBOW 45° HYD	0/1	
44	30314	FITTING – ELBOW 90° HYD	1/0	
45	135443	FASTENER – CINCH STRAP 4 IN. LG	0/3	
46	252296	FITTING – ADAPTER-10 JIC X-6 BSPP	2/2	
47	135709	CLAMP – INSULATED 3/4 IN.	0/1	
48	245946	SUPPORT – HOSE CLAMP	0/1	
49	112935	CAP – 5/8 IN. TUBE 37 DEG FLARE	0/1	
50	21843	FITTING – ELBOW 90° HYD	0/1	
51	255460	PLATE – COVER	0/2	
52	252368	CLAMP – ASSY	0/2	
53	30551	FITTING – TEE HYD	0/1	
54	18607	PIN – COTTER 5/32 DIA X 1.5 ZP	0/1	
A	21580	BOLT – HEX HD 1/4 NC X 0.5 LG GR 5 ZP		
B	18635	WASHER – REG. LOCK 1/4 IN. NOM. I.D. ZP		
C	7674	NUT – HEX JAM 3/4-16 UNF GR 5 ZP		
D	30504	SCREW – FLAT CSK MACH 5/16 NC X 1-1/2 LG GR 5 ZP		
E	30280	NUT – FLG SIDE LK SMTH FACE 5/16 NC GR 5 ZP		
F	135665	BOLT – RHSN 3/8-16 X 8-GR5-ZP		
G	30228	NUT – FLG DT SMTH FACE 0.375-16 UNC		
H	20077	BOLT – HEX HD 3/8 NC X 1.0 LG GR 5 ZP		
J	18637	WASHER – REG. LOCK 3/8 IN. NOM. I.D. ZP		
K	253477	WASHER – VERTICAL KNIFE		
L	21590	BOLT – HH 3/4 NC X 1.25 LG GR 5 ZP		

335. Faster coupler (MD #135386) is interchangeable with Parker Hannifin coupler (NSS). Seal kit (MD #111978) is only intended for Faster coupler and cannot be used with Parker Hannifin coupler. Length can be used to differentiate the two couplers; Faster coupler = 101 mm and Parker Hannifin coupler = 84 mm.

(OPTION) VERTICAL KNIFE – SHORT REEL ARMS

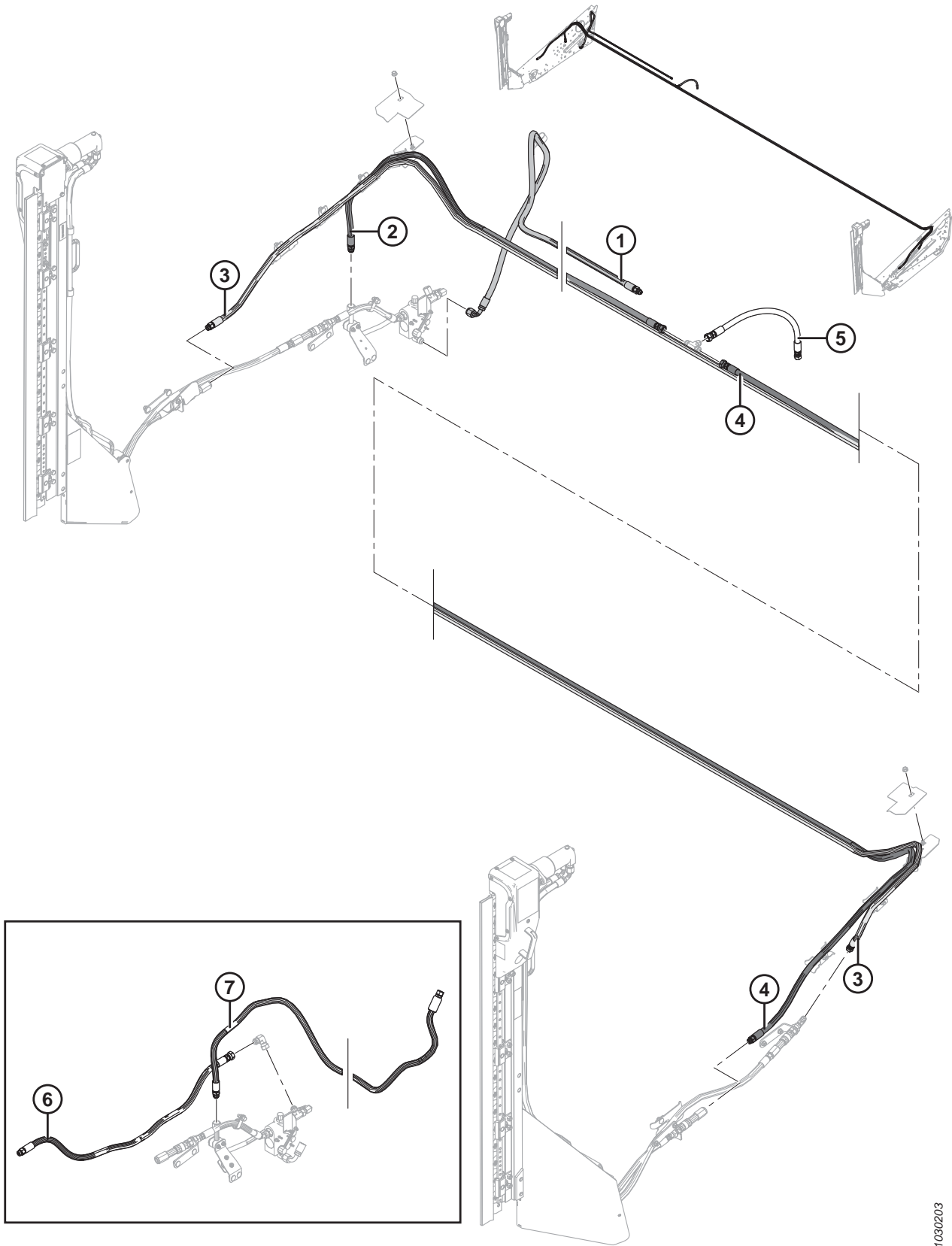


1020669

(OPTION) VERTICAL KNIFE – SHORT REEL ARMS

Ref	Part Number	Description	Qty B6137/B6138	Serial Number
M	21567	BOLT – HEX HD .375-16 UNC X 0.75 LG		
N	135367	NUT – FLANGE DT SMTH FACE 0.75-10 UNC GR. G		
P	135507	SCREW – MACHINE, TRUSS HD TORX, 38 NC X 1 LG		
Q	30759	BOLT – RHSSN 5/8 NC X 2.5 LG GR 5 ZP		
R	50225	NUT – FLANGE DT SMOOTH FACE .625-11 UNC		
S	21472	BOLT – RHSN 3/8-16 X .75-GR5		
T	21570	BOLT – HH 1/4 NC X 2.0 LG GR 5 ZP		
U	135248	NUT – FLG SMTH FACE 1/4-20 NC GR 5 ZP CTR LK DT		
V	21821	BOLT – HH FLG (SER FACE) 3/8 NC X 0.75 GR 5 ZP		
W	21863	BOLT – RHSSN 3/8 NC X 0.75 LG GR 5 ZP		
X	21854	BOLT – HH 1/4 NC X 2.5 LG GR 5 ZP		
Y	18724	NUT – HEX LOCK DT 1/4-20 UNC ZP		
Z	100456	BOLT – RHSSN 3/8 NC X 1.0 GR 5 ZP		
AA	135511	NUT – CENTER LOCK .375-16 UNC GR 5 ZP		
AB	18723	BOLT – HH 1/2 NC X 1.5 LG TFL GR 5 ZP		
AC	50186	NUT – FLG LK SM FACE DT 0.500-13 UNC GR 5		
AD	21491	BOLT – HH 1/2 NC X 1.25 LG GR 5 ZP		

90 (Option) Vertical Knife Hose Kits – Standard and Short Reel Arms, Single Reel



(OPTION) VERTICAL KNIFE HOSE KITS – STANDARD AND SHORT REEL ARMS, SINGLE REEL

NOTE:

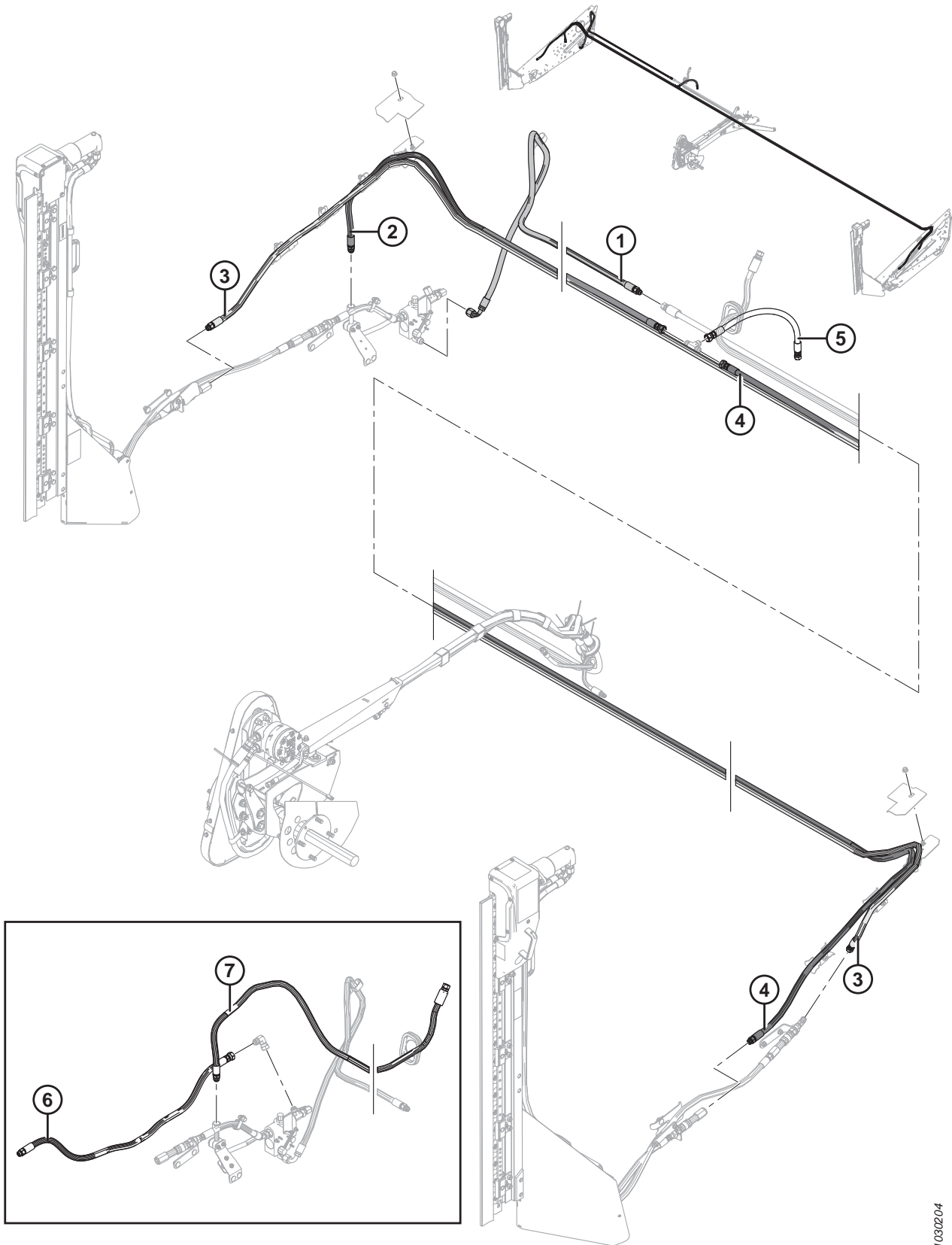
Hose kits to be used in conjunction with vertical knife kits MD #B6137 and MD #B6138 (short reel arms), or MD #B6608 and MD #B6609 (standard reel arms).

Ref	Part Number	Description	Qty	Serial Number
	B6264	KIT – DBL VERTICAL KNIFE HOSE (20 FT RIGID, SR) ³³⁶	1	
	B6265	KIT – DBL VERTICAL KNIFE HOSE (25 FT RIGID, SR) ³³⁶	1	
	B6266	KIT – DBL VERTICAL KNIFE HOSE (30 FT RIGID, SR) ³³⁶	1	
	B6267	KIT – DBL VERTICAL KNIFE HOSE (35 FT RIGID, SR) ³³⁶	1	
1	255947	HOSE – HYDRAULIC (EXCEPT 20 FT)	1	
2	255573	HOSE – HYDRAULIC (20 FT RIGID, SR)	1	
	255574	HOSE – HYDRAULIC (25 FT RIGID, SR)	1	
	255558	HOSE – HYDRAULIC (30 FT RIGID, SR)	1	
	255559	HOSE – HYDRAULIC (35 FT RIGID, SR)	1	
3	255576	HOSE – HYDRAULIC (20 FT RIGID, SR)	1	
	255577	HOSE – HYDRAULIC (25 FT RIGID, SR)	1	
	255544	HOSE – HYDRAULIC (30 FT RIGID, SR)	1	
	255545	HOSE – HYDRAULIC (35 FT RIGID, SR)	1	
4	255579	HOSE – HYDRAULIC (20 FT RIGID, SR)	1	
	255580	HOSE – HYDRAULIC (25 FT RIGID, SR)	1	
	255562	HOSE – HYDRAULIC (30 FT RIGID, SR)	1	
	255563	HOSE – HYDRAULIC (35 FT RIGID, SR)	1	
5	255497	HOSE – HYDRAULIC	1	
6	255465	HOSE – HYDRAULIC (SINGLE VERTICAL KNIFE ONLY) ³³⁷	A/R	
7	255582	HOSE – HYDRAULIC (20 FT RIGID, SR, SINGLE VERTICAL KNIFE ONLY) ³³⁷	A/R	
	255583	HOSE – HYDRAULIC (25–35 FT RIGID, SR, SINGLE VERTICAL KNIFE ONLY) ³³⁷	A/R	

336. Kits available through Whole Goods only.

337. Not included in vertical knife hose kits. Hose is used when mounting the right vertical knife by itself.

91 (Option) Vertical Knife Hose Kits – Standard and Short Reel Arms, Double Reel



(OPTION) VERTICAL KNIFE HOSE KITS – STANDARD AND SHORT REEL ARMS, DOUBLE REEL

NOTE:

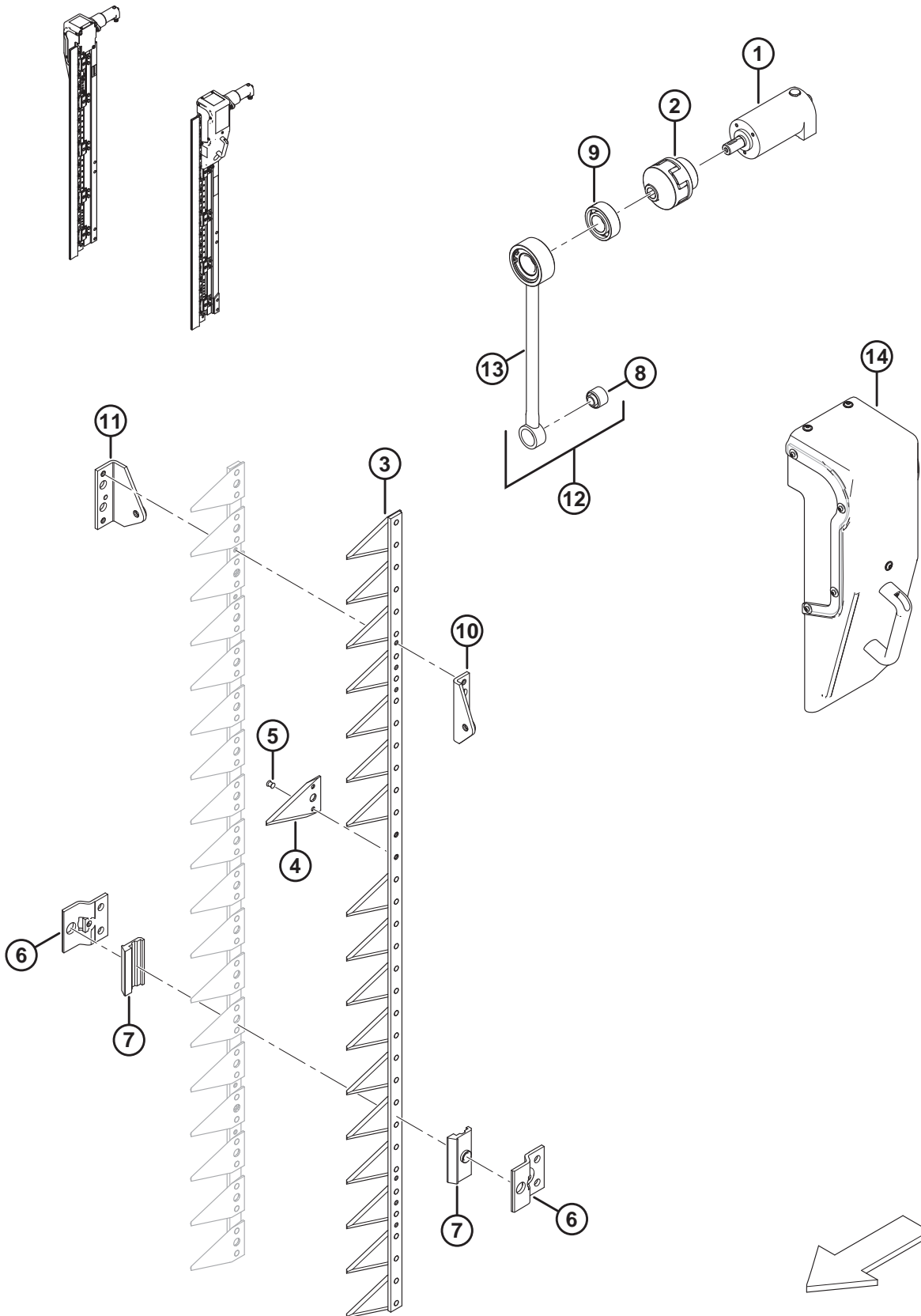
Hose kits to be used in conjunction with vertical knife kits MD #B6137 and MD #B6138 (short reel arms), or MD #B6608 and MD #B6609 (standard reel arms).

Ref	Part Number	Description	Qty	Serial Number
	B6255	KIT – DBL VERTICAL KNIFE HOSE (30 FT RIGID, DR) ³³⁸	1	
	B6256	KIT – DBL VERTICAL KNIFE HOSE (35 FT RIGID, DR) ³³⁸	1	
	B6257	KIT – DBL VERTICAL KNIFE HOSE (40 FT RIGID, DR) ³³⁸	1	
	B6258	KIT – DBL VERTICAL KNIFE HOSE (45 FT RIGID, DR) ³³⁸	1	
1	255554	HOSE – HYDRAULIC (30 FT RIGID, DR)	1	
	255555	HOSE – HYDRAULIC (35 FT RIGID, DR)	1	
	255556	HOSE – HYDRAULIC (40 FT RIGID, DR)	1	
	255557	HOSE – HYDRAULIC (45 FT RIGID, DR)	1	
2	255558	HOSE – HYDRAULIC (30 FT RIGID, DR)	1	
	255559	HOSE – HYDRAULIC (35 FT RIGID, DR)	1	
	255560	HOSE – HYDRAULIC (40 FT RIGID, DR)	1	
	255561	HOSE – HYDRAULIC (45 FT RIGID, DR)	1	
3	255544	HOSE – HYDRAULIC (30 FT RIGID, DR)	1	
	255545	HOSE – HYDRAULIC (35 FT RIGID, DR)	1	
	255546	HOSE – HYDRAULIC (40 FT RIGID, DR)	1	
	255547	HOSE – HYDRAULIC (45 FT RIGID, DR)	1	
4	255562	HOSE – HYDRAULIC (30 FT RIGID, DR)	1	
	255563	HOSE – HYDRAULIC (35 FT RIGID, DR)	1	
	255564	HOSE – HYDRAULIC (40 FT RIGID, DR)	1	
	255565	HOSE – HYDRAULIC (45 FT RIGID, DR)	1	
5	255497	HOSE – HYDRAULIC	1	
6	255465	HOSE – HYDRAULIC (SINGLE VERTICAL KNIFE ONLY) ³³⁹	A/R	
7	255567	HOSE – HYDRAULIC (30 FT RIGID, DR, SINGLE VERTICAL KNIFE ONLY) ³³⁹	A/R	
	255568	HOSE – HYDRAULIC (35 FT RIGID, DR, SINGLE VERTICAL KNIFE ONLY) ³³⁹	A/R	
	255569	HOSE – HYDRAULIC (40 FT RIGID, DR, SINGLE VERTICAL KNIFE ONLY) ³³⁹	A/R	
	255570	HOSE – HYDRAULIC (45 FT RIGID, DR, SINGLE VERTICAL KNIFE ONLY) ³³⁹	A/R	

338. Kits available through Whole Goods only.

339. Not included in vertical knife hose kits. Hose is used when mounting the right vertical knife by itself.

92 (Option) Vertical Knife Assembly – Service Parts



(OPTION) VERTICAL KNIFE ASSEMBLY – SERVICE PARTS

NOTE:

All parts listed are for service only. Vertical Knives can be ordered as a set of two knives (MD #B6410).

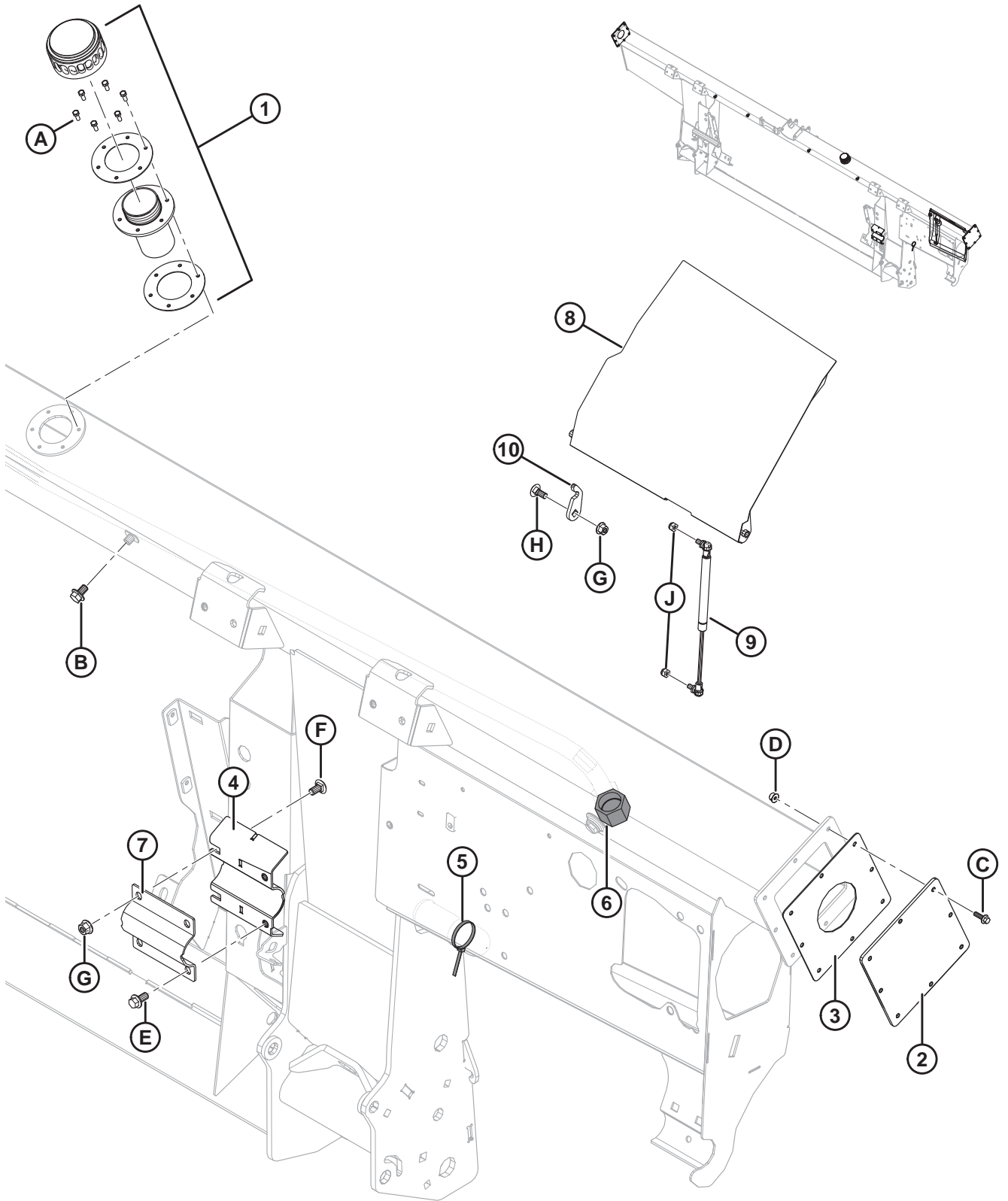
Ref	Part Number	Description	Qty	Serial Number
1	304611	HYDRAULIC MOTOR		
2	304612	COUPLING – ELASTIC SHAFT		
3	304614	ASSEMBLY – KNIFE ³⁴⁰		
4	304615	SECTION – KNIFE		
5	304616	RIVET		
6	304617	HOLDER – KNIFE		
7	304618	PLATE – GUIDE		
8	304619	BUSHING – RUBBER METAL		
9	304620	BEARING – SELF-ALIGNING		
10	304621	HEAD – KNIFE FRONT		
11	304622	HEAD – KNIFE REAR		
12	304623	ASSEMBLY – CONNECTING ROD ³⁴¹		
13	304624	ROD – CONNECTING		
14	304625	GUARD – LEFT/RIGHT CRANK ³⁴²		

340. Includes knife sections (MD #304615) and rivets (MD #304616).

341. Includes connecting rod (MD #304624) and bushing (MD #304619).

342. Includes a front plate, which is shipped in the left guard configuration. If the guard will be used on the right knife, the plate must be moved to the opposite side of the guard.

93 Float Module Frame and Components



FLOAT MODULE FRAME AND COMPONENTS

Ref	Part Number	Description	Qty	Serial Number
1	133942	CAP – OIL FILLER ³⁴³	1	
	312706	KIT – OIL FILL GASKETS ³⁴⁴	1	
2	240101	PLATE – END COVER ³⁴⁵	2	-371189
3	187112	GASKET ³⁴⁵	2	-371189
4	248757	BRACKET – SUB WELDT (WELDED TO FRAME)	1	
5	21763	FASTENER – CABLE TIE (BLACK)	1	
6	135718	CAP – HYD SAE-16 ORFS	1	
7	248756	CLAMP – AUGER PIVOT	1	
8	304325	COVER – C/W DECAL	1	
9	295981	GAS SPRING	1	
10	213764	RETAINER – COVER	1	
A	320397	SCREW – HEX HD TFL M5 X 0.8 X 12-8.8-PLAIN (2022 AND LATER) ³⁴⁶		421190–
	135873	SCREW – MCH HEX HD #10-32 X 1/2-GR5-AA1J (2021 AND PRIOR) ³⁴⁶		-421189
B	REF	BOLT – HEX FLG HD TFL M10 X 1.5 X 16-8.8-A3L ³⁴⁷		
C	136324	BOLT – HEX FLG HD TFL M6 X 1 X 20-10.9-A2L		
D	152668	NUT – HEX FLG CTR LOC M6 X 1-8-A2L		
E	152655	BOLT – HEX FLG HD M10 X 1.5 X 20-8.8-A3L		
F	184657	BOLT – RHSSN M10 X 1.5 X 20-8.8-A3L		
G	135799	NUT – HEX FLG CTR LOC M10 X 1.5-10-A3L		
H	135785	BOLT – RHSN M10 X 1.5 X 25-8.8-A3L		
J	184688	NUT – HEX NYLOC M8 X 1.25-8-A2L		

343. Remove cap and gasket covering fill hole during shipping (not shown). Retain six screws (MD #135873). Replace with oil filler cap (MD #133942) which comes complete with oil cap, filler neck, and gaskets. Use six screws saved from shipping cap to attach oil filler cap to frame. Oil filler cap comes shipped with frame or can be ordered as a replacement.

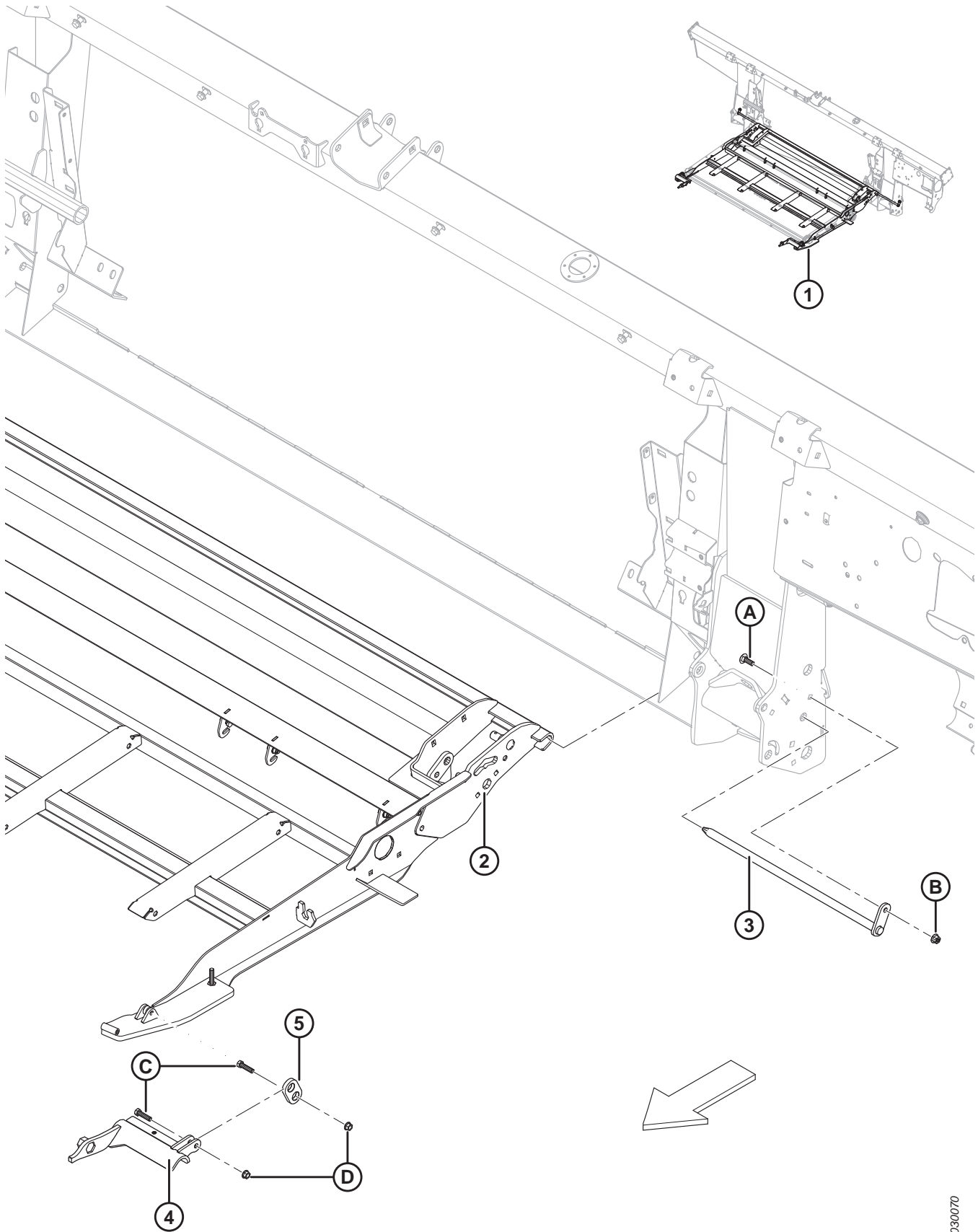
344. Includes two gaskets.

345. Service part only for units made in model year 2019 and prior.

346. Comes with cap and gasket covering fill hole during shipping. Can be ordered separately if needed as a replacement.

347. Refer to Section [114 Hydraulics – Frame Components, page 349](#).

94 Feed Deck – Frame, Front Links, and Pivot Pins

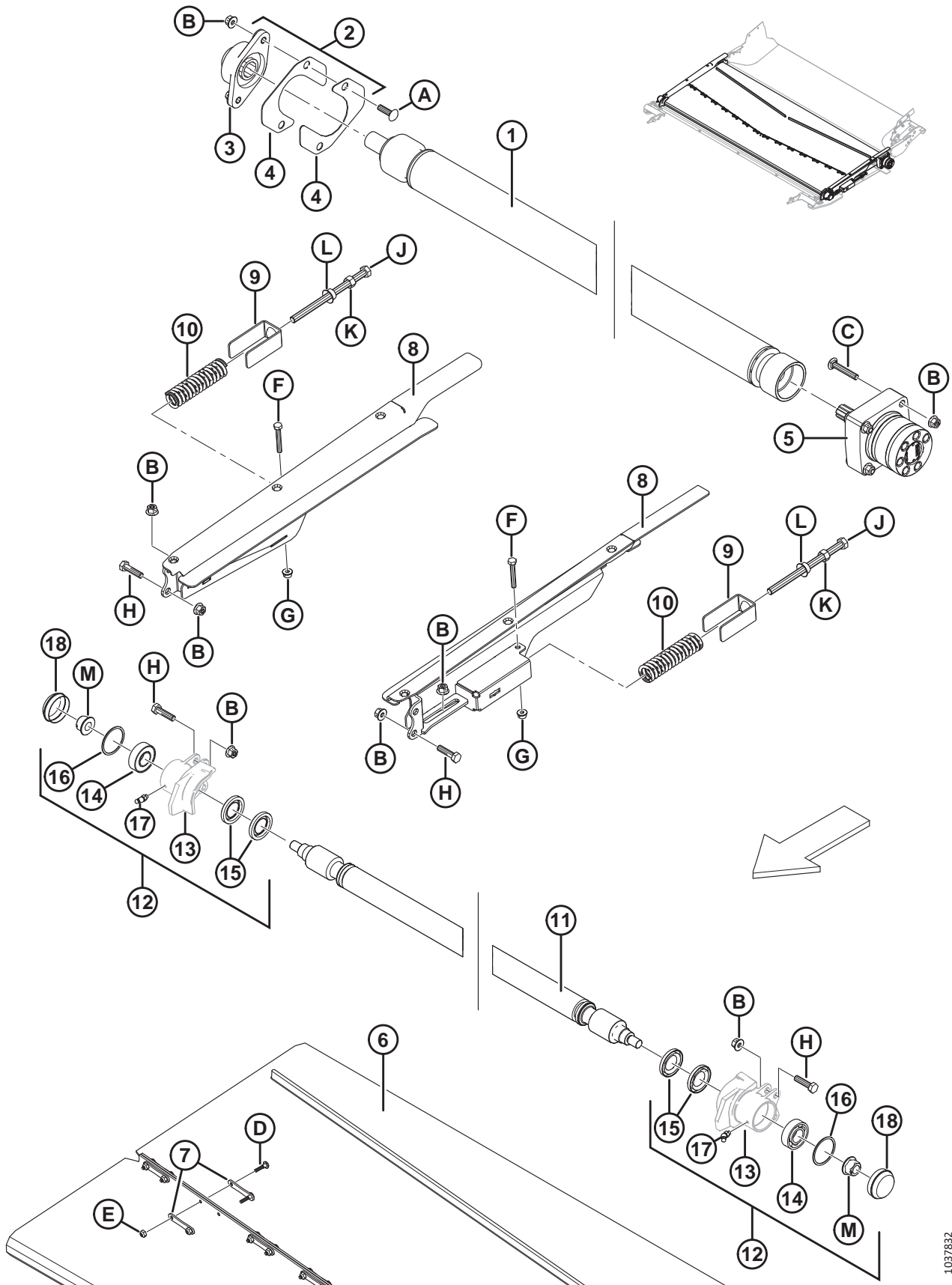


FEED DECK – FRAME, FRONT LINKS, AND PIVOT PINS

Ref	Part Number	Description	Qty	Serial Number
1	335286	ASSEMBLY – FEED DECK ³⁴⁸		
2	287760	CARRIER – FEED DECK	1	
3	231368	PIN – DECK PIVOT WELDT	2	
4	213418	SUPPORT – LH ADAPTER LINK MACH	1	
	213419	SUPPORT – RH ADAPTER LINK MACH	1	
5	187732	LINK – HOOK ASSY	2	
A	184662	BOLT – RHSN TFL M10 X 1.5 X 30-8.8-A3L		
B	135799	NUT – HEX FLG CTR LOC M10 X 1.5-10-A3L		
C	20078	BOLT – HH 3/8 NC X 1.75 LG GR 5 ZP		
D	30228	NUT – FLANGE DT SMTH FACE 0.375-16 UNC		

348. Complete assembly, includes all listed parts from this section (except #3 and A-B) as well as Sections *95 Feed Deck – Draper Drive and Rollers, page 291* and *96 Feed Deck – Pans and Fillers, page 295*.

95 Feed Deck – Draper Drive and Rollers

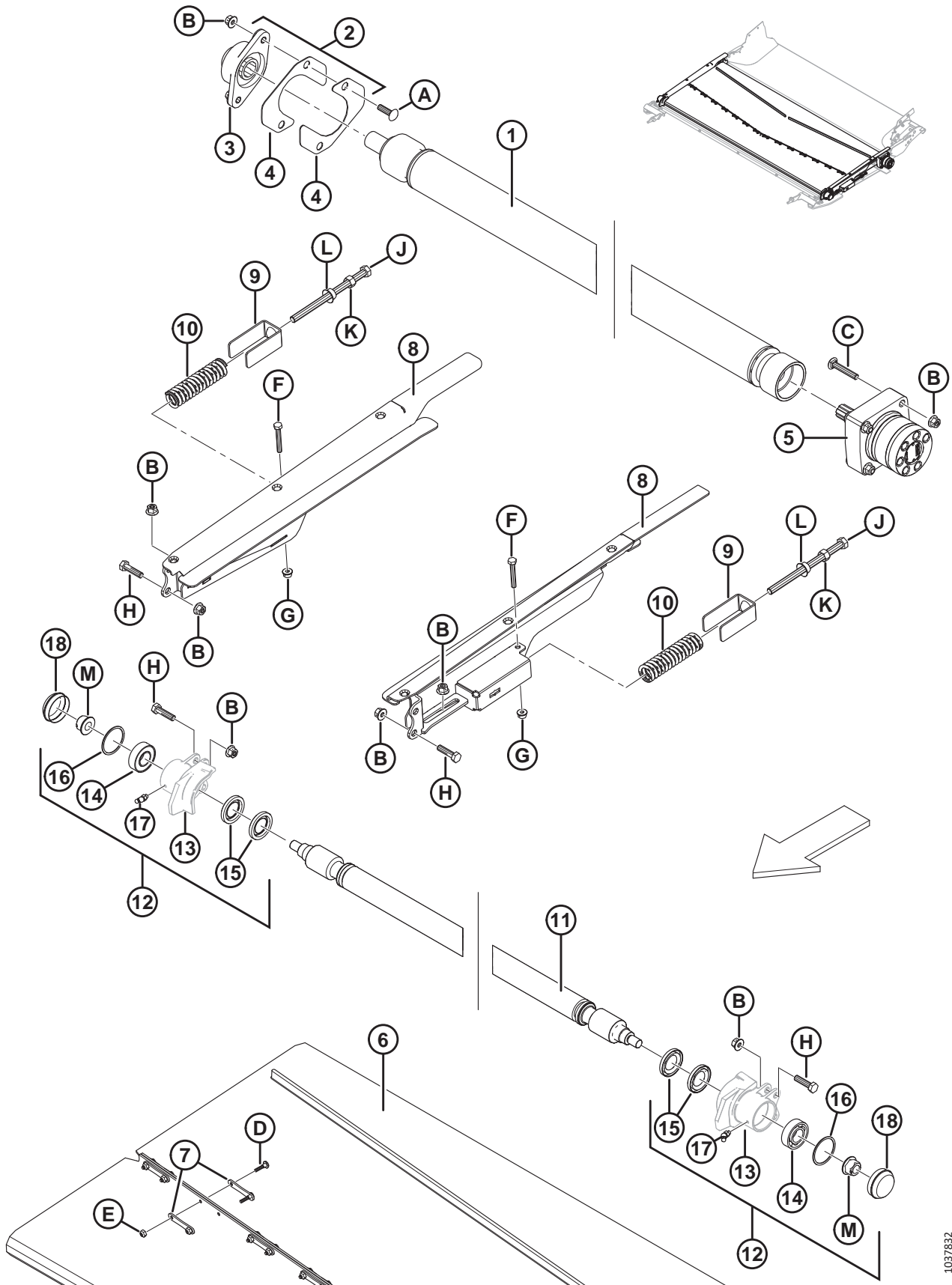


FEED DECK – DRAPER DRIVE AND ROLLERS

Ref	Part Number	Description	Qty	Serial Number
1	335637	KIT – ROLLER SERVICE ³⁴⁹	1	
2	347565	KIT – FM100 DRIVE COVER ³⁵⁰		
3	347487	HOUSING – FL206 AND BEARING ³⁵¹	1	
4	347339	COVER – DRIVE ROLLER FM100	2	
5	245122	MOTOR – HYD ³⁵²	1	
	245316	SEAL KIT		
	304748	KIT – FEED DRAPER MOTOR SHIM	A/R	
6	304454	DRAPER – 1988 MM (78.3 IN.) W X 1712 MM LG	1	
7	130283	STRAP – DRAPER CONN	28	
8	335173	SUPPORT – IDLER ADJ WELDT LH	1	
	335171	SUPPORT – IDLER ADJ WELDT RH	1	
9	213734	RETAINER – SPRING	2	
10	287587	SPRING – COMPRESSION	2	
11	231647	ROLLER – IDLER WELDT	1	
12	287885	HOUSING – LH IDLER CUP ASSY	1	
	287883	HOUSING – RH IDLER CUP ASSY	1	
13	NSS	HOUSING – MACH IDLER CUP LH	1	
	NSS	HOUSING – MACH IDLER CUP RH	1	
14	118185	BEARING – BALL CYL, 52 MM O.D., 25 MM I.D.	2	
15	100862	SEAL – OIL	4	
16	118011	RING – RETAINING INTERNAL	2	
17	21301	FITTING – LUBRICATION	2	
18	133372	CAP – DUST	2	
A	136248	BOLT – RHSSN TFL M10 X 1.5 X 35-8.8-A3L		
B	135799	NUT – HEX FLG CTR LOC M10 X 1.5-10-A3L		
C	252701	BOLT – RHSSN TFL M10 X 1.5 X 60-8.8-A3L		
D	135630	SCREW – BHRN #12-24 NC X 0.920 IN. LG (50 PACK)		
E	135626	NUT – CSK CENTER LOCK #12-24 NC (50 PACK)		
F	184655	BOLT – HEX HD M8 X 1.25 X 55-8.8-A2L		
G	135337	NUT – HEX FLG CTR LOC M8 X 1.25-8-A2L		
H	135319	BOLT – HEX HD M10 X 1.5 X 40-8.8-A3L		
J	252272	BOLT – HEX HD TFL M12 X 1.75 X 180		
K	184694	NUT – HEX M12 X 1.75-8-A3L		

349. Kit includes drive roller and two drive roller covers (MD #347339). Roller alignment must be checked and feed draper motor shim kit (MD #304748) installed if required.
350. Kit includes two covers (MD #347339), cam latch washer (MD #273304), and FL206 housing and bearing (MD #347487).
351. Housing (MD 347487) will not work without covers (MD #347339) and cam latch washer (MD #273304). If replacing superseded bearing housing (MD #335178), order FM100 Drive Cover kit (MD #347565).
352. Roller alignment must be checked and feed draper motor shim kit (MD #304748) installed if required. Misalignment of the feed draper drive motor and drive roller causes stress in the motor shaft and roller bore, leading to premature wear and failure. The kit provides the required shims when replacing a failed feed draper drive motor or driver roller, or to correct misalignment between the drive motor and drive roller. See instruction MD #215035 for installation. Includes eight 0.6 mm shims (NSS), eight 0.4 mm shims (NSS), 4 flange nuts (MD #21452), and 4 hex nuts (MD #135927).

FEED DECK – DRAPER DRIVE AND ROLLERS

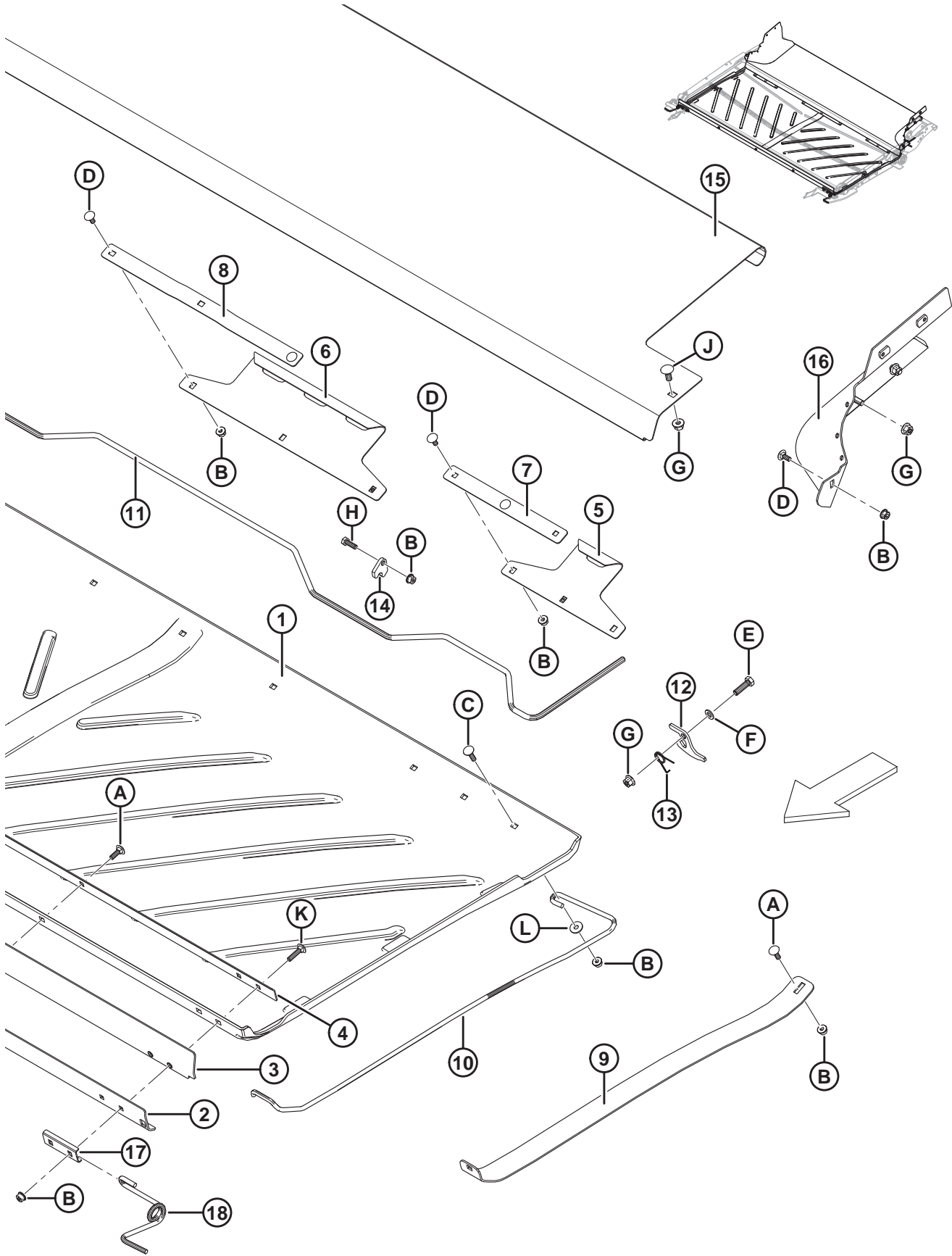


1037832

FEED DECK – DRAPER DRIVE AND ROLLERS

Ref	Part Number	Description	Qty	Serial Number
L	136036	NUT – HEX SMTH FLG M12 X 1.75-8-A3L		
M	152520	NUT – HEX FLG TECH LOC M16 X 2-10-A3L		

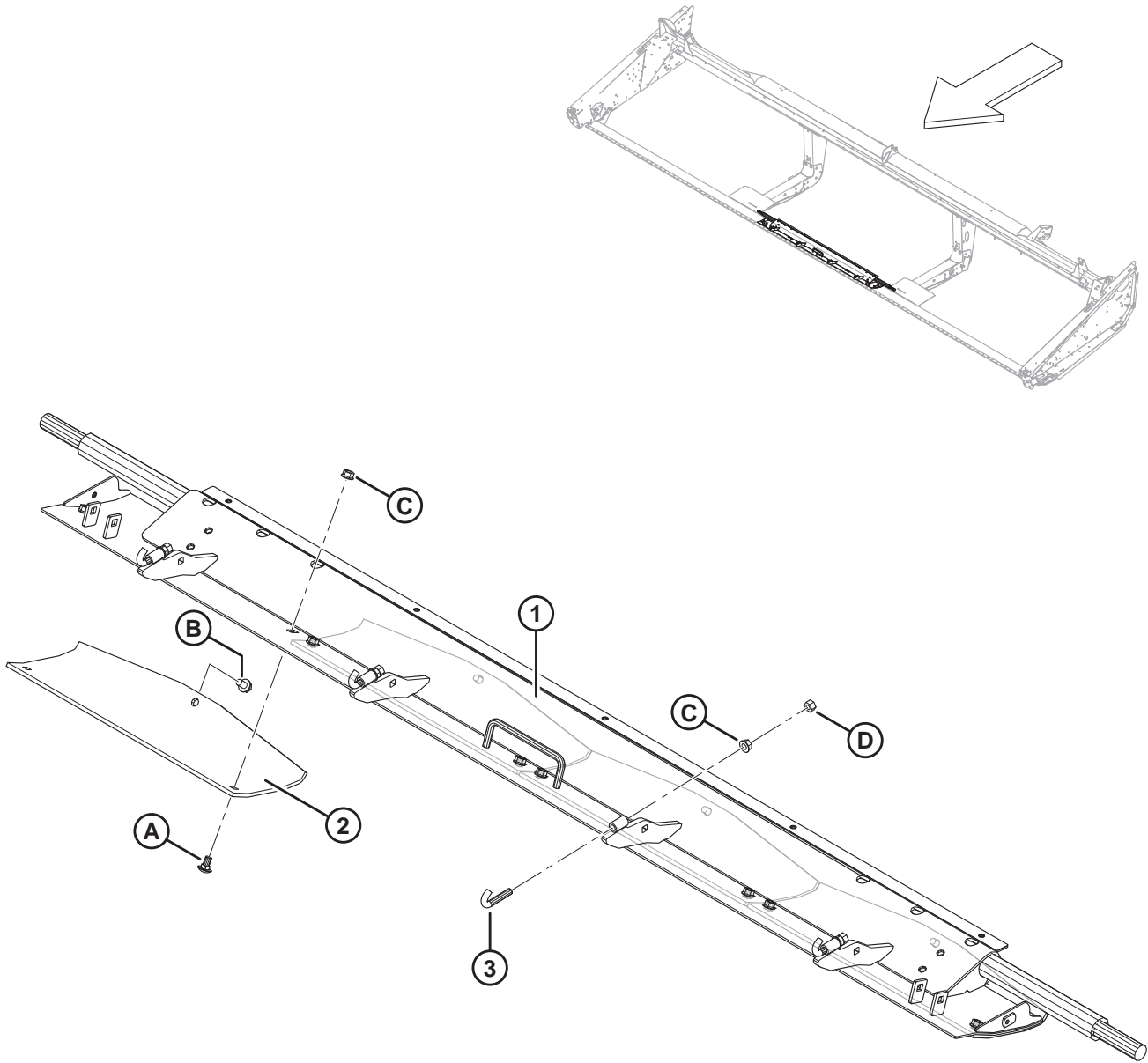
96 Feed Deck – Pans and Fillers



FEED DECK – PANS AND FILLERS

Ref	Part Number	Description	Qty	Serial Number
1	287768	PAN – FEED DECK POLYETHYLENE	1	
2	295211	PLATE – FRONT BAR OUTER	1	
3	295212	FLAP – PAN FRONT	1	
4	295213	PLATE – FRONT BAR INNER	1	
5	240013	HOOK – REAR SIDE	2	
6	240012	HOOK – REAR CENTER	1	
7	231765	BAR – SIDE HOOK	2	
8	231766	BAR – HOOK CENTER	1	
9	304382	SUPPORT – PAN LIFTER	1	
10	295215	SUPPORT – PAN SPRING LH	1	
	295216	SUPPORT – PAN SPRING RH	1	
11	240010	HANDLE – PAN LATCH	1	
12	240254	SUPPORT – PAN HANDLE LATCH	2	
13	159020	SPRING – TORSION LH	1	
	144505	SPRING – TORSION RH	1	
14	248914	GUIDE – HANDLE LOCK	6	
15	240264	PAN – FEED DECK STAINLESS	1	
16	304927	FILLER – RH REAR CORNER WELDT	1	
	304926	FILLER – LH REAR CORNER WELDT	1	
17	287939	RETAINER – FRONT SPRING	2	
18	347691	SUPPORT – PAN FRONT SPRING RH	1	
	347692	SUPPORT – PAN FRONT SPRING LH	1	
A	184648	BOLT – RHSN M8 X 1.25 X 25-8.8-A3L		
B	135337	NUT – HEX FLG CTR LOC M8 X 1.25-8-A2L		
C	190752	BOLT – RHSN M8 X 1.25 X 30-8.8-A2L		
D	197171	BOLT – RHSN M8 X 1.25 X 20-8.8-A2L		
E	30628	BOLT – HEX HD M10 X 1.5 X 35-8.8-A3L		
F	184711	WASHER – FLAT REG M10-200HV-A3L		
G	135799	NUT – HEX FLG CTR LOC M10 X 1.5-10-A3L		
H	184652	BOLT – HEX HD TFL M8 X 1.25 X 25-8.8-A2L		
J	135785	BOLT – RHSN M10 X 1.5 X 25-8.8-A3L		
K	136050	BOLT – RHSN M8 X 1.25 X 35-8.8-A2L		
L	184709	WASHER – FLAT LARGE M8-200HV-A2L		

97 Float Module – Transition Pan

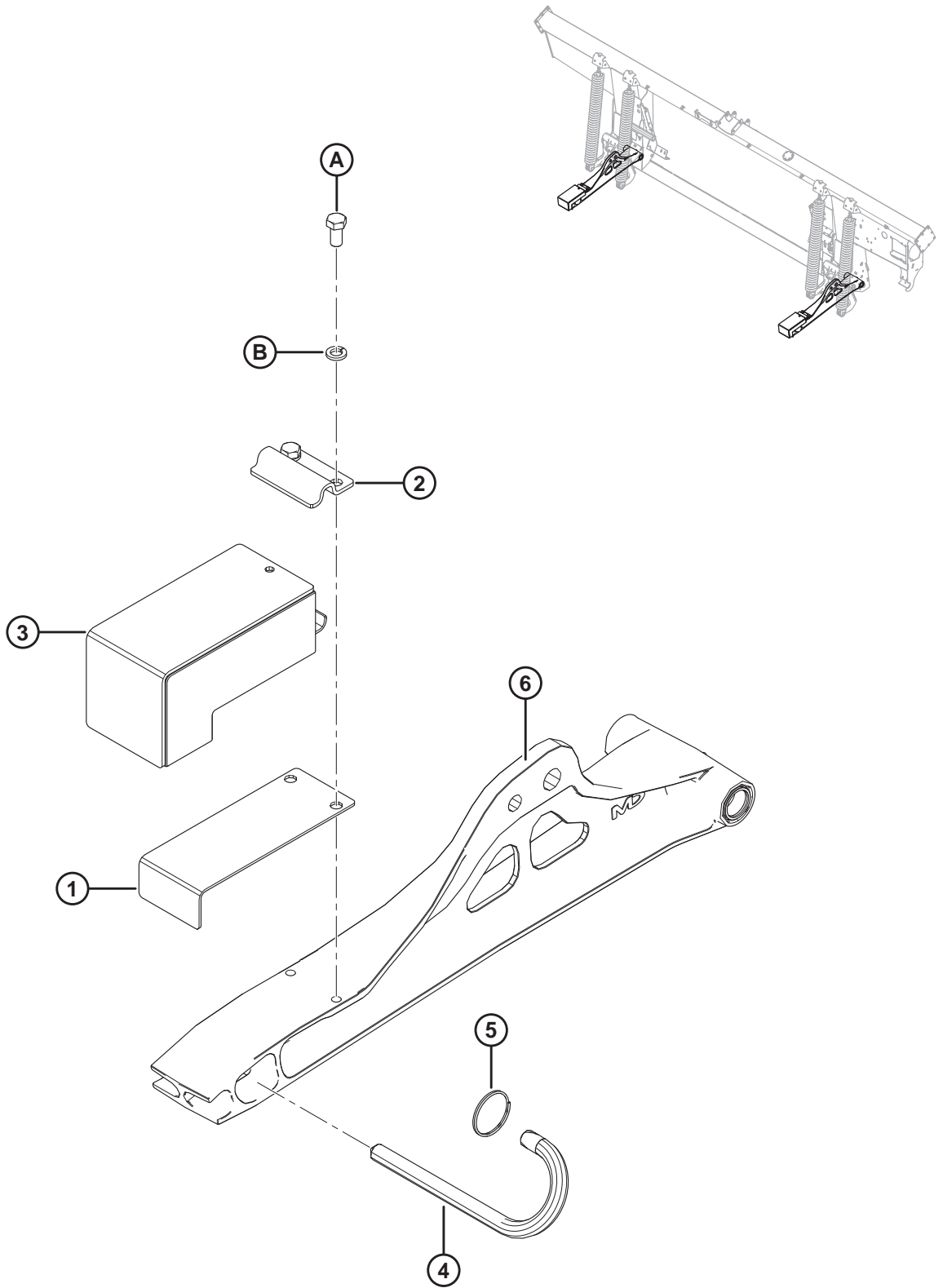


FLOAT MODULE – TRANSITION PAN

Ref	Part Number	Description	Qty	Serial Number
	B6203	KIT – COMBINE ATTACHING RIGID ³⁵³		
1	213234	PAN – RIGID TRANSITION WELDT	1	
2	151551	SHOE – SKID	4	
3	156868	J-BOLT – 3/8 NC	4	
A	21472	BOLT – RHSN 3/8-16 X .75-GR5		
B	101898	SCREW – HEX WASH HD THD ROLLING 3/8 NC X 5/8		
C	30228	NUT – FLG DT SMTH FACE 0.375-16 UNC		
D	18590	NUT – HEX 3/8-16 UNC GR 5 ZP		

353. Includes all listed parts in this section as well as Sections *98 Float Module – Attaching Parts, page 299*, *99 Float Module – Center and Corner Fillers, page 301*, and *100 Float Module – Side Fillers, page 303*. Kits available through Whole Goods only.

98 Float Module – Attaching Parts

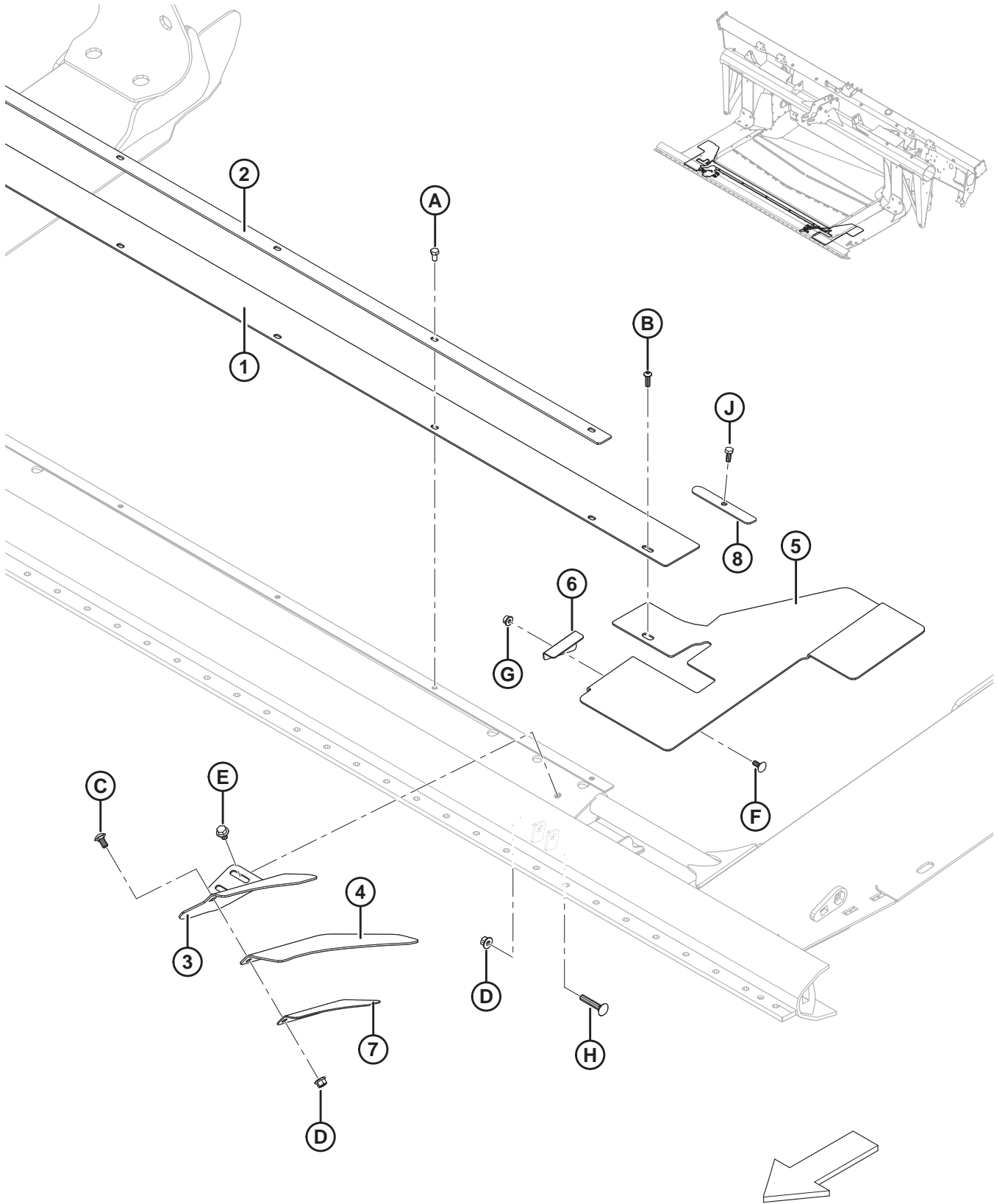


FLOAT MODULE – ATTACHING PARTS

Ref	Part Number	Description	Qty	Serial Number
1	125145	PLATE – LEAF SPRING	2	
2	125146	CLAMP	2	
3	174775	ASSY – RUBBER BLOCK RIGID	2	
4	124399	PIN – LOCKING	2	
5	118137	RING – RETAINING	2	
6	REF	LINK – LOWER, C/W BEARINGS ³⁵⁴		
A	21575	BOLT – HH 1/2 NC X 1.0 LG GR 5 ZP		
B	18638	WASHER – REG. LOCK 1/2 IN. NOM. I.D. ZP		

354. Refer to Section *121 Float Linkage and Components*, page 365.

99 Float Module – Center and Corner Fillers



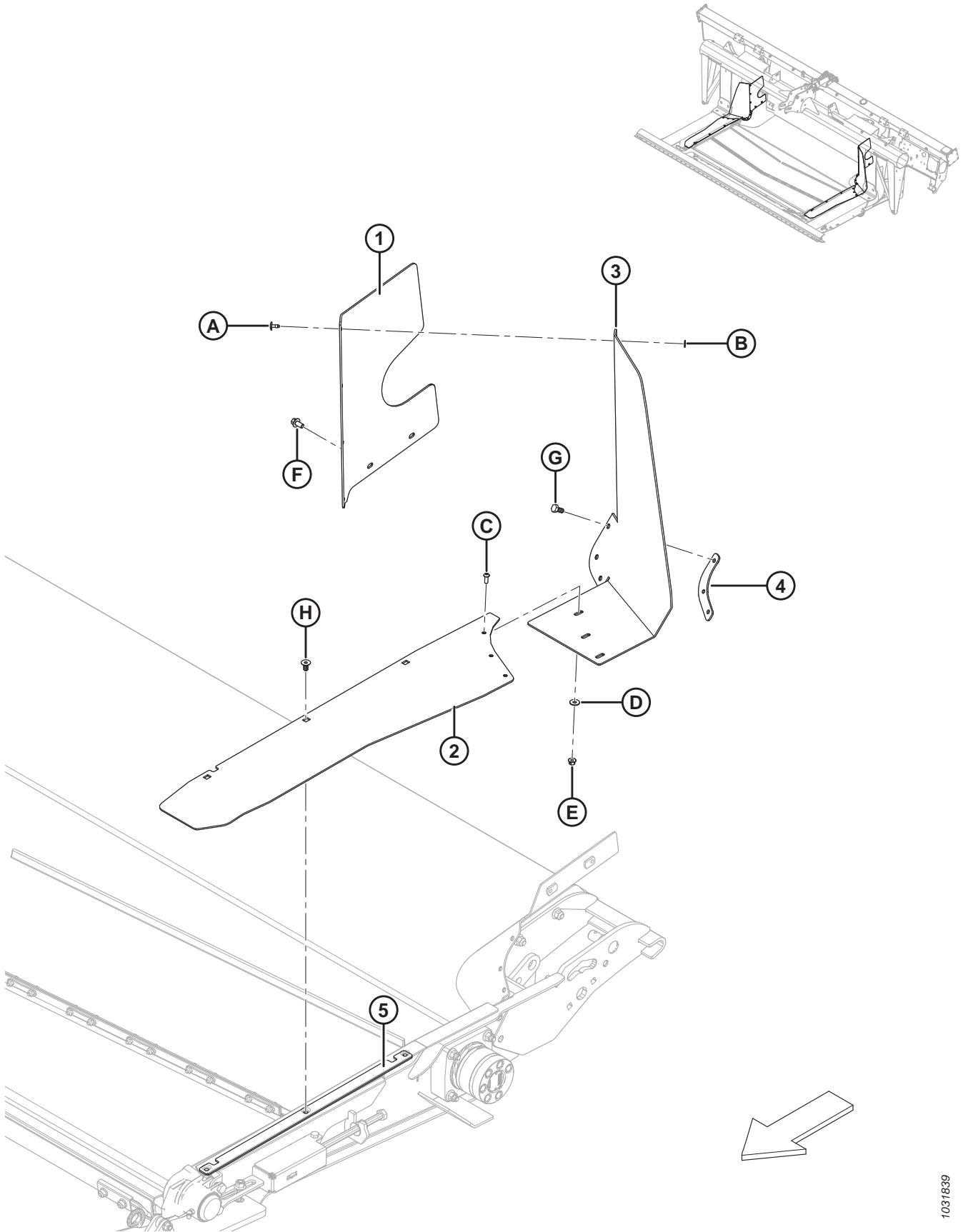
FLOAT MODULE – CENTER AND CORNER FILLERS

Ref	Part Number	Description	Qty	Serial Number
	B6450	KIT – EXTENDED CENTER FILLER ³⁵⁵		
1	295261	FILLER – PAN CENTER	1	
	295542	FILLER – PAN CENTER, EXTENDED ³⁵⁶	1	
2	301126	RETAINER – CENTER FILLER	1	
3	231799	SUPPORT – LH CORNER FILLER	1	
	231800	SUPPORT – RH CORNER FILLER	1	
4	304040	FLAP – CORNER FILLER	2	
5	287775	FLAP – RH PAN CORNER RIGID	1	
	287776	FLAP – LH PAN CORNER RIGID	1	
6	276117	RETAINER – PAN FLAP LH	1	
	276062	RETAINER – PAN FLAP RH	1	
7	213340	RETAINER – CORNER FILLER LH	1	
	240418	RETAINER – CORNER FILLER RH	1	
8	301127	PLATE – FILLER RETAINER	2	
A	50139	BOLT – HEX HD TFL M8 X 1.25 X 16-8.8-A2L		
B	184649	SCREW – HEX SOC BTN HD M8 X 1.25 X 25-12.9-A2L		
C	184657	BOLT – RHSSN M10 X 1.5 X 20-8.8-A3L		
D	135799	NUT – HEX FLG CTR LOC M10 X 1.5-10-A3L		
E	136231	BOLT – HEX SER FLG HD M10 X 1.5 X 16-8.8-A3L		
F	197171	BOLT – RHSN M8 X 1.25 X 20-8.8-A2L		
G	135337	NUT – HEX FLG CTR LOC M8 X 1.25-8-A2L		
H	136113	BOLT – RHSN M10 X 1.5 X 60-8.8-A3L		
J	30715	BOLT – HEX HD TFL M8 X 1.25 X 20-8.8-A2L		

355. Includes extended pan center filler (MD #295542) and installation instructions. Kits available through Whole Goods only.

356. Longer center filler pan required in certain conditions (e.g. soybean).

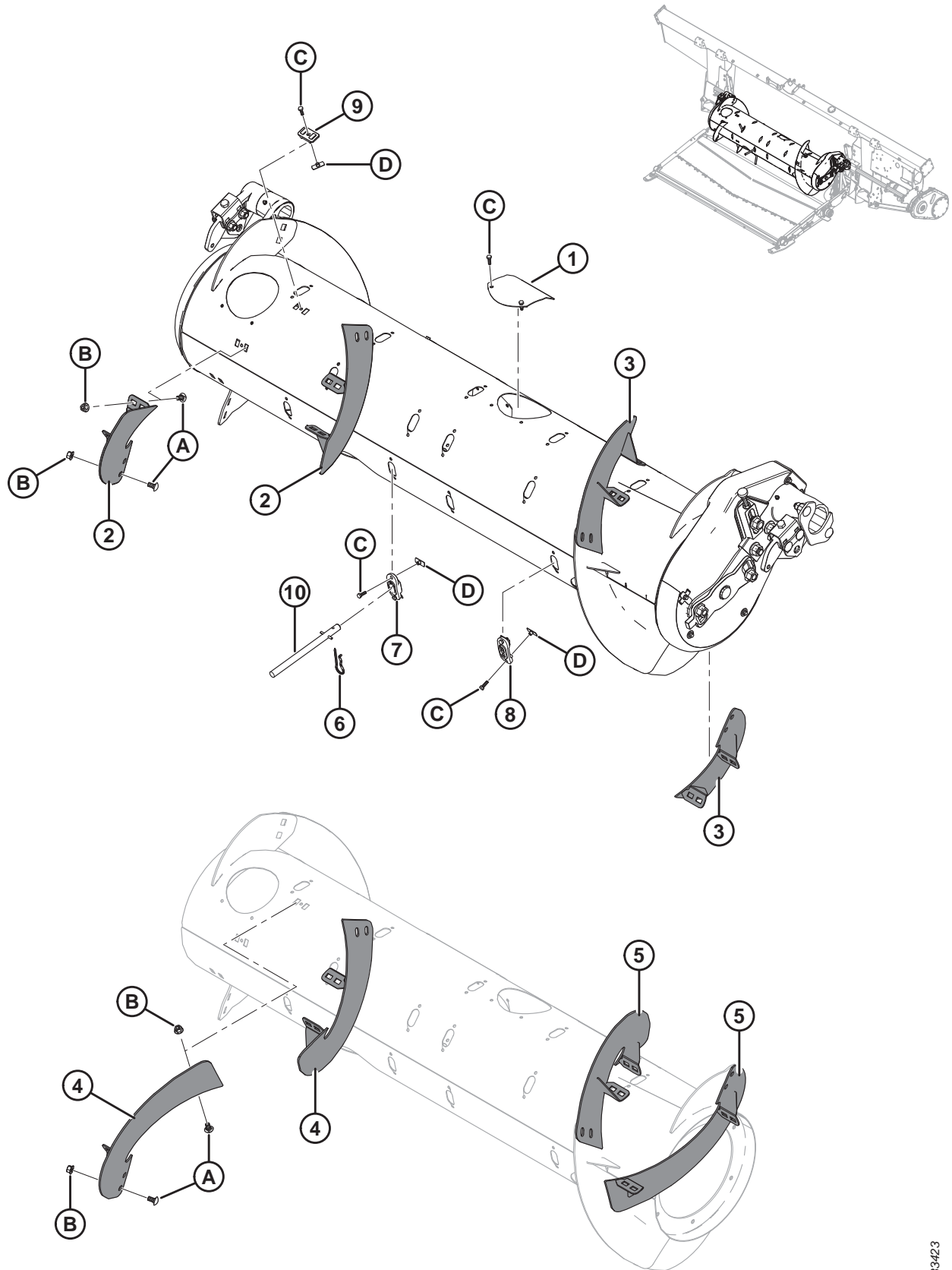
100 Float Module – Side Fillers



FLOAT MODULE – SIDE FILLERS

Ref	Part Number	Description	Qty	Serial Number
1	213492	FILLER – LH REAR UPPER	1	
	213493	FILLER – RH REAR UPPER	1	
2	304161	FILLER – DECK SIDE LH RIGID	1	
	304160	FILLER – DECK SIDE RH RIGID	1	
3	276302	FLAP – DECK LH SIDE RIGID	1	
	276301	FLAP – DECK RH SIDE RIGID	1	
4	304779	PLATE – FLAP RETAINER LH	1	
	304775	PLATE – FLAP RETAINER RH	1	
5	304786	PLATE – SIDE FILLER RETAINER	2	
A	293053	RIVET – POP		
B	293054	WASHER – FLAT LARGE M5-200HV-AA1J		
C	136886	SCREW – HEX SOC M6 X 1 X 16-10.9-ZB		
D	184706	WASHER – FLAT LARGE M6-200HV-A2L		
E	152668	NUT – HEX FLG CTR LOC M6 X 1-8-A2L		
F	136485	BOLT – HEX FLG HD TFL M8 X 1.25 X 16-8.8-A3L		
G	50139	BOLT – HEX HD TFL M8 X 1.25 X 16-8.8-A2L		
H	252542	SCREW – HEX SOC CSK HD TFL M8 X 1.25 X 16-10.9-AA2L		

101 Auger Assembly and Completion



AUGER ASSEMBLY AND COMPLETION

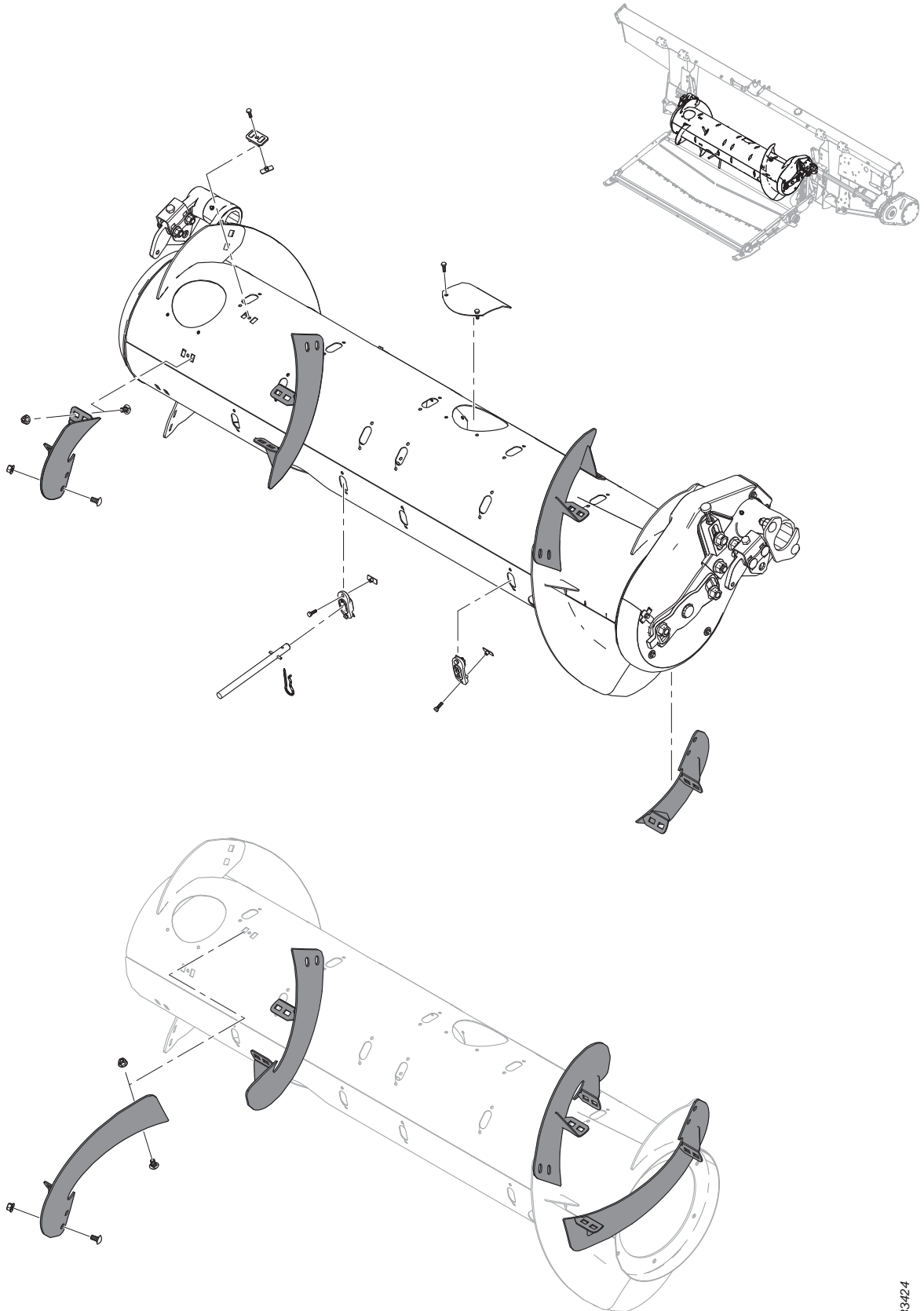
Ref	Part Number	Description	Qty 335244/335245/308871	Serial Number
	335242	AUGER DRIVE ASSEMBLY WITH MAGNETIC SHIELD (BASE ONLY) ³⁵⁷		
	335244	KIT – COMPLETION, MEDIUM AUGER ³⁵⁸	1/0/0	
	335245	KIT – COMPLETION, WIDE AUGER ³⁵⁸	0/1/0	
	308871	KIT – COMPLETION, NARROW AUGER ³⁵⁸	0/0/1	
1	304494	COVER WELDMENT	6/6/6	
2	287887	FLIGHTING, RTD – RH, MED (HIWEAR)	2/1/0	
3	287888	FLIGHTING, RTD – LH, MED (HIWEAR)	2/1/0	
4	287890	FLIGHTING, RTD – RH, LONG (HIWEAR)	0/0/2	
5	287889	FLIGHTING, RTD – LH, LONG (HIWEAR)	0/0/2	
6	123180	PIN – HAIR	4/12/0	
7	337143	GUIDE	4/12/0	
8	187137	PLUG	8/0/12	
9	213084	PLUG – FLIGHTING SLOT	4/8/4	
10	337152	KIT – FINGER ³⁵⁹	4/12/0	
	7642	PIN – SPRING 3/16 DIA X 1.5 LG		
A	184657	BOLT – RHSSN M10 X 1.5 X 20-8.8-A3L		
B	135799	NUT – HEX FLG CTR LOC M10 X 1.5-10-A3L		
C	252703	BOLT – HEX HD TFL M6 X 1 X 20 X SPCL-12.9-A2L		
D	197263	NUT – TEE M6 X 1		

357. Includes all listed parts in Section [103 Auger Internal Components, page 309](#), and Section [104 Auger Assembly – Service Parts, page 311](#). Auger drive assembly (MD #335242) is a base configuration **ONLY** and contains parts common to medium, wide, and narrow augers. Completion kits (MD #335244, 335245, or 308871) are optional as a repair and are required only if flighting components are damaged. To replace the entire auger assembly (including flighting components) for your specific combine, refer to Table [102.1, page 308](#) in Section [102 Auger Assembly and Completion – Configuration, page 307](#) to determine which combination of base auger drive assembly (MD #335242) and completion kits (MD #335244, 335245, or 308871) is required.

358. Includes all listed parts and hardware. See parts list for quantities specific to completion kit.

359. Includes solid finger (not sold separately), spring pin (MD #7642), guide (MD #337143), and instructions.

102 Auger Assembly and Completion – Configuration



AUGER ASSEMBLY AND COMPLETION – CONFIGURATION

Table 102.1 Configuration Chart

NOTE:

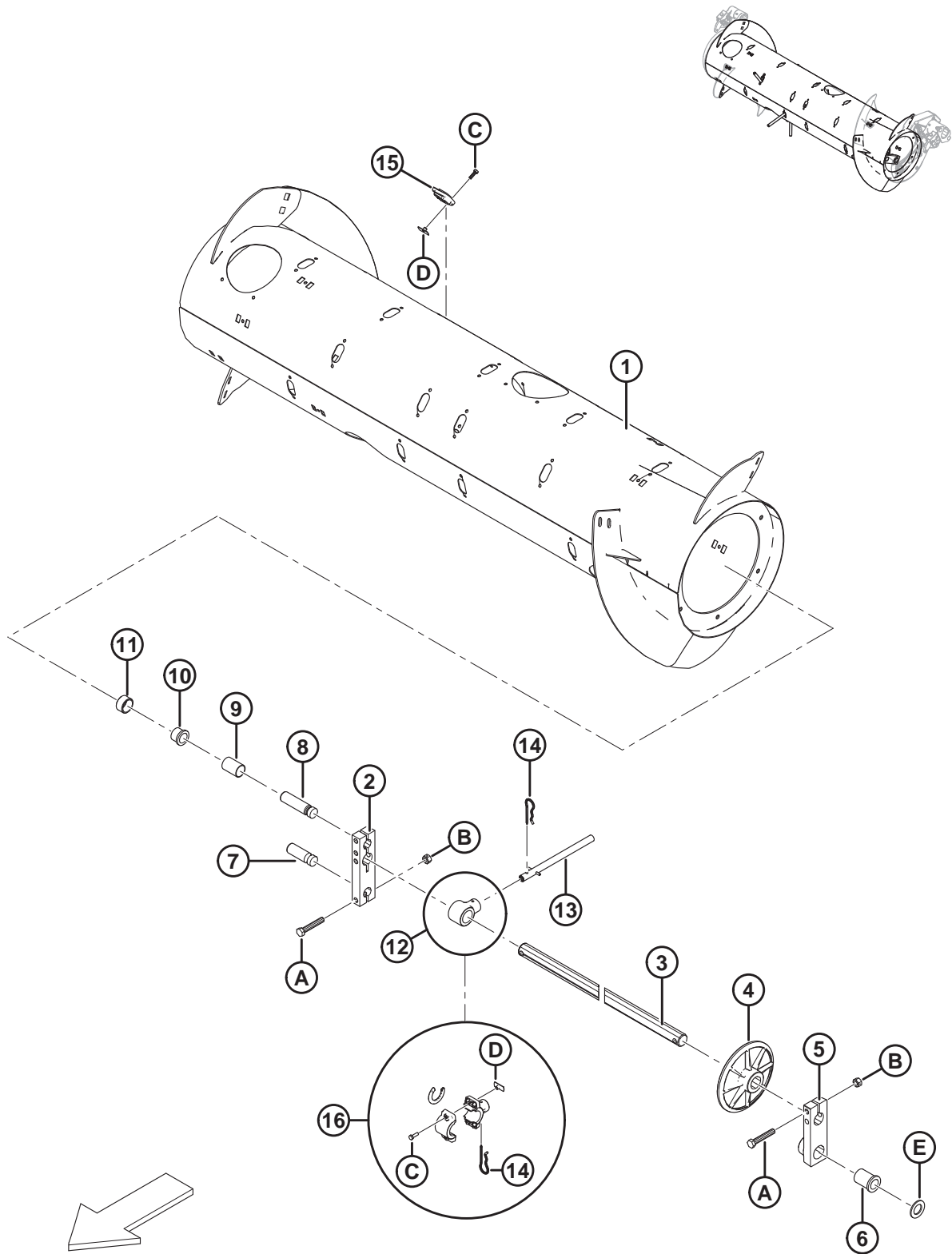
Auger drive assembly (MD #335242) is a base configuration **ONLY** and contains parts common to medium, wide, and narrow augers. Completion kits (MD #335244, 335245, or 308871) are optional as a repair and are required only if fighting components are damaged. To replace the entire auger assembly (including fighting components) for your specific combine, refer to the table below to determine which combination of base auger drive assembly (MD #335242) and completion kits (MD #335244, 335245, or 308871) is required. For completion kits service parts, refer to Section [101 Auger Assembly and Completion, page 305](#).

NOTE:

For combines where completion kit (MD #335245) is available as an option, completion kit (MD #335244) is recommended for most crop conditions but completion kit (MD #335245) may increase combine capacity on wide feeder house combines in high volume crop conditions.

Combine Model	Kit MD # 335242	Kit MD # 335244	Kit MD # 335245	Kit MD # 308871
CASE IH 5/6/7088, 7/8010, 7/8/9120, 5/6/7130, 7/8/9230, 5/6/7140, 7/8/9240	1	1	—	—
NEW HOLLAND CR 970/980, 9070/9080, 8090/9090, X.90, X.80	1	1	—	—
NEW HOLLAND CR 920/940/960, 9020/40/60/65, 6090/7090, 8060/8070/8080	1	—	—	1
NEW HOLLAND CX 8X0, 80X0, 8.X0	1	1	OPT	—
JOHN DEERE 95/96/97/9860, 95/96/9870, S65/66/67/68/690	1	1	—	—
JOHN DEERE T670	1	1	OPT	—
CLAAS 590R/595R, 660/670, 760/770/780	1	1	OPT	—
CLAAS 56/57/580R, 57/585R, 62/63/64/650, 73/74/750	1	1	—	—
AGCO CHALLENGER® 660B	1	1	—	—
AGCO CHALLENGER® 67/680B, 54/560C, 54/560E	1	1	OPT	—
AGCO MASSEY FERGUSON® 96/9795, 9520	1	1	—	—
AGCO MASSEY FERGUSON® 9895, 9540, 9560, 9545, 9565, 9380	1	1	OPT	—
AGCO GLEANER® R6/75, R6/76, S6/77, S6/7/88, S96/7/8	1	—	—	1
AGCO IDEAL™ 7/8/9	1	OPT	—	1
VERSATILE RT490	1	1	—	—

103 Auger Internal Components



AUGER INTERNAL COMPONENTS

Ref	Part Number	Description	Qty	Serial Number
	335242	ASSY – AUGER DRIVE WITH MAGNETIC SHIELD, PARTS ONLY ³⁶⁰		
1	308642	DRUM – 14 IN. WELDMENT	1	
2	213608	BLOCK – AUGER SHAFT	1	
3	213605	SHAFT – FINGER	1	
4	248117	WHEEL – GUIDE, FINGER SHAFT	1	
5	248538	CASTING – PIVOT BLOCK, LH, MACHINING	1	
6	248145	BUSHING – FLANGE	1	
7	248096	PIN – PIVOT	1	
8	213660	PIN – PIVOT	1	
9	213657	SPACER	1	
10	133877	BUSHING – PLASTIC FLANGED 1.0 IN.	1	
11	213656	ROLLER	1	
12	337206	HOLDER – AUGER FINGER (2021 AND LATER) ³⁶¹	32	396190–
	276265	HOLDER – AUGER FINGER (2020 AND PRIOR) ³⁶²	32	–396189
13	337152	KIT – FINGER ³⁶³	18	
	7642	PIN – SPRING 3/16 DIA X 1.5 LG	A/R	
14	123180	PIN – HAIR	18	
15	337143	GUIDE	18	
16	276839	KIT – FINGER HOLDER SPLIT 5X (BAG OF 5) ³⁶⁴	32	
A	184675	BOLT – HEX HD M12 X 1.75 X 70-8.8-A3L		
B	136759	NUT – HEX CTR LOC M12 X 1.75-8-A3L		
C	252703	BOLT – HEX HD TFL M6 X 1 X 20 X SPCL-12.9-A2L		
D	197263	NUT – TEE M6 X 1		
E	156743	WASHER – FLAT ³⁶⁵		

360. Includes all parts listed in Section *103 Auger Internal Components, page 309* and Section *104 Auger Assembly – Service Parts, page 311*. Auger drive assembly (MD #335242) is a base configuration **ONLY** and contains parts common to medium, wide, and narrow augers. Completion kits (MD #335244, 335245, or 308871) are optional as a repair and are required only if flighting components are damaged. To replace the entire auger assembly (including flighting components) for your specific combine, refer to Section *101 Auger Assembly and Completion, page 305*

361. For model year 2021 and later.

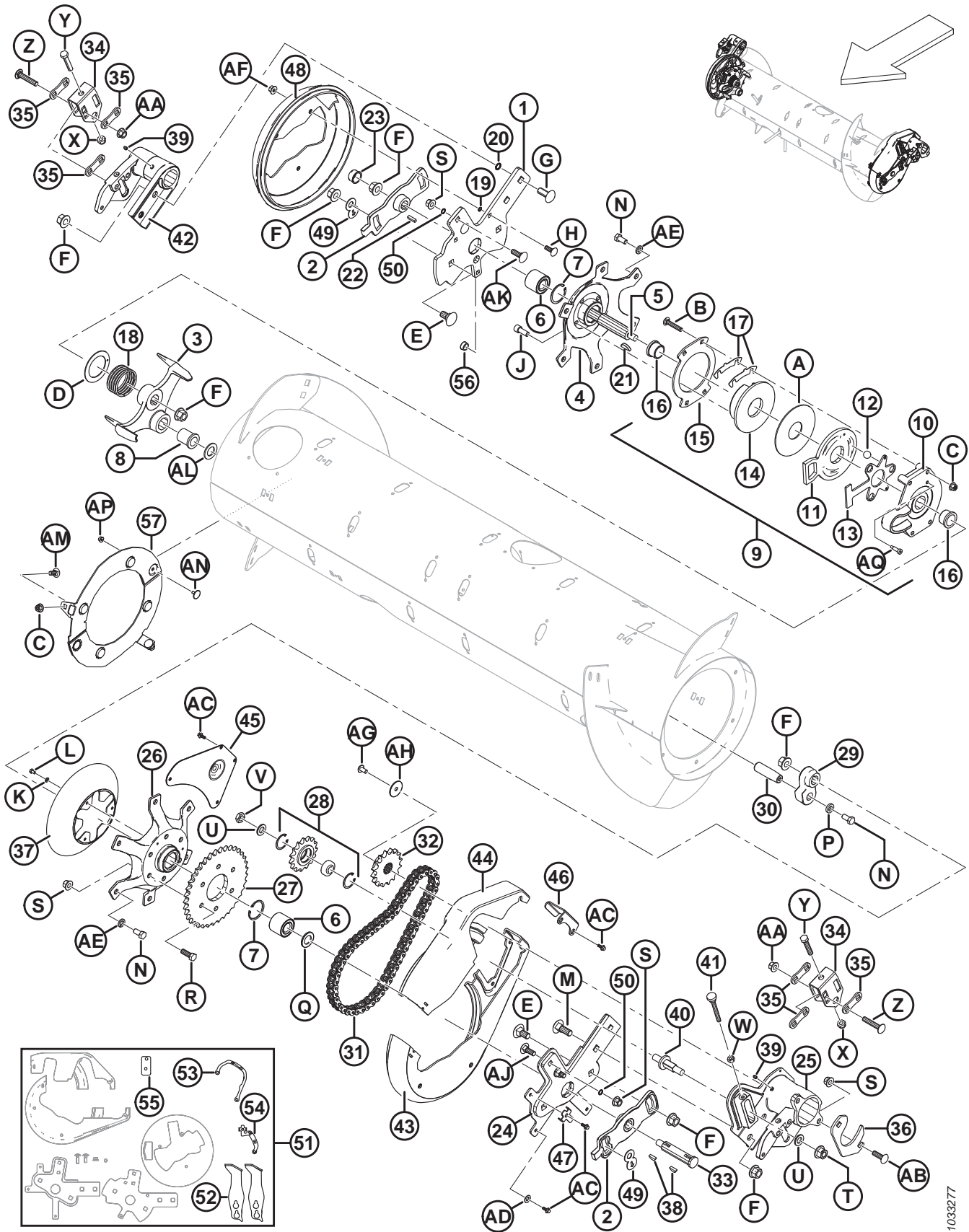
362. For model year 2020 and prior.

363. Includes solid finger (not sold separately), spring pin (MD #7642), guide (MD #337143), and instructions.

364. Used to simplify field replacement of broken one-piece solid finger holders (MD #337206). Includes split auger finger holder (NSS), holder spacers (NSS), hair pin (MD #123180), tee nut (MD #197263), and bolt (MD #252703).

365. Washer (MD #156743) is used if tolerance on bushing (MD #248145) is exceeded. Use washer(s) as required to achieve correct tolerance.

104 Auger Assembly – Service Parts



1033277

AUGER ASSEMBLY – SERVICE PARTS

Ref	Part Number	Description	Qty	Serial Number
	335242	ASSY – AUGER DRIVE WITH MAGNETIC SHIELD, PARTS ONLY ³⁶⁶		
	B6600	KIT – FM100 RTD UP-STOP BUMPER KIT ³⁶⁷		
1	308134	KIT – SERVICE, AUGER ARM, RH (2017 AND PRIOR) ³⁶⁸	1	–321189
	308850	BAR – RH AUGER SUPPORT (2018 AND LATER)	1	321190–
2	213851	CASTING – TIMING PLATE, MACHINED	2	
3	304520	CASTING – STOP, MACHINING ³⁶⁹	1	
4	213546	HUB – MACHINING RH	1	
5	304514	SHAFT – AUGER	1	
6	132607	BEARING – DOUBLE ROW BALL 52 OD X 25 BORE	2	
7	21235	RING – INT RETAINING	2	
8	213659	BUSHING – FLANGE	1	
9	213802	ASSEMBLY – REVERSING CLUTCH ³⁷⁰	1	
10	213649	CLUTCH HOUSING – CAST, MACH	1	
11	213801	ARM – CLUTCH ACTIVATOR, MACH	1	
12	248285	BALL	3	
13	213557	PLATE – BALL CAGE	1	
14	213552	DISC – BRAKE, MACHINING	1	
15	213554	DISC – CLUTCH	1	
16	213859	BUSHING – PLASTIC (1 X 1.5 X 1.0 WITH FLANGE)	2	
17	276206	SHIM – CLUTCH	6	
18	213679	SPRING – COMPRESSION	1	
19	183506	O-RING – HNBR (GREEN)	3	
20	50083	O-RING	2	
21	213654	KEY – WOODRUFF (1/4 X 1-1/4 NOM.)	1	
22	213750	KEY – RECT. 6.35 MM SQ 24 MM LG	1	

366. Includes all parts listed in Section [103 Auger Internal Components, page 309](#), and Section [104 Auger Assembly – Service Parts, page 311](#). Auger drive assembly (MD #335242) is a base configuration **ONLY** and contains parts common to medium, wide, and narrow augers. Completion kits (MD #335244, 335245, or 308871) are optional as a repair and are required only if flighting components are damaged. To replace the entire auger assembly (including flighting components) for your specific combine, refer to Section [101 Auger Assembly and Completion, page 305](#).

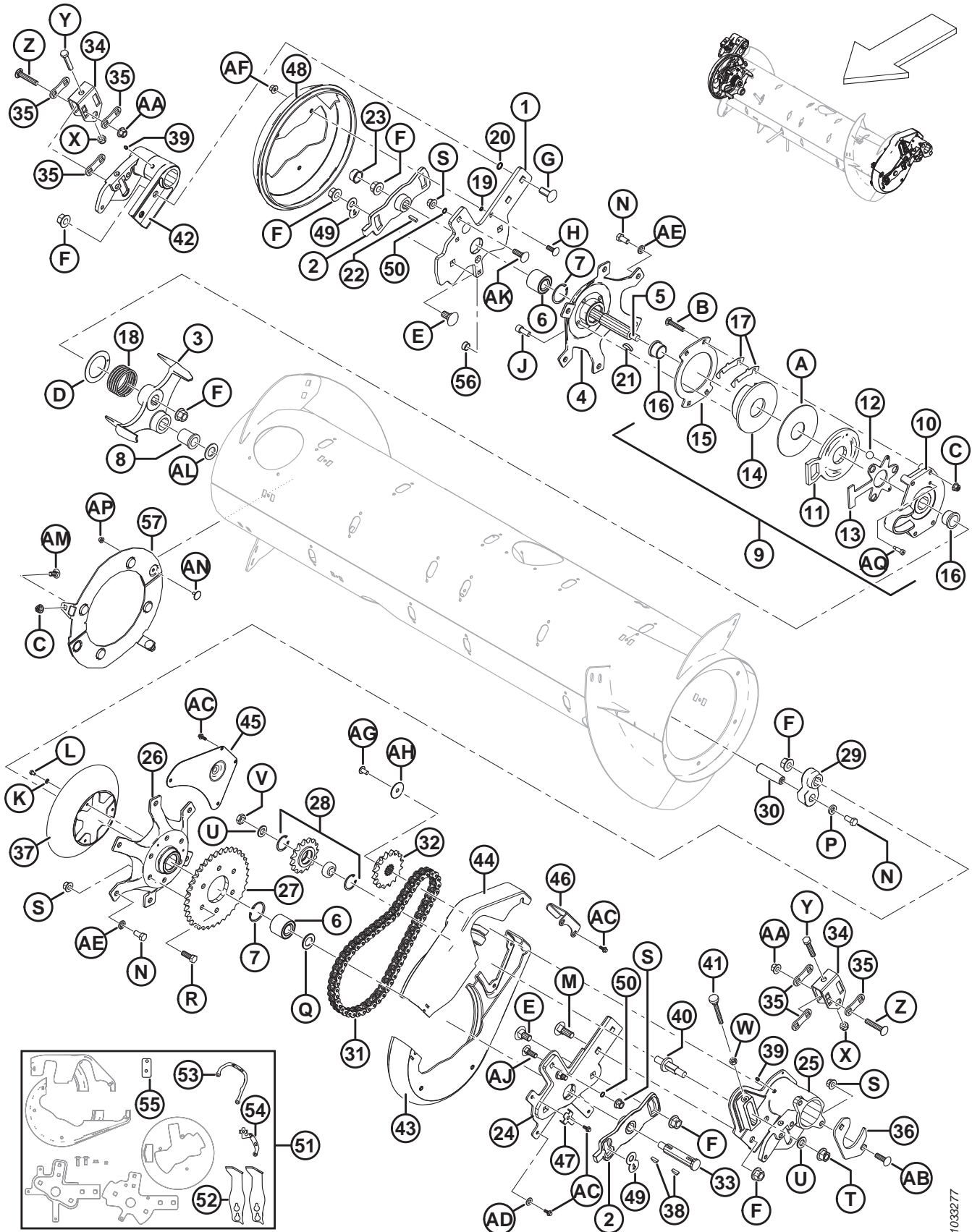
367. Kit includes two bumpers (MD #301912), RH indicator plate (MD #276180, LH indicator plate (MD #276183), spacer plate (MD #308056), and instructions. For units made in model year 2017 and prior, order RTD Bumper Conversion kit (MD #308187). Kits available through Whole Goods only.

368. Kit includes RH auger support bar (MD #308850), RH auger end cap cover (MD #301994), two O-rings (MD #183508), and hardware (MD #135900, 136431). If your machine is model year 2017 and prior and kit MD #308187 (bumpers and indicator plates) has been installed, order RH auger support bar (MD #308850). If kit is not installed, order RH auger arm service kit (MD #308134).

369. Stop casting arm (MD #304520) and finger shaft crank arm (MD #304521) must be replaced in pairs if replacing either arm for machines made in model year 2019 and prior.

370. Includes housing (MD #213649), arm (MD #213801), ball cage (MD #213557), discs (MD #213552, 213554), two bushings (MD #213859), three balls (MD #248285), six shims (MD #276206), plastic washer (MD #213731), and hardware.

AUGER ASSEMBLY – SERVICE PARTS



1033277

AUGER ASSEMBLY – SERVICE PARTS

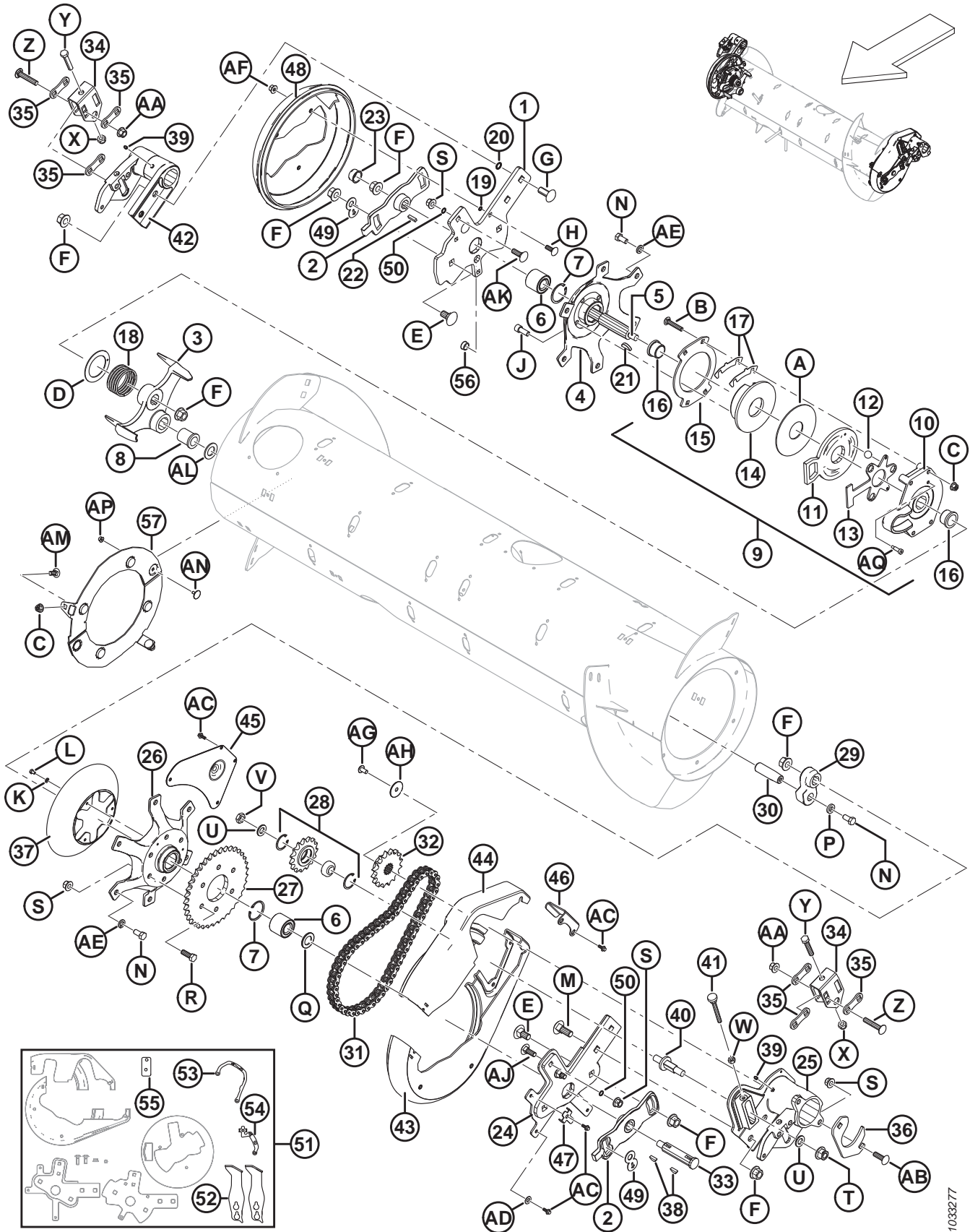
Ref	Part Number	Description	Qty	Serial Number
23	276140	CAP – PLASTIC	1	
24	308133	KIT – SERVICE, AUGER ARM, LH (2017 AND PRIOR) ³⁷¹	1	–321189
	304931	ARM – LH AUGER SUPPORT WELDT (2018 AND LATER)	1	321190–
25	276258	PIVOT – LH MACHINING, AUGER	1	
26	276141	HUB – MACHINING	1	
27	151793	SPROCKET – RC 60 A 37 T	1	
28	9333	ASSEMBLY – SPROCKET ³⁷²	1	
	9213	BEARING – BALL	1	
	795	RING – RETAINING	2	
29	304521	ARM – FINGER SHAFT CRANK MACH ³⁶⁹	1	
30	248144	PIN – PIVOT	1	
31	220317	CHAIN – RC-60H, 56 PITCHES RIVETED, ENDLESS	1	
32	151691	SPROCKET – RC 60 B 16 T	1	
33	301441	SHAFT – AUGER	1	
34	301810	BRACKET – ADJUSTER	2	
35	187428	SPACER	6	
36	248388	CLAMP – PLATE	1	
37	276118	SHIELD – CHAIN DRIVE	1	
38	135290	KEY – WOODRUFF (1/4 X 7/8 NOM.)	2	
39	18671	FITTING – LUBE 1/4-28 UNF	2	
40	213420	SPINDLE – THREADED ADJUSTMENT	1	
41	213857	THUMBSCREW – M10 X 80	1	
42	248232	PIVOT – RH MACHINING, AUGER	1	
43	301992	COVER – LH AUGER, LOWER HALF (2018 AND LATER)	1	321190–
	213097	COVER – LH AUGER, LOWER HALF (2017 AND PRIOR)	1	–321189
44	301993	COVER – LH AUGER, UPPER HALF (2018 AND LATER)	1	321190–
	213098	COVER – LH AUGER, UPPER HALF (2017 AND PRIOR)	1	–321189
45	213110	PANEL – ACCESS	1	
46	213112	PLATE – COVER RETAINER	1	
47	213153	BRACKET – CLAMP	1	
48	301994	COVER – AUGER END CAP RH	1	
49	301955	PLATE – LOCKOUT	2	
50	183508	O-RING – HNBR, COLOR GREEN	2	
51	308187	KIT – RTD BUMPER CONVERSION (2017 AND PRIOR) ³⁷³	1	–321189
52	301912	BUMPER – WELDMENT FM100	2	
53	276180	PLATE – INDICATOR RH	1	

371. Kit includes LH auger support arm (MD #304931), LH auger large half cover (MD #301992), LH auger small half cover (MD #301993), two O-rings (MD #183508), and hardware (MD #136291, 136431). If your machine is model year 2017 and prior and kit MD #308187 (bumpers and indicator plates) has been installed, order LH auger support arm (MD #304931). If kit is not installed, order LH auger arm service kit (MD #308133).

372. Includes bearing (MD #9213) and two retaining rings (MD #795).

373. Kit includes two bumpers (MD #301912), LH auger support arm (MD #304931), RH auger support bar (MD #301987), LH auger small half cover (MD #301993), LH auger large half cover (MD #301992), RH auger end cap cover (MD #301994), four O-rings (MD #183508), LH and RH indicator plates (MD #276183 and 276180), spacer plate (MD #308056), and hardware (MD #136291, 136431, and 135900).

AUGER ASSEMBLY – SERVICE PARTS



1033277

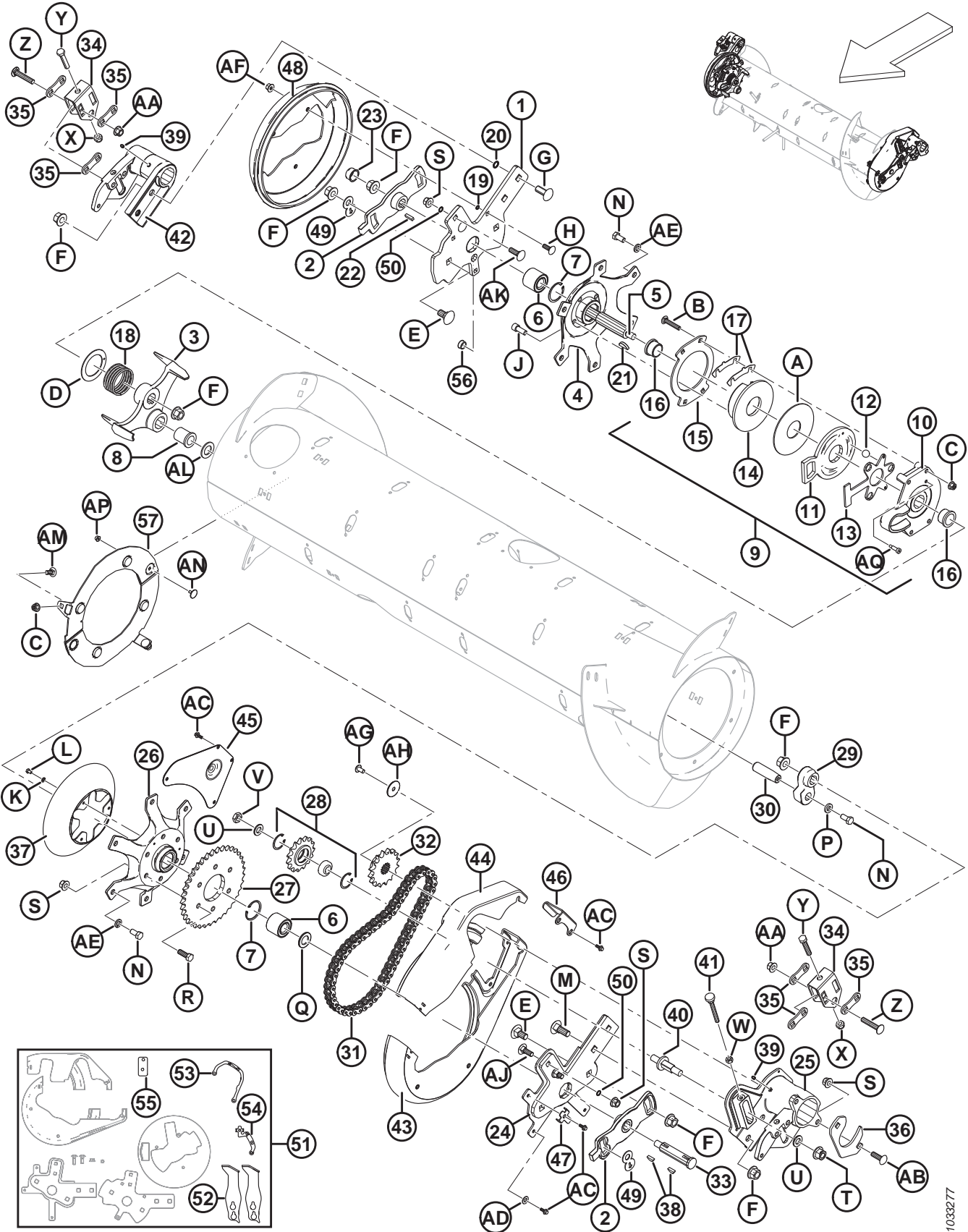
AUGER ASSEMBLY – SERVICE PARTS

Ref	Part Number	Description	Qty	Serial Number
54	276183	PLATE – INDICATOR LH	1	
55	308056	PLATE – SPACER	1	
56	308859	PLUG – HOLE	1	
57	328500	KIT – REVERSER SHIELD RETROFIT (2020 AND PRIOR) ³⁷⁴	1	–396189
	335354	KIT – REVERSER SHIELD RETROFIT (2021 AND LATER) ³⁷⁵	1	396190–
A	213731	WASHER – PLASTIC		
B	252701	BOLT – RHSSN TFL M10 X 1.5 X 60-8.8-A3L		
C	135799	NUT – HEX FLG CTR LOC M10 X 1.5-10-A3L		
D	213733	WASHER – THRUST		
E	252691	BOLT – RHSN M16 X 2 X 35-10.9-A2L		
F	136440	NUT – HEX FLG CTR LOC M16 X 2-10-A3L		
G	252638	BOLT – RHSSN M16 X 2 X 35-8.8-AA3L		
H	184662	BOLT – RHSN TFL M10 X 1.5 X 30-8.8-A3L		
J	50154	SCREW – HEX SOC HD TFL M12 X 1.75 X 30-8.8-A3L		
K	184705	WASHER – FLAT M6-200HV-A2L		
L	136561	BOLT – HEX HD TFL M6 X 1 X 10-8.8-A3L		
M	136757	BOLT – RHSN M16 X 2 X 45-8.8-A2L		
N	50155	BOLT – HEX HD TFL M12 X 1.75 X 25-8.8-A3L		
P	187518	WASHER – FLAT		
Q	123406	WASHER – FLAT		
R	152730	BOLT – HEX HD TFL M12 X 1.75 X 35-10.9-A3L		
S	136431	NUT – HEX FLG CTR LOC M12 X 1.75-10-A3L		
T	136736	NUT – HEX FLG TOP LOCK M16 X 1.5-10-A2L		
U	172558	WASHER – NORDLOCK 5/8 IN.		
V	252288	NUT – HEX THIN FINE M16 X 1.5-8.8-A3L		
W	30505	NUT – HEX M10 X 1.5-10-A3L		
X	184695	NUT – HEX NYLOC M12 X 1.75-8-A3L		
Y	237316	BOLT – HEX HD TFL M12 X 1.75 X 60-8.8-A3L		
Z	252187	BOLT – RHSSN FINE M12 X 1.5 X 65-10.9-A3L		
AA	252188	NUT – HEX FLG CTR LOC FINE M12 X 1.5-10-A3L		
AB	197122	BOLT – RHSSN M12 X 1.75 X 40-8.8-A3L		
AC	252639	BOLT – HEX FLG HD M6 X 1 X 16 X SPCL-8.8-AA2L		
AD	18598	WASHER – SAE FLAT 13/32 I.D. X 13/16 IN. O.D. ZP		
AE	18638	WASHER – REG. LOCK 1/2 IN. NOM. I.D. ZP		
AF	136441	NUT – HEX SER FLG M10 X 1.5-8-A3L		
AG	135157	SCREW – MACHINE		
AH	31465	WASHER – FLAT		
AJ	136291	BOLT – RHSN TFL M12 X 1.75 X 35-8.8-AA1J		

374. Kit includes two magnet assemblies (NSS), bag of five fingers (MD #287802), bolts (MD #135785, 136841), nuts (MD #135799, 152668), and instructions.

375. Kit includes two magnet assemblies (NSS), finger kit (MD #337152), bolts (MD #135785, 136841), nuts (MD #135799, 152668), and instructions.

AUGER ASSEMBLY – SERVICE PARTS



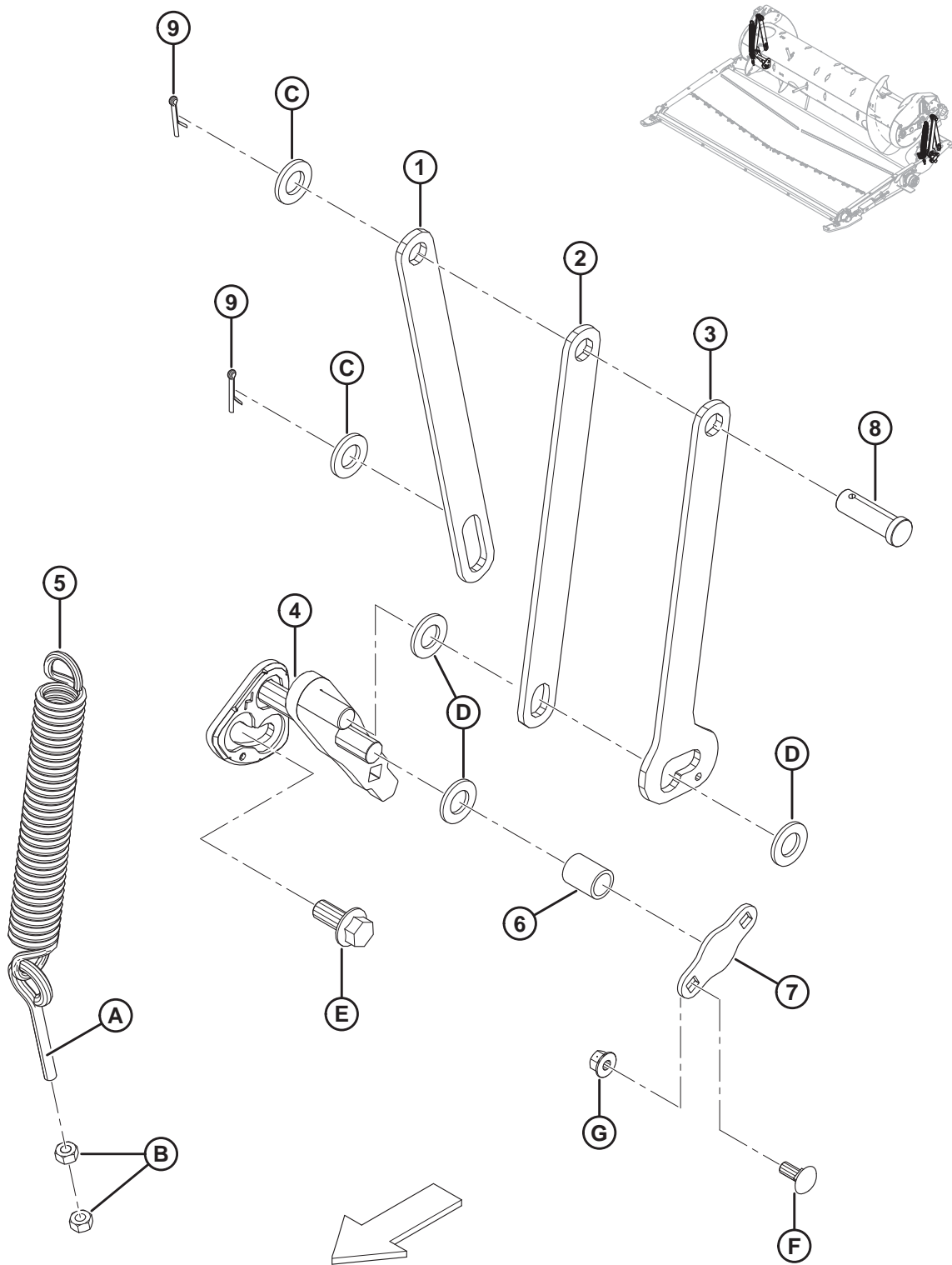
1033277

AUGER ASSEMBLY – SERVICE PARTS

Ref	Part Number	Description	Qty	Serial Number
AK	135900	BOLT – RHSN TFL M12 X 1.75 X 40-8.8-AA1J		
AL	156743	WASHER – FLAT ³⁷⁶		
AM	135785	BOLT – RHSN M10 X 1.5 X 25-8.8-AA1J		
AN	136841	BOLT – ELEV CSK M6 X 1 X 16 X -8.8		
AP	152668	NUT – HEX FLG CTR LOC M6 X 1-8		
AQ	320237	SCREW – HEX SOC HD SHLDR 8 X 20 X SPCL-12.9-ZINC		

376. Washer (MD #156743) is used if tolerance on bushing (MD #213659) is exceeded. Use washer(s) as required to achieve correct tolerance.

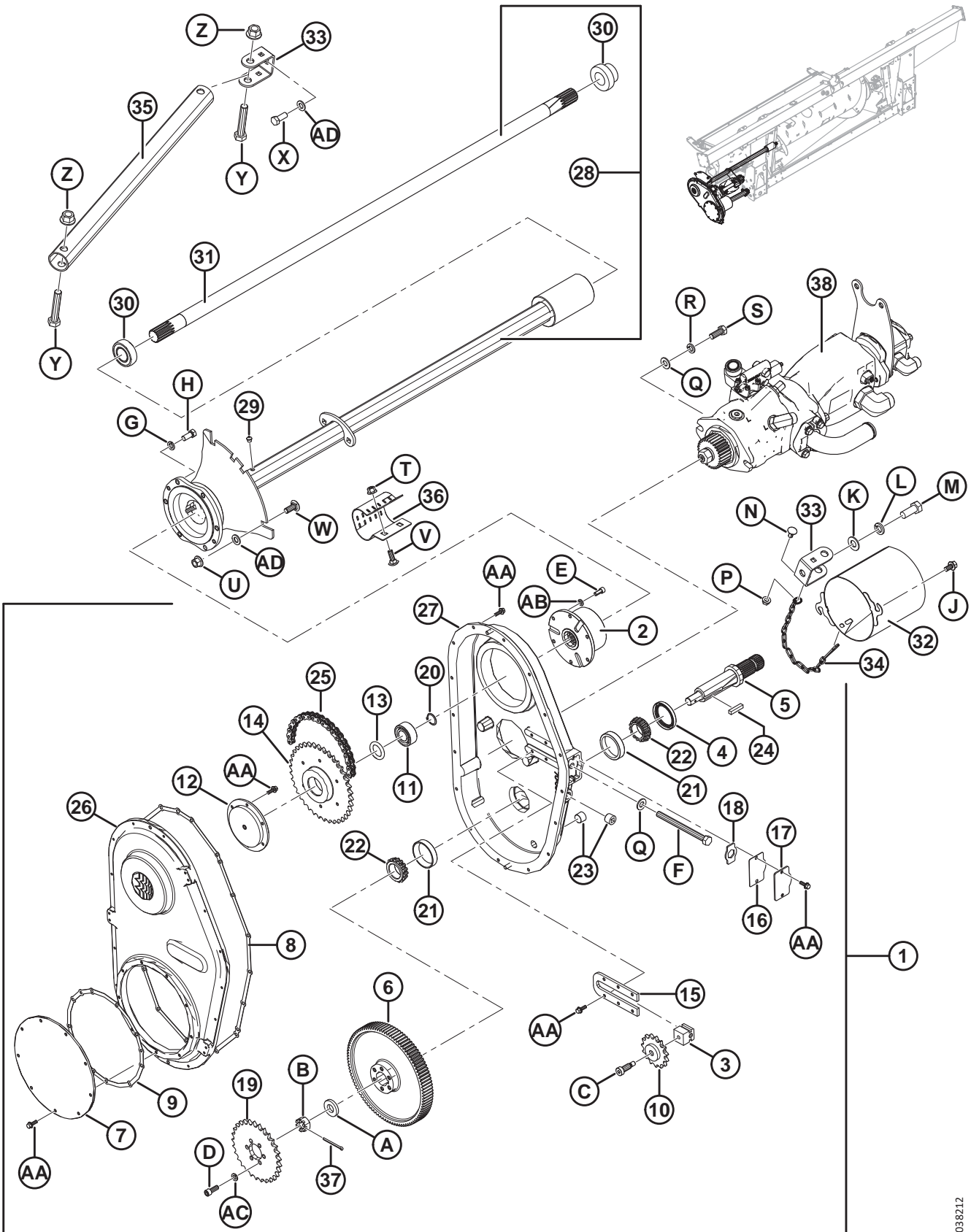
105 Auger Float Linkage



AUGER FLOAT LINKAGE

Ref	Part Number	Description	Qty	Serial Number
1	301805	BAR – AUGER SUPPORT, REAR	2	
2	301806	BAR – AUGER SUPPORT, FRONT	2	
3	301807	BAR – AUGER SUPPORT, DUAL POS	2	
4	276029	ASSY – CRANK WELDT, LH	1	
	276030	ASSY – CRANK WELDT, RH	1	
5	245966	SPRING – EXTENSION	2	
6	248348	TUBE – SPACER	2	
7	248349	PLATE – SECURING	2	
8	18626	PIN – CLEVIS	2	
9	18648	PIN – COTTER 3/16 DIA X 1.25 ZP	4	
A	231448	BOLT – EYE		
B	30505	NUT – HEX M10 X 1.5-10-A3L		
C	112130	WASHER – HARDENED		
D	18601	WASHER – SAE FLAT 13/16 I.D. X 1.5 IN. O.D. ZP		
E	136378	BOLT – HEX FLG HD TFL M16 X 2 X 35-10.9-A3L		
F	135785	BOLT – RHSN M10 X 1.5 X 25-8.8-A3L		
G	135799	NUT – HEX FLG CTR LOC M10 X 1.5-10-A3L		

106 Drives



1038212

DRIVES

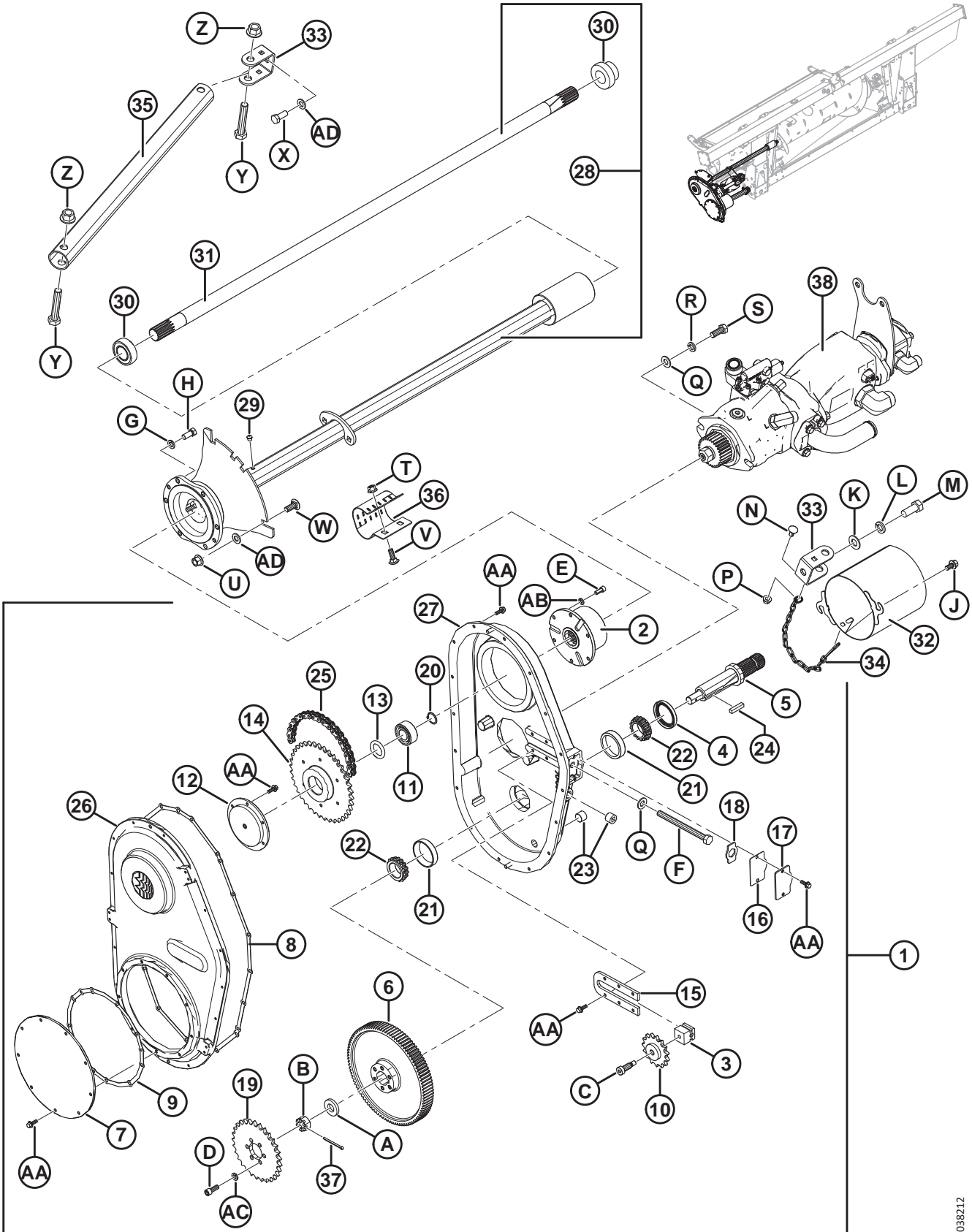
Ref	Part Number	Description	Qty	Serial Number
1	276149	DRIVE – GEARBOX (CNH) ³⁷⁷	1	
	276812	DRIVE – GEARBOX (AGCO) ³⁷⁷	1	
	276811	DRIVE – GEARBOX (CLAAS) ³⁷⁷	1	
	245620	DRIVE – GEARBOX (JOHN DEERE) ³⁷⁷	1	
2	187466	COMPACT AUTOMATIC CLUTCH	1	
3	187476	BLOCK – IDLER	1	
4	187477	SEAL	1	
5	187478	SHAFT	1	
6	187480	GEAR – 97 TEETH (CNH/JOHN DEERE)	1	
	276353	GEAR – 89 TEETH (AGCO/CLAAS)	1	
7	187482	COVER – SPROCKET	1	
8	187697	GASKET – HOUSING	1	
9	187698	GASKET – SPROCKET COVER	1	
10	187484	SPROCKET IDLER 50C15	1	
11	187485	BEARING – BALL DBL ROW 3205	1	
12	187486	SUPPORT – PINION	1	
13	187487	SHIM – KIT	1	
14	187492	SPROCKET 50B38	1	
15	276679	PLATE – TENSIONER	1	
16	187696	GASKET – ADJUSTMENT COVER	1	
17	187494	COVER – ADJUSTING	1	
18	187495	RETAINER	1	
19	231389	SPROCKET – 50A29 (CNH/AGCO)	1	
	187524	KIT – SPROCKET, 22 TOOTH (CLAAS) ³⁷⁸	1	
	248407	SPROCKET – 50A37 (JOHN DEERE)	1	
20	18898	RING – EXT RETAINING	1	
21	30701	BEARING – CUP	2	
22	30702	BEARING – CONE	2	
23	30203	PLUG – MAGNETIC PIPE	3	
24	26846	KEY	1	
25	231534	ROLLER CHAIN – RC 50 (78 PITCHES ENDLESS) CNH	1	
	156037	ROLLER CHAIN – RC 50 (74 PITCHES ENDLESS) AGCO/CLAAS	1	
	248408	ROLLER CHAIN – RC 50 (80 PITCHES ENDLESS) JD	1	
26	187481	COVER – GEARBOX	1	
27	287914	HOUSING – GEARBOX	1	
28	301663	OUTPUT SHAFT ASSEMBLY ³⁷⁹	1	
29	21425	VALVE – RELIEF	1	
30	21363	BEARING – SPH OD AND COLLAR	2	
31	279689	SHAFT – OUTPUT	1	
32	133421	GUARD – WELDMENT	1	
33	187520	ANCHOR – STRUT	2	

377. Includes items #2–27 and hardware.

378. Includes sprocket and installation instructions.

379. Includes relief valve (MD #21425), two bearings (MD #21363), and shaft (MD #279689).

DRIVES



1038212

DRIVES

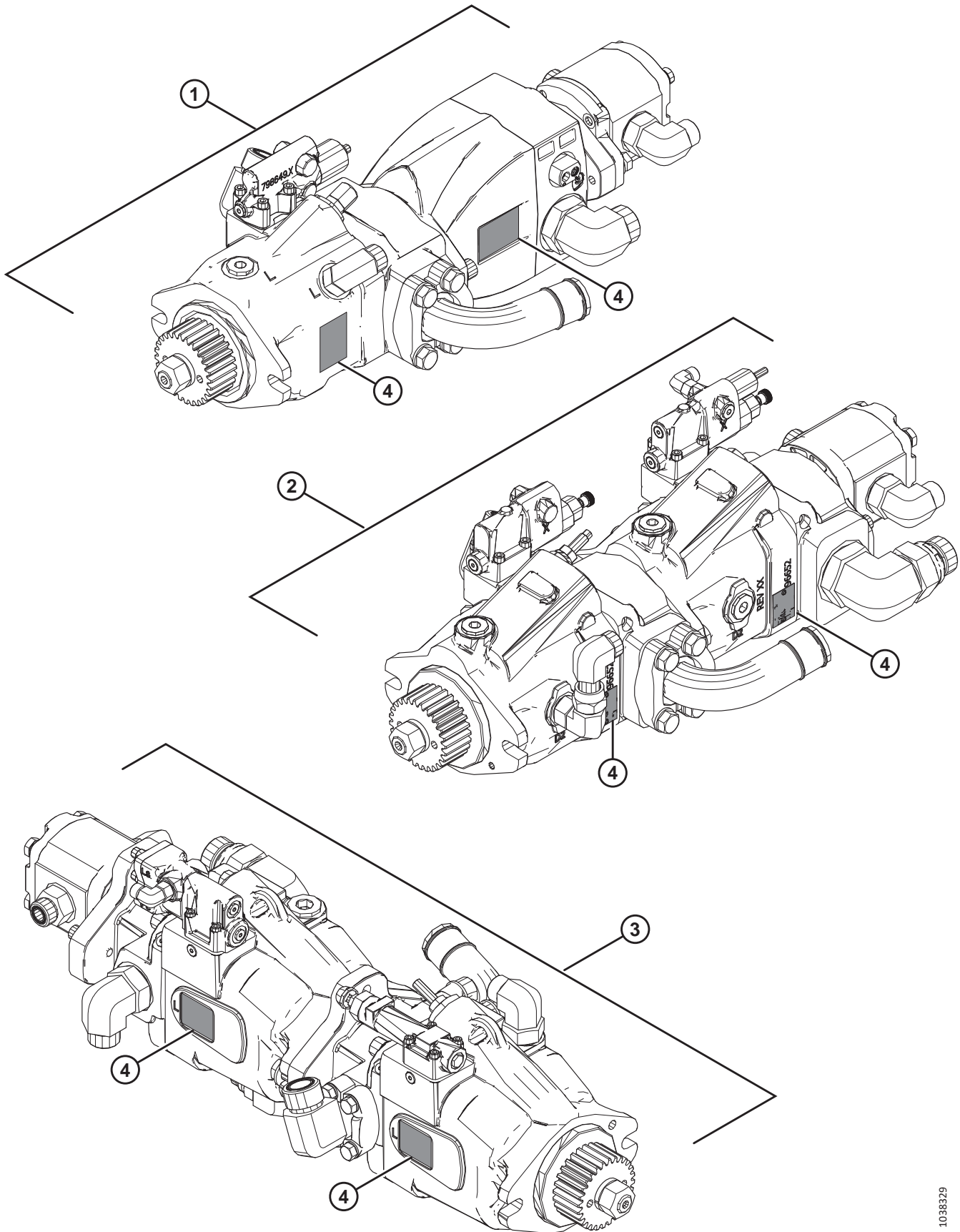
Ref	Part Number	Description	Qty	Serial Number
34	279081	CHAIN	1	
35	301902	TUBE – STRUT	1	
36	248850	CLAMP	1	
37	135358	PIN – COTTER, 5/32 DIA X 2.0 ZP	1	
38	REF	PUMP ASSEMBLY – BOSCH/REXROTH ³⁸⁰		
	REF	PUMP ASSEMBLY – PARKER HANNIFIN ³⁸¹		
	REF	PUMP ASSEMBLY – EATON ³⁸²		
A	187483	WASHER		
B	5512	NUT – HEX SLOTTED 3/4		
C	135694	BOLT – SHOULDER SOCKET HD 1/2 X 1.0 LG		
D	135381	BOLT – SOCKET HD 3/8 X 1.0 LG		
E	135748	BOLT – SOCKET HD 5/16 X 0.75 LG		
F	276680	BOLT – HEX HD TFL 1/2-13 X 5.5 GR 5 BO		
G	18652	WASHER – REG. LOCK 7/16 IN. NOM. I.D. ZP		
H	21522	BOLT – HH 7/16 NC X 1.0 LG GR 5 ZP		
J	21821	BOLT – HH FLG (SER FACE) 3/8 NC X 0.75 GR 5 ZP		
K	18600	WASHER – SAE FLAT 21/32 I.D. X 1-5/16 IN. O.D. ZP		
L	18639	WASHER – REG. LOCK 5/8 IN. NOM. I.D. ZP		
M	21594	BOLT – HEX HD 0.625-11 UNC X 1.50		
N	21472	BOLT – RHSN 3/8-16 X .75 GR 5		
P	30228	NUT – FLANGE DT SMTH FACE 0.375-16 UNC		
Q	18599	WASHER – SAE FLAT 17/32 I.D. X 1-1/16 IN. O.D. ZP		
R	18638	WASHER – REG. LOCK 1/2 IN. NOM. I.D. ZP		
S	18723	BOLT – HEX HD 1/2-13 X 1.5 GR5-AA1J		
T	135799	NUT – HEX FLG CTR LOC M10 X 1.5-10-A3L		
U	136431	NUT – HEX FLG CTR LOC M12 X 1.75-10-A3L		
V	184662	BOLT – RHSN TFL M10 X 1.5 X 30-8.8-A3L		
W	184667	BOLT – RHSN M12 X 1.75 X 30-8.8-AA1J		
X	136137	BOLT – HEX HD TFL M16 X 2 X 35-8.8-AA1J		
Y	136455	BOLT – HEX HD M16 X 2 X 85-8.8-A3L		
Z	136440	NUT – HEX FLG CTR LOC M16 X 2-10-A3L		
AA	21456	BOLT – HH FLG (SER FACE) 1/4 NC X 0.75 GR 5 ZP		
AB	18636	WASHER – REG. LOCK 5/16 IN. NOM. I.D. ZP		
AC	18637	WASHER – REG. LOCK 3/8 IN. NOM. I.D. ZP		
AD	184717	WASHER – FLAT REG M16-200HV-AA1J		

380. To verify which pump assembly is installed, refer to Section *107 Pump Assemblies – Identifying Pump, page 325*. For Bosch/Rexroth service parts, refer to Section *108 Pump Assembly – Bosch/Rexroth, page 327*.

381. To verify which pump assembly is installed, refer to Section *107 Pump Assemblies – Identifying Pump, page 325*. For Parker Hannifin service parts, refer to Section *109 Pump Assembly – Parker Hannifin (2022 Only), page 331*.

382. To verify which pump assembly is installed, refer to Section *107 Pump Assemblies – Identifying Pump, page 325*. For Eaton service parts, refer to Section *110 Pump Assembly – Eaton (2022 Only), page 335*.

107 Pump Assemblies – Identifying Pump



PUMP ASSEMBLIES – IDENTIFYING PUMP

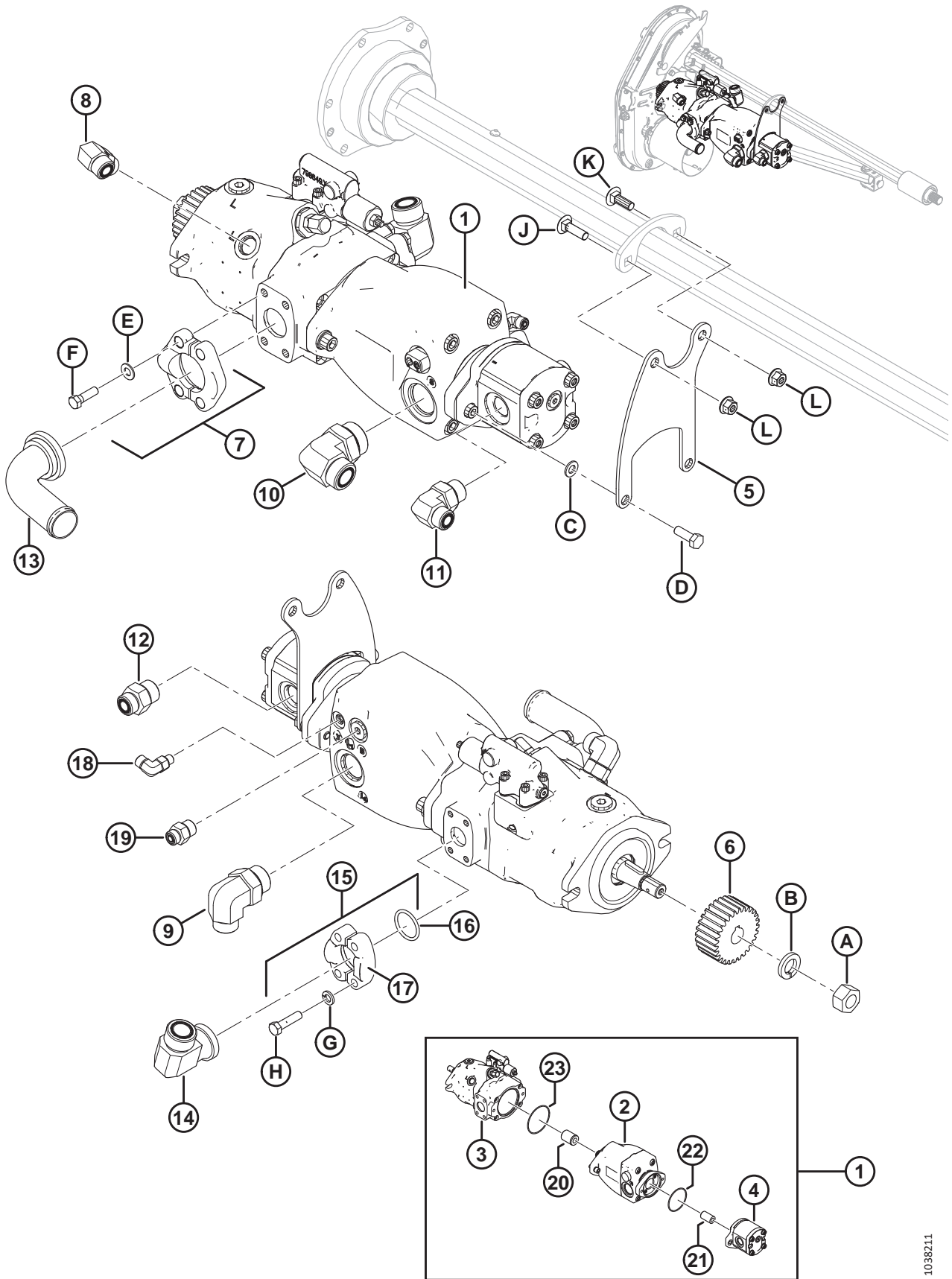
NOTE:

The Bosch/Rexroth pump assembly is installed on model year 2021 and prior float modules, some model year 2022 float modules, and model year 2023 and later float modules. Many model year 2022 float modules have either a Parker or Eaton pump assembly installed. Refer to the parts table and illustration to identify which pump assembly is installed.

- **Bosch/Rexroth (1)** – Color: Black; refer to the illustration for serial plate locations. For service parts, refer to Section [108 Pump Assembly – Bosch/Rexroth, page 327](#).
- **Parker Hannifin (2)** – Color: Black; refer to the illustration for serial plate locations. For service parts, refer to Section [109 Pump Assembly – Parker Hannifin \(2022 Only\), page 331](#).
- **Eaton (3)** – Color: Grey; refer to the illustration for serial plate locations. For service parts, refer to Section [110 Pump Assembly – Eaton \(2022 Only\), page 335](#).

Ref	Part Number	Description	Qty	Serial Number
1	NSS	PUMP ASSEMBLY – BOSCH/REXROTH		
2	NSS	PUMP ASSEMBLY – PARKER HANNIFIN		
3	NSS	PUMP ASSEMBLY – EATON		
4	REF	SERIAL PLATE		

108 Pump Assembly – Bosch/Rexroth



1038211

PUMP ASSEMBLY – BOSCH/REXROTH

NOTE:

Some float modules may have been shipped with Bosch/Rexroth gear pumps, which are not sold separately. To replace complete gear pump, order 16 cc or 19 cc Casappa gear pump and seal kit listed in parts list. To service seal kit on Bosch/Rexroth gear pumps, order seal kit MD #187967. For more information regarding gear pumps, refer to your header technical manual.

Ref	Part Number	Description	Qty	Serial Number
1	NSS	PUMP ASSEMBLY ³⁸³	1	
2	311466	PUMP – PISTON, SIDE DRAPER	1	
	335447	VALVE – PUMP CONTROL C/W CAP ³⁸⁴		
	335446	CAP – VINYL		
3	248089	PUMP – PISTON, KNIFE DRIVE	1	
	294890	SEAL KIT – KNIFE DRIVE PISTON PUMP C/W INSTRUCTION		
	326217	CAP – DISP ADJUST C/W O-RING		
	326218	KEY – PARALLEL, 1/4 IN. ROUND ENDS		
4	187252	PUMP – GEAR, 16 CC, FEED DRAPER (CNH/CLAAS)	1	
	295998	PUMP – GEAR, 19 CC, FEED DRAPER (JD/AGCO)	1	
	187918	SEAL KIT – GEAR PUMP (CASAPPA) ³⁸⁵		
	REF	SEAL KIT – GEAR PUMP (BOSCH/REXROTH) ³⁸⁶		
5	326286	BRACKET – PUMP TAIL SUPPORT	1	
6	276859	GEAR – PINION 28 TEETH 2.5 MODULE (CNH/JD)	1	
	276352	GEAR – PINION 36 TEETH 2.5 MODULE (CLAAS/AGCO)	1	
7	136246	KIT – SPLIT FLANGE, 1.5 IN. CD 61 ³⁸⁷	1	
	135400	O-RING – 1.859 IN. I.D. X 0.139 IN. WALL		
8	136089	FITTING – ELBOW 90° HYD	1	
	44210	O-RING – #10 ORB		
	135867	O-RING – #10 ORFS		
9	135901	FITTING – ELBOW 90° HYD	1	
	50220	O-RING – #20 ORB		
	135868	O-RING – #12 ORFS		
10	136766	FITTING – ELBOW 90° HYD 20-16	1	
	50220	O-RING – #20 ORB		
	135554	O-RING – #16 ORFS		
11	136347	FITTING – ELBOW 90° HYD	1	
	30971	O-RING – #12 ORB		
	135867	O-RING – #10 ORFS		
12	135786	FITTING – ADAPTER	1	
	30971	O-RING – #12 ORB		
	135867	O-RING – #10 ORFS		
13	294833	FITTING – HYD ELBOW CODE 61	1	

383. Not serviced as a complete assembly. To service individual components, refer to items #2–4 and 20–23.

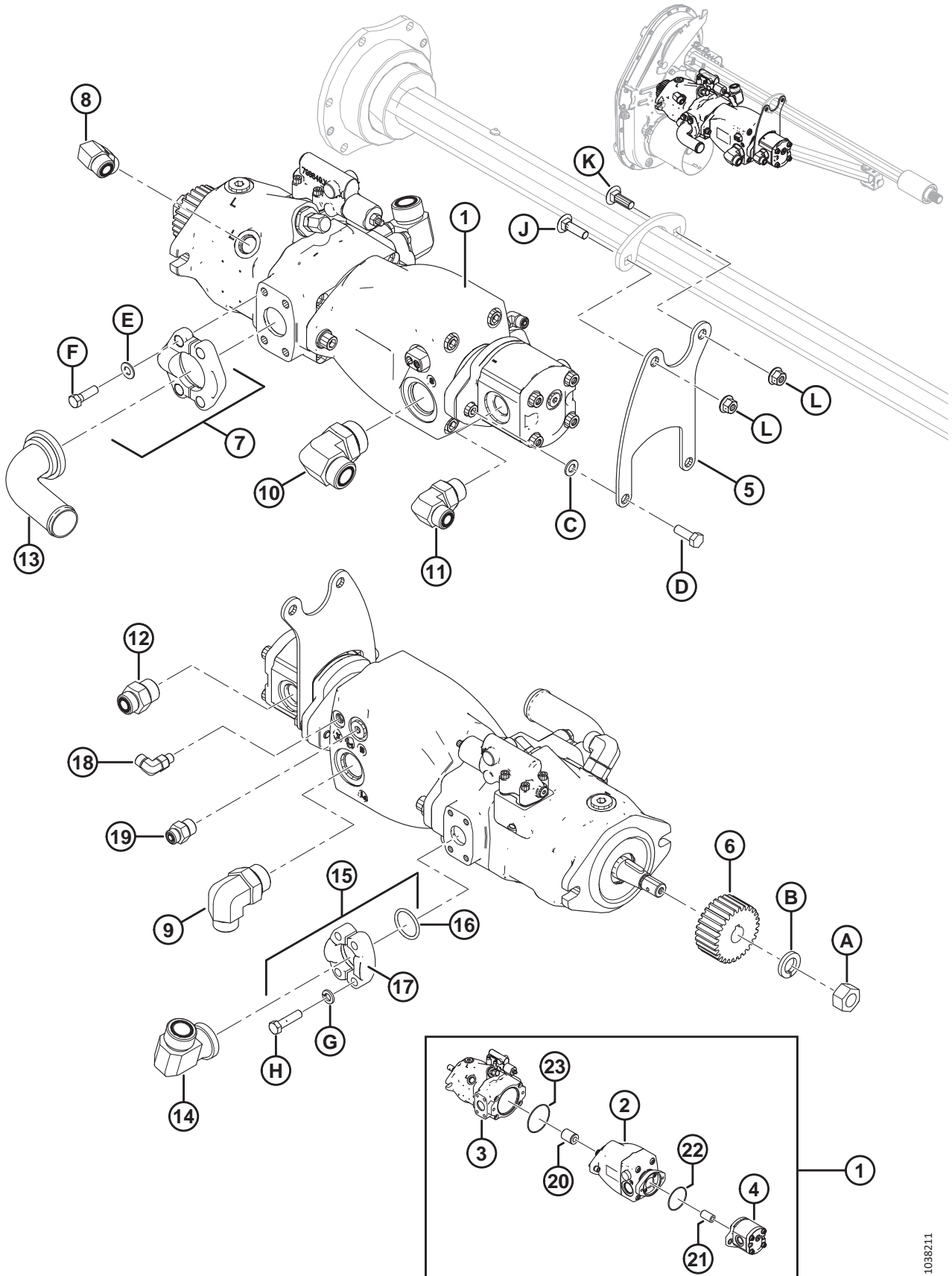
384. Includes vinyl cap (MD #335446).

385. Used in gear pumps (MD #187252 and 295998).

386. To service seal kit on Bosch/Rexroth gear pumps (NSS), order seal kit (MD #187967).

387. Includes two half-split flanges (MD #136106), O-ring (MD #135400), four bolts (MD #252641), and four flat washers (MD #184714).

PUMP ASSEMBLY – BOSCH/REXROTH



1038211

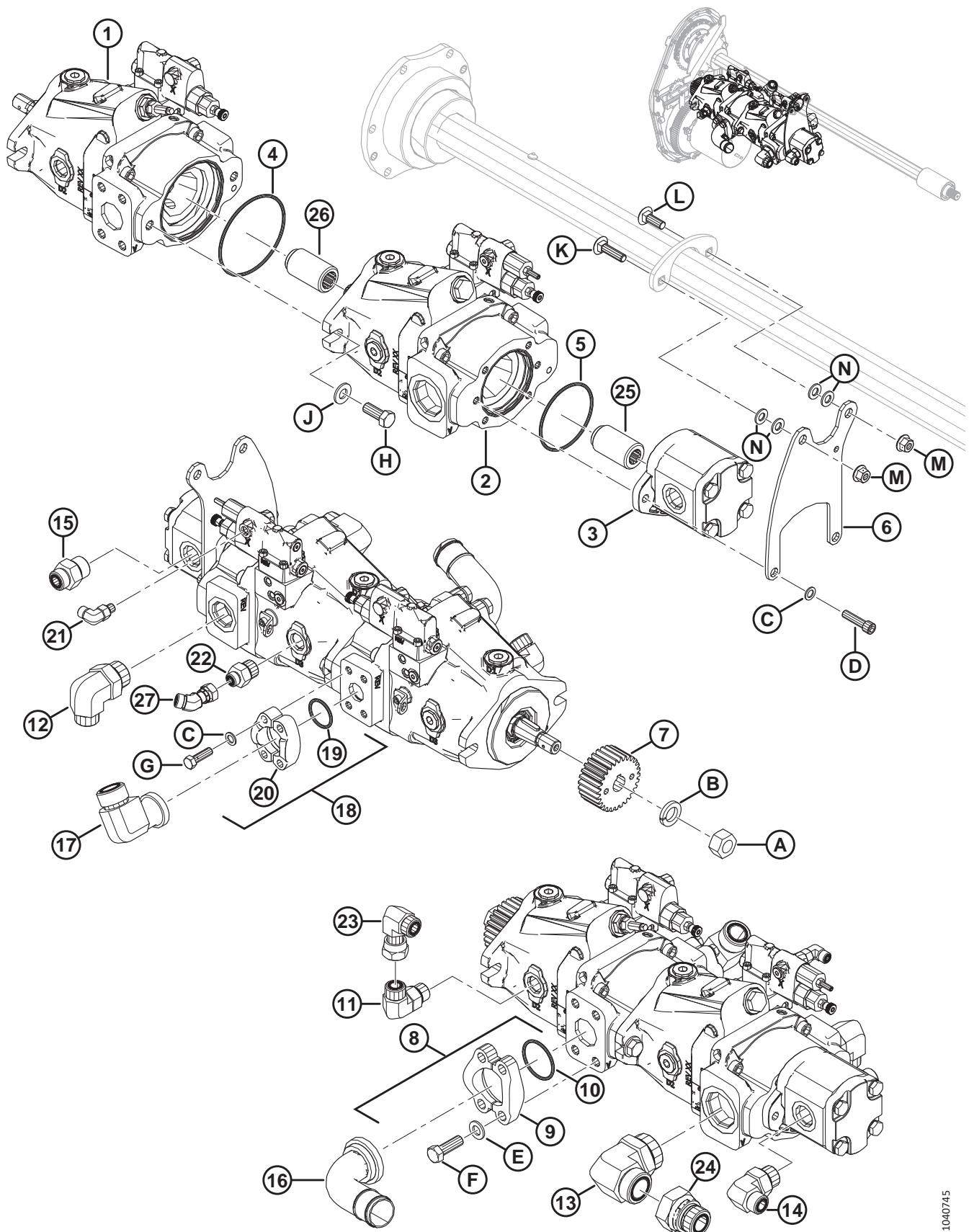
PUMP ASSEMBLY – BOSCH/REXROTH

Ref	Part Number	Description	Qty	Serial Number
14	252208	FITTING – 90° #16 FLANGE X #16 MALE ORFS	1	
	112868	O-RING – #16 FLANGE		
	135554	O-RING – #16 ORFS		
15	112866	KIT – SPLIT FLANGE, 1 INCH CD 61 ³⁸⁸	1	
16	112868	O-RING – 1.296 IN. I.D. X 0.139 IN. WALL	1	
17	194033	FLANGE – HALF SPLIT, 1 INCH, CODE 61	2	
18	136447	FITTING – ELBOW 90° HYD	1	
	50223	O-RING – #4 ORB		
	135957	O-RING – #4 ORFS		
19	191705	FITTING – ADAPTER 6 MORFS X 8 MORB	1	
	44209	O-RING – #8 ORB		
	135865	O-RING – #6 ORFS		
20	295139	COUPLER – SPLINED, 13-13T	1	
21	295140	COUPLER – SPLINED, 20-11T	1	
22	136024	O-RING (3 X 85) ³⁸⁹	1	
23	294832	O-RING (3 X 104)	1	
A	18720	NUT – HEX 3/4-16 UNF GR 5 ZN PL		
B	18640	WASHER – REG. LOCK 3/4 IN. NOM. I.D. ZP		
C	184711	WASHER – FLAT REG. M10-200HV-A3L		
D	184661	BOLT – HEX HD TFL M10 X 1.5 X 30-8.8-A3L		
E	184714	WASHER – FLAT REG M12-300HV		
F	252642	BOLT – HH 1/2-13 X 1.75-GR8-AA3L		
G	30191	WASHER – HARDENED ASTM F436 3/8		
H	252640	BOLT – HH 3/8-16 X 1.25-GR8-AA3L		
J	135691	BOLT – RHSN TFL M10 X 1.5 X 35-8.8-AA1J		
K	184662	BOLT – RHSN TFL M10 X 1.5 X 30-8.8-AA1J		
L	135799	NUT – HEX FLG CTR LOC M10 X 1.5-10		

388. Includes two half-split flanges (MD #194033), O-ring (MD #112868), four bolts (MD #252640), and four flat washers (MD #30191).

389. O-ring (MD #136024) is included in the Gear Pump Conversion kits; refer to Section [156 Gear Pump Conversion Kits, page 453](#). When replacing the gear pump separately, be sure to order O-ring (MD #136024) if the O-ring is worn or damaged.

109 Pump Assembly – Parker Hannifin (2022 Only)



1040745

PUMP ASSEMBLY – PARKER HANNIFIN (2022 ONLY)

NOTE:

Some float modules may have been shipped with Parker gear pumps, which are not sold separately. To replace complete gear pump, order 16 cc or 19 cc Casappa gear pump and seal kit listed in parts list. To service seal kit on Parker gear pumps, order seal kit MD #326295. For more information regarding gear pumps, refer to your header technical manual.

Ref	Part Number	Description	Qty	Serial Number
1	NSS	PUMP – PISTON, KNIFE DRIVE (PARKER) ³⁹⁰	1	
	326218	KEY – PARALLEL, 1/4 IN. ROUND ENDS		
	326292	KIT – SEAL, PISTON PUMP (PARKER)		
2	NSS	PUMP – PISTON, SIDE DRAPER ³⁹¹	1	
	326292	KIT – SEAL, PISTON PUMP (PARKER)		
3	187252	PUMP – GEAR, 16 CC, FEED DRAPER (CNH/CLAAS)	1	
	295998	PUMP – GEAR, 19 CC, FEED DRAPER (JD/AGCO)	1	
	187918	SEAL KIT – GEAR PUMP ³⁹²		
	REF	SEAL KIT – GEAR PUMP ³⁹³		
4	320415	O-RING – 3.5 X 104.4	1	
5	320414	O-RING – 3.5 X 85.3	1	
6	326286	BRACKET – PUMP TAIL SUPPORT	1	
7	276859	GEAR – PINION 28 TEETH 2.5 MODULE (CNH/JD)	1	
	276352	GEAR – PINION 36 TEETH 2.5 MODULE (CLAAS/AGCO)	1	
8	136246	KIT – SPLIT FLANGE, 1.5 IN. CD 61 ³⁹⁴	1	
9	136106	FLANGE – HALF SPLIT, 1.5 IN.	2	
10	135400	O-RING – 1.859 IN. I.D. X 0.139 IN. WALL	1	
11	136089	FITTING – ELBOW 90° HYD	1	
	44210	O-RING – #10 ORB		
	135867	O-RING – #10 ORFS		
12	135901	FITTING – ELBOW 90° HYD	1	
	50220	O-RING – #20 ORB		
	135868	O-RING – #12 ORFS		
13	320116	FITTING – ELBOW 90° HYD	1	
14	136347	FITTING – ELBOW 90° HYD	1	
	30971	O-RING – #12 ORB		
	135867	O-RING – #10 ORFS		
15	135786	FITTING – ADAPTER	1	
	30971	O-RING – #12 ORB		
	135867	O-RING – #10 ORFS		
16	294833	FITTING – HYD ELBOW CODE 61	1	

390. If replacing a Parker knife drive pump, order knife drive pump service kit (MD #326299). Refer to Section [111 Knife Drive Pump Service Kit, page 339](#).

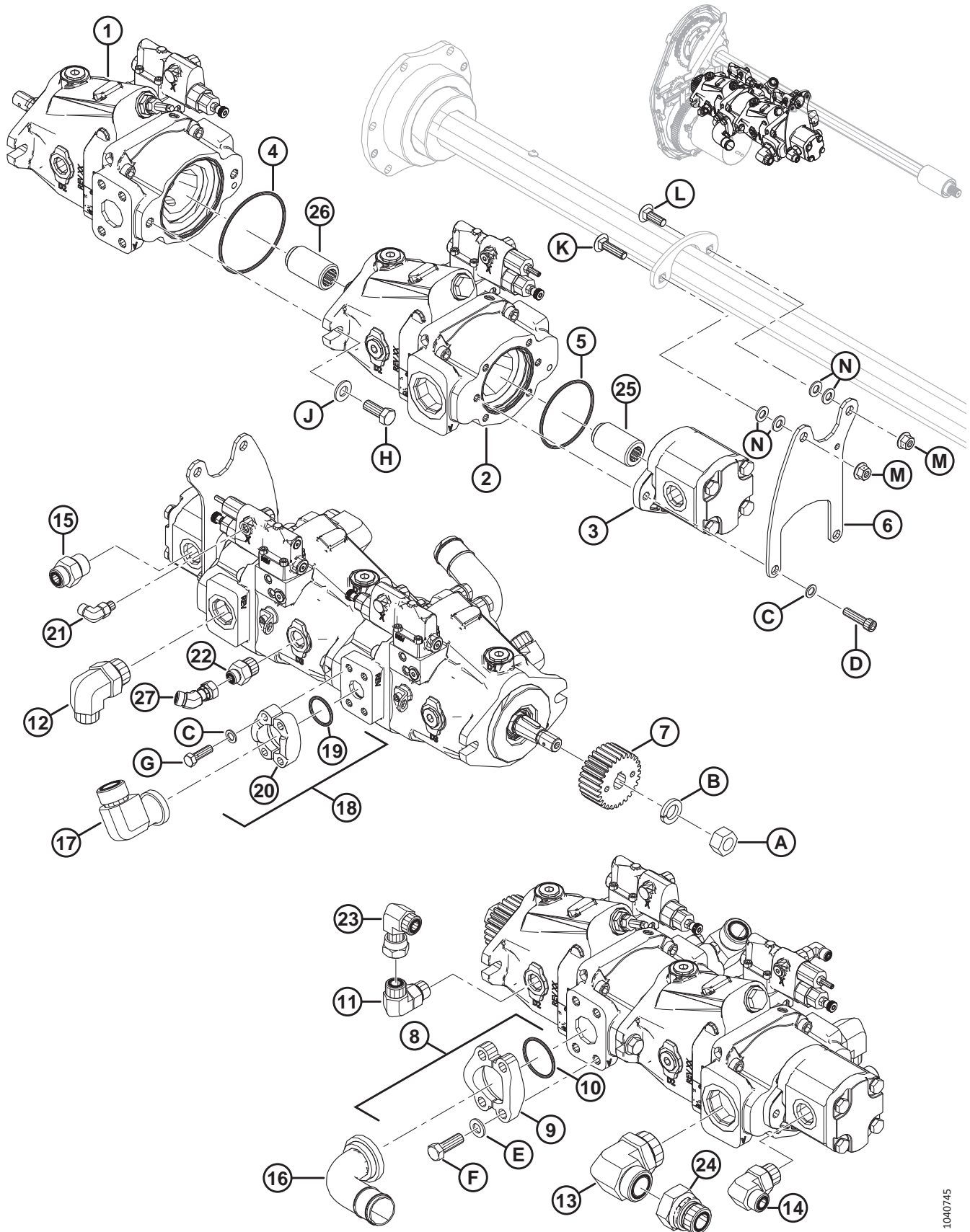
391. If replacing a Parker draper drive pump, order draper drive pump service kit (MD #326300). Refer to Section [112 Draper Drive Pump Service Kit, page 341](#).

392. Used in gear pumps (MD #187252 and 295998).

393. To service seal kit on Parker gear pumps (NSS), order seal kit (MD #326295).

394. Includes two half-split flanges (MD #136106), O-ring (MD #135400), four bolts (MD #252641), and four flat washers (MD #184714).

PUMP ASSEMBLY – PARKER HANNIFIN (2022 ONLY)



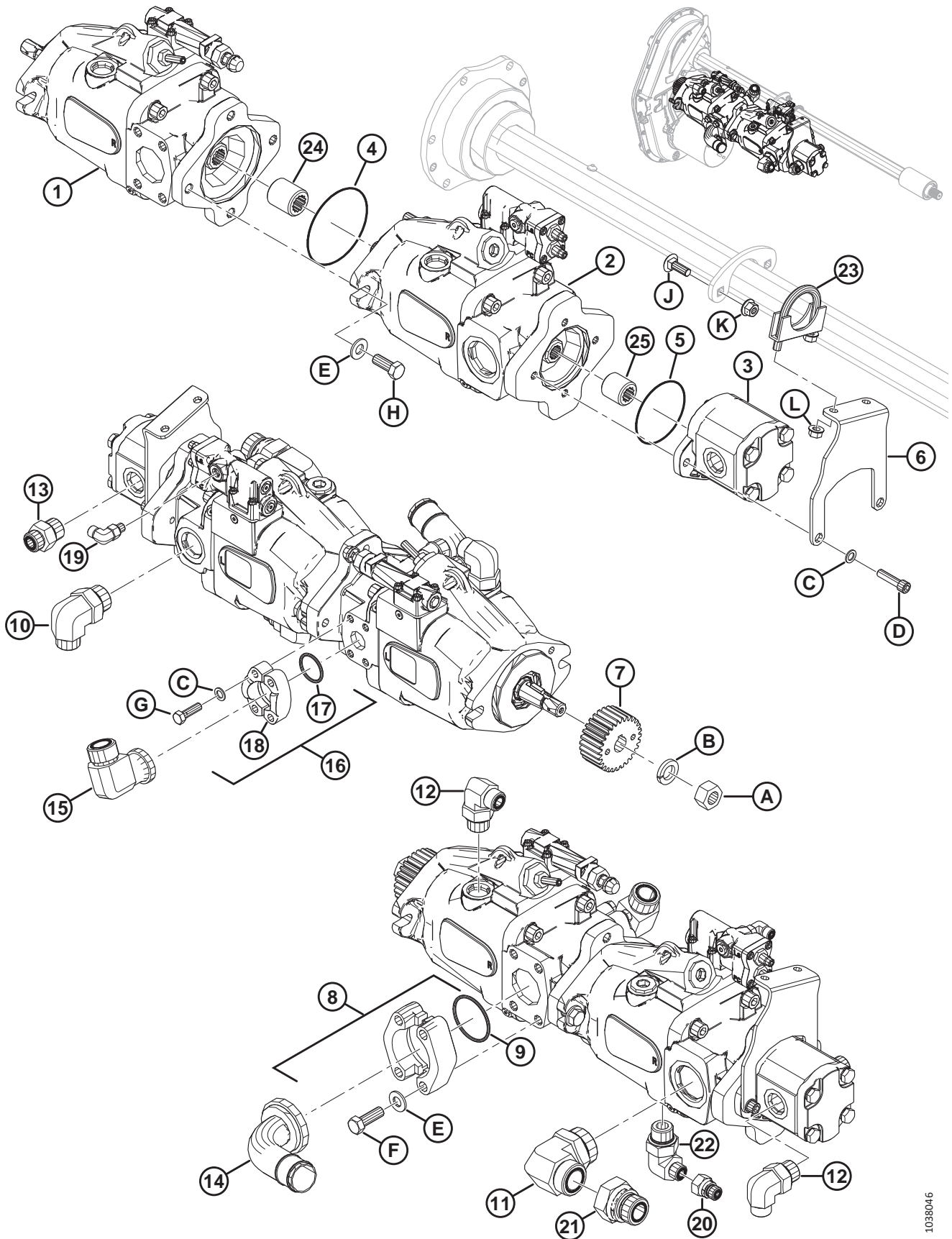
1040745

PUMP ASSEMBLY – PARKER HANNIFIN (2022 ONLY)

Ref	Part Number	Description	Qty	Serial Number
17	252208	FITTING – 90° #16 FLANGE X #16 MALE ORFS	1	
	112868	O-RING – #16 FLANGE		
	135554	O-RING – #16 ORFS		
18	112866	KIT – SPLIT FLANGE, 1 INCH CD 61 ³⁹⁵	1	
19	112868	O-RING – 1.296 IN. I.D. X 0.139 IN. WALL	1	
20	194033	FLANGE – HALF SPLIT, 1 INCH, CODE 61	2	
21	136447	FITTING – ELBOW 90° HYD	1	
	50223	O-RING – #4 ORB		
	135957	O-RING – #4 ORFS		
22	184462	FITTING – ADAPTER HYD	1	
	44210	O-RING – Ø2.46 X Ø19.18		
	135865	O-RING – Ø1.78 X Ø9.25		
23	136846	FITTING – ELBOW 90° HYD	1	
24	252076	FITTING – REDUCER HYD	1	
	135554	O-RING – #16 ORFS		
25	326294	COUPLER – SPLINED, 19-11T		
26	326293	COUPLER – SPLINED, 19-13T		
27	136155	FITTING – ELBOW 45° HYD	1	
	135865	O-RING – Ø1.78 X Ø9.25		
A	18720	NUT – HEX 3/4-16 UNF GR 5 ZN PL		
B	18640	WASHER – REG. LOCK 3/4 IN. NOM. I.D. ZP		
C	30191	WASHER – HARDENED ASTM F436 3/8		
D	115672	SCREW – HEX SOC HD 3/8-16 X 1.5		
E	184714	WASHER – FLAT REG M12-300HV		
F	252641	BOLT – HH 1/2-13 X 1.5-GR8-AA3L		
G	252640	BOLT – HH 3/8-16 X 1.25-GR8-AA3L		
H	21491	BOLT – HEX HD 1/2-13 X 1.25 GR5-AA1J		
J	135369	WASHER – HARDENED ASTM F436 1/2		
K	152732	BOLT – RHSN M10 X 1.5 X 40-8.8-AA1J		
L	184662	BOLT – RHSN TFL M10 X 1.5 X 30-8.8-AA1J		
M	135799	NUT – HEX FLG CTR LOC M10 X 1.5-10		
N	184711	WASHER – FLAT REG M10-200HV-AA1J		

395. Includes two half-split flanges (MD #194033), O-ring (MD #112868), four bolts (MD #252640), and four flat washers (MD #30191).

110 Pump Assembly – Eaton (2022 Only)



PUMP ASSEMBLY – EATON (2022 ONLY)

NOTE:

Some float modules may have been shipped with Eaton gear pumps, which are not sold separately. To replace complete gear pump, order 16 cc or 19 cc Casappa gear pump and seal kit listed in parts list. To service seal kit on Eaton gear pumps, order seal kit MD #326295. For more information regarding gear pumps, refer to your header technical manual.

Ref	Part Number	Description	Qty	Serial Number
1	NSS	PUMP – PISTON, KNIFE DRIVE ³⁹⁶	1	
	180094	KEY – 1/4 IN. SQ X 13/16 IN. LG		
	326296	KIT – SEAL, PISTON PUMP (EATON)		
2	NSS	PUMP – PISTON, SIDE DRAPER ³⁹⁷	1	
	326296	KIT – SEAL, PISTON PUMP (EATON)		
3	187252	PUMP – GEAR, 16 CC, FEED DRAPER (CNH/CLAAS)	1	
	295998	PUMP – GEAR, 19 CC, FEED DRAPER (JD/AGCO)	1	
	187918	SEAL KIT – GEAR PUMP (CASAPPA) ³⁹⁸		
	REF	SEAL KIT – GEAR PUMP (EATON) ³⁹⁹		
4	320417	O-RING – 1.8 X 101.3	1	
5	320438	O-RING – 1.8 X 82.3	1	
6	326237	BRACKET – TAIL SUPPORT, FORMED	1	
7	276859	GEAR – PINION 28 TEETH 2.5 MODULE (CNH/JD)	1	
	276352	GEAR – PINION 36 TEETH 2.5 MODULE (CLAAS/AGCO)	1	
8	339588	KIT – SPLIT FLANGE, 2 IN. CD61 ⁴⁰⁰	1	
9	112867	O-RING – 3.53 X 56.14	1	
10	135901	FITTING – ELBOW 90° HYD	1	
	50220	O-RING – #20 ORB		
	135868	O-RING – #12 ORFS		
11	320116	FITTING – ELBOW 90° HYD	1	
12	136347	FITTING – ELBOW 90° HYD	2	
	30971	O-RING – #12 ORB		
	135867	O-RING – #10 ORFS		
13	135786	FITTING – ADAPTER	1	
	30971	O-RING – #12 ORB		
	135867	O-RING – #10 ORFS		
14	326222	FITTING – HYD ELBOW CODE 61	1	
15	252208	FITTING – 90° #16 FLANGE X #16 MALE ORFS	1	
	112868	O-RING – #16 FLANGE		
	135554	O-RING – #16 ORFS		
16	112866	KIT – SPLIT FLANGE, 1 INCH CD 61 ⁴⁰¹	1	

396. If replacing an Eaton knife drive pump, order knife drive pump service kit (MD #326299). Refer to Section [111 Knife Drive Pump Service Kit, page 339](#).

397. If replacing an Eaton draper drive pump, order draper drive pump service kit (MD #326300). Refer to Section [112 Draper Drive Pump Service Kit, page 341](#).

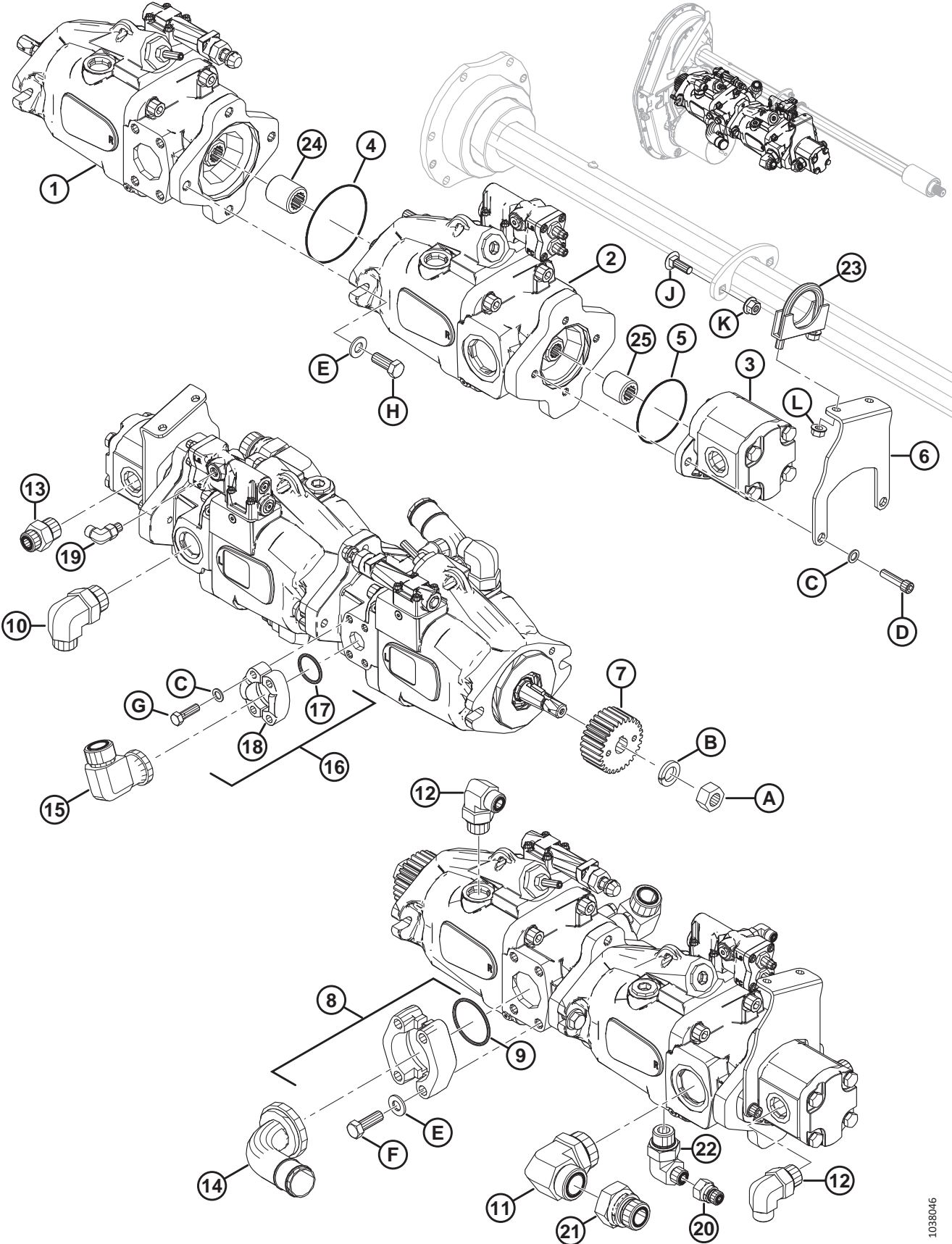
398. Used in gear pumps (MD #187252 and 295998).

399. To service seal kit on Eaton gear pumps (NSS), order seal kit (MD #326295).

400. Includes O-ring (MD #112867), four bolts (MD #252641), and four washers (MD #135369).

401. Includes two half-split flanges (MD #194033), O-ring (MD #112868), four bolts (MD #252640), and four flat washers (MD #30191).

PUMP ASSEMBLY – EATON (2022 ONLY)



1038046

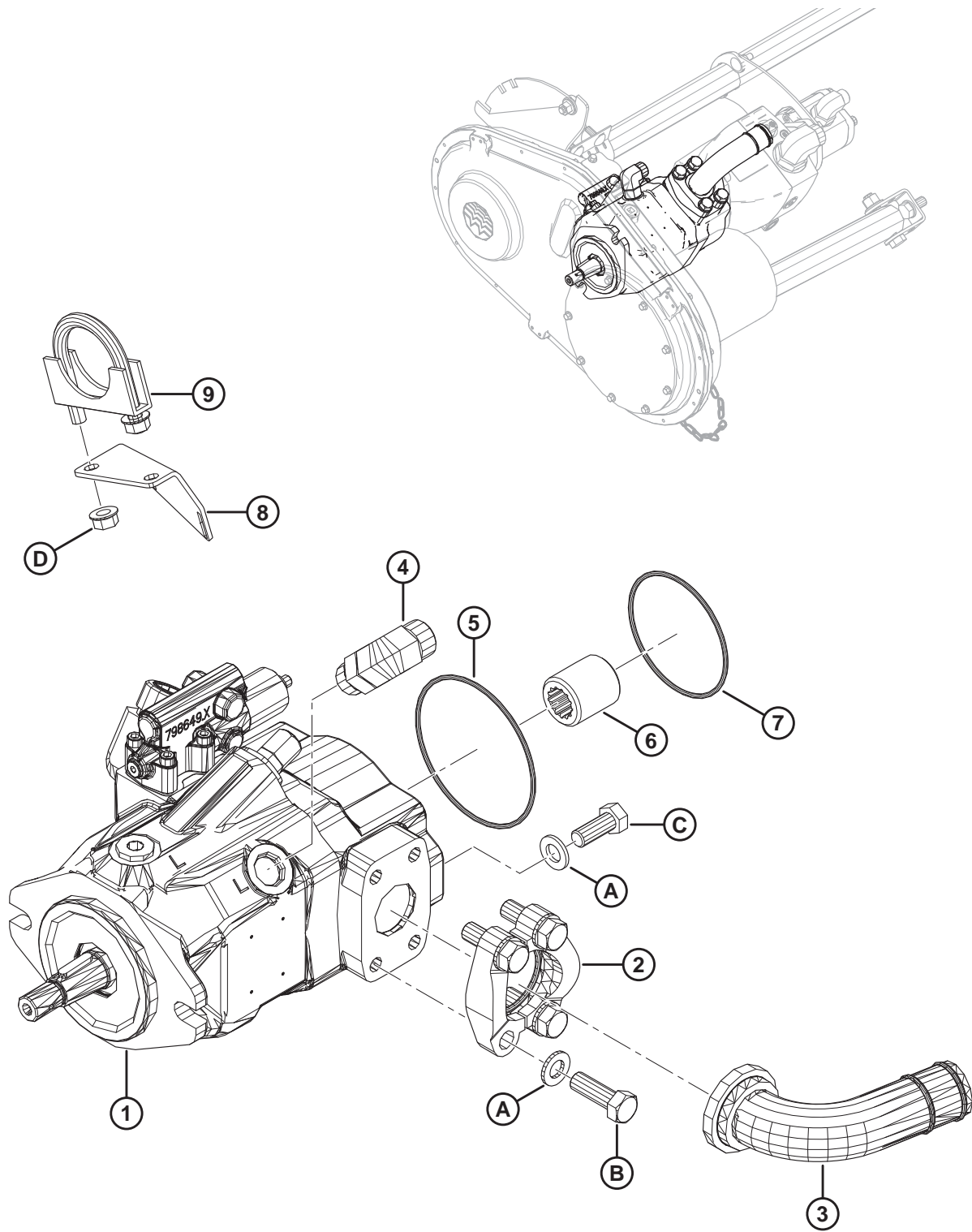
PUMP ASSEMBLY – EATON (2022 ONLY)

Ref	Part Number	Description	Qty	Serial Number
17	112868	O-RING – 1.296 IN. I.D. X 0.139 IN. WALL	1	
18	194033	FLANGE – HALF SPLIT, 1 INCH, CODE 61	2	
19	136447	FITTING – ELBOW 90° HYD	1	
	50223	O-RING – #4 ORB		
	135957	O-RING – #4 ORFS		
20	252681	FITTING – REDUCER HYD	1	
21	252076	FITTING – REDUCER HYD	1	
	135554	O-RING – #16 ORFS		
22	135890	FITTING – ELBOW 90° HYD	1	
	30971	O-RING – #12 ORB		
	135866	O-RING – Ø1.78 X Ø12.42		
23	136110	CLAMP – U-BOLT ⁴⁰²	1	
24	326297	COUPLER – SPLINED, 13T (EATON)	1	
25	326298	COUPLER – SPLINED, 11T (EATON)	1	
A	18720	NUT – HEX 3/4-16 UNF GR 5 ZN PL		
B	18640	WASHER – REG. LOCK 3/4 IN. NOM. I.D. ZP		
C	30191	WASHER – HARDENED ASTM F436 3/8		
D	115672	SCREW – HEX SOC HD 3/8-16 X 1.5		
E	135369	WASHER – HARDENED ASTM F436 1/2		
F	252641	BOLT – HH 1/2-13 X 1.5-GR8-AA3L		
G	252640	BOLT – HH 3/8-16 X 1.25-GR8-AA3L		
H	21491	BOLT – HEX HD 1/2-13 X 1.25 GR5-AA1J		
J	184662	BOLT – RHSN TFL M10 X 1.5 X 30-8.8-AA1J ⁴⁰³		
K	135799	NUT – HEX FLG CTR LOC M10 X 1.5-10 ⁴⁰³		
L	21452	NUT – FLG SER FACE 3/8-16 UNC GR5 AA1J		

402. Comes with two flange nuts (MD #21452).

403. This hardware is required to install the P-clip that secures the case drain hose (MD #213167). Refer to Section [117 Hydraulics – Drives and Header Connection, page 355](#).

111 Knife Drive Pump Service Kit



KNIFE DRIVE PUMP SERVICE KIT

NOTE:

The knife pumps on Parker and Eaton pump assemblies are not serviceable. If replacing a Parker or Eaton knife pump, order the knife drive pump service kit (MD #326299). The service kit includes a Bosch knife pump, installation instructions, and the fittings, O-rings, and hardware required to convert the new Bosch pump to the Parker/Eaton setup.

Ref	Part Number	Description	Qty	Serial Number
	326299	KIT – SERVICE , FM100 KNIFE PUMP ⁴⁰⁴		
1	248089	PUMP – PISTON, KNIFE DRIVE ⁴⁰⁵	1	
2	136246	KIT – SPLIT FLANGE, 1.5" CD 61 ⁴⁰⁶	1	
3	294833	FITTING – HYD ELBOW CODE 61	1	
4	136089	FITTING – ELBOW 90° HYD	1	
	44210	O-RING – #10 ORB		
	135867	O-RING – #10 ORFS		
5	294832	O-RING – 3.0 X 104.0	1	
6	295139	COUPLER – SPLINED, 13T	1	
7	136024	O-RING – 3.00 X 85.00	1	
8	326231	BRACKET – HOSE SUPPORT ⁴⁰⁷		
9	136110	CLAMP – U-BOLT ⁴⁰⁸	1	
A	184714	WASHER – FLAT REG M12-300HV		
B	252642	BOLT – HH 1/2-13 X 1.75-GR8-AA3L		
C	30630	BOLT – HEX HD TFL M12 X 1.75 X 30-8.8-A3L		
D	21452	NUT – FLG SER FACE 3/8-16 UNC GR5 AA1J		

404. Order knife pump service kit (MD #326299) if replacing a Parker or Eaton knife pump. The kit includes instructions and all parts listed in this section.

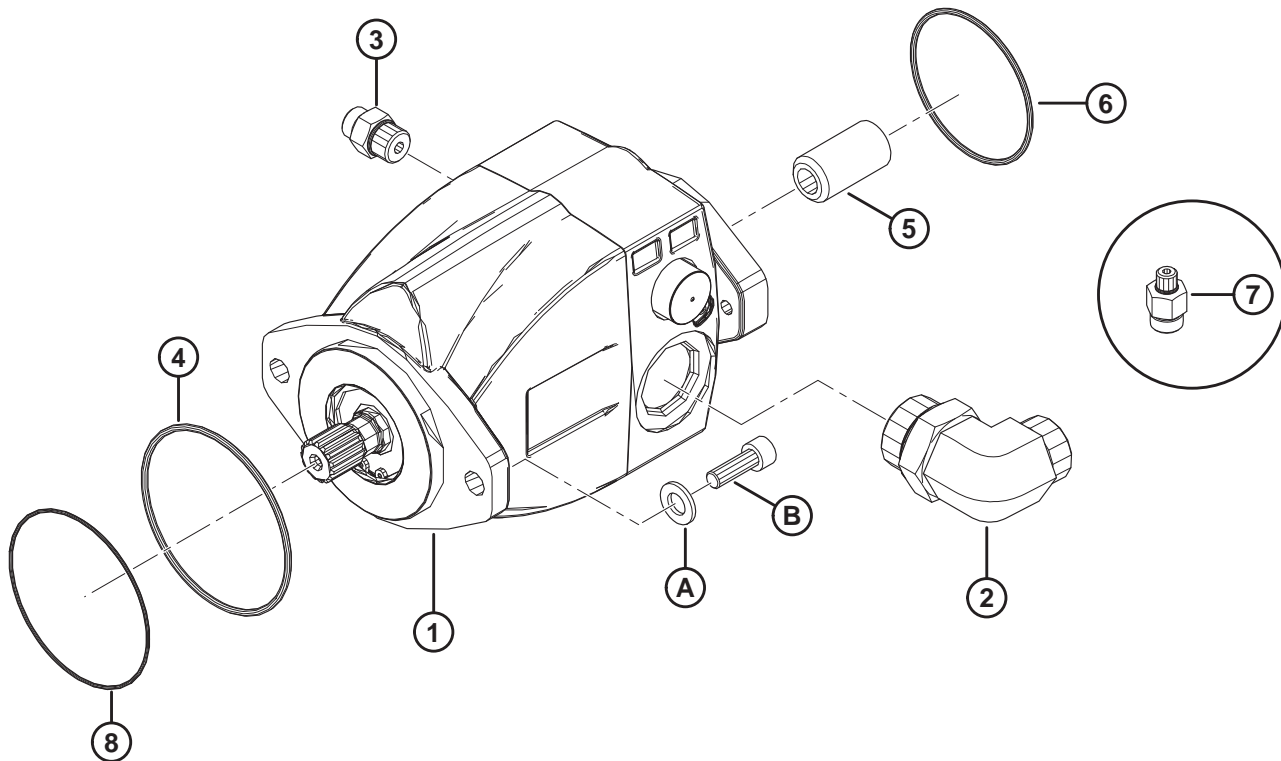
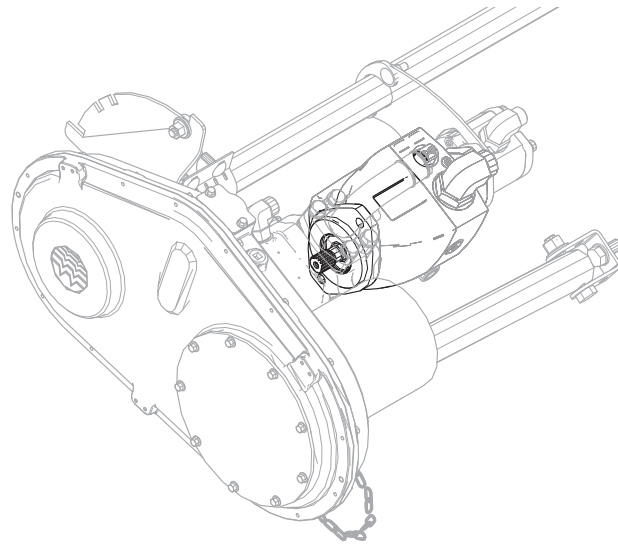
405. O-ring (MD 294832) and shaft coupler (MD #295139) are included with the pump.

406. Includes two half-split flanges (MD #136106), O-ring (MD #135400), four bolts (MD #252641), and four flat washers (MD #184714).

407. Required if the Bosch pump is replacing an Eaton pump.

408. Required if the Bosch pump is replacing an Eaton pump. Comes with two flange nuts (MD #21452).

112 Draper Drive Pump Service Kit



DRAPER DRIVE PUMP SERVICE KIT

NOTE:

The draper pumps on Parker and Eaton pump assemblies are not serviceable. If replacing a Parker or Eaton draper pump, order the draper drive pump service kit (MD #326300). The service kit includes a Bosch draper pump, installation instructions, and the fittings, O-rings, and hardware required to convert the new Bosch pump to the Parker/Eaton setup.

Ref	Part Number	Description	Qty	Serial Number
	326300	KIT – SERVICE , FM100 KNIFE PUMP ⁴⁰⁹		
1	311466	PUMP – PISTON, DRAPER DRIVE ⁴¹⁰	1	
2	136766	FITTING- – ELBOW 90° HYD	1	
	50220	O-RING – #20 ORB		
	135554	O-RING – #16 ORFS		
3	191705	FITTING – ADAPTER 6 MORFS X 8 MORB	1	
	44209	O-RING – #8 ORB		
	135865	O-RING – #6 ORFS		
4	320415	O-RING – 3.5 X 104.4	1	
5	295140	COUPLER – SPLINED, 20-11T ⁴¹¹	1	
6	136024	O-RING – 3.00 X 85.00 ⁴¹¹	1	
7	135777	FITTING – ADAPTER ⁴¹²	1	
	50223	O-RING – #4 ORB		
	135865	O-RING – #6 ORFS		
8	320417	O-RING – 1.8 X 101.3	1	
A	184714	WASHER – FLAT REG M12-300HV		
B	135401	SCREW – HEX SOC HD TFL M10 X 1.5 X 30-8.8-AA1J		

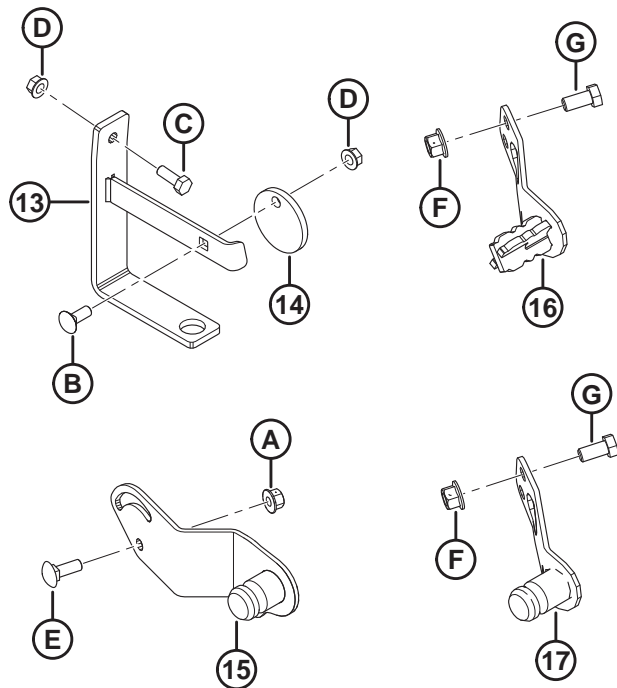
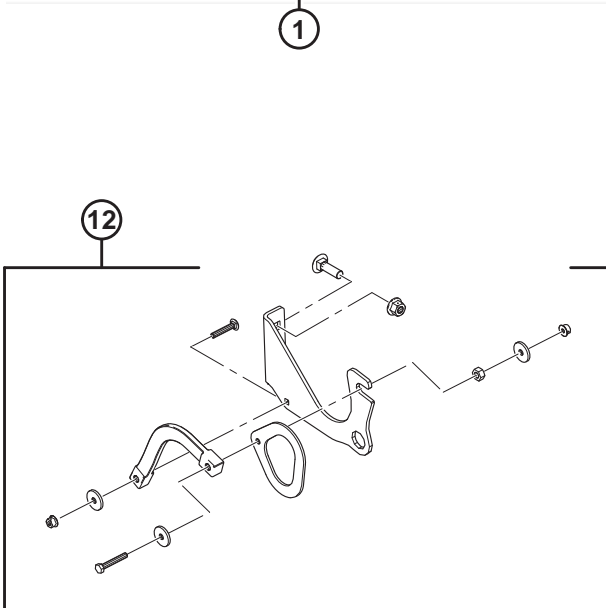
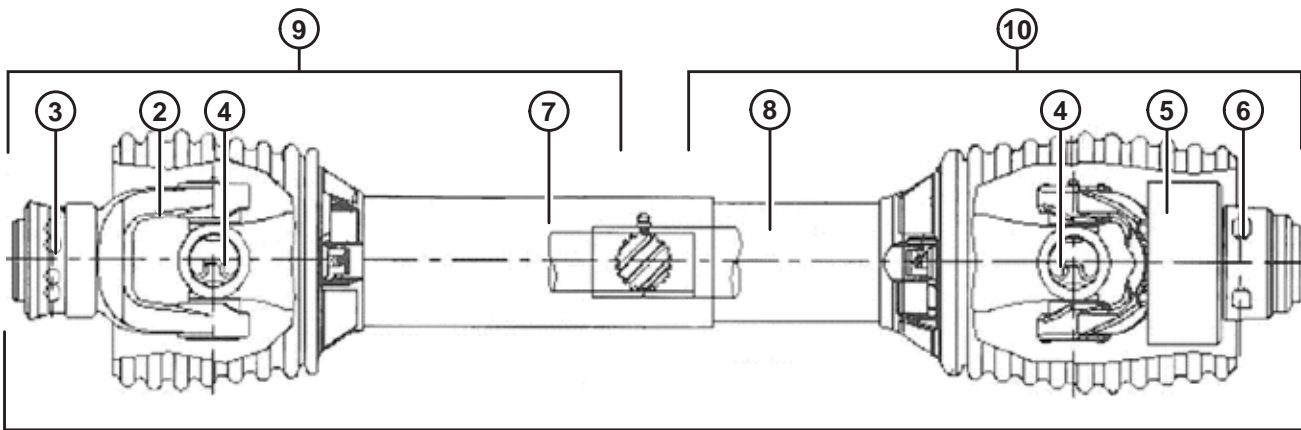
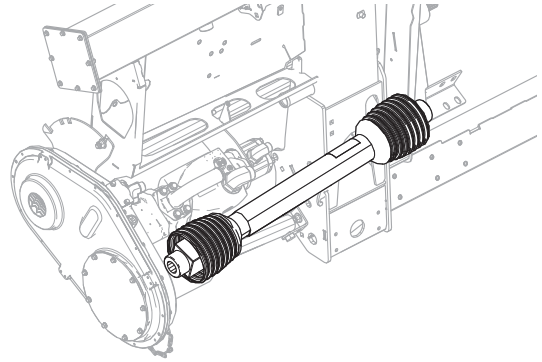
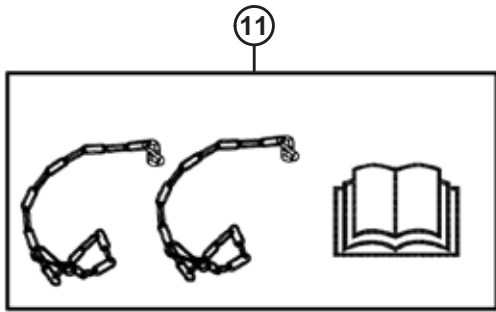
409. Order draper pump service kit (MD #326300) if replacing a Parker or Eaton draper pump. The kit includes instructions and all parts listed in this section.

410. O-ring (MD #136204) and shaft coupler (MD #295140) are included with the pump.

411. Included with pump.

412. For use with diagnostic tee (MD #252554).

113 Input Driveline and Support



INPUT DRIVELINE AND SUPPORT

NOTE:

Half driveline kits for the combine end are listed under item #9, and half driveline kits for the header end are listed under item #10. Refer to the footnotes on individual parts to determine which combine models each kit is used for.

Ref	Part Number	Description	Qty	Serial Number
	B6595	KIT – 6T SPLINE CE DRIVELINE, CNH COMBINE ⁴¹³		
	B6596	KIT – 21T SPLINE CE DRIVELINE, CNH COMBINE ⁴¹⁴		
1	301996	6T DRIVELINE – COMPLETE (CE CERTIFIED) ⁴¹⁵	1	
	187553	21T DRIVELINE – COMPLETE (CE CERTIFIED) ⁴¹⁶	1	
	187550	21T DRIVELINE – COMPLETE (CE CERTIFIED) ⁴¹⁷	1	
	187551	HEX BORE DRIVELINE – COMPLETE (CE CERTIFIED) ⁴¹⁸	1	
	314306	1 3/4-20 SPL DRIVELINE – COMPLETE (CE CERTIFIED) ⁴¹⁹	1	
	301704	38-8 SPL DRIVELINE – COMPLETE (CE CERTIFIED) ⁴²⁰	1	
	287814	SHIELD – REPAIR KIT CE	A/R	
2	133634	YOKE – SPRING LOCK, 6T	1	
	133637	YOKE – SPRING LOCK, 21T	1	
	133641	YOKE – SPRING LOCK, HEX BORE ⁴¹⁸	1	
	150890	YOKE – SPRING LOCK, 1 3/4-20 SPLINE ⁴¹⁹	1	
	314657	YOKE – SPRING LOCK, 38-8 SPLINE ⁴²⁰	1	
3	40095	REPAIR KIT – SPRING LOCK YOKE (6T AND 21T)	A/R	
	133640	REPAIR KIT – SPRING LOCK YOKE (HEX BORE) ⁴¹⁸		
	150891	REPAIR KIT – SPRING LOCK YOKE (1 3/4-20 SPLINE) ⁴¹⁹		
	314656	REPAIR KIT – SPRING LOCK YOKE (38-8 SPLINE) ⁴²⁰		
4	142777	CROSS JOURNAL ASSEMBLY ⁴²¹	2	
5	133631	YOKE – FREE MOTION	1	
6	133632	REPAIR KIT – AUTO LOCK YOKE		

413. Case IH Midrange/Flagship 10/20/30/40 Series, 2016 and prior New Holland CR/CX, and Versatile RT490. Kits available through Whole Goods only.

414. Model year 2017 and later Case and New Holland combines. Kits available through Whole Goods only.

415. Case IH Midrange/Flagship 10/20/30/40 Series, all New Holland CR/CX.

416. JD STS/S Series (except Widebody Walker Machines listed below), CLAAS Lexion, AGCO, and 2017 and later Case and New Holland combines.

417. JD Widebody Walker Machines – 9650/9660, 9660 WTS, and T9670.

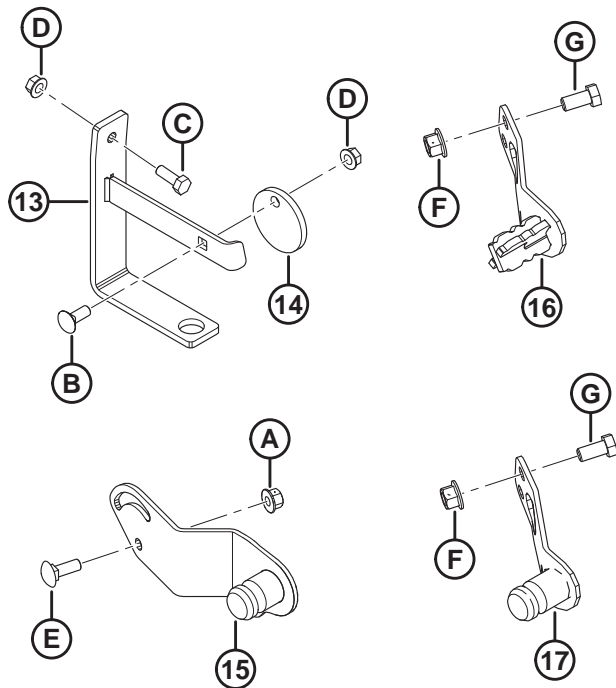
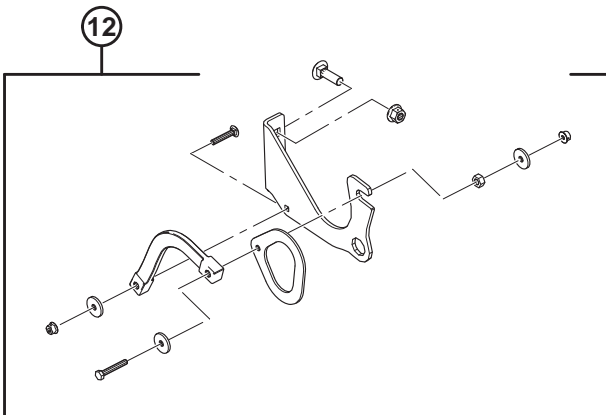
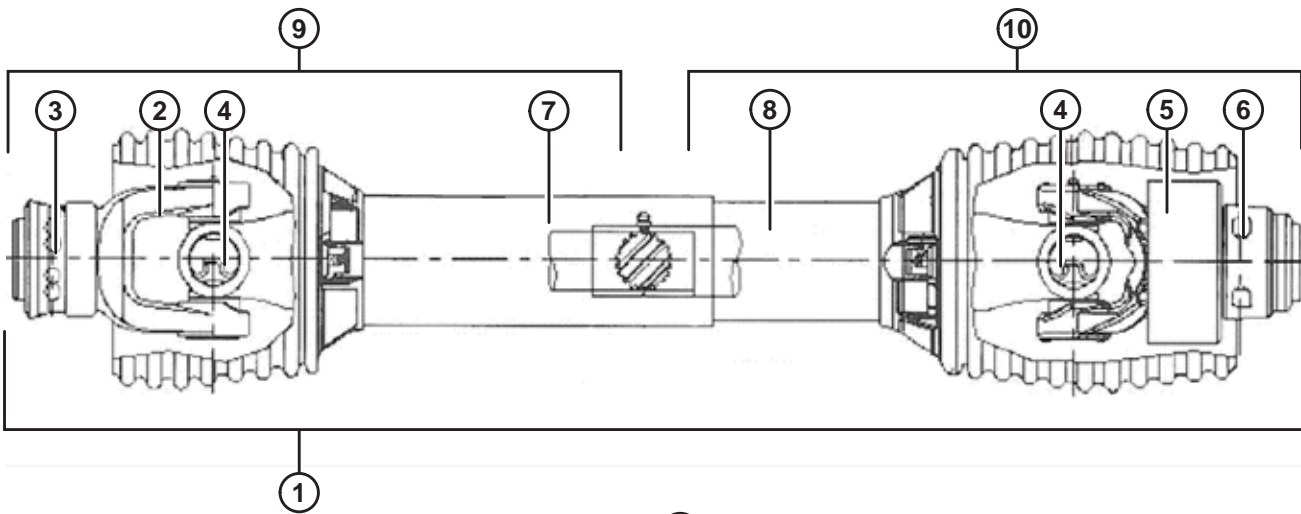
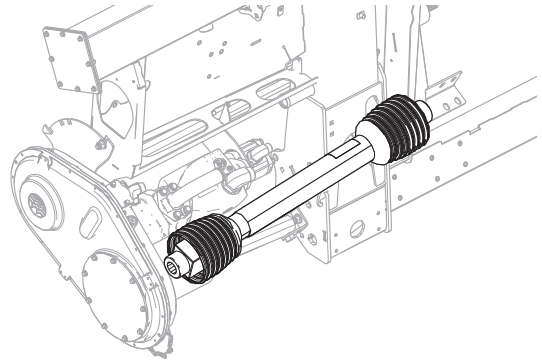
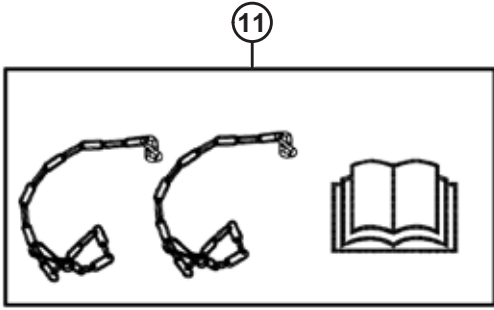
418. Case IH 88 Series and 2300/2500 Series.

419. AGCO IDEAL™ 7/8/9.

420. Rostselmash 760/780.

421. Includes clips and lube fitting.

INPUT DRIVELINE AND SUPPORT



1026704

INPUT DRIVELINE AND SUPPORT

Ref	Part Number	Description	Qty	Serial Number
7	322207	KIT – GUARD, OUTER (6T AND 21T DRIVELINE) ⁴²²	1	
	322203	KIT – GUARD, OUTER (21T DRIVELINE) ⁴²³	1	
	322202	KIT – GUARD, OUTER (HEX BORE DRIVELINE) ⁴²⁴	1	
	322205	KIT – GUARD, OUTER (1 3/4-20, 38-8 SPL DRIVELINE) ⁴²⁵	1	
8	322208	KIT – GUARD, INNER (6 T AND 21T DRIVELINE) ⁴²²	1	
	322209	KIT – GUARD, INNER (21T DRIVELINE) ⁴²³	1	
	322210	KIT – GUARD, INNER (HEX BORE DRIVELINE) ⁴²⁴	1	
	322211	KIT – GUARD, INNER (1 3/4-20, 38-8 SPL DRIVELINE) ⁴²⁵	1	
9	301997	ASSY – JOINT AND SHAFT HALF CE (6T COMBINE END) ⁴²⁶	1	
	322212	KIT – HALF DRIVELINE, OUTER (21T COMBINE END) ⁴²⁷	1	
	322199	KIT – HALF DRIVELINE, OUTER (21T COMBINE END) ⁴²³	1	
	322198	KIT – HALF DRIVELINE, OUTER (HEX BORE COMBINE END) ⁴²⁴	1	
	314658	ASSY – JOINT AND SHAFT HALF CE (1 3/4-20 SPLINE COMBINE END) ⁴²⁸	1	
	314653	ASSY – JOINT AND SHAFT HALF CE (38-8 SPLINE COMBINE END) ⁴²⁹	1	
	220766	SHIELD – REPAIR KIT CE	A/R	
10	322257	KIT – HALF DRIVELINE, INNER (6T AND 21T HEADER END) ⁴²²	1	
	322258	KIT – HALF DRIVELINE, INNER (21T HEADER END) ⁴²³	1	
	322259	KIT – HALF DRIVELINE, INNER (HEX BORE HEADER END) ⁴²⁴	1	
	322234	KIT – HALF DRIVELINE, INNER (1 3/4-20 AND 38-8 SPL HEADER END) ⁴²⁵	1	
	220766	SHIELD – REPAIR KIT CE	A/R	
11	171277	KIT – CE CONVERSION (EXPORT) ⁴³⁰	A/R	-346189

422. JD STS/S Series (except Widebody Walker Machines listed below), CLAAS Lexion, AGCO, Case IH Midrange/Flagship 10/20/30/40 Series, all New Holland CR/CX, 2017 and later CNH combines, and Versatile RT490.

423. JD Widebody Walker Machines – 9650/9660, 9660 WTS, and T9670.

424. Case IH 88 Series and 2300/2500 Series.

425. AGCO IDEAL™ 7/8/9 and Rostselmash 760/780.

426. Case IH Midrange/Flagship 10/20/30/40 Series, 2016 and prior New Holland CR/CX, and Versatile RT490.

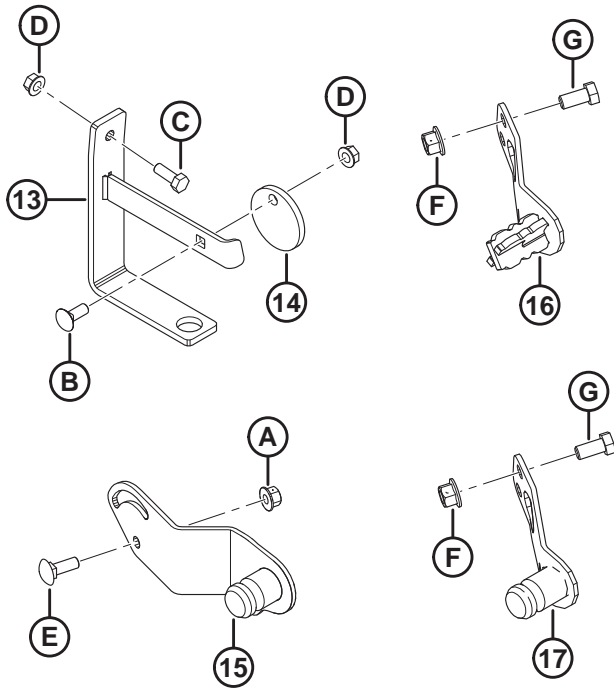
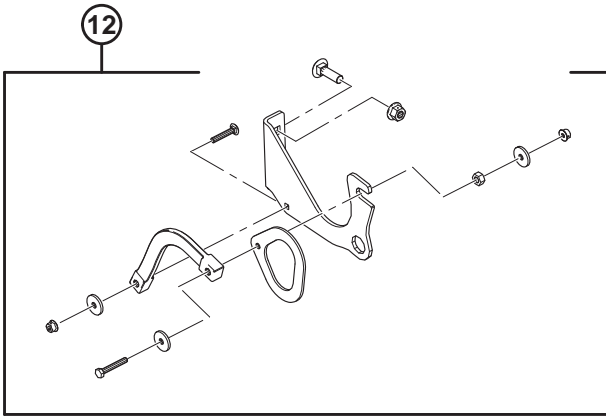
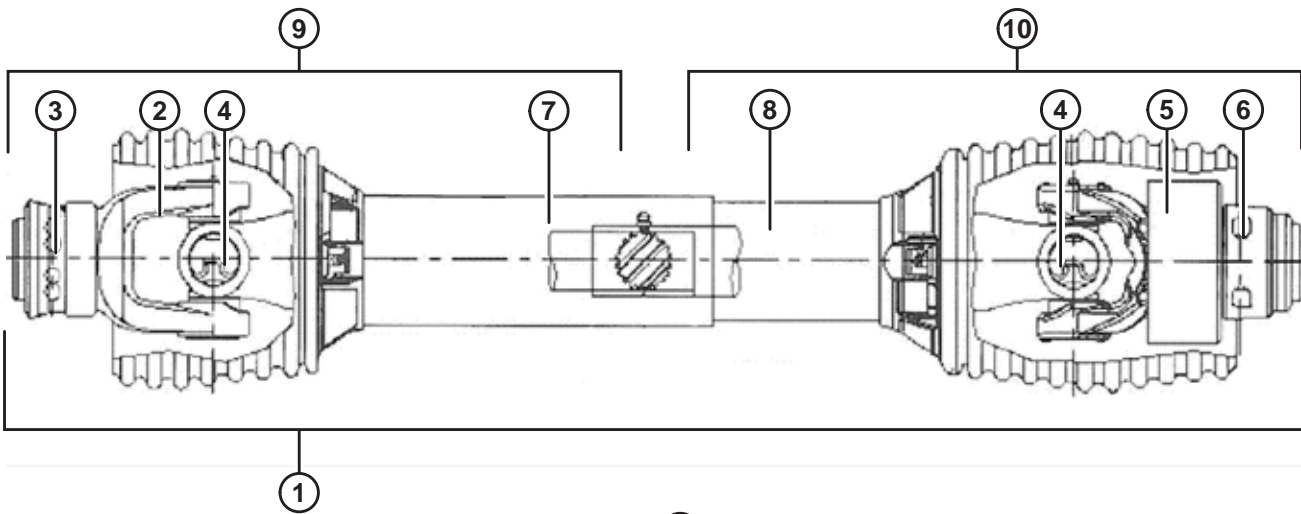
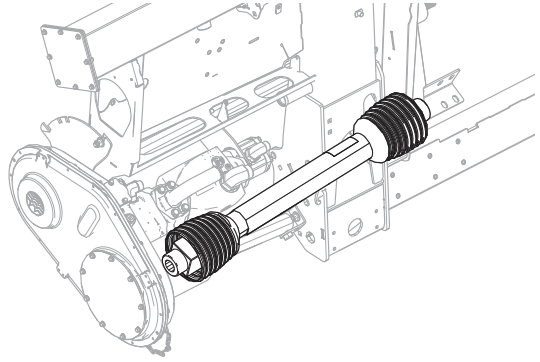
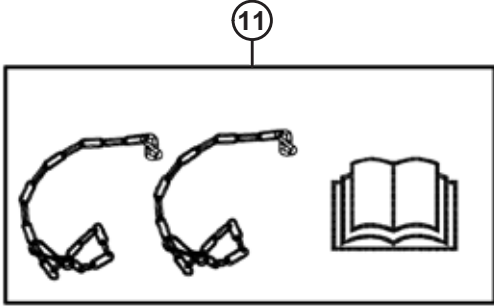
427. JD STS/S Series (except Widebody Walker Machines listed below), CLAAS Lexion, AGCO, and 2017 and later Case and New Holland combines.

428. AGCO IDEAL™ 7/8/9.

429. Rostselmash 760/780.

430. Includes two chains, decals, CE manual, and instruction sheet. Service part only for float modules made in model year 2018 and prior.

INPUT DRIVELINE AND SUPPORT



1026704

INPUT DRIVELINE AND SUPPORT

Ref	Part Number	Description	Qty	Serial Number
12	REF	ASSY – DRIVELINE SUPPORT ⁴³¹	1	
13	133166	BRACKET – DRIVELINE HANGER (2016–PRIOR) ⁴³²	1	–301189
14	133165	DISC – LOCK, DRIVELINE HANGER (2016–PRIOR) ⁴³²	1	–301189
15	276566	SUPPORT – WELDMENT PTO STORAGE ⁴³³	1	
16	308015	SUPPORT – WELDMENT PTO STORAGE (6T CNH) ⁴³⁴	1	
17	308124	SUPPORT – WELDMENT PTO STORAGE (21T CNH) ⁴³⁵	1	301190–
A	135799	NUT – HEX FLG CTR LOC M10 X 1.5-10-A3L		
B	19965	BOLT – RHSN 3/8-16 X 1-GR5-ZP		
C	20077	BOLT – HEX HD 3/8 NC X 1.0 LG GR 5 ZP ⁴³⁶		
D	30228	NUT – FLG DT SMTH FACE 0.375-16 UNC		
E	184662	BOLT – RHSN TFL M10 X 1.5 X 30-8.8-A3L		
F	136431	NUT – HEX FLG CTR LOCK M12 X 1.75-10		
G	50155	BOLT – HEX HD TFL M12 X 1.75 X 25-8.8-AA1J		

431. Includes support (NSS), hook (NSS), strap (NSS), and hardware. Driveline support assembly replaced by bracket (MD #133166), disc (MD #133165), and hardware B–D for float modules made in model year 2016 and prior.

432. Service part only for float modules made in model year 2016 and prior, AGCO IDEAL™ 7/8/9, Case IH 2300/2500 Series, and Rostselmash 760/780.

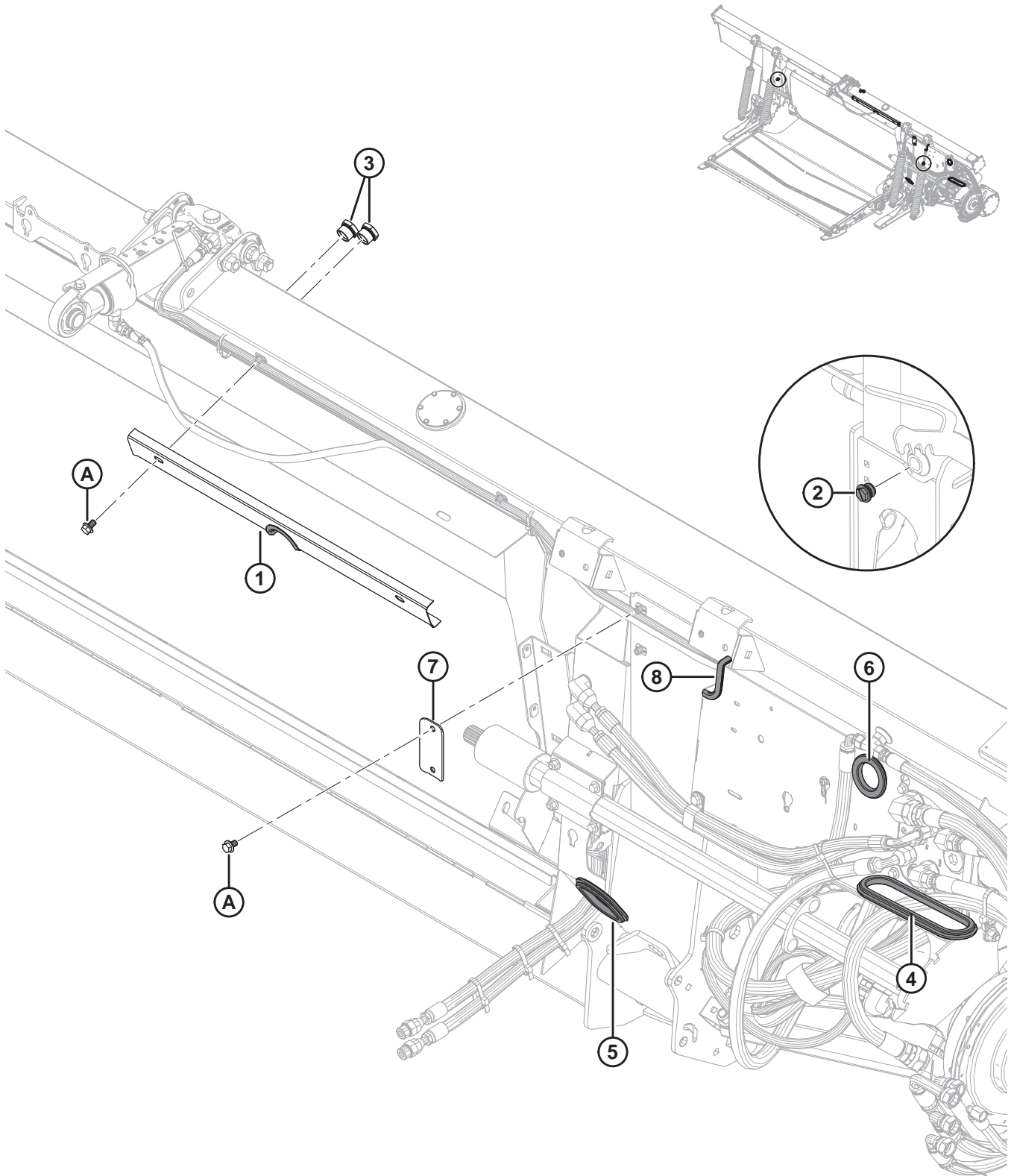
433. Gleaner® R/S, CLAAS Lexion, John Deere, and AGCO.

434. Case IH Midrange/Flagship 10/20/30/40 Series, all New Holland CR/CX, and Versatile RT490.

435. Model year 2017 and later CNH combines.

436. Bolt E (MD #184662) and nut A (MD #135799) used to secure driveline hanger bracket (MD #133166) for AGCO IDEAL™ 7/8/9, Case IH 2300/2500 Series, and Rostselmash 760/780.

114 Hydraulics – Frame Components



HYDRAULICS – FRAME COMPONENTS

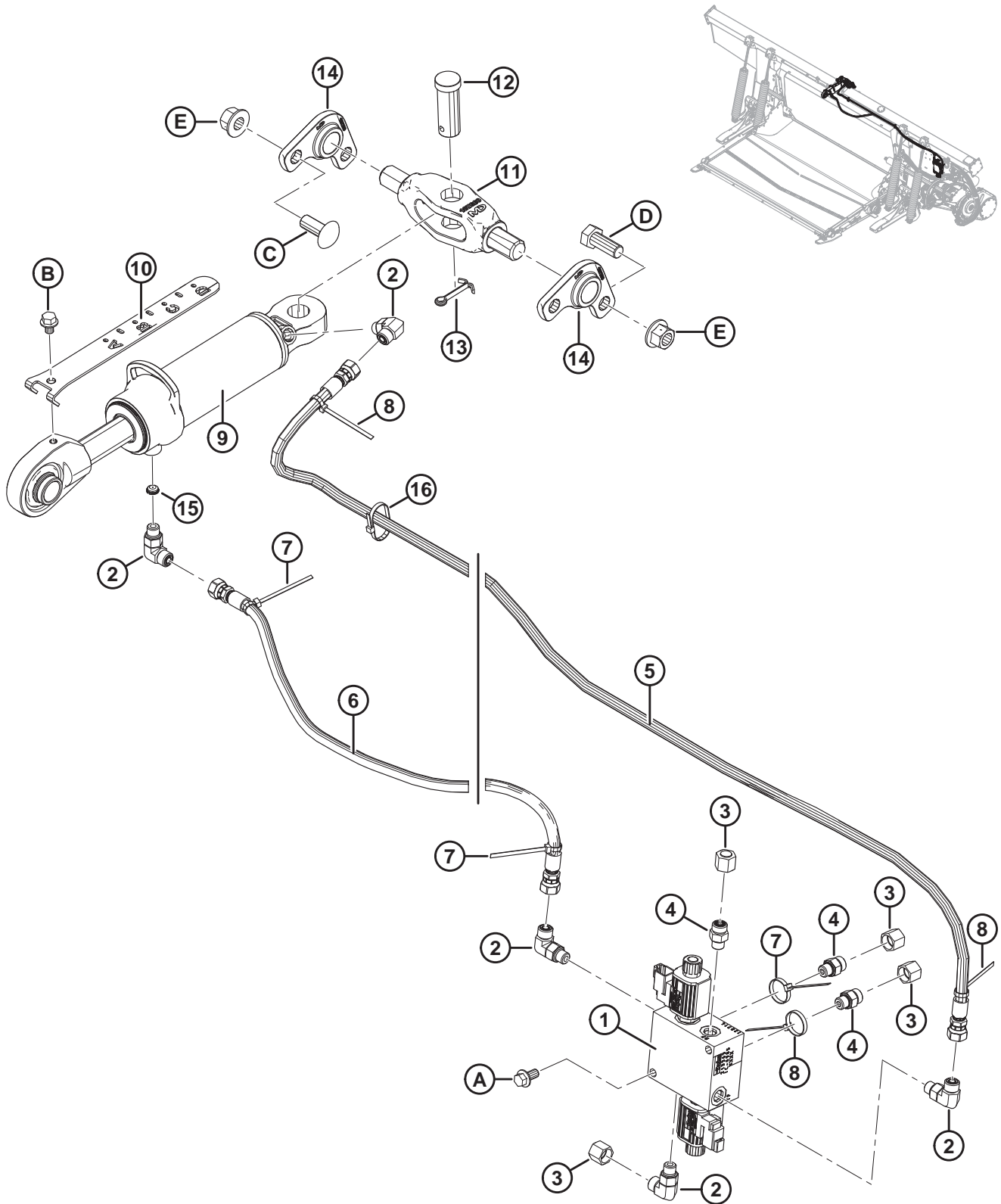
Ref	Part Number	Description	Qty	Serial Number
1	294949	ASSY – HOSE HOLDER ⁴³⁷	1	
	109791	MOULDING	1	
2	103575	PLUG – HEX CW O-RING ⁴³⁸	2	371190–
	156051	PLUG – #16 ORB ⁴³⁹	2	–371189
3	304668	SIGHT GLASS	2	
4	276033	GROMMET – RUBBER	1	
5	276034	GROMMET – RUBBER	1	
6	276560	GROMMET – RUBBER	1	
7	287272	CLAMP – HOSE	1	
8	31889	MOULDING (SPEC 31886)	1	
A	136151	BOLT – HEX FLG HD TFL M10 X 1.5 X 16-8.8-A3L		

437. Includes holder with cutout (not serviced separately) and moulding (MD #109791).

438. For model year 2020 and later. Two drain plugs are located on the rear of the float module frame.

439. For model year 2019 and prior. Two drain plugs are located on the rear of the float module frame.

115 Hydraulics – Center-Link and Header Tilt / Reel Fore-Aft

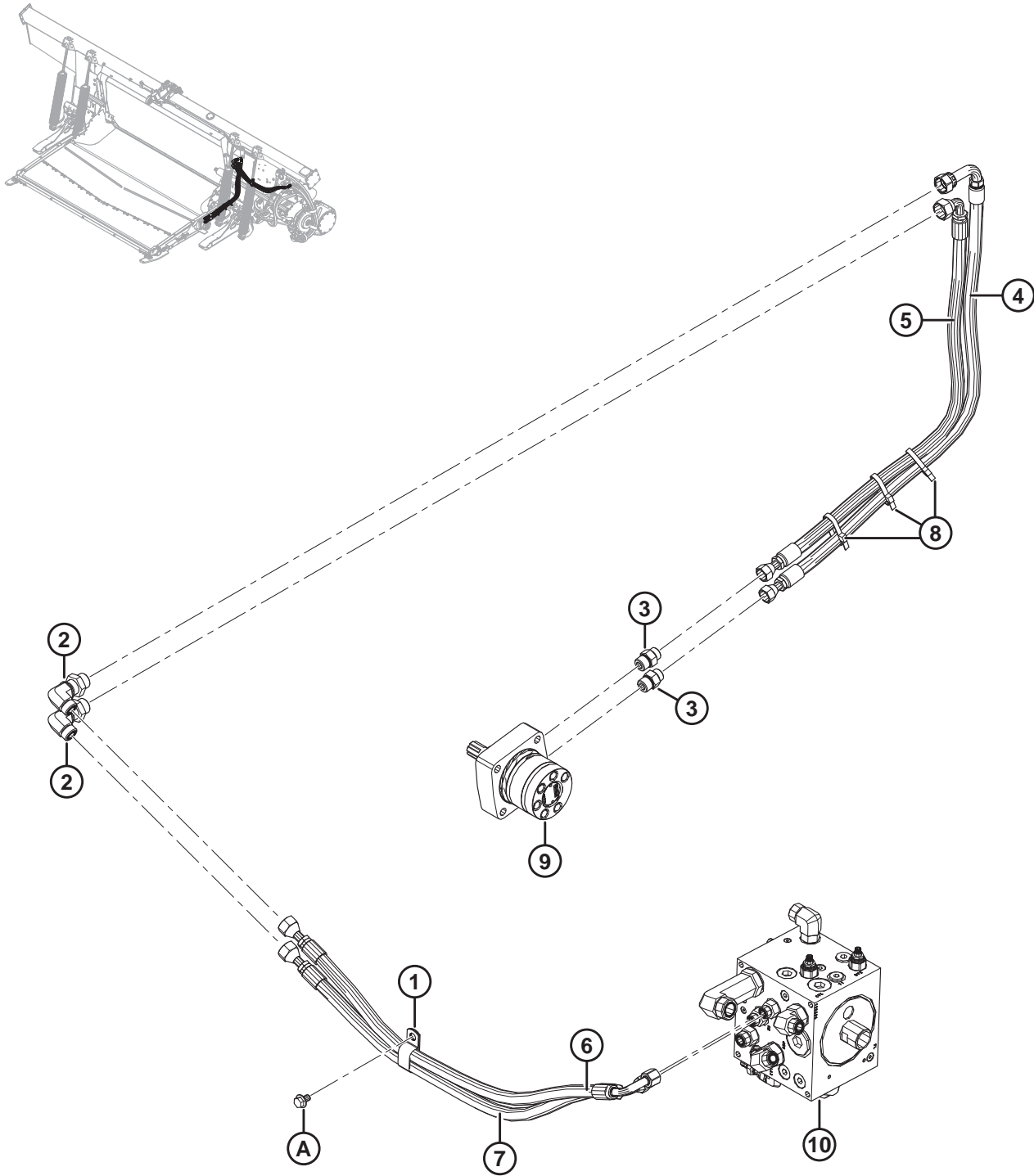


HYDRAULICS – CENTER-LINK AND HEADER TILT / REEL FORE-AFT

Ref	Part Number	Description	Qty	Serial Number
1	213363	MANIFOLD – SELECTOR VALVE	1	
	287449	COIL – 12VDC-.625 IN.		
	287450	VALVE – POPPET		
	287451	SEAL KIT – POPPET VALVE		
2	136095	FITTING – ELBOW 90° HYD	5	
	50219	O-RING – #6 ORB		
	135865	O-RING – #6 ORFS		
3	136325	CAP – HYD, SAE, 6 ORFS	4	
4	135778	FITTING – ADAPTER	3	
	50219	O-RING – #6 ORB		
	135865	O-RING – #6 ORFS		
5	213307	HOSE – HYD, TILT FORWARD	1	
6	311491	HOSE – HYD, TILT BACK	1	
	311750	KIT – TILT HOSE SERVICE ⁴⁴⁰	A/R	-371189
7	40702	FASTENER – CABLE TIE, RED	3	
8	49227	FASTENER – CABLE TIE, GREEN	3	
9	187621	CYLINDER – TOP LINK	1	
	123978	SEAL KIT		
10	187637	INDICATOR – TILT	1	
11	187660	PIVOT – MACHINING	1	
12	135995	PIN – CLEVIS	1	
13	18609	PIN – COTTER 1/4 DIA X 2 ZP	1	
14	187730	CASTING – PIVOT	2	
15	252692	RESTRICTOR – #6 ORB X .065 IN.	1	
16	21763	FASTENER – CABLE TIE, BLACK	2	
A	152655	BOLT – HEX FLG HD M10 X 1.5 X 20-8.8-A3L		
B	30693	BOLT – FLANGE (SER FACE) .375-16 UNC X 0.50 LG		
C	136699	BOLT – RHSSN M16 X 2 X 40-8.8-AA3L		
D	111528	BOLT – HEX HD TFL M16 X 2 X 40-8.8-A3L		
E	136440	NUT – HEX FLG CTR LOC M16 X 2-10-A3L		

440. Tilt Hose Service kit (MD #311750) is used to service previous production. Kit includes tilt back hose (MD #311491) and installation instructions.

116 Hydraulics – Feed Deck



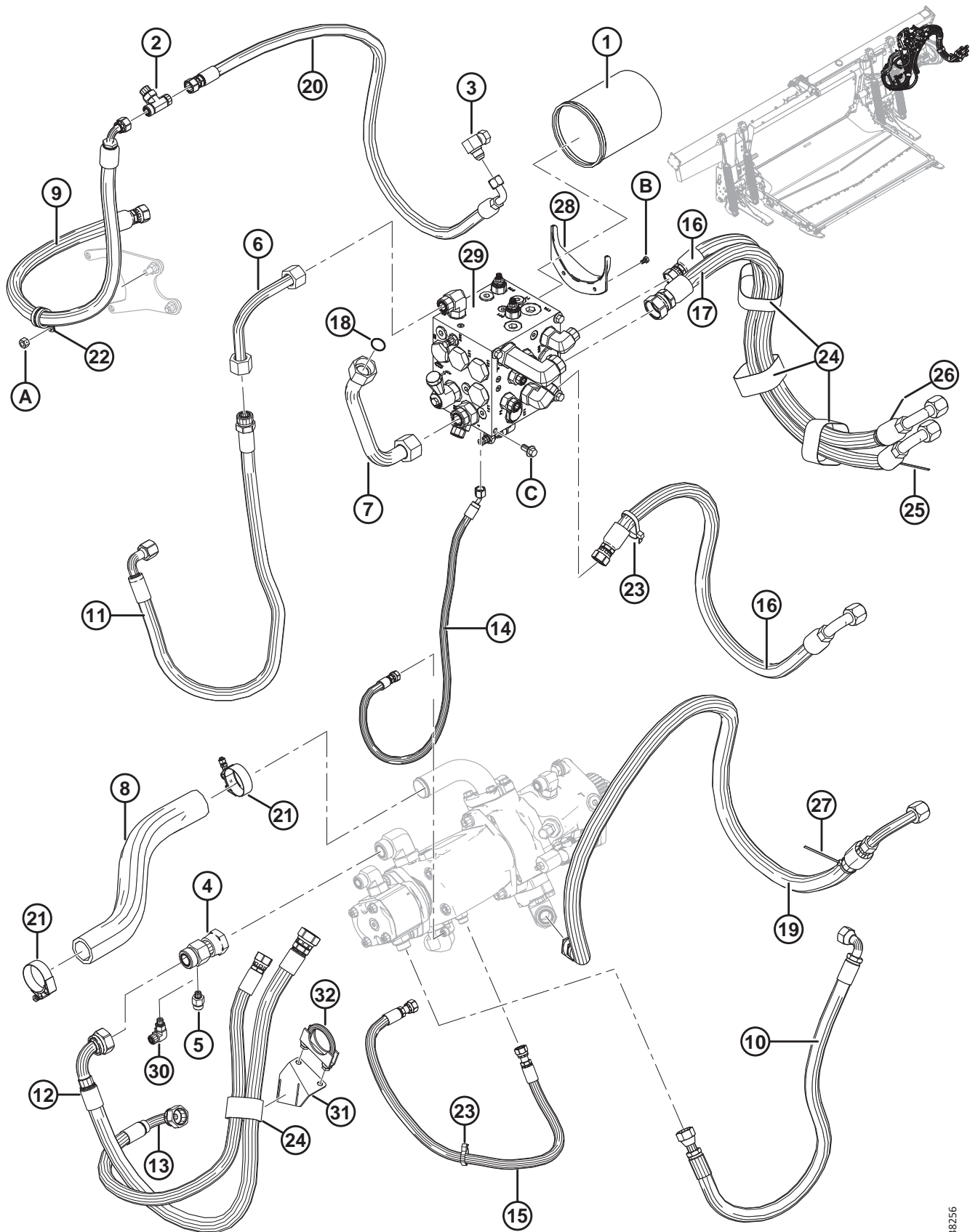
HYDRAULICS – FEED DECK

Ref	Part Number	Description	Qty	Serial Number
1	103738	CLAMP – PVC INSULATED 13/16 IN. TUBE SIZE	1	
2	136760	FITTING – ELBOW 90° BULKHEAD HYD 10-10	2	
	135867	O-RING – #10 ORFS		
3	184463	FITTING – ADAPTER 8 MORFS X 10 MORB	2	
	44210	O-RING – #10 ORB		
	135866	O-RING – #8 ORFS		
4	213827	HOSE – HYD, FEED DECK PRESSURE	1	
5	213828	HOSE – HYD, FEED DECK RETURN	1	
6	287912	HOSE – HYD, FEED DECK PRESSURE	1	
7	287913	HOSE – HYD, FEED DECK RETURN A	1	
8	30753	FASTENER – CABLE TIE (BLACK)	3	
9	REF	MOTOR – HYD ⁴⁴¹		
10	REF	MANIFOLD – DRIVE ⁴⁴²		
A	136151	BOLT – HEX FLG HD TFL M10 X 1.5 X 16-8.8-A3L		

441. Refer to Section *95 Feed Deck – Draper Drive and Rollers*, page 291.

442. Refer to Section *118 Hydraulics – Drive Manifold Assembly*, page 359.

117 Hydraulics – Drives and Header Connection



HYDRAULICS – DRIVES AND HEADER CONNECTION

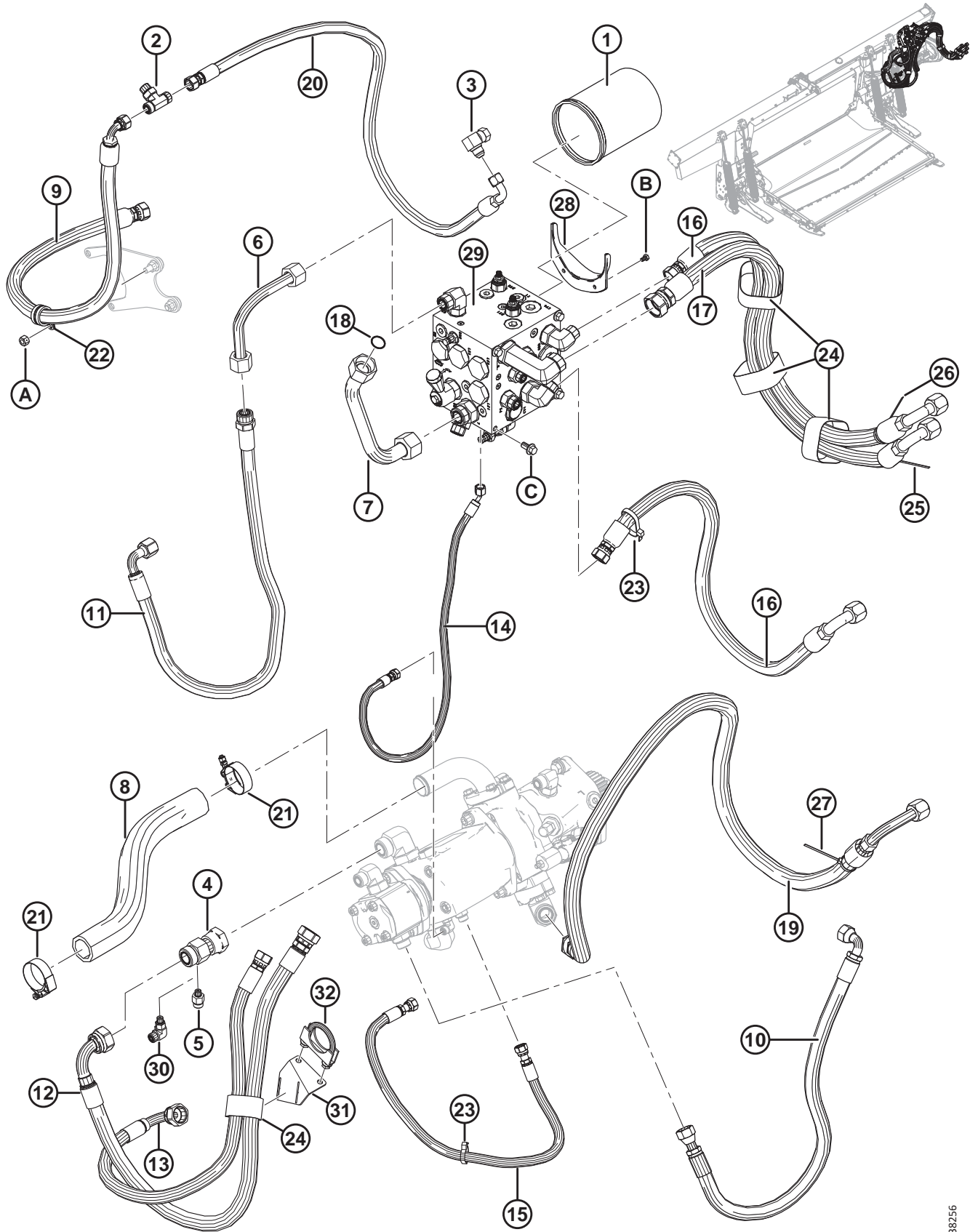
Ref	Part Number	Description	Qty	Serial Number
1	320360	FILTER – HYD C/W 2X SEALS	1	
2	136684	FITTING – BRANCH TEE ORFS 8-8-8	1	
	44209	O-RING – #8 ORB		
	135866	O-RING – #8 ORFS		
3	30314	FITTING – ELBOW 90° HYD	1	
4	252554	FITTING – TEE HYD, GAUGEPORT	1	
	135868	O-RING – #16 ORFS		
5	135777	FITTING – ADAPTER ⁴⁴³	1	
	50223	O-RING – #4 ORB		
	135865	O-RING – #6 ORFS		
6	213329	LINE – HYD, S2	1	
7	294938	LINE – RETURN	1	
8	287911	HOSE – SUCTION	1	
9	213167	HOSE – CASE DRAIN (CD)	1	
10	213174	HOSE – HYD, GEAR PUMP PRESS (P2)	1	
11	326240	HOSE – HYD, GEAR PUMP SUCTION (S2)	1	
12	326242	HOSE – HYD, S1	1	
13	326243	HOSE – HYD (P1)	1	
14	213864	HOSE – HYD (LS)	1	
15	276567	HOSE – HYD, CASE FLUSH	1	
16	287907	HOSE – HYD, FLX SD P AND R	2	
17	287908	HOSE – HYD, FLX KR	1	
18	135554	O-RING – #16 ORFS	1	
19	287910	HOSE – HYD, FLX KP	1	
20	287909	HOSE – HYD, FLX CD	1	
21	245753	CLAMP – T-BOLT	2	
22	209032	CLAMP – P-CLIP, INSULATED, 1 IN.	1	
23	30753	FASTENER – CABLE TIE (BLACK)	3	
24	170851	FASTENER – CINCH STRAP 10 IN. LG	1	
	295927	FASTENER – CINCH STRAP 8 IN. LG	1	
	135444	FASTENER – CINCH STRAP 6 IN. LG	A/R	
25	40702	FASTENER – CABLE TIE (RED)	1	
26	40703	FASTENER – CABLE TIE (BLUE)	1	
27	40704	FASTENER – CABLE TIE (ORANGE)	1	
28	213743	FLANGE – OIL DRAIN SPOUT	1	
29	REF	MANIFOLD – DRIVE ⁴⁴⁴		
30	136337	FITTING – ELBOW 90° HYD ⁴⁴⁵	1	
	50223	O-RING – #4 ORB		
	135865	O-RING – #6 ORFS		

443. Used on Bosch configurations only.

444. Refer to Section *118 Hydraulics – Drive Manifold Assembly, page 359*.

445. Used on Parker and Eaton configurations only.

HYDRAULICS – DRIVES AND HEADER CONNECTION



1038256

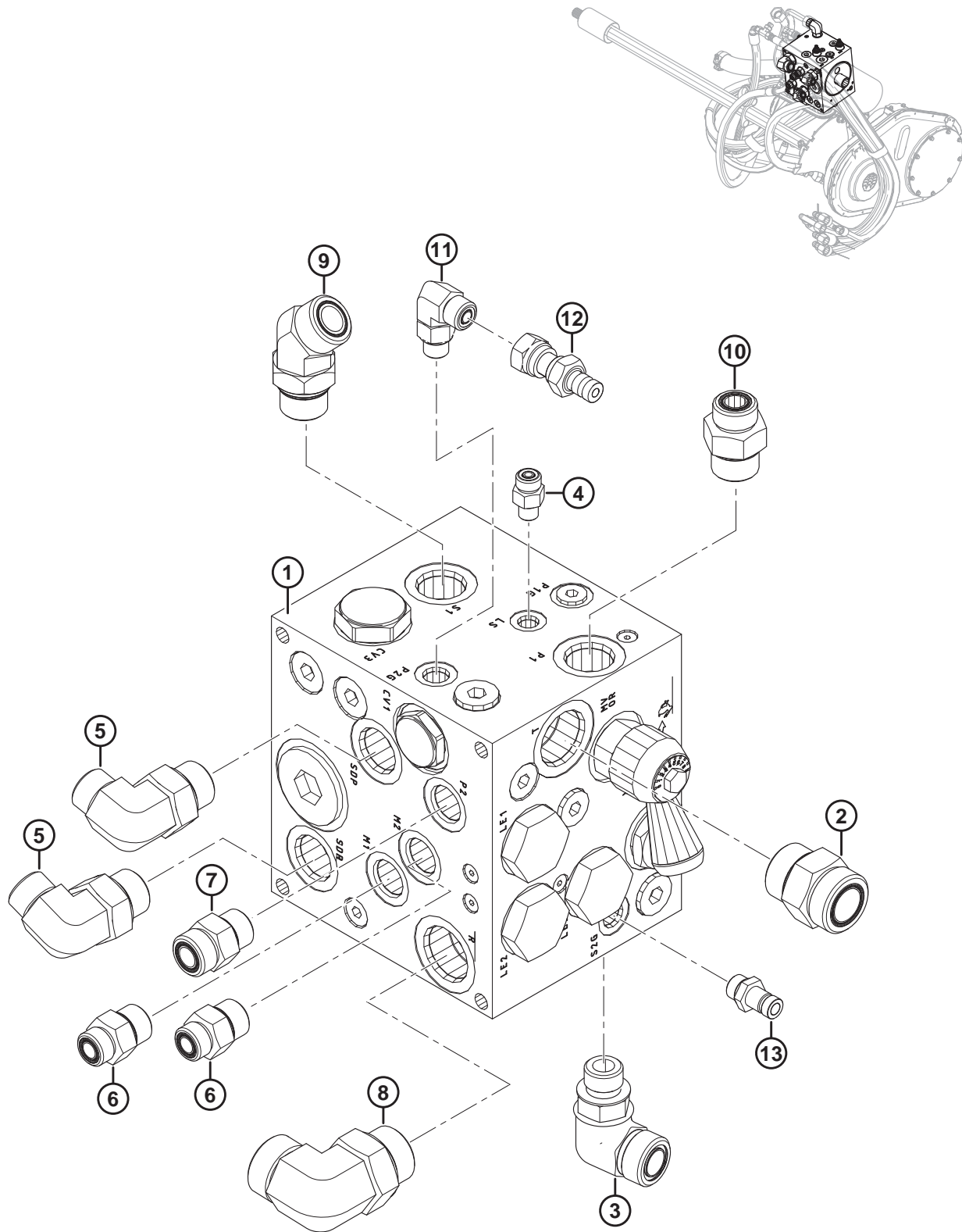
HYDRAULICS – DRIVES AND HEADER CONNECTION

Ref	Part Number	Description	Qty	Serial Number
31	326231	BRACKET – HOSE SUPPORT ⁴⁴⁶	1	
32	136110	CLAMP – U-BOLT ⁴⁴⁷	1	
A	135800	NUT – HEX CTR LOC SPCL M10 X 1.5-9-A3L		
B	136561	BOLT – HEX HD TFL M6 X 1 X 10-8.8-A3L		
C	152655	BOLT – HEX FLG HD M10 X 1.5 X 20-8.8-A3L		

446. Used to secure the hoses to the output shaft on Parker configurations.

447. Used to secure the hoses to the output shaft on Parker configurations. Comes with two flange nuts (MD #21452).

118 Hydraulics – Drive Manifold Assembly

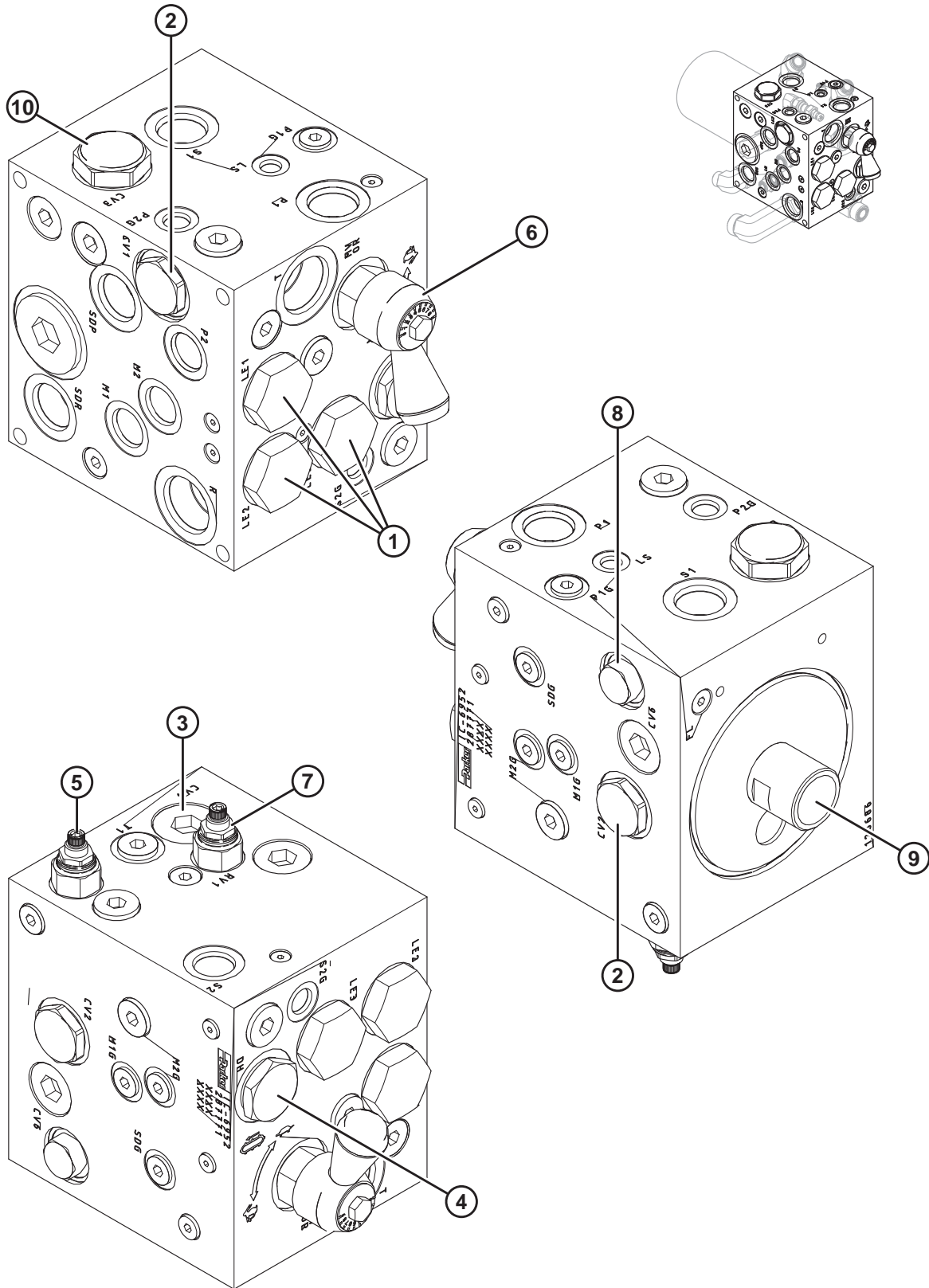


HYDRAULICS – DRIVE MANIFOLD ASSEMBLY

Ref	Part Number	Description	Qty	Serial Number
1	287771	ASSEMBLY – MANIFOLD, DRIVE ⁴⁴⁸	1	
2	135791	FITTING – ADAPTER (T)	1	
	50220	O-RING – #20 ORB		
	135554	O-RING – #16 ORFS		
3	136303	FITTING – ELBOW 90° HYD (S2)	1	
	44210	O-RING – #10 ORB		
	135868	O-RING – #12 ORFS		
4	135775	FITTING – ADAPTER (LS)	1	
	50223	O-RING – #4 ORB		
	135957	O-RING – #4 ORFS		
5	136347	FITTING – ELBOW 90° HYD (SDP, SDR)	2	
	30971	O-RING – #12 ORB		
	135867	O-RING – #10 ORFS		
6	184463	FITTING – ADAPTER 8 MORFS X 10 MORB (M1, M2)	2	
	44210	O-RING – #10 ORB		
	135866	O-RING – #8 ORFS		
7	184461	FITTING – ADAPTER 10 MORFS X 10 MORB (P2)	1	
	44210	O-RING – #10 ORB		
	135867	O-RING – #10 ORFS		
8	135734	FITTING – ELBOW 90° HYD (R)	1	
	50220	O-RING – #16 ORB		
	135554	O-RING – #16 ORFS		
9	136418	FITTING – ELBOW 45° HYD (S1)	1	
	30971	O-RING – #12 ORB		
	135868	O-RING – #12 ORFS		
10	135786	FITTING – ADAPTER (P1)	1	
	30971	O-RING – #12 ORB		
	135867	O-RING – #10 ORFS		
11	136095	FITTING – ELBOW 90° HYD (P2G)	1	
	50219	O-RING – #6 ORB		
	135865	O-RING – #6 ORFS		
12	252662	FITTING – NIPPLE HYD	1	
13	135587	NIPPLE – HYDRAULIC (S2G)	1	

448. For service parts, refer to Section *119 Drive Manifold Assembly – Service Parts*, page 361.

119 Drive Manifold Assembly – Service Parts



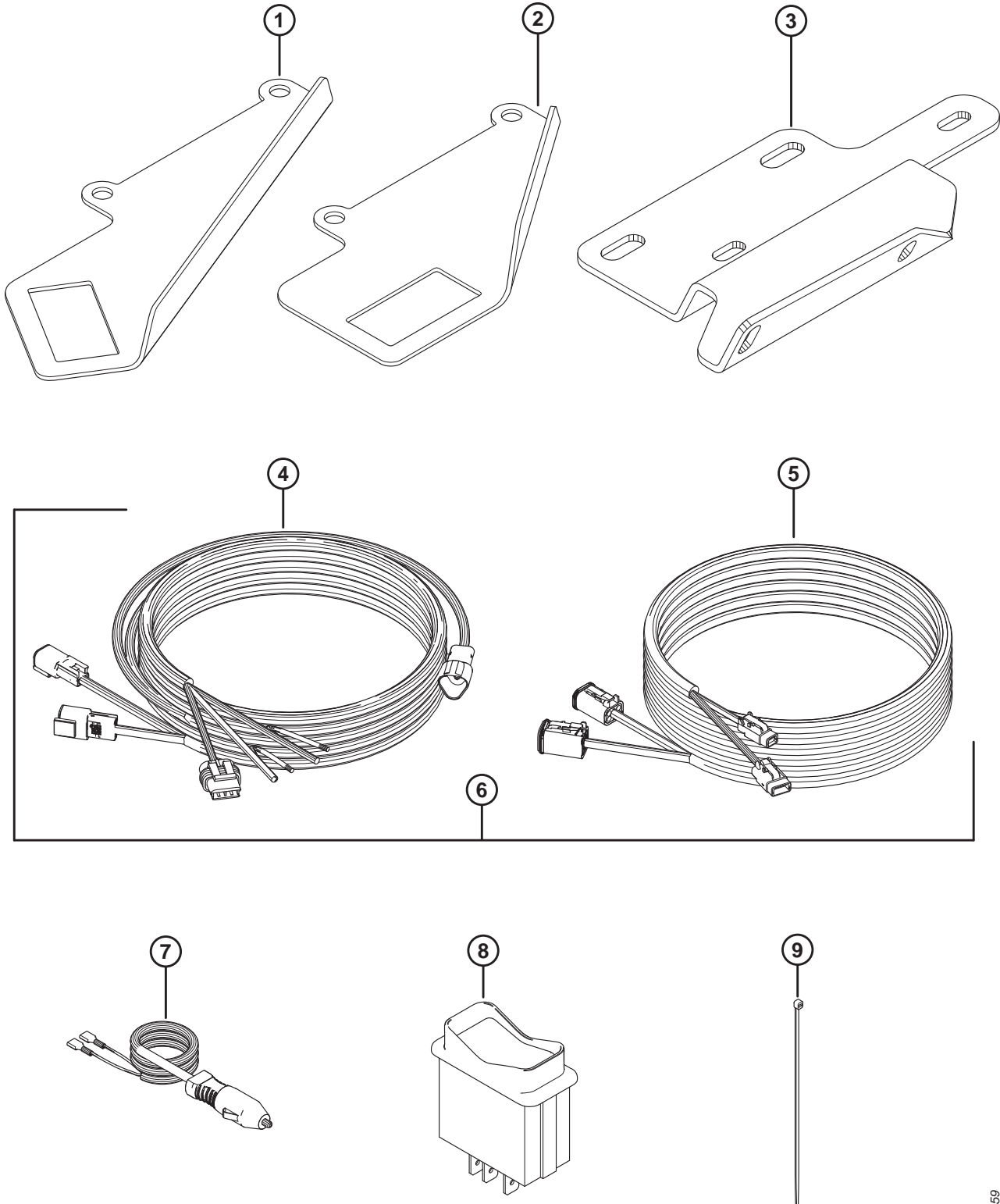
DRIVE MANIFOLD ASSEMBLY – SERVICE PARTS

Ref	Part Number	Description	Qty	Serial Number
	287771	ASSEMBLY – MANIFOLD, DRIVE ⁴⁴⁹		
1	287466	VALVE – LOGIC ELEMENT-16 (LE1, LE2, LE3)	3	
	220963	SEAL KIT		
2	287467	VALVE – VENTED CHECK-12 (CV1, CV2)	2	
	220965	SEAL KIT		
3	287468	VALVE – BYPASS, 25 PSI (CV4) ⁴⁵⁰	1	
4	287469	VALVE – DIVERTER (DH)	1	
	287473	SEAL KIT		
5	220951	VALVE – P.O. RELIEF, 2500 PSI (RV2)	1	
	220960	SEAL KIT		
6	287470	VALVE – NEEDLE (MVOR)	1	
	287193	HANDLE – FLOW CONTROL		
	220960	SEAL KIT		
7	287613	VALVE – RELIEF, 1500 PSI (RV1)	1	
	220960	SEAL KIT		
8	287471	VALVE – CHECK-08 (CV6)	1	
	220965	SEAL KIT		
9	245160	FITTING – FILTER ADAPTER	1	
10	287472	VALVE – CHECK REG-16, 8 PSI (CV3)	1	
	220961	SEAL KIT		

449. Refer to Section *118 Hydraulics – Drive Manifold Assembly, page 359*.

450. Bypass valve (MD #287468) is located underneath plug.

120 Selector Valve



SELECTOR VALVE

Ref	Part Number	Description	Qty	Serial Number
1	158377	SUPPORT – ROCKER SWITCH, IN CAB MTG BRACKET FOR FORE-AFT/ HEADER TILT ⁴⁵¹	1	
2	220734	SUPPORT – ROCKER SWITCH-IN CAB MTG BRKT FOR FORE-AFT/ HEADER TILT SWITCH ⁴⁵²	1	
3	304111	SUPPORT – TILT/DRAPER SPEED ⁴⁵²	1	
4	304210	HARNESS – CAB DRAPER CONTROL ⁴⁵³	1	
5	304211	HARNESS – CAB DRAPER EXTENSION ⁴⁵³	1	
6	304216	KIT – CAB DRAPER CONTROL HARNESS ⁴⁵⁴	A/R	-346189
7	220570	HARNESS – WIRING, CIGARETTE LIGHTER PLUG ⁴⁵⁵	1	
8	109064	SWITCH – ROCKER, HEADER TILT/FORE-AFT ⁴⁵³	1	
9	16661	FASTENER – NYLON TIE (BLACK)	12	

451. All combine models except CLAAS Lexion 500/700 Series and CNH/NH AFX, CX, and CR with integral switch.

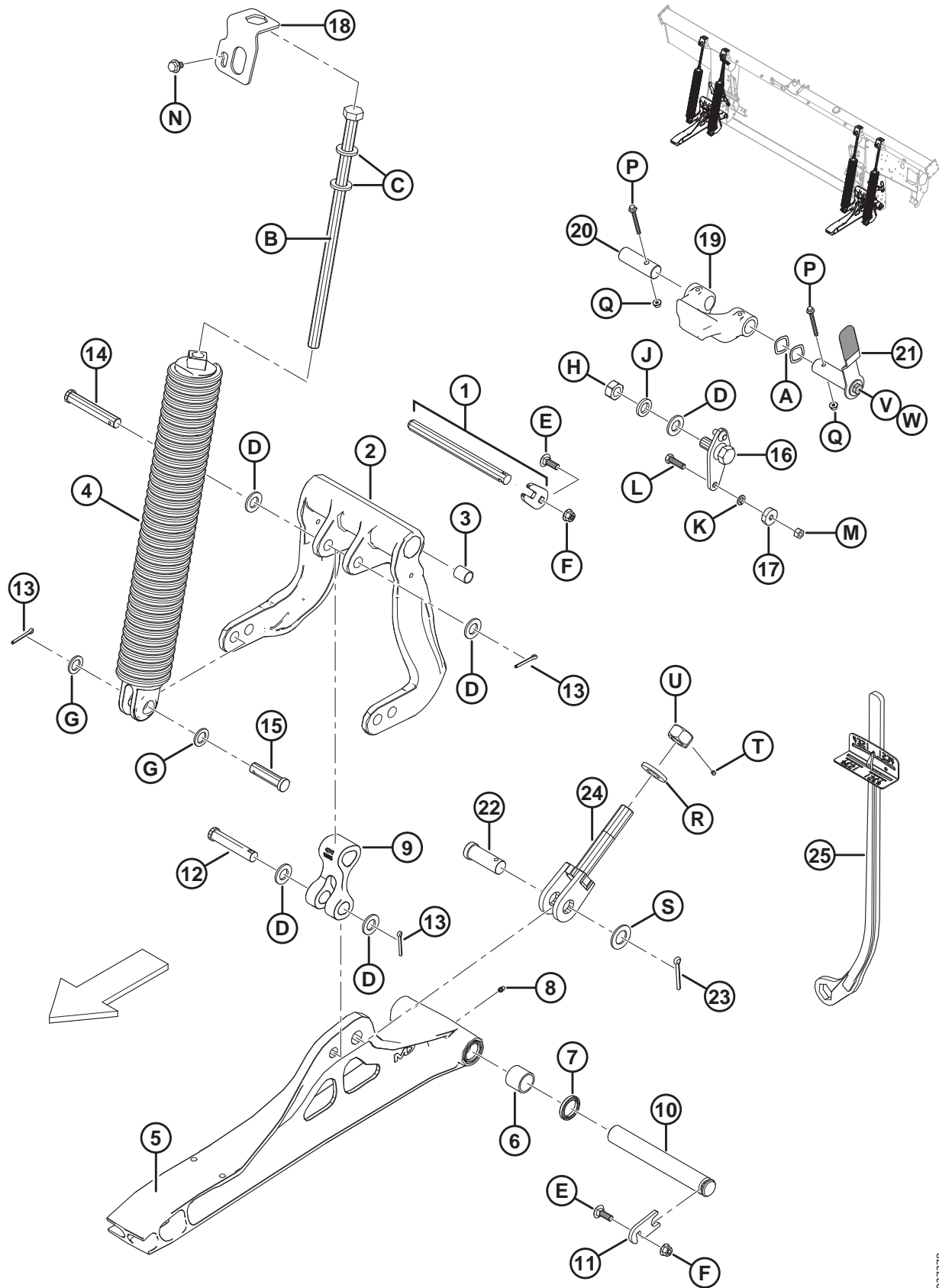
452. John Deere 50 Series, S Series, and T Series only.

453. All combine models except CNH/NH AFX, CX, and CR with integral switch.

454. Kit is used to service model year 2018 and prior units with 2018 cab draper control harness (MD #213667). Includes cab draper control harness (MD #304210) and cab draper extension harness (MD #304211).

455. Optional on all combine models. Allows for install without hardwire.

121 Float Linkage and Components



1037278

FLOAT LINKAGE AND COMPONENTS

Ref	Part Number	Description	Qty	Serial Number
1	335743	KIT – PIN PIVOT ⁴⁵⁶	2	
2	156839	LEVER – BELLCRANK WITH BUSHINGS ⁴⁵⁷	2	
3	156501	BUSHING – PLASTIC	4	
4	304034	SPRING ASSEMBLY ⁴⁵⁸		
	304035	SPRING ASSEMBLY W/ INNER SPRING (HEAVY DUTY) ⁴⁵⁸		
5	174816	LINK – LOWER, C/W BEARINGS ⁴⁵⁹	2	
6	100500	BEARING – NEEDLE	4	
7	113222	SEAL	4	
8	18671	FITTING – LUBE 1/4-28 UNF	2	
9	156574	LINK – ARM	2	
10	248261	PIN	2	
11	212250	PLATE – PIN LOCK	2	
12	20312	PIN – CLEVIS	2	
13	18608	PIN – COTTER 3/16 DIA X 1.5 ZP	8	
14	156741	PIN – CLEVIS	2	
15	30463	PIN – CLEVIS	4	
16	125654	PIVOT – FLOAT WELDMENT	2	
17	18867	BEARING – BALL CYL OD C/W TWO SEALS	2	
18	213821	LOCK – SPRING	4	
19	301513	DOWNSTOP – CASTING, MACHINED	2	
20	240455	PIN – PIVOT	2	
21	322145	HANDLE ASSY – FLOAT LOCK ⁴⁶⁰	2	
	287701	GRIP – HANDLE		
22	135995	PIN – CLEVIS	2	
23	18609	PIN – COTTER 1/4 DIA X 2 ZP	2	
24	220679	BOLT – WELDT	2	
25	311859	TOOL – WRENCH WELDMENT	1	
A	252564	WASHER – WAVE		
B	252198	BOLT – HEX HD M20 X 2.5 X 450 X SPCL-8.8-A3L		
C	21540	WASHER – HARDENED		
D	18601	WASHER – SAE FLAT 13/16 I.D. X 1.5 IN. O.D. ZP		
E	184662	BOLT – RHSN TFL M10 X 1.5 X 30-8.8-A3L		
F	135799	NUT – HEX FLG CTR LOC M10 X 1.5-10-A3L		
G	1709	WASHER – FLAT		
H	102636	NUT – HEX DT .750-10 UNC SIDE LOCK		
J	18640	WASHER – REG. LOCK 3/4 IN. NOM. I.D. ZP		
K	18637	WASHER – REG. LOCK 3/8 IN. NOM. I.D. ZP		

456. Kit includes plate and pivot pin.

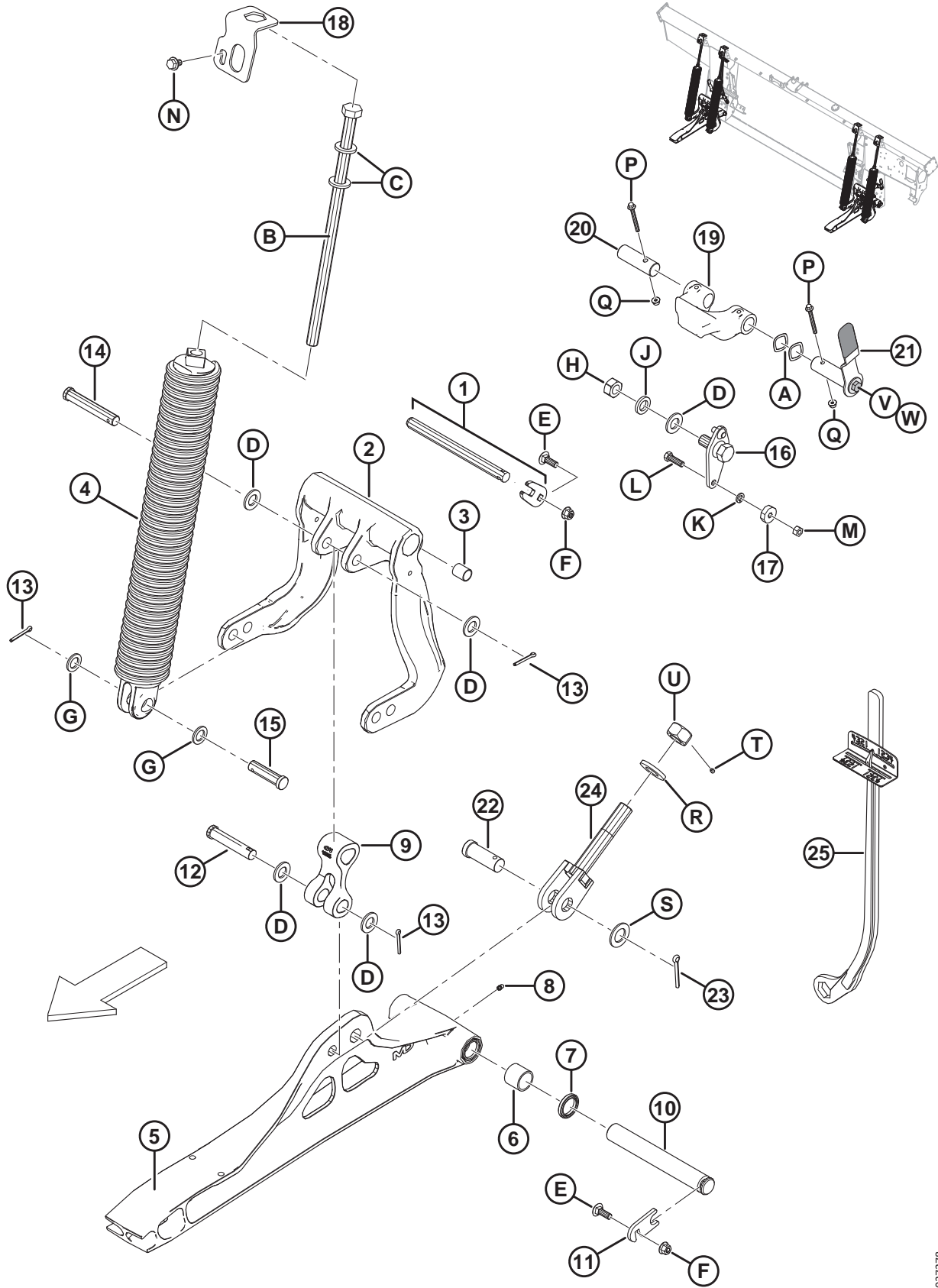
457. Includes two plastic bushings (MD #156501).

458. There are four springs on each float module, but the combination of springs (MD #304034 and MD #304035) varies depending on header size. 40–45 foot headers require 3 x 304034 and 1 x 304035 on the outboard RHS, all smaller headers require 4 x 304034.

459. Includes two needle bearings (MD #100500), two seals (MD #113222), and lube fitting (MD #18671).

460. Includes handle grip (MD #287701), bolt (MD #30627), and washer (MD #184712).

FLOAT LINKAGE AND COMPONENTS

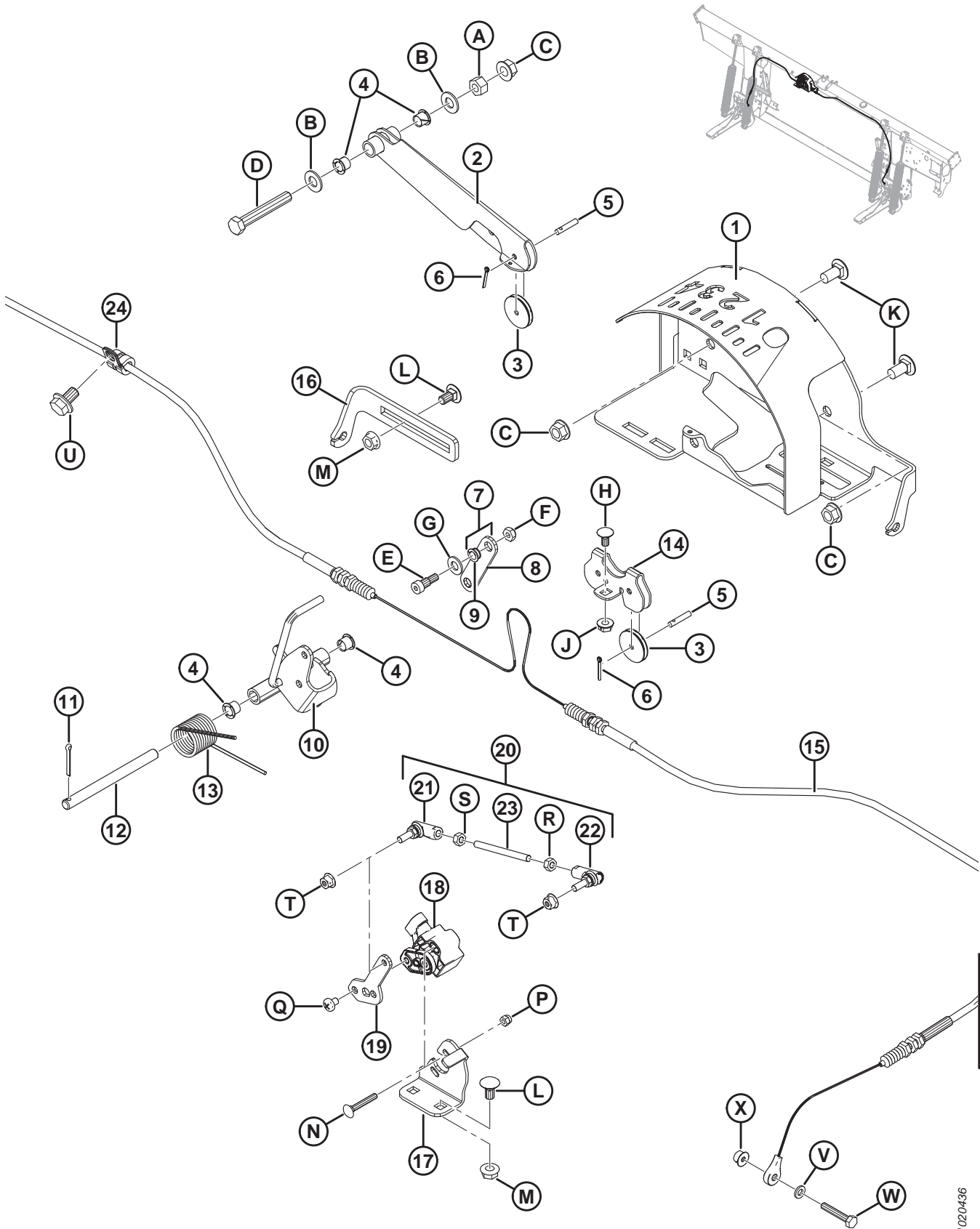


1037278

FLOAT LINKAGE AND COMPONENTS

Ref	Part Number	Description	Qty	Serial Number
L	21264	BOLT – HH 3/8 NC X 1.25 LG GR 5 ZP		
M	18669	NUT – HEX LK DT 3/8-16 UNC GR 5 AA1J		
N	136151	BOLT – HEX FLG HD TFL M10 X 1.5 X 16-8.8-A3L		
P	136704	BOLT – HEX FLG HD M6 X 1 X 60-8.8-AA2L		
Q	152668	NUT – HEX FLG CTR LOC M6 X 1-8-A2L		
R	31774	WASHER – FLAT		
S	156743	WASHER – FLAT		
T	136596	SCREW – SET, HEX NYL TIP 1/4-20 X 1/4-AS-ZNPL		
U	133047	NUT – DOWNSTOP MACHINING		
V	30627	BOLT – HEX HD TFL M10 X 1.5 X 25-8.8-A3L		
W	184712	WASHER – FLAT LARGE M10-200HV		

122 Float Indicator and Auto Header Height Control



102-0436

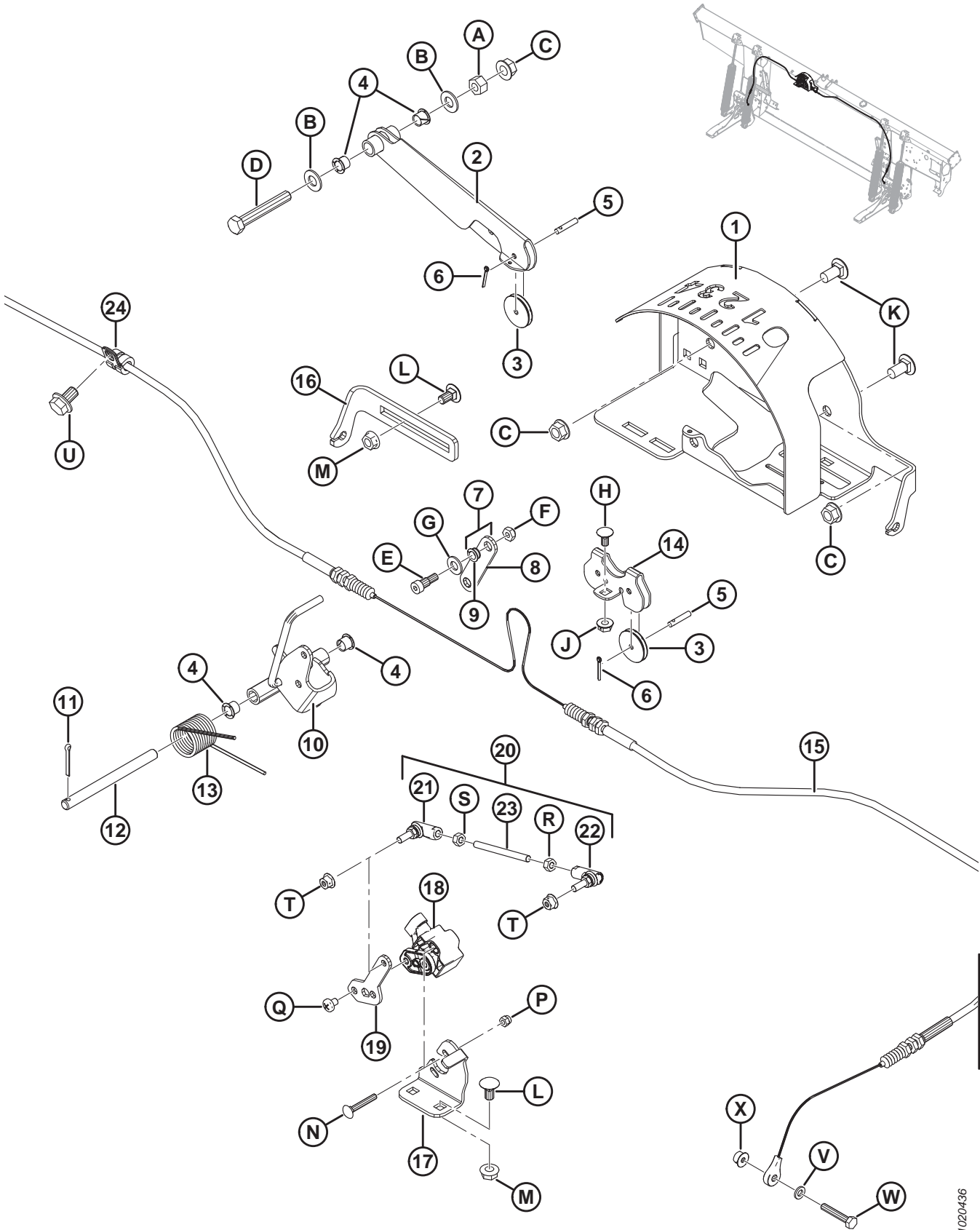
FLOAT INDICATOR AND AUTO HEADER HEIGHT CONTROL

Ref	Part Number	Description	Qty	Serial Number
1	187641	HOUSING – INDICATOR WELDT	1	
2	187655	ARM – INDICATOR WELDT	1	
3	187653	PULLEY – CONTROL	3	
4	276381	BUSHING – PLASTIC	4	
5	276863	PIN – STRAIGHT	3	
6	18604	PIN – COTTER 3/32 DIA X 3/4 ZP	3	
7	187694	LINK – INDICATOR CW BUSHINGS ⁴⁶¹	1	
8	187659	LINK – INDICATOR	1	
9	156969	BUSHING – PLASTIC	2	
10	304674	INDICATOR – POINTER ASSEMBLY	1	
11	18605	PIN – COTTER 1/8 DIA X 1 ZP	1	
12	276281	PIN – STRAIGHT	1	
13	156843	SPRING – TORSION	1	
14	187708	SUPPORT – INDICATOR PULLEYS	1	
15	187658	CABLE – FLOAT INDICATOR	1	
16	276298	SUPPORT – AHHC CABLE ADJUSTER	1	
17	276043	SUPPORT – SENSOR MOUNT	1	
18	248643	SENSOR – ROTARY, DUAL OUTPUT	1	
19	276044	ARM – SENSOR	1	
20	276057	LINKAGE ASSEMBLY ⁴⁶²	1	
21	291485	BALL JOINT – LH THREAD	1	
22	291484	BALL JOINT – RH THREAD	1	
23	232650	ROD – THREADED	1	
24	136410	CLAMP – INSULATED 3/8 INCH	1	
A	18590	NUT – HEX 3/8-16 UNC GR 5 ZP		
B	18598	WASHER – SAE FLAT 13/32 I.D. X 13/16 IN. O.D. ZP		
C	30228	NUT – FLANGE DT SMTH FACE 0.375-16 UNC		
D	21102	BOLT – HH 3/8 NC X 2.5 LG GR 5 ZP		
E	135423	BOLT – SHOULDER 5/16 DIA X 3/8 X 1/4-20 UNRC		
F	18724	NUT – HEX LOCK DT 1/4-20 UNC ZP		
G	18597	WASHER – SAE FLAT 11/32 I.D. X 11/16 IN. O.D. ZP		
H	21926	BOLT – RHSN 1/4-20 X .5 GR 5 ZP		
J	135248	NUT – FLG SMTH FACE 1/4-20 NC GR 5 ZP CTR LK DT		
K	21863	BOLT – RHSSN 3/8 NC X 0.75 LG GR 5 ZP		
L	135305	BOLT – RHSN 5/16-18 X .63 GR 5 ZP		
M	30280	NUT – FLG SIDE LK SMTH FACE 5/16 NC GR 5 ZP		
N	197229	BOLT – RHSN M5 X 0.8 X 35-4.6-A2L		
P	197230	NUT – HEX NYLOC M5 X 0.8-8-A2L		
Q	158704	SCREW – PAN HD M6 X 1 X 8-4.8-A2L		
R	184683	NUT – HEX ISO 4032 M6 X 1-8-A2L		
S	136613	NUT – HEX LH ISO 4032 M6 X 1-8-A2L		

461. Includes link (MD #187659) and two bushings (MD #156969).

462. Includes ball joints (MD #291484, 291485), threaded rod (MD #232650), and hardware.

FLOAT INDICATOR AND AUTO HEADER HEIGHT CONTROL

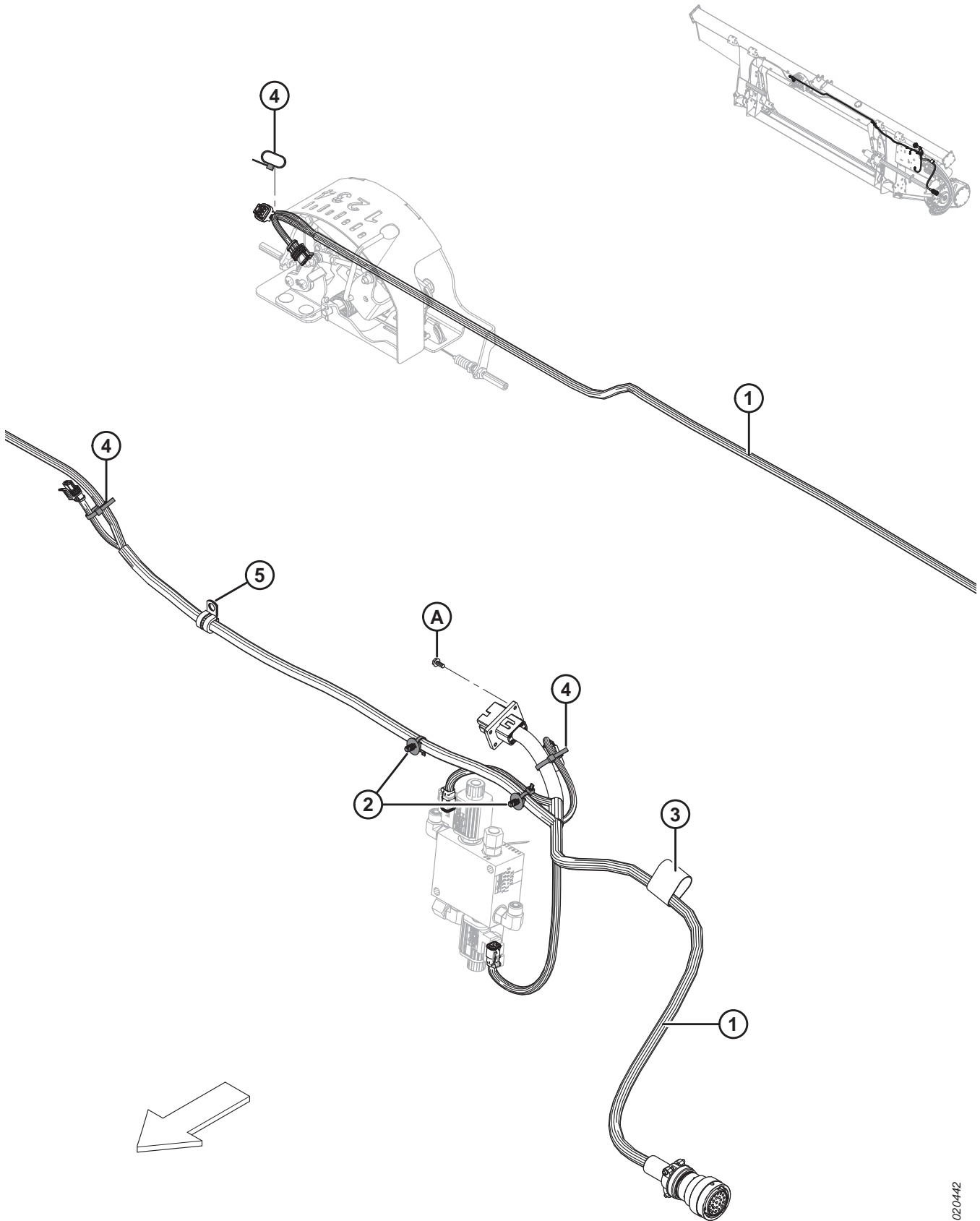


1020436

FLOAT INDICATOR AND AUTO HEADER HEIGHT CONTROL

Ref	Part Number	Description	Qty	Serial Number
T	152668	NUT – HEX FLG CTR LOC M6 X 1-8-A2L		
U	136151	BOLT – HEX FLG HD TFL M10 X 1.5 X 16-8.8-A3L		
V	184705	WASHER – FLAT M6-200HV-A2L		
W	109613	BOLT – HEX HD TFL M6 X 1 X 35-8.8-A2L		
X	152668	NUT – HEX FLG CTR LOC M6 X 1-8-A2L		

123 Electrical Components – FM100



ELECTRICAL COMPONENTS – FM100

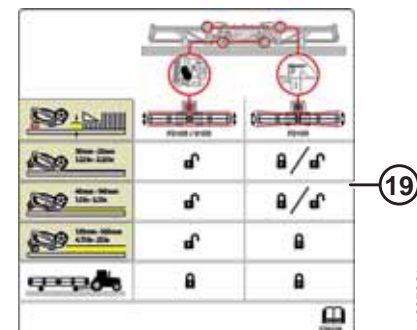
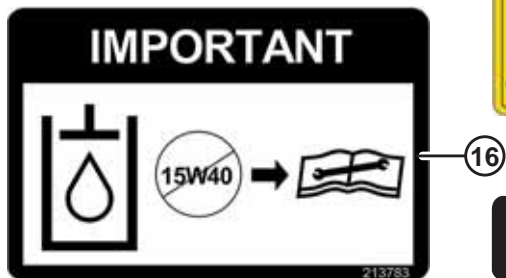
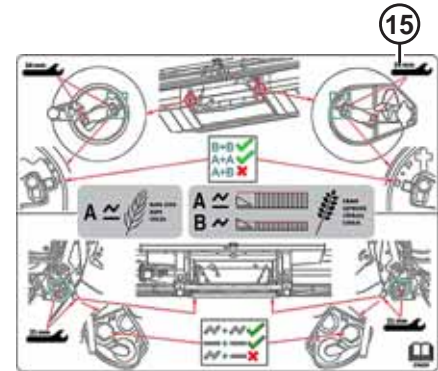
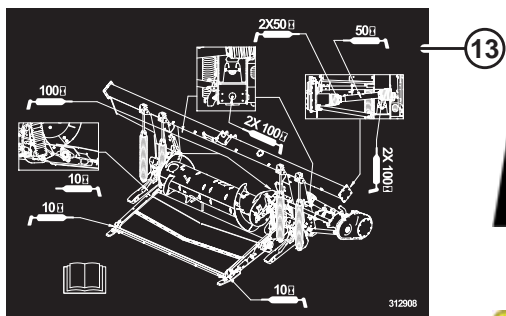
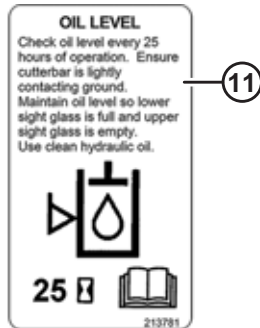
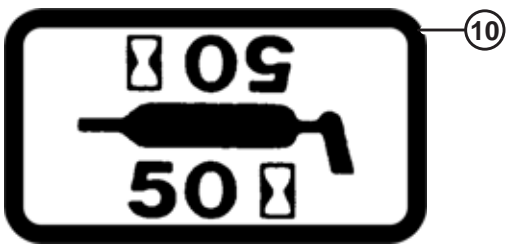
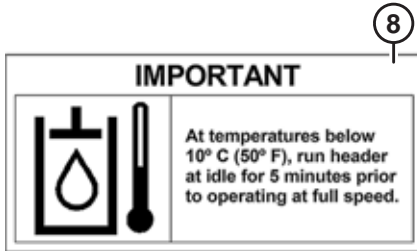
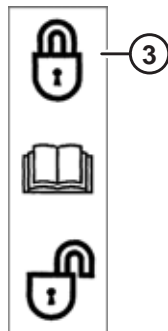
NOTE:

For specific electrical harness parts, refer to Electrical Connector Parts Catalog (MD #169641).

Ref	Part Number	Description	Qty	Serial Number
1	283613	HARNESS – FM100, MAIN	1	
	134746	CONNECTOR – CAP, PLUG, 12-WAY ⁴⁶³		
2	136655	FASTENER – FIR TREE MT W/ TIE	2	
3	135443	FASTENER – CINCH STRAP 4 IN. LG	1	
4	21763	FASTENER – CABLE TIE (BLACK)	3	
5	135818	CLAMP – INSULATED 1/2 INCH	1	
A	42292	SCREW – SELF TAPPING HEX WASH HD #10 X 1/2 ZP		

463. Cap (MD #134746) is used to protect connector C1A for float modules that are not fully assembled.

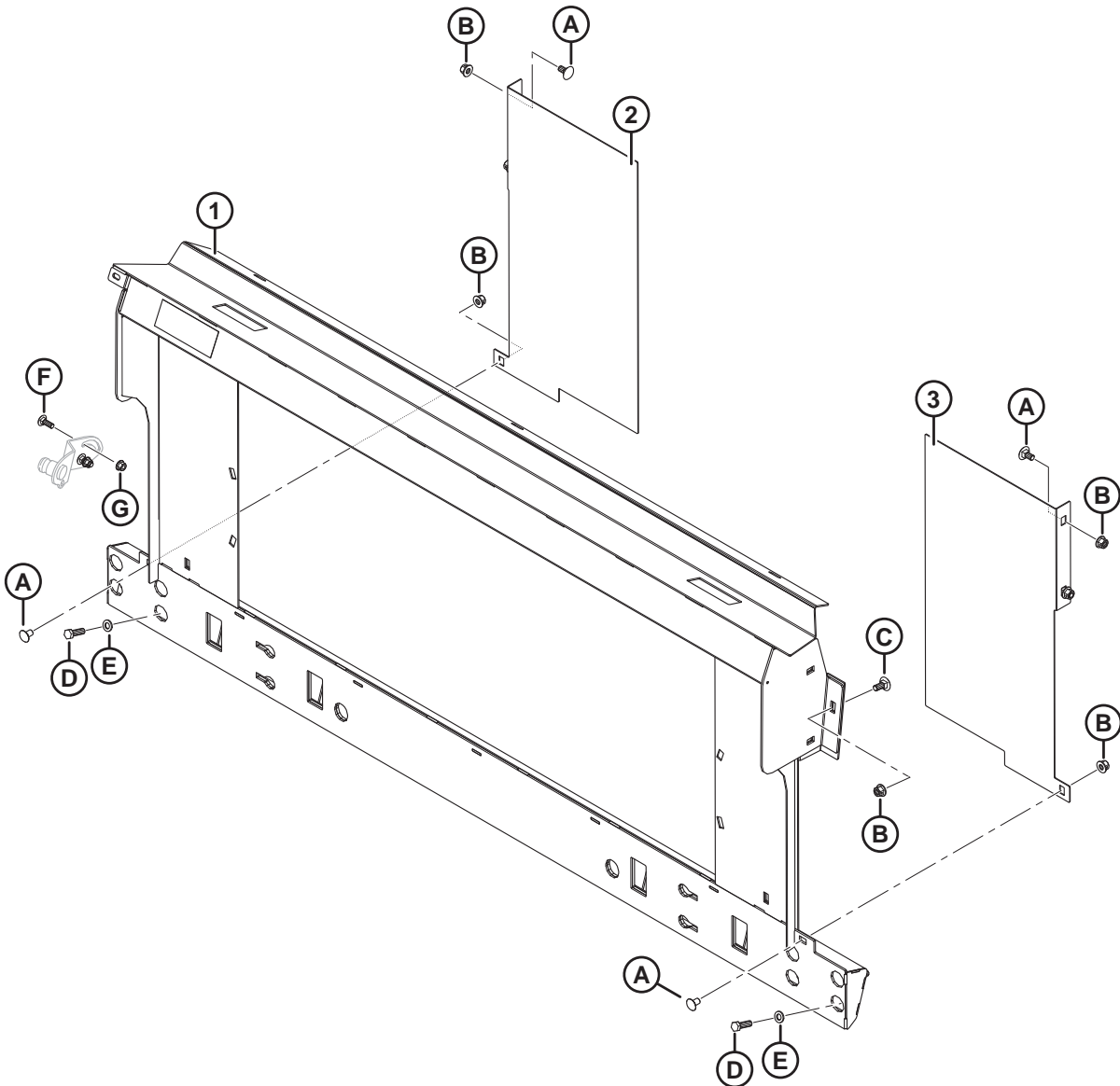
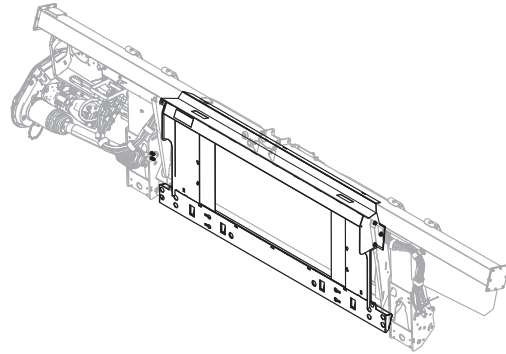
124 Decals – FM100



DECALS – FM100

Ref	Part Number	Description	Qty	Serial Number
1	30316	DECAL – DANGER (ROTATING DRIVELINE)		
2	36651	DECAL – DANGER (DRIVELINE GUARD MISSING)		
3	165218	DECAL – WING LOCKOUT		
4	44611	DECAL – DANGER (HEADER HAZARD)		
5	174436	DECAL – HIGH PRESSURE FLUID		
6	302204	DECAL – CA PROPOSITION 65		
7	194521	DECAL – WARNING (DRIVELINE CE)		
8	133086	DECAL – IMPORTANT: OIL OPERATING TEMPERATURE		
9	32070	DECAL – PATENT NUMBER		
10	23165	DECAL – 50 HR LUBE		
	23163	DECAL – 10 HR LUBE		
11	213781	DECAL – ADAPTER OIL LEVEL		
12	133537	DECAL – ADAPTER OIL DRAIN		
13	312908	DECAL – GREASE, FM100		
14	287702	DECAL – FLOAT LOCK, LH		
	287705	DECAL – FLOAT LOCK, RH		
15	276259	DECAL – RTD SETTINGS		
16	213783	DECAL – OIL, IMPORTANT		
17	252996	DECAL – SAFETY FLUID SPRAY		
18	140225	STRIP – ANTI SLIP (LARGE)		
	174131	STRIP – ANTI SLIP (SMALL)		
19	276326	DECAL – HEADER ADJUSTMENT		

125 AGCO Challenger®/Massey Ferguson® – Float Module Completion

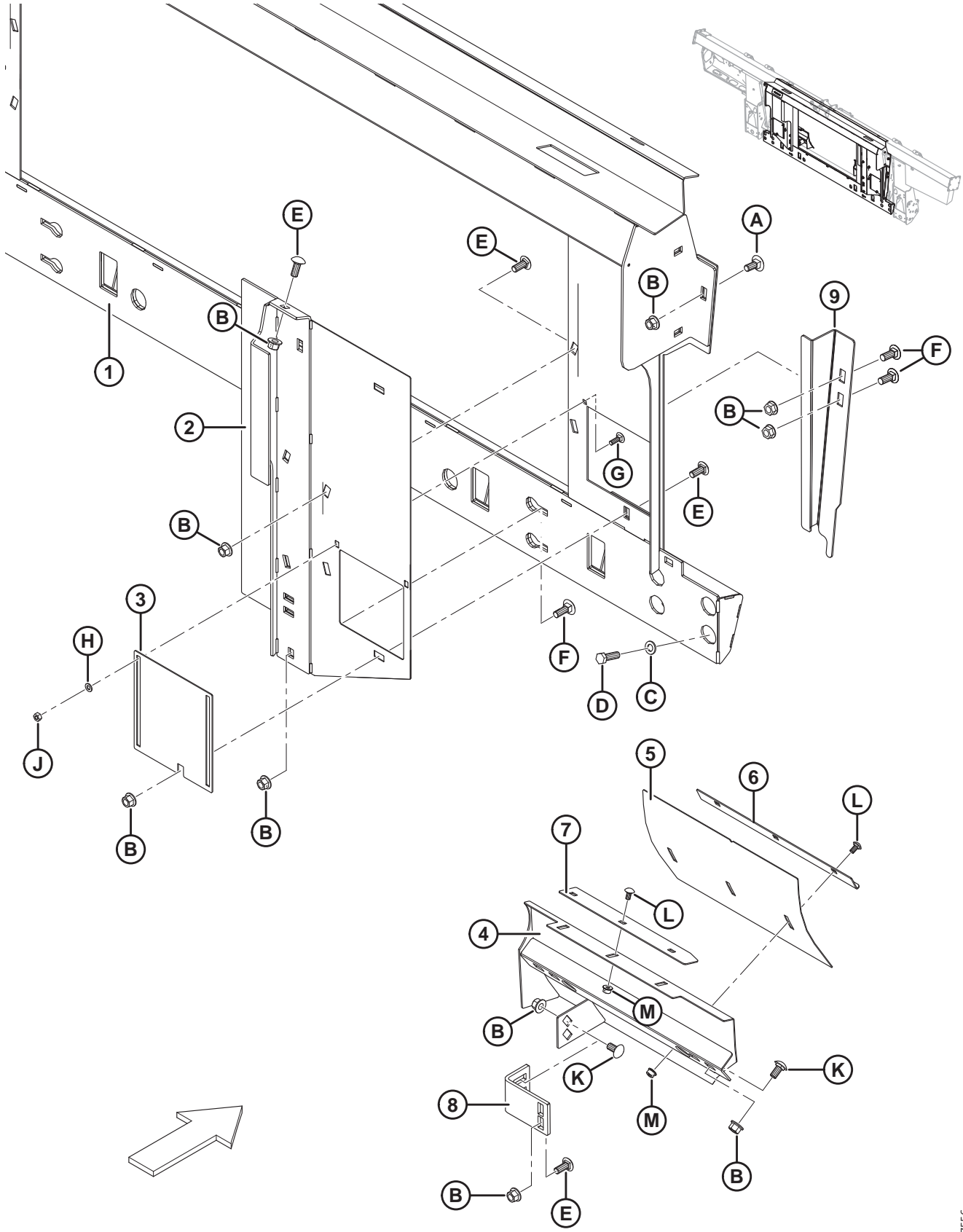


AGCO CHALLENGER®/MASSEY FERGUSON® – FLOAT MODULE COMPLETION

Ref	Part Number	Description	Qty	Serial Number
	B6965	COMP PKG – AGCO, MASSEY CHALLENGER ⁴⁶⁴		
1	133672	FRAME – AGCO TRANSITION LATERAL TILT C/W DECAL	1	
2	133980	FILLER – LH, A65/660/9690	1	
3	133981	FILLER – RH, A65/660/9690	1	
A	136625	BOLT – HEX SER FLG HD M12 X 1.75 X 25 X SPCL-100-AA1J		
B	136431	NUT – HEX FLG CTR LOC M12 X 1.75-10-A3L		
C	184667	BOLT – RHSN M12 X 1.75 X 30-8.8-A3L		
D	152730	BOLT – HEX HD TFL M12 X 1.75 X 35-10.9-AA1J		
E	184714	WASHER – FLAT REG M12-300HV-A3L		
F	184662	BOLT – RHSN TFL M10 X 1.5 X 30-8.8-AA1J		
G	135799	NUT – HEX FLG CTR LOC M10 X 1.5-10		

464. AGCO Challenger®/Massey Ferguson® completion package includes float module, hydraulic, and electrical completion packages required to complete a stand-alone FM100 or to convert to an existing factory-installed FM100. Kits available through Whole Goods only.

126 AGCO Gleaner® – Float Module Completion

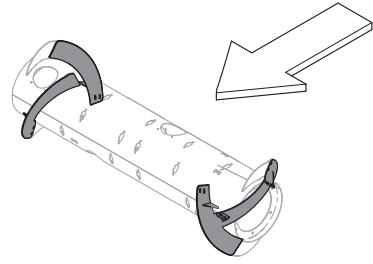
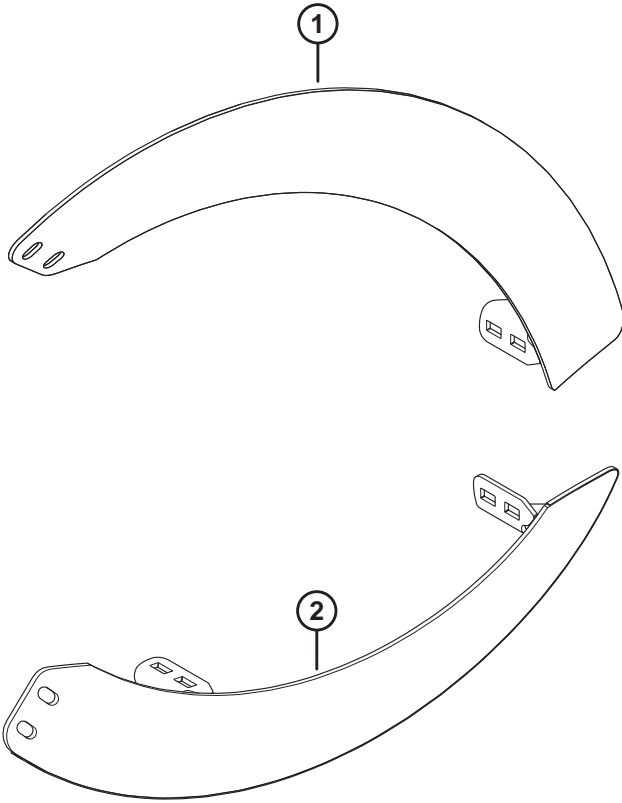


AGCO GLEANER® – FLOAT MODULE COMPLETION

Ref	Part Number	Description	Qty	Serial Number
	B6964	COMP PKG – AGCO, GLEANER 465		
1	245852	FRAME – GLEANER R/S C/W DECAL	1	
2	245816	FILLER – RH WELDMENT	1	
	245815	FILLER – LH WELDMENT	1	
3	245763	DOOR – ACCESS	2	
4	213834	DEFLECTOR – WELDT RH GLEANER	1	
	213833	DEFLECTOR – WELDT LH GLEANER	1	
5	213843	DEFLECTOR – ADJUSTING PANEL	2	
6	213844	ANGLE – STRIPPER	2	
7	213845	STRIPPER	2	
8	276289	FILLER BRACKET	2	
9	337943	FILLER – BRACKET RH	1	
	337941	FILLER – BRACKET LH	1	
A	184667	BOLT – RHSN M12 X 1.75 X 30-8.8-A3L		
B	50186	NUT – FLG LK SM FACE DT 1/2-13 UNC-GR5-AA1J		
C	184714	WASHER – FLAT REG M12-300HV-A3L		
D	152730	BOLT – HEX HD TFL M12 X 1.75 X 35-10.9-AA1J		
E	21868	BOLT – RHSSN 1/2-13 X 1.0 GR5 AA1J		
F	21471	BOLT – RHSN 1/2-13 X 1.25 GR5 AA1J		
G	21282	BOLT – RHSN 5/16-18 X 1-GR5-AA1J		
H	184572	WASHER – USS FLAT 1/4 IN. NOM		
J	18589	NUT – HEX 5/16-18 UNC GR 5 ZP		
K	152439	BOLT – RHSSN M12 X 1.75 X 25-8.8-A3L		
L	191489	BOLT – RHSSN TFL M8 X 1.25 X 16-8.8-A2L		
M	135337	NUT – HEX FLG CTR LOC M8 X 1.25-8-A2L		

465. AGCO Gleaner® Completion Package includes float module, feed auger, hydraulic, and electrical completion packages required to complete a stand-alone FM100 or to convert to an existing factory-installed FM100. Kits available through Whole Goods only.

127 AGCO Gleaner® – Feed Auger Conversion Parts



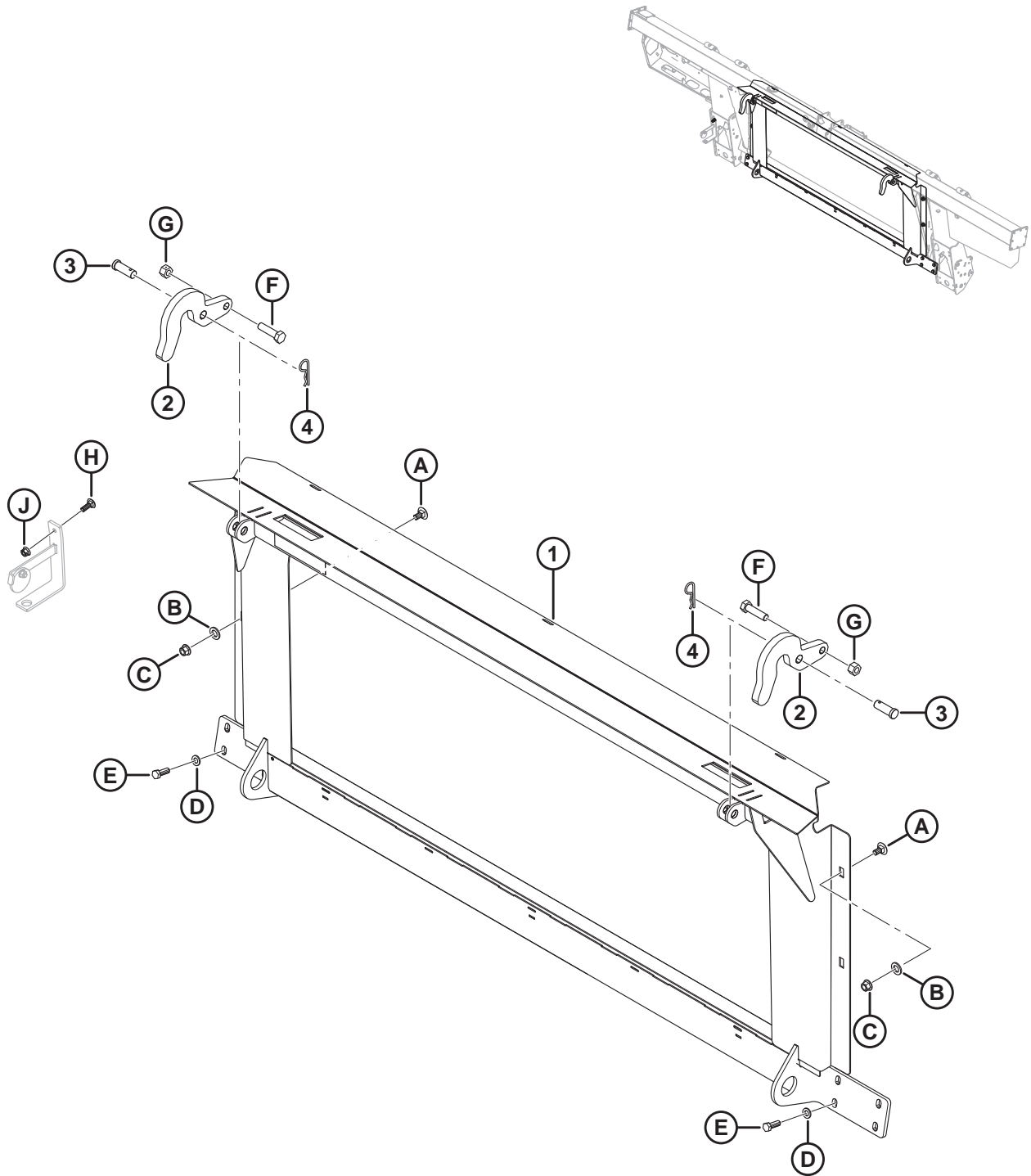
AGCO GLEANER® – FEED AUGER CONVERSION PARTS

NOTE:

Feed auger parts and hardware listed here are included in AGCO Gleaner® Completion Package (MD #B6964), refer to Section *126 AGCO Gleaner® – Float Module Completion, page 379*.

Ref	Part Number	Description	Qty	Serial Number
1	287890	FLIGHTING, RTD – RH, LONG (HIWEAR)	4	
2	287889	FLIGHTING, RTD – LH, LONG (HIWEAR)	4	
3	213084	PLUG – FLIGHTING SLOT	8	
4	187137	PLUG	12	
A	136178	BOLT – RHSN M10 X 1.5 X 20-8.8-A3L		
B	135799	NUT – HEX FLG CTR LOC M10 X 1.5-10-A3L		
C	252703	BOLT – HEX HD TFL M6 X 1 X 20 X SPCL-12.9-AA2L		
D	197263	NUT – TEE M6 X 1		
E	135723	SCREW – HEX SOC BTN HD M10 X 1.5 X 20-10.9-A3L		
F	152655	BOLT – HEX FLG HD M10 X 1.5 X 20-8.8-A3L		

128 AGCO IDEAL™ – Float Module Completion

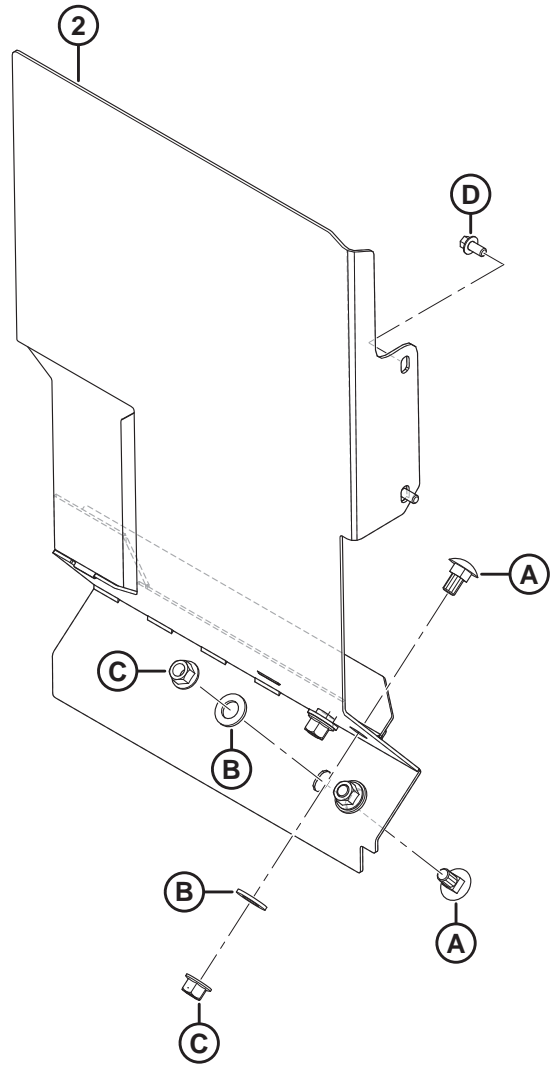
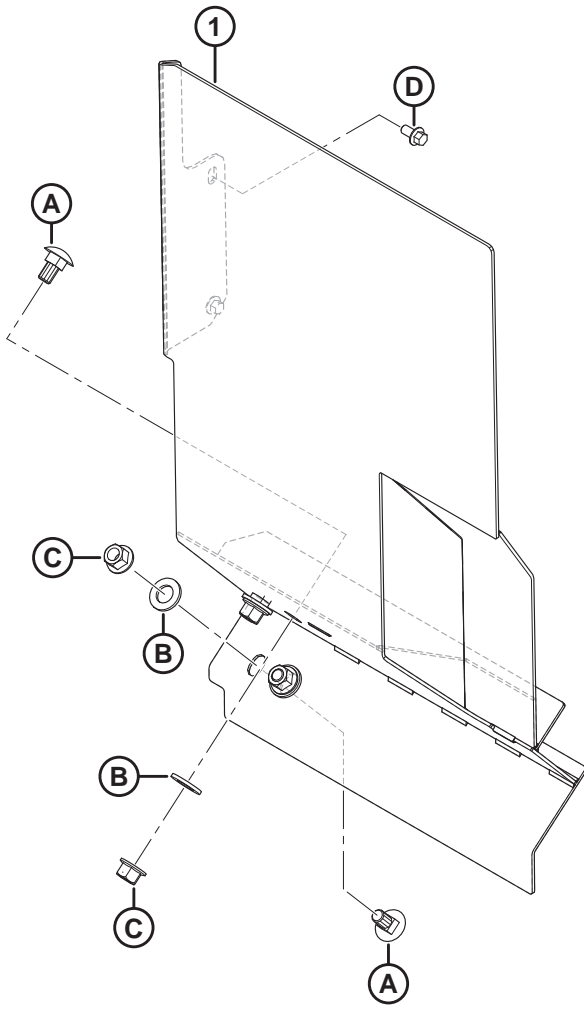
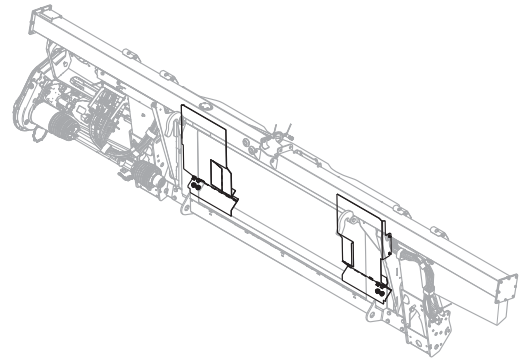


AGCO IDEAL™ – FLOAT MODULE COMPLETION

Ref	Part Number	Description	Qty	Serial Number
	B6966	COMP PKG – AGCO, IDEAL 7/8/9 COMBINE ⁴⁶⁶		
1	314678	FRAME – IDEAL TRANSITION W/ DECAL	1	
2	301451	SUPPORT – HOOK	2	
3	158080	PIN – CLEVIS	2	
4	13125	PIN – HAIR	2	
A	135903	BOLT – RHSN M12 X 1.75 X 25-8.8-AA1J		
B	184717	WASHER – FLAT REG M16-200HV-AA1J		
C	136431	NUT – HEX FLG CTR LOC M12 X 1.75-10		
D	184714	WASHER – FLAT REG M12-300HV		
E	152730	BOLT – HEX HD TFL M12 X 1.75 X 35-10.9-AA1J		
F	136141	BOLT – HEX HD M16 X 2 X 60-8.8-AA1J		
G	136476	NUT – HEX CTR LOC M16 X 2-8		
H	184662	BOLT – RHSN TFL M10 X 1.5 X 30-8.8-AA1J		
J	135799	NUT – HEX FLG CTR LOC M10 X 1.5-10		

466. AGCO IDEAL™ completion package includes float module, hydraulic, and electrical completion packages required to complete a stand-alone FM100 or to convert an existing factory-installed FM100. Kits available through Whole Goods only.

129 AGCO IDEAL™ – Fillers Kit

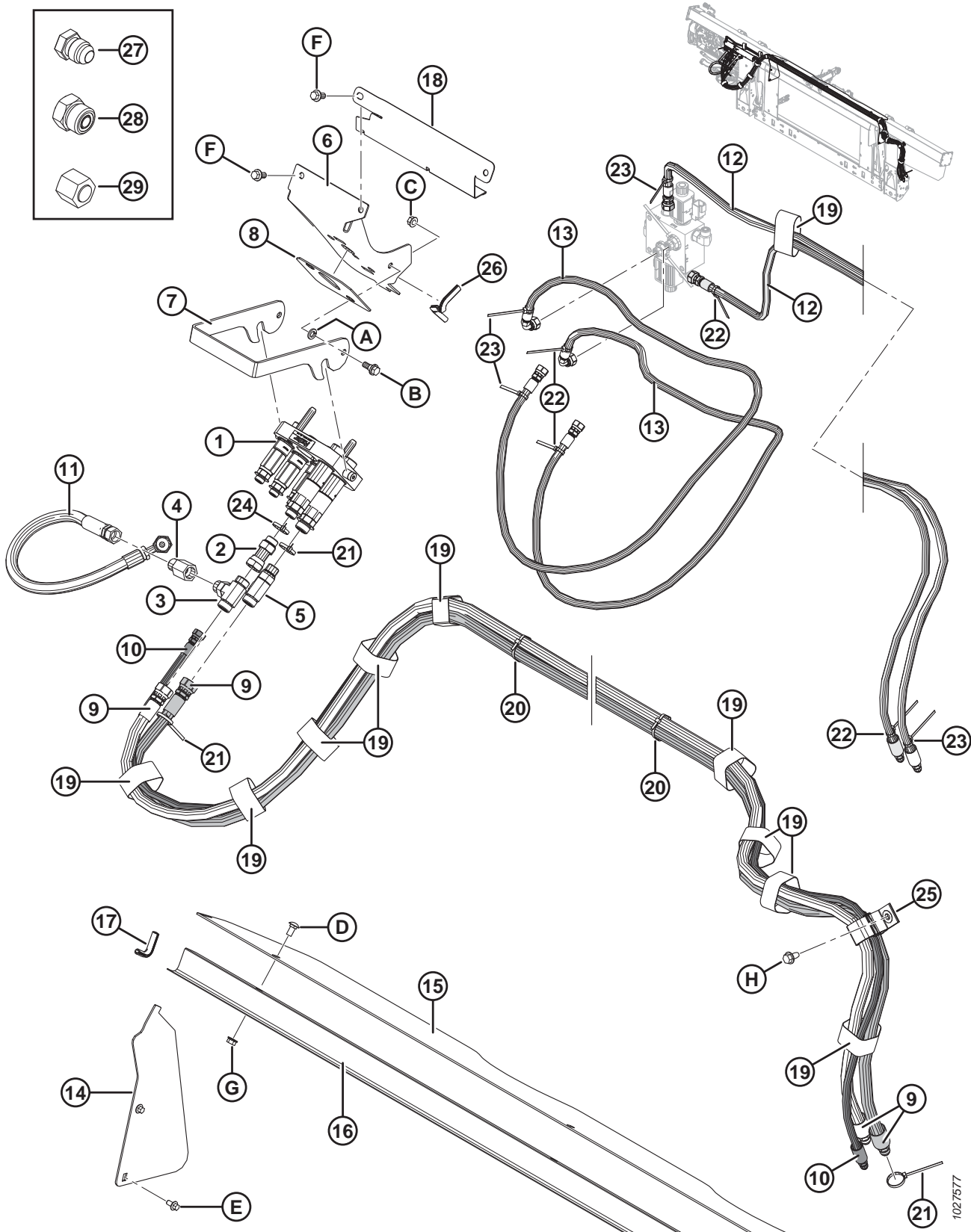


AGCO IDEAL™ – FILLERS KIT

Ref	Part Number	Description	Qty	Serial Number
	347173	KIT – FILLERS FOR IDEAL ⁴⁶⁷		
1	347154	FILLER – LH WELDMENT	1	
2	347167	FILLER – RH WELDMENT	1	
A	135903	BOLT – RHSN M12 X 1.7 X 25-8.8-ZINC		
B	184717	WASHER – FLAT REG M16-200HV-AA1J		
C	136431	NUT – HEX FLG CTR LOC M12 X 1.75-10		
D	136485	BOLT – HEX FLG HD TFL M8 X 1.25 X 16-8.8-AA1J		

467. Kit includes all listed parts and hardware.

130 AGCO Challenger®/Massey Ferguson® and Gleaner® – Hydraulic Completion



1027577

AGCO CHALLENGER®/MASSEY FERGUSON® AND GLEANER® – HYDRAULIC COMPLETION

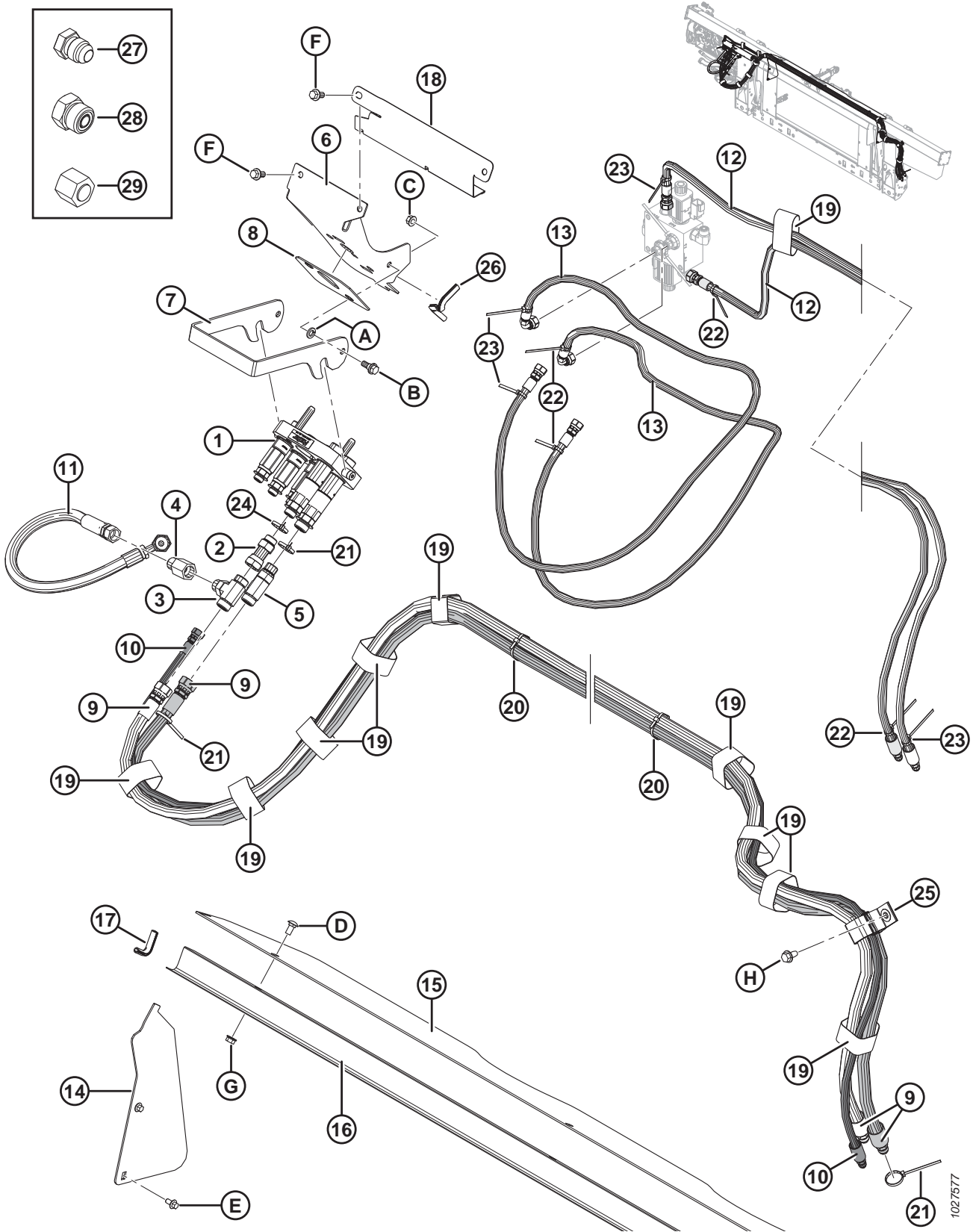
NOTE:

Some completion packages may have been shipped with a Parker multicoupler (not sold separately). Service parts for Parker multicouplers include AGCO coupler plate (MD #304405), two 1/2 inch female couplers (MD #184460), three 3/8 inch couplers (MD #191704), 1/2 inch seal kit (MD #129860), 3/8 inch seal kit (MD #129859), three adapter fittings (MD #191705), five retaining rings (MD #184603), two bushings (MD #182181), and two screws (MD #184524). Parker multicoupler service parts are **NOT** interchangeable with Faster multicoupler (MD #279737) service parts. To replace an entire Parker multicoupler, order Faster multicoupler (MD #279737).

Ref	Part Number	Description	Qty	Serial Number
1	279737	COUPLING – MULTI AGCO (FASTER)	1	
	294098	KIT – COUPLER PLATE ASSY, AGCO (FASTER) ⁴⁶⁸		
	279011	KIT – COUPLER, 3/8 C/W 3/8 IN. FITTING (FASTER) ⁴⁶⁸		
	279012	KIT – COUPLER, 9/16 C/W 5/8 IN. FITTING (FASTER) ⁴⁶⁸		
	279013	KIT – COUPLER, 9/16 C/W 1/2 IN. FITTING (FASTER) ⁴⁶⁸		
	279034	SEAL – 3/8 COUPLER (FASTER) ⁴⁶⁸		
	279035	SEAL – 9/16 COUPLER (FASTER) ⁴⁶⁸		
2	252650	FITTING – ADAPTER HYD	1	
	44210	O-RING – #10 ORB		
3	136181	FITTING – BRANCH TEE HYD	1	
	44210	O-RING – #10 ORB		
	135867	O-RING – #10 ORFS		
4	187031	VALVE – CHECK	1	
5	135598	FITTING – TEE HYD STR THD RUN TEE CW O-RING	1	
	44210	O-RING – #10 ORB		
	135867	O-RING – #10 ORFS		
6	213281	BRACKET – AGCO COUPLER	1	
7	248960	LATCH – COUPLER BRACKET	1	
8	187018	PAD – RUBBER	1	
9	287879	HOSE – HYD, REEL DRIVE (AGCO)	2	
10	287863	HOSE – HYD, REEL POS (AGCO)	1	
11	287878	HOSE – HYD, REEL BYPASS	1	
12	287861	HOSE – HYD, REEL FORE-AFT (AGCO)	2	
13	287862	HOSE – HYD, REEL FORE-AFT (AGCO)	2	
14	276284	COVER – FEED AUGER, SIDE	2	
15	276285	COVER – FEED AUGER, TOP	1	
16	156725	COVER – HOSE	1	
17	42589	MOULDING	2	
18	213965	COVER – HOSE	1	
19	135444	FASTENER – CINCH STRAP 6 IN. LG	11	
20	21763	FASTENER – CABLE TIE (BLACK)	4	
21	40701	FASTENER – CABLE TIE (YELLOW)	3	
22	40702	FASTENER – CABLE TIE (RED)	4	
23	49227	FASTENER – CABLE TIE (GREEN)	4	

468. Service part for Faster multicoupler (MD #279737) only. **NOT** interchangeable with Parker multicoupler (not sold separately) service parts.

AGCO CHALLENGER®/MASSEY FERGUSON® AND GLEANER® – HYDRAULIC COMPLETION

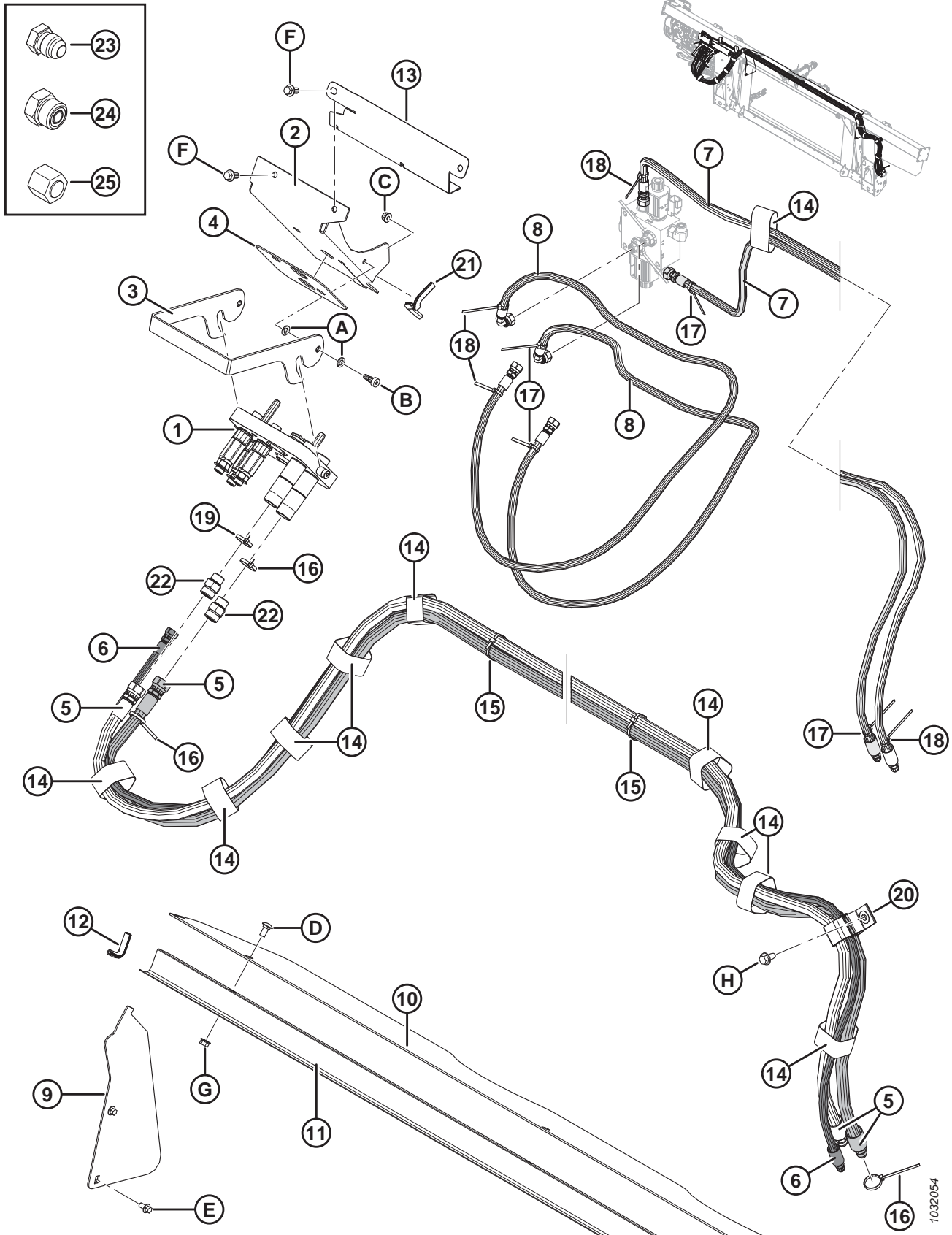


1027577

AGCO CHALLENGER®/MASSEY FERGUSON® AND GLEANER® – HYDRAULIC COMPLETION

Ref	Part Number	Description	Qty	Serial Number
24	49232	FASTENER – CABLE TIE (WHITE)	1	
25	163598	STRAP – VELCRO, HANGING	1	
26	42074	MOULDING	1	
27	50178	PLUG – 3/8 IN. TUBE (FOR SHIPPING ONLY)	4	
28	136326	PLUG – HYD SAE-6 ORFS (FOR SHIPPING ONLY)	7	
	136266	PLUG – HYD SAE-10 ORFS (FOR SHIPPING ONLY)	2	
29	136325	CAP – HYD SAE-6 ORFS (FOR SHIPPING ONLY)	3	
	135860	CAP – HYD SAE-10 ORFS (FOR SHIPPING ONLY)	2	
A	18652	WASHER – REG. LOCK 7/16 IN. NOM. I.D. ZP		
B	27647	BOLT – SHOULDER		
C	30228	NUT – FLANGE DT SMTH FACE 0.375-16 UNC		
D	184657	BOLT – RHSSN M10 X 1.5 X 20-8.8-A3L		
E	136485	BOLT – HEX FLG HD TFL M8 X 1.25 X 16-8.8-A3L		
F	152655	BOLT – HEX FLG HD M10 X 1.5 X 20-8.8-A3L		
G	135799	NUT – HEX FLG CTR LOC M10 X 1.5-10-A3L		
H	136209	SCREW – HEX WASHER HD M10 X 1.5 X 20-450HV-A3L		

131 AGCO IDEAL™ – Hydraulic Completion

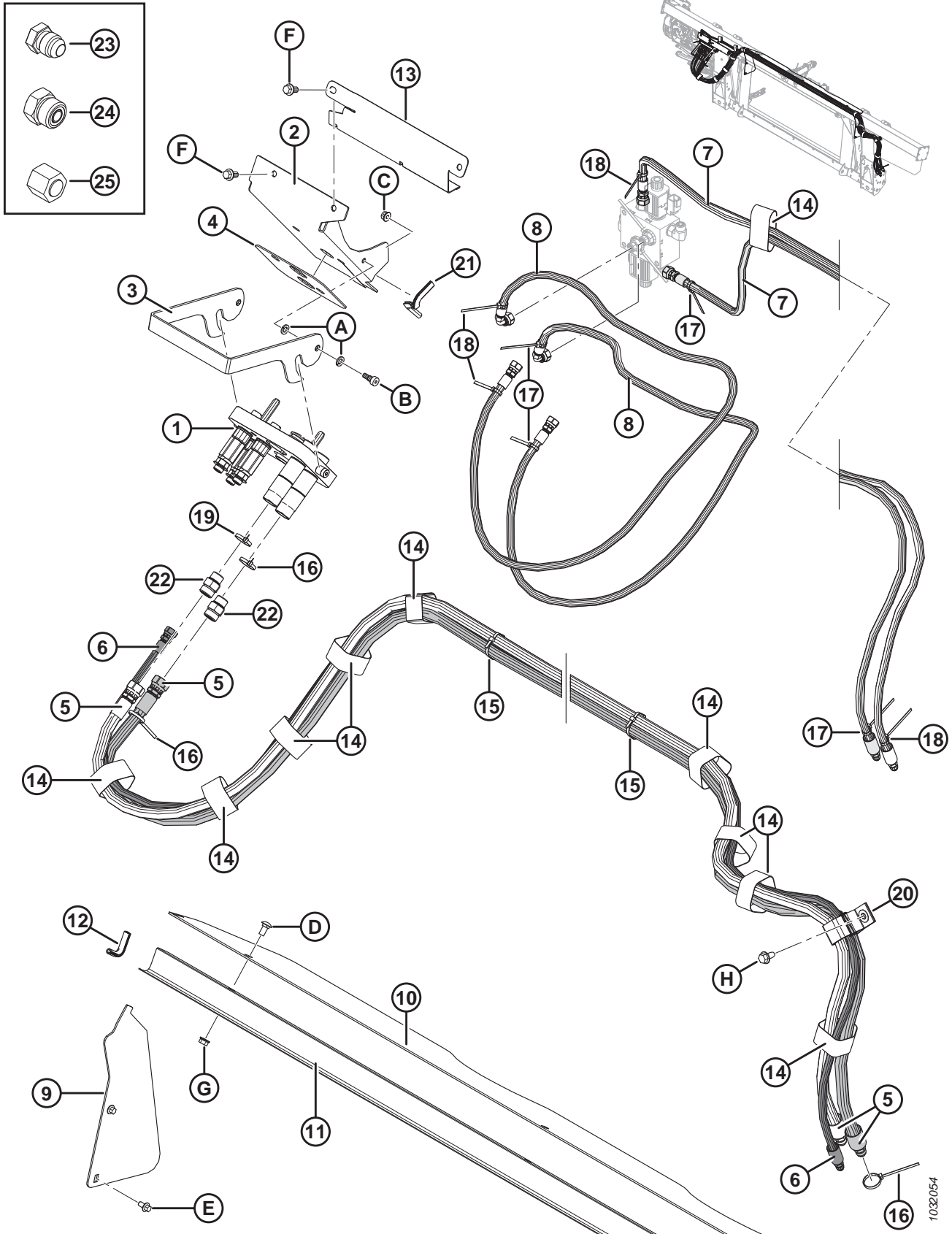


1032054

AGCO IDEAL™ – HYDRAULIC COMPLETION

Ref	Part Number	Description	Qty	Serial Number
1	335008	COUPLING – MULTI, AGCO, 5-POS	1	
	294394	KIT – COUPLER PLATE ASSY, AGCO		
	279011	KIT – COUPLER, 3/8 C/W 3/8 IN. FITTING		
	279012	KIT – COUPLER, 9/16 C/W 5/8 IN. FITTING		
	279013	KIT – COUPLER, 9/16 C/W 1/2 IN. FITTING		
	279034	SEAL – 3/8 COUPLER		
	279035	SEAL – 9/16 COUPLER		
2	335059	BRACKET – IDEAL COUPLER	1	
3	337980	LATCH – MULTICOUPLER	1	
4	302030	PAD – RUBBER	1	
5	287879	HOSE – HYD, REEL DRIVE (AGCO)	2	
6	287863	HOSE – HYD, REEL POS (AGCO)	1	
7	287861	HOSE – HYD, REEL FORE-AFT (AGCO)	2	
8	287862	HOSE – HYD, REEL FORE-AFT (AGCO)	2	
9	276284	COVER – FEED AUGER, SIDE	2	
10	276285	COVER – FEED AUGER, TOP	1	
11	156725	COVER – HOSE	1	
12	42589	MOULDING	2	
13	213965	COVER – HOSE	1	
14	135444	FASTENER – CINCH STRAP 6 IN. LG	11	
15	21763	FASTENER – CABLE TIE (BLACK)	4	
16	40701	FASTENER – CABLE TIE (YELLOW)	3	
17	40702	FASTENER – CABLE TIE (RED)	4	
18	49227	FASTENER – CABLE TIE (GREEN)	4	
19	49232	FASTENER – CABLE TIE (WHITE)	1	
20	163598	STRAP – VELCRO, HANGING	1	
21	42074	MOULDING	1	
22	184461	FITTING – ADAPTER HYD	1	
	44210	O-RING – #10 ORB		
	135867	O-RING – #10 ORFS		
23	50178	PLUG – 3/8 IN. TUBE (FOR SHIPPING ONLY)	4	
24	136326	PLUG – HYD SAE-6 ORFS (FOR SHIPPING ONLY)	7	
	136266	PLUG – HYD SAE-10 ORFS (FOR SHIPPING ONLY)	2	
25	136325	CAP – HYD SAE-6 ORFS (FOR SHIPPING ONLY)	3	
	135860	CAP – HYD SAE-10 ORFS (FOR SHIPPING ONLY)	2	
A	30632	WASHER – LOCK SPRING M10		
B	135894	SCREW – HEX SOC HD SHLDR M10		
C	135337	NUT – HEX FLG CTR LOC M8 X 1.25-8-AA1J		
D	184657	BOLT – RHSSN M10 X 1.5 X 20-8.8-A3L		
E	136485	BOLT – HEX FLG HD TFL M8 X 1.25 X 16-8.8-A3L		
F	152655	BOLT – HEX FLG HD M10 X 1.5 X 20-8.8-A3L		

AGCO IDEAL™ – HYDRAULIC COMPLETION

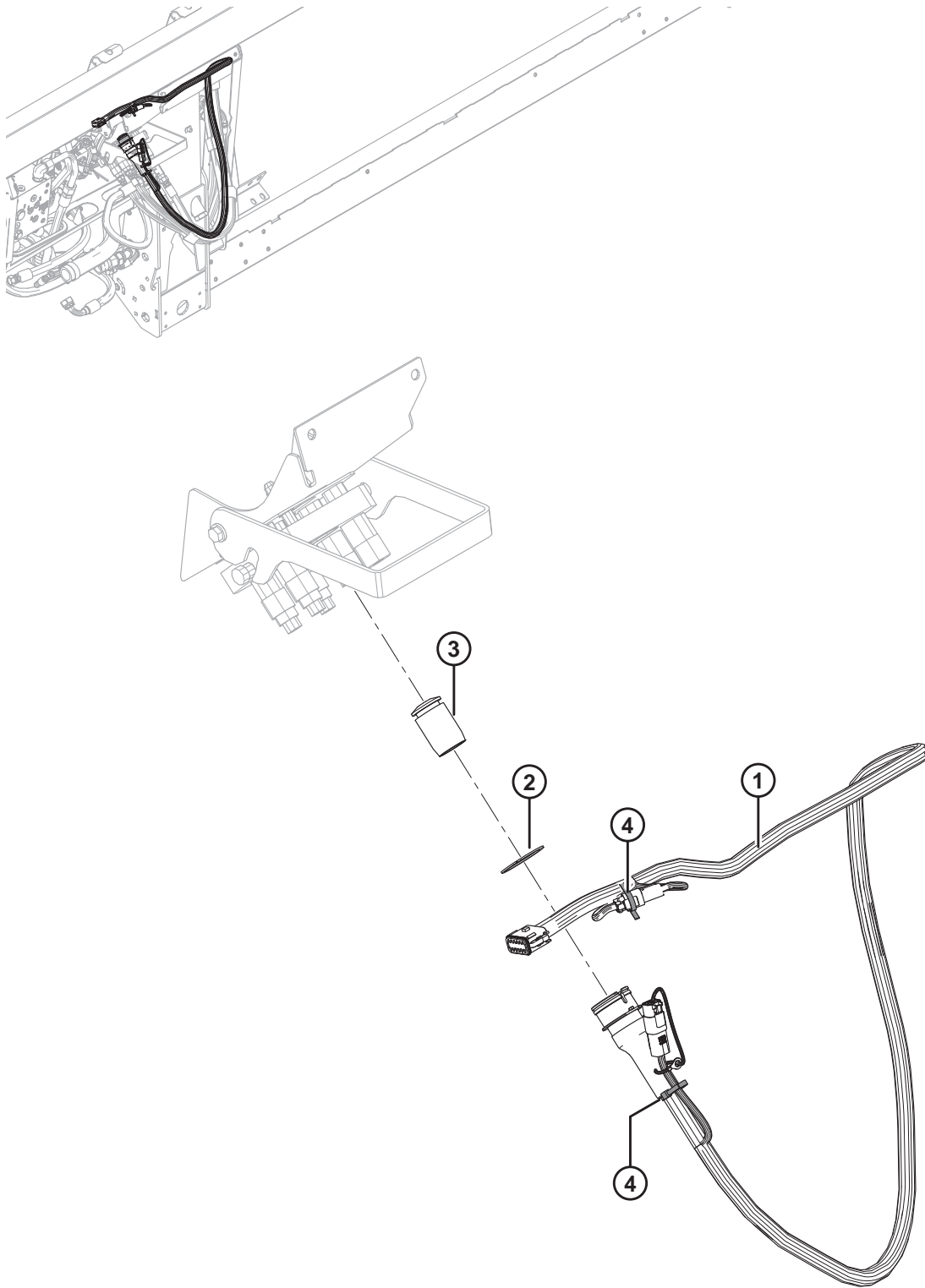


1032054

AGCO IDEAL™ – HYDRAULIC COMPLETION

Ref	Part Number	Description	Qty	Serial Number
G	135799	NUT – HEX FLG CTR LOC M10 X 1.5-10-A3L		
H	136209	SCREW – HEX WASHER HD M10 X 1.5 X 20-450HV-A3L		

132 AGCO – Electrical Completion



AGCO – ELECTRICAL COMPLETION

NOTE:

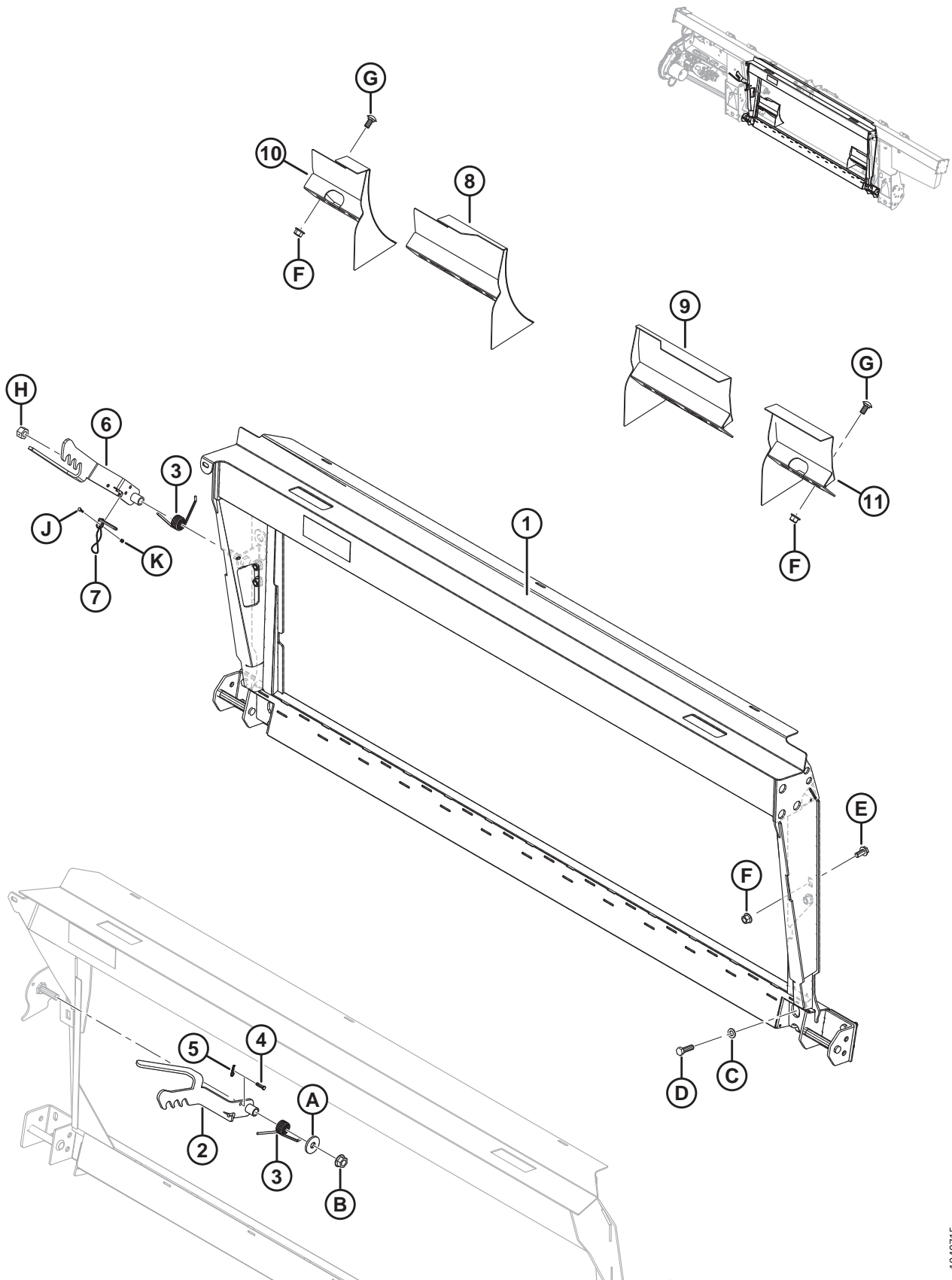
For specific electrical harness parts, refer to Electrical Connector Parts Catalog (MD #169641).

Ref	Part Number	Description	Qty	Serial Number
1	304576	HARNESS – FM100, COMPLETION, AGCO ⁴⁶⁹	1	
	311707	HARNESS – FM100, COMPLETION, IDEAL ⁴⁷⁰	1	
	134746	CONNECTOR – CAP, PLUG, 12-WAY	1	
2	135267	RING – INVERTED EXT RETAINING	1	
3	129148	PLUG – RUBBER	1	
4	21763	FASTENER – CABLE TIE (BLACK)	2	

469. Challenger®/Massey Ferguson® and Gleaner® only.

470. IDEAL™ Series only.

133 Case IH and New Holland CR/CX – Float Module Completion



CASE IH AND NEW HOLLAND CR/CX – FLOAT MODULE COMPLETION

Ref	Part Number	Description	Qty	Serial Number
	B6959	COMP PKG – CASE IH, NEW HOLLAND CR/CX ⁴⁷¹		
1	347300	ASSY – CNH TRANSITION W/ DECAL ⁴⁷²	1	
	335906	KIT – CNH WINDOW W/ LATCH ⁴⁷³	A/R	
2	187006	WELDT – LATCH ⁴⁷⁴	A/R	
3	156948	SPRING – TORSION	1	
4	135655	PIN – CLEVIS ⁴⁷⁴	A/R	
5	252993	PIN – HAIR (1.6 MM, 33.3 MM) ⁴⁷⁴	A/R	
6	347141	LATCH – WELDT	1	
7	237363	PIN – DETENT W/ 8 IN. LANYARD	1	
8	213592	DEFLECTOR WELDT – NH CR NARROW ONLY (LH)	1	
9	213593	DEFLECTOR WELDT – NH CR NARROW ONLY (RH)	1	
10	213614	DEFLECTOR WELDT – NH CR WIDE ONLY (LH, SHORT)	1	
1	213613	DEFLECTOR WELDT – NH CR WIDE ONLY (RH, SHORT)	1	
A	23745	WASHER – FLAT ⁴⁷⁴		
B	50225	NUT – FLANGE DT SMTH FACE .625-11 UNC ⁴⁷⁴		
C	184714	WASHER – FLAT REG M12-300HV-A3L		
D	184669	BOLT – HEX HD M12 X 1.75 X 40-8.8-A3L		
E	136625	BOLT – HEX SER FLG HD M12 X 1.75 X 25 X SPCL-100-AA1J		
F	136431	NUT – HEX FLG CTR LOC M12 X 1.75-10-A3L		
G	152439	BOLT – RHSSN M12 X 1.75 X 25-8.8-A3L		
H	136476	NUT – HEX CTR LOC M16 X 2-8		
J	197319	BOLT – HEX HD TFL M4 X 0.7 X 16-8.8-AA1J		
K	197320	NUT – HEX NYLOC M4 X 0.7-8-AA1J		

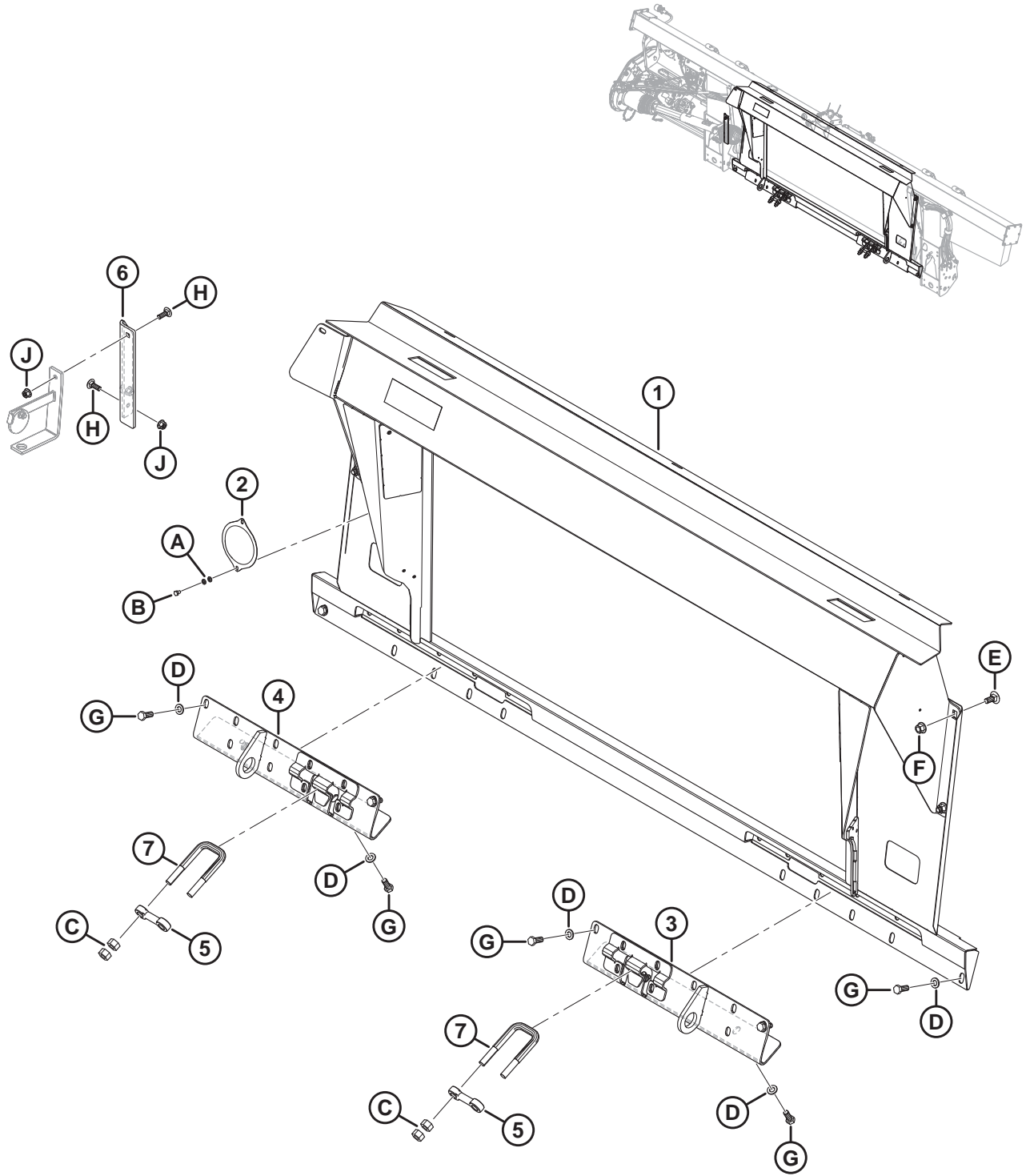
471. Case IH, New Holland CR/CX Completion Package includes float module, hydraulic, and electrical completion packages required to complete a stand-alone FM100 or to convert to an existing factory-installed FM100. Kits available through Whole Goods only.

472. For model year 2023 and later units, order transition frame assembly (MD #347300). For model year 2022 and prior units with superseded transition frame (MD #279493), order service kit (MD #335906).

473. CNH transition frame service kit (MD #335906) is used to service units with superseded transition frame (MD #279493). Kit includes transition frame assembly (MD #347300), latch (MD #347141), pin (MD #237363), torsion spring (MD #156948), hardware, and installation instructions.

474. Service part only for units with superseded transition frame (MD #279493).

134 Case IH 2300/2500 Series – Float Module Completion



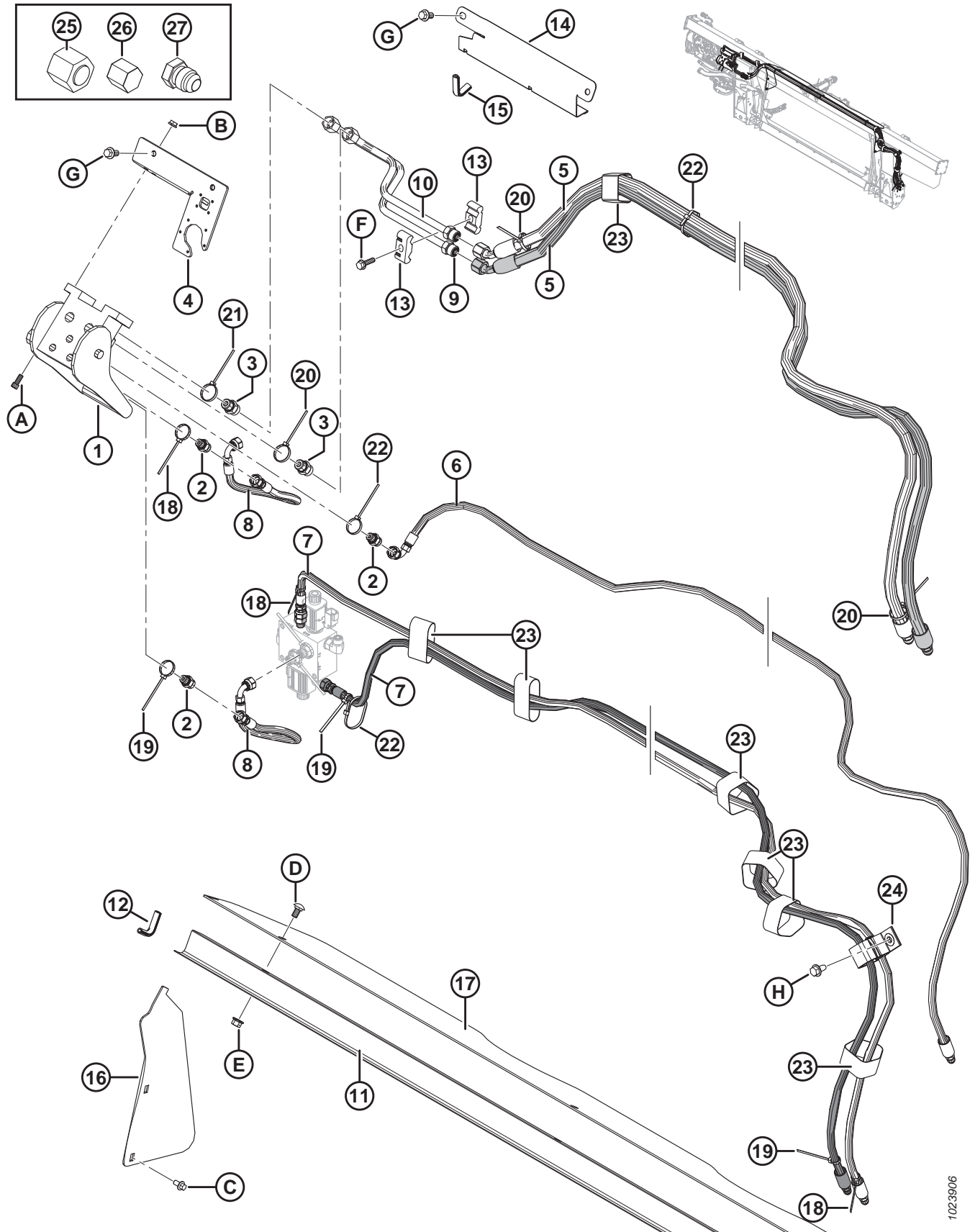
CASE IH 2300/2500 SERIES – FLOAT MODULE COMPLETION

Ref	Part Number	Description	Qty	Serial Number
	B6849	COMP PKG – CASE IH, 2300/2500 SERIES ⁴⁷⁵		
1	347731	FRAME – CIH W/ DECAL	1	
2	328372	COVER – RTD GEARBOX ⁴⁷⁶	A/R	
3	347965	ANCHOR – WELDT RH	1	
4	347964	ANCHOR – WELDT LH	1	
5	133241	LATCH – 2300 SERIES COMBINE	2	
6	328381	BRACKET – DRIVELINE HANGER	1	
7	133242	U-BOLT	2	
A	184705	WASHER – FLAT M6-200HV-AA1J ⁴⁷⁶		
B	136561	BOLT – HEX HD TFL M6 X 1 X 10-8.8-AA1J ⁴⁷⁶		
C	18592	NUT – HEX 5/8-11 UNC GR 5 ZP		
D	184714	WASHER – FLAT REG M12-300HV		
E	184667	BOLT – RHSN M12 X 1.75 X 30-8.8-AA1J		
F	136431	NUT – HEX FLG CTR LOC M12 X 1.75-10		
G	30630	BOLT – HEX HD TFL M12 X 1.75 X 30-8.8-A3L		
H	184662	BOLT – RHSN TFL M10 X 1.5 X 30-8.8-AA1J		
J	135799	NUT – HEX FLG CTR LOC M10 X 1.5-10		

475. Case IH 2300/2500 Series Completion Package includes float module, hydraulic, and electrical completion packages required to complete a stand-alone FM100 or to convert to an existing factory-installed FM100. Kits available through Whole Goods only.

476. Service part only for units with superseded CIH transition frame (MD #335270).

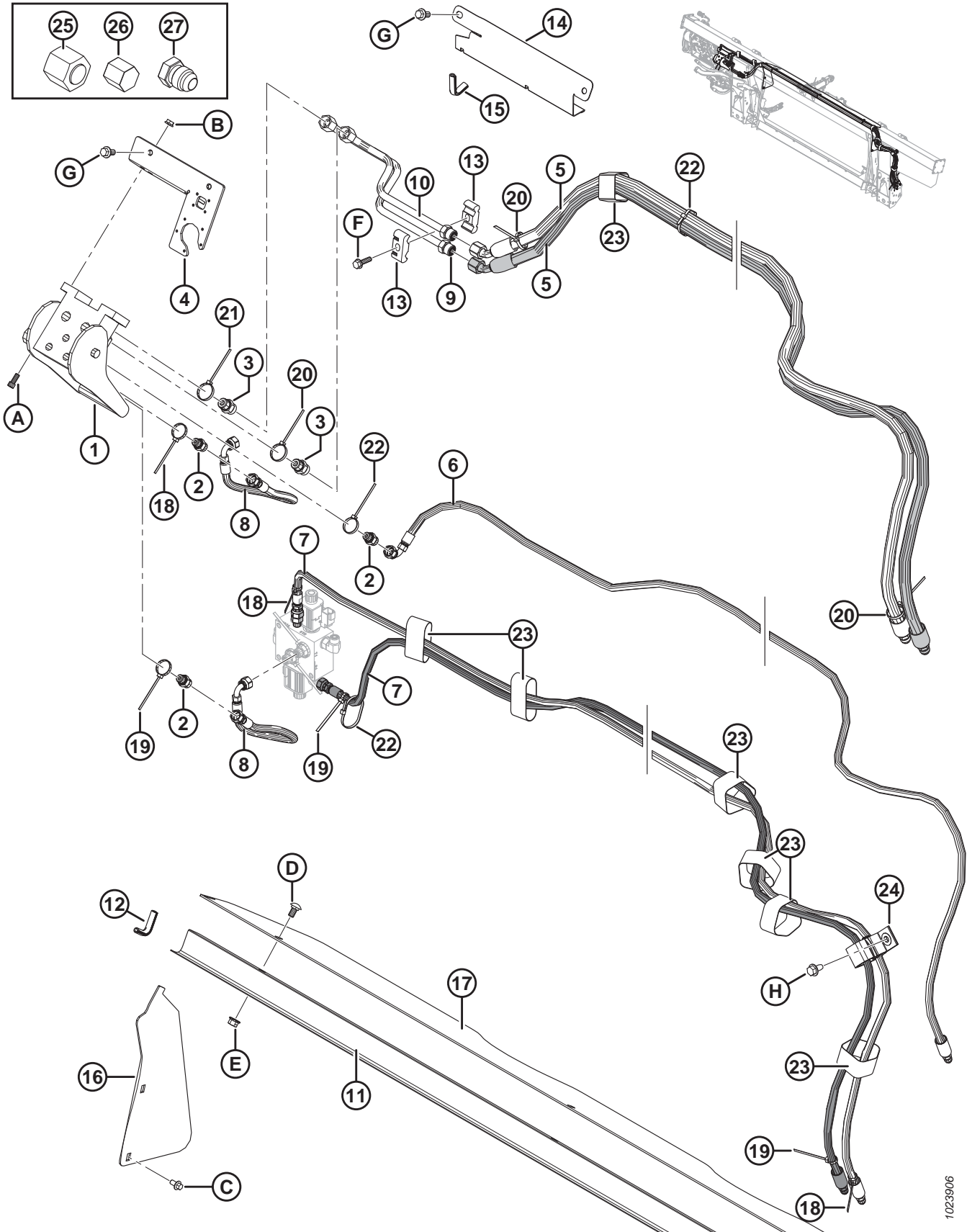
135 Case IH and New Holland CR/CX – Hydraulic Completion



CASE IH AND NEW HOLLAND CR/CX – HYDRAULIC COMPLETION

Ref	Part Number	Description	Qty	Serial Number
1	153151	COUPLING – MULTI	1	
	129800	COVER – KIT		
	129801	LATCH – BUTTON KIT		
	129976	COUPLING – 1/4 IN.		
	129977	COUPLING – 3/8 IN.		
2	252694	FITTING – ADAPTER, .052 ORIFICE	3	
	50219	O-RING – #6 ORB		
	135865	O-RING – #6 ORFS		
3	135780	FITTING – ADAPTER	2	
	44209	O-RING – #8 ORB		
	135866	O-RING – #8 ORFS		
4	301693	KIT – CNH ELECTRICAL COVER	1	
5	213182	HOSE – HYD, REEL DRIVE	2	
6	213184	HOSE – HYD, REEL LIFT	1	
7	213350	HOSE – HYD, REEL FORE-AFT (CNH)	2	
8	213354	HOSE – HYD, FORE-AFT (CNH)	2	
9	213204	LINE – REEL DRIVE PRESS (CNH)	1	
10	213205	LINE – REEL DRIVE RETURN (CNH)	1	
11	156725	COVER – HOSE	1	
12	42589	MOULDING	2	
13	37167	CLAMP	2	
14	213965	COVER – HOSE (2016 AND PRIOR)	1	-301189
15	194082	MOULDING (2016 AND PRIOR)	1	-301189
16	276284	COVER – FEED AUGER, SIDE	2	
17	276285	COVER – FEED AUGER, TOP	1	
18	49227	FASTENER – CABLE TIE (GREEN)	3	
19	40702	FASTENER – CABLE TIE (RED)	3	
20	40701	FASTENER – CABLE TIE (YELLOW)	3	
21	49232	FASTENER – CABLE TIE (WHITE)	1	
22	21763	FASTENER – CABLE TIE (BLACK)	7	
23	135444	FASTENER – CINCH STRAP 6 IN. LG	7	
24	163598	STRAP – VELCRO, HANGING	1	
25	136325	CAP – HYD SAE-6 ORFS	1	
26	108233	CAP – 1/2 IN. TUBE (FOR SHIPPING ONLY)	2	
	30813	CAP – 3/8 IN. TUBE 37 DEG FLARE (FOR SHIPPING ONLY)	3	
27	50178	PLUG – 3/8 IN. TUBE (FOR SHIPPING ONLY)	4	
A	135397	BOLT – SOCKET HD (HEX) 5/16 NC X 3/4		
B	30280	NUT – FLG SIDE LK SMTH FACE 5/16 NC GR 5 ZP		
C	136485	BOLT – HEX FLG HD TFL M8 X 1.25 X 16-8.8-A3L		
D	184657	BOLT – RHSSN M10 X 1.5 X 20-8.8-A3L		
E	135799	NUT – HEX FLG CTR LOC M10 X 1.5-10-A3L		
F	252655	BOLT – HEX HD TFL M8 X 1.25 X 30-8.8-A3L		

CASE IH AND NEW HOLLAND CR/CX – HYDRAULIC COMPLETION

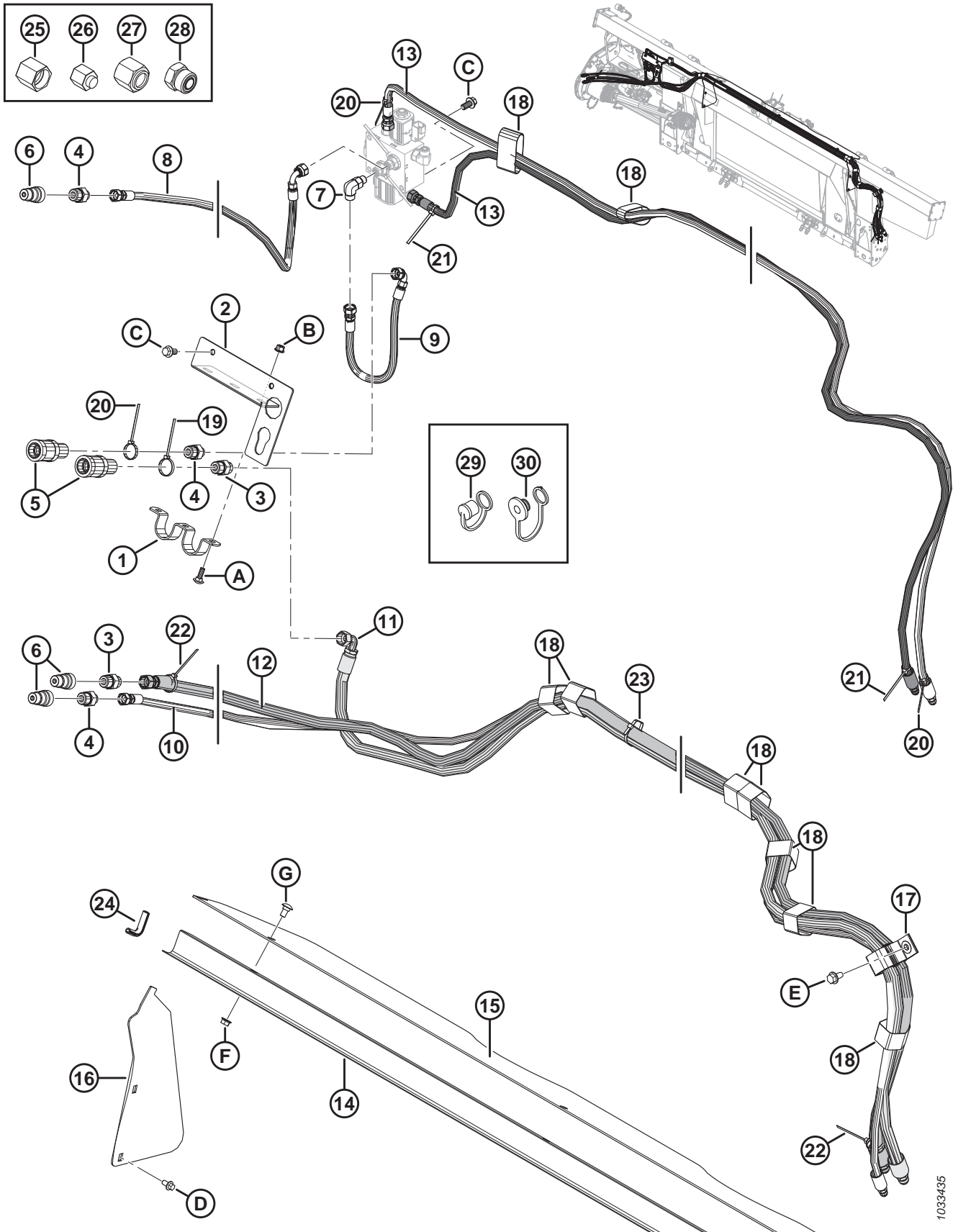


1023906

CASE IH AND NEW HOLLAND CR/CX – HYDRAULIC COMPLETION

Ref	Part Number	Description	Qty	Serial Number
G	152655	BOLT – HEX FLG HD M10 X 1.5 X 20-8.8-A3L		
H	136209	SCREW – HEX WASHER HD M10 X 1.5 X 20-450HV-A3L		

136 Case IH 2300/2500 Series – Hydraulic Completion



1033435

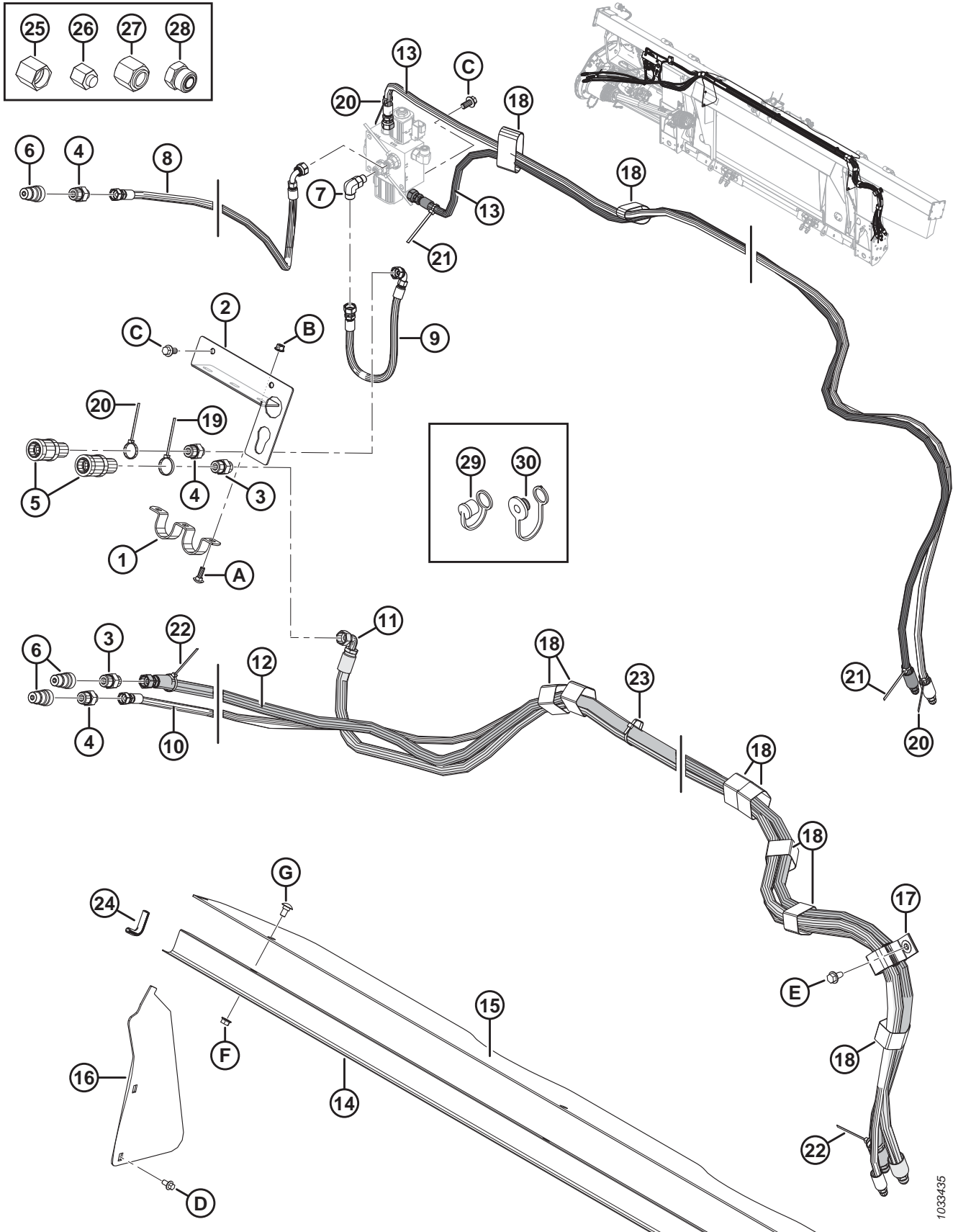
CASE IH 2300/2500 SERIES – HYDRAULIC COMPLETION

Ref	Part Number	Description	Qty	Serial Number
1	322695	HOLDER	1	
2	322692	SUPPORT – CONNECTOR	1	
3	184463	FITTING – ADAPTER HYD	2	
	44210	O-RING – #10 ORB		
	135866	O-RING – #8 ORFS		
4	184462	FITTING – ADAPTER HYD	3	
	44210	O-RING – #10 ORB		
	135865	O-RING – #6 ORFS		
5	114143	FITTING – COUPLING HYD	2	
6	114142	FITTING – COUPLING HYD	3	
7	136095	FITTING – ELBOW 90° HYD	1	
	50219	O-RING – #6 ORB		
	135865	O-RING – #6 ORFS		
8	322752	HOSE – HYD, FORE-AFT	1	
9	322751	HOSE – HYD, FORE-AFT	1	
10	322744	HOSE – HYD, REEL LIFT	1	
11	322742	HOSE – HYD, REEL DRIVE	1	
12	322739	HOSE – HYD, REEL DRIVE	1	
13	213350	HOSE – HYDRAULIC	2	
14	156725	COVER – HOSE	1	
15	276285	COVER – FEED AUGER, TOP	1	
16	276284	COVER – FEED AUGER, SIDE	2	
17	163598	CINCH STRAP – HANGING, 6 IN. LG	1	
18	135444	CINCH STRAP – 6 IN. LG	9	
19	49232	FASTENER – CABLE TIE, WHITE	1	
20	49227	FASTENER – CABLE TIE, GREEN	3	
21	40702	FASTENER – CABLE TIE, RED	2	
22	40701	FASTENER – CABLE TIE, YELLOW	2	
23	21763	FASTENER – CABLE TIE, BLACK	4	
24	42589	MOULDING	2	
25	108233	CAP – 1/2 IN. TUBE (FOR SHIPPING ONLY)	2	
26	30813	CAP – 3/8 IN. TUBE 37 DEG FLARE (FOR SHIPPING ONLY)	3	
27	136741	PLUG – HYD SAE -8 ORFS (FOR SHIPPING ONLY)	1	
	136325	PLUG – HYD SAE -6 ORFS, (FOR SHIPPING ONLY)	1	
28	136265	PLUG – HYD SAE -8 ORFS (FOR SHIPPING ONLY)	1	
	136326	PLUG – HYD SAE -6 ORFS (FOR SHIPPING ONLY)	2	
29	21856	CAP – DUST (FOR SHIPPING ONLY) ⁴⁷⁷	3	
30	21858	CAP – DUST (FOR SHIPPING ONLY) ⁴⁷⁸	2	
A	184648	BOLT – RHSN M8 X 1.25 X 25-8.8-AA1J		
B	135337	NUT – HEX FLG CTR LK M8 X 1.25-8-AA1J		

477. Intended for use with 1/2 in. male quick couplers.

478. Intended for use with 1/2 in. female quick couplers.

CASE IH 2300/2500 SERIES – HYDRAULIC COMPLETION

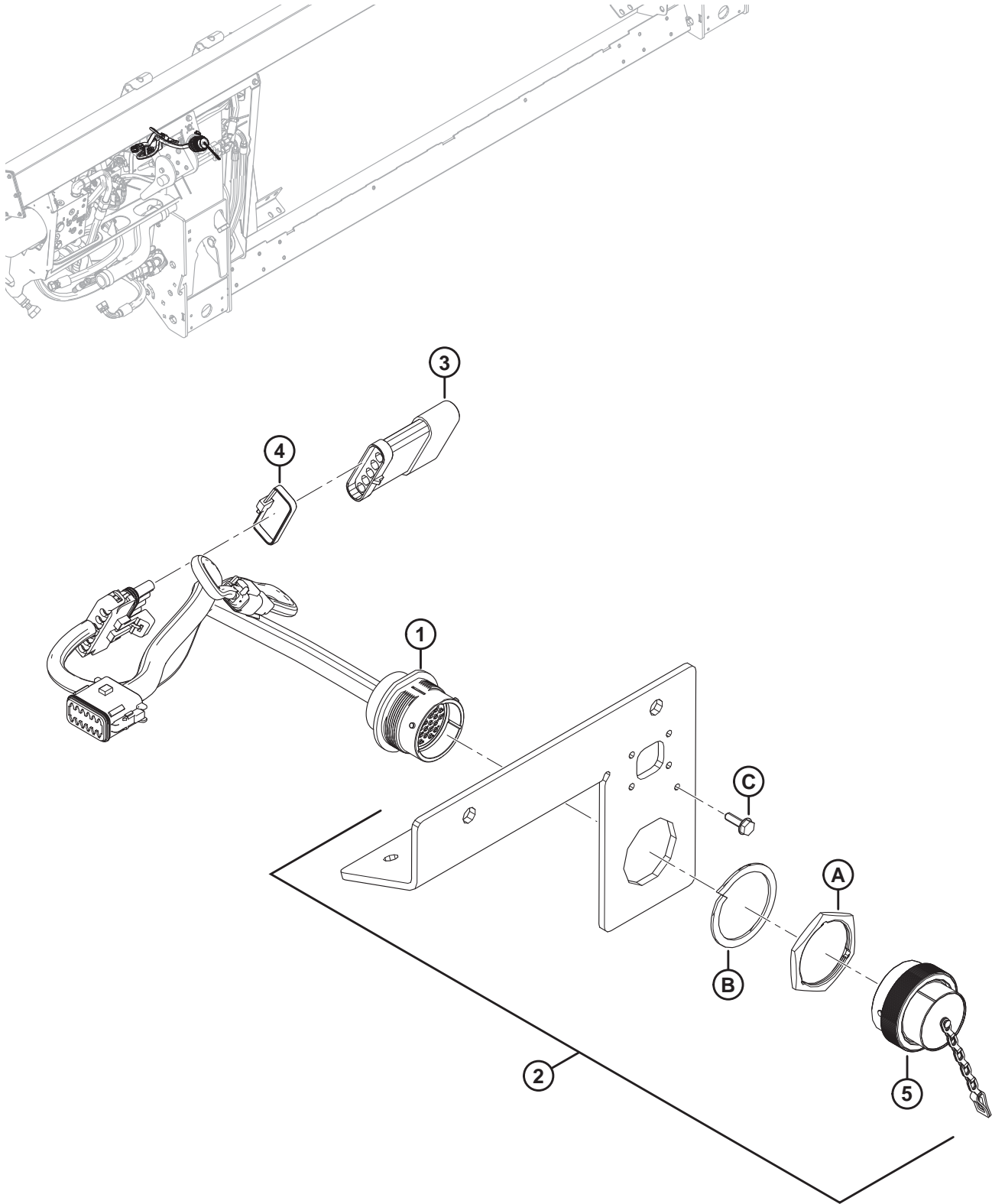


1033435

CASE IH 2300/2500 SERIES – HYDRAULIC COMPLETION

Ref	Part Number	Description	Qty	Serial Number
C	152655	BOLT – HEX FLG HD M10 X 1.5 X 20-8.8-AA1J		
D	136485	BOLT – HEX FLG HD TFL M8 X 1.25 X 16-8.8-AA1J		
E	136209	SCREW – HEX WASHER M10 X 1.5 X 20-450HV		
F	30228	NUT – FLG DT SM FACE 3/8-16 UNC-GR5-AA1J		
G	21472	BOLT – RHSN 3/8-16 X .75-GR5 AA1J		

137 Case IH and New Holland CR/CX – Electrical Completion



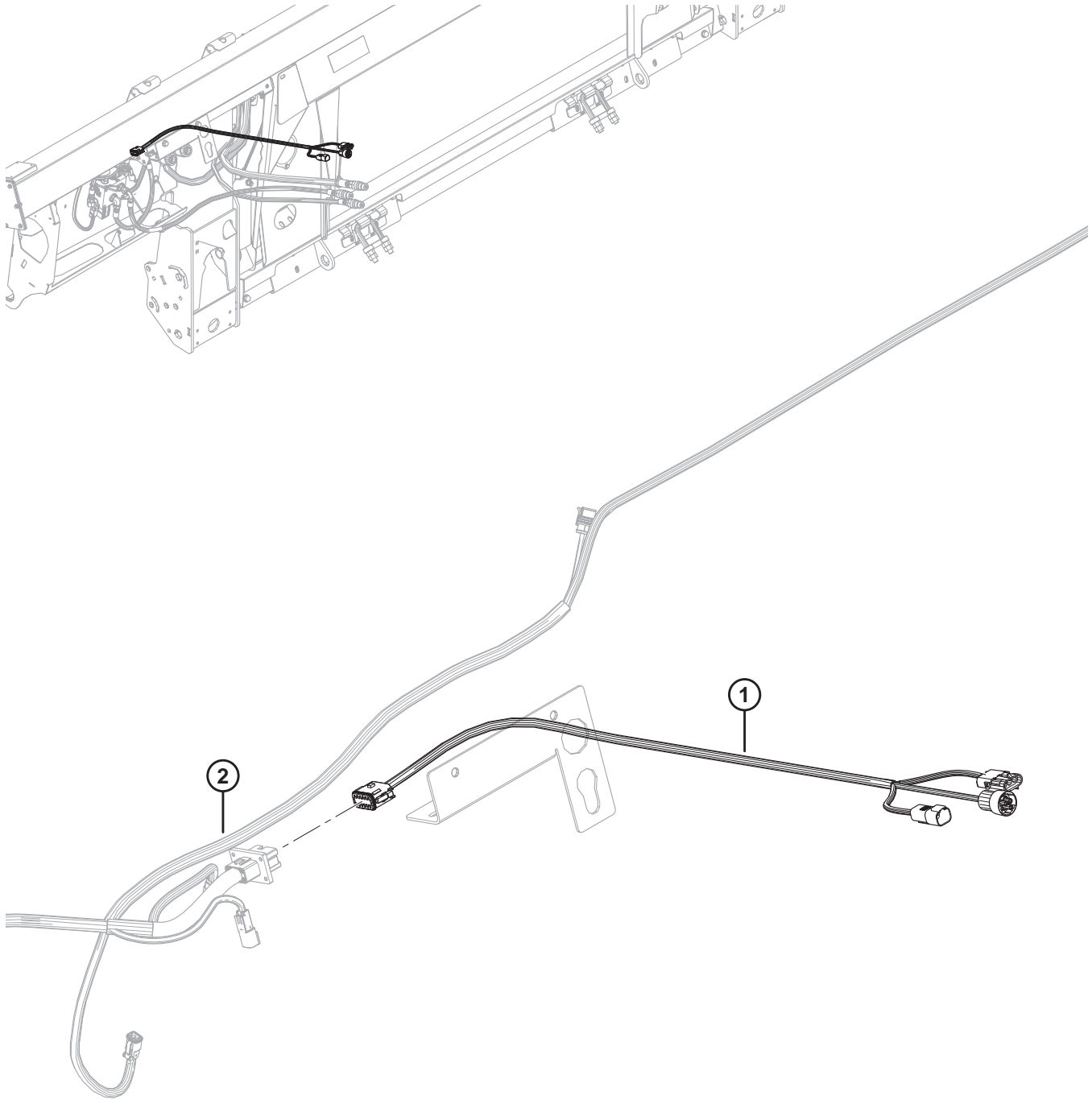
CASE IH AND NEW HOLLAND CR/CX – ELECTRICAL COMPLETION

NOTE:

For specific electrical harness parts, refer to Electrical Connector Parts Catalog (MD #169641).

Ref	Part Number	Description	Qty	Serial Number
1	213211	HARNESS – FM100, COMPLETION, CNH	1	
	134746	CONNECTOR – CAP, PLUG, 12-WAY	1	
2	301693	KIT – CNH ELECTRICAL COVER	1	
3	153933	RESISTOR – HEADER RECOGNITION	1	
4	30753	FASTENER – CABLE TIE (BLACK)	1	
5	134053	CAP – PLUG, HD30, SIZE 24	1	
A	134010	NUT – PANEL, HD30, SIZE 24		
B	134011	WASHER – LOCK SPRING, DEUTSCH HD, SIZE 24		
C	21947	SCREW – SELF TAPPING HEX WASH HD #10 X 5/8 ZP		

138 Case IH 2300/2500 Series – Electrical Completion



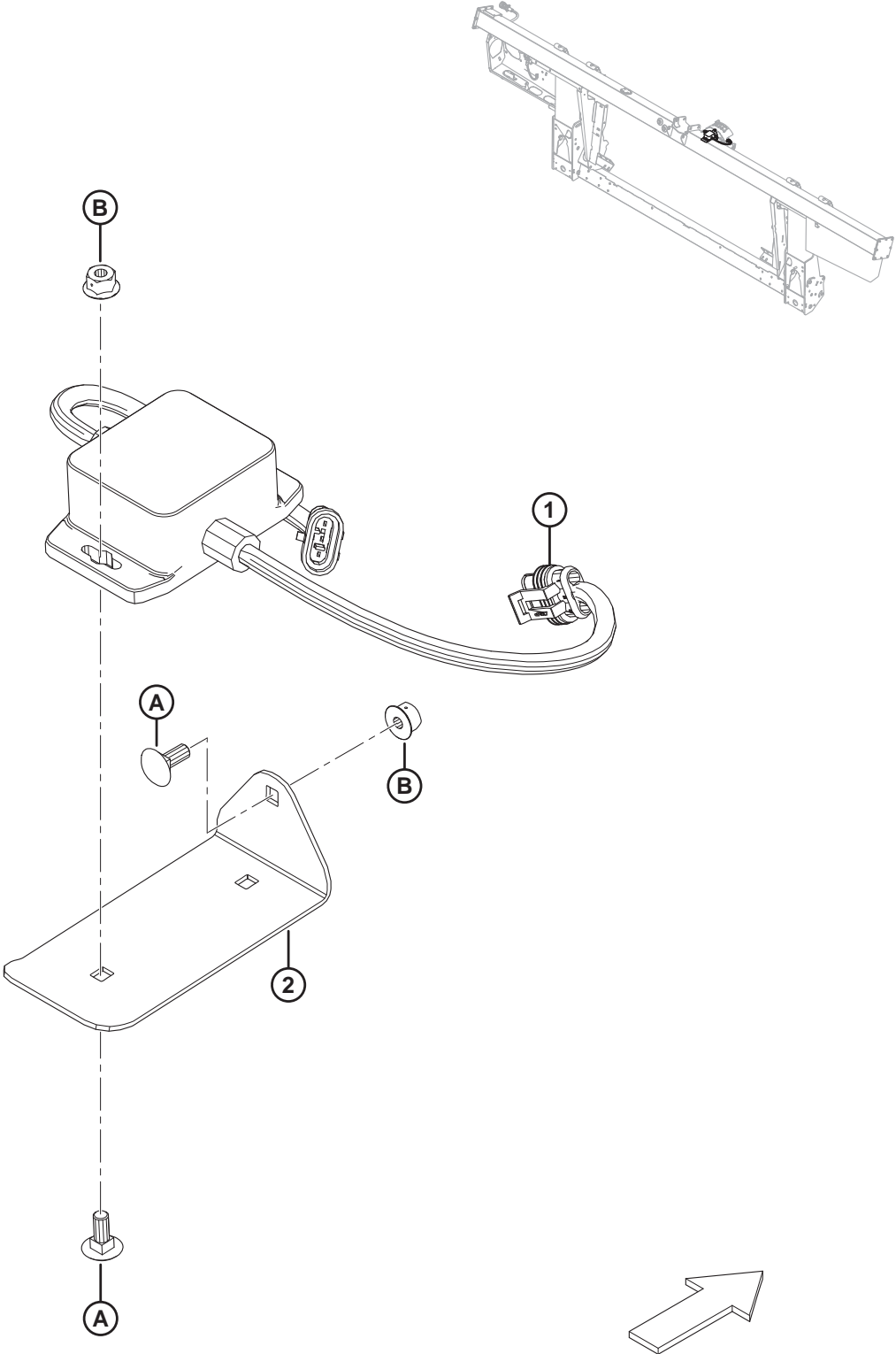
CASE IH 2300/2500 SERIES – ELECTRICAL COMPLETION

NOTE:

For specific electrical harness parts, refer to Electrical Connector Parts Catalog (MD #169641).

Ref	Part Number	Description	Qty	Serial Number
1	322748	HARNESS – FM100, COMPLETION, CIH	1	
	134746	CONNECTOR – CAP, PLUG, 12-WAY	1	
2	REF	HARNESS – FM100, MAIN	1	

139 New Holland 10 Volt Auto Header Height Control Converter Kit



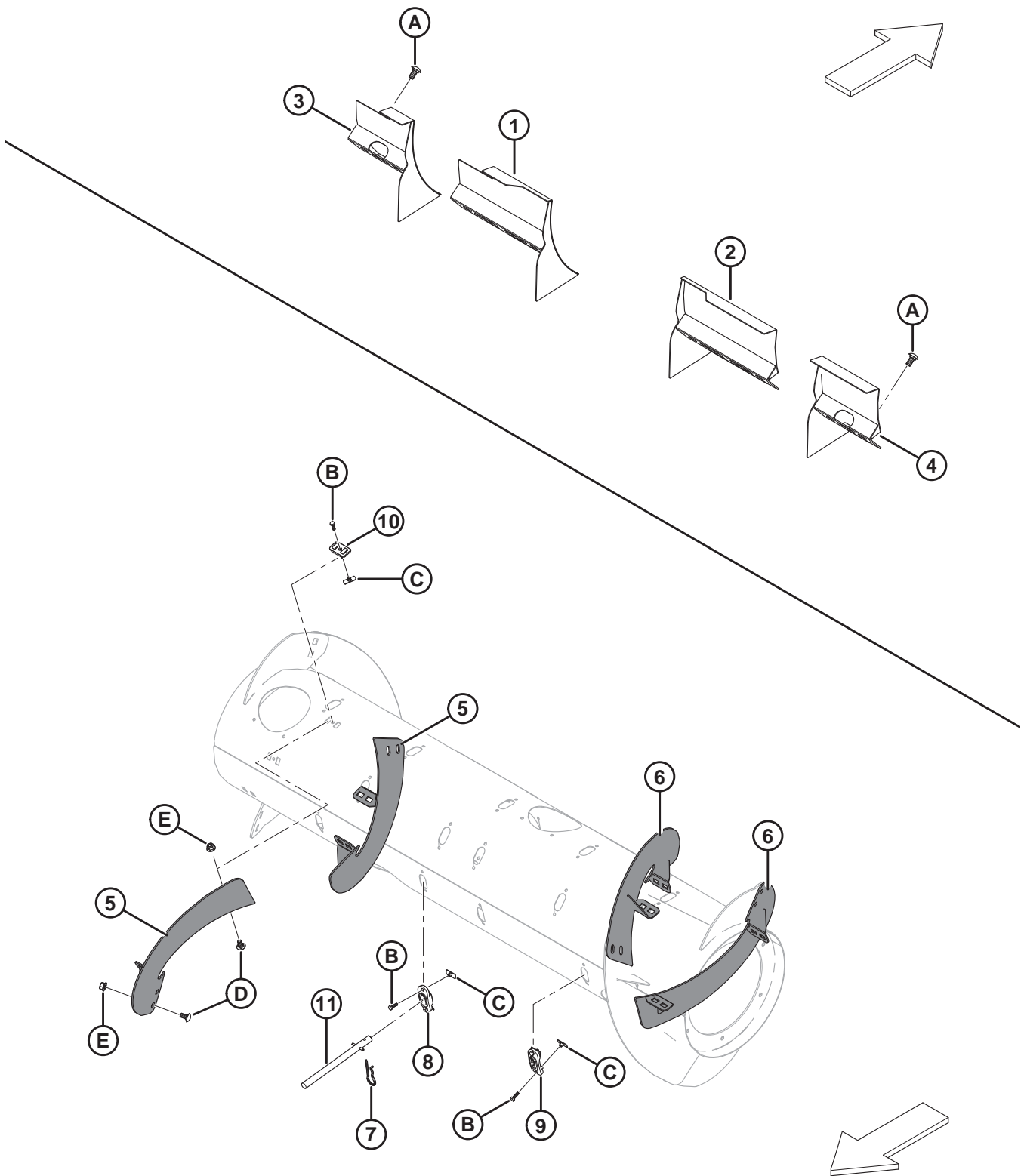
NEW HOLLAND 10 VOLT AUTO HEADER HEIGHT CONTROL CONVERTER KIT

Ref	Part Number	Description	Qty	Serial Number
	B6421	KIT – 10V CONVERTER ⁴⁷⁹		
	295013	KIT – 10V CONVERTER ⁴⁸⁰		
1	276759	ADAPTER – 10V	1	
2	295401	PLATE – MOUNT	1	
A	136748	BOLT – RHSN M6 X 1 X 16-8.8-A2L		
B	152668	NUT – HEX FLG CTR LOC M6 X 1-8-A2L		

479. Includes 10 Volt Converter kit (MD #295013). Kits available through Whole Goods only.

480. Includes all listed parts, hardware, and instructions.

140 New Holland CR Fillers Conversion Kit



1033426

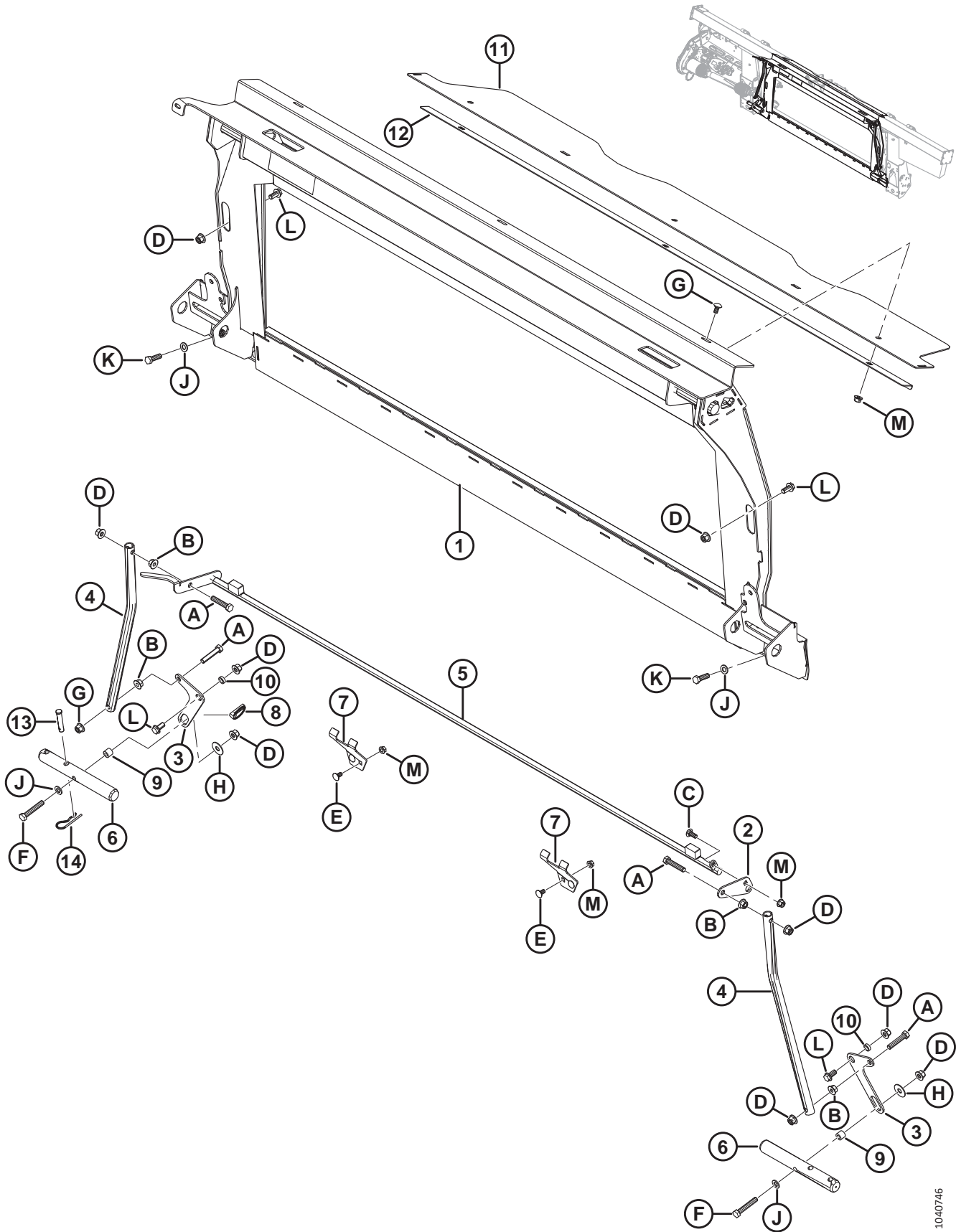
NEW HOLLAND CR FILLERS CONVERSION KIT

Ref	Part Number	Description	Qty	Serial Number
	B6886	KIT – NEW HOLLAND CR FILLERS ⁴⁸¹		
1	213592	DEFLECTOR WELDT – NH CR NARROW ONLY (LH)	1	
2	213593	DEFLECTOR WELDT – NH CR NARROW ONLY (RH)	1	
3	213614	DEFLECTOR WELDT – NH CR WIDE ONLY (LH, SHORT)	1	
4	213613	DEFLECTOR WELDT – NH CR WIDE ONLY (RH, SHORT)	1	
5	287890	FLIGHTING, RTD – RH, LONG (HIWEAR)	2	
6	287889	FLIGHTING, RTD – LH, LONG (HIWEAR)	2	
7	123180	PIN – HAIR	8	
8	337143	GUIDE	8	
9	187137	PLUG	4	
10	213084	PLUG – FLIGHTING SLOT	8	
11	337152	KIT – FINGER ⁴⁸²	8	
	7642	PIN – SPRING 3/16 DIA X 1.5 LG		
A	152439	BOLT – RHSSN M12 X 1.75 X 25-8.8-A3L		
B	252703	BOLT – HEX HD TFL M6 X 1 X 20 X SPCL-12.9-AA2L		
C	197263	NUT – TEE M6 X 1		
D	184657	BOLT – RHSSN M10 X 1.5 X 20-8.8-A3L		
E	135799	NUT – HEX FLG CTR LOC M10 X 1.5-10-A3L		

481. Kits available through Whole Goods only.

482. Includes solid finger (not sold separately), spring pin (MD #7642), guide (MD #337143), and instructions.

141 CLAAS Lexion 500/700 Series – Float Module Completion



1040746

CLAAS LEXION 500/700 SERIES – FLOAT MODULE COMPLETION

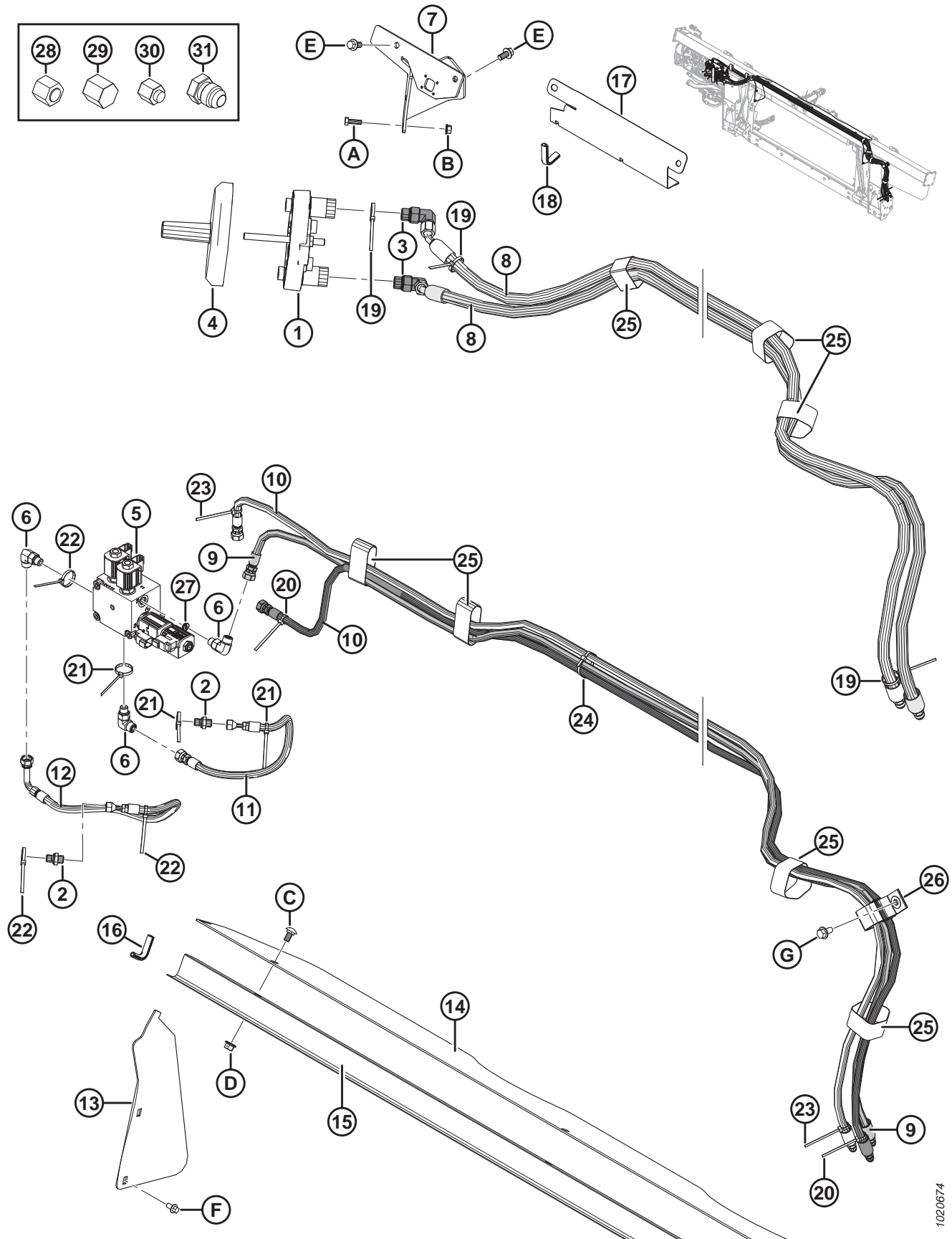
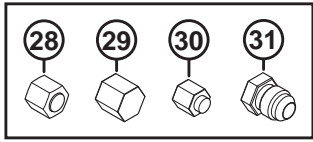
Ref	Part Number	Description	Qty	Serial Number
	B6960	COMP PKG – CLAAS ⁴⁸³		
1	347077	FRAME – CLAAS TRANSITION W/DECAL	1	
2	328582	LEVER	1	
3	304669	LEVER – PIVOT	2	
4	156783	TUBE – LINK	2	
5	335849	LATCH WELDMENT	1	
6	133138	SHAFT ⁴⁸⁴	2	
7	245246	SUPPORT – LOCK KEEPER	2	
8	113561	PIN – LYNCH ⁴⁸⁵	A/R	
9	337043	BUSHING – M12 THREADED	2	
10	133439	SPACER – 0.75 O.D. X 0.120 IN. WALL	2	
11	328356	COVER – FEED AUGER TOP	1	
12	301629	RETAINER – DUST COVER	1	
13	19809	PIN – CLEVIS	1	
14	13125	PIN – HAIR	1	
A	237316	BOLT – HEX HD TFL M12 X 1.75 X 60-8.8-AA1J		
B	136036	NUT – HEX SM FLG M12 X 1.75-8-AA1J		
C	136506	BOLT – RHSSN M10 X 1.5 X 25-8.8-AA1J		
D	136431	NUT – HEX FLG CTR LOC M12 X 1.75-10-A3L		
E	136178	BOLT – RHSN M10 X 1.5 X 20-8.8-AA1J		
F	184675	BOLT – HEX HD M12 X 1.75 X 70-8.8-AA1J		
G	184657	BOLT – RHSSN M10 X 1.5 X 20-8.8-AA1J		
H	32247	WASHER – FLAT		
J	184714	WASHER – FLAT REG M12-300HV-A3L		
K	184669	BOLT – HEX HD M12 X 1.75 X 40-8.8-A3L		
L	136625	BOLT – HEX SER FLG HD M12 X 1.75 X 25 X SPCL-100-AA1J		
M	135799	NUT – HEX FLG CTR LOC M10 X 1.5-10		

483. CLAAS Lexion 500/700 Series Completion Package includes float module, hydraulic, and electrical completion packages required to complete a stand-alone FM100 or to convert to an existing factory-installed FM100. Kits available through Whole Goods only.

484. Shaft (MD #304782) with additional machining is available for service of CLAAS machines with fit-up issues in the field. For more information, see Service Bulletin SB #1917.

485. Service part only for superseded pivot lever (MD #347569).

142 CLAAS Lexion 500/700 Series – Hydraulic Completion



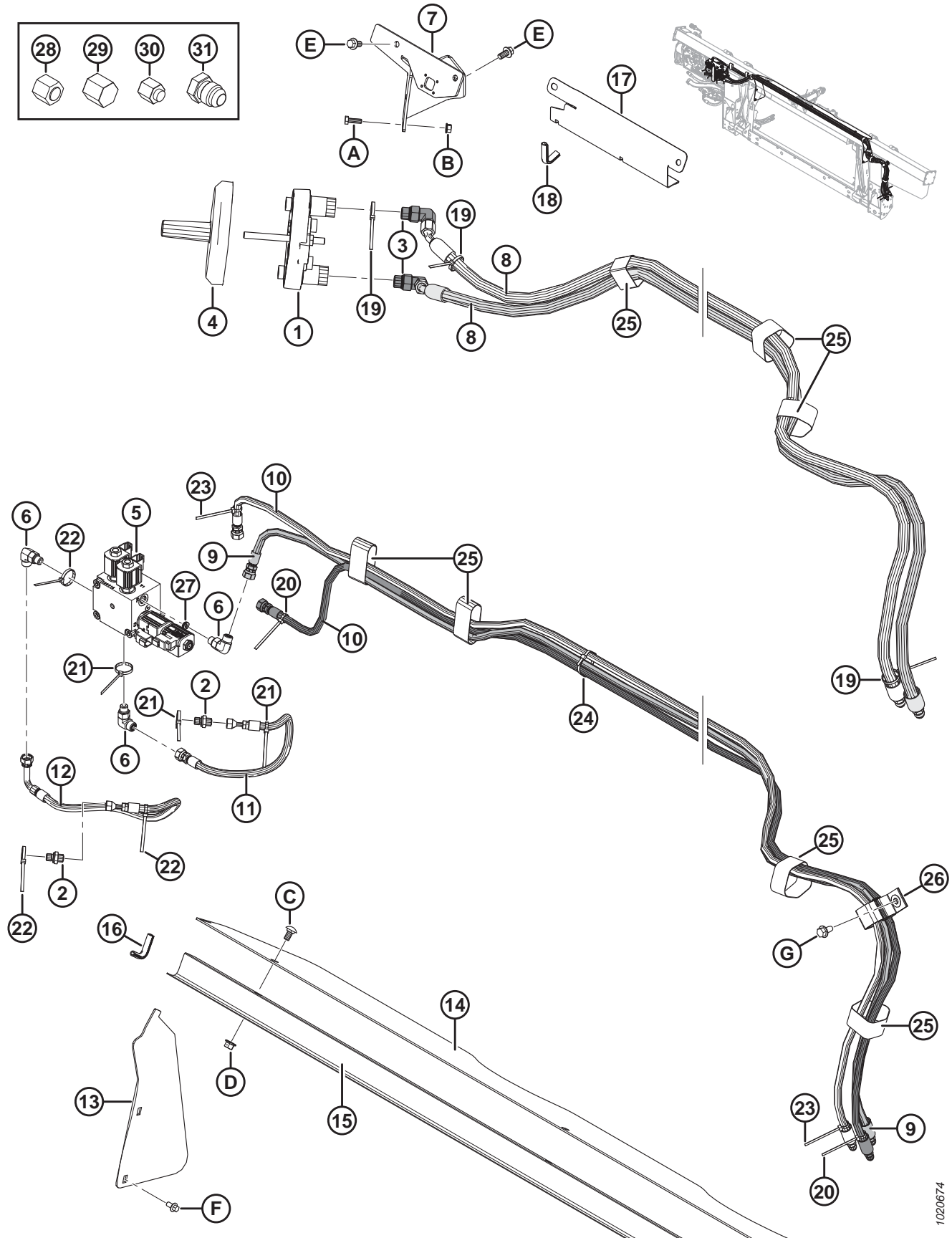
1020674

CLAAS LEXION 500/700 SERIES – HYDRAULIC COMPLETION

Ref	Part Number	Description	Qty	Serial Number
1	190866	COUPLER – LEXION MULTILINK	1	
2	136503	FITTING – ADAPTER -4 ORFS X -4 BSPP	2	
	135957	O-RING – #4 ORFS		
	136519	O-RING – #4 BSPP		
3	135917	FITTING – ELBOW 90° HYD	2	
	44210	O-RING – #10 ORB		
	135866	O-RING – #8 ORFS		
4	129481	COVER	1	
5	335341	MANIFOLD – SELECTOR, CLAAS	1	
	287462	COIL – 12VDC-0.625 IN. (V3)		
	287456	VALVE – 3-POS 4-WAY (V3)		
	245159	SEAL KIT (FOR VALVE MD #287456)		
	287461	COIL – 12VDC-0.500 IN. (V1, V2)		
	287460	VALVE – NC POPPET (V1, V2)		
	287465	SEAL KIT (FOR VALVE MD #287460)		
	279228	VALVE – CARTRIDGE, PO CHECK (CPD)		
	220959	SEAL KIT (FOR VALVE MD #279228)		
	163184	O-RING (2020 AND PRIOR) ⁴⁸⁶		-396189
	320284	O-RING – 2.38 X 20.64		396190-
	136108	SCREW – HEX SOC HD M10 X 1.5 X 80-12.9-AA1J		
	184711	WASHER – FLAT REG M10-200HV-AA1J		
6	136095	FITTING – ELBOW 90° HYD	3	
	50219	O-RING – #6 ORB		
	135865	O-RING – #6 ORFS		
7	287344	SUPPORT – WELDMENT LEXION COUPLER	1	
8	287864	HOSE – HYD, REEL DRIVE	2	
9	287865	HOSE – HYD, REEL LIFT	1	
10	287866	HOSE – HYD, REEL FORE-AFT	2	
11	213374	HOSE – HYD, REEL PRESS	1	
12	287870	HOSE – HYD, REEL RETURN	1	
13	276284	COVER – FEED AUGER, SIDE	2	
14	276285	COVER – FEED AUGER, TOP	1	
15	156725	COVER – HOSE	1	
16	42589	MOULDING	2	
17	213965	COVER – HOSE (2016 AND PRIOR)	1	-301189
18	194082	MOULDING (2016 AND PRIOR)	1	-301189
19	40701	FASTENER – CABLE TIE (YELLOW)	3	
20	40702	FASTENER – CABLE TIE (RED)	2	
21	40703	FASTENER – CABLE TIE (BLUE)	3	
22	40704	FASTENER – CABLE TIE (ORANGE)	3	
23	49227	FASTENER – CABLE TIE (GREEN)	2	

486. Service part only for units made in model year 2020 and prior. For units made in model year 2021 and later, or for units serviced with manifold MD #335341, order O-ring MD #320284.

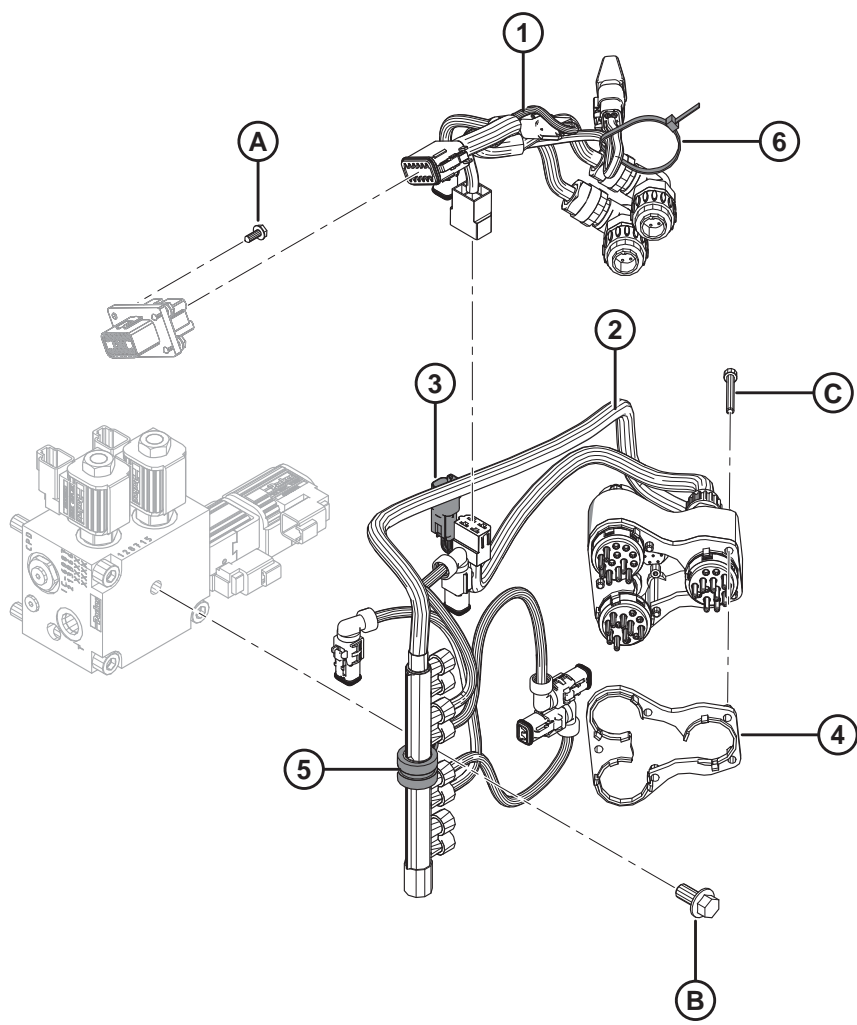
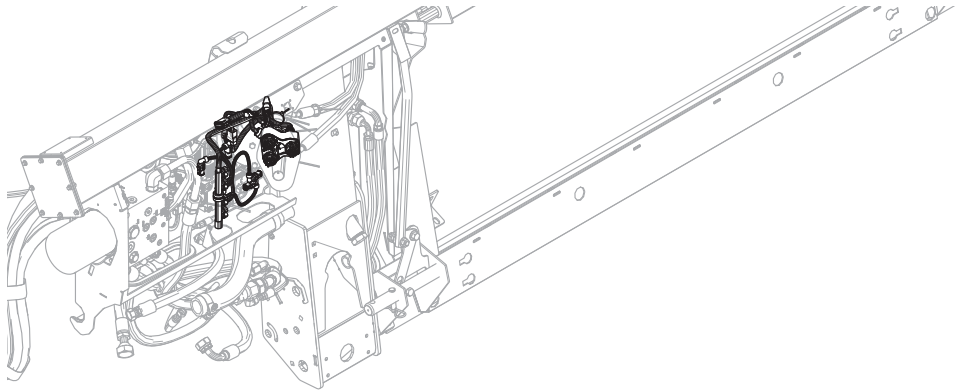
CLAAS LEXION 500/700 SERIES – HYDRAULIC COMPLETION



CLAAS LEXION 500/700 SERIES – HYDRAULIC COMPLETION

Ref	Part Number	Description	Qty	Serial Number
24	21763	FASTENER – CABLE TIE (BLACK)	3	
25	135444	FASTENER – CINCH STRAP 6 IN. LG	7	
26	163598	STRAP – VELCRO, HANGING	1	
27	252693	RESTRICTOR – #6 ORB X .052 IN.	1	
28	136325	CAP – HYD SAE-6 ORFS	2	
29	108233	CAP – 1/2 IN. TUBE (FOR SHIPPING ONLY)	2	
30	30813	CAP – 3/8 IN. TUBE 37 DEG FLARE (FOR SHIPPING ONLY)	3	
31	50178	PLUG – 3/8 IN. TUBE (FOR SHIPPING ONLY)	4	
A	184652	BOLT – HEX HD TFL M8 X 1.25 X 25-8.8-A2L		
B	135337	NUT – HEX FLG CTR LOC M8 X 1.25-8-A2L		
C	184657	BOLT – RHSSN M10 X 1.5 X 20-8.8-A3L		
D	135799	NUT – HEX FLG CTR LOC M10 X 1.5-10-A3L		
E	152655	BOLT – HEX FLG HD M10 X 1.5 X 20-8.8-A3L		
F	136485	BOLT – HEX FLG HD TFL M8 X 1.25 X 16-8.8-A3L		
G	136209	SCREW – HEX WASHER HD M10 X 1.5 X 20-450HV-A3L		

143 CLAAS Lexion 500/700 Series – Electrical Completion



CLAAS LEXION 500/700 SERIES – ELECTRICAL COMPLETION

NOTE:

For specific electrical harness parts, refer to Electrical Connector Parts Catalog (MD #169641).

Ref	Part Number	Description	Qty	Serial Number
1	276806	HARNESS – FM100, COMPLETION, CLAAS	1	
	134746	CONNECTOR – CAP, PLUG, 12-WAY	1	
	283215	MODULE – DIODE PACK, 6A DIODE ⁴⁸⁷	1	
2	276630	HARNESS – COUPLER, CLAAS ⁴⁸⁸	1	
	129772	HARNESS – WIRING ⁴⁸⁹	1	
3	213824	HARNESS – LEXION COUPLER MOD ⁴⁸⁹	1	
4	129773	SPACER – WIRING HARNESS	1	
5	135709	CLAMP – INSULATED 3/4 IN.	1	
6	21763	FASTENER – CABLE TIE (BLACK)	1	
A	REF	SCREW – SELF TAPPING HEX WASH HD #10 X 1/2 ZP ⁴⁹⁰		
B	152655	BOLT – HEX FLG HD M10 X 1.5 X 20-8.8-A3L		
C	129965	SCREW – HEX SOC HD M5 X 0.8 X 45-12.9-A2L		

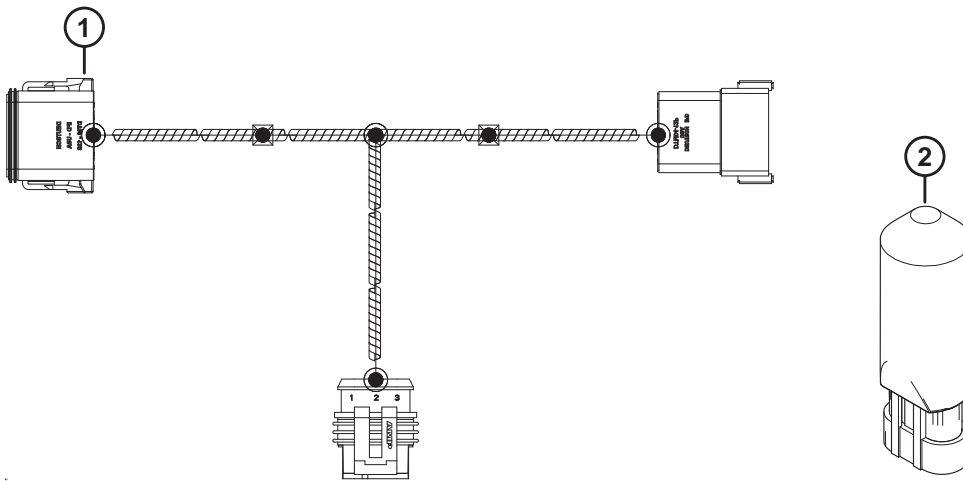
487. Service part only for harness (MD #276806).

488. Includes harnesses (MD #129772 and 213824).

489. Service part only for harness (MD #276630).

490. Screw (MD #42292) not included in completion package. Refer to Section *123 Electrical Components – FM100, page 373*.

144 CLAAS Reel Height Resistor Kit

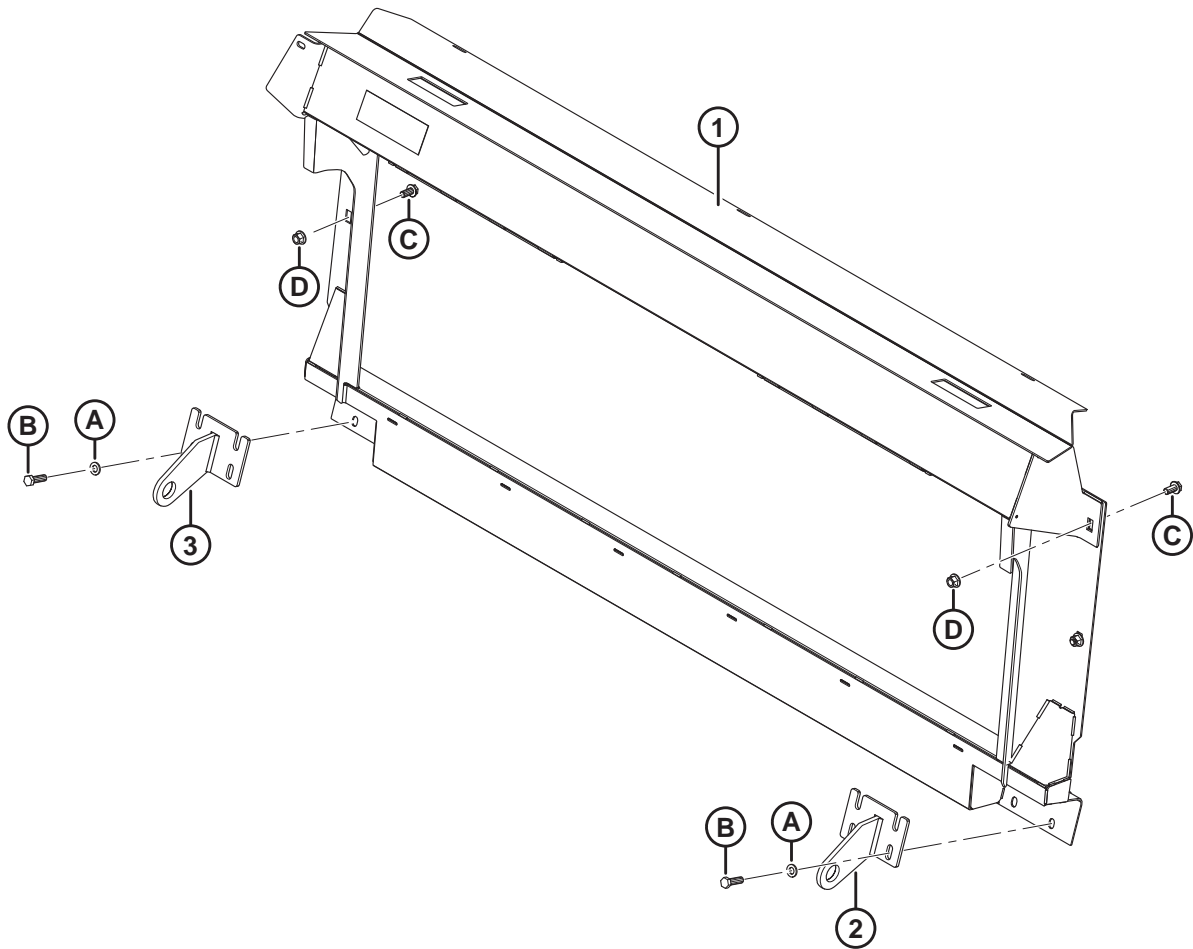
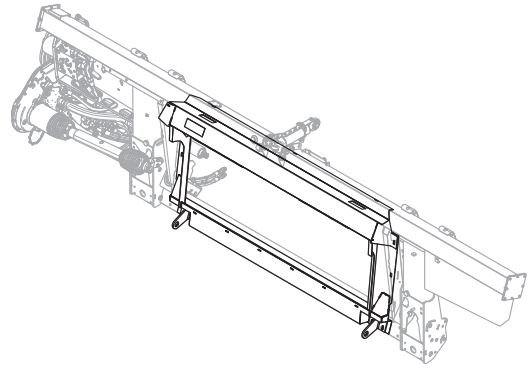


CLAAS REEL HEIGHT RESISTOR KIT

Ref	Part Number	Description	Qty	Serial Number
	295710	KIT – CLAAS REEL HEIGHT RESISTOR ⁴⁹¹		
1	301104	HARNESS – CLAAS REEL HT V-REG.	1	
2	133683	REGULATOR – VOLTAGE	1	

491. Kit includes listed parts.

145 John Deere 50 Series – Float Module Completion

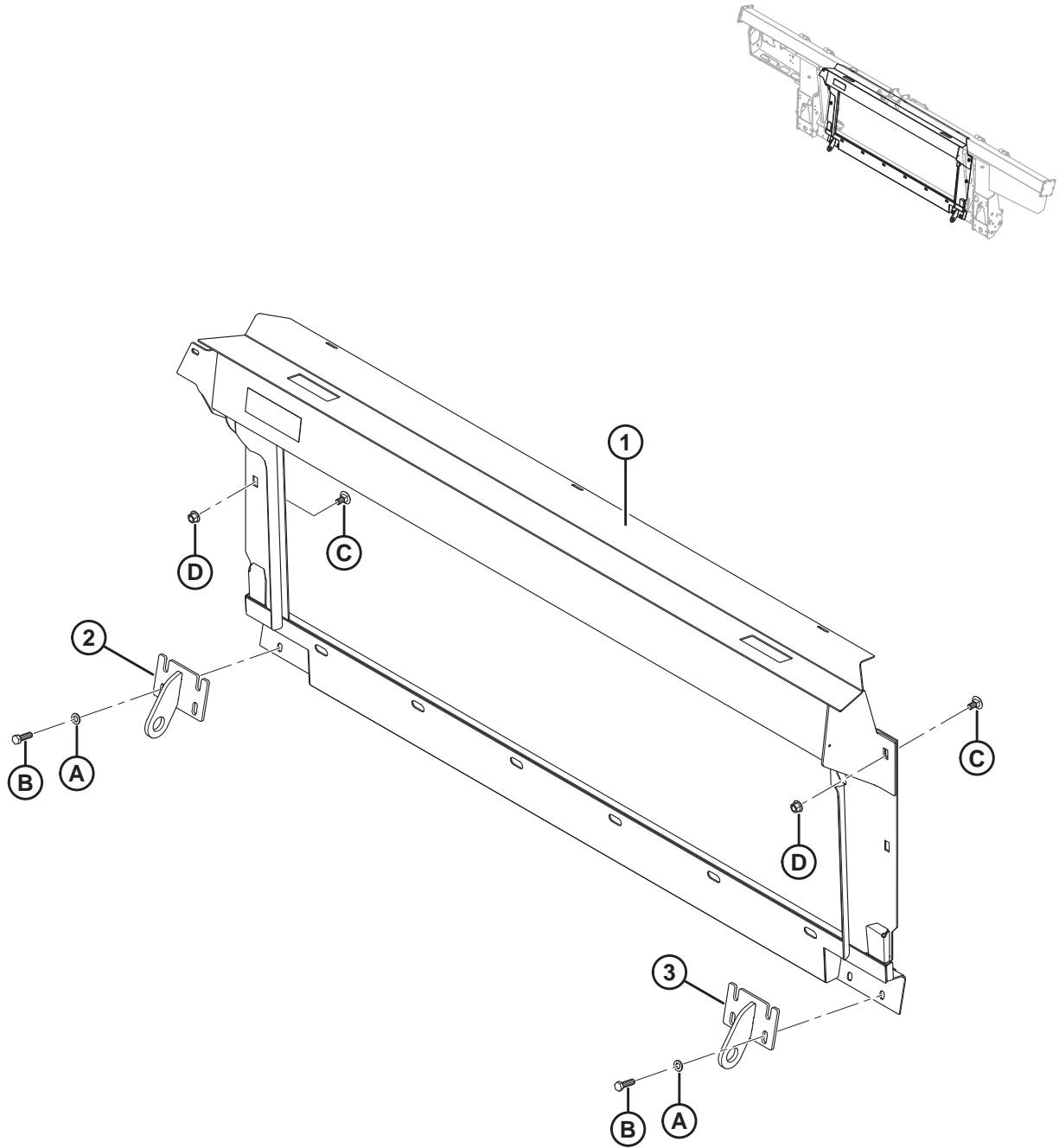


JOHN DEERE 50 SERIES – FLOAT MODULE COMPLETION

Ref	Part Number	Description	Qty	Serial Number
	B9030	COMP PKG – JD 50 SERIES ⁴⁹²		
1	294514	FRAME – JD WELDT LEVEL LAND	1	
2	151942	BRACKET – RIGHT WELDT	1	
3	151941	BRACKET – LEFT WELDT	1	
A	184714	WASHER – FLAT REG M12-300HV		
B	184669	BOLT – HEX HD M12 X 1.75 X 40-8.8-AA1J		
C	136625	BOLT – HEX SER FLG HD M12 X 1.75 X 25 X SPCL-100-AA1J		
D	136431	NUT – HEX FLG CTR LOC M12 X 1.75-10		

492. JD 50 Series Completion Package includes float module, hydraulic, and electrical completion packages required to complete a stand-alone FM100 or to convert to an existing factory-installed FM100. Kits available through Whole Goods only.

146 John Deere 60/70 S/T Series – Float Module Completion



JOHN DEERE 60/70 S/T SERIES – FLOAT MODULE COMPLETION

Ref	Part Number	Description	Qty	Serial Number
	B6962	COMP PKG – JD 60/70 S SERIES ⁴⁹³		
	B6963	COMP PKG – JD 60/70 T SERIES ⁴⁹³		
1	347301	ASSEMBLY – JD CM TRANS FRAME W/DECAL (S SERIES W/ CONTOUR MASTER FEEDER HOUSE) ⁴⁹⁴	1	
	294514	FRAME – JD WELDT LEVEL LAND (T OR S SERIES W/ LEVEL LAND FEEDER HOUSE) ⁴⁹⁵	1	
2	347179	ANCHOR – WELDT, LH (S SERIES ONLY) ⁴⁹⁶	1	
	151941	BRACKET – LEFT WELDT (T SERIES ONLY) ⁴⁹⁷	1	
3	347180	ANCHOR – WELDT, RH (S SERIES ONLY) ⁴⁹⁶	1	
	151942	BRACKET – RIGHT WELDT (T SERIES ONLY) ⁴⁹⁷	1	
A	184714	WASHER – FLAT REG M12-300HV-A3L		
B	184669	BOLT – HEX HD M12 X 1.75 X 40-8.8-A3L		
C	136625	BOLT – HEX SER FLG HD M12 X 1.75 X 25 X SPCL-100-AA1J		
D	136431	NUT – HEX FLG CTR LOC M12 X 1.75-10-A3L		

493. Includes float module, hydraulic, and electrical completion packages required to complete a stand-alone FM100 or to convert to an existing factory-installed FM100. Kits available through Whole Goods only.

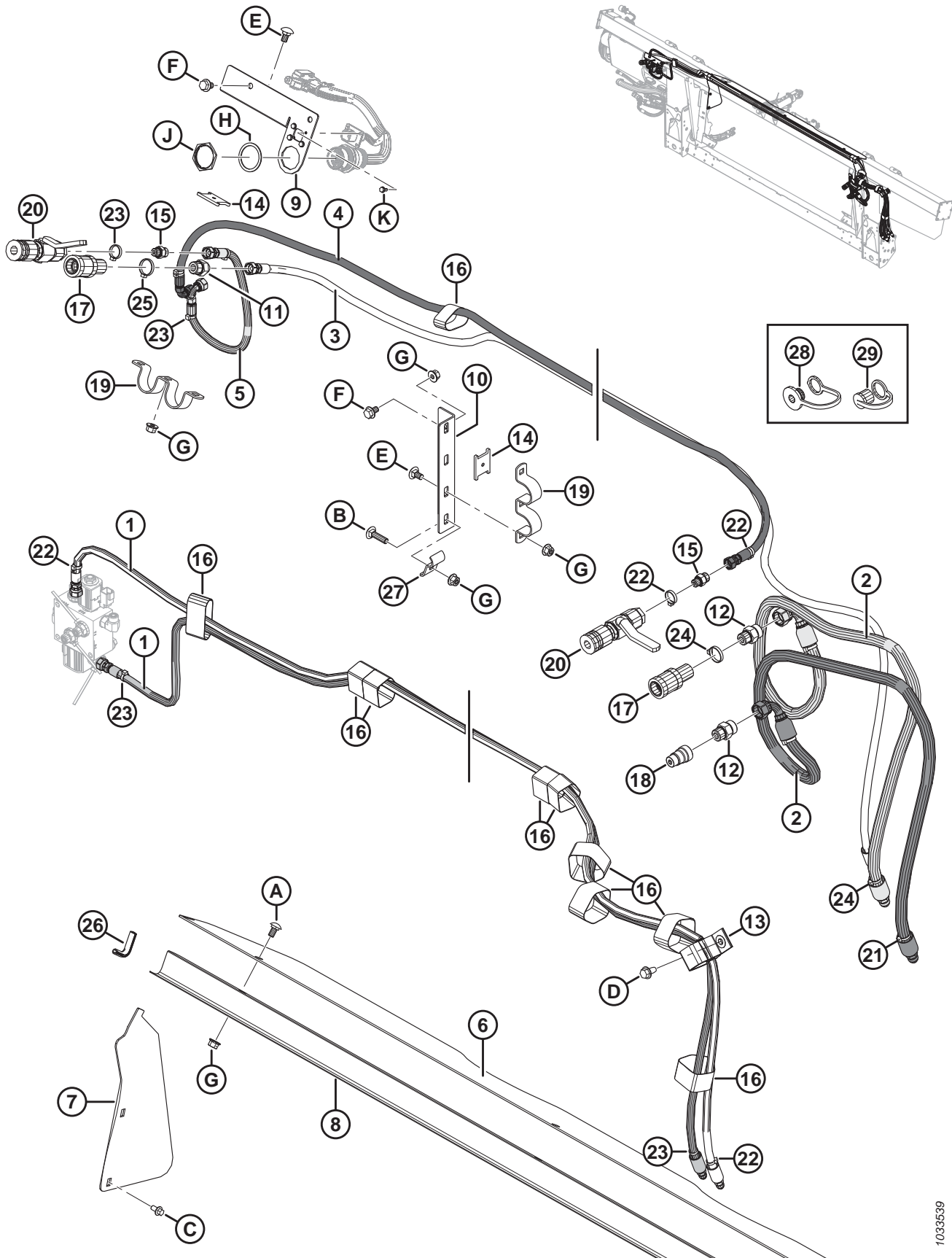
494. S Series with Contour Master feeder house.

495. T or S Series with Level Land feeder house.

496. S Series only.

497. T Series only.

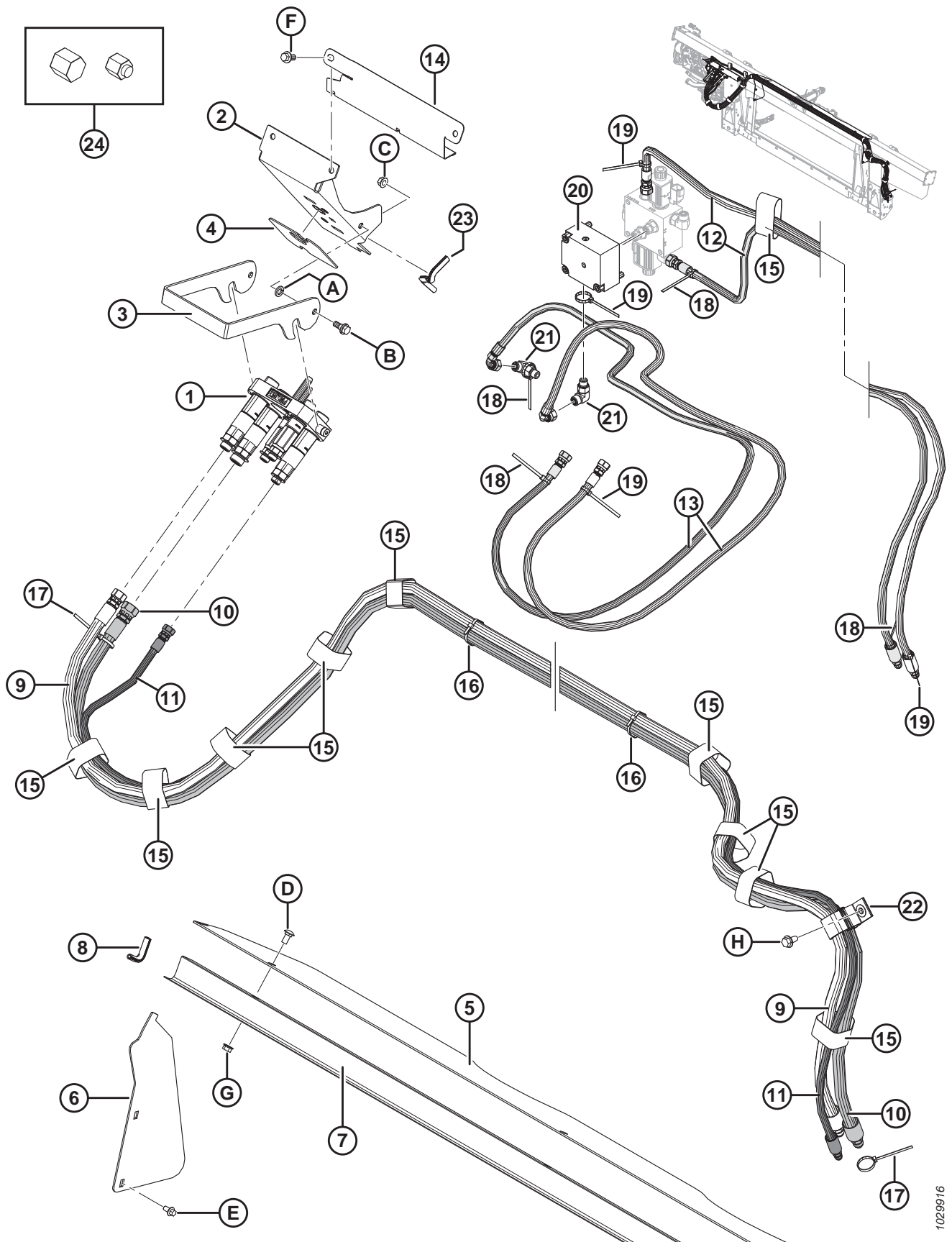
147 John Deere 50 Series – Hydraulic Completion



JOHN DEERE 50 SERIES – HYDRAULIC COMPLETION

Ref	Part Number	Description	Qty	Serial Number
1	287861	HOSE – HYD, REEL F-A	2	
2	337178	HOSE – REEL DRIVE JD50	2	
3	337175	HOSE – REEL LIFT JD50	1	
4	337174	HOSE – REEL FORE JD50	1	
5	337173	HOSE – REEL AFT JD50	1	
6	276285	COVER – FEED AUGER, TOP	1	
7	276284	COVER – FEED AUGER-SIDE	2	
8	156725	COVER – HOSE	1	
9	337163	SUPPORT – HYD. COUPLER	1	
10	337177	SUPPORT – HYD. COUPLER	1	
11	184462	FITTING – ADAPTER HYD	1	
	44210	O-RING – #10 ORB		
	135865	O-RING – #6 ORFS		
12	184461	FITTING – ADAPTER HYD	2	
	44210	O-RING – #10 ORB		
	135867	O-RING – #10 ORFS		
13	163598	CINCH STRAP, HANGING, 6 IN. LG	1	
14	158253	SPACER – COUPLER MTG	2	
15	135778	FITTING – ADAPTER	2	
	50219	O-RING – #6 ORB		
	135865	O-RING – #6 ORFS		
16	135444	CINCH STRAP 6 IN. LG	10	
17	114143	FITTING – COUPLING HYD	2	
18	114142	FITTING – COUPLING HYD	1	
19	114140	HOLDER	2	
20	114120	FITTING – COUPLING HYD	2	
21	49232	FASTENER – CABLE TIE, WHITE	2	
22	49227	FASTENER – CABLE TIE, GREEN	8	
23	40702	FASTENER – CABLE TIE, RED	5	
24	40701	FASTENER – CABLE TIE, YELLOW	3	
25	21763	FASTENER – CABLE TIE, BLACK	4	
26	42589	MOULDING	2	
27	29934	HOLDER	1	
28	21858	PLUG – DUST	2	
29	21856	CAP – DUST	1	
A	184657	BOLT – RHSSN M10 X 1.5 X 20-8.8-AA1J		
B	152732	BOLT – RHSN M10 X 1.5 X 40-8.8-AA1J		
C	136485	BOLT – HEX FLG HD TFL M8 X 1.25 X 16-8.8-AA1J		
D	136209	SCREW – HEX WSHR M10 X 1.5 X 20-450HV		
E	136178	BOLT – RHSN M10 X 1.5 X 20-8.8-AA1J		
F	136151	BOLT – HEX FLG HD TFL M10 X 1.5 X 16-8.8-AA1J		
G	135799	NUT – HEX FLG CTR LOC M10 X 1.5-10		
H	134011	WASHER – LOCK SPRING, DEUTSCH HD, SIZE 24		
J	134010	NUT – PANEL, HD30, SIZE 24		
K	42292	SCREW – TPG HEX WSH HD #10 X 1/2-GR5-AA1T		

148 John Deere 60/70 S/T Series – Hydraulic Completion



1029916

JOHN DEERE 60/70 S/T SERIES – HYDRAULIC COMPLETION

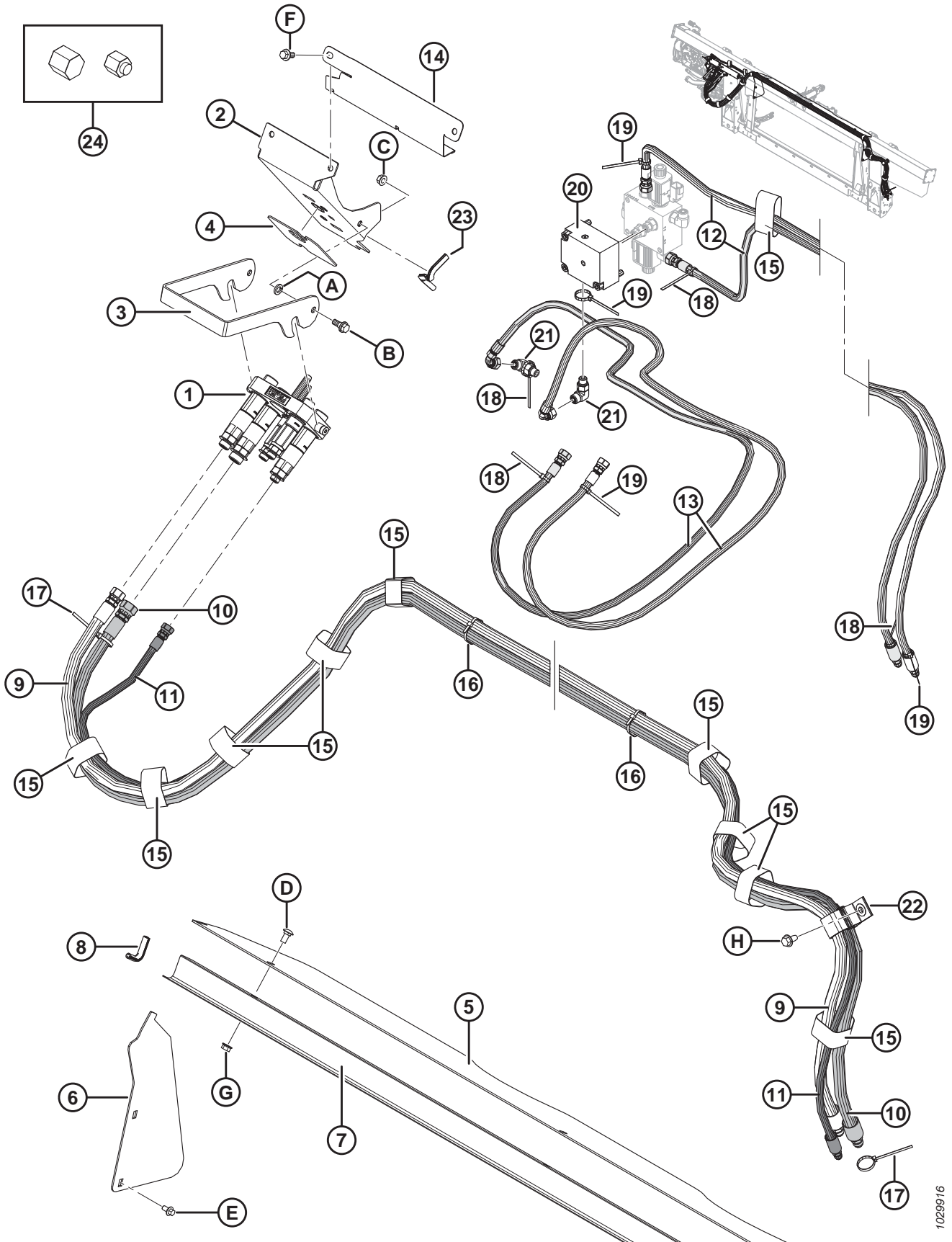
NOTE:

Some completion packages may have been shipped with a Parker multicoupler (not sold separately). Service parts for Parker multicouplers include plate assembly (MD #182182), three 1/2 inch female couplers (MD #184460), two 3/8 inch couplers (MD #191704), 1/2 inch seal kit (MD #129860), 3/8 inch seal kit (MD #129859), two fittings (MD #191705), fitting (MD #184461), fitting (MD #184463), two bushings (MD #182181), adapter fitting (MD #184462), and two screws (MD #184524). Parker multicoupler service parts are **NOT** interchangeable with Faster multicoupler (MD #279718) service parts. To replace the entire multicoupler, order Faster multicoupler (MD #279718).

Ref	Part Number	Description	Qty	Serial Number
1	279718	COUPLING – MULTI JD (FASTER)	1	
	294097	KIT – COUPLER PLATE ASSY, JD (FASTER) ⁴⁹⁸		
	279011	KIT – COUPLER, 3/8 C/W 3/8 IN. FITTING, RED/GREEN (FASTER) ⁴⁹⁸	2	
	279012	KIT – COUPLER, 9/16 C/W 5/8 IN. FITTING, YELLOW (FASTER) ⁴⁹⁸	1	
	279013	KIT – COUPLER, 9/16 C/W 1/2 IN. FITTING, WHITE (FASTER) ⁴⁹⁸	1	
	279014	KIT – COUPLER, 9/16 C/W 3/8 IN. FITTING, BLUE (FASTER) ⁴⁹⁸	1	
	279034	SEAL – 3/8 COUPLER (FASTER) ⁴⁹⁸		
	279035	SEAL – 9/16 COUPLER (FASTER) ⁴⁹⁸		
2	213264	BRACKET – JD COUPLER	1	
3	248960	LATCH – COUPLER BRACKET	1	
4	129149	PAD – RUBBER	1	
5	276285	COVER – FEED AUGER, TOP	1	
6	276284	COVER – FEED AUGER, SIDE	2	
7	156725	COVER – HOSE	1	
8	42589	MOULDING	2	
9	287860	HOSE – HYD, REEL DR (JD)	1	
10	287312	HOSE – HYD, REEL DR (JD)	1	
11	287863	HOSE – HYD, REEL LIFT (JD)	1	
12	287861	HOSE – HYD, REEL FORE-AFT (JD)	2	
13	287862	HOSE – HYD, REEL FORE-AFT (JD)	2	
14	213965	COVER – HOSE	1	
15	135444	FASTENER – CINCH STRAP 6 IN. LG	11	
16	21763	FASTENER – CABLE TIE (BLACK)	3	
17	40701	FASTENER – CABLE TIE (YELLOW)	2	
18	40702	FASTENER – CABLE TIE (RED)	5	
19	49227	FASTENER – CABLE TIE (GREEN)	5	

498. Service part for Faster multicoupler (MD #279718) only. **NOT** interchangeable with Parker multicoupler (not sold separately) service parts.

JOHN DEERE 60/70 S/T SERIES – HYDRAULIC COMPLETION



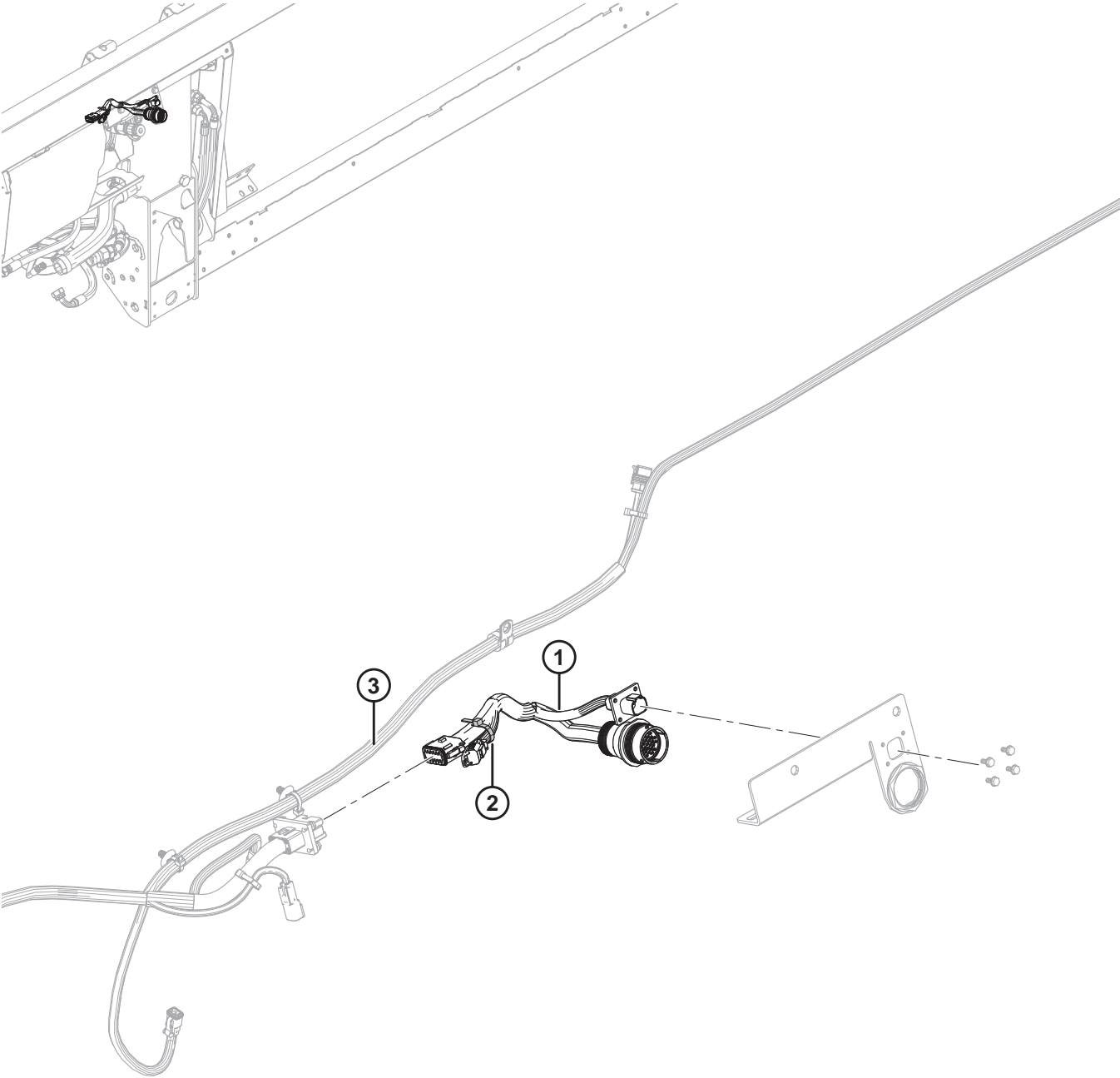
1029916

JOHN DEERE 60/70 S/T SERIES – HYDRAULIC COMPLETION

Ref	Part Number	Description	Qty	Serial Number
20	335342	VALVE – CHECK	1	
	279228	VALVE – CARTRIDGE, PO CHECK		
	163184	O-RING (2020 AND PRIOR) ⁴⁹⁹		-396189
	320284	O-RING – 2.38 X 20.64		396190-
	220959	SEAL KIT		
	184711	WASHER – FLAT REG M10-200HV-AA1J		
21	136095	FITTING – ELBOW 90° HYD	2	
22	163598	STRAP – VELCRO, HANGING	1	
23	42074	MOULDING	1	
24	108233	CAP – 1/2 IN. TUBE (FOR SHIPPING ONLY)	2	
	30813	CAP – 3/8 IN. TUBE 37 DEG FLARE (FOR SHIPPING ONLY)	3	
A	18652	WASHER – REG. LOCK 7/16 IN. NOM. I.D. ZP		
B	27647	BOLT – SHOULDER		
C	30228	NUT – FLANGE DT SMTH FACE 0.375-16 UNC		
D	184657	BOLT – RHSSN M10 X 1.5 X 20-8.8-A3L		
E	136485	BOLT – HEX FLG HD TFL M8 X 1.25 X 16-8.8-A3L		
F	152655	BOLT – HEX FLG HD M10 X 1.5 X 20-8.8-A3L		
G	135799	NUT – HEX FLG CTR LOC M10 X 1.5-10-A3L		
H	136209	SCREW – HEX WASHER HD M10 X 1.5 X 20-450HV-A3L		

499. Service part only for units made in model year 2020 and prior. For units made in model year 2021 and later, or for units serviced with manifold MD #335342, order O-ring MD #320284.

149 John Deere 50 Series – Electrical Completion



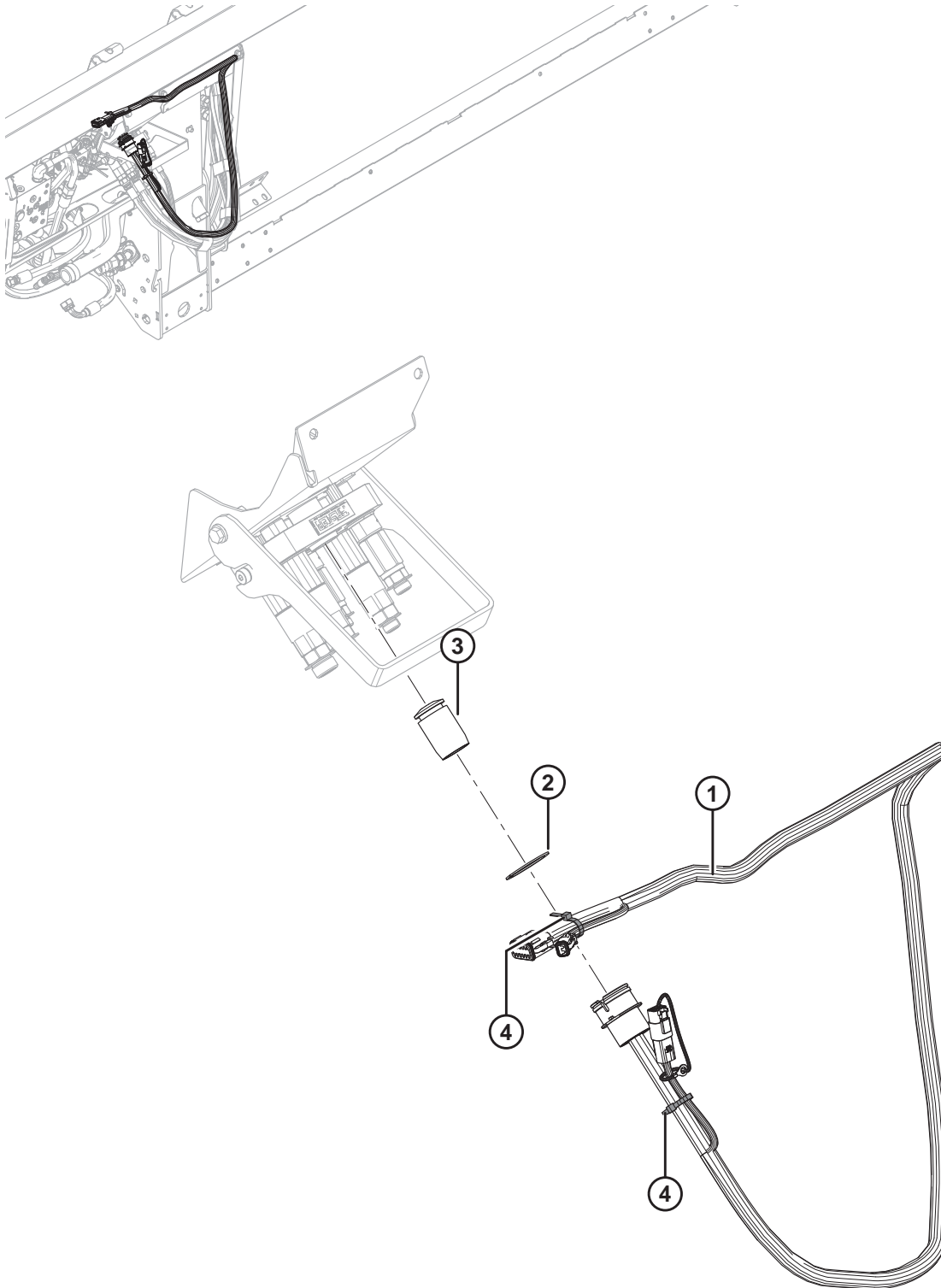
JOHN DEERE 50 SERIES – ELECTRICAL COMPLETION

NOTE:

For specific electrical harness parts, refer to Electrical Connector Parts Catalog (MD #169641).

Ref	Part Number	Description	Qty	Serial Number
1	337168	HARNESS – FM100, COMP, JD50	1	
	134948	DUST CAP – DEUTSCH, HDP20	1	
	134746	CONNECTOR – CAP, PLUG, 12 WAY	1	
2	21763	FASTENER – CABLE TIE, BLACK	1	
3	REF	HARNESS – FM100, MAIN	1	

150 John Deere 60/70 S/T Series – Electrical Completion



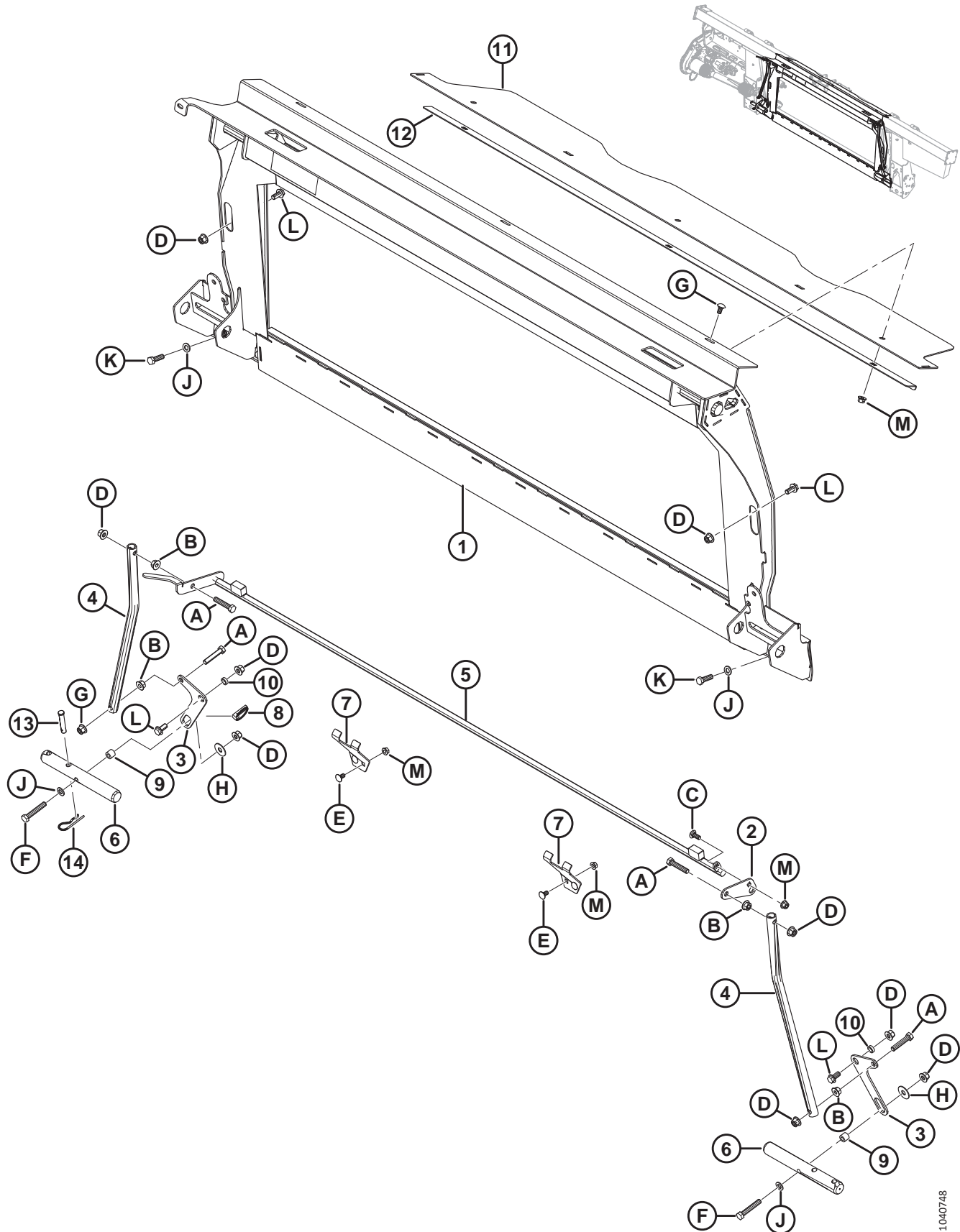
JOHN DEERE 60/70 S/T SERIES – ELECTRICAL COMPLETION

NOTE:

For specific electrical harness parts, refer to Electrical Connector Parts Catalog (MD #169641).

Ref	Part Number	Description	Qty	Serial Number
1	258107	HARNESS – FM100, COMPLETION, JOHN DEERE	1	
	134741	CAP – PLUG, DEUTSCH, DT, 2 POS.	1	
	134746	CONNECTOR – CAP, PLUG, 12-WAY	1	
2	135267	RING – INVERTED EXT RETAINING	1	
3	129148	PLUG – RUBBER	1	
4	21763	FASTENER – CABLE TIE (BLACK)	2	

151 Versatile – Float Module Completion



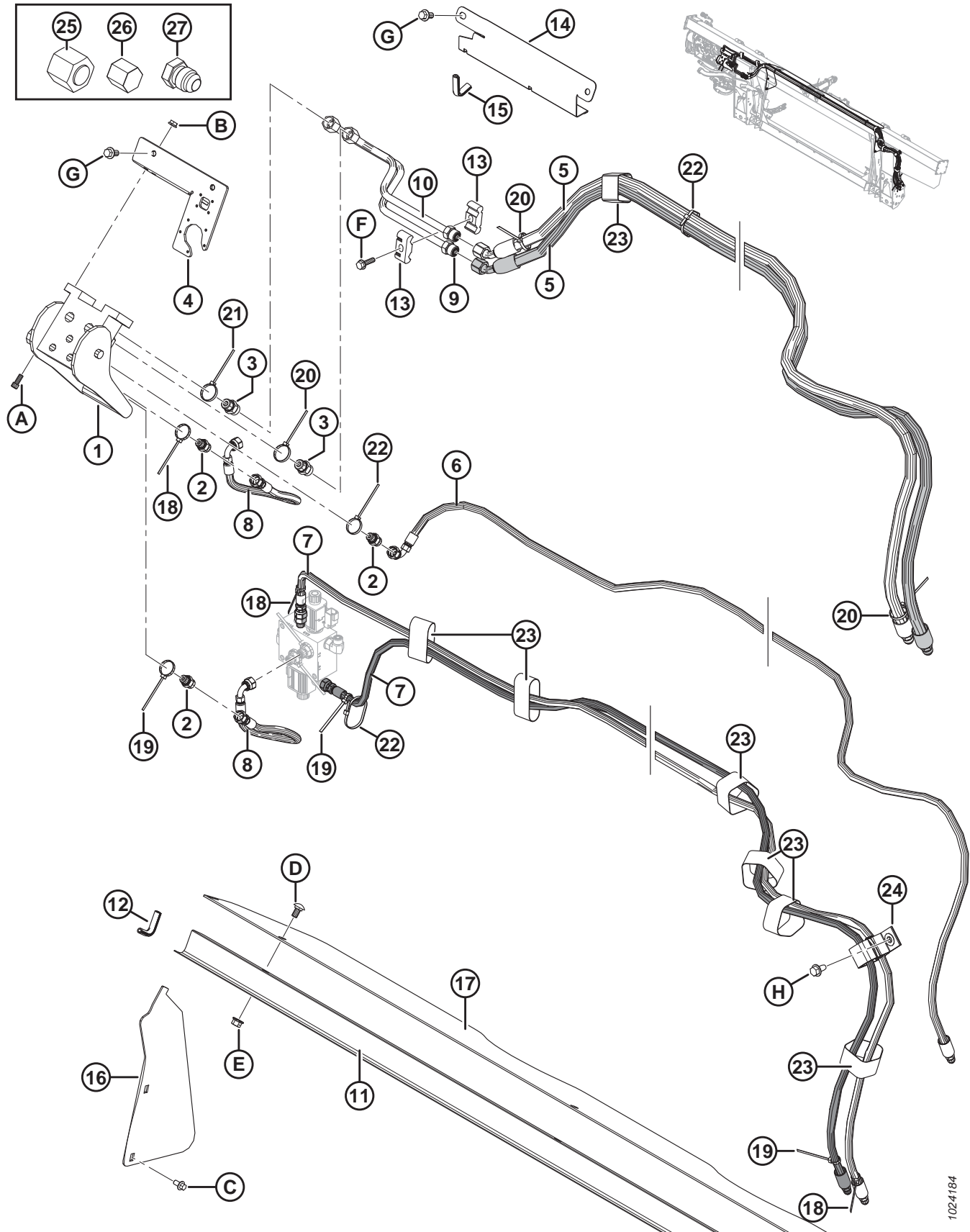
VERSATILE – FLOAT MODULE COMPLETION

Ref	Part Number	Description	Qty	Serial Number
	B6961	COMP PKG – VERSATILE ⁵⁰⁰		
1	347077	FRAME – TRANSITION W/DECAL	1	
2	328582	LEVER	1	
3	304669	LEVER – PIVOT	2	
4	156783	TUBE – LINK	2	
5	335849	LATCH WELDMENT	1	
6	133138	SHAFT	2	
7	245246	SUPPORT – LOCK KEEPER	2	
8	113561	PIN – LYNCH ⁵⁰¹	A/R	
9	337043	BUSHING – M12 THREADED	2	
10	133439	SPACER – 0.75 O.D. X 0.120 IN. WALL	2	
11	328356	COVER – FEED AUGER TOP	1	
12	301629	RETAINER – DUST COVER	1	
13	19809	PIN – CLEVIS	1	
14	13125	PIN – HAIR	1	
A	237316	BOLT – HEX HD TFL M12 X 1.75 X 60-8.8-AA1J		
B	136036	NUT – HEX SM FLG M12 X 1.75-8-AA1J		
C	136506	BOLT – RHSSN M10 X 1.5 X 25-8.8-AA1J		
D	136431	NUT – HEX FLG CTR LOC M12 X 1.75-10-A3L		
E	136178	BOLT – RHSN M10 X 1.5 X 20-8.8-AA1J		
F	184675	BOLT – HEX HD M12 X 1.75 X 70-8.8-AA1J		
G	184657	BOLT – RHSSN M10 X 1.5 X 20-8.8-AA1J		
H	32247	WASHER – FLAT		
J	184714	WASHER – FLAT REG M12-300HV-A3L		
K	184669	BOLT – HEX HD M12 X 1.75 X 40-8.8-A3L		
L	136625	BOLT – HEX SER FLG HD M12 X 1.75 X 25 X SPCL-100-AA1J		
M	135799	NUT – HEX FLG CTR LOC M10 X 1.5-10		

500. Versatile Completion Package includes float module, hydraulic, and electrical completion packages required to complete a stand-alone FM100 or to convert to an existing factory-installed FM100. Kits available through Whole Goods only.

501. Service part only for superseded pivot lever (MD #347569).

152 Versatile – Hydraulic Completion

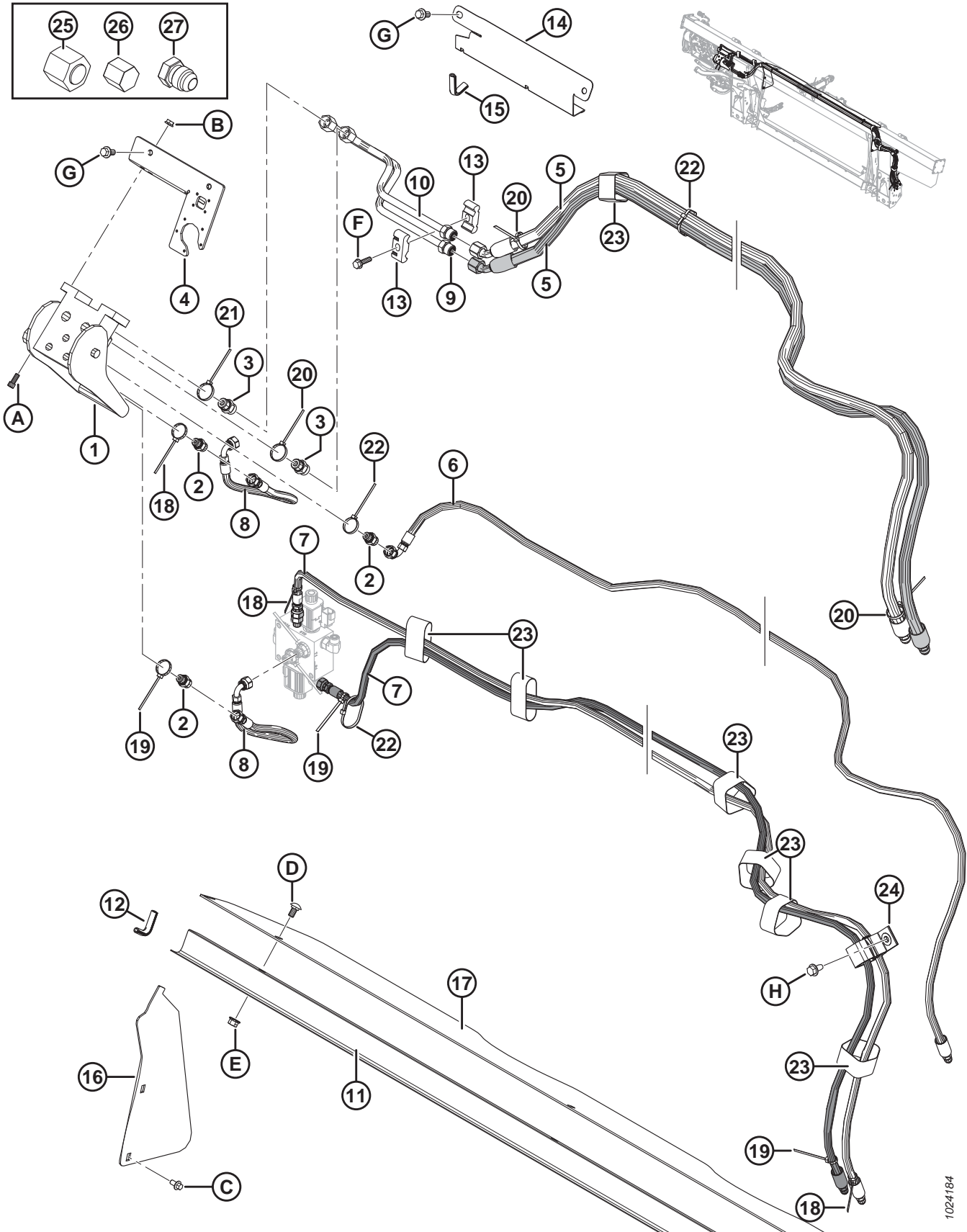


1024184

VERSATILE – HYDRAULIC COMPLETION

Ref	Part Number	Description	Qty	Serial Number
1	153151	COUPLING – MULTI	1	
	129800	COVER – KIT		
	129801	LATCH – BUTTON KIT		
	129976	COUPLING – 1/4 IN.		
	129977	COUPLING – 3/8 IN.		
2	252694	FITTING – ADAPTER, .052 ORIFICE	3	
	50219	O-RING – #6 ORB		
	135865	O-RING – #6 ORFS		
3	135780	FITTING – ADAPTER	2	
	44209	O-RING – #8 ORB		
	135866	O-RING – #8 ORFS		
4	301693	KIT – CNH ELECTRICAL COVER	1	
5	213182	HOSE – HYD, REEL DRIVE	2	
6	213184	HOSE – HYD, REEL LIFT	1	
7	213350	HOSE – HYD, REEL FORE-AFT	2	
8	213354	HOSE – HYD, FORE-AFT	2	
9	213204	LINE – REEL DRIVE PRESS	1	
10	213205	LINE – REEL DRIVE RETURN	1	
11	156725	COVER – HOSE	1	
12	42589	MOULDING	2	
13	37167	CLAMP	2	
14	213965	COVER – HOSE (2016–PRIOR)	1	–301189
15	194082	MOULDING (2016–PRIOR)	1	–301189
16	276284	COVER – FEED AUGER, SIDE	2	
17	276285	COVER – FEED AUGER, TOP	1	
18	49227	FASTENER – CABLE TIE (GREEN)	3	
19	40702	FASTENER – CABLE TIE (RED)	3	
20	40701	FASTENER – CABLE TIE (YELLOW)	3	
21	49232	FASTENER – CABLE TIE (WHITE)	1	
22	21763	FASTENER – CABLE TIE (BLACK)	7	
23	135444	FASTENER – CINCH STRAP 6 IN. LG	7	
24	163598	STRAP – VELCRO, HANGING	1	
25	136325	CAP – HYD SAE-6 ORFS	1	
26	108233	CAP – 1/2 IN. TUBE (FOR SHIPPING ONLY)	2	
	30813	CAP – 3/8 IN. TUBE 37 DEG FLARE (FOR SHIPPING ONLY)	3	
27	50178	PLUG – 3/8 IN. TUBE (FOR SHIPPING ONLY)	4	
A	135397	BOLT – SOCKET HD (HEX) 5/16 NC X 3/4		
B	30280	NUT – FLG SIDE LK SMTH FACE 5/16 NC GR 5 ZP		
C	136485	BOLT – HEX FLG HD TFL M8 X 1.25 X 16-8.8-A3L		
D	184657	BOLT – RHSSN M10 X 1.5 X 20-8.8-A3L		
E	135799	NUT – HEX FLG CTR LOC M10 X 1.5-10-A3L		
F	252655	BOLT – HEX HD TFL M8 X 1.25 X 30-8.8-A3L		

VERSATILE – HYDRAULIC COMPLETION

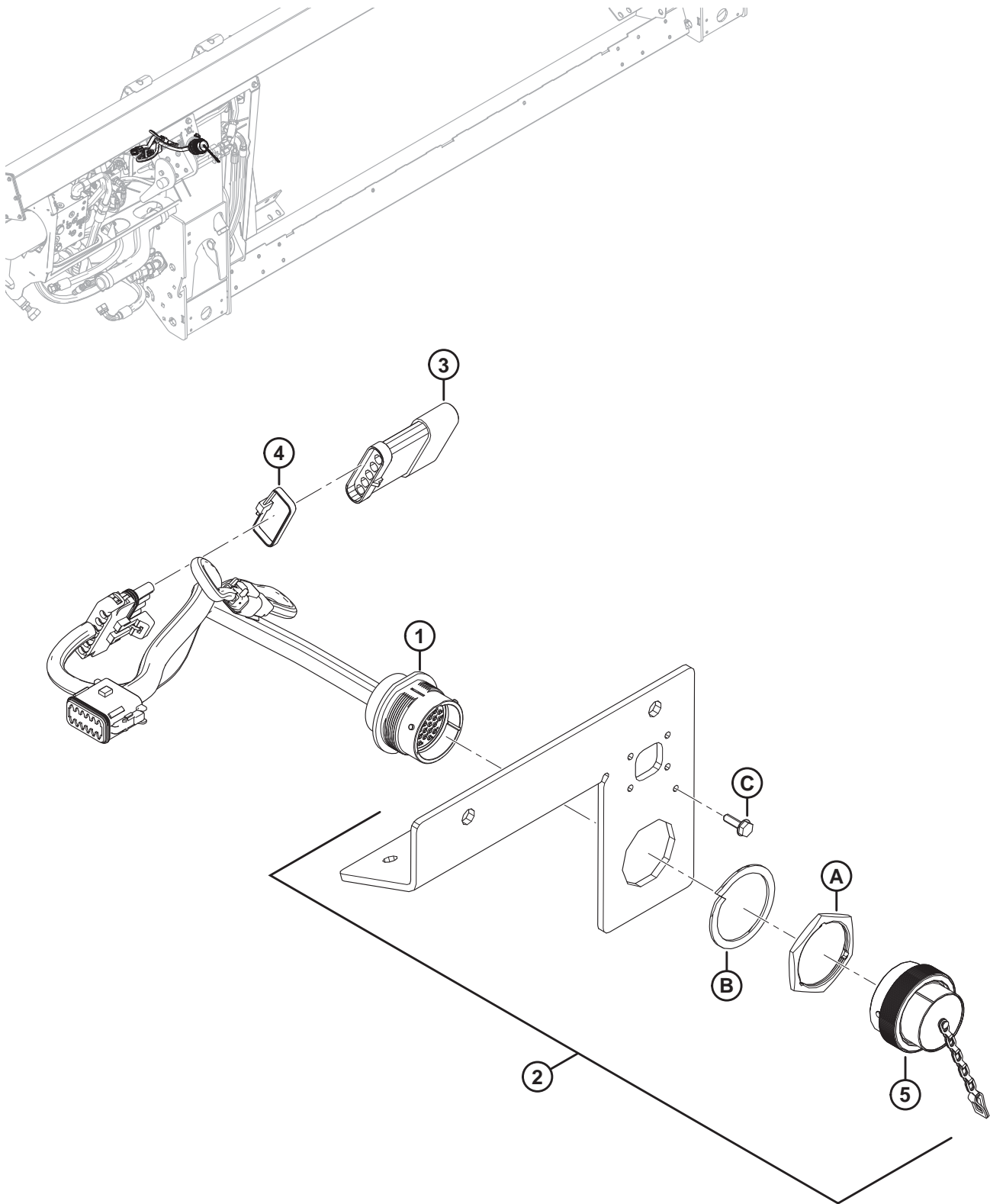


1024184

VERSATILE – HYDRAULIC COMPLETION

Ref	Part Number	Description	Qty	Serial Number
G	152655	BOLT – HEX FLG HD M10 X 1.5 X 20-8.8-A3L		
H	136209	SCREW – HEX WASHER HD M10 X 1.5 X 20-450HV-A3L		

153 Versatile – Electrical Completion



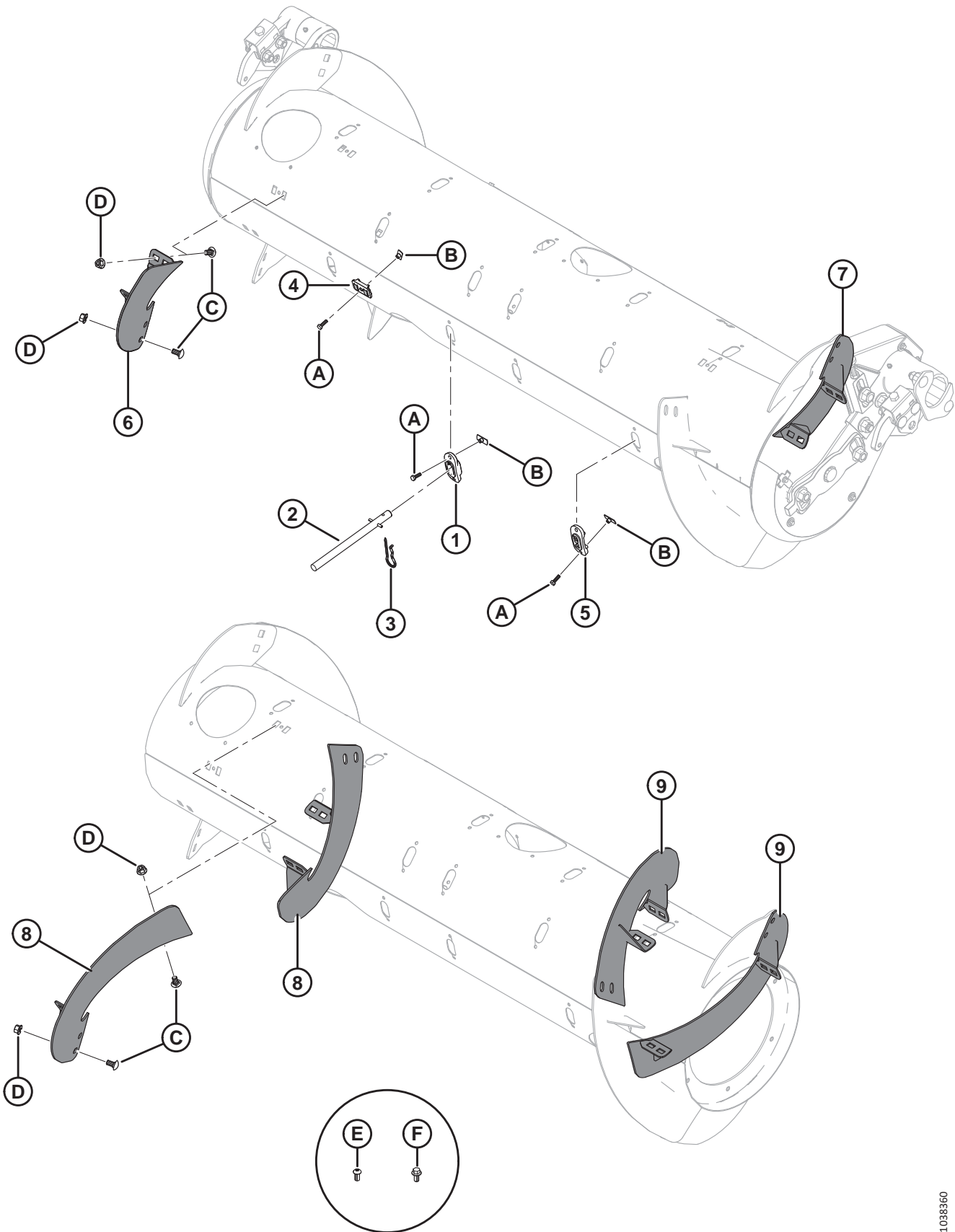
VERSATILE – ELECTRICAL COMPLETION

NOTE:

For specific electrical harness parts, refer to Electrical Connector Parts Catalog (MD #169641).

Ref	Part Number	Description	Qty	Serial Number
1	213211	HARNESS – FM100, COMPLETION	1	
	134746	CONNECTOR – CAP, PLUG, 12-WAY	1	
2	301693	KIT – CNH ELECTRICAL COVER	1	
3	153933	RESISTOR – HEADER RECOGNITION	1	
4	30753	FASTENER – CABLE TIE (BLACK)	1	
5	134053	CAP – PLUG, HD30, SIZE 24	1	
A	134010	NUT – PANEL, HD30, SIZE 24		
B	134011	WASHER – LOCK SPRING, DEUTSCH HD, SIZE 24		
C	21947	SCREW – SELF TAPPING HEX WASH HD #10 X 5/8 ZP		

154 Auger Conversion Kits – Fingers and Flighting



AUGER CONVERSION KITS – FINGERS AND FLIGHTING

Ref	Part Number	Description	Qty	Serial Number
	B7343	KIT – FEED AUGER FINGERS, 4 PCS ⁵⁰²		
	B7344	KIT – FLIGHTING, SHORT HI-WEAR ⁵⁰³		
	B7345	KIT – FLIGHTING, LONG HI-WEAR ⁵⁰⁴		
	357233	KIT – FLIGHTING, SHORT HI-WEAR ⁵⁰⁵		
	357234	KIT – FLIGHTING, LONG HI-WEAR ⁵⁰⁶		
1	337143	GUIDE	4	
2	337152	KIT – FINGER ⁵⁰⁷	4	
3	123180	PIN – HAIR	4	
4	213084	PLUG – FLIGHTING SLOT	4	
5	187137	PLUG ⁵⁰⁸		
6	287887	FLIGHTING, RTD – RH, MED (HI WEAR)	1	
7	287888	FLIGHTING, RTD – LH, MED (HI WEAR)	1	
8	287890	FLIGHTING, RTD – RH, LONG(HI WEAR)	2	
9	287889	FLIGHTING, RTD – LH, LONG(HI WEAR)	2	
A	252703	BOLT – HEX HD TFL M6 X 1 X 20 X SPCL-12.9-AA2L		
B	197263	NUT – TEE M6 X 1		
C	136178	BOLT – RHSN M10 X 1.5 X 20-8.8-AA1J		
D	135799	NUT – HEX FLG CTR LOC M10 X 1.5-10-A3L		
E	135723	SCREW – HEX SOC BTN HD M10 X 1.5 X 20-10.9-AA1J ⁵⁰⁹		
F	152655	BOLT – HEX FLG HD M10 X 1.5 X 20-8.8-AA1J ⁵¹⁰		

502. Includes four solid fingers (MD #337152), guides (MD #337143), hair pins (MD #123180), flighting slots plugs (MD #213084), and hardware. Kits are available through Whole Goods only.

503. Includes one pair of short flighting (MD #287887 and MD #287888), four flighting slots plugs (MD #213084), four plugs (MD #187137), and hardware. Kits are available through Whole Goods only.

504. Includes two pairs of long flighting (MD #287889 and MD #287890), twelve plugs (MD #187137), and hardware. Kits are available through Whole Goods only.

505. Includes one pair of short flighting (MD #287887 and MD #287888), four flighting slots plugs (MD #213084), four plugs (MD #187137), hardware, and instructions.

506. Includes two pairs of long flighting (MD #287889 and MD #287890), twelve plugs (MD #187137), hardware, and instructions.

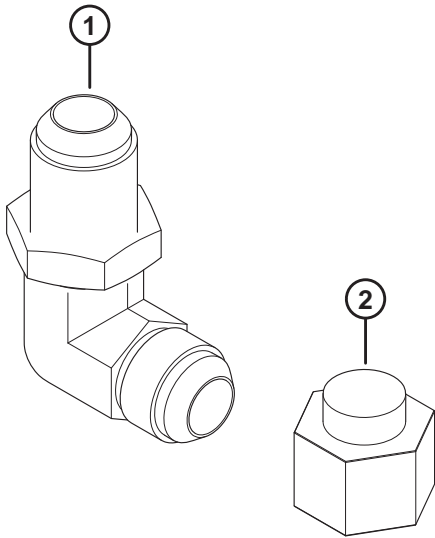
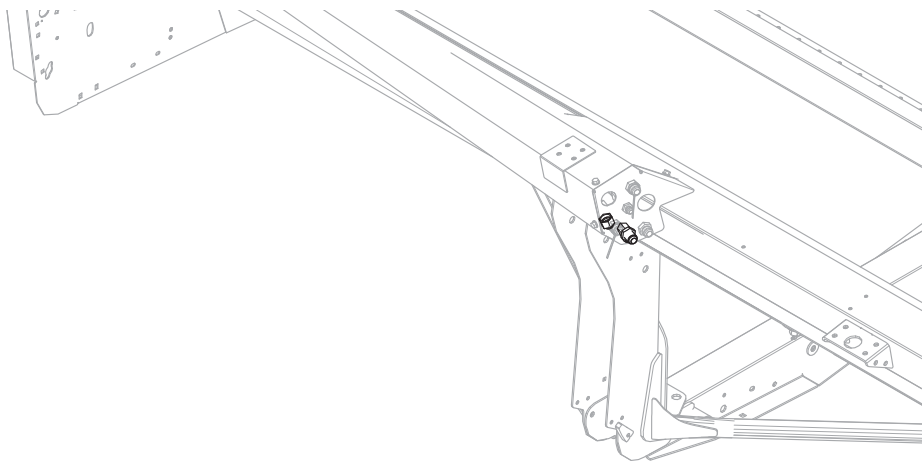
507. Includes solid finger (not sold separately), spring pin (MD #7642), guide (MD #337143), and instructions.

508. Quantities: B7344 = 4; B7345 = 12

509. For Ultra Narrow Configuration only; used on the new holes drilled in the flighting.

510. For Ultra Narrow Configuration only; used on the new holes drilled in the feed auger.

155 FM100 on D65 Conversion Kit

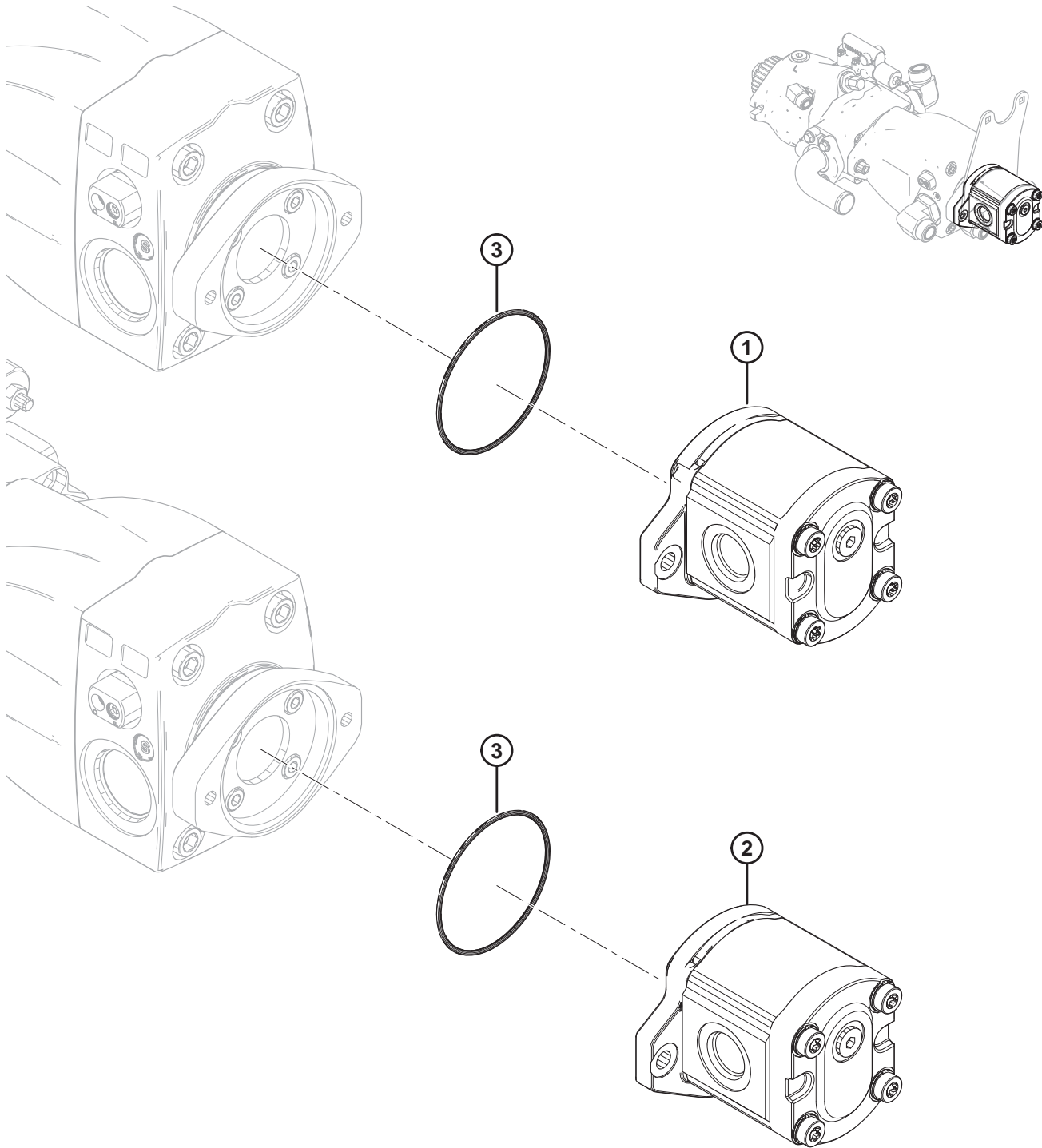


FM100 ON D65 CONVERSION KIT

Ref	Part Number	Description	Qty	Serial Number
	295703	KIT – FM100 ON D65 ⁵¹¹		
1	252210	FITTING – ELBOW	1	
2	30999	CAP – 3/4 IN. TUBE 37 DEG FLARE	1	

511. Draper header conversion kit for installing an FM100 in a D65. Kit includes all listed parts and instructions.

156 Gear Pump Conversion Kits



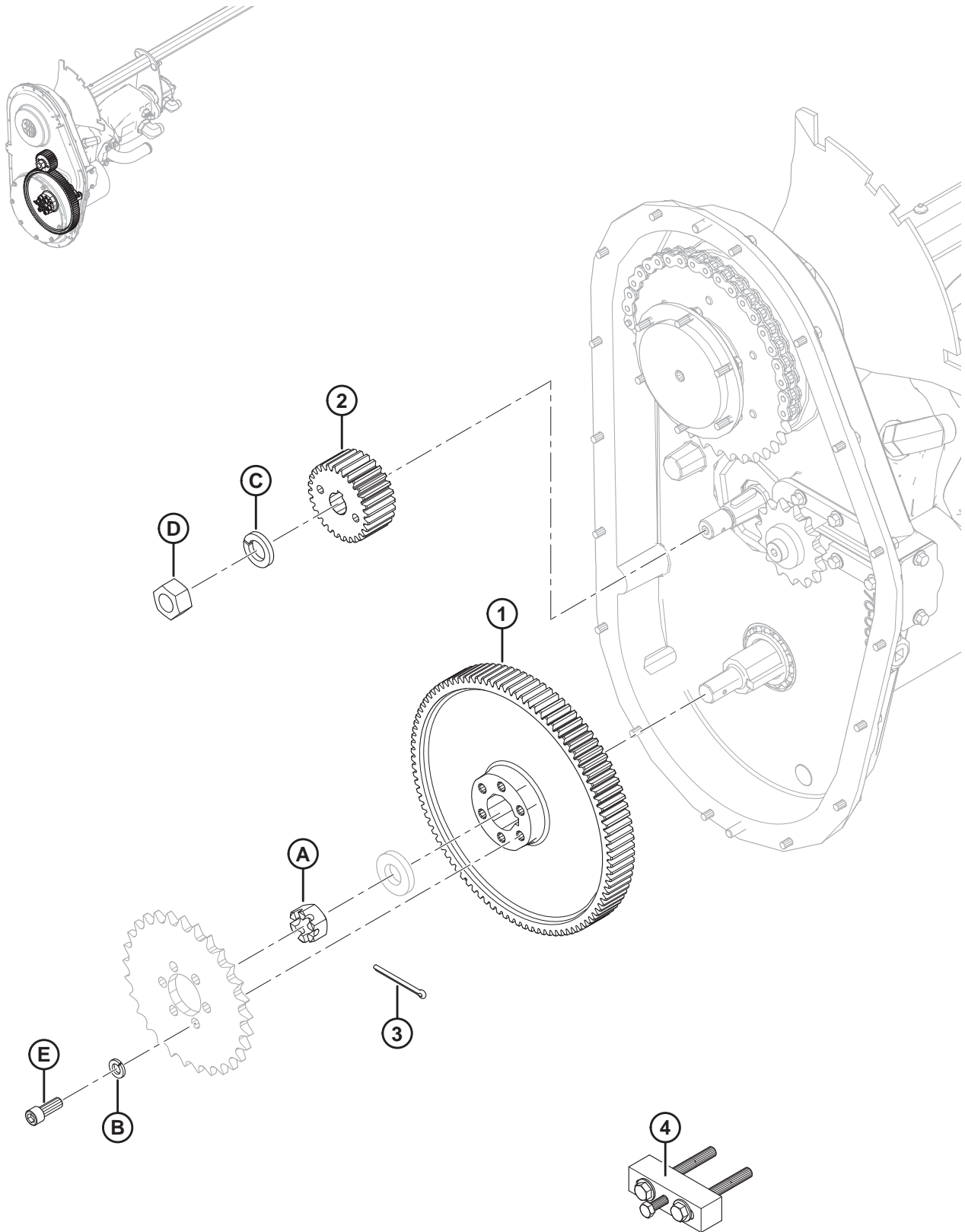
GEAR PUMP CONVERSION KITS

Ref	Part Number	Description	Qty	Serial Number
	B6193	KIT – PUMP CONVERSION (CNH/CLAAS) ⁵¹²		
	B6194	KIT – PUMP CONVERSION (JD/AGCO/GLEANER) ⁵¹³		
1	187252	PUMP – GEAR, 16 CC, CASAPPA (CNH/CLAAS)	1	
	187918	SEAL KIT – GEAR PUMP		
2	295998	PUMP – GEAR, 19 CC, CASAPPA (JD/AGCO/GLEANER)	1	
	187918	SEAL KIT – GEAR PUMP		
3	136024	O-RING	1	

512. Includes gear pump (MD #187252) and O-ring (MD #136024). Kits available through Whole Goods only.

513. Includes gear pump (MD #295998) and O-ring (MD #136024). Kits available through Whole Goods only.

157 Gear Set Conversion Kits



GEAR SET CONVERSION KITS

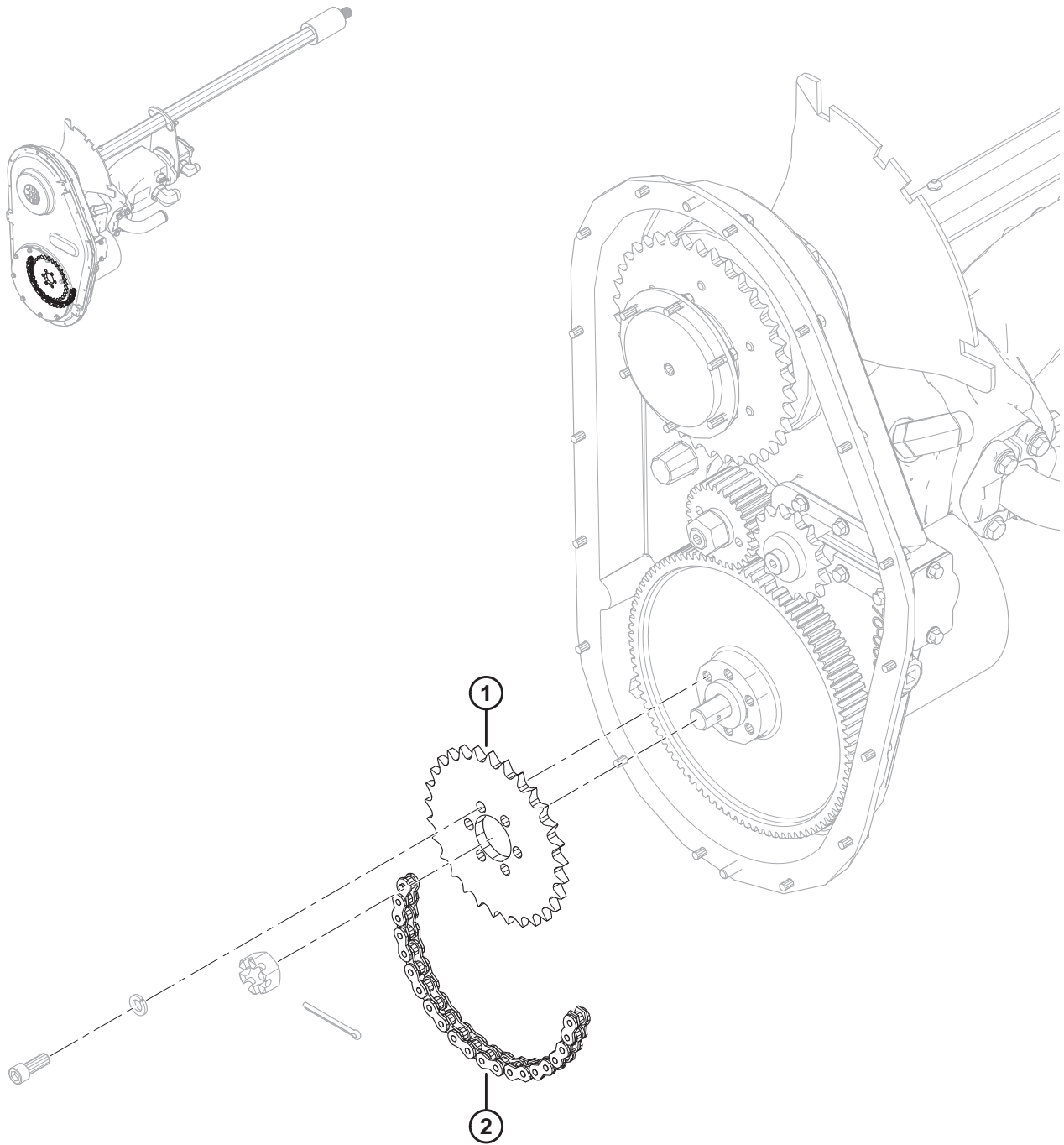
Ref	Part Number	Description	Qty	Serial Number
	B6191	KIT – GEARSET 89/36 (CLAAS/AGCO/GLEANER) ⁵¹⁴		
	B6192	KIT – GEARSET 97/28 (CNH/JD) ⁵¹⁵		
1	276353	GEAR – 89 TEETH	1	
	187480	GEAR – 97 TEETH	1	
2	276352	GEAR – PINION 36 TEETH 2.5 MODULE	1	
	276859	GEAR – PINION 28 TEETH 2.5 MODULE	1	
3	135358	PIN – COTTER, 5/32 DIA X 2.0 ZP	1	
4	304800	TOOL ASSEMBLY – GEAR PULLER ⁵¹⁶	1	
A	5512	NUT – HEX SLOTTED .750-16 UNF ZN PL		
B	18637	WASHER – REG. LOCK 3/8 IN. NOM. I.D. ZP		
C	18640	WASHER – REG. LOCK 3/4 IN. NOM. I.D. ZP		
D	18720	NUT – HEX 3/4-16 UNF GR 5 ZN PL		
E	135381	SCREW – HEX SOC HD		

514. Includes 89-tooth gear (MD #276353), 36-tooth pinion gear (MD #276352), cotter pin (MD #135358), gear puller tool (MD #304800), and hardware. Kits available through Whole Goods only.

515. Includes 97-tooth gear (MD #187480), 28-tooth pinion gear (MD #276859), cotter pin (MD #135358), gear puller tool (MD #304800), and hardware. Kits available through Whole Goods only.

516. Includes two washers (MD #18598), two bolts (MD #30035), bolt (MD #50072), and instructions.

158 Sprocket and Chain Conversion Kit

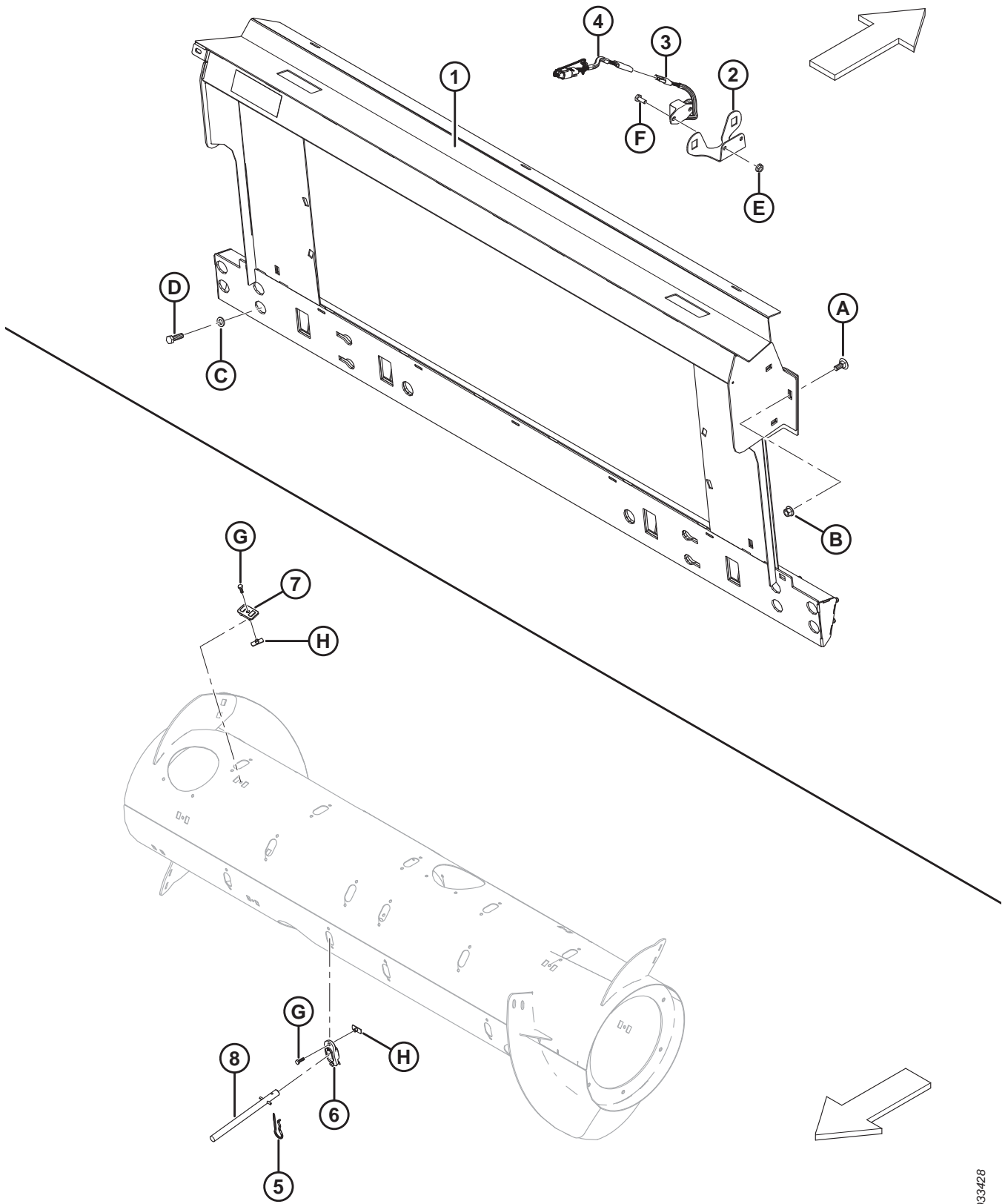


SPROCKET AND CHAIN CONVERSION KIT

Ref	Part Number	Description	Qty	Serial Number
	B6195	KIT – SPROCKET/CHAIN (CNH/AGCO/GLEANER) ⁵¹⁷		
1	231389	SPROCKET – 50A29	1	
2	231534	ROLLER CHAIN – RC 50 (78 PITCHES ENDLESS)	1	

517. Sprocket/Chain kit is used to convert float modules configured for John Deere/CLAAS Lexion combines to CNH/AGCO combines. Kits available through Whole Goods only.

159 AGCO Challenger®/Massey Ferguson® Conversion Kit



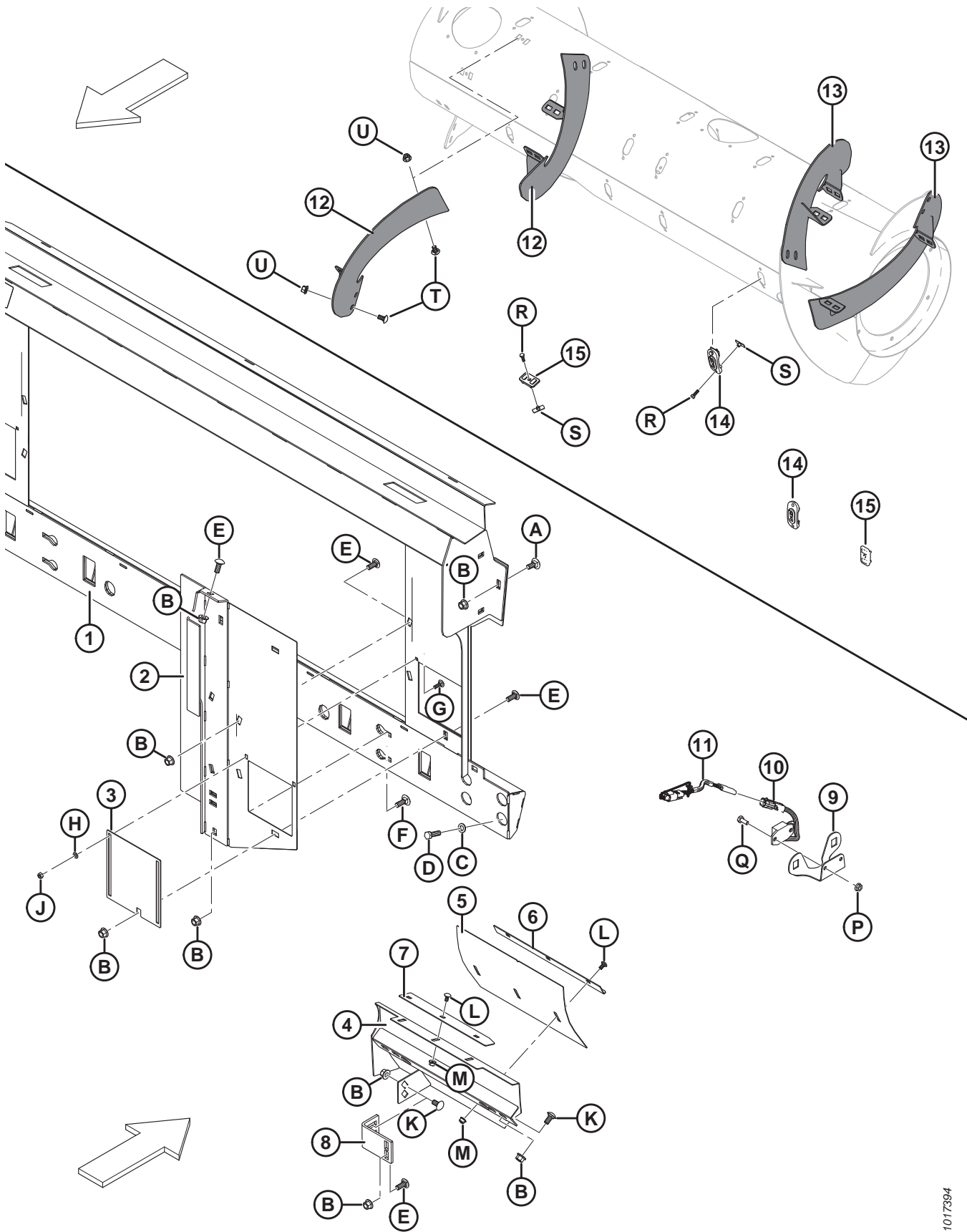
AGCO CHALLENGER®/MASSEY FERGUSON® CONVERSION KIT

Ref	Part Number	Description	Qty	Serial Number
	B6881	KIT – MASSEY/CHALLENGER CONVERSION ⁵¹⁸	1	
1	133672	FRAME – AGCO TRANSITION LATERAL TILT C/W DECAL	1	
2	279746	SUPPORT – REEL SPEED SENSOR	1	
3	152736	SENSOR – SPEED, 3-WIRE (CHALLENGER/MASSEY)	1	
4	220572	HARNESS – WIRING REEL SPEED SENSOR	1	
5	123180	PIN – HAIR	8	
6	337143	GUIDE	8	
7	213084	PLUG – FLIGHTING SLOT	8	
8	337152	KIT – FINGER ⁵¹⁹	8	
	7642	PIN – SPRING 3/16 DIA X 1.5 LG		
A	184667	BOLT – RHSN M12 X 1.75 X 30-8.8-A3L		
B	136431	NUT – HEX FLG CTR LOC M12 X 1.75-10-A3L		
C	184714	WASHER – FLAT REG M12-300HV-A3L		
D	152730	BOLT – HEX HD TFL M12 X 1.75 X 35-10.9-AA1J		
E	21455	NUT – FLG (SER FACE) 1/4 NC GR 5 ZP		
F	21572	BOLT – HEX HD 1/4 NC X 0.625 LG GR 5 ZP		
G	252703	BOLT – HEX HD TFL M6 X 1 X 20 X SPCL-12.9-AA2L		
H	197263	NUT – TEE M6 X 1		

518. Kits available through Whole Goods only.

519. Includes solid finger (not sold separately), spring pin (MD #7642), guide (MD #337143), and instructions.

160 AGCO Gleaner® Conversion Kit

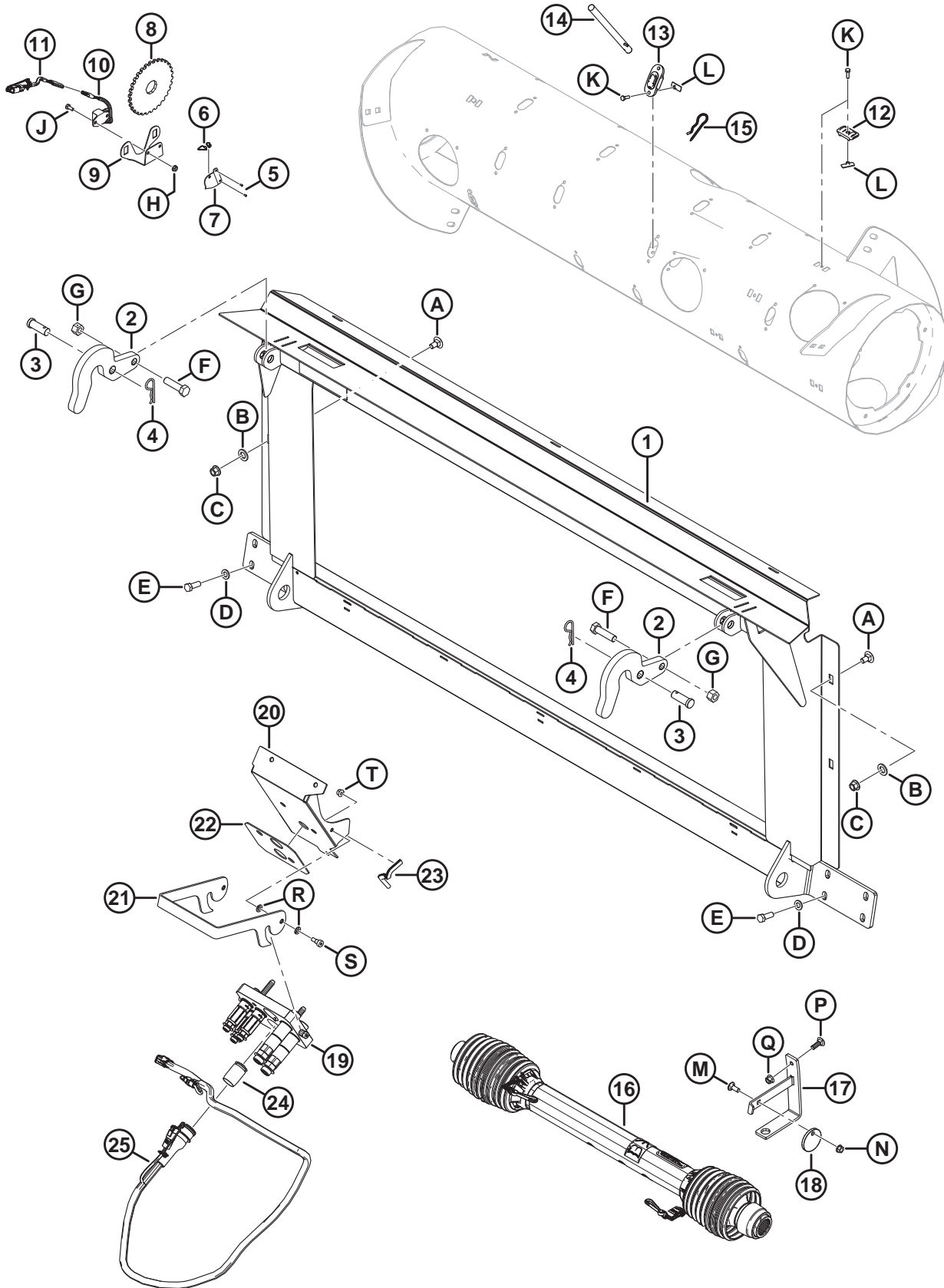


AGCO GLEANER® CONVERSION KIT

Ref	Part Number	Description	Qty	Serial Number
	B6958	KIT – GLEANER TRANSITION FRAME CONVERSION ⁵²⁰		
1	245852	FRAME – GLEANER R/S C/W DECAL	1	
2	245815	FILLER – LH WELDMENT	1	
	245816	FILLER – RH WELDMENT	1	
3	245763	DOOR – ACCESS	2	
4	213833	DEFLECTOR – WELDT LH GLEANER	1	
	213834	DEFLECTOR – WELDT RH GLEANER	1	
5	213843	DEFLECTOR – ADJUSTING PANEL	2	
6	213844	ANGLE – STRIPPER	2	
7	213845	STRIPPER	2	
8	276289	FILLER BRACKET	2	
9	279746	SUPPORT – REEL SPEED SENSOR	1	
10	184440	SENSOR – SPEED, 2-WIRE (GLEANER)	1	
11	220572	HARNESS – WIRING REEL SPEED SENSOR	1	
12	287890	FLIGHTING, RTD – RH, LONG (HIWEAR)	2	
13	287889	FLIGHTING, RTD – LH, LONG (HIWEAR)	2	
14	187137	PLUG	12	
15	213084	PLUG – FLIGHTING SLOT	4	
A	184667	BOLT – RHSN M12 X 1.75 X 30-8.8-A3L		
B	50186	NUT – FLG LK SM FACE DT 1/2-13 UNC-GR5-AA1J		
C	184714	WASHER – FLAT REG M12-300HV-A3L		
D	152730	BOLT – HEX HD TFL M12 X 1.75 X 35-10.9-AA1J		
E	21868	BOLT – RHSSN 1/2-13 X 1.0 GR5 AA1J		
F	21471	BOLT – RHSN 1/2-13 X 1.25 GR5 AA1J		
G	21282	BOLT – RHSN 5/16-18 X 1-GR5-AA1J		
H	184572	WASHER – USS FLAT 1/4 IN. NOM		
J	18589	NUT – HEX 5/16-18 UNC GR 5 ZP		
K	152439	BOLT – RHSSN M12 X 1.75 X 25-8.8-A3L		
L	191489	BOLT – RHSSN TFL M8 X 1.25 X 16-8.8-A2L		
M	135337	NUT – HEX FLG CTR LOC M8 X 1.25-8-A2L		
P	21455	NUT – FLG (SER FACE) 1/4 NC GR 5 ZP		
Q	21572	BOLT – HEX HD 1/4 NC X 0.625 LG GR 5 ZP		
R	252703	BOLT – HEX HD TFL M6 X 1 X 20 X SPCL-12.9-AA2L		
S	197263	NUT – TEE M6 X 1		
T	184657	BOLT – RHSSN M10 X 1.5 X 20-8.8-A3L		
U	135799	NUT – HEX FLG CTR LOC M10 X 1.5-10-A3L		

520. Kits available through Whole Goods only.

161 AGCO IDEAL™ Conversion Kit



AGCO IDEAL™ CONVERSION KIT

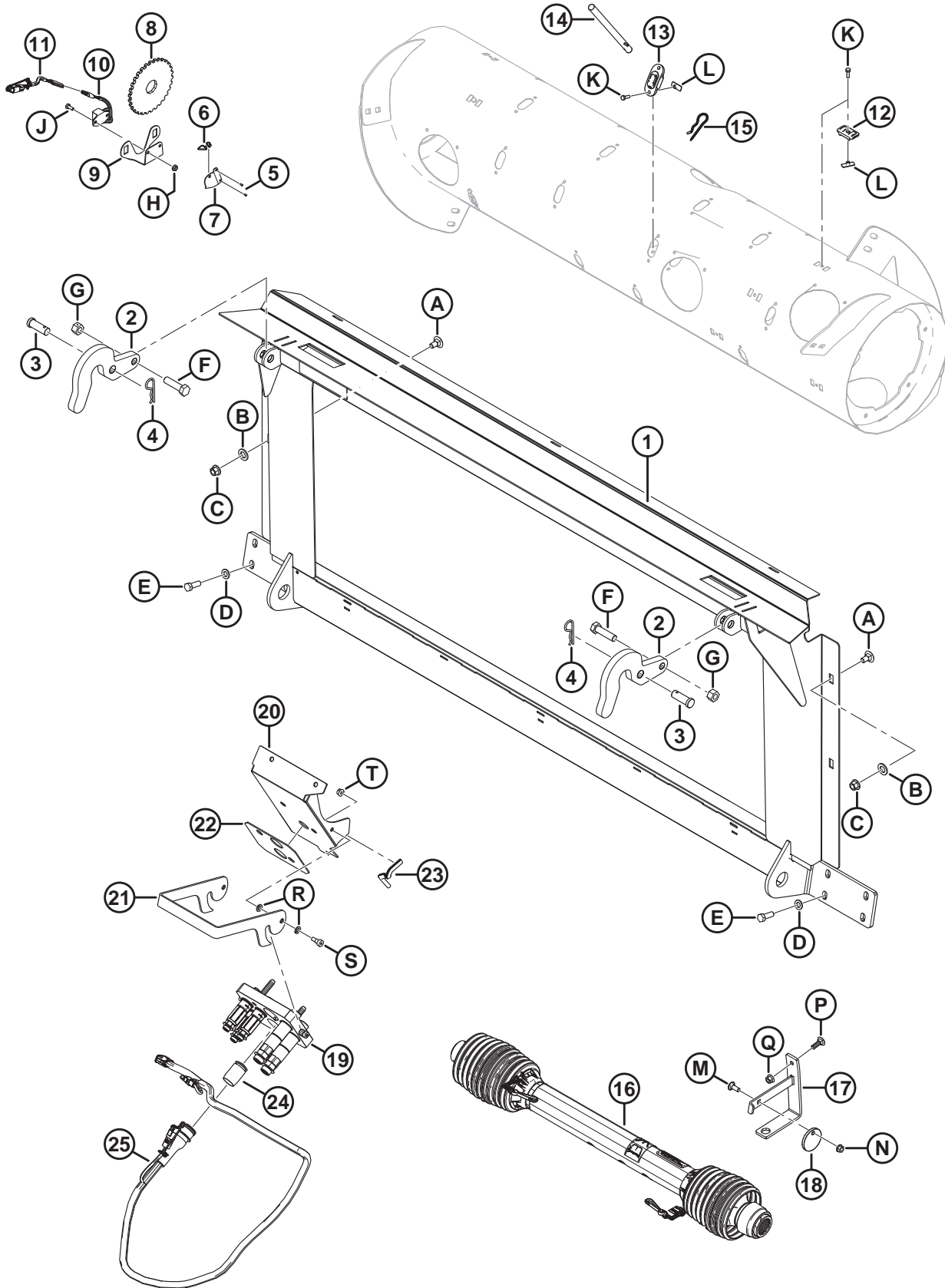
Ref	Part Number	Description	Qty	Serial Number
	B6882	KIT – AGCO IDEAL 7/8/9 CONVERSION ⁵²¹		
1	314678	FRAME – IDEAL TRANSITION W/ DECAL	1	
2	301451	SUPPORT – HOOK	2	
3	158080	PIN – CLEVIS	2	
4	13125	PIN – HAIR	2	
5	14338	RIVET – BLIND 1/8 X .125	2	
6	16661	FASTENER – CABLE TIE, BLACK	2	
7	164131	SHIELD – REEL SPEED SENSOR HARNESS	1	
8	133997	DISC – REEL SPEED SENSOR	1	
9	279746	SUPPORT – REEL SPEED SENSOR	1	
10	152736	SENSOR – SPEED, AGCO (3-WIRE)	1	
11	220572	HARNESS – WIRING AGCO REEL SPEED SENSOR	1	
12	213084	PLUG – FLIGHTING SLOT	8	
13	337143	GUIDE	8	
14	337152	KIT – FINGER ⁵²²	8	
	7642	PIN – SPRING 3/16 DIA X 1.5 LG		
15	123180	PIN – HAIR	8	
16	314306	DRIVELINE – 1 3/4-20 SPL IDEAL ⁵²³	1	
17	133166	BRACKET – DRIVELINE HANGER-WELDT	1	
18	133165	DISC – LOCK, DRIVELINE	1	
19	335008	COUPLING – MULTI, AGCO 5-POS	1	
	294394	KIT – COUPLER PLATE ASSY, AGCO		
	279011	KIT – COUPLER, 3/8 C/W 3/8 IN. FITTING		
	279012	KIT – COUPLER, 9/16 C/W 5/8 IN. FITTING		
	279034	SEAL – 3/8 COUPLER		
	279035	SEAL – 9/16 COUPLER		
	184461	FITTING – ADAPTER HYD	2	
	44210	O-RING – #10 ORB		
	135867	O-RING – #10 ORFS		
20	335059	BRACKET – AGCO IDEAL COUPLER	1	
21	337980	LATCH – MULTICOUPLER	1	
22	302030	PAD – RUBBER	1	
23	42074	MOULDING	1	
24	129148	PLUG – RUBBER	1	
25	311707	HARNESS – FM100 COMPLETION, IDEAL	1	
A	135903	BOLT – RHSN M12 X 1.75 X 25-8.8-AA1J		
B	184717	WASHER – FLAT REG M16-200HV-AA1J		
C	136431	NUT – HEX FLG CTR LOC M12 X 1.75-10		
D	184714	WASHER – FLAT REG M12-300HV		

521. Kits available through Whole Goods only.

522. Includes solid finger (not sold separately), spring pin (MD #7642), guide (MD #337143), and instructions.

523. For service parts, refer to Section [113 Input Driveline and Support, page 343](#).

AGCO IDEAL™ CONVERSION KIT

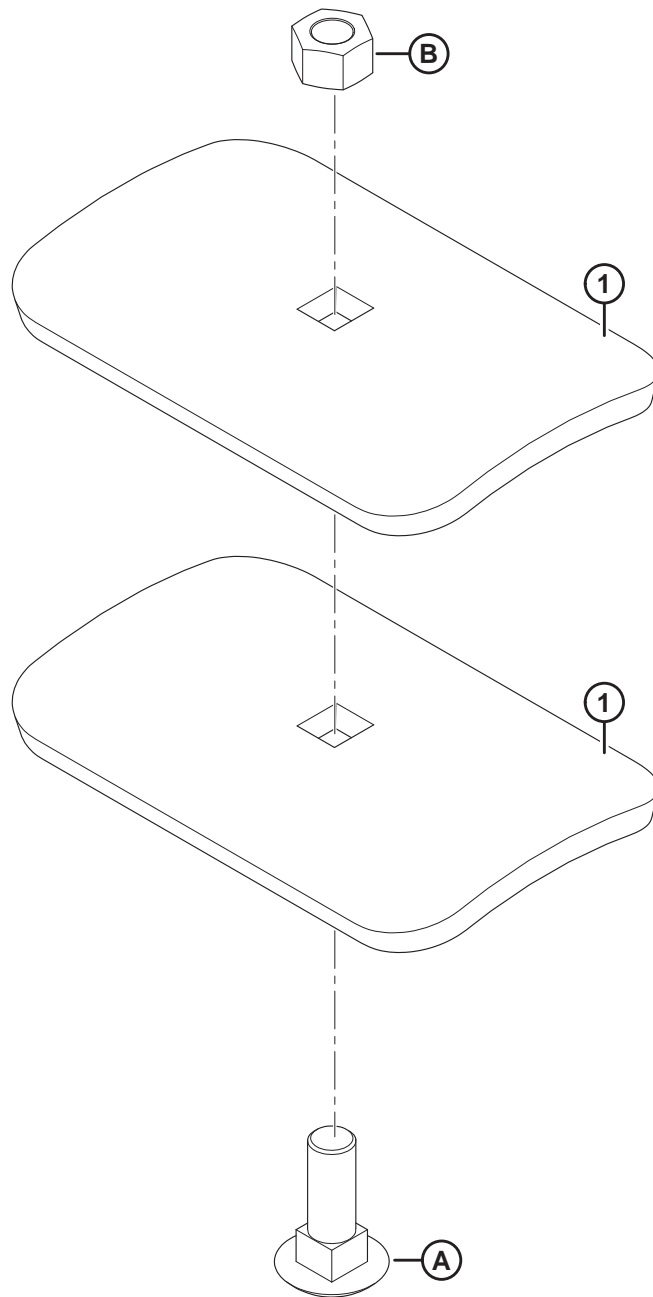
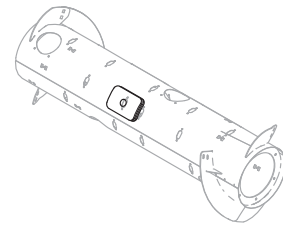


1037056

AGCO IDEAL™ CONVERSION KIT

Ref	Part Number	Description	Qty	Serial Number
E	152730	BOLT – HEX HD TFL M12 X 1.75 X 35-10.9-AA1J		
F	136141	BOLT – HEX HD M16 X 2 X 60-8.8-AA1J		
G	136476	NUT – HEX CTR LOC M16 X 2-8		
H	21455	NUT – FLG (SER FACE) 1/4 NC-GR5-AA1J		
J	21572	BOLT – HEX HD 1/4-20 X 0.625 GR5-AA1J		
K	252703	BOLT – HEX HD TFL M6 X 1 X 20 X SPCL-12.9-AA2L		
L	197263	NUT – TEE M6 X 1		
M	19965	BOLT – RHSN 3/8-16 X 1-GR5-AA1J		
N	30228	NUT – FLG DT SM FACE 3/8-16 UNC-GR5-AA1J		
P	184662	BOLT – RHSN TFL M10 X 1.5 X 30-8.8-AA1J		
Q	135799	NUT – HEX FLG CTR LOC M10 X 1.5-10		
R	30632	WASHER – LOCK SPRING M10		
S	135894	SCREW – HEX SOC HD SHLDR M10		
T	135337	NUT – HEX FLG CTR LK M8 X 1.25-8-AA1J		

162 Auger Dent Repair Kit

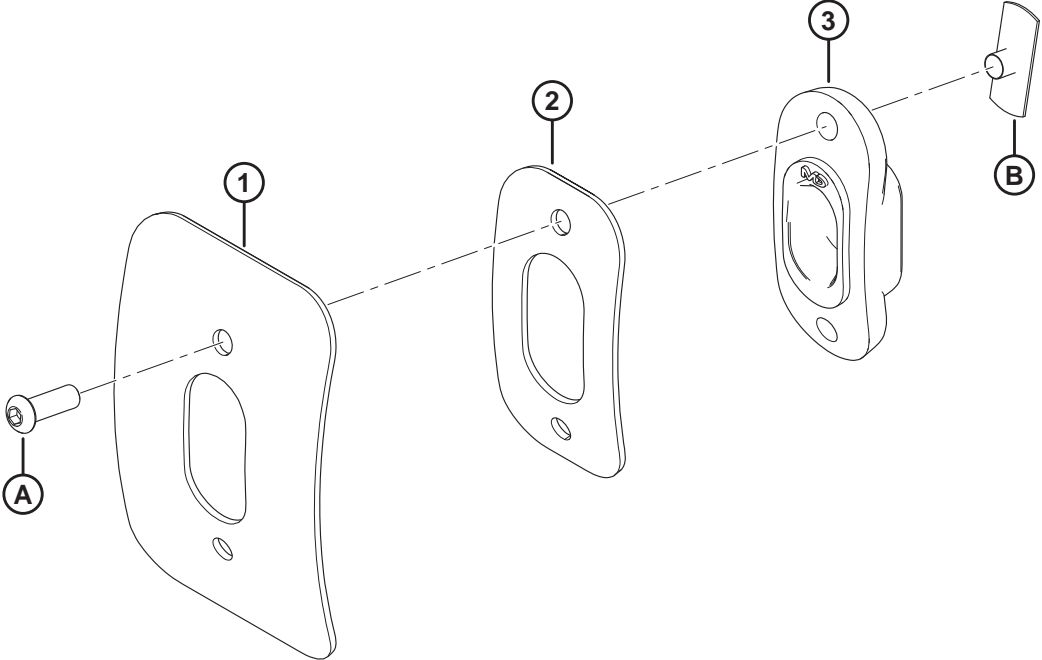
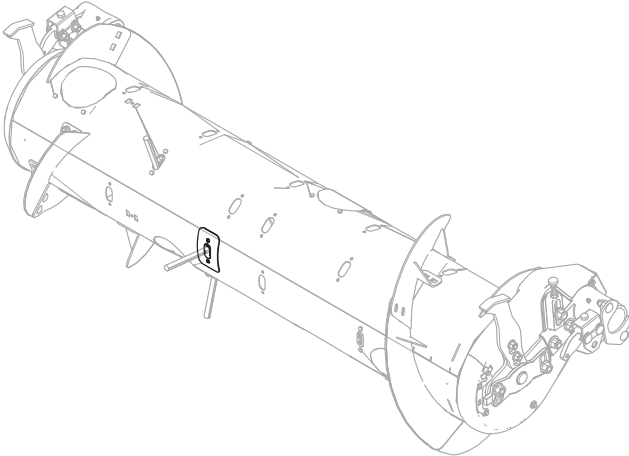


AUGER DENT REPAIR KIT

Ref	Part Number	Description	Qty	Serial Number
	237563	KIT – AUGER DENT REPAIR ⁵²⁴		
1	237556	SUPPORT	2	
A	197154	BOLT – RHSN M16 X 2 X 50-10.9-A3L		
B	184699	NUT – HEX M16 X 2-8-A3L		

524. Includes two supports (MD #237556), bolt (MD #197154), nut (MD #184699), and instructions.

163 Auger Patch Kit

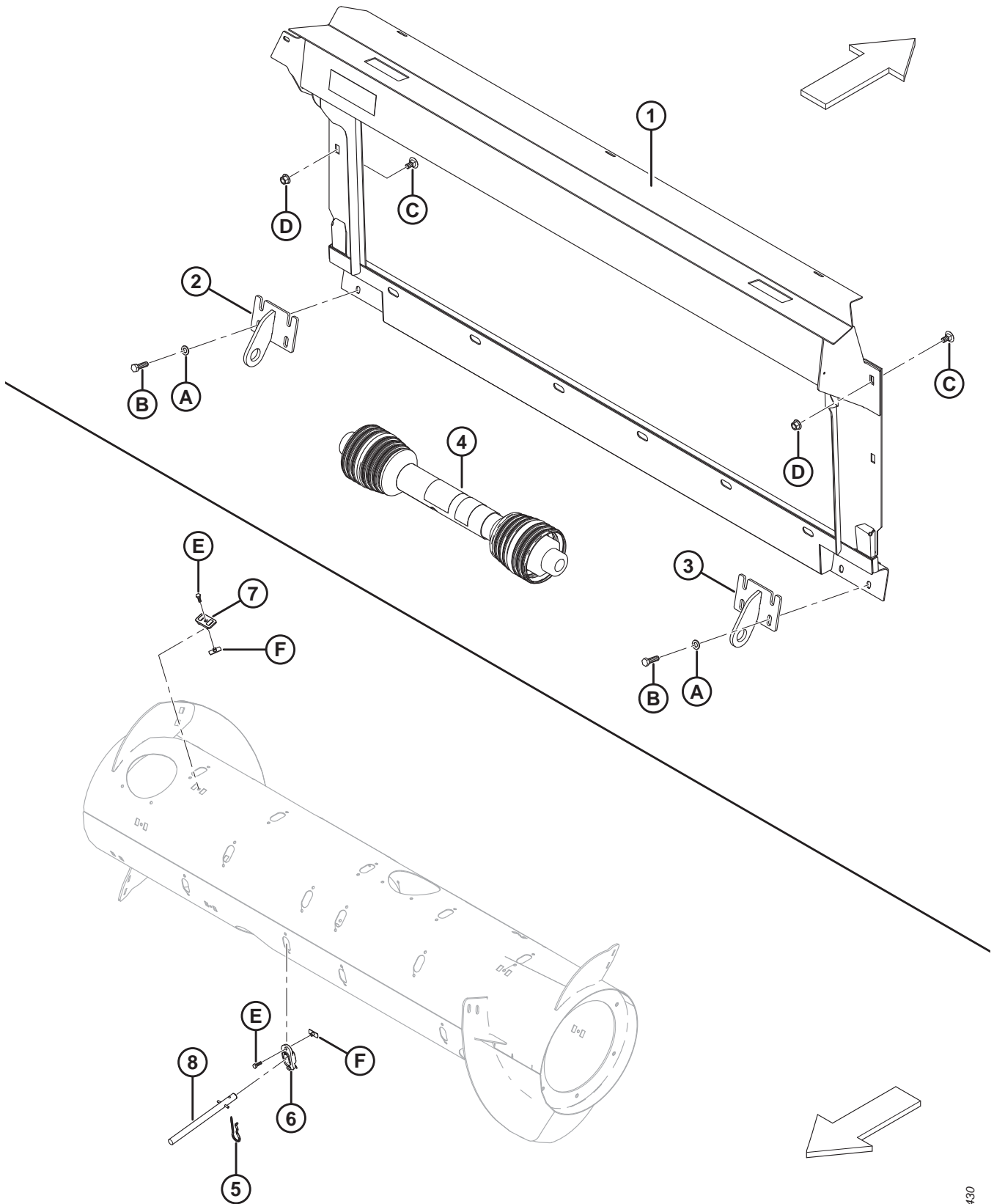


AUGER PATCH KIT

Ref	Part Number	Description	Qty	Serial Number
	335464	KIT – RTD REPAIR ⁵²⁵		
1	NSS	BAND	1	
2	NSS	BAND – RTD REPAIR	1	
3	337143	GUIDE	1	
A	123084	SCREW – HEX SOCKET BUTTON HEAD		
B	123202	NUT – TEE		

525. Kit is used to repair auger damage around an auger finger. Kit includes repair bands (not sold separately), one guide (MD #337143), two screws (MD #123084), two tee nuts (MD #123202), and instructions.

164 John Deere Conversion Kits



JOHN DEERE CONVERSION KITS

Ref	Part Number	Description	Qty	Serial Number
	B6887	KIT – JD LEVEL LAND CONVERSION ⁵²⁶		
1	294514	FRAME – JD WELDT LEVEL LAND	1	
2	151941	BRACKET – LEFT WELDT	1	
3	151942	BRACKET – RIGHT WELDT	1	
4	187550	21T DRIVELINE – JD WIDEBODY WALKER MACHINES-9650/9660, 9660 WTS, AND T9670 ⁵²⁷	1	
5	123180	PIN – HAIR	8	
6	337143	GUIDE	8	
7	213084	PLUG – FLIGHTING SLOT	8	
8	337152	KIT – FINGER ⁵²⁸	8	
	7642	PIN – SPRING 3/16 DIA X 1.5 LG		
	B6957	KIT – JD CONTOUR MASTER CONVERSION ⁵²⁶		
1	347301	ASSEMBLY – JD CM TRANS FRAME W/DECAL	1	
2	347179	ANCHOR – WELDT, LH	1	
3	347180	ANCHOR – WELDT, RH	1	
4	187553	21T DRIVELINE – JD STS/S SERIES (EXCEPT MODELS LISTED AT MD #187550), CLAAS, AND AGCO ⁵²⁷	1	
A	184714	WASHER – FLAT REG M12-300HV-A3L		
B	184669	BOLT – HEX HD M12 X 1.75 X 40-8.8-A3L		
C	136625	BOLT – HEX SER FLG HD M12 X 1.75 X 25 X SPCL-100-AA1J		
D	136431	NUT – HEX FLG CTR LOC M12 X 1.75-10-A3L		
E	252703	BOLT – HEX HD TFL M6 X 1 X 20 X SPCL-12.9-AA2L ⁵²⁹		
F	197263	NUT – TEE M6 X 1 ⁵²⁹		

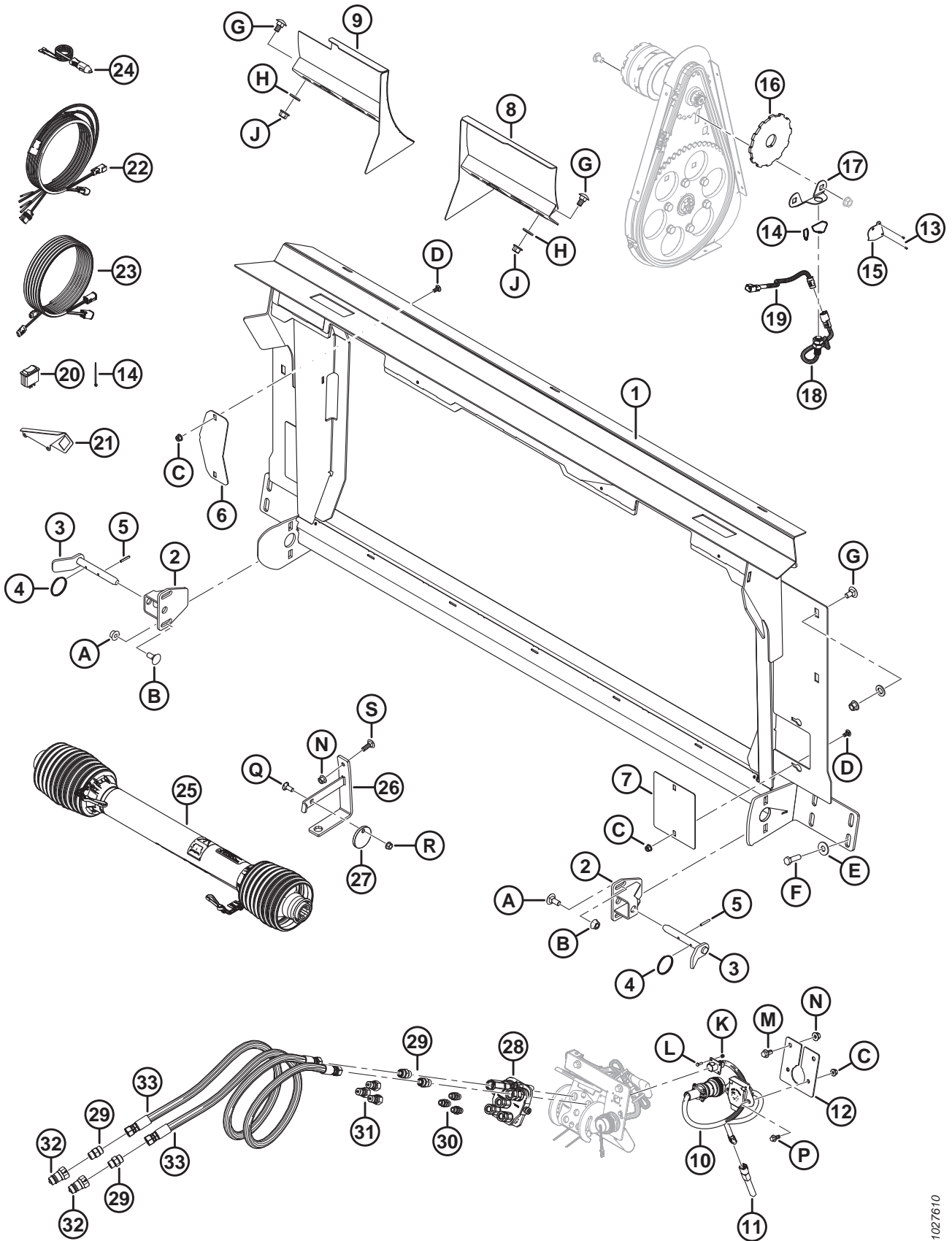
526. Kits available through Whole Goods only.

527. For service parts, refer to Section [113 Input Driveline and Support, page 343](#).

528. Includes solid finger (not sold separately), spring pin (MD #7642), guide (MD #337143), and instructions.

529. Used in conversion kit MD #B6887 only.

165 Rostselmash Conversion Kit



1027610

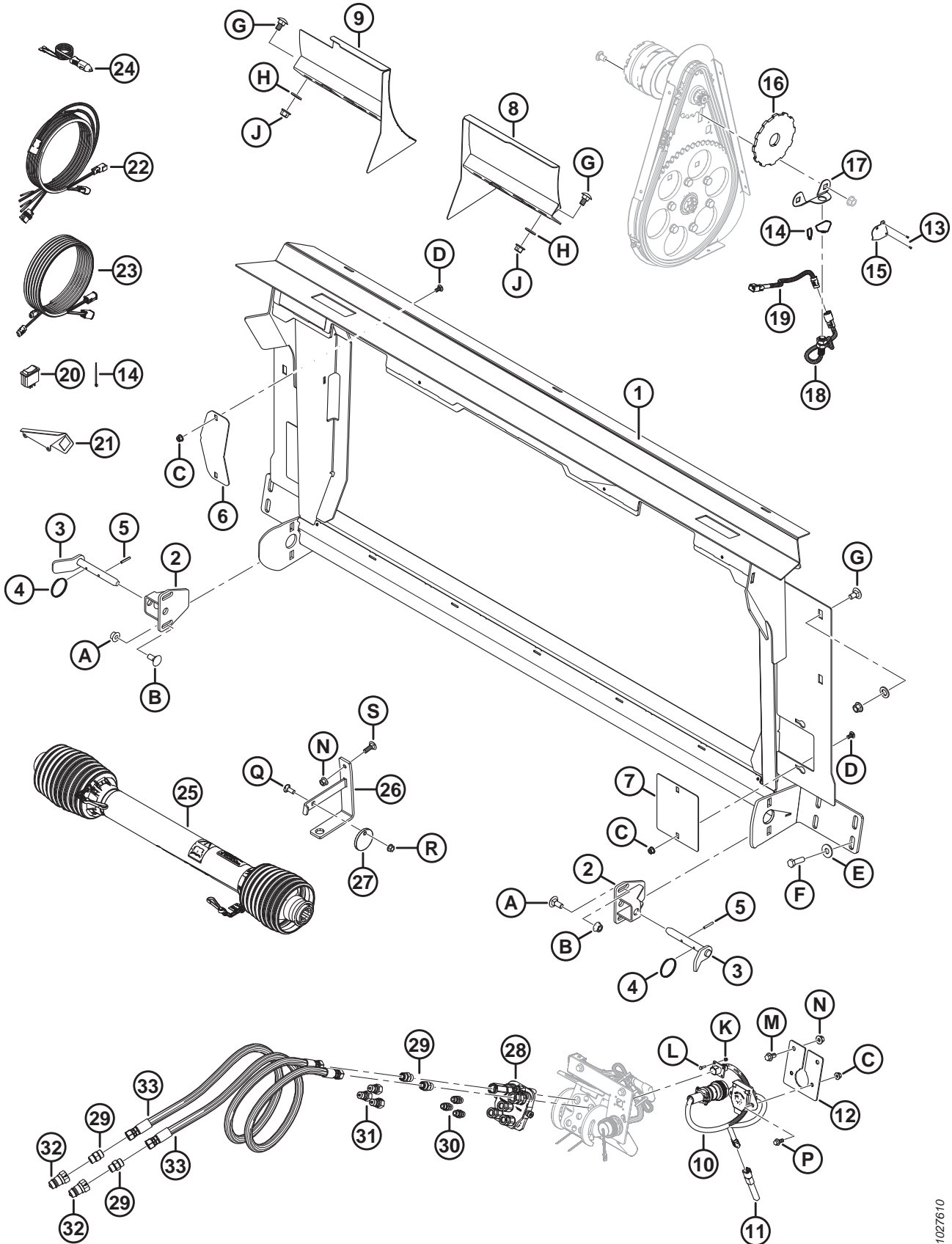
ROSTSELMASH CONVERSION KIT

Ref	Part Number	Description	Qty	Serial Number
	B6568	KIT – CASE TO ROSTSELMASH 760/780 CONV PKG ⁵³⁰		
1	314684	FRAME – TRANSITION W/ DECAL	1	
2	301185	SUPPORT – LOCK WELDT	2	
3	301202	HANDLE – LOWER LOCK WELDT	2	
4	118137	RING	2	
5	13617	PIN – SPRING 3/16 DIA X 1.25 LG	2	
6	322113	PLATE – DRIVE COVER	1	
7	314627	PLATE – FILLER COVER	2	
8	301200	DEFLECTOR – RH WELDT	1	
9	301193	DEFLECTOR – LH WELDT	1	
10	300978	HARNESS – ADAPTER, CNH TO RSM	1	
11	300536	VOLTAGE REGULATOR – (+) 5 VDC	1	
12	314307	SUPPORT – CONNECTOR	1	
13	14338	RIVET – BLIND 1/8 X .125	2	
14	16661	FASTENER – CABLE TIE, BLACK	14	
15	164131	SHIELD – REEL SPEED SENSOR HARNESS	1	
16	304533	DISC – REEL SPEED SENSOR	1	
17	133781	SUPPORT – REEL SPEED SENSOR	1	
18	136167	SENSOR – SPEED	1	
19	304982	HARNESS – WIRING REEL SPEED SENSOR (CLAAS/LEXION)	1	
20	109064	SWITCH – ROCKER (HDR LIFT RELAY BYPASS)	1	
21	158377	SUPPORT – ROCKER SWITCH	1	
22	304210	HARNESS – CAB DRAPER CONTROL	1	
23	304211	HARNESS – CAB DRAPER EXTENSION	1	
24	220570	HARNESS – AUX PWR TO QUICK DISC	1	
25	301704	DRIVELINE – 38-8 SPLINE ⁵³¹	1	
26	133166	BRACKET – DRIVELINE HANGER-WELDT	1	
27	133165	DISC – LOCK, DRIVELINE	1	

530. Kit is used to convert from a Case configuration to a Rostselmash 760/780 configuration. Kit also requires a Dealer/ Customer sourced Rostselmash reel speed sensor. Includes all listed parts and instructions. Kits available through Whole Goods only.

531. For service parts, refer to Section [113 Input Driveline and Support](#), page 343.

ROSTSELMASH CONVERSION KIT

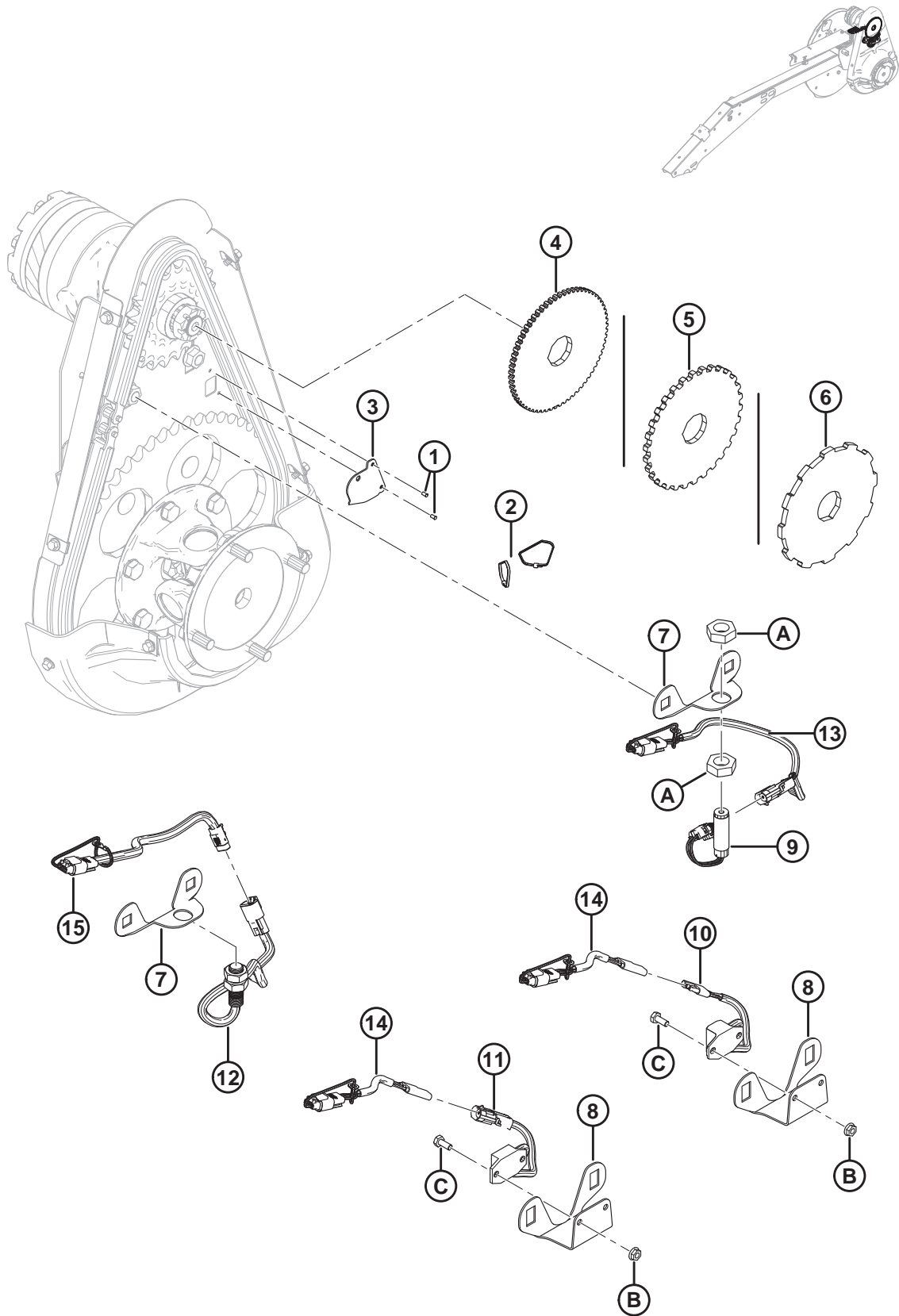


1027610

ROSTSELMASH CONVERSION KIT

Ref	Part Number	Description	Qty	Serial Number
28	135238	COUPLING – MULTI LINK	1	
	111981	SEAL KIT – 1/4 IN. COUPLER		
	111982	SEAL KIT – 3/8 IN. COUPLER		
	111983	KIT – SCREW		
	111984	KIT – DOWEL		
	111985	COUPLER – 3/8 IN. (LONG)		
	111986	COUPLER – 1/4 IN.		
	294350	COUPLER – SHORT, 3/8 IN. (SHORT)		
29	135780	FITTING – ADAPTER	4	
	44209	O-RING – #8 ORB		
	135866	O-RING – #8 ORFS		
30	301763	FITTING – ADAPTER -6 ORB	3	
	50219	O-RING – #6 ORB		
31	301764	FITTING – COUPLING HYD	3	
32	301765	FITTING – COUPLING HYD	2	
33	301766	HOSE – HYDRUALIC	2	
A	184667	BOLT – RHSN M12 X 1.75 X 30-8.8-AA1J		
B	184697	NUT – HEX SER FLG M12 X 1.75-8-AA1J		
C	135337	NUT – HEX FLG CTR LK M8 X 1.25-8-AA1J		
D	191489	BOLT – RHSSN TFL M8 X 1.25 X 16-8.8-AA1J		
E	184589	WASHER – FLAT 9/16 X 1.375 AA1J		
F	184669	BOLT – HEX HD M12 X 1.75 X 40-8.8-AA1J		
G	135903	BOLT – RHSN M12 X 1.75 X 25-8.8-AA1J		
H	184717	WASHER – FLAT REG M16-200HV-AA1J		
J	136431	NUT – HEX FLG CTR LOC M12 X 1.75-10		
K	197320	NUT – HEX NYLOC M4 X 0.7-8-AA1J		
L	197319	BOLT – HEX HD TFL M4 X 0.7 X 16-8.8-AA1J		
M	152655	BOLT – HEX FLG HD M10 X 1.5 X 20-8.8-AA1J		
N	135799	NUT – HEX FLG CTR LOC M10 X 1.5-10		
P	136300	BOLT – HEX FLG HD TFL M8 X 1.25 X 20-8.8-AA3L		
Q	19965	BOLT – RHSN 3/8-16 X 1-GR5-AA1J		
R	30228	NUT – FLG DT 3/8 NC-GR5-AA1J		
S	184662	BOLT – RHSN TFL M10 X 1.5 X 30-8.8-AA1J		

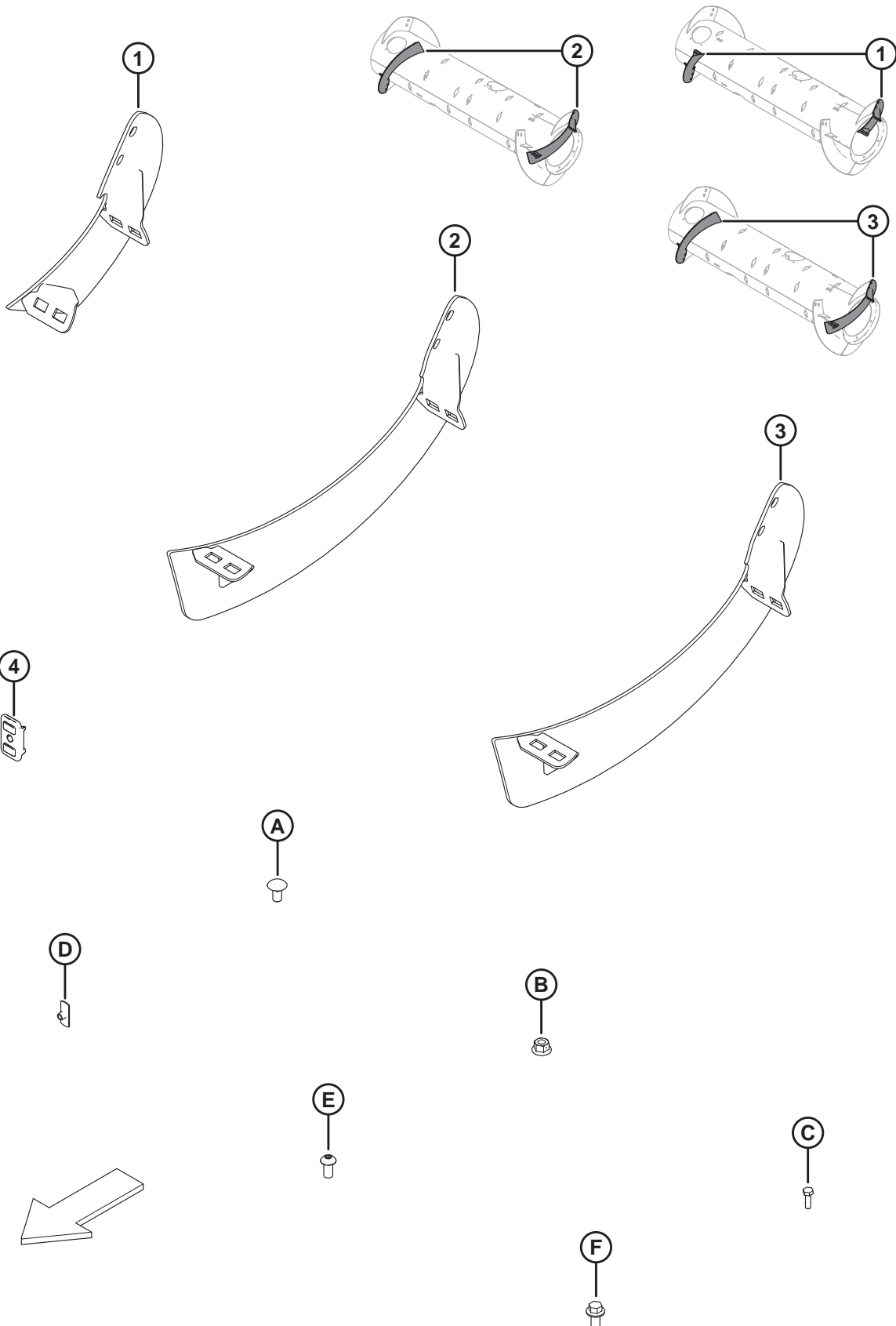
166 Reel Speed Sensors



REEL SPEED SENSORS

Ref	Part Number	Description	Qty	Serial Number
1	14338	RIVET – BLIND 1/8 X .125	2	
2	16661	FASTENER – CABLE TIE (BLACK)	2	
3	164131	SHIELD – REEL SPEED SENSOR HARNESS	1	
4	133716	DISC – REEL SPEED SENSOR (JD)	1	
5	133997	DISC – REEL SPEED SENSOR (AGCO/GLEANER)	1	
6	304533	DISC – REEL SPEED SENSOR (CLAAS)	1	
7	133781	SUPPORT – REEL SPEED SENSOR (JD/CLAAS)	1	
8	279746	SUPPORT – REEL SPEED SENSOR (AGCO/GLEANER)	1	
9	184437	SENSOR – SPEED (JD)	1	
10	152736	SENSOR – SPEED, 3-WIRE (CHALLENGER/MASSEY)	1	
11	184440	SENSOR – SPEED, 2-WIRE (GLEANER)	1	
12	136167	SENSOR – SPEED (CLAAS)	1	
13	220571	HARNESS – WIRING REEL SPEED SENSOR (JD)	1	
14	220572	HARNESS – WIRING REEL SPEED SENSOR (CHALLENGER/MASSEY/GLEANER)	1	
15	304982	HARNESS – WIRING REEL SPEED SENSOR (CLAAS/LEXION)	1	
A	7674	NUT – HEX JAM 3/4-16 UNF GR 5 ZP		
B	21455	NUT – FLG (SER FACE) 1/4 NC GR 5 ZP		
C	21572	BOLT – HEX HD 1/4 NC X 0.625 LG GR 5 ZP		

167 (Option) Auger Flighting Kits



(OPTION) AUGER FLIGHTING KITS

NOTE:

Long flighting kits (MD #B6400 and MD #287032) are used to convert the auger to the optional Ultra Narrow configuration. Refer to your header operator’s manual for more information.

Ref	Part Number	Description	Qty	Serial Number
	B6400	KIT – FM100 RTD, WEAR RESISTANT FLIGHT ⁵³²		
	287031	KIT – FM100 RTD, MED FLIGHT ⁵³³		
	287032	KIT – FM100 RTD, LONG FLIGHT ⁵³⁴		
1	NSS	FLIGHTING, RTD – RH, MED ⁵³⁵	1	
	NSS	FLIGHTING, RTD – LH, MED ⁵³⁶	1	
	287887	FLIGHTING, RTD – RH, MED (HIWEAR)	1	
	287888	FLIGHTING, RTD – LH, MED (HIWEAR)	1	
2	NSS	FLIGHTING, RTD – RH, LONG ⁵³⁷	1	
	NSS	FLIGHTING, RTD – LH, LONG ⁵³⁸	1	
3	287890	FLIGHTING, RTD – RH, LONG (HIWEAR)	1	
	287889	FLIGHTING, RTD – LH, LONG (HIWEAR)	1	
4	213084	PLUG – FLIGHTING SLOT	2	
A	136178	BOLT – RHSN M10 X 1.5 X 20-8.8-A3L		
B	135799	NUT – HEX FLG CTR LOC M10 X 1.5-10-A3L		
C	252703	BOLT – HEX HD TFL M6 X 1 X 20 X SPCL-12.9-AA2L		
D	197263	NUT – TEE M6 X 1		
E	135723	SCREW – HEX SOC BTN HD M10 X 1.5 X 20-10.9-A3L		
F	152655	BOLT – HEX FLG HD M10 X 1.5 X 20-8.8-A3L		

532. The kit includes Long Flighting kit (MD #287032). Kits are available through Whole Goods only.

533. The kit includes wear-resistant medium flighting, two plugs (MD #213084), hardware, and instructions.

534. The kit includes wear-resistant long flighting, two plugs (MD #213084), hardware, and instructions.

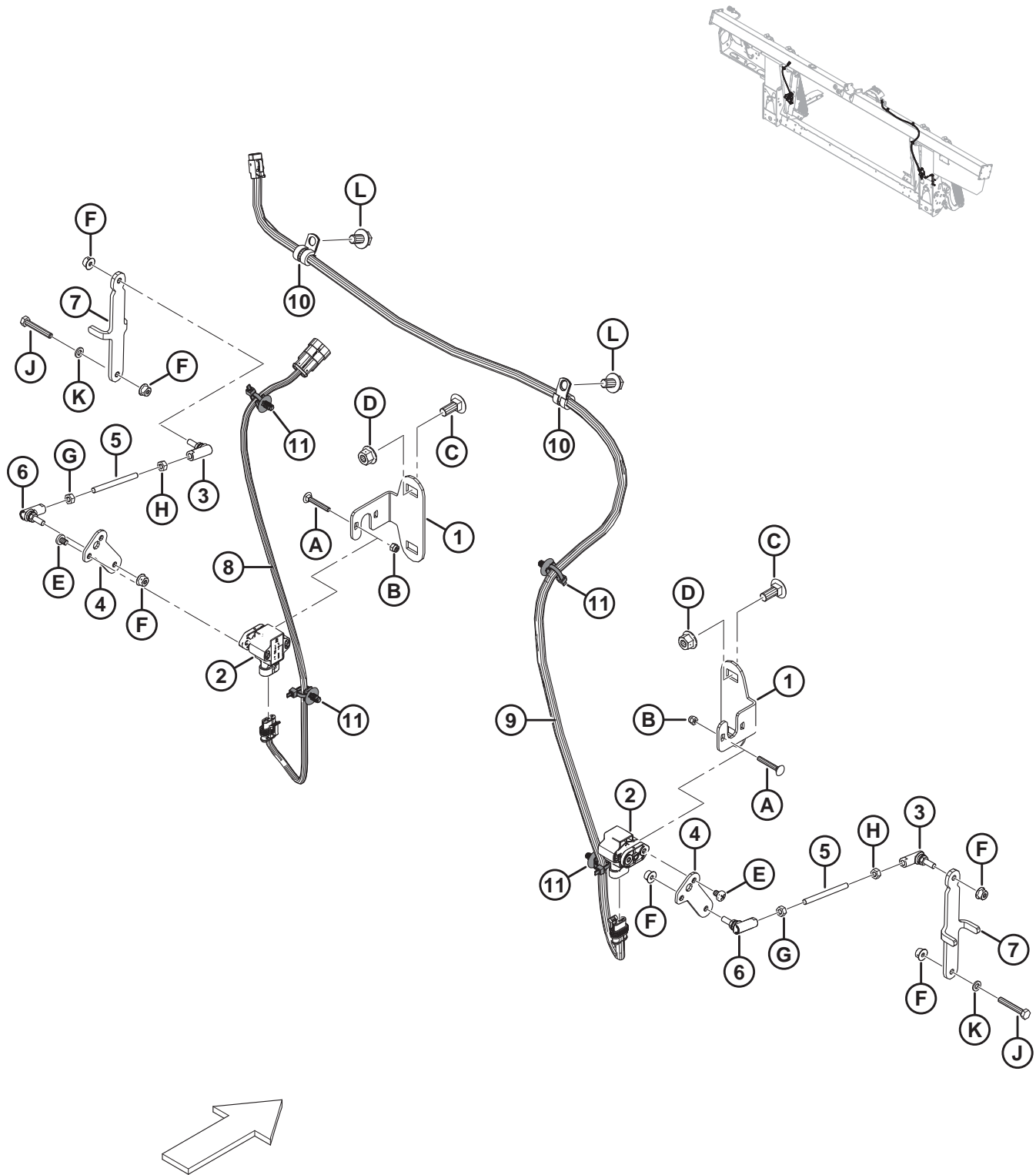
535. Service with medium right flighting (MD #287887).

536. Service with medium left flighting (MD #287888).

537. Service with long right flighting (MD #287890).

538. Service with long left flighting (MD #287889).

168 (Option) Dual Sensor Auto Header Height Control



1020471

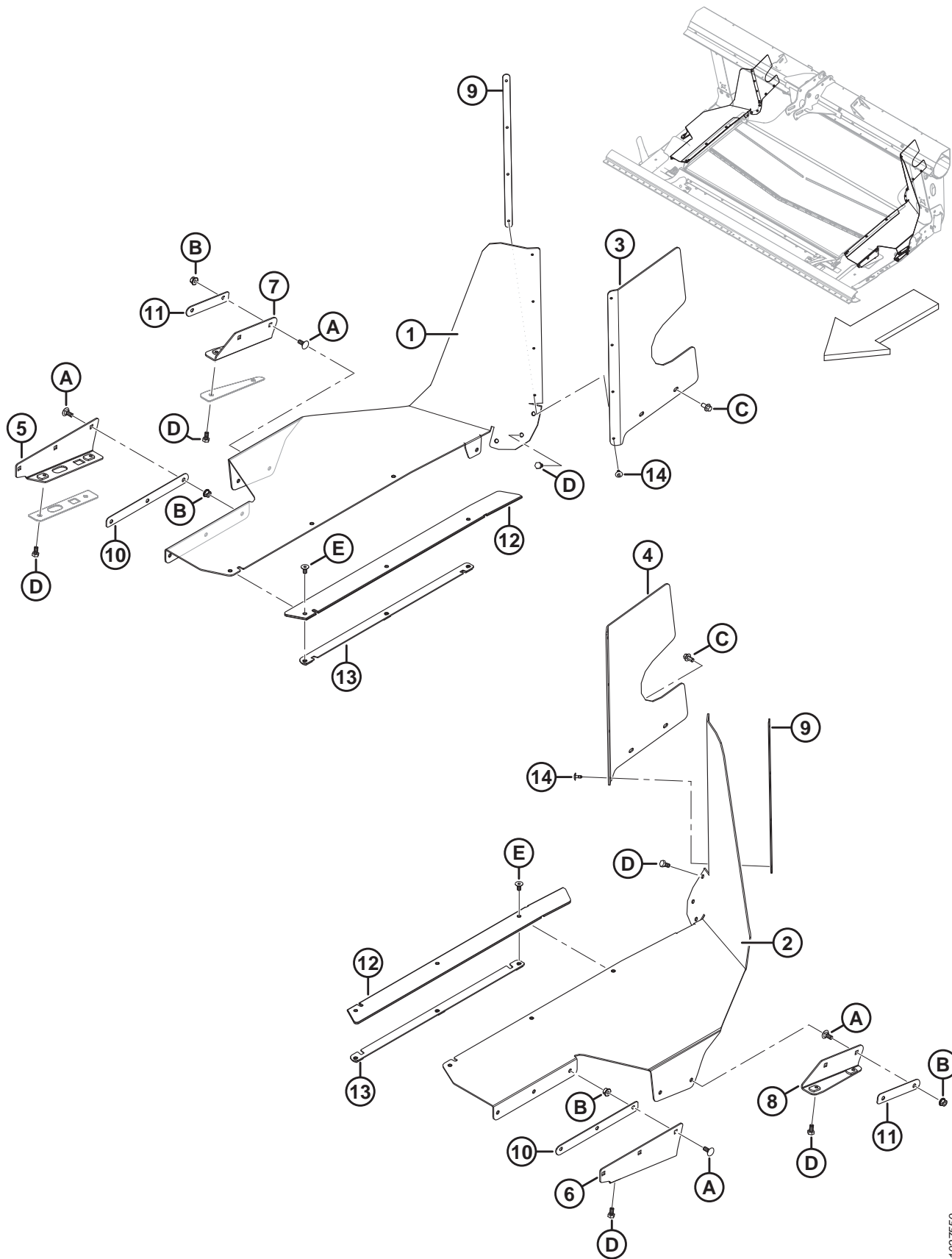
(OPTION) DUAL SENSOR AUTO HEADER HEIGHT CONTROL

Ref	Part Number	Description	Qty	Serial Number
	B6211	KIT – DUAL SENSOR AHHC ⁵³⁹		
	248783	KIT – DUAL SENSOR AHHC ⁵⁴⁰		
1	301865	BRACKET – AHHC SENSOR	2	
2	248643	ROTARY SENSOR – DUAL OUTPUT	2	
3	291485	BALL JOINT – LH THREAD	2	
4	248816	ARM – FLOAT SENSOR	2	
5	232650	ROD – THREADED	2	
6	291484	BALL JOINT – RH THREAD	2	
7	295179	BRACKET – SENSOR LINK	2	
8	276201	HARNESS – LH HEIGHT SENSOR	1	
9	276871	HARNESS – RH HEIGHT SENSOR	1	
10	136410	CLAMP – INSULATED 3/8 IN.	2	
11	136655	FASTENER – FIR TREE MT W/ TIE	4	
A	197229	BOLT – RHSN M5 X 0.8 X 35-4.6-A2L		
B	197230	NUT – HEX NYLOC M5 X 0.8-8-A2L		
C	135785	BOLT – RHSN M10 X 1.5 X 25-8.8-A3L		
D	135799	NUT – HEX FLG CTR LOC M10 X 1.5-10-A3L		
E	158704	SCREW – PAN HD M6 X 1 X 8-4.8-A2L		
F	152668	NUT – HEX FLG CTR LOC M6 X 1-8-A2L		
G	184683	NUT – HEX ISO 4032 M6 X 1-8-A2L		
H	136613	NUT – HEX LH ISO 4032 M6 X 1-8-AA2L		
J	135671	BOLT – HEX HD TFL M6 X 1 X 40-8.8-A2L		
K	184705	WASHER – FLAT M6-200HV-A2L		
L	136151	BOLT – HEX FLG HD TFL M10 X 1.5 X 16-8.8-A3L		

539. Includes Dual Sensor Auto Header Height Control kit (MD #248783). Kits available through Whole Goods only.

540. Includes all listed parts, hardware, and instructions.

169 (Option) FM100 Full Interface Filler – D1

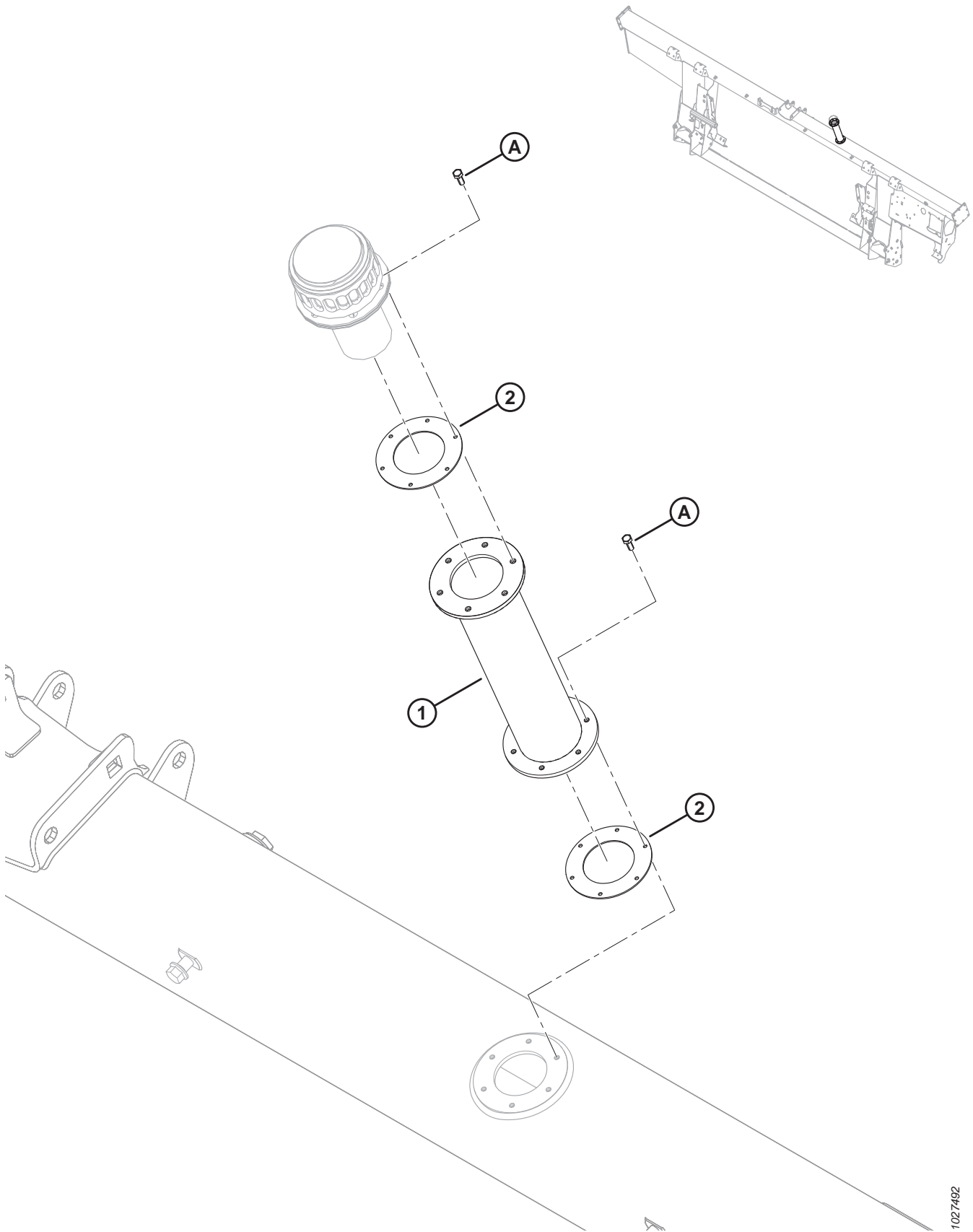


(OPTION) FM100 FULL INTERFACE FILLER – D1

Ref	Part Number	Description	Qty	Serial Number
	B6446	KIT – FM100 FULL INTERFACE FILLER D1 ⁵⁴¹		
1	295348	FILLER – SIDE DECK RH D1	1	
2	295349	FILLER – SIDE DECK LH D1	1	
3	213493	FILLER – RH REAR UPPER	1	
4	213492	FILLER – LH REAR UPPER	1	
5	295476	SUPPORT – FILLER RH WELDT D1	1	
6	295478	SUPPORT – FILLER LH WELDT D1	1	
7	295513	SUPPORT – FILLER RH WELDT D1	1	
8	295514	SUPPORT – FILLER LH WELDT D1	1	
9	276770	PLATE – FILLER RETAINER	2	
10	213295	PLATE – FILLER RETAINER	2	
11	295611	PLATE – FILLER RETAINER	2	
12	287719	FILLER – REINFORCEMENT	2	
13	301726	RETAINER – SIDE FILLER WELDT	2	
14	293053	RIVET – POP	8	
A	197171	BOLT – RHSN M8 X 1.25 X 20-8.8-A2L		
B	135337	NUT – HEX FLG CTR LOC M8 X 1.25-8-A2L		
C	136485	BOLT – HEX FLG HD TFL M8 X 1.25 X 16-8.8-A3L		
D	50139	BOLT – HEX HD TFL M8 X 1.25 X 16-8.8-A2L		
E	252542	SCREW – HEX SOC CSK HD TFL M8 X 1.25 X 16-10.9-AA2L		

541. European market area only. Provides additional sealing between float module and header. Kits available through Whole Goods only.

170 (Option) Hillside Extension



(OPTION) HILLSIDE EXTENSION

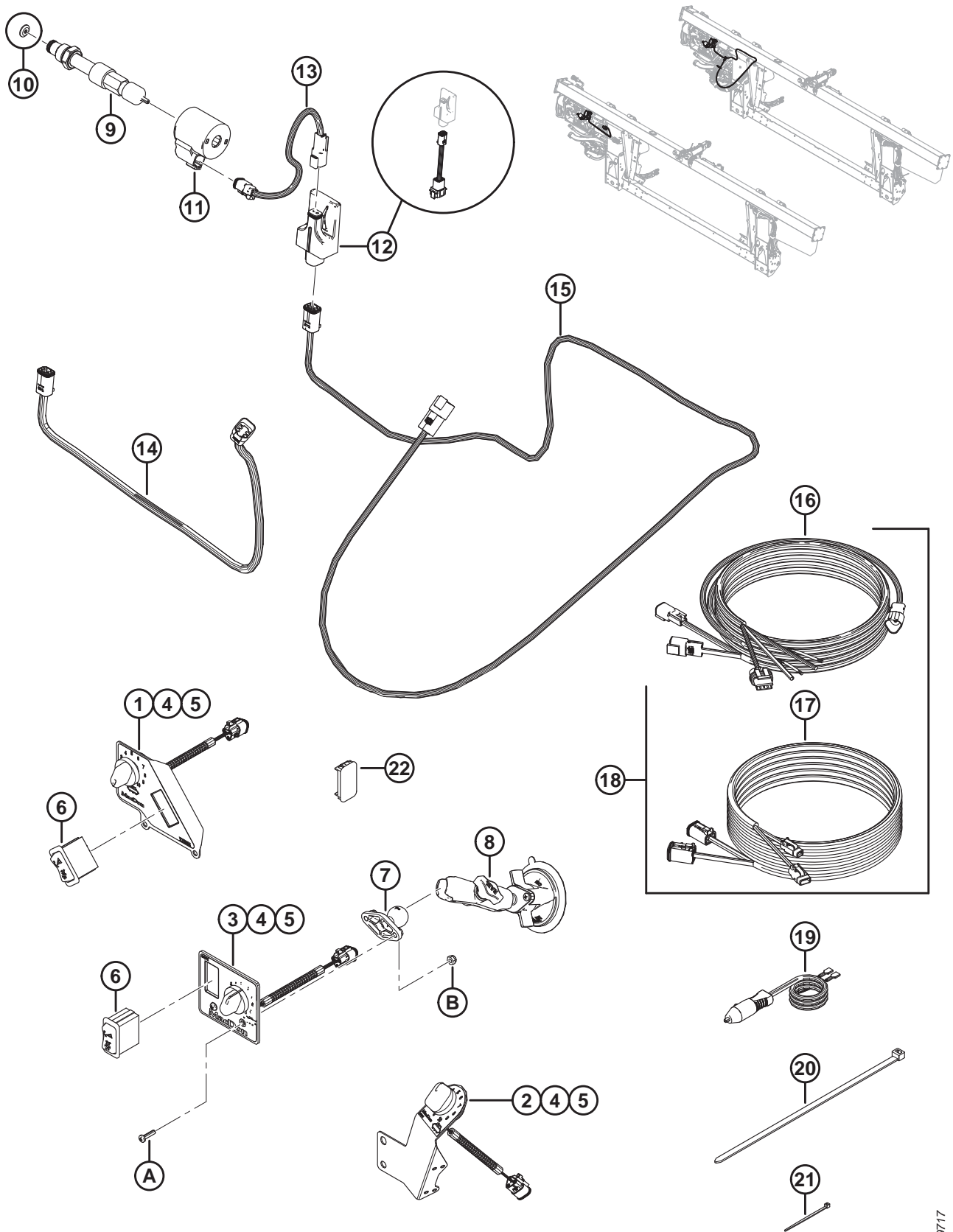
Ref	Part Number	Description	Qty	Serial Number
	B6057	KIT – HYDRAULIC RESERVOIR FILL EXTENSION ⁵⁴²		
	312824	KIT – HYDRAULIC RESERVOIR FILL EXTENSION ⁵⁴³		
1	NSS	HYD RESERVOIR FILL EXTENSION	1	
2	NSS	GASKET	2	
	166450	DECAL – WARNING, HOT SURFACE	2	
A	320397	SCREW – HEX HD TFL M5 X 0.8 X 12-8.8-PLAIN (2022 AND LATER) ⁵⁴⁴		421190–
	135873	SCREW – MACH #10-32 X 0.5 IN. HEX (2021 AND PRIOR) ⁵⁴⁴		–421189

542. The kit includes hydraulic reservoir fill extension (NSS), two gaskets (NSS), two decals (MD #166450), six metric screws (MD #320397), and instructions. For model year 2021 and prior machines with imperial threaded holes, order imperial screws (MD #135873) separately. Kits are available through Whole Goods only.

543. The kit includes hydraulic reservoir fill extension (NSS), two gaskets (NSS), two decals (MD #166450), six metric screws (MD #320397), and instructions. For model year 2021 and prior machines with imperial threaded holes, order imperial screws (MD #135873) separately.

544. On model year 2021 and prior units, use imperial screw (MD #135873) to prevent cross threading a metric bolt into an imperial threaded hole.

171 (Option) In-Cab Side Draper Speed Control Kits



(OPTION) IN-CAB SIDE DRAPER SPEED CONTROL KITS

Ref	Part Number	Description	Qty B6701/B6702/B6703	Serial Number
	B6701	KIT – IN-CAB SIDE DRAPER SPEED CONTROL (JOHN DEERE) ⁵⁴⁵	1/0/0	
	B6702	KIT – IN-CAB SIDE DRAPER SPEED CONTROL (CNH) ⁵⁴⁵	0/1/0	
	B6703	KIT – IN-CAB SIDE DRAPER SPEED CONTROL (GENERIC) ⁵⁴⁵	0/0/1	
1	287945	CONTROL PANEL – ICSDSC, JD ⁵⁴⁶	1/0/0	
2	276671	CONTROL PANEL – ICSDSC, CNH ⁵⁴⁶	0/1/0	
3	287944	CONTROL PANEL – ICSDSC, GENERIC ⁵⁴⁶	0/0/1	
4	213459	POTENTIOMETER – 5K	1/1/1	
5	109773	KNOB – PLASTIC	1/1/1	
6	287797	SWITCH – ROCKER, TILT	1/0/1	
7	287749	BASE – BALL MOUNT	0/0/1	
8	287859	BASE – SUCTION CUP WITH ARM	0/0/1	
9	276631	VALVE – FLOW CONTROL ⁵⁴⁷	1/1/1	
	220908	KIT – SEAL		
10	287227	ORIFICE PLATE – 0.18 IN. (2017 ONLY) ⁵⁴⁸	1/1/1	-321189
11	209045	COIL – SOLENOID	1/1/1	
12	304377	KIT – VALVE DRIVER MODULE ⁵⁴⁹	1/1/1	
	304376	HARNESS – VALVE DRIVER ADAPTER ⁵⁵⁰	1/1/1	
13	213812	HARNESS – SOLENOID	1/1/1	
14	304254	HARNESS – VALVE DRIVER (CNH)	0/1/0	371190–
	213813	HARNESS – VALVE DRIVER (CNH) (2019 AND PRIOR) ⁵⁵¹	0/1/0	-371189
15	304370	HARNESS – VALVE DRIVER	1/0/1	371190–
	287894	HARNESS – VALVE DRIVER (2019 AND PRIOR) ⁵⁵¹	1/0/1	-371189
16	304210	HARNESS – CAB DRAPER CONTROL	0/1/1	346190–
17	304211	HARNESS – CAB DRAPER EXTENSION	0/1/1	346190–
18	304216	KIT – CAB DRAPER CONTROL HARNESS ⁵⁵²	0/1/1	-346189
19	220570	HARNESS – AUX PWR TO QUICK DISC	1/1/1	
20	30753	FASTENER – CABLE TIE, BLACK, 305 MM LG	2/2/2	
21	16661	FASTENER – CABLE TIE, BLACK, 69 MM LG	15/15/15	

545. Kits available through Whole Goods only. Includes all listed parts and instructions. See parts list for quantities specific to kit.

546. Includes 5K potentiometer (MD #213459) and plastic knob (MD #109773).

547. Valve integrates orifice plate (MD #287227) into the valve cartridge assembly for model year 2018 . Model year 2017 had it as a separate part.

548. Serviceable part for model year 2017.

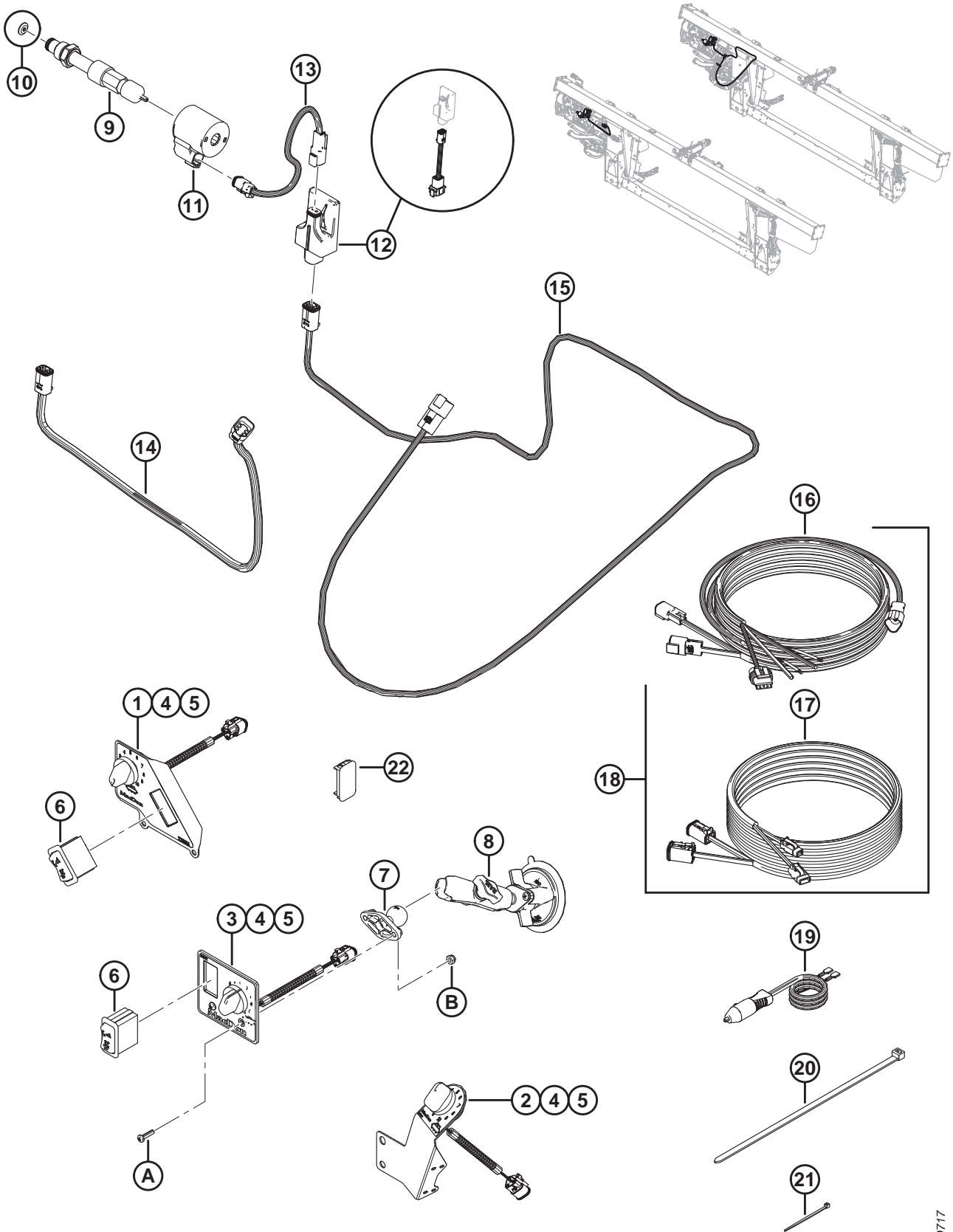
549. Includes valve driver module with loaded software (NSS) and adapter harness (MD #304376).

550. Valve driver adapter harness (MD #304376) used to connect valve driver module to model year 2019 and prior valve driver harnesses (MD #213813 and 287894).

551. Service part only for model year 2019 and prior units.

552. Kit is used to service model year 2018 and prior units with 2018 cab draper control harness (MD #213667). Includes cab draper control harness (MD #304210) and cab draper extension harness (MD #304211).

(OPTION) IN-CAB SIDE DRAPER SPEED CONTROL KITS



1029717

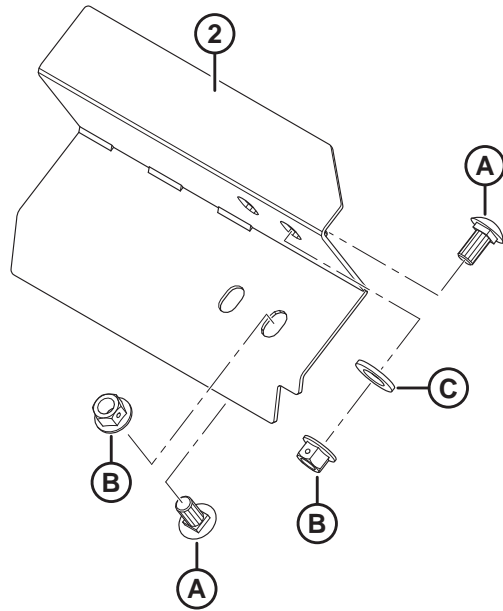
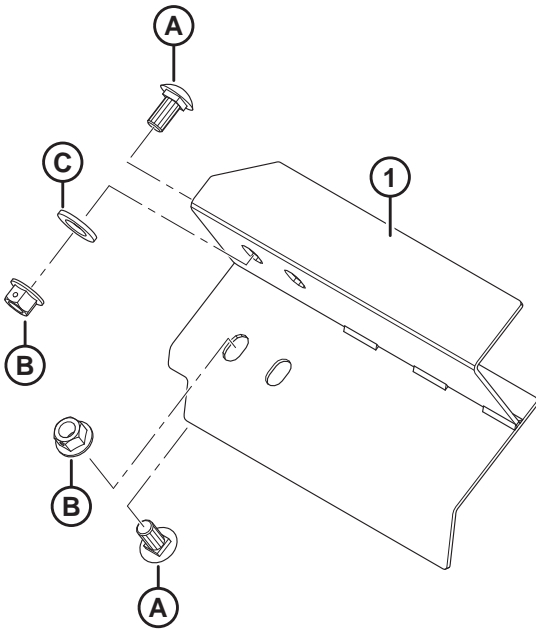
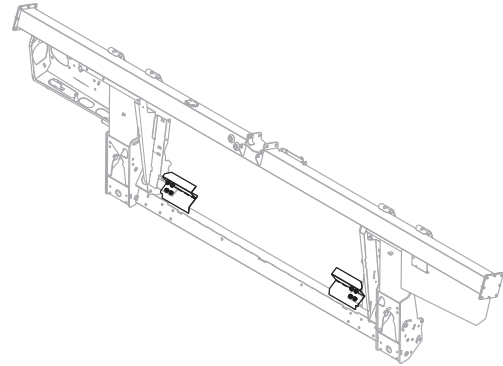
(OPTION) IN-CAB SIDE DRAPER SPEED CONTROL KITS

Ref	Part Number	Description	Qty B6701/B6702/B6703	Serial Number
22	287784	PLUG – PANEL ⁵⁵³	0/0/1	
A	135161	SCREW – MACHINE, #10-32 UNF X 0.75 IN. ⁵⁵⁴		
B	20012	NUT – NYLOC #10-32-GR5-AA3L ⁵⁵⁴		

553. Supplied with Generic In-Cab Side Draper Speed Control kit (MD #B6703) to be installed in place of combine's non-functioning switch, after kit has been installed.

554. Service part only for Generic In-Cab Side Draper Speed Control kits (MD #B6703).

172 (Option) Stripper Bars



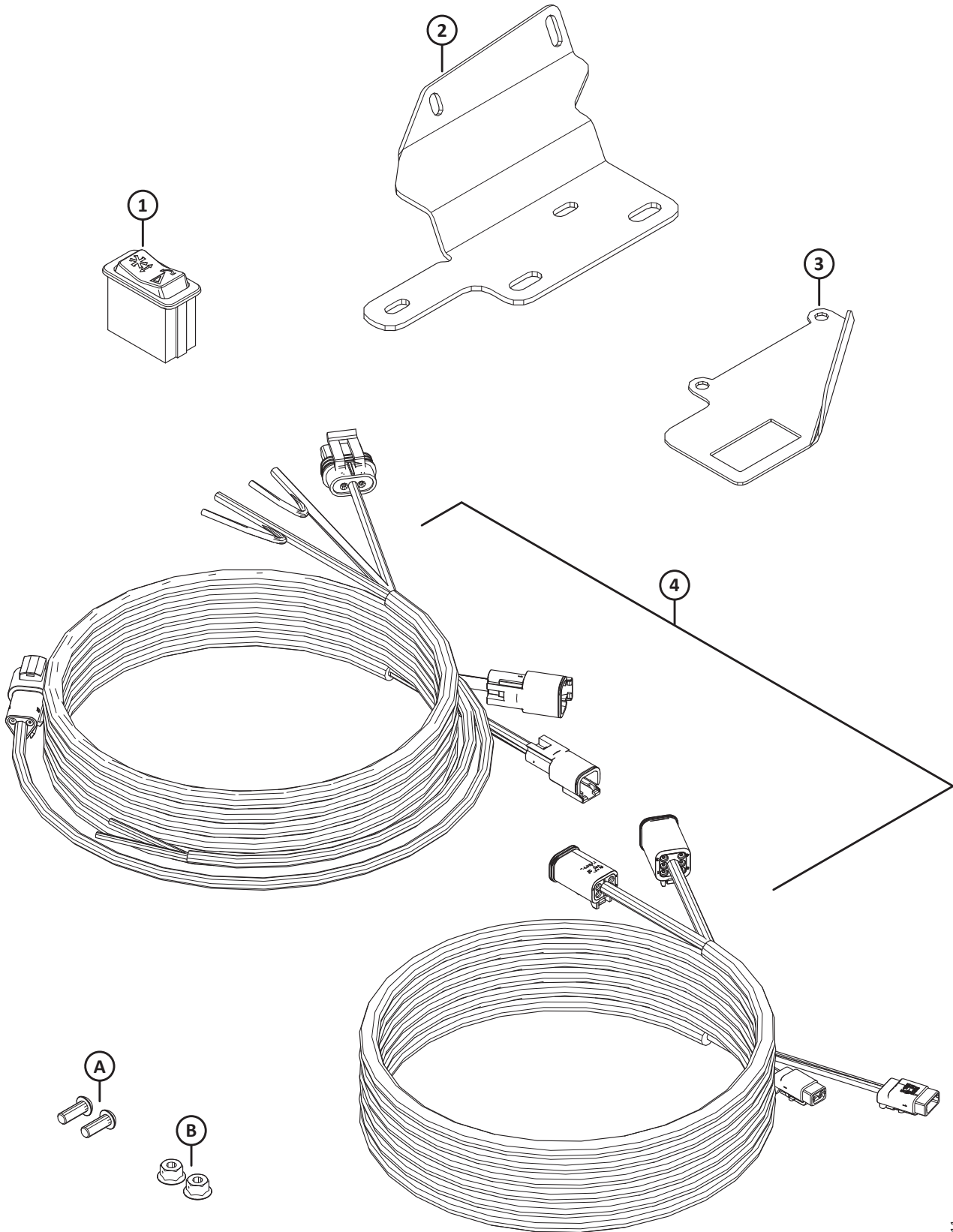
(OPTION) STRIPPER BARS

Ref	Part Number	Description	Qty	Serial Number
	B6042	KIT – STRIPPER BARS, 265 MM LG (WITHOUT CUTOUT) ⁵⁵⁵		
	B6044	KIT – STRIPPER BARS, 325 MM LG ⁵⁵⁵		
	B6045	KIT – STRIPPER BARS, 365 MM LG ⁵⁵⁵		
	B6046	KIT – STRIPPER BARS, 403 MM LG ⁵⁵⁵		
	B6213	KIT – STRIPPER BARS, 515 MM LG ⁵⁵⁵		
1	213523	STRIPPER – WELDMENT, LEFT (265 MM LG W/O CUTOUT)	1	
	276899	STRIPPER – WELDMENT, LEFT (265 MM LG W/ CUTOUT) ⁵⁵⁶	1	
	213573	STRIPPER – WELDMENT, LEFT (325 MM LG)	1	
	213567	STRIPPER – WELDMENT, LEFT (365 MM LG)	1	
	213561	STRIPPER – WELDMENT, LEFT (403 MM LG)	1	
	213579	STRIPPER – WELDMENT, LEFT (515 MM LG)	1	
2	213525	STRIPPER – WELDMENT, RIGHT (265 MM LG W/O CUTOUT)	1	
	276900	STRIPPER – WELDMENT, RIGHT (265 MM LG W/ CUTOUT) ⁵⁵⁶	1	
	213574	STRIPPER – WELDMENT, RIGHT (325 MM LG)	1	
	213568	STRIPPER – WELDMENT, RIGHT (365 MM LG)	1	
	213562	STRIPPER – WELDMENT, RIGHT (403 MM LG)	1	
	213580	STRIPPER – WELDMENT, RIGHT (515 MM LG)	1	
A	135903	BOLT – RHSN M12 X 1.75 X 25-8.8-A3L		
B	136431	NUT – HEX FLG CTR LOC M12 X 1.75-10-A3L		
C	184717	WASHER – FLAT REG M16-200HV-AA1J		

555. Kits are available through Whole Goods only.

556. For John Deere S6X0 Series combines.

173 (Option) Tilt Harness Kit



1040811

(OPTION) TILT HARNESS KIT

Ref	Part Number	Description	Qty	Serial Number
	335695	KIT – 1 SERIES TILT HARNESS ⁵⁵⁷		
1	287797	SWITCH – ROCKER, TILT	1	
2	304111	SUPPORT – TILT/DRAPER SPEED	1	
3	220734	SUPPORT – ROCKER SWITCH	1	
4	304216	KIT – CAB DRAPER CONTROL HARNESS ⁵⁵⁸	1	
	304210	HARNESS – CAB DRAPER CONTROL		
	304211	HARNESS – CAB DRAPER EXTENSION		
A	136886	SCREW – HEX SOC BTN M6 X 1 X 16-10.9-AA1T		
B	152668	NUT – HEX FLG CTR LOC M6 X 1-8		

557. Kit includes all listed parts and hardware.

558. Kit includes cab draper control harness (MD #304210) and cab draper extension harness (MD #304211).

Index

795	314	18640	54, 330, 334, 338, 366, 456
1709	366	18648	100, 104, 108, 110, 114, 116, 194, 200, 202, 320
2148	196	18652	324, 390, 436
4761	56, 196	18654	4, 8, 12, 16, 18, 204
5512	114, 198, 200, 202, 324, 456	18664	100, 110
6647	4, 54, 164, 210	18666	48, 54, 118, 134
6649	196	18669	86, 94, 134, 368
7642	2, 196, 306, 310, 416, 460, 464, 472	18670	8, 12, 190
7674	184, 254, 258, 264, 266, 272, 278, 478	18671	98, 104, 108, 114, 194, 314, 366
7900	196, 200, 202	18688	8, 12, 118
8218	12	18697	48, 54, 74, 100, 104, 110, 198, 226, 232, 234, 244, 248, 250
9213	314	18720	164, 330, 334, 338, 456
9333	314	18723	4, 48, 190, 232, 238, 244, 248, 250, 280, 324
10254	56	18724	228, 236, 254, 264, 272, 280, 370
13125	194, 384, 418, 442, 464	18725	98, 104, 108
13298	52	18738	100
13617	474	18768	238, 242, 244, 248, 250
14338	6, 464, 474, 478	18770	118, 186
15903	152	18866	198, 200
16010	192, 196	18867	72, 366
16087	2	18898	322
16235	114	18916	198, 200, 202
16266	196	18963	62, 66
16661	364, 464, 474, 478, 488	19634	192
16681	98, 104, 108	19809	418, 442
17958	80	19927	194
18349	116	19965	74, 134, 162, 220, 224, 226, 234, 242, 244, 250, 348, 466, 476
18523	134, 198	19966	74, 176, 192, 206, 254
18525	56	20012	490
18589	380, 462	20055	106, 112
18590	74, 298, 370	20077	74, 232, 236, 248, 250, 260, 264, 278, 348
18591	114, 130, 198, 264	20078	126, 290
18592	118, 400	20312	116, 366
18596	130, 228, 234	20535	6, 74
18597	370	21006	48
18598	6, 54, 74, 254, 316, 370	21010	52, 194
18599	48, 74, 100, 104, 114, 130, 198, 254, 324	21030	152
18600	74, 80, 116, 198, 324	21055	6, 192, 198
18601	56, 198, 320, 366	21056	4, 130, 180, 198
18603	48, 60, 68	21066	48, 54, 74, 198
18604	72, 370	21069	60, 62, 64, 66, 68, 160, 218, 222, 230, 242, 246
18605	114, 370	21102	170, 188, 370
18607	98, 278	21153	194, 200, 202
18608	366	21194	48, 52
18609	2, 116, 352, 366	21218	128
18624	104, 110, 114, 168, 178	21235	312
18626	116, 320	21264	54, 254, 368
18635	130, 258, 264, 266, 272, 278	21281	134
18636	324	21282	380, 462
18637	54, 74, 184, 232, 236, 248, 250, 254, 260, 264, 268, 272, 278, 324, 366, 456	21301	292
18638	220, 226, 234, 244, 250, 254, 300, 316, 324		
18639	324		

INDEX

21354.....	226, 234	21821.....	6, 100, 104, 110, 122, 126, 130, 264, 272, 280, 324
21363.....	322	21830.....	66
21376.....	194, 200, 202	21843.....	158, 252, 264, 272, 278
21383.....	4, 48, 54, 86, 94, 170	21854.....	220, 224, 226, 232, 234, 242, 248, 254, 264, 272, 280
21389.....	54	21856.....	406, 432
21403.....	134	21858.....	406, 432
21404.....	192	21859.....	52, 218, 226, 234, 238, 244, 250
21406.....	50, 56	21863.....	4, 6, 50, 54, 74, 76, 78, 80, 100, 110, 122, 126, 130, 160, 184, 190, 192, 200, 220, 224, 232, 242, 248, 254, 280, 370
21425.....	322	21868.....	198, 380, 462
21447.....	122, 126	21881.....	262, 270, 276
21452.....	50, 56, 100, 110, 338, 340	21887.....	194, 200, 202
21455.....	100, 110, 130, 188, 256, 460, 462, 466, 478	21926.....	370
21456.....	324	21941.....	4, 16, 198
21468.....	12	21947.....	410, 448
21469.....	86, 94	21968.....	100, 110
21471.....	54, 74, 380, 462	23163.....	376
21472.....	50, 56, 122, 126, 190, 254, 260, 264, 268, 272, 280, 298, 324, 408	23164.....	136
21484.....	116, 254	23165.....	136, 376
21489.....	130	23745.....	398
21491.....	4, 48, 54, 74, 100, 104, 110, 114, 228, 234, 244, 250, 254, 264, 280, 334, 338	23950.....	150
21522.....	324	23957.....	150
21526.....	254	25991.....	150
21540.....	198, 200, 202, 366	26846.....	322
21558.....	192	27647.....	390, 436
21560.....	198	29028.....	196
21561.....	134, 256	29934.....	432
21567.....	4, 184, 256, 260, 264, 268, 272, 280	30027.....	100, 104, 110, 114, 130
21568.....	188	30034.....	52
21570.....	264, 272, 280	30035.....	100
21572.....	100, 110, 460, 462, 466, 478	30054.....	252, 262, 270, 276
21573.....	130, 188, 256	30191.....	330, 334, 338
21575.....	74, 102, 106, 110, 112, 114, 178, 184, 220, 226, 234, 244, 250, 300	30203.....	322
21576.....	130, 198	30209.....	100, 104, 114, 118
21577.....	200	30228.....	4, 6, 50, 54, 74, 76, 78, 80, 86, 94, 96, 100, 106, 112, 116, 122, 126, 130, 134, 158, 162, 170, 176, 184, 190, 192, 198, 200, 206, 216, 220, 224, 226, 232, 234, 242, 244, 248, 250, 254, 260, 264, 268, 272, 278, 290, 298, 324, 348, 370, 390, 408, 436, 466, 476
21578.....	198, 226, 234	30280.....	6, 152, 184, 192, 254, 268, 272, 278, 370, 402, 444
21580.....	220, 224, 242, 258, 264, 266, 272, 278	30282.....	120, 124
21582.....	74, 80	30284.....	120, 124
21583.....	48, 54, 200	30299.....	54
21589.....	114	30307.....	254
21590.....	260, 264, 268, 272, 278	30314.....	60, 62, 258, 266, 278, 356
21591.....	198	30316.....	376
21594.....	324	30368.....	170
21599.....	198	30375.....	120, 124
21746.....	252	30376.....	68, 220, 222, 230, 240, 246
21760.....	130, 220, 224, 232, 242, 248	30433.....	258, 262
21761.....	154		
21763.....	6, 80, 120, 124, 128, 152, 188, 254, 288, 352, 374, 388, 392, 396, 402, 406, 422, 424, 432, 434, 438, 440, 444		
21801.....	64, 66, 218, 222, 230, 240, 246		
21810.....	218, 222, 226, 230, 234, 240, 246		

INDEX

30441.....	74, 118, 158, 198	35618.....	196
30463.....	366	35694.....	194
30504.....	6, 184, 268, 272, 278	36651.....	376
30505.....	316, 320	36849.....	124
30512.....	118	37167.....	402, 444
30514.....	54	39272.....	192
30515.....	170	40095.....	344
30516.....	196, 200, 202	40628.....	192
30517.....	194, 200, 202	40701.....	120, 124, 152, 388, 392, 402, 406, 420, 432, 434, 444
30520.....	114, 194, 200, 202	40702.....	120, 124, 152, 352, 356, 388, 392, 402, 406, 420, 432, 434, 444
30523.....	84, 92	40703.....	60, 62, 64, 66, 68, 152, 356, 420
30548.....	52	40704.....	60, 62, 64, 66, 68, 152, 356, 420
30549.....	118	40915.....	102, 106, 112, 168, 178
30551.....	252, 278	41982.....	194, 200, 202
30556.....	158, 254, 262, 270, 276	42074.....	390, 392, 436, 464
30557.....	158	42292.....	374, 432
30610.....	60, 68	42589.....	388, 392, 402, 406, 420, 432, 434, 444
30627.....	238, 242, 244, 248, 250, 368	42592.....	74
30628.....	296	44209.....	152, 330, 342, 356, 402, 444, 476
30630.....	340, 400	44210.....	328, 332, 334, 340, 354, 360, 388, 392, 406, 420, 432, 464
30632.....	238, 242, 244, 248, 250, 392, 466	44611.....	376
30636.....	268, 272	45427.....	218, 226, 234, 244, 250, 254
30639.....	80	47858.....	52
30661.....	218, 226, 234, 238, 244, 250	48050.....	198
30669.....	34, 46	49227.....	120, 126, 152, 352, 388, 392, 402, 406, 420, 432, 434, 444
30693.....	50, 54, 62, 66, 74, 254, 352	49232.....	390, 392, 402, 406, 432, 444
30695.....	158	49306.....	52, 218, 226, 234, 238, 244, 250
30701.....	322	49341.....	116
30702.....	322	50019.....	252, 262, 270, 276
30715.....	302	50022.....	80, 100, 120, 158
30716.....	210, 212	50050.....	220, 222, 230, 240, 246
30753.....	126, 128, 254, 354, 356, 410, 448, 488	50072.....	198
30759.....	260, 264, 280	50076.....	60, 62, 64, 66, 68
30813.....	402, 406, 422, 436, 444	50083.....	312
30819.....	60, 62, 64, 66, 68	50086.....	60, 62, 64, 66, 68
30824.....	118	50101.....	206
30833.....	198	50102.....	264, 272
30873.....	158, 218, 222, 230, 240, 246	50103.....	80, 120, 124
30875.....	158	50104.....	68, 80, 158, 218, 222, 230, 240, 246
30922.....	198	50119.....	8, 204
30934.....	222, 226, 230, 234, 238, 240, 244, 246, 250	50120.....	8, 20, 204
30970.....	64	50139.....	302, 304, 484
30971.....	152, 328, 332, 336, 338, 360	50154.....	316
30981.....	60, 62, 64, 66, 68, 158, 218, 222, 230, 242, 246	50155.....	316, 348
30999.....	452	50174.....	194, 200, 202
31465.....	316	50175.....	230, 246
31774.....	100, 104, 110, 368	50178.....	390, 392, 402, 422, 444
31889.....	62, 66, 350	50184.....	84, 90
32070.....	136, 376	50186.....	48, 54, 74, 86, 94, 96, 100, 106, 110, 114, 116, 170, 178, 184, 186, 190, 198, 206, 238, 244, 250, 280, 380, 462
32247.....	418, 442		
32879.....	150		
32880.....	150		
33955.....	22		
34359.....	8, 204		
34980.....	8, 18, 204		

INDEX

50187.....	52	108172.....	238, 244, 250
50188.....	54	108233.....	402, 406, 422, 436, 444
50193.....	134	108268.....	64, 66, 68, 158, 218, 222, 230, 240, 246
50197.....	198	109064.....	364, 474
50219.....	352, 360, 402, 406, 420, 432, 444, 476	109089.....	130
50220.....	328, 332, 336, 342, 360	109613.....	372
50223.....	330, 334, 338, 342, 356, 360	109717.....	206
50225.....	6, 56, 116, 134, 192, 198, 200, 260, 264, 280, 398	109773.....	488
50226.....	48	109791.....	350
100456.....	192, 198, 264, 272, 280	109843.....	136
100500.....	22, 366	111221.....	136
100532.....	48, 52, 58	111528.....	352
100706.....	58	111895.....	52
100707.....	58	111978.....	252, 258, 262, 266, 270, 278
100708.....	58	111981.....	152, 476
100709.....	58	111982.....	152, 476
100710.....	58	111983.....	152, 476
100712.....	58	111984.....	152, 476
100714.....	58	111985.....	152, 476
100715.....	58	111986.....	152, 476
100716.....	58	112129.....	54
100717.....	58	112130.....	320
100718.....	58	112184.....	218, 222, 240
100719.....	58	112866.....	330, 334, 336
100720.....	58	112867.....	336
100721.....	58	112868.....	330, 334, 336, 338
100722.....	58	112935.....	264, 272, 278
100723.....	58	112968.....	52
100726.....	58	113152.....	58
100862.....	292	113153.....	58
101007.....	194, 200, 202	113160.....	52
101853.....	52	113161.....	52
101897.....	74, 192, 232, 234, 248, 250	113222.....	22, 366
101898.....	76, 80, 100, 104, 110, 122, 134, 152, 168, 192, 198, 298	113229.....	48, 52
102264.....	2, 208	113420.....	86, 94
102509.....	48, 52	113435.....	98, 104, 108, 114
102629.....	58	113482.....	136
102630.....	58	113536.....	188
102636.....	54, 118, 198, 366	113561.....	188, 192, 418, 442
103096.....	58	113566.....	192
103351.....	80	113814.....	4
103562.....	4, 16, 198	113881.....	124
103575.....	350	113937.....	22
103738.....	98, 110, 120, 220, 224, 230, 242, 246, 254, 258, 262, 276, 354	114120.....	432
103879.....	114	114140.....	432
105066.....	86, 94	114142.....	406, 432
105069.....	100, 110	114143.....	406, 432
105135.....	86, 94	114233.....	100, 110
105136.....	86, 94, 96, 206	115145.....	138
105141.....	86, 94	115146.....	138, 188, 262, 270
105364.....	114	115147.....	138, 188, 262, 270
106708.....	120	115148.....	188
		115670.....	22
		115672.....	334, 338
		117015.....	198

INDEX

118011.....	292	120552.....	120, 124
118137.....	2, 100, 104, 110, 114, 168, 178, 192, 300, 474	120558.....	8, 12, 16, 18
118154.....	8, 12, 16, 18	120568.....	80
118162.....	10, 14, 18	120570.....	80
118185.....	292	120573.....	62, 66
118193.....	8, 12, 14, 18	120574.....	62, 66
118239.....	188, 192	120575.....	62, 66
118301.....	10, 18, 172, 174	120577.....	62, 66
118302.....	10, 14, 172, 174	120639.....	8, 12, 16, 158
118344.....	10, 14, 18, 172, 174	120754.....	52
118345.....	10, 14, 18, 172, 174	120755.....	52
118346.....	8, 10, 204	120812.....	52
118347.....	8, 10, 204	120814.....	52
118351.....	8, 10	120832.....	22
118491.....	22, 26, 28, 36, 38	120845.....	70, 158
119282.....	208	120899.....	48, 54
119284.....	208	120900.....	48, 54
119285.....	208	120901.....	48, 54
119384.....	208	120932.....	184, 258, 266, 270, 276
119392.....	208	120933.....	184, 262, 276
119415.....	208, 214	120988.....	80
119442.....	208	120996.....	124
119446.....	208	123084.....	470
119447.....	208	123180.....	306, 310, 416, 450, 460, 464, 472
119454.....	208	123202.....	470
119455.....	208	123306.....	70
119457.....	208, 214	123406.....	316
119460.....	208	123598.....	124
119518.....	214	123599.....	126
119519.....	214	123620.....	124
119530.....	208, 214	123627.....	104
119531.....	214	123660.....	2
119543.....	208	123661.....	2
119722.....	208, 212	123662.....	78
119723.....	208, 212	123663.....	120
119728.....	208	123670.....	98
119729.....	208	123673.....	124
119747.....	208	123676.....	120
120009.....	72	123681.....	180
120056.....	52	123682.....	180
120057.....	52	123701.....	120, 124
120058.....	70	123702.....	120, 124
120127.....	2	123703.....	124
120140.....	48	123751.....	2
120141.....	48	123752.....	2
120194.....	48	123937.....	78
120232.....	54	123938.....	78
120358.....	52	123939.....	78
120359.....	52	123940.....	78
120360.....	52	123948.....	70
120364.....	52	123949.....	70
120365.....	54	123978.....	352
120366.....	52	124338.....	18, 174
120377.....	64, 66	124344.....	18, 174
120462.....	70	124399.....	2, 300

INDEX

124775	204	131391	136
124880	24	131392	136
124881	24	131393	136
125145	300	132017	80
125146	300	132033	48, 52
125176	6	132096	72
125229	254	132117	80
125236	196	132248	184, 258, 266, 270, 276
125256	194	132253	184, 262, 276
125343	128	132265	2
125363	2	132266	2
125393	134	132269	2
125418	4, 14	132303	218, 226, 234, 244, 250
125433	116	132404	8, 20, 204
125435	116	132405	204
125530	48, 54	132415	52
125553	152	132418	254
125571	136	132420	2
125572	136	132451	74, 158
125588	72	132474	116
125589	72	132475	116
125602	70	132476	116
125607	70	132531	72
125622	72	132532	72
125654	366	132607	70, 158, 312
125670	68	132692	72
125672	68	132773	184, 252, 258, 262, 266, 270, 276
125722	60, 68, 120, 124	132777	72
125741	76	132852	136, 138
125742	76	132867	80
125764	48, 54	132870	80
129043	26, 28, 30, 32, 34, 36, 38, 40, 42, 44, 46	132871	80
129148	396, 440, 464	132896	22
129149	434	132897	22
129297	8, 10, 14, 18	132903	60, 64
129299	28, 32, 34, 38, 42, 46	132904	60, 64
129313	136	132911	120, 124
129329	24	132912	124
129481	420	133047	368
129577	182	133086	376
129578	182	133138	418, 442
129581	182	133165	348, 464, 474
129582	182	133166	348, 464, 474
129584	182	133241	400
129589	182	133242	400
129772	424	133372	292
129773	424	133421	322
129800	152, 402, 444	133439	418, 442
129801	152, 402, 444	133537	376
129847	118, 186	133631	344
129913	72	133632	344
129965	424	133634	344
129976	152, 402, 444	133637	344
129977	152, 402, 444	133640	344
130283	292	133641	344

INDEX

133672	378, 460	135372	60, 62, 64, 66, 68
133683	426	135373	152
133716	478	135381	324, 456
133751	2	135386	252, 258, 262, 266, 270, 278
133781	474, 478	135397	152, 402, 444
133877	310	135400	328, 332
133942	288	135401	342
133980	378	135423	370
133981	378	135434	158, 254
133992	196, 200	135443	120, 124, 128, 158, 220, 224, 230, 242, 246, 254, 278, 374
133997	464, 478	135444	124, 128, 220, 224, 230, 242, 246, 356, 388, 392, 402, 406, 422, 432, 434, 444
134002	6	135448	134
134003	6	135450	216
134010	130, 410, 432, 448	135474	152
134011	130, 410, 432, 448	135507	220, 224, 226, 232, 234, 242, 244, 248, 250, 260, 264, 280
134053	410, 448	135511	264, 272, 280
134438	4	135540	252
134443	128	135554	328, 330, 334, 336, 338, 342, 356, 360
134741	130, 440	135565	152
134746	374, 396, 410, 412, 424, 438, 440, 448	135566	152
134948	438	135579	4, 164, 210, 254
134954	128	135587	360
135015	152	135598	388
135148	150	135612	64
135157	6, 50, 74, 76, 96, 100, 110, 158, 206, 220, 224, 242, 316	135613	258, 262
135161	490	135623	192
135182	62	135626	24, 28, 32, 38, 42, 158, 292
135190	62, 66	135628	24, 158
135193	232, 248	135630	24, 292
135204	152	135632	24
135205	152	135647	230, 246
135213	252, 258, 262, 266, 270, 276	135655	398
135233	128, 168, 188, 254	135665	254, 278
135234	120, 124, 128	135671	482
135235	262, 270, 276	135685	68, 218, 222, 240, 252, 278
135236	152	135691	330
135237	152	135694	324
135238	152, 476	135704	192
135240	60, 68, 220, 222, 230, 240, 246	135709	264, 272, 278, 424
135241	252	135718	288
135248	192, 220, 224, 232, 242, 248, 264, 272, 280, 370	135723	382, 450, 480
135255	64, 66	135734	360
135267	396, 440	135737	118
135290	314	135748	324
135305	370	135775	360
135312	152	135777	342, 356
135319	292	135778	352, 432
135337	132, 176, 220, 224, 242, 292, 296, 302, 380, 392, 406, 422, 462, 466, 476, 484	135780	402, 444, 476
135340	4	135785	210, 214, 238, 244, 250, 288, 296, 318, 320, 482
135358	324, 456	135786	328, 332, 336, 360
135367	116, 280	135791	360
135369	334, 338		

INDEX

135799	208, 214, 238, 244, 250, 288, 290, 292, 296, 302, 306, 316, 320, 324, 330, 334, 338, 348, 366, 378, 382, 384, 390, 394, 400, 402, 416, 418, 422, 432, 436, 442, 444, 450, 462, 466, 476, 480, 482	136378	320
135800	358	136410	120, 126, 128, 370, 482
135818	220, 224, 242, 374	136418	360
135860	390, 392	136431	168, 316, 324, 348, 378, 384, 386, 398, 400, 418, 428, 430, 442, 460, 464, 472, 476, 492
135865	330, 334, 342, 352, 356, 360, 402, 406, 420, 432, 444	136440	316, 324, 352
135866	338, 354, 356, 360, 402, 406, 420, 444, 476	136441	316
135867	328, 332, 336, 340, 354, 360, 388, 392, 432, 464	136447	330, 334, 338
135868	328, 332, 336, 356, 360	136455	324
135873	288, 486	136476	384, 398, 466
135890	338	136485	304, 386, 390, 392, 402, 408, 422, 432, 436, 444, 484
135894	392, 466	136503	420
135900	318	136506	208, 418, 442
135901	328, 332, 336	136519	420
135903	384, 386, 464, 476, 492	136561	132, 316, 358, 400
135906	74	136596	368
135917	420	136604	132
135957	330, 334, 338, 360, 420	136613	132, 370, 482
135963	220, 224, 242	136625	378, 398, 418, 428, 430, 442, 472
135966	220, 224, 242	136652	256
135995	352, 366	136654	252
136024	330, 340, 342, 454	136655	128, 374, 482
136036	294, 418, 442	136684	356
136050	296	136699	352
136089	328, 332, 340	136704	368
136095	352, 360, 406, 420, 436	136736	316
136106	332	136741	406
136108	420	136748	132, 414
136110	338, 340, 358	136757	316
136113	238, 244, 250, 302	136759	268, 274, 310
136137	324	136760	354
136141	384, 466	136766	328, 342
136151	350, 354, 368, 372, 432, 482	136773	132
136155	334	136824	220, 224, 242
136167	474, 478	136841	318
136178	382, 418, 432, 442, 450, 480	136846	334
136181	388	136868	188
136209	156, 390, 394, 404, 408, 422, 432, 436, 446	136886	304, 494
136231	302	136952	220, 222, 230, 240, 246
136246	328, 332, 340	137092	82, 92
136248	292	137118	86, 94
136265	406	137142	84, 90
136266	390, 392	137221	98, 104, 108
136291	316	137277	84, 90
136300	476	137285	82, 90
136303	360	137291	98, 108
136324	288	137315	98, 104, 108
136325	352, 390, 392, 402, 406, 422, 444	137347	98, 108
136326	390, 392, 406	137348	100, 110
136337	356	137350	100, 110
136347	328, 332, 336, 360	137352	98, 108
		137354	98, 108
		137356	100, 110

INDEX

137375 98, 100, 104, 108, 110, 218, 222, 230, 240,	137980 82, 90
246	138086 188
137415 88	138087 188
137416 90	138744 206
137421 82	139003 58
137422 82	139630 128, 188
137451 104	139631 188
137456 104	139632 188
137476 98, 104, 108	139633 188
137503 100, 110	140135 8, 10, 14, 18
137506 82, 90	140225 376
137515 98, 108	140250 104
137519 82, 92	142777 344
137523 84, 92	143875 128
137529 84, 92	144321 196
137532 84, 92	144324 196
137535 82, 90	144374 194
137536 84, 90	144376 196
137543 82, 90	144378 194, 200, 202
137568 82, 88	144409 196
137569 82, 90	144415 192, 196
137570 88	144425 194
137571 90	144433 196
137626 98, 104, 108, 114, 208	144471 194
137642 82	144505 196, 296
137643 82	144531 194, 200, 202
137650 82	144577 194
137651 82	144724 194
137691 108	144739 194
137699 84, 92	144741 194
137702 100, 112	144742 194
137721 98, 108	144860 200
137727 74, 130, 220, 224, 232, 242, 248	144873 194
137753 100, 104, 110	144880 196, 200
137754 82, 92	144899 194, 200
137794 170	144934 196, 200
137795 170	144935 200
137825 108	144956 196
137826 108	144962 196
137827 108	144966 196, 200
137909 84	144968 194
137910 94	144971 194
137911 84	144976 194
137912 84	144989 196
137913 94	145106 70
137914 84	145122 70
137915 94	145148 70
137916 94	145249 74, 158
137917 94	145345 70
137918 94	145357 70
137924 170	145361 74
137968 94	145384 52
137969 94	145428 70
137970 100, 110	145461 116
137971 92	145548 70

INDEX

145558	74, 80	164141	108
145593	70	164213	98, 104, 108
145706	48	164214	98, 104, 108
145840	72	164215	114
148645	256	164216	114
148798	168	164750	98, 108
150890	344	164754	96
150891	344	164773	116
151192	116	164780	114
151551	298	164781	114
151691	314	164800	116, 184
151793	314	164815	98, 108
151941	428, 430, 472	164817	98, 108
151942	428, 430, 472	164821	104
152439	380, 398, 416, 462	164825	116, 184
152520	294	164855	108
152655	288, 352, 358, 382, 390, 392, 404, 408, 422, 424, 436, 446, 450, 476, 480	164858	110
152668	132, 176, 256, 288, 304, 318, 368, 372, 414, 482, 494	164885	110
152730	316, 378, 380, 384, 460, 462, 466	164887	98, 104
152732	334, 432	164894	90
152736	460, 464, 478	164895	92
152863	156	164930	98, 104
153151	152, 402, 444	164933	98, 104, 108
153933	410, 448	164934	114
156037	322	164945	98, 104, 114
156051	350	164947	108
156501	196, 366	164948	108
156574	366	164953	98, 104
156725	388, 392, 402, 406, 420, 432, 434, 444	164955	98
156741	366	164958	96
156743	310, 318, 368	164965	96
156783	418, 442	164967	96
156839	366	164988	216
156843	370	164993	216
156868	298	164995	216
156948	398	165103	252, 258, 262, 266, 270, 276
156969	370	165168	134
158080	384, 464	165188	134
158217	136	165209	8, 10
158253	432	165218	376
158377	364, 474	165267	120, 124
158704	370, 482	165294	68
159020	296	165297	68
159587	80	165380	252
163184	420, 436	165386	134
163598	390, 392, 402, 406, 422, 432, 436, 444	165417	62, 66
164044	84	165429	134
164045	84	165524	6, 138
164046	84	165588	134
164061	100, 104, 110	165722	134
164109	108	165727	134
164126	100, 110	165735	70, 158
164131	464, 474, 478	165858	6
		165973	138
		166309	146

INDEX

166450	486	174176	234, 250
166466	136	174215	48
170851	356	174217	48
171068	188	174238	252
171277	346	174240	252
172133	134	174242	252
172134	134	174243	252
172142	128	174256	68
172146	124	174258	60, 68
172155	116	174259	60
172158	116	174260	68
172175	124	174262	252
172183	120	174263	252
172184	120	174270	48
172185	120	174299	68
172186	120	174300	68
172195	72	174304	48, 218, 222, 230, 240, 246
172196	72	174318	252
172197	72	174321	252
172198	72	174322	252
172220	120	174324	252
172221	120	174333	116
172222	120	174356	62, 66
172223	120	174357	62, 66
172259	6, 74, 158	174391	2
172340	218, 226, 234, 244, 250	174400	2
172363	74	174407	124
172507	226, 234	174408	124
172511	226, 234	174422	252, 262, 270, 276
172558	316	174436	136, 376
172710	72	174501	52
172809	52	174502	52
172812	52	174513	254
172875	180	174514	254
172877	120, 124, 266, 272	174521	254
172897	124	174528	162
172899	128	174538	254
172922	116	174547	252
172948	138	174559	162
172951	138	174560	162
172978	120, 124	174585	252
172981	120	174586	254
172982	120	174632	136
172983	120	174684	136
172985	124	174695	158
172986	120	174697	158
172988	120	174706	158
172993	120, 124	174707	158
174035	226	174708	158
174081	226, 234	174709	158
174082	226, 234	174710	158
174131	376	174714	70
174149	124	174775	300
174165	24	174816	366
174168	230, 246	174845	22, 30, 32, 40, 42

INDEX

174849	82, 90	187137	306, 382, 416, 450, 462
174857	22	187252	328, 332, 336, 454
174858	118	187428	314
174883	254	187466	322
174922	196, 200	187476	322
174926	188	187477	322
174992	48, 52	187478	322
176009	116	187480	322, 456
180094	336	187481	322
183506	312	187482	322
183508	314	187483	324
184372	136	187484	322
184422	136	187485	322
184437	478	187486	322
184440	462, 478	187487	322
184461	360, 392, 432, 464	187492	322
184462	334, 406, 432	187494	322
184463	354, 360, 406	187495	322
184572	380, 462	187518	316
184579	254	187520	322
184589	228, 476	187524	322
184648	176, 296, 406	187550	344, 472
184649	302	187551	344
184652	210, 212, 296, 422	187553	344, 472
184655	268, 272, 292	187621	352
184657	288, 302, 306, 390, 392, 402, 416, 418, 422, 432, 436, 442, 444, 462	187637	352
184661	330	187641	370
184662	290, 316, 324, 330, 334, 338, 348, 366, 378, 384, 400, 466, 476	187653	370
184667	324, 378, 380, 400, 460, 462, 476	187655	370
184669	268, 272, 398, 418, 428, 430, 442, 472, 476	187658	370
184674	268, 272	187659	370
184675	310, 418, 442	187660	352
184683	132, 370, 482	187694	370
184688	288	187696	322
184694	292	187697	322
184695	316	187698	322
184697	476	187708	370
184699	468	187730	352
184701	132	187732	290
184705	132, 316, 372, 400, 482	187918	328, 332, 336, 454
184706	304	188467	198
184709	210, 212, 296	190752	296
184711	296, 330, 334, 420, 436	190866	420
184712	368	191489	132, 380, 462, 476
184714	330, 334, 340, 342, 378, 380, 384, 398, 400, 418, 428, 430, 442, 460, 462, 464, 472	191705	330, 342
184717	324, 384, 386, 464, 476, 492	193008	194
184718	6	193009	196
187006	398	193014	196
187018	388	193016	196
187031	388	193022	196
187081	470	193031	194, 200, 202
187112	288	193034	136
		193057	192, 194
		193058	192
		193059	192

INDEX

193183	192	213374	420
193187	192	213418	290
193188	192	213419	290
193202	192	213420	314
193211	198	213459	488
193212	192	213492	304, 484
193214	194, 200	213493	304, 484
193215	194, 200	213523	492
193216	196	213525	492
193217	196	213546	312
193240	188	213552	312
193241	188	213554	312
193242	188	213557	312
193243	188	213561	492
194033	330, 334, 338	213562	492
194082	402, 420, 444	213567	492
194521	376	213568	492
197122	316	213573	492
197154	468	213574	492
197171	156, 296, 302, 484	213579	492
197229	370, 482	213580	492
197230	132, 370, 482	213592	398, 416
197241	176	213593	398, 416
197263	306, 310, 382, 416, 450, 460, 462, 466, 472, 480	213605	310
197319	398, 476	213608	310
197320	398, 476	213613	398, 416
202991	266, 270	213614	398, 416
203547	128	213649	312
209032	356	213654	312
209045	488	213656	310
212250	366	213657	310
213084	306, 382, 416, 450, 460, 462, 464, 472, 480	213659	312
213097	314	213660	310
213098	314	213679	312
213110	314	213731	316
213112	314	213733	316
213153	314	213734	292
213167	356	213743	356
213174	356	213750	312
213182	402, 444	213764	288
213184	402, 444	213781	376
213204	402, 444	213783	376
213205	402, 444	213801	312
213211	410, 448	213802	312
213234	298	213812	488
213264	434	213813	488
213281	388	213821	366
213295	484	213824	424
213307	352	213827	354
213329	356	213828	354
213340	302	213833	380, 462
213350	402, 406, 444	213834	380, 462
213354	402, 444	213843	380, 462
213363	352	213844	380, 462
		213845	380, 462

INDEX

213851..... 312	220799..... 136
213857..... 314	220807..... 148
213859..... 312	220808..... 148
213864..... 356	220809..... 148
213965..... 388, 392, 402, 420, 434, 444	220813..... 148
220009..... 48, 54	220814..... 148
220010..... 48, 54	220817..... 144
220011..... 48, 54	220818..... 144
220012..... 48, 54	220819..... 144
220013..... 48, 54	220823..... 144
220084..... 136	220824..... 144
220099..... 196	220831..... 146
220100..... 10	220832..... 146
220101..... 10	220833..... 146
220102..... 8	220834..... 146
220103..... 8	220835..... 148
220107..... 6	220836..... 144
220114..... 14	220841..... 158
220115..... 14	220849..... 120, 124
220176..... 72	220863..... 146
220181..... 70	220868..... 146
220183..... 70	220871..... 146
220184..... 70	220876..... 148
220197..... 252	220885..... 144
220236..... 136	220908..... 488
220264..... 72	220936..... 70, 158
220317..... 314	220939..... 84, 90, 216
220324..... 254	220941..... 84, 90, 216
220326..... 192	220944..... 70, 158
220391..... 72	220951..... 362
220412..... 80	220959..... 420, 436
220418..... 72	220960..... 362
220491..... 80	220961..... 362
220570..... 364, 474, 488	220963..... 362
220571..... 478	220965..... 362
220572..... 460, 462, 464, 478	226673..... 54
220577..... 136	231368..... 290
220635..... 72	231389..... 322, 458
220636..... 72	231448..... 320
220637..... 72	231534..... 322, 458
220638..... 72	231647..... 292
220639..... 72	231765..... 296
220640..... 72	231766..... 296
220641..... 72, 162	231799..... 302
220642..... 72	231800..... 302
220673..... 136	232147..... 52
220675..... 124	232233..... 266, 270
220676..... 120, 124	232650..... 132, 370, 482
220679..... 366	233371..... 238, 244, 250
220701..... 54	233395..... 226, 234
220706..... 54	233450..... 238, 244, 250
220734..... 364, 494	233513..... 238, 244, 250
220766..... 346	233514..... 238, 242, 244, 248, 250
220797..... 136	233519..... 238, 244, 250
220798..... 136	233625..... 238, 242, 244, 248, 250

INDEX

237316	316, 418, 442	245476	136
237363	398	245477	136
237556	468	245620	322
237563	468	245671	116
240010	296	245677	2
240012	296	245678	2
240013	296	245753	356
240101	288	245763	380, 462
240254	296	245815	380, 462
240264	296	245816	380, 462
240418	302	245852	380, 462
240455	366	245915	258, 262, 266, 270, 276
244671	196	245926	178
244722	194	245928	258, 266, 278
244727	188	245931	258, 264, 266, 272, 278
244748	196	245936	258, 266, 278
244760	192	245943	48
245023	70	245946	264, 272, 278
245025	70	245955	262, 270, 278
245027	70	245956	258, 264, 266, 272, 278
245029	70	245964	80
245031	70	245965	80
245033	70	245966	320
245035	70	245992	116
245037	70	245993	116
245039	70	248089	328, 340
245041	70	248096	310
245042	70	248117	310
245083	82, 92	248144	314
245084	82, 90	248145	310
245114	78	248232	314
245115	78	248261	366
245122	292	248285	312
245159	420	248348	320
245160	362	248349	320
245199	100, 104, 110	248388	314
245246	418, 442	248407	322
245266	88	248408	322
245267	90	248538	310
245272	94	248643	132, 370, 482
245273	94	248756	288
245276	94	248757	288
245277	94	248783	482
245316	292	248816	482
245362	168	248850	324
245396	134	248914	296
245397	134	248960	388, 434
245428	142	252076	334, 338
245432	142	252179	208, 212
245433	142	252187	316
245438	142	252188	316
245439	142	252198	366
245441	142	252208	330, 334, 336
245443	142	252210	452
245450	206	252272	292

INDEX

252288..... 316	253602..... 6
252296..... 252, 258, 262, 266, 270, 278	253624..... 6
252305..... 198	253627..... 6
252314..... 254	253668..... 258, 262, 276
252368..... 264, 272, 278	253678..... 276
252399..... 262, 270, 276	253680..... 276
252423..... 58	253681..... 276
252537..... 254	253696..... 276
252541..... 256, 268, 274	253702..... 258, 266, 278
252542..... 304, 484	253703..... 264, 272, 278
252554..... 356	253704..... 258, 266, 278
252564..... 366	253705..... 264, 272, 278
252578..... 252	253708..... 258, 276
252638..... 316	253709..... 262, 276
252639..... 316	253722..... 218, 222, 240
252640..... 330, 334, 338	253728..... 136
252641..... 334, 338	253815..... 120, 124
252642..... 330, 340	253839..... 88
252650..... 388	254044..... 66
252655..... 402, 444	254047..... 66
252662..... 360	254089..... 132
252681..... 338	254095..... 132
252687..... 86, 94	254096..... 132
252691..... 316	254109..... 60, 68
252692..... 352	254175..... 188
252693..... 422	254179..... 128
252694..... 402, 444	254180..... 128
252701..... 292, 316	254181..... 128
252703..... 306, 310, 382, 416, 450, 460, 462, 466, 472, 480	254219..... 128
252752..... 48	254220..... 128
252753..... 52	254248..... 218, 222, 240
252794..... 220, 224, 230, 242, 246	254301..... 128
252795..... 220, 224, 230, 242, 246	254302..... 128
252993..... 398	254305..... 128
252996..... 376	255004..... 6
253092..... 110	255014..... 140
253164..... 6	255019..... 6
253290..... 114	255021..... 140
253297..... 6	255041..... 6
253298..... 6	255115..... 140
253299..... 6	255117..... 140
253412..... 116	255131..... 140
253446..... 218, 222, 230, 240, 246	255133..... 140
253477..... 260, 264, 268, 272, 278	255211..... 64
253499..... 2	255259..... 140
253500..... 188	255260..... 140
253503..... 90	255282..... 116
253514..... 94	255311..... 66
253515..... 94	255316..... 140
253517..... 54	255318..... 140
253552..... 4, 14	255344..... 128
253570..... 258, 262, 276	255410..... 70, 158
253582..... 258, 262, 266, 270, 276	255416..... 70
253601..... 6	255417..... 70
	255426..... 128

INDEX

255431..... 158	255908..... 88
255442..... 2	255927..... 154
255460..... 264, 272, 278	255928..... 154
255461..... 262, 270, 276	255929..... 154
255462..... 262, 270, 276	255930..... 154
255465..... 282, 284	255947..... 282
255471..... 262, 270, 276	258107..... 440
255497..... 282, 284	258150..... 2
255506..... 62, 66	258253..... 188
255509..... 278	258262..... 188
255510..... 278	273078..... 98, 108
255544..... 282, 284	273258..... 98, 108
255545..... 282, 284	273259..... 98, 108
255546..... 284	273265..... 84, 90
255547..... 284	273304..... 100, 106, 112
255554..... 284	273347..... 84, 90
255555..... 284	273524..... 84, 90
255556..... 284	273536..... 84, 92
255557..... 284	274414..... 188
255558..... 282, 284	276029..... 320
255559..... 282, 284	276030..... 320
255560..... 284	276033..... 350
255561..... 284	276034..... 350
255562..... 282, 284	276043..... 370
255563..... 282, 284	276044..... 370
255564..... 284	276057..... 370
255565..... 284	276062..... 302
255567..... 284	276117..... 302
255568..... 284	276118..... 314
255569..... 284	276140..... 314
255570..... 284	276141..... 314
255573..... 282	276149..... 322
255574..... 282	276180..... 314
255576..... 282	276183..... 316
255577..... 282	276201..... 482
255579..... 282	276206..... 312
255580..... 282	276258..... 314
255582..... 282	276259..... 376
255583..... 282	276265..... 310
255678..... 6	276281..... 370
255679..... 6	276284..... 388, 392, 402, 406, 420, 432, 434, 444
255712..... 88	276285..... 388, 392, 402, 406, 420, 432, 434, 444
255716..... 88	276289..... 380, 462
255735..... 88	276298..... 370
255738..... 88	276301..... 304
255746..... 88	276302..... 304
255749..... 88	276326..... 376
255788..... 116	276352..... 328, 332, 336, 456
255791..... 184	276353..... 322, 456
255829..... 218, 222, 230, 240, 246	276381..... 370
255831..... 116, 186	276560..... 350
255845..... 186	276566..... 348
255866..... 60, 64	276567..... 356
255883..... 218, 222, 226, 230, 234, 240, 244, 246, 250	276630..... 424
255905..... 88	276631..... 488

INDEX

276671.....	488	279416.....	36
276679.....	322	279417.....	36
276680.....	324	279418.....	36
276759.....	414	279419.....	38
276770.....	484	279420.....	38
276806.....	424	279421.....	38
276811.....	322	279422.....	38
276812.....	322	279423.....	38
276839.....	310	279424.....	38
276859.....	328, 332, 336, 456	279425.....	40
276863.....	370	279426.....	40
276871.....	482	279427.....	40
276899.....	492	279428.....	40, 42
276900.....	492	279429.....	40
279001.....	262, 270, 276	279430.....	40
279003.....	52	279431.....	40
279011.....	388, 392, 434, 464	279432.....	40
279012.....	388, 392, 434, 464	279433.....	40
279013.....	388, 392, 434	279434.....	42
279014.....	434	279435.....	42
279017.....	264, 272, 278	279436.....	42
279034.....	388, 392, 434, 464	279437.....	42
279035.....	388, 392, 434, 464	279468.....	22
279065.....	192	279485.....	252
279081.....	324	279494.....	252
279085.....	136	279498.....	252
279144.....	254	279499.....	252
279156.....	252	279528.....	136
279157.....	252	279575.....	8, 16, 154, 204
279158.....	252	279636.....	156
279159.....	252	279641.....	22, 30, 32, 40, 42
279228.....	420, 436	279642.....	22, 26, 28, 36, 38
279261.....	218, 222, 240	279689.....	322
279310.....	24	279700.....	84, 92
279312.....	24	279715.....	230, 246
279314.....	24	279716.....	218, 222, 240
279316.....	24	279717.....	218, 222, 240
279398.....	26, 28, 36, 38	279718.....	434
279399.....	26, 28, 38	279737.....	388
279400.....	26	279746.....	460, 462, 464, 478
279401.....	26	279775.....	230, 246
279402.....	26	279798.....	258, 262, 276
279403.....	26	279834.....	230, 246
279404.....	28	279848.....	24
279405.....	30, 32, 40, 42	279850.....	24
279406.....	30, 32, 42	279851.....	24
279407.....	30	279876.....	156
279408.....	30	279925.....	230, 246
279409.....	30	279926.....	234, 250
279410.....	30	279966.....	220, 222, 242
279411.....	32	279979.....	98, 104
279412.....	36, 38	279996.....	24
279413.....	36	279997.....	24
279414.....	36	279999.....	24
279415.....	36	283002.....	218, 222, 230, 240, 246

INDEX

283215	424	287888	306, 450, 480
283613	374	287889	306, 382, 416, 450, 462, 480
287031	480	287890	306, 382, 416, 450, 462, 480
287032	480	287894	488
287193	362	287907	356
287227	488	287908	356
287272	350	287909	356
287312	434	287910	356
287344	420	287911	356
287449	352	287912	354
287450	352	287913	354
287451	352	287914	322
287456	420	287939	296
287460	420	287944	488
287461	420	287945	488
287462	420	291484	132, 370, 482
287465	420	291485	132, 370, 482
287466	362	293053	304, 484
287467	362	293054	304
287468	362	294036	196
287469	362	294037	196
287470	362	294065	110
287471	362	294091	196
287472	362	294094	196
287473	362	294097	434
287537	166	294098	388
287587	292	294112	48
287613	362	294161	218
287701	366	294163	218
287702	376	294220	218
287705	376	294221	222, 240
287719	484	294222	222, 240
287749	488	294223	222, 240
287760	290	294224	230, 246
287768	296	294225	230, 246
287771	360, 362	294226	222, 240
287775	302	294263	220, 222, 230, 242, 246
287776	302	294350	152, 476
287784	490	294385	52
287797	488, 494	294392	188
287814	344	294393	254, 262, 270
287859	488	294394	392, 464
287860	434	294424	222, 230, 240, 246
287861	388, 392, 432, 434	294425	226, 234, 244, 250
287862	388, 392, 434	294426	218
287863	388, 392, 434	294427	218
287864	420	294435	218
287865	420	294436	226
287866	420	294437	226
287870	420	294438	226
287878	388	294460	14
287879	388, 392	294508	258, 262
287883	292	294514	428, 430, 472
287885	292	294515	230
287887	306, 450, 480	294516	222

INDEX

294517	222	295513	484
294518	234	295514	484
294519	222	295542	302
294598	168, 178	295611	484
294599	168, 178	295703	452
294601	168, 178	295710	426
294607	120, 126	295927	356
294631	100, 104, 110	295981	288
294634	98, 104, 110	295998	328, 332, 336, 454
294650	2	296554	218, 226, 244
294662	2	296556	218, 222, 240
294663	2	300536	474
294664	2	300978	474
294671	2	301104	426
294672	2	301126	302
294677	218, 226, 234, 244, 250	301127	302
294681	2	301185	474
294682	222, 226, 230, 234	301193	474
294791	40	301200	474
294792	40	301202	474
294793	42	301369	142
294794	42	301441	314
294795	30	301451	384, 464
294796	30	301495	148
294797	32	301496	144
294807	192	301497	146
294813	136	301513	366
294815	192	301629	418, 442
294832	330, 340	301663	322
294833	328, 332, 340	301693	402, 410, 444, 448
294858	72	301704	344, 474
294859	72	301726	484
294874	128	301763	476
294890	328	301764	476
294938	356	301765	476
294947	22, 34, 44, 46	301766	476
294949	350	301805	320
294985	258, 262	301806	320
294995	264, 272	301807	320
294996	68	301810	314
295013	414	301865	482
295139	330, 340	301902	324
295140	330, 342	301912	314
295179	482	301955	314
295211	296	301992	314
295212	296	301993	314
295213	296	301994	314
295215	296	301996	344
295216	296	301997	346
295261	302	302030	392, 464
295348	484	302204	136, 376
295349	484	304017	100, 104
295401	414	304018	110
295476	484	304019	114
295478	484	304021	206

INDEX

304034	366	304612	286
304035	366	304614	286
304040	302	304615	286
304111	364, 494	304616	286
304124	140	304617	286
304125	140	304618	286
304126	140	304619	286
304127	140	304620	286
304128	140	304621	286
304129	140	304622	286
304130	140	304623	286
304131	140	304624	286
304134	140	304625	286
304135	140	304668	350
304139	140	304669	418, 442
304140	140	304674	370
304141	140	304748	292
304142	140	304775	304
304143	140	304779	304
304144	140	304783	70
304160	304	304786	304
304161	304	304800	456
304210	364, 474, 488, 494	304865	136
304211	364, 474, 488, 494	304926	296
304216	364, 488, 494	304927	296
304222	116	304931	314
304228	116	304954	84, 92
304254	488	304955	84, 90, 92
304257	76	304982	474, 478
304258	76	304985	14, 18, 174
304304	6	304986	14, 18, 174
304314	116	304987	14, 18, 174
304320	62, 66	304988	14, 18, 174
304322	62, 66	304989	14, 18, 174
304325	288	304990	10, 172
304370	488	304991	10, 172
304376	488	304992	10, 172
304377	488	304993	10, 172
304382	296	308015	348
304390	128	308056	316
304391	128	308124	348
304392	128	308133	314
304393	128	308134	312
304394	128	308187	314
304395	128	308642	310
304454	292	308850	312
304494	306	308859	316
304514	312	308871	306
304520	312	311466	328, 342
304521	314	311491	352
304533	474, 478	311615	84, 92
304576	396	311617	84, 90
304601	6	311620	98, 108
304602	6	311707	396, 464
304611	286	311750	352

INDEX

311859	366	326237	336
312706	288	326240	356
312824	486	326242	356
312908	376	326243	356
313873	134	326286	328, 332
313875	134	326292	332
314306	344, 464	326293	334
314307	474	326294	334
314627	474	326296	336
314653	346	326297	338
314656	344	326298	338
314657	344	326299	340
314658	346	326300	342
314678	384, 464	328356	418, 442
314684	474	328372	400
320116	332, 336	328381	400
320220	164	328500	316
320237	318	328582	418, 442
320284	420, 436	335008	392, 464
320360	356	335059	392, 464
320397	288	335171	292
320404	164	335173	292
320414	332	335242	306, 310, 312
320415	332, 342	335244	306
320417	336, 342	335245	306
320438	336	335286	290
322113	474	335301	2
322145	366	335326	24
322198	346	335336	240
322199	346	335337	244
322202	346	335341	420
322203	346	335342	436
322205	346	335354	316
322207	346	335446	328
322208	346	335447	328
322209	346	335464	470
322210	346	335478	240
322211	346	335479	36
322212	346	335480	244
322234	346	335483	36
322257	346	335484	36
322258	346	335485	38
322259	346	335486	38
322692	406	335487	38
322695	406	335488	26
322739	406	335489	26
322742	406	335490	26
322744	406	335491	26
322748	412	335492	28
322751	406	335508	44
322752	406	335509	44
326217	328	335510	44
326218	328, 332	335511	44
326222	336	335512	46
326231	340, 358	335513	34

INDEX

335514	34	335867	266, 270
335515	34	335869	258, 262
335516	34	335906	398
335519	44	335965	136
335520	44	335966	116
335521	46	335967	116
335522	44	337043	418, 442
335523	44	337143	306, 310, 416, 450, 460, 464, 472
335525	44	337152	306, 310, 416, 450, 460, 464, 472
335526	44	337163	432
335527	44	337168	438
335528	46	337173	432
335529	44	337174	432
335530	34	337175	432
335531	34	337177	432
335532	44, 46	337178	432
335533	34, 44, 46	337206	310
335534	34, 44, 46	337941	380
335535	34	337943	380
335536	34	337980	392, 464
335589	226, 234, 238	339588	336
335592	226, 234, 244, 250	347077	418, 442
335598	250	347141	398
335600	246	347154	386
335608	134	347167	386
335610	238	347173	386
335615	238, 244, 250	347179	430, 472
335622	238, 244	347180	430, 472
335625	238, 244, 250	347300	398
335637	292	347301	430, 472
335686	244	347339	292
335695	494	347487	292
335707	240	347565	292
335719	222, 230, 240, 246	347691	296
335743	366	347692	296
335752	2	347731	400
335759	266, 270	347964	400
335760	266, 270	347965	400
335773	176	357233	450
335779	266, 270	357234	450
335784	266, 270	360265	164
335785	266, 270	360266	164
335800	176	360267	164
335802	176	360269	164
335804	176	360333	164
335810	266, 270	360336	164
335832	176	360342	164
335833	176		
335839	176		
335840	176		
335845	176		
335846	176		
335849	418, 442		
335864	266		
335866	270		
		B	
		B4831	170
		B4838	8, 10, 14, 18
		B4839	8, 10, 14, 18
		B4840	8, 10, 14, 18
		B4841	8, 10, 14, 18

INDEX

B4865.....	8, 10, 14, 18	B6376.....	156
B4963.....	134	B6400.....	480
B5010.....	14, 18, 204	B6401.....	186
B5011.....	14, 18, 204	B6410.....	258, 262, 266, 270
B5012.....	14, 18, 204	B6411.....	154
B5013.....	14, 18, 204	B6421.....	414
B5084.....	182	B6446.....	484
B5085.....	182	B6449.....	194
B5114.....	8, 14, 18	B6450.....	302
B5224.....	194	B6461.....	218
B5407.....	162	B6568.....	474
B5605.....	184	B6590.....	168
B5609.....	180	B6591.....	178
B5615.....	134	B6595.....	344
B5655.....	82	B6596.....	344
B5656.....	82	B6600.....	312
B5657.....	88	B6606.....	188
B5674.....	88	B6607.....	188
B5747.....	152	B6634.....	206
B5825.....	216	B6701.....	488
B5826.....	216	B6702.....	488
B5937.....	82	B6703.....	488
B5938.....	88	B6849.....	400
B5940.....	82	B6881.....	460
B6042.....	492	B6882.....	464
B6044.....	492	B6886.....	416
B6045.....	492	B6887.....	472
B6046.....	492	B6957.....	472
B6057.....	486	B6958.....	462
B6137.....	276	B6959.....	398
B6138.....	276	B6960.....	418
B6145.....	192	B6961.....	442
B6154.....	158	B6962.....	430
B6158.....	184	B6963.....	430
B6179.....	202	B6964.....	380
B6191.....	456	B6965.....	378
B6192.....	456	B6966.....	384
B6193.....	454	B7269.....	208
B6194.....	454	B7273.....	212
B6195.....	458	B7282.....	214
B6203.....	298	B7283.....	214
B6211.....	482	B7284.....	214
B6212.....	166	B7285.....	214
B6213.....	492	B7343.....	450
B6255.....	284	B7344.....	450
B6256.....	284	B7345.....	450
B6257.....	284	B7384.....	164
B6258.....	284	B9009.....	240
B6264.....	282	B9010.....	240
B6265.....	282	B9011.....	240
B6266.....	282	B9030.....	428
B6267.....	282	B9044.....	218
B6344.....	88	B9045.....	240
B6345.....	88	B9046.....	240
B6347.....	88	B9047.....	240

INDEX

B9048.....	266
B9049.....	246
B9050.....	246
B9051.....	270
B9053.....	134

C

C1986.....	200
C2082.....	208
C2083.....	208
C2084.....	208
C2085.....	208

MacDon®

CUSTOMERS
MacDon.com

DEALERS
Portal.MacDon.com

Trademarks of products are the marks of their
respective manufacturers and/or distributors.

Printed in Canada