

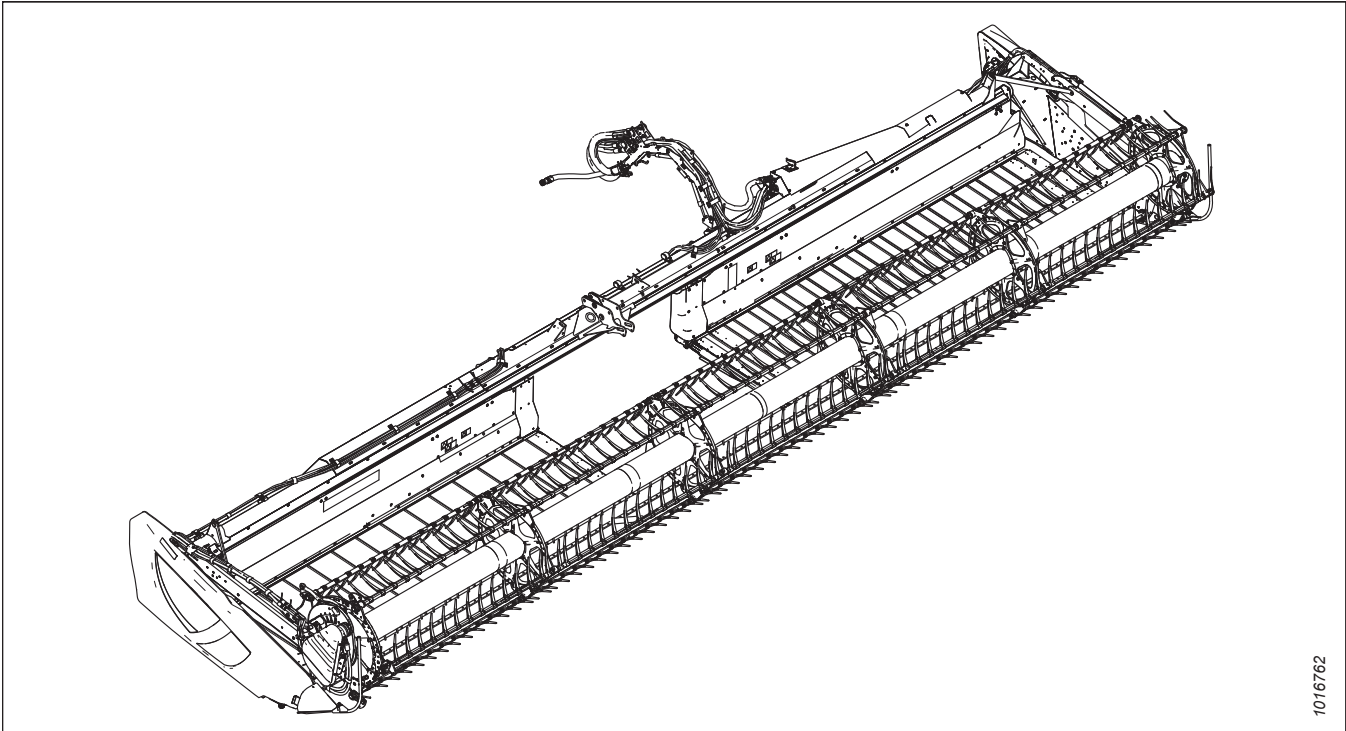
# **D1X Series Draper Header for Windrowers**

Parts Catalog

262032 Revision A

Original Instruction

## D1X Series Draper Header for M1 Series Windrowers



Published: January 2023

### NOTE:

Keep your MacDon publications up-to-date. The most current version can be downloaded from our website ([www.macdon.com](http://www.macdon.com)) or from our Dealer-only site (<https://portal.macdon.com>) (login required).

This document is available in English, French, and Latvian versions. The most current version can be downloaded from our MacDon website ([www.macdon.com](http://www.macdon.com)) or from our Dealer-only site (<https://portal.macdon.com>) (login required).

© 2023 MacDon Industries, Ltd.

The information in this publication is based on the information available and in effect at the time of printing. MacDon Industries, Ltd. makes no representation or warranty of any kind, whether expressed or implied, with respect to the information in this publication. MacDon Industries, Ltd. reserves the right to make changes at any time without notice.

## Introduction

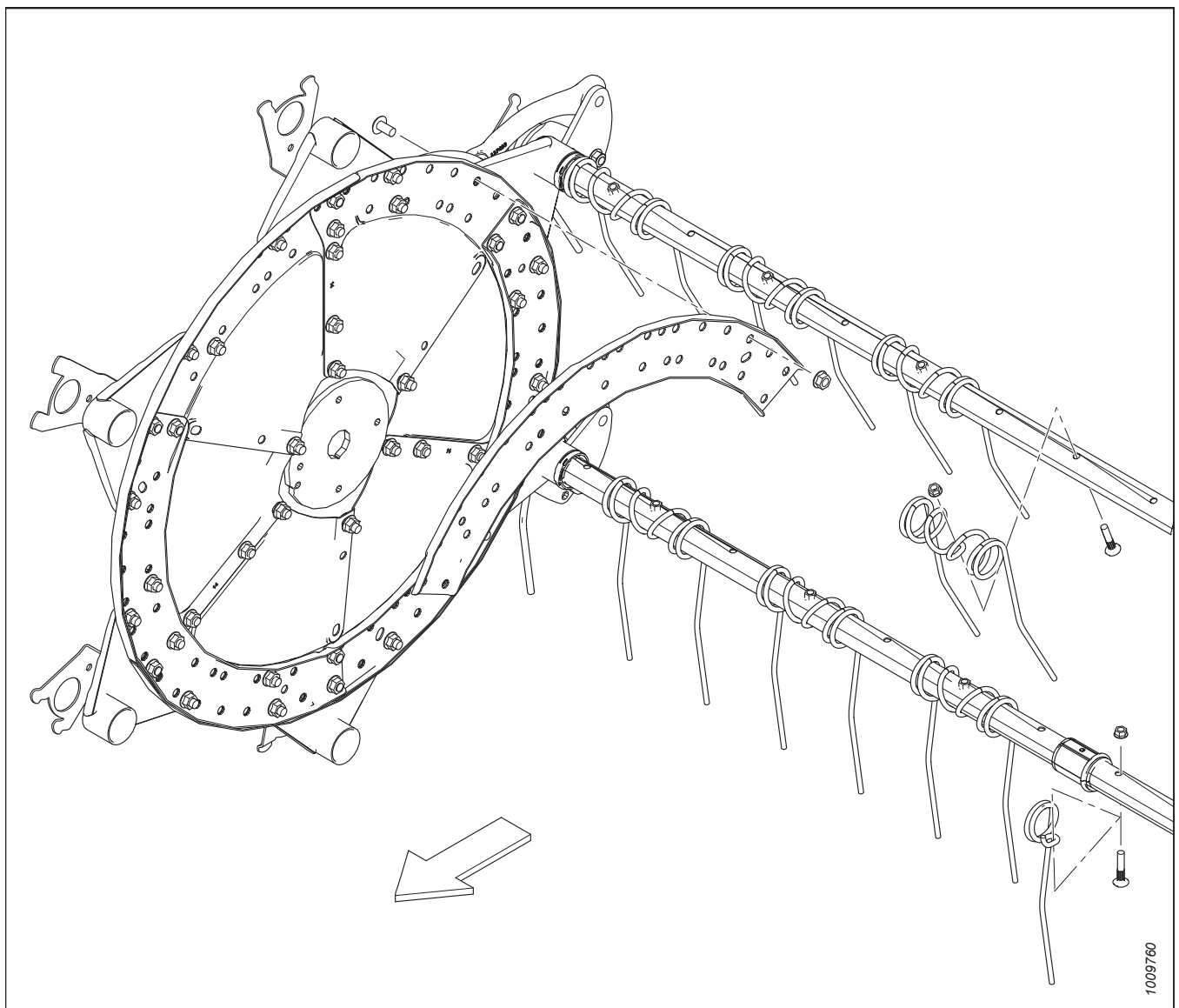
This Parts Catalog lists all the replacement parts that can be ordered for a MacDon D1X Series Draper Header for M1 Series Windrowers.

When ordering, be sure the complete and proper part number is given. Some parts vary with header size; be sure you are ordering the correct part number for your unit.

**Bold text is used to indicate updates made at the current revision level.** With each new revision of the catalog, previous revisions are returned to regular text.

Electrical connectors used on MacDon products are available for sale but not listed in this catalog. For the list of available connectors, refer to the Electrical Connectors Parts Catalog (169641).

In this catalog, right-hand (RH) and left-hand (LH) are determined from the operator's position, facing forward with the windrower in cab-forward position. An arrow is sometimes used in illustrations to indicate forward header position as shown below.



## Abbreviations

A/R – as required (quantity varies)	ASSY – assembly	BHRN – button head rib neck
BV – ball valve	CCW – counterclockwise	CON – conical (spring washer)
CSK – countersink	C/W – complete with	CW – clockwise
DBLE – double	DK – double knife	DR – double reel
DT – distorted thread	FLG – flange	GA – gauge
GR – grade	GS – grass seed	HD – head
HDR – header	HFA – hydraulic fore-aft	HH – hex head
HNBR – hydrogenated nitrile butadiene rubber	HYD – hydraulic	I.D. – inside diameter
IP – internal plus (torx plus)	KP – knife pressure	KR – knife return
LG – long	LH – left hand (determined from Operator's position, facing forward)	LK – lock
MACH – machine	MD – MacDon	MFA – manual fore-aft
MY – model year	NC – national coarse thread	NF – national fine thread
NSS – not sold separately	NT – narrow transport	O.D. – outside diameter
OPT – optional	PO – pilot operated	PT – pull-type (mower conditioner)
RC – roller chain	REF – reference, part number called up elsewhere in catalog	REG – regular
RH – right hand (determined from Operator's position, facing forward)	RHSN – round head, square neck or square neck carriage bolt	RHSSN – round head, short, square neck
RTD – rotating tine drum	SAE – Society of Automotive Engineers (part produced to comply with)	SD – side draper
SER – serrated	SK – single knife	SKT HD – socket head
SMTH – smooth	SMV – slow moving vehicle	SOCK – socket
SP – self-propelled (windrower) header	SPCL – special	SPH – spherical
SPI – serrations per inch (knife Sections)	SR – single reel	STL – steel (stainless)
STR – standard	STVR – Stover	TFL – thread full length
THD – thread	TR – triple reel	UCA – upper cross auger
UDK – untimed double knife	UNC – unified coarse thread	UNEF – unified extra fine thread
UNF – unified fine thread	UNS – unified special thread series	VK – vertical knife
WF – wide frame	ZP – zinc plated	



## Serial Number Breaks

The side of the serial number on which the dash (–) appears determines whether the part is used "up to" or "after" the serial number given.

**Example:**

- –451189 Used on machines up to and including serial number 451189
- 451190– Used on machines including and after serial number 451190

## Summary of Changes – D1X Series (262032 Rev. A)

This list covers changes made since the last revision (215655 Rev. A).

Section	Summary of Change	Internal Use Only
<i>2 Header Frame – Endshields, page 3</i>	Removed Torx socket 164009. Updated illustration from 1035124 to 1040657 to show changes.	ECN 62840
<i>29 Decals – Information and Reflectors, page 75</i>	Added new reel hazard decal 335965 for model year 2023 and later units; decal 131393 remains available for model year 2022 and prior. Added serial number breaks for clarity. Updated illustration from 1031438 to 1040656 to show changes.	ECN 63501
<i>33 M1 Series Windrower Hydraulic Completion – Support Arm and Latch, page 85</i>	Superseded rear channel 243832 with rear channel 323762. Added a note and revised footnotes throughout for clarity. Updated illustration from 1031755 to 1040660 to show changes.	ECN 63228
<i>42 (Option) Floating Crop Dividers Adaptor Kit, page 111</i>	Added new chapter for optional floating crop dividers adaptor kit with new illustration 1040557.	ECN 62649
<i>45 (Option) Polyethylene Draper Tracks, page 117</i>	Added new chapter for optional polyethylene draper tracks with new illustration 1040527.	ECN 62756

TABLE OF CONTENTS

Introduction ..... i  
Abbreviations..... ii  
Serial Number Breaks ..... iii  
Summary of Changes – D1X Series (262032 Rev. A)..... iv

**1 Header Frame – Dividers and Stand..... 1**  
**2 Header Frame – Endshields ..... 3**  
**3 Guards, Hold-Downs, and Wearplates..... 5**  
**4 Knife Components and Knifehead ..... 7**  
**5 Segmented Knives – Double-Knife Headers, Fine-Tooth Sections..... 9**  
**6 Segmented Knives – Double-Knife Headers, Coarse-Tooth Sections ..... 11**  
**7 Segmented Knives – Double-Knife Headers, Ultra Coarse-Tooth Sections ..... 13**  
**8 Knife Drive – Timed Double-Knife ..... 15**  
**9 Knife Drive Box ..... 21**  
**10 Knife Drive Hydraulics – Timed Double-Knife, D115X ..... 23**  
**11 Knife Drive Hydraulics – Timed Double-Knife, D120X ..... 25**  
**12 Knife Drive Hydraulics – Timed Double-Knife, D125X ..... 27**  
**13 Draper Carrier Deck and Tensioner..... 29**  
**14 Draper Backsheet Deflectors ..... 35**  
**15 Draper Deflectors – Wide and Narrow ..... 37**  
**16 Draper Drive – Manual Deck Shift, D115X and D120X..... 39**  
**17 Draper Drive – Hydraulic Deck Shift, D125X (2019 and Prior)..... 41**  
**18 Draper Drive – Hydraulic Deck Shift, D125X (2020 and Later) ..... 45**  
**19 Deck Shift – Valve..... 49**  
**20 Pick-Up Reel – Single-Reel Headers ..... 51**  
**21 Reel Endshield Components – Single Reel, Ends ..... 55**  
**22 Reel Components – Single Reel, Right Arm ..... 57**  
**23 Reel Components – Single Reel, Left Arm ..... 61**  
**24 Reel Support Arms and Lift Cylinders..... 63**  
**25 Reel Drive Hydraulics – Lift and Fore-Aft – Single Reel..... 65**  
**26 Electrical – Harness and Lights..... 69**  
**27 Skid Shoes – End and Center ..... 71**  
**28 Decals – Product Identification ..... 73**  
**29 Decals – Information and Reflectors ..... 75**  
**30 Decals – French ..... 79**  
**31 Paint..... 81**  
**32 M1 Series Windrower Electrical Completion ..... 83**  
**33 M1 Series Windrower Hydraulic Completion – Support Arm and Latch ..... 85**  
**34 M1 Series Windrower Hydraulic Completion – Hoses and Fittings, D115X ..... 89**  
**35 M1 Series Windrower Hydraulic Completion – Hoses and Fittings, D120X ..... 93**  
**36 M1 Series Windrower Hydraulic Completion – Hoses and Fittings, D125X ..... 97**  
**37 (Option) Divider Latches ..... 101**  
**38 (Option) Double Draper Drive..... 103**  
**39 (Option) Draper Extension Kit..... 105**

TABLE OF CONTENTS

---

40 (Option) Draper Header Supports (for M1 Series) ..... 107

41 (Option) End Swath Deflector Rods ..... 109

42 (Option) Floating Crop Dividers Adaptor Kit ..... 111

43 (Option) HC10 Compatibility Kit ..... 113

44 (Option) Pick-up Reel-End Fingers Kit..... 115

45 (Option) Polyethylene Draper Tracks ..... 117

46 (Option) Reel Drop Rate Adjustment ..... 119

47 (Option) Rice Divider Rods ..... 121

48 (Option) Stub Guard Conversion Kit..... 123

49 (Option) Tine Tube Reinforcing Kit ..... 125

50 (Option) Upper Cross Auger – D115X and D120X ..... 127

51 (Option) Upper Cross Auger – D125X ..... 131

52 (Option) Vertical Knife – Standard Reel Arm (2018 and Prior)..... 135

53 (Option) Vertical Knife – Left End (2019–2021) ..... 141

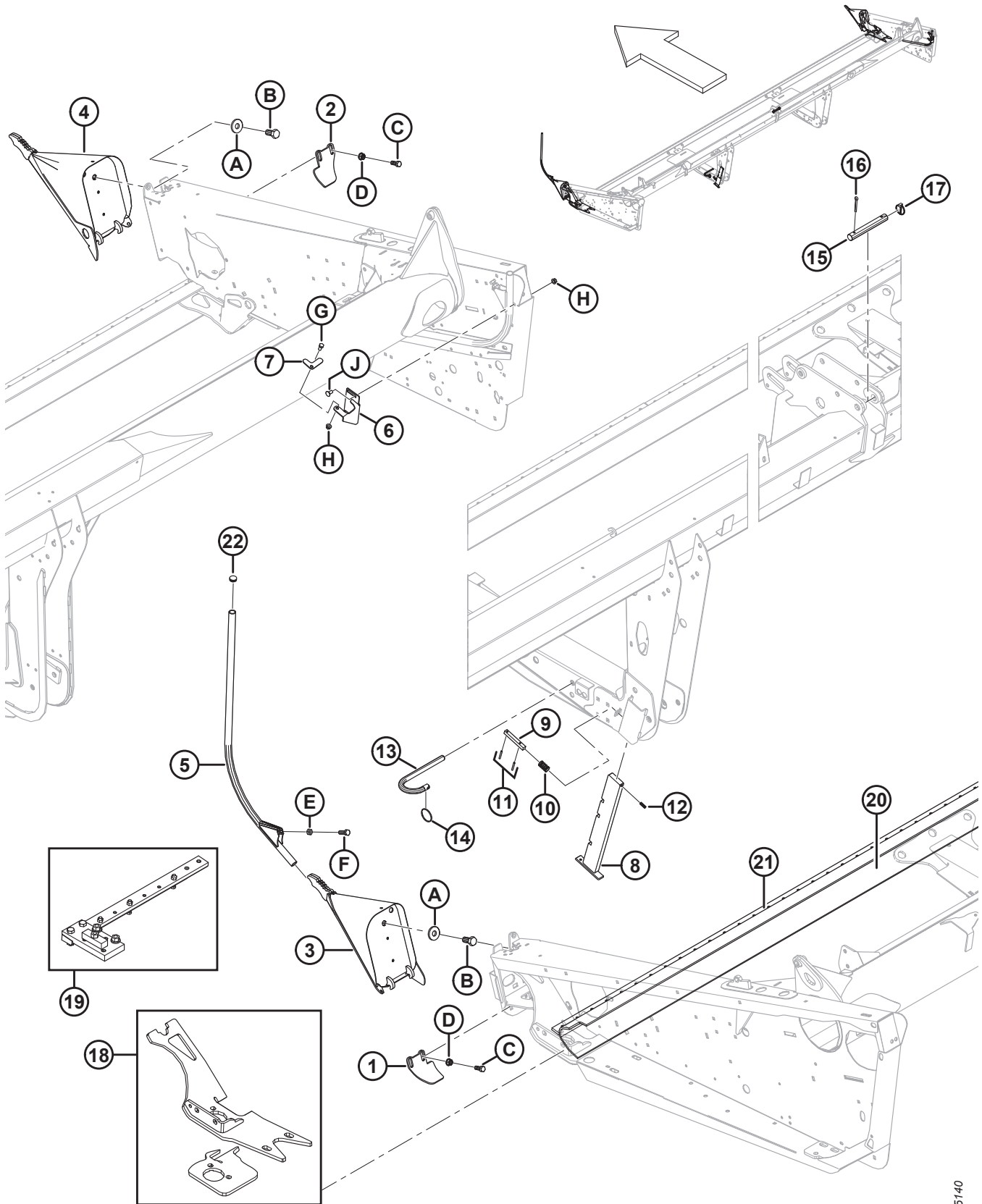
54 (Option) Vertical Knife – Right End (2019–2021) ..... 145

55 (Option) Vertical Knife Assembly – Service Parts ..... 149

Index ..... 152



# 1 Header Frame – Dividers and Stand



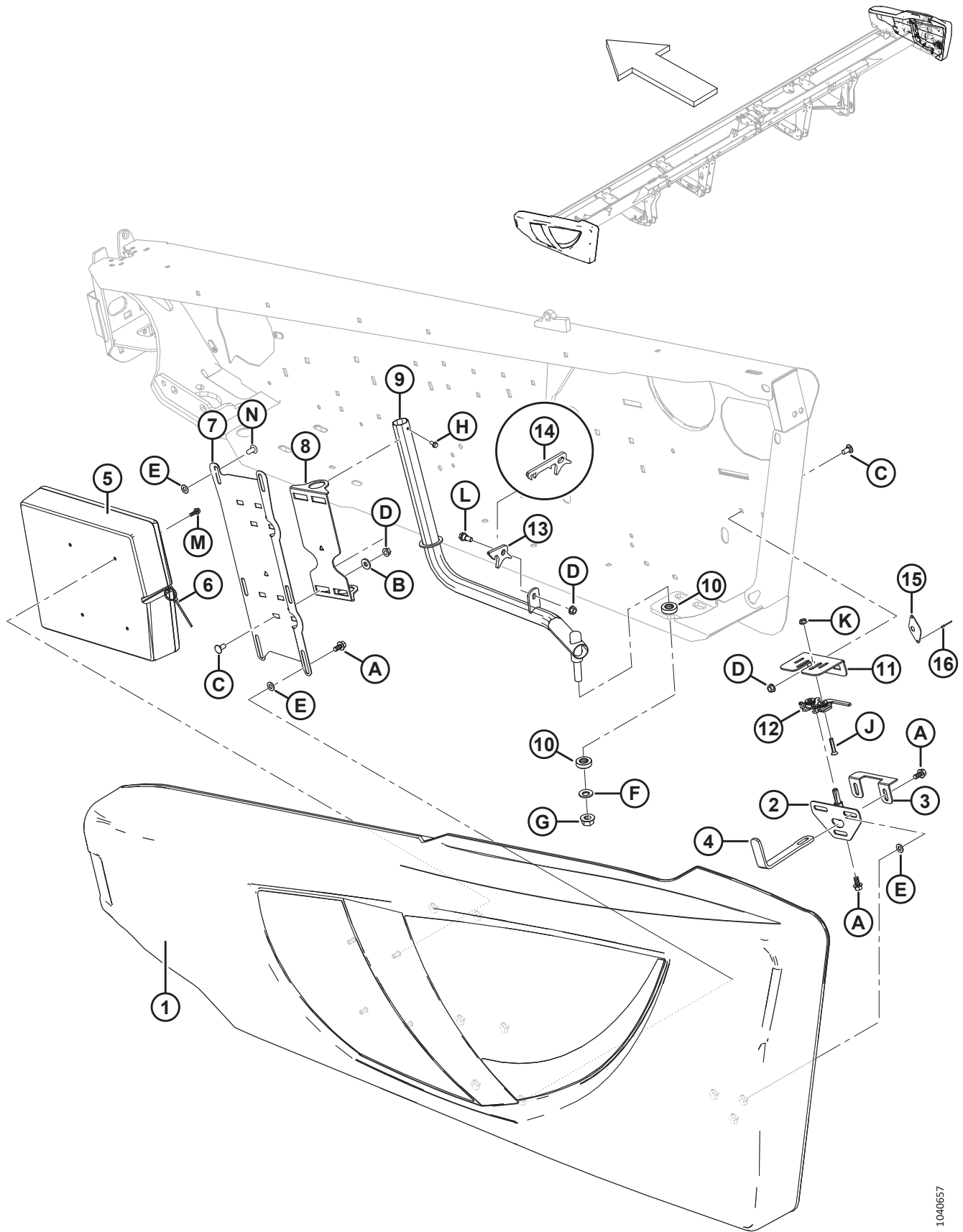
1035140

**HEADER FRAME – DIVIDERS AND STAND**

Ref	Part Number	Description	Qty	Serial Number
1	245678	SHIELD – LH, GUARD	1	
2	245677	SHIELD – RH, GUARD	1	
3	123660	DIVIDER – WELDT (LH)	1	
4	123661	DIVIDER – WELDT (RH)	1	
5	120127	DIVIDER – TUBE WELDT <sup>1</sup>	2	
6	253499	BRACKET – DIVIDER ROD STORAGE	1	
7	132420	TAB-LOCK – DIVIDER ROD STORAGE	1	
8	132266	STAND – WELDT	1	
9	132269	PIN – TWO HOLES, 12.7 MM SQUARE, 100 MM LG	1	
10	132265	SPRING – COMPRESSION	1	
11	7642	PIN – SPRING 3/16 DIA X 1.5 LG	2	
12	16087	PIN – SPRING 5/16 DIA X 1.0 LG	1	
13	124399	PIN	2	
14	118137	RING – Ø50.8 MM	2	
15	133751	PIN – STRAIGHT, TWO HOLES, 147 MM (D115X–D125X DK SINGLE REEL)	1	
16	18609	PIN – COTTER 1/4 DIA X 2 ZP	1	
17	102264	PIN – LYNCH 3/16 X 1-9/16 IN.	1	
18	123751	KIT – LH WOBBLE BOX MOUNT	1	
	123752	KIT – RH WOBBLE BOX MOUNT	1	
19	174400	JIG ASSY – WOBBLE BOX MOUNT <sup>2</sup>	A/R	
20	294680	KIT – CBAR RIGID, 1300 MM, 25 FT AND SMALLER	A/R	
21	294672	KIT – BAR GUARD	A/R	
22	335301	PLUG – PLASTIC, SNAP-IN <sup>3</sup>	4	
A	6647	WASHER – FLAT		
B	135579	BOLT – HEX HD 3/4-16 UNF		
C	21491	BOLT – HH 1/2 NC X 1.25 LG GR 5 ZP		
D	21383	NUT – FLANGE .500-13 UNC (SER FACE)		
E	21056	NUT – HEX JAM 1/2-13 UNC GR 5 ZP		
F	18723	BOLT – HH 1/2 NC X 1.5 LG GR 5 ZP		
G	21567	BOLT – HEX HD .375-16 UNC X 0.75 LG		
H	30228	NUT – FLANGE DT SMOOTH FACE 0.375-16 UNC		
J	21863	BOLT – RHSSN 3/8 NC X 0.75 LG GR 5 ZP		

- Standard divider rod is shown. For rice divider rods, refer to Section 47 (*Option*) *Rice Divider Rods*, page 121.
- Required to properly install wobble box mount (MD #123751 or 123752) on D115X–D125X headers, and includes instructions. See your MacDon Dealer for more information.
- Inserted on each end of divider rod (MD #120127).

## 2 Header Frame – Endshields



1040657

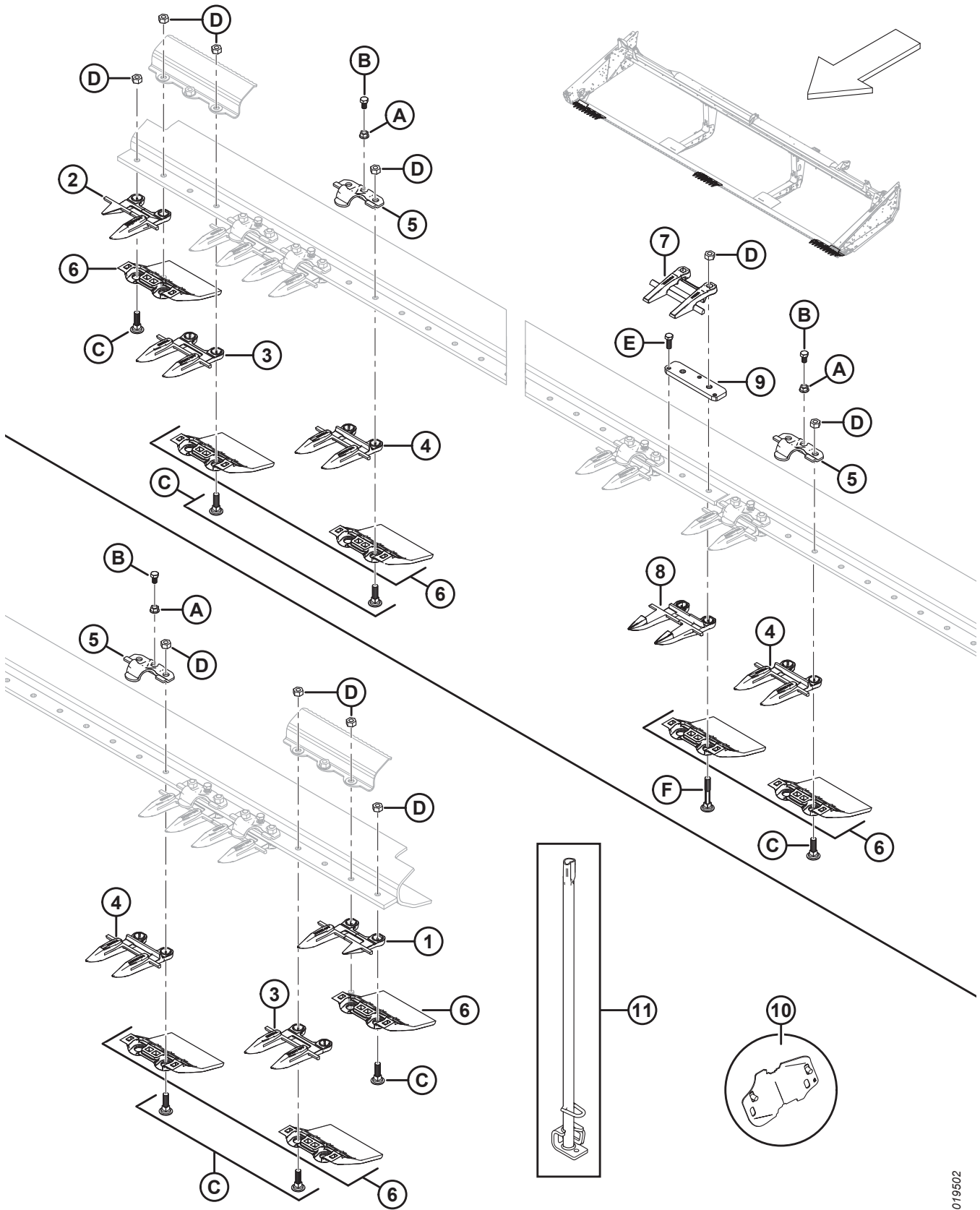


**HEADER FRAME – ENDSHIELDS**

Ref	Part Number	Description	Qty	Serial Number
1	255004	SHIELD – LH, C/W TEE NUTS, BLACK <sup>4</sup>	1	
	255019	SHIELD – RH, C/W TEE NUTS, BLACK <sup>4</sup>	1	
	165524	REFLECTOR – RED, 230 MM <sup>5</sup>		
2	253624	PIN – ENDSHIELD LATCH WELDT	2	
3	253627	RETAINER – ENDSHIELD	2	
4	253164	SUPPORT – ENDSHIELD LATCH	2	
5	220107	CASE – MANUAL (LH ENDSHIELD ONLY)	1	
6	21763	FASTENER – CABLE TIE (BLACK)	1	
7	304304	SUPPORT – LH SHIELD	1	346190–
	253297	SUPPORT – LH SHIELD	1	–346189
	253298	SUPPORT – RH SHIELD	1	
8	253299	PIVOT – SHIELD	2	
9	255678	TUBE WELDMENT LH SHIELD	1	
	255679	TUBE WELDMENT RH SHIELD	1	
10	125176	BEARING – THRUST	4	
11	253601	SUPPORT – ENDSHIELD LATCH LH	1	
	253602	SUPPORT – ENDSHIELD LATCH RH	1	
12	134003	ASSY – STIRRUP LATCH, LH	1	
	134002	ASSY – STIRRUP LATCH, RH	1	
13	255041	LATCH – ENDSHIELD (D120X AND D125X ONLY)	2	
14	304165	LATCH – ENDSHIELD (D115X ONLY)	2	
15	165858	GUIDE – ENDSHIELD LATCH (EXPORT ONLY)	1	
16	14338	RIVET – BLIND 1/8 X .125 (EXPORT ONLY)	2	
A	21821	BOLT – HH FLG (SER FACE) 3/8 NC X 0.75 GR 5 ZP		
B	20535	WASHER – FLAT		
C	21863	BOLT – RHSSN 3/8 NC X 0.75 LG GR 5 ZP		
D	30228	NUT – FLANGE DT SMOOTH FACE 0.375-16 UNC		
E	18598	WASHER – SAE FLAT 13/32 I.D. X 13/16 IN. O.D. ZP		
F	184718	WASHER – CON SPRING M16 STL SAE 1050-1075		
G	50225	NUT – FLANGE DT SMOOTH FACE .625-11 UNC		
H	21055	SCREW – SELF TAP HEX WASH HD 1/4 NC X 1/2		
J	30504	SCREW – FLAT CSK MACH 5/16 NC X 1-1/2 LG GR 5 ZP		
K	30280	NUT – FLG SIDE LK SMTH FACE 5/16 NC GR 5 ZP		
L	172259	BOLT – SHOULDER .375-16 UNC		
M	NSS	BOLT – HH SER FLG 1/4-20 X 0.625-GR5-AA3L		
N	135157	SCREW – MACHINE <sup>6</sup>		

4. Blank endshield with no decals. For product identification decals, refer to Section [28 Decals – Product Identification, page 73](#).
5. Refer to Section [29 Decals – Information and Reflectors, page 75](#). Reflector (MD #165524) is used on the right endshield only.
6. Used with LH shield support only.

### 3 Guards, Hold-Downs, and Wearplates



## GUARDS, HOLD-DOWNS, AND WEARPLATES

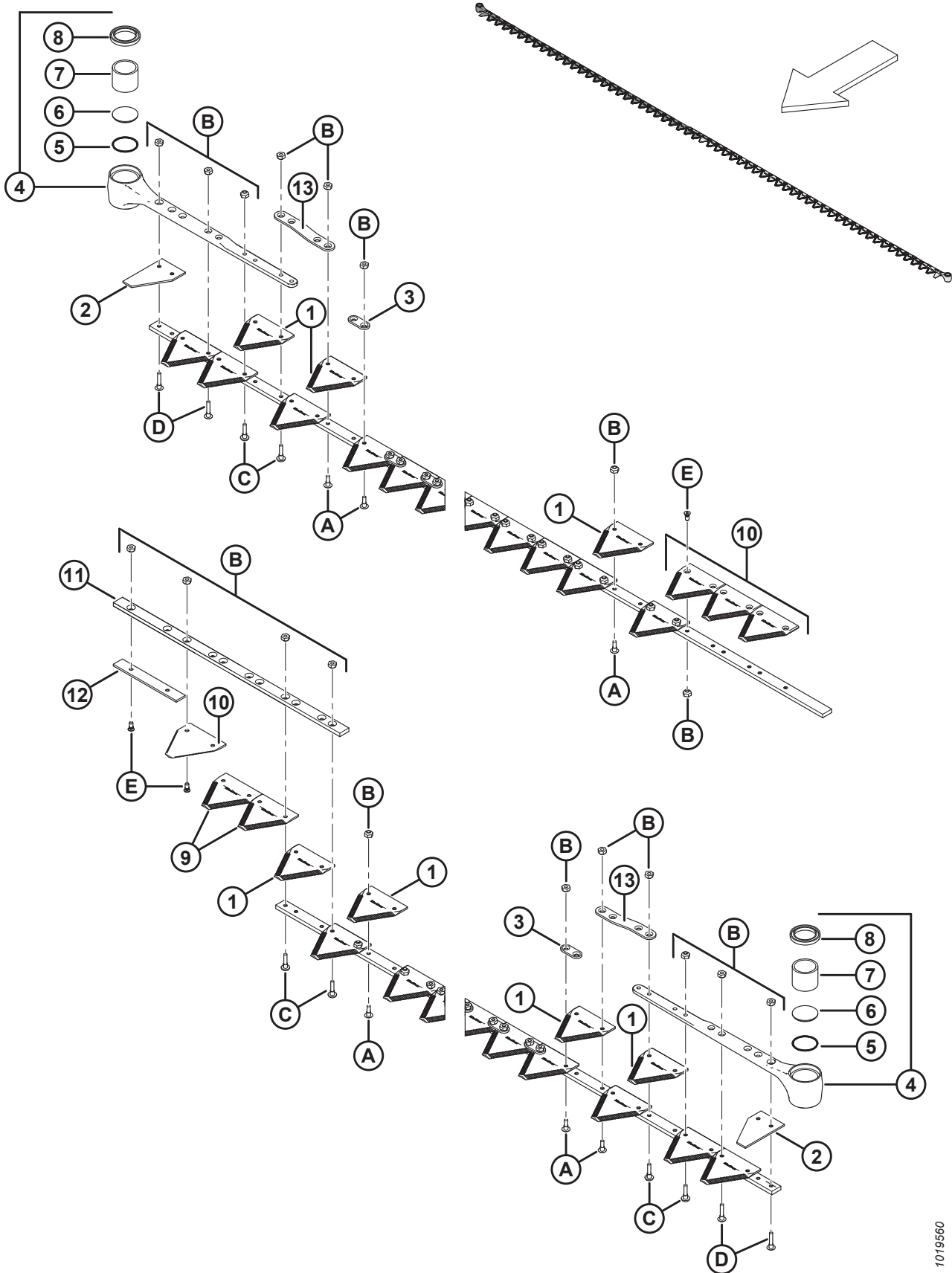
**NOTE:**

Illustration; TOP: Right end and Center, BOTTOM: Left end. Double knife, pointed guards only.

Ref	Part Number	Description	Qty	Serial Number
	B4864	KIT – CUTTERBAR POLY (D115X HEADER) <sup>7</sup>		
	B4865	KIT – CUTTERBAR POLY (D120X HEADER) <sup>7</sup>		
	B4838	KIT – CUTTERBAR POLY (D125X HEADER) <sup>7</sup>		
	304985	KIT – POINTED GUARDS 25 FT DK <sup>8</sup>		
	B5009	KIT – STUB GUARD CONVERSION (D115X HEADER) <sup>9</sup>		
	B5010	KIT – STUB GUARD CONVERSION (D120X HEADER) <sup>9</sup>		
	B5011	KIT – STUB GUARD CONVERSION (D125X HEADER) <sup>9</sup>		
1	118301	SICKLE GUARD – LH, OUTBOARD	1	
2	118302	SICKLE GUARD – RH, OUTBOARD	1	
3	118345	SICKLE GUARD – W/ POINTS, W/O WEARBAR (3 PER END)	6	
4	118344	SICKLE GUARD – W/ POINTS	41	
5	118162	CLIP – HOLD-DOWN <sup>10</sup>		
6	129297	WEARPLATE – UNDER CUTTERBAR, POLYETHYLENE <sup>11</sup>		
7	124344	GUARD – TOP-CENTER	1	
8	124338	SICKLE GUARD – CENTER, POINTED	1	
9	34980	BAR – ADJUSTER, CENTER	1	
10	220100	KIT – COVER, KNIFE CUTOUT (D115X–D125X, POINTED) <sup>12</sup>		
11	140135	TOOL WELD – GUARD STRAIGHTENING	1	
A	118193	NUT – FLANGE HEX .375 UNC		
B	118154	BOLT – HH 3/8 NC X 5/8 TFL GR 8 ZP		
C	120558	BOLT – RHSN SPECIAL 7/16 NC X 1.5 LG GR 5 ZP		
D	18654	NUT – HEX 7/16-14 UNC GR 5 ZP		
E	50120	BOLT – HH 3/8 NC X 1 STAIN STL		
F	132404	BOLT – RHSN SPECIAL 7/16 NC X 2.75 LG GR 5 ZP		

7. Includes cutterbar wearplate (MD #129297) and hardware. Kits available through Whole Goods only.
8. Includes outboard guards (MD #118301, 118302), center guard (MD #124338), top center guide (MD #124344), 41 guards (MD #118344), and six guards (MD #118345).
9. For service parts, refer to Section [48 \(Option\) Stub Guard Conversion Kit, page 123](#).
10. Complete cutterbar quantities: D115X = 25, D120X = 35, D125X = 45.
11. Complete cutterbar quantities: D115X = 30, D120X = 40, D125X = 50.
12. Used with pointed guards and forged hold-downs. Includes two covers, hardware, and instructions.

# 4 Knife Components and Knifehead



## KNIFE COMPONENTS AND KNIFEHEAD

**NOTE:**

To service knife assemblies, refer to Section 5 *Segmented Knives – Double-Knife Headers, Fine-Tooth Sections, page 9, 6 Segmented Knives – Double-Knife Headers, Coarse-Tooth Sections, page 11, or 7 Segmented Knives – Double-Knife Headers, Ultra Coarse-Tooth Sections, page 13.*

Ref	Part Number	Description	Qty	Serial Number
1	279641	SECTION – KONDEX COARSE, 9 SPI (25 PACK) <sup>13</sup>		
	174845	SECTION – BUSATIS COARSE, 9 SPI (25 PACK) <sup>13</sup>	OPT	
	294947	SECTION – ULTRA COARSE, 4 SPI (25 PACK) <sup>13</sup>	OPT	
	279642	SECTION – KONDEX FINE, 14 SPI (25 PACK) <sup>13</sup>	OPT	
	118491	SECTION – BUSATIS FINE, 14 SPI (25 PACK) <sup>13</sup>	OPT	
2	279468	SECTION – END, HALF SECTION (10 PACK)	2	
3	174857	BAR – REINFORCING (25 PACK) <sup>14</sup>		
4	120832	HEAD ASSEMBLY – SICKLE <sup>15</sup>	1	
5	115670	O-RING – SICKLE HEAD	1	
6	113937	PLUG – SICKLE HEAD	1	
7	100500	BEARING – NEEDLE, SICKLE HEAD	1	
8	113222	SEAL – SICKLE HEAD (INSTALL W/ LIP FACING OUTWARD)	1	
9	279312	FINE SICKLE SECTION – BOTTOM CSK 14 SPI (10 PACK)	2	
	279850	FINE SICKLE SECTION BUSATIS – BOTTOM CSK, 14 SPI (25 PACK)	OPT	
10	279316	FINE SICKLE SECTION – TOP CSK 14 SPI (10 PACK) <sup>16</sup>	4	
	279848	FINE SICKLE SECTION BUSATIS – TOP CSK 14 SPI (25 PACK) <sup>16</sup>	OPT	
11	124880	GUIDE – TOP, LH SICKLE	1	
12	124881	BAR – WEAR, LH SICKLE	1	
13	129329	BAR – REINFORCING	1	
A	135628	SCREW – BHRN, #12-24 NC X 0.67 IN. (50 PACK)		
	135629	SCREW – BHRN, #12-24 NC X 0.67 IN. (1000 PACK)		
B	135626	NUT – CSK, CENTER LOCK, #12-24 NC (50 PACK)		
	135627	NUT – CSK, CENTER LOCK, #12-24 NC (2000 PACK)		
C	135630	SCREW – BHRN, #12-24 NC X 0.920 IN. (50 PACK)		
	135631	SCREW – BHRN, #12-24 NC X 0.920 IN. (1000 PACK)		
D	135632	SCREW – BHRN, #12-24 NC X 1.05 IN. (50 PACK)		
	135633	SCREW – BHRN, #12-24 NC X 1.05 IN. (1000 PACK)		
E	174165	SCREW – 90° CSK SK HD, #12-24 NC X 0.5 IN. (50 PACK)		

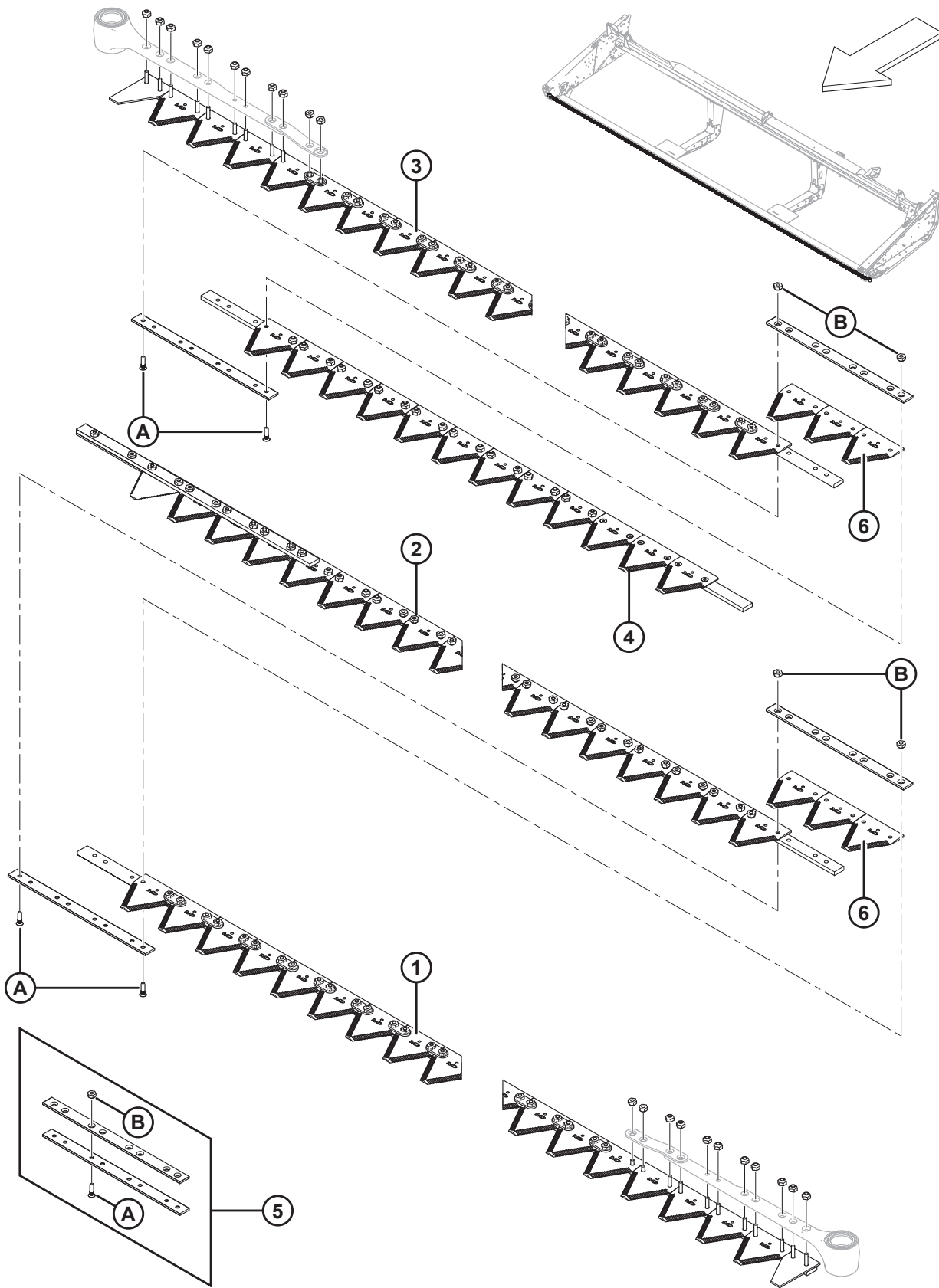
13. Quantities (individual sections): D115X = 57, D120X = 77, D125X = 97.

14. Quantities (individual pieces): double knife = 20.

15. Includes O-ring (MD #115670), plug (MD #113937), needle bearing (MD #100500), and seal (MD #113222).

16. Install with serrations down.

# 5 Segmented Knives – Double-Knife Headers, Fine-Tooth Sections



**SEGMENTED KNIVES – DOUBLE-KNIFE HEADERS, FINE-TOOTH SECTIONS**

**NOTE:**

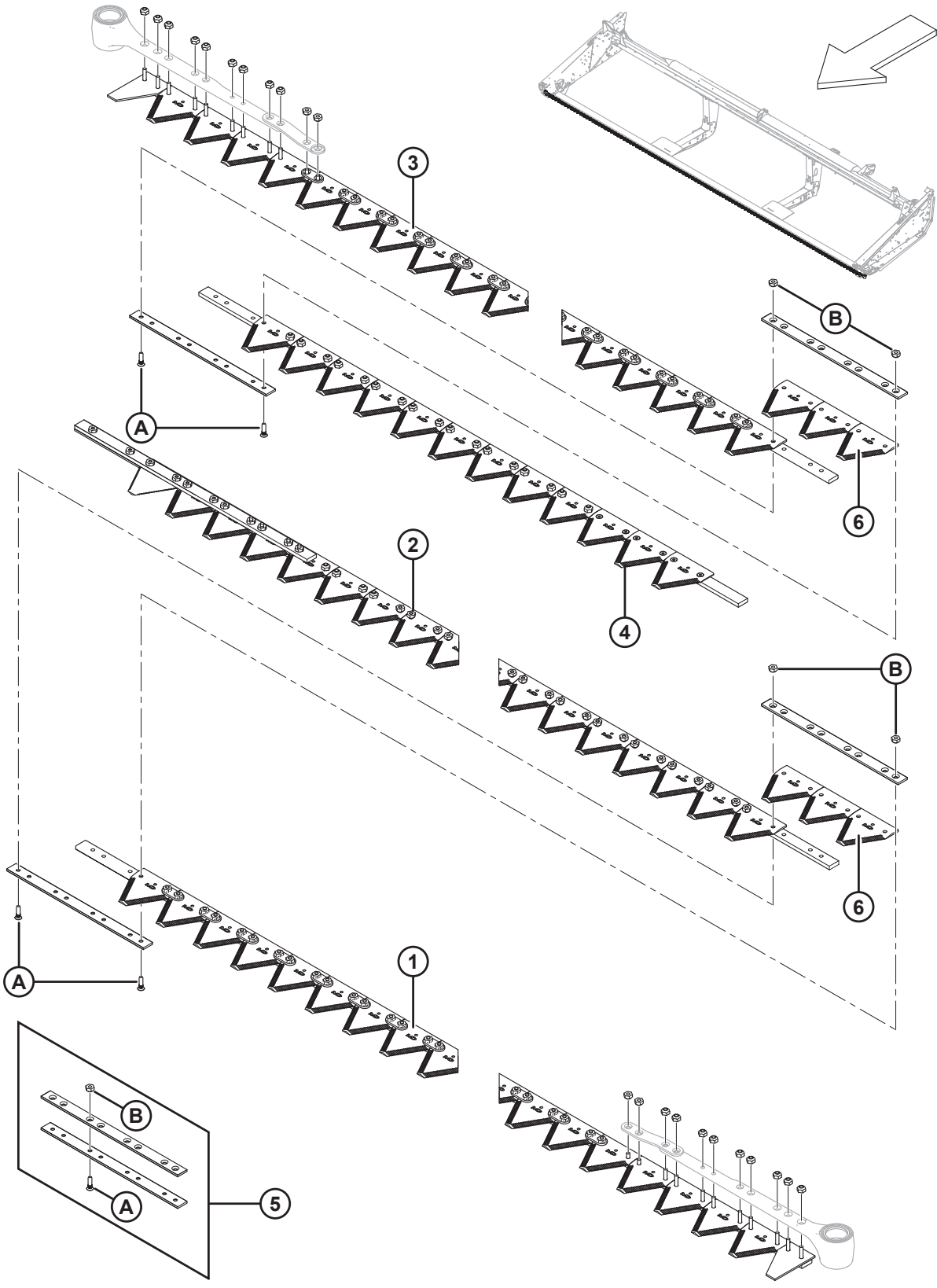
D115X header knives are sold complete. D120X–D125X header knives are sold in segments; for a complete segment (less knifehead), refer to table below:

Ref	Part Number	Description	Qty	Serial Number
	335479	KIT – 20 FT FINE DOUBLE KNIFE <sup>17</sup>		
	335483	KIT – 25 FT FINE DOUBLE KNIFE <sup>18</sup>		
		<b>4.6 METER (15 FOOT)</b>		
	279438	SICKLE – COMPLETE, FINE SER, 14 SPI (15 FT LH)	1	
	279439	SICKLE – COMPLETE, FINE SER, 14 SPI (15 FT RH)	1	
		<b>6.1 METER (20 FOOT)</b>		
1	279398	LEFT HEAD SEGMENT	1	
2	279413	LEFT TAIL SEGMENT	1	
3	279414	RIGHT COMPLETE	1	
5	129043	MACDON SPLICE KIT	1	
6	279642	SECTIONS – KONDEX FINE, 14 SPI (25 PACK)	3	
	118491	SECTIONS – BUSATIS FINE, 14 SPI (25 PACK)	3	
		<b>7.6 METER (25 FOOT)</b>		
1	279398	LEFT HEAD SEGMENT	1	
2	279415	LEFT TAIL SEGMENT	1	
3	279412	RIGHT HEAD SEGMENT	1	
4	279416	RIGHT TAIL SEGMENT	1	
5	129043	MACDON SPLICE KIT	2	
6	279642	SECTIONS – KONDEX FINE, 14 SPI (25 PACK)	6	
	118491	SECTIONS – BUSATIS FINE, 14 SPI (25 PACK)	6	
A	129299	SCREW – 90° CSK SKT HD, #12-24 NC X 0.812 IN.		
B	135626	NUT – CSK, CENTER LOCK, #12-24 NC (50 PACK)		

17. Complete knife assembly kit. Kit includes left head segment (MD #279398), left tail segment (MD #279413), right complete (MD #279414), MacDon splice kit (MD #129043), and 14 SPI fine knife section (MD #279642).

18. Complete knife assembly kit. Kit includes left head segment (MD #279398), left tail segment (MD #279415), right head segment (MD #279412), right tail segment (MD #279416), two MacDon splice kits (MD #129043), and 14 SPI fine knife section (MD #279642).

# 6 Segmented Knives – Double-Knife Headers, Coarse-Tooth Sections





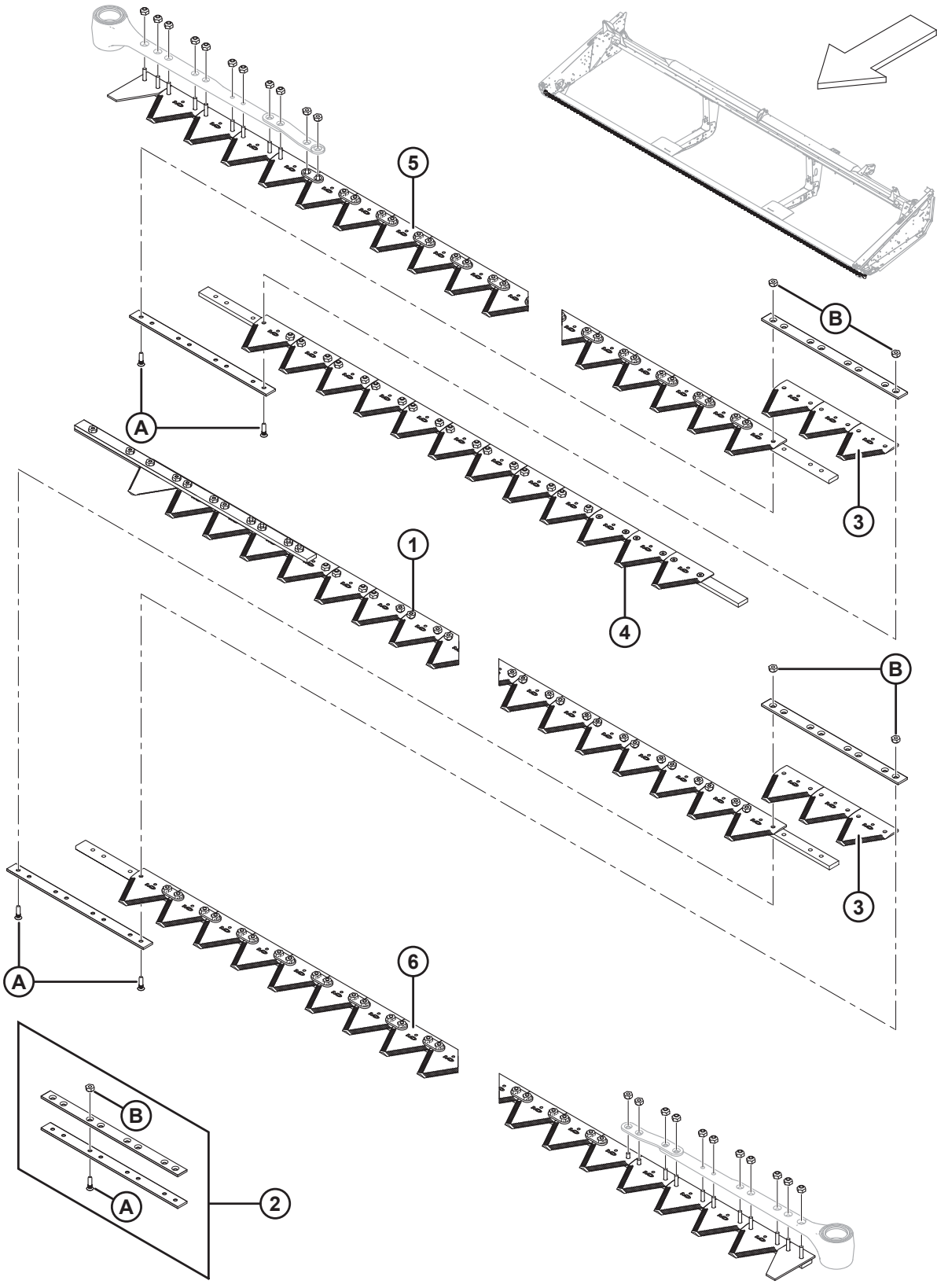
**SEGMENTED KNIVES – DOUBLE-KNIFE HEADERS, COARSE-TOOTH SECTIONS**

**NOTE:**

D115X header knives are sold complete. D120X–D125X header knives are sold in segments; for a complete segment (less knifehead), refer to table below:

Ref	Part Number	Description	Qty	Serial Number
		<b>4.6 METER (15 FOOT)</b>		
	279440	SICKLE – COMPLETE, COARSE SER, 9 SPI. (15 FT LH)	1	
	279441	SICKLE – COMPLETE, COARSE SER, 9 SPI. (15 FT RH)	1	
		<b>6.1 METER (20 FOOT)</b>		
1	279405	LEFT HEAD SEGMENT	1	
2	279425	LEFT TAIL SEGMENT	1	
3	279426	RIGHT COMPLETE	1	
5	129043	MACDON SPLICE KIT	1	
6	279641	SECTION – KONDEX COARSE, 9 SPI (25 PACK)	3	
	174845	SECTION – BUSATIS COARSE, 9 SPI (25 PACK)	3	
		<b>7.6 METER (25 FOOT)</b>		
1	279405	LEFT HEAD SEGMENT	1	
2	279427	LEFT TAIL SEGMENT	1	
3	279428	RIGHT HEAD SEGMENT	1	
4	279429	RIGHT, TAIL SEGMENT	1	
5	129043	MACDON SPLICE KIT	2	
6	279641	SECTION – KONDEX COARSE, 9 SPI (25 PACK)	6	
	174845	SECTION – BUSATIS COARSE, 9 SPI (25 PACK)	6	
A	129299	SCREW – 90° CSK SKT HD, #12-24 NC X 0.812 IN.		
B	135626	NUT – CSK, CENTER LOCK, #12-24 NC (50 PACK)		

# 7 Segmented Knives – Double-Knife Headers, Ultra Coarse-Tooth Sections



**SEGMENTED KNIVES – DOUBLE-KNIFE HEADERS, ULTRA COARSE-TOOTH SECTIONS**

<b>Ref</b>	<b>Part Number</b>	<b>Description</b>	<b>Qty</b>	<b>Serial Number</b>
	335508	KIT – 25 FT ULTRA COARSE DOUBLE KNIFE <sup>19</sup>		
		<b>7.6 METER (25 FOOT)</b>		
1	335525	LEFT TAIL SEGMENT	1	
2	129043	SPLICE KIT 2 1/8 IN. <sup>20</sup>	2	
3	294947	SECTION – PACKAGE ULTRA COARSE, 4 SPI	1	
4	335520	RIGHT TAIL SEGMENT	1	
5	335532	RIGHT HEAD SEGMENT, ULTRA COARSE <sup>21</sup>	1	
6	335533	LEFT HEAD SEGMENT, ULTRA COARSE <sup>21</sup>	1	
A	129299	SCREW – 90° CSK SKT HD, #12-24 NC X 0.812 IN.		
B	30669	NUT – CENTER LOCK, #12-24		

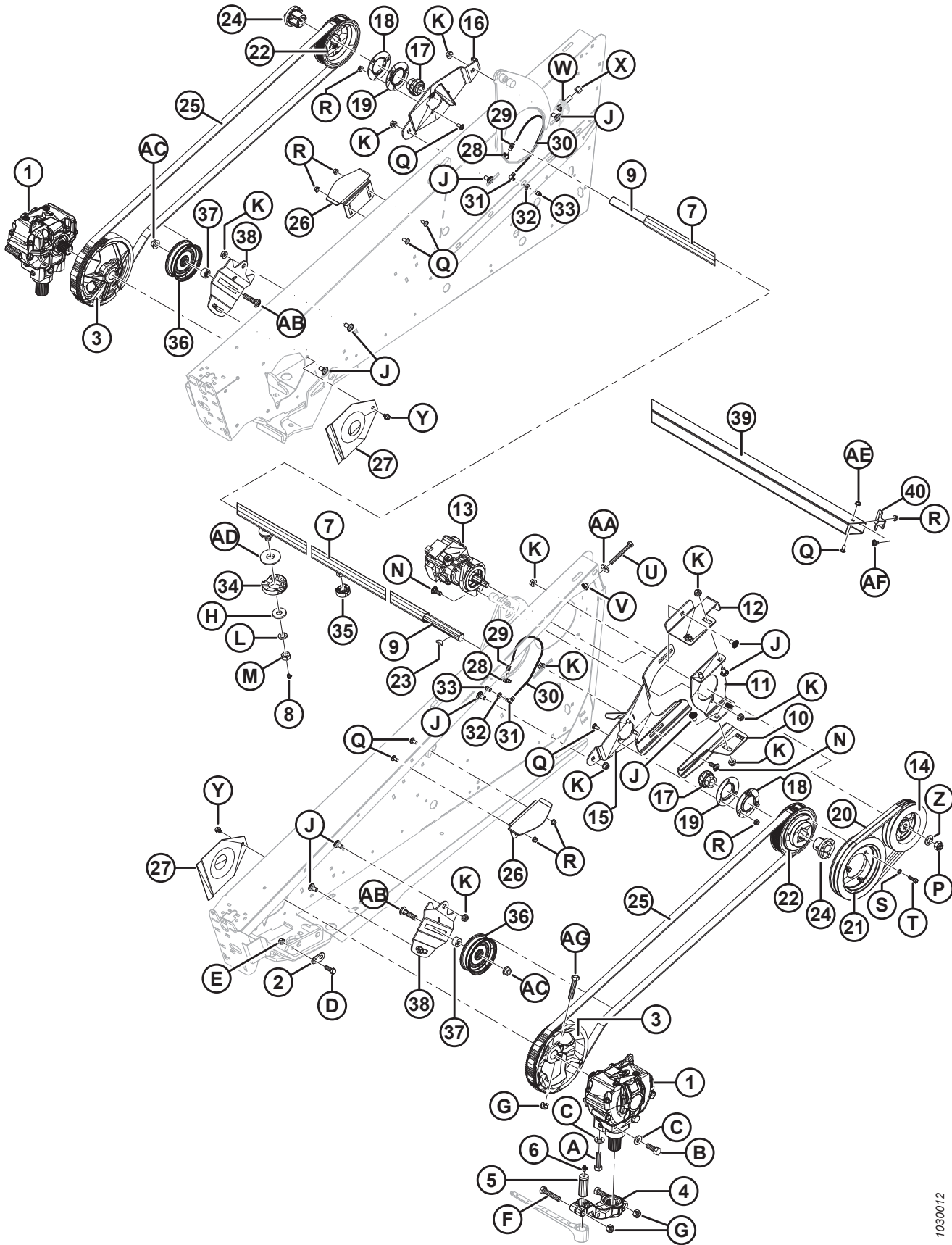
---

19. Complete knife assembly kit.

20. Includes two splice bars and hardware.

21. Includes hardware.

# 8 Knife Drive – Timed Double-Knife



1030012

**KNIFE DRIVE – TIMED DOUBLE-KNIFE**

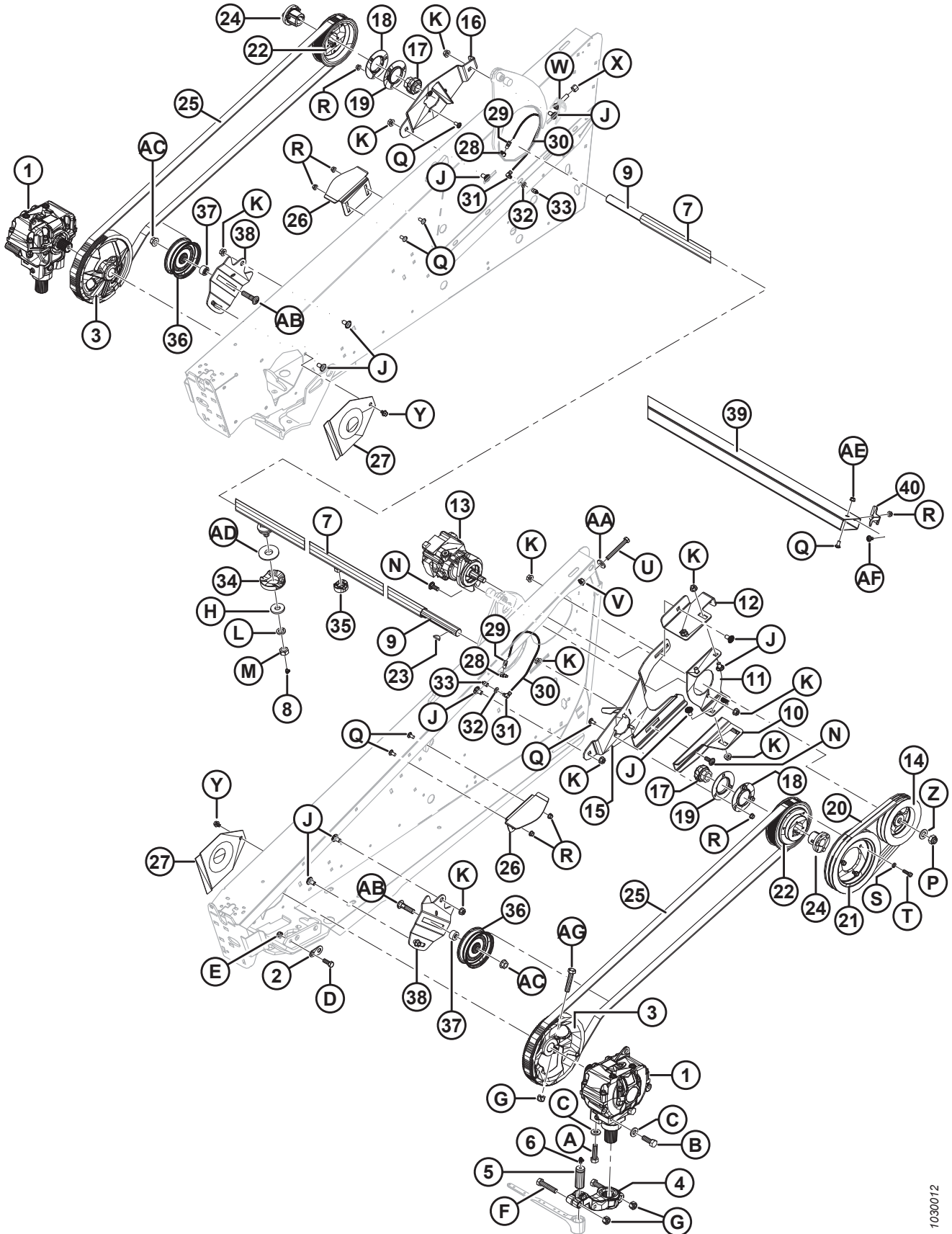
Ref	Part Number	Description	Qty	Serial Number
1	100532	DRIVE – WOBBLE BOX <sup>22</sup>	2	
2	132033	PLATE – KNIFE DRIVE, LOCATING TAB	2	
3	252753	PULLEY ASSY – KNIFE DRIVE <sup>23</sup>	2	
4	174992	ARM – WOBBLE BOX DRIVE	2	
5	113229	PIN – SICKLE HEAD	2	
6	21194	FITTING – LUBE, 90°, 1/8 NPT	2	
7	120753	TUBE – CROSS SHAFT (D115X HEADER)	1	
	120754	TUBE – CROSS SHAFT (D120X HEADER)	1	
	113160	TUBE – CROSS SHAFT (D125X HEADER)	1	
8	21010	FITTING – LUBE, 90°, 1/4 NPT	2	
9	120363	SHAFT – CROSS (D115X HEADER)	1	
	120364	SHAFT – CROSS (D120X HEADER)	1	
	120358	SHAFT – CROSS (D125X HEADER)	1	
10	172809	SUPPORT – LOWER MOTOR	1	
11	294385	SUPPORT – MOTOR MOUNT, DK	1	
12	172812	SUPPORT – DRIVE	1	
13	232147	MOTOR – HYDRAULIC, KNIFE DRIVE, C/W KEY <sup>24</sup>	1	
	279003	SEAL – LIP		
	111895	KEY – SQUARE, KNIFE DRIVE MOTOR		
14	120812	PULLEY – DRIVE, DOUBLE	1	
15	174502	SUPPORT – PULLEY (LH)	1	
16	174501	SUPPORT – PULLEY (RH)	1	
17	21859	BEARING – CROSS SHAFT, 1-3/16 IN. BORE	2	
18	49306	FLANGE – OUTER	2	
19	47858	FLANGE – INNER	2	
20	120814	BELT – TIMING, DOUBLE	1	
21	101853	PULLEY – MACHINED	1	
22	120056	SPROCKET – TIMING (72 TEETH)	2	
23	13298	KEY – WOODRUFF, CROSS SHAFT, 1/4 X 1-1/8 IN.	2	
24	30034	BUSHING – TAPER LOCK, CROSS SHAFT	2	
25	30548	BELT – TIMING	2	
26	132415	GUIDE – BELT	2	
27	102509	SHIELD – DRIVE BOX	2	
28	50187	FITTING – LUBE, ELBOW ADAPTER	2	
29	120366	FITTING – CONNECTOR	2	
30	112968	HOSE – GREASE	2	
31	120365	FITTING – ELBOW	2	
32	18598	WASHER – FLAT, 13/32 INCH I.D.	2	

22. For service parts, refer to Section *9 Knife Drive Box*, page 21.

23. Knife drive pulley assembly includes decal (MD #220577) and hardware (MD #21406 and 18666).

24. For components connected to this motor, refer to Section *10 Knife Drive Hydraulics – Timed Double-Knife, D115X*, page 23, *11 Knife Drive Hydraulics – Timed Double-Knife, D120X*, page 25, or *12 Knife Drive Hydraulics – Timed Double-Knife, D125X*, page 27.

KNIFE DRIVE – TIMED DOUBLE-KNIFE



1030012

**KNIFE DRIVE – TIMED DOUBLE-KNIFE**

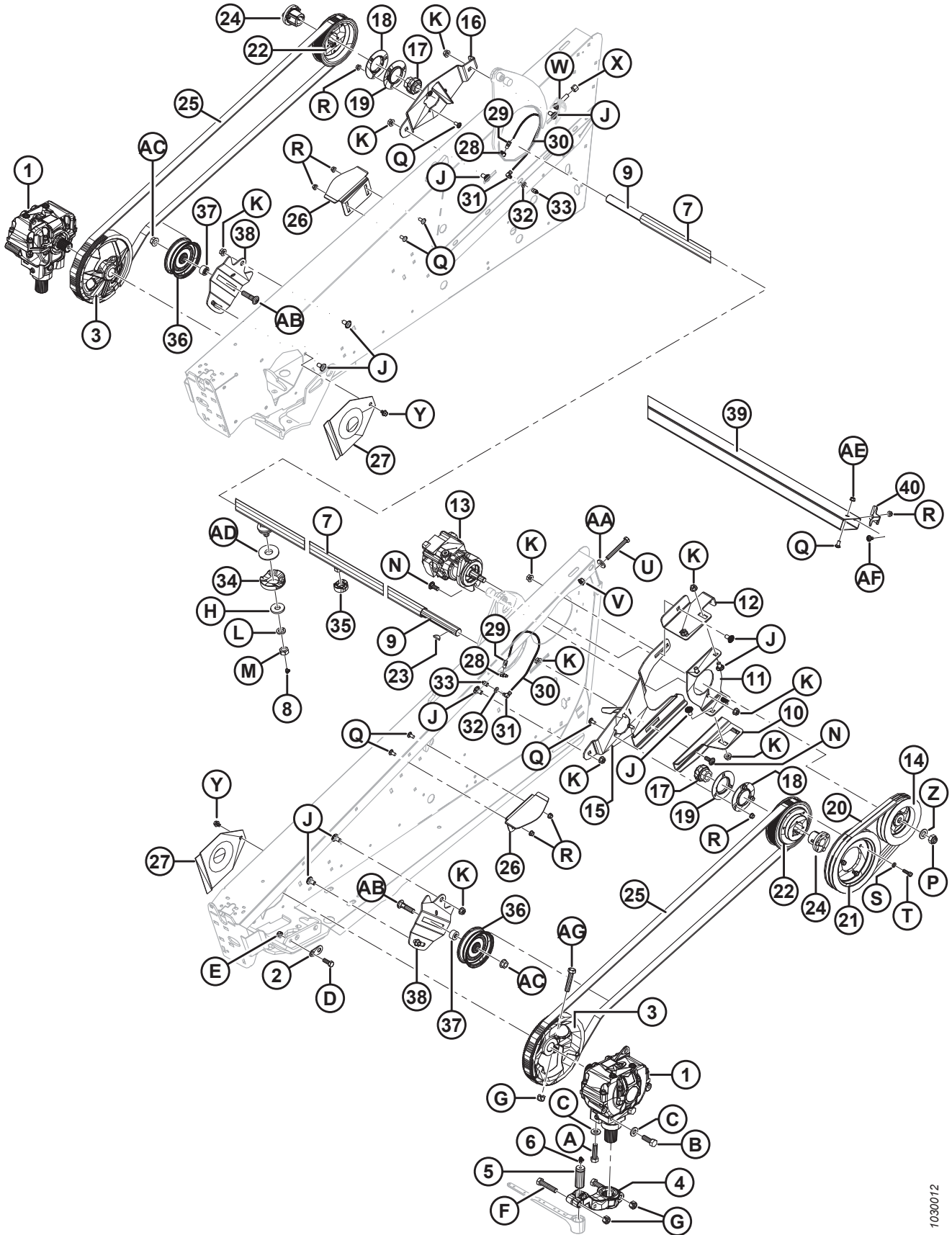
Ref	Part Number	Description	Qty	Serial Number
33	50188	FITTING – LUBE, 1/8 NPT FEMALE	2	
34	220701	BLOCK – FOAM	2	
35	220706	BLOCK – FOAM (D120X AND D125X ONLY) <sup>25</sup>		
36	30514	PULLEY – IDLER	2	
37	253517	SPACER – PULLEY	2	
38	226673	SUPPORT – IDLER PULLEY	2	
39	220009	TUBE – KNIFE STORAGE (D120X ONLY) <sup>26</sup>		
	220010	TUBE – KNIFE STORAGE (D125X ONLY) <sup>26</sup>	1	
40	125530	BRACKET – KNIFE KEEPER	1	
A	120900	BOLT – HEX HEAD, L9, 5/8 NC X 2-1/4 INCH		
B	120899	BOLT – HEX HEAD, L9, 5/8 NC X 1-3/4 INCH		
C	120901	WASHER – FLAT, L9, HARDENED, 5/8 IN. I.D.		
D	21491	BOLT – HEX HEAD, 1/2 NC X 1-1/4 INCH, GR 5		
E	18697	NUT – LOCK, 1/2 NC, DISTORTED THREAD		
F	21583	BOLT – HEX HEAD, 5/8 NC X 3 INCH, GR 5		
G	18666	NUT – LOCK, 5/8 NC, DISTORTED THREAD		
H	6647	WASHER – FLAT, 19.8MM I.D. X 50MM O.D. X 6MM THICK		
J	21066	BOLT – RHSN, 1/2 NC X 1 INCH, GR 5		
K	50186	NUT – SMOOTH FLANGE, 1/2 NC, DISTORTED THREAD		
L	18640	WASHER – LOCK, 3/4 NC I.D.		
M	102636	NUT – HEX, 3/4 NC, SIDE LOCK DISTORTED THREAD		
N	21471	BOLT – RHSN, 1/2 NC X 1-1/4 INCH, GR 5		
P	112129	NUT – HEX, 3/4 UNF, DISTORTED THREAD		
Q	21863	BOLT – RHSN, 3/8 NC X 3/4 INCH, GR 5		
R	30228	NUT – SMOOTH FLANGE, 3/8 NC, DISTORTED THREAD		
S	18637	WASHER – LOCK, 3/8 INCH I.D.		
T	21264	BOLT – HEX HEAD, 3/8 NC X 1-1/4 INCH, GR 5		
U	30299	BOLT – HEX HEAD, 1/2 NC X 4 IN, THRD FULL LGTH, GR 5		
V	21383	NUT – SERRATED FLANGE, 1/2 NC		
W	120232	BOLT – RHSN, 1/2 NC X 2-1/2 INCH, GR 5		
X	21389	NUT – LOCK, 1/2 NC		
Y	30693	BOLT – SERRATED FLANGE, 3/8 NC X 1/2 INCH		
Z	18601	WASHER – FLAT, 13/16 I.D. X 1-1/2 INCH O.D.		
AA	4761	WASHER – FLAT, 13.5MM I.D X 35MM O.D X 4.5MM THICK		
AB	18525	BOLT – RHSN, 5/8 NC X 2-1/2 INCH, GR 5		
AC	50225	NUT – FLANGE DT SMOOTH FACE .625-11 UNC		
AD	10254	WASHER – FLAT		
AE	21452	NUT – FLANGE (SER FACE) .375-16 UNC		

25. Quantities: D120X = 2, D125X = 4.

26. Located inside the round backtube of the frame.



KNIFE DRIVE – TIMED DOUBLE-KNIFE



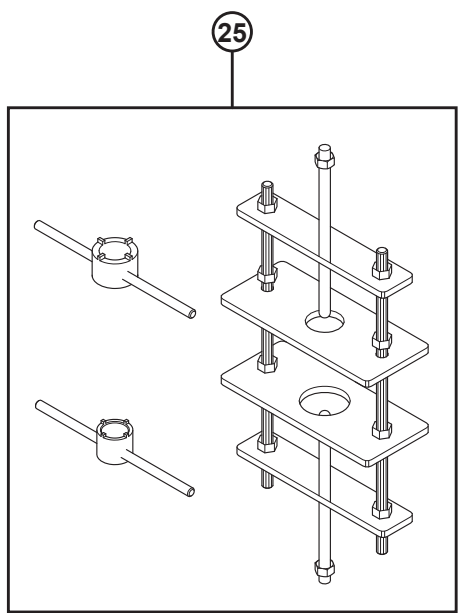
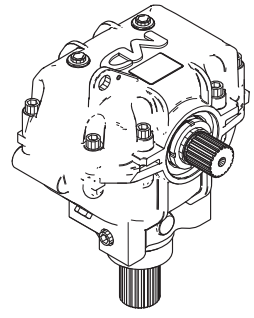
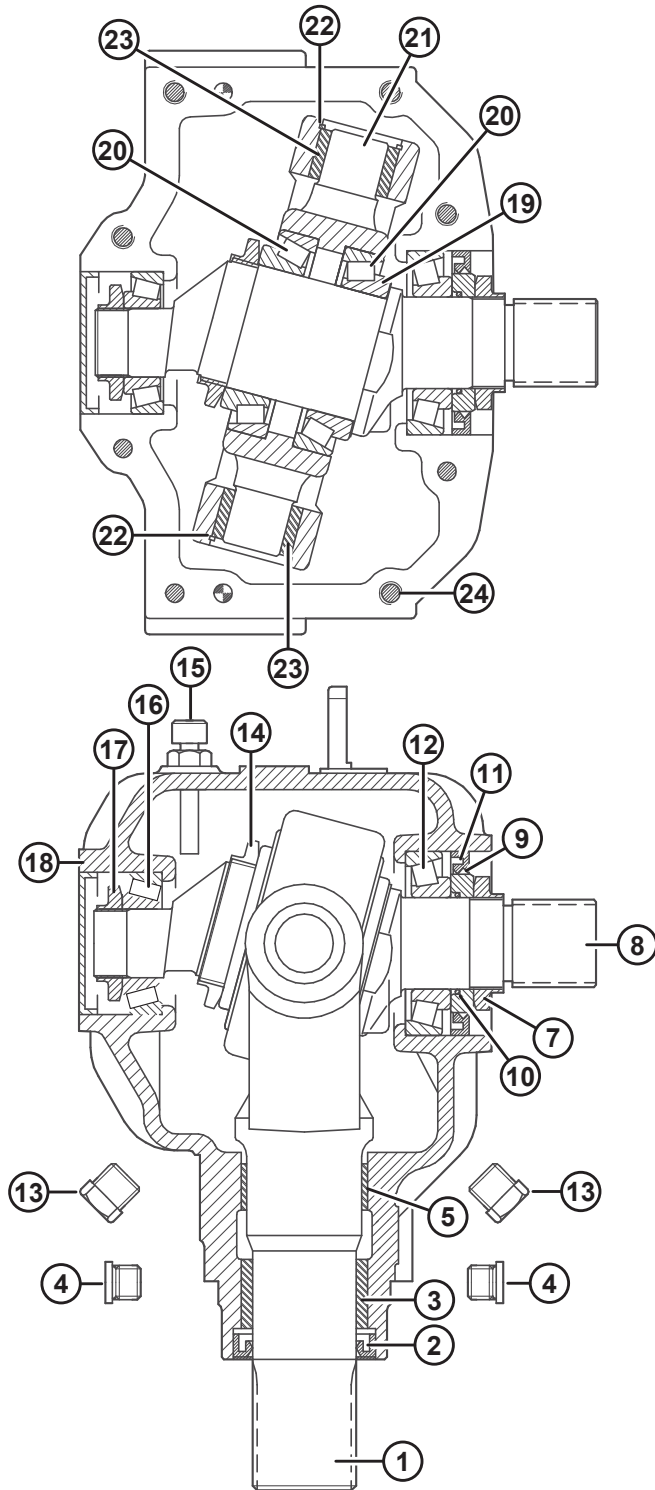
1030012



KNIFE DRIVE – TIMED DOUBLE-KNIFE

Ref	Part Number	Description	Qty	Serial Number
AF	21472	BOLT – RHSN 3/8-16 X .75, GR 5		
AG	21406	BOLT – HH 5/8 NC X 3.5 GR 5 ZP		

# 9 Knife Drive Box



1016902

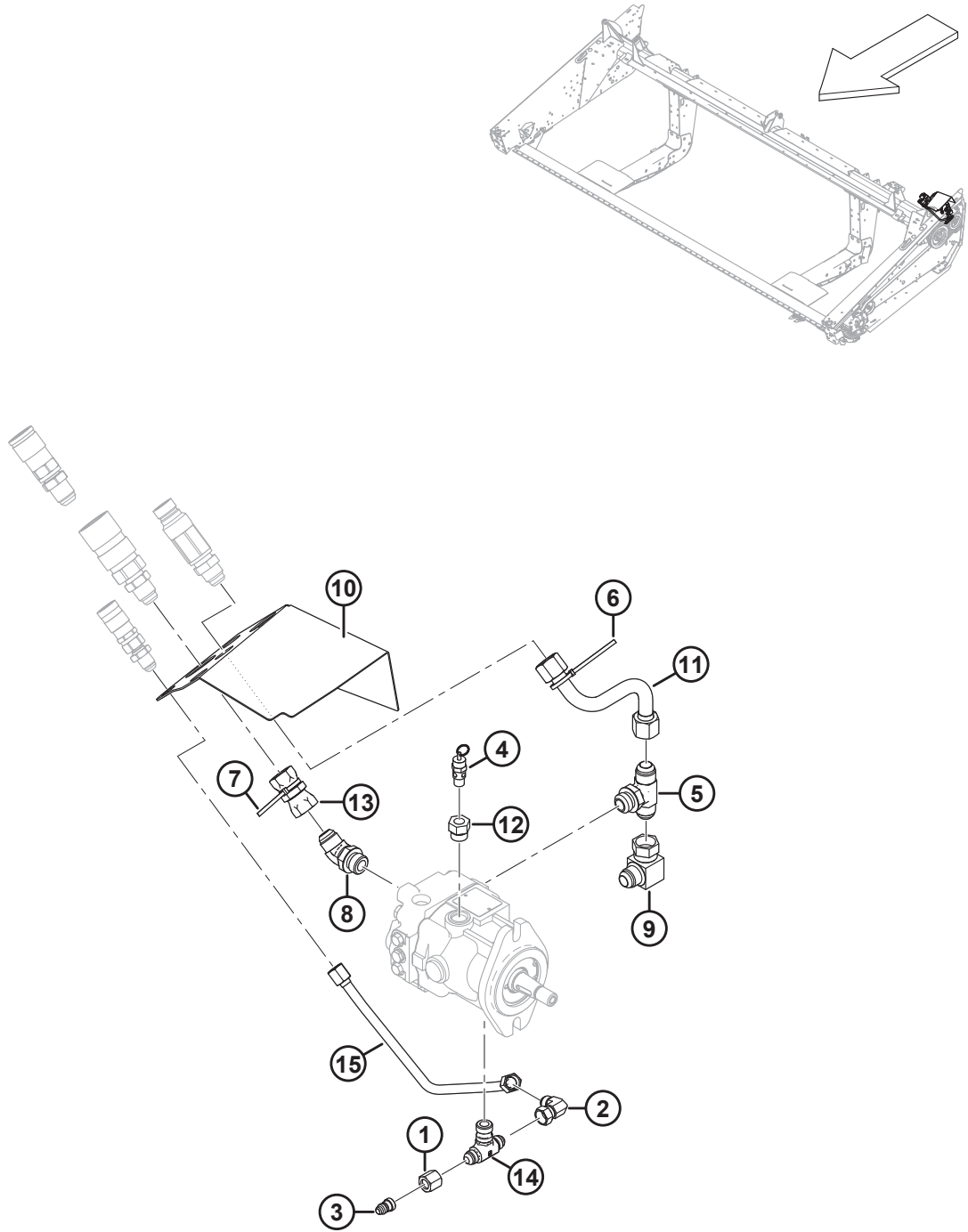
**KNIFE DRIVE BOX**

**NOTE:**

Apply Loctite® adhesive or equivalent to output yoke (MD #100706) and input shaft (MD #100710) before assembly.

<b>Ref</b>	<b>Part Number</b>	<b>Description</b>	<b>Qty</b>	<b>Serial Number</b>
	100532	DRIVE – SICKLE, COMPLETE	1	
1	100706	YOKE – OUTPUT	1	
2	100707	SEAL – OIL, OUTPUT SHAFT	1	
3	100708	BUSHING – BRONZE	1	
4	252423	PLUG – HEX SOCKET	2	
5	100726	BUSHING – STEEL	1	
7	100709	NUT – SPECIAL	1	
8	100710	SHAFT – INPUT	1	
9	102629	SPACER – 60 MM O.D.	1	
10	100712	O-RING	1	
11	102630	SEAL – OIL, INPUT SHAFT, 60 MM I.D.	1	
12	100714	BEARING ASSEMBLY – CUP AND CONE	1	
13	103096	PLUG – OIL DRAIN	2	
14	100715	NUT – LOCK, M55 X 2 IN.	1	
15	100716	PLUG – BREATHER, C/W DIPSTICK	1	
16	100717	BEARING ASSEMBLY – CUP AND CONE	1	
17	100718	NUT – LOCK, M30 X 1.5 IN.	1	
18	100719	CAP – DUST	1	
19	113152	SHIM – INPUT SHAFT	1	
20	100720	BEARING ASSEMBLY – CUP AND CONE	2	
21	100721	PIVOT	1	
22	100722	RING – RETAINING, INTERNAL	2	
23	100723	BUSHING – BRONZE	2	
24	113153	BOLT – SOCKET HEAD, M10 X 50 MM	8	
25	139003	TOOL KIT – SICKLE DRIVE BOX DISASSEMBLY/ASSEMBLY	A/R	

# 10 Knife Drive Hydraulics – Timed Double-Knife, D115X

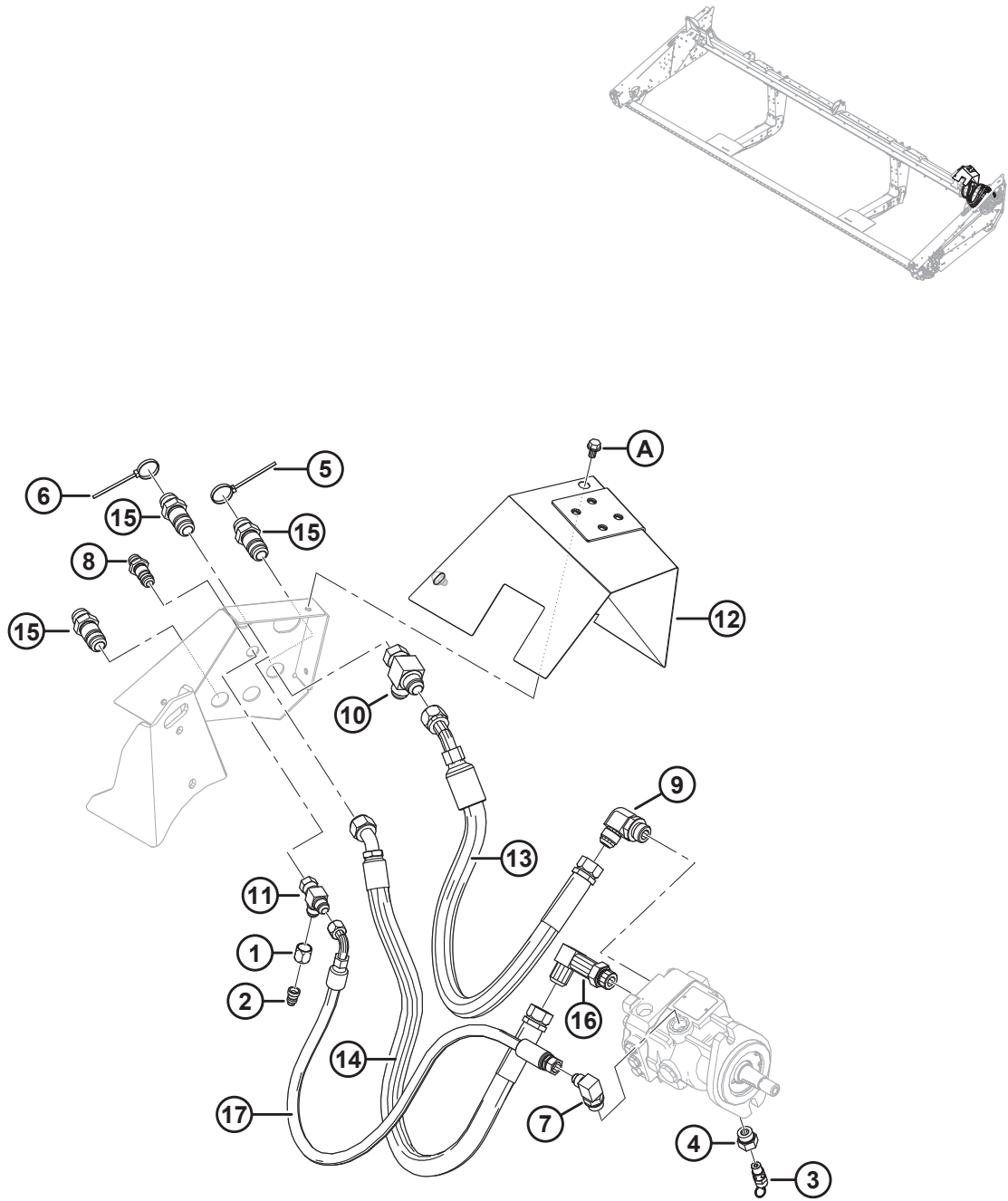


**KNIFE DRIVE HYDRAULICS – TIMED DOUBLE-KNIFE, D115X**

<b>Ref</b>	<b>Part Number</b>	<b>Description</b>	<b>Qty</b>	<b>Serial Number</b>
1	21069	NUT – TUBE 37° JIC 1/2 IN.	1	
2	30314	FITTING – ELBOW 90° HYD	1	
3	30981	FITTING – ADAPTER HYD REDUCER 1/2 X 3/8	1	
4	120377	VALVE – RELIEF	1	
5	50050	FITTING – TEE HYD STR THD BRANCH TEE C/W O-RING	1	
6	40703	FASTENER – CABLE TIE, BLUE	1	
7	40704	FASTENER – CABLE TIE, ORANGE	1	
8	50098	FITTING – ELBOW 45° HYD C/W O-RING	1	
9	50175	FITTING – ELBOW 90° HYD	1	
10	255764	HOLDER – C/W DECAL <sup>27</sup>	1	
11	132396	LINE	1	
12	135255	FITTING – ADAPTER HYD C/W O-RING	1	
13	135380	FITTING – FEMALE UNION HYD	1	
14	252520	FITTING – HYD TEE	1	
15	255253	LINE – HYDRAULIC	1	

27. Holder includes decal (MD #184422).

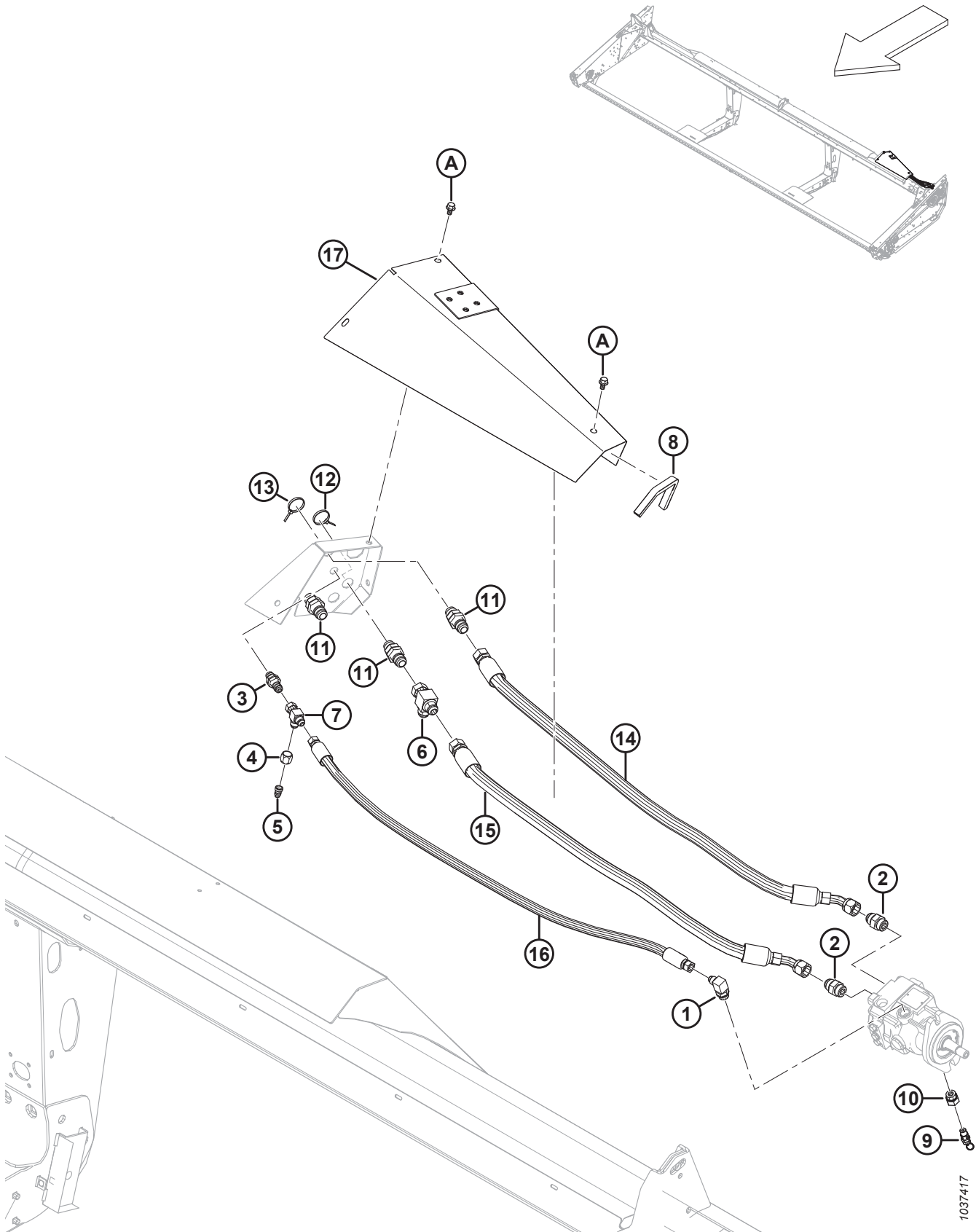
# 11 Knife Drive Hydraulics – Timed Double-Knife, D120X



**KNIFE DRIVE HYDRAULICS – TIMED DOUBLE-KNIFE, D120X**

<b>Ref</b>	<b>Part Number</b>	<b>Description</b>	<b>Qty</b>	<b>Serial Number</b>
1	21069	NUT – TUBE 37° JIC 1/2 IN.	1	
2	30981	FITTING – ADAPTER HYD REDUCER 1/2 X 3/8	1	
3	120377	VALVE – RELIEF	1	
4	135255	FITTING – ADAPTER HYD C/W O-RING	1	
5	40703	FASTENER – CABLE TIE, BLUE	1	
6	40704	FASTENER – CABLE TIE, ORANGE	1	
7	21801	FITTING – ELBOW 90° HYD	1	
8	30819	FITTING – 1/2 IN. HYD UNION	1	
9	30970	FITTING – ELBOW 90° HYD	1	
10	50086	FITTING – HYD TEE	1	
11	108268	FITTING – HYD TEE	1	
12	255866	COVER – WELDT RIGID COUPLERS	1	
13	132903	HOSE – HYDRAULIC	1	
14	132904	HOSE – HYDRAULIC	1	
15	135372	FITTING – 3/4 IN. HYD BULKHEAD 37° FLARE UNION	3	
16	135612	FITTING – LONG ELBOW HYD	1	
17	255211	HOSE – HYDRAULIC	1	
A	50076	BOLT – HEX FLG (SER FACE) 3/8 NC X 0.63 GR 5 ZP		

## 12 Knife Drive Hydraulics – Timed Double-Knife, D125X

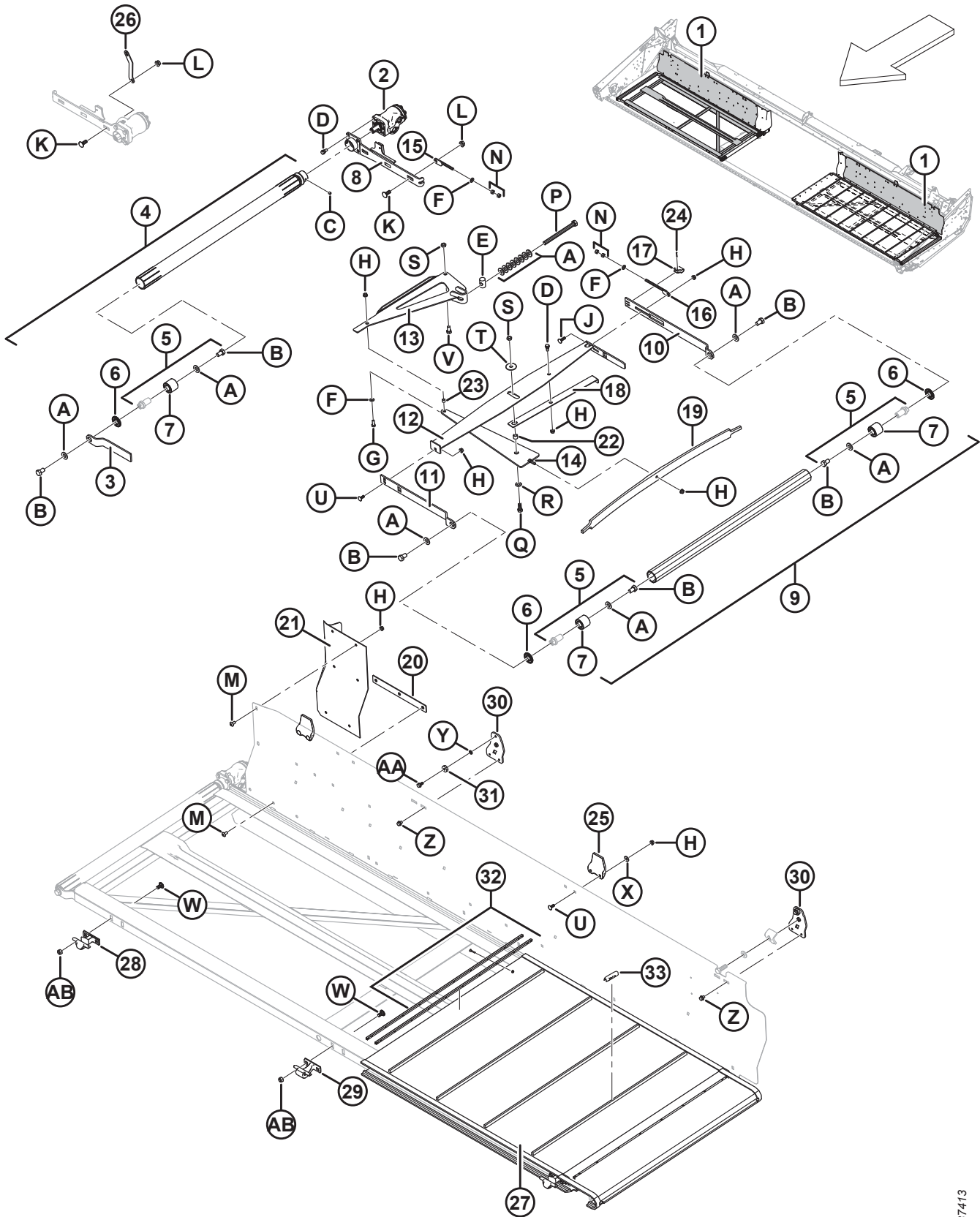




**KNIFE DRIVE HYDRAULICS – TIMED DOUBLE-KNIFE, D125X**

<b>Ref</b>	<b>Part Number</b>	<b>Description</b>	<b>Qty</b>	<b>Serial Number</b>
1	21801	FITTING – ELBOW 90° HYD	1	
2	21830	FITTING – CONNECTOR HYD	2	
3	30819	FITTING – 1/2 IN. HYD UNION	1	
4	21069	NUT – TUBE 37° JIC 1/2 IN.	1	
5	30981	FITTING – ADAPTER HYD REDUCER 1/2 X 3/8	1	
6	50086	FITTING – HYD TEE	1	
7	108268	FITTING – HYD TEE	1	
8	135190	SEAL – EDGE TRIM	1	
9	120377	VALVE – RELIEF	1	
10	135255	FITTING – ADAPTER HYD C/W O-RING	1	
11	135372	FITTING – 3/4 IN. HYD BULKHEAD 37° FLARE UNION	3	
12	40703	FASTENER – CABLE TIE (BLUE)	1	
13	40704	FASTENER – CABLE TIE (ORANGE)	1	
14	120573	HOSE – HYD	1	
15	120577	HOSE – HYD	1	
16	255311	HOSE – HYD	1	
17	255506	COVER – WELDT RIGID COUPLERS	1	
A	50076	BOLT – HH FLG (SER FACE) 3/8 NC X 0.63 GR 5 ZP		

# 13 Draper Carrier Deck and Tensioner



**DRAPER CARRIER DECK AND TENSIONER**

<b>Ref</b>	<b>Part Number</b>	<b>Description</b>	<b>Qty</b>	<b>Serial Number</b>
1	294472	DECK WELDT – C/W DECAL (D115X LH)	1	
	294473	DECK WELDT – C/W DECAL (D115X RH)	1	
	245023	DECK WELDT – C/W DECAL (D120X LH)	1	
	245025	DECK WELDT – C/W DECAL (D120X RH)	1	
	245027	DECK WELDT – C/W DECAL (D125X LH)	1	
	245029	DECK WELDT – C/W DECAL (D125X RH)	1	
2	220936	MOTOR – HYD DANFOSS 2.44 CI	2	
	123306	KEY – WOODRUFF (1/4 X 1 NOM.)		
	220944	SEAL KIT		
3	145148	ARM – ROLLER SUPPORT (LH)	1	
	120058	ARM – ROLLER SUPPORT (RH)	1	
4	255410	DRIVE ROLLER ASSY <sup>28</sup>	2	
5	165735	PIN ASSY – DRAPER ROLLER <sup>29</sup>	6	
6	120845	SEAL – NILOS LSTO STEEL DISK	6	
7	132607	BEARING – DOUBLE ROW BALL 52 O.D. X 25 BORE	6	
8	255416	ARM – WELDT DECK SHIFT (LH)	1	
	255417	ARM – WELDT DECK SHIFT (RH)	1	
	255413	ARM – WELD, 15 FT <sup>30</sup>	2	
9	174714	IDLER ROLLER ASSY <sup>28</sup>	2	
10	145122	ARM – SUPPORT REAR	2	
11	145106	ARM – ROLLER SUPPORT	2	
12	220183	MEMBER – STABILIZER WELDT (LH)	1	
	220184	MEMBER – STABILIZER WELDT (RH)	1	
13	220181	BELL CRANK WELDT	2	
14	120462	MEMBER – COMPRESSION WELDT	2	
15	145593	ROD – ADJUSTER WELDT (DRIVE END)	2	
16	145345	ROD – ADJUSTER WELDT (IDLER END)	2	
17	145357	BRACKET – IDLER ARM	2	
18	145428	INDICATOR	2	
19	145548	SPRING – LEAF (TENSIONER)	2	
20	304783	BAR	2	
21	125588	EXTENSION – BACKSHEET (LH)	1	
	125589	EXTENSION – BACKSHEET (RH)	1	
22	132531	SPACER – 12.95 MM I.D., 19.05 MM O.D., 15 MM LG	2	
23	132532	SPACER – 9.75 MM I.D., 12.7 MM O.D., 12 MM LG	2	
24	18604	PIN – COTTER 3/32 DIA X 3/4 ZP	2	
25	145840	GUIDE – BACKSHEET <sup>31</sup>	2	
26	132096	HOLDER	1	

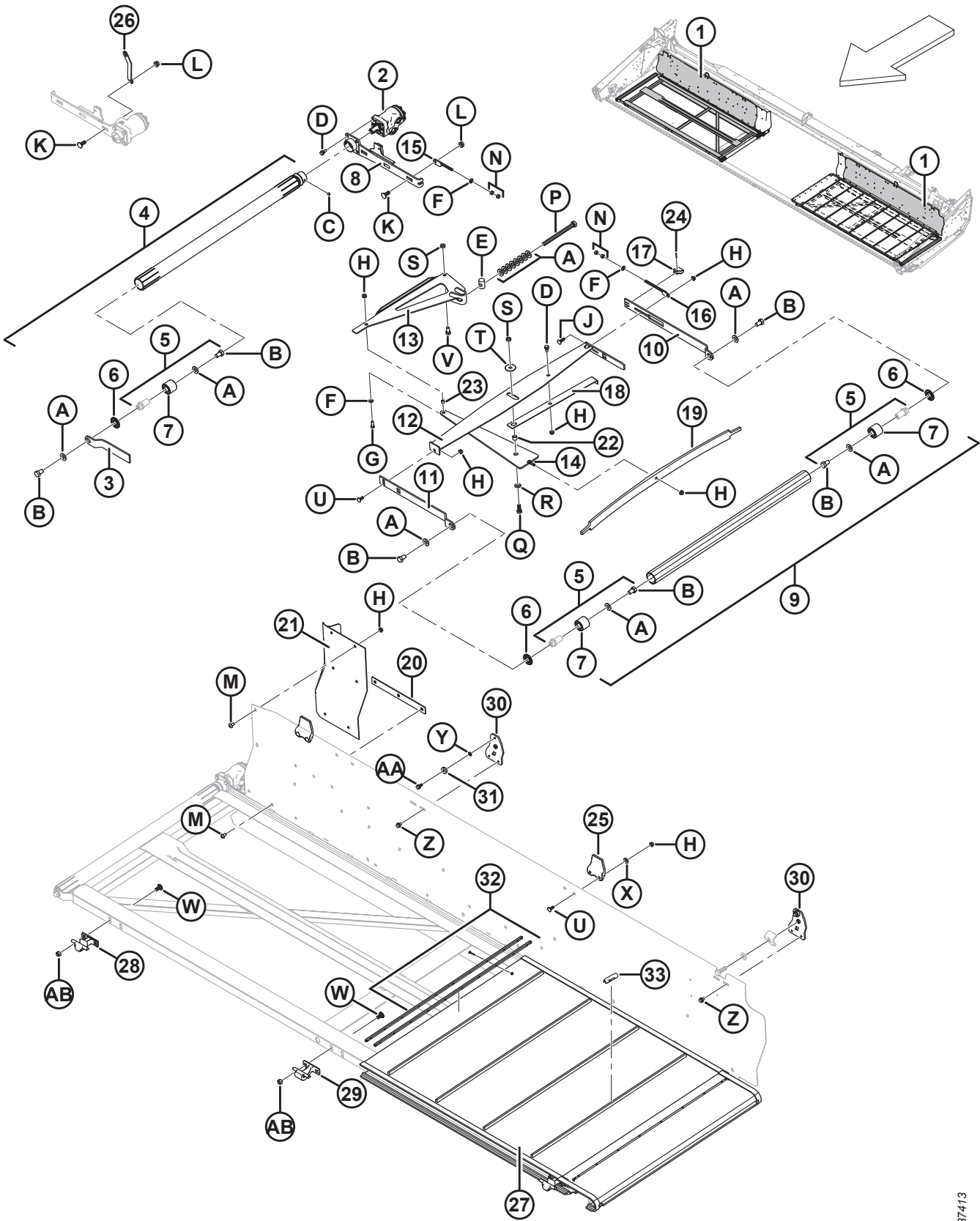
28. Includes steel disk (MD #120845) and draper roller pin assembly (MD #165735).

29. Includes double row ball bearing (MD #132607).

30. D115X headers only.

31. D125X headers only.

DRAPER CARRIER DECK AND TENSIONER



1037413

**DRAPER CARRIER DECK AND TENSIONER**

Ref	Part Number	Description	Qty	Serial Number
27	220634	DRAPER – 15 FT <sup>32</sup>	2	
	220635	DRAPER – 20 FT <sup>32</sup>	2	
	220636	DRAPER – 25 FT <sup>32</sup>	2	
	220642	DRAPER – 150 FT BULK ROLL	A/R	
	220641	DRAPER – REPAIR KIT <sup>33</sup>	A/R	
28	120009	SUPPORT – DECK (CASTING)	4	
29	129913	SUPPORT – DECK (CASTING) <sup>31</sup>	2	
30	220176	SUPPORT – DRILLED	4	
31	18867	BEARING – BALL CYL O.D. C/W TWO SEALS	4	
32	132777	KIT – SLAT CONNECTOR C/W HARDWARE <sup>34</sup>	A/R	
	172710	KIT – DRAPER CONNECTOR C/W HARDWARE <sup>35</sup>	A/R	
33	294858	DRAPER CLIPS – TAPER CLEAT, 25 PACK <sup>36</sup>	A/R	
	294859	DRAPER CLIPS – SQUARE CLEAT, 25 PACK <sup>36</sup>	A/R	
A	30441	WASHER – HARDENED		
B	145249	BOLT – HH 5/8 NF X 1.0 LG GR 5 ZP		
C	132451	SCREW – SET HEX SKT KNURL CUP PT 3/8 NC X 3/8 LG		
D	172259	BOLT – SHOULDER .375-16 UNC		
E	145361	NUT – SPECIAL		
F	18598	WASHER – SAE FLAT 13/32 I.D. X 13/16 IN. O.D. ZP		
G	20077	BOLT – HEX HD 3/8 NC X 1.0 LG GR 5 ZP		
H	30228	NUT – FLANGE DT SMOOTH FACE 0.375-16 UNC		
J	19966	BOLT – RHSN 3/8-16 X 1.25-GR5-ZP		
K	21471	BOLT – RHSN 1/2-13 X 1.25 GR 5 ZP		
L	50186	NUT – FLANGE LOCK SM FACE DT 0.500-13 UNC GR 5		
M	135157	SCREW – MACHINE		
N	18590	NUT – HEX 3/8-16 UNC GR 5 ZP		
P	135906	BOLT – HH 5/8 NC X 7.5 LG TFL GR 5 ZP		
Q	21491	BOLT – HH 1/2 NC X 1.25 LG GR 5 ZP		
R	18599	WASHER – SAE FLAT 17/32 I.D. X 1-1/16 IN. O.D. ZP		
S	137727	NUT – HEX JAM-DT 1/2-13 UNC GR 5 ZP		
T	42592	WASHER – FLAT		
U	19965	BOLT – RHSN 3/8-16 X 1-GR5-ZP		
V	21575	BOLT – HH 1/2 NC X 1.0 LG GR 5 ZP		
W	21066	BOLT – RHSN 1/2-13 X 1-GR5-ZP		
X	20535	WASHER – FLAT		
Y	18637	WASHER – REG. LOCK 3/8 IN. NOM. I.D. ZP		
Z	30693	BOLT – FLANGE (SER FACE) .375-16 UNC X 0.50 LG		

32. Includes slat connector kit (MD #132777).

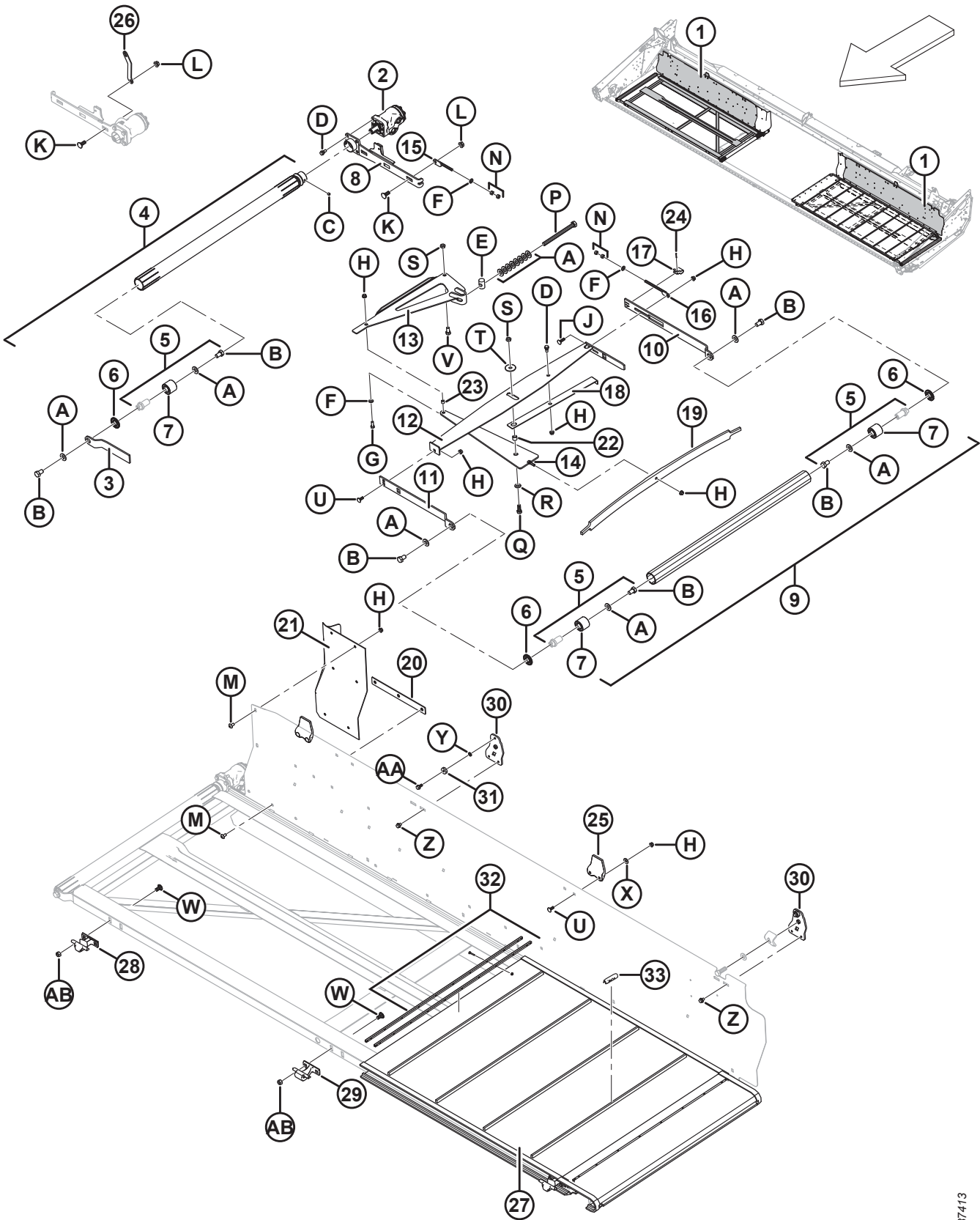
33. Includes 20-inch draper material and two connector slats.

34. Kit includes two slat connector bars, 14 button head screws, and 14 lock nuts.

35. Kit includes 25 button head screws and 25 lock nuts.

36. Kit includes 25 clips (NSS) and instructions.

DRAPER CARRIER DECK AND TENSIONER

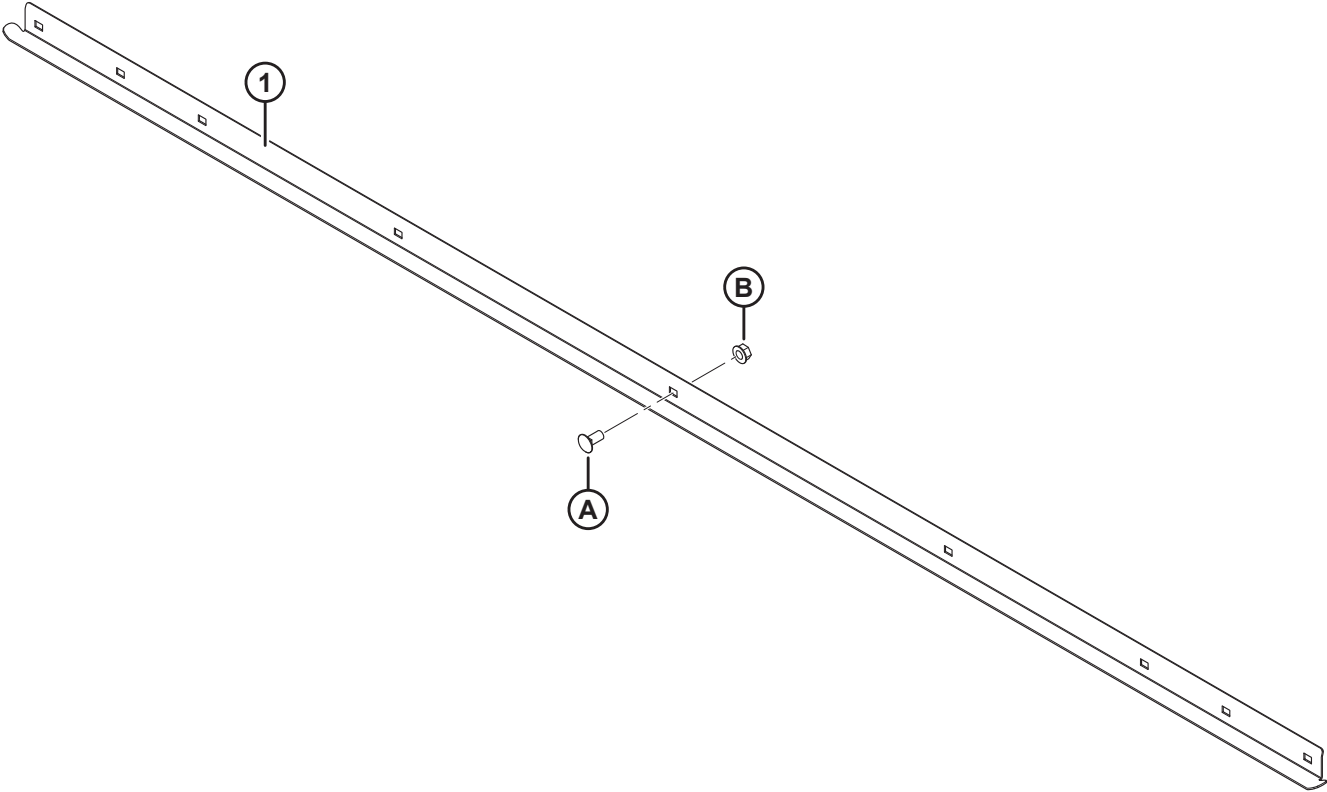
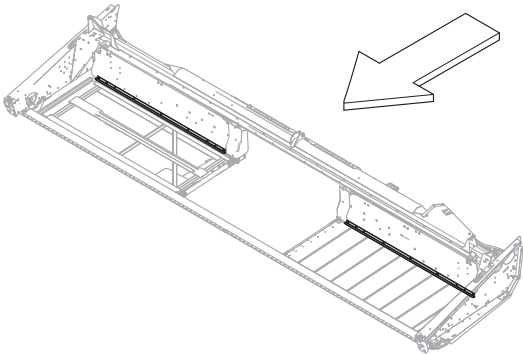


1037413

DRAPER CARRIER DECK AND TENSIONER

Ref	Part Number	Description	Qty	Serial Number
AA	101897	SCREW – HEX WASH HD THD ROLLING 3/8 NC X 3/4		
AB	18697	NUT – HEX LOCK DT .500-13 UNC		

# 14 Draper Backsheet Deflectors





**DRAPER BACKSHEET DEFLECTORS**

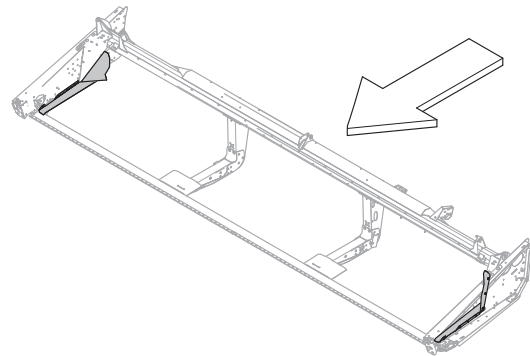
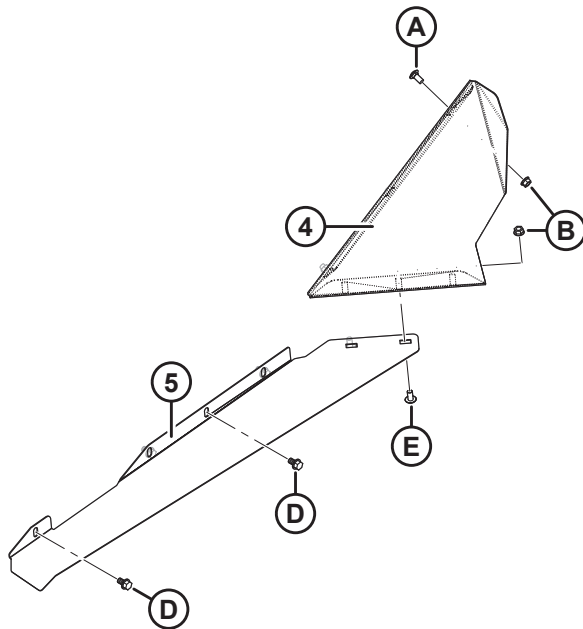
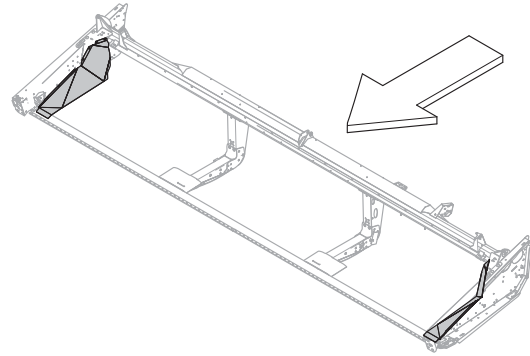
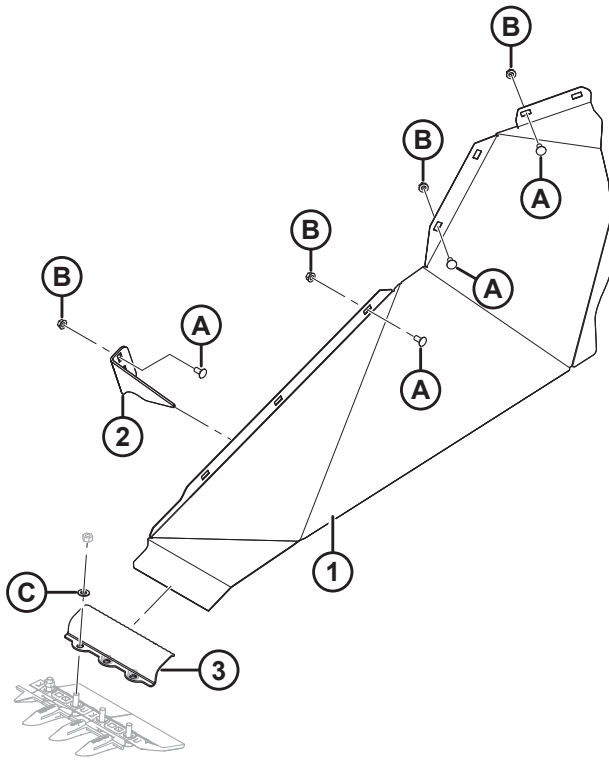
<b>Ref</b>	<b>Part Number</b>	<b>Description</b>	<b>Qty</b>	<b>Serial Number</b>
1	279856	DEFLECTOR – 15 FT <sup>37</sup>	2	
	123662	DEFLECTOR – 25 FT <sup>38</sup>	2	
A	21863	BOLT – RHSSN 3/8 NC X 0.75 LG GR 5 ZP		
B	30228	NUT – FLANGE DT SMOOTH FACE 0.375-16 UNC		

---

37. One deflector per deck. Used for grass seed header.

38. One deflector per deck. Used for canola header.

# 15 Draper Deflectors – Wide and Narrow



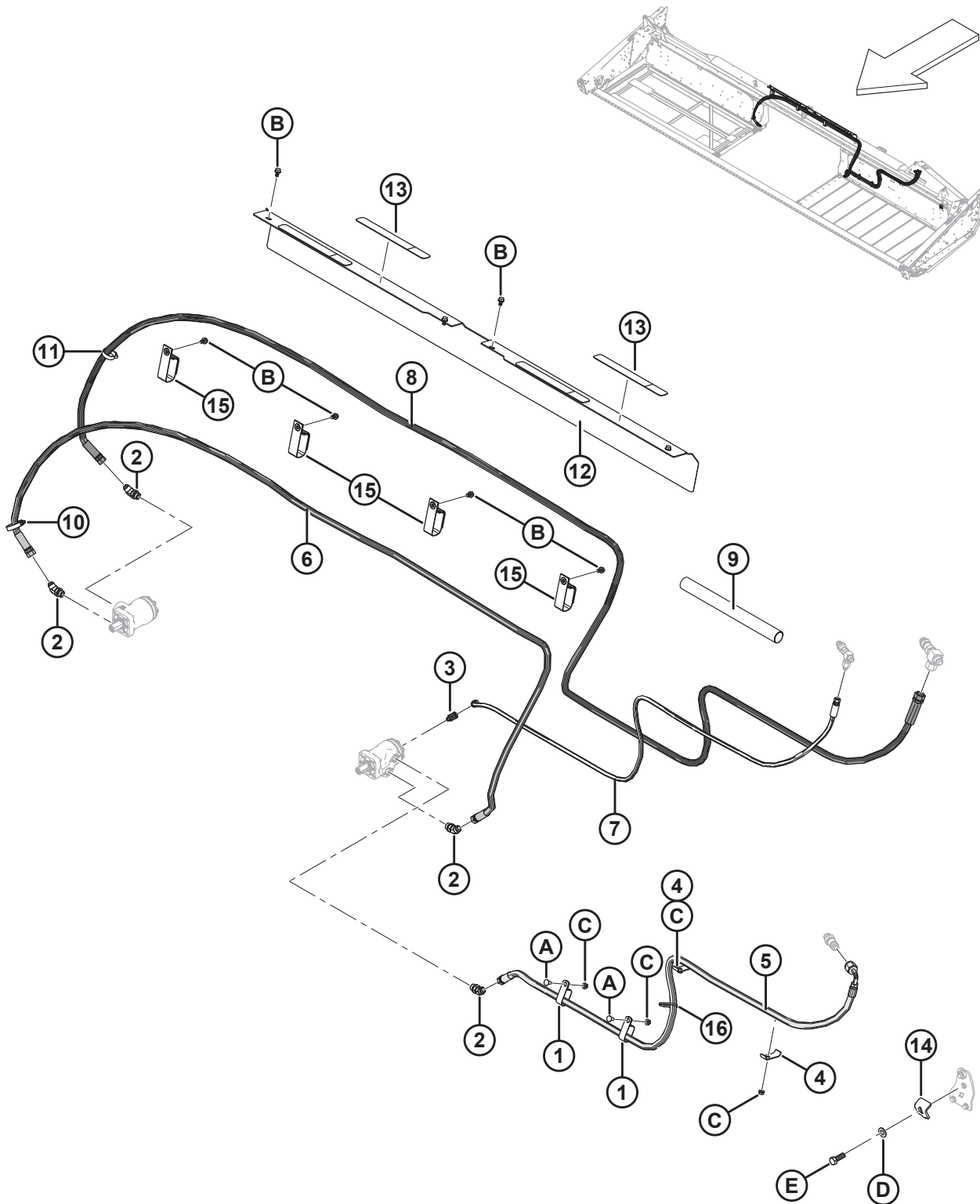
**DRAPER DEFLECTORS – WIDE AND NARROW**

**NOTE:**

Illustration; Top shows wide draper deflectors, bottom shows narrow draper deflectors.

Ref	Part Number	Description	Qty	Serial Number
		<b>WIDE</b>		
1	125751	DEFLECTOR – RH DRAPER	1	
	125749	DEFLECTOR – LH DRAPER	1	
2	172328	SUPPORT – RH DRAPER DEFLECTOR	1	
	172327	SUPPORT – LH DRAPER DEFLECTOR	1	
3	132398	RETAINER – DEFLECTOR	2	
A	21863	BOLT – RHSSN 3/8 NC X 0.75 LG GR 5 ZP		
B	30228	NUT – FLANGE DT SMTH FACE 0.375-16 UNC		
C	18688	WASHER – SAE FLAT 0.47 IN. I.D. X 0.92 IN. O.D. ZP		
		<b>NARROW</b>		
4	125742	DEFLECTOR – RH	1	
	125741	DEFLECTOR – LH	1	
5	304258	DEFLECTOR ANGLE – RH	1	
	304257	DEFLECTOR ANGLE – LH	1	
A	21863	BOLT – RHSSN 3/8 NC X 0.75 LG GR 5 ZP		
B	30228	NUT – FLANGE DT SMTH FACE 0.375-16 UNC		
D	101898	SCREW – HEX WASH HD THD ROLLING 3/8 NC X 5/8		
E	135157	SCREW – MACHINE		

# 16 Draper Drive – Manual Deck Shift, D115X and D120X

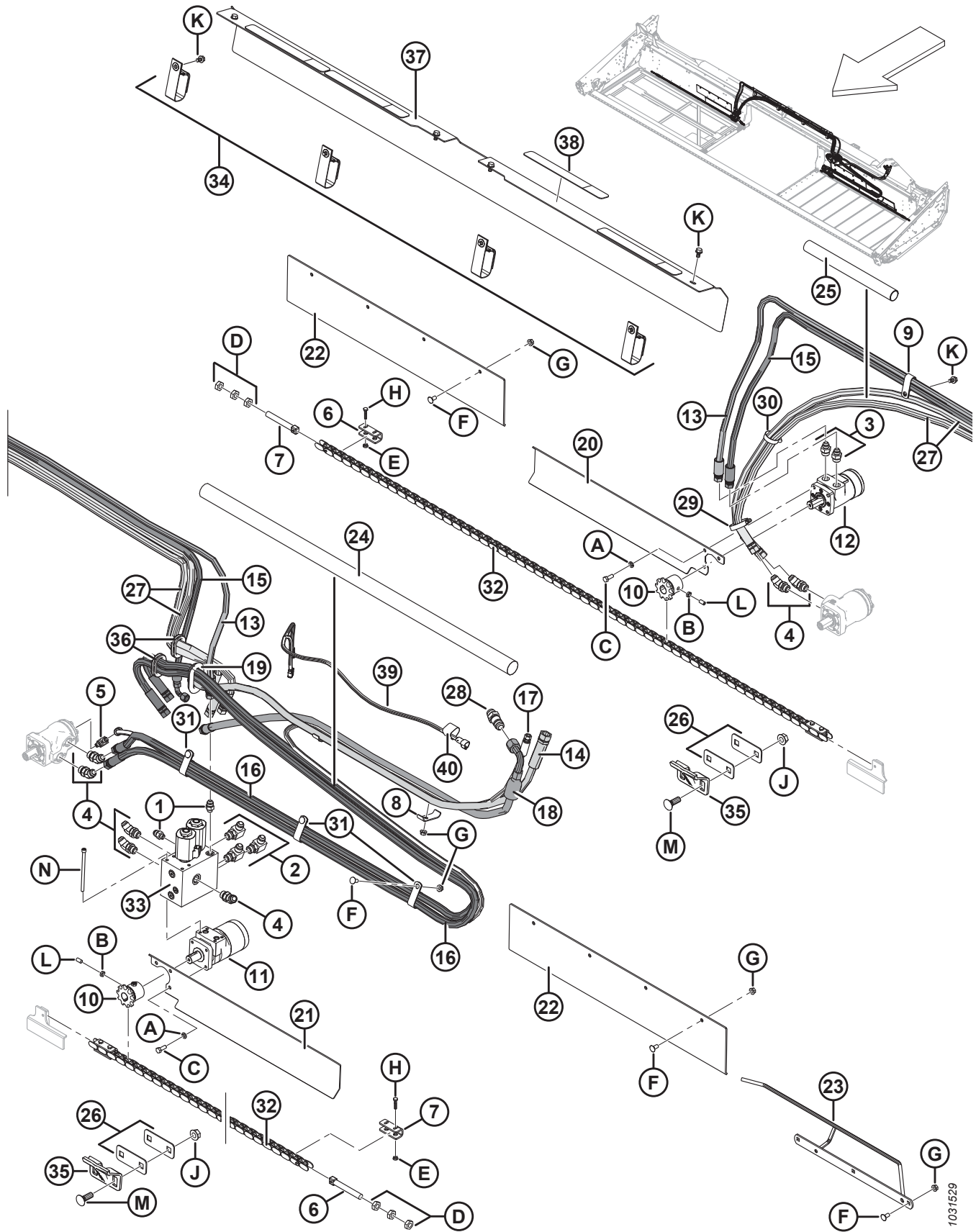


**DRAPER DRIVE – MANUAL DECK SHIFT, D115X AND D120X**

<b>Ref</b>	<b>Part Number</b>	<b>Description</b>	<b>Qty</b>	<b>Serial Number</b>
1	50022	CLAMP – INSULATED 15/16 INCH	2	
2	50103	FITTING – ELBOW 45° HYD CW O-RING	4	
3	50104	FITTING – ELBOW 90° HYD	1	
4	103351	HOLDER	2	
5	120570	HOSE – HYD, 1/2 IN. I.D., 2200 MM LG, METAL REIN.	1	
6	132867	HOSE – HYD, 1/2 IN. I.D., 3440 MM LG, METAL REIN.	1	
7	159587	HOSE – HYD, 1/4 IN. I.D., 2350 MM LG, METAL REIN.	1	
8	220412	HOSE – HYD, 1/2 IN. I.D., 5250 MM LG, METAL REIN.	1	
9	132017	SLEEVE – PLASTIC (1.6 IN. I.D., 450 MM LG)	1	
10	135725	CLAMP – HOSE GEAR TYPE	1	
11	30639	CLAMP – HOSE GEAR TYPE	1	
12	253741	SHIELD – HOSE C/W GRIP <sup>39</sup>	1	
13	253740	STRIP – ANTI-SLIP	4	
14	145558	CLAMP – DECK SHIFT	2	
15	163585	STRAP – VELCRO, HANGING	4	
16	21763	FASTENER – CABLE TIE (BLACK)	1	
A	21863	BOLT – RHSSN 3/8 NC X 0.75 LG GR 5 ZP		
B	101898	SCREW – HEX WASH HD THD ROLLING 3/8 NC X 5/8		
C	30228	NUT – FLANGE DT SMTH FACE 0.375-16 UNC		
D	18600	WASHER – SAE FLAT 21/32 I.D. X 1-5/16 IN. O.D. ZP		
E	21582	BOLT – HEX HD 0.625-11 UNC X 1.75		

39. Includes anti-slip strips (MD #253740).

# 17 Draper Drive – Hydraulic Deck Shift, D125X (2019 and Prior)



1031529

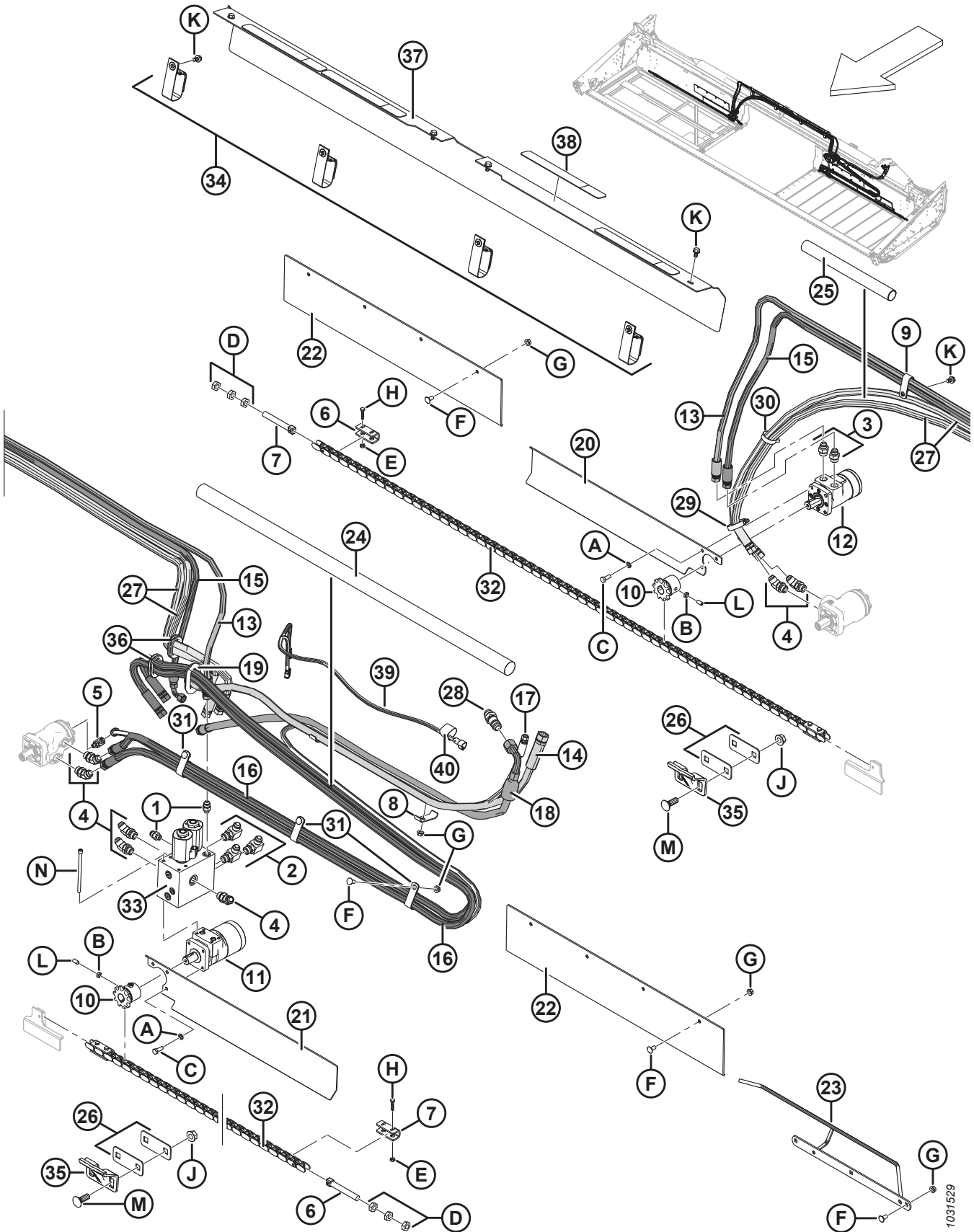
**DRAPER DRIVE – HYDRAULIC DECK SHIFT, D125X (2019 AND PRIOR)**

Ref	Part Number	Description	Qty	Serial Number
1	21031	FITTING – CONNECTOR HYD	2	-371189
2	21843	FITTING – ELBOW 90° HYD	3	-371189
3	21881	FITTING – ADAPTER HYD	2	-371189
4	50103	FITTING – ELBOW 45° HYD CW O-RING	7	-371189
5	50104	FITTING – ELBOW 90° HYD	1	-371189
6	102602	STUD	2	-371189
7	100581	STOP	4	-371189
8	103351	HOLDER	2	-371189
9	103738	CLAMP – PVC INSULATED 13/16 IN. TUBE SIZE	1	-371189
10	120371	SPROCKET – RC60B-10T	2	-371189
11	120374	MOTOR – HYD, 4 BOLT, LH DECK	1	-371189
	220672	SEAL KIT		-371189
	16605	O-RING – MANIFOLD PORT		-371189
12	120518	MOTOR – HYD, 4 BOLT, RH DECK	1	-371189
	132758	SEAL KIT		-371189
13	120563	HOSE – HYD, 3/8 IN. I.D., 3490 MM LG, METAL REIN.	1	-371189
14	120566	HOSE – HYD, 1/2 IN. I.D., 1750 MM LG, METAL REIN.	1	-371189
15	120584	HOSE – HYD, 3/8 IN. I.D., 3485 MM LG, METAL REIN.	1	-371189
16	120588	HOSE – HYD, 1/2 IN. I.D., 3200 MM LG, METAL REIN.	2	-371189
17	120589	HOSE – HYD, 1/4 IN. I.D., 3800 MM LG, METAL REIN.	1	-371189
18	120989	HOSE – HYD, 1/2 IN. I.D., 1430 MM LG, METAL REIN.	1	-371189
19	123982	GROMMET – 53.7 MM I.D.	1	-371189
20	125478	COVER – RIGHT DECK SHIFT CHAIN	1	-371189
21	125565	COVER – LEFT DECK SHIFT CHAIN	1	-371189
22	125566	COVER – DECK SHIFT CHAIN	2	-371189
23	125652	GUIDE WELDT – LEFT DECK HOSE	1	-371189
24	132015	SLEEVE – HOSE (1.75 IN. I.D., 2400 MM LG)	1	-371189
25	132017	SLEEVE – PLASTIC (1.6 IN. I.D., 450 MM LG)	1	-371189
26	132021	SHIM – CHAIN GUIDE	4	-371189
27	132867	HOSE – HYD, 1/2 IN. I.D., 3440 MM LG, METAL REIN.	2	-371189
28	135372	FITTING – 3/4 IN. HYD BULKHEAD 37 DEG. FLARE UNION	1	-371189
29	135725	CLAMP – HOSE GEAR TYPE	1	-371189
30	30639	CLAMP – HOSE GEAR TYPE	1	-371189
31	252942	CLAMP – INSULATED 1 IN.	3	-371189
32	145168	CHAIN – ROLLER 60	2	-371189
33	145983	VALVE – 2 POSITION SOLENOID OPERATED 4 WAY <sup>40</sup>	1	-371189
	132786	SEAL KIT		-371189
34	163585	STRAP – VELCRO, HANGING	4	-371189
35	165040	GUIDE – DECK SHIFT CHAIN	2	-371189
36	172899	GROMMET – 1.75 IN. I.D.	2	-371189
37	253741	SHIELD – HOSE C/W GRIP <sup>41</sup>	1	-371189
38	253740	STRIP – ANTI-SLIP	4	-371189

40. For service parts, refer to Section *19 Deck Shift – Valve*, page 49.

41. Includes anti-slip strips (MD #253740).

DRAPER DRIVE – HYDRAULIC DECK SHIFT, D125X (2019 AND PRIOR)



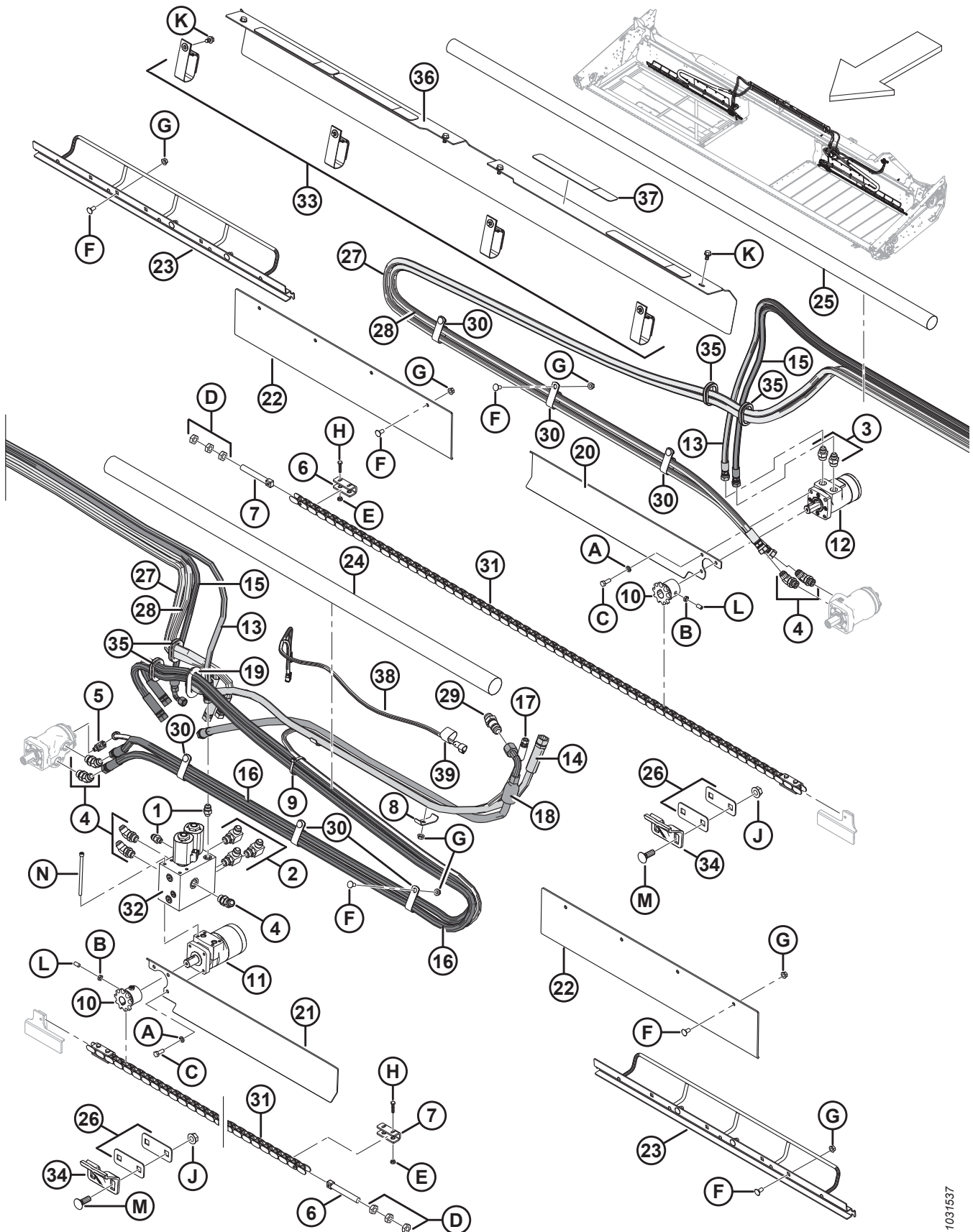
1031529



**DRAPER DRIVE – HYDRAULIC DECK SHIFT, D125X (2019 AND PRIOR)**

<b>Ref</b>	<b>Part Number</b>	<b>Description</b>	<b>Qty</b>	<b>Serial Number</b>
39	255344	HARNES – HYDRAULIC DECK SHIFT, D100	1	–371189
40	135443	FASTENER – CINCH STRAP 4 IN. LG	1	–371189
A	18637	WASHER – REG. LOCK 3/8 IN. NOM. I.D. ZP		
B	18664	NUT – HEX JAM 3/8-16 UNC GR 5 ZP		
C	20077	BOLT – HEX HD 3/8 NC X 1.0 LG GR 5 ZP		
D	21345	NUT – HEX JAM 5/8-11 UNC GR 5 ZP		
E	21455	NUT – FLG (SER FACE) 1/4 NC GR 5 ZP		
F	21863	BOLT – RHSSN 3/8 NC X 0.75 LG GR 5 ZP		
G	30228	NUT – FLANGE DT SMTH FACE 0.375-16 UNC		
H	30942	BOLT – HH 1/4 NC X 1.25 LG GR 5 ZP		
J	50225	NUT – FLANGE DT SMTH FACE .625-11 UNC		
K	101898	SCREW – HEX WASH HD THD ROLLING 3/8 NC X 5/8		
L	135295	SCREW – SET HEX SOC CUP PT 3/8 NC X 3/4 LG		
M	136043	BOLT – RHSN 5/8-11 X 1.75-GR 5-ZP		
N	135247	BOLT – SOCKET HEAD 5/16 NC X 5.5 LG GR 5 ZP		

# 18 Draper Drive – Hydraulic Deck Shift, D125X (2020 and Later)



1031537

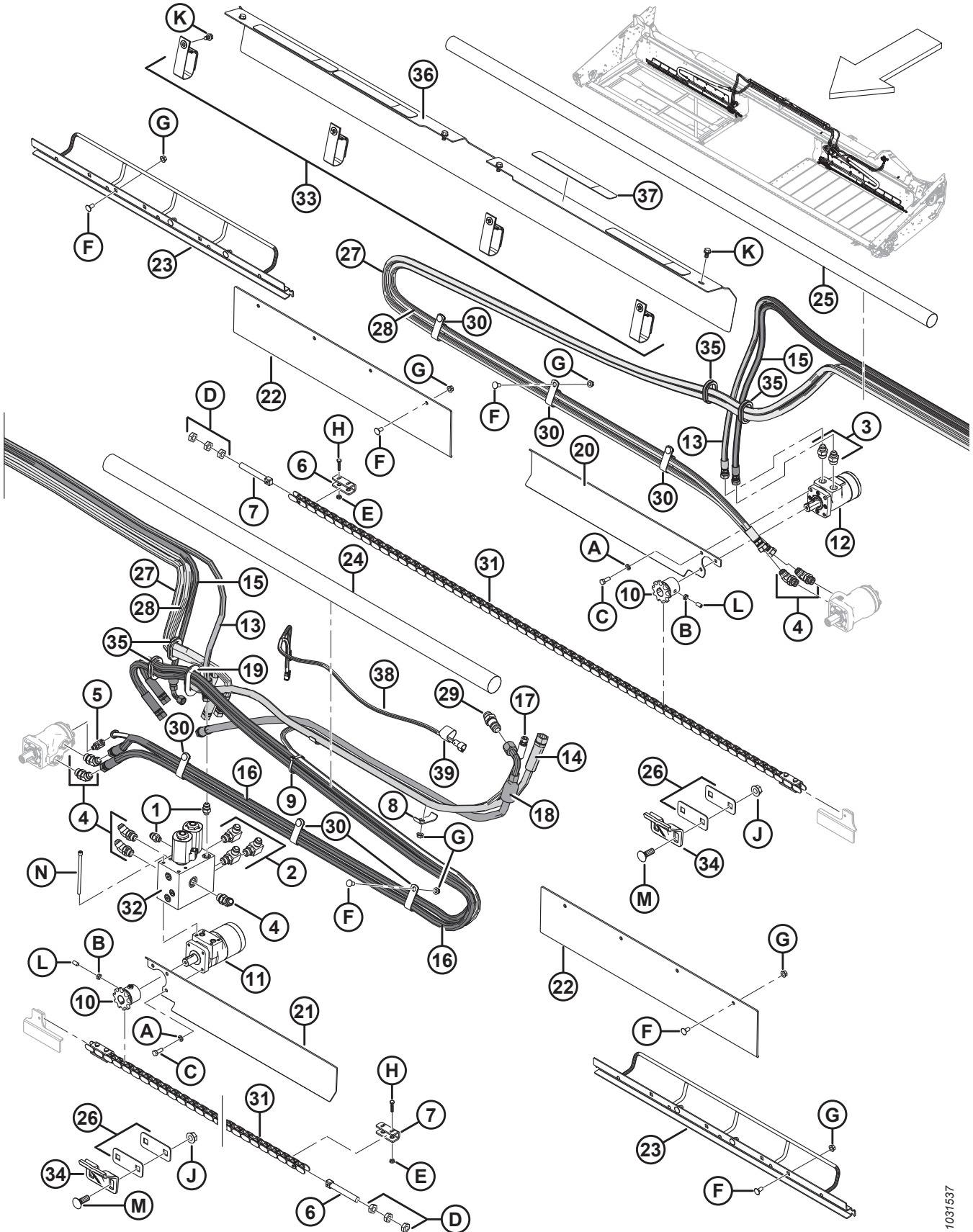
**DRAPER DRIVE – HYDRAULIC DECK SHIFT, D125X (2020 AND LATER)**

Ref	Part Number	Description	Qty	Serial Number
1	21031	FITTING – CONNECTOR HYD	2	371190–
2	21843	FITTING – ELBOW 90° HYD	3	371190–
3	21881	FITTING – ADAPTER HYD	2	371190–
4	50103	FITTING – ELBOW 45° HYD CW O-RING	7	371190–
5	50104	FITTING – ELBOW 90° HYD	1	371190–
6	102602	STUD	2	371190–
7	100581	STOP	4	371190–
8	103351	HOLDER	2	371190–
9	30753	FASTENER – CABLE TIE, BLACK, 305 MM LG	1	371190–
10	120371	SPROCKET – RC60B-10T	2	371190–
11	120374	MOTOR – HYD, 4 BOLT, LH DECK	1	371190–
	220672	SEAL KIT		371190–
	16605	O-RING – MANIFOLD PORT		371190–
12	120518	MOTOR – HYD, 4 BOLT, RH DECK	1	371190–
	132758	SEAL KIT		371190–
13	120563	HOSE – HYD, 3/8 IN. I.D., 3490 MM LG, METAL REIN.	1	371190–
14	120566	HOSE – HYD, 1/2 IN. I.D., 1750 MM LG, METAL REIN.	1	371190–
15	120584	HOSE – HYD, 3/8 IN. I.D., 3485 MM LG, METAL REIN.	1	371190–
16	120588	HOSE – HYD, 1/2 IN. I.D., 3200 MM LG, METAL REIN.	2	371190–
17	120589	HOSE – HYD, 1/4 IN. I.D., 3800 MM LG, METAL REIN.	1	371190–
18	120989	HOSE – HYD, 1/2 IN. I.D., 1430 MM LG, METAL REIN.	1	371190–
19	123982	GROMMET – 53.7 MM I.D.	1	371190–
20	125478	COVER – RIGHT DECK SHIFT CHAIN	1	371190–
21	125565	COVER – LEFT DECK SHIFT CHAIN	1	371190–
22	125566	COVER – DECK SHIFT CHAIN	2	371190–
23	311783	GUIDE WELDT – DECK HOSE	2	371190–
24	254190	SLEEVE – HOSE (2.17 IN. I.D., 1600 MM LG)	1	371190–
25	254187	SLEEVE – HOSE (1.75 IN. I.D., 2000 MM LG)	1	371190–
26	132021	SHIM – CHAIN GUIDE	4	371190–
27	254131	HOSE – HYD, 1/2 IN I.D., 6240 MM LG, METAL REIN.	1	371190–
28	254132	HOSE – HYD, 1/2 IN I.D., 6040 MM LG, METAL REIN.	1	371190–
29	135372	FITTING – 3/4 IN. HYD BULKHEAD 37 DEG. FLARE UNION	1	371190–
30	252942	CLAMP – INSULATED 1 IN.	6	371190–
31	145168	CHAIN – ROLLER 60	2	371190–
32	145983	VALVE – 2 POSITION SOLENOID OPERATED 4 WAY <sup>42</sup>	1	371190–
	132786	SEAL KIT		371190–
33	163585	STRAP – VELCRO, HANGING	4	371190–
34	165040	GUIDE – DECK SHIFT CHAIN	2	371190–
35	172899	GROMMET – 1.75 IN. I.D.	4	371190–
36	253741	SHIELD – HOSE C/W GRIP <sup>43</sup>	1	371190–
37	253740	STRIP – ANTI-SLIP	4	371190–

42. For service parts, refer to Section *19 Deck Shift – Valve*, page 49.

43. Includes anti-slip strips (MD #253740).

DRAPER DRIVE – HYDRAULIC DECK SHIFT, D125X (2020 AND LATER)

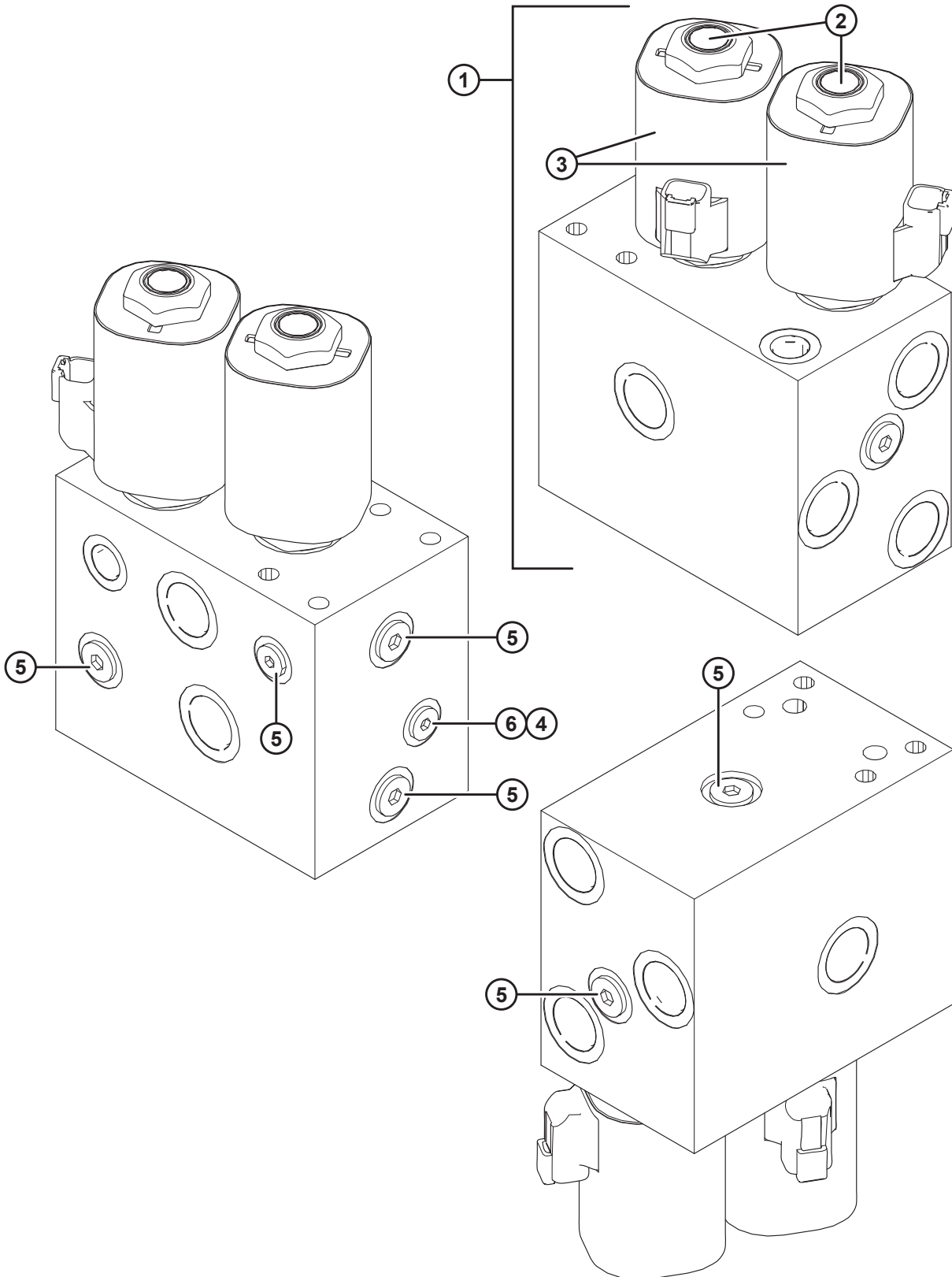


1031537

**DRAPER DRIVE – HYDRAULIC DECK SHIFT, D125X (2020 AND LATER)**

<b>Ref</b>	<b>Part Number</b>	<b>Description</b>	<b>Qty</b>	<b>Serial Number</b>
38	255344	HARNES – HYDRAULIC DECK SHIFT, D100	1	371190–
39	135443	FASTENER – CINCH STRAP 4 IN. LG	1	371190–
A	18637	WASHER – REG. LOCK 3/8 IN. NOM. I.D. ZP		
B	18664	NUT – HEX JAM 3/8-16 UNC GR 5 ZP		
C	20077	BOLT – HEX HD 3/8 NC X 1.0 LG GR 5 ZP		
D	21345	NUT – HEX JAM 5/8-11 UNC GR 5 ZP		
E	21455	NUT – FLG (SER FACE) 1/4 NC GR 5 ZP		
F	21863	BOLT – RHSSN 3/8 NC X 0.75 LG GR 5 ZP		
G	30228	NUT – FLANGE DT SMTH FACE 0.375-16 UNC		
H	30942	BOLT – HH 1/4 NC X 1.25 LG GR 5 ZP		
J	50225	NUT – FLANGE DT SMTH FACE .625-11 UNC		
K	101898	SCREW – HEX WASH HD THD ROLLING 3/8 NC X 5/8		
L	135295	SCREW – SET HEX SOC CUP PT 3/8 NC X 3/4 LG		
M	136043	BOLT – RHSN 5/8-11 X 1.75-GR 5-ZP		
N	135247	BOLT – SOCKET HEAD 5/16 NC X 5.5 LG GR 5 ZP		

# 19 Deck Shift – Valve



DECK SHIFT – VALVE

Ref	Part Number	Description	Qty	Serial Number
1	145983	VALVE – 2 POSITION SOLENOID OPERATED 4 WAY <sup>44</sup>	1	
	132786	SEAL KIT <sup>45</sup>	1	
2	132782	VALVE – 4-WAY CARTRIDGE	2	
3	132783	COIL – ELECTRIC	2	
4	132784	PLUG – ORIFICE, ORF1	1	
5	100577	PLUG – PORT, PLG6	5	
6	102711	PLUG – PORT, PLG4	2	

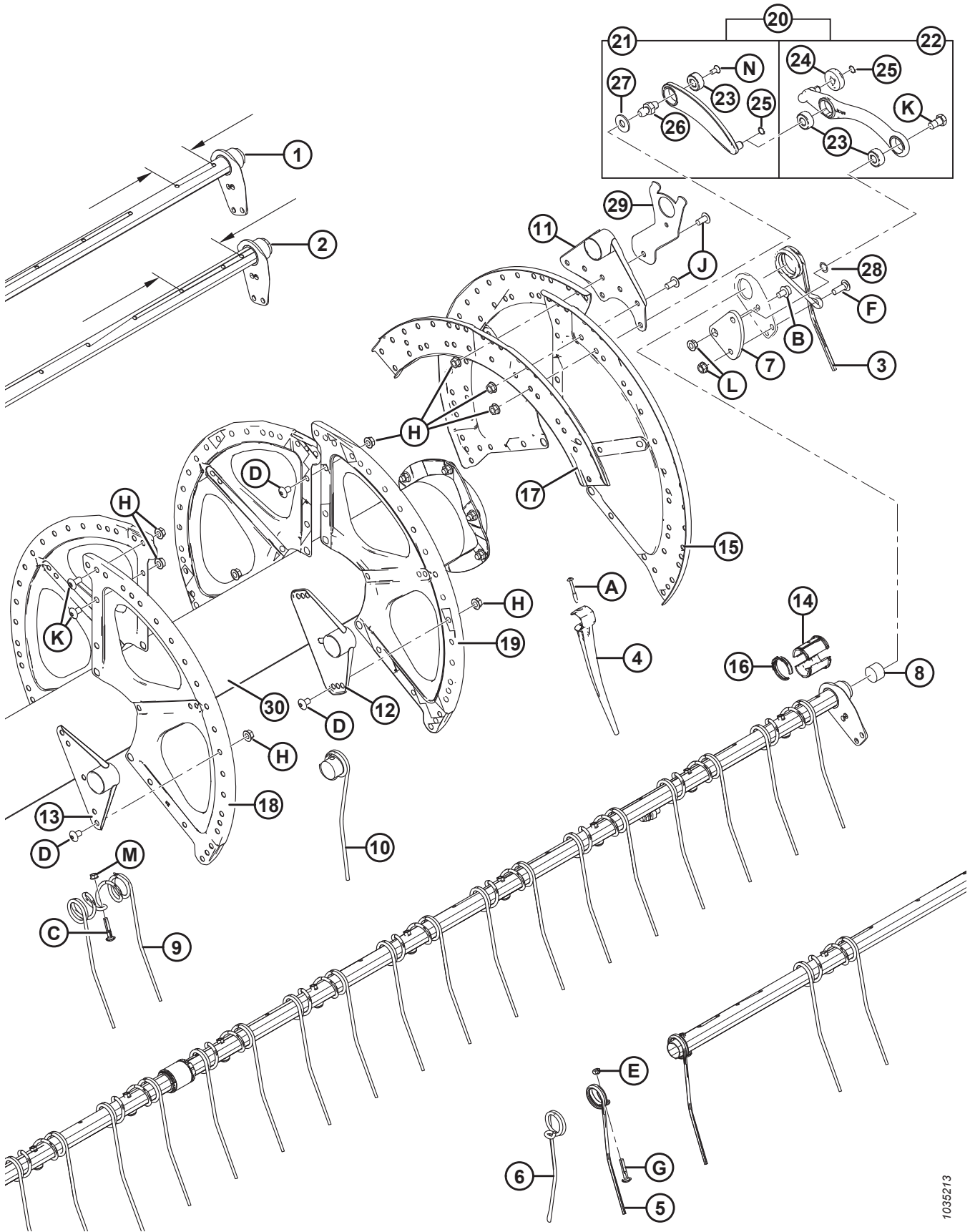
---

44. Includes seal kit (MD #132786), two valves (MD #132782), two electric coils (MD #132783), and plugs (MD #132782, 100577, 102711).

45. The seal kit services two cartridges.



# 20 Pick-Up Reel – Single-Reel Headers





**PICK-UP REEL – SINGLE-REEL HEADERS**

**IMPORTANT:**

Quantities for narrow (#1) and wide (#2) stagger tine tubes vary; Narrow stagger = 120 mm / Wide stagger = 196 mm. See illustration for measurement location.

Ref	Part Number	Description	Qty 6/9 Bat	Serial Number
	B6516	KIT – 15 FT TINE TUBE CONV, 6–9 BAT PLASTIC FINGERS <sup>46</sup>		
	B6514	KIT – 15 FT TINE TUBE CONV, 6–9 BAT STEEL FINGERS <sup>46</sup>		
	B6517	KIT – 20 FT TINE TUBE CONV, 6–9 BAT PLASTIC FINGERS <sup>46</sup>		
	B6515	KIT – 20 FT TINE TUBE CONV, 6–9 BAT STEEL FINGERS <sup>46</sup>		
	B5937	KIT – 25 FT TINE TUBE CONV, 6–9 BAT PLASTIC FINGERS <sup>46</sup>		
	B5656	KIT – 25 FT TINE TUBE CONV, 6–9 BAT STEEL FINGERS <sup>46</sup>		
1	137415	TINE TUBE – NARROW STAGGER (D115X HEADER) <sup>47</sup>		
	137568	TINE TUBE – NARROW STAGGER (D120X HEADER) <sup>48</sup>		
	137421	TINE TUBE – NARROW STAGGER (D125X HEADER) <sup>49</sup>		
2	137416	TINE TUBE – WIDE STAGGER (D115X HEADER) <sup>50</sup>		
	137569	TINE TUBE – WIDE STAGGER (D120X HEADER) <sup>51</sup>		
	137422	TINE TUBE – WIDE STAGGER (D125X HEADER) <sup>52</sup>		
3	245084	FINGER – CAM END	6/9	
4	174849	FINGER – PLASTIC HEAVY DUTY (10 PACK) <sup>53</sup>		
5	245083	FINGER – TAIL END	6/9	
6	137519	FINGER – SINGLE CONCENTRIC (LH) <sup>54</sup>	6/9	
7	137285	ARM – CRANK MACHINING	6/9	
8	137980	PLUG – TINE TUBE	12/18	
9	137092	FINGER <sup>55</sup>		
10	137754	FINGER – SINGLE CONCENTRIC (RH) <sup>56</sup>		
11	137506	ARM WELDT – CAM END	6/9	
12	137535	ARM WELDT <sup>57</sup>		
13	137543	ARM WELDT – TAIL END	6/9	
14	220939	BUSHING HALF – TINE TUBE (25 PACK) <sup>58</sup>		
15	137536	SECTOR – CAM END, 14 GA	3/3	

46. Kits available through Whole Goods only.

47. Quantities (6/9 Bat): D115X steel = 3/5, D115X plastic = 3/4.

48. Quantities (6/9 Bat): D120X steel = 3/5, D120X plastic = 3/4.

49. Quantities (6/9 Bat): D125X steel = 3/5, D125X plastic = 3/4.

50. Quantities (6/9 Bat): D115X steel = 3/4, D115X plastic = 3/5.

51. Quantities (6/9 Bat): D120X steel = 3/4, D120X plastic = 3/5.

52. Quantities (6/9 Bat): D125X steel = 3/4, D125X plastic = 3/5.

53. Quantities (6/9 Bat): D115X plastic = 168/252, D120X plastic = 231/348, D125X plastic = 297/444.

54. Steel-fingered reels only.

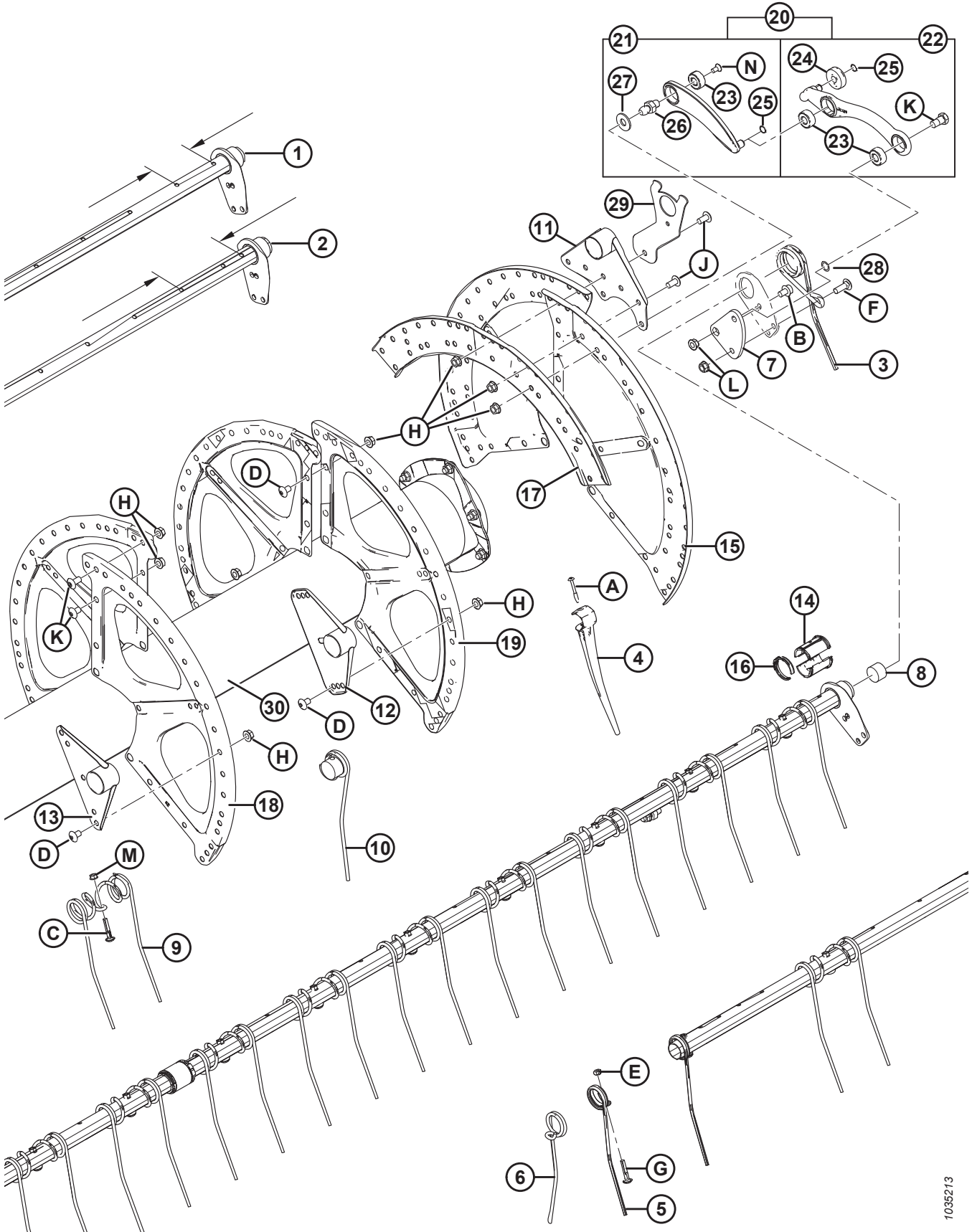
55. Quantities (6/9 Bat): D115X steel = 84/126, D120X steel = 111/167, D125X steel = 144/216.

56. Quantities (6/9 Bat): D115X steel = 3/4, D120X steel = 3/5, D125X steel = 9/12.

57. Quantities (6/9 Bat): D115X steel and plastic = 6/9, D120X steel and plastic = 12/18, D125X steel and plastic = 18/27.

58. Includes 25 tine tube bushings. Quantities (6/9 Bat): D115X steel and plastic = 36/54, D120X steel and plastic = 48/72, D125X steel and plastic = 60/90.

PICK-UP REEL – SINGLE-REEL HEADERS



1035213

**PICK-UP REEL – SINGLE-REEL HEADERS**

Ref	Part Number	Description	Qty 6/9 Bat	Serial Number
16	220941	CLAMP – TINE TUBE BUSH, CENTER RIB (5 PACK) <sup>59</sup>		
17	137532	CHANNEL – CAM DISC	3/3	
18	137142	SECTOR – 16 GA	3/3	
19	137277	SECTOR – 18 GA <sup>60</sup>		
20	304955	ARM – CAM CONTROL LINKAGE <sup>61</sup>	6/9	
21	311615	ARM – LINK ASSEMBLY <sup>62</sup>	6/9	
22	311617	ARM – TINE CONTROL ASSY <sup>63</sup>	6/9	
23	273347	BEARING	18/27	
24	273524	BEARING – CAM FOLLOWER	6/9	
25	273536	RING – RETAINING	6/9	
26	304954	STUD – LINK	6/9	
27	137699	WASHER – HARD ASTM F43614-400HV-AB2C (5 BAT ONLY)	5	
28	137529	SHIM – CRANK BEARING	6/9	
29	REF	SUPPORT – ENDSHIELD REEL <sup>64</sup>		
30	137910	CENTER TUBE – 15 FT, C/W REFLECTORS	1	
	137911	CENTER TUBE – 20 FT, C/W REFLECTORS	1	
	137909	CENTER TUBE – 25 FT, C/W REFLECTORS	1	
A	252687	SCREW – TORX, 48° DBL HELIX 1/4 x 2-1/4 ZP		
B	105066	BOLT – HH FLG (SER FACE) 1/2-NC X 0.75 GR 5 ZP		
C	137118	BOLT – BHRN 3/8 NC WITH RETAINER		
D	105135	SCREW – MACHINE		
E	18669	NUT – HEX LOCK DT 3/8-16 UNC ZP		
F	21469	BOLT – RHSN 1/2 NC X 1.5 LG GR 5 ZP		
G	137118	BOLT – ROUND HD 3/8 NC RIB NK NC		
H	50186	NUT – FLG LOCK SM FACE DT 0.500-13 UNC GR 5		
J	105136	SCREW – MACHINE		
K	105141	BOLT – LOCKING SHOULDER		
L	21383	NUT – FLANGE .500-13 UNC (SER FACE)		
M	30228	NUT – FLG DT SMOOTH FACE 0.375-16 UNC		
N	113420	BOLT – CSK TORX 3/8 NC X 3/4 LG		

59. Quantities (6/9 Bat): D115X steel and plastic = 18/27, D120X steel and plastic = 24/36, D125X steel and plastic = 30/45.

60. Quantities (6/9 Bat): D115X steel and plastic = 3/3, D120X steel and plastic = 6/6, D125X steel and plastic = 9/9.

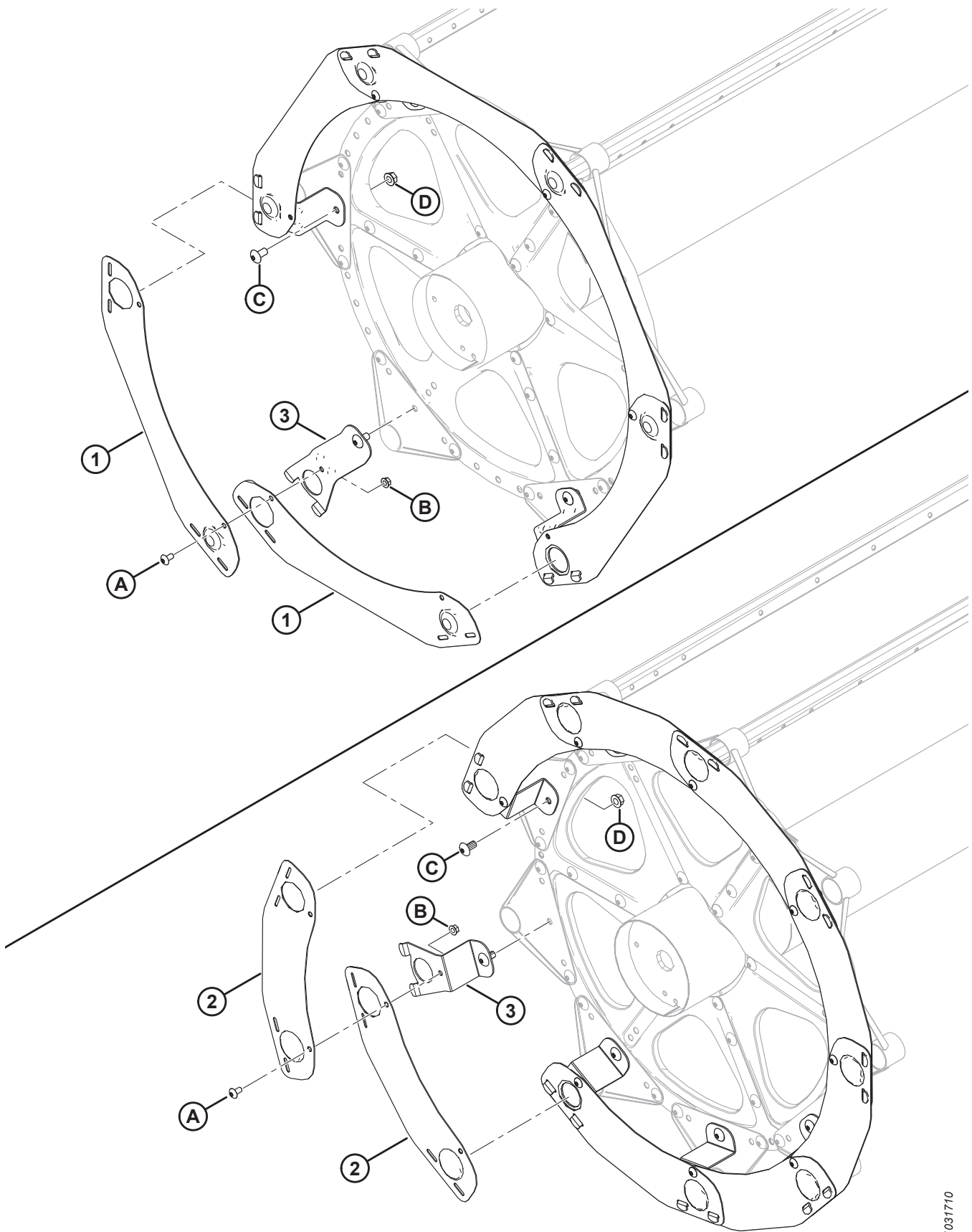
61. Includes tine control arm assembly (MD #311617) and link arm assembly (MD #311615).

62. Includes link arm (NSS), bearing (MD #273347), and retaining ring (MD #273536).

63. Includes tine control arm (NSS), two bearings (MD #273347), cam follower bearing (MD #273524), and retaining ring (MD #273536).

64. Refer to Section [21 Reel Endshield Components – Single Reel, Ends, page 55](#).

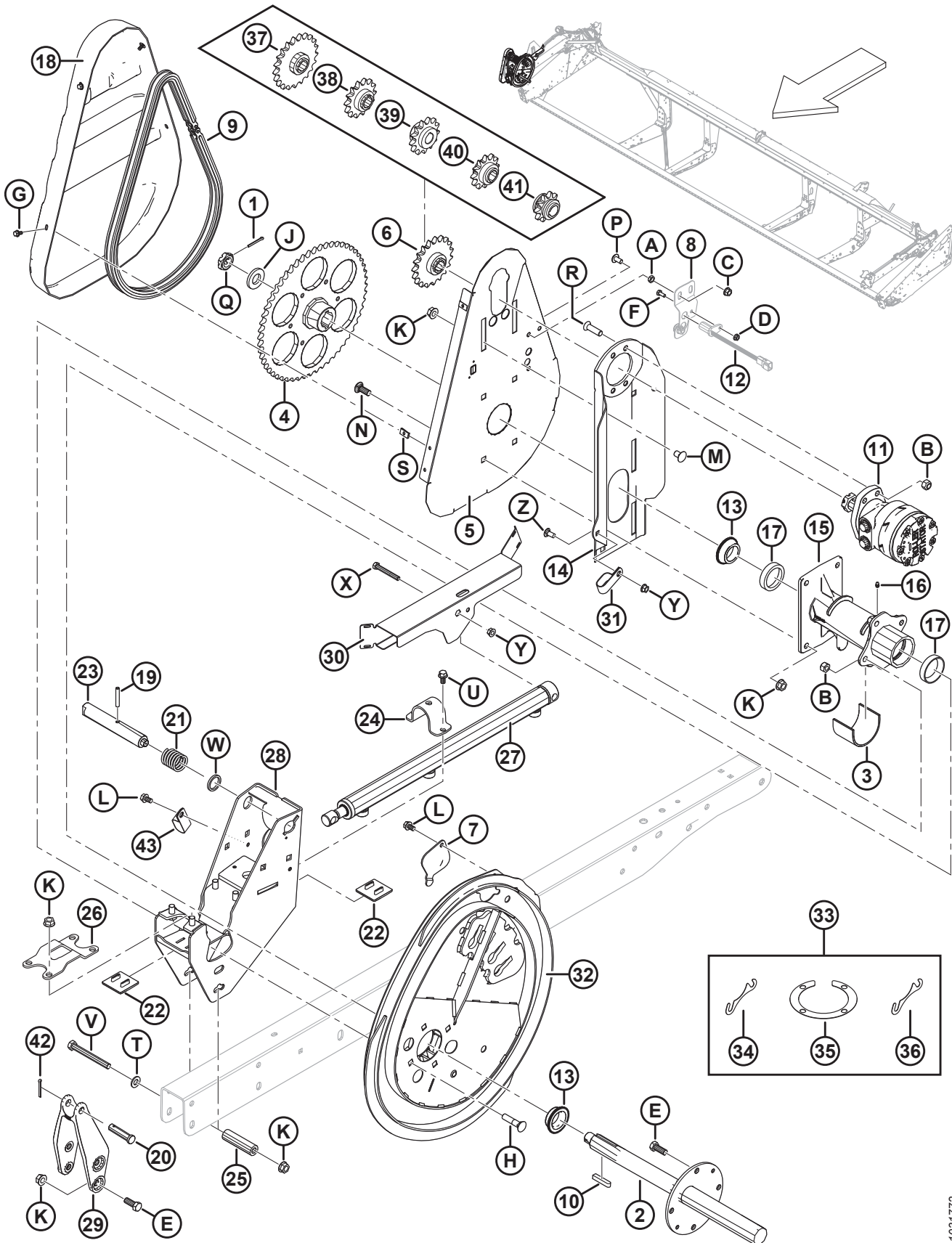
## 21 Reel Endshield Components – Single Reel, Ends



**REEL ENDSHIELD COMPONENTS – SINGLE REEL, ENDS**

<b>Ref</b>	<b>Part Number</b>	<b>Description</b>	<b>Qty 6/9 Bat</b>	<b>Serial Number</b>
1	164965	ENDSHIELD – 6 BAT SEGMENTED 5 SERIES	6/0	
2	164967	ENDSHIELD – 9 BAT SEGMENTED 5 SERIES	0/9	
3	164958	SUPPORT – ENDSHIELD REEL	6/9	
A	135157	SCREW – MACHINE		
B	30228	NUT – FLANGE DT SMOOTH FACE 0.375-16 UNC		
C	105136	SCREW – MACHINE		
D	50186	NUT – FLANGE LOCK SM FACE DT 0.500-13 UNC GR 5		

## 22 Reel Components – Single Reel, Right Arm



**REEL COMPONENTS – SINGLE REEL, RIGHT ARM**

Ref	Part Number	Description	Qty	Serial Number
1	18607	PIN – COTTER 5/32 DIA X 1.5 ZP	1	
2	137291	REEL DRIVE SHAFT	1	
3	137315	SLEEVE	1	
4	137347	SPROCKET – MACHINING 56 TOOTH, RC 60	1	
5	137352	SUPPORT – REEL DRIVE BACK PLATE	1	
6	137354	SPROCKET – RC 60, 19 TOOTH	1	
7	137476	COVER – CAM BEARING ACCESS	1	
8	REF	SUPPORT – SWATHER SPEED SENSOR <sup>65</sup>	1	
9	137515	CHAIN – RC-60, 76 PITCHES RIVETED, ENDLESS	1	
10	137721	KEY – REEL DRIVE SHAFT	2	
11	273258	MOTOR – HYD, 15.9 CU.IN. 506 SERIES <sup>66</sup>	1	
	273259	SEAL KIT, MOTOR MD #273258		
	137375	NUT – SLOTTED JAM 1.0-20 UNEF		
	273078	MOTOR – HYD-260 CC, HIGH CAPACITY BEARING <sup>67</sup>	OPT	
	311620	SEAL KIT, MOTOR MD #273078		
	137375	NUT – SLOTTED JAM 1.0-20 UNEF		
12	REF	SENDER – SPEED <sup>65</sup>	1	
13	164213	BEARING – CONE C/W SEAL	2	
14	164750	MOTOR MOUNT WELDT	1	
15	164817	REEL DRIVE HUB C/W BEARING CUPS	1	
16	18671	FITTING – LUBE 1/4-28 UNF	1	
17	164214	BEARING – CUP	2	
18	164955	COVER – REEL DRIVE	1	
19	16681	PIN – SPRING 5/16 DIA X 2.0 LG	1	
20	18725	PIN – CLEVIS	1	
21	137221	SPRING – COMPRESSION	1	
22	137626	PAD – REEL DRIVE WEAR	2	
23	164815	PIN – CAM LATCH	1	
24	164930	CLAMP – FORE AFT	1	
25	164945	SPACER	1	
26	164953	CLAMP – DRIVE HUB	1	
27	164933	CYLINDER – FORE AFT	1	
	113435	SEAL KIT		
28	279979	SUPPORT WELDT – RH CAM	1	
29	164887	CASTING – FORE AFT RH ARM	1	
30	123670	SHIELD – RH SINGLE	1	
31	103738	CLAMP – PVC INSULATED 13/16 IN. TUBE SIZE	1	
32	294634	CAM KIT <sup>68</sup>	1	

65. Refer to Section *32 M1 Series Windrower Electrical Completion, page 83*.

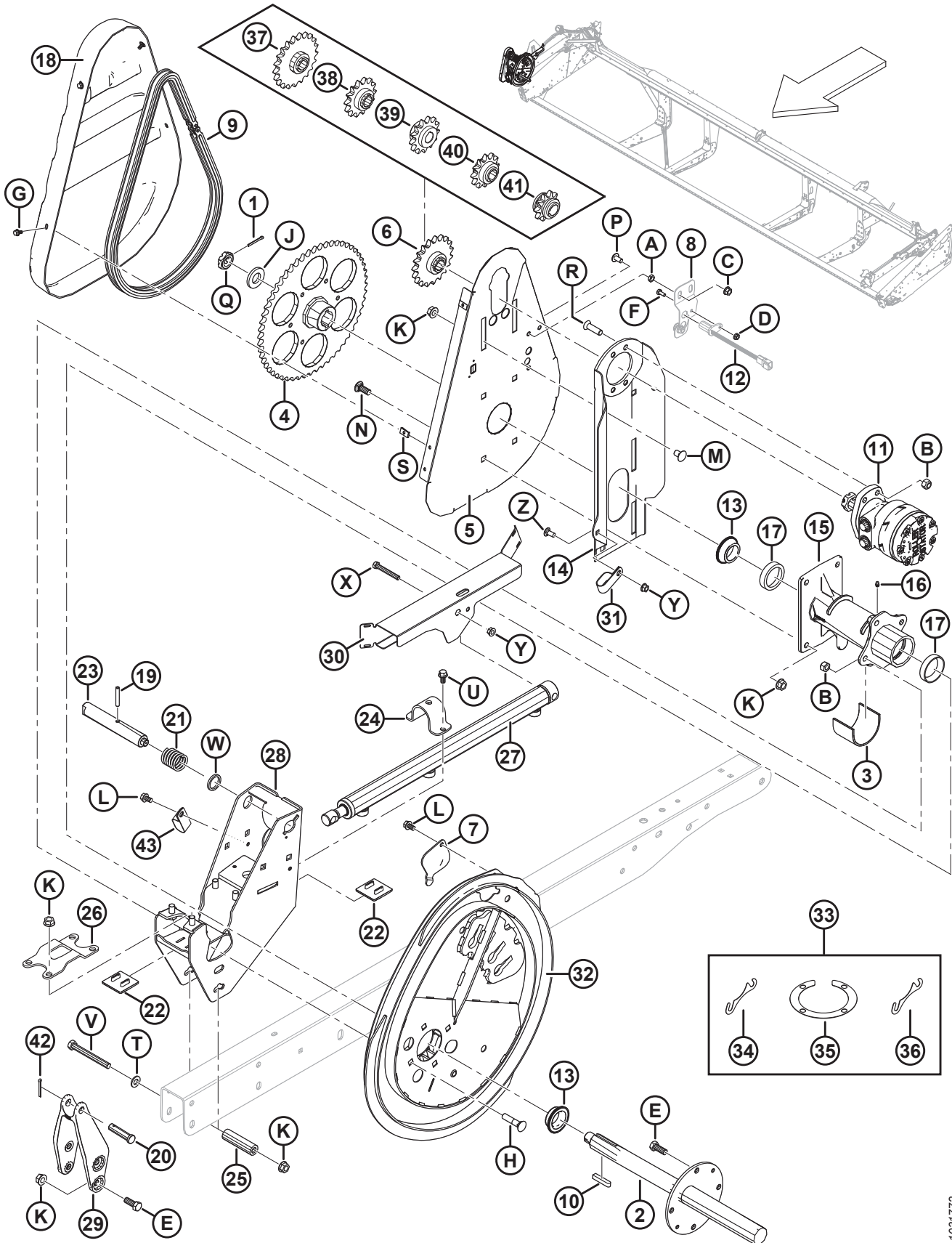
66. The motor is used for regular torque applications. A nut and key are supplied with motor (MD #273258). It is permissible to service the nut with slotted jam nut (MD #137375).

67. The motor is used for high torque applications (high capacity bearing). A nut and key are supplied with motor (MD #273078). It is permissible to service the nut with slotted jam nut (MD #137375).

68. Includes cam shim kit (MD #294631).



REEL COMPONENTS – SINGLE REEL, RIGHT ARM



1031772



**REEL COMPONENTS – SINGLE REEL, RIGHT ARM**

Ref	Part Number	Description	Qty	Serial Number
33	294631	KIT – CAM SHIM <sup>69</sup>	A/R	
34	137753	SHIM RING – 4 BOLT FLANGE	A/R	
35	164061	SHIM – HUB TO CAM	A/R	
36	245199	SHIM – HUB TO CAM	A/R	
37	137350	SPROCKET – 21 TOOTH, RC 60 <sup>70</sup>	OPT	
38	137356	SPROCKET – 14 TOOTH 3000 PSI (DOWN RICE ONLY) <sup>70</sup>	OPT	
39	164126	SPROCKET – 13 TOOTH, RC 60 <sup>70</sup>	OPT	
40	137970	SPROCKET – 12 TOOTH 2500 PSI (DOWN RICE ONLY) <sup>70</sup>	OPT	
41	137348	SPROCKET – 10 TOOTH 2000 PSI (DOWN RICE ONLY) <sup>70</sup>	OPT	
42	18648	PIN – COTTER 3/16 DIA X 1.25 ZP	1	
43	50022	CLAMP – INSULATED 15/16 INCH	1	
A	18664	NUT – HEX JAM 3/8-16 UNC GR 5 ZP		
B	18697	NUT – HEX LOCK DT .500-13 UNC		
C	21452	NUT – FLANGE (SER FACE) .375-16 UNC		
D	21455	NUT – FLG (SER FACE) 1/4 NC GR 5 ZP		
E	21491	BOLT – HH 1/2 NC X 1.25 LG GR 5 ZP		
F	21572	BOLT – HEX HD 1/4 NC X 1.25 LG GR 5 ZP		
G	21968	BOLT – HH FLG (SER FACE) 1/4 NC X 0.5 GR 5 ZP		
H	30027	BOLT – RHSN 1/2 NC X 2.25 LG GR 5 ZP		
J	31774	WASHER – FLAT		
K	50186	NUT – FLANGE LOCK SM FACE DT 0.500-13 UNC GR 5		
L	101898	SCREW – HEX WASH HD THD ROLLING 3/8 NC X 5/8		
M	105069	BOLT – RHSSN 1/2 NC X 0.75 GR 5 ZP		
N	114233	BOLT – RHSSN 1/2 NC X 1.25 GR 5 ZP		
P	135157	SCREW – MACHINE		
Q	137375	NUT – SLOTTED JAM 1.0 IN-20 UNEF-ZN PL		
R	137503	BOLT – CSK SOCK. 1/2 NC X 1.75 GR. 5 ZP		
S	137702	NUT – 1/4-20 SHEET METAL		
T	18599	WASHER – SAE FLAT 17/32 I.D. X 1-1/16 IN. O.D. ZP		
U	21821	BOLT – HH FLG (SER FACE) 3/8 NC X 0.75 GR 5 ZP		
V	30209	BOLT – HH 1/2 NC X 4.5 LG GR 5 ZP		
W	273304	WASHER – CAM LATCH		
X	30035	BOLT – HH 3/8 NC X 2.75 LG GR 5 ZP		
Y	30228	NUT – FLANGE DT SMOOTH FACE 0.375-16 UNC		
Z	21863	BOLT – RHSSN 3/8 NC X 0.75 LG GR 5 ZP		

69. Includes four shims (MD #164061), two shim rings (MD #137753), and shim (MD #245199).

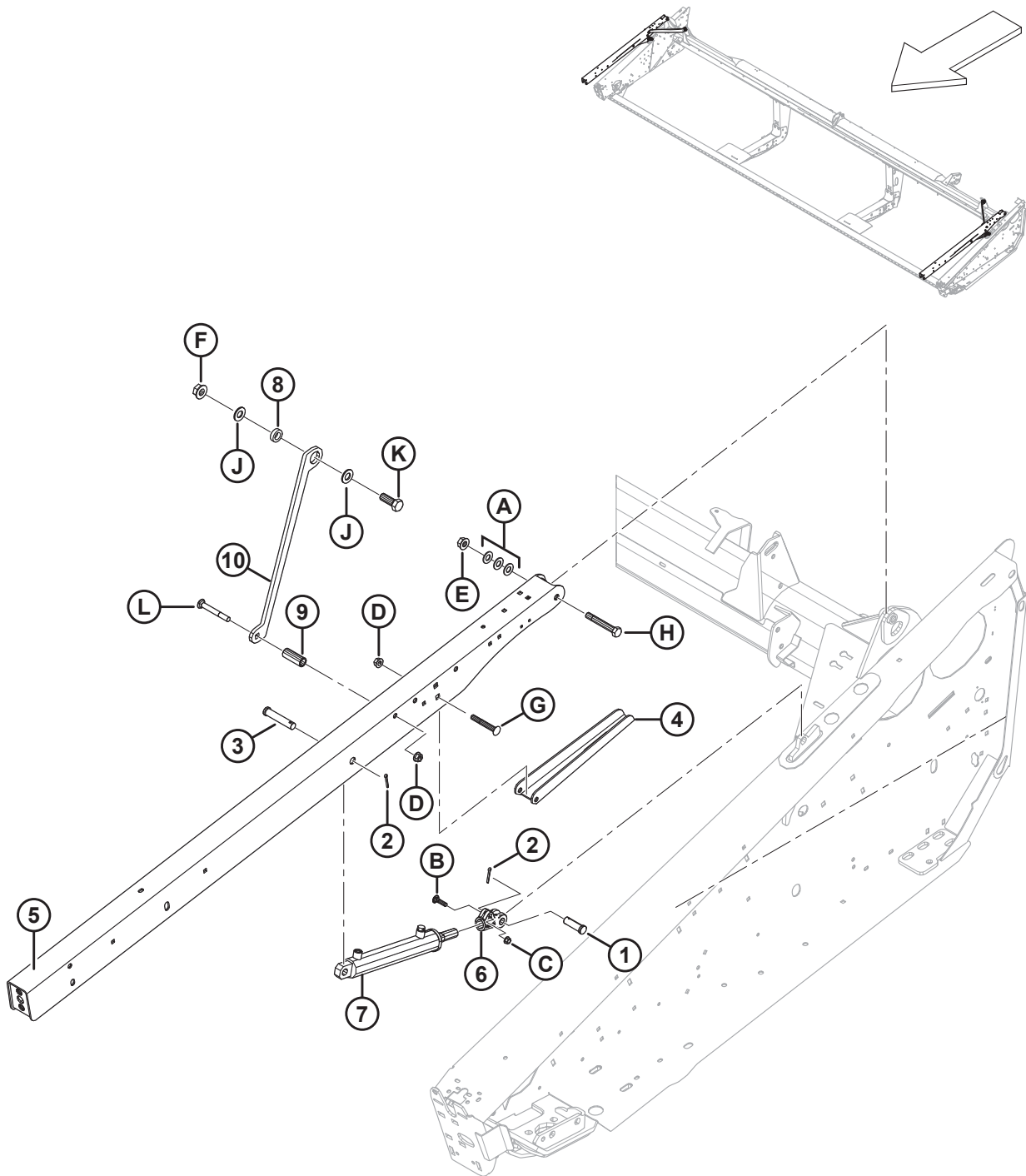
70. Used on high-torque, steel-fingered reels only. Required on combines that have low reel drive pressure.



**REEL COMPONENTS – SINGLE REEL, LEFT ARM**

<b>Ref</b>	<b>Part Number</b>	<b>Description</b>	<b>Qty</b>	<b>Serial Number</b>
1	18605	PIN – COTTER 1/8 DIA X 1 ZP	1	
2	18648	PIN – COTTER 3/16 DIA X 1.25 ZP	2	
3	18624	PIN – CLEVIS	1	
4	30520	CAP – DUST	1	
5	103879	PIN – CLEVIS	1	
6	105364	SHAFT – TAIL END	1	
7	137626	PAD – REEL DRIVE WEAR	4	
8	164216	BEARING – CONE C/W SEAL	2	
9	164780	SUPPORT – FORE/AFT LH ARM, INBOARD SIDE	1	
10	164781	SUPPORT – FORE/AFT LH ARM, OUTBOARD SIDE	1	
11	164945	SPACER	1	
12	164934	CYLINDER – FORE AFT	1	
	113435	SEAL KIT		
13	253290	SUPPORT – TAIL C/W CUPS	1	
14	18671	FITTING – LUBE 1/4-28 UNF	1	
15	164215	BEARING – CUP ROLLER	2	
A	5512	NUT – HEX SLOTTED .750-16 UNF ZN PL		
B	16235	WASHER – FLAT		
C	18599	WASHER – SAE FLAT 17/32 I.D. X 1-1/16 IN. O.D. ZP		
D	21491	BOLT – HH 1/2 NC X 1.25 LG GR 5 ZP		
E	21575	BOLT – HH 1/2 NC X 1.0 LG GR 5 ZP		
F	30209	BOLT – HH 1/2 NC X 4.5 LG GR 5 ZP		
G	50186	NUT – FLANGE LOCK SM FACE DT 0.500-13 UNC GR 5		
H	21589	BOLT – HH 1/2 NC X 4.0 LG GR 5 ZP		
J	18591	NUT – HEX 1/2-13 UNC GR 5 ZP		

## 24 Reel Support Arms and Lift Cylinders

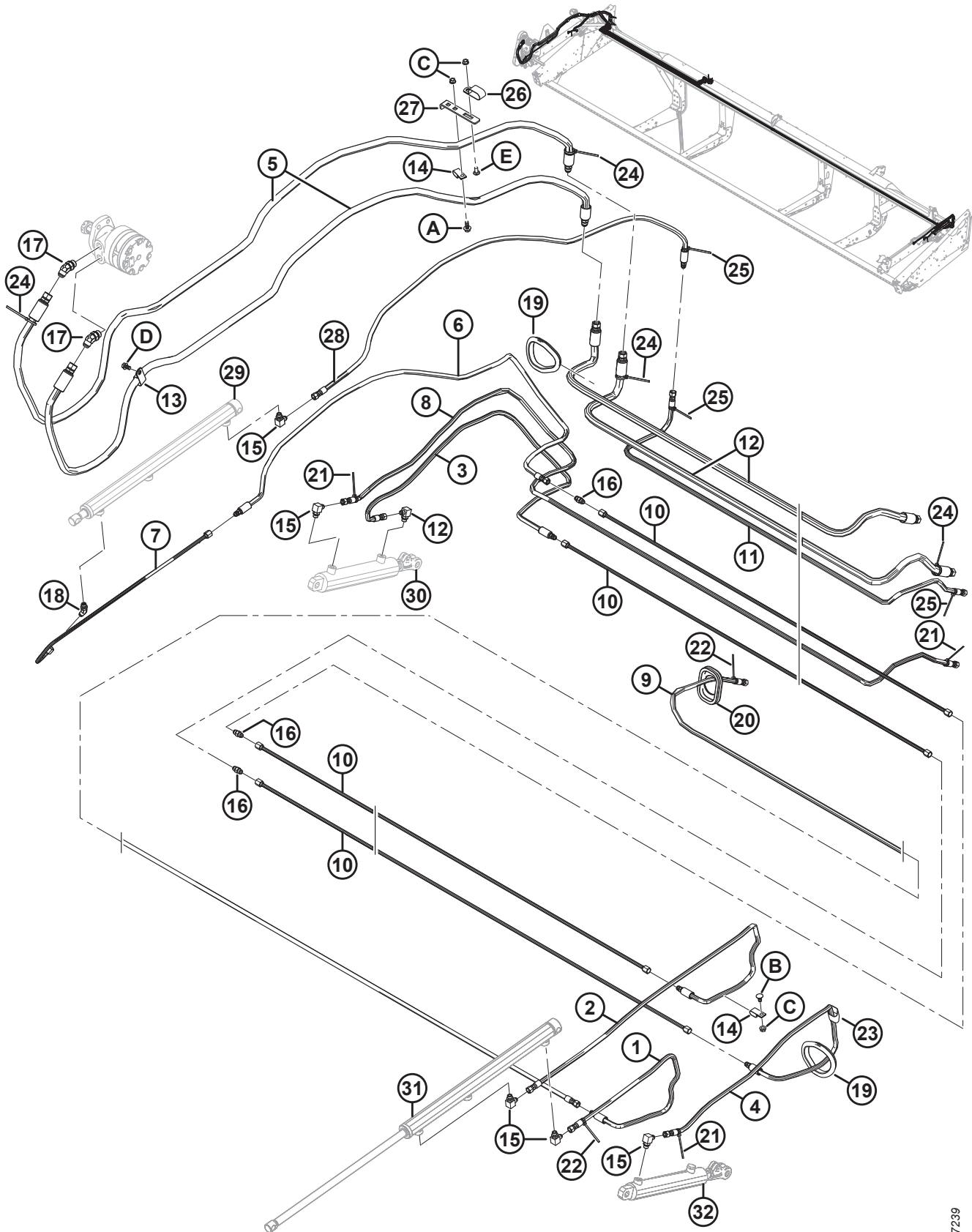


**REEL SUPPORT ARMS AND LIFT CYLINDERS**

<b>Ref</b>	<b>Part Number</b>	<b>Description</b>	<b>Qty</b>	<b>Serial Number</b>
1	18626	PIN – CLEVIS	2	
2	18648	PIN – COTTER 3/16 DIA X 1.25 ZP	4	
3	20312	PIN – CLEVIS	2	
4	125785	SUPPORT – REEL PROP <sup>71</sup>	2	-346189
	304222	SUPPORT – REEL PROP	2	346190-
5	255282	ARM – WELDT OUTER	2	
6	304314	CLEVIS	2	
7	245992	CYLINDER – LH HYDRAULIC	1	
	132474	SEAL KIT		
	245993	CYLINDER – RH HYDRAULIC	1	
	132475	SEAL KIT		
8	172158	SPACER – DIAGONAL BRACE	2	
9	174333	SPACER	2	
10	172155	BRACE – DIAGONAL	2	
A	18600	WASHER – SAE FLAT 21/32 I.D. X 1-5/16 IN. O.D. ZP		
B	21484	BOLT – RHSN 3/8-16 X 1.5-GR5-ZP		
C	30228	NUT – FLANGE DT SMOOTH FACE 0.375-16 UNC		
D	50186	NUT – FLANGE LOCK SM FACE DT 0.500-13 UNC GR 5		
E	50225	NUT – FLANGE DT SMOOTH FACE .625-11 UNC		
F	135367	NUT – FLANGE DT SMTH FACE 0.75-10 UNC GR. G		
G	151192	BOLT – RHSSN 1/2 NC X 3.5 LG GR 5 ZP		
H	172922	BOLT – HH 5/8 NC X 4.125 LG GR 5 ZP		
J	176009	WASHER – NORDLOCK 3/4 IN. SP		
K	30811	BOLT – HH 3/4 NC X 2.0 LG GR 8 ZP		
L	30824	BOLT – RHSN 1/2 NC X 4.0 LG GR 5 ZP		

71. Reel prop support MD #125785 superseded by MD #304222 for model year 2019. Use MD #125785 for model year 2018 and prior headers until stock is depleted, then use MD #304222.

## 25 Reel Drive Hydraulics – Lift and Fore-Aft – Single Reel



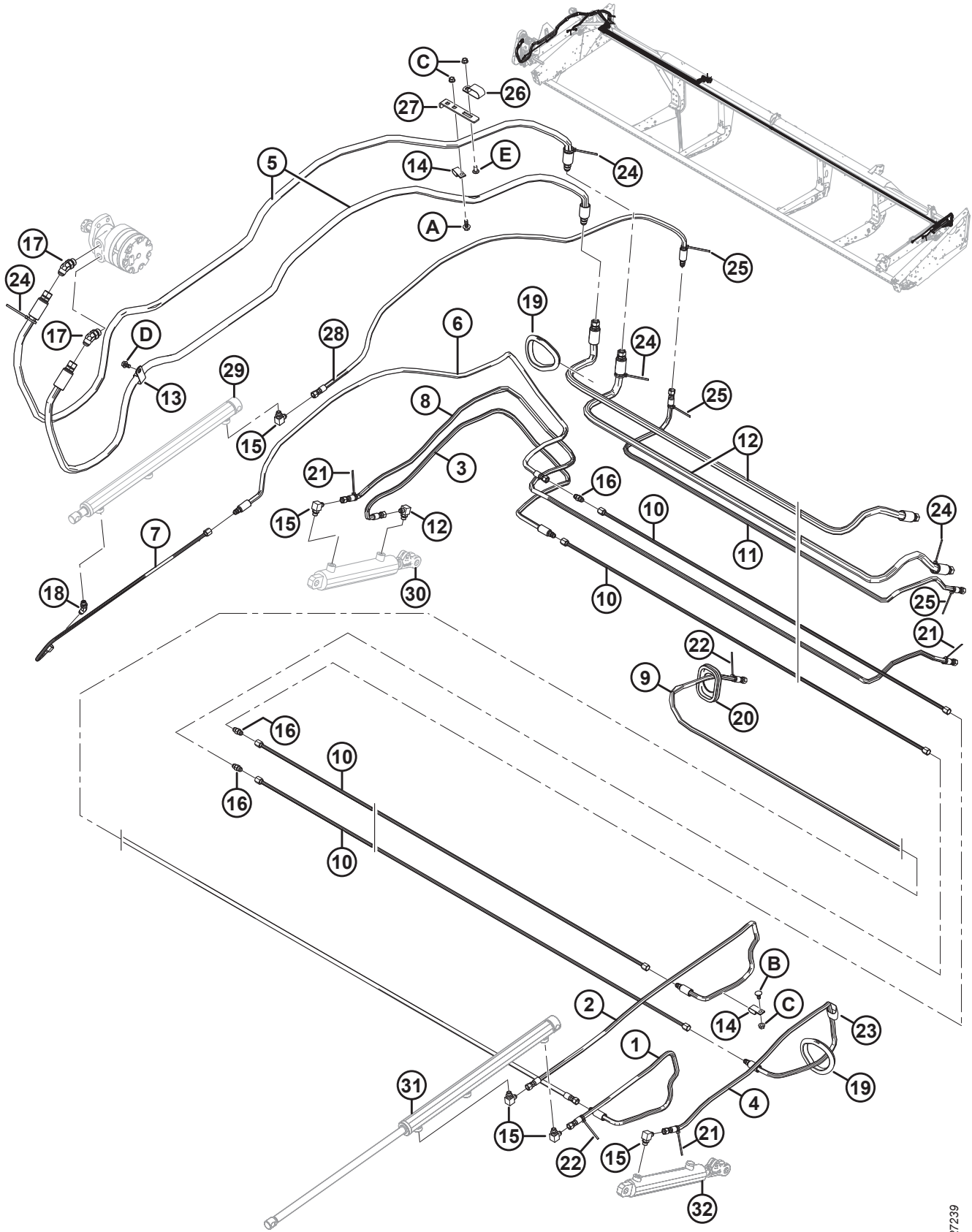
1027239

**REEL DRIVE HYDRAULICS – LIFT AND FORE-AFT – SINGLE REEL**

Ref	Part Number	Description	Qty	Serial Number
1	106708	HOSE – HYD, 0.25 IN. I.D., 970 MM LG	1	
2	132911	HOSE – HYD, 0.25 IN. I.D., 1700 MM LG	1	
3	220849	HOSE – HYD, 0.25 IN. I.D., 1480 MM LG	1	
4	220676	HOSE – HYD, 0.25 IN. I.D., 1300 MM LG	1	
5	220850	HOSE – HYD, 0.5 IN. I.D., 3100 MM LG (D115X ONLY)	2	
	172216	HOSE – HYD, 0.5 IN. I.D., 4138 MM LG (D120X ONLY)	2	
	172978	HOSE – HYD, 0.5 IN. I.D., 3000 MM LG (D125X ONLY)	2	
6	165267	HOSE – HYD, 0.25 IN. I.D., 1830 MM LG	1	
7	253815	LINE – HYD, 3/8 IN. DIA, BENT	1	
8	220861	HOSE – HYD, 0.25 IN. I.D., 1400 MM LG (D115X ONLY)	1	
	172220	HOSE – HYD, 0.25 IN. I.D., 2564 MM LG (D120X ONLY)	1	
	172221	HOSE – HYD, 0.25 IN. I.D., 3326 MM LG (D125X ONLY)	1	
9	172228	HOSE – HYD, 0.25 IN. I.D., 4500 MM LG (D115X ONLY)	1	
	172184	HOSE – HYD, 0.25 IN. I.D., 5261 MM LG (D120X ONLY)	1	
	172183	HOSE – HYD, 0.25 IN. I.D., 6023 MM LG (D125X ONLY)	1	
10	123677	LINE – HYD, 3/8 IN. DIA, 3950 MM LG (D115X ONLY)	2	
	123663	LINE – HYD, 3/8 IN. DIA, 5480 MM LG (D120X ONLY)	2	
	123676	LINE – HYD, 3/8 IN. DIA, 3500 MM LG (D125X ONLY)	4	
11	172986	HOSE – HYD, 0.25 IN. I.D., 1913 MM LG (D125X ONLY)	1	
12	172981	HOSE – HYD, 0.5 IN. I.D., 1900 MM LG (D125X ONLY)	2	
13	103738	CLAMP – PVC INSULATED 13/16 IN. TUBE SIZE	1	
14	135234	CLAMP – DOUBLE HOSE INSULATED	2	
15	30282	FITTING – ELBOW 90° HYD	5	
16	30375	FITTING – UNION HYD	3	
17	50103	FITTING – ELBOW 45° HYD C/W O-RING	2	
18	30284	FITTING – ELBOW 45° HYD C/W O-RING	1	
19	125722	GROMMET – RUBBER	2	
20	172877	GROMMET – 2.38 IN. I.D. (D120X ONLY)	1	
	172993	GROMMET (D125X ONLY)	1	
21	21763	FASTENER – CABLE TIE (BLACK)	3	
22	49227	FASTENER – CABLE TIE (GREEN)	2	
23	135443	FASTENER – CINCH STRAP 4 IN. LG	2	
24	40701	FASTENER – CABLE TIE, YELLOW (D125X ONLY)	4	
25	40702	FASTENER – CABLE TIE, RED (D125X ONLY)	3	
26	50022	CLAMP – INSULATED 15/16 INCH	1	
27	294607	BRACKET – HOSES	1	
28	31802	HOSE – HYD, 0.25 IN. I.D., 1820 MM LG (D115X ONLY)	1	
	174957	HOSE – HYD, 0.25 IN. I.D., 3168 MM LG (D120X ONLY)	1	
	165267	HOSE – HYD, 0.25 IN. I.D., 1830 MM LG (D125X ONLY)	1	
29	REF	CYLINDER – FORE AFT (RH) <sup>72</sup>		

72. Refer to Section [22 Reel Components – Single Reel, Right Arm, page 57](#).

REEL DRIVE HYDRAULICS – LIFT AND FORE-AFT – SINGLE REEL



1027239



**REEL DRIVE HYDRAULICS – LIFT AND FORE-AFT – SINGLE REEL**

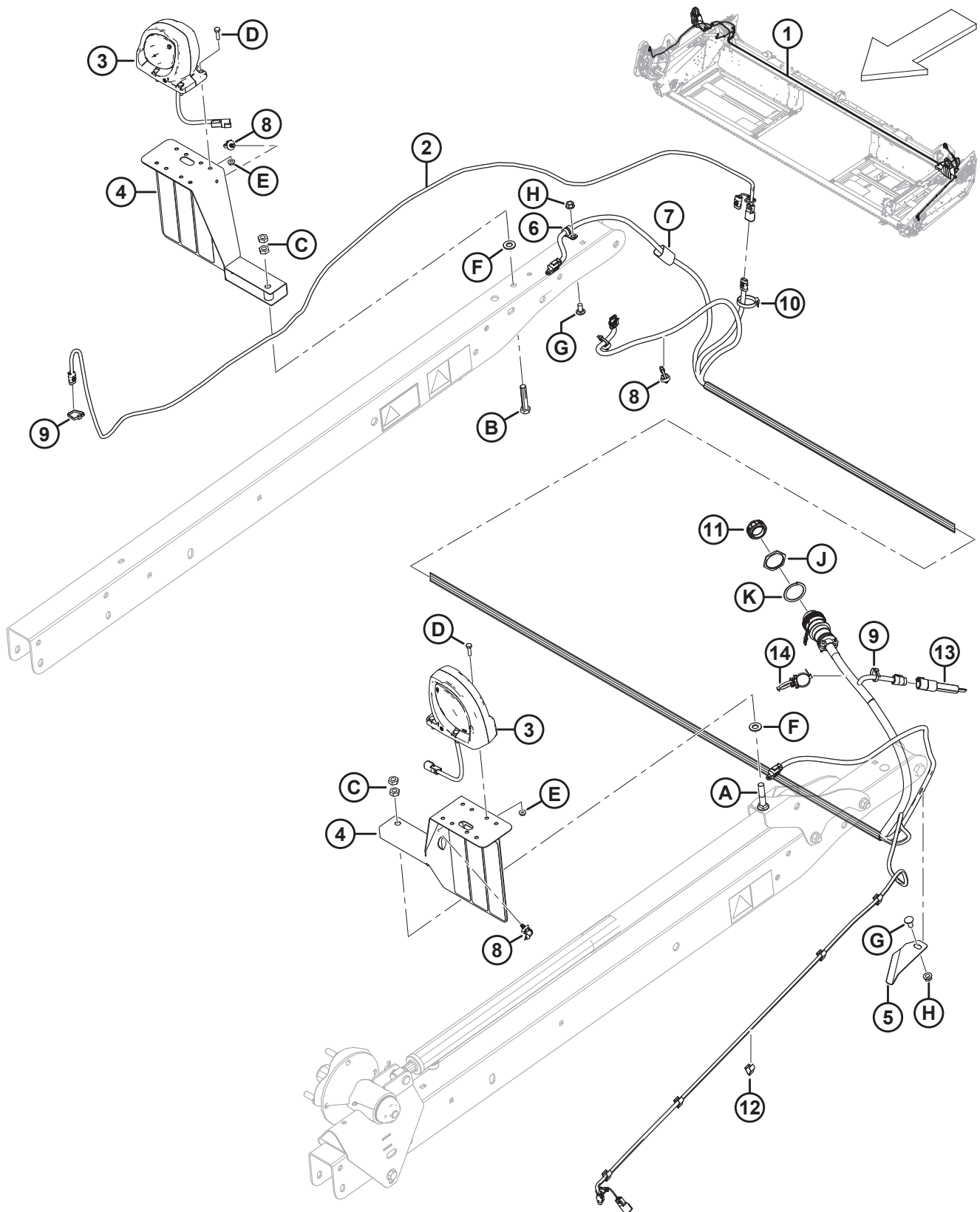
<b>Ref</b>	<b>Part Number</b>	<b>Description</b>	<b>Qty</b>	<b>Serial Number</b>
30	REF	CYLINDER – RH HYDRAULIC <sup>73</sup>		
31	REF	CYLINDER – FORE AFT (LH) <sup>74</sup>		
32	REF	CYLINDER – LH HYDRAULIC <sup>73</sup>		
A	21447	BOLT – HH LG FLG (SER FACE) 3/8 NC X 1.0 GR 5 ZP		
B	21472	BOLT – RHSN 3/8 NC X 0.75 GR 5 ZP		
C	30228	NUT – FLANGE DT SMOOTH FACE 0.375-16 UNC		
D	101898	SCREW – HEX WASH HD THD ROLLING 3/8 NC X 5/8		
E	21863	BOLT – RHSSN 3/8 NC X 0.75 LG GR 5 ZP		

---

73. Refer to Section *24 Reel Support Arms and Lift Cylinders*, page 63.

74. Refer to Section *23 Reel Components – Single Reel, Left Arm*, page 61.

## 26 Electrical – Harness and Lights



**ELECTRICAL – HARNESS AND LIGHTS**

**NOTE:**

For specific electrical harness parts, refer to Electrical Connector Parts Catalog (MD #169641).

Ref	Part Number	Description	Qty	Serial Number
1	304389	HARNESS – MAIN, D115	1	
	304390	HARNESS – MAIN, D120	1	
	304391	HARNESS – MAIN, D125	1	
2	255426	HARNESS – REEL EXT., D100	1	
3	203547	LAMP – CLEARANCE, DT CONNECTOR	1	
	139630	LENS – AMBER		
4	294874	ASSY – BRACKET W/ REFLECTORS (2018 AND LATER) <sup>75</sup>	2	321190–
	125343	BRACKET – HEADER LIGHT (2017 AND PRIOR)	2	–321189
5	172142	HOLDER – WIRING HARNESS	1	
6	136410	CLAMP – INSULATED 3/8 IN. (2019 AND PRIOR) <sup>76</sup>	1	–371189
7	135443	CINCH STRAP 4 IN. LG <sup>77</sup>		
8	136655	FASTENER – FIR TREE MT W/ TIE	2	
9	21763	FASTENER – CABLE TIE, 160 MM LG, BLACK <sup>78</sup>		
10	30753	FASTENER – CABLE TIE, 305 MM LG, BLACK <sup>79</sup>		
11	134948	DUST CAP – DEUTSCH, HDP 20	1	
12	21218	CLIP – WIRING	5	
13	254218	PLUG – HEADER ID (D115X AND D120X ONLY)	1	
	254220	PLUG – HEADER ID (D125X, DK ONLY)	1	
14	134442	SPACER – DUAL SWIVEL SADDLE (D115X ONLY)	1	
	134443	SPACER – DUAL SADDLE, H.T. TYPE DSW55 (D125X ONLY)	2	
A	21489	BOLT – RHSN 1/2 NC X 2.5 LG GR5 AA1J		
B	21760	BOLT – HEX HD 1/2-13 X 2.5 GR5 AA1J		
C	137727	NUT – HEX JAM DT 1/2-13 UNC GR5 AA1J		
D	21573	BOLT – HEX HD 1/4 NC X 1.0 LG GR 5 ZP		
E	21455	NUT – FLG (SER FACE) 1/4 NC GR 5 ZP		
F	18599	WASHER – SAE FLAT 17/32 I.D. X 1 1/16 IN. O.D. ZP		
G	21863	BOLT – RHSSN 3/8 NC X 0.75 LG GR 5 ZP		
H	30228	NUT – FLANGE DT SMOOTH FACE 0.375-16 UNC		
J	134010	NUT – PANEL, HD30, SIZE 24		
K	134011	WASHER – LOCK SPRING, DEUTSCH HD, SIZE 24		

75. Includes reflectors (MD #115145, 115146, and 115147).

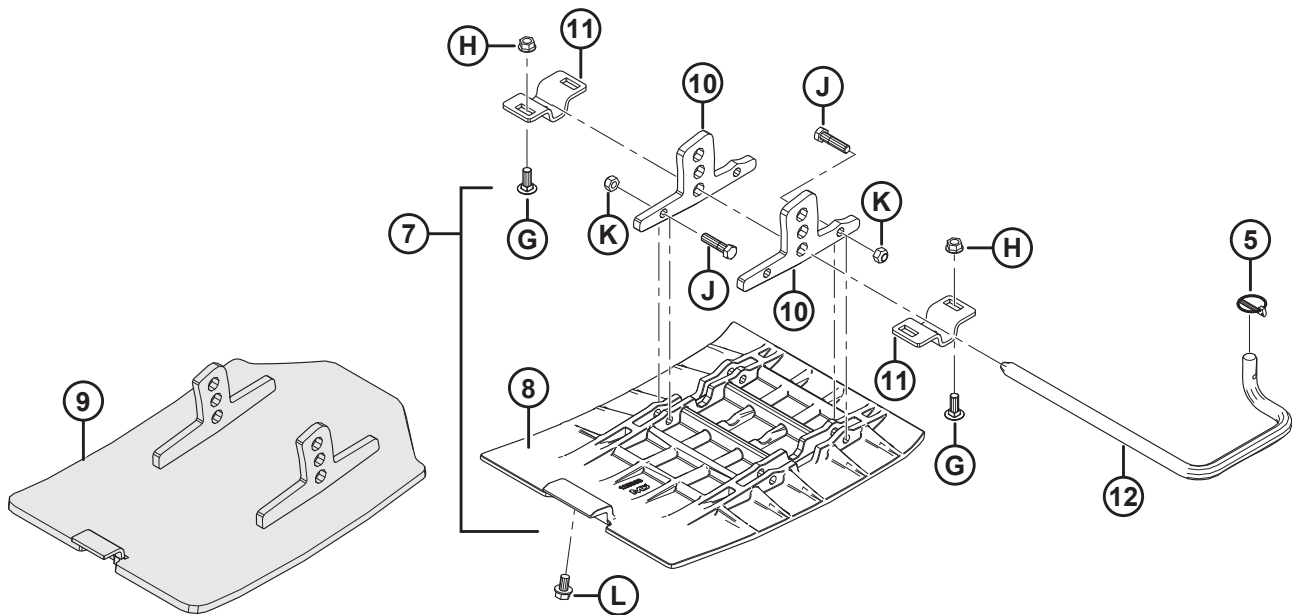
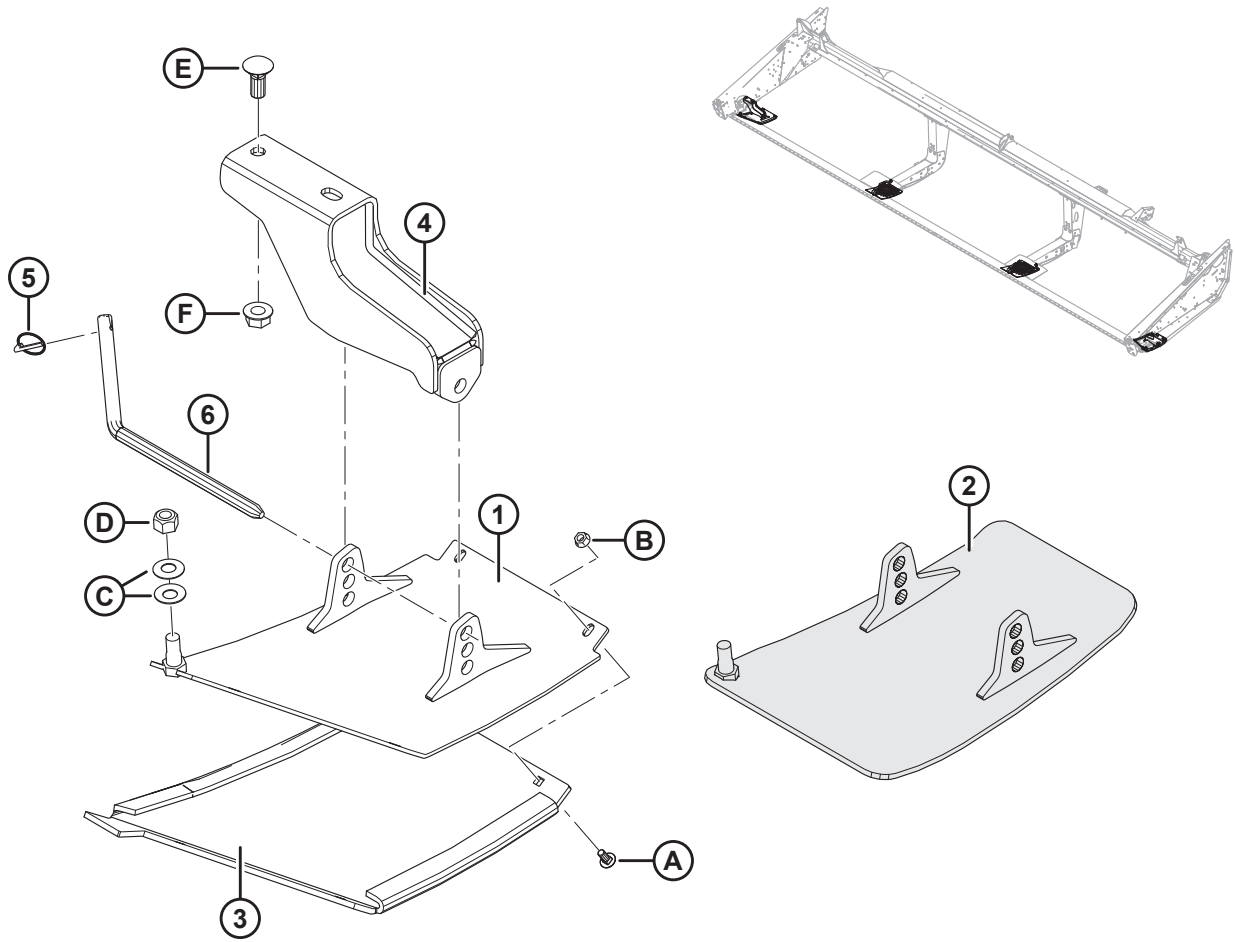
76. Clamp and hardware not present in model year 2020 and later.

77. Quantities: D115X–D120X = 1, D125X = 2.

78. Quantities: D115X = 2, D120X and D125X = 3.

79. Quantities: D115X = 3, D120X = 1, and D125X = 5.

# 27 Skid Shoes – End and Center



1037429

**SKID SHOES – END AND CENTER**

Ref	Part Number	Description	Qty	Serial Number
	B4963	KIT – OUTBOARD SKID SHOES (POLYETHYLENE) <sup>80</sup>	1	
	B5615	KIT – INBOARD SKID SHOES (POLYETHYLENE) <sup>80</sup>	2	
	B9053	KIT – SKID SHOES (STEEL) <sup>80</sup>	1	
1	172133	SHOE – LH, WELDT (POLYETHYLENE ONLY)	1	
	172134	SHOE – RH, WELDT (POLYETHYLENE ONLY)	1	
2	313875	SHOE – LH, WELDT (STEEL ONLY)	1	
	313873	SHOE – RH, WELDT (STEEL ONLY)	1	
3	165188	SHOE – LH PLASTIC WEAR (POLYETHYLENE ONLY)	1	
	165386	SHOE – RH PLASTIC WEAR (POLYETHYLENE ONLY)	1	
4	165727	SUPPORT – OUTER SHOE WELDT	2	
5	50193	PIN – LYNCH	6	
6	165722	ROD – ENGAGING	2	
7	245396	KIT – SHOE CENTER <sup>81</sup>	2	
	245397	KIT – SHOE CENTER HARDWARE <sup>82</sup>	A/R	
8	125393	SHOE – CENTER (POLYETHYLENE ONLY)	2	
9	335608	SHOE – WELDT, CENTER (STEEL ONLY)	2	
10	NSS	LUG (POLYETHYLENE ONLY) <sup>83</sup>	4	
11	165429	BRACKET – SHOE SUPPORT	4	
12	165168	ROD – ENGAGING LH	1	
	165588	ROD – ENGAGING RH	1	
A	21281	BOLT – RHSN 5/16 NC X 0.75 GR 5 ZP		
B	21403	NUT – FLG (SER FACE) 5/16 NC GR 5 ZP		
C	135448	WASHER – BELLEVILLE		
D	18666	NUT – HEX LOCK DT 5/8-11 UNC ZP		
E	18523	BOLT – RHSN 5/8 NC X 1.5 GR 5 ZP		
F	50225	NUT – FLANGE DT SMOOTH FACE .625-11 UNC		
G	19965	BOLT – RHSN 3/8 NC X 1.0 GR 5 ZP		
H	30228	NUT – FLANGE DT SMOOTH FACE 0.375-16 UNC		
J	21561	BOLT – HH 3/8 NC X 1.5 LG GR 5 ZP		
K	18669	NUT – HEX LOCK DT 3/8-16 UNC ZP		
L	101898	SCREW – HEX WASH HD THD ROLLING 3/8 NC X 5/8		

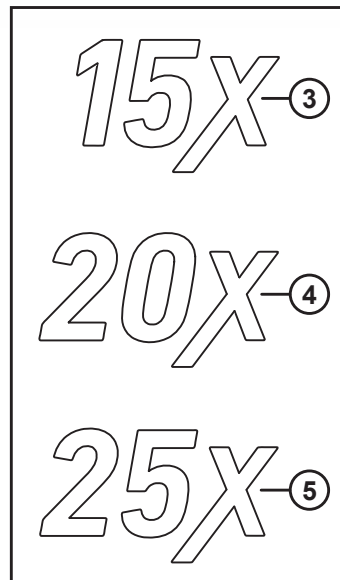
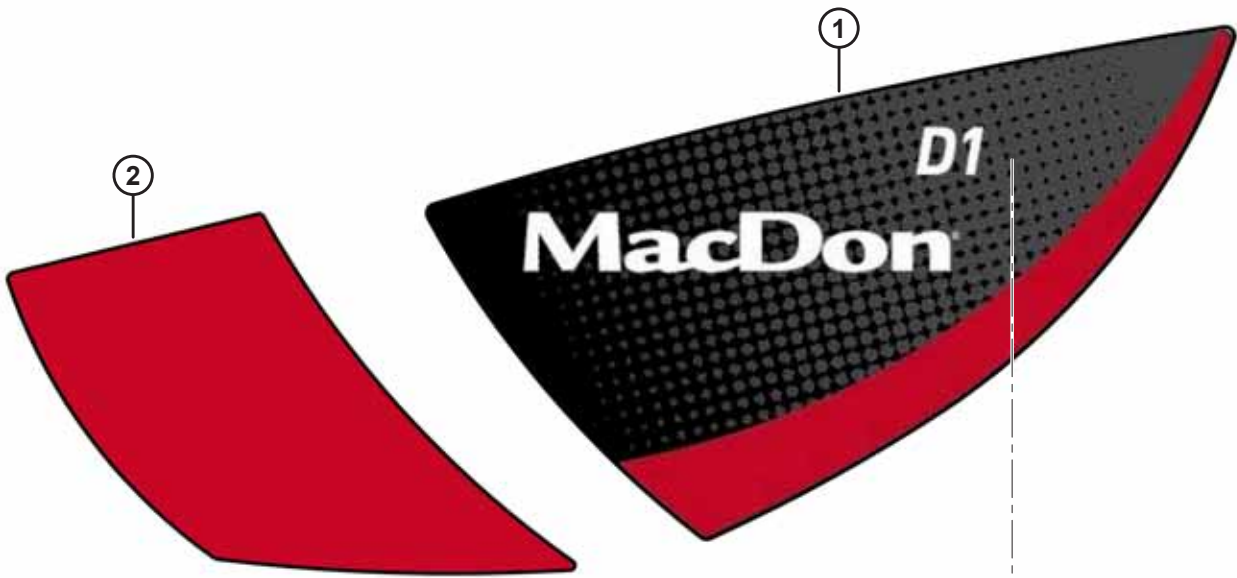
80. Kits available through Whole Goods only.

81. Includes shoe (MD #125393), two lugs (not sold separately), and hardware (MD #21561, 18669).

82. Includes two lugs (not sold separately), and hardware (MD #21561, 18669).

83. Not sold separately; to service this part, order shoe center hardware kit (MD #245397).

## 28 Decals – Product Identification



**DECALS – PRODUCT IDENTIFICATION**

<b>Ref</b>	<b>Part Number</b>	<b>Description</b>	<b>Qty</b>	<b>Serial Number</b>
1	304126	DECAL – D1 LH RED ACCENT		
	304127	DECAL – D1 RH RED ACCENT		
2	255014	DECAL – LH FRONT, RED		
	255021	DECAL – RH FRONT, RED		
3	304145	DECAL – “15X”		
4	304146	DECAL – “20X”		
5	304147	DECAL – “25X”		

# 29 Decals – Information and Reflectors



1



2



8



9



15



16



20



21



25



30



32



3



4



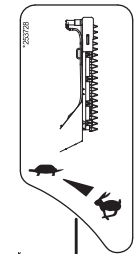
5



10



11



12



17



18



22

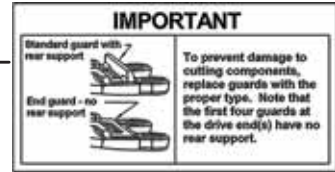


23



19

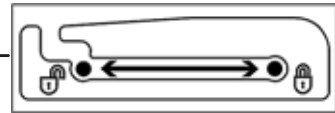
24



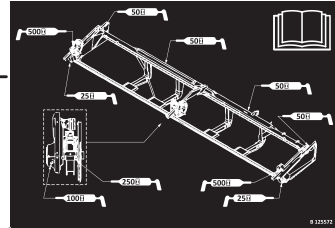
6



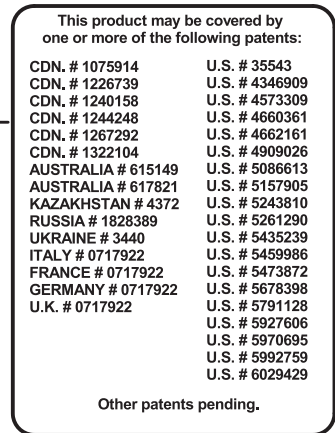
7



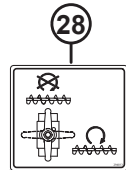
13



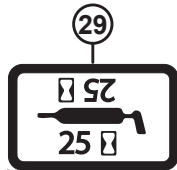
14



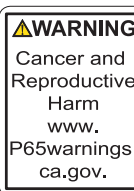
19



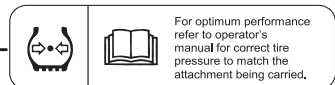
28



29



27



31



33

10-40656



**DECALS – INFORMATION AND REFLECTORS**

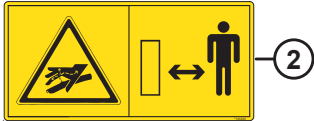
<b>Ref</b>	<b>Part Number</b>	<b>Description</b>	<b>Qty</b>	<b>Serial Number</b>
1	174632	DECAL – REEL ENTANGLEMENT		
2	166466	DECAL – HIGH PRESSURE FLUID		
3	113482	DECAL – GENERAL HAZARD		
4	174436	DECAL – HIGH PRESSURE FLUID		
5	220799	DECAL – TRANSPORT HITCH PIN, 2 PANEL		
6	129313	DECAL – IMPORTANT: GUARDS		
7	220084	DECAL – DRAPER TENSION, LH		
	279528	DECAL – DRAPER TENSION, RH		
8	184372	DECAL – READ MANUAL		
9	131391	DECAL – HEADER HAZARD		
10	184422	DECAL – PINCH POINT EU		
11	174684	DECAL – VERTICAL KNIFE		
12	253728	DECAL – VERTICAL KNIFE HYD		
13	220236	DECAL – REEL PROP LOCK		
14	125572	DECAL – GREASE, DK		
	125571	DECAL – GREASE, SK		
	220673	DECAL – GREASE, UDK		
15	131392	DECAL – REEL HAZARD		
16	<b>335965</b>	<b>DECAL – REEL HAZARD</b>		<b>451190–</b>
	131393	DECAL – REEL HAZARD		<b>–451189</b>
17	109843	DECAL – GENERAL CAUTION PIN, 2 PANEL		
18	193034	DECAL – TRANSPORT GAUGE WHEEL SETTING		
19	32070	DECAL – PATENT NUMBER		
20	220797	DECAL – WARNING		
21	220798	DECAL – WARNING		
22	245476	DECAL – TIMING BELT TENSION, LH		
23	245477	DECAL – TIMING BELT TENSION, RH		
24	304865	DECAL – NO LIFT		
25	279085	DECAL – WARNING, AUGER		
26	220577	DECAL – IMPORTANT		
27	302204	DECAL – CA PROPOSITION 65		
28	294813	DECAL – UPPER CROSS AUGER VALVE		
29	23164	DECAL – 25 HR LUBE		
	23165	DECAL – 50 HR LUBE		
30	158217	DECAL – REEL POSITION		
31	111221	DECAL – TIRE PRESSURE		
32	132852	REFLECTOR – AMBER, 638 MM LG <sup>84</sup>		

84. For use on reel center tube.

DECALS – INFORMATION AND REFLECTORS



1



2



8



9



15



16



20



21



25



3



4



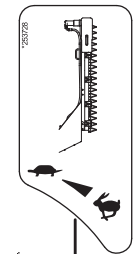
5



10



11



12



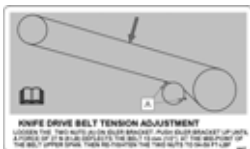
17



18



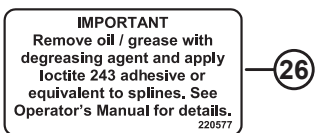
22



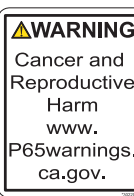
23



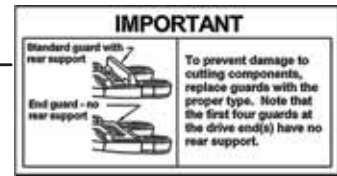
24



26



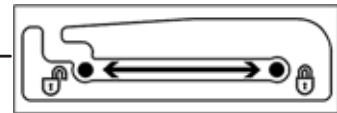
27



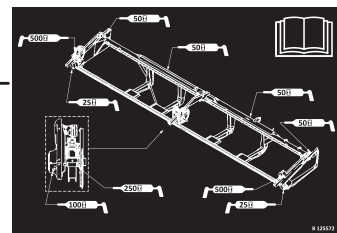
6



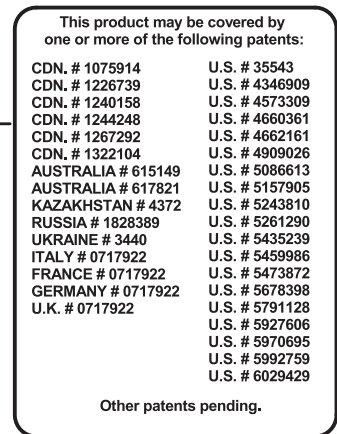
7



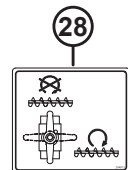
13



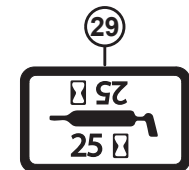
14



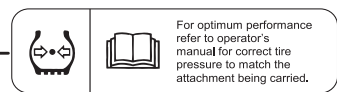
19



28



29



31



30



32



33

1040556

**DECALS – INFORMATION AND REFLECTORS**

<b>Ref</b>	<b>Part Number</b>	<b>Description</b>	<b>Qty</b>	<b>Serial Number</b>
33	115145	REFLECTOR – FLUOR. RED-ORANGE, 230 MM <sup>85</sup>		
	115146	REFLECTOR – AMBER, 230 MM <sup>85</sup>		
	115147	REFLECTOR – RED, 230 MM <sup>85</sup>		
	165524	REFLECTOR – RED, 230 MM <sup>86</sup>		
	172948	REFLECTOR – DOUBLE RED AND RED-ORANGE		

---

85. Reflector with square corners. For use on metal surfaces.

86. Reflector with round corners. For use on plastic surfaces.

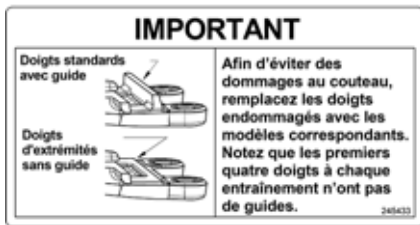
# 30 Decals – French



1



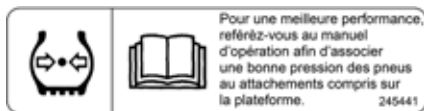
2



3



5



4

**DECALS – FRENCH**

<b>Ref</b>	<b>Part Number</b>	<b>Description</b>	<b>Qty</b>	<b>Serial Number</b>
1	245428	DECAL – LH DRAPER TENSION, FRENCH		
2	245432	DECAL – RH DRAPER TENSION, FRENCH		
3	245433	DECAL – IMPORTANT: GUARDS, FRENCH		
4	245441	DECAL – TIRE PRESSURE, FRENCH		
5	245443	DECAL – GAUGE WHEEL SETTING, FRENCH		

# 31 Paint

**PREPARATION: WARNING!** Removal of old paint by sanding, scraping or other means may generate dust or fumes that contain lead. Exposure to lead dust or fumes may cause brain damage or other adverse health effects, especially in children or pregnant women. Controlling exposure to lead or other hazardous substances requires the use of proper protective equipment, such as a properly fitted respirator (NIOSH Approved) and proper containment and clean up. For more information, call the National Lead Information Center at 1-800-424-LEAD (in US) or contact your local health authority.

Surface must be free of grease, rust, dirt and wax. Mask off or protect other areas from overspray. Product should be sprayed in a well-ventilated area. Use at room temperature 21 °C (70 °F) for best operation.

**FOR BEST RESULTS:** Shake until ball inside can rattle. Roll can at top, and swing bottom of can in a circle for at least 2 minutes, making ball travel around bottom groove. Shake up and down occasionally. Repeat shaking procedure for 10 seconds after each minute of spraying. Press spray button firmly, with the can 15-25 cm (6-10 inches) from surface. Apply several thin coats. To prevent dripping, clear the valve by holding can upside-down, and spray until only clear gas comes out.

Made in Canada / Fabriqué au Canada  
For / Pour  
**MACDON INDUSTRIES LTD**  
WINNIPEG, MANITOBA

**CANADA: CONSUMER CHEMICALS AND CONTAINERS REGULATIONS (CCCR)**

**CONTENTS MAY CATCH FIRE - CONTAINER MAY EXPLODE IF HEATED - MAY IRRITATE EYES - MAY IRRITATE SKIN**  
Do not smoke. Do not puncture or incinerate container. Do not breathe fumes. Do not swallow. Do not get on skin or clothing. Use only in a well-ventilated area. Keep away from flames, such as a pilot light, and any object that sparks, such as an electric motor. Stay away from heat. Keep out of reach of children.

**FIRST AID TREATMENT:** Contains Xylène; 1,2,4-Trinitrobenzène; Methyl ethyl ketone; Ethylbenzène. If breathed in, move person to fresh air. If swallowed, call a Poison Control Centre or doctor immediately. Do not induce vomiting. If in eyes, rinse with water for 15 minutes. If on skin, rinse well with water.

**USA: CONSUMER PRODUCT SAFETY COMMISSION REGULATIONS (CPSC)**

**CONTENTS MAY CATCH FIRE - CONTAINER MAY EXPLODE IF HEATED - HARMFUL IF ABSORBED THROUGH SKIN - HARMFUL IF HEAT IS SWALLOWED - CAUSES RESPIRATORY TRACT, EYE AND SKIN IRRITATION - MAY CAUSE SEVERE ALLERGIC RESPIRATORY AND SKIN REACTION - CANCER HAZARD - CAN CAUSE CANCER, DEVELOPMENTAL TOXICITY/TERATOGENIC EFFECTS.**

**WARNING:** This product contains a chemical known to the State of California to cause cancer and birth defects or other reproductive harm. In a fire or if heated, a pressure increase will occur and the container may burst or explode. Can enter lungs and cause damage. Risk of cancer depends on duration and level of exposure. Contains material which can cause birth defects. Contains material which can cause developmental abnormalities. Do not puncture or incinerate container. Do not expose to heat or store at temperatures above 120°F. Use only with adequate ventilation. Do not breathe vapor or mist. Do not swallow. Do not get on skin or clothing. Avoid contact with eyes. Keep container tightly closed and sealed until ready for use. Wash thoroughly after handling. Avoid exposure during pregnancy. Keep out of reach of children.

**FIRST AID TREATMENT:** Contains Xylène; 1,2,4-Trinitrobenzène; Methyl ethyl ketone; Ethylbenzène. If breathed in, move person to fresh air. If swallowed, call a Poison Control Centre or doctor immediately. Do not induce vomiting. If in eyes, rinse with water for 15 minutes. If on skin, rinse well with water.

**PREPARATION: MISE EN GARDE!** Enlèvement des anciennes peintures par ponçage, décapage ou toute autre méthode risque de dégager des poussières ou des vapeurs contenant du plomb. L'exposition à ces poussières ou vapeurs peut entraîner un dysfonctionnement du cerveau ou d'autres effets néfastes sur la santé, surtout chez les femmes enceintes et les enfants. L'utilisation d'équipement de protection approprié, tel qu'un appareil respiratoire bien ajusté et homologué par le NIOSH, ainsi que des moyens de confinement adéquats et un nettoyage soigneux de ces substances dangereuses. Pour obtenir plus de renseignements, communiquez avec le National Lead Information Center au 1-800-424-5123 (aux É.U.) ou avec le service local de santé publique.

Le surface doit être exempte de graisse, de rouille, de saleté et de cire. Masquer ou protéger les surfaces avoisinantes pour les protéger des suraspersions. Le produit doit être vaporisé dans un endroit bien aéré. Pour optimiser les résultats, utiliser à température ambiante 21 °C (70 °F).

**POUR DES RÉSULTATS OPTIMUM:** Agiter le contenu jusqu'à ce que la bille de mélange bouge librement. Ensuite, rouler la canette par le haut et en agiter le fond pendant au moins 2 minutes en faisant des mouvements circulaires pour que la bille se déplace autour du fond de la canette. Agiter de haut en bas de temps à autre. Agiter pendant 10 secondes pour chaque minute de vaporisation. Presser fermement sur le bouton de vaporisation en tenant la canette à 15-25 cm (6-10 pouces) de la surface. Appliquer plusieurs couches minces. Pour empêcher le gicler de substance, le nettoyer en tenant la canette à l'envers et en pressant sur le bouton de vaporisation jusqu'à ce qu'il n'y ait plus que du gaz incandescent. Tableau des produits conformes à la réglementation sur les COP de votre région.

**CANADA: RÉGLEMENT SUR LES PRODUITS CHIMIQUES ET LES CONTENANTS DE CONSOMMATION (RPGCC)**

**LE CONTENU PEUT S'ENFLAMMER - CE CONTENANT PEUT EXPLOSER S'IL EST CHAUFFÉ - PEUT IRRITER LES YEUX - PEUT IRRITER LA PEAU**  
Ne pas fumer. Ne pas perfore. Ne pas brûler le contenant. Ne pas engorger les évents. Ne pas avaler. Éviter tout contact avec les yeux. Éviter tout contact avec la peau ou les vêtements. Éviter que dans un endroit bien aéré. Tenir les flammes, telle une flamme pilote, et de tout objet produisant des étincelles, tel un moteur électrique. Conserver loin des sources de chaleur. Tenir hors de portée des enfants.

**PREMIERS SOINS:** Contient Xylène; 1,2,4-Trinitrobenzène; Méthyléthylcétone; Éthylbenzène. En cas d'inhalation, transporter à l'air frais la personne exposée. En cas d'ingestion, appeler immédiatement un centre antipoison ou un médecin. Ne pas provoquer le vomissement. En cas de contact avec les yeux, rincer avec de l'eau pendant 15 minutes. En cas de contact avec la peau, bien rincer avec de l'eau.

## MacDon Performance Parts

### Industrial Touch Up Paint Peinture de retouche industrielle



**DANGER!**

**FLAMMABLE - CONTENTS UNDER PRESSURE  
INFLAMMABLE - CONTENU SOUS PRESSION**



Part number / Numéro de pièce

Net weight with paint 12 oz / 340 g  
Poids net avec peinture

1

2

Read and understand all safety instructions before using this product.

Lire et comprendre toutes les consignes de sécurité avant d'utiliser ce produit.

Made in Canada / Fabriqué au Canada  
For / Pour  
**MACDON INDUSTRIES LTD**  
WINNIPEG, MANITOBA

**CANADA: CONSUMER CHEMICALS AND CONTAINERS REGULATIONS (CCCR)**

**CONTENTS MAY CATCH FIRE - CONTAINER MAY EXPLODE IF HEATED - MAY IRRITATE EYES - MAY IRRITATE SKIN**  
Do not smoke. Do not puncture or incinerate container. Do not breathe fumes. Do not swallow. Do not get on skin or clothing. Use only in a well-ventilated area. Keep away from flames, such as a pilot light, and any object that sparks, such as an electric motor. Stay away from heat. Keep out of reach of children.

**FIRST AID TREATMENT:** Contains Xylène; 1,2,4-Trinitrobenzène; Methyl ethyl ketone; Ethylbenzène. If breathed in, move person to fresh air. If swallowed, call a Poison Control Centre or doctor immediately. Do not induce vomiting. If in eyes, rinse with water for 15 minutes. If on skin, rinse well with water.

**USA: CONSUMER PRODUCT SAFETY COMMISSION REGULATIONS (CPSC)**

**FLAMMABLE LIQUID AND VAPOR. HARMFUL IF ABSORBED THROUGH SKIN. HARMFUL IF HEAT IS SWALLOWED. CAUSES RESPIRATORY TRACT, EYE AND SKIN IRRITATION. MAY CAUSE SEVERE ALLERGIC RESPIRATORY AND SKIN REACTION. CANCER HAZARD - CAN CAUSE CANCER, DEVELOPMENTAL TOXICITY/TERATOGENIC EFFECTS.**

**WARNING:** This product contains a chemical known to the State of California to cause cancer and birth defects or other reproductive harm. Can enter lungs and cause damage. Risk of cancer depends on duration and level of exposure. Contains material which can cause birth defects. Contains material which can cause developmental abnormalities. Do not puncture or incinerate container. Do not expose to heat or store at temperatures above 120°F. Use only with adequate ventilation. Do not breathe vapor or mist. Do not swallow. Do not get on skin or clothing. Avoid contact with eyes. Keep container tightly closed and sealed until ready for use. Wash thoroughly after handling. Avoid exposure during pregnancy. Keep out of reach of children.

**FIRST AID TREATMENT:** Contains Xylène; 1,2,4-Trinitrobenzène; Methyl ethyl ketone; Ethylbenzène. If breathed in, move person to fresh air. If swallowed, call a Poison Control Centre or doctor immediately. Do not induce vomiting. If in eyes, rinse with water for 15 minutes. If on skin, rinse well with water.

## MacDon Performance Parts

### Industrial Paint / Peinture industrielle



**DANGER!**  
**FLAMMABLE / INFLAMMABLE**

One US quart

Part number / Numéro de pièce

946 ml

**DIRECTIONS FOR USE**  
THIS PRODUCT IS READY TO USE. NO MIXING IS REQUIRED.

**APPLICATION**  
Spray material at 40 to 55 PSI (2.7 to 3.8 MPa).

**USING A PRIMER IS NOT NECESSARY WITH THIS PRODUCT.**  
Spray medium wet coat, allow to tack and follow with full wet coat.

**FOR VOC REGULATED AREAS**  
These directions refer to the use of products which may be restricted or require special mixing instructions in VOC regulated areas. Follow mixing and usage recommendations in the VOC Compliance Products Chart for your area.

**MODE D'EMPLOI**  
CE PRODUIT EST PRÊT À L'UTILISATION, AUCUN MÉLANGE N'EST REQUIS.

**APPLICATION**  
Pulvériser à une pression de 40 à 55 lb/po (2,7 à 3,8 MPa).

**L'UTILISATION D'UN APPRÊT N'EST PAS NÉCESSAIRE AVEC CE PRODUIT.**  
Appliquez une couche moyennement chargée, laissez sécher jusqu'à ce qu'elle devienne mate, puis appliquez une couche chargée.

**RÉGLEMENTATION SUR LES COP**  
Ces directives concernent l'utilisation de produits pouvant être réglementés en vertu de la législation sur les COP. Suivez les recommandations de mélange et d'usage indiquées dans le tableau des produits conformes à la réglementation sur les COP de votre région.

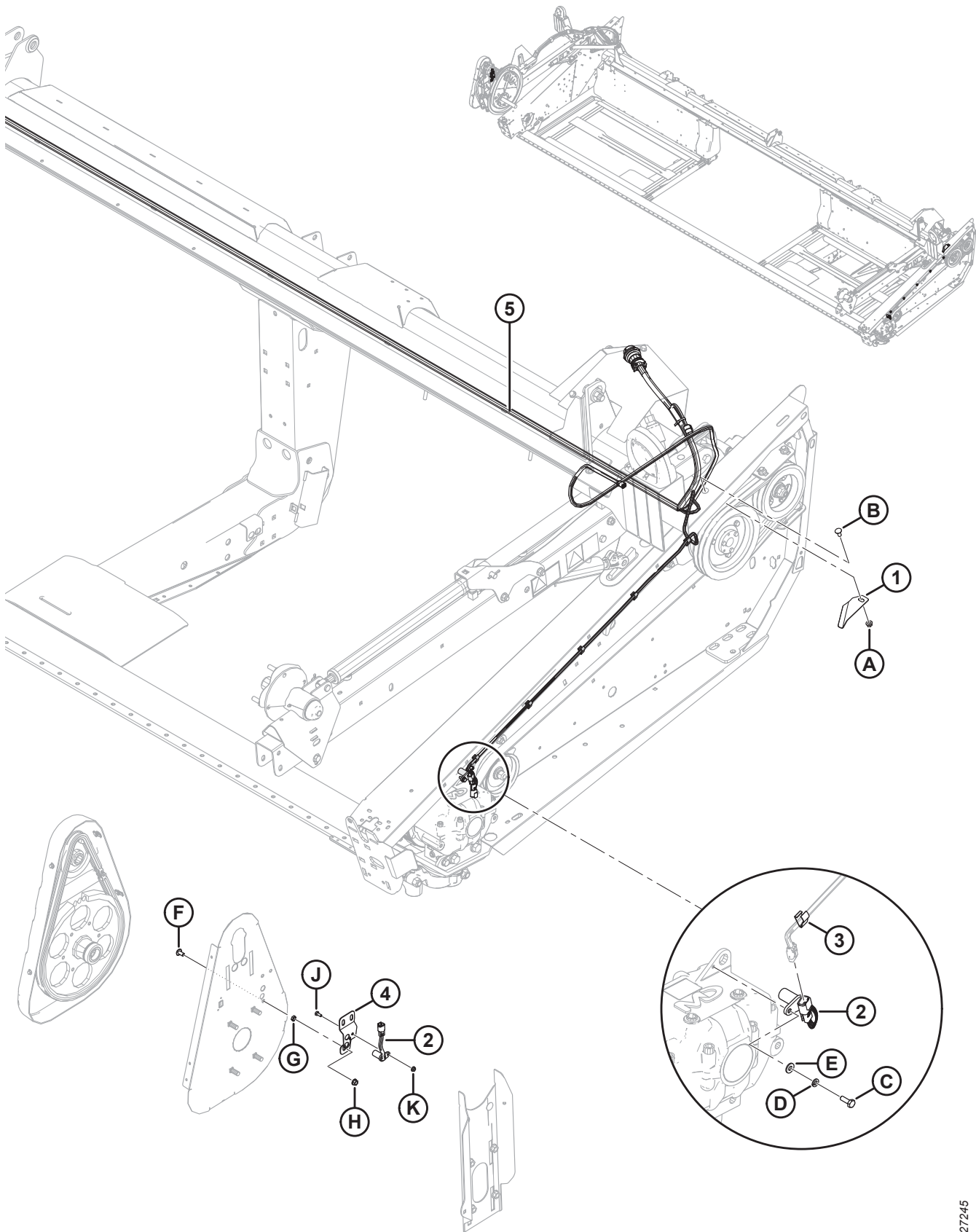
**PAINT**

<b>Ref</b>	<b>Part Number</b>	<b>Description</b>	<b>Qty</b>	<b>Serial Number</b>
1	135148	PAINT – BLACK (55-65 GLOSS LEVEL), SPRAY CAN, 12 OZ. (340 G) AEROSOL <sup>87</sup>		
	32879	PAINT – WHITE, SPRAY CAN, 12 OZ. (340 G) AEROSOL <sup>87</sup>		
	23950	PAINT – RED, SPRAY CAN, 12 OZ. (340 G) AEROSOL <sup>87</sup>		
2	25991	PAINT – BLACK (55-65 GLOSS LEVEL), 1 US QUART (946 ML)		
	23957	PAINT – WHITE, 1 US QUART (946 ML)		
	32880	PAINT – RED, 1 US QUART (946 ML)		

---

87. To be used for small touch-ups only.

# 32 M1 Series Windrower Electrical Completion





**M1 SERIES WINDROWER ELECTRICAL COMPLETION**

<b>Ref</b>	<b>Part Number</b>	<b>Description</b>	<b>Qty</b>	<b>Serial Number</b>
1	172142	HOLDER – WIRING HARNESS	1	
2	143875	SENDER – SPEED	2	
3	21218	CLIP – WIRING	5	
4	137509	SUPPORT – SWATHER, SPEED SENSOR	1	
5	REF	HARNESS – MAIN <sup>88</sup>		
A	30228	NUT – FLG DT SMTH FACE 0.375-16 UNC		
B	21863	BOLT – RHSSN 3/8 NC X 0.75 LG GR 5 ZP		
C	109089	BOLT – HH 1/4 NF X 0.75 GR 5 ZP		
D	18635	WASHER – REG. LOCK 1/4 IN. NOM. I.D. ZP		
E	18596	WASHER – SAE FLAT 9/32 I.D. X 5/8 IN. O.D. ZP		
F	135157	SCREW – MACHINE		
G	18664	NUT – HEX JAM 3/8-16 UNC GR 5 ZP		
H	21452	NUT – FLG (SER FACE) .375-16 UNC		
J	21572	BOLT – HEX HD 1/4 NC X 0.625 LG GR 5 ZP		
K	21455	NUT – FLG (SER FACE) 1/4 NC GR 5 ZP		

---

88. Not included in the completion package. The harness is illustrated for reference only.

### 33 M1 Series Windrower Hydraulic Completion – Support Arm and Latch



**M1 SERIES WINDROWER HYDRAULIC COMPLETION – SUPPORT ARM AND LATCH**

Ref	Part Number	Description	Qty	Serial Number
1	243830	ASSY – PIVOT WITH BUSHINGS <sup>89</sup>	1	
2	243661	BUSHING – PLASTIC	2	
3	243831	CHANNEL – WELDMENT FRONT <sup>90</sup>	1	
4	<b>323762</b>	<b>CHANNEL – WELDMENT REAR <sup>91</sup></b>	<b>1</b>	
5	243855	PIVOT – WELDMENT	1	
6	243695	SUPPORT – HARNESS (2019 AND PRIOR) <sup>92</sup>	2	-371189
7	243787	CLAMP – HARNESS (2019 AND PRIOR) <sup>92</sup>	3	-371189
8	243604	CAP – HARNESS	1	
9	243840	VALVE – DRAPER KNIFE RELIEF	1	
10	50050	FITTING – TEE HYD STR THD BRANCH TEE C/W O-RING	2	
11	243826	CYLINDER – GAS SPRING EXT 1400 N	3	
12	243711	TUBE – SPACER	2	
13	243900	PLATE – SPACER	2	
14	253607	TUBE – SPACER	1	
15	253644	JOINT – BALL	1	
16	135444	FASTENER – CINCH STRAP 6 IN. LG	12	
17	30753	FASTENER – CABLE TIE (BLACK)	2	
18	253645	SLEEVE – HOSES, 60 MM DIA	1	
19	253646	SLEEVE – HOSES, 76 MM DIA	1	
20	243985	ASSEMBLY – LATCH <sup>93</sup>	1	
21	144505	SPRING – TORSION	1	
22	243983	BRACKET – LATCH	1	
23	243984	LINK – LATCH	1	
24	243986	TUBE – SPACER	1	
25	255529	SLEEVE – HOSES, 90 MM DIA	1	
A	135696	BOLT – HEX HD M12 X 1.75 X 150-8.8-A3L		
B	136431	NUT – HEX FLG CTR LOC M12 X 1.75-10-A3L		
C	30660	BOLT – HEX HD M8 X 1.25 X 45-8.8-A2L		
D	135337	NUT – HEX FLG CTR LOC M8 X 1.25-8-A2L		
E	148798	BOLT – HEX FLG HD M12 X 1.75 X 30-10.9-A3L		
F	135852	SCREW – HEX SOC BTN HD M10 X 1.5 X 25-12.9-A3L		
G	135799	NUT – HEX FLG CTR LOC M10 X 1.5-10-A3L		
H	30627	BOLT – HEX HD TFL M10 X 1.5 X 25-8.8-A3L		
J	136886	SCREW – HEX SOC M6 X 1 X 16-10.9-ZB		-371189
K	152668	NUT – HEX FLG CTR LOC M6 X 1-8-A2L		-371189
L	184641	BOLT – RHSN M6 X 1 X 20-8.8-A2L		-371189

89. Includes two bushings (MD #243661).

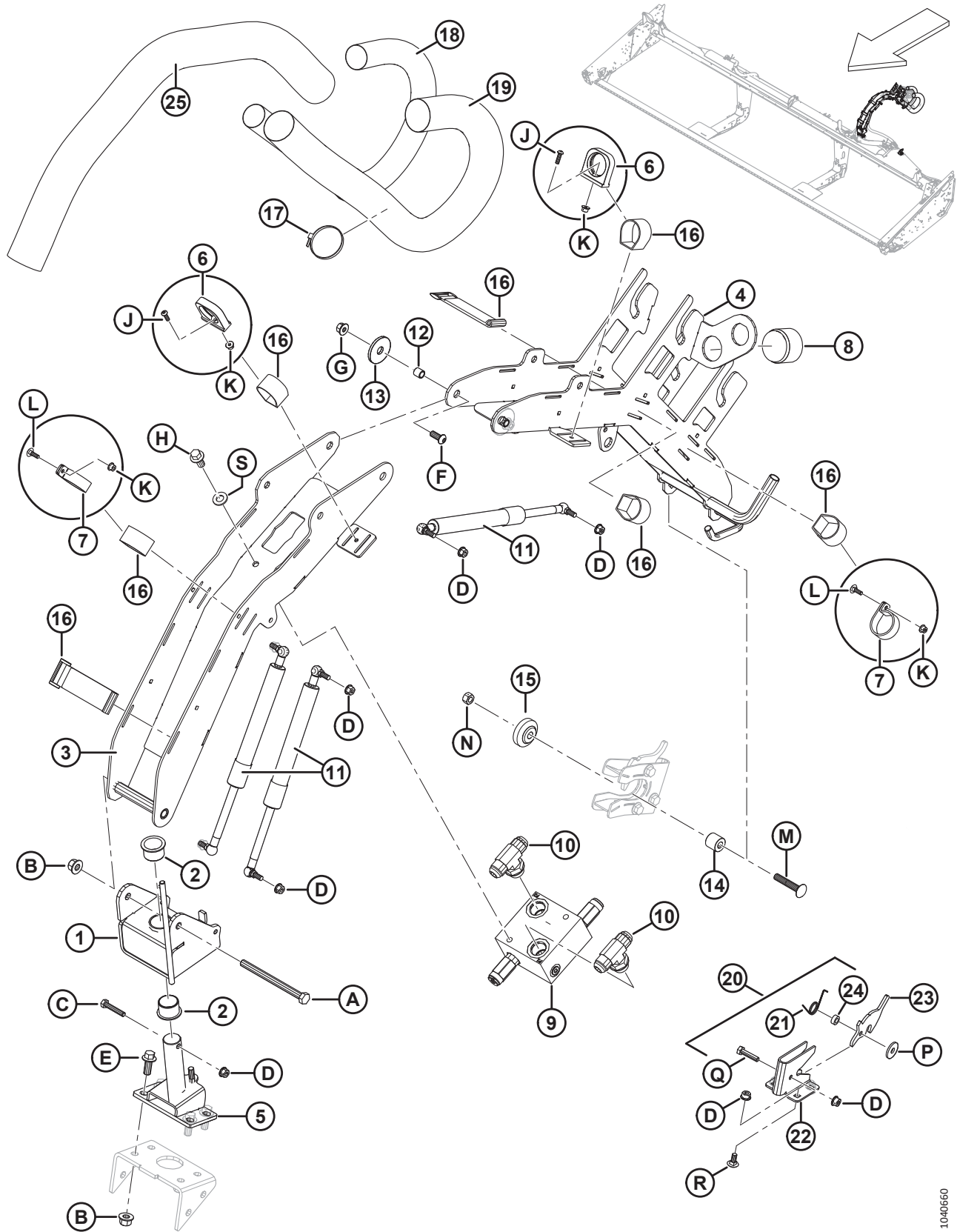
90. When replacing front or rear channels (MD #243831 or 243832) on units made in 2019 model year and prior, order additional cinch straps (MD #135444) as required.

91. Was previously rear channel MD #243832, which has been superseded by rear channel MD #323762. Order MD #243832 until stock is depleted, then order MD #323762.

92. Service part only for units made in model year 2019 and prior. For units made in model year 2020 and later, order cinch strap fastener (MD #135444).

93. For D120X and D125X headers only. Includes bracket (MD #243983), link (MD #243984), spring (MD #144505), spacer tube (MD #243986), and hardware (MD #184654, 135337, 118029).

M1 SERIES WINDROWER HYDRAULIC COMPLETION – SUPPORT ARM AND LATCH

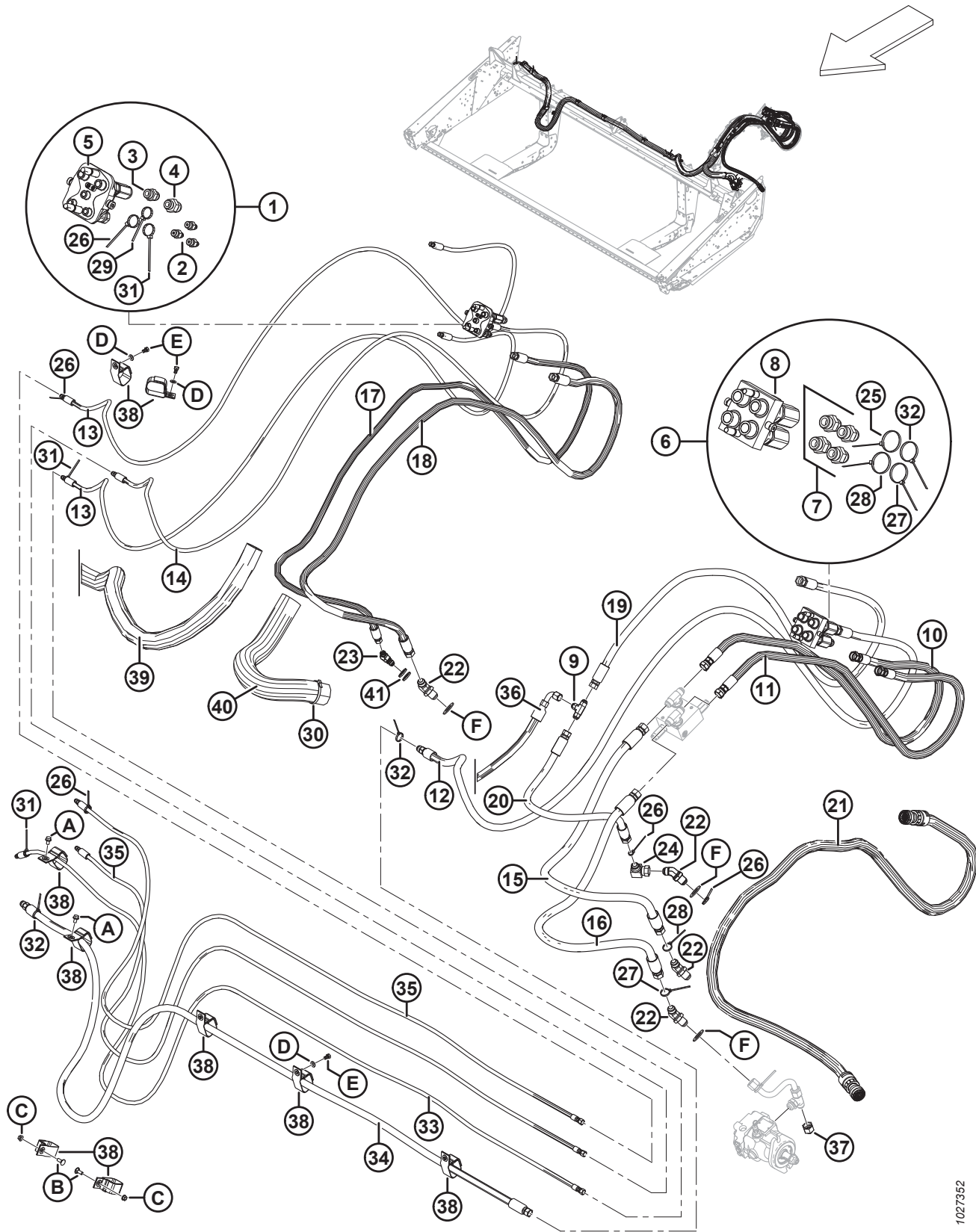


1040660

**M1 SERIES WINDROWER HYDRAULIC COMPLETION – SUPPORT ARM AND LATCH**

<b>Ref</b>	<b>Part Number</b>	<b>Description</b>	<b>Qty</b>	<b>Serial Number</b>
M	136112	BOLT – RHSSN M12 X 1.75 X 65-8.8-A3L		
N	136759	NUT – HEX CTR LOC M12 X 1.75-8-AA3L		
P	118029	WASHER – FLAT		
Q	184654	BOLT – HEX HD M8 X 1.25 X 35-8.8-A2L		
R	197171	BOLT – RHSN M8 X 1.25 X 20-8.8-A2L		
S	184711	WASHER – FLAT REG M10-200HV-AA1J		

# 34 M1 Series Windrower Hydraulic Completion – Hoses and Fittings, D115X



**M1 SERIES WINDROWER HYDRAULIC COMPLETION – HOSES AND FITTINGS, D115X**

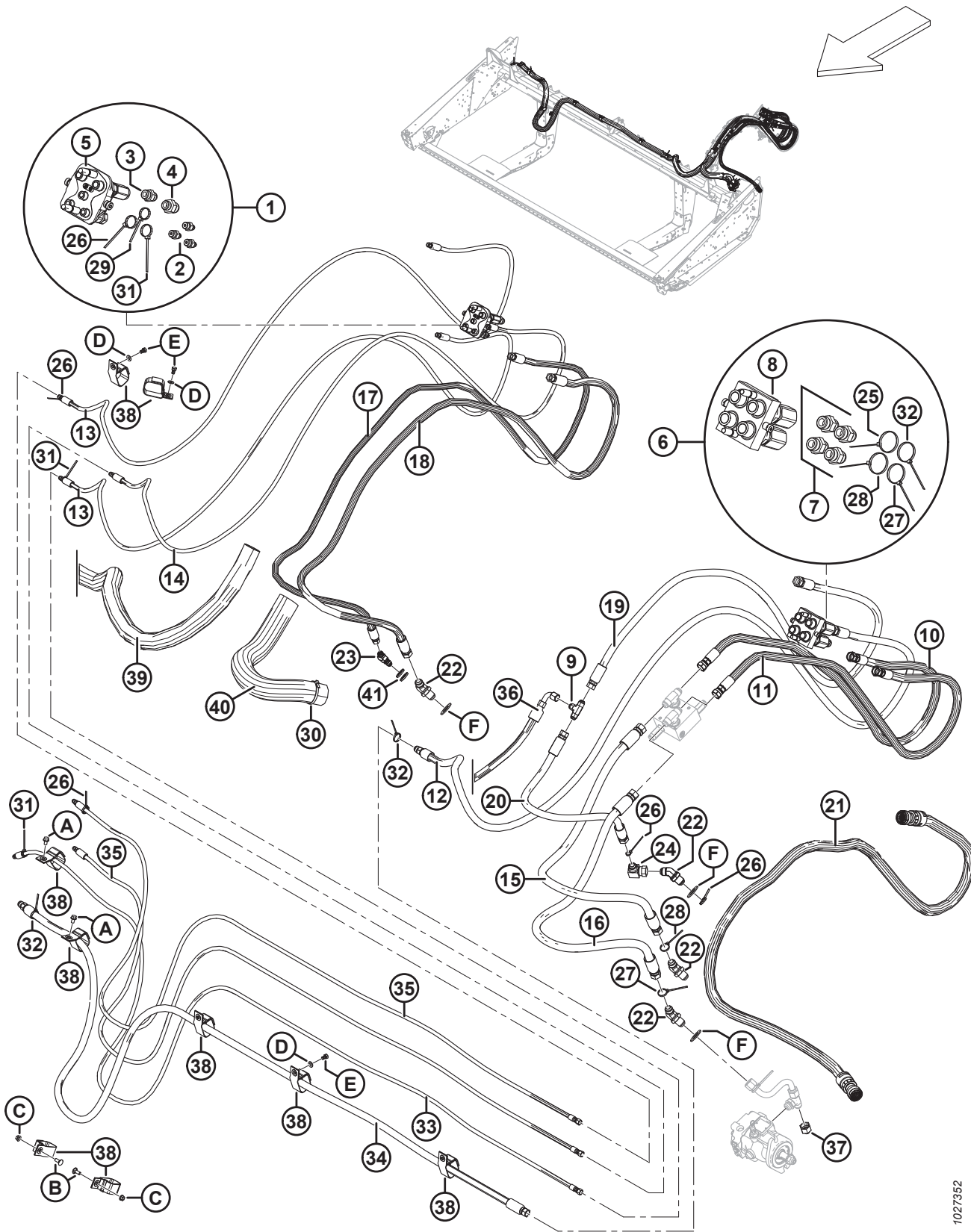
Ref	Part Number	Description	Qty	Serial Number
1	NSS	ASSY – MULTI COUPLER <sup>94</sup>	1	
2	30524	FITTING – ADAPTER HYD	3	
3	21030	FITTING – CONNECTOR HYD	1	
4	21747	FITTING – CONNECTOR HYD	1	
5	135238	COUPLING – MULTI LINK	1	
	111981	SEAL KIT – 1/4 IN. COUPLER	3	
	111982	SEAL KIT – 3/8 IN. COUPLER	2	
	111983	KIT – SCREW	1	
	111984	KIT – DOWEL	1	
	111985	3/8 IN. COUPLER-LONG	1	
	111986	1/4 IN. COUPLER	3	
	294350	COUPLER – 3/8 IN.	1	
6	243639	ASSY – MULTI-COUPLER <sup>95</sup>	1	
7	21830	FITTING – CONNECTOR HYD	4	
8	243542	COUPLER – MULTI MOBILE	1	
	135479	SEAL KIT	1	
	208172	KIT – CARTRIDGE	4	
	111984	KIT – DOWEL	1	
	208288	KIT – SCREW	1	
9	30551	FITTING – TEE HYD	1	
10	243864	HOSE – HYD KNIFE PRESSURE B	1	
11	243865	HOSE – HYD KNIFE RETURN B	1	
12	243866	HOSE – HYD REEL PRESSURE	1	
13	243870	HOSE – HYD REEL FORE/AFT	2	
14	243872	HOSE – HYD REEL LIFT	1	
15	243874	HOSE – HYD KNIFE PRESSURE A	1	
16	243875	HOSE – HYD KNIFE RETURN A	1	
17	255838	HOSE – HYD, 0.5 IN. I.D., 3385 MM LG, 100R17, METAL REIN.	1	
18	255837	HOSE – HYD, 0.625 IN. I.D., 3390 MM LG, 100R17, METAL REIN.	1	
19	255706	HOSE – HYD, 5/8 IN. I.D., 2250 MM LG, 100R17, METAL REIN.	1	
20	255869	HOSE – HYD, 5/8 IN. I.D., 1035 MM LG, 100R17, METAL REIN.	1	
21	283614	HARNESS – ADAPTER, DRPR/AUGER	1	
22	252213	FITTING – ELBOW 45 BULKHEAD HYD	4	
23	150255	FITTING – ELBOW, BULKHEAD UNION HYD	1	
24	50175	FITTING – ELBOW 90° HYD	1	
25	40701	FASTENER – CABLE TIE, YELLOW	1	
26	40702	FASTENER – CABLE TIE, RED	5	
27	40703	FASTENER – CABLE TIE, BLUE	2	
28	40704	FASTENER – CABLE TIE, ORANGE	2	
29	21763	FASTENER – CABLE TIE, BLACK, 160 MM LG	1	
30	30753	FASTENER – CABLE TIE, BLACK, 305 MM LG	1	
31	49227	FASTENER – CABLE TIE, GREEN	3	

94. Includes multicoupler (MD #135238), fittings (MD #30524, 21030, 21747, and cable ties (MD #21763, 40702, 49227).

95. Includes coupler (MD #243542), fitting (MD #21830), and cable ties (MD #40701, 40703, 40704, 49232).



M1 SERIES WINDROWER HYDRAULIC COMPLETION – HOSES AND FITTINGS, D115X



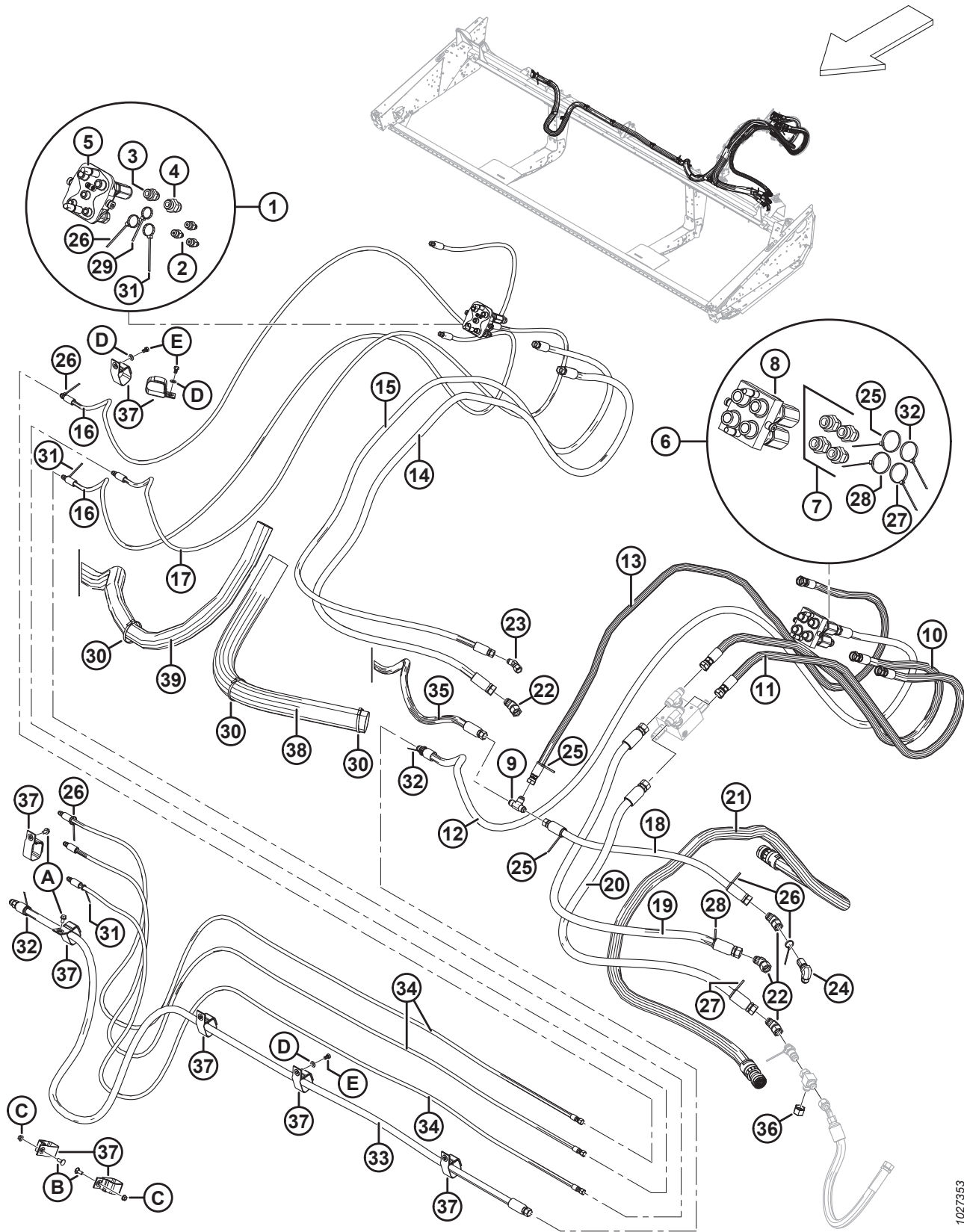
1027352



**M1 SERIES WINDROWER HYDRAULIC COMPLETION – HOSES AND FITTINGS, D115X**

<b>Ref</b>	<b>Part Number</b>	<b>Description</b>	<b>Qty</b>	<b>Serial Number</b>
32	49232	FASTENER – CABLE TIE, WHITE	3	
33	255871	HOSE – HYD, 1/4 IN. I.D., 3620 MM LG, 100R17, METAL REIN.	1	
34	255835	HOSE – HYD, 0.625 IN. I.D., 3500 MM LG, 100R17, METAL REIN.	1	
35	255834	HOSE – HYD, 1/4 IN. I.D., 3490 MM LG, 100R7, METAL REIN.	2	
36	255870	HOSE – HYD, 5/8 IN. I.D., 4780 MM LG, 100R17, METAL REIN.	1	
37	30999	CAP – 3/4 IN. TUBE 37 DEG FLARE	1	
38	255707	STRAP – VELCRO, HANGING, 5 IN. W/ GROMMET	9	
39	255854	SLEEVE – HOSES, 60 MM DIA, 5200 MM LG	1	
40	255855	SLEEVE – HOSES, 76 MM DIA, 935 MM LG	1	
41	255868	PLATE – BULKHEAD	2	
A	101898	SCREW – HEX WASH HD THD ROLLING 3/8 NC X 5/8		
B	19965	BOLT – RHSN 3/8-16 X 1-GR5-ZP		
C	30228	NUT – FLG DT SMTH FACE 0.375-16 UNC		
D	18598	WASHER – SAE FLAT 13/32 I.D. X 13/16 IN. O.D. ZP		
E	118154	BOLT – HH 3/8 NC X 5/8 TFL GR 8 ZP		
F	18603	WASHER – SAE FLAT 1 1/16 I.D. X 2.0 IN. O.D. ZP		

# 35 M1 Series Windrower Hydraulic Completion – Hoses and Fittings, D120X



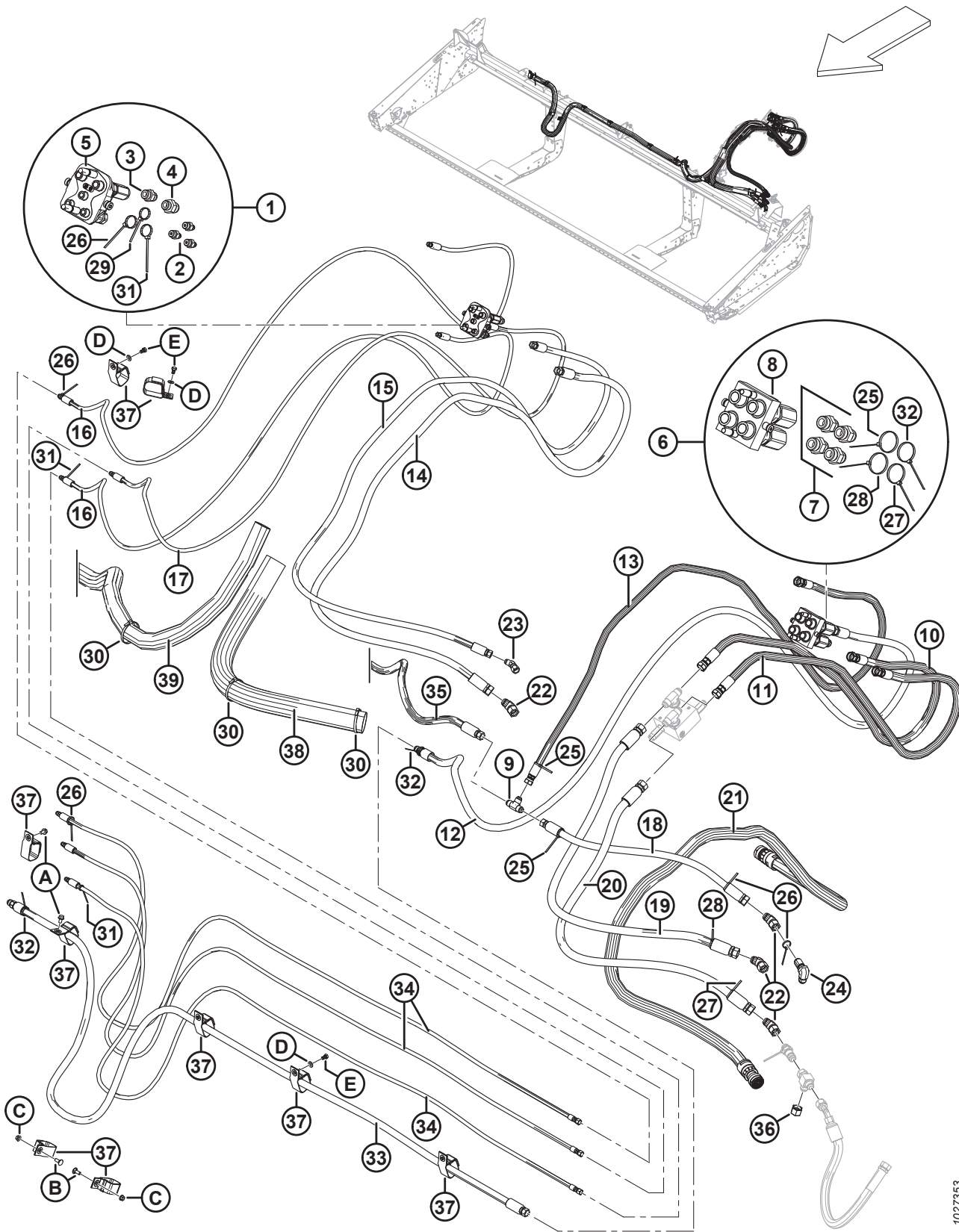
**M1 SERIES WINDROWER HYDRAULIC COMPLETION – HOSES AND FITTINGS, D120X**

Ref	Part Number	Description	Qty	Serial Number
1	NSS	ASSY – MULTI COUPLER <sup>96</sup>	1	
2	30524	FITTING – ADAPTER HYD	3	
3	21030	FITTING – CONNECTOR HYD	1	
4	21747	FITTING – CONNECTOR HYD	1	
5	135238	COUPLING – MULTI LINK	1	
	111981	SEAL KIT – 1/4 IN. COUPLER	3	
	111982	SEAL KIT – 3/8 IN. COUPLER	2	
	111983	KIT – SCREW	1	
	111984	KIT – DOWEL	1	
	111985	3/8 IN. COUPLER-LONG	1	
	111986	1/4 IN. COUPLER	3	
	294350	COUPLER – 3/8 IN.	1	
6	243639	ASSY – MULTI-COUPLER <sup>97</sup>	1	
7	21830	FITTING – CONNECTOR HYD	4	
8	243542	COUPLER – MULTI MOBILE	1	
	135479	SEAL KIT	1	
	208172	KIT – CARTRIDGE	4	
	111984	KIT – DOWEL	1	
	208288	KIT – SCREW	1	
9	30551	FITTING – TEE HYD	1	
10	243864	HOSE – HYD KNIFE PRESSURE B	1	
11	243865	HOSE – HYD KNIFE RETURN B	1	
12	243866	HOSE – HYD REEL PRESSURE	1	
13	243867	HOSE – HYD REEL RETURN	1	
14	243868	HOSE – HYD DRAPER PRESSURE	1	
15	243869	HOSE – HYD CASE DRAIN	1	
16	243870	HOSE – HYD REEL FORE/AFT	2	
17	243872	HOSE – HYD REEL LIFT	1	
18	243873	HOSE – HYD DRAPER RETURN	1	
19	243874	HOSE – HYD KNIFE PRESSURE A	1	
20	243875	HOSE – HYD KNIFE RETURN A	1	
21	283614	HARNESS – ADAPTER, DRPR/AUGER	1	
22	135240	FITTING – ELBOW 45° HYD	4	
23	135685	FITTING – ELBOW 45° HYD	1	
24	252210	FITTING – ELBOW	1	
25	40701	FASTENER – CABLE TIE, YELLOW	3	
26	40702	FASTENER – CABLE TIE, RED	5	
27	40703	FASTENER – CABLE TIE, BLUE	2	
28	40704	FASTENER – CABLE TIE, ORANGE	2	
29	21763	FASTENER – CABLE TIE, BLACK, 160 MM LG	1	
30	30753	FASTENER – CABLE TIE, BLACK, 305 MM LG	3	
31	49227	FASTENER – CABLE TIE, GREEN	3	

96. Includes multicoupler (MD #135238), fittings (MD #30524, 21030, 21747, and cable ties (MD #21763, 40702, 49227).

97. Includes coupler (MD #243542), fitting (MD #21830), and cable ties (MD #40701, 40703, 40704, 49232).

M1 SERIES WINDROWER HYDRAULIC COMPLETION – HOSES AND FITTINGS, D120X

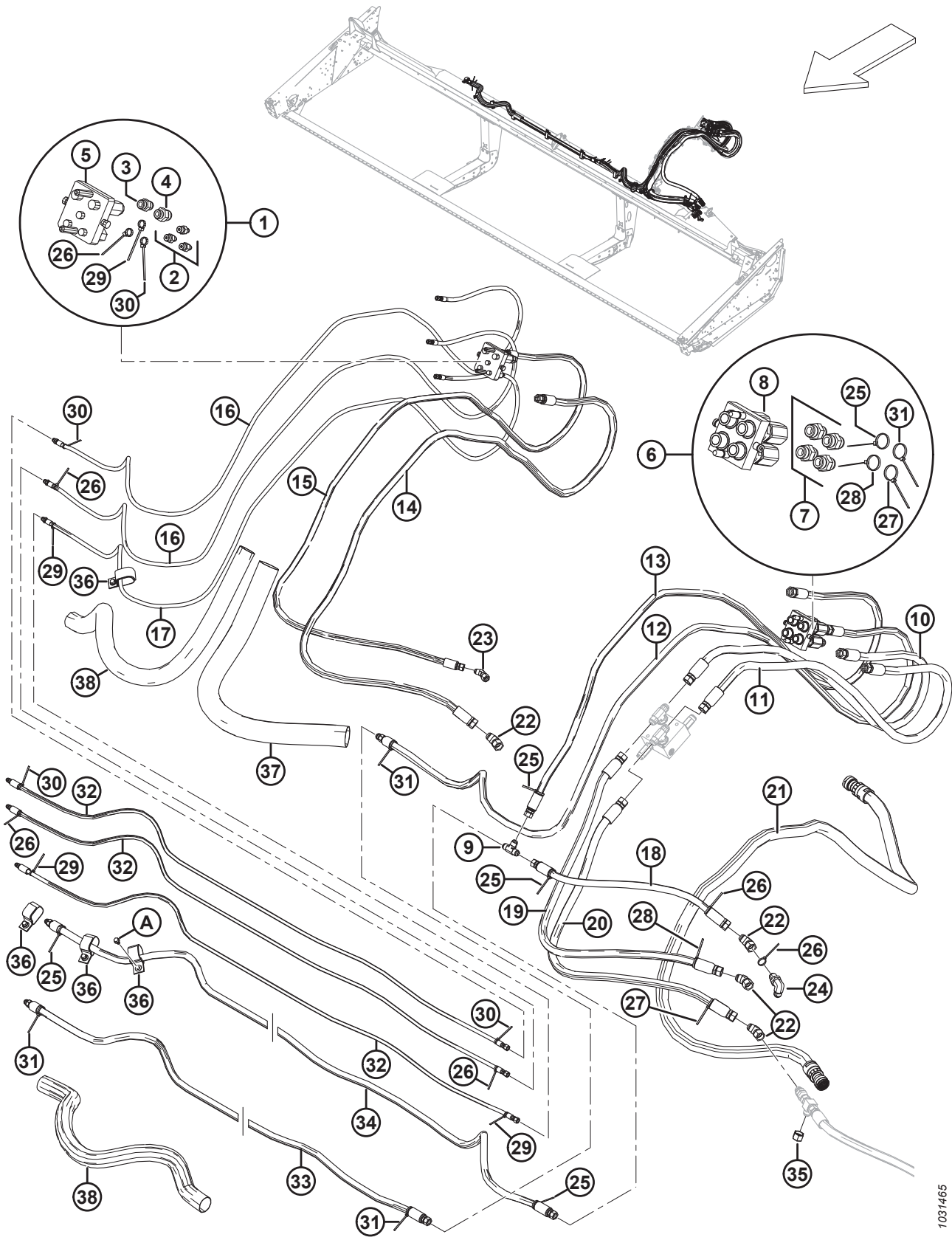


1027353

**M1 SERIES WINDROWER HYDRAULIC COMPLETION – HOSES AND FITTINGS, D120X**

<b>Ref</b>	<b>Part Number</b>	<b>Description</b>	<b>Qty</b>	<b>Serial Number</b>
32	49232	FASTENER – CABLE TIE, WHITE	3	
33	255835	HOSE – HYD, 0.625 IN. I.D., 3500 MM LG, 100R17, METAL REIN.	1	
34	255834	HOSE – HYD, 1/4 IN. I.D., 3490 MM LG, 100R7, METAL REIN.	3	
35	255709	HOSE – HYD, 0.625 IN. I.D., 4420 MM LG, 100R17, METAL REIN.	1	
36	30999	CAP – 3/4 IN. TUBE 37 DEG FLARE	1	
37	255707	STRAP – VELCRO, HANGING, 5 IN. W/ GROMMET	9	
38	255508	SLEEVE – HOSES, 76 MM DIA, 1150 MM LG	1	
39	255854	SLEEVE – HOSES, 60 MM DIA, 5200 MM LG	1	
A	101898	SCREW – HEX WASH HD THD ROLLING 3/8 NC X 5/8		
B	19965	BOLT – RHSN 3/8-16 X 1-GR5-ZP		
C	30228	NUT – FLG DT SMTH FACE 0.375-16 UNC		
D	18598	WASHER – SAE FLAT 13/32 I.D. X 13/16 IN. O.D. ZP		
E	118154	BOLT – HH 3/8 NC X 5/8 TFL GR 8 ZP		

# 36 M1 Series Windrower Hydraulic Completion – Hoses and Fittings, D125X



1031465

**M1 SERIES WINDROWER HYDRAULIC COMPLETION – HOSES AND FITTINGS, D125X**

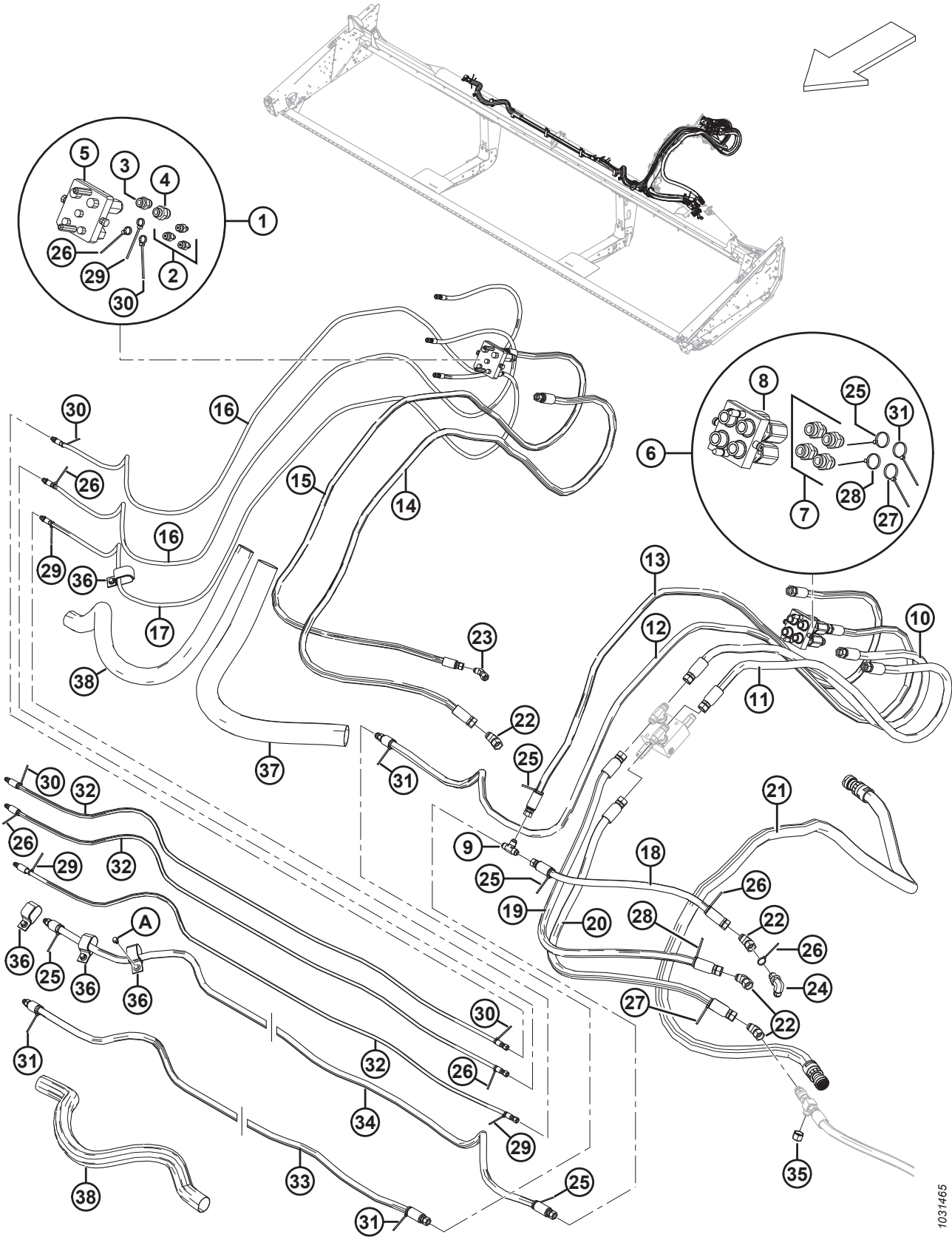
Ref	Part Number	Description	Qty	Serial Number
1	NSS	ASSEMBLY – MULTI COUPLER <sup>98</sup>	1	
2	30524	FITTING – ADAPTER HYD	3	
3	21030	FITTING – CONNECTOR HYD	1	
4	21747	FITTING – CONNECTOR HYD	1	
5	135238	COUPLING – MULTI LINK	1	
	111981	SEAL KIT – 1/4 IN. COUPLER	3	
	111982	SEAL KIT – 3/8 IN. COUPLER	2	
	111983	KIT – SCREW	1	
	111984	KIT – DOWEL	1	
	111985	3/8 IN. COUPLER-LONG	1	
	111986	1/4 IN. COUPLER	3	
	294350	COUPLER – 3/8 IN.	1	
6	243639	ASSY – MULTI-COUPLER <sup>99</sup>	1	
7	21830	FITTING – CONNECTOR HYD	4	
8	243542	COUPLER	1	
	135479	SEAL KIT	1	
	208172	KIT – CARTRIDGE	4	
	111984	KIT – DOWEL	1	
	208288	KIT – SCREW	1	
9	30551	FITTING – TEE HYD	1	
10	243864	HOSE – HYD KNIFE PRESSURE B	1	
11	243865	HOSE – HYD KNIFE RETURN B	1	
12	243866	HOSE – HYD REEL PRESSURE	1	
13	243867	HOSE – HYD REEL RETURN	1	
14	243868	HOSE – HYD DRAPER PRESSURE	1	
15	243869	HOSE – HYD CASE DRAIN	1	
16	243870	HOSE – HYD REEL FORE/AFT	2	
17	243872	HOSE – HYD REEL LIFT	1	
18	243873	HOSE – HYD DRAPER RETURN	1	
19	243874	HOSE – HYD KNIFE PRESSURE A	1	
20	243875	HOSE – HYD KNIFE RETURN A	1	
21	283614	HARNESS – ADAPTER, DRPR/AUGER	1	
22	135240	FITTING – ELBOW 45° HYD	4	
23	135685	FITTING – ELBOW 45° HYD	1	
24	252210	FITTING – ELBOW 90° HYD	1	
25	40701	FASTENER – CABLE TIE, YELLOW	5	
26	40702	FASTENER – CABLE TIE, RED	5	
27	40703	FASTENER – CABLE TIE, BLUE	2	
28	40704	FASTENER – CABLE TIE, ORANGE	2	

98. Includes multicoupler (MD #135238), fittings (MD #30524, 21030, 21747), and cable ties (MD #21763, 40702, 49227).

99. Includes coupler (MD #243542), fitting (MD #21830), and cable ties (MD #40701, 40703, 40704, 49232).



M1 SERIES WINDROWER HYDRAULIC COMPLETION – HOSES AND FITTINGS, D125X



1031465



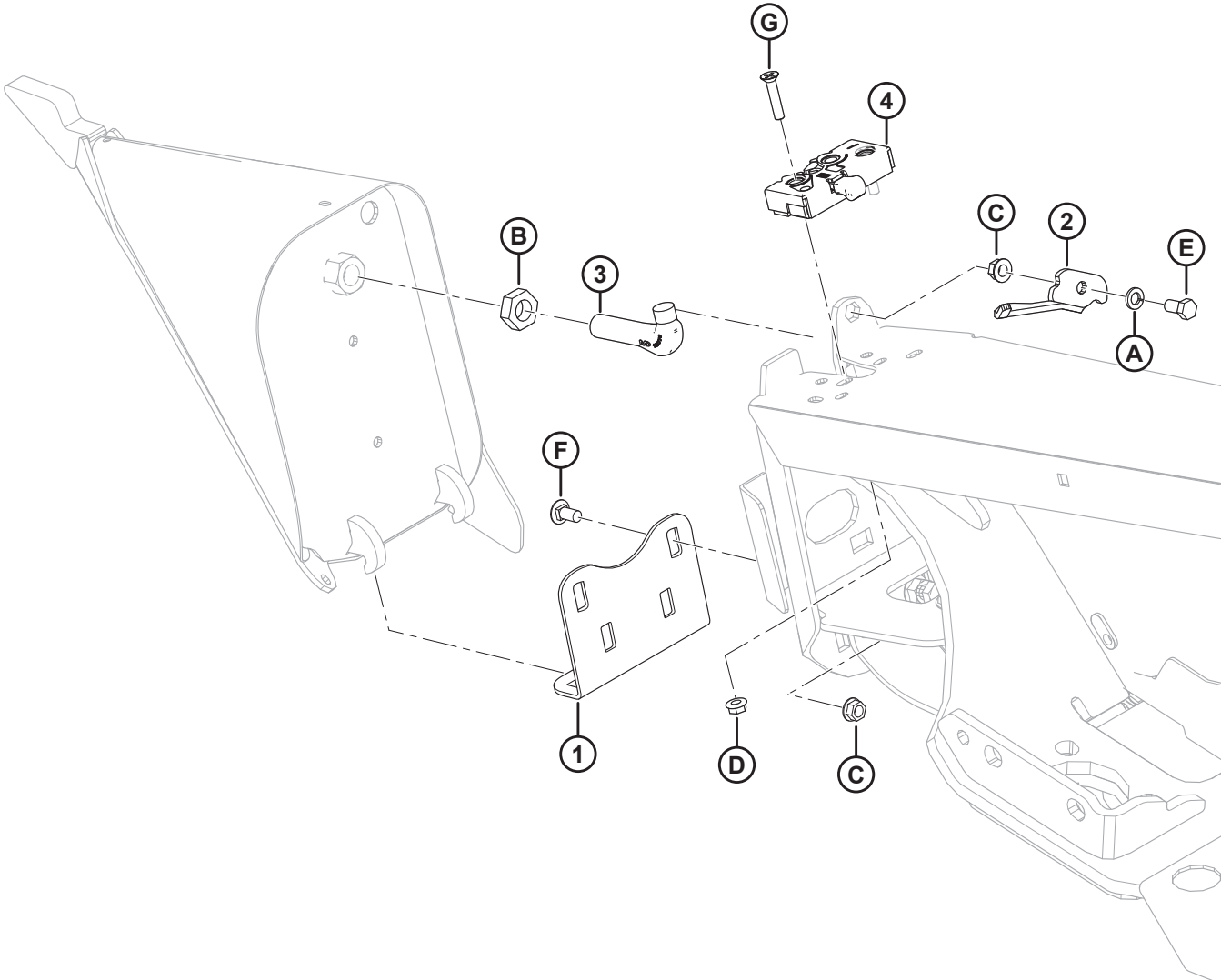
**M1 SERIES WINDROWER HYDRAULIC COMPLETION – HOSES AND FITTINGS, D125X**

<b>Ref</b>	<b>Part Number</b>	<b>Description</b>	<b>Qty</b>	<b>Serial Number</b>
29	30753	FASTENER – CABLE TIE, BLACK, 305 MM LG <sup>100</sup>	3	
	21763	FASTENER – CABLE TIE, BLACK, 160 MM LG <sup>101</sup>	1	
30	49227	FASTENER – CABLE TIE, GREEN	4	
31	49232	FASTENER – CABLE TIE, WHITE	4	
32	255468	HOSE – HYD, 1/4 IN. I.D., 3090 MM LG, 100R17, METAL REIN.	3	
33	255530	HOSE – HYD, 5/8 IN. I.D., 2355 MM LG, 100R17, METAL REIN.	1	
34	255470	HOSE – HYD, 5/8 IN. I.D., 3685 MM LG, 100R17, METAL REIN.	1	
35	30999	CAP – 3/4 IN. TUBE 37° FLARE	1	
36	255707	STRAP – VELCRO, HANGING, 5 IN. W/ GROMMET	4	
37	255508	SLEEVE – HOSES, 76 MM DIA	1	
38	255526	SLEEVE – HOSES, 60 MM DIA	2	
A	101898	SCREW – HEX WASH HD THD ROLLING 3/8 NC X 5/8		

100. Quantity: Single Reel = 3, Double Reel = 1.

101. Used in multicoupler assembly (NSS) only.

# 37 (Option) Divider Latches

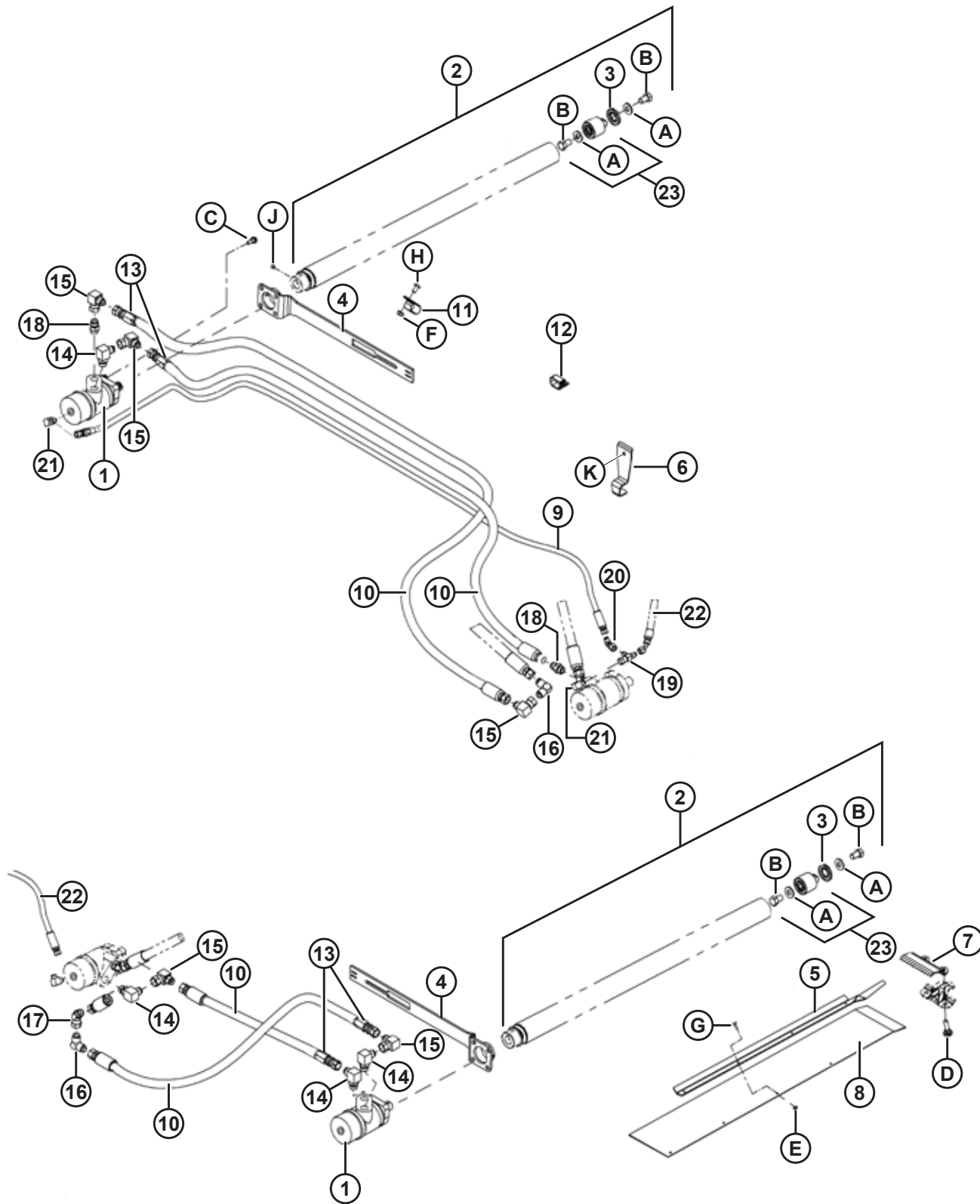


(OPTION) DIVIDER LATCHES

Ref	Part Number	Description	Qty	Serial Number
	B6158	KIT – DIVIDER LATCHES <sup>102</sup>		
1	255791	ANGLE – DIVIDER, STORAGE	2	
2	132248	LATCH – LH, DIVIDER SAFETY	1	
	132253	LATCH – RH, DIVIDER SAFETY	1	
3	132773	HOOK – DIVIDER LATCH	2	
4	120932	LATCH – LH	1	
	120933	LATCH – RH	1	
A	18637	WASHER – REG. LOCK 3/8 IN. NOM. I.D. ZP		
B	7674	NUT – HEX JAM 3/4-16 UNF GR 5 ZP		
C	30228	NUT – FLANGE DT SMOOTH FACE 0.375-16 UNC		
D	30280	NUT – FLG SIDE LK SMTH FACE 5/16 NC GR 5 ZP		
E	21567	BOLT – HEX HD .375-16 UNC X 0.75 LG		
F	21863	BOLT – RHSSN 3/8 NC X 0.75 LG GR 5 ZP		
G	30504	SCREW – FLAT CSK MACH 5/16 NC X 1-1/2 LG GR 5 ZP		

102. Kits available through Whole Goods only.

# 38 (Option) Double Draper Drive



(OPTION) DOUBLE DRAPER DRIVE

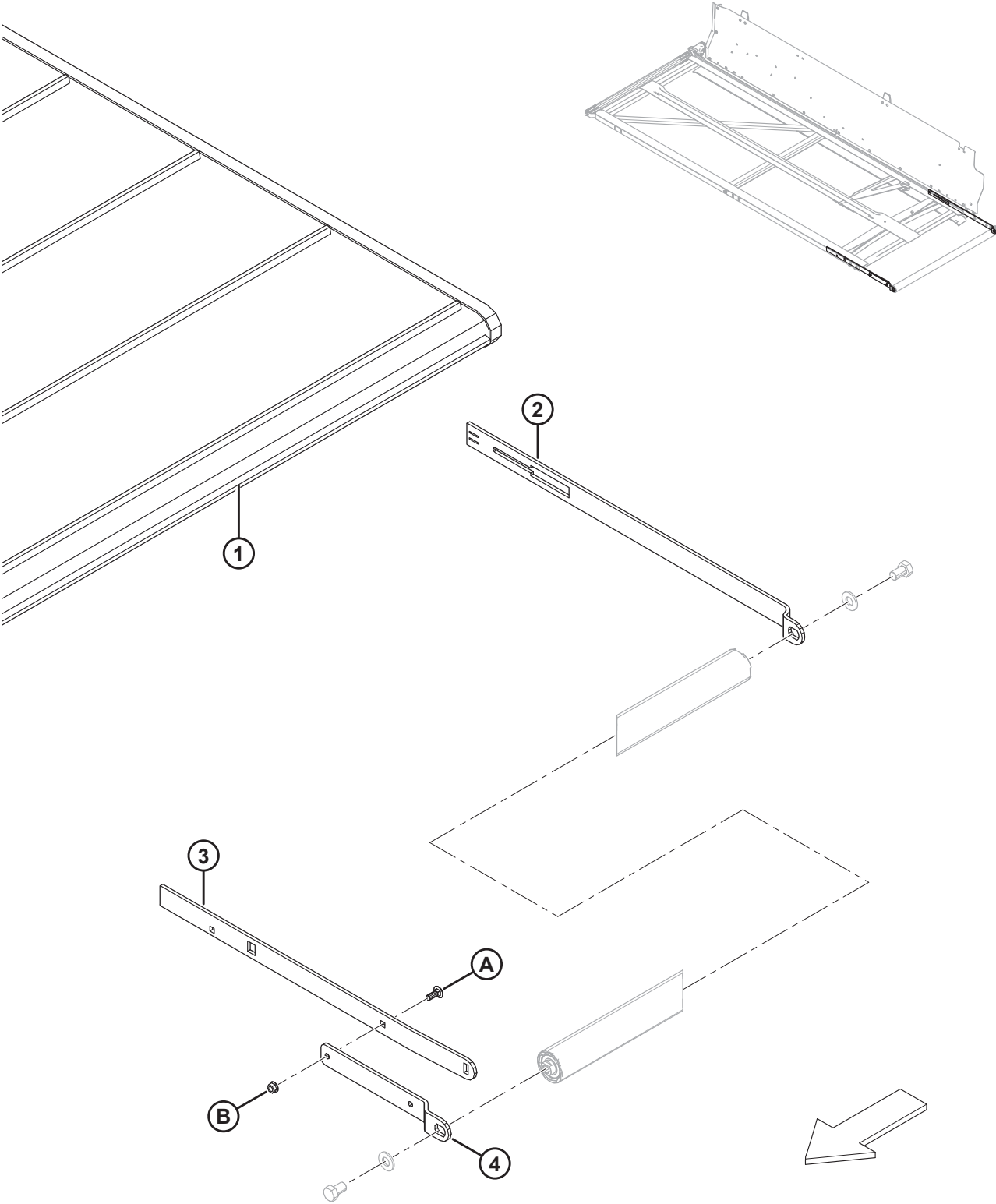
Ref	Part Number	Description	Qty	Serial Number
	B6154	KIT – DOUBLE DRAPER <sup>103</sup>		
1	220936	MOTOR – HYD DANFOSS 2.44 CI	2	
	220944	SEAL KIT	2	
2	255410	DRIVE ROLLER ASSY <sup>104</sup>	2	
3	120845	SEAL – NILOS LSTO STEEL DISK	2	
4	255431	ARM – WELDT	2	
5	174695	SUPPORT	1	
6	174697	CLAMP	8	
7	174706	RETAINER – DEFLECTOR	1	
8	174707	DEFLECTOR – RUBBER	1	
9	174708	HOSE – HYD	1	
10	174709	HOSE – HYD	4	
11	50022	CLAMP – INSULATED 15/16 IN.	4	
12	135443	FASTENER – CINCH STRAP 4 IN. LG	8	
13	174710	FITTING – REUSABLE HOSE END <sup>105</sup>	4	
14	21843	FITTING – ELBOW 90° HYD	4	
15	30556	FITTING – ELBOW 90° HYD	5	
16	30557	FITTING – ELBOW 90° HYD	2	
17	135434	FITTING – ELBOW 45° SWIVEL SAE	1	
18	30695	FITTING – CONNECTOR HYD	2	
19	30873	FITTING – HYD TEE	2	
20	30875	FITTING – ELBOW 45° HYD	4	
21	50104	FITTING – ELBOW 90° HYD	2	
22	220841	HOSE – HYD	1	
23	165735	PIN ASSY – DRAPER ROLLER	2	
	132607	BEARING – DOUBLE ROW BALL 52 O.D. X 25 BORE		
	108268	FITTING – HYD TEE (NOT ILLUSTRATED)	1	
	30981	FITTING – ADAPTER HYD REDUCER 1/2 X 3/8 (NOT ILLUSTRATED)	1	
A	30441	WASHER – HARDENED		
B	145249	BOLT – HH 5/8 NF X 1.0 LG GR 5 ZP		
C	172259	BOLT – SHOULDER .375-16 UNC		
D	120639	BOLT – RHSN SPECIAL 7/16 NC X 1.75 LG GR 5 ZP		
E	135626	NUT – CSK CENTER LOCK #12-24 NC (50 PACK)		
F	30228	NUT – FLANGE DT SMOOTH FACE 0.375-16 UNC		
G	135628	SCREW – BHRN #12-24 NC X 0.67 IN. LG (50 PACK)		
H	135157	SCREW – MACHINE		
J	132451	SCREW – SET HEX SKT KNURL CUP 3/8 NC X 3/8 LG		
K	21863	BOLT – RHSSN 3/8 NC X 0.75 LG GR 5 ZP		
	21069	NUT – TUBE 37° JIC 1/2 IN. (NOT ILLUSTRATED)		

103. Kits available through Whole Goods only.

104. Includes pin assembly (MD #165735) and seal (MD #120845).

105. Provided with hose (MD #174709).

# 39 (Option) Draper Extension Kit



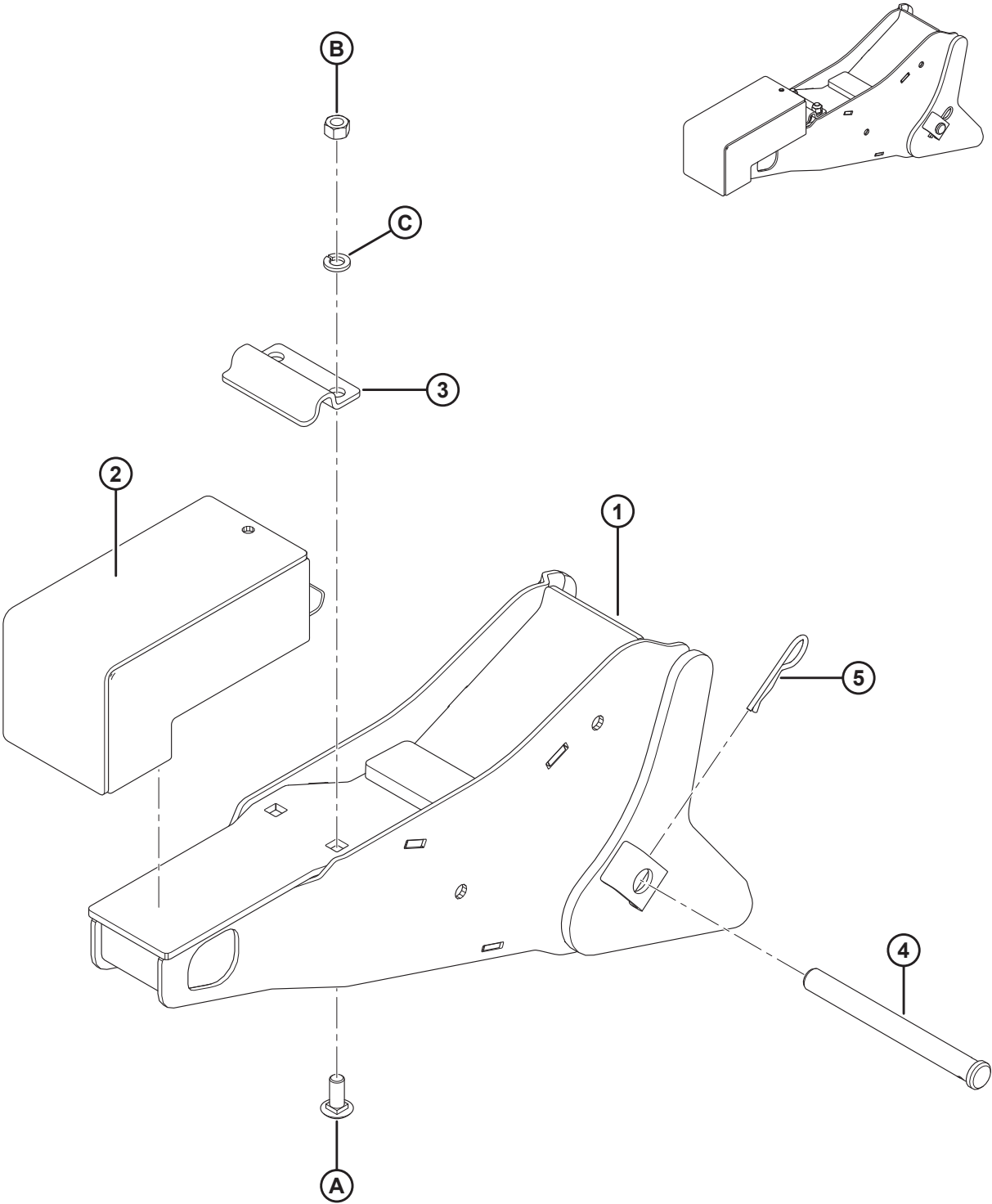
(OPTION) DRAPER EXTENSION KIT

Ref	Part Number	Description	Qty	Serial Number
	B5407	KIT – DRAPER EXTENSION <sup>106</sup>	1	
1	220641	DRAPER – REPAIR KIT	2	
2	174528	ARM SUPPORT REAR	2	
3	174559	ARM – INNER ROLLER SUPPORT	2	
4	174560	ARM – OUTER ROLLER SUPPORT	2	
A	19965	BOLT – RHSN 3/8 NC X 1.0 GR 5 ZP		
B	30228	NUT – FLANGE DT SMOOTH FACE 0.375-16 UNC		

---

106. Kits available through Whole Goods only.

# 40 (Option) Draper Header Supports (for M1 Series)

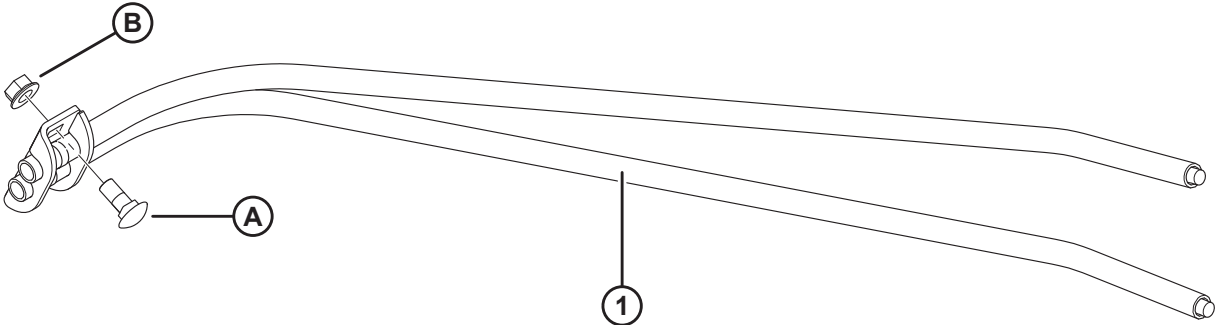




(OPTION) DRAPER HEADER SUPPORTS (FOR M1 SERIES)

Ref	Part Number	Description	Qty	Serial Number
1	207808	SUPPORT – DRAPER HEADER, WELD'T	2	
2	174775	ASSY – RUBBER BLOCK RIGID	2	
3	125146	CLAMP	2	
4	135408	PIN – CLEVIS	2	
5	13125	PIN – HAIR	2	
A	152702	BOLT – RHSSN M12 X 1.75 X 30-8.8-A3L		
B	184694	NUT – HEX M12 X 1.75-8-A3L		
C	30633	WASHER – LOC SPRING M12-CS-1055-1065-A2L		

# 41 (Option) End Swath Deflector Rods



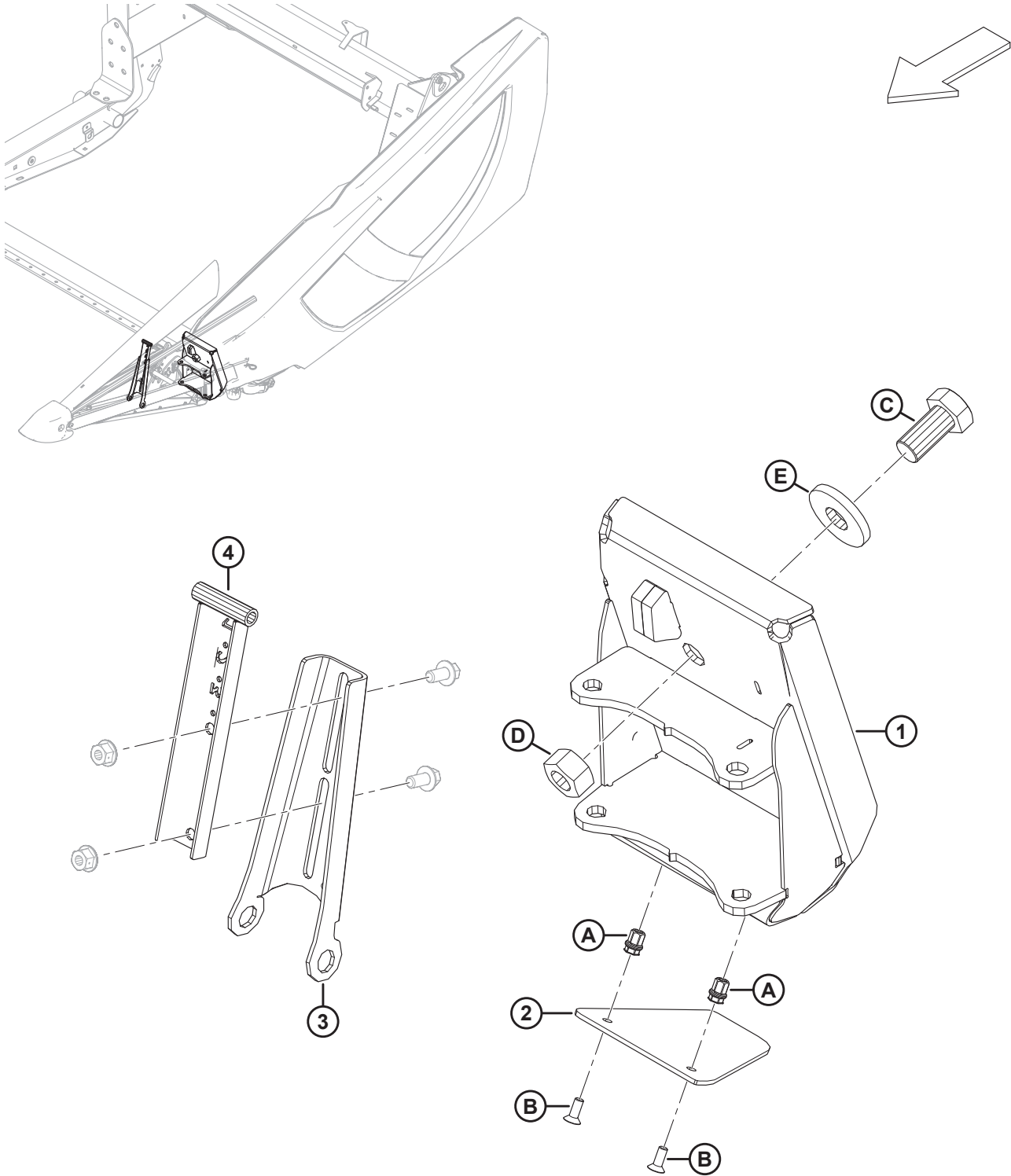
(OPTION) END SWATH DEFLECTOR RODS

Ref	Part Number	Description	Qty	Serial Number
	B5088	KIT – SWATH DEFLECTOR ROD LH <sup>107</sup>		
	B5089	KIT – SWATH DEFLECTOR ROD RH <sup>107</sup>		
1	120645	DOUBLE SWATH DEFLECTOR ROD WELDT – LH	1	
	120648	DOUBLE SWATH DEFLECTOR ROD WELDT – RH	1	
A	21471	BOLT – RHSN 1/2 NC X 1.25 GR 5 ZP		
B	50186	NUT – FLG LOCK SM FACE DT 0.500-13 UNC GR 5		

---

107. Kits available through Whole Goods only.

## 42 (Option) Floating Crop Dividers Adaptor Kit



(OPTION) FLOATING CROP DIVIDERS ADAPTOR KIT

**NOTE:**

The Floating Crop Dividers Adaptor kit (MD #B7384) replaces six parts from the 2-Series Floating Crop Dividers kit (MD #B7346), allowing the floating crop dividers to be installed on 1-Series Headers.

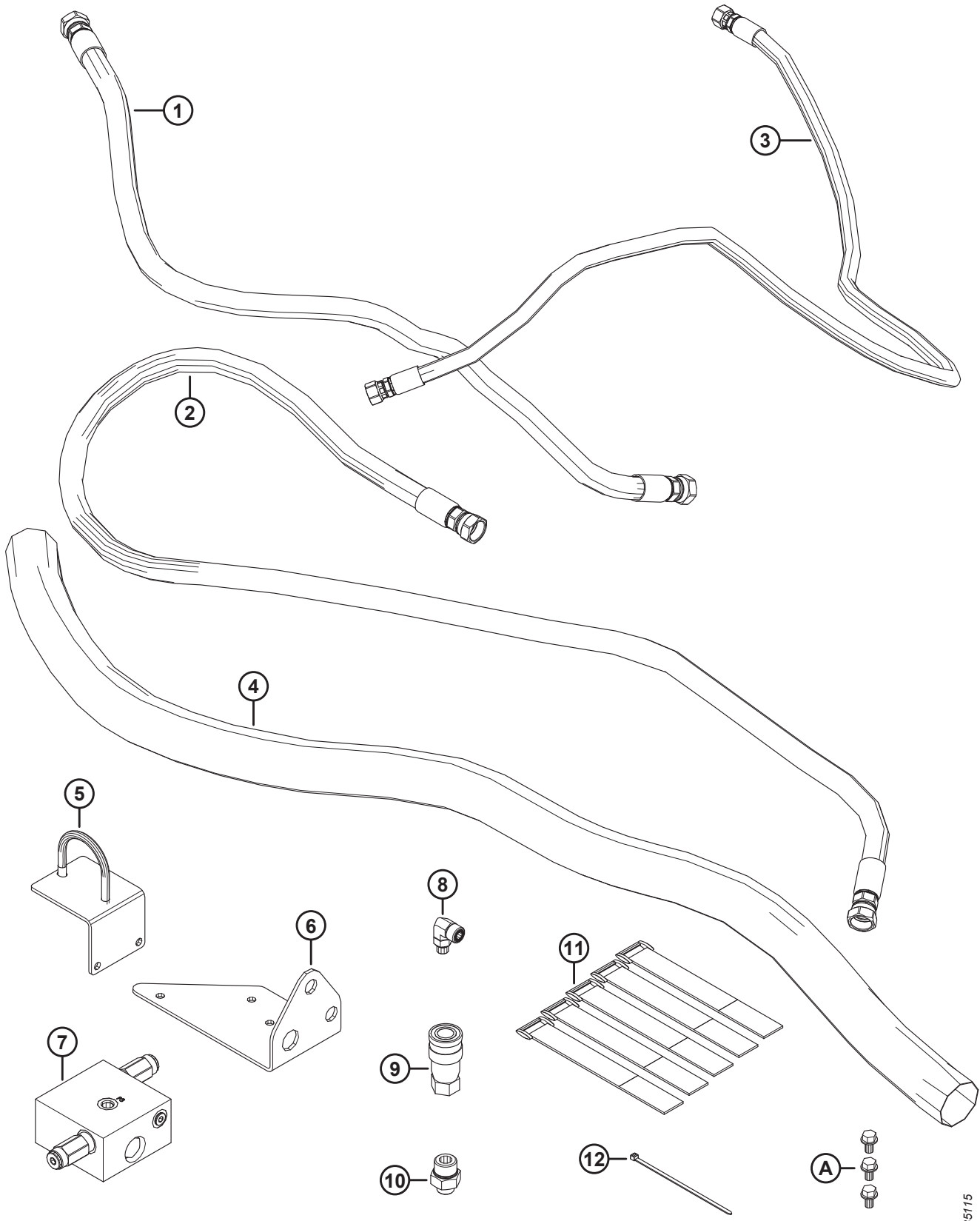
Ref	Part Number	Description	Qty	Serial Number
	<b>B7384</b>	<b>KIT – FD1 ADAPTOR FOR FD2 FCD</b> <sup>108</sup>	<b>1</b>	
1	<b>360265</b>	<b>ASSY – LH BACKPLATE FCD FOR FD1</b> <sup>109</sup>	<b>1</b>	
	<b>360336</b>	<b>ASSY – RH BACKPLATE FCD FOR FD1</b> <sup>110</sup>	<b>1</b>	
2	<b>360266</b>	<b>SHOE – LH UHMW</b>	<b>1</b>	
	<b>360342</b>	<b>SHOE – RH UHMW</b>	<b>1</b>	
3	<b>360269</b>	<b>SUPPORT – LH TOP DEFLECTOR</b>	<b>1</b>	
	<b>360333</b>	<b>SUPPORT – RH TOP DEFLECTOR</b>	<b>1</b>	
4	<b>360267</b>	<b>WELDT – DEFLECTOR SUPPORT</b>	<b>2</b>	
A	<b>320404</b>	<b>RIVNUT – SM FL M6 X 1.0 HEX 1.0-3.5</b>		
B	<b>320220</b>	<b>SCREW – TORX CSK HD TFL M6 X 1 X 16-SPCL-8.8-ZINC</b>		
C	<b>135579</b>	<b>BOLT – HEX HD 3/4-16 X 1.5-GR5-AA1J</b>		
D	<b>18720</b>	<b>NUT – HEX 3/4-16 UNF GR5 ZN PL</b>		
E	<b>6647</b>	<b>WASHER – FLAT</b>		

108. Kit includes all listed parts and instructions. Kits available through Whole Goods only.

109. Assembly includes LH shoe (MD #360266), rivnuts (MD #320404), and screws (MD #360220).

110. Assembly includes RH shoe (MD #360342), rivnuts (MD #320404), and screws (MD #360220).

# 43 (Option) HC10 Compatibility Kit



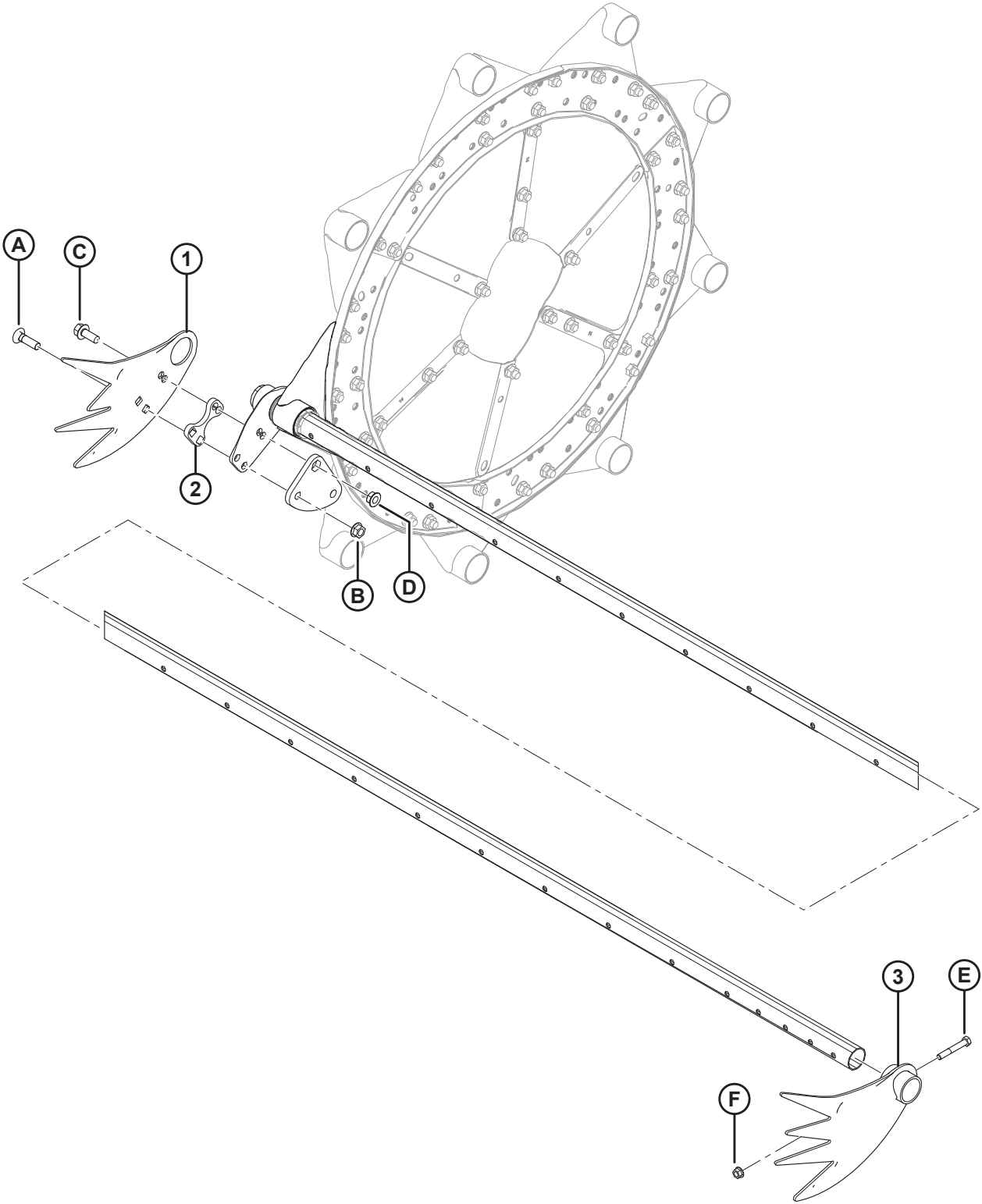
1035115

(OPTION) HC10 COMPATIBILITY KIT

Ref	Part Number	Description	Qty	Serial Number
	B6978	KIT – D1X HC10 COMPATIBILITY <sup>111</sup>		
1	159737	HOSE – HYD, KNIFE PRESSURE A	1	
2	159736	HOSE – HYD, KNIFE PRESSURE B	1	
3	159761	HOSE – HYD, CASE DRAIN	1	
4	255526	SLEEVE – HOSES	1	
5	159760	GUIDE – HOSE, WELDT	1	
6	159763	HOLDER – COUPLER, TOP MOUNT	1	
7	159754	VALVE – RELIEF C/W FLUSHING	1	
	159765	VALVE – CARTRIDGE, RELIEF	2	
	159764	VALVE – CARTRIDGE, SHUTTLE	1	
8	136238	FITTING – ELBOW 90° HYD	1	
9	135474	COUPLER – HYDRAULIC, 1/2 IN FEMALE FF	1	
10	136194	FITTING – ADAPTER	1	
11	135444	CINCH STRAP – 6 IN. LG	5	
12	40703	FASTENER – CABLE TIE, BLUE	1	
A	101898	SCREW – HEX WASH HD 3/8 NC X 5/8	3	

111. Kits available through Whole Goods only.

# 44 (Option) Pick-up Reel-End Fingers Kit





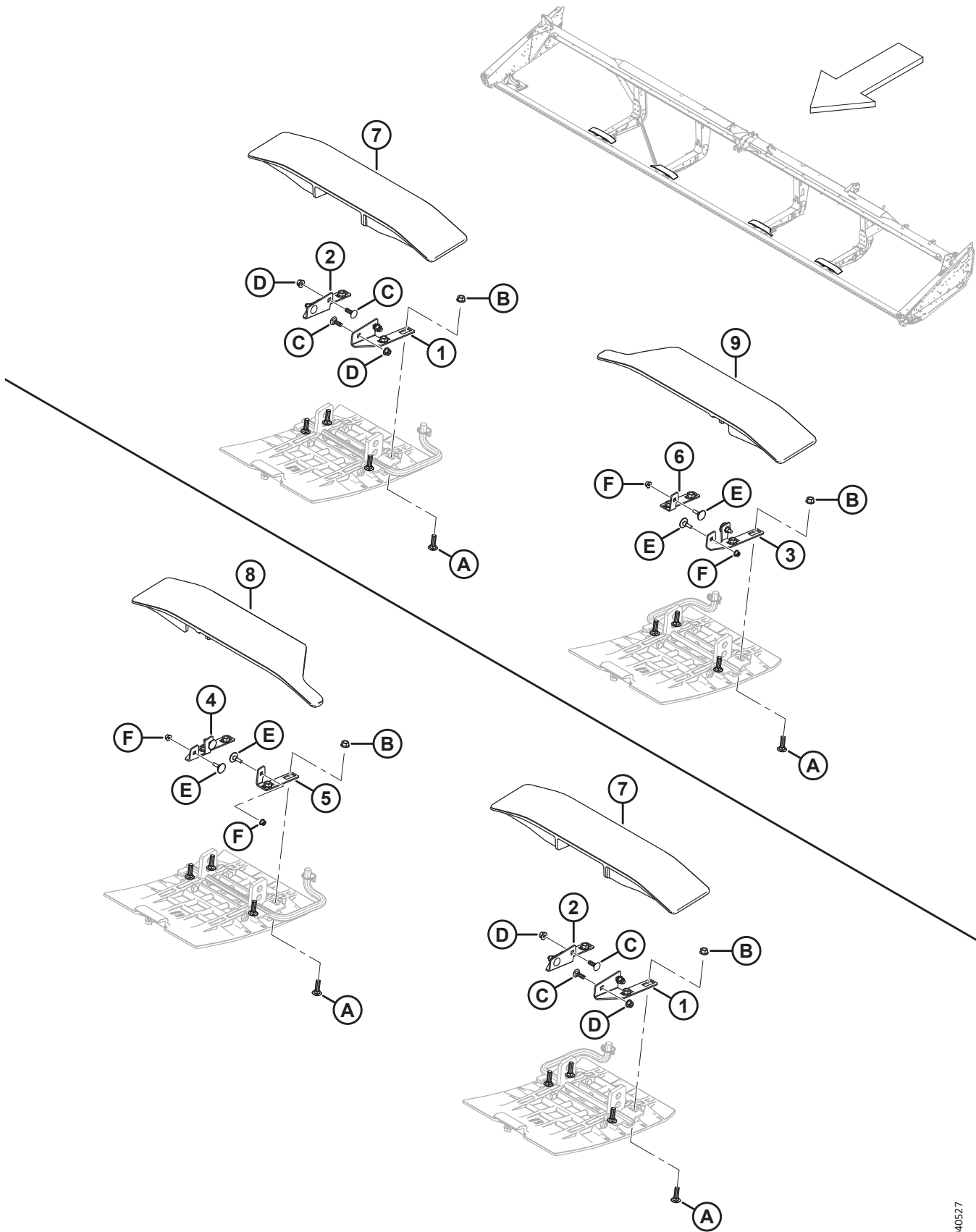
(OPTION) PICK-UP REEL-END FINGERS KIT

Ref	Part Number	Description	Qty	Serial Number
	B4831	KIT – PICK-UP REEL, END FINGERS <sup>112</sup>		
1	137794	FINGER – LODGED CROP, CAM END	3	
2	137795	SHIM – LODGED CROP FINGER	3	
3	137924	FINGER – LODGED CROP, TAIL END	3	
A	30515	BOLT – RHSN, 1/2 NC X 1-3/4, GR 5		
B	50186	NUT – LOCK, SMOOTH FLANGE, 1/2 NC DT		
C	30368	BOLT – FLANGE HEAD 1/2 NC X 1-1/4 GR 5		
D	21383	NUT – SERRATED FLANGE LOCK, 1/2 NC		
E	21102	BOLT – HEX HD 3/8 NC X 2-1/2 GR 5		
F	30228	NUT – LOCK, SMOOTH FLG, 3/8 NC, DT		

---

112. Kits available through Whole Goods only.

# 45 (Option) Polyethylene Draper Tracks



(OPTION) POLYETHYLENE DRAPER TRACKS

**NOTE:**

Illustration; TOP: right side of the header, BOTTOM: left side of the header.

Ref	Part Number	Description	Qty	Serial Number
	335846	KIT – BRACKET D1XL DRAPER TRACK <sup>113</sup>		
1	335800	BRACKET – POLY TRACK MOUNT	2	
2	335802	BRACKET – POLY TRACK MOUNT	2	
3	335833	BRACKET – POLY TRACK MOUNT	1	
4	335839	BRACKET – POLY TRACK MOUNT	1	
5	335845	BRACKET – POLY TRACK MOUNT	1	
6	335840	BRACKET – POLY TRACK MOUNT	1	
7	335832	TRACK – SHORT PLASTIC <sup>114</sup>	2	
8	335804	TRACK – SHORT PLASTIC <sup>115</sup>	1	
9	335773	TRACK – SHORT PLASTIC <sup>116</sup>	1	
A	19966	BOLT – RHSN 3/8-16 X 1.25-GR5-AA1J		
B	30228	NUT – FLG DT SM FACE 3/8-16 UNC-GR5-AA1J		
C	184648	BOLT – RHSN M8 X 1.25 X 25-8.8-AA1J		
D	135337	NUT – HEX FLG CTR LK M8 X 1.25-8-AA1J		
E	197241	BOLT – ELEV CSK M6 X 1 X 26-8.8		
F	152668	NUT – HEX FLG CTR LOC M6 X 1-8		

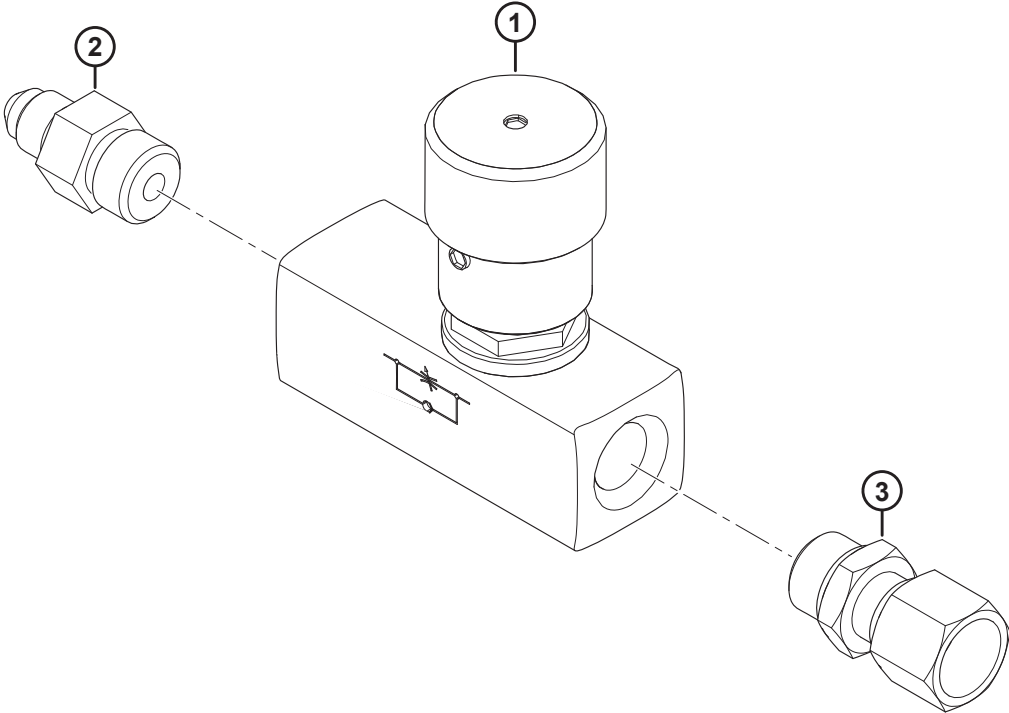
113. Kit includes all listed parts and instructions.

114. Track (MD #335832) is used on the outer header frame legs.

115. Track (MD #335804) is used on the LH center header leg.

116. Track (MD #335773) is used on the RH center header leg.

# 46 (Option) Reel Drop Rate Adjustment



(OPTION) REEL DROP RATE ADJUSTMENT

**NOTE:**

Kit is used to add flow control to reel lift circuit of D1X and D1XL headers (featuring Hydraulic Hose Management System).

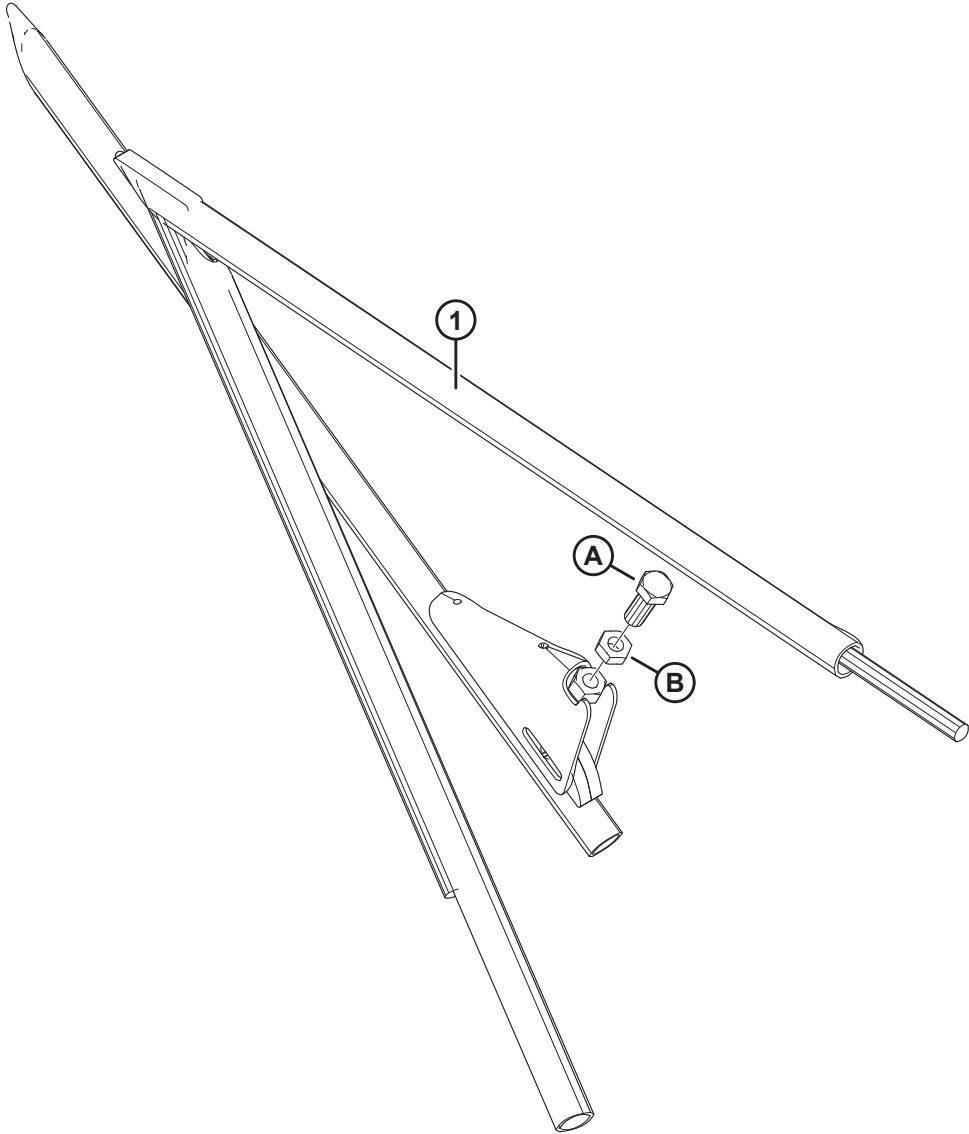
Ref	Part Number	Description	Qty	Serial Number
	306410	KIT – D1X, XL REEL DROP RATE ADJUSTMENT <sup>117</sup>		
1	183211	VALVE – HYD, FLOW CONTROL	1	
2	30524	FITTING – ADAPTER HYD	1	
3	135015	FITTING – ADAPTER HYD	1	
	167897	DECAL – REEL DROP RATE <sup>118</sup>	1	

---

117. Kit comes complete with all listed parts and instructions.

118. Refer to Section [29 Decals – Information and Reflectors](#), page 75.

# 47 (Option) Rice Divider Rods



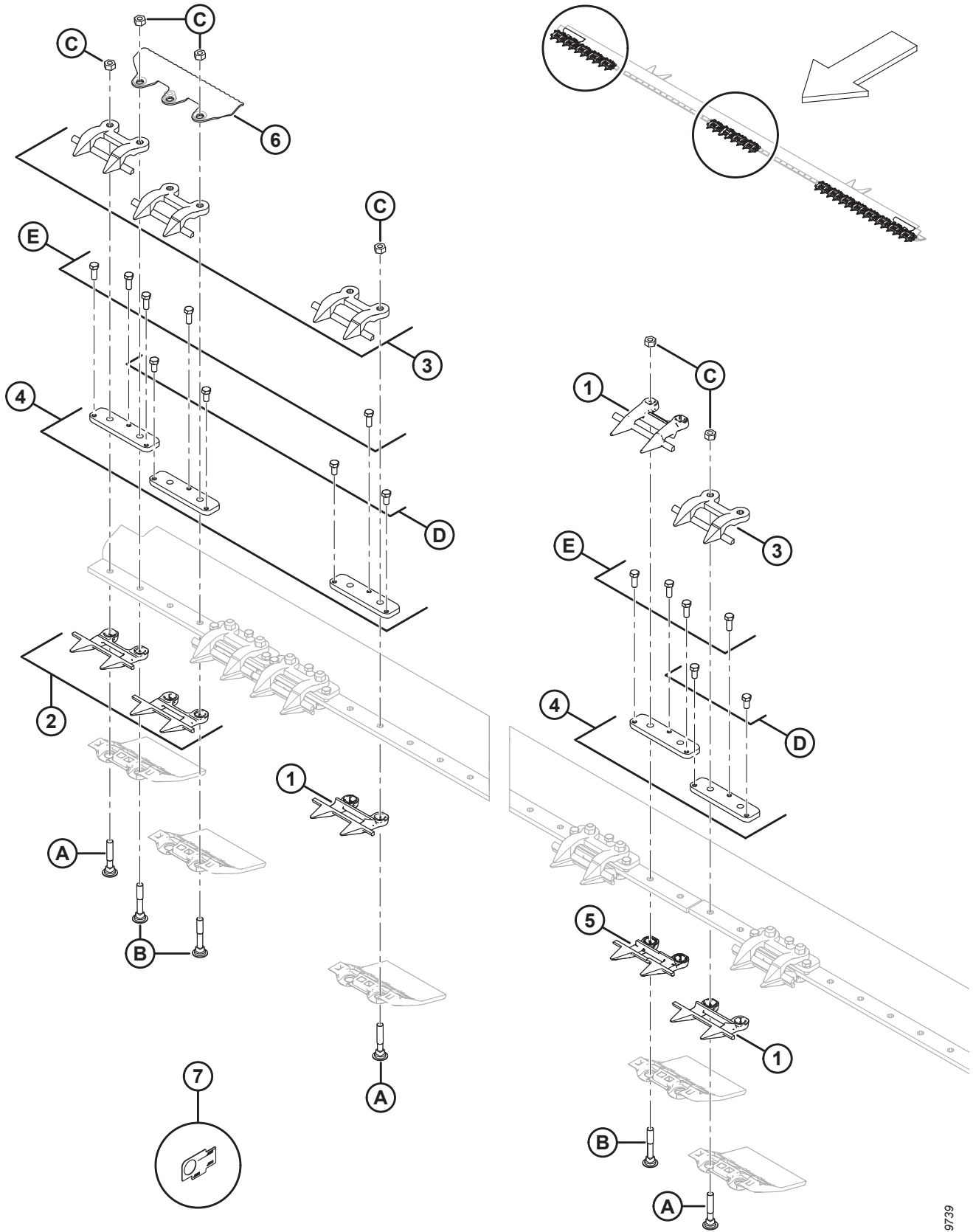
(OPTION) RICE DIVIDER RODS

Ref	Part Number	Description	Qty	Serial Number
	B5609	KIT – RICE DIVIDER RODS <sup>119</sup>		
1	123681	DIVIDER – RICE LH TUBE WELDT	1	
	123682	DIVIDER – RICE RH TUBE WELDT	1	
A	172875	SCREW – SET		
B	21056	NUT – HEX JAM 1/2-13 UNC GR 5 ZP		

---

119. Kits available through Whole Goods only.

# 48 (Option) Stub Guard Conversion Kit





**(OPTION) STUB GUARD CONVERSION KIT**

**NOTE:**

Illustration; Right end and middle shown (left end is similar). Double knife, stub guards only.

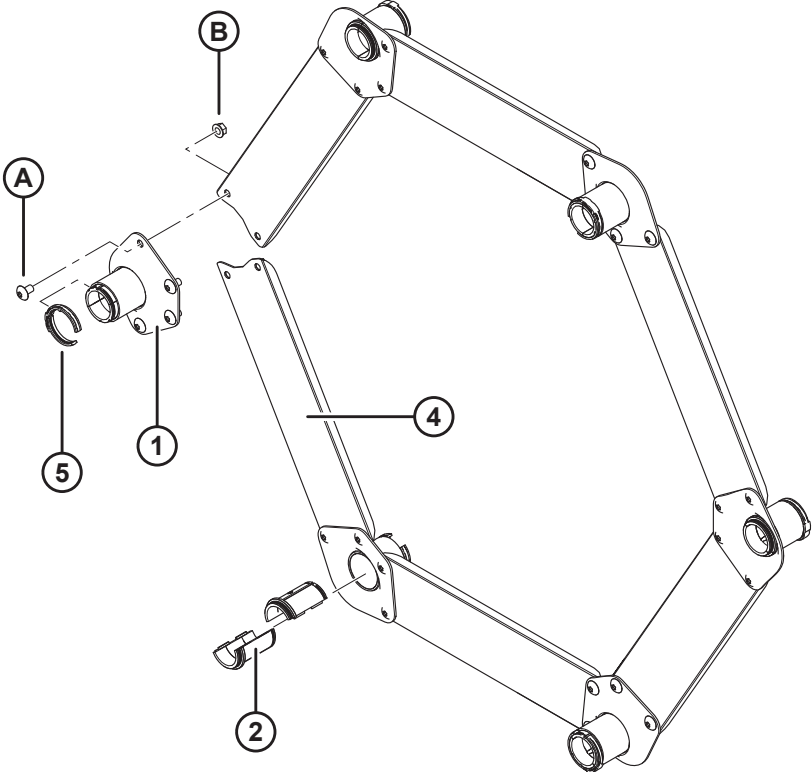
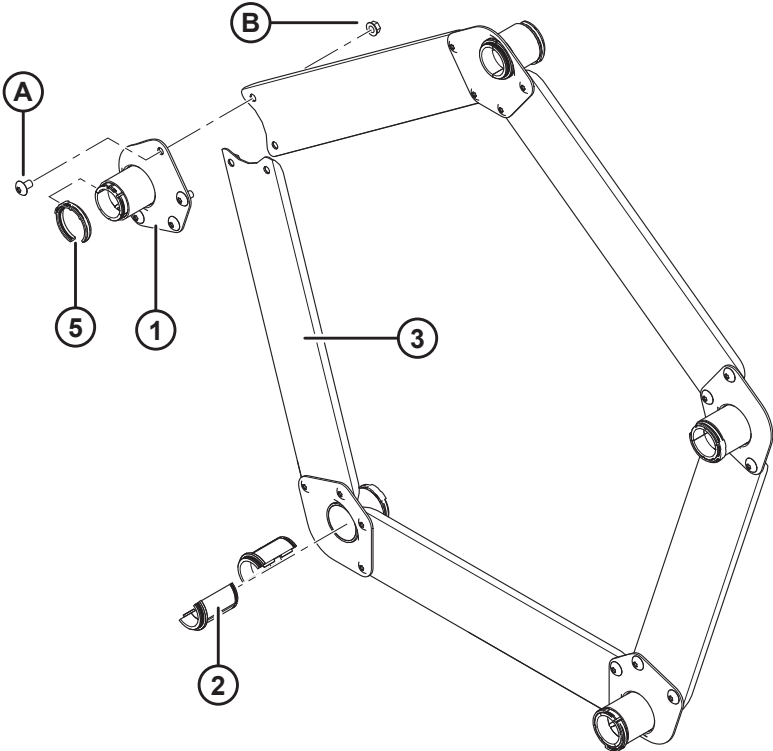
Ref	Part Number	Description	Qty	Serial Number
	B5009	KIT – STUB GUARD CONVERSION (D115X HEADER) <sup>120</sup>		
	B5010	KIT – STUB GUARD CONVERSION (D120X HEADER) <sup>120</sup>		
	B5011	KIT – STUB GUARD CONVERSION (D125X HEADER) <sup>120</sup>		
1	118346	SICKLE GUARD <sup>121</sup>		
2	118347	SICKLE GUARD – STUB, W/O WEARBAR (4 PER END)	8	
3	34359	GUIDE <sup>122</sup>		
4	34980	BAR – ADJUSTER <sup>122</sup>		
5	124775	SICKLE GUARD – CENTER, STUB	1	
6	132405	RETAINER – DEFLECTOR	2	
7	NSS	TOOL – STUB GAUGE	1	
A	279575	BOLT – RHSN 7/16-14 X 2.5-GR5-ZP		
B	132404	BOLT – RHSN SPECIAL 7/16 NC X 2.75 LG GR 5 ZP		
C	18654	NUT – HEX 7/16-14 UNC GR 5 ZP		
D	50119	BOLT – HH 3/8 NC X 0.75 STAIN STL		
E	50120	BOLT – HH 3/8 NC X 1 STAIN STL		

120. Kits available through Whole Goods only.

121. Complete cutterbar quantities: D115X = 22, D120X = 36, and D125X = 46.

122. Complete cutterbar quantities: D115X= 30, D120X = 40, and D125X = 50.

# 49 (Option) Tine Tube Reinforcing Kit



(OPTION) TINE TUBE REINFORCING KIT

**NOTE:**

Illustration; TOP: 5 bat, BOTTOM: 6 bat.

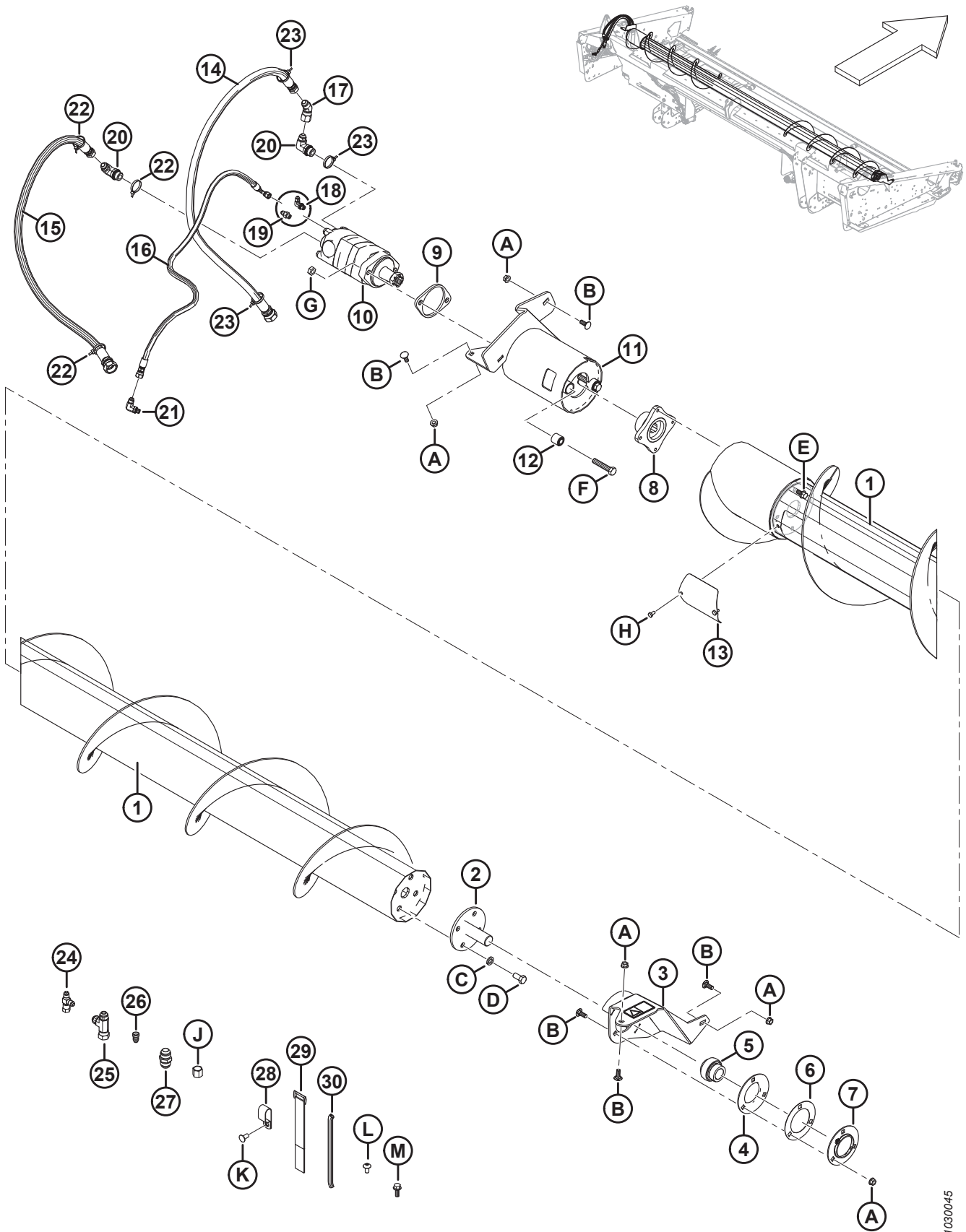
Ref	Part Number	Description	Qty 5/6 Bat	Serial Number
	B5825	KIT – D60/5, FD70/5 TINE TUBE REINFORCING (FOR 5 BAT REEL HEADERS IN HEAVY REEL LOAD CONDITIONS) <sup>123</sup>		
	B5826	KIT – D60/5, FD70/5 TINE TUBE REINFORCING (FOR 6 BAT REEL HEADERS IN HEAVY REEL LOAD CONDITIONS) <sup>123</sup>		
1	164988	SUPPORT – WELDT	5/6	
2	220939	BUSHING – TINE TUBE (BOX OF 25) <sup>124</sup>	10/12	
3	164993	CHANNEL – TIE BAR (5 BAT REEL)	5/0	
4	164995	CHANNEL – TIE BAR (6 BAT REEL)	0/6	
5	220941	CLAMP – TINE TUBE BUSHING, CENTER RIB (BOX OF 5) <sup>125</sup>	5/6	
A	135450	SCREW – MACHINE		
B	30228	NUT – FLANGE DT SMOOTH FACE 0.375-16 UNC		

123. Kits available through Whole Goods only.

124. Not sold individually; to service this part, a box of 25 tine tube bushings must be ordered.

125. Not sold individually; to service this part, a box of 5 tine tube bushing clamps must be ordered.

# 50 (Option) Upper Cross Auger – D115X and D120X



1030045

(OPTION) UPPER CROSS AUGER – D115X AND D120X

Ref	Part Number	Description	Qty	Serial Number
	B6280	KIT – 1 SERIES 15 FT UCA <sup>126</sup>		
	B6281	KIT – 1 SERIES 20 FT UCA <sup>126</sup>		
1	294446	AUGER – UCA HC WELDT (D115X ONLY)	1	
	294447	AUGER – UCA HC WELDT (D120X ONLY)	1	
2	132303	SHAFT – END WELDT	1	
	294677	KIT – DISC 21-36 FT UCA (DISC ONLY) <sup>127</sup>		
3	296554	SUPPORT – RH UCA ASSY <sup>128</sup>	1	
4	49306	FLANGE	1	
5	21859	BEARING – SPH OD EXT INNER RACE 1 3/16 BORE	1	
6	172340	SHIM	1	
7	30661	FLANGE	1	
8	253722	HUB – UCA HC MOTOR	1	
9	253446	PLATE – SPACER	1	
10	255829	MOTOR – UCA	1	
11	296556	SUPPORT – ASSEMBLY <sup>129</sup>	1	
12	21810	BUSHING – RUBBER	2	
13	279261	COVER – UCA ACCESS	1	
14	279837	HOSE – HYDRAULIC (D115X ONLY)	1	
	279796	HOSE – HYDRAULIC (D120X ONLY)	1	
15	279838	HOSE – HYDRAULIC (D115X ONLY)	1	
	279796	HOSE – HYDRAULIC (D120X ONLY)	1	
16	304406	HOSE – HYDRAULIC (D115X ONLY)	1	
	254248	HOSE – HYDRAULIC (D120X ONLY)	1	
17	135685	FITTING – ELBOW 45° HYD	1	
18	135647	FITTING – ELBOW 90° HYD (D115X ONLY)	1	
19	112184	FITTING – ADAPTER HYD (D120X ONLY)	1	
20	21801	FITTING – ELBOW 90° HYD	2	
21	50104	FITTING – ELBOW 90° HYD	1	
22	252795	FASTENER – CABLE TIE, PINK	3	
23	252794	FASTENER – CABLE TIE, PURPLE	3	
24	30873	FITTING - HYD TEE	2	
25	108268	FITTING – HYD TEE	1	
26	30981	FITTING – ADAPTER HYD REDUCER 1/2 X 3/8	1	
27	30376	FITTING – UNION HYD (D120X ONLY)	1	
28	103738	CLAMP – PVC INSULATED 13/16 IN. TUBE SIZE	7	

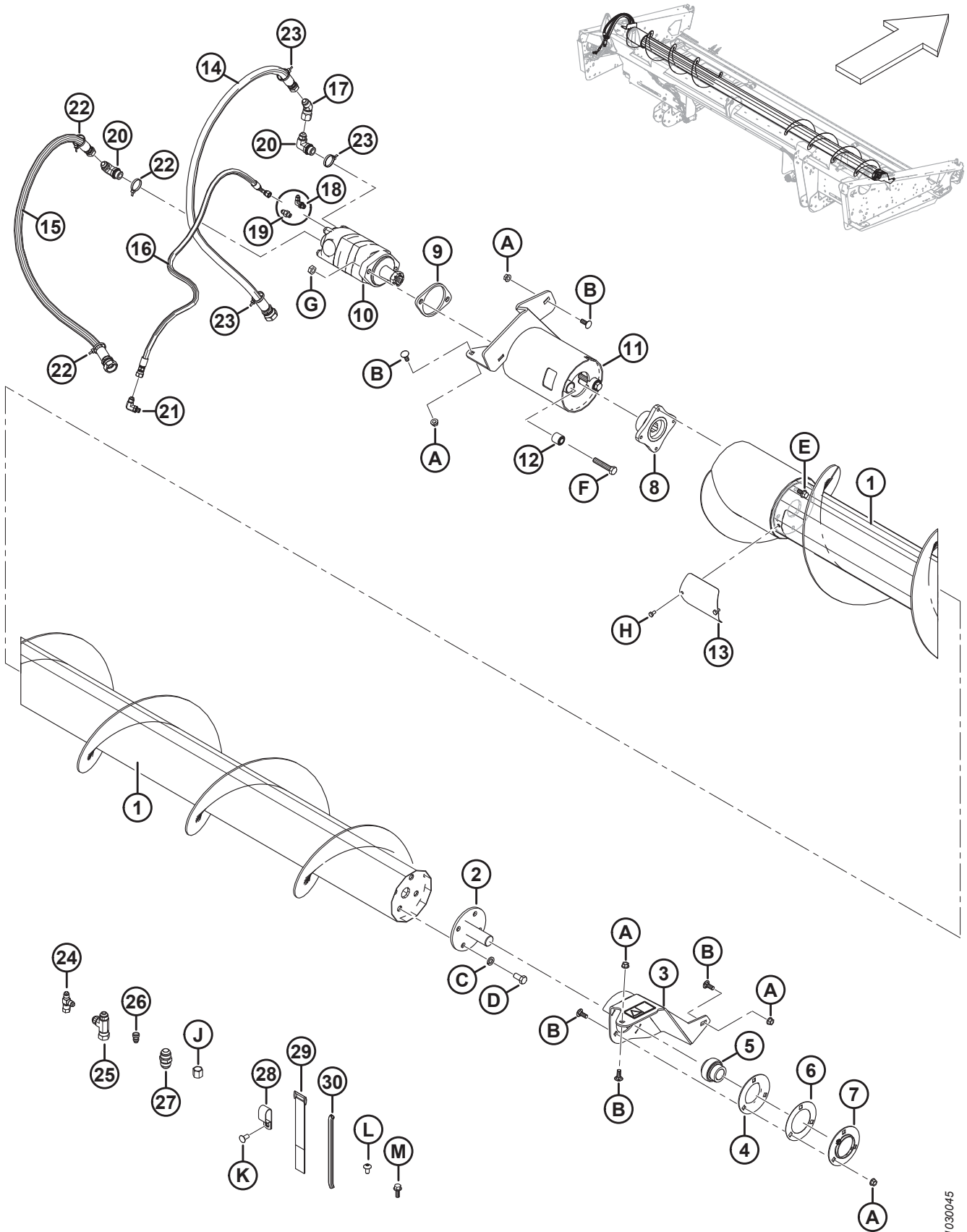
126. Kits available through Whole Goods only.

127. Kit used to repair disc on shaft (MD #132303).

128. Support includes decal (MD #279085).

129. Support includes two bushings (MD #21810) and decal (MD #279085).

(OPTION) UPPER CROSS AUGER – D115X AND D120X



1030045

(OPTION) UPPER CROSS AUGER – D115X AND D120X

Ref	Part Number	Description	Qty	Serial Number
29	135443	CINCH STRAP (4 IN. LG)	3	
	135444	CINCH STRAP (6 IN. LG)	2	
30	45427	MOULDING – RH (SPEC 31886)	1	
A	30228	NUT – FLANGE DT SMOOTH FACE 0.375-16 UNC		
B	19965	BOLT – RHSN 3/8-16 X 1-GR5-ZP		
C	18638	WASHER – REG. LOCK 1/2 IN. NOM. ID ZP		
D	21575	BOLT – HH 1/2 NC X 1.0 LG GR 5 ZP		
E	135963	BOLT – HH FLG (SM FACE) 3/8 NC X 0.75 GR 5 ZP		
F	21760	BOLT – HH 1/2 NC X 2.5 LG GR 5 ZP		
G	137727	NUT – HEX JAM - DIST THD. 1/2-13 UNC GR 5 ZP		
H	21580	BOLT – HEX HD 1/4 NC X 0.5 LG GR 5 ZP		
J	21069	NUT – TUBE 37° JIC 1/2 IN.		
K	21863	BOLT – RHSSN 3/8 NC X 0.75 LG GR 5 ZP		
L	135157	SCREW – MACHINE		
M	135966	BOLT – HH FLG (SM FACE) 3/8 NC X 1.0 GR 5 ZP		





(OPTION) UPPER CROSS AUGER – D125X

Ref	Part Number	Description	Qty	Serial Number
	B6461	KIT – 1 SERIES 25 FT UCA <sup>130</sup>		
1	294435	AUGER – UCA HC WELDT 25 FT	1	
2	294161	FLIGHTING – LH CENTER	1	
3	294163	FLIGHTING – RH CENTER	1	
4	294426	SUPPORT – LH	6	
5	294427	SUPPORT – RH	6	
6	255883	PLATE	6	
7	132303	SHAFT – END WELDT, WITH DISC	1	
	294677	KIT – DISC 21-36 FT UCA (DISC ONLY) <sup>131</sup>	OPT	
8	296554	SUPPORT – RH UCA ASSY <sup>132</sup>	1	
9	49306	FLANGE	1	
10	21859	BEARING – SPH OD EXT INNER RACE 1-3/16 BORE	1	
11	172340	SHIM	1	
12	30661	FLANGE	1	
13	45427	MOULDING – RH	1	
14	253722	HUB – UCA HC MOTOR	1	
15	253446	PLATE – SPACER	1	
16	255829	MOTOR – UCA (130 CC) <sup>133</sup>	1	
	174304	SEAL KIT		
	137375	NUT – SLOTTED JAM 1.0-20 UNEF		
17	296556	SUPPORT – ASSEMBLY <sup>134</sup>	1	
18	21810	BUSHING – RUBBER	2	
19	279261	COVER – UCA ACCESS	1	
20	294220	HOSE – HYDRAULIC	2	
21	279716	HOSE – HYD, 0.5 IN. I.D., 400 MM LG, 100R17, METAL REIN.	1	
22	279717	HOSE – HYD, 0.5 IN. I.D., 270 MM LG, 100R17, METAL REIN.	1	
23	254248	HOSE – HYD, 0.25 IN. I.D., 900 MM LG, 100R17, METAL REINFORCED	1	
24	135685	FITTING – ELBOW 45° HYD	1	
25	112184	FITTING – ADAPTER HYD	1	
26	21801	FITTING – ELBOW 90° HYD	2	
27	50104	FITTING – ELBOW 90° HYD	1	
28	30873	FITTING – HYD TEE	1	
29	108268	FITTING – HYD TEE	1	
30	30981	FITTING – ADAPTER HYD REDUCER 1/2 X 3/8 <sup>135</sup>	1	
	21069	NUT – TUBE 37° JIC 1/2 IN.	1	
31	30376	FITTING – UNION HYD	1	
32	50050	FITTING – TEE HYD STR THD BRANCH TEE CW O-RING	2	
33	135240	FITTING – ELBOW 45° HYD	2	

130. Kits available through Whole Goods only.

131. Kit used to repair disc on shaft (MD #132303).

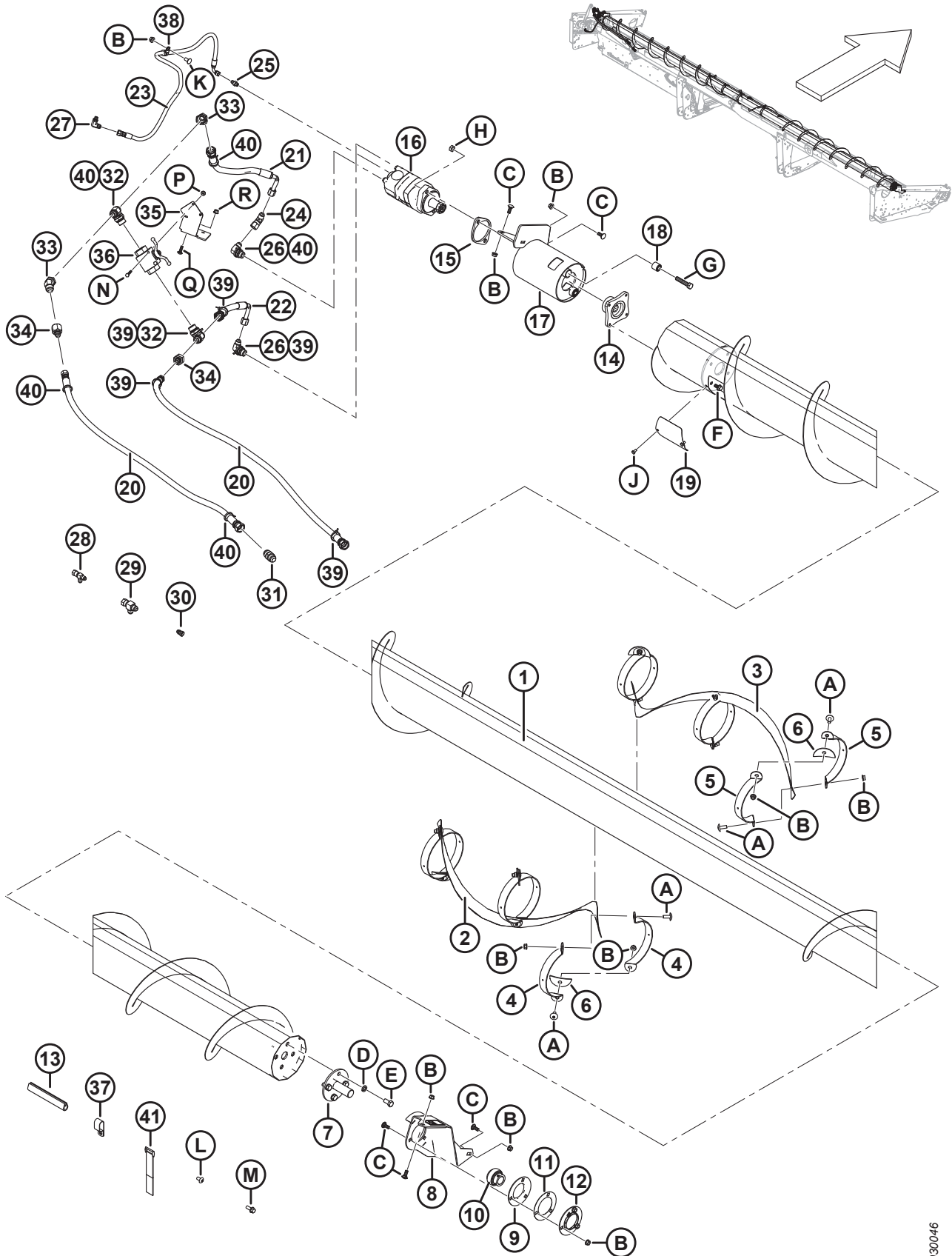
132. Support includes decal (MD #279085).

133. For use on all SP headers and combine headers not in the European market.

134. Support includes two bushings (MD #21810) and decal (MD #279085).

135. Includes tube nut (MD #21069).

(OPTION) UPPER CROSS AUGER – D125X



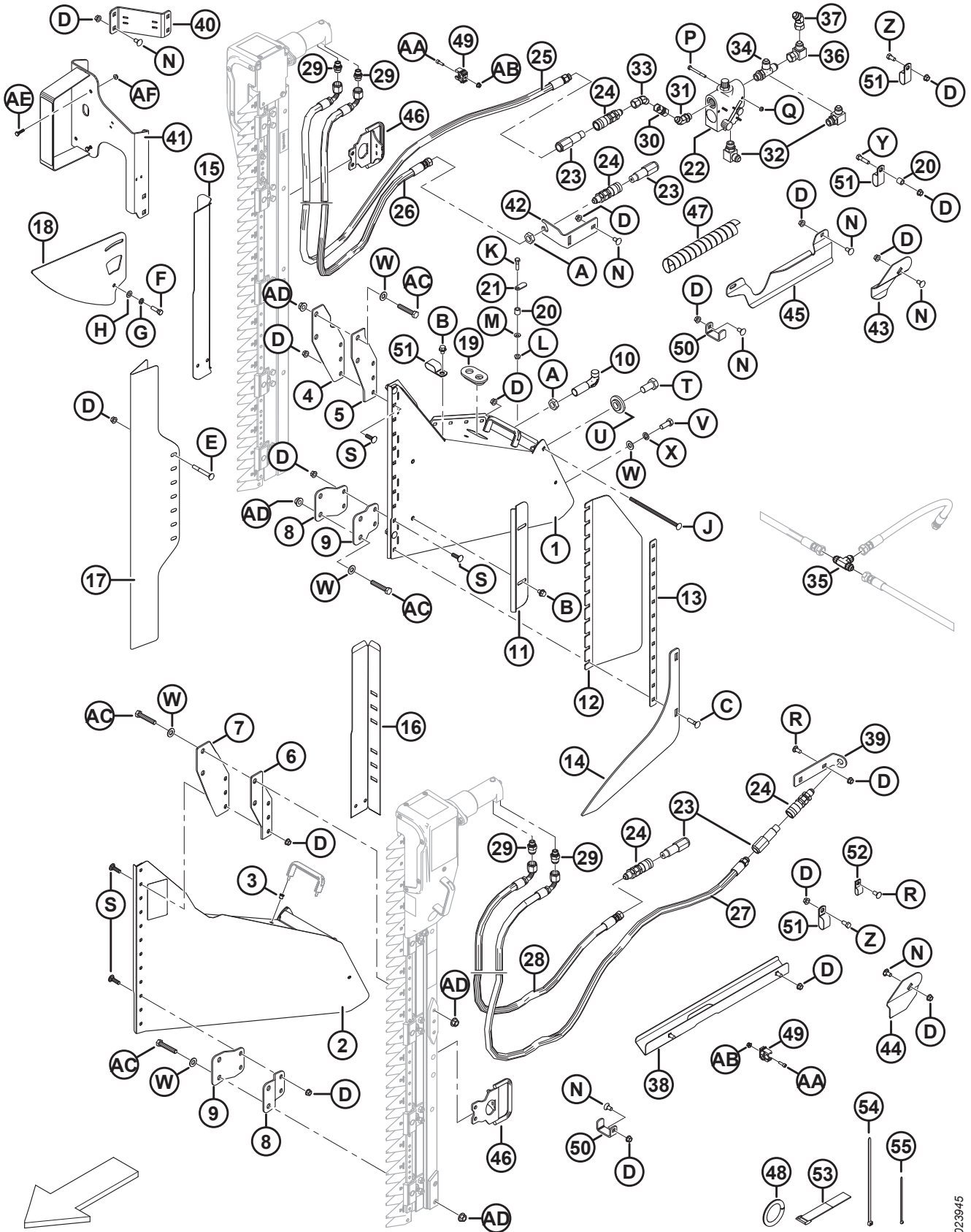
1030046

(OPTION) UPPER CROSS AUGER – D125X

Ref	Part Number	Description	Qty	Serial Number
34	136952	FITTING – ADAPTER HYD REDUCER	2	
35	279966	BRACKET – BV MOUNT, RIGID	1	
36	294263	VALVE – BALL	1	
37	103738	CLAMP – PVC INSULATED 13/16 IN. TUBE SIZE	7	
38	135818	CLAMP – INSULATED 1/2 IN.	1	
39	252795	FASTENER – CABLE TIE, PINK	5	
40	252794	FASTENER – CABLE TIE, PURPLE	5	
41	135443	CINCH STRAP (4 IN. LG)	3	
	135444	CINCH STRAP (6 IN. LG)	2	
	294813	DECAL – UPPER CROSS AUGER VALVE <sup>136</sup>		
A	135507	SCREW – MACHINE, TRUSS HD TORX,38 NC X 1 LG		
B	30228	NUT – FLG DT SMTH FACE 0.375-16 UNC		
C	19965	BOLT – RHSN 3/8-16 X 1-GR5-ZP		
D	18638	WASHER – REG. LOCK 1/2 IN. NOM. I.D. ZP		
E	21575	BOLT – HH 1/2 NC X 1.0 LG GR 5 ZP		
F	135963	BOLT – HH FLG (SM FACE) 3/8 NC X 0.75 GR 5 ZP		
G	21760	BOLT – HH 1/2 NC X 2.5 LG GR 5 ZP		
H	137727	NUT – HEX JAM-DT 1/2-13 UNC GR 5 ZP		
J	21580	BOLT – HEX HD 1/4 NC X 0.5 LG GR 5 ZP		
K	21863	BOLT – RHSSN 3/8 NC X 0.75 LG GR 5 ZP		
L	135157	SCREW – MACHINE		
M	135966	BOLT – HH FLG SM FACE 3/8 NC X 1.0 GR 5 ZP		
N	21854	BOLT – HH 1/4 NC X 2.5 LG GR 5 ZP		
P	135248	NUT – HEX FLG CTR LOC		
Q	136824	BOLT – RHSSN M8 X 1.25 X 25-8.8-A2L		
R	135337	NUT – HEX FLG CTR LOC M8 X 1.25-8-A2L		

136. Refer to Section [29 Decals – Information and Reflectors](#), page 75.

# 52 (Option) Vertical Knife – Standard Reel Arm (2018 and Prior)



(OPTION) VERTICAL KNIFE – STANDARD REEL ARM (2018 AND PRIOR)

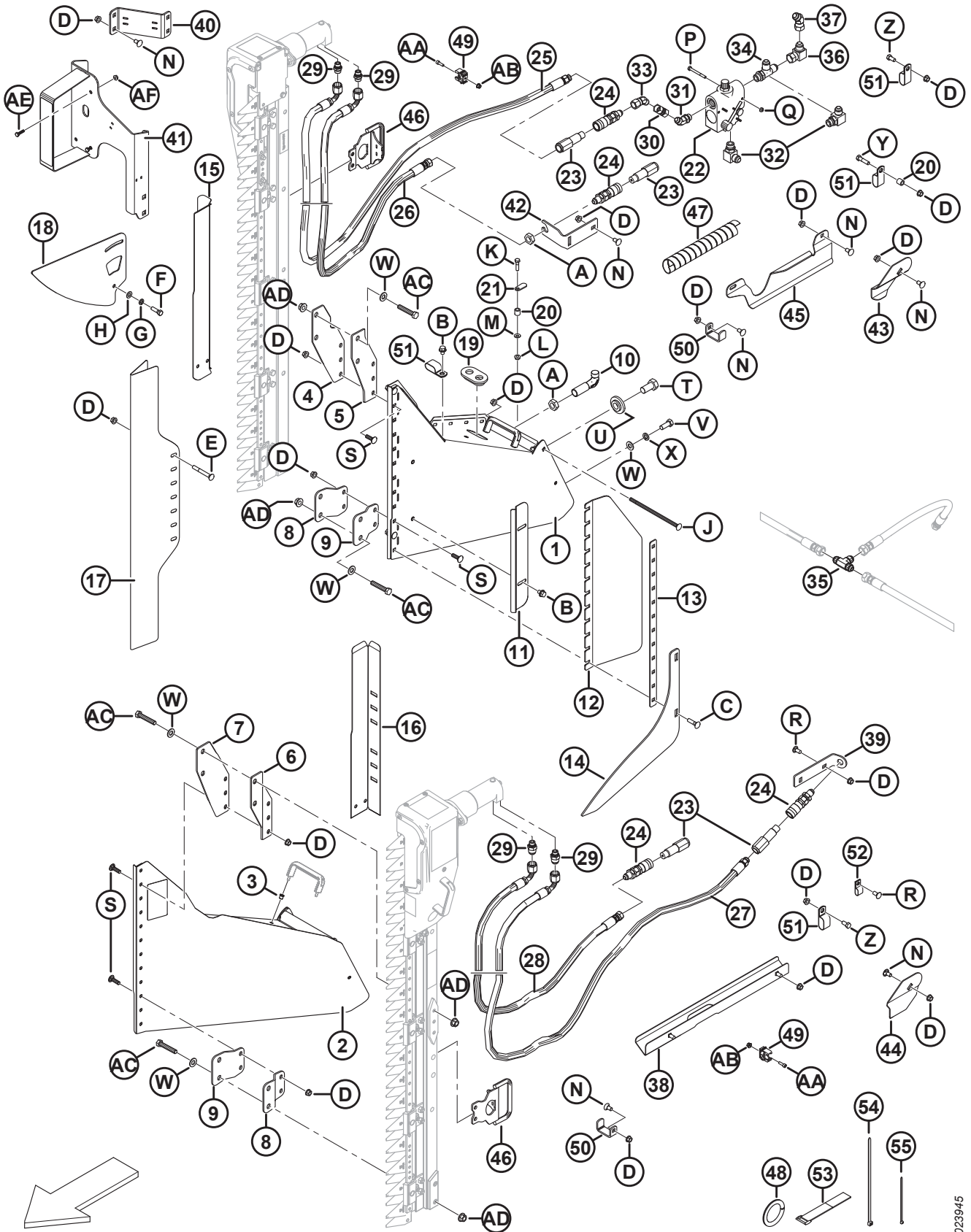
Ref	Part Number	Description	Qty	Serial Number
1	279494	SUPPORT ASSY – RH VERT KNIFE, C/W DECAL <sup>137</sup>	1	-346189
2	279485	SUPPORT ASSY – LH VERT KNIFE, C/W DECAL <sup>137</sup>	1	-346189
3	252578	RIVNUT – M6 X 1 RND 0.7-4.2	4	-346189
4	279156	SUPPORT – VK, TOP RH OUTBOARD	1	-346189
5	279157	SUPPORT – VK, TOP RH INBOARD	1	-346189
6	279158	SUPPORT – VK, TOP LH OUTBOARD	1	-346189
7	279159	SUPPORT – VK, TOP LH INBOARD	1	-346189
8	279498	SUPPORT – VK, BOTTOM, OUTBOARD	2	-346189
9	279499	SUPPORT – VK, BOTTOM, INBOARD	2	-346189
10	132773	HOOK – DIVIDER LATCH	2	-346189
11	174242	DEFLECTOR – VERTICAL KNIFE	2	-346189
12	174321	DEFLECTOR – PLASTIC VERTICAL KNIFE	2	-346189
13	174240	RETAINER – DEFLECTOR VERTICAL KNIFE	2	-346189
14	220197	LIFTER – VERTICAL KNIFE	2	-346189
15	174318	SHIELD – HOSES RH VERTICAL KNIFE	1	-346189
16	174322	SHIELD – HOSES LH VERTICAL KNIFE	1	-346189
17	165380	SHIELD – VERTICAL KNIFE	2	-346189
18	174238	GUIDE – TOP VERTICAL KNIFE	2	-346189
19	165103	GROMMET	2	-346189
20	174324	SPACER	3	-346189
21	174243	LEVER – SAFETY	2	-346189
22	174422	VALVE <sup>138</sup>	1	-346189
	30054	SEAL KIT		-346189
23	135386	COUPLER – MALE HYD. 3/8 IN. FLAT FACE <sup>139</sup>	4	-346189
	111978	SEAL KIT (FASTER ONLY)		-346189
24	135213	COUPLING – FEMALE HYD. 3/8 IN. FLAT FACE BULKHEAD	4	-346189
25	174262	HOSE – RH VERT. KNIFE PRESSURE, 3425 MM LG	1	-346189
26	174547	HOSE – RH VERTICAL KNIFE RETURN, 3350 MM LG	1	-346189
27	174263	HOSE – LH VERT. KNIFE PRESSURE, 3125 MM LG	1	-346189
28	174585	HOSE – LH VERTICAL KNIFE RETURN, 2750 MM LG	1	-346189
29	252296	FITTING – ADAPTER 10 JIC X 6 BSPP (ZIEGLER ONLY)	4	-346189
	136654	SEAL KIT (ZIEGLER ONLY)		-346189
	21746	FITTING – CONNECTOR HYD (SABRE ONLY)	4	-346189
30	135540	FITTING – FEMALE UNION HYD	1	-346189
31	135241	FITTING – ELBOW 45° HYD C/W O-RING	1	-346189
32	21843	FITTING – ELBOW 90° HYD	2	-346189
33	135685	FITTING – ELBOW 45° HYD	1	-346189
34	50019	FITTING – TEE HYD STR THD RUN TEE C/W O-RING	1	-346189
35	30551	FITTING – TEE HYD	1	-346189

137. Includes decal (MD #174684) and two rivnuts (MD #252578).

138. Includes seal kit (MD #30054).

139. Faster coupler (MD #135386) is interchangeable with Parker Hannifin coupler (NSS). Seal kit (MD #111978) is only intended for Faster coupler and cannot be used with Parker Hannifin coupler. Length can be used to differentiate the two couplers; Faster coupler = 101 mm and Parker Hannifin coupler = 84 mm.

(OPTION) VERTICAL KNIFE – STANDARD REEL ARM (2018 AND PRIOR)



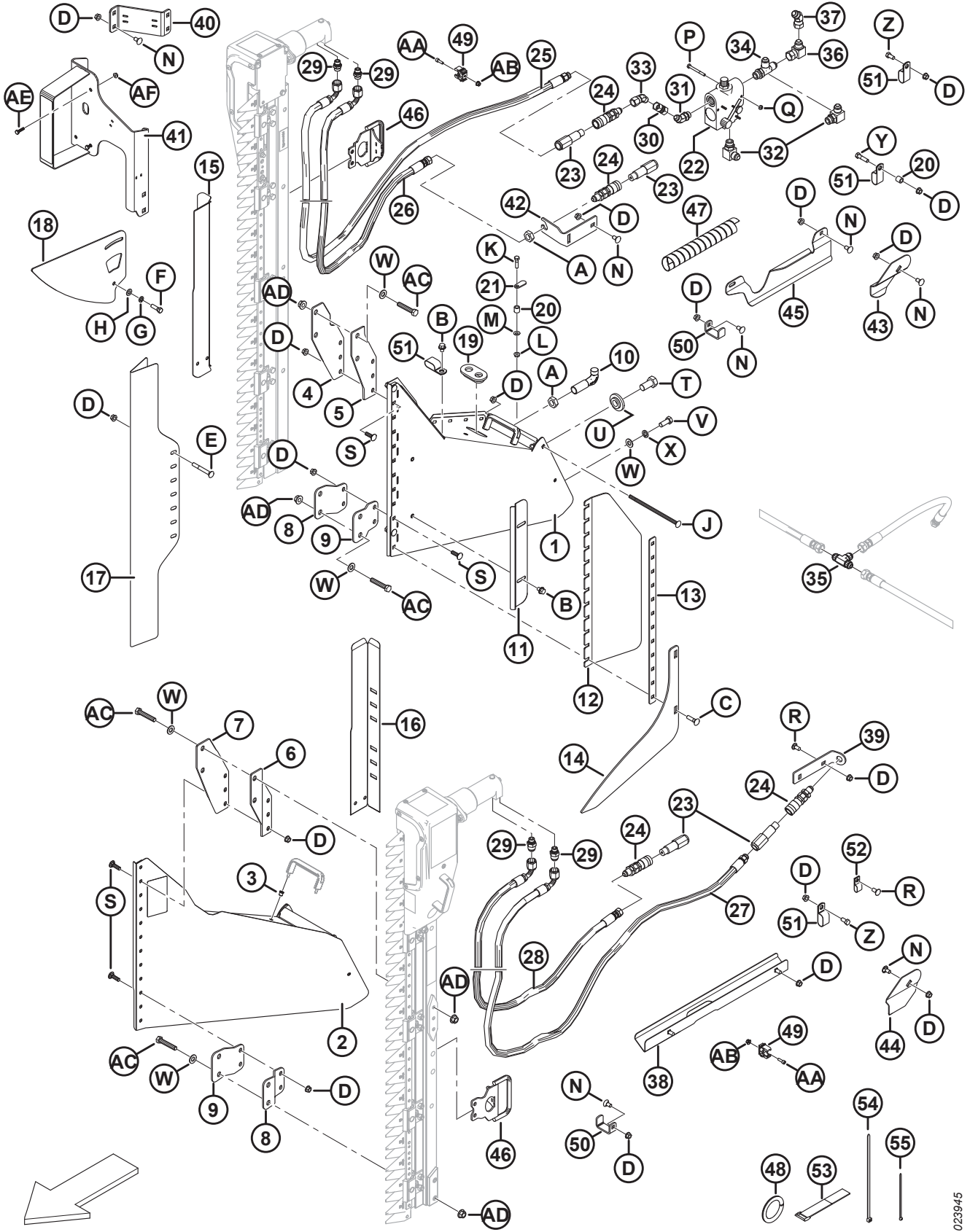
1023945



(OPTION) VERTICAL KNIFE – STANDARD REEL ARM (2018 AND PRIOR)

Ref	Part Number	Description	Qty	Serial Number
36	30556	FITTING – ELBOW 90° HYD	1	-346189
37	135434	FITTING – ELBOW 45° SWIVEL SAE	1	-346189
38	174586	SUPPORT WELDMENT – LH VERTICAL KNIFE	1	-346189
39	174538	SUPPORT – HOSE LH VERTICAL KNIFE	1	-346189
40	174883	SUPPORT – LAMP, VERTICAL KNIFE KIT	1	-346189
41	294393	SUPPORT – RH REAR LIGHT VERT KNIFE	1	-346189
42	174521	SUPPORT – COUPLER	1	-346189
43	174514	HOLDER – RH HOSE VERTICAL KNIFE	1	-346189
44	174513	HOLDER – LH HOSE VERTICAL KNIFE	1	-346189
45	125229	GUIDE – RH HOSES, VERT KNIFE	1	-346189
46	279144	HANDLE – VERT KNIFE (ZIEGLER ONLY)	2	-346189
47	252537	GUARD – HOSE, SPIRAL	1	-346189
48	45427	MOULDING – RH (SPEC 31886)	1	-346189
49	252314	CLIP – PIPE, 20 MM	8	-346189
50	132418	CLAMP – HOSE VERTICAL KNIFE	3	-346189
51	103738	CLAMP – PVC INSULATED 13/16 IN. TUBE SIZE	13	-346189
52	135233	CLAMP – DOUBLE HOSE INSULATED	1	-346189
53	135443	FASTENER – CINCH STRAP 4 IN. LG	3	-346189
54	30753	FASTENER – CABLE TIE BLACK, 305 MM LG	6	-346189
55	21763	FASTENER – CABLE TIE BLACK, 160 MM LG	10	-346189
A	7674	NUT – HEX JAM 3/4 16 UNF GR 5 ZP		
B	30693	BOLT – FLANGE (SER FACE) .375-16 UNC X 0.5 LG		
C	21484	BOLT – RHSN 3/8 NC X 1.5 LG GR 5 ZP		
D	30228	NUT – FLANGE DT SMOOTH FACE 0.375-16 UNC		
E	30307	BOLT – RHSN 3/8 NC X 3.0 LG GR 5 ZP		
F	21264	BOLT – HH 3/8 NC X 1.25 LG GR 5 ZP		
G	18637	WASHER – REG. LOCK 3/8 IN. NOM. ID ZP		
H	18598	WASHER – SAE FLAT 13/32 ID X 13/16 IN OD ZP		
J	135665	BOLT – RHSN 3/8 NC X 8 LG GR 5 ZP		
K	21526	BOLT – HH 5/16 NC X 1.25 LG GR 5 ZP		
L	30280	NUT – FLG SIDE LK SMTH FACE 5/16 NC GR 5 ZP		
M	184579	WASHER – CONICAL SPRING M8A		
N	21472	BOLT – RHSN 3/8 NC X 0.75 GR 5 ZP		
P	21854	BOLT – HH 1/4 NC X 2.5 LG GR 5 ZP		
Q	18724	NUT – HEX LOCK DT 1/4-20 UNC ZP		
R	21863	BOLT – RHSSN 3/8 NC X 0.75 LG GR 5 ZP		
S	19966	BOLT – RHSN 3/8 NC X 1.25 LG GR 5 ZP		
T	135579	BOLT – HEX HD 3/4-16 UNF		
U	220324	WASHER – VERTICAL KNIFE		
V	21491	BOLT – HH 1/2 NC X 1.25 LG GR 5 ZP		
W	18599	WASHER – SAE FLAT 17/32 ID X 1 1/16 IN OD ZP		
X	18638	WASHER – REG. LOCK 1/2 IN. NOM. ID ZP		

(OPTION) VERTICAL KNIFE – STANDARD REEL ARM (2018 AND PRIOR)



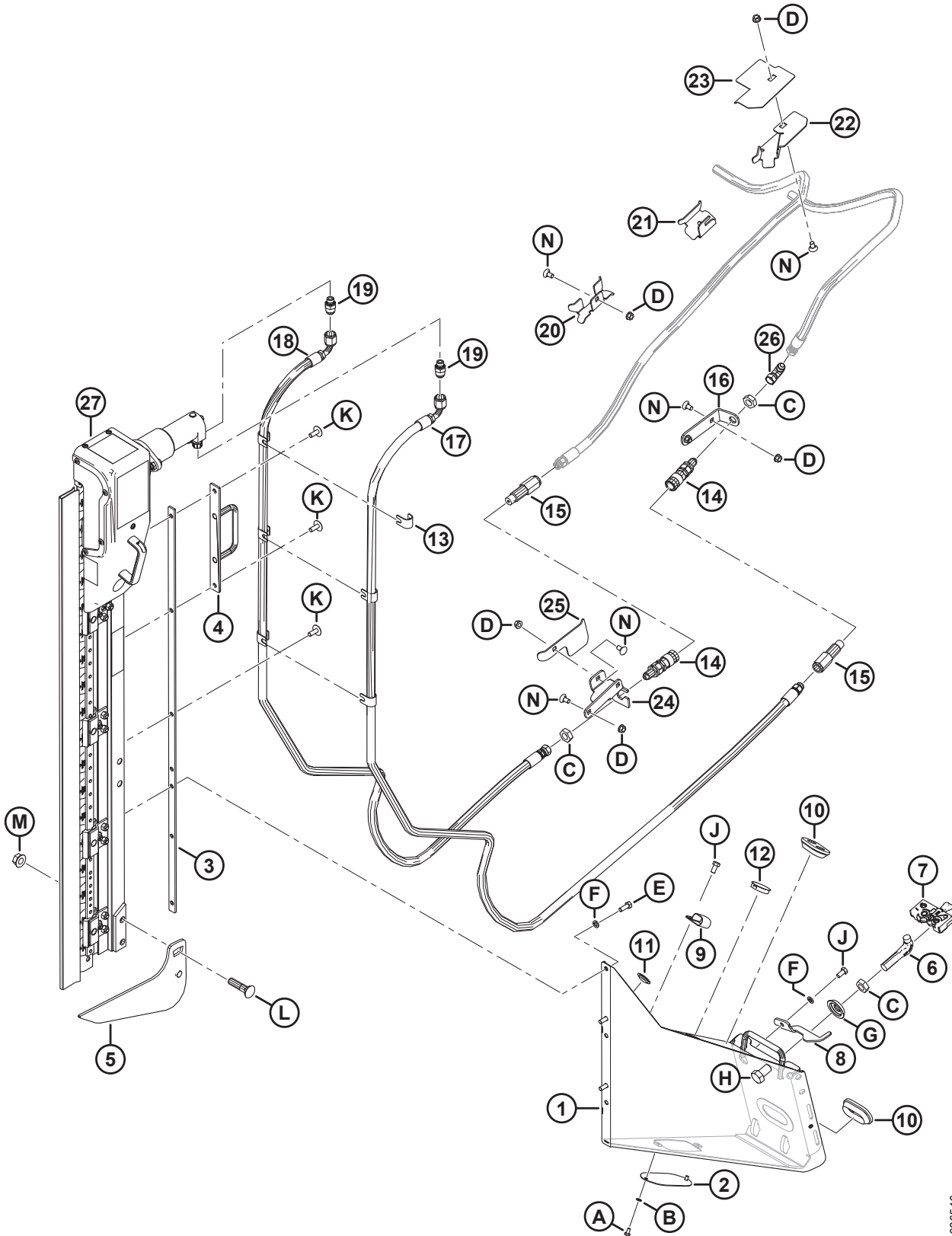
1023945



(OPTION) VERTICAL KNIFE – STANDARD REEL ARM (2018 AND PRIOR)

Ref	Part Number	Description	Qty	Serial Number
Y	21561	BOLT – HH 3/8 NC X 1.5 LG GR 5 ZP		
Z	21567	BOLT – HEX HD .375-16 UNC X 0.75 LG		
AA	136652	SCREW – HEX SOC HD M6 X 1 X 20-12.9-A2L		
AB	152668	NUT – HEX FLG CTR LOC M6 X 1-8-A2L		
AC	252541	BOLT – HEX HD M12 X 1.75 X 65-8.8-A3L		
AD	148645	NUT – HEX FLG STVR LOC M12 X 1.75-10-A3L		
AE	21573	BOLT – HEX HD 1/4 NC X 1.0 LG GR 5 ZP		
AF	21455	NUT – FLG (SER FACE) 1/4 NC GR 5 ZP		

# 53 (Option) Vertical Knife – Left End (2019–2021)



1026546

(OPTION) VERTICAL KNIFE – LEFT END (2019–2021)

Ref	Part Number	Description	Qty	Serial Number
	B6410	KIT – ZIEGLER LH/RH VERTICAL KNIVES FOR D1/FD1 <sup>140</sup>		346190–
1	REF	SUPPORT ASSEMBLY – LH NA <sup>141</sup>	1	346190–421189
	335869	KIT – VERTICAL KNIFE MOUNTS <sup>142</sup>		
2	253582	PLATE	1	346190–421189
3	253668	SUPPORT WELDMENT	1	346190–421189
4	253570	SUPPORT WELDMENT	1	346190–421189
5	253708	LIFTER LEFT WELDMENT	1	346190–421189
6	132773	HOOK – DIVIDER LATCH	1	346190–421189
7	120932	LATCH – LH	1	346190–421189
8	132248	LATCH – LH, DIVIDER SAFETY	1	346190–421189
9	103738	CLAMP – PVC INSULATED 13/16 IN. TUBE SIZE	1	346190–421189
10	165103	GROMMET	2	346190–421189
11	30433	PLUG – PLASTIC SNAP-IN	2	346190–421189
12	135613	PLUG – PLASTIC SNAP-IN	1	346190–421189
13	279798	SUPPORT	6	346190–421189
14	135213	COUPLING – FEMALE HYD. 3/8 FLAT FACE BULKHEAD	2	346190–421189
15	135386	COUPLER – MALE HYD. 3/8 IN. FLAT FACE (FASTER) <sup>143</sup>	2	346190–421189
	111978	SEAL KIT – 3/8 MALE (FASTER ONLY)		346190–421189
16	245915	SUPPORT – HOSE COUPLER	1	346190–421189
17	294985	HOSE – HYD	1	346190–421189
18	294508	HOSE – HYD	1	346190–421189
19	252296	FITTING – ADAPTER-10 JIC X-6 BSPP	2	346190–421189
20	245931	SUPPORT – HOSE	1	346190–421189
21	245956	SUPPORT – HOSE	1	346190–421189
22	253702	SUPPORT – HOSE, LH	1	346190–421189
23	253704	GUIDE – HOSE, LH	1	346190–421189
24	245928	SUPPORT – LH COUPLER	1	346190–421189
25	245936	DEFLECTOR – LH HOSE	1	346190–421189
26	30314	FITTING – ELBOW 90° HYD	1	346190–421189
27	NSS	ZIEGLER VERTICAL KNIFE <sup>144</sup>		346190–421189
A	21580	BOLT – HEX HD 1/4 NC X 0.5 LG GR 5 ZP		
B	18635	WASHER – REG. LOCK 1/4 IN. NOM. ID ZP		
C	7674	NUT – HEX JAM 3/4-16 UNF GR 5 ZP		

140. Kit includes two knives. Kits available through Whole Goods only.

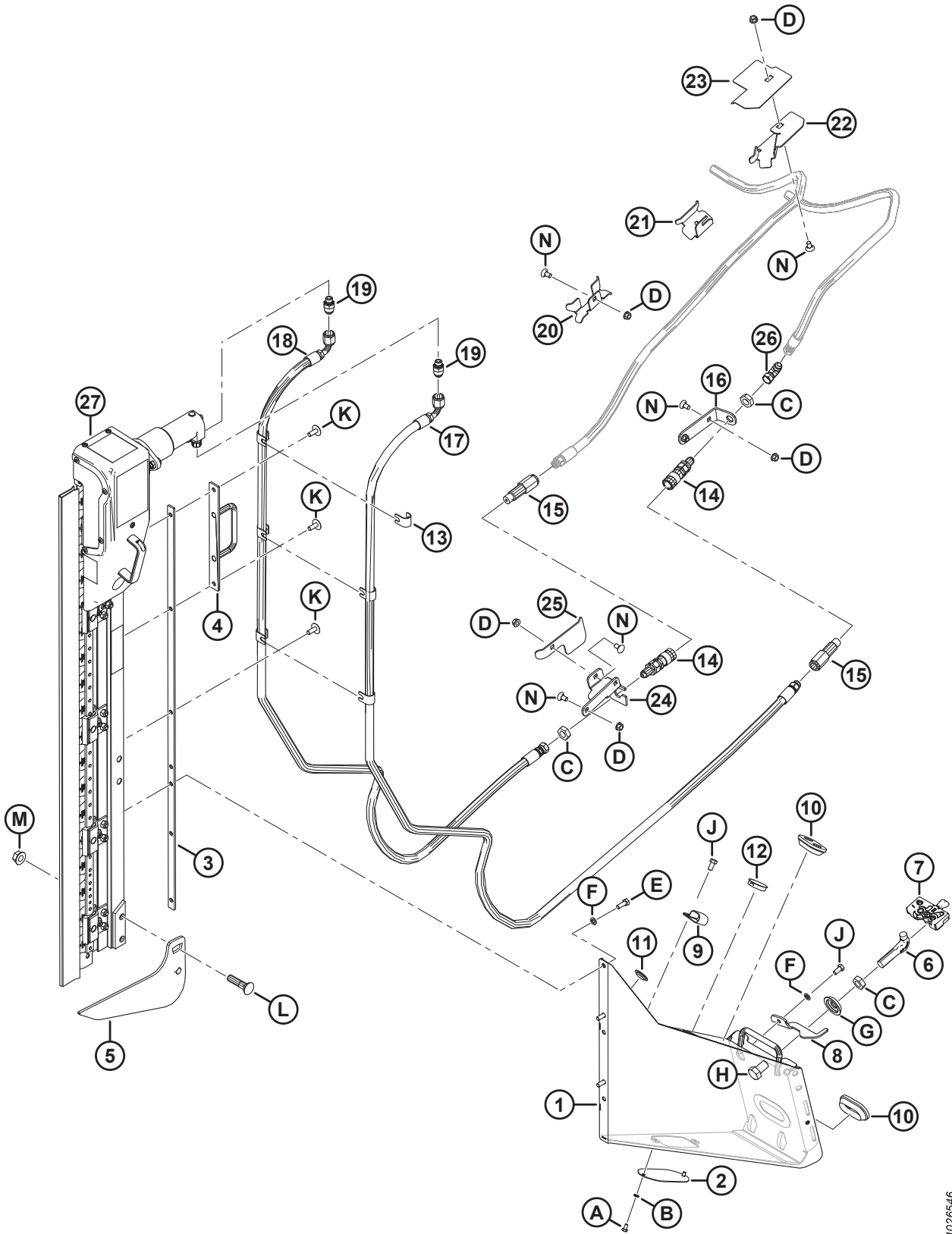
141. If replacing the LH support assembly, order the Vertical Knife Mounts kit (MD #335869). The vertical knife mounts have a new design, and the kit includes both LH and RH mounts, hoses, and hardware required to convert to the new configuration.

142. Includes both LH and RH mounts, hoses, and hardware required to convert to the new configuration.

143. Faster coupler (MD #135386) is interchangeable with Parker Hannifin coupler (NSS). Seal kit (MD #111978) is only intended for Faster coupler and cannot be used with Parker Hannifin coupler. Length can be used to differentiate the two couplers; Faster coupler = 101 mm and Parker Hannifin coupler = 84 mm.

144. Not sold separately, can be ordered as a set of two knives (MD #B6410). For service parts, refer to Section 55 (Option) *Vertical Knife Assembly – Service Parts, page 149.*

(OPTION) VERTICAL KNIFE – LEFT END (2019–2021)

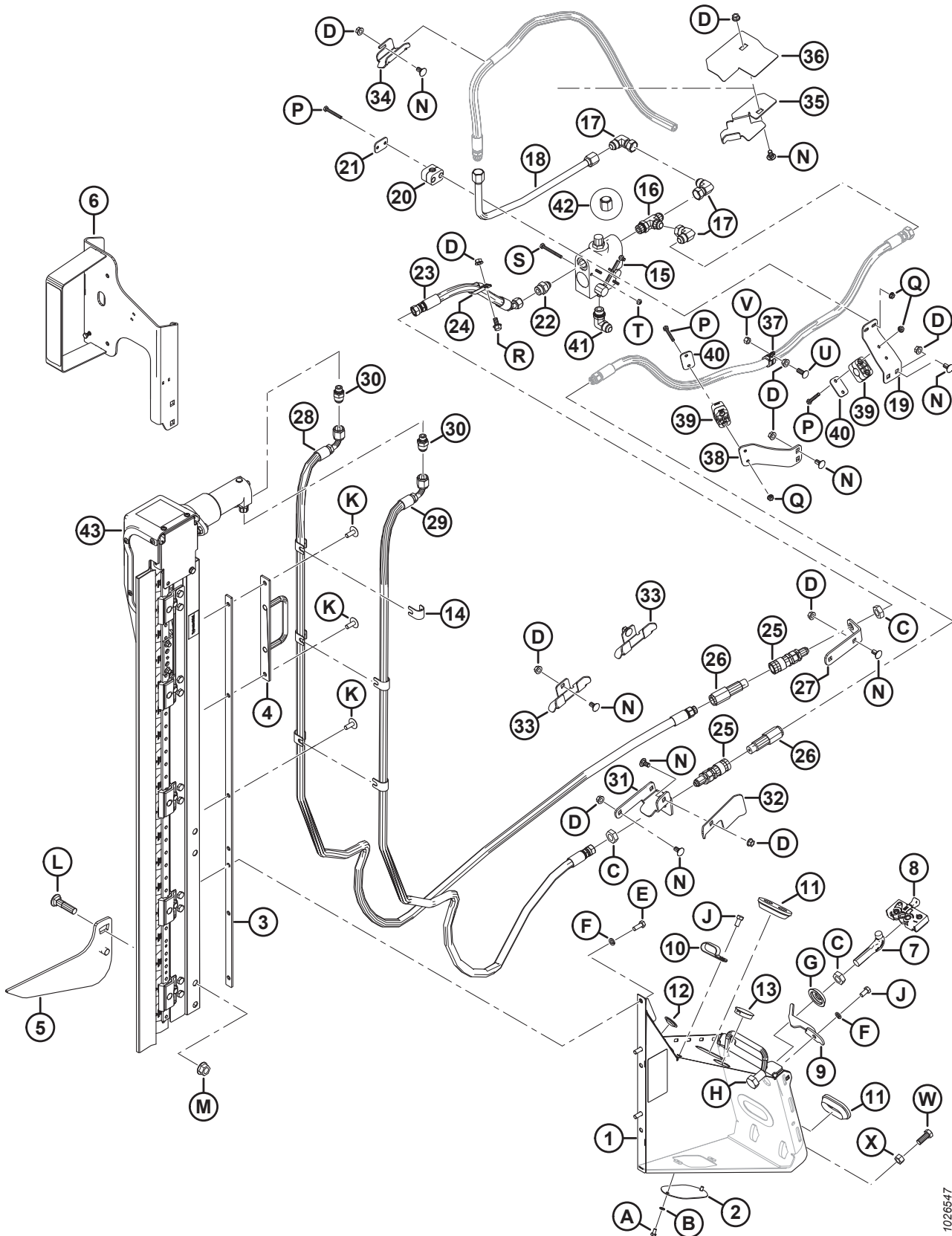


1026546

(OPTION) VERTICAL KNIFE – LEFT END (2019–2021)

Ref	Part Number	Description	Qty	Serial Number
D	30228	NUT – FLANGE DT SMOOTH FACE 0.375-16 UNC		
E	20077	BOLT – HEX HD 3/8 NC X 1.0 LG GR 5 ZP		
F	18637	WASHER – REG. LOCK 3/8 IN. NOM. ID ZP		
G	253477	WASHER – VERTICAL KNIFE		
H	21590	BOLT – HH 3/4 NC X 1.25 LG GR 5 ZP		
J	21567	BOLT – HEX HD .375-16 UNC X 0.75 LG		
K	135507	SCREW – MACHINE TRUSS HD TORX, 38 NC X 1 LG		
L	30759	BOLT – RHSSN 5/8 NC X 2.5 LG GR 5 ZP		
M	50225	NUT – FLANGE DT SMOOTH FACE .625-11 UNC		
N	21472	BOLT – RHSN 3/8-16 X .75-GR5		

# 54 (Option) Vertical Knife – Right End (2019–2021)



1026547

(OPTION) VERTICAL KNIFE – RIGHT END (2019–2021)

Ref	Part Number	Description	Qty	Serial Number
	B6410	KIT – ZIEGLER LH/RH VERTICAL KNIVES FOR D1/FD1 <sup>145</sup>		346190–
1	REF	SUPPORT ASSEMBLY – RH NA <sup>146</sup>	1	346190–421189
	335869	KIT – VERTICAL KNIFE MOUNTS <sup>147</sup>		
2	253582	PLATE	1	346190–421189
3	253668	SUPPORT WELDMENT	1	346190–421189
4	253570	SUPPORT WELDMENT	1	346190–421189
5	253709	LIFTER RIGHT WELDMENT	1	346190–421189
6	294393	SUPPORT – RH LIGHT VERT KNIFE	1	346190–421189
	115146	REFLECTOR – AMBER		346190–421189
	115147	REFLECTOR – RED		346190–421189
7	132773	HOOK – DIVIDER LATCH	1	346190–421189
8	120933	LATCH – RH	1	346190–421189
9	132253	LATCH – RH, DIVIDER SAFETY	1	346190–421189
10	103738	CLAMP – PVC INSULATED 13/16 IN. TUBE SIZE	7	346190–421189
11	165103	GROMMET	2	346190–421189
12	30433	PLUG – PLASTIC SNAP-IN	2	346190–421189
13	135613	PLUG – PLASTIC SNAP-IN	1	346190–421189
14	279798	SUPPORT	6	346190–421189
15	174422	VALVE	1	346190–421189
	30054	SEAL KIT		346190–421189
16	50019	FITTING – TEE HYD STR THD RUN TEE CW O-RING	1	346190–421189
17	30556	FITTING – ELBOW 90° HYD	3	346190–421189
18	255471	LINE – HYDRAULIC	1	346190–421189
19	279001	SUPPORT – HOSE CLAMP	1	346190–421189
20	252399	CLAMP – ASSY	1	346190–421189
21	255461	PLATE – COVER	1	346190–421189
22	21881	FITTING – ADAPTER HYD	1	346190–421189
23	255462	HOSE – HYD	1	346190–421189
24	135235	CLAMP – DOUBLE HOSE INSULATED	1	346190–421189
25	135213	COUPLING – FEMALE HYD. 3/8 FLAT FACE BULKHEAD	2	346190–421189
26	135386	COUPLER – MALE HYD. 3/8 IN. FLAT FACE (FASTER) <sup>148</sup>	2	346190–421189
	111978	SEAL KIT – 3/8 MALE (FASTER ONLY)		346190–421189
27	245915	SUPPORT – HOSE COUPLER	1	346190–421189
28	294985	HOSE – HYD	1	346190–421189
29	294508	HOSE – HYD	1	346190–421189
30	252296	FITTING – ADAPTER-10 JIC X-6 BSPP	2	346190–421189
31	245955	SUPPORT – RH COUPLER	1	346190–421189

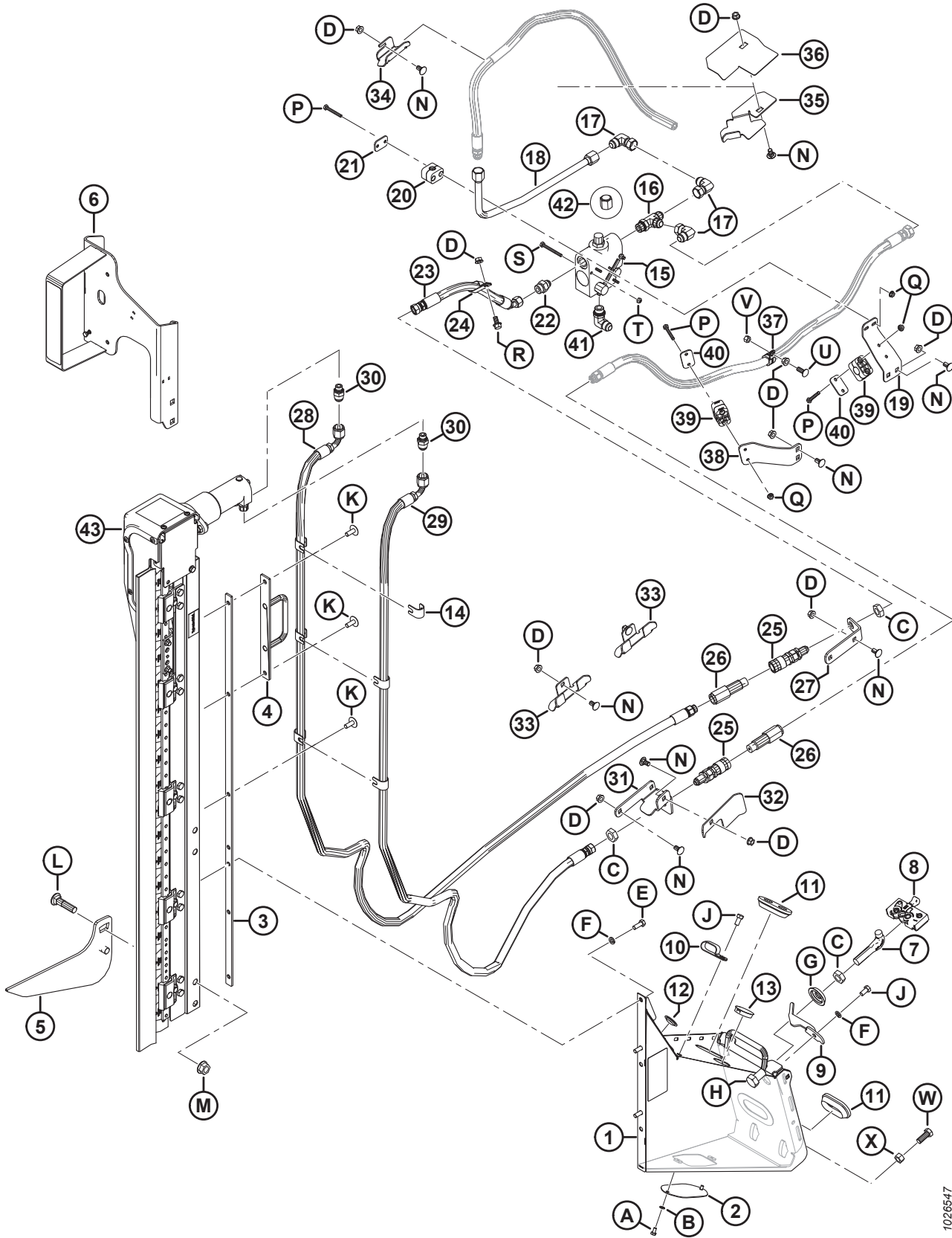
145. Kit includes two knives. Kits available through Whole Goods only.

146. If replacing the RH support assembly, order the Vertical Knife Mounts kit (MD #335869). The vertical knife mounts have a new design, and the kit includes both LH and RH mounts, hoses, and hardware required to convert to the new configuration.

147. Includes both LH and RH mounts, hoses, and hardware required to convert to the new configuration.

148. Faster coupler (MD #135386) is interchangeable with Parker Hannifin coupler (NSS). Seal kit (MD #111978) is only intended for Faster coupler and cannot be used with Parker Hannifin coupler. Length can be used to differentiate the two couplers; Faster coupler = 101 mm and Parker Hannifin coupler = 84 mm.

(OPTION) VERTICAL KNIFE – RIGHT END (2019–2021)



1026547

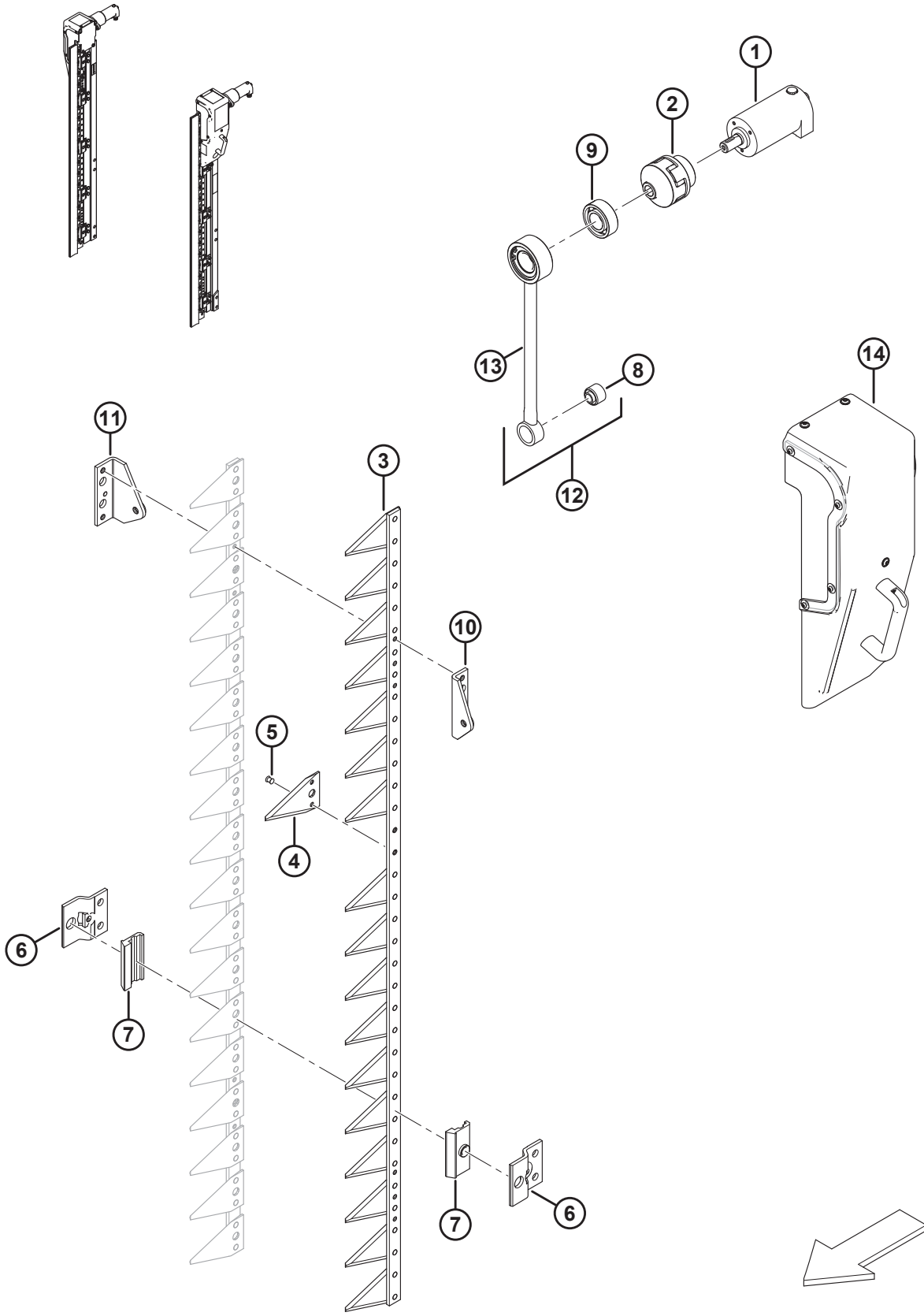


(OPTION) VERTICAL KNIFE – RIGHT END (2019–2021)

Ref	Part Number	Description	Qty	Serial Number
32	279017	DEFLECTOR – RH HOSE	1	346190–421189
33	245931	SUPPORT – HOSE	2	346190–421189
34	245956	SUPPORT – HOSE	1	346190–421189
35	253703	SUPPORT – HOSE, RH	1	346190–421189
36	253705	GUIDE – HOSE, RH	1	346190–421189
37	135709	CLAMP – INSULATED 3/4 IN	1	346190–421189
38	245946	SUPPORT – HOSE CLAMP	1	346190–421189
39	252368	CLAMP – ASSY	2	346190–421189
40	255460	PLATE – COVER	2	346190–421189
41	21843	FITTING – ELBOW 90° HYD	1	346190–421189
42	112935	CAP – 5/8 IN. TUBE 37° FLARE	1	346190–421189
43	NSS	ZIEGLER VERTICAL KNIFE <sup>149</sup>		346190–421189
A	21580	BOLT – HEX HD 1/4 NC X 0.5 LG GR 5 ZP		
B	18635	WASHER – REG. LOCK 1/4 IN. NOM. ID ZP		
C	7674	NUT – HEX JAM 3/4-16 UNF GR 5 ZP		
D	30228	NUT – FLANGE DT SMOOTH FACE 0.375-16 UNC		
E	20077	BOLT – HEX HD 3/8 NC X 1.0 LG GR 5 ZP		
F	18637	WASHER – REG. LOCK 3/8 IN. NOM. ID ZP		
G	253477	WASHER – VERTICAL KNIFE		
H	21590	BOLT – HH 3/4 NC X 1.25 LG GR 5 ZP		
J	21567	BOLT – HEX HD .375-16 UNC X 0.75 LG		
K	135507	SCREW – MACHINE TRUSS HD TORX, 38 NC X 1 LG		
L	30759	BOLT – RHSSN 5/8 NC X 2.5 LG GR 5 ZP		
M	50225	NUT – FLANGE DT SMOOTH FACE .625-11 UNC		
N	21472	BOLT – RHSN 3/8-16 X .75-GR5		
P	21570	BOLT – HH 1/4 NC X 2.0 LG GR 5 ZP		
Q	135248	NUT – FLG SMTH FACE 1/4-20 NC GR 5 ZP CTR LK DT THD		
R	21821	BOLT – HH FLG (SERR FACE) 3/8 NC X 0.75 GR 5 ZP		
S	21854	BOLT – HH 1/4 NC X 2.5 LG GR 5 ZP		
T	18724	NUT – HEX LOCK DT 1/4-20 UNC ZP		
U	100456	BOLT – RHSSN 3/8 NC X 1.0 GR 5 ZP		
V	135511	NUT – CENTER LOCK .375-16 UNC GR 5 ZP		
W	21491	BOLT – HH 1/2 NC X 1.25 LG GR 5 ZP		
X	18591	NUT – HEX 1/2-13 UNC GR 5 ZP		

149. Not sold separately, can be ordered as a set of two knives (MD #B6410). For service parts, refer to Section 55 (Option) *Vertical Knife Assembly – Service Parts, page 149.*

# 55 (Option) Vertical Knife Assembly – Service Parts



(OPTION) VERTICAL KNIFE ASSEMBLY – SERVICE PARTS

**NOTE:**

All parts listed are for service only. Vertical Knives can be ordered as a set of two knives (MD #B6410).

Ref	Part Number	Description	Qty	Serial Number
1	304611	HYDRAULIC MOTOR		
2	304612	COUPLING – ELASTIC SHAFT		
3	304614	ASSEMBLY – KNIFE <sup>150</sup>		
4	304615	SECTION – KNIFE		
5	304616	RIVET		
6	304617	HOLDER – KNIFE		
7	304618	PLATE – GUIDE		
8	304619	BUSHING – RUBBER METAL		
9	304620	BEARING – SELF-ALIGNING		
10	304621	HEAD – KNIFE FRONT		
11	304622	HEAD – KNIFE REAR		
12	304623	ASSEMBLY – CONNECTING ROD <sup>151</sup>		
13	304624	ROD – CONNECTING		
14	304625	GUARD – LEFT/RIGHT CRANK <sup>152</sup>		

150. Includes knife sections (MD #304615) and rivets (MD #304616).

151. Includes connecting rod (MD #304624) and bushing (MD #304619).

152. Includes a front plate, which is shipped in the left guard configuration. If the guard will be used on the right knife, the plate must be moved to the opposite side of the guard.



# Index

4761 .....	18	21030.....	90, 94, 98
5512 .....	62	21031.....	42, 46
6647 .....	2, 18, 112	21055.....	4
7642 .....	2	21056.....	2, 122
7674 .....	102, 138, 142, 148	21066.....	18, 32
10254.....	18	21069.....	24, 26, 28, 104, 130, 132
13125.....	108	21102.....	116
13298.....	16	21194.....	16
14338.....	4	21218.....	70, 84
16087.....	2	21264.....	18, 138
16235.....	62	21281.....	72
16605.....	42, 46	21345.....	44, 48
16681.....	58	21383.....	2, 18, 54, 116
18523.....	72	21389.....	18
18525.....	18	21403.....	72
18590.....	32	21406.....	20
18591.....	62, 148	21447.....	68
18596.....	84	21452.....	18, 60, 84
18598.....	4, 16, 32, 92, 96, 138	21455.....	44, 48, 60, 70, 84, 140
18599.....	32, 60, 62, 70, 138	21469.....	54
18600.....	40, 64	21471.....	18, 32, 110
18601.....	18	21472.....	20, 68, 138, 144, 148
18603.....	92	21484.....	64, 138
18604.....	30	21489.....	70
18605.....	62	21491.....	2, 18, 32, 60, 62, 138, 148
18607.....	58	21526.....	138
18609.....	2	21561.....	72, 140
18624.....	62	21567.....	2, 102, 140, 144, 148
18626.....	64	21570.....	148
18635.....	84, 142, 148	21572.....	60, 84
18637.....	18, 32, 44, 48, 102, 138, 144, 148	21573.....	70, 140
18638.....	130, 134, 138	21575.....	32, 62, 130, 134
18640.....	18	21580.....	130, 134, 142, 148
18648.....	60, 62, 64	21582.....	40
18654.....	6, 124	21583.....	18
18664.....	44, 48, 60, 84	21589.....	62
18666.....	18, 72	21590.....	144, 148
18669.....	54, 72	21746.....	136
18671.....	58, 62	21747.....	90, 94, 98
18688.....	38	21760.....	70, 130, 134
18697.....	18, 34, 60	21763.....	4, 40, 66, 70, 90, 94, 100, 138
18720.....	112	21801.....	26, 28, 128, 132
18723.....	2	21810.....	128, 132
18724.....	138, 148	21821.....	4, 60, 148
18725.....	58	21830.....	28, 90, 94, 98
18867.....	32	21843.....	42, 46, 104, 136, 148
19965.....	32, 72, 92, 96, 106, 130, 134	21854.....	134, 138, 148
19966.....	32, 118, 138	21859.....	16, 128, 132
20077.....	32, 44, 48, 144, 148	21863.....	2, 4, 18, 36, 38, 40, 44, 48, 60, 68, 70, 84, 102, 104, 130, 134, 138
20312.....	64	21881.....	42, 46, 146
20535.....	4, 32	21968.....	60
21010.....	16	23164.....	76

## INDEX

23165.....	76	32880.....	82
23950.....	82	34359.....	124
23957.....	82	34980.....	6, 124
25991.....	82	40701.....	66, 90, 94, 98
30027.....	60	40702.....	66, 90, 94, 98
30034.....	16	40703.....	24, 26, 28, 90, 94, 98, 114
30035.....	60	40704.....	24, 26, 28, 90, 94, 98
30054.....	136, 146	42592.....	32
30209.....	60, 62	45427.....	130, 132, 138
30228.....	2, 4, 18, 32, 36, 38, 40, 44, 48, 54, 56, 60, 64, 68, 70, 72, 84, 92, 96, 102, 104, 106, 116, 118, 126, 130, 134, 138, 144, 148	47858.....	16
30280.....	4, 102, 138	49227.....	66, 90, 94, 100
30282.....	66	49232.....	92, 96, 100
30284.....	66	49306.....	16, 128, 132
30299.....	18	50019.....	136, 146
30307.....	138	50022.....	40, 60, 66, 104
30314.....	24, 142	50050.....	24, 86, 132
30368.....	116	50076.....	26, 28
30375.....	66	50086.....	26, 28
30376.....	128, 132	50098.....	24
30433.....	142, 146	50103.....	40, 42, 46, 66
30441.....	32, 104	50104.....	40, 42, 46, 104, 128, 132
30504.....	4, 102	50119.....	124
30514.....	18	50120.....	6, 124
30515.....	116	50175.....	24, 90
30520.....	62	50186.....	18, 32, 54, 56, 60, 62, 64, 110, 116
30524.....	90, 94, 98, 120	50187.....	16
30548.....	16	50188.....	18
30551.....	90, 94, 98, 136	50193.....	72
30556.....	104, 138, 146	50225.....	4, 18, 44, 48, 64, 72, 144, 148
30557.....	104	100456.....	148
30627.....	86	100500.....	8
30633.....	108	100532.....	16, 22
30639.....	40, 42	100577.....	50
30660.....	86	100581.....	42, 46
30661.....	128, 132	100706.....	22
30669.....	14	100707.....	22
30693.....	18, 32, 138	100708.....	22
30695.....	104	100709.....	22
30753.....	46, 70, 86, 90, 94, 100, 138	100710.....	22
30759.....	144, 148	100712.....	22
30811.....	64	100714.....	22
30819.....	26, 28	100715.....	22
30824.....	64	100716.....	22
30873.....	104, 128, 132	100717.....	22
30875.....	104	100718.....	22
30942.....	44, 48	100719.....	22
30970.....	26	100720.....	22
30981.....	24, 26, 28, 104, 128, 132	100721.....	22
30999.....	92, 96, 100	100722.....	22
31774.....	60	100723.....	22
31802.....	66	100726.....	22
32070.....	76	101853.....	16
32879.....	82	101897.....	34
		101898.....	38, 40, 44, 48, 60, 68, 72, 92, 96, 100, 114
		102264.....	2

## INDEX

102509 .....	16	118345 .....	6
102602 .....	42, 46	118346 .....	124
102629 .....	22	118347 .....	124
102630 .....	22	118491 .....	8, 10
102636 .....	18	120009 .....	32
102711 .....	50	120056 .....	16
103096 .....	22	120058 .....	30
103351 .....	40, 42, 46	120127 .....	2
103738 .....	42, 58, 66, 128, 134, 138, 142, 146	120232 .....	18
103879 .....	62	120358 .....	16
105066 .....	54	120363 .....	16
105069 .....	60	120364 .....	16
105135 .....	54	120365 .....	16
105136 .....	54, 56	120366 .....	16
105141 .....	54	120371 .....	42, 46
105364 .....	62	120374 .....	42, 46
106708 .....	66	120377 .....	24, 26, 28
108268 .....	26, 28, 104, 128, 132	120462 .....	30
109089 .....	84	120518 .....	42, 46
109843 .....	76	120558 .....	6
111221 .....	76	120563 .....	42, 46
111895 .....	16	120566 .....	42, 46
111978 .....	136, 142, 146	120570 .....	40
111981 .....	90, 94, 98	120573 .....	28
111982 .....	90, 94, 98	120577 .....	28
111983 .....	90, 94, 98	120584 .....	42, 46
111984 .....	90, 94, 98	120588 .....	42, 46
111985 .....	90, 94, 98	120589 .....	42, 46
111986 .....	90, 94, 98	120639 .....	104
112129 .....	18	120645 .....	110
112184 .....	128, 132	120648 .....	110
112935 .....	148	120753 .....	16
112968 .....	16	120754 .....	16
113152 .....	22	120812 .....	16
113153 .....	22	120814 .....	16
113160 .....	16	120832 .....	8
113222 .....	8	120845 .....	30, 104
113229 .....	16	120899 .....	18
113420 .....	54	120900 .....	18
113435 .....	58, 62	120901 .....	18
113482 .....	76	120932 .....	102, 142
113937 .....	8	120933 .....	102, 146
114233 .....	60	120989 .....	42, 46
115145 .....	78	123306 .....	30
115146 .....	78, 146	123660 .....	2
115147 .....	78, 146	123661 .....	2
115670 .....	8	123662 .....	36
118029 .....	88	123663 .....	66
118137 .....	2	123670 .....	58
118154 .....	6, 92, 96	123676 .....	66
118162 .....	6	123677 .....	66
118193 .....	6	123681 .....	122
118301 .....	6	123682 .....	122
118302 .....	6	123751 .....	2
118344 .....	6	123752 .....	2

## INDEX

123982 .....	42, 46	132474 .....	64
124338 .....	6	132475 .....	64
124344 .....	6	132531 .....	30
124399 .....	2	132532 .....	30
124775 .....	124	132607 .....	30, 104
124880 .....	8	132758 .....	42, 46
124881 .....	8	132773 .....	102, 136, 142, 146
125146 .....	108	132777 .....	32
125176 .....	4	132782 .....	50
125229 .....	138	132783 .....	50
125343 .....	70	132784 .....	50
125393 .....	72	132786 .....	42, 46, 50
125478 .....	42, 46	132852 .....	76
125530 .....	18	132867 .....	40, 42
125565 .....	42, 46	132903 .....	26
125566 .....	42, 46	132904 .....	26
125571 .....	76	132911 .....	66
125572 .....	76	133751 .....	2
125588 .....	30	134002 .....	4
125589 .....	30	134003 .....	4
125652 .....	42	134010 .....	70
125722 .....	66	134011 .....	70
125741 .....	38	134442 .....	70
125742 .....	38	134443 .....	70
125749 .....	38	134948 .....	70
125751 .....	38	135015 .....	120
125785 .....	64	135148 .....	82
129043 .....	10, 12, 14	135157 .....	4, 32, 38, 56, 60, 84, 104, 130, 134
129297 .....	6	135190 .....	28
129299 .....	10, 12, 14	135213 .....	136, 142, 146
129313 .....	76	135233 .....	138
129329 .....	8	135234 .....	66
129913 .....	32	135235 .....	146
131391 .....	76	135238 .....	90, 94, 98
131392 .....	76	135240 .....	94, 98, 132
131393 .....	76	135241 .....	136
132015 .....	42	135247 .....	44, 48
132017 .....	40, 42	135248 .....	134, 148
132021 .....	42, 46	135255 .....	24, 26, 28
132033 .....	16	135295 .....	44, 48
132096 .....	30	135337 .....	86, 118, 134
132248 .....	102, 142	135367 .....	64
132253 .....	102, 146	135372 .....	26, 28, 42, 46
132265 .....	2	135380 .....	24
132266 .....	2	135386 .....	136, 142, 146
132269 .....	2	135408 .....	108
132303 .....	128, 132	135434 .....	104, 138
132396 .....	24	135443 .....	44, 48, 66, 70, 104, 130, 134, 138
132398 .....	38	135444 .....	86, 114, 130, 134
132404 .....	6, 124	135448 .....	72
132405 .....	124	135450 .....	126
132415 .....	16	135474 .....	114
132418 .....	138	135479 .....	90, 94, 98
132420 .....	2	135507 .....	134, 144, 148
132451 .....	32, 104	135511 .....	148



## INDEX

135540 .....	136	137422 .....	52
135579 .....	2, 112, 138	137476 .....	58
135612 .....	26	137503 .....	60
135613 .....	142, 146	137506 .....	52
135626 .....	8, 10, 12, 104	137509 .....	84
135627 .....	8	137515 .....	58
135628 .....	8, 104	137519 .....	52
135629 .....	8	137529 .....	54
135630 .....	8	137532 .....	54
135631 .....	8	137535 .....	52
135632 .....	8	137536 .....	52
135633 .....	8	137543 .....	52
135647 .....	128	137568 .....	52
135665 .....	138	137569 .....	52
135685 .....	94, 98, 128, 132, 136	137626 .....	58, 62
135696 .....	86	137699 .....	54
135709 .....	148	137702 .....	60
135725 .....	40, 42	137721 .....	58
135799 .....	86	137727 .....	32, 70, 130, 134
135818 .....	134	137753 .....	60
135852 .....	86	137754 .....	52
135906 .....	32	137794 .....	116
135963 .....	130, 134	137795 .....	116
135966 .....	130, 134	137909 .....	54
136043 .....	44, 48	137910 .....	54
136112 .....	88	137911 .....	54
136194 .....	114	137924 .....	116
136238 .....	114	137970 .....	60
136410 .....	70	137980 .....	52
136431 .....	86	139003 .....	22
136652 .....	140	139630 .....	70
136654 .....	136	140135 .....	6
136655 .....	70	143875 .....	84
136759 .....	88	144505 .....	86
136824 .....	134	145106 .....	30
136886 .....	86	145122 .....	30
136952 .....	134	145148 .....	30
137092 .....	52	145168 .....	42, 46
137118 .....	54	145249 .....	32, 104
137142 .....	54	145345 .....	30
137221 .....	58	145357 .....	30
137277 .....	54	145361 .....	32
137285 .....	52	145428 .....	30
137291 .....	58	145548 .....	30
137315 .....	58	145558 .....	40
137347 .....	58	145593 .....	30
137348 .....	60	145840 .....	30
137350 .....	60	145983 .....	42, 46, 50
137352 .....	58	148645 .....	140
137354 .....	58	148798 .....	86
137356 .....	60	150255 .....	90
137375 .....	58, 60, 132	151192 .....	64
137415 .....	52	152668 .....	86, 118, 140
137416 .....	52	152702 .....	108
137421 .....	52	158217 .....	76

## INDEX

159587 .....	40	172183 .....	66
159736 .....	114	172184 .....	66
159737 .....	114	172216 .....	66
159754 .....	114	172220 .....	66
159760 .....	114	172221 .....	66
159761 .....	114	172228 .....	66
159763 .....	114	172259 .....	4, 32, 104
159764 .....	114	172327 .....	38
159765 .....	114	172328 .....	38
163585 .....	40, 42, 46	172340 .....	128, 132
164061 .....	60	172710 .....	32
164126 .....	60	172809 .....	16
164213 .....	58	172812 .....	16
164214 .....	58	172875 .....	122
164215 .....	62	172877 .....	66
164216 .....	62	172899 .....	42, 46
164750 .....	58	172922 .....	64
164780 .....	62	172948 .....	78
164781 .....	62	172978 .....	66
164815 .....	58	172981 .....	66
164817 .....	58	172986 .....	66
164887 .....	58	172993 .....	66
164930 .....	58	174165 .....	8
164933 .....	58	174238 .....	136
164934 .....	62	174240 .....	136
164945 .....	58, 62	174242 .....	136
164953 .....	58	174243 .....	136
164955 .....	58	174262 .....	136
164958 .....	56	174263 .....	136
164965 .....	56	174304 .....	132
164967 .....	56	174318 .....	136
164988 .....	126	174321 .....	136
164993 .....	126	174322 .....	136
164995 .....	126	174324 .....	136
165040 .....	42, 46	174333 .....	64
165103 .....	136, 142, 146	174400 .....	2
165168 .....	72	174422 .....	136, 146
165188 .....	72	174436 .....	76
165267 .....	66	174501 .....	16
165380 .....	136	174502 .....	16
165386 .....	72	174513 .....	138
165429 .....	72	174514 .....	138
165524 .....	4, 78	174521 .....	138
165588 .....	72	174528 .....	106
165722 .....	72	174538 .....	138
165727 .....	72	174547 .....	136
165735 .....	30, 104	174559 .....	106
165858 .....	4	174560 .....	106
166466 .....	76	174585 .....	136
167897 .....	120	174586 .....	138
172133 .....	72	174632 .....	76
172134 .....	72	174684 .....	76
172142 .....	70, 84	174695 .....	104
172155 .....	64	174697 .....	104
172158 .....	64	174706 .....	104

## INDEX

174707 .....	104	220798 .....	76
174708 .....	104	220799 .....	76
174709 .....	104	220841 .....	104
174710 .....	104	220849 .....	66
174714 .....	30	220850 .....	66
174775 .....	108	220861 .....	66
174845 .....	8, 12	220936 .....	30, 104
174849 .....	52	220939 .....	52, 126
174857 .....	8	220941 .....	54, 126
174883 .....	138	220944 .....	30, 104
174957 .....	66	226673 .....	18
174992 .....	16	232147 .....	16
176009 .....	64	243542 .....	90, 94, 98
183211 .....	120	243604 .....	86
184372 .....	76	243639 .....	90, 94, 98
184422 .....	76	243661 .....	86
184579 .....	138	243695 .....	86
184641 .....	86	243711 .....	86
184648 .....	118	243787 .....	86
184654 .....	88	243826 .....	86
184694 .....	108	243830 .....	86
184711 .....	88	243831 .....	86
184718 .....	4	243840 .....	86
193034 .....	76	243855 .....	86
197171 .....	88	243864 .....	90, 94, 98
197241 .....	118	243865 .....	90, 94, 98
203547 .....	70	243866 .....	90, 94, 98
207808 .....	108	243867 .....	94, 98
208172 .....	90, 94, 98	243868 .....	94, 98
208288 .....	90, 94, 98	243869 .....	94, 98
220009 .....	18	243870 .....	90, 94, 98
220010 .....	18	243872 .....	90, 94, 98
220084 .....	76	243873 .....	94, 98
220100 .....	6	243874 .....	90, 94, 98
220107 .....	4	243875 .....	90, 94, 98
220176 .....	32	243900 .....	86
220181 .....	30	243983 .....	86
220183 .....	30	243984 .....	86
220184 .....	30	243985 .....	86
220197 .....	136	243986 .....	86
220236 .....	76	245023 .....	30
220324 .....	138	245025 .....	30
220412 .....	40	245027 .....	30
220577 .....	76	245029 .....	30
220634 .....	32	245083 .....	52
220635 .....	32	245084 .....	52
220636 .....	32	245199 .....	60
220641 .....	32, 106	245396 .....	72
220642 .....	32	245397 .....	72
220672 .....	42, 46	245428 .....	80
220673 .....	76	245432 .....	80
220676 .....	66	245433 .....	80
220701 .....	18	245441 .....	80
220706 .....	18	245443 .....	80
220797 .....	76	245476 .....	76

## INDEX

245477 .....	76	253728 .....	76
245677 .....	2	253740 .....	40, 42, 46
245678 .....	2	253741 .....	40, 42, 46
245915 .....	142, 146	253815 .....	66
245928 .....	142	254131 .....	46
245931 .....	142, 148	254132 .....	46
245936 .....	142	254187 .....	46
245946 .....	148	254190 .....	46
245955 .....	146	254218 .....	70
245956 .....	142, 148	254220 .....	70
245992 .....	64	254248 .....	128, 132
245993 .....	64	255004 .....	4
252210 .....	94, 98	255014 .....	74
252213 .....	90	255019 .....	4
252296 .....	136, 142, 146	255021 .....	74
252314 .....	138	255041 .....	4
252368 .....	148	255211 .....	26
252399 .....	146	255253 .....	24
252423 .....	22	255282 .....	64
252520 .....	24	255311 .....	28
252537 .....	138	255344 .....	44, 48
252541 .....	140	255410 .....	30, 104
252578 .....	136	255413 .....	30
252687 .....	54	255416 .....	30
252753 .....	16	255417 .....	30
252794 .....	128, 134	255426 .....	70
252795 .....	128, 134	255431 .....	104
252942 .....	42, 46	255460 .....	148
253164 .....	4	255461 .....	146
253290 .....	62	255462 .....	146
253297 .....	4	255468 .....	100
253298 .....	4	255470 .....	100
253299 .....	4	255471 .....	146
253446 .....	128, 132	255506 .....	28
253477 .....	144, 148	255508 .....	96, 100
253499 .....	2	255526 .....	100, 114
253517 .....	18	255529 .....	86
253570 .....	142, 146	255530 .....	100
253582 .....	142, 146	255678 .....	4
253601 .....	4	255679 .....	4
253602 .....	4	255706 .....	90
253607 .....	86	255707 .....	92, 96, 100
253624 .....	4	255709 .....	96
253627 .....	4	255764 .....	24
253644 .....	86	255791 .....	102
253645 .....	86	255829 .....	128, 132
253646 .....	86	255834 .....	92, 96
253668 .....	142, 146	255835 .....	92, 96
253702 .....	142	255837 .....	90
253703 .....	148	255838 .....	90
253704 .....	142	255854 .....	92, 96
253705 .....	148	255855 .....	92
253708 .....	142	255866 .....	26
253709 .....	146	255868 .....	92
253722 .....	128, 132	255869 .....	90

## INDEX

255870.....	92	279856.....	36
255871.....	92	279966.....	134
255883.....	132	279979.....	58
273078.....	58	283614.....	90, 94, 98
273258.....	58	294161.....	132
273259.....	58	294163.....	132
273304.....	60	294220.....	132
273347.....	54	294263.....	134
273524.....	54	294350.....	90, 94, 98
273536.....	54	294385.....	16
279001.....	146	294393.....	138, 146
279003.....	16	294426.....	132
279017.....	148	294427.....	132
279085.....	76	294435.....	132
279144.....	138	294446.....	128
279156.....	136	294447.....	128
279157.....	136	294472.....	30
279158.....	136	294473.....	30
279159.....	136	294508.....	142, 146
279261.....	128, 132	294607.....	66
279312.....	8	294631.....	60
279316.....	8	294634.....	58
279398.....	10	294672.....	2
279405.....	12	294677.....	128, 132
279412.....	10	294680.....	2
279413.....	10	294813.....	76, 134
279414.....	10	294858.....	32
279415.....	10	294859.....	32
279416.....	10	294874.....	70
279425.....	12	294947.....	8, 14
279426.....	12	294985.....	142, 146
279427.....	12	296554.....	128, 132
279428.....	12	296556.....	128, 132
279429.....	12	302204.....	76
279438.....	10	304126.....	74
279439.....	10	304127.....	74
279440.....	12	304145.....	74
279441.....	12	304146.....	74
279468.....	8	304147.....	74
279485.....	136	304165.....	4
279494.....	136	304222.....	64
279498.....	136	304257.....	38
279499.....	136	304258.....	38
279528.....	76	304304.....	4
279575.....	124	304314.....	64
279641.....	8, 12	304389.....	70
279642.....	8, 10	304390.....	70
279716.....	132	304391.....	70
279717.....	132	304406.....	128
279796.....	128	304611.....	150
279798.....	142, 146	304612.....	150
279837.....	128	304614.....	150
279838.....	128	304615.....	150
279848.....	8	304616.....	150
279850.....	8	304617.....	150

## INDEX

304618.....	150	B4838.....	6
304619.....	150	B4864.....	6
304620.....	150	B4865.....	6
304621.....	150	B4963.....	72
304622.....	150	B5009.....	6, 124
304623.....	150	B5010.....	6, 124
304624.....	150	B5011.....	6, 124
304625.....	150	B5088.....	110
304783.....	30	B5089.....	110
304865.....	76	B5407.....	106
304954.....	54	B5609.....	122
304955.....	54	B5615.....	72
304985.....	6	B5656.....	52
306410.....	120	B5825.....	126
311615.....	54	B5826.....	126
311617.....	54	B5937.....	52
311620.....	58	B6154.....	104
311783.....	46	B6158.....	102
313873.....	72	B6280.....	128
313875.....	72	B6281.....	128
320220.....	112	B6410.....	142, 146
320404.....	112	B6461.....	132
323762.....	86	B6514.....	52
335301.....	2	B6515.....	52
335479.....	10	B6516.....	52
335483.....	10	B6517.....	52
335508.....	14	B6978.....	114
335520.....	14	B7384.....	112
335525.....	14	B9053.....	72
335532.....	14		
335533.....	14		
335608.....	72		
335773.....	118		
335800.....	118		
335802.....	118		
335804.....	118		
335832.....	118		
335833.....	118		
335839.....	118		
335840.....	118		
335845.....	118		
335846.....	118		
335869.....	142, 146		
335965.....	76		
360265.....	112		
360266.....	112		
360267.....	112		
360269.....	112		
360333.....	112		
360336.....	112		
360342.....	112		

## B

B4831.....	116
------------	-----



# MacDon®

**CUSTOMERS**  
**MacDon.com**

**DEALERS**  
**Portal.MacDon.com**

Trademarks of products are the marks of their  
respective manufacturers and/or distributors.

Printed in Canada