

MacDon

**CENTER MOUNT ADAPTER
for
FORD-VERSATILE 9030
BI-DIRECTIONAL TRACTOR**

**PARTS CATALOG
SUPPLEMENT**

**for
Model 910 & 920 Auger Header
Model 930 Grass Seed Header
Model 940 & 942 Multi-Crop Header
Model 960 Harvest Header**



MacDon Industries Ltd.

680 Moray Street, Winnipeg, Manitoba
Canada R3J 3S3
(204) 885-5590, Fax 832-7749

MacDon Center Mount Adapter for Ford 9030 Bi-Directional Tractor Parts Catalog

CONTENTS

Adapter Frame & Tractor Linkage	2,3
Header Linkage & Float Group	4,5
Drivelines	6,7
Hydraulics	8,9
Electrical	10
960 Harvest Header Windrower Adapter	11
Decals	12,13
Numerical List	14

ABBREVIATIONS:

L/H - left hand, determined from Operator's position, facing forward.
R/H - right hand

ID - inside diameter
OD - outside diameter

NC - national coarse thread
NF - national fine thread

REF - reference, part number is called up elsewhere in catalog.

NOTE: Common hardware is not illustrated. Alphabetic references are used to designate position and description of these items.

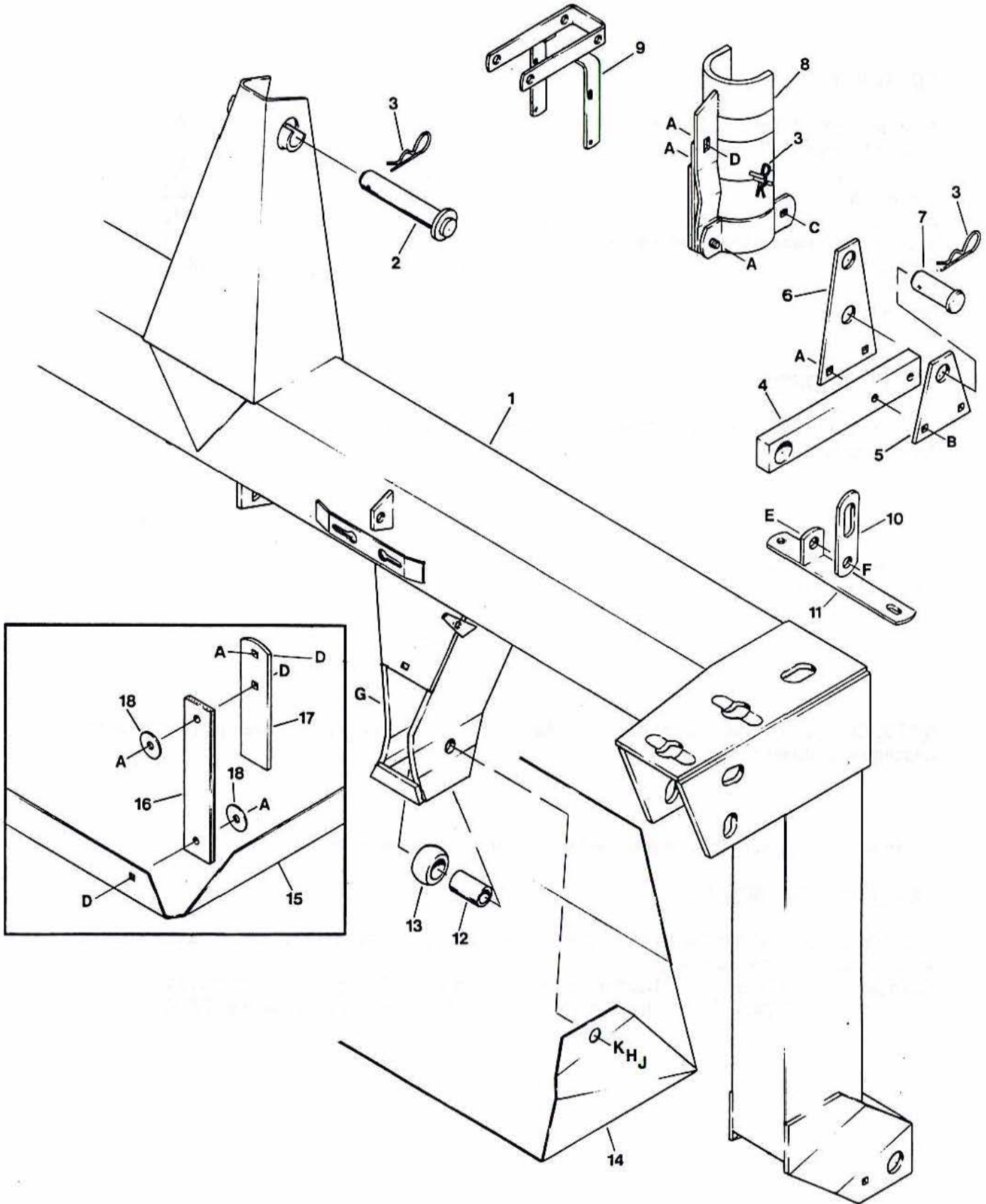
When ordering, be sure the complete and proper serial number is given.

SERIAL NUMBER BREAKS:

The side of the serial number on which the dash (-) appears determines whether the part is used "up to" or "after" the serial number given.

Example: -77746 Used on machines up to and including serial number 77746.
 77747- Used on machines including and after serial number 77747.

ADAPTER FRAME & TRACTOR LINKAGE



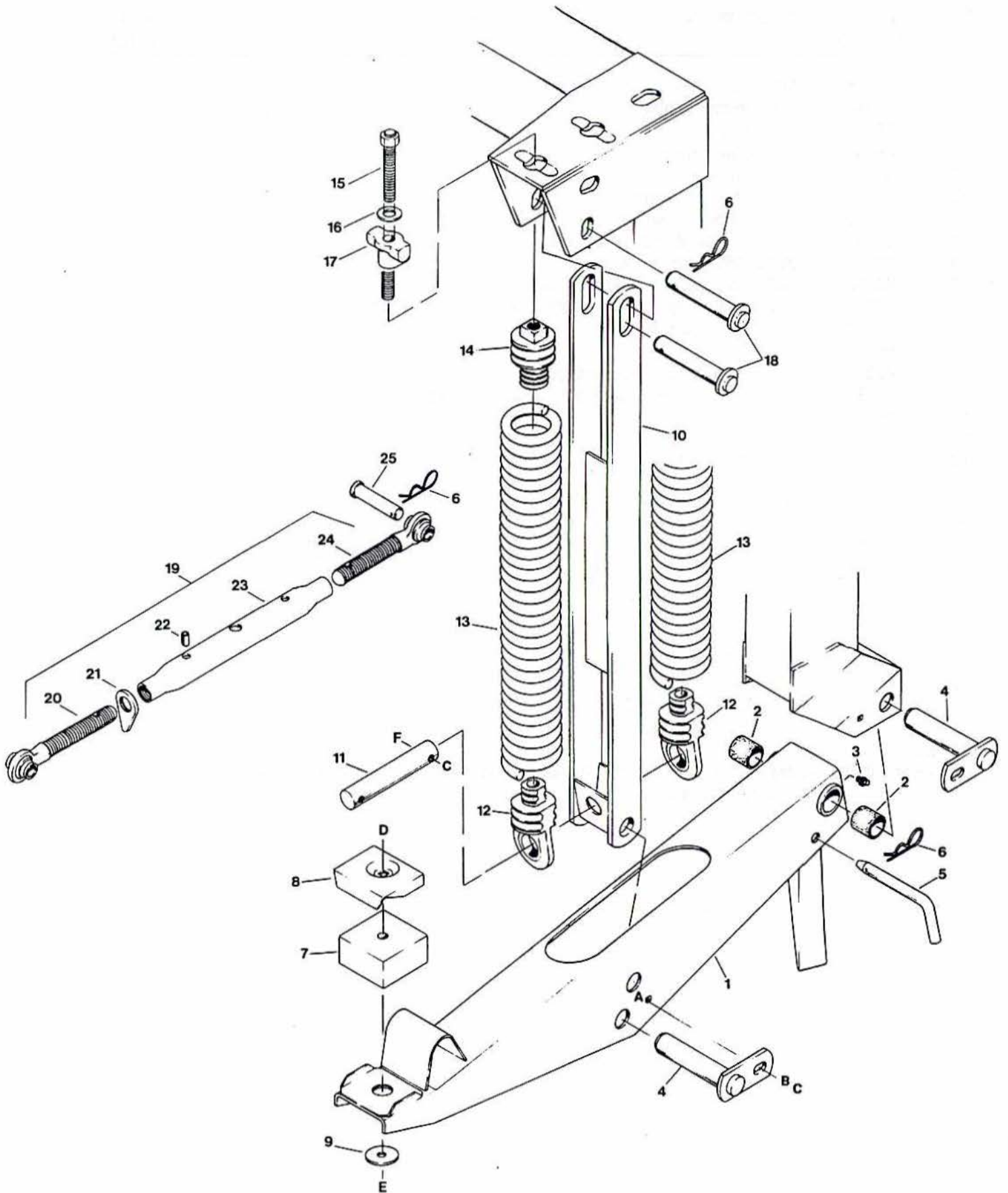
ADAPTER FRAME & TRACTOR LINKAGE

REF	PART NUMBER	DESCRIPTION	QTY	SERIAL NUMBER
1	49238	FRAME - adapter	1	
2	49348	PIN - tractor center link	1	
3	13125	PIN - hair	4	
4	49354	BAR - link extension	2	
5	49353	LUG - link extension	2	
6	49355	LUG - link extension	2	
7	30525	PIN - clevis, 1 inch dia. x 2.28 effective length	2	
8	49393	STOP - 3 point hitch lift cylinder	1	
9	49365	SUPPORT - tractor center link	1	
10	49372	BAR - forming shield support (See NOTE 1)	2	
11	49373	BAR - mounting, forming shield support (See NOTE 1)	2	
12	49379	SPACER - lower link	2	
13	50106	BALL - lower link	2	
14	49376	DEFLECTOR - windrow, adapter mounted (See NOTE 2)	1	
15	REF	DEFLECTOR - windrow, tractor mounted - not serviced, order item 14	1	-91999
16	49388	STRAP - rubber	2	-91999
17	49389	BAR - mounting	2	-91999
18	16652	WASHER - flat	4	-91999
A	30228	NUT - lock, smooth flange, 3/8 NC distorted thread		
B	21470	BOLT - round head, square neck, 3/8 NC x 2 inch		
C	50088	BOLT - round head, square neck, 3/8 NC x 3 1/2 inch		
D	19965	BOLT - round head, square neck, 3/8 NC x 1 inch		
E	21594	BOLT - hex head, 5/8 NC x 1 1/2 inch		
F	18666	NUT - lock, 5/8 NC distorted thread		
G	30876	BOLT - hex head, 3/4 NC x 4 inch		
H	18640	WASHER - lock, 3/4 I.D.		
J	18593	NUT - hex, 3/4 NC		
K	18601	WASHER - flat, 13/16 inch I.D.		

NOTES:

- (1) - For 910/920 Auger Header with hay conditioner and 942 Multi-Crop Header with hay conditioner.
 (2) - For headers without hay conditioner.

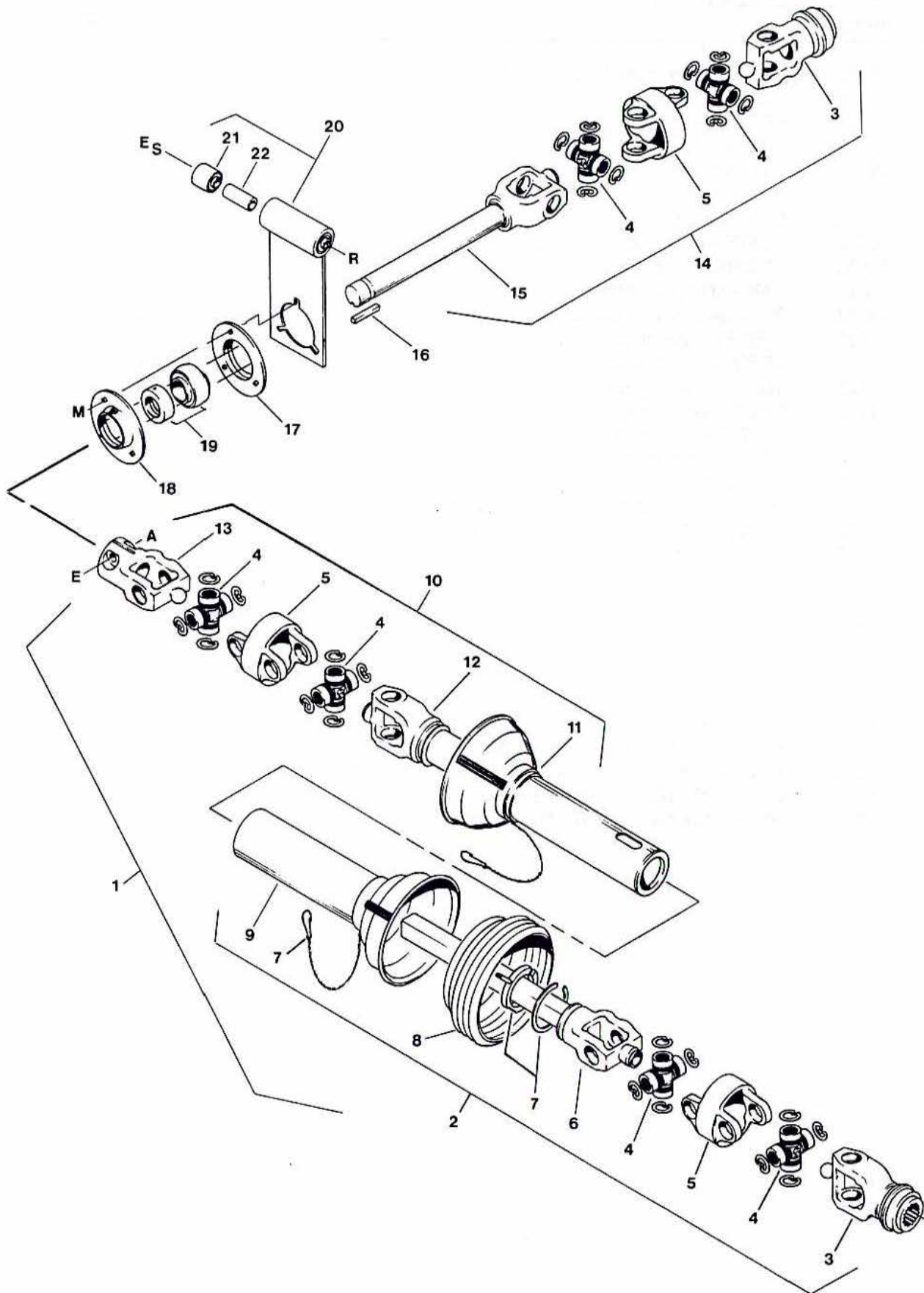
HEADER LINKAGE & FLOAT GROUP



HEADER LINKAGE & FLOAT GROUP

REF	PART NUMBER	DESCRIPTION	QTY	SERIAL NUMBER
1	49326	LEG - header lower link, includes items 2 & 3	2	
2	1134	SLEEVE - bearing	4	
3	18671	FITTING - lube	1	
4	49344	PIN - leg (NOTE: Install pin from inboard side of adapter)	4	
5	49340	PIN - adapter stand	2	
6	13125	PIN - hair	8	
7	42498	PAD - rubber	2	
8	44575	PLATE - pad cover	2	
9	44576	WASHER - flat	2	
10	49214	BAR - spring support	2	
11	49213	PIN - lower spring anchor	2	
12	42691	INSERT - spring, lower	4	
13	42690	SPRING - extension	4	
14	24322	INSERT - spring, upper	4	
15	41122	BOLT - float spring	4	
16	21540	WASHER - hardened	4	
17	36837	PIVOT - float spring	4	
18	49348	PIN - float spring	4	
19	42104	JOINT ASSEMBLY - center link, includes items 20 to 24	1	
20	42432	JOINT - ball, R/H thread (header end)	1	
21	42433	COLLAR - locking	1	
22		PIN - roll	2	
23	42434	TUBE - center link	1	
24	42431	JOINT - ball, L/H thread (adapter end)	1	
25	20312	PIN - clevis, center link	2	
A	19965	BOLT - round head, square neck, 3/8 NC x 1 inch		
B	18590	NUT - hex, 3/8 NC (fits in slot of pin bracket)		
C	30228	NUT - lock, smooth flange, 3/8 NC distorted thread		
D	30266	BOLT - round head, square neck, 1/2 NC x 3 inch		
E	21389	NUT - lock, 1/2 NC nylon insert		
F	20078	BOLT - hex head, 3/8 NC x 1 3/4 inch		

DRIVELINES



DRIVELINES

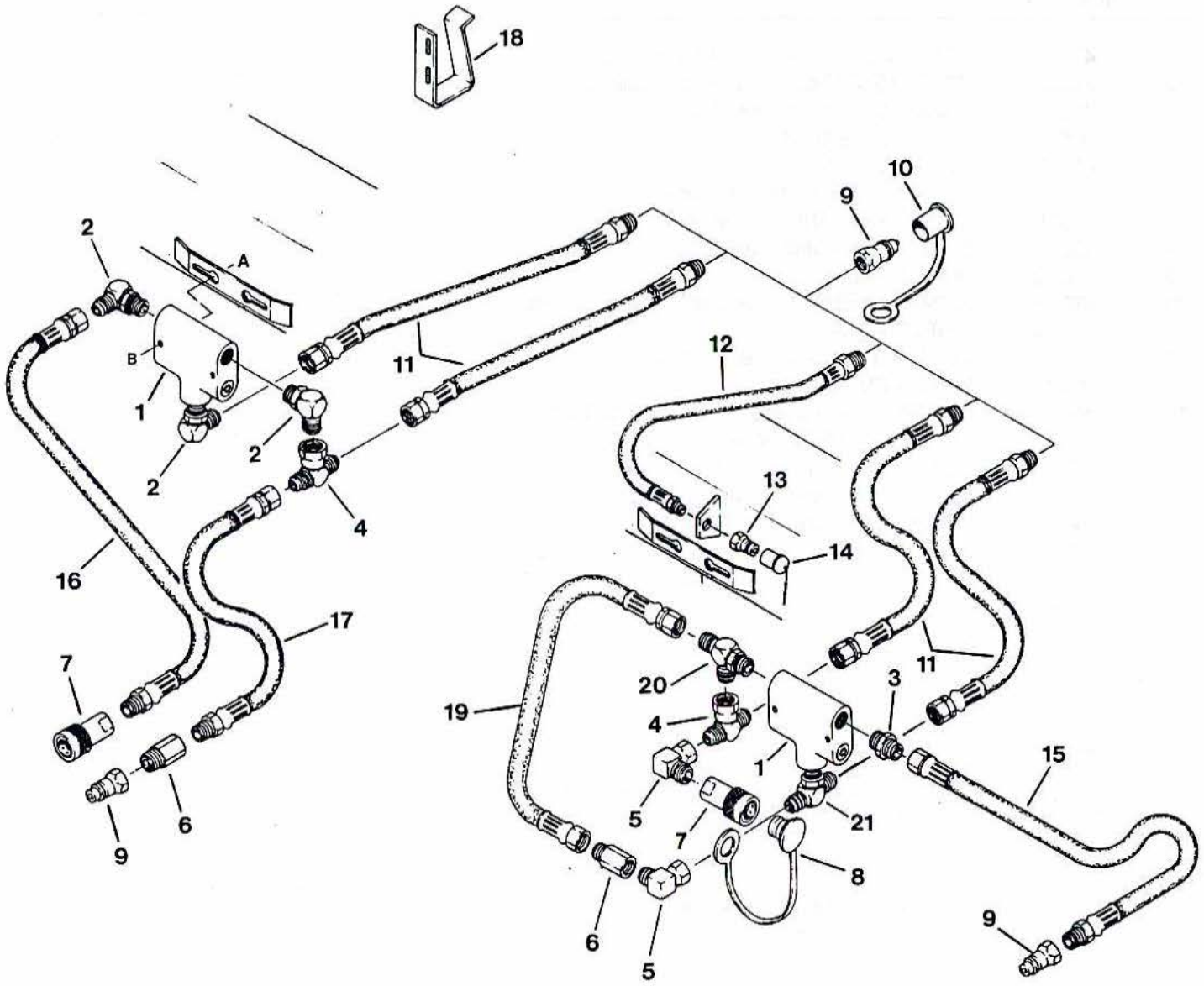
REF	PART NUMBER	DESCRIPTION	QTY	SERIAL NUMBER
1	49325	DRIVELINE - telescoping CV, includes items 2 and 10	1	
2	49320	JOINT ASSEMBLY - male half, includes items 2 to 9	1	
3	49311	YOKE - CV, spline bore, 1 3/8 x 21 teeth, with slide collar	2	
4	30622	CROSS & BEARING KIT	6	
5	49312	HOUSING - CV	3	
6		YOKE & SHAFT - not serviced, order item 2	1	
7	49316	SHIELD BEARING & CHAIN KIT - see note *	2	
8	49318	EXTENSION - shield bell	2	
9	49322	SHIELD - outer	1	
10	49315	JOINT ASSEMBLY - female half, includes items 4, 5, 7, 8, 11, 12, 13	1	
11	49314	SHIELD - inner	1	
12		YOKE & TUBE - not serviced, order item 10	1	
13	49319	YOKE - CV, clamp	1	
14	49310	DRIVELINE - to tractor PTO, includes items 3, 4, 5, 15	1	
15		YOKE & SHAFT - not serviced, order item 14	1	
16	7038	KEY - 1/4 square x 2 inch	1	
17	49306	FLANGE - bearing	1	
18	49307	FLANGE - bearing, with lube fitting	1	
19	21859	BEARING - ball, with lock collar	1	
20	49296	SUPPORT - driveline, with bushings, space and decal	1	
21	50040	BUSHING - rubber	2	
22	32202	SPACER - tube	1	
A	21576	BOLT - hex head, 1/2 NC x 2 inch		
E	18697	NUT - lock, 1/2 NC distorted thread		
L	30228	NUT - lock, smooth flange, 3/8 NC distorted thread		
M	21863	BOLT - round head, square neck, 3/8 NC x 3/4 inch		
R	50160	BOLT - round head, square neck, 1/2 NC x 6 1/2 inch		
S	18591	NUT - hex, 1/2 NC		

NOTES:

* - Item 7, Shield Bearing & Chain Kit, includes the following:

- (1) - Shield Chain
- (1) - Chain Attachment Piece (nylon)
- (1) - Shield Bearing (nylon)
- (1) - Lube Fitting (for shield bearing)
- (1) - Bearing Retainer

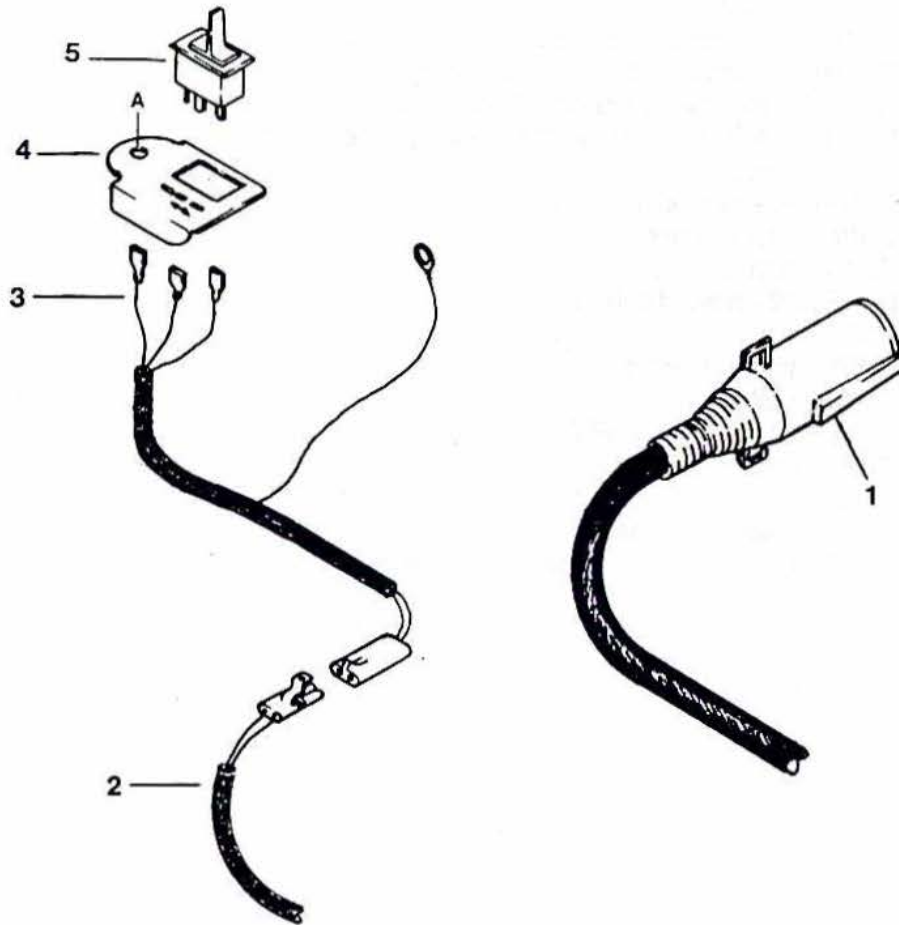
HYDRAULICS



HYDRAULICS

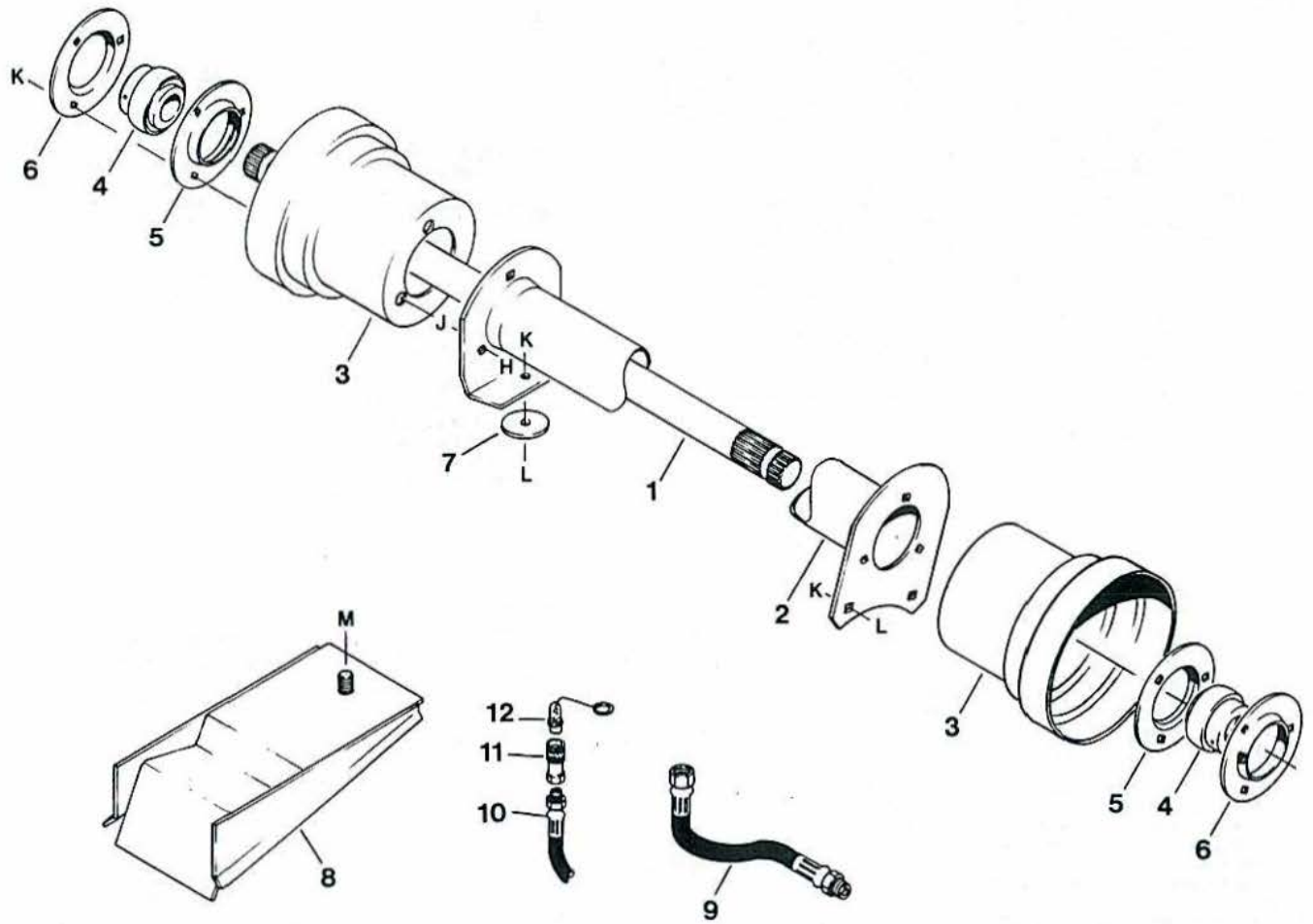
REF	PART NUMBER	DESCRIPTION	QTY	SERIAL NUMBER
1	49229	VALVE - divider	2	
2	21843	FITTING - 90° male elbow, 5/8 tube x 7/8 O-ring	3	
3	30974	FITTING - adapter, 1/2 NPT x 7/8 O-ring	1	
4	30857	FITTING - tee, swivel branch, 5/8 tube male (2) x 5/8 tube female	2	
5	50018	FITTING - 90° elbow, 1/2 NPT male x 5/8 tube female	2	
6	49223	VALVE - check	2	
7	21857	COUPLER - female, 1/2 NPT	2	
	50082	O-RING - for coupler 21857		
8	21858	PLUG - dust	1	
9	21855	COUPLER - male, 1/2 NPT	7	
10	21856	CAP - dust	5	
11	33424	HOSE - tractor to adapter	4	
12	49228	HOSE - reel lift	1	
13	30443	COUPLER - male, 1/4 NPT	1	
14	21824	CAP - dust	1	
15	47009	HOSE - pressure to male coupler - 920, 930 and 940 Headers	1	
	40245	HOSE - pressure to male coupler - 960 Header only	1	
16	49224	HOSE - reel drive pressure to female coupler	1	
17	49225	HOSE - reel drive return	1	
18	49361	BRACKET - detent mechanism (Green hydraulic lever)	1	
19	49231	HOSE - check valve to return line	1	
20	50019	FITTING - run tee, 5/8 tube (2) x 7/8 O-ring	1	
21	30560	FITTING - branch tee, 5/8 tube (2) x 7/8 O-ring	1	
A	30822	BOLT - round head, square neck, 1/4 NC x 2 1/4 inch		
B	18724	NUT - lock, 1/4 NC distorted thread		

ELECTRICAL



REF	PART NUMBER	DESCRIPTION	QTY	SERIAL NUMBER
1	49226 30710	HARNESS - wiring, header warning lights PLUG - 7 pole, included with harness 49226	1	
NOTE: Items 2 to 5 are used only with 960 Triple Delivery Harvest Header.				
2	43007	HARNESS - wiring, deck shift - adapter section	1	
3	43008	HARNESS - wiring, deck shift - tractor section	1	
4	42684	SUPPORT - deck shift switch, with decal	1	
5	42257	SWITCH - paddle type, deck shift	1	
A	30260	SCREW - self drilling, self tapping #12 x 1 inch		

960 HARVEST HEADER WINDROWER ADAPTER



REF	PART NUMBER	DESCRIPTION	QTY	SERIAL NUMBER
1	43286	SHAFT - driveline adapter	1	
2	43770	SUPPORT - adapter	1	
3	43777	SHIELD - shaft	2	
4	21936	BEARING - ball, with collar	2	
5	30602	FLANGE - bearing	2	
6	30603	FLANGE - bearing, with lube fitting	2	
7	1246	WASHER - flat, (supplied with adapter)	1	
8	43301	SUPPORT - linkage adapter, header lower leg	2	
9	40245	HOSE - draper drive pressure (See page 9, item 15)	1	
10	43626	HOSE - reel lift, (attach to hydraulic line at header L/H leg)	1	
11	30442	COUPLER - q.d. female, 1/4 NPT - attach to header reel lift hose	1	
	50083	O-RING - for coupler 30442		
12	21876	PLUG - dust	1	
H	20077	BOLT - hex head, 3/8 NC x 1 inch		
J	18637	WASHER - lock, 3/8 inch		
K	30228	NUT - lock, smooth flange, 3/8 NC distorted thread		
L	19965	BOLT - round head, square neck, 3/8 NC x 1 inch		
M	18666	NUT - lock, 5/8 NC distorted thread		

NOTE: The 1/2 NC x 5 inch bolt and locknut included in this kit is not used with the 9030 Adapter.

NUMERICAL LIST

<u>PART NO.</u>	<u>PAGE</u>	<u>PART NO.</u>	<u>PAGE</u>	<u>PART NO.</u>	<u>PAGE</u>	<u>PART NO.</u>	<u>PAGE</u>
01134	5	43008	10	49389	3		
01246	11	43286	11	49393	3		
07038	7	43301	11	49406	13		
13125	3	43626	11	50018	9		
13125	5	43770	11	50019	9		
16652	3	43777	11	50040	7		
18671	5	44575	5	50082	9		
20312	5	44576	5	50083	11		
21540	5	47009	9	50106	3		
21824	9	49213	5				
21843	9	49214	5				
21855	9	49223	9				
21856	9	49224	9				
21857	9	49225	9				
21858	9	49226	10				
21859	7	49228	9				
21876	11	49229	9				
21936	11	49231	9				
23165	13	49238	3				
24242	13	49239	13				
24322	5	49240	13				
30316	13	49296	7				
30442	11	49297	13				
30443	9	49306	7				
30525	3	49307	7				
30560	9	49310	7				
30602	11	49311	7				
30603	11	49312	7				
30622	7	49314	7				
30710	10	49315	7				
30857	9	49316	7				
30974	9	49318	7				
32009	13	49319	7				
32202	7	49320	7				
33424	9	49322	7				
36651	13	49325	7				
36837	5	49326	5				
40155	13	49334	13				
40245	9	49340	5				
40245	11	49344	5				
40555	13	49348	3				
41122	5	49348	5				
42104	5	49352	13				
42257	10	49353	3				
42431	5	49354	3				
42432	5	49355	3				
42433	5	49361	9				
42434	5	49365	3				
42498	5	49372	3				
42684	10	49373	3				
42690	5	49376	3				
42691	5	49379	3				
43007	10	49388	3				

MacDon
Designed to Deliver!

46170 Issue 3/95
Sugg. Retail: \$10.00

Printed in Canada