

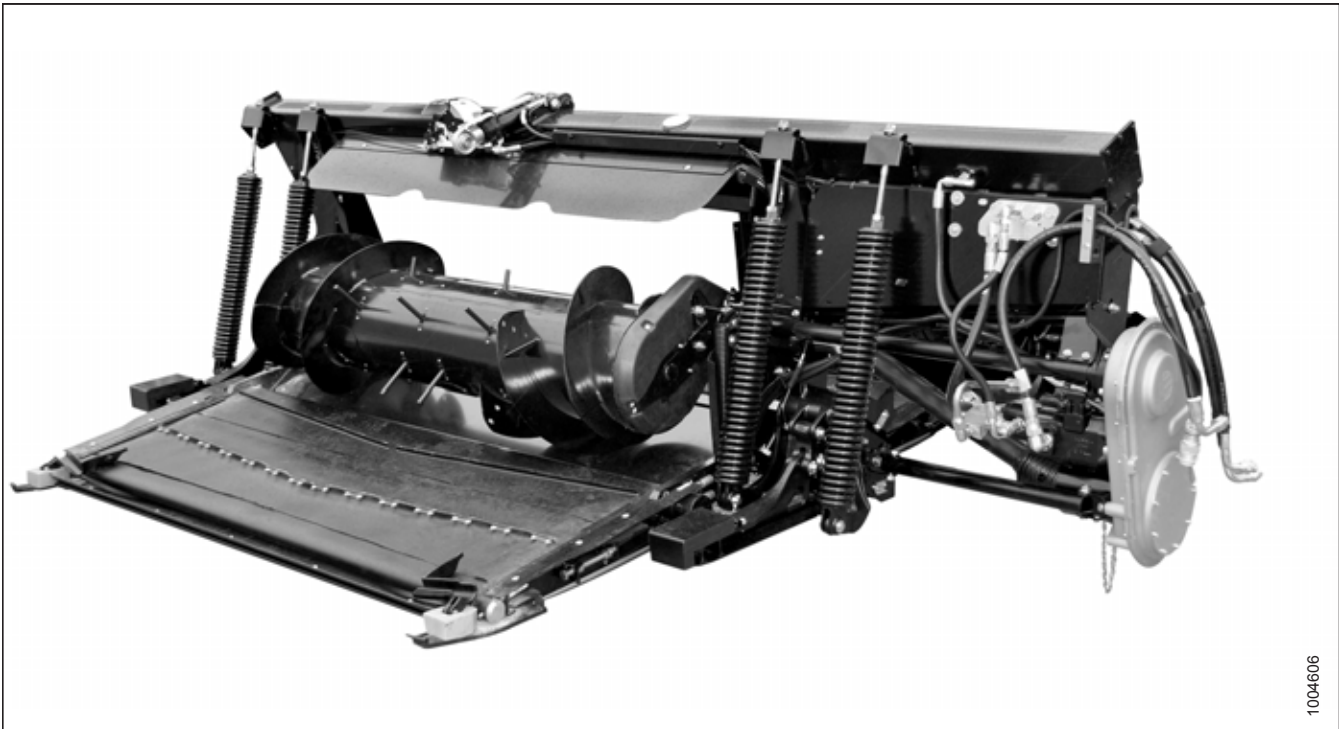
CA25E Combine Adapter

Parts Catalog

147942 Revision A

Original Instruction

CA25E Combine Adapter



Published in March, 2017

NOTE:

Keep your MacDon publications up-to-date. The most current version can be downloaded from our website (www.macdon.com) or from our Dealer-only site (<https://portal.macdon.com>) (login required).

Catalog also available in French and German versions. The most current version can be downloaded from our MacDon International website (www.macdon.com/world) or from our Dealer-only site (<https://portal.macdon.com>) (login required).

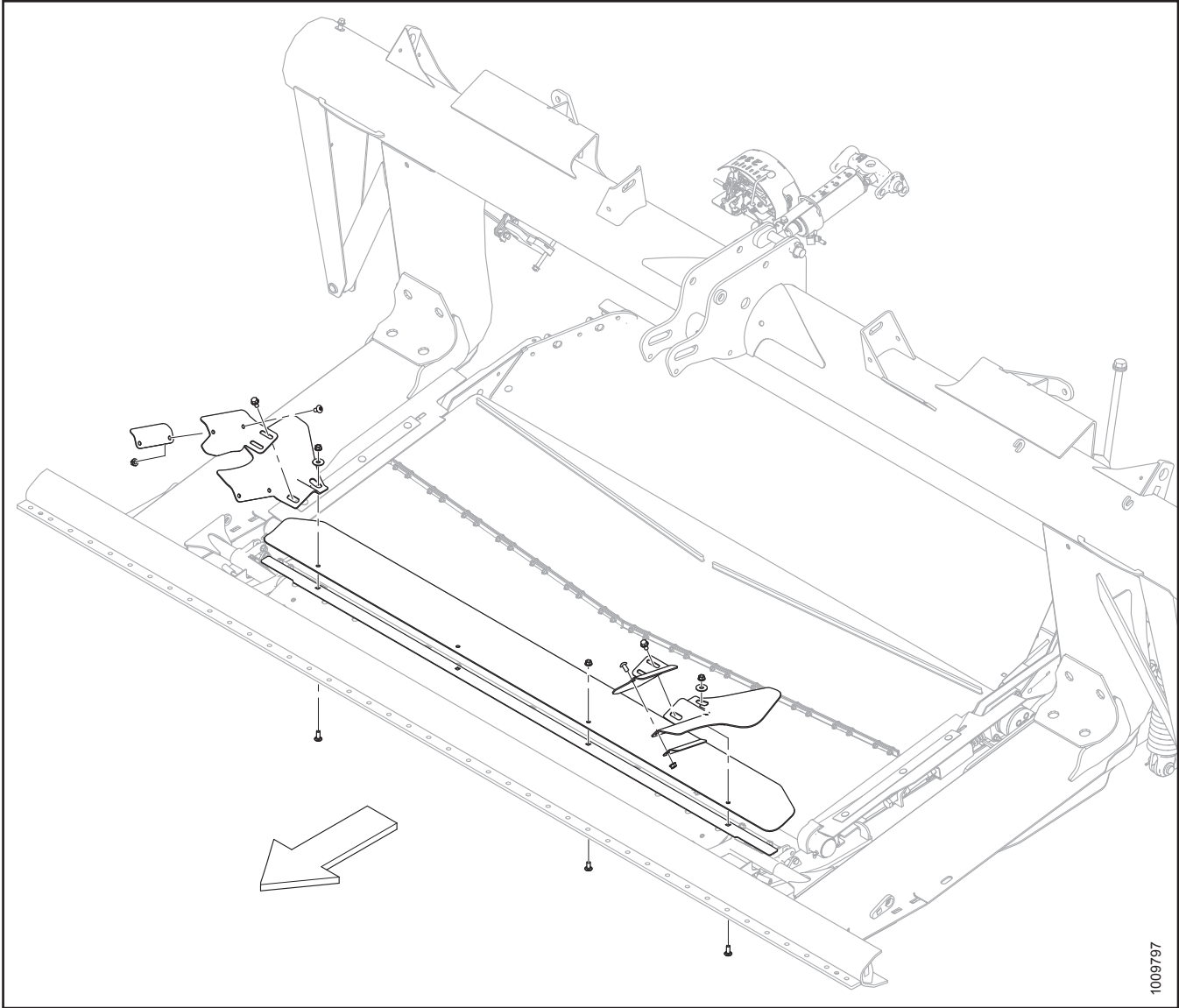
Introduction

This parts catalog lists all the replacement parts that can be ordered for a MacDon CA25E Combine Adapter.

When ordering, be sure the complete and proper part number is given.

Bold text is used to indicate updates made at the current revision level. With each new revision of the catalog, previous revisions are returned to regular text.

In this catalog, right and left are determined from the operator's seated position in the combine. An arrow is sometimes used in illustrations to indicate forward position as shown below.



NOTE:

For specific electrical harness parts, refer to Electrical Connector Parts Catalog (MD #169641).

Abbreviations

A/R – as required (quantity varies)
ASSY – assembly
BHRN – button head rib neck
C/W – complete with
CCW – counterclockwise
CW – clockwise
CSK – countersink
DK – double knife
DT – distorted thread
FLG – flange
HDR – header
HYD – hydraulic
GS – grass seed
MFA – manual fore-aft
I.D. – inside diameter
LG – long
LH – left hand (determined from Operator's position, facing forward)
HFA – hydraulic fore-aft
NC – national coarse thread
NF – national fine thread
NSS – not serviced separately
O.D. – outside diameter
OPT – optional
PT – pull-type (mower conditioner)
REF – reference, part number called up elsewhere in catalog
RH – right hand (determined from Operator's position, facing forward)
RHSN – round head, square neck or square neck carriage bolt
RHSSN – round head, short, square neck
SER – serrated
SMV – slow moving vehicle
SK – single knife
SP – self-propelled (windrower) header
SPI – serrations per inch (knife sections)
UDK – untimed double knife

Serial Number Breaks

The side of the serial number on which the dash (–) appears determines whether the part is used "up to" or "after" the serial number given.

Example:

- –162249 Used on machines up to and including serial number 166249
- 166250– Used on machines including and after serial number 166250

Summary of Changes – CA25E (147942 Rev. A)

This list covers changes made since the last revision (147692 Rev. A).

Section	Summary of Change	Internal Use Only
<i>Introduction, page i</i>	Added Electrical Connector Parts Catalog note.	Prod. Support Tech Pubs
	Updated illustration (1009797) to match current catalog style.	
<i>2 Feed Deck, page 3</i>	Removed individual part number footnotes on screw 135630 and nut 135626, which are sold in packs of 50.	Parts
<i>4 Adapter Corner and Center Fillers, page 9</i>	220806 superseded by 279028.	ECN 51935
	Added screw 101898, bolt 21470, and replaced washer 18963 with washer 19685.	
	Created new illustration (1018255) to reflect above changes.	
<i>5 Auger Internal Components, page 11</i>	245748 superseded by 287802.	ECN 54783
	Added split finger holder kit 276839 and created new illustration (1021571) to show new parts.	ECN 52843
<i>6 Auger Assembly, page 13</i>	Left auger pivot 133506 superseded by service kit 279708.	ECN 53546
	Added note to clarify supersession of 133506 with kit 279708.	Prod. Support
	42894 replaced by 135957.	ECN 51698
	135025 superseded by 252259.	ECN 52948
<i>7 Auger Assembly Continued, page 17</i>	187813 superseded by 245966.	ECN 51698
<i>8 Drives, page 19</i>	Added part numbers 187481 and 187479 to items #26 and 27.	ECN 52574
	187467 and 187469 superseded by 213830 and 279689.	DEV 25887
	133441 superseded by 279081.	ECN 52080
	Added footnotes to pump 187517 (item #36) and pump 187229 (item #39) to clarify combine compatibility of each pump.	ECN 51591 Tech Pubs
	Added hub 245804 (item #47) and hub 245805 (item #48) as service parts for Bosch/Rexroth and Sauer/Danfoss pumps.	ECN 51105
	Replaced all instances of “BOSCH” and “SAUER” with “BOSCH/REXROTH” and “SAUER/DANFOSS” respectively.	Engineering
	Updated footnotes of pumps 245301 (item #37) and 245695 (item #40) to clarify hardware needed for each pump.	Prod. Support
	Added missing callout to bolt 21456 (hardware M) attaching items #7 and 8 to item #27.	Tech Pubs
	Corrected part number of hardware W from 18652 to 18637.	
	Created new illustration (1018289) to reflect above changes.	
<i>9 Input Driveline, page 27</i>	Replaced guide asterisks with footnotes.	

Section	Summary of Change	Internal Use Only
<i>10 Hydraulics – Bosch/Rexroth Manifold, page 31</i>	Added section to list service parts for combine adapters with Bosch/Rexroth manifolds.	Export
	Added information to note above parts list to help identify Parker and Bosch/Rexroth manifolds. Added footnote to filter element.	Prod. Support
	Replaced Parker manifold 245119 with 279490 in footnote for manifold repair kit 248245 (item #41).	ECN 52758
<i>11 Hydraulics – Parker Manifold, page 37</i>	245119 and 220594 superseded by 279490 and 279491 respectively. Replaced all instances of “245119” in part descriptions with “279490”.	
	Added information to note above parts list to help identify Parker and Bosch/Rexroth manifolds. Added footnote to filter element.	Prod. Support
<i>12 Hydraulic Selector Header Tilt / Reel Fore-Aft, page 43</i>	Added footnote to clarify placement of restrictor 174942.	Tech Pubs
<i>13 Selector Valve, page 45</i>	220337 superseded by 279753.	ECN 53726
	Added harnesses 129566 and 158326, which replace harness 220337 for John Deere 50 Series combines.	ECN 51965 G125957
	Updated illustration of cigarette lighter wiring harness 220570.	ECN 54758
	Created new illustration (1021240) to reflect above changes.	Tech Pubs
<i>14 Float Linkage and Components, page 47</i>	229016 superseded by 229510.	ECN 53880
<i>15 Hydraulic Center-Link with Float and Tilt Indicators, page 51</i>	Added clip 153492 to list (item #28) and updated illustration (1004401).	Parts
<i>16 Decals, page 55</i>	44944 superseded by 174436.	ECN 47310
	Added decal 245978 (item #16).	ECN 51746
	Created new illustration (1021216) to reflect above changes.	Tech Pubs
<i>21 AGCO, Gleaner – Adapter Completion, page 65</i>	Corrected bundle number for Gleaner “R” and “S” Series Completion Package in Note underneath parts list from B5671 to B5761.	Prod. Support B5667
	Added Gleaner transition frame 245852 to list (item #1), removed “GLEANER” from AGCO transition frame 133672.	ECN 50309 Engineering
	Added AGCO fillers 133980, 133981, and bolt 105069.	
	Created new illustration (1018496) to reflect above changes.	
<i>22 AGCO, Gleaner – Hydraulic Completion, page 67</i>	Corrected quantities of fasteners 40701, 40702, 49227, and 135444.	ECN 52321 ECN 48778 Engineering
	129149 replaced by 187018.	
	Added disc 133165, bracket 133166, and bolt 19965.	
	Created new illustration (1018497) to reflect above changes.	

Section	Summary of Change	Internal Use Only
<i>24 Gleaner – R/S Series Narrow Completion Kit, page 73</i>	133692 and 133698 replaced by 245815 and 245816 respectively. Added 245703, 21282, 18589, and 18597.	ECN 50309 Engineering
	Added lock washer 18636.	ECN 52406
	Created new illustration (1018248) to reflect above changes.	Tech Pubs
<i>26 Case IH and New Holland CR/CX – Adapter Completion, page 77</i>	156366 superseded by 279493.	ECN 52511
	Added deflectors 187390, 187391, 187415, and 187416 to list (items #7 and 8).	G220404
	Added bolt 21868 (hardware H) to list.	
	Created new illustration (1018268) to reflect above changes.	
<i>27 Case 20 Series – Hydraulic Completion, page 79</i>	43848 replaced by 252559.	ECN 52622
<i>28 Case IH and New Holland CR/CX – Hydraulic Completion, page 83</i>	Corrected quantities of fasteners 21763, 40701, 40702, 49227, 49232, and 135444.	ECN 52321 Engineering Parts
	Updated description of hose 133260 (item #8).	
	Added disc 133165, bracket 133166, and bolt 19965.	
	Created new illustration (1021297) to reflect above changes.	
<i>31 John Deere 50/60/70 S Series – Adapter Completion, page 91</i>	Added missing “S Series” to chapter title and notes.	Engineering
	151926 superseded by 220628.	ECN 47109
<i>32 John Deere – Contour Master Transition Frame, page 93</i>	245667 superseded by 279252. Created new illustration (1018303) to show new transition frame.	ECN 51530
	Added note for clarify that Contour Master transition frame is sold as a performance option only.	Tech Pubs
<i>34 John Deere 60/70 S Series – Hydraulic Completion, page 99</i>	Added missing “S Series” to chapter title and notes.	Engineering
	Added kits 279011–279017 as service parts for coupling 129120 (item #1). Added Parker coupling 245820 as an interchangeable option for 129120. Replaced seals 129859 and 129860 with 279034 and 279035 respectively.	ECN 51319 Prod. Support
	Corrected callout 22 to callout 23 in center of illustration (1004423). Item #22 is a clamp and item #23 was not called out in the illustration.	
	Replaced “60 Series” with “(FASTER)” in description of 129120.	Parts
<i>35 John Deere 50/60/70 S Series – Electrical Completion, page 103</i>	Added missing “S Series” to chapter title and notes.	Engineering

Section	Summary of Change	Internal Use Only
<i>36 CLAAS Lexion 500/700 Series – Adapter Completion, page 105</i>	Updated illustration (1004425) with shaded link tubes 156783 (item #10) for clarity.	ECN 52321 Engineering Parts
<i>37 CLAAS Lexion 500/700 Series – Hydraulic Completion, page 107</i>	Added O-ring 44210 as a service part for fitting 30695 (item #7).	
	Corrected quantities of fasteners 40701, 40702, 49227, 49232, and 135444.	
	Corrected callouts for hoses 156758, 156759, and 133260 (items #2–4).	
	Added disc 133165, bracket 133166, and bolt 19965.	
	Removed nut F from bolt D and added nut E to bolt B.	
	Created new illustration (1018485) to reflect above changes.	
<i>38 CLAAS Lexion 500/700 Series – Electrical Completion, page 111</i>	Replaced 220396 with NSS (not serviced separately) as harness 220396 is replaced by harness 220354. Added footnote for clarity.	ECN 52321 G125973
	Added screw 158704 (hardware G).	
	Created new illustration (1021293) to reflect above changes.	
<i>41 Reel Speed Sensors, page 117</i>	133998 superseded by 279746.	ECN 53657
<i>43 Auger Dent Repair Kit, page 121</i>	Added new chapter for “Auger Dent Repair Kit” with new illustration (1020817).	ECR 10887 ECN 50803
<i>44 (Option) European Adapter Seal Kit, page 123</i>	187856, 187857, 220122, and 220123 superseded by 245912, 245891, 245910, and 245892 respectively.	ECN 51597 Parts
	Added missing callout A to nut 30228 below bar 220307.	
	Created new illustration (1018238) to reflect above changes.	
<i>45 (Option) Hillside Extension, page 125</i>	Added new section for “Hillside Extension kit” with new illustration (1018263).	ECN 50525 ECN 52072
<i>46 (Option) John Deere Adapter Fore/Aft Anti-Drift Kit, page 127</i>	Added new section for “John Deere Adapter Fore/Aft Anti-Drift kit” for 2016 and prior model year combine adapters with new illustration (1018505).	ECN 52477 Engineering
Throughout	Replaced or appended “Lexion” with “CLAAS”.	Engineering
	Replaced or appended “BOSCH” with “BOSCH/REXROTH”.	Prod. Support
	Added completion package bundle numbers and footnotes to parts lists for clarity.	Tech Pubs
	Updated forward position arrow in illustrations for consistency.	

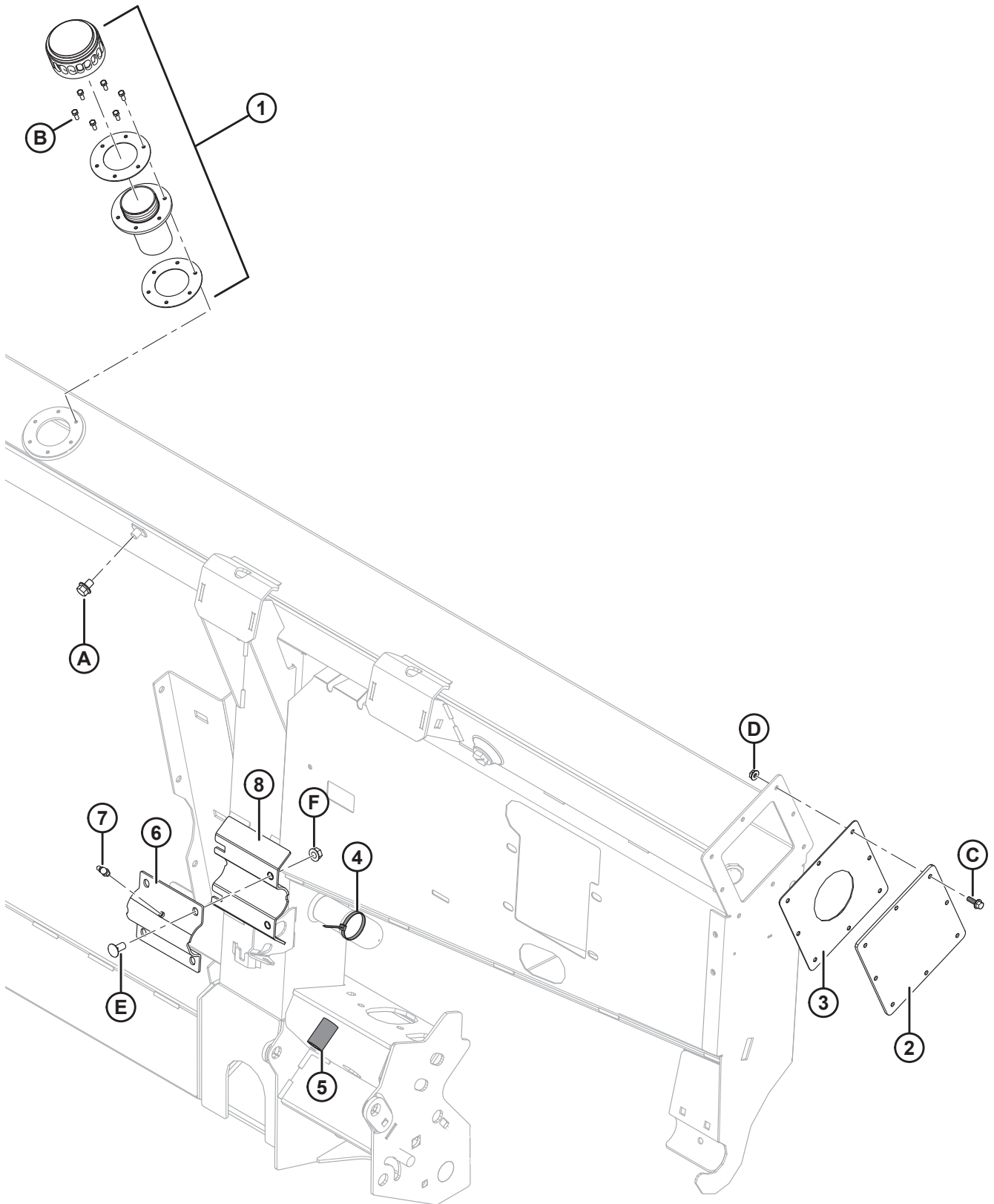
TABLE OF CONTENTS

Introduction	i
Abbreviations	ii
Serial Number Breaks	iii
Summary of Changes – CA25E (147942 Rev. A)	iv
1 Frame and Components	1
2 Feed Deck	3
3 Transition Pan Poly Kit / Combine Attachment for Rigid Headers	7
4 Adapter Corner and Center Fillers.....	9
5 Auger Internal Components	11
6 Auger Assembly.....	13
7 Auger Assembly Continued	17
8 Drives.....	19
9 Input Driveline.....	27
10 Hydraulics – Bosch/Rexroth Manifold	31
11 Hydraulics – Parker Manifold	37
12 Hydraulic Selector Header Tilt / Reel Fore-Aft	43
13 Selector Valve	45
14 Float Linkage and Components	47
15 Hydraulic Center-Link with Float and Tilt Indicators.....	51
16 Decals	55
17 Decals – French	57
18 Decals – Portuguese	59
19 Decals – Russian	61
20 Decals – Spanish	63
21 AGCO, Gleaner – Adapter Completion	65
22 AGCO, Gleaner – Hydraulic Completion.....	67
23 AGCO, Gleaner – Electrical Completion	71
24 Gleaner – R/S Series Narrow Completion Kit.....	73
25 Case 20 Series – Adapter Completion	75
26 Case IH and New Holland CR/CX – Adapter Completion.....	77
27 Case 20 Series – Hydraulic Completion.....	79
28 Case IH and New Holland CR/CX – Hydraulic Completion	83
29 Case IH/20 Series and New Holland CR/CX – Electrical Completion	87
30 New Holland 10 Volt Auto Header Height Sensor.....	89
31 John Deere 50/60/70 S Series – Adapter Completion.....	91
32 John Deere – Contour Master Transition Frame	93
33 John Deere 50 Series – Hydraulic Completion	95
34 John Deere 60/70 S Series – Hydraulic Completion.....	99
35 John Deere 50/60/70 S Series – Electrical Completion	103
36 CLAAS Lexion 500/700 Series – Adapter Completion.....	105
37 CLAAS Lexion 500/700 Series – Hydraulic Completion	107
38 CLAAS Lexion 500/700 Series – Electrical Completion	111

TABLE OF CONTENTS

39	Conversion Kits	113
40	CA25 to CA25E Conversion Kit	115
41	Reel Speed Sensors	117
42	Double Knife Completion Package.....	119
43	Auger Dent Repair Kit	121
44	(Option) European Adapter Seal Kit	123
45	(Option) Hillside Extension	125
46	(Option) John Deere Adapter Fore/Aft Anti-Drift Kit	127
	Index	130

1 Frame and Components

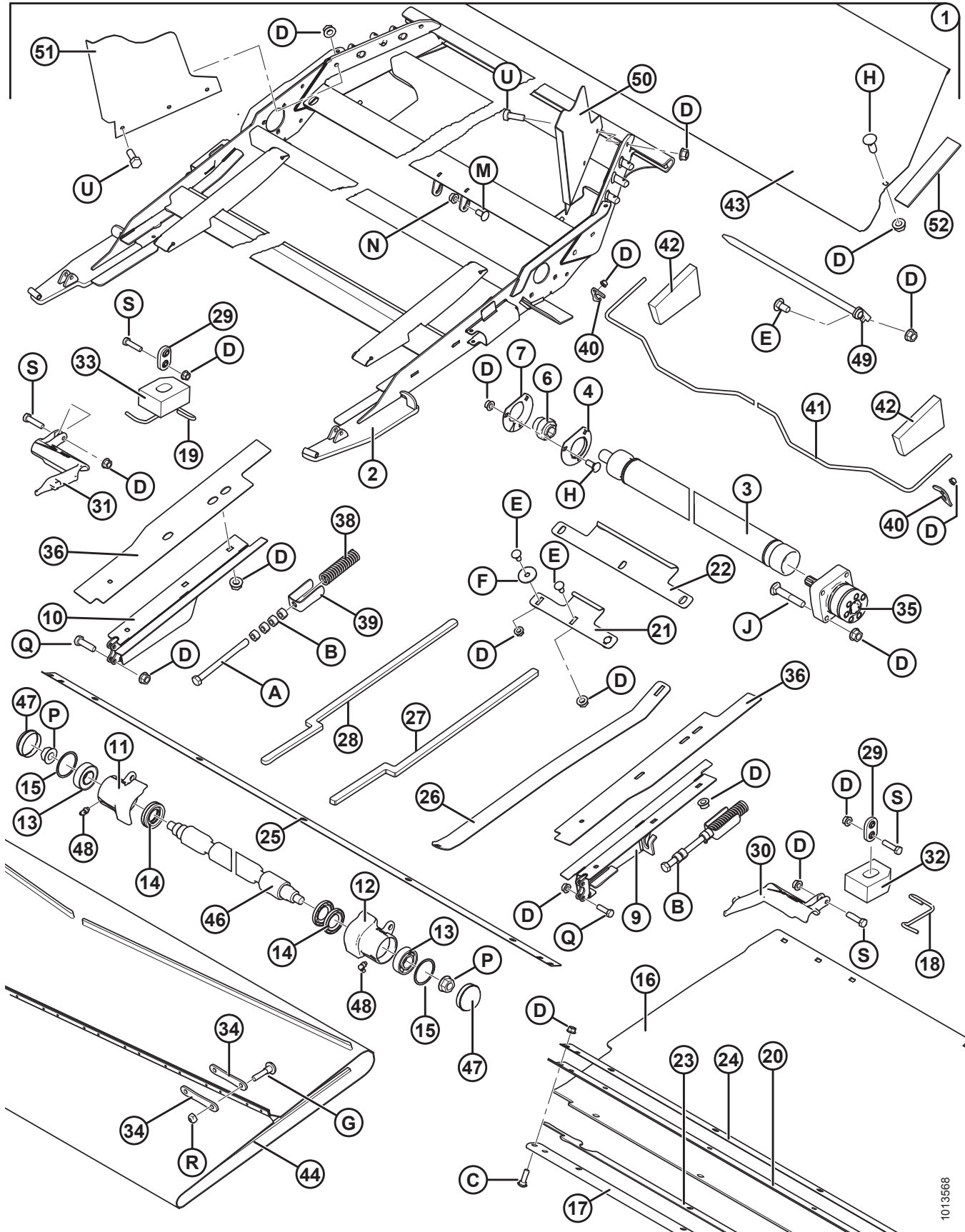


FRAME AND COMPONENTS

Ref	Part Number	Description	Qty	Serial Number
1	133942	CAP – OIL FILLER ¹	1	
2	187101	PLATE – END COVER	2	
3	187112	GASKET	2	
4	21763	FASTENER – CABLE TIE (BLACK)	2	
5	156695	TUBE	1	
6	123629	CLAMP – AUGER PIVOT ASSEMBLY	1	
7	21010	FITTING – LUBE 90° 1/4-28 TAPER THD	1	
8	156682	BRACKET – SUB WELDT (WELDED TO FRAME)	1	
A	30693	BOLT – FLANGE (SER FACE) .375-16 UNC X 0.50 LG		
B	135873	SCREW – MACH #10-32 X 0.5 IN. HEX ²		
C	21456	BOLT – HH FLG (SER FACE) 1/4 NC X 0.75 GR 5 ZP		
D	135248	NUT – FLG SMTH FACE 1/4-20 NC GR 5 ZP CTR LK DT THD		
E	21863	BOLT – RHSSN 3/8 NC X 0.75 LG GR 5 ZP		
F	30228	NUT – FLANGE DT SMOOTH FACE 0.375-16 UNC		

-
1. Remove cap and gasket covering fill hole during shipping (not shown). Retain six screws (MD #135873). Replace with oil filler cap (MD #133942) which comes complete with oil cap, filler neck, and gaskets. Use six screws saved from shipping cap to attach oil filler cap to frame. Oil filler cap comes shipped with frame or can be ordered as a replacement.
 2. Comes shipped with cap and gasket covering fill hole during shipping. Can be ordered separately if needed as a replacement.

2 Feed Deck

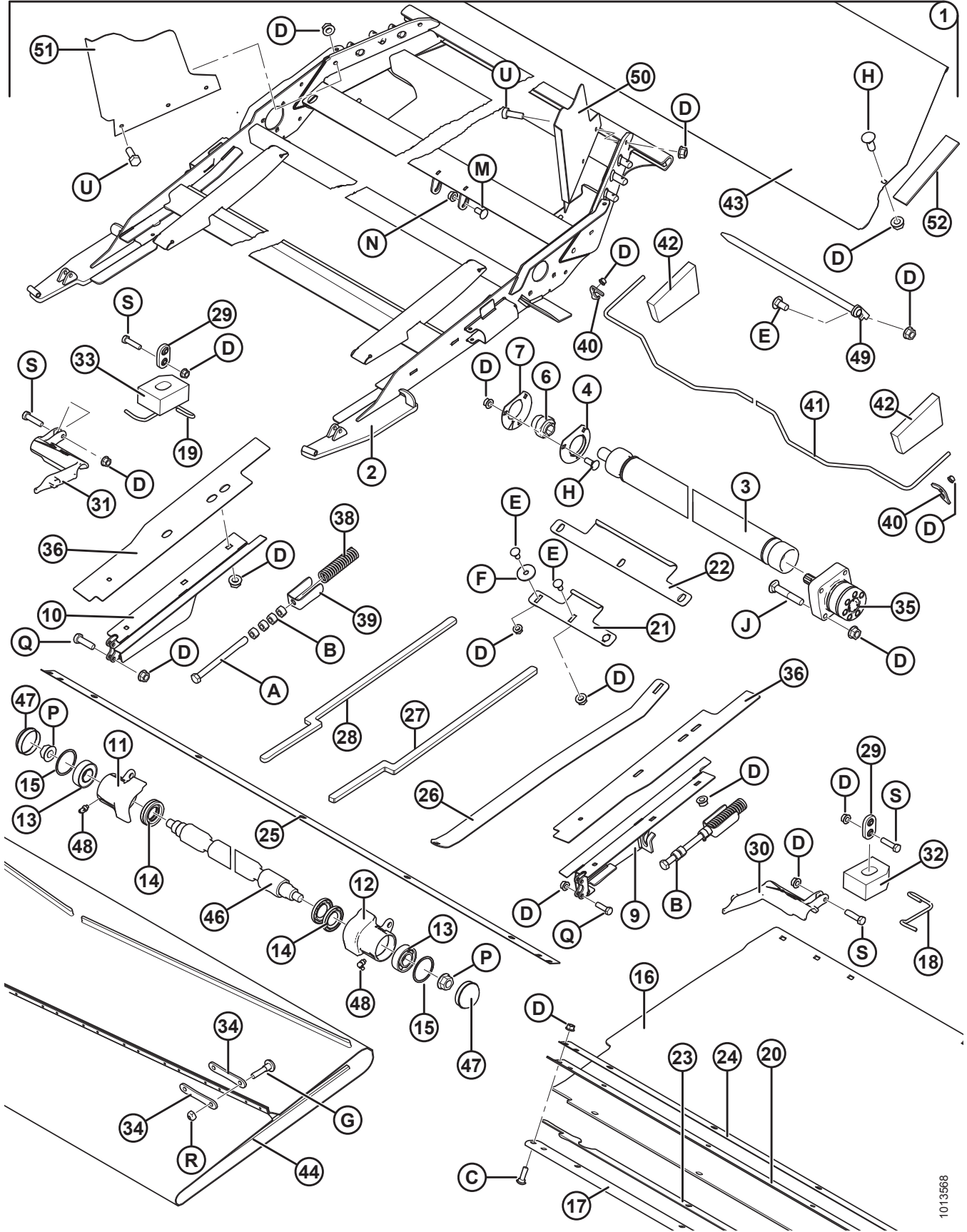


1013568

FEED DECK

Ref	Part Number	Description	Qty	Serial Number
1	245616	ASSY – ADAPTER FEED DECK (COMPLETE)	1	
2	245615	CARRIER – FEED DECK WELDMENT	1	
3	133891	ROLLER – DRIVE (COATED)	1	
4	100589	FLANGE – CROPPED	1	
6	21859	BEARING – SPH OD EXT INNER RACE 1-3/16 BORE	1	
7	100590	FLANGE – CROPPED	1	
9	187913	IDLER ARM – WELDT (LH)	1	
10	187914	IDLER ARM – WELDT (RH)	1	
11	133124	HOUSING ASSY – IDLER CUP (RH)	1	
12	133126	HOUSING ASSY – IDLER CUP (LH)	1	
13	118185	BEARING – BALL CYL, 52 MM O.D., 25 MM I.D.	2	
14	100862	SEAL – OIL	4	
15	118011	RING – RETAINING INTERNAL	2	
16	220446	PAN – POLY	1	
17	156563	BAR	1	
18	156704	ROD – HINGE (LH)	1	
19	133367	ROD – HINGE (RH)	1	
20	156773	SEAL	1	
21	220447	HOOK – REAR	2	
22	133900	HOOK – REAR (CENTER)	1	
23	220449	BAR – POLY PAN (FRONT)	1	
24	220380	STRAP – FRONT	1	
25	220381	STRAP – FRONT LOWER	1	
26	220237	SUPPT – POLY PAN (LIFTER)	3	
27	220339	BLOCK – FOAM DECK (LH)	1	
28	220342	BLOCK – FOAM DECK (RH)	1	
29	187732	LINK – HOOK ASSEMBLY	2	
30	123935	SUPPORT – ADAPTER LINK MACHINED (LH)	1	
31	123936	SUPPORT – ADAPTER LINK MACHINED (RH)	1	
32	220338	BLOCK – FOAM SKID (LH)	1	
33	220343	BLOCK – FOAM SKID (RH)	1	
34	130283	STRAP – DRAPER CONN	28	
35	245122	MOTOR – HYDRAULIC, PARKER (4 BOLT)	1	

FEED DECK

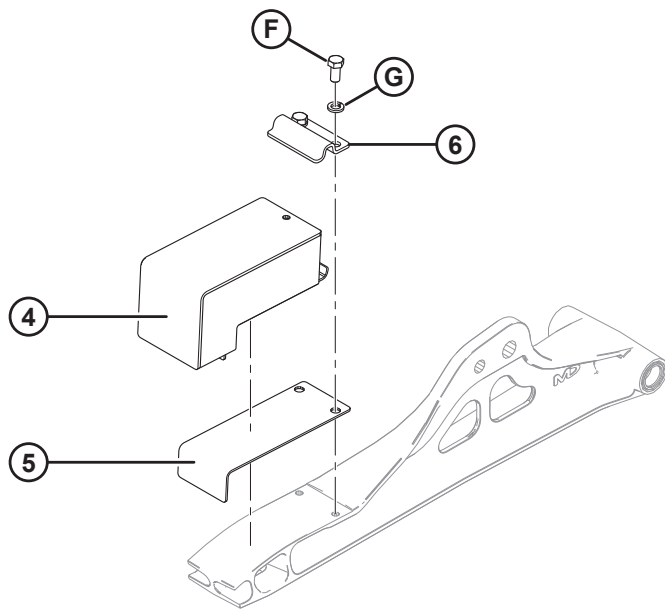
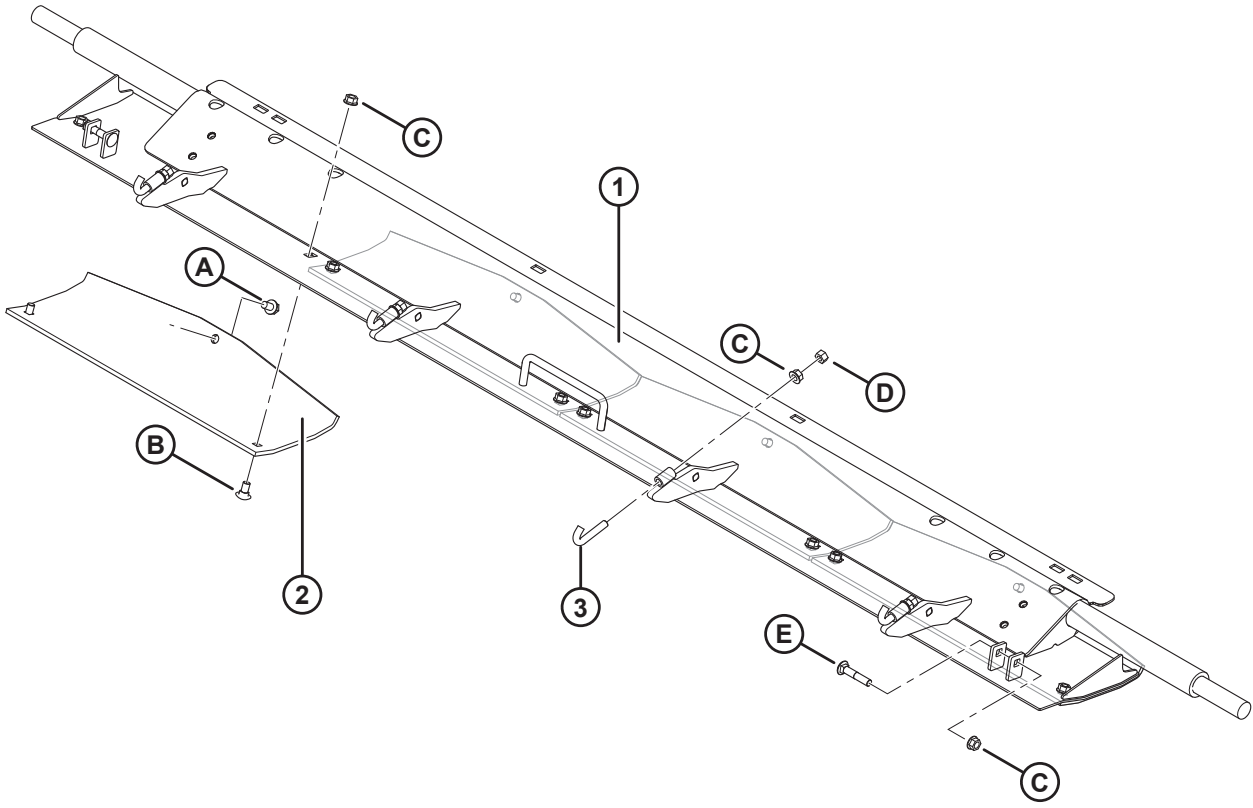


1013568

FEED DECK

Ref	Part Number	Description	Qty	Serial Number
36	187948	SEAL – FEED DRAPER (POLY)	2	
38	133946	SPRING – COMPRESSION	2	
39	130246	RETAINER – SPRING	2	
40	156365	LATCH	2	
41	156363	HANDLE	1	
42	133892	PLUG	2	
43	220852	PAN – STAINLESS STEEL	1	
44	133131	DRAPER	1	
46	156286	SHAFT – IDLER ROLLER	1	
47	133372	CAP – DUST	2	
48	21301	FITTING – LUBRICATION	2	
49	187947	PIN – WELDT	2	
50	151971	DEFLECTOR – POLY (LH)	1	
51	151376	DEFLECTOR – POLY (RH)	1	
52	248469	SEAL – FOAM	2	
A	135906	BOLT – HH 5/8 NC X 7.5 LG TFL GR 5 ZP		
B	18592	NUT – HEX 5/8-11 UNC GR 5 ZP		
C	19966	BOLT – RHSN 3/8 NC X 1.25 LG GR 5 ZP		
D	30228	NUT – FLANGE DT SMOOTH FACE 0.375-16 UNC		
E	21472	BOLT – RHSN 3/8 NC X 0.75 GR 5 ZP		
F	16652	WASHER – FLAT		
G	135630	SCREW – BHRN #12-24 NCX 0.920 IN. LG (50 PACK)		
H	19965	BOLT – RHSN 3/8 NC X 1.0 GR 5 ZP		
J	21485	BOLT – RHSN 3/8 NC X 2.25 LG GR 5 ZP		
M	21863	BOLT – RHSSN 3/8 NC X 0.75 LG GR 5 ZP		
N	21452	NUT – FLANGE (SER FACE) .375-16 UNC		
P	50225	NUT – FLANGE DT SMOOTH FACE 0.625-11 UNC		
Q	21264	BOLT – HH 3/8 NC X 1.25 LG GR 5 ZP		
R	135626	NUT – CSK CENTER LOCK #12-24 NC (50 PACK)		
S	21561	BOLT – HH 3/8 NC X 1.5 LG GR 5 ZP		
U	20077	BOLT – HEX HD 3/8 NC X 1.0 LG GR 5 ZP		

3 Transition Pan Poly Kit / Combine Attachment for Rigid Headers



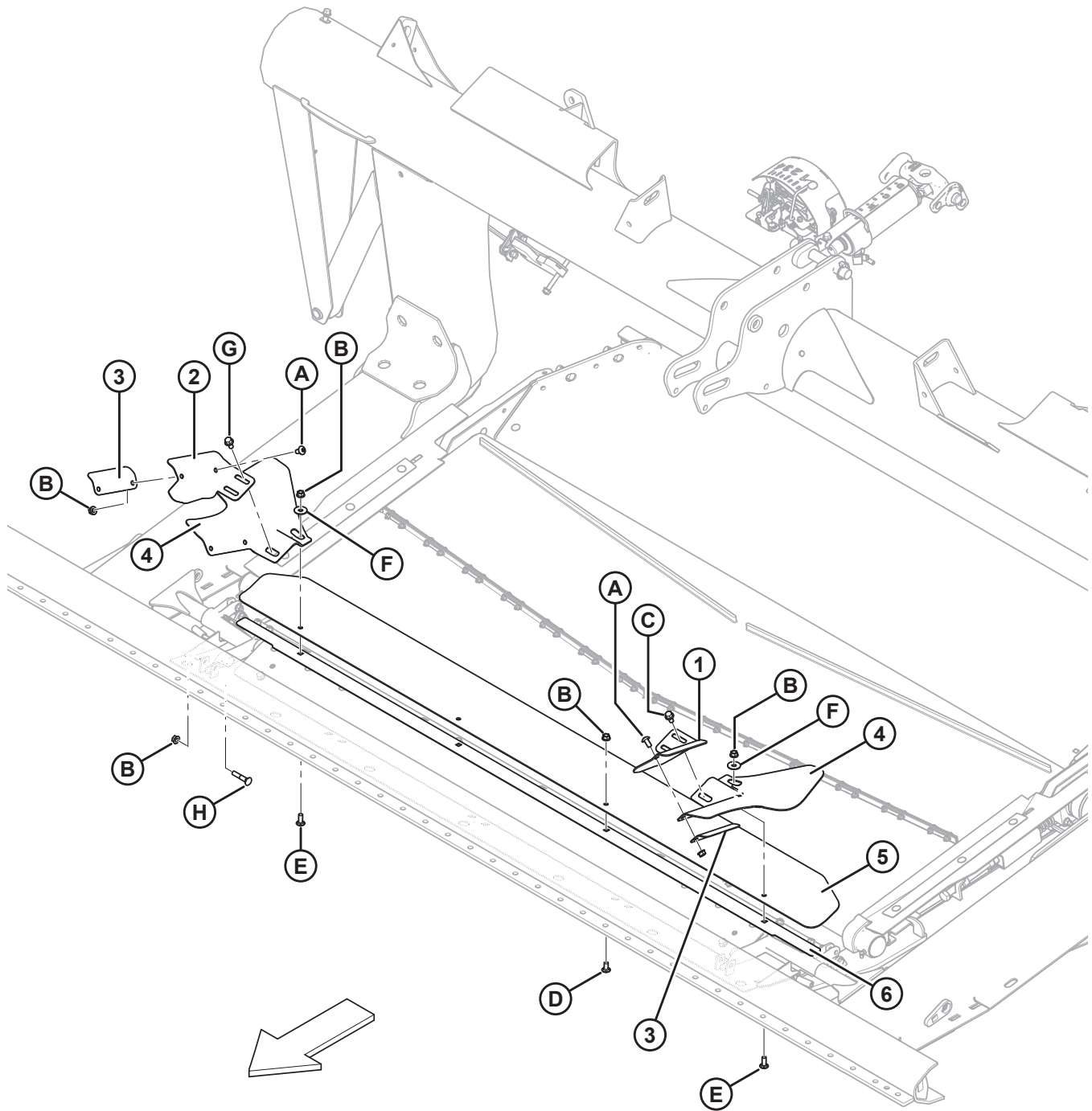
1004694

TRANSITION PAN POLY KIT / COMBINE ATTACHMENT FOR RIGID HEADERS

Ref	Part Number	Description	Qty	Serial Number
	B4828	KIT – TRANSITION PAN POLY ³		
1	187988	PAN – RIGID TRANSITION, WELDMENT	1	
2	151551	SHOE – SKID	4	
3	156868	J-BOLT – 3/8 NC	4	
A	101898	SCREW – HEX WASH HD THD ROLLING 3/8 NC X 5/8		
B	21472	BOLT – RHSN ASME B18.5		
C	30228	NUT – FLANGE DT SMOOTH FACE 0.375-16 UNC		
D	18590	NUT – HEX 3/8-16 UNC GR 5 ZP		
E	21470	BOLT – RHSN 3/8 NC X 2.0 LG GR 5 ZP		
	B5663	KIT – COMBINE ATTACH PKG. FOR RIGID HEADERS ⁴		
4	174775	BLOCK ASSY – RUBBER RIGID	2	
5	125145	PLATE – LEAF SPRING	2	
6	125146	CLAMP	2	
F	21575	BOLT – HH 1/2 NC X 1.0 LG GR 5 ZP		
G	18638	WASHER – REG. LOCK 1/2 IN. NOM. I.D. ZP		

-
3. Includes four skid shoes (MD #151551) and hardware (MD #101898, 21472, and 30228). Kits available through Whole Goods only.
 4. Includes transition pan poly kit (MD #B4828), block (MD #174775), plate (MD #125145), clamp (MD #125146), hardware (MD #21575, 18638) and adapter corner fillers. Refer to Section [4 Adapter Corner and Center Fillers](#), [page 9](#), items #1–4 and hardware A–B. Kits available through Whole Goods only.

4 Adapter Corner and Center Fillers

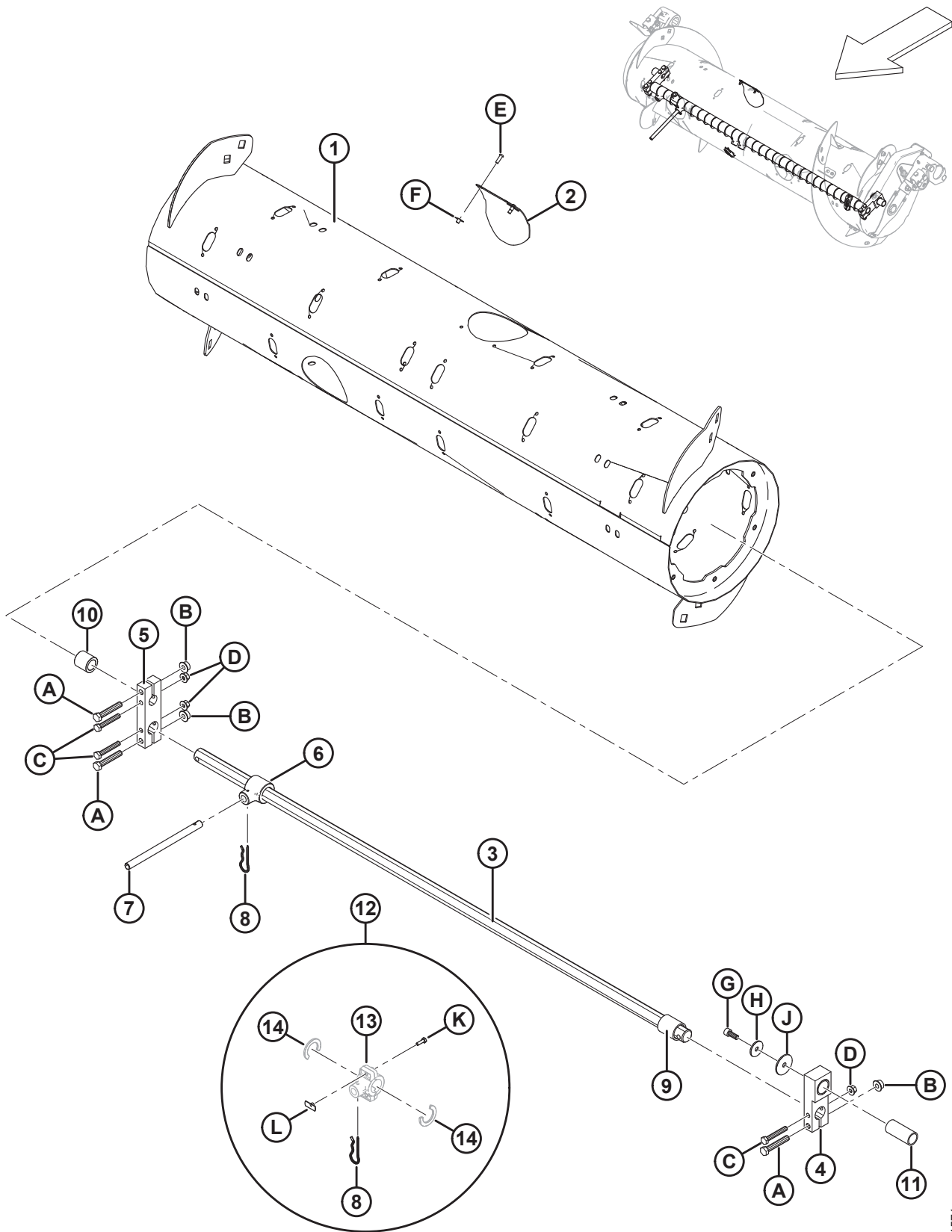


ADAPTER CORNER AND CENTER FILLERS

Ref	Part Number	Description	Qty	Serial Number
	279028	KIT – CORNER AND CENTER FILLER ⁵		
1	123613	SUPPORT – CORNER FILLER (LH)	1	
2	123614	SUPPORT – CORNER FILLER (RH)	1	
3	123647	RETAINER – CORNER FILLER FLAP	2	
4	187928	FLAP – CORNER FILLER	2	
5	220199	FLAP – CENTER FILLER	1	
6	220200	RETAINER – CENTER FLAP	1	
A	135157	SCREW – MACHINE		
B	30228	NUT – FLG DT SMOOTH FACE 0.375-16 UNC		
C	21821	BOLT – HH FLG (SER FACE) 3/8 NC X 0.75 GR 5 ZP		
D	21863	BOLT – RHSSN 3/8 NC X 0.75 LG GR 5 ZP		
E	100456	BOLT – RHSSN 3/8 NC X 1.0 GR 5 ZP		
F	19685	WASHER – FLAT		
G	101898	SCREW – HEX WASH HD THD ROLLING 3/8 NC X 5/8		
H	21470	BOLT – RHSN 3/8 NC X 2.0 LG GR 5 ZP		

5. Includes all listed parts and hardware.

5 Auger Internal Components

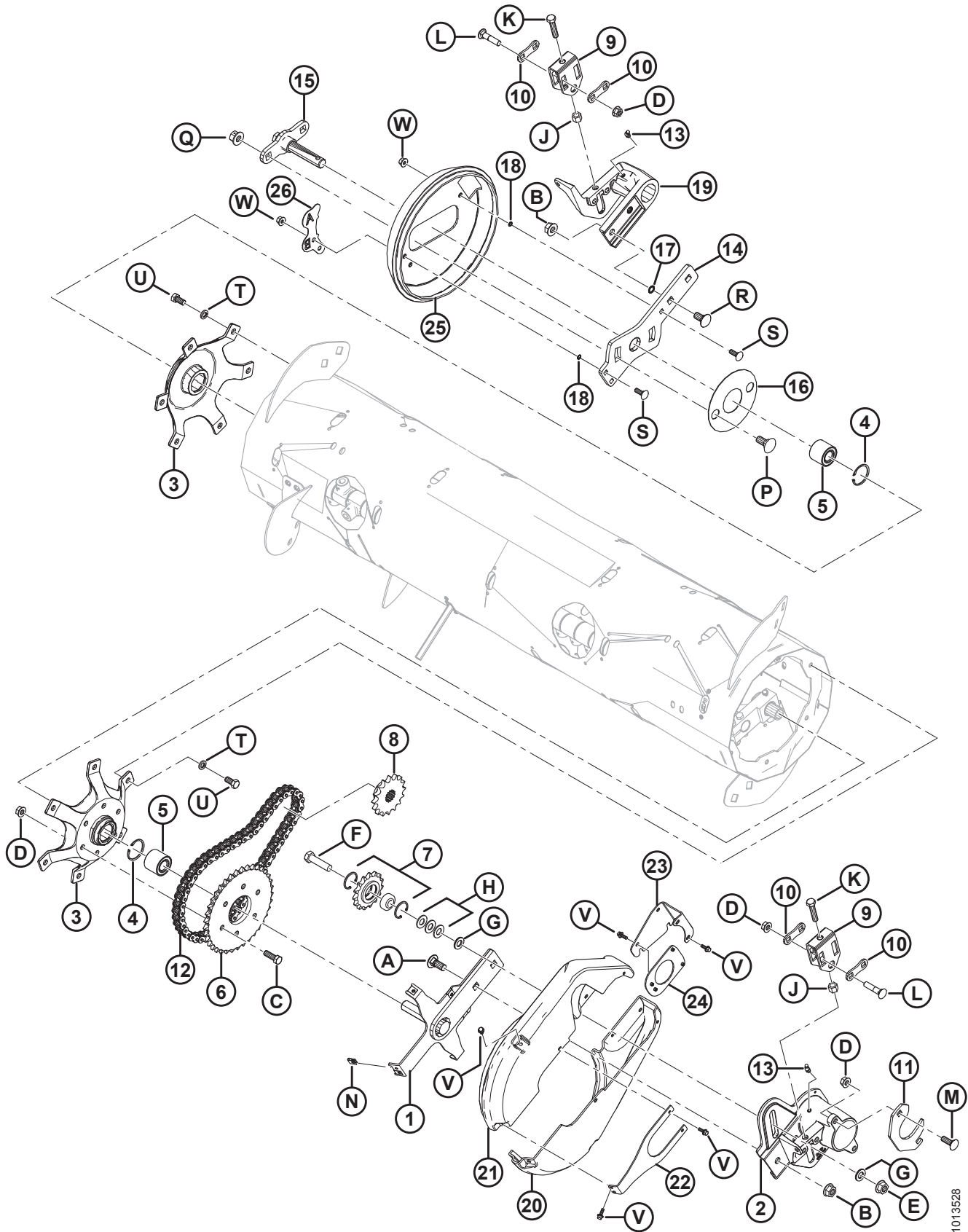


AUGER INTERNAL COMPONENTS

Ref	Part Number	Description	Qty	Serial Number
	248029	COMPLETE AUGER ASSEMBLY		
	114382	KIT – RTD FINGER HOLE REPAIR ⁶		
1	245692	DRUM – 14 IN. WELDMENT	1	
2	123087	COVER WELDMENT	4	
3	231625	SHAFT – FINGER, FEED AUGER, A.F.	1	
4	240062	ASSY – PIVOT ARM	1	
5	240061	BLOCK – RH, SUPPORT, FINGER SHAFT, A.F.	1	
6	237545	HOLDER – AUGER FINGER ⁷	25	
7	287802	FINGER – HOLLOW (BAG OF 5)	25	
8	123180	PIN – HAIR	25	
9	248034	SPACER TUBE – PLASTIC	1	
10	240771	SPACER	1	
11	231694	TUBE – BEARING SUPPORT	1	
12	276839	KIT – SPLIT FINGER HOLDER ⁸	OPT	
13	NSS	HOLDER – AUGER SPLIT FINGER	5	
14	NSS	SPACER – SPLIT FINGER HOLDER	10	
A	184675	BOLT – HEX HD M12 X 1.75 X 70-8.8-A3L		
B	184697	NUT – HEX SER FLG M12 X 1.75-8-A3L		
C	108172	BOLT – HEX HD M10 X 1.5 X 65-8.8-A3L		
D	50101	NUT – HEX FLG STVR LOC M10 X 1.5-10-A3L		
E	123084	SCREW – HEX SOCKET BUTTON HD		
F	123202	NUT – TEE		
G	135693	SCREW – HEX SOC HD TFL M10 X 1.5 X 25-8.8-A3L		
H	16652	WASHER – FLAT		
J	39140	WASHER – FLAT		
K	252703	BOLT – HEX HD TFL M6 X 1 X 20 X SPCL-12.9-AA2L		
L	197263	NUT – TEE M6 X 1		

6. Used to repair damage to drum around finger guides. Kit includes necessary parts and full instructions. Welding required.
7. One-piece finger holders (MD #237545) can be serviced with split finger holders instead. To service with split finger holders, order Split Finger Holder kit (MD #276839) as required.
8. Split Finger Holder kit (MD #276839) provides all parts needed to replace one-piece finger holders with split finger holders instead. Kit includes five split finger holders (not serviced separately), ten spacers (not serviced separately), five hair pins (MD #123180), ten bolts (MD #252703), ten tee nuts (MD #197263), and instructions.

6 Auger Assembly



AUGER ASSEMBLY

NOTE:

2016 model year and prior CA25E was shipped with left auger pivot (MD #133506), which has been superseded by Auger Drive kit (MD #279708). When servicing left auger pivot on combine adapters made in 2016 model year and prior, or to improve alignment of the driving and driven sprockets, order Auger Drive kit (MD #279708).

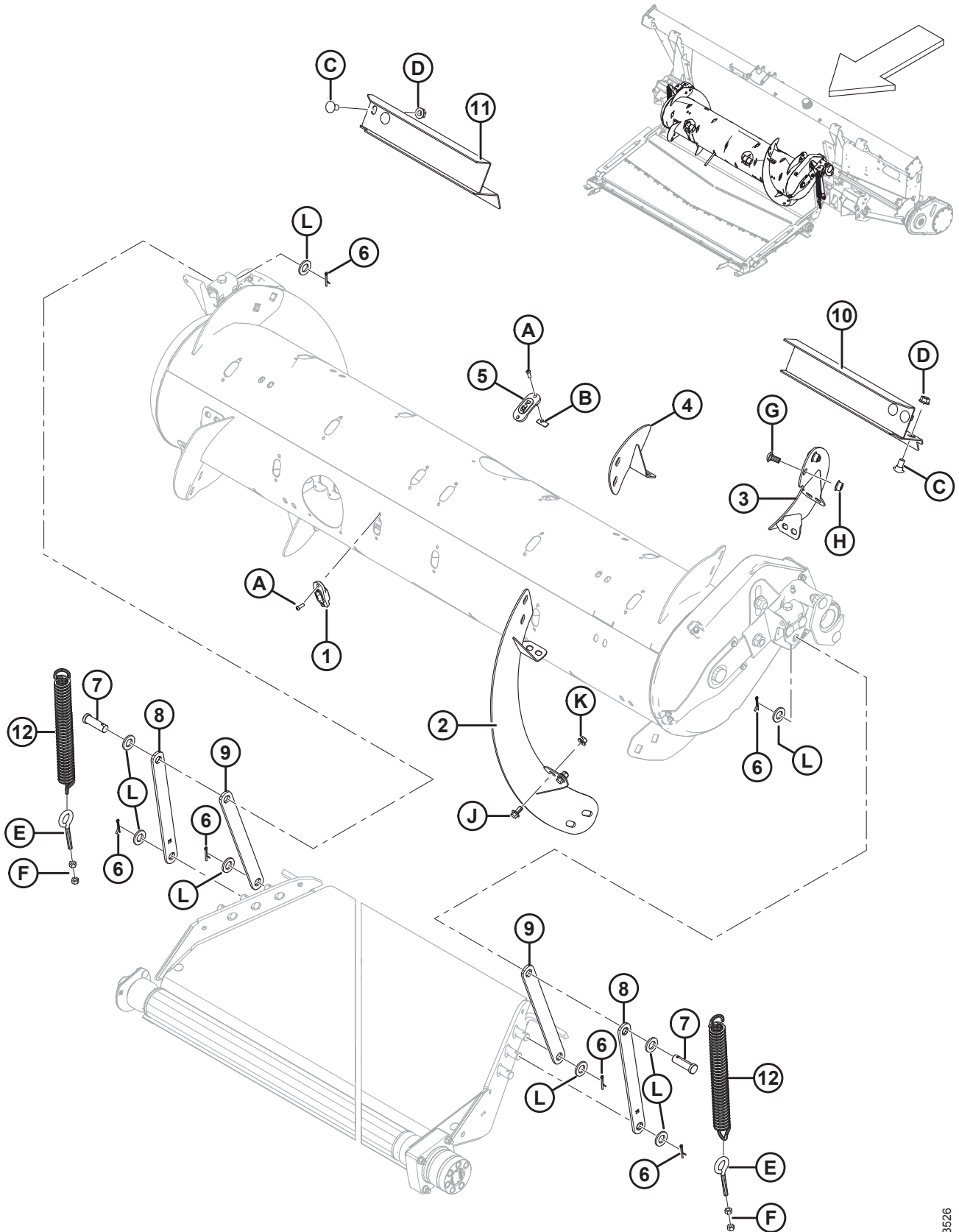
Ref	Part Number	Description	Qty	Serial Number
1	240059	ARM – LEFT AUGER SUPPORT WELDT	1	
2	279708	KIT – AUGER DRIVE ⁹	1	
	279691	PIVOT – LH AUGER MACHINING (SERVICE ONLY) ¹⁰	A/R	
3	133504	HUB – MACHINING	2	
4	21235	RING – INTERNAL RETAINING	2	
5	132607	BEARING – DOUBLE ROW BALL 52 OD X 25 BORE	2	
6	151793	SPROCKET – RC 60 A 37 T	1	
7	9333	ASSEMBLY – SPROCKET	1	
	9213	BEARING – BALL	1	
	795	RING – RETAINING	2	
8	151691	SPROCKET – RC 60 B 16 T	1	
9	187427	BRACKET – ADJUSTER	2	
10	187428	SPACER	4	
11	151470	CLAMP – PLATE	1	
12	220317	CHAIN – RC-60H (56 PITCHES RIVETED, ENDLESS)	1	
13	21301	FITTING – LUBRICATION	2	
14	240066	BAR – RH AUGER SUPPORT	1	
15	231648	WELDMENT – CLOCKING SHAFT	1	
16	231673	COVER – BOLT SLOT	1	
17	50083	O-RING	2	
18	135957	O-RING	3	
19	133503	PIVOT – MACHINING RH AUGER	1	
20	187576	COVER – AUGER DRIVE HALF (LH)	1	
21	187577	COVER – AUGER DRIVE HALF (RH)	1	
22	133509	RETAINER – DRIVE COVER	1	
23	220319	PLATE – COVER RETAINER	1	
24	220320	PLATE – COVER RETENTION INNER MACHINED	1	

9. Left auger pivot (MD #133506) has been superseded by Auger Drive kit (MD #279708), which includes a new left auger pivot and all required parts to improve alignment of the driving and driven sprockets. When servicing left auger pivot on combine adapters made in 2016 model year and prior, order Auger Drive kit (MD #279708).
10. Service part only for combine adapters that have been serviced with Auger Drive kit (MD #279708).

AUGER ASSEMBLY

Ref	Part Number	Description	Qty	Serial Number
25	248035	COVER – AUGER END CAP RH (ADDED CUT OUT)	1	
26	248312	PLATE – INDICATOR, FINGER TIMING	1	
A	18523	BOLT – RHSN 5/8-11 X 1.5-GR5-ZP		
B	50225	NUT – FLANGE DT SMOOTH FACE .625-11 UNC		
C	18723	BOLT – HH 1/2 NC X 1.5 LG TFL GR 5 ZP		
D	50186	NUT – FLANGE LOCK SM FACE DT 0.500-13 UNC GR 5		
E	188467	NUT – FLANGE DT SMOOTH FACE .625-18 UNF GR. G		
F	252259	BOLT – HH 5/8 NF X 2.75 LG GR 8 ZP		
G	172558	WASHER – NORDLOCK 5/8 IN.		
H	18600	WASHER – SAE FLAT 21/32 I.D. X 15/16 IN. O.D. ZP		
J	21389	NUT – HEX LOCK .500-13 UNC		
K	30833	BOLT – HH 1/2 NC X 2.25 TFL GR 5 ZP		
L	30027	BOLT – RHSN 1/2 NC X 2.25 LG GR 5 ZP		
M	21469	BOLT – RHSN 1/2-13 X 1.5-GR5-ZP		
N	123708	NUT – 1/4-20 SHEET METAL		
P	136755	BOLT – RHSN M16 X 2 X 40-8.8-A2L		
Q	136440	NUT – HEX FLG CTR LOC M16 X 2-10-A3L		
R	103562	BOLT – RHSN 5/8-11 X 1.25-GR5-ZP		
S	184662	BOLT – RHSN TFL M10 X 1.5 X 30-8.8-A3L		
T	18638	WASHER – REG. LOCK 1/2 IN. NOM. I.D. ZP		
U	21575	BOLT – HH 1/2 NC X 1.0 LG GR 5 ZP		
V	21456	BOLT – HH FLG (SER FACE) 1/4 NC X 0.75 GR 5 ZP		
W	50101	NUT – HEX FLG STVR LOC M10 X 1.5-10-A3L		

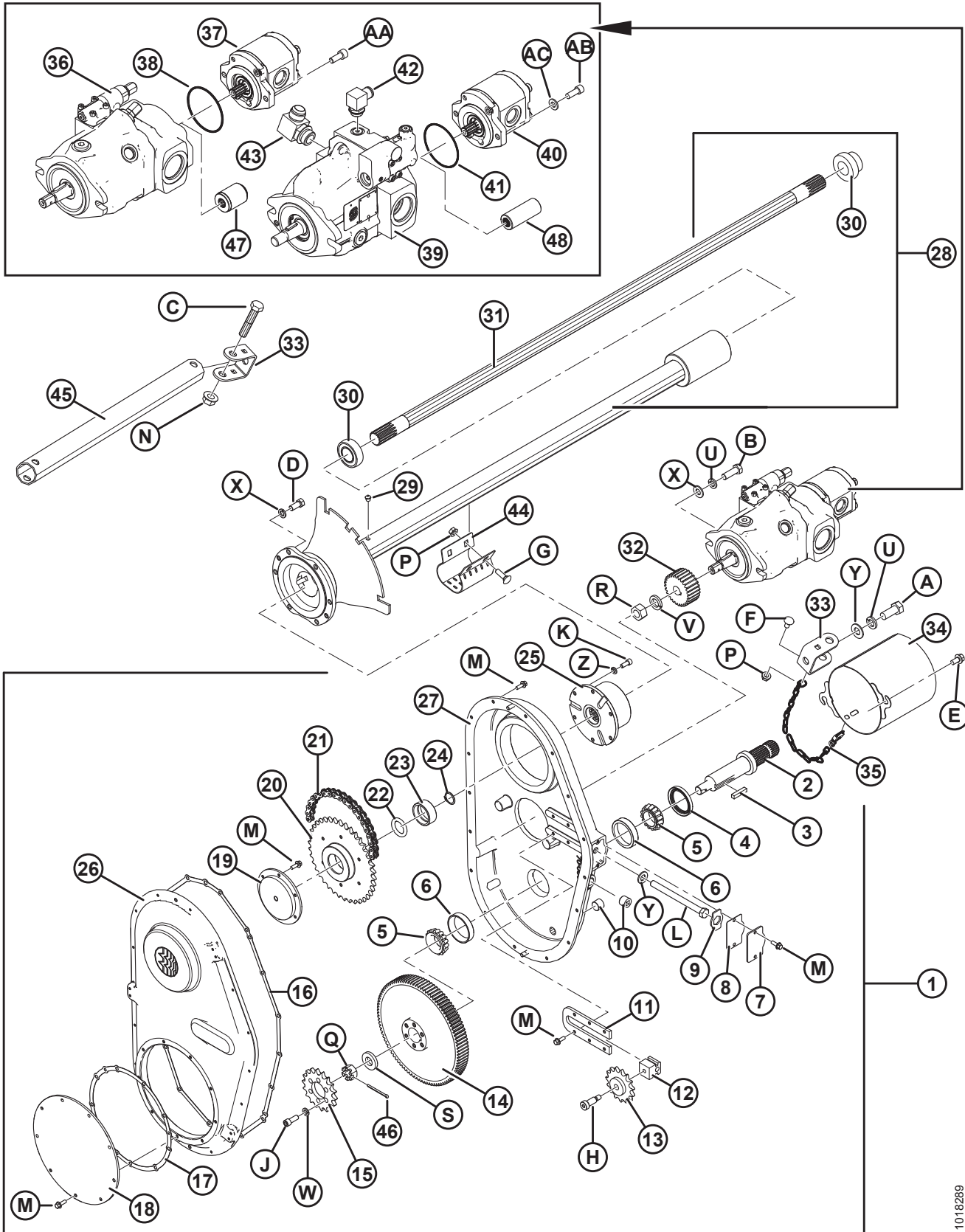
7 Auger Assembly Continued



AUGER ASSEMBLY CONTINUED

Ref	Part Number	Description	Qty	Serial Number
1	187081	GUIDE	25	
2	240124	WELDMENT – LH FLIGHTING, LONG	1	
	240123	WELDMENT – RH FLIGHTING, LONG	1	
3	240122	WELDMENT – LH FLIGHTING, MEDIUM	1	
	240120	WELDMENT – RH FLIGHTING, MEDIUM	1	
4	240112	WELDMENT – LH FLIGHTING, SHORT	1	
	240118	WELDMENT – RH FLIGHTING, SHORT	1	
5	187137	PLUG	6	
6	18648	PIN – COTTER 3/16 DIA X 1.25 ZP	4	
7	18626	PIN – CLEVIS	2	
8	248014	BAR – AUGER SUPPORT, FIXED HYBRID LINK (FD75 ONLY)	2	
9	240880	BAR – AUGER SUPPORT, REAR FIXED (D65 ONLY)	2	
10	133336	STRIPPER – WELDT, LH	1	
11	133337	STRIPPER – WELDT, RH	1	
12	245966	SPRING – EXTENSION	2	
A	123084	SCREW – HEX SOCKET BUTTON HD		
B	123202	NUT – TEE		
C	21066	BOLT – RHSN 1/2-13 X 1-GR5-ZP		
D	50186	NUT – FLANGE LOCK SM FACE DT 0.500-13 UNC GR 5		
E	248466	BOLT – EYE		
F	18590	NUT – HEX 3/8-16 UNC GR 5 ZP		
G	152439	BOLT – RHSN M12 X 1.75 X 25-8.8-A3L		
H	184697	NUT – HEX SER FLG M12 X 1.75-8-A3L		
J	152655	BOLT – HEX FLG HD M10 X 1.5 X 20-8.8-A3L		
K	135799	NUT – HEX FLG CTR LOC M10 X 1.5-10-A3L		
L	112130	WASHER – HARDENED		

8 Drives



DRIVES

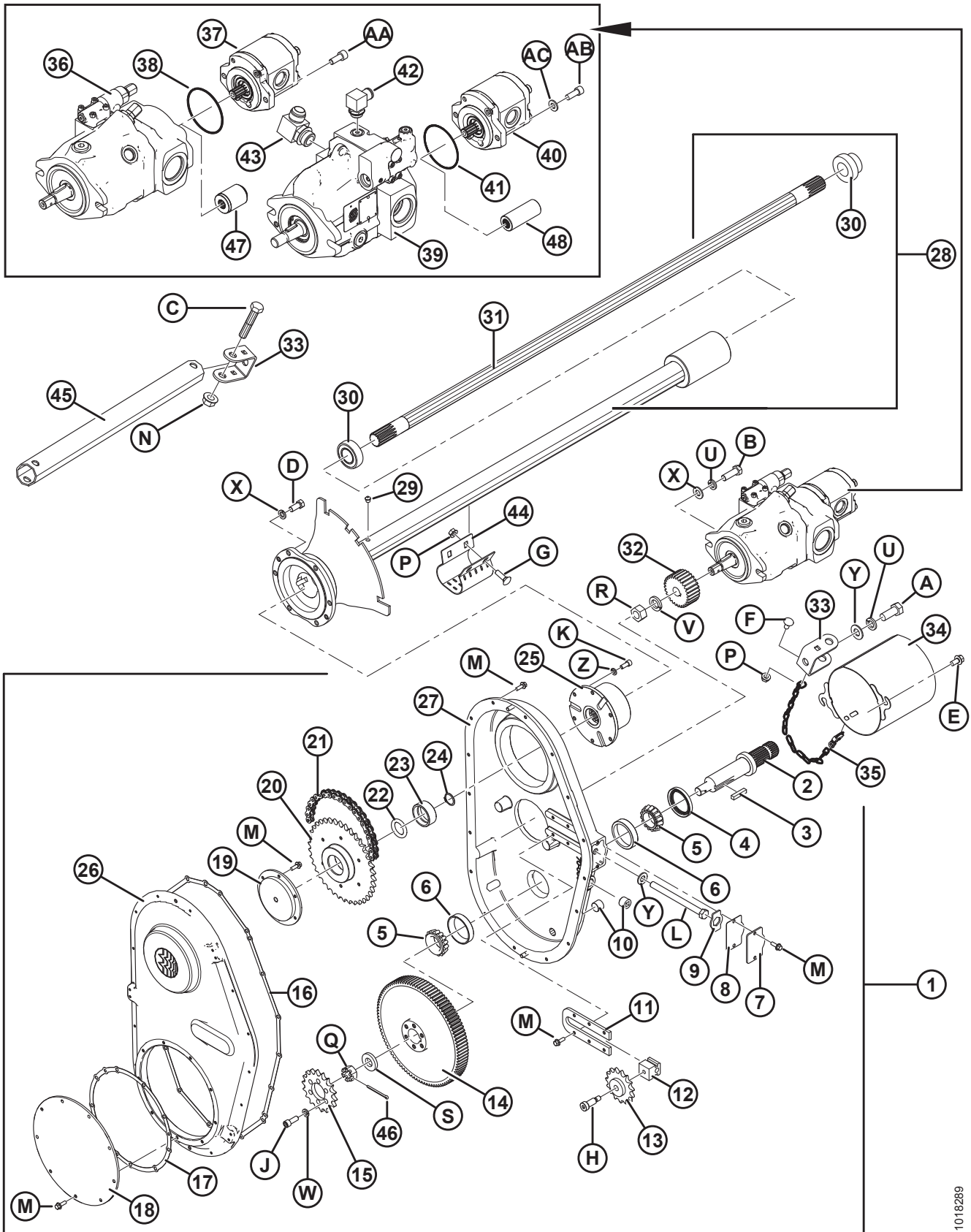
Ref	Part Number	Description	Qty	Serial Number
1	187475	DRIVE – GEARBOX COMPLETE (CLAAS) EUROPE ¹¹	1	
	245618	DRIVE – GEARBOX COMPLETE (CNH) EUROPE ¹²	1	
	245620	DRIVE – GEARBOX COMPLETE (JD) EUROPE ¹³	1	
2	187478	SHAFT	1	
3	26846	KEY	1	
4	187477	SEAL	1	
5	30702	BEARING – CONE	2	
6	30701	BEARING – CUP	2	
7	187494	COVER – ADJUSTING	1	
8	187696	GASKET – ADJUSTMENT COVER	1	
9	187495	RETAINER	1	
10	30203	PLUG – MAGNETIC PIPE	3	
11	187493	PLATE	1	
12	187476	BLOCK – IDLER	1	
13	187484	SPROCKET – IDLER 50C15	1	
14	187480	GEAR – 97 TEETH	1	
15	187496	SPROCKET – 50A24 (CLAAS)	1	
	231532	SPROCKET – 50A31 (CASE NEW HOLLAND)	1	
	248407	SPROCKET – 50A37 (JOHN DEERE)	1	
16	187697	GASKET – HOUSING	1	
17	187698	GASKET – SPROCKET COVER	1	
18	187482	COVER – SPROCKET	1	
19	187486	SUPPORT – PINION	1	
20	187492	SPROCKET – 50B38	1	
21	156037	ROLLER CHAIN – RC 50 (74 PITCHES ENDLESS) CLAAS	1	
	231534	ROLLER CHAIN – RC 50 (78 PITCHES ENDLESS) CASE NEW HOLLAND	1	
	248408	ROLLER CHAIN – RC 50 (80 PITCHES ENDLESS) JOHN DEERE	1	
22	187487	SHIM – KIT	1	
23	187485	BEARING – BALL DBL ROW 3205	1	

11. Includes items #2–27 with sprocket MD #187496 and roller chain MD #156037.

12. Includes items #2–27 with sprocket MD #231532 and roller chain MD #231534.

13. Includes items #2–27 with sprocket MD #248407 and roller chain MD #248408.

DRIVES



1016289

DRIVES

Ref	Part Number	Description	Qty	Serial Number
24	18898	RING – EXT. RETAINING	1	
25	187466	COMPACT AUTOMATIC CLUTCH	1	
26	187481	COVER – GEARBOX	1	
27	187479	HOUSING – GEARBOX	1	
28	213830	OUTPUT SHAFT ASSEMBLY ¹⁴	1	
29	21425	VALVE – RELIEF	1	
30	21363	BEARING – SPH OD AND COLLAR	2	
31	279689	SHAFT – OUTPUT	1	
32	156452	GEAR – PINION	1	
33	187520	ANCHOR – STRUT	2	
34	133421	GUARD – WELDMENT	1	
35	279081	CHAIN	1	
36	187517	PUMP – BOSCH/ REXROTH PISTON ¹⁵	1	
	133569	SEAL KIT – FOR BOSCH/ REXROTH PISTON PUMP		
37	156852	PUMP – GEAR, 16 CC (CNH COMBINES ONLY)	1	
	156853	PUMP – GEAR, 11 CC, BOSCH/REXROTH (CLAAS AND AGCO COMBINES ONLY)	1	
	245301	PUMP – GEAR, 19 CC, BOSCH/REXROTH (JOHN DEERE COMBINES ONLY) ¹⁶	1	
	187967	SEAL KIT – FOR BOSCH/ REXROTH GEAR PUMPS ¹⁷		
38	49802	O-RING – BOSCH/ REXROTH GEAR PUMP TO PISTON PUMP SEAL	1	
39	187229	PUMP – SAUER/ DANFOSS ¹⁸	1	
	187900	SEAL KIT – FOR SAUER/ DANFOSS PISTON PUMP		
	187925	SEAL – SHAFT, FOR SAUER/ DANFOSS PISTON PUMP		

14. Includes valve (MD #21425), bearing (MD #21363), and shaft (MD #279689).

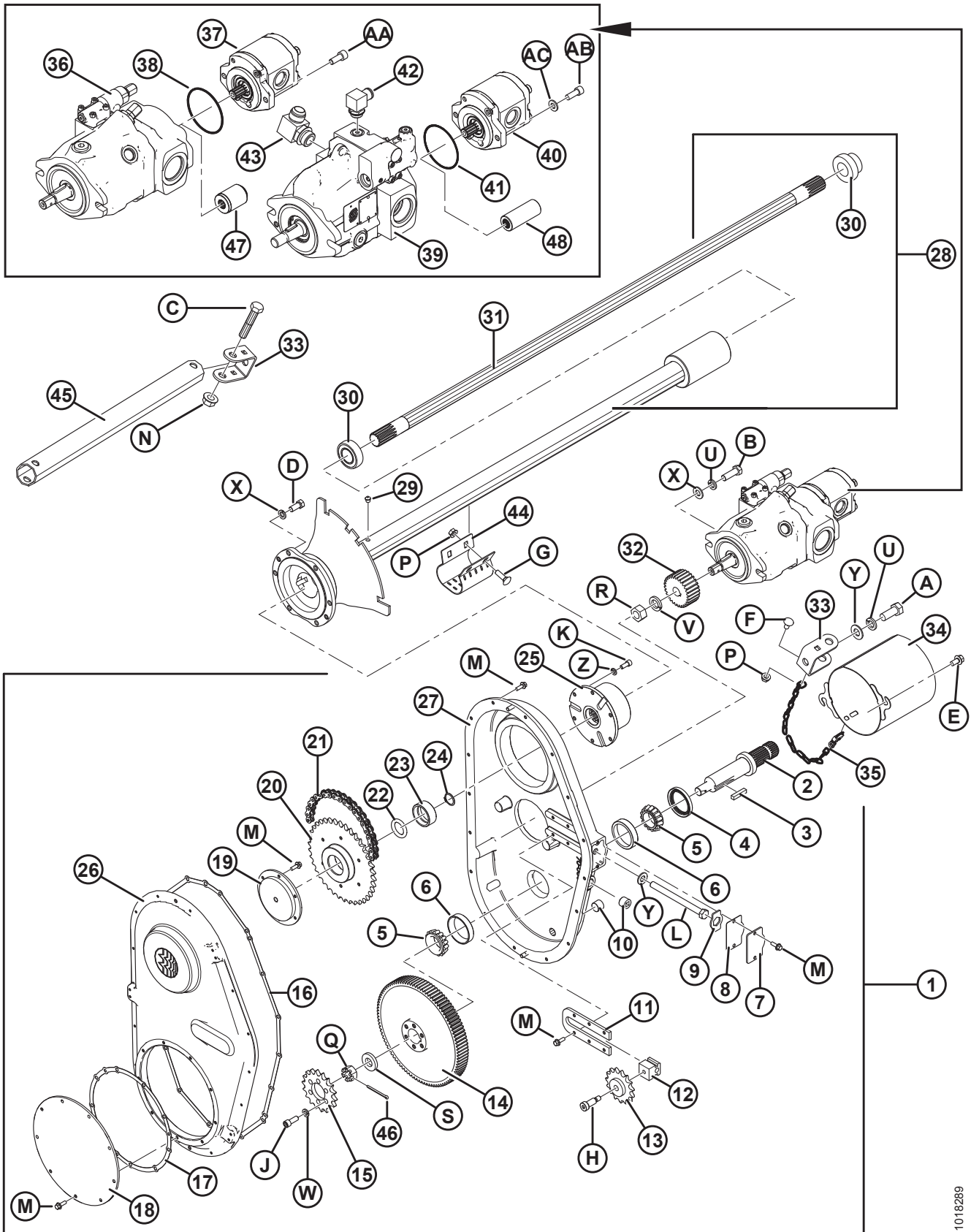
15. Compatible with all combine models.

16. Permissible to service with Casappa 19 CC gear pump MD #245695. If servicing with Casappa gear pump MD #245695, replace hardware with bolt MD #164223 and washer MD #30655.

17. Used in gear pumps MD #156852, 156853, and 245301.

18. Compatible with all combine models except John Deere. Bosch/Rexroth pump (MD #187517) max displacement is 45 CC while Sauer/Danfoss pump (MD #187229) is only 38 CC, which makes it unable to achieve the desired knife speed with the slow input drive available from certain John Deere (S Series) combines.

DRIVES



1016289

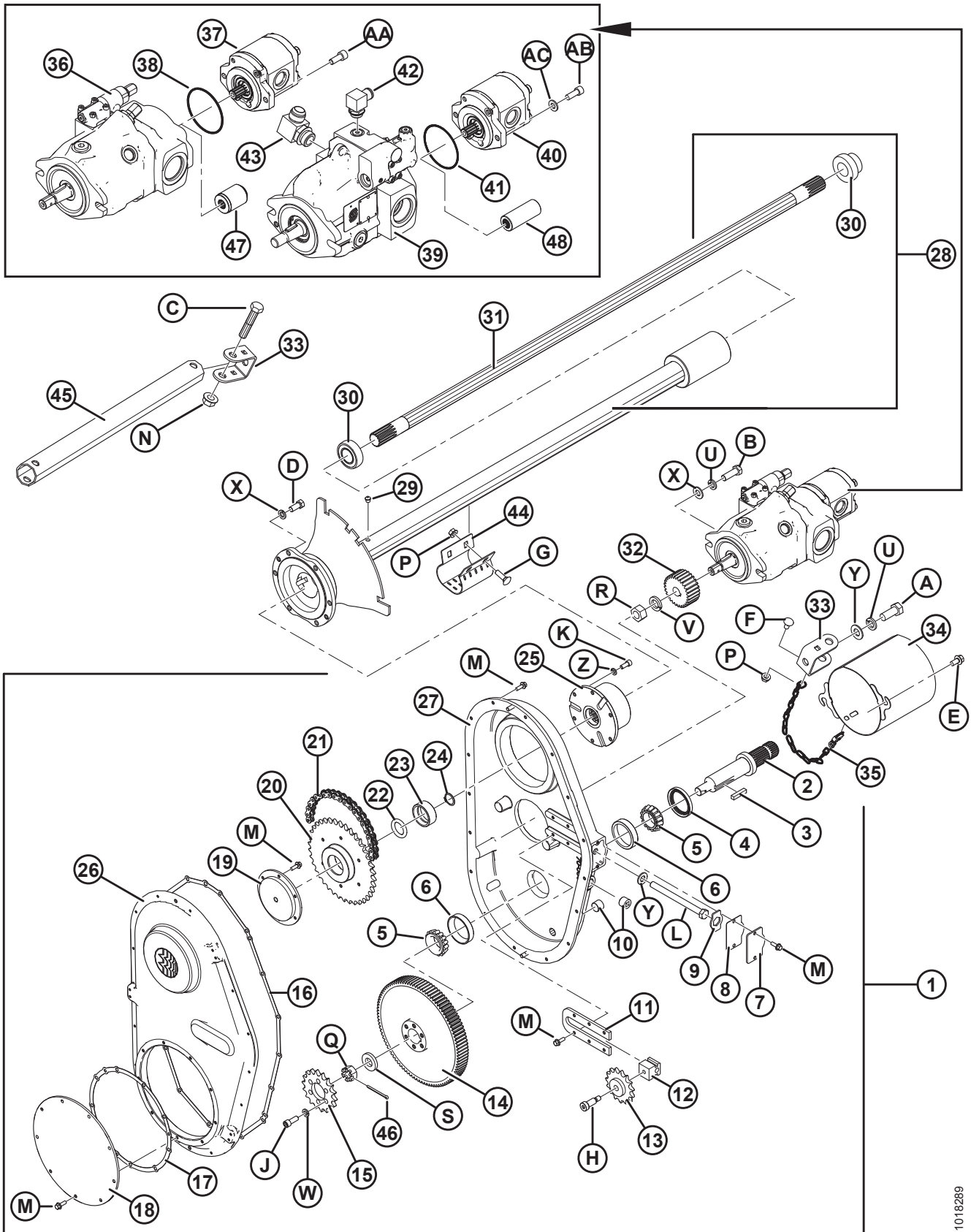
DRIVES

Ref	Part Number	Description	Qty	Serial Number
40	187252	PUMP – GEAR, 16 CC (CNH COMBINES ONLY)	1	
	187253	PUMP – GEAR, 11 CC (CLAAS AND AGCO, CASAPPA COMBINES ONLY)	1	
	245695	PUMP – GEAR, 19 CC, CASAPPA (JOHN DEERE COMBINES ONLY) ¹⁹	1	
	187918	SEAL KIT ²⁰		
41	49802	O-RING – PUMP SAUER/ DANFOSS	1	
42	111545	FITTING – ELBOW 1.5 IN HOSE-1.875 IN ADJ ORB	1	
43	21827	FITTING – ELBOW HYD	1	
44	248850	CLAMP	1	
45	187898	TUBE – STRUT	1	
46	135358	PIN – COTTER, 5/32 DIA X 2.0 ZP	1	
47	245804	HUB – SPLINED (FOR BOSCH/REXROTH PUMP)	1	
48	245805	HUB – SPLINED (FOR SAUER/DANFOSS PUMP)	1	

19. Permissible to service with Bosch/Rexroth 19 CC gear pump MD #245301. If servicing with Bosch/Rexroth gear pump MD #245301, replace hardware with bolt MD #135693.

20. Used in gear pumps MD #187252, 187253, and 245695.

DRIVES

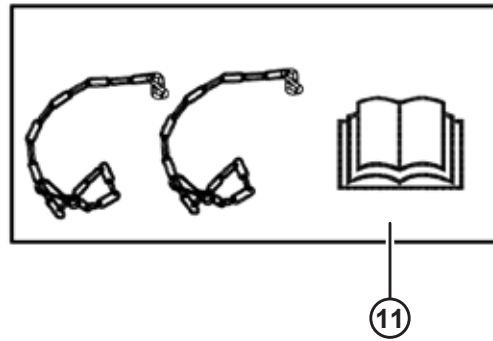
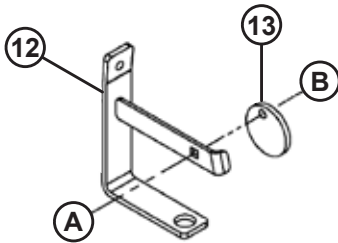
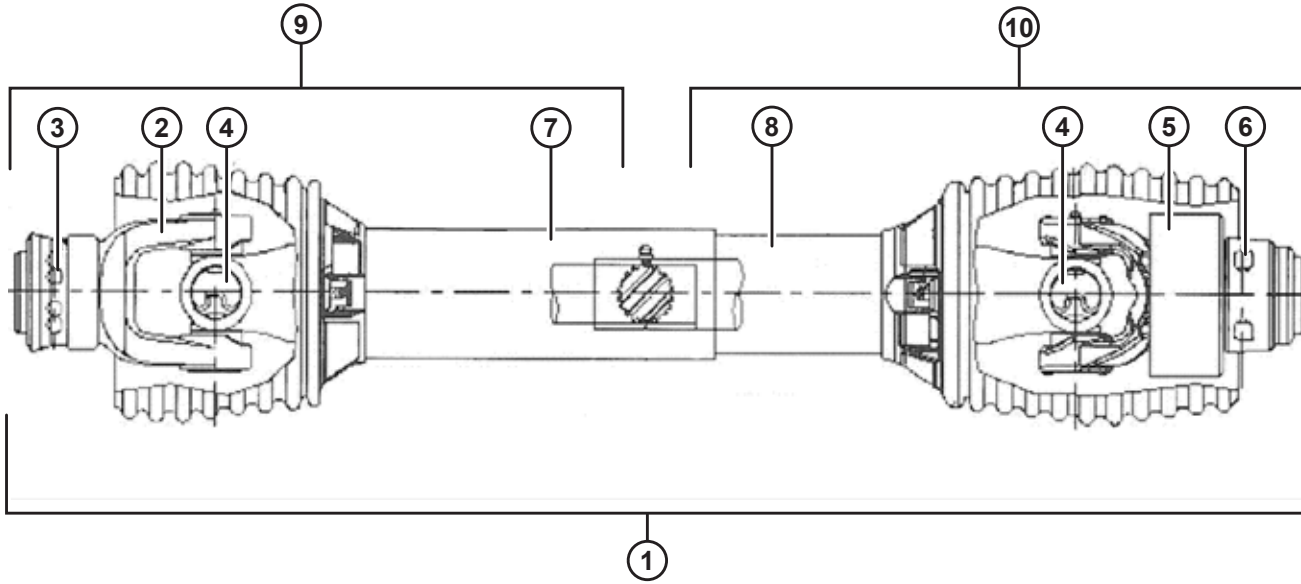


1016289

DRIVES

Ref	Part Number	Description	Qty	Serial Number
A	21594	BOLT – HEX HD 0.625-11 UNC X 1.50		
B	18723	BOLT – HH 1/2 NC X 1.5 LG TFL GR 5 ZP		
C	21583	BOLT – HH 5/8 NC X 3.0 LG GR 5 ZP		
D	21522	BOLT – HH 7/16 NC X 1.0 LG GR 5 ZP		
E	21821	BOLT – HH FLG (SER FACE) 3/8 NC X 0.75 GR 5 ZP		
F	21472	BOLT – RHSN 3/8 NC X 0.75 GR 5 ZP		
G	19966	BOLT – RHSN 3/8 NC X 1.25 LG GR 5 ZP		
H	135694	BOLT – SHOULDER SOCKET HD-1/2 X 1.0 LG		
J	135381	BOLT – SOCKET HD-3/8 X 1.0 LG		
K	135748	BOLT – SOCKET HD-5/16 X 0.75 LG		
L	158895	BOLT – HEX HEAD, 1/2 NC X 6.0 TLF		
M	21456	BOLT – HH FLG (SER FACE) 1/4 NC X 0.75 GR 5 ZP		
N	50225	NUT – FLANGE DT SMOOTH FACE .625-11 UNC		
P	30228	NUT – FLANGE DT SMOOTH FACE 0.375-16 UNC		
Q	5512	NUT – HEX SLOTTED 3/4		
R	18720	NUT – HEX, 3/4-16 UNF GR 5 ZN PL		
S	187483	WASHER – FLAT, 20.4 MM I.D., 40.0 MM O.D., 6.5 MM THK		
T	18638	WASHER – REG. LOCK 1/2 IN. NOM. I.D. ZP		
U	18639	WASHER – REG. LOCK 5/8 IN. NOM. I.D. ZP		
V	18640	WASHER – REG. LOCK 3/4 IN. NOM. I.D. ZP		
W	18637	WASHER – REG. LOCK 3/8 IN. NOM. I.D. ZP		
X	18599	WASHER – SAE FLAT 17/32 I.D. X 1-1/16 IN. O.D. ZP		
Y	18600	WASHER – SAE FLAT 21/32 I.D. X 1 5/16 IN. O.D. ZP		
Z	18636	WASHER – LOCK SPRING, 5/16 I.D.		
AA	135693	BOLT – SKT HH , M10 X 25 MM LG (BOSCH/REXROTH PUMP)		
AB	164223	BOLT – PUMP SAUER/ DANFOSS		
AC	30655	WASHER – PUMP SAUER/ DANFOSS		

9 Input Driveline



INPUT DRIVELINE

Ref	Part Number	Description	Qty	Serial Number
1	187552	6T DRIVELINE – COMPLETE ²¹	1	
	187553	21T DRIVELINE – COMPLETE ²²	1	
	187550	21T DRIVELINE – COMPLETE ²³	1	
	187551	HEX BORE DRIVELINE – COMPLETE ²⁴	1	
2	133634	YOKE – SPRING LOCK 6T	1	
	133637	YOKE – SPRING LOCK 21T	1	
	133641	YOKE – SPRING LOCK, HEX BORE	1	
3	40095	REPAIR KIT – SPRING LOCK YOKE (6T AND 21T)		
	133640	REPAIR KIT – SPRING LOCK YOKE (HEX BORE)		
4	142777	CROSS JOURNAL ASSEMBLY ²⁵	2	
5	133631	YOKE – FREE MOTION	1	
6	133632	REPAIR KIT – AUTO LOCK YOKE		
7	187255	GUARD – 6T DRIVELINE (OUTER) ²¹	1	
	187315	GUARD – 21T DRIVELINE (OUTER) ²²	1	
	133644	GUARD – 21T DRIVELINE (OUTER) ²³	1	
	133642	GUARD – HEX BORE DRIVELINE (OUTER) ²⁴	1	
8	187256	GUARD – 6T DRIVELINE (INNER) ²¹	1	
	187316	GUARD – 21T DRIVELINE (INNER) ²²	1	
	133645	GUARD – 21T DRIVELINE (INNER) ²³	1	
	133643	GUARD – HEX BORE DRIVELINE (INNER) ²⁴	1	
9	187558	HALF SHAFT – 6T COMBINE END WITH OUTER GUARD ²¹	1	
	187560	HALF SHAFT – 21T COMBINE END WITH OUTER GUARD ²²	1	
	187554	HALF SHAFT – 21T COMBINE END WITH OUTER GUARD ²³	1	
	187556	HALF SHAFT – HEX BORE COMBINE END W/ OUTER GUARD ²⁴	1	
10	187559	HALF SHAFT – 6T ADAPTER END WITH INNER GUARD ²¹	1	
	187561	HALF SHAFT – 21T ADAPTER END WITH INNER GUARD ²²	1	
	187555	HALF SHAFT – 21T ADAPTER END WITH INNER GUARD ²³	1	
	187557	HALF SHAFT – HEX BORE ADAPTER END W/ INNER GUARD ²⁴	1	

21. Case IH Midrange/Flagship 10/20/30/40 Series, all New Holland CR/CX.

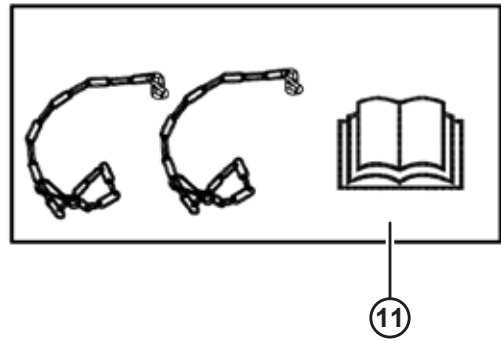
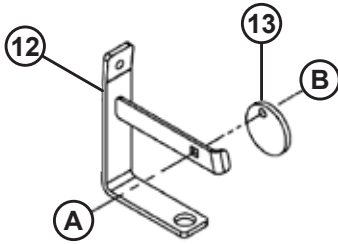
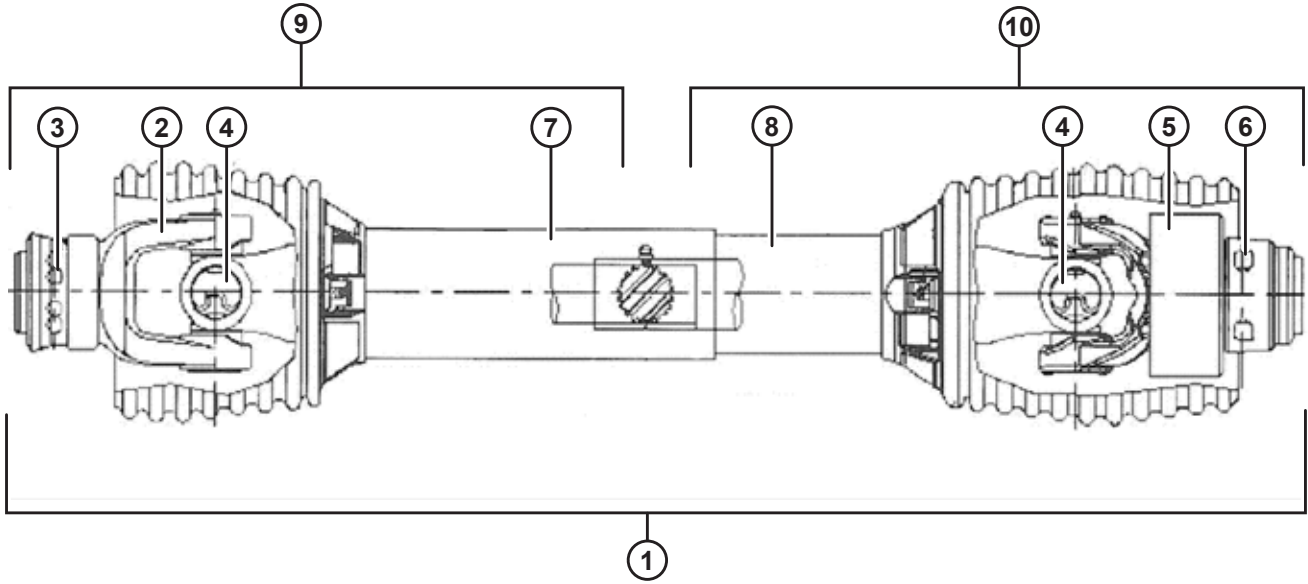
22. JD STS/S Series (except Widebody Walker Machines listed below), CLAAS Lexion, and AGCO.

23. JD Widebody Walker Machines – 9650/9660, 9660 WTS, and T9670.

24. Case IH 88 Series.

25. Includes clips and lube fitting.

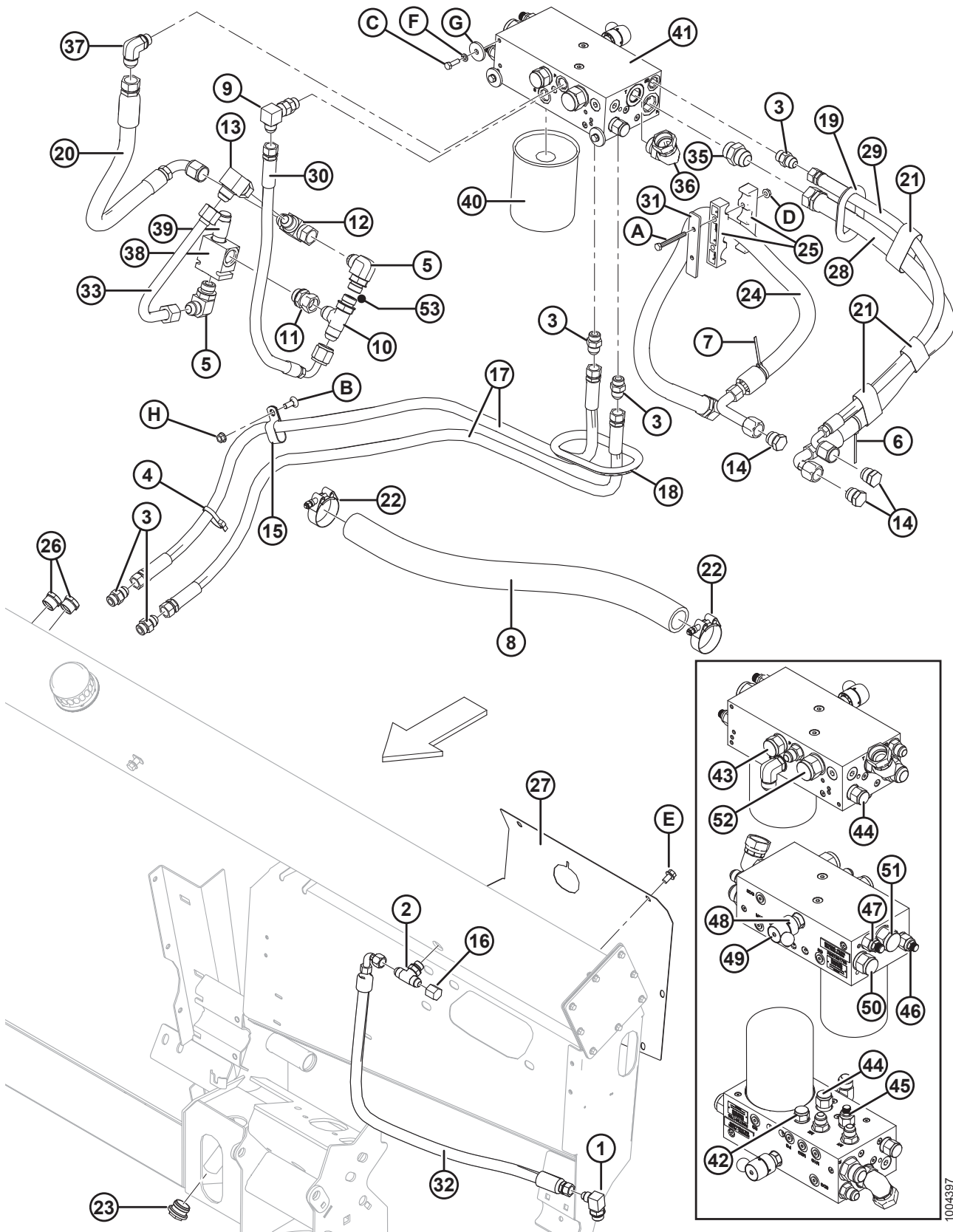
INPUT DRIVELINE



INPUT DRIVELINE

Ref	Part Number	Description	Qty	Serial Number
11	194530	KIT – SAFETY CHAINS (2) CE DECAL AND USER MANUAL (EXPORT)	1	
12	133166	BRACKET – DRIVELINE HANGER	1	
13	133165	DISC – LOCK, DRIVELINE HANGER	1	
A	19965	BOLT – ROUND HEAD SQUARE NECK 3/8 NC X 1 IN. GR 5		
B	30228	NUT – FLG, SMOOTH FACE 3/8 NC DIST THD		

10 Hydraulics – Bosch/Rexroth Manifold



1004397

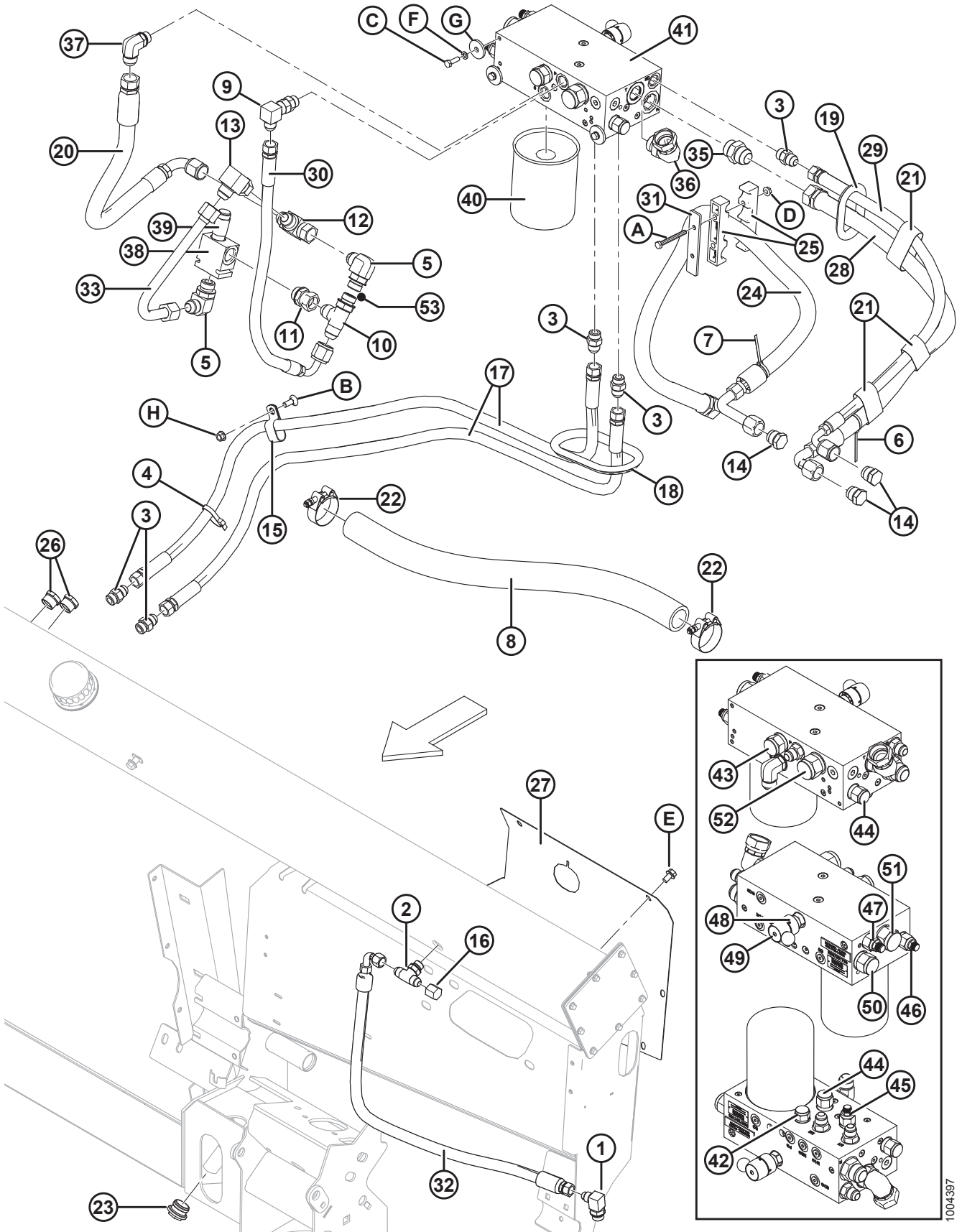
HYDRAULICS – BOSCH/REXROTH MANIFOLD

NOTE:

For CA25 to CA25E conversions it is possible that a Bosch/Rexroth manifold is used. All other units use a Parker manifold. Parker manifold uses a lever type flow control valve, and Bosch/Rexroth manifold uses a ball/knob type flow control valve. Verify which manifold your unit has to ensure proper replacement parts are ordered. For Parker manifold parts, refer to Section [11 Hydraulics – Parker Manifold, page 37](#).

Ref	Part Number	Description	Qty	Serial Number
1	21801	FITTING – ELBOW 90° HYD	1	
2	30287	FITTING – TEE HYD STR THD BRANCH TEE C/W O-RING	1	
3	30695	FITTING – CONNECTOR HYDRAULIC (SD, M1, M2)	3	
4	30753	FASTENER – CABLE TIE (BLACK)	3	
5	30970	FITTING – ELBOW 90° HYDRAULIC	2	
6	40703	FASTENER – CABLE TIE (BLUE)	1	
7	40704	FASTENER – CABLE TIE (ORANGE)	1	
8	42029	HOSE – HYDRAULIC, 36.6 IN. I.D. 820 MM LG	1	
9	30556	FITTING – ELBOW 90° HYDRAULIC (P)	1	
10	30858	FITTING – TEE HYDRAULIC STR THD RUN TEE C/W O-RING	1	
11	40241	FITTING – ADAPTER HYDRAULIC C/W O-RING	1	
12	50086	FITTING – HYDRAULIC TEE	1	
13	50175	FITTING – ELBOW 90° HYDRAULIC	1	
14	103576	PLUG – 3/4 IN. TUBE	3	
15	103738	CLAMP – PVC INSULATED 13/16 IN. TUBE SIZE	2	
16	108233	CAP – 1/2 IN. TUBE	1	
17	125516	HOSE – HYD, 1/2 IN. I.D. 1550 MM LG 100R17, METAL REIN.	2	
18	125590	GROMMET – RUBBER	1	
19	125592	GROMMET – RUBBER	1	
20	133378	HOSE – HYD, 0.75 IN. I.D. 675 MM LG 100R17, METAL REIN.	1	
21	135444	FASTENER – CINCH STRAP 6 IN. LG	3	
22	245753	CLAMP – T BOLT	2	
23	156051	PLUG – #16 ORB	2	
24	220274	HOSE – HYDRAULIC	1	
25	187010	CLAMP	2	
26	187242	SIGHT GLASS	2	
27	187596	COVER – HYDRAULIC COMPARTMENT	1	
28	187815	HOSE – HYD, 0.75 IN. I.D. 800 MM LG 100R17, METAL REIN.	1	
29	187816	HOSE – HYD, 1/2 IN. I.D. 800 MM LG 100R17, METAL REIN.	1	
30	220847	HOSE – HYD, 1/2 IN. I.D. 620 MM LG 100R17, METAL REIN.	1	

HYDRAULICS – BOSCH/REXROTH MANIFOLD



1004397

HYDRAULICS – BOSCH/REXROTH MANIFOLD

Ref	Part Number	Description	Qty	Serial Number
31	187958	PLATE	1	
32	187965	HOSE – HYD, 1/2 IN. I.D. 800 MM LG 100R17, METAL REIN.	1	
33	220846	LINE – HYDRAULIC, 3/4 IN. DIA BENT	1	
35	21828	FITTING – CONNECT. HYD STRGHT THRD SHORT SAE (R)	1	
36	135980	FITTING – 90° ELBOW #16 MALE ORB / #16 FEMALE JIC (T)	1	
37	50221	FITTING – ELBOW 90° HYDRAULIC (S)	1	
38	220843	MANIFOLD – RELIEF	1	
39	220907	VALVE – HYDRAULIC BIDIRECTIONAL RELIEF	1	
	220908	SEAL KIT		
40	123989	FILTER ELEMENT – 10 MICRON NOMINAL (BOSCH/REXROTH) ²⁶	1	
41	187791	MANIFOLD – BOSCH/REXROTH C/W FTGS ²⁷	1	
	248245	KIT – MANIFOLD, BOSCH/REXROTH TO PARKER REPAIR, C/W FTGS ²⁸	1	
42	174927	VALVE – CHECK (V1)	1	
43	174928	VALVE – CHECK (V2)	1	
44	174929	VALVE – DIRECTIONAL (V3)	2	
45	174930	VALVE – RELIEF (V4)	1	
46	174931	VALVE – RELIEF (V5)	1	
47	174932	VALVE – COMPENSATOR (V6)	1	
48	174933	VALVE – FLOW CONTROL (V7)	1	
49	174934	HANDLE – BALL (V7.1)	1	
50	174935	VALVE – COMPENSATOR (V8)	1	
51	174936	VALVE – CHECK (V9)	1	
52	174937	VALVE – CHECK (V10)	1	
53	REF	DRAPER / KNIFE DRIVE PUMP (BETWEEN #5 AND 10) ²⁹		

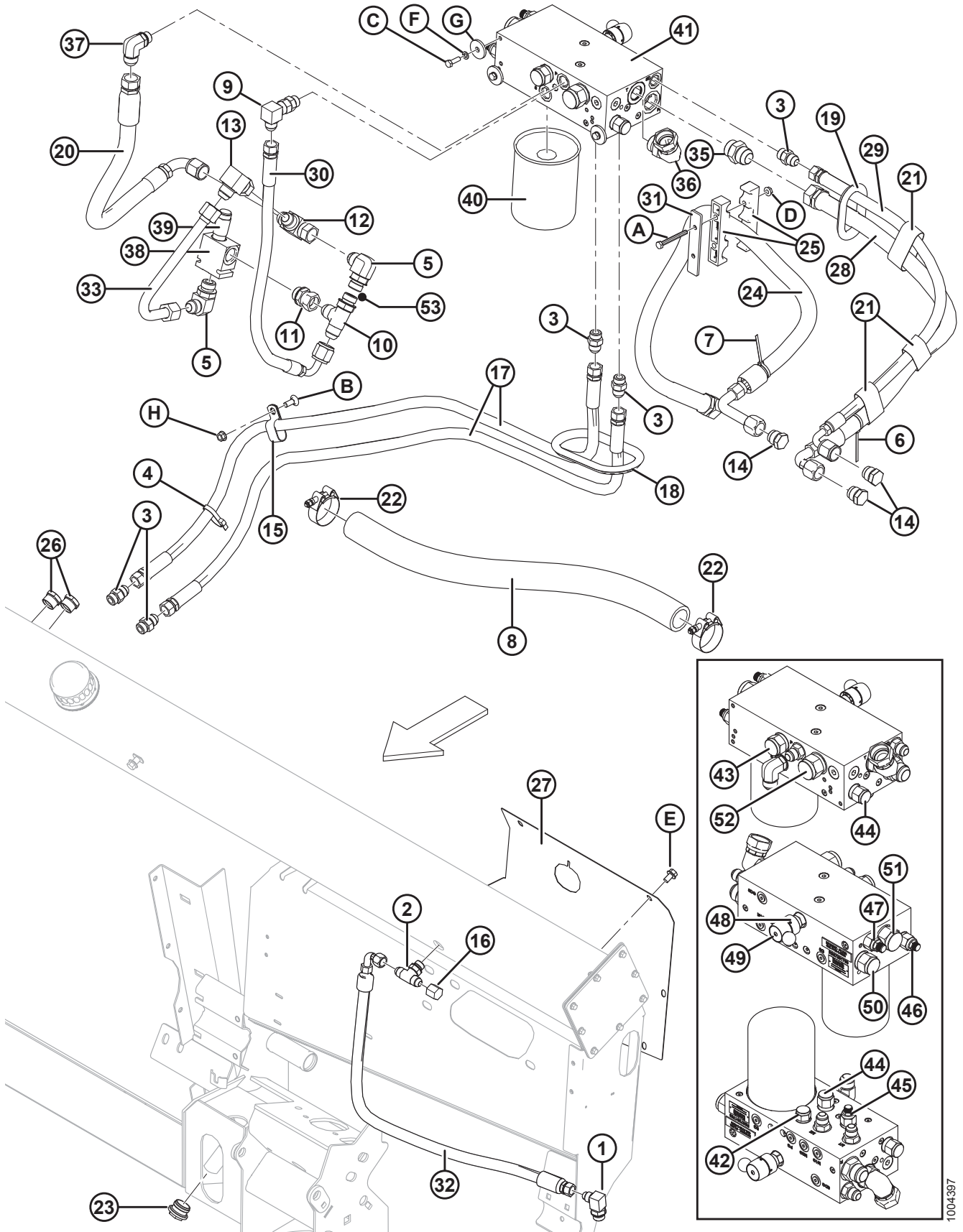
26. Verify which manifold your unit has to ensure proper replacement filter element is ordered. Parker manifold uses a lever type flow control valve, and Bosch/Rexroth manifold uses a ball/knob type flow control valve.

27. Use until part is depleted. Includes filter element (MD #123989).

28. Replacement for Bosch/Rexroth manifold (MD #187791) once part is depleted. Kit (MD #248245) used for converting from Bosch/Rexroth to Parker manifold. Includes Parker manifold (MD #279490), hydraulic hose (MD #187950), fitting (MD #50221), template, and instructions.

29. Reference only. For more information refer to [Section 8 Drives, page 19](#).

HYDRAULICS – BOSCH/REXROTH MANIFOLD

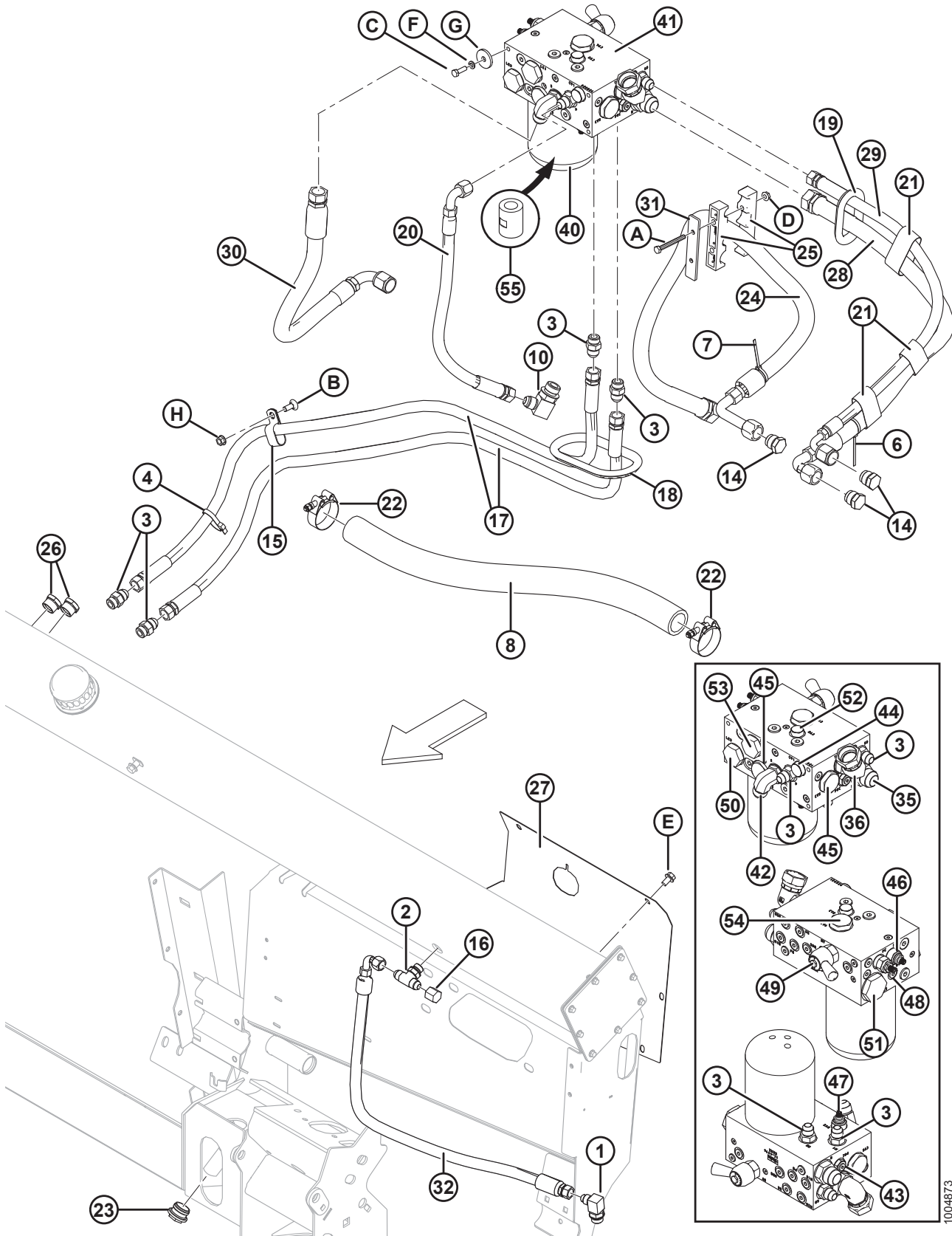


1004397

HYDRAULICS – BOSCH/REXROTH MANIFOLD

Ref	Part Number	Description	Qty	Serial Number
A	187142	BOLT – HH 5/16 NC X 2.75 LG GR 5 ZP		
B	19965	BOLT – RHSN 3/8 NC X 1.0 GR 5 ZP		
C	21087	BOLT – HEX HD 5/16 NC X 1.0 LG GR 5 ZP		
D	30280	NUT – FLG SIDE LK SMTH FACE 5/16 NC GR 5 ZP		
E	101898	SCREW – HEX WASH HD THD ROLLING 3/8 NC X 5/8		
F	18636	WASHER – REG LOCK 5/16 IN. NOM. I.D. ZP		
G	44623	WASHER – FLAT		
H	30228	NUT – FLANGE DT SMOOTH FACE 0.375-16 UNC		

11 Hydraulics – Parker Manifold



1004873

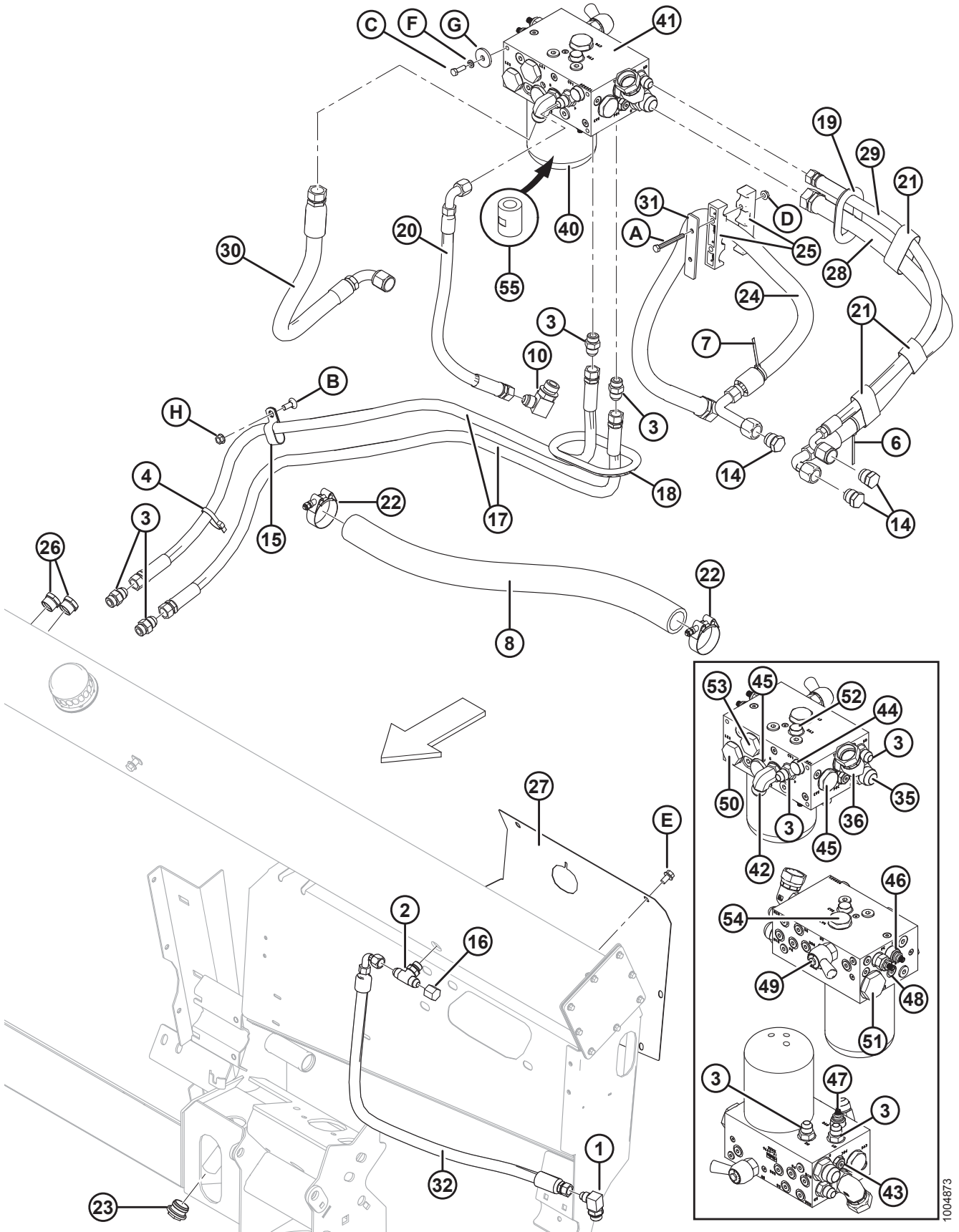
HYDRAULICS – PARKER MANIFOLD

NOTE:

For CA25 to CA25E conversions it is possible that a Bosch/Rexroth manifold is used. Parker manifold uses a lever type flow control valve, and Bosch/Rexroth manifold uses a ball/knob type flow control valve. Verify which manifold your unit has to ensure proper replacement parts are ordered. For Bosch/Rexroth manifold parts, refer to Section [10 Hydraulics – Bosch/Rexroth Manifold, page 31](#).

Ref	Part Number	Description	Qty	Serial Number
1	21801	FITTING – ELBOW HYDRAULIC	1	
2	30287	FITTING – TEE HYD STR THD BRANCH TEE C/W O-RING	1	
3	30695	FITTING – CONNECTOR HYDRAULIC (P, SD, M1, M2)	4	
4	30753	FASTENER – CABLE TIE (BLACK)	3	
6	40703	FASTENER – CABLE TIE (BLUE)	1	
7	40704	FASTENER – CABLE TIE (ORANGE)	1	
8	42029	HOSE – HYDRAULIC, 36.6 IN. I.D. 820 MM LG	1	
10	50221	FITTING – ELBOW 90° HYDRAULIC	1	
14	103576	PLUG – 3/4 IN. TUBE	3	
15	103738	CLAMP – PVC INSULATED 13/16 IN. TUBE SIZE	2	
16	108233	CAP – 1/2 IN. TUBE	1	
17	125516	HOSE – HYD, 1/2 IN. I.D. 1550 MM LG 100R17, METAL REIN.	2	
18	125590	GROMMET – RUBBER	1	
19	125592	GROMMET – RUBBER	1	
20	187950	HOSE – HYD, 1/2 IN. I.D. 575 MM LG 100R17, METAL REIN.	1	
21	135444	FASTENER – CINCH STRAP 6 IN. LG	3	
22	245753	CLAMP – T BOLT	2	
23	156051	PLUG – #16 ORB	2	
24	220274	HOSE – HYDRAULIC	1	
25	187010	CLAMP	2	
26	187242	SIGHT GLASS	2	
27	187596	COVER – HYDRAULIC COMPARTMENT	1	
28	187815	HOSE – HYD, 0.75 IN. I.D. 800 MM LG 100R17, METAL REIN.	1	
29	187816	HOSE – HYD, 1/2 IN. I.D. 800 MM LG 100R17, METAL REIN.	1	
30	133378	HOSE – HYD, 0.75 IN. I.D. 675 MM LG 100R17, METAL REIN.	1	
31	187958	PLATE	1	
32	187965	HOSE – HYD, 1/2 IN. I.D. 800 MM LG 100R17, METAL REIN.	1	

HYDRAULICS – PARKER MANIFOLD



1004873

HYDRAULICS – PARKER MANIFOLD

Ref	Part Number	Description	Qty	Serial Number
35	21828	FITTING – CONNECT. HYD STRGHT THRD SHORT SAE (R)	1	
36	135980	FITTING – 90° ELBOW #16 MALE ORB / #16 FEMALE JIC (T)	1	
40	151975	FILTER ELEMENT – 10 MICRON NOMINAL (PARKER) ³⁰	1	
41	187567	MANIFOLD – PARKER C/W FITTINGS ³¹	1	
	279490	MANIFOLD – PARKER C/W FITTINGS³²	1	
42	30970	FITTING – ELBOW 90° HYDRAULIC (S)	1	
43	220948	VALVE – P.O. CHECK (POC)	1	
44	220949	VALVE – CHECK (CV1)	1	
45	220950	VALVE – CHECK (CV3, CV5) MANIFOLD 187567	2	
	245117	VALVE – CHECK (CV3, CV5) MANIFOLD 279490	2	
46	220951	VALVE – P.O. RELIEF (RV1)	1	
47	220471	VALVE – P.O. RELIEF (RV2)	1	
48	220952	VALVE – PRESS. COMPENSATOR (FC) MANIFOLD 187567	1	
	245157	VALVE – PRESS. COMPENSATOR (FC) MANIFOLD 279490	1	
49	220953	VALVE – NEEDLE (NV)	1	
50	279491	VALVE – SPOOL TYPE LOGIC (LE3)	1	
51	220955	VALVE – POPPET TYPE LOGIC (LE2)	1	
52	220956	VALVE – CHECK (CV2)	1	
53	220957	VALVE – SPOOL TYPE LOGIC (LE1)	1	
54	220958	VALVE – CHECK (CV4)	1	
55	245160	FITTING – FILTER ADAPTER (MANIFOLD 279490) ³³	1	

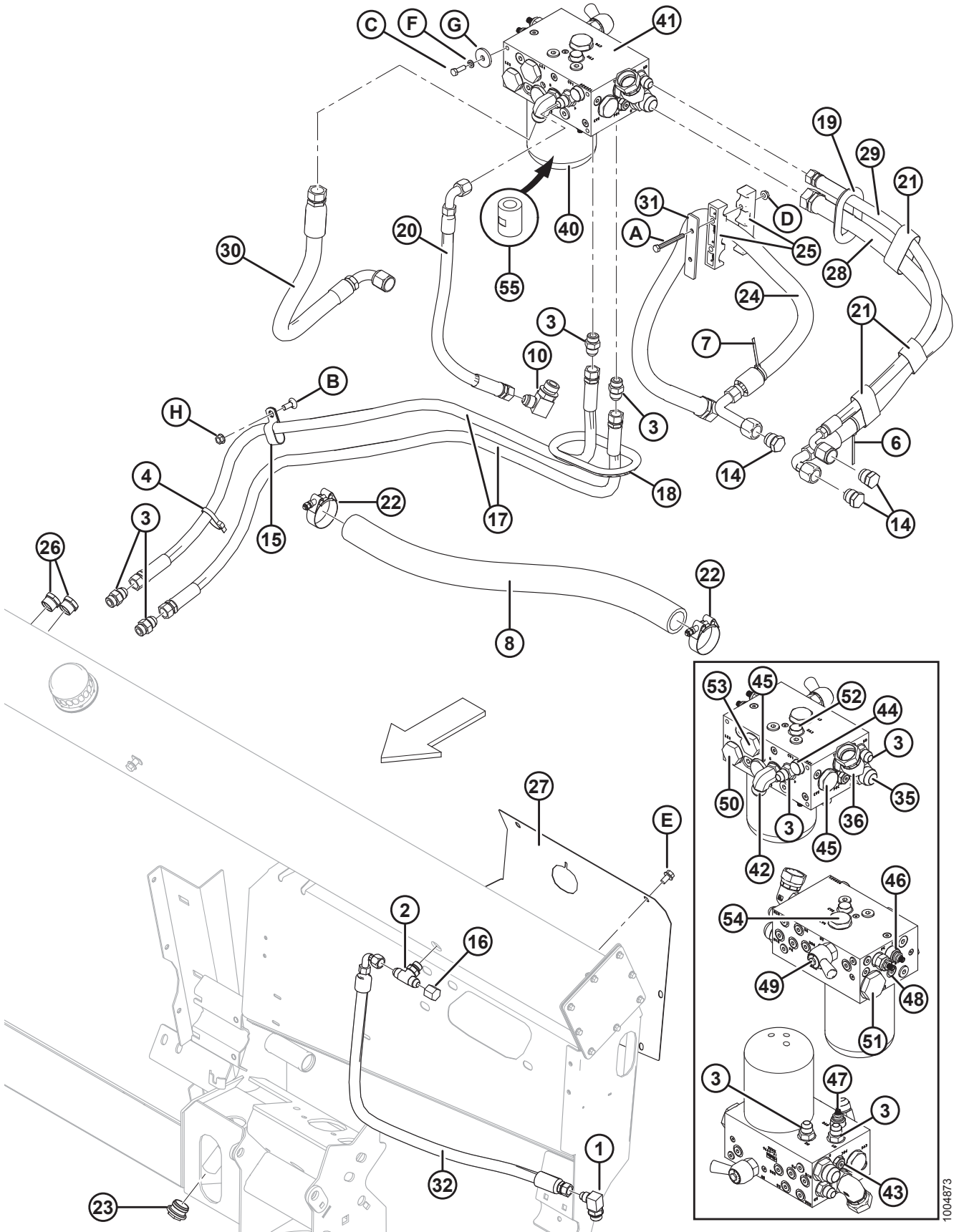
30. Verify which manifold your unit has to ensure proper replacement filter element is ordered. Parker manifold uses a lever type flow control valve, and Bosch/Rexroth manifold uses a ball/knob type flow control valve.

31. Use until stock of manifold is depleted. Includes filter element (MD #151975).

32. Replacement for Parker manifold (MD #187567) once stock is depleted. Includes filter element (MD #151975). Part #279490 is stamped on manifold for visual identification.

33. Two nuts (1 1/2-16 UN-2A) required to properly torque filter adapter fitting to manifold. Thread one nut approximately 12.7 mm (.50 inches) onto filter adapter fitting. Jam second nut to first and torque to 81–88 Nm (60–65 lbf-ft). Remove both nuts. Filter (MD #151975) can then be threaded onto filter adapter fitting until seal engagement with the manifold. Turn filter an additional half turn.

HYDRAULICS – PARKER MANIFOLD

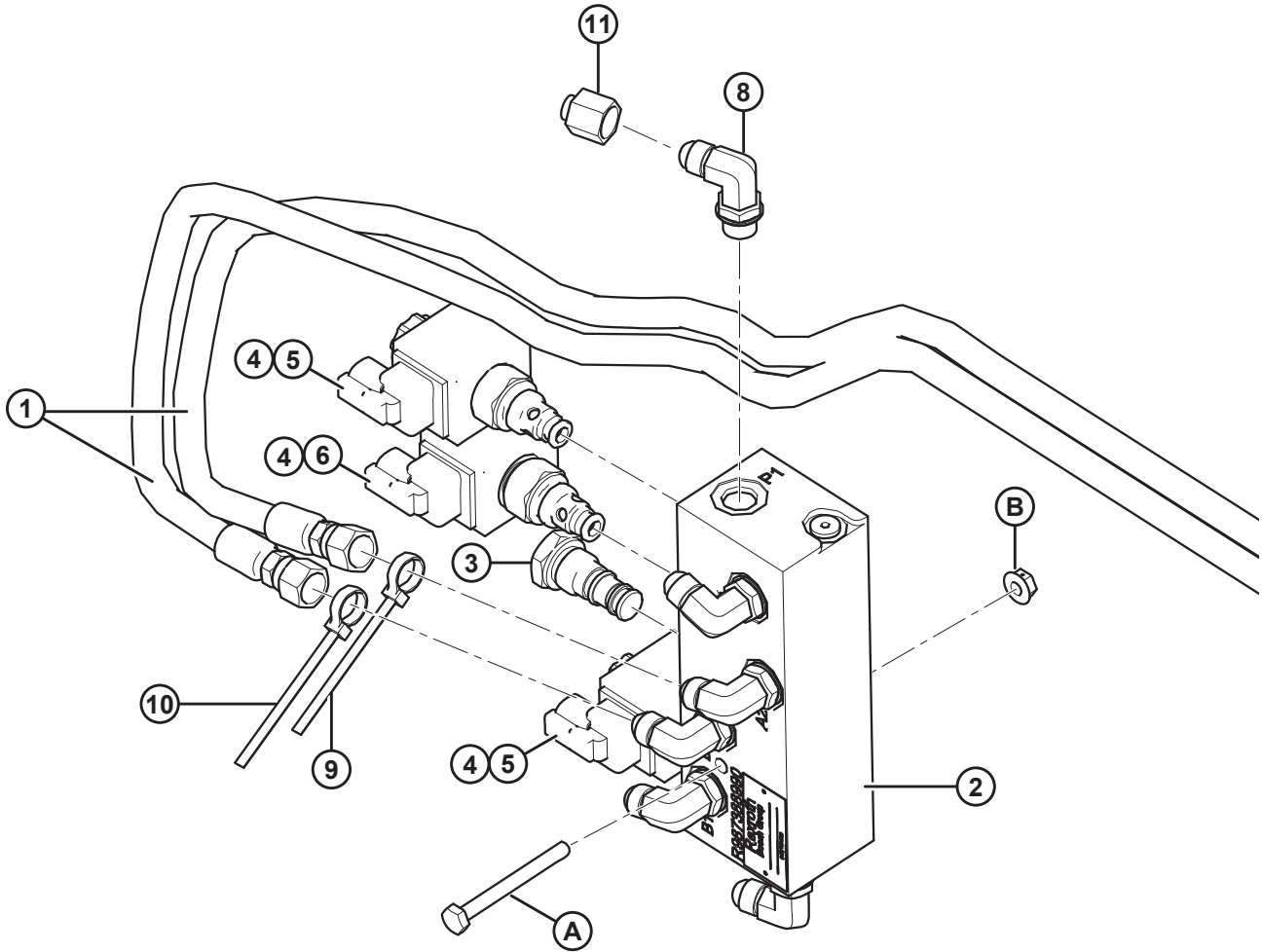


1004873

HYDRAULICS – PARKER MANIFOLD

Ref	Part Number	Description	Qty	Serial Number
A	187142	BOLT – HH 5/16 NC X 2.75 LG GR 5 ZP		
B	19965	BOLT – RHSN 3/8 NC X 1.0 GR 5 ZP		
C	21087	BOLT – HEX HD 5/16 NC X 1.0 LG GR 5 ZP		
D	30280	NUT – FLG SIDE LK SMTH FACE 5/16 NC GR 5 ZP		
E	101898	SCREW – HEX WASH HD THD ROLLING 3/8 NC X 5/8		
F	18636	WASHER – REG LOCK 5/16 IN. NOM. I.D. ZP		
G	44623	WASHER – FLAT		
H	30228	NUT – FLANGE DT SMOOTH FACE 0.375-16 UNC		

12 Hydraulic Selector Header Tilt / Reel Fore-Aft

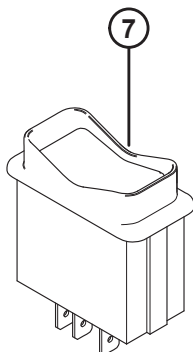
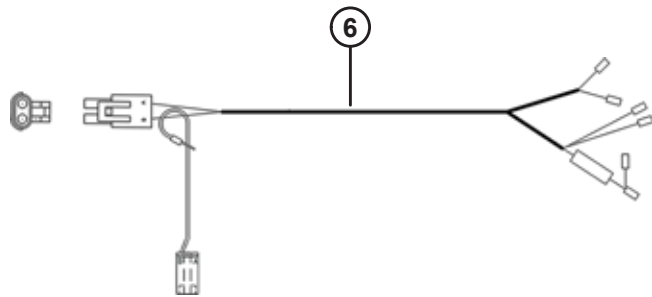
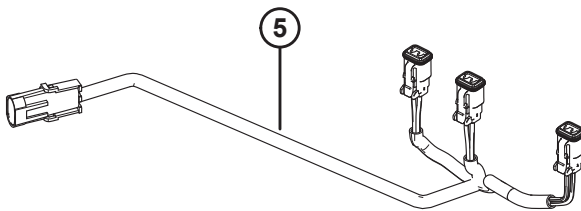
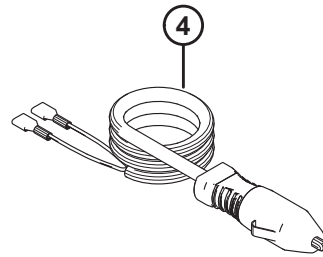
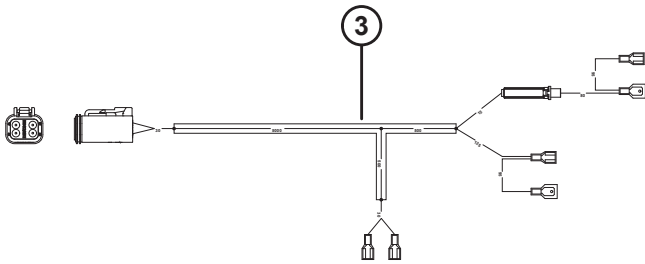
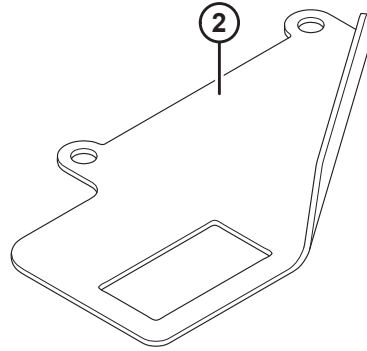
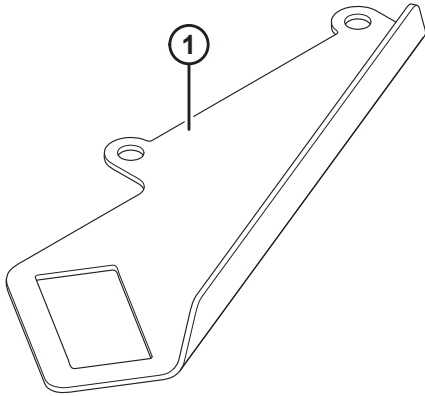


HYDRAULIC SELECTOR HEADER TILT / REEL FORE-AFT

Ref	Part Number	Description	Qty	Serial Number
1	133043	HOSE – HYD, 1/4 IN. I.D. 1730 MM LG 100R17, METAL REIN.	2	
2	220535	VALVE – SELECTOR C/W FITTINGS	1	
3	174938	VALVE – CHECK (V2)	1	
4	174941	COIL – VALVE (V5)	3	
5	174940	VALVE – SOLENOID (V4)	2	
6	174939	VALVE – SOLENOID (V3)	1	
7	174942	RESTRICTOR – ORIFICE (V6) NOT ILLUSTRATED ³⁴	1	
8	30282	FITTING – ELBOW 90° HYDRAULIC	6	
9	49227	FASTENER – CABLE TIE (GREEN)	5	
10	40702	FASTENER – CABLE TIE (RED)	5	
11	30813	CAP – 3/8 IN. TUBE	4	
A	21854	BOLT – HH 1/4 NC X 2.5 LG GR 5 ZP		
B	135248	NUT – FLG SMTH FACE 1/4-20 NC GR 5 ZP CTR LK DT THD		

34. Used in port B2.

13 Selector Valve



SELECTOR VALVE

Ref	Part Number	Description	Qty	Serial Number
1	158377	SUPPORT – ROCKER SWITCH, IN CAB MTG BRACKET FOR FORE-AFT/HEADER TILT ³⁵	1	
2	220734	SUPPORT – ROCKER SWITCH-IN CAB MTG BRKT FOR FORE-AFT/HEADER TILT SWITCH ³⁶	1	
3	279753	HARNESS – WIRING, HEADER TILT REEL FORE-AFT SELECTOR TO CAB ³⁹	1	
4	220570	HARNESS – WIRING, CIGARETTE LIGHTER PLUG ³⁷	1	
5	129566	HARNESS – WIRE (JD 50 SERIES) ³⁸	1	
6	158326	HARNESS – WIRING (JD 50 SERIES) ³⁸	1	
7	109064	SWITCH – ROCKER, HEADER TILT/FORE-AFT ³⁹	1	
8	16661	FASTENER – NYLON TIE (BLACK)	12	

35. All combine models except John Deere S Series and CNH/NH AFX, CX, and CR with integral switch.

36. John Deere S Series only.

37. Optional on all combine models. Allows for install without hardwire.

38. John Deere 50 Series only.

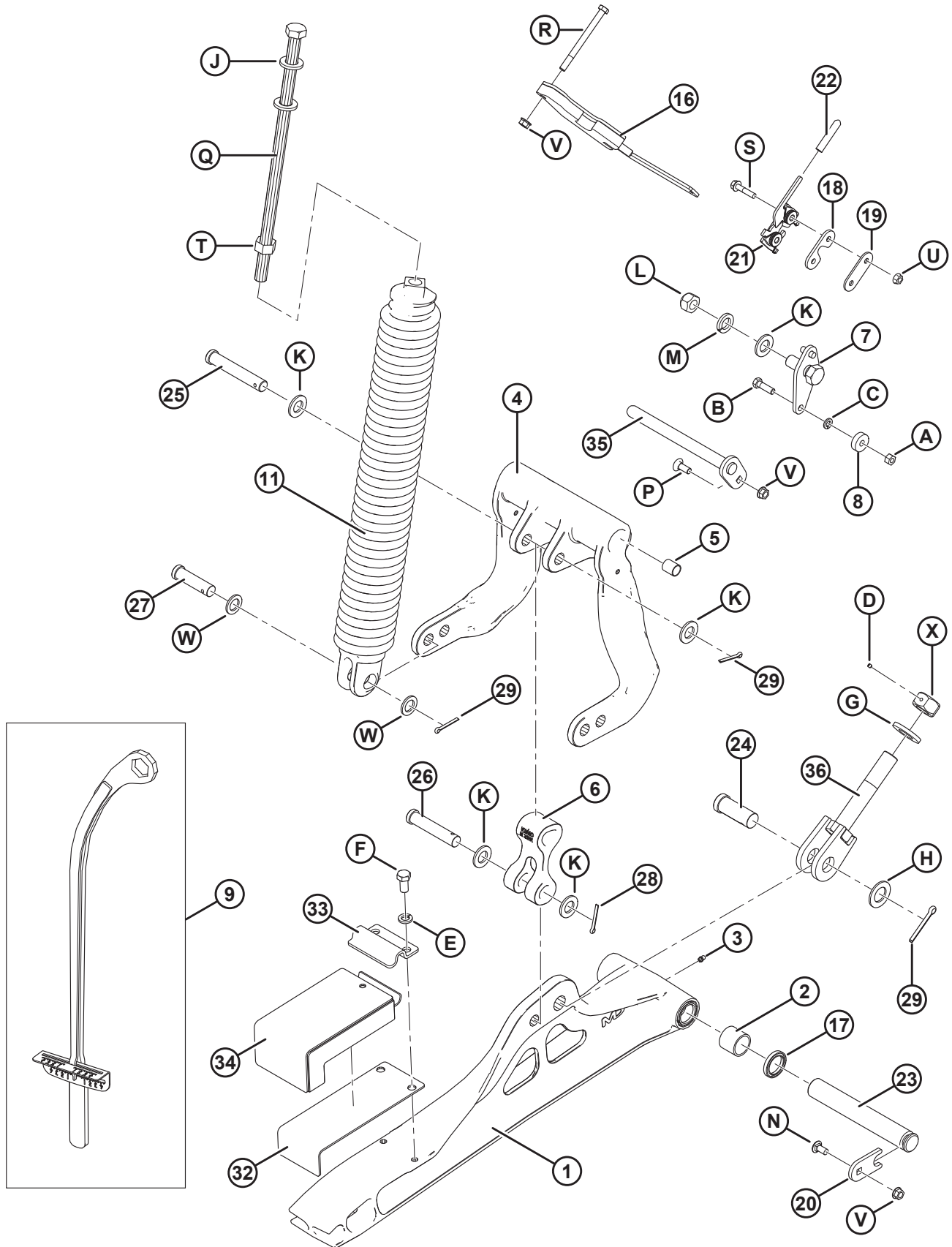
39. All combine models except John Deere 50 Series and CNH/NH AFX, CX, and CR with integral switch.

FLOAT LINKAGE AND COMPONENTS

Ref	Part Number	Description	Qty	Serial Number
1	174816	LINK – LOWER C/W BEARINGS	2	
2	100500	BEARING – NEEDLE	4	
3	18671	FITTING – LUBE 1/4 28 UNF	2	
4	156839	LEVER – BELL CRANK C/W BUSHINGS	2	
5	156501	BUSHING – PLASTIC	4	
6	156574	LINK – ARM	2	
7	125654	PIVOT – FLOAT WELDMENT	2	
8	18867	BEARING – BALL CYL OD C/W TWO SEALS	2	
9	229510	TOOL – WRENCH WELDMENT	1	
11	156511	SPRING – ASSEMBLY ⁴⁰		
	156565	SPRING – ASSEMBLY, C/W INNER SPRING (HEAVY DUTY) ⁴⁰		
16	125788	HANDLE – WELDT (LH)	1	
	125789	HANDLE – WELDT (RH)	1	
17	113222	SEAL	2	
18	156882	BAR – LATCH SPACER	2	
19	156883	BAR	2	
20	156212	PLATE	2	
21	134002	ASSY – STIRRUP LATCH (LH)	1	
	134003	ASSY – STIRRUP LATCH (RH)	1	
22	110817	COVER – SOFTEX GRIP	2	
23	156840	PIN	2	
24	156742	PIN – CLEVIS, 25.4 MM, 58 MM, ZN PL	2	
25	156741	PIN – CLEVIS	2	
26	20312	PIN – CLEVIS, 18.89 MM, 82 MM, ZN PL	2	
27	30463	PIN – CLEVIS, 18.89 MM, 58 MM, ZN PL	4	
28	18608	PIN – COTTER 3/16 DIA X 1.5 ZP	8	
29	18609	PIN – COTTER 1/4 DIA X 2 ZP	2	
32	125145	PLATE – LEAF SPRING	2	

40. There are four springs on each adapter, but the combination of springs (MD #156511 and MD #156565) varies depending on header size. 40-45 foot headers require 3 x 156511 and 1 x 156565 on the outboard RHS, all smaller headers require 4 x 156511.

FLOAT LINKAGE AND COMPONENTS

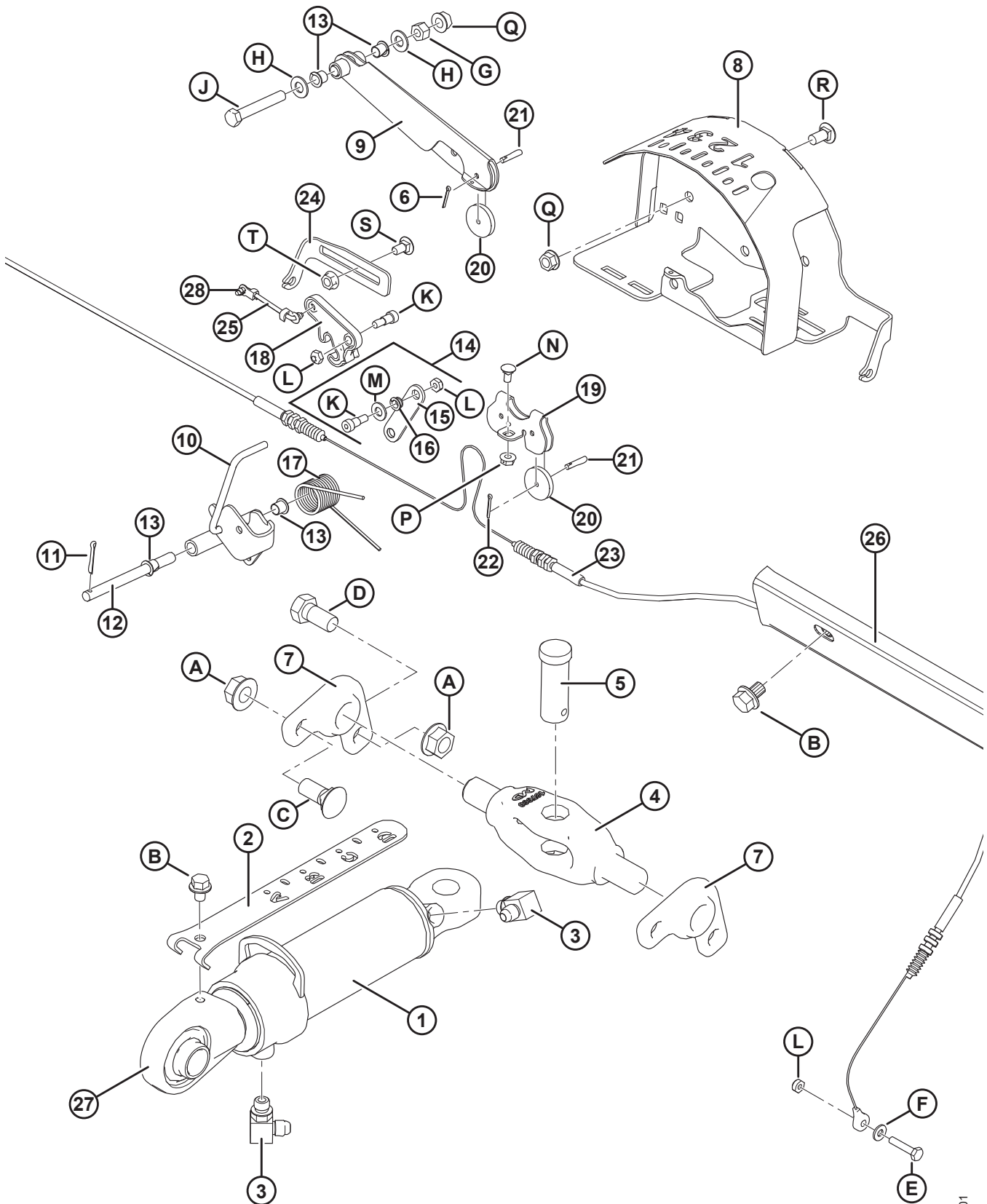


1004400

FLOAT LINKAGE AND COMPONENTS

Ref	Part Number	Description	Qty	Serial Number
33	125146	CLAMP	2	
34	174769	ASSY – RUBBER BLOCK FLEX	2	
	174775	ASSY – RUBBER BLOCK RIGID	2	
35	133014	PIN – PIVOT WELDT	2	
36	220679	BOLT – WELDT	2	
A	18590	NUT – HEX 3/8-16 UNC GR 5 ZP		
B	21264	BOLT – HH 3/8 NC X 1.25 LG GR 5 ZP		
C	18637	WASHER – REG LOCK 3/8 IN. NOM. I.D. ZP		
D	136596	SCREW – SET, HEX NYL TIP 1/4-20 X 1/4-AS-ZNPL		
E	18638	WASHER – REG LOCK 1/2 IN. NOM. I.D. ZP		
F	21575	BOLT – HH 1/2 NC X 1.0 LG GR 5 ZP		
G	31774	WASHER – FLAT		
H	156743	WASHER – FLAT		
J	21540	WASHER – HARDENED		
K	18601	WASHER – SAE FLAT 13/16 I.D. X 1.5 IN. O.D. ZP		
L	18689	NUT – HEX LOCK DT .750-10 UNC		
M	18640	WASHER – REG LOCK 3/4 IN. NOM. I.D. ZP		
N	21863	BOLT – RHSSN 3/8 NC X 0.75 LG GR 5 ZP		
P	19965	BOLT – RHSN 3/8-16 X 1-GR5-ZP		
Q	187203	BOLT – HH, SPECIAL 3/4 NC X 17.5 LG GR 5 ZP		
R	30080	BOLT – HH 3/8 NC X 4.5 LG GR 5 ZP		
S	135407	BOLT – HH FLG (SER FACE) 5/16 NC X 1.5 GR 5 ZP		
T	18593	NUT – HEX 3/4 10 UNC GR 5 ZP		
U	30280	NUT – FLG SIDE LK SMTH FACE 5/16 NC GR 5 ZP		
V	30228	NUT – FLANGE DT SMOOTH FACE 0.375-16 UNC		
W	1709	WASHER – FLAT		
X	133047	NUT – DOWNSTOP MACHINING		

15 Hydraulic Center-Link with Float and Tilt Indicators

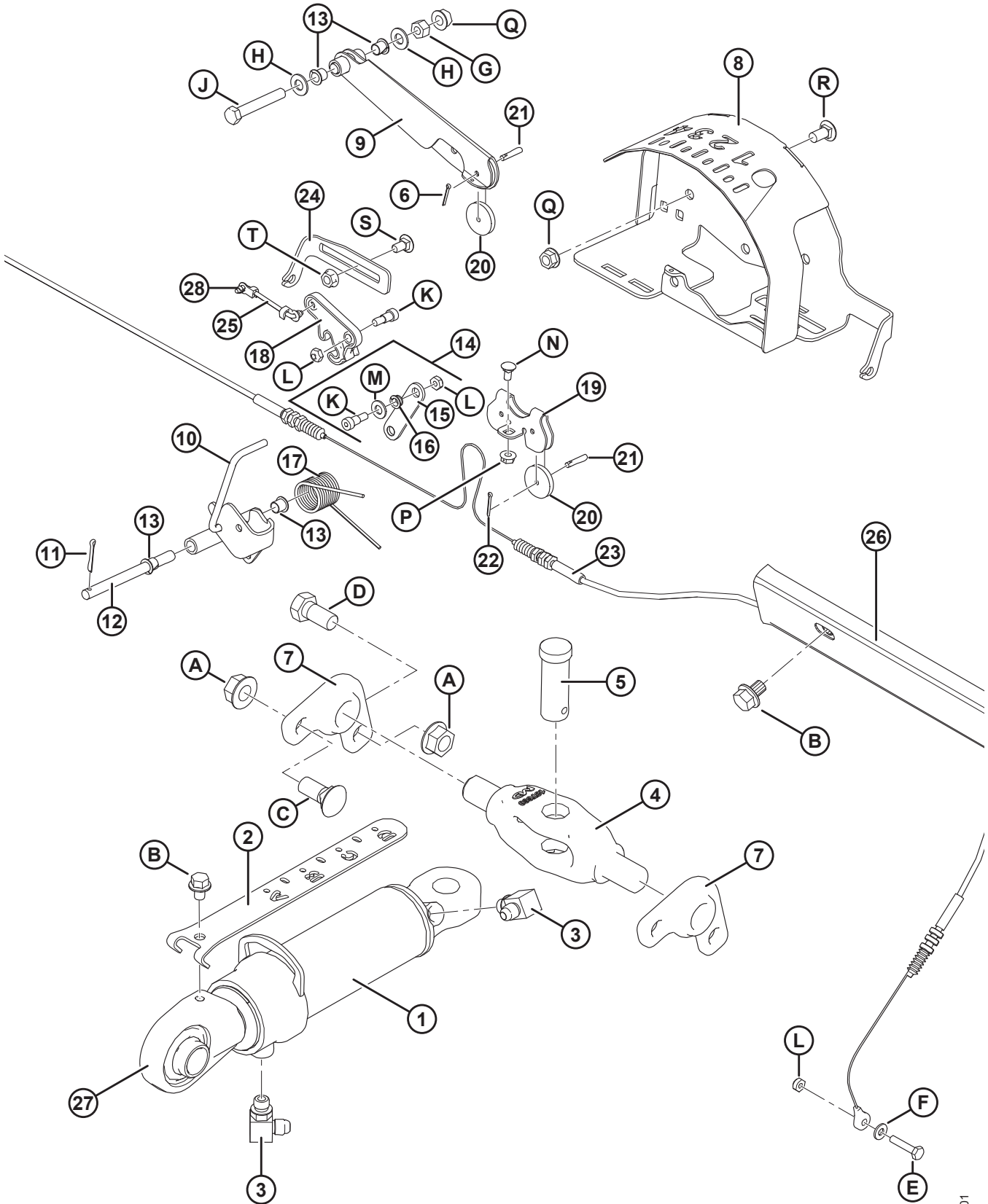


HYDRAULIC CENTER-LINK WITH FLOAT AND TILT INDICATORS

Ref	Part Number	Description	Qty	Serial Number
1	187621	CYLINDER – TOP LINK	1	
	123978	SEAL KIT		
2	187637	INDICATOR – TILT	1	
3	30282	FITTING – ELBOW 90° HYDRAULIC	2	
4	187660	PIVOT – MACHINING	1	
5	135995	PIN – CLEVIS	1	
6	18609	PIN – COTTER 1/4 DIA X 2 ZP	1	
7	187730	CASTING – PIVOT	2	
8	187641	HOUSING – INDICATOR WELDT	1	
9	187655	ARM – INDICATOR WELDT	1	
10	187645	INDICATOR – POINTER WELDMENT	1	
11	18605	PIN – COTTER 1/8 DIA X 1 ZP	1	
12	187669	PIN – STRAIGHT	1	
13	45439	BUSHING – PLASTIC	4	
14	187694	LINK – INDICATOR C/W BUSHINGS	1	
15	187659	LINK – INDICATOR	1	
16	156969	BUSHING – PLASTIC	2	
17	156843	SPRING – TORSION	1	
18	187194	ARM	1	
19	187708	SUPPORT – INDICATOR PULLEYS	1	
20	187653	PULLEY – CONTROL	3	
21	187701	PIN – STRAIGHT	3	
22	18604	PIN – COTTER 3/32 DIA X 3/4 ZP	3	
23	187658	CABLE – FLOAT INDICATOR 5 SERIES	1	
24	187793	SUPPORT – AHHC CABLE ADJUSTER	1	
25	158633	ROD – LINKAGE	1	
26	133249	HOLDER – HOSE	1	
27	187822	EYE – CYLINDER END	1	
28	153492	CLIP – ROD END ⁴¹	2	

41. Clip (MD #153492) is used on both ends of rod (MD #158633).

HYDRAULIC CENTER-LINK WITH FLOAT AND TILT INDICATORS

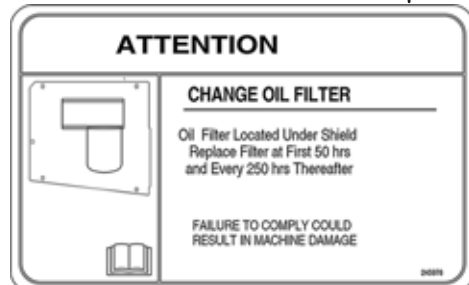
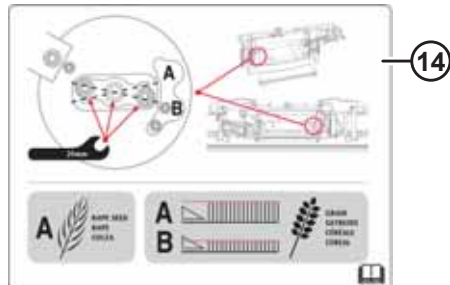
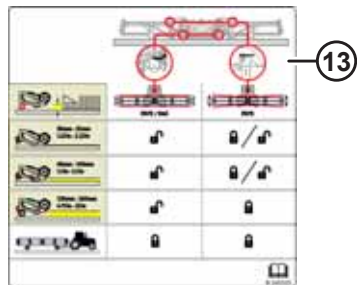
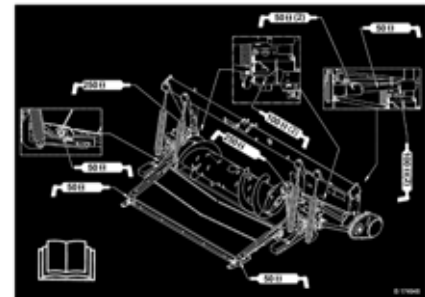
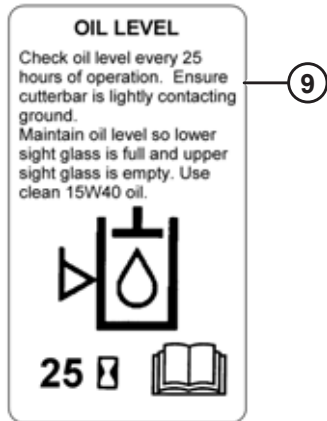
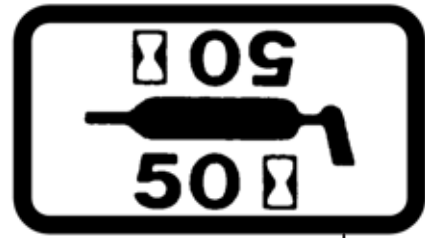
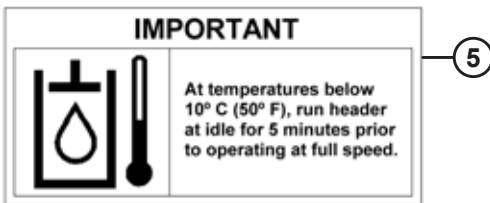
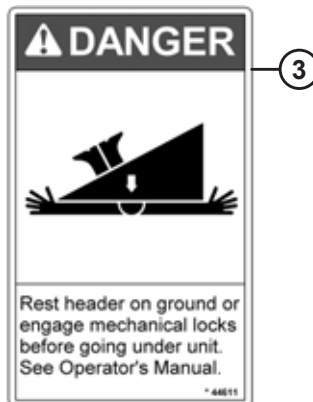
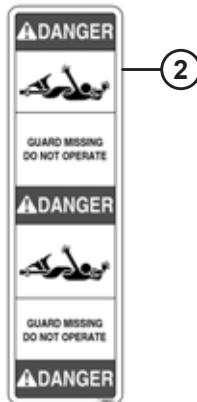


1004401

HYDRAULIC CENTER-LINK WITH FLOAT AND TILT INDICATORS

Ref	Part Number	Description	Qty	Serial Number
A	50225	NUT – FLANGE DT SMOOTH FACE .625-11 UNC		
B	30693	BOLT – FLANGE (SER FACE) .375-16 UNC X 0.50 LG		
C	18523	BOLT – RHSN 5/8 NC X 1.5 GR 5 ZP		
D	21585	BOLT – HH 5/8 NC X 1.25 LG GR 5 ZP		
E	30942	BOLT – HH 1/4 NC X 1.25 LG GR 5 ZP		
F	18596	WASHER – SAE FLAT 9/32 I.D. X 5/8 IN. O.D. ZP		
G	18590	NUT – HEX 3/8-16 UNC GR 5 ZP		
H	18598	WASHER – SAE FLAT 13/32 I.D. X 13/16 IN. O.D. ZP		
J	21102	BOLT – HH 3/8 NC X 2.5 LG GR 5 ZP		
K	135423	BOLT – SHOULDER 5/16 DIA X 3/8 X 1/4-20 UNRC		
L	18724	NUT – HEX LOCK DT 1/4-20 UNC ZP		
M	18597	WASHER – SAE FLAT 11/32 I.D. X 11/16 IN. O.D. ZP		
N	21926	BOLT – RHSN 1/4 NC X 0.5 GR 5 ZP		
P	135248	NUT – FLG SMTH FACE 1/4-20 NC GR 5 ZP CTR LK DT THD		
Q	30228	NUT – FLANGE DT SMOOTH FACE 0.375-16 UNC		
R	21863	BOLT – RHSSN 3/8 NC X 0.75 LG GR 5 ZP		
S	135305	BOLT – RHSN 5/16 NC X 0.63 GR 5 ZP		
T	30280	NUT – FLG SIDE LK SMTH FACE 5/16 NC GR 5 ZP		

16 Decals



1021216

DECALS

Ref	Part Number	Description	Qty	Serial Number
1	30316	DECAL – DANGER: ROTATING DRIVELINE		
2	36651	DECAL – DANGER: DRIVELINE GUARD MISSING		
3	44611	DECAL – DANGER: HEADER HAZARD		
4	174436	DECAL – HIGH PRESSURE FLUID		
5	133086	DECAL – IMPORTANT: OIL OPERATING TEMPERATURE		
6	133537	DECAL – ADAPTER OIL DRAIN		
7	32070	DECAL – PATENT NUMBER		
8	23165	DECAL – 50 HR LUBE		
	115759	DECAL – 100 HR LUBE		
9	174960	DECAL – ADAPTER OIL LEVEL		
10	133532	DECAL – ADAPTER FLOAT LOCK (LH)		
11	133533	DECAL – ADAPTER FLOAT LOCK (RH)		
12	174948	DECAL – GREASE, CA25		
13	245335	DECAL – HEADER ADJUSTMENT		
14	245483	DECAL – FINGER TIMING		
15	140225	STRIP – ANTI SLIP (LARGE)		
	174131	STRIP – ANTI SLIP (SMALL)		
16	245978	DECAL – ATTENTION (CHANGE OIL FILTER)		

17 Decals – French



1



2



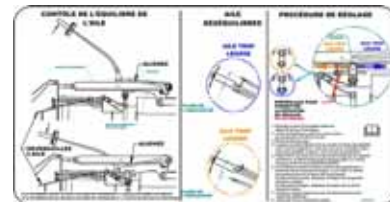
3



4



5



6



7



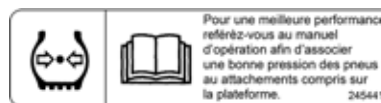
8



9



10



11



12

DECALS – FRENCH

Ref	Part Number	Description	Qty	Serial Number
1	245428	DECAL – LH DRAPER TENSION, FRENCH		
2	245432	DECAL – RH DRAPER TENSION, FRENCH		
3	245433	DECAL – IMPORTANT: GUARDS, FRENCH		
4	245434	DECAL – LH WING BALANCE ADJUSTMENT, FRENCH		
5	245435	DECAL – RH WING BALANCE ADJUSTMENT, FRENCH		
6	245436	DECAL – LH WING BALANCE, FRENCH		
7	245437	DECAL – RH WING BALANCE, FRENCH		
8	245438	DECAL – IMPORTANT: OIL OPERATING TEMP, FRENCH		
9	245439	DECAL – ADAPTER OIL DRAIN, FRENCH		
10	245440	DECAL – ADAPTER OIL LEVEL, FRENCH		
11	245441	DECAL – TIRE PRESSURE, FRENCH		
12	245443	DECAL – GAUGE WHEEL SETTING, FRENCH		

18 Decals – Portuguese

IMPORTANTE

Dedo padrão com apoio traseiro

Dedo das extremidades sem apoio traseiro

Para prevenir danos aos componentes de corte, substitua os dedos somente pelos tipos apropriados. Note que os dedos das extremidades não possuem apoio traseiro.

1

IMPORTANTE

Em temperaturas inferiores a 10 graus C, funcione a plataforma por 5 minutos em marcha lenta antes de operar em velocidade máxima.

2

DRENO DO ÓLEO

3

LE

4

LD

5

NÍVEL DE ÓLEO

Cheque o nível de óleo a cada 25 horas de trabalho. Certifique-se que a barra de corte esteja tocando levemente o solo para verificação. Mantenha o nível de óleo de maneira que o visor inferior esteja completo e o visor superior esteja vazio. Utilize óleo 15W40 limpo para reposição.

25

6

AJUSTE DAS RODAS ESTABILIZADORAS

OPERE COM AS MOLAS COMPRIMIDAS EM APROXIMADAMENTE 300 mm. MEÇA O COMPRIMENTO DA MOLLA CONFORME MOSTRADO. NÃO OPERE COM COMPRIMENTO DE MOLLA INFERIOR A 250 mm. VEJA O MANUAL DO OPERADOR.

7

3 2

TENSIONAR

AJUSTE DE TENSIONAMENTO DA ESTEIRA

GIRE O PARAFUSO (1) PARA TENSIONAR A ESTEIRA ATÉ QUE A BARRA INDICADORA BRANCA (2) ATRAVESSA A CAVA (3) E COMPLETE ATÉ A METADE DA CAVA.

8

MEÇA DO BALANÇO DAS ASAS

ASA DESDEQUILIBRADA

PROCEDIMENTO DE REGULAGEM

9

MEÇA DO BALANÇO DAS ASAS

ASA MUITO LEVE

ASA MUITO PESADA

PROCEDIMENTO DE REGULAGEM

10

1

TENSIONAR

AJUSTE DE TENSIONAMENTO DA ESTEIRA

GIRE O PARAFUSO (1) PARA TENSIONAR A ESTEIRA ATÉ QUE A BARRA INDICADORA BRANCA (2) ATRAVESSA A CAVA (3) E COMPLETE ATÉ A METADE DA CAVA.

11

Para otimizar sua performance, veja no manual do operador a pressão correta dos pneus em função dos opcionais instalados, do modelo e tamanho de plataforma.

12

DECALS – PORTUGUESE

Ref	Part Number	Description	Qty	Serial Number
1	220817	DECAL – IMPORTANT: GUARDS, PORTUGUESE		
2	220818	DECAL – IMPORTANT: OIL OPERATING TEMP, PORT.		
3	220819	DECAL – ADAPTER OIL DRAIN, PORTUGUESE		
4	220820	DECAL – LH WING BALANCE ADJUSTMENT, PORTUGUESE		
5	220821	DECAL – RH WING BALANCE ADJUSTMENT, PORTUGUESE		
6	220822	DECAL – ADAPTER OIL LEVEL, PORTUGUESE		
7	220823	DECAL – GAUGE WHEEL SETTING, PORTUGUESE		
8	220824	DECAL – LH DRAPER TENSION, PORTUGUESE		
9	220825	DECAL – LH WING BALANCE, PORTUGUESE		
10	220826	DECAL – RH WING BALANCE, PORTUGUESE		
11	220836	DECAL – RH DRAPER TENSION, PORTUGUESE		
12	220885	DECAL – TIRE PRESSURE, PORTUGUESE		

19 Decals – Russian



Для оптимальной работы обратитесь к руководству по эксплуатации для правильных давлений шин в соответствии навесным орудием.

1



РЕГУЛИРОВКА НАТЯЖЕНИЯ ПОЛОТНА
ПОВОРАЧИВАЙТЕ БОЛТ (1) ДЛЯ НАТЯЖЕНИЯ ПОЛОТНА ПОКА БЕЛЫЙ ИНДИКАТОР (2), НЕ ПЕРЕМЕСТИТСЯ В СЕРЕДИНУ ПРОРЕЗИ (3) С ВНУТРЕННЕЙ СТОРОНЫ

2



3

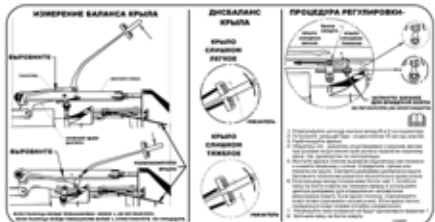


РЕГУЛИРОВКА НАТЯЖЕНИЯ ПОЛОТНА
ПОВОРАЧИВАЙТЕ БОЛТ (1) ДЛЯ НАТЯЖЕНИЯ ПОЛОТНА ПОКА БЕЛЫЙ ИНДИКАТОР (2), НЕ ПЕРЕМЕСТИТСЯ В СЕРЕДИНУ ПРОРЕЗИ (3) С ВНУТРЕННЕЙ СТОРОНЫ

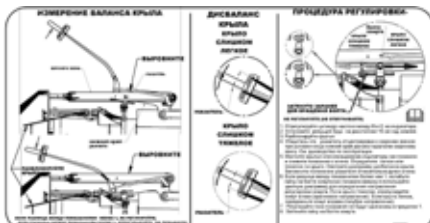
4



5



6



7



8



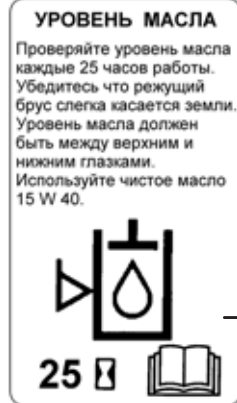
9



10



11



12

DECALS – RUSSIAN

Ref	Part Number	Description	Qty	Serial Number
1	166309	DECAL – TIRE PRESSURE, RUSSIAN		
2	220831	DECAL – LH DRAPER TENSION, RUSSIAN		
3	220832	DECAL – IMPORTANT: GUARDS, RUSSIAN		
4	220834	DECAL – RH DRAPER TENSION, RUSSIAN		
5	220863	DECAL – GAUGE WHEEL SETTING, RUSSIAN		
6	220866	DECAL – RH WING BALANCE, RUSSIAN		
7	220867	DECAL – LH WING BALANCE, RUSSIAN		
8	220868	DECAL – IMPORTANT: OIL OPERATING TEMP, RUSSIAN		
9	220869	DECAL – LH WING BALANCE ADJUSTMENT, RUSSIAN		
10	220870	DECAL – RH WING BALANCE ADJUSTMENT, RUSSIAN		
11	220871	DECAL – ADAPTER OIL DRAIN, RUSSIAN		
12	220872	DECAL – ADAPTER OIL LEVEL, RUSSIAN		

20 Decals – Spanish

IMPORTANTE

Puntón estandar con guía



Puntón sin guía



Para evitar peligro de rotura en las piezas de corte, reemplace los puntones con el modelo correspondiente. Note que los primeros cuatro puntones junto a la caja de mando de las cuchillas no tienen guía.

1

IMPORTANTE



En temperaturas inferiores a 10 grados C, hacer andar la plataforma regulando por 5 minutos antes de operar a máximo régimen.

2

DRENAJE DE ACEITE



3

L/Izq



4


L/Der




5

NIVEL DE ACEITE

Chequear el nivel de aceite cada 25 horas de operación. Asegurar que la barra de corte esté ligeramente en contacto con el suelo. Mantener el nivel de aceite para que la ventana inferior esté llena y la superior esté vacía. Utilice aceite 15W40 limpio.



25 

6

INDICADOR AJUSTE RUEDA

OPERAR CON RESORTES COMPRIMIDOS A UNA DISTANCIA DE 330 mm APPROX. MIDA LA COMPRESIÓN DEL RESORTE COMO SE MUESTRA. NO OPERAR CON UNA COMPRESIÓN MENOR A 295 mm. VEA EL MANUAL DEL OPERADOR.



7

AJUSTE TENSION LONA



APRETAR

GIRAR TORNILLO (1) PARA TENSAR LA LONA HASTA QUE EL TESTIGO BLANCO (2), PASE LA RANURA (3) Y LLENE LA MITAD DE LA RANURA.

8

MEJORA PARA BALANCE DE ALAS

ALA DESBALANCEADA

PROCEDIMIENTO DE AJUSTE



9

MEJORA PARA BALANCE DE ALAS

ALA DESBALANCEADA

PROCEDIMIENTO DE AJUSTE



10



AJUSTE TENSION LONA



APRETAR

GIRAR TORNILLO (1) PARA TENSAR LA LONA HASTA QUE EL TESTIGO BLANCO (2), PASE LA RANURA (3) Y LLENE LA MITAD DE LA RANURA.

11

Para un óptimo rendimiento consulte el manual del operador respecto a la correcta presión de los neumáticos dependiendo del equipo que remolca.

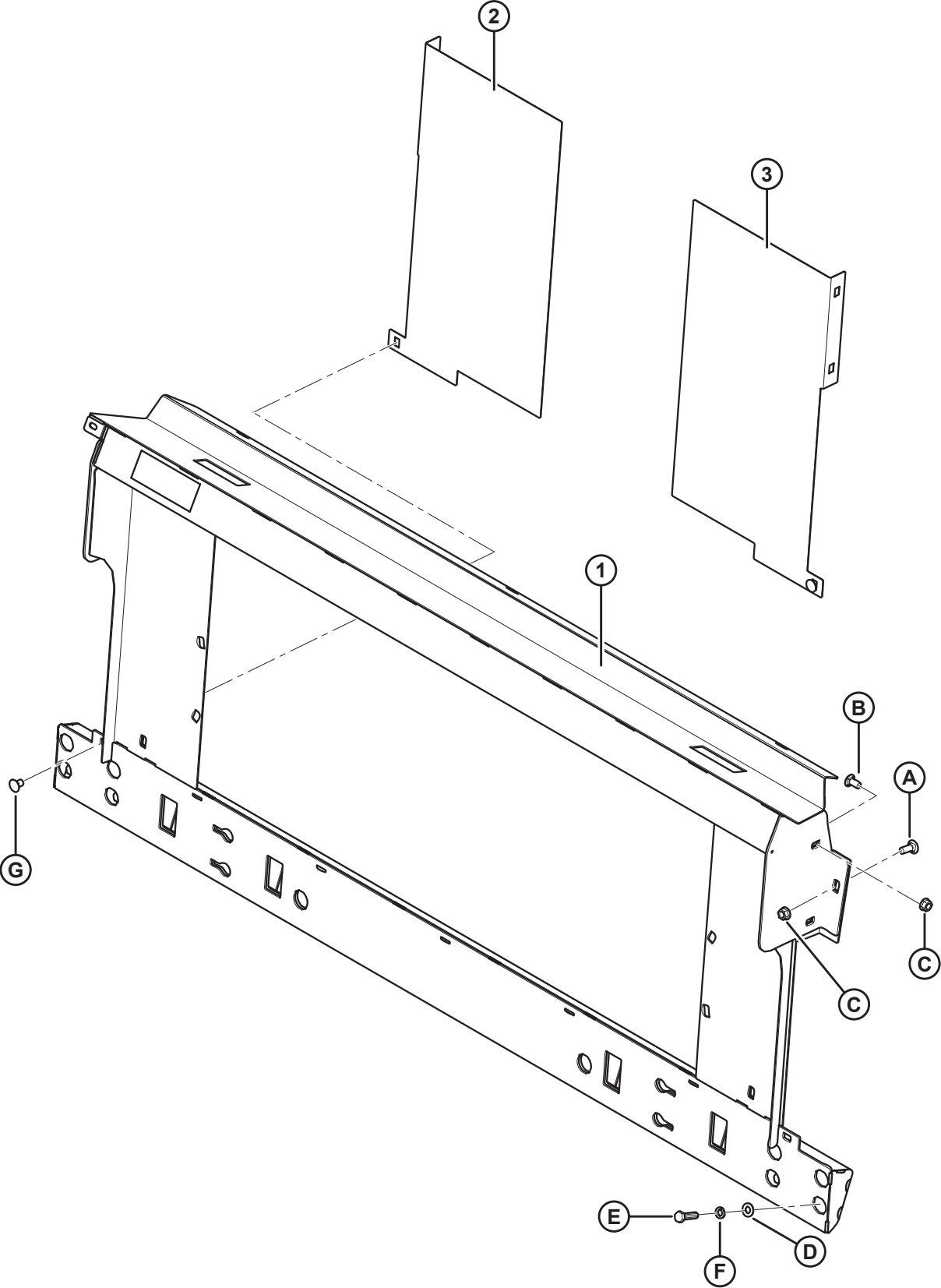
12

1004411

DECALS – SPANISH

Ref	Part Number	Description	Qty	Serial Number
1	220807	DECAL – IMPORTANT: GUARDS, SPANISH		
2	220808	DECAL – IMPORTANT: OIL OPERATING TEMP, SPANISH		
3	220809	DECAL – ADAPTER OIL DRAIN, SPANISH		
4	220810	DECAL – LH WING BALANCE ADJUSTMENT, SPANISH		
5	220811	DECAL – RH WING BALANCE ADJUSTMENT, SPANISH		
6	220812	DECAL – ADAPTER OIL LEVEL, SPANISH		
7	220813	DECAL – GAUGE WHEEL SETTING, SPANISH		
8	220814	DECAL – LH DRAPER TENSION, SPANISH		
9	220815	DECAL – LH WING BALANCE, SPANISH		
10	220816	DECAL – RH WING BALANCE, SPANISH		
11	220835	DECAL – RH DRAPER TENSION, SPANISH		
12	220876	DECAL – TIRE PRESSURE, SPANISH		

21 AGCO, Gleaner – Adapter Completion

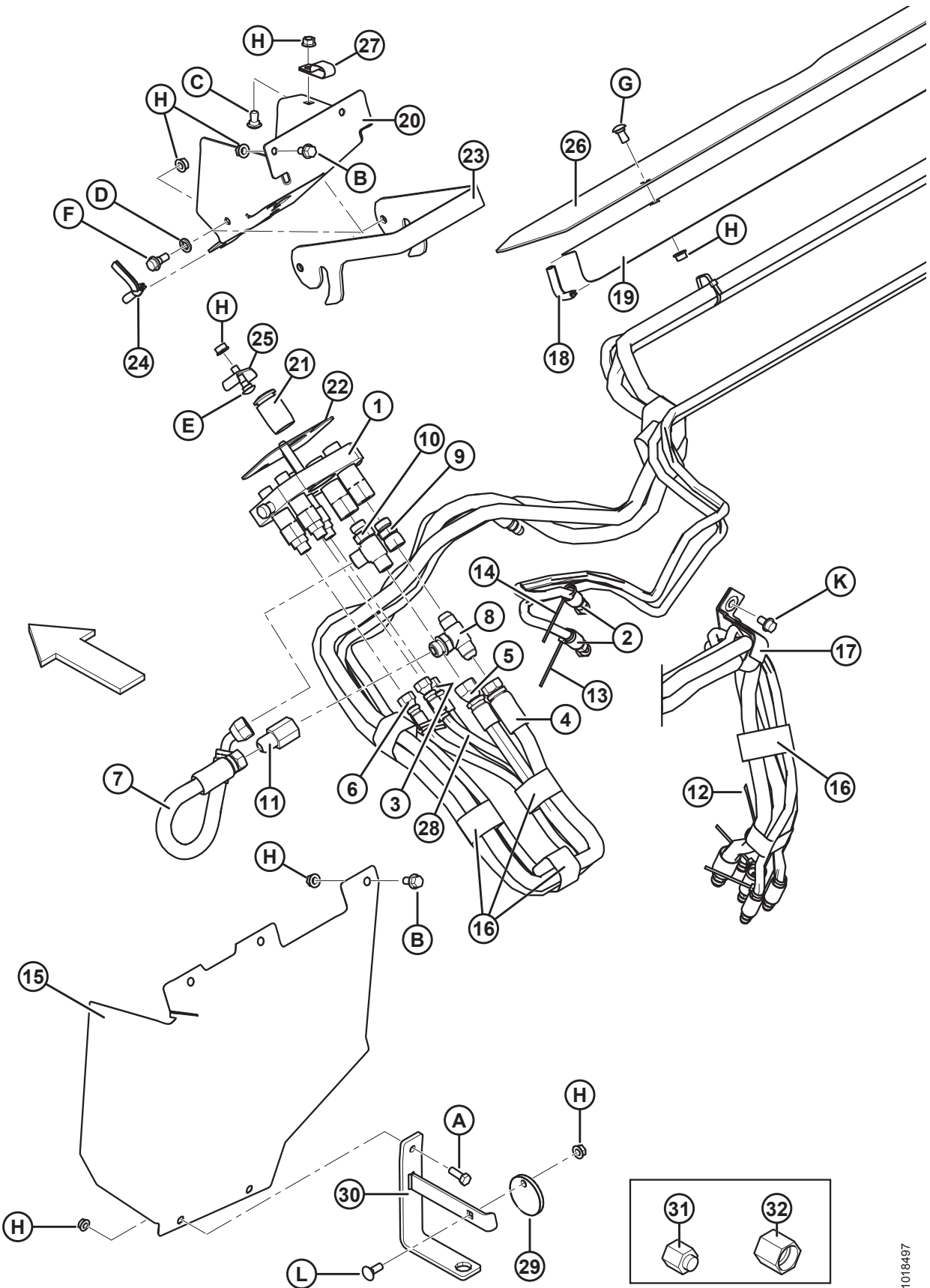


AGCO, GLEANER – ADAPTER COMPLETION

Ref	Part Number	Description	Qty	Serial Number
	B5671	KIT – AGCO (EXCEPT GLEANER R/S) COMPLETION PKG ⁴²		
	B5761	KIT – GLEANER “R” AND “S” SERIES COMPLETION PKG ⁴²		
1	133672	FRAME – AGCO TRANS LAT TILT C/W DECAL	1	
	245852	FRAME – GLEANER TRANS LAT TILT C/W DECAL	1	
2	133980	FILLER – A65/660/9690, AGCO ONLY (LH)	1	
3	133981	FILLER – A65/660/9690, AGCO ONLY (RH)	1	
A	21471	BOLT – RHSN 1/2 NC X 1.25 GR 5 ZP		
B	21868	BOLT – RHSSN 1/2 NC X 1.0 GR 5 ZP		
C	50186	NUT – FLANGE LOCK SM FACE DT 0.500-13 UNC GR 5		
D	18599	WASHER – SAE FLAT 17/32 I.D. X 1-1/16 IN. O.D. ZP		
E	50072	BOLT – HH 1/2 NC X 1.75 TFL GR 5 ZP		
F	18638	WASHER – REG LOCK 1/2 IN. NOM I.D. ZP		
G	105069	BOLT – RHSSN 1/2 NC X 0.75 GR 5 ZP		

42. (MD #B5671) – AGCO (Except Gleaner R/S) Completion Package, (MD #B5761) – Gleaner “R” and “S” Series Completion Package includes Adapter, Hydraulic, and Electrical Completion Packages to complete a stand-alone CA25E or to convert an existing factory installed CA25E. Kits available through Whole Goods only.

22 AGCO, Gleaner – Hydraulic Completion

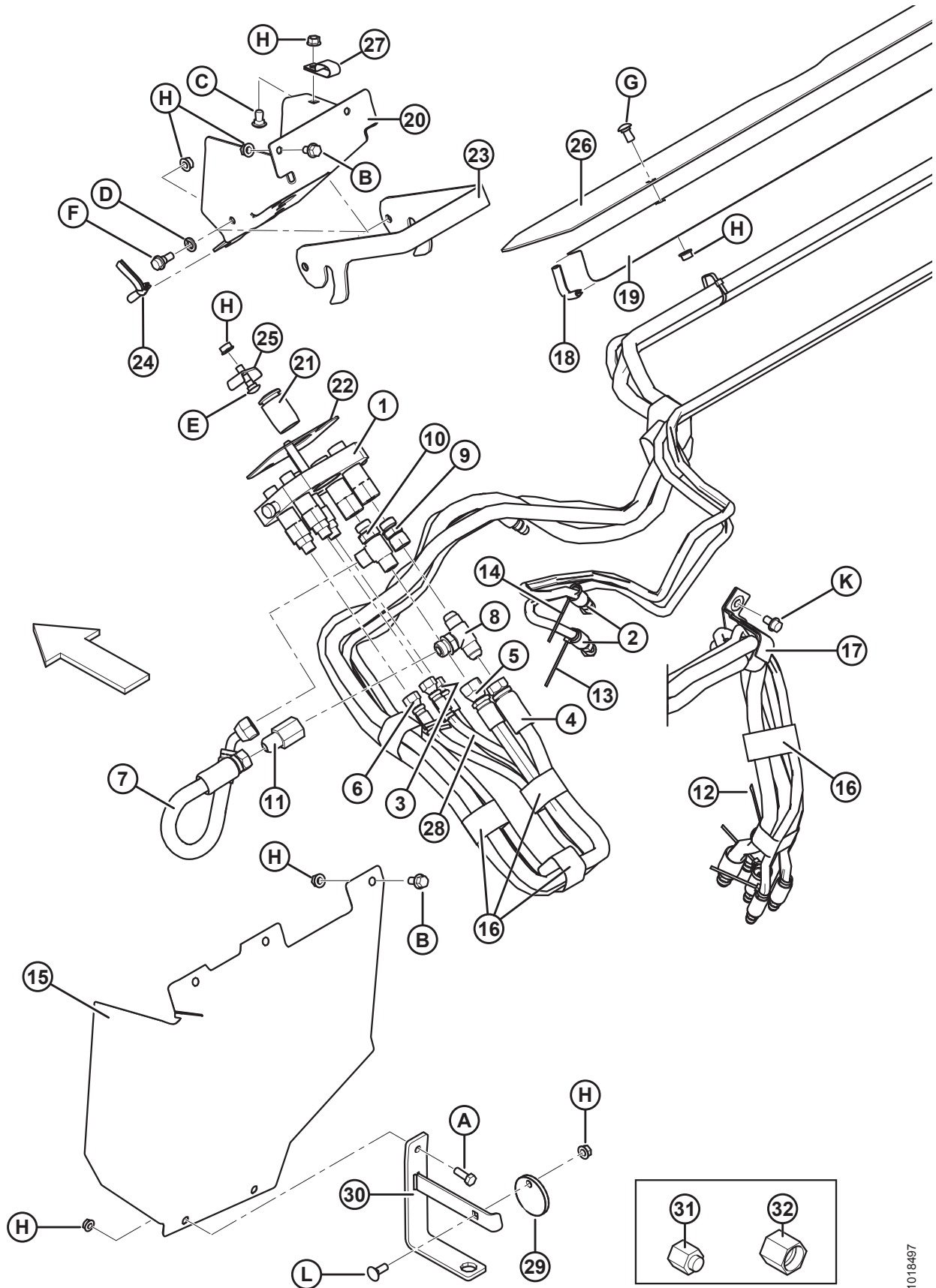


AGCO, GLEANER – HYDRAULIC COMPLETION

Ref	Part Number	Description	Qty	Serial Number
	B5671	KIT – AGCO (EXCEPT GLEANER R/S) COMPLETION PKG ⁴³		
	B5761	KIT – GLEANER “R” AND “S” SERIES COMPLETION PKG ⁴³		
1	187183	COUPLER – HYD QUICK CON. (AGCO, GLEANER)	1	
2	156759	HOSE – HYDRAULIC 1/4 IN. I.D. 4330 MM LG 100R17	2	
3	156910	HOSE – HYDRAULIC 1/4 IN. I.D. 5530 MM LG 100R17	1	
4	156938	HOSE – HYDRAULIC 1/2 IN. I.D. 5530 MM LG 100R17	1	
5	156939	HOSE – HYDRAULIC 1/2 IN. I.D. 5530 MM LG 100R17	1	
6	220658	HOSE – HYDRAULIC 1/4 IN. I.D. 1650 MM LG 100R17	1	
7	187032	HOSE – HYD 1/2 IN. I.D. 400 MM LG 100R17, METAL REIN.	1	
8	30560	FITTING – TEE HYD STR THD BRANCH TEE C/W O-RING	1	
9	49529	FITTING – ADAPTER HYD	1	
10	135598	FITTING – TEE HYD STR THD RUN TEE C/W O-RING	1	
11	187031	VALVE – CHECK	1	
12	40701	FASTENER – CABLE TIE (YELLOW)	3	
13	40702	FASTENER – CABLE TIE (RED)	9	
14	49227	FASTENER – CABLE TIE (GREEN)	9	
15	133268	COVER – COUPLERS	1	
16	135444	FASTENER – CINCH STRAP 6 IN. LG	13	
17	163598	STRAP – VELCRO, HANGING	1	
18	42589	MOULDING	2	
19	156725	COVER – HOSE	1	
20	187030	BRACKET – COUPLER (AGCO)	1	
21	129148	PLUG – RUBBER	1	
22	187018	PAD – RUBBER	1	
23	129143	LATCH – COUPLER BRACKET	1	
24	109791	MOULDING	1	
25	103351	HOLDER	1	
26	187723	COVER – TOP FEED AUGER	1	
27	135234	CLAMP – DOUBLE HOSE INSULATED	1	
28	220657	HOSE – HYDRAULIC 1/4 IN. I.D. 1450 MM LG 100R17	1	
29	133165	DISC – LOCK, DRIVELINE HANGER	1	
30	133166	BRACKET – DRIVELINE HANGER WELDT	1	

43. (MD #B5671) – AGCO (Except Gleaner R/S) Completion Package, (MD #B5761) – Gleaner “R” and “S” Series Completion Package includes Adapter, Hydraulic, and Electrical Completion Packages to complete a stand-alone CA25E or to convert an existing factory installed CA25E. Kits available through Whole Goods only.

AGCO, GLEANER – HYDRAULIC COMPLETION

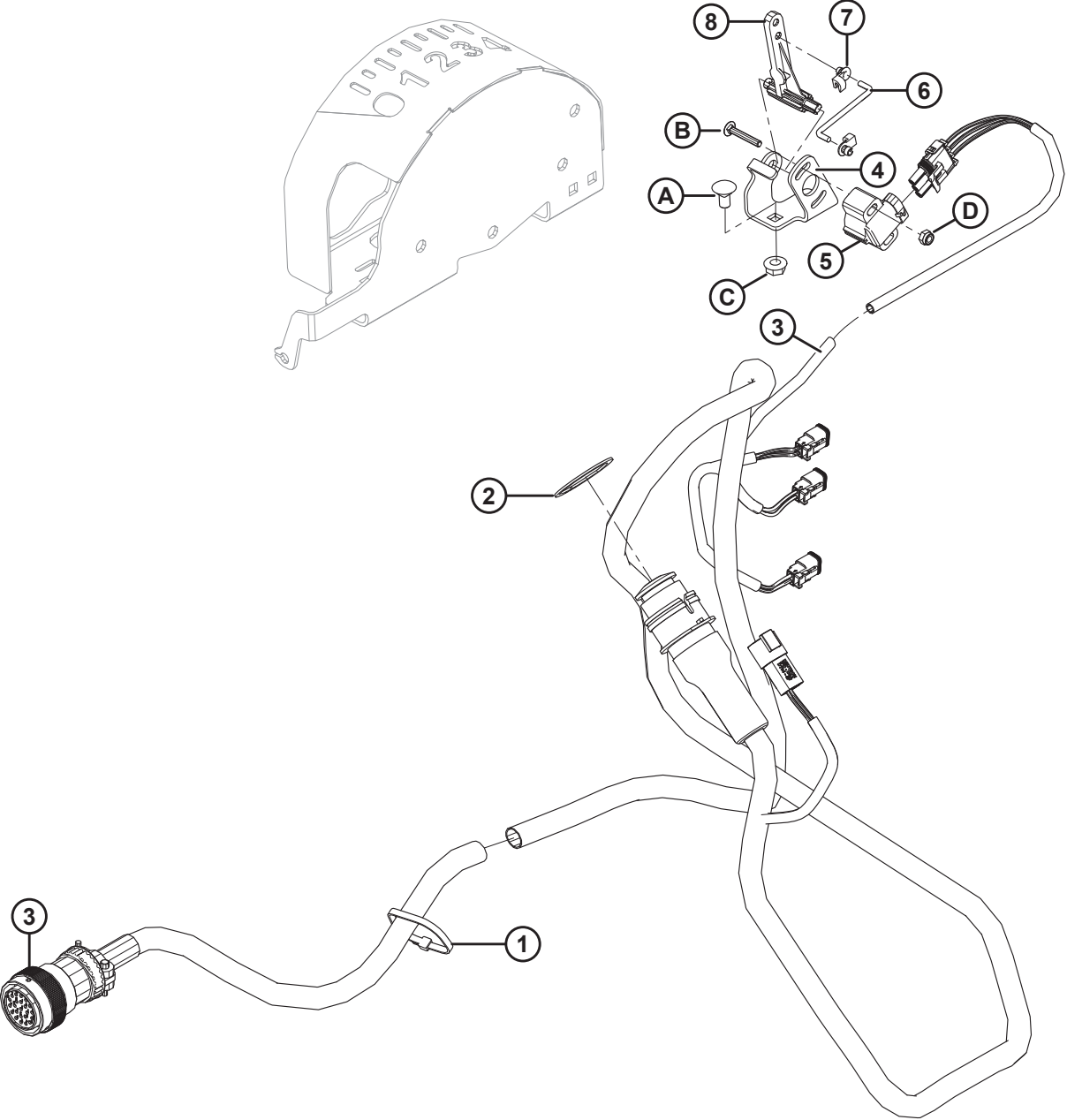


1018497

AGCO, GLEANER – HYDRAULIC COMPLETION

Ref	Part Number	Description	Qty	Serial Number
31	30813	CAP – 3/8 IN. TUBE 37° FLARE (FOR SHIPPING ONLY)	1	
32	108233	CAP – 1/2 IN. TUBE (FOR SHIPPING ONLY)	1	
A	20077	BOLT – HEX HD 3/8 NC X 1.0 LG GR 5 ZP		
B	21821	BOLT – HH FLG (SER FACE) 3/8 NC X 0.75 GR 5 ZP		
C	21472	BOLT – RHSN 3/8 NC X 0.75 GR 5 ZP		
D	18652	WASHER – REG LOCK 7/16 IN. NOM. I.D. ZP		
E	21484	BOLT – RHSN 3/8 NC X 1.5 LG GR 5 ZP		
F	27647	BOLT – SHOULDER		
G	21863	BOLT – RHSSN 3/8 NC X 0.75 LG GR 5 ZP		
H	30228	NUT – FLANGE DT SMOOTH FACE 0.375-16 UNC		
J	30280	NUT – FL PREV-TOR SIDE DT SM FACE 0.312-18 UNC GR 5		
K	101898	SCREW – SELF TAPPING 3/8 NC X 5/8 LG		
L	19965	BOLT – RHSN 3/8 NC X 1.0 GR 5 ZP		

23 AGCO, Gleaner – Electrical Completion

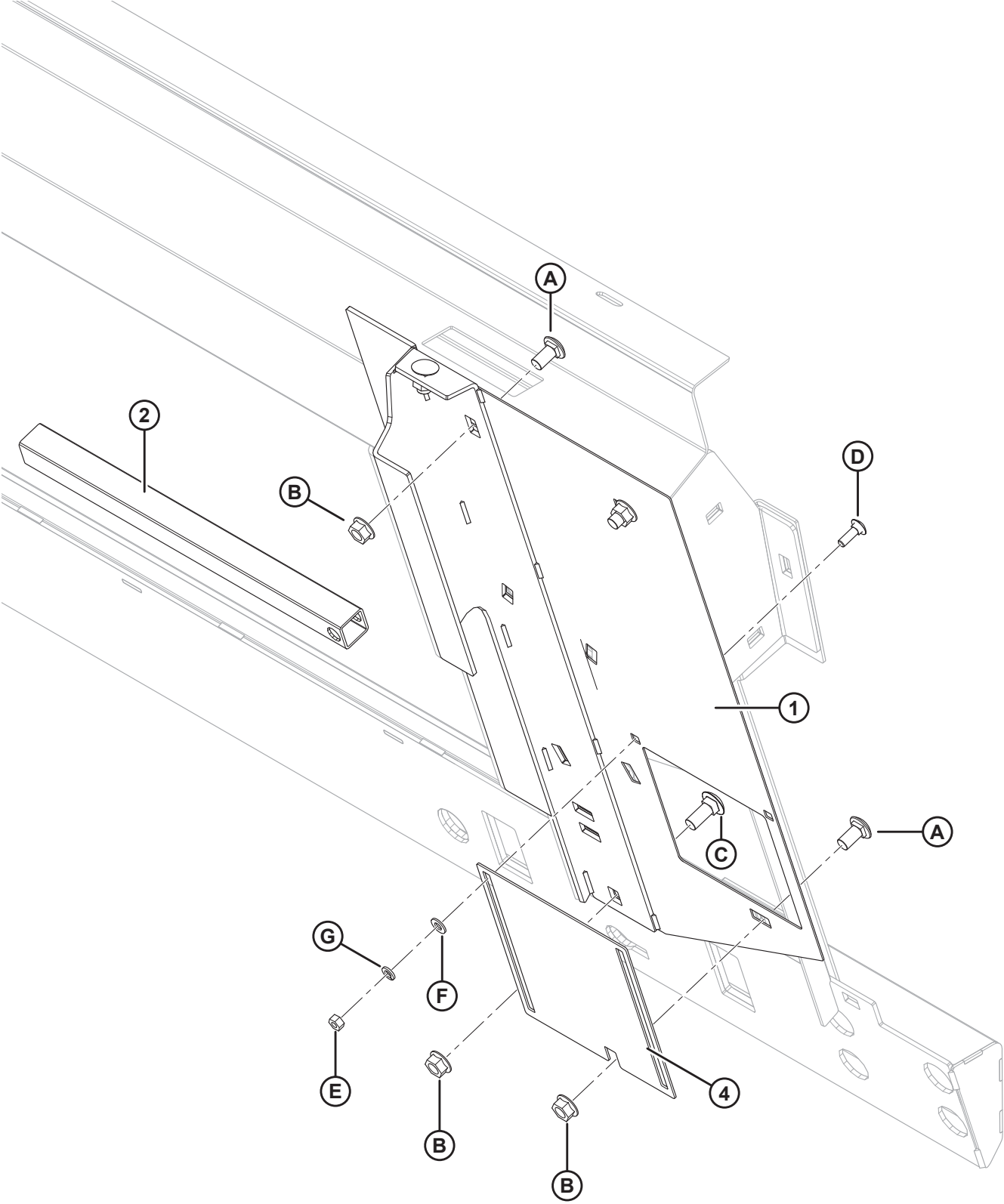


AGCO, GLEANER – ELECTRICAL COMPLETION

Ref	Part Number	Description	Qty	Serial Number
	B5671	KIT – AGCO (EXCEPT GLEANER R/S) COMPLETION PKG ⁴⁴		
	B5761	KIT – GLEANER “R” AND “S” SERIES COMPLETION PKG ⁴⁴		
1	21763	FASTENER – CABLE TIE (BLACK, 160 MM LG)	3	
	16661	FASTENER – NYLON TIE (BLACK, 70 MM LG)	15	
2	135267	RING – INVERTED EXT RETAINING	1	
3	220347	HARNESS – WIRING AGCO AHHC	1	
4	187670	SUPPORT – SENSOR MOUNT (CNH / DEERE / AGCO)	1	
5	158069	CONTROL – POTENTIOMETER	1	
6	158633	ROD – LINKAGE	1	
7	153492	CLIP – ROD END	2	
8	187193	ARM – SENSOR CONTROL	1	
A	135305	BOLT – RHSN 5/16 NC X 0.63 GR 5 ZP		
B	136018	BOLT – RHSN, #10-24 NC X 1.25 IN. LG		
C	30280	NUT – FLG SIDE LK SMTH FACE 5/16 NC GR 5 ZP		
D	105197	NUT – HEX LOCK .187-24 UNC		

44. (MD #B5671) – AGCO (Except Gleaner R/S) Completion Package, (MD #B5761) – Gleaner “R” and “S” Series Completion Package includes Adapter, Hydraulic, and Electrical Completion Packages to complete a stand-alone CA25E or to convert an existing factory installed CA25E. Kits available through Whole Goods only.

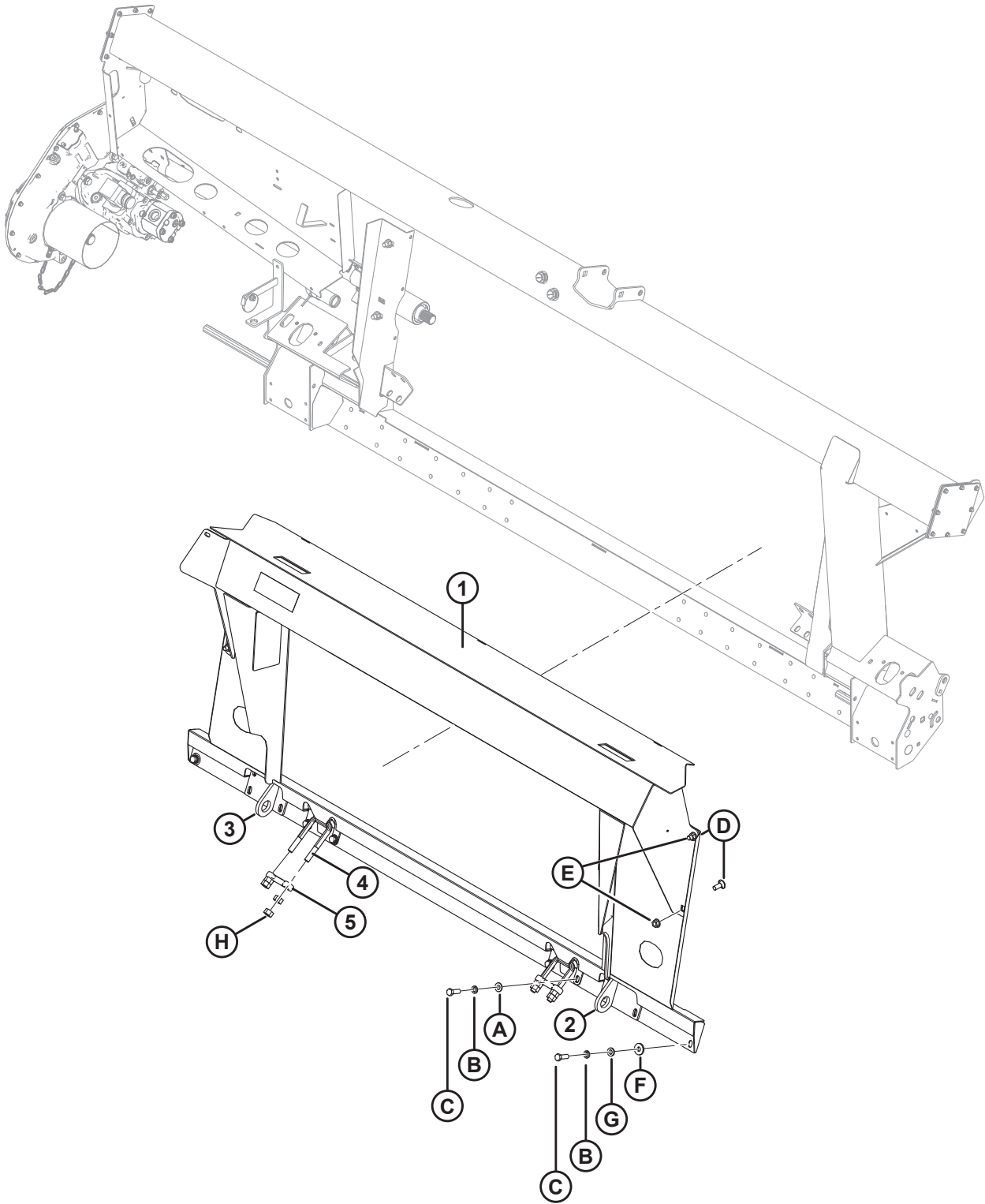
24 Gleaner – R/S Series Narrow Completion Kit



GLENER – R/S SERIES NARROW COMPLETION KIT

Ref	Part Number	Description	Qty	Serial Number
1	245816	FILLER – WELDMENT (RH)	1	
	245815	FILLER – WELDMENT (LH)	1	
2	133984	TUBE – SQUARE, NARROW AGCO	1	
3	245763	DOOR – ACCESS	2	
A	21868	BOLT – RHSSN 1/2 NC X 1.0 GR 5 ZP		
B	50186	NUT – FLG LOC SM FACE DT 0.500-13 UNC GR 5		
C	21471	BOLT – RHSN 1/2-13 X 1.25 GR 5 ZP		
D	21282	BOLT – RHSN 5/16-18 X 1 GR 5 ZP		
E	18589	NUT – HEX 5/16-18 UNC GR 5 ZP		
F	18597	WASHER – SAE FLAT 11/32 I.D. X 11/16 IN. O.D. ZP		
G	18636	WASHER – REG. LOCK 5/16 IN. NOM. I.D. ZP		

25 Case 20 Series – Adapter Completion

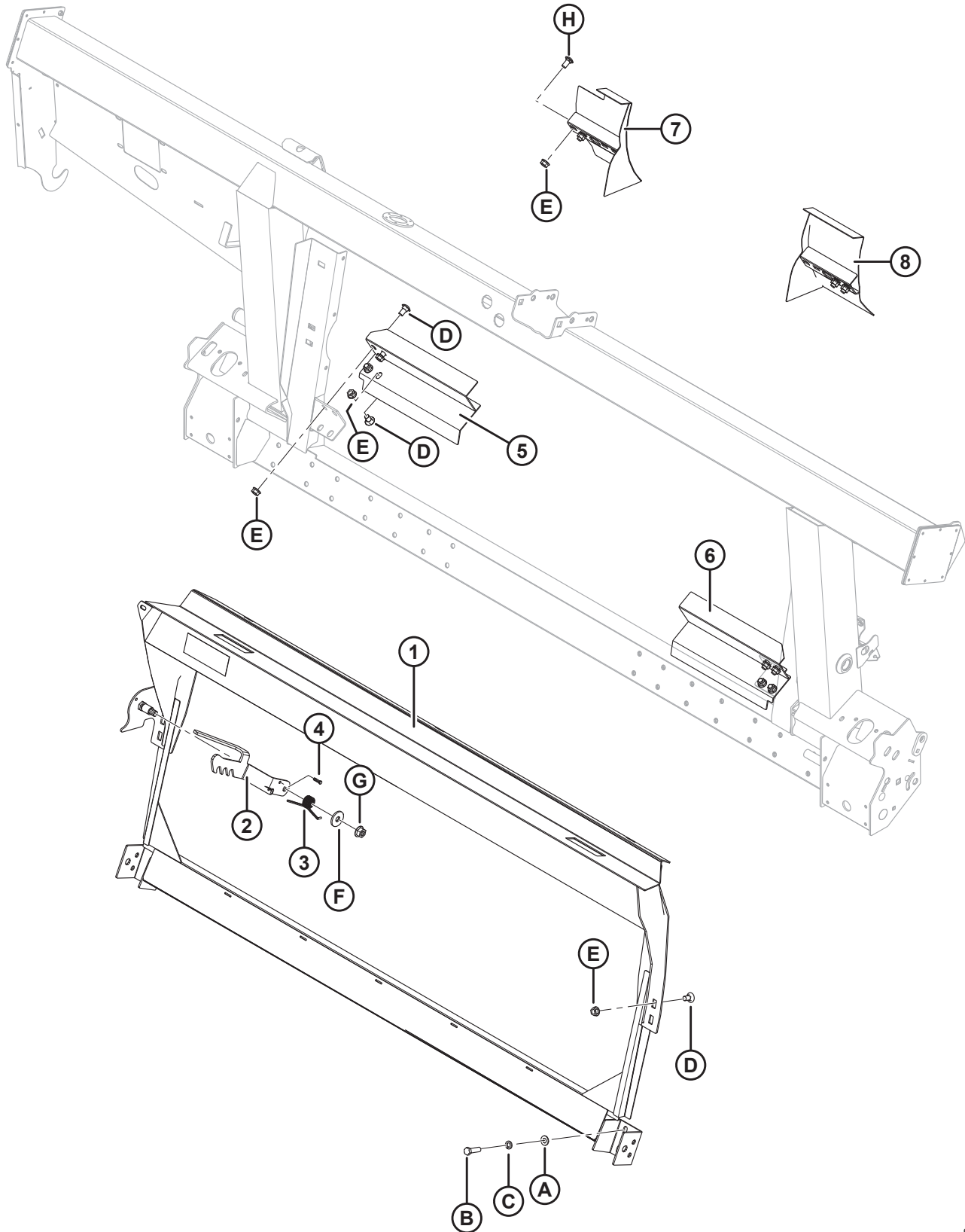


CASE 20 SERIES – ADAPTER COMPLETION

Ref	Part Number	Description	Qty	Serial Number
	B5668	KIT – CIH 2300/2500 COMPLETION PACKAGE ⁴⁵		
1	133262	FRAME – CASE 2388 COMPLETION	1	
2	133288	BRACKET – 2388 LOCK (RH)	1	
3	133257	BRACKET – 2388 LOCK (LH)	1	
4	133242	U-BOLT	2	
5	133241	LATCH – 2300 SERIES COMBINE	2	
A	18599	WASHER – SAE FLAT 17/32 I.D. X 1-1/16 IN. O.D. ZP		
B	18638	WASHER – REG. LOCK 1/2 IN. NOM. I.D. ZP		
C	18723	BOLT – HH 1/2 NC X 1.5 LG TFL GR 5 ZP		
D	21471	BOLT – RHSN 1/2 NC X 1.25 GR 5 ZP		
E	50186	NUT – FLG LOC SM FACE DT 0.500-13 UNC GR 5		
F	4761	WASHER – FLAT		
G	187518	WASHER – FLAT		
H	18592	NUT – HEX 5/8-11 UNC GR 5 ZP		

45. (MD #B5668) – CIH 2300/2500 Completion Package includes Adapter, Hydraulic, and Electrical Completion Packages to complete a stand-alone CA25E or to convert an existing factory installed CA25E. Kits available through Whole Goods only.

26 Case IH and New Holland CR/CX – Adapter Completion

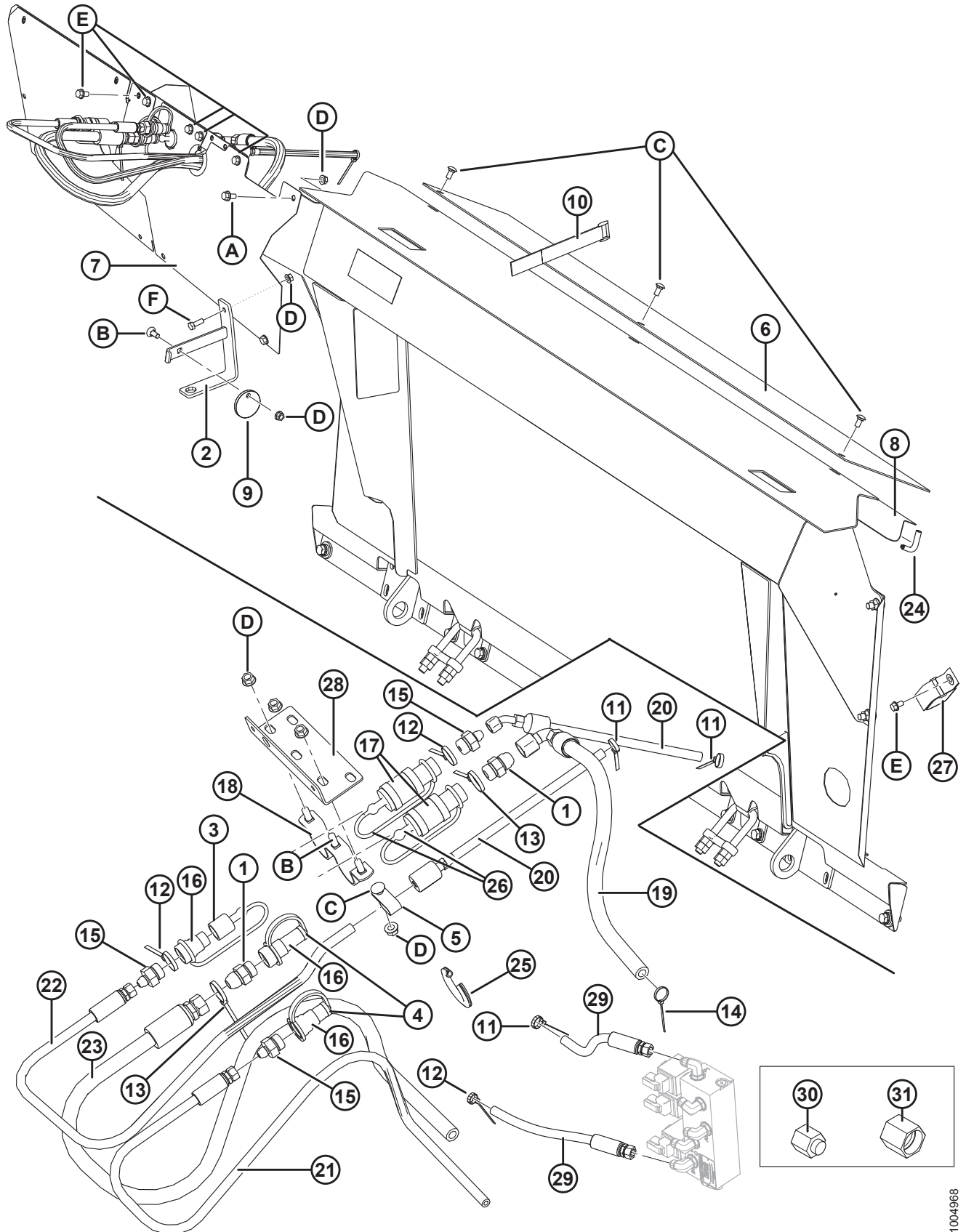


CASE IH AND NEW HOLLAND CR/CX – ADAPTER COMPLETION

Ref	Part Number	Description	Qty	Serial Number
	B5667	KIT – CIH 70/8010, 71/81/9120, 72/82/9230 50/60/7088 COMPLETION PACKAGE ⁴⁶		
	B5762	KIT – NEW HOLLAND CR/CX COMPLETION PACKAGE ⁴⁶		
1	279493	FRAME – CNH TRANSITION	1	
2	187006	LATCH – WELDT	1	
3	156948	SPRING – TORSION	1	
4	135655	PIN – CLEVIS	1	
5	133336	STRIPPER – WELDT, LH	1	
6	133337	STRIPPER – WELDT, RH	1	
7	187415	DEFLECTOR – WELDT, LH SHORT	1	
	187390	DEFLECTOR – WELDT, LH (NOT ILLUSTRATED)	1	
8	187416	DEFLECTOR – WELDT, RH SHORT	1	
	187391	DEFLECTOR – WELDT, RH (NOT ILLUSTRATED)	1	
A	18599	WASHER – SAE FLAT 17/32 I.D. X 1-1/16 IN. O.D. ZP		
B	50072	BOLT – HH 1/2 NC X 1.75 TFL GR 5 ZP		
C	18638	WASHER – REG LOCK 1/2 IN. NOM. I.D. ZP		
D	21066	BOLT – RHSN 1/2 NC X 1 GR 5 ZP		
E	50186	NUT – FLANGE LOCK SM FACE DT 0.500-13 UNC GR 5		
F	23745	WASHER – FLAT		
G	50225	NUT – FLANGE DT SMOOTH FACE .625-11 UNC		
H	21868	BOLT – RHSN 1/2 NC X 1.0 GR 5 ZP		

46. (MD #B5667) – CIH 70/8010, 71/81/9120, 72/82/9230 50/60/7088 Completion Package, (MD #B5762) – New Holland CR/CX Completion Package includes Adapter, Hydraulic, and Electrical Completion Packages to complete a stand-alone CA25E or to convert an existing factory installed CA25E. Kits available through Whole Goods only.

27 Case 20 Series – Hydraulic Completion

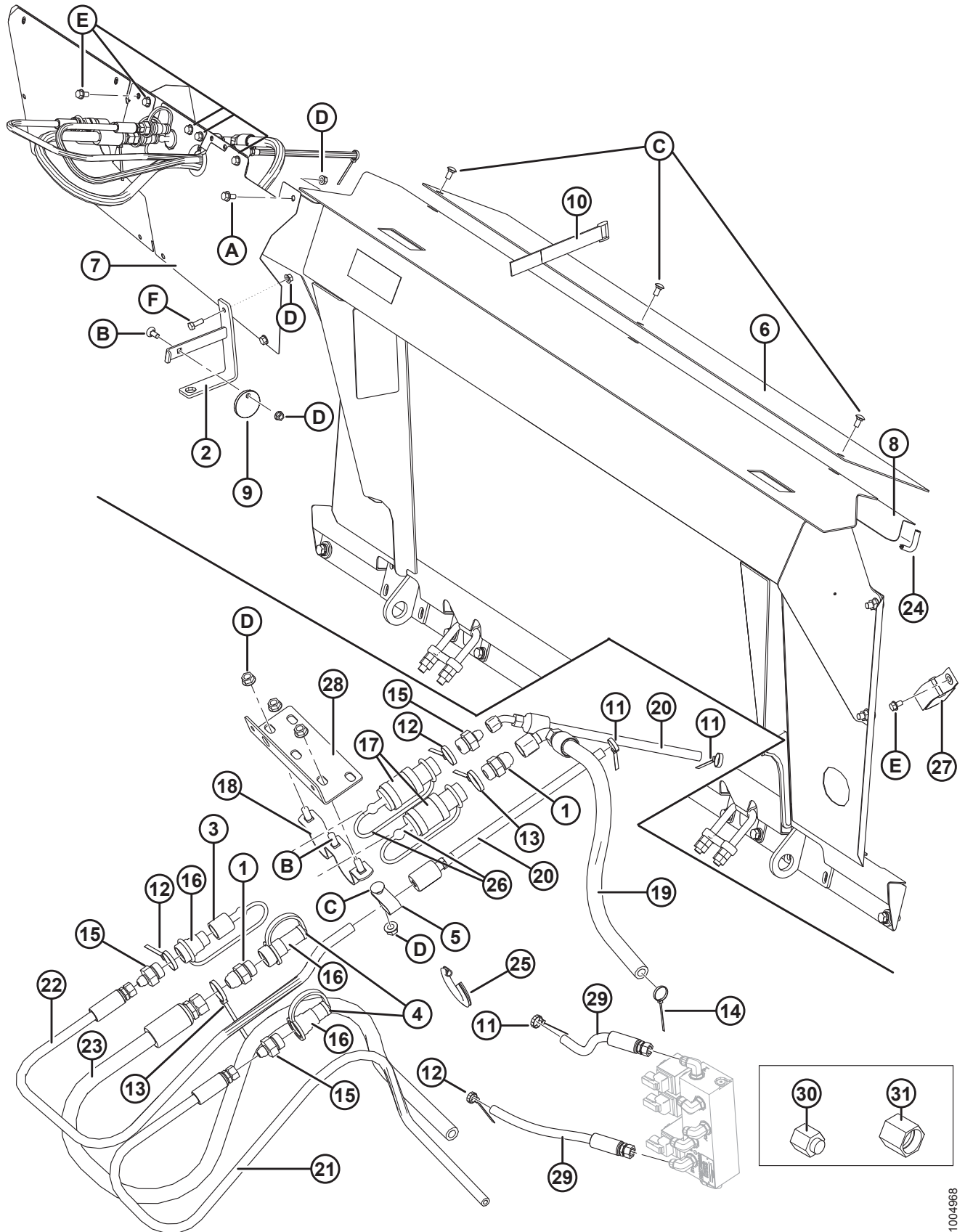


CASE 20 SERIES – HYDRAULIC COMPLETION

Ref	Part Number	Description	Qty	Serial Number
	B5668	KIT – CIH 2300/2500 COMPLETION PACKAGE ⁴⁷		
1	30695	FITTING – CONNECTOR HYDRAULIC	2	
2	133166	BRACKET – DRIVELINE HANGER WELDT	1	
3	114230	CAP	1	
4	21856	CAP – DUST	2	
5	252559	CLAMP – INSULATED	1	
6	187723	COVER – TOP FEED AUGER	1	
7	133280	COVER – COUPLERS	1	
8	156725	COVER – HOSE	1	
9	133165	DISC-LOCK – DRIVELINE	1	
10	135444	FASTENER – CINCH STRAP 6 IN. LG	6	
11	49227	FASTENER – CABLE TIE (GREEN)	3	
12	40702	FASTENER – CABLE TIE (RED)	3	
13	49232	FASTENER – CABLE TIE (WHITE)	2	
14	40701	FASTENER – CABLE TIE (YELLOW)	1	
15	114141	FITTING – CONNECTOR HYDRAULIC	3	
16	114142	FITTING – COUPLING HYDRAULIC	3	
17	114143	FITTING – COUPLING HYDRAULIC	2	
18	114140	HOLDER	1	
19	156758	HOSE – HYDRAULIC 1/2 IN. I.D. 4330 MM LG 100R17	1	
20	133261	HOSE – HYD 1/4 IN. I.D. 4330 MM LG 100R17, METAL REIN.	2	
21	156909	HOSE – HYDRAULIC 1/4 IN. I.D. 5530 MM LG 100R17	1	
22	156935	HOSE – HYDRAULIC 1/4 IN. I.D. 1200 MM LG 100R17	1	
23	156938	HOSE – HYDRAULIC 1/2 IN. I.D. 5530 MM LG 100R17	1	
24	42589	MOULDING	2	
25	109791	MOULDING	1	
26	114229	PLUG	2	
27	163598	STRAP – VELCRO, HANGING	1	
28	156606	SUPPORT – HYDRAULIC COUPLER	1	
29	133260	HOSE – HYD 1/4 IN. I.D., 470 MM LG, 100R17, METAL REIN.	2	
30	30813	CAP – 3/8 IN. TUBE 37° FLARE (FOR SHIPPING ONLY)	1	
31	108233	CAP – 1/2 IN. TUBE (FOR SHIPPING ONLY)	1	

47. (MD #B5668) – CIH 2300/2500 Completion Package includes Adapter, Hydraulic, and Electrical Completion Packages to complete a stand-alone CA25E or to convert an existing factory installed CA25E. Kits available through Whole Goods only.

CASE 20 SERIES – HYDRAULIC COMPLETION

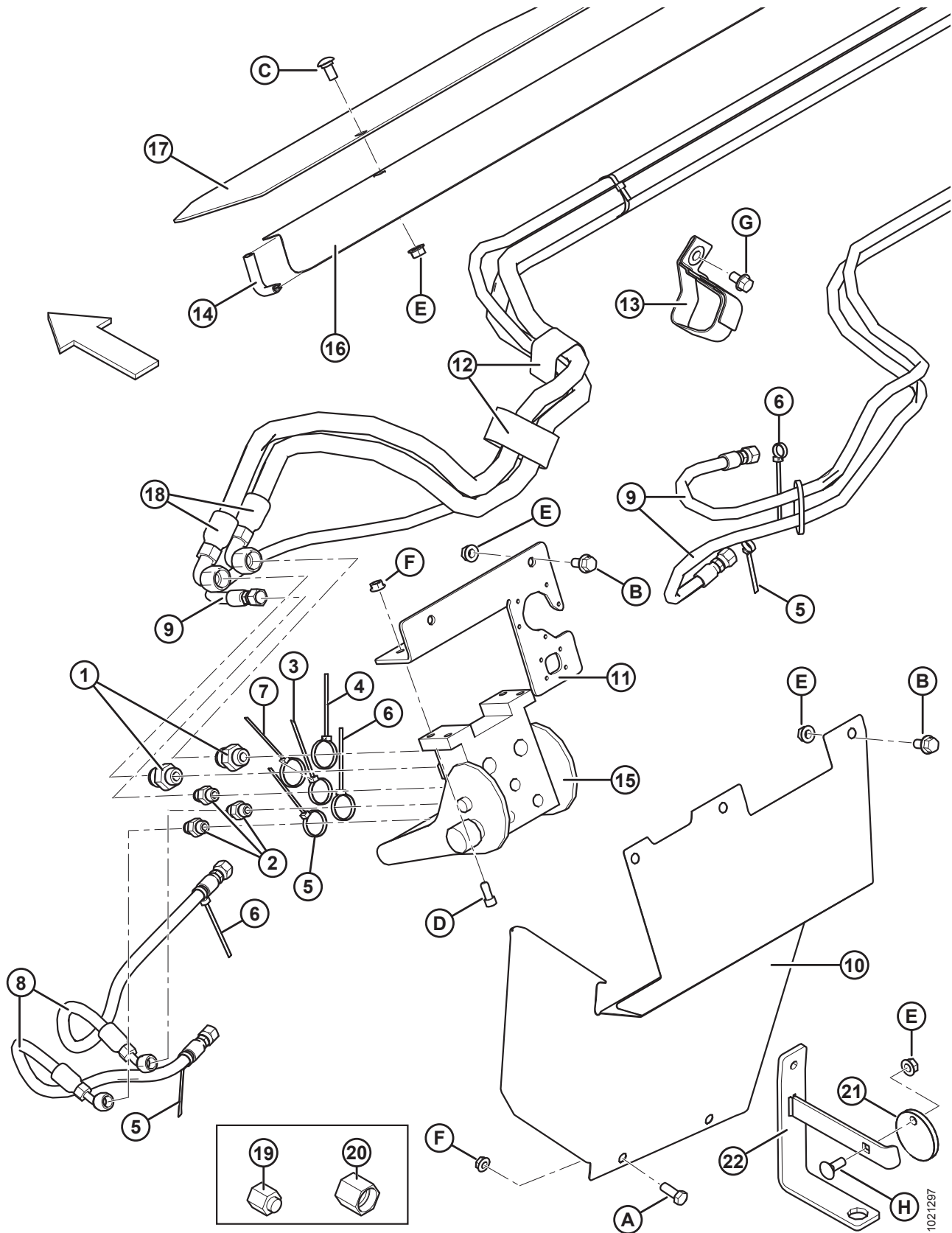


1004968

CASE 20 SERIES – HYDRAULIC COMPLETION

Ref	Part Number	Description	Qty	Serial Number
A	21821	BOLT – HH FLG (SER FACE) 3/8 NC X 0.75 GR 5 ZP		
B	19965	BOLT – RHSN 3/8 NC X 1.0 GR 5 ZP		
C	21863	BOLT – RHSSN 3/8 NC X 0.75 LG GR 5 ZP		
D	30228	NUT – FLANGE DT SMOOTH FACE 0.375-16 UNC		
E	101898	SCREW – SELF TAPPING 3/8 NC X 5/8 LG		
F	20077	BOLT – HEX HD 3/8 NC X 1.0 LG GR 5 ZP		

28 Case IH and New Holland CR/CX – Hydraulic Completion



CASE IH AND NEW HOLLAND CR/CX – HYDRAULIC COMPLETION

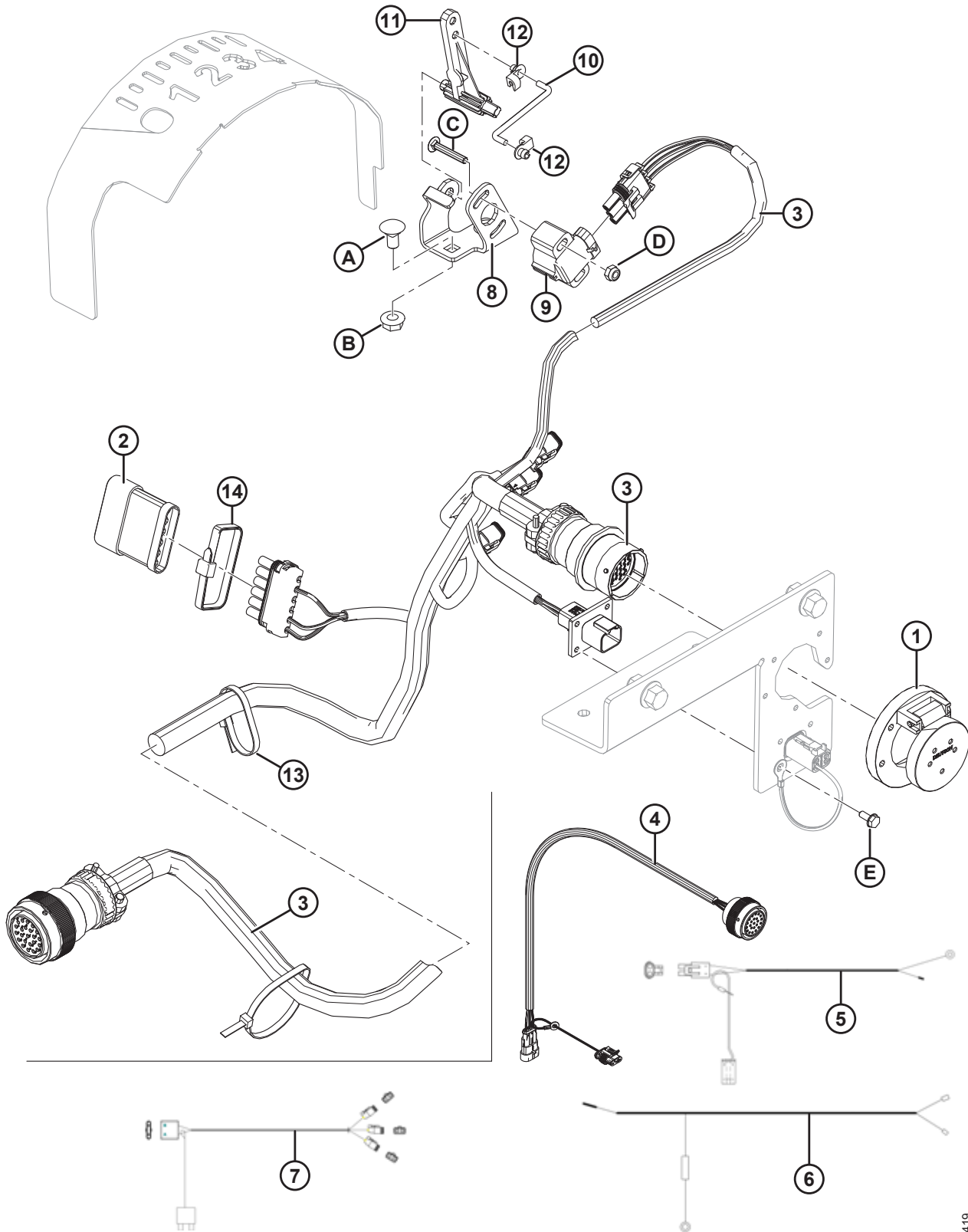
Ref	Part Number	Description	Qty	Serial Number
	B5667	KIT – CIH 70/8010, 71/81/9120, 72/82/9230 50/60/7088 COMPLETION PACKAGE ⁴⁸		
	B5762	KIT – NEW HOLLAND CR/CX COMPLETION PACKAGE ⁴⁸		
1	21747	FITTING – CONNECTOR HYDRAULIC	2	
2	158587	FITTING – CONN HYD 0.052 IN. ORIFICE	3	
3	21763	FASTENER – CABLE TIE (BLACK)	3	
4	40701	FASTENER – CABLE TIE (YELLOW)	3	
5	40702	FASTENER – CABLE TIE (RED)	3	
6	49227	FASTENER – CABLE TIE (GREEN)	3	
7	49232	FASTENER – CABLE TIE (WHITE)	2	
8	133260	HOSE – HYD 470 MM TO SELECTOR VALVE PORTS P1, P2	2	
9	156759	HOSE – HYDRAULIC 1/4 IN. I.D. 4330 MM LG 100R17	3	
10	220656	COVER – COUPLERS	1	
11	220654	SUPPORT – HYD COUPLER, MACHINING AND FORMING	1	
12	135444	FASTENER – CINCH STRAP 6 IN. LG	10	
13	163598	STRAP – VELCRO, HANGING	1	
14	42589	MOULDING	2	
15	153151	COUPLING – MULTI	1	
	129800	COVER – KIT		
	129801	LATCH – BUTTON KIT		
	129976	COUPLING – 1/4 IN.		
	129977	COUPLING – 3/8 IN.		
16	156725	COVER – HOSE	1	
17	187723	COVER – TOP FEED AUGER	1	
18	156758	HOSE – HYDRAULIC 1/2 IN. I.D. 4330 MM LG 100R17	2	
19	30813	CAP – 3/8 IN. TUBE 37° FLARE (FOR SHIPPING ONLY)	1	
20	108233	CAP – 1/2 IN. TUBE (FOR SHIPPING ONLY)	1	
21	133165	DISC – LOCK, DRIVELINE HANGER	1	
22	133166	BRACKET – DRIVELINE HANGER WELDT	1	

48. (MD #B5667) – CIH 70/8010, 71/81/9120, 72/82/9230 50/60/7088 Completion Package, (MD #B5762) – New Holland CR/CX Completion Package includes Adapter, Hydraulic, and Electrical Completion Packages to complete a stand-alone CA25E or to convert an existing factory installed CA25E. Kits available through Whole Goods only.

CASE IH AND NEW HOLLAND CR/CX – HYDRAULIC COMPLETION

Ref	Part Number	Description	Qty	Serial Number
A	20077	BOLT – HEX HD 3/8 NC X 1.0 TFL GR 5 BLK		
B	21821	BOLT – HH FLG (SER FACE) 3/8 NC X 0.75 GR 5 ZP		
C	21863	BOLT – RHSSN 3/8 NC X 0.75 LG GR 5 ZP		
D	135397	BOLT – SOCKET HD HEX 5/16 NC X 3/4		
E	30228	NUT – FLANGE DT SMOOTH FACE 0.375-16 UNC		
F	30280	NUT – FL PREV-TOR SIDE DT SM FACE 0.312-18 UNC GR 5		
G	101898	SCREW – SELF TAPPING 3/8 NC X 5/8 LG		
H	19965	BOLT – RHSN 3/8 NC X 1.0 GR 5 ZP		

29 Case IH/20 Series and New Holland CR/CX – Electrical Completion

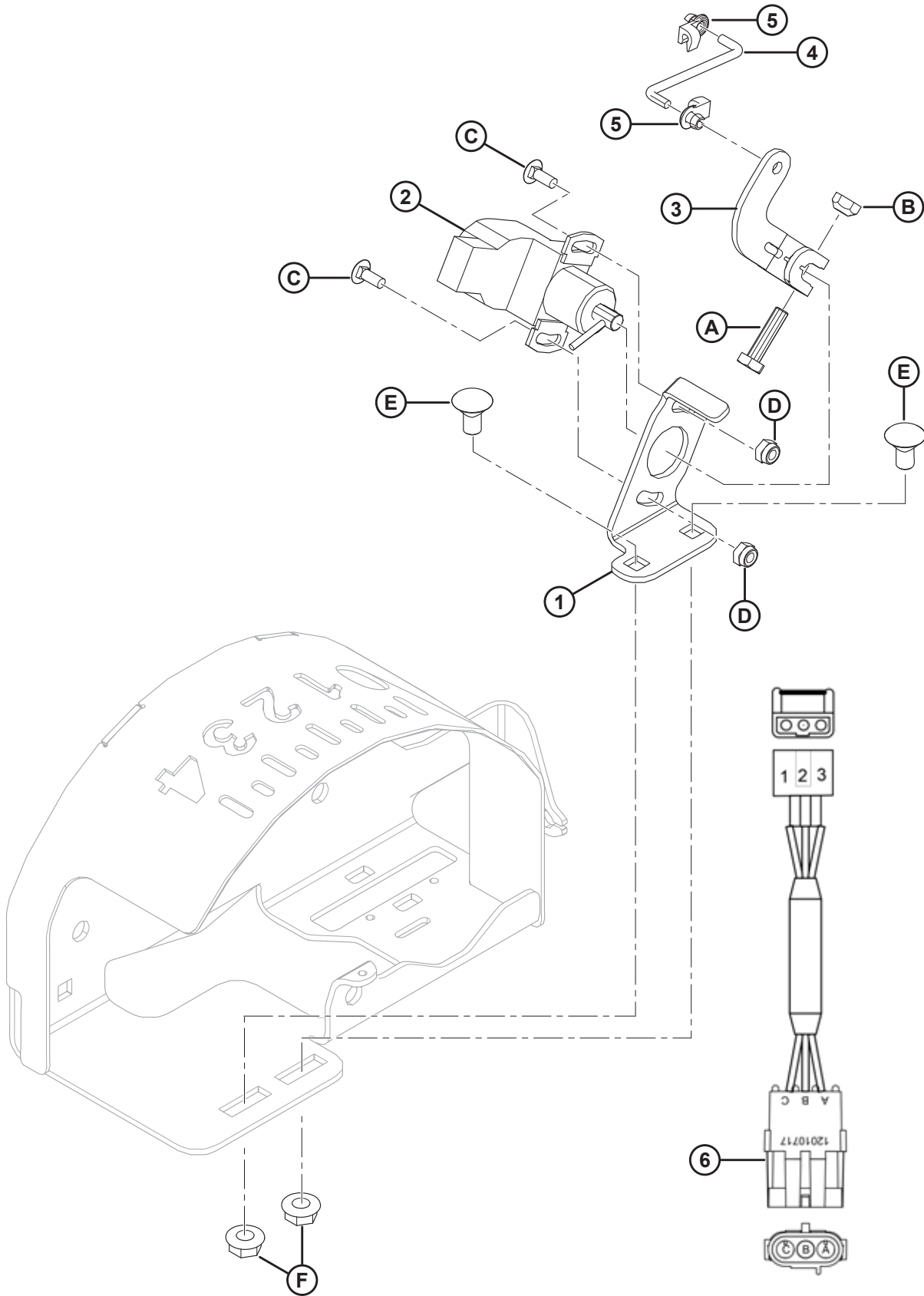


CASE IH/20 SERIES AND NEW HOLLAND CR/CX – ELECTRICAL COMPLETION

Ref	Part Number	Description	Qty	Serial Number
	B5667	KIT – CIH 70/8010, 71/81/9120, 72/82/9230 50/60/7088 COMPLETION PACKAGE ⁴⁹		
	B5668	KIT – CIH 2300/2500 COMPLETION PACKAGE ⁴⁹		
	B5762	KIT – NEW HOLLAND CR/CX COMPLETION PACKAGE ⁴⁹		
1	133277	COVER – ELECTRICAL	1	
2	153933	RESISTOR – HEADER RECOGNITION	1	
3	220328	HARNESS – WIRING (CNH)	1	
	133133	HARNESS – WIRING (CASE 20 SERIES ONLY)	1	
4	156612	HARNESS – WIRING (CASE 20 SERIES ONLY)	1	
5	153989	HARNESS – WIRING, HEADER CONNECTER POINT TO CAB (CASE 20 SERIES ONLY)	1	
6	153990	HARNESS – WIRING, FORE-AFT/DECK TILT CAB INTERIOR (CASE 20 SERIES ONLY)	1	
7	129566	HARNESS – WIRING, REEL FORE-AFT/HEADER TILT VALVE (CASE 20 SERIES ONLY)	1	
8	187670	SUPPORT – SENSOR MOUNT (CNH / JD / AGCO)	1	
9	158069	CONTROL – POTENTIOMETER	1	
10	158633	ROD – LINKAGE	1	
11	187193	ARM – SENSOR CONTROL	1	
12	153492	CLIP – ROD END	2	
13	21763	FASTENER – CABLE TIE (BLACK, 160 MM LG)	3	
14	30753	FASTENER – CABLE TIE (BLACK, 305 MM LG)	1	
A	135305	BOLT – RHSN 5/16 NC X 0.63 GR 5 ZP		
B	30280	NUT – FLG SIDE LK SMTH FACE 5/16 NC GR 5 ZP		
C	136018	BOLT – RHSN #10-24 NC X 1.25 IN. LG		
D	105197	NUT – HEX LOCK .187-24 UNC		
E	42292	SCREW – SELF TAP HEX WASH HD #10-24 NC X 1.25 IN. LG		

49. (MD #B5667) – CIH 70/8010, 71/81/9120, 72/82/9230 50/60/7088 Completion Package, (MD #B5668) – CIH 2300/2500 Completion Package, (MD #B5762) – New Holland CR/CX Completion Package includes Adapter, Hydraulic, and Electrical Completion Packages to complete a stand-alone CA25E or to convert an existing factory installed CA25E. Kits available through Whole Goods only.

30 New Holland 10 Volt Auto Header Height Sensor



NEW HOLLAND 10 VOLT AUTO HEADER HEIGHT SENSOR

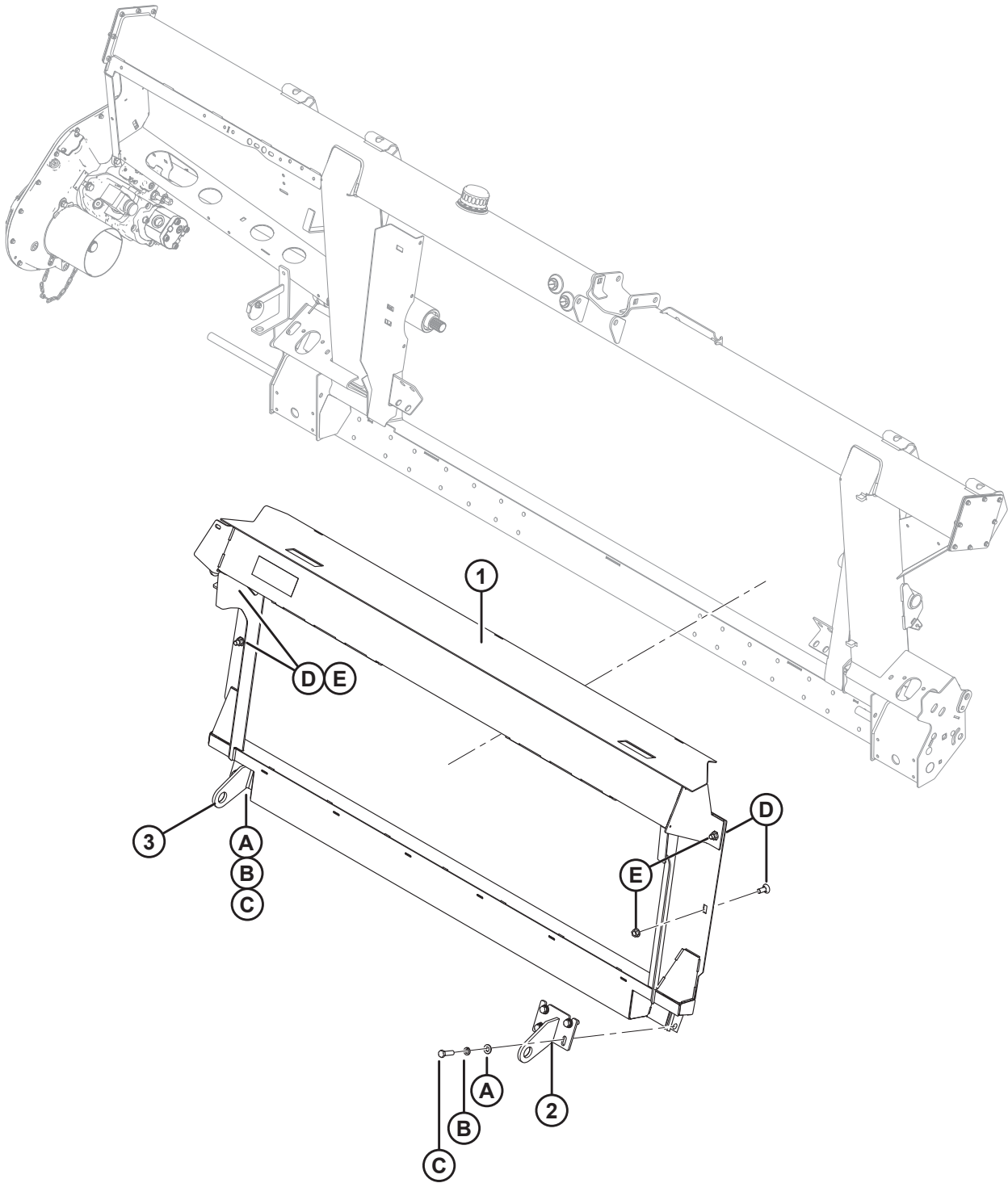
Ref	Part Number	Description	Qty	Serial Number
	B5847	KIT – NEW HOLLAND AHHC 10V SENSOR ⁵⁰		
1	187682	SUPPORT – SENSOR MOUNT NEW HOLLAND 10V	1	
2	153692	CONTROL – INDUCTIVE ANGLE SENSOR	1	
3	133158	ARM – LINKAGE (NH CR/CX)	1	
4	158633	ROD – LINKAGE	1	
5	153492	CLIP – ROD END	2	
6	191757	HARNESS – WIRING ADAPTER AHHC NH	1	
A	21573	BOLT – HEX HD 1/4 NC X 1.0 LG GR 5 ZP		
B	18724	NUT – HEX LOCK DT 1/4-20 UNC ZP		
C	30465	BOLT – RHSN, #10-24 NC X 0.5 IN.		
D	105197	NUT – HEX LOCK 187-24 UNC		
E	135305	BOLT – RHSN 5/16-18 X .63 GR 5 ZP		
F	30280	NUT – FLG SIDE LK SMTH FACE 5/16 NC GR 5 ZP		

NOTE:

This kit assumes that the New Holland CR/CX Completion Package (MD #B5762) has already been installed on the adapter (installation may have been done in the factory). This completion package is required for all CA25E Combine Adapters used with New Holland 10 volt combines.

50. Kits available through Whole Goods only.

31 John Deere 50/60/70 S Series – Adapter Completion

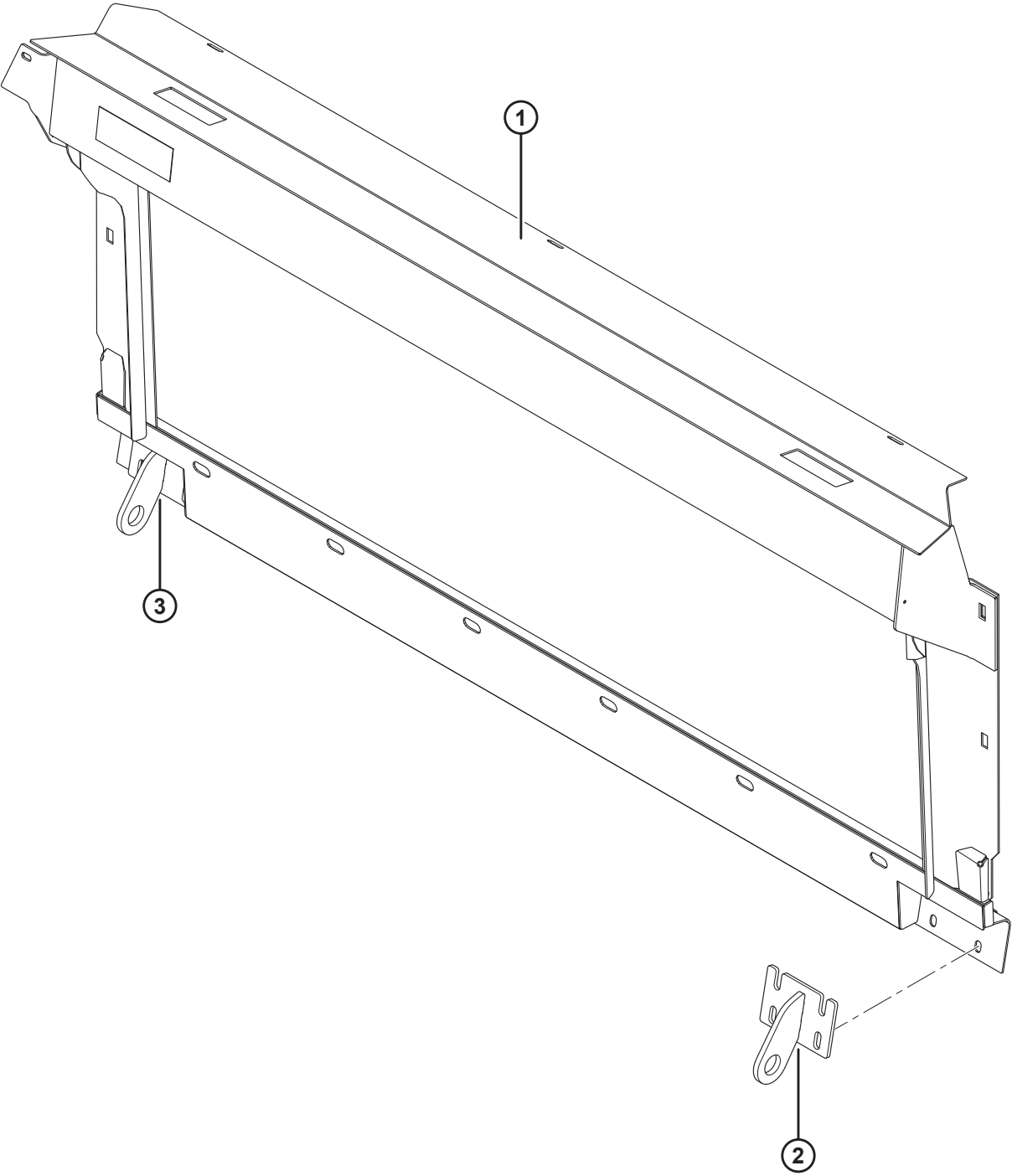


JOHN DEERE 50/60/70 S SERIES – ADAPTER COMPLETION

Ref	Part Number	Description	Qty	Serial Number
	B5670	KIT – JD 50 SERIES COMPLETION PACKAGE ⁵¹		
	B5669	KIT – JD 60/70 S SERIES COMPLETION PACKAGE ⁵¹		
1	220628	FRAME – JD WELDT LEVEL LAND	1	
2	151942	BRACKET – RIGHT WELDT	1	
3	151941	BRACKET – LEFT WELDT	1	
A	18599	WASHER – SAE FLAT 17/32 I.D. X 1-1/16 IN. O.D. ZP		
B	18638	WASHER – REG LOCK 1/2 IN. NOM I.D. ZP		
C	50072	BOLT – HH 1/2 NC X 1.75 TFL GR 5 ZP		
D	21471	BOLT – RHSN 1/2 NC X 1.25 GR 5 ZP		
E	50186	NUT – FLG LOC SM FACE DT 0.500-13 UNC GR 5		

51. (MD #B5670) – JD 50 Series Completion Package, (MD #B5669) – JD 60/70 S Series Completion Package includes Adapter, Hydraulic, and Electrical Completion Packages to complete a stand-alone CA25E or to convert an existing factory installed CA25E. Kits available through Whole Goods only.

32 John Deere – Contour Master Transition Frame

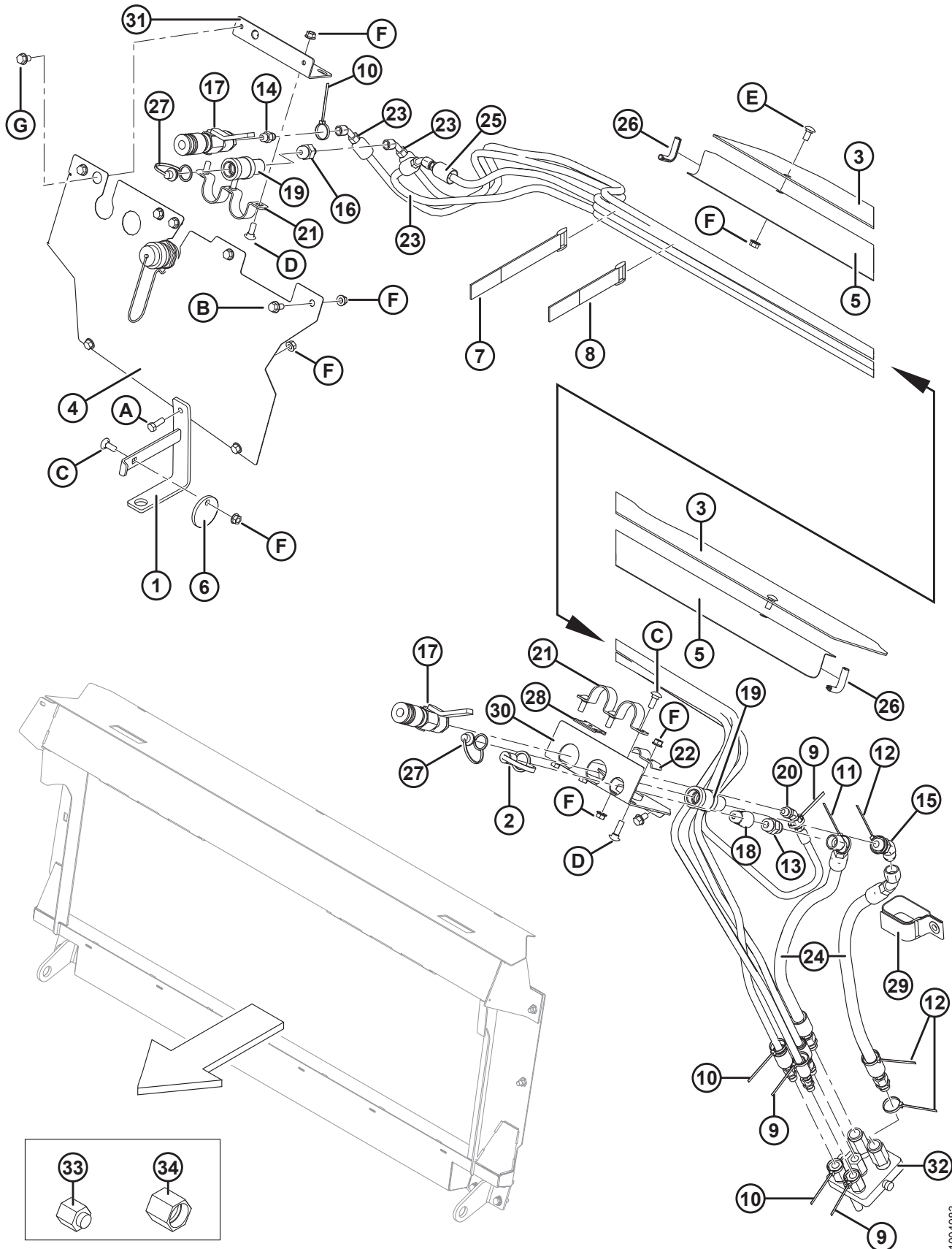


JOHN DEERE – CONTOUR MASTER TRANSITION FRAME

Ref	Part Number	Description	Qty	Serial Number
	B5883	KIT – JD CONTOUR MASTER TRANSITION FRAME ⁵²		
1	279252	FRAME – JOHN DEERE CONTOUR MASTER WELDMENT	1	
2	245761	BRACKET – WELDT JD CONT MASTER (RIGHT)	1	
3	245760	BRACKET – WELDT JD CONT MASTER (LEFT)	1	

52. (MD #B5883) – John Deere Contour Master Transition Frame: Sold as a performance option only. For production line units (parts), refer to Section *31 John Deere 50/60/70 S Series – Adapter Completion, page 91*.

33 John Deere 50 Series – Hydraulic Completion



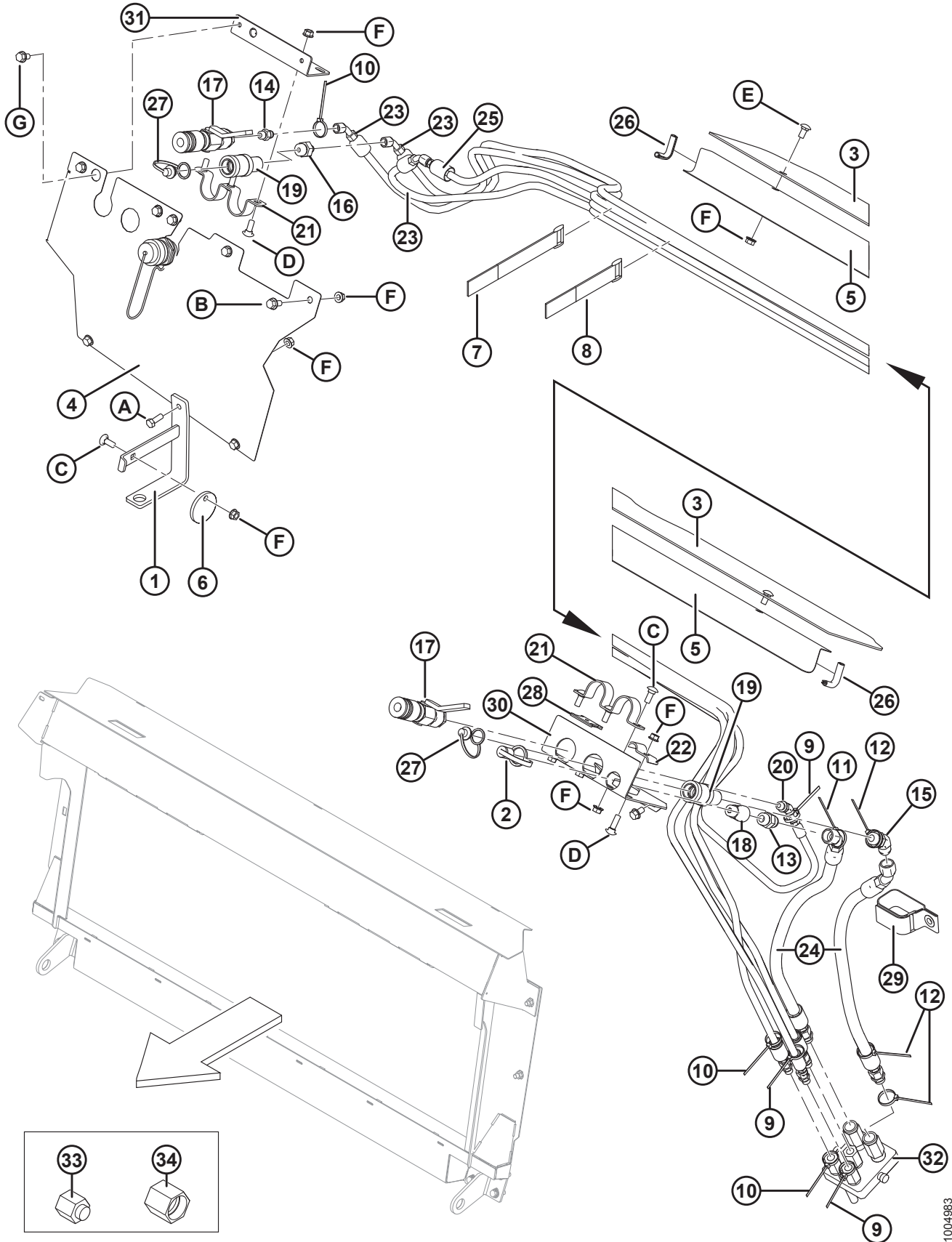
1004983

JOHN DEERE 50 SERIES – HYDRAULIC COMPLETION

Ref	Part Number	Description	Qty	Serial Number
	B5670	KIT – JD 50 SERIES COMPLETION PACKAGE ⁵³		
1	133166	BRACKET – DRIVELINE HANGER WELDT	1	
2	21856	CAP – DUST	1	
3	187723	COVER – TOP FEED AUGER	1	
4	133280	COVER – COUPLERS	1	
5	156725	COVER – HOSE	1	
6	133165	DISC – LOCK, DRIVELINE	1	
7	135444	FASTENER – CINCH STRAP 6 IN. LG	3	
8	135443	FASTENER – CINCH STRAP 4 IN. LG	3	
9	49227	FASTENER – CABLE TIE (GREEN)	3	
10	40702	FASTENER – CABLE TIE (RED)	3	
11	49232	FASTENER – CABLE TIE (WHITE)	1	
12	40701	FASTENER – CABLE TIE (YELLOW)	3	
13	30695	FITTING – CONNECTOR HYD STRGHT THRD SHORT SAE	1	
14	15903	FITTING – CONNECTOR HYD STRGHT THRD SHORT SAE	1	
15	50103	FITTING – ELBOW 45° HYD C/W O-RING	1	
16	114141	FITTING – CONNECTOR HYD STRGHT THRD SHORT SAE	1	
17	114120	FITTING – COUPLING HYD NON ALLOY STEEL, FEMALE JOHN DEERE FORE AFT WITH LEVER SHUT OFF	2	
18	114142	FITTING – COUPLING HYD MALE CASE	1	
19	114143	FITTING – COUPLING HYD NONALLOY STEEL	2	
20	30284	FITTING – ELBOW 45° HYD C/W O-RING	1	
21	114140	HOLDER	2	
22	29934	HOLDER	1	
23	133261	HOSE – HYD 1/4 IN. I.D. 4330 MM LG, 100R17, METAL REIN.	3	
24	156940	HOSE – HYD 1/2 IN. I.D. 1200 MM LG 100R17, METAL REIN.	2	
25	133730	HOSE – HYD 1/4 IN. I.D. 3430 MM LG 100R17, METAL REIN.	1	

53. (MD #B5670) – JD 50 Series Completion Package includes Adapter, Hydraulic, and Electrical Completion Packages to complete a stand-alone CA25E or to convert an existing factory installed CA25E. Kits available through Whole Goods only.

JOHN DEERE 50 SERIES – HYDRAULIC COMPLETION

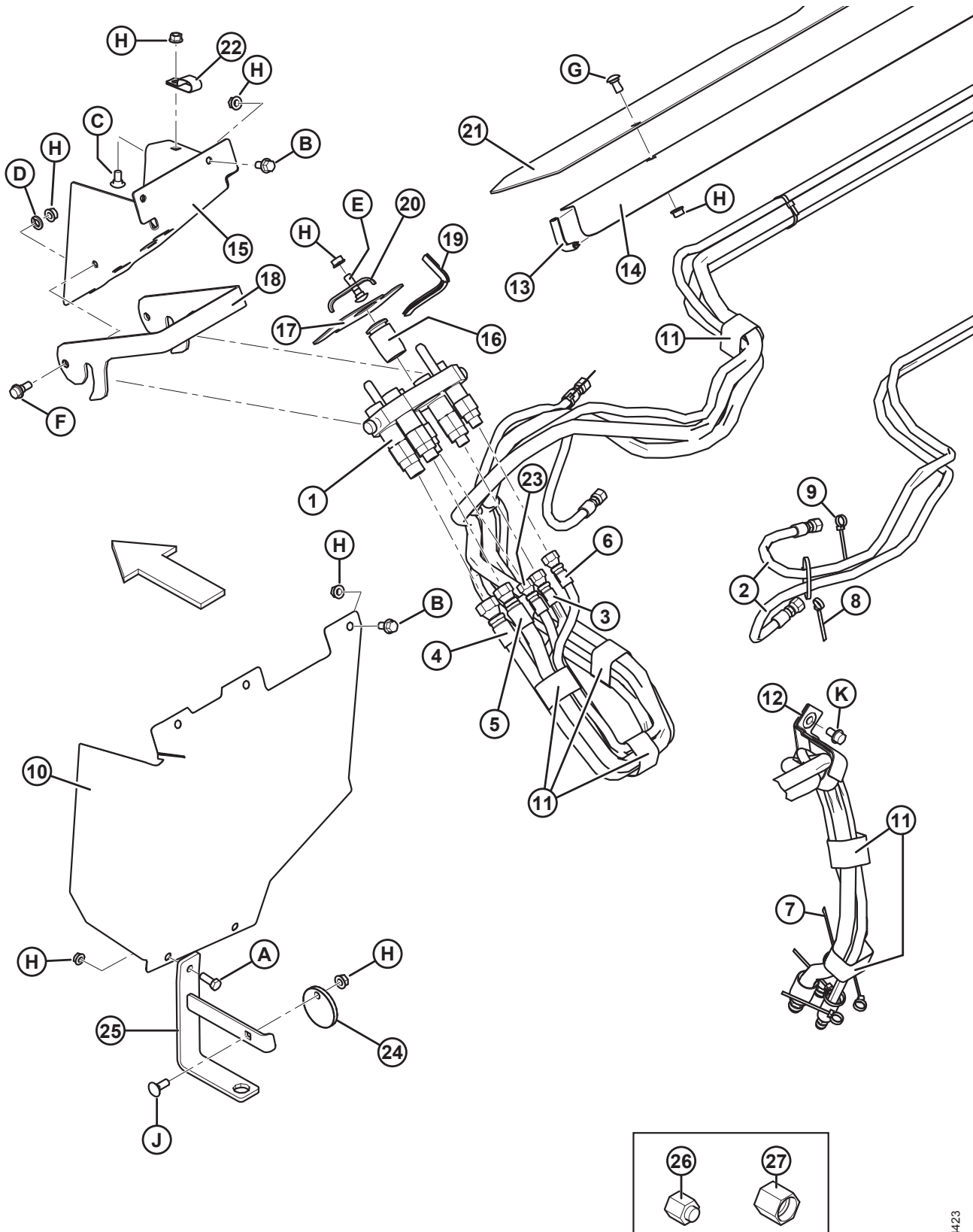


1004983

JOHN DEERE 50 SERIES – HYDRAULIC COMPLETION

Ref	Part Number	Description	Qty	Serial Number
26	42589	MOULDING	2	
27	21858	PLUG – DUST	2	
28	158253	SPACER – COUPLER MTG	2	
29	163598	STRAP – VELCRO, HANGING	1	
30	156967	SUPPORT – RH HYD COUPLER	1	
31	156606	SUPPORT – HYD COUPLER	1	
32	135238	COUPLING – MULTI LINK	1	
	111981	SEAL KIT – 1/4 IN. COUPLER	3	
	111982	SEAL KIT – 3/8 IN. COUPLER	2	
	111983	KIT – SCREW	1	
	111984	KIT – DOWEL	1	
	111985	COUPLER – 3/8 IN. (LONG)	1	
	111986	COUPLER – 1/4 IN.	3	
	111987	COUPLER – 3/8 IN. (SHORT)	1	
33	30813	CAP – 3/8 IN. TUBE 37° FLARE (FOR SHIPPING ONLY)	1	
34	108233	CAP – 1/2 IN. TUBE (FOR SHIPPING ONLY)	1	
A	20077	BOLT – HEX HD 3/8 NC X 1.0 LG GR 5 ZP		
B	21821	BOLT – HH FLG (SER FACE) 3/8 NC X 0.75 GR 5 ZP		
C	19965	BOLT – RHSN 3/8 NC X 1.0 GR 5 ZP		
D	19966	BOLT – RHSN 3/8 NC X 1.25 LG GR 5 ZP		
E	21863	BOLT – RHSSN 3/8 NC X 0.75 LG GR 5 ZP		
F	30228	NUT – FLANGE DT SMOOTH FACE 0.375-16 UNC		
G	101898	SCREW – SELF TAPPING 3/8 NC X 5/8 LG		

34 John Deere 60/70 S Series – Hydraulic Completion



1004423

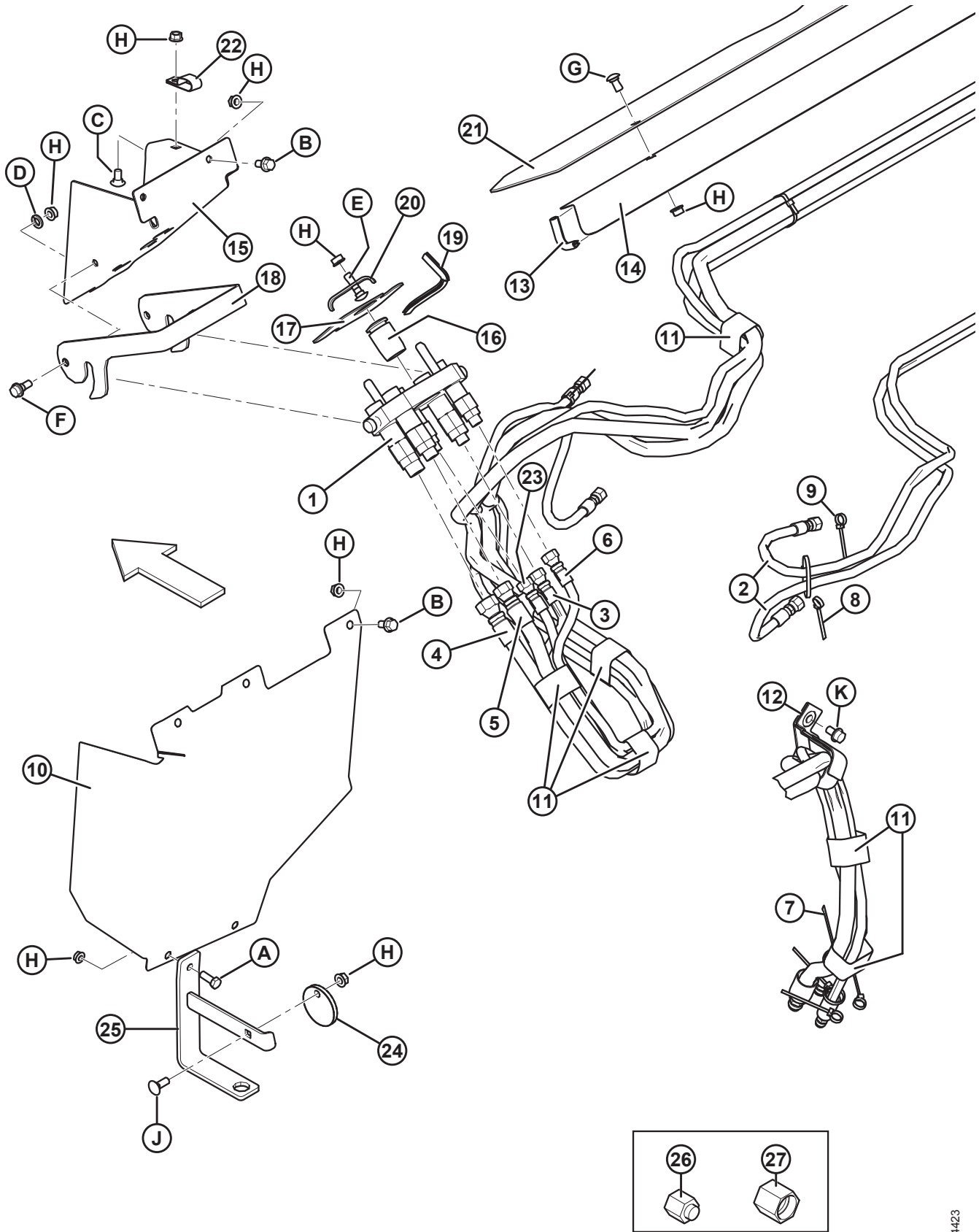
JOHN DEERE 60/70 S SERIES – HYDRAULIC COMPLETION

Ref	Part Number	Description	Qty	Serial Number
	B5669	KIT – JD 60/70 S SERIES COMPLETION PACKAGE ⁵⁴		
1	245820	COUPLING – MULTI JOHN DEERE (PARKER) ⁵⁵	OPT	
	129120	COUPLING – MULTI JOHN DEERE (FASTER)	1	
	279011	KIT – COUPLER 3/8 C/W 3/8 IN. FITTING	2	
	279012	KIT – COUPLER 9/16 C/W 5/8 IN. FITTING	1	
	279013	KIT – COUPLER 9/16 C/W 1/2 IN. FITTING	1	
	279014	KIT – COUPLER 9/16 C/W 3/8 IN. FITTING	1	
	279034	SEAL – SHAPED, 3/8 IN.	2	
	279035	SEAL – SHAPED, 9/16 IN.	3	
2	156759	HOSE – HYDRAULIC 1/4 IN. I.D. 4330 MM LG 100R17	2	
3	156910	HOSE – HYDRAULIC 1/4 IN. I.D. 5530 MM LG 100R17	1	
4	156939	HOSE – HYDRAULIC 1/2 IN. I.D. 5530 MM LG 100R17	1	
5	156970	HOSE – HYD 1/2 IN. I.D. 5530 MM LG 100R17, METAL REIN.	1	
6	220657	HOSE – HYDRAULIC 1/4 IN. I.D. 1450 MM LG 100R17	1	
7	40701	FASTENER – CABLE TIE (YELLOW)	1	
8	40702	FASTENER – CABLE TIE (RED)	3	
9	49227	FASTENER – CABLE TIE (GREEN)	3	
10	133268	COVER – COUPLERS	1	
11	135444	FASTENER – CINCH STRAP 6 IN. LG	10	
12	163598	STRAP – VELCRO, HANGING	1	
13	42589	MOULDING	2	
14	156725	COVER – HOSE	1	
15	133270	BRACKET – COUPLER (JD 60)	1	
16	129148	PLUG – RUBBER	1	
17	129149	PAD – RUBBER	1	
18	129143	LATCH – COUPLER BRACKET	1	
19	109791	MOULDING	1	
20	103351	HOLDER	1	
21	187723	COVER – TOP FEED AUGER	1	

54. (MD #B5669) – JD 60/70 S Series Completion Package includes Adapter, Hydraulic, and Electrical Completion Packages to complete a stand-alone CA25E or to convert an existing factory installed CA25E. Kits available through Whole Goods only.

55. Parker coupling (MD #245820) is interchangeable with Faster coupling (MD #129120) as a complete assembly only (coupling service parts are not interchangeable). Parker coupling includes two bushings (MD #182181), plate (MD #182182), three couplers (MD #184460), two couplers (MD #191704), fittings (MD #184461, 184462, 184463), two fittings (MD #191705), seal kits (MD #129859, 129860), and two bolts (MD #184524).

JOHN DEERE 60/70 S SERIES – HYDRAULIC COMPLETION

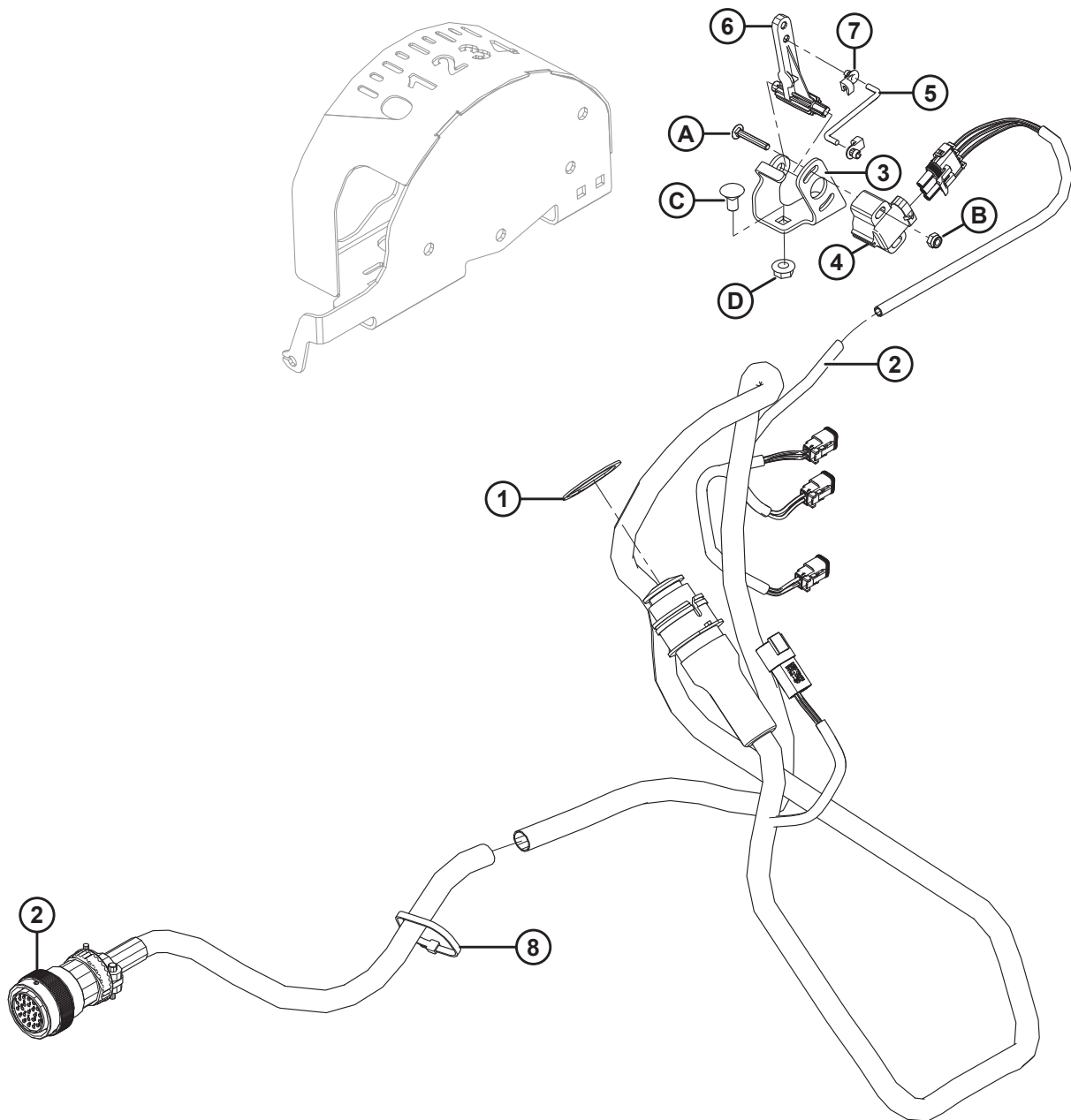


1004423

JOHN DEERE 60/70 S SERIES – HYDRAULIC COMPLETION

Ref	Part Number	Description	Qty	Serial Number
22	135234	CLAMP – DOUBLE HOSE INSULATED	1	
23	220658	HOSE – HYDRAULIC 1/4 IN. I.D. 1650 MM LG 100R17	1	
24	133165	DISC – LOCK, DRIVELINE	1	
25	133166	BRACKET – DRIVELINE HANGER WELDT	1	
26	30813	CAP – 3/8 IN. TUBE 37° FLARE (FOR SHIPPING ONLY)	1	
27	108233	CAP – 1/2 IN. TUBE (FOR SHIPPING ONLY)	1	
A	20077	BOLT – HEX HD 3/8 NC X 1.0 LG GR 5 ZP		
B	21821	BOLT – HH FLG (SER FACE) 3/8 NC X 0.75 GR 5 ZP		
C	21472	BOLT – RHSN 3/8 NC X 0.75 GR 5 ZP		
D	18652	WASHER – REG LOCK 7/16 IN. NOM. I.D. ZP		
E	21484	BOLT – RHSN 3/8 NC X 1.5 LG GR 5 ZP		
F	27647	BOLT – SHOULDER		
G	21863	BOLT – RHSSN 3/8 NC X 0.75 LG GR 5 ZP		
H	30228	NUT – FLANGE DT SMOOTH FACE 0.375-16 UNC		
J	19965	BOLT – RHSN 3/8 NC X 1.0 GR 5 ZP		
K	101898	SCREW – SELF TAPPING 3/8 NC X 5/8 LG		

35 John Deere 50/60/70 S Series – Electrical Completion

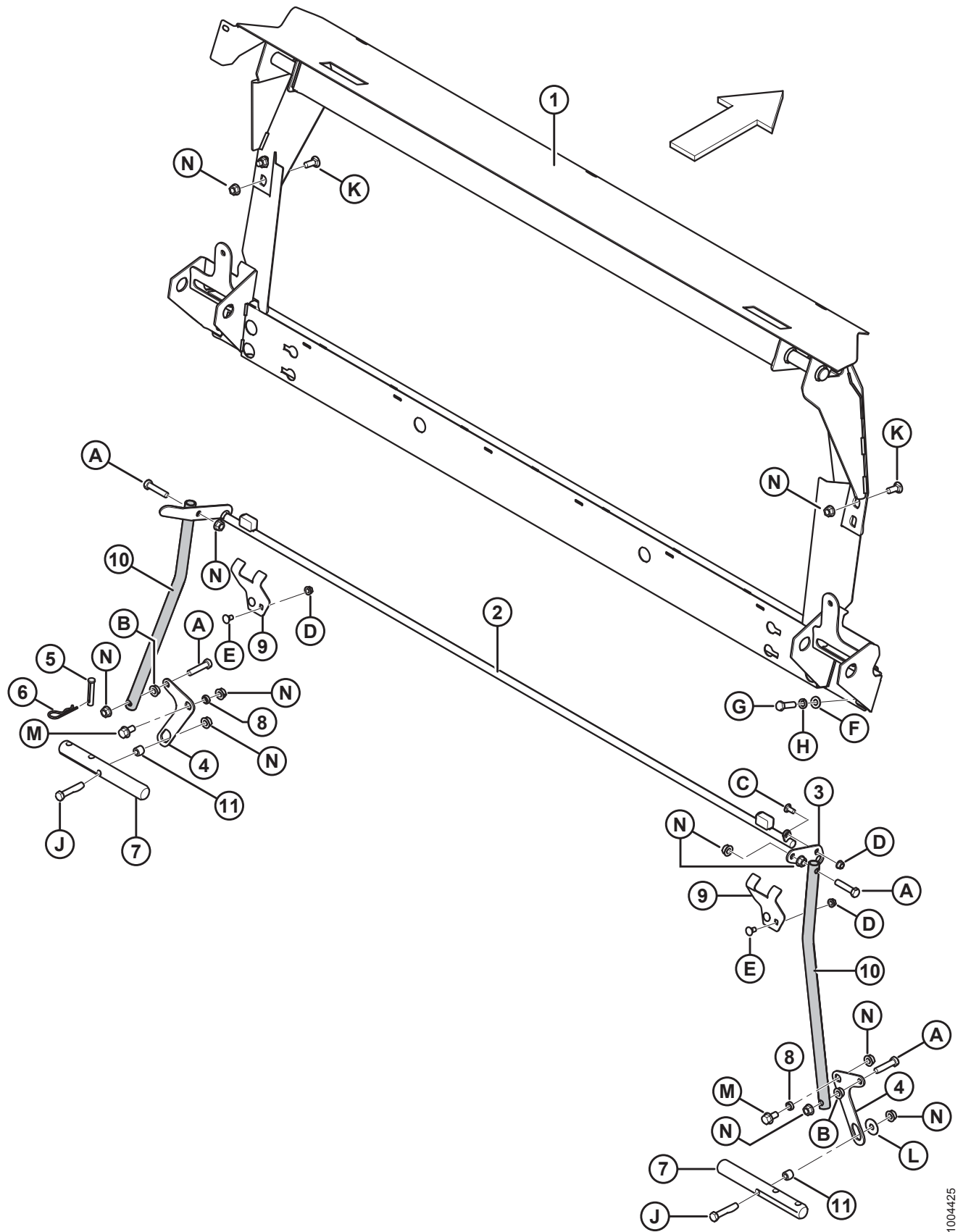


JOHN DEERE 50/60/70 S SERIES – ELECTRICAL COMPLETION

Ref	Part Number	Description	Qty	Serial Number
	B5670	KIT – JD 50 SERIES COMPLETION PACKAGE ⁵⁶		
	B5669	KIT – JD 60/70 S SERIES COMPLETION PACKAGE ⁵⁶		
1	135267	RING – INVERTED EXT RETAINING	1	
2	220330	HARNESS – WIRING (JD 60/70 SERIES)	1	
	156614	HARNESS – WIRING (JD 50 SERIES)	1	
3	187670	SUPPORT – SENSOR MOUNT (CNH / JD / AGCO)	1	
4	158069	CONTROL – POTENTIOMETER	1	
5	158633	ROD – LINKAGE	1	
6	187193	ARM – SENSOR CONTROL	1	
7	153492	CLIP – ROD END	2	
8	21763	FASTENER – CABLE TIE (BLACK)	3	
A	136018	BOLT – RHSN #10-24 NC X 1.25 IN. LG		
B	105197	NUT – HEX LOCK .187-24 UNC		
C	135305	BOLT – RHSN 5/16 NC X 0.63 GR 5 ZP		
D	30280	NUT – FLG SIDE LK SMTH FACE 5/16 NC GR 5 ZP		

56. (MD #B5670) – JD 50 Series Completion Package, (MD #B5669) – JD 60/70 S Series Completion Package includes Adapter, Hydraulic, and Electrical Completion Packages to complete a stand-alone CA25E or to convert an existing factory installed CA25E. Kits available through Whole Goods only.

36 CLAAS Lexion 500/700 Series – Adapter Completion

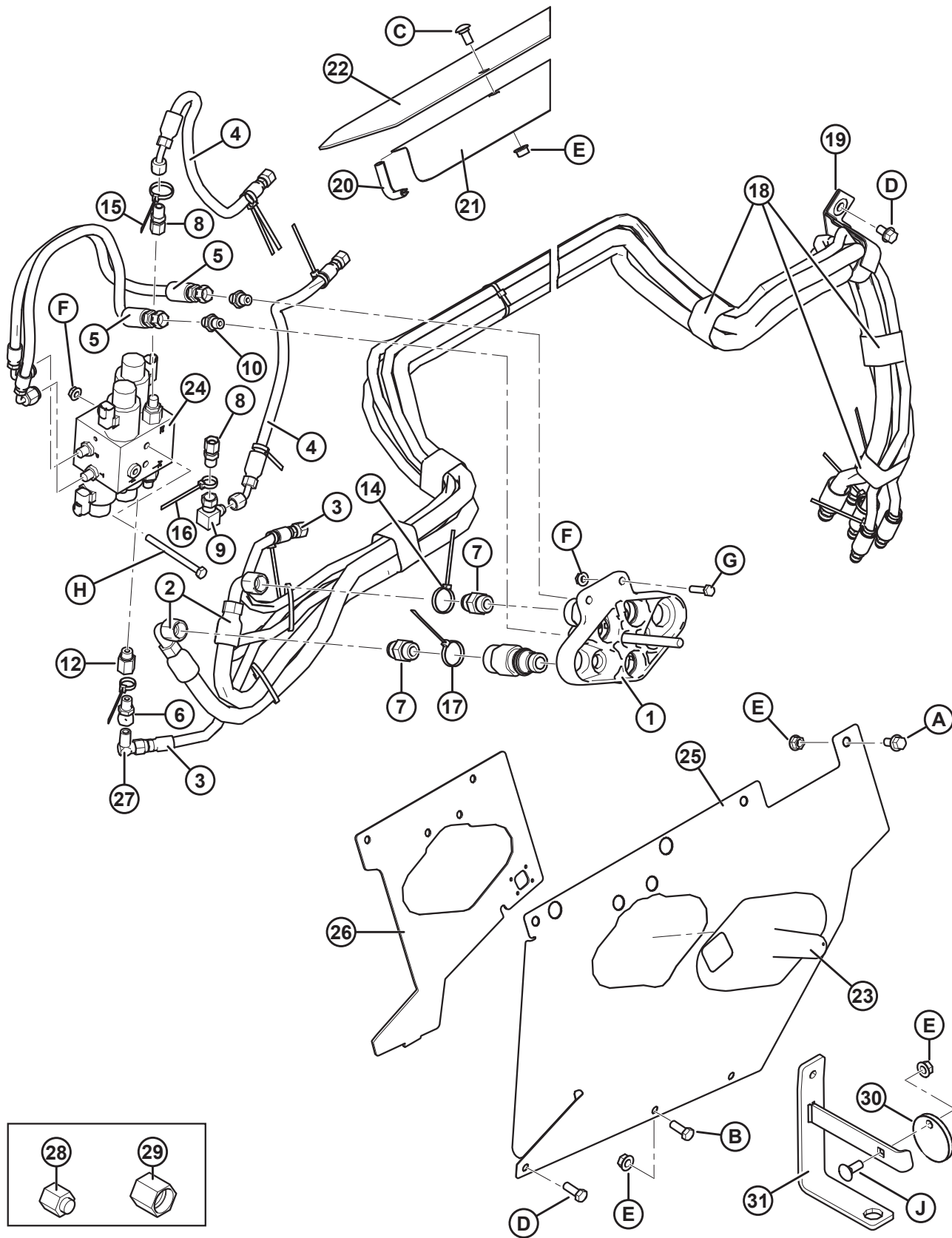


CLAAS LEXION 500/700 SERIES – ADAPTER COMPLETION

Ref	Part Number	Description	Qty	Serial Number
	B5672	KIT – 500/600/700 SERIES CLAAS LEXION COMPLETION PACKAGE ⁵⁷		
1	245357	FRAME – CLAAS TRANSITION	1	
2	156232	LATCH – WELDMENT	1	
3	156784	LEVER	1	
4	156779	LEVER	2	
5	19809	PIN – CLEVIS	1	
6	13125	PIN – HAIR	1	
7	133138	SHAFT	2	
8	133439	SPACER	2	
9	245246	SUPPORT – LOCK KEEPER	2	
10	156783	TUBE – LINK	2	
11	156780	BUSHING	2	
A	30833	BOLT – HH 1/2 NC X 2.25 TFL GR 5 ZP		
B	21383	NUT – FLANGE .500-13 UNC (SER FACE)		
C	21863	BOLT – RHSSN 3/8 NC X 0.75 LG GR 5 ZP		
D	30228	NUT – FLANGE DT SMOOTH FACE 0.375-16 UNC		
E	21472	BOLT – RHSN 3/8 NC X 0.75 GR 5 ZP		
F	18599	WASHER – SAE FLAT 17/32 I.D. X 1-1/16 IN. O.D. ZP		
G	50072	BOLT – HH 1/2 NC X 1.75 TFL GR 5 ZP		
H	18638	WASHER – REG LOCK 1/2 IN. NOM. I.D. ZP		
J	21880	BOLT – HH 1/2 NC X 2.75 LG GR 5 ZP		
K	21471	BOLT – RHSN 1/2 NC X 1.25 GR 5 ZP		
L	32247	WASHER – FLAT		
M	21449	BOLT – HH FLG (SER FACE) 1/2 NC X 1.0 GR 5 ZP		
N	50186	NUT – FLANGE LOCK SM FACE DT 0.500-13 UNC GR 5		

57. (MD #B5672) – 500/600/700 Series CLAAS Lexion Completion Package includes Adapter, Hydraulic, and Electrical Completion Packages to complete a stand-alone CA25E or to convert an existing factory installed CA25E. Kits available through Whole Goods only.

37 CLAAS Lexion 500/700 Series – Hydraulic Completion

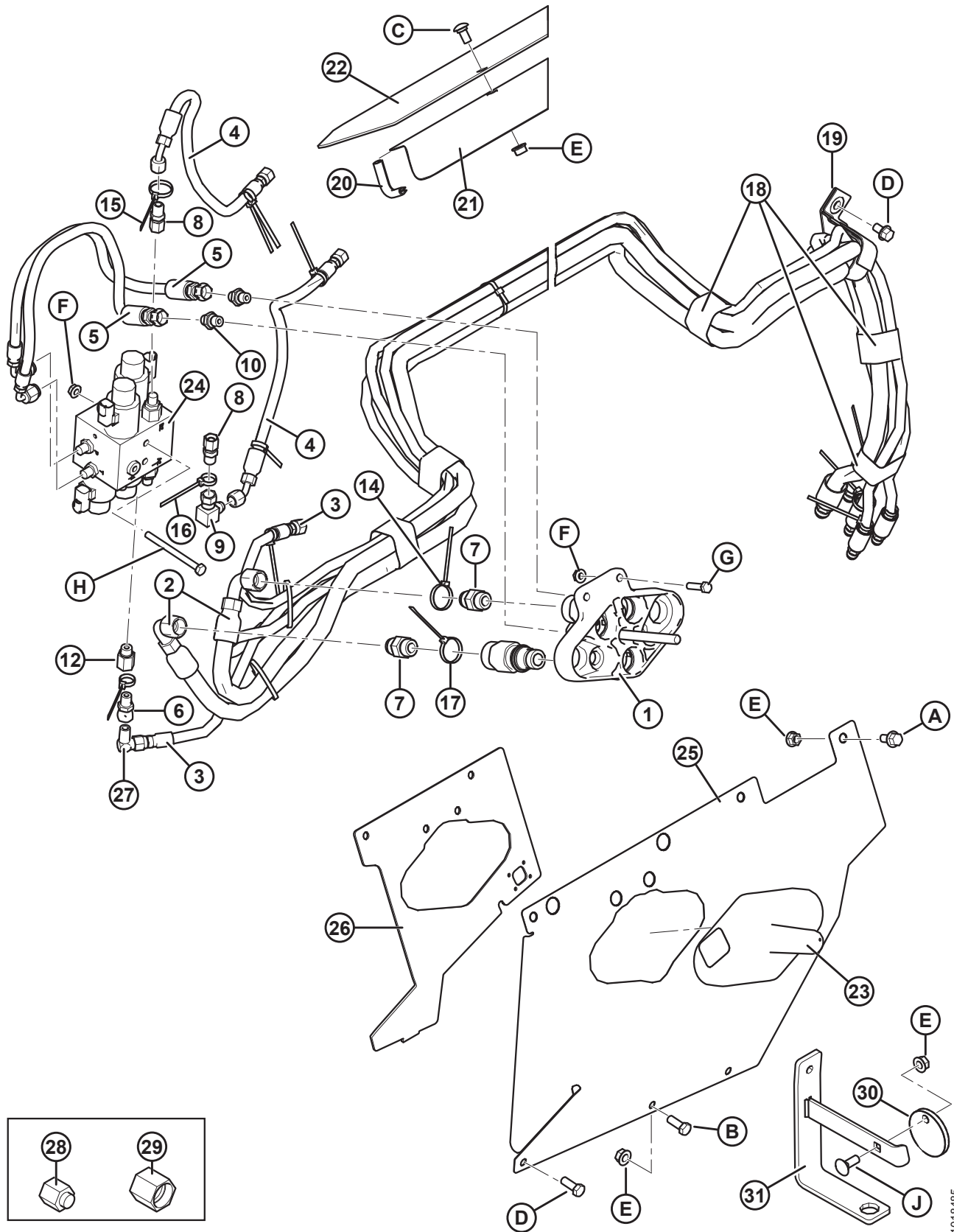


CLAAS LEXION 500/700 SERIES – HYDRAULIC COMPLETION

Ref	Part Number	Description	Qty	Serial Number
	B5672	KIT – 500/600/700 SERIES CLAAS LEXION COMPLETION PACKAGE ⁵⁸		
1	190866	COUPLER – CLAAS MULTILINK	1	
2	156758	HOSE – HYDRAULIC 1/2 IN. I.D. 4330 MM LG 100R17	2	
3	156759	HOSE – HYDRAULIC 1/4 IN. I.D. 4330 MM LG 100R17	3	
4	133260	HOSE – HYD 1/4 IN. I.D. 470 MM LG 100R17, METAL REIN.	2	
5	129962	HOSE – HYD 1/4 IN. I.D. 500 MM LG 100R17, METAL REIN.	2	
6	30302	FITTING – CONNECTOR HYD 0.052 IN. DIA ORIFICE	1	
7	30695	FITTING – CONNECTOR HYD STRGHT THRD SHORT SAE	2	
	44210	O-RING		
8	103921	FITTING – ADAP HYD M14-1.5 METRIC COMP X #6 37° FLARE	2	
9	106717	FITTING – ELBOW 90° HYD	1	
10	129961	FITTING – UNION HYD	2	
12	135425	FITTING – ADAPTER HYD	1	
14	40701	FASTENER – CABLE TIE (YELLOW)	3	
15	40702	FASTENER – CABLE TIE (RED)	3	
16	49227	FASTENER – CABLE TIE (GREEN)	3	
17	49232	FASTENER – CABLE TIE (WHITE)	2	
18	135444	FASTENER – CINCH STRAP 6 IN. LG	9	
19	163598	STRAP – VELCRO, HANGING	1	
20	42589	MOULDING	2	
21	156725	COVER – HOSE	1	
22	187723	COVER – TOP FEED AUGER	1	
23	129481	COVER	1	
24	129963	VALVE – HYDRAULIC (SUPPLIER # CLAAS 039 841.1)	1	
25	187976	COVER – COUPLERS	1	
26	187977	HOLDER – COUPLER	1	
27	30281	FITTING – ELBOW 90° HYD	1	
28	30813	CAP – 3/8 IN. TUBE 37° FLARE (FOR SHIPPING ONLY)	1	
29	108233	CAP – 1/2 IN. TUBE (FOR SHIPPING ONLY)	1	

58. (MD #B5672) – 500/600/700 Series CLAAS Lexion Completion Package includes Adapter, Hydraulic, and Electrical Completion Packages to complete a stand-alone CA25E or to convert an existing factory installed CA25E. Kits available through Whole Goods only.

CLAAS LEXION 500/700 SERIES – HYDRAULIC COMPLETION

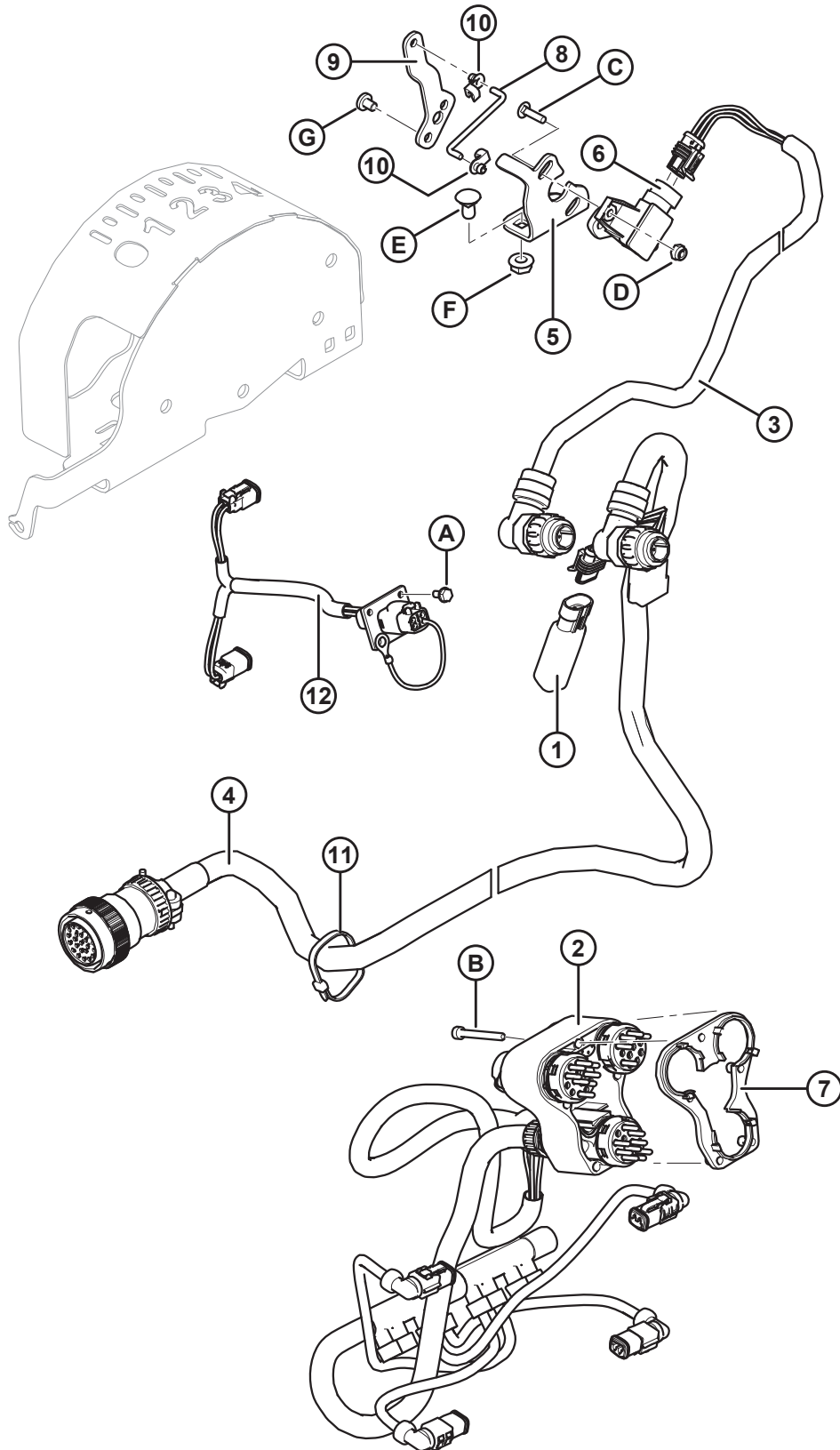


1018485

CLAAS LEXION 500/700 SERIES – HYDRAULIC COMPLETION

Ref	Part Number	Description	Qty	Serial Number
30	133165	DISC – LOCK, DRIVELINE HANGER	1	
31	133166	BRACKET – DRIVELINE HANGER WELDT	1	
A	21821	BOLT – HH FLG (SER FACE) 3/8 NC X 0.75 GR 5 ZP		
B	20077	BOLT – HEX HD 3/8 NC X 1.0 LG GR 5 ZP		
C	21863	BOLT – RHSSN 3/8 NC X 0.75 LG GR 5 ZP		
D	101898	SCREW – SELF TAPPING 3/8 NC X 5/8 LG		
E	30228	NUT – FLANGE DT SMOOTH FACE 0.375-16 UNC		
F	30280	NUT – FLG SIDE LK SMTH FACE 5/16 NC GR 5 ZP		
G	21526	BOLT – HH 5/16 NC X 1.25 LG GR 5 ZP		
H	50235	BOLT – HH 5/16 NC X 3.75 LG GR 5 ZP		
J	19965	BOLT – RHSN 3/8 NC X 1.0 GR 5 ZP		

38 CLAAS Lexion 500/700 Series – Electrical Completion



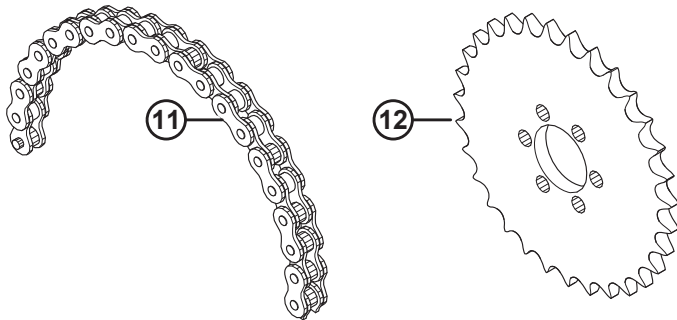
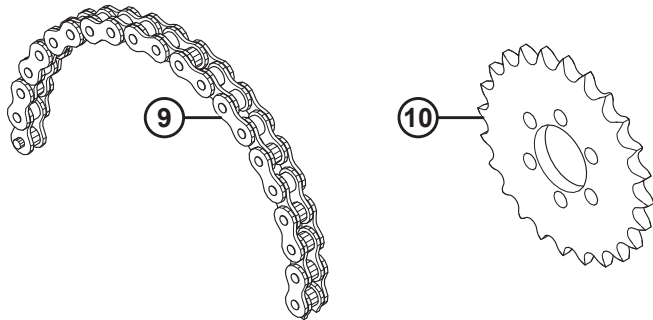
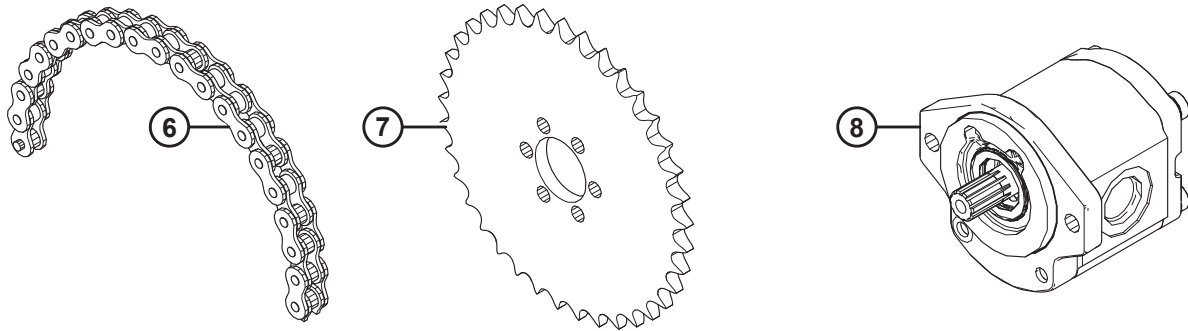
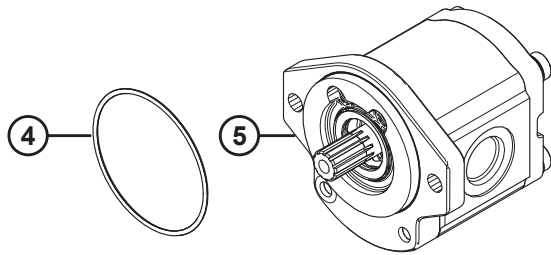
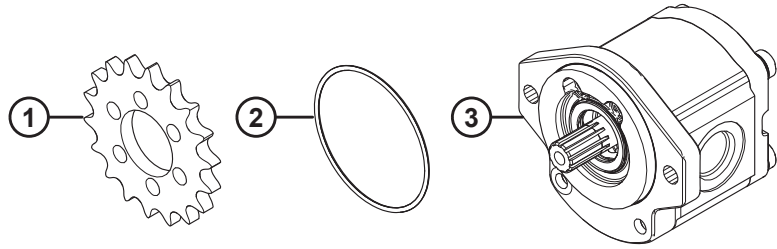
CLAAS LEXION 500/700 SERIES – ELECTRICAL COMPLETION

Ref	Part Number	Description	Qty	Serial Number
	B5672	KIT – 500/600/700 SERIES CLAAS LEXION COMPLETION PACKAGE ⁵⁹		
1	133683	REGULATOR – VOLTAGE	1	
2	129772	HARNESS – WIRING, 2 FUNCTION CLAAS 500 WITH DEUTSCH ELEC CONNECTOR	1	
3	220340	HARNESS – WIRING CLAAS AHHC	1	
4	220354	HARNESS – WIRING CLAAS	1	
5	187686	SUPPORT – SENSOR MOUNT CLAAS 12V	1	
6	158666	SENSOR – ANGLE (CLAAS)	1	
7	129773	SPACER – WIRING HARNESS	1	
8	158633	ROD – LINKAGE	1	
9	156268	ARM – CLAAS 12V	1	
10	153492	CLIP – ROD END	2	
11	21763	FASTENER – CABLE TIE (BLACK)	4	
12	NSS	HARNESS – WIRING, REEL FORE-AFT/HEADER TILT VALVE ⁶⁰		
A	42292	SCREW – SELF TAP HEX WASH HD #10-24 NC X 1.25 IN. LG		
B	129965	SCREW – HEX SOC HD ISO 4762		
C	158722	BOLT – RHSN #10-24 NC X 3/4 GR 2 ZP		
D	105197	NUT – HEX LOCK .187-24 UNC		
E	135305	BOLT – RHSN 5/16 NC X 0.63 GR 5 ZP		
F	30280	NUT – FLG SIDE LK SMTH FACE 5/16 NC GR 5 ZP		
G	158704	SCREW – PAN HD M6 X 1 X 8-4.8-A2L		

59. (MD #B5672) – 500/600/700 Series CLAAS Lexion Completion Package includes Adapter, Hydraulic, and Electrical Completion Packages to complete a stand-alone CA25E or to convert an existing factory installed CA25E. Kits available through Whole Goods only.

60. Was previously harness (MD #220396) for 2012 and prior model year combine adapters, which is replaced by harness (MD #220354). To service this part for 2012 and prior model year combine adapters, order CLAAS Lexion wiring harness (MD #220354).

39 Conversion Kits

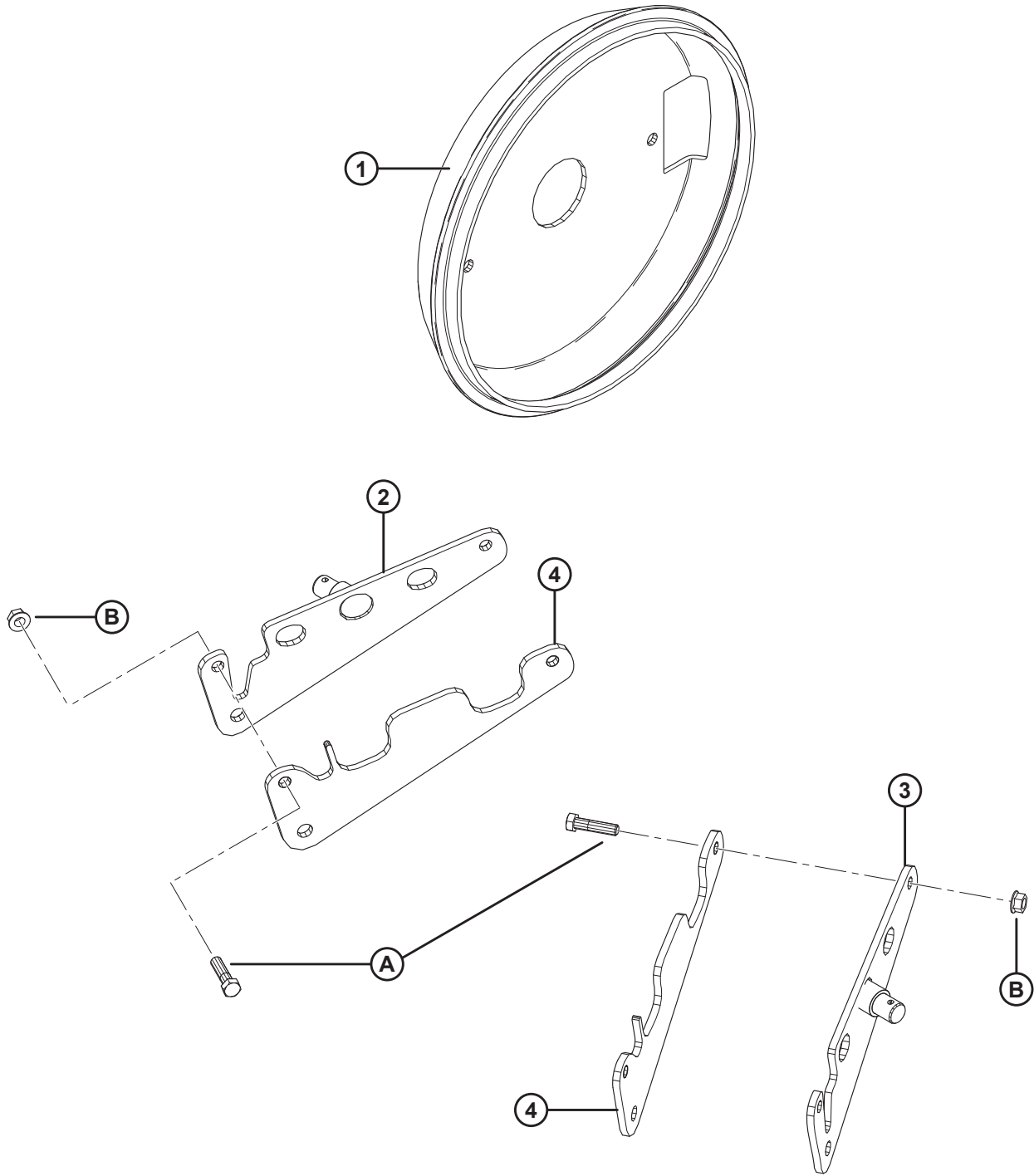


CONVERSION KITS

Ref	Part Number	Description	Qty	Serial Number
	B5082	KIT – CONVERT CNH/JD TO AGCO/ CLAAS ⁶¹		
1	187497	SPROCKET – 50 A 18 (DRIVEN)	1	
2	49802	O-RING	1	
3	156853	PUMP – GEAR 11 CC	1	
	187967	SEAL KIT		
	187253	PUMP – GEAR 11 CC, CASAPPA (OPTIONAL)	1	
	187918	SEAL KIT		
	B5083	KIT – CONVERT AGCO/ CLAAS TO CNH/JD ⁶¹		
4	49802	O-RING	1	
5	156852	PUMP – GEAR 16 CC	1	
	187967	SEAL KIT		
	187252	PUMP – GEAR 16 CC, CASAPPA (OPTIONAL)	1	
	187918	SEAL KIT		
	B5961	KIT – FEEDING UPDATE, CA25E JD CM COMPLETION ⁶¹		
6	248408	CHAIN – ROLLER RC 50 (80 PITCHES ENDLESS)	1	
7	248407	SPROCKET – 50 A 37	1	
8	245301	PUMP – GEAR 19 CC	1	
	187967	SEAL KIT		
	B5962	KIT – FEEDING UPDATE, CA25E CLAAS COMPLETION ⁶¹		
9	156037	CHAIN – ROLLER RC 50 (74 PITCHES ENDLESS)	1	
10	187496	SPROCKET – 50 A 24	1	
	B5963	KIT – FEEDING UPDATE, CA25E CNH COMPLETION ⁶¹		
11	231534	CHAIN – ROLLER RC 50 (78 PITCHES ENDLESS)	1	
12	231532	SPROCKET – 50 A 31	1	

61. Kits available through Whole Goods only.

40 CA25 to CA25E Conversion Kit

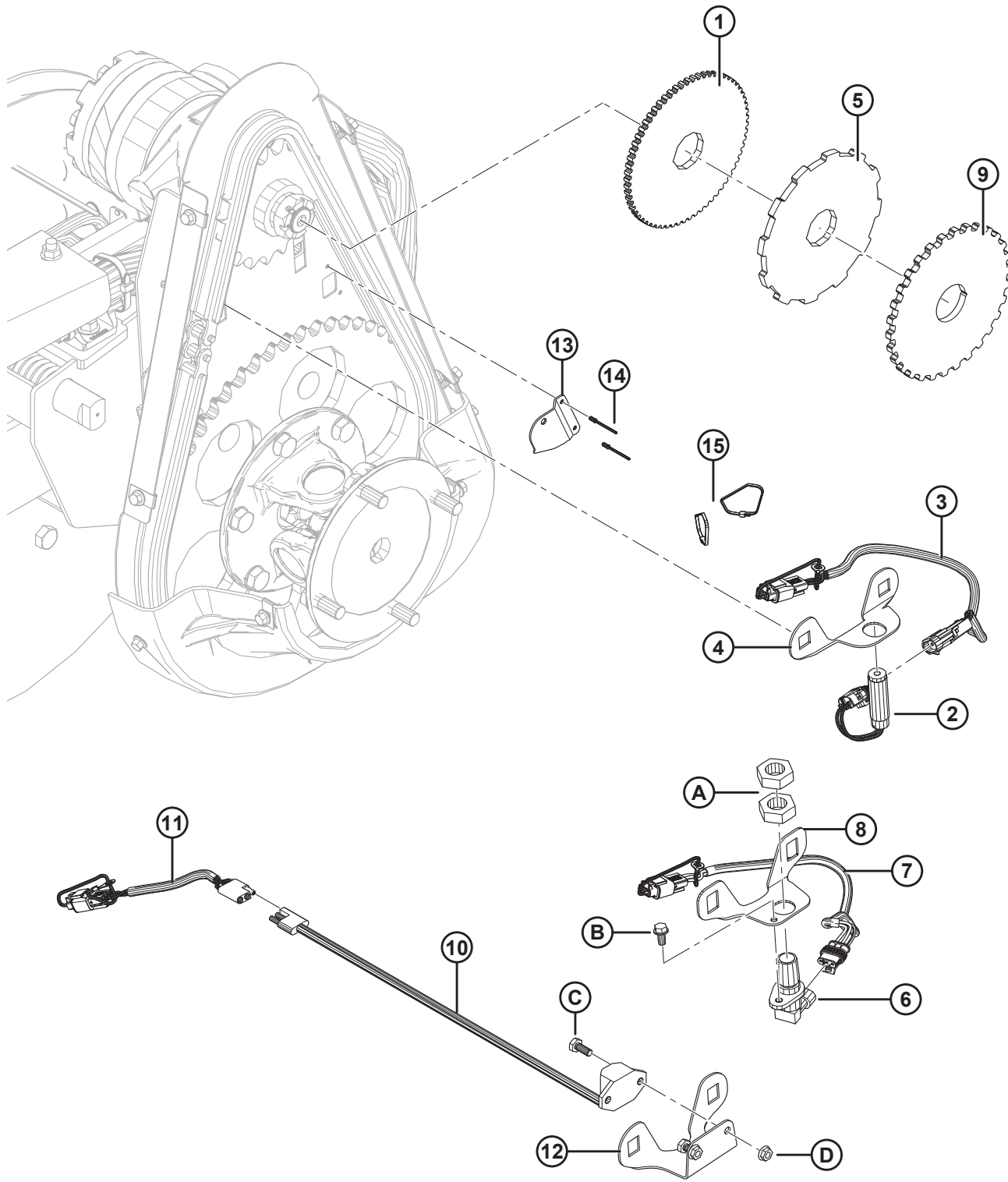


CA25 TO CA25E CONVERSION KIT

Ref	Part Number	Description	Qty	Serial Number
	B5921	KIT – FEEDING UPDATE, CA25 TO CA25E ⁶²		
1	133498	COVER – AUGER END CAP, RH	1	
2	245515	PLATE – PIN ADAPTER, WELDMENT (LH)	1	
3	245514	PLATE – PIN ADAPTER, WELDMENT (RH)	1	
4	245493	PLATE – LOCATOR	2	
A	21561	BOLT – HH 3/8 NC X 1.5 LG GR 5 ZP		
B	30228	NUT – FLANGE DT SMOOTH FACE 0.375-16 UNC		

62. Kits available through Whole Goods only.

41 Reel Speed Sensors

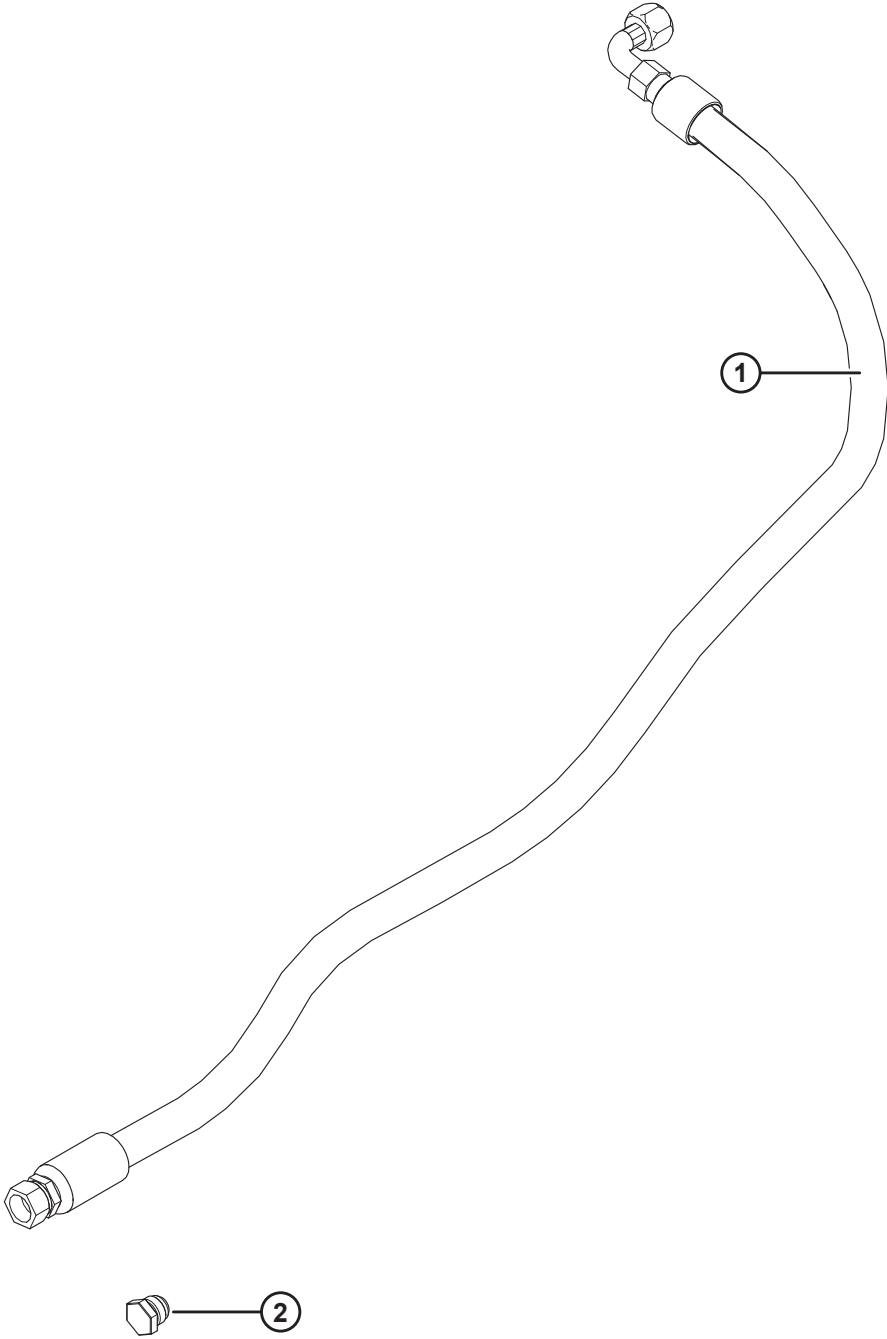


REEL SPEED SENSORS

Ref	Part Number	Description	Qty	Serial Number
1	133716	DISC – REEL SPEED SENSOR (JD)	1	
2	184437	SENSOR – REEL SPEED AH116104 (JD)	1	
3	220571	HARNESS – WIRING, REEL SPEED SENSOR (JD)	1	
4	133781	SUPPORT – REEL SPEED SENSOR (JD)	1	
5	133886	DISC – REEL SPEED SENSOR (CLAAS)	1	
6	129459	SENSOR – REEL SPEED (CLAAS)	1	
7	220573	HARNESS – WIRING REEL SPEED SENSOR (CLAAS)	1	
8	172423	SUPPORT – REEL SPEED SENSOR (CLAAS)	1	
9	133997	DISC – REEL SPEED SENSOR (AGCO/GLEANER)	1	
10	152736	SENSOR – REEL SPEED 3 PIN (AGCO)	1	
	184440	SENSOR – REEL SPEED 2 PIN (GLEANER)	1	
11	220572	HARNESS – WIRING REEL SPEED SENSOR (AGCO/ GLEANER)	1	
12	279746	SUPPORT – REEL SPEED SENSOR (AGCO/GLEANER)	1	
13	164131	SHIELD – REEL SPEED SENSOR HARNESS	1	
14	14338	RIVET – BLIND 1/8 X .125	2	
15	16661	FASTENER – NYLON TIE ⁶³		
A	7674	NUT – HEX JAM 3/4-16 UNF GR 5 ZP		
B	21055	SCREW – SELF TAP HEX WASH HD 1/4 NC X 1/2		
C	21572	BOLT – HEX HD 1/4 NC X 0.625 LG GR 5 ZP		
D	21455	NUT – FLG (SER FACE) 1/4 NC GR 5 ZP		

63. Quantities: John Deere (JD) and AGCO/Gleaner = 2 / CLAAS Lexion = 1

42 Double Knife Completion Package



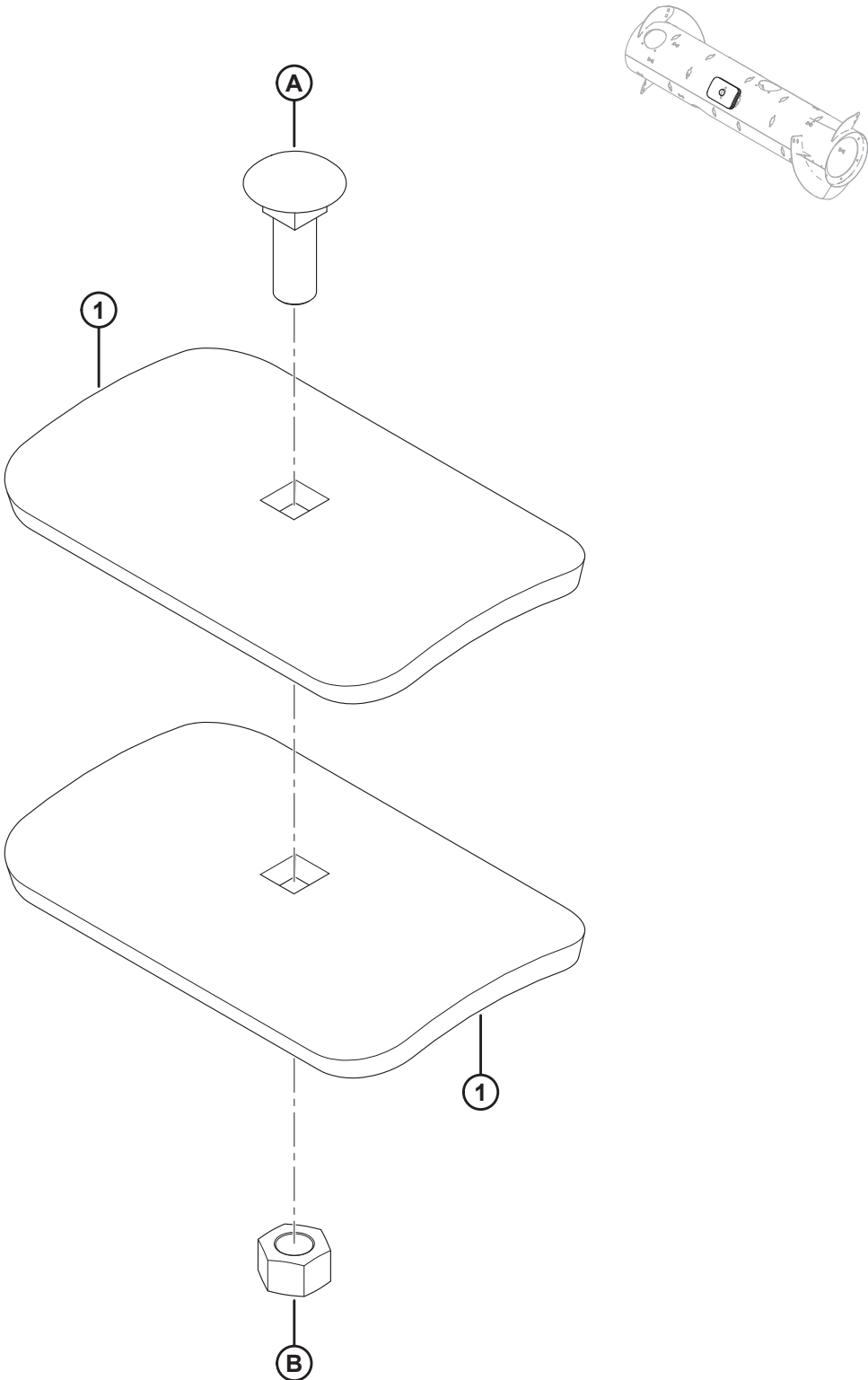
DOUBLE KNIFE COMPLETION PACKAGE

Ref	Part Number	Description	Qty	Serial Number
	B5682	KIT – DOUBLE KNIFE COMPLETION PACKAGE ⁶⁴		
1	123887	HOSE – HYD 1/2 IN. I.D. 1020 MM LG 100R17, METAL REIN.	1	
2	135374	PLUG – 1/2 IN. TUBE ⁶⁵	1	

64. Kits available through Whole Goods only.

65. Not part of kit MD #B5682. Must be ordered separately if required.

43 Auger Dent Repair Kit

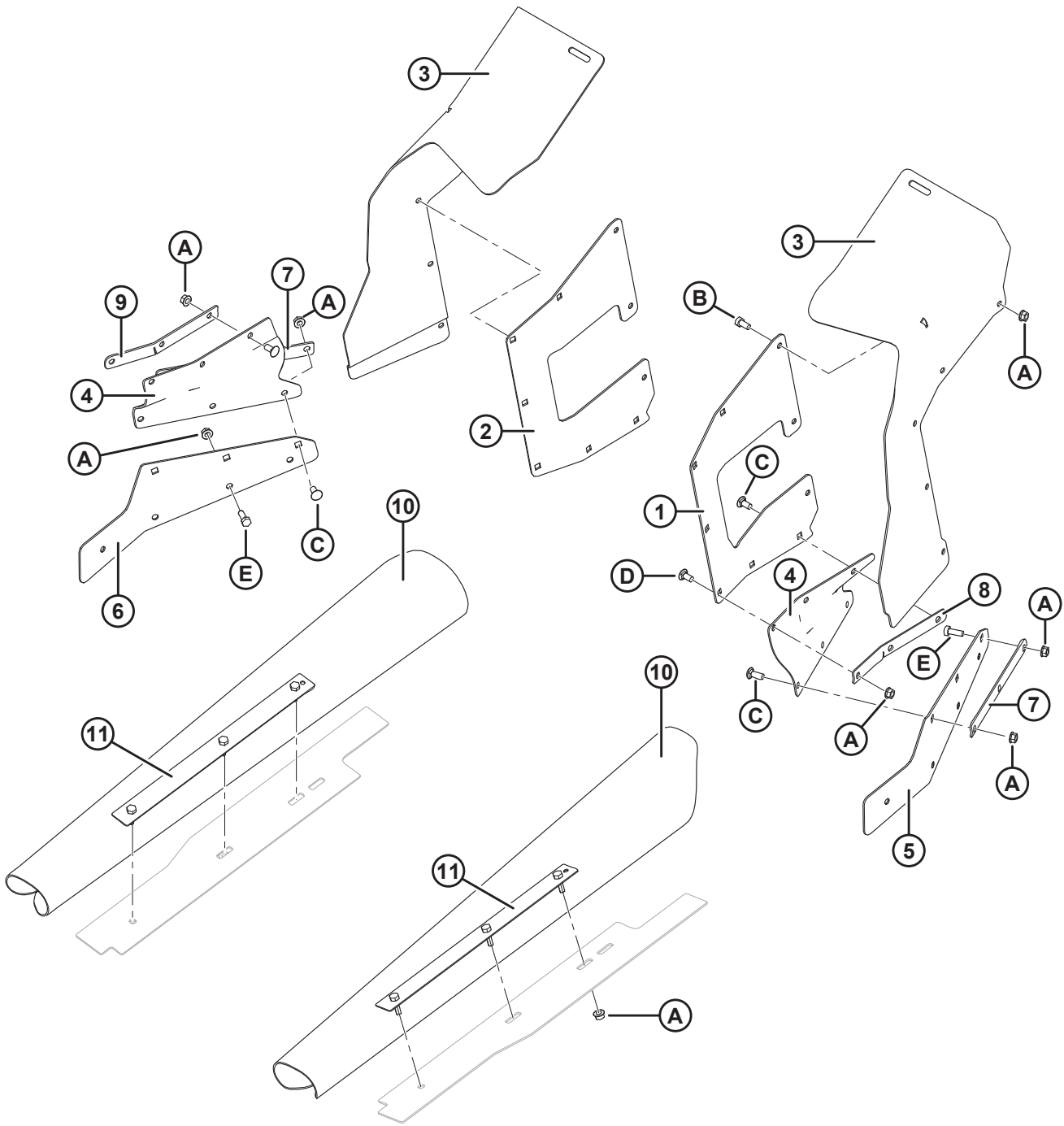


AUGER DENT REPAIR KIT

Ref	Part Number	Description	Qty	Serial Number
	237563	KIT – AUGER DENT REPAIR ⁶⁶		
1	237556	SUPPORT	2	
A	197154	BOLT – RHSN M16 X 2 X 50-10.9-A3L		
B	184699	NUT – HEX M16 X 2-8-A3L		

66. Includes two supports (MD #237556), bolt (MD #197154), nut (MD #184699), and instructions.

44 (Option) European Adapter Seal Kit

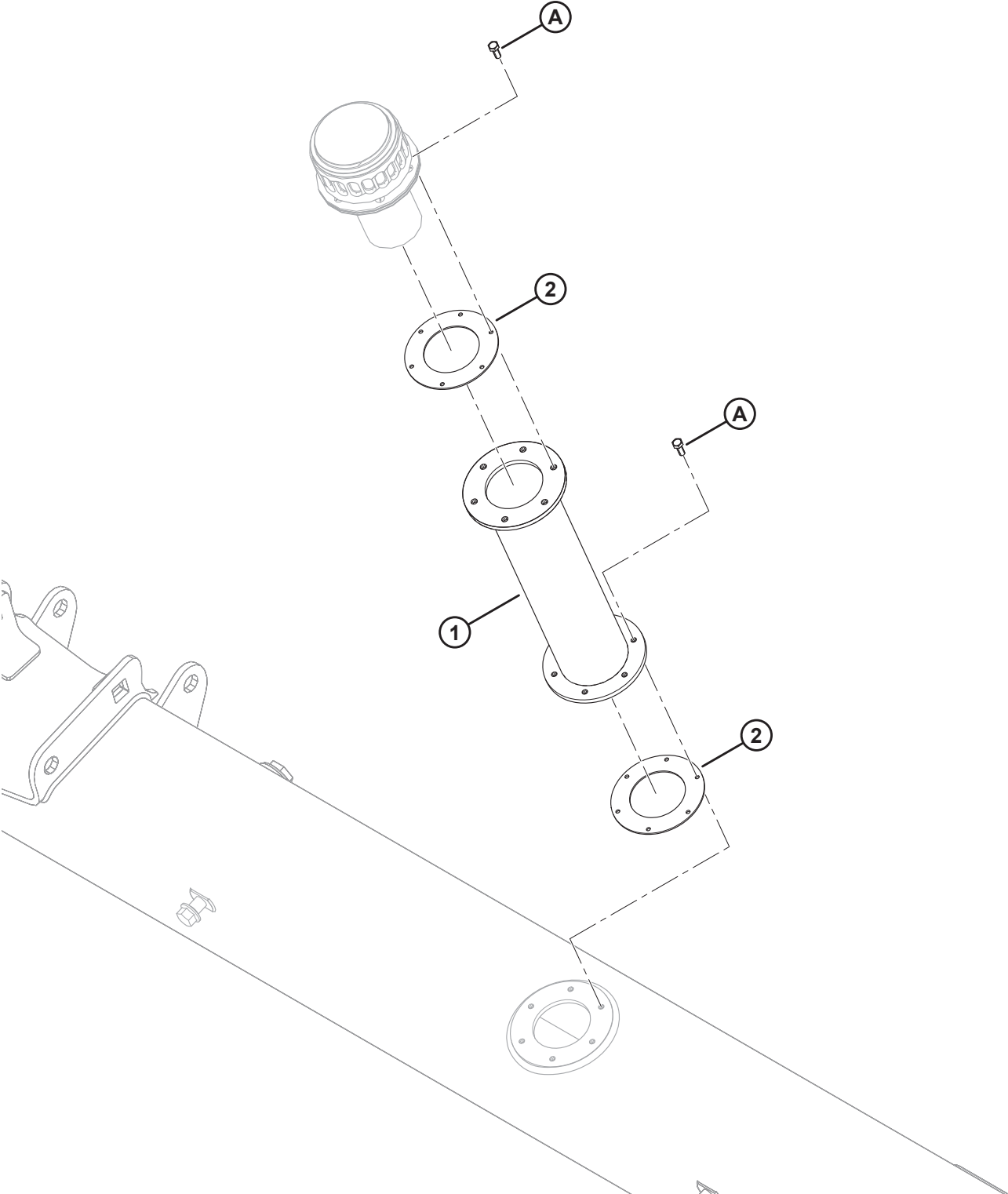


(OPTION) EUROPEAN ADAPTER SEAL KIT

Ref	Part Number	Description	Qty	Serial Number
	B5612	KIT – EUROPEAN ADAPTER SEAL ⁶⁷		
1	245912	PLATE – FILLER BACK UPPER (LH)	1	
2	245910	PLATE – FILLER BACK UPPER (RH)	1	
3	220201	FLAP – REAR SIDE	2	
4	220305	FLAP – RUBBER FILLER	2	
5	245891	PLATE – FILLER BACK LOWER (LH)	1	
6	245892	PLATE – FILLER BACK LOWER (RH)	1	
7	220306	BAR – FLAP RETAINER LOWER	2	
8	220307	BAR – FLAP RETAINER UPPER (LH)	1	
9	220308	BAR – FLAP RETAINER UPPER (RH)	1	
10	123721	FLAP – FILLER DECK	2	
11	220259	ASSY – SIDE FILLER BAR (INCLUDES BOLTS)	2	
A	30228	NUT – FLANGE DT SMOOTH FACE 0.375-16 UNC		
B	21567	BOLT – HEX HD .375-16 UNC X 0.75 LG		
C	21863	BOLT – RHSSN 3/8 NC X 0.75 LG GR 5 ZP		
D	100456	BOLT – RHSSN 3/8 NC X 1.0 GR 5 ZP		
E	20077	BOLT – HEX HD 3/8 NC X 1.0 LG GR 5 ZP		

67. Kits available through Whole Goods only.

45 (Option) Hillside Extension

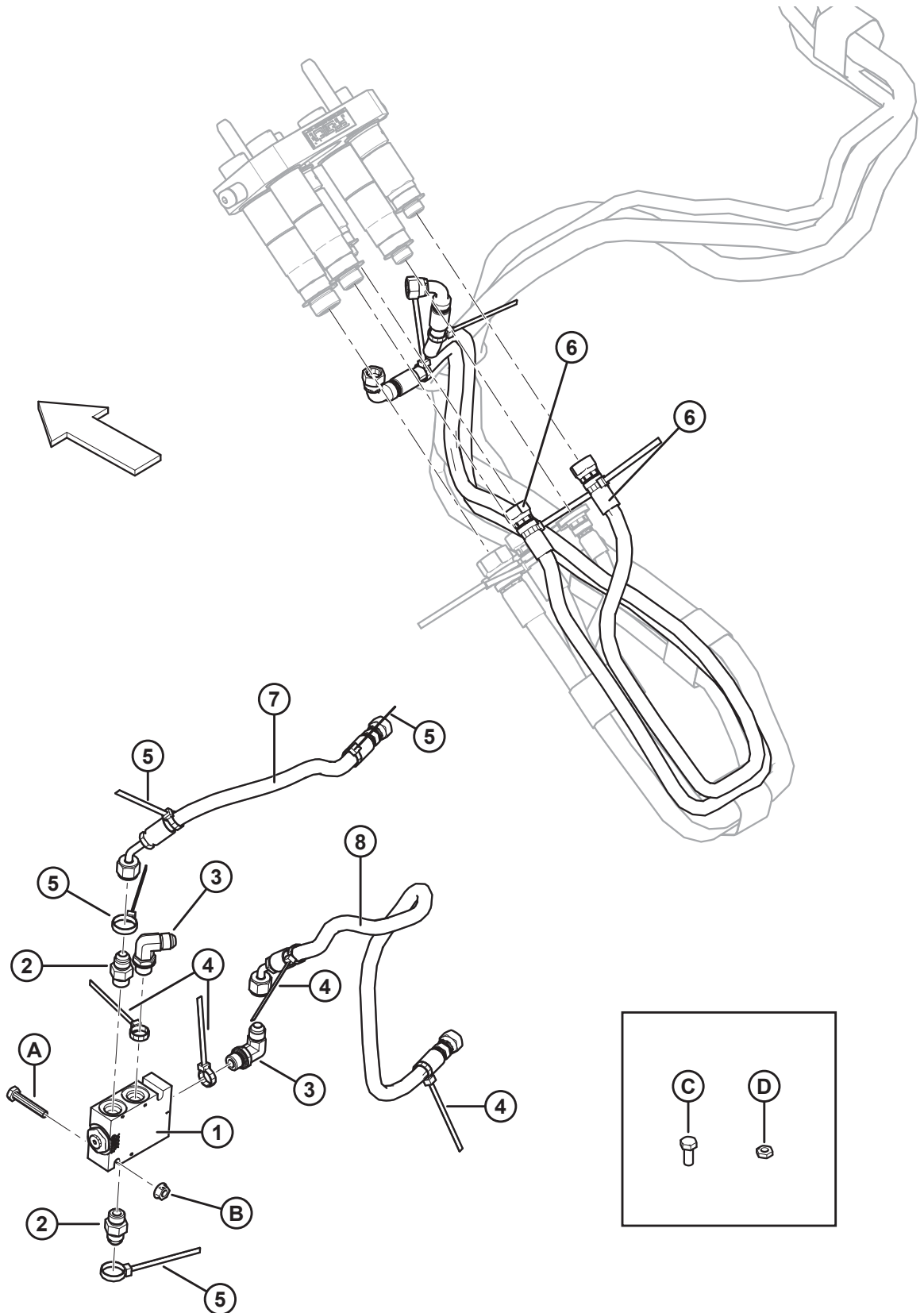


(OPTION) HILLSIDE EXTENSION

Ref	Part Number	Description	Qty	Serial Number
	B6057	KIT – HYDRAULIC RESERVOIR FILL EXTENSION ⁶⁸		
1	NSS	HYD RESERVOIR FILL EXTENSION	1	
2	NSS	GASKET	2	
A	135873	SCREW – MACH #10-32 X 0.5 IN. HEX		

68. Includes hydraulic reservoir fill extension (not serviced separately), two gaskets (not serviced separately), two decals (MD #166450), and twelve screws (MD #135873). Kits available through Whole Goods only.

46 (Option) John Deere Adapter Fore/Aft Anti-Drift Kit



(OPTION) JOHN DEERE ADAPTER FORE/AFT ANTI-DRIFT KIT

Ref	Part Number	Description	Qty	Serial Number
	B6157	KIT – JD ADAPTER FORE/AFT ANTI-DRIFT ⁶⁹		
1	279163	MANIFOLD WITH CHECK VALVE ⁷⁰	1	
	279227	MANIFOLD	1	
	279228	CHECK VALVE	1	
2	15903	FITTING – CONNECTOR HYD	2	
3	30282	FITTING – ELBOW 90° HYD	2	
4	40702	FASTENER – CABLE TIE (RED)	4	
5	49227	FASTENER – CABLE TIE (GREEN)	4	
6	279281	HOSE – HYDRAULIC 1/4 IN. I.D. 1220 MM LG 100R17	2	
7	279282	HOSE – HYDRAULIC 1/4 IN. I.D. 355 MM LG 100R17	1	
8	279283	HOSE – HYDRAULIC 1/4 IN. I.D. 635 MM LG 100R17	1	
A	21574	BOLT – HH 1/4 NC X 1.5 LG GR 5 ZP		
B	135248	NUT – FLG DT SMTH FACE 1/4-20 UNC GR 5 ZP		
C	21558	BOLT – HEX HD 5/16 NC X 0.75 LG GR 5 ZP		
D	19243	NUT – HEX JAM 5/16-18 UNC GR 5 ZP		

69. Used to convert 2016 and prior model year combine adapters to make them compatible with 2017 and later model year John Deere combines. Includes all parts and instructions. Kits available through Whole Goods only.

70. Includes manifold (MD #279227) and check valve (MD #279228).

Index

795.....	14	21066.....	18, 78
1709.....	50	21087.....	36, 42
4761.....	76	21102.....	54
5512.....	26	21235.....	14
7674.....	118	21264.....	6, 50
9213.....	14	21282.....	74
9333.....	14	21301.....	6, 14
13125.....	106	21363.....	22
14338.....	118	21383.....	106
15903.....	96, 128	21389.....	16
16652.....	6, 12	21425.....	22
16661.....	46, 72, 118	21449.....	106
18523.....	16, 54	21452.....	6
18589.....	74	21455.....	118
18590.....	8, 18, 50, 54	21456.....	2, 16, 26
18592.....	6, 76	21469.....	16
18593.....	50	21470.....	8, 10
18596.....	54	21471.....	66, 74, 76, 92, 106
18597.....	54, 74	21472.....	6, 8, 26, 70, 102, 106
18598.....	54	21484.....	70, 102
18599.....	26, 66, 76, 78, 92, 106	21485.....	6
18600.....	16, 26	21522.....	26
18601.....	50	21526.....	110
18604.....	52	21540.....	50
18605.....	52	21558.....	128
18608.....	48	21561.....	6, 116
18609.....	48, 52	21567.....	124
18626.....	18	21572.....	118
18636.....	26, 36, 42, 74	21573.....	90
18637.....	26, 50	21574.....	128
18638.....	8, 16, 26, 50, 66, 76, 78, 92, 106	21575.....	8, 16, 50
18639.....	26	21583.....	26
18640.....	26, 50	21585.....	54
18648.....	18	21594.....	26
18652.....	70, 102	21747.....	84
18671.....	48	21763.....	2, 72, 84, 88, 104, 112
18689.....	50	21801.....	32, 38
18720.....	26	21821.....	10, 26, 70, 82, 86, 98, 102, 110
18723.....	16, 26, 76	21827.....	24
18724.....	54, 90	21828.....	34, 40
18867.....	48	21854.....	44
18898.....	22	21856.....	80, 96
19243.....	128	21858.....	98
19685.....	10	21859.....	4
19809.....	106	21863.....	2, 6, 10, 50, 54, 70, 82, 86, 98, 102, 106, 110, 124
19965.....	6, 30, 36, 42, 50, 70, 82, 86, 98, 102, 110	21868.....	66, 74, 78
19966.....	6, 26, 98	21880.....	106
20077.....	6, 70, 82, 86, 98, 102, 110, 124	21926.....	54
20312.....	48	23165.....	56
21010.....	2	23745.....	78
21055.....	118		

INDEX

26846.....	20	50083.....	14
27647.....	70, 102	50086.....	32
29934.....	96	50101.....	12, 16
30027.....	16	50103.....	96
30080.....	50	50175.....	32
30203.....	20	50186.....	16, 18, 66, 74, 76, 78, 92, 106
30228.....	2, 6, 8, 10, 26, 30, 36, 42, 50, 54, 70, 82, 86, 98, 102, 106, 110, 116, 124	50221.....	34, 38
30280.....	36, 42, 50, 54, 70, 72, 86, 88, 90, 104, 110, 112	50225.....	6, 16, 26, 54, 78
30281.....	108	50235.....	110
30282.....	44, 52, 128	100456.....	10, 124
30284.....	96	100500.....	48
30287.....	32, 38	100589.....	4
30302.....	108	100590.....	4
30316.....	56	100862.....	4
30463.....	48	101898.....	8, 10, 36, 42, 70, 82, 86, 98, 102, 110
30465.....	90	103351.....	68, 100
30556.....	32	103562.....	16
30560.....	68	103576.....	32, 38
30655.....	26	103738.....	32, 38
30693.....	2, 54	103921.....	108
30695.....	32, 38, 80, 96, 108	105069.....	66
30701.....	20	105197.....	72, 88, 90, 104, 112
30702.....	20	106717.....	108
30753.....	32, 38, 88	108172.....	12
30813.....	44, 70, 80, 84, 98, 102, 108	108233.....	32, 38, 70, 80, 84, 98, 102, 108
30833.....	16, 106	109064.....	46
30858.....	32	109791.....	68, 80, 100
30942.....	54	110817.....	48
30970.....	32, 40	111545.....	24
31774.....	50	111981.....	98
32070.....	56	111982.....	98
32247.....	106	111983.....	98
36651.....	56	111984.....	98
39140.....	12	111985.....	98
40095.....	28	111986.....	98
40241.....	32	111987.....	98
40701.....	68, 80, 84, 96, 100, 108	112130.....	18
40702.....	44, 68, 80, 84, 96, 100, 108, 128	113222.....	48
40703.....	32, 38	114120.....	96
40704.....	32, 38	114140.....	80, 96
42029.....	32, 38	114141.....	80, 96
42292.....	88, 112	114142.....	80, 96
42589.....	68, 80, 84, 98, 100, 108	114143.....	80, 96
44210.....	108	114229.....	80
44611.....	56	114230.....	80
44623.....	36, 42	114382.....	12
45439.....	52	115759.....	56
49227.....	44, 68, 80, 84, 96, 100, 108, 128	118011.....	4
49232.....	80, 84, 96, 108	118185.....	4
49529.....	68	123084.....	12, 18
49802.....	22, 24, 114	123087.....	12
50072.....	66, 78, 92, 106	123180.....	12
		123202.....	12, 18
		123613.....	10

INDEX

123614	10	133260	80, 84, 108
123629	2	133261	80, 96
123647	10	133262	76
123708	16	133268	68, 100
123721	124	133270	100
123887	120	133277	88
123935	4	133280	80, 96
123936	4	133288	76
123978	52	133336	18, 78
123989	34	133337	18, 78
125145	8, 48	133367	4
125146	8, 50	133372	6
125516	32, 38	133378	32, 38
125590	32, 38	133421	22
125592	32, 38	133439	106
125654	48	133498	116
125788	48	133503	14
125789	48	133504	14
129120	100	133509	14
129143	68, 100	133532	56
129148	68, 100	133533	56
129149	100	133537	56
129459	118	133569	22
129481	108	133631	28
129566	46, 88	133632	28
129772	112	133634	28
129773	112	133637	28
129800	84	133640	28
129801	84	133641	28
129961	108	133642	28
129962	108	133643	28
129963	108	133644	28
129965	112	133645	28
129976	84	133672	66
129977	84	133683	112
130246	6	133716	118
130283	4	133730	96
132607	14	133781	118
133014	50	133886	118
133043	44	133891	4
133047	50	133892	6
133086	56	133900	4
133124	4	133942	2
133126	4	133946	6
133131	6	133980	66
133133	88	133981	66
133138	106	133984	74
133158	90	133997	118
133165	30, 68, 80, 84, 96, 102, 110	134002	48
133166	30, 68, 80, 84, 96, 102, 110	134003	48
133241	76	135157	10
133242	76	135234	68, 102
133249	52	135238	98
133257	76	135248	2, 44, 54, 128

INDEX

135267	72, 104	156363	6
135305	54, 72, 88, 90, 104, 112	156365	6
135358	24	156452	22
135374	120	156501	48
135381	26	156511	48
135397	86	156563	4
135407	50	156565	48
135423	54	156574	48
135425	108	156606	80, 98
135443	96	156612	88
135444	32, 38, 68, 80, 84, 96, 100, 108	156614	104
135598	68	156682	2
135626	6	156695	2
135630	6	156704	4
135655	78	156725	68, 80, 84, 96, 100, 108
135693	12, 26	156741	48
135694	26	156742	48
135748	26	156743	50
135799	18	156758	80, 84, 108
135873	2, 126	156759	68, 84, 100, 108
135906	6	156773	4
135957	14	156779	106
135980	34, 40	156780	106
135995	52	156783	106
136018	72, 88, 104	156784	106
136440	16	156839	48
136596	50	156840	48
136755	16	156843	52
140225	56	156852	22, 114
142777	28	156853	22, 114
151376	6	156868	8
151470	14	156882	48
151551	8	156883	48
151691	14	156909	80
151793	14	156910	68, 100
151941	92	156935	80
151942	92	156938	68, 80
151971	6	156939	68, 100
151975	40	156940	96
152439	18	156948	78
152655	18	156967	98
152736	118	156969	52
153151	84	156970	100
153492	52, 72, 88, 90, 104, 112	158069	72, 88, 104
153692	90	158253	98
153933	88	158326	46
153989	88	158377	46
153990	88	158587	84
156037	20, 114	158633	52, 72, 88, 90, 104, 112
156051	32, 38	158666	112
156212	48	158704	112
156232	106	158722	112
156268	112	158895	26
156286	6	163598	68, 80, 84, 98, 100, 108

INDEX

164131	118	187256	28
164223	26	187315	28
166309	62	187316	28
172423	118	187390	78
172558	16	187391	78
174131	56	187415	78
174436	56	187416	78
174769	50	187427	14
174775	8, 50	187428	14
174816	48	187466	22
174927	34	187475	20
174928	34	187476	20
174929	34	187477	20
174930	34	187478	20
174931	34	187479	22
174932	34	187480	20
174933	34	187481	22
174934	34	187482	20
174935	34	187483	26
174936	34	187484	20
174937	34	187485	20
174938	44	187486	20
174939	44	187487	20
174940	44	187492	20
174941	44	187493	20
174942	44	187494	20
174948	56	187495	20
174960	56	187496	20, 114
184437	118	187497	114
184440	118	187517	22
184662	16	187518	76
184675	12	187520	22
184697	12, 18	187550	28
184699	122	187551	28
187006	78	187552	28
187010	32, 38	187553	28
187018	68	187554	28
187030	68	187555	28
187031	68	187556	28
187032	68	187557	28
187081	18	187558	28
187101	2	187559	28
187112	2	187560	28
187137	18	187561	28
187142	36, 42	187567	40
187183	68	187576	14
187193	72, 88, 104	187577	14
187194	52	187596	32, 38
187203	50	187621	52
187229	22	187637	52
187242	32, 38	187641	52
187252	24, 114	187645	52
187253	24, 114	187653	52
187255	28	187655	52

INDEX

187658	52	220317	14
187659	52	220319	14
187660	52	220320	14
187669	52	220328	88
187670	72, 88, 104	220330	104
187682	90	220338	4
187686	112	220339	4
187694	52	220340	112
187696	20	220342	4
187697	20	220343	4
187698	20	220347	72
187701	52	220354	112
187708	52	220380	4
187723	68, 80, 84, 96, 100, 108	220381	4
187730	52	220446	4
187732	4	220447	4
187791	34	220449	4
187793	52	220471	40
187815	32, 38	220535	44
187816	32, 38	220570	46
187822	52	220571	118
187898	24	220572	118
187900	22	220573	118
187913	4	220628	92
187914	4	220654	84
187918	24, 114	220656	84
187925	22	220657	68, 100
187928	10	220658	68, 102
187947	6	220679	50
187948	6	220734	46
187950	38	220807	64
187958	34, 38	220808	64
187965	34, 38	220809	64
187967	22, 114	220810	64
187976	108	220811	64
187977	108	220812	64
187988	8	220813	64
188467	16	220814	64
190866	108	220815	64
191757	90	220816	64
194530	30	220817	60
197154	122	220818	60
197263	12	220819	60
213830	22	220820	60
220199	10	220821	60
220200	10	220822	60
220201	124	220823	60
220237	4	220824	60
220259	124	220825	60
220274	32, 38	220826	60
220305	124	220831	62
220306	124	220832	62
220307	124	220834	62
220308	124	220835	64

INDEX

220836	60	245301	22, 114
220843	34	245335	56
220846	34	245357	106
220847	32	245428	58
220852	6	245432	58
220863	62	245433	58
220866	62	245434	58
220867	62	245435	58
220868	62	245436	58
220869	62	245437	58
220870	62	245438	58
220871	62	245439	58
220872	62	245440	58
220876	64	245441	58
220885	60	245443	58
220907	34	245483	56
220908	34	245493	116
220948	40	245514	116
220949	40	245515	116
220950	40	245615	4
220951	40	245616	4
220952	40	245618	20
220953	40	245620	20
220955	40	245692	12
220956	40	245695	24
220957	40	245753	32, 38
220958	40	245760	94
229510	48	245761	94
231532	20, 114	245763	74
231534	20, 114	245804	24
231625	12	245805	24
231648	14	245815	74
231673	14	245816	74
231694	12	245820	100
237545	12	245852	66
237556	122	245891	124
237563	122	245892	124
240059	14	245910	124
240061	12	245912	124
240062	12	245966	18
240066	14	245978	56
240112	18	248014	18
240118	18	248029	12
240120	18	248034	12
240122	18	248035	16
240123	18	248245	34
240124	18	248312	16
240771	12	248407	20, 114
240880	18	248408	20, 114
245117	40	248466	18
245122	4	248469	6
245157	40	248850	24
245160	40	252259	16
245246	106	252559	80

INDEX

252703	12
276839	12
279011	100
279012	100
279013	100
279014	100
279028	10
279034	100
279035	100
279081	22
279163	128
279227	128
279228	128
279252	94
279281	128
279282	128
279283	128
279490	40
279491	40
279493	78
279689	22
279691	14
279708	14
279746	118
279753	46
287802	12

B

B4828	8
B5082	114
B5083	114
B5612	124
B5663	8
B5667	78, 84, 88
B5668	76, 80, 88
B5669	92, 100, 104
B5670	92, 96, 104
B5671	66, 68, 72
B5672	106, 108, 112
B5682	120
B5761	66, 68, 72
B5762	78, 84, 88
B5847	90
B5883	94
B5921	116
B5961	114
B5962	114
B5963	114
B6057	126
B6157	128

MacDon Industries Ltd.

680 Moray Street
Winnipeg, Manitoba
Canada R3J 3S3
t. (204) 885-5590
f. (204) 832-7749

MacDon, Inc.

10708 N. Pomona Avenue
Kansas City, Missouri
United States 64153-1924
t. (816) 891-7313
f. (816) 891-7323

MacDon Australia Pty. Ltd.

A.C.N. 079 393 721
P.O. Box 243, Suite 3, 143 Main Street
Greensborough, Victoria, Australia 3088
t. 03 9432 9982
f. 03 9432 9972

MacDon Brasil Agribusiness Ltda.

Rua Grã Nicco, 113, sala 202, B. 02
Mossunguê, Curitiba, Paraná
CEP 81200-200 Brasil
t. +55 (41) 2101-1713
f. +55 (41) 2101-1699

LLC MacDon Russia Ltd.

123317 Moscow, Russia
10 Presnenskaya nab, Block C
Floor 5, Office No. 534, Regus Business Centre
t. +7 495 775 6971
f. +7 495 967 7600

CUSTOMERS

MacDon.com

DEALERS

Portal.MacDon.com

Trademarks of products are the marks of their
respective manufacturers and/or distributors.

Printed in Canada