

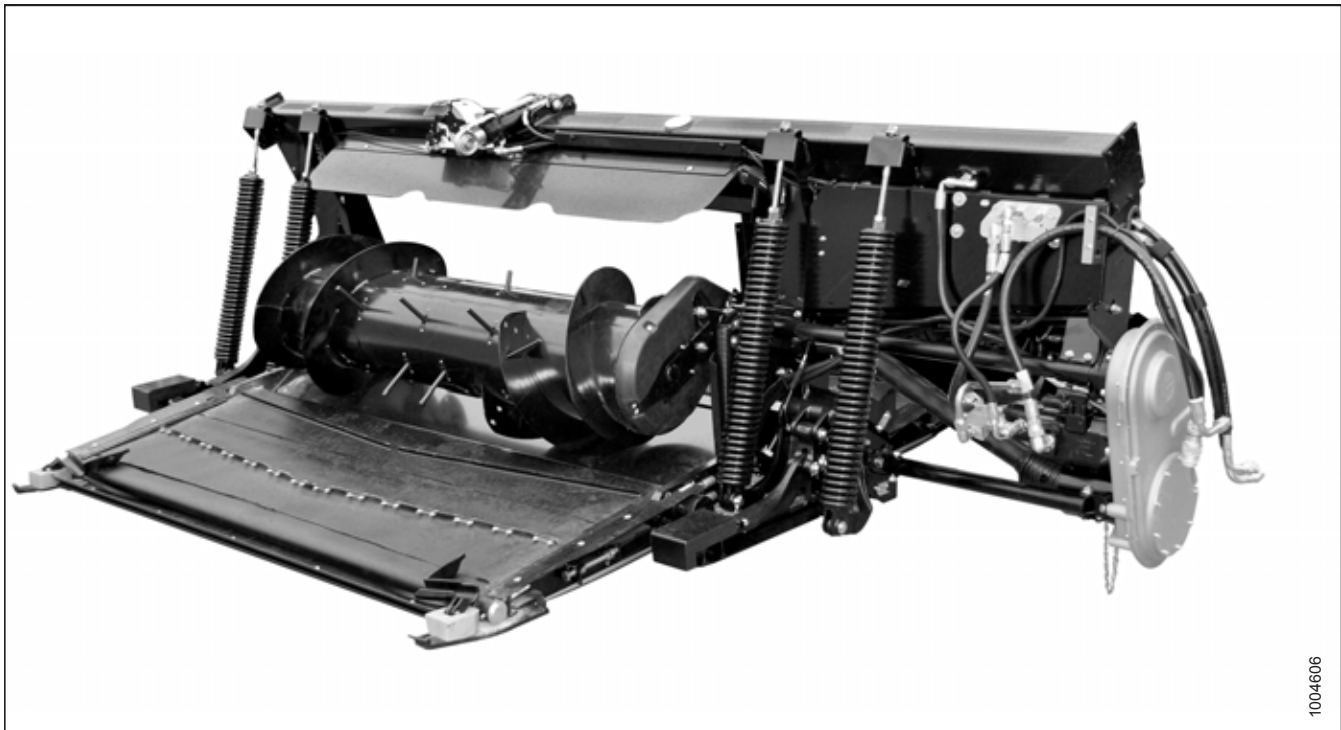
# **CA25 Combine Adapter**

Parts Catalog

214322 Revision B

Original Instruction

## CA25 Combine Adapter



Published: June 2021

### **NOTE:**

Keep your MacDon publications up-to-date. The most current version can be downloaded from our website ([www.macdon.com](http://www.macdon.com)) or from our Dealer-only site (<https://portal.macdon.com>) (login required).

Catalog also available in French, Portuguese, Russian, and Spanish versions. The most current version can be downloaded from our MacDon International website ([www.macdon.com/world](http://www.macdon.com/world)) or from our Dealer-only site (<https://portal.macdon.com>) (login required).

© 2021 MacDon Industries, Ltd.

The information in this publication is based on the information available and in effect at the time of printing. MacDon Industries, Ltd. makes no representation or warranty of any kind, whether expressed or implied, with respect to the information in this publication. MacDon Industries, Ltd. reserves the right to make changes at any time without notice.

# Introduction

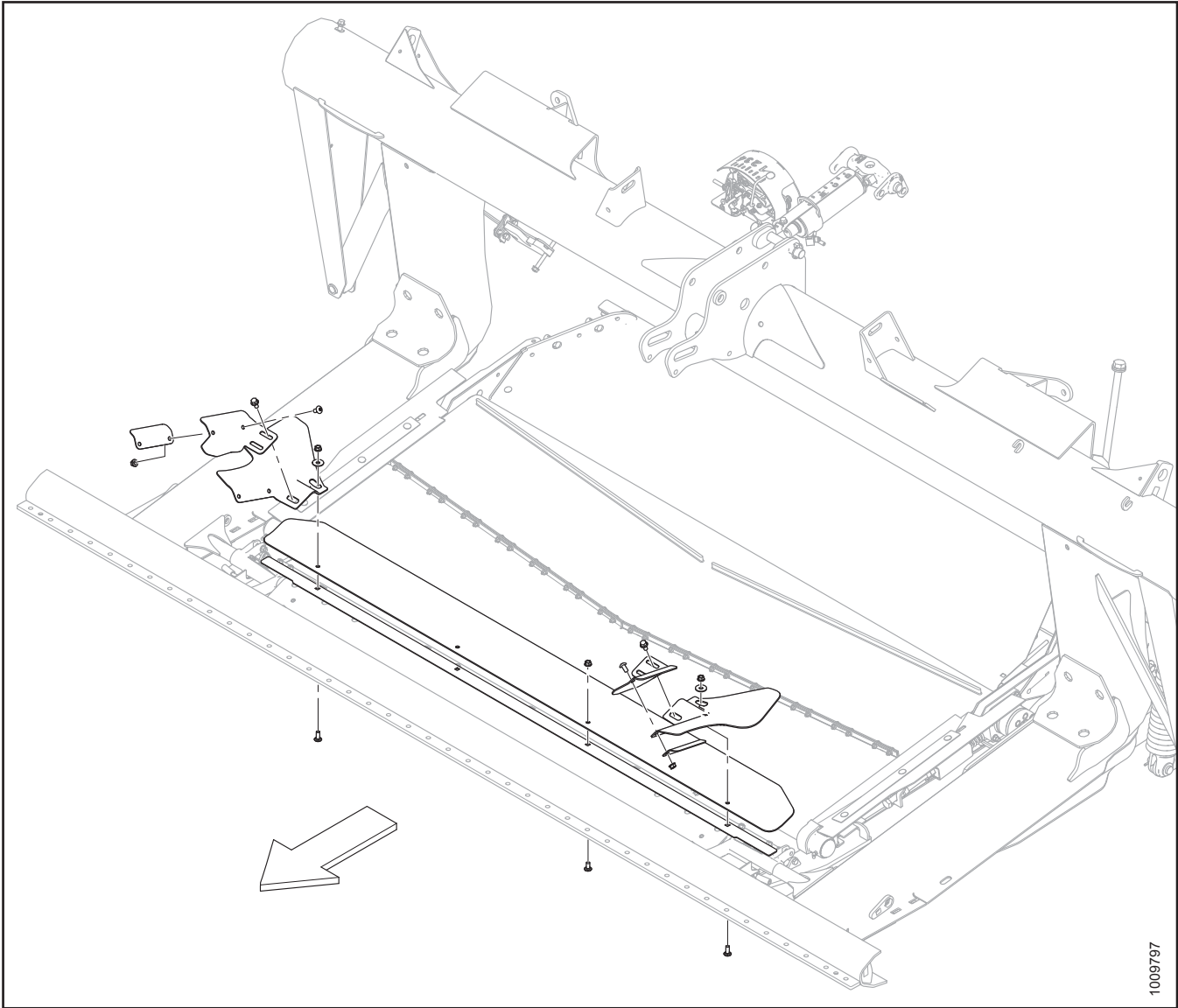
This parts catalog lists all the replacement parts that can be ordered for a MacDon CA25 Combine Adapter.

When ordering, be sure the complete and proper part number is given.

**Bold text is used to indicate updates made at the current revision level.** With each new revision of the catalog, previous revisions are returned to regular text.

Electrical connectors used on MacDon products are available for sale but not listed in this catalog. For the list of available connectors, refer to the Electrical Connectors Parts Catalog (MD #169641).

In this catalog, right-hand (RH) and left-hand (LH) are determined from the operator's seated position in the combine. An arrow is sometimes used in illustrations to indicate forward position as shown below.



## Abbreviations

A/R – as required (quantity varies)	ASSY – assembly	BHRN – button head rib neck
BV – ball valve	CCW – counterclockwise	CON – conical (spring washer)
CSK – countersink	C/W – complete with	CW – clockwise
DBLE – double	DK – double knife	DR – double reel
DT – distorted thread	FLG – flange	GA – gauge
GR – grade	GS – grass seed	HD – head
HDR – header	HFA – hydraulic fore-aft	HH – hex head
HNBR – hydrogenated nitrile butadiene rubber	HYD – hydraulic	I.D. – inside diameter
IP – internal plus (torx plus)	KP – knife pressure	KR – knife return
LG – long	LH – left hand (determined from Operator's position, facing forward)	LK – lock
MACH – machine	MD – MacDon	MFA – manual fore-aft
MY – model year	NC – national coarse thread	NF – national fine thread
NSS – not sold separately	NT – narrow transport	O.D. – outside diameter
OPT – optional	PO – pilot operated	PT – pull-type (mower conditioner)
RC – roller chain	REF – reference, part number called up elsewhere in catalog	REG – regular
RH – right hand (determined from Operator's position, facing forward)	RHSN – round head, square neck or square neck carriage bolt	RHSSN – round head, short, square neck
RTD – rotating tine drum	SAE – Society of Automotive Engineers (part produced to comply with)	SD – side draper
SER – serrated	SK – single knife	SKT HD – socket head
SMTH – smooth	SMV – slow moving vehicle	SOCK – socket
SP – self-propelled (windrower) header	SPCL – special	SPH – spherical
SPI – serrations per inch (knife Sections)	SR – single reel	STL – steel (stainless)
STR – standard	STVR – Stover	TFL – thread full length
THD – thread	UNC – unified coarse thread	UCA – upper cross auger
UDK – untimed double knife	UNS – unified special thread series	UNEF – unified extra fine thread
UNF – unified fine thread	ZP – zinc plated	VK – veritcal knife
WF – wide frame		

## Serial Number Breaks

The side of the serial number on which the dash (–) appears determines whether the part is used "up to" or "after" the serial number given.

**Example:**

- –162249 Used on machines up to and including serial number 166249
- 166250– Used on machines including and after serial number 166250

## Summary of Changes – CA25 (214322 Rev. B)

This list covers changes made since the last revision (214322 Rev. A).

Section	Summary of Change	Internal Use Only
<i>Inside Front Cover</i>	Added copyright information.	Publications
<i>Abbreviations, page ii</i>	Updated abbreviations list.	Publications
<i>1 Frame and Components, page 1</i>	Added gasket set 304658 as a service part for filler cap 133942.	ECN 58244
	Gasket set 304658 superseded by kit 312706.	ECN 60680
<i>2 Feed Deck, page 3</i>	Added seal kit 245316 for motor 245122.	Product Support ECN 49785
	Feed draper 133131 superseded by 304454.	ECN 57325
	Added feed draper motor shim kit 304748. Nuts 135954 discontinued; Replaced by 21452.	ECN 58421 ECN 60613
<i>5 Auger Internal Components, page 11</i>	Flighting service kit 276797 superseded by 294047.	ECN 54793 ECN 56393
	Feed auger kit 133490 superseded by 335542. Added note with reference to new feed auger kit 335542.	ECN 61071
	Removed finger hole repair kit 114382 and moved to a new topic.	Publications
<i>6 Auger Assembly, page 15</i>	Corrected O-ring part number 135957.	ECN 51747
	Auger drive covers 279690 and 279658 superseded by auger cover kit 294812. Added cover 294144 and screw 252785. Updated illustration from 1022992 to 1036396 to show changes.	ECN 55969 ECN 56768
<i>7 Auger with Magnetic Shield – Internal Components and Flighting, page 19</i>	Added feed auger kit 335542 with new illustration 1036572.	ECN 61071
<i>8 Auger with Magnetic Shield – Service Parts, page 23</i>	Added feed auger kit 335542 with new illustration 1036566.	ECN 61071
<i>10 Auger Patch Kit, page 31</i>	Auger patch kit 114382 superseded by 335464.	ECN 60895
<i>11 Drives, page 33</i>	Screw 164223 superseded by 135381.	ECN 50190
	Updated hardware descriptions for 30655, 135381, and 135693.	ECN 54235 ECN 57085 ECN 57146
	Gearbox housing 187479 superseded by 287914.	ECN 56979
	Output shaft 213830 superseded by 301663. Updated illustration from 1018289 to 1036400 to show changes.	ECN 56981
	Seal kit 133569 superseded by 294890.	ECN 58058
	Added footnotes to clarify which sprocket options are available for each combine configuration.	Product Support
<i>12 Input Driveline, page 39</i>	Safety chains kit 194530 superseded by 171277.	ECN 46945
	Full drivelines 156945, 156946, 187225, and 187313 superseded by 187550, 187551, 187552, and 187553. Full driveline 187552 superseded by 301966. Outer guards 187255, 187315, 133644, and 133642 superseded by 322205, 322207, 322203, and 322202. Inner guards 187256, 187316, 133645,	ECN 57414

Section	Summary of Change	Internal Use Only
	and 133643 superseded by 322211, 322208, 322209, and 322210. Half shafts 187257, 187317. 133649, 133648, 187258, 187318, 133653, and 133652 superseded by 322200, 322212, 322199, 322198, 322234, 322257, 322258, and 322259.	
	Added Rostselmash driveline 301704 and service parts.	ECN 56330
	Revised footnotes: added Case IH 2300/2500 Series.	Publications
<i>13 Hydraulics – Bosch/Rexroth Manifold, page 43</i>	Manifold 187791 superseded by kit 248245.	ECN 49737
	Relief valve 174931 superseded by 133561.	ECN 50642
	Sight glass 187242 superseded by 304668.	ECN 58270
	Added service parts for various fittings: O-rings 44209, 30971, and 50220.	Product Support
	Added manifold body 320229 as a service part for relief manifold 220843. Added footnote. Updated illustration from 1004397 to 1036428 to show changes.	ECN 60414
	Filter service kit 183620 superseded by 320360.	ECN 61432
<i>14 Hydraulics – Parker Manifold, page 47</i>	Parker manifold 187567 superseded by 245119.	ECN 49137
	Parker manifold 245119 superseded by 279490.	ECN 52758
	Pressure compensator valve 220952 superseded by 245157.	ECN 49137
	Added service parts for various fittings: seal kits 220960, 220961, 220963, 220964, 220965, 245158, 245159, and 287451; O-rings 44209, 30971, and 50220.	Product Support ECN 60653
	Sight glass 187242 superseded by 304668.	ECN 58270
	Seal kit 220962 superseded by 220960.	ECN 58830
	Filter service kit 183620 superseded by 320360.	ECN 61432
<i>16 Selector Valve, page 55</i>	Revised harness 129566 description to include reference to Case 20 Series. Revised footnotes.	Parts
<i>17 Float Linkage and Components, page 57</i>	Spring assemblies 156511 and 156565 superseded by 294729 and 294731.	ECN 56838
	Wrench 229510 superseded by 311859.	ECN 57874
	Added service parts footnote for bell crank 174816.	Publications
<i>19 Decals, page 65</i>	Hydraulic oil pressure decal 44944 superseded by 174436. Updated illustration from 1018250 to 1036364 to show changes.	ECN 47310
<i>20 Decals – French, page 67</i>	Wing balance decals 245436 and 245437 superseded by 294089 and 294090.	ECN 54941
<i>21 Decals – Portuguese, page 69</i>	Wing balance decals 220825 and 220826 superseded by 294085 and 294086.	ECN 54941
<i>22 Decals – Russian, page 71</i>	Wing balance decals 220866 and 220867 superseded by 294087 and 294088.	ECN 54941
<i>23 Decals – Spanish, page 73</i>	Wing balance decals 220815 and 220816 superseded by 294083 and 294084.	ECN 54941
<i>25 AGCO, Gleaner – Hydraulic Completion, page 77</i>	Added Parker multicoupler 187183, which can be used as a substitute for Faster multicoupler 279737. Added service parts 294098, 279011, 279012, 279034, and 279035. Added	Engineering

Section	Summary of Change	Internal Use Only
	footnotes to clarify these service parts are for the Faster multicoupler only. Updated illustration from 1018497 to 1036538 to show changes.	
<i>28 Gleaner – R/S Series Narrow Completion Kit, page 85</i>	Updated illustration from 1018248 to 1036649 to show correct number reference for access door 245763.	Parts
	Corrected footnote to say square tube 133984 replaces 133223 on Gleaner combines with the Narrow Completion kit.	Publications
<i>29 Case 20 Series – Adapter Completion, page 87</i>	Added attaching hardware for brackets 133257 and 133288. Updated illustration from 1004959 to 1036392 to show changes.	Product Support
<i>30 Case IH and New Holland CR/CX – Adapter Completion, page 89</i>	Added hair pin 252993. Updated illustration from 1018268 to 1036403 to show changes.	ECN 57388
	B6369 and B6370 superseded by B6564 and B6565.	ECN 55962
<i>32 Case IH and New Holland CR/CX – Hydraulic Completion, page 95</i>	B6369 and B6370 superseded by B6564 and B6565. Coupler support 220654 superseded by electrical cover kit 301693. Added footnote. Updated illustration from 1018226 to 1036526 to show changes.	ECN 55962
<i>33 Case IH/20 Series and New Holland CR/CX – Electrical Completion, page 99</i>	B6369 and B6370 superseded by B6564 and B6565. Electrical cover 133277 superseded by electrical cover kit 301693. Added cap 134053, washer 134011, nut 134010, and screw 21947. Updated illustration from 1018319 to 1036530 to show changes.	ECN 55962
<i>35 John Deere 50/60/70 S Series – Adapter Completion, page 103</i>	Transition frame 220628 superseded by 294514.	ECN 55877
<i>36 John Deere – Contour Master Transition Frame, page 105</i>	Added brackets 156986 and 156989 as service parts for superseded transition frame 220928.	ECN 50725
<i>38 John Deere 60/70/S Series – Hydraulic Completion, 2016 and Prior, page 111</i>	Parker multicoupler 245820 superseded by 302212, which is not serviced separately. Revised footnote to include retaining ring 184603 as a service part.	ECN 57909
<i>39 John Deere 60/70/S Series – Hydraulic Completion, 2017 and Later, page 115</i>	Parker multicoupler 245820 superseded by 302212, which is not serviced separately. Revised footnote to include retaining ring 184603 as a service part.	ECN 57909
<i>41 CLAAS Lexion 500/700 Series – Adapter Completion, page 121</i>	Transition frame 245357 superseded by 304654. Lever 156779 superseded by 304669.	ECN 58420
	Transition frame 304654 superseded by 304788. Latch weldment 156232 superseded by 304980.	ECN 59394
	Transition frame 304788 superseded by 335548. Updated illustration from 1004425 to 1036412 to show changes.	ECN 61094
<i>45 Rostselmash Conversion Kit, page 131</i>	Added Rostselmash Conversion kit B6568 with new illustration 1027610.	ECN 56330
	Reel speed sensor harness 304199 superseded by 304982.	ECN 60838
<i>48 (Option) Auger Flighting Extensions, page 139</i>	Flightings 133147 and 133148 replaced by 294077 and 294076. Flighting kit B4829 superseded by B6434.	ECN 54793
	Added note referencing the flighting kits available for CA25 adapters that have been upgraded with feed auger kit 335542.	ECN 61071



Section	Summary of Change	Internal Use Only
<i>49 (Option) Auger Flighting Kits, page 141</i>	Added flighting kits as service parts for feed auger kit 335542 with new illustration 1036652.	ECN 61071
<i>51 (Option) Foot Switch, page 145</i>	Added Foot Switch option B6212 with new illustration 1026305.	Parts
<i>52 (Option) Hillside Extension, page 147</i>	Added fill extension kit 312824, which contains the contents of B6057.	ECN 60873



## TABLE OF CONTENTS

---

Introduction .....	i
Abbreviations.....	ii
Serial Number Breaks .....	iii
Summary of Changes – CA25 (214322 Rev. B) .....	iv
<b>1 Frame and Components.....</b>	<b>1</b>
<b>2 Feed Deck .....</b>	<b>3</b>
<b>3 Transition Pan Poly Kit / Combine Attachment for Rigid Headers.....</b>	<b>7</b>
<b>4 Adapter Corner and Center Fillers .....</b>	<b>9</b>
<b>5 Auger Internal Components .....</b>	<b>11</b>
<b>6 Auger Assembly .....</b>	<b>15</b>
<b>7 Auger with Magnetic Shield – Internal Components and Flighting.....</b>	<b>19</b>
<b>8 Auger with Magnetic Shield – Service Parts .....</b>	<b>23</b>
<b>9 Auger Dent Repair Kit.....</b>	<b>29</b>
<b>10 Auger Patch Kit .....</b>	<b>31</b>
<b>11 Drives .....</b>	<b>33</b>
<b>12 Input Driveline .....</b>	<b>39</b>
<b>13 Hydraulics – Bosch/Rexroth Manifold .....</b>	<b>43</b>
<b>14 Hydraulics – Parker Manifold .....</b>	<b>47</b>
<b>15 Hydraulic Selector Header Tilt / Reel Fore-Aft .....</b>	<b>53</b>
<b>16 Selector Valve .....</b>	<b>55</b>
<b>17 Float Linkage and Components .....</b>	<b>57</b>
<b>18 Hydraulic Center-Link with Float and Tilt Indicators .....</b>	<b>61</b>
<b>19 Decals.....</b>	<b>65</b>
<b>20 Decals – French .....</b>	<b>67</b>
<b>21 Decals – Portuguese.....</b>	<b>69</b>
<b>22 Decals – Russian .....</b>	<b>71</b>
<b>23 Decals – Spanish.....</b>	<b>73</b>
<b>24 AGCO, Gleaner – Adapter Completion.....</b>	<b>75</b>
<b>25 AGCO, Gleaner – Hydraulic Completion.....</b>	<b>77</b>
<b>26 AGCO, Gleaner – Electrical Completion .....</b>	<b>81</b>
<b>27 Gleaner – R/S Series Feeding Kit .....</b>	<b>83</b>
<b>28 Gleaner – R/S Series Narrow Completion Kit.....</b>	<b>85</b>
<b>29 Case 20 Series – Adapter Completion.....</b>	<b>87</b>
<b>30 Case IH and New Holland CR/CX – Adapter Completion.....</b>	<b>89</b>
<b>31 Case 20 Series – Hydraulic Completion.....</b>	<b>91</b>
<b>32 Case IH and New Holland CR/CX – Hydraulic Completion .....</b>	<b>95</b>
<b>33 Case IH/20 Series and New Holland CR/CX – Electrical Completion .....</b>	<b>99</b>
<b>34 New Holland 10 Volt Auto Header Height Sensor .....</b>	<b>101</b>
<b>35 John Deere 50/60/70 S Series – Adapter Completion .....</b>	<b>103</b>
<b>36 John Deere – Contour Master Transition Frame .....</b>	<b>105</b>
<b>37 John Deere 50 Series – Hydraulic Completion .....</b>	<b>107</b>
<b>38 John Deere 60/70/S Series – Hydraulic Completion, 2016 and Prior.....</b>	<b>111</b>
<b>39 John Deere 60/70/S Series – Hydraulic Completion, 2017 and Later .....</b>	<b>115</b>

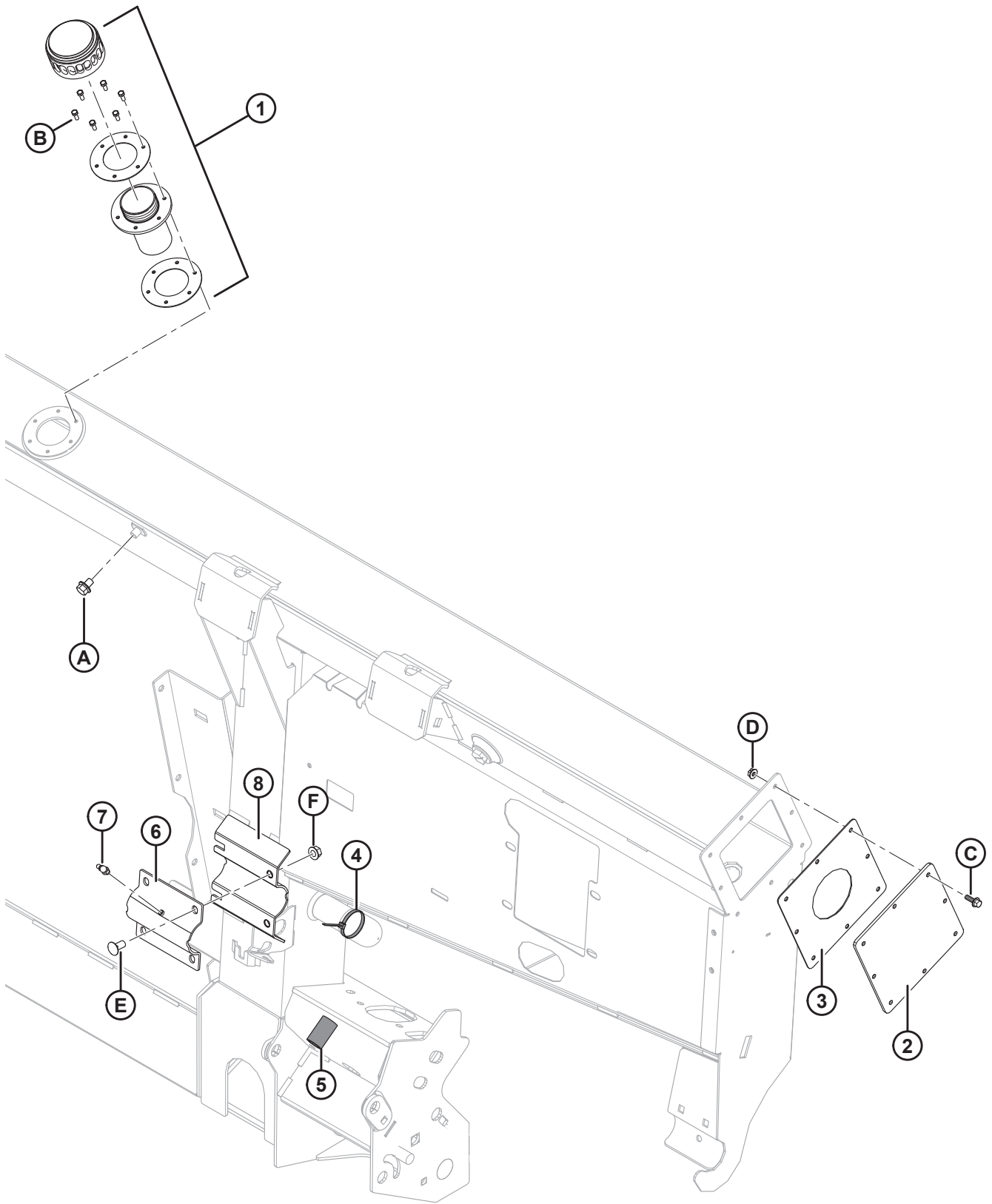
## TABLE OF CONTENTS

---

40	John Deere 50/60/70/S Series – Electrical Completion .....	119
41	CLAAS Lexion 500/700 Series – Adapter Completion .....	121
42	CLAAS Lexion 500/700 Series – Hydraulic Completion .....	123
43	CLAAS Lexion 500/700 Series – Electrical Completion .....	127
44	Conversion Kits .....	129
45	Rostselmash Conversion Kit .....	131
46	Reel Speed Sensors .....	135
47	Double Knife Completion Package .....	137
48	(Option) Auger Flighting Extensions .....	139
49	(Option) Auger Flighting Kits .....	141
50	(Option) European Adapter Seal Kit .....	143
51	(Option) Foot Switch .....	145
52	(Option) Hillside Extension .....	147
53	(Option) John Deere Adapter Fore-Aft Anti-Drift Kit .....	149
	Index .....	152



# 1 Frame and Components

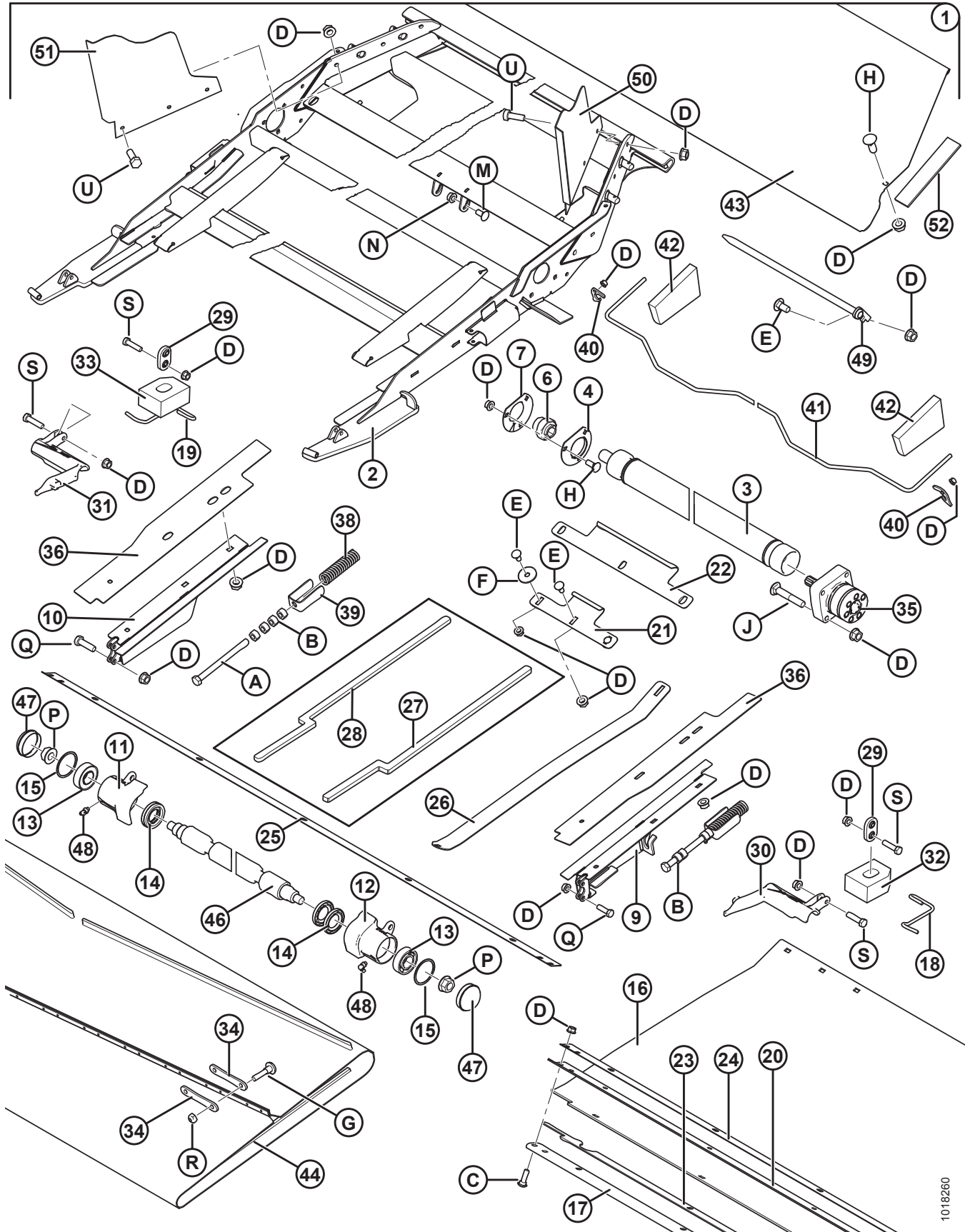


**FRAME AND COMPONENTS**

<b>Ref</b>	<b>Part Number</b>	<b>Description</b>	<b>Qty</b>	<b>Serial Number</b>
1	133942	CAP – OIL FILLER <sup>1</sup>	1	
	<b>312706</b>	<b>KIT – OIL FILL GASKETS <sup>2</sup></b>	<b>1</b>	
2	187101	PLATE – END COVER	2	
3	187112	GASKET	2	
4	21763	FASTENER – CABLE TIE (BLACK)	2	
5	156695	TUBE	1	
6	123629	CLAMP – AUGER PIVOT ASSEMBLY	1	
7	21010	FITTING – LUBE 90° 1/4-28 TAPER THD	1	
8	156682	BRACKET – SUB WELDT (WELDED TO FRAME)	1	
A	30693	BOLT – FLANGE (SER FACE) .375-16 UNC X 0.50 LG		
B	135873	SCREW – MACH #10-32 X 0.5 IN. HEX <sup>3</sup>		
C	21456	BOLT – HH FLG (SER FACE) 1/4 NC X 0.75 GR 5 ZP		
D	135248	NUT – FLG SMTH FACE 1/4-20 NC GR 5 ZP CTR LK DT THD		
E	21863	BOLT – RHSSN 3/8 NC X 0.75 LG GR 5 ZP		
F	30228	NUT – FLANGE DT SMOOTH FACE 0.375-16 UNC		

1. Remove cap and gasket covering fill hole during shipping (not shown). Retain six screws (MD #135873). Replace with oil filler cap (MD #133942) which comes complete with oil cap, filler neck, and gaskets. Use six screws saved from shipping cap to attach oil filler cap to frame. Oil filler cap comes shipped with frame or can be ordered as a replacement.
2. Includes two gaskets. Used to service filler cap (MD #133942).
3. Comes shipped with cap and gasket covering fill hole during shipping. Can be ordered separately if needed as a replacement.

## 2 Feed Deck



1018260

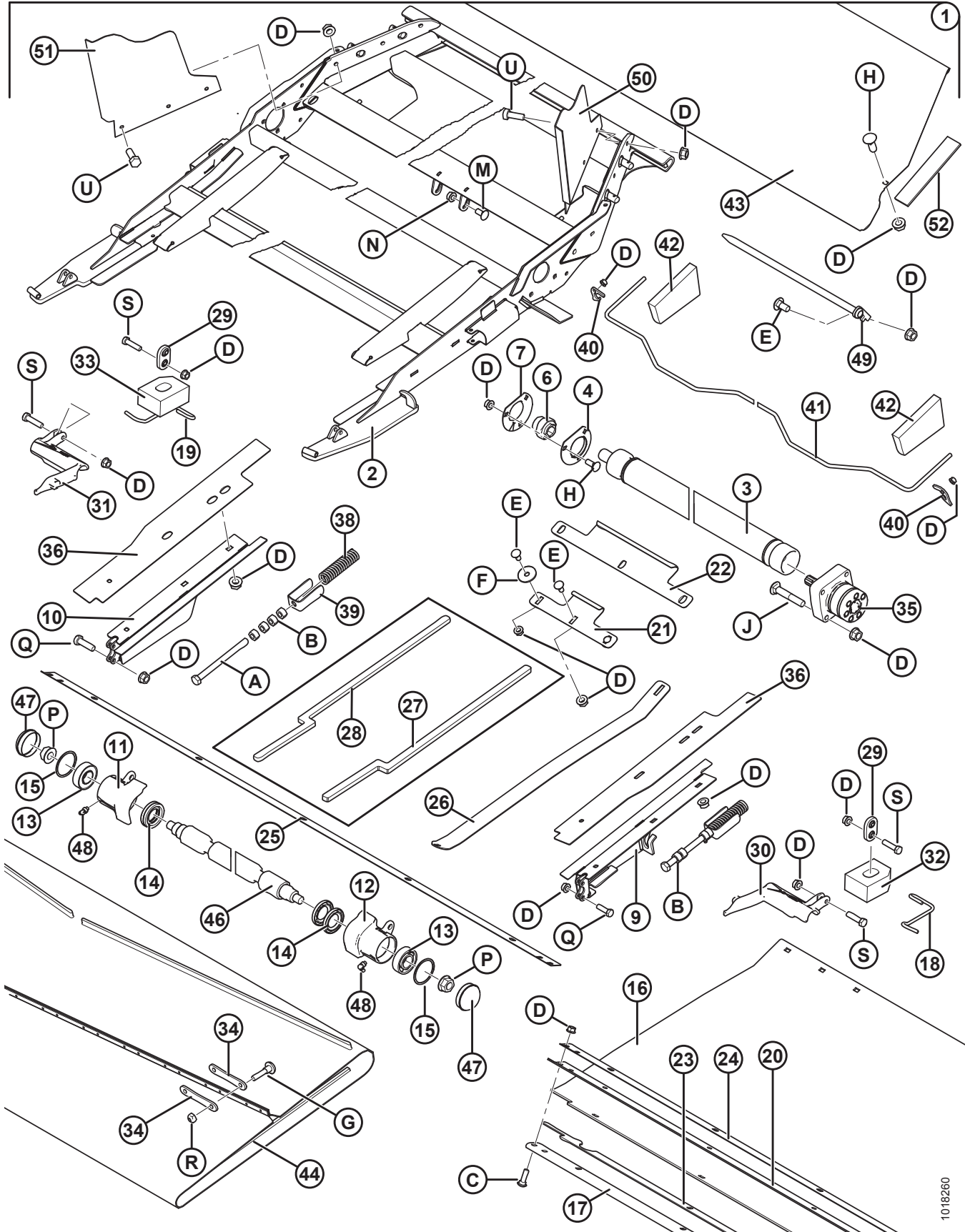


**FEED DECK**

Ref	Part Number	Description	Qty	Serial Number
1	245673	ASSY – ADAPTER FEED DECK COMPLETE	1	
2	245672	CARRIER – FEED DECK WELDMENT	1	
3	133891	ROLLER – DRIVE (COATED)	1	
4	100589	FLANGE – CROPPED	1	
6	21859	BEARING – SPH OD EXT INNER RACE 1-3/16 BORE	1	
7	100590	FLANGE – CROPPED	1	
9	279670	IDLER ARM – WELDT (LH)	1	
10	279671	IDLER ARM – WELDT (RH)	1	
11	133124	HOUSING ASSY – IDLER CUP (RH) <sup>4</sup>	1	
12	133126	HOUSING ASSY – IDLER CUP (LH) <sup>4</sup>	1	
13	118185	BEARING – BALL CYL, 52 MM O.D., 25 MM I.D.	2	
14	100862	SEAL – OIL	4	
15	118011	RING – RETAINING INTERNAL	2	
16	220446	PAN – POLY (2015 AND PRIOR) <sup>5</sup>	A/R	-285419
	245675	PAN – POLY	1	
17	156563	BAR	1	
18	156704	ROD – HINGE (LH)	1	
19	133367	ROD – HINGE (RH)	1	
20	156773	SEAL	1	
21	220447	HOOK – REAR	2	
22	133900	HOOK – REAR (CENTER)	1	
23	220449	BAR – POLY PAN (FRONT)	1	
24	220380	STRAP – FRONT	1	
25	220381	STRAP – FRONT LOWER	1	
26	220237	SUPPT – POLY PAN (LIFTER)	3	
27	220339	BLOCK – FOAM DECK, LH (2015 AND PRIOR) <sup>6</sup>	A/R	-285419
28	220342	BLOCK – FOAM DECK, RH (2015 AND PRIOR) <sup>6</sup>	A/R	-285419
29	187732	LINK – HOOK ASSY	2	
30	123935	SUPPORT – ADAPTER LINK MACHINED (LH)	1	
31	123936	SUPPORT – ADAPTER LINK MACHINED (RH)	1	
32	220338	BLOCK – FOAM SKID (LH)	1	
33	220343	BLOCK – FOAM SKID (RH)	1	
34	130283	STRAP – DRAPER CONN	28	

4. Includes bearing (MD #118185) and oil seal (MD #100862).
5. Service part only for 2015 and prior model year combine adapters that have not been serviced with feed deck carrier (MD #245672) or complete feed deck assembly (MD #245673). For 2016 and later model year combine adapters, or for combine adapters that have been serviced with carrier (MD #245672) or feed deck assembly (MD #245673), order poly pan (MD #245675).
6. Service part only for 2015 and prior model year combine adapters that have not been serviced with feed deck carrier (MD #245672) or complete feed deck assembly (MD #245673). Not required on 2016 and later model year combine adapters, or for combine adapters that have been serviced with carrier (MD #245672) or feed deck assembly (MD #245673).

FEED DECK



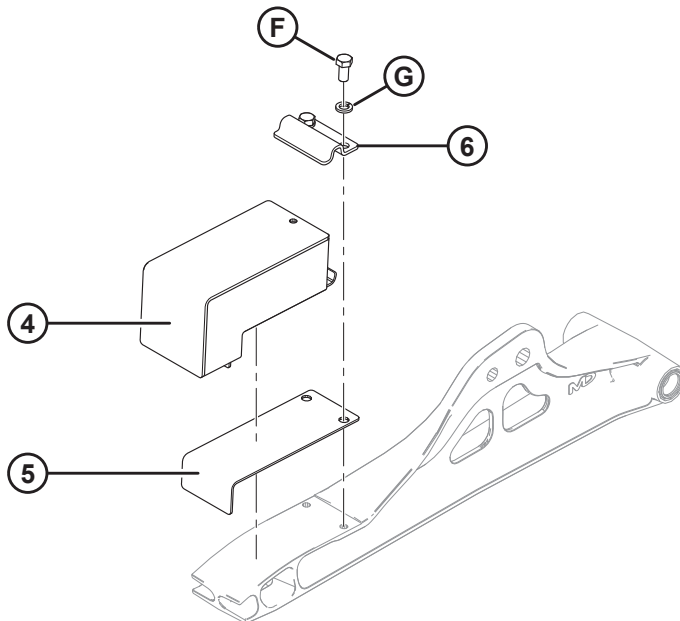
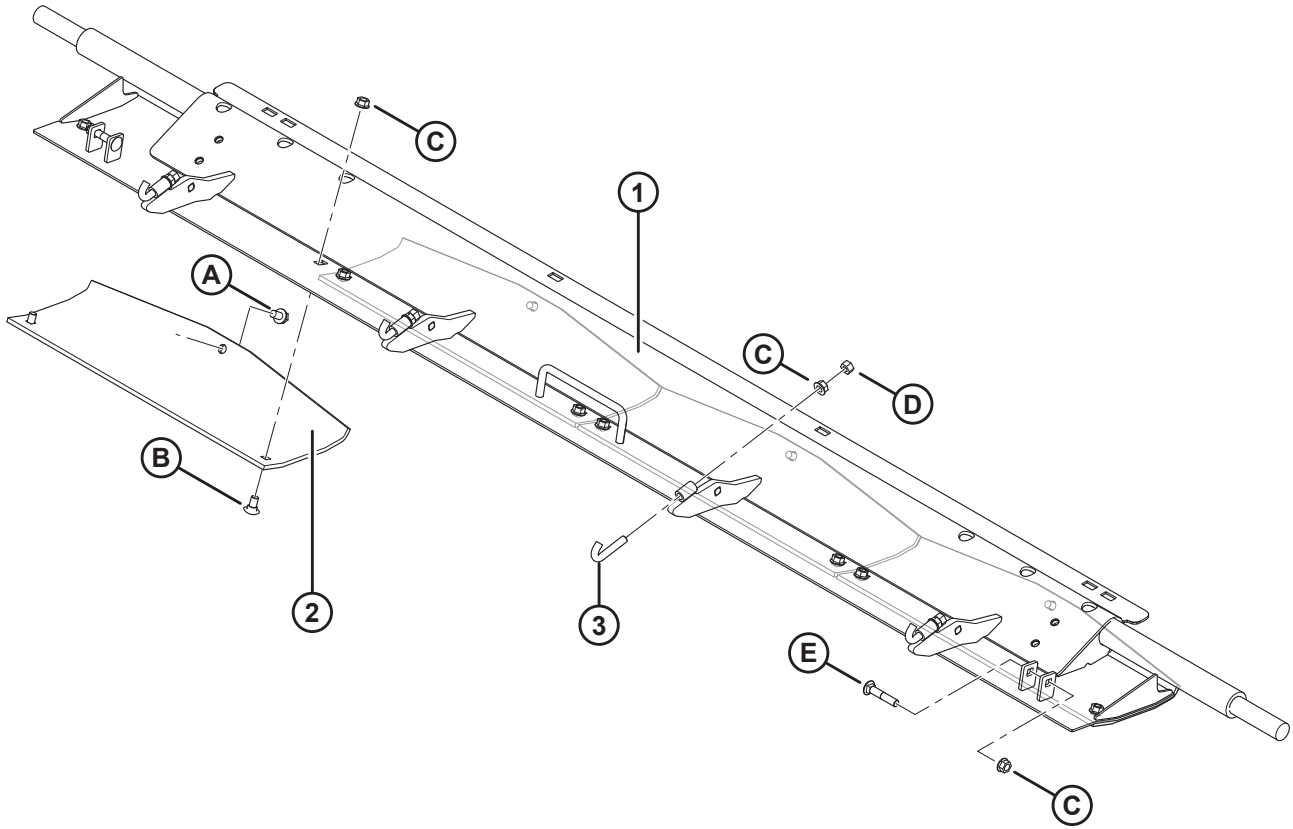
1018260

**FEED DECK**

<b>Ref</b>	<b>Part Number</b>	<b>Description</b>	<b>Qty</b>	<b>Serial Number</b>
35	245122	MOTOR – HYDRAULIC, PARKER (4 BOLT)	1	
	<b>245316</b>	<b>SEAL KIT</b>		
	<b>304748</b>	<b>KIT – FEED DRAPER MOTOR SHIM <sup>7</sup></b>		
36	187948	SEAL – FEED DRAPER (POLY)	2	
38	133946	SPRING – COMPRESSION	2	
39	130246	RETAINER – SPRING	2	
40	156365	LATCH	2	
41	156363	HANDLE	1	
42	133892	PLUG	2	
43	220852	PAN – STAINLESS STEEL	1	
44	<b>304454</b>	<b>DRAPER – 1988 MM (78.3 IN.) W X 1712 MM LG</b>	<b>1</b>	
46	156286	SHAFT – IDLER ROLLER	1	
47	133372	CAP – DUST	2	
48	21301	FITTING – LUBRICATION	2	
49	187947	PIN – WELDT	2	
50	151971	DEFLECTOR – POLY (LH)	1	
51	151376	DEFLECTOR – POLY (RH)	1	
52	248469	SEAL – FOAM	2	
A	135906	BOLT – HH 5/8 NC X 7.5 LG TFL GR 5 ZP		
B	18592	NUT – HEX 5/8-11 UNC GR 5 ZP		
C	19966	BOLT – RHSN 3/8 NC X 1.25 LG GR 5 ZP		
D	30228	NUT – FLANGE DT SMOOTH FACE 0.375-16 UNC		
E	21472	BOLT – RHSN 3/8 NC X 0.75 GR 5 ZP		
F	16652	WASHER – FLAT		
G	135630	SCREW – BHRN #12-24 NCX 0.920 IN. LG (50 PACK) <sup>8</sup>		
H	19965	BOLT – RHSN 3/8 NC X 1.0 GR 5 ZP		
J	21485	BOLT – RHSN 3/8 NC X 2.25 LG GR 5 ZP		
M	21863	BOLT – RHSSN 3/8 NC X 0.75 LG GR 5 ZP		
N	21452	NUT – FLANGE (SER FACE) .375-16 UNC		
P	50225	NUT – FLANGE DT SMOOTH FACE 0.625-11 UNC		
Q	21264	BOLT – HH 3/8 NC X 1.25 LG GR 5 ZP		
R	135626	NUT – CSK CENTER LOCK #12-24 NC (50 PACK) <sup>9</sup>		
S	21561	BOLT – HH 3/8 NC X 1.5 LG GR 5 ZP		
U	20077	BOLT – HEX HD 3/8 NC X 1.0 LG GR 5 ZP		

7. Includes eight 0.6 mm shims (NSS), eight 0.4 mm shims (NSS), four free-spinning nuts (MD #21452), and instructions.
8. Can be ordered as a quantity of one (MD #49671).
9. Can be ordered as a quantity of one (MD #30669).

### 3 Transition Pan Poly Kit / Combine Attachment for Rigid Headers

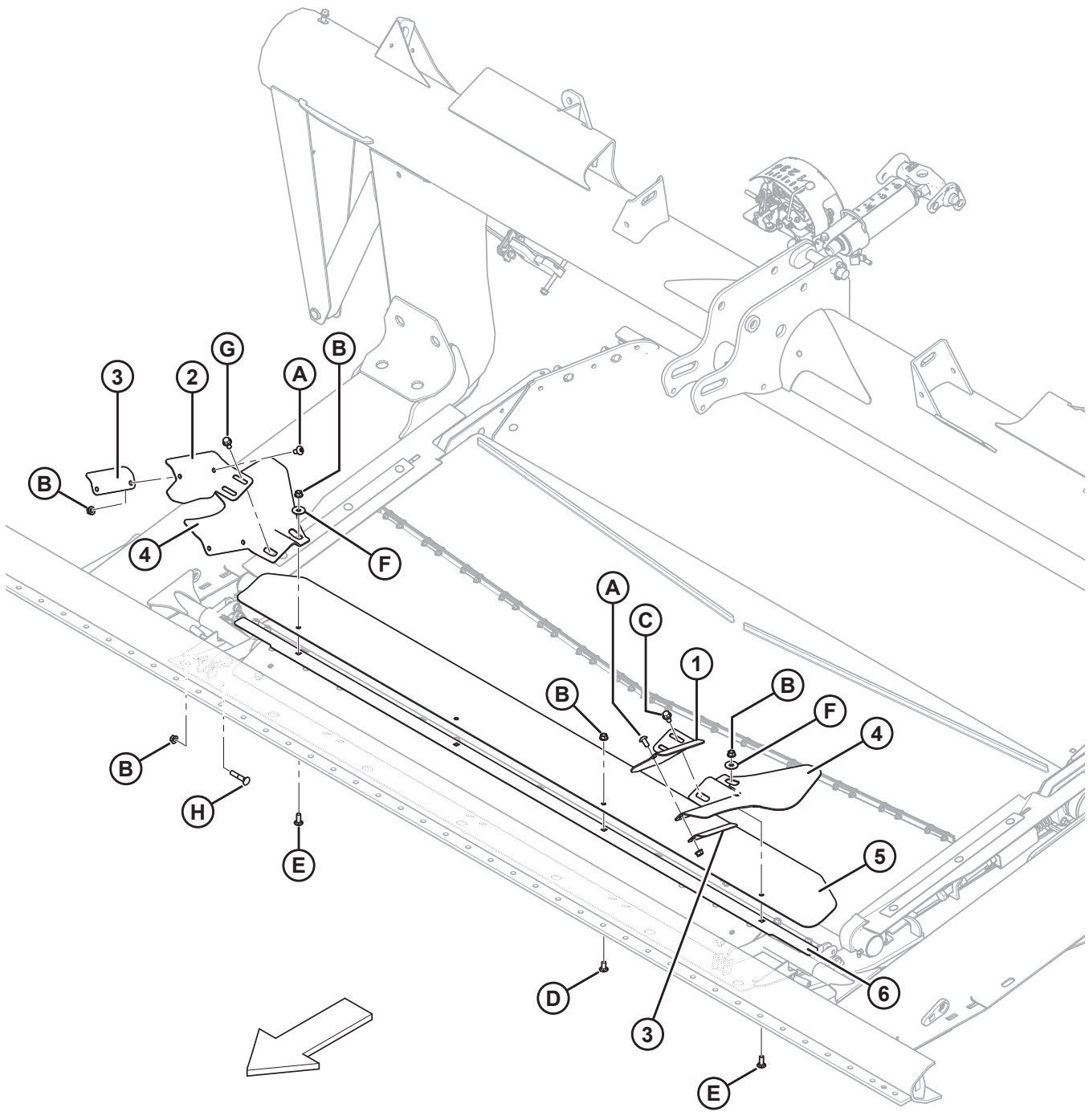


**TRANSITION PAN POLY KIT / COMBINE ATTACHMENT FOR RIGID HEADERS**

Ref	Part Number	Description	Qty	Serial Number
	B4828	KIT- TRANSITION PAN POLY <sup>10</sup>		
1	187988	PAN – RIGID TRANSITION, WELDMENT	1	
2	151551	SHOE – SKID	4	
3	156868	J-BOLT – 3/8 NC	4	
A	101898	SCREW – HEX WASH HD THD ROLLING 3/8 NC X 5/8		
B	21472	BOLT – RHSN ASME B18.5		
C	30228	NUT – FLANGE DT SMOOTH FACE 0.375-16 UNC		
D	18590	NUT – HEX 3/8-16 UNC GR 5 ZP		
E	21470	BOLT – RHSN 3/8 NC X 2.0 LG GR 5 ZP		
	B5663	KIT – COMBINE ATTACH PKG. FOR RIGID HEADERS <sup>11</sup>		
4	174775	BLOCK ASSY – RUBBER RIGID	2	
5	125145	PLATE – LEAF SPRING	2	
6	125146	CLAMP	2	
F	21575	BOLT – HH 1/2 NC X 1.0 LG GR 5 ZP		
G	18638	WASHER – REG. LOCK 1/2 IN. NOM. I.D. ZP		

10. Includes four skid shoes (MD #151551) and hardware (MD #101898, 21472, and 30228). Kits available through Whole Goods only.
11. Includes transition pan poly kit (MD #B4828), block (MD #174775), plate (MD #125145), clamp (MD #125146), hardware (MD #21575, 18638) and adapter corner fillers. Refer to Section [4 Adapter Corner and Center Fillers, page 9](#), items #1–4 and hardware A–B. Kits available through Whole Goods only.

# 4 Adapter Corner and Center Fillers

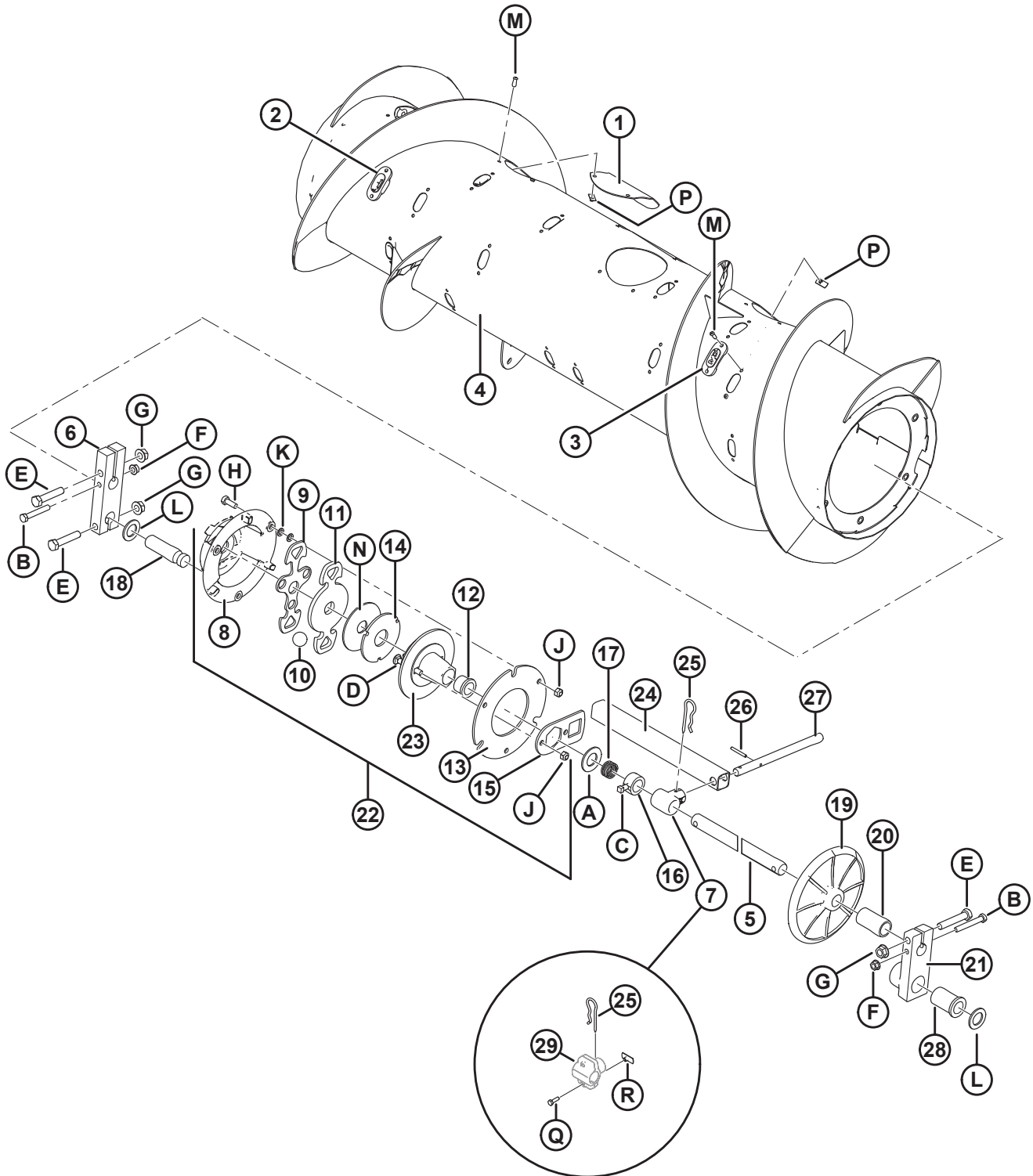


**ADAPTER CORNER AND CENTER FILLERS**

<b>Ref</b>	<b>Part Number</b>	<b>Description</b>	<b>Qty</b>	<b>Serial Number</b>
	279028	KIT – CORNER AND CENTER FILLER <sup>12</sup>		
1	123613	SUPPORT – CORNER FILLER (LH)	1	
2	123614	SUPPORT – CORNER FILLER (RH)	1	
3	123647	RETAINER – CORNER FILLER FLAP	2	
4	187928	FLAP – CORNER FILLER	2	
5	220199	FLAP – CENTER FILLER	1	
6	220200	RETAINER – CENTER FLAP	1	
A	135157	SCREW – MACHINE		
B	30228	NUT – FLG DT SMOOTH FACE 0.375-16 UNC		
C	21821	BOLT – HH FLG (SER FACE) 3/8 NC X 0.75 GR 5 ZP		
D	21863	BOLT – RHSSN 3/8 NC X 0.75 LG GR 5 ZP		
E	100456	BOLT – RHSSN 3/8 NC X 1.0 GR 5 ZP		
F	19685	WASHER – FLAT		
G	101898	SCREW – HEX WASH HD THD ROLLING 3/8 NC X 5/8		
H	21470	BOLT – RHSN 3/8 NC X 2.0 LG GR 5 ZP		

12. Includes all listed parts and hardware.

# 5 Auger Internal Components





## AUGER INTERNAL COMPONENTS

**NOTE:**

The service parts in this section are for the factory-installed feed auger and the superseded feed auger kit (MD #133490). If replacing the feed auger or servicing the new feed auger kit (MD #335542), refer to Section 7 *Auger with Magnetic Shield – Internal Components and Flighting, page 19.*

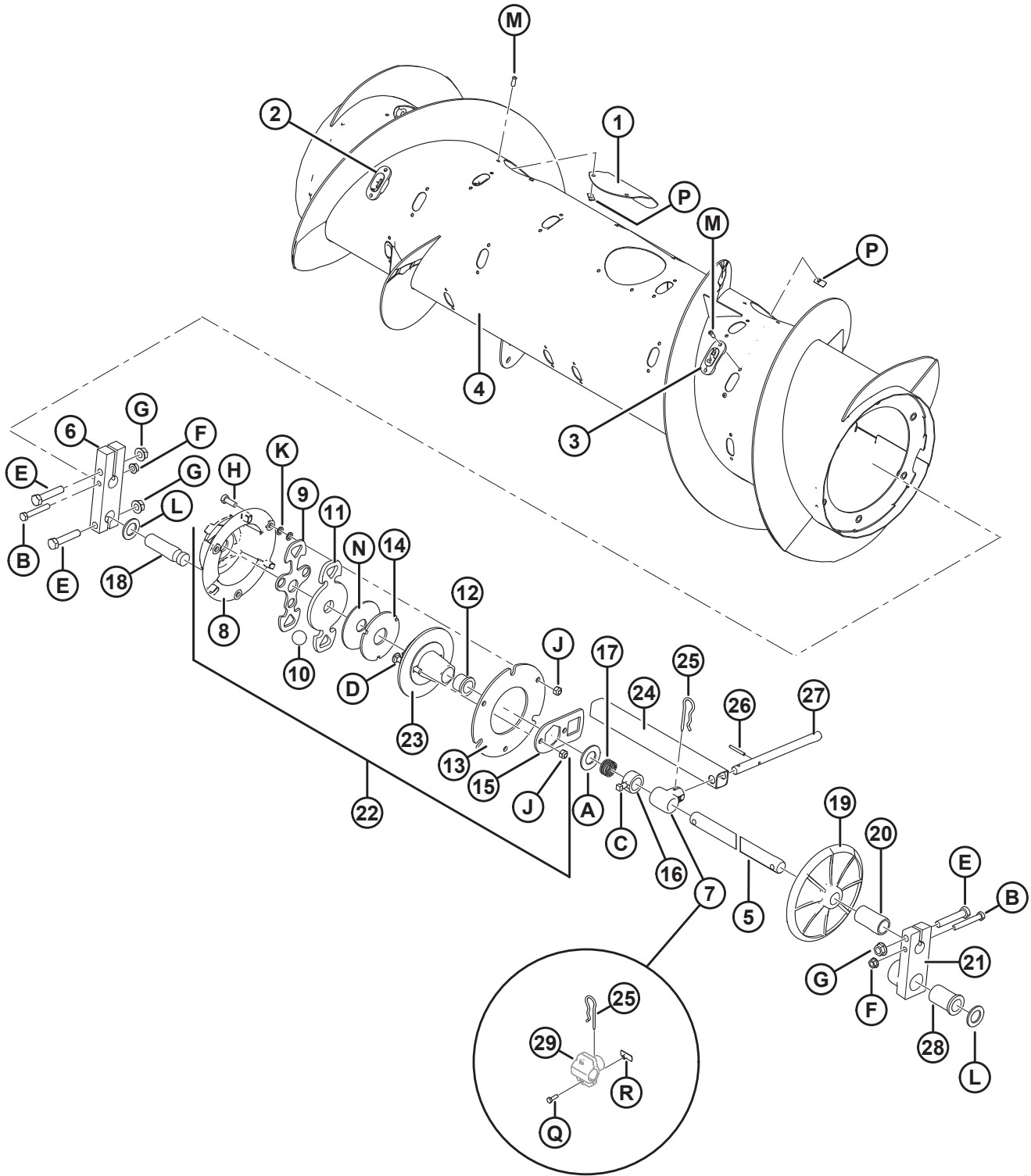
Ref	Part Number	Description	Qty	Serial Number
1	123087	COVER WELDMENT	5	
2	187081	GUIDE	17	
3	187137	PLUG	10	
4	133500	DRUM – 14 IN. WELDMENT	1	
	<b>294047</b>	<b>KIT – AUGER FLIGHTING SERVICE</b> <sup>13</sup>	<b>A/R</b>	
5	187620	SHAFT – AUGER FINGERS	1	
6	133519	BLOCK – AUGER SHAFT	1	
7	123055	BUSHING – RTD FINGER	26	
	274276	KIT – SPLIT FINGER HOLDER <sup>14</sup>	OPT	
8	133783	HOUSING – MACHINING	1	
9	156744	PLATE – BALL CAGE	1	
10	156749	BALL	3	
11	156745	ARM – CLUTCH ACTIVATOR MACHINING	1	
12	133877	BUSHING – PLASTIC FLANGED 1.0 IN.	1	
13	156750	DISC – BRAKE	1	
14	133949	PLATE – FRICTION, CLUTCH	1	
15	156426	BAR	1	
16	151792	COLLAR – LOCK	1	
17	156803	SPRING – COMPRESSION	1	
18	133515	PIN – PIVOT	1	
19	156865	WHEEL	1	
20	156869	SPACER TUBE – PLASTIC	1	
21	156116	PIVOT BLOCK – AUGER, MACHINED	1	
22	156747	CLUTCH ASSEMBLY	1	
23	133883	BRAKE – DISK, ASSY	1	
24	133223	TUBE – SQUARE	1	
25	123180	PIN – HAIR	17	
26	7642	PIN – SPRING 3/16 DIA X 1.5 LG	17	
27	220938	FINGER ASSEMBLY (BOX OF 5) <sup>15</sup>	17	
28	156879	BUSHING – FLANGE	1	
29	NSS	HOLDER – AUGER SPLIT FINGER	5	
A	135522	WASHER – STAINLESS STEEL		

13. Used to replace damaged auger flighting. Kit includes all necessary parts and full instructions.

14. Split finger holders simplify field replacement of RTD finger bushings (MD #123055). Kit includes five split finger holders (NSS), five hair pins (MD #123180), ten bolts (MD #252703), ten tee nuts (MD #197263), and instructions.

15. Includes pin (MD #7642).

# AUGER INTERNAL COMPONENTS

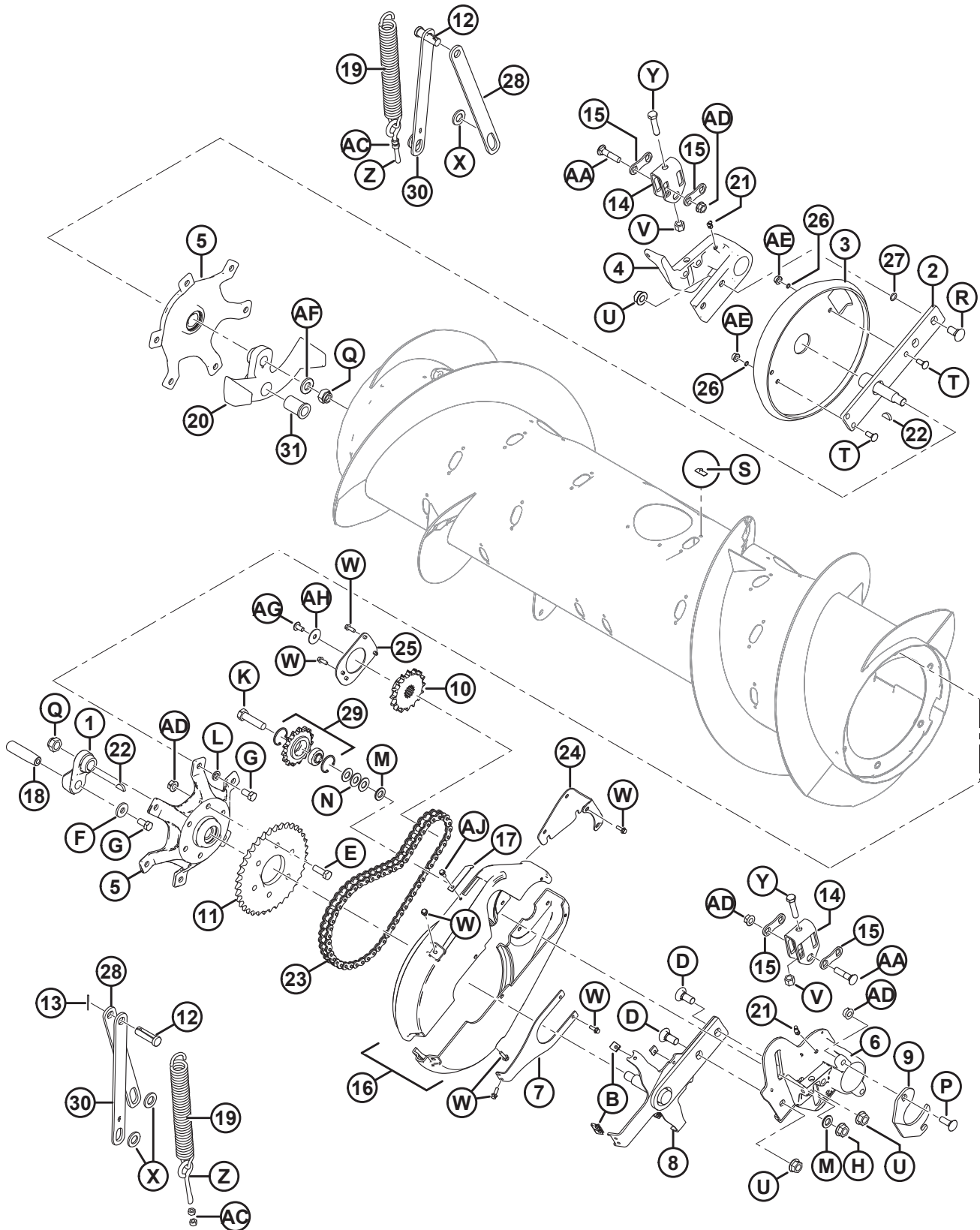


1022990

**AUGER INTERNAL COMPONENTS**

<b>Ref</b>	<b>Part Number</b>	<b>Description</b>	<b>Qty</b>	<b>Serial Number</b>
B	21102	BOLT – HH 3/8 NC X 2.5 LG GR 5 ZP		
C	21248	SCREW – SET SQ HD CUP PT (KNURL OPT) 3/8 NC X 3		
D	21478	BOLT – RHSN 3/8 NC X 2.5 LG GR 5 ZP		
E	21760	BOLT – HH 1/2 NC X 2.5 LG GR 5 ZP		
F	30228	NUT – FLANGE DT SMOOTH FACE 0.375-16 UNC		
G	50186	NUT – FLANGE LOCK SM FACE DT 0.500-13 UNC GR 5		
H	20077	BOLT – HEX HD 3/8 NC X 1.0 LG GR 5 ZP		
J	18669	NUT – HEX LOCK DT 3/8-16 UNC ZP		
K	133521	WASHER – 3/8 X 5/8 , 0.062		
L	156743	WASHER – FLAT		
M	123084	SCREW – HEX SOCKET BUTTON HD		
N	156799	WASHER – PLASTIC (POLYETHYLENE)		
P	123202	NUT – TEE		
Q	252703	BOLT – HEX HD TFL M6 X 1 X 20 X SPCL-12.9-AA2L		
R	197263	NUT – TEE M6 X 1		

# 6 Auger Assembly



## AUGER ASSEMBLY

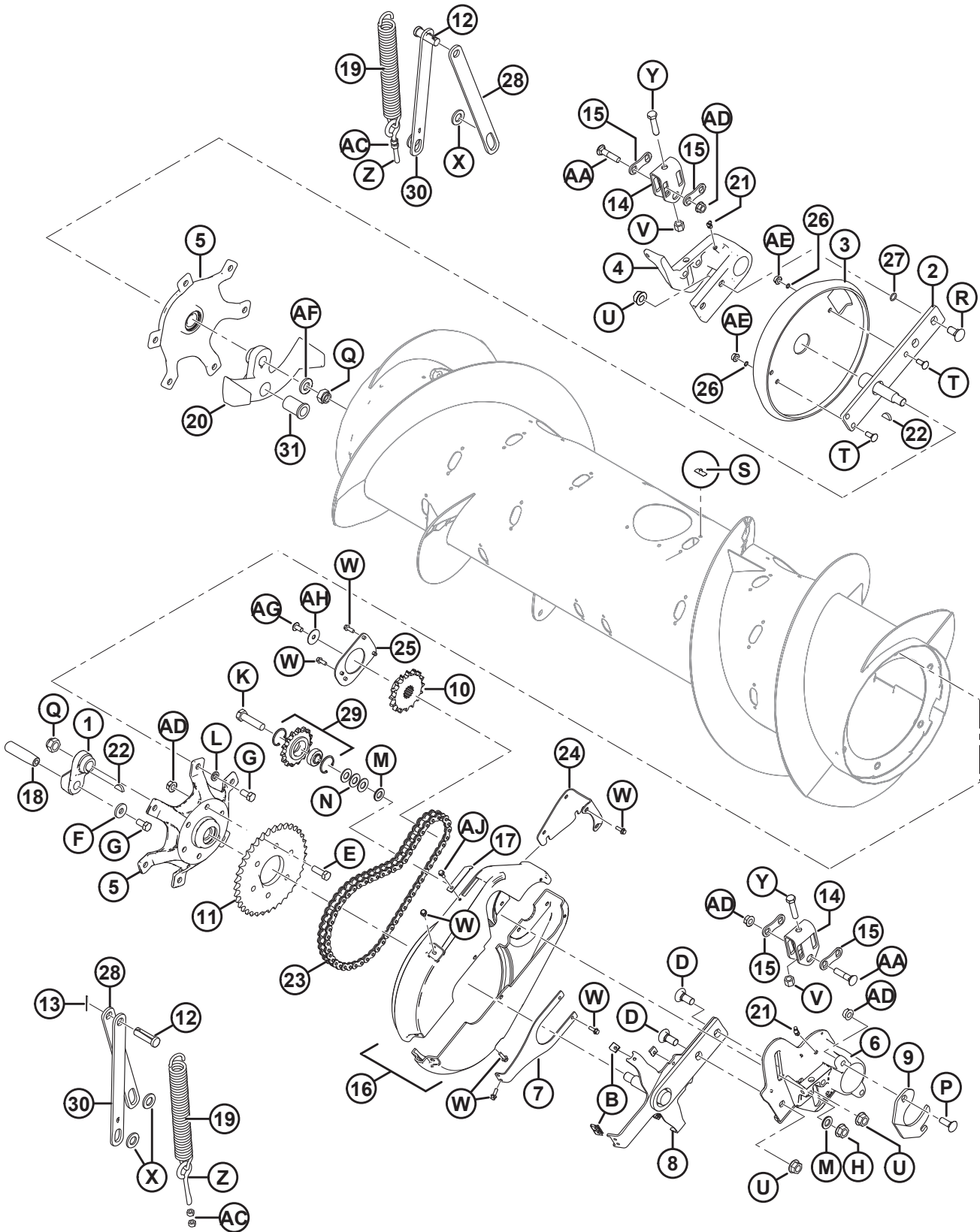
**NOTE:**

The service parts in this section are for the factory-installed feed auger and the superseded feed auger kit (MD #133490). If replacing the feed auger or servicing the new feed auger kit (MD #335542), refer to Section *8 Auger with Magnetic Shield – Service Parts, page 23*.

Ref	Part Number	Description	Qty	Serial Number
1	133513	ARM – FINGER SHAFT CRANK MACHINED	1	
2	133497	SUPPORT – AUGER WELDT (RH)	1	
3	133498	COVER – AUGER END CAP (RH)	1	
4	133503	PIVOT – MACHINING AUGER (RH)	1	
5	133504	HUB	2	
	132607	BEARING – DOUBLE ROW BALL 52 O.D. X 25 BORE	2	
	21235	RING – INTERNAL RETAINING	2	
6	279691	PIVOT – AUGER MACHINING (LH) <sup>16</sup>	1	
7	133509	RETAINER – DRIVE COVER	1	
8	133510	ARM – AUGER SUPPORT WELDT (LH)	1	
9	151470	CLAMP – PLATE	1	
10	151691	SPROCKET – RC 60 B 16 T	1	
11	151793	SPROCKET – RC 60 A 37 T	1	
12	18626	PIN – CLEVIS	2	
13	18648	PIN – COTTER 3/16 DIA X 1.25 ZP	6	
14	187427	BRACKET – ADJUSTER	2	
15	187428	SPACER	4	
16	<b>294812</b>	<b>KIT – AUGER COVER <sup>17</sup></b>	<b>1</b>	
17	<b>294144</b>	<b>COVER</b>	<b>1</b>	
18	187619	PIN – PIVOT	1	
19	245966	SPRING – EXTENSION	2	
20	133494	STOP – MACHINING	1	
21	21301	FITTING – LUBRICATION	2	
22	2149	KEY – WOODRUFF (1/4 X 1 NOM.)	2	
23	220317	CHAIN – RC-60H, 56 PITCHES RIVETED, ENDLESS	1	
24	279652	PLATE – COVER RETAINER	1	
25	220320	PLATE – COVER RETENTION INNER MACHINED	1	
26	<b>135957</b>	O-RING	3	
27	50083	O-RING	2	
28	133160	BAR – AUGER SUPPORT (REAR LINK)	2	
29	9333	SPROCKET – ASSEMBLY <sup>18</sup>	1	
	795	RING – RETAINING		
	9213	BEARING – BALL		

16. Order Auger Drive kit (MD #279708) to service model year 2016 and prior CA25 Combine Adapters. Kit includes LH pivot (MD #279691) and instructions.
17. Includes top drive cover half (NSS), bottom drive cover half (NSS), cover (MD 294144), and screw (MD #252785).
18. Includes two retaining rings (MD #795) and one ball bearing (MD #9213).

# AUGER ASSEMBLY



1036396

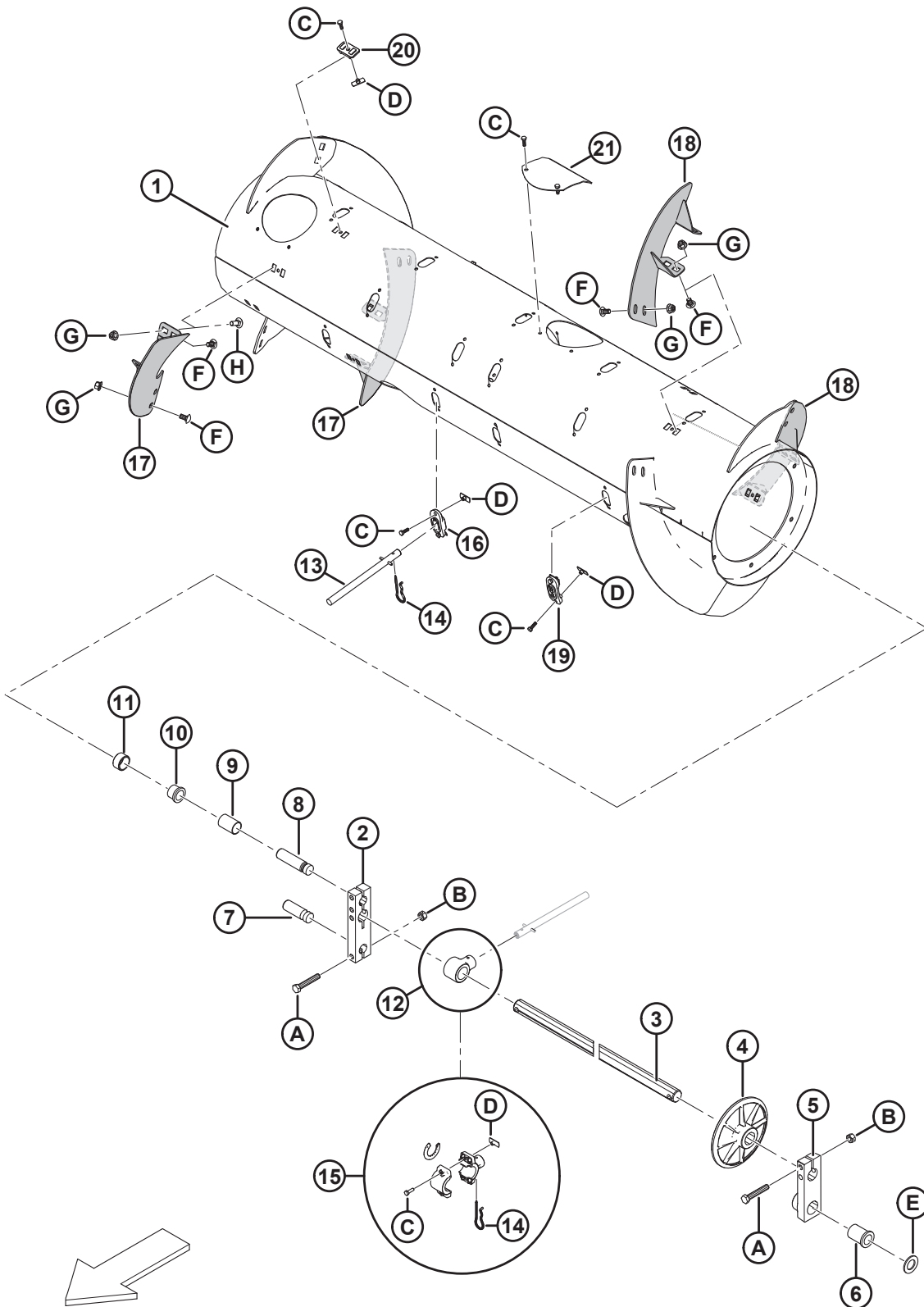
**AUGER ASSEMBLY**

<b>Ref</b>	<b>Part Number</b>	<b>Description</b>	<b>Qty</b>	<b>Serial Number</b>
30	133161	BAR – AUGER SUPPORT (FRONT LINK)	2	
31	156879	BUSHING – FLANGE	1	
A	30035	BOLT – HH 3/8 NC X 2.75 LG GR 5 ZP		
B	123708	NUT – 1/4-20 SHEET METAL		
C	21880	BOLT – HH 1/2 NC X 2.75 LG GR 5 ZP		
D	18523	BOLT – RHSN 5/8 NC X 1.5 GR 5 ZP		
E	18723	BOLT – HH 1/2 NC X 1.5 LG TFL GR 5 ZP		
F	4761	WASHER – FLAT		
G	21575	BOLT – HH 1/2 NC X 1.0 LG GR 5 ZP		
H	188467	NUT – FLANGE DT SMOOTH FACE .625-18 UNF GR. G		
K	252259	BOLT – HH 5/8 NF X 2.75 GR 8 ZP		
L	18638	WASHER – REG. LOCK 1/2 IN. NOM. I.D. ZP		
M	172558	WASHER – NORDLOCK 5/8 IN.		
N	18600	WASHER – SAE FLAT 21/32 I.D. X 1-5/16 IN. O.D. ZP		
P	21469	BOLT – RHSN 1/2 NC X 3.5 LG GR 5 ZP		
Q	112129	NUT – HEX LOCK DT 3/4-16 UNF		
R	103562	BOLT – RHSN 5/8 NC X 1.25 GR 5 ZP		
S	123202	NUT – TEE <sup>19</sup>		
T	19965	BOLT – RHSN 3/8 NC X 1.0 GR 5 ZP		
U	50225	NUT – FLANGE DT SMOOTH FACE .625-11 UNC		
V	21389	NUT – HEX LOCK .500-13 UNC		
W	21456	BOLT – HH FLG (SER FACE) 1/4 NC X 0.75 GR 5 ZP		
X	112130	WASHER – HARDENED		
Y	30833	BOLT – HH 1/2 NC X 2.25 TFL GR 5 ZP		
Z	248466	BOLT – EYE		
AA	30027	BOLT – RHSN 1/2 NC X 2.25 LG GR 5 ZP		
AB	156799	WASHER – PLASTIC		
AC	18590	NUT – HEX 3/8-16 UNC GR 5 ZP		
AD	50186	NUT – FLANGE LOCK SM FACE DT 0.500-13 UNC GR 5		
AE	30228	NUT – FLANGE DT SMOOTH FACE 0.375-16 UNC		
AF	15325	WASHER – FLAT, 25/32 IN. I.D., 1-1/2 IN. O.D., 7 GA, ZN PL		
AG	135157	SCREW – MACHINE, TORX TRUSS HD 3/8-16 UNC X .75 <sup>20</sup>		
AH	18963	WASHER – FLAT, 10.3 MM I.D., 38 MM O.D., ZN PL <sup>20</sup>		
AJ	<b>252785</b>	<b>SCREW – HEX HD PLASTITE 1/4-10 X 5/8-AA1J</b>		

19. Refer to Section 5 *Auger Internal Components*, page 11.

20. Screw MD #135157 (hardware AG) and washer MD #18963 (hardware AH) are used for units made in model year 2017 and later, or on units that have been serviced with Auger Drive kit MD #279708.

# 7 Auger with Magnetic Shield – Internal Components and Flighting





**AUGER WITH MAGNETIC SHIELD – INTERNAL COMPONENTS AND FLIGHTING**

**NOTE:**

The service parts in this section are for feed auger kit (MD #335542). If servicing the factory-installed feed auger or the superseded feed auger kit (MD #133490), refer to Section *5 Auger Internal Components, page 11*.

Ref	Part Number	Description	Qty	Serial Number
	335542	ASSY – AUGER DRIVE WITH MAGNETIC SHIELD <sup>21</sup>		
1	308642	DRUM – 14 IN. WELDMENT	1	
2	213608	BLOCK – AUGER SHAFT	1	
3	213605	SHAFT – FINGER	1	
4	248117	WHEEL – GUIDE, FINGER SHAFT	1	
5	248538	CASTING – PIVOT BLOCK, LH, MACHINING	1	
6	248145	BUSHING – FLANGE	1	
7	248096	PIN – PIVOT	1	
8	213660	PIN – PIVOT	1	
9	213657	SPACER	1	
10	133877	BUSHING – PLASTIC FLANGED 1.0 IN.	1	
11	213656	ROLLER	1	
12	337206	HOLDER – AUGER FINGER	32	
13	337152	KIT – FINGER <sup>22</sup>	22	
	7642	PIN – SPRING 3/16 DIA X 1.5 LG	A/R	
14	123180	PIN – HAIR	22	
15	276839	KIT – FINGER HOLDER SPLIT 5X (BAG OF 5) <sup>23</sup>	OPT	
16	337143	GUIDE	22	
17	287887	FLIGHTING, RTD – RH, MED (HIWEAR)	2	
18	287888	FLIGHTING, RTD – LH, MED (HIWEAR)	2	
19	187137	PLUG	8	
20	213084	PLUG – FLIGHTING SLOT	4	
21	304494	COVER WELDMENT	6	
A	184675	BOLT – HEX HD M12 X 1.75 X 70-8.8-A3L		
B	136759	NUT – HEX CTR LOC M12 X 1.75-8-A3L		
C	252703	BOLT – HEX HD TFL M6 X 1 X 20 X SPCL-12.9-A2L		
D	197263	NUT – TEE M6 X 1		
E	156743	WASHER – FLAT <sup>24</sup>		
F	136178	BOLT – RHSN M10 X 1.5 X 20-8.8-AA1J		

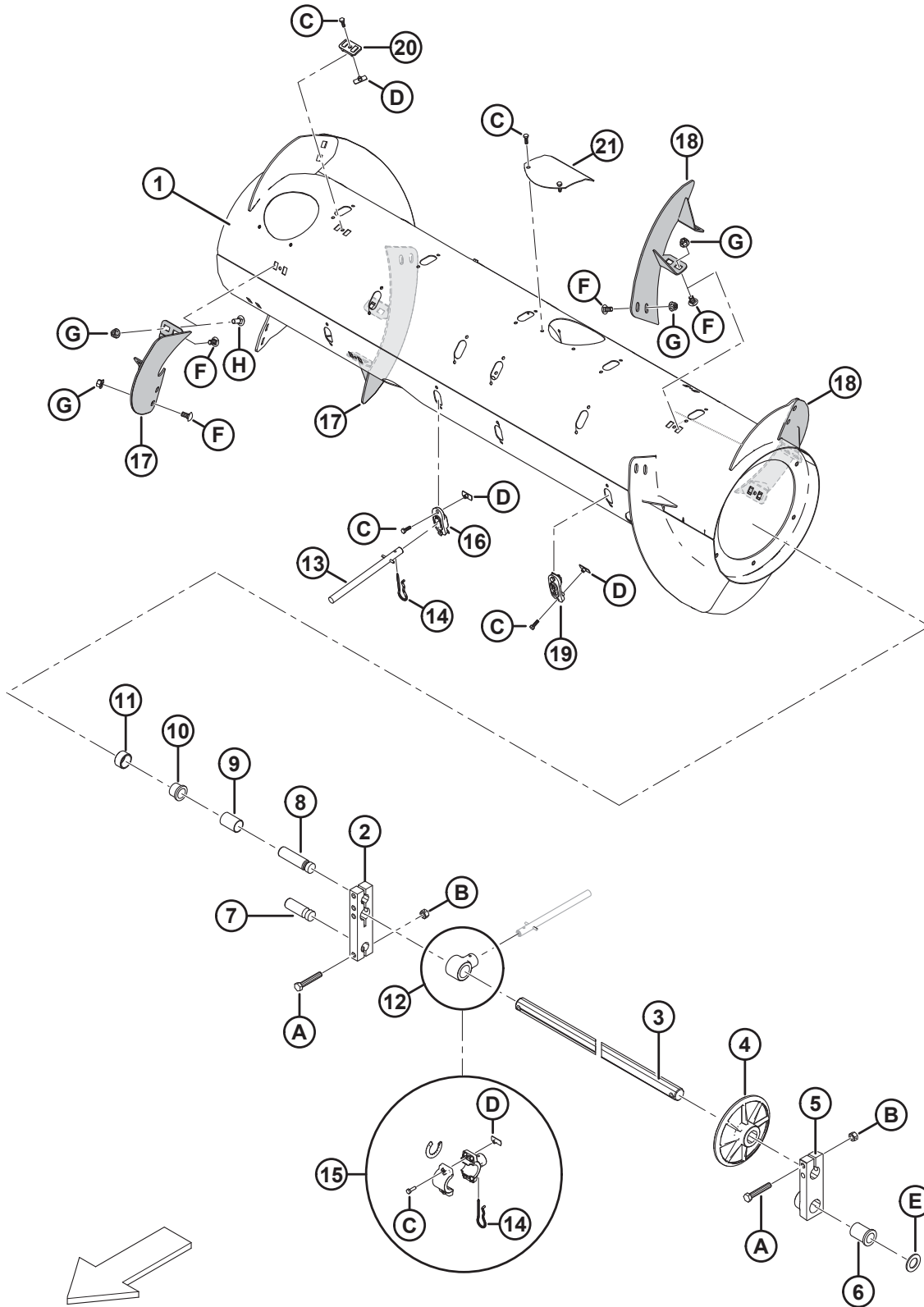
21. Includes all parts listed in Section *7 Auger with Magnetic Shield – Internal Components and Flighting, page 19* and Section *8 Auger with Magnetic Shield – Service Parts, page 23*.

22. Includes solid finger (not sold separately), spring pin (MD #7642), guide (MD #337143), and instructions.

23. Used to simplify field replacement of broken one-piece solid finger holders (MD #337206). Includes split auger finger holder (NSS), holder spacers (NSS), hair pin (MD #123180), tee nut (MD #197263), and bolt (MD #252703).

24. Washer (MD #156743) is used if tolerance on bushing (MD #248145) is exceeded. Use washer(s) as required to achieve correct tolerance.

AUGER WITH MAGNETIC SHIELD – INTERNAL COMPONENTS AND FLIGHTING

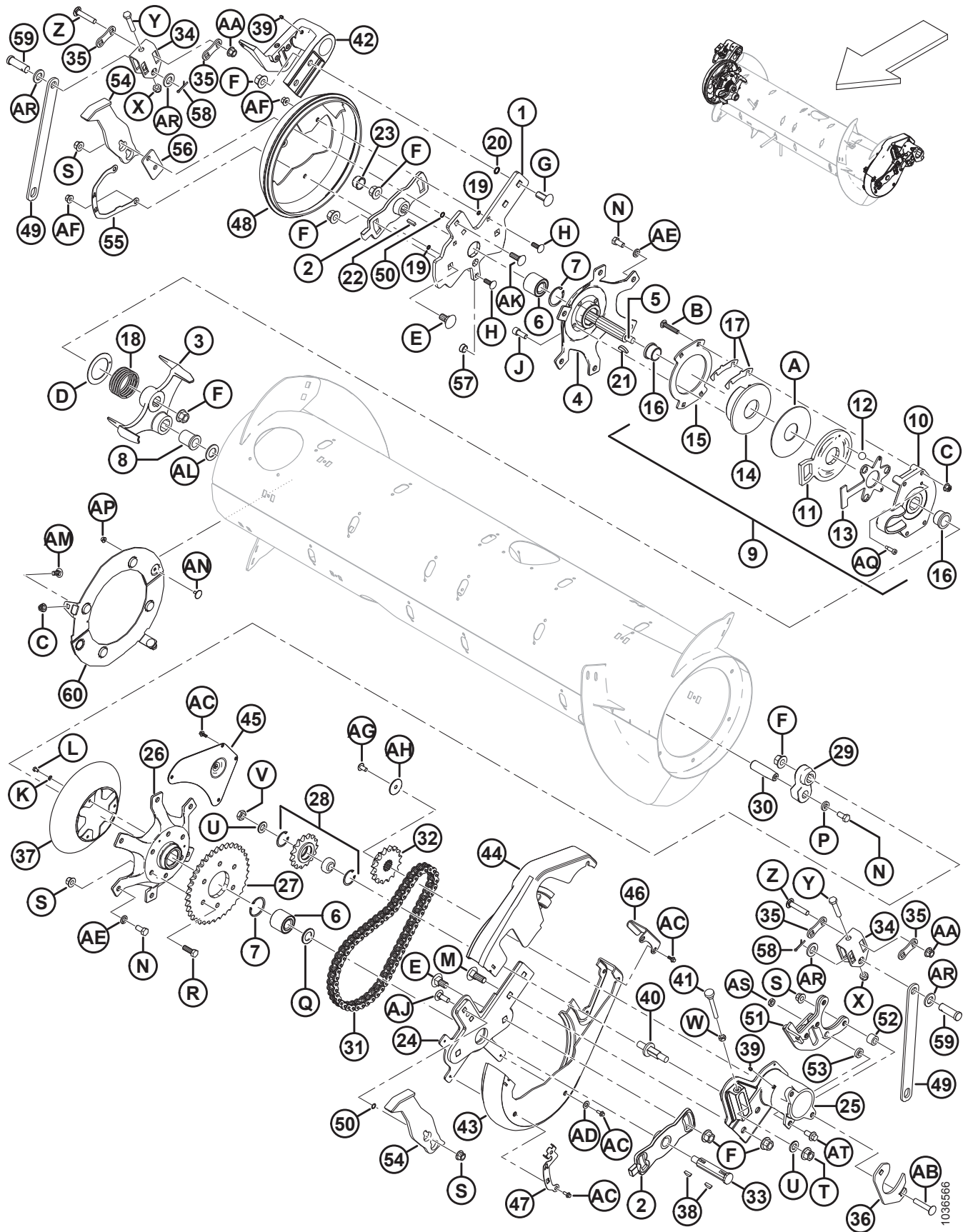


1036572

AUGER WITH MAGNETIC SHIELD – INTERNAL COMPONENTS AND FLIGHTING

Ref	Part Number	Description	Qty	Serial Number
G	135799	NUT – HEX FLG CTR LOC M10 X 1.5-10-A3L		
H	135785	BOLT – RHSN M10 X 1.5 X 25-8.8-AA1J		

# 8 Auger with Magnetic Shield – Service Parts



## AUGER WITH MAGNETIC SHIELD – SERVICE PARTS

**NOTE:**

The service parts in this section are for feed auger kit (MD #335542). If servicing the factory-installed feed auger or the superseded feed auger kit (MD #133490), refer to Section *6 Auger Assembly, page 15*.

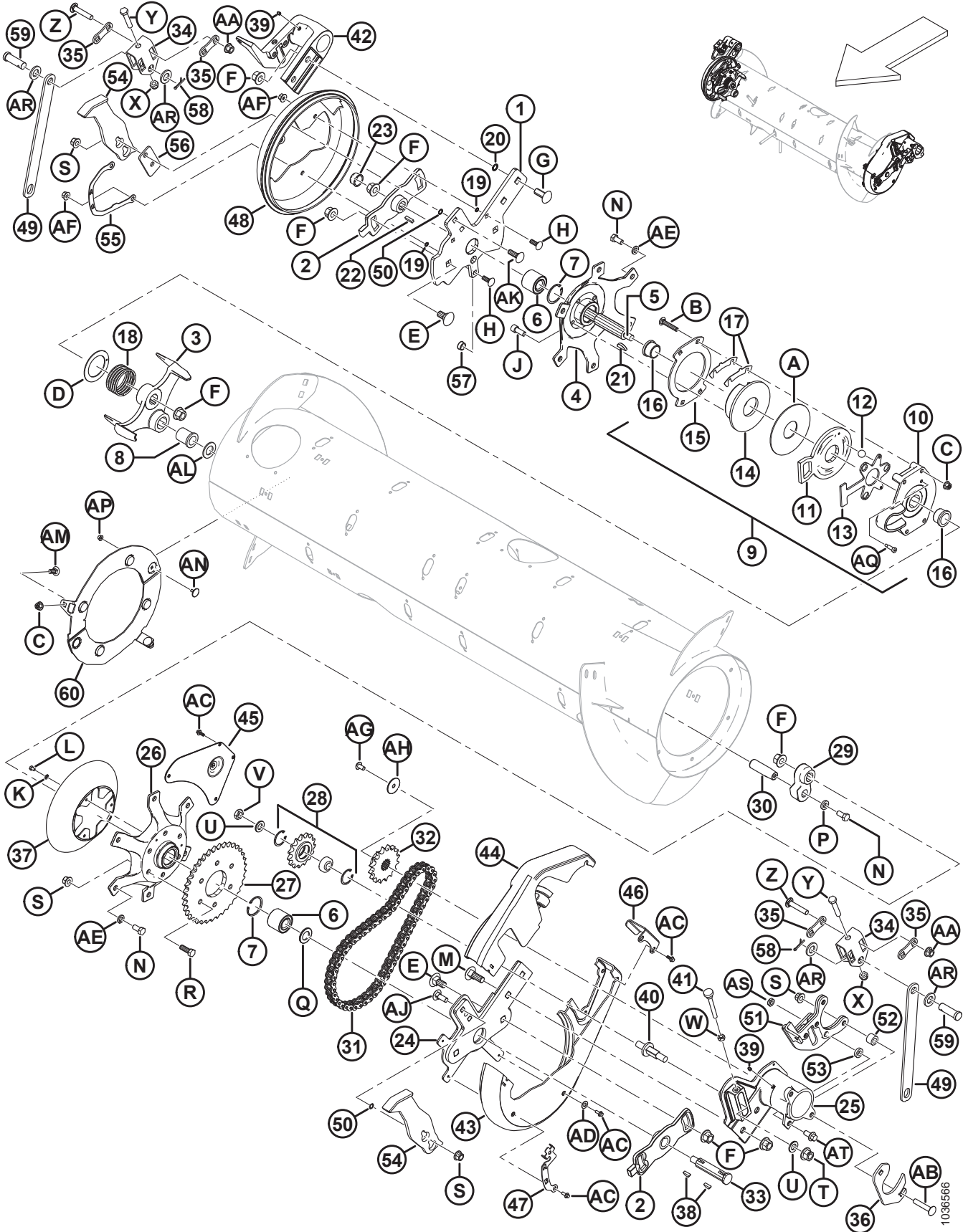
Ref	Part Number	Description	Qty	Serial Number
	335542	ASSY – AUGER DRIVE WITH MAGNETIC SHIELD, PARTS ONLY <sup>25</sup>		
1	308850	BAR – RH AUGER SUPPORT	1	
2	213851	CASTING – TIMING PLATE, MACHINED	2	
3	304520	CASTING – STOP, MACHINING	1	
4	213546	HUB – MACHINING RH	1	
5	304514	SHAFT – AUGER	1	
6	132607	BEARING – DOUBLE ROW BALL 52 OD X 25 BORE	2	
7	21235	RING – INT RETAINING	2	
8	213659	BUSHING – FLANGE	1	
9	213802	ASSEMBLY – REVERSING CLUTCH <sup>26</sup>	1	
10	213649	CLUTCH HOUSING – CAST, MACH	1	
11	213801	ARM – CLUTCH ACTIVATOR, MACH	1	
12	248285	BALL	3	
13	337124	PLATE – BALL CAGE	1	
14	213552	DISC – BRAKE, MACHINING	1	
15	213554	DISC – CLUTCH	1	
16	213859	BUSHING – PLASTIC (1 X 1.5 X 1.0 WITH FLANGE)	2	
17	276206	SHIM – CLUTCH	6	
18	213679	SPRING – COMPRESSION	1	
19	183506	O-RING – HNBR (GREEN)	3	
20	50083	O-RING	2	
21	213654	KEY – WOODRUFF (1/4 X 1-1/4 NOM.)	1	
22	213750	KEY – RECT. 6.35 MM SQ 24 MM LG	1	
23	276140	CAP – PLASTIC	1	
24	304931	ARM – LH AUGER SUPPORT WELDT	1	
25	295911	PIVOT – LH MACHINING, AUGER	1	
26	276141	HUB – MACHINING	1	
27	151793	SPROCKET – RC 60 A 37 T	1	
28	9333	ASSEMBLY – SPROCKET <sup>27</sup>	1	
	9213	BEARING – BALL	1	
	795	RING – RETAINING	2	
29	304521	ARM – FINGER SHAFT CRANK MACH	1	

25. Includes all parts listed in Section *7 Auger with Magnetic Shield – Internal Components and Flighting, page 19* and Section *8 Auger with Magnetic Shield – Service Parts, page 23*.

26. Includes housing (MD #213649), arm (MD #213801), ball cage (MD #213557), discs (MD #213552, 213554), two bushings (MD #213859), three balls (MD #248285), six shims (MD #276206), plastic washer (MD #213731), and hardware.

27. Includes bearing (MD #9213) and two retaining rings (MD #795).

AUGER WITH MAGNETIC SHIELD – SERVICE PARTS



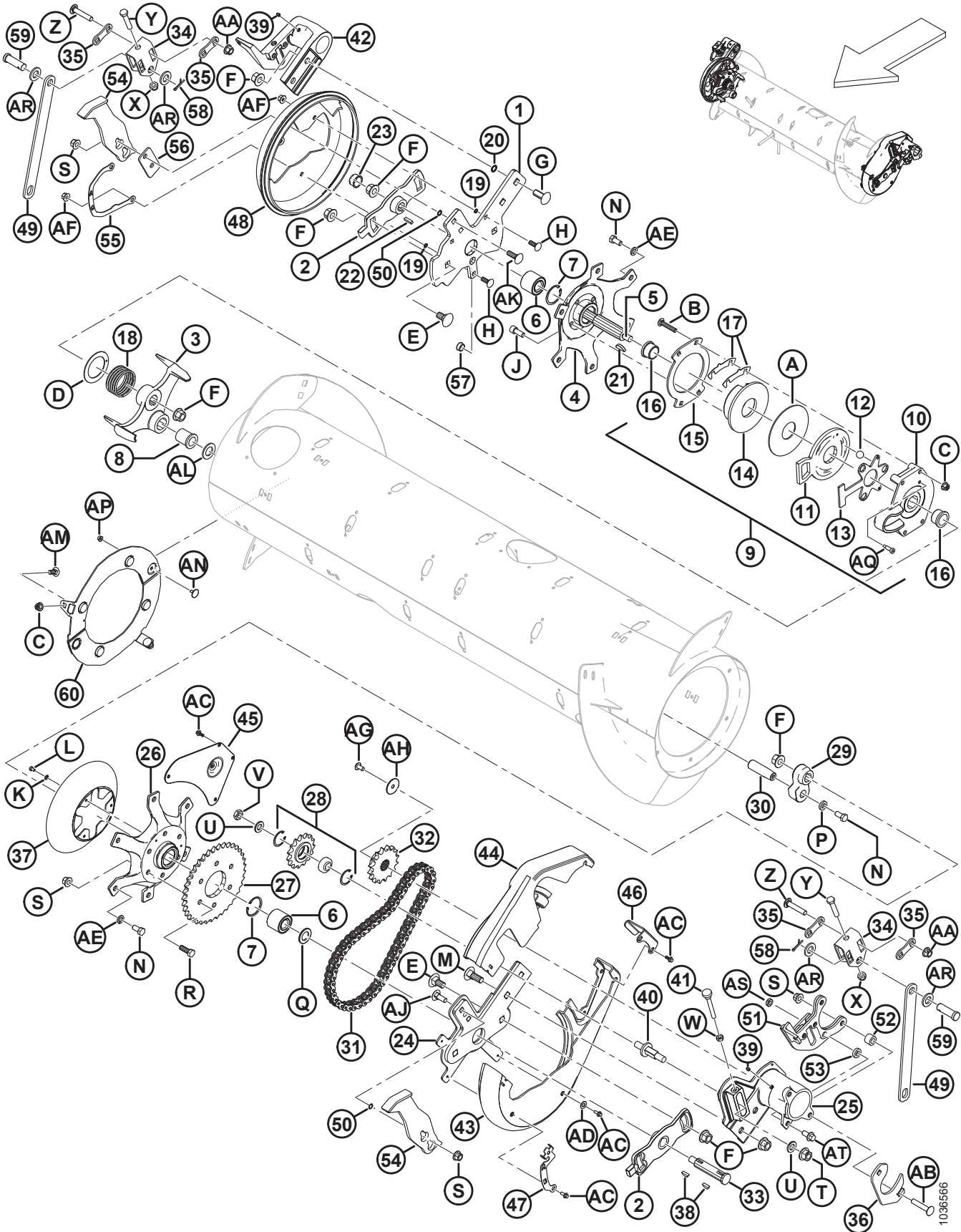
1036566

**AUGER WITH MAGNETIC SHIELD – SERVICE PARTS**

Ref	Part Number	Description	Qty	Serial Number
30	248144	PIN – PIVOT	1	
31	220317	CHAIN – RC-60H, 56 PITCHES RIVETED, ENDLESS	1	
32	151691	SPROCKET – RC 60 B 16 T	1	
33	301441	SHAFT – AUGER	1	
34	187427	BRACKET – ADJUSTER	2	
35	187428	SPACER	4	
36	248388	CLAMP – PLATE	1	
37	276118	SHIELD – CHAIN DRIVE	1	
38	135290	KEY – WOODRUFF (1/4 X 7/8 NOM.)	2	
39	18671	FITTING – LUBE 1/4-28 UNF	2	
40	213420	SPINDLE – THREADED ADJUSTMENT	1	
41	213857	THUMBSCREW – M10 X 80	1	
42	279890	PIVOT – RH MACHINING, AUGER	1	
43	301992	COVER – LH AUGER, LOWER HALF	1	
44	301993	COVER – LH AUGER, UPPER HALF	1	
45	213110	PANEL – ACCESS	1	
46	213112	PLATE – COVER RETAINER	1	
47	276183	PLATE – INDICATOR LH	1	
48	301994	COVER – AUGER END CAP RH	1	
49	301806	BAR – AUGER SUPPORT (FRONT LINK) <sup>28</sup>	2	
50	183508	O-RING – HNBR, COLOR GREEN	4	
51	301044	WELDMENT – RTD PIVOT	1	
52	295957	SPACER	2	
53	295956	SPACER – FLAT	1	
54	301912	BUMPER – WELDMENT FM100	2	
55	276180	PLATE – INDICATOR RH	1	
56	308056	PLATE – SPACER	1	
57	308859	PLUG – HOLE	1	
58	18648	PIN – COTTER 3/16 DIA X 1.25 ZP	2	
59	18626	PIN – CLEVIS	2	
60	335354	KIT – REVERSER SHIELD RETROFIT <sup>29</sup>	1	
A	213731	WASHER – PLASTIC		
B	252701	BOLT – RHSSN TFL M10 X 1.5 X 60-8.8-A3L		
C	135799	NUT – HEX FLG CTR LOC M10 X 1.5-10-A3L		
D	213733	WASHER – THRUST		
E	252691	BOLT – RHSN M16 X 2 X 35-10.9-A2L		

28. Feed auger kit (MD #335542) does not include rear links or extension springs. Use existing rear links (MD #133160) and springs (MD #245966). Refer to Section *6 Auger Assembly, page 15*.
29. Kit includes two magnet assemblies (NSS), bag of five fingers (MD #337152), bolts (MD #135785, 136841), nuts (MD #135799, 152668), and instructions.

AUGER WITH MAGNETIC SHIELD – SERVICE PARTS



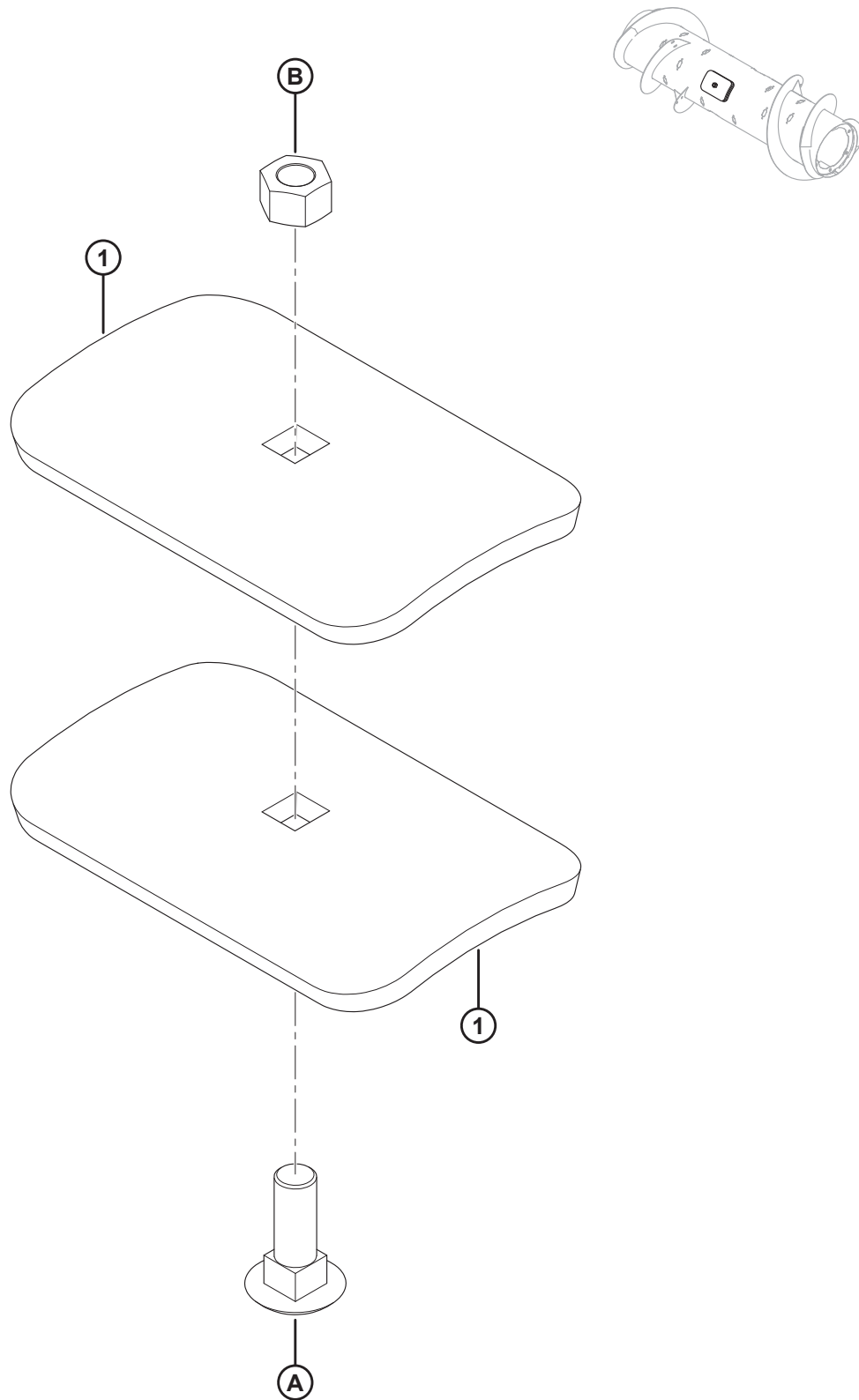


**AUGER WITH MAGNETIC SHIELD – SERVICE PARTS**

Ref	Part Number	Description	Qty	Serial Number
F	136440	NUT – HEX FLG CTR LOC M16 X 2-10-A3L		
G	252638	BOLT – RHSSN M16 X 2 X 35-8.8-AA3L		
H	184662	BOLT – RHSN TFL M10 X 1.5 X 30-8.8-A3L		
J	50154	SCREW – HEX SOC HD TFL M12 X 1.75 X 30-8.8-A3L		
K	184705	WASHER – FLAT M6-200HV-A2L		
L	136561	BOLT – HEX HD TFL M6 X 1 X 10-8.8-A3L		
M	136757	BOLT – RHSN M16 X 2 X 45-8.8-A2L		
N	50155	BOLT – HEX HD TFL M12 X 1.75 X 25-8.8-A3L		
P	187518	WASHER – FLAT		
Q	123406	WASHER – FLAT		
R	152730	BOLT – HEX HD TFL M12 X 1.75 X 35-10.9-A3L		
S	136431	NUT – HEX FLG CTR LOC M12 X 1.75-10-A3L		
T	136736	NUT – HEX FLG TOP LOCK M16 X 1.5-10-A2L		
U	172558	WASHER – NORDLOCK 5/8 IN.		
V	252288	NUT – HEX THIN FINE M16 X 1.5-8.8-A3L		
W	30505	NUT – HEX M10 X 1.5-10-A3L		
X	184695	NUT – HEX NYLOC M12 X 1.75-8-A3L		
Y	237316	BOLT – HEX HD TFL M12 X 1.75 X 60-8.8-A3L		
Z	252187	BOLT – RHSSN FINE M12 X 1.5 X 65-10.9-A3L		
AA	252188	NUT – HEX FLG CTR LOC FINE M12 X 1.5-10-A3L		
AB	136112	BOLT – RHSSN M12 X 1.75 X 65-8.8-AA1J		
AC	252639	BOLT – HEX FLG HD M6 X 1 X 16 X SPCL-8.8-AA2L		
AD	18598	WASHER – SAE FLAT 13/32 I.D. X 13/16 IN. O.D. ZP		
AE	18638	WASHER – REG. LOCK 1/2 IN. NOM. I.D. ZP		
AF	136441	NUT – HEX SER FLG M10 X 1.5-8-A3L		
AG	135157	SCREW – MACHINE		
AH	31465	WASHER – FLAT		
AJ	136291	BOLT – RHSN TFL M12 X 1.75 X 35-8.8-AA1J		
AK	135900	BOLT – RHSN TFL M12 X 1.75 X 40-8.8-AA1J		
AL	156743	WASHER – FLAT <sup>30</sup>		
AM	135785	BOLT – RHSN M10 X 1.5 X 25-8.8-AA1J		
AN	136841	BOLT – ELEV CSK M6 X 1 X 16 X -8.8		
AP	152668	NUT – HEX FLG CTR LOC M6 X 1-8		
AQ	320237	SCREW – HEX SOC HD SHLDR 8 X 20 X SPCL-12.9-ZINC		
AR	112130	WASHER – HARD ASTM F436 3/4 IN. NOM. ID ABOC		
AS	184696	NUT – HEX THIN M12 X 1.75-05-AA1J		
AT	136399	BOLT – HEX FLG HD TFLM 12 X 1.75 X 25-8.8-AA1J		

30. Washer (MD #156743) is used if tolerance on bushing (MD #213659) is exceeded. Use washer(s) as required to achieve correct tolerance.

# 9 Auger Dent Repair Kit



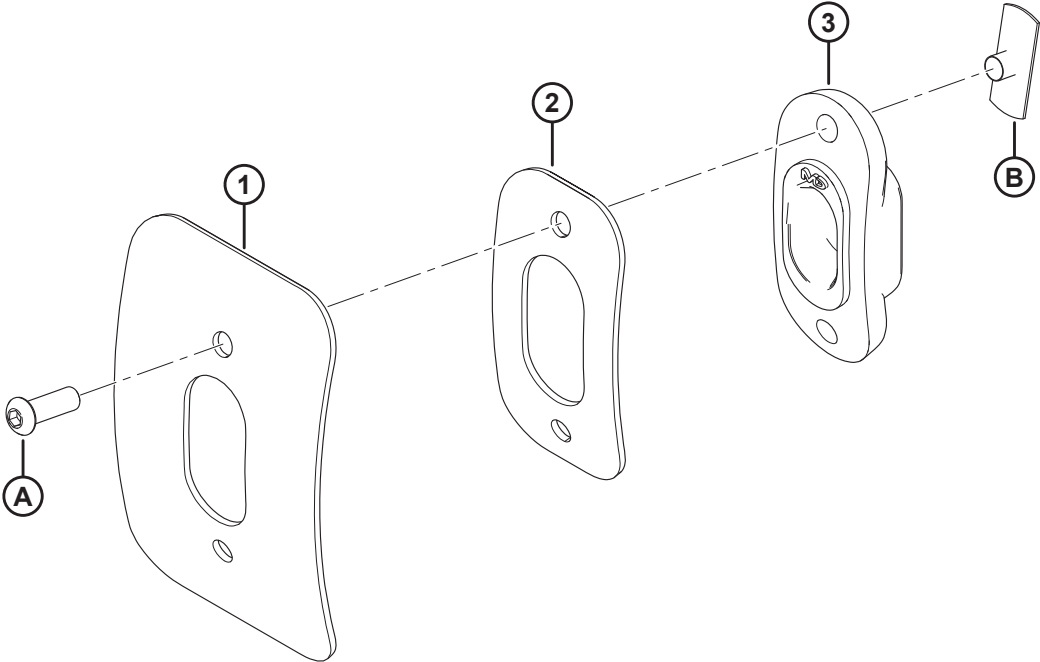
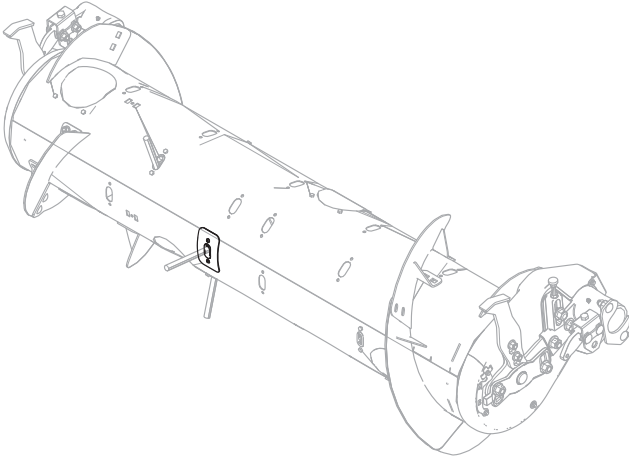
**AUGER DENT REPAIR KIT**

<b>Ref</b>	<b>Part Number</b>	<b>Description</b>	<b>Qty</b>	<b>Serial Number</b>
	237563	KIT – AUGER DENT REPAIR <sup>31</sup>		
1	237556	SUPPORT	2	
A	197154	BOLT – RHSN M16 X 2 X 50-10.9-A3L		
B	184699	NUT – HEX M16 X 2-8-A3L		

---

31. Includes two supports (MD #237556), bolt (MD #197154), nut (MD #184699), and instructions.

# 10 Auger Patch Kit



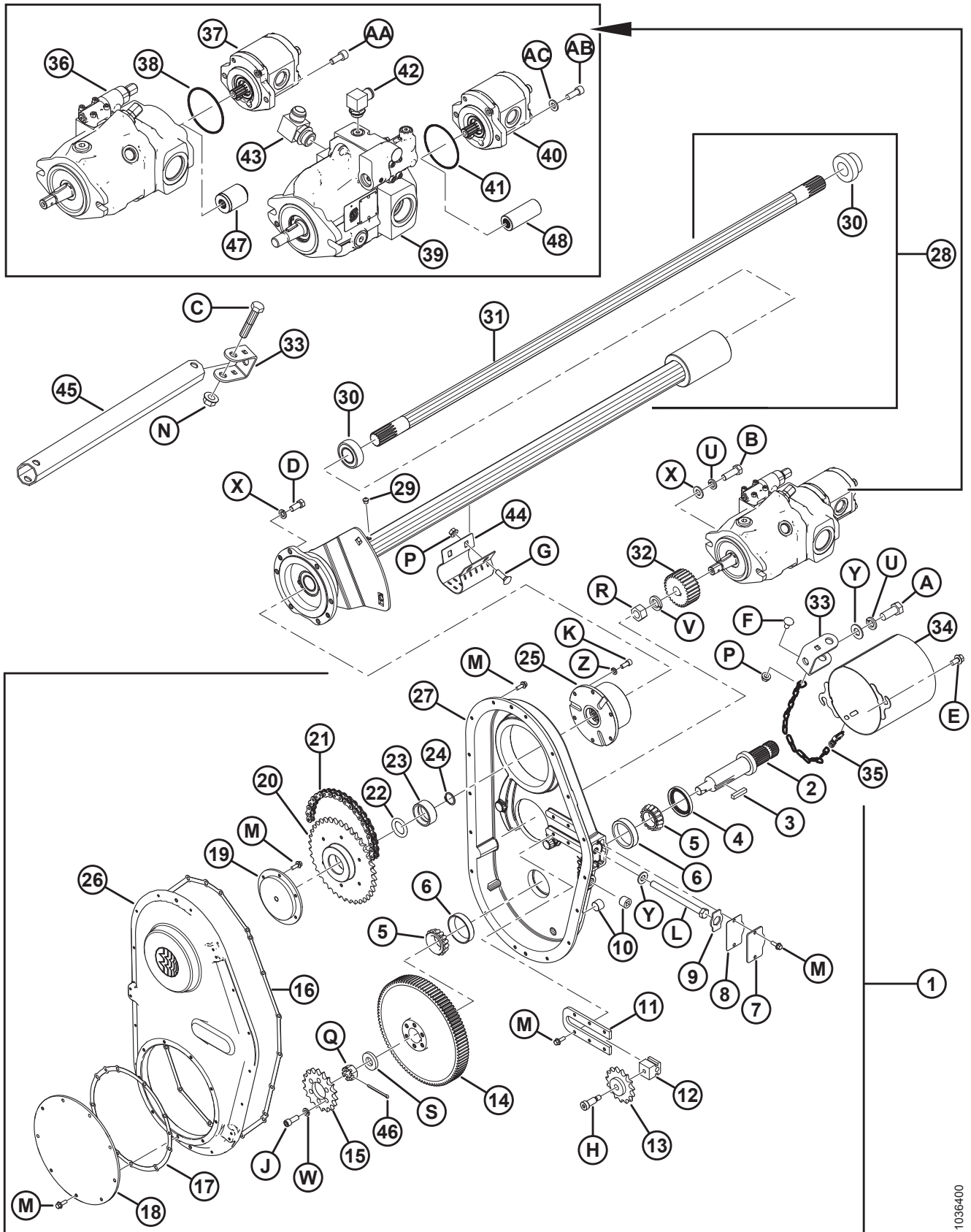
**AUGER PATCH KIT**

<b>Ref</b>	<b>Part Number</b>	<b>Description</b>	<b>Qty</b>	<b>Serial Number</b>
	<b>335464</b>	<b>KIT – RTD REPAIR <sup>32</sup></b>		
<b>1</b>	<b>NSS</b>	<b>BAND</b>	<b>1</b>	
<b>2</b>	<b>NSS</b>	<b>BAND – RTD REPAIR</b>	<b>1</b>	
<b>3</b>	<b>337143</b>	<b>GUIDE</b>	<b>1</b>	
<b>A</b>	<b>123084</b>	<b>SCREW – HEX SOCKET BUTTON HEAD</b>		
<b>B</b>	<b>123202</b>	<b>NUT – TEE</b>		

---

32. Kit is used to repair auger damage around an auger finger. Kit includes repair bands (not sold separately), one guide (MD #337143), two screws (MD #123084), two tee nuts (MD #123202), and instructions.

# 11 Drives



1036400

## DRIVES

Ref	Part Number	Description	Qty	Serial Number
1	187502	DRIVE – GEARBOX COMPLETE (CLAAS / AGCO) <sup>33</sup>	1	
	187475	DRIVE – GEARBOX COMPLETE (CNH / JD) <sup>33</sup>	1	
2	187478	SHAFT	1	
3	26846	KEY	1	
4	187477	SEAL	1	
5	30702	BEARING – CONE	2	
6	30701	BEARING – CUP	2	
7	187494	COVER – ADJUSTING	1	
8	187696	GASKET – ADJUSTMENT COVER	1	
9	187495	RETAINER	1	
10	30203	PLUG – MAGNETIC PIPE	3	
11	294107	PLATE	1	
12	187476	BLOCK – IDLER	1	
13	187484	SPROCKET – IDLER 50C15	1	
14	187480	GEAR – 97 TEETH	1	
15	187497	SPROCKET – 50A18 (CLAAS / AGCO) <sup>34</sup>	1	
	187496	SPROCKET – 50A24 (CNH / JD) <sup>35</sup>	1	
	187523	KIT – SPROCKET, 20 TOOTH <sup>36</sup>	OPT	
	187524	KIT – SPROCKET, 22 TOOTH <sup>36</sup>	OPT	
	187525	KIT – SPROCKET, 26 TOOTH <sup>37</sup>	OPT	
16	187697	GASKET – HOUSING	1	
17	187698	GASKET – SPROCKET COVER	1	
18	187482	COVER – SPROCKET	1	
19	187486	SUPPORT – PINION	1	
20	187492	SPROCKET – 50B38	1	
21	156037	ROLLER CHAIN – RC 50 (74 PITCHES ENDLESS) CLAAS	1	
22	187487	SHIM – KIT	1	
23	187485	BEARING – BALL DBL ROW 3205	1	
24	18898	RING – EXT. RETAINING	1	
25	187466	COMPACT AUTOMATIC CLUTCH	1	
26	187481	COVER – GEARBOX	1	
27	<b>287914</b>	<b>HOUSING – GEARBOX</b>	<b>1</b>	
28	<b>301663</b>	<b>OUTPUT SHAFT ASSEMBLY</b> <sup>38</sup>	<b>1</b>	

33. Includes items #2–27.

34. 18-tooth sprocket is standard for CLAAS/AGCO; 20-tooth sprocket (MD #187523) and 22-tooth sprocket (MD #187524) are optional for CLAAS/AGCO configurations to increase feed auger speed.

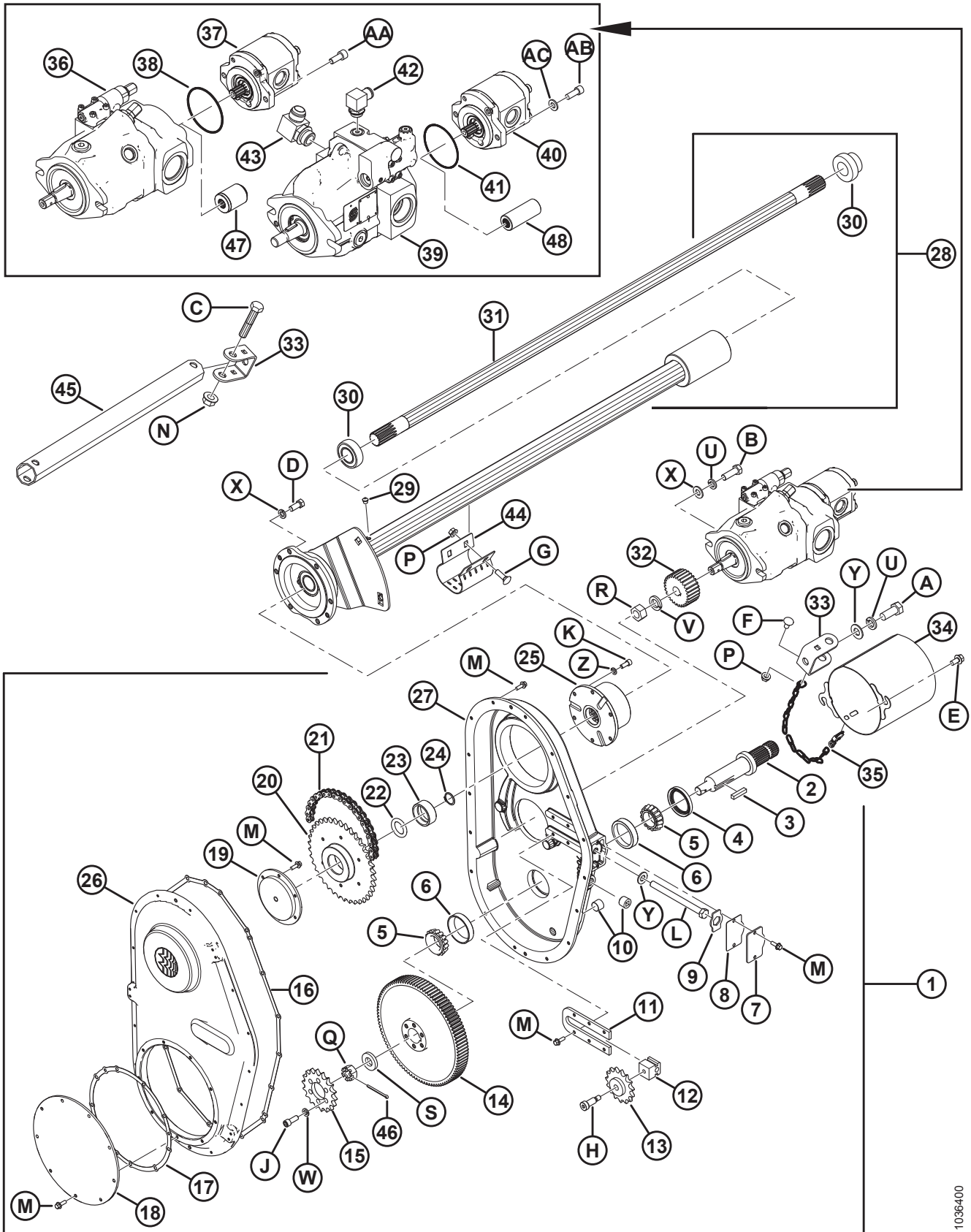
35. 24-tooth sprocket is standard for Case New Holland / John Deere; 26-tooth sprocket (MD #187525) is optional for Case New Holland / John Deere configurations to increase feed auger speed.

36. Option for CLAAS/AGCO configurations to increase feed auger speed. Includes sprocket and installation instructions.

37. Option for Case New Holland / John Deere configurations to increase feed auger speed. Includes sprocket, endless chain, and installation instructions.

38. Includes valve (MD #21425), bearing (MD #21363), and shaft (MD #279689).

DRIVES



1036400



## DRIVES

Ref	Part Number	Description	Qty	Serial Number
29	21425	VALVE – RELIEF	1	
30	21363	BEARING – SPH OD AND COLLAR	2	
31	279689	SHAFT – OUTPUT	1	
32	276859	GEAR – PINION	1	
33	187520	ANCHOR – STRUT	2	
34	133421	GUARD – WELDMENT	1	
35	279081	CHAIN	1	
36	187517	PUMP – BOSCH/REXROTH PISTON <sup>39</sup>	1	
	<b>294890</b>	<b>SEAL KIT – FOR BOSCH/REXROTH PISTON PUMP, C/W INSTRUCTIONS</b>		
37	156852	PUMP – GEAR, 16 CC (CNH COMBINES ONLY)	1	
	156853	PUMP – GEAR, 11 CC, BOSCH/REXROTH (CLAAS AND AGCO COMBINES ONLY)	1	
	245301	PUMP – GEAR, 19 CC, BOSCH/REXROTH (JOHN DEERE COMBINES ONLY) <sup>40</sup>	1	
	187967	SEAL KIT – FOR BOSCH/REXROTH GEAR PUMPS <sup>41</sup>		
38	49802	O-RING – BOSCH/REXROTH GEAR PUMP TO PISTON PUMP SEAL	1	
39	187229	PUMP – SAUER/DANFOSS <sup>42</sup>	1	
	187900	SEAL KIT – FOR SAUER/DANFOSS PISTON PUMP		
	187925	SEAL – SHAFT, FOR SAUER/DANFOSS PISTON PUMP		
40	187252	PUMP – GEAR, 16 CC (CNH COMBINES ONLY)	1	
	187253	PUMP – GEAR, 11 CC (CLAAS AND AGCO, CASAPPA COMBINES ONLY)	1	
	187918	SEAL KIT <sup>43</sup>		
41	49802	O-RING – PUMP SAUER/DANFOSS	1	
42	111545	FITTING – ELBOW 1.5 IN HOSE-1.875 IN ADJ ORB	1	
43	21827	FITTING – ELBOW HYD	1	
44	248850	CLAMP	1	
45	187898	TUBE – STRUT	1	
46	135358	PIN – COTTER, 5/32 DIA X 2.0 ZP	1	
47	245804	HUB – SPLINED (FOR BOSCH/REXROTH PUMP)	1	
48	245805	HUB – SPLINED (FOR SAUER/DANFOSS PUMP)	1	
A	21594	BOLT – HEX HD 0.625-11 UNC X 1.50		
B	18723	BOLT – HH 1/2 NC X 1.5 LG TFL GR 5 ZP		

39. Compatible with all combine models.

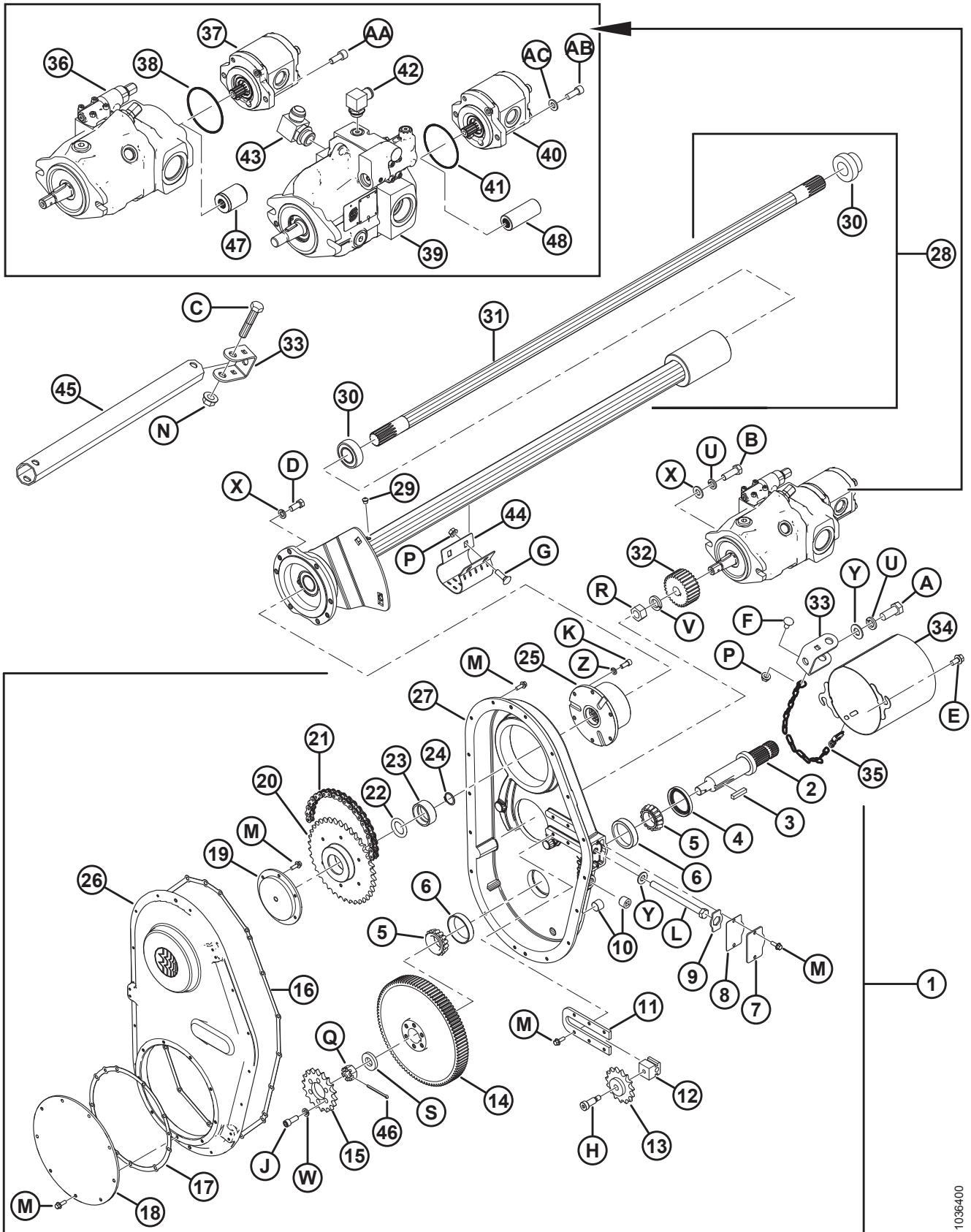
40. Permissible to service with Casappa 19 cc gear pump (MD #245695). If servicing with Casappa gear pump (MD #245695), replace hardware with screw (MD #135381) and washer MD #30655.

41. Used in gear pumps MD #156852, 156853, and 245301.

42. Compatible with all combine models except John Deere. Bosch/Rexroth pump (MD #187517) max displacement is 45 cc while Sauer/Danfoss pump (MD #187229) is only 38 cc, which makes it unable to achieve the desired knife speed with the slow input drive available from certain John Deere (S Series) combines.

43. Used in both Casappa gear pumps MD #187252 and 187253.

DRIVES

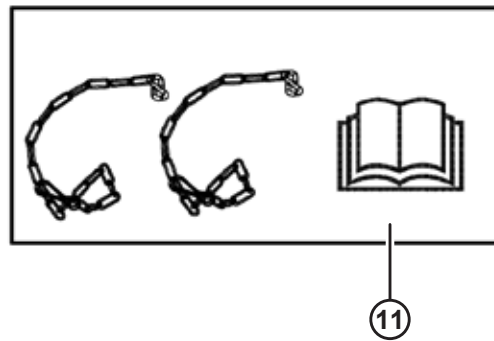
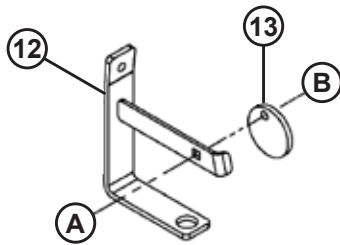
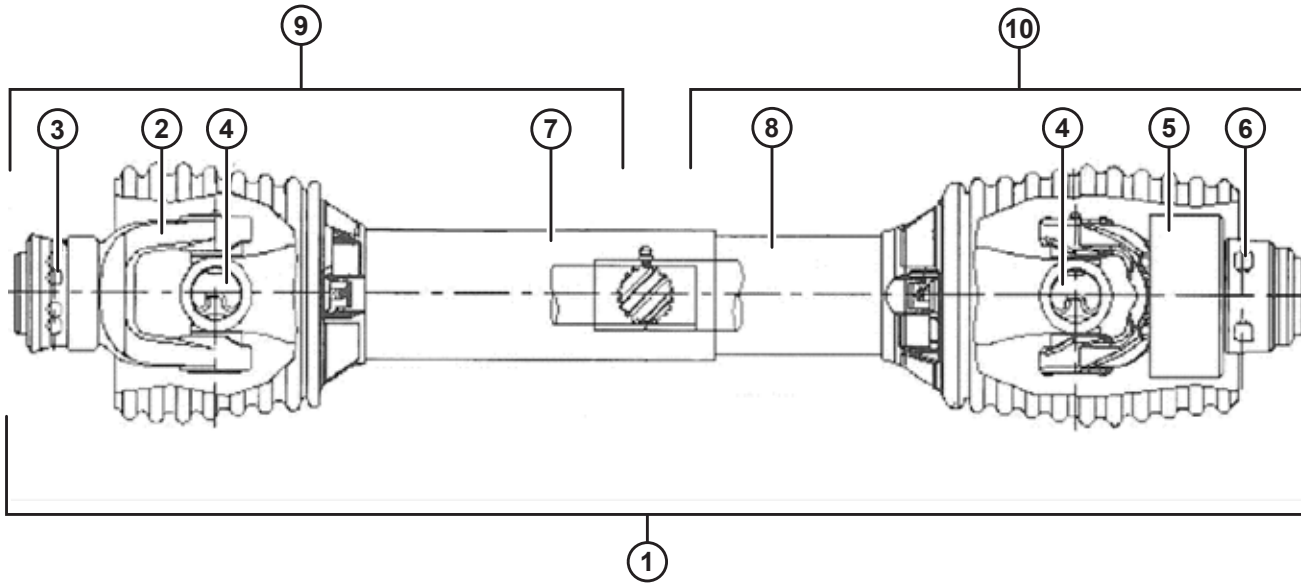


1036400

**DRIVES**

<b>Ref</b>	<b>Part Number</b>	<b>Description</b>	<b>Qty</b>	<b>Serial Number</b>
C	21583	BOLT – HH 5/8 NC X 3.0 LG GR 5 ZP		
D	21522	BOLT – HH 7/16 NC X 1.0 LG GR 5 ZP		
E	21821	BOLT – HH FLG (SER FACE) 3/8 NC X 0.75 GR 5 ZP		
F	21472	BOLT – RHSN 3/8 NC X 0.75 GR 5 ZP		
G	19966	BOLT – RHSN 3/8 NC X 1.25 LG GR 5 ZP		
H	135694	BOLT – SHOULDER SOCKET HD-1/2 X 1.0 LG		
J	135381	BOLT – SOCKET HD-3/8 X 1.0 LG		
K	135748	BOLT – SOCKET HD-5/16 X 0.75 LG		
L	158895	BOLT – HEX HEAD, 1/2 NC X 6.0 TLF		
M	21456	BOLT – HH FLG (SER FACE) 1/4 NC X 0.75 GR 5 ZP		
N	50225	NUT – FLANGE DT SMOOTH FACE .625-11 UNC		
P	30228	NUT – FLANGE DT SMOOTH FACE 0.375-16 UNC		
Q	5512	NUT – HEX SLOTTED 3/4		
R	18720	NUT – HEX, 3/4-16 UNF GR 5 ZN PL		
S	187483	WASHER – FLAT, 20.4 MM I.D., 40.0 MM O.D., 6.5 MM THK		
T	18638	WASHER – REG. LOCK 1/2 IN. NOM. I.D. ZP		
U	18639	WASHER – REG. LOCK 5/8 IN. NOM. I.D. ZP		
V	18640	WASHER – REG. LOCK 3/4 IN. NOM. I.D. ZP		
W	18637	WASHER – REG. LOCK 3/8 IN. NOM. I.D. ZP		
X	18599	WASHER – SAE FLAT 17/32 I.D. X 1-1/16 IN. O.D. ZP		
Y	18600	WASHER – SAE FLAT 21/32 I.D. X 1 5/16 IN. O.D. ZP		
Z	18636	WASHER – LOCK SPRING, 5/16 I.D.		
AA	135693	<b>SCREW – HEX SOC HD TFL M10 X 1.5 X 25-8.8-AA1J (BOSCH/ REXROTH PUMP)</b>		
AB	<b>135381</b>	<b>SCREW – HEX SOC HD 3/8-16 X 1 (SAUER/DANFOSS PUMP)</b>		
AC	30655	<b>WASHER – HARDENED M10-340HV-AB0C (SAUER/DANFOSS PUMP)</b>		

## 12 Input Driveline



**INPUT DRIVELINE**

<b>Ref</b>	<b>Part Number</b>	<b>Description</b>	<b>Qty</b>	<b>Serial Number</b>
1	301966	6T DRIVELINE – COMPLETE (CE CERTIFIED) <sup>44</sup>	1	
	187553	21T DRIVELINE – COMPLETE (CE CERTIFIED) <sup>45</sup>	1	
	187550	21T DRIVELINE – COMPLETE (CE CERTIFIED) <sup>46</sup>	1	
	187551	HEX BORE DRIVELINE – COMPLETE (CE CERTIFIED) <sup>47</sup>	1	
	301704	38-8 SPL DRIVELINE – COMPLETE (CE CERTIFIED) <sup>48</sup>	1	
2	133634	YOKE – SPRING LOCK 6T	1	
	133637	YOKE – SPRING LOCK 21T	1	
	133641	YOKE – SPRING LOCK, HEX BORE <sup>47</sup>	1	
	314657	YOKE – SPRING LOCK, 38-8 SPLINE <sup>48</sup>	1	
3	40095	REPAIR KIT – SPRING LOCK YOKE (6T AND 21T)	A/R	
	133640	REPAIR KIT – SPRING LOCK YOKE (HEX BORE)	A/R	
	314656	REPAIR KIT – SPRING LOCK YOKE (38-8 SPLINE) <sup>48</sup>	A/R	
4	142777	CROSS JOURNAL ASSEMBLY <sup>49</sup>	2	
5	133631	YOKE – FREE MOTION	1	
6	133632	REPAIR KIT – AUTO LOCK YOKE	A/R	
7	322205	GUARD – 6T DRIVELINE (OUTER) <sup>50</sup>	1	
	322207	GUARD – 21T DRIVELINE (OUTER) <sup>45</sup>	1	
	322203	GUARD – 21T DRIVELINE (OUTER) <sup>46</sup>	1	
	322202	GUARD – HEX BORE DRIVELINE (OUTER) <sup>47</sup>	1	
8	322211	GUARD – 6T DRIVELINE (INNER) <sup>50</sup>	1	
	322208	GUARD – 21T DRIVELINE (INNER) <sup>45</sup>	1	
	322209	GUARD – 21T DRIVELINE (INNER) <sup>46</sup>	1	
	322210	GUARD – HEX BORE DRIVELINE (INNER) <sup>47</sup>	1	
9	322200	KIT – HALF DRIVELINE, OUTER (6T COMBINE END) <sup>44</sup>	1	
	322212	KIT – HALF DRIVELINE, OUTER (21T COMBINE END) <sup>45</sup>	1	
	322199	KIT – HALF DRIVELINE, OUTER (21T COMBINE END) <sup>46</sup>	1	
	322198	KIT – HALF DRIVELINE, OUTER (HEX BORE COMBINE END) <sup>47</sup>	1	
	314653	ASSY – JOINT AND SHAFT HALF CE (38-8 SPLINE COMBINE END) <sup>48</sup>	1	
10	322234	KIT – HALF DRIVELINE, INNER (6T HEADER END) <sup>50</sup>	1	
	322257	KIT – HALF DRIVELINE, INNER (21T HEADER END) <sup>45</sup>	1	
	322258	KIT – HALF DRIVELINE, INNER (21T HEADER END) <sup>46</sup>	1	
	322259	KIT – HALF DRIVELINE, OUTER (HEX BORE HEADER END) <sup>47</sup>	1	
11	171277	KIT – CE CONVERSION (EXPORT) <sup>51</sup>	1	

44. Case IH Midrange/Flagship 10/20/30/40 Series, all New Holland CR/CX.

45. JD STS/S Series (except Widebody Walker Machines listed below), CLAAS, AGCO, and 2017 and later CNH combines.

46. JD Widebody Walker Machines – 9650/9660, 9660 WTS, and T9670.

47. Case IH 88 Series and 2300/2500 Series.

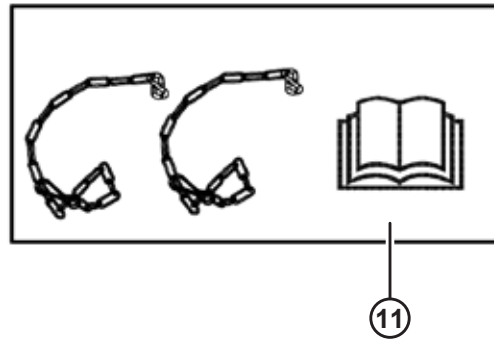
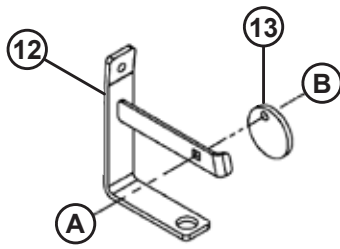
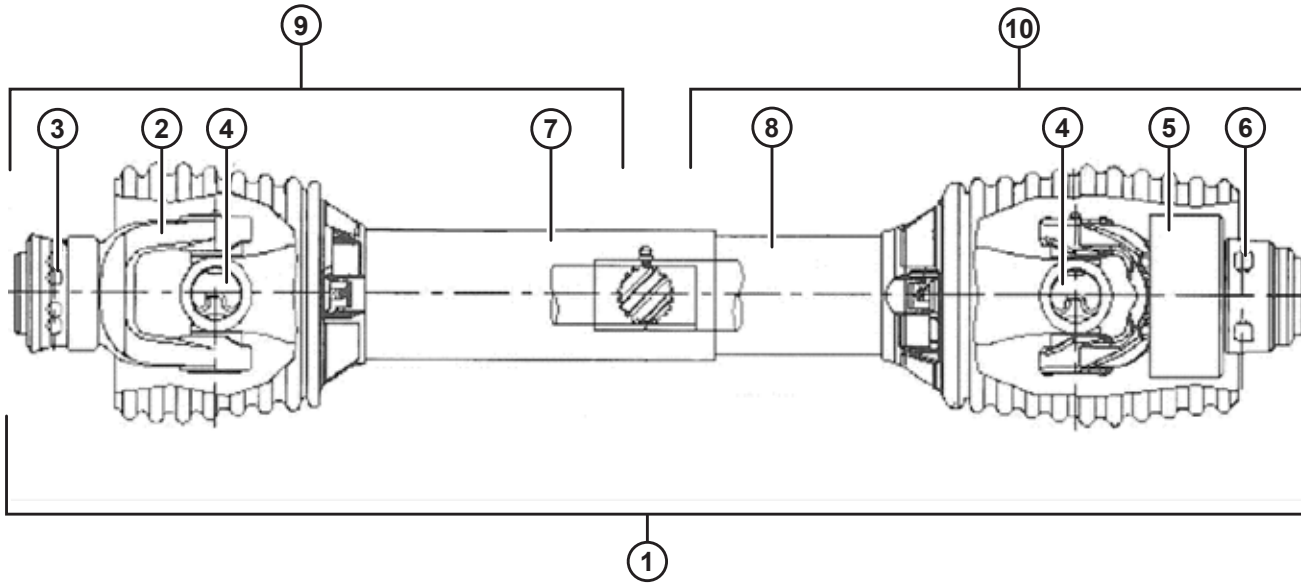
48. Rostselmash 760/780.

49. Includes clips and lube fitting.

50. Case IH Midrange/Flagship 10/20/30/40 Series, all New Holland CR/CX, and Rostselmash 760/780.

51. Includes two chains, decals, CE manual, and instruction sheet.

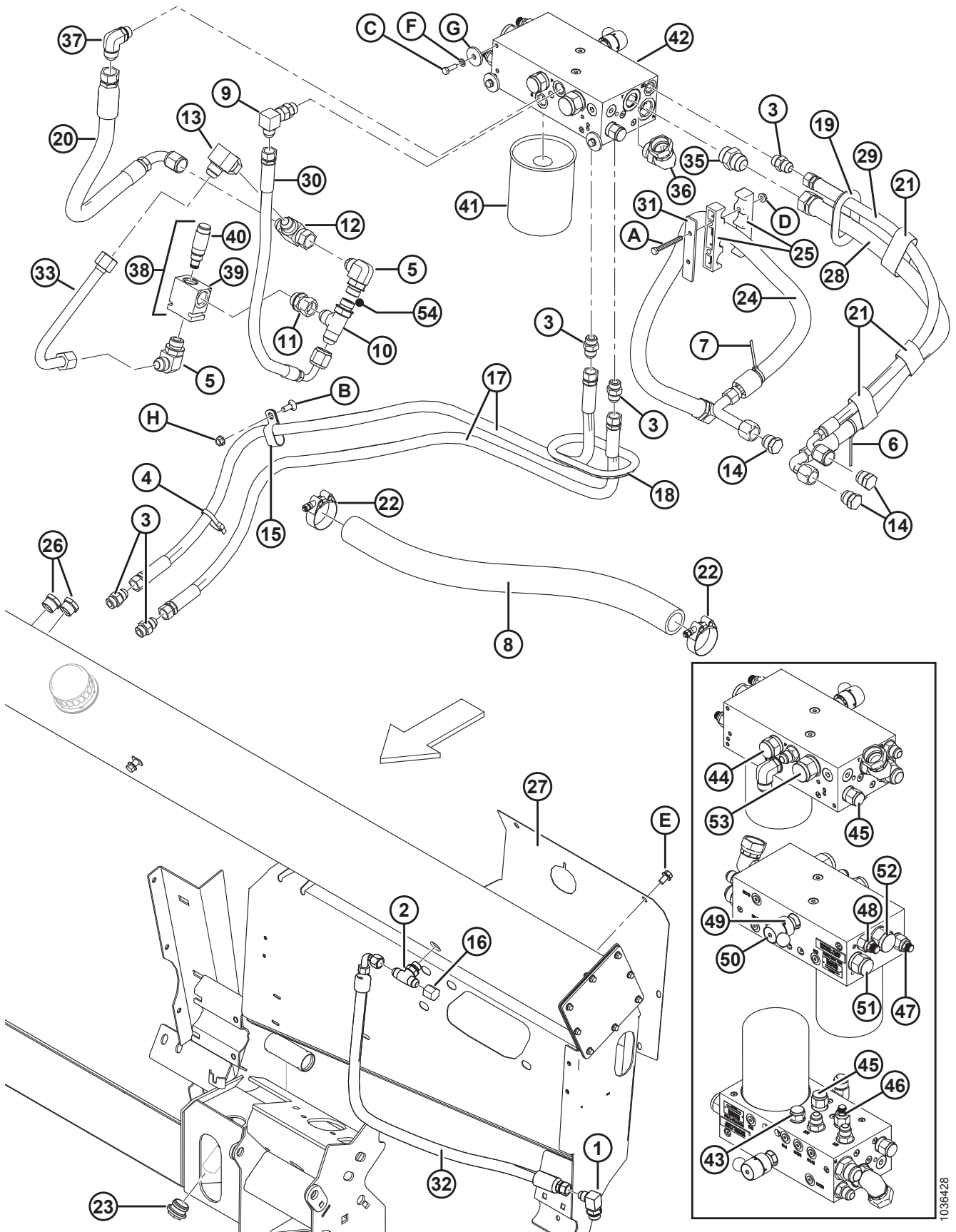
# INPUT DRIVELINE



INPUT DRIVELINE

Ref	Part Number	Description	Qty	Serial Number
12	133166	BRACKET – DRIVELINE HANGER	1	
13	133165	DISC – LOCK, DRIVELINE HANGER	1	
A	19965	BOLT – ROUND HEAD SQUARE NECK 3/8 NC X 1 IN. GR 5		
B	30228	NUT – FLG, SMOOTH FACE 3/8 NC DIST THD		

# 13 Hydraulics – Bosch/Rexroth Manifold



1036428



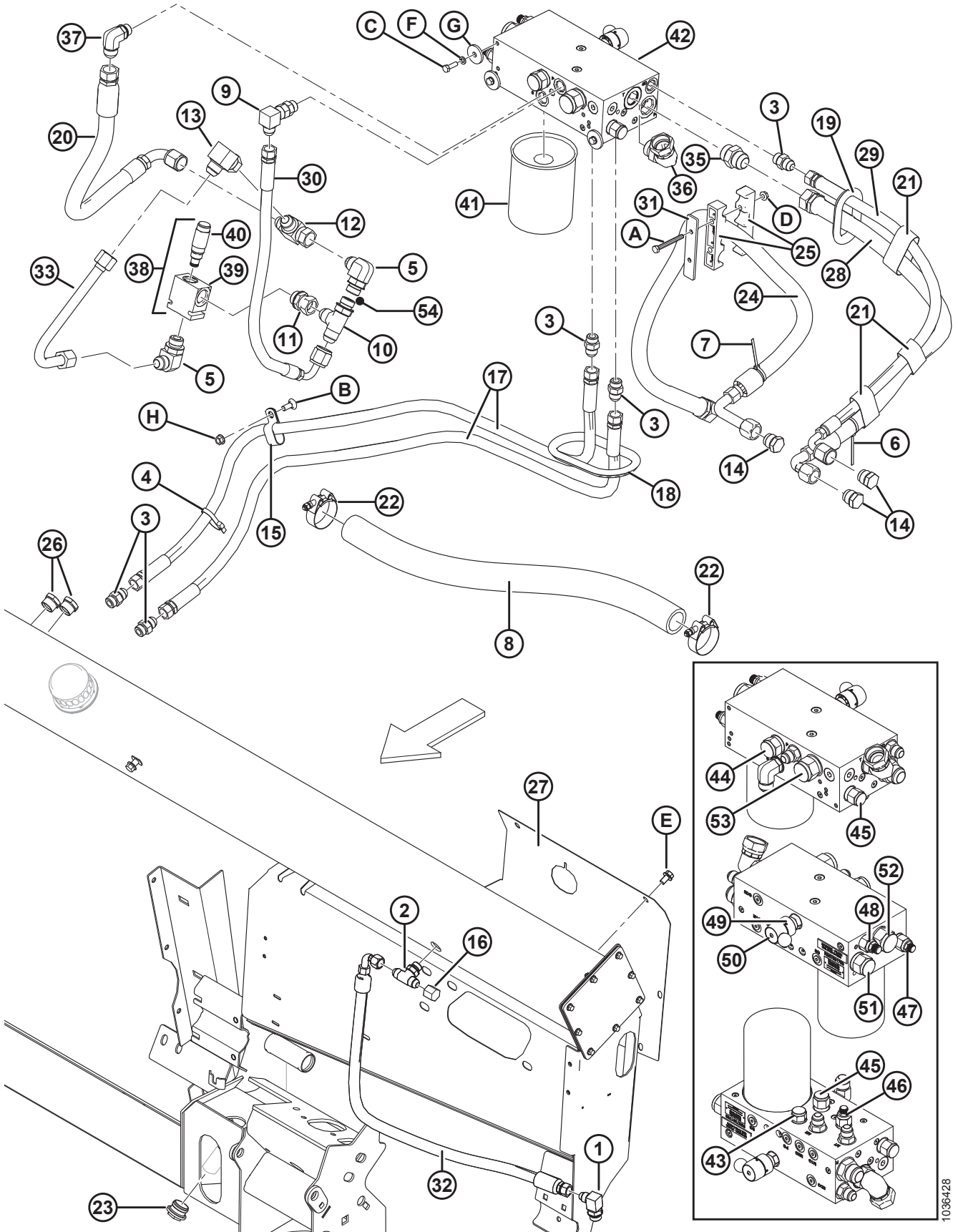
**HYDRAULICS – BOSCH/REXROTH MANIFOLD**

**NOTE:**

Parker manifold is used on CA25 Combine Adapters built for 45-ft. FD75 FlexDraper® Headers in September of 2013 and all 2015 and later model year units. All other units use a Bosch/Rexroth manifold. Parker manifold uses a lever type flow control valve, and Bosch/Rexroth manifold uses a ball/knob type flow control valve. Verify which manifold your unit has to ensure proper replacement parts are ordered. For Parker manifold parts, refer to Section *14 Hydraulics – Parker Manifold, page 47.*

Ref	Part Number	Description	Qty	Serial Number
1	21801	FITTING – ELBOW 90° HYD	1	
	<b>44209</b>	<b>O-RING</b>		
2	30287	FITTING – TEE HYD STR THD BRANCH TEE C/W O-RING	1	
	<b>44209</b>	<b>O-RING</b>		
3	30695	FITTING – CONNECTOR HYDRAULIC (SD, M1, M2)	3	
	<b>44209</b>	<b>O-RING</b>		
4	30753	FASTENER – CABLE TIE (BLACK)	3	
5	30970	FITTING – ELBOW 90° HYDRAULIC	2	
	<b>30971</b>	<b>O-RING</b>		
6	40703	FASTENER – CABLE TIE (BLUE)	1	
7	40704	FASTENER – CABLE TIE (ORANGE)	1	
8	42029	HOSE – HYDRAULIC, 36.6 IN. I.D. 820 MM LG	1	
9	30556	FITTING – ELBOW 90° HYDRAULIC (P)	1	
10	30858	FITTING – TEE HYDRAULIC STR THD RUN TEE C/W O-RING	1	
	<b>30971</b>	<b>O-RING</b>		
11	40241	FITTING – ADAPTER HYDRAULIC C/W O-RING	1	
12	50086	FITTING – HYDRAULIC TEE	1	
13	50175	FITTING – ELBOW 90° HYDRAULIC	1	
14	103576	PLUG – 3/4 IN. TUBE	3	
15	103738	CLAMP – PVC INSULATED 13/16 IN. TUBE SIZE	2	
16	108233	CAP – 1/2 IN. TUBE	1	
17	125516	HOSE – HYD, 1/2 IN. I.D. 1550 MM LG 100R17, METAL REIN.	2	
18	125590	GROMMET – RUBBER	1	
19	125592	GROMMET – RUBBER	1	
20	133378	HOSE – HYD, 0.75 IN. I.D. 675 MM LG 100R17, METAL REIN.	1	
21	135444	FASTENER – CINCH STRAP 6 IN. LG	3	
22	245753	CLAMP – T BOLT	2	
23	156051	PLUG – #16 ORB	2	
24	220274	HOSE – HYDRAULIC	1	
25	187010	CLAMP	2	
26	<b>304668</b>	<b>SIGHT GLASS</b>	<b>2</b>	
27	187596	COVER – HYDRAULIC COMPARTMENT	1	
28	187815	HOSE – HYD, 0.75 IN. I.D. 800 MM LG 100R17, METAL REIN.	1	
29	187816	HOSE – HYD, 1/2 IN. I.D. 800 MM LG 100R17, METAL REIN.	1	
30	220847	HOSE – HYD, 1/2 IN. I.D. 620 MM LG 100R17, METAL REIN.	1	
31	187958	PLATE	1	

HYDRAULICS – BOSCH/REXROTH MANIFOLD



1036428

**HYDRAULICS – BOSCH/REXROTH MANIFOLD**

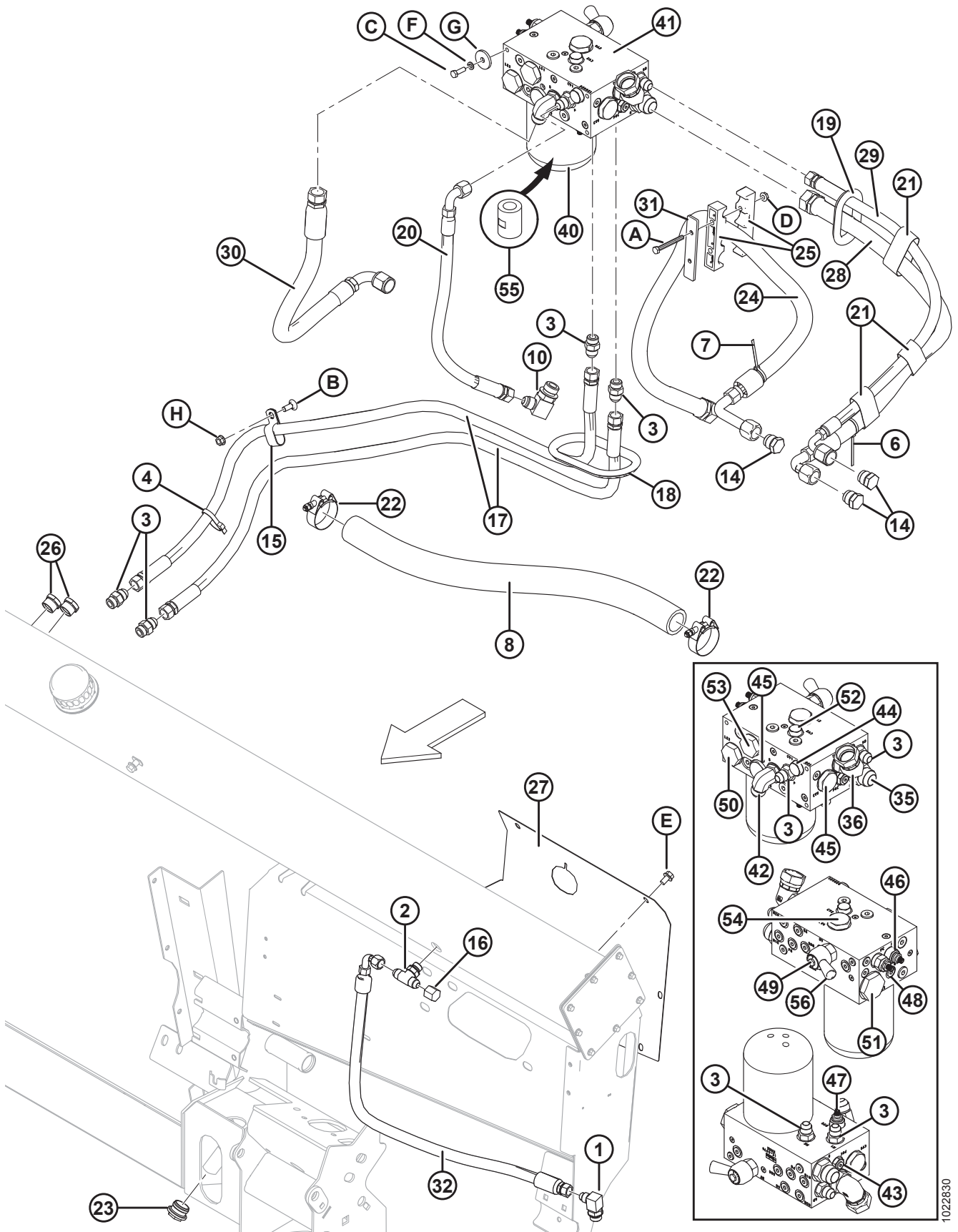
Ref	Part Number	Description	Qty	Serial Number
32	187965	HOSE – HYD, 1/2 IN. I.D. 800 MM LG 100R17, METAL REIN.	1	
33	220846	LINE – HYDRAULIC, 3/4 IN. DIA BENT	1	
35	21828	FITTING – CONNECT. HYD STRAGHT THREAD SHORT SAE (R)	1	
	<b>50220</b>	<b>O-RING</b>		
36	135727	FITTING – 90° ELBOW #16 MALE ORB / #16 FEMALE JIC (T)	1	
37	50221	FITTING – ELBOW 90° HYDRAULIC (S)	1	
	<b>30971</b>	<b>O-RING</b>		
38	220843	MANIFOLD – RELIEF <sup>52</sup>	1	
39	<b>320229</b>	<b>MANIFOLD – VALVE BODY</b>	<b>1</b>	
40	220907	VALVE – HYDRAULIC BIDIRECTIONAL RELIEF	1	
	220908	SEAL KIT		
41	<b>320360</b>	<b>FILTER – HYD C/W 2X SEALS</b>	<b>1</b>	
42	248245	KIT – MANIFOLD, BOSCH/REXROTH TO PARKER REPAIR, C/W FTGS <sup>53</sup>	1	
43	174927	VALVE – CHECK (V1)	1	
44	174928	VALVE – CHECK (V2)	1	
45	174929	VALVE – DIRECTIONAL (V3)	2	
46	174930	VALVE – RELIEF (V4)	1	
47	<b>133561</b>	<b>VALVE – RELIEF (V5)</b>	<b>1</b>	
48	174932	VALVE – COMPENSATOR (V6)	1	
49	174933	VALVE – FLOW CONTROL (V7)	1	
50	174934	HANDLE – BALL (V7.1)	1	
51	174935	VALVE – COMPENSATOR (V8)	1	
52	174936	VALVE – CHECK (V9)	1	
53	174937	VALVE – CHECK (V10)	1	
54	REF	DRAPER / KNIFE DRIVE PUMP (BETWEEN #5 AND 10) <sup>54</sup>		
A	187142	BOLT – HH 5/16 NC X 2.75 LG GR 5 ZP		
B	19965	BOLT – RHSN 3/8 NC X 1.0 GR 5 ZP		
C	21087	BOLT – HEX HD 5/16 NC X 1.0 LG GR 5 ZP		
D	30280	NUT – FLG SIDE LK SMTH FACE 5/16 NC GR 5 ZP		
E	101898	SCREW – HEX WASH HD THD ROLLING 3/8 NC X 5/8		
F	18636	WASHER – REG LOCK 5/16 IN. NOM. I.D. ZP		
G	44623	WASHER – FLAT		
H	30228	NUT – FLANGE DT SMOOTH FACE 0.375-16 UNC		

52. Includes relief valve (MD #220907) and manifold body (MD #320229).

53. Replacement for Bosch/Rexroth manifold (MD #187791) once part is depleted. Kit (MD #248245) used for converting from Bosch/Rexroth to Parker manifold. Includes Parker manifold (MD #279490), hydraulic hose (MD #187950), fitting (MD #50221), template, and instructions.

54. Reference only. For more information, refer to Section [11 Drives, page 33](#).

# 14 Hydraulics – Parker Manifold



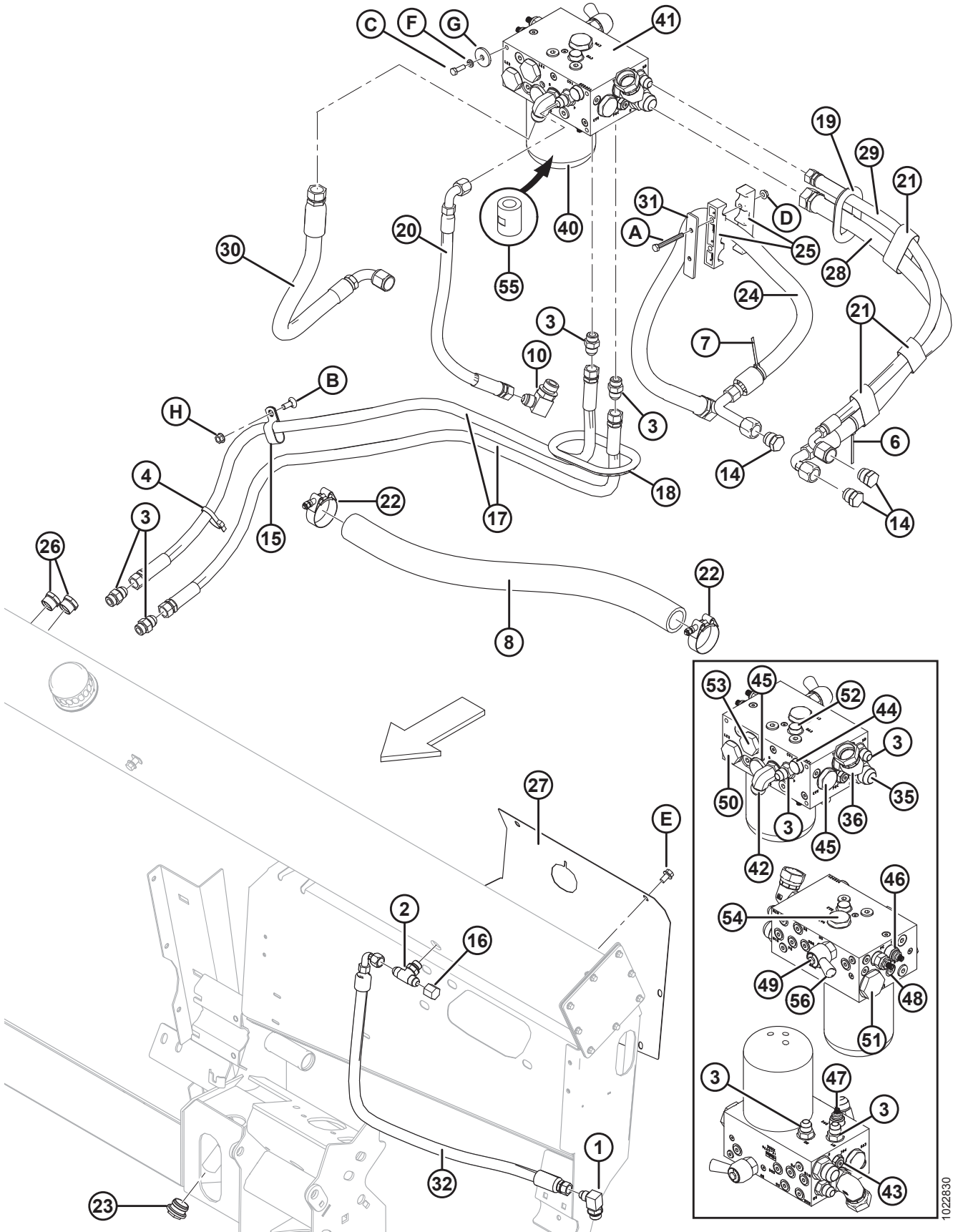
## HYDRAULICS – PARKER MANIFOLD

**NOTE:**

Parker manifold is used on CA25 Combine Adapters built for 45-ft. FD75 FlexDraper® Headers in September of 2013 and all 2015 and later model year units. All other units use a Bosch/Rexroth manifold. Parker manifold uses a lever type flow control valve, and Bosch/Rexroth manifold uses a ball/knob type flow control valve. Verify which manifold your unit has to ensure proper replacement parts are ordered. For Bosch/Rexroth manifold parts, refer to Section [13 Hydraulics – Bosch/Rexroth Manifold, page 43](#).

Ref	Part Number	Description	Qty	Serial Number
1	21801	FITTING – ELBOW HYDRAULIC	1	
	<b>44209</b>	<b>O-RING</b>		
2	30287	FITTING – TEE HYD STR THD BRANCH TEE C/W O-RING	1	
	<b>44209</b>	<b>O-RING</b>		
3	30695	FITTING – CONNECTOR HYDRAULIC (P, SD, M1, M2)	4	
	<b>44209</b>	<b>O-RING</b>		
4	30753	FASTENER – CABLE TIE (BLACK)	3	
6	40703	FASTENER – CABLE TIE (BLUE)	1	
7	40704	FASTENER – CABLE TIE (ORANGE)	1	
8	42029	HOSE – HYDRAULIC, 36.6 IN. I.D. 820 MM LG	1	
10	50221	FITTING – ELBOW 90° HYDRAULIC	1	
	<b>30971</b>	<b>O-RING</b>		
14	103576	PLUG – 3/4 IN. TUBE	3	
15	103738	CLAMP – PVC INSULATED 13/16 IN. TUBE SIZE	2	
16	108233	CAP – 1/2 IN. TUBE	1	
17	125516	HOSE – HYD, 1/2 IN. I.D. 1550 MM LG 100R17, METAL REIN.	2	
18	125590	GROMMET – RUBBER	1	
19	125592	GROMMET – RUBBER	1	
20	187950	HOSE – HYD, 1/2 IN. I.D. 575 MM LG 100R17, METAL REIN.	1	
21	135444	FASTENER – CINCH STRAP 6 IN. LG	3	
22	245753	CLAMP – T BOLT	2	
23	156051	PLUG – #16 ORB	2	
24	220274	HOSE – HYDRAULIC	1	
25	187010	CLAMP	2	
26	<b>304668</b>	<b>SIGHT GLASS</b>	<b>2</b>	
27	187596	COVER – HYDRAULIC COMPARTMENT	1	
28	187815	HOSE – HYD, 0.75 IN. I.D. 800 MM LG 100R17, METAL REIN.	1	
29	187816	HOSE – HYD, 1/2 IN. I.D. 800 MM LG 100R17, METAL REIN.	1	
30	133378	HOSE – HYD, 0.75 IN. I.D. 675 MM LG 100R17, METAL REIN.	1	
31	187958	PLATE	1	
32	187965	HOSE – HYD, 1/2 IN. I.D. 800 MM LG 100R17, METAL REIN.	1	
35	21828	FITTING – CONNECT. HYD STRGHT THRD SHORT SAE (R)	1	
	<b>50220</b>	<b>O-RING</b>		
36	135727	FITTING – 90° ELBOW #16 MALE ORB / #16 FEMALE JIC (T)	1	

HYDRAULICS – PARKER MANIFOLD



1022830

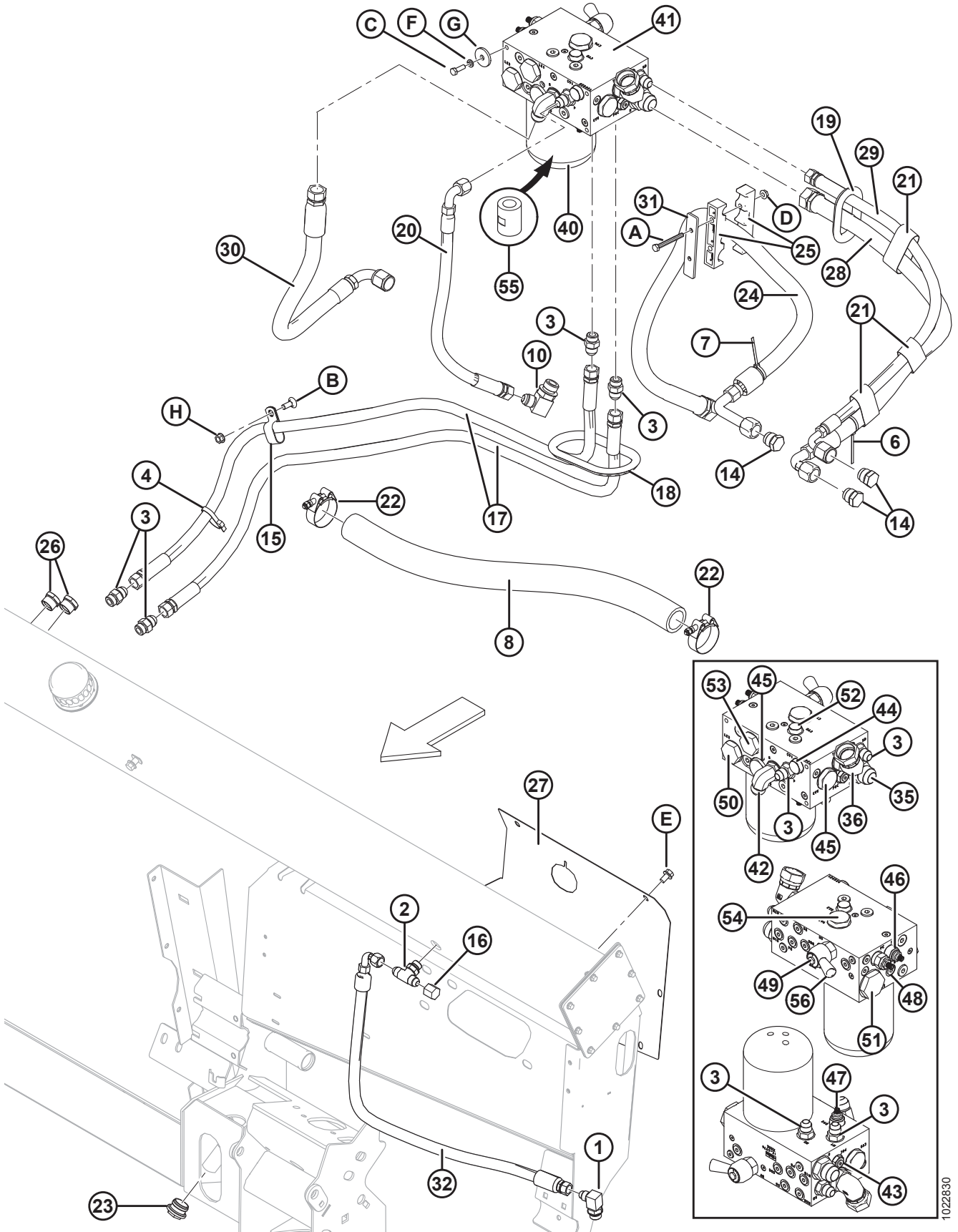
**HYDRAULICS – PARKER MANIFOLD**

<b>Ref</b>	<b>Part Number</b>	<b>Description</b>	<b>Qty</b>	<b>Serial Number</b>
40	<b>320360</b>	<b>FILTER – HYD C/W 2X SEALS</b>	<b>1</b>	
41	279490	MANIFOLD – PARKER C/W FITTINGS <sup>55</sup>	1	
42	30970	FITTING – ELBOW 90° HYDRAULIC (S)	1	
	<b>30971</b>	<b>O-RING</b>		
43	220948	VALVE – P.O. CHECK (POC)	1	
	<b>287451</b>	<b>SEAL KIT</b>		
44	220949	VALVE – CHECK (CV1)	1	
	<b>220960</b>	<b>SEAL KIT</b>		
45	220950	VALVE – CHECK (CV3, CV5) MANIFOLD 187567	2	
	<b>220961</b>	<b>SEAL KIT</b>		
	245117	VALVE – CHECK (CV3, CV5) MANIFOLD 279490	2	
	<b>245158</b>	<b>SEAL KIT</b>		
46	220951	VALVE – P.O. RELIEF (RV1)	1	
	<b>220960</b>	<b>SEAL KIT</b>		
47	220471	VALVE – P.O. RELIEF (RV2)	1	
	<b>220960</b>	<b>SEAL KIT</b>		
48	245157	VALVE – PRESS. COMPENSATOR (FC) MANIFOLD	1	
	<b>245159</b>	<b>SEAL KIT</b>		
49	220953	VALVE – NEEDLE (NV)	1	
	<b>220960</b>	<b>SEAL KIT</b>		
50	279491	VALVE – SPOOL TYPE LOGIC (LE3)	1	
	<b>220963</b>	<b>SEAL KIT</b>		
51	220955	VALVE – POPPET TYPE LOGIC (LE2)	1	
	<b>220964</b>	<b>SEAL KIT</b>		
52	220956	VALVE – CHECK (CV2)	1	
	<b>220965</b>	<b>SEAL KIT</b>		
53	220957	VALVE – SPOOL TYPE LOGIC (LE1)	1	
	<b>220963</b>	<b>SEAL KIT</b>		
54	220958	VALVE – CHECK (CV4)	1	
	<b>220961</b>	<b>SEAL KIT</b>		
55	245160	FITTING – FILTER ADAPTER (MANIFOLD 279490) <sup>56</sup>	1	
56	279835	HANDLE – NEEDLE VALVE	1	
A	187142	BOLT – HH 5/16 NC X 2.75 LG GR 5 ZP		
B	19965	BOLT – RHSN 3/8 NC X 1.0 GR 5 ZP		
C	21087	BOLT – HEX HD 5/16 NC X 1.0 LG GR 5 ZP		

55. Includes filter element. Part #279490 is stamped on manifold for visual identification.

56. Two nuts (1 1/2-16 UN-2A) required to properly torque filter adapter fitting to manifold. Thread one nut approximately 12.7 mm (.50 inches) onto filter adapter fitting. Jam second nut to first and torque to 81–88 Nm (60–65 lbf-ft). Remove both nuts. The filter can then be threaded onto filter adapter fitting until seal engagement with the manifold. Turn filter an additional half turn.

HYDRAULICS – PARKER MANIFOLD



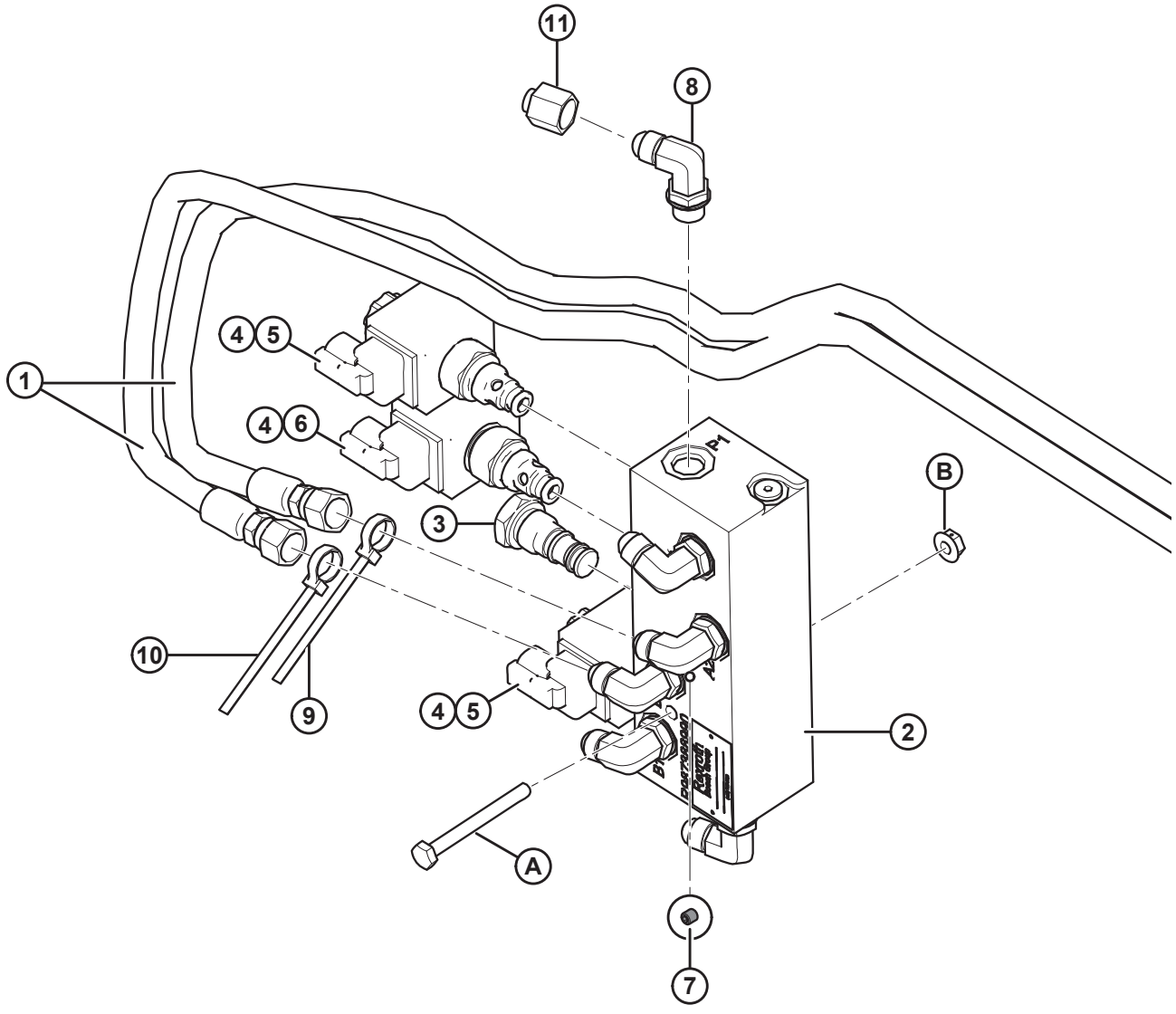
1022830



**HYDRAULICS – PARKER MANIFOLD**

<b>Ref</b>	<b>Part Number</b>	<b>Description</b>	<b>Qty</b>	<b>Serial Number</b>
D	30280	NUT – FLG SIDE LK SMTH FACE 5/16 NC GR 5 ZP		
E	101898	SCREW – HEX WASH HD THD ROLLING 3/8 NC X 5/8		
F	18636	WASHER – REG LOCK 5/16 IN. NOM. I.D. ZP		
G	44623	WASHER – FLAT		
H	30228	NUT – FLANGE DT SMOOTH FACE 0.375-16 UNC		

# 15 Hydraulic Selector Header Tilt / Reel Fore-Aft



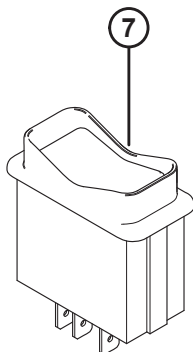
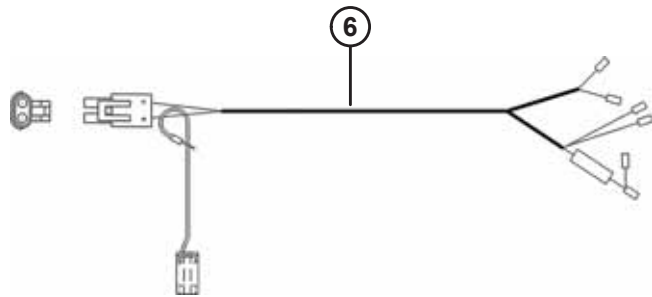
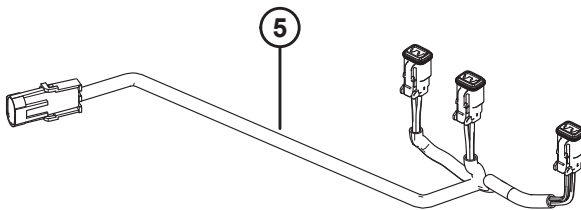
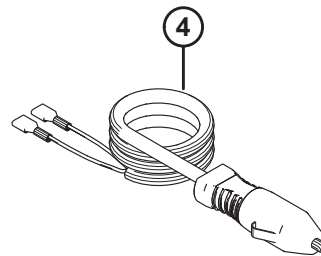
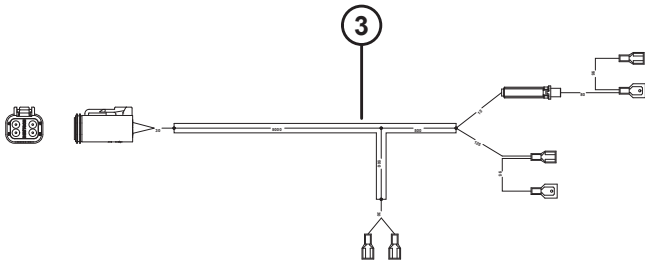
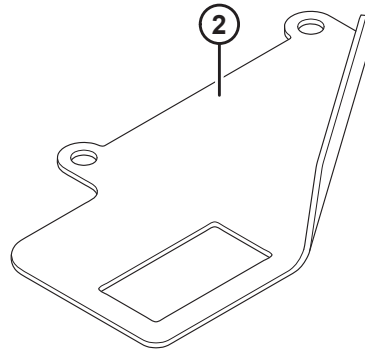
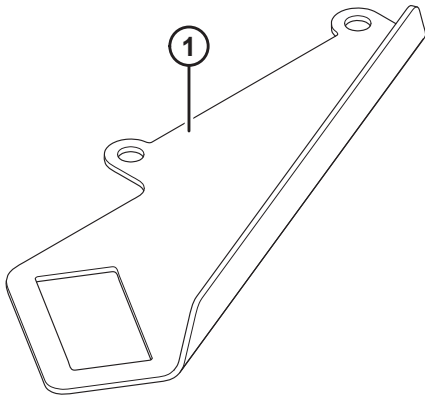
**HYDRAULIC SELECTOR HEADER TILT / REEL FORE-AFT**

<b>Ref</b>	<b>Part Number</b>	<b>Description</b>	<b>Qty</b>	<b>Serial Number</b>
1	133043	HOSE – HYD, 1/4 IN. I.D. 1730 MM LG 100R17, METAL REIN.	2	
2	220535	VALVE – SELECTOR C/W FITTINGS	1	
3	174938	VALVE – CHECK (V2)	1	
4	174941	COIL – VALVE (V5)	3	
5	174940	VALVE – SOLENOID (V4)	2	
6	174939	VALVE – SOLENOID (V3)	1	
7	174942	RESTRICTOR – ORIFICE (V6) <sup>57</sup>	1	
8	30282	FITTING – ELBOW 90° HYDRAULIC	6	
9	49227	FASTENER – CABLE TIE (GREEN)	5	
10	40702	FASTENER – CABLE TIE (RED)	5	
11	30813	CAP – 3/8 IN. TUBE	4	
A	21854	BOLT – HH 1/4 NC X 2.5 LG GR 5 ZP		
B	135248	NUT – FLG SMTH FACE 1/4-20 NC GR 5 ZP CTR LK DT THD		

---

57. Used in port B2.

# 16 Selector Valve



## SELECTOR VALVE

Ref	Part Number	Description	Qty	Serial Number
1	158377	SUPPORT – ROCKER SWITCH, IN CAB MTG BRACKET FOR FORE-AFT/ HEADER TILT <sup>58</sup>	1	
2	220734	SUPPORT – ROCKER SWITCH-IN CAB MTG BRKT FOR FORE-AFT/ HEADER TILT SWITCH <sup>59</sup>	1	
3	279753	HARNESS – WIRING, HEADER TILT REEL FORE-AFT SELECTOR TO CAB <sup>63</sup>	1	
4	220570	HARNESS – WIRING, CIGARETTE LIGHTER PLUG <sup>60</sup>	1	
5	129566	HARNESS – WIRE (JD 50 SERIES AND CASE 20 SERIES) <sup>61</sup>	1	
6	158326	HARNESS – WIRING (JD 50 SERIES) <sup>62</sup>	1	
7	109064	SWITCH – ROCKER, HEADER TILT/FORE-AFT <sup>63</sup>	1	
8	16661	FASTENER – NYLON TIE (BLACK)	12	

58. All combine models except John Deere S Series and CNH/NH AFX, CX, and CR with integral switch.

59. John Deere S Series only.

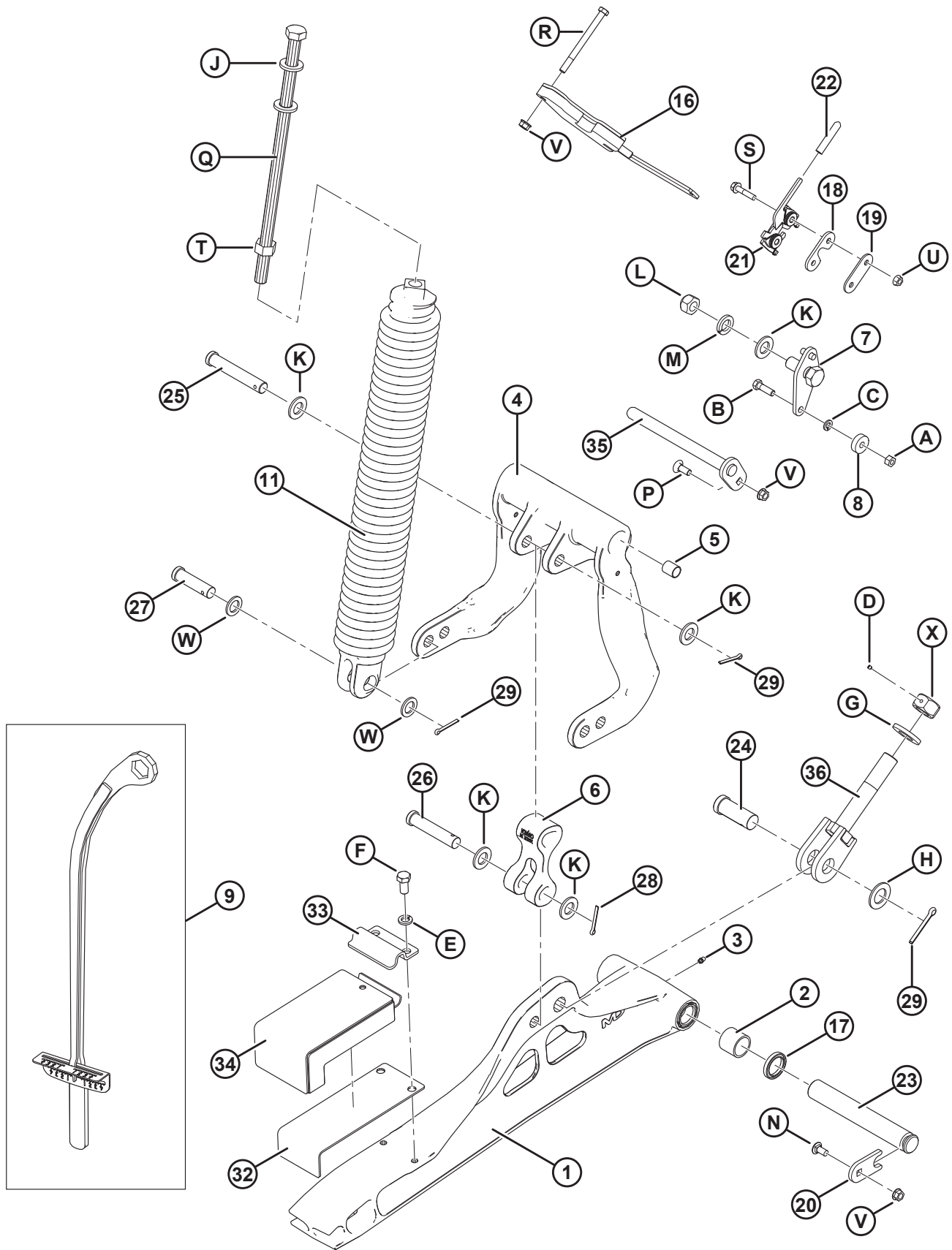
60. Optional on all combine models. Allows for install without hardwire.

61. John Deere 50 Series and Case 20 Series only.

62. John Deere 50 Series only.

63. All combine models except John Deere 50 Series, Case 20 Series, and CNH/NH AFX, CX, and CR with integral switch.

# 17 Float Linkage and Components



1004400

**FLOAT LINKAGE AND COMPONENTS**

<b>Ref</b>	<b>Part Number</b>	<b>Description</b>	<b>Qty</b>	<b>Serial Number</b>
1	174816	LINK – LOWER C/W BEARINGS <sup>64</sup>	2	
2	100500	BEARING – NEEDLE	4	
3	18671	FITTING – LUBE 1/4 28 UNF	2	
4	156839	LEVER – BELL CRANK C/W BUSHINGS	2	
5	156501	BUSHING – PLASTIC	4	
6	156574	LINK – ARM	2	
7	125654	PIVOT – FLOAT WELDMENT	2	
8	18867	BEARING – BALL CYL OD C/W TWO SEALS	2	
9	<b>311859</b>	<b>TOOL – WRENCH WELDMENT</b>	<b>1</b>	
11	<b>294729</b>	<b>SPRING – ASSEMBLY <sup>65</sup></b>		
	<b>294731</b>	<b>SPRING – ASSEMBLY, C/W INNER SPRING (HEAVY DUTY) <sup>65</sup></b>		
16	125788	HANDLE – WELDT (LH)	1	
	125789	HANDLE – WELDT (RH)	1	
17	113222	SEAL	2	
18	156882	BAR – LATCH SPACER	2	
19	156883	BAR	2	
20	156212	PLATE	2	
21	134002	ASSY – STIRRUP LATCH (LH)	1	
	134003	ASSY – STIRRUP LATCH (RH)	1	
22	110817	COVER – SOFTEX GRIP	2	
23	156840	PIN	2	
24	156742	PIN – CLEVIS, 25.4 MM, 58 MM, ZN PL	2	
25	156741	PIN – CLEVIS	2	
26	20312	PIN – CLEVIS, 18.89 MM, 82 MM, ZN PL	2	
27	30463	PIN – CLEVIS, 18.89 MM, 58 MM, ZN PL	4	
28	18608	PIN – COTTER 3/16 DIA X 1.5 ZP	8	
29	18609	PIN – COTTER 1/4 DIA X 2 ZP	2	
32	125145	PLATE – LEAF SPRING	2	
33	125146	CLAMP	2	
34	174769	ASSY – RUBBER BLOCK FLEX	2	
	174775	ASSY – RUBBER BLOCK RIGID	2	
35	133014	PIN – PIVOT WELDT	2	
36	220679	BOLT – WELDT	2	
A	18590	NUT – HEX 3/8-16 UNC GR 5 ZP		
B	21264	BOLT – HH 3/8 NC X 1.25 LG GR 5 ZP		
C	18637	WASHER – REG LOCK 3/8 IN. NOM. I.D. ZP		

64. Includes two needle bearings (MD #100500), two seals (MD #113222), and lube fitting (MD #18671).

65. There are four springs on each adapter, but the combination of springs (MD #294729 and MD #294731) varies depending on header size. 40–45 foot headers require 3 x MD #294729 and 1 x MD #294731 on the outboard RHS, all smaller headers require 4 x MD #294729.

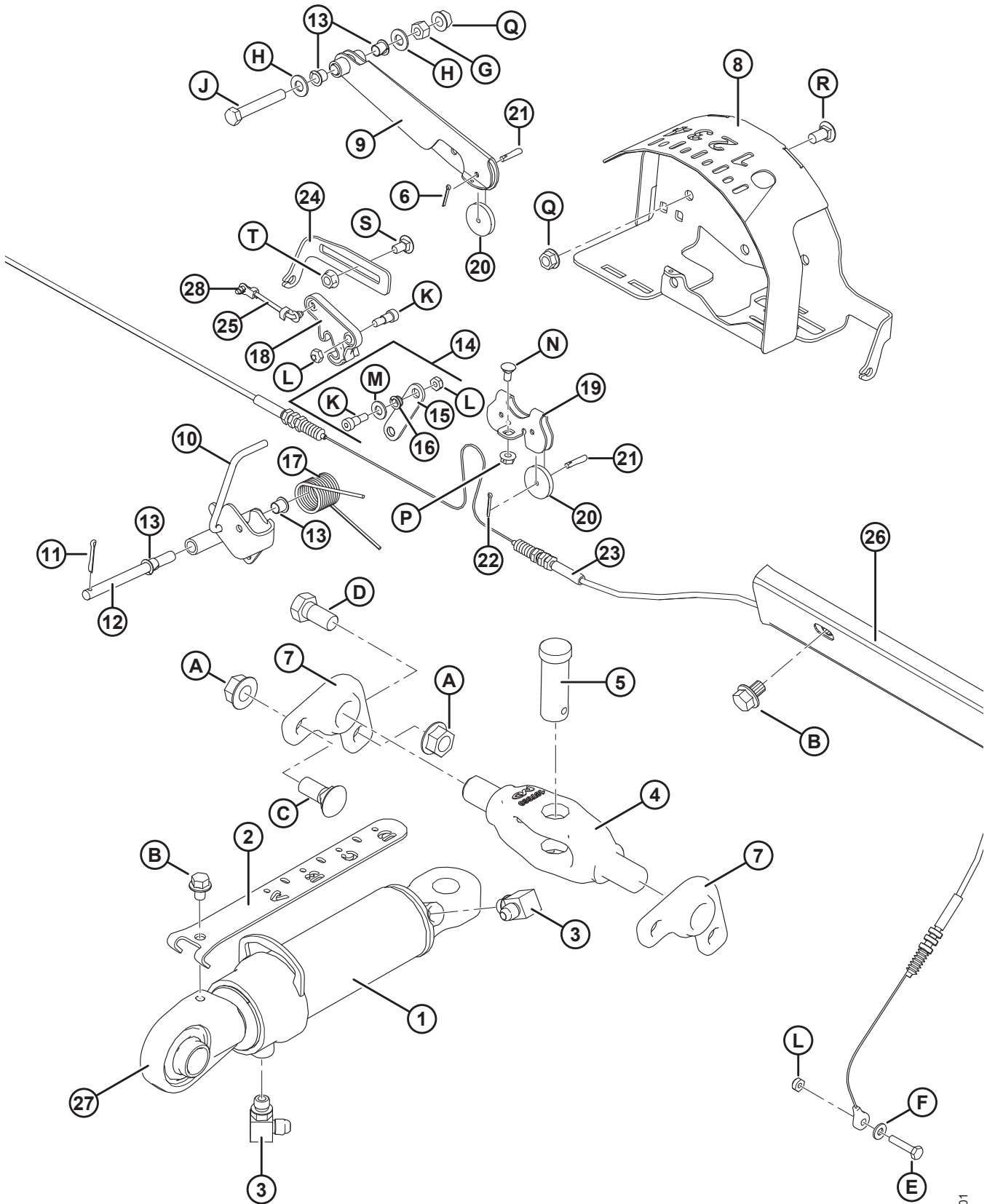




**FLOAT LINKAGE AND COMPONENTS**

<b>Ref</b>	<b>Part Number</b>	<b>Description</b>	<b>Qty</b>	<b>Serial Number</b>
D	136596	SCREW – SET, HEX NYL TIP 1/4-20 X 1/4-AS-ZNPL		
E	18638	WASHER – REG LOCK 1/2 IN. NOM. I.D. ZP		
F	21575	BOLT – HH 1/2 NC X 1.0 LG GR 5 ZP		
G	31774	WASHER – FLAT		
H	156743	WASHER – FLAT		
J	21540	WASHER – HARDENED		
K	18601	WASHER – SAE FLAT 13/16 I.D. X 1.5 IN. O.D. ZP		
L	18689	NUT – HEX LOCK DT .750-10 UNC		
M	18640	WASHER – REG LOCK 3/4 IN. NOM. I.D. ZP		
N	21863	BOLT – RHSSN 3/8 NC X 0.75 LG GR 5 ZP		
P	19965	BOLT – RHSN 3/8-16 X 1-GR5-ZP		
Q	187203	BOLT – HH, SPECIAL 3/4 NC X 17.5 LG GR 5 ZP		
R	30080	BOLT – HH 3/8 NC X 4.5 LG GR 5 ZP		
S	135407	BOLT – HH FLG (SER FACE) 5/16 NC X 1.5 GR 5 ZP		
T	18593	NUT – HEX 3/4 10 UNC GR 5 ZP		
U	30280	NUT – FLG SIDE LK SMTH FACE 5/16 NC GR 5 ZP		
V	30228	NUT – FLANGE DT SMOOTH FACE 0.375-16 UNC		
W	1709	WASHER – FLAT		
X	133047	NUT – DOWNSTOP MACHINING		

# 18 Hydraulic Center-Link with Float and Tilt Indicators



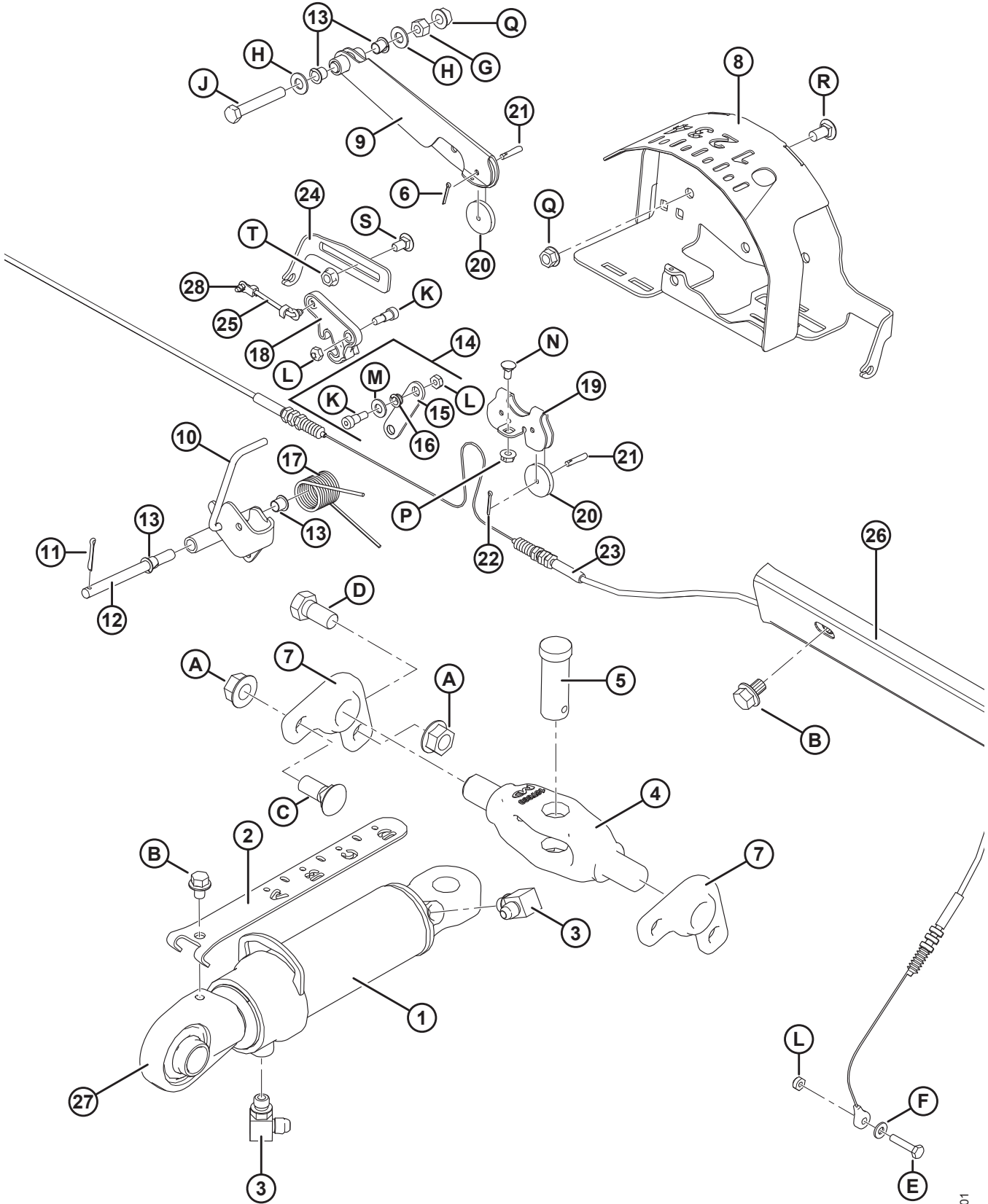
1004401

**HYDRAULIC CENTER-LINK WITH FLOAT AND TILT INDICATORS**

Ref	Part Number	Description	Qty	Serial Number
1	187621	CYLINDER – TOP LINK	1	
	123978	SEAL KIT		
2	187637	INDICATOR – TILT	1	
3	30282	FITTING – ELBOW 90° HYDRAULIC	2	
4	187660	PIVOT – MACHINING	1	
5	135995	PIN – CLEVIS	1	
6	18609	PIN – COTTER 1/4 DIA X 2 ZP	1	
7	187730	CASTING – PIVOT	2	
8	187641	HOUSING – INDICATOR WELDT	1	
9	187655	ARM – INDICATOR WELDT	1	
10	187645	INDICATOR – POINTER WELDMENT	1	
11	18605	PIN – COTTER 1/8 DIA X 1 ZP	1	
12	276281	PIN – STRAIGHT	1	
13	276381	BUSHING – PLASTIC	4	
14	187694	LINK – INDICATOR C/W BUSHINGS	1	
15	187659	LINK – INDICATOR	1	
16	156969	BUSHING – PLASTIC	2	
17	156843	SPRING – TORSION	1	
18	187194	ARM	1	
19	187708	SUPPORT – INDICATOR PULLEYS	1	
20	187653	PULLEY – CONTROL	3	
21	276863	PIN – STRAIGHT	3	
22	18604	PIN – COTTER 3/32 DIA X 3/4 ZP	3	
23	187658	CABLE – FLOAT INDICATOR 5 SERIES	1	
24	276298	SUPPORT – AHHC CABLE ADJUSTER	1	
25	158633	ROD – LINKAGE	1	
26	133249	HOLDER – HOSE	1	
27	187822	EYE – CYLINDER END	1	
28	153492	CLIP – ROD END <sup>66</sup>	2	
A	50225	NUT – FLANGE DT SMOOTH FACE .625-11 UNC		
B	30693	BOLT – FLANGE (SER FACE) .375-16 UNC X 0.50 LG		
C	18523	BOLT – RHSN 5/8 NC X 1.5 GR 5 ZP		
D	21585	BOLT – HH 5/8 NC X 1.25 LG GR 5 ZP		
E	30942	BOLT – HH 1/4 NC X 1.25 LG GR 5 ZP		
F	18596	WASHER – SAE FLAT 9/32 I.D. X 5/8 IN. O.D. ZP		
G	18590	NUT – HEX 3/8-16 UNC GR 5 ZP		
H	18598	WASHER – SAE FLAT 13/32 I.D. X 13/16 IN. O.D. ZP		
J	21102	BOLT – HH 3/8 NC X 2.5 LG GR 5 ZP		
K	135423	BOLT – SHOULDER 5/16 DIA X 3/8 X 1/4-20 UNRC		

66. Clip (MD #153492) is used on both ends of rod (MD #158633).

HYDRAULIC CENTER-LINK WITH FLOAT AND TILT INDICATORS

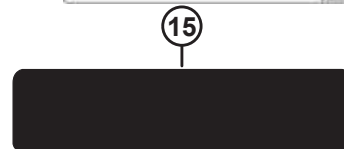
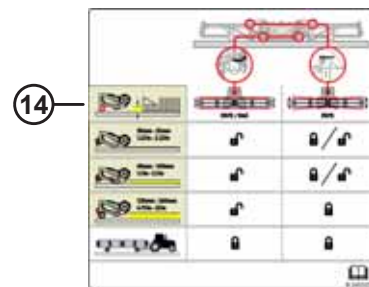
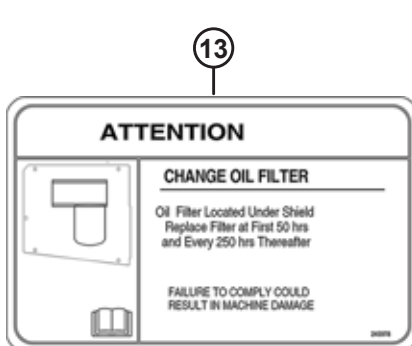
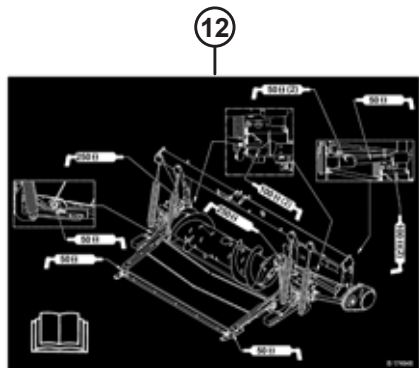
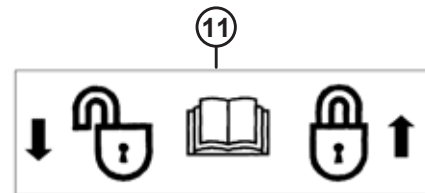
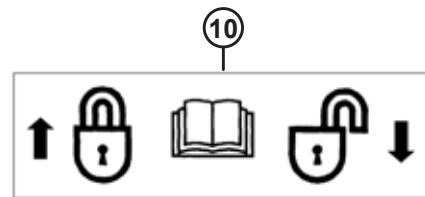
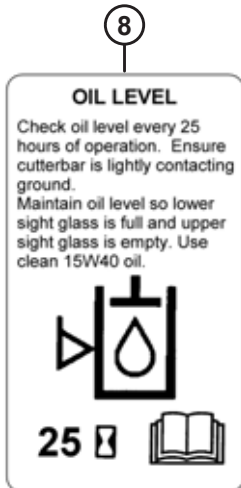
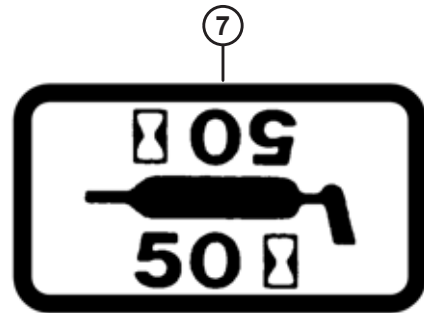
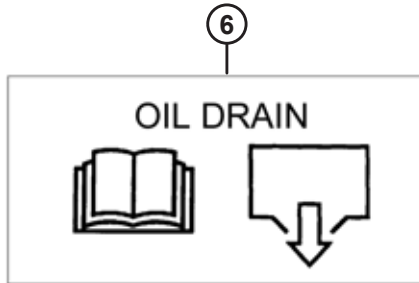
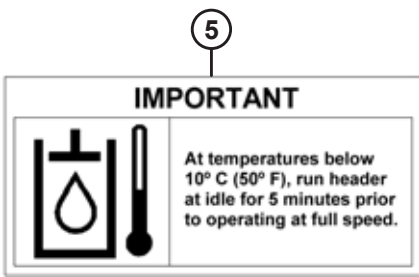
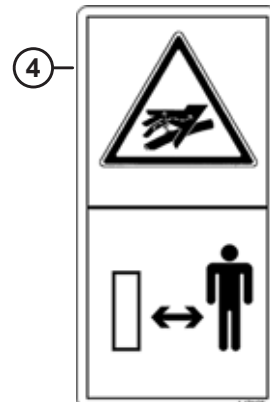


1004401

**HYDRAULIC CENTER-LINK WITH FLOAT AND TILT INDICATORS**

<b>Ref</b>	<b>Part Number</b>	<b>Description</b>	<b>Qty</b>	<b>Serial Number</b>
L	18724	NUT – HEX LOCK DT 1/4-20 UNC ZP		
M	18597	WASHER – SAE FLAT 11/32 I.D. X 11/16 IN. O.D. ZP		
N	21926	BOLT – RHSN 1/4 NC X 0.5 GR 5 ZP		
P	135248	NUT – FLG SMTH FACE 1/4-20 NC GR 5 ZP CTR LK DT THD		
Q	30228	NUT – FLANGE DT SMOOTH FACE 0.375-16 UNC		
R	21863	BOLT – RHSSN 3/8 NC X 0.75 LG GR 5 ZP		
S	135305	BOLT – RHSN 5/16 NC X 0.63 GR 5 ZP		
T	30280	NUT – FLG SIDE LK SMTH FACE 5/16 NC GR 5 ZP		

# 19 Decals



DECALS

Ref	Part Number	Description	Qty	Serial Number
1	30316	DECAL – DANGER: ROTATING DRIVELINE		
2	36651	DECAL – DANGER: DRIVELINE GUARD MISSING		
3	44611	DECAL – DANGER: HEADER HAZARD		
4	<b>174436</b>	<b>DECAL – HIGH PRESSURE FLUID</b>		
5	133086	DECAL – IMPORTANT: OIL OPERATING TEMPERATURE		
6	133537	DECAL – ADAPTER OIL DRAIN		
7	23165	DECAL – 50 HR LUBE		
	115759	DECAL – 100 HR LUBE		
8	174960	DECAL – ADAPTER OIL LEVEL		
9	32070	DECAL – PATENT NUMBER		
10	133532	DECAL – ADAPTER FLOAT LOCK (LH)		
11	133533	DECAL – ADAPTER FLOAT LOCK (RH)		
12	174948	DECAL – GREASE, CA25		
13	245978	DECAL – ATTENTION (CHANGE OIL FILTER)		
14	245335	DECAL – HEADER ADJUSTMENT		
15	140225	STRIP – ANTI SLIP (LARGE)		
	174131	STRIP – ANTI SLIP (SMALL)		

# 20 Decals – French



1



2



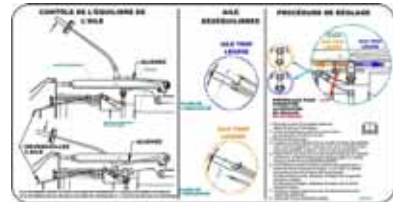
3



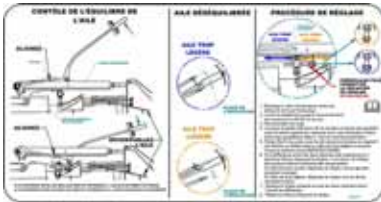
4



5



6



7



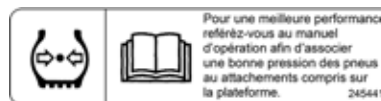
8



9



10



11



12

1013692



**DECALS – FRENCH**

<b>Ref</b>	<b>Part Number</b>	<b>Description</b>	<b>Qty</b>	<b>Serial Number</b>
1	245428	DECAL – LH DRAPER TENSION, FRENCH		
2	245432	DECAL – RH DRAPER TENSION, FRENCH		
3	245433	DECAL – IMPORTANT: GUARDS, FRENCH		
4	245434	DECAL – LH WING BALANCE ADJUSTMENT, FRENCH		
5	245435	DECAL – RH WING BALANCE ADJUSTMENT, FRENCH		
6	<b>294089</b>	<b>DECAL – LH WING BALANCE, FRENCH</b>		
7	<b>294090</b>	<b>DECAL – RH WING BALANCE, FRENCH</b>		
8	245438	DECAL – IMPORTANT: OIL OPERATING TEMP, FRENCH		
9	245439	DECAL – ADAPTER OIL DRAIN, FRENCH		
10	245440	DECAL – ADAPTER OIL LEVEL, FRENCH		
11	245441	DECAL – TIRE PRESSURE, FRENCH		
12	245443	DECAL – GAUGE WHEEL SETTING, FRENCH		

# 21 Decals – Portuguese

**IMPORTANTE**

Dedo padrão com apoio traseiro

Dedo das extremidades sem apoio traseiro

Para prevenir danos aos componentes de corte, substitua os dedos somente pelos tipos apropriados. Note que os dedos das extremidades não possuem apoio traseiro.

1

**IMPORTANTE**

Em temperaturas inferiores a 10 graus C, funcione a plataforma por 5 minutos em marcha lenta antes de operar em velocidade máxima.

2

**DRENO DO ÓLEO**

3

LE

4

LD

5

**NÍVEL DE ÓLEO**

Cheque o nível de óleo a cada 25 horas de trabalho. Certifique-se que a barra de corte esteja tocando levemente o solo para verificação. Mantenha o nível de óleo de maneira que o visor inferior esteja completo e o visor superior esteja vazio. Utilize óleo 15W40 limpo para reposição.

25

6

**AJUSTE DAS RODAS ESTABILIZADORAS**

OPERE COM AS MOLAS COMPRIMIDAS EM APROXIMADAMENTE 320 mm. MEÇA O COMPRIMENTO DA MOLLA CONFORME MOSTRADO. NÃO OPERE COM COMPRIMENTO DE MOLLA INFERIOR A 255 mm. VEJA O MANUAL DO OPERADOR.

7

3 2 1

TENSIONAR

**AJUSTE DE TENSIONAMENTO DA ESTEIRA**

GIRE O PARAFUSO (1) PARA TENSIONAR A ESTEIRA ATÉ QUE A BARRA INDICADORA BRANCA (2), ATRAVESSE A CAVA (3) E COMPLETE ATÉ A METADE DA CAVA.

8

MEÇÃO DO BALANÇO DAS ASAS

ASA DESDEQUILIBRADA

PROCEDIMENTO DE REGULAGEM

9

MEÇÃO DO BALANÇO DAS ASAS

ASA DESDEQUILIBRADA

PROCEDIMENTO DE REGULAGEM

10

3 2 1

TENSIONAR

**AJUSTE DE TENSIONAMENTO DA ESTEIRA**

GIRE O PARAFUSO (1) PARA TENSIONAR A ESTEIRA ATÉ QUE A BARRA INDICADORA BRANCA (2), ATRAVESSE A CAVA (3) E COMPLETE ATÉ A METADE DA CAVA.

11

Para otimizar sua performance, veja no manual do operador a pressão correta dos pneus em função dos opcionais instalados, do modelo e tamanho de plataforma.

12

**DECALS – PORTUGUESE**

<b>Ref</b>	<b>Part Number</b>	<b>Description</b>	<b>Qty</b>	<b>Serial Number</b>
1	220817	DECAL – IMPORTANT: GUARDS, PORTUGUESE		
2	220818	DECAL – IMPORTANT: OIL OPERATING TEMP, PORT.		
3	220819	DECAL – ADAPTER OIL DRAIN, PORTUGUESE		
4	220820	DECAL – LH WING BALANCE ADJUSTMENT, PORTUGUESE		
5	220821	DECAL – RH WING BALANCE ADJUSTMENT, PORTUGUESE		
6	220822	DECAL – ADAPTER OIL LEVEL, PORTUGUESE		
7	220823	DECAL – GAUGE WHEEL SETTING, PORTUGUESE		
8	220824	DECAL – LH DRAPER TENSION, PORTUGUESE		
9	<b>294085</b>	<b>DECAL – LH WING BALANCE, PORTUGUESE</b>		
10	<b>294086</b>	<b>DECAL – RH WING BALANCE, PORTUGUESE</b>		
11	220836	DECAL – RH DRAPER TENSION, PORTUGUESE		
12	220885	DECAL – TIRE PRESSURE, PORTUGUESE		

## 22 Decals – Russian



1



2



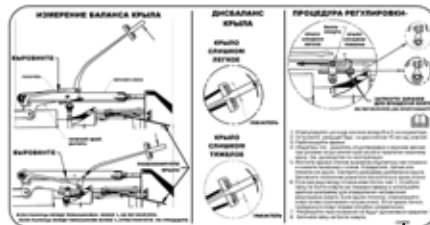
3



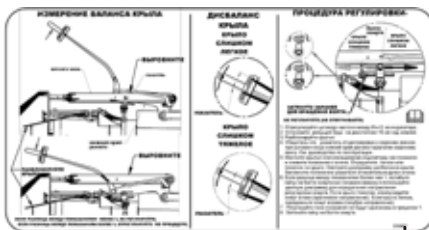
4



5



6



7



8



9



10



11



12

1013691

DECALS – RUSSIAN

Ref	Part Number	Description	Qty	Serial Number
1	166309	DECAL – TIRE PRESSURE, RUSSIAN		
2	220831	DECAL – LH DRAPER TENSION, RUSSIAN		
3	220832	DECAL – IMPORTANT: GUARDS, RUSSIAN		
4	220834	DECAL – RH DRAPER TENSION, RUSSIAN		
5	220863	DECAL – GAUGE WHEEL SETTING, RUSSIAN		
6	<b>294087</b>	<b>DECAL – RH WING BALANCE, RUSSIAN</b>		
7	<b>294088</b>	<b>DECAL – LH WING BALANCE, RUSSIAN</b>		
8	220868	DECAL – IMPORTANT: OIL OPERATING TEMP, RUSSIAN		
9	220869	DECAL – LH WING BALANCE ADJUSTMENT, RUSSIAN		
10	220870	DECAL – RH WING BALANCE ADJUSTMENT, RUSSIAN		
11	220871	DECAL – ADAPTER OIL DRAIN, RUSSIAN		
12	220872	DECAL – ADAPTER OIL LEVEL, RUSSIAN		

## 23 Decals – Spanish

**IMPORTANTE**

Puntón estandar con guía



Puntón sin guía



Para evitar peligro de rotura en las piezas de corte, reemplace los puntones con el modelo correspondiente. Note que los primeros cuatro puntones junto a la caja de mando de las cuchillas no tienen guía.

1

**IMPORTANTE**



En temperaturas inferiores a 10 grados C, hacer andar la plataforma regulando por 5 minutos antes de operar a máximo régimen.

2

**DRENAJE DE ACEITE**



3

L/izq



4


L/Der



5

**NIVEL DE ACEITE**

Chequear el nivel de aceite cada 25 horas de operación. Asegurar que la barra de corte esté ligeramente en contacto con el suelo. Mantener el nivel de aceite para que la ventana inferior esté llena y la superior esté vacía. Utilice aceite 15W40 limpio.



25

6

**INDICADOR AJUSTE RUEDA**

OPERAR CON RESORTES COMPRIMIDOS A UNA DISTANCIA DE 320 mm APPROX. MIDA LA COMPRESIÓN DEL RESORTE COMO SE MUESTRA. NO OPERAR CON UNA COMPRESIÓN MENOR A 295 mm. VEA EL MANUAL DEL OPERADOR.



7

3 2 1



APRETAR

**AJUSTE TENSION LONA**

GIRAR TORNILLO (1) PARA TENSAR LA LONA HASTA QUE EL TESTIGO BLANCO (2), PASE LA RANURA (3) Y LLENE LA MITAD DE LA RANURA.

8

MEICION PARA BALANCE DE ALAS

ALA DESBALANCEADA

PROCEDIMIENTO DE AJUSTE




9

MEICION PARA BALANCE DE ALAS

ALA DESBALANCEADA

PROCEDIMIENTO DE AJUSTE



10

3 2 1




APRETAR

**AJUSTE TENSION LONA**

GIRAR TORNILLO (1) PARA TENSAR LA LONA HASTA QUE EL TESTIGO BLANCO (2), PASE LA RANURA (3) Y LLENE LA MITAD DE LA RANURA.

11



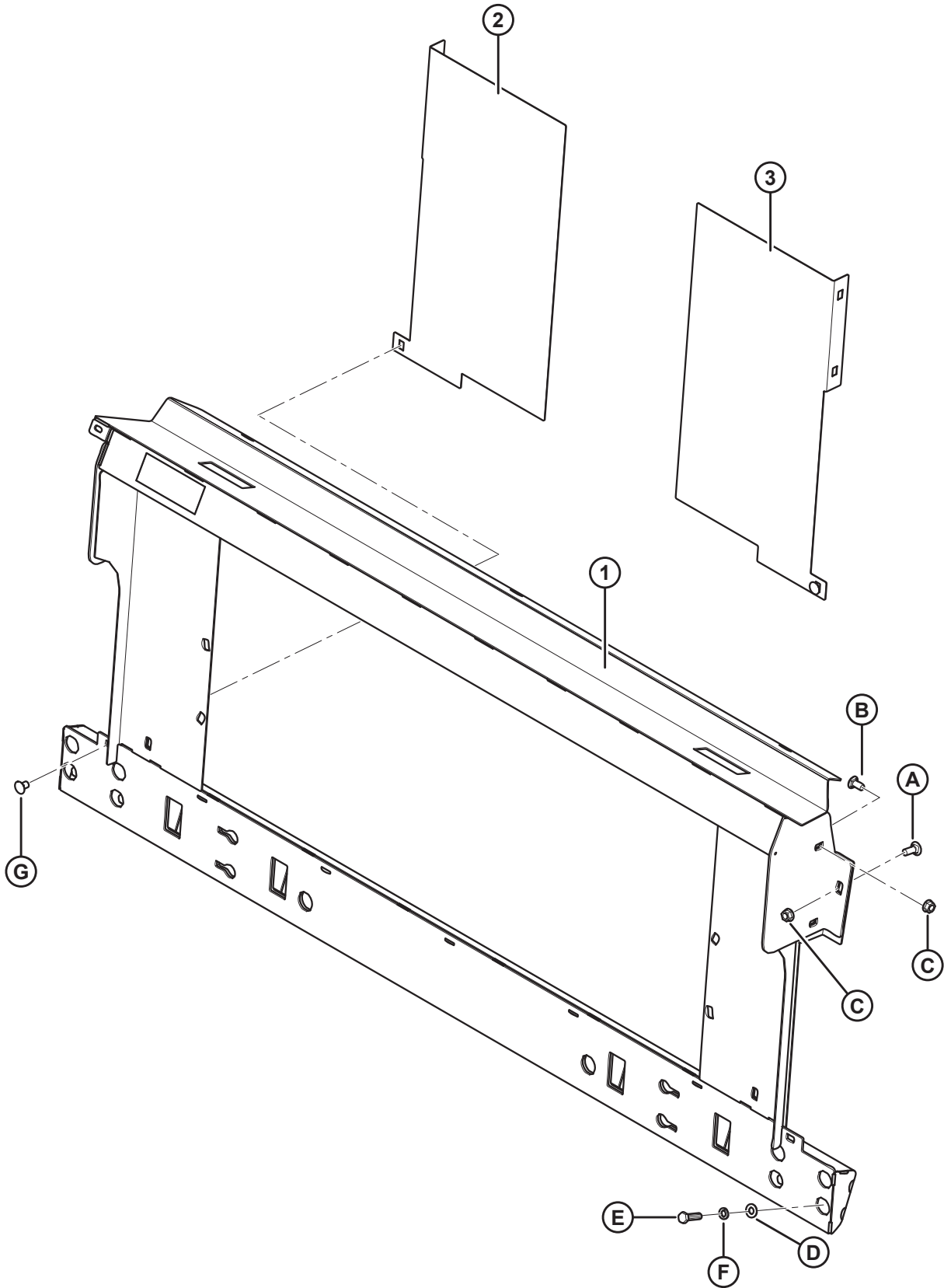
Para un óptimo rendimiento consulte el manual del operador respecto a la correcta presión de los neumáticos dependiendo del equipo que remolca.

12

**DECALS – SPANISH**

<b>Ref</b>	<b>Part Number</b>	<b>Description</b>	<b>Qty</b>	<b>Serial Number</b>
1	220807	DECAL – IMPORTANT: GUARDS, SPANISH		
2	220808	DECAL – IMPORTANT: OIL OPERATING TEMP, SPANISH		
3	220809	DECAL – ADAPTER OIL DRAIN, SPANISH		
4	220810	DECAL – LH WING BALANCE ADJUSTMENT, SPANISH		
5	220811	DECAL – RH WING BALANCE ADJUSTMENT, SPANISH		
6	220812	DECAL – ADAPTER OIL LEVEL, SPANISH		
7	220813	DECAL – GAUGE WHEEL SETTING, SPANISH		
8	220814	DECAL – LH DRAPER TENSION, SPANISH		
9	<b>294083</b>	<b>DECAL – LH WING BALANCE, SPANISH</b>		
10	<b>294084</b>	<b>DECAL – RH WING BALANCE, SPANISH</b>		
11	220835	DECAL – RH DRAPER TENSION, SPANISH		
12	220876	DECAL – TIRE PRESSURE, SPANISH		

## 24 AGCO, Gleaner – Adapter Completion



1018496



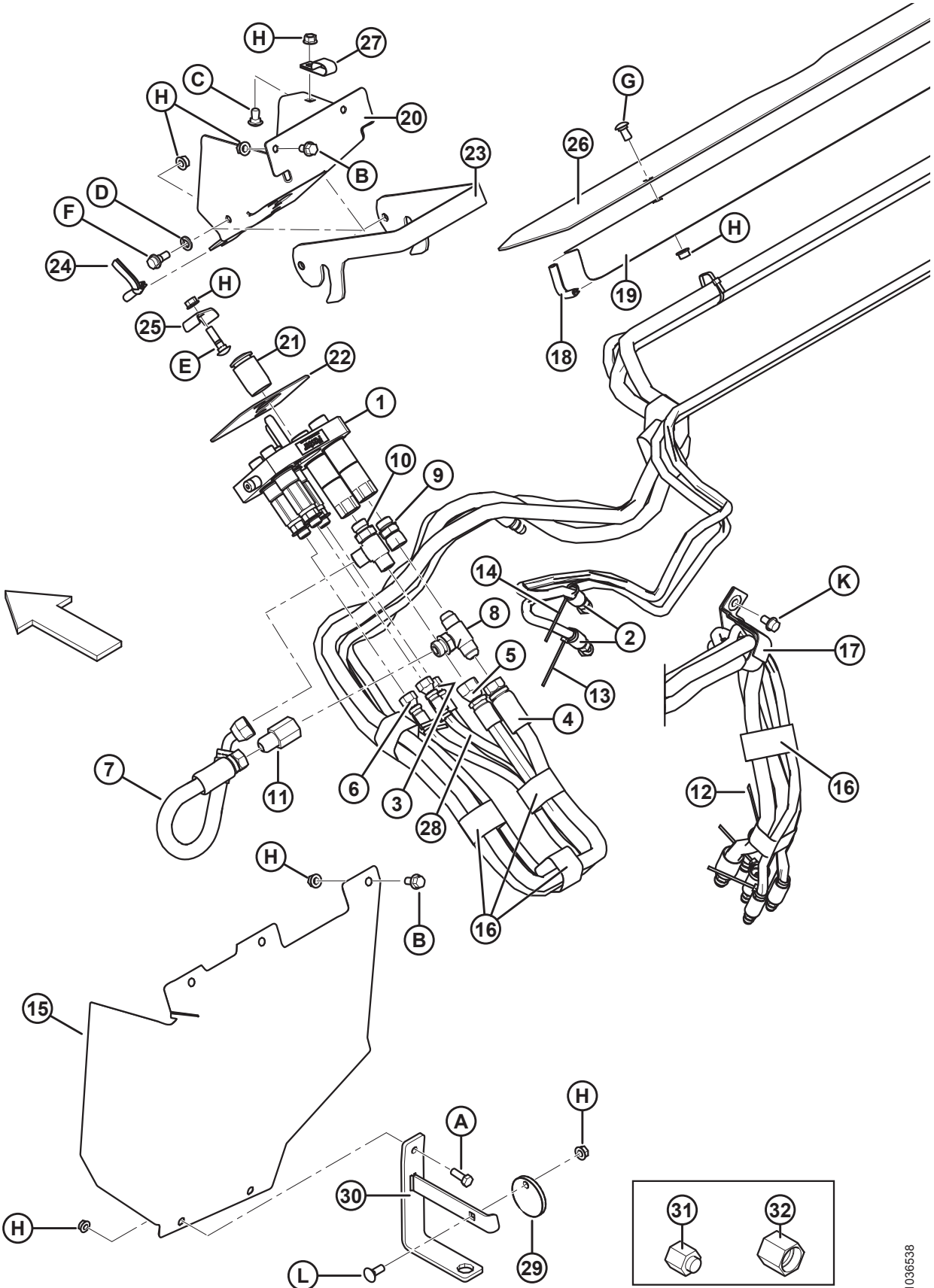
**AGCO, GLEANER – ADAPTER COMPLETION**

<b>Ref</b>	<b>Part Number</b>	<b>Description</b>	<b>Qty</b>	<b>Serial Number</b>
	B5671	KIT – AGCO (EXCEPT GLEANER R/S) COMPLETION PKG <sup>67</sup>		
	B5761	KIT – GLEANER “R” AND “S” SERIES COMPLETION PKG <sup>68</sup>		
1	133672	FRAME – AGCO TRANS LAT TILT C/W DECAL	1	
	245852	FRAME – GLEANER TRANS LAT TILT C/W DECAL	1	
2	133980	FILLER – A65/660/9690, AGCO ONLY (LH)	1	
3	133981	FILLER – A65/660/9690, AGCO ONLY (RH)	1	
A	21471	BOLT – RHSN 1/2 NC X 1.25 GR 5 ZP		
B	21868	BOLT – RHSSN 1/2 NC X 1.0 GR 5 ZP		
C	50186	NUT – FLANGE LOCK SM FACE DT 0.500-13 UNC GR 5		
D	18599	WASHER – SAE FLAT 17/32 I.D. X 1-1/16 IN. O.D. ZP		
E	50072	BOLT – HH 1/2 NC X 1.75 TFL GR 5 ZP		
F	18638	WASHER – REG LOCK 1/2 IN. NOM I.D. ZP		
G	105069	BOLT – RHSSN 1/2 NC X 0.75 GR 5 ZP		

67. (MD #B5671) – AGCO (Except Gleaner R/S) Completion Package – Gleaner “R” and “S” Series Completion Package includes Adapter, Hydraulic, and Electrical Completion Packages to complete a stand-alone CA25 or to convert an existing factory installed CA25. Kits available through Whole Goods only.

68. (MD #B5761) – Gleaner “R” and “S” Series Completion Package includes Adapter, Hydraulic, Electrical Completion Packages, and kit MD #279821 to complete a stand-alone CA25 or to convert an existing factory installed CA25. Kits available through Whole Goods only.

# 25 AGCO, Gleaner – Hydraulic Completion



1036538

**AGCO, GLEANER – HYDRAULIC COMPLETION**

Ref	Part Number	Description	Qty	Serial Number
	B5671	KIT – AGCO (EXCEPT GLEANER R/S) COMPLETION PKG <sup>69</sup>		
	B5761	KIT – GLEANER “R” AND “S” SERIES COMPLETION PKG <sup>70</sup>		
1	279737	COUPLING – MULTI AGCO 5-POS (FASTER)	1	
	<b>187183</b>	<b>COUPLER – HYD QUICK CON., AGCO (PARKER) <sup>71</sup></b>		
	<b>294098</b>	<b>KIT – COUPLER PLATE ASSY, AGCO (FASTER) <sup>72</sup></b>		
	<b>279011</b>	<b>KIT – COUPLER, 3/8 C/W 3/8 IN. FITTING (FASTER) <sup>72</sup></b>		
	<b>279012</b>	<b>KIT – COUPLER, 9/16 C/W 5/8 IN. FITTING (FASTER) <sup>72</sup></b>		
	<b>279034</b>	<b>SEAL – 3/8 COUPLER (FASTER) <sup>72</sup></b>		
	<b>279035</b>	<b>SEAL – 9/16 COUPLER (FASTER) <sup>72</sup></b>		
2	156759	HOSE – HYDRAULIC 1/4 IN. I.D. 4330 MM LG 100R17	2	
3	156910	HOSE – HYDRAULIC 1/4 IN. I.D. 5530 MM LG 100R17	1	
4	156938	HOSE – HYDRAULIC 1/2 IN. I.D. 5530 MM LG 100R17	1	
5	156939	HOSE – HYDRAULIC 1/2 IN. I.D. 5530 MM LG 100R17	1	
6	220658	HOSE – HYDRAULIC 1/4 IN. I.D. 1650 MM LG 100R17	1	
7	187032	HOSE – HYD 1/2 IN. I.D. 400 MM LG 100R17, METAL REIN.	1	
8	30560	FITTING – TEE HYD STR THD BRANCH TEE C/W O-RING	1	
9	49529	FITTING – ADAPTER HYD	1	
10	135598	FITTING – TEE HYD STR THD RUN TEE C/W O-RING	1	
11	187031	VALVE – CHECK	1	
12	40701	FASTENER – CABLE TIE (YELLOW)	3	
13	40702	FASTENER – CABLE TIE (RED)	9	
14	49227	FASTENER – CABLE TIE (GREEN)	9	
15	133268	COVER – COUPLERS	1	
16	135444	FASTENER – CINCH STRAP 6 IN. LG	13	
17	163598	STRAP – VELCRO, HANGING	1	
18	42589	MOULDING	2	
19	156725	COVER – HOSE	1	
20	187030	BRACKET – COUPLER (AGCO)	1	
21	129148	PLUG – RUBBER	1	
22	187018	PAD – RUBBER	1	
23	129143	LATCH – COUPLER BRACKET	1	
24	109791	MOULDING	1	

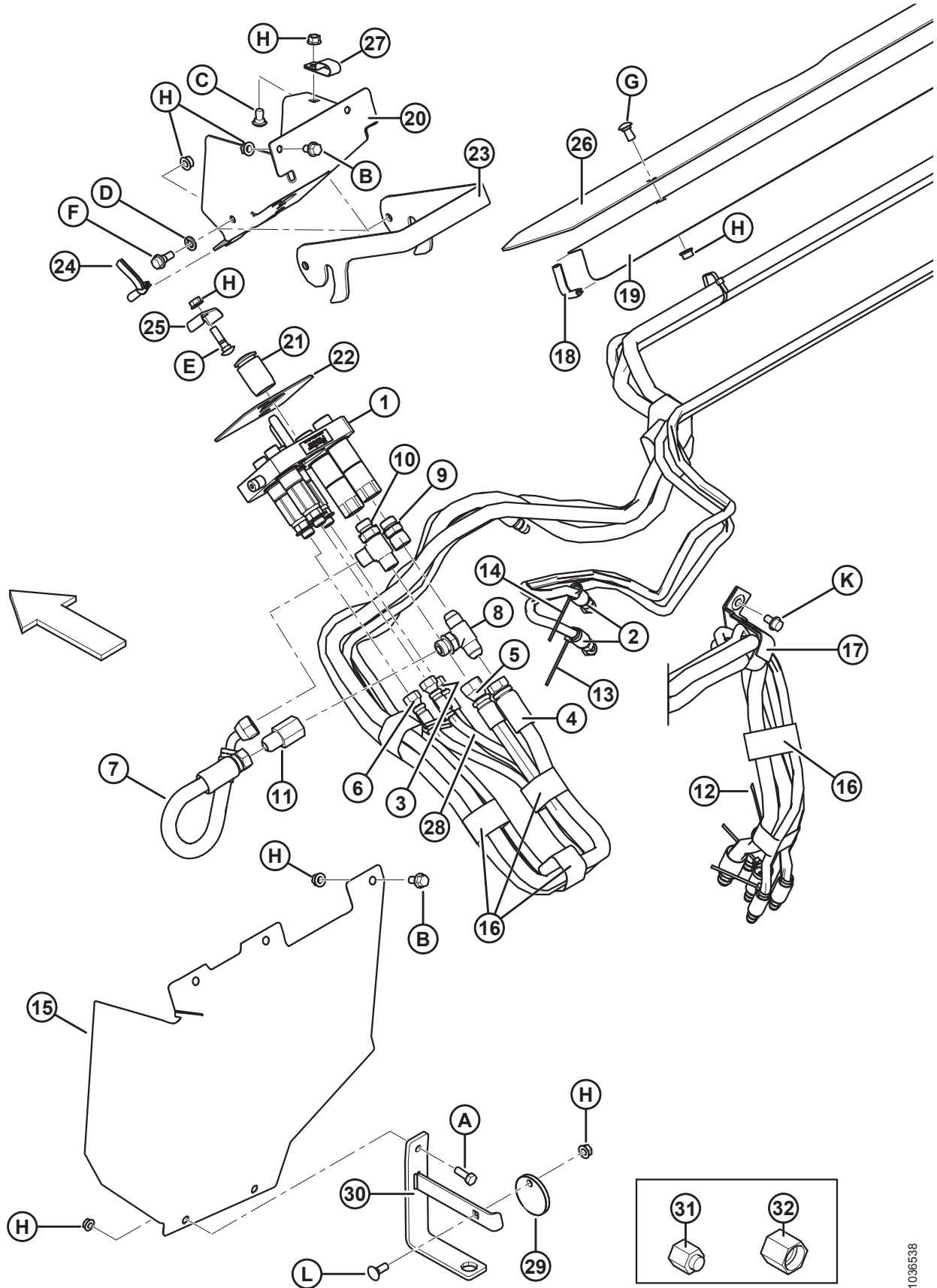
69. (MD #B5671) – AGCO (Except Gleaner R/S) Completion Package includes Adapter, Hydraulic, and Electrical Completion Packages to complete a stand-alone CA25 or to convert an existing factory installed CA25. Kits available through Whole Goods only.

70. (MD #B5761) – Gleaner “R” and “S” Series Completion Package includes Adapter, Hydraulic, Electrical Completion Packages, and kit MD #279821 to complete a stand-alone CA25 or to convert an existing factory installed CA25. Kits available through Whole Goods only.

71. Can be used as a substitute for Faster multicoupler (MD #279737). The service parts listed are **NOT** interchangeable; no service parts are available for Parker multicoupler (MD #187183).

72. Service part for Faster multicoupler (MD #279737) only. **NOT** interchangeable with Parker multicoupler (MD #187183).

AGCO, GLEANER – HYDRAULIC COMPLETION

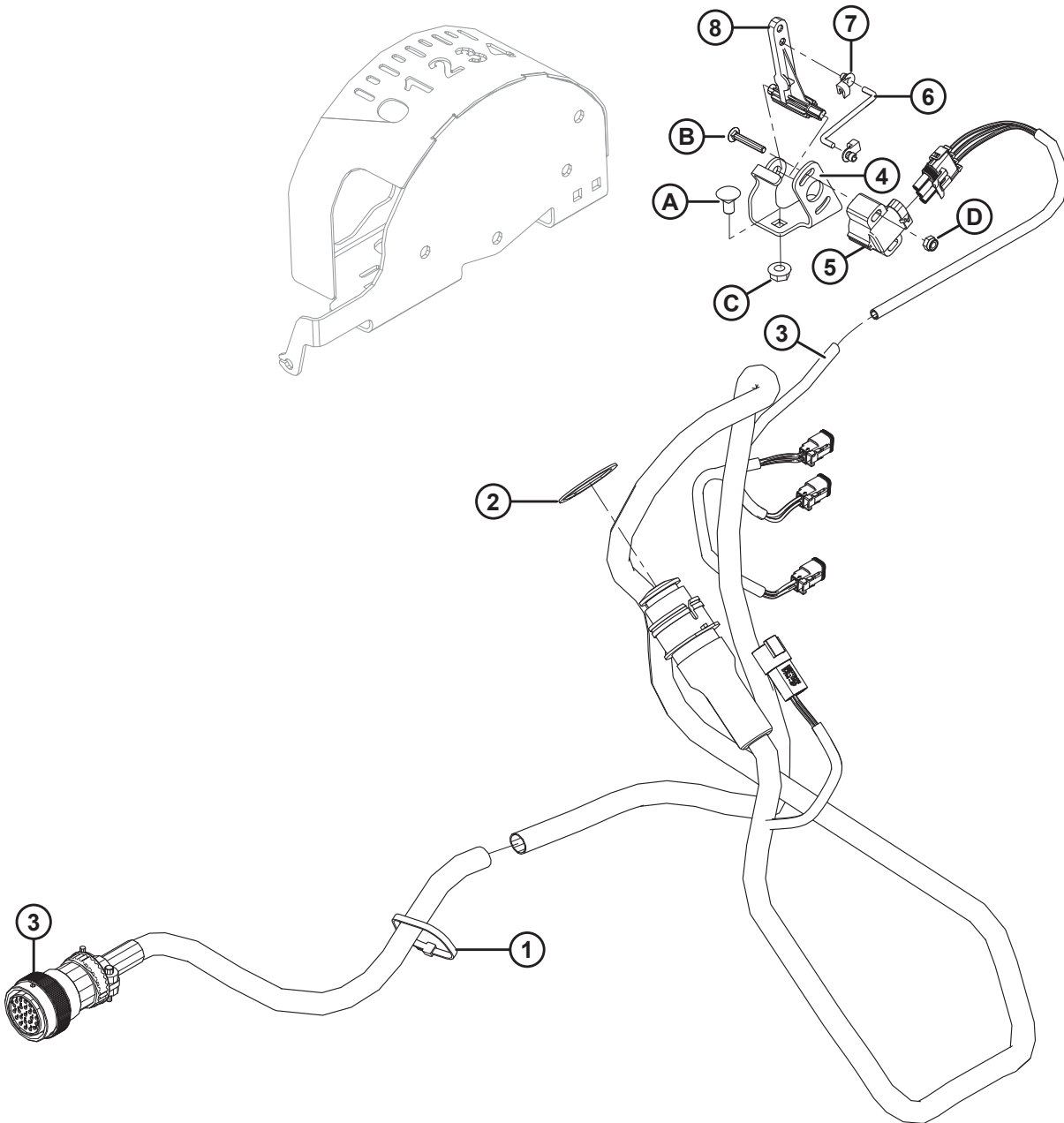


1036538

**AGCO, GLEANER – HYDRAULIC COMPLETION**

<b>Ref</b>	<b>Part Number</b>	<b>Description</b>	<b>Qty</b>	<b>Serial Number</b>
25	103351	HOLDER	1	
26	187723	COVER – TOP FEED AUGER	1	
27	135234	CLAMP – DOUBLE HOSE INSULATED	1	
28	220657	HOSE – HYDRAULIC 1/4 IN. I.D. 1450 MM LG 100R17	1	
29	133165	DISC – LOCK, DRIVELINE HANGER	1	
30	133166	BRACKET – DRIVELINE HANGER WELDT	1	
31	30813	CAP – 3/8 IN. TUBE 37° FLARE (FOR SHIPPING ONLY)	1	
32	108233	CAP – 1/2 IN. TUBE (FOR SHIPPING ONLY)	1	
A	20077	BOLT – HEX HD 3/8 NC X 1.0 LG GR 5 ZP		
B	21821	BOLT – HH FLG (SER FACE) 3/8 NC X 0.75 GR 5 ZP		
C	21472	BOLT – RHSN 3/8 NC X 0.75 GR 5 ZP		
D	18652	WASHER – REG LOCK 7/16 IN. NOM. I.D. ZP		
E	21484	BOLT – RHSN 3/8 NC X 1.5 LG GR 5 ZP		
F	27647	BOLT – SHOULDER		
G	21863	BOLT – RHSSN 3/8 NC X 0.75 LG GR 5 ZP		
H	30228	NUT – FLANGE DT SMOOTH FACE 0.375-16 UNC		
J	30280	NUT – FL PREV-TOR SIDE DT SM FACE 0.312-18 UNC GR 5		
K	101898	SCREW – SELF TAPPING 3/8 NC X 5/8 LG		
L	19965	BOLT – RHSN 3/8 NC X 1.0 GR 5 ZP		

## 26 AGCO, Gleaner – Electrical Completion



**AGCO, GLEANER – ELECTRICAL COMPLETION**

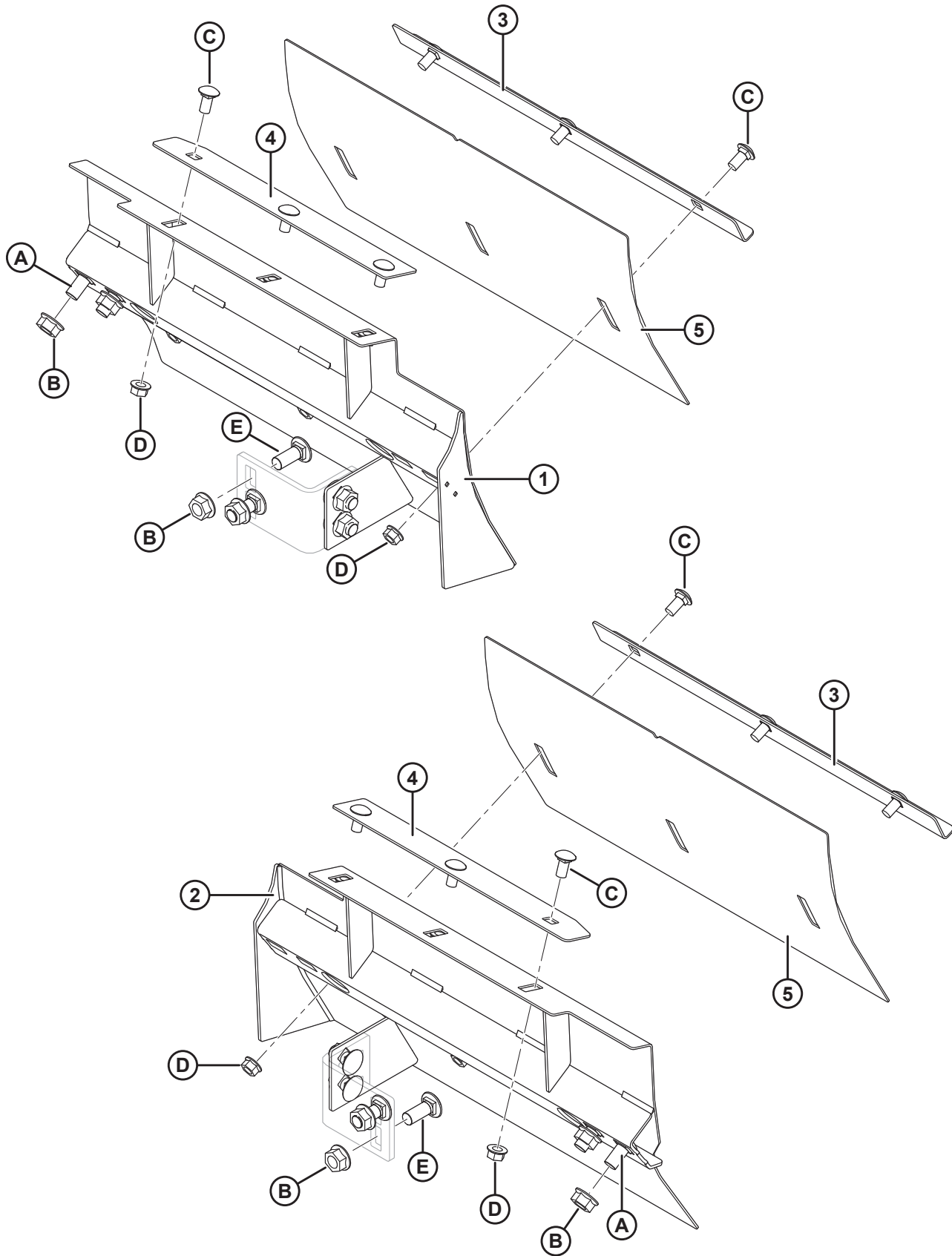
Ref	Part Number	Description	Qty	Serial Number
	B5671	KIT – AGCO (EXCEPT GLEANER R/S) COMPLETION PKG <sup>73</sup>		
	B5761	KIT – GLEANER “R” AND “S” SERIES COMPLETION PKG <sup>73</sup>		
1	21763	FASTENER – CABLE TIE (BLACK, 160 MM LG) <sup>74</sup>		
	16661	FASTENER – CABLE TIE (BLACK, 70 MM LG) <sup>75</sup>		
2	135267	RING – INVERTED EXT RETAINING	1	
3	220347	HARNESS – WIRING AGCO AHHC	1	
4	187670	SUPPORT – SENSOR MOUNT (CNH / DEERE / AGCO)	1	
5	158069	CONTROL – POTENTIOMETER	1	
6	158633	ROD – LINKAGE	1	
7	153492	CLIP – ROD END	2	
8	187193	ARM – SENSOR CONTROL	1	
A	135305	BOLT – RHSN 5/16 NC X 0.63 GR 5 ZP		
B	136018	BOLT – RHSN, #10-24 NC X 1.25 IN. LG		
C	30280	NUT – FLG SIDE LK SMTH FACE 5/16 NC GR 5 ZP		
D	105197	NUT – HEX LOCK .187-24 UNC		

73. (MD #B5671) – AGCO (Except Gleaner R/S) Completion Package, (MD #B5761) – Gleaner “R” and “S” Series Completion Package includes Adapter, Hydraulic, and Electrical Completion Packages to complete a stand-alone CA25 or to convert an existing factory installed CA25. Kits available through Whole Goods only.

74. Quantities: 2016 and prior = 3 / 2017 and later = 1.

75. Quantities: 2016 and prior = 15 / 2017 and later = 12.

# 27 Gleaner – R/S Series Feeding Kit



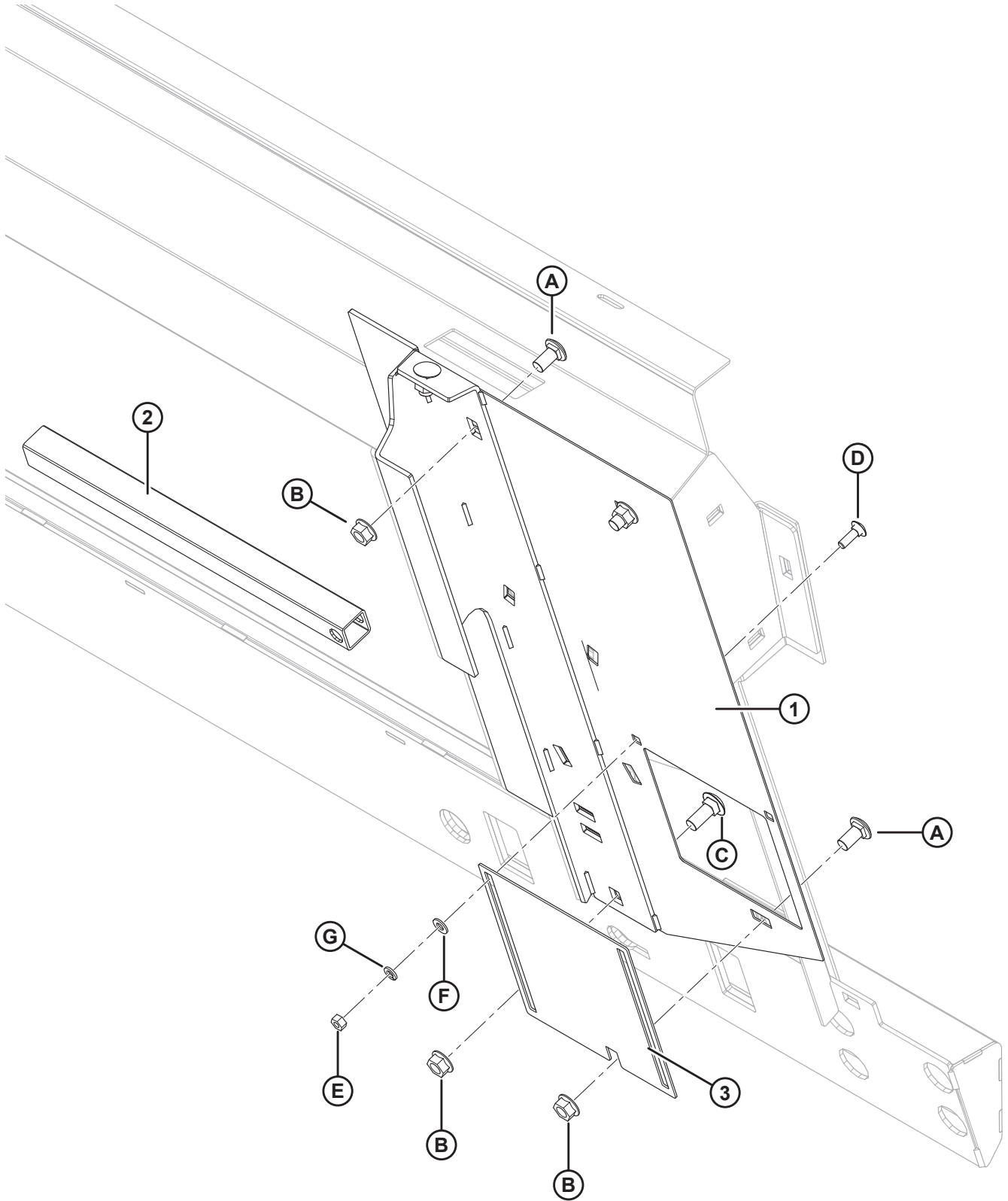


**GLEANER – R/S SERIES FEEDING KIT**

<b>Ref</b>	<b>Part Number</b>	<b>Description</b>	<b>Qty</b>	<b>Serial Number</b>
	B6151	KIT – GLEANER R/S SERIES FEEDING <sup>76</sup>		
1	245751	DEFLECTOR – WELDT GLEANER R (LH)	1	
2	245752	DEFLECTOR – WELDT GLEANER R (RH)	1	
3	245749	ANGLE – STRIPPER	2	
4	245750	STRIPPER	2	
5	245757	DEFLECTOR – GAP ADJUSTMENT, GLEANER R/S (STAINLESS STEEL)	2	
A	21868	BOLT – RHSSN 1/2 NC X 1.0 GR 5 ZP		
B	50186	NUT – FLG LOC SM FACE DT 0.500-13 UNC GR 5		
C	21863	BOLT – RHSSN 3/8 NC X 0.75 LG GR 5 ZP		
D	30228	NUT – FLANGE DT SMOOTH FACE 0.375-16 UNC		
E	114233	BOLT – RHSSN 1/2 NC X 1.25 GR 5 ZP		

<sup>76</sup>. Kits available through Whole Goods only.

# 28 Gleaner – R/S Series Narrow Completion Kit



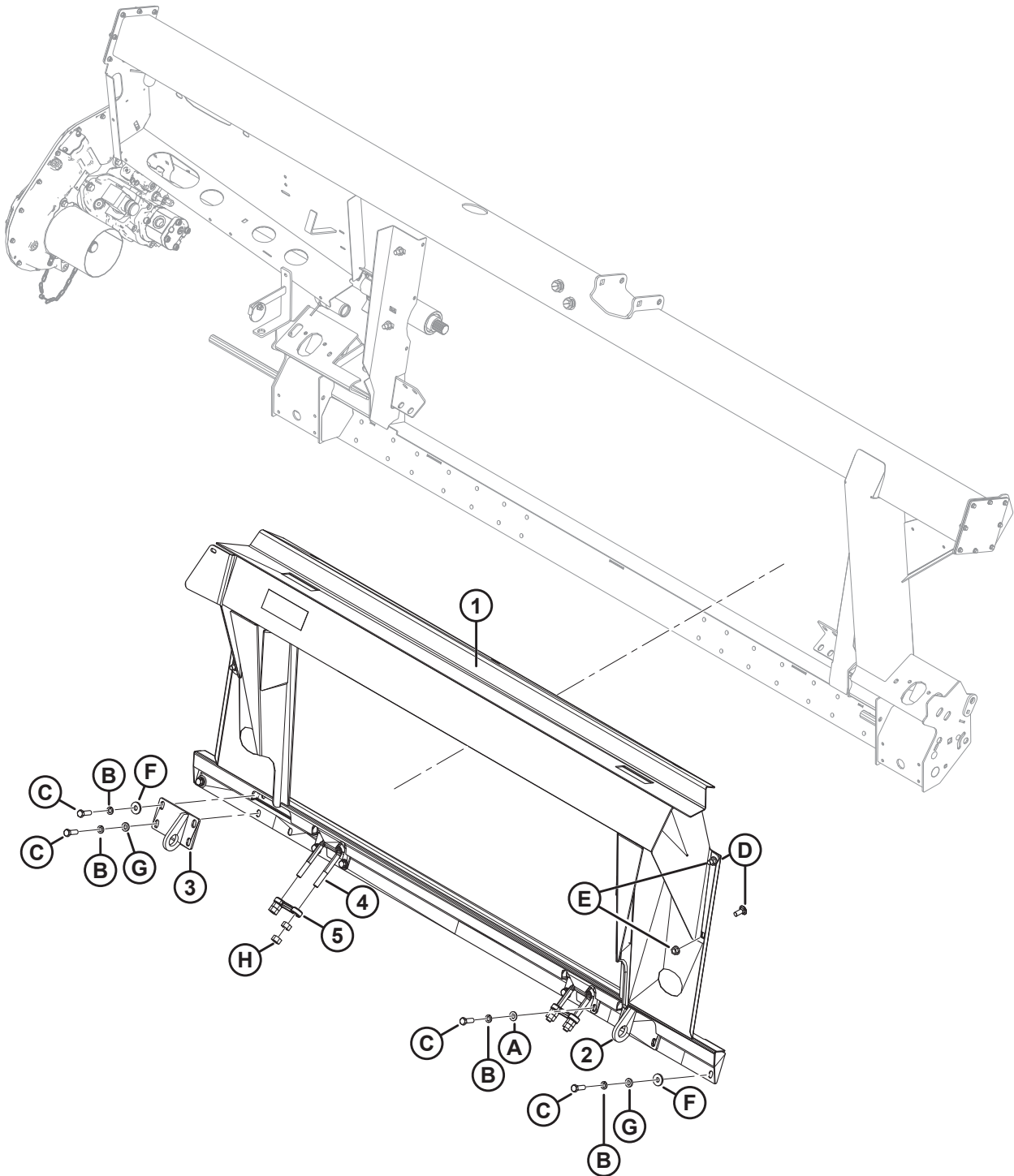
**GLEANER – R/S SERIES NARROW COMPLETION KIT**

<b>Ref</b>	<b>Part Number</b>	<b>Description</b>	<b>Qty</b>	<b>Serial Number</b>
1	245816	FILLER – WELDMENT (RH)	1	
	245815	FILLER – WELDMENT (LH)	1	
2	133984	TUBE – SQUARE, NARROW AGCO <sup>77</sup>	1	
3	245763	DOOR – ACCESS	2	
A	21868	BOLT – RHSSN 1/2 NC X 1.0 GR 5 ZP		
B	50186	NUT – FLG LOC SM FACE DT 0.500-13 UNC GR 5		
C	21471	BOLT – RHSN 1/2-13 X 1.25 GR 5 ZP		
D	21282	BOLT – RHSN 5/16-18 X 1 GR 5 ZP		
E	18589	NUT – HEX 5/16-18 UNC GR 5 ZP		
F	18597	WASHER – SAE FLAT 11/32 I.D. X 11/16 IN. O.D. ZP		
G	18636	WASHER – REG. LOCK 5/16 IN. NOM. I.D. ZP		

---

77. Replaces Square Tube (MD #133223) for Gleaner combines with Narrow Completion Kit. Refer to Section *5 Auger Internal Components, page 11.*

## 29 Case 20 Series – Adapter Completion

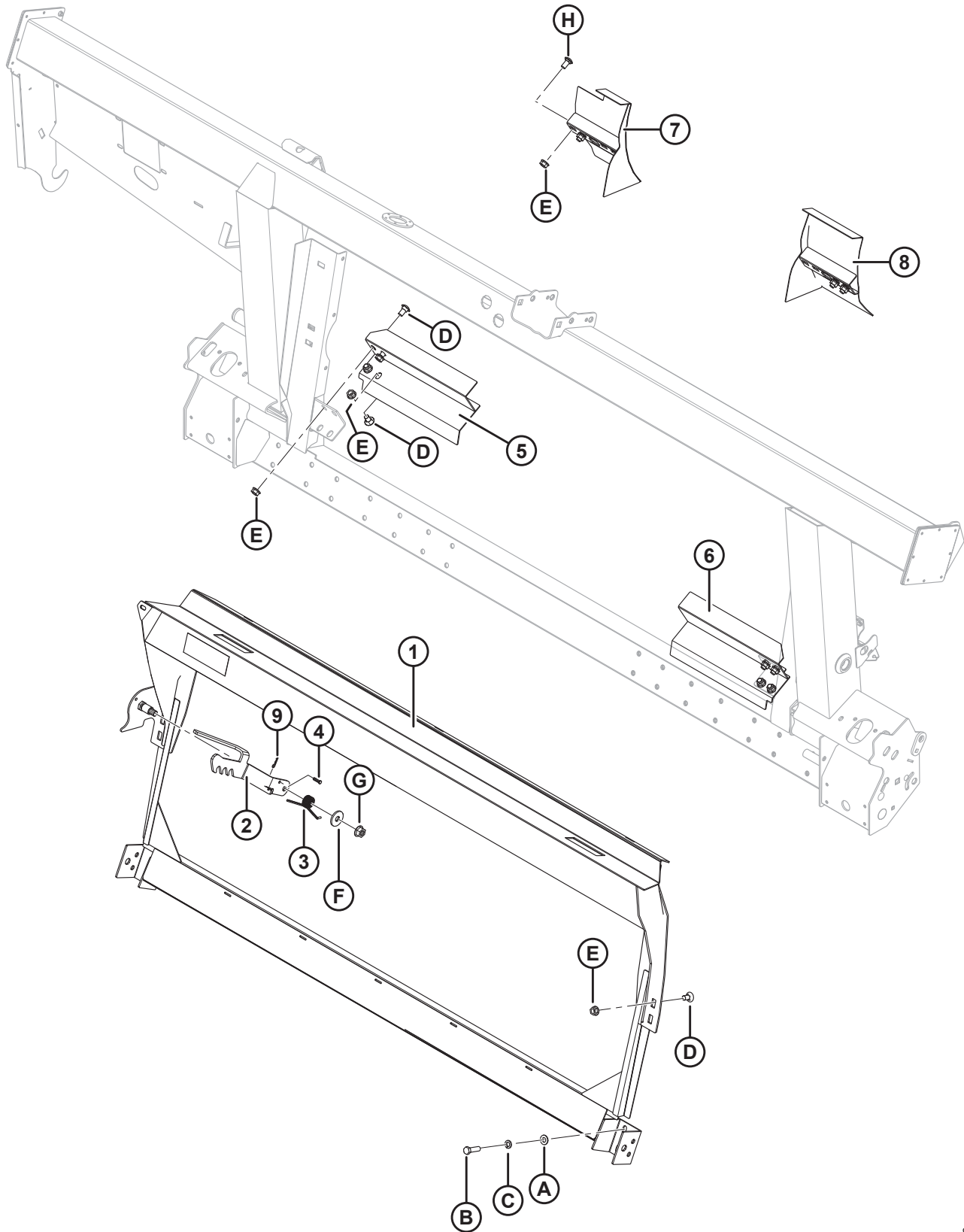


**CASE 20 SERIES – ADAPTER COMPLETION**

<b>Ref</b>	<b>Part Number</b>	<b>Description</b>	<b>Qty</b>	<b>Serial Number</b>
	B5668	KIT – CIH 2300/2500 COMPLETION PACKAGE <sup>78</sup>		
1	133262	FRAME – CASE 2388 COMPLETION	1	
2	133288	BRACKET – 2388 LOCK (RH)	1	
3	133257	BRACKET – 2388 LOCK (LH)	1	
4	133242	U-BOLT	2	
5	133241	LATCH – 2300 SERIES COMBINE	2	
A	18599	WASHER – SAE FLAT 17/32 I.D. X 1-1/16 IN. O.D. ZP		
B	18638	WASHER – REG. LOCK 1/2 IN. NOM. I.D. ZP		
C	18723	BOLT – HH 1/2 NC X 1.5 LG TFL GR 5 ZP		
D	21471	BOLT – RHSN 1/2 NC X 1.25 GR 5 ZP		
E	50186	NUT – FLG LOC SM FACE DT 0.500-13 UNC GR 5		
F	4761	WASHER – FLAT		
G	187518	WASHER – FLAT		
H	18592	NUT – HEX 5/8-11 UNC GR 5 ZP		

78. (MD #B5668) – CIH 2300/2500 Completion Package includes Adapter, Hydraulic, and Electrical Completion Packages to complete a stand-alone CA25 or to convert an existing factory installed CA25. Kits available through Whole Goods only.

# 30 Case IH and New Holland CR/CX – Adapter Completion



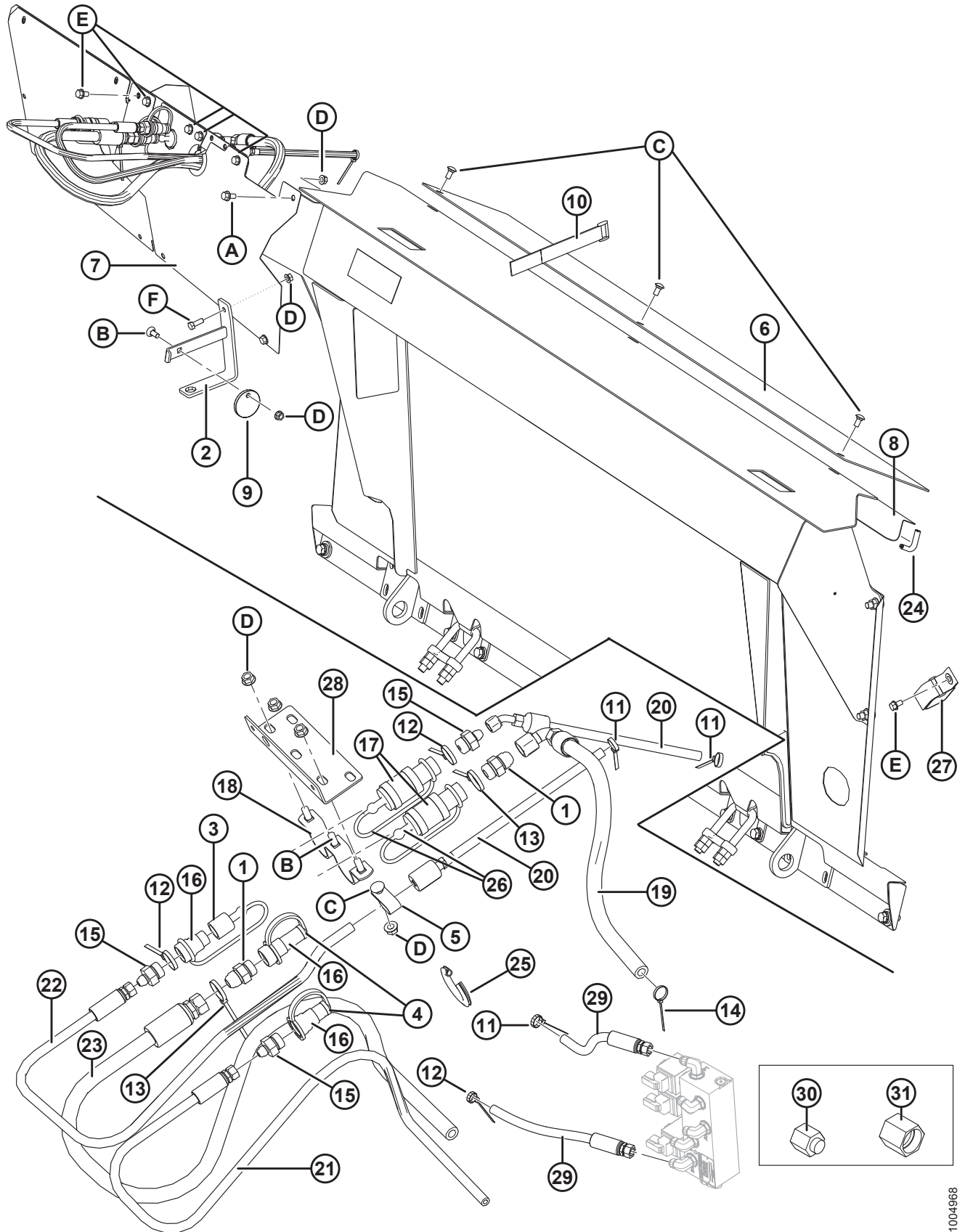
**CASE IH AND NEW HOLLAND CR/CX – ADAPTER COMPLETION**

<b>Ref</b>	<b>Part Number</b>	<b>Description</b>	<b>Qty</b>	<b>Serial Number</b>
	<b>B6564</b>	<b>KIT – CIH 70/8010, 71/81/9120, 72/82/9230 50/60/7088 COMPLETION PACKAGE <sup>79</sup></b>		
	<b>B6565</b>	<b>KIT – NEW HOLLAND CR/CX COMPLETION PACKAGE <sup>79</sup></b>		
1	279493	FRAME – CNH TRANSITION	1	
2	187006	LATCH – WELDT	1	
3	156948	SPRING – TORSION	1	
4	135655	PIN – CLEVIS	1	
5	133344	STRIPPER BAR – NEW HOLLAND CR970/980 ONLY (LH)	1	
6	133345	STRIPPER BAR – NEW HOLLAND CR970/980 ONLY (RH)	1	
7	187415	DEFLECTOR – WELDT, LH SHORT <sup>80</sup>	1	
	187390	DEFLECTOR – WELDT, LH (NOT ILLUSTRATED) <sup>80</sup>	1	
8	187416	DEFLECTOR – WELDT, RH SHORT <sup>80</sup>	1	
	187391	DEFLECTOR – WELDT, RH (NOT ILLUSTRATED) <sup>80</sup>	1	
<b>9</b>	<b>252993</b>	<b>PIN – HAIR</b>	<b>1</b>	
A	18599	WASHER – SAE FLAT 17/32 I.D. X 1-1/16 IN. O.D. ZP		
B	50072	BOLT – HH 1/2 NC X 1.75 TFL GR 5 ZP		
C	18638	WASHER – REG LOCK 1/2 IN. NOM. I.D. ZP		
D	21066	BOLT – RHSN 1/2 NC X 1 GR 5 ZP		
E	50186	NUT – FLANGE LOCK SM FACE DT 0.500-13 UNC GR 5		
F	23745	WASHER – FLAT		
G	50225	NUT – FLANGE DT SMOOTH FACE .625-11 UNC		
H	21868	BOLT – RHSN 1/2 NC X 1.0 GR 5 ZP		

79. (MD #B6564) – CIH 70/8010, 71/81/9120, 72/82/9230 50/60/7088 Completion Package, (MD #B6565) – New Holland CR/CX Completion Package includes Adapter, Hydraulic, and Electrical Completion Packages to complete a stand-alone CA25 or to convert an existing factory installed CA25. Kits available through Whole Goods only.

80. Short deflectors (MD #187415, 187416) are 200 mm long and are used for wide feeder house combines. Long deflectors (MD #187390, 187391) are 325 mm long and are used for narrow feeder house combines.

# 31 Case 20 Series – Hydraulic Completion



1004968

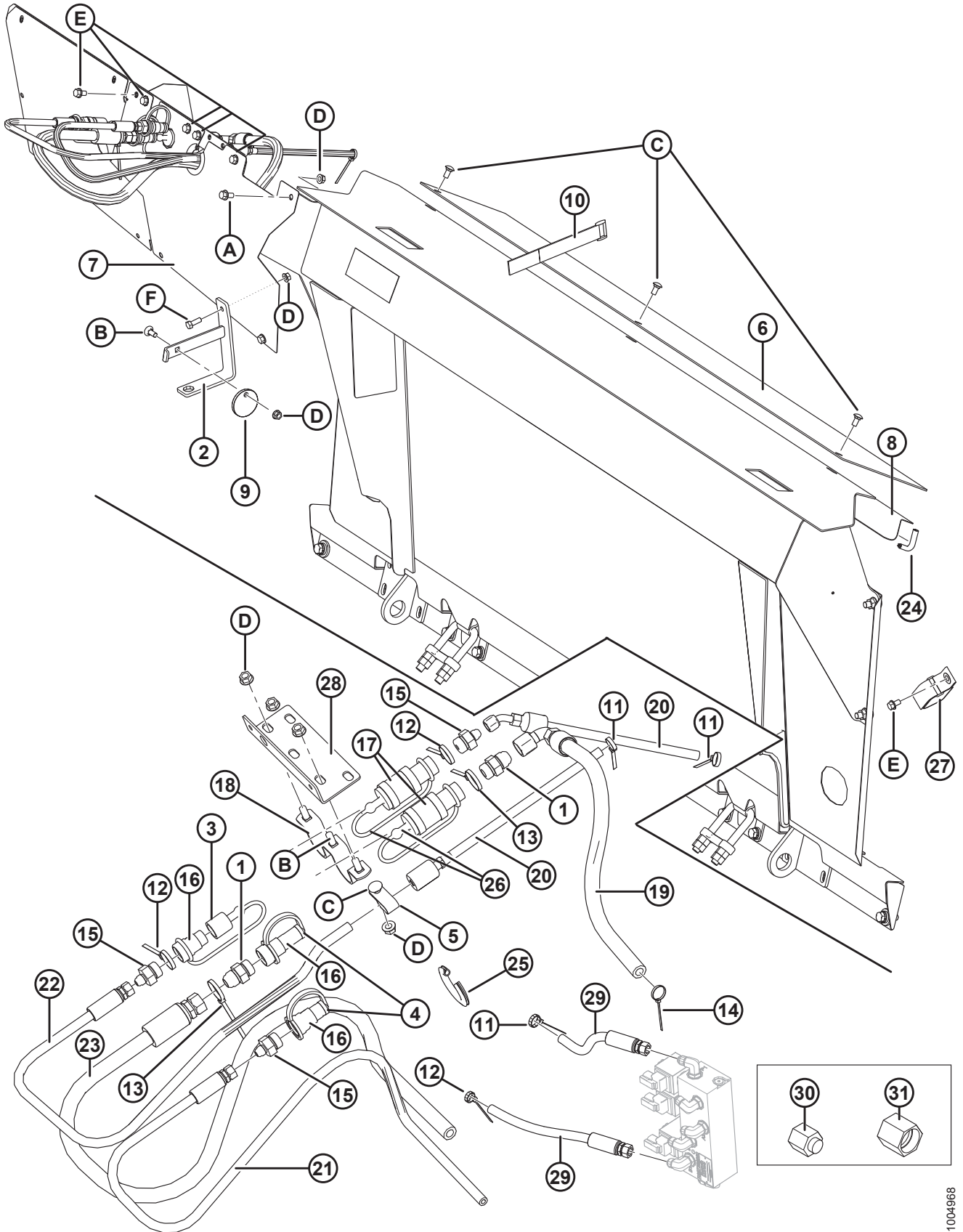


**CASE 20 SERIES – HYDRAULIC COMPLETION**

Ref	Part Number	Description	Qty	Serial Number
	B5668	KIT – CIH 2300/2500 COMPLETION PACKAGE <sup>81</sup>		
1	30695	FITTING – CONNECTOR HYDRAULIC	2	
2	133166	BRACKET – DRIVELINE HANGER WELDT	1	
3	114230	CAP	1	
4	21856	CAP – DUST	2	
5	252559	CLAMP – INSULATED	1	
6	187723	COVER – TOP FEED AUGER	1	
7	133280	COVER – COUPLERS	1	
8	156725	COVER – HOSE	1	
9	133165	DISC-LOCK – DRIVELINE	1	
10	135444	FASTENER – CINCH STRAP 6 IN. LG	6	
11	49227	FASTENER – CABLE TIE (GREEN)	3	
12	40702	FASTENER – CABLE TIE (RED)	3	
13	49232	FASTENER – CABLE TIE (WHITE)	2	
14	40701	FASTENER – CABLE TIE (YELLOW)	1	
15	114141	FITTING – CONNECTOR HYDRAULIC	3	
16	114142	FITTING – COUPLING HYDRAULIC	3	
17	114143	FITTING – COUPLING HYDRAULIC	2	
18	114140	HOLDER	1	
19	156758	HOSE – HYDRAULIC 1/2 IN. I.D. 4330 MM LG 100R17	1	
20	133261	HOSE – HYD 1/4 IN. I.D. 4330 MM LG 100R17, METAL REIN.	2	
21	156909	HOSE – HYDRAULIC 1/4 IN. I.D. 5530 MM LG 100R17	1	
22	156935	HOSE – HYDRAULIC 1/4 IN. I.D. 1200 MM LG 100R17	1	
23	156938	HOSE – HYDRAULIC 1/2 IN. I.D. 5530 MM LG 100R17	1	
24	42589	MOULDING	2	
25	109791	MOULDING	1	
26	114229	PLUG	2	
27	163598	STRAP – VELCRO, HANGING	1	
28	156606	SUPPORT – HYDRAULIC COUPLER	1	
29	133260	HOSE – HYD 1/4 IN. I.D., 470 MM LG, 100R17, METAL REIN.	2	
30	30813	CAP – 3/8 IN. TUBE 37° FLARE (FOR SHIPPING ONLY)	1	
31	108233	CAP – 1/2 IN. TUBE (FOR SHIPPING ONLY)	1	
A	21821	BOLT – HH FLG (SER FACE) 3/8 NC X 0.75 GR 5 ZP		
B	19965	BOLT – RHSN 3/8 NC X 1.0 GR 5 ZP		
C	21863	BOLT – RHSSN 3/8 NC X 0.75 LG GR 5 ZP		
D	30228	NUT – FLANGE DT SMOOTH FACE 0.375-16 UNC		

81. (MD #B5668) – CIH 2300/2500 Completion Package includes Adapter, Hydraulic, and Electrical Completion Packages to complete a stand-alone CA25 or to convert an existing factory installed CA25. Kits available through Whole Goods only.

CASE 20 SERIES – HYDRAULIC COMPLETION

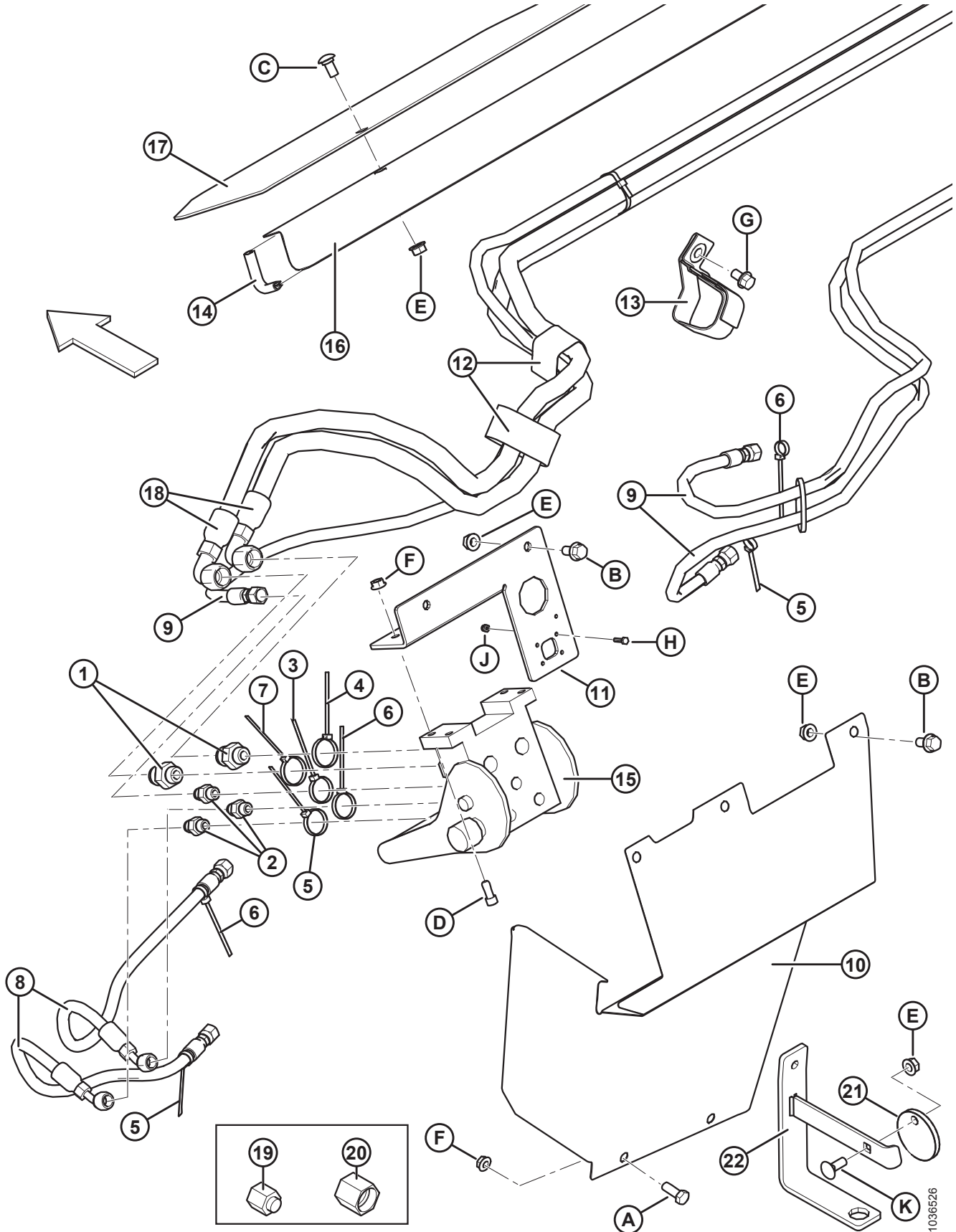


1004968

CASE 20 SERIES – HYDRAULIC COMPLETION

Ref	Part Number	Description	Qty	Serial Number
E	101898	SCREW – SELF TAPPING 3/8 NC X 5/8 LG		
F	20077	BOLT – HEX HD 3/8 NC X 1.0 LG GR 5 ZP		

# 32 Case IH and New Holland CR/CX – Hydraulic Completion

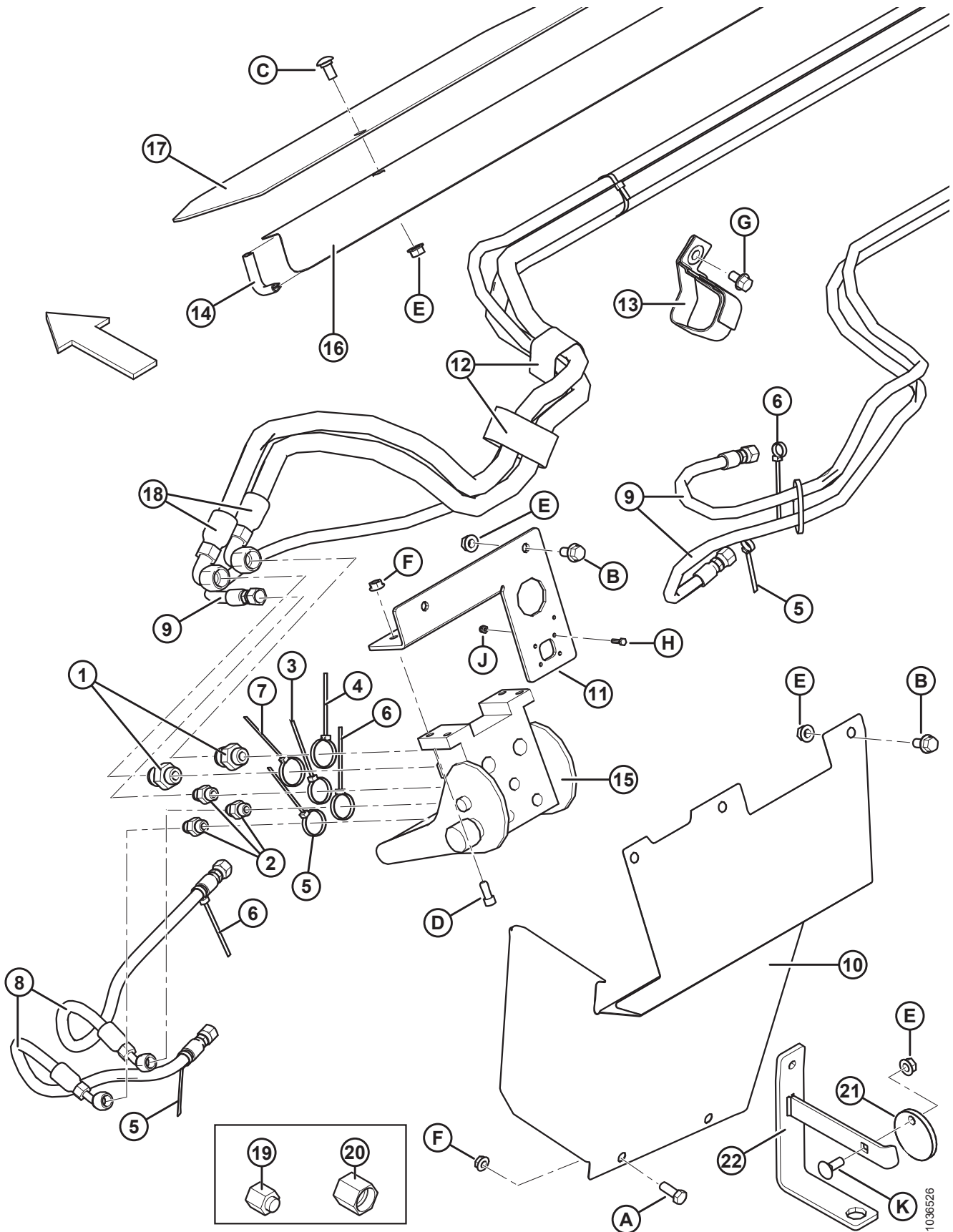


**CASE IH AND NEW HOLLAND CR/CX – HYDRAULIC COMPLETION**

Ref	Part Number	Description	Qty	Serial Number
	<b>B6564</b>	<b>KIT – CIH 70/8010, 71/81/9120, 72/82/9230 50/60/7088 COMPLETION PACKAGE <sup>82</sup></b>		
	<b>B6565</b>	<b>KIT – NEW HOLLAND CR/CX COMPLETION PACKAGE <sup>82</sup></b>		
1	21747	FITTING – CONNECTOR HYDRAULIC	2	
2	158587	FITTING – CONN HYD 0.052 IN. ORIFICE	3	
3	21763	FASTENER – CABLE TIE (BLACK)	3	
4	40701	FASTENER – CABLE TIE (YELLOW)	3	
5	40702	FASTENER – CABLE TIE (RED)	3	
6	49227	FASTENER – CABLE TIE (GREEN)	3	
7	49232	FASTENER – CABLE TIE (WHITE)	2	
8	133260	HOSE – HYD 470 MM TO SELECTOR VALVE PORTS P1, P2	2	
9	156759	HOSE – HYDRAULIC 1/4 IN. I.D. 4330 MM LG 100R17	3	
10	220656	COVER – COUPLERS	1	
11	<b>301693</b>	<b>KIT – CNH ELECTRICAL COVER <sup>83</sup></b>	<b>1</b>	
12	135444	FASTENER – CINCH STRAP 6 IN. LG	10	
13	163598	STRAP – VELCRO, HANGING	1	
14	42589	MOULDING	2	
15	153151	COUPLING – MULTI	1	
	129800	COVER – KIT		
	129801	LATCH – BUTTON KIT		
	129976	COUPLING – 1/4 IN.		
	129977	COUPLING – 3/8 IN.		
16	156725	COVER – HOSE	1	
17	187723	COVER – TOP FEED AUGER	1	
18	156758	HOSE – HYDRAULIC 1/2 IN. I.D. 4330 MM LG 100R17	2	
19	30813	CAP – 3/8 IN. TUBE 37° FLARE (FOR SHIPPING ONLY)	1	
20	108233	CAP – 1/2 IN. TUBE (FOR SHIPPING ONLY)	1	
21	133165	DISC – LOCK, DRIVELINE HANGER	1	
22	133166	BRACKET – DRIVELINE HANGER WELDT	1	
A	20077	BOLT – HEX HD 3/8 NC X 1.0 TFL GR 5 BLK		
B	21821	BOLT – HH FLG (SER FACE) 3/8 NC X 0.75 GR 5 ZP		
C	21863	BOLT – RHSSN 3/8 NC X 0.75 LG GR 5 ZP		
D	135397	BOLT – SOCKET HD HEX 5/16 NC X 3/4		
E	30228	NUT – FLANGE DT SMOOTH FACE 0.375-16 UNC		

82. (MD #B6564) – CIH 70/8010, 71/81/9120, 72/82/9230 50/60/7088 Completion Package, (MD #B6565) – New Holland CR/CX Completion Package includes Adapter, Hydraulic, and Electrical Completion Packages to complete a stand-alone CA25 or to convert an existing factory installed CA25. Kits available through Whole Goods only.
83. Includes coupler support, cap (MD #134053), washer (MD #134011), nut (MD #134010), and self-tapping screw (MD #21947). Refer to Section [33 Case IH/20 Series and New Holland CR/CX – Electrical Completion, page 99](#).

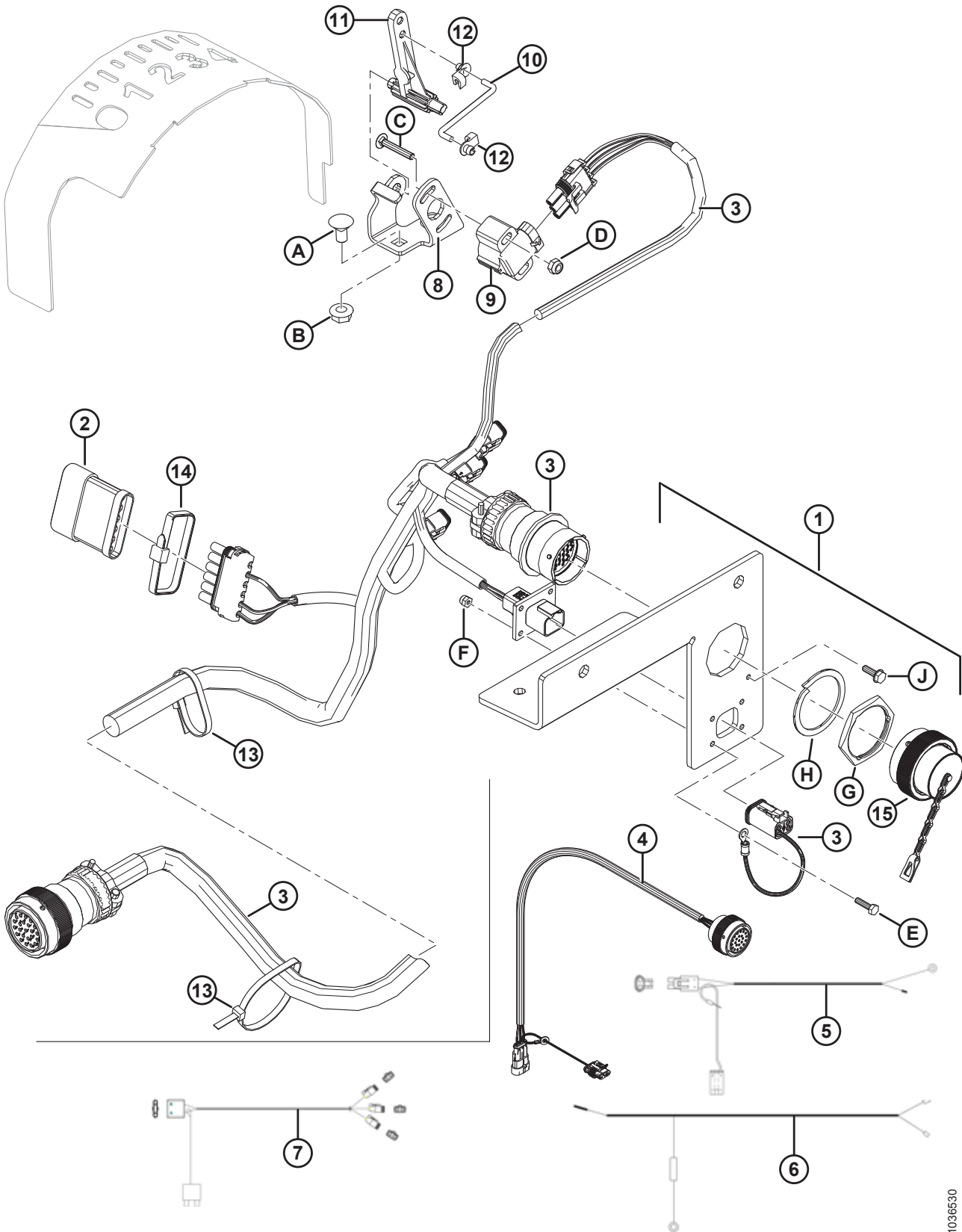
CASE IH AND NEW HOLLAND CR/CX – HYDRAULIC COMPLETION



**CASE IH AND NEW HOLLAND CR/CX – HYDRAULIC COMPLETION**

<b>Ref</b>	<b>Part Number</b>	<b>Description</b>	<b>Qty</b>	<b>Serial Number</b>
F	30280	NUT – FL PREV-TOR SIDE DT SM FACE 0.312-18 UNC GR 5		
G	101898	SCREW – SELF TAPPING 3/8 NC X 5/8 LG		
H	197319	BOLT – HEX HD TFL M4 X 0.7 X 16-8.8-A2L		
J	197320	NUT – HEX NYLOC M4 X 0.7-8-A2L		
K	19965	BOLT – RHSN 3/8 NC X 1.0 GR 5 ZP		

# 33 Case IH/20 Series and New Holland CR/CX – Electrical Completion



1036630

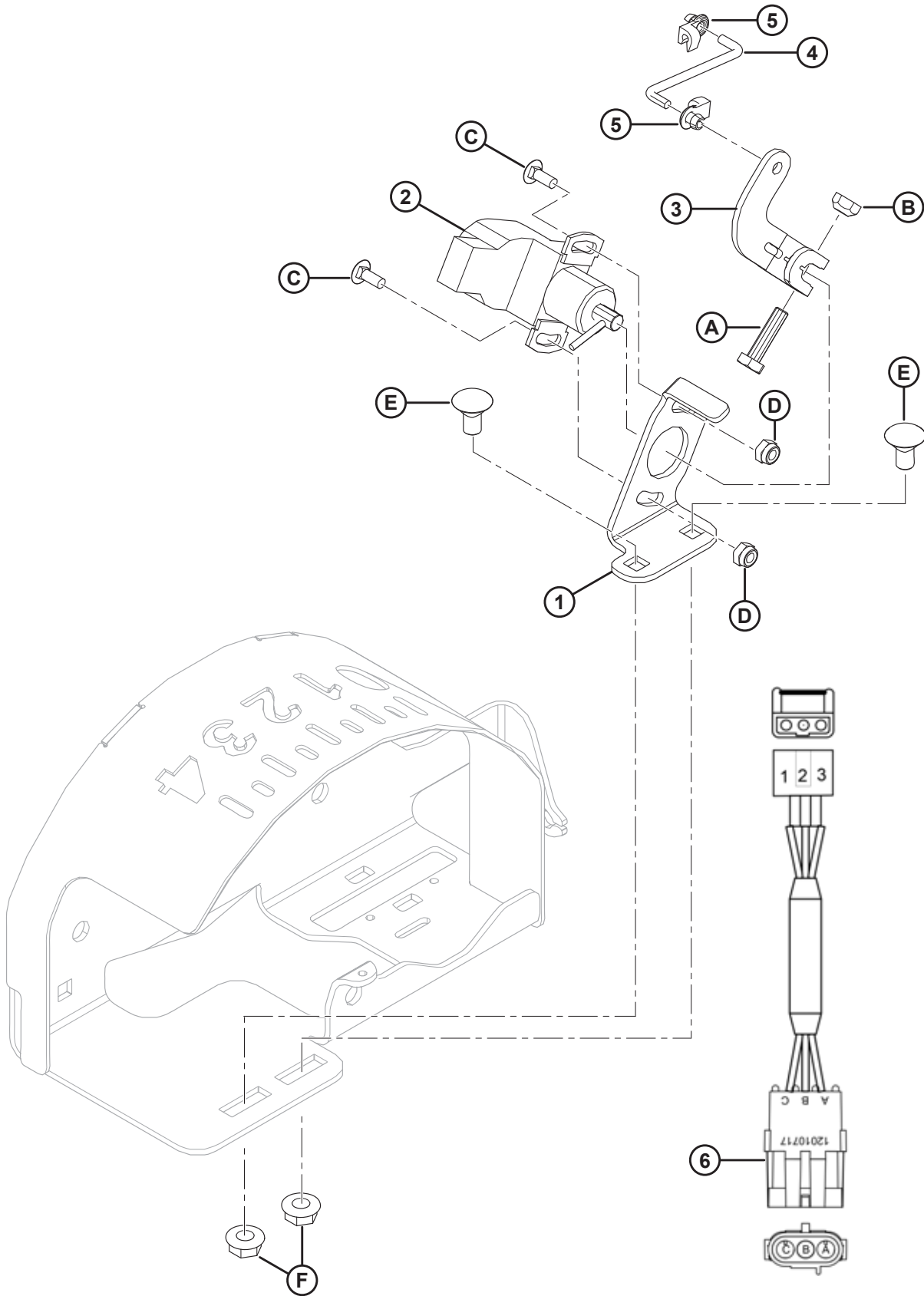


**CASE IH/20 SERIES AND NEW HOLLAND CR/CX – ELECTRICAL COMPLETION**

Ref	Part Number	Description	Qty	Serial Number
	<b>B6564</b>	<b>KIT – CIH 70/8010, 71/81/9120, 72/82/9230 50/60/7088 COMPLETION PACKAGE <sup>84</sup></b>		
	B5668	KIT – CIH 2300/2500 COMPLETION PACKAGE <sup>84</sup>		
	<b>B6565</b>	<b>KIT – NEW HOLLAND CR/CX COMPLETION PACKAGE <sup>84</sup></b>		
1	<b>301693</b>	<b>KIT – CNH ELECTRICAL COVER <sup>85</sup></b>	<b>1</b>	
2	153933	RESISTOR – HEADER RECOGNITION	1	
3	220328	HARNESS – WIRING (CNH)	1	
	133133	HARNESS – WIRING (CASE 20 SERIES ONLY)	1	
4	156612	HARNESS – WIRING (CASE 20 SERIES ONLY)	1	
5	153989	HARNESS – WIRING, HEADER CONNECTER POINT TO CAB (CASE 20 SERIES ONLY)	1	
6	153990	HARNESS – WIRING, FORE-AFT/DECK TILT CAB INTERIOR (CASE 20 SERIES ONLY)	1	
7	129566	HARNESS – WIRING, REEL FORE-AFT/HEADER TILT VALVE (CASE 20 SERIES ONLY)	1	
8	187670	SUPPORT – SENSOR MOUNT (CNH / JD / AGCO)	1	
9	158069	CONTROL – POTENTIOMETER	1	
10	158633	ROD – LINKAGE	1	
11	187193	ARM – SENSOR CONTROL	1	
12	153492	CLIP – ROD END	2	
13	21763	FASTENER – CABLE TIE (BLACK, 160 MM LG)	3	
14	30753	FASTENER – CABLE TIE (BLACK, 305 MM LG)	1	
<b>15</b>	<b>134053</b>	<b>CAP – PLUG, HD30, SIZE 24</b>	<b>1</b>	
A	135305	BOLT – RHSN 5/16 NC X 0.63 GR 5 ZP		
B	30280	NUT – FLG SIDE LK SMTH FACE 5/16 NC GR 5 ZP		
C	136018	BOLT – RHSN #10-24 NC X 1.25 IN. LG		
D	105197	NUT – HEX LOCK .187-24 UNC		
E	197319	BOLT – HEX HD TFL M4 X 0.7 X 16-8.8-A2L		
F	197320	NUT – HEX NYLOC M4 X 0.7-8-A2L		
<b>G</b>	<b>134010</b>	<b>NUT – PANEL, HD30, SIZE 24</b>		
<b>H</b>	<b>134011</b>	<b>WASHER – LOCK SPRING, DEUTSCH HD, SIZE 24</b>		
<b>J</b>	<b>21947</b>	<b>SCREW – SELF TAPPING HEX WASH HD #10 X 5/8 ZP</b>		

84. (MD #B6564) – CIH 70/8010, 71/81/9120, 72/82/9230 50/60/7088 Completion Package, (MD #B5668) – CIH 2300/2500 Completion Package, (MD #B6565) – New Holland CR/CX Completion Package includes Adapter, Hydraulic, and Electrical Completion Packages to complete a stand-alone CA25 or to convert an existing factory installed CA25. Kits available through Whole Goods only.
85. Includes coupler support, cap (MD #134053), washer (MD #134011), nut (MD #134010), and self-tapping screw (MD #21947). Refer to Section [33 Case IH/20 Series and New Holland CR/CX – Electrical Completion, page 99](#).

# 34 New Holland 10 Volt Auto Header Height Sensor



**NEW HOLLAND 10 VOLT AUTO HEADER HEIGHT SENSOR**

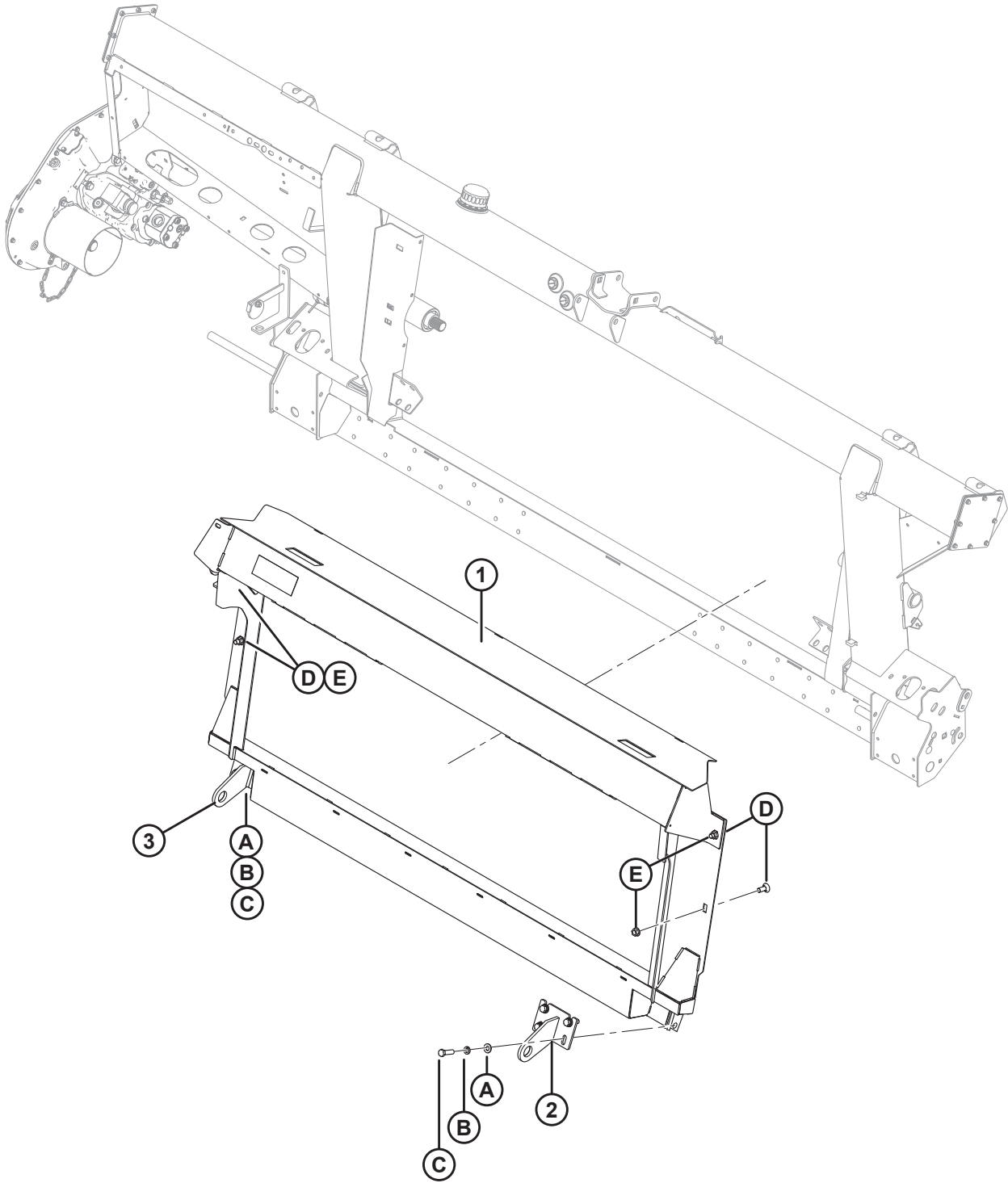
**NOTE:**

This kit assumes that the New Holland CR/CX Completion Package (MD #B6370) has already been installed on the adapter (installation may have been done in the factory). This completion package is required for all CA25 Combine Adapters used with New Holland 10 volt combines.

<b>Ref</b>	<b>Part Number</b>	<b>Description</b>	<b>Qty</b>	<b>Serial Number</b>
	B5847	KIT – NEW HOLLAND AHHC 10V SENSOR <sup>86</sup>		
1	187682	SUPPORT – SENSOR MOUNT NEW HOLLAND 10V	1	
2	153692	CONTROL – INDUCTIVE ANGLE SENSOR	1	
3	133158	ARM – LINKAGE (NH CR/CX)	1	
4	158633	ROD – LINKAGE	1	
5	153492	CLIP – ROD END	2	
6	191757	HARNESS – WIRING ADAPTER AHHC NH	1	
A	21573	BOLT – HEX HD 1/4 NC X 1.0 LG GR 5 ZP		
B	18724	NUT – HEX LOCK DT 1/4-20 UNC ZP		
C	30465	BOLT – RHSN, #10-24 NC X 0.5 IN.		
D	105197	NUT – HEX LOCK 187-24 UNC		
E	135305	BOLT – RHSN 5/16-18 X .63 GR 5 ZP		
F	30280	NUT – FLG SIDE LK SMTH FACE 5/16 NC GR 5 ZP		

86. Kits available through Whole Goods only.

# 35 John Deere 50/60/70 S Series – Adapter Completion

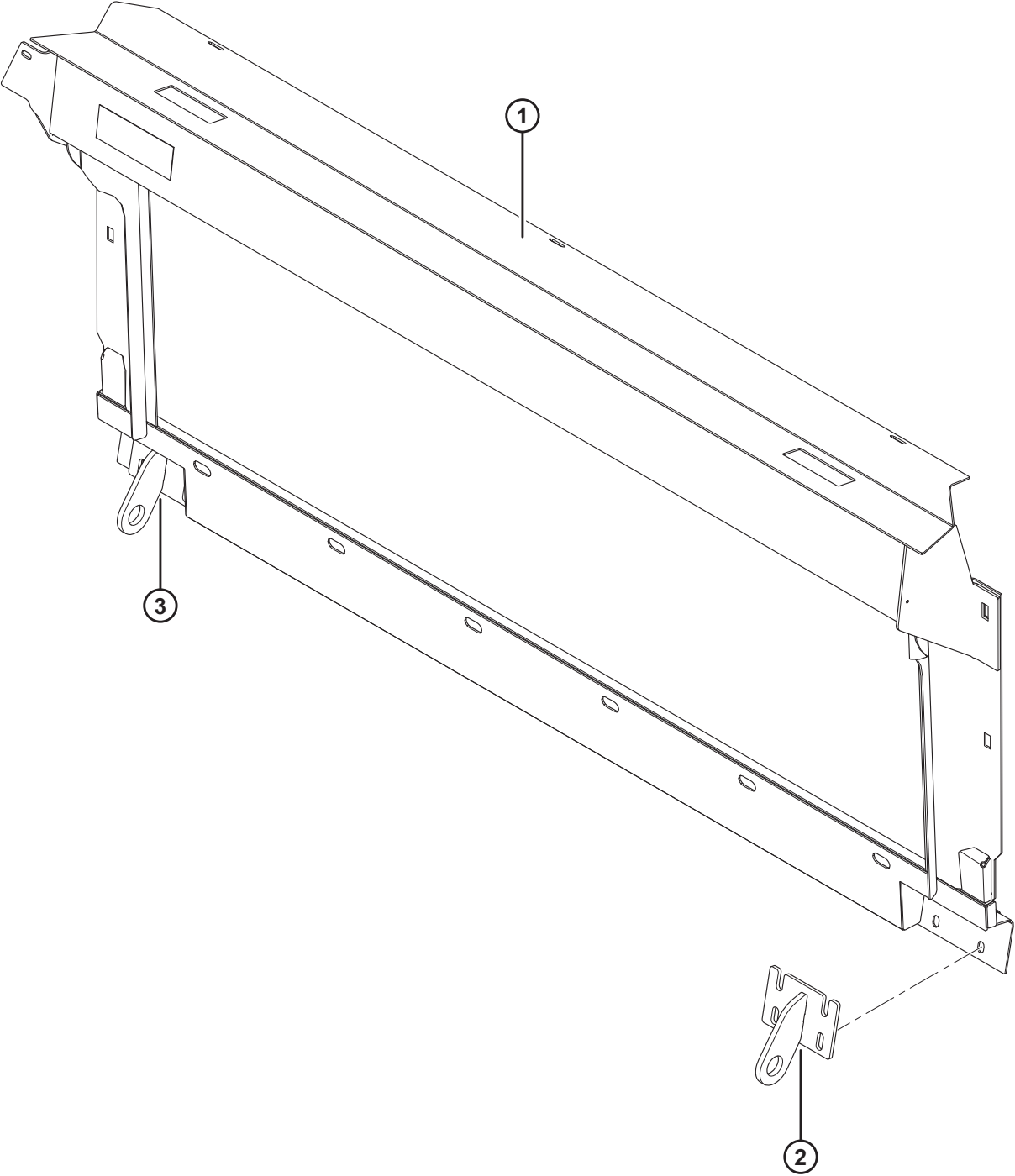


**JOHN DEERE 50/60/70 S SERIES – ADAPTER COMPLETION**

<b>Ref</b>	<b>Part Number</b>	<b>Description</b>	<b>Qty</b>	<b>Serial Number</b>
	B5670	KIT – JD 50 SERIES COMPLETION PACKAGE <sup>87</sup>		
	B5669	KIT – JD 60/70 S SERIES COMPLETION PACKAGE (2016 AND PRIOR) <sup>87</sup>		–301189
	B6202	KIT – JD 60/70 S SERIES COMPLETION PACKAGE (2017 AND LATER) <sup>87</sup>		301190–
1	<b>294514</b>	<b>FRAME – JD WELDMENT LEVEL LAND</b>	<b>1</b>	
2	151942	BRACKET – RIGHT WELDT	1	
3	151941	BRACKET – LEFT WELDT	1	
A	18599	WASHER – SAE FLAT 17/32 I.D. X 1-1/16 IN. O.D. ZP		
B	18638	WASHER – REG LOCK 1/2 IN. NOM I.D. ZP		
C	50072	BOLT – HH 1/2 NC X 1.75 TFL GR 5 ZP		
D	21471	BOLT – RHSN 1/2 NC X 1.25 GR 5 ZP		
E	50186	NUT – FLG LOC SM FACE DT 0.500-13 UNC GR 5		

87. (MD #B5670) – JD 50 Series Completion Package, (MD #B5669) – JD 60/70 S Series Completion Package (2016 and prior), (MD #B6202) – JD 60/70 S Series Completion Package (2017 and later) includes Adapter, Hydraulic, and Electrical Completion Packages to complete a stand-alone CA25 or to convert an existing factory installed CA25. Kits available through Whole Goods only.

# 36 John Deere – Contour Master Transition Frame



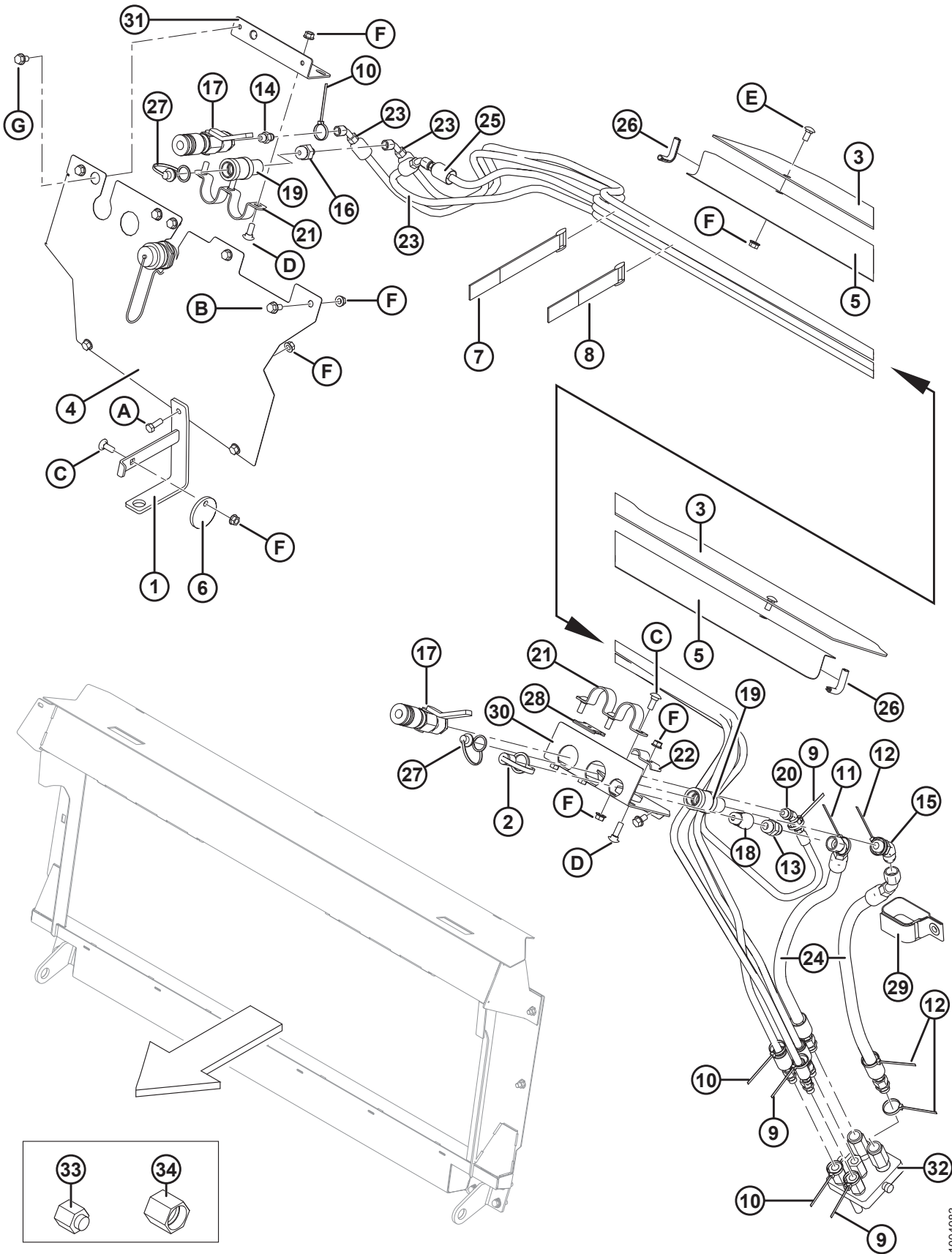
**JOHN DEERE – CONTOUR MASTER TRANSITION FRAME**

<b>Ref</b>	<b>Part Number</b>	<b>Description</b>	<b>Qty</b>	<b>Serial Number</b>
	B5833	KIT – JD CONTOUR MASTER TRANSITION FRAME(2016 AND PRIOR) <sup>88</sup>		–301189
	B6206	KIT – JD CONTOUR MASTER TRANSITION FRAME(2017 AND LATER) <sup>88</sup>		301190–
1	294051	FRAME – JOHN DEERE CONTOUR MASTER WELDMENT	1	
2	245761	BRACKET – WELDT JD CONT MASTER (RIGHT)	1	
	<b>156989</b>	<b>BRACKET – WELDT JD CONT MASTER (RIGHT)</b> <sup>89</sup>	<b>1</b>	
3	245760	BRACKET – WELDT JD CONT MASTER (LEFT)	1	
	<b>156986</b>	<b>BRACKET – WELDT JD CONT MASTER (LEFT)</b> <sup>89</sup>	<b>1</b>	

88. (MD #B5833) – John Deere Contour Master Transition Frame (2016 and prior), (MD #B6206) – John Deere Contour Master Transition Frame (2017 and forward): Sold as a performance option only. For production line units (parts), refer to Section [35 John Deere 50/60/70 S Series – Adapter Completion, page 103](#).

89. Service part for superseded Contour Master Transition Frame (MD #220928).

# 37 John Deere 50 Series – Hydraulic Completion



1004983

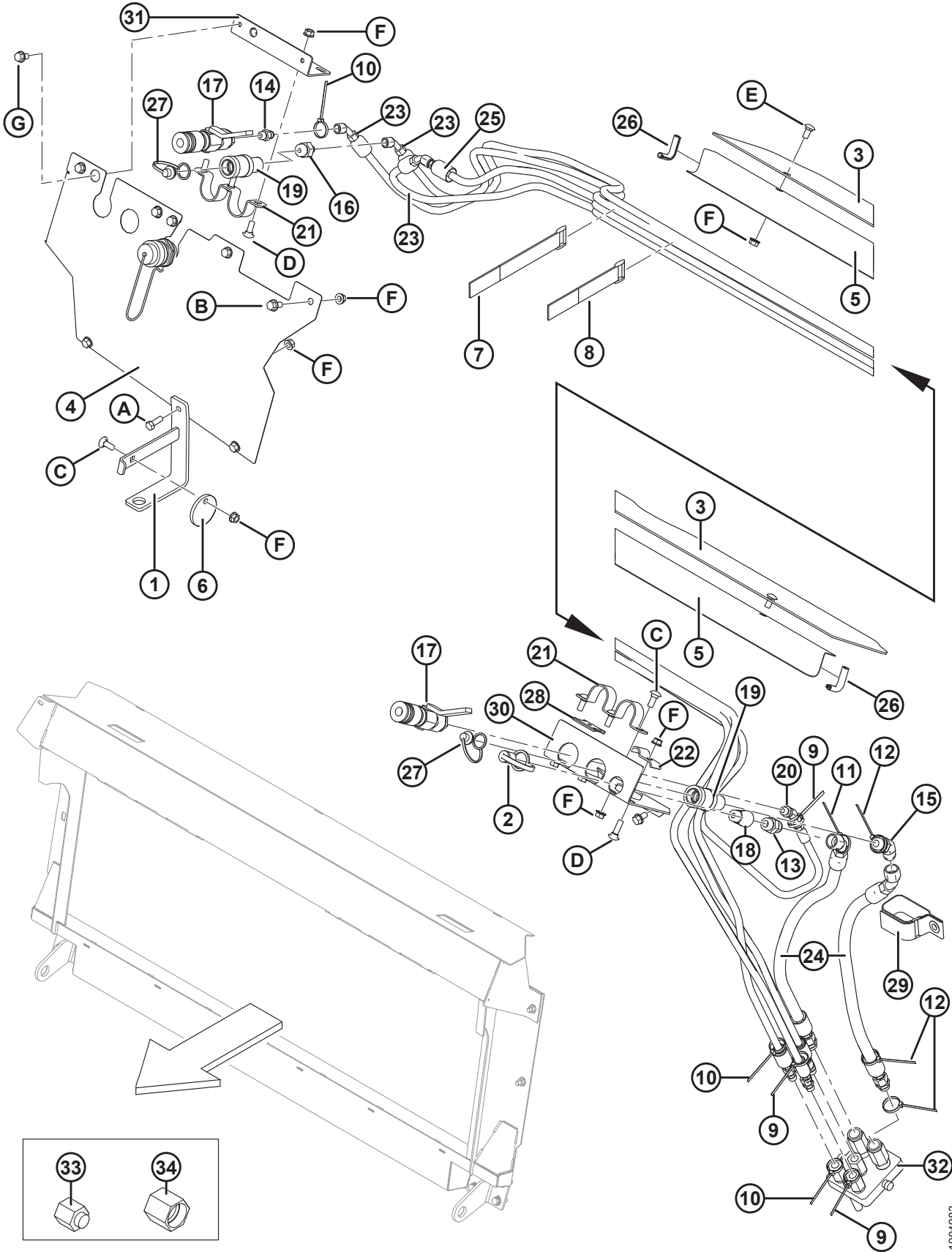


**JOHN DEERE 50 SERIES – HYDRAULIC COMPLETION**

Ref	Part Number	Description	Qty	Serial Number
	B5670	KIT – JD 50 SERIES COMPLETION PACKAGE <sup>90</sup>		
1	133166	BRACKET – DRIVELINE HANGER WELDT	1	
2	21856	CAP – DUST	1	
3	187723	COVER – TOP FEED AUGER	1	
4	133280	COVER – COUPLERS	1	
5	156725	COVER – HOSE	1	
6	133165	DISC – LOCK, DRIVELINE	1	
7	135444	FASTENER – CINCH STRAP 6 IN. LG	3	
8	135443	FASTENER – CINCH STRAP 4 IN. LG	3	
9	49227	FASTENER – CABLE TIE (GREEN)	3	
10	40702	FASTENER – CABLE TIE (RED)	3	
11	49232	FASTENER – CABLE TIE (WHITE)	1	
12	40701	FASTENER – CABLE TIE (YELLOW)	3	
13	30695	FITTING – CONNECTOR HYD STRGHT THRD SHORT SAE	1	
14	15903	FITTING – CONNECTOR HYD STRGHT THRD SHORT SAE	1	
15	50103	FITTING – ELBOW 45° HYD C/W O-RING	1	
16	114141	FITTING – CONNECTOR HYD STRGHT THRD SHORT SAE	1	
17	114120	FITTING – COUPLING HYD NON ALLOY STEEL, FEMALE JOHN DEERE FORE AFT WITH LEVER SHUT OFF	2	
18	114142	FITTING – COUPLING HYD MALE CASE	1	
19	114143	FITTING – COUPLING HYD NONALLOY STEEL	2	
20	30284	FITTING – ELBOW 45° HYD C/W O-RING	1	
21	114140	HOLDER	2	
22	29934	HOLDER	1	
23	133261	HOSE – HYD 1/4 IN. I.D. 4330 MM LG, 100R17, METAL REIN.	3	
24	156940	HOSE – HYD 1/2 IN. I.D. 1200 MM LG 100R17, METAL REIN.	2	
25	133730	HOSE – HYD 1/4 IN. I.D. 3430 MM LG 100R17, METAL REIN.	1	
26	42589	MOULDING	2	
27	21858	PLUG – DUST	2	
28	158253	SPACER – COUPLER MTG	2	
29	163598	STRAP – VELCRO, HANGING	1	
30	156967	SUPPORT – RH HYD COUPLER	1	
31	156606	SUPPORT – HYD COUPLER	1	
32	135238	COUPLING – MULTI LINK	1	
	111981	SEAL KIT – 1/4 IN. COUPLER	3	
	111982	SEAL KIT – 3/8 IN. COUPLER	2	
	111983	KIT – SCREW	1	

90. (MD #B5670) – JD 50 Series Completion Package includes Adapter, Hydraulic, and Electrical Completion Packages to complete a stand-alone CA25 or to convert an existing factory installed CA25. Kits available through Whole Goods only.

JOHN DEERE 50 SERIES – HYDRAULIC COMPLETION

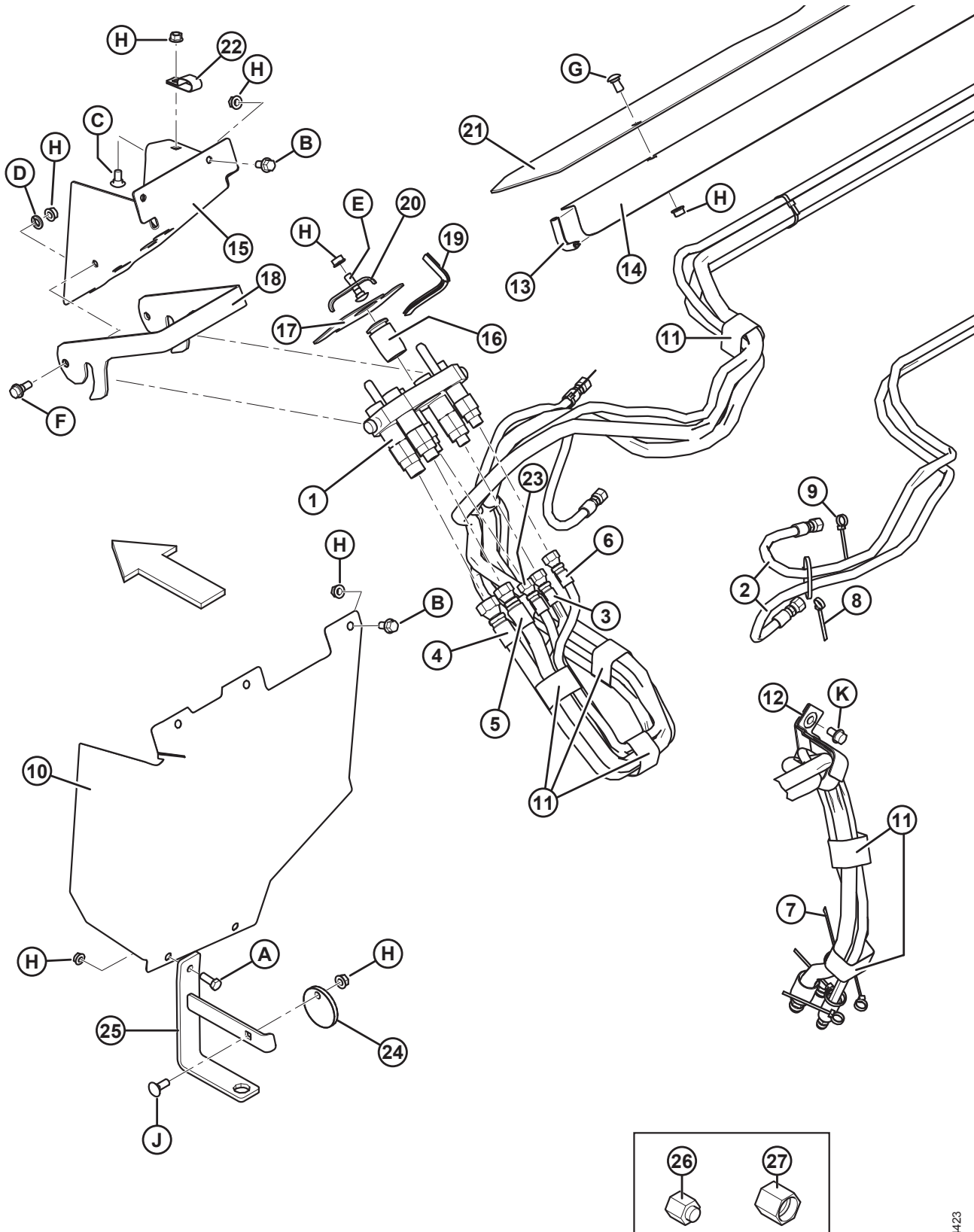


1004983

**JOHN DEERE 50 SERIES – HYDRAULIC COMPLETION**

<b>Ref</b>	<b>Part Number</b>	<b>Description</b>	<b>Qty</b>	<b>Serial Number</b>
	111984	KIT – DOWEL	1	
	111985	COUPLER – 3/8 IN. (LONG)	1	
	111986	COUPLER – 1/4 IN.	3	
	294350	COUPLER – 3/8 IN. (SHORT)	1	
33	30813	CAP – 3/8 IN. TUBE 37° FLARE (FOR SHIPPING ONLY)	1	
34	108233	CAP – 1/2 IN. TUBE (FOR SHIPPING ONLY)	1	
A	20077	BOLT – HEX HD 3/8 NC X 1.0 LG GR 5 ZP		
B	21821	BOLT – HH FLG (SER FACE) 3/8 NC X 0.75 GR 5 ZP		
C	19965	BOLT – RHSN 3/8 NC X 1.0 GR 5 ZP		
D	19966	BOLT – RHSN 3/8 NC X 1.25 LG GR 5 ZP		
E	21863	BOLT – RHSSN 3/8 NC X 0.75 LG GR 5 ZP		
F	30228	NUT – FLANGE DT SMOOTH FACE 0.375-16 UNC		
G	101898	SCREW – SELF TAPPING 3/8 NC X 5/8 LG		

# 38 John Deere 60/70/S Series – Hydraulic Completion, 2016 and Prior



**JOHN DEERE 60/70/S SERIES – HYDRAULIC COMPLETION, 2016 AND PRIOR**

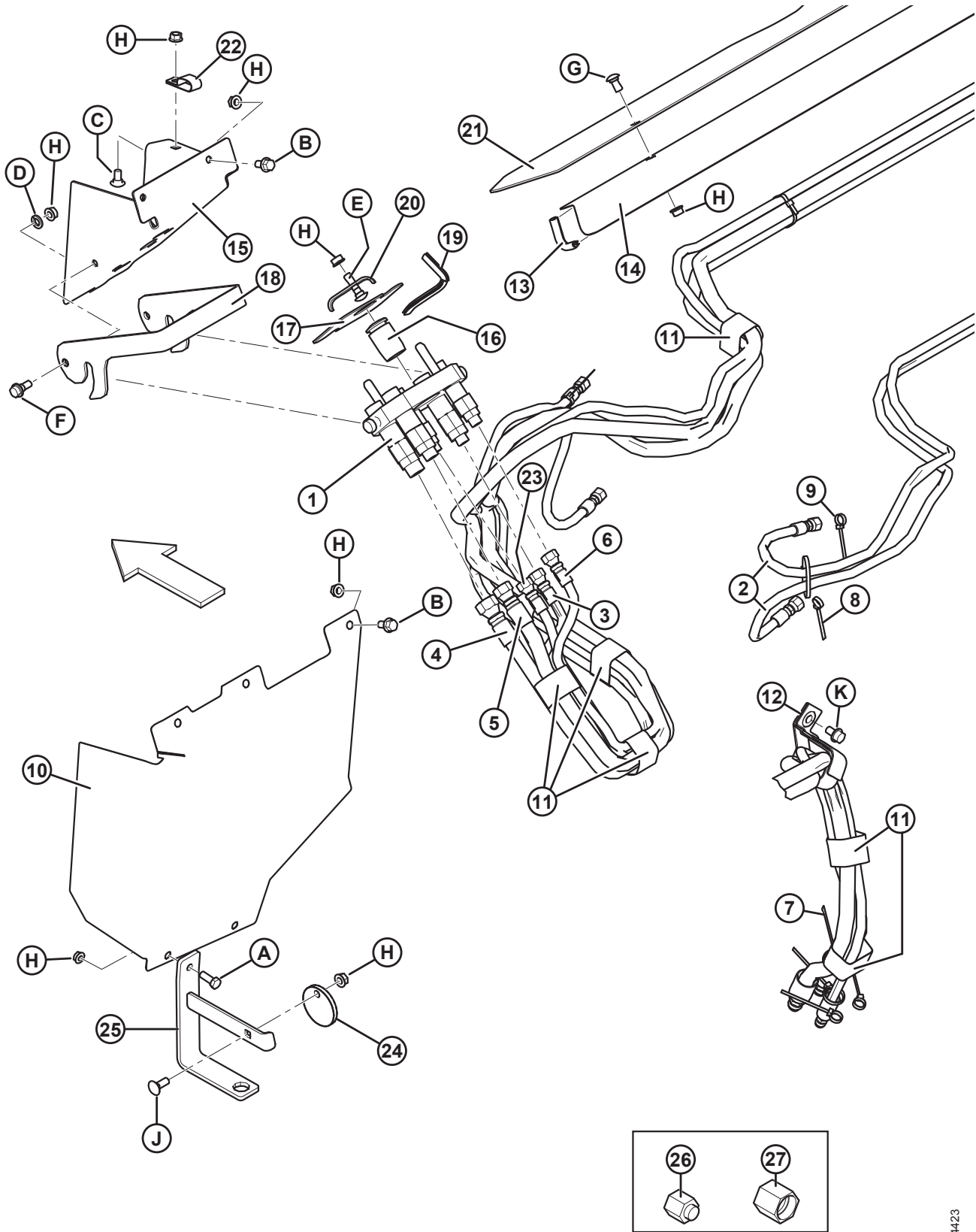
Ref	Part Number	Description	Qty	Serial Number
	B5669	KIT – JD 60/70/S SERIES COMPLETION PACKAGE (2016 AND PRIOR) <sup>91</sup>		
1	<b>NSS</b>	<b>COUPLING – MULTI JOHN DEERE (PARKER) <sup>92</sup></b>	1	-301189
	279718	COUPLING – MULTI JOHN DEERE (FASTER)	1	-301189
	<b>294097</b>	<b>KIT – COUPLER PLATE ASSY, JD (FASTER) <sup>93</sup></b>		-301189
	279011	KIT – COUPLER 3/8 C/W 3/8 IN. FITTING (FASTER) <sup>93</sup>		-301189
	279012	KIT – COUPLER 9/16 C/W 5/8 IN. FITTING (FASTER) <sup>93</sup>		-301189
	279013	KIT – COUPLER 9/16 C/W 1/2 IN. FITTING (FASTER) <sup>93</sup>		-301189
	279014	KIT – COUPLER 9/16 C/W 3/8 IN. FITTING (FASTER) <sup>93</sup>		-301189
	279034	SEAL – SHAPED, 3/8 IN. (FASTER) <sup>93</sup>		-301189
	279035	SEAL – SHAPED, 9/16 IN. (FASTER) <sup>93</sup>		-301189
2	156759	HOSE – HYDRAULIC 1/4 IN. I.D. 4330 MM LG 100R17	2	-301189
3	156910	HOSE – HYDRAULIC 1/4 IN. I.D. 5530 MM LG 100R17	1	-301189
4	156939	HOSE – HYDRAULIC 1/2 IN. I.D. 5530 MM LG 100R17	1	-301189
5	156970	HOSE – HYD 1/2 IN. I.D. 5530 MM LG 100R17, METAL REIN.	1	-301189
6	220657	HOSE – HYDRAULIC 1/4 IN. I.D. 1450 MM LG 100R17	1	-301189
7	40701	FASTENER – CABLE TIE (YELLOW)	1	-301189
8	40702	FASTENER – CABLE TIE (RED)	3	-301189
9	49227	FASTENER – CABLE TIE (GREEN)	3	-301189
10	133268	COVER – COUPLERS	1	-301189
11	135444	FASTENER – CINCH STRAP 6 IN. LG	10	-301189
12	163598	STRAP – VELCRO, HANGING	1	-301189
13	42589	MOULDING	2	-301189
14	156725	COVER – HOSE	1	-301189
15	294041	BRACKET – COUPLER (JD 60)	1	-301189
16	129148	PLUG – RUBBER	1	-301189
17	129149	PAD – RUBBER	1	-301189
18	129143	LATCH – COUPLER BRACKET	1	-301189
19	109791	MOULDING	1	-301189
20	103351	HOLDER	1	-301189
21	187723	COVER – TOP FEED AUGER	1	-301189
22	135234	CLAMP – DOUBLE HOSE INSULATED	1	-301189

91. (MD #B5669) – JD 60/70/S Series Completion Package (2016 and prior) includes Adapter, Hydraulic, and Electrical Completion Packages to complete a stand-alone CA25 or to convert an existing factory installed CA25. Kits available through Whole Goods only.

92. Service parts for Parker multicoupler (not sold separately) include two bushings (MD #182181), plate (MD #182182), three couplers (MD #184460), two couplers (MD #191704), fittings (MD #184461, 184462, 184463), two fittings (MD #191705), seal kits (MD #129859, 129860), five retaining rings (MD #184603), and two bolts (MD #184524). Parker multicoupler service parts are **NOT** interchangeable with Faster multicoupler (MD #279718) service parts. To replace the entire multicoupler, order Faster multicoupler (MD #279718).

93. Service part for Faster multicoupler (MD #279718) only. **NOT** interchangeable with Parker multicoupler (not sold separately) service parts.

JOHN DEERE 60/70/S SERIES – HYDRAULIC COMPLETION, 2016 AND PRIOR

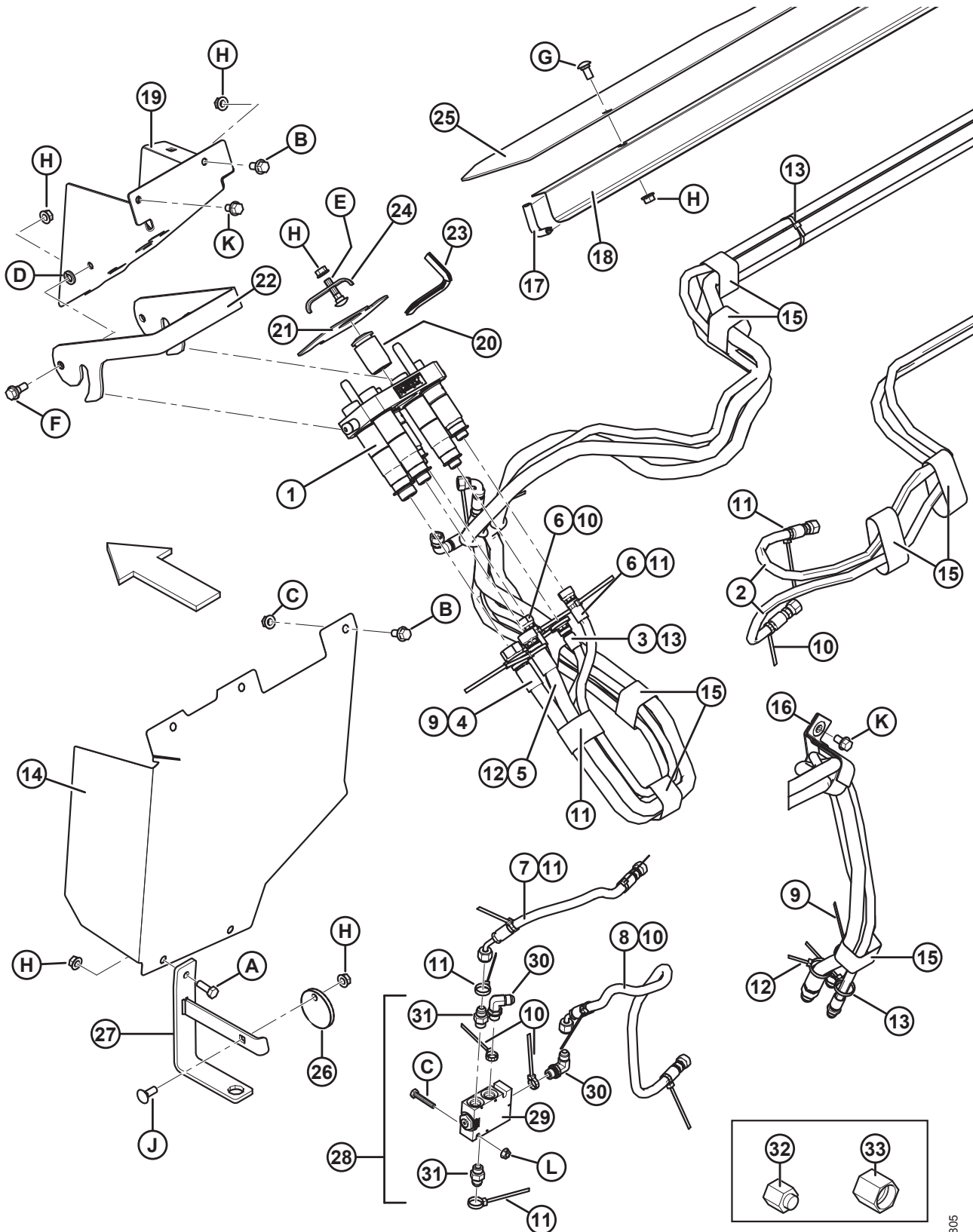


1004423

**JOHN DEERE 60/70/S SERIES – HYDRAULIC COMPLETION, 2016 AND PRIOR**

<b>Ref</b>	<b>Part Number</b>	<b>Description</b>	<b>Qty</b>	<b>Serial Number</b>
23	220658	HOSE – HYDRAULIC 1/4 IN. I.D. 1650 MM LG 100R17	1	-301189
24	133165	DISC – LOCK, DRIVELINE	1	-301189
25	133166	BRACKET – DRIVELINE HANGER WELDT	1	-301189
26	30813	CAP – 3/8 IN. TUBE 37° FLARE (FOR SHIPPING ONLY)	1	-301189
27	108233	CAP – 1/2 IN. TUBE (FOR SHIPPING ONLY)	1	-301189
A	20077	BOLT – HEX HD 3/8 NC X 1.0 LG GR 5 ZP		
B	21821	BOLT – HH FLG (SER FACE) 3/8 NC X 0.75 GR 5 ZP		
C	21472	BOLT – RHSN 3/8 NC X 0.75 GR 5 ZP		
D	18652	WASHER – REG LOCK 7/16 IN. NOM. I.D. ZP		
E	21484	BOLT – RHSN 3/8 NC X 1.5 LG GR 5 ZP		
F	27647	BOLT – SHOULDER		
G	21863	BOLT – RHSSN 3/8 NC X 0.75 LG GR 5 ZP		
H	30228	NUT – FLANGE DT SMOOTH FACE 0.375-16 UNC		
J	19965	BOLT – RHSN 3/8 NC X 1.0 GR 5 ZP		
K	101898	SCREW – SELF TAPPING 3/8 NC X 5/8 LG		

# 39 John Deere 60/70/S Series – Hydraulic Completion, 2017 and Later



1022605



**JOHN DEERE 60/70/S SERIES – HYDRAULIC COMPLETION, 2017 AND LATER**

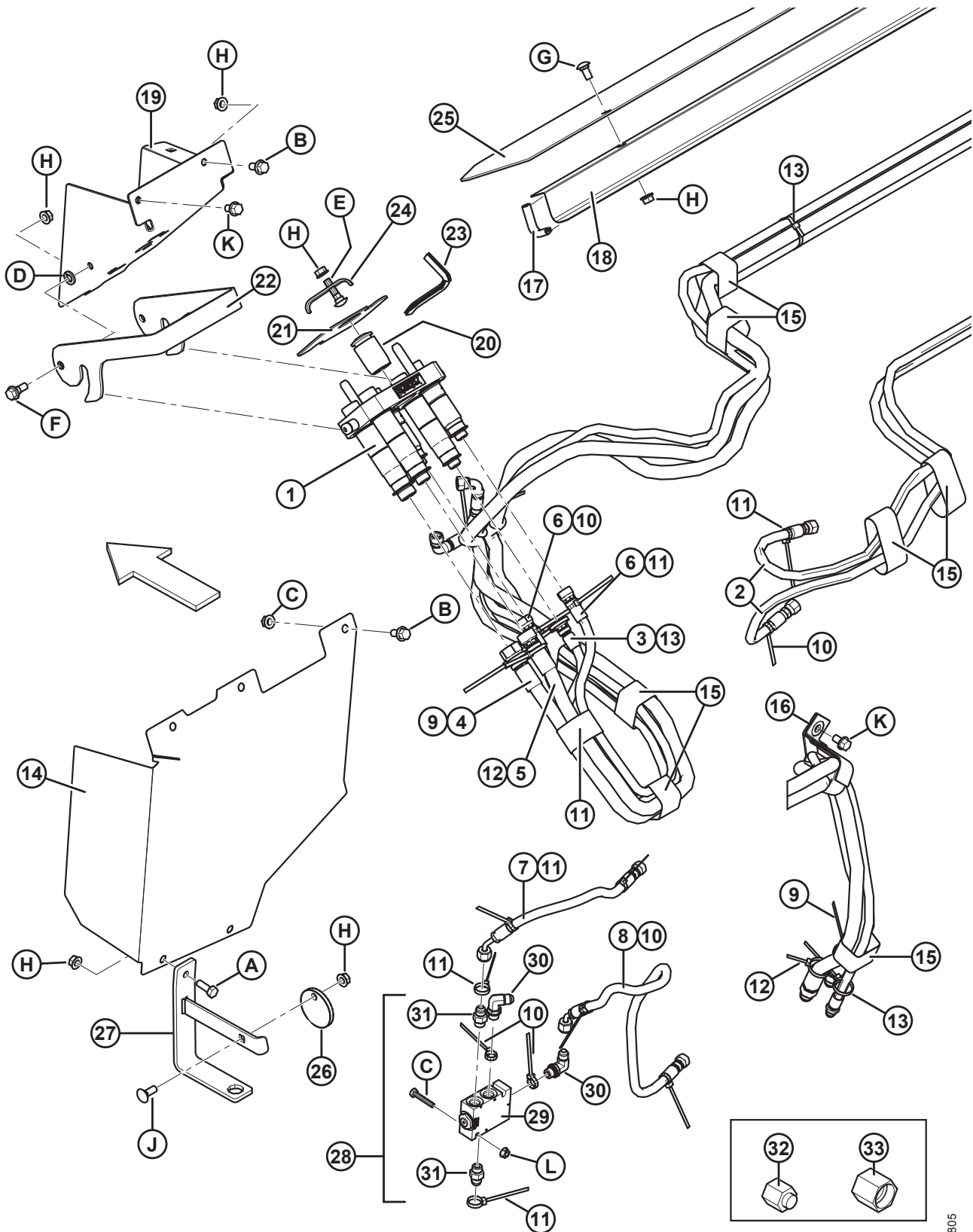
Ref	Part Number	Description	Qty	Serial Number
	B6202	KIT – JD 60/70/S SERIES COMPLETION PACKAGE (2017 AND FORWARD) <sup>94</sup>		
1	<b>NSS</b>	<b>COUPLING – MULTI JOHN DEERE (PARKER) <sup>95</sup></b>	1	301190–
	279718	COUPLING – MULTI JOHN DEERE (FASTER)	1	301190–
	<b>294097</b>	<b>KIT – COUPLER PLATE ASSY, JD (FASTER) <sup>96</sup></b>		
	279011	KIT – COUPLER 3/8 C/W 3/8 IN. FITTING (FASTER) <sup>96</sup>		301190–
	279012	KIT – COUPLER 9/16 C/W 5/8 IN. FITTING (FASTER) <sup>96</sup>		301190–
	279013	KIT – COUPLER 9/16 C/W 1/2 IN. FITTING (FASTER) <sup>96</sup>		301190–
	279014	KIT – COUPLER 9/16 C/W 3/8 IN. FITTING (FASTER) <sup>96</sup>		301190–
	279034	SEAL – SHAPED, 3/8 IN. (FASTER) <sup>96</sup>		301190–
	279035	SEAL – SHAPED, 9/16 IN. (FASTER) <sup>96</sup>		301190–
2	156759	HOSE – HYDRAULIC 1/4 IN. I.D. 4330 MM LG 100R17	2	301190–
3	156910	HOSE – HYDRAULIC 1/4 IN. I.D. 5530 MM LG 100R17	1	301190–
4	156939	HOSE – HYDRAULIC 1/2 IN. I.D. 5530 MM LG 100R17	1	301190–
5	156970	HOSE – HYD 1/2 IN. I.D. 5530 MM LG 100R17, METAL REIN.	1	301190–
6	279281	HOSE – HYDRAULIC 1/4 IN. I.D. 1220 MM LG 100R17	2	301190–
7	279282	HOSE – HYDRAULIC 1/4 IN. I.D. 355 MM LG 100R17	1	301190–
8	279283	HOSE – HYDRAULIC 1/4 IN. I.D. 635 MM LG 100R17	1	301190–
9	40701	FASTENER – CABLE TIE (YELLOW)	2	301190–
10	40702	FASTENER – CABLE TIE (RED)	4	301190–
11	49227	FASTENER – CABLE TIE (GREEN)	4	301190–
12	49232	FASTENER – CABLE TIE (WHITE)	2	301190–
13	21763	FASTENER – CABLE TIE (BLACK)	5	301190–
14	133268	COVER – COUPLERS	1	301190–
15	135444	FASTENER – CINCH STRAP 6 IN. LG	13	301190–
16	163598	STRAP – VELCRO, HANGING	1	301190–
17	42589	MOULDING	2	301190–
18	156725	COVER – HOSE	1	301190–
19	294041	BRACKET – COUPLER (JD 60)	1	301190–
20	129148	PLUG – RUBBER	1	301190–
21	129149	PAD – RUBBER	1	301190–

94. (MD #B6202) – JD 60/70/S Series Completion Package (2017 and later) includes Adapter, Hydraulic, and Electrical Completion Packages to complete a stand-alone CA25 or to convert an existing factory installed CA25. Kits available through Whole Goods only.

95. Service parts for Parker multicoupler (not sold separately) include two bushings (MD #182181), plate (MD #182182), three couplers (MD #184460), two couplers (MD #191704), fittings (MD #184461, 184462, 184463), two fittings (MD #191705), seal kits (MD #129859, 129860), five retaining rings (MD #184603), and two bolts (MD #184524). Parker multicoupler service parts are **NOT** interchangeable with Faster multicoupler (MD #279718) service parts. To replace the entire multicoupler, order Faster multicoupler (MD #279718).

96. Service part for Faster multicoupler (MD #279718) only. NOT interchangeable with Parker multicoupler (not sold separately) service parts.

JOHN DEERE 60/70/S SERIES – HYDRAULIC COMPLETION, 2017 AND LATER



1022805

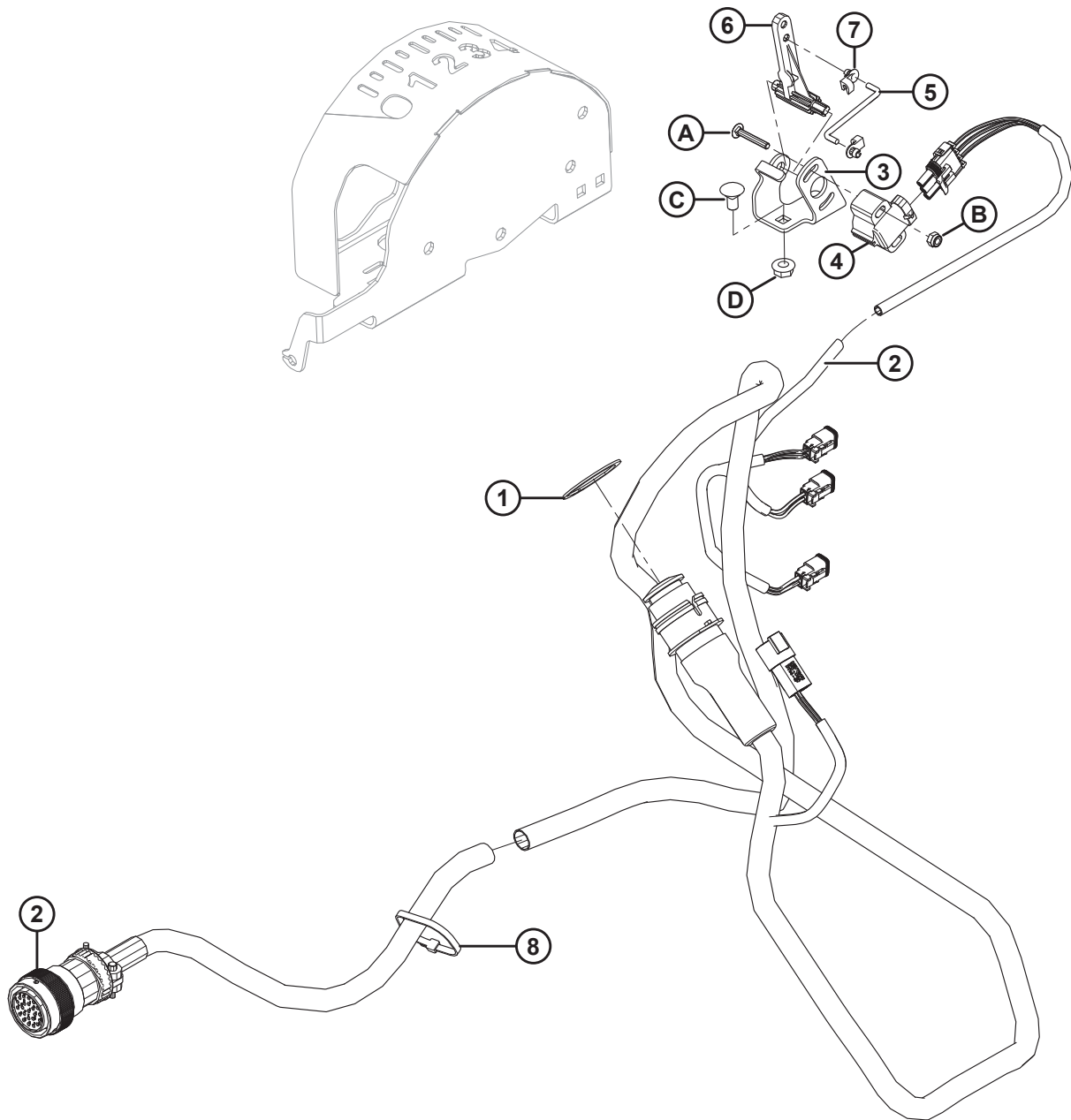
**JOHN DEERE 60/70/S SERIES – HYDRAULIC COMPLETION, 2017 AND LATER**

Ref	Part Number	Description	Qty	Serial Number
22	129143	LATCH – COUPLER BRACKET	1	301190–
23	109791	MOULDING	1	301190–
24	103351	HOLDER	1	301190–
25	187723	COVER – TOP FEED AUGER	1	301190–
26	133165	DISC – LOCK, DRIVELINE	1	301190–
27	133166	BRACKET – DRIVELINE HANGER WELDT	1	301190–
28	294066	MANIFOLD ASSY C/W CHECK VALVE AND FITTINGS <sup>97</sup>	1	301190–
29	279163	MANIFOLD C/W CHECK VALVE <sup>98</sup>	1	301190–
	279227	MANIFOLD	1	301190–
	279228	CHECK VALVE	1	301190–
30	30282	FITTING – ELBOW HYD	2	301190–
	50219	O-RING		301190–
31	15903	FITTING – ADAPTER HYD	2	301190–
	50219	O-RING		301190–
32	30813	CAP – 3/8 IN. TUBE 37° FLARE (FOR SHIPPING ONLY)	1	301190–
33	108233	CAP – 1/2 IN. TUBE (FOR SHIPPING ONLY)	1	301190–
A	20077	BOLT – HEX HD 3/8 NC X 1.0 LG GR 5 ZP		
B	21821	BOLT – HH FLG (SER FACE) 3/8 NC X 0.75 GR 5 ZP		
C	21574	BOLT – HH 1/4 NC X 1.5 LG GR 5 ZP		
D	18652	WASHER – REG LOCK 7/16 IN. NOM. I.D. ZP		
E	21484	BOLT – RHSN 3/8 NC X 1.5 LG GR 5 ZP		
F	27647	BOLT – SHOULDER		
G	21863	BOLT – RHSSN 3/8 NC X 0.75 LG GR 5 ZP		
H	30228	NUT – FLANGE DT SMOOTH FACE 0.375-16 UNC		
J	19965	BOLT – RHSN 3/8 NC X 1.0 GR 5 ZP		
K	101898	SCREW – SELF TAPPING 3/8 NC X 5/8 LG		
L	135248	NUT – FLG DT SMTH FACE 1/4-20 UNC GR 5 ZP		

97. Includes manifold complete with check valve (MD #279163), two elbow fittings (MD #30282), and two adapter fittings (MD #15903).

98. Includes manifold (MD #279227) and check valve (MD #279228).

# 40 John Deere 50/60/70/S Series – Electrical Completion

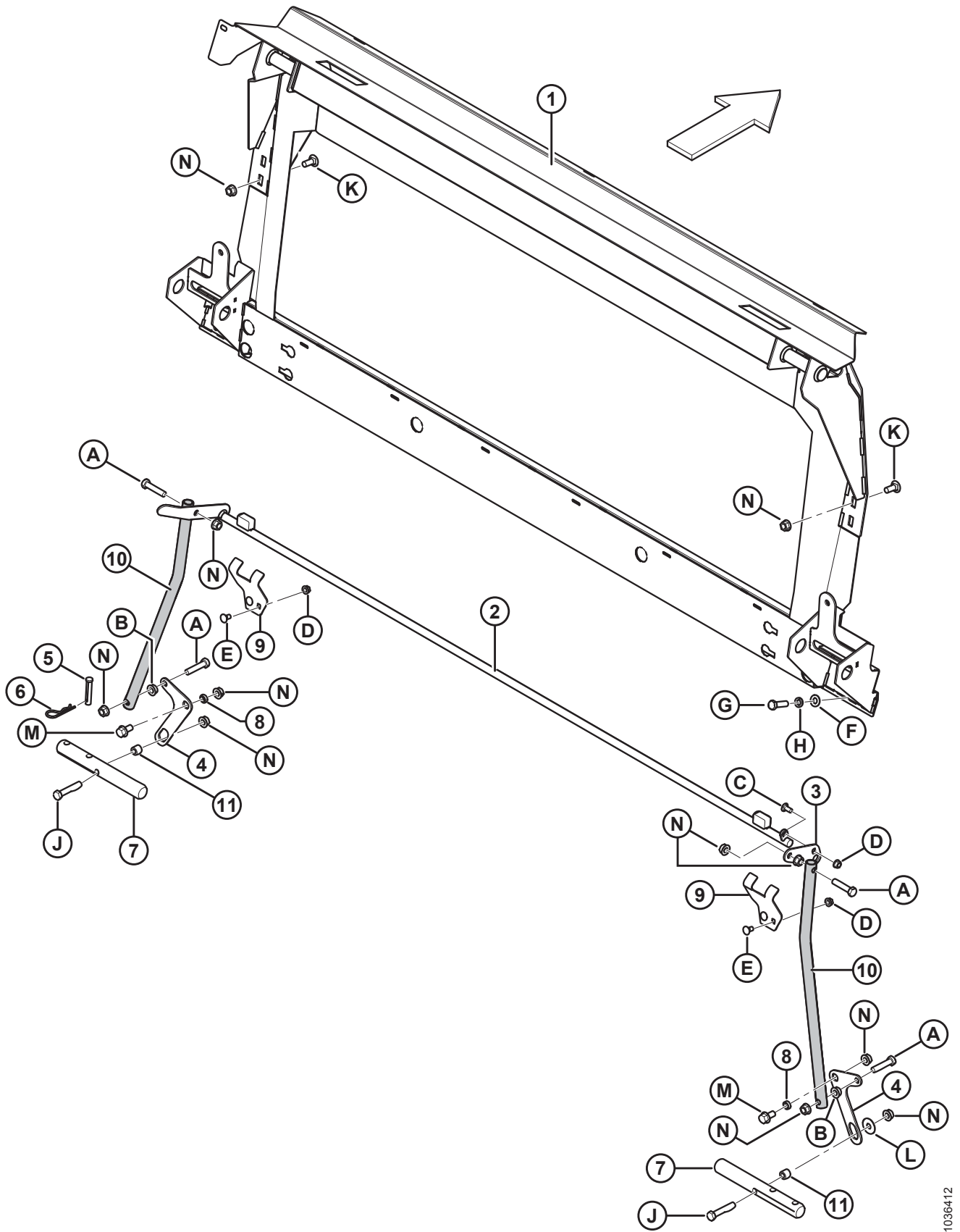


**JOHN DEERE 50/60/70/S SERIES – ELECTRICAL COMPLETION**

Ref	Part Number	Description	Qty	Serial Number
	B5670	KIT – JD 50 SERIES COMPLETION PACKAGE <sup>99</sup>		
	B5669	KIT – JD 60/70/S SERIES COMPLETION PACKAGE (2016 AND PRIOR) <sup>99</sup>		–301189
	B6202	KIT – JD 60/70/S SERIES COMPLETION PACKAGE (2017 AND LATER) <sup>99</sup>		301190–
1	135267	RING – INVERTED EXT RETAINING	1	
2	220330	HARNESS – WIRING (JD 60/70 SERIES)	1	
	156614	HARNESS – WIRING (JD 50 SERIES)	1	
3	187670	SUPPORT – SENSOR MOUNT (CNH/JD/AGCO)	1	
4	158069	CONTROL – POTENTIOMETER	1	
5	158633	ROD – LINKAGE	1	
6	187193	ARM – SENSOR CONTROL	1	
7	153492	CLIP – ROD END	2	
8	21763	FASTENER – CABLE TIE (BLACK)	3	
A	136018	BOLT – RHSN #10-24 NC X 1.25 IN. LG		
B	105197	NUT – HEX LOCK .187-24 UNC		
C	135305	BOLT – RHSN 5/16 NC X 0.63 GR 5 ZP		
D	30280	NUT – FLG SIDE LK SMTH FACE 5/16 NC GR 5 ZP		

99. (MD #B5670) – JD 50 Series Completion Package, (MD #B5669) – JD 60/70 S Series Completion Package (2016 and prior), (MD #B6202) – JD 60/70 S Series Completion Package (2017 and later) includes Adapter, Hydraulic, and Electrical Completion Packages to complete a stand-alone CA25 or to convert an existing factory installed CA25. Kits available through Whole Goods only.

# 41 CLAAS Lexion 500/700 Series – Adapter Completion



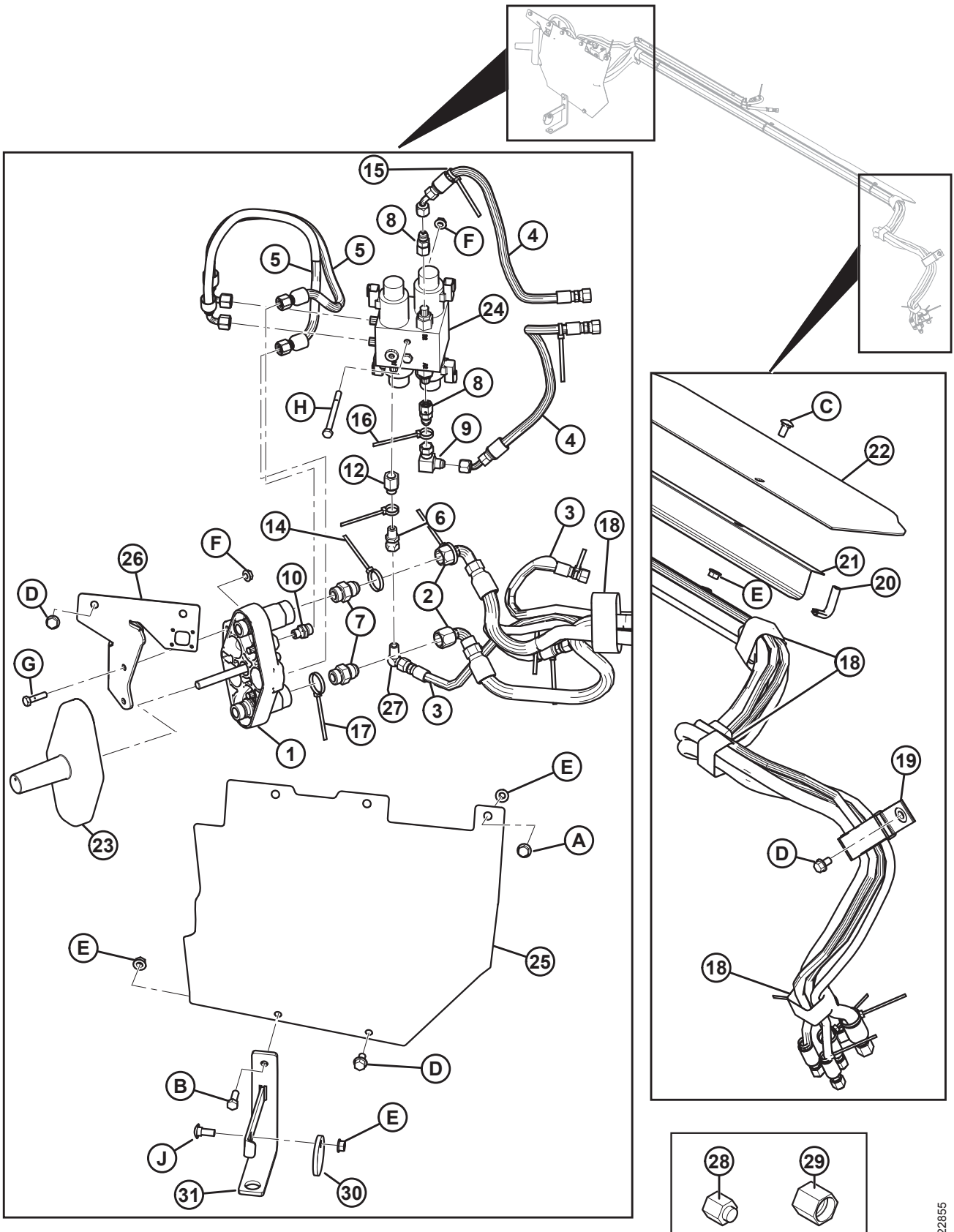
1036412

**CLAAS LEXION 500/700 SERIES – ADAPTER COMPLETION**

<b>Ref</b>	<b>Part Number</b>	<b>Description</b>	<b>Qty</b>	<b>Serial Number</b>
	B6513	KIT – 500/600/700 SERIES CLAAS LEXION COMPLETION PACKAGE <sup>100</sup>		
1	335548	FRAME – CLAAS TRANSITION	1	
2	304980	LATCH – WELDMENT	1	
3	156784	LEVER	1	
4	304669	LEVER	2	
5	19809	PIN – CLEVIS	1	
6	13125	PIN – HAIR	1	
7	133138	SHAFT	2	
8	133439	SPACER	2	
9	245246	SUPPORT – LOCK KEEPER	2	
10	156783	TUBE – LINK	2	
11	156780	BUSHING	2	
A	30833	BOLT – HH 1/2 NC X 2.25 TFL GR 5 ZP		
B	21383	NUT – FLANGE .500-13 UNC (SER FACE)		
C	21863	BOLT – RHSSN 3/8 NC X 0.75 LG GR 5 ZP		
D	30228	NUT – FLANGE DT SMOOTH FACE 0.375-16 UNC		
E	21472	BOLT – RHSN 3/8 NC X 0.75 GR 5 ZP		
F	18599	WASHER – SAE FLAT 17/32 I.D. X 1-1/16 IN. O.D. ZP		
G	50072	BOLT – HH 1/2 NC X 1.75 TFL GR 5 ZP		
H	18638	WASHER – REG LOCK 1/2 IN. NOM. I.D. ZP		
J	21880	BOLT – HH 1/2 NC X 2.75 LG GR 5 ZP		
K	21471	BOLT – RHSN 1/2 NC X 1.25 GR 5 ZP		
L	32247	WASHER – FLAT		
M	21449	BOLT – HH FLG (SER FACE) 1/2 NC X 1.0 GR 5 ZP		
N	50186	NUT – FLANGE LOCK SM FACE DT 0.500-13 UNC GR 5		

100. (MD #B6513) – 500/600/700 Series CLAAS Lexion Completion Package includes Adapter, Hydraulic, and Electrical Completion Packages to complete a stand-alone CA25 or to convert an existing factory installed CA25. Kits available through Whole Goods only.

# 42 CLAAS Lexion 500/700 Series – Hydraulic Completion





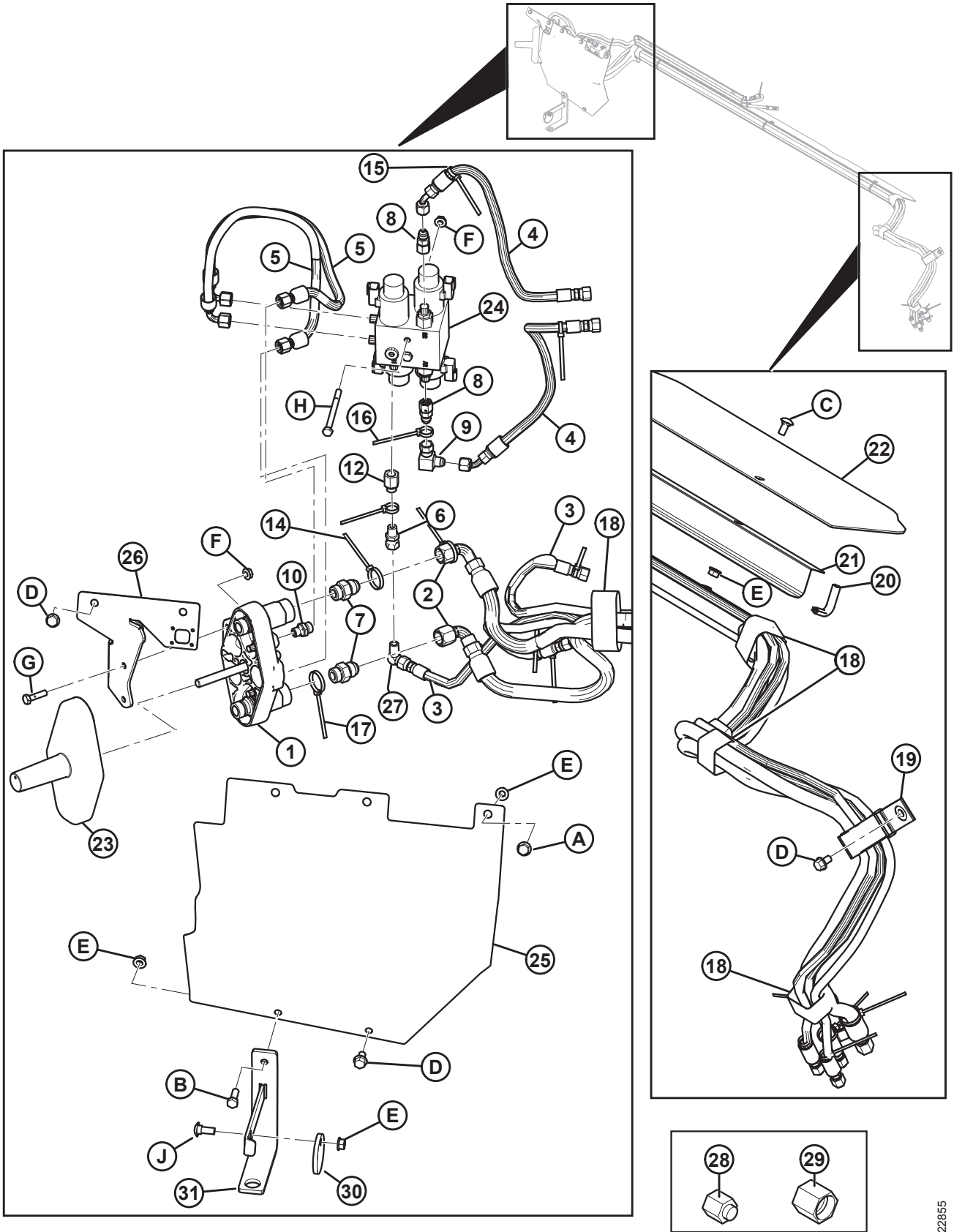
**CLAAS LEXION 500/700 SERIES – HYDRAULIC COMPLETION**

Ref	Part Number	Description	Qty	Serial Number
	B6513	KIT – 500/600/700 SERIES CLAAS LEXION COMPLETION PACKAGE <sup>101</sup>		
1	190866	COUPLER – CLAAS MULTILINK	1	
2	156758	HOSE – HYDRAULIC 1/2 IN. I.D. 4330 MM LG 100R17	2	
3	156759	HOSE – HYDRAULIC 1/4 IN. I.D. 4330 MM LG 100R17	3	
4	133260	HOSE – HYD 1/4 IN. I.D. 470 MM LG 100R17, METAL REIN.	2	
5	129962	HOSE – HYD 1/4 IN. I.D. 500 MM LG 100R17, METAL REIN.	2	
6	30302	FITTING – CONNECTOR HYD 0.052 IN. DIA ORIFICE	1	
7	30695	FITTING – CONNECTOR HYD STRGHT THRD SHORT SAE	2	
	44210	O-RING		
8	103921	FITTING – ADAP HYD M14-1.5 METRIC COMP X #6 37° FLARE	2	
9	106717	FITTING – ELBOW 90° HYD	1	
10	129961	FITTING – UNION HYD	2	
12	135425	FITTING – ADAPTER HYD	1	
14	40701	FASTENER – CABLE TIE (YELLOW)	3	
15	40702	FASTENER – CABLE TIE (RED)	3	
16	49227	FASTENER – CABLE TIE (GREEN)	3	
17	49232	FASTENER – CABLE TIE (WHITE)	2	
18	135444	FASTENER – CINCH STRAP 6 IN. LG	9	
19	163598	STRAP – VELCRO, HANGING	1	
20	42589	MOULDING	2	
21	156725	COVER – HOSE	1	
22	187723	COVER – TOP FEED AUGER	1	
23	129481	COVER	1	
24	129963	VALVE – HYDRAULIC (SUPPLIER # CLAAS 039 841.1)	1	
25	279842	COVER – COUPLERS <sup>102</sup>	1	
26	279841	SUPPORT – WELDT CLAAS COUPLER <sup>102</sup>	1	
27	30281	FITTING – ELBOW 90° HYD	1	
28	30813	CAP – 3/8 IN. TUBE 37° FLARE (FOR SHIPPING ONLY)	1	
29	108233	CAP – 1/2 IN. TUBE (FOR SHIPPING ONLY)	1	
30	133165	DISC – LOCK, DRIVELINE HANGER	1	
31	133166	BRACKET – DRIVELINE HANGER WELDT	1	
A	21821	BOLT – HH FLG (SER FACE) 3/8 NC X 0.75 GR 5 ZP		
B	20077	BOLT – HEX HD 3/8 NC X 1.0 LG GR 5 ZP		
C	21863	BOLT – RHSSN 3/8 NC X 0.75 LG GR 5 ZP		

101. (MD #B6513) – 500/600/700 Series CLAAS Lexion Completion Package includes Adapter, Hydraulic, and Electrical Completion Packages to complete a stand-alone CA25 or to convert an existing factory installed CA25. Kits available through Whole Goods only.

102. To service units with superseded cover and holder (MD #187976, 187977), order CLAAS Coupler Support kit (MD #279854). Kit includes cover (MD #279842), support (MD #279841), hardware, and instructions.

CLAAS LEXION 500/700 SERIES – HYDRAULIC COMPLETION

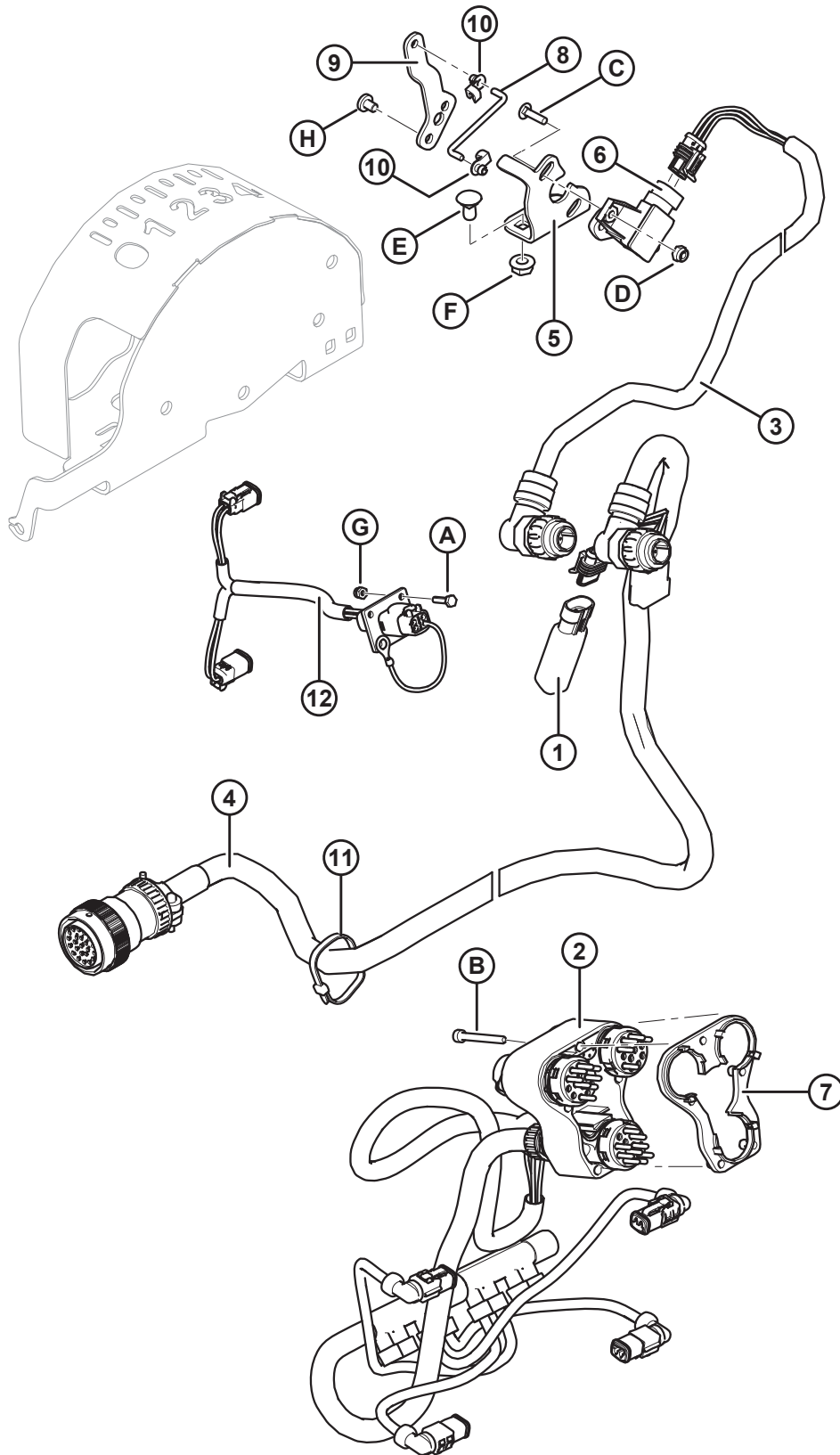


1022855

**CLAAS LEXION 500/700 SERIES – HYDRAULIC COMPLETION**

<b>Ref</b>	<b>Part Number</b>	<b>Description</b>	<b>Qty</b>	<b>Serial Number</b>
D	101898	SCREW – SELF TAPPING 3/8 NC X 5/8 LG		
E	30228	NUT – FLANGE DT SMOOTH FACE 0.375-16 UNC		
F	30280	NUT – FLG SIDE LK SMTH FACE 5/16 NC GR 5 ZP		
G	21526	BOLT – HH 5/16 NC X 1.25 LG GR 5 ZP		
H	50235	BOLT – HH 5/16 NC X 3.75 LG GR 5 ZP		
J	19965	BOLT – RHSN 3/8 NC X 1.0 GR 5 ZP		

# 43 CLAAS Lexion 500/700 Series – Electrical Completion



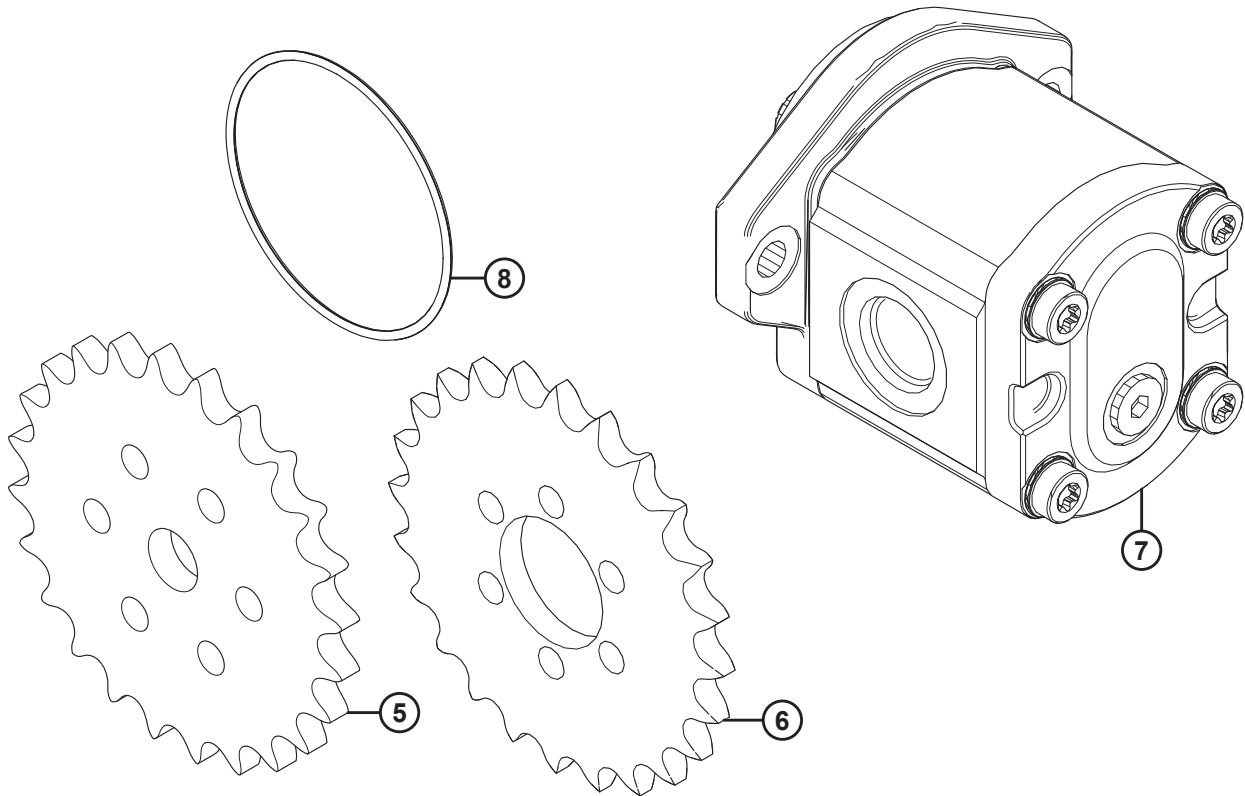
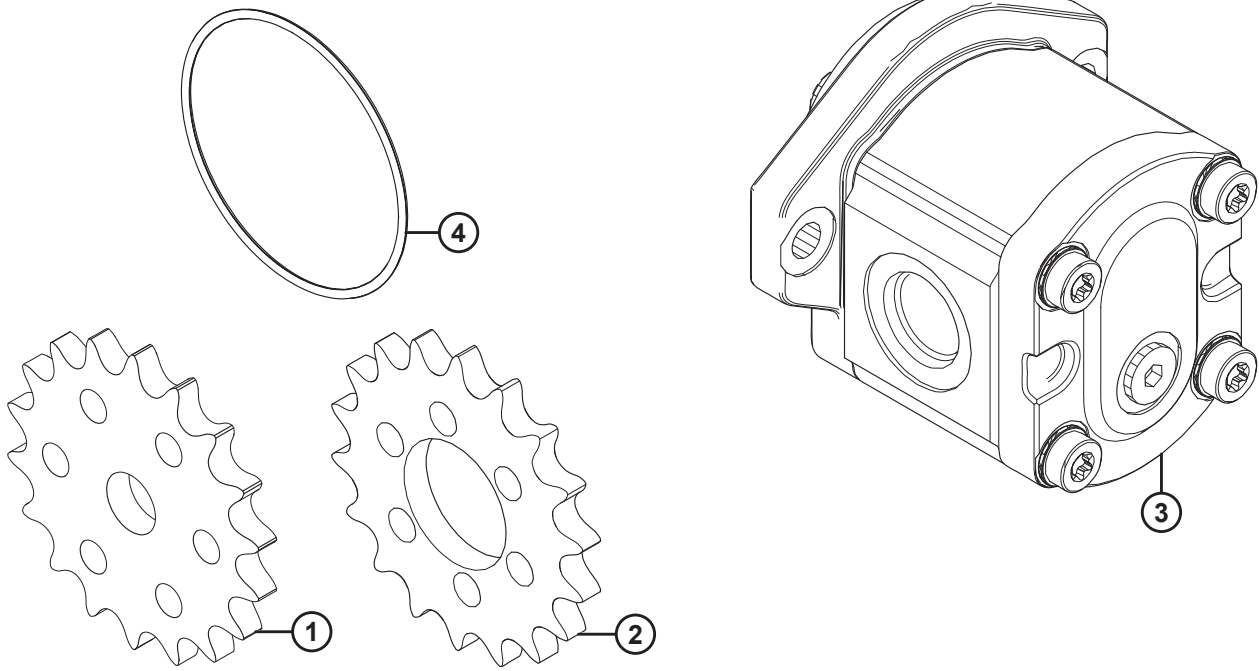
**CLAAS LEXION 500/700 SERIES – ELECTRICAL COMPLETION**

Ref	Part Number	Description	Qty	Serial Number
	B6513	KIT – 500/600/700 SERIES CLAAS LEXION COMPLETION PACKAGE <sup>103</sup>		
1	133683	REGULATOR – VOLTAGE	1	
2	129772	HARNESS – WIRING, 2 FUNCTION CLAAS 500 WITH DEUTSCH ELEC CONNECTOR	1	
3	220340	HARNESS – WIRING CLAAS AHHC	1	
4	220354	HARNESS – WIRING CLAAS	1	
5	187686	SUPPORT – SENSOR MOUNT CLAAS 12V	1	
6	158666	SENSOR – ANGLE (CLAAS)	1	
7	129773	SPACER – WIRING HARNESS	1	
8	158633	ROD – LINKAGE	1	
9	156268	ARM – CLAAS 12V	1	
10	153492	CLIP – ROD END	2	
11	21763	FASTENER – CABLE TIE (BLACK)	4	
12	NSS	HARNESS – WIRING, REEL FORE-AFT/HEADER TILT VALVE <sup>104</sup>		
A	197319	BOLT – HEX HD TFL M4 X 0.7 X 16-8.8-A2L		
B	129965	SCREW – HEX SOC HD ISO 4762		
C	158722	BOLT – RHSN #10-24 NC X 3/4 GR 2 ZP		
D	105197	NUT – HEX LOCK .187-24 UNC		
E	135305	BOLT – RHSN 5/16 NC X 0.63 GR 5 ZP		
F	30280	NUT – FLG SIDE LK SMTH FACE 5/16 NC GR 5 ZP		
G	197320	NUT – HEX NYLOC M4 X 0.7-8-A2L		
H	158704	SCREW – PAN HD M6 X 1 X 8-4.8-A2L		

103. (MD #B6513) – 500/600/700 Series CLAAS Lexion Completion Package includes Adapter, Hydraulic, and Electrical Completion Packages to complete a stand-alone CA25 or to convert an existing factory installed CA25. Kits available through Whole Goods only.

104. Was previously harness (MD #220396) for 2012 and prior model year combine adapters, which is replaced by harness (MD #220354). To service this part for 2012 and prior model year combine adapters, order CLAAS Lexion wiring harness (MD #220354).

# 44 Conversion Kits

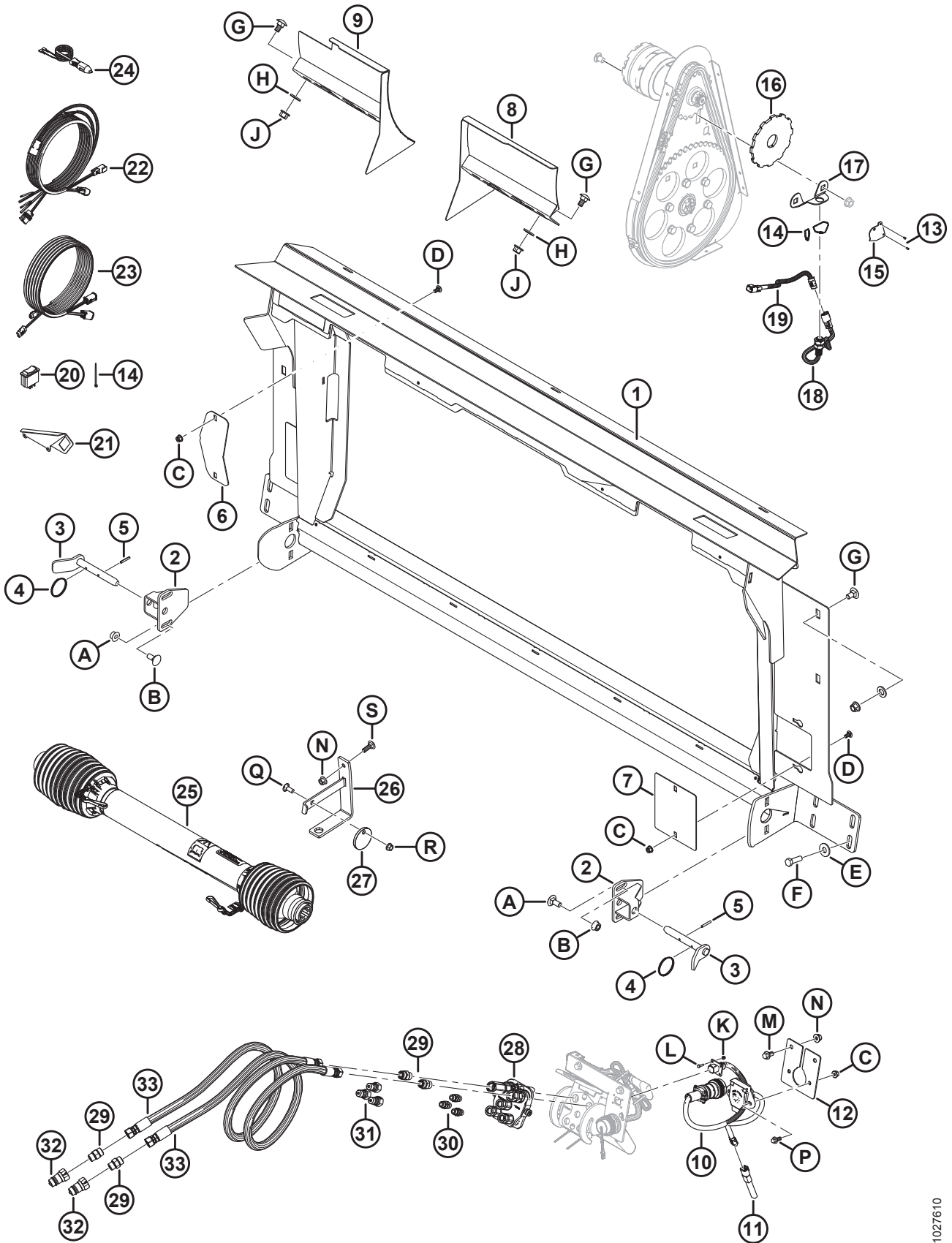


**CONVERSION KITS**

<b>Ref</b>	<b>Part Number</b>	<b>Description</b>	<b>Qty</b>	<b>Serial Number</b>
	B5082	KIT – CONVERT “CNH/JD” TO “AGCO/CLAAS” <sup>105</sup>		
1	151684	SPROCKET – RC 50 A 18 T	1	
2	187497	SPROCKET – 50 A 18 (DRIVEN)	1	
3	156853	PUMP – GEAR 11 CC	1	
	187967	SEAL KIT		
	187253	PUMP – GEAR 11 CC, CASAPPA (OPTIONAL)	OPT	
	187918	SEAL KIT		
4	49802	O-RING	1	
	B5083	KIT – CONVERT “AGCO/CLAAS” TO “CNH/JD” <sup>105</sup>		
5	151686	SPROCKET – RC 50 A 24 T	1	
6	187496	SPROCKET – 50 A 24 (DRIVEN)	1	
7	156852	PUMP – GEAR 16 CC	1	
	187967	SEAL KIT		
	187252	PUMP – GEAR 16 CC, CASAPPA (OPTIONAL)	OPT	
	187918	SEAL KIT		
8	49802	O-RING	1	

105. Kits available through Whole Goods only.

# 45 Rostselmash Conversion Kit





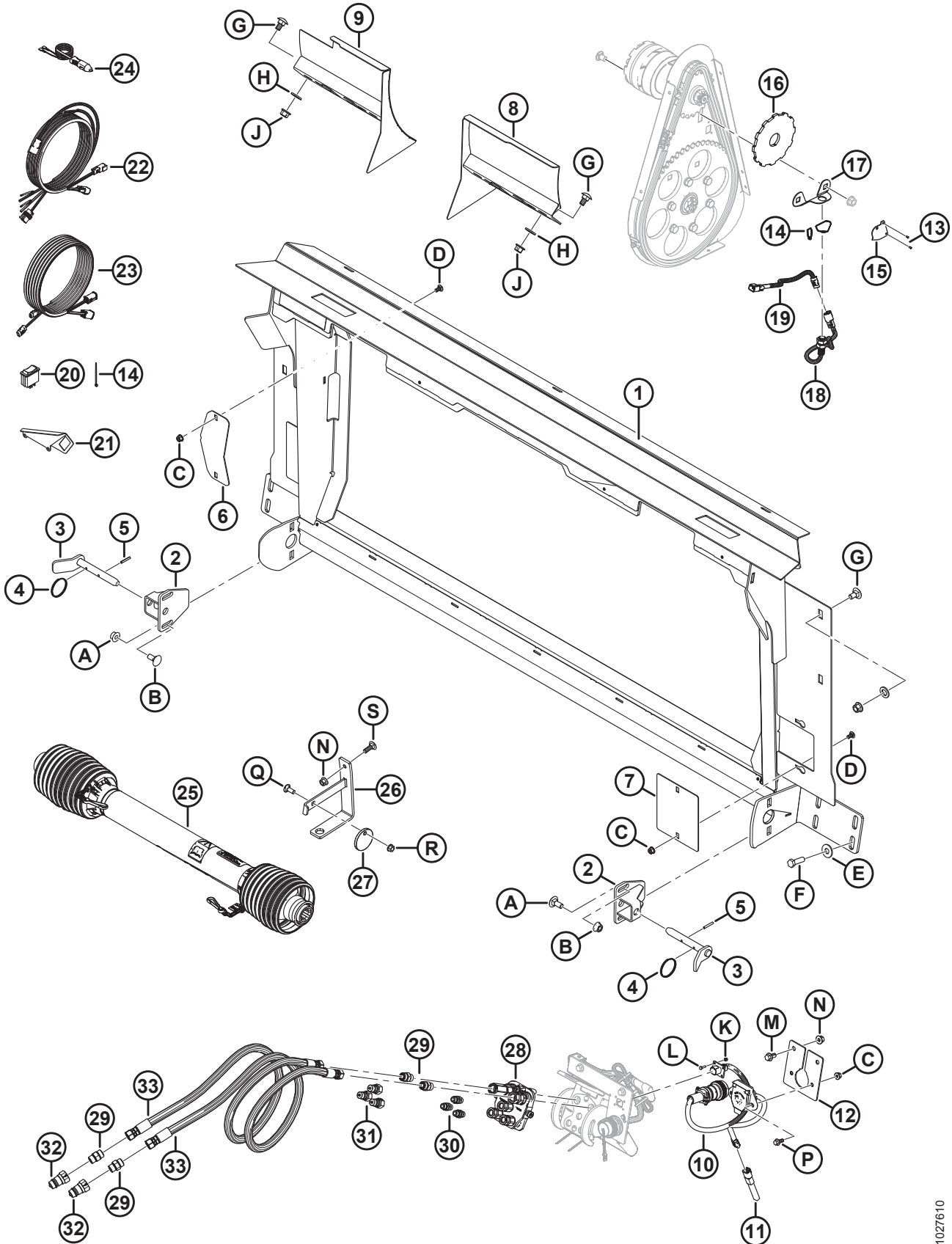
**ROSTSELMASH CONVERSION KIT**

Ref	Part Number	Description	Qty	Serial Number
	<b>B6568</b>	<b>KIT – CASE TO ROSTSELMASH 760/780 CONV PKG <sup>106</sup></b>		
1	<b>314684</b>	<b>FRAME – TRANSITION W/ DECAL</b>	<b>1</b>	
2	<b>301185</b>	<b>SUPPORT – LOCK WELDT</b>	<b>2</b>	
3	<b>301202</b>	<b>HANDLE – LOWER LOCK WELDT</b>	<b>2</b>	
4	<b>118137</b>	<b>RING</b>	<b>2</b>	
5	<b>13617</b>	<b>PIN – SPRING 3/16 DIA X 1.25 LG</b>	<b>2</b>	
6	<b>322113</b>	<b>PLATE – DRIVE COVER</b>	<b>1</b>	
7	<b>314627</b>	<b>PLATE – FILLER COVER</b>	<b>2</b>	
8	<b>301200</b>	<b>DEFLECTOR – RH WELDT</b>	<b>1</b>	
9	<b>301193</b>	<b>DEFLECTOR – LH WELDT</b>	<b>1</b>	
10	<b>300978</b>	<b>HARNESS – ADAPTER, CNH TO RSM</b>	<b>1</b>	
11	<b>300536</b>	<b>VOLTAGE REGULATOR – (+) 5 VDC</b>	<b>1</b>	
12	<b>314307</b>	<b>SUPPORT – CONNECTOR</b>	<b>1</b>	
13	<b>14338</b>	<b>RIVET – BLIND 1/8 X .125</b>	<b>2</b>	
14	<b>16661</b>	<b>FASTENER – CABLE TIE, BLACK</b>	<b>14</b>	
15	<b>164131</b>	<b>SHIELD – REEL SPEED SENSOR HARNESS</b>	<b>1</b>	
16	<b>304533</b>	<b>DISC – REEL SPEED SENSOR</b>	<b>1</b>	
17	<b>133781</b>	<b>SUPPORT – REEL SPEED SENSOR</b>	<b>1</b>	
18	<b>136167</b>	<b>SENSOR – SPEED</b>	<b>1</b>	
19	<b>304982</b>	<b>HARNESS – WIRING REEL SPEED SENSOR (CLAAS/LEXION)</b>	<b>1</b>	
20	<b>109064</b>	<b>SWITCH – ROCKER (HDR LIFT RELAY BYPASS)</b>	<b>1</b>	
21	<b>158377</b>	<b>SUPPORT – ROCKER SWITCH</b>	<b>1</b>	
22	<b>304210</b>	<b>HARNESS – CAB DRAPER CONTROL</b>	<b>1</b>	
23	<b>304211</b>	<b>HARNESS – CAB DRAPER EXTENSION</b>	<b>1</b>	
24	<b>220570</b>	<b>HARNESS – AUX PWR TO QUICK DISC</b>	<b>1</b>	
25	<b>301704</b>	<b>DRIVELINE – 38-8 SPLINE <sup>107</sup></b>	<b>1</b>	
26	<b>133166</b>	<b>BRACKET – DRIVELINE HANGER-WELDT</b>	<b>1</b>	
27	<b>133165</b>	<b>DISC – LOCK, DRIVELINE</b>	<b>1</b>	
28	<b>135238</b>	<b>COUPLING – MULTI LINK</b>	<b>1</b>	
	<b>111981</b>	<b>SEAL KIT – 1/4 IN. COUPLER</b>		
	<b>111982</b>	<b>SEAL KIT – 3/8 IN. COUPLER</b>		
	<b>111983</b>	<b>KIT – SCREW</b>		
	<b>111984</b>	<b>KIT – DOWEL</b>		
	<b>111985</b>	<b>COUPLER – 3/8 IN. (LONG)</b>		
	<b>111986</b>	<b>COUPLER – 1/4 IN.</b>		
	<b>294350</b>	<b>COUPLER – SHORT, 3/8 IN. (SHORT)</b>		

106. Kit is used to convert from a Case configuration to a Rostselmash 760/780 configuration. Kit also requires a Dealer/ Customer sourced Rostselmash reel speed sensor. Includes all listed parts and instructions. Kits available through Whole Goods only.

107. For service parts, refer to Section [12 Input Driveline, page 39](#).

ROTSSELMASH CONVERSION KIT

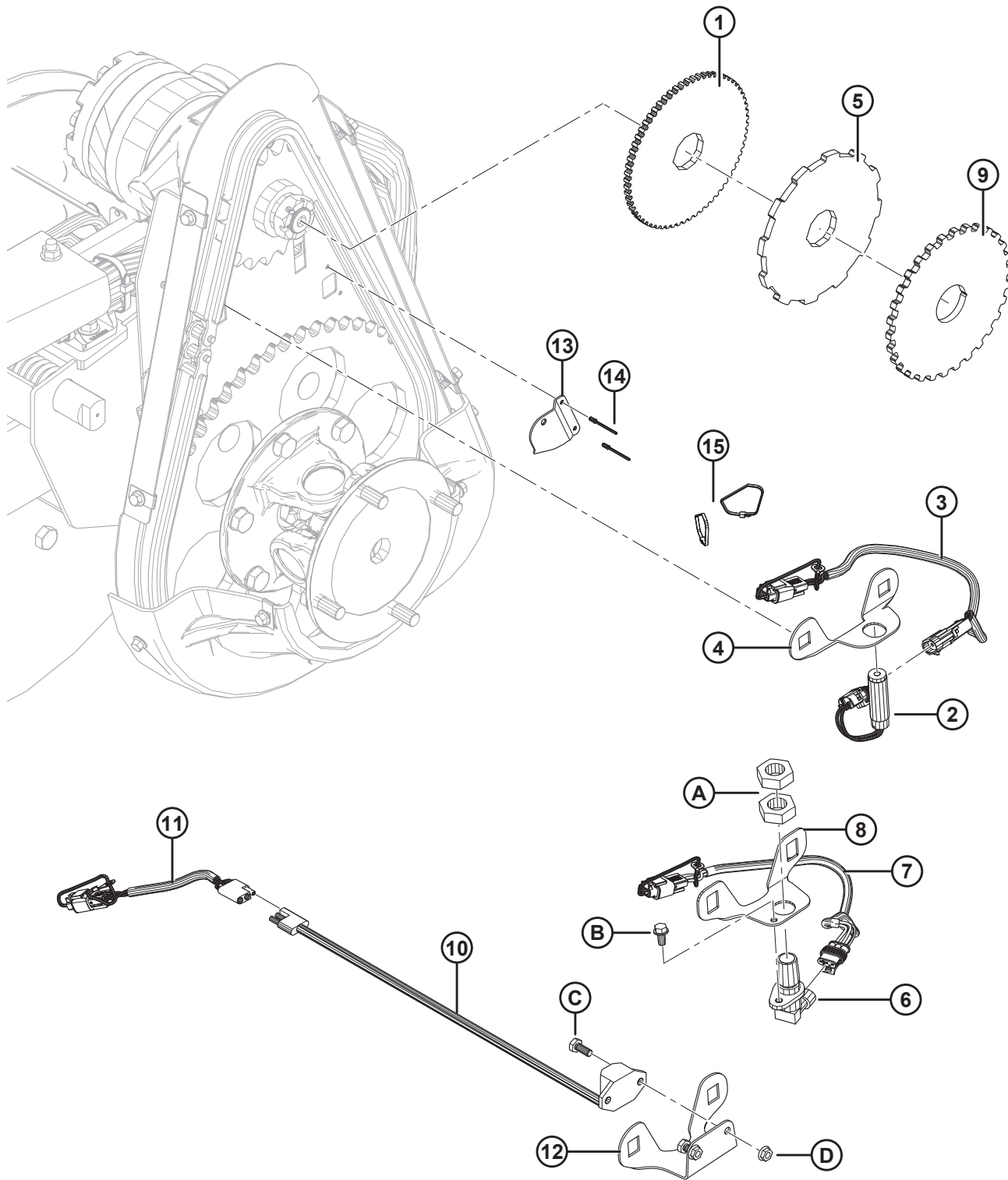


1027610

**ROSTSELMASH CONVERSION KIT**

<b>Ref</b>	<b>Part Number</b>	<b>Description</b>	<b>Qty</b>	<b>Serial Number</b>
29	135780	FITTING – ADAPTER	4	
	44209	O-RING – #8 ORB		
	135866	O-RING – #8 ORFS		
30	301763	FITTING – ADAPTER -6 ORB	3	
	50219	O-RING – #6 ORB		
31	301764	FITTING – COUPLING HYD	3	
32	301765	FITTING – COUPLING HYD	2	
33	301766	HOSE – HYDRUALIC	2	
A	184667	BOLT – RHSN M12 X 1.75 X 30-8.8-AA1J		
B	184697	NUT – HEX SER FLG M12 X 1.75-8-AA1J		
C	135337	NUT – HEX FLG CTR LK M8 X 1.25-8-AA1J		
D	191489	BOLT – RHSSN TFL M8 X 1.25 X 16-8.8-AA1J		
E	184589	WASHER – FLAT 9/16 X 1.375 AA1J		
F	184669	BOLT – HEX HD M12 X 1.75 X 40-8.8-AA1J		
G	135903	BOLT – RHSN M12 X 1.75 X 25-8.8-AA1J		
H	184717	WASHER – FLAT REG M16-200HV-AA1J		
J	136431	NUT – HEX FLG CTR LOC M12 X 1.75-10		
K	197320	NUT – HEX NYLOC M4 X 0.7-8-AA1J		
L	197319	BOLT – HEX HD TFL M4 X 0.7 X 16-8.8-AA1J		
M	152655	BOLT – HEX FLG HD M10 X 1.5 X 20-8.8-AA1J		
N	135799	NUT – HEX FLG CTR LOC M10 X 1.5-10		
P	136300	BOLT – HEX FLG HD TFL M8 X 1.25 X 20-8.8-AA3L		
Q	19965	BOLT – RHSN 3/8-16 X 1-GR5-AA1J		
R	30228	NUT – FLG DT 3/8 NC-GR5-AA1J		
S	184662	BOLT – RHSN TFL M10 X 1.5 X 30-8.8-AA1J		

# 46 Reel Speed Sensors



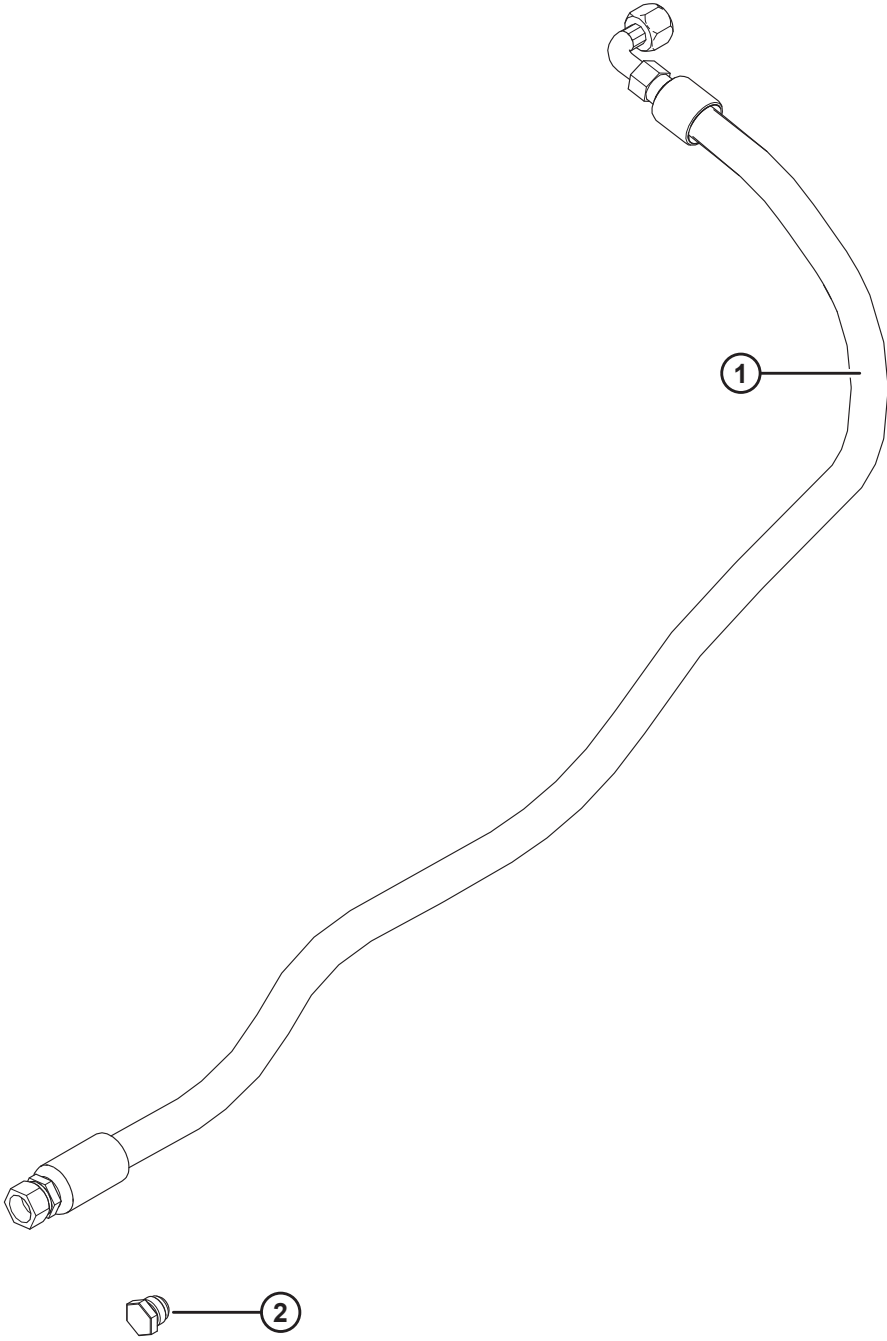
## REEL SPEED SENSORS

Ref	Part Number	Description	Qty	Serial Number
1	133716	DISC – REEL SPEED SENSOR (JD)	1	
2	184437	SENSOR – REEL SPEED AH116104 (JD)	1	
3	220571	HARNESS – WIRING, REEL SPEED SENSOR (JD)	1	
4	133781	SUPPORT – REEL SPEED SENSOR (JD)	1	
5	133886	DISC – REEL SPEED SENSOR (CLAAS )	1	
6	129459	SENSOR – REEL SPEED (CLAAS)	1	
7	220573	HARNESS – WIRING REEL SPEED SENSOR (CLAAS)	1	
8	172423	SUPPORT – REEL SPEED SENSOR (CLAAS)	1	
9	133997	DISC – REEL SPEED SENSOR (AGCO/GLEANER)	1	
10	152736	SENSOR – REEL SPEED 3 PIN (AGCO) <sup>108</sup>	1	
	184440	SENSOR – REEL SPEED 2 PIN (GLEANER)	1	
11	220572	HARNESS – WIRING REEL SPEED SENSOR (AGCO/GLEANER)	1	
12	279746	SUPPORT – REEL SPEED SENSOR (AGCO/GLEANER)	1	
13	164131	SHIELD – REEL SPEED SENSOR HARNESS	1	
14	14338	RIVET – BLIND 1/8 X .125	2	
15	16661	FASTENER – CABLE TIE <sup>109</sup>		
A	7674	NUT – HEX JAM 3/4-16 UNF GR 5 ZP		
B	21055	SCREW – SELF TAP HEX WASH HD 1/4 NC X 1/2		
C	21572	BOLT – HEX HD 1/4 NC X 0.625 LG GR 5 ZP		
D	21455	NUT – FLG (SER FACE) 1/4 NC GR 5 ZP		

108. New Gleaner S9 combines require a three-wire speed sensor (MD #152736) where previous generations used a two-wire speed sensor (MD #184440). The two-wire sensor is factory-installed as the reel speed sensor for all draper and flexdraper headers used with Gleaner combines. The Gleaner three-wire speed sensor can be used to replace the factory-installed two-wire sensor. A kit is included with each header and is located in the header instruction manual compartment. Kit includes three-wire sensor (MD #152736) and instructions.

109. Quantities: John Deere (JD) and AGCO/Gleaner = 2 / CLAAS Lexion = 1.

# 47 Double Knife Completion Package



**DOUBLE KNIFE COMPLETION PACKAGE**

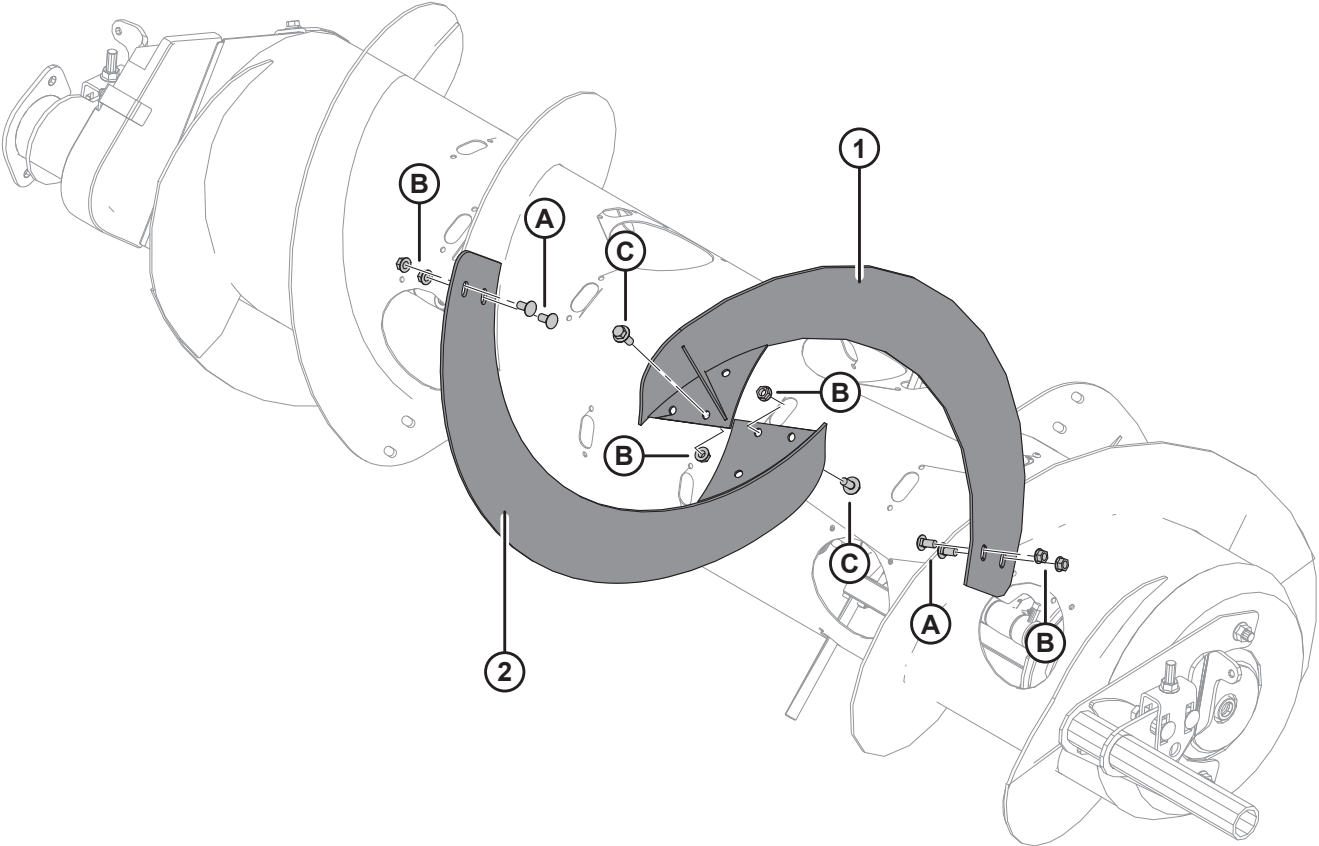
<b>Ref</b>	<b>Part Number</b>	<b>Description</b>	<b>Qty</b>	<b>Serial Number</b>
	B5682	KIT – DOUBLE KNIFE COMPLETION PACKAGE <sup>110</sup>		
1	123887	HOSE – HYD 1/2 IN. I.D. 1020 MM LG 100R17, METAL REIN.	1	
2	135374	PLUG – 1/2 IN. TUBE <sup>111</sup>	1	

---

110. Kits available through Whole Goods only.

111. Not part of kit MD #B5682. Must be ordered separately if required.

# 48 (Option) Auger Flighting Extensions





(OPTION) AUGER FLIGHTING EXTENSIONS

**NOTE:**

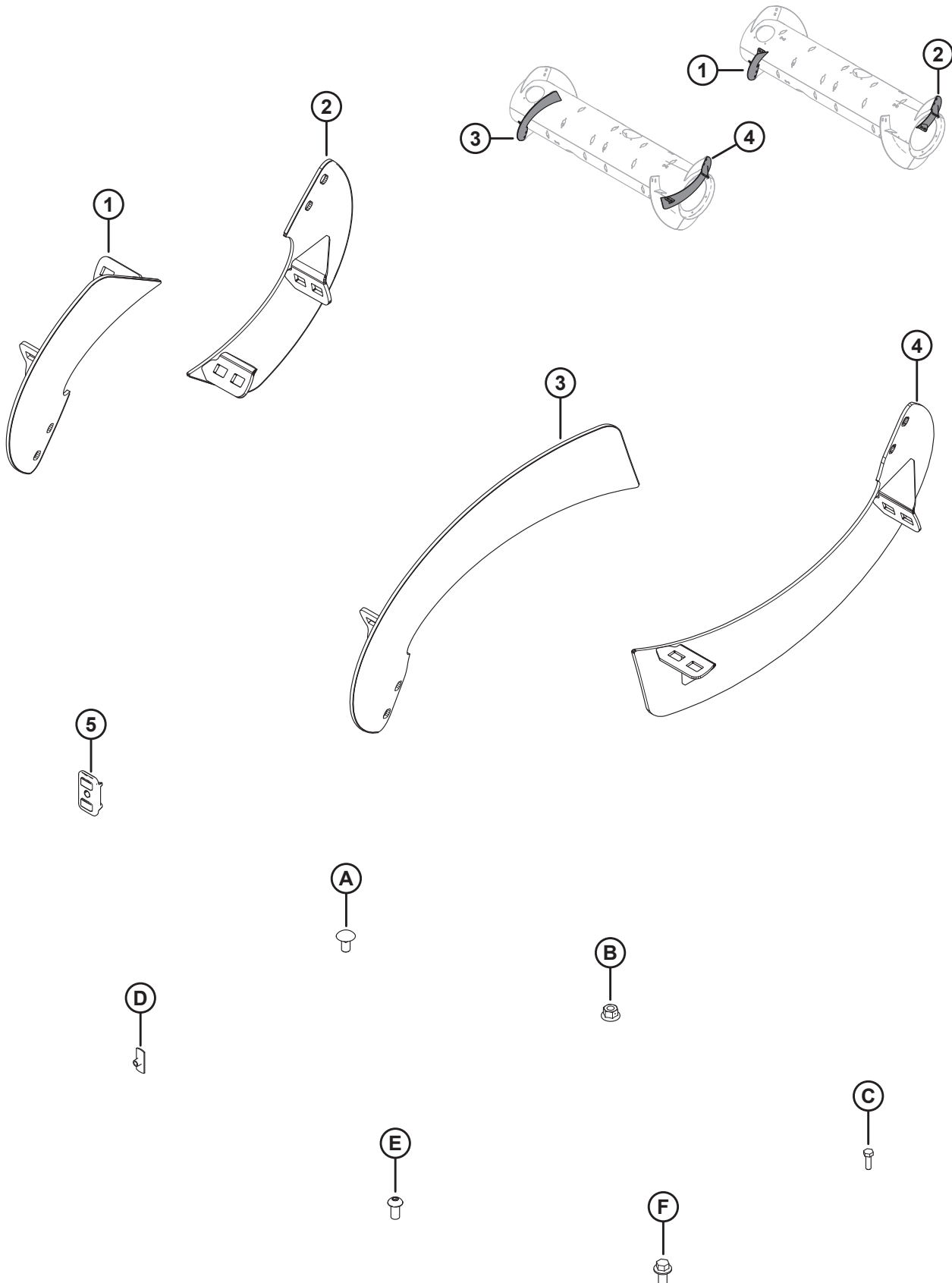
The Auger Flighting Extensions kit (MD #B6434) is for the factory-installed feed auger or the superseded feed auger kit (MD #133490). If the CA25 has been upgraded with feed auger kit (MD #335542), refer to Section 49 *(Option) Auger Flighting Kits, page 141*.

Ref	Part Number	Description	Qty	Serial Number
	<b>B6434</b>	<b>KIT – AUGER FLIGHTING EXTENSIONS</b> <sup>112</sup>		
1	<b>294077</b>	<b>FLIGHTING – EXTENSION, RH SIDE (LH HELIX)</b>	<b>1</b>	
2	<b>294076</b>	<b>FLIGHTING – EXTENSION, LH SIDE (RH HELIX)</b>	<b>1</b>	
A	21863	BOLT – RHSN 3/8 NC X 3/4 IN. GR 5		
B	30228	NUT – SMOOTH FLANGE 3/8 NC DISTORTED THREAD		
C	21447	BOLT – HEX FLANGE HEAD 3/8 NC X 1 IN. GR 5		

---

112. Kits available through Whole Goods only.

# 49 (Option) Auger Flighting Kits



(OPTION) AUGER FLIGHTING KITS

**NOTE:**

The service parts in this section can be installed only if the CA25 has been upgraded with feed auger kit (MD #335542). If ordering flighting extensions for the factory-installed feed auger or the superseded feed auger kit (MD #133490), refer to Section 48 *(Option) Auger Flighting Extensions, page 139*.

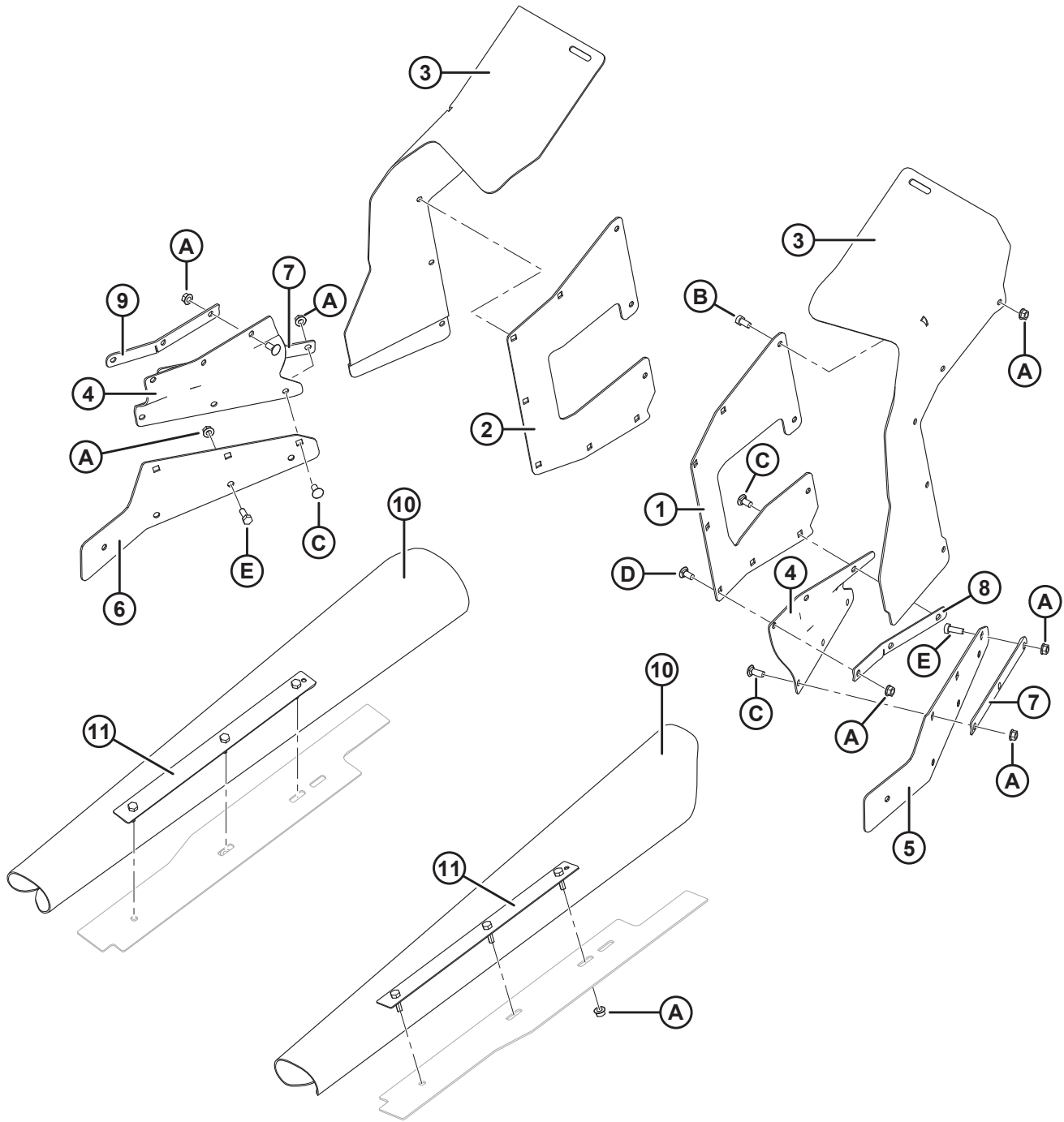
Ref	Part Number	Description	Qty	Serial Number
	B6400	KIT – RTD, WEAR RESISTANT FLIGHTING <sup>113</sup>		
	287031	KIT – RTD, MED FLIGHTING <sup>114</sup>		
	287032	KIT – RTD, LONG FLIGHTING <sup>115</sup>		
1	287887	FLIGHTING, RTD – RH, MED (HIWEAR)	1	
2	287888	FLIGHTING, RTD – LH, MED (HIWEAR)	1	
3	287890	FLIGHTING, RTD – RH, LONG (HIWEAR)	1	
4	287889	FLIGHTING, RTD – LH, LONG (HIWEAR)	1	
5	213084	PLUG – FLIGHTING SLOT	2	
A	136178	BOLT – RHSN M10 X 1.5 X 20-8.8-A3L		
B	135799	NUT – HEX FLG CTR LOC M10 X 1.5-10-A3L		
C	252703	BOLT – HEX HD TFL M6 X 1 X 20 X SPCL-12.9-AA2L		
D	197263	NUT – TEE M6 X 1		
E	135723	SCREW – HEX SOC BTN HD M10 X 1.5 X 20-10.9-A3L		
F	152655	BOLT – HEX FLG HD M10 X 1.5 X 20-8.8-A3L		

113. Kit includes Long Flighting kit (MD #287032). Kits available through Whole Goods only.

114. Kit includes wear-resistant medium flighting, two plugs (MD #213084), hardware, and instructions.

115. Kit includes wear-resistant long flighting, two plugs (MD #213084), hardware, and instructions.

# 50 (Option) European Adapter Seal Kit

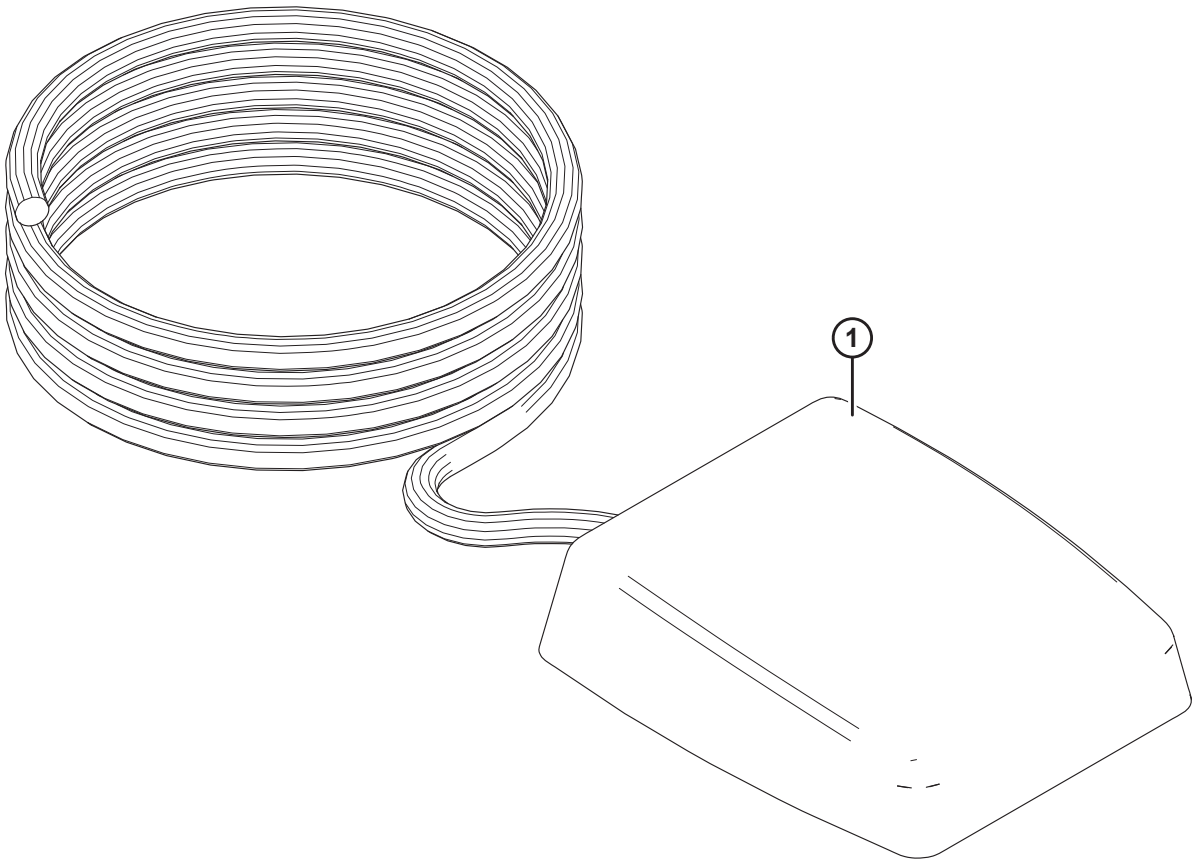


(OPTION) EUROPEAN ADAPTER SEAL KIT

Ref	Part Number	Description	Qty	Serial Number
	B5612	KIT – EUROPEAN ADAPTER SEAL <sup>116</sup>		
1	245912	PLATE – FILLER BACK UPPER (LH)	1	
2	245910	PLATE – FILLER BACK UPPER (RH)	1	
3	220201	FLAP – REAR SIDE	2	
4	220305	FLAP – RUBBER FILLER	2	
5	245891	PLATE – FILLER BACK LOWER (LH)	1	
6	245892	PLATE – FILLER BACK LOWER (RH)	1	
7	220306	BAR – FLAP RETAINER LOWER	2	
8	220307	BAR – FLAP RETAINER UPPER (LH)	1	
9	220308	BAR – FLAP RETAINER UPPER (RH)	1	
10	123721	FLAP – FILLER DECK	2	
11	220259	ASSY – SIDE FILLER BAR (INCLUDES BOLTS)	2	
A	30228	NUT – FLANGE DT SMOOTH FACE 0.375-16 UNC		
B	21567	BOLT – HEX HD .375-16 UNC X 0.75 LG		
C	21863	BOLT – RHSSN 3/8 NC X 0.75 LG GR 5 ZP		
D	100456	BOLT – RHSSN 3/8 NC X 1.0 GR 5 ZP		
E	20077	BOLT – HEX HD 3/8 NC X 1.0 LG GR 5 ZP		

116. Kits available through Whole Goods only.

# 51 (Option) Foot Switch



(OPTION) FOOT SWITCH

Ref	Part Number	Description	Qty	Serial Number
	B6212	KIT – HEADER TILT FOOT SWITCH <sup>117</sup>		
1	287537	KIT – FOOT SWITCH <sup>118</sup>	1	

---

117. Kits available through Whole Goods only.

118. Kit provides an additional way to control the selection between reel fore-aft and tilt on an AGCO (Challenger, Gleaner, or Massey Ferguson) or John Deere combine operating a MacDon CA25 Combine Adapter and Draper or FlexDraper® header. The foot switch can be used to toggle the tilt functionality ON instead of using the existing selector switch. Kit includes foot switch and instructions.





(OPTION) HILLSIDE EXTENSION

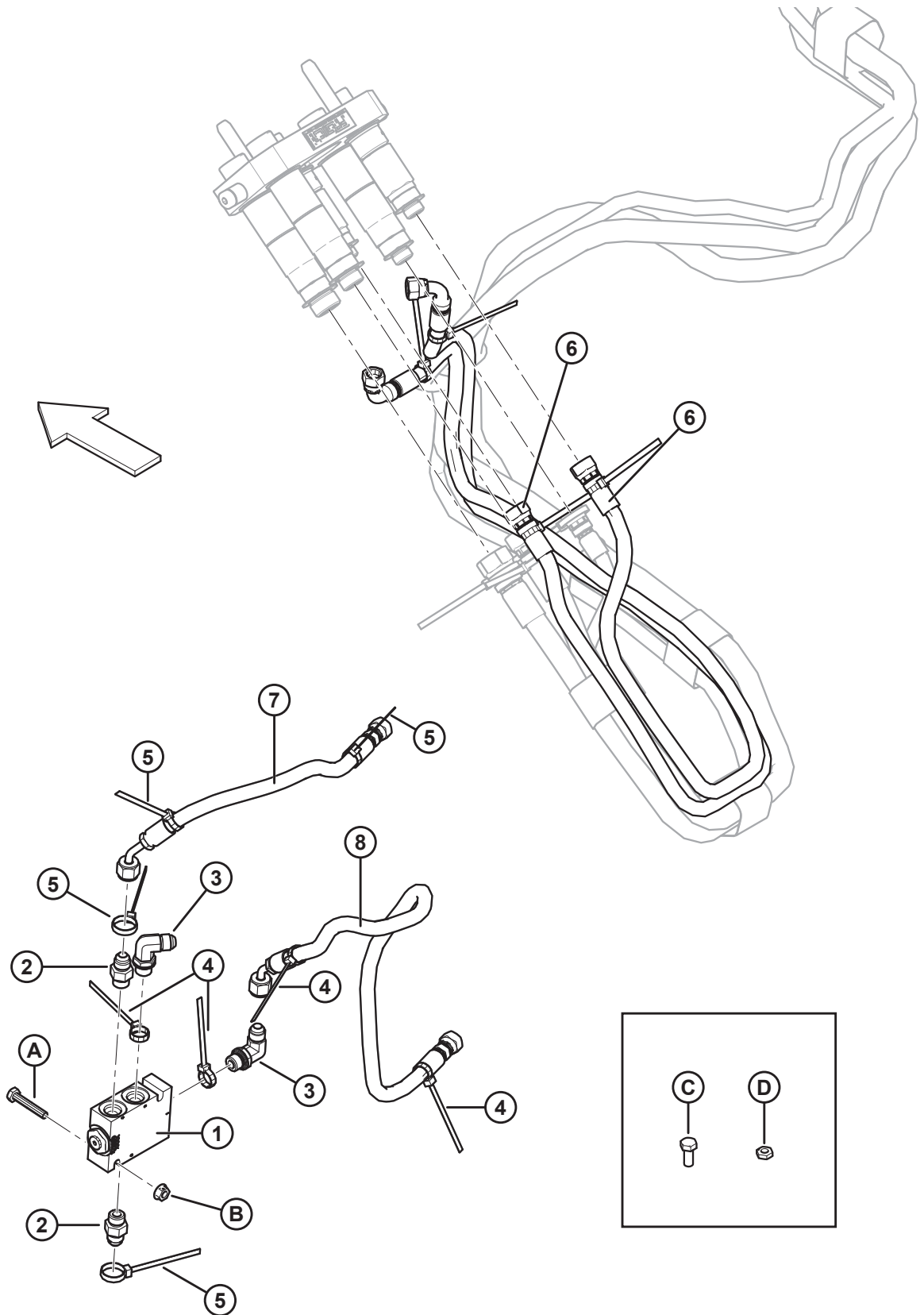
Ref	Part Number	Description	Qty	Serial Number
	B6057	KIT – HYDRAULIC RESERVOIR FILL EXTENSION <sup>119</sup>		
	<b>312824</b>	<b>KIT – HYDRAULIC RESERVOIR FILL EXTENSION <sup>120</sup></b>		
1	NSS	HYD RESERVOIR FILL EXTENSION	1	
2	NSS	GASKET	2	
A	135873	SCREW – MACH #10-32 X 0.5 IN. HEX		

---

119. Includes hydraulic reservoir fill extension (not sold separately), two gaskets (not sold separately), two decals (MD #166450), and twelve screws (MD #135873). Kits available through Whole Goods only.

120. Kit includes hydraulic reservoir fill extension (not sold separately), two gaskets (not sold separately), two decals (MD #166450), twelve screws (MD #135873), and instructions.

# 53 (Option) John Deere Adapter Fore-Aft Anti-Drift Kit



(OPTION) JOHN DEERE ADAPTER FORE-AFT ANTI-DRIFT KIT

Ref	Part Number	Description	Qty	Serial Number
	B6157	KIT – JD ADAPTER FORE/AFT ANTI-DRIFT <sup>121</sup>		
1	279163	MANIFOLD WITH CHECK VALVE <sup>122</sup>	1	
	279227	MANIFOLD	1	
	279228	CHECK VALVE	1	
2	15903	FITTING – CONNECTOR HYD	2	
3	30282	FITTING – ELBOW 90° HYD	2	
4	40702	FASTENER – CABLE TIE (RED)	4	
5	49227	FASTENER – CABLE TIE (GREEN)	4	
6	279281	HOSE – HYDRAULIC 1/4 IN. I.D. 1220 MM LG 100R17	2	
7	279282	HOSE – HYDRAULIC 1/4 IN. I.D. 355 MM LG 100R17	1	
8	279283	HOSE – HYDRAULIC 1/4 IN. I.D. 635 MM LG 100R17	1	
A	21574	BOLT – HH 1/4 NC X 1.5 LG GR 5 ZP		
B	135248	NUT – FLG DT SMTH FACE 1/4-20 UNC GR 5 ZP		
C	21558	BOLT – HEX HD 5/16 NC X 0.75 LG GR 5 ZP		
D	19243	NUT – HEX JAM 5/16-18 UNC GR 5 ZP		

121. Used to convert 2016 and prior model year combine adapters to make them compatible with 2017 and later model year John Deere combines. Includes all parts and instructions. Kits available through Whole Goods only.

122. Includes manifold (MD #279227) and check valve (MD #279228).



# Index

795 .....	16, 24	19965.....	6, 18, 42, 46, 50, 60, 80, 92, 98, 110, 114, 118, 126, 134
1709 .....	60	19966.....	6, 38, 110
2149 .....	16	20077.....	6, 14, 80, 94, 96, 110, 114, 118, 124, 144
4761 .....	18, 88	20312.....	58
5512 .....	38	21010.....	2
7642 .....	12, 20	21055.....	136
7674 .....	136	21066.....	90
9213 .....	16, 24	21087.....	46, 50
9333 .....	16, 24	21102.....	14, 62
13125.....	122	21235.....	16, 24
13617.....	132	21248.....	14
14338.....	132, 136	21264.....	6, 58
15325.....	18	21282.....	86
15903.....	108, 118, 150	21301.....	6, 16
16652.....	6	21363.....	36
16661.....	56, 82, 132, 136	21383.....	122
18523.....	18, 62	21389.....	18
18589.....	86	21425.....	36
18590.....	8, 18, 58, 62	21447.....	140
18592.....	6, 88	21449.....	122
18593.....	60	21452.....	6
18596.....	62	21455.....	136
18597.....	64, 86	21456.....	2, 18, 38
18598.....	28, 62	21469.....	18
18599.....	38, 76, 88, 90, 104, 122	21470.....	8, 10
18600.....	18, 38	21471.....	76, 86, 88, 104, 122
18601.....	60	21472.....	6, 8, 38, 80, 114, 122
18604.....	62	21478.....	14
18605.....	62	21484.....	80, 114, 118
18608.....	58	21485.....	6
18609.....	58, 62	21522.....	38
18626.....	16, 26	21526.....	126
18636.....	38, 46, 52, 86	21540.....	60
18637.....	38, 58	21558.....	150
18638.....	8, 18, 28, 38, 60, 76, 88, 90, 104, 122	21561.....	6
18639.....	38	21567.....	144
18640.....	38, 60	21572.....	136
18648.....	16, 26	21573.....	102
18652.....	80, 114, 118	21574.....	118, 150
18669.....	14	21575.....	8, 18, 60
18671.....	26, 58	21583.....	38
18689.....	60	21585.....	62
18720.....	38	21594.....	36
18723.....	18, 36, 88	21747.....	96
18724.....	64, 102	21760.....	14
18867.....	58	21763.....	2, 82, 96, 100, 116, 120, 128
18898.....	34	21801.....	44, 48
18963.....	18	21821.....	10, 38, 80, 92, 96, 110, 114, 118, 124
19243.....	150	21827.....	36
19685.....	10	21828.....	46, 48
19809.....	122	21854.....	54

## INDEX

21856.....	92, 108	40704.....	44, 48
21858.....	108	42029.....	44, 48
21859.....	4	42589.....	78, 92, 96, 108, 112, 116, 124
21863.....	2, 6, 10, 60, 64, 80, 84, 92, 96, 110, 114, 118, 122, 124, 140, 144	44209.....	44, 48, 134
21868.....	76, 84, 86, 90	44210.....	124
21880.....	18, 122	44611.....	66
21926.....	64	44623.....	46, 52
21947.....	100	49227.....	54, 78, 92, 96, 108, 112, 116, 124, 150
23165.....	66	49232.....	92, 96, 108, 116, 124
23745.....	90	49529.....	78
26846.....	34	49802.....	36, 130
27647.....	80, 114, 118	50072.....	76, 90, 104, 122
29934.....	108	50083.....	16, 24
30027.....	18	50086.....	44
30035.....	18	50103.....	108
30080.....	60	50154.....	28
30203.....	34	50155.....	28
30228.....	2, 6, 8, 10, 14, 18, 38, 42, 46, 52, 60, 64, 80, 84, 92, 96, 110, 114, 118, 122, 126, 134, 140, 144	50175.....	44
30280.....	46, 52, 60, 64, 80, 82, 98, 100, 102, 120, 126, 128	50186.....	14, 18, 76, 84, 86, 88, 90, 104, 122
30281.....	124	50219.....	118, 134
30282.....	54, 62, 118, 150	50220.....	46, 48
30284.....	108	50221.....	46, 48
30287.....	44, 48	50225.....	6, 18, 38, 62, 90
30302.....	124	50235.....	126
30316.....	66	100456.....	10, 144
30463.....	58	100500.....	58
30465.....	102	100589.....	4
30505.....	28	100590.....	4
30556.....	44	100862.....	4
30560.....	78	101898.....	8, 10, 46, 52, 80, 94, 98, 110, 114, 118, 126
30655.....	38	103351.....	80, 112, 118
30693.....	2, 62	103562.....	18
30695.....	44, 48, 92, 108, 124	103576.....	44, 48
30701.....	34	103738.....	44, 48
30702.....	34	103921.....	124
30753.....	44, 48, 100	105069.....	76
30813.....	54, 80, 92, 96, 110, 114, 118, 124	105197.....	82, 100, 102, 120, 128
30833.....	18, 122	106717.....	124
30858.....	44	108233.....	44, 48, 80, 92, 96, 110, 114, 118, 124
30942.....	62	109064.....	56, 132
30970.....	44, 50	109791.....	80, 92, 112, 118
30971.....	44, 46, 48, 50	110817.....	58
31465.....	28	111545.....	36
31774.....	60	111981.....	108, 132
32070.....	66	111982.....	108, 132
32247.....	122	111983.....	108, 132
36651.....	66	111984.....	110, 132
40095.....	40	111985.....	110, 132
40241.....	44	111986.....	110, 132
40701.....	78, 92, 96, 108, 112, 116, 124	112129.....	18
40702.....	54, 78, 92, 96, 108, 112, 116, 124, 150	112130.....	18, 28
40703.....	44, 48	113222.....	58
		114120.....	108
		114140.....	92, 108
		114141.....	92, 108

## INDEX

114142 .....	92, 108	133086 .....	66
114143 .....	92, 108	133124 .....	4
114229 .....	92	133126 .....	4
114230 .....	92	133133 .....	100
114233 .....	84	133138 .....	122
115759 .....	66	133158 .....	102
118011 .....	4	133160 .....	16
118137 .....	132	133161 .....	18
118185 .....	4	133165 .....	42, 80, 92, 96, 108, 114, 118, 124, 132
123055 .....	12	133166 .....	42, 80, 92, 96, 108, 114, 118, 124, 132
123084 .....	14, 32	133223 .....	12
123087 .....	12	133241 .....	88
123180 .....	12, 20	133242 .....	88
123202 .....	14, 18, 32	133249 .....	62
123406 .....	28	133257 .....	88
123613 .....	10	133260 .....	92, 96, 124
123614 .....	10	133261 .....	92, 108
123629 .....	2	133262 .....	88
123647 .....	10	133268 .....	78, 112, 116
123708 .....	18	133280 .....	92, 108
123721 .....	144	133288 .....	88
123887 .....	138	133344 .....	90
123935 .....	4	133345 .....	90
123936 .....	4	133367 .....	4
123978 .....	62	133372 .....	6
125145 .....	8, 58	133378 .....	44, 48
125146 .....	8, 58	133421 .....	36
125516 .....	44, 48	133439 .....	122
125590 .....	44, 48	133494 .....	16
125592 .....	44, 48	133497 .....	16
125654 .....	58	133498 .....	16
125788 .....	58	133500 .....	12
125789 .....	58	133503 .....	16
129143 .....	78, 112, 118	133504 .....	16
129148 .....	78, 112, 116	133509 .....	16
129149 .....	112, 116	133510 .....	16
129459 .....	136	133513 .....	16
129481 .....	124	133515 .....	12
129566 .....	56, 100	133519 .....	12
129772 .....	128	133521 .....	14
129773 .....	128	133532 .....	66
129800 .....	96	133533 .....	66
129801 .....	96	133537 .....	66
129961 .....	124	133561 .....	46
129962 .....	124	133631 .....	40
129963 .....	124	133632 .....	40
129965 .....	128	133634 .....	40
129976 .....	96	133637 .....	40
129977 .....	96	133640 .....	40
130246 .....	6	133641 .....	40
130283 .....	4	133672 .....	76
132607 .....	16, 24	133683 .....	128
133014 .....	58	133716 .....	136
133043 .....	54	133730 .....	108
133047 .....	60	133781 .....	132, 136

## INDEX

133783 .....	12	135995 .....	62
133877 .....	12, 20	136018 .....	82, 100, 120
133883 .....	12	136112 .....	28
133886 .....	136	136167 .....	132
133891 .....	4	136178 .....	20, 142
133892 .....	6	136291 .....	28
133900 .....	4	136300 .....	134
133942 .....	2	136399 .....	28
133946 .....	6	136431 .....	28, 134
133949 .....	12	136440 .....	28
133980 .....	76	136441 .....	28
133981 .....	76	136561 .....	28
133984 .....	86	136596 .....	60
133997 .....	136	136736 .....	28
134002 .....	58	136757 .....	28
134003 .....	58	136759 .....	20
134010 .....	100	136841 .....	28
134011 .....	100	140225 .....	66
134053 .....	100	142777 .....	40
135157 .....	10, 18, 28	151376 .....	6
135234 .....	80, 112	151470 .....	16
135238 .....	108, 132	151551 .....	8
135248 .....	2, 54, 64, 118, 150	151684 .....	130
135267 .....	82, 120	151686 .....	130
135290 .....	26	151691 .....	16, 26
135305 .....	64, 82, 100, 102, 120, 128	151792 .....	12
135337 .....	134	151793 .....	16, 24
135358 .....	36	151941 .....	104
135374 .....	138	151942 .....	104
135381 .....	38	151971 .....	6
135397 .....	96	152655 .....	134, 142
135407 .....	60	152668 .....	28
135423 .....	62	152730 .....	28
135425 .....	124	152736 .....	136
135443 .....	108	153151 .....	96
135444 .....	44, 48, 78, 92, 96, 108, 112, 116, 124	153492 .....	62, 82, 100, 102, 120, 128
135522 .....	12	153692 .....	102
135598 .....	78	153933 .....	100
135626 .....	6	153989 .....	100
135630 .....	6	153990 .....	100
135655 .....	90	156037 .....	34
135693 .....	38	156051 .....	44, 48
135694 .....	38	156116 .....	12
135723 .....	142	156212 .....	58
135727 .....	46, 48	156268 .....	128
135748 .....	38	156286 .....	6
135780 .....	134	156363 .....	6
135785 .....	22, 28	156365 .....	6
135799 .....	22, 26, 134, 142	156426 .....	12
135866 .....	134	156501 .....	58
135873 .....	2, 148	156563 .....	4
135900 .....	28	156574 .....	58
135903 .....	134	156606 .....	92, 108
135906 .....	6	156612 .....	100
135957 .....	16	156614 .....	120



## INDEX

156682 .....	2	166309 .....	72
156695 .....	2	171277 .....	40
156704 .....	4	172423 .....	136
156725 .....	78, 92, 96, 108, 112, 116, 124	172558 .....	18, 28
156741 .....	58	174131 .....	66
156742 .....	58	174436 .....	66
156743 .....	14, 20, 28, 60	174769 .....	58
156744 .....	12	174775 .....	8, 58
156745 .....	12	174816 .....	58
156747 .....	12	174927 .....	46
156749 .....	12	174928 .....	46
156750 .....	12	174929 .....	46
156758 .....	92, 96, 124	174930 .....	46
156759 .....	78, 96, 112, 116, 124	174932 .....	46
156773 .....	4	174933 .....	46
156780 .....	122	174934 .....	46
156783 .....	122	174935 .....	46
156784 .....	122	174936 .....	46
156799 .....	14, 18	174937 .....	46
156803 .....	12	174938 .....	54
156839 .....	58	174939 .....	54
156840 .....	58	174940 .....	54
156843 .....	62	174941 .....	54
156852 .....	36, 130	174942 .....	54
156853 .....	36, 130	174948 .....	66
156865 .....	12	174960 .....	66
156868 .....	8	183506 .....	24
156869 .....	12	183508 .....	26
156879 .....	12, 18	184437 .....	136
156882 .....	58	184440 .....	136
156883 .....	58	184589 .....	134
156909 .....	92	184662 .....	28, 134
156910 .....	78, 112, 116	184667 .....	134
156935 .....	92	184669 .....	134
156938 .....	78, 92	184675 .....	20
156939 .....	78, 112, 116	184695 .....	28
156940 .....	108	184696 .....	28
156948 .....	90	184697 .....	134
156967 .....	108	184699 .....	30
156969 .....	62	184705 .....	28
156970 .....	112, 116	184717 .....	134
156986 .....	106	187006 .....	90
156989 .....	106	187010 .....	44, 48
158069 .....	82, 100, 120	187018 .....	78
158253 .....	108	187030 .....	78
158326 .....	56	187031 .....	78
158377 .....	56, 132	187032 .....	78
158587 .....	96	187081 .....	12, 32
158633 .....	62, 82, 100, 102, 120, 128	187101 .....	2
158666 .....	128	187112 .....	2
158704 .....	128	187137 .....	12, 20
158722 .....	128	187142 .....	46, 50
158895 .....	38	187183 .....	78
163598 .....	78, 92, 96, 108, 112, 116, 124	187193 .....	82, 100, 120
164131 .....	132, 136	187194 .....	62

## INDEX

187203 .....	60	187697 .....	34
187229 .....	36	187698 .....	34
187252 .....	36, 130	187708 .....	62
187253 .....	36, 130	187723 .....	80, 92, 96, 108, 112, 118, 124
187390 .....	90	187730 .....	62
187391 .....	90	187732 .....	4
187415 .....	90	187815 .....	44, 48
187416 .....	90	187816 .....	44, 48
187427 .....	16, 26	187822 .....	62
187428 .....	16, 26	187898 .....	36
187466 .....	34	187900 .....	36
187475 .....	34	187918 .....	36, 130
187476 .....	34	187925 .....	36
187477 .....	34	187928 .....	10
187478 .....	34	187947 .....	6
187480 .....	34	187948 .....	6
187481 .....	34	187950 .....	48
187482 .....	34	187958 .....	44, 48
187483 .....	38	187965 .....	46, 48
187484 .....	34	187967 .....	36, 130
187485 .....	34	187988 .....	8
187486 .....	34	188467 .....	18
187487 .....	34	190866 .....	124
187492 .....	34	191489 .....	134
187494 .....	34	191757 .....	102
187495 .....	34	197154 .....	30
187496 .....	34, 130	197263 .....	14, 20, 142
187497 .....	34, 130	197319 .....	98, 100, 128, 134
187502 .....	34	197320 .....	98, 100, 128, 134
187517 .....	36	213084 .....	20, 142
187518 .....	28, 88	213110 .....	26
187520 .....	36	213112 .....	26
187523 .....	34	213420 .....	26
187524 .....	34	213546 .....	24
187525 .....	34	213552 .....	24
187550 .....	40	213554 .....	24
187551 .....	40	213605 .....	20
187553 .....	40	213608 .....	20
187596 .....	44, 48	213649 .....	24
187619 .....	16	213654 .....	24
187620 .....	12	213656 .....	20
187621 .....	62	213657 .....	20
187637 .....	62	213659 .....	24
187641 .....	62	213660 .....	20
187645 .....	62	213679 .....	24
187653 .....	62	213731 .....	26
187655 .....	62	213733 .....	26
187658 .....	62	213750 .....	24
187659 .....	62	213801 .....	24
187660 .....	62	213802 .....	24
187670 .....	82, 100, 120	213851 .....	24
187682 .....	102	213857 .....	26
187686 .....	128	213859 .....	24
187694 .....	62	220199 .....	10
187696 .....	34	220200 .....	10

## INDEX

220201 .....	144	220836 .....	70
220237 .....	4	220843 .....	46
220259 .....	144	220846 .....	46
220274 .....	44, 48	220847 .....	44
220305 .....	144	220852 .....	6
220306 .....	144	220863 .....	72
220307 .....	144	220868 .....	72
220308 .....	144	220869 .....	72
220317 .....	16, 26	220870 .....	72
220320 .....	16	220871 .....	72
220328 .....	100	220872 .....	72
220330 .....	120	220876 .....	74
220338 .....	4	220885 .....	70
220339 .....	4	220907 .....	46
220340 .....	128	220908 .....	46
220342 .....	4	220938 .....	12
220343 .....	4	220948 .....	50
220347 .....	82	220949 .....	50
220354 .....	128	220950 .....	50
220380 .....	4	220951 .....	50
220381 .....	4	220953 .....	50
220446 .....	4	220955 .....	50
220447 .....	4	220956 .....	50
220449 .....	4	220957 .....	50
220471 .....	50	220958 .....	50
220535 .....	54	220960 .....	50
220570 .....	56, 132	220961 .....	50
220571 .....	136	220963 .....	50
220572 .....	136	220964 .....	50
220573 .....	136	220965 .....	50
220656 .....	96	237316 .....	28
220657 .....	80, 112	237556 .....	30
220658 .....	78, 114	237563 .....	30
220679 .....	58	245117 .....	50
220734 .....	56	245122 .....	6
220807 .....	74	245157 .....	50
220808 .....	74	245158 .....	50
220809 .....	74	245159 .....	50
220810 .....	74	245160 .....	50
220811 .....	74	245246 .....	122
220812 .....	74	245301 .....	36
220813 .....	74	245316 .....	6
220814 .....	74	245335 .....	66
220817 .....	70	245428 .....	68
220818 .....	70	245432 .....	68
220819 .....	70	245433 .....	68
220820 .....	70	245434 .....	68
220821 .....	70	245435 .....	68
220822 .....	70	245438 .....	68
220823 .....	70	245439 .....	68
220824 .....	70	245440 .....	68
220831 .....	72	245441 .....	68
220832 .....	72	245443 .....	68
220834 .....	72	245672 .....	4
220835 .....	74	245673 .....	4

## INDEX

245675 .....	4	276859 .....	36
245749 .....	84	276863 .....	62
245750 .....	84	279011 .....	78, 112, 116
245751 .....	84	279012 .....	78, 112, 116
245752 .....	84	279013 .....	112, 116
245753 .....	44, 48	279014 .....	112, 116
245757 .....	84	279028 .....	10
245760 .....	106	279034 .....	78, 112, 116
245761 .....	106	279035 .....	78, 112, 116
245763 .....	86	279081 .....	36
245804 .....	36	279163 .....	118, 150
245805 .....	36	279227 .....	118, 150
245815 .....	86	279228 .....	118, 150
245816 .....	86	279281 .....	116, 150
245852 .....	76	279282 .....	116, 150
245891 .....	144	279283 .....	116, 150
245892 .....	144	279490 .....	50
245910 .....	144	279491 .....	50
245912 .....	144	279493 .....	90
245966 .....	16	279652 .....	16
245978 .....	66	279670 .....	4
248096 .....	20	279671 .....	4
248117 .....	20	279689 .....	36
248144 .....	26	279691 .....	16
248145 .....	20	279718 .....	112, 116
248245 .....	46	279737 .....	78
248285 .....	24	279746 .....	136
248388 .....	26	279753 .....	56
248466 .....	18	279835 .....	50
248469 .....	6	279841 .....	124
248538 .....	20	279842 .....	124
248850 .....	36	279890 .....	26
252187 .....	28	287031 .....	142
252188 .....	28	287032 .....	142
252259 .....	18	287451 .....	50
252288 .....	28	287537 .....	146
252559 .....	92	287887 .....	20, 142
252638 .....	28	287888 .....	20, 142
252639 .....	28	287889 .....	142
252691 .....	26	287890 .....	142
252701 .....	26	287914 .....	34
252703 .....	14, 20, 142	294041 .....	112, 116
252785 .....	18	294047 .....	12
252993 .....	90	294051 .....	106
274276 .....	12	294066 .....	118
276118 .....	26	294076 .....	140
276140 .....	24	294077 .....	140
276141 .....	24	294083 .....	74
276180 .....	26	294084 .....	74
276183 .....	26	294085 .....	70
276206 .....	24	294086 .....	70
276281 .....	62	294087 .....	72
276298 .....	62	294088 .....	72
276381 .....	62	294089 .....	68
276839 .....	20	294090 .....	68



## INDEX

B6212.....	146
B6400.....	142
B6434.....	140
B6513.....	122, 124, 128
B6564.....	90, 96, 100
B6565.....	90, 96, 100
B6568.....	132



# MacDon®

CUSTOMERS  
**MacDon.com**

DEALERS  
**Portal.MacDon.com**

Trademarks of products are the marks of their  
respective manufacturers and/or distributors.

Printed in Canada