

# **CA20 Combine Adapter**

Parts Catalog

169011 Revision F

Original Instruction

CA20 Combine Adapter



Published in April, 2014

## Model CA20 Combine Adapter PARTS CATALOG

<b><u>CONTENTS</u></b>	<b><u>PAGE</u></b>
Alphabetical Index .....	2
Abbreviations / Serial Number Breaks .....	3
<b><u>Base Adapter</u></b>	
Frame and Components .....	4
Feed Deck – 2011 and Prior .....	6
Feed Deck – 2012 and Later .....	10
Transition Pan Poly Kit .....	14
Auger and Components .....	16
Drives – Model Year 2011 and Prior (Manufactured Gear Box) .....	20
Drives – Model Year 2012 and Newer (Weasler Gear Box) .....	24
Input Driveline .....	28
Hydraulics .....	32
Float Linkage and Components .....	38
Mechanical Center Link with Float Indicator .....	42
Hydraulic Center Link with Float and Tilt Indicators .....	46
Auto Header Height: Sensors, Linkage, and Harnesses (Attachment) .....	50
Hydraulic Selector Valve Kit (Attachment) – Header Tilt / Reel Fore-Aft .....	52
Knife Reverser Kit .....	56
Decals .....	58
<b><u>Attachments</u></b>	
Auger Flighting Extensions .....	60
Stripper Bars .....	60
European CA20 Transition Filler Kit .....	62
<b>COMBINE–SPECIFIC COMPLETION COMPONENTS:</b>	
<b><u>Case &amp; New Holland Combines</u></b>	
Case 20 Series – Adapter Completion Components .....	64
Case 20 Series – Hydraulic/Electrical Completion Components .....	66
Case IH & New Holland CR/CX – Adapter Completion Components .....	68
Case IH & New Holland CR/CX – Hydraulic/Electrical Completion Components .....	70
<b><u>John Deere Combines</u></b>	
John Deere – Adapter Completion Components .....	72
John Deere 50 Series – Hydraulic/Electrical Completion Components .....	74
John Deere 60 Series – Hydraulic/Electrical Completion Components .....	76
<b><u>Lexion Combines</u></b>	
Lexion – Adapter Completion Components .....	78
Lexion 400 Series – Hydraulic/Electrical Completion Components .....	80
Lexion 500 Series – Hydraulic/Electrical Completion Components .....	84
<b><u>AGCO Combines</u></b>	
AGCO – Adapter Completion Components .....	86
AGCO – Hydraulic/Electrical Completion Components .....	88
<b>NUMERICAL LIST .....</b>	<b>90</b>
<b>SUGGESTED STOCKING LIST .....</b>	<b>96</b>

## ALPHABETICAL INDEX

<b>A</b>		<b>H</b>	
Adapter Completion Components		Hydraulic/Electrical Completion Components	
AGCO Combines .....	86	AGCO Combines .....	88
Case IH & New Holland Combines .....	68	Case IH and New Holland Combines .....	70
Case 20 Series Combines .....	64	Case 20 Series Combines .....	66
John Deere Combines .....	72	John Deere 50 Series Combines .....	74
Lexion Combines .....	78	John Deere 60 Series Combines .....	76
Auger and Components .....	16	Lexion Combines – 400 Series .....	80
Auger Flighting Extensions (Attachment) .....	60	Lexion Combines – 500 Series .....	84
Auto Header Height.....	50	Hydraulics.....	32
		Hydraulic Selector Valve .....	52
<b>C</b>		<b>K</b>	
Center Link		Knife Reverser Kit .....	56
Hydraulic .....	46		
Mechanical .....	42	<b>P</b>	
<b>D</b>		Poly Kit – Transition Pan .....	14
Decals .....	58	<b>S</b>	
Driveline, Input .....	28	Stripper Bars (Attachment).....	60
Drives, 2011 and Prior.....	20	<b>T</b>	
Drives, 2012 and Newer.....	24	Tilt Indicator.....	46
<b>F</b>		Transition Filler Kit (European CA20) .....	62
Feed Deck – 2011 and Prior .....	6	Transition Pan .....	14
Feed Deck – 2012 and Later .....	10		
Frame and Components.....	4		
Float Indicator.....	42		
Float Linkage and Components .....	38		

## ABBREVIATIONS

A/R – as required (quantity varies)  
 C/W – complete with  
 CCW – counterclockwise  
 CW – clockwise  
 CSK – countersink  
 DK – double knife  
 DT – distorted thread  
 FLG – flange  
 MFA – manual fore-aft  
 N.A. – North America  
 I.D. – inside diameter  
 LH – left hand (determined from Operator's position, facing forward.)  
 HFA – hydraulic fore-aft  
 NC – national coarse thread  
 NF – national fine thread  
 NSS – not serviced separately  
 O.D. – outside diameter  
 OPT – optional  
 PT – pull-type (mower conditioner)  
 REF – reference, part number called up elsewhere in catalog  
 RH – right hand  
 RHSN – round head, square neck or square neck carriage bolt  
 RHSSN – round head, short, square neck  
 SMV – slow moving vehicle  
 SK – single knife  
 SP – self-propelled (windrower) header  
 SPI – serrations per inch (knife sections)  
 UDK – untimed double knife

**NOTE:** Common hardware is not illustrated. Alphabetic references are used to designate position and description of these items. When ordering, be sure the complete and proper serial number is given.

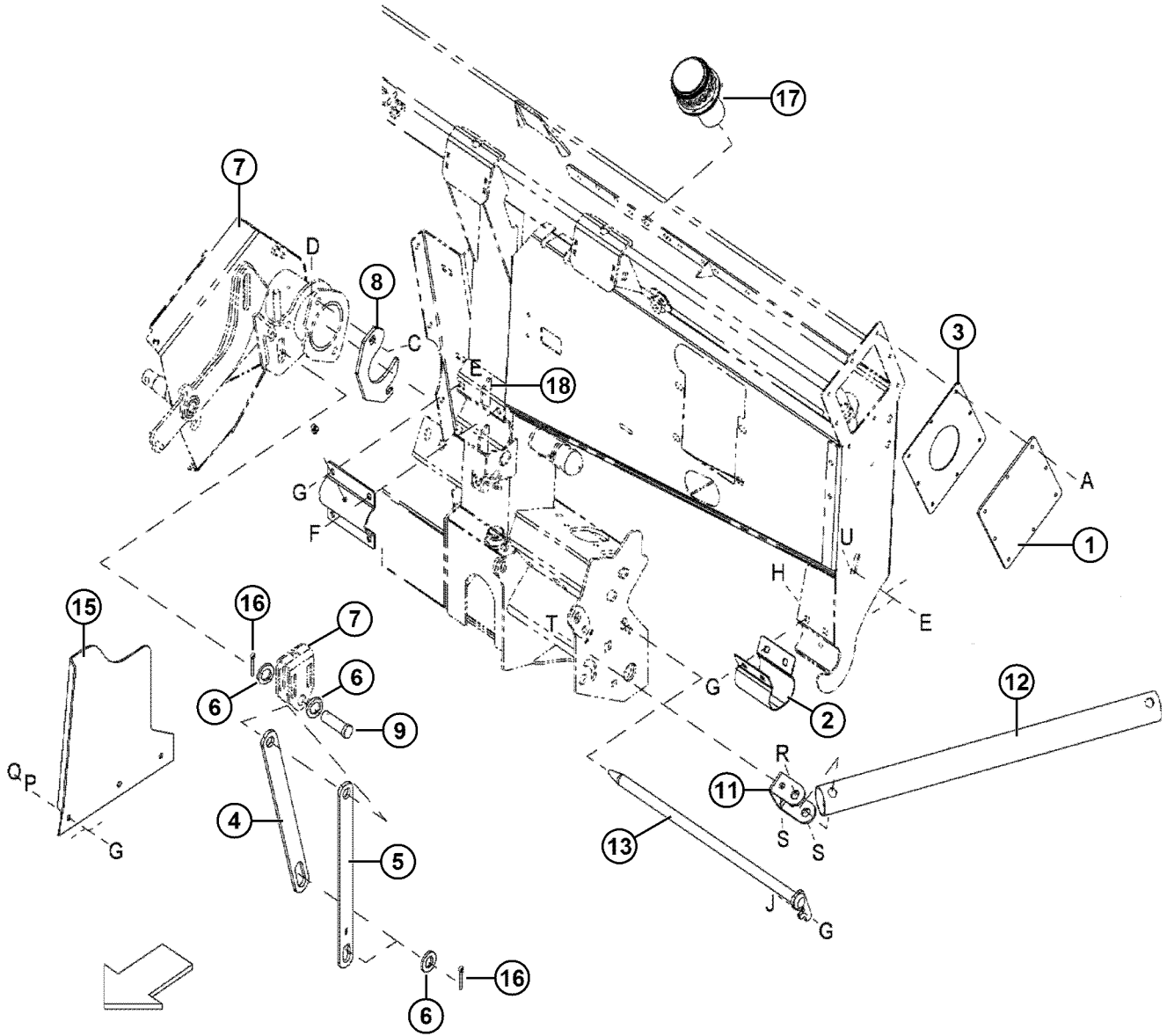
## SERIAL NUMBER BREAKS

The side of the serial number on which the dash (–) appears determines whether the part is used "up to" or "after" the serial number given.

Example:	–162249	Used on machines up to and including serial number 166249.
	166250–	Used on machines including and after serial number 166250.

<b>BOLDED PART NUMBERS INDICATE REVISIONS OR ADDITIONS SINCE LAST PRODUCTION YEAR.</b>
--

# FRAME AND COMPONENTS

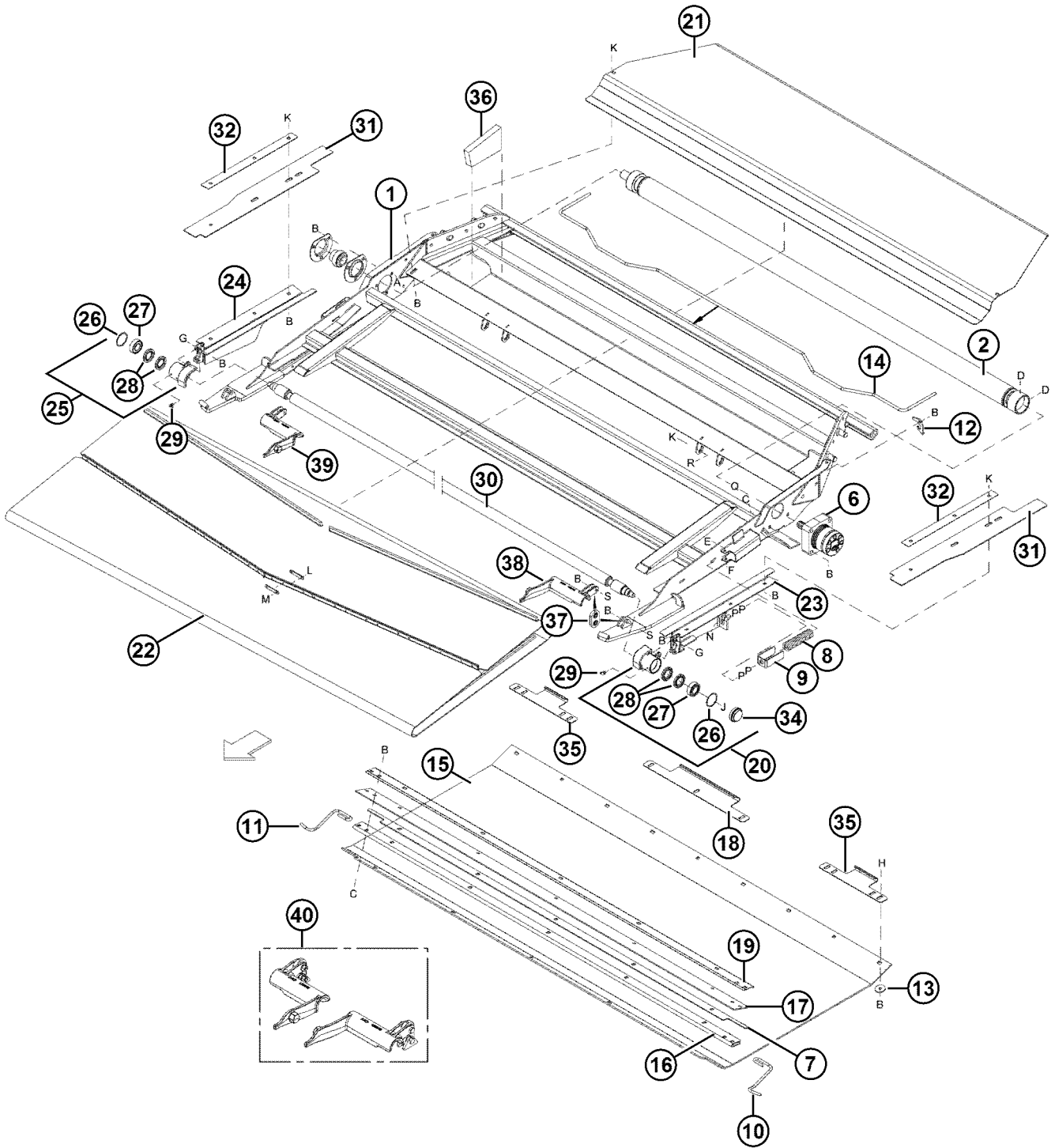


## FRAME AND COMPONENTS

REF	PART NUMBER	DESCRIPTION	QTY.	SERIAL NUMBER
1	151411	COVER – frame, LH and RH .....	2	-179759
	187101	COVER – frame, LH and RH .....	2	179760-
2	156703	CLAMP .....	1	
3	133460	GASKET – end cap .....	2	-179759
	187112	GASKET – end cap .....	2	179760-
4	133160	BAR – auger support, rear link .....	2	
5	133161	BAR – auger support, front link .....	2	
6	112130	WASHER – hardened .....	8	
7	REF	COVER <sup>1</sup>		
8	151470	CLAMP – plate .....	1	
9	18626	PIN – clevis, 19 mm dia. X 46 mm effective length .....	2	
10	123629	CLAMP – auger pivot, includes lube fitting (item #14) .....	2	
11	187520	ANCHOR – strut .....	1	
12	156237	TUBE – strut .....	1	-216499
	187898	TUBE – strut .....	1	216500-
13	187947	PIN .....	2	
14	21010	FITTING – lube 90°, 1/4 in. NF .....	4	
15	151971	DEFLECTOR – poly, LH .....	1	
	151376	DEFLECTOR – poly, RH .....	1	
16	18648	PIN – cotter .....	6	
17	156906	PLUG – filler, oil reservoir .....	1	-174609
	133942	CAP –oil filler .....	1	174610-
18	156682	BRACKET – auger pivot (part of frame weldment) .....	1	
A	30693	BOLT – serrated flange, 3/8 NC x 1/2 in., gr. 5		
C	21471	BOLT – round head, square neck, 1/2 NC x 1-1/4 in., gr. 5		
D	50186	NUT – lock smooth flange, 1/2 N. distorted thread		
E	21863	BOLT – round head, square neck, 3/8 NC x 3/4 in., gr. 5		
F	21821	BOLT – hex head, serrated flange, 3/8 NC x 3/4 in., gr. 5		
G	30228	NUT – smooth flange, 3/8 NC, distorted thread		
H	19966	BOLT – round head, square neck, 3/8 NC x 1-1/4 in., gr. 5		
J	21472	BOLT – round head, square neck, 3/8 NC x 1 in., gr. 5		
P	18598	WASHER – flat, 13/32 I.D. x 13/16 in. O.D.		
Q	20077	BOLT – hex head, 3/8 NC x 1.0 in., gr. 5		
R	21583	BOLT – hex head, 5/8 NC x 3 in., gr. 5		
S	50225	NUT – smooth flange, 5/8 NC		
T	117015	BOLT – round head, square neck, 5/8 NC x 1 in., gr. 5		
U	21066	BOLT – round head, square neck, 1/2 NC x 1 in., gr. 5		

1. Refer to Auger and Components, page 16

# FEED DECK – 2011 AND PRIOR



1008182



## FEED DECK – 2011 AND PRIOR

REF	PART NUMBER	DESCRIPTION	QTY.	SERIAL NUMBER
	<b>220505</b>	<b>DECK ASSEMBLY – complete</b>		
1	<b>220506</b>	<b>DECK – feed, carrier <sup>2</sup></b> .....	1	
2	133988	ROLLER – drive, vulcanized .....	1	-174609
	133891	ROLLER – drive, vulcanized .....	1	174610–
3	100589	FLANGE – cropped, inner .....	1	
4	21859	BEARING – 1-3/16 in. bore .....	1	
5	100590	FLANGE – cropped, outer, c/w lube fitting .....	1	
6	151981	MOTOR – draper drive, c/w key .....	1	-174609
	133615	MOTOR – draper drive, c/w splined shaft .....	1	174610–
	37181	SEAL KIT – for draper drive motor 151981 & 133615 .....	1	
	2149	KEY – for draper drive motor 151981 .....	1	
7	133130	BAR – feed deck cover .....	1	
8	43521	SPRING – compression, draper tension .....	2	-174609
	133946	SPRING – compression, draper tension .....	2	174610–
9	130246	RETAINER – spring .....	2	
10	156704	ROD – hinge, LH .....	1	
11	133367	ROD – hinge, RH .....	1	
12	156365	LATCH – feed deck door .....	1	
13	16652	WASHER – flat .....	9	
14	156363	HANDLE – deck .....	1	
15	156383	PAN – poly .....	1	
16	156563	CHANNEL – front, feed deck cover .....	1	
17	156773	SEAL – rubber .....	1	
18	133900	HOOK – rear, center section <sup>3</sup> .....	1	
19	156361	STRAP – front .....	1	
20	133126	HOUSING ASSEMBLY – LH (includes items #26, 27, 28) .....	1	
21	187945	PAN – feed deck .....	1	
22	133131	DRAPER – feed deck .....	1	
23	187913	IDLER ARM – left hand .....	1	
24	187914	IDLER ARM – right hand .....	1	
25	133124	HOUSING ASSEMBLY – RH (includes items #26, 27, 28) .....	1	
26	118011	RING – retaining, internal .....	2	
27	118185	BEARING – ball .....	2	
28	100862	SEAL – oil .....	4	
29	21010	FITTING – lube, 90°, 1/4 in. nf .....	2	
30	156286	SHAFT – idler roller .....	1	

2. – For units with serial #174609 and below: if feed deck (item #1) requires replacement order complete deck assembly (220505) plus two pins 187947 (item #13) and six bolts 20077 (item Q). Refer to Frame and components, page 4.

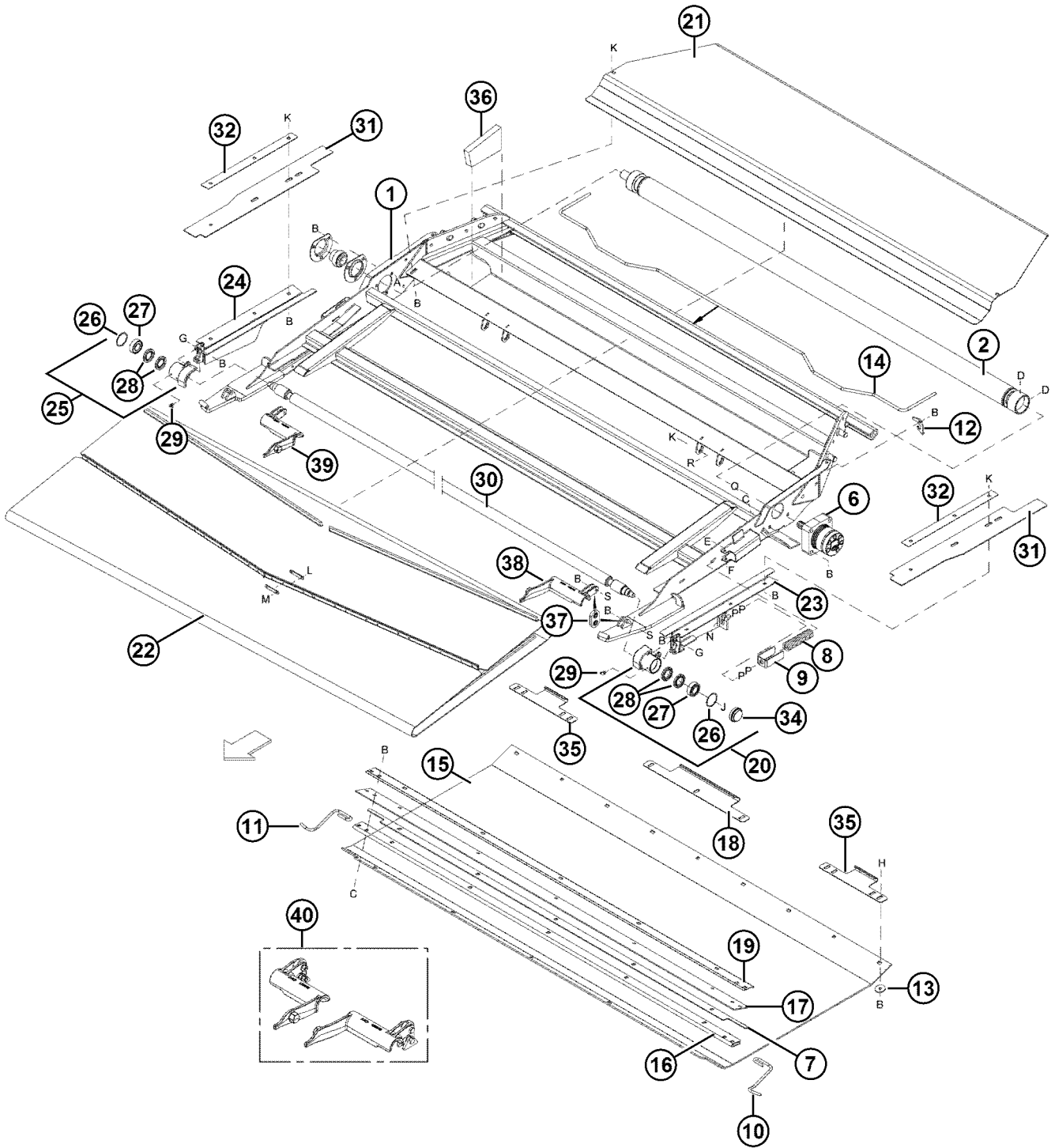
– For units with serial #174610 to 207009: if feed deck (item #1) requires replacement order complete deck assembly (item #1), pan (item #21), plus two pins 187947 (item #13) and six bolts 20077 (item Q). Refer to Frame and Components, page 4.

– For further information, see Service Bulletin SB1051.

– For 2011 and prior, kit 123719 is required when ordering 220506 (kit includes 220505).

3. For units with serial number 174609 and below, when replacing one-piece hook, order one of 133900 (item #18).and two of 133899 (item #35).

# FEED DECK – 2011 AND PRIOR



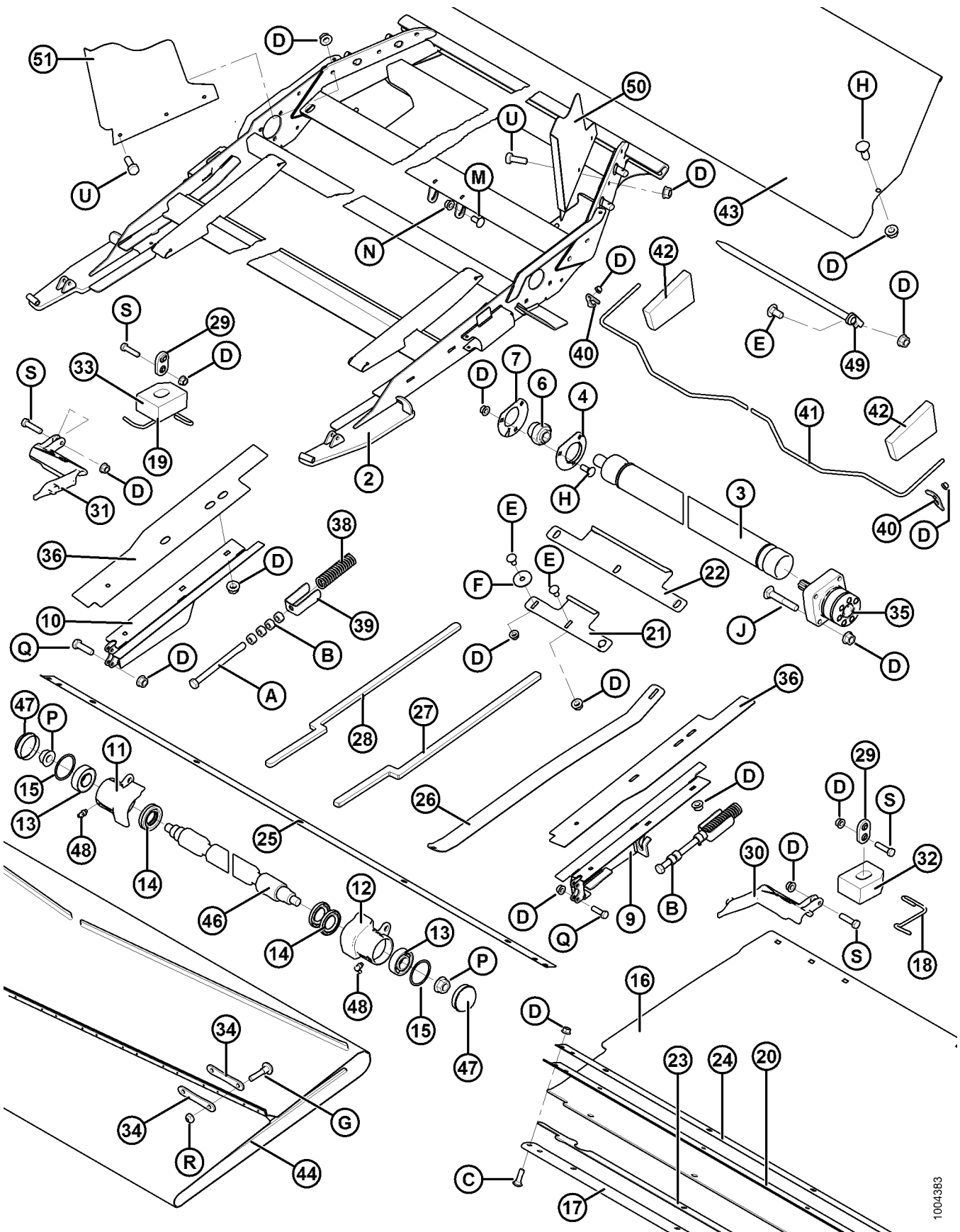
1008182

## FEED DECK – 2011 AND PRIOR

REF	PART NUMBER	DESCRIPTION	QTY.	SERIAL NUMBER
31	187948	SEAL – feed draper poly .....	2	
32	156526	RETAINER – side .....	2	-216499
	187949	RETAINER – side .....	2	216500-
33	130283	CONNECTOR – draper .....	28	
34	133372	CAP – dust .....	2	
35	133899	HOOK – rear, outside section <sup>3</sup> .....	2	
36	133892	PLUG – foam .....	2	
37	187732	LINK – hook assembly .....	2	
38	123935	SUPPORT – adapter link LH .....	1	
39	123936	SUPPORT – adapter link RH .....	1	
40	123719	KIT – feed deck front link upgrade <sup>4</sup> .....	AR	-216499
A	19965	BOLT – round head, square neck, 3/8 NC x 1 in., gr. 5		
B	30228	NUT – flange, smooth face, 3/8 NC distorted thread		
C	19966	BOLT – round head, square neck, 3/8 NC x 1 1/4 in., gr. 5		
D	132451	SCREW – set, hex socket head, 3/8 NC x 3/8 in. ....		-174609
E	21558	BOLT – hex head, 5/16 NC x 3/4 in., gr. 5		
F	18690	NUT – lock, 5/16 NC, distorted thread		
G	21264	BOLT – hex head, 3/8 NC x 1 1/4 in., gr. 5		
H	21472	BOLT – round head, square neck, 3/8 NC x 3/4 in., gr. 5		
J	50225	NUT – flange, smooth face, 5/8 NC distorted thread		
K	21863	BOLT – round head, short sq. neck, 3/8 NC x 3/4 in., gr. 5		
L	135630	SCREW – bhrn #12-24 nc x 0.920 in. lg (qty 50)		
M	135626	NUT – csk center lock #12-24 nc (qty 50)		
N	135906	BOLT – hex head, 5/8 NC x 7 1/2 in. TFL, gr. 5		
P	18592	NUT – hex, 5/8 NC, gr. 5		
Q	21485	BOLT – round head, short sq. neck, 3/8 NC x 2 1/4 in., gr. 5		
R	21452	NUT – flange, serrated face, 3/8 NC		
S	21561	BOLT – hex head, 3/8 NC x 1 1/2 in., gr. 5		

4. Includes items #37 (2), 38, 39, hardware S & B (4 each) plus weld-on lugs, locating templates and instructions. Replacement for 133442 and 133444.

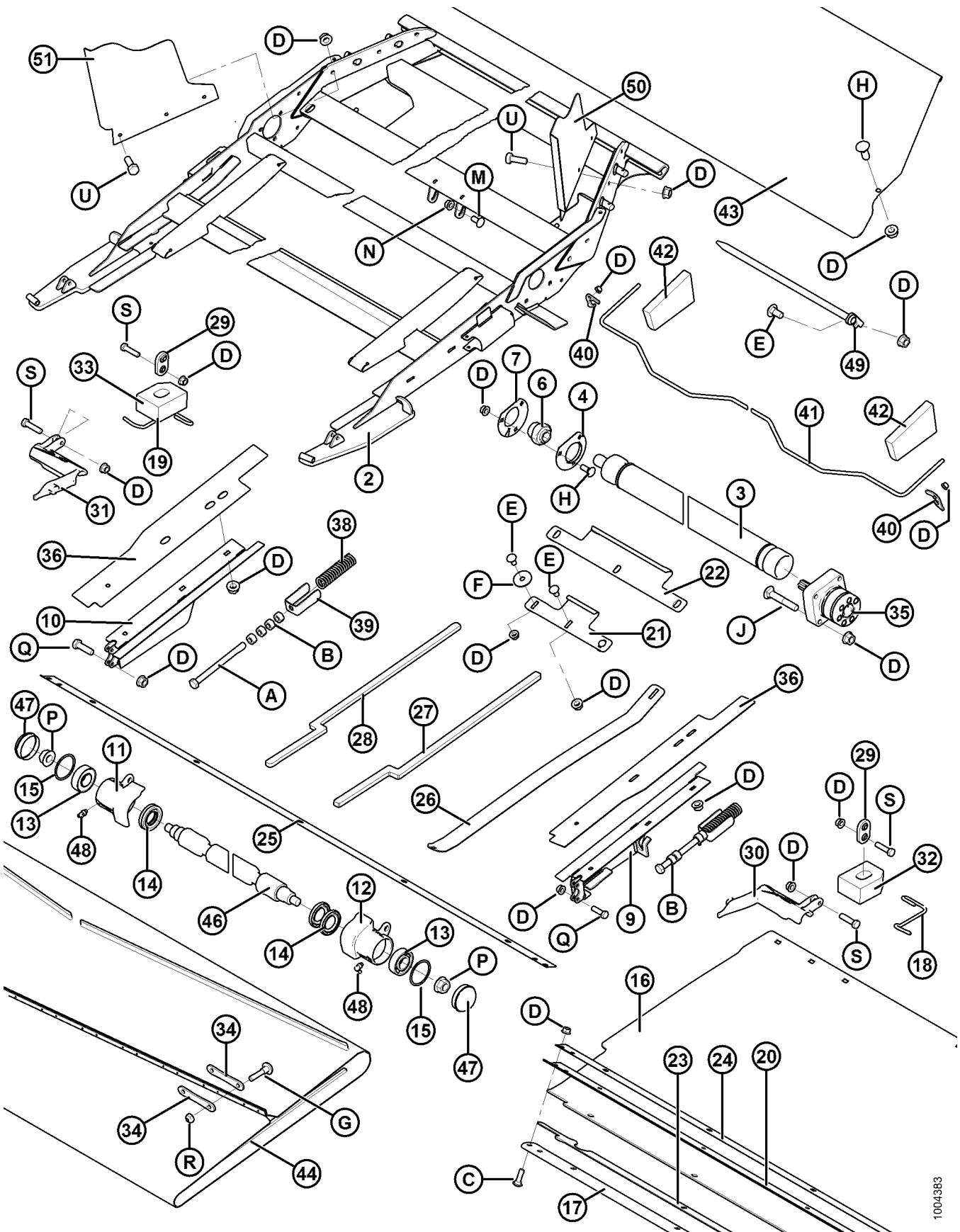
FEED DECK – 2012 AND LATER



## FEED DECK – 2012 AND LATER

REF	PART NUMBER	DESCRIPTION	QTY.	SERIAL NUMBER
1	220505	ASSY – adapter feed deck, complete .....	1	
2	220506	CARRIER – feed deck weldment .....	1	
3	133891	ROLLER – drive (coated) .....	1	
4	100589	FLANGE – cropped .....	1	
5	49306	FLANGE – not cropped, (not shown) .....	1	
6	21859	BEARING – sph od ext inner race 1 3/16 bore .....	1	
7	100590	FLANGE – cropped .....	1	
8	30661	FLANGE – not cropped, (not shown) .....	1	
9	187913	ARM – weldt-idler LH .....	1	
10	187914	ARM – weldt-idler RH .....	1	
11	133124	HOUSING ASSY – idler cup RH .....	1	
12	133126	HOUSING ASSY – idler cup LH.....	1	
13	118185	BEARING – ball cyl, 52 mm o.d., 25 mm i.d. ....	2	
14	100862	SEAL – oil .....	4	
15	118011	RING – retaining internal .....	2	
16	220446	PAN – poly .....	1	
17	156563	BAR .....	1	
18	156704	ROD – hinge LH.....	1	
19	133367	ROD – hinge RH .....	1	
20	156773	SEAL .....	1	
21	220447	HOOK – rear .....	2	
22	133900	HOOK – rear, center .....	1	
23	220449	BAR – poly pan front .....	1	
24	220380	STRAP – front .....	1	
25	220381	STRAP – front lower .....	1	
26	220237	SUPPT – poly pan lifter .....	3	
27	220339	BLOCK – foam deck LH .....		
28	220342	BLOCK – foam deck RH .....	1	
29	187732	LINK – hook assy .....	2	
30	123935	SUPPORT – adapter link machined LH .....	1	
31	123936	SUPPORT – adapter link machined RH .....	1	
32	220338	BLOCK – foam skid LH .....	1	
33	220343	BLOCK – foam skid RH .....	1	
34	130283	STRAP – draper conn .....	28	
35	133615	MOTOR – hyd (4.0) cid spline shaft .....	1	
36	187948	SEAL – feed draper, poly .....	2	
38	133946	SPRING – compression .....	2	
39	130246	RETAINER – spring .....	2	
40	156365	LATCH .....	2	
41	156363	HANDLE .....	1	
42	133892	PLUG .....	2	
43	187945	PAN .....	1	
44	133131	DRAPER – 1994 (78.5 in.) wide x 1712 long .....	1	
46	156286	SHAFT – idler roller .....	1	
47	133372	CAP – dust .....	2	
48	21301	FITTING – lubrication .....	2	
49	187947	PIN – weldt .....	2	
50	151971	DELFECTOR – poly, LH .....	1	
51	151376	DELFECTOR – poly, RH .....	1	

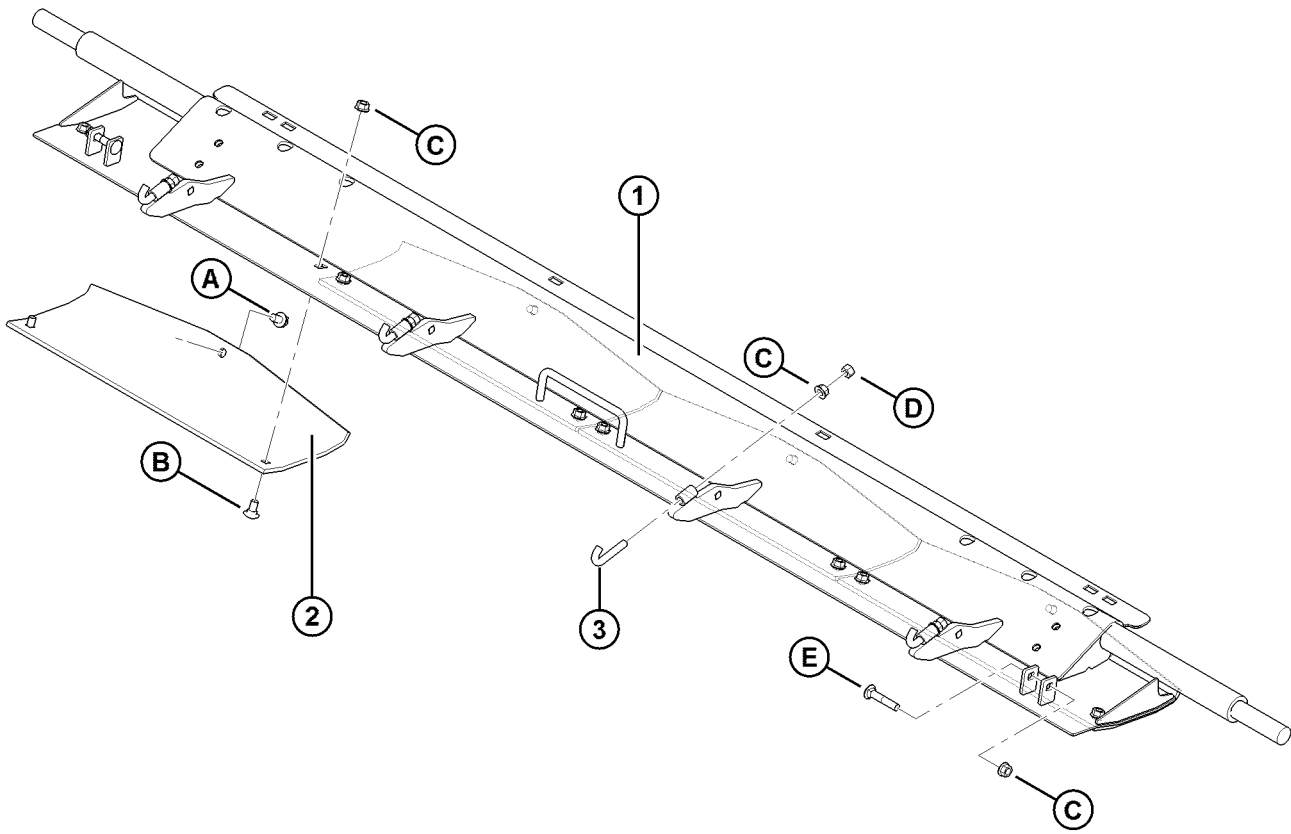
FEED DECK – 2012 AND LATER



## FEED DECK – 2012 AND LATER

REF	PART NUMBER	DESCRIPTION	QTY.	SERIAL NUMBER
A	135906	BOLT– hh 5/8 nc x 7.5 lg tfl gr 5 zp		
B	18592	NUT – hex 5/8-11 unc gr 5 zp		
C	19966	BOLT – rnsn 3/8 nc x 1.25 lg gr 5 zp		
D	30228	NUT – flange dt smooth face 0.375-16unc		
E	21472	BOLT – rnsn 3/8 nc x 0.75 gr 5 zp		
F	16652	WASHER – flat		
G	135630	SCREW – bhrn #12-24 nc x 0.920 in. lg (qty 50)		
H	19965	BOLT – rnsn 3/8 nc x 1.0 gr 5 zp		
J	21485	BOLT – rnsn 3/8 nc x 2.25 lg gr 5 zp		
M	21863	BOLT – rhssn 3/8 nc x 0.75 lg gr 5 zp		
N	21452	NUT – flange (serr. face) .375-16unc		
P	50225	NUT – flange dt smooth face 0.625-11 unc		
Q	21264	BOLT – hh 3/8 nc x 1.25 lg gr 5 zp		
R	136626	NUT – csk center lock #12– 24 nc (qty 50)		
S	21561	BOLT – hh 3/8 nc x 1.5 lg gr 5 zp		
U	20077	BOLT – hex hd 3/8 nc x 1.0 lg gr 5 zp		

# TRANSITION PAN POLY KIT



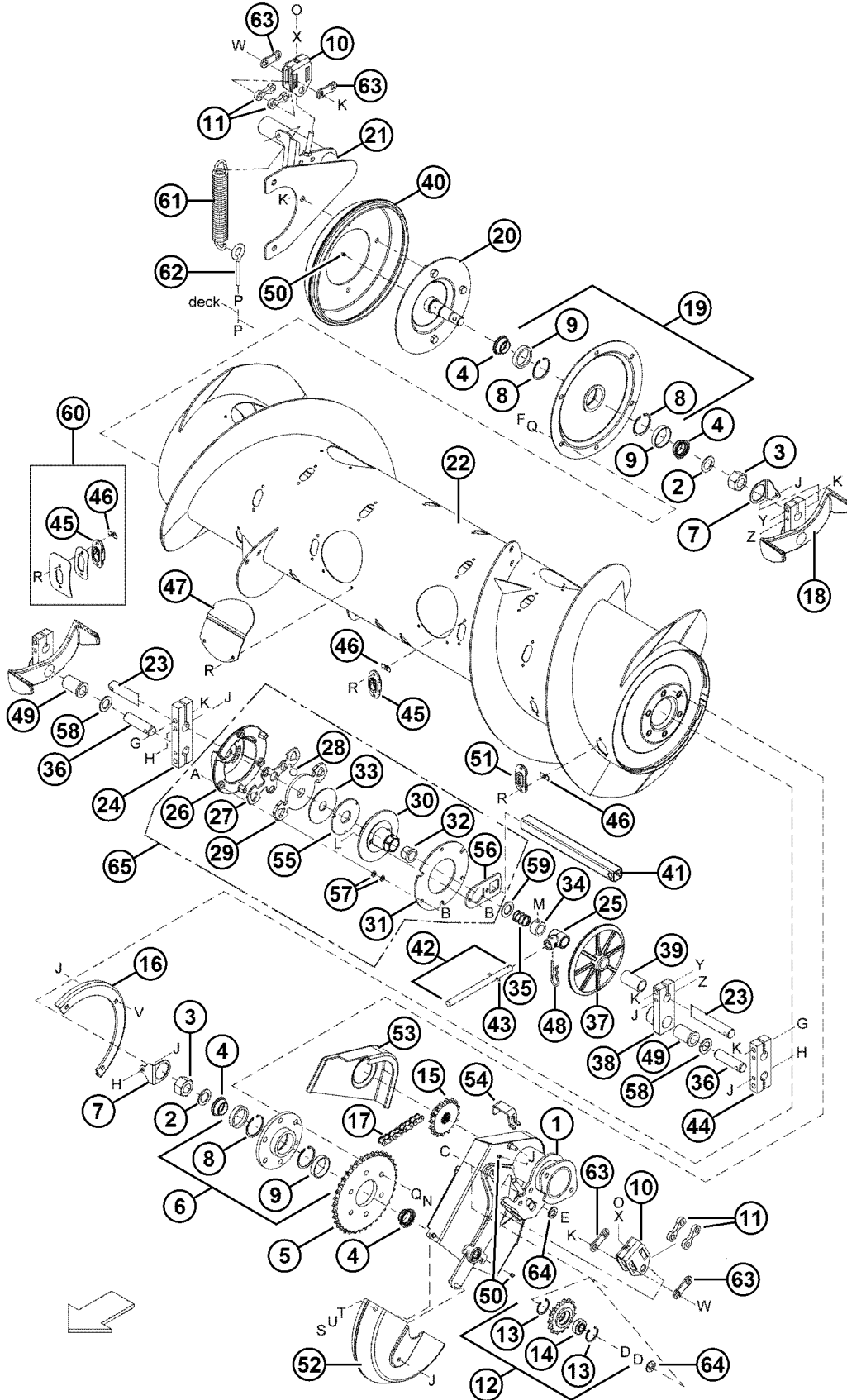


## TRANSITION PAN POLY KIT

REF	PART NUMBER	DESCRIPTION	QTY.	SERIAL NUMBER
	B4828	KIT – transition pan poly (includes item #2 (4) and hardware A, D & E) <sup>5</sup>		
1	187988	PAN – transition, D-Series Headers only .....	1	
2	151551	SHOE – poly skid, transition pan .....	4	
3	156868	BOLT – special J-bolt, D-Series Headers only .....	4	
A	101898	SCREW – hex washer head, 3/8 NC x 5/8 in., self tapping		
B	21472	BOLT – round head, square neck, 3/8 NC x 3/4 in., gr. 5		
C	30228	NUT – smooth flange, 3/8 NC, distorted thread		
D	18590	NUT – hex, 3/8 NC		
E	21470	BOLT – round head, square neck, 3/8 NC x 2 in., gr. 5		

5. Kits available through Whole Goods only.

# AUGER AND COMPONENTS

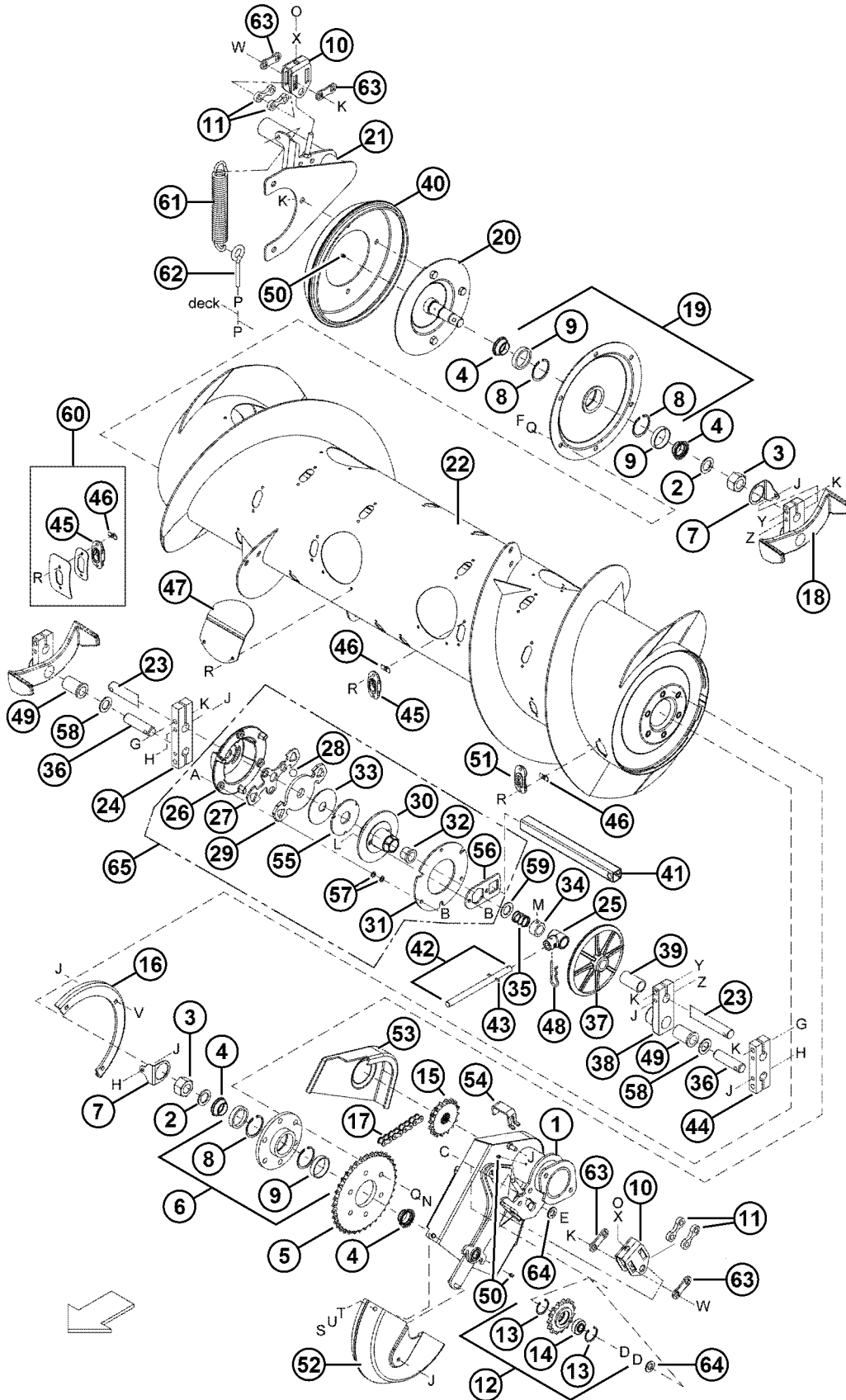


## AUGER AND COMPONENTS

REF	PART NUMBER	DESCRIPTION	QTY.	SERIAL NUMBER
	151760	AUGER AND DRIVE ASSEMBLY – complete		
1	151766	COVER – drive, auger LH .....	1	–195759
	187432	COVER – drive, auger LH .....	1	195760–
2	156178	WASHER – thrust, 29mm I.D. x 44.5mm O.D. x 3mm thick .....	2	
3	135484	NUT – hex, 1 1/8 NF .....	2	
4	7910	BEARING – cone, c/w seal.....	4	
5	151793	SPROCKET – RC 60, 37 teeth.....	1	
6	151762	HUB – includes items 8 & 9.....	1	
7	133333	RETAINER – nut .....	1	
8	21545	RING – internal retaining .....	4	
9	7900	BEARING – cup.....	4	
10	133157	BRACKET – adjuster .....	2	–195759
	187427	BRACKET – adjuster .....	2	195760–
11	133199	SPACER – adjuster bracket, internal .....	4	
12	9333	SPROCKET – includes items 13 and 14.....	1	
13	795	RING – retaining.....	2	
14	9213	BEARING – ball.....	1	
15	151691	SPROCKET – RC 60, 16 teeth.....	1	
16	151673	SEAL – auger .....	1	
17	156881	CHAIN – roller, RC 60, 56 links c/w connector.....	1	
18	156459	STOP – drum.....	1	
19	156101	HUB – assembly, includes items 8 and 9.....	1	
20	156059	SPINDLE – disc.....	1	
21	151570	SUPPORT – auger RH.....	1	–195759
	187421	SUPPORT – auger RH.....	1	195760–
22	151288	DRUM – retracting tine .....	1	
23	187620	SHAFT – auger.....	1	
24	156405	BLOCK – auger .....	1	
25	123055	BUSHING – auger fingers .....	26	
26	133783	HOUSING – clutch <sup>6</sup> .....	1	
27	156744	PLATE – ball cage.....	1	
28	156749	BALL.....	3	
29	156745	ARM – clutch activator.....	1	
30	133883	BRAKE – disk, with bushing .....	1	
31	156750	DISC – brake .....	1	
32	133877	BUSHING – plastic.....	1	
33	156799	WASHER – plastic.....	1	
34	151792	COLLAR – lock.....	1	
35	156803	SPRING – compression .....	1	
36	156397	PIN – pivot.....	2	
37	156865	WHEEL.....	1	
38	156116	PIVOT – block, auger RH.....	1	
39	156869	SPACER – tube, plastic.....	1	
40	156098	SEAL – auger end cap RH .....	1	
41	133223	TUBE – square, reverser.....	1	
42	220938	FINGER – assembly (includes item #43) box of 5.....	15	
43	7642	PIN – spring, 3/16 NC x 1 1/2 in. ....	15	
44	156400	BLOCK .....	1	

6. For units with serial # 174609 and below, if replacing item #26 (133783), also order item #55 (133949) clutch plate.

# AUGER AND COMPONENTS

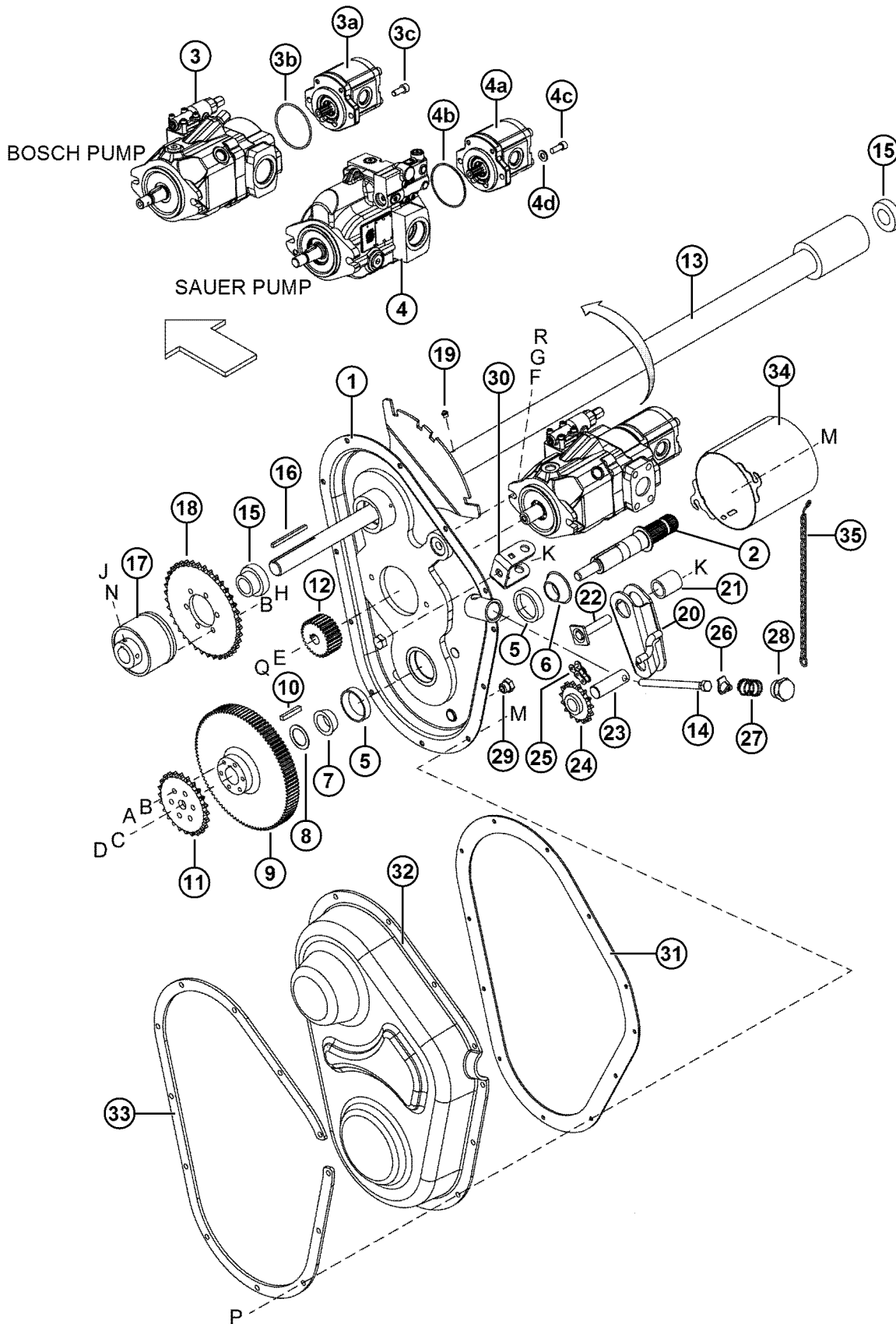


1008187

## AUGER AND COMPONENTS

REF	PART NUMBER	DESCRIPTION	QTY.	SERIAL NUMBER
45	187081	GUIDE .....	15	
46	123202	NUT – tee .....	54	
47	123087	COVER – drum access .....	5	
48	123180	PIN – hair.....	15	
49	156879	BUSHING – flange .....	2	
50	18671	FITTING – lube, 1/4 in. NF .....	3	
51	187137	COVER – auger finger hole, plastic.....	12	
52	151779	COVER – plastic, lower .....	1	
53	151777	COVER – plastic, upper .....	1	
54	133203	CLIP – retainer, upper cover .....	1	
55	133446	PLATE – friction, clutch <sup>6</sup> .....	1	-174609
	133949	PLATE – friction, clutch .....	1	174610-
56	156426	BAR – retainer, clutch assembly .....	1	
57	133521	WASHER – flat, 3/8 ID x 5/8 OD x .062 in. thick .....	6	
58	23334	WASHER – flat, 26.2mm I.D. x 43mm O.D. x 3mm thick .....	2	
59	135522	WASHER – stainless steel .....	1	
60	114382	KIT – repair, auger finger hole patch .....	1	
61	165122	SPRING – extension, hold-down .....	2	
62	106622	BOLT – eye .....	2	
63	187428	SPACER – adjuster bracket, external .....	4	195760-
64	172558	WASHER – Nordlock, 5/8.....	2	
65	156747	CLUTCH ASSEMBLY – complete .....	1	
A	20077	BOLT – hex head, 3/8 NC x 1 in., gr. 5		
B	18669	NUT – hex, lock, 3/8 NC, distorted thread		
C	21584	BOLT – hex head, 5/8 NC x 2 1/2 in., gr. 5		
D	18600	WASHER – flat, 21/32 I.D x 1-5/16 O.D x .094 in. thick		
E	50225	NUT – smooth flange, 5/8 NC, distorted thread		
F	21575	BOLT – hex head, 1/2 NC x 1 in., gr. 5		
G	21760	BOLT – hex head, 1/2 NC x 2-1/2 in., gr. 5		
H	21102	BOLT – hex head, 3/8 NC x 2-1/2 in., gr. 5		
J	30228	NUT – smooth flange, 3/8 NC, distorted thread		
K	50186	NUT – smooth flange, 1/2 NC, distorted thread		
L	21478	BOLT – round head, square neck, 3/8 NC x 2 1/2 in. gr. 5		
M	21248	SCREW – set, square head, 3/8 NC x 3/4 in.		
N	18723	BOLT – hex head, 1/2 NC x 1-1/2 in., gr. 5		
O	18591	NUT – hex 1/2 NC		
P	18590	NUT – hex, 3/8 NC		
Q	18638	WASHER – lock, 1/2 in.		
R	123084	SCREW – hex socket button head, 1/4 NC x 3/4 in.		
S	118154	BOLT – hex head, 3/8 NC x 5/8 in., gr. 8		
T	18598	WASHER – flat, 13/32 x 13/16 in. OD		
U	18637	WASHER – lock, 3/8 in. ID		
V	21863	BOLT – round head, short square neck, 3/8 NC x 3/4 in. gr. 5		
W	21576	BOLT – hex head, 1/2 NC x 2 in., gr. 5 .....		-195759
	30027	BOLT – round head, square neck 1/2 NC x 2 1/4 in., gr. 5		195760-
X	21383	NUT – serrated flange lock, 1/2 NC		
Y	21880	BOLT – hex head, 1/2 NC x 2 3/4 in., gr. 5		
Z	30035	BOLT – hex head, 3/8 NC x 2 3/4 in., gr. 5		

DRIVES – MODEL YEAR 2011 AND PRIOR (MANUFACTURED GEAR BOX)

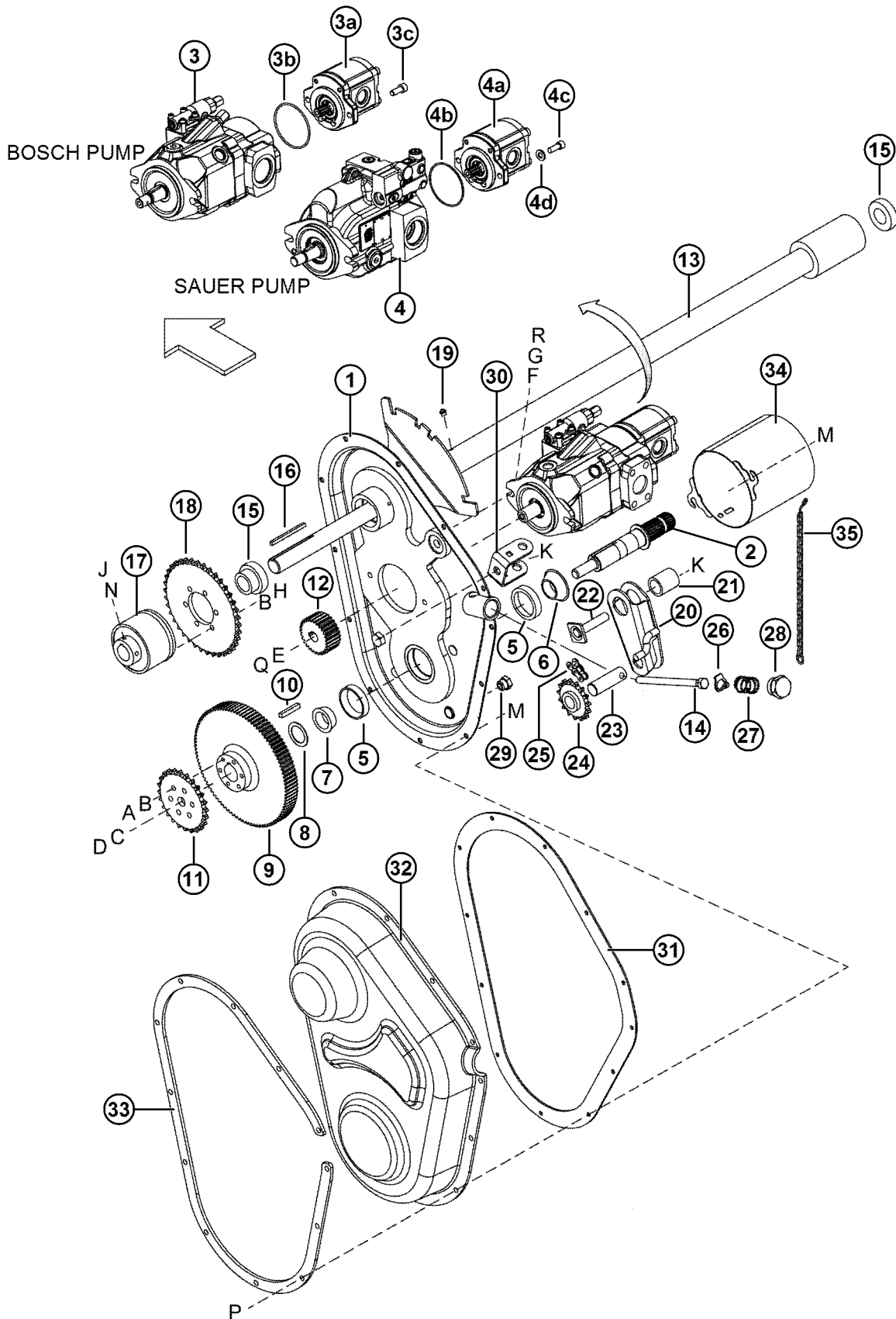


## DRIVES – MODEL YEAR 2011 AND PRIOR (MANUFACTURED GEAR BOX)

REF	PART NUMBER	DESCRIPTION	QTY.	SERIAL NUMBER
1	151702	HOUSING – gear box .....	1	
2	133211	SHAFT <sup>7</sup> .....	1	
3	187517	PUMP – piston, complete with fittings, Bosch .....	1	
	133569	SEAL KIT – for Bosch piston pump .....		
3a	156852	PUMP – gear, 16 cc, all combines except Lexion & AGCO–Bosch ...	1	
	156853	PUMP – gear, 11 cc – Lexion & AGCO combines only–Bosch .....	1	
	187967	SEAL KIT – for Bosch gear pumps 156852/156853 .....		
3b	136024	O-RING – Bosch gear pump to piston pump seal .....	1	
3c	135693	BOLT – hex socket head, M10 x 25 mm long – Bosch pumps.....	2	
4	187229	PUMP – piston, Sauer, for Lexion & AGCO combines adjust flow to 23.8 cc/rev (16.3GPM@2595 RPM).....	1	
	187900	SEAL KIT – for Sauer piston pump .....		
	187925	SEAL – shaft, for Sauer piston pump .....		
4a	187252	PUMP – gear, 16 cc, all combines except Lexion & AGCO– Casappa.....	1	
	187253	PUMP – gear, 11 cc, Lexion & AGCO combines only–Casappa.....	1	
	187918	SEAL KIT – for Casappa gear pumps 187252/187253 .....		
4b	49802	O-RING – pump Sauer.....	1	
4c	164223	BOLT – pump Sauer .....	2	
4d	30655	WASHER – pump Sauer .....	2	
5	30701	BEARING – cup <sup>7</sup> .....	2	
6	135760	BEARING – cone, with seal <sup>7</sup> .....	1	
7	30702	BEARING – cone .....	1	
8	151727	WASHER – flat (qty. may vary up to max. 3 to seat bearings) .....	1	
9	151953	GEAR – 97 teeth.....	1	
10	17194	KEY – gear.....	1	
11	151686	SPROCKET – 24 teeth, all combines except Lexion & AGCO.....	1	
	151684	SPROCKET – 18 teeth, Lexion & AGCO combines only .....	1	
	133424	SPROCKET – 26 teeth .....	OPT	
	133425	SPROCKET – 20 teeth .....	OPT	
	133426	SPROCKET – 22 teeth .....	OPT	
12	156452	GEAR – pinion .....	1	
13	151361	SHAFT .....	1	
14	151998	BOLT – hex head, 1/2 NC x 7–1/4 in., thread full lg, gr. 5.....	1	
15	21363	BEARING – c/w two seals.....	2	
16	19506	KEY .....	1	
17	156627	CLUTCH .....	1	
	187720	CLUTCH – high torque.....	1	
18	151689	SPROCKET – 38 teeth .....	1	–168559
	133212	SPROCKET – 38 teeth .....	1	168560–
19	21425	VALVE – relief.....	1	
20	156588	BRACKET – chain tensioner .....	1	
21	156579	TUBE – pivot, chain tensioner.....	1	
22	156601	STUD – chain tensioner .....	1	
23	156580	SHAFT .....	1	
24	151708	SPROCKET – idler, 15 teeth.....	1	
25	156037	CHAIN – roller, 74 pitch .....	1	
26	151997	LOCK – chain tensioner .....	1	
27	156803	SPRING – compression, chain tensioner .....	1	
28	156051	PLUG – #16 orb .....	1	
29	44207	PLUG – c/w o-ring.....	1	
30	187520	ANCHOR – strut .....	1	

7. If your unit is equipped with a 1 1/2 in. bearing (Item #6), before installing new bearing remove sleeve from shaft (Item #2) to allow for the new 1 3/8 in. bearing to be installed. When ordering new bearing (Item #6) also order new cup (Item #5).

# DRIVES – MODEL YEAR 2011 AND PRIOR (MANUFACTURED GEAR BOX)



1008189



## DRIVES – MODEL YEAR 2011 AND PRIOR (MANUFACTURED GEAR BOX)

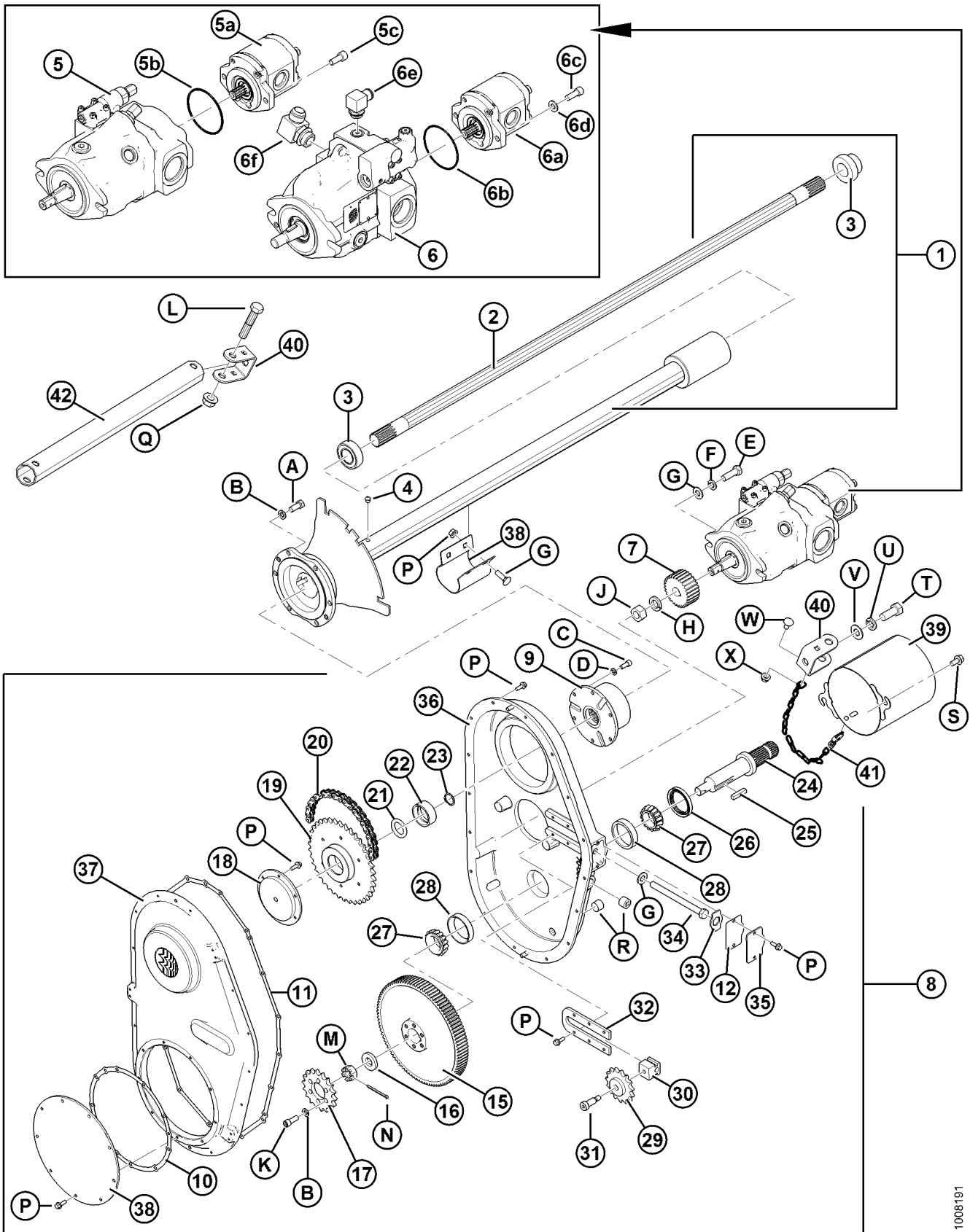
REF	PART NUMBER	DESCRIPTION	QTY.	SERIAL NUMBER
31	156801	GASKET – gearbox .....	1	
32	156589	COVER – gearbox .....	1	
33	156594	CLAMP – plate.....	1	
34	133421	GUARD.....	1	
35	133441	CHAIN – guard retainer .....	1	
A	20077	BOLT – hex head, 3/8 NC x 1 in., gr. 5		
B	18637	WASHER – lock, 3/8 in. I.D.		
C	110557	NUT – hex, 3/4 NF, grade L9		
D	112129	NUT – lock, hex head, 3/4 NF, distorted thread		
E	18640	WASHER – lock, 3/4 in. ID		
F	18599	WASHER – flat, 17/32 I.D. x 1-1/16 in. O.D.		
G	18638	WASHER – lock, 1/2 in. I.D.		
H	21567	BOLT – hex head, 3/8 NC x 3/4 in., gr. 5		
J	21248	SCREW – set, square head, cup point, 3/8 NC x 3/4 in.		
K	50225	NUT – smooth flange, 5/8 NC, distorted thread		
M	30228	NUT – flange, smooth face, 3/8 NC distorted thread		
N	18664	NUT – hex jam, 3/8 NC		
P	30936	BOLT – hex flange head, 3/8 NC x 1 1/4 in., gr. 5		
Q	18720	NUT – hex, 3/4 NF, gr. 5		
R	21491	BOLT – hex head, 1/2 NC x 1-1/4 in., gr. 5		

**NOTE:** To convert a standard combine adapter to Lexion and vice versa. Kits include items #3 and 11:

B5082 KIT – Standard Adaptor to Lexion<sup>8</sup>  
 B5083 KIT – Lexion to Standard Adaptor<sup>8</sup>

8. Kits available through Whole Goods only.

DRIVES – MODEL YEAR 2012 AND LATER (WEASLER GEAR BOX)

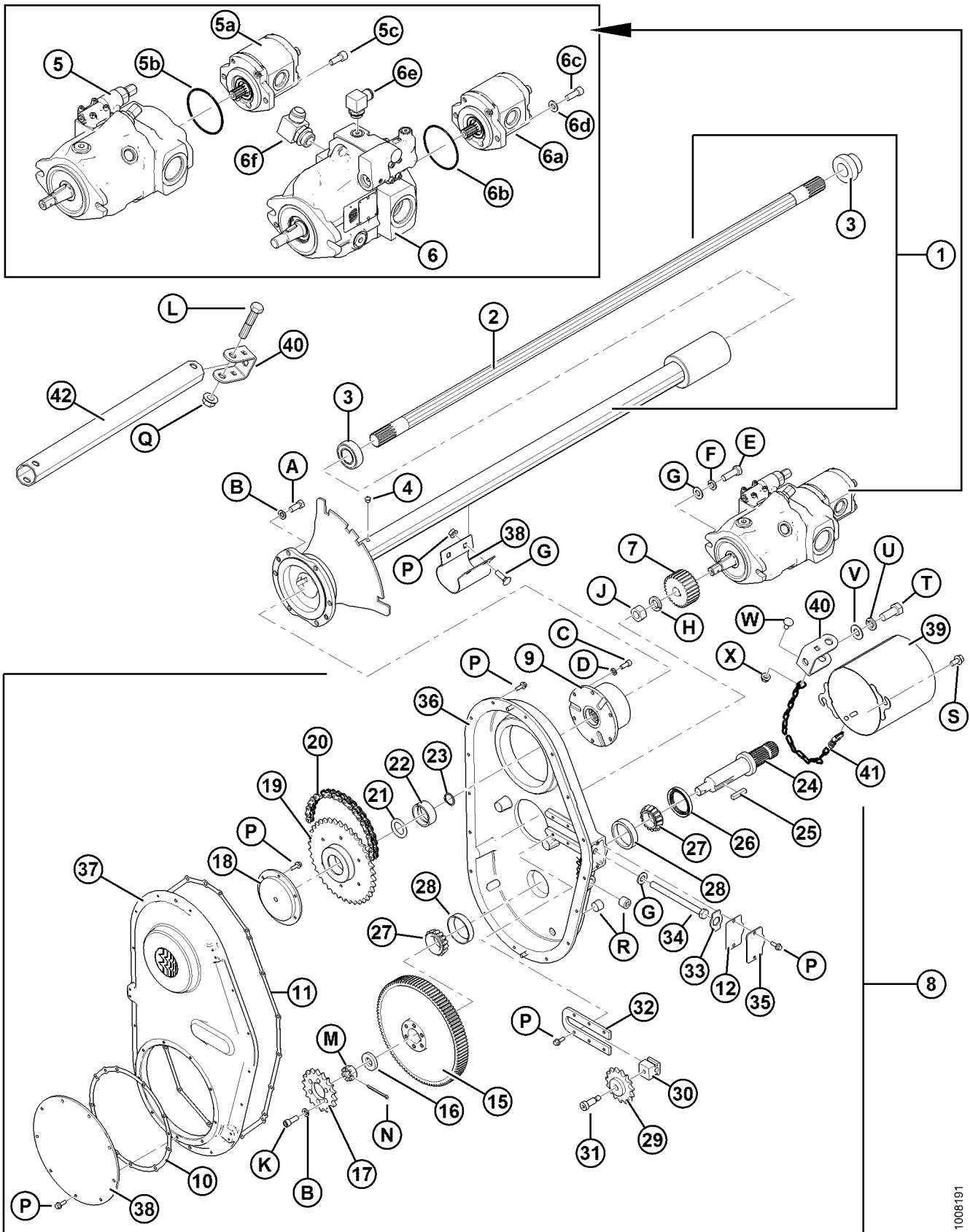


1008191

## DRIVES – MODEL YEAR 2012 AND LATER (WEASLER GEAR BOX)

REF	PART NUMBER	DESCRIPTION	QTY.	SERIAL NUMBER
1	187467	TUBE SHAFT – assembly (includes items #2, 3, 4) .....	1	
2	187469	SHAFT – output.....	1	
3	21363	BEARING – spherical OD, c/w collar (collar not used at clutch end).....	2	
4	21425	VALVE – relief.....	1	
5	187517	PUMP – piston, complete with fittings, Bosch.....	1	
	133569	SEAL KIT – for Bosch piston pump		
5a	156852	PUMP – gear, 16 cc, all combines except Lexion & AGCO–Bosch.....	1	
	156853	PUMP – gear, 11 cc, Lexion & AGCO combines only Bosch ..	1	
	187967	SEAL KIT – for Bosch gear pumps 156852/156853		
5b	136024	O-RING – Bosch gear pump to piston pump seal.....	1	
5c	135693	BOLT – hex socket head, M10 x 25 mm long – Bosch pumps .....	2	
6	187229	PUMP – piston, Sauer, for Lexion & AGCO combines adjust flow to 23.8 cc/rev (16.3 GPM @ 2595 RPM) .....	1	
	187900	SEAL KIT – for Sauer piston pump		
	187925	SEAL – shaft, for Sauer piston pump		
6a	187252	PUMP – gear, 16 cc – all combines except Lexion & AGCO–Casappa.....	1	
	187253	PUMP – gear, 11 cc – Lexion & AGCO combines only–Casappa .....	1	
	187918	SEAL KIT – for Casappa gear pumps 187252/187253		
6b	49802	O-RING – pump Sauer.....	1	
6c	164223	BOLT – pump Sauer.....	2	
6d	30655	WASHER – pump Sauer.....	2	
6e	111545	FITTING – elbow 1.5 in. hose-1.875 in. ADJ ORB	1	
6f	21827	FITTING – elbow hyd.	1	
7	156452	GEAR – pinion, 28 teeth.....	1	
8	187475	DRIVE – gearbox, complete – CNH & JD (incl. items #9–38) .....	1	
	187502	DRIVE – gearbox, complete – Lexion & AGCO (incl. items #9–38)		
9	187466	CLUTCH – Weasler.....	1	
	220650	CLUTCH – Weasler.....	OPT	
10	187698	GASKET – sprocket cover .....	1	
11	187697	GASKET – housing.....	1	
12	187696	GASKET – adjustment cover .....	1	
15	187480	GEAR – 97 teeth .....	1	
16	187483	WASHER .....	1	
17	187496	SPROCKET – 50A-24T, CNH & JD .....	1	
	187497	SPROCKET – 50A-18T, Lexion & AGCO .....	1	
	187523	KIT – sprocket-20T .....	OPT	
	187524	KIT – sprocket-22T .....	OPT	
	187525	KIT – sprocket-26T .....	OPT	
18	187486	SUPPORT – pinion .....	1	
19	187492	SPROCKET – 50B38 .....	1	
20	156037	ROLLER CHAIN – rc 50 74 pitches endless.....	1	
21	187487	SHIM KIT.....	A/R	
22	187485	BEARING – ball dbl row 3205.....	1	
23	18898	RING – ext retaining.....	1	
24	187478	SHAFT.....	1	
25	26846	KEY .....	1	
26	187477	SEAL .....	1	
27	30702	BEARING – cone .....	2	
28	30701	BEARING – cup .....	2	
29	187484	SPROCKET – idler 50C15 .....	1	
30	187476	BLOCK – idler .....	1	
31	135694	BOLT – socket head, 1/2 x 1 in. shoulder, 3/8 nc .....	1	

DRIVES – MODEL YEAR 2012 AND LATER (WEASLER GEAR BOX)



1008191

## DRIVES – MODEL YEAR 2012 AND LATER (WEASLER GEAR BOX)

REF	PART NUMBER	DESCRIPTION	QTY.	SERIAL NUMBER
32	187493	PLATE .....	1	
33	187495	RETAINER.....	1	
34	158895	BOLT – hex head, 1/2 nc x 6.0 tfl .....	1	
35	187494	COVER – adjusting.....	1	
36	NSS	HOUSING – gearbox .....	1	
37	NSS	COVER – gearbox .....	1	
38	187482	COVER – sprocket .....	1	
39	133421	GUARD – weldment .....	1	
40	187520	ANCHOR – strut .....	1	
41	133441	CHAIN.....	1	
42	187898	TUBE – strut		
A	21522	BOLT – hh, 7/16 nc x 1.0 lg gr 5 zp		
B	18652	WASHER – lock spring, 7/16 i.d.		
C	135748	BOLT – socket hd, 5/16–24 unf x .75 gr 5 zp		
D	18636	WASHER – lock spring, 5/16 i.d.		
E	18723	BOLT – hh, 1/2 nc x 1.5 lg tfl gr 5 zp		
F	18638	WASHER – reg. lock, 1/2 in. nom. id zp		
G	18599	WASHER – sae flat, 17/32 id x 1 1/16 in od zp		
H	18640	WASHER – reg. lock, 3/4 in. nom. id zp		
J	18720	NUT – hex, 3/4-16 unf gr5 zn pl		
K	135381	BOLT – socket hd, 3/8 nc x 1.0 gr 8 zp		
L	21583	BOLT – hh 5/8 nc x 3.0 lg gr5 zp		
M	5512	NUT – hex slotted, .750–16unf zn pl		
N	135358	PIN – cotter, 5/32 dia x 2.0 zp		
P	21456	BOLT – hh flg (serr face), 1/4 nc x 0.75 gr 5 zp		
Q	50225	NUT – smooth flange, 5/8 NC, distorted thread		
R	30203	PLUG – magnetic pipe, sq socket		
S	21821	BOLT – hh flg (serr face), 3/8 nc x 0.75 gr 5 zp		
T	21594	BOLT – hex hd, 0.625 –11unc x 1.50		
U	18639	WASHER – reg. lock, 5/8 in. nom. id zp		
V	18600	WASHER – sae flat, 21/32 id x 1 5/16 in od zp		
W	21472	BOLT – rhsn, 3/8 nc x 0.75 gr 5 zp		
X	30228	NUT – flange dt smooth face 0.375-16unc		

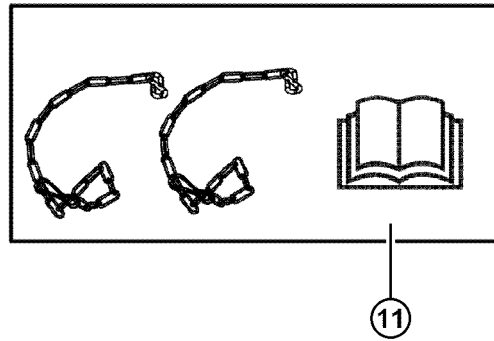
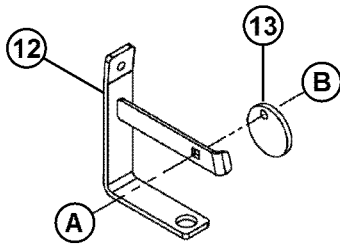
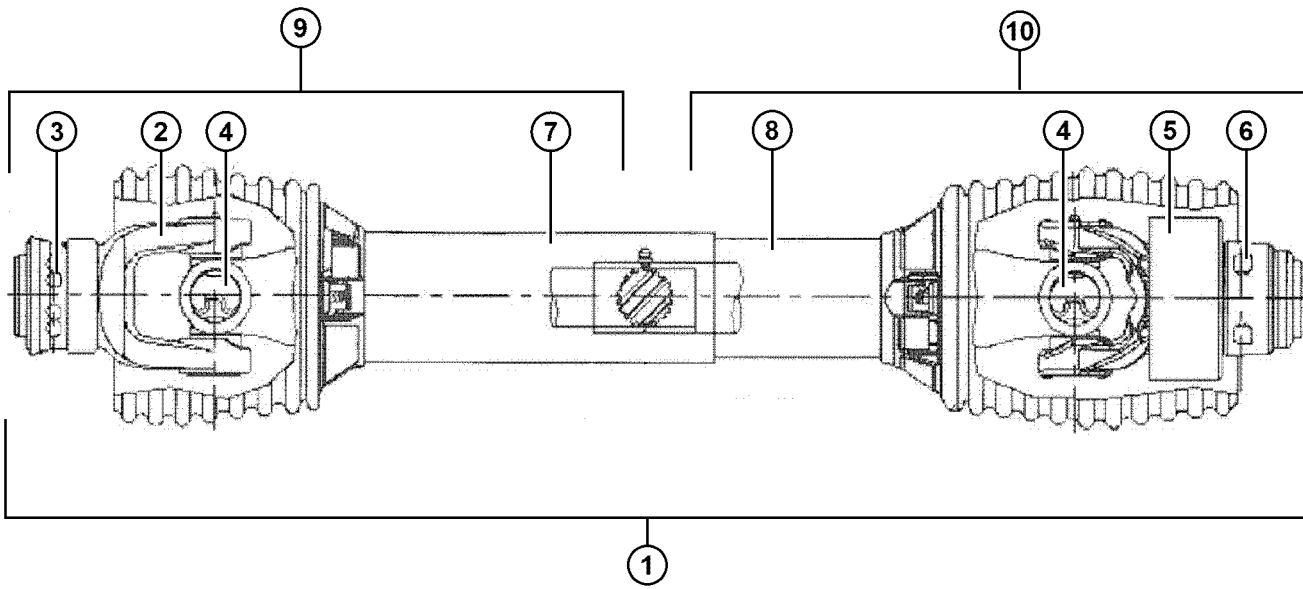
**NOTE:** To convert a standard combine adapter to Lexion and vice versa.  
Kits include gear pump (item #5a or 6a) and sprocket (item #17):

B5082 KIT – Standard Adaptor to Lexion<sup>9</sup>

B5083 KIT – Lexion to Standard Adaptor<sup>9</sup>

9. Kits available through Whole Goods only.

# INPUT DRIVELINE

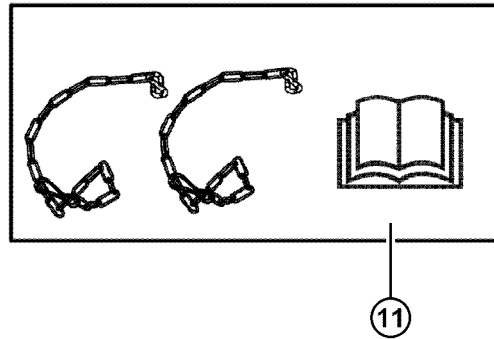
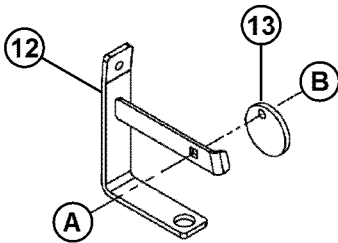
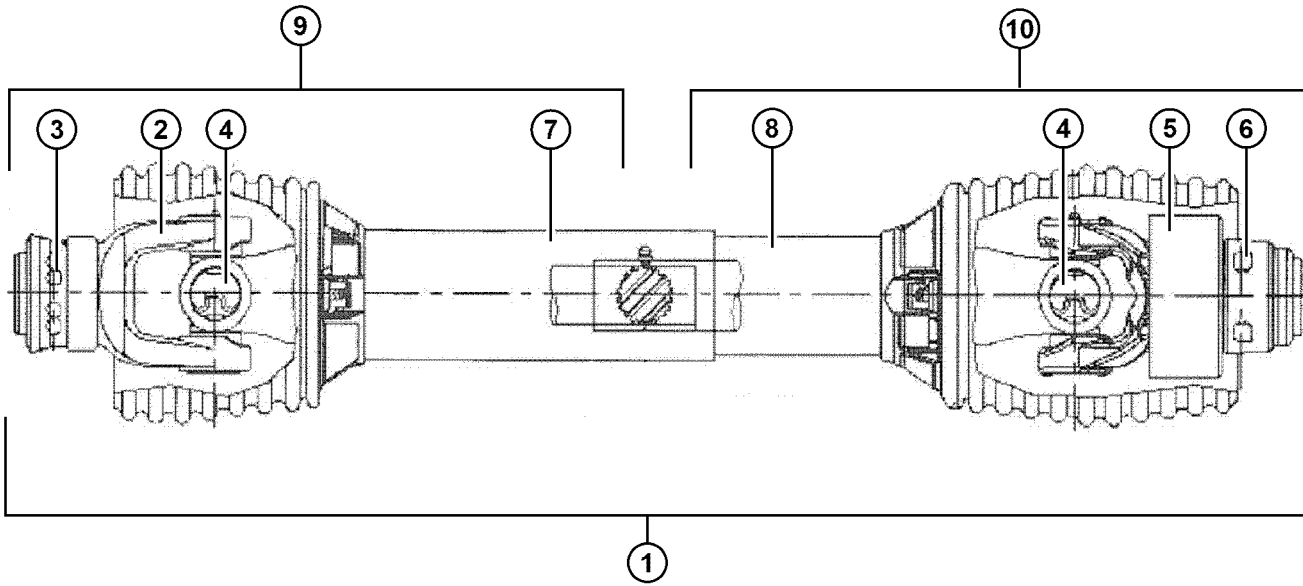


## INPUT DRIVELINE

REF	PART NUMBER	DESCRIPTION	QTY.	SERIAL NUMBER
1	187225	* 6T DRIVELINE – complete, N.A. <sup>10</sup>	1	
	187552	* 6T DRIVELINE – complete, Export	1	
	187313	** 21T DRIVELINE – complete, N.A. <sup>11</sup>	1	
	187553	** 21T DRIVELINE – complete, Export	1	
	156945	*** 21T DRIVELINE – complete, N.A.	1	
	187550	*** 21T DRIVELINE – complete, Export	1	
	156946	**** HEX BORE DRIVELINE – complete, N.A.	1	
	187551	**** HEX BORE DRIVELINE – complete, Export	1	
2	133634	YOKE – spring lock, 6T	1	
	133637	YOKE – spring lock, 21T	1	
	133641	YOKE – spring lock, hex bore	1	
3	40095	REPAIR KIT – spring lock yoke, 6T and 21T		
	133640	REPAIR KIT – spring lock yoke, hex bore		
4	142777	CROSS JOURNAL – assembly (includes clips & lube ftg.)	2	
5	133631	YOKE – free motion	1	
6	133632	REPAIR KIT – auto lock yoke		
7	133635	* GUARD – outer, 6T driveline	1	–185859
	187255	* GUARD – outer, 6T driveline	1	185860–
	187317	** GUARD – outer, 21T driveline	1	–187810
	187315	** GUARD – outer, 21T driveline	1	187811–
	133644	*** GUARD – outer, 21T driveline	1	
	133642	**** GUARD – outer, hex bore driveline	1	
8	133636	* GUARD – inner, 6T driveline	1	–185859
	187256	* GUARD – inner, 6T driveline	1	185860–
	187318	** GUARD – inner, 21T driveline	1	–187810
	187316	** GUARD – inner, 21T driveline	1	187811–
	133645	*** GUARD – inner, 21T driveline	1	
	133643	**** GUARD – inner, hex bore driveline	1	
		* 6T DRIVELINE – Case IH midrange/flagship 10/20/30/40 Series, all New Holland CR/CX. <sup>10</sup>		
		** 21T DRIVELINE – JD STS/S Series (except models listed at ***), Lexion and AGCO. <sup>11</sup>		
		*** 21T DRIVELINE – JD Widebody Walker machines-9650/9660, 9660 WTS, and T670.		
		**** HEX BORE DRIVELINE – Case IH 88 Series.		

10. \* 6T driveline for Case AFX & NH CR/CX combines changed with the start of 2009 Production to a driveline with a 2 in. shorter collapsed length. As a complete unit (item #1) the newer driveline will replace the old. For component parts, if the driveline is original equipment, order the correct component part number per the serial number breaks shown above. If the complete drive may have been replaced with the new design on 2008 and older units, determine which component part number to order as follows: Overall collapsed length (cross center to cross center) is: 29.75 in. (756 mm) order (–185859) parts or 27.75 in. (705 mm) order (185860–) parts.
11. \*\* 21T driveline for JD, Lexion AGCO combines changed with the start of 2009-2 production to a driveline with a 1 in. shorter collapsed length. As a complete unit (item #1) the newer driveline will replace the old. For component parts, if the driveline is original equipment, order the correct component part number per the serial number breaks shown above. If the complete drive may have been replaced with the new design on 2009-1 and older units, determine which component part number to order as follows: Overall collapsed length (cross center to cross center) is: 26.63 in. (676 mm) order (–187810) parts or 25.63 in. (651 mm) order (187811–) parts.

# INPUT DRIVELINE



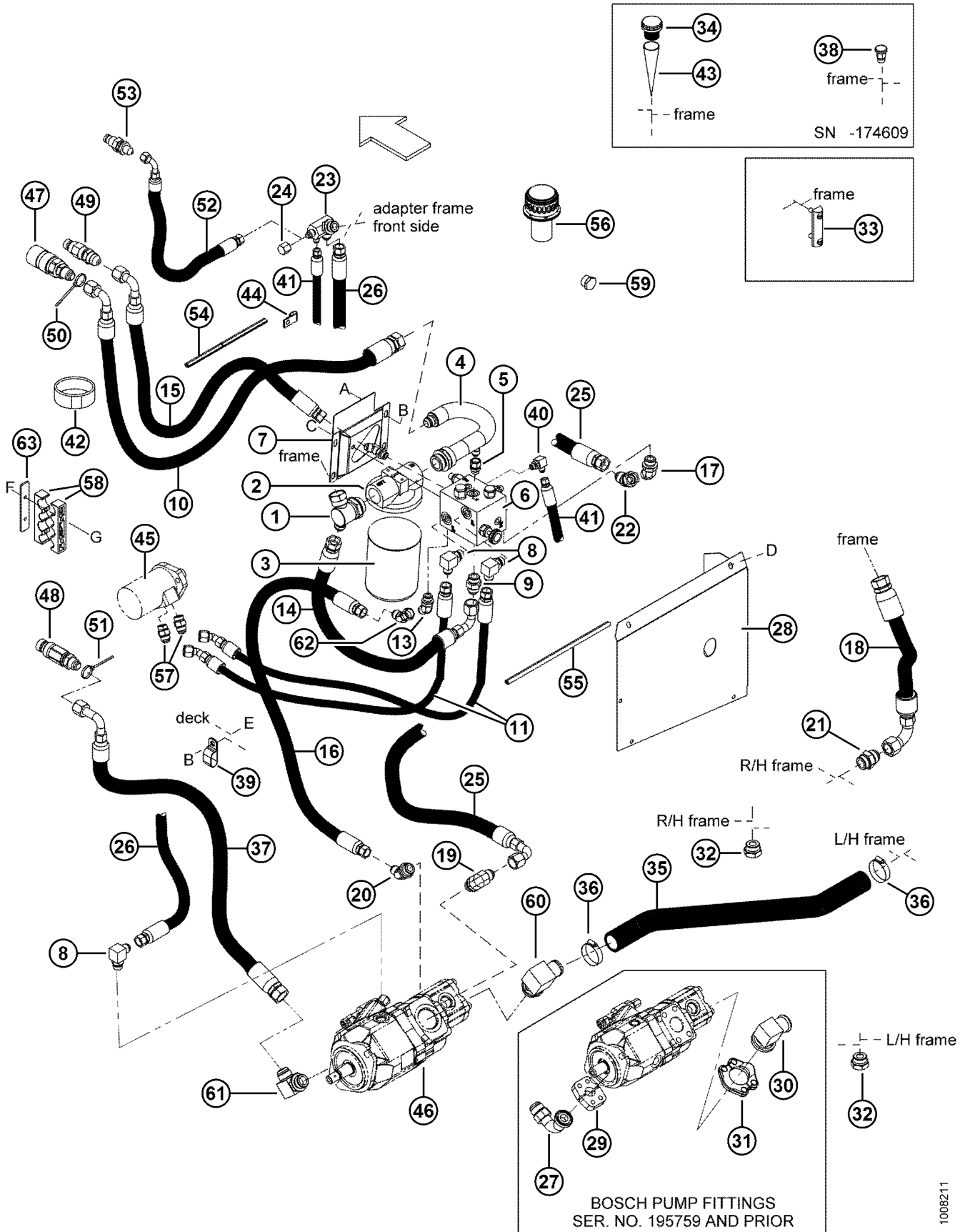


## INPUT DRIVELINE

REF	PART NUMBER	DESCRIPTION	QTY.	SERIAL NUMBER
9	187257	* HALF SHAFT – combine end, with outer guard, 6T, N.A.....	1	
	187558	* HALF SHAFT – combine end, with outer guard, 6T, Export .....	1	
	187317	** HALF SHAFT – combine end, with outer guard, 21T, N.A.....	1	
	187560	** HALF SHAFT – combine end, with outer guard, 21T, Export .....	1	
	133649	*** HALF SHAFT – combine end, with outer guard, 21T, N.A.....	1	
	187554	*** HALF SHAFT – combine end, with outer guard, 21T, Export .....	1	
	133648	**** HALF SHAFT – comb. end, with outer guard, hex bore, N.A.....	1	
	187556	**** HALF SHAFT – combine end, with outer guard, hex bore, Export .....	1	
10	133650	* HALF SHAFT – adapter end, with inner guard, 6T .....	1	-185859
	187258	* HALF SHAFT – adapter end, with inner guard, 6T, N.A. ....	1	185860-
	187559	* HALF SHAFT – adapter end, with inner guard, 6T, Export .....	1	
	187318	** HALF SHAFT – adapter end, with inner guard, 21T .....	1	-187810
	187318	** HALF SHAFT – adapter end, with inner guard, 21T, N.A. ....	1	187811-
	187561	** HALF SHAFT – adapter end, with inner guard, 21T, Export .....	1	
	133653	*** HALF SHAFT – adapter end, with inner guard, 21T, N.A. ....	1	
	187555	*** HALF SHAFT – adapter end, with inner guard, 21T, Ex.....	1	
	133652	**** HALF SHAFT – adapter end, with inner guard, hex bore, N.A .....	1	
	187557	**** HALF SHAFT – adapter end, with inner guard, hex bore, Export .....	1	
11	171277	KIT – safety chains (2) and CE user manual, Export <sup>12</sup> .....	1	
12	133166	BRACKET – driveline hanger.....	1	
13	133165	DISC – lock, driveline hanger.....	1	
A	19965	BOLT – round head, square neck, 3/8 NC x 1 in., gr. 5		
B	30228	NUT – flange, smooth face, 3/8 NC distorted thread		
	*	6T DRIVELINE – Case IH midrange/flagship 10/20/30/40 Series, all New Holland CR/CX <sup>10</sup>		
	**	21T DRIVELINE – JD STS/S Series (except models listed at ***), Lexion and AGCO <sup>11</sup>		
	***	21T DRIVELINE – JD Widebody Walker machines-9650/9660, 9660 WTS, and T9670.		
	****	HEX BORE DRIVELINE – Case IH 88 Series.		

12. Drivelines and Half Shafts marked for Export under item #1, 9 or 10 include safety chain kit, item #11 (or appropriate portion of kit).

# HYDRAULICS



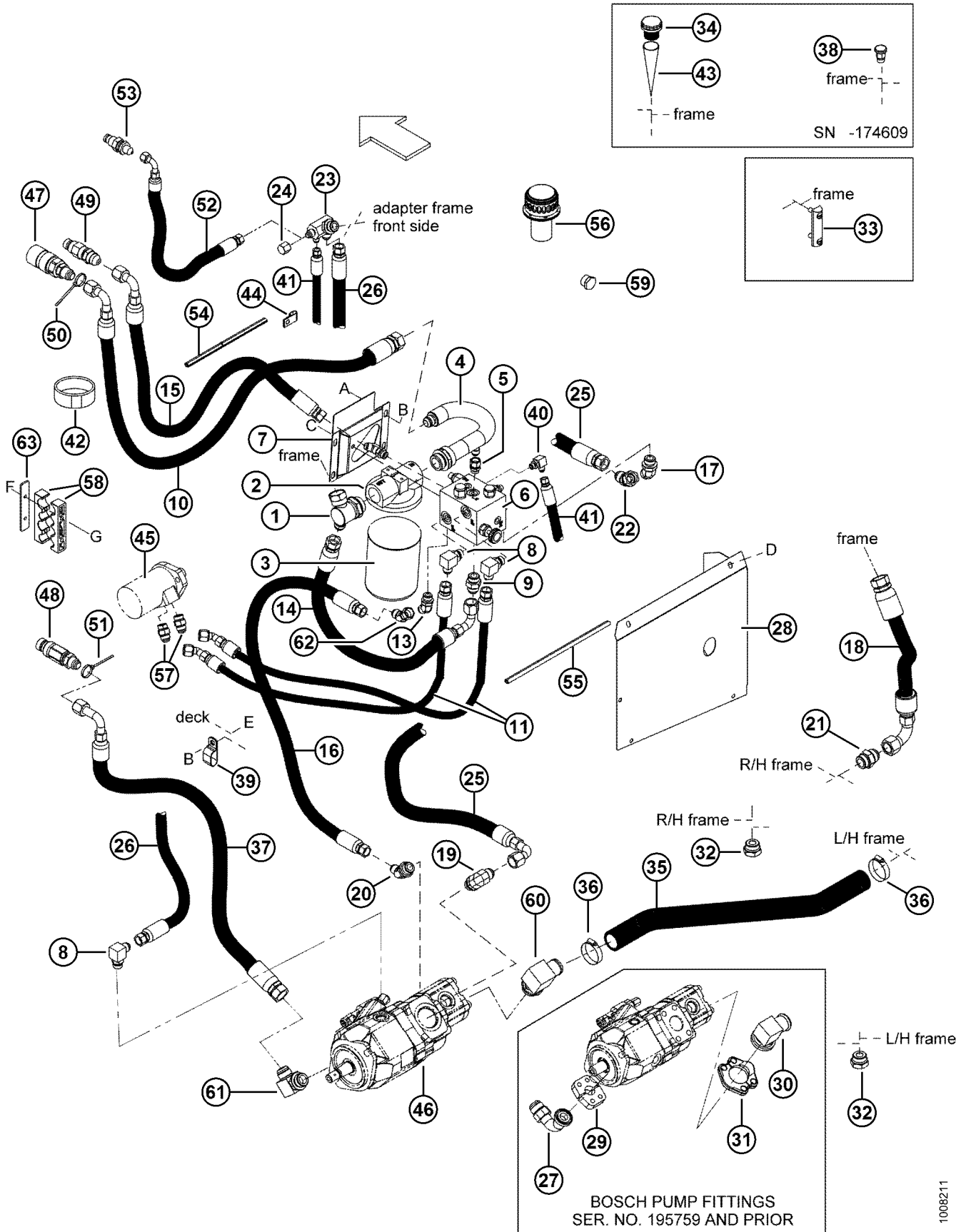
## HYDRAULICS

REF	PART NUMBER	DESCRIPTION	QTY.	SERIAL NUMBER
1	151977	MANIFOLD – tee, #12M JIC x #20M ORB x #16F JIC .....	1	
2	151974	HEAD – filter, 1–5/8–12 SAE (#20).....	1	
3	151975	FILTER – element, 10 micron .....	1	
4	133272	MANIFOLD – tee, #20 male ORB x #16 male JIC x #8 male JIC.....	1	
5	135373	FITTING – hydraulic, #8 male ORB x #8 female JIC .....	1	
6	133318	MANIFOLD – Bosch, valve .....	1	
	133556	SEAL KIT		
	133557	VALVE – check, V1		
	133558	VALVE – check, V2		
	133559	VALVE – relief, V3		
	133560	VALVE – logic, V4		
	133561	VALVE – relief, V5		
	133562	VALVE – flow control		
	133563	VALVE – compensator		
	133564	VALVE – check, V8		
7	133273	BRACKET – manifold mount.....	1	
8	21843	FITTING – elbow, 90°, #10 male JIC x #10 male ORB .....	3	
9	21830	FITTING – hydraulic, #12 male JIC x #12 male ORB .....	1	
10	156103	HOSE – hydraulic, to LH coupler assembly .....	1	
11	156763	HOSE – hydraulic.....	2	–174609
	133966	HOSE – hydraulic.....	2	174610–
12	135241	FITTING – elbow, 45°, #8 male JIC x #10 male ORB .....	1	
13	50103	FITTING – elbow, 45°, #10 male JIC x #10 male ORB.....	1	
14	156893	HOSE – hydraulic.....	1	
15	156888	HOSE – hydraulic, to LH coupler assembly .....	1	
16	156100	HOSE – hydraulic.....	1	
17	50098	FITTING – elbow, 45°, #12 male JIC x #12 male ORB .....	1	
18	156891	HOSE – hydraulic.....	1	
19	30970	FITTING – elbow 90°, #12 male JIC x #12 male ORB .....	1	
20	135399	FITTING – elbow, 45°, #10 male JIC x #12 male ORB .....	1	
21	156904	VALVE – hydraulic, check.....	1	
22	135240	FITTING – elbow, 45°, #12 male JIC x #12 female JIC .....	1	
23	133186	MANIFOLD – #12M ORB x #10M JIC x #8M JIC x #6M JIC .....	1	
24	108233	CAP – hydraulic, #8 JIC (units without optional case drain) .....	1	
25	133378	HOSE – hydraulic.....	1	
26	156908	HOSE – hydraulic.....	1	
27	156900	FITTING – hyd, 90° elbow, #16 flange x #16 JIC male (Bosch only) .....	1	–195759
28	133278	COVER – hydraulic compartment.....	1	
29	112866	FLANGE – split, 1 in., c/w hardware (Bosch only) .....	1	–195759
	112868	O-RING – flange.....	1	
	21264	BOLT – hex head, 3/8–16 unc, 1.25 in lg, zn pl, gr 5 .....	4	
	18637	WASHER – lock spring, 3/8 in id, 11/16 in od, 3/32 in thk, zn pl .....	4	
	194033	FLANGE – split half.....	2	
30	133964	FITTING – hydraulic, 90° elbow (Bosch only) <sup>13</sup> .....	1	–195759

**NOTE:** FITTINGS #27, 29, 30, 31 are used with Bosch pumps on units with serial number 195759 and prior. Fittings #60 and 61 are used with all Sauer pumps and with Bosch pumps on units with serial number 195760 and newer.

13. If replacing item #30, hydraulic elbow, order 133964 and either: a) item #31, 133963 or b) Modify existing item #31 by grinding off hump on split flange to allow installation of item #30, 133964.

# HYDRAULICS



## HYDRAULICS

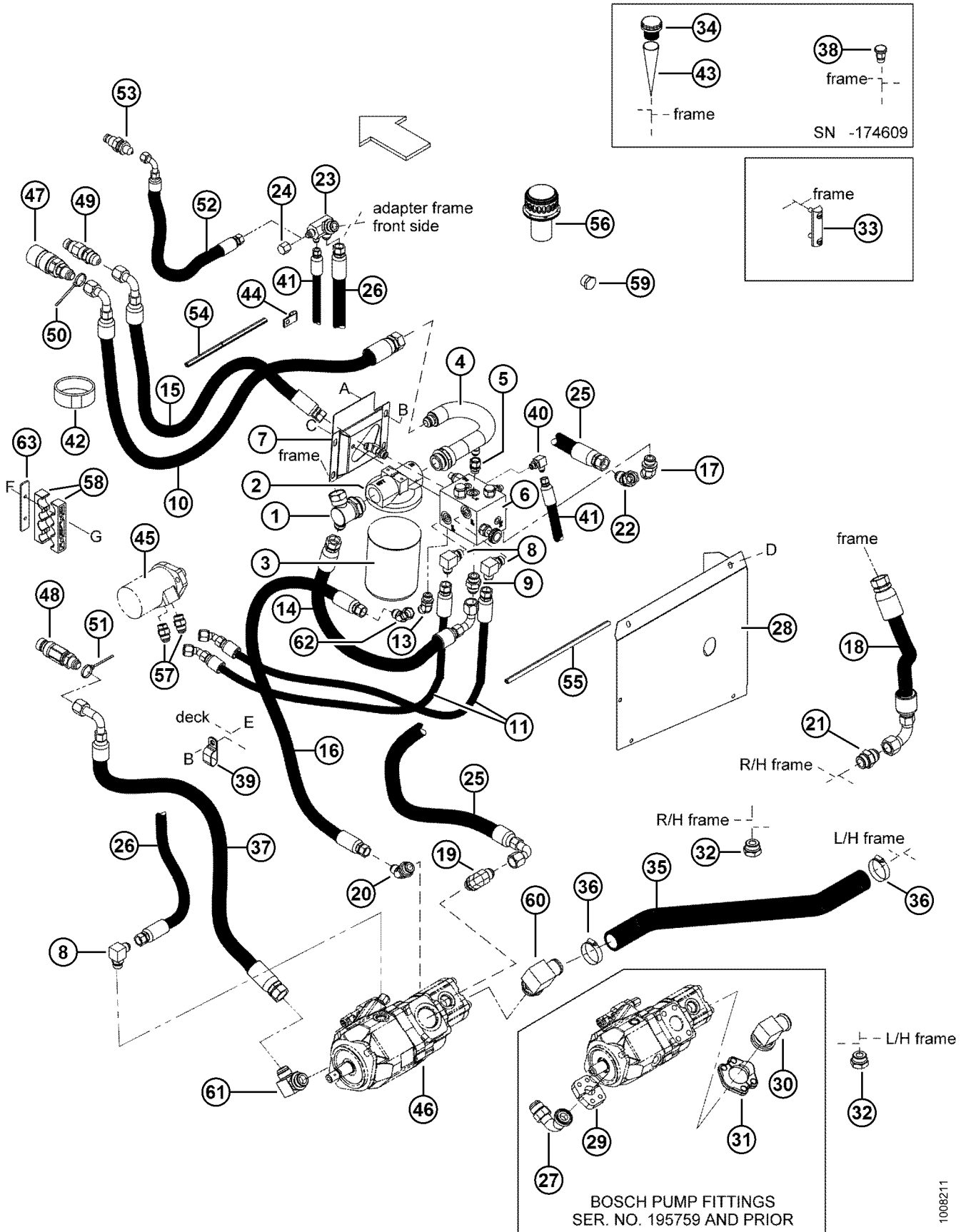
REF	PART NUMBER	DESCRIPTION	QTY.	SERIAL NUMBER
31	133963	FLANGE – split, 1-1/2 in., c/w hardware (Bosch only) .....	1	-195759
	135400	O-RING .....	1	
	18723	BOLT – hex head 1/2 NC x 1 1/2 in. fl, gr5 .....	4	
	18638	WASHER – lock 1/2 in. I.D.....	4	
32	156051	PLUG – hydraulic, #16 ORB .....	1	
33	156696	GAUGE – level .....	1	-184453
34	156906	PLUG – oil filler neck.....	1	-174609
35	42029	HOSE – hydraulic, suction .....	1	
36	135725	CLAMP – hose, gear type .....	2	
37	156895	HOSE – hydraulic, to LH coupler assembly .....	1	
38	114379	BREATHER – vent.....	1	-174609
39	103738	CLAMP – hose .....	1	
40	30282	FITTING – elbow, 90°, #6 male JIC x #6 male ORB.....	1	
41	133074	HOSE – hydraulic.....	1	
42	135444	FASTENER – cinch strap, 6 inch .....	5	
43	24037	SCREEN – strainer .....	1	-174609
44	135232	CLAMP – hose, double .....	1	
45	REF	MOTOR <sup>14</sup>		
46	REF	PUMP ASSEMBLY <sup>15</sup>		
47	135204	COUPLING – female, 3/4 in. flat face bulkhead.....	1	
	111977	SEAL KIT <sup>16</sup> .....	1	
48	135205	COUPLING – male, 3/4 in. flat face bulkhead.....	1	
	135479	SEAL KIT .....	1	
49	135236	COUPLING – male, 1/2 in. flat face bulkhead.....	1	
	135478	SEAL KIT <sup>16</sup> .....	1	
50	40703	FASTENER – cable tie, blue.....	1	
51	40704	FASTENER – cable tie, orange .....	1	
52	133271	HOSE – hydraulic, optional case drain line .....	1	
53	135237	COUPLING – male, 3/8 inch flat bulkhead (opt. case drain line) ....	1	
54	44343	MOULDING – front side .....	1	
55	44968	MOULDING – side .....	1	
56	133942	CAP – oil filler.....	1	174610–
57	50103	FITTING – elbow 45° male.....	2	-174609
	30695	FITTING – adaptor straight .....	2	174610–
58	187010	CLAMP – plastic.....	2	
59	187242	SIGHT GLASS .....	1	184454–
60	111545	FITTING – elbow, 1-1/2 in. hose X 1 7/8 ORB male .....	1	
61	21827	FITTING – elbow, male, 16–16 JIC to ORB.....	1	
62	135434	FITTING – elbow, 45° swivel, #10.....	1	
63	187958	PLATE .....	1	

14. Refer to Feed Deck – 2011 and Prior, page 6 or Feed Deck – 2012 and Later, page 10.

15. Refer to Drives – Model Year 2011 and Prior (Manufactured Gear Box), page 20 or Drives – Model Year 2012 and Newer (Weasler Gear Box), page 24.

16. Seal kit is discontinued. Order coupling.

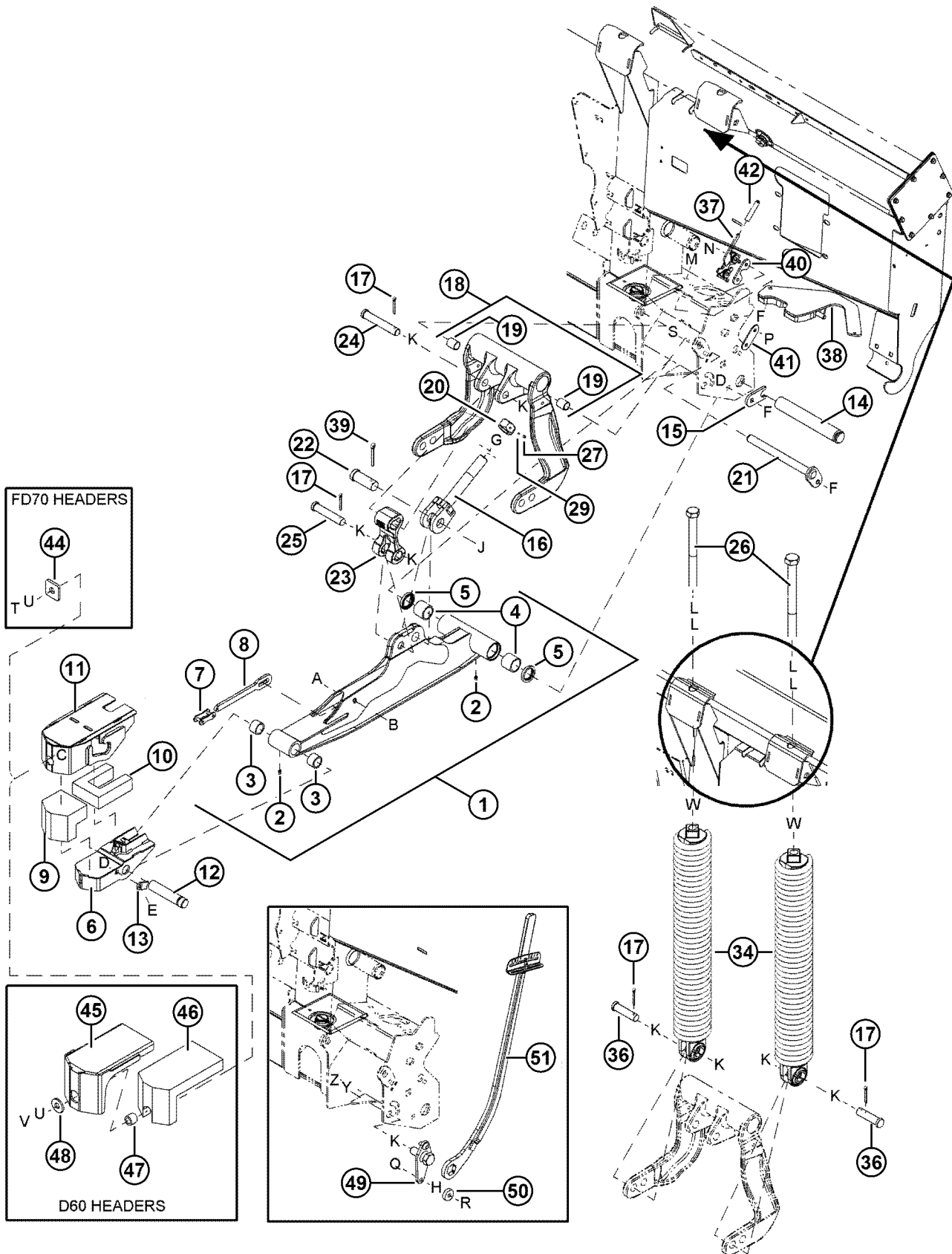
# HYDRAULICS



## HYDRAULICS

REF	PART NUMBER	DESCRIPTION	QTY.	SERIAL NUMBER
A	21821	BOLT – hex head, serrated flange, 3/8 NC x 3/4 in., gr. 5		
B	30228	NUT – smooth flange, 3/8 NC, distorted thread		
C	30693	BOLT – serrated flange, 3/8 NC x 1/2 in.		
D	101898	SCREW – hex washer head, 3/8 NC x 5/8 in., self tapping		
E	19965	BOLT – round head, square neck, 3/8 NC x 1 in., gr. 5		
F	187142	BOLT – hex head, 5/16-18 unc, 2.75 in. lg, zn pl, gr 5		
G	30280	NUT – flange, side lock, smooth face 5/16 NC, zn pl, gr 5		
	O-RINGS	MacDon ORB fittings include O-ring. To order o-ring separately:		
	50219	#6 O-ring		
	44209	#8 O-ring		
	44210	#10 O-ring		
	30971	#12 O-ring		
	50220	#16 O-ring		
	50222	#20 O-ring		

# FLOAT LINKAGE AND COMPONENTS



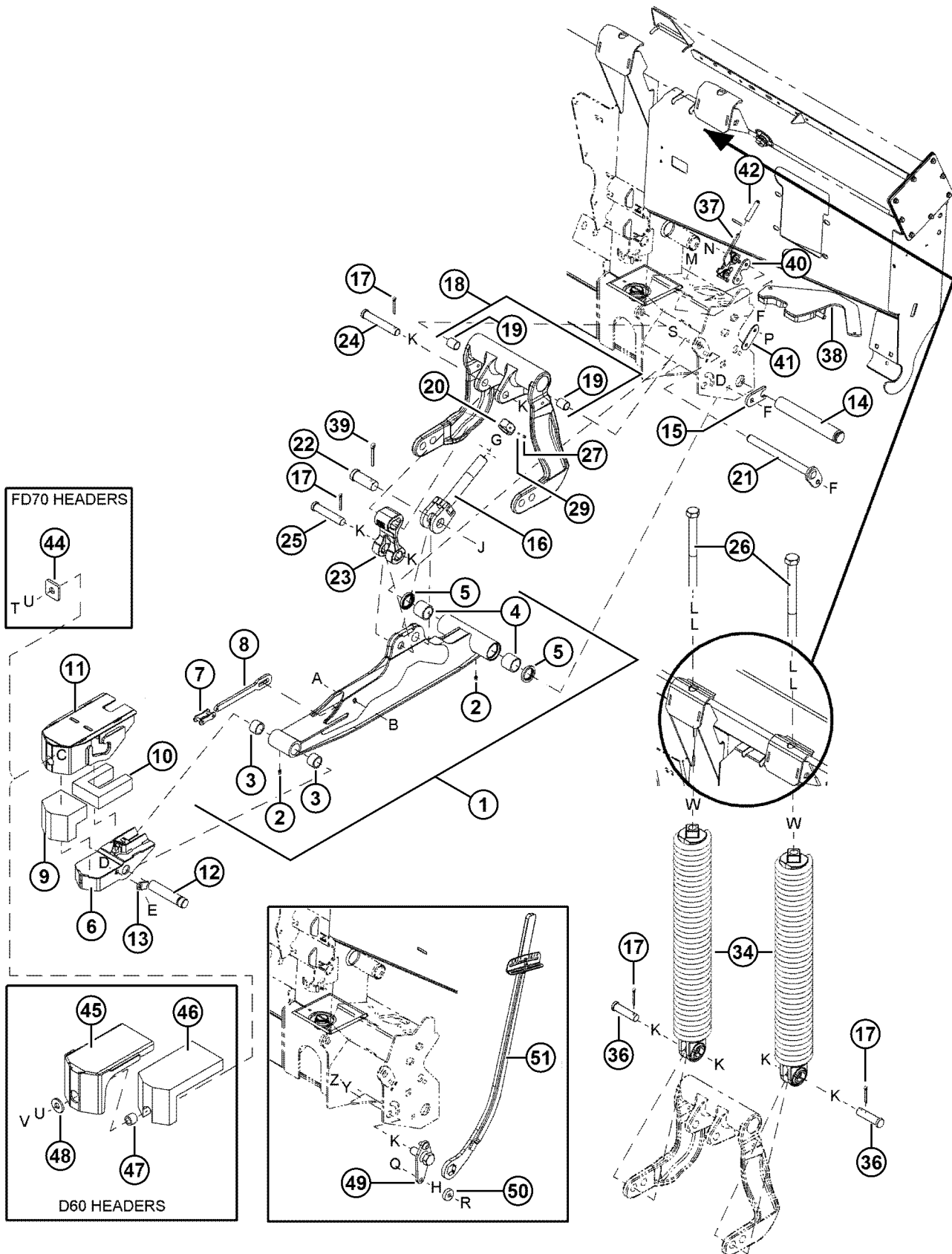


## FLOAT LINKAGE AND COMPONENTS

REF	PART NUMBER	DESCRIPTION	QTY.	SERIAL NUMBER
1	156810	ARM – lower link (includes items 2-5).....	2	
2	18671	FITTING – lube, 1/4 in. UNF .....	4	
3	49904	BEARING – needle .....	4	
4	100500	BEARING – needle .....	4	
5	113222	SEAL.....	4	
6	156467	BRACKET .....	2	
7	156536	CONNECTOR – chain link.....	2	
8	156655	STOP – link.....	2	
9	156635	PAD – rubber .....	2	
10	156471	PAD – rubber .....	2	
11	151881	SUPPORT – front link .....	2	
12	156522	PIN – pivot.....	2	
13	156472	BAR.....	2	
14	156840	PIN – pivot.....	2	
15	156212	PLATE – pin lock.....	2	
16	220679	BOLT – eye.....	2	
17	18608	PIN – cotter, 3/16 dia. X 1-1/2 in. ....	8	
18	156839	LEVER – bellcrank (c/w bushings, two of item #19) .....	2	
19	156501	BUSHING – plastic .....	4	
20	133047	NUT – special, machined.....	2	
21	133014	PIN – pivot.....	2	
22	156742	PIN – clevis .....	2	
23	156574	LINK – arm.....	2	
24	156741	PIN – clevis .....	2	
25	20312	PIN – clevis .....	2	
26	187203	BOLT – hex head, special, 3/4 NC x 17 1/2 in., gr. 5.....	4	
27	135454	SCREW – set.....	2	
29	135455	PELLET – ball, plastic.....	2	
34	156511	SPRING ASSEMBLY – standard.....	4	
	156565	SPRING ASSEMBLY – heavy duty, with inner spring <sup>17</sup> .....	OPT	
36	30463	PIN – clevis, 19mm dia X 58mm effective length.....	4	
37	134003	LATCH – stirrup, left side of adapter (shown) .....	1	
	134002	LATCH – stirrup, right side of adapter.....	1	
38	156689	HANDLE – LH.....	1	-216499
	156698	HANDLE – RH .....	1	-216499
	125788	HANDLE – LH .....	1	216500–
	125789	HANDLE – RH .....	1	216500–
39	18609	PIN – cotter, 1/4 dia. X 2 in. ....	2	
40	156882	BAR.....	2	
41	156883	BAR.....	2	
42	110817	COVER – softex grip.....	2	
44	47036	WASHER – flat, square, for FD70 Headers only .....	2	
45	156638	BRACKET – mounting, for D60 Headers only .....	2	
46	156639	PAD – rubbers, for D60 Headers only .....	2	
47	44603	SPACER – tube, for D60 Headers only .....	2	
48	22072	WASHER – flat, for D60 Headers only .....	2	
49	125654	PIVOT – float .....	2	
50	18867	BEARING – ball, cylindrical c/w two seals.....	2	
51	174870	TOOL – wrench.....	1	

17. Qty. 1 of 156565 is standard on 45-foot FD70 at RH outer position.

# FLOAT LINKAGE AND COMPONENTS

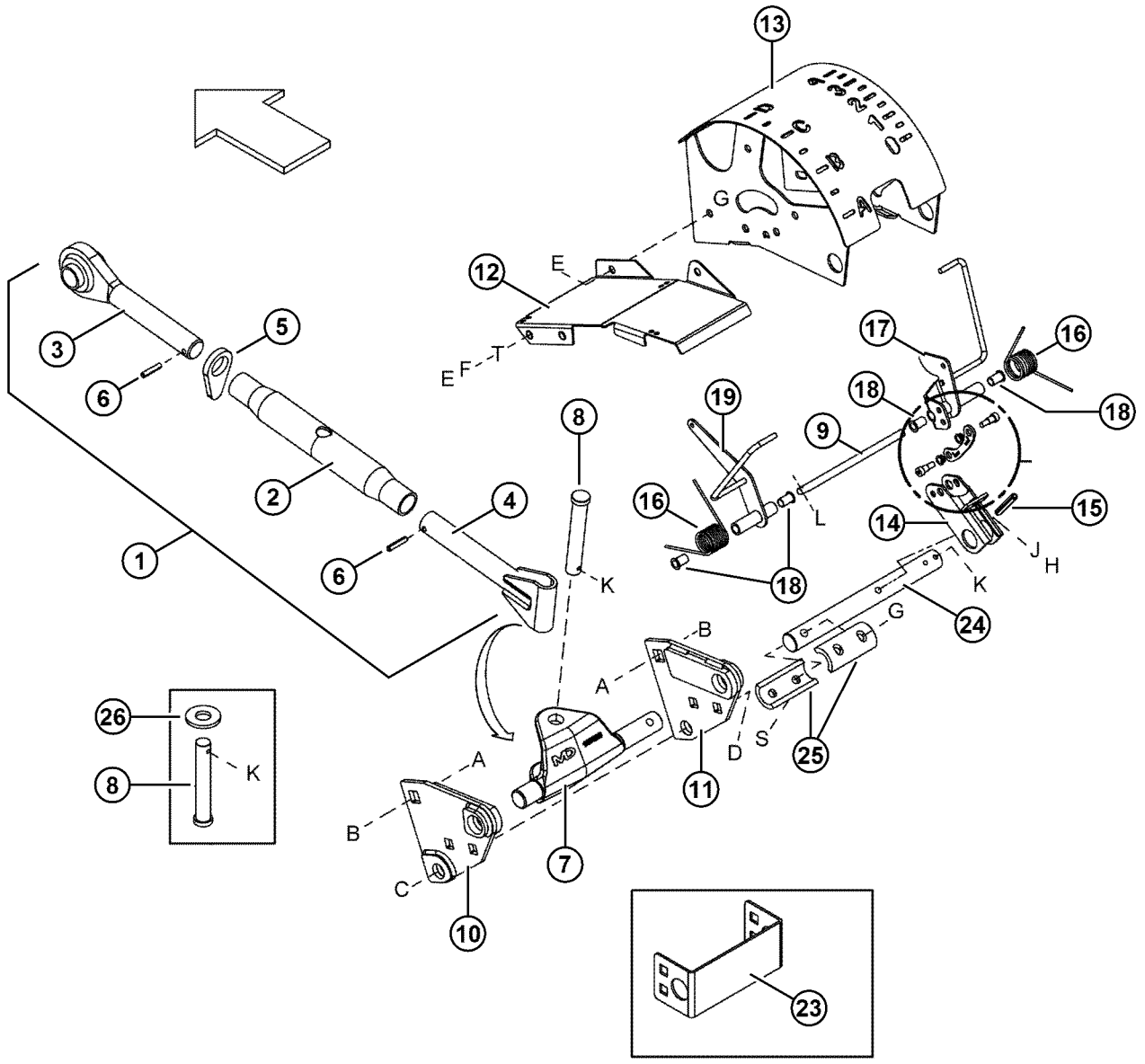
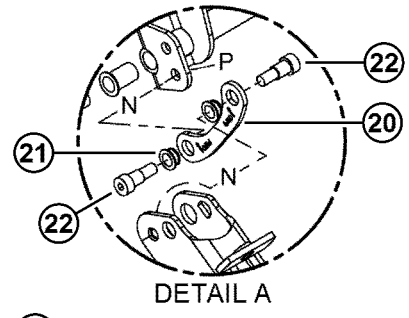


1008220

## FLOAT LINKAGE AND COMPONENTS

REF	PART NUMBER	DESCRIPTION	QTY.	SERIAL NUMBER
A	21563	BOLT – hex head, 5/16 NC x 2-1/2 inch, gr. 5		
B	18690	NUT – hex lock, 5/16 NC, distorted thread		
C	50225	NUT – smooth flange, 5/8 NC		
D	21863	BOLT – round head, square neck, 3/8 NC x 3/4 inch, gr. 5		
E	18669	NUT – hex lock, 3/8 NC, distorted thread		
F	30228	NUT – smooth flange, 3/8 NC, distorted thread		
G	982	WASHER – flat, 1-1/32 I.D. x 2 O.D. x 1/4 inch thick		
H	18637	WASHER – lock, 3/8 inch I.D.		
J	156743	WASHER – flat, 26.2mm I.D. x 45mm O.D. x 3mm thick		
K	1709	WASHER – flat, 13/16 I.D. x 1-1/2 inch O.D.		
L	21540	WASHER – flat, hardened.,20.6mm I.D. x 37.3mm O.D. x 4.5mm thick		
M	30080	BOLT – hex head, 3/8 NC x 4-1/2 inch, gr. 5		
N	135407	BOLT – hex flange head, 5/16 x 1 1/2 inch, gr. 5		
P	30280	NUT – smooth flange, side lock, 5/16 NC, gr. 5		
Q	21264	BOLT – hex head, 3/8 NC x 1-1/4 inch, gr. 5		
R	18590	NUT – hex, 3/8 NC		
S	19965	BOLT – round head, square neck, 3/8 NC x 1 inch, gr. 5		
T	21585	BOLT – hex head, 5/8 NC x 1 1/4 inch, gr. 5		
U	18639	WASHER – lock, 5/8 inch I.D.		
V	21582	BOLT – hex head, 5/8 NC x 1 3/4 inch, gr. 5		
W	18593	NUT – hex, 3/4 NC		
Y	18640	WASHER – lock, 3/4 inch I.D.		
Z	18689	NUT – hex lock, 3/4 NC, distorted thread		

# MECHANICAL CENTER-LINK WITH FLOAT INDICATOR



## MECHANICAL CENTER-LINK WITH FLOAT INDICATOR

REF	PART NUMBER	DESCRIPTION	QTY.	SERIAL NUMBER
	B4822	KIT – Float Indicator for D50/D60 except Gleaner R <sup>18</sup>		
	B5081	KIT – Mechanical Center-Link – except Gleaner R <sup>18</sup>		
	B4942	KIT – Float Indicator for D50/D60 Gleaner R only <sup>18</sup>		
	B5008	KIT – Mechanical Center-Link – Gleaner R only <sup>18</sup>		
	B5431	KIT – Mechanical Center-Link Long to Short Conversion Kit for CIH 5088/6088/7088 w/o Stone Trap. (Use to modify B4822 or B5081) <sup>18</sup>		
1	133003 *	CENTER-LINK – assy, mech (includes items #2-6, long).....	1	
	133704 **	CENTER-LINK – assy, mech (includes items #2-6, short) .....	1	
2	103407 *	TUBE – center link, long .....	1	
	133710 **	TUBE – center link, short .....	1	
3	103409 *	JOINT – center link, long.....	1	
	133711 **	JOINT – center link, short .....	1	
4	133000 *	ROD – center link, threaded, long.....	1	
	133708 **	ROD – center link, threaded, short.....	1	
5	42433	COLLAR – locking.....	1	
6	16266 *	PIN – spring, 1/4 diameter x 1-1/4 inch, long link.....	2	
	187959 **	PIN – spring, 1/4 diameter x 1-1/8 inch, short link .....	1	
7	156123	CLEVIS – with pin .....	1	–168559
	133253	CLEVIS – with pin .....	1	168560–174609
	187829	PIVOT – machined.....	1	174610–
8	18667	PIN – clevis, 19 mm diameter x 105 mm effective length <sup>19</sup> ....	1	
9	133035	PIN – indicator pivot.....	1	
10	133238 *	BRACKET – top link, LH, long (shown on illustration) .....	1	–184453
	133666 **	BRACKET – top link, LH, short .....	1	–184453
	187238 *	BRACKET – top link, LH, long .....	1	184454–
	187247 **	BRACKET – top link, LH, short .....	1	184454–
11	133239 *	BRACKET – top link, RH, long (shown on illustration).....	1	–184453
	133713 **	BRACKET – top link, RH, short .....	1	–184453
	187239 *	BRACKET – top link, RH, long.....	1	184454–
	187248 **	BRACKET – top link, RH, short .....	1	184454–
12	133038	COVER .....	1	–168559
	133906 *	COVER – long (was 133180).....	1	168560–
	133772 **	COVER, short .....	1	
13	156834	HOUSING – indicator.....	1	
14	156964	ARM .....	1	
15	16681	PIN – spring, 5/16 diameter x 2 inch .....	1	
16	156843	SPRING – torsion.....	2	
17	156838	INDICATOR – float.....	1	
18	156963	BUSHING – plastic .....	4	
19	156995	INDICATOR – header angle .....	1	
	133071	TUBE – spacer, units w/o header angle (tilt) indicator .....	1	
20	156841	LINK .....	1	

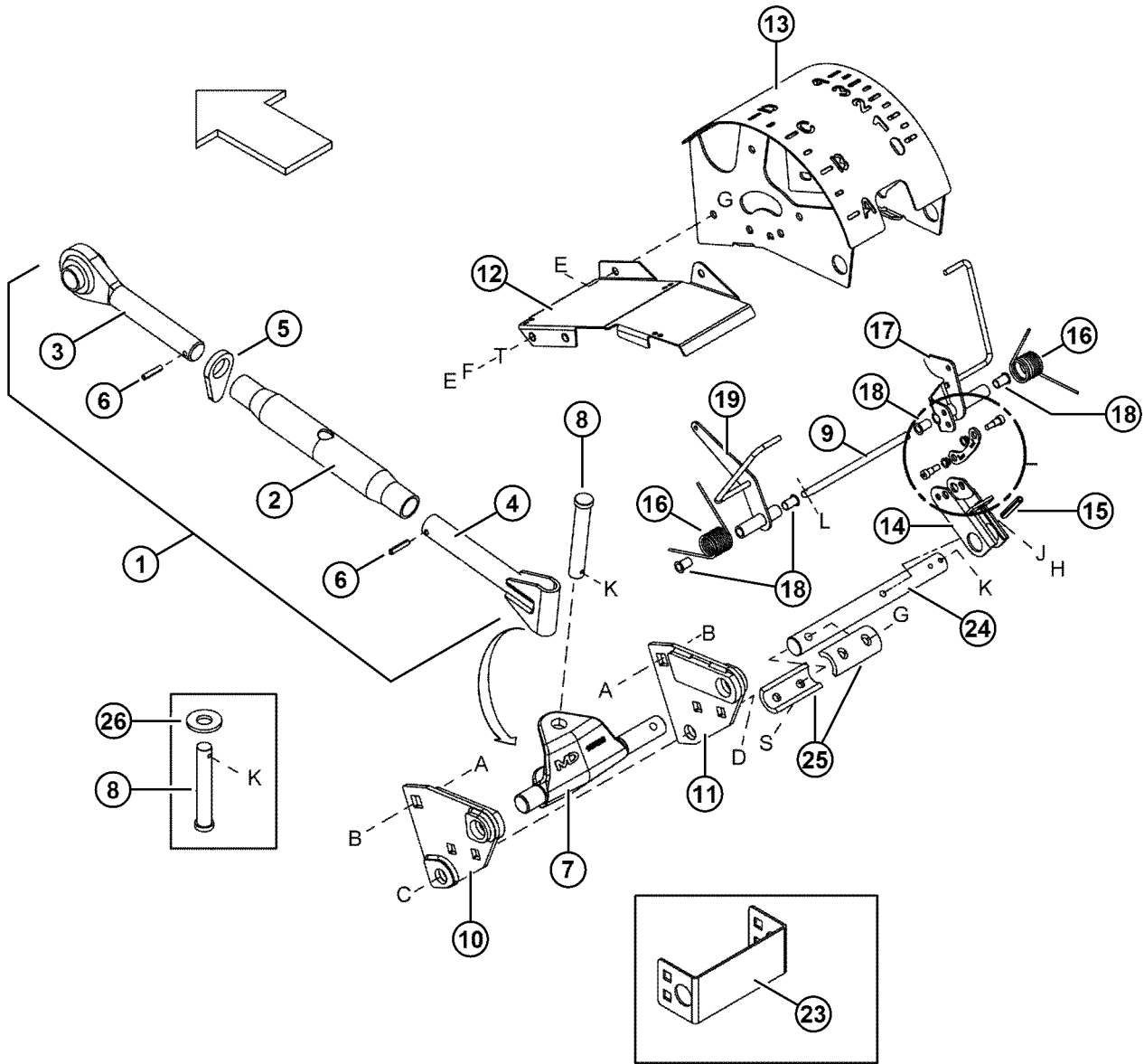
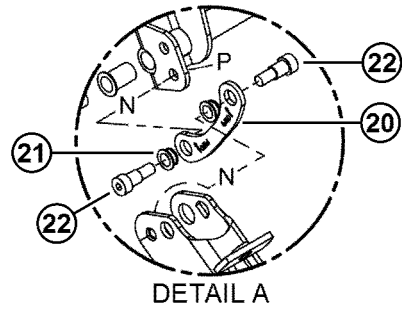
\* Long center-link components are for all combines except CIH 5088/6088/7088 without Stone Trap and Gleaner R Combines.

\*\* Short center-link components are for CIH 5088/6088/7088 without Stone Trap and Gleaner R Combines only.

18. Kits available through Whole Goods only.

19. Pin (18667) is installed head down on short link combines.

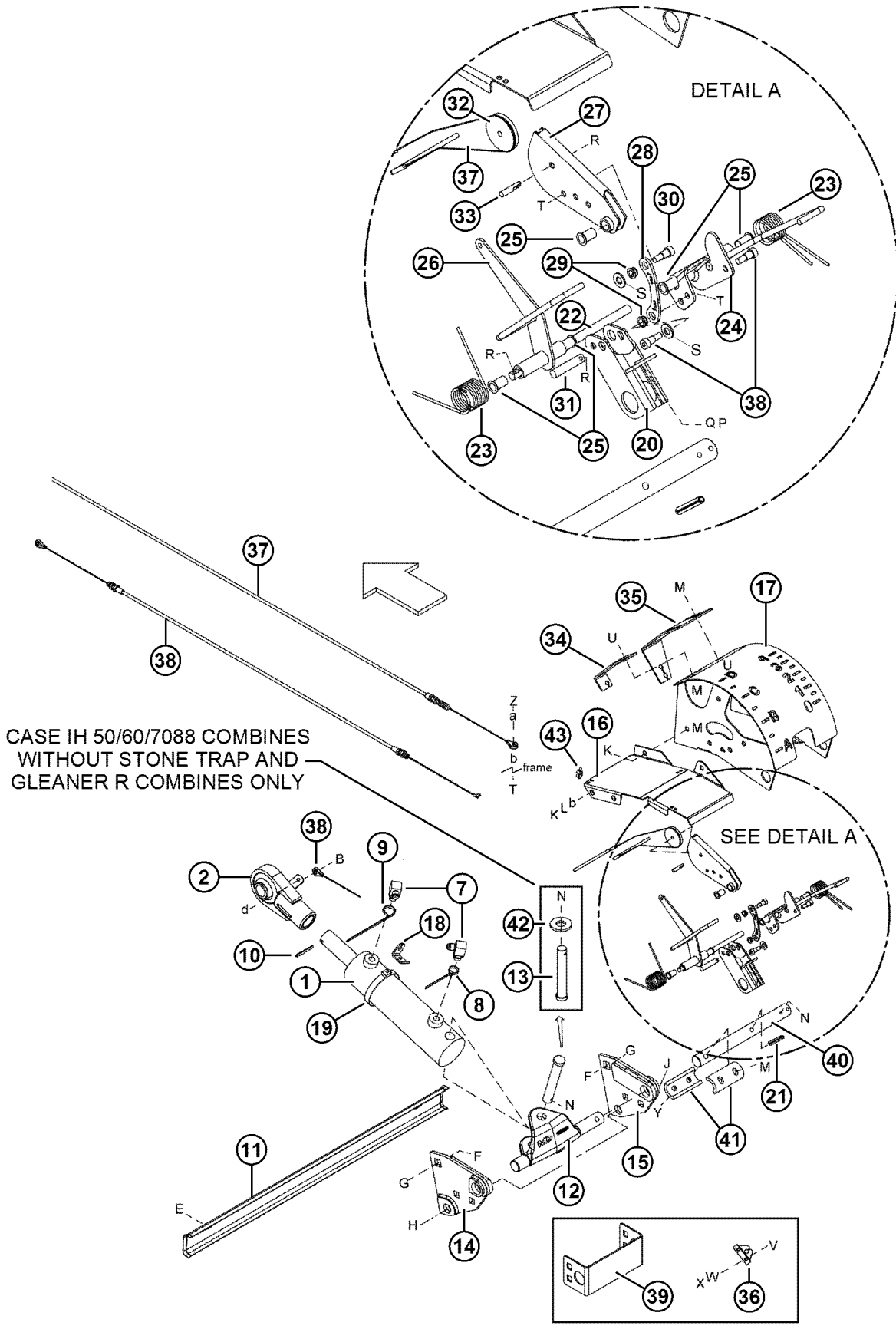
# MECHANICAL CENTER-LINK WITH FLOAT INDICATOR



## MECHANICAL CENTER-LINK WITH FLOAT INDICATOR

REF	PART NUMBER	DESCRIPTION	QTY.	SERIAL NUMBER
21	156969	BUSHING – plastic .....	2	
22	135423	BOLT – shoulder, special.....	2	
23	156155	CHANNEL.....	1	-168559
24	133902	PIN – bolt on extension.....	1	174610–
25	133904	COUPLER – shaft.....	1	174610–
26	25689 **	WASHER – flat, short link only .....	1	
A	18523	BOLT – round head, square neck, 5/8 NC x 1 1/2 inch, gr. 5		
B	50225	NUT – smooth flange, 5/8 NC, distorted thread		
C	50107	BOLT – hex head, 3/4 NC x 8 1/2 inch, gr. 5		
D	102636	NUT – hex, 3/4 NC, side lock distorted thread, gr. 5		
E	21567	BOLT – hex head, 3/8 NC x 3/4 inch, gr. 5		
F	18637	WASHER – lock, 3/8 inch I.D.		
G	30228	NUT – smooth flange, 3/8 NC, distorted thread		
H	50049	BOLT – hex head, 3/8 NC x 1 3/4 in., thread full length, gr. 5		
J	18590	NUT – hex, 3/8 NC		
K	18607	PIN – cotter, 5/32 diameter x 1–1/2 inch		
L	18605	PIN – cotter, 1/8 diameter x 1 inch		
N	18597	WASHER – flat, 11/32 I.D. x 11/16 inch O.D.		
P	18724	NUT – hex lock, 1/4 NC distorted thread		
S	21354	BOLT – hex head, 3/8 NC X 2 inch. gr 5		
T	20535	WASHER – flat		

HYDRAULIC CENTER-LINK WITH FLOAT AND TILT INDICATORS



CASE IH 50/60/7088 COMBINES  
WITHOUT STONE TRAP AND  
GLEANER R COMBINES ONLY

SEE DETAIL A

1008232



## HYDRAULIC CENTER-LINK WITH FLOAT AND TILT INDICATORS

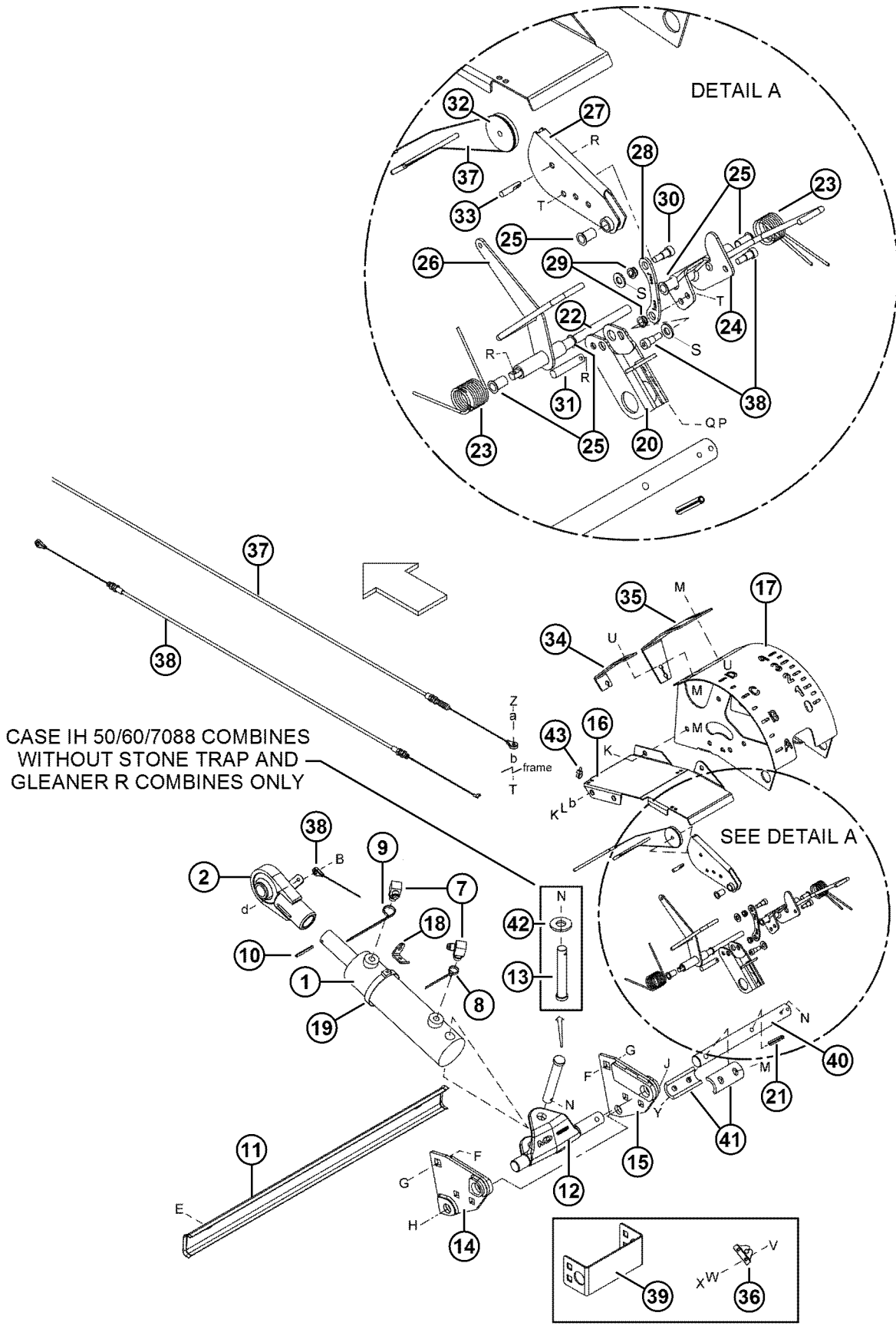
REF	PART NUMBER	DESCRIPTION	QTY.	SERIAL NUMBER
	B4820	KIT – Hydraulic Center-Link for FD70 – except Gleaner R <sup>20</sup>		
	B4821	KIT – Hydraulic Center-Link for D60 – except Gleaner R <sup>20</sup>		
	B5006	KIT – Hydraulic Center-Link for FD70 – Gleaner R only <sup>20</sup>		
	B5007	KIT – Hydraulic Center-Link for D60 – Gleaner R only <sup>20</sup>		
	B5432	KIT – Hydraulic Center-Link Long to Short Conversion Kit for CIH 5088/6088/7088 w/o Stone Trap. Use to modify B4820 or B4821 <sup>20</sup>		
1	156131 *	CYLINDER – hydraulic, center link, long <sup>21</sup>	1	
	133705 **	CYLINDER – hydraulic, center link, short <sup>21</sup> .....	1	
	112625	SEAL KIT – for hydraulic cylinder		
2	187887	EYE – cylinder end.....	1	
7	30282	FITTING – elbow 90°, #6 male JIC x #6 male ORB c/w o-ring .....	2	
	50219	#6 O-RING – for fitting 30282		
8	49227	FASTENER – cable tie (green).....	1	
9	40702	FASTENER – cable tie (red).....	1	
10	135453	PIN – spring, 3/16 diameter x 1-7/8 inch.....	1	
11	156724	COVER – hose.....	1	-168559
	133249	COVER – hose.....	1	168560-
12	156123	CLEVIS – with pin .....	1	-168559
	133253	CLEVIS – with pin .....	1	168560-174609
	187829	PIVOT – machined.....	1	174610-
13	18667	PIN – clevis, 19 mm diameter x 105 mm effective length <sup>22</sup> .....	1	
14	133238 *	BRACKET – top link, LH, long (shown on illustration) .....	1	-184453
	133666 **	BRACKET – top link, LH, short .....	1	-184453
	187238 *	BRACKET – top link, LH, long .....	1	184454-
	187247 **	BRACKET – top link, LH, short .....	1	184454-
15	133239 *	BRACKET – top link, RH, long (shown on illustration).....	1	-184453
	133713 **	BRACKET – top link, RH, short .....	1	-184453
	187239 *	BRACKET – top link, RH, long.....	1	184454-
	187248 **	BRACKET – top link, RH, short .....	1	184454-
16	133038	COVER .....	1	-168559
	133906 *	COVER – long (was 133180).....	1	168560-
	133772 **	COVER – short .....	1	
17	156834	HOUSING – indicator.....	1	
18	133039	ANCHOR – cable .....	1	
19	112823	CLAMP – gear type.....	1	
20	156964	ARM .....	1	
21	16681	PIN – spring, 5/16 diameter x 2 inch.....	1	
22	133035	PIN – indicator pivot.....	1	
23	156843	SPRING – torsion.....	2	
24	156838	INDICATOR – float.....	1	
25	156963	BUSHING – plastic (qty. 4 without Auto Header Height) .....	5	
26	156995	INDICATOR – header angle .....	1	
27	156821	ARM – pivot, Auto Header Height units .....	1	
	*	Long center-link components are for all combines except CIH 5088/6088/7088 without Stone Trap and Gleaner R Combines.		
	**	Short center-link components are for CIH 5088/6088/7088 without Stone Trap and Gleaner R Combines only.		

20. Kits available through Whole Goods only.

21. For hose connections to cylinder, Refer to Hydraulic Selector Valve Kit – Header Tilt/Reel Fore-Aft, page 52.

22. Pin (18667) is installed head down on short link combines.

# HYDRAULIC CENTER-LINK WITH FLOAT AND TILT INDICATORS



## HYDRAULIC CENTER-LINK WITH FLOAT AND TILT INDICATORS

REF	PART NUMBER	DESCRIPTION	QTY.	SERIAL NUMBER
28	156841	LINK <sup>23</sup> .....	1	
29	156969	BUSHING – plastic.....	2	
30	135423	BOLT – shoulder, special (qty 2 w/o Auto Header Height) .....	3	
31	133036	PIN – “D” end, 45 mm long, Auto Header Height units .....	1	
32	156818	PULLEY – control, Auto Header Height units .....	1	
33	133037	PIN – “D” end, 29 mm long, Auto Header Height units .....	1	
34	133076	BRACKET – angle indicator cable .....	1	
35	133011	BRACKET – auto header height cable.....	1	
36	133040	ANCHOR – cable.....	1	
37	133089	CABLE – auto header height, to control pulley .....	1	
38	133082	CABLE – angle indicator, to cylinder.....	1	
39	156155	CHANNEL.....	1	–168559
40	133902	PIN – bolt on extension.....	1	174610–
41	133904	COUPLER – shaft.....	2	174610–
42	25689	** WASHER – flat, short link only.....	1	
43	21763	TIE – plastic .....	3	
A	30638	BOLT – hex head, 1/4 NC x 2-1/4 inch, gr. 5		
B	18724	NUT – hex, lock, 1/4 NC, distorted thread		
C	21574	BOLT – hex head, 1/4 NC x 1-1/2 inch, gr. 5		
D	21055	SCREW – hex washer head, 1/4 NC x 1/2 inch, self tapping		
E	30693	BOLT – serrated flange head, square neck, 3/8 NC x 1/2 in., gr. 5		
F	18523	BOLT – round head, square neck, 5/8 NC x 1 1/2 inch, gr. 5		
G	50225	NUT – smooth flange, 5/8 NC, distorted thread		
H	50107	BOLT – hex head, 3/4 NC x 8 1/2 inch, gr. 5		
J	102636	NUT – hex, 3/4 NC, distorted thread side lock, gr. 5		
K	21567	BOLT – hex head, 3/8 NC x 3/4 inch, gr. 5		
L	18637	WASHER – lock, 3/8 inch I.D.		
M	30228	NUT – smooth flange, 3/8 NC, distorted thread		
N	18607	PIN – cotter, 5/32 diameter x 1-1/2 inch		
P	50049	BOLT – hex head, 3/8 NC x 1 3/4 in, thread full length, gr. 5		
Q	18590	NUT – hex, 3/8 NC		
R	18605	PIN – cotter, 1/8 diameter x 1 inch		
S	18597	WASHER – flat, 11/32 I.D. x 11/16 inch O.D.		
T	18724	NUT – hex, lock, 1/4 NC, distorted thread		
U	21863	BOLT – round head, short square neck, 3/8 NC x 3/4 inch, gr. 5		
V	30465	BOLT – round head, square neck, #10 NC x 1/2 inch		
W	18795	WASHER – flat, 3/16 I.D. x 3/8 O.D.		
X	18707	NUT – hex, lock, #10 NC distorted thread		
Y	21354	BOLT – hex head, 3/8-16 unc, 2.0 in lg, zn pl, gr 5		
Z	30942	BOLT – hex head, 1/4-20 unc, 1.25 in lg, zn pl, gr 5		
A	18596	WASHER – flat sae, 9/32 in id, 5/8 in od		
b	20535	WASHER – flat		
d	21566	BOLT – hex head, 1/4 NC x 3/4 lg, zn pl, gr 5		

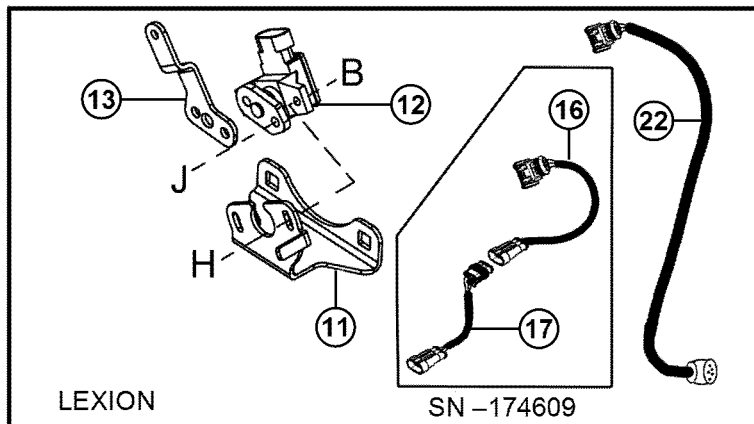
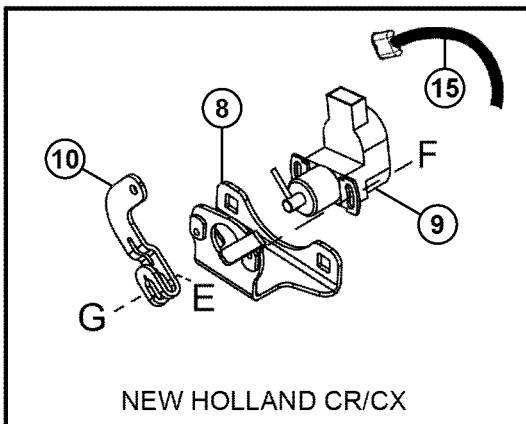
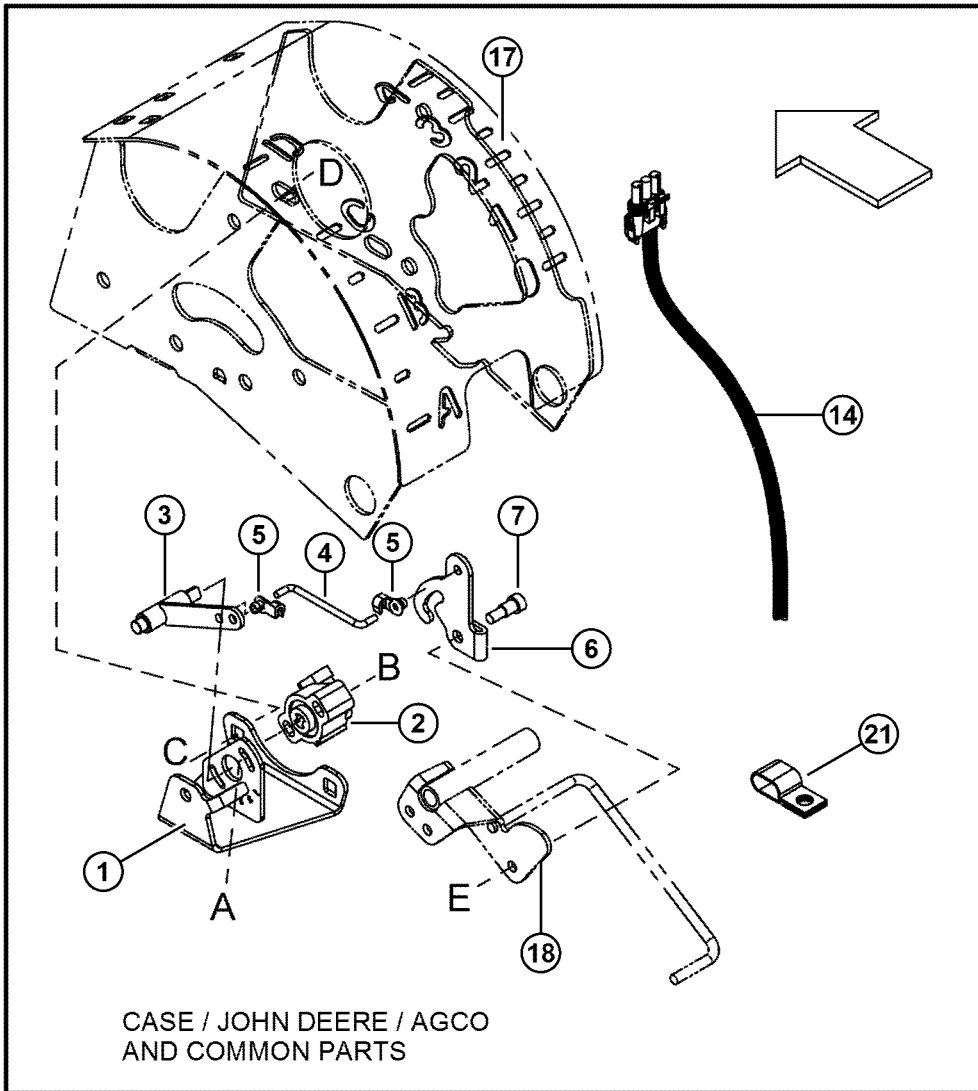
\* Long center-link components are for all combines except CIH 5088/6088/7088 without Stone Trap and Gleaner R Combines.

\*\* Short center-link components are for CIH 5088/6088/7088 without Stone Trap and Gleaner R Combines only.

23. For units with Auto Header Height, install link (item #28) as shown.

For units without Auto Header Height, install link between items #20 and 24.

# AUTO HEADER HEIGHT – SENSORS, LINKAGE, AND HARNESSES



## AUTO HEADER HEIGHT – SENSORS, LINKAGE, AND HARNESES

REF	PART NUMBER	DESCRIPTION	QTY.	SERIAL NUMBER
	B4823	KIT – Auto Header Height Completion Kit – Case <sup>24</sup>		
	B4824	KIT – Auto Header Height Completion Kit – New Holland CR & CX <sup>24</sup>		
	B4825	KIT – Auto Header Height Completion Kit – John Deere and AGCO <sup>24</sup>		
	B4827	KIT – Auto Header Height Completion Kit – Lexion (12 Volt System only) <sup>24</sup>		
1	156828	SUPPORT – sensor, Case / John Deere / AGCO .....	1	
2	158069	CONTROL – potentiometer, Case / John Deere / AGCO .....	1	
3	187193	ARM – linkage, Case / John Deere / AGCO .....	1	
4	158633	ROD – linkage, all combines.....	1	
5	153492	CLIP – rod end, all combines.....	2	
6	187194	ARM – linkage, all combines.....	1	
7	135423	BOLT – shoulder, special, all combines.....	1	
8	156280	SUPPORT – sensor, New Holland CR/CX .....	1	
9	153692	CONTROL – potentiometer, New Holland CR/CX.....	1	
10	133158	ARM – linkage, New Holland CR/CX .....	1	
11	156267	SUPPORT – sensor, Lexion (12V) .....	1	
12	158666	SENSOR – angle, Lexion (12V).....	1	
13	156268	ARM – linkage, Lexion (12V) .....	1	
14	153698	HARNESS – Case AFX Combines .....	1	
	133133	HARNESS – Case 2300 Series Combines.....	1	
15	153769	HARNESS – New Holland CR/CX Combines.....		
16	158698	HARNESS – Lexion Combines, 2m (12V potentiometer) .....		-174609
17	158697	HARNESS – Lexion Combines, 6m (feeder house) <sup>25</sup> .....	1	-174609
	129841	HARNESS – Lexion Combines, 6m (feeder house) <sup>26</sup> .....	1	-174609
18	158754	SPLICE – tap (Lexion Combines only).....	3	
19	REF	HOUSING – indicator <sup>27</sup>		
20	REF	INDICATOR – float <sup>27</sup>		
21	135233	CLAMP – harness holder.....	2	
22	133220	HARNESS – Lexion combines.....	1	174610–
A	136018	BOLT – rshn, #10–24 NC x 1 1/4 inch		
B	105197	NUT – hex, lock, #10–24 NC		
C	21863	BOLT – rhssn, 3/8 NC x 3/4 inch, gr. 5		
D	30228	NUT – smooth flange, 3/8 NC, distorted thread		
E	18724	NUT – hex, 1/4 NC, distorted thread		
F	42284	SCREW – machine, Philips #10 x 1/2 inch, gr. 2		
G	21573	BOLT – hex head, 1/4 NC x 1 inch, gr. 5		
H	158722	BOLT – rshn, #10–24 NC x 3/4 inch, gr. 2		
J	158704	SCREW – Philips pan head, M6 x 8 mm		

**NOTE:** For John Deere and AGCO Combines, no additional harness is required for the Auto Header Height. The main header harness connects directly to the potentiometer.

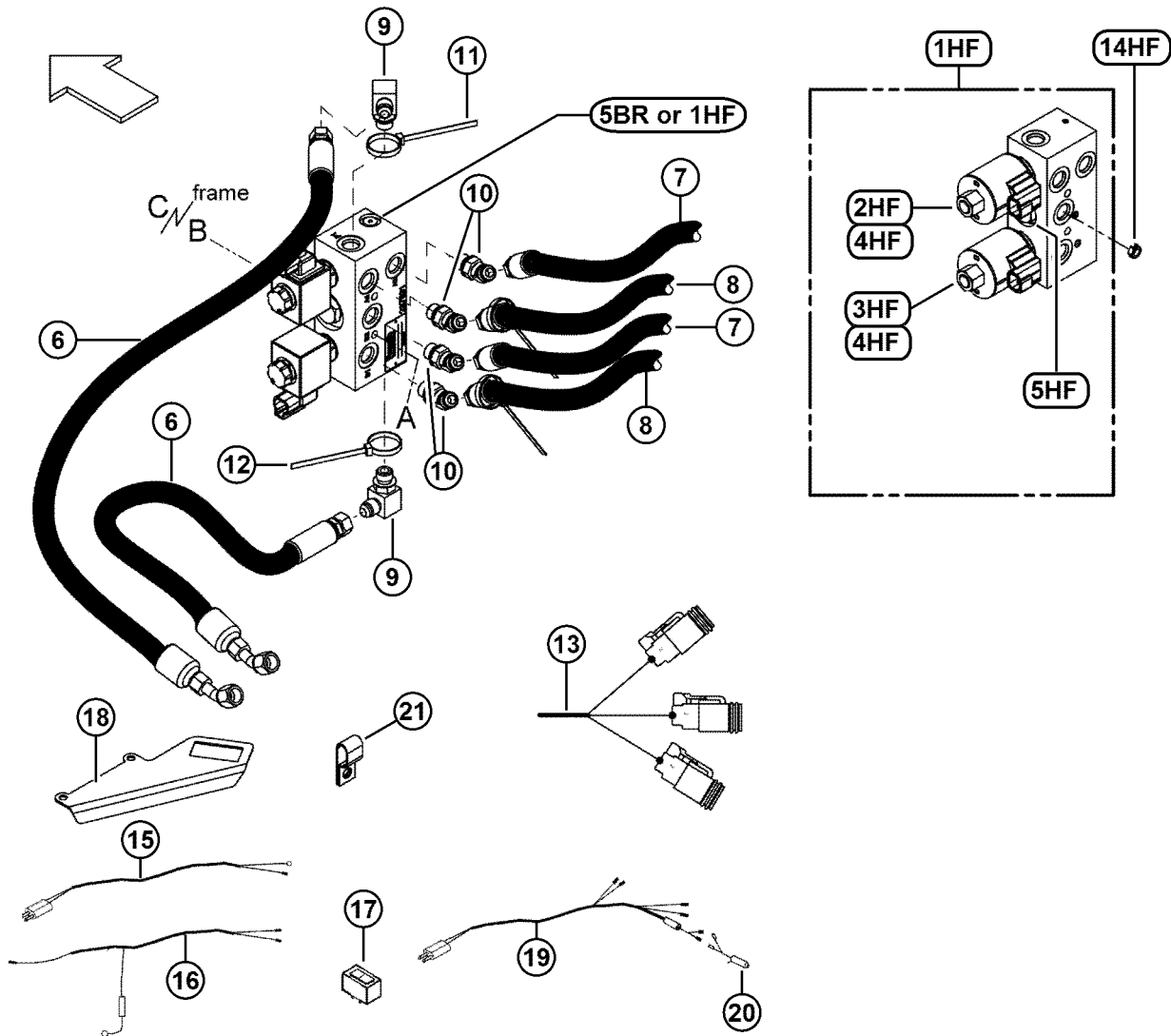
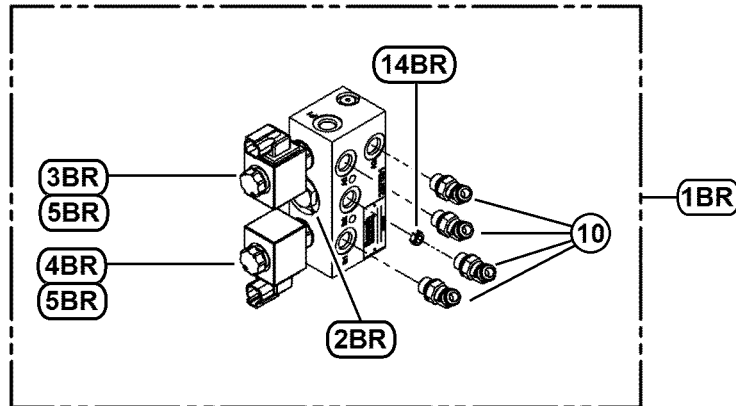
24. Kits available through Whole Goods only.

25. Harness 158697 is for combines with float springs.

26. Harness 129481 is for combines with pressure transducer

27. Refer to Hydraulic Center Link with Float and Tilt Indicators, page 46.

HYDRAULIC SELECTOR VALVE KIT – HEADER TILT / REEL FORE-AFT



1008246

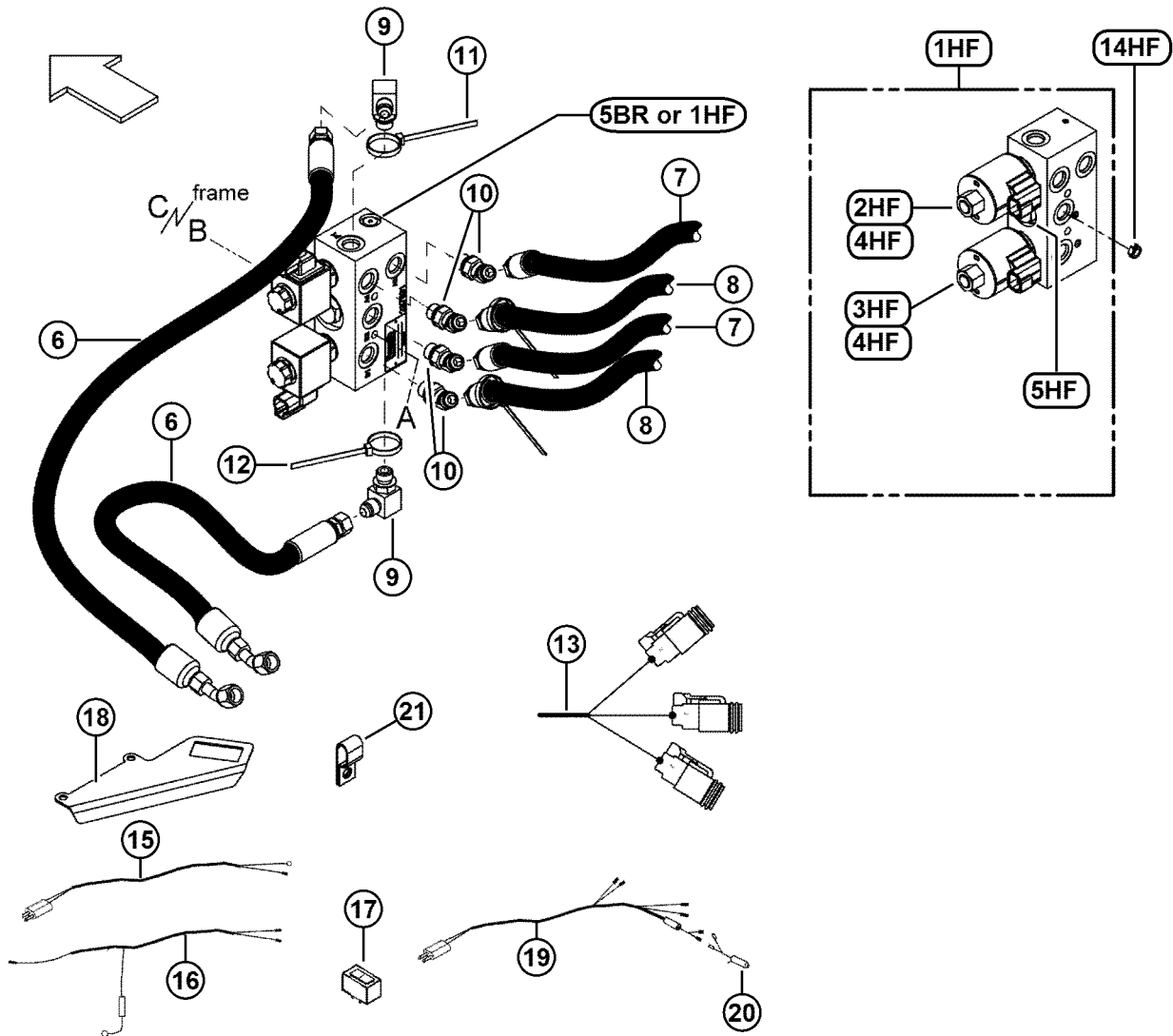
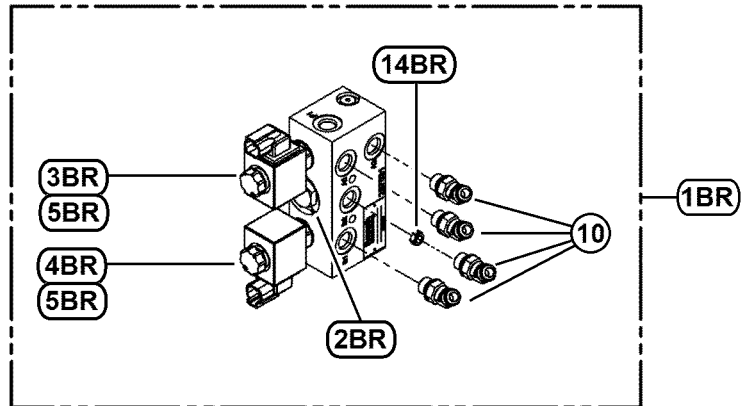
## HYDRAULIC SELECTOR VALVE KIT – HEADER TILT / REEL FORE-AFT

REF	PART NUMBER	DESCRIPTION	QTY.	SERIAL NUMBER
1	133813	VALVE REPLACEMENT KIT – includes, valve, hardware, restrictor and instructions.....	1	–174609
1HF	133985	VALVE – selector, Hydra–Force (HF), incl. items 2HF to 5HF.....	1	174610–
	133809	SEAL KIT – for selector valve 133985 (HF)		
1BR	<b>220535</b>	<b>VALVE – selector, c/w fittings, Bosch-Rexroth<sup>28</sup></b> .....	1	216500–
		Items: 2HF-5HF: Hydra-Force Valve repair parts		
2HF	129705	CARTRIDGE – valve, SV1.....	1	
3HF	133807	CARTRIDGE – valve, SV2.....	1	
4HF	129707	COIL – valve, CL1.....	2	
5HF	133808	COIL – valve, cartridge, PCI .....	1	
		Items: 2BR-5BR: Bosch-Rexroth Valve repair parts		
2BR	174938	VALVE – check V2.....	1	
3BR	174939	VALVE – solenoid V3.....	1	
4BR	174940	VALVE – solenoid V4.....	1	
5BR	174941	COIL – valve V5.....	2	
6	133260	HOSE – valve “P” ports to combine coupler assembly .....	2	
7	133043	HOSE – valve to center link tilt cylinder .....	2	
8	REF	HOSE – valve to reel fore-aft circuits at header coupler.....	2	
		Combine Hydraulic/Electrical completion pkg.		
9	30282	FITTING – elbow, 90°, #6 male JIC x #6 male ORB c/w o-ring.....	2	
10	30284	FITTING – elbow, 45°, #6 male JIC x #6 male ORB c/w o-ring.....	4	
	50219	#6 O-RING – for #6 ORB fitting		
11	49227	CABLE TIE – green.....	2	
12	40702	CABLE TIE – red.....	2	
13	129566	HARNESS – selector valve.....	1	
14HF	16566	RESTRICTOR – orifice, one way 0.035 in, Port B2 (HF).....	1	
14BR	174942	RESTRICTOR – orifice V6, Port B2 (BR) .....	1	

**NOTE:** Ports A1 & B1 will always be used together for the same function. Ports A2 & B2 will always be used together for the same function. Depending on combine make, A1/B1 may be used for header tilt and A2/B2 for reel fore–aft, or vice versa. In this illustration, hoses to tilt cylinder are shown connected to ports A1/B1.

28. Includes items #2BR-5BR, plus four fittings (item #10) and restrictor (item #14BR).

HYDRAULIC SELECTOR VALVE KIT – HEADER TILT / REEL FORE-AFT



1008246



## HYDRAULIC SELECTOR VALVE KIT – HEADER TILT / REEL FORE-AFT

REF	PART NUMBER	DESCRIPTION	QTY.	SERIAL NUMBER
15	153989	● HARNESS – wiring, fore-aft/header tilt (from header to 31 pin connector) ..	1	
16	153990	● HARNESS – wiring, fore-aft/header tilt (from 31 pin connector to #17).....	1	
17	109064	SWITCH – electrical, mounted inside combine <sup>31</sup> .....	1	
18	158377	■ SUPPORT – rocker switch, in cab mtg bracket for fore-aft/header tilt <sup>29</sup>	1	
	220734	SUPPORT – rocker switch, in cab mtg bracket for fore-aft/header tilt <sup>30</sup> .....	1	
19	158326	▲ HARNESS – wiring, fore-aft/header tilt, from item 13 to combine cab <sup>31</sup> .....	1	
20	158349	◆ HARNESS – wiring, cigar lighter adapter <sup>31</sup> .....	1	
21	100453	* HOLDER – harness <sup>31</sup> .....	1	
		● = Case 2300 Series Combines		
		■ = John Deere and AGCO Combines		
		▲ = New Holland CR/CX, CNH AFX, John Deere, AGCO and Lexion Combines		
		◆ = New Holland CR/CX, CNH AFX, and John Deere & AGCO Combines		
		* = New Holland CR/CX, and CNH AFX Combines		
A	135250	BOLT – hex head, 1/4 NC x 2 3/4 inch, gr. 5		
B	21455	NUT – serr flange lock, 1/4 NC (install upside down)		
C	135248	NUT – lock, smooth face flange, 1/4-20 unc, zn pl, gr 5		

**NOTE:** These bundles include only items to complete installation of the kit from adapter into combine cab. (Items #15- 21):

- B4432 KIT – Electric Fore-Aft / Header Tilt: Case 23XX combine <sup>32</sup>
- B4433 KIT – Electric Fore-Aft / Header Tilt: CR/CFX/AFX w/o Integral Control <sup>32</sup>
- B4435 KIT – Electric Fore-Aft / Header Tilt: John Deere Combine <sup>32</sup>
- B4434 KIT – Electric Fore-Aft / Header Tilt: Cat combine <sup>32</sup>
- B4564 KIT – Electric Fore-Aft / Header Tilt: Gleaner combine <sup>32</sup>

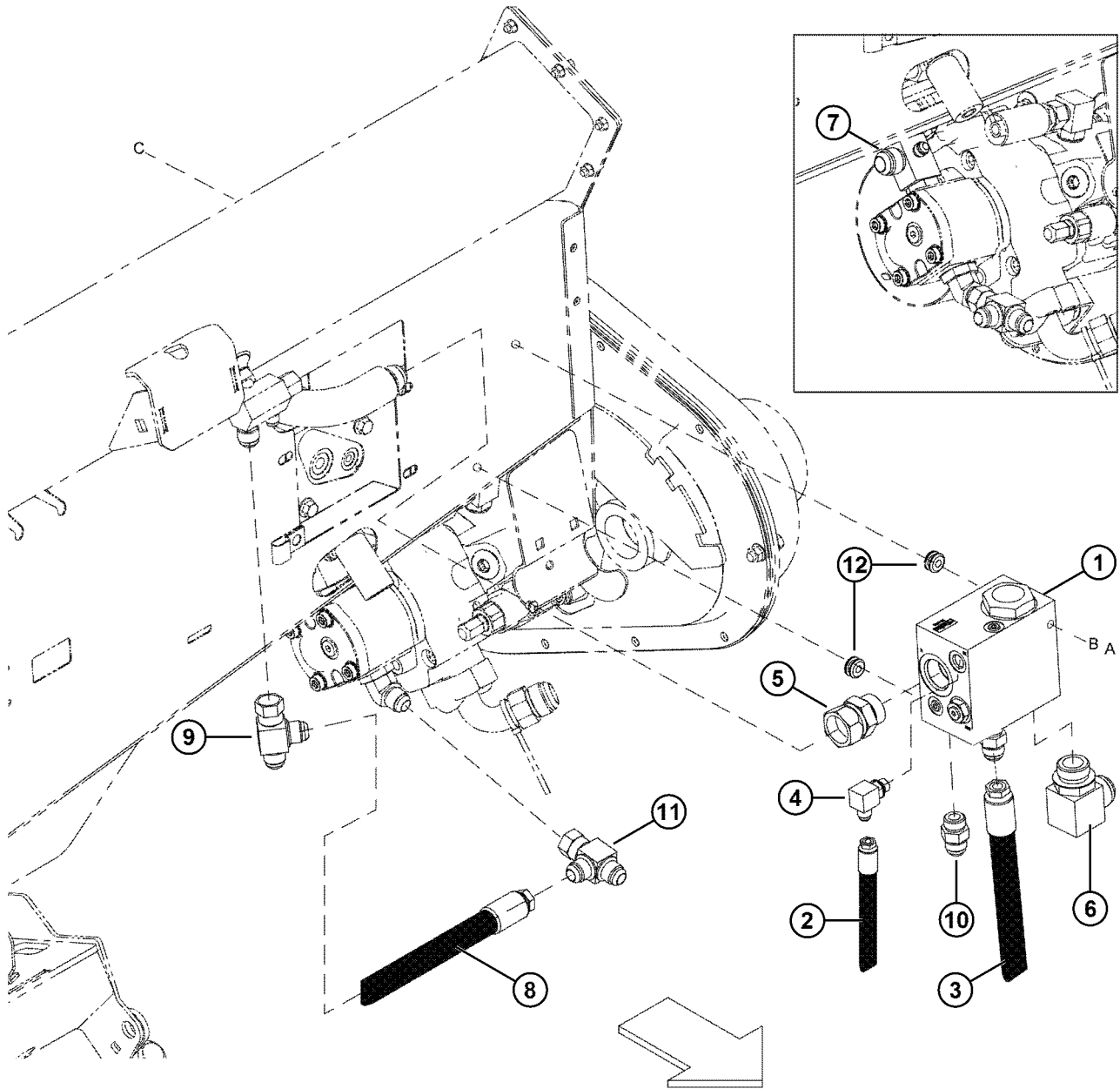
29. All combine models except JD “S” SERIES and CNH/NH AFX, CX, and CR with integral switch.

30. JD S Series only.

31. For New Holland CR/CX and NH AFX combines with integral control, items 17, 19, 20, 21 are not required.

32. Kits available through Whole Goods only.

# KNIFE REVERSER KIT



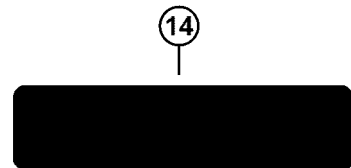
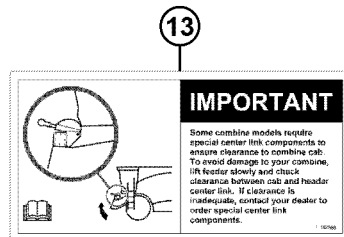
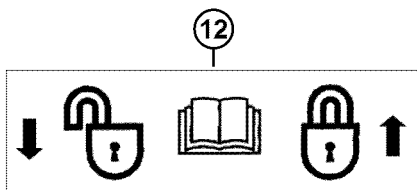
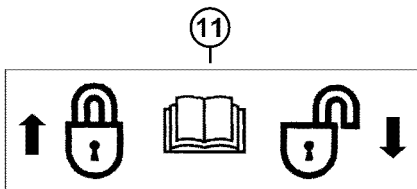
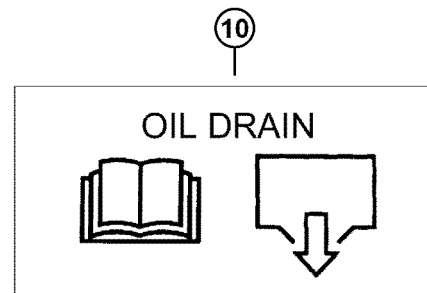
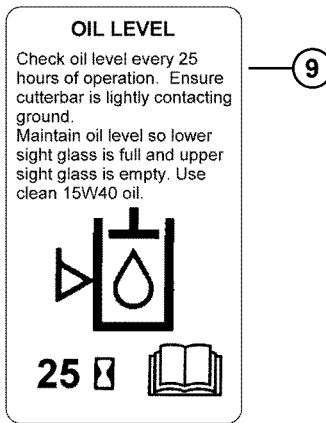
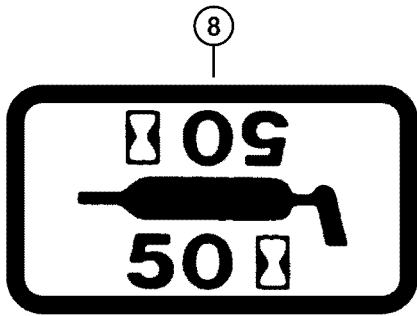
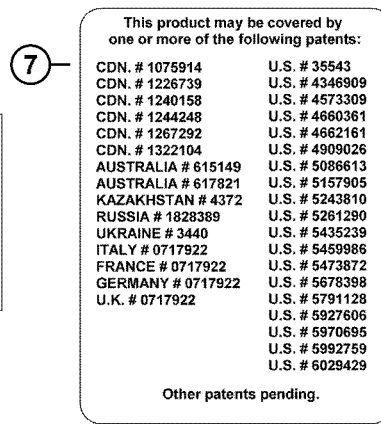
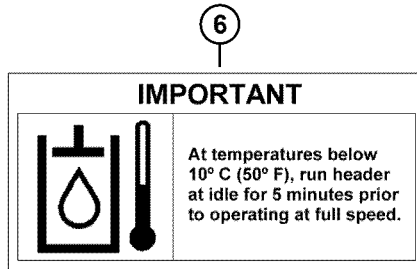
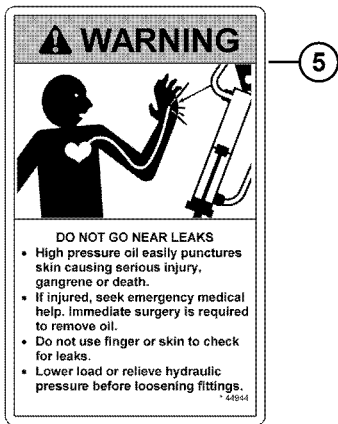
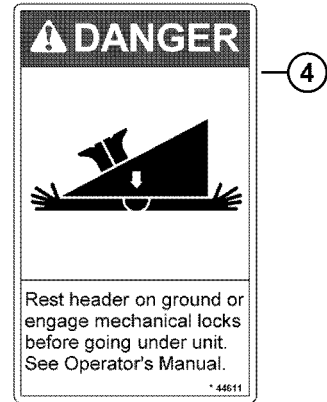
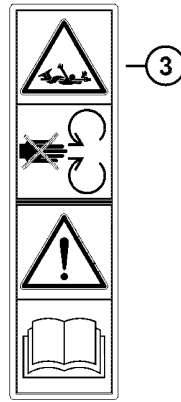
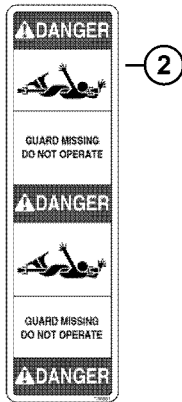
1008250

## KNIFE REVERSER KIT

REF	PART NUMBER	DESCRIPTION	QTY.	SERIAL NUMBER
	B4962	KIT – knife reverser, complete <sup>33</sup>		
1	133625	VALVE – knife reverser.....	1	
2	133714	HOSE – hyd .....	1	
3	133715	HOSE – hyd .....	1	
4	30282	FITTING – elbow 90° hyd.....	1	
5	135316	FITTING – adapter hyd c/w o-ring.....	1	
6	21827	FITTING – elbow hyd .....	1	
7	133736	FITTING – elbow 90 12-12-06 .....	1	
8	187152	HOSE – hyd .....	1	
9	50102	FITTING – hyd tee .....	1	
10	30695	FITTING – connector hyd.....	1	
11	187151	FITTING – hyd tee check.....	1	
12	24986	GROMMET .....	2	
A	21588	BOLT – hh 5/16 nc x 4.0 lg gr 5 zp		
B	18597	WASHER – sae flat 11/32 id x 11/16 in od zp		
C	21403	NUT – flg (serr face) 5/16 nc gr 5 zp		

33. Kits available through Whole Goods only.

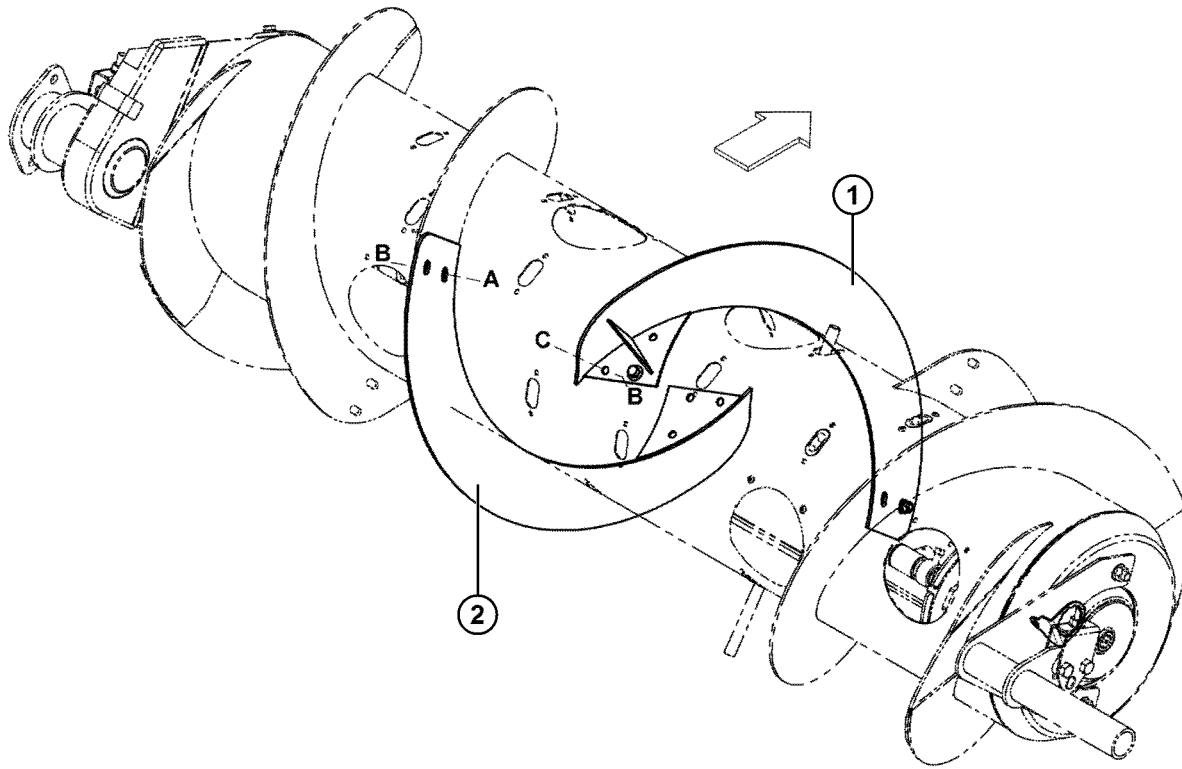
DECALS



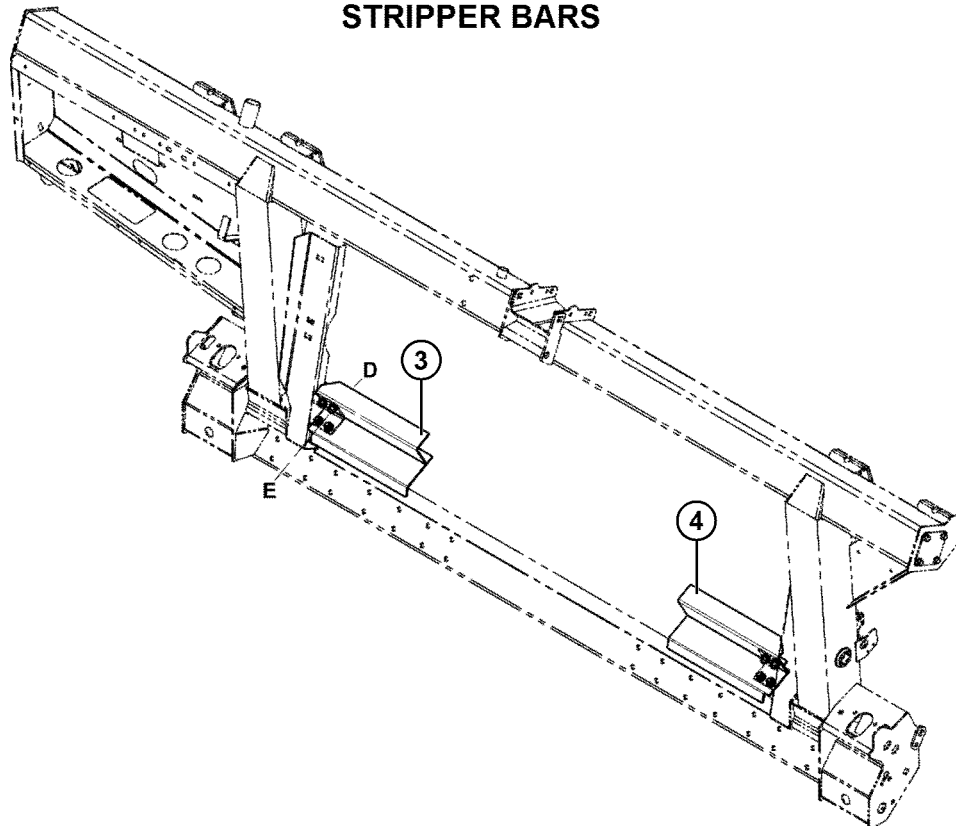
## DECALS

REF	PART NUMBER	DESCRIPTION	QTY.	SERIAL NUMBER
1	30316	DECAL – Danger, rotating driveline		
2	36651	DECAL – Danger, driveline shield missing		
3	194521	DECAL – Driveline, CE		
4	44611	DECAL – Danger, header hazard		-185859
5	44944	DECAL – Warning, hydraulic oil pressure		-185859
6	133086	DECAL – Important, oil operating temperature		
7	32070	DECAL – Patent number		
8	23165	DECAL – 50 hour, lube		
	115759	DECAL – 100 hour, lube		
9	174960	DECAL – Adapter Hydraulic Oil		
10	133537	DECAL – Adapter Oil Drain		
11	133532	DECAL – Adapter Float Lock, LH		
12	133533	DECAL – Adapter Float Lock, RH		
13	187566	DECAL – Center Link Clearance Check		
14	132117	DECAL – anti-slip strip		

### AUGER FLIGHTING EXTENSIONS



### STRIPPER BARS



## AUGER FLIGHTING EXTENSIONS

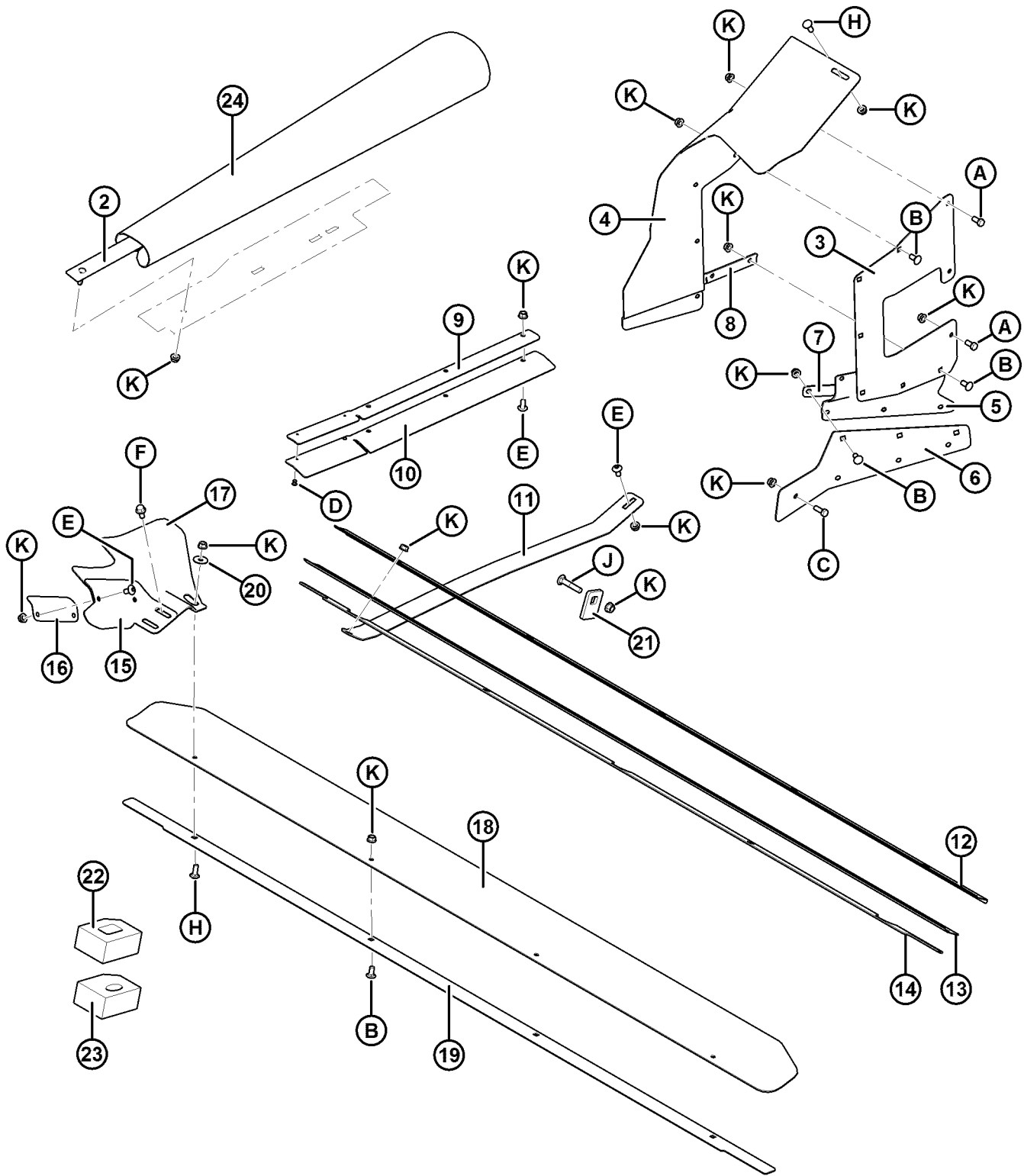
REF	PART NUMBER	DESCRIPTION	QTY.	SERIAL NUMBER
	B4829	KIT – Auger Flighting Extensions <sup>34</sup>		
1	133147	FLIGHTING – extension, RH side (LH helix).....	1	
2	133148	FLIGHTING – extension, LH side (RH helix).....	1	
A	21863	BOLT – rhssn, 3/8 NC x 3/4 inch, gr. 5		
B	30228	NUT – smooth flange, 3/8 NC, distorted thread		
C	21447	BOLT – hex flange head, 3/8 NC x 1 inch, gr. 5		

## STRIPPER BARS

REF	PART NUMBER	DESCRIPTION	QTY.	SERIAL NUMBER
	B4830	KIT – stripper bars, Case 2388 & Lexion (Narrow body only) <sup>34</sup>		
	B4920	KIT – stripper bars, Lexion Wide body & New Holland CX/TX <sup>34</sup>		
	B4921	KIT – stripper bars, John Deere <sup>34</sup>		
	B4922	KIT – stripper bars, Case IH & New Holland CR970/980 <sup>34</sup>		
	B4923	KIT – stripper bars, Case 2366; NH CR920/940/960 & NH TR <sup>34</sup>		
3	133352	STRIPPER – LH, Case 2388 and Lexion 450/470/500 .....	1	
	133336	STRIPPER – LH, Lexion 460/480 and New Holland CX/TX ....	1	
	133340	STRIPPER – LH, John Deere .....	1	
	133344	STRIPPER – LH, Case IH and New Holland CR970/980 .....	1	
	133348	STRIPPER – LH, Case 2366; NH CR920/940/960 & NH TR .....	1	
4	133353	STRIPPER – RH, Case 2388 and Lexion 450/470/500 .....	1	
	133337	STRIPPER – RH, Lexion 460/480 and New Holland CX/TX....	1	
	133341	STRIPPER – RH, John Deere .....	1	
	133345	STRIPPER – RH, Case IH and New Holland CR970/980.....	1	
	133349	STRIPPER – RH, Case 2366; NH CR920/940/960 & NH TR.....	1	
D	21066	BOLT – round head, square neck, 1/2 NC x 1 inch, gr. 5		
E	50186	NUT – lock, smooth flange, 1/2 NC distorted thread		

34. Kits available through Whole Goods only.

# EUROPEAN CA20 TRANSITION FILLER KIT



1008254

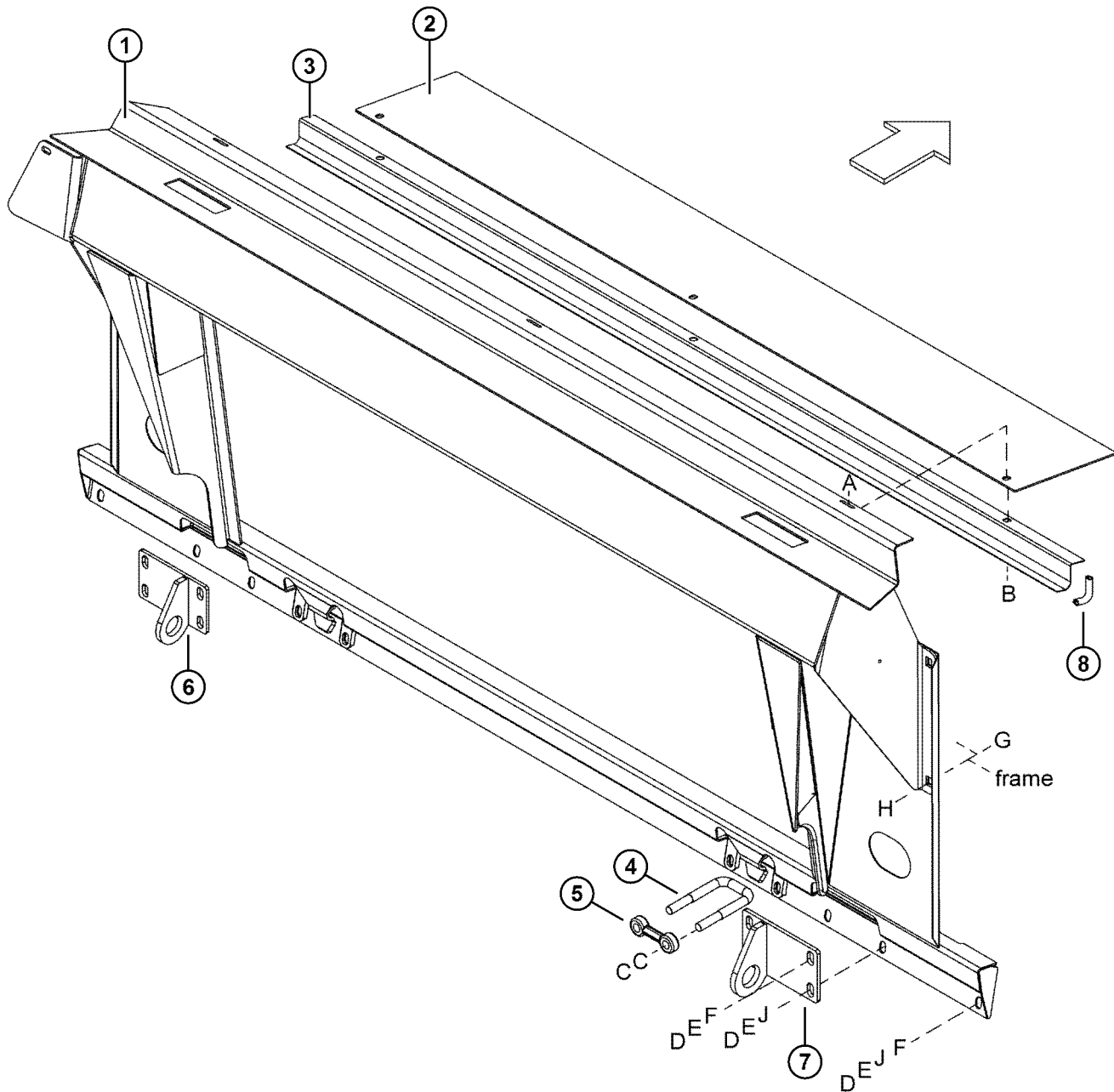


## EUROPEAN CA20 TRANSITION FILLER KIT

REF	PART NUMBER	DESCRIPTION	QTY.	SERIAL NUMBER
	B5661	KIT – European CA20 Transition Filler Kit <sup>35</sup>		
2	220259	WELDT – side filler bar .....	2	
	220291	WELDT – side filler bar 2011 and prior CA20 .....	2	
3	220122	PLATE – filler kit back upper RH .....	1	
	187856	PLATE – filler kit back upper LH .....	1	
4	220201	FLAP – rear side .....	2	
5	220305	FLAP – rubber filler .....	2	
6	220123	PLATE – filler kit back lower RH .....	1	
	187857	PLATE – filler kit back lower LH .....	1	
7	220306	BAR – flap retainer lower .....	2	
8	220308	BAR – flap retainer upper RH .....	1	
	220307	BAR – flap retainer upper LH .....	1	
9	220441	RETAINER – poly pan seal RH .....	1	
	220440	RETAINER – poly pan seal LH .....	1	
10	220439	FLAP – poly pan filler .....	2	
11	220237	SUPPORT – poly pan lifter .....	3	
12	220380	STRAP – front .....	1	
13	220381	STRAP – front lower .....	1	
14	220449	BAR – poly pan front .....	1	
15	123614	SUPPORT – RH corner filler .....	1	
	123613	SUPPORT – LH corner filler .....	1	
16	123647	RETAINER – corner filler flap .....	2	
17	187928	FLAP – corner filler .....	2	
18	220199	FLAP – center filler .....	1	
19	220200	RETAINER – center flap .....	1	
20	19685	WASHER – flat .....	2	
22	220343	BLOCK – foam skid RH .....	1	
	220338	BLOCK – foam skid LH .....	1	
23	220512	BLOCK – foam skid RH 2011 and prior CA20 .....	1	
	220511	BLOCK – foam skid LH 2011 and prior CA20 .....	1	
24	123721	FLAP – filler deck .....	2	
A	21567	BOLT – hex hd .375-16unc x 0.75 lg		
B	21863	BOLT– rhssn 3/8 nc x 0.75 lg gr 5 zp		
C	20077	BOLT – hex hd 3/8 nc x 1.0 lg gr 5 zp		
D	135404	RIVET – blind		
E	135157	SCREW – machine		
F	21821	BOLT – hh flg (serr face) 3/8 nc x 0.75 gr 5 zp		
G	101898	SCREW – hex wash hd thd rolling 3/8 nc x 5/8		
H	100456	BOLT – rhssn 3/8 nc x 1.0 gr 5 zp		
K	30228	NUT – flange dt smooth face 0.375-16unc		

35. Kits available through Whole Goods only.

### CASE 20 SERIES – ADAPTER COMPLETION



1008255

## CASE 20 SERIES – ADAPTER COMPLETION

REF	PART NUMBER	DESCRIPTION	QTY.	SERIAL NUMBER
1	133262	FRAME – transition, adapter to Case 20 Series .....	1	
2	<b>187723</b>	<b>COVER – adapter header opening.....</b>	<b>1</b>	
3	156725	COVER – hose.....	1	
4	133242	BOLT – U .....	2	
5	133241	LATCH – Case 20 Series.....	2	
6	133257	BRACKET – lock, LH .....	1	
7	133288	BRACKET – lock, RH .....	1	
8	42589	MOULDING – hose protector, 70 mm long.....	2	
A	30278	BOLT – hex head, serrated flange, 5/16 NC x 3/4 inch, gr. 5		
B	30280	NUT – lock, smooth flange, 5/16 NC distorted thread		
C	18592	NUT – hex, 5/8 NC		
D	18723	BOLT – hex head, 1/2 NC x 1 1/2 inch, thread full length		
E	18638	WASHER – lock, 1/2 inch		
F	4761	WASHER – flat, 17/32 inch I.D. x 1 3/8 O.D.		
G	21471	BOLT – round head, square neck, 1/2 NC x 1 1/4 inch, gr. 5		
H	50186	NUT – lock, smooth flange, 1/2 NC distorted thread		
J	187518	WASHER – flat, 1/2 inch I.D. x 1 inch O.D. x 3/16 in. thick		

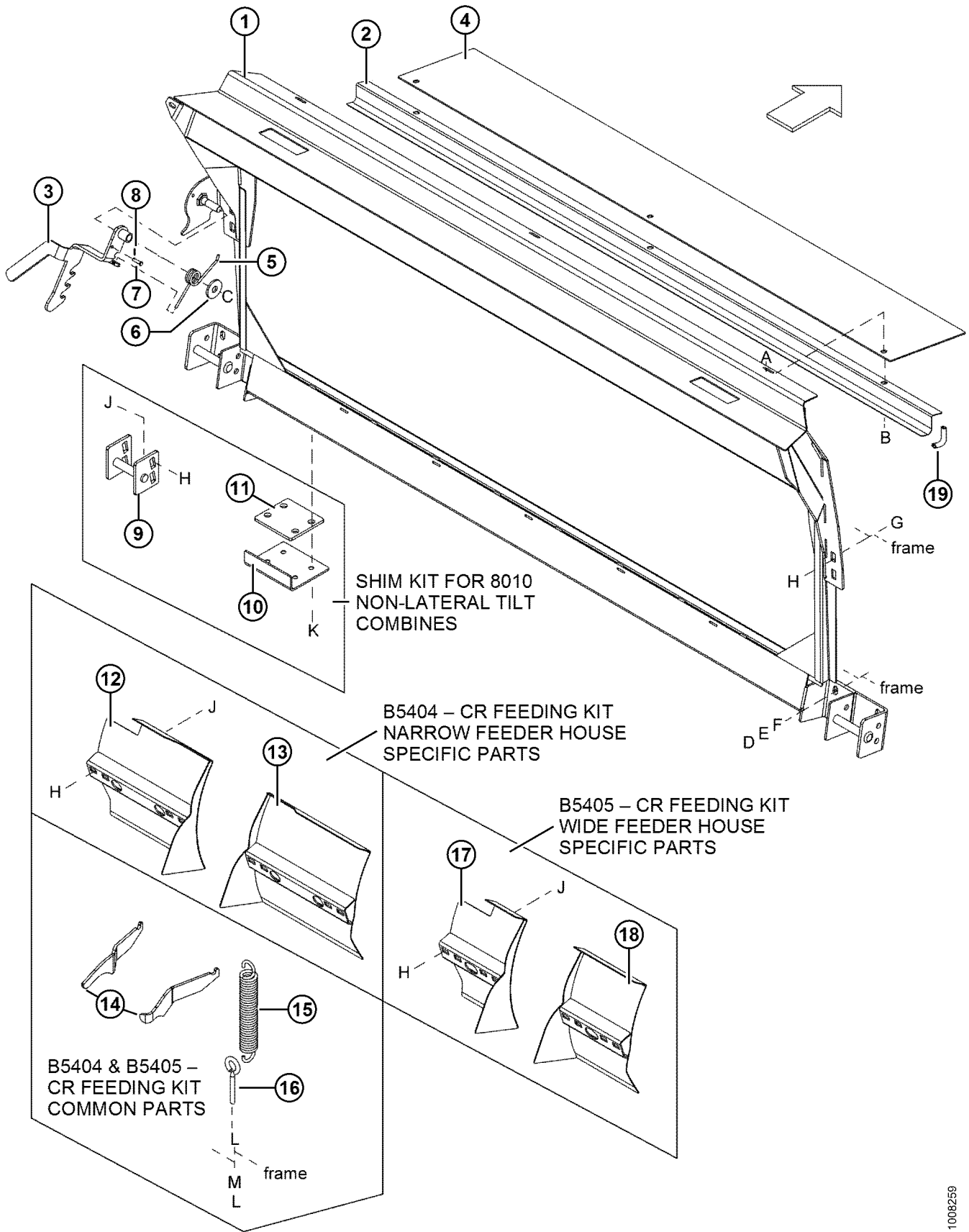


## CASE 20 SERIES – HYDRAULIC/ELECTRICAL COMPLETION

REF	PART NUMBER	DESCRIPTION	QTY.	SERIAL NUMBER
1	40702	FASTENER – cable tie (red) .....	2	
2	49227	FASTENER – cable tie (green) .....	2	
3	114229	PLUG .....	1	
4	114230	CAP .....	1	
5	114142	FITTING – hydraulic, coupling, male.....	3	
6	114143	FITTING – hydraulic, coupling, female.....	2	
7	133261	HOSE – hydraulic, reel fore-aft circuit.....	2	
8	114141	FITTING – hydraulic, connector, 3/8 tube x 7/8 ORB .....	3	
9	156935	HOSE – hydraulic.....	1	
10	21763	FASTENER – cable tie (black).....	1	
11	49232	FASTENER – cable tie (white).....	2	
12	40701	FASTENER – cable tie (yellow) .....	1	
13	156758	HOSE – hydraulic, reel drive.....	1	
14	156938	HOSE – hydraulic, reel drive.....	1	
15	43848	CLAMP .....	1	
16	156909	HOSE – hydraulic, reel lift.....	1	
17	30695	FITTING – hydraulic, connector .....	2	
18	114140	HOLDER – couplers.....	1	
19	21856	CAP – dust.....	1	
20	156612	HARNESS – wiring .....	1	
21	156609	COVER – couplers.....	1	-168559
	133280	COVER – couplers.....	1	168560-
22	109791	MOULDING – protective .....	1	
23	135443	FASTENER – cinch strap, 4 inch.....	4	
24	135444	FASTENER – cinch strap, 6 inch.....	4	
25	156606	SUPPORT – hydraulic couplers.....	1	
26	163598	STRAP – Velcro, hanging .....	1	
A	19965	BOLT – round head, square neck, 3/8 NC x 1 inch, gr. 5		
B	21863	BOLT – round head, square neck, 3/8 NC x 3/4 inch, gr. 5		
C	30228	NUT – smooth flange, 3/8 NC, distorted thread		
D	101898	SCREW – hex head, 3/8 NC x 5/8 inch, self tapping		
E	21821	BOLT – flange head, 3/8 NC x 3/4 inch. gr. 5		

**NOTE:** For couplers at ends of hoses #7, 13, 14 and 16 (not shown),  
Refer to D50/D60/FD70 Header Parts Catalog (MD #169008),  
Section: Reel Hydraulics – Coupler Package.

CASE IH AND NEW HOLLAND CR/CX – ADAPTER COMPLETION



1008259

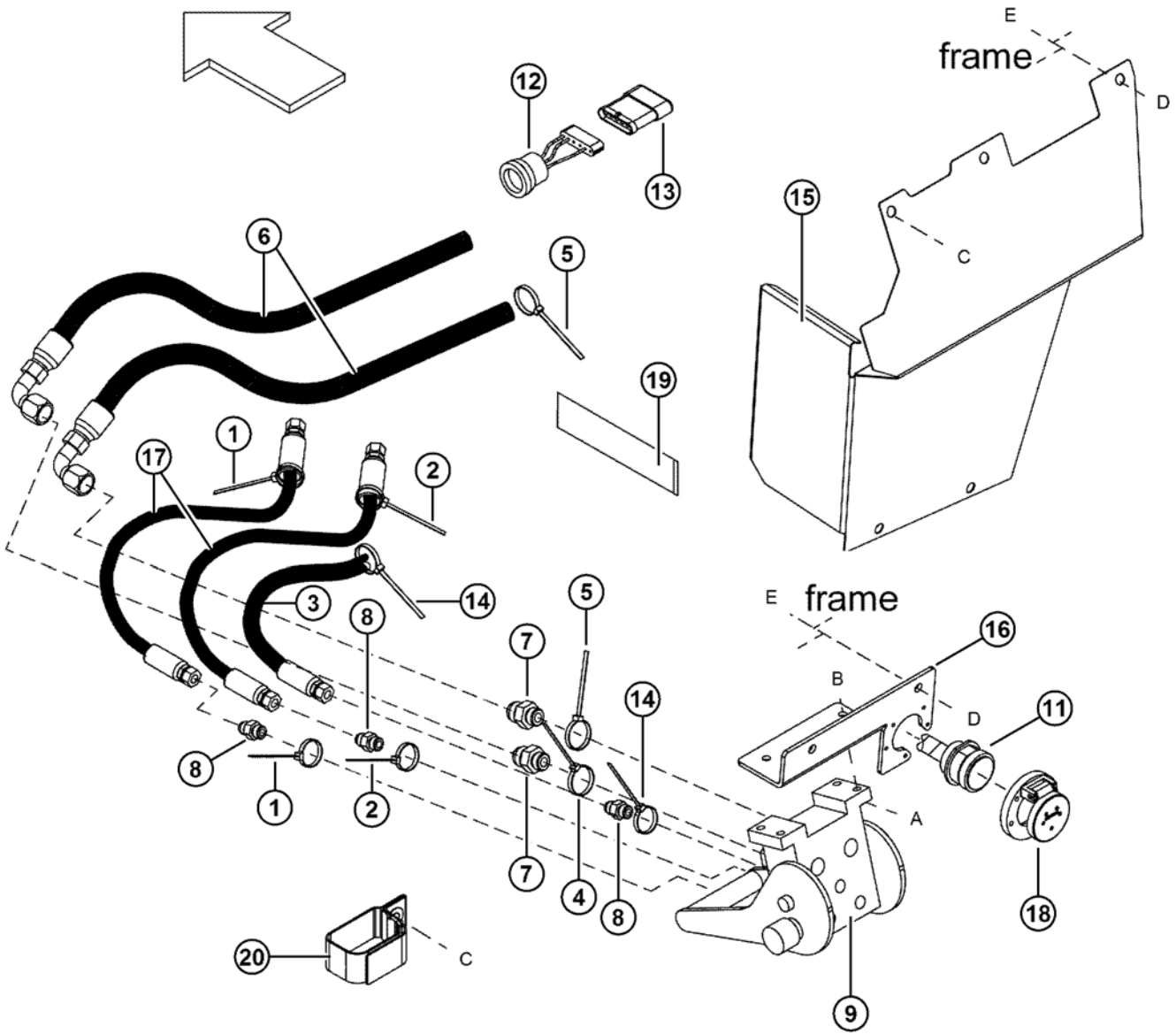
## CASE IH AND NEW HOLLAND CR/CX – ADAPTER COMPLETION

REF	PART NUMBER	DESCRIPTION	QTY.	SERIAL NUMBER
	B5079	KIT – shim header leveling for 8010 non-lateral tilt combines. <sup>36</sup>		
	B5404	KIT – CR Feeding, for CR 9040 & CR 9060 (narrow feeder house) <sup>36</sup>		
	B5405	KIT – CR Feeding, for CR 9070 & CR 9080 (wide feeder house), includes items #17, 18 & 19. <sup>36</sup>		
1	156366	FRAME – transition, Case IH and New Holland Combines .....	1	
2	156725	COVER – hose.....	1	
3	187006	LATCH – arm .....	1	
4	<b>187723</b>	<b>COVER – adapter header opening.....</b>	<b>1</b>	
5	156948	SPRING – tension.....	1	
6	23745	WASHER – flat .....	1	
7	135655	PIN – clevis, 1/4 dia. x 3/4 inch effective length.....	1	
8	21457	PIN – hair .....	1	
9	133833	PIN – weldment.....	1	
10	133839	PLATE – shim .....	1	
11	133703	SHIM – 6.4 mm .....	1	
	133882	SHIM – 3mm .....	3	
12	187390	DEFLECTOR – LH long <sup>37</sup> .....	1	
13	187391	DEFLECTOR – RH long <sup>37</sup> .....	1	
14	NSS	SUPPORT – spring anchors (welded)		
15	<b>187813</b>	<b>SPRING – extension.....</b>	<b>2</b>	
16	106622	BOLT – eye .....	2	
17	187415	DEFLECTOR – LH short <sup>37</sup> .....	1	
18	187416	DEFLECTOR – RH short <sup>37</sup> .....	1	
19	42589	MOULDING – hose protector, 70 mm long.....	2	
A	30278	BOLT – hex head, serrated flange, 5/16 NC x 3/4 inch, gr. 5		
B	30280	NUT – lock, smooth flange, 5/16 NC distorted thread		
C	50225	NUT – lock, smooth flange, 5/8 NC distorted thread		
D	18723	BOLT – hex head, 1/2 NC x 1 1/2 inch, thread full length		
E	18638	WASHER – lock, 1/2 inch		
F	25900	WASHER – flat, 17/32 inch I.D. x 1 3/8 O.D.		
G	21066	BOLT – round head, square neck, 1/2 NC x 1 inch, gr. 5		
H	50186	NUT – lock, smooth flange, 1/2 NC distorted thread		
J	21868	BOLT – round head short sq nk, 1/2-13 unc, 1.0 in lg.		
K	132355	BOLT – socket head, 1/2-13 unc, 1.0 in lg, zn pl, gr 5		
L	18590	NUT – hex, 3/8 NC		
M	18598	WASHER – flat, 13/32 I.D. x 13/16 O.D.		

36. Kits available through Whole Goods only.

37. Items #15, 16, 20, and 21 are supplied standard for all CA20 New Holland Completion Packages, serial number 195760 (2010) and up.

70  
CASE IH AND NEW HOLLAND CR/CX – HYDRAULIC/ELECTRICAL COMPLETION



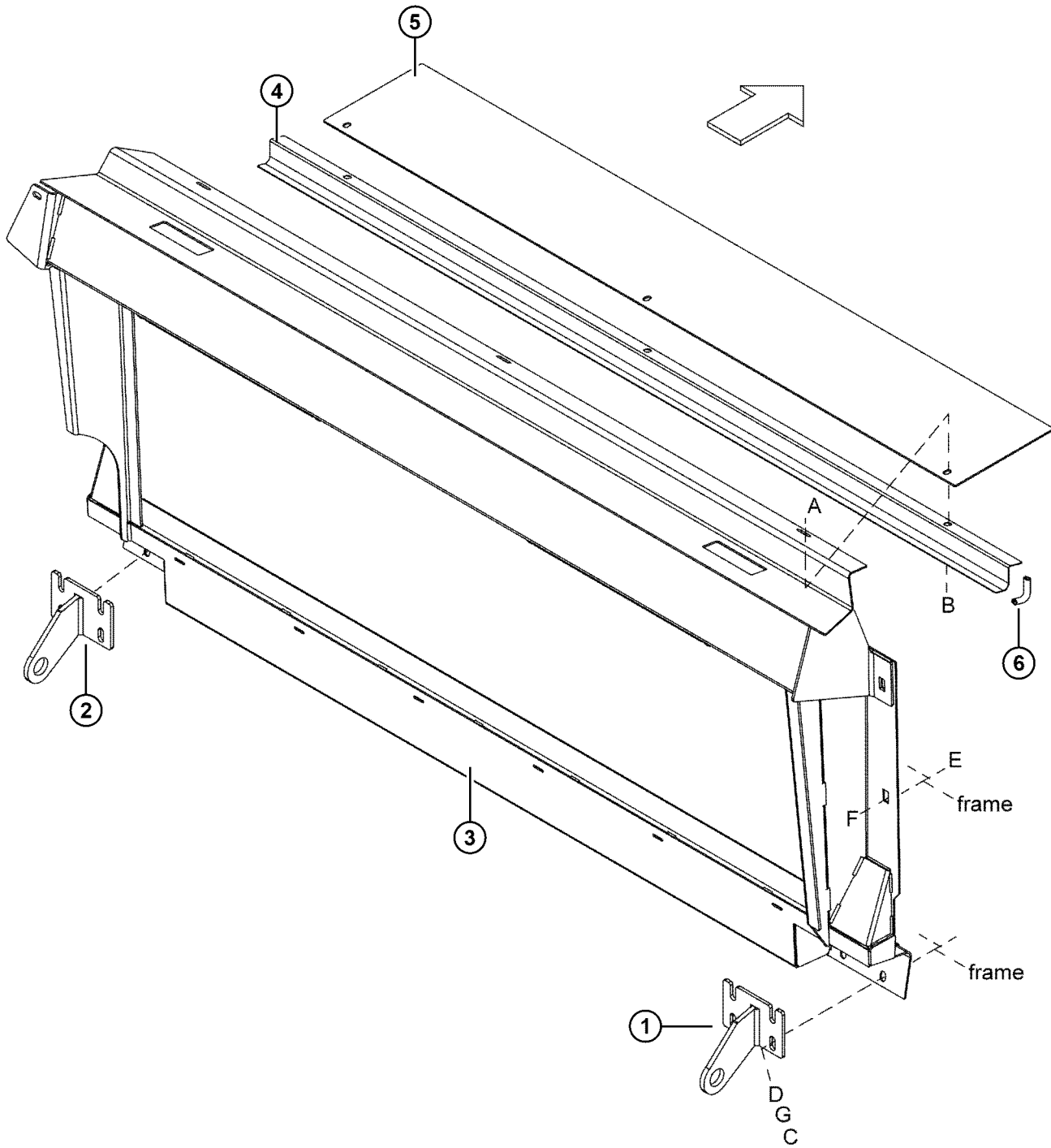


## CASE IH AND NEW HOLLAND CR/CX – HYDRAULIC/ELECTRICAL COMPLETION

REF	PART NUMBER	DESCRIPTION	QTY.	SERIAL NUMBER
1	40702	FASTENER – cable tie (red) .....	2	
2	49227	FASTENER – cable tie (green) .....	2	
3	156759	HOSE – hydraulic, reel lift .....	1	
4	49232	FASTENER – cable tie (white) .....	1	
5	40701	FASTENER – cable tie (yellow) .....	2	
6	156758	HOSE – hydraulic, reel drive circuit .....	2	
7	21747	FITTING – hydraulic, adapter, male, 5/8 tube x 3/4 ORB .....	2	
8	158587	FITTING – hydraulic, adapter, male, 5/8 tube x 9/16 ORB .....	3	
9	153151	COUPLING – hydraulic, multi coupler .....	1	
	129800	COVER KIT – multi couplers .....	1	
	129801	LATCH BUTTON KIT – multi couplers .....	1	
	129976	COUPLING – 1/4 in., multi couplers .....	3	
	129977	COUPLING – 3/8 in., multi couplers .....	2	
11	156613	HARNESS – wiring .....	1	
12	158974	HARNESS – wiring, header end .....	1	
13	153933	RESISTOR – header recognition .....	1	
14	21763	FASTENER – cable tie (black) .....	2	
15	156622	COVER – couplers .....	1	-168559
	133264	COVER – couplers .....	1	168560-
16	156597	SUPPORT – hydraulic multi coupler .....	1	-168559
	133265	SUPPORT – hydraulic multi-coupler .....	1	168560-
17	133261	HOSE – hydraulic, reel fore-aft circuit .....	2	
18	133277	COVER – electrical harness .....	1	
19	135444	FASTENER – cinch strap, 6 inch .....	4	
20	163598	STRAP – Velcro, hanging .....	1	
A	135397	BOLT – hex socket head, 5/16 NC x 3/4 inch		
B	30280	NUT – smooth flange, 5/16 NC, side lock		
C	101898	SCREW – hex head, 3/8 NC x 5/8 inch, self tapping		
D	21821	BOLT – flange head, 3/8 NC x 3/4 inch. gr. 5		
E	30228	NUT – smooth flange, 3/8 NC, distorted thread		

**NOTE:** For couplers at ends of hoses #3, 6 and 17 (not shown),  
Refer to D50/D60/FD70 Header Parts Catalog (MD #169008),  
Section: Reel Hydraulics – Coupler Package.

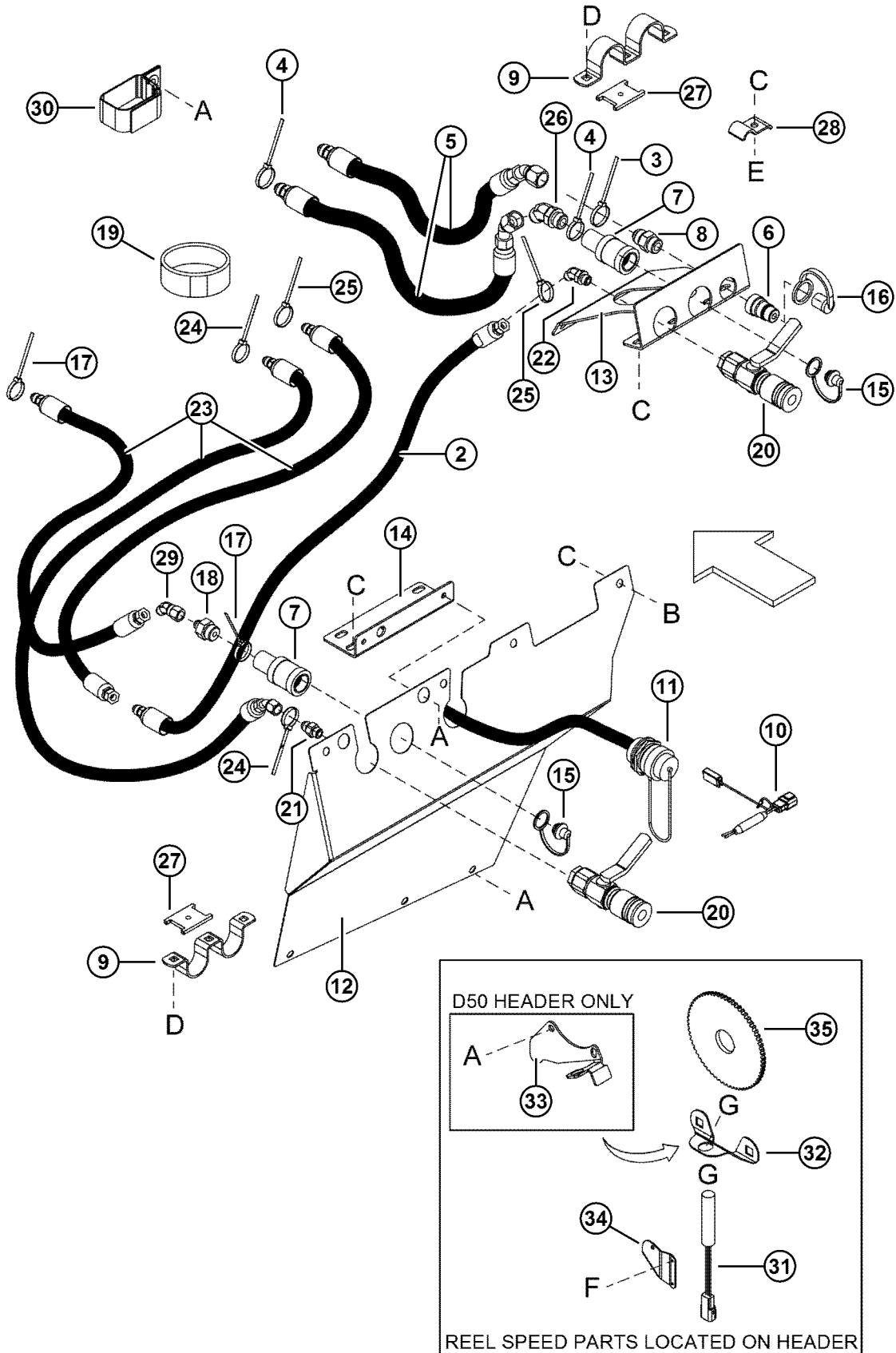
# JOHN DEERE – ADAPTER COMPLETION



## JOHN DEERE – ADAPTER COMPLETION

REF	PART NUMBER	DESCRIPTION	QTY.	SERIAL NUMBER
1	151942	BRACKET – RH.....	1	
2	151941	BRACKET – LH .....	1	
3	151926	FRAME – John Deere combines.....	1	
4	156725	COVER – hose.....	1	
5	<b>187723</b>	<b>COVER – frame .....</b>	<b>1</b>	
6	42589	MOULDING – hose protector, 70 mm long.....	2	
A	30278	BOLT – hex head, serrated flange, 5/16 NC x 3/4 inch, gr. 5		
B	30280	NUT – lock, smooth flange, 5/16 NC distorted thread		
C	18723	BOLT – hex head, 1/2 NC x 1 1/2 inch, thread full length		
D	4761	WASHER – flat, 17/32 inch I.D. x 1 3/8 O.D.		
E	21471	BOLT – round head, square neck, 1/2 NC x 1-1/4 inch		
F	50186	NUT – flange, 1/2 NC, distorted thread		
G	18638	WASHER – lock, 1/2 inch		

JOHN DEERE 50 SERIES – HYDRAULIC/ELECTRICAL COMPLETION



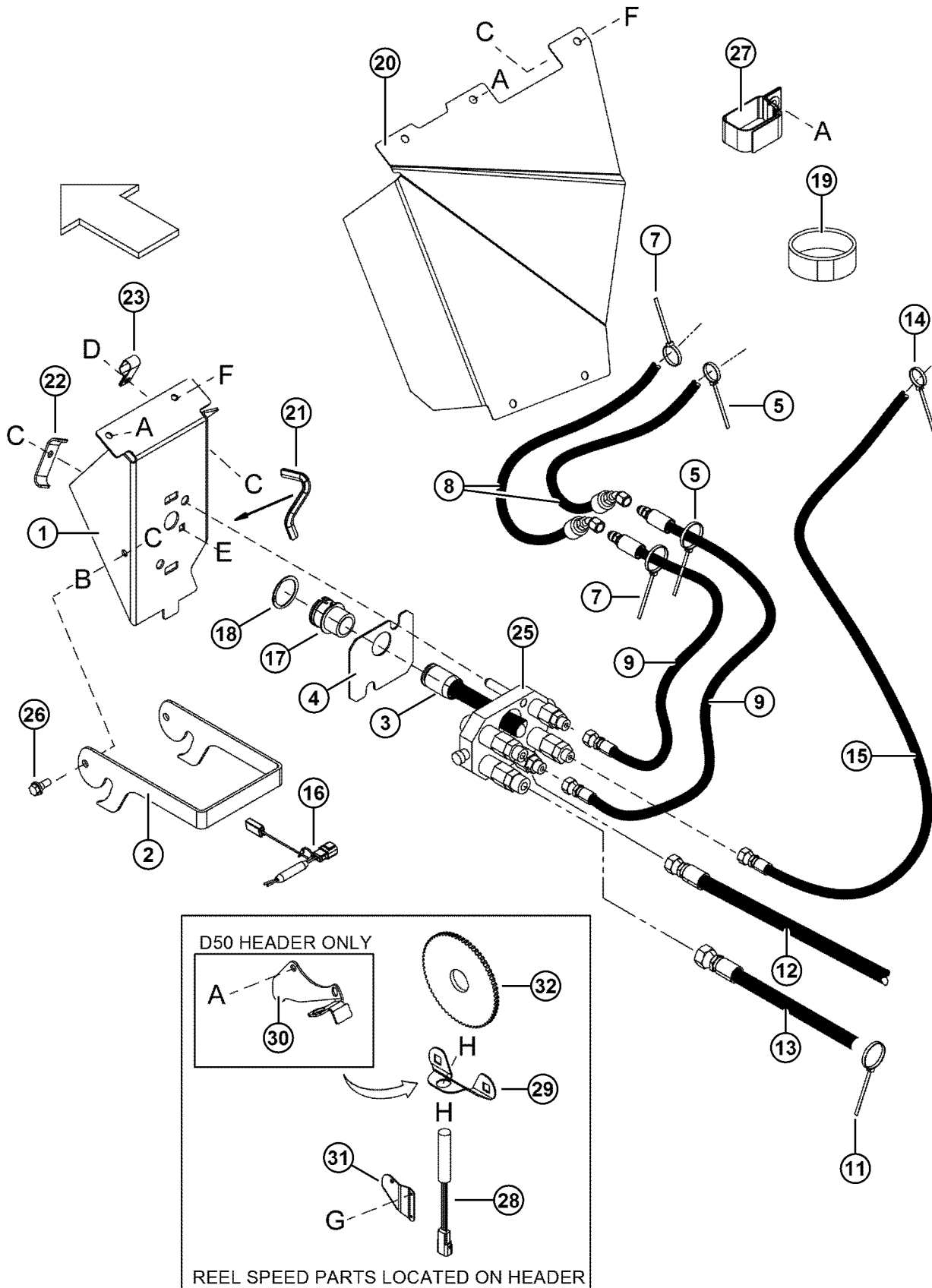
1008274

## JOHN DEERE 50 SERIES – HYDRAULIC/ELECTRICAL COMPLETION

REF	PART NUMBER	DESCRIPTION	QTY.	SERIAL NUMBER
2	133730	HOSE – hydraulic, reel fore-aft .....	1	
3	49232	FASTENER – cable tie (white).....	1	
4	40701	FASTENER – cable tie (yellow).....	2	
5	156940	HOSE – hydraulic, reel drive.....	2	
6	114142	FITTING – hydraulic coupler, male .....	1	
7	114143	FITTING – hydraulic coupler, female .....	2	
8	30695	FITTING – connector, #10 male JIC x #10 male ORB.....	1	
9	114140	HOLDER – couplers .....	2	
10	133887	HARNESS – wiring, reel speed sensor.....	1	
11	156614	HARNESS – wiring, JD 50 series combines.....	1	
12	156609	COVER – couplers.....	1	-168559
	133280	COVER – couplers.....	1	168560-
13	156967	SUPPORT – hydraulic couplers, RH .....	1	
14	156606	SUPPORT – hydraulic couplers.....	1	
15	21858	PLUG – dust .....	2	
16	21856	CAP – dust.....	1	
17	21763	FASTENER – cable tie (black).....	2	
18	114141	FITTING – connector, #6 male JIC x #10 male ORB.....	1	
19	135444	FASTENER – cinch strap, 6 inch.....	3	
	135443	FASTENER – cinch strap, 4 inch.....	3	
20	114120	FITTING – hydraulic coupler, with shut-off.....	2	
21	15903	FITTING – connector, #6 male JIC x #6 male ORB.....	1	
22	30284	FITTING – elbow 45°, #6 male JIC x #6 male ORB.....	1	
23	133261	HOSE – hydraulic, reel fore-aft & reel lift.....	3	
24	40702	FASTENER – cable tie (red).....	2	
25	49227	FASTENER – cable tie (green).....	2	
26	50103	FITTING – elbow, 45°, #10 male JIC x #10 male ORB.....	1	
27	158253	SPACER – coupler mounting.....	2	
28	29934	HOLDER – hose .....	1	
29	30875	FITTING – elbow, 45° #6 male JIC x #6 female JIC .....	1	
30	163598	STRAP – Velcro, hanging.....	1	
31	184437	SENSOR – speed AH116104 .....	1	
32	133781	SUPPORT – reel speed D60/FD70 .....	1	
33	164132	SUPPORT – reel speed, D50 .....	1	
34	164131	SHIELD – reel speed sensor.....	1	
35	133716	DISC – reel speed sensor.....	1	
A	101898	SCREW – hex head, 3/8 NC x 5/8 inch, self tapping		
B	21821	BOLT – flange head, 3/8 NC x 3/4 inch. gr. 5		
C	30228	NUT – smooth flange, 3/8 NC, distorted thread		
D	19965	BOLT – round head, square neck, 3/8 NC x 1 inch, gr. 5		
E	19966	BOLT – round head, square neck, 3/8 NC x 1 1/4 inch, gr. 5		
F	14338	RIVET – blind 1/8 X .125		
G	7674	NUT – hex jam, 3/4 UNF, gr. 5		
	O-RINGS	MacDon ORB fittings include o-ring. To order o-ring separately:		
	50219	#6 O-Ring		
	44210	#10 O-Ring		

**NOTE:** For couplers at ends of hoses #1, 2, 5, and 23 (not shown), Refer to D50/D60/FD70 Header Parts Catalog (MD #169008), Section: Reel Hydraulics – Coupler Package.

# JOHN DEERE 60 SERIES – HYDRAULIC/ELECTRICAL COMPLETION



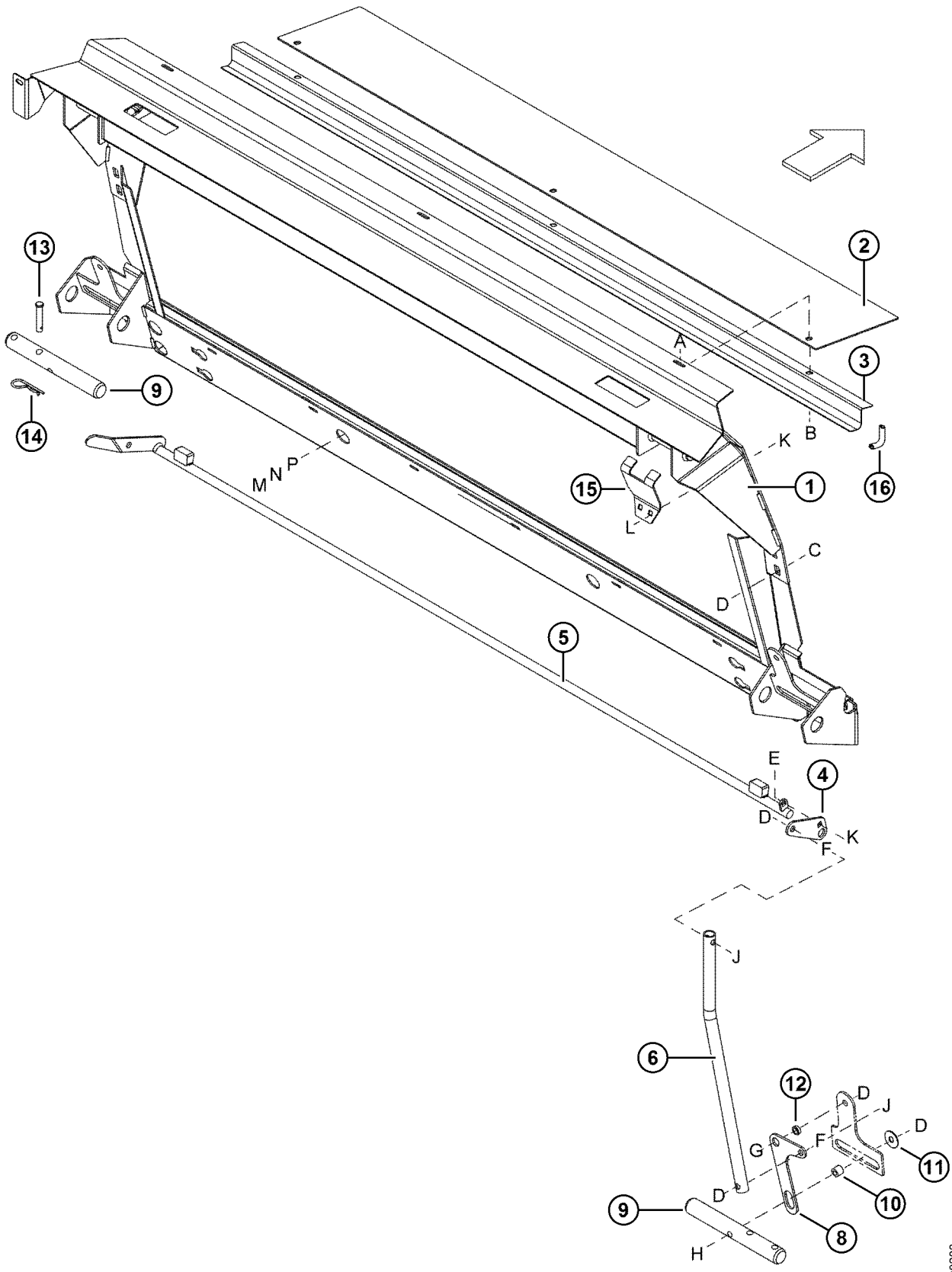
1008281

## JOHN DEERE 60 SERIES – HYDRAULIC/ELECTRICAL COMPLETION

REF	PART NUMBER	DESCRIPTION	QTY.	SERIAL NUMBER
1	156955	BRACKET – coupler .....	1	–168559
	133270	BRACKET – coupler .....	1	168560–
2	129143	LATCH – coupler bracket.....	1	
3	129148	PLUG – rubber .....	1	
4	129149	PAD – rubber .....	1	
5	40702	FASTENER – cable tie (red).....	2	
7	49227	FASTENER – cable tie (green).....	2	
8	133261	HOSE – hydraulic, reel fore-aft circuit.....	2	
9	133382	HOSE – hydraulic, reel fore-aft circuit.....	2	
11	40701	FASTENER – cable tie (yellow) .....	1	
12	156970	HOSE – hydraulic, reel drive circuit .....	1	
13	156939	HOSE – hydraulic, reel drive circuit .....	1	
14	21763	FASTENER – cable tie (black).....	1	
15	156910	HOSE – hydraulic, reel lift.....	1	
16	133887	HARNESS – wiring, reel speed sensor.....	1	
17	187033	HARNESS – wiring .....	1	
18	135267	RING – retaining, external.....	1	
19	135444	FASTENER – cinch strap, 6 in. long.....	5	
20	156959	COVER – couplers.....	1	–168559
	133268	COVER – couplers.....	1	168560–
21	109791	MOULDING – edge trim.....	1	
22	103351	CLAMP – hose .....	1	
23	135234	CLAMP – hose .....	1	
25	129120	MULTI-COUPLER.....	1	
	129859	SEAL KIT – for multi-coupler, 3/8 in. seals		
	129860	SEAL KIT – for multi-coupler, 1/2 in. seals		
26	27647	BOLT – shoulder, special.....	2	
27	163598	STRAP – Velcro, hanging.....	1	
28	184437	SENSOR – speed AH116104 .....	1	
29	133781	SUPPORT – reel speed D60/FD70 .....	1	
30	164132	SUPPORT – reel speed, D50 .....	1	
31	164131	SHIELD – reel speed sensor harness.....	1	
32	133716	DISC – reel speed sensor.....	1	
A	101898	SCREW – hex head, 3/8 NC x 5/8 inch, self tapping		
B	18652	WASHER – lock, 7/16 inch I.D.		
C	30228	NUT – lock, smooth flange, 3/8 NC distorted thread, gr. 5		
D	21472	BOLT – round head, square neck, 3/8 NC x 3/4 inch, gr. 5		
E	21484	BOLT – round head, square neck, 3/8 NC x 1 1/2 inch, gr. 5		
F	21821	BOLT – flange head, 3/8 NC x 3/4 inch. gr. 5		
G	14338	RIVET – blind 1/8 X .125		
H	7674	NUT – hex jam, 3/4 UNF, gr. 5		

**NOTE:** For couplers at ends of hoses #8, 12, 13, and 15 (not shown), Refer to D50/D60/FD70 Header Parts Catalog (MD #169008), Section: Reel Hydraulics – Coupler Package.

# LEXION – ADAPTER COMPLETION

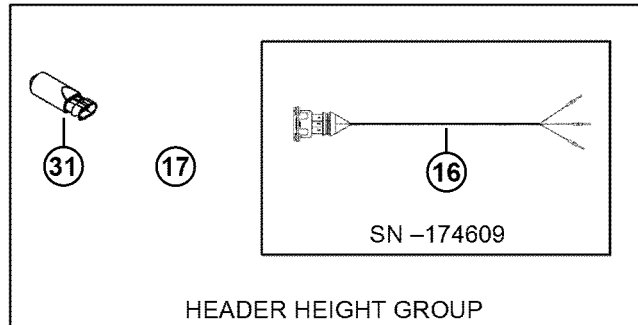
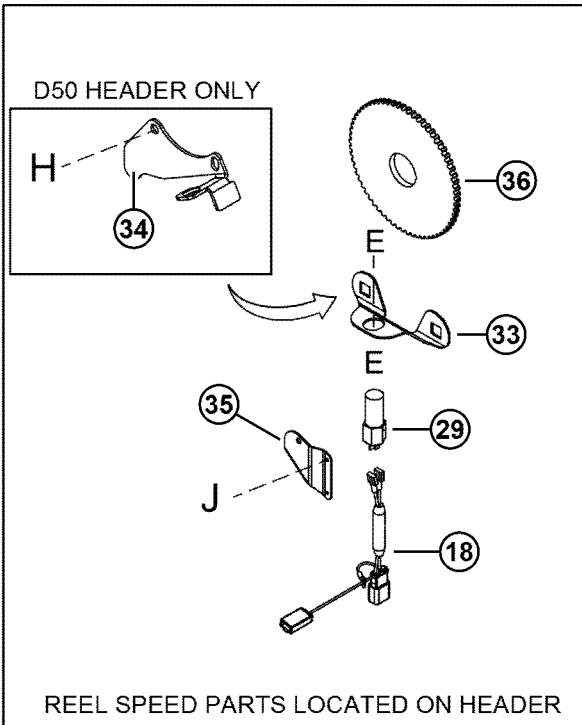
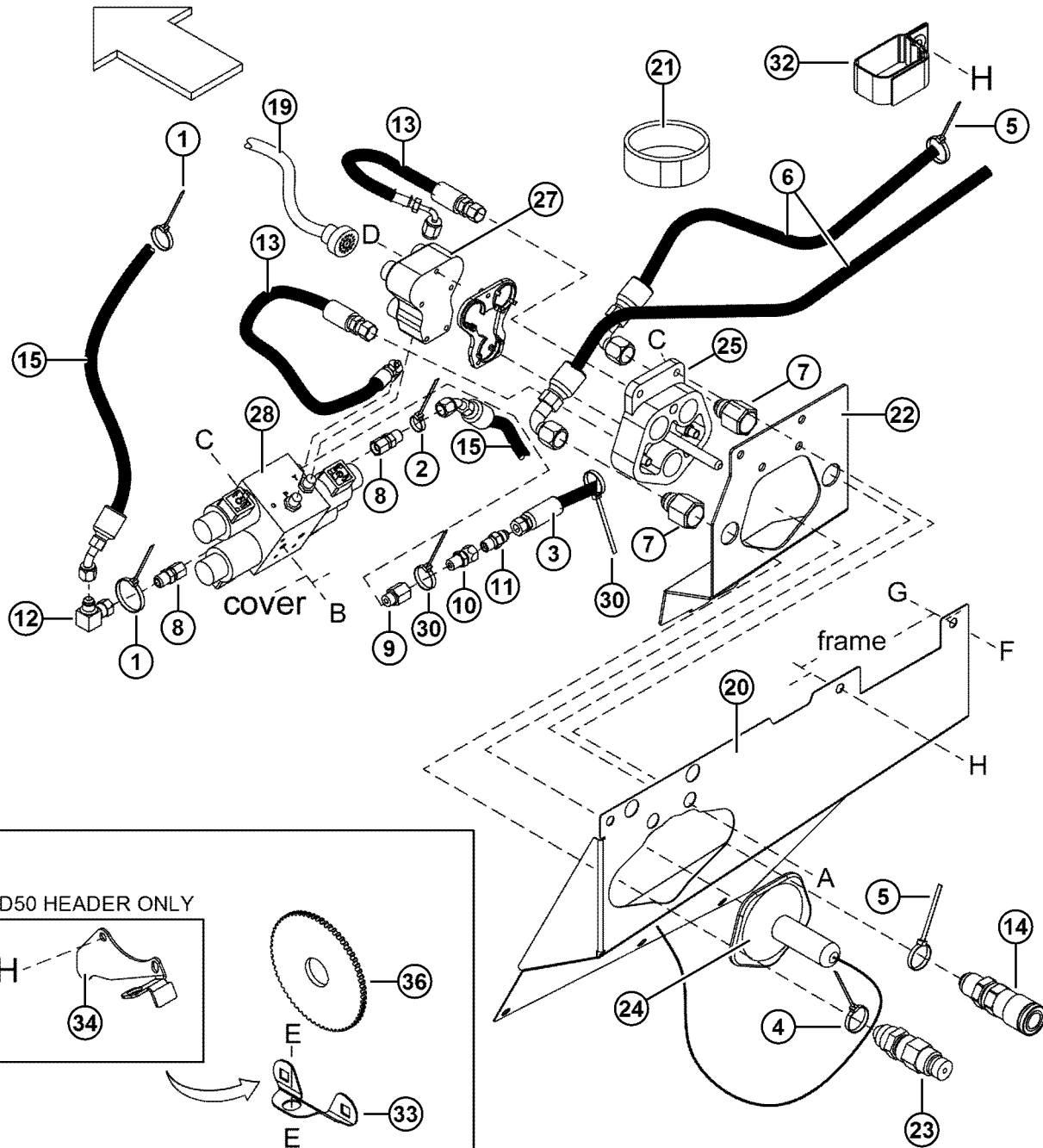




## LEXION – ADAPTER COMPLETION

REF	PART NUMBER	DESCRIPTION	QTY.	SERIAL NUMBER
1	187861	FRAME – transition, Lexion combines .....	1	
2	<b>187723</b>	<b>COVER – adapter header opening.....</b>	<b>1</b>	
3	156725	COVER – hose.....	1	
4	156784	LEVER – RH .....	1	
5	156232	LATCH .....	1	
6	156783	LINK .....	2	
8	156779	LEVER .....	2	
9	133138	SHAFT .....	2	
10	156780	SPACER .....	2	
11	32247	WASHER – flat .....	2	
12	133439	SPACER – tube .....	2	
13	19809	PIN – clevis, 12.5 mm dia. X 52 mm effective length.....	1	
14	13125	PIN – hair .....	1	
15	133259	SUPPORT – latch keeper .....	2	
16	42589	MOULDING – hose protector, 70 mm long.....	2	
A	30278	BOLT – hex head, serrated flange, 5/16 NC x 3/4 inch, gr. 5		
B	30280	NUT – lock, smooth flange, 5/16 NC distorted thread		
C	21471	BOLT – rnsn, 1/2 NC x 1-1/4 inch, gr. 5		
D	50186	NUT – lock, smooth flange, 1/2 NC, distorted thread		
E	21863	BOLT – round head, short square neck, 3/8 NC x 3/4 inch		
F	21383	NUT – serrated flange, 1/2 NC		
G	21449	BOLT – hex head, flange, 1/2 NC x 1 inch, gr. 5		
H	21880	BOLT – hex head, 1/2 NC x 2-3/4 inch, gr. 5		
J	30833	BOLT – hex head, 1/2 NC x 2-1/4 inch, thread full length, gr. 5		
K	30228	NUT – lock, smooth flange, 3/8 NC, distorted thread		
L	21472	BOLT – round head, square neck, 3/8 NC x 3/4 inch		
M	18723	BOLT – hex head, 1/2 NC x 1 1/2 inch, thread full length		
N	18638	WASHER – lock, 1/2 inch		
P	4761	WASHER – flat, 17/32 inch I.D. x 1-3/8 O.D.		

LEXION 400 SERIES – HYDRAULIC/ELECTRICAL COMPLETION



1008285

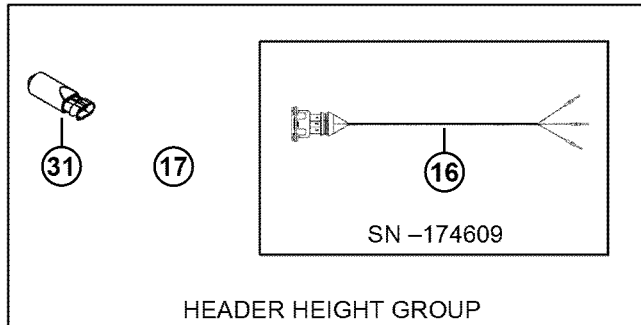
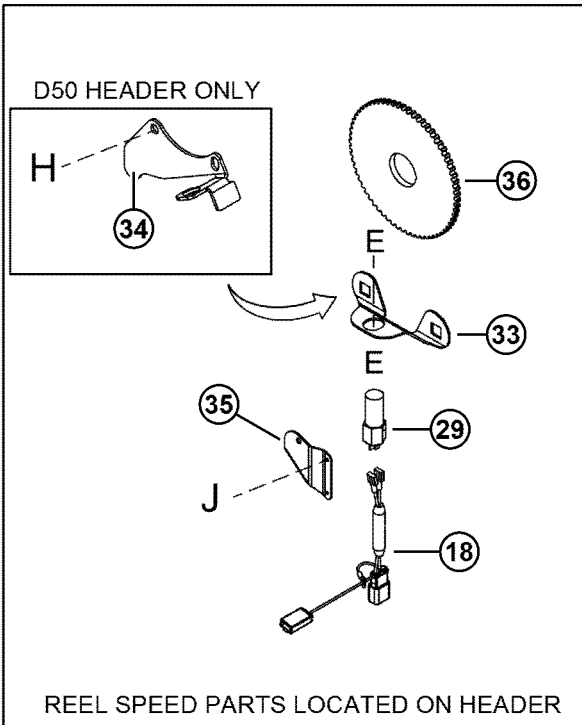
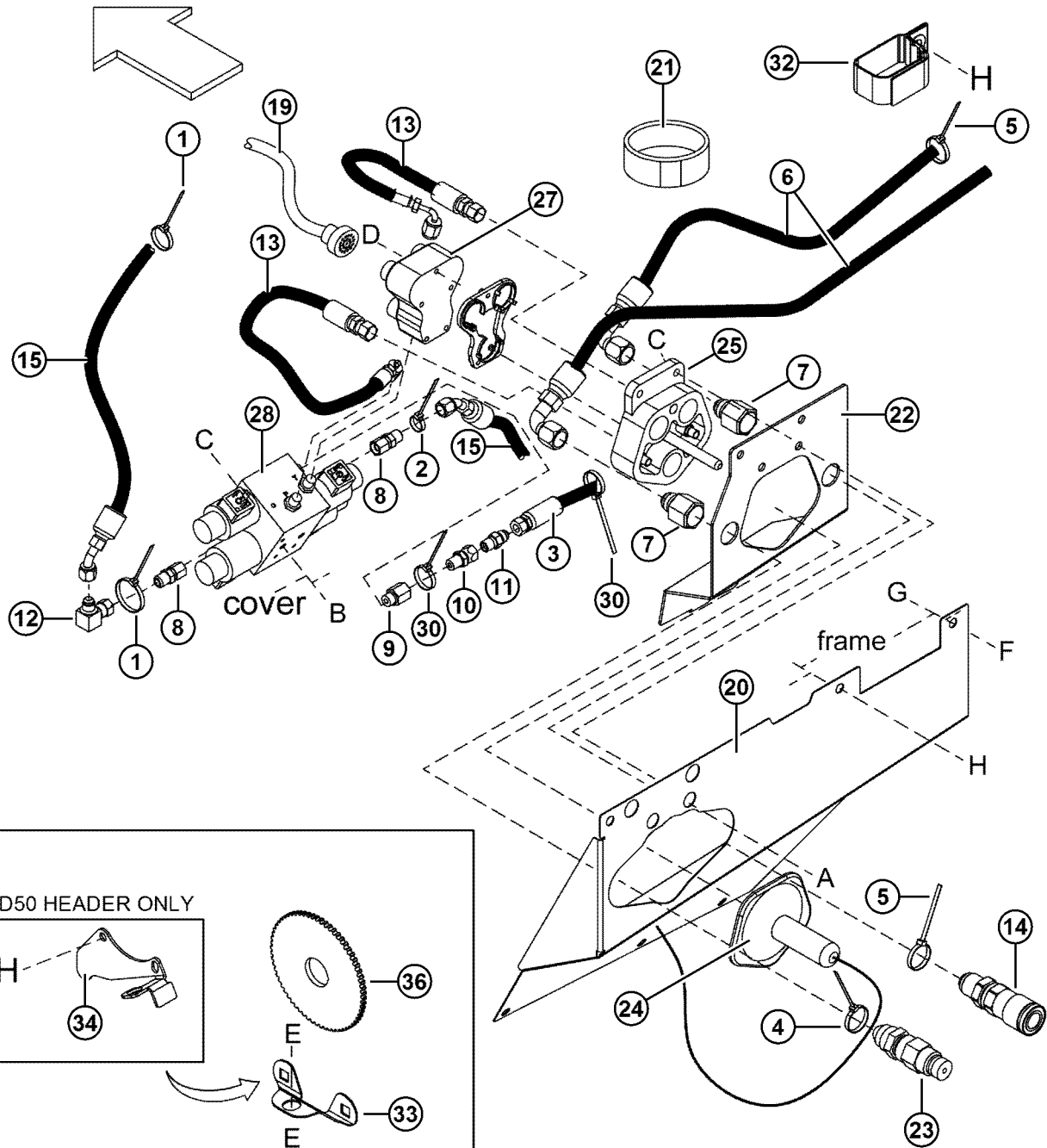
## LEXION 400 SERIES – HYDRAULIC/ELECTRICAL COMPLETION

REF	PART NUMBER	DESCRIPTION	QTY.	SERIAL NUMBER
1	40702	FASTENER – cable tie (red).....	2	
2	49227	FASTENER – cable tie (green).....	2	
3	156759	HOSE – hydraulic, reel lift.....	1	
4	49232	FASTENER – cable tie (white).....	1	
5	40701	FASTENER – cable tie (yellow).....	2	
6	156758	HOSE – hydraulic, reel drive.....	2	
7	30973	FITTING – hydraulic, reducer, female 5/8 to 3/4.....	2	
8	103921	FITTING – hydraulic, adapter, M14 x 9/16 in. JIC.....	2	
9	135425	FITTING – hydraulic, adapter, M14 x 1.5 x 1/4 NPT.....	1	
10	30302	FITTING – hydraulic, connector, restrictor, 0.052 orifice.....	1	
11	135323	FITTING – hydraulic, connector, male, SAE 6-4.....	1	
12	106717	FITTING – hydraulic, elbow, 90° swivel x 3/8 tube.....	1	
13	158371	HOSE – hydraulic.....	2	
	108131	O-RING – 6 mm I.D. for hose 158371		
14	135206	COUPLER – female, reel drive.....	1	
	135480	SEAL KIT – for coupler #14 <sup>38</sup>		
15	133261	HOSE – hydraulic, reel fore-aft.....	2	
16	133134	HARNESS – wiring, reel height.....	1	-174609
17	114368	POTENTIOMETER – assembly.....	1	
18	133888	HARNESS – wiring, reel speed.....	1	
19	133812	HARNESS – wiring.....	1	
20	156634	COVER – couplers.....	1	-168559
	133279	COVER – couplers.....	1	168560-
21	135444	FASTENER – cinch strap, 6 inch.....	4	
22	156782	HOLDER – coupler.....	1	-168559
	133326	HOLDER – coupler.....	1	168560-
23	135236	COUPLER – male.....	1	
	135478	SEAL KIT – for coupler #23 <sup>38</sup>		
24	108130	COVER – multi coupler.....	1	
25	103893	COUPLER – multi.....	1	
26	129773	SPACER – wiring.....	1	
27	103892	HARNESS – wiring, two function.....	1	
28	103890	VALVE – hydraulic.....	1	
29	103908	SENSOR – reel speed.....	1	
30	21763	FASTENER – cable tie (black).....	2	
31	133683	REGULATOR – voltage, auto reel height.....	1	174610-
32	163598	STRAP – Velcro, hanging.....	1	
33	133781	SUPPORT – reel speed D60/FD70.....	1	
34	164132	SUPPORT – reel speed, D50.....	1	
35	164131	SHIELD – reel speed sensor harness.....	1	
36	133886	DISC – reel speed sensor.....	1	

**NOTE:** For couplers at ends of hoses #3, 6, and 15 (not shown),  
Refer to D50/D60/FD70 Header Parts Catalog (MD #169008),  
Section: Reel Hydraulics – Coupler Package.

38. Seal kit is discontinued. Order coupler.

LEXION 400 SERIES – HYDRAULIC/ELECTRICAL COMPLETION

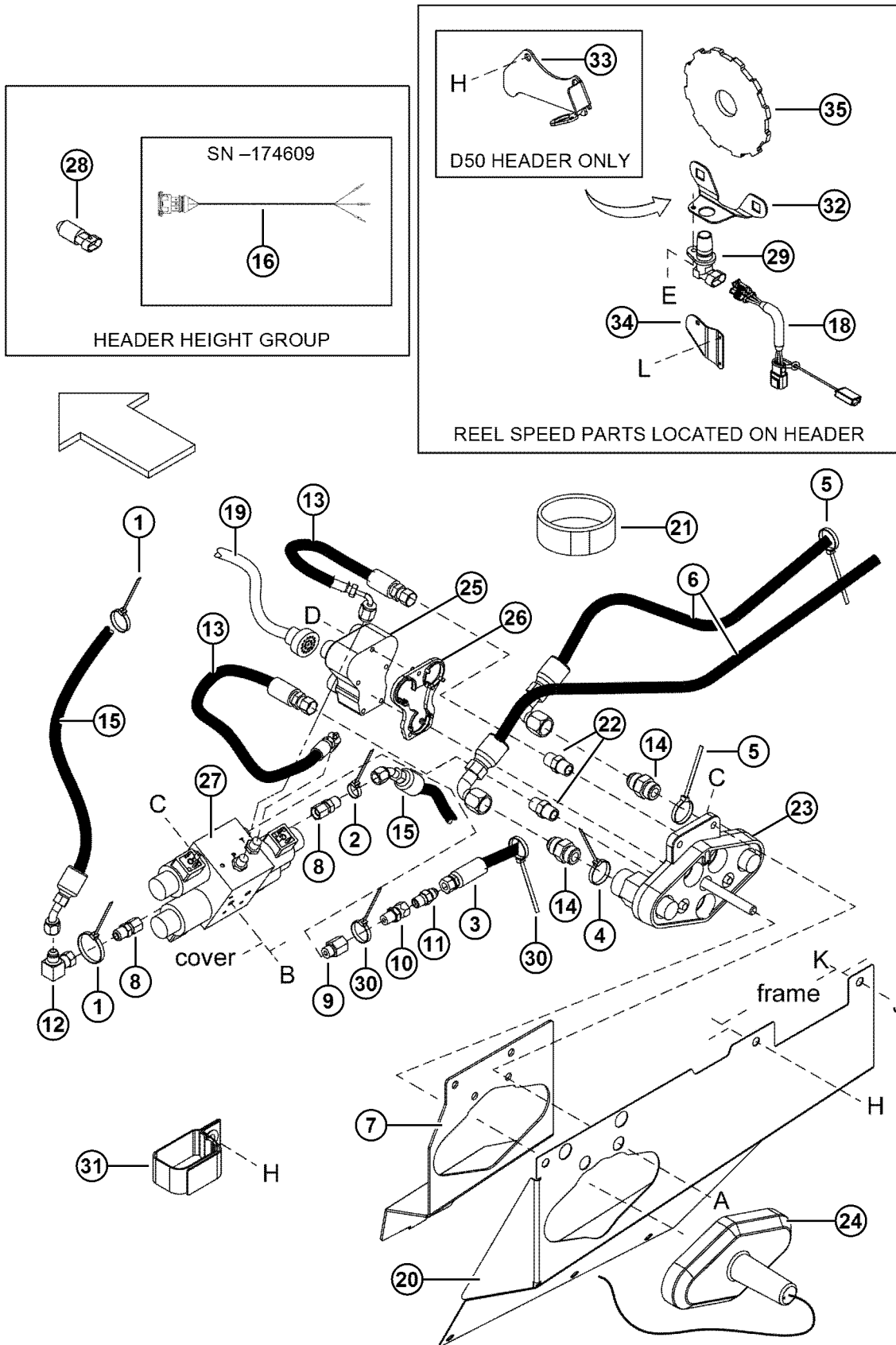


1008285

## LEXION 400 SERIES – HYDRAULIC/ELECTRICAL COMPLETION

REF	PART NUMBER	DESCRIPTION	QTY.	SERIAL NUMBER
A	21087	BOLT – hex head, 5/16 NC x 1 inch, gr. 5		
B	50235	BOLT – hex head, 5/16 NC x 3-3/4 inch, gr. 5		
C	30280	NUT – lock, smooth flange, 5/16 NC, distorted thread		
D	129965	SCREW – metric socket head, M5 x 0.8 x 45mm long		
E	103909	NUT – special, reel speed sensor		
F	21821	BOLT – flange head, 3/8 NC x 3/4 inch. gr. 5		
G	30228	NUT – lock, smooth flange, 3/8 NC, distorted thread		
H	101898	SCREW – self tapping, 3/8 NC x 5/8 inch		
J	14338	RIVET – blind 1/8 X .125		

# LEXION 500 SERIES – HYDRAULIC/ELECTRICAL COMPLETION

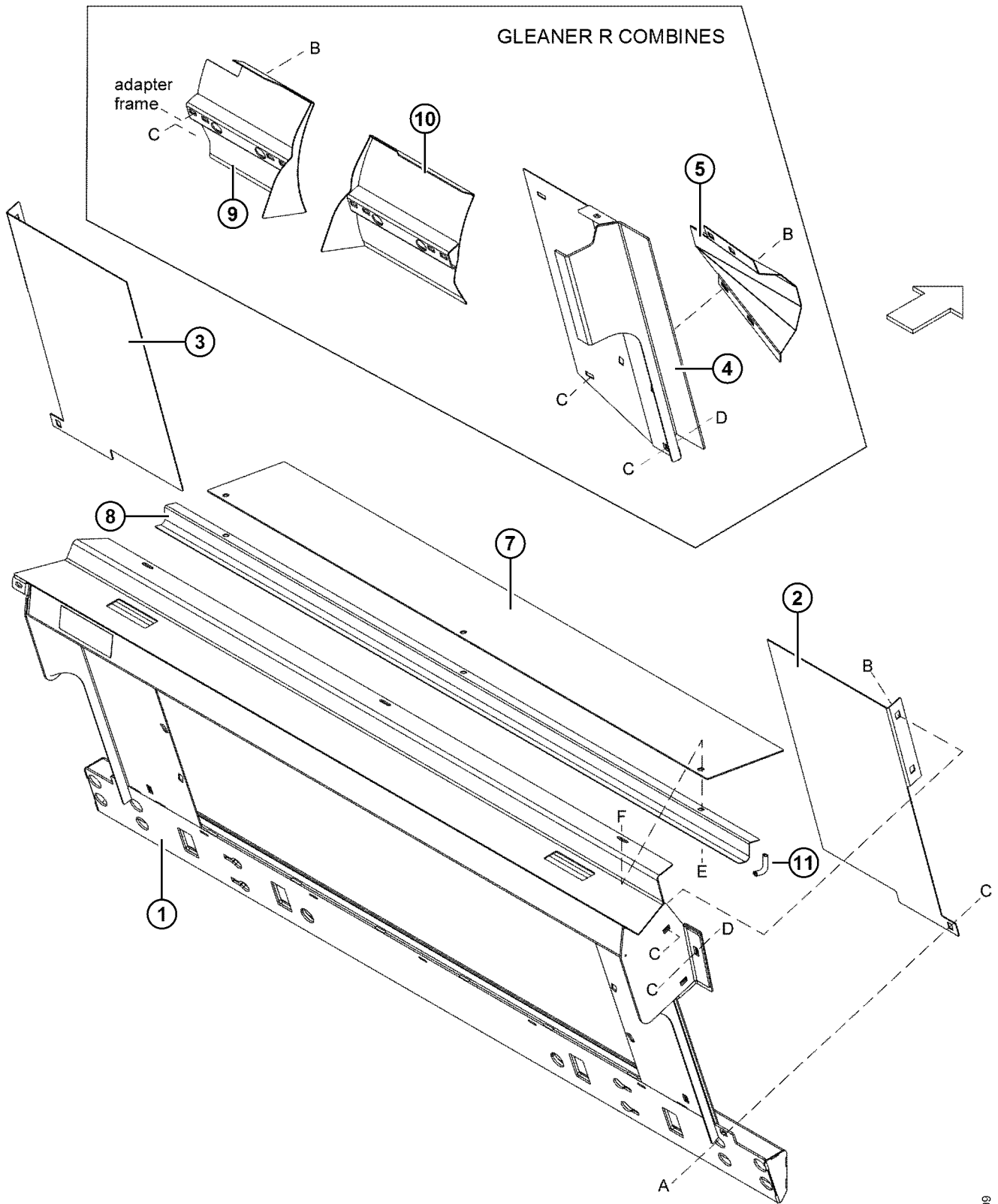


## LEXION 500 SERIES – HYDRAULIC/ELECTRICAL COMPLETION

REF	PART NUMBER	DESCRIPTION	QTY.	SERIAL NUMBER
1	40702	FASTENER – cable tie (red) .....	2	
2	49227	FASTENER – cable tie (green) .....	2	
3	156759	HOSE – hydraulic, reel lift .....	1	
4	49232	FASTENER – cable tie (white) .....	1	
5	40701	FASTENER – cable tie (yellow) .....	2	
6	156758	HOSE – hydraulic, reel drive .....	2	
7	133327	HOLDER – coupler .....	1	
8	103921	FITTING – hydraulic, adapter, M14 compression x 9/16 JIC ...	2	
9	135425	FITTING – hydraulic, adapter, M14 x 1.5 x 1/4 NPT .....	1	
10	30302	FITTING – hydraulic, connector, restricted orifice 0.052 in. ....	1	
11	135323	FITTING – hydraulic, connector, male, SAE 6-4 .....	1	
12	106717	FITTING – hydraulic, elbow, 90° swivel x 3/8 tube .....	1	
13	158371	HOSE – hydraulic (connect “P” to “P” and “T” to “T”) .....	2	-174609
	129962	HOSE – hydraulic (connect “P” to “P” and “T” to “T”) .....	2	174610-
	108131	O-RING – 6 mm I.D. for hose 158371 .....	4	-174609
	129964	O-RING – 8 mm I.D. for hose 1129962 .....	4	174610-
14	30695	FITTING – hydraulic, adapter, 5/8 tube x 7/8 ORB .....	2	
15	133261	HOSE – hydraulic, reel fore-aft (133260 if using selector valve) ..	2	
16	133135	HARNESS – wiring, auto reel height .....	1	-174609
18	133889	HARNESS – wiring, reel speed sensor .....	1	
19	133811	HARNESS – wiring .....	1	
20	156634	COVER – couplers .....	1	-168559
	133279	COVER – couplers .....	1	168560-
21	135444	FASTENER – cinch strap, 6 inch .....	4	
22	135426	FITTING – hydraulic, union, M14 .....	2	-174609
	129961	FITTING – hydraulic, union, M16 .....	2	174610
23	190866	COUPLER – multi .....	1	
24	129481	COVER – multi coupler .....	1	
25	129772	HARNESS – wiring .....	1	
26	129773	SPACER – wiring .....	1	
27	129771	VALVE – hydraulic .....	1	-174609
	129963	VALVE – hydraulic .....	1	174610-
28	133683	REGULATOR – voltage, auto reel height .....	1	
29	129459	SENSOR – reel speed .....	1	
30	21763	FASTENER – cable tie (black) .....	2	
31	163598	STRAP – Velcro, hanging .....	1	
32	172423	SUPPORT – reel speed sensor, D60/FD70 .....	1	
33	164125	SUPPORT – reel speed sensor, D50 .....	1	
34	164131	SHIELD – reel speed sensor harness .....	1	
35	133886	DISC – reel speed sensor .....	1	
A	21087	BOLT – hex head, 5/16 NC x 1 inch, gr. 5		
B	50235	BOLT – hex head, 5/16 NC x 3-3/4 inch, gr. 5		
C	30280	NUT – smooth flange, 5/16 NC, distorted thread		
D	129965	SCREW – metric socket head, M5 x 0.8 x 45mm long		
E	21055	SCREW – self tap hex washer head 1/4 Type C X 1/2		
H	101898	SCREW – self tapping, 3/8 NC x 5/8 inch		
J	21821	BOLT – flange head, 3/8 NC x 3/4 inch. gr. 5		
K	30228	NUT – lock, smooth flange, 3/8 NC, distorted thread		
L	14338	RIVET – blind 1/8 X .125		

**NOTE:** For couplers at ends of hoses #3, 6, and 15 (not shown), Refer to D50/D60/FD70 Header Parts Catalog (MD #169008), Section: Reel Hydraulics – Coupler Package.

# AGCO – ADAPTER COMPLETION

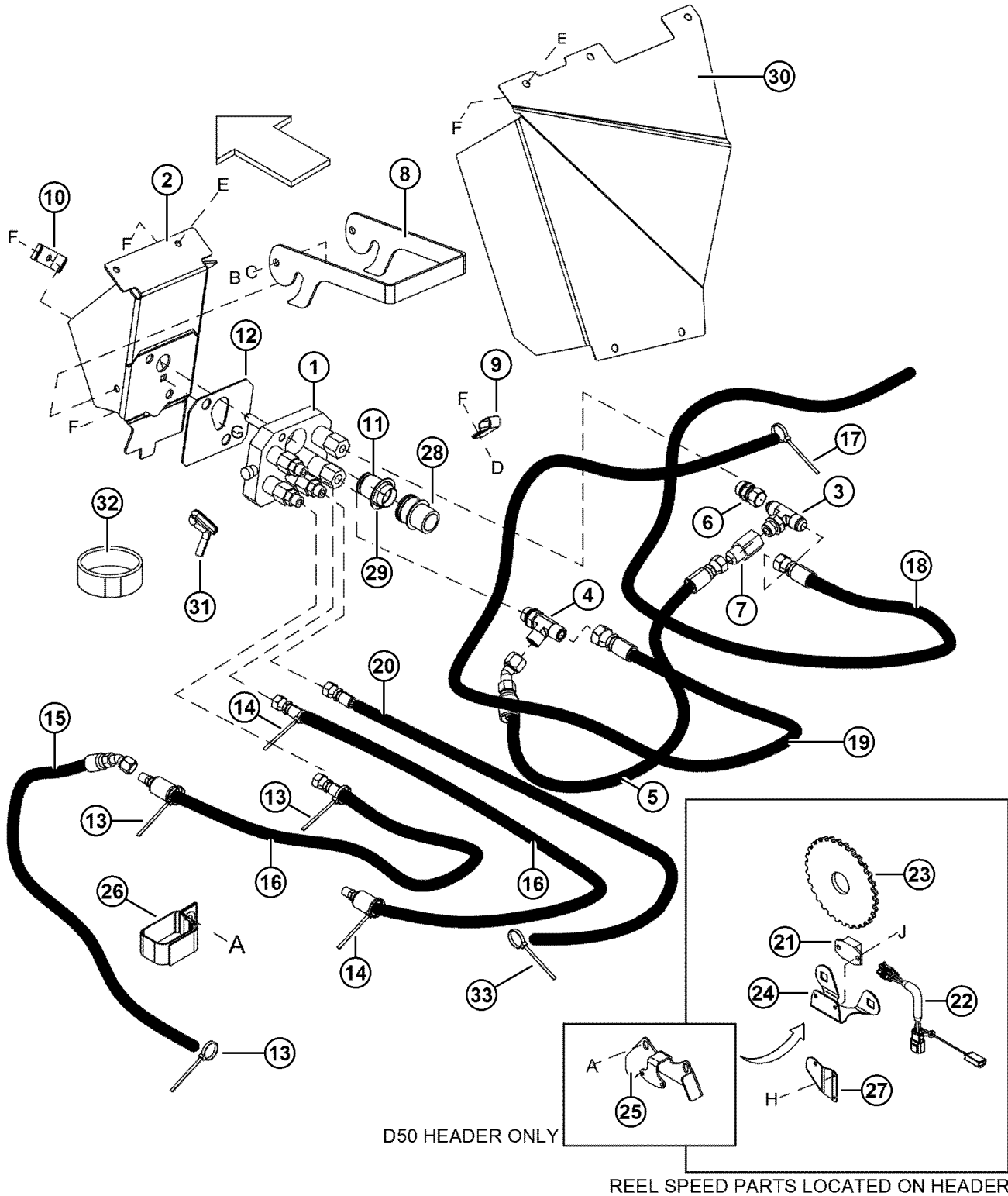




## AGCO – ADAPTER COMPLETION

REF	PART NUMBER	DESCRIPTION	QTY.	SERIAL NUMBER
1	133672	FRAME – AGCO transition lateral tilt weldment .....	1	
2	133981	FILLER – RH, A65/660/9690 .....	1	
3	133980	FILLER – LH, A65/660/9690 .....	1	
4	133692	FILLER – LH, Gleaner R combine .....	1	
	133698	FILLER – RH, Gleaner R combine.....	1	
5	187310	DEFLECTOR – filler, Gleaner R combine.....	2	
7	<b>187723</b>	<b>COVER .....</b>	<b>1</b>	
8	156725	COVER – hose.....	1	
9	187390	DEFLECTOR – LH, Gleaner R combine.....	1	
10	187391	DEFLECTOR – RH, Gleaner R combine .....	1	
11	42589	MOULDING – hose protector, 70 mm long.....	2	
A	105069	BOLT – round head short square neck 1/2 NC X 0.75 GR 5 ZP		
B	21868	BOLT – round head short square neck 1/2 NC X 1.00 GR 5 ZP		
C	50186	NUT – flange lock sm face dt 0.500-13unc gr5		
D	21471	BOLT – round head square neck 1/2 NC X 1.25 GR 5 ZP		
E	30228	NUT – flange dt smooth face 0.375-16unc		
F	21863	BOLT – round head short square neck 3/8 NC X 0.75 LG GR 5		

AGCO – HYDRAULIC/ELECTRICAL COMPLETION



D50 HEADER ONLY

REEL SPEED PARTS LOCATED ON HEADER

1008300

## AGCO – HYDRAULIC/ELECTRICAL COMPLETION

REF	PART NUMBER	DESCRIPTION	QTY.	SERIAL NUMBER
1	187183	COUPLER – hyd quick con., AGCO .....	1	
2	187030	BRACKET – coupler, AGCO.....	1	
3	30560	FITTING – tee hyd str thd branch tee c/w o-ring.....	1	
4	135598	FITTING – tee hyd str thd run tee c/w o-ring.....	1	
5	187032	HOSE .....	1	
6	49529	FITTING – adapter hyd .....	1	
7	187031	VALVE – check .....	1	
8	129143	LATCH – coupler bracket.....	1	
9	135234	CLAMP – double hose insulated.....	1	
10	103351	HOLDER .....	1	
11	129148	PLUG – rubber.....	1	
12	187018	PAD – rubber .....	1	
13	40702	FASTENER – cable tie (red).....	3	
14	49227	FASTENER – cable tie (green).....	3	
15	133261	HOSE – hydraulic.....	2	
16	133382	HOSE – hyd .....	2	
17	40701	FASTENER – cable tie (yellow) .....	1	
18	156938	HOSE – hydraulic.....	1	
19	156939	HOSE – hyd .....	1	
20	156910	HOSE – hyd .....	1	
21	184440	SPEED SENSOR – AGCO, 2-pin <sup>39</sup> .....	1	–195759
	152736	SPEED SENSOR – AGCO, 3-pin .....	1	195760–
22	133137	HARNESS – wiring reel speed sensor.....	1	
23	133997	DISC – reel speed sensor.....	1	
24	133998	SUPPORT – reel speed sensor.....	1	
25	164175	SUPPORT – reel speed AGCO .....	1	
26	163598	STRAP – Velcro, hanging .....	1	
27	164131	SHIELD – reel speed sensor harness.....	1	
28	187019	HARNESS – wiring AGCO multicoupler .....	1	
29	135267	RING – inverted ext retaining.....	1	
30	133268	COVER – couplers.....	1	
31	109791	MOULDING – 130 mm long .....	1	
32	135444	FASTENER – cinch strap 6 in. lg.....	4	
33	21763	FASTENER – cable tie (black).....	1	
A	101898	SCREW – hex wash hd thd rolling 3/8 nc x 5/8		
B	27647	BOLT – shoulder		
C	18652	WASHER – reg. lock 7/16 in. nom. id zp		
D	21472	BOLT – rsn 3/8 nc x 0.75 gr 5 zp		
E	21821	BOLT – hh flg (serr face) 3/8 nc x 0.75 gr 5 zp		
F	30228	NUT – flange dt smooth face 0.375-16unc		
G	21484	BOLT – rsn 3/8 nc x 1.5 lg gr 5 zp		
H	14338	RIVET – blind 1/8 x .125		
J	21055	SCREW – self tap hex washer hd 1/4 type c x 1/2		

39. 2-pin sensor 184440 is for all serial numbers for Gleaner R and S series combines, for other models, use adaptor serial number breaks as above.

## NUMERICAL LIST

PART #	PAGE
795	17
982	41
1709	41
2149	7
4761	65, 73, 79
5512	27
7642	17
7674	75, 77
7900	17
7910	17
9213	17
9333	17
13125	79
14338	75, 77, 83, 85, 89
15903	75
16266	43
16566	53
16652	7, 13
16681	43, 47
17194	21
18523	45, 49
18590	15, 19, 41, 45, 49, 69
18591	19
18592	9, 13, 65
18593	41
18596	49
18597	45, 49, 57
18598	5, 19, 69
18599	23, 27
18600	19, 27
18605	45, 49
18607	45, 49
18608	39
18609	39
18626	5
18636	27
18637	19, 23, 33, 41, 45, 49

PART #	PAGE
18638	19, 23, 27, 33, 65, 69, 73, 79
18639	27, 41
18640	23, 27, 41
18648	5
18652	27, 77, 89
18664	23
18667	43, 47
18669	19, 41
18671	19, 39
18689	41
18690	9, 41
18707	49
18720	23, 27
18723	19, 27, 33, 65, 69, 73, 79
18724	45, 49, 49, 51
18795	49
18867	39
18898	25
19506	21
19685	63
19809	79
19965	9, 13, 31, 37, 41, 67, 75
19966	5, 9, 13, 75
20077	5, 13, 19, 23, 63
20312	39
20535	45, 49
21010	5, 7
21055	49, 85, 89
21066	5, 61, 69
21087	83, 85
21102	19
21248	19, 23
21264	9, 13, 33, 41

PART #	PAGE
21301	11
21354	45, 49
21363	21, 25
21383	19, 79
21403	57
21425	21, 25
21447	61
21449	79
21452	9, 13
21455	55
21456	27
21457	69
21470	15
21471	5, 65, 73, 79, 87
21472	5, 9, 13, 15, 27, 77, 79, 89
21478	19
21484	77, 89
21485	9, 13
21491	23
21522	27
21540	41
21545	17
21558	9
21561	9, 13
21563	41
21566	49
21567	23, 45, 49, 63
21573	51
21574	49
21575	19
21576	19
21582	41
21583	5, 27
21584	19
21585	41
21588	57
21594	27
21747	71

PART #	PAGE
21760	19
21763	49, 67, 71, 75, 77, 81, 85, 89
21821	5, 27, 37, 63, 67, 71, 75, 77, 83, 85, 89
21827	35, 57
21830	33
21843	33
21856	67, 75
21858	75
21859	7, 11
21863	5, 9, 13, 19, 41, 49, 51, 61, 63, 67, 79, 87
21868	69, 87
21880	19, 79
22072	39
23165	59
23334	19
23745	69
24037	35
24986	57
25689	45, 49
25900	69
26846	25
27647	77, 89
29934	75
30027	19
30035	19
30080	41
30203	27
30228	5, 9, 13, 15, 19, 23, 27, 31, 37, 41, 45, 49, 51, 61, 63, 67, 71, 75, 77, 79, 83, 85, 87, 89

## NUMERICAL LIST

PART #	PAGE
30278	65, 69, 73, 79
30280	37, 41, 65, 69, 71, 73, 79, 83, 85
30282	35, 47, 53, 57
30284	53, 75
30302	81, 85
30316	59
30463	39
30465	49
30560	89
30638	49
30655	21, 25
30661	11
30693	5, 37, 49
30695	35, 57, 67, 75, 85
30701	21, 25
30702	21, 25
30833	79
30875	75
30936	23
30942	49
30970	33
30971	37
30973	81
32070	59
32247	79
36651	59
37181	7
40095	29
40701	67, 71, 75, 77, 81, 85, 89
40702	47, 53, 67, 71, 75, 77, 81, 85, 89
40703	35
40704	35
42029	35

PART #	PAGE
42284	51
42433	43
42589	65, 69, 73, 79, 87
43521	7
43848	67
44207	21
44209	37
44210	37, 75
44343	35
44603	39
44611	59
44944	59
44968	35
47036	39
49227	47, 53, 67, 71, 75, 77, 81, 85, 89
49232	67, 71, 75, 81, 85
49306	11
49529	89
49802	21, 25
49904	39
50049	45, 49
50098	33
50102	57
50103	33, 35, 75
50107	45, 49
50186	5, 19, 61, 65, 69, 73, 79, 87
50219	37, 47, 53, 75
50220	37
50222	37
50225	5, 9, 13, 19, 23, 27, 41, 45, 49, 69
50235	83, 85
100453	55
100456	63

PART #	PAGE
100500	39
100589	7, 11
100590	7, 11
100862	7, 11
101898	15, 37, 63, 67, 71, 75, 77, 83, 85, 89
102636	45, 49
103351	77, 89
103407	43
103409	43
103738	35
103890	81
103892	81
103893	81
103908	81
103909	83
103921	81, 85
105069	87
105197	51
106622	19, 69
106717	81, 85
108130	81
108131	81, 85
108233	33
109064	55
109791	67, 77, 89
110557	23
110817	39
111545	35
111977	35
112129	23
112130	5
112625	47
112823	47
112866	33
112868	33
113222	39
114120	75
114140	67, 75

PART #	PAGE
114141	67, 75
114142	67, 75
114143	67, 75
114229	67
114230	67
114368	81
114379	35
114382	19
115759	59
117015	5
118011	7, 11
118154	19
118185	7, 11
123055	17
123084	19
123087	19
123180	19
123202	19
123613	63
123614	63
123629	5
123647	63
123719	9
123721	63
123935	9, 11
123936	9, 11
125654	39
125788	39
125789	39
129120	77
129143	77, 89
129148	77, 89
129149	77
129459	85
129481	85
129566	53
129705	53
129707	53
129771	85
129772	85
129773	81, 85

## NUMERICAL LIST

PART #	PAGE	PART #	PAGE	PART #	PAGE	PART #	PAGE
129800	71	133137	89	133318	33	133631	29
129801	71	133138	79	133326	81	133632	29
129841	51	133147	61	133327	85	133634	29
129859	77	133148	61	133333	17	133635	29
129860	77	133157	17	133336	61	133636	29
129961	85	133158	51	133337	61	133637	29
129962	85	133160	5	133340	61	133640	29
129963	85	133161	5	133341	61	133641	29
129964	85	133165	31	133344	61	133642	29
129965	83, 85	133166	31	133345	61	133643	29
129976	71	133186	33	133348	61	133644	29
129977	71	133199	17	133349	61	133645	29
130246	7, 11	133203	19	133352	61	133648	31
130283	9, 11	133211	21	133353	61	133649	31
132117	59	133212	21	133367	7, 11	133650	31
132355	69	133220	51	133372	9, 11	133652	31
132451	9	133223	17	133378	33	133653	31
133000	43	133238	43, 47	133382	77, 89	133666	43, 47
133003	43	133239	43, 47	133421	21, 27	133672	87
133011	49	133241	65	133424	21	133683	81, 85
133014	39	133242	65	133425	21	133692	87
133035	43, 47	133249	47	133426	21	133698	87
133036	49	133253	43, 47	133439	79	133703	69
133037	49	133257	65	133441	21, 27	133704	43
133038	43, 47	133259	79	133446	19	133705	47
133039	47	133260	53	133460	5	133708	43
133040	49	133261	67, 71, 75, 77, 81, 85, 89	133521	19	133710	43
133043	53			133532	59	133711	43
133047	39			133533	59	133713	43, 47
133071	43	133262	65	133537	59	133714	57
133074	35	133264	71	133556	33	133715	57
133076	49	133265	71	133557	33	133716	75, 77
133082	49	133268	77, 89	133558	33	133730	75
133086	59	133270	77	133559	33	133736	57
133089	49	133271	35	133560	33	133772	43, 47
133124	7, 11	133272	33	133561	33	133781	75, 77, 81
133126	7, 11	133273	33	133562	33	133783	17
133130	7	133277	71	133563	33	133807	53
133131	7, 11	133278	33	133564	33	133808	53
133133	51	133279	81, 85	133569	21, 25	133809	53
133134	81	133280	67, 75	133615	7, 11	133811	85
133135	85	133288	65	133625	57	133812	81

## NUMERICAL LIST

PART #	PAGE	PART #	PAGE	PART #	PAGE	PART #	PAGE
133813	53	135241	33	136024	21, 25	153698	51
133833	69	135248	55	136626	13	153769	51
133839	69	135250	55	142777	29	153933	71
133877	17	135267	77, 89	151288	17	153989	55
133882	69	135316	57	151361	21	153990	55
133883	17	135323	81, 85	151376	5, 11	156037	21, 25
133886	81, 85	135358	27	151411	5	156051	21, 35
133887	75, 77	135373	33	151470	5	156059	17
133888	81	135381	27	151551	15	156098	17
133889	85	135397	71	151570	17	156100	33
133891	7, 11	135399	33	151673	17	156101	17
133892	9, 11	135400	33	151684	21	156103	33
133899	9	135404	63	151686	21	156116	17
133900	7, 11	135407	41	151689	21	156123	43, 47
133902	45, 49	135423	45, 49, 51	151691	17	156131	47
133904	45, 49	135425	81, 85	151702	21	156155	45, 49
133906	43, 47	135426	85	151708	21	156178	17
133942	5, 35	135434	35	151727	21	156212	39
133946	7, 11	135443	67, 75	151760	17	156232	79
133949	19	135444	35, 67, 71, 75, 77, 81, 85, 89	151762	17	156237	5
133963	33	135453	47	151766	17	156267	51
133964	33	135454	39	151777	19	156268	51
133966	33	135455	39	151779	19	156280	51
133980	87	135478	35, 81	151792	17	156286	7, 11
133981	87	135479	35	151793	17	156361	7
133985	53	135480	81	151881	39	156363	7, 11
133988	7	135484	17	151926	73	156365	7, 11
133997	89	135522	19	151941	73	156366	69
133998	89	135598	89	151942	73	156383	7
134002	39	135626	9	151953	21	156397	17
134003	39	135630	9, 13	151971	5, 11	156400	17
135157	63	135655	69	151974	33	156405	17
135204	35	135693	21, 25	151975	33	156426	19
135205	35	135694	25	151977	33	156452	21, 25
135206	81	135725	35	151981	7	156459	17
135232	35	135748	27	151997	21	156467	39
135233	51	135760	21	151998	21	156471	39
135234	77, 89	135906	9, 13	152736	89	156472	39
135236	35, 81	136018	51	153151	71	156501	39
135237	35			153492	51	156511	39
135240	33			153692	51	156522	39

## NUMERICAL LIST

PART #	PAGE	PART #	PAGE	PART #	PAGE	PART #	PAGE
156526	9	156758	67, 71, 81, 85	156935	67	172423	85
156536	39	156759	71, 81, 85	156938	67, 89	172558	19
156563	7, 11	156763	33	156939	77, 89	174870	39
156565	39	156773	7, 11	156940	75	174938	53
156574	39	156779	79	156945	29	174939	53
156579	21	156780	79	156946	29	174940	53
156580	21	156782	81	156948	69	174941	53
156588	21	156783	79	156955	77	174942	53
156589	21	156784	79	156959	77	174960	59
156594	21	156799	17	156963	43, 47	184437	75, 77
156597	71	156801	21	156964	43, 47	184440	89
156601	21	156803	17, 21	156967	75	187006	69
156606	67, 75	156810	39	156969	45, 49	187010	35
156609	67, 75	156818	49	156970	77	187018	89
156612	67	156821	47	156995	43, 47	187019	89
156613	71	156828	51	158069	51	187030	89
156614	75	156834	43, 47	158253	75	187031	89
156622	71	156838	43, 47	158326	55	187032	89
156627	21	156839	39	158349	55	187033	77
156634	81, 85	156840	39	158371	81, 85	187081	19
156635	39	156841	43, 49	158377	55	187101	5
156638	39	156843	43, 47	158587	71	187112	5
156639	39	156852	21, 25	158633	51	187137	19
156655	39	156853	21, 25	158666	51	187142	37
156682	5	156865	17	158697	51	187151	57
156689	39	156868	15	158698	51	187152	57
156696	35	156869	17	158704	51	187183	89
156698	39	156879	19	158722	51	187193	51
156703	5	156881	17	158754	51	187194	51
156704	7, 11	156882	39	158895	27	187203	39
156724	47	156883	39	158974	71	187225	29
156725	65, 69, 73, 79, 87	156888	33	163598	67, 71, 75, 77, 81, 85, 89	187229	21, 25
156741	39	156891	33	164125	85	187238	43, 47
156742	39	156893	33	164131	75, 77, 81, 85, 89	187239	43, 47
156743	41	156895	35	164132	75, 77, 81	187242	35
156744	17	156900	33	164175	89	187247	43, 47
156745	17	156904	33	164223	21, 25	187248	43, 47
156747	19	156906	5, 35	165122	19	187252	21, 25
156749	17	156908	33	171277	31	187253	21, 25
156750	17	156909	67			187255	29
		156910	77, 89			187256	29
						187257	31



## NUMERICAL LIST

PART #	PAGE
187258	31
187310	87
187313	29
187315	29
187316	29
187317	29, 31
187318	29, 31, 31
187390	69, 87
187391	69, 87
187415	69
187416	69
187421	17
187427	17
187428	19
187432	17
187466	25
187467	25
187469	25
187475	25
187476	25
187477	25
187478	25
187480	25
187482	27
187483	25
187484	25
187485	25
187486	25
187487	25
187492	25
187493	27
187494	27
187495	27
187496	25
187497	25
187502	25
187517	21, 25
187518	65
187520	5, 21, 27
187523	25
187524	25

PART #	PAGE
187525	25
187550	29
187551	29
187552	29
187553	29
187554	31
187555	31
187556	31
187557	31
187558	31
187559	31
187560	31
187561	31
187566	59
187620	17
187696	25
187697	25
187698	25
187720	21
<b>187723</b>	65, 69, 73, 79, 87
187732	9, 11
<b>187813</b>	69
187829	43, 47
187856	63
187857	63
187861	79
187887	47
187898	5, 27
187900	21, 25
187913	7, 11
187914	7, 11
187918	21, 25
187925	21, 25
187928	63
187945	7, 11
187947	5, 11
187948	9, 11
187949	9
187958	35
187959	43

PART #	PAGE
187967	21, 25
187988	15
190866	85
194033	33
194521	59
220122	63
220123	63
220199	63
220200	63
220201	63
220237	11, 63
220259	63
220291	63
220305	63
220306	63
220307	63
220308	63
220338	11, 63
220339	11
220342	11
220343	11, 63
220380	11, 63
220381	11, 63
220439	63
220440	63
220441	63
220446	11
220447	11
220449	11, 63
<b>220505</b>	7, 11
<b>220506</b>	7, 11
220511	63
220512	63
<b>220535</b>	53
220650	25
220679	39
220734	55
220938	17

PART #	PAGE
B4820	47
B4821	47
B4822	43
B4823	51
B4824	51
B4825	51
B4827	51
B4828	15
B4829	61
B4830	61
B4920	61
B4921	61
B4922	61
B4923	61
B4942	43
B4962	57
B5006	47
B5007	47
B5008	43
B5079	69
B5081	43
B5082	23, 27
B5083	23, 27
B5404	69
B5405	69
B5431	43
B5432	47
B5661	63

## CA20 COMBINE ADAPTER – SUGGESTED STOCKING LIST

PART NUMBER	DESCRIPTION	PER 5-7 UNITS
<u>FRAME AND FLOAT LINKAGE COMPONENTS</u>		
100500	BEARING – needle	4
113222	SEAL – bearing	4
49904	BEARING – needle	4
156511	SPRING – assembly	1
<u>HYDRAULICS – PUMPS AND VALVES</u>		
42029	HOSE – suction	1
133942	CAP – oil filler	1
151975	FILTER – element	7
187242	SIGHT GLASS	1
37181	SEAL KIT – draper hydraulic motor	1
133569	SEAL KIT – for Bosch piston pump (knife drive)	1
187900	SEAL KIT – for Sauer piston pump (knife drive)	1
187967	SEAL KIT – for Bosch gear pump (feed draper)	1
187918	SEAL KIT – for Casappa gear pump (feed draper)	1
133556	SEAL KIT – for Bosch manifold	1
<u>GEAR BOX DRIVE</u>		
187698	GASKET – sprocket cover	1
187496	SPROCKET – drive, 24 t (CNH & JD)	1
187497	SPROCKET – drive, 18 t (Lexion & AGCO)	1
<u>CENTER LINK ASSEMBLIES</u>		
112625	SEAL KIT – cylinder (hydraulic center link)	1
18667	PIN – center link	1
<u>FEED DRAPER – FEED DECK ASSEMBLY</u>		
118185	BEARING – ball	4
100862	SEAL – bearing	8
118011	RING – retaining	2
21859	BEARING – 1 3/16 in. bore	1
156363	HANDLE – deck	1
133131	DRAPER – feed 78.8 in. (2000mm) wide	1
130283	CONNECTOR – draper	28
187948	SEAL – feed draper poly	2
<u>FEED AUGER</u>		
123055	BUSHING – auger fingers	2
156462	TINE – finger	5
187081	GUIDE – plastic	5
123202	T-NUT – 1/4 NC	10
123084	SCREW – hex socket	10
156881	ROLLER CHAIN – drive auger	1
<u>ELECTRICAL – COMBINE COMPLETION</u>		
153933	RESISTOR – CR/CX/AFX Header Recognition	1

**MacDon Industries Ltd.**

680 Moray Street  
Winnipeg, Manitoba  
Canada R3J 3S3  
t. (204) 885-5590  
f. (204) 832-7749

**MacDon, Inc.**

10708 N. Pomona Avenue  
Kansas City, Missouri  
United States 64153-1924  
t. (816) 891-7313  
f. (816) 891-7323

**MacDon Australia Pty. Ltd.**

A.C.N. 079 393 721  
P.O. Box 243, Suite 3, 143 Main Street  
Greensborough, Victoria, Australia 3088  
t. 03 9432 9982  
f. 03 9432 9972

**LLC MacDon Russia Ltd.**

123317 Moscow, Russia  
10 Presnenskaya nab, Block C  
Floor 5, Office No. 534, Regus Business Centre  
t. +7 495 775 6971  
f. +7 495 967 7600

**CUSTOMERS**  
**[www.macdon.com](http://www.macdon.com)**

**DEALERS**  
**[www.macdondealers.com](http://www.macdondealers.com)**

Trademarks of products are the marks of their  
respective manufacturers and/or distributors.

Printed in Canada