

MacDon®

C Series Corn Header

Parts Manual

262813 Revision A

Original Instruction

The Harvesting Specialists.

Table of Contents

C-series

TABLE OF CONTENTS	1
(00) MODEL INFO	6
(6) FRAME ASSEMBLY - RIGID	8
(7) FRAME ASSEMBLY - FOLDING	12
(8) AUGER ASSEMBLY - RIGID	16
(9) AUGER ASSEMBLY C3008F, C3008CF	22
(10) AUGER ASSEMBLY C3012F	26
(20) SIDE-SHIELDS	30
(43B) STUBBLE STOMPER	32
(21B) PLASTIC CENTRAL DIVIDERS - (20", 22") 2014->	34
(21A) PLASTIC CENTRAL DIVIDERS - (30")	38
(23A) PLASTIC HINGED DIVIDERS - FOLDING MODELS (76,2 CM) (2010->) AND (70 CM) (2015->)	42
(21C) PLASTIC CENTRAL DIVIDERS - (38")	46
(22A) PLASTIC OUTER DIVIDERS (->2022)	50
(22B) PLASTIC OUTER DIVIDERS	54
(45) TALL END DIVIDER (TED)	58
(55) ROTARY END DIVIDER	60
(56) ROTARY END DIVIDER HYDRAULIC -> 2015	62
(56A) ROTARY END DIVIDERS HYDRAULICS 2016 ->	64
(1) INPUT DRIVE	68
(2) OUTER DRIVE (->2015)	70
(2A) OUTER DRIVE (2016->)	74
(3) INPUT GEARBOX	80
(49) SNAPPING UNIT WITH KNIFE ROLLS	82
(48) SNAPPING UNIT GEARBOX FOR KNIFE-ROLL ROW UNIT	86
(4) GATHERING CHAIN ADJUSTER	90
(13A) STALK CHOPPER	92
(47) SNAPPING ROLL	96
(14A) SNAPPING UNIT DRIVE - RIGID ->2023	98
(14A1) SNAPPING UNIT DRIVE 2024->	100
(14B) SNAPPING UNIT DRIVE - RIGID ->2023	102
(14B1) SNAPPING UNIT DRIVE 2024->	104
(14C) SNAPPING UNIT DRIVE - RIGID ->2023	106
(14C1) SNAPPING UNIT DRIVE 2024->	108

Table of Contents

C-series

(15A) SNAPPING UNIT DRIVE - FOLDING	110
(15C) SNAPPING UNIT DRIVE - EIGHT ROW FOLDING MODEL, GLEANER	112
(16A) DRIVE-SHIELDS - RIGID	114
(16B) DRIVE-SHIELDS - RIGID	118
(17A) DRIVE-SHIELDS - FOLDING	122
(18A) ELECTRIC & HYDRAULIC SNAPPING PLATE ADJUSTER	128
(19A) ELECTRIC & HYDRAULIC SNAPPING PLATE ADJUSTER	132
(54) SNAPPING PLATE INDICATOR	134
(24B) HYDRAULIC RIGID	136
(24A) HYDRAULIC FOLDING 8 ROW ->2015	138
(24A1) HYDRAULIC FOLDING 2016->	142
(24A2) HYDRAULIC FOLDING 12 ROW 2016->	146
(35) MOUNTING KIT: CASE IH1600 & 2000 SERIES	150
(59) HYDRAULIC CONNECTION: CASE IH 1600-2000 SERIES	152
(25A) MOUNTING KIT: CNH CX, CR, TR, CASE AFX (FOLDING 2010.->, FIXED 2011->)	154
(25B) MOUNTING KIT: CNH CX, CR, TR, TX, TC, TF, CASE AFX (2016->)	156
(58A) HYDRAULIC MULTI-COUPLER KIT: NEW HOLLAND CNH CX, CR, TR, TX, TC, TF, CASE AFX	158
(27A) MOUNTING KIT: JD 2019->	160
(29A) HYDRAULIC MULTI-COUPLER KIT: JD	162
(26) MOUNTING KIT: LEXION	164
(28) HYDRAULIC MULTI-COUPLER KIT: CLAAS	166
(37) MOUNTING KIT: MF 8600, 8700, 9000 & 9500 GLEANER C, A	168
(39) MOUNTING KIT: MF 8570	170
(51) MOUNTING KIT: GLEANER "R/N/S"	172
(29B) HYDRAULIC MULTI-COUPLER KIT: AGCO (EXCEPT IDEAL)	174
(71) MOUNTING KIT: AGCO IDEAL	176
(29C) HYDRAULIC MULTI-COUPLER KIT: AGCO IDEAL	178
(32B) LIGHTING - RIGID	180
(32C) LIGHTING - FOLDING	182
(73) AUTOMATIC HEADER HEIGHT CONTROL (AHC)	184
(74) AUTOMATIC HEADER HEIGHT CONTROL (AHC) ELECTRICAL MOUNTING	186
(75) ROW GUIDANCE	188
(76) ROW GUIDANCE ELECTRICAL MOUNTING	190
(31B) DECALS - WARNING 2020->	192

Table of Contents

C-series

(53B) DECALS - MODEL	194
(72) TOOLS AND ACCESSORIES	198
(77) TORQUE VALUES FOR FASTENERS	200

The side of the year on which the arrow (->) appears determines whether the part is used "up to" or "after" the serial number given.

Example:

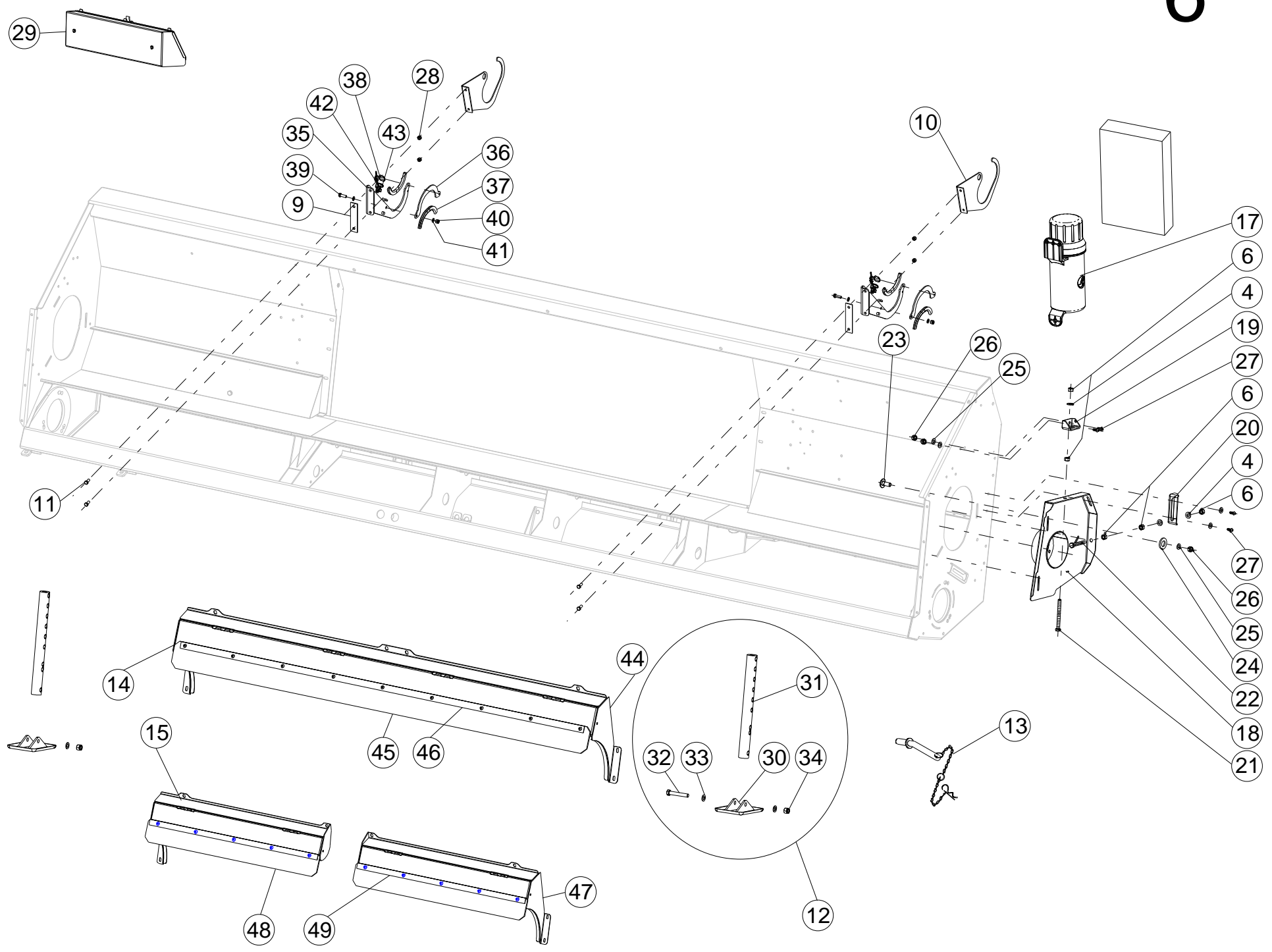
- ->2020 Used on machines up to and including model year 2020
- 2021-> Used on machines including and after Model year 2021

Models covered by this manual can be found on the next page.

Model Number North America	Model Number Export	Row Spacing	Rows	Chopper	Folding	Operating Width	Weight	Drive
C2012	C5012	50.8 cm (20 in.)	12	No	No	6.1 m (20 ft.)	3260 kg (7187 lb)	Single
C2012C	C5012C	50.8 cm (20 in.)	12	Yes	No	6.1 m (20 ft.)	3560 kg (7848 lb)	Double
C2018	C5018	50.8 cm (20 in.)	18	No	No	9.1 m (30 ft.)	4175 kg (9204 lb)	*Double
C2018C	C5018C	50.8 cm (20 in.)	18	Yes	No	9.1 m (30 ft.)	4480 kg (9877 lb)	Double
C2208	C5508	55.9 cm (22 in.)	8	No	No	4.5 m (14 ft. 8 in.)	2302 kg (5075 lb)	Single
C2208C	C5508C	55.9 cm (22 in.)	8	Yes	No	4.5 m (14 ft. 8 in.)	2600 kg (5732 lb)	Double
C2212	C5512	55.9 cm (22 in.)	12	No	No	6.7 m (22 ft.)	3325 kg (7330 lb)	Single
C2212C	C5512C	55.9 cm (22 in.)	12	Yes	No	6.7 m (22 ft.)	3630 kg (8003 lb)	Double
C2218	C5518	55.9 cm (22 in.)	18	No	No	10.1 m (33 ft.)	4919 kg (10845 lb)	*Double
C2218C	C5518C	55.9 cm (22 in.)	18	Yes	No	10.1 m (33 ft.)	5225 kg (11519 lb)	Double
C3006	C7506	76.2 cm (30 in.)	6	No	No	4.6 m (15 ft.)	2097 kg (4623 lb)	Single
C3006C	C7506C	76.2 cm (30 in.)	6	Yes	No	4.6 m (15 ft.)	2350 kg (5181 lb)	Double
C3008	C7508	76.2 cm (30 in.)	8	No	No	6.1 m (20 ft.)	2552 kg (5626 lb)	Single
C3008C	C7508C	76.2 cm (30 in.)	8	Yes	No	6.1 m (20 ft.)	2850 kg (6283 lb)	Double
C3008F	C7508F	76.2 cm (30 in.)	8	No	Yes	6.1 m (20 ft.)	3069 kg (6766 lb)	**Double
C3008CF	C7508CF	76.2 cm (30 in.)	8	Yes	Yes	6.1 m (20 ft.)	3250 kg (7165 lb)	**Double
C3012	C7512	76.2 cm (30 in.)	12	No	No	9.1 m (30 ft.)	3731 kg (8225 lb)	*Double
C3012C	C7512C	76.2 cm (30 in.)	12	Yes	No	9.1 m (30 ft.)	4120 kg (9083 lb)	Double
C3012F	C7512F	76.2 cm (30 in.)	12	No	Yes	9.1 m (30 ft.)	4128 kg (9101 lb)	Double
C3012CF	C7512CF	76.2 cm (30 in.)	12	Yes	Yes	9.1 m (30 ft.)	4400 kg (9700 lb)	Double
C3016	C7516	76.2 cm (30 in.)	16	No	No	12.2 m (40 ft.)	5060 kg (11155 lb)	Double
C3016C	C7516C	76.2 cm (30 in.)	16	Yes	No	12.2 m (40 ft.)	5330 kg (11751 lb)	Double
C3808	C9508	96.5 cm (38 in.)	8	No	No	7.7 m (25 ft. 4 in.)	2950 kg (6504 lb)	Single
C3808C	C9508C	96.5 cm (38 in.)	8	Yes	No	7.7 m (25 ft. 4 in.)	3248 kg (7161 lb)	Double
C3812	C9512	96.5 cm (38 in.)	12	No	No	11.6 m (38 ft.)	4080 kg (8995 lb)	*Double
C3812C	C9512C	96.5 cm (38 in.)	12	Yes	No	11.6 m (38 ft.)	4290 kg (9458 lb)	Double

* Model year 2023 or before is configured as single drive. Model year 2024 and onward is double drive

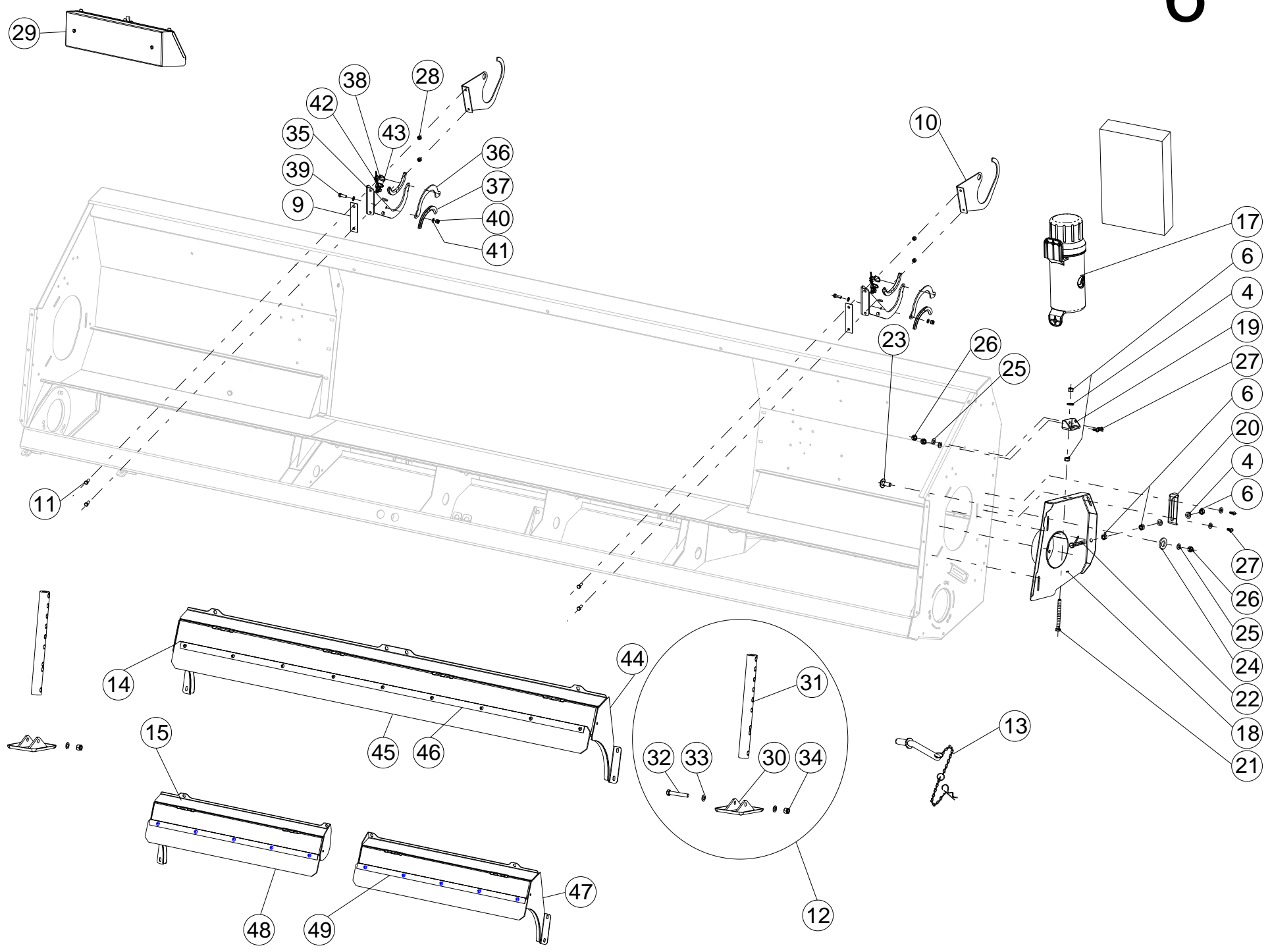
** 8 row folding headers may have drives mounted inboard or outboard. Configuration should be verified if ordering input drive components.



Ref.	Part number	Description		C3006 C3006C	C2208 C2208C	C3008 C3008C	C3808 C3808C	C2012 C2012C	C2212 C2212C	C3012 C3012C	C3812 C3812C	C2016 C2016C	C2018 C2018C	C2218 C2218C
4.	71412000060	Washer - M12 - DIN125 - 200HV	->2010	9	9	9	9	9	9	9	9	9	9	9
6.	73512000066	Hex nut - M12 - DIN934/8.8	->2010	13	13	13	13	13	13	13	13	13	13	13
9.	1.322.037	Plate		2	2	2	2	2	2	2	2	2	2	2
*10.	1.354.037	Cardan shaft support	->2019	2	2	2	2	2	2	2	2	2	2	2
11.	79408002066	Hex bolt - M8X20 - DIN933/8.8		4	4	4	4	4	4	4	4	4	4	4
12.	1.372.872	Support assy. (items 31-34)	2020->	2	2	2	2	2	2	2	2	2	2	2
13.	1.378.446	Safety pin		2	2	2	2	2	2	2	2	2	2	2
14.	1.378.685	Hood assy.	2011-2015	1	-	1	-	-	-	-	-	-	-	-
14.	1.379.440	Hood assy. (#44-46)	2015->	1	1	1	-	1	-	-	-	-	-	-
15.	1.378.689	Hood assy. - LH	2011-2014	-	-	-	-	-	-	1	1	-	1	1
15.	1.378.988	Hood assy. - LH (#47-49)	2014->	-	-	-	1	-	1	1	1	1	1	1
15.	1.378.690	Hood assy. - RH	2011-2014	-	-	-	-	-	-	1	1	-	1	1
15.	1.378.989	Hood assy. - RH (#47-49)	2014->	-	-	-	1	-	1	1	1	1	1	1
17.	1.329.720	Storage container	->2015	1	1	1	1	1	1	1	1	1	1	1
17.	1.373.751	Manual Storage Container	2016->	1	1	1	1	1	1	1	1	1	1	1
18.	1.377.453	Bracket welded - LH		1	1	1	1	1	1	1	1	1	1	1
18.	1.377.454	Bracket welded - RH		1	1	1	1	1	1	1	1	1	1	1
19.	1.377.460	Bracket		1	1	1	1	1	1	1	1	1	1	1
20.	1.377.461	Bracket		1	1	1	1	1	1	1	1	1	1	1
21.	79412012066	Hex bolt - M12X120 - DIN933/8.8		2	2	2	2	2	2	2	2	2	2	2
22.	79412009066	Hex bolt - M12X90 - DIN933/8.8		2	2	2	2	2	2	2	2	2	2	2
23.	76308002066	Carriage bolt - M8X20 - DIN603/8.8		6	6	6	6	6	6	6	6	6	6	6
24.	1.314.099	Washer - M8		6	6	6	6	6	6	6	6	6	6	6
25.	91623938761	Spring washer - 8X18 M8 - A8		14	14	14	14	14	14	14	14	14	14	14
26.	73508000066	Hex nut - M8 - DIN934		14	14	14	14	14	14	14	14	14	14	14
27.	78200802063	Hex socket button-head bolt - M8X20 - ISO7380/10.9		8	8	8	8	8	8	8	8	8	8	8
28.	70708000066	Lock nut - M8 - DIN980		4	4	4	4	4	4	4	4	4	4	4
29.	1.379.246	Header Toolbox		1	1	1	1	1	1	1	1	1	1	1
30.	1.372.873	Shoe welded	2020->	2	2	2	2	2	2	2	2	2	2	2
31.	1.372.874	Parking stand	2020->	2	2	2	2	2	2	2	2	2	2	2
32.	79316010066	Hex head screw - M16X100 - DIN933	2020->	2	2	2	2	2	2	2	2	2	2	2
33.	71416000060	Washer - M16 17X30X3 - DIN125 - 200HV	2020->	4	4	4	4	4	4	4	4	4	4	4
34.	74901600066	Hex nut - plastic insert - M16 - DIN982	2020->	2	2	2	2	2	2	2	2	2	2	2
35.	1.372.907	Cardan shaft support - lower	2020->	2	2	2	2	2	2	2	2	2	2	2
36.	1.372.908	Locking plate	2020->	2	2	2	2	2	2	2	2	2	2	2
37.	96720070601	Strip 1-4,5mm (/m)	2020->	4	4	4	4	4	4	4	4	4	4	4
38.	96716002720	Lynch pin - 6x27 - DIN1382	2020->	2	2	2	2	2	2	2	2	2	2	2
39.	79408002566	Hex head screw - M8X25 - DIN933/8.8	2020->	2	2	2	2	2	2	2	2	2	2	2
40.	74908000066	Hex nut - plastic insert - M8 - DIN985	2020->	2	2	2	2	2	2	2	2	2	2	2
41.	71408000060	Washer - M8 8,4X16X1,6 - DIN125	2020->	4	4	4	4	4	4	4	4	4	4	4
42.	84500000016	Chain - 2.2X31X10 - DIN5685	2020->	2	2	2	2	2	2	2	2	2	2	2
43.	67210000011	Key ring	2020->	2	2	2	2	2	2	2	2	2	2	2
44.	1.379.441	Hood welded		1	1	1	-	1	-	-	-	-	-	-
45.	1.372.942	Rubber plate		1	1	1	-	1	-	-	-	-	-	-

Note: 2016-> : only for machines with higher serial number than xxxxx16xxx

* Order items 35-43 (1.372.906) instead of item 10.



Ref.	Part number	Description		C3006 C3006C	C2208 C2208C	C3008 C3008C	C3808 C3808C	C2012 C2012C	C2212 C2212C	C3012 C3012C	C3812 C3812C	C2016 C2016C	C2018 C2018C	C2218 C2218C
46.	1.328.465	Closing plate		1	1	1	-	1	-	-	-	-	-	-
47.	1.378.990	Hood welded - LH		-	-	-	1	-	1	1	1	1	1	1
47.	1.378.991	Hood welded - RH		-	-	-	1	-	1	1	1	1	1	1
48.	1.372.943	Rubber plate		-	-	-	2	-	2	2	2	2	2	2
49.	1.377.416	Closing plate		-	-	-	2	-	2	2	2	2	2	2

Note: 2016-> : only for machines with higher serial number than xxxxx16xxx
* Order items 35-43 (1.372.906) instead of item 10.

Ref.	Part number	Description		C3008F C3008CF	C3012F C3012CF
8.	91623938961	Spring washer - A12	->2009	5	5
12.	1.376.371	Console - LH		1	1
13.	1.376.372	Console - RH		1	1
14.	1.376.373	Console - LH		1	1
15.	1.376.374	Console - RH		1	1
16.	79410003066	Hex bolt - M10X30 - DIN933/8.8		16	16
17.	96702375920	Washer - M10 10,5X30X3		34	34
18.	70710000066	Lock nut - M10 - DIN980/8.8		16	16
19.	1.372.872	Support assy. (items 82-86)	2020->	2	2
20.	1.378.446	Safety pin		2	2
21.	1.354.037	Cardan shaft support	->2019	-	2
22.	1.322.037	Plate		-	2
23.	79408002066	Hex bolt - M8X20 - DIN933/8.8		-	4
24.	70708000066	Lock nut - M8 - DIN980		-	4
25.	1.376.448	Rubber washer		2	2
26.	1.378.126	Pin - (=472)		2	2
27.	73010006001	Spring pin - 10X60 - DIN1481		4	4
27.	73006006001	Spring pin - 6X60 - DIN1481		4	4
28.	1.376.385	Arm		-	-
28.	1.375.138	Arm		2	2
29.	1.376.382	Arm		-	-
29.	1.375.134	Arm		2	2
29.	1.378.409	Arm - LH		-	1
29.	1.378.410	Arm - RH		-	1
30.	1.376.278	Hydraulic cylinder		-	-
30.	1.375.144	Hydraulic cylinder		2	2
30.	1.378.415	Hydraulic cylinder		-	2
31.	1.376.573	Fitting		2	-
31.	1.371.868	Fitting		-	2
32.	1.375.182	Pin		2	2
*33.	71630042050	Shim - 30X42X0.5 - DIN988		4	4
*34.	71630042100	Shim - 30X42X1 - DIN988		4	4
35.	73008006001	Spring pin - 8X60 - DIN1481		2	2
36.	1.375.192	Pin	2018->	2	2
36.	1.377.100	Pin	->2017	2	2
36.	1.378.411	Pin		-	2
*37.	71625035100	Shim - 25X35X1 - DIN988		8	8
38.	1.375.181	Washer	->2017	6	4
38.	71400240060	Washer - M24 - DIN125 - 200HV	2018->	8	6
39.	73008004051	Spring pin - 8X40 - DIN1481		10	8
40.	1.376.565	Pin		2	2
41.	70006001062	Grease zerk - M6X1X180		6	6
42.	1.376.564	Pin		2	-
42.	1.378.403	Pin		-	2
*43.	71625035050	Shim - 25X35X0.5 - DIN988		8	8
44.	1.378.685	Hood assy.		-	-
44.	1.379.440	Hood assy. (#96-99)	2016->	1	-
45.	1.378.689	Hood assy. - LH		-	1
45.	1.372.231	Hood assy. - LH (#100-102)	2016->	-	1
45.	1.378.690	Hood assy. - RH		-	1
45.	1.372.232	Hood assy. - RH (#100-102)	2016->	-	1
46.	1.377.005	Supporting angle		3	3
47.	1.377.222	Bracket		-	-
47.	1.379.141	Bracket	2013->	1	-
48.	1.329.720	Storage container	->2015	1	1
48.	1.373.751	Manual Storage Container	2016->	1	1
49.	1.377.453	Bracket welded - LH		1	1
49.	1.377.454	Bracket welded - RH		1	1
50.	76308002066	Carriage bolt - M8X20 - DIN603/8.8		6	6
51.	1.314.099	Washer - M8		6	6
52.	91623938761	Spring washer - 8X18 M8 - A8		10	10
53.	73508000066	Hex nut - M8 - DIN934		14	14
***54.	1.377.102	Holder - JD,MF,CNH, Gleaner		2	-
***54.	1.379.299	Holder - Lexion, Fahr		2	-
***55.	1.319.455	Cardan support - JD,MF, Gleaner, Lexion		2	-
***55.	1.318.338	Cardan support - CNH, Fahr		2	-
***55.	1.373.742	Pin - IHC		2	-

Note: * Use of shims as necessary.

2016-> : only for machines with higher serial number than xxxxxx16xxx

** Order items 87-95 (1.372.906) instead of item 21.

*** Items 54 - 58 are needed only for exterior drive with lower position.

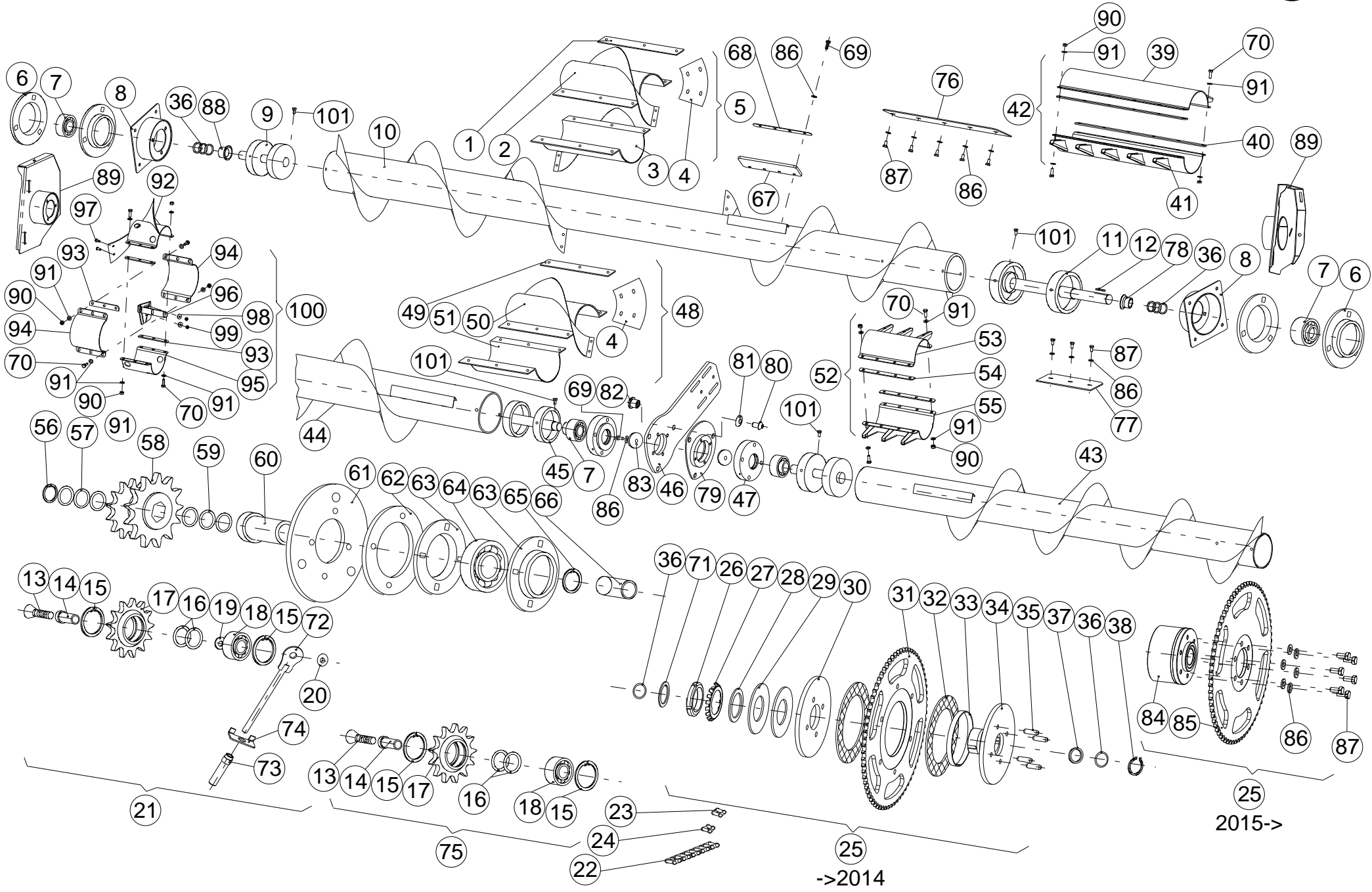
Ref.	Part number	Description		C3008F C3008CF	C3012F C3012CF
***56.	79410002566	Hex bolt - M10X25 - DIN933/8.8		4	-
***57.	91623938861	Spring washer - 10,2X22,25X1,6 - A10		6	-
***58.	79410002066	Hex bolt - M10X20 - DIN933/8.8		2	-
59.	97909349340	Bushing - 40X44X30		8	8
60.	1.375.019	Washer		6	12
61.	80401002563	TORX socket countersunk-head bolt - M10X25 - DIN7991/10.9		6	12
-	Loctite 243	Threadlocking agent			
62.	1.378.407	Spacer		-	4
63.	1.378.679	Plate		2	2
64.	79412004566	Hex bolt - M12X45 - DIN933/8.8		2	2
66.	91623938761	Spring washer - 8X18 M8 - A8	2016->	8	8
68.	1.377.460	Bracket	2016->	2	2
69.	1.377.461	Bracket	2016->	2	2
70.	79412012066	Hex bolt - M12X120 - DIN933/8.8	2016->	4	4
71.	79412009066	Hex bolt - M12X90 - DIN933/8.8	2016->	4	4
72.	78200802063	Hex socket button-head bolt - M8X20 - ISO7380/10.9	2016->	8	8
73.	71412000060	Washer - M12 - DIN125 - 200HV	2016->	6	6
74.	73512000066	Hex nut - M12 - DIN934/8.8	2016->	10	10
76.	1.372.537	Stand		2	2
*77.	1.372.538	Shim - (l=2)		2	2
*78.	1.372.539	Shim - (l=3)		4	4
79.	79408004566	Hex bolt - M8X45 - DIN933/8.8		4	4
80.	79410005566	Hex head screw - M10X55 - DIN933		2	2
81.	73510000066	Hex nut - M10 - DIN934		2	2
82.	1.372.873	Shoe welded	2020->	2	2
83.	1.372.874	Parking stand	2020->	2	2
84.	79316010066	Hex head screw - M16X100 - DIN933	2020->	2	2
85.	71416000060	Washer - M16 17X30X3 - DIN125 - 200HV	2020->	4	4
86.	74916000066	Hex nut - plastic insert - M16 - DIN985	2020->	2	2
87.	1.372.907	Cardan shaft support - lower	2020->	2	2
88.	1.372.908	Locking plate	2020->	2	2
89.	96720070601	Strip 1-4,5mm (/m)	2020->	4	4
90.	96716002720	Lynch pin - 6x27 - DIN1382	2020->	2	2
91.	79408002566	Hex head screw - M8X25 - DIN933/8.8	2020->	2	2
92.	74908000066	Hex nut - plastic insert - M8 - DIN985	2020->	2	2
93.	71408000060	Washer - M8 8,4X16X1,6 - DIN125	2020->	4	4
94.	84500000016	Chain - 2.2X31X10 - DIN5685	2020->	2	2
95.	67210000011	Key ring	2020->	2	2
96.	70006011860	Grease fitting - 6X1X180 - DIN71412		2	2
97.	1.379.441	Hood welded		1	-
98.	1.372.942	Rubber plate		1	-
99.	1.328.465	Closing plate		1	-
100.	1.372.233	Hood welded - LH		-	1
100.	1.372.234	Hood welded - RH		-	1
101.	1.372.943	Rubber plate		-	2
102.	1.377.416	Closing plate		-	2

Note: * Use of shims as necessary.

2016-> : only for machines with higher serial number than xxxxxx16xxx

** Order items 87-95 (1.372.906) instead of item 21.

*** Items 54 - 58 are needed only for exterior drive with lower position.

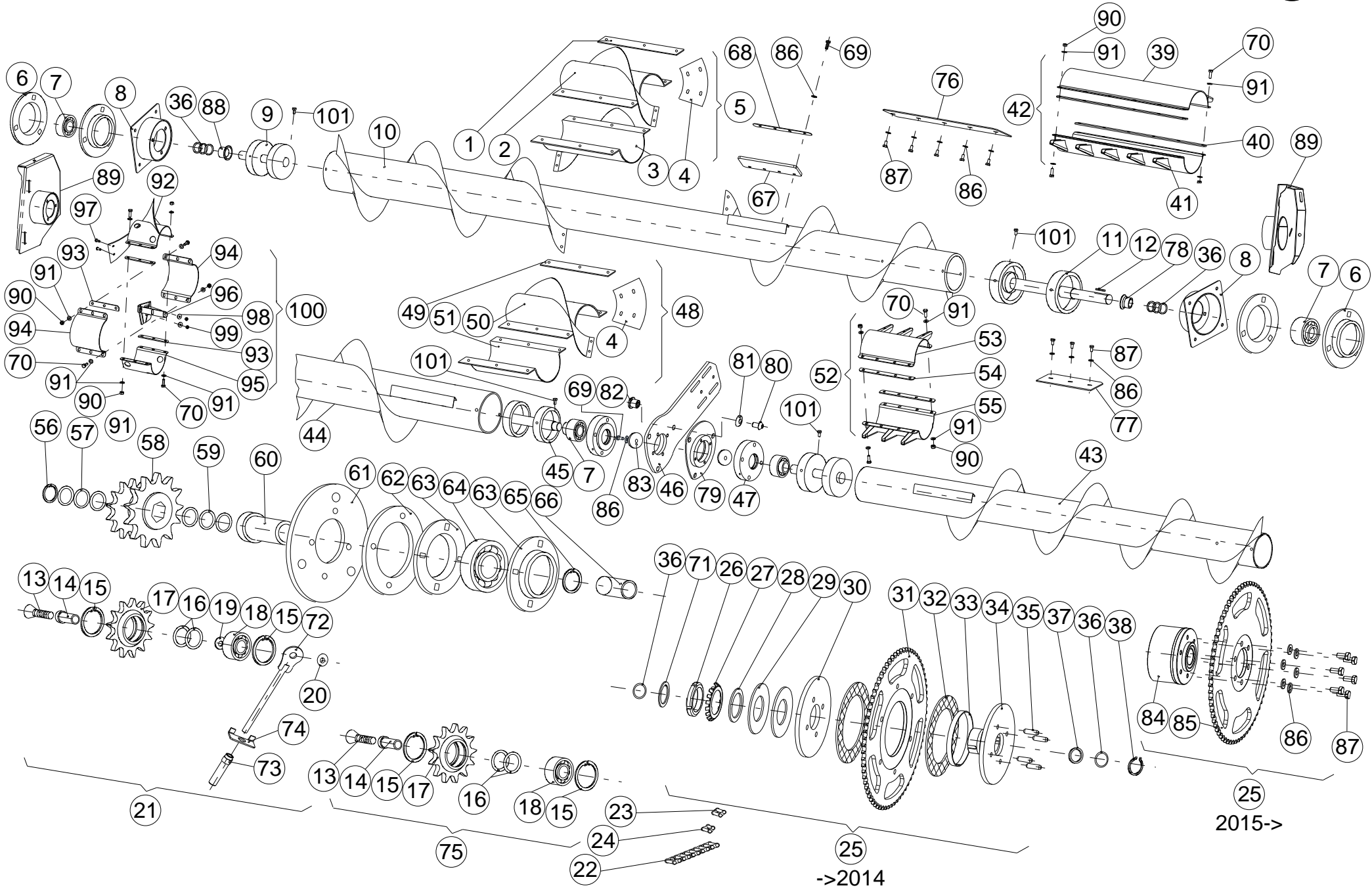


Ref.	Part number	Description		C3006 C3006C	C2208 C2208C	C3008 C3008C	C3808 C3808C	C2012 C2012C	C2212 C2212C	C3012 C3012C	C3812 C3812C	C3016 C3016C	C2018 C2018C	C2218 C2218C
1.	1.315.408	Strap		2	2	2	-	2	-	-	-	-	-	-
2.	1.355.448	Auger flight extension - LH - 22" pitch		1	1	1	-	1	-	-	-	-	-	-
3.	1.355.449	Auger flight extension - RH - 22" pitch		1	1	1	-	1	-	-	-	-	-	-
4.	1.353.560	Plate	->2007	2	2	2	-	2	2	2	-	2	2	2
5.	1.355.452	Auger flight extension kit - pitch 22"		1	1	1	-	1	-	-	-	-	-	-
6.	616.068.0	Bearing housing - PF 72		4	4	4	4	4	4	4	4	4	4	4
7.	87000003556	Y-bearing - RAE 35 NPPB		2	2	2	4	2	4	4	4	4	4	4
8.	1.375.203	Bracket (see pg. 6 item 18)		-	-	-	-	-	-	-	2	-	2	2
9.	1.318.122	Auger shaft welded		1	1	1	-	1	-	-	-	-	-	-
10.	1.376.214	Auger welded - 22" pitch		1	-	-	-	-	-	-	-	-	-	-
10.	1.376.215	Auger welded - 22" pitch		-	-	1	-	-	-	-	-	-	-	-
10.	1.373.088	Auger welded - 22" pitch	2015->	-	1	-	-	-	-	-	-	-	-	-
10.	1.379.674	Auger welded - 22" pitch	2014->	-	-	-	-	1	-	-	-	-	-	-
11.	1.351.349	Auger shaft welded		1	1	1	2	1	2	2	2	2	2	2
12.	84210084000	Key - A10X8X40 - DIN6885		1	1	1	2	1	2	2	2	2	2	2
13.	80401004063	Hex socket countersunk-head bolt - M10X40 - DIN7991/10.9		2	2	2	4	2	4	4	4	4	4	4
14.	1.375.968	Shaft		2	2	2	4	2	4	4	4	4	4	4
15.	70100004701	Retainer ring - 47X1.75 - DIN472 47/I		4	4	4	8	4	8	8	8	8	8	8
*16.	1.315.070	Shim - 21X29X1	->2014	4	4	4	8	4	8	8	8	8	8	8
16.	1.373.045	Spacer	2015->	2	2	2	4	2	4	4	4	4	4	4
*16.	1.373.046	Shim	2015-2018	2	2	2	4	2	4	4	4	4	4	4
17.	1.309.052	Idler sprocket - 16T		2	2	2	4	2	4	4	4	4	4	4
18.	87001620414	Bearing - 6204 2RS		2	2	2	4	2	4	4	4	4	4	4
19.	1.301.433	Washer		1	1	1	2	1	2	2	2	2	2	2
20.	1.375.969	Tapped insert		1	1	1	2	1	2	2	2	2	2	2
21.	1.378.521	Chain adjuster assy.		1	1	1	2	1	2	2	2	2	2	2
22.	1.378.523	Chain 53 links #50		1	1	1	2	1	2	2	2	2	2	2
23.	1.320.493	Connector link		1	1	1	2	1	2	2	2	2	2	2
25.	1.376.232	Sprocket assy. - 70T	->2014	1	1	1	2	1	2	2	2	2	2	2
25.	1.377.272	Sprocket assy. - 70T	2015->	1	1	1	2	1	2	2	2	2	2	2
26.	86700001100	Bearing nut - KM11		1	1	1	2	1	2	2	2	2	2	2
27.	86801100000	Retainer ring - MB-11		1	1	1	2	1	2	2	2	2	2	2
28.	1.375.430	Washer		1	1	1	2	1	2	2	2	2	2	2
29.	96700000112	Disk spring - B112 - DIN2093		2	2	2	4	2	4	4	4	4	4	4
30.	1.375.428	Plate		1	1	1	2	1	2	2	2	2	2	2
31.	1.375.431	Sprocket - 70T (5/8)		1	1	1	2	1	2	2	2	2	2	2
32.	25553201007	Friction insert		2	2	2	4	2	4	4	4	4	4	4
33.	1.310.780	Ring		1	1	1	2	1	2	2	2	2	2	2
34.	1.375.429	Hub		1	1	1	2	1	2	2	2	2	2	2
35.	1.376.020	Pin		4	4	4	8	4	8	8	8	8	8	8
*36.	1.309.011	Shim		10	10	10	20	10	20	20	20	20	20	20
*37.	1.320.540	Shim - (I=5)	->2014	1	1	1	2	1	2	2	2	2	2	2
38.	70200003501	Retaining ring - external - 35X1.5 - DIN471		1	1	1	2	1	2	2	2	2	2	2
39.	1.304.770	Auger finger welded		1	1	1	-	1	-	-	-	-	-	-

Note: * Use shims as necessary.

** Application of items 67-70 depends on the combine option.

*** Sprockets marked with *** are optional.



2020.

->2014

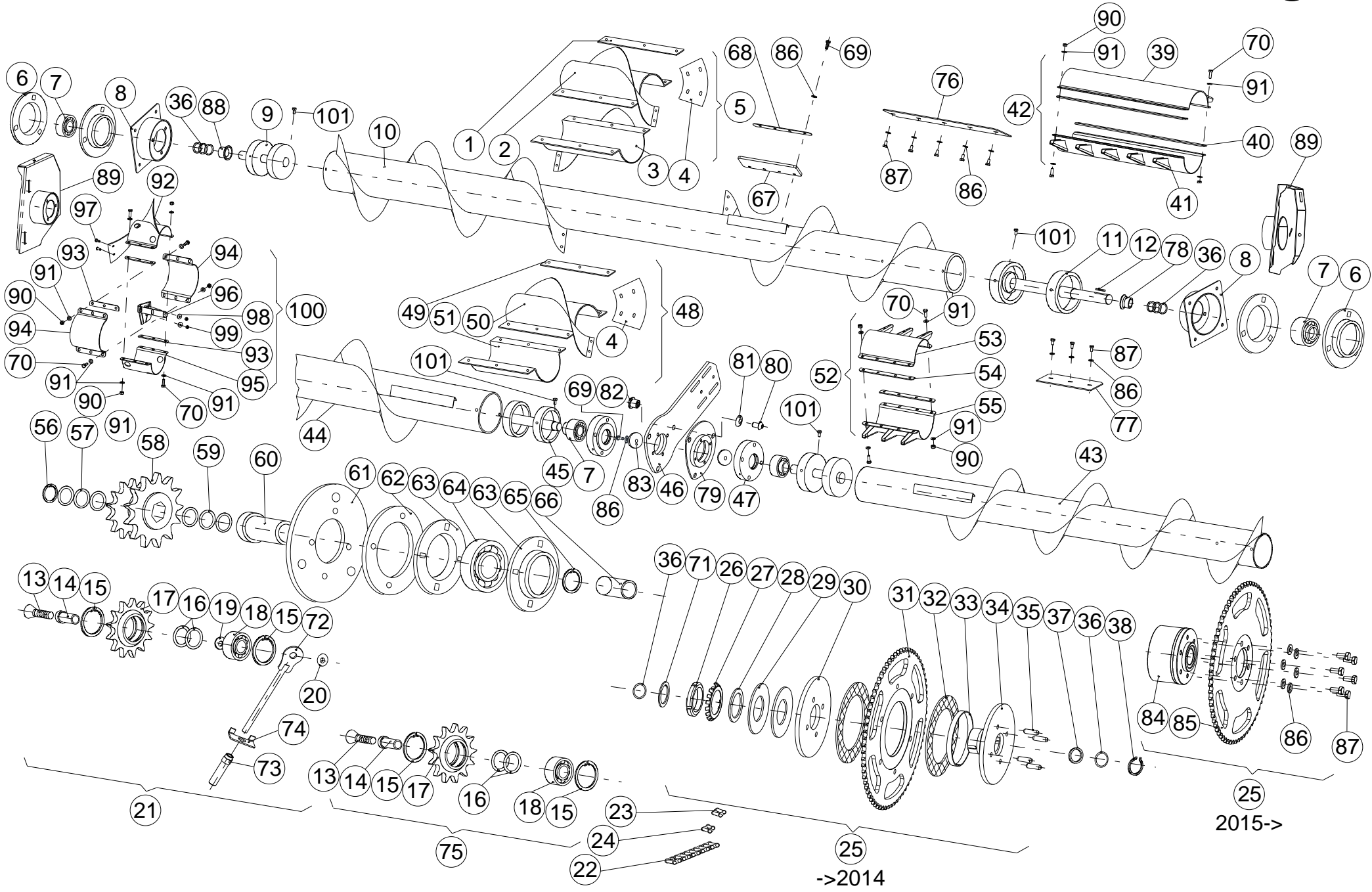
2015->

Ref.	Part number	Description		C3006 C3006C	C2208 C2208C	C3008 C3008C	C3808 C3808C	C2012 C2012C	C2212 C2212C	C3012 C3012C	C3812 C3812C	C3016 C3016C	C2018 C2018C	C2218 C2218C
40.	1.304.876	Strap		2	2	2	-	2	-	-	-	-	-	-
41.	1.304.769	Auger finger welded		1	1	1	-	1	-	-	-	-	-	-
42.	1.304.935	Spike tooth kit		1	1	1	-	1	-	-	-	-	-	-
43.	1.376.216	Auger welded - LH wing		-	-	-	-	-	-	1	-	-	-	-
43.	1.379.636	Auger welded - LH wing	2014->	-	-	-	-	-	1	-	-	-	-	-
43.	1.371.403	Auger welded - LH wing		-	-	-	-	-	-	-	1	-	-	-
43.	1.379.084	Auger welded - LH wing	2013->	-	-	-	-	-	-	-	-	1	-	-
43.	1.372.749	Auger welded - LH wing		-	-	-	1	-	-	-	-	-	-	-
43.	1.371.521	Auger welded - LH wing		-	-	-	-	-	-	-	-	-	1	-
43.	1.371.453	Auger welded - LH wing		-	-	-	-	-	-	-	-	-	-	1
44.	1.376.217	Auger welded - RH wing		-	-	-	-	-	-	1	-	-	-	-
44.	1.379.637	Auger welded - RH wing	2014->	-	-	-	-	-	1	-	-	-	-	-
44.	1.371.406	Auger welded - RH wing		-	-	-	-	-	-	-	1	-	-	-
44.	1.379.087	Auger welded - RH wing	2013->	-	-	-	-	-	-	-	-	1	-	-
44.	1.372.750	Auger welded - RH wing		-	-	-	1	-	-	-	-	-	-	-
44.	1.371.522	Auger welded - RH wing		-	-	-	-	-	-	-	-	-	1	-
44.	1.371.454	Auger welded - RH wing		-	-	-	-	-	-	-	-	-	-	1
45.	1.304.893	Auger shaft welded		-	-	-	2	-	2	2	2	2	2	2
46.	1.376.241	Console	->2013	-	-	-	1	-	1	1	1	1	1	1
46.	1.379.543	Console	2014->	-	-	-	1	-	1	1	1	1	1	1
47.	676.304	Bearing housing		-	-	-	2	-	2	2	2	2	2	2
48.	1.355.468	Auger flight extension kit - pitch 22"		-	-	-	-	-	1	1	-	1	1	1
49.	1.353.573	Flat iron		-	-	-	-	-	4	4	-	4	4	4
50.	1.355.464	Auger flight extension welded - LH - 22" pitch		-	-	-	-	-	1	1	-	1	1	1
50.	1.355.465	Auger flight extension welded - RH - 22" pitch		-	-	-	-	-	1	1	-	1	1	1
51.	1.353.571	Half filler		-	-	-	-	-	2	2	-	2	2	2
52.	1.379.629	Spike tooth kit		-	-	-	1	-	1	1	1	1	1	1
53.	1.379.550	Auger finger		-	-	-	2	-	2	2	2	2	2	2
54.	1.379.560	Strap		-	-	-	4	-	4	4	4	4	4	4
55.	1.379.550	Auger finger		-	-	-	2	-	2	2	2	2	2	2
56.	70200003201	Retainer ring - 32X1.5 - DIN471		1	1	1	2	1	2	2	2	2	2	2
*57.	71632045100	Shim - 32X45X1 - DIN988		3	3	3	6	3	6	6	6	6	6	6
***58.	1.377.687	Sprocket - 16T / 14T		1	1	1	2	1	2	2	2	2	2	2
***58.	1.377.583	Sprocket - 18T / 16T		1	1	1	2	1	2	2	2	2	2	2
***58.	1.379.642	Sprocket - 20T / 18T		1	1	1	2	1	2	2	2	2	2	2
*59.	71637047100	Shim - 37X47X1 - DIN988		3	3	3	6	3	6	6	6	6	6	6
60.	1.375.967	Hub		-	-	-	2	-	2	2	2	2	2	2
61.	1.375.966	Plate		-	-	-	2	-	2	2	2	2	2	2
62.	1.375.965	Washer		-	-	-	2	-	2	2	2	2	2	2
63.	87300008516	Bearing housing - PF 85		-	-	-	2	-	2	2	2	2	2	2
64.	87030620914	Y-bearing - 1726209-2RS1 SKF		-	-	-	2	-	2	2	2	2	2	2
65.	70200004501	Retaining ring - for shaft - 45X1.75 - DIN471		-	-	-	2	-	2	2	2	2	2	2
66.	1.354.565	Spacer - (l=76)		1	1	1	-	1	-	-	-	-	-	-
**67.	1.372.944	Rubber plate		2	2	2	2	2	2	2	2	2	2	2

Note: * Use shims as necessary.

** Application of items 67-70 depends on the combine option.

*** Sprockets marked with *** are optional.

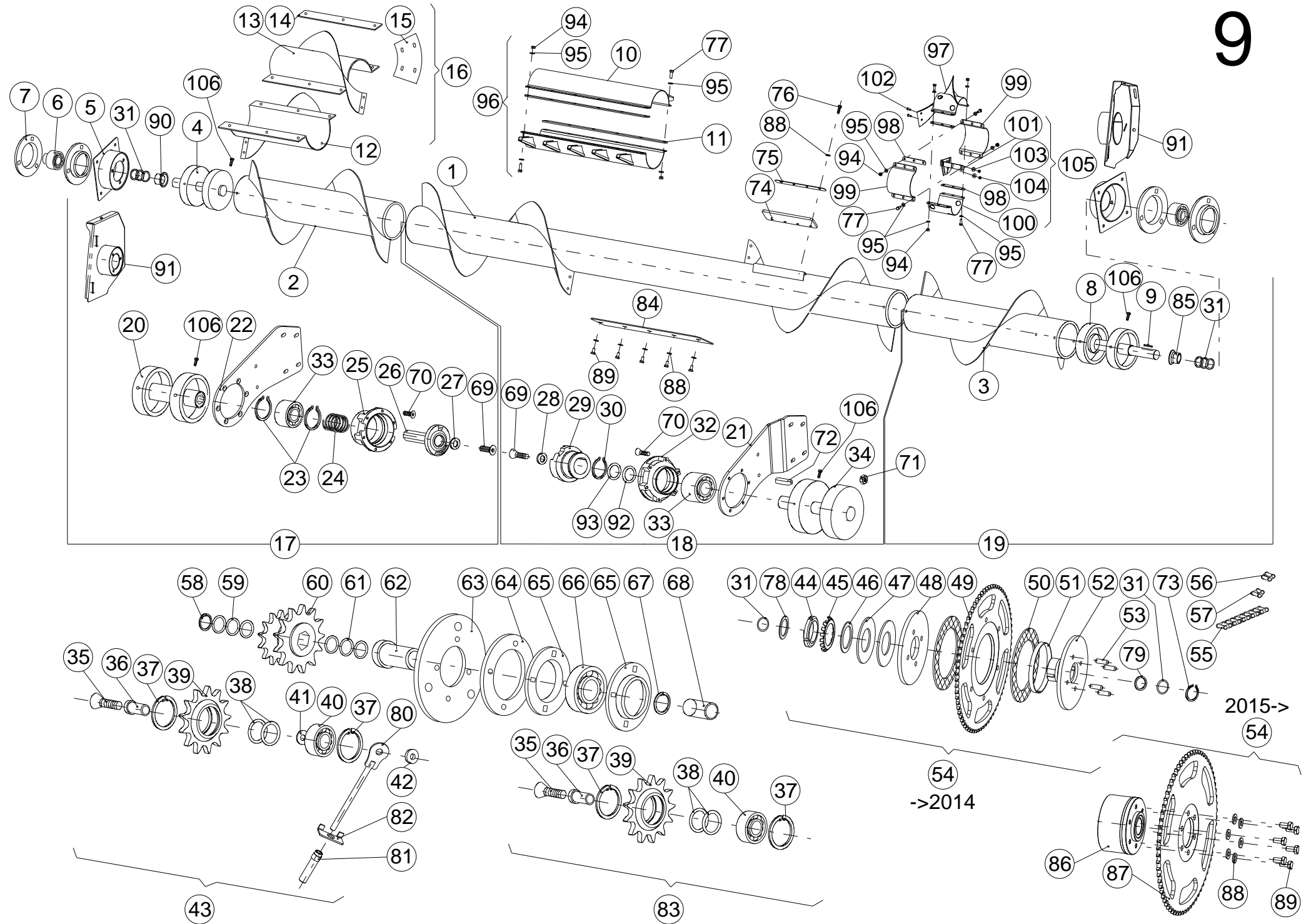


Ref.	Part number	Description		C3006 C3006C	C2208 C2208C	C3008 C3008C	C3808 C3808C	C2012 C2012C	C2212 C2212C	C3012 C3012C	C3812 C3812C	C3016 C3016C	C2018 C2018C	C2218 C2218C
**68.	1.377.726	Strap		2	2	2	2	2	2	2	2	2	2	2
**69.	79410002566	Hex bolt - M10X25 - DIN933/8.8		8	8	8	10	8	10	10	10	10	10	10
**70.	79410003066	Hex bolt - M10X30 - DIN933/8.8		12	12	12	40	12	16	16	40	16	16	16
71.	1.308.407	Spacer - (l=12.5)	2010-2014	1	1	1	2	1	2	2	2	2	2	2
72.	1.378.449	Adjuster arm welded		1	1	1	2	1	2	2	2	2	2	2
73.	1.378.448	Adjuster nut		1	1	1	2	1	2	2	2	2	2	2
74.	1.378.453	Retainer	2011- 2015	1	1	1	2	1	2	2	2	2	2	2
74.	1.373.932	Retainer	2016->	1	1	1	2	1	2	2	2	2	2	2
75.	1.378.524	Idler sprocket assy.		1	1	1	2	1	2	2	2	2	2	2
76.	1.308.132	Cover plate		2	2	2	-	2	-	-	-	-	-	-
77.	1.356.455	Cover plate	->2013	-	-	-	4	-	4	4	4	4	4	4
77.	1.379.561	Cover plate	2014->	-	-	-	4	-	4	4	4	4	4	4
78.	1.379.476	Spacer - (l=46)	2014->	1	1	1	1	1	1	1	1	1	1	1
79.	1.379.485	Disc welded	2014->	-	-	-	1	-	1	1	1	1	1	1
80.	81110001668	Hex socket button-head bolt - M10X16	2014->	-	-	-	3	-	3	3	3	3	3	3
81.	1.379.488	Washer	2014->	-	-	-	3	-	3	3	3	3	3	3
82.	1.379.487	Nut	2014->	-	-	-	3	-	3	3	3	3	3	3
83.	665.840.0	Washer	2014->	-	-	-	2	-	2	2	2	2	2	2
84.	1.377.164	Safety clutch - Walterscheid		1	1	1	2	1	2	2	2	2	2	2
85.	1.377.271	Sprocket		1	1	1	2	1	2	2	2	2	2	2
86.	91623938861	Spring washer - 10,2X22,25X1,6 - A10		24	24	24	34	24	34	34	26	34	34	34
87.	79410002066	Hex bolt - M10X20 - DIN933/8.8		16	16	16	24	16	24	24	16	24	24	24
88.	1.379.476	Spacer - (l=46)	2015->	-	-	-	1	-	1	1	1	1	1	1
88.	96701320540	Spacer - 36X45X5,0	2015-2018.	1	1	1	-	1	-	-	-	-	-	-
89.	1.377.453	Bracket welded - LH		1	1	1	1	1	1	1	1	1	1	1
89.	1.377.454	Bracket welded - RH		1	1	1	1	1	1	1	1	1	1	1
90.	70710000066	Lock nut - M10 - DIN980/8.8		12	12	12	40	12	16	16	40	16	16	16
91.	71410000060	Washer - M10 10,5X21X2 - DIN125		24	24	24	80	24	32	32	80	32	32	32
92.	1.372.927	Auger flight extension - LH - 22" pitch		1	1	1	1	1	1	1	1	1	1	1
92.	1.372.928	Auger flight extension - RH - 22" pitch		1	1	1	1	1	1	1	1	1	1	1
93.	1.372.926	Strap		6	6	6	6	6	6	6	6	6	6	6
94.	1.372.939	Half filler		4	4	4	4	4	4	4	4	4	4	4
95.	1.372.920	Half filler - LH		1	1	1	1	1	1	1	1	1	1	1
95.	1.372.921	Half filler - RH		1	1	1	1	1	1	1	1	1	1	1
96.	1.372.924	Retainer - RH		1	1	1	1	1	1	1	1	1	1	1
96.	1.372.925	Retainer - LH		1	1	1	1	1	1	1	1	1	1	1
97.	78200802563	Hex socket button-head bolt TORX - M8X25 - ISO7380/10.9		4	4	4	4	4	4	4	4	4	4	4
98.	1.314.099	Washer - M8		4	4	4	4	4	4	4	4	4	4	4
99.	73508000066	Hex nut - M8 - DIN934		4	4	4	4	4	4	4	4	4	4	4
100.	1.372.929	Auger reverse flight extension kit - pitch 22"		1	1	1	1	1	1	1	1	1	1	1
101.	79408001666	Hex head screw - M8X16 - DIN933/8.8		16	16	16	16	16	16	16	16	16	16	16

Note: * Use shims as necessary.

** Application of items 67-70 depends on the combine option.

*** Sprockets marked with *** are optional.



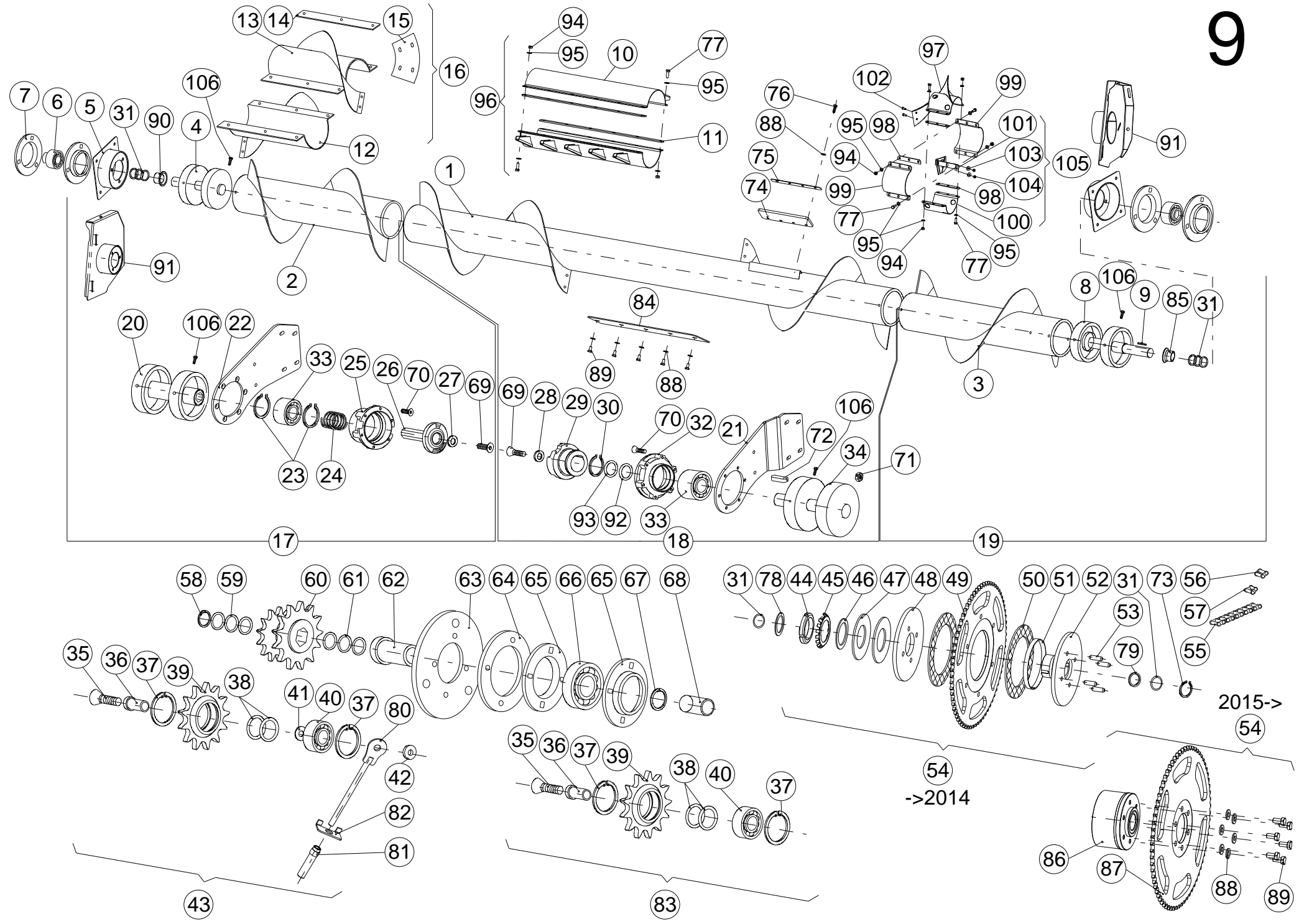
Ref.	Part number	Description		C3008F C3008CF
1.	1.375.913	Auger - central - 22" pitch		1
2.	1.376.323	Auger - RH wing - 22" pitch		1
3.	1.376.322	Auger - LH wing - 22" pitch		1
4.	1.318.122	Auger shaft welded		1
6.	87000003556	Y-bearing - RAE 35 NPPB		2
7.	616.068.0	Bearing housing - PF 72		4
8.	1.351.349	Auger shaft welded		1
9.	84210084000	Key - A10X8X40 - DIN6885		1
10.	1.304.769	Auger finger welded		1
10.	1.304.770	Auger finger welded		1
11.	1.304.876	Strap		4
12.	1.355.449	Auger flight extension - RH - 22" pitch		1
13.	1.355.448	Auger flight extension - LH - 22" pitch		1
14.	1.315.408	Strap		4
15.	1.353.560	Plate	->2007	2
16.	1.355.452	Auger flight extension kit - pitch 22"		1
17.	1.376.369	Auger assy. - RH wing - 22" pitch		1
18.	1.376.365	Auger assy. - central - 22" pitch		1
19.	1.376.370	Auger assy. - LH wing - 22" pitch		1
20.	1.328.479	Auger shaft welded		2
21.	1.376.373	Console - LH		1
21.	1.376.374	Console - RH		1
22.	1.376.371	Console - LH		1
22.	1.376.372	Console - RH		1
23.	70200005501	Retaining ring - for shaft - 55X1,75 - DIN471		4
24.	1.308.932	Spring		2
25.	1.353.179	Bearing housing		2
26.	1.328.472	Jaw clutch - outer		2
27.	1.328.492	Washer		2
28.	1.308.948	Washer		2
29.	1.328.473	Jaw clutch - inner		2
30.	70200004001	Retainer ring - for shaft - 40X1.75 - DIN471 D40/A		2
*31.	1.309.011	Shim		6
32.	1.353.178	Bearing housing		2
33.	87000140059	Y-bearing - GRAE 40 NPPB FA 140		4
34.	1.308.414	Auger shaft welded		2
35.	80401004063	Hex socket countersunk-head bolt - M10X40 - DIN7991/10.9		1
36.	1.375.968	Shaft		1
37.	70100004701	Retainer ring - 47X1.75 - DIN472 47/I		3
*38.	1.315.070	Shim - 21X29X1	->2014	4
38.	1.373.045	Spacer	2015->	4
*38.	1.373.046	Shim	2015-2018	4
39.	1.309.052	Idler sprocket - 16T		1
40.	87001620414	Bearing - 6204 2RS		1
41.	1.301.433	Washer		2
42.	1.375.969	Tapped insert		1
43.	1.378.521	Chain adjuster assy.		1
44.	86700001100	Bearing nut - KM11		1
45.	86801100000	Retainer ring - MB-11	->2014	1
46.	1.375.430	Washer	->2014	1
47.	96700000112	Disk spring - B112 - DIN2093	->2014	2
48.	1.375.428	Plate	->2014	1
49.	1.375.431	Sprocket - 70T (5/8)	->2014	1
50.	25553201007	Friction insert	->2014	2
51.	1.310.780	Ring	->2014	1
52.	1.375.429	Hub	->2014	1
53.	1.376.020	Pin	->2014	4
54.	1.376.232	Sprocket assy. - 70T	->2014	1
54.	1.377.272	Sprocket assy. - 70T	2015->	1
55.	1.378.523	Chain 53 links #50		1
56.	1.320.493	Connector link		1
58.	70200003201	Retainer ring - 32X1.5 - DIN471		1
*59.	71632045100	Shim - 32X45X1 - DIN988		3
60.	1.377.687	Sprocket - 16T / 14T		1
***60.	1.377.583	Sprocket - 18T / 16T		1*
***60.	1.379.642	Sprocket - 20T / 18T		1
*61.	71637047100	Shim - 37X47X1 - DIN988		3

Note: * Use shims as necessary. Install shims as required to align sprocket.

** Application of items 74-77 depends on the combine option.

*** Sprockets marked with **** are optional.

**** Items 62-67 are only for interior drive, item 68 is only for exterior drive.

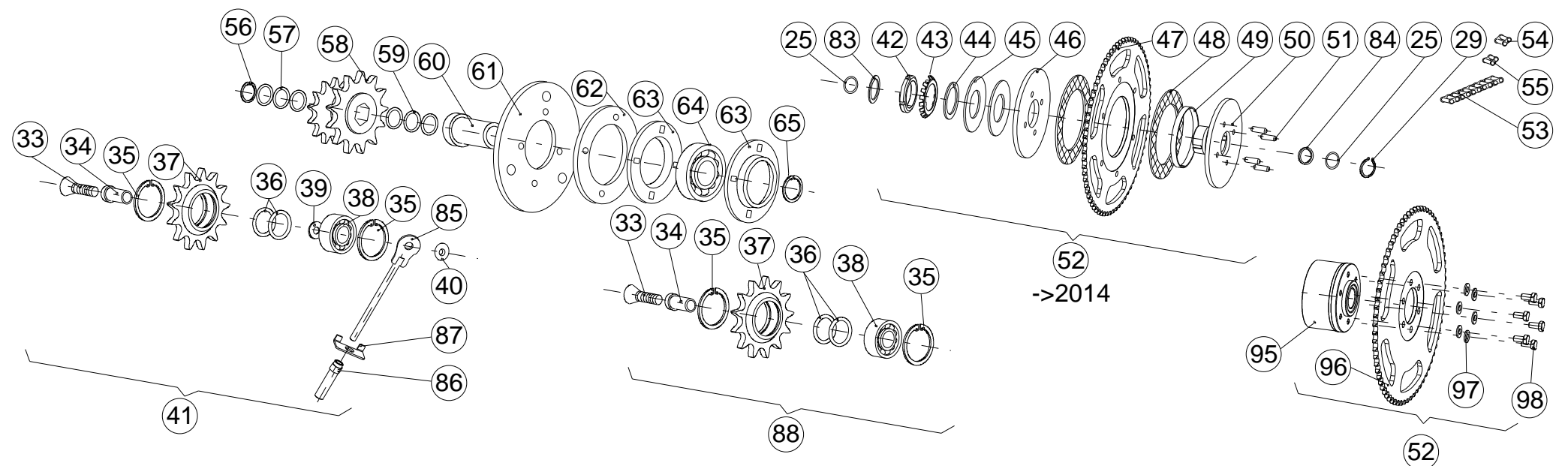
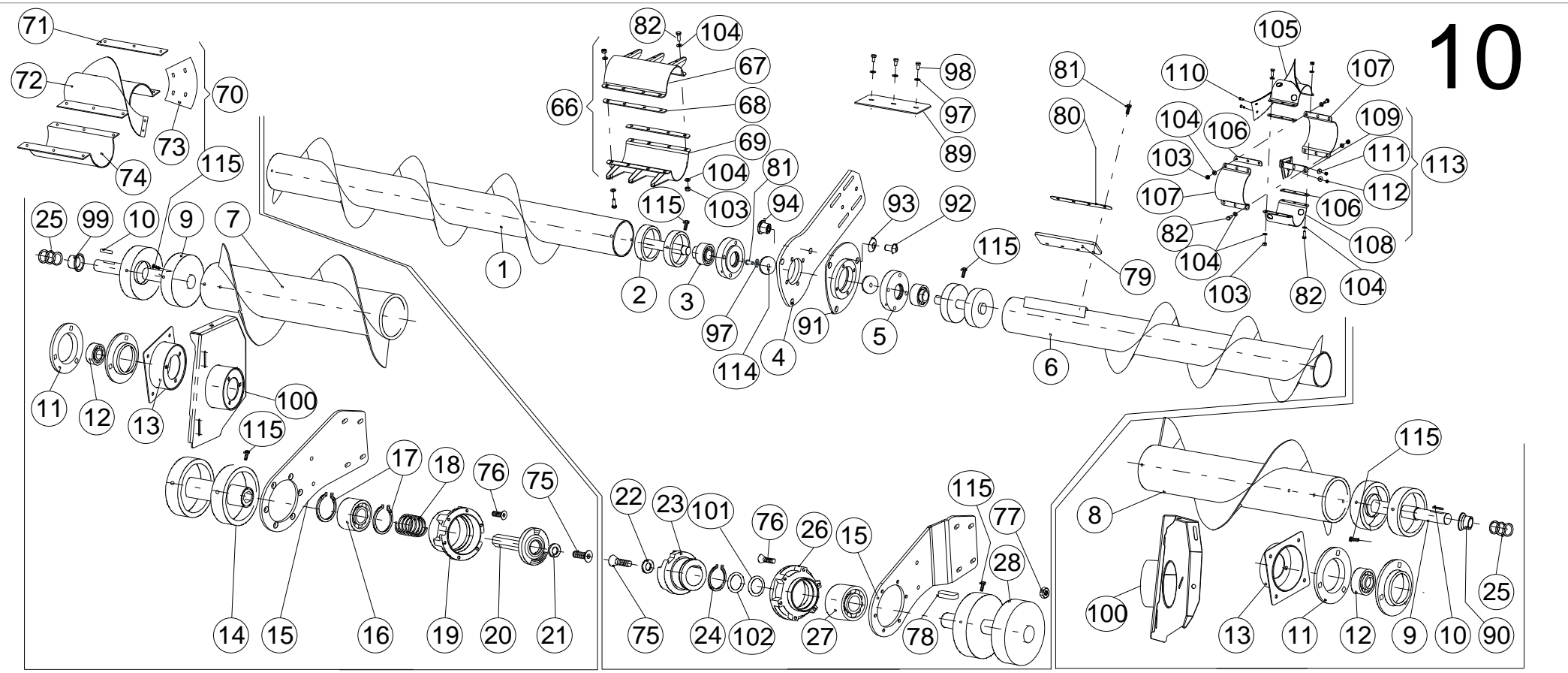


Ref.	Part number	Description		C3008F C3008CF
****62.	1.375.967	Hub		1
****63.	1.375.966	Plate		1
****64.	1.375.965	Washer		1
****65.	87300008516	Bearing housing - PF 85		2
****66.	87030620914	Y-bearing - 1726209-2RS1 SKF		1
****67.	70200004501	Retaining ring - for shaft - 45X1.75 - DIN471		1
****68.	1.354.565	Spacer - (l=76)		1
69.	80400803563	Hex socket countersunk-head bolt - M8X35 - DIN7991 T50 10.9		4
70.	80400804063	Hex socket countersunk-head bolt - M8X40 - DIN7991 IP 10.9		24
71.	73508000066	Hex nut - M8 - DIN934		24
72.	84208074000	Key - 8X7X40		2
73.	70200003501	Retaining ring - external - 35X1.5 - DIN471		1
***74.	1.372.944	Rubber plate		2
***75.	1.377.726	Strap		2
***76.	79410002566	Hex bolt - M10X25 - DIN933/8.8		8
***77.	79410003066	Hex bolt - M10X30 - DIN933/8.8		12
78.	1.308.407	Spacer - (l=12.5)	2010-2014.	1
*79.	1.320.540	Shim - (l=5)	->2014	1
80.	1.378.449	Adjuster arm welded		1
81.	1.378.448	Adjuster nut		1
82.	1.378.453	Retainer	2011- 2015	1
82.	1.373.932	Retainer	2016->	1
83.	1.378.524	Idler sprocket assy.		1
84.	1.308.132	Cover plate		2
85.	1.379.476	Spacer - (l=46)	2014->	1
86.	1.377.164	Safety clutch - Walterscheid		1
87.	1.377.271	Sprocket		1
88.	91623938861	Spring washer - 10,2X22,25X1,6 - A10		24
89.	79410002066	Hex bolt - M10X20 - DIN933/8.8		16
90.	96701320540	Spacer - 36X45X5,0	2015-2018	1
91.	1.377.453	Bracket welded - LH		1
91.	1.377.454	Bracket welded - RH		1
*92.	71630042100	Shim - 30X42X1 - DIN988	2019->	6
*93.	71630042050	Shim - 30X42X0.5 - DIN988	2019->	2
94.	70710000066	Lock nut - M10 - DIN980/8.8		12
95.	71410000060	Washer - M10 10,5X21X2 - DIN125		24
96.	1.304.935	Spike tooth kit		1
97.	1.372.927	Auger flight extension - LH - 22" pitch	2021->	1
97.	1.372.928	Auger flight extension - RH - 22" pitch	2021->	1
98.	1.372.926	Strap	2021->	6
99.	1.372.939	Half filler	2021->	4
100.	1.372.920	Half filler - LH	2021->	1
100.	1.372.921	Half filler - RH	2021->	1
101.	1.372.924	Retainer - RH	2021->	1
101.	1.372.925	Retainer - LH	2021->	1
102.	78200802563	Hex socket button-head bolt TORX - M8X25 - ISO7380/10.9	2021->	4
103.	1.314.099	Washer - M8	2021->	4
104.	73508000066	Hex nut - M8 - DIN934	2021->	4
105.	1.372.929	Auger reverse flight extension kit - pitch 22"	2021->	1
106.	79408001666	Hex head screw - M8X16 - DIN933/8.8		16

Note: * Use shims as necessary. Install shims as required to align sprocket.
 ** Application of items 74-77 depends on the combine option.
 *** Sprockets marked with **** are optional.
 **** Items 62-67 are only for interior drive, item 68 is only for exterior drive.

10

(10) AUGER ASSEMBLY C3012F



2021.

2015->

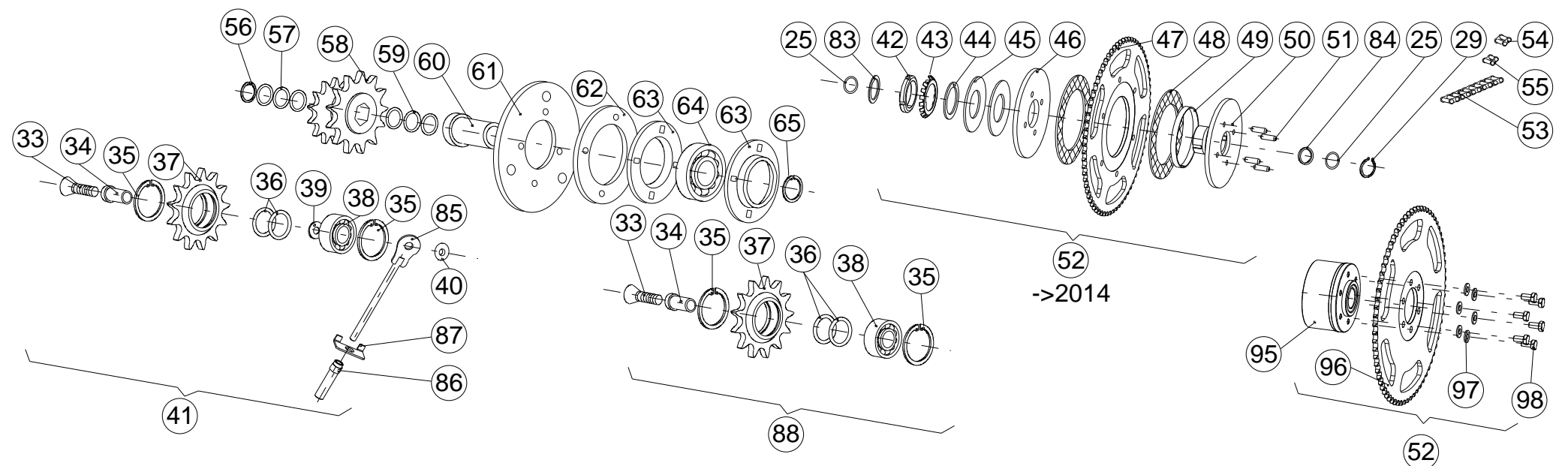
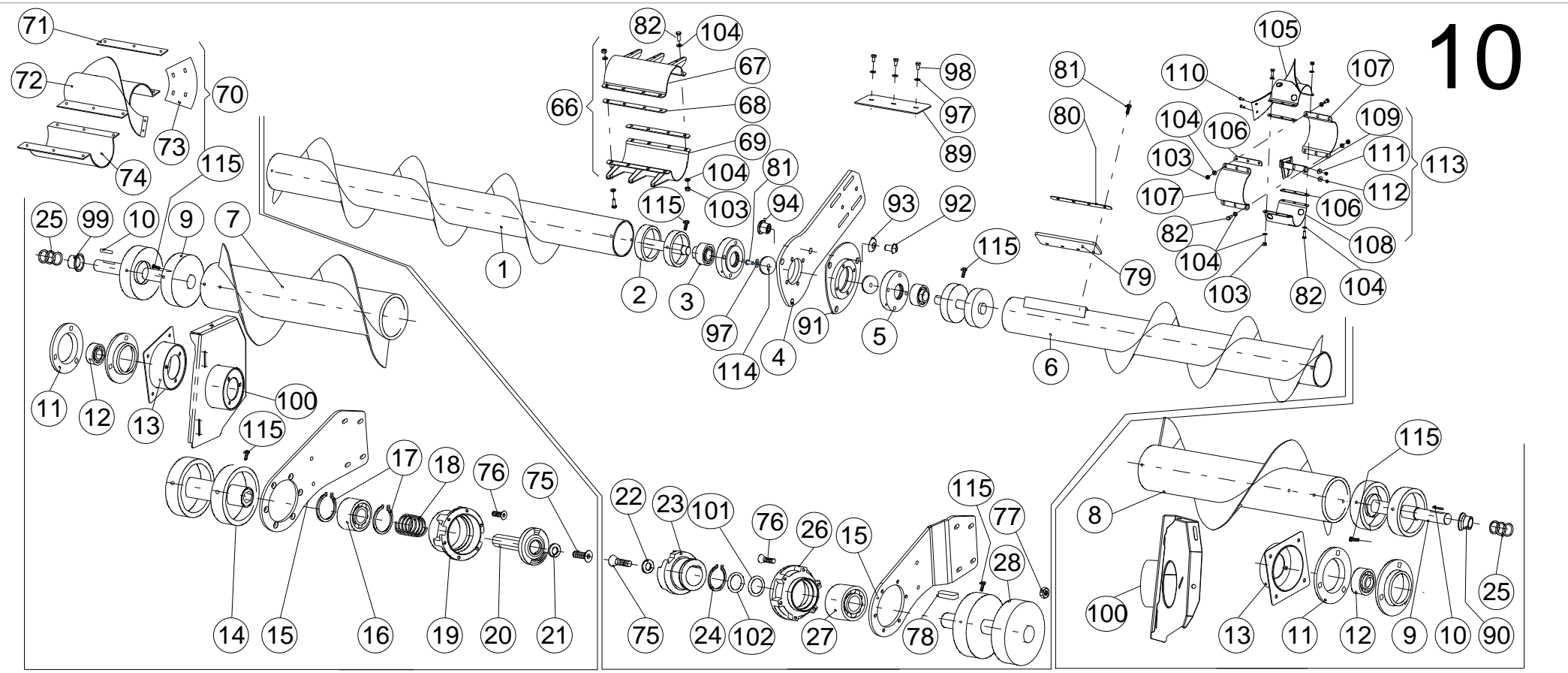
26

Ref.	Part number	Description		C3012F C3012CF
1.	1.376.379	Auger - central - RH - 22" pitch		1
2.	1.304.893	Auger shaft welded		2
3.	87000003556	Y-bearing - RAE 35 NPPB		2
4.	1.376.241	Console	->2013	1
4.	1.379.543	Console	2014->	1
5.	676.304	Bearing housing		2
6.	1.376.380	Auger - central - LH - 22" pitch		1
7.	1.376.326	Auger - RH wing - 22" pitch		1
8.	1.376.325	Auger - LH wing - 22" pitch		1
9.	1.351.349	Auger shaft welded		2
10.	84210084000	Key - A10X8X40 - DIN6885		2
11.	616.068.0	Bearing housing - PF 72		4
12.	87000003556	Y-bearing - RAE 35 NPPB		2
14.	1.328.479	Auger shaft welded		2
15.	1.376.371	Console - LH	Main Frame	1
15.	1.376.372	Console - RH	Main Frame	1
15.	1.376.373	Console - LH	wing	1
15.	1.376.374	Console - RH	wing	1
16.	1.309.259	Bearing - 172 6211 2RS		2
17.	70200005501	Retaining ring - for shaft - 55X1,75 - DIN471		4
18.	1.308.932	Spring		2
19.	1.353.179	Bearing housing		2
20.	1.328.472	Jaw clutch - outer		2
21.	1.328.492	Washer		2
22.	1.308.948	Washer		2
23.	1.328.473	Jaw clutch - inner		2
24.	70200004001	Retainer ring - for shaft - 40X1.75 - DIN471 D40/A		2
*25.	1.309.011	Shim		6
26.	1.353.178	Bearing housing		2
27.	87000140059	Y-bearing - GRAE 40 NPPB FA 140		2
28.	1.308.414	Auger shaft welded		2
29.	70200003501	Retaining ring - external - 35X1.5 - DIN471		2
33.	80401004063	Hex socket countersunk-head bolt - M10X40 - DIN7991/10.9		2
34.	1.375.968	Shaft		2
35.	70100004701	Retainer ring - 47X1.75 - DIN472 47/I		4
*36.	1.315.070	Shim - 21X29X1	->2014	6
36.	1.373.045	Spacer	2015->	4
*36.	1.373.046	Shim	2015-2018	4
37.	1.309.052	Idler sprocket - 16T		2
38.	87001620414	Bearing - 6204 2RS		2
39.	1.301.433	Washer		2
40.	1.375.969	Tapped insert		2
41.	1.378.521	Chain adjuster assy.		2
42.	86700001100	Bearing nut - KM11		2
43.	86801100000	Retainer ring - MB-11		2
44.	1.375.430	Washer		2
45.	96700000112	Disk spring - B112 - DIN2093		4
46.	1.375.428	Plate		2
47.	1.375.431	Sprocket - 70T (5/8)		2
48.	25553201007	Friction insert		4
49.	1.310.780	Ring		2
50.	1.375.429	Hub		2
51.	1.376.020	Pin		8
52.	1.376.232	Sprocket assy. - 70T	->2014	2
52.	1.377.272	Sprocket assy. - 70T	2015->	2
53.	1.378.523	Chain 53 links #50		2
54.	1.320.493	Connector link		2
56.	70200003201	Retainer ring - 32X1.5 - DIN471		2
*57.	71632045100	Shim - 32X45X1 - DIN988		6
***58.	1.377.687	Sprocket - 16T / 14T		2
58.	1.377.583	Sprocket - 18T / 16T		2
***58.	1.379.642	Sprocket - 20T / 18T		2
*59.	71637047100	Shim - 37X47X1 - DIN988		6
60.	1.375.967	Hub		2
61.	1.375.966	Plate		2
62.	1.375.965	Washer		2
63.	87300008516	Bearing housing - PF 85		2

Note: * Use shims as necessary.
** Application of items 79-82 depends on the combine option.
*** Sprockets marked with *** are optional.

10

(10) AUGER ASSEMBLY C3012F

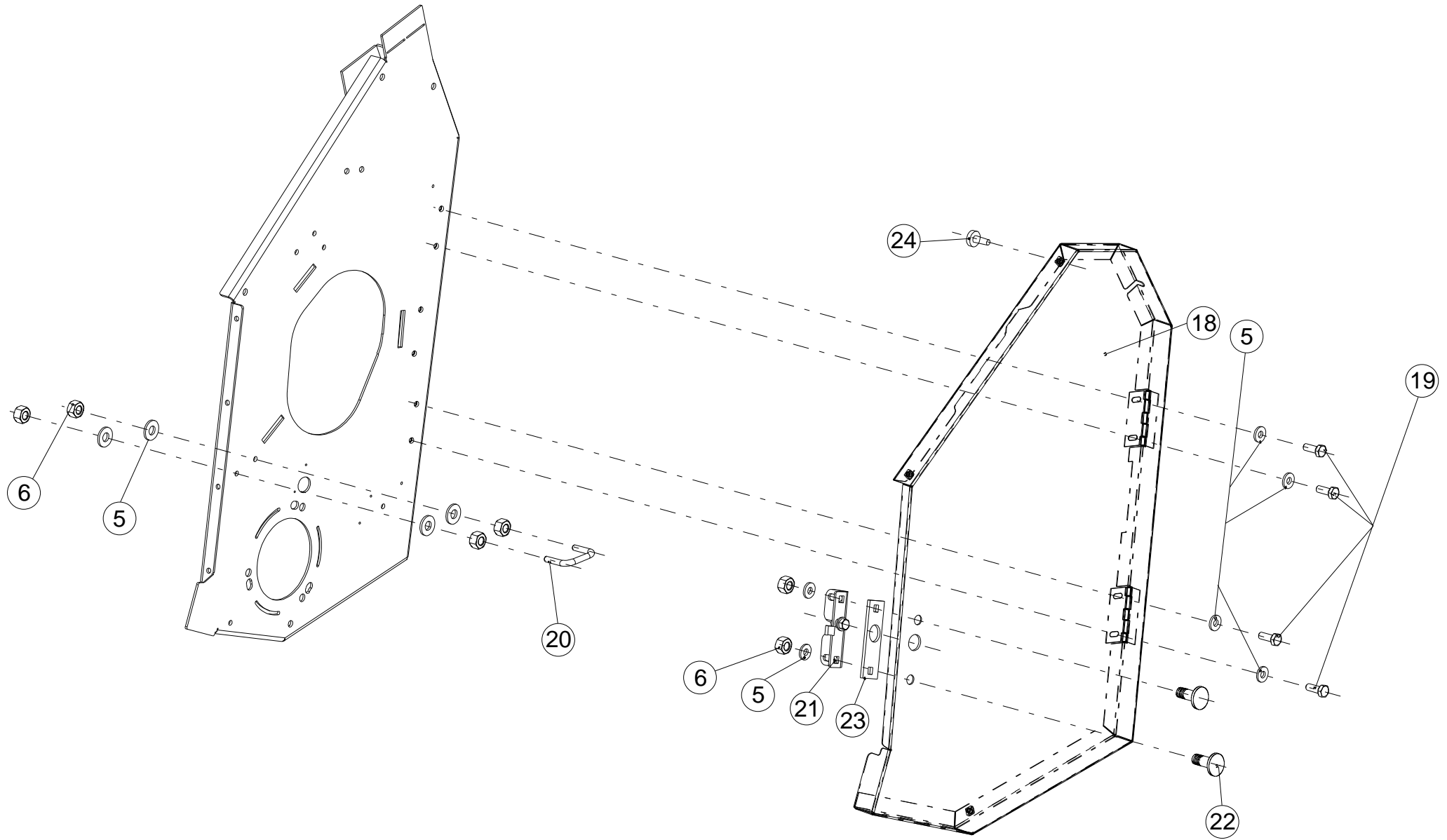


2021.

2015->

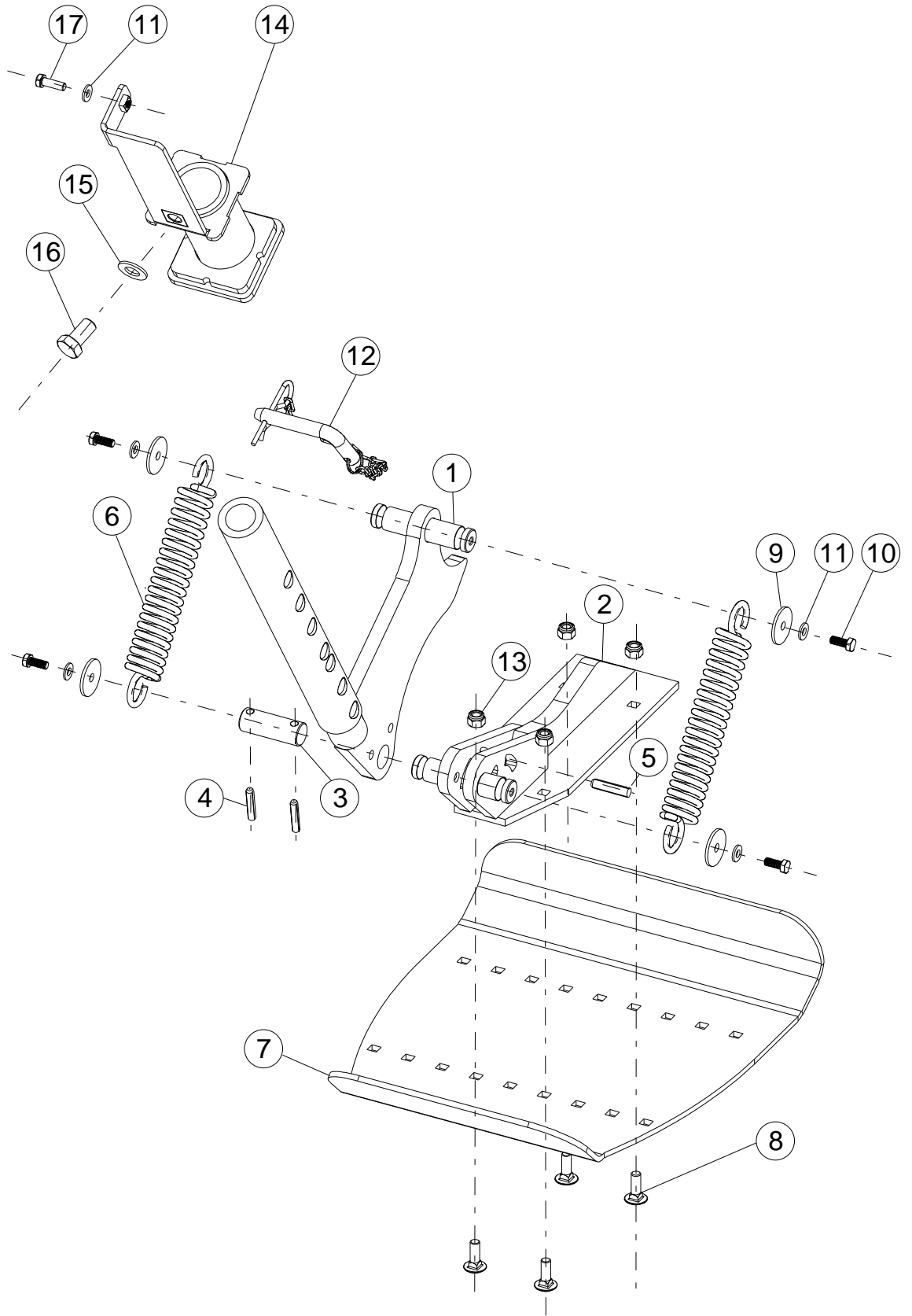
Ref.	Part number	Description		C3012F C3012CF
64.	87030620914	Y-bearing - 1726209-2RS1 SKF		2
65.	70200004501	Retaining ring - for shaft - 45X1.75 - DIN471		2
66.	1.379.629	Spike tooth kit		1
67.	1.379.550	Auger finger		2
68.	1.379.560	Strap		4
69.	1.379.550	Auger finger		2
70.	1.355.468	Auger flight extension kit - pitch 22"		1
71.	1.353.573	Flat iron		4
72.	1.355.464	Auger flight extension welded - LH - 22" pitch		2
72.	1.355.465	Auger flight extension welded - RH - 22" pitch		2
73.	1.353.560	Plate	->2007	2
74.	1.353.571	Half filler		2
75.	80400803563	Hex socket countersunk-head bolt - M8X35 - DIN7991 T50 10.9		4
76.	80400804063	Hex socket countersunk-head bolt - M8X40 - DIN7991 IP 10.9		24
77.	73508000066	Hex nut - M8 - DIN934		12
78.	84208074000	Key - 8X7X40		2
**79.	1.372.944	Rubber plate		2
**80.	1.377.726	Strap		2
**81.	79410002566	Hex bolt - M10X25 - DIN933/8.8		12
**82.	79410003066	Hex bolt - M10X30 - DIN933/8.8		16
83.	1.308.407	Spacer - (l=12.5)		2
*84.	1.320.540	Shim - (l=5)	->2014	2
85.	1.378.449	Adjuster arm welded		2
86.	1.378.448	Adjuster nut		2
87.	1.378.453	Retainer		2
87.	1.378.453	Retainer		2
88.	1.378.524	Idler sprocket assy.		2
89.	1.356.455	Cover plate	->2013	2
89.	1.379.561	Cover plate	2014->	4
90.	1.379.476	Spacer - (l=46)		1
91.	1.379.485	Disc welded	2014->	1
92.	81110001668	Hex socket button-head bolt - M10X16	2014->	3
93.	1.379.488	Washer	2014->	3
94.	1.379.487	Nut	2014->	3
95.	1.377.164	Safety clutch - Walterscheid		2
96.	1.377.271	Sprocket		2
97.	91623938861	Spring washer - 10,2X22,25X1,6 - A10		36
98.	79410002066	Hex bolt - M10X20 - DIN933/8.8		24
99.	1.379.476	Spacer - (l=46)	2014->	1
100.	1.377.453	Bracket welded - LH		1
100.	1.377.454	Bracket welded - RH		1
*101.	71630042100	Shim - 30X42X1 - DIN988	2019->	6
*102.	71630042050	Shim - 30X42X0.5 - DIN988	2019->	2
103.	70710000066	Lock nut - M10 - DIN980/8.8		16
104.	71410000060	Washer - M10 10,5X21X2 - DIN125		32
105.	1.372.927	Auger flight extension - LH - 22" pitch		1
105.	1.372.928	Auger flight extension - RH - 22" pitch		1
106.	1.372.926	Strap		6
107.	1.372.939	Half filler		4
108.	1.372.920	Half filler - LH		1
108.	1.372.921	Half filler - RH		1
109.	1.372.924	Retainer - RH		1
109.	1.372.925	Retainer - LH		1
110.	78200802563	Hex socket button-head bolt TORX - M8X25 - ISO7380/10.9		4
111.	1.314.099	Washer - M8		4
112.	73508000066	Hex nut - M8 - DIN934		4
113.	1.372.929	Auger reverse flight extension kit - pitch 22"		1
114.	665.840.0	Washer		2
115.	79408001666	Hex head screw - M8X16 - DIN933/8.8		16

Note: * Use shims as necessary.
** Application of items 79-82 depends on the combine option.
*** Sprockets marked with *** are optional.



Ref.	Part number	Description		All models
5.	91623938761	Spring washer - 8X18 M8 - A8		20
6.	73508000066	Hex nut - M8 - DIN934		12
18.	1.378.292	Side-shield - LH		1
18.	1.378.293	Side-shield - RH		1
19.	79408002066	Hex bolt - M8X20 - DIN933/8.8		8
20.	1.378.390	Hook		2
21.	985AZ102725	Lock		2
22.	76308002066	Carriage bolt - M8X20 - DIN603/8.8		4
23.	1.378.391	Washer		2
24.	975PV615000	Rubber button		6

43/B

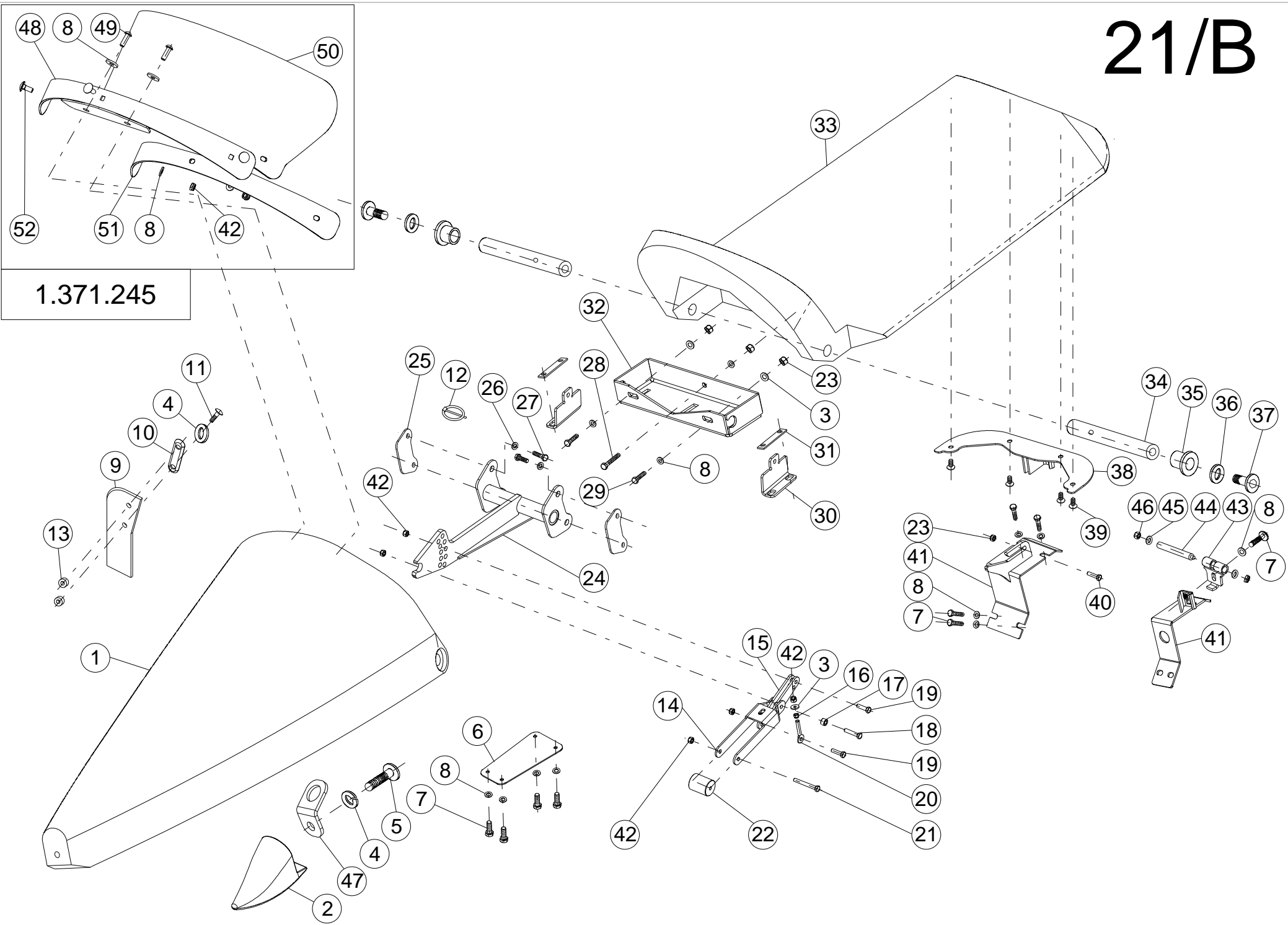


2023.

Ref.	Part number	Description		All models
1.	1.378.493	Support welded	->2017	2
1.	1.372.523	Support welded	2018->	2
2.	1.378.497	Body welded		2
3.	1.356.016	Pin		2
4.	73108004001	Pin - 8X40 EN 28739 - DIN1473		4
5.	73100104501	Pin - 10X45 - ISO28739		2
6.	1.200.628	Spring		4
7.	1.378.501	Stomper plate	->2022	2
7.	1.369.037	Skid plate assy.	2023->	2
8.	76310003066	Carriage bolt - M10X30 - DIN603		8
9.	1.377.699	Washer		8
10.	79408002066	Hex bolt - M8X20 - DIN933/8.8		8
11.	91623938761	Spring washer - 8X18 M8 - A8		10
12.	1.378.446	Safety pin		2
13.	74901000066	Lock nut - plastic insert - M10 - DIN982/8		8
14.	1.372.527	Support welded	2018->	2
15.	91623939161	Spring washer - A16	2018->	2
16.	79416003066	Hex head screw - M16X30	2018->	2
17.	79408002566	Hex head screw - M8X25 - DIN933/8.8	2018->	2
-	1.378.492	Body assy. (items 1.-13.)	->2017	1
-	1.372.532	Stalk stomper kit. (2x items 1.-17.)	2018->	2
-	1.372.531	Stalk stomper assy. (1x items 1.-13.)	2018->	1

21/B

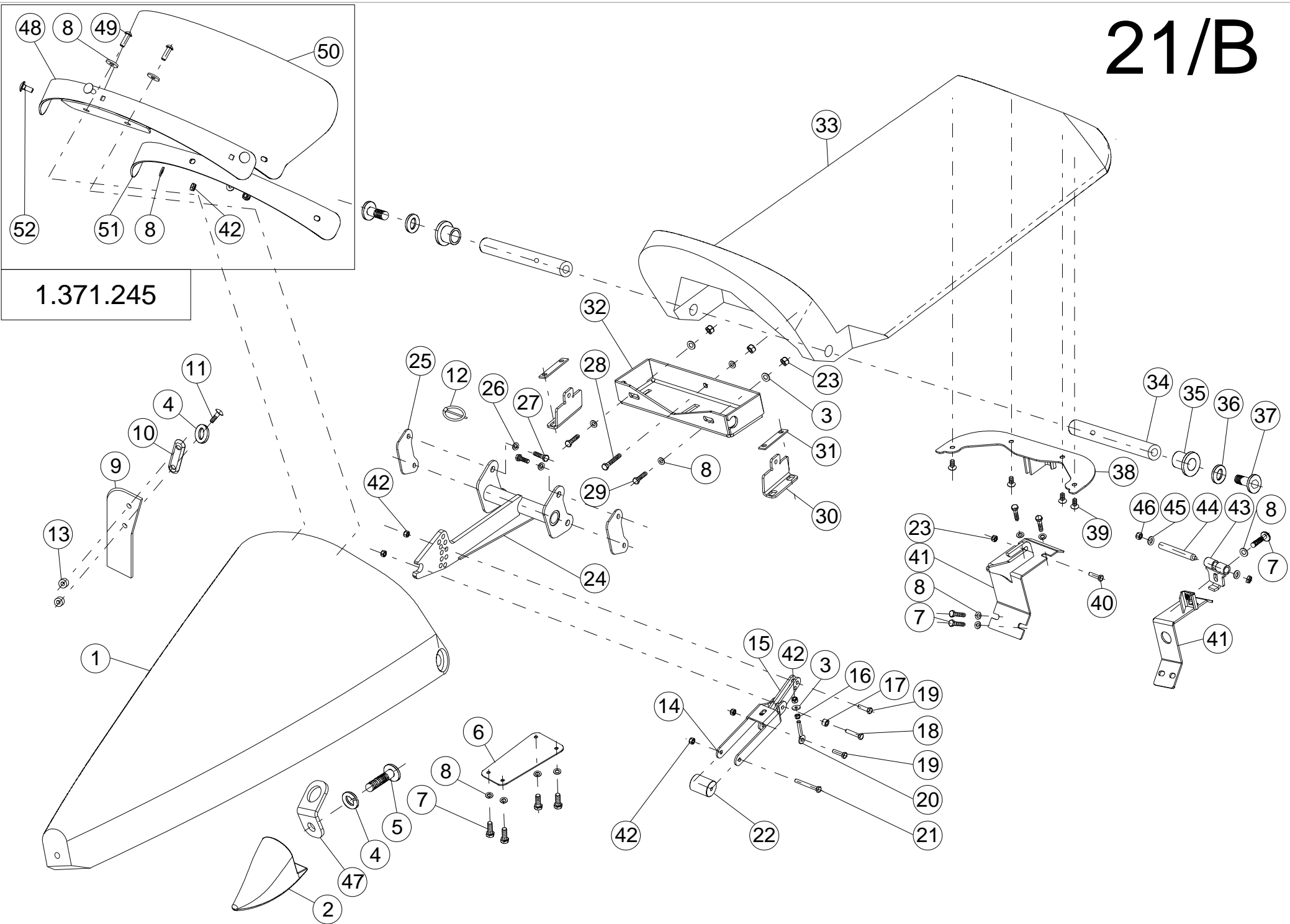
(21B) PLASTIC CENTRAL DIVIDERS - (20", 22") 2014->



1.371.245

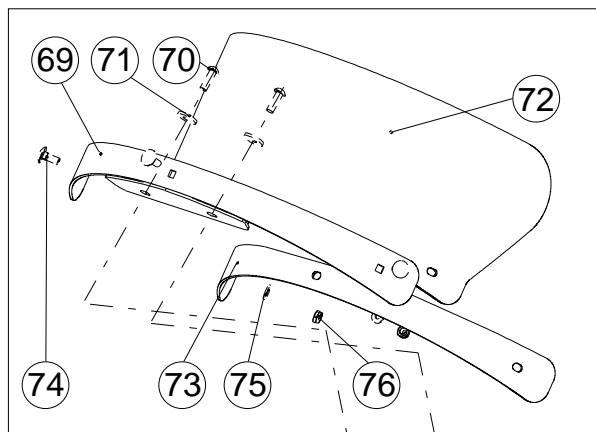
Ref.	Part number	Description		C2208 C2208C	C2012 C2012C	C2212 C2212C	C2018 C2018C	C2218 C2218C
1.	1.379.502	Central snout - white		7	-	11	-	17
1.	1.379.502.1	Central snout - CASE IH red		7	-	11	-	17
1.	1.379.502.2	Central snout - NH yellow		7	-	11	-	17
1.	1.379.502.3	Central snout - JD green		7	-	11	-	17
1.	1.379.502.7	Central snout - AGCO red		7	-	11	-	17
1.	1.379.502.9	Central snout - GLEANER Gray		7	-	11	-	17
1.	1.379.502.10	Central snout - standard Gray		7	-	11	-	17
1.	1.379.500	Central snout - white		-	11	-	17	-
1.	1.379.500.1	Central snout - CASE IH red		-	11	-	17	-
1.	1.379.500.2	Central snout - NH yellow		-	11	-	17	-
1.	1.379.500.3	Central snout - JD green		-	11	-	17	-
1.	1.379.500.7	Central snout - AGCO red		-	11	-	17	-
1.	1.379.500.9	Central snout - GLEANER Gray		-	11	-	17	-
1.	1.379.500.10	Central snout - standard Gray		-	11	-	17	-
**2.	1.354.310	Skid shoe - black		7	11	11	17	17
**2.	1.354.310A	Skid shoe - white		7	11	11	17	17
3.	1.314.099	Washer - M8		21	33	33	68	68
4.	7220800060	Spring washer - M8 - DIN128/A		35	55	55	85	85
5.	79308009063	Hex bolt - M8X90 - DIN931/10.9		7	11	11	17	17
6.	1.355.195	Plate		7	11	11	17	17
7.	79408002066	Hex bolt - M8X20 - DIN933/8.8		35	57	55	85	85
8.	91623938761	Spring washer - 8X18 M8 - A8		105	167	165	255	255
9.	1.379.499	Rubber earsaver		14	22	22	36	36
10.	1.329.164	Rubber backing plate		14	22	22	36	36
11.	78200802063	Hex socket button-head bolt - M8X20 - ISO7380/10.9		28	44	44	72	72
12.	967PSF30526	Lynch pin D=4.5 - DIN11023		14	22	22	36	36
13.	1.329.747	Spacer		28	44	44	72	72
14.	1.379.494	Arm welded		7	11	11	17	17
15.	1.379.495	Support		14	22	22	36	36
16.	73508000066	Hex nut - M8 - DIN934		7	11	11	17	17
17.	1.379.516	Bushing		7	11	11	17	17
18.	79408004066	Hex head screw - M8X40 - DIN933/8.8		7	11	11	17	17
19.	79408003066	Hex bolt - M8X30 - DIN933/8.8		14	22	22	36	36
20.	77208004560	Eye bolt - A2K M8X45 - DIN44/LB		7	11	11	17	17
21.	79308007066	Hex bolt - M8x80x22 - DIN931/8.8		7	11	11	17	17
22.	1.377.902	Roll		7	11	11	17	17
23.	70708000066	Lock nut - M8 - DIN980		28	44	44	72	72
24.	1.379.701	Bracket welded		7	-	11	-	17
24.	1.379.496	Bracket welded		-	11	-	17	-
*25.	1.375.957	Shim - (l=1)		7	11	11	17	17
*25.	1.375.958	Shim - (l=2)		7	11	11	17	17
*25.	1.372.888	Shim - (l=5)		7	11	11	17	17
26.	91623938861	Spring washer - 10,2X22,25X1,6 - A10		28	44	44	72	72
27.	79410002566	Hex bolt - M10X25 - DIN933/8.8		28	44	44	72	72
28.	79308005566	Hex bolt - M8X55 - DIN931/8.8		7	11	11	17	17
29.	79308004066	Hex bolt - M8X40 - DIN931/8.8		14	22	22	36	36
30.	1.377.862	Support		14	22	22	36	36
31.	1.376.747	Flat		14	22	22	36	36
32.	1.379.490	Support		7	-	11	-	17
32.	1.379.489	Support		-	11	-	17	-
33.	1.379.503	Rear divider - white		7	-	11	-	17
33.	1.379.503.1	Rear divider - CASE IH red		7	-	11	-	17
33.	1.379.503.2	Rear divider - NH yellow		7	-	11	-	17
33.	1.379.503.3	Rear divider - JD green		7	-	11	-	17
33.	1.379.503.9	Rear divider - GLEANER Gray		7	-	11	-	17
33.	1.379.503.7	Rear divider - AGCO red		7	-	11	-	17
33.	1.379.503.10	Rear divider - standard Gray		7	-	11	-	17
33.	1.379.501	Rear divider - white		-	11	-	17	-
33.	1.379.501.1	Rear divider - CASE IH red		-	11	-	17	-
33.	1.379.501.2	Rear divider - NH yellow		-	11	-	17	-
33.	1.379.501.3	Rear divider - JD green		-	11	-	17	-
33.	1.379.501.9	Rear divider - GLEANER Gray		-	11	-	17	-
33.	1.379.501.7	Rear divider - AGCO red		-	11	-	17	-
33.	1.379.501.10	Rear divider - standard Gray		-	11	-	17	-
34.	1.353.461	Shaft		14	22	22	36	36
35.	1.353.462	Spacer		14	22	22	36	36
36.	91623938961	Spring washer - A12		14	22	22	36	36

Note: ** Snout tip (2) is white for Standard gray colored poly, and black for all others.

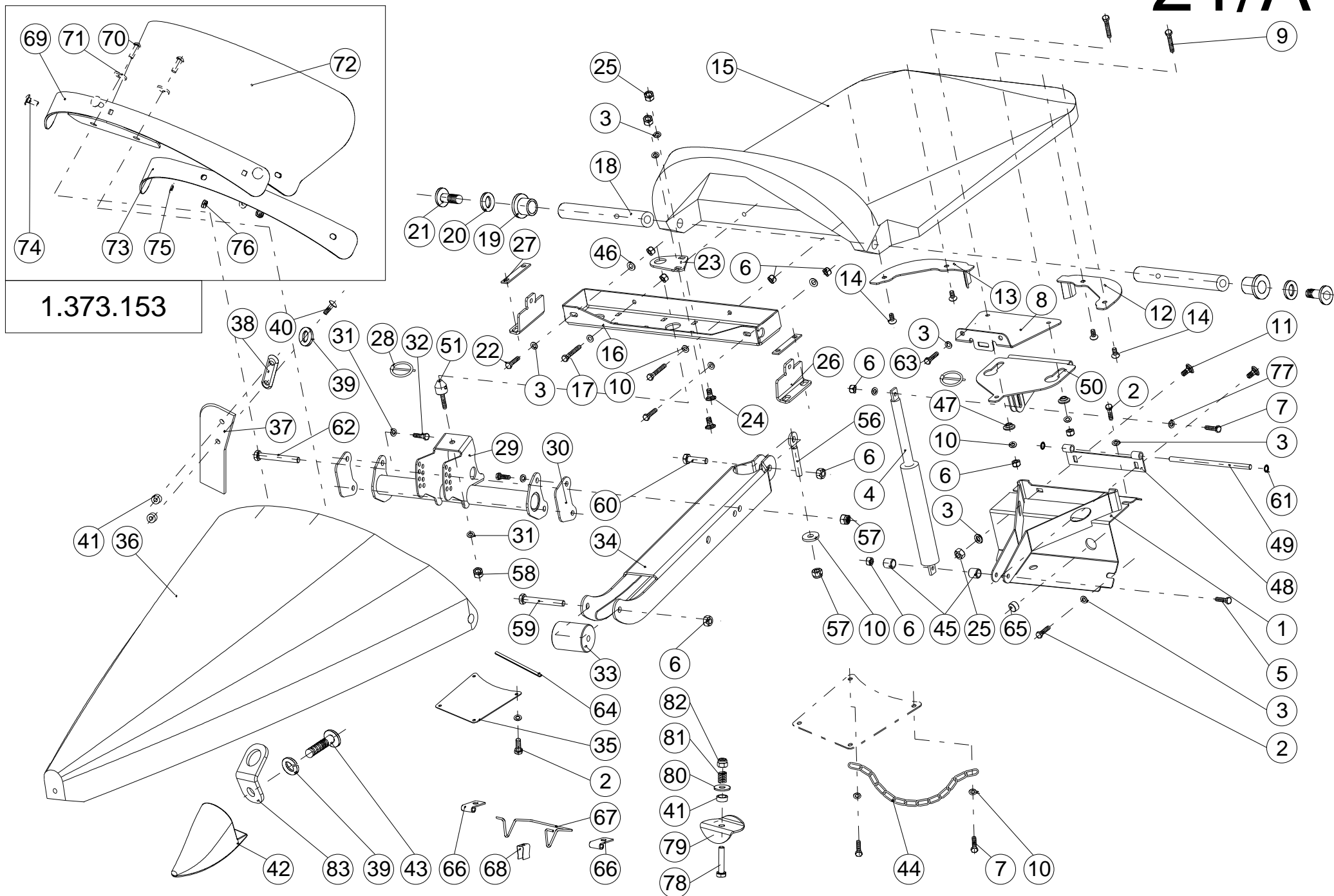


Ref.	Part number	Description		C2208 C2208C	C2012 C2012C	C2212 C2212C	C2018 C2018C	C2218 C2218C
37.	78212003563	Hex socket button-head bolt TORX - M12X35 - ISO7380/10.9		14	22	22	36	36
38.	1.379.704	Bracket welded	->2022	7	-	11	-	17
38.	1.369.061	Upper Hinge Bracket 22in/56cm	2023->	7	-	11	-	17
38.	1.379.513	Upper Hinge Bracket 20in/50cm		-	11	-	17	-
39.	80400802063	Hex socket countersunk-head bolt - M8X20 - DIN7991/10.9		28	44	44	72	72
40.	79408002566	Hex head screw - M8X25 - DIN933/8.8		7	11	11	17	17
41.	1.379.702	Bracket welded	->2022	7	-	11	-	17
41.	1.369.055	Lower Hinge Bracket 22in/56cm	2023->	7	-	11	-	17
41.	1.369.020	Lower Hinge Bracket 20in/50cm		-	11	-	17	-
42.	74908000066	Hex nut - plastic insert - M8 - DIN985		56	88	88	136	136
43.	1.379.887	Hinge welded	->2022	-	11	-	17	-
44.	1.371.822	Shaft		7	11	11	17	17
45.	91623938661	Lock washer - 6X14 - A6		-	22	-	34	-
46.	74906000066	Hex nut - plastic insert - M6 - DIN982		-	22	-	34	-
47.	1.372.352	Angle	2017->	7	11	11	17	17
48.	1.371.240	Bracket welded 20"-22"		7	11	11	17	17
49.	81108002563	Hex socket button-head screw - M8X25 - ISO7380 10.9		14	22	22	34	34
50.	1.371.243	Rubber earsaver		7	11	11	17	17
51.	1.371.244	Plate		7	11	11	17	17
52.	76308002066	Carriage bolt - M8X20 - DIN603/8.8		21	33	33	51	51
-	1.371.245	Ear saver kit for 20"-22" (items 8, 42, 48-52)		7	11	11	17	17

Note: ** Snout tip (2) is white for Standard gray colored poly, and black for all others.



1.373.153



Ref.	Part number	Description	C3006C3006C	C3008C3008C	C3012C3012C	C3008FC3008FC	C3012FC3012FC
1.	1.377.738	Bracket welded	5	7	11	5	9
2.	79408002066	Hex bolt - M8X20 - DIN933/8.8	40	56	88	36	64
3.	91623938761	Spring washer - 8X18 M8 - A8	80	112	176	80	144
4.	1.376.793	Gas spring - 1000N	5	7	11	5	9
5.	79408004566	Hex bolt - M8X45 - DIN933/8.8	5	7	11	5	9
6.	70708000066	Lock nut - M8 - DIN980	50	70	110	50	90
7.	79408003566	Hex bolt - M8X35 - DIN933/8.8	5	7	11	5	9
8.	1.377.748	Bracket	5	7	11	5	9
9.	79308005066	Hex bolt - M8X50 - DIN931/8.8	10	14	22	10	18
10.	1.314.099	Washer - M8	55	77	121	55	99
11.	76308002066	Carriage bolt - M8X20 - DIN603/8.8	10	14	22	10	18
12.	1.377.465	Cleaning plate - LH	5	7	11	5	9
13.	1.377.466	Cleaning plate - RH	5	7	11	5	9
14.	80408001266	Hex socket countersunk-head bolt - M8X12 - DIN7991/8.8	20	28	44	20	36
15.	1.377.533	Rear divider - white	5	7	11	5	9
15.	1.377.533.1	Rear divider - CASE IH red	5	7	11	5	9
15.	1.377.533.2	Rear divider - NH yellow	5	7	11	5	9
15.	1.377.533.3	Rear divider - JD green	5	7	11	5	9
15.	1.377.533.7	Rear divider - AGCO red	5	7	11	5	9
15.	1.377.533.9	Rear divider - GLEANER Gray	5	7	11	5	9
15.	1.377.533.10	Rear divider - standard Gray	5	7	11	5	9
16.	1.377.462	Support welded	5	7	11	5	9
17.	79308005566	Hex bolt - M8X55 - DIN931/8.8	10	14	22	10	18
18.	1.353.461	Shaft	10	14	22	10	18
19.	1.353.462	Spacer	10	14	22	10	18
20.	91623938961	Spring washer - A12	10	14	22	10	18
21.	78212003563	Hex socket button-head bolt TORX - M12X35 - ISO7380/10.9	10	14	22	10	18
22.	79308004066	Hex bolt - M8X40 - DIN931/8.8	10	14	22	10	18
23.	1.354.571	Washer plate	5	7	11	5	9
24.	76308002066	Carriage bolt - M8X20 - DIN603/8.8	10	14	22	10	18
25.	73508000066	Hex nut - M8 - DIN934	20	28	44	10	36
26.	1.377.862	Support	10	14	22	10	18
27.	1.376.747	Flat	10	14	22	10	18
28.	967PSF30526	Lynch pin D=4.5 - DIN11023	10	14	22	10	18
29.	1.377.855	Bracket	5	7	11	5	9
*30.	1.375.957	Shim - (I=1)	5	7	11	5	9
*30.	1.375.958	Shim - (I=2)	5	7	11	5	9
*30.	1.372.888	Shim - (I=5)	5	7	11	5	9
31.	91623938861	Spring washer - 10,2X22,25X1,6 - A10	25	35	55	25	45
32.	79410002566	Hex bolt - M10X25 - DIN933/8.8	20	28	44	20	36
33.	1.377.902	Roll	5	7	11	5	9
34.	1.378.269	Snout support arm welded	5	7	11	5	9
35.	1.354.667	Plate	5	7	11	5	9
36.	1.377.380	Central snout - White	5	7	11	5	9
36.	1.377.380.1	Central snout - CASE IH red	5	7	11	5	9
36.	1.377.380.2	Central snout - NH yellow	5	7	11	5	9
36.	1.377.380.3	Central snout - JD green	5	7	11	5	9
36.	1.377.380.7	Central snout - AGCO red	5	7	11	5	9
36.	1.377.380.9	Central snout - GLEANER gray	5	7	11	5	9
36.	1.377.380.10	Central snout - standard gray	5	7	11	5	9
37.	1.378.053	Rubber earsaver	10	14	22	10	18
38.	1.329.164	Rubber backing plate	10	14	22	10	18
39.	72208000060	Spring washer - M8 - DIN128/A	25	35	55	25	45
40.	78208002063	Hex socket button-head bolt - M8X20 - ISO7380/10.9	20	28	44	20	36
41.	1.329.747	Spacer	25	35	55	25	45
**42.	1.354.310	Skid shoe - black	5	7	11	5	9
**42.	1.354.310A	Skid shoe - white	5	7	11	5	9
43.	79308009063	Hex bolt - M8X90 - DIN931/10.9	5	7	11	5	9
44.	1.379.914	Chain - 4X32X15.2	-	-	-	2	4
45.	993.454.0	Bushing	10	14	22	10	18
46.	1.314.099	Washer - M8	10	14	22	10	18
47.	1.377.751	Washer	10	14	22	10	18
48.	1.377.741	Hinge	5	7	11	5	9
49.	1.377.747	Shaft	5	7	11	5	9
50.	1.377.744	Hinge	5	7	11	5	9
51.	1.310.009	Support pin	5	7	11	5	9
56.	77208004560	Eye bolt - A2K M8X45 - DIN44/LB	5	7	11	5	9

Note: * Application of shims if necessary.

** Snout tip (42) is white for Standard gray colored poly, and black for all others.

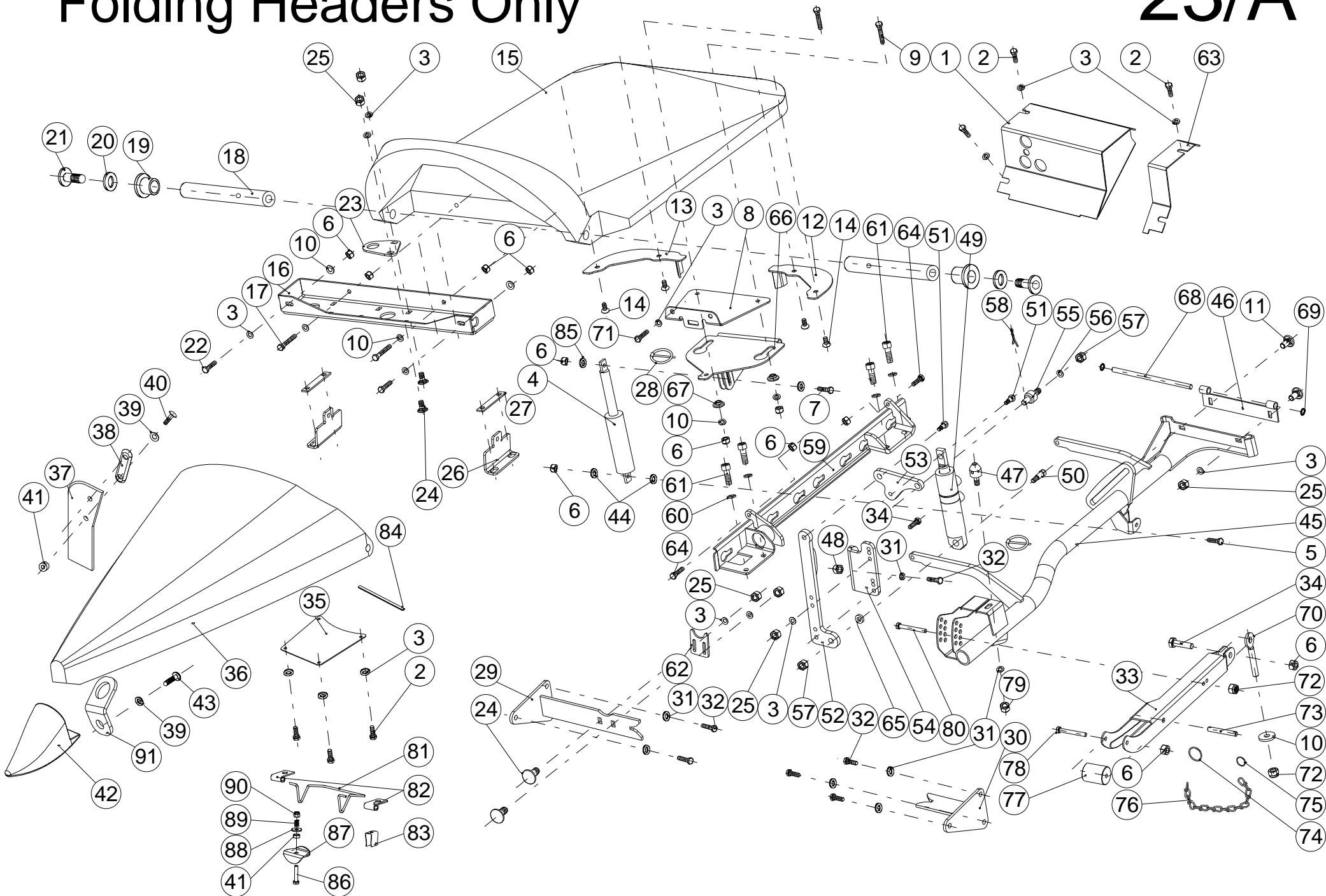
Ref.	Part number	Description		C3006 C3006C	C3008 C3008C	C3012 C3012C	C3008F C3008CF	C3012F C3012CF
57.	74908000066	Hex nut - plastic insert - M8 - DIN985		10	14	22	10	18
58.	70710000066	Lock nut - M10 - DIN980/8.8		5	7	11	5	9
59.	79308006566	Hex bolt - M8X65 - DIN931/8.8		5	7	11	5	9
60.	79408003066	Hex bolt - M8X30 - DIN933/8.8		5	7	11	5	9
61.	70110000001	Toothed washer		10	14	22	10	18
62.	79408008066	Hex bolt - M8X80 - DIN933/8.8		10	14	22	10	18
63.	79408001666	Hex head screw - M8X16 - DIN933/8.8		10	14	22	10	18
64.	96720070601	Strip 1-4,5mm (/m)	2014->	5	7	11	5	9
65.	96700000002	Cap		5	7	11	5	9
66.	1.379.152	Hinge		10	14	22	10	18
67.	1.379.151	Support		5	7	11	5	9
68.	1.328.006	Spring clamp		5	7	11	5	9
69.	1.373.148	Bracket welded		5	7	11	7	11
70.	81108001663	Hex socket button-head bolt - M8X16 - ISO7380/10.9		10	14	22	14	22
71.	91623938861	Spring washer - 10,2X22,25X1,6 - A10		10	14	22	14	22
72.	1.372.945	Rubber earsaver		5	7	11	7	11
73.	1.373.151	Plate		5	7	11	7	11
74.	76308002566	Carriage bolt - M8X25 - DIN603		15	21	33	21	33
75.	91623938761	Spring washer - 8X18 M8 - A8		15	21	33	21	33
76.	73508000066	Hex nut - M8 - DIN934		15	21	33	21	33
77.	71408000060	Washer - M8 8,4X16X1,6 - DIN125		10	14	22	10	18
78.	79406003066	Hex head screw - M6X30 - DIN933/8.8	2016->	5	7	11	5	9
79.	1.373.749	Retainer	2016->	5	7	11	5	9
80.	96702361800	Washer - M6	2016->	5	7	11	5	9
81.	1.327.689	Spring	2016->	5	7	11	5	9
82.	74906000066	Hex nut - plastic insert - M6 - DIN982	2016->	5	7	11	5	9
83.	1.372.352	Angle	2017->	5	7	11	5	9
-	1.373.153	Ear saver kit for 28-30 (items 69-76)	2015->	5	7	11	7	11

Note: * Application of shims if necessary.

** Snout tip (42) is white for Standard gray colored poly, and black for all others.

Folding Headers Only

(23A) PLASTIC HINGED DIVIDERS - FOLDING MODELS (76.2 CM)
(2010->) AND (70 CM) (2015->)

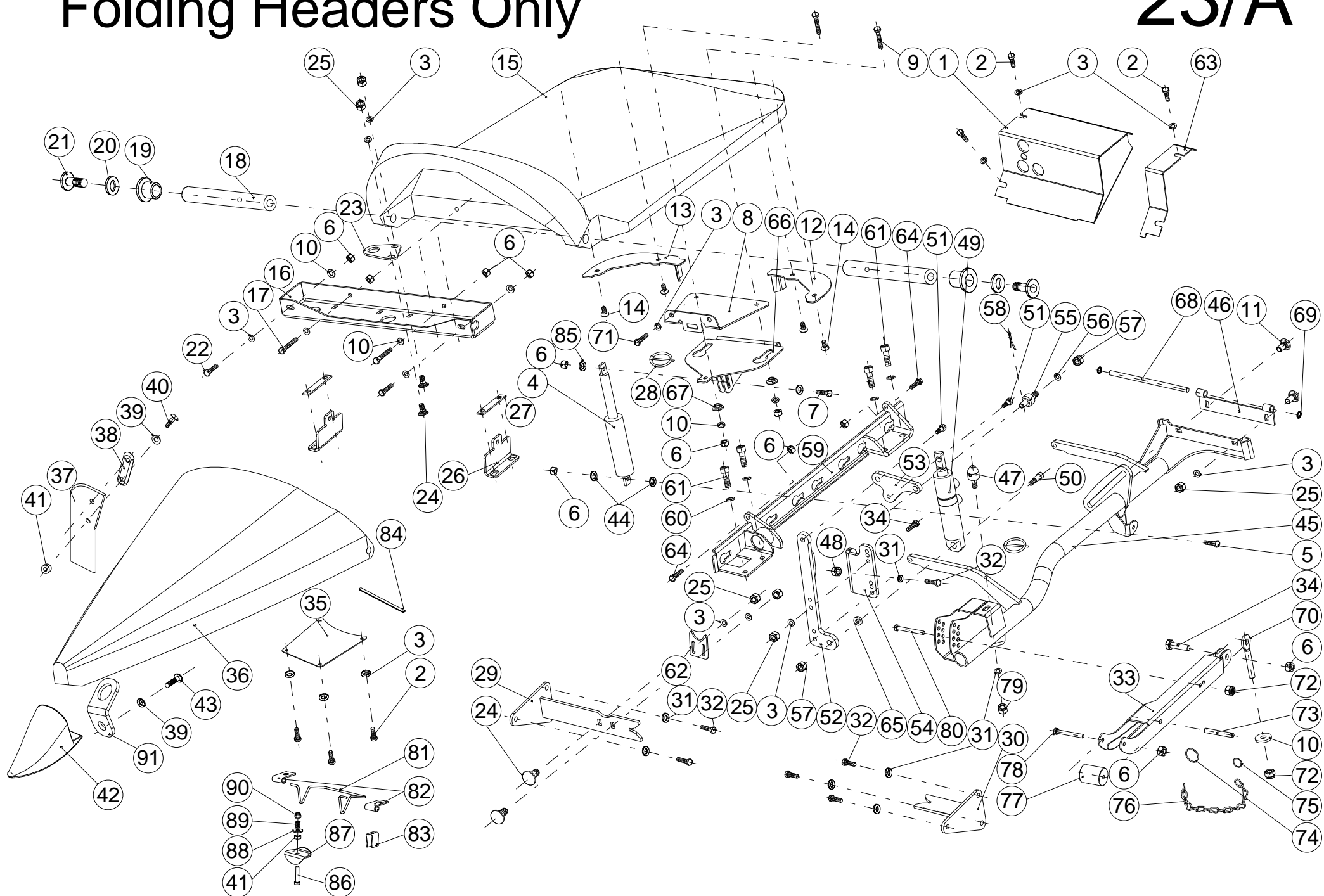


Ref.	Part number	Description		
1.	1.376.039	Bracket welded - LH	->2015	1
1.	1.376.041	Bracket welded - LH	2016->	1
1.	1.376.040	Bracket welded - RH	->2015	1
1.	1.376.042	Bracket welded - RH	2016->	1
2.	79408002066	Hex bolt - M8X20 - DIN933/8.8		16
3.	91623938761	Spring washer - 8X18 M8 - A8		40
4.	1.376.793	Gas spring - 1000N		2
5.	79408004566	Hex bolt - M8X45 - DIN933/8.8		2
6.	70708000066	Lock nut - M8 - DIN980		24
7.	79408003566	Hex bolt - M8X35 - DIN933/8.8		2
8.	1.377.748	Bracket		2
9.	79308005066	Hex bolt - M8X50 - DIN931/8.8		4
10.	1.314.099	Washer - M8		14
11.	76308002066	Carriage bolt - M8X20 - DIN603/8.8		8
12.	1.377.465	Cleaning plate - LH		2
13.	1.377.466	Cleaning plate - RH		2
14.	80408001266	Hex socket countersunk-head bolt - M8X12 - DIN7991/8.8		8
15.	1.377.534	Rear divider - white		2
15.	1.377.534.1	Rear divider - CASE IH red		2
15.	1.377.534.2	Rear divider - NH yellow		2
15.	1.377.534.3	Rear divider - JD green		2
15.	1.377.534.7	Rear divider - AGCO red		2
15.	1.377.534.9	Rear divider - GLEANER Gray		2
15.	1.377.534.10	Rear divider - standard Gray		2
16.	1.377.462	Support welded		2
17.	79308005566	Hex bolt - M8X55 - DIN931/8.8		4
18.	1.353.461	Shaft		4
19.	1.353.462	Spacer		4
20.	91623938961	Spring washer - A12		4
21.	78212003563	Hex socket button-head bolt TORX - M12X35 - ISO7380/10.9		4
22.	79308004066	Hex bolt - M8X40 - DIN931/8.8		4
23.	1.354.571	Washer plate		2
24.	76308002566	Carriage bolt - M8X25 - DIN603		4
25.	73508000066	Hex nut - M8 - DIN934		16
26.	1.377.862	Support		4
27.	1.376.747	Flat		4
28.	967PSF30526	Lynch pin D=4.5 - DIN11023		4
29.	1.377.023	Support welded - LH		1
29.	1.377.024	Support welded - RH		1
30.	1.377.025	Support welded - LH		1
30.	1.377.026	Support welded - RH		1
31.	91623938861	Spring washer - 10,2X22,25X1,6 - A10		19
32.	79410002566	Hex bolt - M10X25 - DIN933/8.8		17
33.	1.372.861	LH End snout support	2020.->	1
33.	1.372.862	RH End snout support	2020.->	1
34.	79408003066	Hex bolt - M8X30 - DIN933/8.8		6
35.	1.354.667	Plate		2
36.	1.377.380	Central snout - White		2
36.	1.377.380.1	Central snout - CASE IH red		2
36.	1.377.380.2	Central snout - NH yellow		2
36.	1.377.380.3	Central snout - JD green		2
36.	1.377.380.7	Central snout - AGCO red		2
36.	1.377.380.9	Central snout - GLEANER gray		2
36.	1.377.380.10	Central snout - standard gray		2
37.	1.378.053	Rubber earsaver		4
38.	1.329.164	Rubber backing plate		4
39.	72208000060	Spring washer - M8 - DIN128/A		10
40.	78200802063	Hex socket button-head bolt - M8X20 - ISO7380/10.9		8
41.	1.329.747	Spacer		9
**42.	1.354.310	Skid shoe - black		2
**42.	1.354.310A	Skid shoe - white		2
43.	79308009063	Hex bolt - M8X90 - DIN931/10.9		2
44.	993.454.0	Bushing		4
45.	1.378.048	Hinged frame welded - LH		1
45.	1.378.049	Hinged frame welded - RH		1
46.	1.377.741	Hinge		2
47.	1.310.009	Support pin		2

Note: Item 60 and 61 are the same as item 6 and 4 pg. 11/A.

** Snout tip (42) is white for Standard gray colored poly, and black for all others.

Folding Headers Only

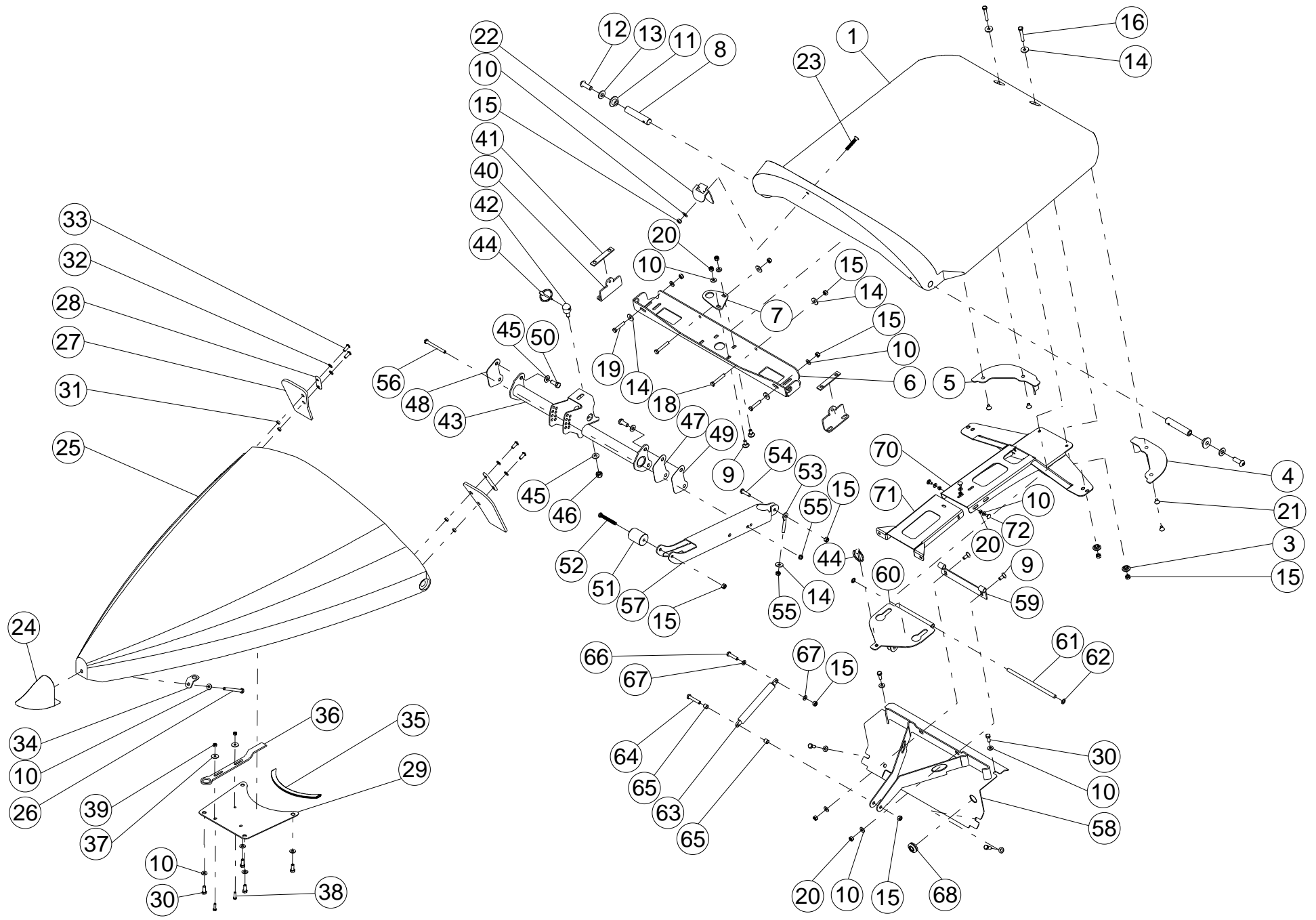


(23A) PLASTIC HINGED DIVIDERS - FOLDING MODELS (76.2 CM) (2010->) AND (70 CM) (2015->)

Ref.	Part number	Description		C3008F C3008CF C3012F C3012CF
48.	73510000066	Hex nut - M10 - DIN934		2
49.	1.354.397	Hydraulic cylinder		2
50.	1.354.382	Screw - M12		2
51.	1.354.381	Screw - M10		4
52.	1.377.018	Console welded - LH		1
52.	1.377.013	Console - RH welded		1
53.	1.377.019	Arm		2
54.	1.377.020	Console - LH		1
54.	1.377.015	Console - RH		1
55.	1.329.744	Bolt		2
56.	71412000060	Washer - M12 - DIN125 - 200HV		2
57.	70712000066	Lock nut - VM12 - DIN980		4
58.	72402502560	Split pin - 2.5X25 - DIN94		2
59.	1.378.056	Chain guide - LH		1
59.	1.378.057	Chain guide - RH		1
*60.	71810000060	Spring washer - M10 - DIN7980		8
*61.	80210003063	Hex socket head cap bolt - M10X30 - DIN912/10.9		8
62.	1.377.022	Plate		2
63.	1.376.043	Cover plate - LH		1
63.	1.376.044	Cover plate - RH		1
64.	79408003063	Hex head screw - M8X30 - DIN933		4
65.	1.329.746	Spacer		2
66.	1.377.744	Hinge		2
67.	1.377.751	Washer		4
68.	1.377.747	Shaft		2
69.	70110000001	Toothed washer		4
70.	77208004560	Eye bolt - A2K M8X45 - DIN44/LB		2
71.	79408001666	Hex head screw - M8X16 - DIN933/8.8		4
72.	74908000066	Hex nut - plastic insert - M8 - DIN985		4
73.	1.325.892	Retainer		2
74.	1.325.440	Spring		2
75.	67210000011	Key ring		2
76.	1.379.914	Chain - 4X32X15.2	2012-2020.	2
76.	1.371.420	Chain - 4X32X15.2	2021->	2
77.	1.377.902	Roll		2
78.	79408006566	Hex head screw - M8X65 - DIN933/8.8		2
79.	70710000066	Lock nut - M10 - DIN980/8.8		2
80.	79408006066	Hex bolt - M8X60 - DIN933/8.8		2
81.	1.379.151	Support		1
82.	1.379.152	Hinge		2
83.	1.328.006	Spring clamp	->2015	1
84.	96720070601	Strip 1-4,5mm (/m)		2
85.	71408000060	Washer - M8 8,4X16X1,6 - DIN125		4
86.	79406003066	Hex head screw - M6X30 - DIN933/8.8	2016->	1
87.	1.373.749	Retainer	2016->	1
88.	96702361800	Washer - M6	2016->	1
89.	1.327.689	Spring	2016->	1
90.	74906000066	Hex nut - plastic insert - M6 - DIN982	2016->	1
91.	1.372.352	Angle	2017->	2

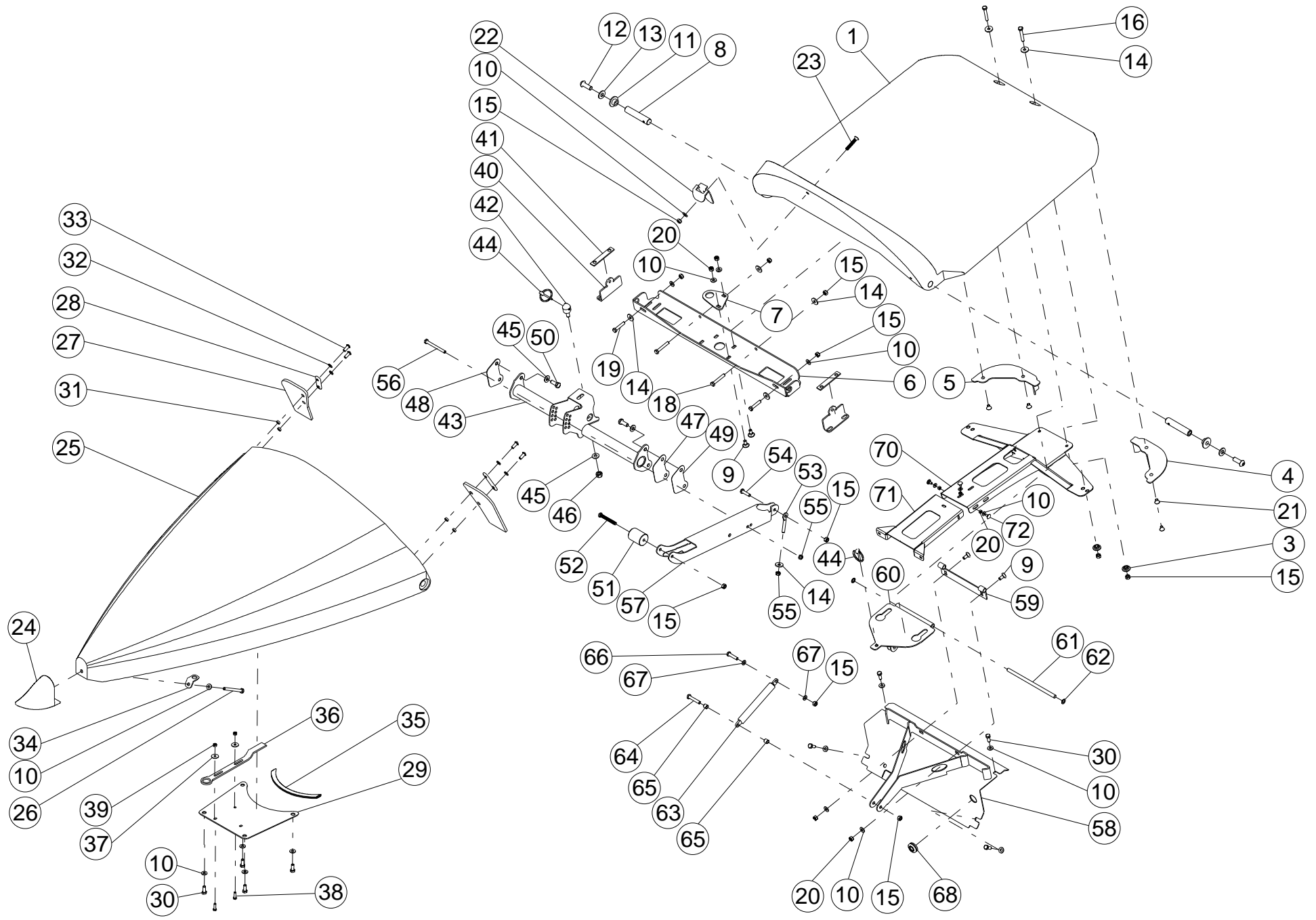
Note: Item 60 and 61 are the same as item 6 and 4 pg. 11/A.

** Snout tip (42) is white for Standard gray colored poly, and black for all others.



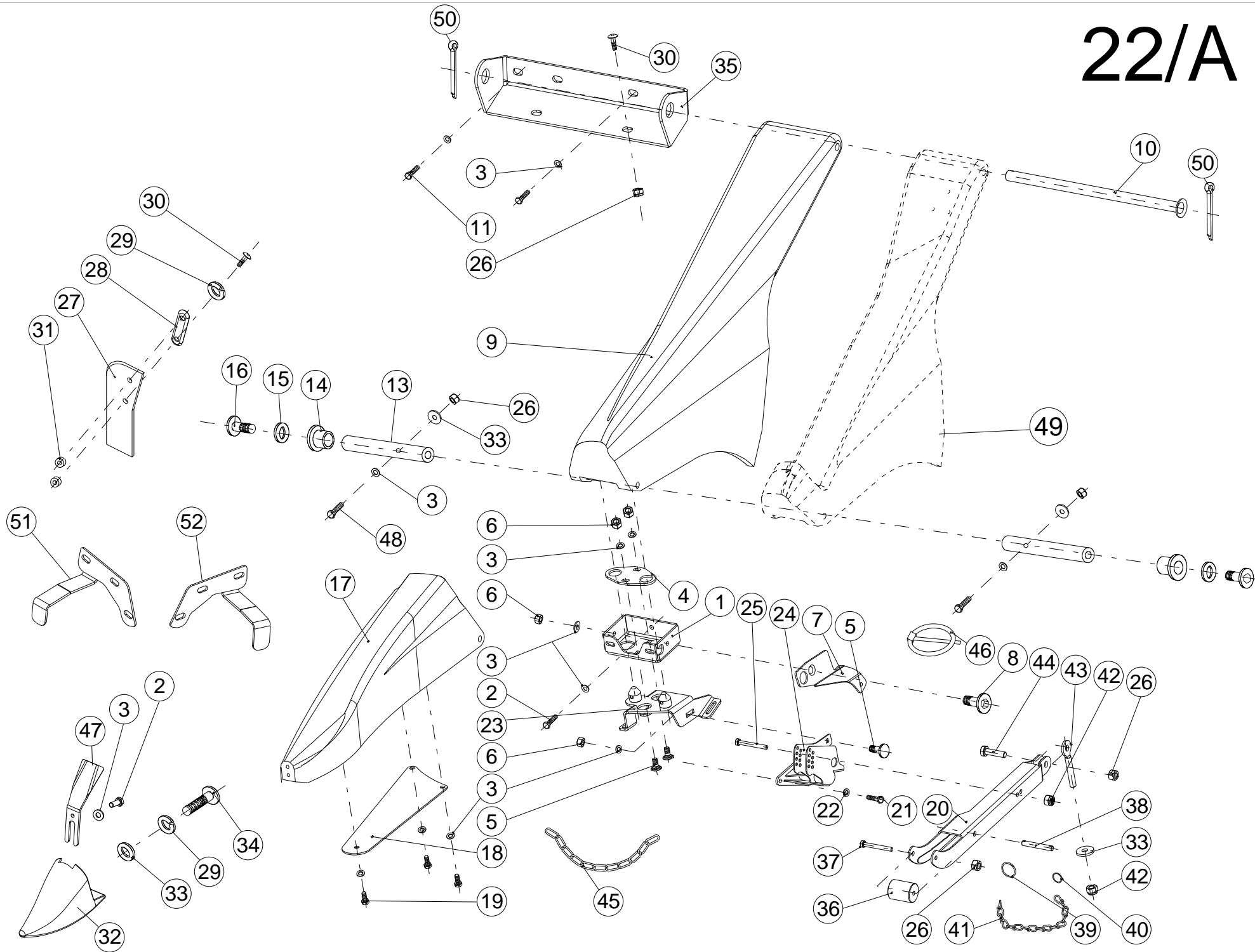
Ref.	Part number	Description		C3808 C3808C	C3812 C3812C
1.	1.373.507.1	Rear divider - LH - CASE IH red		7	11
1.	1.373.507.2	Rear divider - LH - NH yellow		7	11
1.	1.373.507.3	Rear divider - LH - JD green		7	11
1.	1.373.507.10	Rear divider - LH - standard Gray		7	11
3.	1.377.751	Washer		14	22
4.	1.377.465	Cleaning plate - LH		7	11
5.	1.377.466	Cleaning plate - RH		7	11
6.	1.372.696	Holder		7	11
7.	1.354.571	Washer plate		7	11
8.	1.353.461	Shaft		14	28
9.	76308002066	Carriage bolt - M8X20 - DIN603/8.8		28	44
10.	91623938761	Spring washer - 8X18 M8 - A8		139	188
11.	1.353.462	Spacer		14	22
12.	78212003563	Hex socket button-head bolt TORX - M12X35 - ISO7380/10.9		14	22
13.	91623938961	Spring washer - A12		14	22
14.	96701314099	Washer - M8 8,4X25X3,0		43	78
15.	70708000066	Lock nut - M8 - DIN980		58	90
16.	79308005066	Hex bolt - M8X50 - DIN931/8.8		14	22
17.	79408001666	Hex head screw - M8X16 - DIN933/8.8		28	44
18.	79308005566	Hex bolt - M8X55 - DIN931/8.8		14	22
19.	79308004066	Hex bolt - M8X40 - DIN931/8.8		14	22
20.	73508000066	Hex nut - M8 - DIN934		51	57
21.	80408001266	Hex socket countersunk-head bolt - M8X12 - DIN7991/8.8		28	44
22.	1.372.816	Retainer		7	11
23.	80408005063	Hex socket countersunk-head bolt - M8X50 - DIN7991/8.8		7	11
**24.	1.354.310	Skid shoe - black		7	11
**24.	1.354.310A	Skid shoe - white		7	11
25.	1.373.506.1	Central snout - CASE IH red		7	11
25.	1.373.506.2	Central snout - NH yellow		7	11
25.	1.373.506.3	Central snout - JD green		7	11
25.	1.373.506.10	Central snout - standard Gray		7	11
26.	79308009063	Hex bolt - M8X90 - DIN931/10.9		7	11
27.	1.378.053	Rubber earsaver		14	22
28.	1.329.164	Rubber backing plate		14	22
29.	1.354.667	Plate		7	11
30.	79408002066	Hex bolt - M8X20 - DIN933/8.8		32	48
31.	1.329.747	Spacer		28	44
32.	72208000060	Spring washer - M8 - DIN128/A		28	44
33.	78200802063	Hex socket button-head bolt - M8X20 - ISO7380/10.9		28	44
34.	1.372.352	Angle		7	11
35.	96720070601	Strip 1-4,5mm (/m)		7	11
36.	1.372.893	Retaining plate welded		7	11
37.	96702361800	Washer - M6		14	22
38.	79406002066	Hex bolt - M6X20 - DIN933/8.8		14	22
39.	74906000066	Hex nut - plastic insert - M6 - DIN982		14	22
40.	1.377.862	Support		14	22
41.	1.376.747	Flat		14	22
42.	1.310.009	Support pin		7	11
43.	1.372.694	Support welded		7	11
44.	967PSP30526	Lynch pin D=4.5 - DIN11023		14	22
45.	91623938861	Spring washer - 10,2X22,25X1,6 - A10		30	48
46.	70710000066	Lock nut - M10 - DIN980/8.8		7	11
*47.	1.375.957	Shim - (l=1)		7	11
*48.	1.375.958	Shim - (l=2)		7	11
*49.	1.372.888	Shim - (l=5)		7	11
50.	79410002566	Hex bolt - M10X25 - DIN933/8.8		28	44
51.	1.377.902	Roll		7	11
52.	79308006566	Hex bolt - M8X65 - DIN931/8.8		7	11
53.	77208004560	Eye bolt - A2K M8X45 - DIN44/LB		7	11
54.	79408003066	Hex bolt - M8X30 - DIN933/8.8		7	11
55.	74908000066	Hex nut - plastic insert - M8 - DIN985		14	22
56.	79408008066	Hex bolt - M8X80 - DIN933/8.8		7	11
57.	1.378.269	Snout support arm welded		7	11
58.	1.372.692	Support welded		7	11
59.	1.377.741	Hinge		7	11
60.	1.377.744	Hinge		7	11
61.	1.377.747	Shaft		7	11

Note: ** Snout tip (24) is white for Standard gray colored poly, and black for all others.



Ref.	Part number	Description		C3808 C3808C	C3812 C3812C
62.	70110000001	Toothed washer		14	22
63.	1.372.915	Gas spring - 1400N		7	11
64.	79408004566	Hex bolt - M8X45 - DIN933/8.8		7	11
65.	993.454.0	Bushing		14	22
66.	79408003566	Hex bolt - M8X35 - DIN933/8.8		7	11
67.	71408000060	Washer - M8 8,4X16X1,6 - DIN125		14	22
68.	96700000002	Cap		7	11
70.	1.371.990	Single-piece rear stiffener		7	11
71.	1.371.727	Front stiffener	2022->	7	11
72.	76308001666	Carriage bolt - M8X16 - DIN603/8.8	2022->	21	33

Note: ** Snout tip (24) is white for Standard gray colored poly, and black for all others.



Ref.	Part number	Description		All models
1.	1.376.662	Support welded		2
2.	79408002066	Hex bolt - M8X20 - DIN933/8.8		4
3.	91623938761	Spring washer - 8X18 M8 - A8		26
4.	1.376.663	Plate		2
5.	76308002066	Carriage bolt - M8X20 - DIN603/8.8		6
6.	73508000066	Hex nut - M8 - DIN934		8
7.	1.377.967	Bracket - LH	->2015.	1
7.	1.377.968	Bracket - RH	->2015.	1
7.	1.373.767	Bracket - LH	2016->	1
7.	1.373.768	Bracket - RH	2016->	1
8.	80400802063	Hex socket countersunk-head bolt - M8X20 - DIN7991/10.9		2
9.	1.376.095	Outer divider - LH - white		1
9.	1.376.095.1	Outer divider - LH - CASE IH red		1
9.	1.376.095.2	Outer divider - LH - NH yellow		1
9.	1.376.095.3	Outer divider - LH - JD green		1
9.	1.376.095.7	Outer divider - LH - AGCO red		1
9.	1.376.095.9	Outer divider - LH - GLEANER gray		1
9.	1.376.095.10	Outer divider - LH - standard Gray		1
9.	1.376.096	Outer divider - RH - white		1
9.	1.376.096.1	Outer divider - RH - CASE IH red		1
9.	1.376.096.2	Outer divider - RH - NH yellow		1
9.	1.376.096.3	Outer divider - RH - JD green		1
9.	1.376.096.7	Outer divider - RH - AGCO red		1
9.	1.376.096.9	Outer divider - RH - GLEANER gray		1
9.	1.376.096.10	Outer divider - RH - standard Gray		1
10.	1.377.087	Hollow shaft	->2017	2
10.	1.372.566	Hollow shaft	2018->	2
11.	81108002563	Hex socket button-head screw - M8X25 - ISO7380 10.9		4
*13.	1.353.461	Shaft		3
*13.	1.376.677	Shaft - RH		1
14.	1.353.462	Spacer		4
15.	91623938961	Spring washer - A12		4
16.	78212003563	Hex socket button-head bolt TORX - M12X35 - ISO7380/10.9		4
17.	1.371.093	Outer snout - LH - white		1
17.	1.371.093.1	Outer snout - LH - CASE IH red		1
17.	1.371.093.2	Outer snout - LH - NH yellow		1
17.	1.371.093.3	Outer snout - LH - JD green		1
17.	1.371.093.7	Outer snout - LH - AGCO red		1
17.	1.371.093.9	Outer snout - LH - GLEANER Gray		1
17.	1.371.093.10	Outer snout - LH - standard gray		1
17.	1.371.094	Outer snout - RH - white		1
17.	1.371.094.1	Outer snout - RH - CASE IH red		1
17.	1.371.094.2	Outer snout - RH - NH yellow		1
17.	1.371.094.3	Outer snout - RH - JD green		1
17.	1.371.094.7	Outer snout - RH - AGCO red		1
17.	1.371.094.9	Outer snout - RH - GLEANER Gray		1
17.	1.371.094.10	Outer snout - RH - standard gray		1
18.	1.376.676	Plate		2
19.	79408001666	Hex head screw - M8X16 - DIN933/8.8		6
20.	1.372.861	LH End snout support		1
20.	1.372.862	RH End snout support		1
21.	79410002566	Hex bolt - M10X25 - DIN933/8.8		6
22.	91623938861	Spring washer - 10,2X22,25X1,6 - A10		6
23.	1.377.969	Support welded - LH	->2015.	1
23.	1.377.970	Support welded - RH	->2015.	1
23.	1.373.772	Support welded - LH	2016->	1
23.	1.373.773	Support welded - RH	2016->	1
24.	1.377.960	Arm welded - LH		1
24.	1.377.961	Arm welded - RH		1
25.	79408006066	Hex bolt - M8X60 - DIN933/8.8		2
26.	70708000066	Lock nut - M8 - DIN980		12
27.	1.329.163	Rubber earsaver		2
28.	1.329.164	Rubber backing plate		2
29.	72208000060	Spring washer - M8 - DIN128/A		4
30.	78200802063	Hex socket button-head bolt - M8X20 - ISO7380/10.9		8
31.	1.329.747	Spacer		4
**32.	1.373.997	Skid shoe - black		2

Note: 1.376.677 item 13 only for the RH outer divider.

* For folding headers only.

** Snout tip (32) is white for Standard gray colored poly, and black for all others.

*** In case of Rotary End Divider

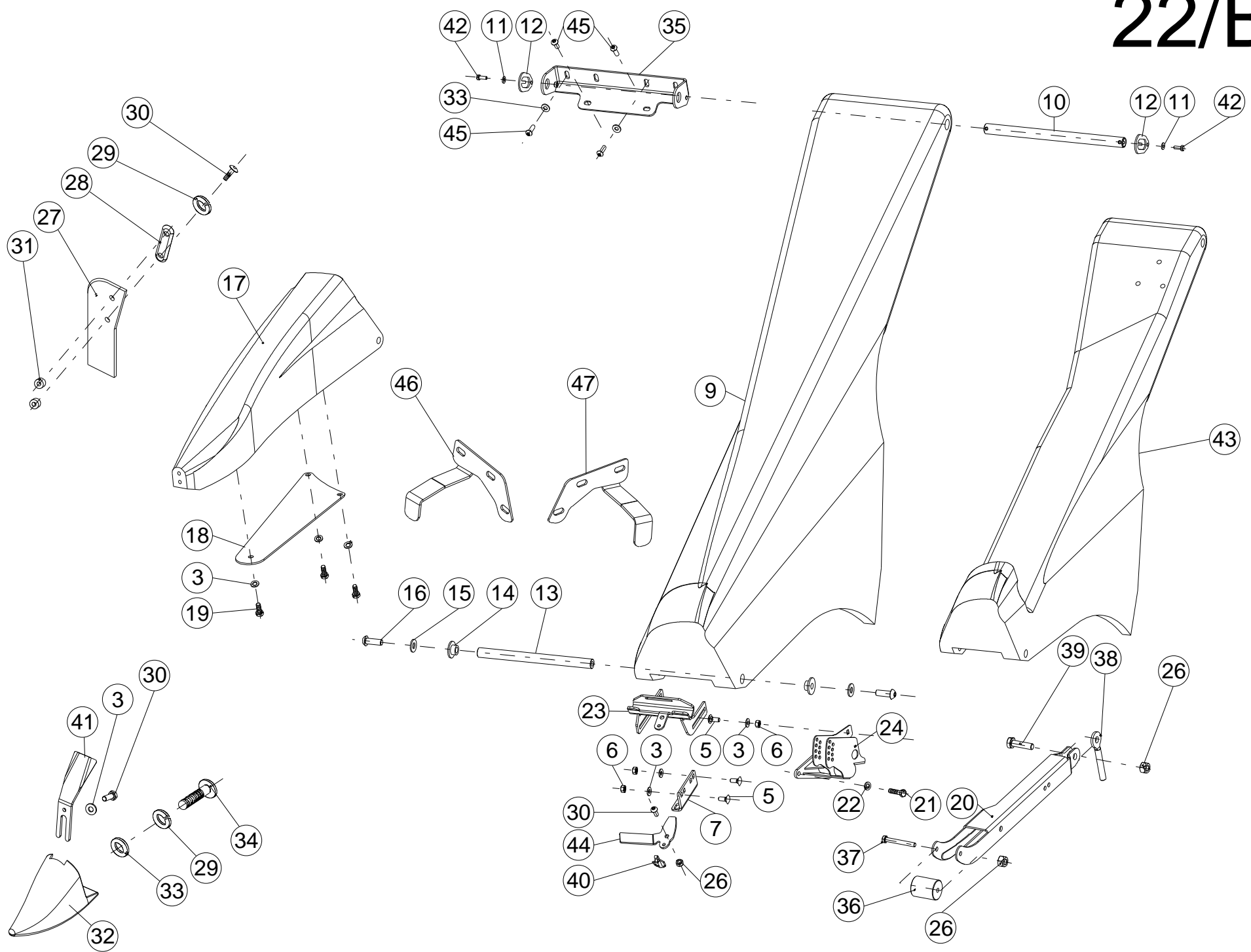
Ref.	Part number	Description		All models
**32.	1.373.997A	Skid shoe - white		2
33.	1.314.099	Washer - M8		8
34.	79308010063	Hex bolt - M8X100 - DIN931/10.9		2
35.	1.377.086	Support		2
36.	1.377.902	Roll		2
37.	79308006566	Hex bolt - M8X65 - DIN931/8.8		2
38.	1.325.892	Retainer	->2014	2
39.	1.325.440	Spring	->2014	2
40.	67210000011	Key ring	->2014	2
41.	1.379.913	Chain - 2.2X31X10	->2014	2
42.	74908000066	Hex nut - plastic insert - M8 - DIN985		4
43.	77208004560	Eye bolt - A2K M8X45 - DIN44/LB		2
44.	79408003066	Hex bolt - M8X30 - DIN933/8.8		2
***45.	1.379.914	Chain - 4X32X15.2	->2020	2
***45.	1.371.420	Chain - 4X32X15.2	2021->	2
46.	96716002720	Lynch pin - 6x27 - DIN1382	2016->	2
47.	1.373.998	Snout tip extension	2016->	2
47.	1.373.998A	Snout tip extension - white	2016->	2
48.	79308004066	Hex bolt - M8X40 - DIN931/8.8		4
49.	-	See items 21. on page 55.!		
50.	72405004060	Cotter pin - 5X40 - DIN94	2021->	4
*51.	1.372.914	Locking plate - RH		1
*52.	1.372.913	Locking plate - LH		1

Note: 1.376.677 item 13 only for the RH outer divider.

* For folding headers only.

** Snout tip (32) is white for Standard gray colored poly, and black for all others.

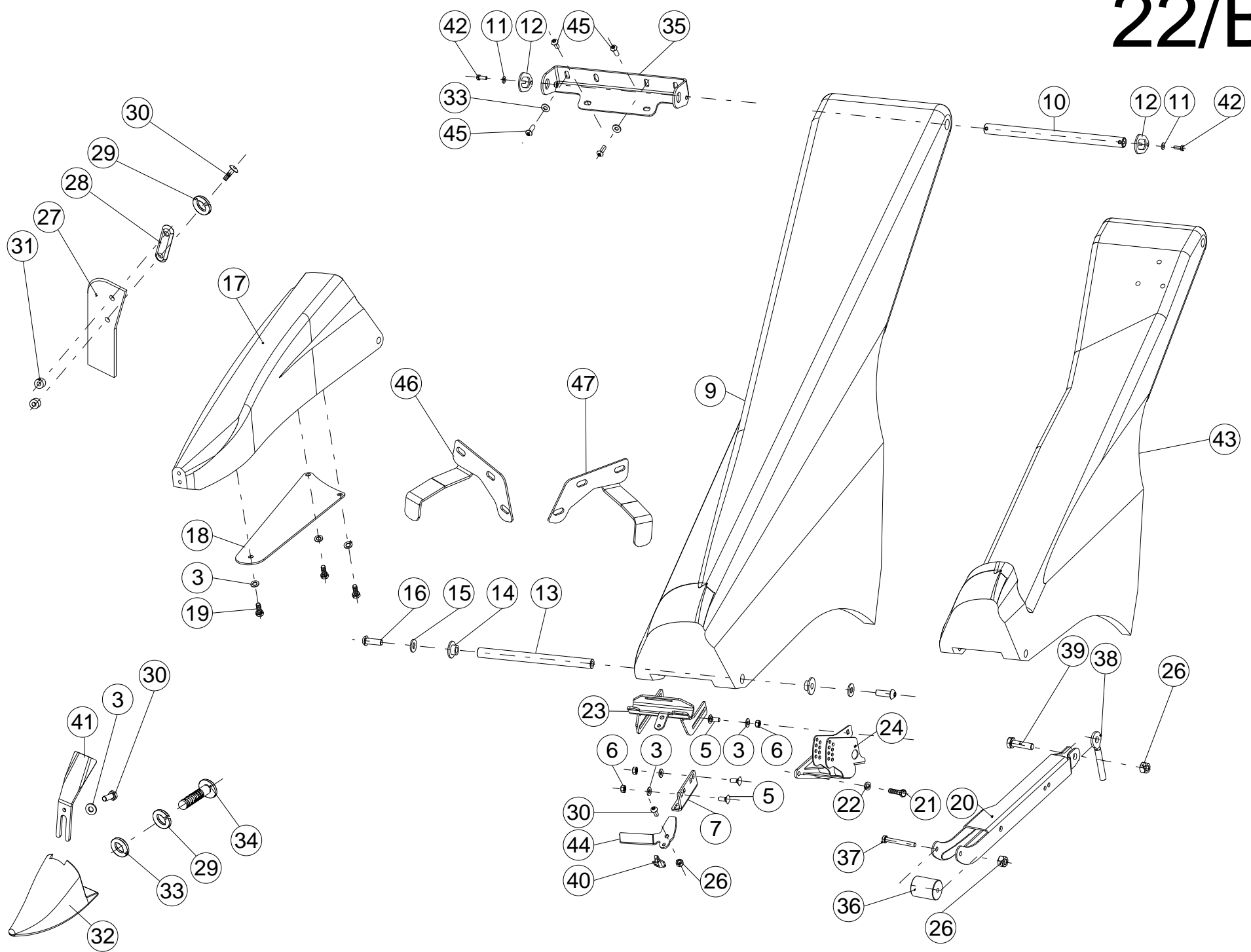
*** In case of Rotary End Divider



Ref.	Part number	Description		All models
3.	91623938761	Spring washer - 8X18 M8 - A8		24
5.	76308002066	Carriage bolt - M8X20 - DIN603/8.8		6
6.	73508000066	Hex nut - M8 - DIN934		14
7.	1.371.600	Bracket		2
8.	1.354.107	Spacer	->2022	16
9.	1.371.095	Outer divider - LH - white		1
9.	1.371.095.1	Outer divider - LH - CASE IH red		1
9.	1.371.095.2	Outer divider - LH - NH yellow		1
9.	1.371.095.3	Outer divider - LH - JD green		1
9.	1.371.095.7	Outer divider - LH - AGCO red		1
9.	1.371.095.9	Outer divider - LH - GLEANER gray		1
9.	1.371.095.10	Outer divider - LH - standard Gray		1
9.	1.371.096	Outer divider - RH - white		1
9.	1.371.096.1	Outer divider - RH - CASE IH red		1
9.	1.371.096.2	Outer divider - RH - NH yellow		1
9.	1.371.096.3	Outer divider - RH - JD green		1
9.	1.371.096.7	Outer divider - RH - AGCO red		1
9.	1.371.096.9	Outer divider - RH - GLEANER gray		1
9.	1.371.096.10	Outer divider - RH - standard Gray		1
10.	1.372.566	Hollow shaft		2
11.	91623938661	Lock washer - 6X14 - A6		4
12.	1.371.602	Retainer		4
13.	1.332.689	Hollow shaft - LH		1
13.	1.332.690	Hollow shaft - RH		1
14.	1.353.462	Spacer		4
15.	91623938961	Spring washer - A12		4
16.	78212003563	Hex socket button-head bolt TORX - M12X35 - ISO7380/10.9		4
17.	1.371.093	Outer snout - LH - white		1
17.	1.371.093.1	Outer snout - LH - CASE IH red		1
17.	1.371.093.2	Outer snout - LH - NH yellow		1
17.	1.371.093.3	Outer snout - LH - JD green		1
17.	1.371.093.7	Outer snout - LH - AGCO red		1
17.	1.371.093.9	Outer snout - LH - GLEANER Gray		1
17.	1.371.093.10	Outer snout - LH - standard gray		1
17.	1.371.094	Outer snout - RH - white		1
17.	1.371.094.1	Outer snout - RH - CASE IH red		1
17.	1.371.094.2	Outer snout - RH - NH yellow		1
17.	1.371.094.3	Outer snout - RH - JD green		1
17.	1.371.094.7	Outer snout - RH - AGCO red		1
17.	1.371.094.9	Outer snout - RH - GLEANER Gray		1
17.	1.371.094.10	Outer snout - RH - standard gray		1
18.	1.376.676	Plate		2
19.	79408001666	Hex head screw - M8X16 - DIN933/8.8		6
20.	1.372.861	LH End snout support		1
20.	1.372.862	RH End snout support		1
21.	79410002566	Hex bolt - M10X25 - DIN933/8.8		6
22.	91623938861	Spring washer - 10,2X22,25X1,6 - A10		6
23.	1.369.122	Support welded - RH	2023->	1
23.	1.371.166	Support welded - LH	2023->	1
24.	1.377.960	Arm welded - LH		1
24.	1.377.961	Arm welded - RH		1
26.	70708000066	Lock nut - M8 - DIN980		6
27.	1.329.163	Rubber earsaver		2
28.	1.329.164	Rubber backing plate		2
29.	72208000060	Spring washer - M8 - DIN128/A		6
30.	78200802063	Hex socket button-head bolt - M8X20 - ISO7380/10.9		4
31.	1.329.747	Spacer		4
**32.	1.373.997	Skid shoe - black		2
**32.	1.373.997A	Skid shoe - white		2
33.	1.314.099	Washer - M8		10
34.	79308010063	Hex bolt - M8X100 - DIN931/10.9		2
35.	1.371.159	Holder - Outer divider		2
36.	1.377.902	Roll		2
37.	79408006566	Hex head screw - M8X65 - DIN933/8.8		2
38.	77208004560	Eye bolt - A2K M8X45 - DIN44/LB		2
39.	79408003066	Hex bolt - M8X30 - DIN933/8.8		2
40.	96716002720	Lynch pin - 6x27 - DIN1382		2

Note: * For folding headers only.

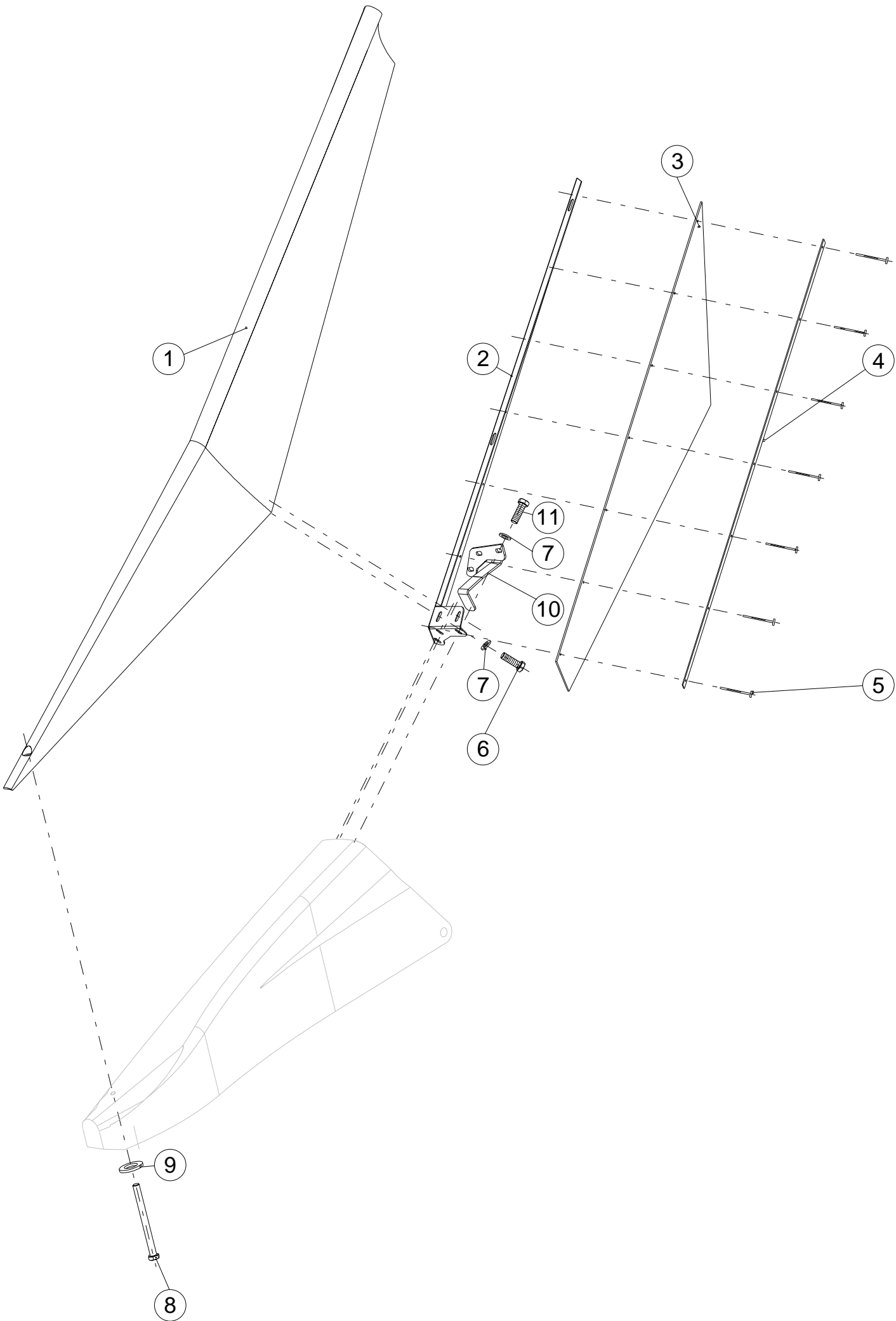
** Snout tip (32) is white for Standard gray colored poly, and black for all others.



Ref.	Part number	Description		All models
41.	1.373.998	Snout tip extension		2
42.	79406001666	Hex head screw - M6X16 - DIN933		4
43.	-	See items 21. on section 55.!		
44.	1.371.172	Retainer - LH		1
44.	1.371.173	Retainer - RH		1
45.	78200802563	Hex socket button-head bolt TORX - M8X25 - ISO7380/10.9		6
*46.	1.372.914	Locking plate - RH		1
*47.	1.372.913	Locking plate - LH		1

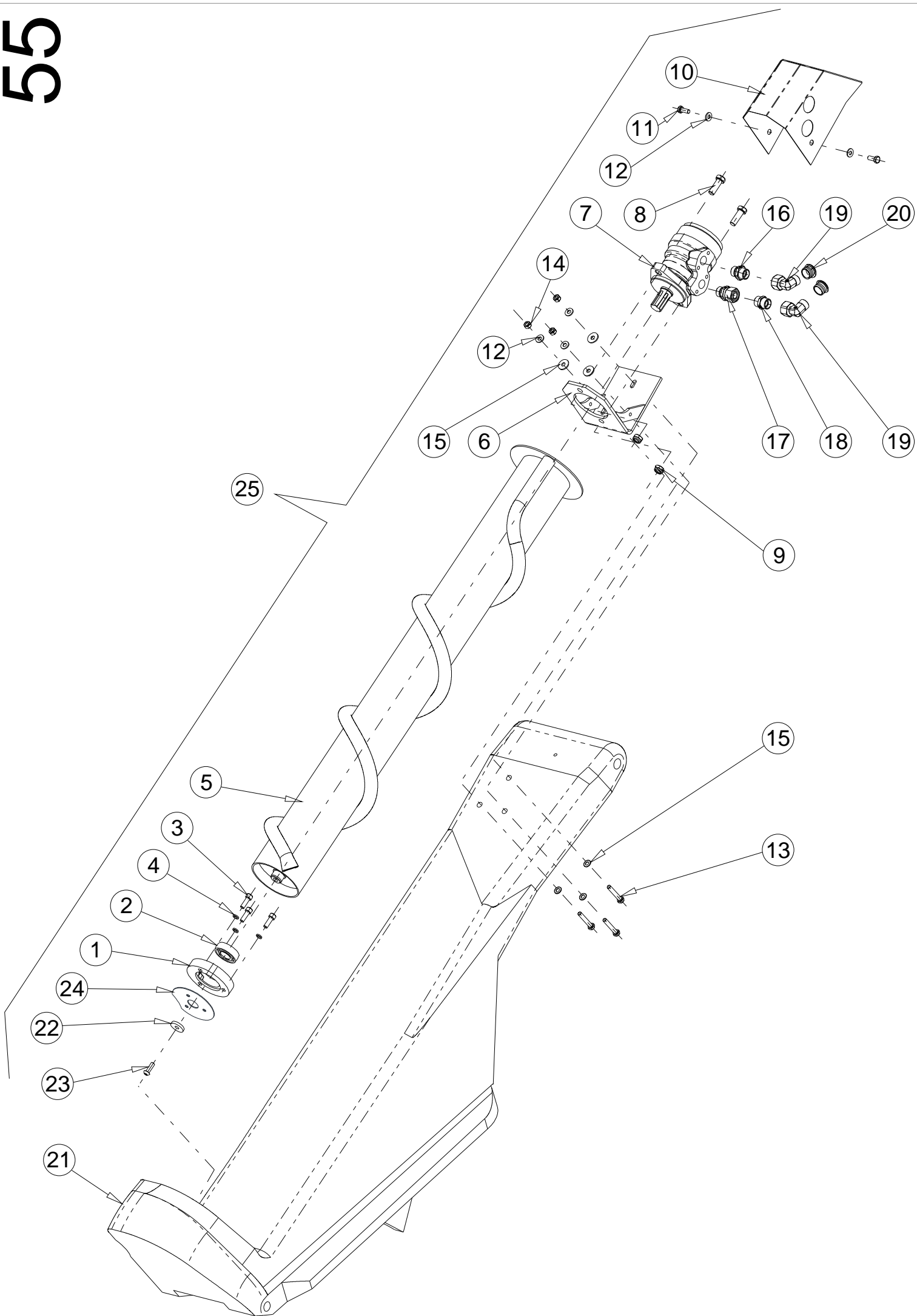
Note: * For folding headers only.

** Snout tip (32) is white for Standard gray colored poly, and black for all others.

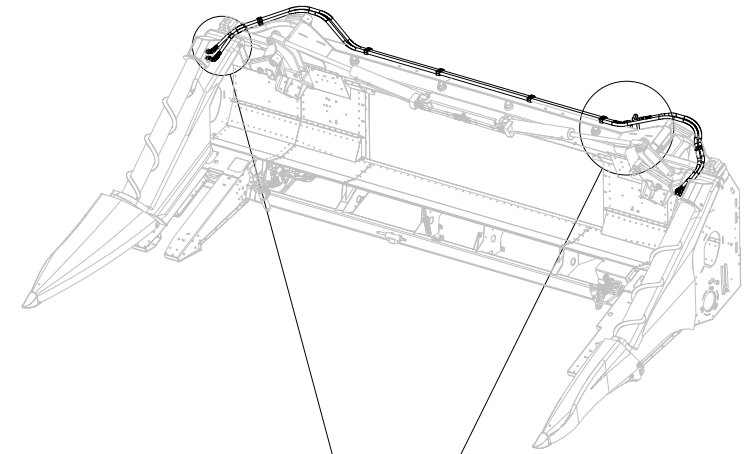
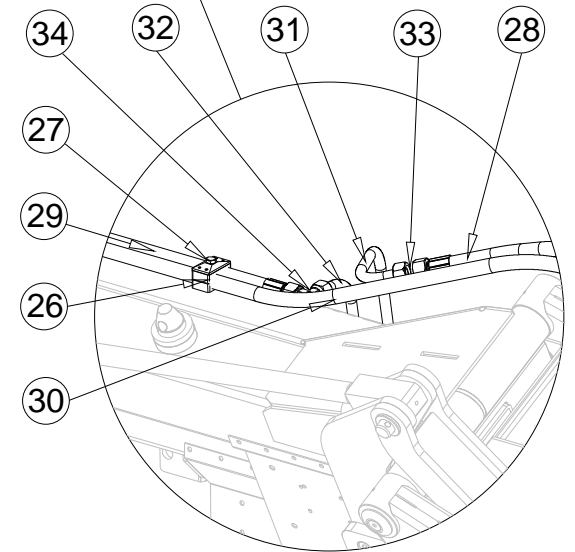
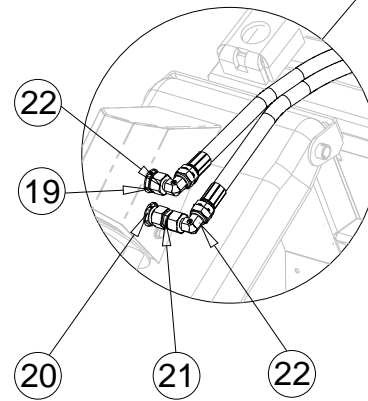
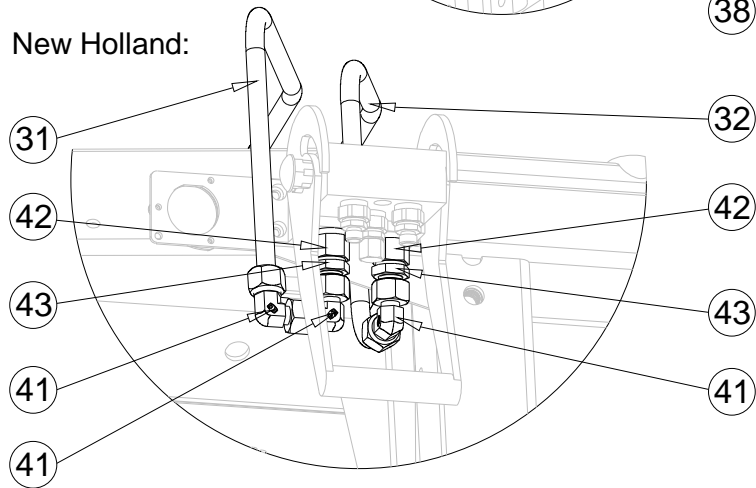
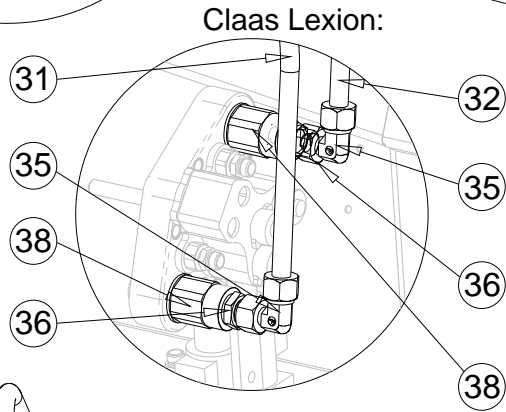
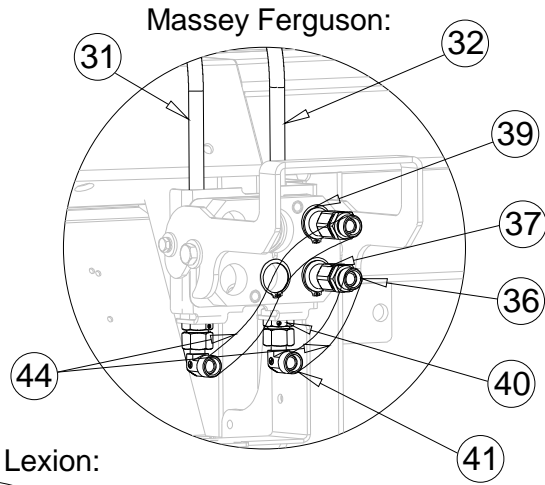
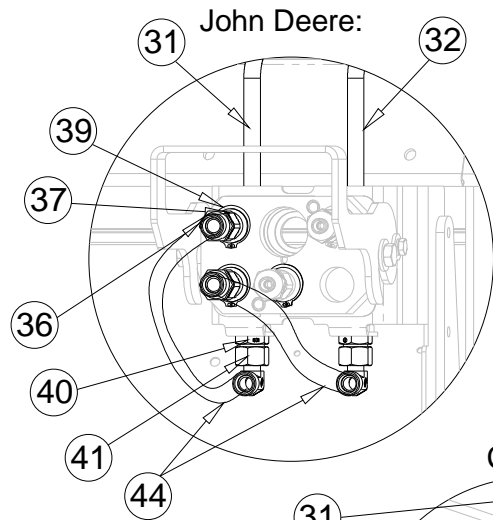


Ref.	Part number	Description		All models
1.	1.377.382	Side extension - LH - White		1
1.	1.377.382.1	Side extension - LH - CASE IH red		1
1.	1.377.382.2	Side extension - LH - NH yellow		1
1.	1.377.382.3	Side extension - LH - JD green		1
1.	1.377.382.7	Side extension - LH - AGCO red		1
1.	1.377.382.9	Side extension - LH - GLEANER gray		1
1.	1.377.382.10	Side extension - LH - standard gray		1
1.	1.377.383	Side extension - RH - White		1
1.	1.377.383.1	Side extension - RH - CASE IH red		1
1.	1.377.383.2	Side extension - RH - NH yellow		1
1.	1.377.383.3	Side extension - RH - JD green		1
1.	1.377.383.7	Side extension - RH - AGCO red		1
1.	1.377.383.9	Side extension - RH - GLEANER gray		1
1.	1.377.383.10	Side extension - RH - standard gray		1
2.	1.372.865	Support - LH	2020.->	1
2.	1.372.866	Support - RH	2020.->	1
3.	1.372.946	Rubber curtain		2
4.	1.377.428	Flat bar		2
5.	84304001200	POP rivet - 4X12 - DIN7337		14
6.	79408002066	Hex bolt - M8X20 - DIN933/8.8		8
7.	91623938761	Spring washer - 8X18 M8 - A8		14
8.	79408010066	Hex bolt - M8X100 - DIN933/8.8		2
9.	1.314.099	Washer - M8		2
*10.	1.372.913	Locking plate - LH	2020.->	1
*10.	1.372.914	Locking plate - RH	2020.->	1
11.	79408002566	Hex head screw - M8X25 - DIN933/8.8		6
-	1.377.425	Side extension assy. - LH - White		1
-	1.377.425.1	Side extension assy. - LH - CASE IH red		1
-	1.377.425.2	Side extension assy. - LH - NH yellow		1
-	1.377.425.3	Side extension assy. - LH - JD green		1
-	1.377.425.7	Side extension assy. - LH - AGCO red		1
-	1.377.425.9	Side extension assy. - LH - GLEANER gray		1
-	1.377.425.10	Side extension assy. - LH - standard gray		1
-	1.377.426	Side extension assy. - RH - White		1
-	1.377.426.1	Side extension assy. - RH - CASE IH red		1
-	1.377.426.2	Side extension assy. - RH - NH yellow		1
-	1.377.426.3	Side extension assy. - RH - JD green		1
-	1.377.426.7	Side extension assy. - RH - AGCO red		1
-	1.377.426.9	Side extension assy. - RH - GLEANER gray		1
-	1.377.426.10	Side extension assy. - RH - standard gray		1

Note:* 10 is for folding headers only.

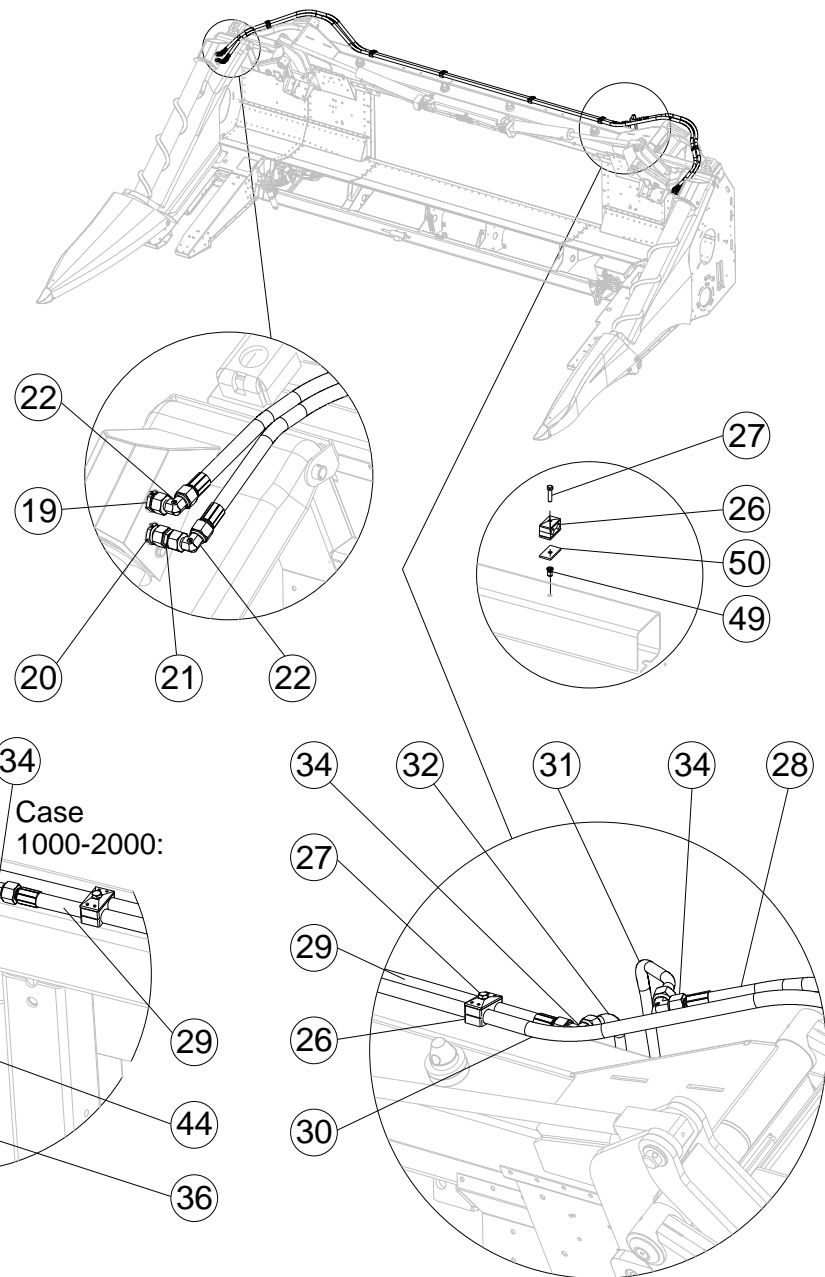
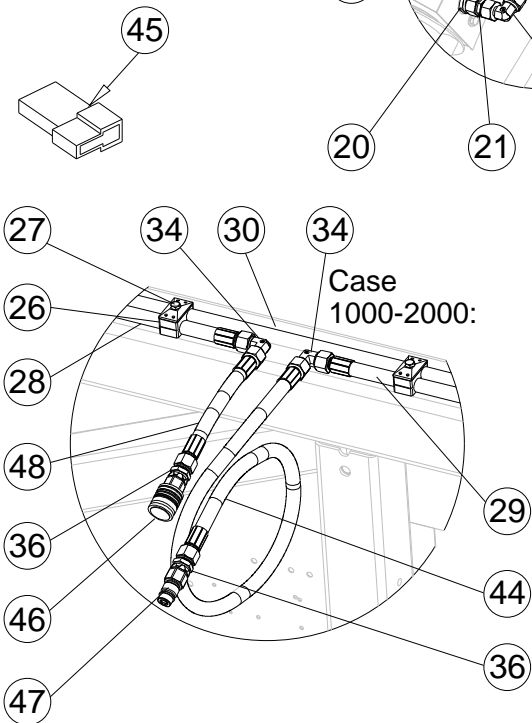
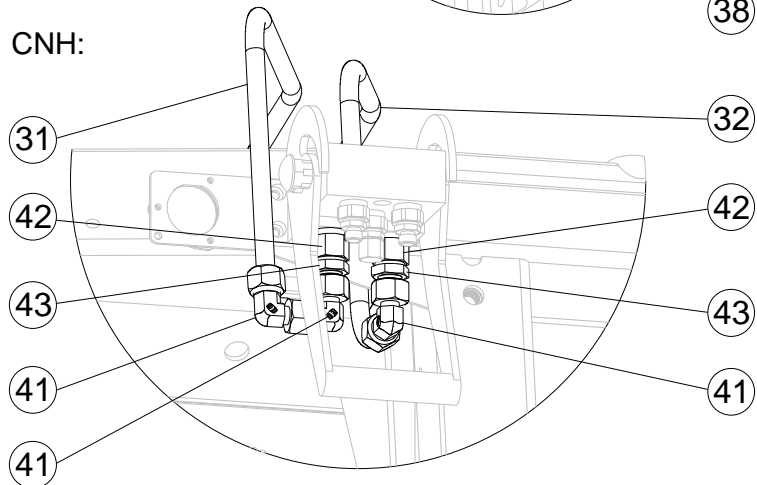
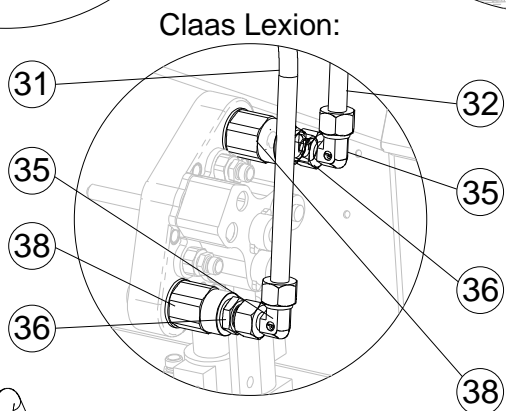
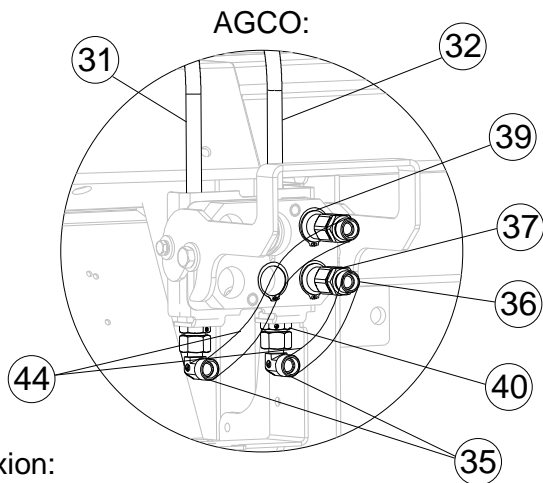
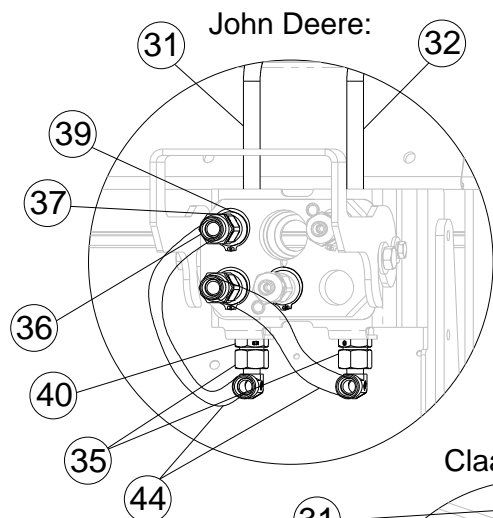


Ref.	Part number	Description		All models
1.	1.378.822	Bearing housing		2
2.	87030620514	Bearing - 6205-2RS		2
3.	80208002566	Hex socket head cap bolt - M8X25 - DIN912/8.8		6
4.	71808000060	Spring washer - M8 - DIN7980		6
5.	1.378.808	Rotary End Divider welded- LH		1
5.	1.378.809	Rotary End Divider welded- RH		1
6.	1.378.825	Bracket welded		2
7.	1.378.835	Hydraulic motor - MR50 SHD		2
8.	79412003566	Hex bolt - M12X35 - DIN933/8.8		4
9.	74912000066	Hex nut - plastic insert - M12 - DIN985/8.		4
10.	1.378.830	Cover welded - LH		1
10.	1.378.831	Cover welded - RH		1
11.	79408002066	Hex bolt - M8X20 - DIN933/8.8		4
12.	91623938761	Spring washer - 8X18 M8 - A8		10
13.	79408005566	Hex head screw - M8X55 - DIN933/8.8		6
14.	74908000066	Hex nut - plastic insert - M8 - DIN985		6
15.	96701314099	Washer - M8 8,4X25X3,0		12
16.	1.378.858	Fitting - GE 15 LREDDOMD		2
17.	1.378.859	Fitting - EVGE 15 LRED		2
18.	1.378.861	Fitting - GE 15 LCF		2
19.	1.378.860	Fitting - 90 deg EVW 15 LOMD		4
20.	1.322.794	Plastic plug		4
21.	1.373.502	Outer divider - LH - white		1
21.	1.373.502.1	Outer divider - LH - CASE IH red		1
21.	1.373.502.2	Outer divider - LH - NH yellow		1
21.	1.373.502.3	Outer divider - LH - JD green		1
21.	1.373.502.7	Outer divider - LH - AGCO red		1
21.	1.373.502.9	Outer divider - LH - GLEANER gray		1
21.	1.373.502.10	Outer divider - LH - standard Gray		1
21.	1.373.503	Outer divider - RH - white		1
21.	1.373.503.1	Outer divider - RH - CASE IH red		1
21.	1.373.503.2	Outer divider - RH - NH yellow		1
21.	1.373.503.3	Outer divider - RH - JD green		1
21.	1.373.503.7	Outer divider - RH - AGCO red		1
21.	1.373.503.9	Outer divider - RH - GLEANER gray		1
21.	1.373.503.10	Outer divider - RH - standard Gray		1
22.	1.314.695	Washer	2015 -2019.	2
23.	78208002563	Hex socket button-head bolt - M8X25 - ISO7380/10.9	2015 -2019.	2
24.	1.369.177	Plate	2024->	2
25.	1.378.862	Rotary End Divider - LH assy. (items 1-19)		1
25.	1.378.863	Rotary End Divider - RH assy. (items 1-19)		1



Ref.	Part number	Description	C3008F C2008CF	C3012F C3012CF	C3006 C3006C	C2208 C2208C	C3008 C3008C	C2012 C2012C	C2212 C2212C	C3012 C3012C
19.	1.378.858	Fitting - GE 15 LREDDOMD	2	2	2	2	2	2	2	2
20.	1.378.859	Fitting - EVGE 15 LRED	2	2	2	2	2	2	2	2
21.	1.378.861	Fitting - GE 15 LCF	2	2	2	2	2	2	2	2
22.	1.378.860	Fitting - 90 deg EVW 15 LOMD	4	4	4	4	4	4	4	4
26.	97308040102	Clamp 18	8	10	8	8	8	8	8	8
27.	79408004066	Hex head screw - M8X40 - DIN933/8.8	8	10	8	8	8	8	8	8
28.	1.379.551	Hydraulic hose - LEXION/JD/MF/NH	-	1	-	-	-	-	-	-
28.	1.379.571	Hydraulic hose - LEXION/JD/MF/NH	-	-	2	-	2	-	-	2
28.	1.379.568	Hydraulic hose - LEXION/JD/MF/NH	-	-	-	-	1	-	-	-
28.	1.379.574	Hydraulic hose - LEXION/JD/MF/NH	-	-	-	-	-	-	-	1
28.	1.373.283	Hydraulic hose - LEXION/JD/MF/NH	-	-	-	1	-	-	-	-
28.	1.373.280	Hydraulic hose - LEXION/JD/MF/NH	-	-	-	-	-	1	-	-
28.	1.373.277	Hydraulic hose - LEXION/JD/MF/NH	-	-	-	-	-	-	1	-
29.	1.379.545	Hydraulic hose - LEXION/JD/MF/NH	1	-	-	-	-	-	-	-
29.	1.379.553	Hydraulic hose - LEXION/JD/MF/NH	-	1	-	-	-	-	-	-
29.	1.379.573	Hydraulic hose - LEXION/JD/MF/NH	-	-	1	-	-	-	-	-
29.	1.379.570	Hydraulic hose - LEXION/JD/MF/NH	-	-	-	-	1	-	-	-
29.	1.379.576	Hydraulic hose - LEXION/JD/MF/NH	-	-	-	-	-	-	-	1
29.	1.373.282	Hydraulic hose - LEXION/JD/MF/NH	-	-	-	1	-	-	-	-
29.	1.373.279	Hydraulic hose - LEXION/JD/MF/NH	-	-	-	-	-	1	-	-
29.	1.373.276	Hydraulic hose - LEXION/JD/MF/NH	-	-	-	-	-	-	1	-
30.	1.379.542	Hydraulic hose - LEXION/JD/MF/NH	1	-	-	-	-	-	-	-
30.	1.379.552	Hydraulic hose - LEXION/JD/MF/NH	-	1	-	-	-	-	-	-
30.	1.379.572	Hydraulic hose - LEXION/JD/MF/NH	-	-	1	-	-	-	-	-
30.	1.379.569	Hydraulic hose - LEXION/JD/MF/NH	-	-	-	-	1	-	-	-
30.	1.379.575	Hydraulic hose - LEXION/JD/MF/NH	-	-	-	-	-	-	-	1
30.	1.373.281	Hydraulic hose - LEXION/JD/MF/NH	-	-	-	1	-	-	-	-
30.	1.373.278	Hydraulic hose - LEXION/JD/MF/NH	-	-	-	-	-	1	-	-
30.	1.373.275	Hydraulic hose - LEXION/JD/MF/NH	-	-	-	-	-	-	1	-
31.	1.379.526	Hydraulic tube - LEXION	1	-	-	-	-	-	-	-
31.	1.379.554	Hydraulic tube - LEXION	-	1	-	-	-	-	-	-
31.	1.379.527	Hydraulic tube - JD/MF	1	-	-	-	-	-	-	-
31.	1.379.539	Hydraulic tube - NH	1	1	-	-	-	-	-	-
31.	1.379.563	Hydraulic tube - LEXION	-	-	1	-	1	-	-	1
31.	1.379.681	Hydraulic tube - LEXION	-	-	-	1	-	1	1	-
31.	1.379.565	Hydraulic tube - JD/MF	-	-	1	-	1	-	-	1
31.	1.373.287	Hydraulic tube - JD/MF	-	-	-	1	-	1	1	-
31.	1.379.566	Hydraulic tube - NH	-	-	1	1	-	-	1	-
31.	1.373.289	Hydraulic tube - NH	-	-	-	1	-	1	1	-
32.	1.379.523	Hydraulic tube - LEXION	1	1	-	-	-	-	-	-
32.	1.379.532	Hydraulic tube - JD/MF	1	1	-	-	-	-	-	-
32.	1.379.555	Hydraulic tube - JD/MF	-	1	-	-	-	-	-	-
32.	1.379.538	Hydraulic tube - NH	1	-	-	-	-	-	-	-
32.	1.379.556	Hydraulic tube - NH	-	1	-	-	-	-	-	-
32.	1.379.562	Hydraulic tube - LEXION	-	-	1	-	1	-	-	1
32.	1.379.680	Hydraulic tube - LEXION	-	-	-	1	-	1	1	-
32.	1.379.564	Hydraulic tube - JD/MF	-	-	1	-	1	-	-	1
32.	1.373.288	Hydraulic tube - JD/MF	-	-	-	1	-	1	1	-
32.	1.379.567	Hydraulic tube - NH	-	-	1	-	1	-	-	1
32.	1.373.290	Hydraulic tube - NH	-	-	-	1	-	1	1	-
33.	1.378.861	Fitting - GE 15 LCF	1	-	-	-	-	-	-	-
34.	1.379.524	Fitting - 90 deg W 15LCF - LEXION/JD/MF/NH	1	2	2	2	2	2	2	2
35.	1.378.860	Fitting - 90 deg EVW 15 LOMD	2	2	2	2	2	2	2	2
36.	1.379.292	Fitting - 7/8-14UNF-M22X1.5 - LEXION/JD/MF	2	2	2	2	2	2	2	2
37.	1.329.890	Hydraulic quick-coupler	2	2	2	2	2	2	2	2
38.	91668372320	Hydraulic quick-coupler - LEXION	2	2	2	2	2	2	2	2
39.	1.327.052	Retainer ring - external - D32X1.3 - DIN471	2	2	2	2	2	2	2	2
40.	1.379.525	Fitting - bulkhead - SV 15-PL - JD/MF	2	2	2	2	2	2	2	2
41.	1.378.860	Fitting - 90 deg EVW 15 LOMD	3	3	3	3	3	3	3	3
42.	1.332.515	Hydraulic quick-coupler - 3/4-16UNF - NH	2	2	2	2	2	2	2	2
43.	1.379.537	Fitting - 3/4-16 UNF-M22X1.5A4 - NH	2	2	2	2	2	2	2	2
44.	1.379.531	Hydraulic hose - JD/MF	2	2	2	2	2	2	2	2
45.	1.379.630	Short circuit - (LEXION,AGCO)	1	1	1	1	1	1	1	1

2021->

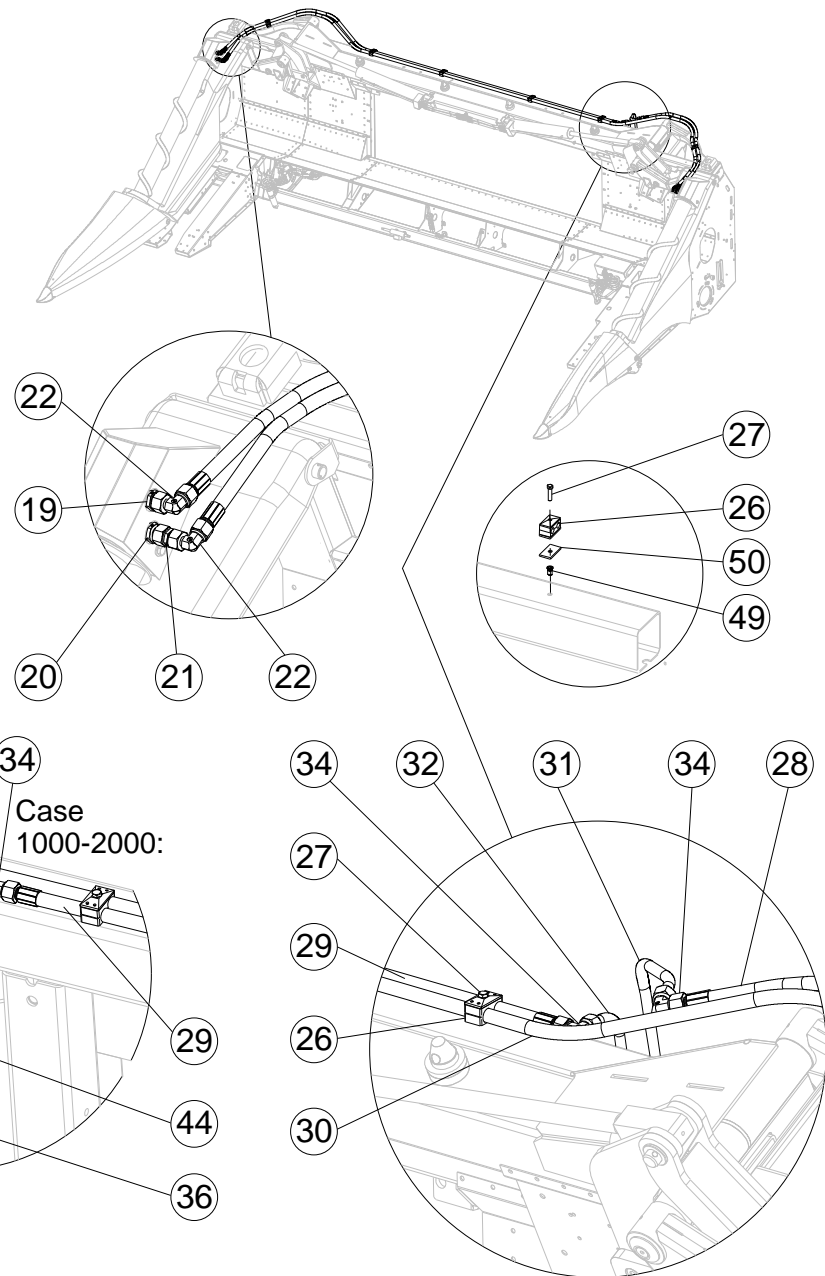
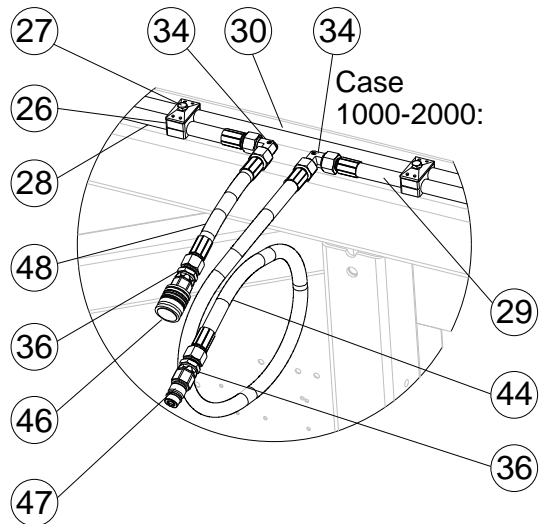
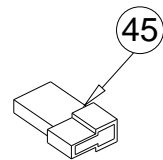
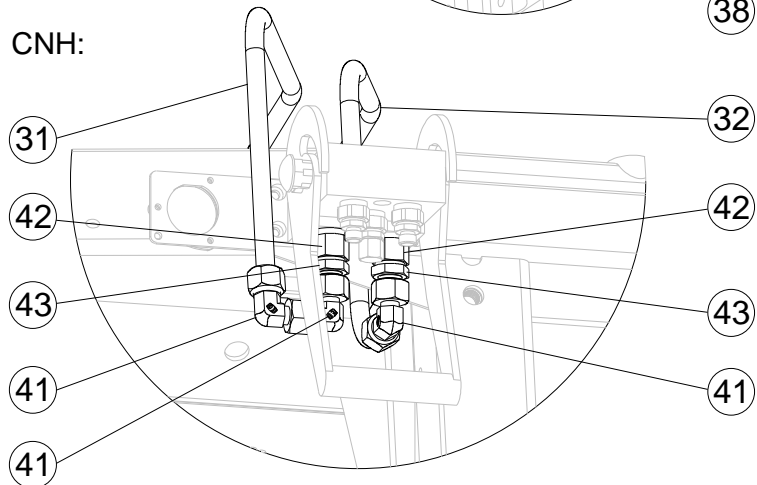
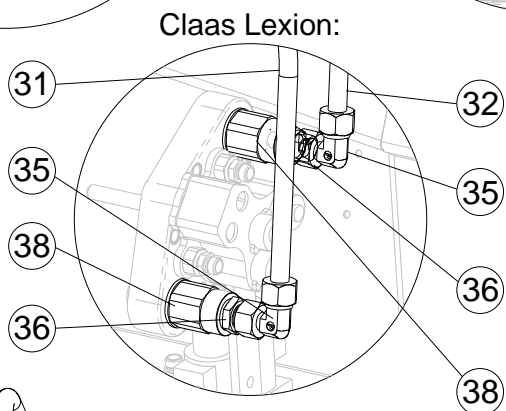
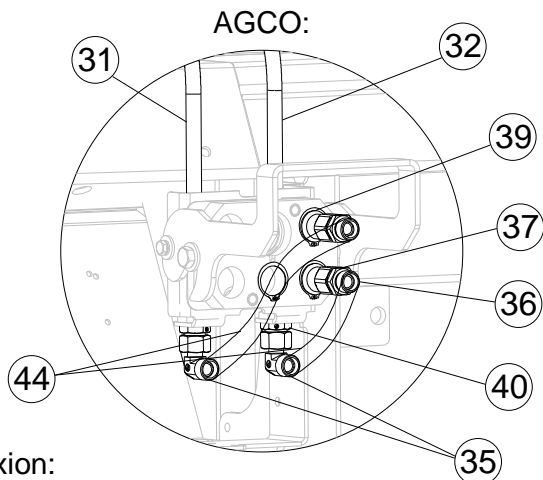
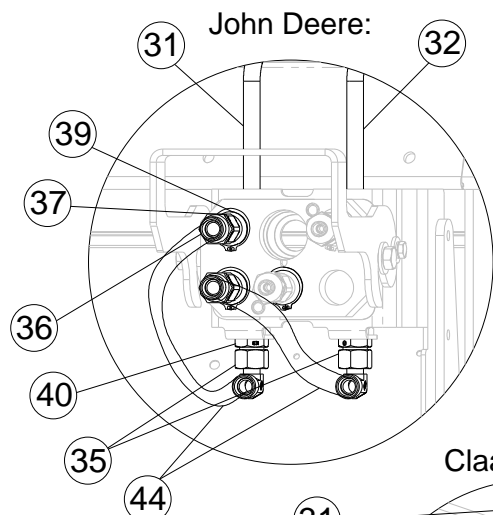


Ref.	Part number	Description	C3008F C3008CF	C3012F C3012CF	C3006 C3006C	C2208 C2208C	C3008 C3008C	C3808 C3808C	C2012 C2012C	C2212 C2212C	C3012 C3012C	C3812 C3812C	C3016 C3016C	C2018 C2018C	C2218 C2218C
19.	1.378.858	Fitting - GE 15 LREDDMD	2	2	2	2	2	2	2	2	2	2	2	2	2
20.	1.378.859	Fitting - EVGE 15 LRED	2	2	2	2	2	2	2	2	2	2	2	2	2
21.	1.378.861	Fitting - GE 15 LCF	2	2	2	2	2	2	2	2	2	2	2	2	2
22.	1.378.860	Fitting - 90 deg EVW 15 LOMD	4	4	4	4	4	4	4	4	4	4	4	4	4
26.	97308040102	Clamp 18	8	12	8	8	8	12	8	8	12	12	12	12	12
27.	79308005566	Hex bolt - M8X55 - DIN931/8.8	8	12	8	8	8	12	8	8	12	12	12	12	12
*28.	1.379.551	Hydraulic hose - LEXION/JD/MF/NH	-	-	-	-	-	-	-	-	1	-	-	-	-
*28.	1.379.682	Hydraulic hose - LEXION/JD/MF/NH	-	-	-	-	-	-	-	-	-	-	1	-	-
*28.	1.373.283	Hydraulic hose - LEXION/JD/MF/NH	-	-	-	1	-	-	-	-	-	-	-	-	-
*28.	1.373.280	Hydraulic hose - LEXION/JD/MF/NH	-	-	-	-	-	1	-	-	-	-	-	-	-
*28.	1.373.277	Hydraulic hose - LEXION/JD/MF/NH	1	-	-	-	-	-	-	1	-	-	-	-	-
*28.	1.372.420	Hydraulic hose - LEXION/JD/MF/NH	-	-	-	-	1	-	-	-	-	-	-	-	-
*28.	1.372.778	Hydraulic hose - LEXION/JD/MF/NH	-	-	-	-	-	1	-	-	-	-	-	-	-
*28.	1.379.530	Hydraulic hose - LEXION/JD/MF/NH	-	-	-	-	-	-	-	-	-	-	-	1	-
*28.	1.379.572	Hydraulic hose - LEXION/JD/MF/NH	-	-	-	-	-	-	-	-	-	1	-	-	-
*28.	1.379.573	Hydraulic hose - LEXION/JD/MF/NH	-	1	-	-	-	-	-	-	-	-	-	-	-
*28.	1.379.757	Hydraulic hose - LEXION/JD/MF/NH	-	-	-	-	-	-	-	-	-	-	-	-	1
*28.	1.373.594	Hydraulic hose - 1SNDN12-1215	-	-	1	-	-	-	-	-	-	-	-	-	-
29.	1.379.530	Hydraulic hose - LEXION/JD/MF/NH	-	-	1	-	-	-	-	-	-	-	-	-	-
28.	1.379.541	Hydraulic hose - LEXION/JD/MF/NH	1	-	-	-	-	-	-	-	-	-	-	-	-
29.	1.379.553	Hydraulic hose - LEXION/JD/MF/NH	-	-	-	-	-	-	-	-	1	-	-	-	-
29.	1.372.422	Hydraulic hose - LEXION/JD/MF/NH	-	-	-	-	1	-	-	-	-	-	-	-	-
29.	1.372.780	Hydraulic hose - LEXION/JD/MF/NH	-	-	-	-	-	1	-	-	-	-	-	-	-
29.	1.379.684	Hydraulic hose - LEXION/JD/MF/NH	-	-	-	-	-	-	-	-	-	-	1	-	-
29.	1.373.282	Hydraulic hose - LEXION/JD/MF/NH	-	-	-	1	-	-	-	-	-	-	-	-	-
29.	1.373.279	Hydraulic hose - LEXION/JD/MF/NH	1	-	-	-	-	-	1	-	-	-	-	-	-
29.	1.373.276	Hydraulic hose - LEXION/JD/MF/NH	-	-	-	-	-	-	-	1	-	-	-	-	-
29.	1.373.599	Hydraulic hose - 1SNDN12-6110	-	-	-	-	-	-	-	-	-	-	-	1	-
29.	1.372.645	Hydraulic hose - 1SNDN12-5995	-	1	-	-	-	-	-	-	-	-	-	-	-
29.	1.372.675	Hydraulic hose - 1SNDN12-7033	-	-	-	-	-	-	-	-	-	1	-	-	-
29.	1.371.632	Hydraulic hose - LEXION/JD/MF/CNH	-	-	-	-	-	-	-	-	-	-	-	-	1
30.	1.379.528	Hydraulic hose - LEXION/JD/MF/NH	-	-	1	-	-	-	-	-	-	-	-	-	-
30.	1.372.421	Hydraulic hose - LEXION/JD/MF/NH	-	-	-	-	1	-	-	-	-	-	-	-	-
30.	1.372.779	Hydraulic hose - LEXION/JD/MF/NH	-	-	-	-	-	1	-	-	-	-	-	-	-
30.	1.379.552	Hydraulic hose - LEXION/JD/MF/NH	-	-	-	-	-	-	-	-	1	-	-	-	-
30.	1.379.683	Hydraulic hose - LEXION/JD/MF/NH	-	-	-	-	-	-	-	-	-	-	1	-	-
30.	1.373.281	Hydraulic hose - LEXION/JD/MF/NH	-	-	-	1	-	-	-	-	-	-	-	-	-
30.	1.373.278	Hydraulic hose - LEXION/JD/MF/NH	1	-	-	-	-	-	1	-	-	-	-	-	-
30.	1.373.275	Hydraulic hose - LEXION/JD/MF/NH	-	-	-	-	-	-	-	1	-	-	-	-	-
30.	1.372.644	Hydraulic hose - 1SNDN12-9635	-	1	-	-	-	-	-	-	-	-	-	-	-
30.	1.371.629	Hydraulic hose - LEXION/JD/MF/CNH	-	-	-	-	-	-	-	-	-	1	-	-	-
30.	1.371.630	Hydraulic hose - LEXION/JD/MF/CNH	-	-	-	-	-	-	-	-	-	-	-	-	1
30.	1.371.631	Hydraulic hose - LEXION/JD/MF/CNH	-	-	-	-	-	-	-	-	-	-	-	1	-

Note: In case of C3008F and C3008CF Headers item 28 joins directly to item 41 (CNH) or to item 40 (JD,MF) or to item 35 (CLAAS) or to item 36 (CASE IH) so item 31 and one pc. of item 34 are not used for these models.

Note 1: to add Rotary end dividers R.E.D.s ex factory order the following:

1. The correct bulkhead fittings
2. The correct R.E.D. hose kit
3. Rotary End divider assembly RH and LH from Section 55 (2 items LH and RH)
4. RED poly in the correct color for RH and LH from Section 55 (2 items LH and RH)

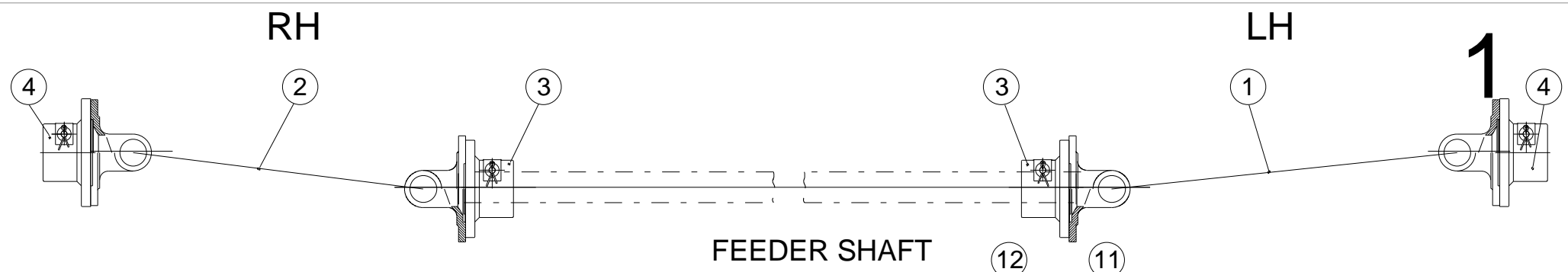


Ref.	Part number	Description		C3008F C3008CF	C3012F C3012CF	C3006 C3006C	C2208 C2208C	C3008 C3008C	C3808 C3808C	C2012 C2012C	C2212 C2212C	C3012 C3012C	C3812 C3812C	C3016 C3016C	C2018 C2018C	C2218 C2218C
31.	1.379.681	Hydraulic tube - LEXION		-	1	1	1	1	1	1	1	1	1	1	1	1
31.	1.373.287	Hydraulic tube - JD/MF		-	1	1	1	1	1	1	1	1	1	1	1	1
31.	1.373.289	Hydraulic tube - NH		-	1	1	1	1	1	1	1	1	1	1	1	1
32.	1.379.680	Hydraulic tube - LEXION		1	1	1	1	1	1	1	1	1	1	1	1	1
32.	1.373.288	Hydraulic tube - JD/MF		1	1	1	1	1	1	1	1	1	1	1	1	1
32.	1.373.290	Hydraulic tube - NH		1	1	1	1	1	1	1	1	1	1	1	1	1
34.	1.379.524	Fitting - 90 deg W 15LCF - LEXION/JD/MF/NH		1	2	2	2	2	2	2	2	2	2	2	2	2
35.	1.378.860	Fitting - 90 deg EVW 15 LOMD		2	2	2	2	2	2	2	2	2	2	2	2	2
36.	1.379.292	Fitting - 7/8-14UNF-M22X1.5 - LEXION/JD/MF		2	2	2	2	2	2	2	2	2	2	2	2	2
37.	1.329.890	Hydraulic quick-coupler		2	2	2	2	2	2	2	2	2	2	2	2	2
38.	91668372320	Hydraulic quick-coupler - LEXION		2	2	2	2	2	2	2	2	2	2	2	2	2
39.	1.327.052	Retainer ring - external - D32X1.3 - DIN471		2	2	2	2	2	2	2	2	2	2	2	2	2
40.	1.379.525	Fitting - bulkhead - SV 15-PL - JD/MF		2	2	2	2	2	2	2	2	2	2	2	2	2
41.	1.378.860	Fitting - 90 deg EVW 15 LOMD		3	3	3	3	3	3	3	3	3	3	3	3	3
42.	1.332.515	Hydraulic quick-coupler - 3/4-16UNF - NH		2	2	2	2	2	2	2	2	2	2	2	2	2
43.	1.379.537	Fitting - 3/4-16 UNF-M22X1.5A4 - NH		2	2	2	2	2	2	2	2	2	2	2	2	2
44.	1.379.531	Hydraulic hose - JD/MF		2	2	2	2	2	2	2	2	2	2	2	2	2
44.	1.379.531	Hydraulic hose - JD/MF		1	1	1	1	1	1	1	1	1	1	1	1	1
45.	1.379.630	Short circuit - (LEXION,AGCO)		1	1	1	1	1	1	1	1	1	1	1	1	1
46.	1.314.987	Hydraulic quick-coupler - female - 1282338 C91		1	1	1	1	1	1	1	1	1	1	1	1	1
47.	1.315.905	Hydraulic quick-coupler - male - 1272399 C2		1	1	1	1	1	1	1	1	1	1	1	1	1
48.	1.372.678	Hydraulic hose - 1SNDN12-250		-	1	1	1	1	1	1	1	1	1	1	1	1
49.	70800942558	Rivet nut - M8		8	12	8	8	8	8	8	8	8	12	12	12	12
50.	1.371.654	Washer	2021?	8	12	8	8	8	8	8	8	8	12	12	12	12
-	1.372.685	JD, MF Bulkhead fittings (items 31, 32, 35,36,37,39,40,44)		1	1	1	1	1	1	1	1	1	1	1	1	1
-	1.372.686	LEXION Bulkhead fittings (items 31,32,35,36,38)		1	1	1	1	1	1	1	1	1	1	1	1	1
-	1.372.687	CNH Bulkhead fittings (items 31,32,41,42,43)		1	1	1	1	1	1	1	1	1	1	1	1	1
-	1.372.688	CASE IH Bulkhead fittings (items 36,44,46,47,48)		1	1	1	1	1	1	1	1	1	1	1	1	1
-	1.372.803	RED hose kit 4+2x2R/76,2 - 80 cm (items 26 - 30, 34, 49)		1	-	-	-	-	-	-	-	-	-	-	-	-
-	1.372.804	RED hose kit 6+2x3R/76,2 cm (items 26 - 30, 34, 49)		-	1	-	-	-	-	-	-	-	-	-	-	-
-	1.372.805	RED hose kit 6R/76,2 cm (items 26 - 30, 34, 49)		-	-	1	-	-	-	-	-	-	-	-	-	-
-	1.372.806	RED hose kit 8R/55,6 cm (items 26 - 30, 34, 49)		-	-	-	1	-	-	-	-	-	-	-	-	-
-	1.372.807	RED hose kit 8R/76,2 cm (items 26 - 30, 34, 49)		-	-	-	-	1	-	-	-	-	-	-	-	-
-	1.372.808	RED hose kit 12R/50,8 cm (items 26 - 30, 34, 49)		-	-	-	-	-	-	1	-	-	-	-	-	-
-	1.372.809	RED hose kit 12R/55,6 cm (items 26 - 30, 34, 49)		-	-	-	-	-	-	-	1	-	-	-	-	-
-	1.372.810	RED hose kit 12R/76,2 cm (items 26 - 30, 34, 49)		-	-	-	-	-	-	-	-	1	-	-	-	-
-	1.372.821	RED hose kit 8R/96,5 cm (items 26 - 30, 34, 49)		-	-	-	-	-	1	-	-	-	-	-	-	-
-	1.371.642	RED hose kit 12R/96,5 cm (items 26 - 30, 34, 49)		-	-	-	-	-	-	-	-	-	1	-	-	-
-	1.371.643	RED hose kit 16R/76,2 cm (items 26 - 30, 34, 49)		-	-	-	-	-	-	-	-	-	-	1	-	-
-	1.371.644	RED hose kit 18R/50,8 cm (items 26 - 30, 34, 49)		-	-	-	-	-	-	-	-	-	-	-	1	-
-	1.371.645	RED hose kit 18R/55,6 cm (items 26 - 30, 34, 49)		-	-	-	-	-	-	-	-	-	-	-	-	1

Note: In case of C3008F and C3008CF Headers item 28 joins directly to item 41 (CNH) or to item 40 (JD,MF) or to item 35 (CLAAS) or to item 36 (CASE IH) so item 31 and one pc. of item 34 are not used for these models.

Note 1: to add Rotary end dividers R.E.D.s ex factory order the following:

1. The correct bulkhead fittings
2. The correct R.E.D. hose kit
3. Rotary End divider assembly RH and LH from Section 55 (2 items LH and RH)
4. RED poly in the correct color for RH and LH from Section 55 (2 items LH and RH)

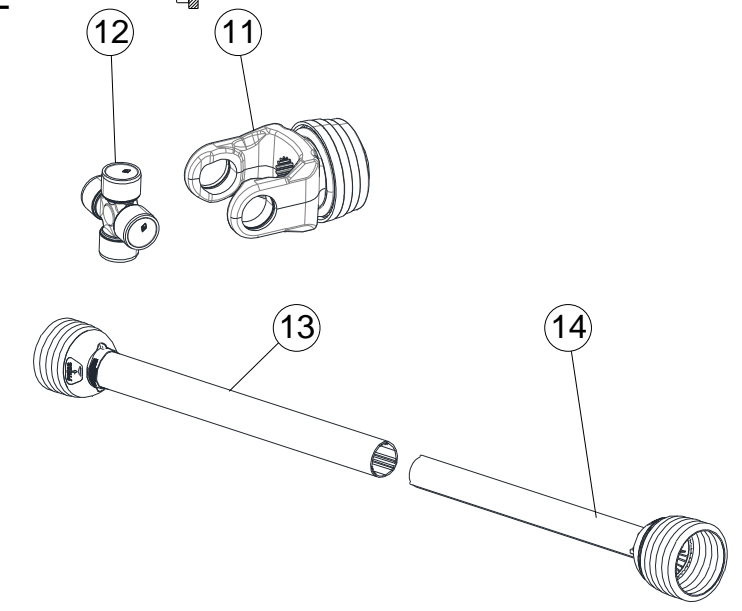


Items 1 & 2 PTO drive shaft	Item 11 Yoke	Description	Item 12 Cross kit
		1.319.154	
1.355.695	1.356.451	flange	1.353.694
1.355.698	1.356.452	21 spline l=92	1.353.694
1.355.701	1.356.452	21 spline l=92	1.353.694
1.355.706	1.356.453	6 spline l=92	1.353.694
1.355.707	1.356.454	1.125 hex l=92	1.353.694
1.355.709	1.356.452	21 spline l=92	1.353.694
1.372.280	1.372.238	21 spline l=77	1.353.694
1.372.284	1.372.237	6 spline l=77	1.353.694
1.372.602	1.372.606	20 spline l=110	1.353.694
1.372.603	1.372.606	20 spline l=110	1.353.694
1.372.605	1.372.606	20 spline l=110	1.353.694
1.372.878	1.372.606	20 spline l=110	1.353.694
1.372.879	1.372.606	20 spline l=110	1.353.694
1.373.691	1.327.662	21 spline l=112	1.353.694
1.373.692	1.327.662	21 spline l=112	1.353.694
1.373.693	1.327.662	21 spline l=112	1.353.694
1.373.694	1.327.662	21 spline l=112	1.353.694
1.373.695	1.327.662	21 spline l=112	1.353.694
1.373.697	1.327.663	6 spline l=112	1.353.694
1.373.699	1.327.663	6 spline l=112	1.353.694
1.373.700	1.327.663	6 spline l=112	1.353.694
1.373.703	1.327.664	1.125 hex l=112	1.353.694
1.373.704	1.327.664	1.125 hex l=112	1.353.694
1.373.705	1.353.755	1.26 hex l=110	1.353.694

W2400

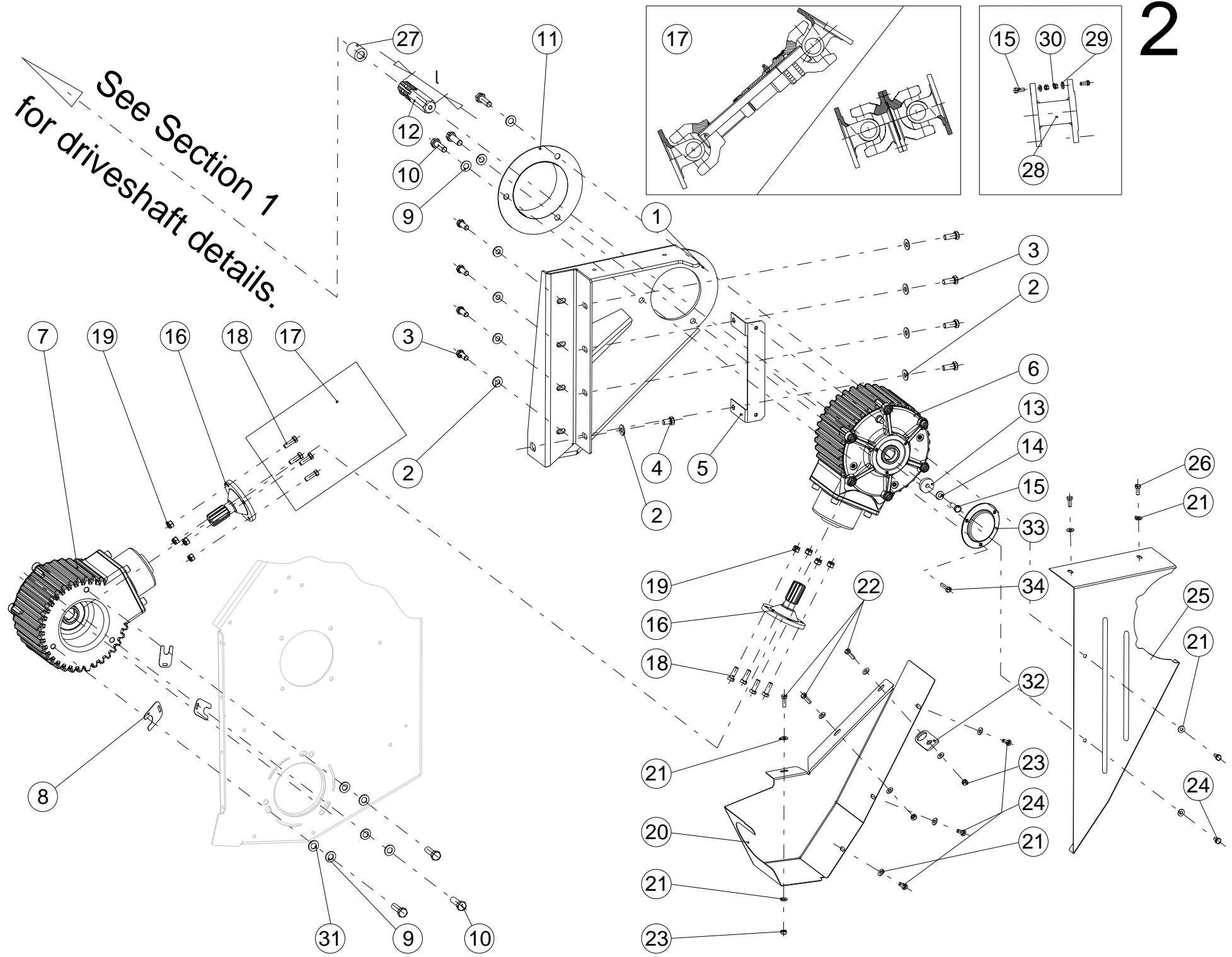
Items 1 & 2 PTO drive shaft	Item 11 Yoke	Description	Item 12 Cross kit
		1.371.611	
1.371.612	1.371.655	20 spline l=133	1.353.714
1.371.613	1.371.655	20 spline l=133	1.353.714
1.373.712	1.327.488	6 spline l=133	1.353.714
1.373.714	1.327.486	21 spline l=133	1.353.714
1.373.715	1.327.486	21 spline l=133	1.353.714
1.373.717	1.327.487	1.125 hex l=133	1.353.714
1.373.718	1.327.487	1.125 hex l=133	1.353.714
1.373.952	1.327.486	21 spline l=133	1.353.714
1.373.953	1.327.488	6 spline l=133	1.353.714
1.373.954	1.327.486	21 spline l=133	1.353.714

W2500



Type of header	Ref.	Description	CLAAS LEXION 440-460, 480, 540-560, 580,600,640- 670,770,780 760 ->2011 TUCANO 340, 440-450,470,480	CLAAS LEXION 405-430, 470, 510-530, 570 620,630,740,750 760 2012-> TUCANO 320- 330, 430	NEW H. CX, CS, CSX, CR970-980 Case AFX ->2016	NEW H. CX, CS, CSX, CR970-980 Case AFX 7020, 8020 2017->	NH CR 920-940-960 Case AFX 5088-6088- 7088 TC 5070 ->2016	NH CR 920-940-960 Case AFX 5088-6088- 7088 TC 5070 2017->	CASE IH (IHC) 1000-2000	From JD 60 - series	MF 8570	MF 8680, MF 8780, 9000 Gleaner C	Gleaner R/S/N	IDEAL
-	-	-	1 3/8" 21 spline	1 3/8" 21 spline	1 3/8" 6 spline	1 3/8" 21 spline	1 3/8" 6 spline	1 3/8" 21 spline	1 1/8" Hex	1 3/8" 21 spline	1 1/4" Hex	1 3/8" 21 spline	1 3/8" 21 spline	1 3/4" 20 spline
C3006,C3006C C2208,C2208C	1	PTO drive shaft - LH	1.373.693	1.373.693	1.373.699	1.373.693	1.373.699	1.373.693	1.373.703	1.373.692	1.373.705	1.373.692	1.373.694	1.372.602
	2	PTO drive shaft - RH	1.373.693	1.373.693	1.373.699	1.373.693	1.373.699	1.373.693	1.373.703	1.373.692	1.373.705	1.373.692	1.373.692	1.372.602
C3008,C3008C C3808,C3808C	1	PTO drive shaft - LH	1.373.694	1.373.694	1.373.700	1.373.694	1.373.700	1.373.694	1.373.704	1.373.694	-	1.373.694	1.373.695	1.372.605
	2	PTO drive shaft - RH	1.373.694	1.373.694	1.373.700	1.373.694	1.373.700	1.373.694	1.373.704	1.373.694	-	1.373.694	1.373.694	1.372.605
C3012,C3012C C2012,C2012C C2016,C2016C C3812,C3812C C3016,C3016C C2018,C2018C C2218,C2218C	1	PTO drive shaft - LH	1.373.715	1.373.715	1.373.712	1.373.715	1.373.712	1.373.715	-	1.373.715	-	1.373.715	1.373.954	1.371.613
	2	PTO drive shaft - RH	1.373.715	1.373.715	1.373.712	1.373.715	1.373.712	1.373.715	-	1.373.715	-	1.373.715	1.373.715	1.371.613
C3008F, C3008CF Interior drive	1	PTO drive shaft - LH	1.355.695	1.355.701	1.355.695	1.355.695	1.355.706	1.355.701	1.355.707	1.372.280	-	1.319.154	-	1.372.878
	2	PTO drive shaft - RH	1.355.698	1.355.709	1.355.695	1.355.695	1.355.706	1.355.701	1.355.707	1.372.280	-	1.319.154	-	1.372.879
	3	Hub assy	1.375.417	-	1.375.415	1.375.417	-	-	-	-	-	1.375.417	-	-
	4	Hub assy	-	-	-	-	-	-	-	-	-	1.375.415	-	-
C3012F, C3012CF Interior drive	1	PTO drive shaft - LH	1.373.952	1.373.952	1.373.953	1.373.952	1.373.953	1.373.952	-	1.373.714	-	1.373.714	1.373.715	1.371.612
	2	PTO drive shaft - RH	1.373.952	1.373.952	1.373.953	1.373.952	1.373.953	1.373.952	-	1.373.714	-	1.373.714	1.373.714	1.371.612
C2212,C2212C	1	PTO drive shaft - LH	1.373.952	1.373.952	1.373.953	1.373.952	1.373.953	1.373.952	1.373.717	1.373.714	-	1.373.714	1.373.715	1.371.611
	2	PTO drive shaft - RH	1.373.952	1.373.952	1.373.953	1.373.952	1.373.953	1.373.952	1.373.717	1.373.714	-	1.373.714	1.373.714	1.371.612
Feeder side SDH25-A1500	13	1.356.484												
Header side SDH25-J1500	14	1.356.485												

See Section 1
for driveshaft details.



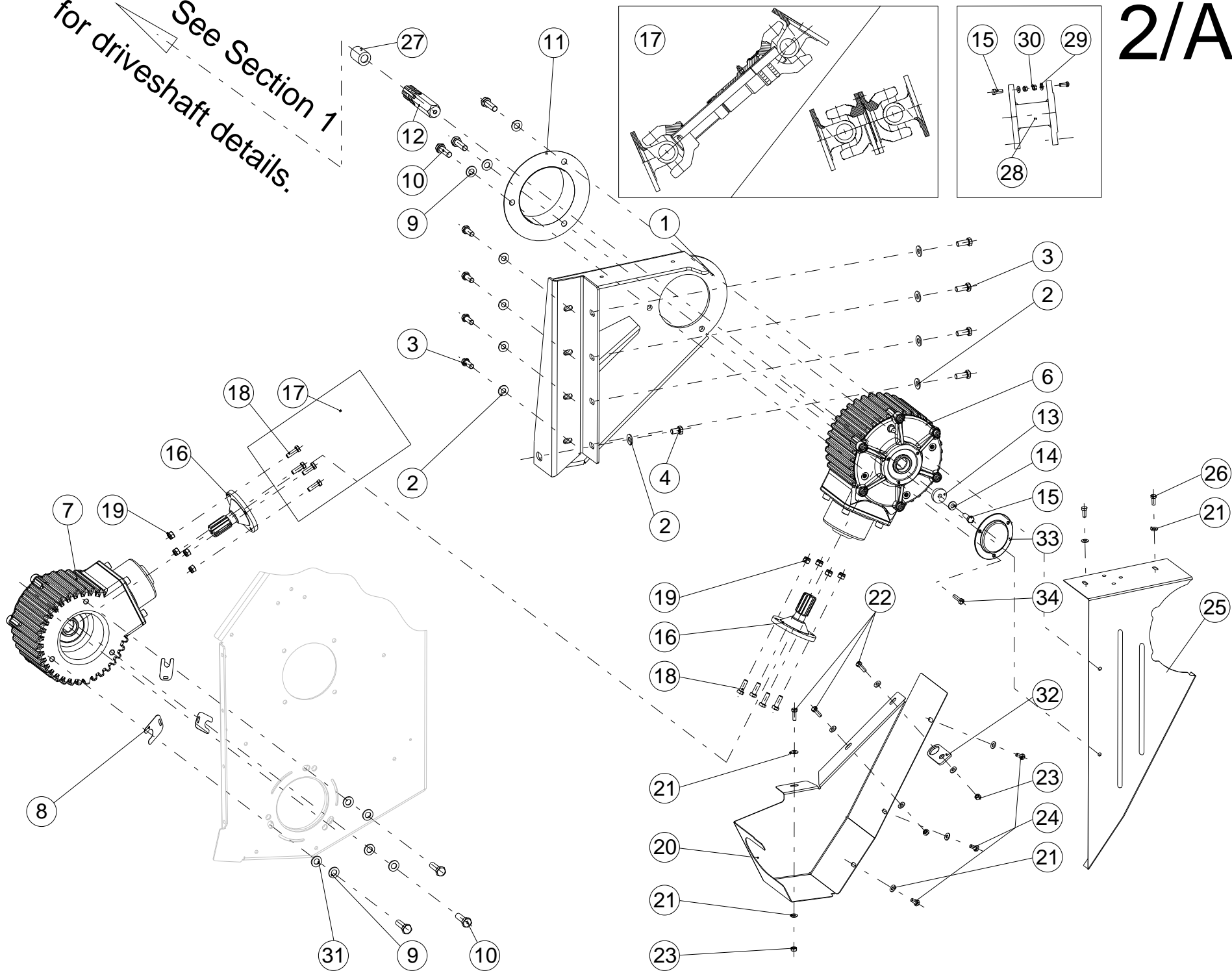
Ref.	Part number	Description		+ IHC 1000-2000 JD direct	+ CNH (VS)	+ AGCO direct	+ MF 8570	+ CAT LEXION (VS) JD (VS)	+ AGCO (VS)	+ CAT LEXION(VS) C2008,C2208 C3006,C3008F C2212,C3012F
1.	1.378.128	Console - LH		-	-	-	-	-	-	1
1.	1.378.129	Console - RH		-	-	-	-	-	-	1
**1.	1.378.136	Console - LH		-	1	-	-	-	-	-
**1.	1.378.137	Console - RH		-	1	-	-	-	-	-
1.	1.378.140	Console - LH		1	1	1	1	1	1	-
1.	1.378.141	Console - RH		1	1	1	1	1	1	-
2.	91623938961	Spring washer - A12		18	18	18	18	18	18	18
3.	79412003066	Hex head screw - M12X30 - DIN933/8.8		16	16	16	16	16	16	16
4.	79412002066	Hex bolt - M12X20 - DIN933/8.8		2	2	2	2	2	2	2
5.	1.376.446	Angle		2	2	2	2	2	2	2
6.	1.376.068	Gearbox 27/15		-	-	-	-	2	-	2
6.	1.376.070	Gearbox 27/11		2	2	2	2	-	-	-
6.	1.376.069	Gearbox 27/12		-	-	-	2	-	-	-
6.	1.373.898	Gearbox 27/18		-	-	-	-	-	2	-
7.	1.376.069	Gearbox 27/12		2	2	2	2	2	2	2
*8.	1.376.752	Shim		10	10	10	10	10	10	10
9.	91623939061	Spring washer - A14		12	12	12	12	12	12	12
10.	79414004566	Hex bolt - M14X45 - DIN933/8.8		12	12	12	12	12	12	12
11.	1.376.436	Safety tube		2	2	2	2	2	2	2
12.	1.375.973	Input shaft - (!=155)		2	2	2	2	2	2	2
12.	1.377.105	Input shaft - (!=205)		2	2	2	2	2	2	2
13.	1.376.444	Washer		2	2	2	2	2	2	2
14.	91623938861	Spring washer - 10,2X22,25X1,6 - A10		2	2	2	2	2	2	2
15.	79410003066	Hex bolt - M10X30 - DIN933/8.8		22	22	22	22	22	22	18
**15.	79410003066	Hex bolt - M10X30 - DIN933/8.8		-	18	-	-	-	-	-
16.	1.375.974	Shaft		4	4	4	4	4	4	4
17.	1.313.536	Double joint coupling		2	2	2	2	2	2	-
17.	1.355.710	Cardan shaft		-	-	-	-	-	-	2
18.	1.376.445	Hex bolt - M10X30		4	8	4	4	4	4	-
19.	70710000066	Lock nut - M10 - DIN980/8.8		24	24	24	24	24	24	16
20.	1.378.150	Shield - LH	C2008, C2008C, C2208, C2208C, C3006, C3006C, C3008F, C3008CF, C2212, C2212C, C3012F, C2012CF	-	-	-	-	-	-	1
20.	1.378.151	Shield - RH	C2008, C2208, C3006, C3008F, C2212, C3012F	-	-	-	-	-	-	1
20.	1.378.156	Shield - LH	C3006, C3006C, C2208, C2208C, C3008, C3008C, C2012, C2012C, C3008F, C3008CF, C3012F, C3012CF	1	1	1	1	1	1	-
20.	1.378.157	Shield - RH	C3006C, C2208C, C3008C, C2012C, C3008F, C3008CF, C3012F, C3012CF	1	1	1	1	1	1	-
**20.	1.378.166	Shield - LH	C3008F, C3008CF	-	1	-	-	-	-	-
**20.	1.378.167	Shield - RH	C3008F, C3008CF	-	1	-	-	-	-	-
20.	1.379.396	Shield - LH	2014-> C2008; C2208	-	-	-	-	-	-	1
20.	1.379.397	Shield - RH	2014-> C2008; C2208	-	-	-	-	-	-	1
20.	1.379.392	Shield - LH	2014-> C2008; C2208; C2012	1	1	1	1	1	1	-
20.	1.379.391	Shield - RH	2014-> C2008; C2208; C2012	1	1	1	1	1	1	-
20.	1.379.061	Shield - LH	2014-> C2212	-	-	-	-	-	-	1
20.	1.379.062	Shield - RH	2014-> C2212	-	-	-	-	-	-	1
20.	1.378.985	Shield - LH	2014-> C2212; C3016	1	1	1	1	1	1	-
20.	1.378.997	Shield - RH	2014-> C2212; C3016	1	1	1	1	1	1	-
21.	91623938761	Spring washer - 8X18 M8 - A8		22	22	22	22	22	22	26
22.	79408002566	Hex head screw - M8X25 - DIN933/8.8		4	4	4	4	4	4	6

Note: * Application of item 8 is depends on the backlash of the gears, quantities are not depend on the type of corn head. For item 12 & 27: 1.377.105 and 1.377.106 in case of (C3008FE) folding machines with exterior drive only. For item 31: for fix and folding machines with exterior drive only.
** marked items are used for " 6308F mounted to CNH combines" only.
+ All quantities are for double drive headers. Single drive will require fewer of some items. Consult table on page (2) to verify drive quantity.

Ref.	Part number	Description		+	+	+	+	+	+	+
				IHC 1000-2000 JD direct	CNH (VS)	AGCO direct	MF 8570	CAT LEXION (VS) JD (VS)	AGCO (VS)	CAT LEXION(VS) C2008,C2208 C3006,C3008F C2212,C3012F
23.	73508000066	Hex nut - M8 - DIN934		4	4	4	4	4	4	6
24.	79408001666	Hex head screw - M8X16 - DIN933/8.8		8	8	8	8	8	8	10
25.	1.378.148	Shield - LH	C2008, C2008C, C2208, C2208C, C3006, C3006C, C3008F, C3008CF, C2212, C2212C, C3012F, C2012CF	-	-	-	-	-	-	1
25.	1.378.149	Shield - RH	C2008, C2208, C3006, C3008F, C2212, C3012F	-	-	-	-	-	-	1
25.	1.378.154	Shield - LH	C3006, C3006C, C2208, C2208C, C3008, C3008C, C2012, C2012C, C3008F, C3008CF, C3012F, C3012CF	1	1	1	1	1	1	-
25.	1.378.155	Shield - RH	C3006C, C2208C, C3008C, C2012C, C3008F, C3008CF, C3012F, C3012CF	1	1	1	1	1	1	-
**25.	1.378.164	Shield - LH	C3008F, C3008CF	-	1	-	-	-	-	-
**25.	1.378.165	Shield - RH	C3008F, C3008CF	-	1	-	-	-	-	-
25.	1.379.063	Shield - LH	2014-> C2212	-	-	-	-	-	-	1
25.	1.379.064	Shield - RH	2014-> C2212	-	-	-	-	-	-	1
25.	1.378.987	Shield - LH	2014-> C2212; C3016	1	1	1	1	1	1	-
25.	1.378.999	Shield - RH	2014-> C2212; C3016	1	1	1	1	1	1	-
26.	79408002066	Hex bolt - M8X20 - DIN933/8.8		6	6	6	6	6	6	4
27.	1.377.106	Spacer		2	2	2	2	2	2	2
28.	1.319.873	Distance piece	2010 - 2015.	-	2	-	-	-	-	-
29.	72210000060	Spring washer - M10 - DIN128/A		-	16	-	-	-	-	-
30.	73510000066	Hex nut - M10 - DIN934		-	16	-	-	-	-	-
31.	1.378.760	Washer		6	6	6	6	6	6	6
32.	1.379.146	Loop		2	2	2	2	2	2	2
33.	1.379.634	Cover	2014->2015.	2	2	2	2	2	2	2
33.	1.372.314	Cover	2016->	2	2	2	2	2	2	2
34.	79406001066	Hex bolt - M6X10 - DIN933/8.8	2014->	6	6	6	6	6	6	6

Note: * Application of item 8 is depends on the backlash of the gears, quantities are not depend on the type of corn head. For item 12 & 27: 1.377.105 and 1.377.106 in case of (C3008FE) folding machines with exterior drive only. For item 31: for fix and folding machines with exterior drive only.
 ** marked items are used for " 6308F mounted to CNH combines" only.
 + All quantities are for double drive headers. Single drive will require fewer of some items. Consult table on page (2) to verify drive quantity.

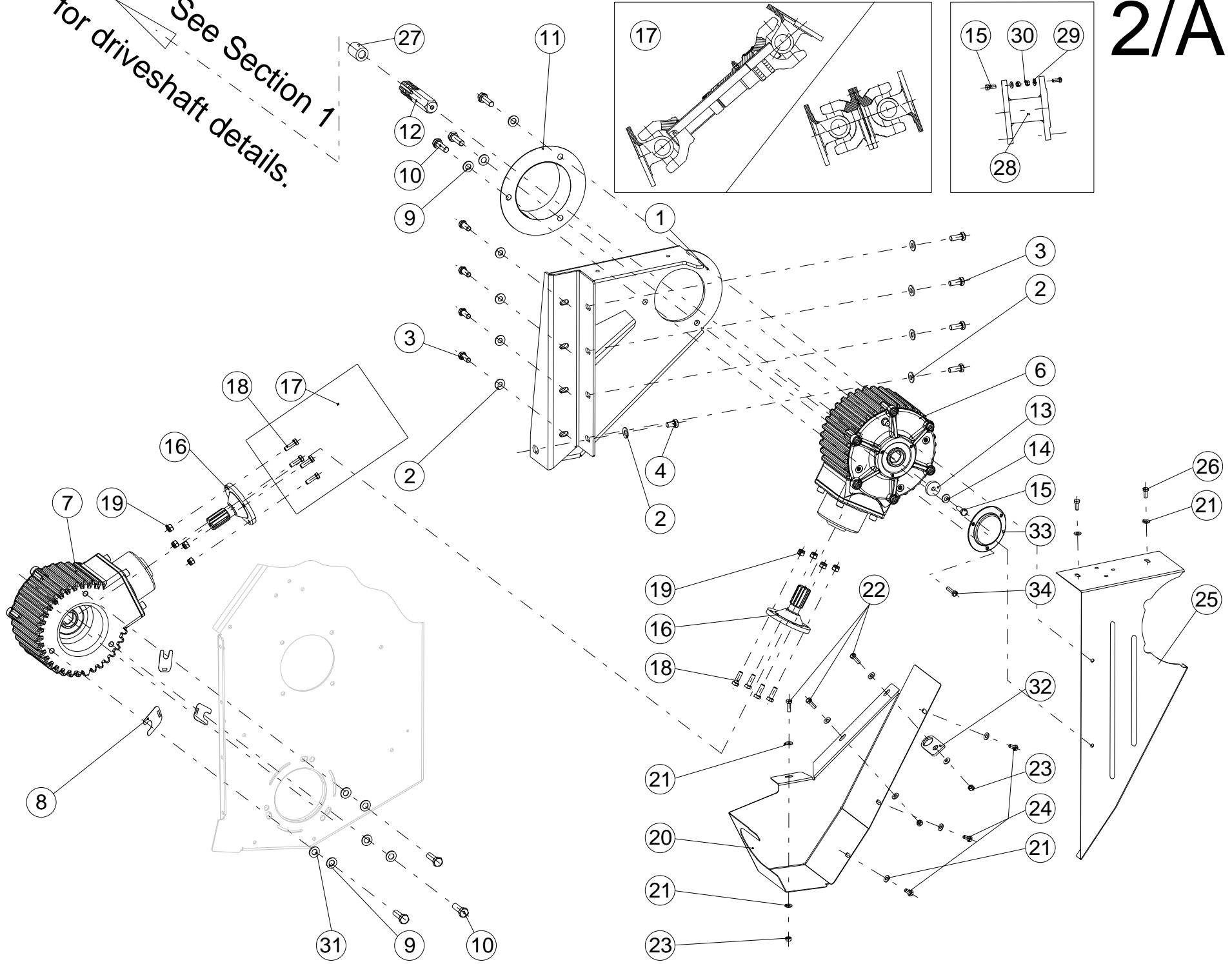
See Section 1
for driveshaft details.



Ref.	Part number	Description		+ 1000-2000 JD direct	+ CNH (VS)	+ AGCO direct JD (VS)	+ AGCO (VS)	+ CAT LEXION (VS)	+ CAT LEXION(VS) C2008,C2208 C3006,C3008F C2212,C3012F
1.	1.378.128	Console - LH		-	-	-	-	-	1
1.	1.378.129	Console - RH		-	-	-	-	-	1
1.	1.378.140	Console - LH		1	1	1	1	1	-
1.	1.378.141	Console - RH		1	1	1	1	1	-
***1.	1.372.245	Console - LH	C3008F, C3008CF	-	1	-	-	-	-
***1.	1.372.246	Console - RH	C3008F, C3008CF	-	1	-	-	-	-
2.	91623938961	Spring washer - A12		16	16	16	16	16	16
3.	79412003066	Hex head screw - M12X30 - DIN933/8.8		16	16	16	16	16	16
4.	79412002066	Hex bolt - M12X20 - DIN933/8.8		2	2	2	2	2	2
6.	1.376.070	Gearbox 27/11		2	-	-	-	-	-
6.	1.376.068	Gearbox 27/15		-	-	2	-	2	2
6.	1.376.069	Gearbox 27/12		-	2	-	-	-	-
6.	1.373.898	Gearbox 27/18		-	-	-	2	-	-
7.	1.376.069	Gearbox 27/12		2	2	2	2	2	2
*8.	1.376.752	Shim		10	10	10	10	10	10
9.	91623939061	Spring washer - A14		12	12	12	12	12	12
10.	79414004566	Hex bolt - M14X45 - DIN933/8.8		12	12	12	12	12	12
11.	1.376.436	Safety tube		2	2	2	2	2	2
12.	1.375.973	Input shaft - (I=155)		2	2	2	2	2	2
**12.	1.377.105	Input shaft - (I=205)		2	2	2	2	2	2
****12.	1.372.371	Input shaft - (I=139,5)		2	-	2	-	-	-
13.	1.376.444	Washer		2	2	2	2	2	2
14.	91623938861	Spring washer - 10,2X22,25X1,6 - A10		2	2	2	2	2	2
15.	79410003066	Hex bolt - M10X30 - DIN933/8.8		22	22	22	22	22	18
15.	79410003066	Hex bolt - M10X30 - DIN933/8.8		-	18	-	-	-	-
16.	1.375.974	Shaft		4	4	4	4	4	4
17.	1.313.536	Double joint coupling		2	2	2	2	2	-
17.	1.355.710	Cardan shaft		-	-	-	-	-	2
18.	1.376.445	Hex bolt - M10X30		4	8	4	4	4	-
19.	70710000066	Lock nut - M10 - DIN980/8.8		24	24	24	24	24	16
***20.	1.372.248	Shield - LH	C3008F, C3008CF	-	1	-	-	-	-
***20.	1.372.251	Shield - RH	C3008F, C3008CF	-	1	-	-	-	-
20.	1.379.396	Shield - LH	C3006, C3006C, C2208, C2208C, C3008F, C3008CF, C3012F, C3012CF	-	-	-	-	-	1
20.	1.379.397	Shield - RH	C3006C, C2208C, C3008F, C3008CF, C3012F, C3012CF	-	-	-	-	-	1
20.	1.379.392	Shield - LH	C3006, C3006C, C2208, C2208C, C3008, C3008C, C2012, C2012C, C3008F, C3008CF, C3012F, C3012CF	1	1	1	1	1	-
20.	1.379.391	Shield - RH	C3006C, C2208C, C3008C, C2012C, C3008F, C3008CF, C3012F, C3012CF	1	1	1	1	1	-
20.	1.379.060	Shield - LH	C3808, C3808C, C2212, C2212C, C3012, C3012C, C3812, C3812C, C3016, C3016C, C2018, C2018C, C2218, C2218C	-	-	-	-	-	1
20.	1.379.062	Shield - RH	C3808C, C2212C, C3012, C3012C, C3812, C3812C, C3016, C3016C, C2018, C2018C, C2218, C2218C	-	-	-	-	-	1
20.	1.378.985	Shield - LH	C3808, C3808C, C2212, C2212C, C3012, C3012C, C3812, C3812C, C3016, C3016C, C2018, C2018C, C2218, C2218C	1	1	1	1	1	-
20.	1.378.997	Shield - RH	C3808C, C2212C, C3012, C3012C, C3812, C3812C, C3016, C3016C, C2018, C2018C, C2218, C2218C	1	1	1	1	1	-
21.	91623938761	Spring washer - 8X18 M8 - A8		22	22	22	22	22	26

Note: * Application of item 8 depends on the backlash of the gears, quantities do not depend on the type of corn head.
** For 12&27: 1.377.105 and 1.377.106 in case of (C3008FE) folding machines with exterior drive only.
*** marked items are used for "C3008F mounted to CNH combines" only.
**** For C3006F & C3008F Corn Heads mounted to JD combines (except Contour Master) with lateral tilt function only.
+ All quantities are for double drive headers. Single drive will require fewer of some items. Consult table on page (2) to verify drive quantity.

See Section 1
for driveshaft details.



Ref.	Part number	Description		+ CASE IH 1000-2000 JD direct	+ CNH (VS)	+ AGCO direct JD (VS)	+ AGCO (VS)	+ CAT LEXION (VS)	+ CAT LEXION(VS) C2008,C2208 C3006,C3008F C2212,C3012F
22.	79408002566	Hex head screw - M8X25 - DIN933/8.8		4	4	4	4	4	6
23.	73508000066	Hex nut - M8 - DIN934		4	4	4	4	4	6
24.	79408001666	Hex head screw - M8X16 - DIN933/8.8		8	8	8	8	8	10
***25.	1.372.247	Shield - LH	C3008F, C3008CF	-	1	-	-	-	-
***25.	1.372.250	Shield - RH	C3008F, C3008CF	-	1	-	-	-	-
25.	1.378.148	Shield - LH	C3006, C3006C, C2208, C2208C, C3008F, C3008CF, C3012F, C3012CF	-	-	-	-	-	1
25.	1.378.149	Shield - RH	C3006C, C2208C, C3008F, C3008CF, C3012F, C3012CF	-	-	-	-	-	1
25.	1.378.154	Shield - LH	C3006, C3006C, C2208, C2208C, C3008, C3008C, C2012, C2012C, C3008F, C3008CF, C3012F, C3012CF	1	1	1	1	1	-
25.	1.378.155	Shield - RH	C3006C, C2208C, C3008C, C2012C, C3008F, C3008CF, C3012F, C3012CF	1	1	1	1	1	-
25.	1.379.063	Shield - LH	C3808, C3808C, C2212, C2212C, C3012, C3012C, C3812, C3812C, C3016, C3016C, C2018, C2018C, C2218, C2218C	-	-	-	-	-	1
25.	1.379.064	Shield - RH	C3808C, C2212C, C3012, C3012C, C3812, C3812C, C3016, C3016C, C2018, C2018C, C2218, C2218C	-	-	-	-	-	1
25.	1.378.987	Shield - LH	C3808, C3808C, C2212, C2212C, C3012, C3012C, C3812, C3812C, C3016, C3016C, C2018, C2018C, C2218, C2218C	1	1	1	1	1	-
25.	1.378.999	Shield - RH	C3808C, C2212C, C3012, C3012C, C3812, C3812C, C3016, C3016C, C2018, C2018C, C2218, C2218C	1	1	1	1	1	-
26.	79408002066	Hex bolt - M8X20 - DIN933/8.8		6	6	6	6	6	4
**27.	1.377.106	Spacer		2	2	2	2	2	2
***28.	1.327.806	Bridge-piece		-	2	-	-	-	-
***29.	72210000060	Spring washer - M10 - DIN128/A		-	16	-	-	-	-
***30.	73510000066	Hex nut - M10 - DIN934		-	16	-	-	-	-
31.	1.378.760	Washer		6	6	6	6	6	6
32.	1.379.146	Loop		2	2	2	2	2	2
33.	1.372.314	Cover		2	2	2	2	2	2
34.	79406001066	Hex bolt - M6X10 - DIN933/8.8		6	6	6	6	6	6
-	1.372.709	Gearbox Bracket kit left (items 1-3,9-10,13-15,17-23,25-26,33-34)	C3006, C3006C, C2208, C2208C, C3008, C3008C, C2012, C2012C, C3012F, C3012CF	1	1	1	1	1	-
-	1.372.710	Gearbox Bracket kit right (items 1-3,9-10,13-15,17-23,25-26,33-34)	C3006C, C2208C, C3008C, C2012C, C3012F, C3012CF	1	1	1	1	1	-
-	1.372.709	Gearbox Bracket kit left (items 1-3,9-10,13-15,17-23,25-26,33-34)	C3008F, C3008CF	1	-	1	1	-	-
-	1.372.710	Gearbox Bracket kit right (items 1-3,9-10,13-15,17-23,25-26,33-34)	C3008F, C3008CF	1	-	1	1	-	-
***-	1.372.717	Gearbox Bracket kit left/right (items 1-3,9-10,13-15,17-23,25-26,33-34)	C3008F, C3008CF	-	1	-	-	-	-
-	1.372.711	Gearbox Bracket kit left (items 1-3,9-10,13-15,17-23,25-26,33-34)	C3808, C3808C, C2212, C2212C, C3012, C3012C, C3812, C3812C, C3016, C3016C, C2018, C2018C, C2218, C2218C	1	1	1	1	1	-
-	1.372.712	Gearbox Bracket kit right (items 1-3,9-10,13-15,17-23,25-26,33-34)	C3808C, C2212C, C3012, C3012C, C3812, C3812C, C3016, C3016C, C2018, C2018C, C2218, C2218C	1	1	1	1	1	-
-	1.372.713	Gearbox Bracket kit left (LEXION group) (items 1-3,9-10,13-15,17-23,25-26,33-34)	C3006, C3006C, C2208, C2208C, C3008F, C3008CF, C3012F, C3012CF	-	-	-	-	-	1
-	1.372.714	Gearbox Bracket kit right (LEXION group) (items 1-3,9-10,13-15,17-23,25-26,33-34)	C3006C, C2208C, C3008F, C3008CF, C3012F, C3012CF	-	-	-	-	-	1
-	1.372.715	Gearbox Bracket kit left (LEXION group) (items 1-3,9-10,13-15,17-23,25-26,33-34)	C3808, C3808C, C2212, C2212C, C3012, C3012C, C3812, C3812C, C3016, C3016C, C2018, C2018C, C2218, C2218C	-	-	-	-	-	1

Note: * Application of item 8 depends on the backlash of the gears, quantities do not depend on the type of corn head.

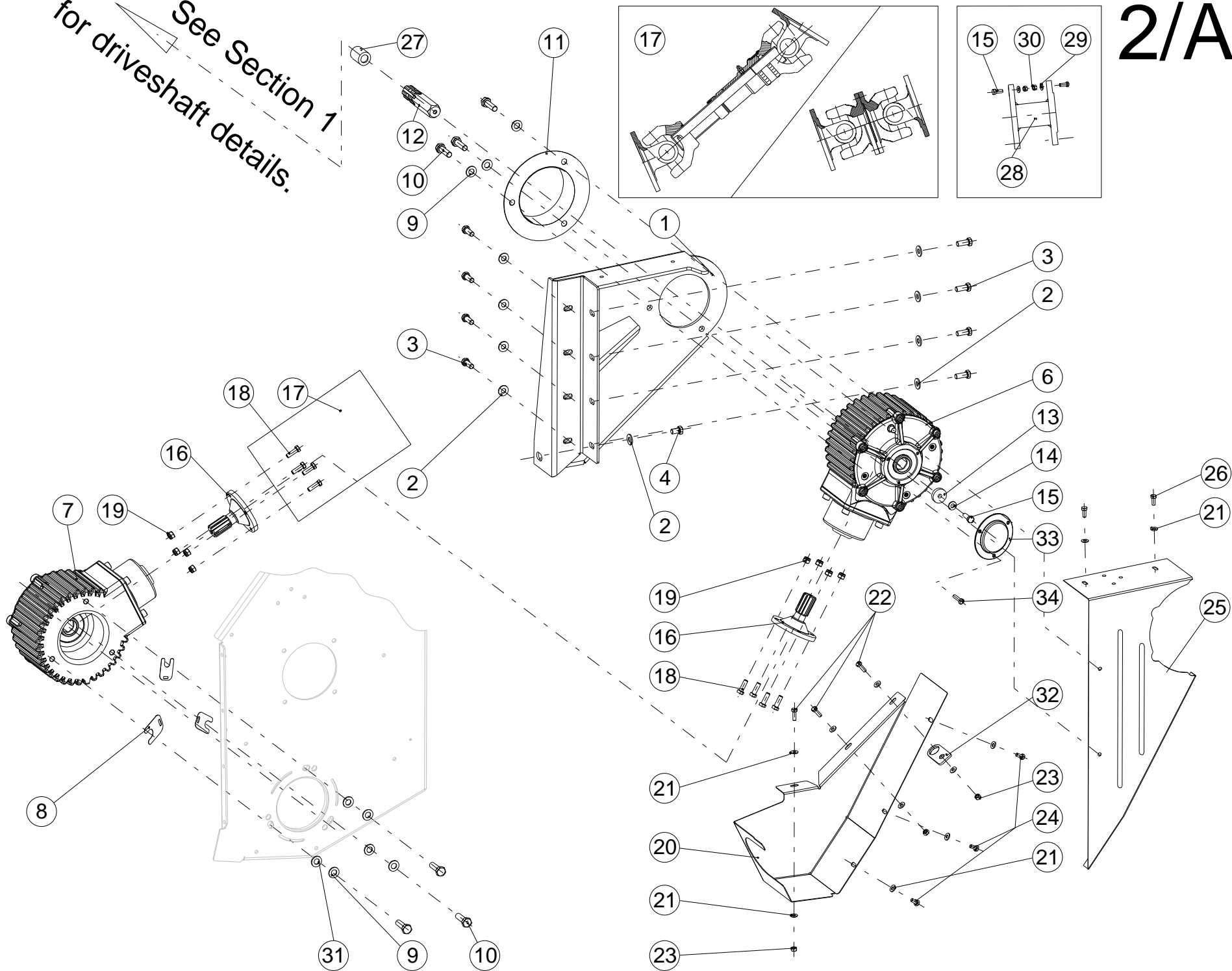
** For 12&27: 1.377.105 and 1.377.106 in case of (C3008FE) folding machines with exterior drive only.

*** marked items are used for "C3008F mounted to CNH combines" only.

**** For C3006F & C3008F Corn Heads mounted to JD combines (except Contour Master) with lateral tilt function only.

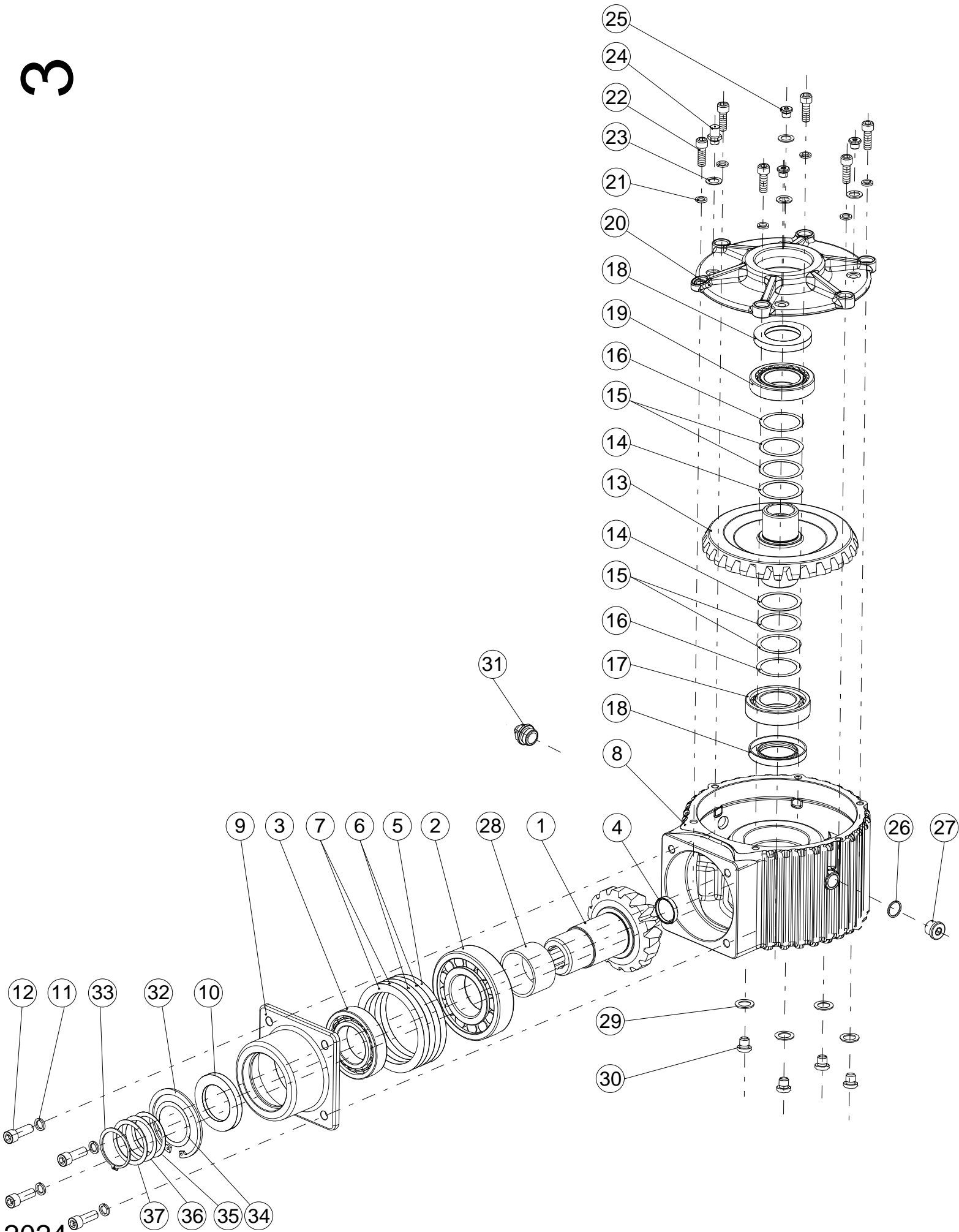
+ All quantities are for double drive headers. Single drive will require fewer of some items. Consult table on page (2) to verify drive quantity.

See Section 1
for driveshaft details.



Ref.	Part number	Description		+	+	+	+	+	+
				CASE IH 1000-2000 JD direct	CNH (VS)	AGCO direct JD (VS)	AGCO (VS)	CAT LEXION (VS)	CAT LEXION(VS) C2008,C2208 C3006,C3008F C2212,C3012F
-	1.372.716	Gearbox Bracket kit right (LEXION group) (items 1-3,9-10,13-15,17-23,25-26,33-34)	C3808C, C2212C, C3012, C3012C, C3812, C3812C, C3016, C3016C, C2018, C2018C, C2218, C2218C	-	-	-	-	-	1

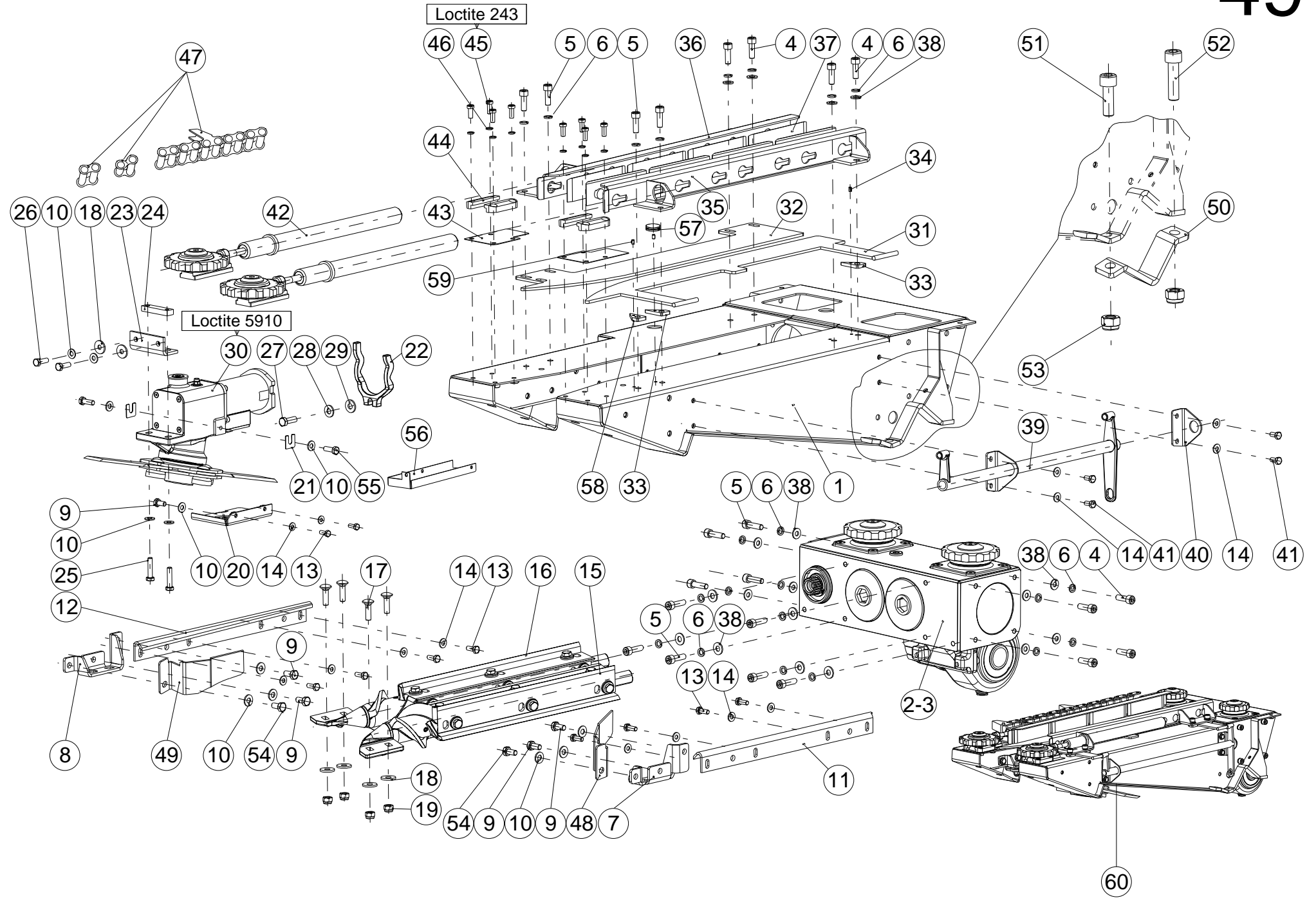
Note: * Application of item 8 depends on the backlash of the gears,
quantities do not depend on the type of corn head.
** For 12&27: 1.377.105 and 1.377.106 in case of (C3008FE) folding machines with exterior drive only.
*** marked items are used for "C3008F mounted to CNH combines" only.
**** For C3006F & C3008F Corn Heads mounted to JD combines (except Contour Master) with lateral tilt
function only.
+ All quantities are for double drive headers. Single drive will require fewer of some items. Consult
table on page (2) to verify drive quantity.



2024.

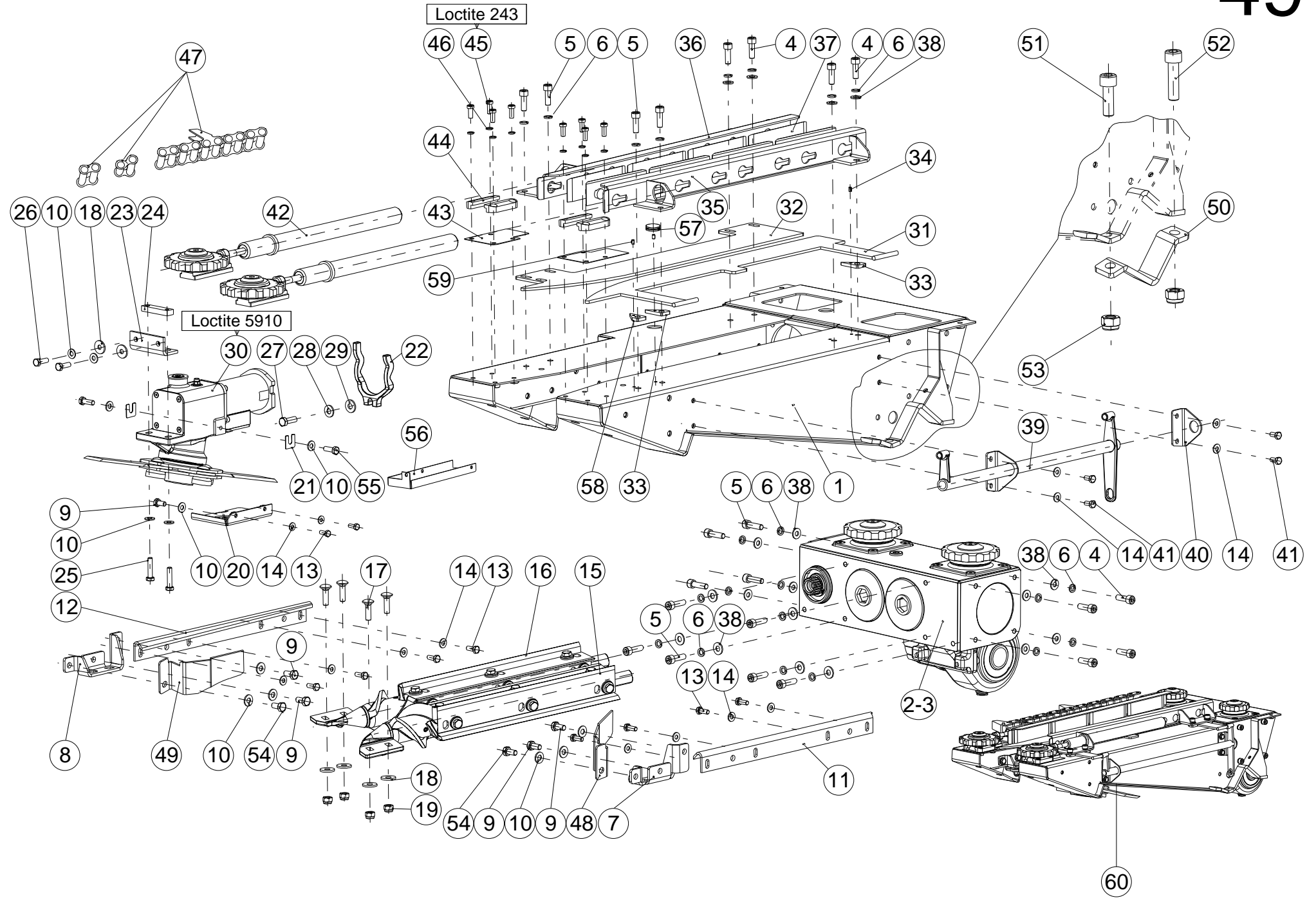
Ref.	Part number	Description		All models
1.	1.376.073	Drive pinion - 15T		2
1.	1.376.077	Drive pinion - 12T		2
1.	1.376.075	Drive pinion - 11T		2
1.	1.373.870	Drive pinion - 18T		2
2.	87000131262	Bearing - NUP312		4
3.	87010621114	Bearing - 6211- 2RS		4
4.	85803800700	Closing cup - 38X7		4
*5.	71610513001	Shim - 105X130X0.1 - DIN988		4
*6.	71610513002	Shim - 105X130X0.2 - DIN988		8
*7.	71610513005	Shim - 105X130X0.5 - DIN988		8
8.	1.376.071	Gearbox housing		4
9.	1.376.079	Bearing housing		4
10.	85805508500	Seal - 55X85X10		4
11.	71812000060	Spring washer - M12 - DIN7980		16
12.	80212035063	Hex socket head cap bolt - M12X35 - DIN912/10.9		16
13.	1.376.074	Bevel gear - 27T - gearbox: 1.376.068		2
13.	1.376.078	Bevel gear - 27T - gearbox: 1.376.069		2
13.	1.376.076	Bevel gear - 27T - gearbox: 1.376.070		2
13.	1.373.871	Bevel gear - 27T - gearbox: 1.373.898		2
*14.	71650062010	Shim - 50X62X0.1 - DIN988		8
*15.	71650062020	Shim - 50X62X0.2 - DIN988		16
*16.	71650062050	Shim - 50X62X0.5 - DIN988		8
17.	87001621010	Bearing - 6210 - DIN625		4
18.	85805080100	Seal - 50X80X10		8
19.	87013021001	Bearing - 30210 - DIN720		4
20.	1.376.072	Cover		4
21.	71810000060	Spring washer - M10 - DIN7980		24
22.	80310003063	Hex socket head cap bolt - M10X30 - DIN6912/10.9		24
23.	05200001200	Copper washer - 12X16X1.5 - DIN7603		24
24.	1.309.247	Breather - M12X1,5	->2021	4
25.	1.376.783	Closing plug - M12X1.5		24
26.	05200200024	Copper washer - 20X24X1.5 - DIN7603		4
27.	79202001560	Closing plug - M20X1.5 - DIN908		4
28.	1.377.265	Spacer		4
29.	05200000800	Copper washer - 8X12X1 - DIN7603		16
30.	79200800160	Closing plug - M8X1 - DIN908		16
31.	1.371.777	Breather - M20X1,5	2022->	4
32.	70100100001	Retainer ring - DIN472		1
33.	70200005501	Retaining ring - for shaft - 55X1,75 - DIN471		1
34.	71655068001	Shim - 55X68X0.1 - DIN988		1
35.	71655068002	Shim - 55X68X0.2 - DIN988		2
36.	71655068005	Shim - 55X68X0.5 - DIN988		1
37.	71655068010	Shim - 55X68X1 - DIN988		1
-	1.376.068	Gearbox 27/15		2
-	1.376.069	Gearbox 27/12		2
-	1.376.070	Gearbox 27/11		2
-	1.373.898	Gearbox 27/18		2

Note: Application of shims depends on the backlash of the gears.



Ref.	Part number	Description		C3006 C3006C	C2208 C2208C	C3008 C3008C C3008F C3008CF C3808 C3808C	C2012 C2012C C2212 C2212C	C3012 C3012C C3012F C3012CF	C3016 C3016C	C2218 C2218C	C2018 C2018C
1.	1.377.754	Snapping unit frame welded	->2015	6	8	8	12	12	16	18	18
1.	1.373.426	Snapping unit frame welded	2016->	6	8	8	12	12	16	18	18
2.	1.377.816	Snapping unit gearbox - LH (items 56, 58-61 and 78)		3	4	4	6	6	8	9	9
3.	1.377.817	Snapping unit gearbox - RH (items 56, 58-61 and 78)		3	4	4	6	6	8	9	9
4.	80210003063	Hex socket head cap bolt - M10X30 - DIN912/10.9		42	56	56	84	84	112	126	126
5.	80210003563	Hex socket head cap bolt - M10X35 - DIN912/10.9		84	112	112	168	168	224	252	252
6.	71810000060	Spring washer - M10 - DIN7980		126	168	168	252	252	336	378	378
7.	1.375.800	Support - LH		6	8	8	12	12	16	18	18
8.	1.375.801	Support - RH		6	8	8	12	12	16	18	18
9.	79410002066	Hex bolt - M10X20 - DIN933/8.8		30	40	40	60	60	80	90	90
10.	91623938861	Spring washer - 10,2X22,25X1,6 - A10		78	104	104	156	156	208	234	234
11.	1.377.267	Clearing knife - LH	->2020	6	8	8	12	12	16	18	18
11.	1.371.212	Clearing knife - LH	2021->	6	8	8	12	12	16	18	18
12.	1.377.266	Clearing knife - RH	->2020	6	8	8	12	12	16	18	18
12.	1.371.213	Clearing knife - RH	2021->	6	8	8	12	12	16	18	18
13.	79408001866	Hex bolt - M8X18 - DIN933/8.8		60	80	80	120	120	160	180	180
14.	91623938761	Spring washer - 8X18 M8 - A8		84	112	112	168	168	224	252	252
15.	1.377.803	Snapping roll assy. - RH (items 1-4 and 6-14)	->2015	6	8	8	12	12	16	18	18
15.	1.373.670	Snapping roll assy. - LH (items 1-4 and 6-14)	2016->	6	8	8	12	12	16	18	18
16.	1.377.802	Snapping roll assy. - LH (items 1-4 and 6-14)	->2015	6	8	8	12	12	16	18	18
16.	1.373.671	Snapping roll assy. - RH (items 1-4 and 6-14)	2016->	6	8	8	12	12	16	18	18
-	ALUBIA 00 EP	Lubricating grease									
17.	76310003566	Carriage bolt - M10X35 - DIN603/8.8		24	32	32	48	48	64	72	72
18.	96702375920	Washer - M10 10,5X30X3		36	48	48	72	72	96	108	108
19.	70710000066	Lock nut - M10 - DIN980/8.8		24	32	32	48	48	64	72	72
20.	1.377.793	Cover plate		6	8	8	12	12	16	18	18
21.	1.377.990	Shimming plate		24	32	32	48	48	64	72	72
22.	1.377.788	Fork		6	8	8	12	12	16	18	18
23.	1.377.791	Angle		6	8	8	12	12	16	18	18
24.	1.378.178	Flat		6	8	8	12	12	16	18	18
25.	79410004566	Hex head screw - M10X45 - DIN933		12	16	16	24	24	32	36	36
26.	79410003066	Hex bolt - M10X30 - DIN933/8.8		12	16	16	24	24	32	36	36
27.	79412003566	Hex bolt - M12X35 - DIN933/8.8		6	8	8	12	12	16	18	18
28.	91623938961	Spring washer - A12		6	8	8	12	12	16	18	18
29.	1.377.251	Washer		6	8	8	12	12	16	18	18
30.	1.377.762	Stalk chopper assy. (items 17, 18, 19, 20 and 61)		6	4	8	6	12	16	9	9
**30.	1.379.707	Stalk chopper assy. (items 17, 18, 19, 20 and 61)	2014->	-	4	-	6	-	-	9	9
-	Loctite 5910	RTV silicone									
31.	1.378.472	Snapping plate - LH	->2015	6	8	8	12	12	16	18	18
31.	1.373.738	Snapping plate - LH	2016->	6	8	8	12	12	16	18	18
32.	1.378.474	Snapping plate - RH		6	8	8	12	12	16	18	18
33.	1.376.067	Washer		12	16	16	24	24	32	36	36
34.	73005000801	Spring pin - 5X8 - DIN1481		12	16	16	24	24	32	36	36
35.	1.377.983	Chain guide - LH	->2015	6	8	8	12	12	16	18	18
35.	1.373.734	Chain guide - LH	2016->	6	8	8	12	12	16	18	18
36.	1.377.984	Chain guide - RH		6	8	8	12	12	16	18	18
37.	1.377.088	Plastic insert		48	64	64	96	96	128	144	144
38.	71410000060	Washer - M10 10,5X21X2 - DIN125		84	112	112	168	168	224	252	252
39.	1.375.813	Crank-arm welded		6	8	8	12	12	16	18	18
40.	1.377.989	Console		6	8	8	12	12	16	18	18
41.	79408002066	Hex bolt - M8X20 - DIN933/8.8		24	32	32	48	48	64	72	72
42.	1.375.755	Chain adjuster assy.		12	16	16	24	24	32	36	36
43.	1.375.832	Shimming plate		12	16	16	24	24	32	36	36
44.	1.375.833	Guide		24	32	32	48	48	64	72	72
45.	80308002062	Hex socket head cap bolt - M8X20 - DIN6912/12.9		48	64	64	96	96	128	144	144
-	Loctite 243	Threadlocking agent									
46.	71808000060	Spring washer - M8 - DIN7980	->2013	48	64	64	96	96	128	144	144
47.	1.326.221	Gathering chain - t=30mm, 36 pitches		12	16	16	24	24	32	36	36
47.	84553333520	Offset link - 30mm pitch (repairs only)		12	16	16	24	24	32	36	36
47.	84530000000	Connector link - 30mm pitch (repairs only)		12	16	16	24	24	32	36	36
48.	1.377.398	Deflector plate - LH		6	8	8	12	12	16	18	18
49.	1.377.399	Deflector plate - RH		6	8	8	12	12	16	18	18
50.	1.375.947	Clamping bracket		12	16	16	24	24	32	36	36
51.	80214004566	Hex socket head cap bolt - M14X45 - DIN912/8.8		12	16	16	24	24	32	36	36
52.	80214006566	Hex socket head cap bolt - M14X65 - DIN912/8.8		12	16	16	24	24	32	36	36
53.	74901400066	Hex nut - plastic insert - M14 - DIN982/8.8		24	32	32	48	48	64	72	72
54.	79410002566	Hex bolt - M10X25 - DIN933/8.8		12	16	16	24	24	32	36	36

Note: The snapping unit layouts can be found on the following pages: 14/A, 14/B & 15/A
The items marked with * are only valid for machines without a chopper!
The item marked with ** are used at every second snapping unit from the right in case of 20" & 22" machines!
When assembling items 2/3 and 30, no gasket is used. Apply an even coat of Loctite 5910 during assembly.

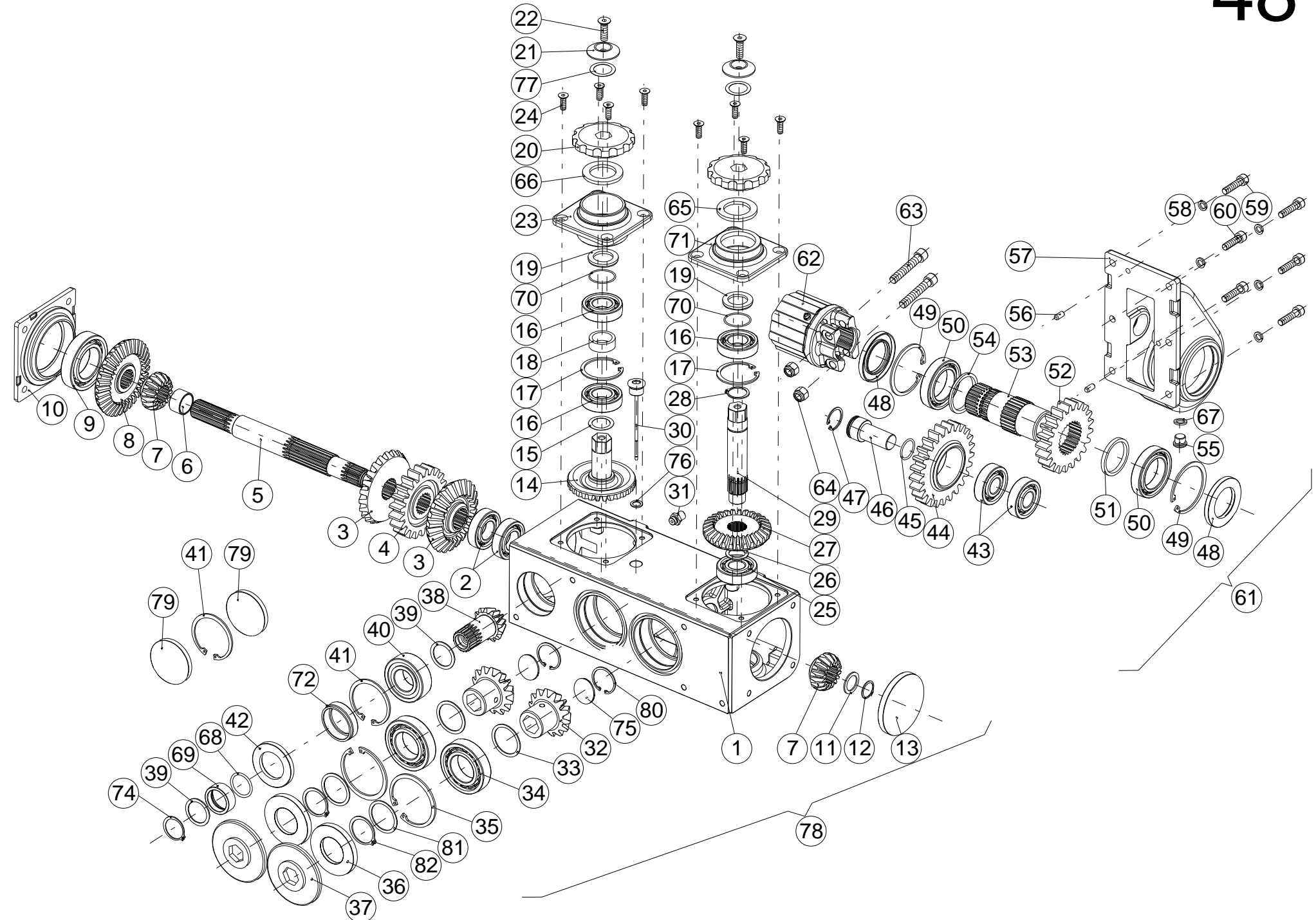


Ref.	Part number	Description		C3006	C2208	C3008	C2012	C3012	C3016	C2218	C2018
				C3006C	C2208C	C3008C C3008F C3008CF C3808 C3808C	C2012C C2212	C3012C C3012F C3012CF	C3016C	C2218C	C2018C
55.	79410003063	Hex bolt - M10X30 - DIN933/10.9		12	16	16	24	24	32	36	36
*56.	1.379.075	Cover plate welded		6	8	8	12	12	16	18	18
*57.	9670000003	Rubber plug		6	8	8	12	12	16	18	18
58.	1.373.740	Spacer	2016->	6	8	8	12	12	16	18	18
59.	73005001601	Spring pin - 5X16	2016->	6	8	8	12	12	16	18	18
60.	1.377.814	Snapping unit assy. - LH - (knife roll) + Chopper		3	2	4	4	6	8	6	4
60.	1.377.815	Snapping unit assy. - RH - (knife roll) + Chopper		3	2	4	2	6	8	3	5
60.	1.379.711	Snapping unit assy. - LH - (knife roll) + Chopper		-	2	-	2	-	-	3	5
60.	1.379.712	Snapping unit assy. - RH - (knife roll) + Chopper		-	2	-	4	-	-	6	4
60.	1.378.838	Snapping unit assy. - LH - (knife roll)		3	4	4	6	6	8	9	9
60.	1.378.839	Snapping unit assy. - RH - (knife roll)		3	4	4	6	6	8	9	9

Note: The snapping unit layouts can be found on the following pages: 14/A, 14/B & 15/A
The items marked with * are only valid for machines without a chopper!
The item marked with ** are used at every second snapping unit from the right in case of 20" & 22" machines!
When assembling items 2/3 and 30, no gasket is used. Apply an even coat of Loctite 5910 during assembly.

Ref.	Part number	Description		C3006 C3006C	C3008	C2012	C2012C	C3016 C3016C	C2018
					C3808 C3808C C3008F C3008CF	C3812	C3012 C3012C C3012CF		C2218 C2218C C2218C
1.	1.375.722	Gearbox housing		6	8	12	16	18	
2.	87000620611	Bearing - 6206 - DIN625		12	16	24	32	36	
3.	1.377.243	Bevel gear - 25T		12	16	24	32	36	
4.	1.375.693	Cylinder gear - 21T		6	8	12	16	18	
5.	1.375.706	Shaft		6	8	12	16	18	
6.	1.375.754	Spacer		6	8	12	16	18	
7.	1.375.689	Bevel gear - 16T		12	16	24	32	36	
8.	1.378.507	Bevel gear - 33T		6	8	12	16	18	
9.	87000421010	Bearing - 4210 - DIN625		6	8	12	16	18	
10.	1.375.710	Bearing housing		6	8	12	16	18	
*11.	71625035200	Shim - 25X35X2 - DIN988		6	8	12	16	18	
12.	70200002501	Retainer ring - 25X1.2 - DIN471		6	8	12	16	18	
13.	85801001000	Seal - 100X10		6	8	12	16	18	
14.	1.377.733	Bevel gear - 29T		6	8	12	16	18	
*15.	71630042050	Shim - 30X42X0.5 - DIN988		12	16	24	32	36	
*15.	71630042020	Shim - 30X42X0.2 - DIN988		12	16	24	32	36	
*15.	71630042010	Shim - 30X42X0.1 - DIN988		6	8	12	16	18	
16.	87001620614	Bearing - 6206 2RS - DIN625		18	24	36	48	54	
17.	70100006201	Retaining ring - internal - 62X2 - DIN472		12	16	24	32	36	
18.	1.375.703	Spacer		6	8	12	16	18	
*19.	1.377.734	Shim		6	8	12	16	18	
20.	1.377.722	Sprocket - 12T p=30		12	16	24	32	36	
21.	1.375.019	Washer		12	16	24	32	36	
22.	80401003063	Hex socket countersunk-head bolt - M10X30 - DIN7991/10.9		12	16	24	32	36	
23.	1.375.712	Bearing housing - RH		6	8	12	16	18	
24.	80400802563	Hex socket countersunk-head bolt - M8X25 - DIN7991/10.9		48	64	96	128	144	
25.	87010630510	Bearing - 6305 - DIN625		6	8	12	16	18	
*26.	71625035050	Shim - 25X35X0.5 - DIN988		12	16	24	32	36	
*26.	71625035020	Shim - 25X35X0.2 - DIN988		12	16	24	32	36	
*26.	71625035010	Shim - 25X35X0.1 - DIN988		6	8	12	16	18	
27.	1.375.700	Bevel gear - 29T		6	8	12	16	18	
28.	70200003001	Retainer ring - for shaft - 30X1.5 - DIN471		6	8	12	16	18	
29.	1.377.731	Shaft		6	8	12	16	18	
30.	1.377.093	Dipstick		6	8	12	16	18	
31.	1.309.247	Breather - M12X1,5		6	8	12	16	18	
32.	1.377.244	Bevel gear - 13T		12	16	24	32	36	
*33.	71645055050	Shim - 45X55X0.5 - DIN988		24	32	48	64	72	
*33.	71645055020	Shim - 45X55X0.2 - DIN988		24	32	48	64	72	
*33.	71645055010	Shim - 45X55X0.1 - DIN988		12	16	24	32	36	
34.	87001620910	Bearing - 6209 - DIN625		12	16	24	32	36	
35.	70100008501	Retaining ring - internal - 85X3 - DIN472		12	16	24	32	36	
36.	85804508501	Seal - 45X85X10 - DIN3760-AS		12	16	24	32	36	
37.	1.375.836	Cover piece		12	16	24	32	36	
**38.	1.375.687	Bevel gear - 13T		6	8	12	16	18	
**39.	71635045050	Shim - 35X45X0.5 - DIN988		18	24	36	48	54	
**39.	71635045020	Shim - 35X45X0.2 - DIN988		24	32	48	64	72	
**39.	71635045010	Shim - 35X45X0.1 - DIN988		12	16	24	32	36	
**40.	87001420710	Bearing - 4207 - DIN625		6	8	12	16	18	
41.	70100007201	Retaining ring - internal - 72X2.5 - DIN472		6	8	12	16	18	
**42.	85804506208	Seal - 45X62X8 - DIN3760-AS		6	8	12	16	18	
43.	87010630510	Bearing - 6305 - DIN625		12	16	24	32	36	
44.	1.375.694	Cylinder gear - 25T		6	8	12	16	18	
45.	63003026500	O-ring - 30X2.65 - DIN3771		6	8	12	16	18	
46.	1.375.696	Shaft		6	8	12	16	18	
47.	70100003501	Retainer ring - 35X1.5 - DIN472		6	8	12	16	18	
48.	85805008008	Seal - 50X80X8 - DIN3760-AS		12	16	24	32	36	
49.	70100008001	Retaining ring - internal - 80X2.5 - DIN472		12	16	24	32	36	
50.	87001601010	Bearing - 6010 - DIN625		12	16	24	32	36	
51.	1.375.697	Spacer		6	8	12	16	18	
52.	1.375.695	Cylinder gear - 21T		6	8	12	16	18	
53.	1.375.699	Shaft		6	8	12	16	18	
54.	1.375.698	Spacer		6	8	12	16	18	
55.	79201601560	Closing plug - M16X1.5 - DIN908		6	8	12	16	18	
56.	1.375.746	Dowel pin		12	16	24	32	36	
57.	1.375.723	Gearbox housing		6	8	12	16	18	
58.	71810000060	Spring washer - M10 - DIN7980		36	48	72	96	108	
59.	80210004063	Hex socket head cap bolt - M10X40 - DIN912/10.9		30	40	60	80	90	

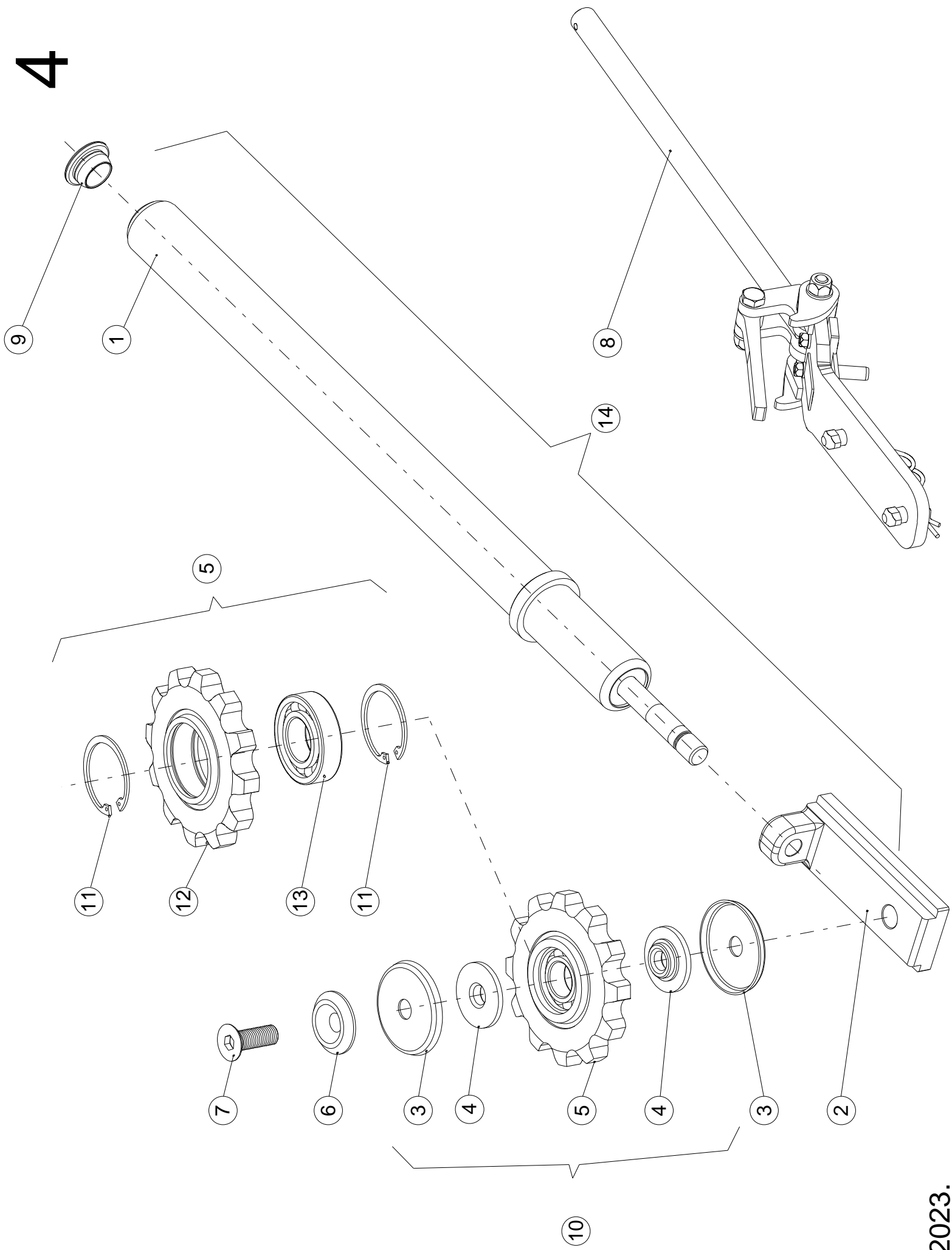
Note: * Application of shims depends on the backlash of the gears.
The items marked with ** are for machines with chopper only!
Items 1 & 57 do not use a gasket. Apply an even coat of Loctite 5910 during assembly.



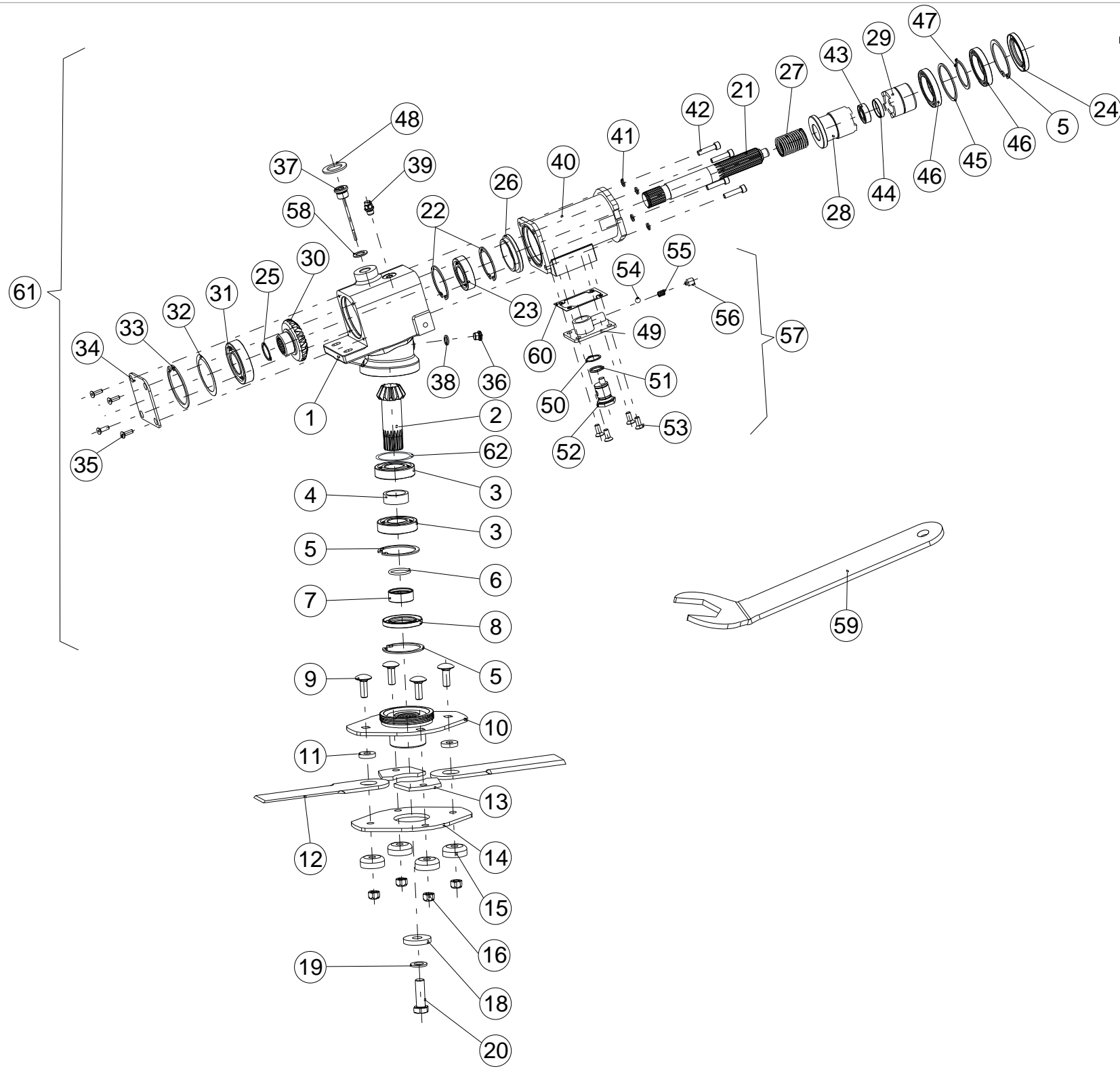
Ref.	Part number	Description		C3006 C3006C	C3008	C2012	C2012C	C3016 C3016C	C2018
					C3008C	C3012	C3012C		C2018C
					C3808	C3812	C3812C		C2218
					C3008F	C3012F	C3012CF		C2218C
					C3008CF				
60.	80210003563	Hex socket head cap bolt - M10X35 - DIN912/10.9		6	8	12	16	18	
61.	1.375.955	Gearbox assy. - LH (items 43-55, 57, 62 and 67)		6	8	12	16	18	
61.	1.375.717	Gearbox assy. - RH (items 43-55, 57, 62 and 67)		6	8	12	16	18	
62.	1.373.387	Safety clutch - Walterscheid EK 33B	Includes #63, 64	6	8	12	16	18	
63.	80212006566	Hex socket head cap bolt - M12X65 - DIN912/8.8	->2016	12	16	24	32	36	
64.	74901200066	Lock nut - M12 - plastic insert - DIN982	->2016	12	16	24	32	36	
65.	85804055007	Seal - 40X55X7 - DIN3760-AS		6	8	12	16	18	
66.	85804006207	Seal - 40X62X7 - DIN3760-AS		6	8	12	16	18	
67.	05200001600	Copper washer - M16X20 - DIN7603		6	8	12	16	18	
**68.	63003503500	O-ring - 35X3.5 - DIN3771/ISO3601		6	8	12	16	18	
**69.	1.375.744	Retainer		6	8	12	16	18	
70.	63003030010	O-ring - 30X3		12	16	24	32	36	
71.	1.377.732	Bearing housing - LH		6	8	12	16	18	
**72.	1.377.775	Guide ring		6	8	12	16	18	
**74.	70200003501	Retaining ring - external - 35X1.5 - DIN471		6	8	12	16	18	
75.	85803200500	Seal - 32X5 NBR		12	16	24	32	36	
76.	05200200024	Copper washer - 20X24X1.5 - DIN7603		6	8	12	16	18	
*77.	71619026020	Shim - 19X26X0,2 - DIN988		12	16	24	32	36	
*77.	71619026050	Shim - 19X26X0,5 - DIN988		12	16	24	32	36	
*77.	71619026120	Shim - 19X26X1,2 - DIN988		12	16	24	32	36	
78.	1.379.709	Gearbox sub - assy. (items 1-19, 23-36, 38-42, 65, 66, 68-72, 74, 75 and 80-82)		6	8	12	16	18	
78.	1.379.710	Gearbox sub - assy., no chopper (items 1-19, 23-36, 41, 65, 66, 70, 71, 75, 76, 79 and 80)		6	8	12	16	18	
79.	85807200700	Cover - NBR-72x7		12	16	24	32	36	
80.	70100003201	Retaining ring - internal - 32X1,2 - DIN472	2015->	12	16	24	32	36	
*81.	71645055200	Shim - 45x55x2 - DIN988		12	16	24	32	36	
82.	70200004501	Retaining ring - for shaft - 45X1.75 - DIN471		12	16	24	32	36	
-	1.378.840	Gearbox assy. - LH (non chopper) (items 56, 58-61 and 78)		6	8	12	16	18	
-	1.378.841	Gearbox assy. - RH (non chopper) (items 56, 58-61 and 78)		6	8	12	16	18	
**-	1.377.816	Snapping unit gearbox - LH (items 56, 58-61 and 78)		6	8	12	16	18	
**-	1.377.817	Snapping unit gearbox - RH (items 56, 58-61 and 78)		6	8	12	16	18	

Note: * Application of shims depends on the backlash of the gears.
The items marked with ** are for machines with chopper only!
Items 1 & 57 do not use a gasket. Apply an even coat of Loctite 5910 during assembly.

4



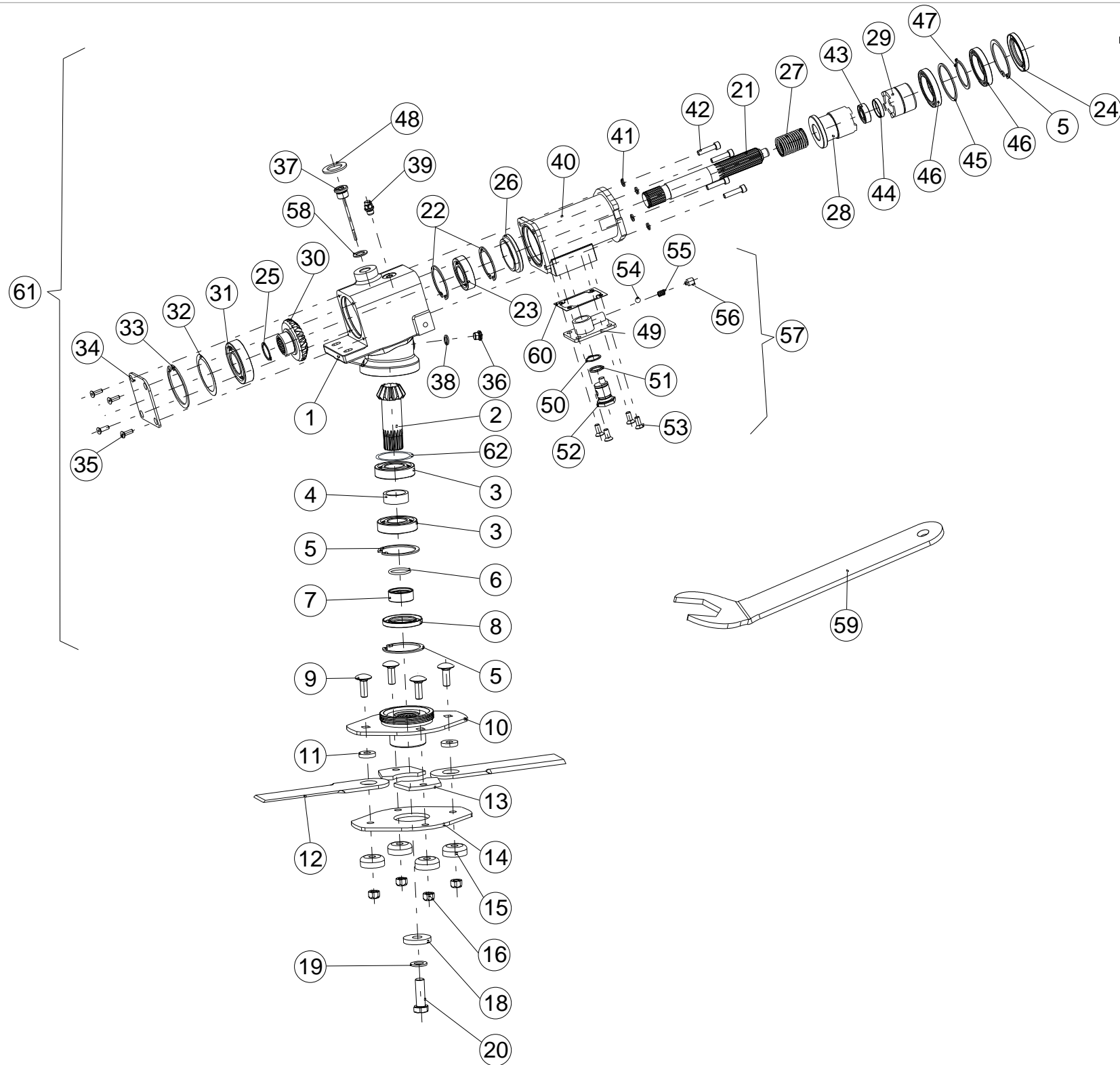
Ref.	Part number	Description		C3006 C3006C	C3008	C2012	C2012C	C3016 C3016C	C2018
					C3008C	C2212	C2212C		C2018C
					C3808	C3012	C3012C		C2218
					C3808C	C3812	C3812C		C2218C
					C3008F	C3012F	C3012CF		C2218C
					C3008CF				
1.	1.375.756	Compressed coiled spring		12	16	24	32	36	
2.	1.375.760	Slide		12	16	24	32	36	
3.	1.375.761	Labyrinth		24	32	48	64	72	
4.	1.379.082	Bushing		24	32	48	64	72	
5.	1.379.081	Sprocket assy. (items 11-13)		12	16	24	32	36	
6.	1.375.758	Washer		12	16	24	32	36	
7.	80414005063	Hex socket countersunk-head bolt - M14X50 - DIN7991/10.9		12	16	24	32	36	
8.	2.405.227	Gathering chain installation instrument		1	1	1	1	1	
9.	1.377.268	Plug		12	16	24	32	36	
10.	1.379.153	Sprocket pre-assy. (items 3,4 and 5)		12	16	24	32	36	
11.	70100005201	Retainer ring - internal 52x2 - DIN472 52/l		24	32	48	64	72	
12.	1.379.080	Sprocket		12	16	24	32	36	
13.	87001620514	Bearing - 6205 2RS		12	16	24	32	36	
14.	1.375.755	Chain adjuster assy. (items 1, 2, 3, 4, 5, 6,7, 9)		12	16	24	32	36	



Ref.	Part number	Description			C3006 C3006C	C2208 C2208C	C3008	C2012	C3012	C3016 C3016C	C2018
							C3008C C3008F C3008CF C3808 C3808C	C2012C C2212 C2212C	C3012C C3012F C3012CF C3812 C3812C		C2018C C2218 C2218C
1.	1.377.763	Gearbox housing			6	8	8	12	12	16	18
2.	1.375.702	Bevel gear - 13T			6	8	8	12	12	16	18
3.	87001620710	Bearing - 6207 - DIN625			12	16	16	24	24	32	36
4.	1.377.769	Spacer			6	8	8	12	12	16	18
5.	70100007201	Retaining ring - internal - 72X2.5 - DIN472			18	24	24	36	36	48	54
6.	63003503500	O-ring - 35X3.5 - DIN3771/ISO3601			6	8	8	12	12	16	18
7.	1.375.744	Retainer			6	8	8	12	12	16	18
8.	85804572081	Seal - 45X72X8 - DIN3760-AS			6	8	8	12	12	16	18
9.	1.377.799	Carriage bolt - M12X35X1.25			24	32	32	48	48	64	72
	- Loctite 243	Threadlocking agent									
10.	1.377.767	Knife support			6	4	8	6	12	16	9
**10.	1.379.687	Knife support			-	4	-	6	-	-	9
11.	1.355.038	Bushing			12	16	16	24	24	32	36
12.	1.353.038	Knife			12	16	16	24	24	32	36
13.	1.378.347	Spacer			12	16	16	24	24	32	36
14.	1.378.344	Knife support plate - bottom			6	8	8	12	12	16	18
15.	994.280.0	Cap			24	32	32	48	48	64	72
16.	70712012563	Lock nut - M12X1.25 - DIN980			24	32	32	48	48	64	72
18.	1.375.752	Washer			6	8	8	12	12	16	18
19.	91623939161	Spring washer - A16			6	8	8	12	12	16	18
20.	79316155066	Hex bolt - M16X1.5X50 - DIN960/8.8			6	8	8	12	12	16	18
	- Loctite 243	Threadlocking agent									
21.	1.377.777	Shaft			6	8	8	12	12	16	18
22.	70100006201	Retaining ring - internal - 62X2 - DIN472			12	16	16	24	24	32	36
23.	87000620611	Bearing - 6206 - DIN625			6	8	8	12	12	16	18
24.	85805007208	Seal - 50X72X8 - DIN3760-AS			6	8	8	12	12	16	18
25.	70200003001	Retainer ring - for shaft - 30X1.5 - DIN471			12	16	16	24	24	32	36
26.	1.377.776	Disk			6	8	8	12	12	16	18
27.	1.377.781	Spring			6	8	8	12	12	16	18
28.	1.377.778	Clutch half - I			6	8	8	12	12	16	18
29.	1.377.779	Clutch half - II			6	8	8	12	12	16	18
30.	1.375.701	Bevel gear - 24T			6	8	8	12	12	16	18
31.	87001620810	Bearing - 6208 - DIN625			6	8	8	12	12	16	18
*32.	71663080050	Shim - 63X80X0.5			12	16	16	24	24	32	36
*32.	71663080020	Shim - 63X80X0.2			12	16	16	24	24	32	36
*32.	71663080010	Shim - 63X80X0.1			6	8	8	12	12	16	18
33.	70100008001	Retaining ring - internal - 80X2.5 - DIN472			6	8	8	12	12	16	18
34.	1.375.743	Cover plate			6	8	8	12	12	16	18
	- Loctite 5910	RTV silicone									
35.	80400602063	TORX socket countersunk-head bolt - M6X20 - DIN7991/10.9			24	32	32	48	48	64	72
	- Loctite 243	Threadlocking agent									
36.	1.376.783	Closing plug - M12X1.5			6	8	8	12	12	16	18
37.	1.377.095	Dipstick			6	8	8	12	12	16	18
38.	05200001200	Copper washer - 12X16X1.5 - DIN7603			6	8	8	12	12	16	18
39.	1.309.247	Breather - M12X1.5			6	8	8	12	12	16	18
40.	1.377.770	Housing			6	8	8	12	12	16	18
	- Loctite 5910	RTV silicone									
41.	71808000060	Spring washer - M8 - DIN7980			24	32	32	48	48	64	72
42.	80208003066	Hex socket head bolt - M8X30 - DIN912/8.8			24	32	32	48	48	64	72
43.	87010620214	Bearing - 6202 - DIN625			6	8	8	12	12	16	18
	- Loctite 603	Retaining compound									
44.	85803500700	Cup - 35X7			6	8	8	12	12	16	18
45.	1.377.780	Spacer			6	8	8	12	12	16	18
46.	87006191014	Bearing - 61910 - DIN625			12	16	16	24	24	32	36
47.	70200005001	Retaining ring - external - 50X2 - DIN471			6	8	8	12	12	16	18
48.	1.377.986	Seal			6	8	8	12	12	16	18
49.	1.377.783	Switch housing welded			6	8	8	12	12	16	18
50.	70200002501	Retainer ring - 25X1.2 - DIN471			6	8	8	12	12	16	18
51.	63002003009	O-ring - 20X3			6	8	8	12	12	16	18
52.	1.377.787	Disengaging pin			6	8	8	12	12	16	18
53.	80400802063	Hex socket countersunk-head bolt - M8X20 - DIN7991/10.9			24	32	32	48	48	64	72
54.	85609000000	Bearing ball			6	8	8	12	12	16	18
55.	1.327.689	Spring			6	8	8	12	12	16	18
56.	1.327.690	Set screw - DIN916			6	8	8	12	12	16	18
	- Loctite 243	Threadlocking agent									
57.	1.377.782	Switch assy.			6	8	8	12	12	16	18
	- Loctite 5910	RTV silicone									

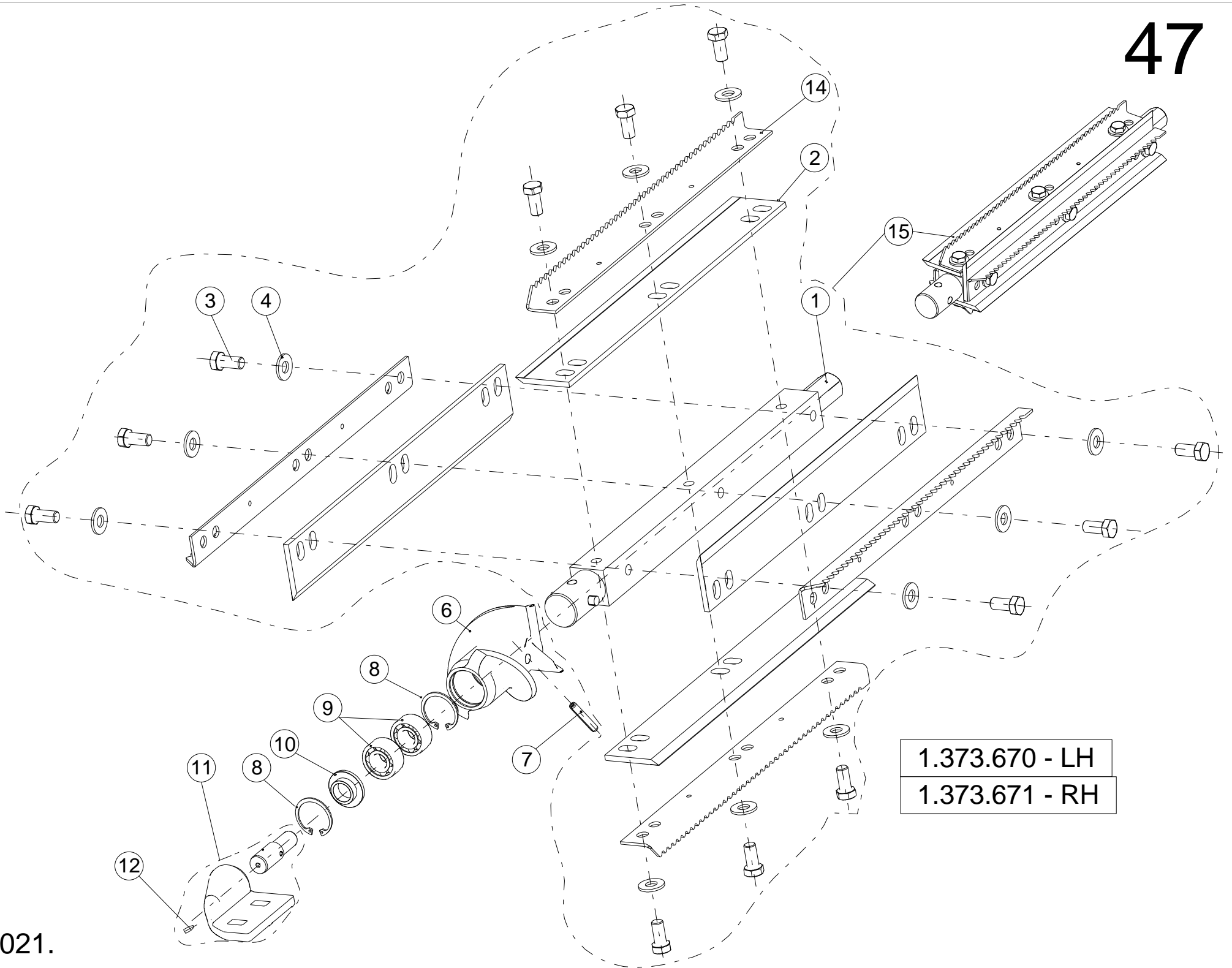
Note: * Application of the shims depends on the backlash of the gears.

** for 20 and 22" chopping machines. Used on every second row, starting with the first row on the left side.



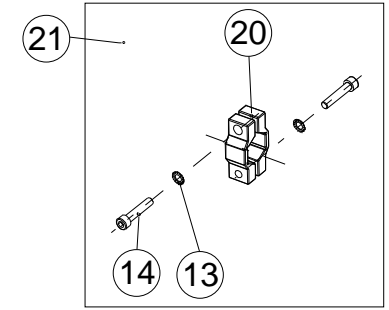
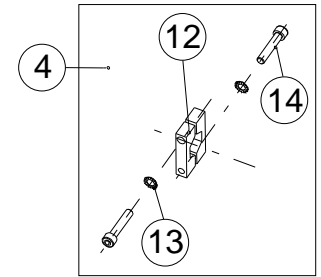
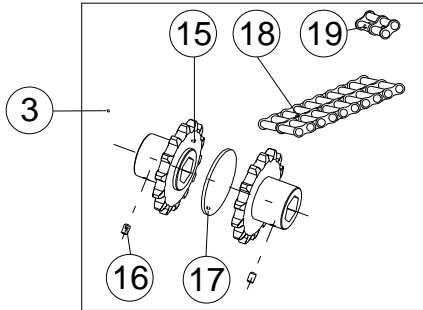
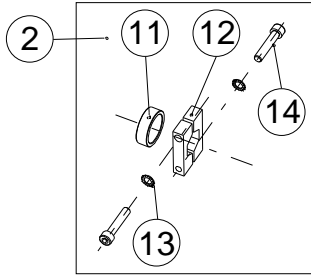
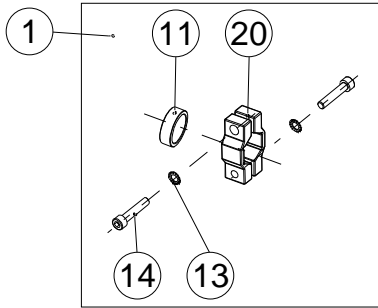
Ref.	Part number	Description		C3006 C3006C	C2208 C2208C	C3008	C2012	C3012	C3016 C3016C	C2018
						C3008C	C2012C	C3012C		C2018C
						C3008F	C2212	C3012F		C2218
						C3808	C2212C	C3812		C2218C
						C3808C		C3812C		
58.	05200200024	Copper washer - 20X24X1.5 - DIN7603		6	8	8	12	12	16	18
59.	1.378.697	Wrench		1	1	1	1	1	1	1
60.	1.379.298	Gasket	2013-2016.	6	8	8	12	12	16	18
61.	1.379.465	Chopper gearbox assy.		6	8	8	12	12	16	18
*62.	71656072030	Shim - 56x72x0.3	2018->	6	7	8	12	12	16	18
-	1.377.762	Stalk chopper assy. (items 17, 18, 19, 20 and 61)		6	4	8	6	12	16	9
**	1.379.707	Stalk chopper assy. (items 17, 18, 19, 20 and 61)		-	4	-	6	-	-	9

Note: * Application of the shims depends on the backlash of the gears.
 ** for 20 and 22" chopping machines. Used on every second row, starting with the first row on the left side.



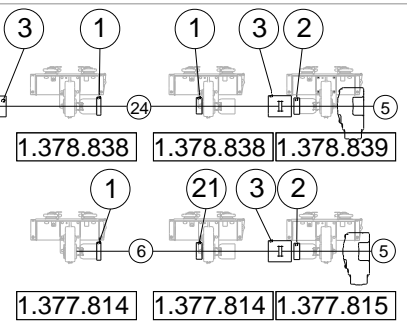
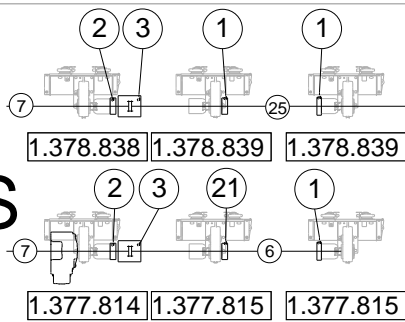
1.373.670 - LH
1.373.671 - RH

Ref.	Part number	Description		C3006 C3006C	C3008	C2012	C2012C	C3016 C3016C	C2018
					C3008C	C3012	C3012C		C2018C
					C3808	C3812	C3812C		C2218
					C3008F	C3012F	C3012CF		C2218C
					C3008CF				
1.	1.377.247	Snapping roll body		12	16	24	32	36	
2.	1.377.250	Knife		48	64	96	128	144	
3.	79412125256	Hex bolt - M12X25X1.25 - DIN961		144	192	288	384	432	
4.	91623938961	Spring washer - A12		144	192	288	384	432	
6.	1.377.800	Auger - LH	->2015	6	8	12	16	18	
6.	1.377.801	Auger - RH	->2015	6	8	12	16	18	
6.	1.379.973	Auger - LH	2016->	6	8	12	16	18	
6.	1.379.974	Auger - RH	2016->	6	8	12	16	18	
7.	73010005501	Spring pin - 10X55 - DIN1481		12	16	24	32	36	
7.	73006005501	Spring pin - 6X55 - DIN1481		12	16	24	32	36	
7.	73100105501	Pin - 10X55 - DIN28739		12	16	24	32	36	
8.	70100004001	Retaining ring - internal - 40X1.75 - DIN472		24	32	48	64	72	
9.	87000420314	Bearing - 4203 - DIN625	->2015	24	32	48	64	72	
9.	87000320314	Bearing - 3203 2RS	2016->	24	32	48	64	72	
10.	1.377.392	Spacer		12	16	24	32	36	
11.	1.371.357	Bearing housing assy. - LH		6	8	12	16	18	
11.	1.371.358	Bearing housing assy. - RH		6	8	12	16	18	
12.	70006011860	Grease fitting - 6X1X180 - DIN71412		12	16	24	32	36	
14.	1.378.440	Flute - LH		24	32	48	64	72	
14.	1.378.441	Flute - RH		24	32	48	64	72	
15.	1.379.779	Snapping roll pre-assy. - LH (items 1-4 and 14)		12	16	24	32	36	
15.	1.379.780	Snapping roll pre-assy. - RH (items 1-4 and 14)		12	16	24	32	36	
A	1.373.670	Snapping roll assy. - LH (items 1-4 and 6-14)	2016->	6	8	12	16	18	
B	1.373.671	Snapping roll assy. - RH (items 1-4 and 6-14)	2016->	6	8	12	16	18	



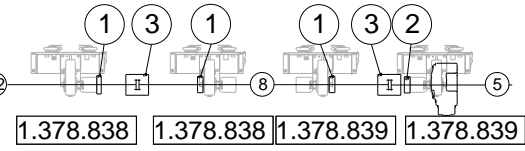
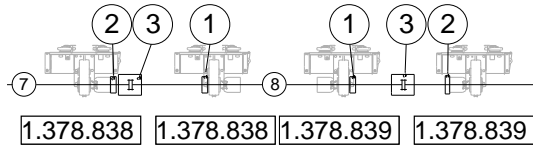
RHS

LHS

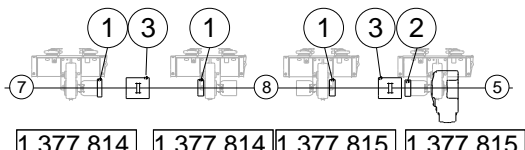
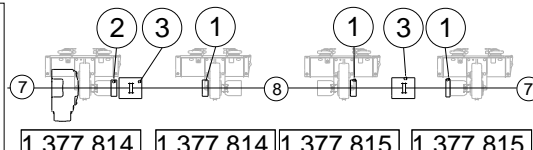


C3006

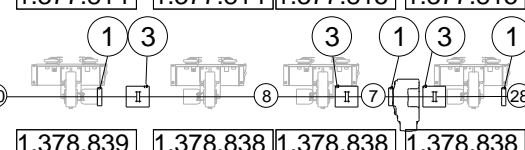
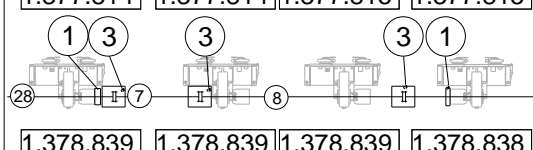
C3006C



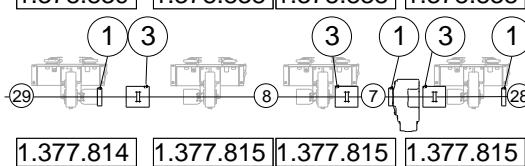
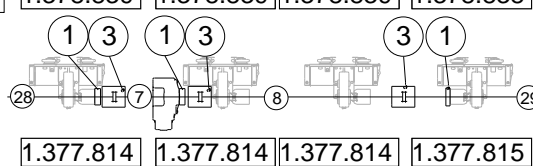
C3008



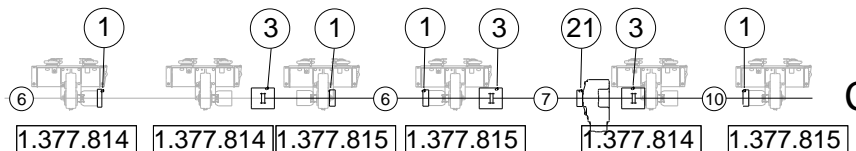
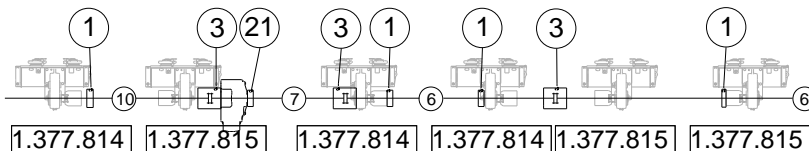
C3008C



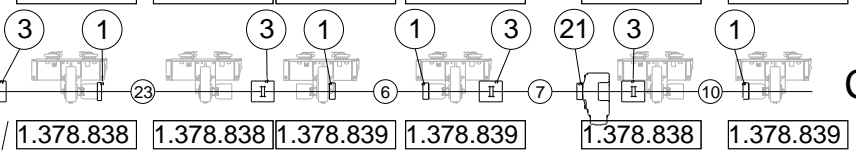
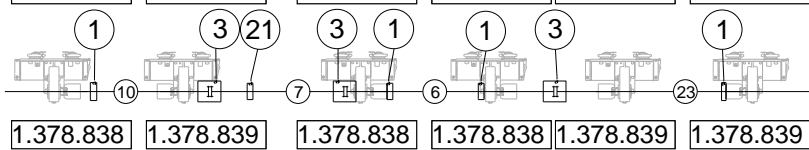
C3808



C3808C

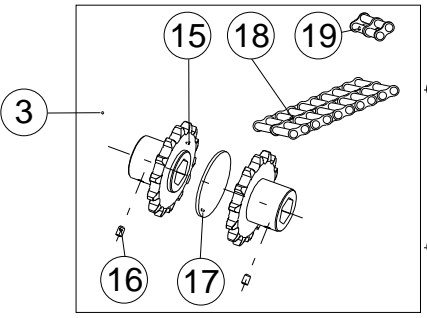
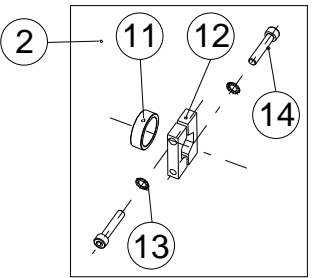
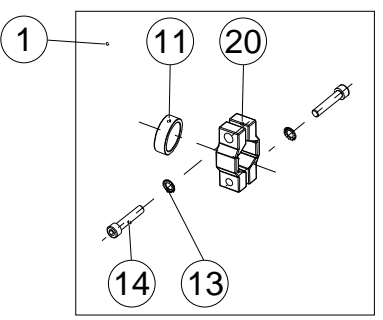


C3012C



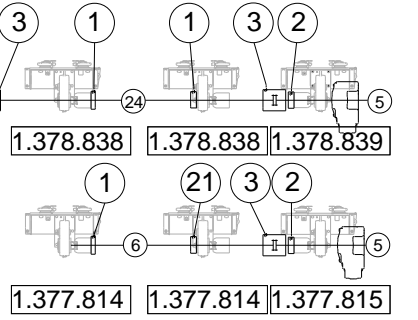
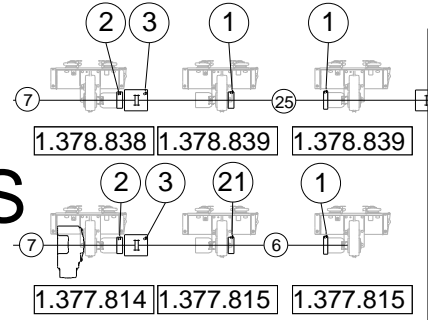
C3012

Ref.	Part number	Description	C3006	C3006C	C3008	C3008C	C3808	C3808C	C3012	C3012C
5.	1.376.517	Hexagonal shaft - (L=548)	1	1	1	1	-	-	-	-
6.	1.376.502	Hexagonal shaft - (L=1220)	-	2	-	-	-	-	2	4
7.	1.376.503	Hexagonal shaft - (L=480)	1	1	1	3	2	2	2	2
8.	1.376.504	Hexagonal shaft - (L=1582)	-	-	2	2	2	2	-	-
10.	1.376.501	Hexagonal shaft - (L=1214)	-	-	-	-	-	-	2	2
11.	1.376.490	Spacer - (l=15)	6	6	8	8	5	6	8	8
12.	1.351.164	Clamp - half piece only	4	4	4	4	-	-	-	-
13.	72210000060	Spring washer - M10 - DIN128/A	12	12	16	16	10	12	24	24
14.	80210004066	Hex socket head bolt - M10X40 - DIN912	12	12	16	16	10	12	24	24
15.	1.354.663	Sprocket - 14T	4	4	8	8	12	12	12	12
16.	80108001266	Set screw - M8X12 - DIN916	4	4	8	8	12	12	12	12
17.	1.354.660	Disk	2	2	4	4	6	6	6	6
18.	1.355.403	Duplex chain 2-80	2	2	4	4	6	6	6	6
19.	84501000032	Connecting link 2-80	2	2	4	4	6	6	6	6
20.	1.355.909	Clamp - half piece only	8	8	12	12	10	12	20	20
22.	1.379.071	Hexagonal shaft - (L=1636)	-	-	1	-	-	-	-	-
23.	1.378.400	Hexagonal shaft - (L=1560)	-	-	-	-	-	-	2	-
24.	1.379.706	Hexagonal shaft - (L=1826)	1	-	-	-	-	-	-	-
25.	1.377.809	Hexagonal shaft - (L=1350)	1	-	-	-	-	-	-	-
25.	1.373.890	Hexagonal shaft - (L=1436)	1	-	-	-	-	-	-	-
28.	1.377.813	Hexagonal shaft - (L=588)	-	-	-	-	2	2	-	-
29.	1.379.587	Hexagonal shaft - (L=600)	-	-	-	-	-	2	-	-
30.	1.372.764	Hexagonal shaft - (L=2047)	-	-	-	-	1	-	-	-
-	1.377.814	Snapping unit assy. - LH - (knife roll) + Chopper								
-	1.377.815	Snapping unit assy. - RH - (knife roll) + Chopper								
-	1.378.838	Snapping unit assy. - LH - (knife roll)								
-	1.378.839	Snapping unit assy. - RH - (knife roll)								



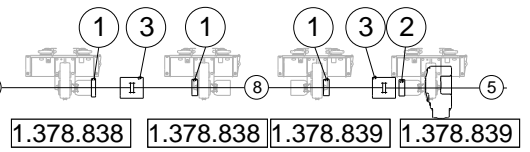
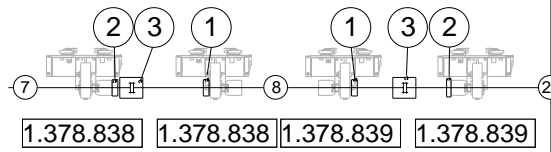
RHS

LHS

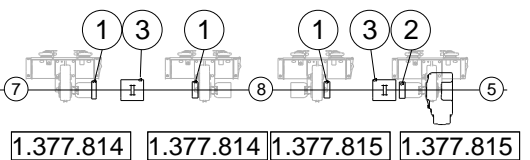
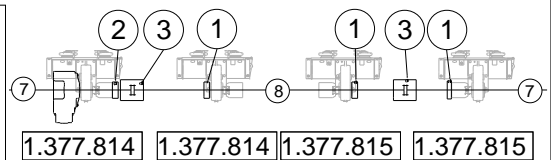


C3006

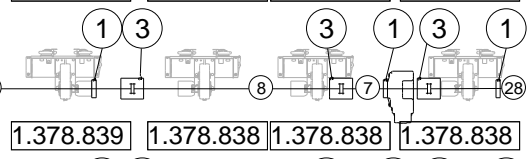
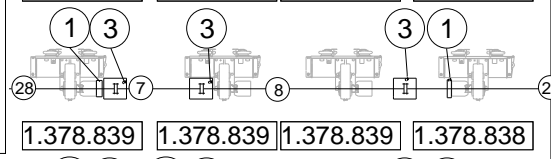
C3006C



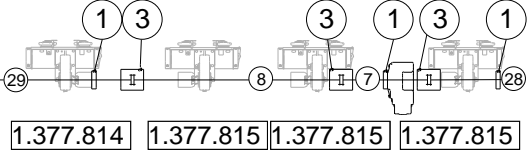
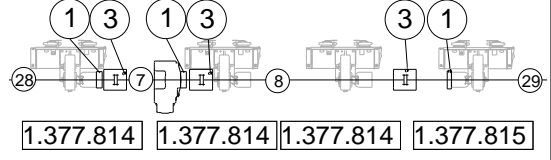
C3008



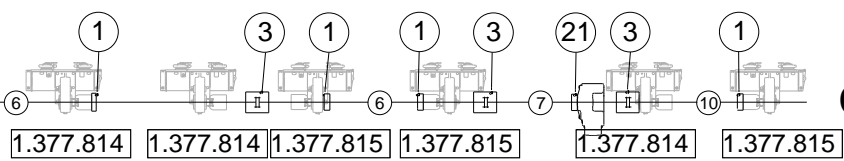
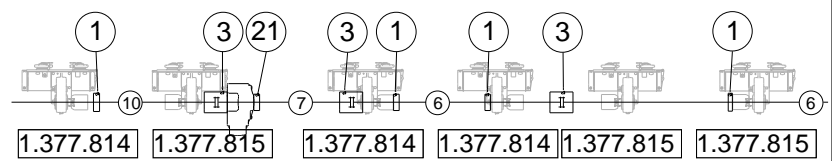
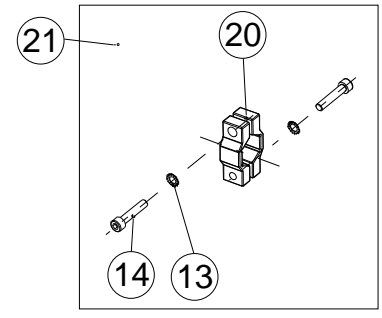
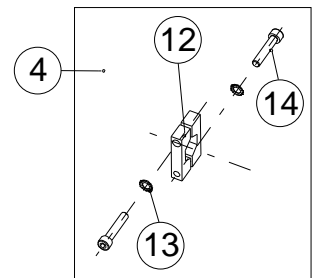
C3008C



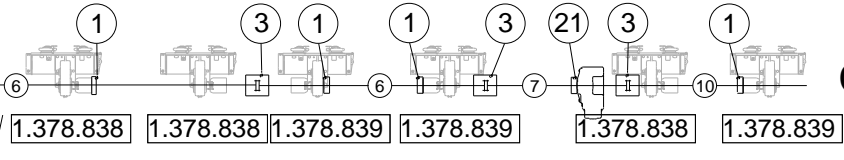
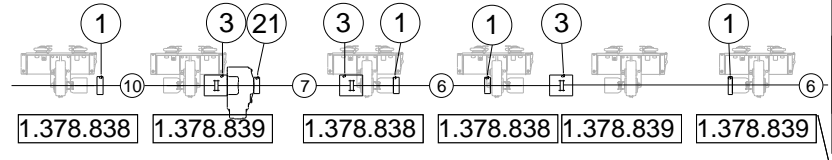
C3808



C3808C



C3012C

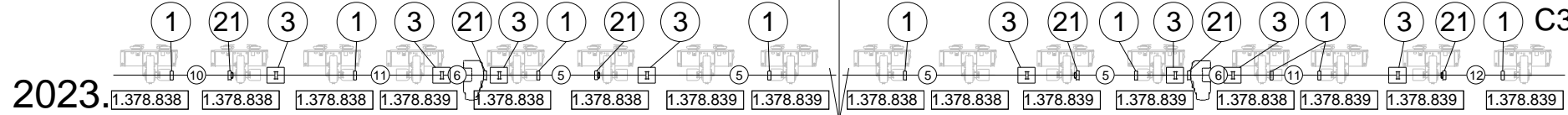
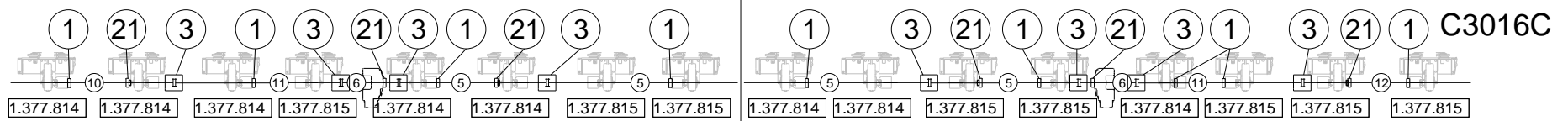
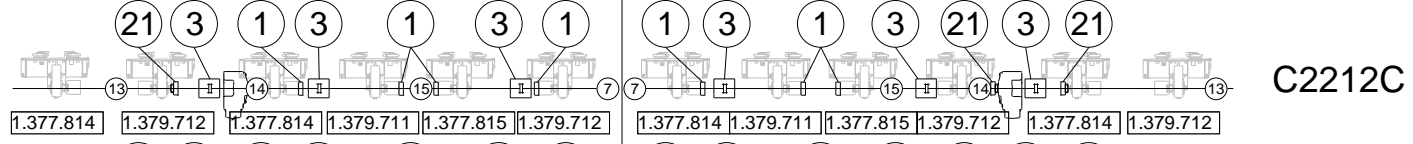
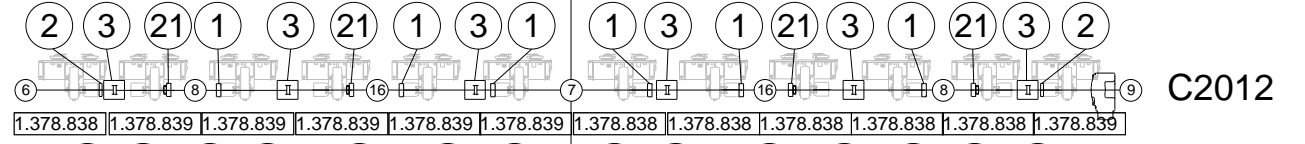
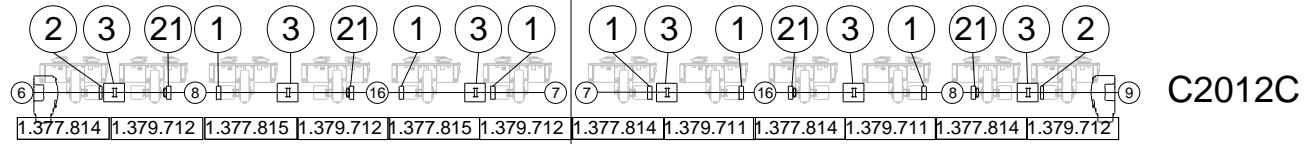
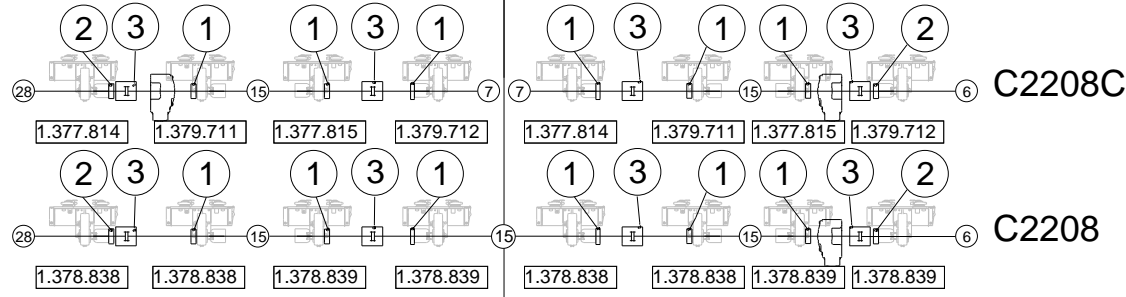
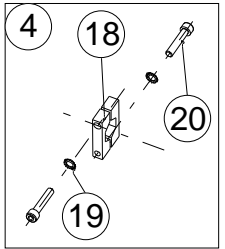
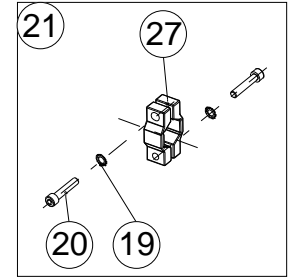
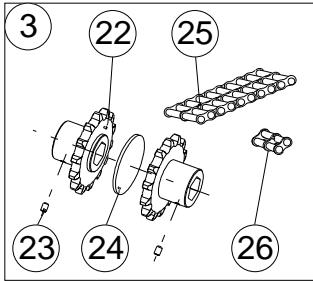
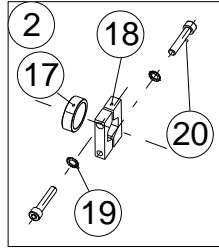
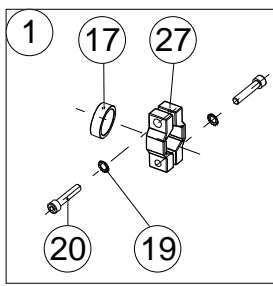


C3012

Ref.	Part number	Description	C3006	C3006C	C3008	C3008C	C3808	C3808C	C3012 C3012C
5.	1.376.517	Hexagonal shaft - (L=548)	1	1	1	1	-	-	-
6.	1.376.502	Hexagonal shaft - (L=1220)	-	2	-	-	-	-	4
7.	1.376.503	Hexagonal shaft - (L=480)	1	1	1	3	2	2	2
8.	1.376.504	Hexagonal shaft - (L=1582)	-	-	2	2	2	2	-
10.	1.376.501	Hexagonal shaft - (L=1214)	-	-	-	-	-	-	2
11.	1.376.490	Spacer - (l=15)	6	6	8	8	5	6	8
12.	1.351.164	Clamp - half piece only	4	4	4	4	-	-	-
13.	72210000060	Spring washer - M10 - DIN128/A	12	12	16	16	10	12	24
14.	80210004066	Hex socket head bolt - M10X40 - DIN912	12	12	16	16	10	12	24
15.	1.354.663	Sprocket - 14T	4	4	8	8	12	12	12
16.	80108001266	Set screw - M8X12 - DIN916	4	4	8	8	12	12	12
17.	1.354.660	Disk	2	2	4	4	6	6	6
18.	1.355.403	Duplex chain 2-80	2	2	4	4	6	6	6
19.	84501000032	Connecting link 2-80	2	2	4	4	6	6	6
20.	1.355.909	Clamp - half piece only	8	8	12	12	10	12	20
22.	1.379.071	Hexagonal shaft - (L=1636)	-	-	1	-	-	-	-
23.	1.372.764	Hexagonal shaft - (L=2047)	-	-	-	-	1	-	-
24.	1.379.706	Hexagonal shaft - (L=1826)	1	-	-	-	-	-	-
25.	1.377.809	Hexagonal shaft - (L=1350)	1	-	-	-	-	-	-
25.	1.373.890	Hexagonal shaft - (L=1436)	1	-	-	-	-	-	-
28.	1.377.813	Hexagonal shaft - (L=588)	-	-	-	-	2	2	-
29.	1.379.587	Hexagonal shaft - (L=600)	-	-	-	-	-	2	-

RHS

LHS

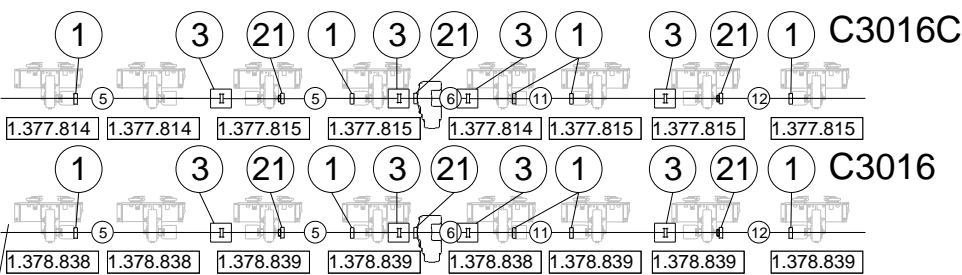
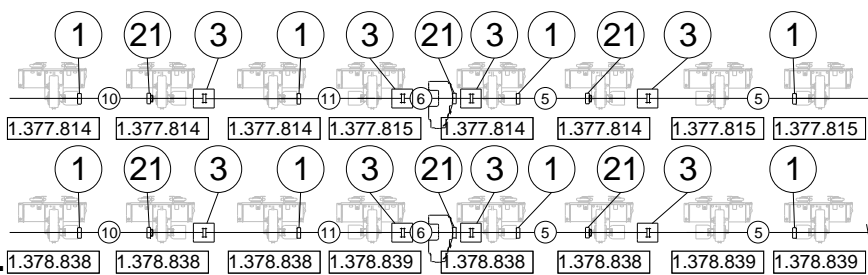
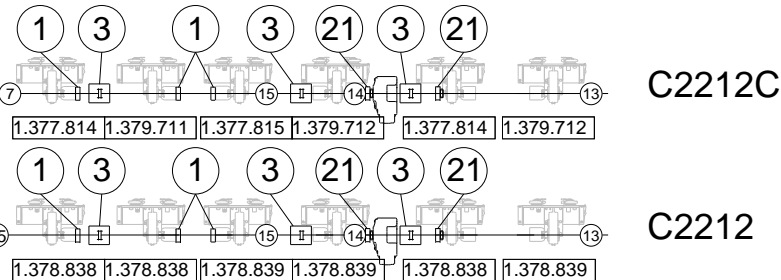
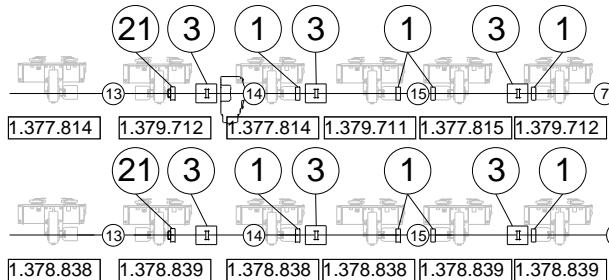
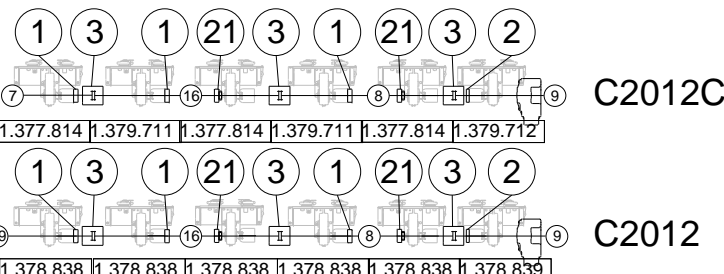
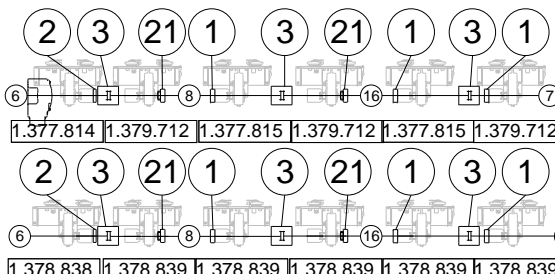
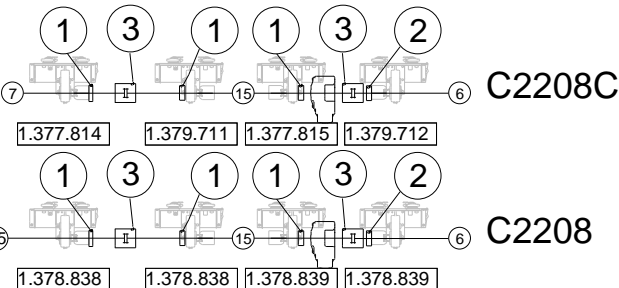
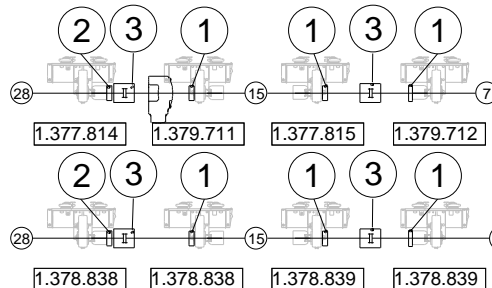
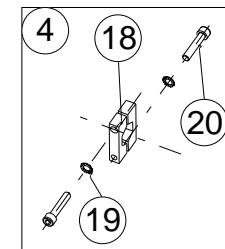
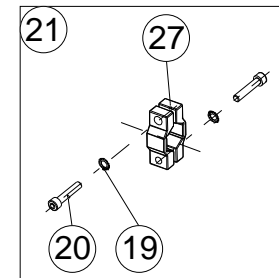
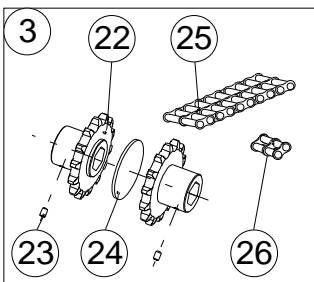
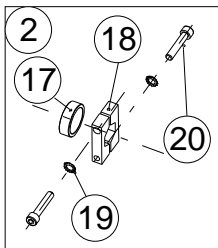
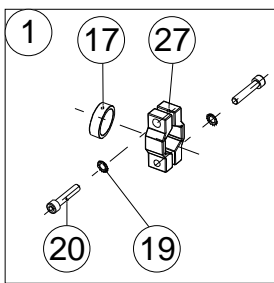


2023.

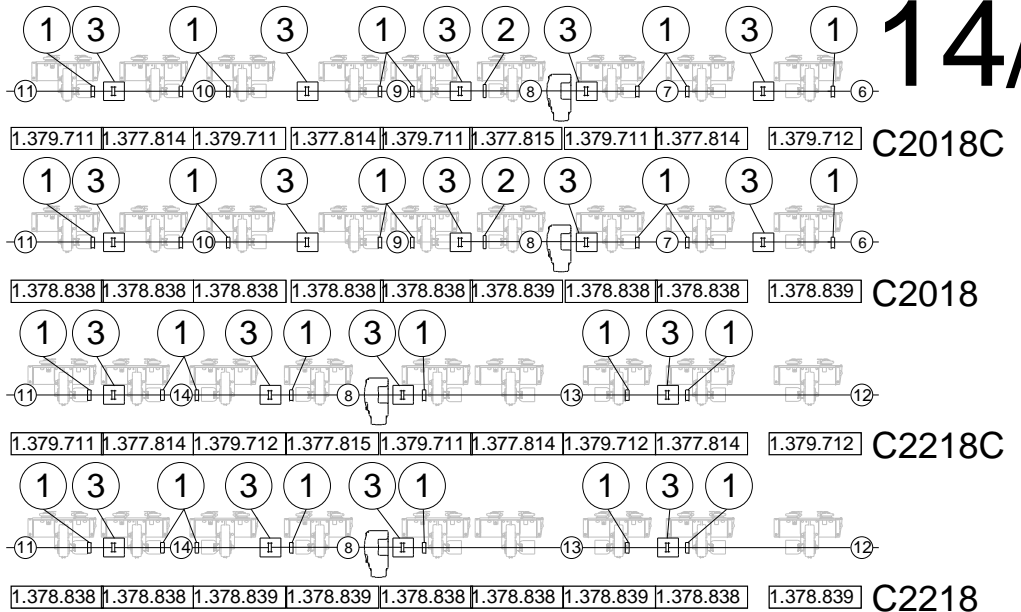
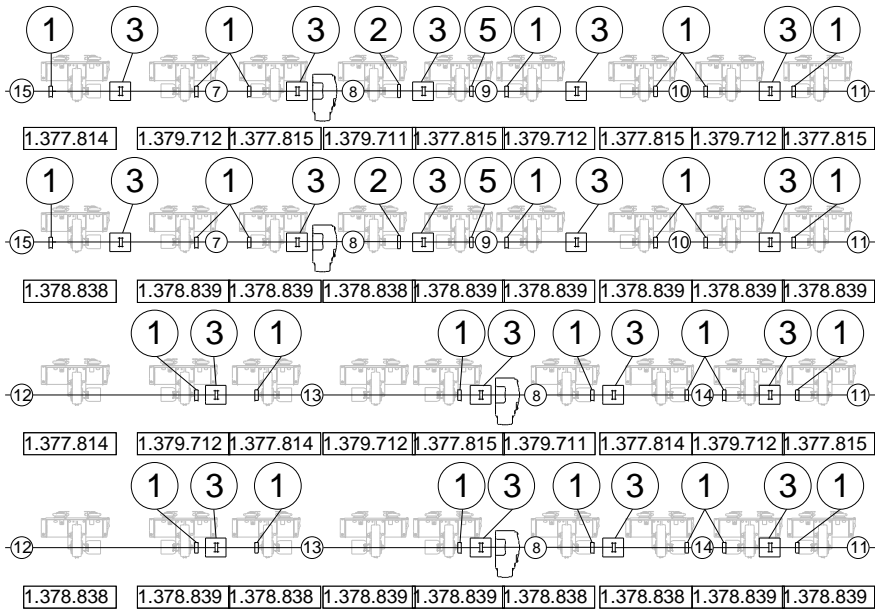
Ref.	Part number	Description	C2208	C2208C	C2012	C2012C	C22212	C2212C	C3016	C3016C
5.	1.376.502	Hexagonal shaft - (L=1220)	-	-	-	-	-	-	4	4
6.	1.376.503	Hexagonal shaft - (L=480)	1	1	1	1	-	-	2	2
7.	1.376.505	Hexagonal shaft - (L=340)	-	2	-	2	-	2	-	-
8.	1.376.506	Hexagonal shaft - (L=960)	-	-	2	2	-	-	-	-
9.	1.376.517	Hexagonal shaft - (L=548)	-	-	1	1	-	-	-	-
10.	1.377.809	Hexagonal shaft - (L=1350)	-	-	-	-	-	-	1	1
11.	1.377.811	Hexagonal shaft - (L=1360)	-	-	-	-	-	-	2	2
12.	1.379.096	Hexagonal shaft - (L=1385)	-	-	-	-	-	-	1	1
13.	1.379.586	Hexagonal shaft - (L=1093)	-	-	-	-	2	2	-	-
14.	1.379.587	Hexagonal shaft - (L=600)	-	-	-	-	2	2	-	-
15.	1.379.588	Hexagonal shaft - (L=1114)	3	2	-	-	3	2	-	-
16.	1.379.589	Hexagonal shaft - (L=1030)	-	-	2	2	-	-	-	-
17.	1.376.490	Spacer - (l=15)	8	8	12	12	10	10	12	12
18.	1.351.164	Clamp - half piece only	-	-	4	4	-	-	-	-
19.	72210000060	Spring washer - M10 - DIN128/A	16	16	24	24	20	20	28	28
20.	80210004066	Hex socket head bolt - M10X40 - DIN912	16	16	24	24	20	20	28	28
22.	1.354.663	Sprocket - 14T	8	8	12	12	12	12	16	16
23.	80108001266	Set screw - M8X12 - DIN916	8	8	12	12	12	12	16	16
24.	1.354.660	Disk	4	4	6	6	6	6	8	8
25.	1.355.403	Duplex chain 2-80	4	4	6	6	6	6	8	8
26.	84501000032	Connecting link 2-80	4	4	6	6	6	6	8	8
27.	1.355.909	Clamp - half piece only	16	16	20	20	20	20	28	28
28.	1.378.399	Hexagonal shaft - (L=579)	1	1	-	-	-	-	-	-
29.	1.377.125	Hexagonal shaft - (L=1065)	-	-	1	-	-	-	-	-
-	1.377.814	Snapping unit assy. - LH - (knife roll) + Chopper								
-	1.377.815	Snapping unit assy. - RH - (knife roll) + Chopper								
-	1.378.838	Snapping unit assy. - LH - (knife roll)								
-	1.378.839	Snapping unit assy. - RH - (knife roll)								
-	1.379.711	Snapping unit assy. - LH - (knife roll) + Chopper								
-	1.379.712	Snapping unit assy. - RH - (knife roll) + Chopper								

RHS

LHS

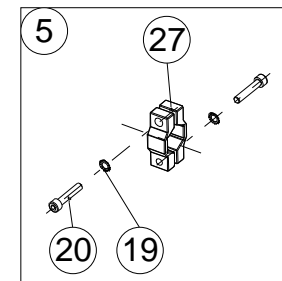
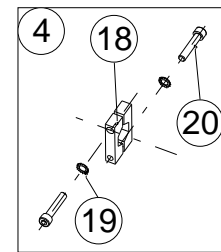
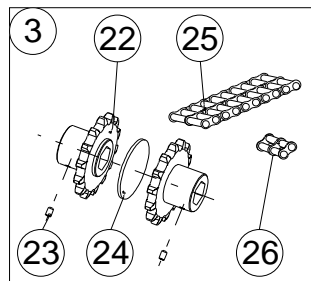
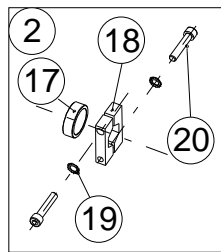
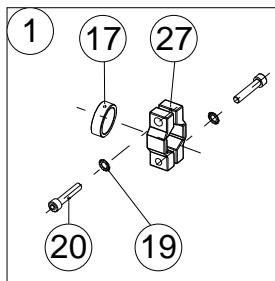
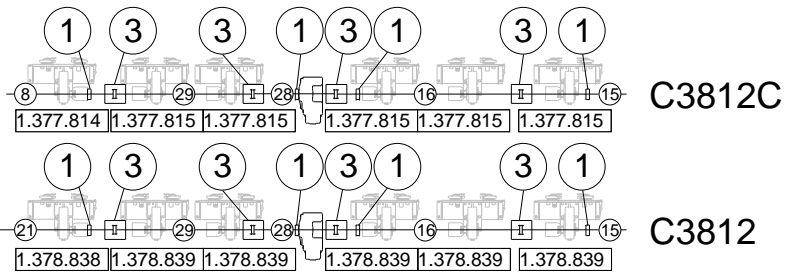
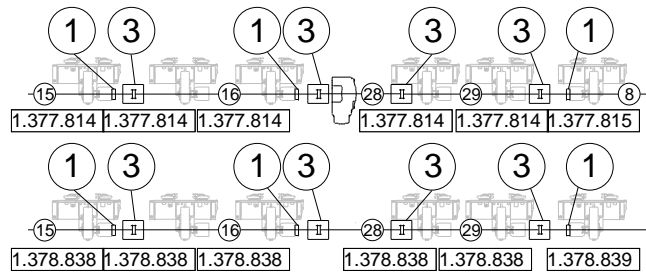


Ref.	Part number	Description	C2208	C2208C	C2012	C2012C	C22212	C2212C	C3016 C3016C
5.	1.376.502	Hexagonal shaft - (L=1220)	-	-	-	-	-	-	4
6.	1.376.503	Hexagonal shaft - (L=480)	1	1	1	1	-	-	2
7.	1.376.505	Hexagonal shaft - (L=340)	-	2	-	2	-	2	-
8.	1.376.506	Hexagonal shaft - (L=960)	-	-	2	2	-	-	-
9.	1.376.517	Hexagonal shaft - (L=548)	-	-	1	1	-	-	-
10.	1.377.809	Hexagonal shaft - (L=1350)	-	-	-	-	-	-	1
11.	1.377.811	Hexagonal shaft - (L=1360)	-	-	-	-	-	-	2
12.	1.379.096	Hexagonal shaft - (L=1385)	-	-	-	-	-	-	1
13.	1.379.586	Hexagonal shaft - (L=1093)	-	-	-	-	2	2	-
14.	1.379.587	Hexagonal shaft - (L=600)	-	-	-	-	2	2	-
15.	1.379.588	Hexagonal shaft - (L=1114)	3	2	-	-	3	2	-
16.	1.379.589	Hexagonal shaft - (L=1030)	-	-	2	2	-	-	-
17.	1.376.490	Spacer - (l=15)	8	8	12	12	10	10	12
18.	1.351.164	Clamp - half piece only	-	-	4	4	-	-	-
19.	7221000060	Spring washer - M10 - DIN128/A	16	16	24	24	20	20	28
20.	80210004066	Hex socket head bolt - M10X40 - DIN912	16	16	24	24	20	20	28
22.	1.354.663	Sprocket - 14T	8	8	12	12	12	12	16
23.	80108001266	Set screw - M8X12 - DIN916	8	8	12	12	12	12	16
24.	1.354.660	Disk	4	4	6	6	6	6	8
25.	1.355.403	Duplex chain 2-80	4	4	6	6	6	6	8
26.	84501000032	Connecting link 2-80	4	4	6	6	6	6	8
27.	1.355.909	Clamp - half piece only	16	16	20	20	20	20	28
28.	1.378.399	Hexagonal shaft - (L=579)	1	1	-	-	-	-	-
29.	1.377.125	Hexagonal shaft - (L=1065)	-	-	1	-	-	-	-



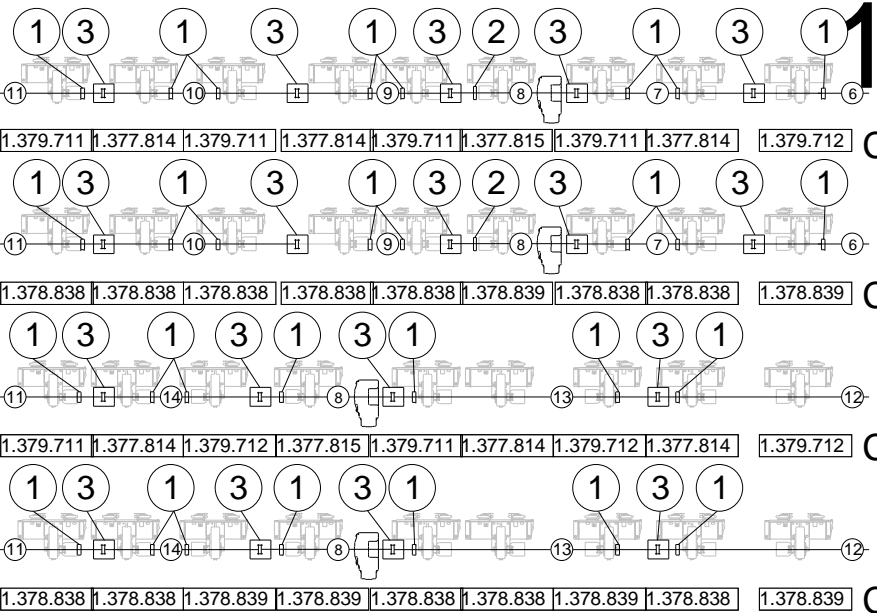
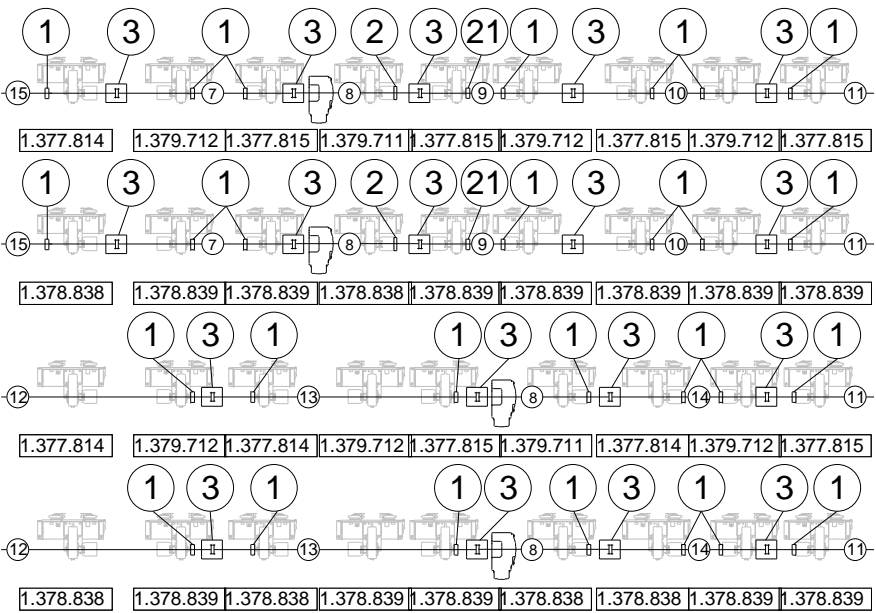
RHS

LHS



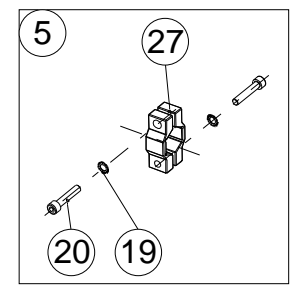
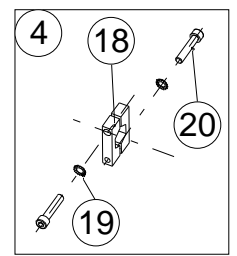
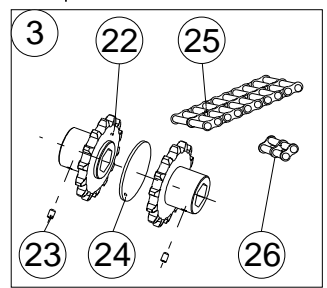
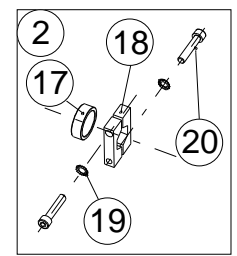
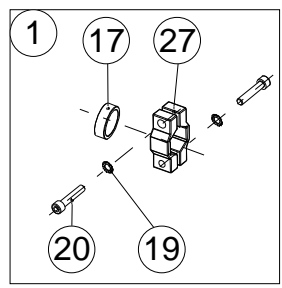
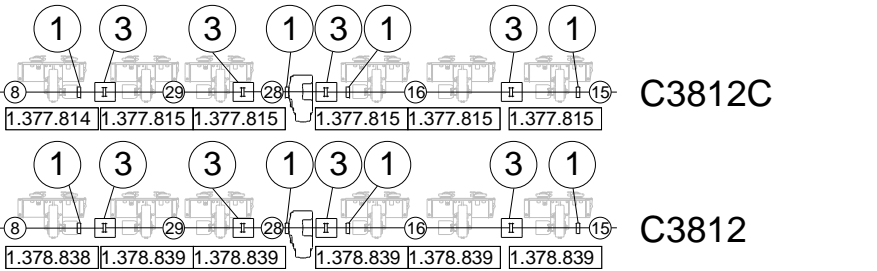
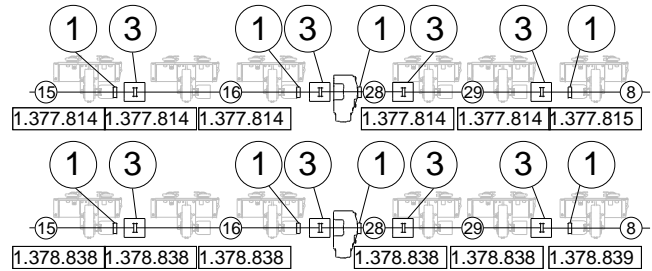
2023.

Ref.	Part number	Description	C2018	C2018C	C2218	C2218C	C3812	C3812C
6.	1.376.517	Hexagonal shaft - (L=548)	1	1	-	-	-	-
7.	1.371.215	Hexagonal shaft - (L=867,5)	2	2	-	-	-	-
8.	1.371.937	Shaft - L=640,5	2	2	-	-	-	-
8.	1.379.587	Hexagonal shaft - (L=600)	-	-	2	2	-	2
9.	1.376.506	Hexagonal shaft - (L=960)	2	2	-	-	-	-
10.	1.379.589	Hexagonal shaft - (L=1030)	2	2	-	-	-	-
11.	1.376.505	Hexagonal shaft - (L=340)	2	2	2	2	-	-
12.	1.379.586	Hexagonal shaft - (L=1093)	-	-	2	2	-	-
13.	1.371.418	Hexagonal shaft - (L=1668)	-	-	2	2	-	-
14.	1.379.588	Hexagonal shaft - (L=1114)	-	-	2	2	-	-
15.	1.377.813	Hexagonal shaft - (L=588)	1	1	-	-	2	2
16.	1.371.383	Hexagonal shaft - (L=1922)	-	-	-	-	2	2
17.	1.376.490	Spacer - (l=15)	18	18	16	16	5	6
18.	1.351.164	Clamp - half piece only	4	4	-	-	-	-
19.	72210000060	Spring washer - M10 - DIN128/A	36	36	32	32	18	20
20.	80210004066	Hex socket head bolt - M10X40 - DIN912	36	36	32	32	18	20
21.	1.372.764	Hexagonal shaft - (L=2047)	-	-	-	-	1	-
22.	1.354.663	Sprocket - 14T	20	20	16	16	16	16
23.	80108001266	Set screw - MBX12 - DIN916	20	20	16	16	16	16
24.	1.354.660	Disk	10	10	8	8	8	8
25.	1.355.403	Duplex chain 2-80	10	10	8	8	8	8
26.	84501000032	Connecting link 2-80	10	10	8	8	8	8
27.	1.355.909	Clamp - half piece only	32	32	32	32	18	20
28.	1.376.503	Hexagonal shaft - (L=480)	-	-	-	-	2	2
29.	1.376.504	Hexagonal shaft - (L=1582)	-	-	-	-	2	2
-	1.377.814	Snapping unit assy. - LH - (knife roll) + Chopper						
-	1.377.815	Snapping unit assy. - RH - (knife roll) + Chopper						
-	1.378.838	Snapping unit assy. - LH - (knife roll)						
-	1.378.839	Snapping unit assy. - RH - (knife roll)						
-	1.379.711	Snapping unit assy. - LH - (knife roll) + Chopper						
-	1.379.712	Snapping unit assy. - RH - (knife roll) + Chopper						



RHS

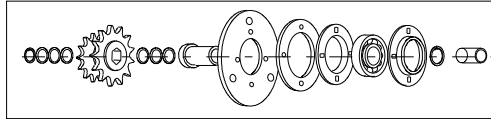
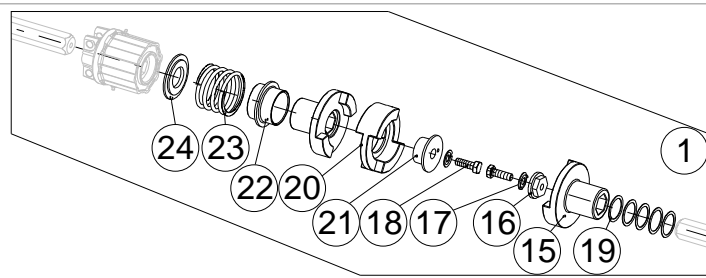
LHS



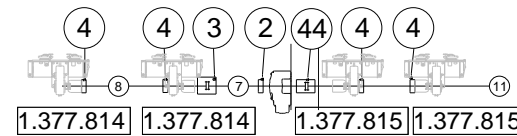
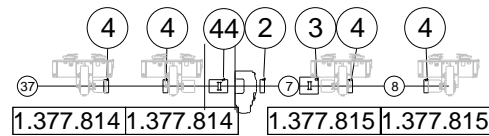
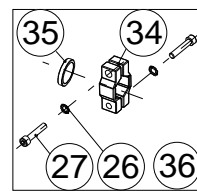
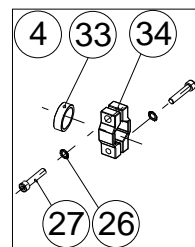
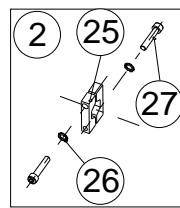
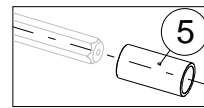
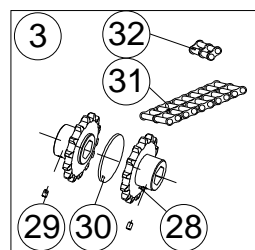
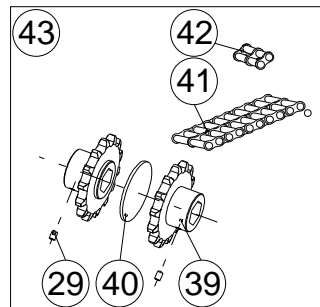
Ref.	Part number	Description		C2018 C2018C	C2218 C2218C	C3812 C3812C
6.	1.376.517	Hexagonal shaft - (L=548)		1	-	-
7.	1.371.215	Hexagonal shaft - (L=867,5)		2	-	-
8.	1.371.937	Shaft - L=640,5		2	-	-
8.	1.379.587	Hexagonal shaft - (L=600)		-	2	2
9.	1.376.506	Hexagonal shaft - (L=960)		2	-	-
10.	1.379.589	Hexagonal shaft - (L=1030)		2	-	-
11.	1.376.505	Hexagonal shaft - (L=340)		2	2	-
12.	1.379.586	Hexagonal shaft - (L=1093)		-	2	-
13.	1.371.418	Hexagonal shaft - (L=1668)		-	2	-
14.	1.379.588	Hexagonal shaft - (L=1114)		-	2	-
15.	1.377.813	Hexagonal shaft - (L=588)		1	-	2
16.	1.371.383	Hexagonal shaft - (L=1922)		-	-	2
17.	1.376.490	Spacer - (l=15)		18	16	6
18.	1.351.164	Clamp - half piece only		4	-	-
19.	72210000060	Spring washer - M10 - DIN128/A		36	32	20
20.	80210004066	Hex socket head bolt - M10X40 - DIN912		36	32	20
22.	1.354.663	Sprocket - 14T		20	16	16
23.	80108001266	Set screw - M8X12 - DIN916		20	16	16
24.	1.354.660	Disk		10	8	8
25.	1.355.403	Duplex chain 2-80		10	8	8
26.	84501000032	Connecting link 2-80		10	8	8
27.	1.355.909	Clamp - half piece only		32	32	20
28.	1.376.503	Hexagonal shaft - (L=480)		-	-	2
29.	1.376.504	Hexagonal shaft - (L=1582)		-	-	2

RHS

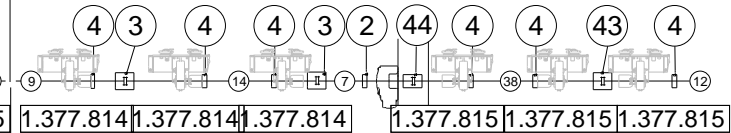
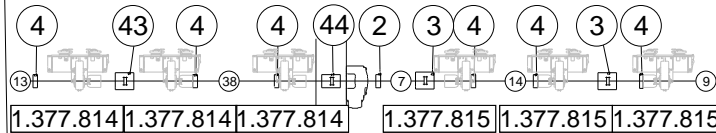
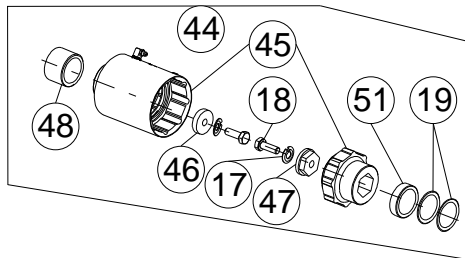
LHS



See pg. 9 items 58-68



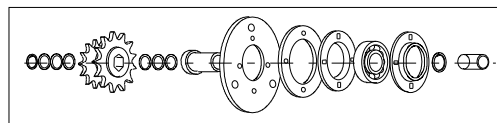
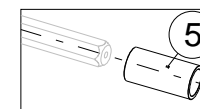
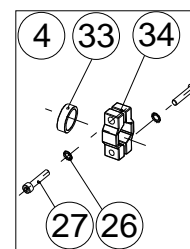
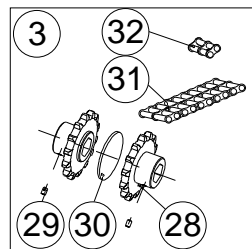
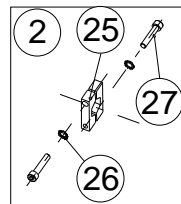
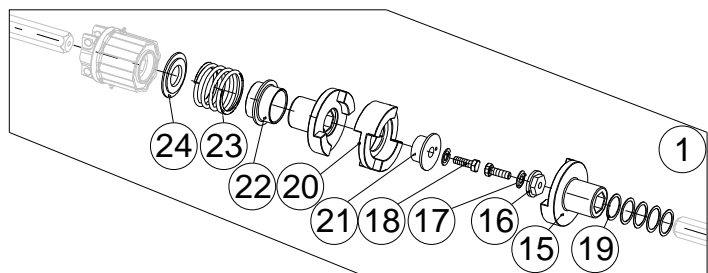
C3008F, C3008CF
INTERIOR DRIVE



C3012F, C3012CF
INTERIOR DRIVE

Ref.	Part number	Description		C3008F C3008CF INT.	C3012F C3012CF INT.
7.	1.376.516	Hexagonal shaft - (L=223)		2	2
8.	1.376.506	Hexagonal shaft - (L=960)		2	-
9.	1.376.503	Hexagonal shaft - (L=480)		-	2
11.	1.377.809	Hexagonal shaft - (L=1350)		1	-
11.	1.372.319	Hexagonal shaft - (L=1323)	2022->	1	-
12.	1.378.398	Hexagonal shaft - (L=544)		-	1
13.	1.378.399	Hexagonal shaft - (L=579)		-	1
14.	1.377.048	Hexagonal shaft - (L=1320)		-	2
15.	1.377.808	Clutch half	->2021	4	4
16.	1.377.806	Inset	->2021	2	2
17.	71701000060	External tab washer		4	4
18.	79410003066	Hex bolt - M10X30 - DIN933/8.8		4	4
*19.	71637047100	Shim - 37X47X1 - DIN988		10	10
20.	1.377.804	Inset	->2021	2	2
21.	1.377.805	Inset	->2021	2	2
22.	1.377.807	Spacer - (l=44)	->2021	2	2
23.	1.351.215	Spring	->2021	2	2
24.	1.351.163	Washer	->2021	2	2
25.	1.351.164	Clamp - half piece only		4	4
26.	72210000060	Spring washer - M10 - DIN128/A		20	28
27.	80210004066	Hex socket head bolt - M10X40 - DIN912		20	28
28.	1.376.519	Sprocket		4	8
29.	80108001266	Set screw - M8X12 - DIN916		4	12
30.	1.354.660	Disk		2	4
31.	1.355.403	Duplex chain 2-80		2	4
32.	84501000032	Connecting link 2-80		2	4
33.	1.376.490	Spacer - (l=15)		8	12
34.	1.355.909	Clamp - half piece only		16	24
37.	1.377.810	Hexagonal shaft - (L=1260)		1	-
38.	1.378.400	Hexagonal shaft - (L=1560)	->2021	-	2
38.	1.371.781	Hexagonal shaft - (L=1533)	2022->	-	2
39.	1.378.897	Hub cpl.		-	4
40.	1.378.896	Disk		-	2
41.	1.300.200	Chain & connecting link		-	2
42.	84503400010	Connecting link 2-60		-	2
45.	1.372.278	Clutch assy.	2022->	2	2
46.	1.372.316	Inset l.	2022->	2	2
47.	1.372.317	Inset	2022->	2	2
48.	1.372.318	Spacer	2022->	2	2
51.	1.376.490	Spacer - (l=15)		2	2
-	1.377.814	Snapping unit assy. - LH - (knife roll) + Chopper			
-	1.377.815	Snapping unit assy. - RH - (knife roll) + Chopper			

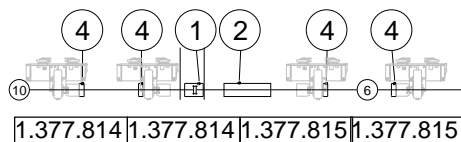
Note: See page 15C for Gleaner 4+2X2 configuration.
 INT. - INTERIOR; EXT. - EXTERIOR



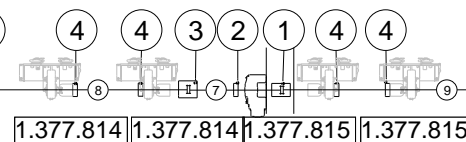
See pg. 9 items 58-68

RHS

LHS



1.377.814	1.377.814	1.377.815	1.377.815
-----------	-----------	-----------	-----------



1.377.814	1.377.814	1.377.815	1.377.815
-----------	-----------	-----------	-----------

C3008F Special Gleaner/ INTERIOR

Ref.	Part number	Description		
5.	1.376.562	Spacer - (l=231)		1
6.	1.379.419	Hexagonal shaft - (L=1400)		1
7.	1.376.516	Hexagonal shaft - (L=223)		1
8.	1.372.934	Hexagonal shaft - (L=1523)		1
9.	1.377.809	Hexagonal shaft - (L=1350)		1
10.	1.377.810	Hexagonal shaft - (L=1260)		1
15.	1.377.808	Clutch half		4
16.	1.377.806	Inset		2
17.	71701000060	External tab washer		4
18.	79410003066	Hex bolt - M10X30 - DIN933/8.8		4
*19.	71637047100	Shim - 37X47X1 - DIN988		10
20.	1.377.804	Inset		2
21.	1.377.805	Inset		2
22.	1.377.807	Spacer - (l=44)		2
23.	1.351.215	Spring		2
24.	1.351.163	Washer		2
25.	1.351.164	Clamp - half piece only		2
26.	72210000060	Spring washer - M10 - DIN128/A		20
27.	80210004066	Hex socket head bolt - M10X40 - DIN912		20
28.	1.376.519	Sprocket		2
29.	80108001266	Set screw - M8X12 - DIN916		2
30.	1.354.660	Disk		1
31.	1.355.403	Duplex chain 2-80		1
32.	84501000032	Connecting link 2-80		1
33.	1.376.490	Spacer - (l=15)		8
34.	1.355.909	Clamp - half piece only		16
-	1.377.814	Snapping unit assy. - LH - (knife roll) + Chopper		
-	1.377.815	Snapping unit assy. - RH - (knife roll) + Chopper		

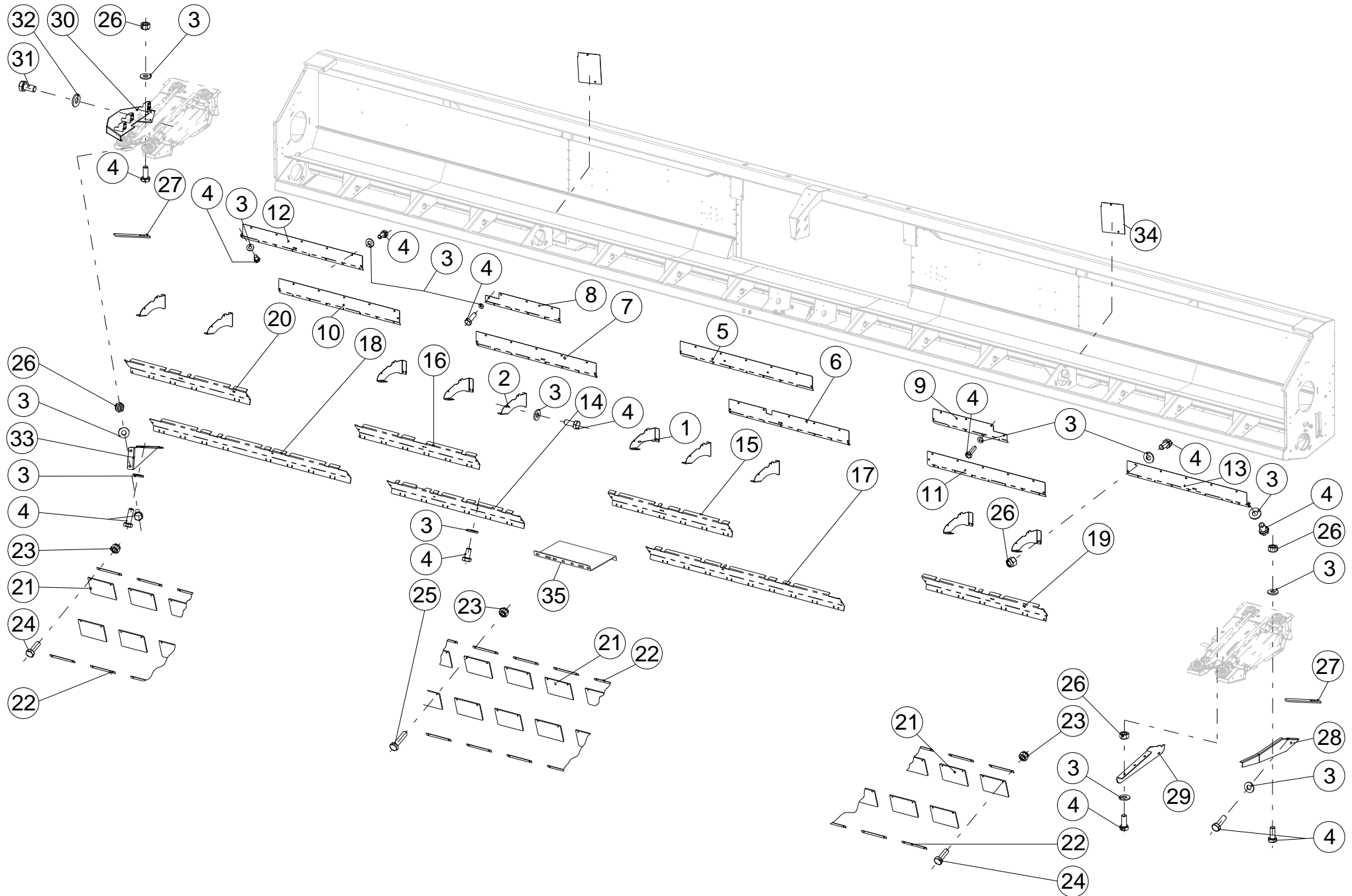
Note: *Application of shims if necessary.

Ref.	Part number	Description		C3006 C3006C	C3008 C3008C	C3808 C3808C	C3012 C3012C
1.	1.377.364	Bracket - LH	->2015	1	1	1	1
2.	1.377.365	Bracket - RH	->2015	1	1	1	1
3.	91623938761	Spring washer - 8X18 M8 - A8		124	168	156	257
4.	79408002066	Hex bolt - M8X20 - DIN933/8.8		81	107	98	164
5.	1.378.296	Shield - back - (I=536)	->2015	1	1	-	1
5.	1.378.972	Shield - back - (I=1572)	2016->	1	1	-	1
5.	1.372.767	Shield - back - (I=1808)		-	-	1	-
6.	1.378.297	Shield - back - (I=635)	->2015	1	1	-	1
7.	1.378.298	Shield - back - (I=627)	->2015	1	1	-	1
8.	1.378.299	Shield - back - (I=1089)	->2015	1	-	-	-
8.	1.379.423	Shield - back - (I=1352)	2016->	1	-	-	-
8.	1.378.301	Shield - back - (I=1143)	->2015	-	1	-	-
8.	1.379.748	Shield - back - (I=2114)	2016->	-	1	-	-
9.	1.378.300	Shield - back - (I=1132)	->2015	1	-	-	-
9.	1.379.424	Shield - back - (I=1387)	2016->	1	-	-	-
9.	1.378.302	Shield - back - (I=1151)	->2015	-	1	-	-
9.	1.379.749	Shield - back - (I=2149)	2016->	-	1	-	-
10.	1.378.307	Shield - back - (I=837)	->2015	-	-	-	1
10.	1.378.969	Shield - back - (I=1427)	2016->	-	-	-	1
10.	1.372.768	Shield - back - (I=2017)		-	-	1	-
11.	1.378.308	Shield - back - (I=877)	->2015	-	-	-	1
11.	1.378.975	Shield - back - (I=1427)	2016->	-	-	-	1
11.	1.372.769	Shield - back - (I=2017)		-	-	1	-
12.	1.378.305	Shield - back - (I=644)	->2015	-	1	-	1
12.	1.378.964	Shield - back - (I=882)	2016->	-	-	-	1
12.	1.372.770	Shield - back - (I=679)		-	-	1	-
13.	1.378.306	Shield - back - (I=679)	->2015	-	1	-	-
13.	1.378.305	Shield - back - (I=644)	->2015	-	-	-	1
13.	1.378.970	Shield - back - (I=882)	2016->	-	-	-	1
13.	1.372.771	Shield - back - (I=714)		-	-	1	-
14.	1.378.309	Shield - back - (I=597)	->2015	-	-	-	1
14.	1.378.963	Shield - back - (I=1324)	2016->	-	-	-	1
15.	1.378.310	Shield - back - (I=592)	->2015	-	-	-	1
15.	1.378.971	Shield - back - (I=1359)	2016->	-	-	-	1
16.	1.377.338	Shield - bottom - (I=1758)	->2015	1	1	-	1
16.	1.378.978	Shield - bottom - (I=1577)	2016->	1	1	-	1
16.	1.372.745	Shield - bottom - (I=1813)		-	-	1	-
17.	1.377.346	Shield - bottom - (I=2205)	->2015	-	-	-	1
17.	1.378.979	Shield - bottom - (I=1423)	2016->	-	-	-	1
17.	1.372.765	Shield - bottom - (I=2719)		-	-	1	-
18.	1.377.347	Shield - bottom - (I=2253)	->2015	-	-	-	1
18.	1.378.977	Shield - bottom - (I=1427)	2016->	-	-	-	1
18.	1.372.766	Shield - bottom - (I=2757)		-	-	1	-
19.	1.377.339	Shield - bottom - (I=1271)	->2015	1	-	-	-
19.	1.379.422	Shield - bottom - (I=1364)	2016->	1	-	-	-
19.	1.377.344	Shield - bottom - (I=2033)	->2015	-	1	-	-
19.	1.379.750	Shield - bottom - (I=2126)	2016->	-	1	-	-
19.	1.377.348	Shield - bottom - (I=1350)	->2015	-	-	-	1
19.	1.378.980	Shield - bottom - (I=2225)	2016->	-	-	-	1
20.	1.377.340	Shield - bottom - (I=1314)	->2015	1	-	-	-
20.	1.379.421	Shield - bottom - (I=1402)	2016->	1	-	-	-
20.	1.377.345	Shield - bottom - (I=2076)	->2015	-	1	-	-
20.	1.379.751	Shield - bottom - (I=2164)	2016->	-	1	-	-
20.	1.377.349	Shield - bottom - (I=1345)	->2015	-	-	-	1
20.	1.378.976	Shield - bottom - (I=2259)	2016->	-	-	-	1
21.	1.377.362	Stiffener - LH	->2015	2	4	4	6
21.	1.377.363	Stiffener - RH	->2015	2	4	4	6
21.	1.378.973	Bracket - LH	2016->	2	3	2	4
21.	1.378.974	Bracket - RH	2016->	2	3	2	4
**22.	1.371.912	Rubber plate		20	28	36	44
**23.	1.376.127	Flat		20	28	36	44
**24.	79408003566	Hex bolt - M8X35 - DIN933/8.8		19	27	35	43
**25.	74900800066	Lock nut - plastic insert - M8 - DIN982/8		21	29	35	45
**26.	79408002566	Hex head screw - M8X25 - DIN933/8.8		2	2	2	2
**27.	1.376.599	Stiffener		1	1	1	1
28.	73508000066	Hex nut - M8 - DIN934		53	71	76	105
**29.	1.379.099	Knife-shield		1	1	1	1

Note: * Application of shims if necessary.
The items marked with ** are only valid for machines with chopper.
The items marked with *** are only valid for machines without a chopper.

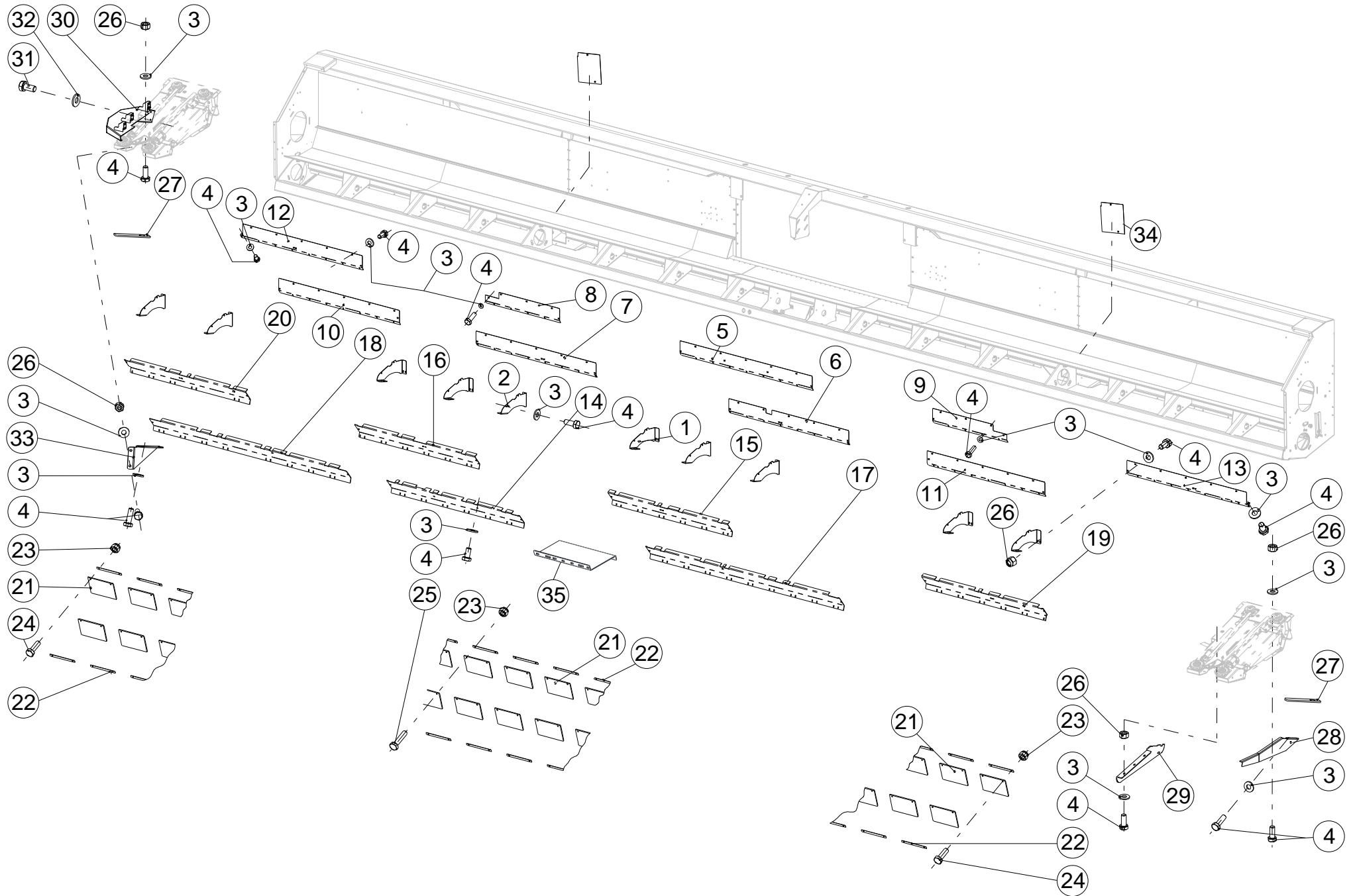
Ref.	Part number	Description		C3006 C3006C	C3008 C3008C	C3808 C3808C	C3012 C3012C
**30.	91623938861	Spring washer - 10,2X22,25X1,6 - A10		6	6	6	6
**31.	79410002066	Hex bolt - M10X20 - DIN933/8.8		6	6	6	6
**32.	1.376.600	Side-shield (l=858,7)		1	1	1	1
*33.	1.377.372	Shim		2	2	2	2
34.	1.377.864	Stiffener plate - (l=536)		1	1	-	1
35.	1.377.865	Stiffener plate - (l=608)		1	1	-	1
36.	1.377.866	Stiffener plate - (l=600)		1	1	-	1
37.	1.377.871	Stiffener plate - (l=1143)		-	1	-	-
37.	1.378.764	Stiffener plate - (l=1175)		-	-	-	1
37.	1.377.867	Stiffener plate - (l=1275)		1	-	-	-
38.	1.377.872	Stiffener plate - (l=1151)		-	1	-	-
38.	1.378.765	Stiffener plate - (l=1183)		-	-	-	1
38.	1.377.868	Stiffener plate - (l=1318)		1	-	-	-
39.	1.377.877	Stiffener plate - (l=774)		-	-	-	1
40.	1.377.878	Stiffener plate - (l=1063)		-	-	-	1
41.	1.377.875	Stiffener plate - (l=644)		-	-	-	1
41.	1.377.876	Stiffener plate - (l=865)		-	1	-	-
42.	1.377.875	Stiffener plate - (l=644)		-	-	-	1
42.	1.378.060	Stiffener plate - (l=830)		-	1	-	-
43.	1.377.879	Stiffener plate - (l=597)		-	-	-	1
44.	1.377.880	Stiffener plate - (l=592)		-	-	-	1
45.	1.378.340	Shield - back - (l=520)		-	-	-	1
46.	1.378.751	Stiffener plate - (l=621)		-	-	-	1
47.	1.378.341	Shield - back - (l=527,5)		-	-	-	1
48.	1.378.752	Stiffener plate - (l=621)		-	-	-	1
**49.	1.371.013	Deflector plate (l=611,6)		5	7	7	11
***50.	1.379.708	Shield	2015->	1	1	1	1
***51.	1.373.619	Shield - back	2016->	1	1	-	-
***51.	1.372.684	Shield		-	-	1	1
52.	1.372.937	Shield	2020->	1	1	1	1

Note: * Application of shims if necessary.
The items marked with ** are only valid for machines with chopper.
The items marked with *** are only valid for machines without a chopper.



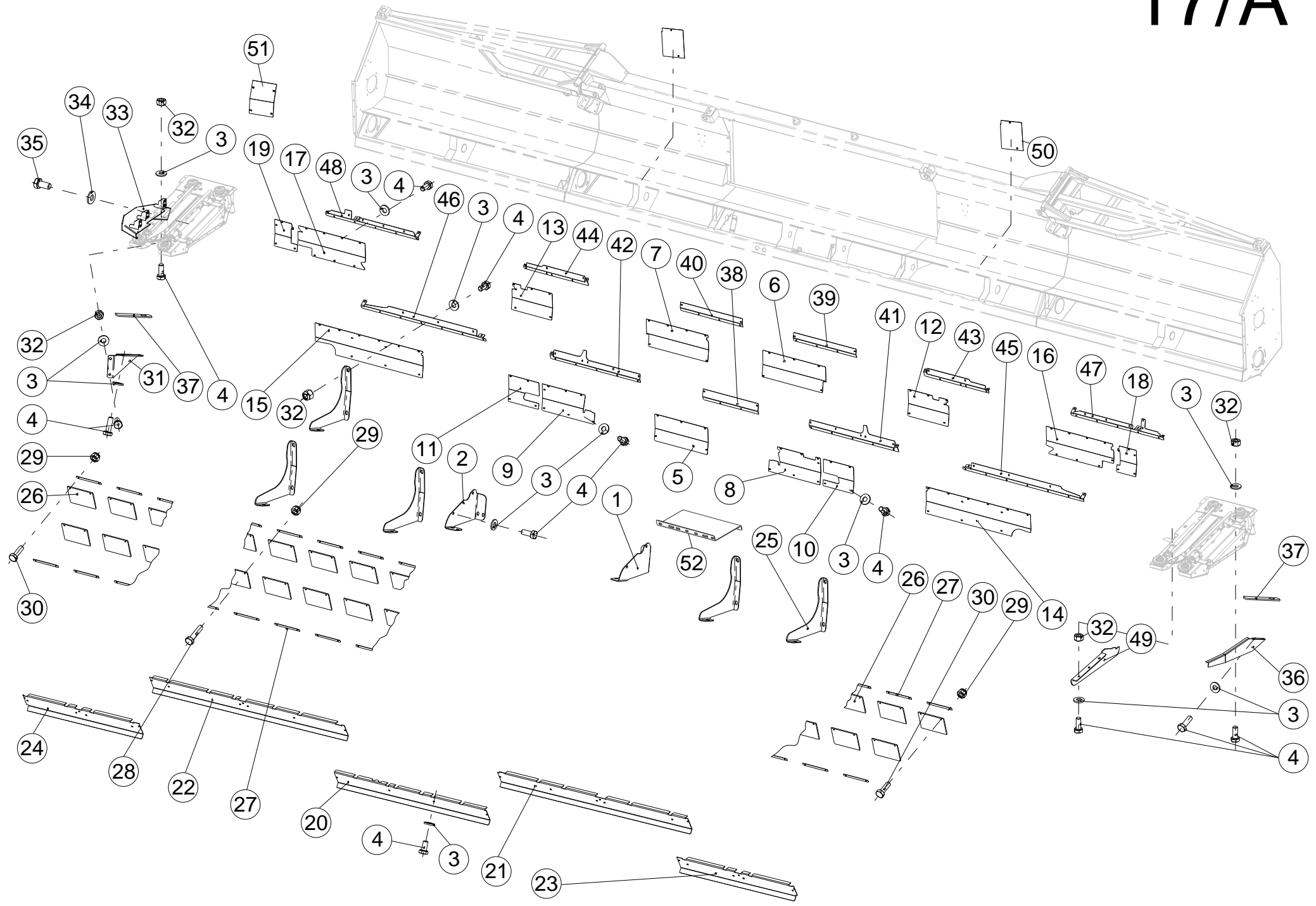
Ref.	Part number	Description			C2208 C2208C	C2012 C2012C	C2212 C2212C	C3812 C3812C	C3016 C3016C	C2018 C2018C	C2218 C2218C
1.	1.378.973	Bracket - LH			2	3	2	4	5	5	5
2.	1.378.974	Bracket - RH			2	3	2	4	5	3	3
3.	91623938761	Spring washer - 8X18 M8 - A8			130	164	174	173	277	256	246
4.	79408002066	Hex bolt - M8X20 - DIN933/8.8			78	96	104	153	172	152	144
5.	1.378.972	Shield - back - (I=1572)			-	-	-	-	1	-	-
5.	1.379.644	Shield - back - (I=1397)			-	1	-	-	-	1	-
5.	1.379.590	Shield - back - (I=1498)			1	-	1	-	-	-	1
5.	1.372.767	Shield - back - (I=1808)			-	-	-	1	-	-	-
6.	1.378.969	Shield - back - (I=1427)			-	-	-	-	1	-	-
6.	1.379.645	Shield - back - (I=2328)			-	1	-	-	-	-	-
6.	1.379.591	Shield - back - (I=1483,5)			1	-	1	-	-	-	-
6.	1.373.113	Shield - back - (I=1312)			-	-	-	-	-	-	-
7.	1.378.975	Shield - back - (I=1427)			-	-	-	-	1	-	-
7.	1.379.646	Shield - back - (I=2364)			-	1	-	-	-	-	-
7.	1.379.592	Shield - back - (I=1438,5)			1	-	1	-	-	-	-
7.	1.373.114	Shield - back - (I=1348)			-	-	-	-	-	-	-
8.	1.378.970	Shield - back - (I=882)			-	-	-	-	1	-	-
8.	1.379.594	Shield - back - (I=1106)			-	-	1	-	-	-	-
8.	1.372.769	Shield - back - (I=2017)			-	-	-	1	-	-	-
8.	1.371.528	Shield - back - (I=2413,5)			-	-	-	-	-	1	-
8.	1.379.592	Shield - back - (I=1438,5)			-	-	-	-	-	-	1
9.	1.378.964	Shield - back - (I=882)			-	-	-	-	1	-	-
9.	1.379.593	Shield - back - (I=1106)			-	-	1	-	-	-	-
9.	1.372.768	Shield - back - (I=2017)			-	-	-	1	-	-	-
9.	1.371.527	Shield - back - (I=2378)			-	-	-	-	-	1	-
9.	1.379.591	Shield - back - (I=1483,5)			-	-	-	-	-	-	1
10.	1.379.035	Shield - back - (I=1434)			-	-	-	-	1	-	-
11.	1.379.034	Shield - back - (I=1399)			-	-	-	-	1	-	-
12.	1.379.036	Shield - back - (I=1447)			-	-	-	-	1	-	-
12.	1.371.424	Shield - back - (I=2644)			-	-	-	1	-	-	-
12.	1.371.526	Shield - back - (I=1458,5)			-	-	-	-	-	1	-
12.	1.371.460	Shield - back - (I=2782,4)			-	-	-	-	-	-	1
13.	1.379.037	Shield - back - (I=1447)			-	-	-	-	1	-	-
13.	1.371.423	Shield - back - (I=2609,4)			-	-	-	1	-	-	-
13.	1.371.525	Shield - back - (I=1458,5)			-	-	-	-	-	1	-
13.	1.371.459	Shield - back - (I=2782,4)			-	-	-	-	-	-	1
14.	1.378.978	Shield - bottom - (I=1577)			-	-	-	-	1	-	-
14.	1.379.647	Shield - bottom - (I=1398)			-	1	-	-	-	1	-
14.	1.379.595	Shield - bottom - (I=1498)			1	-	1	-	-	-	1
14.	1.372.745	Shield - bottom - (I=1813)			-	-	-	1	-	-	-
15.	1.378.979	Shield - bottom - (I=1423)			-	-	-	-	1	-	-
15.	1.379.648	Shield - bottom - (I=2344)			-	1	-	-	-	-	-
15.	1.379.596	Shield - bottom - (I=853)			-	-	1	-	-	-	-
15.	1.373.115	Shield - bottom - (I=1328)			-	-	-	-	-	-	-
15.	1.373.082	Shield - bottom - (I=1496)			1	-	-	-	-	-	-
15.	1.371.529	Shield - bottom - (I=1506,5)			-	-	-	-	-	1	-
16.	1.378.977	Shield - bottom - (I=1427)			-	-	-	-	1	-	-
16.	1.379.649	Shield - bottom - (I=2379)			-	1	-	-	-	-	-
16.	1.379.597	Shield - bottom - (I=793)			-	-	1	-	-	-	-
16.	1.373.116	Shield - bottom - (I=1363)			-	-	-	-	-	-	-
16.	1.373.083	Shield - bottom - (I=1451)			1	-	-	-	-	-	-
16.	1.371.530	Shield - bottom - (I=1502)			-	-	-	-	-	1	-
17.	1.379.041	Shield - bottom - (I=2301)			-	-	-	-	1	-	-
17.	1.379.598	Shield - bottom - (I=1758,5)			-	-	1	-	-	-	-
17.	1.371.428	Shield - bottom - (I=2965)			-	-	-	1	-	-	-
17.	1.371.539	Shield - bottom - (I=2360)			-	-	-	-	-	1	-
17.	1.371.455	Shield - bottom - (I=2256)			-	-	-	-	-	-	1
18.	1.379.042	Shield - bottom - (I=2343)			-	-	-	-	1	-	-
18.	1.379.599	Shield - bottom - (I=1773,5)			-	-	1	-	-	-	-
18.	1.371.427	Shield - bottom - (I=2968)			-	-	-	1	-	-	-
18.	1.371.540	Shield - bottom - (I=2399)			-	-	-	-	-	1	-
18.	1.371.456	Shield - bottom - (I=2217)			-	-	-	-	-	-	1
19.	1.371.426	Shield - bottom - (I=1682,6)			-	-	-	1	-	-	-
19.	1.379.038	Shield - bottom - (I=1446)			-	-	-	-	1	-	-
19.	1.371.457	Shield - bottom - (I=2032)			-	-	-	-	-	-	1
20.	1.379.043	Shield - bottom - (I=1438)			-	-	-	-	1	-	-
20.	1.371.425	Shield - bottom - (I=1718,6)			-	-	-	1	-	-	-

Note: The items marked with * are only valid for machines with chopper.
The items marked with ** are only valid for machines without a chopper.



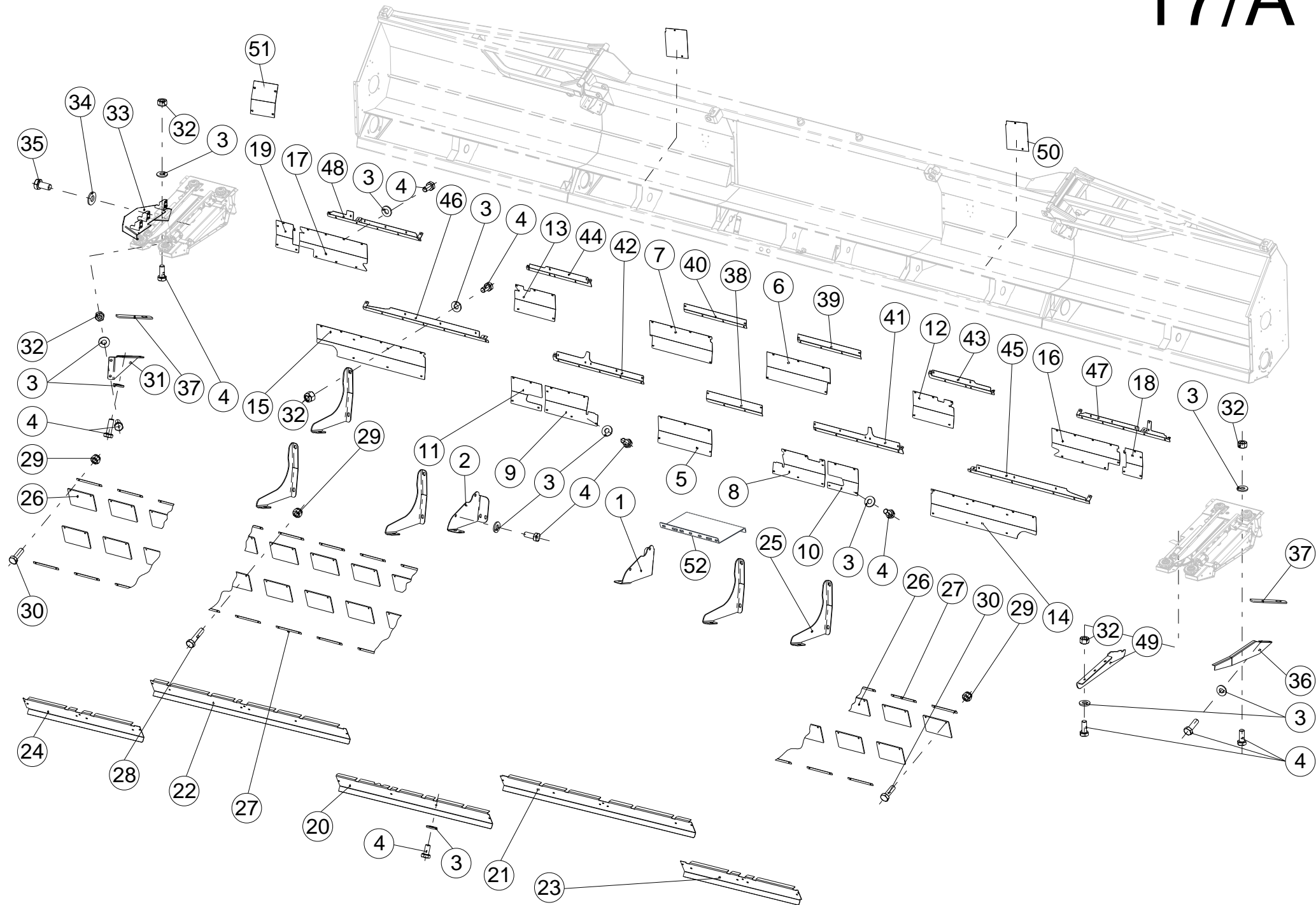
Ref.	Part number	Description		C2208 C2208C	C2012 C2012C	C2212 C2212C	C3812 C3812C	C3016 C3016C	C2018 C2018C	C2218 C2218C
20.	1.371.458	Shield - bottom - (l=2026)		-	-	-	-	-	-	1
*21.	1.371.912	Rubber plate		21	30	33	56	60	46	49
*22.	1.376.127	Flat		21	30	33	56	60	46	49
*23.	74908000066	Hex nut - plastic insert - M8 - DIN985		22	31	34	57	63	49	50
*24.	79408002566	Hex head screw - M8X25 - DIN933/8.8		2	2	2	2	4	2	2
*25.	79408003566	Hex bolt - M8X35 - DIN933/8.8		20	29	32	57	59	47	48
*26.	73508000066	Hex nut - M8 - DIN934		62	76	80	73	158	138	115
*27.	1.377.372	Shim		2	2	2	2	2	2	2
*28.	1.376.600	Side-shield (l=858,7)		1	1	1	1	1	1	1
*29.	1.371.013	Deflector plate (l=611,6)		-	-	-	11	15	-	-
*29.	1.371.014	Deflector plate		7	11	11	-	-	17	17
*30.	1.379.099	Knife-shield		1	1	1	1	1	1	1
*31.	79410002066	Hex bolt - M10X20 - DIN933/8.8		6	6	6	6	6	6	6
*32.	91623938861	Spring washer - 10,2X22,25X1,6 - A10		6	6	6	6	6	6	6
*33.	1.376.599	Stiffener		1	1	1	1	1	1	1
**34.	1.373.619	Shield - back		1	-	1	-	-	-	1
**34.	1.372.684	Shield		-	1	-	1	1	1	-
35.	1.372.937	Shield	2020->	1	1	1	1	1	1	1

Note: The items marked with * are only valid for machines with chopper.
The items marked with ** are only valid for machines without a chopper.



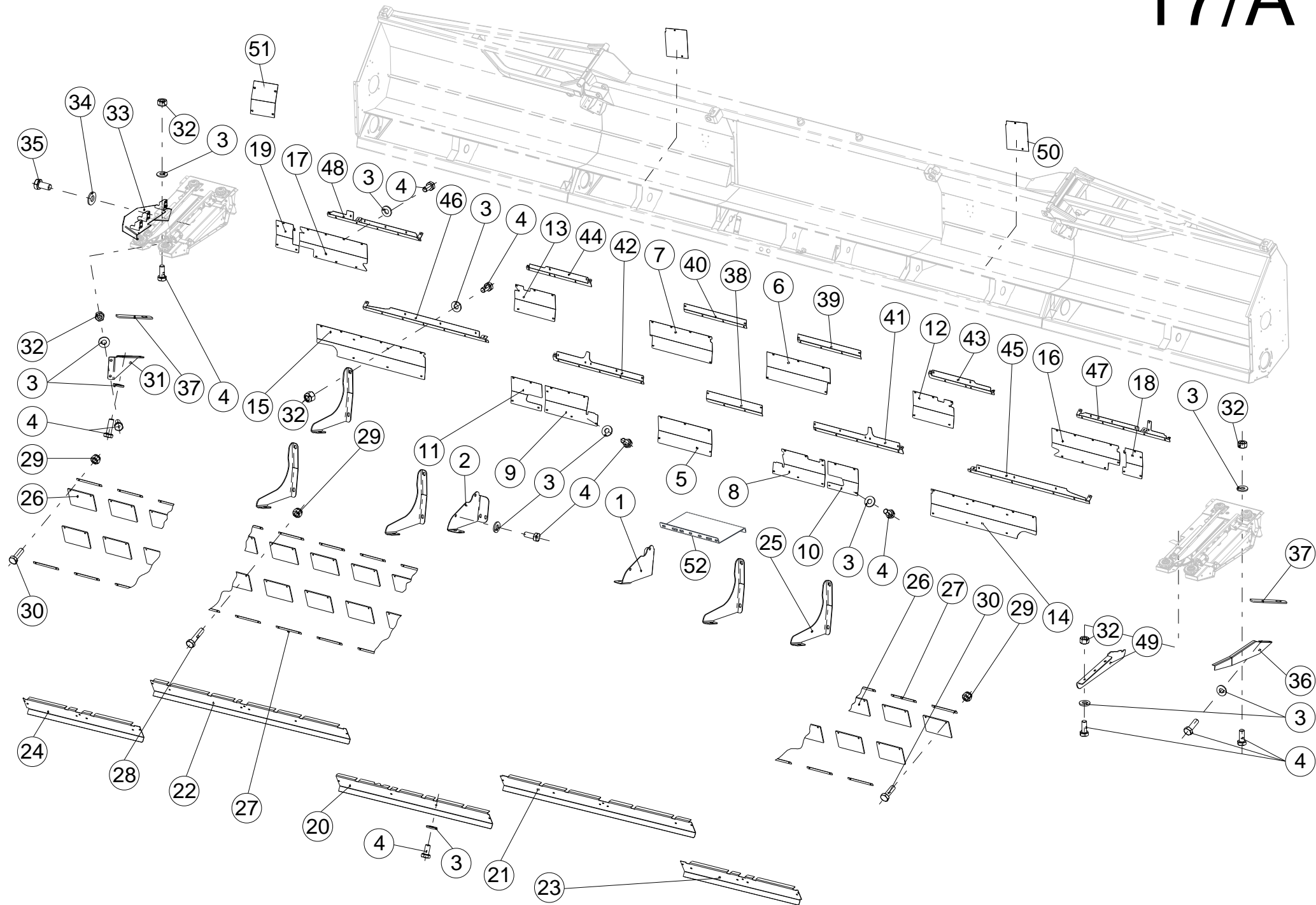
Ref.	Part number	Description		C3008F C3008CF	C3012F C3012CF
1.	1.377.364	Bracket - LH		-	-
1.	1.377.364	Bracket - LH	->2014	1	1
1.	1.378.973	Bracket - LH	2015->	1	1
2.	1.377.365	Bracket - RH		-	-
2.	1.377.365	Bracket - RH	->2014	1	1
2.	1.378.974	Bracket - RH	2015->	1	1
3.	91623938761	Spring washer - 8X18 M8 - A8		199	282
4.	79408002066	Hex bolt - M8X20 - DIN933/8.8		129	188
5.	1.378.296	Shield - back - (I=536)	->2015	1	1
5.	1.373.810	Shield - back - (I=1764)	2016->	1	-
5.	1.378.296	Shield - back - (I=536)	->2014	-	-
5.	1.373.293	Shield - back - (I=1578)	2015->	-	-
5.	1.378.353	Shield - back - (I=367)		-	-
5.	1.373.957	Shield - back - (I=2124)	2016->	-	1
5.	1.373.976	Shield - back - (I=1478)		-	-
6.	1.378.297	Shield - back - (I=635)		-	-
6.	1.378.297	Shield - back - (I=635)	->2014	1	1
7.	1.378.298	Shield - back - (I=627)	->2014	1	1
7.	1.378.354	Shield - back - (I=796)		-	-
8.	1.378.315	Shield - back - (I=538)	->2015	1	-
8.	1.373.811	Shield - back - (I=729)	2016->	1	-
8.	1.378.340	Shield - back - (I=520)	->2015	-	1
8.	1.373.958	Shield - back - (I=1311)	2016->	-	1
8.	1.373.978	Shield - back - (I=1419)		-	-
9.	1.378.316	Shield - back - (I=546)	->2015	1	-
9.	1.373.812	Shield - back - (I=729)	2016->	1	-
9.	1.378.341	Shield - back - (I=527.5)	->2015	-	1
9.	1.373.959	Shield - back - (I=1311)	2016->	-	1
9.	1.373.977	Shield - back - (I=1417)		-	-
10.	1.378.321	Shield - back - (I=306)	->2015	-	1
11.	1.378.322	Shield - back - (I=306.5)	->2015	-	1
12.	1.378.323	Shield - back - (I=408)	->2015	-	1
12.	1.378.334	Shield - back - (I=939)	->2015	-	-
12.	1.378.311	Shield - back - (I=383)	->2014	-	-
12.	1.373.294	Shield - back - (I=667)	2015->	-	-
13.	1.378.324	Shield - back - (I=408)	->2015	-	1
13.	1.378.335	Shield - back - (I=907)		-	-
13.	1.378.312	Shield - back - (I=391)	->2014	-	-
13.	1.373.295	Shield - back - (I=667)	2015->	-	-
14.	1.378.317	Shield - back - (I=537)		1	-
14.	1.378.325	Shield - back - (I=1055)	->2015	-	1
14.	1.373.960	Shield - back - (I=1125)	2016->	-	1
14.	1.373.979	Shield - back - (I=1001)		-	-
15.	1.378.318	Shield - back - (I=537)		1	-
15.	1.378.326	Shield - back - (I=1090)	->2015	-	1
15.	1.373.961	Shield - back - (I=1160)	2016->	-	1
15.	1.373.980	Shield - back - (I=1036)		-	-
16.	1.378.327	Shield - back - (I=681)	->2015	-	1
16.	1.373.962	Shield - back - (I=909)	2016->	-	1
16.	1.378.319	Shield - back - (I=437)		1	-
16.	1.378.313	Shield - back - (I=276)	->2015	-	-
16.	1.378.313	Shield - back - (I=276)	->2014	-	-
16.	1.373.296	Shield - back - (I=512)	2016->	-	-
16.	1.373.981	Shield - back - (I=909)		-	-
17.	1.378.328	Shield - back - (I=681)	->2015	-	1
17.	1.373.995	Shield - back - (I=909)	2016->	-	1
17.	1.378.320	Shield - back - (I=472)		1	-
17.	1.378.314	Shield - back - (I=311)	->2015	-	-
17.	1.378.314	Shield - back - (I=311)	->2014	-	-
17.	1.373.297	Shield - back - (I=549)	2016->	-	-
17.	1.373.996	Shield - back - (I=909)		-	-
18.	1.378.224	Shield - back - (I=195)	->2015	1	1
18.	1.378.224	Shield - back - (I=195)		-	-
19.	1.378.225	Shield - back - (I=230)	->2015	1	1
19.	1.378.225	Shield - back - (I=230)		-	-
20.	1.377.338	Shield - bottom - (I=1758)	->2015	1	1
20.	1.373.847	Shield - bottom - (I=1763)	2016->	1	-

Note: The items marked with * are only valid for machines with chopper.
The items marked with ** are only valid for machines without a chopper.
2016-> : only for machines with higher serial number than xxxxxx16xxx



Ref.	Part number	Description		C3008F C3008CF	C3012F C3012CF
20.	1.377.341	Shield - bottom - (l=1758)	->2014	-	-
20.	1.373.302	Shield - bottom - (l=1577)	2015->	-	-
20.	1.377.515	Shield - bottom - (l=1758)		-	-
20.	1.373.963	Shield - bottom - (l=2123)	2016->	-	1
20.	1.373.982	Shield - bottom - (l=1470)		-	-
21.	1.377.354	Shield - bottom - (l=728)	->2015	1	-
21.	1.373.814	Shield - bottom - (l=717)	2016->	1	-
21.	1.377.356	Shield - bottom - (l=1490)	->2015	-	1
21.	1.373.965	Shield - bottom - (l=1311)	2016->	-	1
21.	1.377.350	Shield - bottom - (l=573)	->2014	-	-
21.	1.373.299	Shield - bottom - (l=666)	2015->	-	-
21.	1.377.516	Shield - bottom - (l=1129)		-	-
21.	1.373.983	Shield - bottom - (l=1421)		-	-
22.	1.377.355	Shield - bottom - (l=736)	->2015	1	-
22.	1.373.813	Shield - bottom - (l=731)	2016->	1	-
22.	1.377.357	Shield - bottom - (l=1498)	->2015	-	1
22.	1.373.964	Shield - bottom - (l=1311)	2016->	-	1
22.	1.377.351	Shield - bottom - (l=581)	->2014	-	-
22.	1.373.298	Shield - bottom - (l=669)	2015->	-	-
22.	1.377.517	Shield - bottom - (l=1097)		-	-
22.	1.373.984	Shield - bottom - (l=1421)		-	-
23.	1.377.688	Shield - bottom - (l=539)	->2015	-	-
23.	1.377.688	Shield - bottom - (l=539)	->2014	-	-
23.	1.373.300	Shield - bottom - (l=541)	2016->	-	-
23.	1.377.700	Shield - bottom - (l=1301)		1	-
23.	1.378.348	Shield - bottom - (l=2048)	->2015	-	1
23.	1.373.967	Shield - bottom - (l=2065)	2016->	-	1
23.	1.373.986	Shield - bottom - (l=1941)		-	-
24.	1.377.689	Shield - bottom - (l=574)	->2015	-	-
24.	1.377.689	Shield - bottom - (l=574)	->2014	-	-
24.	1.373.301	Shield - bottom - (l=576)	2016->	-	-
24.	1.377.701	Shield - bottom - (l=1336)		1	-
24.	1.378.349	Shield - bottom - (l=2083)	->2015	-	1
24.	1.373.966	Shield - bottom - (l=2100)	2016->	-	1
24.	1.373.985	Shield - bottom - (l=1976)		-	-
25.	1.377.362	Stiffener - LH		-	-
25.	1.377.363	Stiffener - RH		-	-
25.	1.377.362	Stiffener - LH	->2014	6	6
25.	1.377.363	Stiffener - RH	->2014	6	5
*26.	1.371.912	Rubber plate		29	43
*27.	1.376.127	Flat		29	43
*28.	79408003566	Hex bolt - M8X35 - DIN933/8.8		26	38
*29.	74908000066	Hex nut - plastic insert - M8 - DIN985		36	48
*30.	79408003566	Hex bolt - M8X35 - DIN933/8.8		10	10
*31.	1.376.599	Stiffener		1	1
32.	73508000066	Hex nut - M8 - DIN934		83	112
*33.	1.376.007	Knife-shield	->2012	1	1
*33.	1.379.099	Knife-shield	2013->	1	1
*34.	91623938861	Spring washer - 10,2X22,25X1,6 - A10		6	6
*35.	79410002066	Hex bolt - M10X20 - DIN933/8.8		6	6
*36.	1.376.600	Side-shield (l=858,7)		1	1
*37.	1.377.372	Shim		2	2
38.	1.377.864	Stiffener plate - (l=536)		1	1
38.	1.377.864	Stiffener plate - (l=536)	->2014	-	-
38.	1.378.355	Stiffener plate - (l=367)		-	-
39.	1.377.865	Stiffener plate - (l=608)		1	1
39.	1.377.865	Stiffener plate - (l=608)	->2014	-	-
40.	1.377.866	Stiffener plate - (l=600)		1	1
40.	1.377.866	Stiffener plate - (l=600)	->2014	-	-
40.	1.378.356	Stiffener plate - (l=769)		-	-
41.	1.378.342	Stiffener plate - (l=860)		-	1
42.	1.378.343	Stiffener plate - (l=867.5)		-	1
43.	1.378.345	Stiffener plate - (l=624)		-	1
43.	1.377.885	Stiffener plate - (l=724)		1	-
43.	1.377.891	Stiffener plate - (l=1125)		-	-
43.	1.377.881	Stiffener plate - (l=569)	->2014	-	-
44.	1.378.346	Stiffener plate - (l=624.5)		-	1

Note: The items marked with * are only valid for machines with chopper.
The items marked with ** are only valid for machines without a chopper.
2016-> : only for machines with higher serial number than xxxxxx16xxx

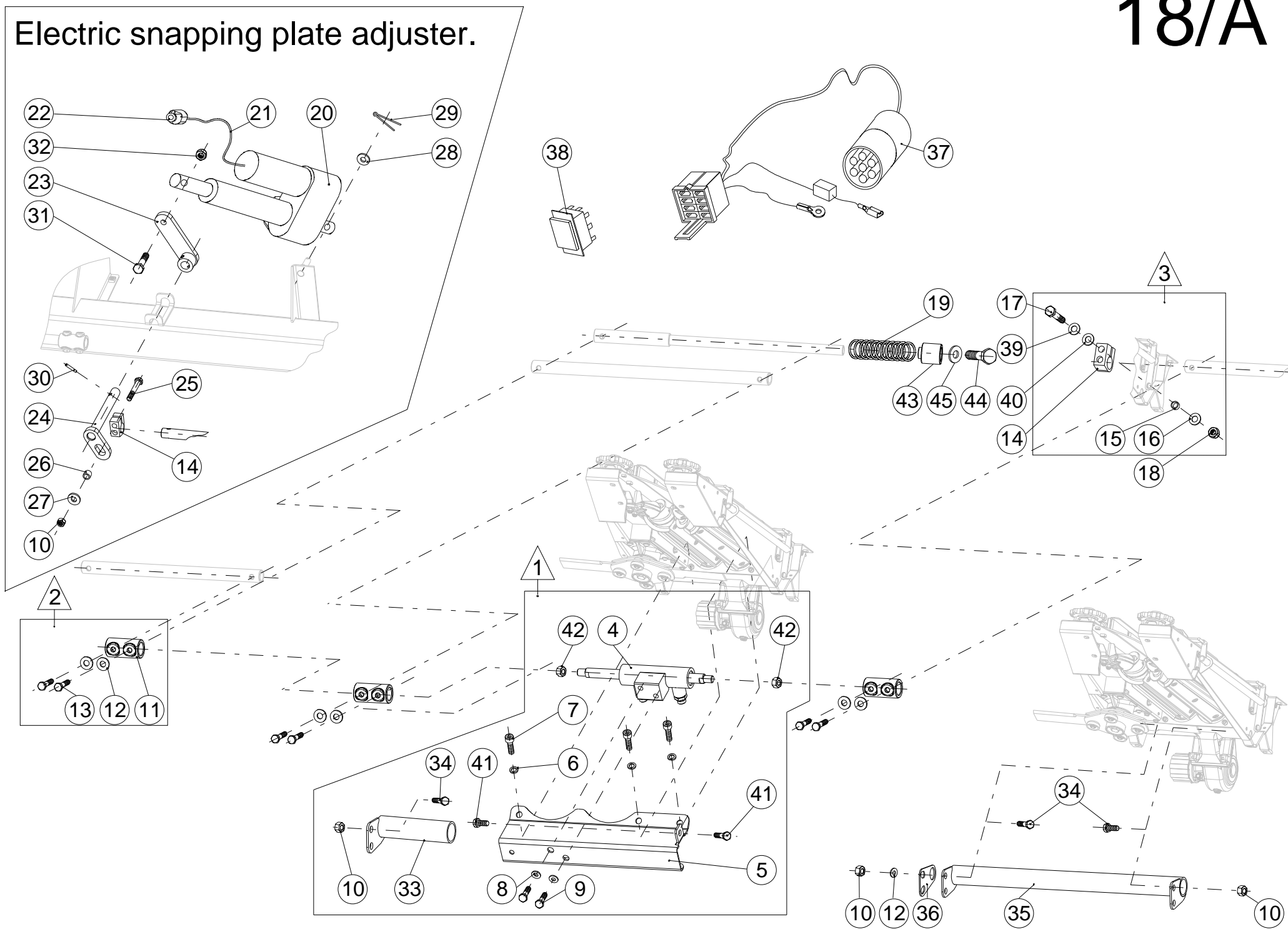


Ref.	Part number	Description		C3008F C3008CF	C3012F C3012CF
44.	1.377.886	Stiffener plate - (l=732)		1	-
44.	1.377.892	Stiffener plate - (l=1093)		-	-
44.	1.377.882	Stiffener plate - (l=577)	->2014	-	-
45.	1.378.338	Stiffener plate - (l=1172)		-	1
46.	1.378.339	Stiffener plate - (l=1207)		-	1
47.	1.378.350	Stiffener plate - (l=897)		-	1
47.	1.378.336	Stiffener plate - (l=1309)		1	-
47.	1.377.883	Stiffener plate - (l=547)		-	-
47.	1.377.883	Stiffener plate - (l=547)	->2014	-	-
48.	1.378.351	Stiffener plate - (l=897)		-	1
48.	1.378.337	Stiffener plate - (l=1344)		1	-
48.	1.377.884	Stiffener plate - (l=582)		-	-
48.	1.377.884	Stiffener plate - (l=582)	->2014	-	-
*49.	1.379.534	Deflector plate	2014-2020.	7	11
*49.	1.371.013	Deflector plate (l=611,6)	2021->	7	11
50.	1.373.619	Shield - back	2015->	2	-
**51.	1.379.708	Shield	2015->	1	1
**52.	1.372.937	Shield	2020-2022	1	1
52.	1.369.033	Shield	2023->	1	1

Note: The items marked with * are only valid for machines with chopper.
The items marked with ** are only valid for machines without a chopper.
2016-> : only for machines with higher serial number than xxxxxx16xxx

Electric snapping plate adjuster.

(18A) ELECTRIC & HYDRAULIC SNAPPING PLATE ADJUSTER

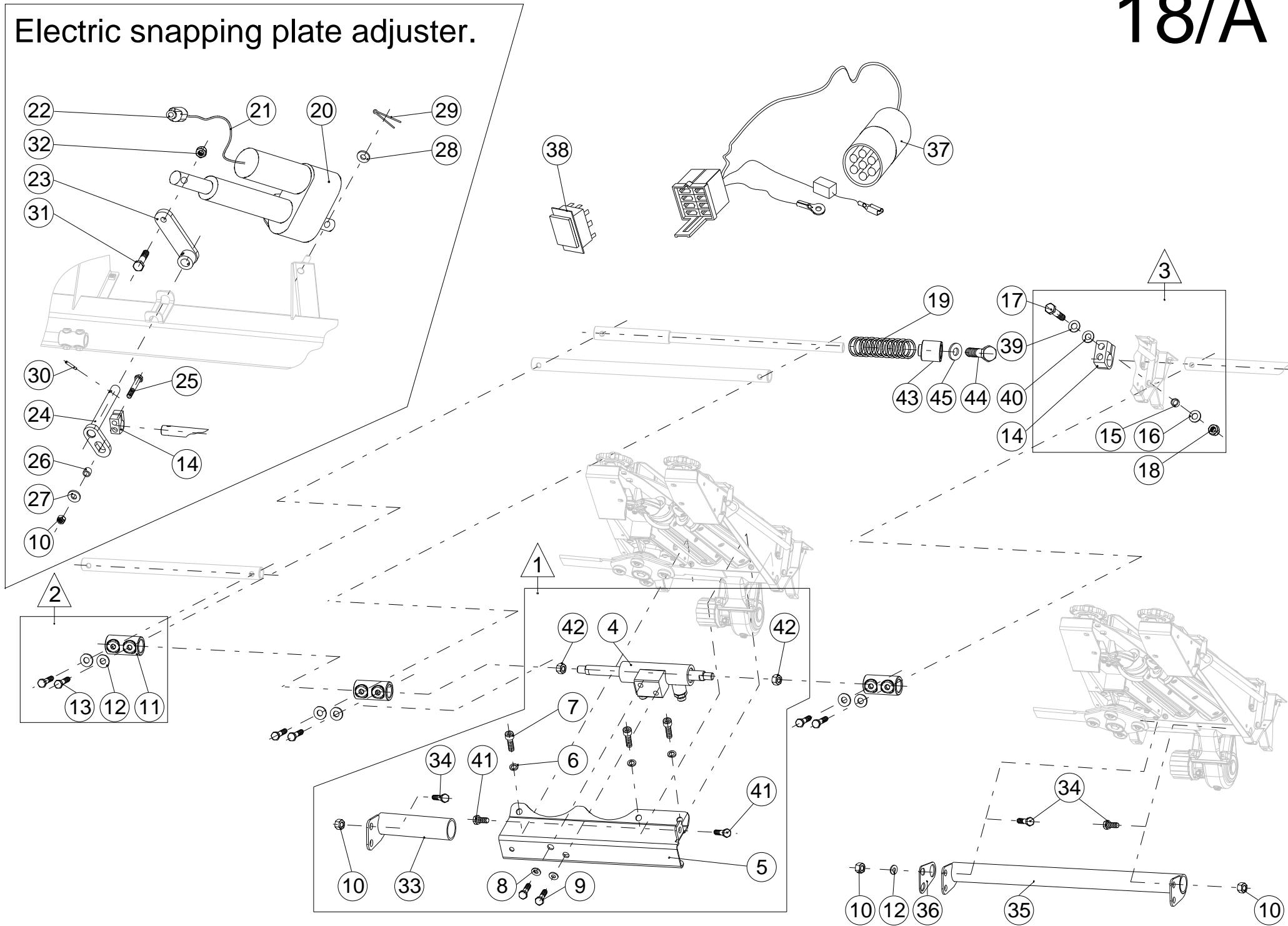


Ref.	Part number	Description		C3006 C3006C	C2208 C2208C	C3008 C3008C C3808 C3808C	C2012 C2012C C2212 C2212C	C3012 C3012C 3812C	C3016 C3016C	C3008F C3008CF	C3012F C3012CF	C2018 C2018C C2218 C2218C
4.	1.376.104	Hydraulic cylinder	->2015	1	1	1	1	1	1	1	1	1
4.	1.373.725	Hydraulic cylinder	2016->	1	1	1	1	1	1	1	1	1
*5.	1.377.839	Cylinder console	->2015	1	1	1	1	1	1	1	1	1
*5.	1.373.730	Cylinder console	2016->	1	1	1	1	1	1	1	1	1
*6.	7181000060	Spring washer - M10 - DIN7980		3	3	3	3	3	3	3	3	3
*7.	80210003563	Hex socket head cap bolt - M10X35 - DIN912/10.9		3	3	3	3	3	3	3	3	3
8.	91623938861	Spring washer - 10,2X22,25X1,6 - A10		2	2	2	2	2	2	2	2	2
9.	79410001666	Hex bolt - M10X16 - DIN933/8.8		2	2	2	2	2	2	2	2	2
10.	74910000666	Lock nut - M10 - plastic insert - DIN985	->2019	25	32	33	48	49	65	33	49	72
10.	74908000666	Hex nut - plastic insert - M8 - DIN985	2020->	25	32	33	48	49	65	33	49	72
11.	1.376.105	Bridge-piece		5	7	7	11	11	15	5	9	17
12.	91623938861	Spring washer - 10,2X22,25X1,6 - A10	->2019	30	42	42	66	66	90	38	62	102
12.	91623938761	Spring washer - 8X18 M8 - A8	2020->	30	42	42	66	66	90	38	62	102
13.	79408004066	Hex head screw - M8X40 - DIN933/8.8		10	14	14	22	22	30	10	18	34
14.	1.308.195	Retainer		7	8	9	12	12	17	9	13	18
15.	1.376.006	Bushing	->2014	6	8	8	12	12	16	8	12	18
15.	1.373.648	Bushing	2015->	6	8	8	12	12	16	8	12	18
16.	7141000060	Washer - M10 10,5X21X2 - DIN125		6	8	8	12	12	16	8	12	18
17.	79410006066	Hex head screw - M10X60 - DIN933/8.8		6	8	8	12	12	16	8	12	18
18.	70710000666	Lock nut - M10 - DIN980/8.8		6	8	8	12	12	16	8	12	18
19.	1.375.772	Spring		-	-	-	-	-	-	2	2	-
20.	1.308.899	Electric-actuator - D12 20A 804		1	-	1	-	1	1	1	1	-
21.	1.310.553	Wire - 4m		1	-	1	-	1	1	1	1	-
22.	1.310.551	Connector (12V, 25A)		1	-	1	-	1	1	1	1	-
23.	1.376.000	Arm		1	-	1	-	1	1	1	1	-
24.	1.376.003	Shaft		1	-	1	-	1	1	1	1	-
25.	79410007066	Hex bolt - M10X70 - DIN933/8.8		1	-	1	-	1	1	1	1	-
26.	1.328.607	Bushing		1	-	1	-	1	1	1	1	-
27.	1.375.497	Washer		1	-	1	-	1	1	1	1	-
28.	7141200060	Washer - M12 - DIN125 - 200HV		1	-	1	-	1	1	1	1	-
29.	72404002860	Cotter pin - 4X28 - DIN94		1	-	1	-	1	1	1	1	-
30.	73008003601	Spring pin - 8X36 - DIN1481		1	-	1	-	1	1	1	1	-
30.	73005003601	Spring pin - 5X36 - DIN1481		1	-	1	-	1	1	1	1	-
31.	79412005566	Hex bolt - M12X55 - DIN933/8.8		1	-	1	-	1	1	1	1	-
32.	74912000666	Hex nut - plastic insert - M12 - DIN985/8.		1	-	1	-	1	1	1	1	-
*33.	1.377.837	Shield	->2015	1	1	1	1	1	1	1	1	1
34.	79410002066	Hex bolt - M10X20 - DIN933/8.8	->2019	24	32	32	48	48	64	32	48	68
34.	79408001666	Hex head screw - M8X16 - DIN933/8.8	2020->	24	32	32	48	48	64	32	48	68
*35.	1.377.834	Electric snapping plate shield		5	7	7	11	11	15	7	11	17
36.	1.377.861	Cover plate		5	7	7	11	11	15	7	11	17
*37.	1.321.932	Harness		1	1	1	1	1	1	1	1	1
*37.	1.337.143	Harness - JD, CNH, AGCO	2021->	1	1	1	1	1	1	1	1	1
*38.	1.310.554	Switch		1	1	1	1	1	1	1	1	1

Note: Item 6 and 7 are the same as item 6 and 5 section 49.
 Use item 35 instead of item 5 and 33 on electric SPA machine.
 Item 37 and 38: for combines without multcoupler.
 2016-> : only for machines with higher serial number than xxxxxx16xxx

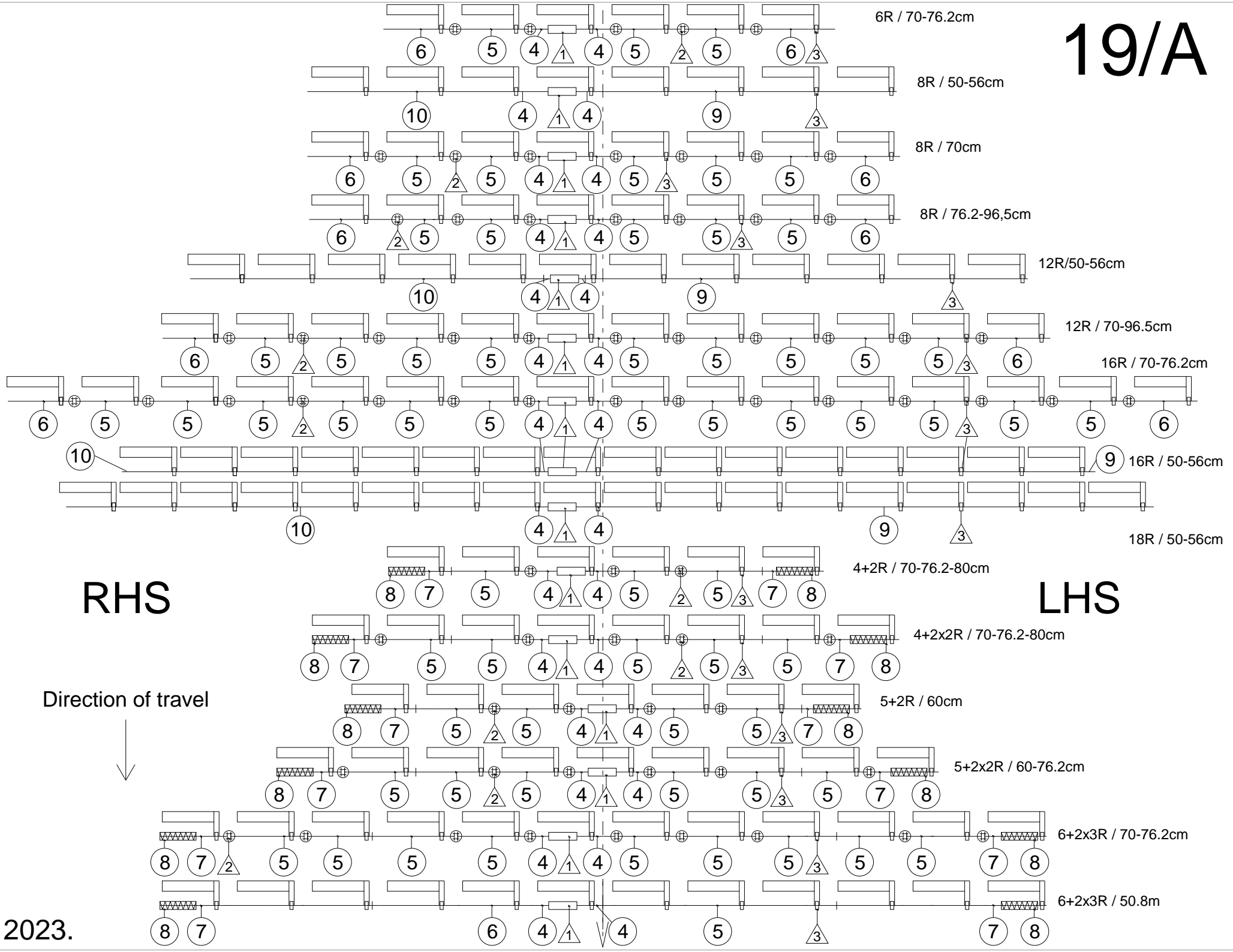
Electric snapping plate adjuster.

(18A) ELECTRIC & HYDRAULIC SNAPPING PLATE ADJUSTER



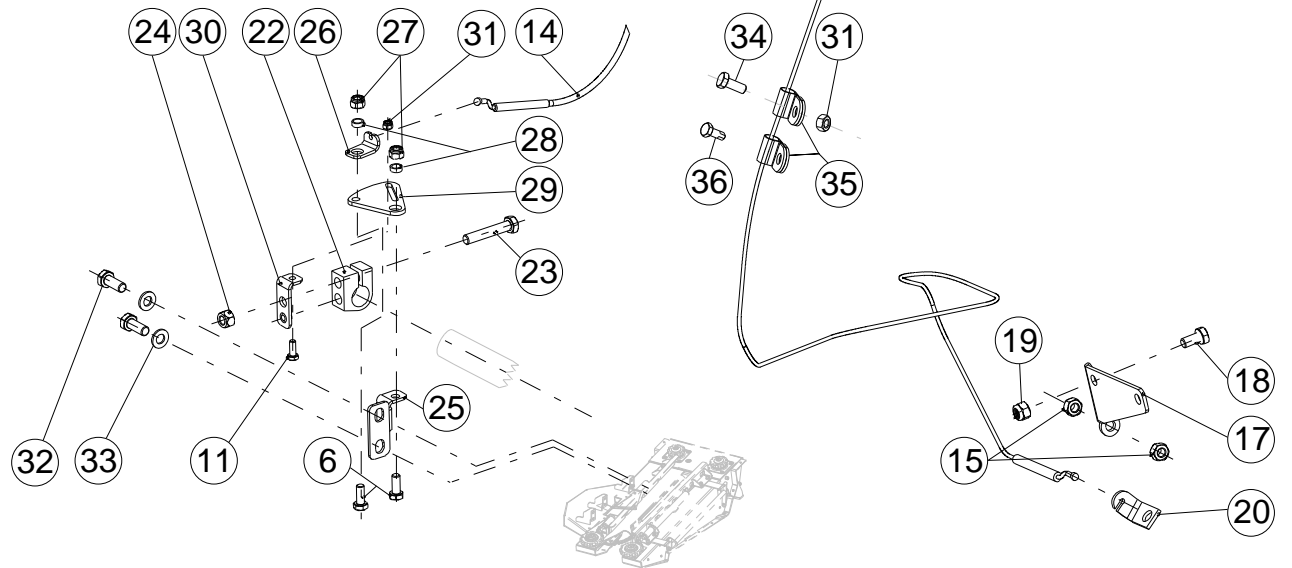
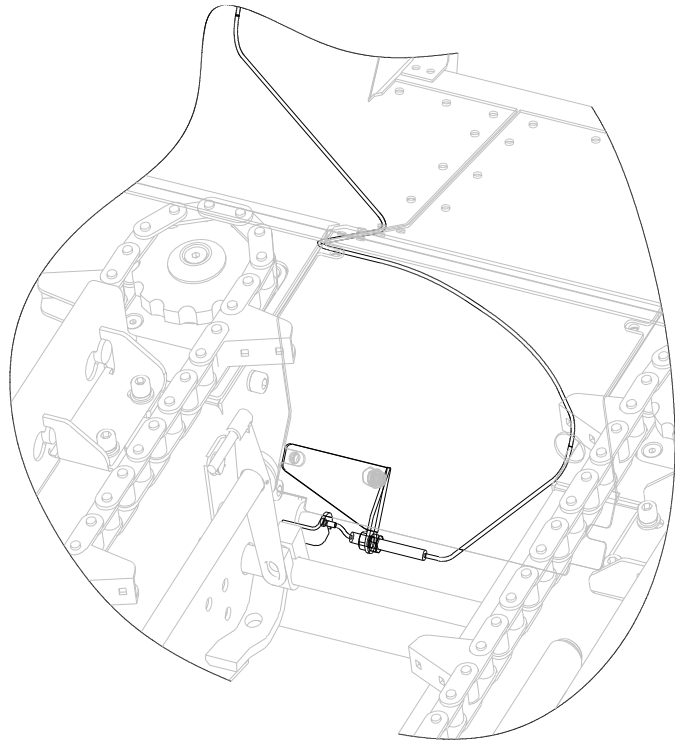
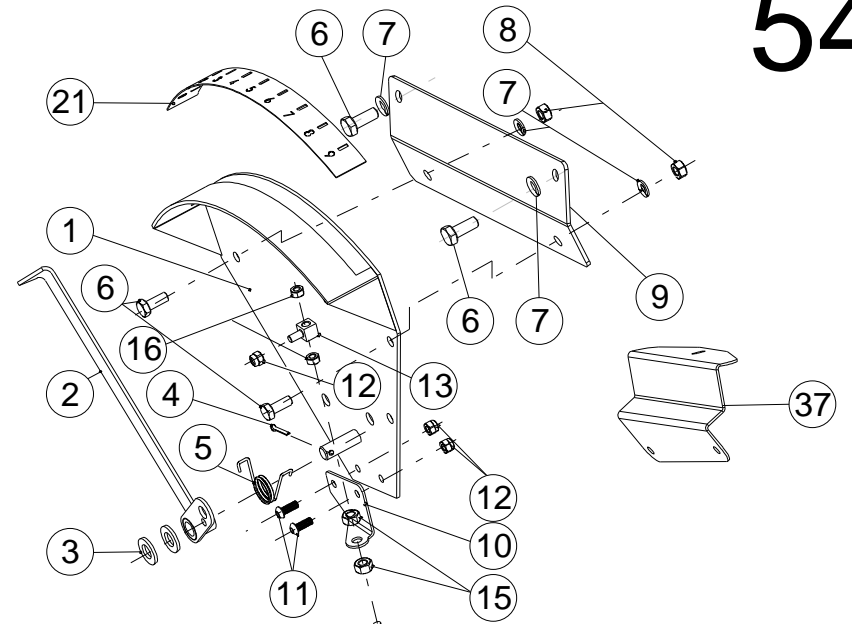
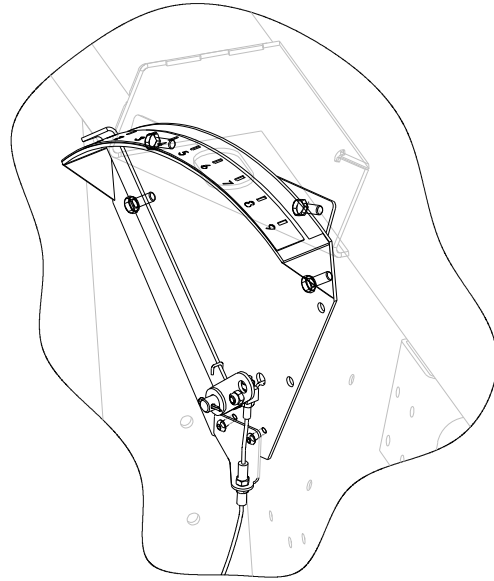
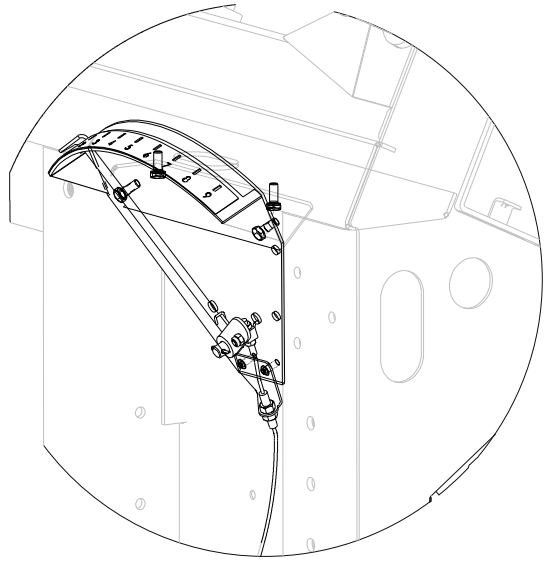
Ref.	Part number	Description		C3006 C3006C	C2208 C2208C	C3008 C3008C C3808 C3808C	C2012 C2012C C2212 C2212C	C3012 C3012C 3812C	C3016 C3016C	C3008F C3008CF	C3012F C3012CF	C2018 C2018C C2218 C2218C
39.	714C1050060	Spherical Washer - M10 - DIN6319/C	2015->	6	8	8	12	12	16	8	12	18
40.	714D1050060	Spherical Washer M10 DIN6319/D	2015->	6	8	8	12	12	16	8	12	18
41.	79408002066	Hex bolt - M8X20 - DIN933/8.8	->2019	2	2	2	2	2	2	2	2	2
42.	74914000066	Hex nut - plastic insert - M14 - DIN985	->2019	2	2	2	2	2	2	2	2	2
43.	1.377.851	Pin	-	-	-	-	-	-	-	1	1	-
44.	80208002566	Hex socket head cap bolt - M8X25 - DIN912/8.8	-	-	-	-	-	-	-	1	1	-
45.	71808000060	Spring washer - M8 - DIN7980	-	-	-	-	-	-	-	1	1	-

Note: Item 6 and 7 are the same as item 6 and 5 section 49.
 Use item 35 instead of item 5 and 33 on electric SPA machine.
 Item 37 and 38: for combines without multcoupler.
 2016-> : only for machines with higher serial number than xxxxxx16xxx



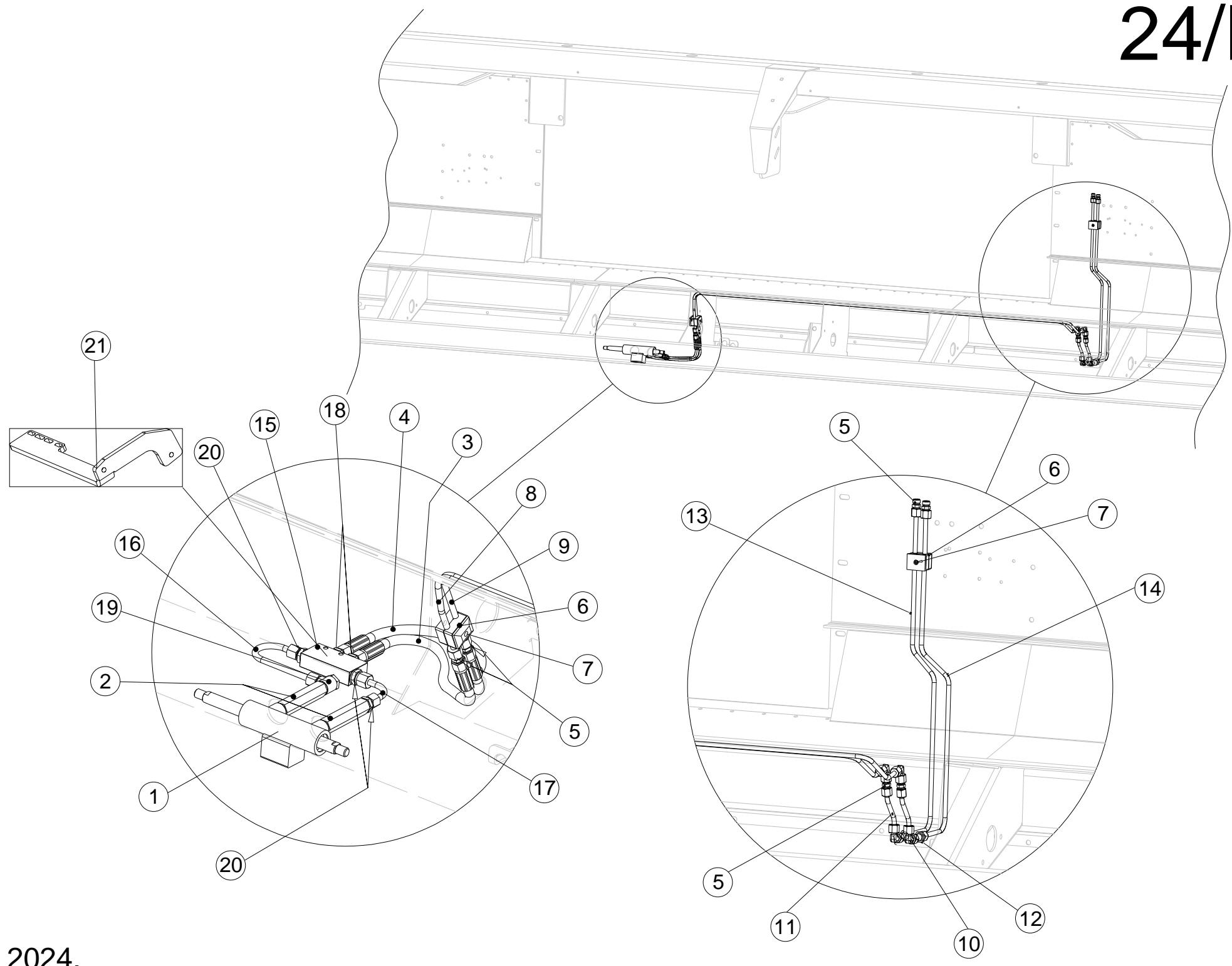
Ref.	Part number	Description	C3006 C3006C	C2208 2208C	C3008 C3008C	C3808 C3808C	C2012 C2012C	C2212 C2212C	C3012 C3012C	C3812 C3812C	C3016 C3016C	C2018 C2018C	C2218 C2218C	C3008F C3008CF	C3012F C3012CF
1.	-	Hydraulic cylinder and accessories (#4-9 on pg. 29)	2	2											
2.	-	Bridge-piece and hardwares (#11-13 on pg. 29)	10	14											
3.	-	Clamp and hardwares (#14-20 on pg. 29)	12	16											
4.	1.373.733	Adjusting rod - RH - (l=240)	1	1											
5.	1.377.845	Adjusting rod - (l=760)	8	12											
6.	1.373.732	Adjusting rod - LH - (l=240)	3	3											
7.	1.380.512	Adjusting rod welded - (l=217)	1	1											

Note: The exploded view of items 1, 2 and 3 are shown on page 18.
 Item 8 is the same as item 19 page 18/A.
 2016-> : only for machines with higher serial number than xxxxxx16xxx

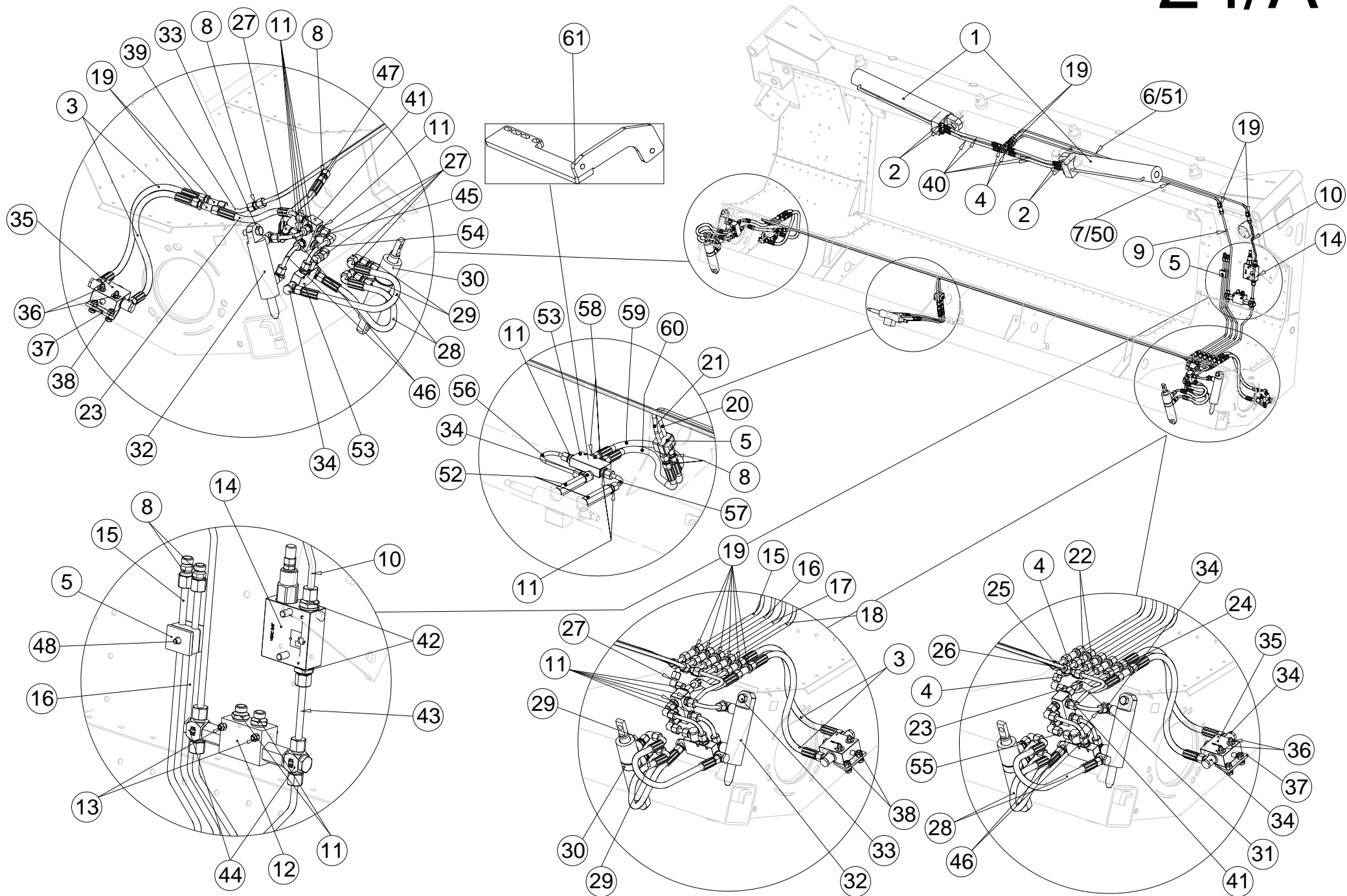


Ref.	Part number	Description		RIGID 20"-22"	RIGID 30"	RIGID 38"	C3008F C3008CF	C3012F C3012CF
1.	1.319.165	Plate welded		1	1	1	1	1
2.	1.319.171	Indicator welded		1	1	1	1	1
3.	71412000060	Washer - M12 - DIN125 - 200HV		2	2	2	2	2
4.	72404002860	Cotter pin - 4X28 - DIN94		1	1	1	1	1
5.	96792685501	Spring - D=2mm		5	1	1	1	1
6.	79408002066	Hex bolt - M8X20 - DIN933/8.8		4	4	4	4	4
7.	91623938761	Spring washer - 8X18 M8 - A8		6	8	8	8	8
8.	70808000026	Rivet nut - M8		2	2	2	2	2
9.	1.327.120	Support	->2016	-	-	-	-	1
9.	1.379.306	Holder		-	1	1	-	1
9.	1.372.030	Holder		-	-	-	1	-
10.	1.378.856	Holder		1	1	1	1	1
11.	81106001663	Hex socket button-head screw - M6X16 - ISO7380/10.9		2	2	2	2	2
12.	70706000066	Lock nut - M6 - DIN980/8.8		2	3	3	3	3
13.	1.378.855	Pivot		1	1	1	1	1
14.	1.378.853	Indicator bowden		-	1	-	1	1
14.	1.379.747	Indicator bowden		1	-	1	-	-
15.	73508000066	Hex nut - M8 - DIN934		2	6	6	6	6
16.	73506000066	Hex nut - M6 - DIN934		2	2	2	2	2
17.	1.378.851	Console		-	1	1	1	1
18.	79408001666	Hex head screw - M8X16 - DIN933/8.8		-	1	1	1	1
19.	70708000066	Lock nut - M8 - DIN980		-	1	1	1	1
20.	1.378.852	Lug		-	1	1	1	1
21.	1.327.131	Stripper plate indicator lab.		1	1	1	1	1
22.	1.308.195	Retainer		1	-	-	-	-
23.	79410005566	Hex head screw - M10X55 - DIN933		1	-	-	-	-
24.	70710000066	Lock nut - M10 - DIN980/8.8		1	-	-	-	-
25.	1.379.733	Console		1	-	-	-	-
26.	1.379.738	Console		1	-	-	-	-
27.	74908000066	Hex nut - plastic insert - M8 - DIN985		2	-	-	-	-
28.	1.329.747	Spacer		2	-	-	-	-
29.	1.379.737	Adjuster disk		1	-	-	-	-
30.	1.379.736	Console welded		1	-	-	-	-
31.	74906000066	Hex nut - plastic insert - M6 - DIN982		10	-	-	-	-
32.	79410002066	Hex bolt - M10X20 - DIN933/8.8		6	6	6	6	6
33.	91623938861	Spring washer - 10,2X22.25X1,6 - A10		6	6	6	6	6
34.	79406001666	Hex head screw - M6X16 - DIN933		9	-	-	-	-
35.	96792401700	Cable clamp 6x15		10	-	-	-	-
36.	81306301966	Self cutting hex bolt - M6,3X19 - DIN7540		2	-	-	-	-
-	1.379.727	Mechanical indicator for rigid machines		1	-	-	-	-
-	1.379.464	Mechanical indicator for rigid machines		-	1	-	-	1
-	1.372.835	Mechanical indicator for rigid machines		-	-	1	-	-
-	1.379.140	Mechanical indicator for foldable machines	->2016	-	-	-	-	1
-	1.372.226	Mechanical indicator cpl. (#1-21)		-	-	-	1	-

Note: Item 32 and 33 reuses the same bolt/hole as item 31 and 30 on page 16/A

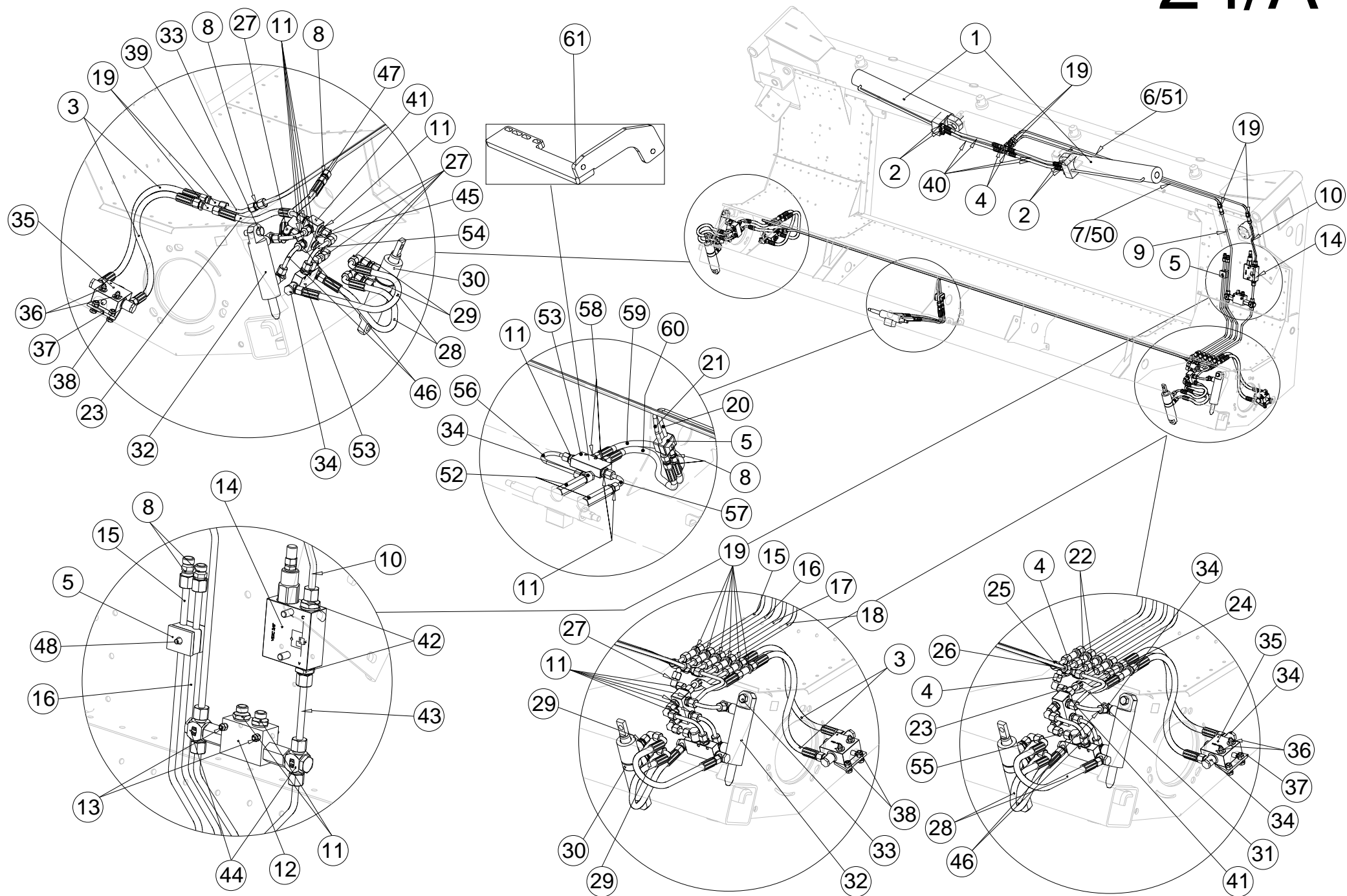


Ref.	Part number	Description		C3006	C3006C	C3808	C2208	C2208C
				C3008	C3008C	C3808C	C2212	C2212C
				C3012	C3012C	C3812	C2016	C2016C
				C3016	C3016C	C3812C	C2018	C2018C
							C2218	C2218C
1.	1.376.104	Hydraulic cylinder	->2015	1	1	1		
1.	1.373.725	Hydraulic cylinder	2016->	1	1	1		
2.	1.378.696	Fitting - GE8PLR-ED		2	2	2		
3.	1.376.795	Hydraulic tube - 1SNDN6-290	->2015	1	1	1		
3.	1.373.585	Hydraulic hose - 1SNDN6-470	2016->	1	1	1		
4.	1.330.772	Hydraulic hose - 1SNDN6-375	->2015	1	1	1		
4.	1.373.488	Hydraulic hose - 1SNDN6-535	2016->	1	1	1		
5.	1.377.062	Fitting - M14X1.5		4	4	6		
6.	1.377.061	Clamp		2	2	2		
7.	79406005066	Hex bolt - M6X50 - DIN933		2	2	2		
-	74900600066	Nut with non-met. insert - M6 - DIN982		2	2	2		
8.	1.377.073	Hydraulic tube - (L=1531,5)		1	-	-		
8.	1.372.762	Hydraulic tube - (L=1614,5)		-	1	-		
8.	1.379.679	Hydraulic tube - (L=1430,5)		-	-	1		
9.	1.377.072	Hydraulic tube - (L=1501,5)		1	-	-		
9.	1.372.761	Hydraulic tube - (L=1584,5)		-	1	-		
9.	1.379.678	Hydraulic tube - (L=1400,5)		-	-	1		
10.	1.314.510	Fitting - 90deg. EVW 8 PL		-	-	4		
11.	1.379.067	Hydraulic tube		-	2	2		
12.	1.308.783	Fitting - bulkhead - HYP 160-8-575 SV8		2	2	2		
13.	1.379.065	Hydraulic tube - (L=609,7)	2016->	1	1	1		
13.	1.377.065	Hydraulic tube	->2015	1	1	-		
13.	1.378.637	Hydraulic tube	->2015	-	-	-		
14.	1.379.066	Hydraulic tube - (L=610,7)	2016->	1	1	1		
14.	1.377.066	Hydraulic tube	->2015	1	1	-		
14.	1.378.638	Hydraulic tube	->2015	-	-	-		
15.	1.379.458	Dual controlled check valve - FPDLE 1/4 GS	2016->	1	1	1		
16.	1.373.449	Hydraulic tube	2016->	1	1	1		
17.	1.373.991	Hydraulic tube	2016->	1	1	1		
18.	1.379.776	Orifice Fitting 0.5mm	->2023	2	2	2		
18.	1.356.468	Orifice Fitting 0.3mm	2024->	2	2	2		
19.	1.314.509	Fitting - SVWE 8 PL	2016->	1	1	1		
20.	1.375.669	Fitting - GE8PLR-ED	2016->	3	3	3		
21.	1.369.042	Holder		1	1	1		



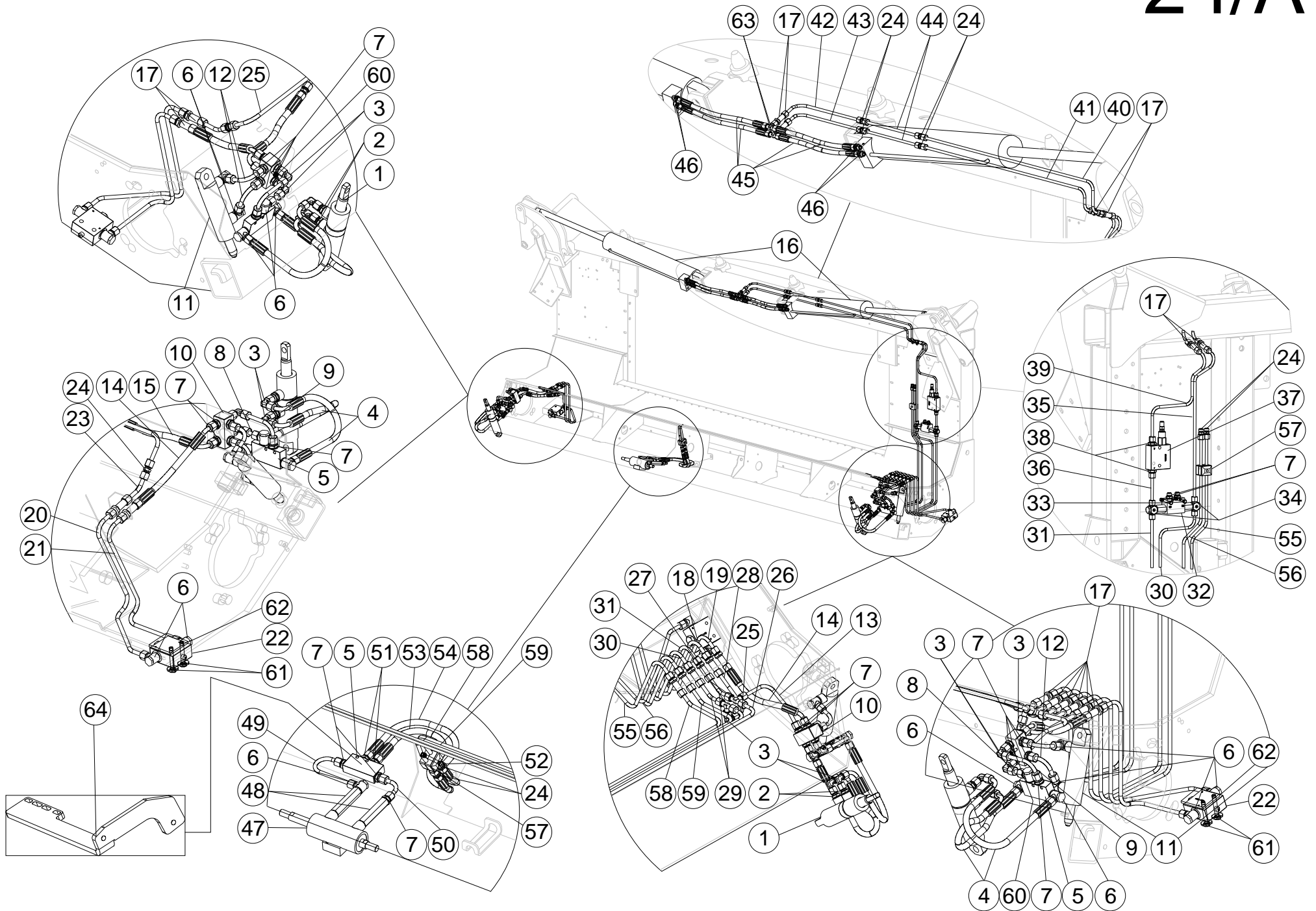
Ref.	Part number	Description		C3008F C3008CF	C3012F C3012CF
1.	1.375.144	Hydraulic cylinder		2	-
1.	1.378.415	Hydraulic cylinder		-	2
2.	1.310.514	Orifice Fitting 1 mm		4	4
*2.	1.355.481	Orifice Fitting 0.7 mm		4	4
3.	1.376.796	Hydraulic hose - 1SNDN6-400		4	-
3.	1.352.896	Hydraulic hose - 1SNDN6-450		-	4
4.	1.354.511	T-form - T8PL		2	2
5.	1.377.061	Clamp		2	2
6.	1.378.373	Hydraulic tube		1	-
6.	1.378.379	Hydraulic tube - (L=74)		-	1
6.	1.378.376	Hydraulic tube - (L=1840)		-	1
7.	1.378.372	Hydraulic tube		1	-
7.	1.378.379	Hydraulic tube - (L=74)		-	1
7.	1.378.376	Hydraulic tube - (L=1840)		-	1
8.	1.377.062	Fitting - M14X1.5		6	6
9.	1.378.845	Hydraulic tube		1	1
10.	1.378.846	Hydraulic tube		1	1
11.	1.375.669	Fitting - GE8PLR-ED	->2015	16	16
11.	1.375.669	Fitting - GE8PLR-ED	2016->	19	19
12.	1.378.837	Dual controlled check valve - FDP 1/4		1	1
13.	79406004066	Hex bolt - M6X40		2	2
13.	74906000066	Hex nut - plastic insert - M6 - DIN982		2	2
14.	96703800001	Pressure limit valve - C. VS2 3/8"		1	1
15.	1.377.065	Hydraulic tube		1	-
15.	1.378.638	Hydraulic tube		-	1
16.	1.377.066	Hydraulic tube		1	-
16.	1.378.637	Hydraulic tube		-	1
17.	1.378.842	Hydraulic tube		1	-
17.	1.378.854	Hydraulic tube		-	1
18.	1.377.843	Adjusting rod - (l=272)		1	-
18.	1.378.857	Hydraulic tube		-	1
19.	1.308.783	Fitting - bulkhead - HYP 160-8-575 SV8		12	12
20.	1.377.072	Hydraulic tube - (L=1501,5)		1	1
21.	1.377.073	Hydraulic tube - (L=1531,5)		1	1
22.	1.377.074	Hydraulic tube		2	2
23.	1.378.619	Hydraulic hose - 1SNDN6-320 M14x1.5/45		2	-
23.	1.378.639	Hydraulic hose - 1SNDN6-320		-	2
24.	1.378.614	Hydraulic tube		1	-
24.	1.378.648	Hydraulic tube		-	1
25.	1.378.615	Hydraulic tube		1	-
25.	1.378.644	Hydraulic tube		-	1
26.	1.378.616	Hydraulic tube		1	-
26.	1.378.642	Hydraulic tube		-	1
27.	1.314.510	Fitting - 90deg. EVW 8 PL		10	10
28.	1.377.089	Hydraulic hose - 1SNDN6-355	->2013	4	4
28.	1.379.477	Hydraulic hose - 1SNDN6-410	2014->	4	4
29.	1.309.601	Fitting - GE-8-PSM-ED		4	4
*29.	1.310.514	Orifice Fitting 1 mm		4	4
30.	1.354.397	Hydraulic cylinder		2	2
31.	1.378.613	Hydraulic tube		1	-
31.	1.378.646	Hydraulic tube		-	1
32.	1.356.118	Hydraulic cylinder		2	2
33.	1.377.593	Bolt		2	2
34.	1.314.509	Fitting - SVWE 8 PL	->2015	14	14
34.	1.314.509	Fitting - SVWE 8 PL	2016->	15	15
35.	1.378.526	Endswitch - VFCA - 1401		2	2
36.	79406005066	Hex bolt - M6X50 - DIN933		4	4
36.	96702361800	Washer - M6		4	4
36.	74900600066	Nut with non-met. insert - M6 - DIN982		4	4
37.	1.378.530	Washer plate		2	2
38.	79408002066	Hex bolt - M8X20 - DIN933/8.8		4	4
38.	74900800066	Lock nut - plastic insert - M8 - DIN982/8		4	4
39.	1.377.076	Hydraulic tube		1	1
40.	1.330.772	Hydraulic hose - 1SNDN6-375		4	4
41.	1.378.522	Divider		2	2
42.	1.353.318	Fitting - M14X1.5 G3/8		2	2
43.	1.378.844	Hydraulic tube		1	-

Note: * Included parts



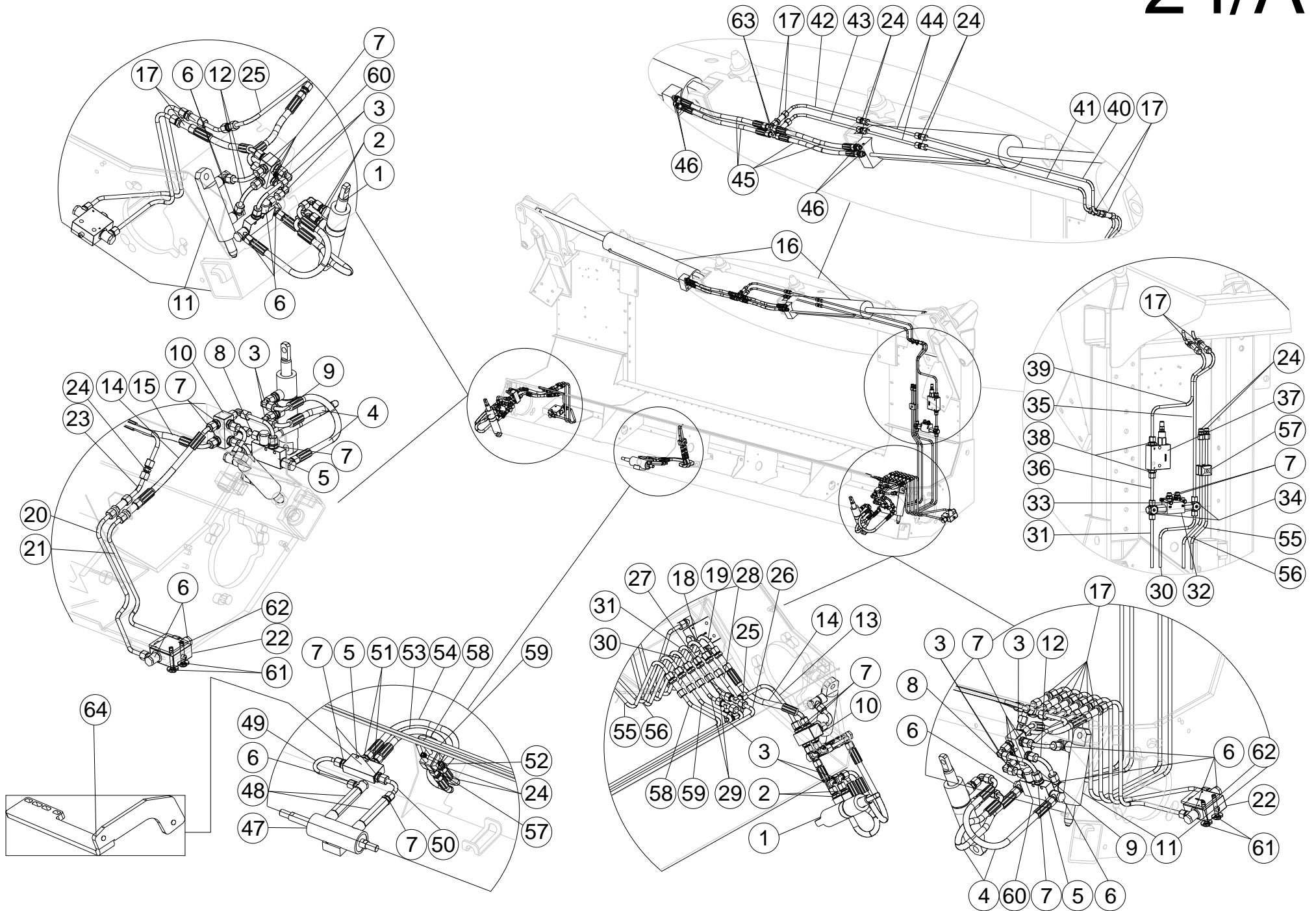
Ref.	Part number	Description		C3008F	C3012F
				C3008CF	C3012CF
44.	1.378.836	T-form - TH-8-PLR		2	2
45.	80208001666	Hex socket head cap bolt - M8X16 - DIN912/8.8		2	2
45.	71808000060	Spring washer - M8 - DIN7980		2	2
46.	1.378.612	Hydraulic tube		4	4
47.	1.330.757	Hydraulic hose - 1SNDN6-200		1	1
48.	79406004566	Hex bolt - M6X45 - DIN933		2	2
50.	1.378.377	Hydraulic tube - (L=294)		-	1
51.	1.378.378	Hydraulic tube - (L=471)		-	1
52.	1.378.696	Fitting - GE8PLR-ED		2	2
53.	1.379.458	Dual controlled check valve - FPDLE 1/4 GS	->2015	2	2
53.	1.379.458	Dual controlled check valve - FPDLE 1/4 GS	2016->	3	3
54.	1.379.457	Hydraulic tube		2	2
55.	1.379.456	Hydraulic tube - (L=45)		2	2
56.	1.373.449	Hydraulic tube	2016->	1	1
57.	1.373.991	Hydraulic tube	2016->	1	1
58.	1.379.776	Orifice Fitting 0.5mm	->2023	2	2
58.	1.356.468	Orifice Fitting 0.3mm	2024->	2	2
59.	1.373.488	Hydraulic hose - 1SNDN6-535	2016->	1	1
60.	1.373.585	Hydraulic hose - 1SNDN6-470	2016->	1	1
61.	1.369.042	Holder		1	1

Note: * Included parts



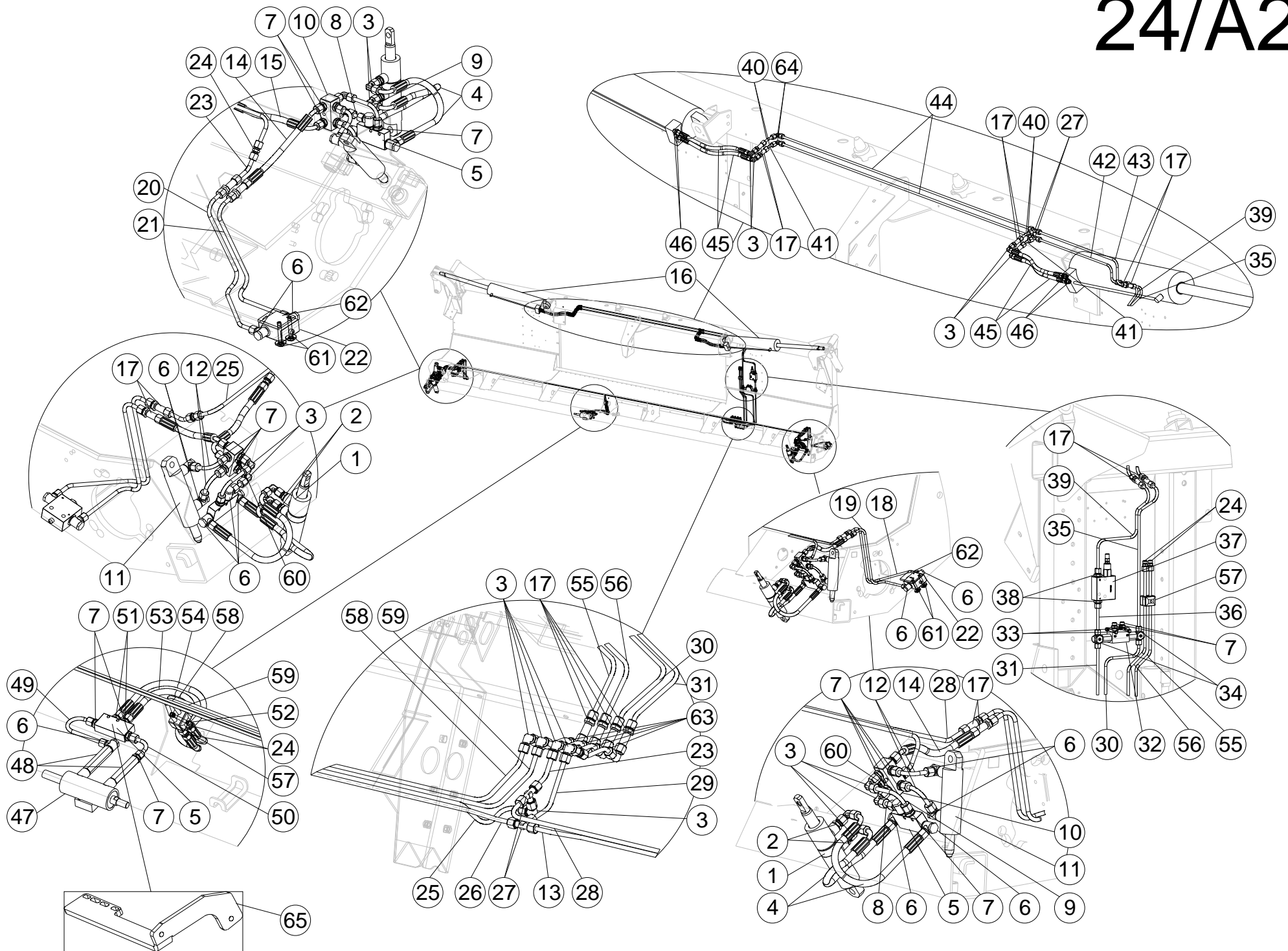
Ref.	Part number	Description		C3008F C3008CF
1.	1.354.397	Hydraulic cylinder		2
2.	1.309.601	Fitting - GE-8-PSM-ED		4
*2.	1.310.514	Orifice Fitting 1 mm		4
3.	1.314.510	Fitting - 90deg. EVW 8 PL		10
4.	1.379.477	Hydraulic hose - 1SNDN6-410		4
5.	1.379.458	Dual controlled check valve - FPDLE 1/4 GS		3
6.	1.314.509	Fitting - SVWE 8 PL		15
7.	1.375.669	Fitting - GE8PLR-ED		21
8.	1.379.456	Hydraulic tube - (L=45)		2
9.	1.379.457	Hydraulic tube		2
10.	1.378.522	Divider		2
11.	1.356.118	Hydraulic cylinder		2
12.	1.378.612	Hydraulic tube		4
13.	1.378.613	Hydraulic tube		1
14.	1.378.619	Hydraulic hose - 1SNDN6-320 M14x1.5/45		2
15.	1.330.757	Hydraulic hose - 1SNDN6-200		1
16.	1.376.278	Hydraulic cylinder		-
16.	1.375.144	Hydraulic cylinder		2
17.	1.308.783	Fitting - bulkhead - HYP 160-8-575 SV8		12
18.	1.373.577	Hydraulic tube		1
19.	1.373.313	Hydraulic tube		1
20.	1.373.315	Hydraulic tube		1
21.	1.373.314	Hydraulic tube		1
22.	1.378.526	Endswitch - VFCA - 1401		2
23.	1.377.076	Hydraulic tube		1
24.	1.377.062	Fitting - M14X1.5		9
25.	1.378.615	Hydraulic tube		1
26.	1.378.616	Hydraulic tube		1
27.	1.354.511	T-form - T8PL		2
28.	1.378.614	Hydraulic tube		1
29.	1.377.074	Hydraulic tube		2
30.	1.373.775	Hydraulic tube		1
31.	1.373.774	Hydraulic tube		1
32.	1.378.837	Dual controlled check valve - FDP 1/4		1
33.	79406004066	Hex bolt - M6X40		2
33.	74906000066	Hex nut - plastic insert - M6 - DIN982		2
34.	1.378.836	T-form - TH-8-PLR		2
35.	1.373.583	Hydraulic tube		1
36.	1.378.844	Hydraulic tube		1
37.	96703800001	Pressure limit valve - C. VS2 3/8"		1
38.	1.353.318	Fitting - M14X1.5 G3/8		2
39.	1.373.584	Hydraulic tube		1
40.	1.373.328	Hydraulic tube		1
41.	1.373.330	Hydraulic tube		1
42.	1.373.329	Hydraulic tube		1
43.	1.373.331	Hydraulic tube		1
44.	1.372.268	Hydraulic tube		2
45.	1.330.772	Hydraulic hose - 1SNDN6-375		4
46.	1.310.514	Orifice Fitting 1 mm		4
*46.	1.355.481	Orifice Fitting 0.7 mm		4
47.	1.373.725	Hydraulic cylinder		1
48.	1.378.696	Fitting - GE8PLR-ED		2
49.	1.373.449	Hydraulic tube		1
50.	1.373.991	Hydraulic tube		1
51.	1.379.776	Orifice Fitting 0.5mm	->2023	2
51.	1.356.468	Orifice Fitting 0.3mm	2024->	2
52.	79406005066	Hex bolt - M6X50 - DIN933		2
52.	74906000066	Hex nut - plastic insert - M6 - DIN982		2
53.	1.373.585	Hydraulic hose - 1SNDN6-470		1
54.	1.373.488	Hydraulic hose - 1SNDN6-535		1
55.	1.373.777	Hydraulic tube		1
56.	1.373.776	Hydraulic tube		1
57.	1.377.061	Clamp		2
58.	1.377.072	Hydraulic tube - (L=1501,5)		1
59.	1.377.073	Hydraulic tube - (L=1531,5)		1
60.	80208001666	Hex socket head cap bolt - M8X16 - DIN912/8.8		2
60.	71808000060	Spring washer - M8 - DIN7980		2

Note: * Included parts



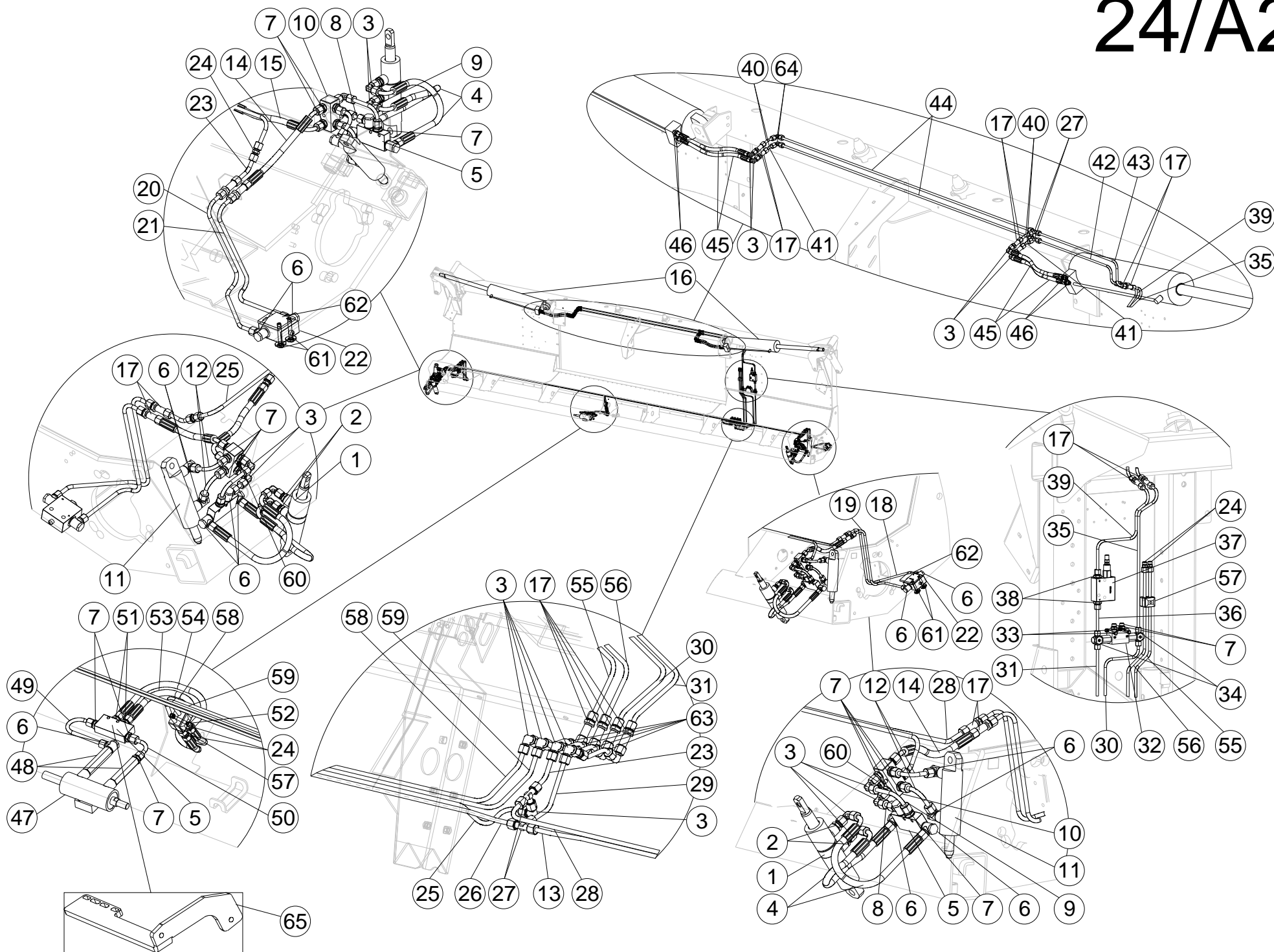
Ref.	Part number	Description		
61.	79408005066	Hex bolt - M8X50 - DIN933/8.8		4
61.	96701314099	Washer - M8 8,4X25X3,0		4
62.	1.373.327	Washer		2
63.	1.314.511	Fitting - EVT 8 PL		2
64.	1.369.042	Holder		1

Note: * Included parts



Ref.	Part number	Description		C3012F C3012CF
1.	1.354.397	Hydraulic cylinder		2
2.	1.309.601	Fitting - GE-8-PSM-ED		4
*2.	1.310.514	Orifice Fitting 1 mm		4
3.	1.314.510	Fitting - 90deg. EVW 8 PL		18
4.	1.379.477	Hydraulic hose - 1SNDN6-410		4
5.	1.379.458	Dual controlled check valve - FPDLE 1/4 GS		3
6.	1.314.509	Fitting - SVWE 8 PL		15
7.	1.375.669	Fitting - GE8PLR-ED		21
8.	1.379.456	Hydraulic tube - (L=45)		2
9.	1.379.457	Hydraulic tube		2
10.	1.378.522	Divider		2
11.	1.356.118	Hydraulic cylinder		2
12.	1.378.612	Hydraulic tube		4
13.	1.373.901	Hydraulic tube		-
13.	1.373.916	Hydraulic tube		1
14.	1.378.639	Hydraulic hose - 1SNDN6-320		2
15.	1.330.757	Hydraulic hose - 1SNDN6-200		1
16.	1.378.415	Hydraulic cylinder		2
17.	1.308.783	Fitting - bulkhead - HYP 160-8-575 SV8		16
18.	1.373.577	Hydraulic tube		1
19.	1.373.313	Hydraulic tube		1
20.	1.373.315	Hydraulic tube		1
21.	1.373.314	Hydraulic tube		1
22.	1.378.526	Endswitch - VFCA - 1401		2
23.	1.377.076	Hydraulic tube		1
24.	1.377.062	Fitting - M14X1.5		8
25.	1.373.917	Hydraulic tube		1
25.	1.373.903	Hydraulic tube		-
26.	1.373.900	Hydraulic tube		-
26.	1.373.918	Hydraulic tube		1
27.	1.354.511	T-form - T8PL		4
28.	1.373.902	Hydraulic tube		1
28.	1.373.915	Hydraulic tube		-
29.	1.373.899	Hydraulic tube		1
30.	1.373.908	Hydraulic tube		1
31.	1.373.907	Hydraulic tube		1
32.	1.378.837	Dual controlled check valve - FDP 1/4		1
33.	79406004066	Hex bolt - M6X40		2
33.	74906000066	Hex nut - plastic insert - M6 - DIN982		2
34.	1.378.836	T-form - TH-8-PLR		2
35.	1.373.583	Hydraulic tube		1
36.	1.378.844	Hydraulic tube		1
37.	96703800001	Pressure limit valve - C. VS2 3/8"		1
38.	1.353.318	Fitting - M14X1.5 G3/8		2
39.	1.373.584	Hydraulic tube		1
40.	1.373.970	Hydraulic tube		2
41.	1.373.971	Hydraulic tube		2
42.	1.373.974	Hydraulic tube		1
43.	1.373.973	Hydraulic tube		1
44.	1.373.975	Hydraulic tube		2
45.	1.330.772	Hydraulic hose - 1SNDN6-375		4
46.	1.310.514	Orifice Fitting 1 mm		4
*46.	1.355.481	Orifice Fitting 0.7 mm		4
47.	1.373.725	Hydraulic cylinder		1
48.	1.378.696	Fitting - GE8PLR-ED		2
49.	1.373.449	Hydraulic tube		1
50.	1.373.991	Hydraulic tube		1
51.	1.379.776	Orifice Fitting 0.5mm	->2023	2
51.	1.356.468	Orifice Fitting 0.3mm	2024->	2
52.	79406005066	Hex bolt - M6X50 - DIN933		2
52.	74906000066	Hex nut - plastic insert - M6 - DIN982		2
53.	1.373.585	Hydraulic hose - 1SNDN6-470		1
54.	1.373.488	Hydraulic hose - 1SNDN6-535		1
55.	1.379.065	Hydraulic tube - (L=609,7)		1
56.	1.379.066	Hydraulic tube - (L=610,7)		1
57.	1.377.061	Clamp		2
58.	1.377.072	Hydraulic tube - (L=1501,5)		1

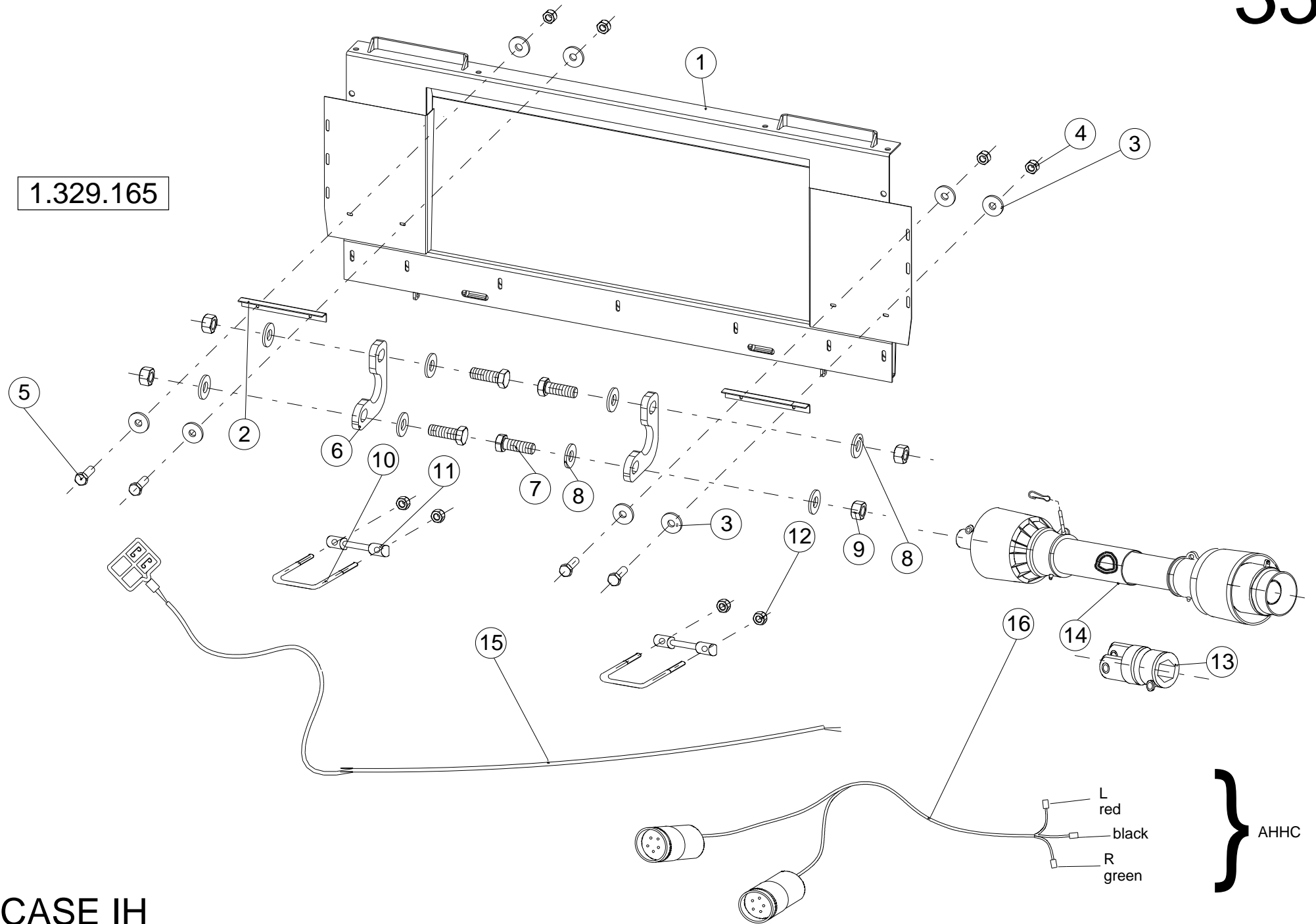
Note: * Included parts



Ref.	Part number	Description		C3012F C3012CF
58.	1.373.304	Hydraulic tube		-
59.	1.377.073	Hydraulic tube - (L=1531,5)		1
59.	1.373.305	Hydraulic tube		-
60.	80208001666	Hex socket head cap bolt - M8X16 - DIN912/8.8		2
60.	71808000060	Spring washer - M8 - DIN7980		2
61.	79408005066	Hex bolt - M8X50 - DIN933/8.8		4
61.	96701314099	Washer - M8 8,4X25X3,0		4
62.	1.373.327	Washer		2
63.	1.379.067	Hydraulic tube		2
64.	1.377.021	Fitting - M14x1.5		2
65.	1.369.042	Holder		1

Note: * Included parts

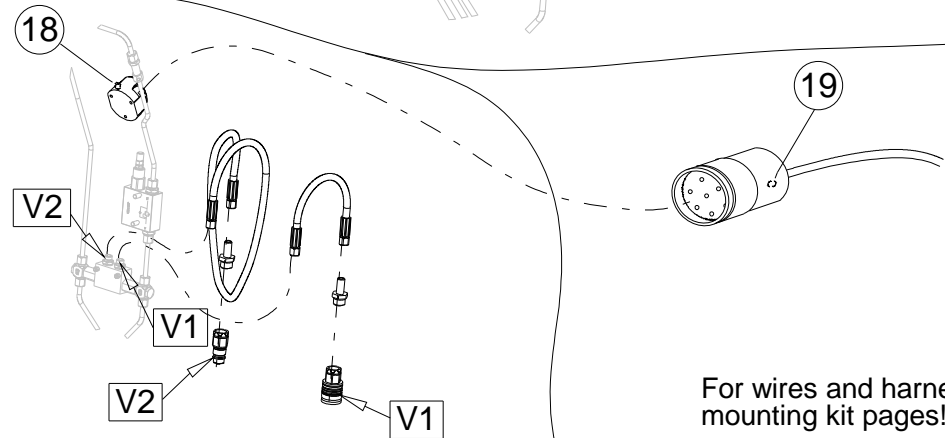
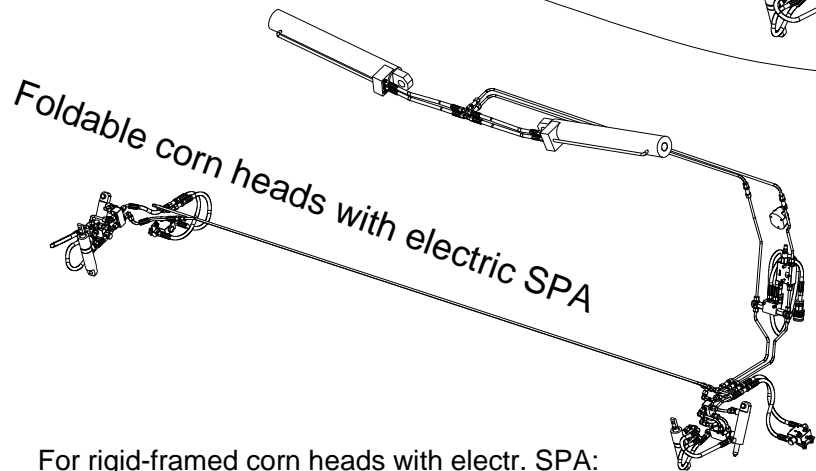
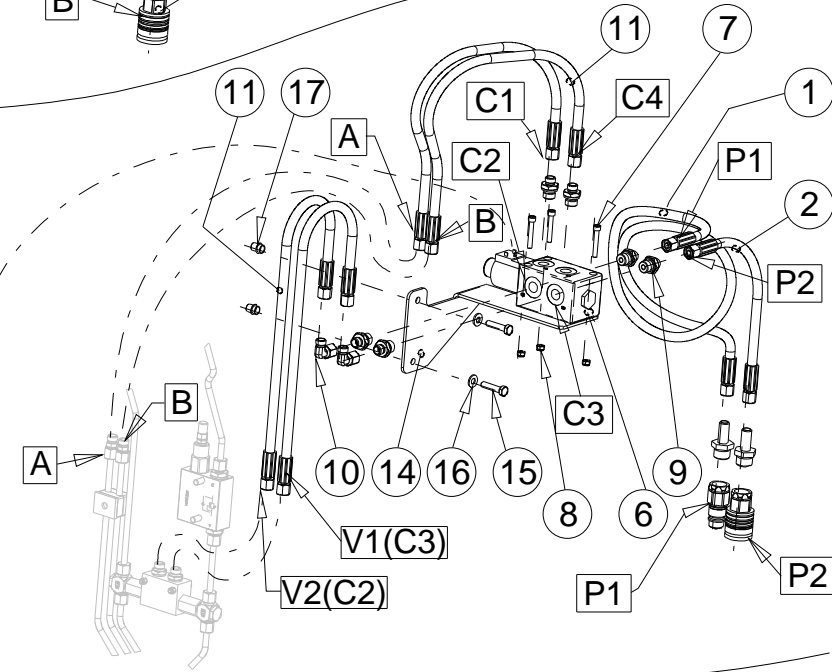
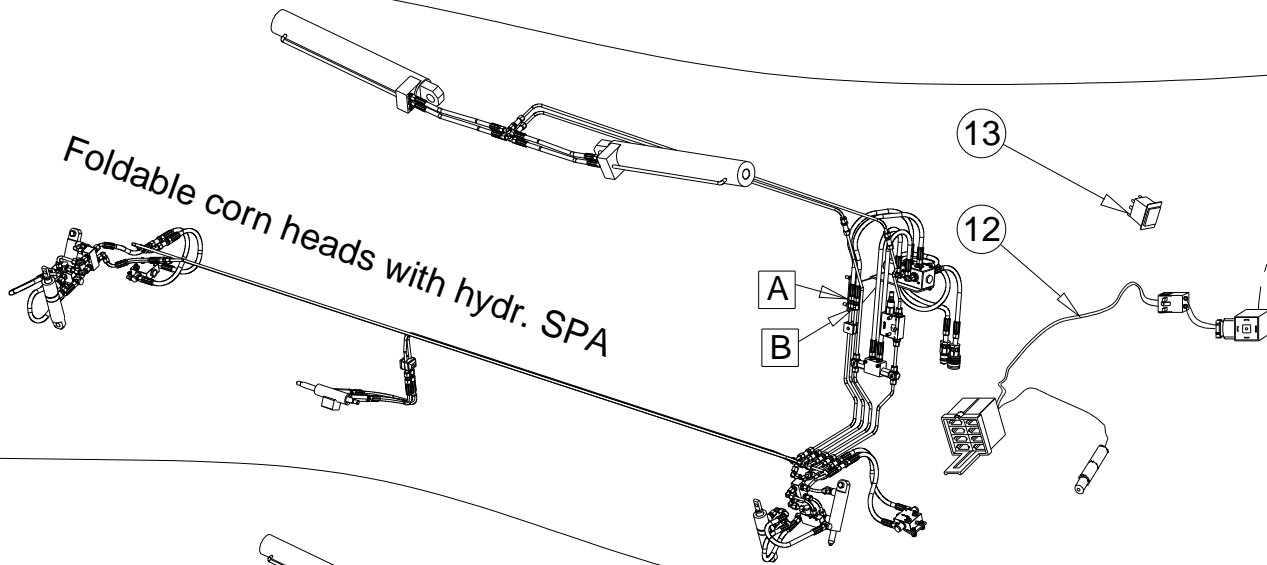
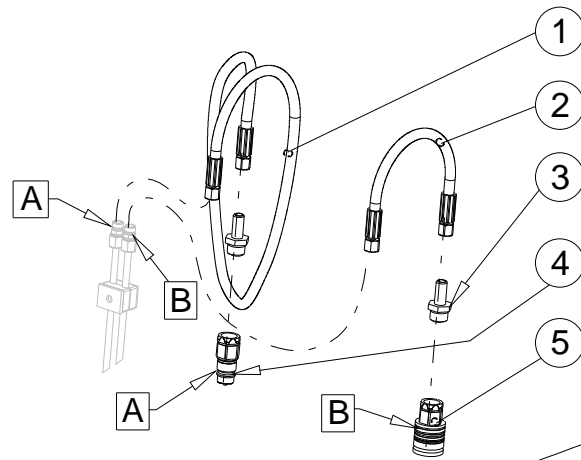
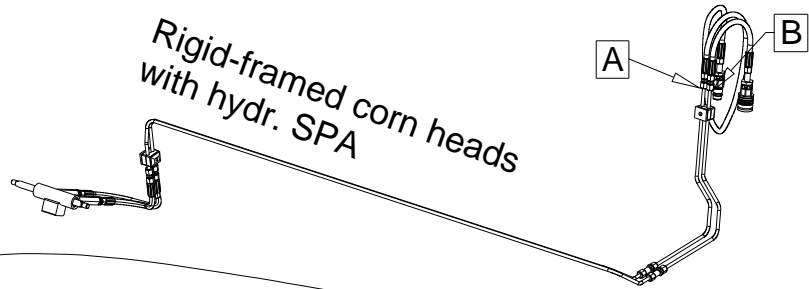
1.329.165



CASE IH
2015.

L red
 black
 R green
 } AHHC

Ref.	Part number	Description		6-8R	12-18R
1.	NSS	NSS		1	1
2.	1.320.558	Angle		2	2
3.	1.314.099	Washer - M8		8	8
4.	70708000066	Lock nut - M8 - DIN980		4	4
5.	79408002566	Hex head screw - M8X25 - DIN933/8.8		4	4
6.	1.329.977	Clip late		2	2
7.	79412003566	Hex bolt - M12X35 - DIN933/8.8		4	4
8.	91623938961	Spring washer - A12		8	8
9.	73512000066	Hex nut - M12 - DIN934/8.8		4	4
10.	1.301.068	Clip		2	2
11.	1.301.069	Pin		2	2
12.	70716000066	Lock nut - M16 - DIN980/8.8		4	4
13.	1.327.664	Yoke - 1.125 hex (l=112)		2	2
13.	1.327.487	Yoke - 1.125 hex (w2500) (l=133)	2016-2017.	-	2
14.	-	See page 1!			
15.	1.327.638	Wire	2020->	1	1
15.	1.371.646	Wire	2021->	1	1
16.	1.379.536	Harness CASE 1000-2000		1	1
-	1.329.165	Mounting kit. (items 1, 2, 3, 4, 5, 6, 7, 8, 9, 10, 11, 12)		1	1
-	1.372.679	Window Frame Completion Bundle (items 1, 2, 3, 4, 5, 6, 7, 8, 9, 10, 11, 12, 15)		1	1



For rigid-framed corn heads with electr. SPA:
see the sheet of mounting kit

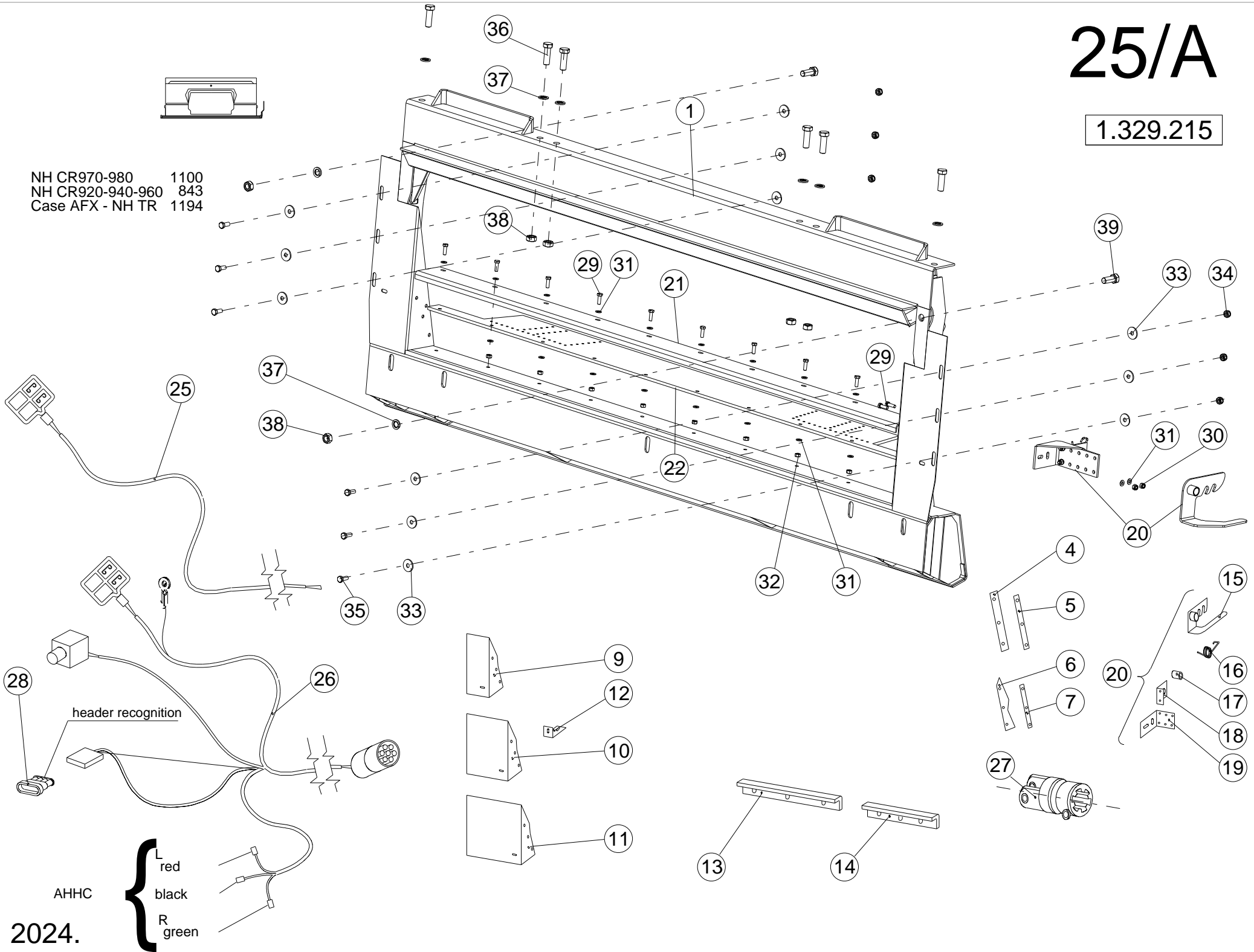
For wires and harnesses see
mounting kit pages!

Ref.	Part number	Description		RIGID with hydr. SPA	FOLDING with hydr. SPA	FOLDING with electr. SPA
1.	1.353.195	Hydraulic hose - 1SNDN6-1200		1	1	1
2.	1.330.772	Hydraulic hose - 1SNDN6-375		1	1	1
3.	1.314.572	Fitting - M14X1.5 / 7/8-14 UNF		2	2	2
4.	1.315.905	Hydraulic quick-coupler - male - 1272399 C2		1	1	1
5.	1.314.987	Hydraulic quick-coupler - female - 1282338 C91		1	1	1
6.	1.379.394	Directional valve - LC 6/2		-	1	-
7.	80206004066	Hex socket head cap bolt - M6X40 - DIN912/8.8		-	3	-
8.	74906000066	Hex nut - plastic insert - M6 - DIN982		-	3	-
9.	1.353.318	Fitting - M14X1.5 G3/8		-	6	-
10.	1.314.510	Fitting - 90deg. EVW 8 PL		-	2	-
11.	1.331.795	Hydraulic hose - 1SNDN6-630		-	4	-
12.	1.353.204	Harness electrical		-	1	-
13.	1.353.213	Switch - 6FH 007 832-121 HELLA		-	1	-
14.	1.379.643	Bracket		-	1	-
15.	79408003566	Hex bolt - M8X35 - DIN933/8.8	->2019	-	2	-
15.	79308012066	Hex bolt - M8X120 - DIN931/10.9	2020->	-	2	-
16.	91623938761	Spring washer - 8X18 M8 - A8		-	4	-
17.	70808000026	Rivet nut - M8	->2019	-	2	-
17.	70708000066	Lock nut - M8 - DIN980	2020->	-	2	-
18.	-	See item 22, page 18/A				
19.	-	See item 39, page 18/A				
-	1.379.472	Directional valve assy. (items 24-31)				
-	1.372.707	Hydraulic multicluch cpl.		1	-	-
-	1.372.708	Hydraulic multicluch cpl.		-	1	-

25/A

1.329.215

NH CR970-980 1100
NH CR920-940-960 843
Case AFX - NH TR 1194



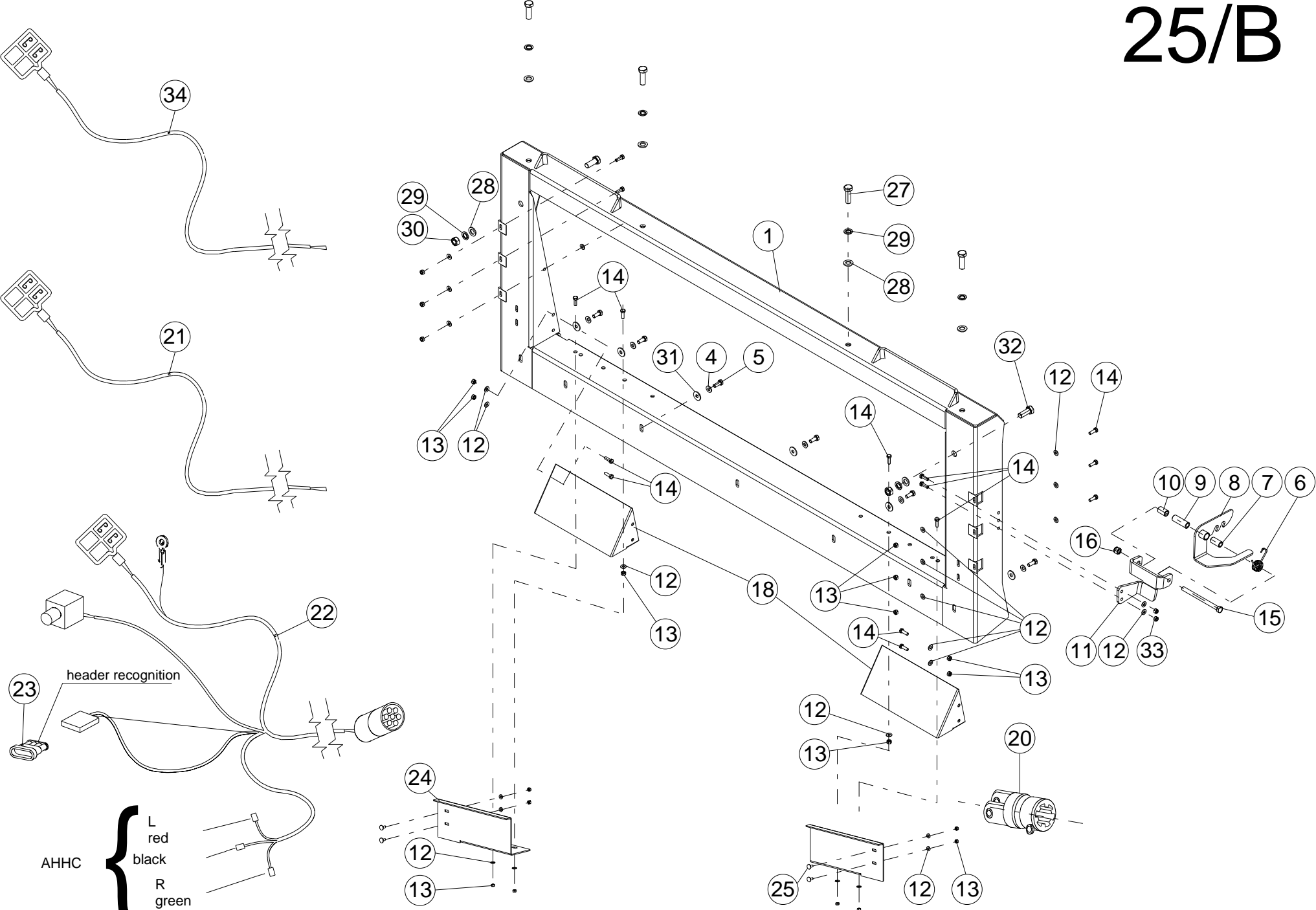
(25A) MOUNTING KIT: CNH CX, CR, TR, CASE AFX (FOLDING
2010.->, FIXED 2011->)

154

AHHC
2024.

red
black
R green

Ref.	Part number	Description		6-8R	12-16R
1.	NSS	NSS		1	1
4.	1.372.947	Rubber plate		2	2
5.	1.328.548	Flat iron		2	2
6.	1.372.948	Rubber plate		2	2
7.	1.329.255	Flat iron		2	2
9.	1.329.240	Inlet - LH - (l=119) for NH AFX		1	1
9.	1.329.241	Inlet - RH - (l=119) for NH AFX		1	1
10.	1.329.242	Inlet - LH - (l=347) for NH CR970-980		1	1
10.	1.329.243	Inlet - RH - (l=347) for NH CR970-980		1	1
11.	1.329.244	Inlet - LH - (l=472) for NH CR920-940-960		1	1
11.	1.329.245	Inlet - RH - (l=472) for NH CR920-940-960		1	1
12.	1.329.235	Support		2	2
13.	1.329.294	Angle	->2013	1	1
13.	1.379.632	Angle	2014->	1	1
13.	1.329.294	Angle	->2013	2	2
13.	1.379.632	Angle	2014->	2	2
14.	1.329.295	Angle	->2013	2	2
14.	1.379.631	Angle	2014->	2	2
14.	1.329.295	Angle	->2013	2	2
14.	1.379.631	Angle	2014->	2	2
14.	1.329.295	Angle	->2013	2	2
14.	1.379.631	Angle	2014->	2	2
15.	1.329.247	Arm welded		1	1
16.	1.329.253	Spring		1	1
17.	1.329.250	Bushing		1	1
18.	1.329.251	Support plate		1	1
19.	1.329.296	Support welded		1	1
20.	1.329.246	Support assy. - NH (items 15-19)		1	1
21.	1.329.233	Flat iron		1	1
22.	1.372.949	Rubber plate		1	1
25.	1.327.638	Wire		1	1
26.	1.353.422	Wire - CASE AFX, NH CR for hydraulic snapping plate adjustment		1	1
26.	1.353.561	Wire - CASE AFX, NH CR for electric snapping plate adjustment		1	1
27.	1.327.663	Yoke - 6 spline (W2400) (l=112)		2	2
27.	1.327.488	Yoke - 6 spline (w2500) (l=133)	2016-2017.	-	2
28.	1.332.458	Header recognizer CNH,AFX	2014->	1	1
29.	79408002566	Hex head screw - M8X25 - DIN933/8.8		12	12
30.	74900800066	Lock nut - plastic insert - M8 - DIN982/8		2	2
31.	71408000060	Washer - M8 8,4X16X1,6 - DIN125		22	22
32.	70708000066	Lock nut - M8 - DIN980		10	10
33.	237.592	Washer - M10		12	12
34.	74910000066	Lock nut - M10 - plastic insert - DIN985		6	6
35.	79410002566	Hex bolt - M10X25 - DIN933/8.8		6	6
36.	79416005066	Hex head screw - M16X50		6	6
37.	72216000060	Spring washer - M16		8	8
38.	73516000066	Hex nut - M16 - DIN934/8.8		8	8
39.	79416004066	Hex head screw - M16X40		2	2
-	1.329.215	Mounting kit: NH (items 1-22)		1	1

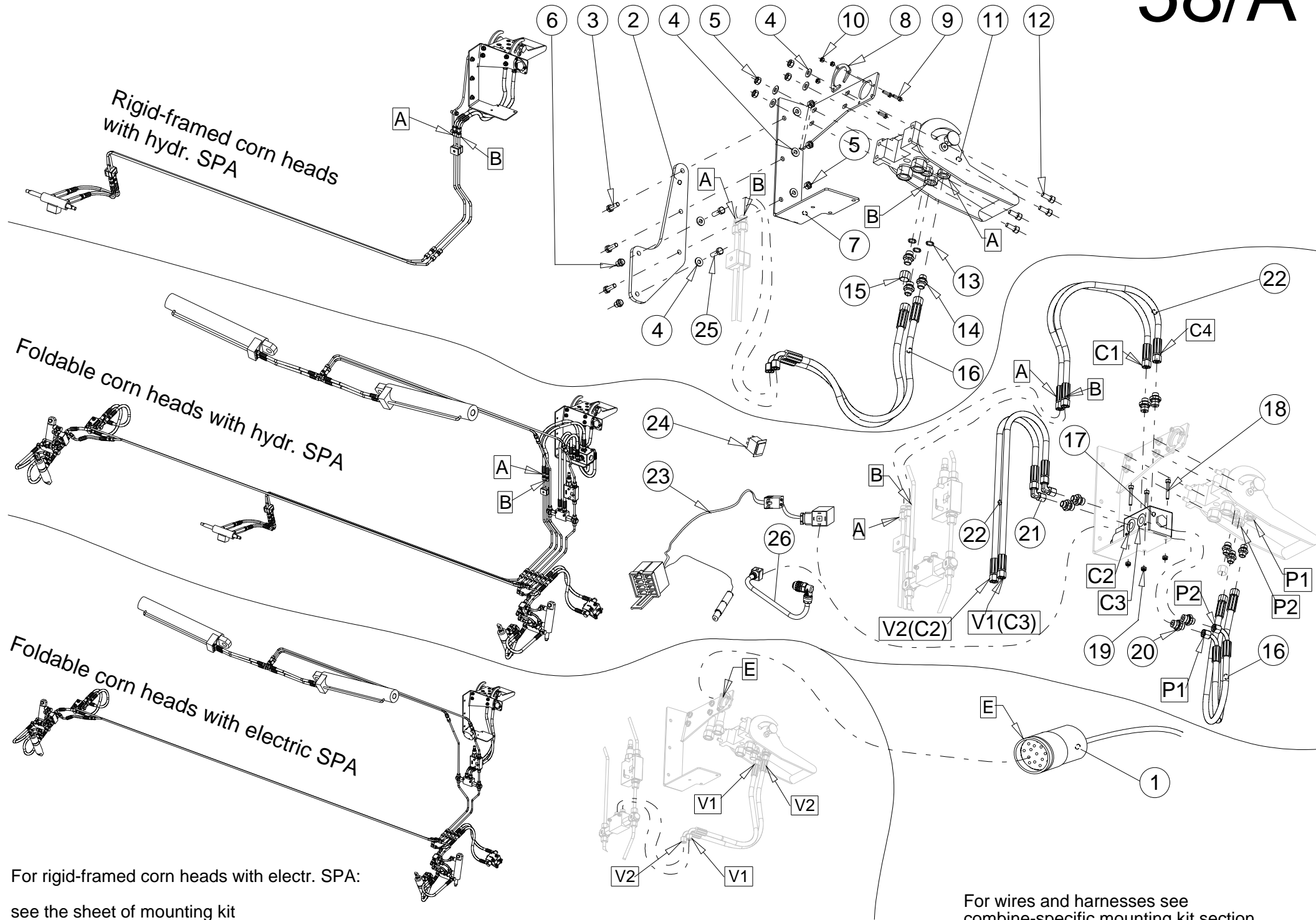


1.372.680

Ref.	Part number	Description		6-8R	12-18R
1.	NSS	NSS		1	1
4.	91623938861	Spring washer - 10,2X22,25X1,6 - A10		8	8
5.	79410002566	Hex bolt - M10X25 - DIN933/8.8		8	8
6.	1.329.253	Spring		1	1
7.	1.329.250	Bushing		1	1
8.	1.329.247	Arm welded		1	1
9.	1.376.541	Spacer		1	1
10.	1.376.542	Spacer		1	1
11.	1.372.283	Support		1	1
12.	91623938761	Spring washer - 8X18 M8 - A8		20	20
13.	73508000066	Hex nut - M8 - DIN934		18	18
14.	79408002566	Hex head screw - M8X25 - DIN933/8.8		18	18
15.	79312016066	Hex bolt - M12X160		1	1
16.	74901200066	Lock nut - M12 - plastic insert - DIN982		1	1
18.	1.379.323	Inlet - (I=345)		2	2
20.	1.327.663	Yoke - 6 spline (W2400) (I=112)		2	2
20.	1.327.488	Yoke - 6 spline (w2500) (I=133)	2016-2017., 2021->	-	2
*20.	1.327.662	Yoke - 21 spline (W2400) (I=112)		2	2
*20.	1.327.486	Yoke - 21 spline (w2500) (I=133)	2016-2017., 2021->	-	2
21.	1.327.638	Wire		1	1
22.	1.353.422	Wire - CASE AFX, NH CR for hydraulic snapping plate adjustment	->2020	1	1
22.	1.353.561	Wire - CASE AFX, NH CR for electric snapping plate adjustment	->2020	1	1
22.	1.337.137	Harness	2021-2022.	1	1
22.	1.337.337	Cable assy.	2023->	1	1
23.	1.332.458	Header recognizer CNH,AFX	->2021	1	1
24.	1.372.940	Inlet - LH - I=162,5	2020->	1	1
24.	1.372.941	Inlet - RH - I=162,5	2020->	1	1
25.	76308002566	Carriage bolt - M8X25 - DIN603		4	4
26.	1.314.099	Washer - M8		4	4
27.	79416005066	Hex head screw - M16X50		4	4
28.	71416000060	Washer - M16 17X30X3 - DIN125 - 200HV		6	6
29.	72216000060	Spring washer - M16		6	6
30.	73516000066	Hex nut - M16 - DIN934/8.8		2	2
31.	71210000060	Washer - A10 - DIN9021		7	7
32.	79416004066	Hex head screw - M16X40		2	2
33.	70708000066	Lock nut - M8 - DIN980		2	2
34.	1.371.648	Extension harness		1	1
-	1.372.680	Window Frame Completion Bundle (#1, 6-18, 24-26)		1	1

Note for item:

* For combines manufactured during or after 2017.



Rigid-framed corn heads
with hydr. SPA

Foldable corn heads with hydr. SPA

Foldable corn heads with electric SPA

For rigid-framed corn heads with electr. SPA:
see the sheet of mounting kit

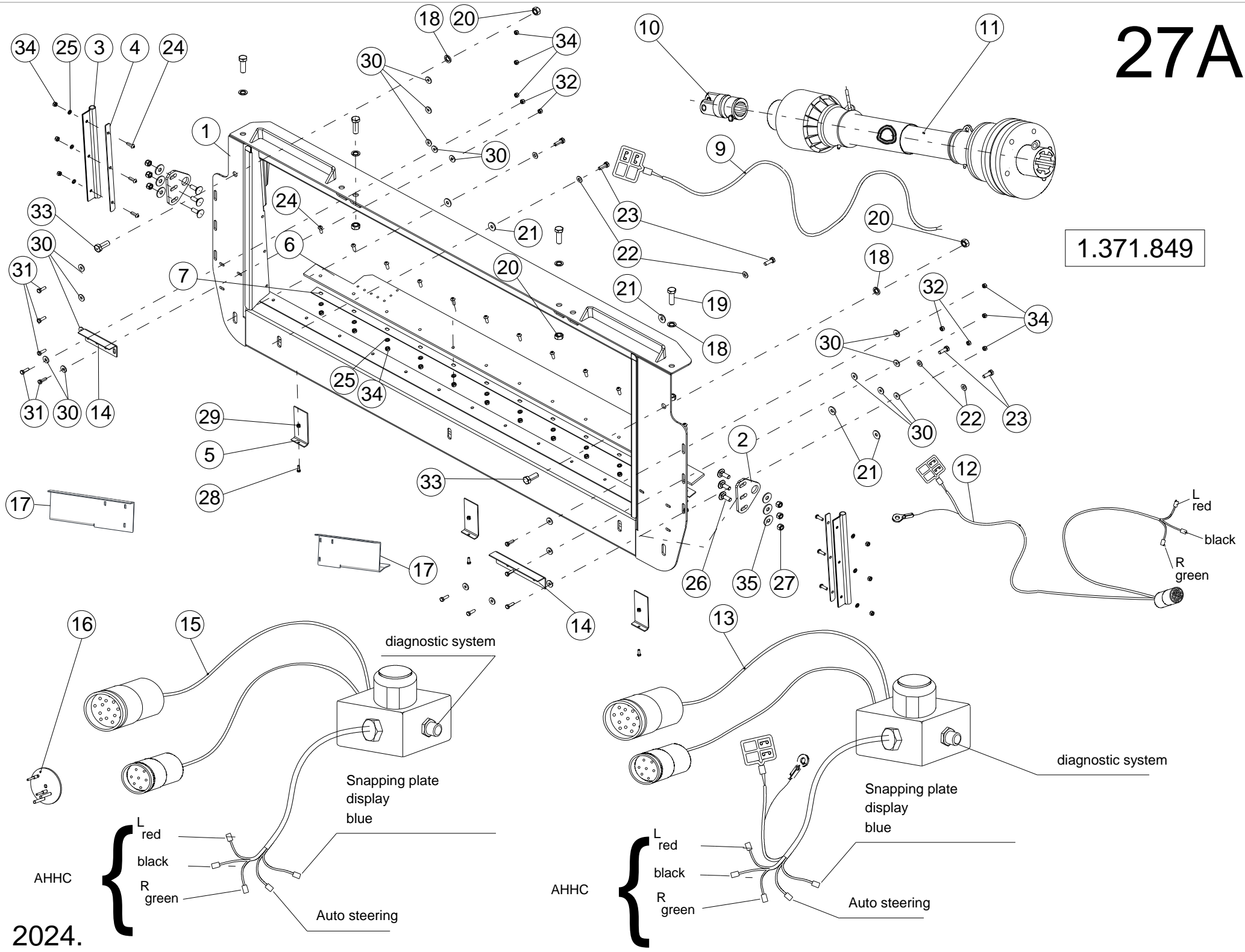
For wires and harnesses see
combine-specific mounting kit section.

Ref.	Part number	Description		RIGID with hydr. SPA	FOLDING with hydr. SPA	FOLDING with electr. SPA
1.	-	See mounting kit pages				
2.	1.355.489	Support plate		1	1	1
3.	79408002566	Hex head screw - M8X25 - DIN933/8.8		3	3	3
4.	91623938761	Spring washer - 8X18 M8 - A8		11	11	11
5.	73508000066	Hex nut - M8 - DIN934		7	7	7
6.	70808000026	Rivet nut - M8	->2019	2	2	2
6.	70708000066	Lock nut - M8 - DIN980	2020->	2	2	2
7.	1.379.443	Bracket welded		1	1	1
8.	1.327.148	Retaining plate		1	1	1
9.	79405001660	Hex bolt - M5X16 - DIN933/8.8		3	3	3
10.	73505000066	Hex nut - M5 - DIN934		3	3	3
11.	1.327.510	Hydraulic multicoupler - 84435008		1	1	1
12.	80208002066	Hex socket head bolt - M8X20 - DIN912/8.8		4	4	4
13.	63001202000	O-ring - 12X2		3	3	3
14.	1.327.509	Fitting - M14X1.5 - 9/16-18 UNF		3	3	3
15.	1.327.508	Plug for D connection only		1	1	1
16.	1.351.403	Hydraulic hose - 1SNDN6-585		2	2	2
17.	1.379.394	Directional valve - LC 6/2		-	1	-
18.	80206004066	Hex socket head cap bolt - M6X40 - DIN912/8.8		-	3	-
19.	74906000066	Hex nut - plastic insert - M6 - DIN982		-	3	-
20.	1.353.318	Fitting - M14X1.5 G3/8		-	6	-
21.	1.314.510	Fitting - 90deg. EVW 8 PL		-	2	-
22.	1.331.795	Hydraulic hose - 1SNDN6-630		-	4	-
23.	1.353.204	Harness electrical		-	1	-
24.	1.353.213	Switch - 6FH 007 832-121 HELLA		-	1	-
25.	79308012066	Hex bolt - M8X120 - DIN931/10.9	2020->	2	2	2
26.	1.337.144	Harness	2021->	-	1	-
-	1.379.472	Directional valve assy. (items 24-31)		-	1	-
-	1.379.475	Hydraulic multipoint kit.		1	1	1
-	1.372.705	Hydraulic multicluch cpl.		1	-	-
-	1.372.706	Hydraulic multicluch cpl.		-	1	-

27A

1.371.849

(27A) MOUNTING KIT: JD 2019->



Ref.	Part number	Description		All models
1.	NSS	NSS		1
2.	1.329.398	Retainer		2
3.	1.372.950	Rubber plate		2
4.	1.320.280	Flat iron		2
5.	1.329.397	Filler		3
6.	1.372.952	Rubber plate		1
7.	1.329.400	Plate		1
9.	1.327.638	Wire	->2020	1
10.	1.327.662	Yoke - 21 spline (W2400) (l=112)		2
10.	1.327.486	Yoke - 21 spline (w2500) (l=133)	2016-2017, 2021->	2
11.	-	See page 1!		
*12.	1.353.562	Wire for hydraulic snapping plate adjustment	->2020	1
*13.	1.353.559	Wire, electric SPA + Lighting for electric snapping plate adjustment	->2020	1
*13.	1.337.140	Harness - JD "60" series	2021-2022.	1
*13.	1.337.340	Cable assy.	2023->	1
14.	1.379.635	Angle	2014-2018.	2
14.	1.372.273	Angle - LH l=221	2019-2020	1
14.	1.372.274	Angle - RH l=141	2019-2020	1
*15.	1.327.062	Wire harness	->2020	1
*16.	1.327.066	Jumper		1
17.	1.371.034	Deflector plate - LH	2021->	1
17.	1.371.035	Deflector plate - RH	2021->	1
18.	72216000060	Spring washer - M16		6
19.	79416005066	Hex head screw - M16X50		4
20.	73516000066	Hex nut - M16 - DIN934/8.8		6
21.	237.592	Washer - M10		5
22.	91623938861	Spring washer - 10,2X22,25X1,6 - A10		5
23.	79410003066	Hex bolt - M10X30 - DIN933/8.8		5
24.	78200802563	Hex socket button-head bolt TORX - M8X25 - ISO7380/10.9		18
25.	72208000060	Spring washer - M8 - DIN128/A		18
26.	76312003566	Carriage bolt - M12X35		6
27.	238.234.0	Lock nut - VM12		6
28.	79406002066	Hex bolt - M6X20 - DIN933/8.8		3
29.	74900600066	Nut with non-met. insert - M6 - DIN982		3
30.	1.314.099	Washer - M8		20
31.	79408002566	Hex head screw - M8X25 - DIN933/8.8		10
32.	70708000063	Lock nut - M8 - DIN980 10.		4
33.	79416004066	Hex head screw - M16X40		2
34.	73508000066	Hex nut - M8 - DIN934		24
35.	71212000060	Washer M12 DIN 9021		6
-	1.371.849	Window Frame Completion Bundle (items 1,2,3,4,5,6,7,17)	2022->	1

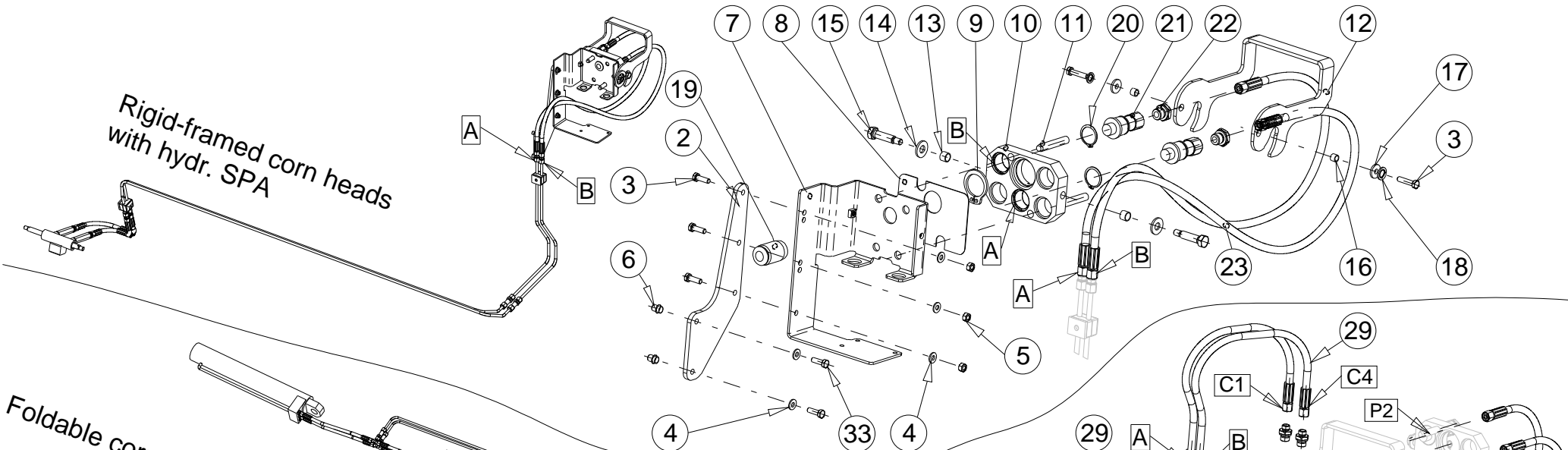
Note for item: 12.- 1.353.562 is for those machines which have hydraulic snapping plate adjustment, for NA only

Note for item: 13.- 1.353.559 is for those machines which have electric snapping plate adjustment, for NA only

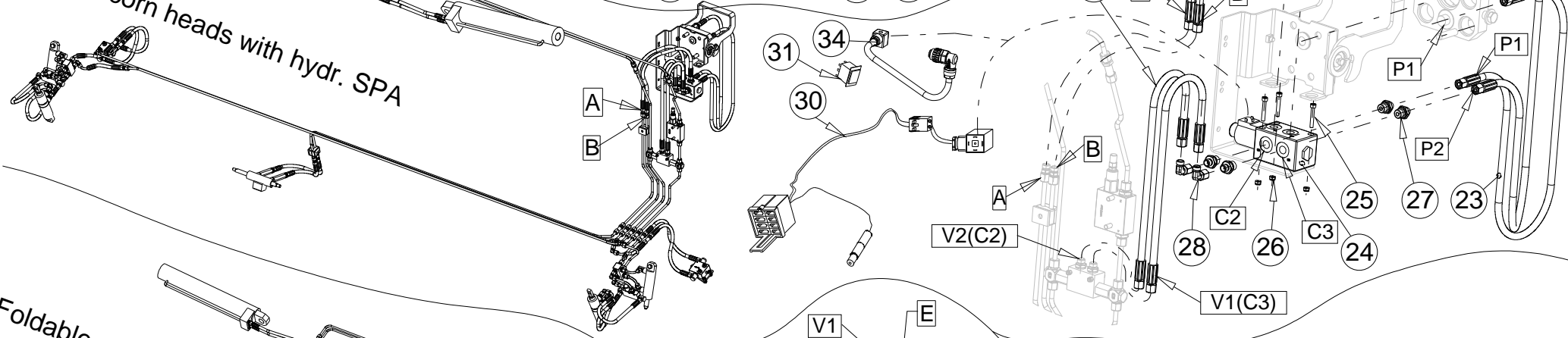
15-16. for EU only

MacDon C Series Corn Headers are not compatible with John Deere X9 combines.

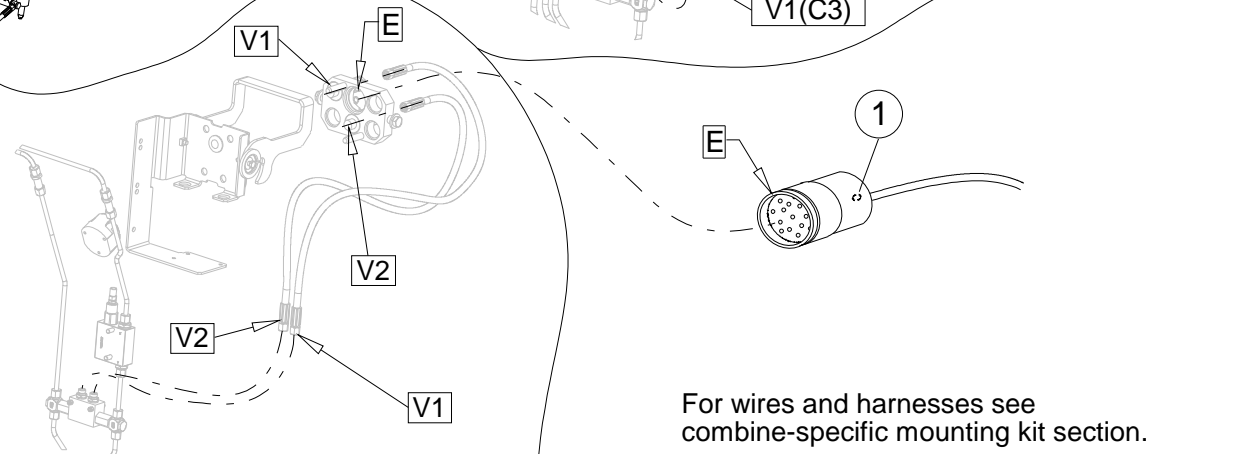
Rigid-framed corn heads with hydr. SPA



Foldable corn heads with hydr. SPA



Foldable corn heads with electric SPA

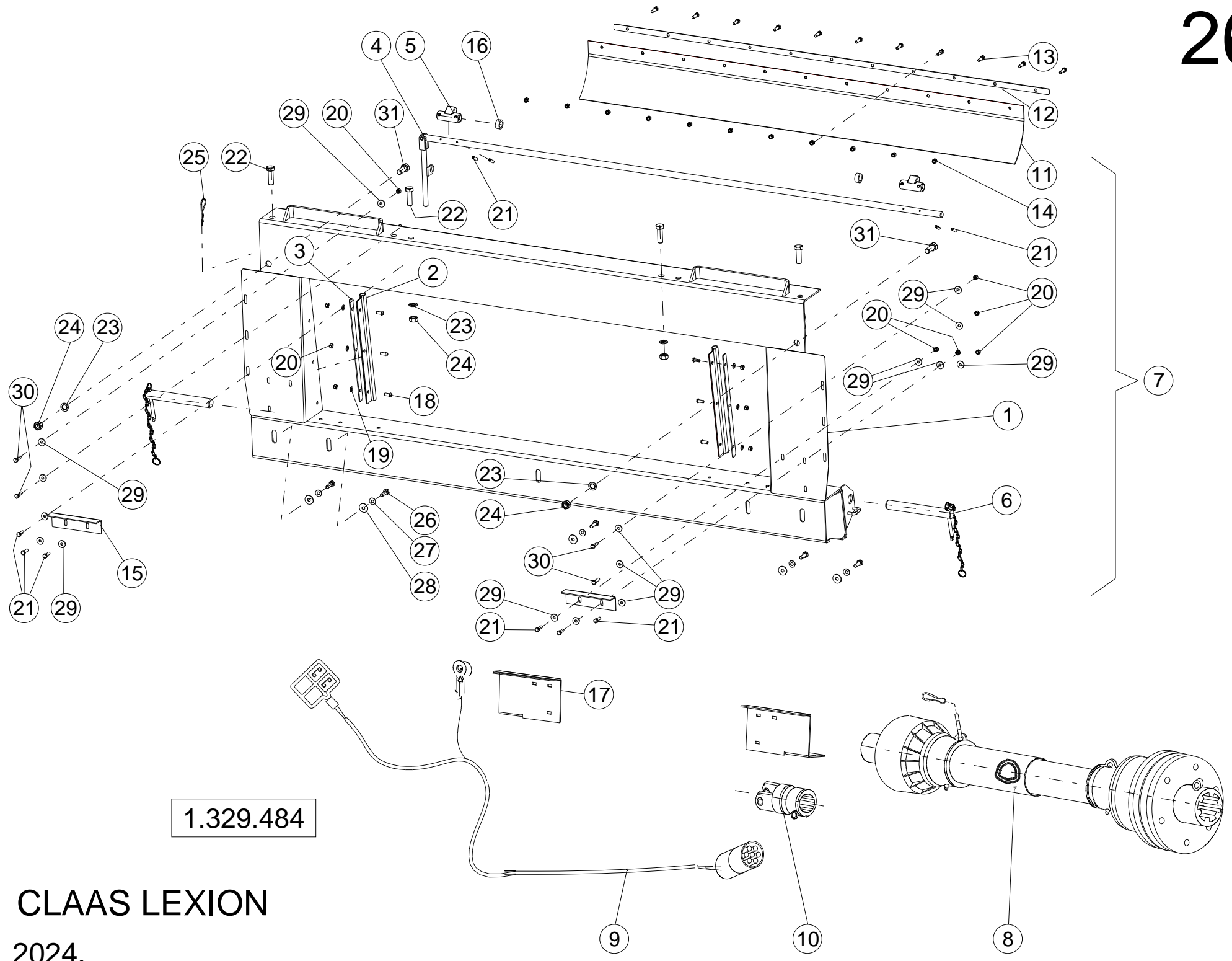


For rigid-framed corn heads with electr. SPA:
items 2-19

For wires and harnesses see
combine-specific mounting kit section.

Ref.	Part number	Description		RIGID with hydr. SPA	RIGID with electr. SPA	FOLDING with hydr. SPA	FOLDING with electr. SPA
1.	-	See mounting kit pages					
2.	1.355.489	Support plate		1	1	1	1
3.	79408002566	Hex head screw - M8X25 - DIN933/8.8		5	5	5	5
4.	91623938761	Spring washer - 8X18 M8 - A8		7	7	7	7
5.	73508000066	Hex nut - M8 - DIN934		3	3	3	3
6.	70808000026	Rivet nut - M8	->2019	2	2	2	2
6.	70708000066	Lock nut - M8 - DIN980	2020->	2	2	2	2
7.	1.379.398	Bracket welded		1	1	1	1
8.	1.353.553	Pad - H201010		1	1	1	1
9.	70200004561	Retainer ring - for shaft - D45X1.6 - DIN471		1	1	1	1
10.	1.327.000	Support		1	1	1	1
11.	1.327.003	Pin		2	2	2	2
12.	1.354.106	Arm		1	1	1	1
13.	1.327.002	Ring		2	2	2	2
14.	1.377.251	Washer		2	2	2	2
15.	1.327.001	Screw		2	2	2	2
16.	1.354.107	Spacer		2	2	2	2
17.	1.314.099	Washer - M8		2	2	2	2
18.	72208000060	Spring washer - M8 - DIN128/A		2	2	2	2
19.	1.353.552	Plug - H176288		1	1	1	1
20.	1.327.052	Retainer ring - external - D32X1.3 - DIN471		2	-	2	2
21.	1.327.054	Hydraulic quick-coupler - AH 171017		2	-	2	2
22.	1.327.053	Fitting - M14X1.5/UNF 3/4-16		2	-	2	2
23.	1.353.195	Hydraulic hose - 1SNDN6-1200		2	-	2	2
24.	1.379.394	Directional valve - LC 6/2		-	-	1	-
25.	80206004066	Hex socket head cap bolt - M6X40 - DIN912/8.8		-	-	3	-
26.	74906000066	Hex nut - plastic insert - M6 - DIN982		-	-	3	-
27.	1.353.318	Fitting - M14X1.5 G3/8		-	-	6	-
28.	1.314.510	Fitting - 90deg. EVW 8 PL		-	-	2	-
29.	1.331.795	Hydraulic hose - 1SNDN6-630		-	-	4	-
30.	1.353.204	Harness electrical		-	-	1	-
31.	1.353.213	Switch - 6FH 007 832-121 HELLA		-	-	1	-
32.	1.379.399	Holder bracket and handle assy (item 3,7,12,16,17,18)		1	1	1	1
33.	79308012066	Hex bolt - M8X120 - DIN931/10.9	2020->	2	2	2	2
34.	1.337.144	Harness		-	-	1	-
-	1.379.472	Directional valve assy. (items 24-31)		-	-	1	-
-	1.379.474	Hydraulic multipoint kit. (items 2, 6, 8-11, 13-15, 19-22, 32)		1	1	1	
-	1.372.701	Multicoupler: JD rigid hydraulic - B6755 (items 2, 6, 8-11, 13-15, 19-23, 32 and item 12 on page 27/A)					
-	1.372.702	Multicoupler: JD folding hydraulic - B6757 (items 2, 6, 8-11, 13-15, 19-32 and item 12 on page 27/A)					

Note: MacDon C Series Corn Headers are not compatible with John Deere X9 Combines.



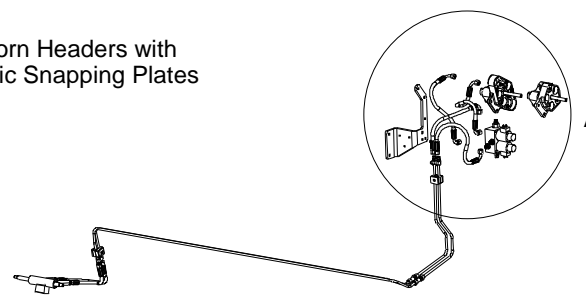
1.329.484

CLAAS LEXION
2024.

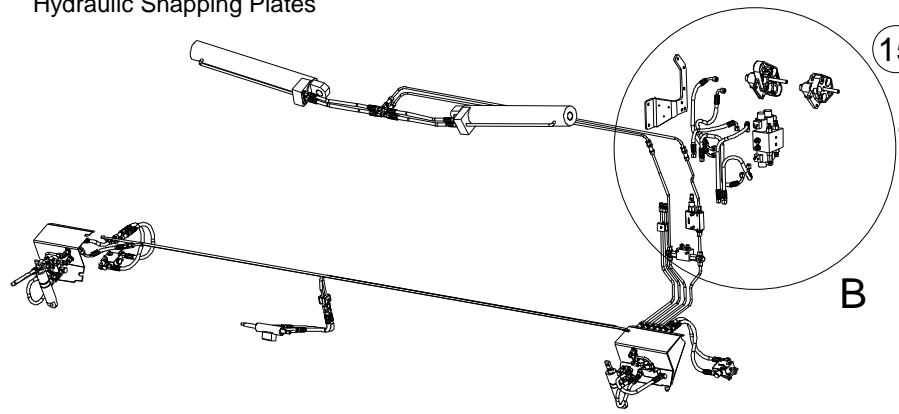
Ref.	Part number	Description		6-8R	12-18R
1.	NSS	NSS		1	1
2.	1.320.280	Flat iron		2	2
3.	1.372.950	Rubber plate		2	2
4.	1.329.500	Fixture welded		1	1
5.	1.329.501	Fixture		2	2
6.	1.329.498	Safety-pin		2	2
7.	1.329.484	Window Frame Completion Bundle (items 1,2,3,4,5,6,11,12,13,14,15)		1	1
8.	-	See section 1!			
9.	1.354.171	Wire	->2020	1	1
9.	1.337.147	Wire	2021-2022	1	1
9.	1.337.282	Cable assy.	2023->	1	1
10.	1.327.662	Yoke - 21 spline (W2400) (l=112)		2	2
10.	1.327.486	Yoke - 21 spline (w2500) (l=133)	2016-2017., 2021->	-	2
11.	1.332.478	Rubber plate	2014-2019	1	1
11.	1.372.951	Rubber plate	2020->	1	1
12.	1.332.479	Flat iron	2014->	1	1
13.	79408002566	Hex head screw - M8X25 - DIN933/8.8	2014->	11	11
14.	74908000066	Hex nut - plastic insert - M8 - DIN985	2014->	11	11
15.	1.379.635	Angle	2014->	2	2
16.	1.309.255	Bushing	2020->	2	2
*17.	1.371.030	Deflector plate - LH - (l=314)	2021->	1	1
*17.	1.371.031	Deflector plate - RH - (l=314)	2021->	1	1
**17.	1.371.032	Deflector plate - LH - (l=477)	2021->	1	1
**17.	1.371.033	Deflector plate - RH - (l=477)	2021->	1	1
18.	81108002063	Hex socket button-head screw - M8X20 - DIN7380/ISO7380 10.9		6	6
19.	71408000060	Washer - M8 8,4X16X1,6 - DIN125		6	6
20.	70708000066	Lock nut - M8 - DIN980		12	12
21.	73008003001	Roll pin - 8X30 - DIN1481		4	4
22.	79416005066	Hex head screw - M16X50		4	4
23.	72216000060	Spring washer - M16		6	6
24.	73516000066	Hex nut - M16 - DIN934/8.8		6	6
25.	665.666.0	Hairpin		1	1
26.	79410003066	Hex bolt - M10X30 - DIN933/8.8		5	5
27.	71210000060	Washer - A10 - DIN9021		5	5
28.	91623938861	Spring washer - 10,2X22,25X1,6 - A10		5	5
29.	1.314.099	Washer - M8		20	20
30.	79408003066	Hex bolt - M8X30 - DIN933/8.8		4	4
31.	79416004066	Hex head screw - M16X40		2	2
-	1.329.484	Window Frame Completion Bundle (items 1,2,3,4,5,6,11,12,13,14,15)			

Note: *For Wide Feederhouse
** For Narrow Feederhouse

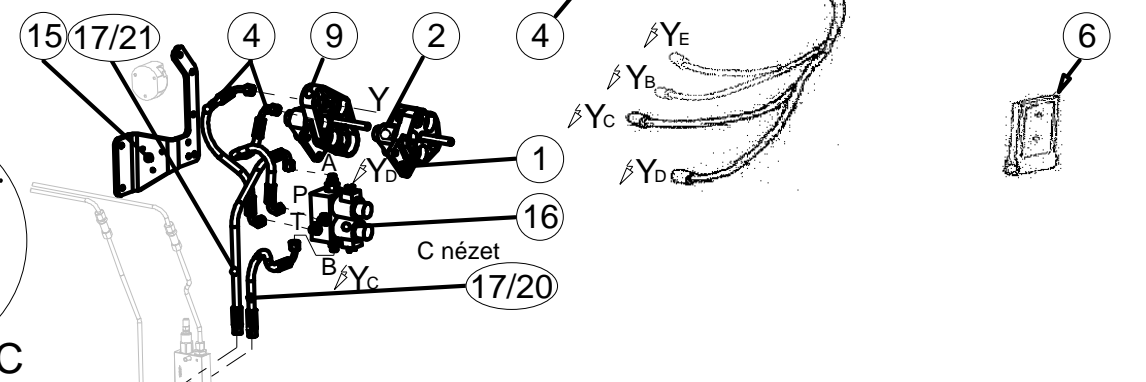
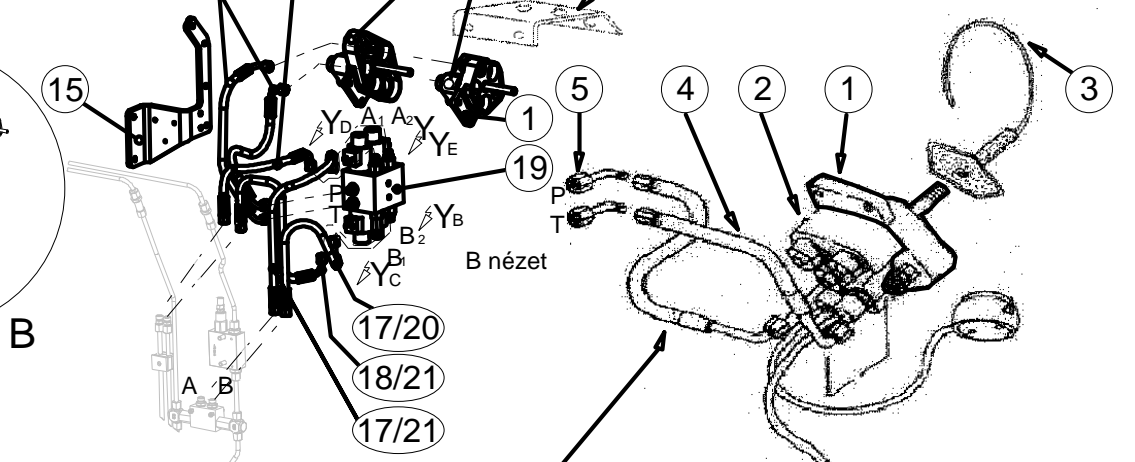
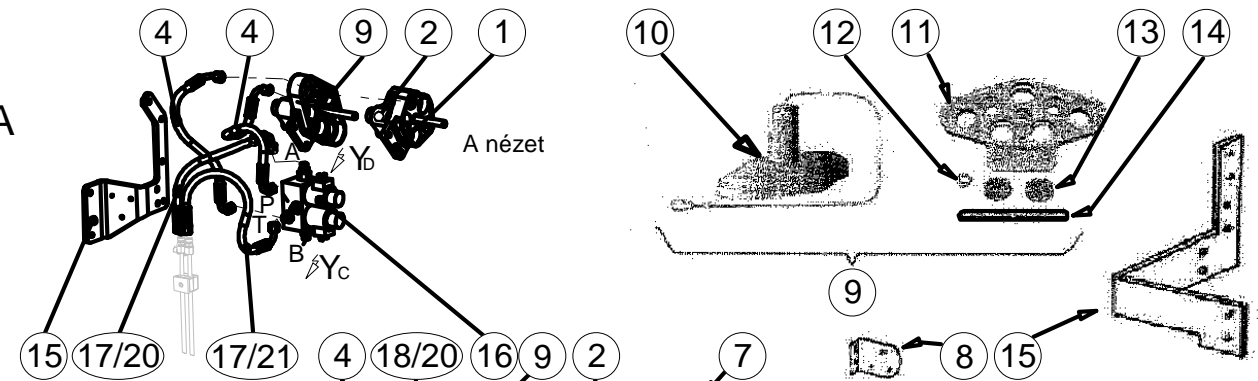
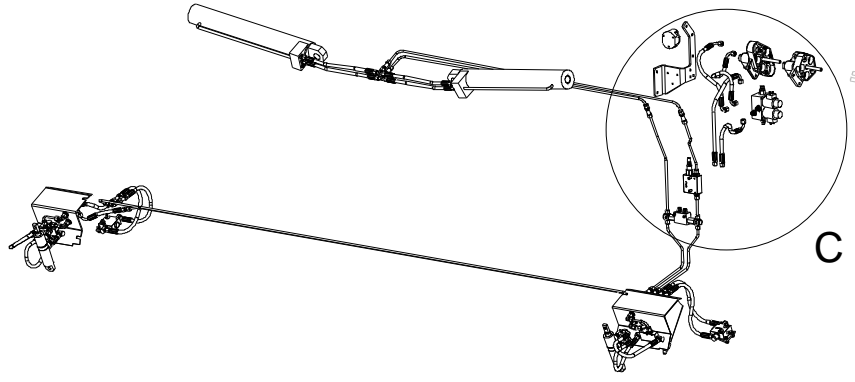
Rigid Corn Headers with Hydraulic Snapping Plates



Folding Corn Headers with Hydraulic Snapping Plates



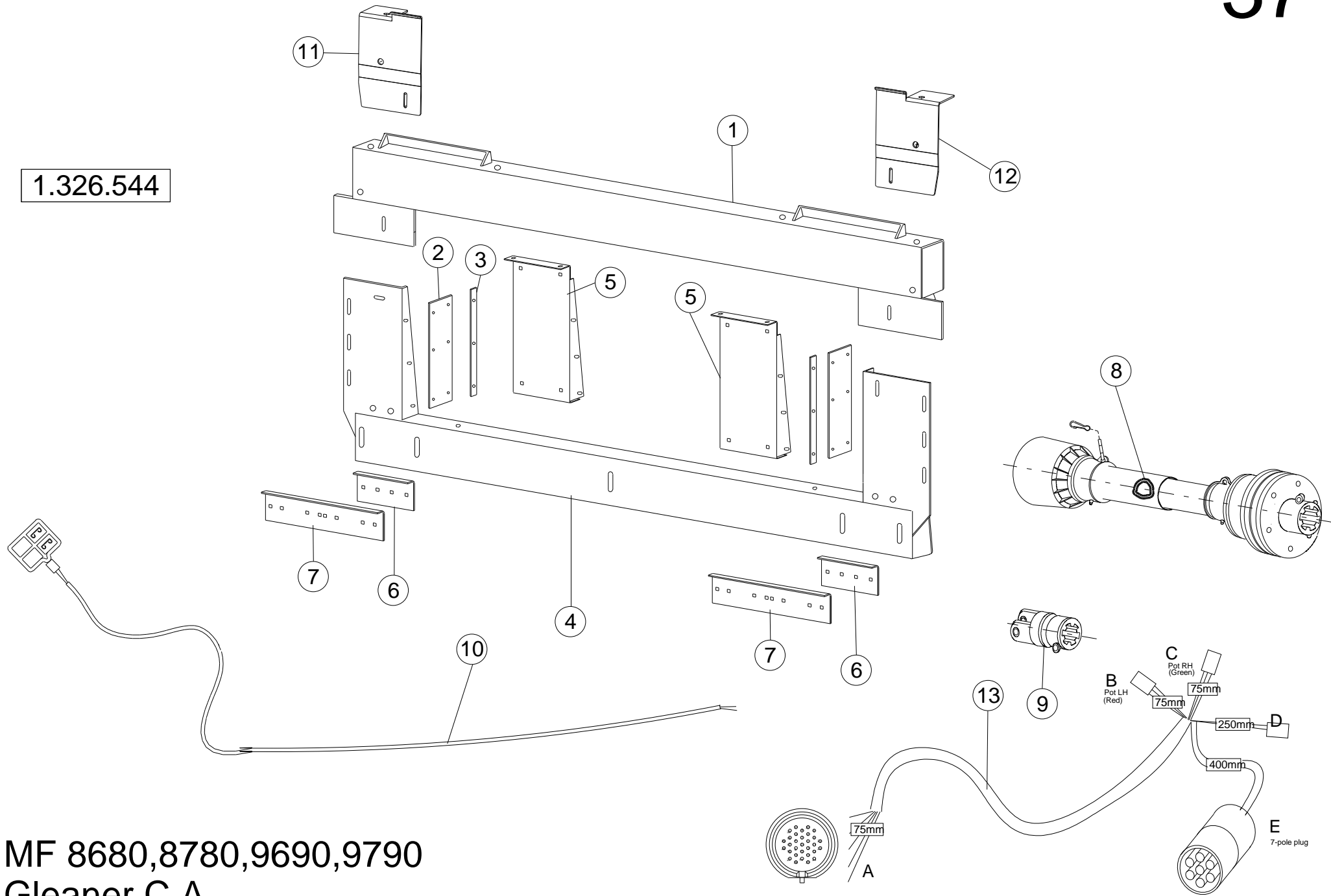
Folding Corn Headers with Electric Snapping Plates



CLAAS LEXION
 1.372.356 - for rigid with hydr. SPA
 1.372.355 - for folding with hydr. SPA

Ref.	Part number	Description		Rigid models with hydr. SPA	Folding models with hydr. SPA
1.	668.800.0	Multi-coupling for Lexion 400 series		1	1
2.	013.208.3	Cable-kit		1	1
3.	668.818.0	Cover - Lexion 400		1	1
4.	1.323.327	Hydraulic hose - 1SNDN6-400		2	2
5.	1.314.510	Fitting - 90deg. EVW 8 PL		2	2
6.	013.268.0	Block	->2016	1	1
7.	1.309.604	Plate		1	-
8.	994.610.0	Console		1	1
9.	905.875.0	Hydraulic kit for LEXION 500 series		1	1
10.	683.725.0	Cover - Lexion 500+		1	1
11.	683.721.1	Socket		1	1
12.	73612000066	Hex nut - M12 - DIN936		1	1
13.	213.607.0	Plug		2	2
14.	683.722.1	Stud-bolt		1	1
15.	1.378.528	Support		1	1
16.	1.372.373	Hydraulic valve		1	-
17.	1.319.233	Hydraulic hose - 1SNDN6-315		2	2
18.	1.353.195	Hydraulic hose - 1SNDN6-1200		-	2
19.	1.372.374	Hydraulic valve		-	1
20.	1.314.514	Hydraulic hose - 1SNDN6-365		1	2
21.	1.351.402	Hydraulic hose - 1SNDN6-475		1	2
-	1.372.358	Lexion 400 Hydraulic kit		1	-
-	1.372.357	Lexion 400 Hydraulic kit		-	1
-	1.372.356	Lexion 500 Hydraulic kit		1	-
-	1.372.355	Lexion 500 Hydraulic kit		-	1
-	1.372.703	Multicoupler Assy: LEXION 500+ Rigid, Hydraulic SPA - B6758 (items 2,4,10-16,20,21 and item 9 on page 26)		1	-
-	1.372.704	Multicoupler: LEXION 500+ Folding, Hydraulic SPA - B6759 (items 2,4,10-15,19-21 and item 9 on page 26)		-	1

1.326.544

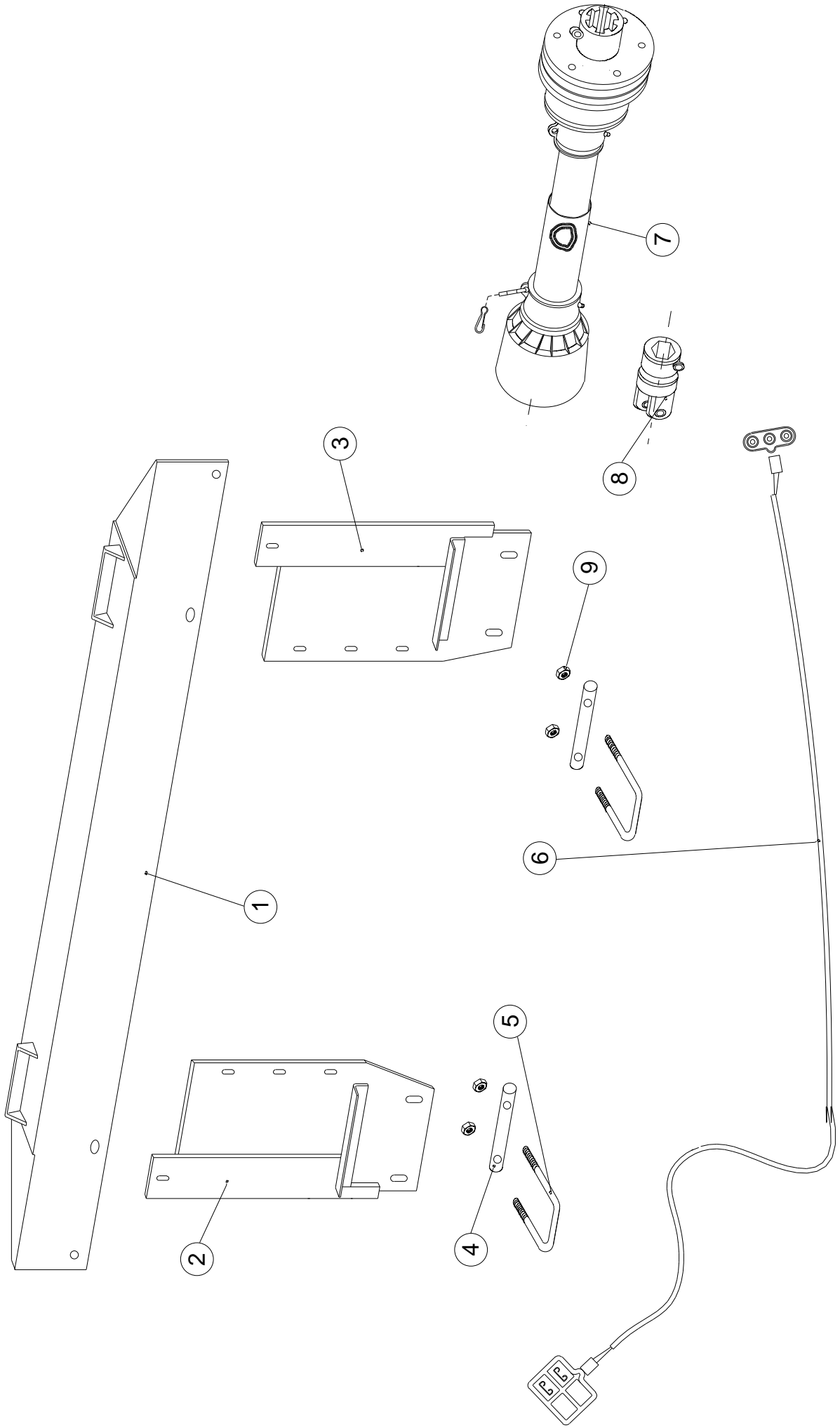


MF 8680,8780,9690,9790
Gleaner C,A

2013.

Ref.	Part number	Description		6-8R	12-18R
1.	1.322.351	Upper filler welded - without LTM		1	1
2.	1.372.953	Rubber plate		2	2
3.	1.320.280	Flat iron		2	2
4.	1.322.329	Lower filler welded		1	1
5.	71 38 50 03	Inlet: MF 8780		2	2
6.	1.322.332	Angle		2	2
7.	1.322.333	Angle		2	2
8.	-	See page 1!			
9.	1.327.662	Yoke - 21 spline (W2400) (l=112)		2	2
9.	1.327.486	Yoke - 21 spline (w2500) (l=133)	2016-2017.	-	2
*10.	1.327.638	Wire		1	1
11.	1.332.447	Guide welded - RH with LTM		1	1
11.	1.332.462	Guide welded - RH AGCO challenger		1	1
12.	1.332.446	Guide welded - LH with LTM		1	1
12.	1.332.461	Guide welded		1	1
13.	1.355.966	Harness for AGCO multicoupler	->2020	1	1
13.	1.337.146	Harness for AGCO multicoupler	2021->	1	1
-	1.326.544	Mounting kit: MF 8680, 8780 (items 2, 3, 4, 5, 6, 7, 11,12)		1	1
-	1.372.682	Window Frame Completion Bundle: MF 9000 (items 2, 3, 4, 6, 11, 12)		1	1

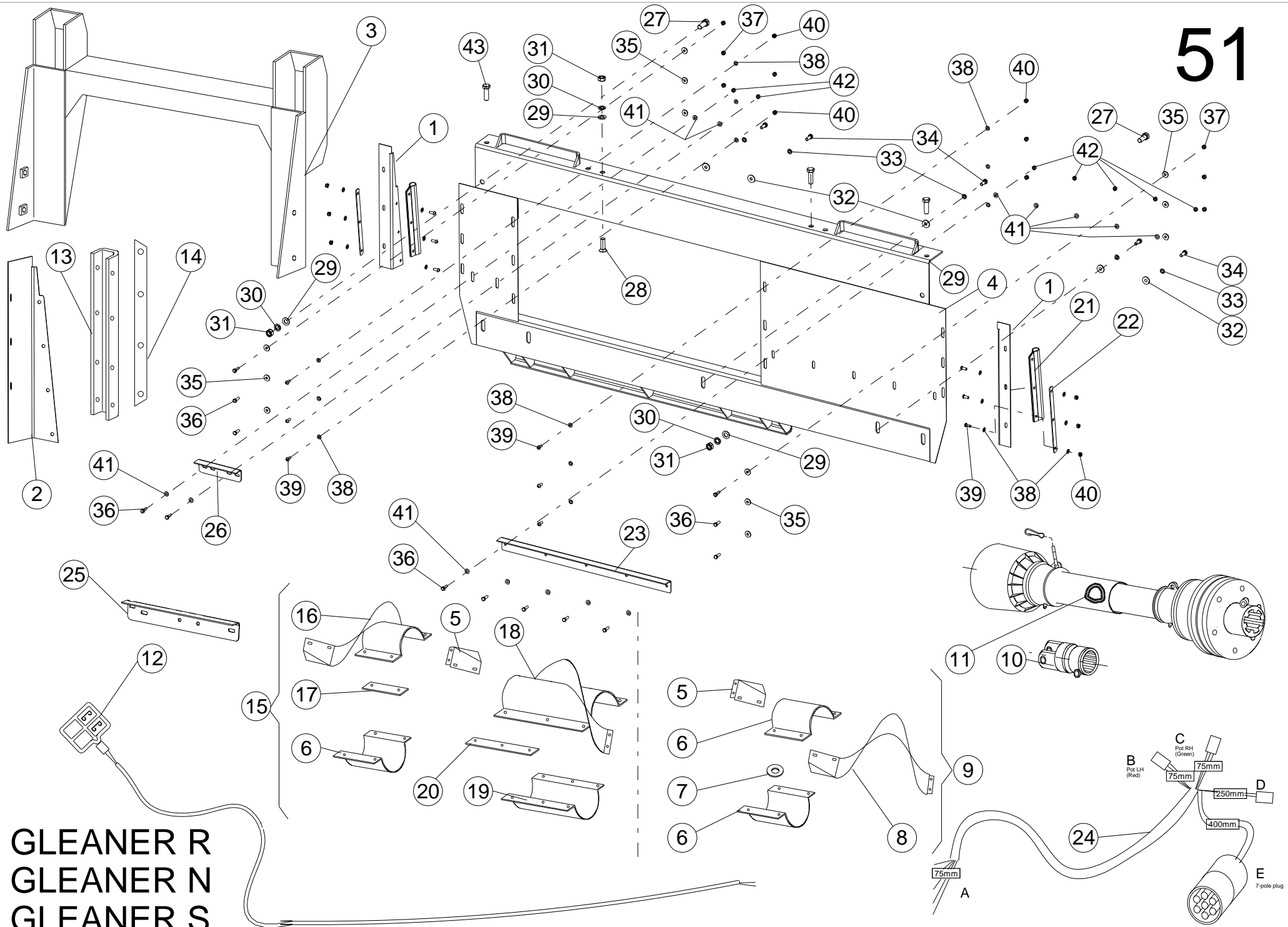
Note for item 10: For those combines without multipoint connection.



Ref.	Part number	Description		C3006 C3006C	C3008 C3008C
1.	1.320.291	Upper filler welded		1	1
2.	1.322.394	Inlet welded - RH		1	1
3.	1.322.393	Inlet welded - LH		1	1
4.	1.304.985	Strap - (25 12 590)		2	2
5.	1.304.143	Retainer		2	2
6.	1.320.275	Wire MF 8570		1	1
7.	-	See page 1!			
8.	1.353.755	Yoke - 1.26 hex (l=110)		2	2
9.	70716000066	Lock nut - M16 - DIN980/8.8		4	4

51

(51) MOUNTING KIT: GLEANER "R/N/S"



GLEANER R
GLEANER N
GLEANER S

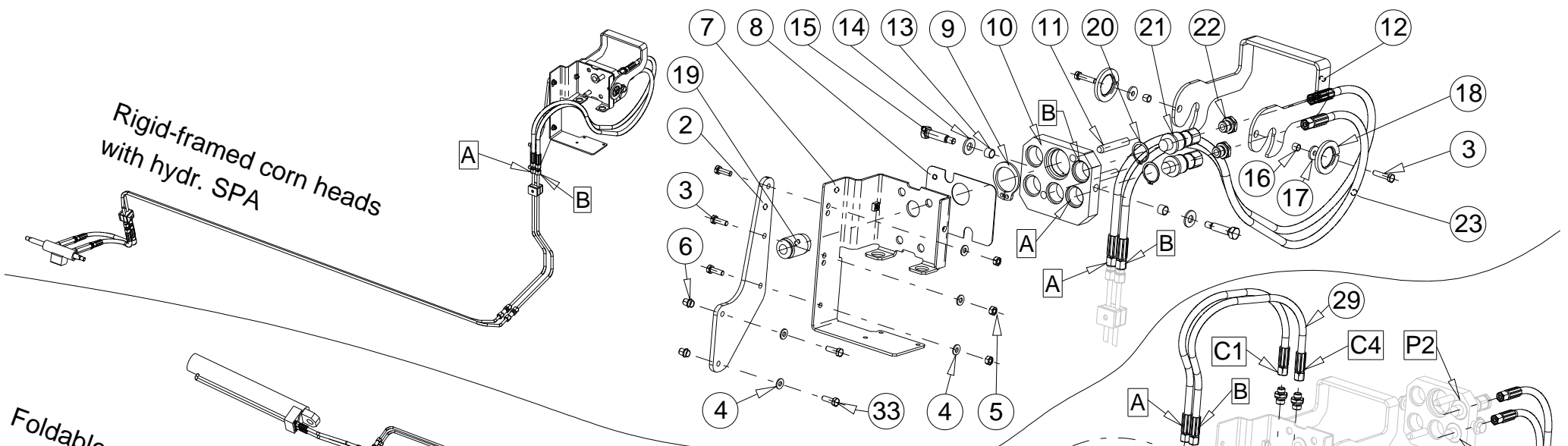
2024.

172

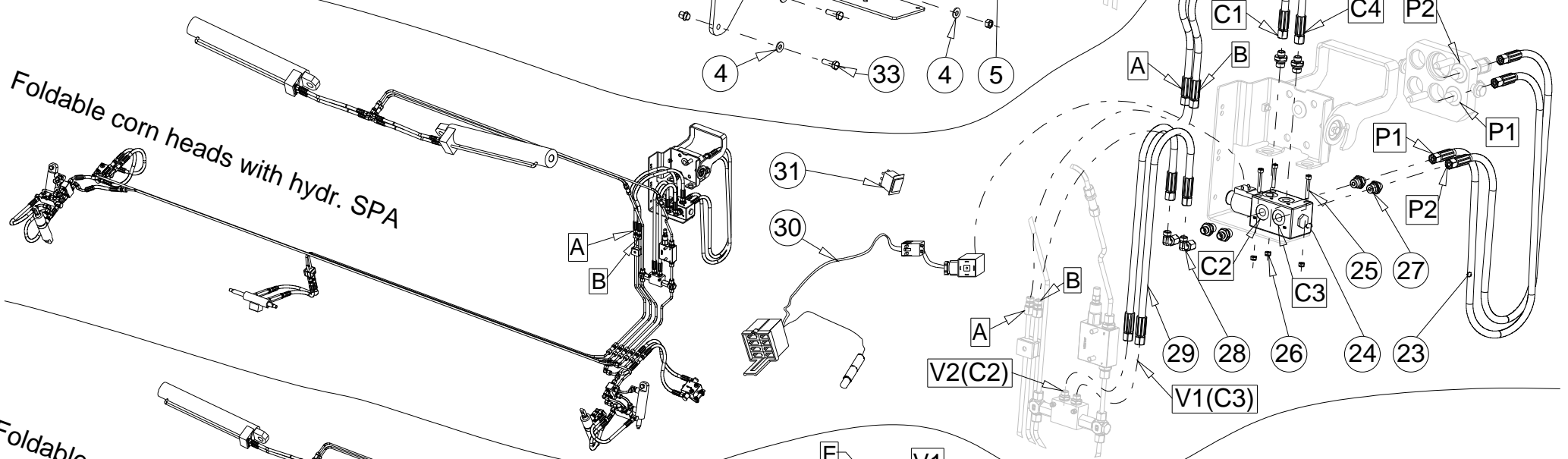
Ref.	Part number	Description		C3006 C3006C	C3008 C3008C	C3008F C3008CF	C2012 C2012C	C3012F C3012CF	C2212 C2212C C3012C	C2018 C2018C C2218 C2218C
1.	1.326.519	Blocking plate LH - R62-R72		1	1	1	1	1	1	1
1.	1.326.520	Blocking plate RH - R62-R72		1	1	1	1	1	1	1
2.	1.326.521	Blocking plate LH - R42-R52		1	1	1	1	1	1	1
2.	1.326.522	Blocking plate RH - R42-R52		1	1	1	1	1	1	1
3.	1.326.504	Filler welded – without LTM only		1	1	1	1	1	1	1
4.	NSS	NSS		1	1	1	1	1	1	1
5.	1.353.411	Auger flight extension - RH - 22" pitch		1	1	1	1	1	1	1
6.	1.353.412	Half filler 22" pitch		2	2	2	2	3	3	3
7.	234.364.0	Washer - 11X26X4		2	2	2	2	-	-	-
8.	1.353.409	Auger flight extension welded - LH - 22" pitch		1	1	1	1	-	-	-
9.	1.353.413	Flight extension complete 22" pitch (#5,6,7,8)		1	1	1	1	-	-	-
10.	1.327.662	Yoke - 21 spline (W2400) (l=112)		2	2	2	2	2	2	2
10.	1.327.486	Yoke - 21 spline (w2500) (l=133)	2016-2017. 2021->	-	-	-	2	2	2	2
*12.	1.327.638	Wire		1	1	1	1	1	1	1
13.	1.328.540	Rubber plate - R42 - R52	->2019	2	2	2	2	2	2	2
13.	1.372.954	Rubber plate - R42 - R52	2020 ->	2	2	2	2	2	2	2
14.	1.328.541	Flat iron - R42 - R52		2	2	2	2	2	2	2
15.	1.355.478	Flight extension complete 22" pitch (#5,6,16,17,18,19,20)		-	-	-	-	1	1	1
16.	1.355.473	Auger flight extension welded - LH - 22" pitch		-	-	-	-	1	1	1
17.	1.355.553	Flat iron		-	-	-	-	2	2	2
18.	1.355.464	Auger flight extension welded - LH - 22" pitch		-	-	-	-	1	1	1
19.	1.353.571	Half filler		-	-	-	-	1	1	1
20.	1.353.573	Flat iron		-	-	-	-	2	2	2
21.	1.355.920	Rubber plate - R62 - R72	->2019	2	2	2	2	2	2	2
21.	1.372.955	Rubber plate - R62 - R72	2020 ->	2	2	2	2	2	2	2
22.	1.355.921	Flat iron - R62 - R72		2	2	2	2	2	2	2
23.	1.326.532	Cleaning angle	->2015	1	1	1	1	1	1	1
23.	1.372.230	Cleaning angle	2016 ->	1	1	1	1	1	1	1
24.	1.355.966	Harness for AGCO multicoupler	->2020	1	1	1	1	1	1	1
24.	1.337.146	Harness for AGCO multicoupler	2021 ->	1	1	1	1	1	1	1
25.	1.332.781	Cleaning angle - R42-R52	->2015	1	1	1	1	1	1	1
25.	1.372.229	Cleaning angle - R42-R52	2016 ->	1	1	1	1	1	1	1
26.	1.332.782	Cleaning angle - R62-R72	->2015	1	1	1	1	1	1	1
26.	1.372.228	Cleaning angle - R62-R72	2016 ->	1	1	1	1	1	1	1
27.	79416004066	Hex head screw - M16X40		2	2	2	2	2	2	2
28.	80416007066	Hex socket countersunk-head bolt - M16X70		1	1	1	1	1	1	1
29.	71416000060	Washer - M16 17X30X3 - DIN125 - 200HV		6	6	6	6	6	6	6
30.	72216000060	Spring washer - M16		6	6	6	6	6	6	6
31.	73516000066	Hex nut - M16 - DIN934/8.8		6	6	6	6	6	6	6
32.	237.592	Washer - M10		5	5	5	5	5	5	5
33.	72210000060	Spring washer - M10 - DIN128/A		5	5	5	5	5	5	5
34.	79410002566	Hex bolt - M10X25 - DIN933/8.8		5	5	5	5	5	5	5
35.	1.314.099	Washer - M8		12	12	12	12	12	12	12
36.	79408002566	Hex head screw - M8X25 - DIN933/8.8		13	13	13	13	13	13	13
37.	70708000066	Lock nut - M8 - DIN980		6	6	6	6	6	6	6
38.	71408000060	Washer - M8 8,4X16X1,6 - DIN125		24	24	24	24	24	24	24
39.	81108002063	Hex socket button-head screw - M8X20 - DIN7380/ISO7380 10.9		12	12	12	12	12	12	12
40.	74908000066	Hex nut - plastic insert - M8 - DIN985		12	12	12	12	12	12	12
41.	91623938761	Spring washer - 8X18 M8 - A8		14	14	14	14	14	14	14
42.	73508000066	Hex nut - M8 - DIN934		7	7	7	7	7	7	7
43.	79416005066	Hex head screw - M16X50		3	3	3	3	3	3	3
-	1.353.414	Mounting kit: GLEANER R/S (#1,2,3,4,9,13,14,21,22,23,25,26)		1	1	1	1	-	-	-
-	1.355.479	Mounting kit: GLEANER R/S (#1,2,3,4,13,14, 15, 21, 22, 23, 25, 26)		-	-	-	-	1	1	1
-	1.372.681	Window Frame Completion Bundle: GLEANER R,S - B6739 (items 1, 4,21,22,23,26)		1	1	1	1	1	1	1

Note for item 12: For those combines which have no multipoint connection.

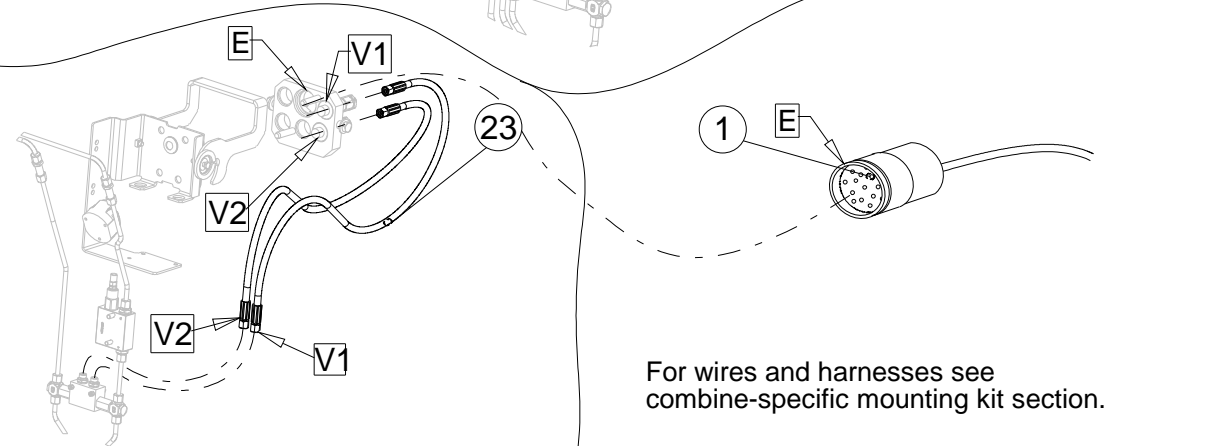
Rigid-framed corn heads with hydr. SPA



Foldable corn heads with hydr. SPA



Foldable corn heads with electric SPA

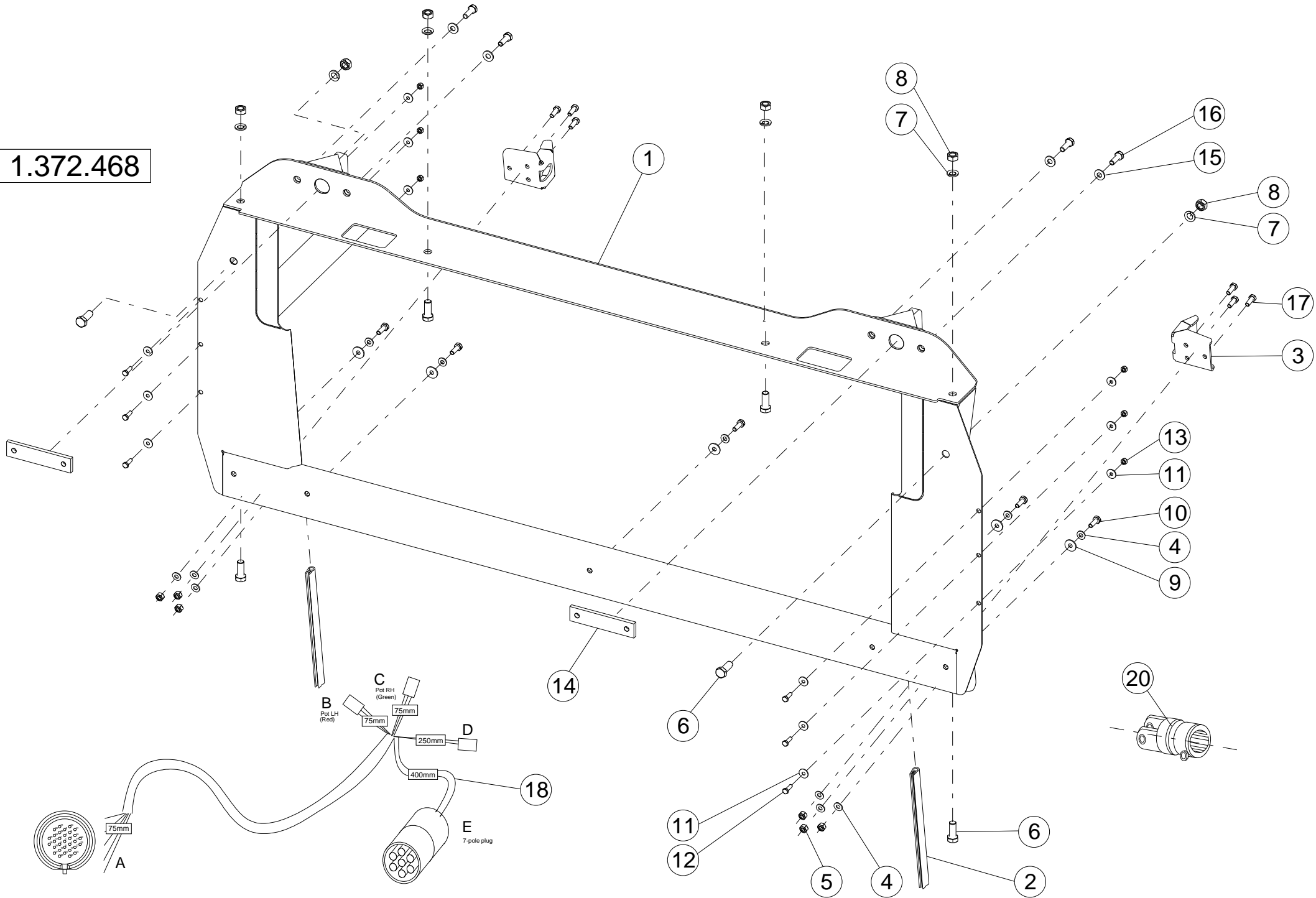


For rigid-framed corn heads with electr. SPA: items 2-19

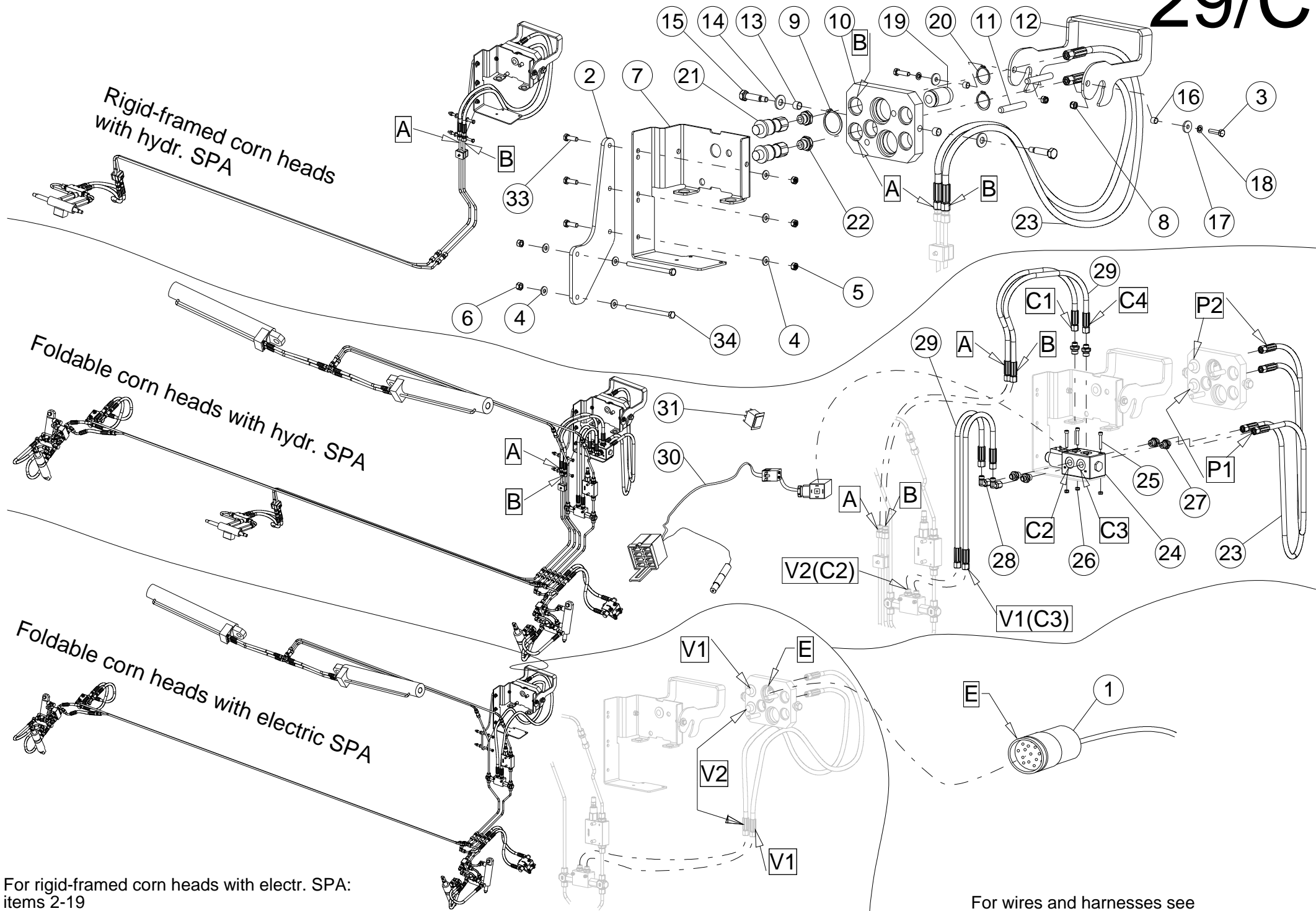
For wires and harnesses see combine-specific mounting kit section.

Ref.	Part number	Description		RIGID with hydr. SPA	RIGID with electr. SPA	FOLDING with hydr. SPA	FOLDING with electr. SPA
1.	-	See mounting kit pages					
2.	1.355.489	Support plate		1	1	1	1
3.	79408002566	Hex head screw - M8X25 - DIN933/8.8		5	5	5	5
4.	91623938761	Spring washer - 8X18 M8 - A8		7	7	7	7
5.	73508000066	Hex nut - M8 - DIN934		3	3	3	3
6.	70808000026	Rivet nut - M8	->2019	2	2	2	2
6.	70708000066	Lock nut - M8 - DIN980	2020->	2	2	2	2
7.	1.379.398	Bracket welded		1	1	1	1
8.	1.353.553	Pad - H201010		1	1	1	1
9.	70200004561	Retainer ring - for shaft - D45X1.6 - DIN471		1	1	1	1
10.	1.356.060	Multi coupler		1	1	1	1
11.	1.327.003	Pin		2	2	2	2
12.	1.354.106	Arm		1	1	1	1
13.	1.327.002	Ring		2	2	2	2
14.	1.377.251	Washer		2	2	2	2
15.	1.327.001	Screw		2	2	2	2
16.	1.354.107	Spacer		2	2	2	2
17.	1.314.099	Washer - M8		2	2	2	2
18.	72208000060	Spring washer - M8 - DIN128/A		2	2	2	2
19.	1.353.552	Plug - H176288		1	1	1	1
20.	1.327.052	Retainer ring - external - D32X1.3 - DIN471		2	-	2	2
21.	1.327.054	Hydraulic quick-coupler - AH 171017		2	-	2	2
22.	1.327.053	Fitting - M14X1.5/UNF 3/4-16		2	-	2	2
23.	1.353.195	Hydraulic hose - 1SNDN6-1200		2	-	2	2
24.	1.379.394	Directional valve - LC 6/2		-	-	1	-
25.	80206004066	Hex socket head cap bolt - M6X40 - DIN912/8.8		-	-	3	-
26.	74906000066	Hex nut - plastic insert - M6 - DIN982		-	-	3	-
27.	1.353.318	Fitting - M14X1.5 G3/8		-	-	6	-
28.	1.314.510	Fitting - 90deg. EVW 8 PL		-	-	2	-
29.	1.331.795	Hydraulic hose - 1SNDN6-630		-	-	4	-
30.	1.353.204	Harness electrical		-	-	1	-
31.	1.353.213	Switch - 6FH 007 832-121 HELLA		-	-	1	-
32.	1.379.399	Plate		1	1	1	1
33.	79308012066	Hex bolt - M8X120 - DIN931/10.9	2020->	2	2	2	2
-	1.379.472	Directional valve assy. (items 24-31)		-	-	1	-
-	1.379.473	Hydraulic multipoint kit. (items 2, 6, 8, 9, 10, 11, 13, 14, 15, 19, 20, 21, 22, 32)		1	-	1	1
-	1.379.540	Electric multi connection (items 2, 3, 4, 5, 6, 8, 9, 10, 11, 13, 14, 15, 19, 32)		-	1	-	-
-	1.372.698	Multicoupler: AGCO rigid hydraulic /folding electric- B6752 (items 2, 6, 8-11, 13-15, 19-23, 32 and item 13 on page 37)		1	-	-	1
-	1.372.699	Multicoupler: AGCO rigid electric- B6753 (items 2-6, 8-11, 13-15, 19, 32 and item 13 on page 37)					
-	1.372.700	Multicoupler: AGCO folding hydraulic - B6754. (items 2, 6, 8-11, 13-15, 19-32 and item 13 on page 37)					

1.372.468



Ref.	Part number	Description		All models
1.	NSS	NSS		1
2.	1.372.470	Strip		2
3.	1.372.463	Plate		2
4.	91623938861	Spring washer - 10,2X22,25X1,6 - A10		11
5.	7071000066	Lock nut - M10 - DIN980/8.8		6
6.	79416004066	Hex head screw - M16X40		6
7.	72216000060	Spring washer - M16		6
8.	73516000066	Hex nut - M16 - DIN934/8.8		6
9.	96702375920	Washer - M10 10,5X30X3		5
10.	79410003066	Hex bolt - M10X30 - DIN933/8.8		5
11.	96701314099	Washer - M8 8,4X25X3,0		12
12.	79408002566	Hex head screw - M8X25 - DIN933/8.8		6
13.	70708000066	Lock nut - M8 - DIN980		6
14.	1.372.795	Plate		2
15.	91623938961	Spring washer - A12		4
16.	79412003566	Hex bolt - M12X35 - DIN933/8.8		4
17.	79410002566	Hex bolt - M10X25 - DIN933/8.8		6
18.	1.355.966	Harness for AGCO multicoupler	->2020	1
18.	1.337.146	Harness for AGCO multicoupler	2021->	1
20.	1.371.655	Yoke - 20 spline (w2500) (l=133)		2
19.	1.372.880	Cable assy.		1
-	1.372.468	Mounting filler: IDEAL		1



For rigid-framed corn heads with electr. SPA:
items 2-19

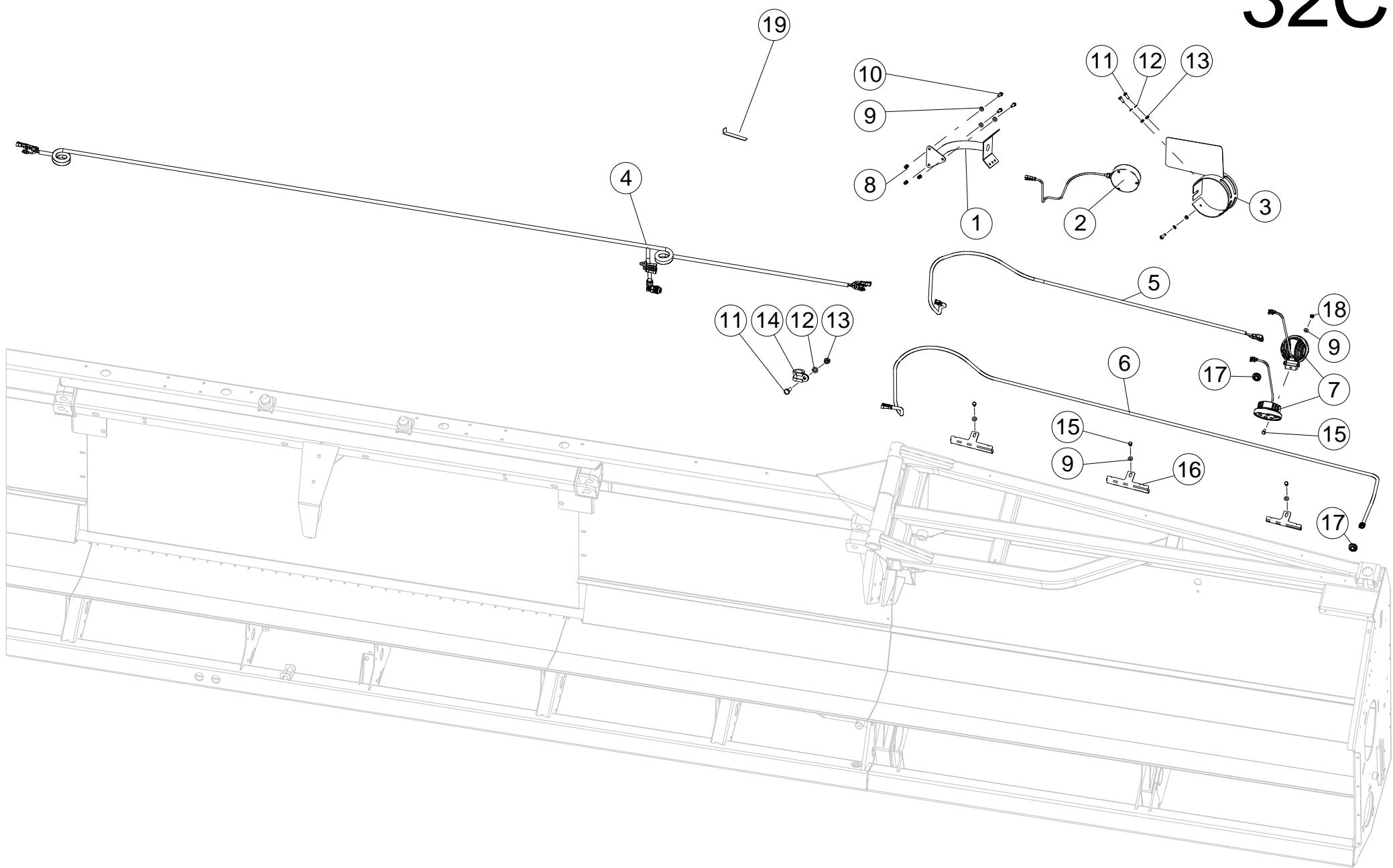
For wires and harnesses see
combine-specific mounting kit section.

Ref.	Part number	Description	RIGID with hydr. SPA	RIGID with electr. SPA	FOLDING with hydr. SPA	FOLDING with electr. SPA
2.	1.355.489	Support plate	1	1	1	1
3.	79408003066	Hex bolt - M8X30 - DIN933/8.8	2	2	2	2
4.	91623938761	Spring washer - 8X18 M8 - A8	7	7	7	7
5.	73508000066	Hex nut - M8 - DIN934	3	3	3	3
6.	70708000066	Lock nut - M8 - DIN980	2	2	2	2
7.	1.372.632	Bracket	1	1	1	1
8.	74900800066	Lock nut - plastic insert - M8 - DIN982/8	2	2	2	2
9.	70200004561	Retainer ring - for shaft - D45X1.6 - DIN471	1	1	1	1
10.	1.372.609	Support	1	1	1	1
11.	1.327.003	Pin	2	2	2	2
12.	1.372.631	Arm	1	1	1	1
13.	1.327.002	Ring	2	2	2	2
14.	1.377.251	Washer	2	2	2	2
15.	1.327.001	Screw	2	2	2	2
16.	1.354.107	Spacer	2	2	2	2
17.	1.314.099	Washer - M8	2	2	2	2
18.	72208000060	Spring washer - M8 - DIN128/A	2	2	2	2
19.	1.353.552	Plug - H176288	1	1	1	1
20.	1.327.052	Retainer ring - external - D32X1.3 - DIN471	2	-	2	2
21.	1.327.054	Hydraulic quick-coupler - AH 171017	2	-	2	2
22.	1.327.053	Fitting - M14X1.5/UNF 3/4-16	2	-	2	2
23.	1.353.195	Hydraulic hose - 1SNDN6-1200	2	-	2	2
24.	1.379.394	Directional valve - LC 6/2	-	-	1	-
25.	80206004066	Hex socket head cap bolt - M6X40 - DIN912/8.8	-	-	3	-
26.	74906000066	Hex nut - plastic insert - M6 - DIN982	-	-	3	-
27.	1.353.318	Fitting - M14X1.5 G3/8	-	-	6	-
28.	1.314.510	Fitting - 90deg. EVW 8 PL	-	-	2	-
29.	1.331.795	Hydraulic hose - 1SNDN6-630	-	-	4	-
30.	1.353.204	Harness electrical	-	-	1	-
31.	1.353.213	Switch - 6FH 007 832-121 HELLA	-	-	1	-
32.	1.372.630	Holder assy. (item 3, 7, 8, 12, 16, 17, 18)	1	1	1	1
33.	79408002566	Hex head screw - M8X25 - DIN933/8.8	3	3	3	3
34.	79308012066	Hex bolt - M8X120 - DIN931/10.9	2	2	2	2
-	1.379.472	Directional valve assy. (items 24-31)	-	-	1	-
-	1.372.646	Hydraulic multipoint kit. (items 2, 6, 8, 9, 10, 11, 13, 14, 15, 19, 20, 21, 22, 32)	1	-	1	1
-	1.372.647	Electric multi connection (items 2, 4, 5, 6, 9, 10, 11, 13, 14, 15, 19, 32)	-	1	-	1
-	1.372.818	Multicoupler: IDEAL rigid electric /folding electric (items 2, 4-6, 9-11, 13-15, 19-22, 32 and item 18 on page 71)	-	1	-	1
-	1.372.819	Multicoupler: IDEAL rigid hydraulic (items 2, 6, 8-11, 13-15, 19-22, 23, 32 and item 18 on page 71)	1	-	-	-
-	1.372.820	Multicoupler: IDEAL folding hydraulic (items 2, 6, 9-11, 13-15, 19-32 and item 18 on page 71)				

Ref.	Part number	Description		
1.	1.321.217	Lamp - bracket welded	->2019	2
1.	1.372.902	Lamp - bracket welded	2020->	2
2.	1.320.072	Wire	->2020 C3006(C), C2208(C), C3008(C)	1
2.	1.353.978	Wire	->2020 C2012(C), C2212(C), C3012(C)	1
2.	1.337.141	Wire	2021-> C3006(C), C2208(C), C3008(C), C3808(C), C2012(C), C2212(C)	1
2.	1.371.621	Wire	2021-> C3012(C), C3812(C), C3016(C), 2018(C), C2218 (C)	1
3.	1.327.127	Shield		2
4.	1.320.289	Retainer	->2013	4
4.	97517031100	Retainer	2014->	4
5.	11 17 10	W91 lamp assy.	->2019	2
5.	1.372.912	Lamp assy.	2020->	2
6.	99652123700	Zip tie - 98X2.5 - White		2
7.	96700000003	Rubber plug		2
8.	79408002066	Hex bolt - M8X20 - DIN933/8.8		6
9.	72208000060	Spring washer - M8 - DIN128/A		6
10.	73508000066	Hex nut - M8 - DIN934		6
11.	79406001666	Hex head screw - M6X16 - DIN933		3
12.	97327001370	Band - 15X15		3
13.	72206000060	Spring washer - M6		3
14.	73506000066	Hex nut - M6 - DIN934		3
-	1.371.623	Lighting kit (#1-8)	C3006(C), C2208(C), C3008(C), C3808(C), C2012(C), C2212 (C)	1
-	1.371.622	Lighting kit (#1-8)	C3012(C), 3812(C), C3016(C), 2018(C), C2218 (C)	1

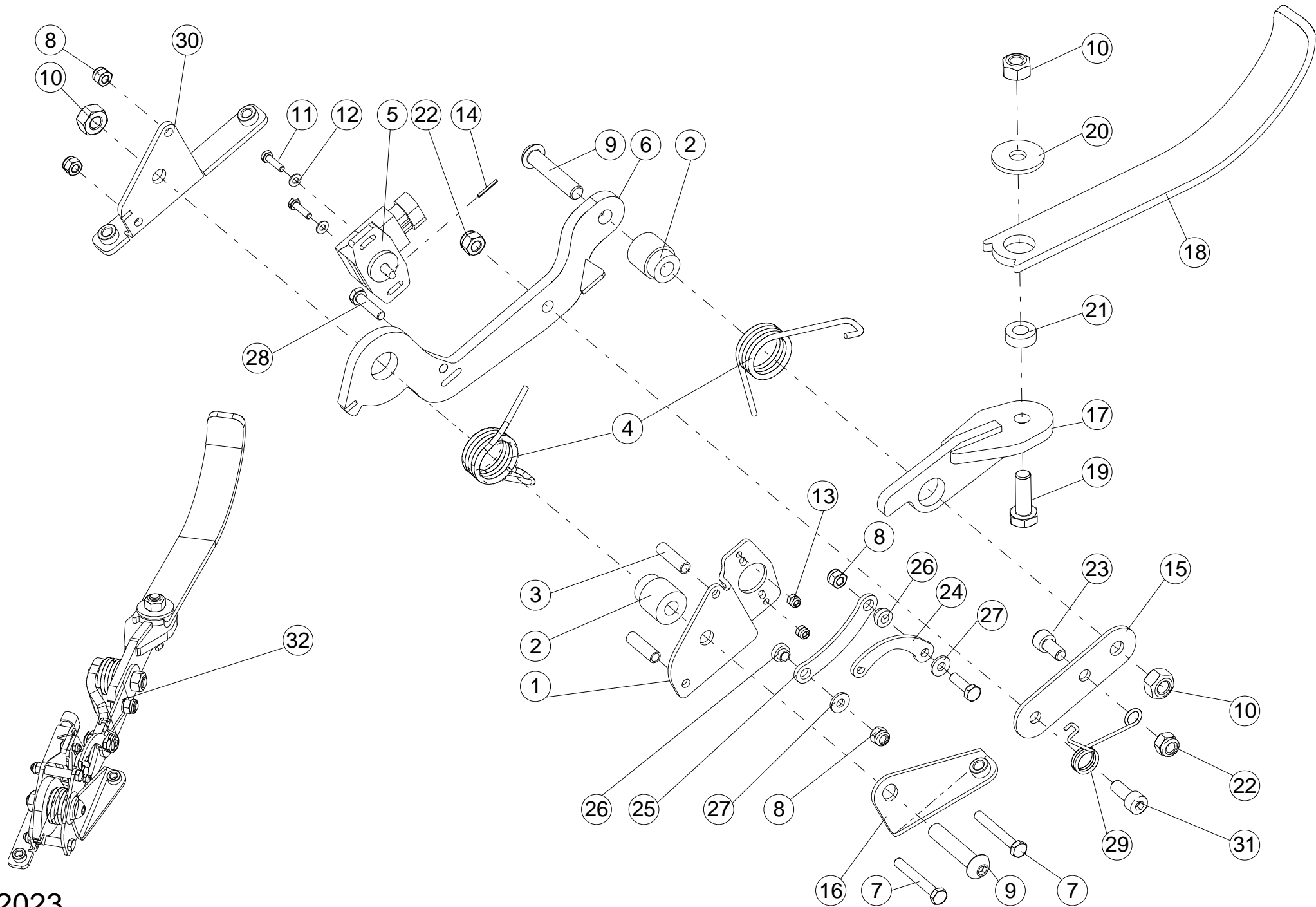
32C

(32C) LIGHTING - FOLDING



Ref.	Part number	Description		
1.	1.379.105	Lamp - bracket welded		2
2.	11 17 10	W91 lamp assy.	->2020	2
2.	1.337.149	Lamp assy.	2021->	2
3.	1.327.127	Shield		2
4.	1.320.072	Wire	->2020	1
4.	1.371.627	Wire	2021->	1
5.	1.371.628	Wire (stubble light)		2
6.	1.371.772	Wire - (l=2000)		2
7.	1.371.620	Stubble Lamp assy		4
8.	73908000060	Rivet nut - M8		6
9.	91623938761	Spring washer - 8X18 M8 - A8		13
10.	79408002066	Hex bolt - M8X20 - DIN933/8.8		6
11.	79406001666	Hex head screw - M6X16 - DIN933		9
12.	72206000060	Spring washer - M6		9
13.	73506000066	Hex nut - M6 - DIN934		9
14.	97327001370	Band - 15X15		3
15.	79408001666	Hex head screw - M8X16 - DIN933/8.8		7
16.	1.371.649	Holder - (h=15)	C3012(C)F	2
16.	1.371.645	RED hose kit 18R/55,6 cm (items 26 - 30, 34, 49)	C3012(C)F	4
17.	96700000003	Rubber plug		8
18.	73508000066	Hex nut - M8 - DIN934		1
19.	99652123700	Zip tie - 98X2.5 - White		2

Note: Items 5 and 7 only for JD combine

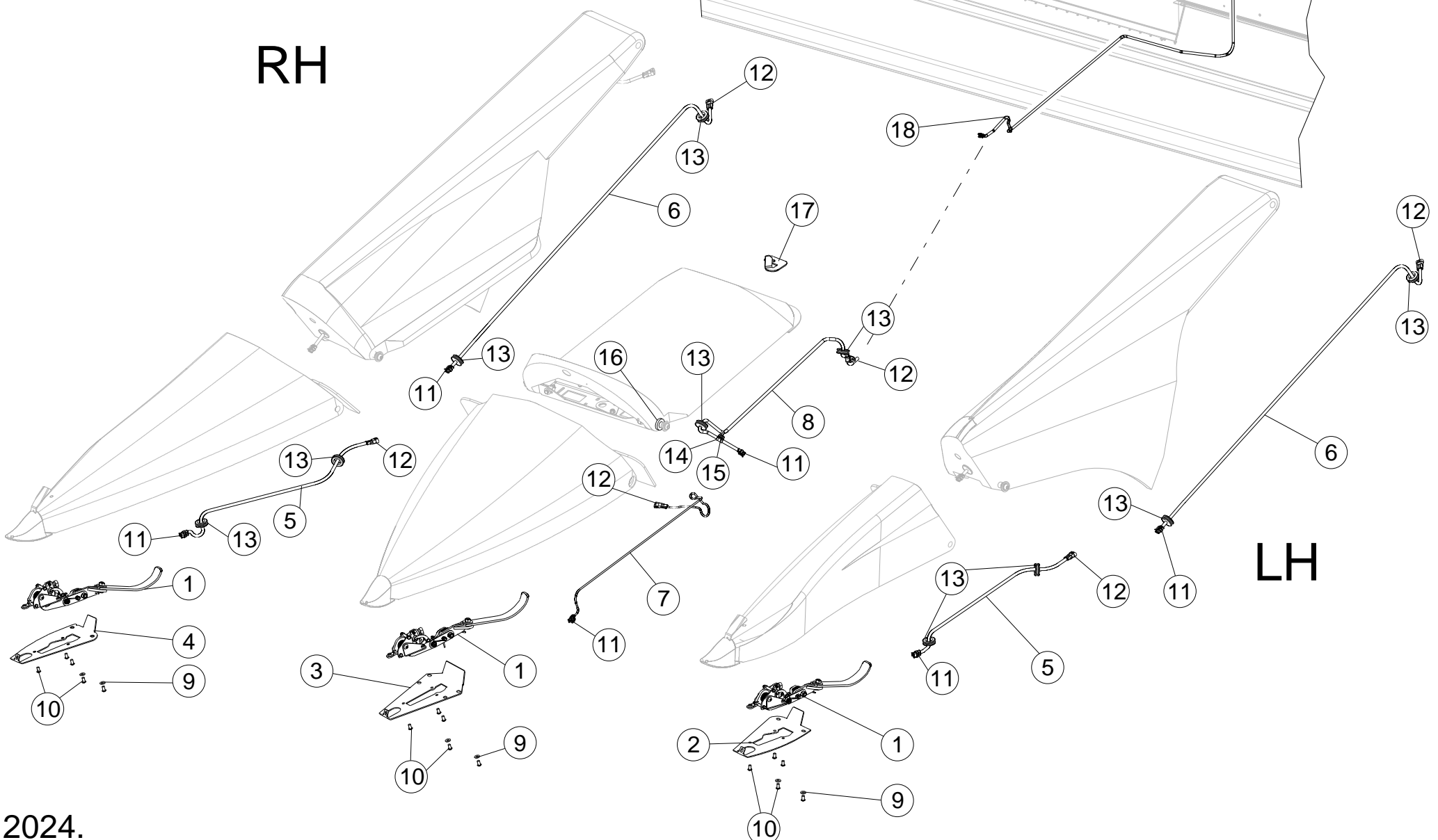
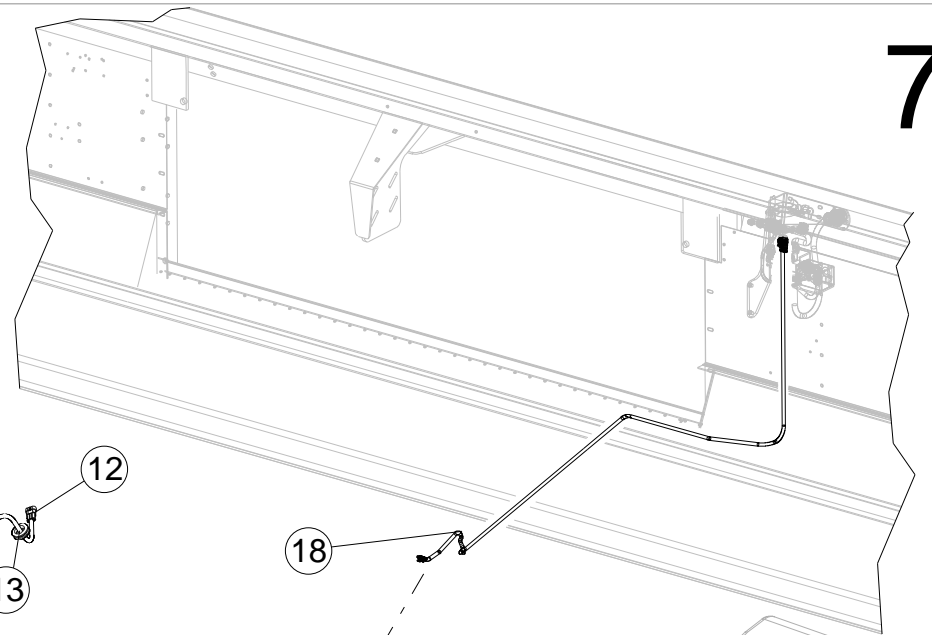


Ref.	Part number	Description		
1.	1.371.677	Bracket		3
2.	1.337.260	Spacer		6
3.	1.371.678	Spacer tube		6
4.	1.371.911	Spring		6
5.	60042406090	Rotation detector		3
6.	1.371.801	Arm welded		3
7.	79306004566	Hex head screw - M6X45		6
8.	74900600066	Nut with non-met. insert - M6 - DIN982		12
9.	81110005066	Hex socket button-head screw - M10X50 - ISO7380/8.8		6
10.	70710000066	Lock nut - M10 - DIN980/8.8		9
11.	79404001666	Hex bolt - M4X16 - DIN933/8.8		6
12.	71404000060	Washer - M4 - DIN125		6
13.	74900400066	Nut with non-met. insert - M4 - DIN982		6
14.	73002001601	Roll pin - 2X16 - DIN1481		3
15.	1.371.670	Connecting part		3
16.	1.371.676	Stiffener		3
17.	1.371.673	Plate welded		3
18.	1.371.674	Skid plate		3
19.	79410003066	Hex bolt - M10X30 - DIN933/8.8		3
20.	96702375920	Washer - M10 10,5X30X3		3
21.	1.371.675	Spacer		3
22.	74900800066	Lock nut - plastic insert - M8 - DIN982/8		6
23.	80208001666	Hex socket head cap bolt - M8X16 - DIN912/8.8		3
24.	1.371.917	Arm		3
25.	1.371.916	Push rod		3
26.	1.371.919	Spacer		3
27.	91623938661	Lock washer - 6X14 - A6		3
28.	79406002566	Hex bolt - M6X25 - DIN933/8.8		3
29.	1.371.810	Spring		3
30.	1.371.679	Bracket		3
31.	80208002066	Hex socket head bolt - M8X20 - DIN912/8.8		3
32.	1.371.918	Automatic Header Height Control (AHC) assy.		3
***-	1.332.952	Wire with voltage stabilizer		

Note: ***For 10v New Holland systems order 3 pcs

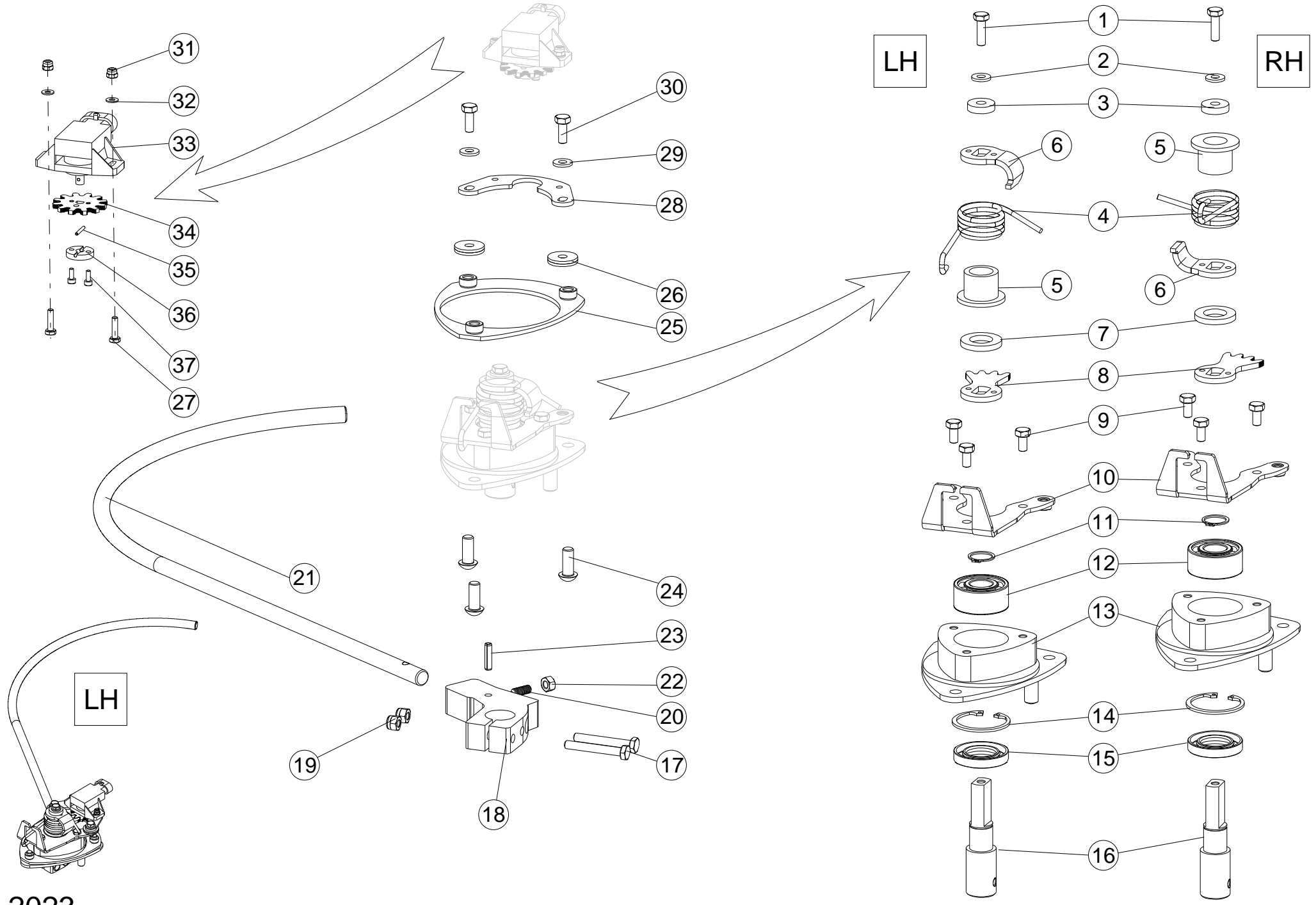
RH

LH



Ref.	Part number	Description		
1.	1.371.918	Automatic Header Height Control (AHHC) assy.		3
1.	-	See "Automatic Header Height Control (AHHC)" for details.		-
2.	1.371.961	AHHC Support - LH		1
3.	1.371.963	AHHC Support - Middle 30-38"		1
3.	1.371.994	AHHC Support - Middle - 20-22"		1
4.	1.371.962	AHHC Support - RH		1
5.	1.329.908	Wire - (l=850) - Claas Lexion, JD, MF AGCO, CNH 2015->		2
6.	1.371.772	Wire - (l=2000)		2
7.	1.371.967	Wire - (l=1500)		1
8.	1.329.541	Wire - (l=1500)		1
9.	91623938761	Spring washer - 8X18 M8 - A8		6
10.	78200801663	Hex socket button-head bolt - M8X16 - ISO7380/10.9		15
11.	134091	Electric connector		6
12.	134690	Electric connector		6
13.	1.372.903	Grommet 26.5 x 5 mm		12
14.	96792401700	Cable clamp 6x15		7
15.	78706002063	Self tapping screw - 6x20		7
16.	1.371.821	Spacer		2
17.	1.371.936	Wire shield - 20" spacing		1
18.	1.329.541	Wire - (l=1500)		1
*-	1.369.118	3 Sensor AHHC Kit		1
**-	1.371.976	2 Sensor AHHC Kit		1

Note: * Complete install for JD and CNH All headers MY2022 ->
** Complete install for AGCO, Claas, IDEAL All headers MY2022 ->



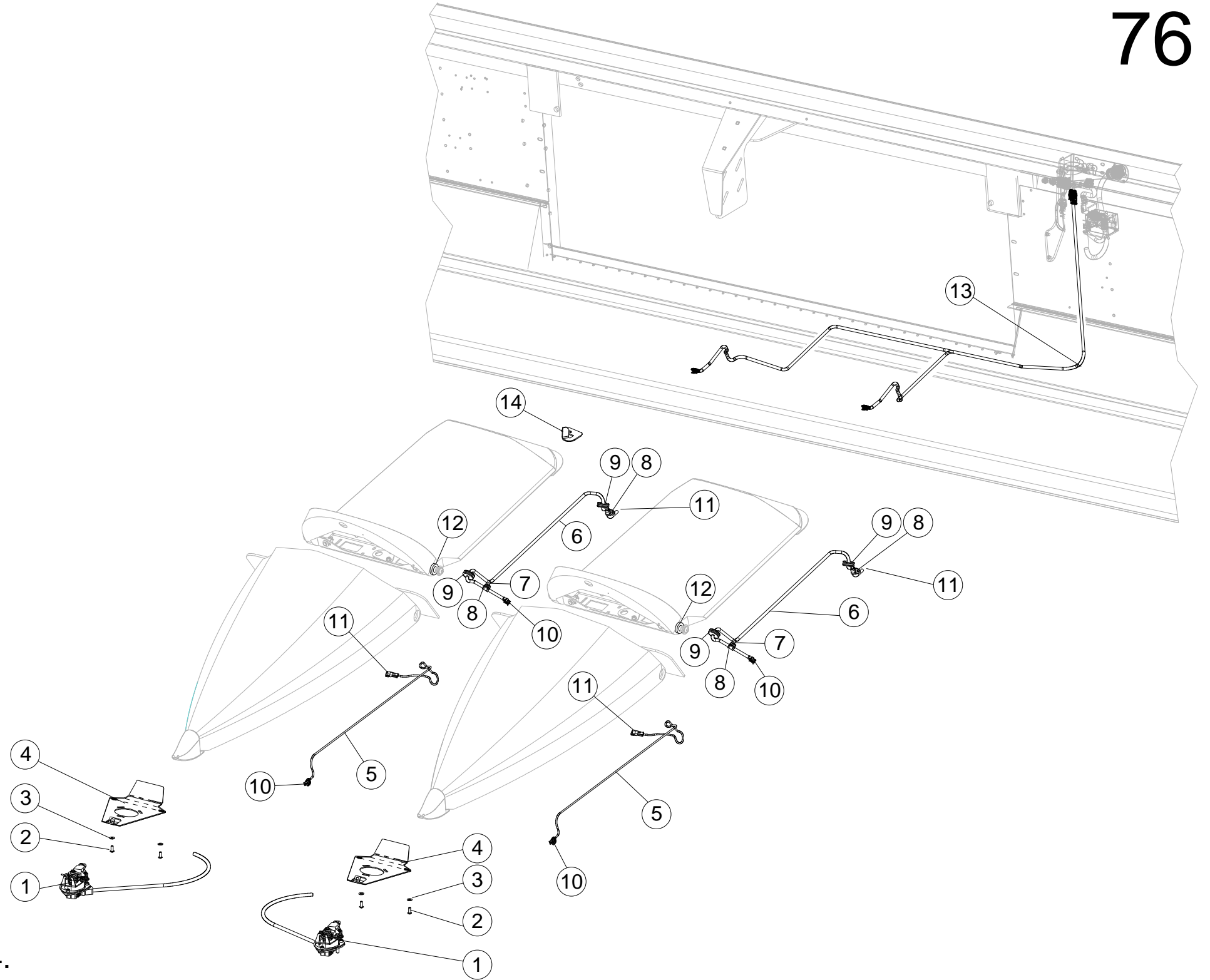
LH

RH

LH

Ref.	Part number	Description		
1.	79406002066	Hex bolt - M6X20 - DIN933/8.8		2
2.	91623938661	Lock washer - 6X14 - A6		2
3.	1.310.178	Washer		2
4.	1.371.911	Spring		2
5.	1.337.128	Spacer		2
6.	1.371.913	Spring holder		2
7.	1.200.222	Washer		2
8.	1.371.910	Arm		2
9.	79406001266	Hex bolt - DIN933 - M6x12		2
10.	1.371.906	Cover		2
11.	70200001701	Retainer ring - DIN471 17/A T		2
12.	87000320314	Bearing - 3203 2RS		2
13.	1.371.907	Block		2
14.	70100004001	Retaining ring - internal - 40X1.75 - DIN472		2
15.	85802204007	Seal ring - 22X40X0.7 - DIN3760		2
16.	1.371.908	Shaft		2
17.	79406004566	Hex bolt - M6X45 - DIN933		4
18.	1.371.902	Arm		2
19.	74900600066	Nut with non-met. insert - M6 - DIN982		4
20.	80106001606	Set screw - M6X16 - DIN916		2
21.	1.371.901	Whisker		2
22.	73506000066	Hex nut - M6 - DIN934		2
23.	73005002001	Roll pin - 5X20 - DIN1481		2
24.	78200802063	Hex socket button-head bolt - M8X20 - ISO7380/10.9		6
25.	1.337.124	Retaining plate		2
26.	96702361800	Washer - M6		4
27.	79404001666	Hex bolt - M4X16 - DIN933/8.8		4
28.	1.371.909	Bracket		2
29.	91623938661	Lock washer - 6X14 - A6		4
30.	79406001666	Hex head screw - M6X16 - DIN933		4
31.	74904000066	Hex nut - plastic insert - M4 - DIN985		4
32.	71404000060	Washer - M4 - DIN125		4
33.	60042406090	Rotation detector		2
34.	1.337.132	Gear		2
35.	73002001601	Roll pin - 2X16 - DIN1481		2
36.	1.371.820	Retainer		2
37.	80203000866	Hex socket head bolt - M3X8 - DIN912/8.8		4
***-	1.332.952	Wire with voltage stabilizer		

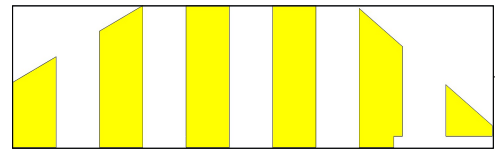
Note: ***For 10v New Holland systems order 2 pcs



Ref.	Part number	Description		
1.	1.371.903	Row guidance assy. - LH		1
1.	1.371.904	Row guidance assy. - RH		1
1.	-	See "Row Guidance" for details		-
2.	78200802063	Hex socket button-head bolt - M8X20 - ISO7380/10.9		4
3.	91623938761	Spring washer - 8X18 M8 - A8		4
4.	1.337.119	Bracket 30-38"		2
4.	1.371.689	Bracket - 20-22"		2
5.	1.371.967	Wire - (l=1500)		2
6.	1.329.541	Wire - (l=1500)		2
7.	78706002063	Self tapping screw - 6x20		4
8.	96701002000	Cable clamp		4
9.	1.372.903	Grommet 26.5 x 5 mm		4
10.	134091	Electric connector		4
11.	134690	Electric connector		4
12.	1.371.821	Spacer		4
13.	1.337.150	Cable assy.		1
14.	1.371.936	Wire shield - 20" spacing		2
*-	1.369.117	Row guidance Kit	2022->	1

Note: * Complete install for all Combines MY2022 ->

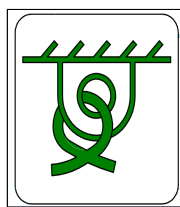
22



NEED MORE INFO?
Use your phone camera to scan the QR code below for support documents, videos & more!



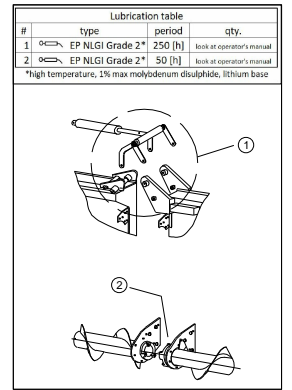
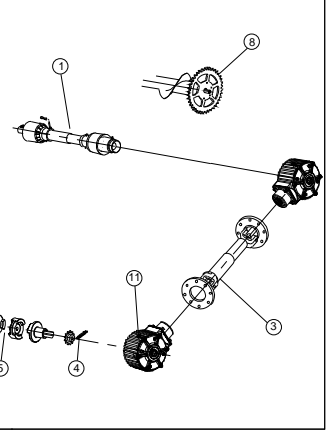
MacDon
The Harvesting Specialists.



WARNING
Do not operate feeder lateral tilt feature with this Cornhead
Damage may result!

#	type	period	qty.
1	EP NLGI Grade 2*	250 [h]	look at operator's manual
2	EP-00 grease	250 [h]	5,5 [pounds] 2,5 [kg]
3	EP NLGI Grade 2*	250 [h]	look at operator's manual
4	EP NLGI Grade 2*	250 [h]	look at operator's manual
5	alt.: Gearbox oil	250 [h]	look at operator's manual
6	EP NLGI Grade 2*	50 [h]	look at operator's manual
7	EP NLGI Grade 2*	250 [h]	look at operator's manual
8	EP NLGI Grade 2*	250 [h]	look at operator's manual
9	Gearbox oil	50 [h]	look at operator's manual
10	Gearbox oil	10 [h]	look at operator's manual
11	SAE 80W-140**	50 [h]	10,15 [l.oz.] 0,9 [l]
12	SAE 80W-140**	250 [h]	30,45 [l.oz.] 0,9 [l]

*high temperature, 1% max molybdenum disulphide, lithium base
**SAE 80W-140 can be used as an alternative



1

2

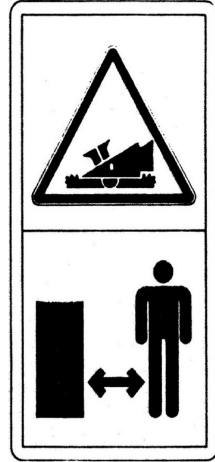
3

18

19



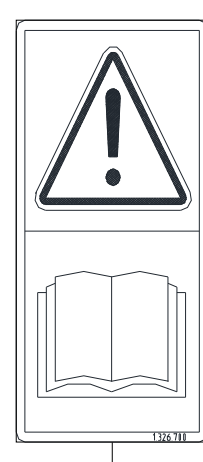
4



5



6



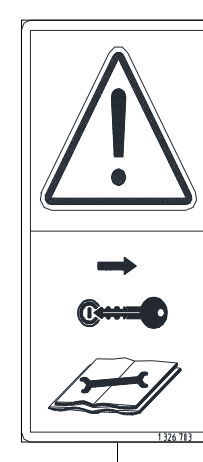
7



8



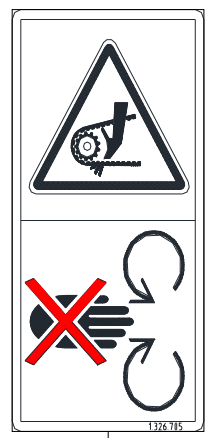
9



10



11



12



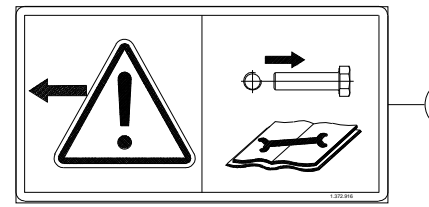
13



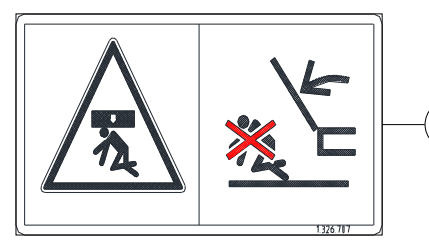
15



16

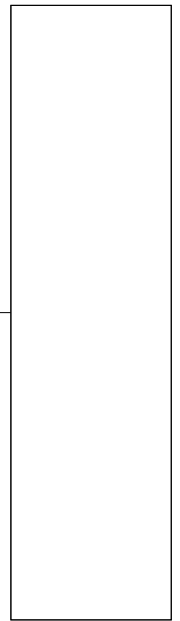


14



20

17

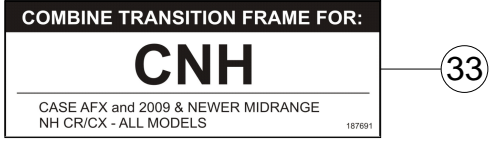
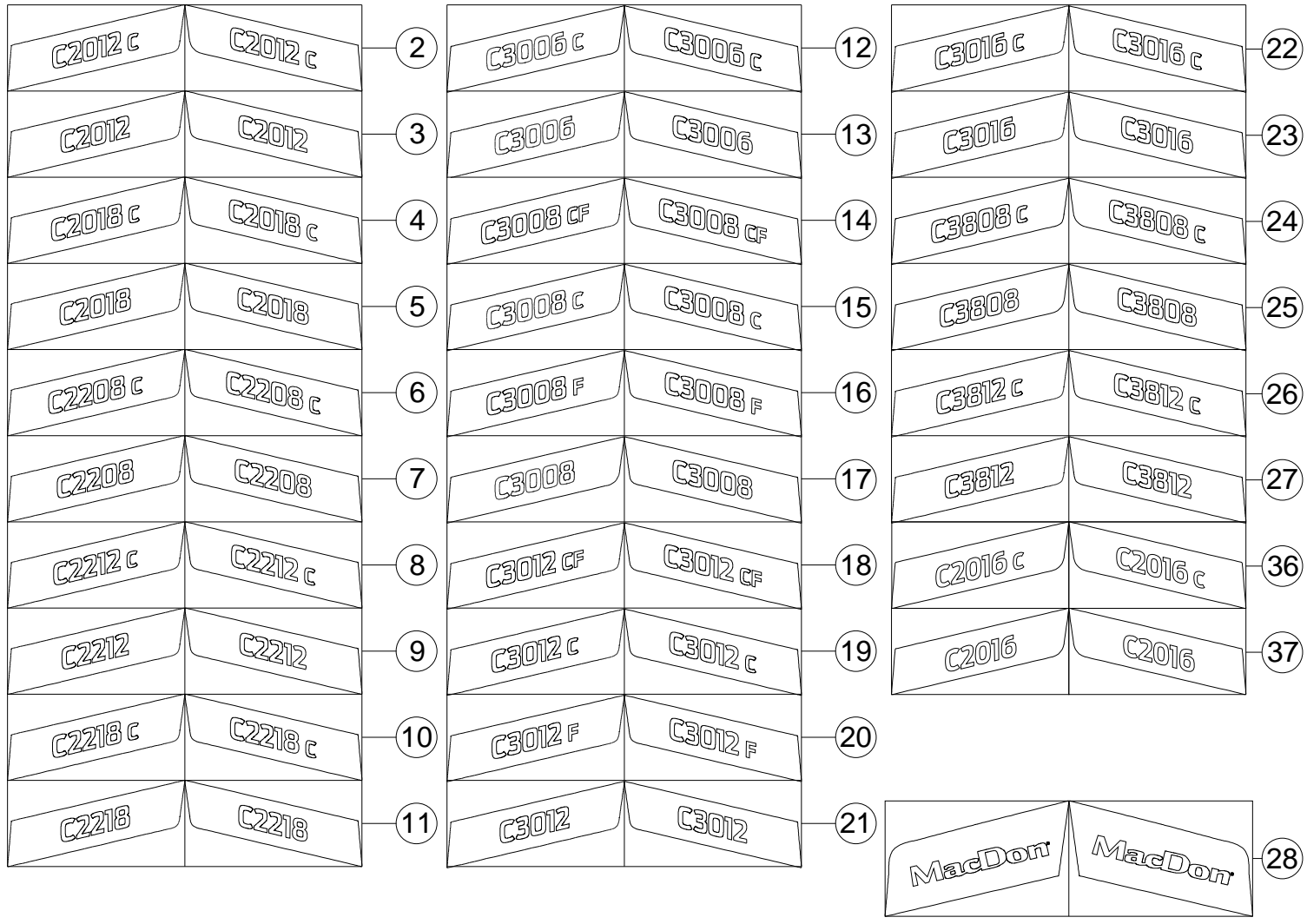


Ref.	Part number	Description		C3006	C3006C	C2012	C2012C	C3008F	C3012F
				C2208	C2208C	C2212	C2212C	C3008CF	C3012CF
				C3008	C3008C	C3012	C3012C		
				C3808	C3808C				
1.	1.377.253	Lubricating label		1		1		1	1
2.	1.372.889	Lubricating label		-		-		1	1
3.	1.372.822	QR code label		1		1		1	1
4.	1.315.438	Warning label		2		2		2	2
5.	1.315.439	Warning label		2		2		2	2
6.	1.315.440	Warning label		2		2		2	2
7.	1.326.700	Warning label		2		2		2	2
8.	1.326.701	Warning label		2		2		2	2
9.	1.326.702	Warning label		2		2		2	2
10.	1.326.703	Warning label		2		2		2	2
11.	1.379.142	Warning label		2		2		2	2
12.	1.326.705	Warning label		2		2		2	2
13.	1.379.143	Warning label		2		2		2	2
14.	1.372.916	Warning label		-		-		2	2
15.	1.372.836	Warning label		2		2		2	2
16.	1.372.837	Warning label		2		2		2	2
17.	115146	Reflective strip, amber		2		2		2	2
17.	115147	Reflective strip, red		2		2		2	2
17.	115145	Reflective strip, orange		2		2		2	2
18.	1.372.890	Tie-down point label		2		2		2	2
19.	1.379.138	Warning label		-		-		2	-
20.	1.326.707	Warning label		-		-		4	4
22.	1.373.044	Chopper knife cover label		1		1		1	1

OctiRoll™

RESIDUE MANAGEMENT SYSTEM

(53B) DECALS - MODEL



Ref.	Part number	Description		RIGID	FOLDING
1.	211463	Label OCTIROLL		1	1
2.	1.371.545	Label - C2012C - LH		1	-
2.	1.371.546	Label - C2012C - RH		1	-
3.	1.371.547	Label - C2012 - LH		1	-
3.	1.371.548	Label - C2012 - RH		1	-
4.	1.371.549	Label - C2018C - LH		1	-
4.	1.371.550	Label - C2018C - RH		1	-
5.	1.371.551	Label - C2018 - LH		1	-
5.	1.371.552	Label - C2018 - RH		1	-
6.	1.371.553	Label - C2208C - LH		1	-
6.	1.371.554	Label - C2208C - RH		1	-
7.	1.371.555	Label - C2208 - LH		1	-
7.	1.371.556	Label - C2208 - RH		1	-
8.	1.371.557	Label - C2212C - LH		1	-
8.	1.371.558	Label - C2212C - RH		1	-
9.	1.371.559	Label - C2212 - LH		1	-
9.	1.371.560	Label - C2212 - RH		1	-
10.	1.371.561	Label - C2218C - LH		1	-
10.	1.371.562	Label - C2218C - RH		1	-
11.	1.371.563	Label - C2218 - LH		1	-
11.	1.371.564	Label - C2218 - RH		1	-
12.	1.371.565	Label - C3006C - LH		1	-
12.	1.371.566	Label - C3006C - RH		1	-
13.	1.371.567	Label - C3006 - LH		1	-
13.	1.371.568	Label - C3006 - RH		1	-
14.	1.371.569	Label - C3008CF - LH		-	1
14.	1.371.570	Label - C3008CF - RH		-	1
15.	1.371.571	Label - C3008C - LH		1	-
15.	1.371.572	Label - C3008C - RH		1	-
16.	1.371.573	Label - C3008F - LH		-	1
16.	1.371.574	Label - C3008F - RH		-	1
17.	1.371.575	Label - C3008 - LH		1	-
17.	1.371.576	Label - C3008 - RH		1	-
18.	1.371.577	Label - C3012CF - LH		-	1
18.	1.371.578	Label - C3012CF - RH		-	1
19.	1.371.579	Label - C3012C - LH		1	-
19.	1.371.580	Label - C3012C - RH		1	-
20.	1.371.581	Label - C3012F - LH		-	1
20.	1.371.582	Label - C3012F - RH		-	1
21.	1.371.583	Label - C3012 - LH		1	-
21.	1.371.584	Label - C3012 - RH		1	-
22.	1.371.585	Label - C3016C - LH		1	-
22.	1.371.586	Label - C3016C - RH		1	-
23.	1.371.587	Label - C3016 - LH		1	-
23.	1.371.588	Label - C3016 - RH		1	-
24.	1.371.589	Label - C3808C - LH		1	-
24.	1.371.590	Label - C3808C - RH		1	-
25.	1.371.591	Label - C3808 - LH		1	-
25.	1.371.592	Label - C3808 - RH		1	-
26.	1.371.593	Label - C3812C - LH		1	-
26.	1.371.594	Label - C3812C - RH		1	-
27.	1.371.595	Label - C3812 - LH		1	-
27.	1.371.596	Label - C3812 - RH		1	-
28.	1.371.236.1	Label - MacDon LH - CASE IH red		1	1
28.	1.371.236.2	Label - MacDon LH - NH yellow		1	1
28.	1.371.236.3	Label - MacDon LH - JD green		1	1
28.	1.371.236.10	Label - MacDon LH - standard gray		1	1
28.	1.371.237.1	Label - MacDon RH - CASE IH red		1	1
28.	1.371.237.2	Label - MacDon RH - NH yellow		1	1
28.	1.371.237.3	Label - MacDon RH - JD green		1	1
28.	1.371.237.10	Label - MacDon RH - standard gray		1	1
29.	1.372.881	Window frame label - AGCO		1	1
30.	1.372.882	Window frame label - CLAAS/LEXION		1	1
31.	1.372.883	Window frame label - JOHN DEERE		1	1
32.	1.372.884	Window frame label - CASE 1000-2000		1	1
33.	1.372.885	Window frame label - CNH		1	1
34.	1.372.886	Window frame label - GLEANER RS		1	1

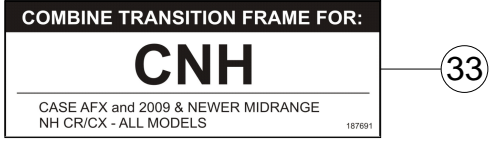
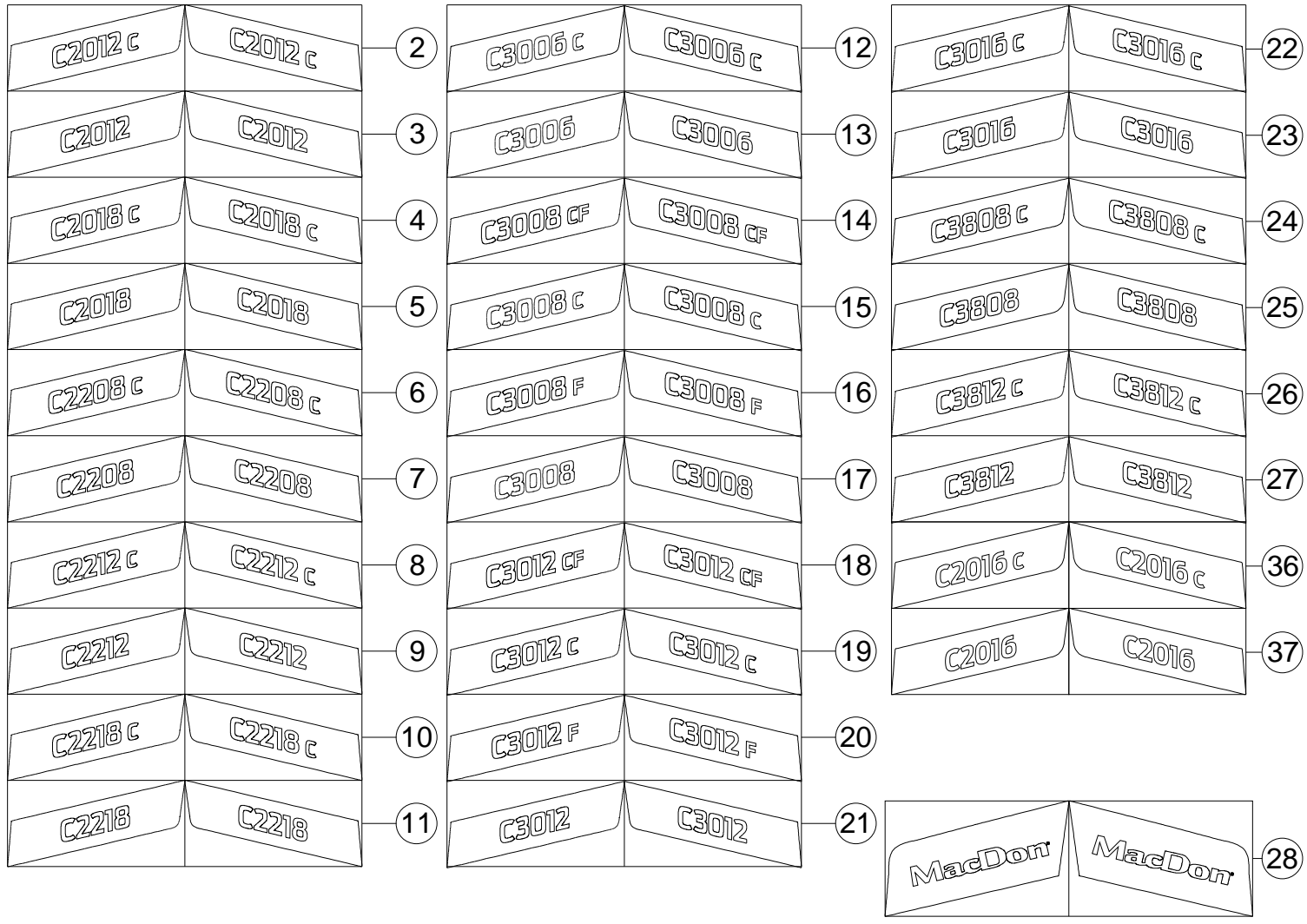
MY2020 and before used single piece decals. For replacement, order 28 for LH or RH in preferred color as well as the header model decal LH or RH.

OctiRoll™

RESIDUE MANAGEMENT SYSTEM

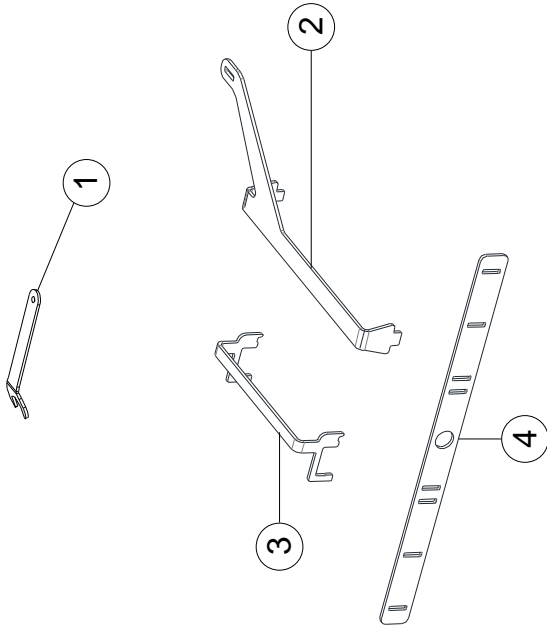
1

(53B) DECALS - MODEL



Ref.	Part number	Description		RIGID	FOLDING
35.	1.372.887	Window frame label - AGCO IDEAL		1	1
36.	1.369.024	Label - C2016C - LH		1	-
36.	1.369.025	Label - C2016C - RH		1	-
37.	1.369.026	Label - C2016 - LH		1	-
37.	1.369.027	Label - C2016 - RH		1	-

MY2020 and before used single piece decals. For replacement, order 28 for LH or RH in preferred color as well as the header model decal LH or RH.



Ref.	Part number	Description		
1.	1.378.697	Wrench		1
2.	1.369.047	Snapping Plate Tool		1
3.	1.369.049	Snapping Gauge Tool		1
4.	1.369.048	Snout Seating Tool		1

TORQUE VALUES FOR FASTENERS (Nm)

SIZE	QUALITY		
BOLTS / SCREWS	8.8	10.9	12.9
NUTS	8.	10.	12.
M6	10	14	16
M8	23	33	40
M10	45	63	75
M12	78	110	130
M14	122	175	210
M16	195	270	325
M18	260	370	440
M20	370	525	630
M24	640	900	1080
M30	1260	1800	2160

TORQUE VALUES FOR FASTENERS (ft*lbs)

SIZE	QUALITY		
BOLTS / SCREWS	8.8	10.9	12.9
NUTS	8.	10.	12.
M6	7	10	12
M8	17	24	30
M10	33	46	55
M12	58	81	96
M14	90	129	155
M16	144	199	240
M18	192	273	325
M20	273	387	465
M24	472	664	797
M30	929	1328	1593

Part number index – 2024

1

Part number	Page ID	Part number	Page ID
115145	(31B)	70710000066	(71), (73), (18A), (49), (54), (2), (2A), (7), (21C), (21A), (23A), (9), (10), (8)
115146	(31B)	70712000066	(23A)
115147	(31B)	70712012563	(13A)
134091	(76), (74)	70716000066	(39), (35)
134690	(76), (74)	70800942558	(56A)
211463	(53B)	70808000026	(29B), (58A), (29A), (54), (59)
05200000800	(3)	71210000060	(26), (25B)
05200001200	(3), (13A)	71212000060	(27A)
05200001600	(48)	71400240060	(7)
05200200024	(3), (13A), (48)	71404000060	(73), (75)
25553201007	(8), (10), (9)	71408000060	(26), (51), (25A), (6), (21C), (21A), (23A), (7)
60042406090	(73), (75)	71410000060	(18A), (49), (9), (10), (8)
63001202000	(58A)	71412000060	(54), (6), (18A), (23A), (7)
63002003009	(13A)	71416000060	(25B), (51), (6), (7)
63003026500	(48)	71610513001	(3)
63003030010	(48)	71610513002	(3)
63003503500	(13A), (48)	71610513005	(3)
67210000011	(6), (22A), (23A), (7)	71619026020	(48)
70006001062	(7)	71619026050	(48)
70006011860	(47), (7)	71619026120	(48)
70100003201	(48)	71625035010	(48)
70100003501	(48)	71625035020	(48)
70100004001	(47), (75)	71625035050	(48), (7)
70100004701	(8), (10), (9)	71625035100	(7)
70100005201	(4)	71625035200	(48)
70100006201	(48), (13A)	71630042010	(48)
70100007201	(13A), (48)	71630042020	(48)
70100008001	(13A), (48)	71630042050	(48), (7), (9), (10)
70100008501	(48)	71630042100	(7), (9), (10)
70100100001	(3)	71632045100	(10), (9), (8)
70110000001	(21C), (21A), (23A)	71635045010	(48)
70200001701	(75)	71635045020	(48)
70200002501	(48), (13A)	71635045050	(48)
70200003001	(13A), (48)	71637047100	(15C), (15A), (10), (9), (8)
70200003201	(10), (9), (8)	71645055010	(48)
70200003501	(10), (8), (48), (9)	71645055020	(48)
70200004001	(10), (9)	71645055050	(48)
70200004501	(10), (9), (48), (8)	71645055200	(48)
70200004561	(29C), (29B), (29A)	71650062010	(3)
70200005001	(13A)	71650062020	(3)
70200005501	(10), (3), (9)	71650062050	(3)
70706000066	(54)	71655068001	(3)
70708000063	(27A)	71655068002	(3)
70708000066	(35), (21A), (29C), (58A), (29A), (29B), (23A), (71), (21C), (59), (54), (26), (21B), (25B), (51), (7), (6), (22B), (25A), (22A)	71655068005	(3)
		71655068010	(3)

Part number index – 2024

2

Part number	Page ID
71656072030	(13A)
71663080010	(13A)
71663080020	(13A)
71663080050	(13A)
71701000060	(15C), (15A)
71808000060	(55), (18A), (13A), (49), (24A1), (24A2), (24A)
71810000060	(18A), (49), (3), (48), (23A)
71812000060	(3)
72206000060	(32C), (32B)
72208000060	(32B), (21B), (29C), (29A), (29B), (27A), (21C), (21A), (22B), (23A), (22A)
72210000060	(14A1), (14A), (14B1), (14B), (14C1), (14C), (15C), (15A), (51), (2A), (2)
72216000060	(71), (27A), (26), (25B), (51), (25A)
72402502560	(23A)
72404002860	(54), (18A)
72405004060	(22A)
73002001601	(73), (75)
73005000801	(49)
73005001601	(49)
73005002001	(75)
73005003601	(18A)
73006005501	(47)
73006006001	(7)
73008003001	(26)
73008003601	(18A)
73008004051	(7)
73008006001	(7)
73010005501	(47)
73010006001	(7)
73100104501	(43B)
73100105501	(47)
73108004001	(43B)
73505000066	(58A)
73506000066	(32C), (32B), (54), (75)
73508000066	(20), (29A), (29C), (58A), (29B), (22A), (22B), (32B), (25B), (54), (32C), (21C), (21B), (21A), (23A), (27A), (2A), (2), (6), (51), (16B), (9), (7), (10), (16A), (17A), (8)
73510000066	(2A), (2), (23A), (7)
73512000066	(6), (35), (7)
73516000066	(71), (27A), (26), (25B), (51), (25A)

Part number	Page ID
73612000066	(28)
73908000060	(32C)
74900400066	(73)
74900600066	(73), (24B), (75), (27A), (24A)
74900800066	(29C), (73), (25A), (24A), (16A)
74901000066	(43B)
74901200066	(25B), (48)
74901400066	(49)
74901600066	(6)
74904000066	(75)
74906000066	(59), (58A), (24A), (29C), (29A), (29B), (54), (24A1), (24A2), (21C), (21B), (21A), (23A)
74908000066	(18A), (55), (26), (54), (51), (21C), (6), (21A), (16B), (21B), (22A), (23A), (17A), (7)
74910000066	(18A), (25A)
74912000066	(55), (18A)
74914000066	(18A)
74916000066	(7)
76308001666	(21C)
76308002066	(22B), (22A), (20), (21C), (21A), (23A), (6), (21B), (7)
76308002566	(23A), (25B), (21A)
76310003066	(43B)
76310003566	(49)
76312003566	(27A)
77208004560	(21B), (21C), (22B), (21A), (22A), (23A)
78200801663	(74)
78200802063	(76), (21B), (75), (21C), (6), (21A), (22B), (23A), (22A), (7)
78200802563	(27A), (22B), (9), (10), (8)
78208002563	(55)
78212003563	(21C), (21A), (22B), (23A), (22A), (21B)
78706002063	(76), (74)
79200800160	(3)
79201601560	(48)
79202001560	(3)
79306004566	(73)
79308004066	(21C), (21A), (23A), (21B), (22A)
79308005066	(21A), (23A), (21C)
79308005566	(56A), (21C), (21A), (23A), (21B)

Part number index – 2024

Part number	Page ID	Part number	Page ID
79308006566	(21C), (21A), (22A)	79410002066	(49), (54), (18A), (16B), (7), (16A), (9), (17A), (10), (8)
79308007066	(21B)	79410002566	(25B), (71), (21A), (21B), (23A), (51), (22B), (22A), (21C), (25A), (49), (9), (7), (10), (8)
79308009063	(21B), (21C), (21A), (23A)	79410003063	(49)
79308010063	(22B), (22A)	79410003066	(71), (15C), (73), (27A), (2), (15A), (2A), (49), (26), (7), (9), (10), (8)
79308012066	(59), (58A), (29A), (29B), (29C)	79410004566	(49)
79312016066	(25B)	79410005566	(54), (7)
79316010066	(6), (7)	79410006066	(18A)
79316155066	(13A)	79410007066	(18A)
79404001666	(73), (75)	79412002066	(2A), (2)
79405001660	(58A)	79412003066	(2), (2A)
79406001066	(2A), (2)	79412003566	(35), (55), (71), (49)
79406001266	(75)	79412004566	(7)
79406001666	(32C), (32B), (75), (54), (22B)	79412005566	(18A)
79406002066	(75), (27A), (21C)	79412009066	(6), (7)
79406002566	(73)	79412012066	(6), (7)
79406003066	(21A), (23A)	79412125256	(47)
79406004066	(24A), (24A1), (24A2)	79414004566	(2), (2A)
79406004566	(75), (24A)	79416003066	(43B)
79406005066	(24B), (24A1), (24A2), (24A)	79416004066	(71), (27A), (51), (26), (25B), (25A)
79408001666	(32C), (21C), (54), (18A), (22B), (22A), (2A), (2), (21A), (23A), (9), (10), (8)	79416005066	(27A), (26), (25B), (51), (25A)
79408001866	(49)	80106001606	(75)
79408002066	(22A), (21A), (16A), (16B), (20), (23A), (54), (17A), (32B), (32C), (43B), (55), (21B), (45), (6), (21C), (18A), (7), (49), (2A), (2), (24A)	80108001266	(14A1), (14A), (14B1), (14B), (15C), (14C), (14C1), (15A)
79408002566	(58A), (29A), (29B), (35), (71), (25B), (26), (43B), (45), (27A), (29C), (2A), (51), (2), (25A), (6), (21B), (16B), (16A), (7)	80203000866	(75)
79408003063	(23A)	80206004066	(59), (58A), (29C), (29B), (29A)
79408003066	(29C), (21B), (26), (23A), (21C), (22B), (21A), (22A)	80208001666	(73), (24A1), (24A2), (24A)
79408003566	(21A), (23A), (59), (21C), (16B), (16A), (17A)	80208002066	(58A), (73)
79408004066	(56), (18A), (21B)	80208002566	(55), (18A)
79408004566	(21A), (23A), (21C), (7)	80208003066	(13A)
79408005066	(24A1), (24A2)	80210003063	(49), (23A)
79408005566	(55)	80210003563	(18A), (49), (48)
79408006066	(22A), (23A)	80210004063	(48)
79408006566	(22B), (23A)	80210004066	(14A1), (14A), (14B1), (14B), (14C1), (14C), (15C), (15A)
79408008066	(21C), (21A)	80212006566	(48)
79408010066	(45)	80212035063	(3)
79410001666	(18A)	80214004566	(49)
		80214006566	(49)
		80308002062	(49)

Part number index – 2024

4

Part number	Page ID	Part number	Page ID
80310003063	(3)	87000131262	(3)
80400602063	(13A)	87000140059	(10), (9)
80400802063	(22A), (13A), (21B)	87000320314	(47), (75)
80400802563	(48)	87000420314	(47)
80400803563	(9), (10)	87000421010	(48)
80400804063	(9), (10)	87000620611	(48), (13A)
80401002563	(7)	87001420710	(48)
80401003063	(48)	87001601010	(48)
80401004063	(8), (10), (9)	87001620414	(8), (10), (9)
80408001266	(21A), (23A), (21C)	87001620514	(4)
80408005063	(21C)	87001620614	(48)
80414005063	(4)	87001620710	(13A)
80416007066	(51)	87001620810	(13A)
81106001663	(54)	87001620910	(48)
81108001663	(21A)	87001621010	(3)
81108002063	(26), (51)	87006191014	(13A)
81108002563	(22A), (21B)	87010620214	(13A)
81110001668	(10), (8)	87010621114	(3)
81110005066	(73)	87010630510	(48)
81306301966	(54)	87013021001	(3)
84208074000	(9), (10)	87030620514	(55)
84210084000	(10), (9), (8)	87030620914	(10), (9), (8)
84304001200	(45)	87300008516	(10), (9), (8)
84500000016	(6), (7)	91623938661	(75), (22B), (73), (21B)
84501000032	(14A), (14A1), (14B1), (14B), (15C), (14C), (14C1), (15A)	91623938761	(20), (21A), (16A), (22B), (16B), (22A), (76), (29A), (29C), (58A), (29B), (23A), (17A), (54), (74), (32C), (21C), (18A), (43B), (25B), (55), (49), (59), (21B), (45), (2A), (2), (6), (51), (7)
84503400010	(15A)	91623938861	(25B), (71), (18A), (49), (27A), (2), (2A), (26), (54), (21A), (21B), (23A), (22B), (21C), (22A), (16B), (7), (16A), (9), (17A), (10), (8)
84530000000	(49)	91623938961	(47), (2A), (2), (7), (35), (21C), (71), (21A), (22B), (23A), (22A), (49), (21B)
84553333520	(49)	91623939061	(2), (2A)
85609000000	(13A)	91623939161	(43B), (13A)
85801001000	(48)	91668372320	(56A), (56)
85802204007	(75)	96700000002	(21C), (21A)
85803200500	(48)	96700000003	(32B), (32C), (49)
85803500700	(13A)	96700000112	(8), (10), (9)
85803800700	(3)	96701002000	(76)
85804006207	(48)	96701314099	(71), (21C), (55), (24A1), (24A2)
85804055007	(48)	96701320540	(9), (8)
85804506208	(48)	96702361800	(75), (21C), (24A), (21A), (23A)
85804508501	(48)		
85804572081	(13A)		
85805007208	(13A)		
85805008008	(48)		
85805080100	(3)		
85805508500	(3)		
85807200700	(48)		
86700001100	(8), (10), (9)		
86801100000	(8), (10), (9)		
87000003556	(10), (8), (9)		

Part number index – 2024

5

Part number	Page ID	Part number	Page ID
96702375920	(71), (73), (49), (7)	1.310.780	(8), (10), (9)
96703800001	(24A), (24A1), (24A2)	1.313.536	(1), (2), (2A)
96716002720	(6), (22B), (22A), (7)	1.314.099	(35), (21A), (23A), (21B), (29C), (29A), (29B), (45), (27A), (25B), (26), (51), (6), (22B), (22A), (7), (9), (10), (8)
96720070601	(21C), (6), (21A), (23A), (7)		
96792401700	(74), (54)	1.314.509	(24A1), (24A2), (24B), (24A)
96792685501	(54)	1.314.510	(24A2), (24A1), (28), (59), (24B), (58A), (29C), (29B), (29A), (24A)
97308040102	(56A), (56)	1.314.511	(24A1)
97327001370	(32B), (32C)	1.314.514	(28)
97517031100	(32B)	1.314.572	(59)
97909349340	(7)	1.314.695	(55)
99652123700	(32B), (32C)	1.314.987	(59), (56A)
013.208.3	(28)	1.315.070	(8), (10), (9)
013.268.0	(28)	1.315.408	(8), (9)
1.200.222	(75)	1.315.438	(31B)
1.200.628	(43B)	1.315.439	(31B)
1.300.200	(15A)	1.315.440	(31B)
1.301.068	(35)	1.315.905	(59), (56A)
1.301.069	(35)	1.318.122	(8), (9)
1.301.433	(8), (10), (9)	1.318.338	(7)
1.304.143	(39)	1.319.154	(1)
1.304.769	(9), (8)	1.319.165	(54)
1.304.770	(9), (8)	1.319.171	(54)
1.304.876	(9), (8)	1.319.233	(28)
1.304.893	(10), (8)	1.319.455	(7)
1.304.935	(8), (9)	1.319.873	(2)
1.304.985	(39)	1.320.072	(32B), (32C)
1.308.132	(9), (8)	1.320.275	(39)
1.308.195	(18A), (54)	1.320.280	(26), (37), (27A)
1.308.407	(9), (10), (8)	1.320.289	(32B)
1.308.414	(10), (9)	1.320.291	(39)
1.308.783	(24A2), (24A1), (24B), (24A)	1.320.493	(8), (10), (9)
1.308.899	(18A)	1.320.540	(8), (9), (10)
1.308.932	(10), (9)	1.320.558	(35)
1.308.948	(10), (9)	1.321.217	(32B)
1.309.011	(10), (8), (9)	1.321.932	(18A)
1.309.052	(8), (10), (9)	1.322.037	(6), (7)
1.309.247	(3), (48), (13A)	1.322.329	(37)
1.309.255	(26)	1.322.332	(37)
1.309.259	(10)	1.322.333	(37)
1.309.601	(24A2), (24A1), (24A)	1.322.351	(37)
1.309.604	(28)	1.322.393	(39)
1.310.009	(21C), (21A), (23A)	1.322.394	(39)
1.310.178	(75)	1.322.794	(55)
1.310.514	(24A1), (24A2), (24A)	1.323.327	(28)
1.310.551	(18A)		
1.310.553	(18A)		
1.310.554	(18A)		

Part number index – 2024

6

Part number	Page ID	Part number	Page ID
1.325.440	(22A), (23A)	1.328.465	(6), (7)
1.325.892	(22A), (23A)	1.328.472	(10), (9)
1.326.221	(49)	1.328.473	(10), (9)
1.326.504	(51)	1.328.479	(10), (9)
1.326.519	(51)	1.328.492	(10), (9)
1.326.520	(51)	1.328.540	(51)
1.326.521	(51)	1.328.541	(51)
1.326.522	(51)	1.328.548	(25A)
1.326.532	(51)	1.328.607	(18A)
1.326.544	(37)	1.329.163	(22B), (22A)
1.326.700	(31B)	1.329.164	(21B), (21C), (21A), (22B), (23A), (22A)
1.326.701	(31B)	1.329.165	(35)
1.326.702	(31B)	1.329.215	(25A)
1.326.703	(31B)	1.329.233	(25A)
1.326.705	(31B)	1.329.235	(25A)
1.326.707	(31B)	1.329.240	(25A)
1.327.000	(29A)	1.329.241	(25A)
1.327.001	(29C), (29B), (29A)	1.329.242	(25A)
1.327.002	(29C), (29A), (29B)	1.329.243	(25A)
1.327.003	(29C), (29A), (29B)	1.329.244	(25A)
1.327.052	(29C), (29B), (29A), (56A), (56)	1.329.245	(25A)
1.327.053	(29C), (29B), (29A)	1.329.246	(25A)
1.327.054	(29C), (29B), (29A)	1.329.247	(25B), (25A)
1.327.062	(27A)	1.329.250	(25B), (25A)
1.327.066	(27A)	1.329.251	(25A)
1.327.120	(54)	1.329.253	(25B), (25A)
1.327.127	(32B), (32C)	1.329.255	(25A)
1.327.131	(54)	1.329.294	(25A)
1.327.148	(58A)	1.329.295	(25A)
1.327.485	(1)	1.329.296	(25A)
1.327.486	(27A), (37), (51), (26), (25B), (1)	1.329.397	(27A)
1.327.487	(35), (1)	1.329.398	(27A)
1.327.488	(25B), (25A)	1.329.400	(27A)
1.327.508	(58A)	1.329.484	(26)
1.327.509	(58A)	1.329.498	(26)
1.327.510	(58A)	1.329.500	(26)
1.327.638	(27A), (37), (51), (35), (25B), (25A)	1.329.501	(26)
1.327.662	(27A), (37), (51), (26), (25B), (1)	1.329.541	(76), (74)
1.327.663	(25B), (1), (25A)	1.329.720	(6), (7)
1.327.664	(35), (1)	1.329.744	(23A)
1.327.689	(13A), (21A), (23A)	1.329.746	(23A)
1.327.690	(13A)	1.329.747	(21B), (54), (21C), (21A), (22B), (23A), (22A)
1.327.806	(2A)	1.329.890	(56A), (56)
1.327.903	(1)	1.329.908	(74)
1.328.006	(21A), (23A)	1.329.977	(35)
		1.330.757	(24A1), (24A2), (24A)

Part number index – 2024

7

Part number	Page ID	Part number	Page ID
1.330.772	(59), (24B), (24A1), (24A2), (24A)	1.353.213	(59), (58A), (29C), (29A), (29B)
1.331.795	(59), (58A), (29C), (29A), (29B)	1.353.318	(59), (58A), (29C), (29A), (29B), (24A1), (24A2), (24A)
1.332.446	(37)	1.353.409	(51)
1.332.447	(37)	1.353.411	(51)
1.332.458	(25B), (25A)	1.353.412	(51)
1.332.461	(37)	1.353.413	(51)
1.332.462	(37)	1.353.414	(51)
1.332.478	(26)	1.353.422	(25B), (25A)
1.332.479	(26)	1.353.461	(21C), (21A), (23A), (22A), (21B)
1.332.515	(56A), (56)	1.353.462	(21C), (21A), (22B), (23A), (22A), (21B)
1.332.689	(22B)	1.353.552	(29C), (29B), (29A)
1.332.690	(22B)	1.353.553	(29A), (29B)
1.332.781	(51)	1.353.559	(27A)
1.332.782	(51)	1.353.560	(8), (9), (10)
1.332.952	(73), (75)	1.353.561	(25B), (25A)
1.337.119	(76)	1.353.562	(27A)
1.337.124	(75)	1.353.571	(51), (8), (10)
1.337.128	(75)	1.353.573	(51), (8), (10)
1.337.132	(75)	1.353.694	(1)
1.337.137	(25B)	1.353.714	(1)
1.337.140	(27A)	1.353.755	(39), (1)
1.337.141	(32B)	1.353.978	(32B)
1.337.143	(18A)	1.354.037	(6), (7)
1.337.144	(58A), (29A)	1.354.106	(29B), (29A)
1.337.146	(37), (71), (51)	1.354.107	(22B), (29C), (29B), (29A)
1.337.147	(26)	1.354.171	(26)
1.337.149	(32C)	1.354.310	(21B), (21C), (21A), (23A)
1.337.150	(76)	1.354.310A	(21B), (21C), (21A), (23A)
1.337.260	(73)	1.354.381	(23A)
1.337.282	(26)	1.354.382	(23A)
1.337.337	(25B)	1.354.397	(24A2), (24A1), (24A), (23A)
1.337.340	(27A)	1.354.511	(24A), (24A1), (24A2)
1.351.163	(15C), (15A)	1.354.565	(9), (8)
1.351.164	(14A), (14A1), (14B1), (14B), (14C1), (14C), (15C), (15A)	1.354.571	(21C), (21A), (23A)
1.351.215	(15C), (15A)	1.354.660	(14A), (14A1), (14B1), (14B), (15C), (14C1), (14C), (15A)
1.351.349	(10), (9), (8)	1.354.663	(14A1), (14A), (14B1), (14B), (14C1), (14C)
1.351.402	(28)	1.354.667	(21C), (21A), (23A)
1.351.403	(58A)	1.355.038	(13A)
1.352.896	(24A)	1.355.195	(21B)
1.353.038	(13A)	1.355.403	(14A1), (14A), (14B), (14B1), (15C), (14C1), (14C), (15A)
1.353.178	(10), (9)		
1.353.179	(10), (9)		
1.353.195	(59), (28), (29C), (29B), (29A)		
1.353.204	(59), (58A), (29C), (29B), (29A)		

Part number index – 2024

Part number	Page ID	Part number	Page ID
1.355.448	(8), (9)	1.369.055	(21B)
1.355.449	(8), (9)	1.369.061	(21B)
1.355.452	(8), (9)	1.369.117	(76)
1.355.464	(51), (8), (10)	1.369.118	(74)
1.355.465	(8), (10)	1.369.122	(22B)
1.355.468	(8), (10)	1.369.177	(55)
1.355.473	(51)	1.371.013	(16B), (16A), (17A)
1.355.478	(51)	1.371.014	(16B)
1.355.479	(51)	1.371.030	(26)
1.355.481	(24A), (24A1), (24A2)	1.371.031	(26)
1.355.489	(29C), (58A), (29A), (29B)	1.371.032	(26)
1.355.553	(51)	1.371.033	(26)
1.355.695	(1)	1.371.034	(27A)
1.355.698	(1)	1.371.035	(27A)
1.355.701	(1)	1.371.093	(22B), (22A)
1.355.706	(1)	1.371.093.1	(22B), (22A)
1.355.707	(1)	1.371.093.10	(22B), (22A)
1.355.709	(1)	1.371.093.2	(22B), (22A)
1.355.710	(2), (2A)	1.371.093.3	(22B), (22A)
1.355.909	(14A1), (14A), (14B1), (14B), (14C1), (14C), (15C), (15A)	1.371.093.7	(22B), (22A)
1.355.920	(51)	1.371.093.9	(22B), (22A)
1.355.921	(51)	1.371.094	(22B), (22A)
1.355.966	(37), (71), (51)	1.371.094.1	(22B), (22A)
1.356.016	(43B)	1.371.094.10	(22B), (22A)
1.356.060	(29B)	1.371.094.2	(22B), (22A)
1.356.118	(24A2), (24A1), (24A)	1.371.094.3	(22B), (22A)
1.356.451	(1)	1.371.094.7	(22B), (22A)
1.356.452	(1)	1.371.094.9	(22B), (22A)
1.356.453	(1)	1.371.095	(22B)
1.356.454	(1)	1.371.095.1	(22B)
1.356.455	(10), (8)	1.371.095.10	(22B)
1.356.468	(24B), (24A1), (24A2), (24A)	1.371.095.2	(22B)
1.356.484	(1)	1.371.095.3	(22B)
1.356.485	(1)	1.371.095.7	(22B)
1.369.020	(21B)	1.371.095.9	(22B)
1.369.024	(53B)	1.371.096	(22B)
1.369.025	(53B)	1.371.096.1	(22B)
1.369.026	(53B)	1.371.096.10	(22B)
1.369.027	(53B)	1.371.096.2	(22B)
1.369.033	(17A)	1.371.096.3	(22B)
1.369.037	(43B)	1.371.096.7	(22B)
1.369.042	(24B), (24A1), (24A2), (24A)	1.371.096.9	(22B)
1.369.047	(72)	1.371.159	(22B)
1.369.048	(72)	1.371.166	(22B)
1.369.049	(72)	1.371.172	(22B)
		1.371.173	(22B)
		1.371.212	(49)
		1.371.213	(49)

Part number index – 2024

Part number	Page ID	Part number	Page ID
1.371.215	(14C1), (14C)	1.371.549	(53B)
1.371.236.1	(53B)	1.371.550	(53B)
1.371.236.10	(53B)	1.371.551	(53B)
1.371.236.2	(53B)	1.371.552	(53B)
1.371.236.3	(53B)	1.371.553	(53B)
1.371.237.1	(53B)	1.371.554	(53B)
1.371.237.10	(53B)	1.371.555	(53B)
1.371.237.2	(53B)	1.371.556	(53B)
1.371.237.3	(53B)	1.371.557	(53B)
1.371.240	(21B)	1.371.558	(53B)
1.371.243	(21B)	1.371.559	(53B)
1.371.244	(21B)	1.371.560	(53B)
1.371.245	(21B)	1.371.561	(53B)
1.371.357	(47)	1.371.562	(53B)
1.371.358	(47)	1.371.563	(53B)
1.371.383	(14C1), (14C)	1.371.564	(53B)
1.371.403	(8)	1.371.565	(53B)
1.371.406	(8)	1.371.566	(53B)
1.371.418	(14C), (14C1)	1.371.567	(53B)
1.371.420	(22A), (23A)	1.371.568	(53B)
1.371.423	(16B)	1.371.569	(53B)
1.371.424	(16B)	1.371.570	(53B)
1.371.425	(16B)	1.371.571	(53B)
1.371.426	(16B)	1.371.572	(53B)
1.371.427	(16B)	1.371.573	(53B)
1.371.428	(16B)	1.371.574	(53B)
1.371.453	(8)	1.371.575	(53B)
1.371.454	(8)	1.371.576	(53B)
1.371.455	(16B)	1.371.577	(53B)
1.371.456	(16B)	1.371.578	(53B)
1.371.457	(16B)	1.371.579	(53B)
1.371.458	(16B)	1.371.580	(53B)
1.371.459	(16B)	1.371.581	(53B)
1.371.460	(16B)	1.371.582	(53B)
1.371.521	(8)	1.371.583	(53B)
1.371.522	(8)	1.371.584	(53B)
1.371.525	(16B)	1.371.585	(53B)
1.371.526	(16B)	1.371.586	(53B)
1.371.527	(16B)	1.371.587	(53B)
1.371.528	(16B)	1.371.588	(53B)
1.371.529	(16B)	1.371.589	(53B)
1.371.530	(16B)	1.371.590	(53B)
1.371.539	(16B)	1.371.591	(53B)
1.371.540	(16B)	1.371.592	(53B)
1.371.545	(53B)	1.371.593	(53B)
1.371.546	(53B)	1.371.594	(53B)
1.371.547	(53B)	1.371.595	(53B)
1.371.548	(53B)	1.371.596	(53B)

Part number index – 2024

10

Part number	Page ID	Part number	Page ID
1.371.600	(22B)	1.371.906	(75)
1.371.602	(22B)	1.371.907	(75)
1.371.611	(1)	1.371.908	(75)
1.371.612	(1)	1.371.909	(75)
1.371.613	(1)	1.371.910	(75)
1.371.620	(32C)	1.371.911	(75), (73)
1.371.621	(32B)	1.371.912	(16B), (16A), (17A)
1.371.622	(32B)	1.371.913	(75)
1.371.623	(32B)	1.371.916	(73)
1.371.627	(32C)	1.371.917	(73)
1.371.628	(32C)	1.371.918	(74), (73)
1.371.629	(56A)	1.371.919	(73)
1.371.630	(56A)	1.371.936	(74)
1.371.631	(56A)	1.371.937	(14C), (14C1)
1.371.632	(56A)	1.371.961	(74)
1.371.642	(56A)	1.371.962	(74)
1.371.643	(56A)	1.371.963	(74)
1.371.644	(56A)	1.371.967	(76), (74)
1.371.645	(32C), (56A)	1.371.976	(74)
1.371.646	(35)	1.371.990	(21C)
1.371.648	(25B)	1.371.994	(74)
1.371.649	(32C)	1.372.030	(54)
1.371.654	(56A)	1.372.226	(54)
1.371.655	(71)	1.372.228	(51)
1.371.670	(73)	1.372.229	(51)
1.371.673	(73)	1.372.230	(51)
1.371.674	(73)	1.372.231	(7)
1.371.675	(73)	1.372.232	(7)
1.371.676	(73)	1.372.233	(7)
1.371.677	(73)	1.372.234	(7)
1.371.678	(73)	1.372.237	(1)
1.371.679	(73)	1.372.238	(1)
1.371.689	(76)	1.372.245	(2A)
1.371.727	(21C)	1.372.246	(2A)
1.371.772	(32C), (74)	1.372.247	(2A)
1.371.777	(3)	1.372.248	(2A)
1.371.781	(15A)	1.372.250	(2A)
1.371.801	(73)	1.372.251	(2A)
1.371.810	(73)	1.372.268	(24A1)
1.371.820	(75)	1.372.273	(27A)
1.371.821	(76), (74)	1.372.274	(27A)
1.371.822	(21B)	1.372.278	(15A)
1.371.849	(27A)	1.372.280	(1)
1.371.868	(7)	1.372.283	(25B)
1.371.901	(75)	1.372.284	(1)
1.371.902	(75)	1.372.314	(2A), (2)
1.371.903	(76)	1.372.316	(15A)
1.371.904	(76)	1.372.317	(15A)

Part number index – 2024

Part number	Page ID	Part number	Page ID
1.372.318	(15A)	1.372.696	(21C)
1.372.319	(15A)	1.372.698	(29B)
1.372.352	(21C), (21B), (21A), (23A)	1.372.699	(29B)
1.372.355	(28)	1.372.700	(29B)
1.372.356	(28)	1.372.701	(29A)
1.372.357	(28)	1.372.702	(29A)
1.372.358	(28)	1.372.703	(28)
1.372.371	(2A)	1.372.704	(28)
1.372.373	(28)	1.372.705	(58A)
1.372.374	(28)	1.372.706	(58A)
1.372.420	(56A)	1.372.707	(59)
1.372.421	(56A)	1.372.708	(59)
1.372.422	(56A)	1.372.709	(2A)
1.372.463	(71)	1.372.710	(2A)
1.372.468	(71)	1.372.711	(2A)
1.372.470	(71)	1.372.712	(2A)
1.372.523	(43B)	1.372.713	(2A)
1.372.527	(43B)	1.372.714	(2A)
1.372.531	(43B)	1.372.715	(2A)
1.372.532	(43B)	1.372.716	(2A)
1.372.537	(7)	1.372.717	(2A)
1.372.538	(7)	1.372.745	(16B), (16A)
1.372.539	(7)	1.372.749	(8)
1.372.566	(22B), (22A)	1.372.750	(8)
1.372.602	(1)	1.372.761	(24B)
1.372.605	(1)	1.372.762	(24B)
1.372.606	(1)	1.372.764	(14A1), (14C), (14A)
1.372.609	(29C)	1.372.765	(16A)
1.372.630	(29C)	1.372.766	(16A)
1.372.631	(29C)	1.372.767	(16A), (16B)
1.372.632	(29C)	1.372.768	(16B), (16A)
1.372.644	(56A)	1.372.769	(16B), (16A)
1.372.645	(56A)	1.372.770	(16A)
1.372.646	(29C)	1.372.771	(16A)
1.372.647	(29C)	1.372.778	(56A)
1.372.675	(56A)	1.372.779	(56A)
1.372.678	(56A)	1.372.780	(56A)
1.372.679	(35)	1.372.795	(71)
1.372.680	(25B)	1.372.803	(56A)
1.372.681	(51)	1.372.804	(56A)
1.372.682	(37)	1.372.805	(56A)
1.372.684	(16B), (16A)	1.372.806	(56A)
1.372.685	(56A)	1.372.807	(56A)
1.372.686	(56A)	1.372.808	(56A)
1.372.687	(56A)	1.372.809	(56A)
1.372.688	(56A)	1.372.810	(56A)
1.372.692	(21C)	1.372.816	(21C)
1.372.694	(21C)	1.372.818	(29C)

Part number index – 2024

12

Part number	Page ID	Part number	Page ID
1.372.819	(29C)	1.372.940	(25B)
1.372.820	(29C)	1.372.941	(25B)
1.372.821	(56A)	1.372.942	(6), (7)
1.372.822	(31B)	1.372.943	(6), (7)
1.372.835	(54)	1.372.944	(9), (10), (8)
1.372.836	(31B)	1.372.945	(21A)
1.372.837	(31B)	1.372.946	(45)
1.372.861	(22B), (23A), (22A)	1.372.947	(25A)
1.372.862	(22B), (23A), (22A)	1.372.948	(25A)
1.372.865	(45)	1.372.949	(25A)
1.372.866	(45)	1.372.950	(27A), (26)
1.372.872	(6), (7)	1.372.951	(26)
1.372.873	(6), (7)	1.372.952	(27A)
1.372.874	(6), (7)	1.372.953	(37)
1.372.878	(1)	1.372.954	(51)
1.372.879	(1)	1.372.955	(51)
1.372.880	(71)	1.373.044	(31B)
1.372.881	(53B)	1.373.045	(8), (10), (9)
1.372.882	(53B)	1.373.046	(8), (10), (9)
1.372.883	(53B)	1.373.082	(16B)
1.372.884	(53B)	1.373.083	(16B)
1.372.885	(53B)	1.373.088	(8)
1.372.886	(53B)	1.373.113	(16B)
1.372.887	(53B)	1.373.114	(16B)
1.372.888	(21A), (21B), (21C)	1.373.115	(16B)
1.372.889	(31B)	1.373.116	(16B)
1.372.890	(31B)	1.373.148	(21A)
1.372.893	(21C)	1.373.151	(21A)
1.372.902	(32B)	1.373.153	(21A)
1.372.903	(76), (74)	1.373.275	(56A), (56)
1.372.907	(6), (7)	1.373.276	(56A), (56)
1.372.908	(6), (7)	1.373.277	(56A), (56)
1.372.912	(32B)	1.373.278	(56A), (56)
1.372.913	(45), (22A), (22B)	1.373.279	(56A), (56)
1.372.914	(45), (22A), (22B)	1.373.280	(56A), (56)
1.372.915	(21C)	1.373.281	(56A), (56)
1.372.916	(31B)	1.373.282	(56A), (56)
1.372.920	(9), (10), (8)	1.373.283	(56A), (56)
1.372.921	(9), (10), (8)	1.373.287	(56A), (56)
1.372.924	(9), (10), (8)	1.373.288	(56A), (56)
1.372.925	(9), (10), (8)	1.373.289	(56A), (56)
1.372.926	(9), (10), (8)	1.373.290	(56A), (56)
1.372.927	(9), (10), (8)	1.373.293	(17A)
1.372.928	(9), (10), (8)	1.373.294	(17A)
1.372.929	(9), (10), (8)	1.373.295	(17A)
1.372.934	(15C)	1.373.296	(17A)
1.372.937	(16B), (16A), (17A)	1.373.297	(17A)
1.372.939	(9), (10), (8)	1.373.298	(17A)

Part number index – 2024

Part number	Page ID	Part number	Page ID
1.373.299	(17A)	1.373.619	(16B), (16A), (17A)
1.373.300	(17A)	1.373.648	(18A)
1.373.301	(17A)	1.373.670	(49), (47)
1.373.302	(17A)	1.373.671	(49), (47)
1.373.304	(24A2)	1.373.691	(1)
1.373.305	(24A2)	1.373.692	(1)
1.373.313	(24A1), (24A2)	1.373.693	(1)
1.373.314	(24A1), (24A2)	1.373.694	(1)
1.373.315	(24A2), (24A1)	1.373.695	(1)
1.373.327	(24A1), (24A2)	1.373.697	(1)
1.373.328	(24A1)	1.373.699	(1)
1.373.329	(24A1)	1.373.700	(1)
1.373.330	(24A1)	1.373.703	(1)
1.373.331	(24A1)	1.373.704	(1)
1.373.387	(48)	1.373.705	(1)
1.373.426	(49)	1.373.712	(1)
1.373.449	(24B), (24A1), (24A2), (24A)	1.373.714	(1)
1.373.488	(24B), (24A1), (24A2), (24A)	1.373.715	(1)
1.373.502	(55)	1.373.717	(1)
1.373.502.1	(55)	1.373.725	(24B), (18A), (24A1), (24A2)
1.373.502.10	(55)	1.373.730	(18A)
1.373.502.2	(55)	1.373.732	(19A)
1.373.502.3	(55)	1.373.733	(19A)
1.373.502.7	(55)	1.373.734	(49)
1.373.502.9	(55)	1.373.738	(49)
1.373.503	(55)	1.373.740	(49)
1.373.503.1	(55)	1.373.742	(7)
1.373.503.10	(55)	1.373.749	(21A), (23A)
1.373.503.2	(55)	1.373.751	(6), (7)
1.373.503.3	(55)	1.373.767	(22A)
1.373.503.7	(55)	1.373.768	(22A)
1.373.503.9	(55)	1.373.772	(22A)
1.373.506.1	(21C)	1.373.773	(22A)
1.373.506.10	(21C)	1.373.774	(24A1)
1.373.506.2	(21C)	1.373.775	(24A1)
1.373.506.3	(21C)	1.373.776	(24A1)
1.373.507.1	(21C)	1.373.777	(24A1)
1.373.507.10	(21C)	1.373.810	(17A)
1.373.507.2	(21C)	1.373.811	(17A)
1.373.507.3	(21C)	1.373.812	(17A)
1.373.577	(24A1), (24A2)	1.373.813	(17A)
1.373.583	(24A1), (24A2)	1.373.814	(17A)
1.373.584	(24A1), (24A2)	1.373.847	(17A)
1.373.585	(24B), (24A1), (24A2), (24A)	1.373.870	(3)
1.373.594	(56A)	1.373.871	(3)
1.373.599	(56A)	1.373.890	(14A), (14A1)
		1.373.898	(2), (2A), (3)
		1.373.899	(24A2)

Part number index – 2024

14

Part number	Page ID	Part number	Page ID
1.373.900	(24A2)	1.375.019	(48), (7)
1.373.901	(24A2)	1.375.134	(7)
1.373.902	(24A2)	1.375.138	(7)
1.373.903	(24A2)	1.375.144	(24A), (24A1), (7)
1.373.907	(24A2)	1.375.181	(7)
1.373.908	(24A2)	1.375.182	(7)
1.373.915	(24A2)	1.375.192	(7)
1.373.916	(24A2)	1.375.203	(8)
1.373.917	(24A2)	1.375.415	(1)
1.373.918	(24A2)	1.375.417	(1)
1.373.932	(9), (8)	1.375.428	(8), (10), (9)
1.373.952	(1)	1.375.429	(8), (10), (9)
1.373.953	(1)	1.375.430	(8), (10), (9)
1.373.954	(1)	1.375.431	(8), (10), (9)
1.373.957	(17A)	1.375.497	(18A)
1.373.958	(17A)	1.375.669	(24A2), (24A1), (24A), (24B)
1.373.959	(17A)	1.375.687	(48)
1.373.960	(17A)	1.375.689	(48)
1.373.961	(17A)	1.375.693	(48)
1.373.962	(17A)	1.375.694	(48)
1.373.963	(17A)	1.375.695	(48)
1.373.964	(17A)	1.375.696	(48)
1.373.965	(17A)	1.375.697	(48)
1.373.966	(17A)	1.375.698	(48)
1.373.967	(17A)	1.375.699	(48)
1.373.970	(24A2)	1.375.700	(48)
1.373.971	(24A2)	1.375.701	(13A)
1.373.973	(24A2)	1.375.702	(13A)
1.373.974	(24A2)	1.375.703	(48)
1.373.975	(24A2)	1.375.706	(48)
1.373.976	(17A)	1.375.710	(48)
1.373.977	(17A)	1.375.712	(48)
1.373.978	(17A)	1.375.717	(48)
1.373.979	(17A)	1.375.722	(48)
1.373.980	(17A)	1.375.723	(48)
1.373.981	(17A)	1.375.743	(13A)
1.373.982	(17A)	1.375.744	(13A), (48)
1.373.983	(17A)	1.375.746	(48)
1.373.984	(17A)	1.375.752	(13A)
1.373.985	(17A)	1.375.754	(48)
1.373.986	(17A)	1.375.755	(4), (49)
1.373.991	(24B), (24A1), (24A2), (24A)	1.375.756	(4)
1.373.995	(17A)	1.375.758	(4)
1.373.996	(17A)	1.375.760	(4)
1.373.997	(22B), (22A)	1.375.761	(4)
1.373.997A	(22B), (22A)	1.375.772	(18A)
1.373.998	(22B), (22A)	1.375.800	(49)
1.373.998A	(22A)	1.375.801	(49)

Part number index – 2024

15

Part number	Page ID	Part number	Page ID
1.375.813	(49)	1.376.096.1	(22A)
1.375.832	(49)	1.376.096.10	(22A)
1.375.833	(49)	1.376.096.2	(22A)
1.375.836	(48)	1.376.096.3	(22A)
1.375.913	(9)	1.376.096.7	(22A)
1.375.947	(49)	1.376.096.9	(22A)
1.375.955	(48)	1.376.104	(24B), (18A)
1.375.957	(21A), (21B), (21C)	1.376.105	(18A)
1.375.958	(21A), (21B), (21C)	1.376.127	(16B), (16A), (17A)
1.375.965	(10), (9), (8)	1.376.214	(8)
1.375.966	(10), (9), (8)	1.376.215	(8)
1.375.967	(10), (9), (8)	1.376.216	(8)
1.375.968	(8), (10), (9)	1.376.217	(8)
1.375.969	(8), (10), (9)	1.376.232	(8), (10), (9)
1.375.973	(2), (2A)	1.376.241	(10), (8)
1.375.974	(2), (2A)	1.376.278	(24A1), (7)
1.376.000	(18A)	1.376.322	(9)
1.376.003	(18A)	1.376.323	(9)
1.376.006	(18A)	1.376.325	(10)
1.376.007	(17A)	1.376.326	(10)
1.376.020	(8), (10), (9)	1.376.365	(9)
1.376.039	(23A)	1.376.369	(9)
1.376.040	(23A)	1.376.370	(9)
1.376.041	(23A)	1.376.371	(10), (7), (9)
1.376.042	(23A)	1.376.372	(10), (7), (9)
1.376.043	(23A)	1.376.373	(10), (7), (9)
1.376.044	(23A)	1.376.374	(10), (7), (9)
1.376.067	(49)	1.376.379	(10)
1.376.068	(2), (2A), (3)	1.376.380	(10)
1.376.069	(2), (2A), (3)	1.376.382	(7)
1.376.070	(2A), (2), (3)	1.376.385	(7)
1.376.071	(3)	1.376.436	(2), (2A)
1.376.072	(3)	1.376.444	(2), (2A)
1.376.073	(3)	1.376.445	(2), (2A)
1.376.074	(3)	1.376.446	(2)
1.376.075	(3)	1.376.448	(7)
1.376.076	(3)	1.376.490	(14A1), (14A), (14B), (14B1), (14C), (14C1), (15C), (15A)
1.376.077	(3)	1.376.501	(14A1), (14A)
1.376.078	(3)	1.376.502	(14B), (14B1), (14A), (14A1)
1.376.079	(3)	1.376.503	(14B), (14B1), (14A1), (14A), (15A), (14C), (14C1)
1.376.095	(22A)	1.376.504	(14A), (14A1), (14C), (14C1)
1.376.095.1	(22A)	1.376.505	(14B), (14B1), (14C), (14C1)
1.376.095.10	(22A)		
1.376.095.2	(22A)		
1.376.095.3	(22A)		
1.376.095.7	(22A)		
1.376.095.9	(22A)		
1.376.096	(22A)		

Part number index – 2024

16

Part number	Page ID	Part number	Page ID
1.376.506	(14B), (14B1), (15A), (14C1), (14C)	1.377.087	(22A)
1.376.516	(15C), (15A)	1.377.088	(49)
1.376.517	(14A1), (14A), (14C1), (14C), (14B1), (14B)	1.377.089	(24A)
1.376.519	(15C), (15A)	1.377.093	(48)
1.376.541	(25B)	1.377.095	(13A)
1.376.542	(25B)	1.377.100	(7)
1.376.562	(15C)	1.377.102	(7)
1.376.564	(7)	1.377.105	(2), (2A)
1.376.565	(7)	1.377.106	(2A), (2)
1.376.573	(7)	1.377.125	(14B1), (14B)
1.376.599	(16B), (16A), (17A)	1.377.164	(9), (10), (8)
1.376.600	(16B), (16A), (17A)	1.377.222	(7)
1.376.662	(22A)	1.377.243	(48)
1.376.663	(22A)	1.377.244	(48)
1.376.676	(22B), (22A)	1.377.247	(47)
1.376.677	(22A)	1.377.250	(47)
1.376.747	(21A), (23A), (21C), (21B)	1.377.251	(29C), (29A), (29B), (49)
1.376.752	(2), (2A)	1.377.253	(31B)
1.376.783	(3), (13A)	1.377.265	(3)
1.376.793	(21A), (23A)	1.377.266	(49)
1.376.795	(24B)	1.377.267	(49)
1.376.796	(24A)	1.377.268	(4)
1.377.005	(7)	1.377.271	(9), (10), (8)
1.377.013	(23A)	1.377.272	(8), (10), (9)
1.377.015	(23A)	1.377.338	(16A), (17A)
1.377.018	(23A)	1.377.339	(16A)
1.377.019	(23A)	1.377.340	(16A)
1.377.020	(23A)	1.377.341	(17A)
1.377.021	(24A2)	1.377.344	(16A)
1.377.022	(23A)	1.377.345	(16A)
1.377.023	(23A)	1.377.346	(16A)
1.377.024	(23A)	1.377.347	(16A)
1.377.025	(23A)	1.377.348	(16A)
1.377.026	(23A)	1.377.349	(16A)
1.377.048	(15A)	1.377.350	(17A)
1.377.061	(24A), (24B), (24A1), (24A2)	1.377.351	(17A)
1.377.062	(24B), (24A), (24A2), (24A1)	1.377.354	(17A)
1.377.065	(24B), (24A)	1.377.355	(17A)
1.377.066	(24B), (24A)	1.377.356	(17A)
1.377.072	(24B), (24A), (24A1), (24A2)	1.377.357	(17A)
1.377.073	(24B), (24A), (24A1), (24A2)	1.377.362	(16A), (17A)
1.377.074	(24A1), (24A)	1.377.363	(16A), (17A)
1.377.076	(24A1), (24A2), (24A)	1.377.364	(16A), (17A)
1.377.086	(22A)	1.377.365	(16A), (17A)
		1.377.372	(16B), (16A), (17A)
		1.377.380	(21A), (23A)
		1.377.380.1	(21A), (23A)
		1.377.380.10	(21A), (23A)

Part number index – 2024

17

Part number	Page ID	Part number	Page ID
1.377.380.2	(21A), (23A)	1.377.533.1	(21A)
1.377.380.3	(21A), (23A)	1.377.533.10	(21A)
1.377.380.7	(21A), (23A)	1.377.533.2	(21A)
1.377.380.9	(21A), (23A)	1.377.533.3	(21A)
1.377.382	(45)	1.377.533.7	(21A)
1.377.382.1	(45)	1.377.533.9	(21A)
1.377.382.10	(45)	1.377.534	(23A)
1.377.382.2	(45)	1.377.534.1	(23A)
1.377.382.3	(45)	1.377.534.10	(23A)
1.377.382.7	(45)	1.377.534.2	(23A)
1.377.382.9	(45)	1.377.534.3	(23A)
1.377.383	(45)	1.377.534.7	(23A)
1.377.383.1	(45)	1.377.534.9	(23A)
1.377.383.10	(45)	1.377.583	(10), (9), (8)
1.377.383.2	(45)	1.377.593	(24A)
1.377.383.3	(45)	1.377.687	(10), (9), (8)
1.377.383.7	(45)	1.377.688	(17A)
1.377.383.9	(45)	1.377.689	(17A)
1.377.392	(47)	1.377.699	(43B)
1.377.398	(49)	1.377.700	(17A)
1.377.399	(49)	1.377.701	(17A)
1.377.416	(6), (7)	1.377.722	(48)
1.377.425	(45)	1.377.726	(9), (10), (8)
1.377.425.1	(45)	1.377.731	(48)
1.377.425.10	(45)	1.377.732	(48)
1.377.425.2	(45)	1.377.733	(48)
1.377.425.3	(45)	1.377.734	(48)
1.377.425.7	(45)	1.377.738	(21A)
1.377.425.9	(45)	1.377.741	(21A), (21C), (23A)
1.377.426	(45)	1.377.744	(21A), (21C), (23A)
1.377.426.1	(45)	1.377.747	(21A), (21C), (23A)
1.377.426.10	(45)	1.377.748	(21A), (23A)
1.377.426.2	(45)	1.377.751	(21C), (21A), (23A)
1.377.426.3	(45)	1.377.754	(49)
1.377.426.7	(45)	1.377.762	(49), (13A)
1.377.426.9	(45)	1.377.763	(13A)
1.377.428	(45)	1.377.767	(13A)
1.377.453	(6), (7), (9), (10), (8)	1.377.769	(13A)
1.377.454	(6), (7), (9), (10), (8)	1.377.770	(13A)
1.377.460	(6), (7)	1.377.775	(48)
1.377.461	(6), (7)	1.377.776	(13A)
1.377.462	(21A), (23A)	1.377.777	(13A)
1.377.465	(21C), (21A), (23A)	1.377.778	(13A)
1.377.466	(21C), (21A), (23A)	1.377.779	(13A)
1.377.515	(17A)	1.377.780	(13A)
1.377.516	(17A)	1.377.781	(13A)
1.377.517	(17A)	1.377.782	(13A)
1.377.533	(21A)	1.377.783	(13A)

Part number index – 2024

18

Part number	Page ID	Part number	Page ID
1.377.787	(13A)	1.377.882	(17A)
1.377.788	(49)	1.377.883	(17A)
1.377.791	(49)	1.377.884	(17A)
1.377.793	(49)	1.377.885	(17A)
1.377.799	(13A)	1.377.886	(17A)
1.377.800	(47)	1.377.891	(17A)
1.377.801	(47)	1.377.892	(17A)
1.377.802	(49)	1.377.902	(21B), (21A), (21C), (22B), (22A), (23A)
1.377.803	(49)	1.377.960	(22B), (22A)
1.377.804	(15C), (15A)	1.377.961	(22B), (22A)
1.377.805	(15C), (15A)	1.377.967	(22A)
1.377.806	(15C), (15A)	1.377.968	(22A)
1.377.807	(15C), (15A)	1.377.969	(22A)
1.377.808	(15C), (15A)	1.377.970	(22A)
1.377.809	(15C), (14B), (14B1), (15A), (14A), (14A1)	1.377.983	(49)
1.377.810	(15C), (15A)	1.377.984	(49)
1.377.811	(14B1), (14B)	1.377.986	(13A)
1.377.813	(14C1), (14C), (14A1), (14A)	1.377.989	(49)
1.377.814	(14B), (15C), (14A), (14C), (49), (15A)	1.377.990	(49)
1.377.815	(14B), (14A), (15C), (14C), (49), (15A)	1.378.048	(23A)
1.377.816	(49), (48)	1.378.049	(23A)
1.377.817	(49), (48)	1.378.053	(21C), (21A), (23A)
1.377.834	(18A)	1.378.056	(23A)
1.377.837	(18A)	1.378.057	(23A)
1.377.839	(18A)	1.378.060	(16A)
1.377.843	(24A)	1.378.126	(7)
1.377.845	(19A)	1.378.128	(2), (2A)
1.377.851	(18A)	1.378.129	(2A), (2)
1.377.855	(21A)	1.378.136	(2)
1.377.861	(18A)	1.378.137	(2)
1.377.862	(21A), (23A), (21C), (21B)	1.378.140	(2A), (2)
1.377.864	(16A), (17A)	1.378.141	(2A), (2)
1.377.865	(16A), (17A)	1.378.148	(2A), (2)
1.377.866	(16A), (17A)	1.378.149	(2), (2A)
1.377.867	(16A)	1.378.150	(2)
1.377.868	(16A)	1.378.151	(2)
1.377.871	(16A)	1.378.154	(2), (2A)
1.377.872	(16A)	1.378.155	(2A), (2)
1.377.875	(16A)	1.378.156	(2)
1.377.876	(16A)	1.378.157	(2)
1.377.877	(16A)	1.378.164	(2)
1.377.878	(16A)	1.378.165	(2)
1.377.879	(16A)	1.378.166	(2)
1.377.880	(16A)	1.378.167	(2)
1.377.881	(17A)	1.378.178	(49)
		1.378.224	(17A)
		1.378.225	(17A)
		1.378.269	(21A), (21C)

Part number index – 2024

19

Part number	Page ID	Part number	Page ID
1.378.292	(20)	1.378.349	(17A)
1.378.293	(20)	1.378.350	(17A)
1.378.296	(16A), (17A)	1.378.351	(17A)
1.378.297	(16A), (17A)	1.378.353	(17A)
1.378.298	(16A), (17A)	1.378.354	(17A)
1.378.299	(16A)	1.378.355	(17A)
1.378.300	(16A)	1.378.356	(17A)
1.378.301	(16A)	1.378.372	(24A)
1.378.302	(16A)	1.378.373	(24A)
1.378.305	(16A)	1.378.376	(24A)
1.378.306	(16A)	1.378.377	(24A)
1.378.307	(16A)	1.378.378	(24A)
1.378.308	(16A)	1.378.379	(24A)
1.378.309	(16A)	1.378.390	(20)
1.378.310	(16A)	1.378.391	(20)
1.378.311	(17A)	1.378.398	(15A)
1.378.312	(17A)	1.378.399	(15A), (14B1), (14B)
1.378.313	(17A)	1.378.400	(14A), (15A)
1.378.314	(17A)	1.378.403	(7)
1.378.315	(17A)	1.378.407	(7)
1.378.316	(17A)	1.378.409	(7)
1.378.317	(17A)	1.378.410	(7)
1.378.318	(17A)	1.378.411	(7)
1.378.319	(17A)	1.378.415	(24A), (24A2), (7)
1.378.320	(17A)	1.378.440	(47)
1.378.321	(17A)	1.378.441	(47)
1.378.322	(17A)	1.378.446	(43B), (6), (7)
1.378.323	(17A)	1.378.448	(9), (10), (8)
1.378.324	(17A)	1.378.449	(9), (10), (8)
1.378.325	(17A)	1.378.453	(9), (10), (8)
1.378.326	(17A)	1.378.472	(49)
1.378.327	(17A)	1.378.474	(49)
1.378.328	(17A)	1.378.492	(43B)
1.378.334	(17A)	1.378.493	(43B)
1.378.335	(17A)	1.378.497	(43B)
1.378.336	(17A)	1.378.501	(43B)
1.378.337	(17A)	1.378.507	(48)
1.378.338	(17A)	1.378.521	(8), (10), (9)
1.378.339	(17A)	1.378.522	(24A2), (24A1), (24A)
1.378.340	(17A), (16A)	1.378.523	(8), (10), (9)
1.378.341	(17A), (16A)	1.378.524	(9), (10), (8)
1.378.342	(17A)	1.378.526	(24A2), (24A1), (24A)
1.378.343	(17A)	1.378.528	(28)
1.378.344	(13A)	1.378.530	(24A)
1.378.345	(17A)	1.378.612	(24A1), (24A2), (24A)
1.378.346	(17A)	1.378.613	(24A1), (24A)
1.378.347	(13A)	1.378.614	(24A1), (24A)
1.378.348	(17A)	1.378.615	(24A1), (24A)

Part number index – 2024

20

Part number	Page ID	Part number	Page ID
1.378.616	(24A1), (24A)	1.378.862	(55)
1.378.619	(24A1), (24A)	1.378.863	(55)
1.378.637	(24B), (24A)	1.378.896	(15A)
1.378.638	(24B), (24A)	1.378.897	(15A)
1.378.639	(24A2), (24A)	1.378.963	(16A)
1.378.642	(24A)	1.378.964	(16B), (16A)
1.378.644	(24A)	1.378.969	(16B), (16A)
1.378.646	(24A)	1.378.970	(16B), (16A)
1.378.648	(24A)	1.378.971	(16A)
1.378.679	(7)	1.378.972	(16B), (16A)
1.378.685	(6), (7)	1.378.973	(16B), (17A), (16A)
1.378.689	(6), (7)	1.378.974	(16B), (17A), (16A)
1.378.690	(6), (7)	1.378.975	(16B), (16A)
1.378.696	(24B), (24A1), (24A2), (24A)	1.378.976	(16A)
1.378.697	(72), (13A)	1.378.977	(16B), (16A)
1.378.751	(16A)	1.378.978	(16B), (16A)
1.378.752	(16A)	1.378.979	(16B), (16A)
1.378.760	(2A), (2)	1.378.980	(16A)
1.378.764	(16A)	1.378.985	(2A), (2)
1.378.765	(16A)	1.378.987	(2A), (2)
1.378.808	(55)	1.378.988	(6)
1.378.809	(55)	1.378.989	(6)
1.378.822	(55)	1.378.990	(6)
1.378.825	(55)	1.378.991	(6)
1.378.830	(55)	1.378.997	(2A), (2)
1.378.831	(55)	1.378.999	(2A), (2)
1.378.835	(55)	1.379.034	(16B)
1.378.836	(24A1), (24A2), (24A)	1.379.035	(16B)
1.378.837	(24A), (24A1), (24A2)	1.379.036	(16B)
1.378.838	(14B), (14A), (14C), (49)	1.379.037	(16B)
1.378.839	(14B), (14A), (14C), (49)	1.379.038	(16B)
1.378.840	(48)	1.379.041	(16B)
1.378.841	(48)	1.379.042	(16B)
1.378.842	(24A)	1.379.043	(16B)
1.378.844	(24A1), (24A2), (24A)	1.379.060	(2A)
1.378.845	(24A)	1.379.061	(2)
1.378.846	(24A)	1.379.062	(2A), (2)
1.378.851	(54)	1.379.063	(2A), (2)
1.378.852	(54)	1.379.064	(2A), (2)
1.378.853	(54)	1.379.065	(24B), (24A2)
1.378.854	(24A)	1.379.066	(24B), (24A2)
1.378.855	(54)	1.379.067	(24B), (24A2)
1.378.856	(54)	1.379.071	(14A), (14A1)
1.378.857	(24A)	1.379.075	(49)
1.378.858	(56), (56A), (55)	1.379.080	(4)
1.378.859	(56), (56A), (55)	1.379.081	(4)
1.378.860	(56A), (56), (55)	1.379.082	(4)
1.378.861	(56), (56A), (55)	1.379.084	(8)

Part number index – 2024

Part number	Page ID	Part number	Page ID
1.379.087	(8)	1.379.487	(10), (8)
1.379.096	(14B1), (14B)	1.379.488	(10), (8)
1.379.099	(16B), (16A), (17A)	1.379.489	(21B)
1.379.105	(32C)	1.379.490	(21B)
1.379.138	(31B)	1.379.494	(21B)
1.379.140	(54)	1.379.495	(21B)
1.379.141	(7)	1.379.496	(21B)
1.379.142	(31B)	1.379.499	(21B)
1.379.143	(31B)	1.379.500	(21B)
1.379.146	(2A), (2)	1.379.500.1	(21B)
1.379.151	(21A), (23A)	1.379.500.10	(21B)
1.379.152	(21A), (23A)	1.379.500.2	(21B)
1.379.153	(4)	1.379.500.3	(21B)
1.379.246	(6)	1.379.500.7	(21B)
1.379.292	(56A), (56)	1.379.500.9	(21B)
1.379.298	(13A)	1.379.501	(21B)
1.379.299	(7)	1.379.501.1	(21B)
1.379.306	(54)	1.379.501.10	(21B)
1.379.323	(25B)	1.379.501.2	(21B)
1.379.391	(2A), (2)	1.379.501.3	(21B)
1.379.392	(2A), (2)	1.379.501.7	(21B)
1.379.394	(59), (58A), (29C), (29A), (29B)	1.379.501.9	(21B)
1.379.396	(2A), (2)	1.379.502	(21B)
1.379.397	(2A), (2)	1.379.502.1	(21B)
1.379.398	(29A), (29B)	1.379.502.10	(21B)
1.379.399	(29B), (29A)	1.379.502.2	(21B)
1.379.419	(15C)	1.379.502.3	(21B)
1.379.421	(16A)	1.379.502.7	(21B)
1.379.422	(16A)	1.379.502.9	(21B)
1.379.423	(16A)	1.379.503	(21B)
1.379.424	(16A)	1.379.503.1	(21B)
1.379.440	(6), (7)	1.379.503.10	(21B)
1.379.441	(6), (7)	1.379.503.2	(21B)
1.379.443	(58A)	1.379.503.3	(21B)
1.379.456	(24A2), (24A1), (24A)	1.379.503.7	(21B)
1.379.457	(24A1), (24A2), (24A)	1.379.503.9	(21B)
1.379.458	(24A2), (24A1), (24B), (24A)	1.379.513	(21B)
1.379.464	(54)	1.379.516	(21B)
1.379.465	(13A)	1.379.523	(56)
1.379.472	(59), (58A), (29B), (29C), (29A)	1.379.524	(56A), (56)
1.379.473	(29B)	1.379.525	(56A), (56)
1.379.474	(29A)	1.379.526	(56)
1.379.475	(58A)	1.379.527	(56)
1.379.476	(9), (10), (8)	1.379.528	(56A)
1.379.477	(24A1), (24A2), (24A)	1.379.530	(56A)
1.379.485	(10), (8)	1.379.531	(56A), (56)
		1.379.532	(56)
		1.379.534	(17A)

Part number index – 2024

Part number	Page ID	Part number	Page ID
1.379.536	(35)	1.379.598	(16B)
1.379.537	(56A), (56)	1.379.599	(16B)
1.379.538	(56)	1.379.629	(8), (10)
1.379.539	(56)	1.379.630	(56A), (56)
1.379.540	(29B)	1.379.631	(25A)
1.379.541	(56A)	1.379.632	(25A)
1.379.542	(56)	1.379.634	(2)
1.379.543	(10), (8)	1.379.635	(27A), (26)
1.379.545	(56)	1.379.636	(8)
1.379.550	(8), (10)	1.379.637	(8)
1.379.551	(56A), (56)	1.379.642	(10), (9), (8)
1.379.552	(56A), (56)	1.379.643	(59)
1.379.553	(56A), (56)	1.379.644	(16B)
1.379.554	(56)	1.379.645	(16B)
1.379.555	(56)	1.379.646	(16B)
1.379.556	(56)	1.379.647	(16B)
1.379.560	(8), (10)	1.379.648	(16B)
1.379.561	(10), (8)	1.379.649	(16B)
1.379.562	(56)	1.379.674	(8)
1.379.563	(56)	1.379.678	(24B)
1.379.564	(56)	1.379.679	(24B)
1.379.565	(56)	1.379.680	(56A), (56)
1.379.566	(56)	1.379.681	(56A), (56)
1.379.567	(56)	1.379.682	(56A)
1.379.568	(56)	1.379.683	(56A)
1.379.569	(56)	1.379.684	(56A)
1.379.570	(56)	1.379.687	(13A)
1.379.571	(56)	1.379.701	(21B)
1.379.572	(56A), (56)	1.379.702	(21B)
1.379.573	(56A), (56)	1.379.704	(21B)
1.379.574	(56)	1.379.706	(14A), (14A1)
1.379.575	(56)	1.379.707	(49), (13A)
1.379.576	(56)	1.379.708	(16A), (17A)
1.379.586	(14C), (14C1), (14B), (14B1)	1.379.709	(48)
1.379.587	(14C1), (14C), (14B), (14B1), (14A1), (14A)	1.379.710	(48)
1.379.588	(14C1), (14C), (14B1), (14B)	1.379.711	(14B), (14C), (49)
1.379.589	(14C1), (14C), (14B), (14B1)	1.379.712	(14B), (14C), (49)
1.379.590	(16B)	1.379.727	(54)
1.379.591	(16B)	1.379.733	(54)
1.379.592	(16B)	1.379.736	(54)
1.379.593	(16B)	1.379.737	(54)
1.379.594	(16B)	1.379.738	(54)
1.379.595	(16B)	1.379.747	(54)
1.379.596	(16B)	1.379.748	(16A)
1.379.597	(16B)	1.379.749	(16A)
		1.379.750	(16A)
		1.379.751	(16A)
		1.379.757	(56A)

Part number index – 2024

Part number

Page ID

Part number

Page ID

1.379.776	(24B), (24A1), (24A2), (24A)
1.379.779	(47)
1.379.780	(47)
1.379.887	(21B)
1.379.913	(22A)
1.379.914	(21A), (22A), (23A)
1.379.973	(47)
1.379.974	(47)
1.380.512	(19A)
11 17 10	(32C), (32B)
2.405.227	(4)
213.607.0	(28)
234.364.0	(51)
237.592	(27A), (51), (25A)
238.234.0	(27A)
616.068.0	(8), (9), (10)
665.666.0	(26)
665.840.0	(8), (10)
668.800.0	(28)
668.818.0	(28)
676.304	(10), (8)
683.721.1	(28)
683.722.1	(28)
683.725.0	(28)
71 38 50 03	(37)
714C1050060	(18A)
714D1050060	(18A)
905.875.0	(28)
967PSF30526	(21B), (21A), (23A), (21C)
975PV615000	(20)
985AZ102725	(20)
993.454.0	(21A), (23A), (21C)
994.280.0	(13A)
994.610.0	(28)
ALUBIA 00 EP	(49)
Loctite 243	(13A), (49), (7)
Loctite 5910	(49), (13A)
Loctite 603	(13A)

MacDon®

CUSTOMERS
MacDon.com

CUSTOMERS
MacDon.com

Trademarks of products are the marks of their
respective manufacturers and/or distributors.

Printed in Hungary