

**A30S, and A30D Pull-Type
Mower Conditioners
A30S, A30D, A40D, and A40DX
Self-Propelled Windrower Headers**

Parts Catalog

262530 Revision A

Original Instruction

A30S and A30D Pull-Type Mower Conditioners / A30S, A30D, A40D, and A40DX Self-Propelled Windrower Headers



1003225

Published: December 2023

NOTE:

Keep your MacDon publications up-to-date. The most current version can be downloaded from our website (www.macdon.com) or from our Dealer-only site (<https://portal.macdon.com>) (login required).

© 2023 MacDon Industries, Ltd.

The information in this publication is based on the information available and in effect at the time of printing. MacDon Industries, Ltd. makes no representation or warranty of any kind, whether expressed or implied, with respect to the information in this publication. MacDon Industries, Ltd. reserves the right to make changes at any time without notice.

Introduction

This Parts Catalog lists all the replacement parts that can be ordered for MacDon A30S and A30D Pull-Type Mower Conditioners and MacDon A30S, A30D, A40D, and A40DX Self-Propelled Windrower Headers.

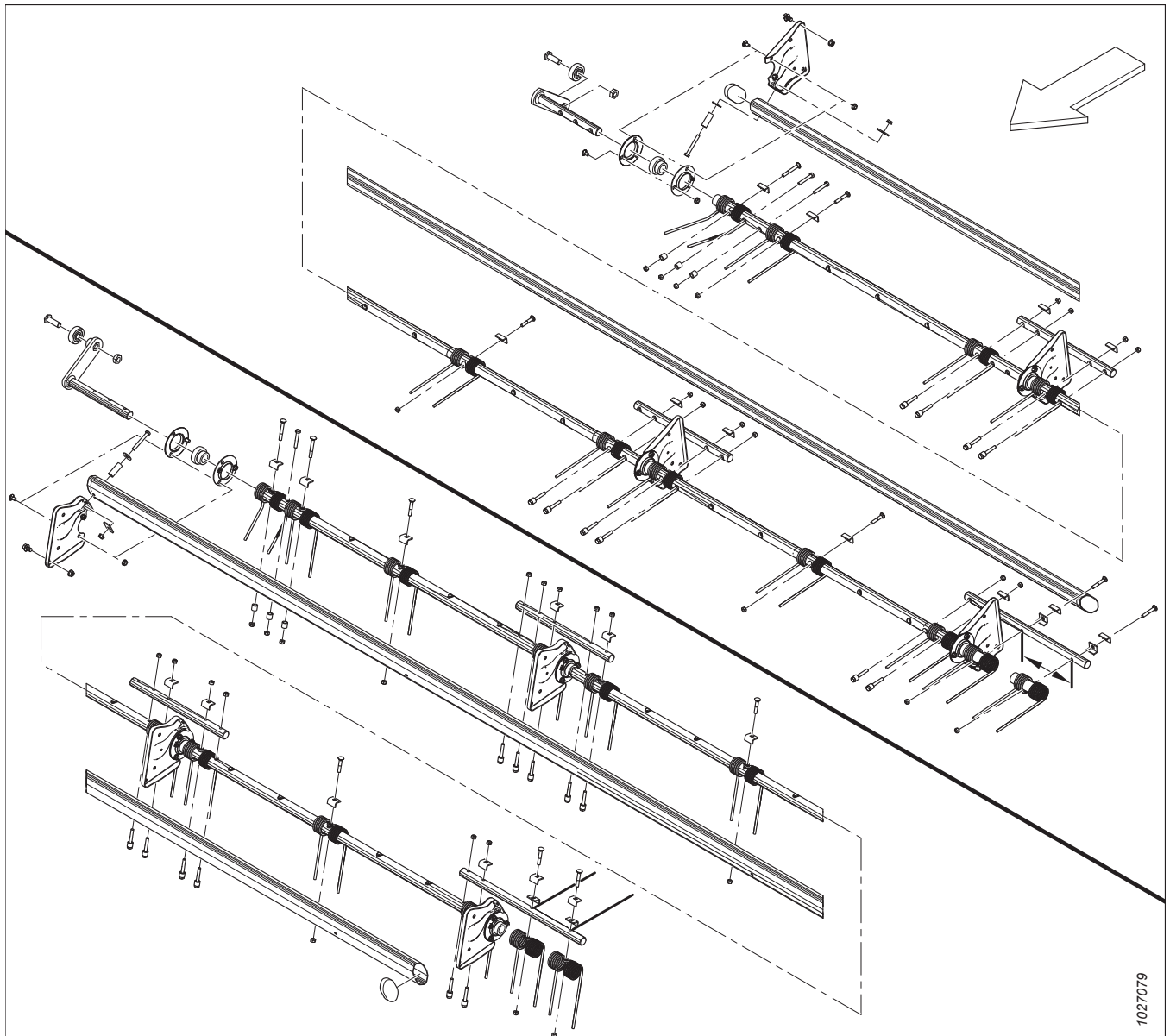
When ordering, be sure to use the complete and proper part number. Some parts vary with machine type; be sure you are ordering the correct part number for your unit.

Electrical connectors used on MacDon products are available for sale but not listed in this catalog. For the list of available connectors, refer to the Electrical Connectors Parts Catalog (MD #169641).

Bold text is used to indicate updates made at the current revision level. With each new revision of the catalog, previous revisions are returned to regular text.

Common hardware is not always illustrated. In these cases alphabetical references (call-outs) are used to designate position and description of these items.

In this catalog, right-hand (RH) and left-hand (LH) are determined from the operator's seated driving position in the tractor or windrower cab. An arrow is sometimes used in illustrations to indicate forward position as shown below.



Serial Number Breaks

The side of the serial number on which the dash (–) appears determines whether the part is used "up to" or "after" the serial number given.

Example:

- –451189 Used on machines up to and including serial number 451189
- 451190– Used on machines including and after serial number 451190

Abbreviations

A/R – as required (quantity varies)	ASSY – assembly	BHRN – button head rib neck
BV – ball valve	CCW – counterclockwise	CON – conical (spring washer)
CSK – countersink	C/W – complete with	CW – clockwise
DBLE – double	DK – double knife	DR – double reel
DT – distorted thread	FLG – flange	GA – gauge
GR – grade	GS – grass seed	HD – head
HDR – header	HFA – hydraulic fore-aft	HH – hex head
HNBR – hydrogenated nitrile butadiene rubber	HYD – hydraulic	I.D. – inside diameter
IP – internal plus (torx plus)	KP – knife pressure	KR – knife return
LG – long	LH – left hand (determined from Operator's position, facing forward)	LK – lock
MACH – machine	MD – MacDon	MFA – manual fore-aft
MY – model year	NC – national coarse thread	NF – national fine thread
NSS – not sold separately	NT – narrow transport	O.D. – outside diameter
OPT – optional	PO – pilot operated	PT – pull-type (mower conditioner)
RC – roller chain	REF – reference, part number called up elsewhere in catalog	REG – regular
RH – right hand (determined from Operator's position, facing forward)	RHSN – round head, square neck or square neck carriage bolt	RHSSN – round head, short, square neck
RTD – rotating tine drum	SAE – Society of Automotive Engineers (part produced to comply with)	SD – side draper
SER – serrated	SK – single knife	SKT HD – socket head
SMTH – smooth	SMV – slow moving vehicle	SOCK – socket
SP – self-propelled (windrower) header	SPCL – special	SPH – spherical
SPI – serrations per inch (knife Sections)	SR – single reel	STL – steel (stainless)
STR – standard	STVR – Stover	TFL – thread full length
THD – thread	TR – triple reel	UCA – upper cross auger
UDK – untimed double knife	UNC – unified coarse thread	UNEF – unified extra fine thread
UNF – unified fine thread	UNS – unified special thread series	VK – vertical knife
WF – wide frame	ZP – zinc plated	

Summary of Changes – A Series (262530 Rev. A)

This list covers changes made since the last revision (215702 Rev. A).

Section	Summary of Change	Internal Use Only
<i>Throughout</i>	Added footnotes throughout the catalog for clarity.	Publications
<i>1 Header Frame, Deflectors, and Shields, page 1</i>	Corrected quantities of deflectors 124850 and 124851 from 2 to 1.	Parts
<i>20 A40D Hydraulic Hoses and Couplers, page 61</i>	Added hydraulic caps 318077 and 318076. Updated illustration from 1022109 to 1043317 to show changes.	ECN 63259
<i>21 A40DX / A40DX Grass Seed – Hose Bundle, page 65</i>	Superseded hose guide 170858 with hose guide 318055. Updated illustration from 1027115 to 1043314 to show changes.	ECN 63198
<i>22 A40DX Hydraulics, page 69</i>	Revised footnote on manifold 170584. Added blue cable ties 40703 and orange cable ties 40704 to the parts list. Updated illustration from 1031836 to 1043353 to show changes.	ECN 58104
<i>23 A40DX Grass Seed Hydraulics, page 73</i>	Revised footnote on manifold 170584. Added blue cable ties 40703 and orange cable ties 40704 to the parts list. Updated illustration from 1027116 to 1043354 to show changes.	ECN 58104
<i>25 Hydraulic Manifold Auger Drive, page 79</i>	Added blue cable tie 40703 and orange cable tie 40704 to manifold 170584. Updated illustration from 1022361 to 1043352 to show changes.	ECN 58104
<i>26 Articulated Hitch Drive, page 81</i>	Replaced service code 5 parts 236826 and 236831 with service code 2 parts 236825 and 236832 in the footnote for driveline 142924; replaced service code 5 part 236848 with NSS.	Parts
	Added all parts listed in the footnotes for drivelines 142924 and 171261 to the parts list to more easily identify them as service parts for these drivelines.	Parts
<i>30 Non-Articulated Pull-Type Hitch Hydraulics and Electrical, page 97</i>	Added O-ring 50219 as a service part for plug 30994. Added O-ring 44209 as a service part for plug 30977. Added O-ring 30971 as a service part for fitting 21840. Added O-ring 41220 as a service part for fitting 114141. Added O-ring 50220 as a service part for fitting 21828.	Publications
<i>43 Electrical – 2018 and Later SP Windrower Header, page 137</i>	Revised part description of cable tie 16661 for clarity.	Publications
<i>44 Reel Speed Kit – M1 / M2 / M Series Conversion, page 139</i>	Added references to M2 Series Windrowers.	Publications
<i>46 Decals – Safety, page 143</i>	Added safety decal 320514. Updated illustration from 1037782 to 1043307 to show changes.	ECN 64527
	Updated various decals in illustration 1043307 for clarity.	Publications

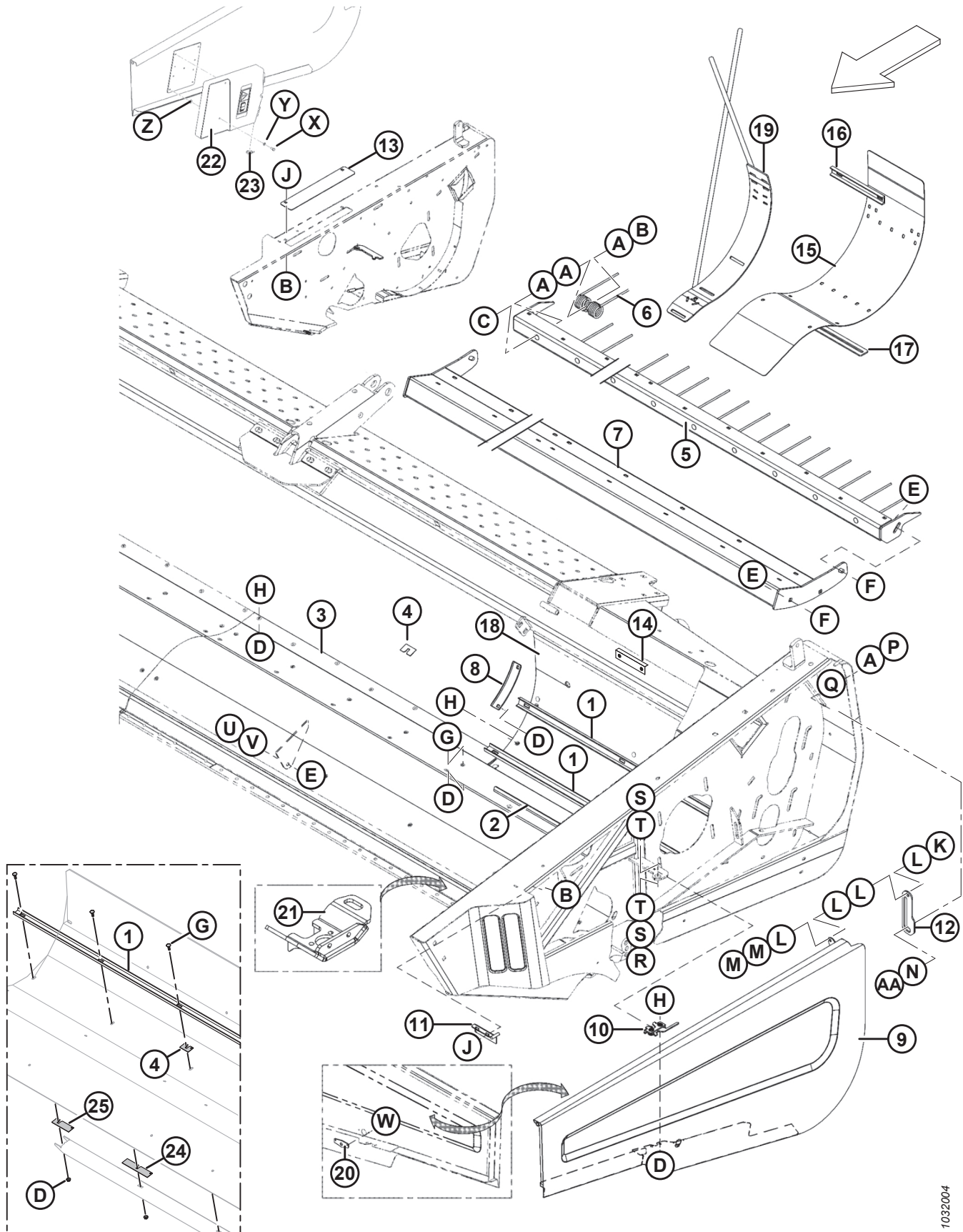
TABLE OF CONTENTS

Introduction	i
Serial Number Breaks	ii
Abbreviations.....	iii
Summary of Changes – A Series (262530 Rev. A)	iv
1 Header Frame, Deflectors, and Shields	1
2 A30S Drive Components – Left End.....	5
3 A30D Drive Components – Left End	9
4 A30S and A30D Drive Components – Right End	13
5 A40D and A40DX Drive Components	17
6 Knife Drive Box	21
7 Gearbox – Conditioner Drive	23
8 Conditioner Roll Drivelines.....	25
9 Driveshields	27
10 Cutting Components – Single Knife.....	31
11 Cutting Components – Double Knife	35
12 Knife Stub Guards.....	39
13 A30S and A30D Reel.....	41
14 A40D and A40DX Reel (Center Tube)	45
15 A40D and A40DX Reel (Tine Tube).....	47
16 A40D Reel Gearbox and Motor	51
17 A40DX Reel Gearbox and Motor	53
18 A30S and A30D Auger and Mounts.....	55
19 A40D and A40DX Auger, Drive Motor, and Mounts	57
20 A40D Hydraulic Hoses and Couplers	61
21 A40DX / A40DX Grass Seed – Hose Bundle	65
22 A40DX Hydraulics	69
23 A40DX Grass Seed Hydraulics	73
24 A40DX / A40DX Grass Seed – Reel Speed Control Kit.....	77
25 Hydraulic Manifold Auger Drive	79
26 Articulated Hitch Drive	81
27 Front Half Drivelines	87
28 Hitch Hydraulics and Electrical.....	91
29 Hitch Assembly	95
30 Non-Articulated Pull-Type Hitch Hydraulics and Electrical	97
31 Non-Articulated Pull-Type Pump/Gearbox Assembly.....	103
32 Pull-Type Steering and Lift Cylinder Hydraulics.....	107
33 Pull-Type Carrier Frame and Float Components.....	111
34 Pull-Type Wheels and Tires	115
35 Conditioner Rolls	117
36 Roll Stop Linkages (SP Windrower Header)	121
37 Lift Links and Header Stand (SP Windrower Header)	123
38 Center Crop Deflector (SP Windrower Header).....	125
39 Pull-Type Forming Shields	127

TABLE OF CONTENTS

40	SP Windrower Header Forming Shields	129
41	Lean Bar, Unplug Wrench, and Side Shoes	131
42	Electrical – 2017 and Prior PT Mower Conditioner and SP Windrower Header	133
43	Electrical – 2018 and Later SP Windrower Header.....	137
44	Reel Speed Kit – M1 / M2 / M Series Conversion.....	139
45	Decals – Information and Reflectors	141
46	Decals – Safety	143
47	Decals – Product Identification and Paint	145
48	(Option) Drawbar Hitch	147
49	(Option) Gauge Rollers	149
50	(Option) Hydraulic Header Angle Kit – Articulated Hitch	151
51	(Option) Hydraulic Header Angle Kit – Standard Hitch	153
52	(Option) Skid Shoes	157
53	(Option) Tall Crop Dividers	159
54	(Option) Three-Point Hitch Adapter	161
55	(Option) Three-Point Hitch Linkage – Articulated Hitch.....	163
56	(Option) Pull-Type Transport Hitch	165
57	(Option) Hose Bundle Storage Kit – A40DX / A40DX Grass Seed.....	167
	Index	170

1 Header Frame, Deflectors, and Shields



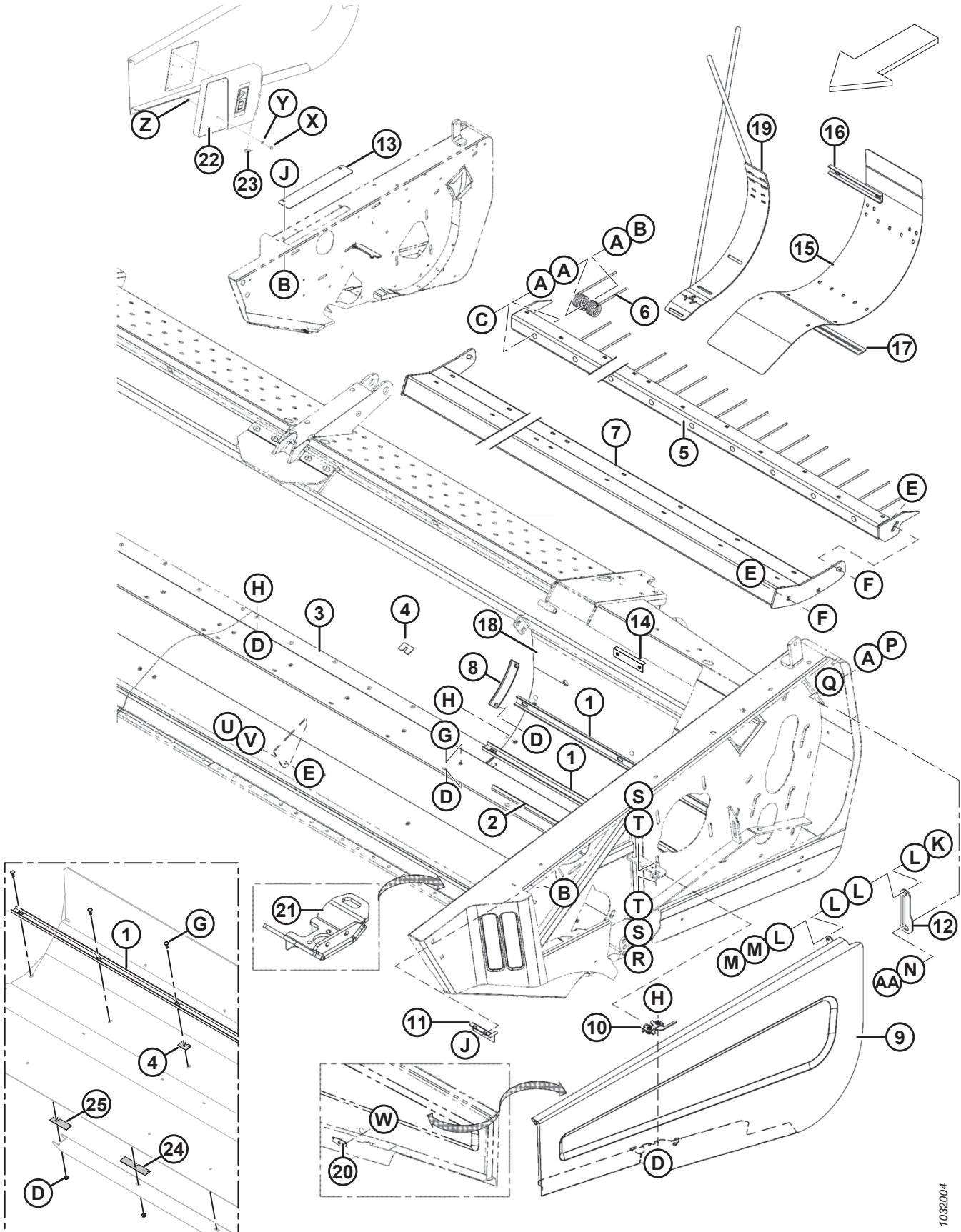
1032004

HEADER FRAME, DEFLECTORS, AND SHIELDS

Ref	Part Number	Description	Qty	Serial Number
1	143519	CHANNEL – STRIPPER (14 FT) ¹	4	
	143520	CHANNEL – STRIPPER (16 FT) ¹	4	
	143521	CHANNEL – STRIPPER (18 FT) ¹	4	
2	124300	STRIPPER – FRONT (14 FT)	2	-174609
	124301	STRIPPER – FRONT (16 FT)	2	-174609
	124302	STRIPPER – FRONT (18 FT)	2	-174609
	170008	STRIPPER – FRONT (14 FT, 14–16 FT GS) ²	2	174610–
	170009	STRIPPER – FRONT (16 FT)	2	174610–
	170010	STRIPPER – FRONT (18 FT)	2	174610–
3	143974	PAN – MOLDED (14 FT)	2	
	143976	PAN – MOLDED (16 FT)	2	
	143977	PAN – MOLDED (18 FT)	2	
4	155101	SHIM – STRIPPER ³	A/R	
5	143985	ANGLE	1	
6	47681	FINGER – DOUBLE	12	
7	143987	SUPPORT	1	
8	143950	DEFLECTOR	2	
9	170594	SHIELD – WELDT, LH (2015 AND LATER) ⁴	1	266820–
	170702	KIT – AUGER ENDSHIELD, LH (2005–2014) ⁵	1	-266819
	318018	SHIELD – WELDT, RH (2015 AND LATER)	1	266820–
	170718	KIT – AUGER ENDSHIELD, RH (2005–2014) ⁵	1	-266819
10	134003	LATCH – SHIELD	2	
11	140058	PIN – LH	1	
	140059	PIN – RH	1	
12	170600	SUPPORT – SHIELD	2	
13	124888	PLATE – COVER, RH END FRAME (A40D ONLY) ⁶	1	
14	170011	ANGLE – STRIPPER EXTENSION ⁷	2	
15	124855	PAN – EXTENSION, GRASS SEED HEADER ⁸	2	
16	124842	CHANNEL – STRIPPER EXTENSION, GRASS SEED HEADER ⁸	4	
17	170246	PLATE – STRIPPER BAR SUPPORT, GRASS SEED HEADER ⁸	2	
18	124864	PAN – 14 FT. GRASS SEED HEADER ⁸	2	
	124865	PAN – 16 FT. GRASS SEED HEADER ⁸	2	

1. For grass seed headers: quantity = 2.
2. Also used on 14–16 ft. grass seed headers.
3. Shims are used to adjust clearance between auger and stripper bar. Insert shims (MD #155101) as required at stripper bar bolts, for a maximum of four shims per bolt location. If more than four shims are required, use shims (MD #155150 and 155151) under the pan (between the pan and header frame).
4. Replacement part for LH shield (MD #143344) once part is depleted. LH shield (MD #170594) is required for A40D Headers with MD #155148 reel drive motors. When replacing a shield, a new shield support (MD #170600) is also required.
5. Includes endshield, support (MD #170600), and instructions.
6. A40D only.
7. Not required for grass seed headers.
8. Used on grass seed headers.

HEADER FRAME, DEFLECTORS, AND SHIELDS



1032004

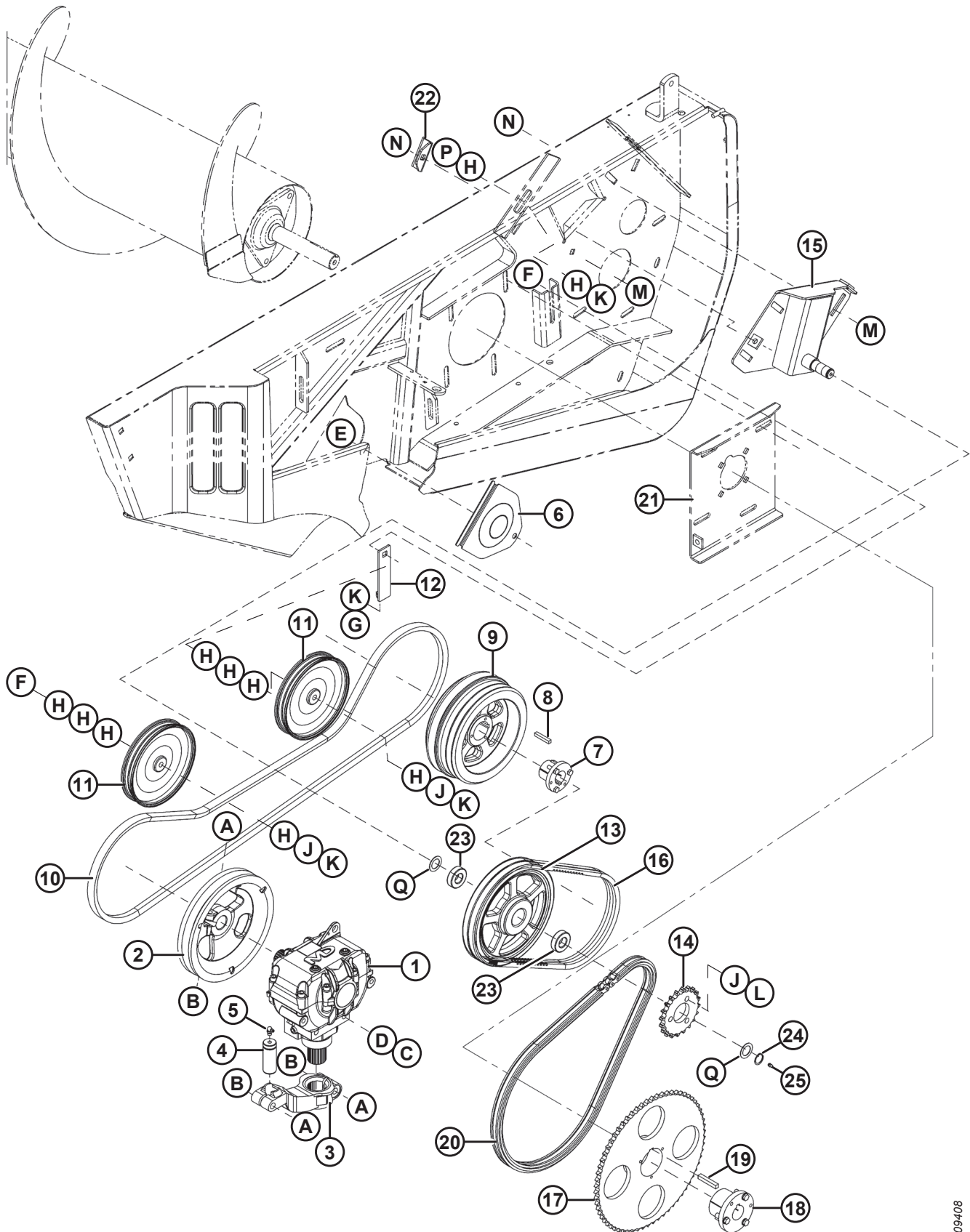
HEADER FRAME, DEFLECTORS, AND SHIELDS

Ref	Part Number	Description	Qty	Serial Number
19	124850	DEFLECTOR – LH, GRASS SEED HEADER ⁸	1	
	124851	DEFLECTOR – RH, GRASS SEED HEADER ⁸	1	
20	170342	GUIDE – ENDSHIELD LATCH ⁹	2	
21	318012	KIT – WOBBLE BOX MOUNT, LH ¹⁰	1	
	318013	KIT – WOBBLE BOX MOUNT, RH ¹⁰	1	
22	118234	CASE – MANUALS	1	
23	21763	FASTENER – CABLE TIE, BLACK	1	
24	155151	SHIM ³	A/R	
25	155150	SHIM ³	A/R	
A	18599	WASHER – FLAT, 17/32 I.D. X 1-1/16 IN. O.D.		
B	30228	NUT – SMOOTH FLANGE, 3/8 NC, DT		
C	19966	BOLT – RHSN, 3/8 NC X 1-1/4 IN., GR. 5		
D	30280	NUT – SMOOTH FLANGE, 5/16 NC, GR. 5		
E	50186	NUT – LOCK, SMOOTH FLANGE, 1/2 NC, DT, GR. 5		
F	21471	BOLT – RHSN, 1/2 NC X 1-1/4 IN., GR. 5		
G	21282	BOLT – RHSN, 5/16 NC X 1 IN., GR. 5		
H	252755	SCREW – CSK SOC HD 5/16-18 X 1.25-GR5-AFOC		
J	21863	BOLT – RHSN, 3/8 NC X 3/4 IN., GR. 5		
K	50004	BOLT – HEX HEAD, 3/8 NC X 1-1/4 IN., TFL, GR. 5		
L	18598	WASHER – FLAT, 13/32 I.D. X 13/16 IN. O.D.		
M	18590	NUT – HEX, 3/8 NC, GR. 5		
N	18591	NUT – HEX, 1/2 NC, GR. 5		
P	30528	BOLT – HEX HEAD, 1/2 NC X 3-1/2 IN., GR. 5		
Q	21383	NUT – SERRATED FLANGE, 1/2 NC		
R	184673	BOLT – HEX HEAD, M12 X 1.75 X 90-10.9-A3L		
S	184696	NUT – HEX THIN M12 X 1.75-05-AA1J		
T	4761	WASHER – FLAT, 13.5 MM I.D. X 35 MM O.D. X 4.5 MM THICK		
U	21491	BOLT – HEX HEAD, 1/2 NC X 1-1/4 IN. GR.5		
V	18599	WASHER – FLAT, 17/32 IN. I.D.		
W	14338	RIVET – BLIND, 1/8 X .125		
X	21572	BOLT – HEX, 1/4 NC X .625 LG, GR. 5 ZN PL		
Y	18596	WASHER – FLAT 9/32 I.D. X 5/8 O.D. ZN PL		
Z	18635	WASHER – REGULAR LOCK 1/4 IN. NOM. I.D. ZN PL		
AA	135581	NUT – HEX CTR LK DT 3/8-16 UNC GR5 AA1J		

9. For Export units only.

10. Kit includes support, brace, decal, and instructions.

2 A30S Drive Components – Left End



1009408

A30S DRIVE COMPONENTS – LEFT END

NOTE:

Right end knife drive components same as left end, except as noted. Refer to Section 4 *A30S and A30D Drive Components – Right End, page 13*.

Ref	Part Number	Description	Qty	Serial Number
1	100532	DRIVE – KNIFE DRIVE BOX ¹¹	1	
2	252752	PULLEY – KNIFE DRIVE BOX, DRIVE	1	
3	174992	ARM – DRIVE, KNIFE DRIVE BOX	1	
4	113229	PIN – KNIFEHEAD	1	
5	21194	FITTING – LUBE, ELBOW 90°, 1/8 IN. NPT	1	
6	143778	SHIELD – KNIFE DRIVE BOX ACCESS COVER ¹²	1	
7	115074	BUSHING – TAPER	1	
8	17194	KEY – PULLEY	1	
9	142836	PULLEY – KNIFE DRIVE	1	-195759
	171106	PULLEY – KNIFE DRIVE	1	195760-
10	142833	BELT – KNIFE DRIVE	1	
11	21862	PULLEY – IDLER	2	
12	143572	BAR – ADJUSTER	1	
13	143837	PULLEY – AUGER DRIVE	1	
14	143867	SPROCKET – 22 TEETH	1	-195759
	171040	SPROCKET – 20 TEETH	1	195760-
15	143575	SUPPORT – ADJUSTER	1	
16	124580	BELT – DOUBLE, MATCHED SET OF 2, AUGER DRIVE ¹³	1	
17	124742	SPROCKET – 60 TEETH	1	
18	124640	BUSHING – SPLIT TAPER, 1-1/2 IN. BORE	1	
19	33304	KEY – SPROCKET	1	
20	124619	CHAIN – ROLLER, #60H	1	
	16659	CONNECTOR LINK – FOR CHAIN (MD #124619)	1	
21	REF	SUPPORT – LH, AUGER ¹⁴	1	
22	124757	BRACKET – GEARBOX SUPPORT	1	
23	21062	BEARING – ROLLER	2	
24	18898	RING – SNAP	1	
25	18671	FITTING – LUBE, STRAIGHT, 1/4	1	
A	21583	BOLT – HEX HEAD, 5/8 NC X 3 IN., GR. 5		
B	18666	NUT – HEX, 5/8 NC, DT		
C	120899	BOLT – HEX HEAD, 5/8 X 1-3/4 IN., L9		
D	120901	WASHER – FLAT, 5/8 IN. I.D., HARDENED, L9		
E	30693	BOLT – SERRATED FLANGE HEAD, 3/8 NC X 1/2 IN.		
F	30027	BOLT – RHSN, 1/2 NC X 2-1/4 IN., GR. 5		
G	50226	BOLT – HEX HEAD, 1/2 NC X 6-1/2 IN., TFL, GR. 5		

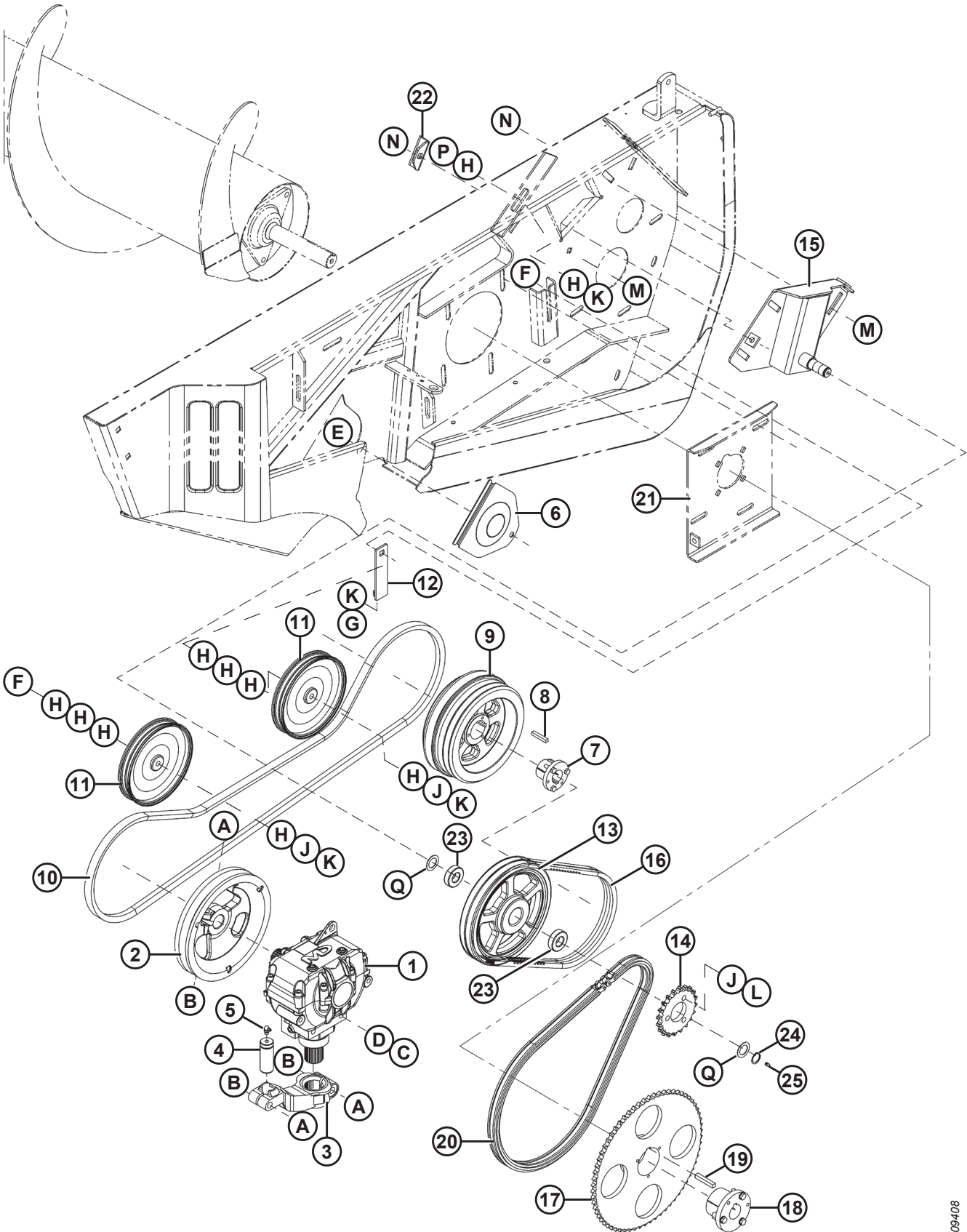
11. For service parts, refer to Section 6 *Knife Drive Box, page 21*.

12. Knife drive box access cover.

13. For auger drive; double belt, matched set of 2.

14. Refer to Section 18 *A30S and A30D Auger and Mounts, page 55*.

A30S DRIVE COMPONENTS – LEFT END

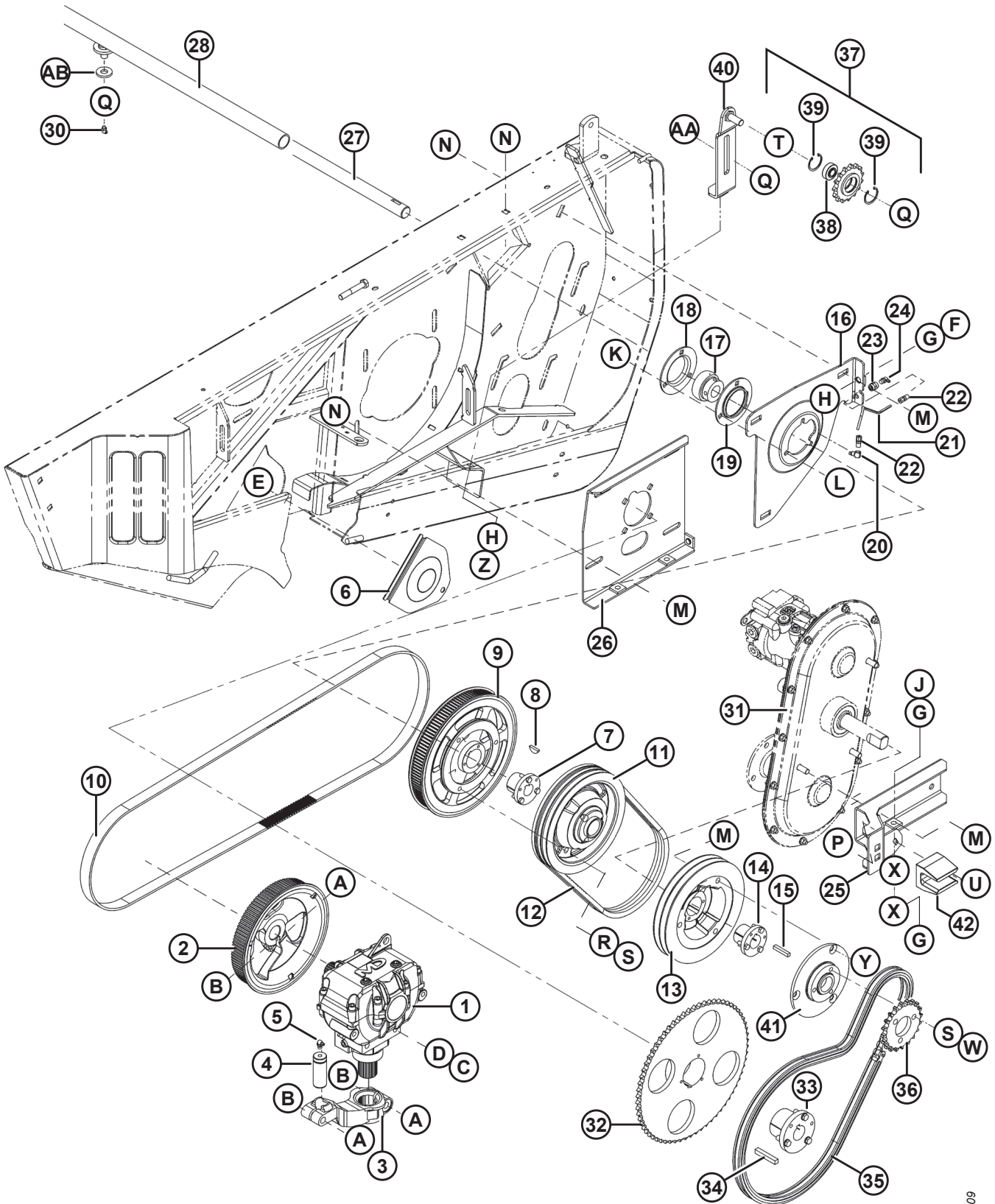


1009408

A30S DRIVE COMPONENTS – LEFT END

Ref	Part Number	Description	Qty	Serial Number
H	18599	WASHER – FLAT, 17/32 I.D. X 1-1/16 IN. O.D.		
J	18638	WASHER – LOCK, 1/2 IN. I.D.		
K	18591	NUT – HEX, 1/2 NC, GR. 5		
L	21491	BOLT – HEX HEAD, 1/2 NC X 1-1/4 IN., GR. 5		
M	50186	NUT – LK, SMTH FLG, 1/2 NC, DT		
N	21066	BOLT – RHSN, 1/2 NC X 1 IN., GR. 5		
P	30528	BOLT – HEX HEAD, 1/2 NC X 3-1/2 IN., TFL, GR. 5		
Q	142811	WASHER – FLAT		

3 A30D Drive Components – Left End



1009409

A30D DRIVE COMPONENTS – LEFT END

NOTE:

Right end knife drive components same as left end, except as noted. Refer to Section 4 *A30S and A30D Drive Components – Right End, page 13*.

Ref	Part Number	Description	Qty	Serial Number
1	100532	KNIFE DRIVE BOX ¹⁵	2	
2	252754	PULLEY – KNIFE DRIVE BOX, DRIVE	2	
3	174992	ARM – DRIVE, KNIFE DRIVE BOX	2	
4	113229	PIN – KNIFEHEAD	2	
5	21194	FITTING – LUBE, ELBOW 90°, 1/8 IN. NPT	2	
6	143778	SHIELD – KNIFE DRIVE BOX ACCESS COVER ¹⁶	2	
7	30034	BUSHING – TAPER LOCK	2	
8	13298	KEY – WOODRUFF	2	
9	143707	SPROCKET – 122 TEETH, TIMING BELT	2	
10	38926	BELT – TIMING	2	
11	143730	PULLEY – 2B GROOVE	1	
12	124580	BELT – DOUBLE, MATCHED SET OF 2 ¹⁷	1	
13	143700	PULLEY – DRIVER	1	
14	115074	BUSHING – TAPER LOCK	1	
15	17194	KEY – 5/16 IN. SQUARE X 48 MM LONG	1	
16	124087	SUPPORT – CROSS SHAFT LEFT	1	
	124088	SUPPORT – CROSS SHAFT RIGHT	1	
17	124336	BEARING – BALL, WITH LOCKING COLLAR	2	
18	30602	FLANGE – BEARING	2	
19	124337	FLANGE – BEARING, WITH FITTING HOLE	2	
20	50187	FITTING – ELBOW	2	
21	143234	TUBE – PLASTIC	2	
22	120366	FITTING – CONNECTOR	4	
23	30007	FITTING – UNION	2	
24	21194	FITTING – LUBE, 90°	2	
25	171024	ANGLE – ADJUSTER	1	
26	REF	SUPPORT – AUGER, LEFT ¹⁸	1	
27	143190	SHAFT – CROSS, 16 FT.	1	
	143191	SHAFT – CROSS, 18 FT.	1	
28	143245	TUBE – CROSS-SHAFT	1	
30	21301	FITTING – LUBE	2	
31	REF	GEARBOX – CONDITIONER DRIVE ¹⁹	1	
32	124742	SPROCKET – 60 TEETH	1	
33	124640	BUSHING – SPLIT TAPER, 1-1/2 IN. BORE	1	
34	33304	KEY – SPROCKET	1	

15. For service parts, refer to Section 6 *Knife Drive Box, page 21*.

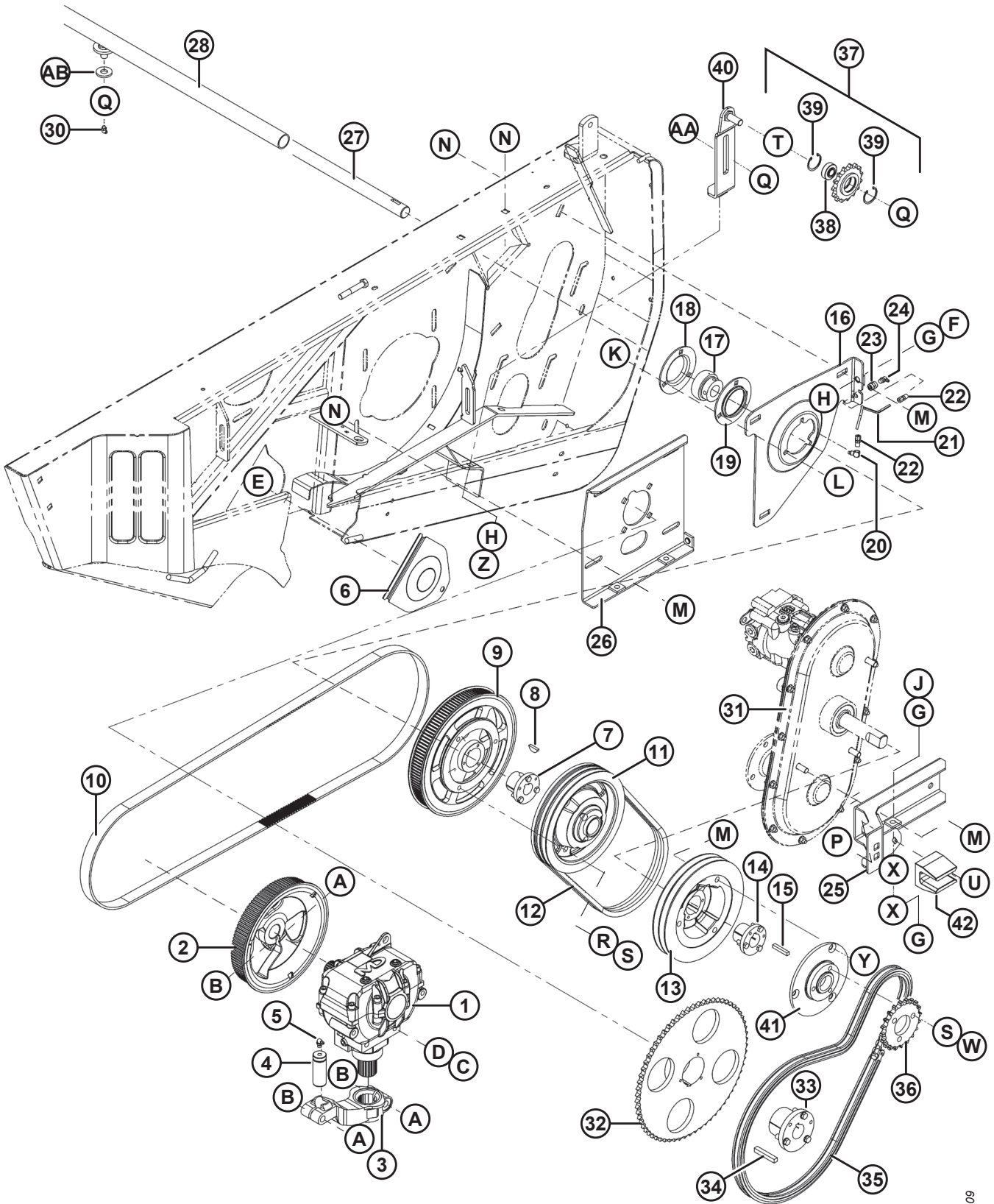
16. Knife drive box access cover.

17. Double belt, matched set of 2.

18. Refer to Section 18 *A30S and A30D Auger and Mounts, page 55*.

19. Refer to Section 7 *Gearbox – Conditioner Drive, page 23*.

A30D DRIVE COMPONENTS – LEFT END

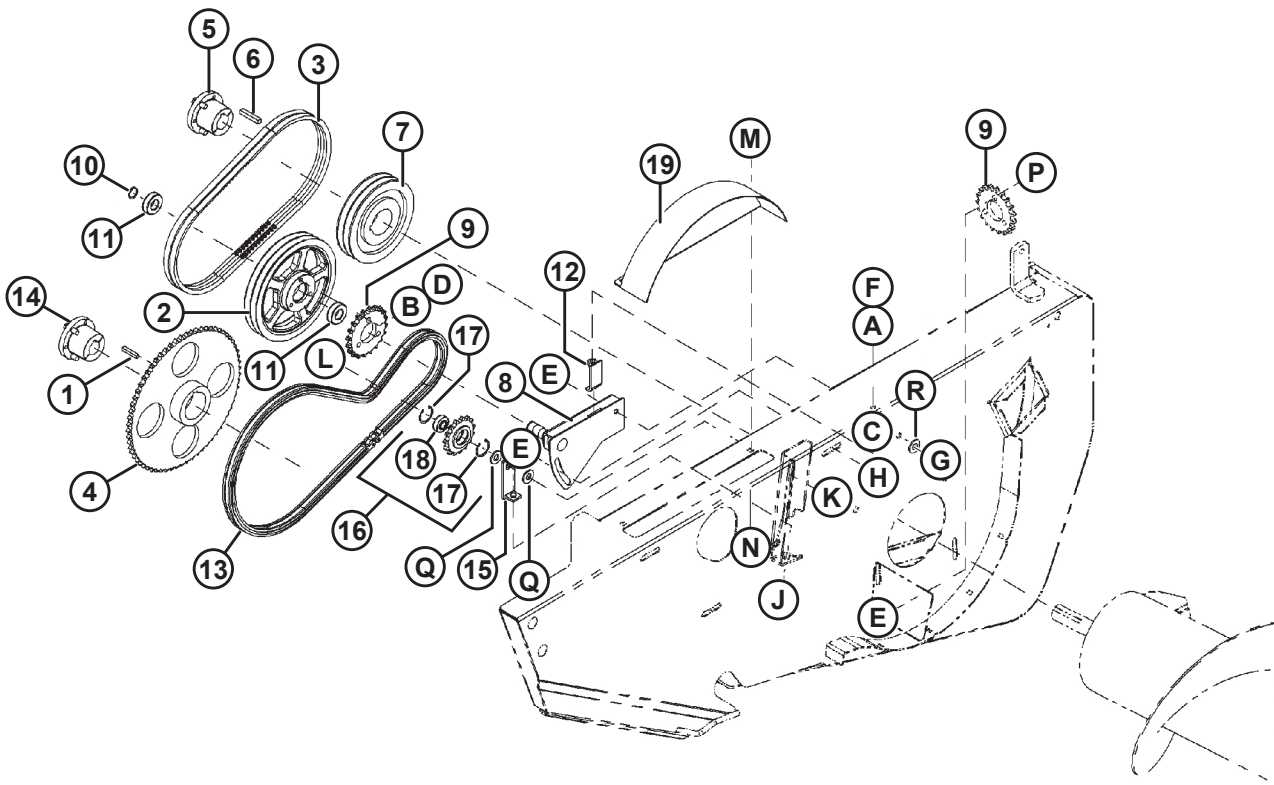


1009409

A30D DRIVE COMPONENTS – LEFT END

Ref	Part Number	Description	Qty	Serial Number
35	124625	CHAIN – ROLLER, #60H	1	
	16659	CONNECTOR LINK – FOR CHAIN (MD #124625)	1	
36	171040	SPROCKET – 20 TEETH	1	
37	9333	SPROCKET ASSEMBLY	1	
38	9213	BEARING – BALL	1	
39	795	RING – RETAINING	2	
40	171020	BRACKET – ADJUSTING, IDLER SPROCKET	1	
41	171012	HUB – MACHINED	1	
42	39274	GUIDE – PLASTIC	1	
A	21583	BOLT – HEX HEAD, 5/8 NC X 3 IN., GR. 5		
B	18666	NUT – HEX, 5/8 NC, DT		
C	120899	BOLT – HEX HEAD, 5/8 X 1-3/4 IN., L9		
D	120901	WASHER – FLAT, 5/8 IN. I.D., HRND, L9		
E	30693	BOLT – SERRATED FLANGE HEAD, 3/8 NC X 1/2 IN.		
F	30299	BOLT – HEX HEAD, 1/2 NC X 4 IN., GR. 5		
G	18599	WASHER – FLAT, 17/32 I.D. X 1-1/16 IN. O.D.		
H	18591	NUT – HEX, 1/2 NC, GR. 5		
J	30299	BOLT – HEX HEAD, 1/2 NC X 4 IN., THREAD FULL LG, GR. 5		
K	19965	BOLT – RHSN, 3/8 NC X 1 IN.		
L	30228	NUT – SMOOTH FLANGE, 3/8 NC, DT		
M	50186	NUT – LOCK, SMOOTH FLANGE, 1/2 NC, DT		
N	21066	BOLT – RHSN, 1/2 NC X 1 IN., GR. 5		
P	21452	NUT – SERRATED FLANGE, 3/8 NC		
Q	50225	NUT – SMOOTH FLANGE, 5/8 NC, DT		
R	18723	BOLT – HEX HEAD, 1/2 NC X 1-1/2 IN.		
S	18638	WASHER – LOCK, 1/2 IN. I.D.		
T	18600	WASHER – FLAT, 21/32 IN. I.D.		
U	19966	BOLT – RHSN, 3/8 NC X 1-1/4 IN.		
V	18524	BOLT – RHSN, 5/8 NC X 2 IN.		
W	21491	BOLT – HEX HEAD, 1/2 NC X 1-1/4 IN., GR. 5		
X	21056	NUT – HEX JAM, 1/2 NC		
Y	137503	BOLT – CSK SOCK 1/2 NC X 1.75 GR. 5 ZN PL		
Z	50226	BOLT – HEX HEAD, 1/2 NC X 6.5 IN, THREAD FULL LG, GR 5		
AA	18523	BOLT – RHSN, 5/8 NC X 1.5 IN. GR 5		
AB	135412	WASHER – FLAT		

4 A30S and A30D Drive Components – Right End



A30S AND A30D DRIVE COMPONENTS – RIGHT END

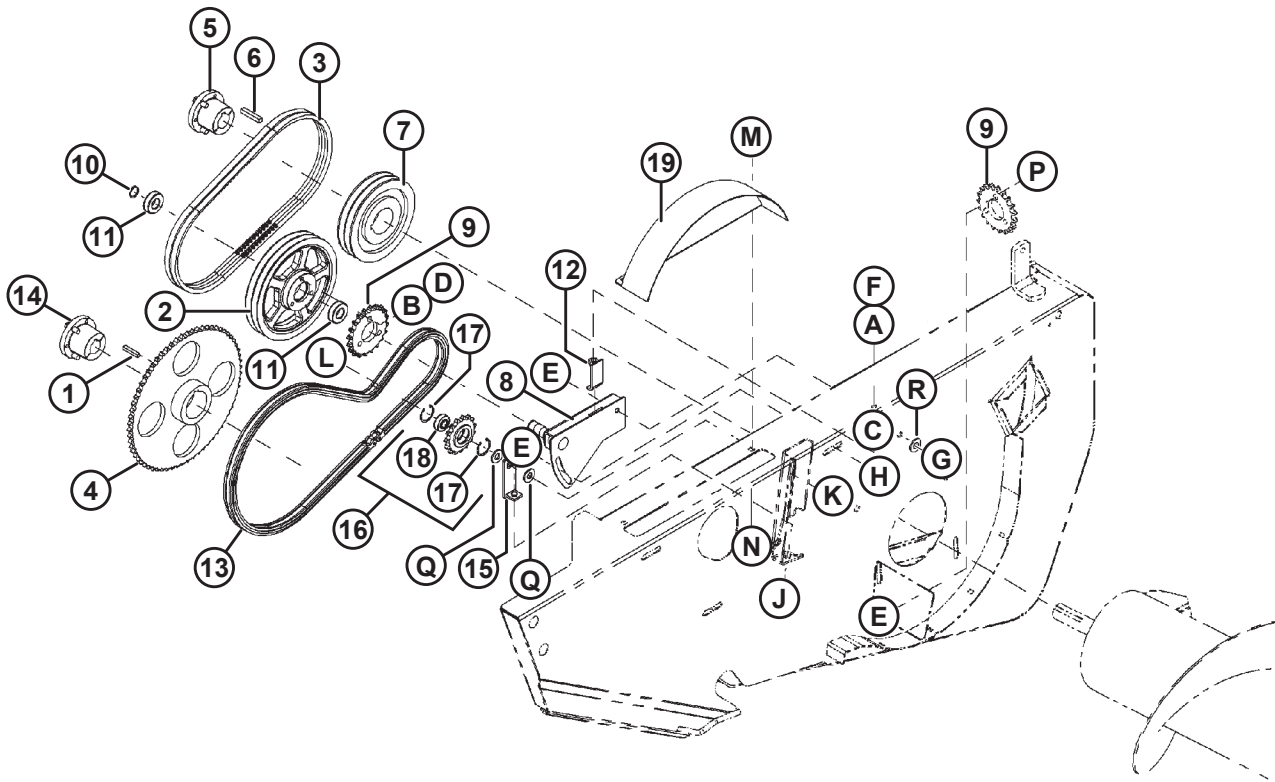
Ref	Part Number	Description	Qty	Serial Number
1	17194	KEY – SPROCKET	1	
2	143837	PULLEY – AUGER	1	
3	124580	BELT – DOUBLE, MATCHED SET OF 2 ²⁰	1	
4	124742	SPROCKET – 60 TEETH	1	
5	124640	BUSHING – SPLIT TAPER, 1-1/2 IN. BORE	1	
6	33304	KEY – PULLEY	1	
7	143872	PULLEY – AUGER DRIVE ²¹	1	–195759
	171041	PULLEY – AUGER DRIVE	1	195760–
8	140041	ARM – REEL DRIVE	1	
9	143867	SPROCKET – 22 TEETH, AS SHIPPED ²¹	1	–195759
	171040	SPROCKET – 20 TEETH, AS SHIPPED	1	195760–
	143843	SPROCKET – 19 TEETH, STORED IN RH ENDSHIELD WELL	1	
	143869	SPROCKET – 26 TEETH	OPT	
10	18898	RING – RETAINING, EXTERNAL	1	
11	21062	BEARING – BALL, C/W SEALS	2	
12	140046	BRACKET – ADJUSTER	1	
13	124625	CHAIN – ROLLER, #60H	1	
	16659	CONNECTOR LINK ²²	A/R	
14	124755	BUSHING – SPLIT TAPER, 1-3/8 IN. BORE	1	
15	124472	SUPPORT – ANGLE	1	
16	9333	SPROCKET ASSEMBLY	1	
17	795	RING – RETAINING	2	
18	9213	BEARING – BALL	1	
19	140055	SHIELD – SPROCKET AND CHAIN	1	
A	18599	WASHER – SAE FLAT, 17/32 IN. I.D. X 1-1/16 IN. O.D. ZN PL		
B	18638	WASHER – LOCK, 1/2 IN. I.D.		
C	18591	NUT – HEX, 1/2 NC, GR. 5		
D	21491	BOLT – HEX HEAD, 1/2 NC X 1-1/4 IN., GR. 5		
E	50186	NUT – LOCK, SMOOTH FLANGE, 1/2 NC, DT		
F	30528	BOLT – HEX HEAD, 1/2 NC X 3-1/2 IN., TFL, GR. 5		
G	21578	BOLT – HEX HEAD, 1/2 NC X 2-1/4 IN., GR. 5		
H	21868	BOLT – ROUND HEAD, SQUARE NECK, 1/2 NC X 1 IN., GR. 5		
J	50226	BOLT – HEX HEAD, 1/2 NC X 6-1/2 IN., TFL, GR. 5		
K	18524	BOLT – RHSN, 5/8 NC X 2 IN., GR. 5		
L	50225	NUT – SMOOTH FLANGE, 5/8 NC, DT		
M	21863	BOLT – RHSN, 3/8 NC X 3/4 IN., GR. 5		
N	30228	NUT – SMOOTH FLANGE, 3/8 NC, DT		
P	21491	BOLT – HEX HEAD, 1/2 NC X 1-1/4 IN., GR. 5 ²¹		–195759
	18723	BOLT – HEX HEAD, 1/2 NC X 1.5 LG, TFL, GR. 5, ZN PL		195760–

20. Double belt, matched set of 2.

21. For A30S Headers with serial number 195759 and prior only.

22. Service part for chain (MD #124625).

A30S AND A30D DRIVE COMPONENTS – RIGHT END

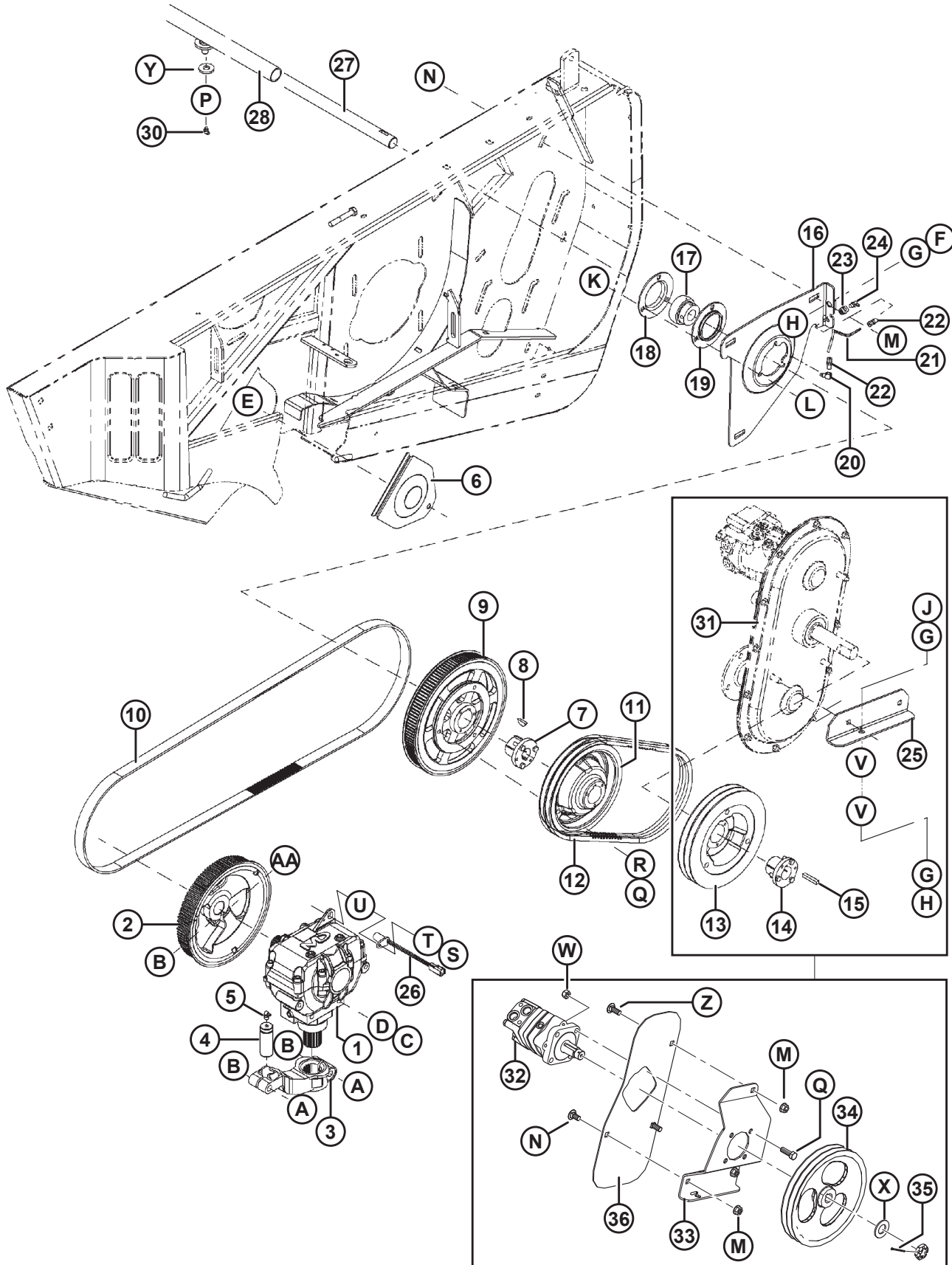


1009410

A30S AND A30D DRIVE COMPONENTS – RIGHT END

Ref	Part Number	Description	Qty	Serial Number
Q	30441	WASHER – FLAT, HARDENED		
R	143108	WASHER – FLAT		

5 A40D and A40DX Drive Components



1027082

A40D AND A40DX DRIVE COMPONENTS

NOTE:

Right end knife drive components are the same as the left end, except where noted in the parts list.

Ref	Part Number	Description	Qty	Serial Number
1	100532	KNIFE DRIVE BOX ²³	2	
2	252754	PULLEY ASSY – KNIFE DRIVE BOX, DRIVE ²⁴	2	
3	174992	ARM – DRIVE, KNIFE DRIVE BOX	2	
4	113229	PIN – KNIFEHEAD	2	
5	21194	FITTING – LUBE, ELBOW 90°, 1/8 IN. NPT	2	
6	143778	SHIELD – KNIFE DRIVE BOX ACCESS COVER ²⁵	2	
7	30034	BUSHING – TAPER LOCK	2	
8	13298	KEY – WOODRUFF	2	
9	143707	SPROCKET – 122 TEETH, TIMING BELT	2	
10	38926	BELT – TIMING	2	
11	143730	PULLEY – 2B GROOVE	1	
12	124580	BELT – DOUBLE, MATCHED SET OF 2 ²⁶	1	
13	143700	PULLEY – DRIVER	1	
14	140384	BUSHING – TAPER LOCK ²⁷	1	
15	17194	KEY – 5/16 IN. SQUARE X 48 MM LONG ²⁷	1	
16	124087	SUPPORT – CROSS SHAFT, LEFT	1	
	124088	SUPPORT – CROSS SHAFT, RIGHT	1	
17	124336	BEARING – BALL, WITH LOCKING COLLAR	2	
18	30602	FLANGE – BEARING	2	
19	124337	FLANGE – BEARING, WITH FITTING HOLE	2	
20	50187	FITTING – ELBOW	2	
21	143234	TUBE – PLASTIC	2	
22	120366	FITTING – CONNECTOR	4	
23	30007	FITTING – UNION	2	
24	21194	FITTING – LUBE, 90°	2	
25	124994	ANGLE – ADJUSTER	1	
26	143875	SENDER – SPEED	1	
27	143189	SHAFT – CROSS, 14 FT.	1	
	143190	SHAFT – CROSS, 16 FT.	1	
	143191	SHAFT – CROSS, 18 FT.	1	
28	143245	TUBE – CROSS-SHAFT	1	
30	21301	FITTING – LUBE	2	
31	REF	GEARBOX – CONDITIONER DRIVE ²⁸	1	
32	145767	KNIFE DRIVE MOTOR – OMS 100, C/W NUT AND KEY ²⁹	1	
	132421	SEAL KIT – FOR MOTOR (MD #145767) ²⁹	1	

23. For service parts, refer to Section [6 Knife Drive Box](#), page 21.

24. Includes bolt (MD #21406) and nut (MD #18666).

25. Knife drive box access cover.

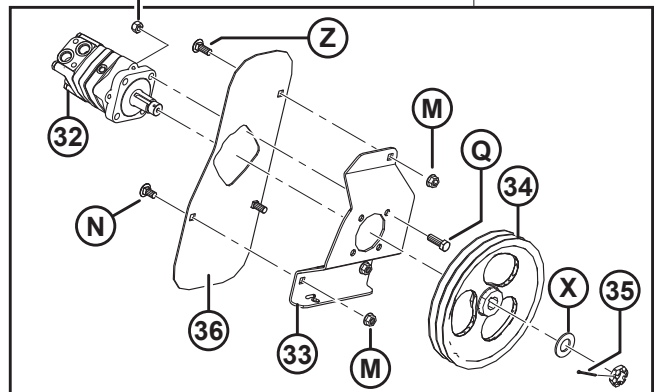
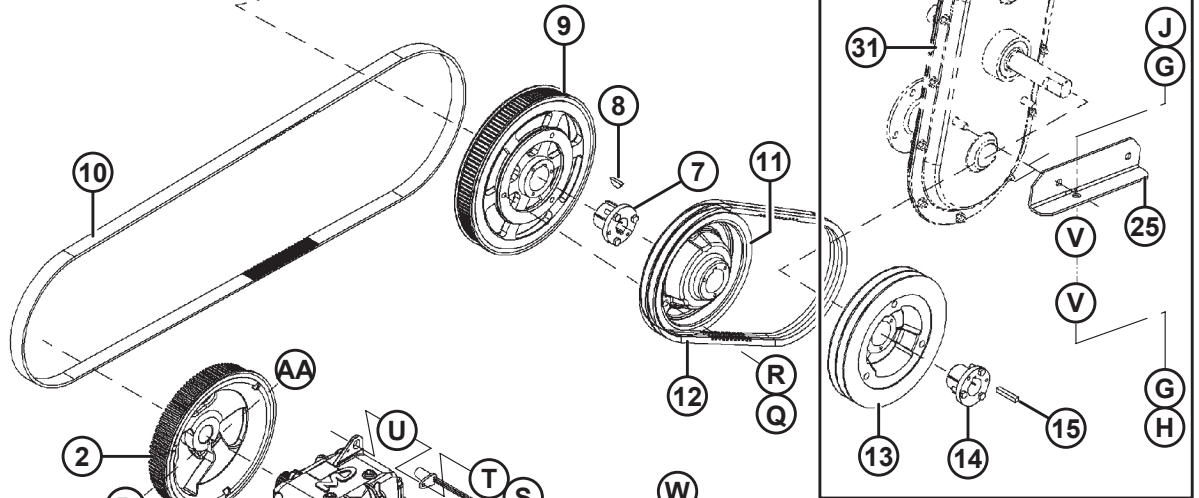
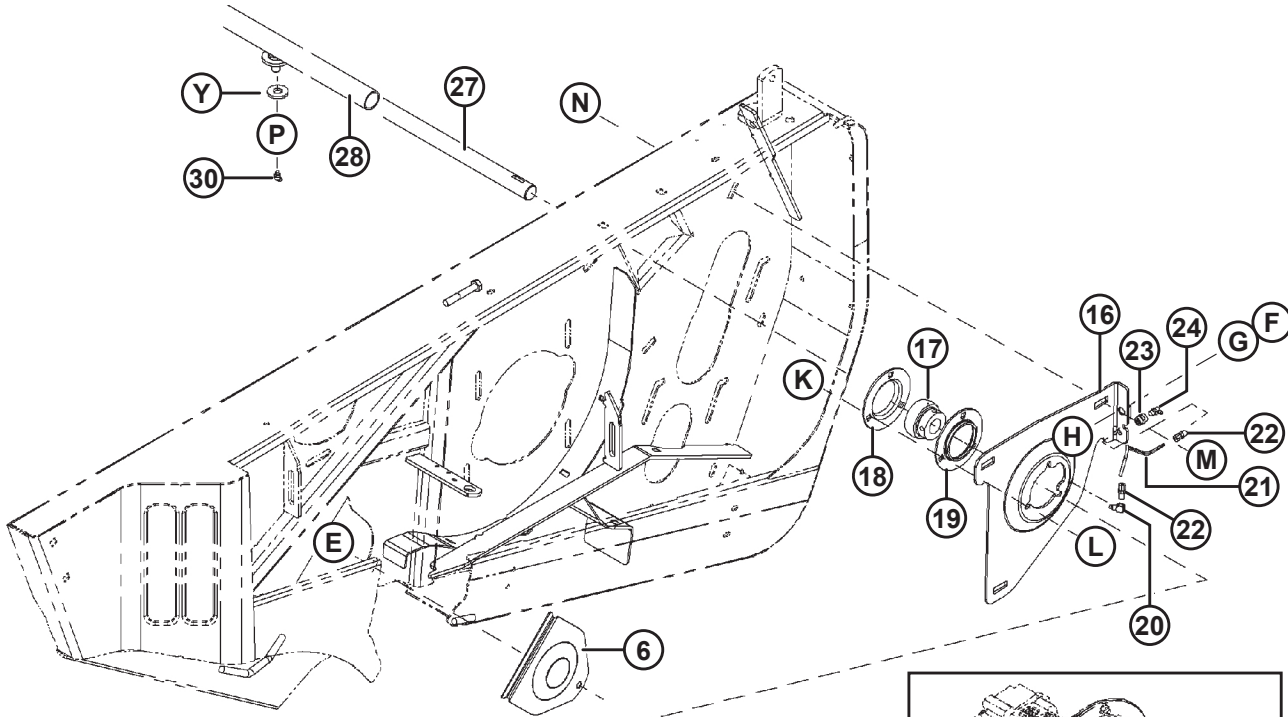
26. Double belt, matched set of 2.

27. Quantities for A40 Grass Seed 14 and 16 ft. = 0.

28. Refer to Section [7 Gearbox – Conditioner Drive](#), page 23.

29. Grass seed headers only.

A40D AND A40DX DRIVE COMPONENTS

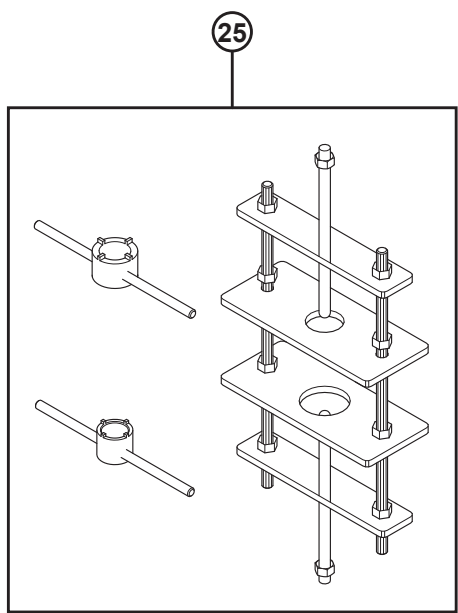
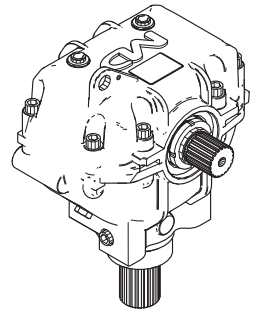
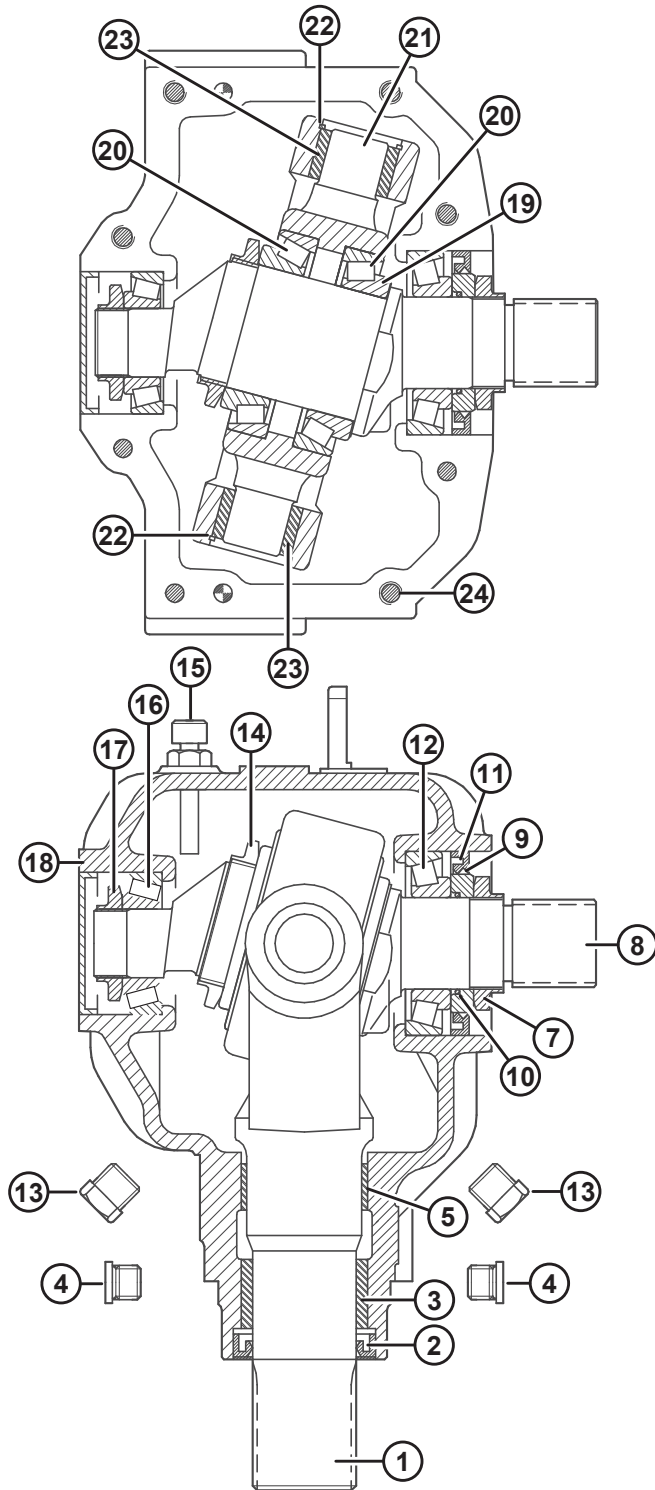


1027082

A40D AND A40DX DRIVE COMPONENTS

Ref	Part Number	Description	Qty	Serial Number
33	124820	CHANNEL ²⁹	1	
34	124873	PULLEY – DOUBLE B ²⁹	1	
35	21006	PIN – COTTER, 1/8 X 2.0 IN. ²⁹	1	
36	124821	PLATE ²⁹	1	-321189
	170865	PLATE – KNIFE DRIVE SHIELD ²⁹	1	321190-
A	21583	BOLT – HEX HEAD, 5/8 NC X 3 IN., GR. 5		
B	18666	NUT – HEX, 5/8 NC, DT		
C	120899	BOLT – HEX HEAD, 5/8 X 1-3/4 IN., L9		
D	120901	WASHER – FLAT, 5/8 IN. I.D., HRND, L9		
E	30693	BOLT – SER FLANGE HEAD, 3/8 NC X 1/2 IN.		
F	30299	BOLT – HEX HEAD, 1/2 NC X 4 IN., GR. 5		
G	18599	WASHER – FLAT, 17/32 I.D. X 1-1/16 IN. O.D.		
H	18591	NUT – HEX, 1/2 NC, GR. 5		
J	30299	BOLT – HEX HEAD, 1/2 NC X 4 IN., TFL, GR. 5		
K	19965	BOLT – RHSN, 3/8 NC X 1 IN.		
L	30228	NUT – SMOOTH FLANGE, 3/8 NC, DT		
M	50186	NUT – LOCK, SMOOTH FLANGE, 1/2 NC, DT		
N	21066	BOLT – RHSN, 1/2 NC X 1 IN., GR. 5		
P	50225	NUT – SMOOTH FLANGE, 5/8 NC, DT		
Q	18723	BOLT – HEX HEAD, 1/2 NC X 1-1/2 IN.		
R	18638	WASHER – LOCK, 1/2 IN. I.D.		
S	109089	BOLT – HEX HEAD, 1/4 NF X 3/4 IN.		
T	18635	WASHER – LOCK, 1/4 I.D.		
U	18596	WASHER – FLAT, 17/32 IN. I.D.		
V	21056	NUT – HEX JAM, 1/2 NC		
W	18697	NUT – HEX LOCK DT .500-13 UNC		
X	18603	WASHER – FLAT, 1 11/16 X 2.0 IN. O.D		
Y	135412	WASHER – FLAT		
Z	21471	BOLT – RHSN 1/2-13 X 1.25 GR5 ZP		
AA	21406	BOLT – HEX HD 5/8 NC X 3.5 GR 5 ZP		

6 Knife Drive Box



1016902

KNIFE DRIVE BOX

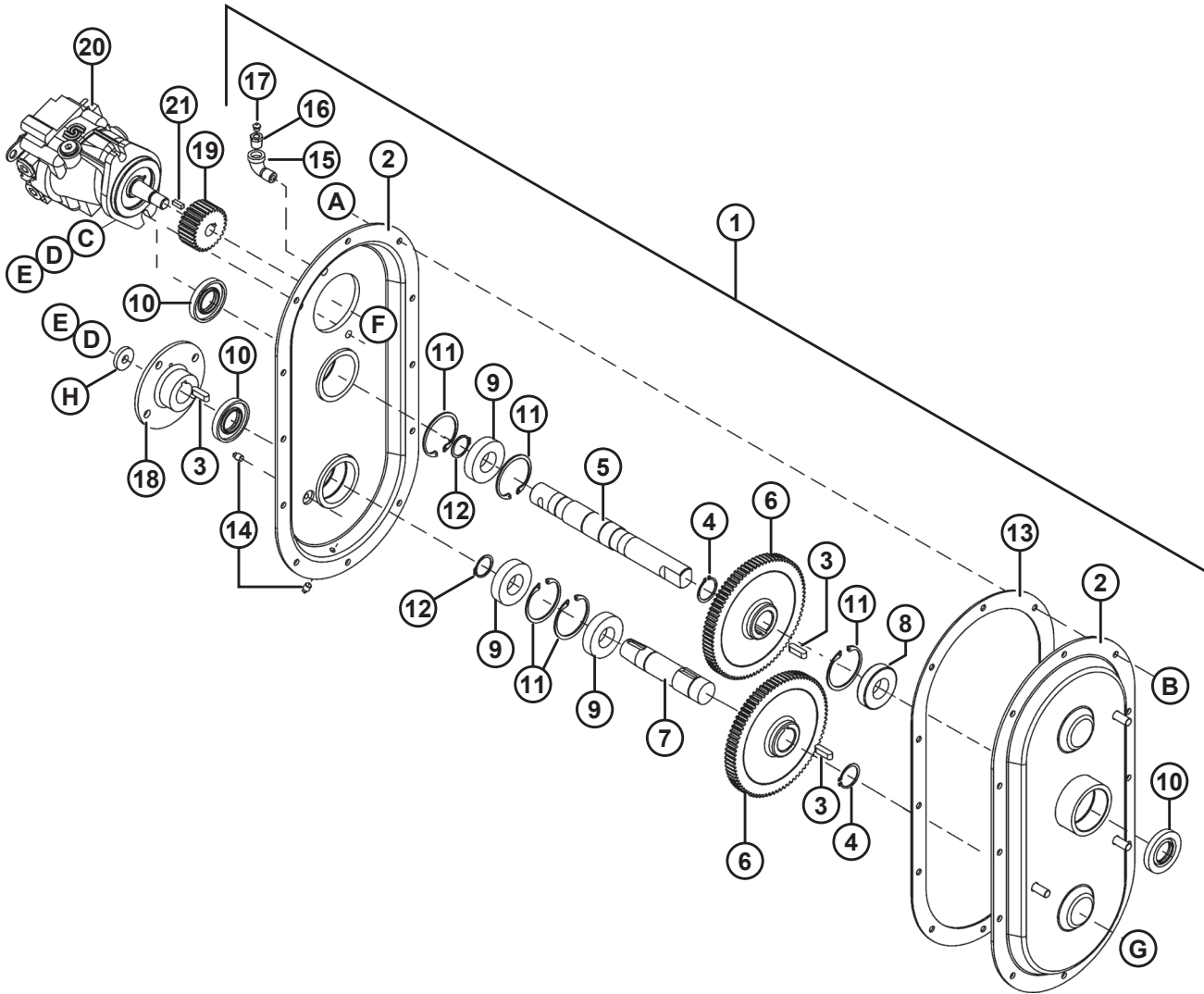
NOTE:

Apply Loctite® adhesive or equivalent to output yoke (MD #100706) and input shaft (MD #100710) before assembly.

Ref	Part Number	Description	Qty	Serial Number
	100532	DRIVE – SICKLE, COMPLETE ³⁰	1	
1	100706	YOKE – OUTPUT	1	
2	100707	SEAL – OIL, OUTPUT SHAFT	1	
3	100708	BUSHING – BRONZE	1	
4	252423	PLUG – HEX SOCKET	2	
5	100726	BUSHING – STEEL	1	
7	100709	NUT – SPECIAL	1	
8	100710	SHAFT – INPUT	1	
9	102629	SPACER – 60 MM O.D.	1	
10	100712	O-RING	1	
11	102630	SEAL – OIL, INPUT SHAFT, 60 MM I.D.	1	
12	100714	BEARING ASSEMBLY – CUP AND CONE	1	
13	103096	PLUG – OIL DRAIN	2	
14	100715	NUT – LOCK, M55 X 2 IN.	1	
15	100716	PLUG – BREATHER, C/W DIPSTICK	1	
16	100717	BEARING ASSEMBLY – CUP AND CONE	1	
17	100718	NUT – LOCK, M30 X 1.5 IN.	1	
18	100719	CAP – DUST	1	
19	113152	SHIM – INPUT SHAFT	1	
20	100720	BEARING ASSEMBLY – CUP AND CONE	2	
21	100721	PIVOT	1	
22	100722	RING – RETAINING, INTERNAL	2	
23	100723	BUSHING – BRONZE	2	
24	113153	BOLT – SOCKET HEAD, M10 X 50 MM	8	
25	139003	TOOL KIT – SICKLE DRIVE BOX DISASSEMBLY/ASSEMBLY	A/R	

30. For placement, refer to Sections *2 A30S Drive Components – Left End, page 5* or *5 A40D and A40DX Drive Components, page 17*.

7 Gearbox – Conditioner Drive



GEARBOX – CONDITIONER DRIVE

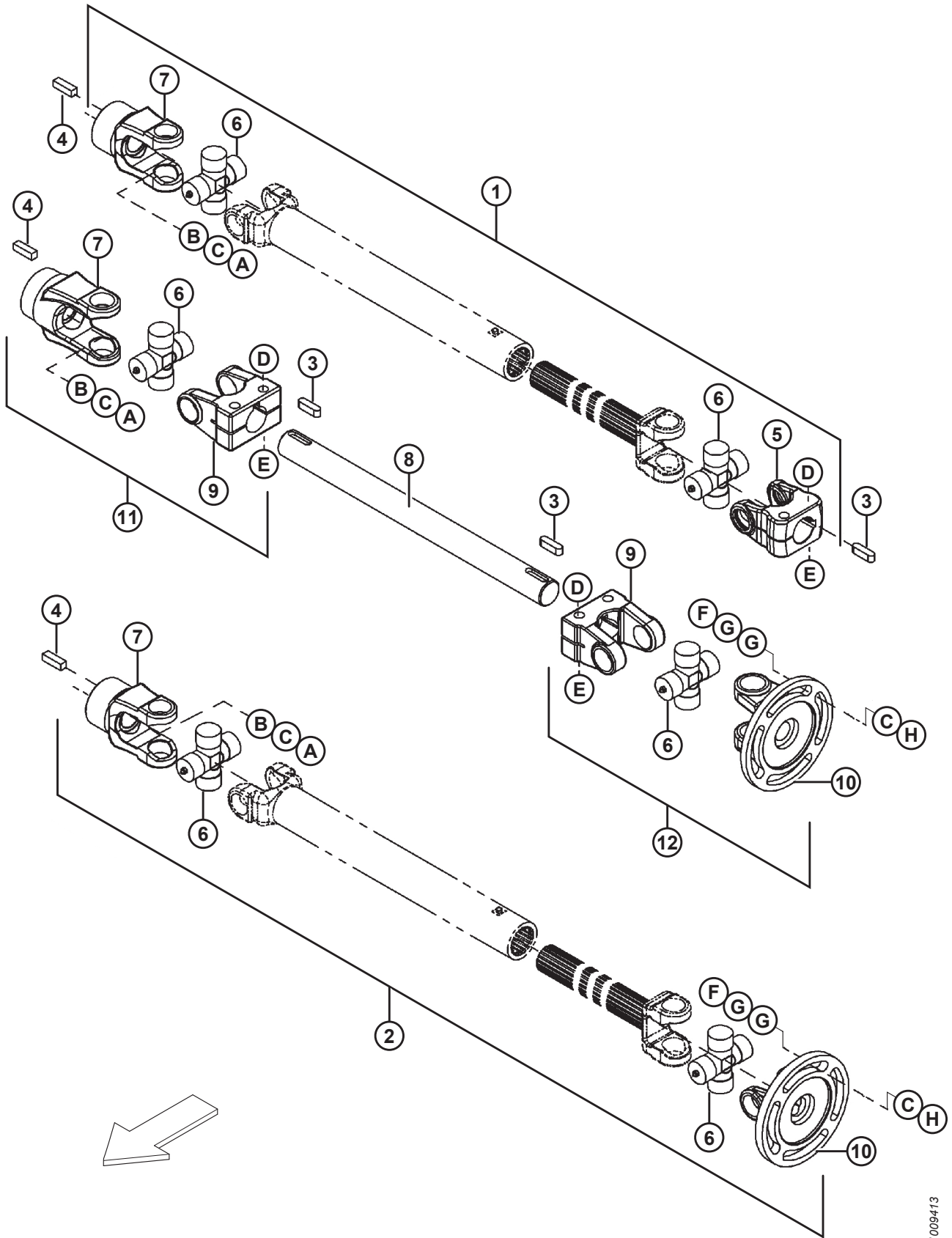
Ref	Part Number	Description	Qty	Serial Number
1	143209	ASSEMBLY – GEARBOX ³¹	1	
2	143648	HOUSING – GEARBOX, MATCHED LH AND RH PAIR ³²	1	
3	135288	KEY – SQUARE	3	
4	135289	RING – RETAINING, EXTERNAL, 1-1/2 IN. SHAFT DIAMETER	2	
5	143210	SHAFT – MACHINED	1	
6	143086	GEAR – DRIVE	2	
7	124769	SHAFT – MACHINED	1	
8	135362	BEARING – ROLLER	1	
9	135360	BEARING – BALL	3	
10	143663	SEAL – OIL	3	
11	38854	RING – RETAINING, INTERNAL	5	
12	135363	RING – RETAINING, EXTERNAL	2	
13	143661	GASKET – GEARBOX HOUSING	1	
14	21791	PLUG – PIPE, SQUARE HEAD	2	
15	5735	FITTING – HYDRAULIC, 90° ELBOW, STREET, 3/8 IN. NPT	1	
16	21024	FITTING – HYDRAULIC, REDUCER	1	
17	21425	VALVE – RELIEF	1	
18	124770	HUB – TAPERED	1	
19	143133	GEAR – PINION	1	
20	145392	MOTOR – HYDRAULIC, KNIFE DRIVE ³³	1	
	279003	SEAL – LIP (FOR HYDRAULIC MOTOR)		
21	111895	KEY – SQUARE	1	
A	20077	BOLT – HEX HEAD, 3/8 NC X 1 IN., GR. 5		
B	30228	NUT – LOCK, 3/8 NC, DT		
C	18599	WASHER – FLAT, 17/32 IN X 1-1/16 IN. O.D.		
D	18638	WASHER – LOCK, 1/2 IN. I.D.		
E	21491	BOLT – HEX HEAD, 1/2 NC X 1-1/4 IN., GR. 5		
F	112129	NUT – LOCK, 3/4 NF, DT		
G	50186	NUT – LOCK, SMOOTH FLANGE, 1/2 NC, DT		
H	18770	WASHER – FLAT, 13.5 MM I.D. X 38 MM O.D. X 6.4 MM THICK		

31. Includes items #2–18.

32. Includes LH and RH cover.

33. Includes seal (MD #279003) and key (MD #111895).

8 Conditioner Roll Drivelines



CONDITIONER ROLL DRIVELINES

Ref	Part Number	Description	Qty	Serial Number
1	170446	DRIVELINE – COMPLETE, UPPER (14 FT)	1	
	170447	DRIVELINE – COMPLETE, UPPER (16 FT)	1	
	170448	DRIVELINE – COMPLETE, UPPER (18 FT)	1	
2	170449	DRIVELINE – COMPLETE, LOWER (14 FT) ³⁴	1	
	170450	DRIVELINE – COMPLETE, LOWER (16 FT) ³⁵	1	
	170451	DRIVELINE – COMPLETE, LOWER (18 FT) ³⁵	1	
3	135288	KEY – SQUARE ³⁶		
4	7673	KEY – DRIVELINE TO CONDITIONER ROLL	2	
5	142776	YOKE – CLAMP, UPPER DRIVELINE	1	
6	142777	CROSS JOURNAL ASSEMBLY	4	
7	142783	YOKE – TAPERED	2	
8	142757	SHAFT – 14 FT. ³⁷	1	
	142758	SHAFT – 16 FT. ³⁷	1	
9	142787	YOKE – CLAMP, LOWER DRIVELINE ³⁷	2	
10	142786	YOKE – FLANGE	1	
11	142784	UNIVERSAL JOINT – CONDITIONER ROLL END ³⁷	1	
12	142785	UNIVERSAL JOINT – GEARBOX END ³⁷	1	
A	135457	BOLT – HEX HEAD, 1/2 NF X 1-1/4 IN., GR. 5		
B	18770	WASHER – FLAT, 13.5 MM I.D. X 38 MM O.D. X 6.4 MM THICK		
C	18638	WASHER – LOCK, 1/2 IN. I.D.		
D	21880	BOLT – HEX HEAD, 1/2 NC X 2-3/4 IN., GR. 5		
E	50186	NUT – LOCK, SMOOTH FLANGE, 1/2 NC, DT		
F	18723	BOLT – HEX HEAD, 1/2 NC X 1-1/2 IN., GR. 5		
G	18599	WASHER – FLAT, 17/32 IN. I.D. X 1-1/16 O.D.		
H	18591	NUT – HEX, 1/2 NC, GR. 5		

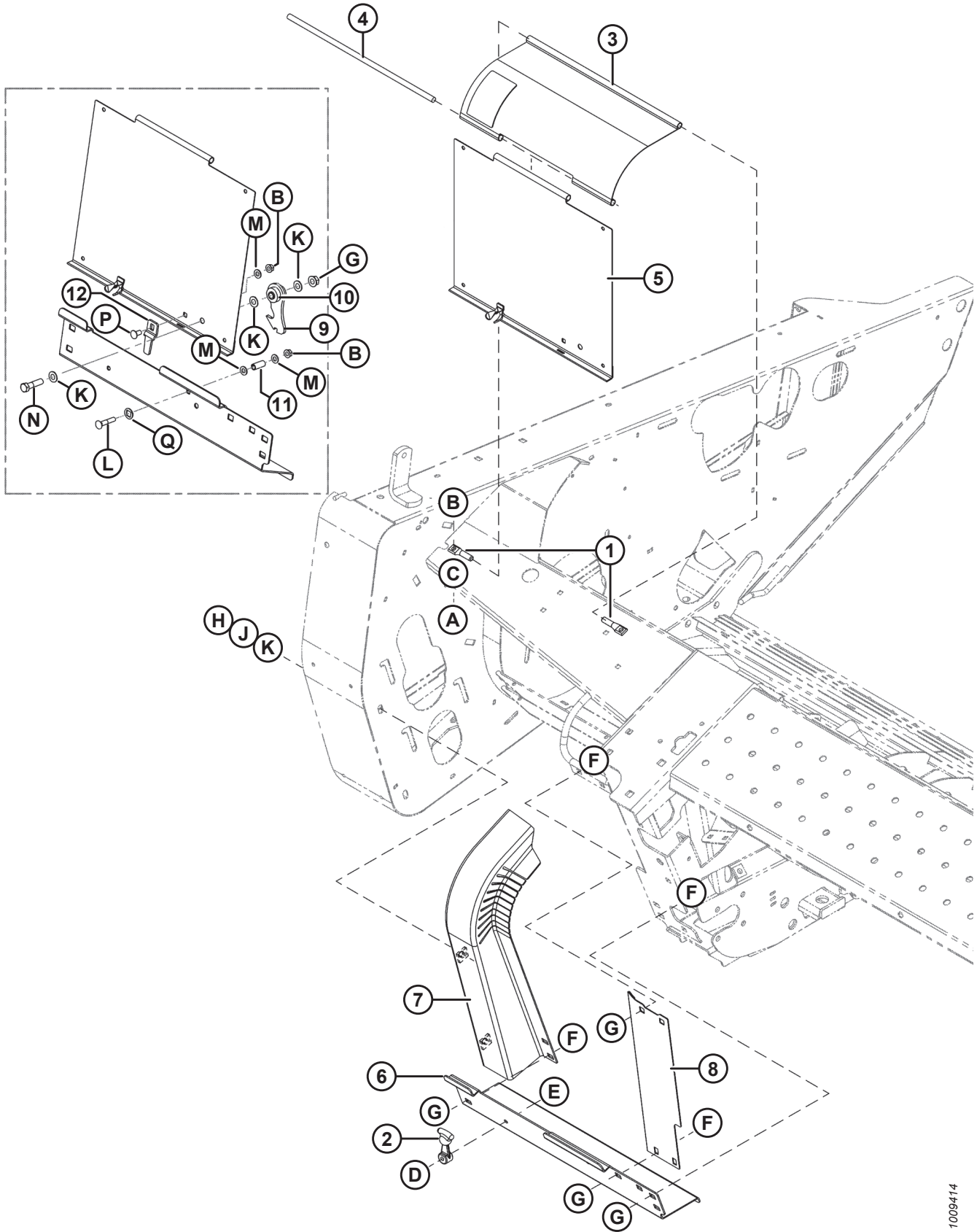
34. A40D.

35. A30D / A40D.

36. Quantities: A30S = 3, A30D and A40D = 1.

37. A30S.

9 Driveshields



1009414

DRIVESHIELDS

Ref	Part Number	Description	Qty	Serial Number
1	112624	PIN – RETAINER	2	
2	38894	LATCH – SHIELD, RUBBER	1	
3	124826	SHIELD – DRIVELINE, UPPER, C/W DECAL (14 FT) ³⁸	1	-321189
	124827	SHIELD – DRIVELINE, UPPER, C/W DECAL (16 FT) ³⁸	1	-321189
	124828	SHIELD – DRIVELINE, UPPER, C/W DECAL (18 FT) ³⁸	1	-321189
	170945	SHIELD – DRIVELINE, UPPER (14 FT) ³⁹	1	321190-
	170943	SHIELD – DRIVELINE, UPPER (16 FT) ³⁹	1	321190-
	170944	SHIELD – DRIVELINE, UPPER (18 FT) ³⁹	1	321190-
	44968	MOULDING		321190-
4	170116	ROD – SHIELD HINGE (14 FT)	1	
	170117	ROD – SHIELD HINGE (16 FT)	1	
	170118	ROD – SHIELD HINGE (18 FT)	1	
5	170385	SHIELD – DRIVELINE, LOWER (14 FT)	1	
	170386	SHIELD – DRIVELINE, LOWER (16 FT)	1	
	170387	SHIELD – DRIVELINE, LOWER (18 FT)	1	
6	170379	BRACKET – SHIELD (14 FT)	1	
	170380	BRACKET – SHIELD (16 FT)	1	
	170381	BRACKET – SHIELD (18 FT)	1	
7	171289	CHANNEL – C/W DECALS ⁴⁰	1	
8	124618	BRACKET – SHIELD	1	
9	194481	LATCH – HOOK, WITH BUSHING (EXPORT ONLY) ⁴¹	1	
10	50040	BUSHING – RUBBER (EXPORT ONLY) ⁴¹	1	
11	23050	SPACER – TUBE (EXPORT ONLY) ⁴¹	1	
12	170378	GUIDE – TOOL OPERATED LATCH (EXPORT ONLY) ⁴¹	1	
A	20077	BOLT – HEX HEAD, 3/8 NC X 1 IN., GR. 5		
B	30228	NUT – SMOOTH FLANGE, 3/8 NC, DT		
C	20535	WASHER – FLAT, 13/32 I.D. X 1 IN. O.D. X 1/8 THK.		
D	21354	BOLT – HEX HEAD 3/8 NC X 2.0 LG GR. 5 ZN PL		
E	18590	NUT – HEX, 3/8 NC, GR. 5		
F	21868	BOLT – RHSN, 1/2 NC X 1 IN., GR. 5		
G	50186	NUT – LOCK, SMOOTH FLANGE, 1/2 NC, DT		
H	21575	BOLT – HEX HEAD, 1/2 NC X 1 IN., GR. 5		
J	18638	WASHER – LOCK 1/2 IN.		
K	18599	WASHER – SAE FLAT, 17/32 IN. I.D. X 1-1/16 IN. O.D. ZN PL		
L	21485	BOLT – RHSN, 3/8 NC X 2.25 IN., GR. 5, ZN PL		

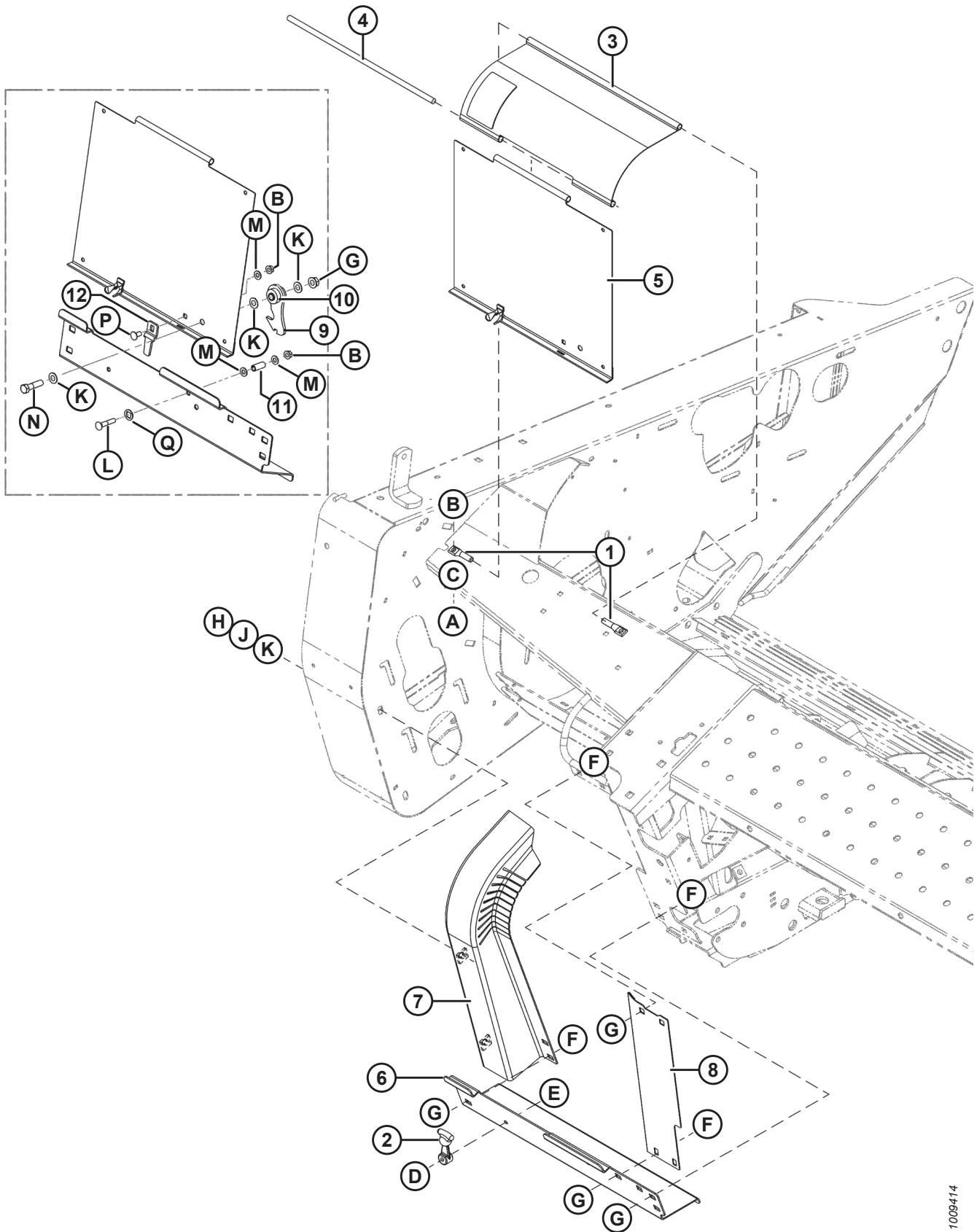
38. Includes decal (MD #184385).

39. Not exactly as illustrated, includes moulding (MD #44968). For model year 2018 and later A40D, A40D GSS, A40DX, and A40DX GSS.

40. Includes decals (MD #171288 and 174436).

41. For export units only.

DRIVESHIELDS

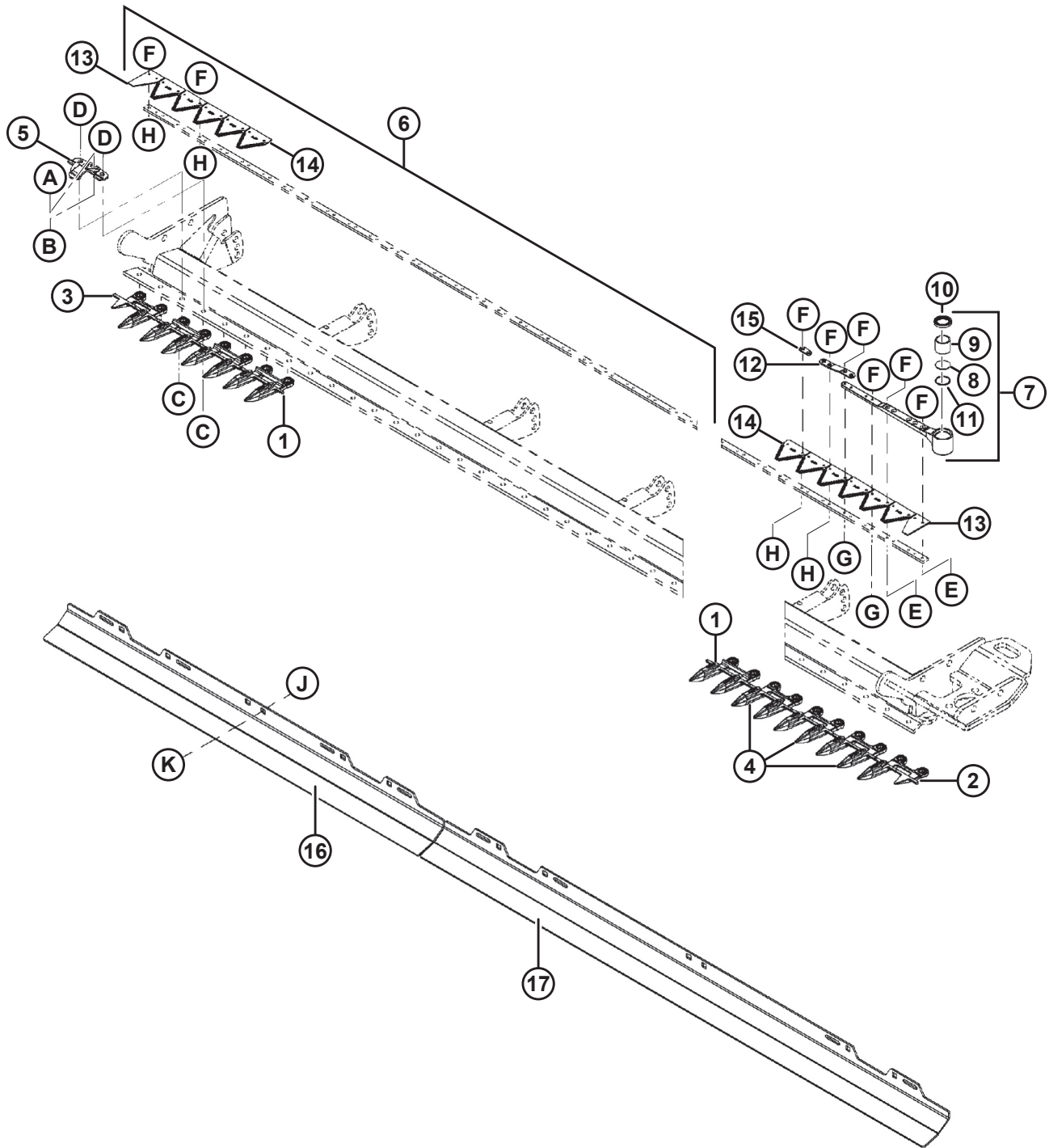


1009414

DRIVESHIELDS

Ref	Part Number	Description	Qty	Serial Number
M	18598	WASHER – FLAT, 13/32 IN. I.D.		
N	30959	BOLT – HEX HEAD, 1/2 NC X 2.25 IN., GR. 5, BLACK		
P	21863	BOLT – RHSSN, 3/8 NC X 3/4 IN. GR. 5		
Q	163373	WASHER – FLAT, ROUND O.D, SQUARE BORE		

10 Cutting Components – Single Knife

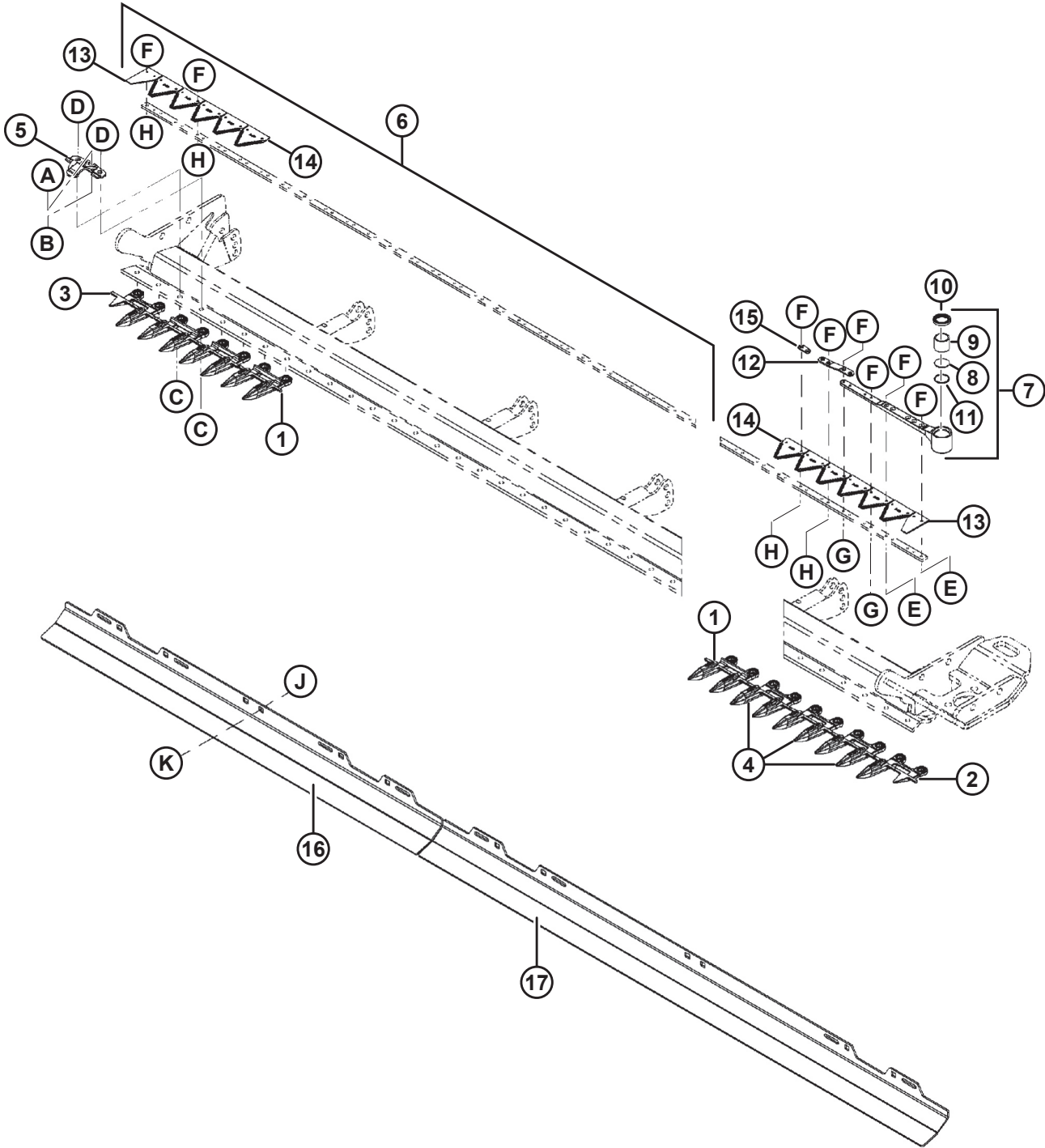


CUTTING COMPONENTS – SINGLE KNIFE

Ref	Part Number	Description	Qty	Serial Number
1	118344	GUARD – KNIFE, ALL ⁴²		
2	118301	GUARD – KNIFE, OUTER (LH)	1	
3	118302	GUARD – KNIFE, OUTER (RH)	1	
4	118345	GUARD – KNIFE, SPECIAL 2ND-4TH AT DRIVE END ⁴³	3	
5	118162	CLIP – HOLD DOWN ⁴⁴		
6	170664	KNIFE ASSEMBLY – 14 FT. SK HDRS, 9 SPI. ⁴⁵	OPT	
	170665	KNIFE ASSEMBLY – 16 FT. SK HDRS, 9 SPI. ⁴⁶	OPT	
	170666	KNIFE ASSEMBLY – 14 FT. SK HDRS, 14 SPI. ⁴⁵	1	
	170667	KNIFE ASSEMBLY – 16 SK HDRS, 14 SPI. ⁴⁶	1	
7	120832	KNIFEHEAD ASSEMBLY ⁴⁷	1	
8	113937	DISC – KNIFEHEAD	1	
9	100500	BEARING – NEEDLE, KNIFEHEAD	1	
10	113222	SEAL – KNIFEHEAD	1	
11	115670	O-RING – KNIFEHEAD	1	
12	129329	BAR – CONNECTOR	1	
13	279468	SECTION – KNIFE, END (10 PACK)	2	
14	279641	COARSE KNIFE SECTION – 9 SPI (25 PACK) ⁴⁸		
	174845	COARSE KNIFE SECTION BUSATIS – 9 SPI (25 PACK) ⁴⁸		
	279642	FINE KNIFE SECTION – 14 SPI (25 PACK) ⁴⁸		
	118491	FINE KNIFE SECTION BUSATIS – 14 SPI (25 PACK) ⁴⁸		
15	174857	BAR – CONNECTOR, 25 PACK ⁴⁹	10	
16	143292	SHOE – SHORT ⁵⁰		
17	143293	SHOE – LONG ⁵¹		
A	118154	BOLT – HEX HEAD, 3/8 NC X 5/8, TFL, GR. 8		
B	118193	NUT – FLANGE HEX HEAD, 3/8 IN.		
C	8218	BOLT – RHSN, 7/16 NC X 1-1/2 IN., GR. 5		
D	18654	NUT – HEX, 7/16 NC, GR. 5		
E	135632	SCREW – BT HD, RIB NK, #12-24 NC X 1.05 IN. (50 PACK) ⁵²		
F	135626	NUT – CSK, CENTER LOCK, #12-24 NC (50 PACK) ⁵³		
G	135630	SCREW – BT HD, RIB NK, #12-24 NC X 0.920 IN. (50 PACK) ⁵⁴		

42. Quantities: 14 ft. SK = 25, 16 ft. SK = 28.
43. These guards are the 2nd, 3rd, and 4th guards from the drive end of the machine.
44. Quantities (individual pieces per header): 14 ft. SK = 27, 16 ft. SK = 30.
45. Used on 14 ft. single-knife headers.
46. Used on 16 ft. single-knife headers.
47. Includes disc (MD #113937), bearing (MD #100500), seal (MD #113222), and O-ring (MD #115670).
48. Quantities (individual pieces per header): 14 ft. SK = 59, 16 ft. SK = 65.
49. Install first ten after knifehead.
50. Quantities: 14 ft. = 2, 16 ft. = 1.
51. Quantities: 14 ft. = 1, 16 ft. = 2.
52. Package of 1000 (MD #135633) / individual piece (MD #30668).
53. Package of 2000 (MD #135627) / individual piece (MD #30669).
54. Package of 1000 (MD #135631) / individual piece (MD #49671).

CUTTING COMPONENTS – SINGLE KNIFE



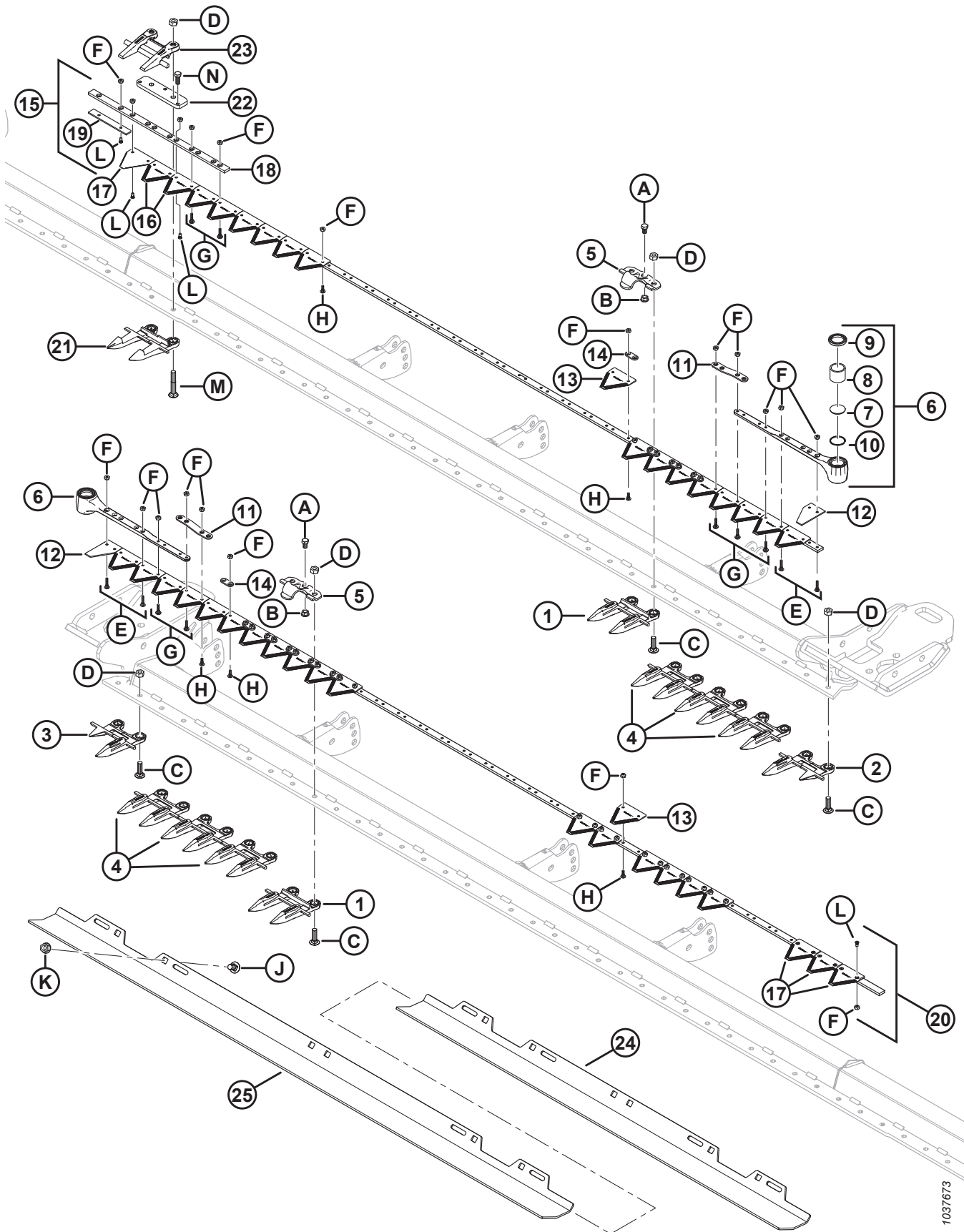
1037702

CUTTING COMPONENTS – SINGLE KNIFE

Ref	Part Number	Description	Qty	Serial Number
H	135628	SCREW – BT HD, RIB NK, #12-24 NC X 0.67 IN. (50 PACK) ⁵⁵		
J	21066	BOLT – RHSN, 1/2 NC X 1 IN., GR. 5		
K	50186	NUT – LOCK, SMOOTH FLANGE, 1/2 NC, GR. 5		

55. Package of 1000 (MD #135629) / individual piece (MD #30696).

11 Cutting Components – Double Knife



1037673

CUTTING COMPONENTS – DOUBLE KNIFE

Ref	Part Number	Description	Qty	Serial Number
1	118344	GUARD – KNIFE, ALL ⁵⁶		
2	118301	GUARD – KNIFE, OUTER (LH)	1	
3	118302	GUARD – KNIFE, OUTER (RH)	1	
4	118345	GUARD – KNIFE, SPECIAL 2ND–4TH AT DRIVE ENDS ⁵⁷	6	
5	118162	CLIP – HOLD DOWN ⁵⁸		
6	120832	KNIFEHEAD ASSEMBLY ⁵⁹	2	
7	113937	DISC – KNIFEHEAD	2	
8	100500	BEARING – NEEDLE, KNIFEHEAD	2	
9	113222	SEAL – KNIFEHEAD	2	
10	115670	O-RING – KNIFEHEAD	2	
11	129329	BAR – CONNECTOR	2	
12	279468	SECTION – KNIFE, END (10 PACK)	2	
13	279641	COARSE KNIFE SECTION – 9 SPI (25 PACK) ⁶⁰		
	174845	COARSE KNIFE SECTION BUSATIS – 9 SPI (25 PACK) ⁶⁰		
	279642	FINE KNIFE SECTION – 14 SPI (25 PACK) ⁶⁰		
	118491	FINE KNIFE SECTION BUSATIS – 14 SPI (25 PACK) ⁶⁰		
14	174857	BAR – CONNECTOR, 25 PACK ⁶¹	20	
15	279440	KNIFE ASSEMBLY – LH, 14–16 FT DK HDRS, 9 SPI. ⁶²	OPT	
	170668	KNIFE ASSEMBLY – LH, 18 FT DK HDRS, 9 SPI. ⁶³	OPT	
	279438	KNIFE ASSEMBLY – LH, 14–16 FT DK HDRS, 14 SPI. ⁶²	1	
	170669	KNIFE ASSEMBLY – LH, 18 FT DK HDRS, 14 SPI. ⁶³	1	
16	279310	COARSE KNIFE SECTION – BOTTOM CSK, 9 SPI (10 PK)	2	
	279851	COARSE KNIFE SECTION – BOTTOM CSK, 9 SPI (25 PK)	2	
	279312	FINE KNIFE SECTION – BOTTOM CSK, 14 SPI (10 PK)	2	
	279850	FINE KNIFE SECTION – BOTTOM CSK, 14 SPI (25 PK)	2	
17	279314	COARSE KNIFE SECTION – TOP CSK, 9 SPI (10 PK)	4	
	279999	COARSE KNIFE SECTION – TOP CSK, 9 SPI (25 PK)	4	
	279316	FINE KNIFE SECTION – TOP CSK, 14 SPI (10 PK)	4	
	279848	FINE KNIFE SECTION – TOP CSK, 14 SPI (25 PK)	4	
18	124880	GUIDE – TOP, LH KNIFE	1	
19	124881	BAR – WEAR, LH KNIFE	1	

56. Quantities: 14 ft. DK = 21, 16 ft. DK = 24, 18 ft. DK = 27.

57. These guards are the 2nd, 3rd, and 4th guards from the drive ends of the machine.

58. Quantities (individual pieces per header): 14 ft. DK = 25, 16 ft. DK = 28, 18 ft. DK = 31.

59. Includes disc (MD #113937), bearing (MD #100500), seal (MD #113222), and O-ring (MD #115670).

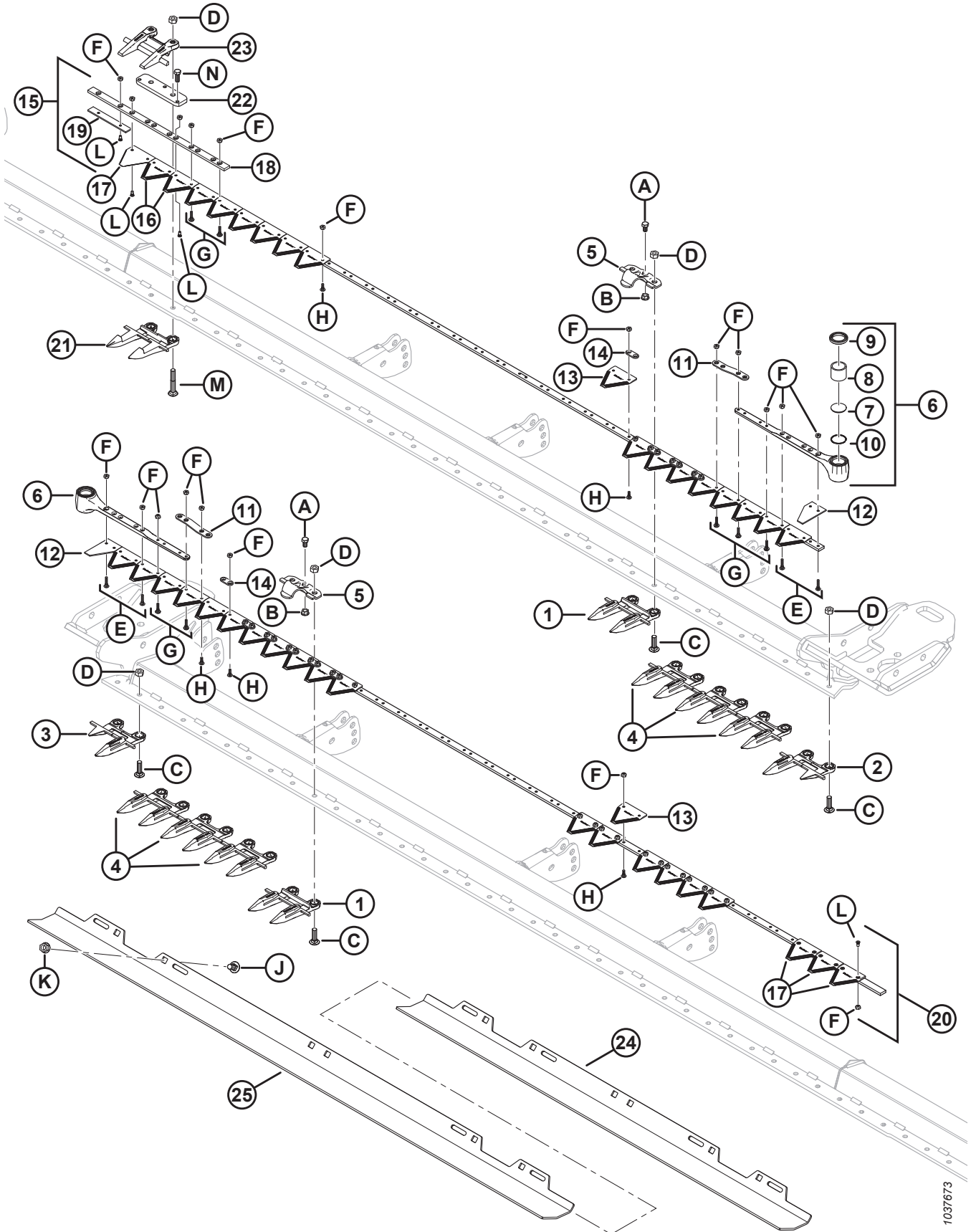
60. Quantities (individual pieces per header): 14 ft. DK = 52, 16 ft. DK = 59, 18 ft. DK = 65.

61. Install first ten after knifehead.

62. Used on 14–16 ft. double-knife headers.

63. Used on 18 ft. double-knife headers.

CUTTING COMPONENTS – DOUBLE KNIFE



1037673

CUTTING COMPONENTS – DOUBLE KNIFE

Ref	Part Number	Description	Qty	Serial Number
20	279441	KNIFE ASSEMBLY – RH, 14 FT DK HDRS, 9 SPI. ⁶⁴	OPT	
	170670	KNIFE ASSEMBLY – RH, 16–18 DK HDRS, 9 SPI. ⁶⁵	OPT	
	279439	KNIFE ASSEMBLY – RH, 14 FT. DK HDRS, 14 SPI. ⁶⁴	1	
	170671	KNIFE ASSEMBLY – RH, 16–18 DK HDRS, 14 SPI. ⁶⁵	1	
21	124338	GUARD – CENTER	1	
22	34980	BAR – ADJUSTER	1	
23	124344	GUARD – TOP CENTER	1	
24	143292	SHOE – SHORT ⁶⁶		
25	143293	SHOE – LONG ⁶⁷		
A	118154	BOLT – HEX HEAD, 3/8 NC X 5/8, TFL, GR. 8		
B	118193	NUT – FLANGE HEX HEAD, 3/8 IN.		
C	8218	BOLT – RHSN, 7/16 NC X 1-1/2 IN., GR. 5		
D	18654	NUT – HEX, 7/16 NC, GR. 5		
E	135632	SCREW – BT HD, RIB NK, #12-24 NC X 1.05 IN. (50 PACK) ⁶⁸		
F	135626	NUT – CSK, CENTER LOCK, #12-24 NC (50 PACK) ⁶⁹		
G	135630	SCREW – BT HD, RIB NK, #12-24 NC X 0.920 IN. (50 PACK) ⁷⁰		
H	135628	SCREW – BT HD, RIB NK, #12-24 NC X 0.67 IN. (50 PACK) ⁷¹		
J	21066	BOLT – RHSN, 1/2 NC X 1 IN., GR. 5		
K	50186	NUT – LOCK, SMOOTH FLANGE, 1/2 NC, GR. 5		
L	174165	SCREW – 90° CSK SKT HD, #12-24 NC X 0.5 IN. (50 PACK)		
M	21665	BOLT – RHSN, 7/16 NC X 2-3/4 IN., GR. 5		
N	50120	BOLT – HEX HEAD, 3/8 NC X 1, STAINLESS STEEL		

64. Used on 14 ft. double-knife headers.

65. Used on 16–18 ft. double-knife headers.

66. Quantities: 14 ft. = 2, 16 ft. = 1, 18 ft. = 0.

67. Quantities: 14 ft. = 1, 16 ft. = 2, 18 ft. = 3.

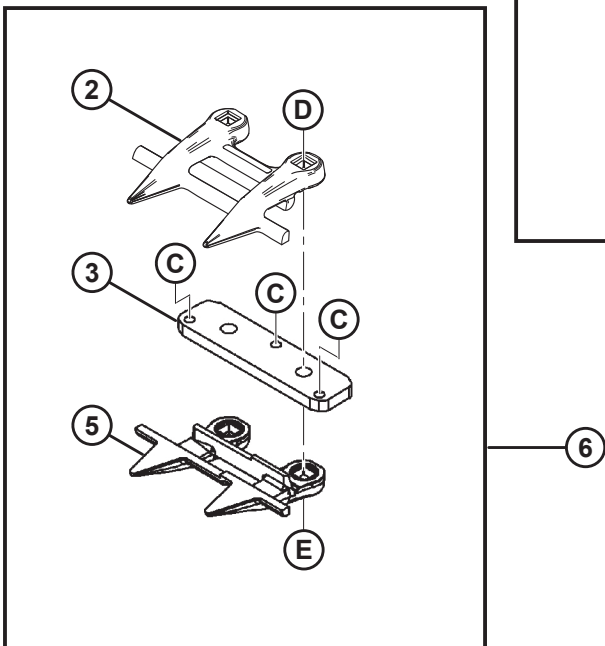
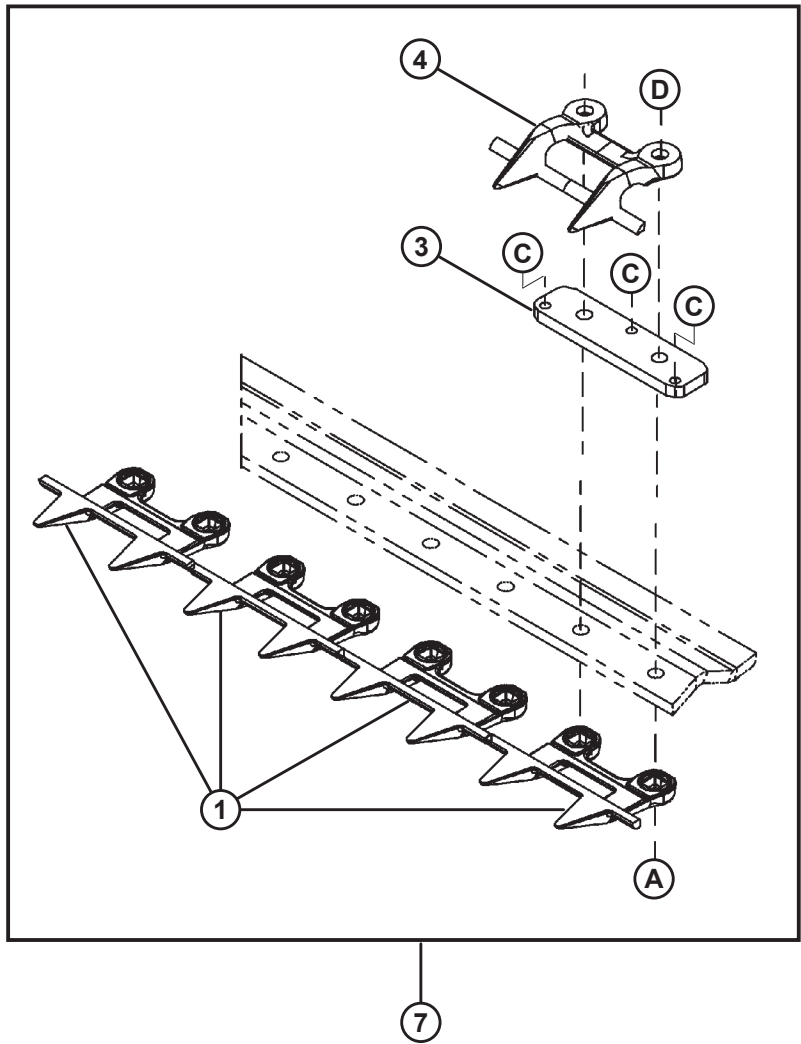
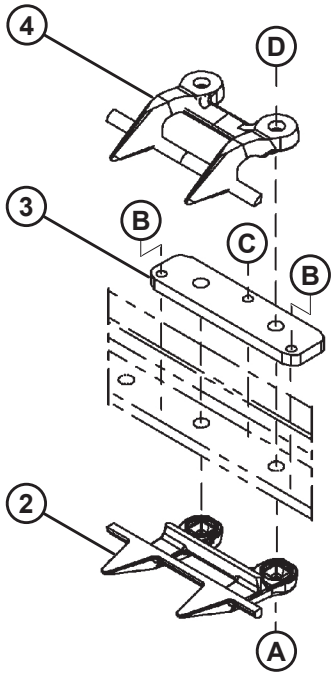
68. Package of 1000 (MD #135633) / individual piece (MD #30668).

69. Package of 2000 (MD #135627) / individual piece (MD #30669).

70. Package of 1000 (MD #135631) / individual piece (MD #49671).

71. Package of 1000 (MD #135629) / individual piece (MD #30696).

12 Knife Stub Guards



KNIFE STUB GUARDS

Ref	Part Number	Description	Qty SK/DK	Serial Number
	B4692	KIT – STUB GUARD CONVERSION, 14 FT. SK HEADER ⁷²		
	B4955	KIT – STUB GUARD CONVERSION, 16 FT. SK HEADER ⁷²		
	B4956	KIT – STUB GUARD CONVERSION, 14 FT. DK HEADER ⁷²		
	B4715	KIT – STUB GUARD CONVERSION, 16 FT. DK HEADER ⁷²		
	B4957	KIT – STUB GUARD CONVERSION, 18 FT. DK HEADER ⁷²		
1	118347	SPECIAL END GUARD – NO TRASH BAR ⁷³	4/8	
2	118346	GUARD – STUB ⁷⁴		
3	34980	BAR – ADJUSTER ⁷⁵		
4	34359	GUIDE – KNIFE ⁷⁶		
5	124775	GUARD – STUB, CENTER	0/1	
6	REF	CENTER GUARD, DOUBLE-KNIFE HEADERS ⁷⁷		
7	REF	END GUARDS, RH AND LH ⁷⁸		
A	30862	BOLT – RHSN, 7/16 NC X 2-1/2 IN.		
B	50119	BOLT – HEX HEAD, 3/8 NC X 3/4 IN., STAINLESS STEEL		
C	50120	BOLT – HEX HEAD, 3/8 NC X 1 IN., STAINLESS STEEL		
D	18654	NUT – HEX 7/16 NC		
E	21665	BOLT – RHSN, 7/16 NC X 2-3/4 IN.		

72. Kits are available through Whole Goods only.

73. First four at drive end(s).

74. Quantities: 14 ft. SK = 26, 16 ft. SK = 29, 14 ft. DK = 22, 16 ft. DK = 25, 18 ft. DK = 28.

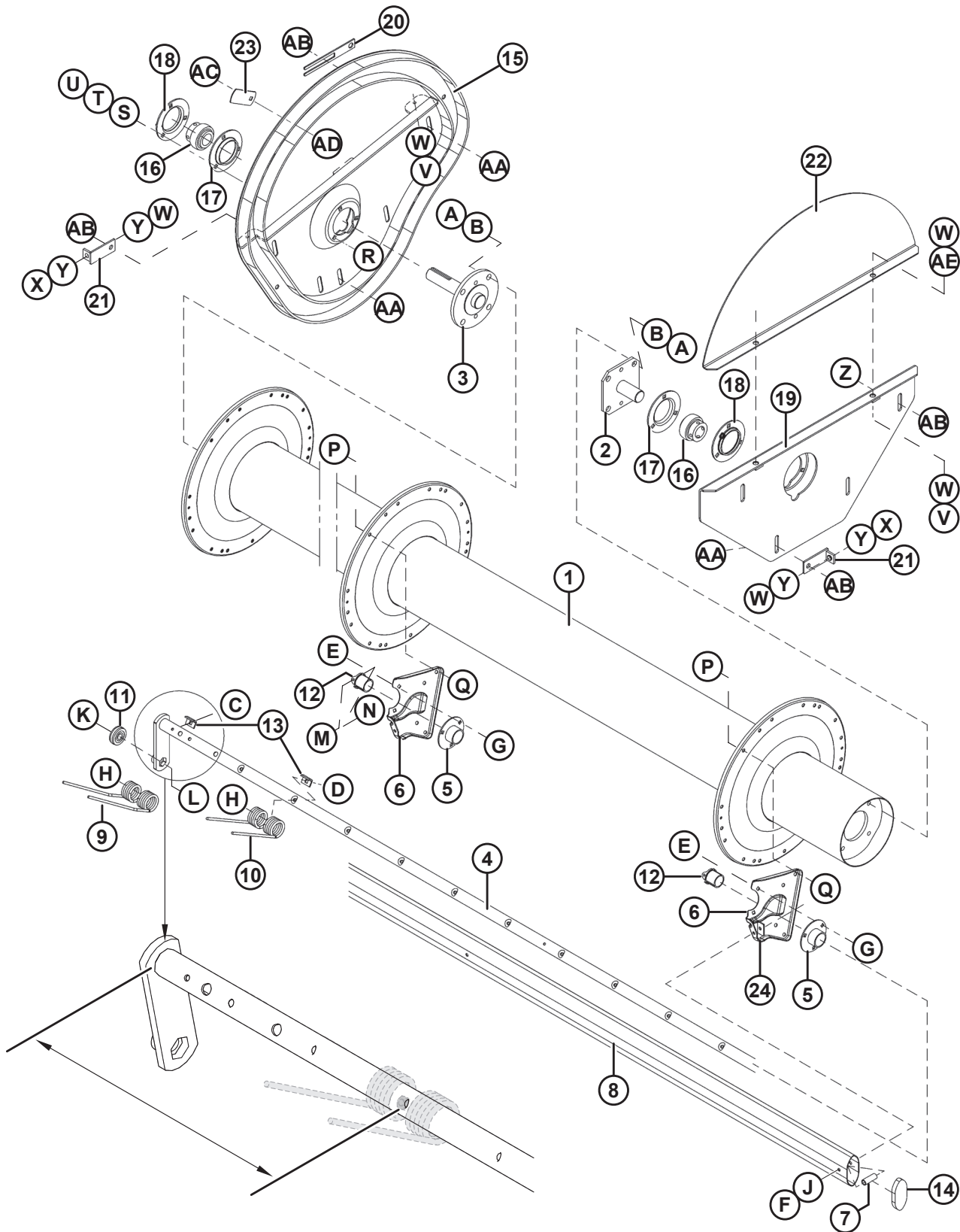
75. Quantities: 14 ft. = 30, 16 ft. = 33, 18 ft. = 36.

76. Quantities: 14 ft. SK = 30, 16 ft. SK = 33, 14 ft. DK = 29, 16 ft. DK = 32, 18 ft. DK = 35.

77. Includes guards (MD #118346, 124775), bar (MD #24980), and hardware (MD #50120, 18654, and 21665).

78. Includes guard (MD #118347), bar (MD #34980), guide (MD #34359), and hardware (MD #30862, 50120, and 18654).

13 A30S and A30D Reel



1037561

A30S AND A30D REEL

Ref	Part Number	Description	Qty	Serial Number
	B4693	KIT – REPLACEMENT REEL BAT ASSY (14 FT) ⁷⁹		
	B4694	KIT – REPLACEMENT REEL BAT ASSY (16 FT) ⁷⁹		
	B4863	KIT – REPLACEMENT REEL BAT ASSY (18 FT) ⁷⁹		
1	143544	TUBE – REEL (14 FT)	1	
	143545	TUBE – REEL (16 FT)	1	
	143546	TUBE – REEL (18 FT)	1	
2	143360	SHAFT – LH REEL	1	
3	143563	SHAFT – RH REEL	1	
4	124556	TUBE – TINE BAR A (14 FT) ⁸⁰	3	
	124557	TUBE – TINE BAR B (14 FT) ⁸⁰	2	
	124558	TUBE – TINE BAR A (16 FT) ⁸⁰	3	
	124559	TUBE – TINE BAR B (16 FT) ⁸⁰	2	
	142745	TUBE – TINE BAR A (18 FT) ⁸⁰	3	
	142746	TUBE – TINE BAR B (18 FT) ⁸⁰	2	
5	47295	DISC – BUSHING HOLDER	20	
6	170313	ARM – REEL	20	
7	142825	SPACER – TUBE	20	
8	171268	BAT – REEL (14 FT) ⁸¹	5	
	171269	BAT – REEL (16 FT) ⁸¹	5	
	171270	BAT – REEL (18 FT) ⁸¹	5	
9	143311	FINGER – DOUBLE, RH OUTBOARD END	5	
10	47681	FINGER – DOUBLE ⁸²		
11	50184	BEARING – CAM FOLLOWER	5	
12	28790	BUSHING – PLASTIC	20	
13	19183	CLIP – SPRING TOOTH ⁸³		
14	124357	PLUG – REEL BAT	10	
15	143093	CAM – REEL	1	
16	143972	BEARING – REEL SHAFT, BALL, 1-3/8 IN. BORE	2	
17	30602	FLANGE – BEARING	2	
18	30603	FLANGE – BEARING, C/W GREASE FITTING	2	
19	143567	SUPPORT – LOWER	1	
20	124984	BAR – SHIM, CAM ADJUSTER	3	
21	143814	ANGLE – ADJUSTER	2	
22	143726	SHIELD – UPPER, LH REEL	1	
23	47418	COVER – CAM BEARING ACCESS	1	
24	170186	WASHER – RECTANGULAR	20	

79. Kits are available through Whole Goods only.

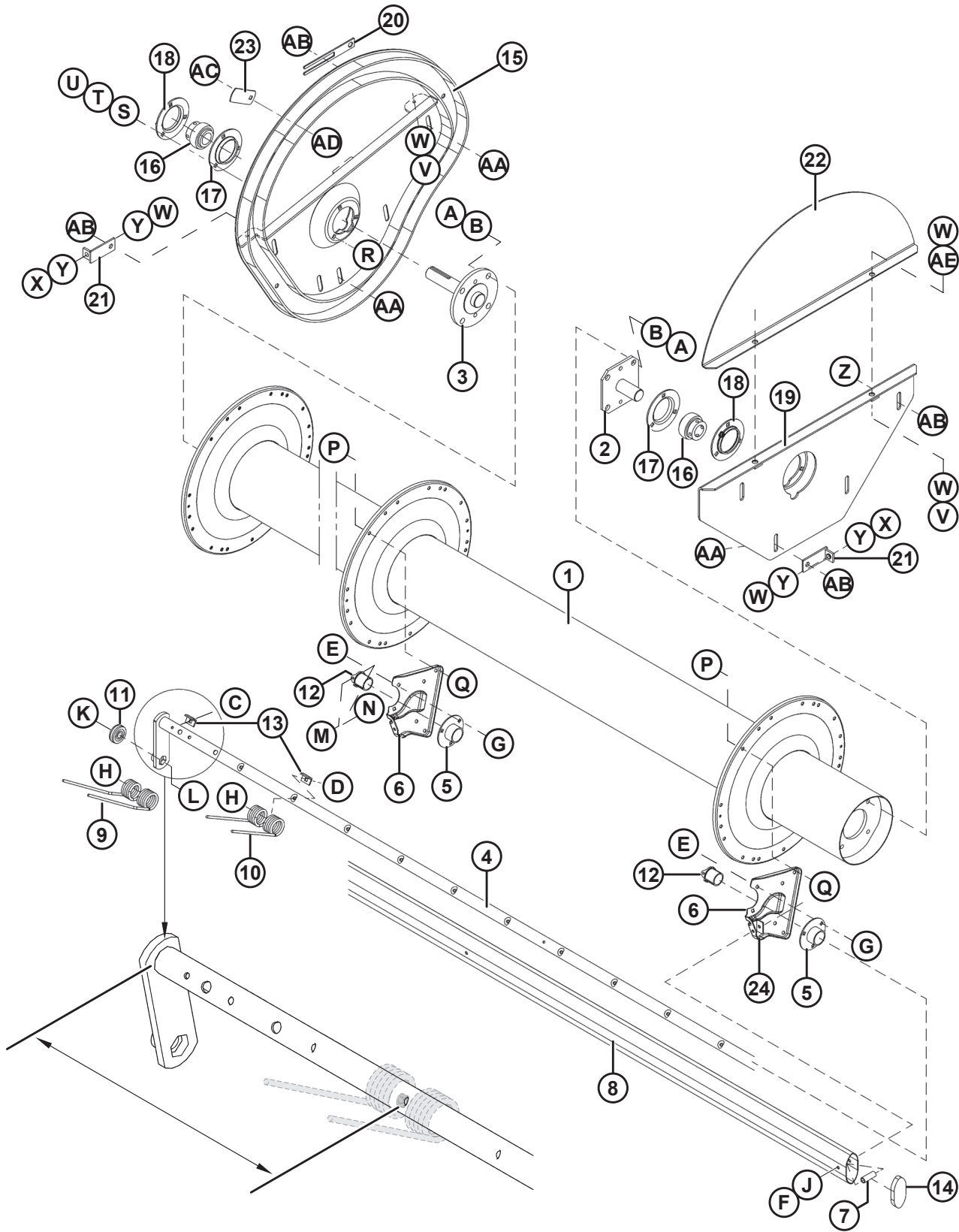
80. To determine if it is tine bar A or tine bar B, measure the distance to the third finger bolt at the right end of the tine bar, as shown in the illustration. Tine bar A measures 372 mm; tine bar B measures 396 mm.

81. Includes plug (MD #124357).

82. Quantities: 14 ft. = 110, 16 ft. = 120, 18 ft. = 130.

83. Quantities: 14 ft. = 115, 16 ft. = 125, 18 ft. = 135.

A30S AND A30D REEL

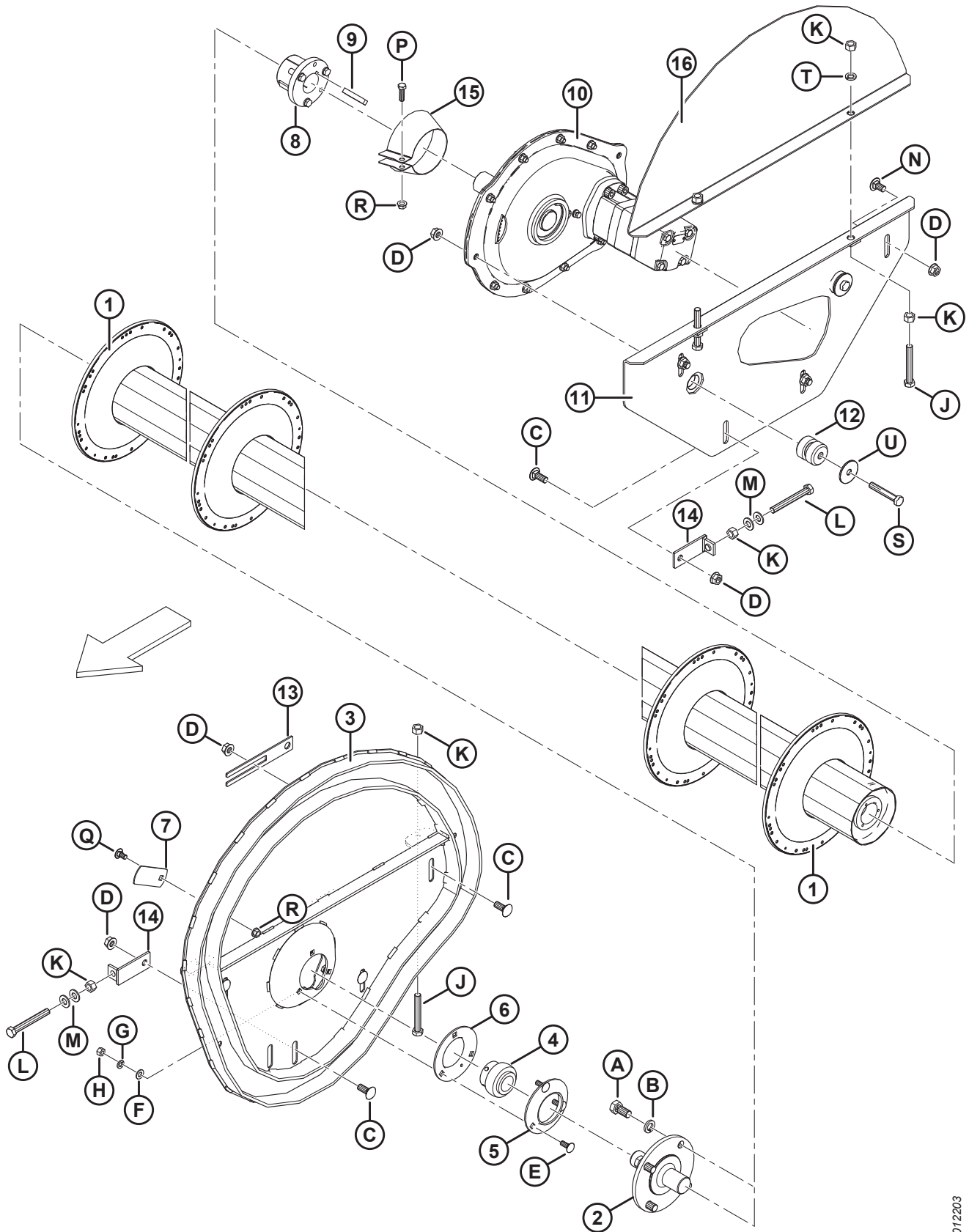


1037561

A30S AND A30D REEL

Ref	Part Number	Description	Qty	Serial Number
A	21585	BOLT – HEX HEAD, 5/8 NC X 1-1/4 IN., GR. 5		
B	18639	WASHER – LOCK, 5/8 IN. I.D.		
C	21480	BOLT – RHSN, 5/16 NC X 2 IN., GR. 5		
D	21488	BOLT – RHSN, 5/16 NC X 1-3/4 IN., GR. 5		
E	135305	BOLT – RHSN, 5/16 NC X 5/8 IN., GR. 5		
F	21563	BOLT – HEX HEAD, 5/16 NC X 2-1/2 IN., GR. 5		
G	30280	NUT – LOCK, SMOOTH FLANGE, 5/16 NC, GR. 5		
H	18690	NUT – LOCK, HEX HEAD, 5/16 NC, DT		
J	103837	WASHER – FLAT, 8.7 MM I.D. X 28.6 MM O.D. X 2 MM THICK		
K	28346	BOLT – HEX HEAD, 5/8 NC		
L	21941	NUT – HEX LOCK JAM, 5/8 NC, END DT		
M	21570	BOLT – HEX HEAD, 1/4 NC X 2 IN., GR. 5		
N	18724	NUT – LOCK, HEX HEAD, 1/4 NC, DT		
P	50076	BOLT – HEX HEAD, SER FLG, 3/8 NC X 5/8 IN., GR. 5		
Q	21452	NUT – SERRATED FLANGE, 3/8 NC		
R	19965	BOLT – RHSN, 3/8 NC X 1 IN., GR. 5		
S	18598	WASHER – FLAT, 13/32 I.D. X 13/16 IN. O.D.		
T	18637	WASHER – LOCK, 3/8 IN. I.D.		
U	18590	NUT – HEX, 3/8 NC, GR. 5		
V	30528	BOLT – HEX HEAD, 1/2 NC X 3 IN., TFL, GR. 5		
W	18591	NUT – HEX, 1/2 NC, GR. 5		
X	30299	BOLT – HEX HEAD, 1/2 NC X 4 IN., GR. 5		
Y	18599	WASHER – FLAT, 17/32 I.D. X 1-1/16 IN. O.D.		
Z	21066	BOLT – RHSN, 1/2 NC X 1 IN., GR. 5		
AA	21471	BOLT – RHSN, 1/2 NC X 1-1/4 IN., GR. 5		
AB	50186	NUT – LOCK, SMOOTH FLANGE, 1/2 NC, DT, GR. 5		
AC	21472	BOLT – RHSN, 3/8 NC X 3/4 IN., GR. 5		
AD	30228	NUT – LOCK, SMOOTH FLANGE, 3/8 NC, DT		
AE	18638	WASHER – LOCK, 1/2 IN. I.D.		

14 A40D and A40DX Reel (Center Tube)



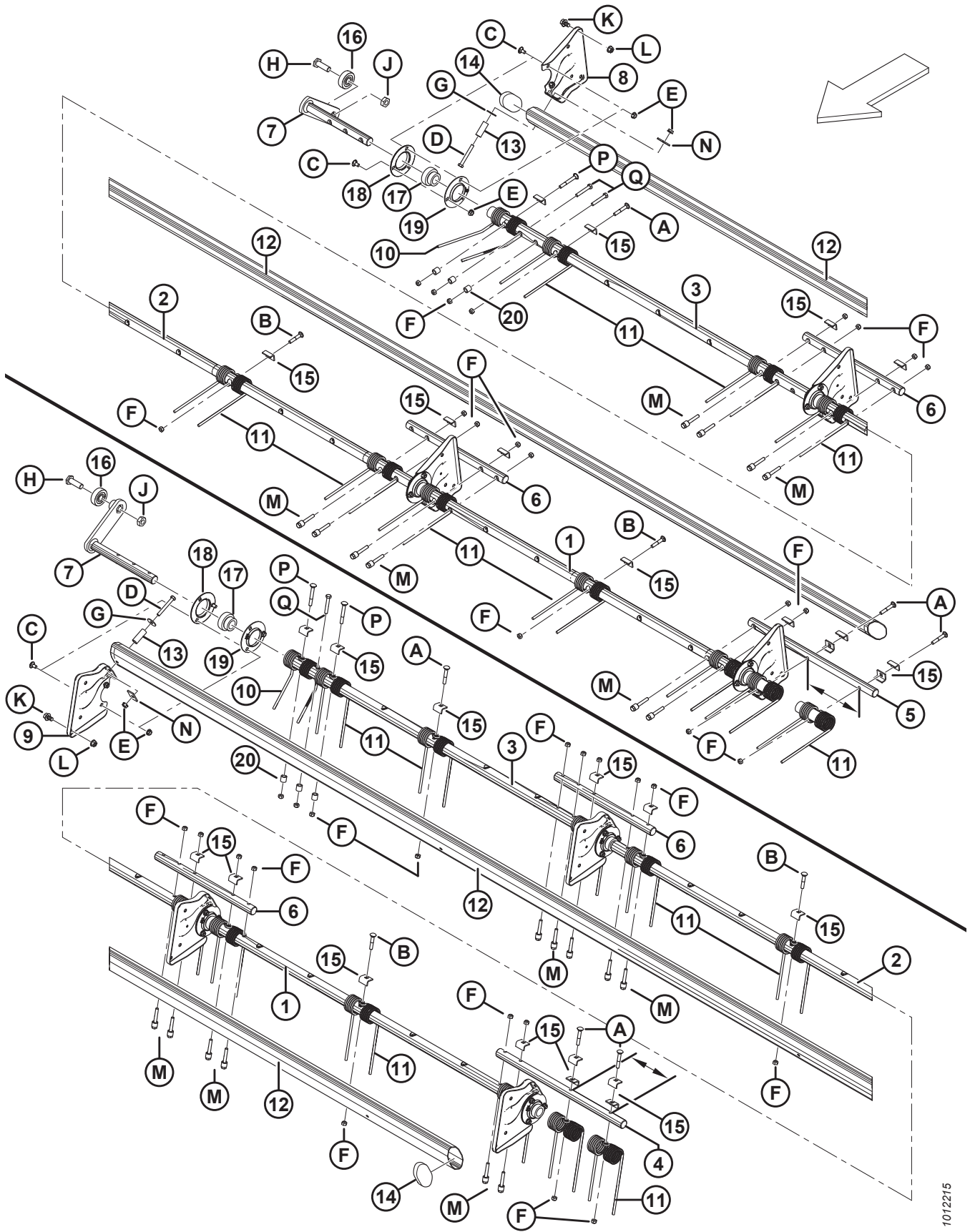
1012203

A40D AND A40DX REEL (CENTER TUBE)

Ref	Part Number	Description	Qty	Serial Number
1	143283	TUBE – REEL (14 FT)	1	
	143284	TUBE – REEL (16 FT)	1	
	143285	TUBE – REEL (18 FT)	1	
2	143360	SHAFT – STUB, RH REEL	1	
3	143093	CAM – REEL	1	
4	143972	BEARING – REEL SHAFT, BALL, 1-3/8 IN. BORE	1	
5	30602	FLANGE – BEARING	1	
6	30603	FLANGE – BEARING, C/W GREASE FITTING	1	
7	47418	COVER – CAM BEARING ACCESS	1	
8	143471	BUSHING – TAPER LOCK, C/W OUTER KEY AND BOLTS	1	
9	33304	KEY – REEL DRIVE SHAFT	1	
10	REF	REEL GEARBOX AND MOTOR ⁸⁴	1	
11	143104	SUPPORT – REEL, LH	1	
12	143107	BUSHING – RUBBER	2	
13	124984	BAR – SHIM, CAM ADJUSTER	A/R	
14	143814	ANGLE – ADJUSTER	2	
15	143625	SHIELD – REEL DRIVE SHAFT	1	
16	143726	SHIELD – UPPER, LH REEL	1	
A	21585	BOLT – HH, 5/8 NC X 1-1/4 IN., GR. 5		
B	18639	WASHER – LOCK, 5/8 IN. I.D.		
C	21471	BOLT – RHSN, 1/2 NC X 1-1/4 IN., GR. 5		
D	50186	NUT – LOCK, SMOOTH FLANGE, 1/2 NC, DT, GR. 5		
E	19965	BOLT – RHSN, 3/8 NC X 1 IN., GR. 5		
F	18598	WASHER – FLAT, 13/32 I.D. X 13/16 IN. O.D.		
G	18637	WASHER – LOCK, 3/8 IN. I.D.		
H	18590	NUT – HEX, 3/8 NC, GR. 5		
J	30528	BOLT – HH, 1/2 NC X 3 IN., TFL, GR. 5		
K	18591	NUT – HEX, 1/2 NC, GR. 5		
L	30299	BOLT – HH, 1/2 NC X 4 IN., GR. 5		
M	18599	WASHER – FLAT, 17/32 I.D. X 1-1/16 IN. O.D.		
N	21066	BOLT – RHSN, 1/2 NC X 1 IN., GR. 5		
P	21262	BOLT – HH, 3/8 NC X 2-1/2 IN., TFL, GR. 5		
Q	21472	BOLT – RHSN, 3/8 NC X 3/4 IN., GR. 5		
R	30228	NUT – LOCK, SMOOTH FLANGE, 3/8 NC, DT		
S	135542	BOLT – HH, 1/2 NC X 3 IN., GR. 5		
T	18638	WASHER – LOCK, 1/2 IN. I.D.		
U	143108	WASHER – FLAT		

84. Refer to Section 16 *A40D Reel Gearbox and Motor*, page 51.

15 A40D and A40DX Reel (Tine Tube)



1012215

A40D AND A40DX REEL (TINE TUBE)

NOTE:

Top illustration: A-Type Bat, Outboard Stagger; Bottom illustration: B-Type Bat, Inboard Stagger. Bolt locations and orientations differ; be sure you are ordering the correct part.

Ref	Part Number	Description	Qty	Serial Number
	B4716	KIT – REPLACEMENT REEL BAT ASSY (14 FT) ⁸⁵		
	B4717	KIT – REPLACEMENT REEL BAT ASSY (16 FT) ⁸⁵		
	B4718	KIT – REPLACEMENT REEL BAT ASSY (18 FT) ⁸⁵		
1	143307	TINE TUBE – LH (14 FT)	6	
	143300	TINE TUBE – LH (16 FT)	6	
	143309	TINE TUBE – LH (18 FT)	6	
2	143300	TINE TUBE – CENTER (14–16 FT)	6	
	143301	TINE TUBE – CENTER (18 FT)	6	
3	143296	TINE TUBE – RH (14 FT)	6	
	143297	TINE TUBE – RH (16–18 FT)	6	
4	143334	SHAFT – LEFT END, INBOARD STAGGER (205 MM) ⁸⁶	3	
5	143335	SHAFT – LEFT END, OUTBOARD STAGGER (158 MM) ⁸⁷		
6	143333	SHAFT – CONNECTOR	12	
7	143329	SHAFT – CAM	6	
8	170313	ARM – REEL, OUTBOARD ARMS	12	
9	170314	ARM – REEL, INBOARD ARMS	12	
10	143699	FINGER – DOUBLE, RH OUTBOARD END	6	
11	47681	FINGER – DOUBLE ⁸⁸		
12	170370	BAT – REEL (14 FT) ⁸⁹	6	
	170371	BAT – REEL (16 FT) ⁸⁹	6	
	170372	BAT – REEL (18 FT) ⁸⁹	6	
13	142825	SPACER – TUBE	24	
14	124357	PLUG – REEL BAT	12	
15	19183	CLIP – SPRING TOOTH ⁸⁸		
16	50184	BEARING – CAM FOLLOWER	6	
17	143970	BEARING – BALL, C/W LOCK COLLAR	24	
18	30600	FLANGE – BEARING	24	
19	30596	FLANGE – BEARING, C/W GREASE FITTING	24	

85. Kits are available through Whole Goods only.

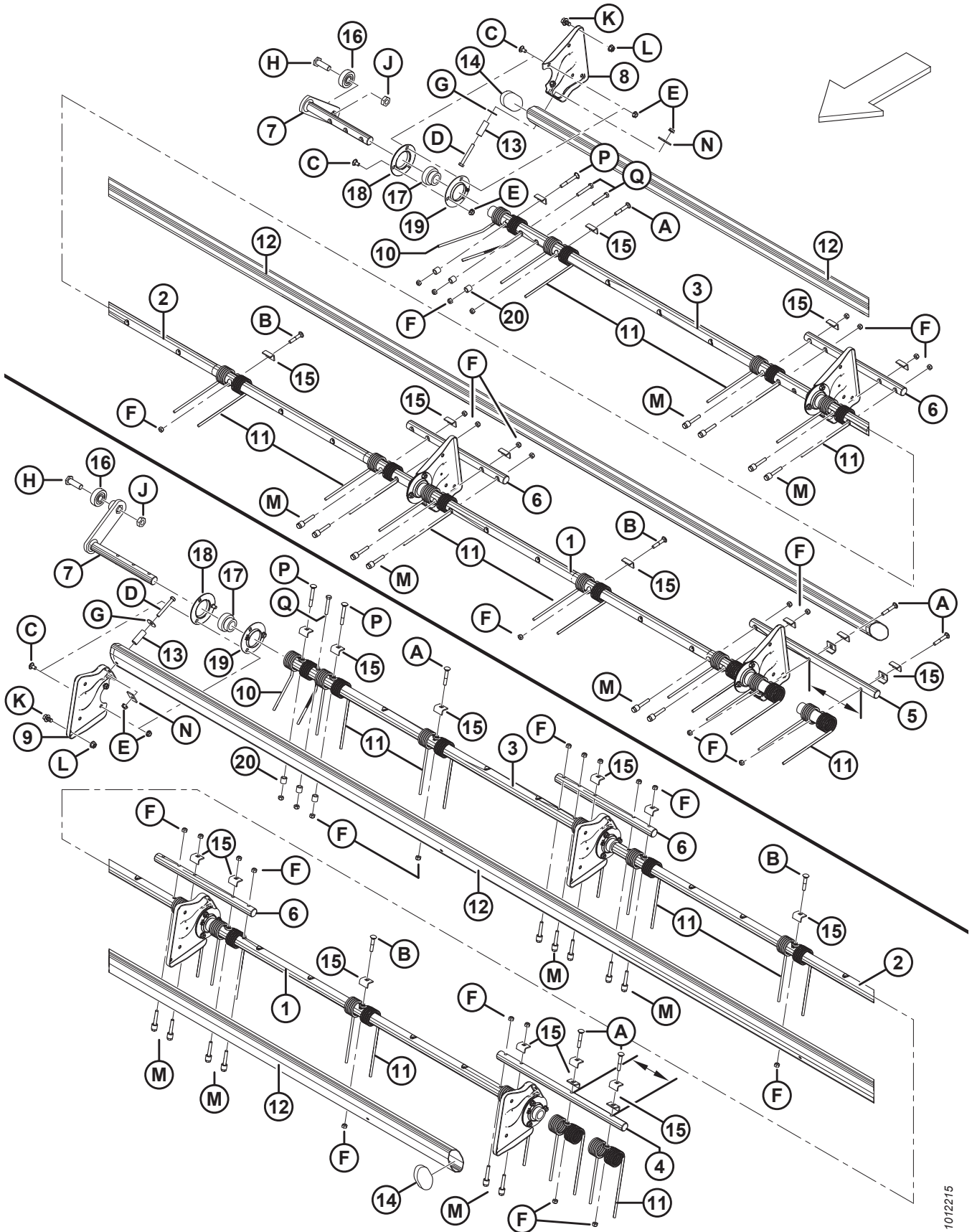
86. To determine inboard (205 mm) or outboard (158 mm) stagger, measure distance between holes in shaft as shown in illustration.

87. To determine inboard (205 mm) or outboard (158 mm) stagger, measure distance between holes in shaft as shown in illustration. Quantities shown are for standard header. Grass seed headers have 7 reel bats instead of 6. Quantities that are multiples of 6 will be multiples of 7 for grass seed headers.

88. Quantities: 14 ft. = 132, 16 ft. = 147, 18 ft. = 159.

89. Includes plug (MD #124357).

A40D AND A40DX REEL (TINE TUBE)



1012215

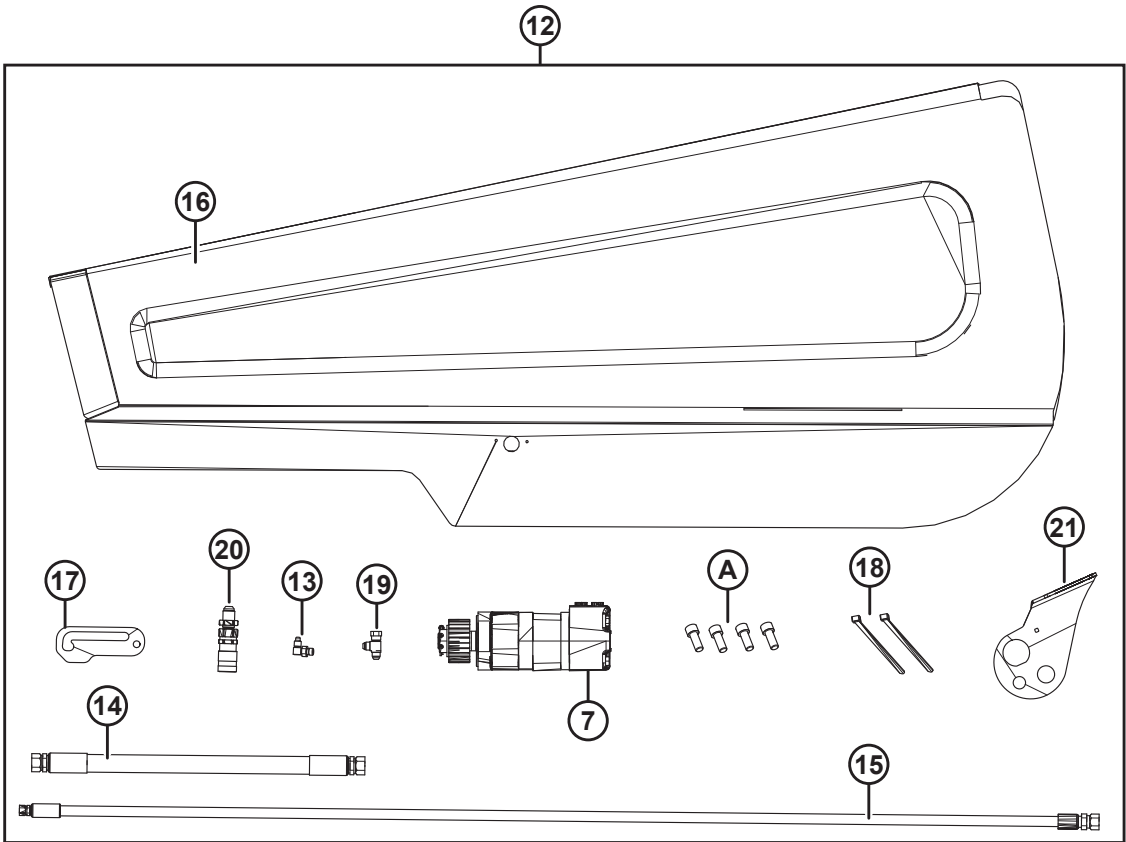
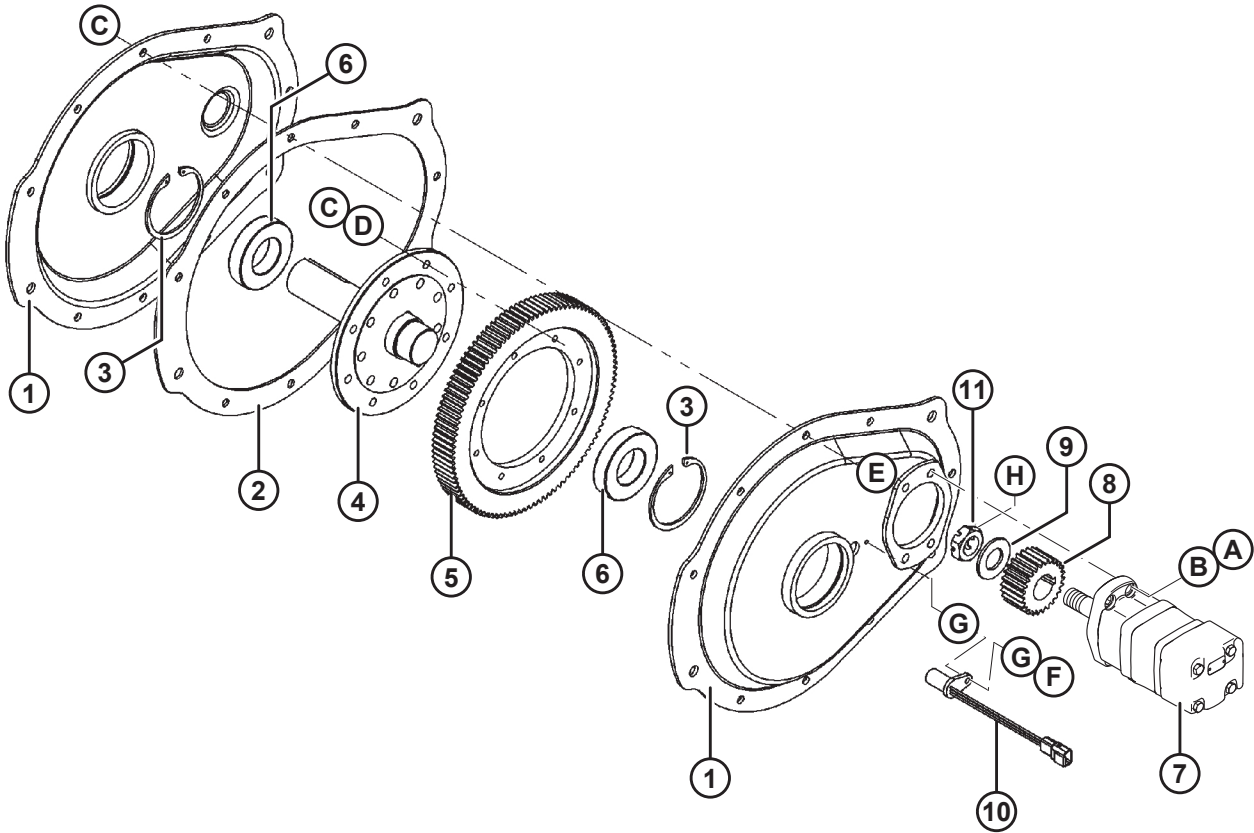
A40D AND A40DX REEL (TINE TUBE)

Ref	Part Number	Description	Qty	Serial Number
20	170622	SPACER – 9.8 MM ID, 15.7 MM OD, 15.5 MM LG ⁹⁰	3	
A	21480	BOLT – RHSN, 5/16 NC X 2 IN., GR. 5		
B	21488	BOLT – RHSN, 5/16 NC X 1-3/4 IN., GR. 5		
C	135305	BOLT – RHSN, 5/16 NC X 5/8 IN., GR. 5		
D	21563	BOLT – HH, 5/16 NC X 2-1/2 IN., GR. 5		
E	30280	NUT – LOCK, SMOOTH FLANGE, 5/16 NC, GR. 5		
F	18690	NUT – LOCK, HH, 5/16 NC, DT		
G	103837	WASHER – FLAT, 8.7 MM I.D. X 28.6 MM O.D. X 2 MM THICK		
H	28346	BOLT – HH, 5/8 NC		
J	21941	NUT – HEX LOCK JAM, 5/8 NC, END DT		
K	50076	BOLT – HH, SER FLG, 3/8 NC X 5/8 IN., GR. 5		
L	21452	NUT – SERRATED FLANGE, 3/8 NC		
M	170190	BOLT – SPECIAL, HEX HEAD, SHOULDER ⁹¹		
N	170186	WASHER – RECTANGULAR		
P	136348	BOLT – RHSN 5/16-18 X 2.5-GR 5 ZP ⁹⁰		
Q	21569	BOLT – HH 5/16 NC X 2.0 LG GR 5 ZP ⁹⁰		

90. Spacer (MD #170622) and bolts (MD #136348 or 21569) replace bolt (MD #170190) at the shaft end due to shearing. Illustration indicates the location and orientation of these replacement parts. Refer to Service Bulletin SB1431 when replacing bolt (MD #170190).

91. Refer to Service Bulletin SB1431 when replacing bolt (MD #170190) due to shearing.

16 A40D Reel Gearbox and Motor



A40D REEL GEARBOX AND MOTOR

Ref	Part Number	Description	Qty	Serial Number
	170884	DRIVE ASSEMBLY – GEARBOX ⁹²		
1	143077	HOUSING – MACHINED, MATCHING SET	1	
2	143755	GASKET – REEL GEARBOX	1	
3	30882	RING – RETAINING, INTERNAL	2	
4	170883	SHAFT – MACHINED, REEL GEARBOX ⁹³	1	
5	143658	GEAR – REEL GEARBOX ⁹³	1	
6	30881	BEARING – BALL	2	
7	170725	MOTOR – HYDRAULIC, REEL DRIVE (2014 AND PRIOR) ⁹⁴	1	–266819
	273259	SEAL KIT – FOR ROUND MOTOR (MD #170725)		–266819
	155148	MOTOR – HYDRAULIC, REEL DRIVE (2015 AND LATER) ⁹⁵	1	266820–
	155149	SEAL KIT – FOR RECTANGULAR MOTOR (MD #155148)		266820–
8	143087	GEAR – PINION	1	
9	18603	WASHER – FLAT, 1-1/16 I.D.	1	
10	143875	SENDER – SPEED	1	
11	137375	NUT – SLOTTED HEX, 1.0-20 UNEF	1	
12	170642	KIT – A40/A40 GS REEL ENDSHIELD (2014 AND PRIOR)	A/R	–266819
13	135647	FITTING – ELBOW 90° HYD	1	
14	170603	HOSE – HYD, REEL MOTOR TO AUGER, 520 MM LG	1	
15	170599	HOSE – HYD CASE DRAIN, 1750 MM LG	1	
16	170594	SHIELD – WELDT, MD RED, LH	1	
17	170600	SUPPORT – DOOR, HOLDS UP SHIELDS ON A40 ⁹⁶	1	
18	30753	FASTENER – CABLE TIE, BLACK	2	
19	108268	FITTING – HYD TEE	1	
20	135213	COUPLING – FEMALE HYD. 3/8 FLAT FACE (GS ONLY) ⁹⁷	1	
21	170616	SUPPORT (GS ONLY) ⁹⁷	1	
A	170606	SCREW – HEX SOC HD 1/2-13 X 1.25-GR8-ZP		
B	18638	WASHER – LOCK, 1/2 IN. I.D.		
C	20077	BOLT – HEX HEAD, 3/8 NC X 1 IN., GR. 5		
D	18637	WASHER – LOCK, 3/8 IN. I.D.		
E	30228	NUT – LOCK, SMOOTH FLANGE, 3/8 NC DT		
F	21572	BOLT – HEX HEAD, 1/4 NC X 5/8 IN., GR. 5		
G	18596	WASHER – FLAT, 9/32 IN. I.D.		
H	18607	PIN – COTTER, 5/32 X 1-1/2 IN.		

92. Includes housing (MD #143077), gasket (MD #143755), ring (MD #30882), shaft (MD #170883), gear (MD #143658), bearing (MD #30881), and hardware (MD #21491, 18638, 20077, 18637, 30228, 21572, and 18596).

93. If replacing on model year 2019 header, order **BOTH** shaft (MD #170883) and gear (MD #143658).

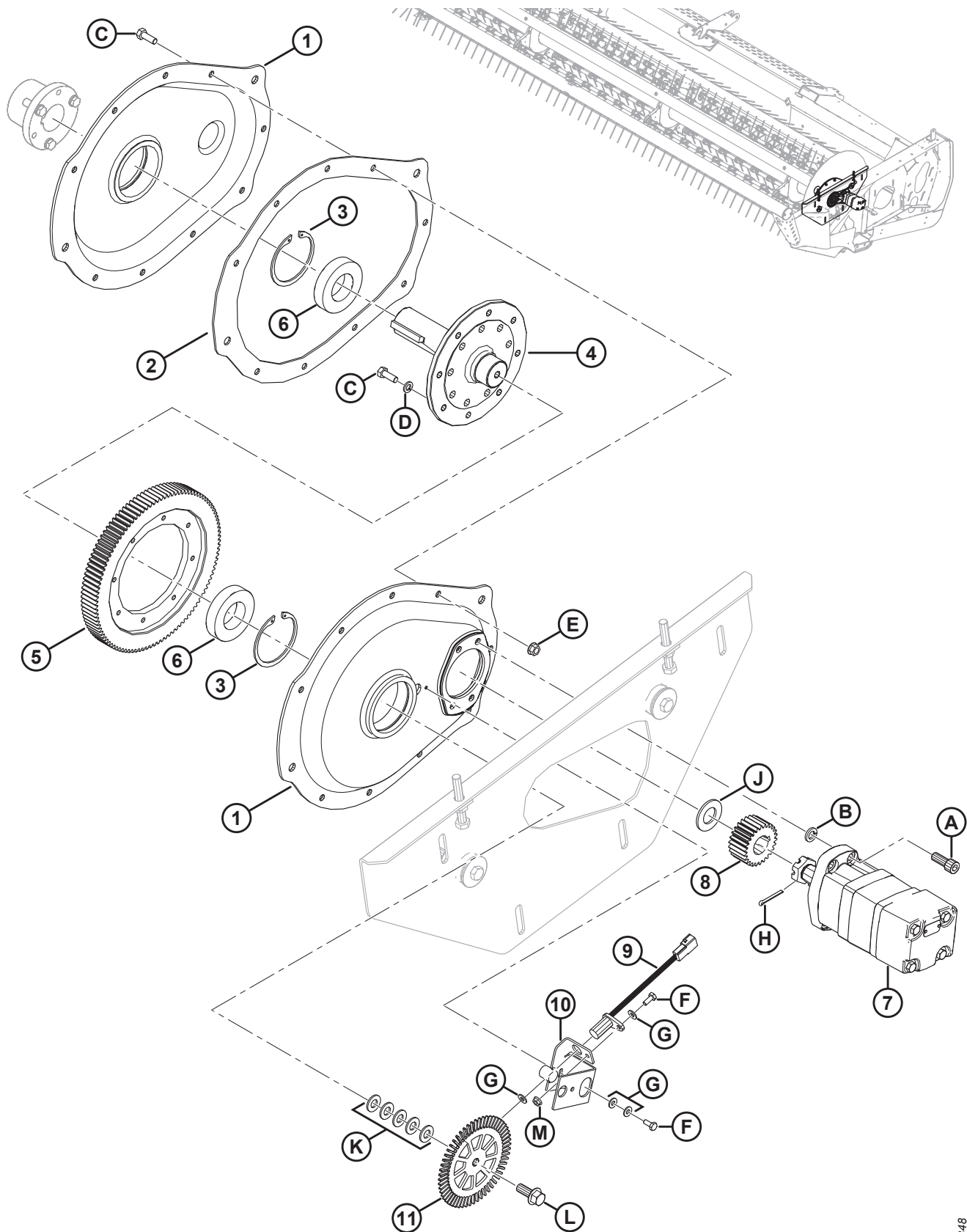
94. For grass seed and A40D Headers on model year 2014 and prior M205 Windrowers, use kit (MD #170642). Includes slotted nut (MD #137375).

95. Includes slotted nut (MD #137375).

96. The door support holds up the shields on A40 headers.

97. Grass seed headers only.

17 A40DX Reel Gearbox and Motor



1031848

A40DX REEL GEARBOX AND MOTOR

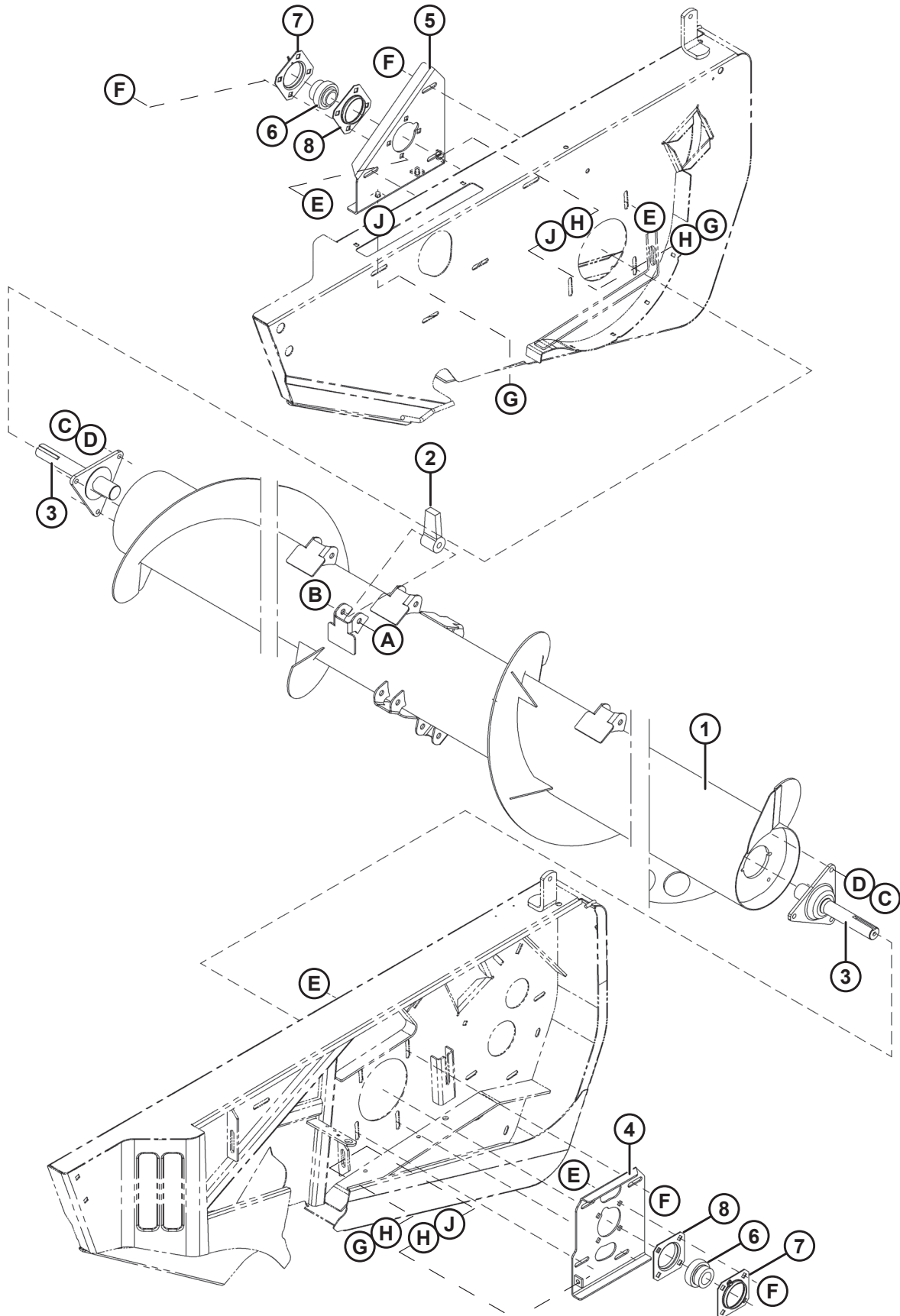
Ref	Part Number	Description	Qty	Serial Number
	170884	DRIVE ASSEMBLY – GEARBOX ⁹⁸		
1	143077	HOUSING – MACHINED, MATCHING SET	1	
2	143755	GASKET – REEL GEARBOX	1	
3	30882	RING – RETAINING, INTERNAL	2	
4	170883	SHAFT – MACHINED, REEL GEARBOX ⁹⁹	1	
5	143658	GEAR – REEL GEARBOX ⁹⁹	1	
6	30881	BEARING – BALL	2	
7	155148	MOTOR – HYDRAULIC, REEL DRIVE ¹⁰⁰	1	
	155149	SEAL KIT – FOR RECTANGULAR MOTOR (MD #155148)		
8	143087	GEAR – PINION	1	
9	143875	SENDER – SPEED	1	
10	318006	BRACKET – WELDMENT, SPEED SENSOR	1	
11	318004	DISC – ENCODER	1	
A	170606	SCREW – HEX SOC HD 1/2-13 X 1.25-GR8-ZP		
B	18638	WASHER – LOCK, 1/2 IN. I.D.		
C	20077	BOLT – HEX HEAD, 3/8 NC X 1 IN., GR. 5		
D	18637	WASHER – LOCK, 3/8 IN. I.D.		
E	30228	NUT – LOCK, SMOOTH FLANGE, 3/8 NC DT		
F	21572	BOLT – HEX HEAD, 1/4 NC X 5/8 IN., GR. 5		
G	18596	WASHER – FLAT, 9/32 IN. I.D.		
H	18607	PIN – COTTER, 5/32 X 1-1/2 IN.		
J	18603	WASHER – FLAT, 1-1/16 I.D.		
K	18599	WASHER – FLAT SAE 17/32 ID X 1 1/16 OD AA1J		
L	135965	BOLT – HH FLG (SM FACE) 1/2 NC X 1.25 GR 5 ZP		
M	21455	NUT – FLG (SERR FACE) 1/4 NC GR 5 ZP		

98. Includes housing (MD #143077), gasket (MD #143755), ring (MD #30882), shaft (MD #170883), gear (MD #143658), bearing (MD #30881), and hardware (MD #21491, 18638, 20077, 18637, 30228, 21572, and 18596).

99. If replacing on model year 2019 header, order **BOTH** shaft (MD #170883) and gear (MD #143658).

100. Includes slotted nut (MD #137375).

18 A30S and A30D Auger and Mounts



A30S AND A30D AUGER AND MOUNTS

Ref	Part Number	Description	Qty	Serial Number
1	170099	AUGER – BALANCED (14 FT)	1	
	170100	AUGER – BALANCED (16 FT)	1	
	170101	AUGER – BALANCED (18 FT)	1	
	170436	KIT – REPAIR, AUGER FLIGHTING EDGE ¹⁰¹		
	143147	FLIGHTING – LH HELIX, 5 IN. WIDE, 18 FT AUGER REPAIR ¹⁰²		
	143142	FLIGHTING – RH HELIX, 5 IN. WIDE, 18 FT AUGER REPAIR ¹⁰³		
2	115854	FINGER – AUGER	12	
3	143253	SHAFT – AUGER MOUNT	2	
4	171059	SUPPORT – AUGER, LH, A30S	1	
	124816	SUPPORT – AUGER, LH, A30D ¹⁰⁴	1	
5	143813	SUPPORT – AUGER, RH	1	
6	143973	BEARING – AUGER, 1-1/2 IN. BORE	2	
7	47070	FLANGE – BEARING, C/W 45° GREASE FITTING	2	
8	30576	FLANGE – BEARING	2	
A	21406	BOLT – HEX HEAD, 5/8 NC X 3-1/2 IN., GR. 5		
B	50225	NUT – SMOOTH FLANGE, 5/8 NC, DT		
C	21575	BOLT – HEX HEAD, 1/2 NC X 1 IN., GR. 5		
D	18638	WASHER – LOCK, 1/2 IN. I.D.		
E	21066	BOLT – RHSN, 1/2 NC X 1 IN., GR. 5		
F	50186	NUT – LOCK, SMOOTH FLANGE, 1/2 NC, DT, GR. 5		
G	21672	BOLT – HEX HEAD, 1/2 NC X 3 IN., GR. 5		
H	18599	WASHER – FLAT, 17/32 I.D. X 1-1/16 IN. O.D.		
J	18591	NUT – HEX, 1/2 NC, GR. 5		

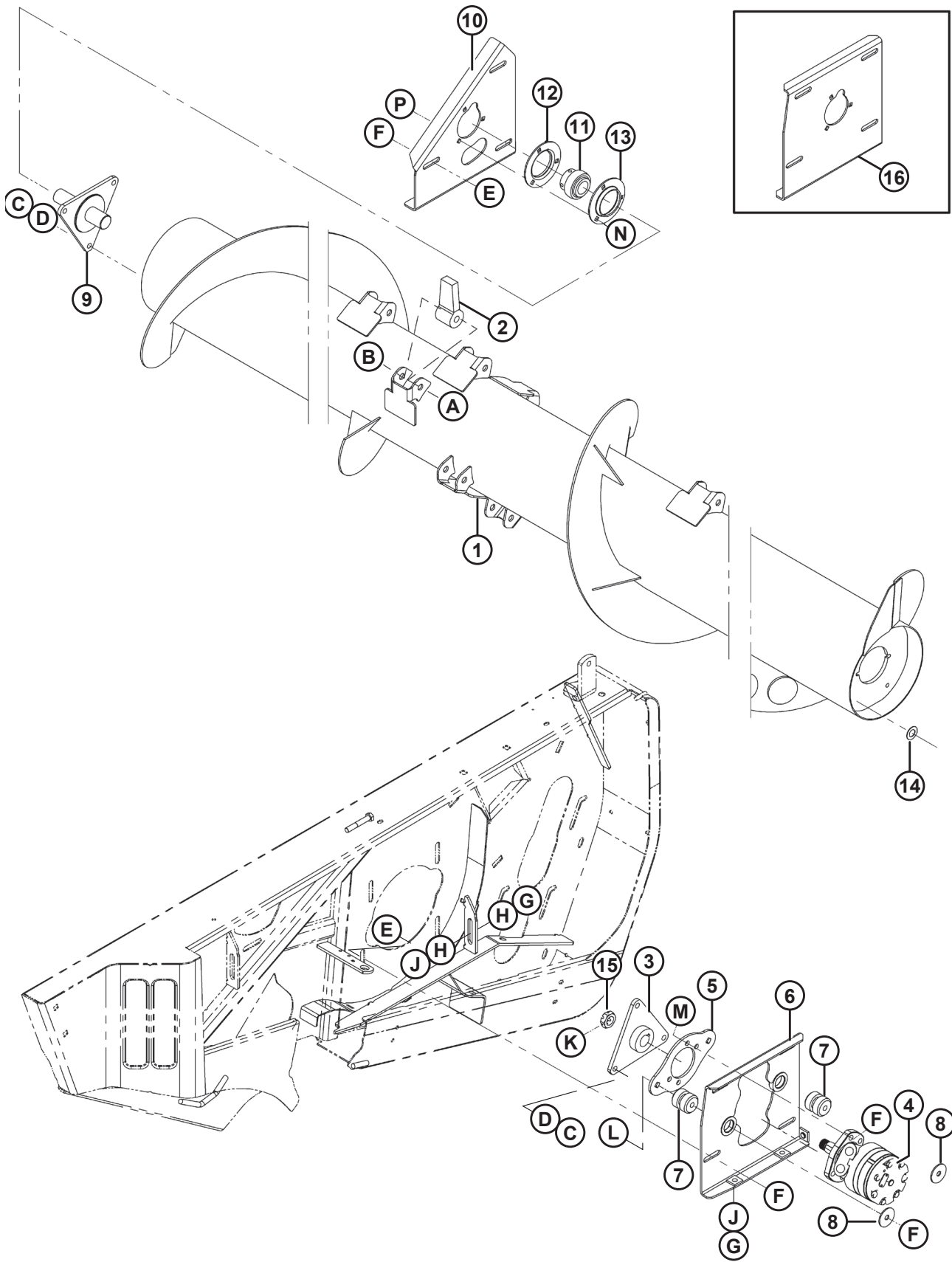
101. Three-inch wide strips.

102. LH helix fits right side of header; welding required.

103. RH helix fits left side of header; welding required.

104. Not exactly as shown.

19 A40D and A40DX Auger, Drive Motor, and Mounts



A40D AND A40DX AUGER, DRIVE MOTOR, AND MOUNTS

Ref	Part Number	Description	Qty	Serial Number
1	170099	AUGER – BALANCED (14 FT)	1	
	170100	AUGER – BALANCED (16 FT)	1	
	170101	AUGER – BALANCED (18 FT)	1	
	124861	AUGER – BALANCED, GRASS SEED (14 FT)	1	
	124862	AUGER – BALANCED, GRASS SEED (16 FT)	1	
	170436	KIT – REPAIR, AUGER FLIGHTING EDGE ¹⁰⁵		
	143147	FLIGHTING – LH HELIX, 5 IN. WIDE, 18 FT AUGER REPAIR ¹⁰⁶		
	143142	FLIGHTING – RH HELIX, 5 IN. WIDE, 18 FT AUGER REPAIR ¹⁰⁷		
2	115854	FINGER – AUGER	12	
3	143152	HUB – AUGER MOUNT	1	
4	273258	MOTOR – HYD, AUGER DRIVE ¹⁰⁸	1	
	273259	SEAL KIT – FOR HYDRAULIC MOTOR (MD #273258) ¹⁰⁹		
	273078	MOTOR – HYD, 260CC HIGH CAPACITY BEARING ¹⁰⁸	OPT	
	311620	SEAL KIT – FOR HYDRAULIC MOTOR (MD #273078) ¹¹⁰		
	155144	SEAL KIT – FOR HYDRAULIC MOTOR (MD #143088) ¹¹¹		
5	143109	PLATE – MOUNTING, AUGER MOTOR	1	
6	143110	SUPPORT – AUGER, LH	1	
7	143107	BUSHING – RUBBER	2	
8	143108	WASHER – FLAT	2	
9	143153	SHAFT – STUB, RH AUGER	1	
10	124985	SUPPORT – AUGER, RH ¹¹²	1	168560–
11	143972	BEARING – BALL, 1-3/8 IN. BORE	1	
12	21938	FLANGE – BEARING, C/W GREASE FITTING	1	
13	30602	FLANGE – BEARING	1	
14	5113	SHIM – AUGER MOUNT	A/R	
15	137375	NUT – SLOTTED HEX, 1.0-20 UNEF	1	
16	124089	SUPPORT – AUGER, RH ¹¹³	1	–168559
A	21406	BOLT – HEX HEAD, 5/8 NC X 3-1/2 IN., GR. 5		
B	50225	NUT – SMOOTH FLANGE, 5/8 NC, DT		
C	21575	BOLT – HEX HEAD, 1/2 NC X 1 IN., GR. 5		
D	18638	WASHER – LOCK, 1/2 IN. I.D.		
E	21066	BOLT – RHSN, 1/2 NC X 1 IN., GR. 5		

105. Three-inch wide strips.

106. LH helix fits the right side of the header; welding required.

107. RH helix fits the left side of the header; welding required.

108. Includes slotted hex nut (MD #137375) and key. High capacity motor (MD #273078) is available as an option to service auger motor (MD #273258) for customers in high torque applications.

109. Seal kit for hydraulic motor MD #273258.

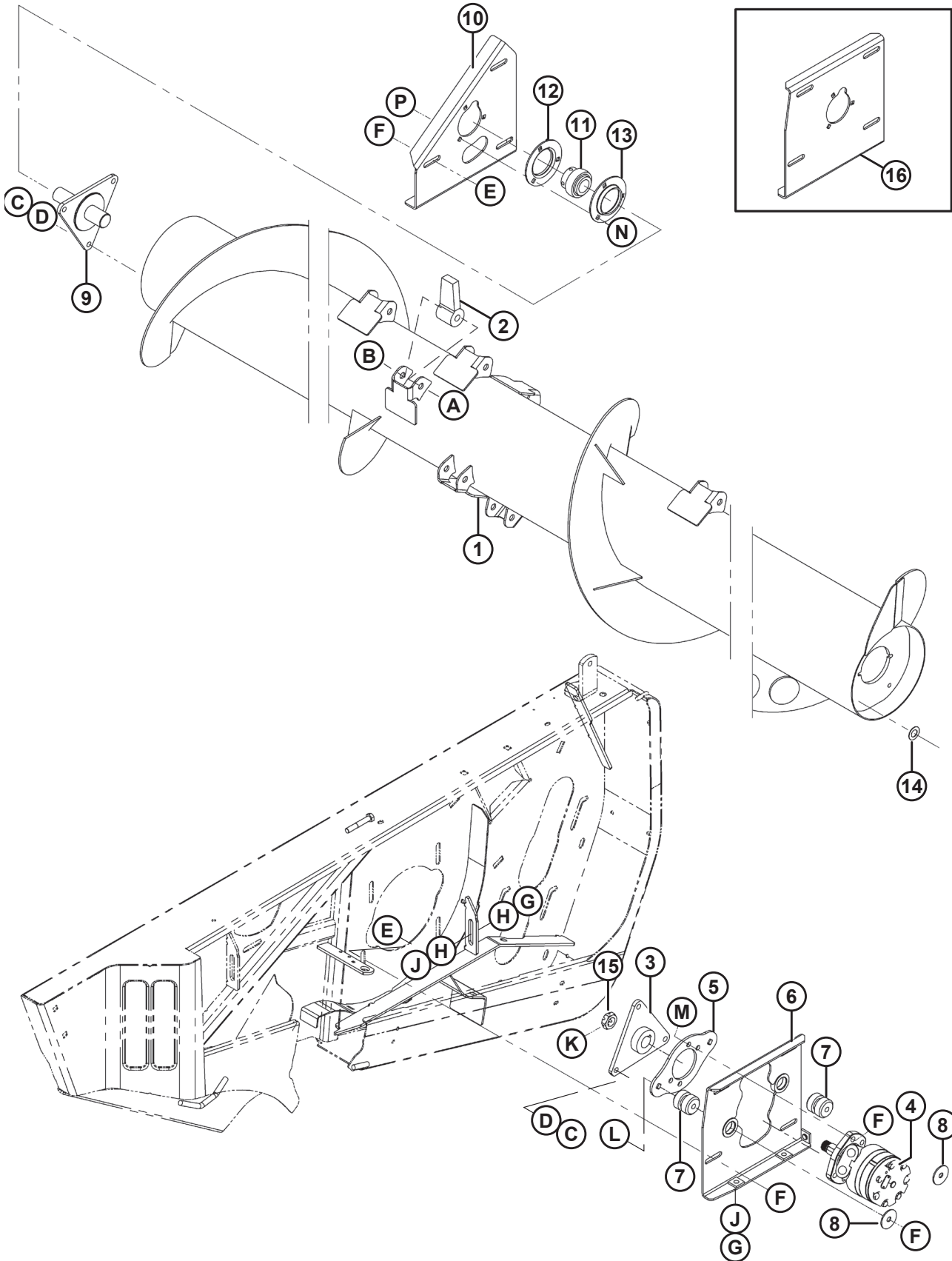
110. Seal kit for optional hydraulic motor MD #273078.

111. Seal kit for superseded hydraulic motor MD #143088.

112. For units made in model year 2006 and later.

113. For units made in model year 2005 and prior.

A40D AND A40DX AUGER, DRIVE MOTOR, AND MOUNTS

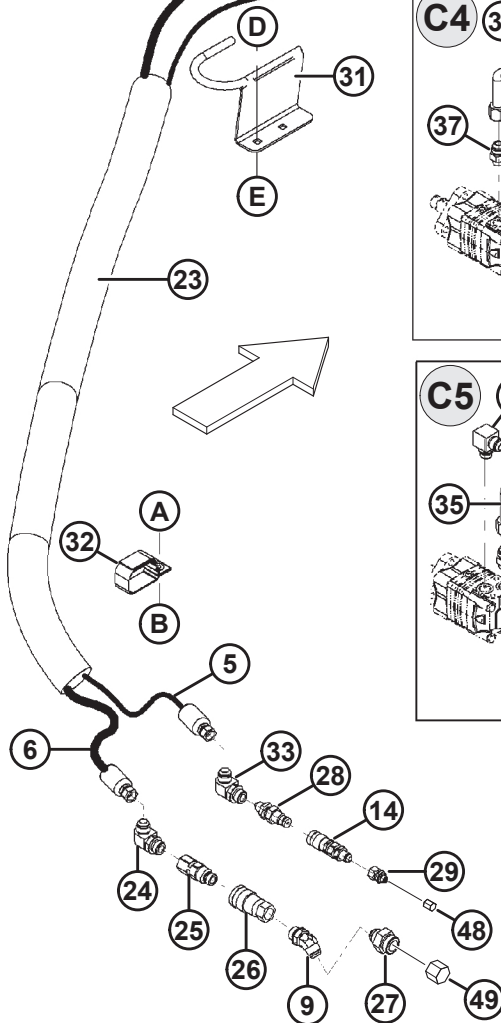
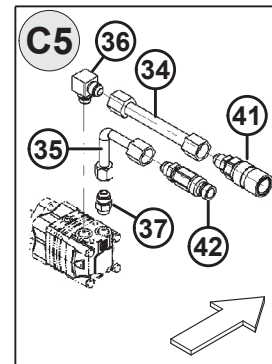
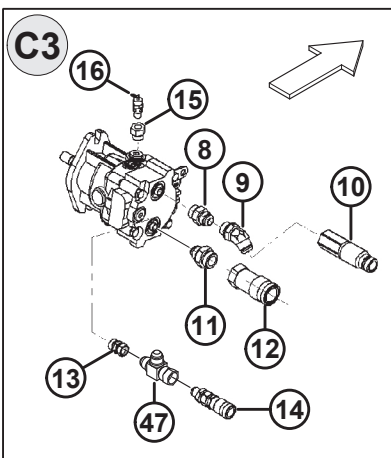
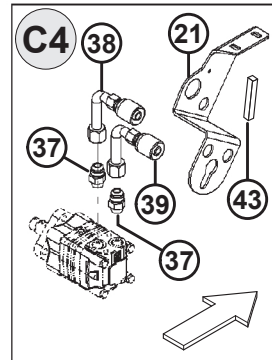
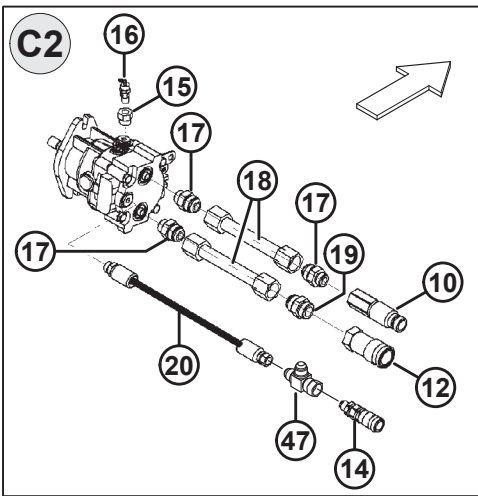
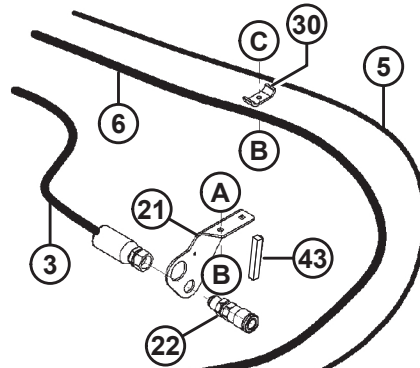
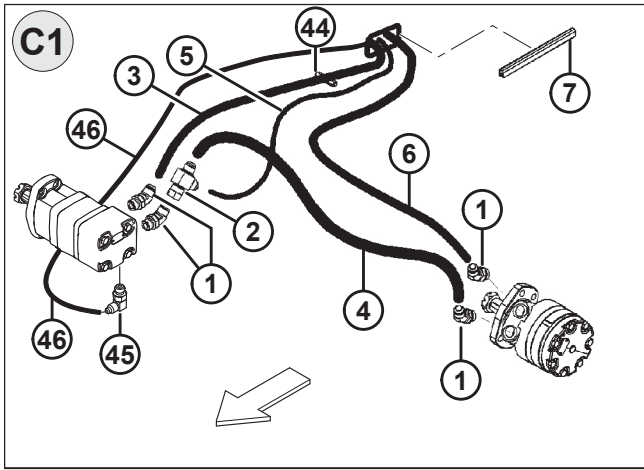


1009426

A40D AND A40DX AUGER, DRIVE MOTOR, AND MOUNTS

Ref	Part Number	Description	Qty	Serial Number
F	50186	NUT – LOCK, SMOOTH FLANGE, 1/2 NC, DT, GR. 5		
G	21672	BOLT – HEX HEAD, 1/2 NC X 3 IN., GR. 5		
H	18599	WASHER – FLAT, 17/32 I.D. X 1-1/16 IN. O.D.		
J	18591	NUT – HEX, 1/2 NC, GR. 5		
K	21006	PIN – COTTER, 1/8 X 2 IN.		
L	30266	BOLT – RHSN, 1/2 NC X 3 IN., GR. 5		
M	18723	BOLT – HEX HEAD, 1/2 NC X 1-1/2 IN., GR. 5		
N	19965	BOLT – RHSN, 3/8 NC X 1 IN., GR. 5		
P	30228	NUT – LOCK, SMOOTH FLANGE, 3/8 NC, DT, GR. 5		

20 A40D Hydraulic Hoses and Couplers



A40D HYDRAULIC HOSES AND COUPLERS

NOTE:

Illustration:

C1 = Reel Motor 2015 shown (left) with auger motor (right). Callout 44, 45, and 46 used with newer square bodied reel motor with case drain port; C2 = Knife Motor (18 ft. A40D); C3 = Knife Motor (14 ft. and 16 ft. A40D); C4 = Knife Motor (16 ft. A40D GSS); C5 = Knife Motor (14 ft. A40D GSS).

Ref	Part Number	Description	Qty	Serial Number
1	50103	FITTING – MALE ELBOW 45° HYD, C/W O-RING	4	
2	50102	FITTING – HYD TEE	1	
3	124886	HOSE – HYD, 1180 MM LG (14-16 FT) ¹¹⁴	1	
	124894	HOSE – HYD, 1410 MM LG (18 FT) ¹¹⁴	1	
4	170603	HOSE – HYD, 520 MM LG ¹¹⁵	1	
5	170268	HOSE – HYD, 4300 MM LG (14 FT) ¹¹⁶	1	
	170269	HOSE – HYD, 4530 MM LG (16 FT) ¹¹⁶	1	
	170270	HOSE – HYD, 4760 MM LG (18 FT) ¹¹⁶	1	
6	124887	HOSE – HYD, 4400 MM LG (14 FT) ¹¹⁷	1	
	124892	HOSE – HYD, 4630 MM LG (16 FT) ¹¹⁷	1	
	124895	HOSE – HYD, 4860 MM LG (18 FT) ¹¹⁷	1	
7	37687	MOULDING – HOSE PROTECTOR	1	
8	21830	FITTING – CONNECTOR HYD, C/W O-RING	1	
9	50098	FITTING – ELBOW 45°, C/W O-RING	2	
10	135314	COUPLER – MALE, 3/4 IN. FLAT FACE	1	
	135479	SEAL KIT ¹¹⁸		
11	142897	FITTING – CONNECTOR HYD, C/W O-RING	1	
12	135313	COUPLER – FEMALE, 3/4 IN. FLAT FACE ¹¹⁹	1	
13	135504	FITTING – ADAPTER HYD, C/W O-RING	1	
14	135213	COUPLER – FEMALE, 3/8 IN. FLAT FACE ¹²⁰	3	
15	135255	FITTING – ADAPTER HYD, C/W O-RING	1	
16	120377	VALVE – RELIEF	1	
17	21840	FITTING – CONNECTOR HYD, C/W O-RING	3	
18	170316	LINE – HYDRAULIC	2	
19	21828	FITTING – CONNECTOR HYD, C/W O-RING	1	
20	170317	HOSE – HYDRAULIC, CASE DRAIN EXTENSION (18 FT)	1	
21	170266	SUPPORT – HARNESS/COUPLER (14–18 FT)	1	
	170273	SUPPORT – HARNESS/COUPLER (16 FT GS ONLY)	1	
	170616	SUPPORT – HARNESS/COUPLER (14 FT GS ONLY)	1	

114. Reel motor top port to coupler.

115. Reel motor lower port to auger motor lower port. Hose (MD #170603) is required for A40D Headers on M205 Windrowers.

116. Reel motor lower port to coupler.

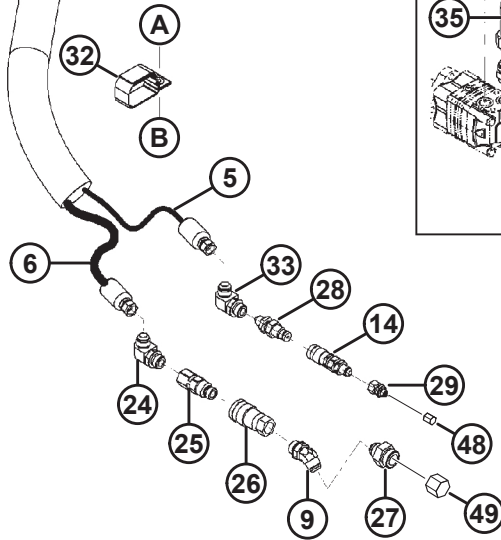
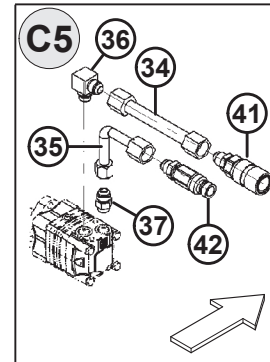
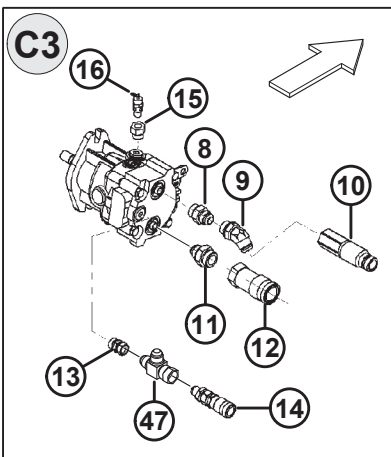
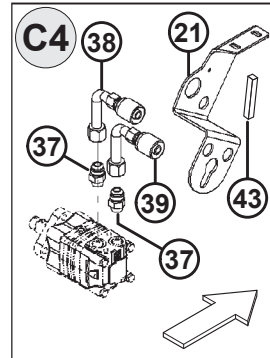
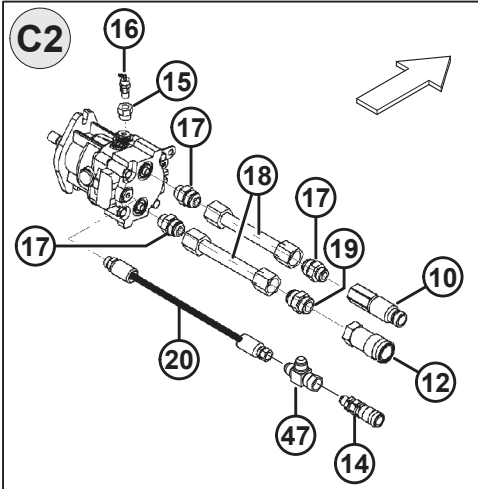
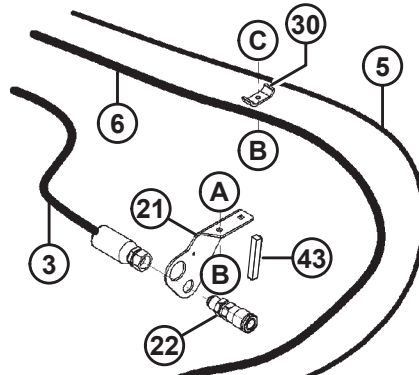
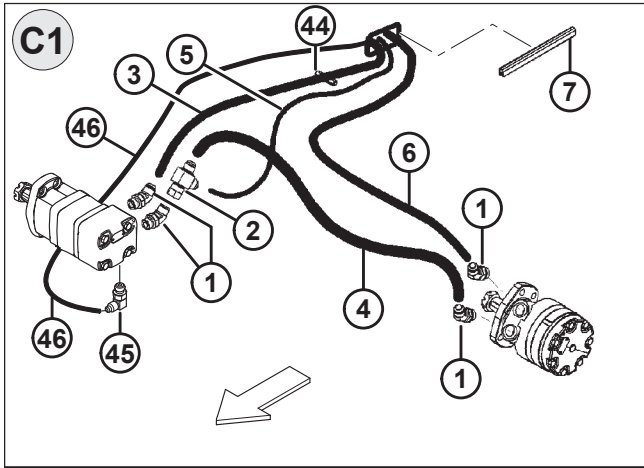
117. Auger motor top port to coupler.

118. This seal kit is for coupler (MD #135314).

119. Seal kit is discontinued. Order coupling/coupler.

120. Seal kit is discontinued. Order coupling/coupler. Quantity of 1 for 14–16 ft. grass seed headers.

A40D HYDRAULIC HOSES AND COUPLERS



1043317

A40D HYDRAULIC HOSES AND COUPLERS

Ref	Part Number	Description	Qty	Serial Number
22	135206	COUPLER – FEMALE HYD 1/2 IN. FLAT FACE ¹²¹	1	
23	124902	SLEEVE – HOSE	1	
24	21830	FITTING – MALE ELBOW 90°, C/W O-RING	1	
25	135508	COUPLER – MALE, 1/2 IN. FLAT FACE	1	
	111979	SEAL KIT – 1/2 IN. MALE ¹²²		
26	135474	COUPLER – HYDRAULIC, 1/2 IN. FEMALE FF ¹²¹	1	
27	136168	FITTING – CONNECTOR HYD, C/W O-RING	1	
28	135237	COUPLER – MALE, 3/8 IN. FLAT FACE	1	
	111978	SEAL KIT – 3/8 IN. MALE ¹²³		
29	135472	FITTING – ADAPTER HYD, C/W O-RING	1	
30	32225	HOLDER – HOSE	1	
31	170126	DEFLECTOR – HOSE	1	
32	163598	STRAP – VELCRO, HANGING	3	
33	30314	FITTING – ELBOW	1	
34	170276	LINE – HYDRAULIC	1	
35	170277	LINE – HYDRAULIC	1	
36	30609	FITTING – ELBOW HYD	1	
37	30610	FITTING – CONNECTOR HYD	3	
38	170279	HOSE – HYD (16 FT GS ONLY)	1	
39	124906	HOSE – HYD (16 FT GS ONLY)	1	
41	135204	COUPLING – FEMALE HYD 3/4 IN. FLAT FACE BULKHEAD	1	
42	135205	COUPLING – MALE HYD 3/4 IN. FLAT FACE BULKHEAD	1	
43	176334	MOULDING – FRAME (UNIGRIP)	1	
44	170435	MOULDING – HOSE PROTECTOR	1	
45	135647	FITTING – ELBOW 90° HYD ¹²⁴	1	266820–
46	170599	HOSE – HYD, CASE DRAIN ¹²⁴	1	266820–
47	108268	FITTING – HYD TEE ¹²⁴	1	266820–
48	318077	FITTING – CAP HYD 3/8 IN. TUBE	1	
49	318076	FITTING – CAP HYD 1 IN. TUBE	1	
A	21863	BOLT – RHSSN, 3/8 NC X 3/4 IN.		
B	30228	NUT – LOCK, SMOOTH FLANGE, 3/8 NC, DT, GR. 5		
C	50197	BOLT – RHSN, 3/8 NC X 1-3/4 IN.		
D	21066	BOLT – RHSN, 1/2 NC X 1 IN., GR. 5		
E	50186	NUT – LOCK, SMOOTH FLANGE, 1/2 NC, DT, GR. 5		

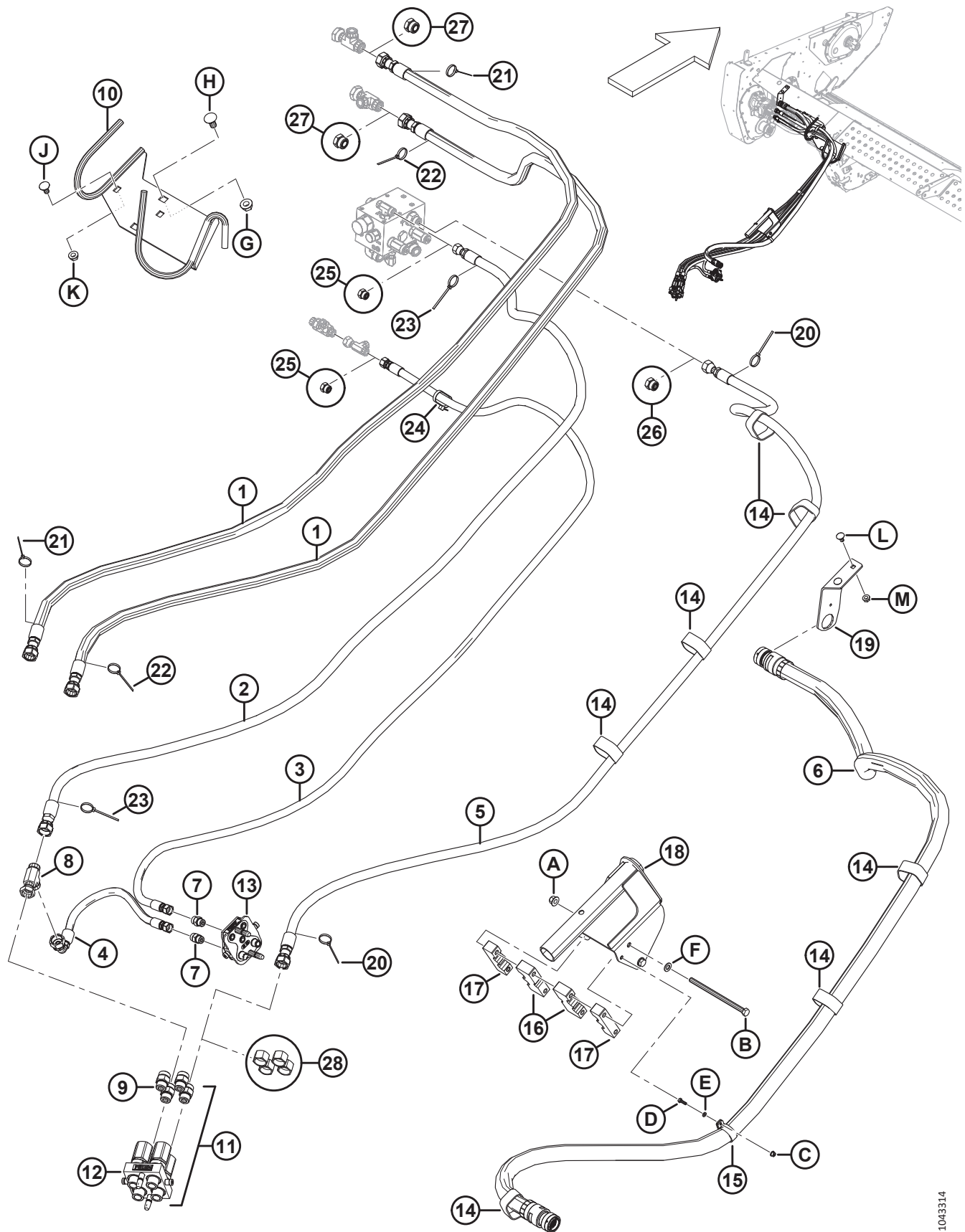
121. Seal kit is discontinued. Order coupling/coupler.

122. This seal kit is for coupler (MD #135508).

123. This seal kit is for coupler (MD #135237).

124. Required for reel drive motor (MD #155148).

21 A40DX / A40DX Grass Seed – Hose Bundle



A40DX / A40DX GRASS SEED – HOSE BUNDLE

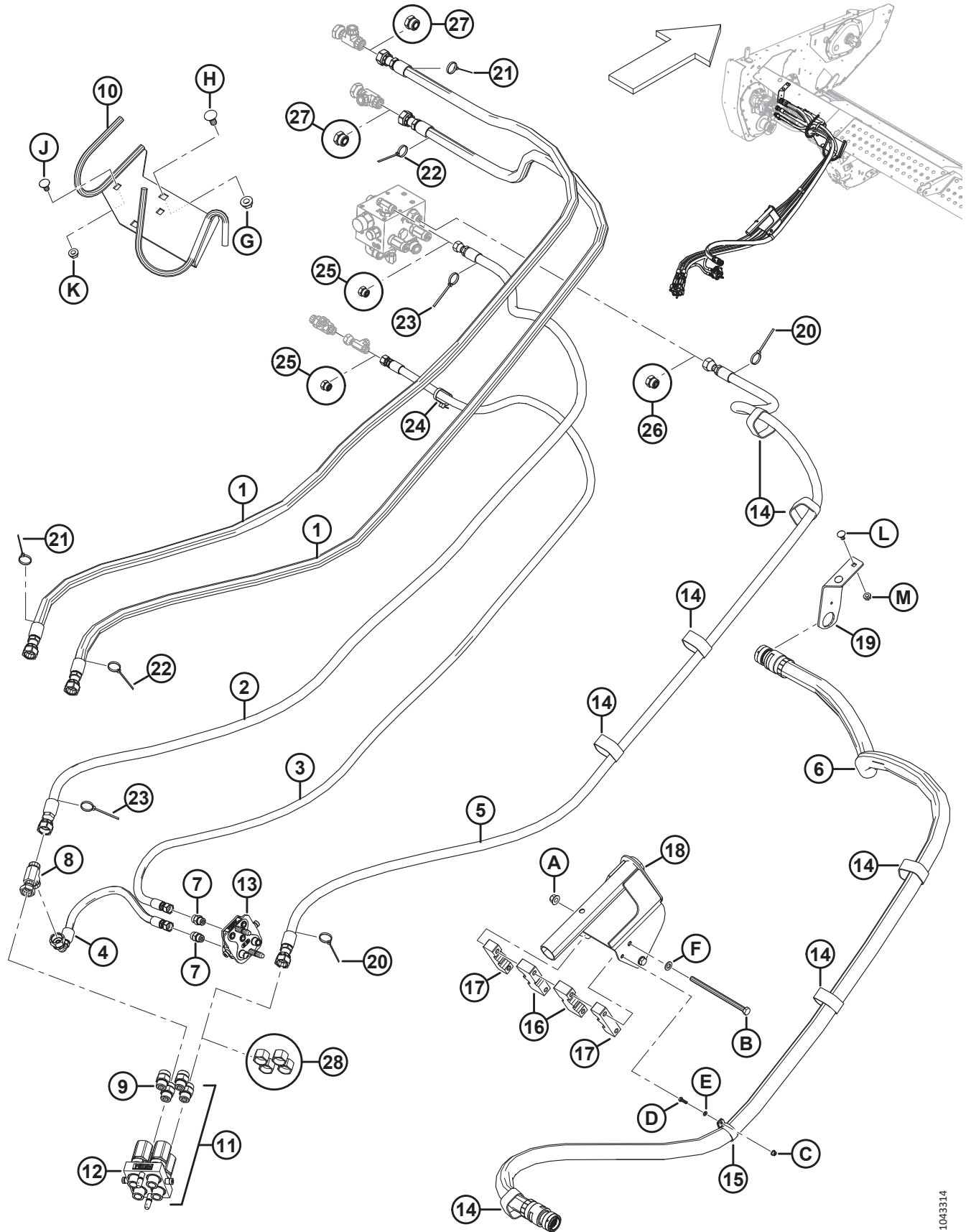
Ref	Part Number	Description	Qty	Serial Number
1	243809	HOSE – HYD KNIFE PRESS/RETURN	2	
2	170857	HOSE – HYD REEL PRESSURE	1	
3	170705	HOSE – HYD CASE DRAIN	1	
4	170706	HOSE – HYDRAULIC	1	
5	170856	HOSE – HYD REEL RETURN	1	
6	170988	HARNESS – ADAPTER, DRPR / AUGER ¹²⁵	1	
	134057	CAP – RECEPTACLE		
7	135780	FITTING – ADAPTER	2	
8	135985	FITTING – TEE HYD	1	
9	135788	FITTING – ADAPTER	4	
10	318055	GUIDE – WELDMENT	1	
11	170646	ASSY – MULTI-COUPLER W/ FITTINGS ¹²⁶	1	
12	243542	COUPLER – MULTI MOBILE	1	
	135479	SEAL KIT	4	
	208172	KIT – CARTRIDGE	4	
	111984	KIT – DOWEL		
	208288	KIT – SCREW		
13	170709	COUPLING – MULTI LINK	1	
14	170851	STRAP – CINCH 10 IN. LG	7	
15	243787	CLAMP – HARNESS	1	
16	243806	CLAMP – HOSE	2	
17	243808	CLAMP – HOSE	2	
18	272233	SUPPORT – WELDT	1	
19	170636	SUPPORT	1	
20	40701	FASTENER – CABLE TIE, YELLOW	2	
21	40703	FASTENER – CABLE TIE, BLUE	2	
22	40704	FASTENER – CABLE TIE, ORANGE	2	
23	49232	FASTENER – CABLE TIE, WHITE	2	
24	30753	FASTENER – CABLE TIE, BLACK, 305 MM LG	1	
25	136265	PLUG – HYD SAE 8 ORFS (SHIPPING ONLY) ¹²⁷	2	
26	136266	PLUG – HYD SAE 10 ORFS (SHIPPING ONLY) ¹²⁷	1	
27	136267	PLUG – HYD SAE 12 ORFS (SHIPPING ONLY) ¹²⁷	2	
28	135889	CAP – HYD SAE 12 ORFS (SHIPPING ONLY) ¹²⁷	4	
A	136431	NUT – HEX FLG CTR LOC M12 X 1.75-10		
B	152395	BOLT – HEX HD M12 X 1.75 X 200-10.9-AA3L		
C	152668	NUT – HEX FLG CTR LOC M6 X 1-8		
D	184646	BOLT – HEX HD TFL M6 X 1 X 20-8.8-A2L		
E	184705	WASHER – FLAT M6-200HV-A2L		
F	184714	WASHER – FLAT REG M12-300HV		
G	50225	NUT – FLANGE DT SMOOTH FACE .625-11 UNC		

125. Secure harness (MD #170988) with three cinch straps (MD #170851).

126. Includes adapter fittings (MD #135788).

127. For shipping only.

A40DX / A40DX GRASS SEED – HOSE BUNDLE

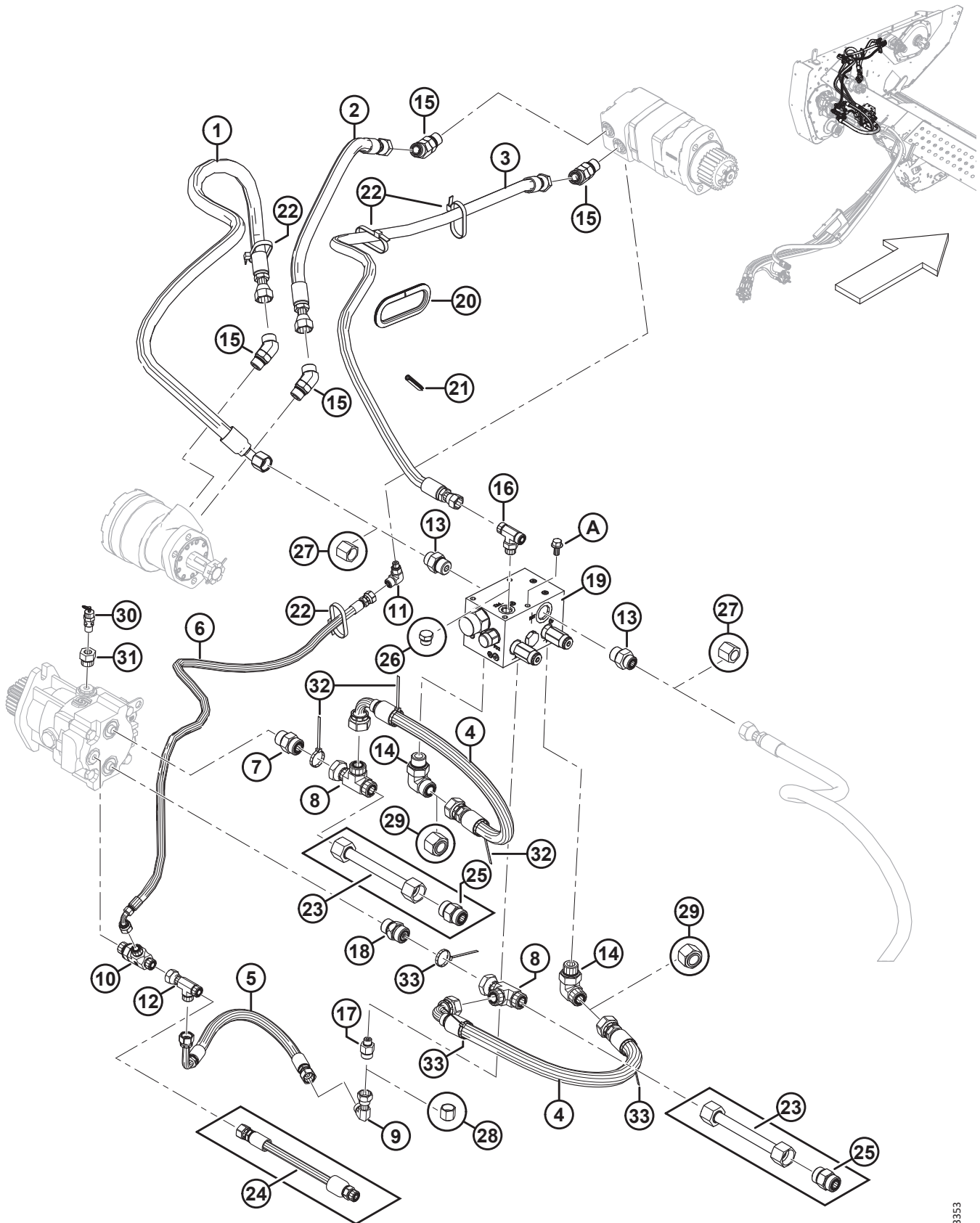


1043314

A40DX / A40DX GRASS SEED – HOSE BUNDLE

Ref	Part Number	Description	Qty	Serial Number
H	103562	BOLT – RHSN 5/8-11 X 1.25-GR5-ZP		
J	21066	BOLT – RHSN 1/2-13 X 1-GR5-ZP		
K	50186	NUT – FLANGE LOCK SM FACE DT 0.500-13 UNC GR5		
L	21472	BOLT – RHSN 3/8-16 X .75-GR5		
M	30228	NUT – FLANGE DT SMOOTH FACE 0.375-16 UNC		

22 A40DX Hydraulics



1043353

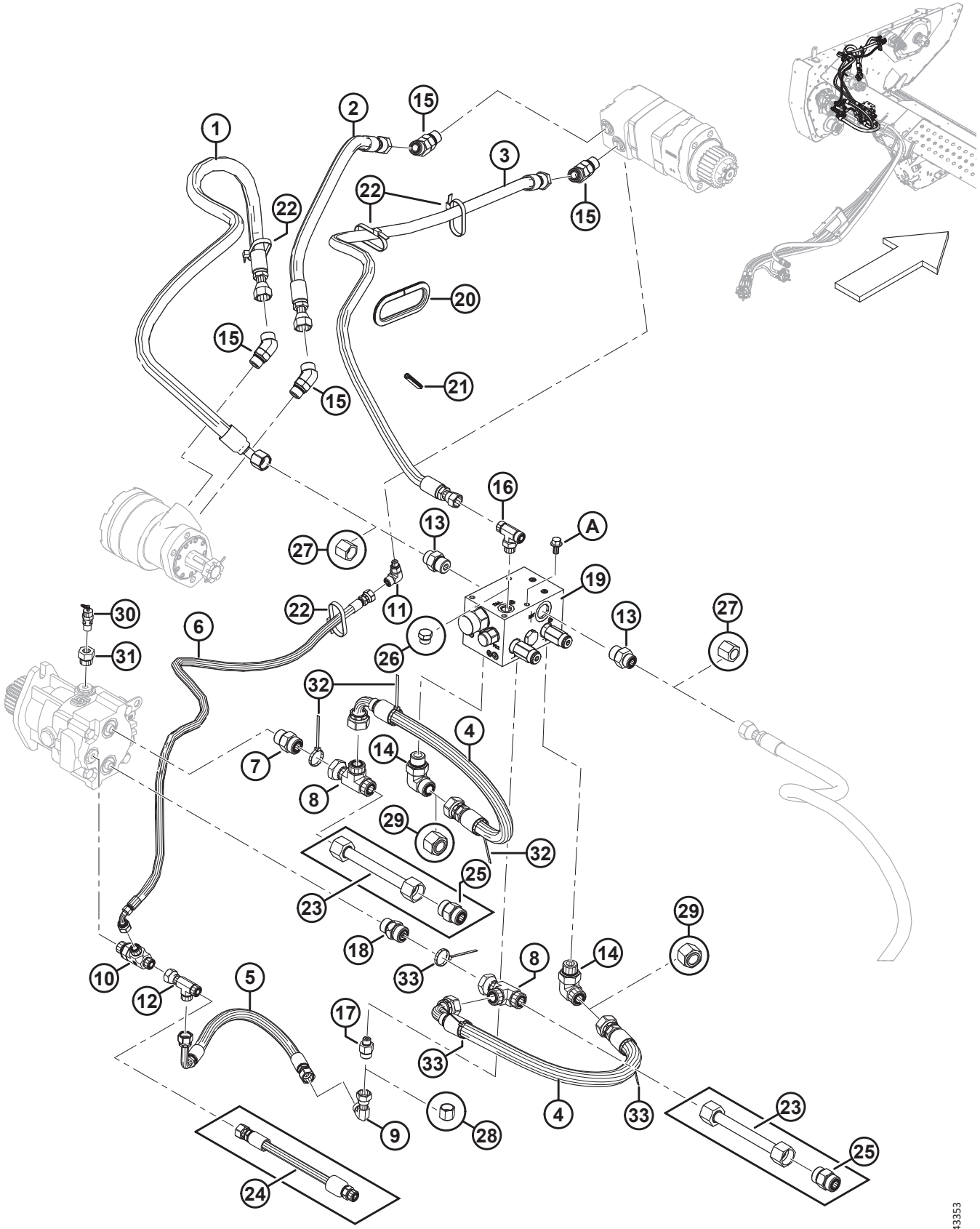
A40DX HYDRAULICS

Ref	Part Number	Description	Qty	Serial Number
	B5998	KIT – AUGER HEADER DRIVE CONVERSION (16 AND 18 FT A40D NON-GSS ONLY) ¹²⁸		
1	170581	HOSE – HYD, 5/8 IN. I.D., 1600 MM LG, 100R17, METAL REIN.	1	
2	170582	HOSE – HYD, 5/8 IN. I.D., 540 MM LG, 100R17, METAL REIN.	1	
3	170583	HOSE – HYD, 5/8 IN. I.D., 1350 MM LG, 100R17, METAL REIN.	1	
4	170626	HOSE – HYD, 5/8 IN. I.D., 650 MM LG, 100R12, METAL REIN.	2	
5	170989	HOSE – HYD CASE DRAIN	1	
6	170629	HOSE – HYDRAULIC, CASE DRAIN	1	
7	135788	FITTING – ADAPTER	1	
	30971	O-RING – #12 ORB		
	135868	O-RING – #12 ORFS		
8	135985	FITTING – TEE HYD	2	
	135868	O-RING – #12 ORFS		
9	136034	FITTING – ELBOW 90° HYD	1	
	135866	O-RING – #8 ORFS		
10	136282	FITTING – TEE HYD	1	
	44210	O-RING – #10 ORB		
	135866	O-RING – #8 ORFS		
11	136337	FITTING – ELBOW 90° HYD	1	
12	136459	FITTING – HYD TEE	1	
	135866	O-RING – #8 ORFS		
13	135786	FITTING – ADAPTER	2	
	30971	O-RING – #12 ORB		
	135867	O-RING – #10 ORFS		
14	135821	FITTING – ELBOW 90° HYD	2	
	30971	O-RING – #12 ORB		
	135868	O-RING – #12 ORFS		
15	136327	FITTING – ELBOW 45° HYD	4	
	44210	O-RING – #10 ORB		
	135867	O-RING – #10 ORFS		
16	136684	FITTING – BRANCH TEE ORFS 8-8-8	1	
	44209	O-RING – #8 ORB		
	135866	O-RING – #8 ORFS		
17	135779	FITTING – ADAPTER	1	
	50219	O-RING – #6 ORB		
	135866	O-RING – #8 ORFS		
18	170574	VALVE – CHECK ORIFICE	1	
	30971	O-RING – #12 ORB		
	135868	O-RING – #12 ORFS		
19	170584	ASSEMBLY – MANIFOLD ¹²⁹	1	

128. Includes all listed parts from this section as well as all parts from Sections *21 A40DX / A40DX Grass Seed – Hose Bundle, page 65* and *44 Reel Speed Kit – M1 / M2 / M Series Conversion, page 139*. Kits are available through Whole Goods only.

129. Includes fittings (MD #135786, 135821, and 135779), plug (MD #30977), cable ties (MD #40703 and 40704), and caps (MD #135860, 136741, and 135889).

A40DX HYDRAULICS



1043353

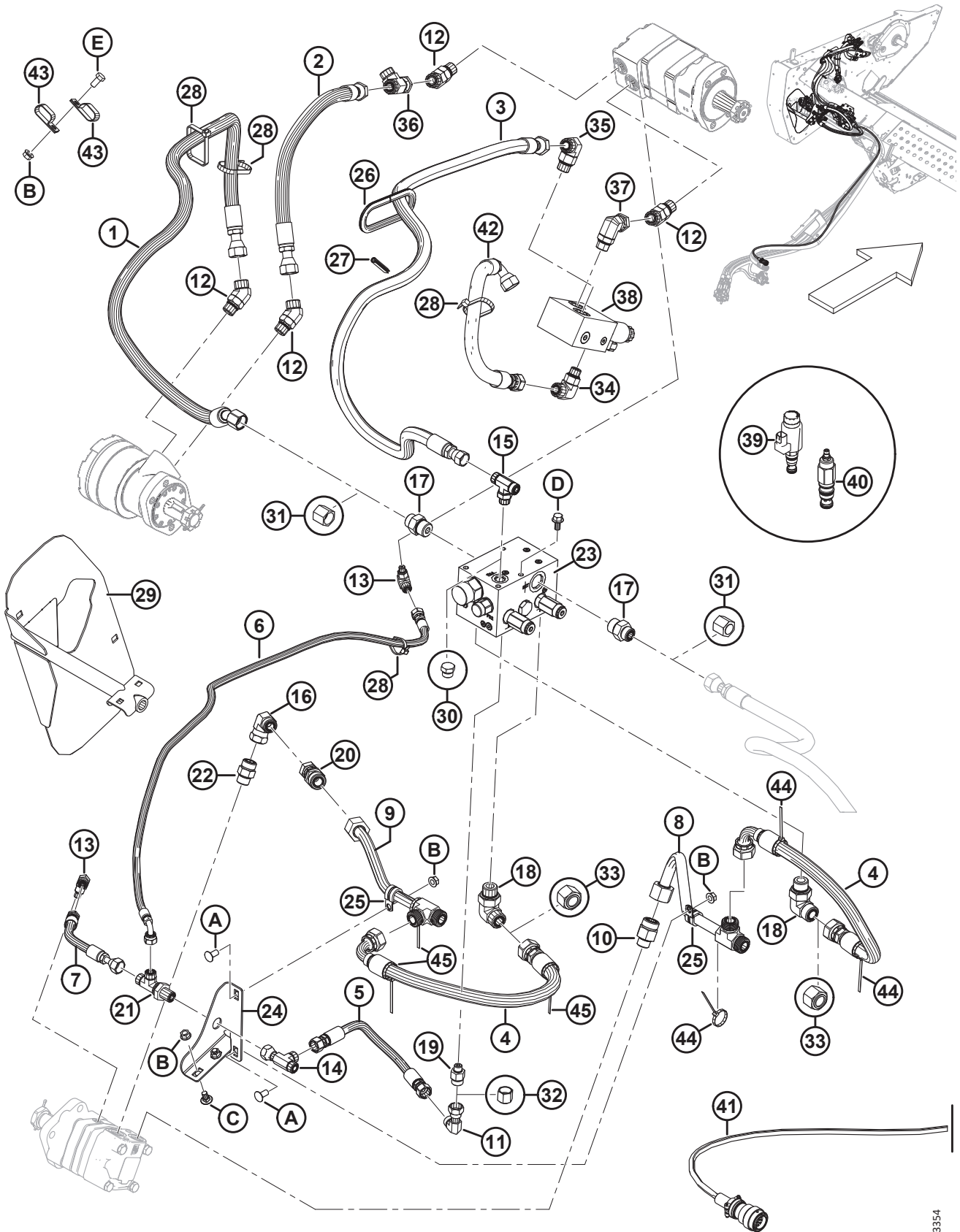
A40DX HYDRAULICS

Ref	Part Number	Description	Qty	Serial Number
20	37687	MOULDING	1	
21	170435	MOULDING	1	
22	30753	FASTENER – CABLE TIE, BLACK, 305 MM LG	4	
23	170631	LINE – HYDRAULIC (18 FT ONLY) ¹³⁰	2	
24	170990	HOSE – EXTENSION (18 FT ONLY) ¹³⁰	1	
25	136262	FITTING – UNION SAE -12 ORFS (18 FT ONLY) ¹³⁰	2	
	135868	O-RING – #12 ORFS		
26	30977	PLUG – HEX CW O-RING (SHIPPING ONLY) ¹³¹	1	
27	135860	CAP – HYD SAE 10 ORFS (SHIPPING ONLY) ¹³¹	2	
28	136741	CAP – HYD SAE 8 ORFS (SHIPPING ONLY) ¹³¹	1	
29	135889	CAP – HYD SAE 12 ORFS (SHIPPING ONLY) ¹³¹	2	
30	120377	VALVE – RELIEF	1	
31	135255	FITTING – ADAPTER HYD CW O-RING	1	
32	40703	FASTENER – CABLE TIE, BLUE	3	
33	40704	FASTENER – CABLE TIE, ORANGE	3	
A	135963	BOLT – HH FLG (SM FACE) 3/8 NC X 0.75 GR 5 ZP		

130. 18 ft. headers only.

131. For shipping only.

23 A40DX Grass Seed Hydraulics



1043354

A40DX GRASS SEED HYDRAULICS

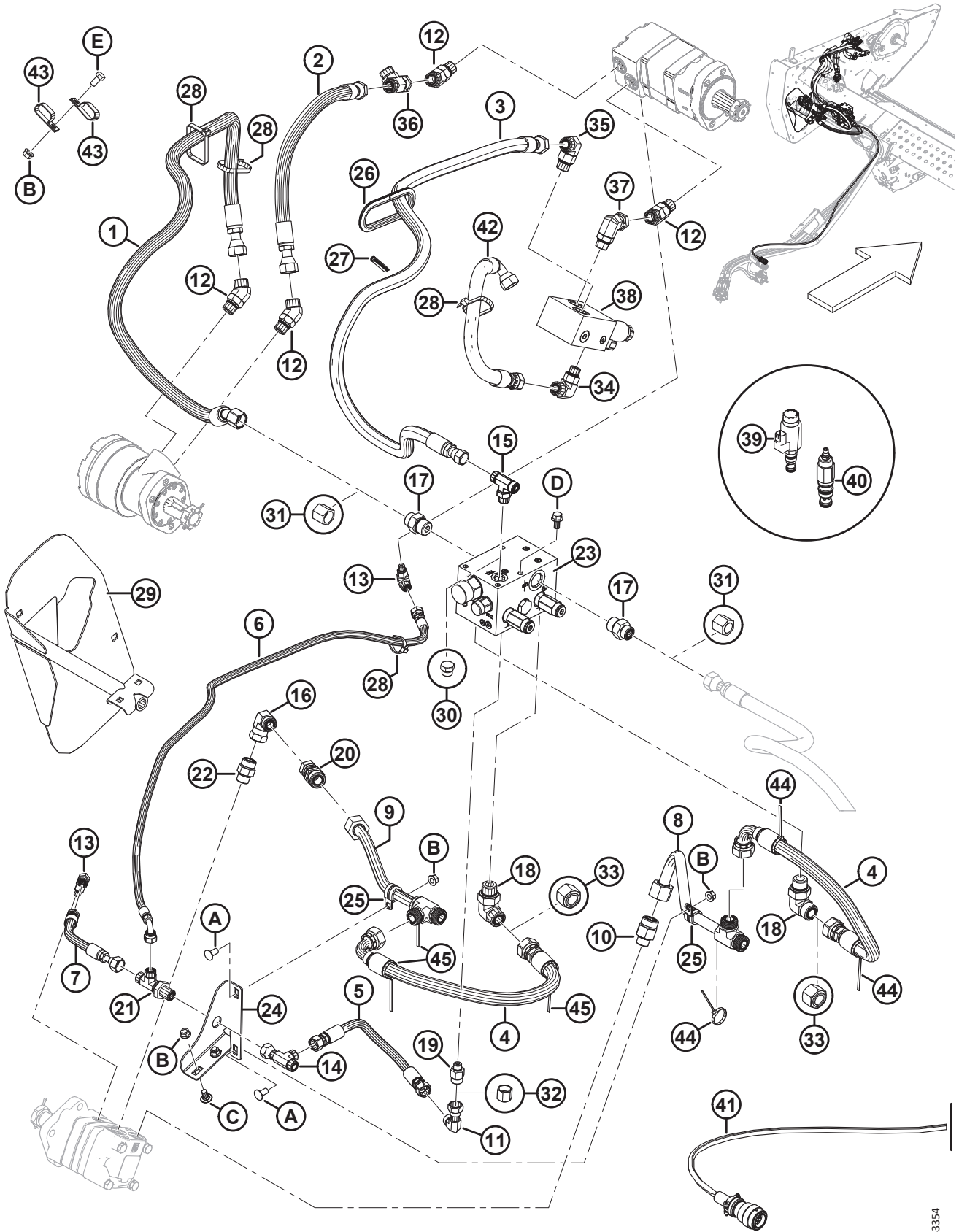
NOTE:

Reel speed control is standard for model year 2019 and later A40DX Grass Seed Headers. For optional reel speed control kits, refer to Section [24 A40DX / A40DX Grass Seed – Reel Speed Control Kit, page 77](#).

Ref	Part Number	Description	Qty	Serial Number
	B6384	KIT – AUGER HEADER DRIVE CONVERSION (16 AND 18 FT A40D GSS ONLY) ¹³²		
1	170581	HOSE – HYD, 5/8 IN. I.D., 1600 MM LG, 100R17, METAL REIN.	1	
2	170582	HOSE – HYD, 5/8 IN. I.D., 540 MM LG, 100R17, METAL REIN.	1	
3	170583	HOSE – HYD, 5/8 IN. I.D., 1350 MM LG, 100R17, METAL REIN.	1	
4	170626	HOSE – HYD, 5/8 IN. I.D., 650 MM LG, 100R12, METAL REIN.	2	
5	170628	HOSE – HYD CASE DRAIN	1	
6	170629	HOSE – HYDRAULIC, CASE DRAIN	1	
7	170712	HOSE – HYD, 262 MM LG	1	
8	170710	LINE – RETURN	1	
9	170711	LINE – TUBE	1	
10	135787	FITTING – ADAPTER	1	
11	136034	FITTING – ELBOW 90° HYD	1	
	135866	O-RING – #8 ORFS		
12	136327	FITTING – ELBOW 45° HYD	4	
	44210	O-RING – #10 ORB		
	135867	O-RING – #10 ORFS		
13	136337	FITTING – ELBOW 90° HYD	2	
14	136459	FITTING – HYD TEE	1	
	135866	O-RING – #8 ORFS		
15	136684	FITTING – BRANCH TEE ORFS 8-8-8	1	
	44209	O-RING – #8 ORB		
	135866	O-RING – #8 ORFS		
16	136846	FITTING – SWIVEL NUT ELBOW 90° HYD 10-10	1	
17	135786	FITTING – ADAPTER	2	
	30971	O-RING – #12 ORB		
	135867	O-RING – #10 ORFS		
18	135821	FITTING – ELBOW 90° HYD	2	
	30971	O-RING – #12 ORB		
	135868	O-RING – #12 ORFS		
19	135779	FITTING – ADAPTER	1	
	50219	O-RING – #6 ORB		
	135866	O-RING – #8 ORFS		
20	170716	FITTING – ADAPTER HYD	1	
	135868	O-RING – #12 ORFS		
21	170729	FITTING – HYD TEE	1	

132. Includes all listed parts from this section as well as all parts from Sections [21 A40DX / A40DX Grass Seed – Hose Bundle, page 65](#) and [44 Reel Speed Kit – M1 / M2 / M Series Conversion, page 139](#). Kits are available through Whole Goods only.

A40DX GRASS SEED HYDRAULICS



1043354

A40DX GRASS SEED HYDRAULICS

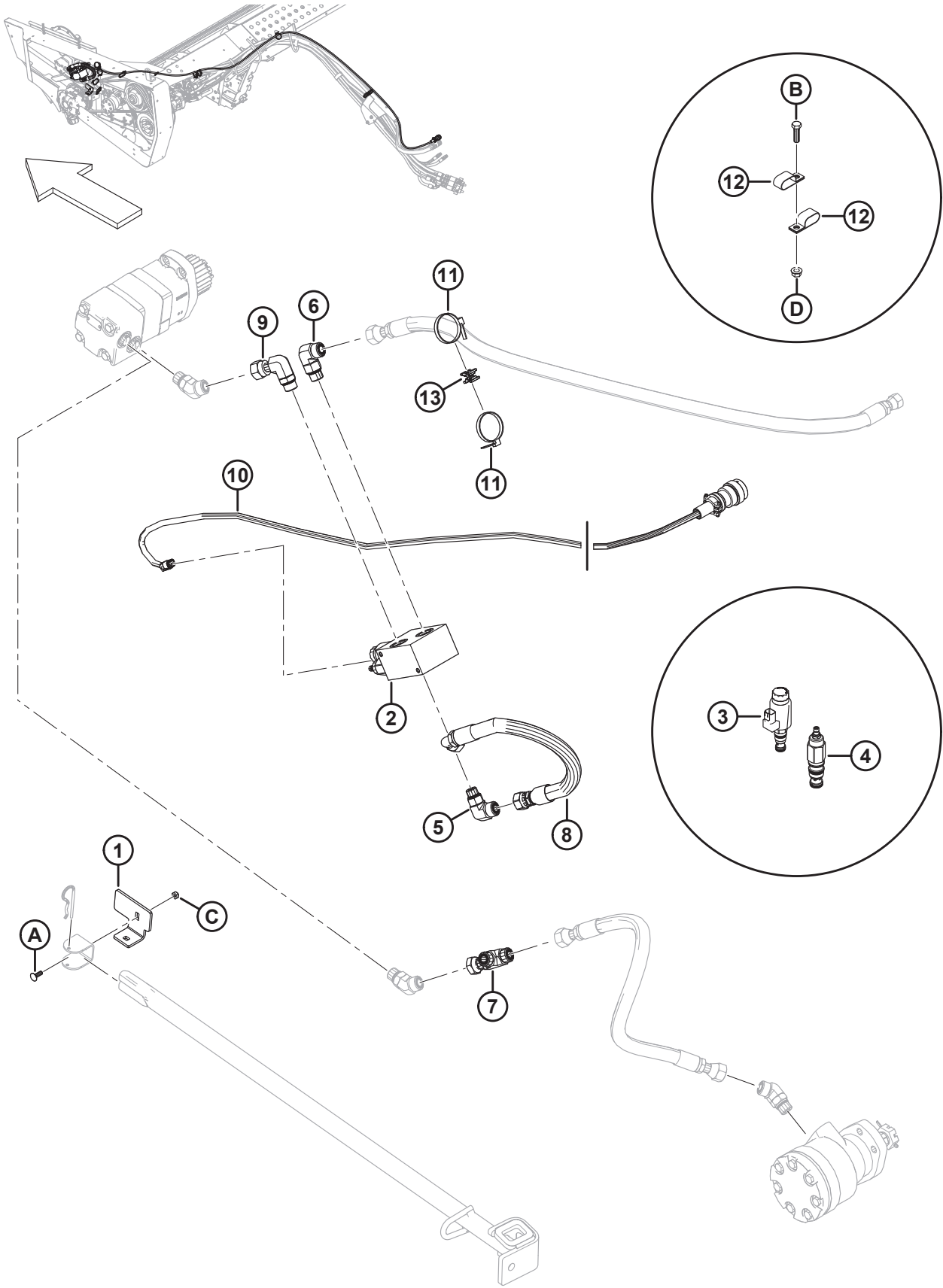
Ref	Part Number	Description	Qty	Serial Number
22	170717	VALVE – CHECK ORIFICE	1	
23	170584	ASSEMBLY – MANIFOLD ¹³³	1	
24	170863	SUPPORT – BULKHEAD	1	
25	135709	CLAMP – INSULATED 3/4 IN.	2	
26	37687	MOULDING	1	
27	170435	MOULDING	1	
28	30753	FASTENER – CABLE TIE, BLACK, 305 MM LG	5	
29	170715	SUPPORT – WELDT HYDRAULICS	1	
30	30977	PLUG – HEX CW O-RING (SHIPPING ONLY) ¹³⁴	1	
31	135860	CAP – HYD SAE 10 ORFS (SHIPPING ONLY) ¹³⁴	2	
32	136741	CAP – HYD SAE 8 ORFS (SHIPPING ONLY) ¹³⁴	1	
33	135889	CAP – HYD SAE 12 ORFS (SHIPPING ONLY) ¹³⁴	2	
34	135918	FITTING – ELBOW 90° HYD	1	346190–
	44209	O-RING – #8 ORB		
	135867	O-RING – #10 ORFS		
35	136089	FITTING – ELBOW 90° HYD	1	346190–
	44210	O-RING – #10 ORB		
	135867	O-RING – #10 ORFS		
36	135784	FITTING – TEE HYD	1	346190–
	135867	O-RING – #10 ORFS		
37	252896	FITTING – ELBOW HYD	1	346190–
	44210	O-RING – #10 ORB		
38	170955	VALVE – ASSY ¹³⁵	1	346190–
39	252925	VALVE – FLOW CONTROL	1	346190–
	252927	SEAL KIT		
40	252924	VALVE – SEQUENCE	1	346190–
	252926	SEAL KIT		
41	283709	HARNESS – AUGER HDR REEL SPEED	1	346190–
42	170952	HOSE – HYD	1	346190–
43	135235	CLAMP – DOUBLE HOSE INSULATED	2	346190–
44	40703	FASTENER – CABLE TIE, BLUE	3	
45	40704	FASTENER – CABLE TIE, ORANGE	3	
A	21863	BOLT – RHSSN 3/8 NC X 0.75 LG GR 5 ZP		
B	30228	NUT – FLANGE DT SMOOTH FACE 0.375-16 UNC		
C	21472	BOLT – RHSN 3/8-16 X .75-GR5		
D	135963	BOLT – HH FLG (SM FACE) 3/8 NC X 0.75 GR 5 ZP		
E	21567	BOLT – HEX HD .375-16 UNC X 0.75 LG		

133. Includes fittings (MD #135786, 135821, and 135779), plug (MD #30977), cable ties (MD #40703 and 40704), and caps (MD #135860, 136741, and 135889).

134. For shipping only.

135. Includes flow control valve (MD #252925) and sequence valve (MD #252924).

24 A40DX / A40DX Grass Seed – Reel Speed Control Kit



A40DX / A40DX GRASS SEED – REEL SPEED CONTROL KIT

NOTE:

Reel speed control is standard for model year 2019 and later A40DX Grass Seed Headers. Refer to Section [23 A40DX Grass Seed Hydraulics](#), page 73.

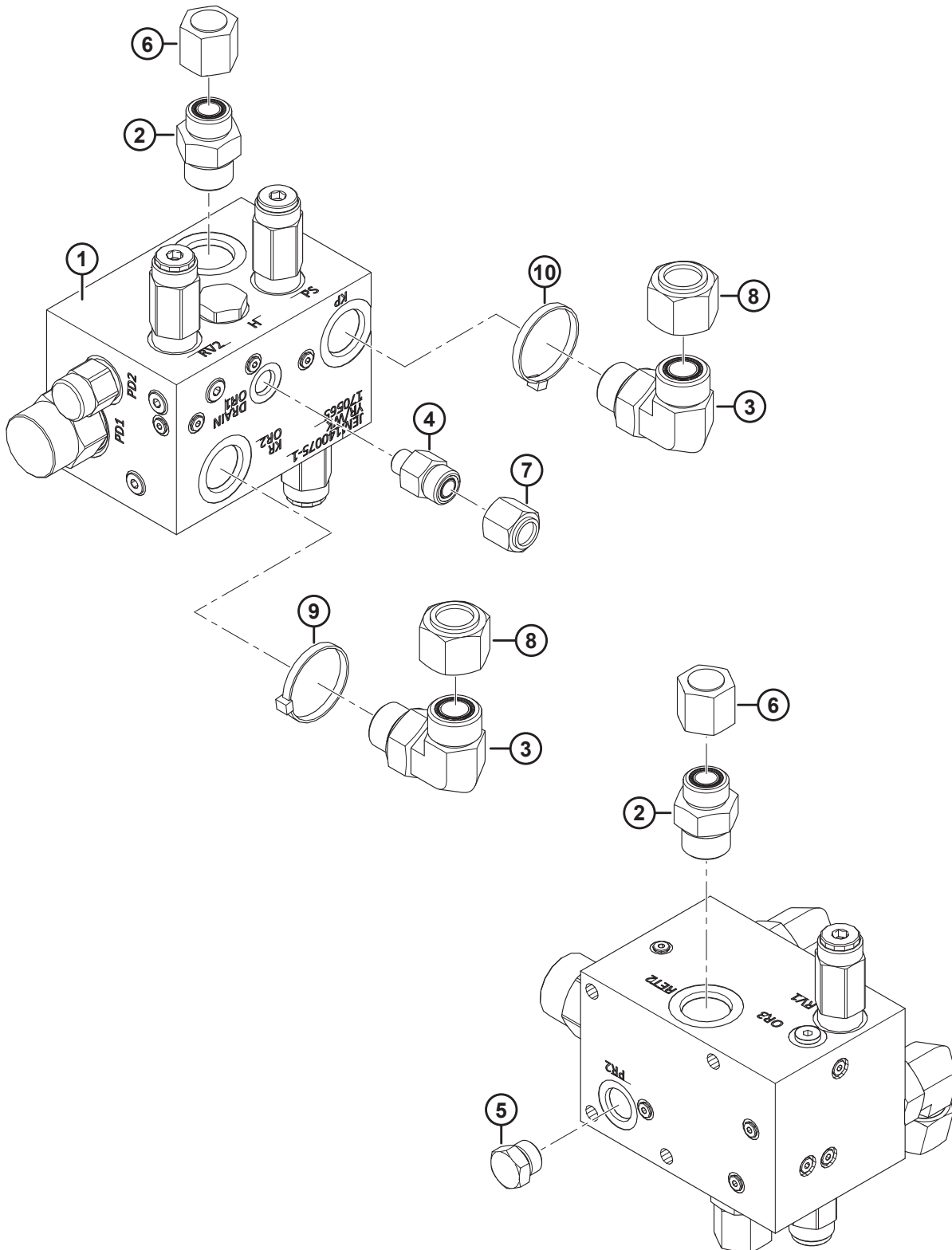
Ref	Part Number	Description	Qty	Serial Number
	B6604	KIT – GSS HEADER REEL SPEED CONTROL ¹³⁶		
	318001	KIT – REEL SPEED CONTROL DX ¹³⁷		
1	170974	BRACKET – BAR	1	
2	170955	VALVE – ASSY ¹³⁸	1	
3	252925	VALVE – FLOW CONTROL	1	
	252927	SEAL KIT		
4	252924	VALVE – SEQUENCE	1	
	252926	SEAL KIT		
5	135918	FITTING – ELBOW 90° HYD	1	
	44209	O-RING – #8 ORB		
	135867	O-RING – #10 ORFS		
6	136089	FITTING – ELBOW 90° HYD	1	
	44210	O-RING – #10 ORB		
	135867	O-RING – #10 ORFS		
7	135784	FITTING – TEE HYD	1	
	135867	O-RING – #10 ORFS		
8	170952	HOSE – HYD	1	
9	252896	FITTING – ELBOW HYD	1	
	44210	O-RING – #10 ORB		
10	283709	HARNES – AUGER HDR REEL SPEED	1	
11	30753	FASTENER – CABLE TIE, BLACK, 305 MM LG	9	
12	135235	CLAMP – DOUBLE HOSE INSULATED	2	
13	134442	SPACER – DUAL SWIVEL SADDLE	3	
A	21476	BOLT – RHSN 1/4-20 X .75-GR5-ZP		
B	21264	BOLT – HH 3/8 NC X 1.25 LG GR 5 ZP		
C	18724	NUT – HEX LOCK DT 1/4-20 UNC ZP		
D	30228	NUT – FLG DT SMTH FACE 0.375-16 UNC		

136. The kit includes all listed parts and instructions. Kits are available through Whole Goods only.

137. The kit includes all listed parts and instructions.

138. Includes flow control valve (MD #252925) and sequence valve (MD #252924).

25 Hydraulic Manifold Auger Drive

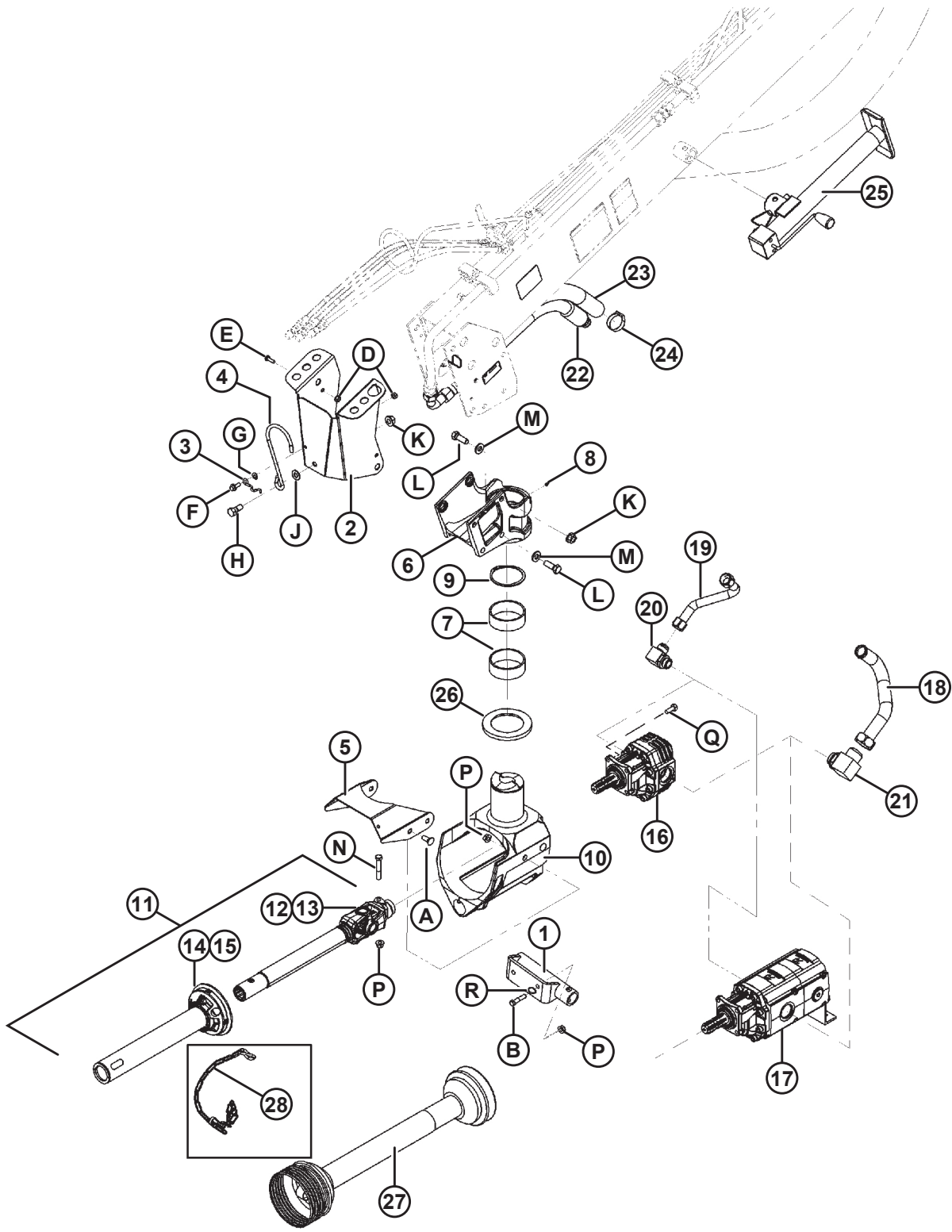


HYDRAULIC MANIFOLD AUGER DRIVE

Ref	Part Number	Description	Qty	Serial Number
1	170584	ASSEMBLY – MANIFOLD ¹³⁹	1	
2	135786	FITTING – ADAPTER	2	
	30971	O-RING – #12 ORB		
	135867	O-RING – #10 ORFS		
3	135821	FITTING – ELBOW 90° HYD	2	
	30971	O-RING – #12 ORB		
	135868	O-RING – #12 ORFS		
4	135779	FITTING – ADAPTER	1	
	50219	O-RING – #6 ORB		
	135866	O-RING – #8 ORFS		
5	30977	PLUG – HEX C/W O-RING	1	
6	135860	CAP – HYD SAE-10 ORFS	2	
7	136741	CAP – HYD SAE-8 ORFS	1	
8	135889	CAP – HYD SAE-12 ORFS	2	
9	40703	FASTENER – CABLE TIE, BLUE	1	
10	40704	FASTENER – CABLE TIE, ORANGE	1	

139. Includes all listed parts

26 Articulated Hitch Drive



ARTICULATED HITCH DRIVE

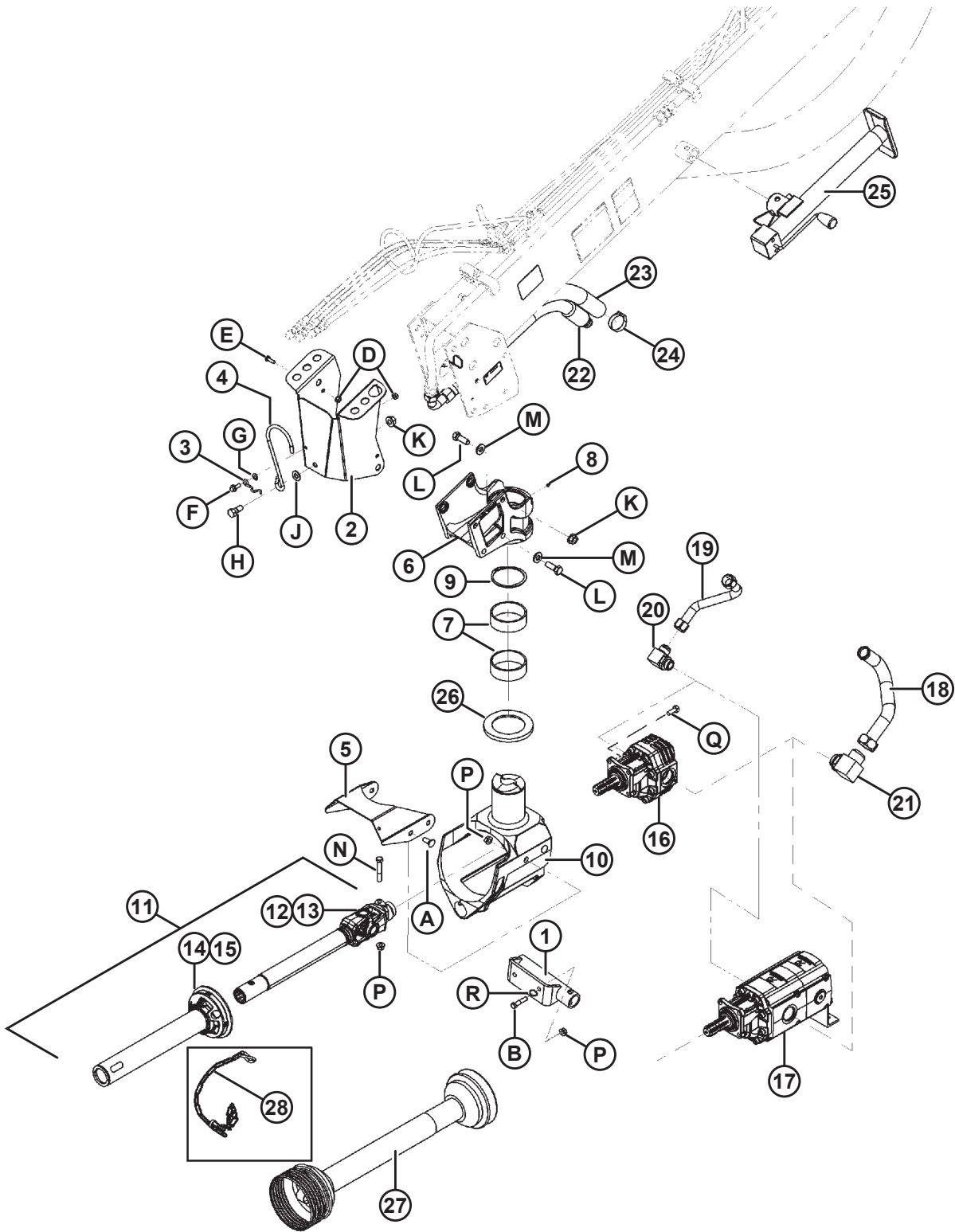
Ref	Part Number	Description	Qty	Serial Number
1	142961	SUPPORT	1	
2	194202	COVER – HITCH	1	
3	150138	CLIP	1	
4	150135	HOOK	1	
5	194531	GUARD	1	
6	150632	PIVOT – MACHINING	1	
7	150633	BUSHING – 102 I.D. X 111 O.D. X 38 LONG	2	
8	18671	FITTING – LUBE 1/4-28 UNF	1	
9	30884	RING – EXT RETAINING	1	
10	198470	PIVOT – MACHINING, AUGER	1	
11	146351	DRIVELINE – HITCH ¹⁴⁰	1	
	194525	DRIVELINE – HITCH (CE) ¹⁴⁰	1	
12	150886	CROSS – DRIVELINE, 1000 RPM PUMP	1	
13	150887	YOKE – DRIVELINE, 1000 RPM PUMP	1	
14	150888	DRIVELINE SHIELD – DRIVELINE, 1000 RPM PUMP	1	
15	150889	REPAIR KIT – DRIVELINE SHIELD, 1000 RPM PUMP	A/R	
16	142944	PUMP – 1000 RPM	1	
	142960	SEAL KIT – FOR PUMP (MD #142944)		
17	142945	PUMP – 540 RPM	1	
	142960	SEAL KIT – FOR PUMP (MD #142945)		
18	171062	FITTING – SUCTION	1	
19	171064	LINE – PRESSURE	1	
20	21827	FITTING – ELBOW HYD	1	
21	135557	FITTING – ELBOW 1.875 IN JIC-1.875 IN. ADJ ORB	1	
22	142933	HOSE – PT AUGER	1	
23	142939	HOSE – SUCTION, PT AUGER	1	
24	107037	CLAMP – T BOLT ¹⁴¹	2	
	136360	CLAMP – T BOLT ¹⁴²	2	
25	140269	JACK	1	
26	150634	WASHER – THRUST	1	

140. For 1000 rpm front half drivelines, refer to Section *27 Front Half Drivelines, page 87*.

141. Order this clamp if hose (MD #142939) is manufactured by Gates.

142. Order this clamp if hose (MD #142939) is manufactured by Parker or Aeroquip.

ARTICULATED HITCH DRIVE



1009429

ARTICULATED HITCH DRIVE

Ref	Part Number	Description	Qty	Serial Number
27	142924	DRIVELINE – MAIN 540 RPM (NORTH AMERICA) ¹⁴³	1	
	150886	CROSS – 35E ¹⁴⁴		
	133632	KIT – AUTO LOK REPAIR ¹⁴⁴		
	150887	YOKE ¹⁴⁴		
	236803	YOKE – 6 T SLIDE LOCK ¹⁴⁴		
	236825	GUARD – OUTER ¹⁴⁴		
	236827	GUARD – INNER ¹⁴⁴		
	236832	ASSEMBLY – JOINT AND SHAFT HALF C/W GUARD ¹⁴⁴		
	NSS	ASSEMBLY – JOINT AND SHAFT HALF C/W GUARD ¹⁴⁴		
	30316	DECAL – DANGER ¹⁴⁴		
	36651	DECAL – DANGER ¹⁴⁴		
	194521	DECAL – WARNING ¹⁴⁴		
	171261	DRIVELINE – MAIN 540 RPM (EXPORT) ¹⁴⁵	1	
	150886	CROSS – 35E ¹⁴⁶		
	133632	KIT – AUTO LOK REPAIR ¹⁴⁶		
	150887	YOKE ¹⁴⁶		
	236804	SHIELD – REPAIR KIT CE ¹⁴⁶		
	236813	GUARD – OUTER CE ¹⁴⁶		
	236814	GUARD – INNER CE ¹⁴⁶		
	236802	ASSEMBLY – JOINT AND SHAFT HALF C/W GUARD CE ¹⁴⁶		
194525	DRIVELINE – HITCH CE ¹⁴⁶			
30316	DECAL – DANGER ¹⁴⁶			
36651	DECAL – DANGER ¹⁴⁶			
194521	DECAL – WARNING ¹⁴⁶			
28	171277	KIT – CE CONVERSION (EXPORT) ¹⁴⁷	A/R	
A	21471	BOLT – RHSN 1/2 NC X 1.25 GR. 5 ZN PL		
B	21576	BOLT – HH 1/2 NC X 2.0 LG GR. 5 ZN PL		
C	21761	NUT – FLG SMOOTH FACE 7/16 NC GR. 5 ZN PL		
D	30228	NUT – FLANGE DT SMOOTH FACE 0.375-16 UNC		
E	20077	BOLT – HEX HD 3/8 NC X 1.0 LG GR. 5 ZN PL		
F	21975	BOLT – HH FLG (SER FACE) 3/8 NC X 1.0 GR. 5 ZN PL		
G	18598	WASHER – SAE FLAT 13/32 I.D. X 13/16 IN O.D. ZN PL		
H	48050	BOLT – SHOULDER .625-11 UNC		
J	18600	WASHER – SAE FLAT 21/32 I.D. X 1 5/16 IN O.D. ZN PL		
K	50225	NUT – FLANGE DT SMOOTH FACE .625-11 UNC		

143. Driveline for North America. The driveline includes cross (MD #150886), auto-lok repair kit (MD #133632), yokes (MD #150887, 236803), guards (MD #236825, 236827), joints (MD #236832, NSS), safety signs (MD #30316, 36651), and decal (MD #194521).

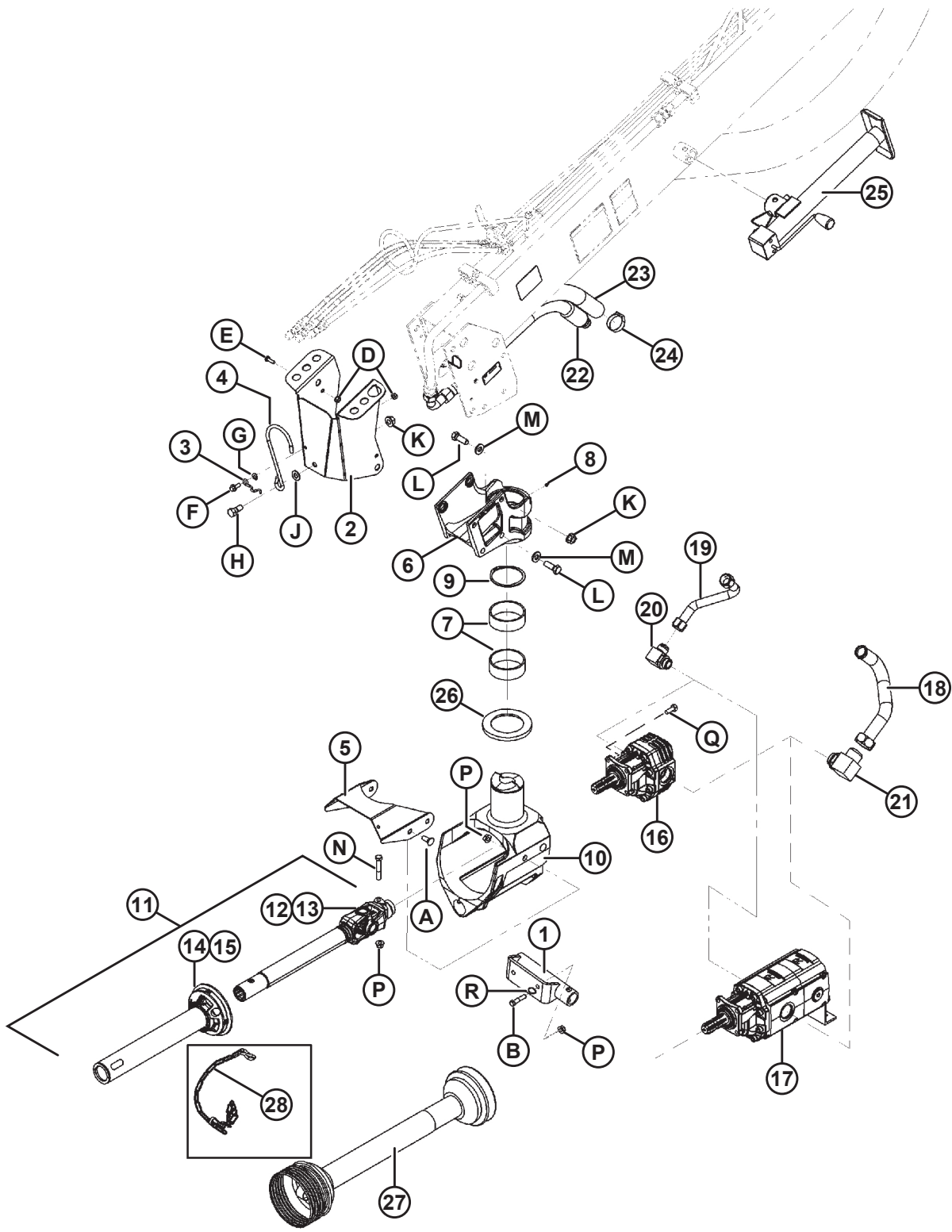
144. Service part for driveline (MD #142924).

145. Driveline for markets that require CE compliance. The driveline includes cross (MD #150886), auto-lok repair kit (MD #133632), yoke (MD #150887), guard repair kit (MD #236804), guards (MD #236813, 236814), joints (MD #236802, 194525), safety signs (MD #30316, 36651), decal (MD #194521), safety chain, and manual.

146. Service part for driveline (MD #171261).

147. Includes two safety chains, CE certification decal, CE warning decal, CE manual, and instructions.

ARTICULATED HITCH DRIVE

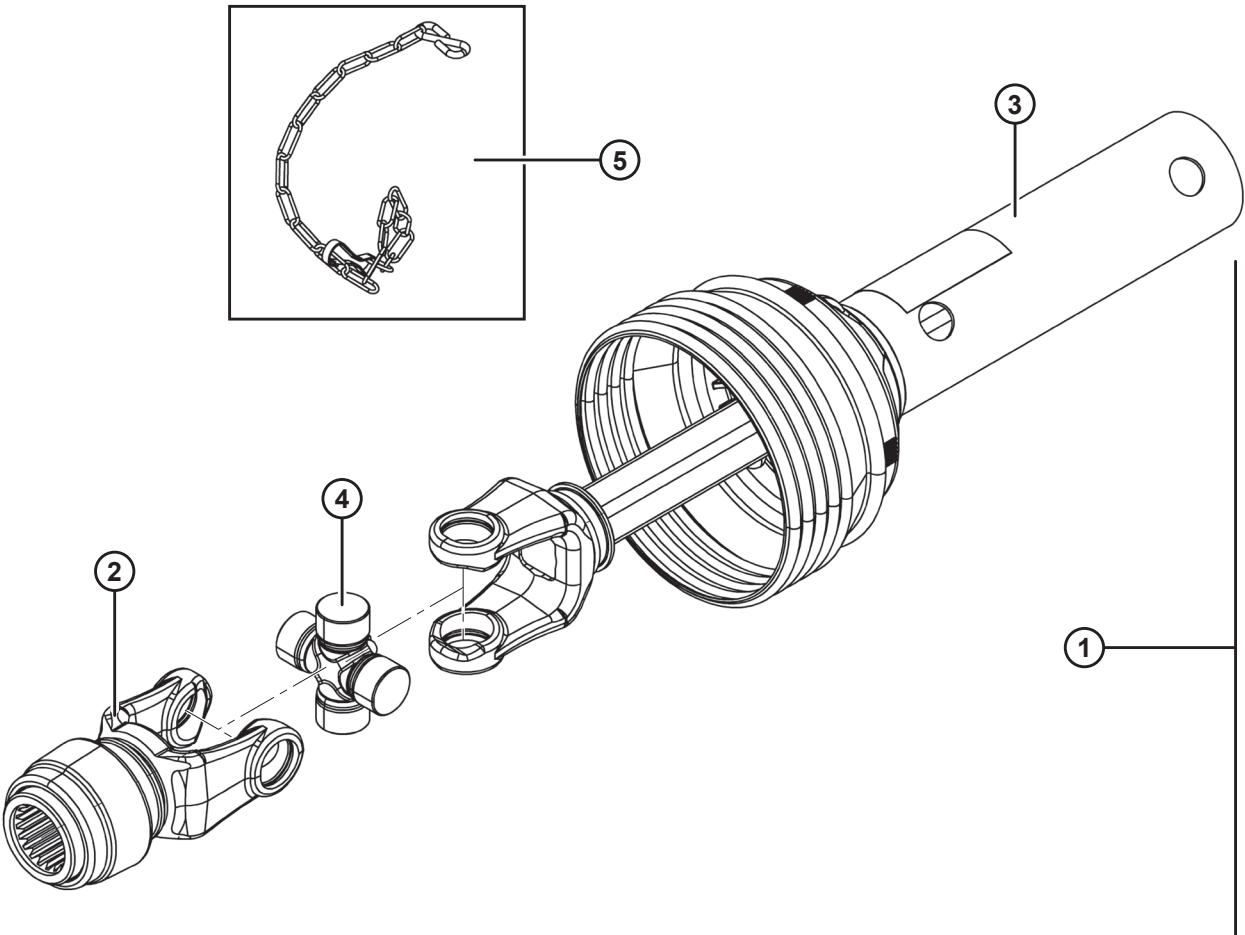


1009429

ARTICULATED HITCH DRIVE

Ref	Part Number	Description	Qty	Serial Number
L	21582	BOLT – HH 5/8 NC X 1.75 LG GR5 ZN PL		
M	120901	WASHER – FLAT HARDENED 5/8 IN. NOMINAL (L9)		
N	21560	BOLT – HH 1/2 NC X 3.0 LG GR. 5 ZN PL		
P	50186	NUT – FLANGE LOCK SM FACE DT 0.500-13 UNC GR5		
Q	30630	BOLT – HH M12 X 1.75 X 30 LG ZN PL		
R	18599	WASHER – FLAT, 17/32 I.D. X 1-1/16 O.D.		

27 Front Half Drivelines



FRONT HALF DRIVELINES

Ref	Part Number	Description	Qty	Serial Number
		DRIVELINE – 1.75 IN 20 T FRONT HALF (FOR 3PT HITCH)		
1	146574	DRIVELINE – 1.75 IN 20T CE ¹⁴⁸	1	
2	150890	YOKE	1	
	150891	YOKE REPAIR KIT	1	
3	236815	GUARD – OUTER CE ¹⁴⁹	1	
	150889	SHIELD REPAIR KIT	1	
4	150886	CROSS	1	
5	171277	KIT – CE CONVERSION (EXPORT ONLY) ¹⁵⁰	A/R	
		DRIVELINE – 1.375 IN 21 T FRONT HALF (FOR 3PT HITCH)		
1	146367	DRIVELINE – 1.375 IN 21T CE ¹⁵¹	1	
2	150893	YOKE	1	
	133632	YOKE REPAIR KIT	1	
3	236816	GUARD – OUTER CE ¹⁴⁹	1	
	150889	SHIELD REPAIR KIT	1	
4	150886	CROSS	1	
5	171277	KIT – CE CONVERSION (EXPORT ONLY) ¹⁵⁰	A/R	

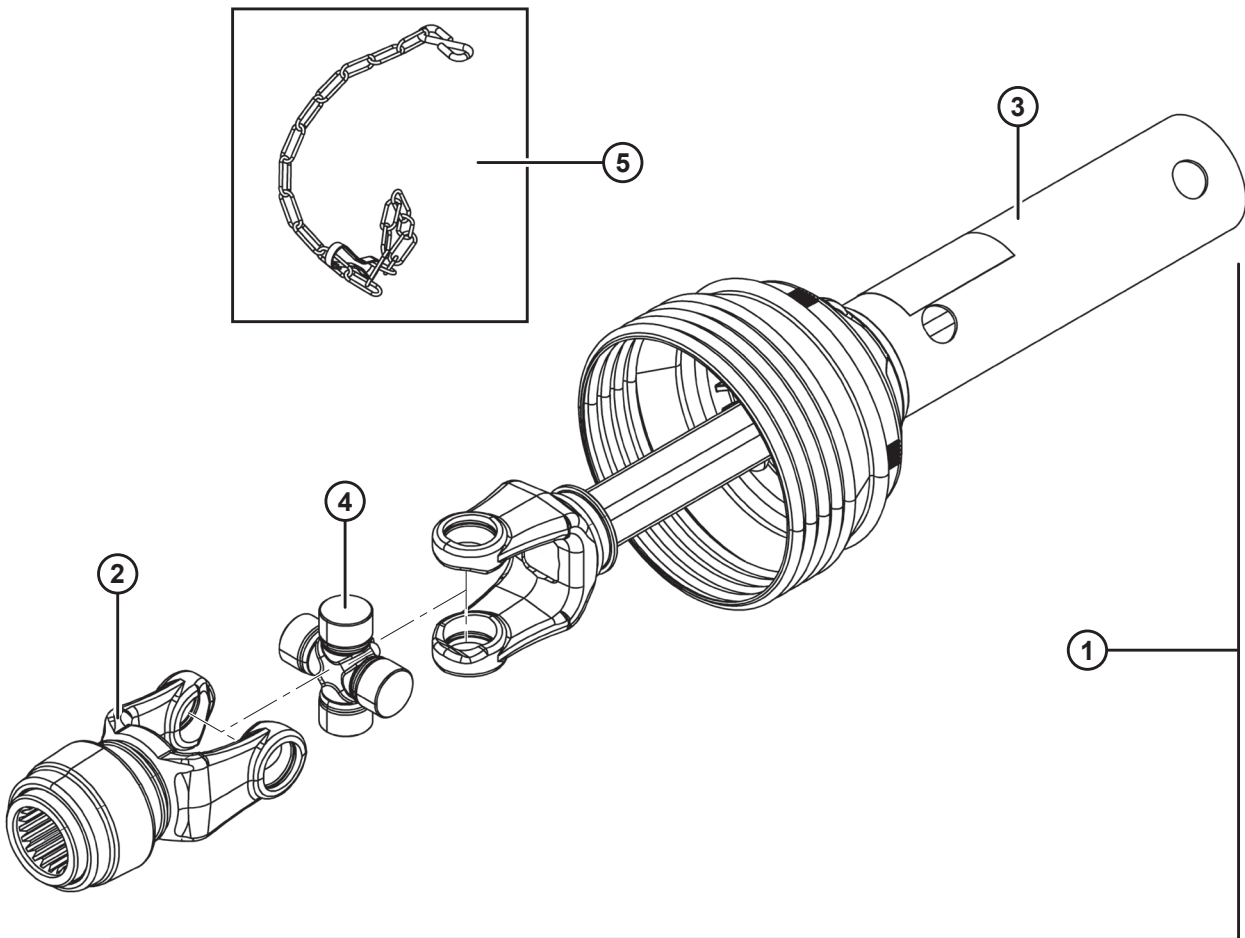
148. Includes cross (MD #150886), yoke (MD #150890), yoke repair kit (MD #150891), guard repair kit (MD #236804), outer guard CE (MD #236815), safety sign (MD #30316), decal (MD #194521), safety chain, and manual.

149. Includes decals (MD #30316 and MD #194521).

150. Includes two safety chains, CE certification decal, CE warning decal, CE manual, and instructions.

151. Includes cross (MD #150886), yoke (MD #150893), yoke repair kit (MD #133632), guard repair kit (MD #236804), outer guard CE (MD #236816), safety sign (MD #30316), decal (MD #194521), safety chain, and manual.

FRONT HALF DRIVELINES



1002600

FRONT HALF DRIVELINES

Ref	Part Number	Description	Qty	Serial Number
		DRIVELINE – 1.75 IN 20 T FRONT HALF (STD DRAWBAR HITCH)		
1	194527	DRIVELINE – 1.75 IN 20T FT HALF CE ¹⁵²	1	
2	150890	YOKE	1	
	150891	YOKE REPAIR KIT	1	
3	236829	GUARD – OUTER CE ¹⁵³	1	
	150889	SHIELD REPAIR KIT	1	
4	150886	CROSS	1	
5	171277	KIT – CE CONVERSION (EXPORT ONLY) ¹⁵⁴	A/R	
		DRIVELINE – 1.375 IN 21 T FRONT HALF (STD DRAWBAR HITCH)		
1	194526	DRIVELINE – 1.375 IN 21T FT HALF CE ¹⁵⁵	1	
2	150893	YOKE	1	
	133632	YOKE REPAIR KIT	1	
3	236828	GUARD – OUTER CE ¹⁵³	1	
	150889	SHIELD REPAIR KIT	1	
4	150886	CROSS	1	
5	171277	KIT – CE CONVERSION (EXPORT ONLY) ¹⁵⁴	A/R	

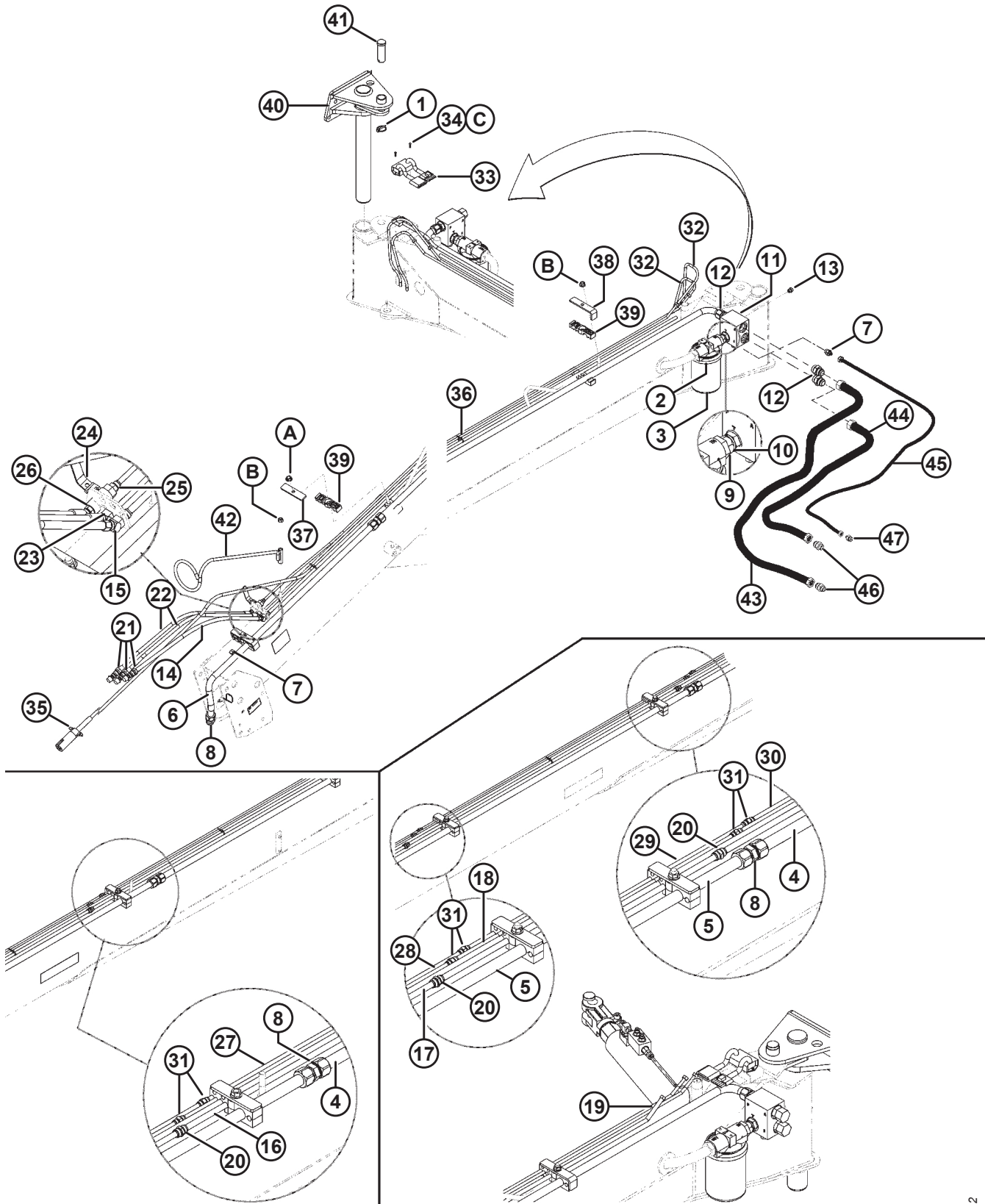
152. Includes cross (MD #150886), yoke (MD #150890), yoke repair kit (MD #150891), guard repair kit (MD #236804), outer guard CE (MD #236829), safety sign (MD #30316), decal (MD #194521), safety chain, and manual.

153. Includes decals (MD #30316 and MD #194521).

154. Includes two safety chains, CE certification decal, CE warning decal, CE manual, and instructions.

155. Includes cross (MD #150886), yoke (MD #150893), yoke repair kit (MD #133632), guard repair kit (MD #236804), outer guard CE (MD #236828), safety sign (MD #30316), decal (MD #194521), safety chain, and manual.

28 Hitch Hydraulics and Electrical



1009432

HITCH HYDRAULICS AND ELECTRICAL

NOTE:

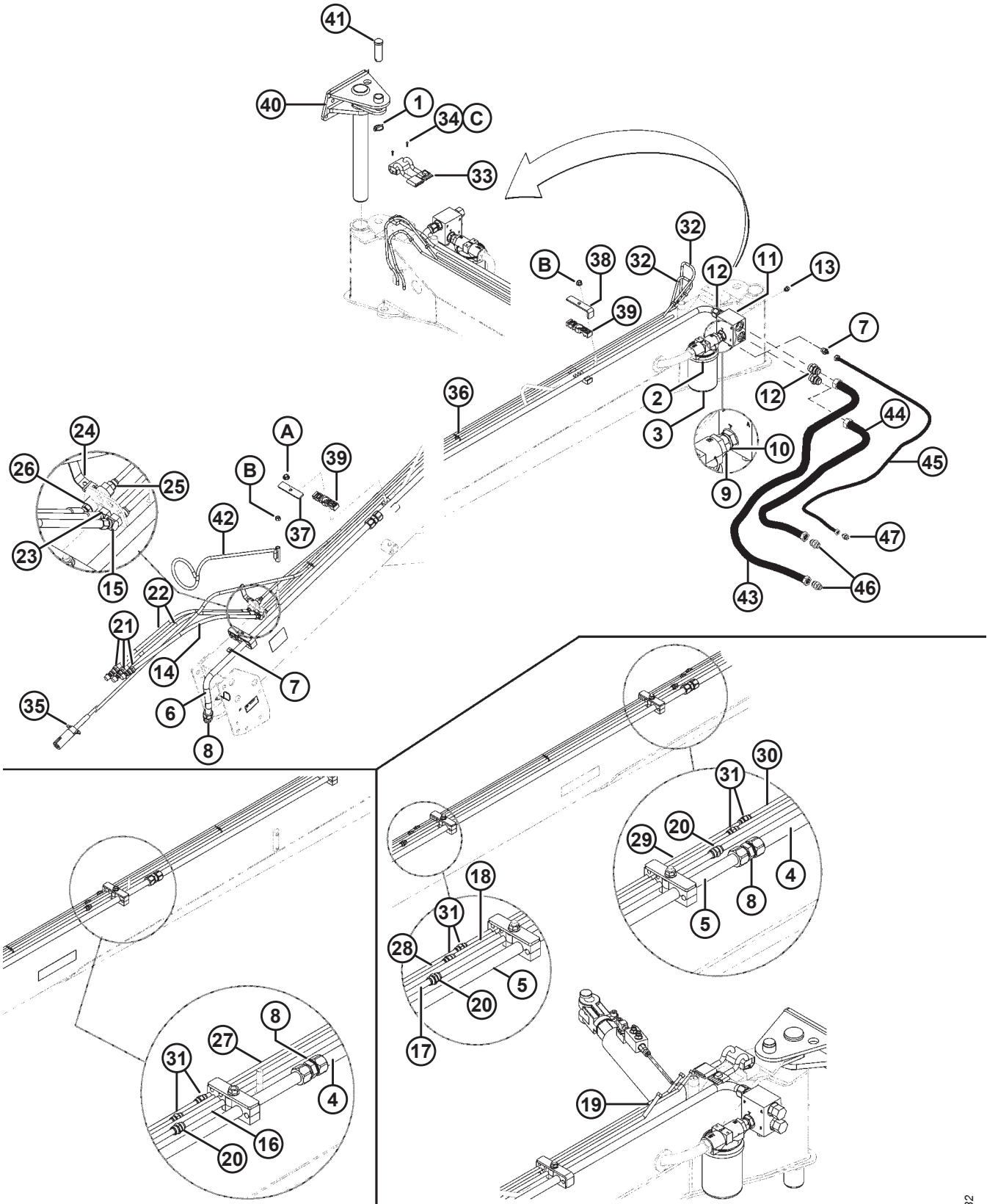
For cylinder hydraulics, refer to Section *32 Pull-Type Steering and Lift Cylinder Hydraulics, page 107.*

Ref	Part Number	Description	Qty	Serial Number
1	102264	PIN – LYNCH 3/16 X 1 9/16 IN.	1	
2	151974	FILTER HEAD – 1 5/8 IN., 12 SAE (#20)	1	
3	183620	KIT – FILTER, SERVICE	1	
4	142478	LINE – HYDRAULIC	1	
5	142959	LINE – HYDRAULIC (14–16 FT) ¹⁵⁶	1	
	142956	LINE – HYDRAULIC (18 FT) ¹⁵⁷	1	
6	142958	LINE – HYDRAULIC	1	
7	21804	FITTING – CONNECTOR HYD	2	
8	30968	FITTING – UNION HYD	3	
9	108089	FITTING – CONNECTOR HYD	1	
10	135316	FITTING – ADAPTER HYD, C/W O-RING	1	
11	142832	VALVE – RELIEF	1	
	142848	RELIEF CARTRIDGE – FOR VALVE (MD #142832)		
	142849	SEAL KIT – FOR VALVE (MD #142832)		
12	21828	FITTING – ADAPTER HYD	3	
13	30994	PLUG – HEX, C/W O-RING	1	
14	150075	HOSE	1	
15	150255	FITTING – ELBOW, BULKHEAD UNION HYD	1	
16	142906	LINE – HYDRAULIC (14–16 FT) ¹⁵⁶	2	
17	150105	LINE – HYDRAULIC (18 FT) ¹⁵⁷	1	
18	41907	LINE – HYDRAULIC (18 FT) ¹⁵⁷	1	
19	41909	LINE – HYDRAULIC (18 FT) ¹⁵⁷	1	
20	30846	FITTING – UNION HYD	1	
21	135563	FITTING – COUPLING HYD	3	
22	148968	HOSE	2	
23	150256	FITTING – ELBOW, BULKHEAD UNION HYD	1	
24	247875	VALVE – BALL	1	
25	15903	FITTING – CONNECTOR HYD	1	
26	30284	FITTING – ELBOW 45° HYD, C/W O-RING	1	
27	150476	LINE – HYDRAULIC (14–16 FT) ¹⁵⁶	4	
28	150104	LINE – HYDRAULIC (18 FT) ¹⁵⁷	2	
29	41904	LINE – HYDRAULIC (18 FT) ¹⁵⁷	2	
30	41906	LINE – HYDRAULIC (18 FT) ¹⁵⁷	2	
31	30375	FITTING – UNION HYD	2	
32	REF	HOSE – HYDRAULIC	2	
33	171068	RELAY – TRANSPORT LIGHTING MODULE	1	
34	135021	NUT – SPECIAL	2	

156. Used on 14–16 ft. headers.

157. Used on 18 ft. headers.

HITCH HYDRAULICS AND ELECTRICAL



1009432

HITCH HYDRAULICS AND ELECTRICAL

Ref	Part Number	Description	Qty	Serial Number
35	171069	HARNESS – WIRING (14–16 FT) ¹⁵⁶	1	
	142965	HARNESS – WIRING (18 FT) ¹⁵⁷	1	
36	21763	FASTENER – CABLE TIE, BLACK	5	
37	149810	PLATE	4	
38	150899	PLATE	2	
39	149866	CLAMP ¹⁵⁸		
40	148163	HITCH PIN WELDMENT	1	-185859
	171226	HITCH PIN WELDMENT	1	185860–
41	135414	PIN – CLEVIS	3	
42	150287	ARM WELDMENT	1	
43	142556	HOSE – HYDRAULIC (14–16 FT) ¹⁵⁹	1	
	142557	HOSE – HYDRAULIC (18 FT) ¹⁶⁰	1	
44	142559	HOSE – HYDRAULIC (14–16 FT) ¹⁶¹	1	
	142762	HOSE – HYDRAULIC (18 FT) ¹⁶²	1	
45	142561	HOSE – HYDRAULIC (14–16 FT) ¹⁶³	1	
	142763	HOSE – HYDRAULIC (18 FT) ¹⁶⁴	1	
46	21840	FITTING – CONNECTOR HYD, C/W O-RING ¹⁶⁵	2	
47	114141	FITTING – CONNECTOR HYD, C/W O-RING ¹⁶⁶	1	
A	50186	NUT – FLANGE LOCK SM FACE DT 0.500-13 UNC GR5		
B	18697	NUT – HEX LOCK DT .500-13 UNC		
C	135020	SCREW – MACHINE		

158. Quantities: 14–16 ft. = 12, 18 ft. = 14.

159. Used on 14–16 ft. headers; pressure to gearbox.

160. Used on 18 ft. headers; pressure to gearbox.

161. Used on 14–16 ft. headers; return from gearbox.

162. Used on 18 ft. headers; return from gearbox.

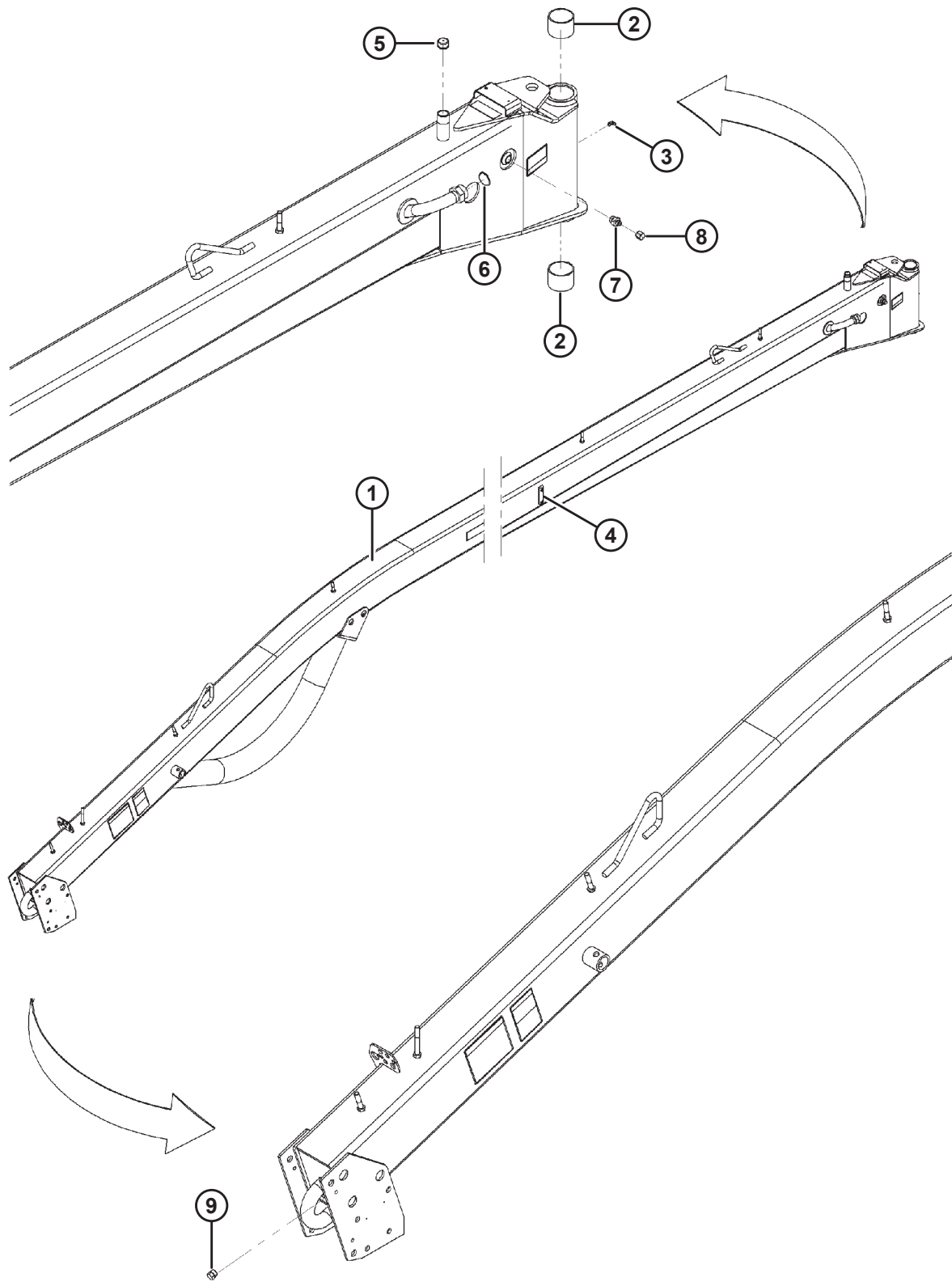
163. Used on 14–16 ft. headers; case drain from gearbox.

164. Used on 18 ft. headers; case drain from gearbox.

165. To roll drive gearbox motor top port (return) and bottom port (pressure).

166. To roll drive gearbox motor case drain port.

29 Hitch Assembly



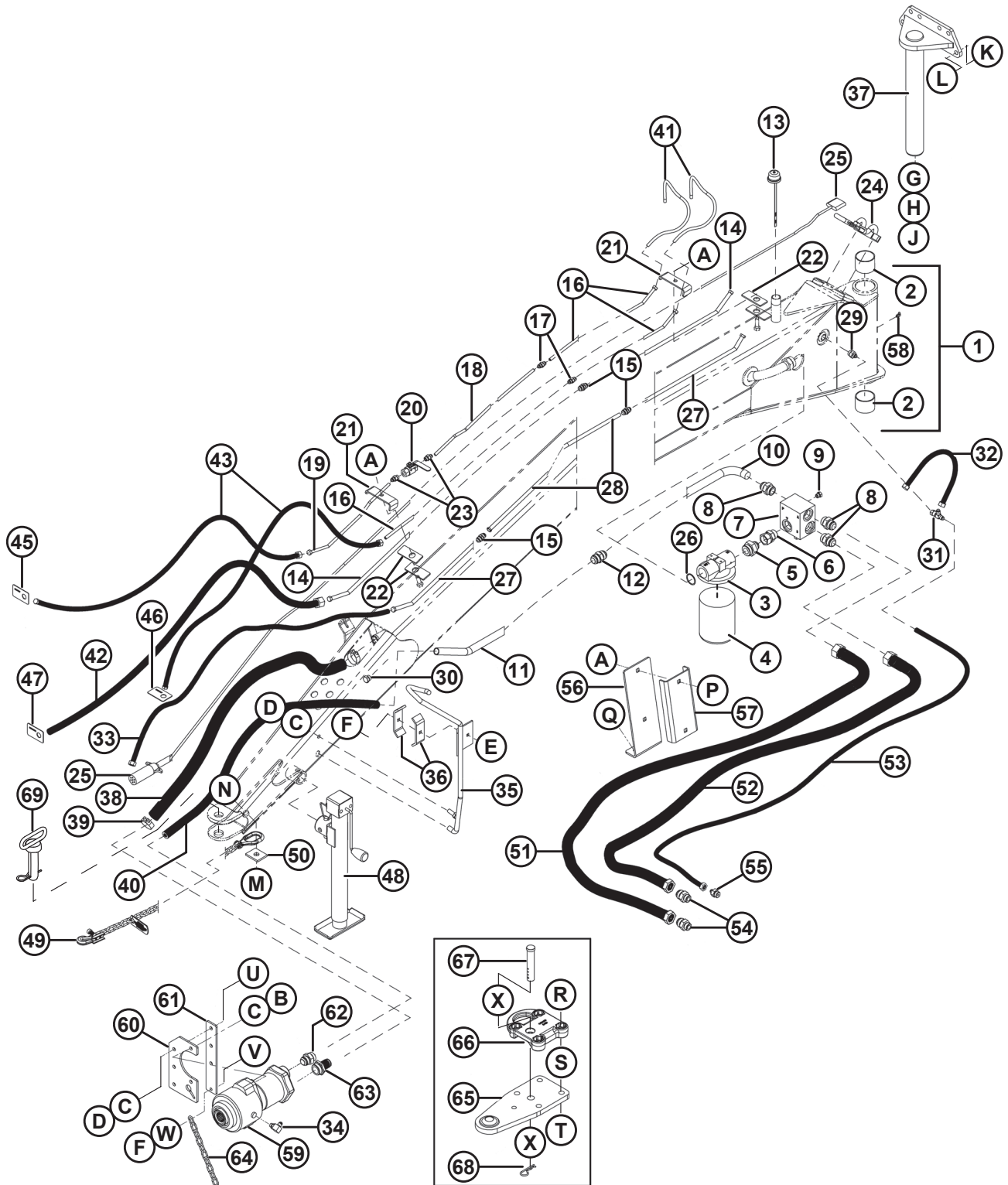
HITCH ASSEMBLY

Ref	Part Number	Description	Qty	Serial Number
1	142903	HITCH – C/W BUSHINGS (14–16 FT) ¹⁶⁷	1	
	142717	HITCH – C/W BUSHINGS (18 FT) ¹⁶⁸	1	
2	107201	BUSHING – SLEEVE	2	
3	21010	FITTING – LUBE 90° 1/4-28 TAPER THD	1	
4	156696	GAUGE – LEVEL	1	
5	6006	CAP – 1 IN. NPT	2	
6	50222	O-RING – #20 ORB	1	
7	21804	FITTING – CONNECTOR HYD	2	
8	30813	CAP – 3/8 IN. TUBE	1	
9	44207	PLUG – MAGNETIC, C/W O-RING	2	
	44209	O-RING – FOR MAGNETIC PLUG (MD #44207)		

167. Used on 14–16 ft. headers. The hitch includes two plugs (MD #44207), two bushings (MD #107201), fittings (MD #21010, 21804), O-ring (MD #50222), gauge (MD #156696), and cap (MD #30813).

168. Used on 18 ft. headers. The hitch includes two plugs (MD #44207), two bushings (MD #107201), fittings (MD #21010, 21804), O-ring (MD #50222), gauge (MD #156696), and cap (MD #30813).

30 Non-Articulated Pull-Type Hitch Hydraulics and Electrical



1009436

NON-ARTICULATED PULL-TYPE HITCH HYDRAULICS AND ELECTRICAL

NOTE:

For cylinder hydraulics, refer to Section *32 Pull-Type Steering and Lift Cylinder Hydraulics, page 107.*

Ref	Part Number	Description	Qty	Serial Number
1	142477	HITCH – C/W DECALS AND BUSHINGS ¹⁶⁹	1	
2	107201	BUSHING – HITCH	2	
3	151974	HEAD – FILTER	1	
4	183620	KIT – FILTER, SERVICE	1	
5	108089	FITTING – CONNECTOR HYDRAULIC	1	
6	135316	FITTING – ADAPTER HYD, C/W O-RING	1	
7	142832	VALVE – HYDRAULIC, RELIEF	1	
	142848	RELIEF CARTRIDGE – FOR VALVE (MD #142832)		
	142849	SEAL KIT – FOR VALVE (MD #142832)		
8	21828	FITTING – ADAPTER HYDRAULIC	3	
9	30994	PLUG – HEX, C/W O-RING	1	
	50219	O-RING – 1.98 X 11.89		
10	142478	LINE – HYDRAULIC	1	
11	41900	LINE – HYDRAULIC	1	
12	30968	FITTING – UNION HYDRAULIC	1	
13	115701	INDICATOR – OIL LEVEL ¹⁷⁰	1	
14	41909	LINE – HYDRAULIC	2	
15	30846	FITTING – UNION HYDRAULIC	3	
16	41906	LINE – HYDRAULIC	3	
17	30375	FITTING – UNION HYDRAULIC	2	
18	135324	LINE – HYDRAULIC	1	
19	135338	LINE – HYDRAULIC	1	
20	247875	VALVE – BALL	1	
21	100001	CLAMP – HYDRAULIC LINE	6	
22	142494	PAD – RUBBER	18	
23	15903	FITTING – CONNECTOR HYDRAULIC	2	
24	REF	MODULE – LIGHT RELAY ¹⁷¹	1	
25	REF	HARNESS – WIRING, LIGHTS ¹⁷¹	1	
26	50222	O-RING – #20 ORB	1	
27	41908	LINE – HYDRAULIC	2	
28	41907	LINE – HYDRAULIC	1	
29	21804	FITTING – CONNECTOR HYDRAULIC	1	
30	30977	PLUG – HEX 3/4 ORB, C/W O-RING	1	
	44209	O-RING – 2.21 X 16.36		
31	30873	FITTING – TEE, SWIVEL RUN, 3/8 TUBE	1	
32	140261	HOSE – CASE DRAIN, TEE TO TUBE (485 MM LG) ¹⁷²	1	

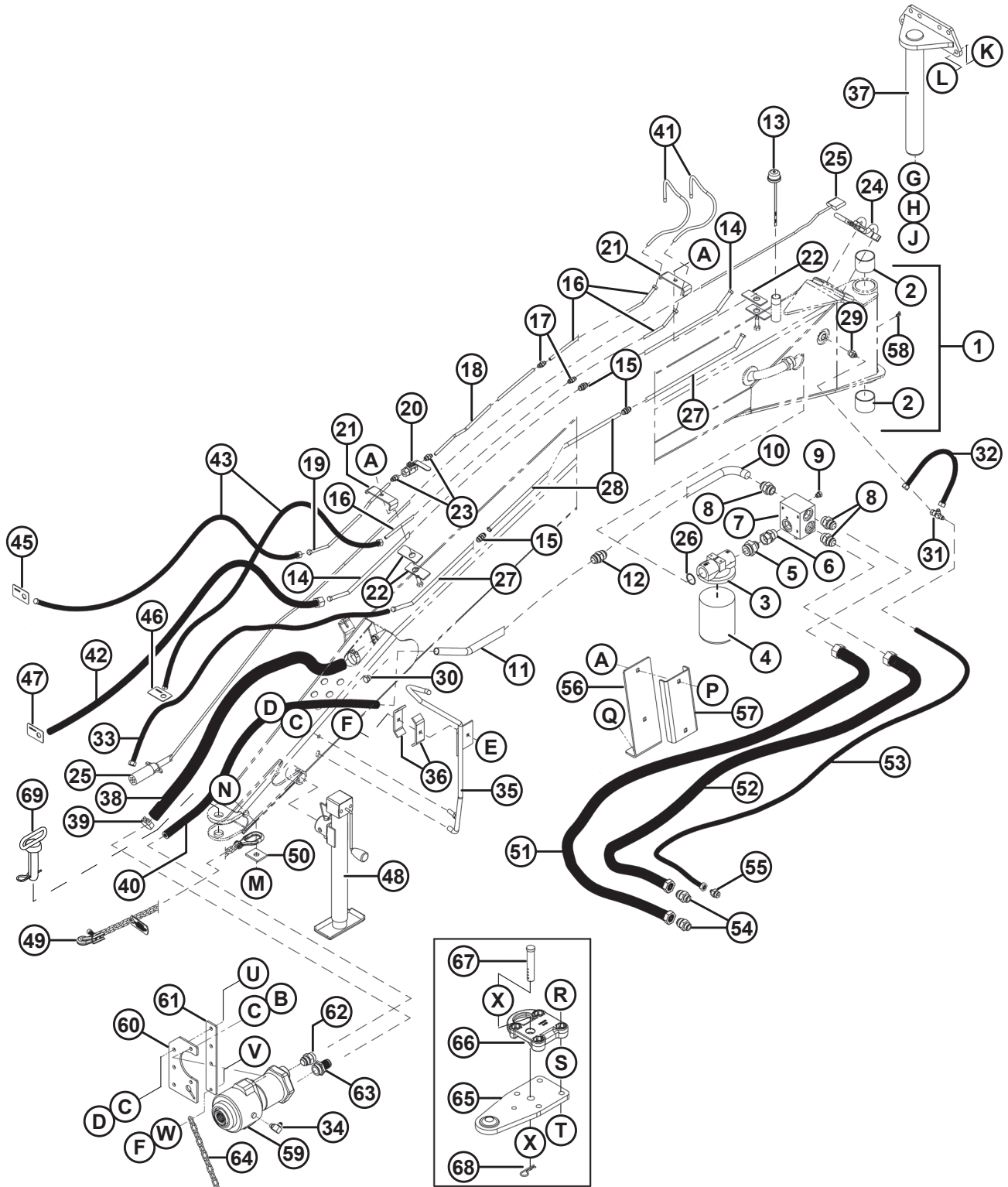
169. Includes fitting (MD #21010), two bushings (MD #107201), decals (MD #142912, 44944, 142908, 115100, 41668), and two reflectors (MD #115146).

170. Oil level indicator.

171. Refer to Section *42 Electrical – 2017 and Prior PT Mower Conditioner and SP Windrower Header, page 133.*

172. Case drain, tee to tube, 485 mm long.

NON-ARTICULATED PULL-TYPE HITCH HYDRAULICS AND ELECTRICAL



1009436

NON-ARTICULATED PULL-TYPE HITCH HYDRAULICS AND ELECTRICAL

Ref	Part Number	Description	Qty	Serial Number
33	142926	HOSE – CASE DRAIN, TUBE TO PUMP (1650 MM LG) ¹⁷³	1	
34	30282	FITTING – ELBOW, 9/16 O-RING X 3/8 TUBE	1	
35	115705	GUIDE – HOSES	1	
36	24051	HOLDER – HYDRAULIC HOSES	2	
37	148163	PIN – HITCH	1	
38	142603	HOSE – HYDRAULIC, SUCTION (1270 MM LG) ¹⁷⁴	1	
39	135227	CLAMP – HOSE, GEAR TYPE, HEAVY DUTY	2	
40	142604	HOSE – HYDRAULIC (1270 MM LG) ¹⁷⁵	1	
41	REF	HOSE – HYDRAULIC ¹⁷⁶	2	
42	142620	HOSE – HYDRAULIC (2000 MM LG) ¹⁷⁷	1	
43	142621	HOSE – HYDRAULIC (2000 MM LG) ¹⁷⁷	2	
44	30377	FITTING – CONNECTOR HYDRAULIC	1	
45	41579	TAG – HYDRAULIC HOSE, "HITCH LEFT" ¹⁷⁸	1	
46	41580	TAG – HYDRAULIC HOSE, "HITCH RIGHT" ¹⁷⁹	1	
47	41581	TAG – HYDRAULIC HOSE, "RAISE HEADER" ¹⁸⁰	1	
48	140269	JACK – HITCH	1	
49	21404	CHAIN – SAFETY	1	
50	29467	WASHER – FLAT, RECTANGULAR	1	
51	142556	HOSE – HYDRAULIC, 2720 MM LG (14–16 FT) ¹⁸¹	1	
	142557	HOSE – HYDRAULIC, 2950 MM LG (18 FT) ¹⁸²	1	
52	142559	HOSE – HYDRAULIC, 2720 MM LG (14–16 FT) ¹⁸³	1	
	142762	HOSE – HYDRAULIC, 2950 MM LG (18 FT) ¹⁸⁴	1	
53	142561	HOSE – HYDRAULIC, 2860 MM LG (14–16 FT) ¹⁸⁵	1	
	142763	HOSE – HYDRAULIC, 3090 MM LG (18 FT) ¹⁸⁶	1	
54	21840	FITTING – ADAPTER HYDRAULIC, C/W O-RING ¹⁸⁷	2	
	30971	O-RING – 2.95 X 23.47		
55	114141	FITTING – CONNECTOR HYDRAULIC, C/W O-RING ¹⁸⁸	1	
	44210	O-RING – 2.46 X 19.18		
56	142589	SUPPORT – HYDRAULIC HOSES	1	

173. Case drain, tube to pump, 1650 mm long.

174. Suction, 1270 mm long.

175. 1270 mm long.

176. Refer to Section [32 Pull-Type Steering and Lift Cylinder Hydraulics](#), page 107.

177. 2000 mm long.

178. "HITCH LEFT" tag.

179. "HITCH RIGHT" tag.

180. "RAISE HEADER" tag.

181. Used on 14–16 ft. headers; pressure to gearbox, 2720 mm long.

182. Used on 18 ft. headers; pressure to gearbox, 2950 mm long.

183. Used on 14–16 ft headers; return from gearbox, 2720 mm long.

184. Used on 18 ft. headers; return from gearbox, 2950 mm long.

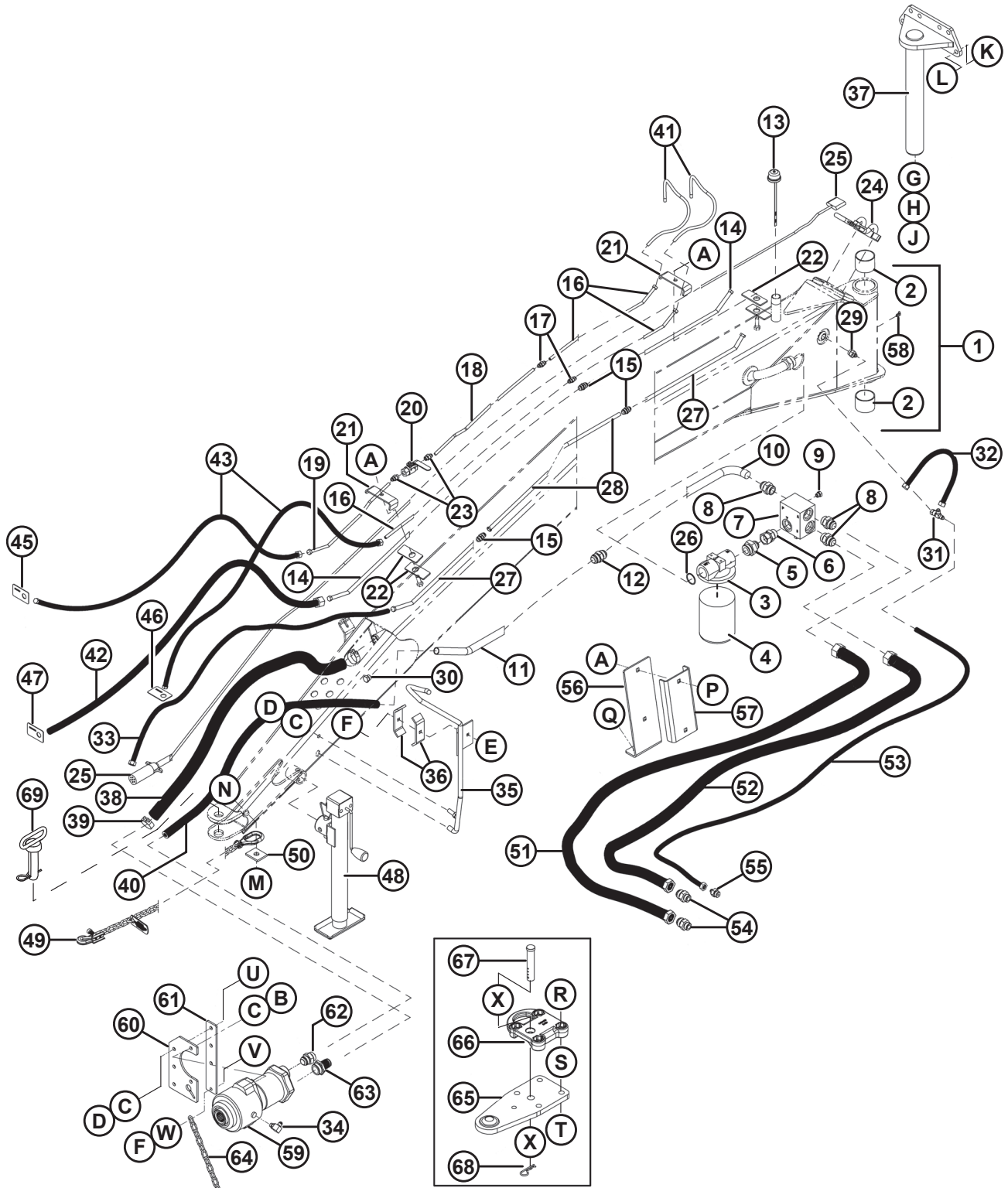
185. Used on 14–16 ft. headers; case drain from gearbox, 2860 mm long.

186. Used on 18 ft. headers; case drain from gearbox, 3090 mm long.

187. To roll drive gearbox motor top port (return) and bottom port (pressure).

188. To roll drive gearbox motor case drain port.

NON-ARTICULATED PULL-TYPE HITCH HYDRAULICS AND ELECTRICAL



1009436

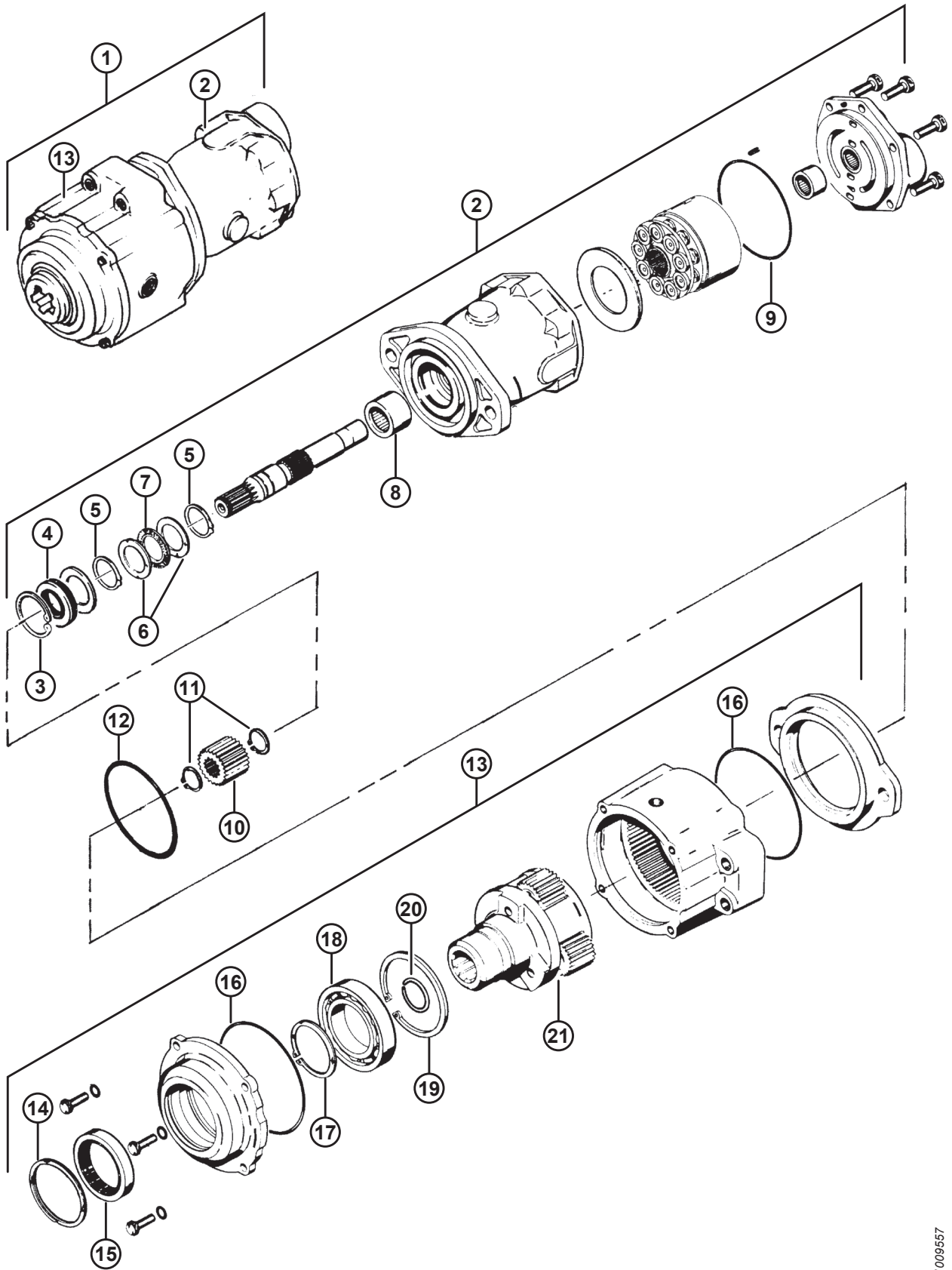
NON-ARTICULATED PULL-TYPE HITCH HYDRAULICS AND ELECTRICAL

Ref	Part Number	Description	Qty	Serial Number
57	142593	CHANNEL – HYDRAULIC HOSE SUPPORT	1	
58	21010	FITTING – LUBE, 90°, HITCH PIN	1	
59	REF	PUMP/GEARBOX ASSEMBLY ¹⁸⁹	1	
60	41543	PLATE – PUMP	1	
61	41545	ARM – TORQUE	1	
62	21828	FITTING – ADAPTER HYDRAULIC, C/W O-RING	1	
	50220	O-RING – 2.95 X 29.74		
63	112854	FITTING – HYDRAULIC, STRAIGHT, C/W O-RING	1	
	50222	O-RING – #20 ORB		
64	36880	CHAIN – SAFETY	1	
65	142524	PLATE – HITCH EXTENSION ¹⁹⁰	1	
66	149655	CLAMP – CASTING, HITCH EXTENSION ¹⁹⁰	1	
67	135593	PIN – CLEVIS	1	
68	13125	PIN – HAIR	1	
69	171055	PIN – HITCH, C/W HAIR PIN	1	
A	50186	NUT – LOCK, SMOOTH FLANGE, 1/2 NC, DT		
B	21565	BOLT – HEX HEAD, 1/2 NC X 1-3/4 IN., GR. 5		
C	18638	WASHER – LOCK, 1/2 IN. I.D.		
D	18591	NUT – HEX, 1/2 NC, GR. 5		
E	30307	BOLT – RHSN, 3/8 NC X 3 IN., GR. 5		
F	30228	NUT – SMOOTH FLANGE, 3/8 NC, DT		
G	49464	WASHER – FLAT, 16.7 MM I.D. X 70 MM O.D. X 6.4 MM THICK		
H	18639	WASHER – LOCK, 5/8 IN. I.D.		
J	30664	BOLT – HEX HEAD, 5/8 NC X 2-1/4 IN., GR. 5		
K	135340	BOLT – HEX HEAD, 5/8 NC X 1-3/4 IN., GR. 5		
L	135341	NUT – LOCK, SMOOTH FLANGE, 5/8 NC, DT		
M	19957	BOLT – HEX HEAD, 3/4 NC X 2-1/2 IN., GR. 5		
N	18689	NUT – LOCK, HEX, 3/4 NC, DT		
P	21489	BOLT – RHSN, 1/2 NC X 2-1/2 IN., GR. 5		
Q	21066	BOLT – RHSN, 1/2 NC X 1 IN., GR. 5		
R	30876	BOLT – HEX HEAD, 3/4 NC X 4 IN., GR. 5		
S	18640	WASHER – LOCK, 3/4 IN. I.D.		
T	18593	NUT – HEX, 3/4 NC, GR. 5		
U	21491	BOLT – HEX HEAD, 1/2 NC X 1-1/4 IN., GR. 5		
V	21264	BOLT – HEX HEAD, 3/8 NC X 1-1/4 IN., GR. 5		
W	18598	WASHER – FLAT, 13/32 I.D. X 13/16 IN. O.D.		
X	18603	WASHER – FLAT, 1-1/16 I.D. X 2 IN. O.D.		

189. Refer to Section *31 Non-Articulated Pull-Type Pump/Gearbox Assembly*, page 103.

190. Used for hitch extension.

31 Non-Articulated Pull-Type Pump/Gearbox Assembly



NON-ARTICULATED PULL-TYPE PUMP/GEARBOX ASSEMBLY

NOTE:

Items #3–9: Piston pump components. Items #10–12: Connecting components. Items #13–21: Gearbox components.

NOTE:

Check that pump and gearbox are matched as follows: 540 rpm = pump 73428 la_ with box 77020__ ; 1000 rpm = pump 73424 la_ with box 77030___. Model numbers are stamped on the pump mounting flange and the gearbox front plate.

Gearbox and pumps cannot be mixed to change speeds.

Ref	Part Number	Description	Qty	Serial Number
1	36909	KIT – 540 RPM PUMP ¹⁹¹	1	
	36859	KIT – 1000 RPM PUMP ¹⁹²	1	
2	36882	PUMP – PISTON (540 RPM) ¹⁹³	1	
	36891	PUMP – PISTON (1000 RPM) ¹⁹⁴	1	
	30247	SEAL KIT – PISTON PUMP ¹⁹⁵		
3	18900	RING – RETAINING, OUTER	1	
4	50217	SEAL – SHAFT VITON (WAS 30046)	1	
5	30144	RING – RETAINING	2	
6	30140	BEARING RACE – THRUST	2	
7	30141	BEARING – THRUST	1	
8	21420	BEARING – NEEDLE, HOUSING	1	
9	30045	O-RING – 2.62 X 101.27 ¹⁹⁶	1	
10	50099	SUN GEAR – 540 RPM, PUMP TO GEAR BOX CONNECTION ¹⁹⁷	1	
	50100	SUN GEAR – 1000 RPM, PUMP TO GEAR BOX CONNECTION ¹⁹⁸	1	
11	5924	RING – RETAINING, SUN GEAR	2	
12	30045	O-RING – 2.62 X 101.27 ¹⁹⁹	1	
13	36883	DRIVE-STEP – UP BOX (540 RPM) ¹⁹³	1	
	36892	DRIVE-STEP – UP BOX (1000 RPM) ¹⁹⁴	1	
14	NSS	RING – RETAINING, INTERNAL 3 IN.	1	
15	NSS	SEAL – SHAFT	1	
16	NSS	O-RING – HOUSING TO FRONT PLATE/ADAPTER PLATE	2	
17	NSS	RING – RETAINING, EXTERNAL 2-5/32 IN.	1	
18	50208	BEARING – CARRIER	1	
19	NSS	RING – RETAINING, INTERNAL 3-9/16 IN.	1	
20	NSS	RING – LOCK	1	
21	36942	CARRIER ASSEMBLY (540 RPM) ¹⁹³	1	
	36943	CARRIER ASSEMBLY (1000 RPM) ¹⁹⁴	1	

191. Includes pump (MD #36882), drive-step up box (MD #36883).

192. Includes pump (MD #36891), drive-step up box (MD #36892).

193. 540 rpm.

194. 1000 rpm

195. Includes O-ring (MD #30045), retaining ring (MD #18900), shaft seal viton (MD #50217), and retaining ring (MD #30144).

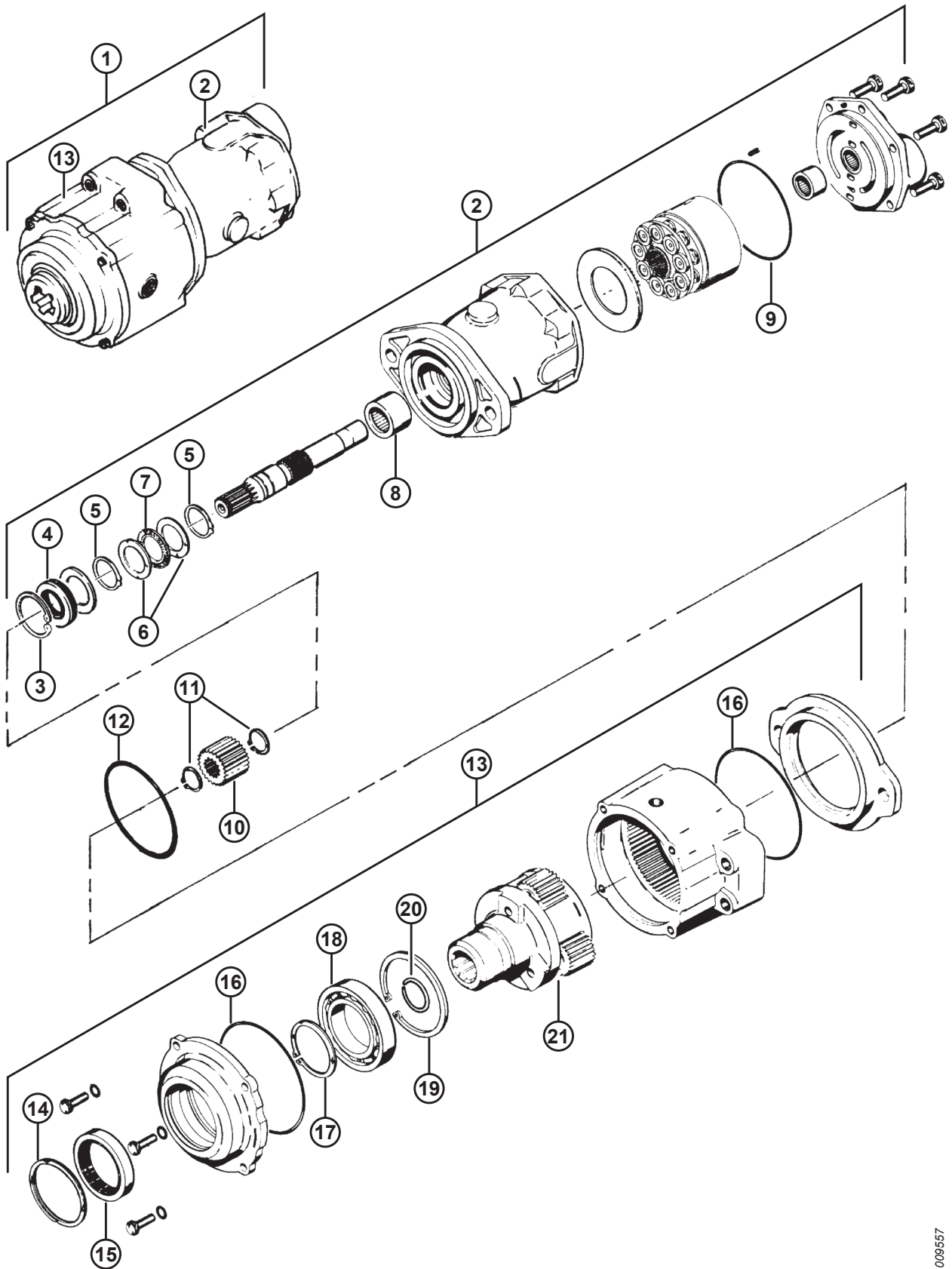
196. Housing to back plate.

197. 540 rpm, pump to gearbox connection.

198. 1000 rpm, pump to gearbox connection.

199. Pump to gearbox connection.

NON-ARTICULATED PULL-TYPE PUMP/GEARBOX ASSEMBLY



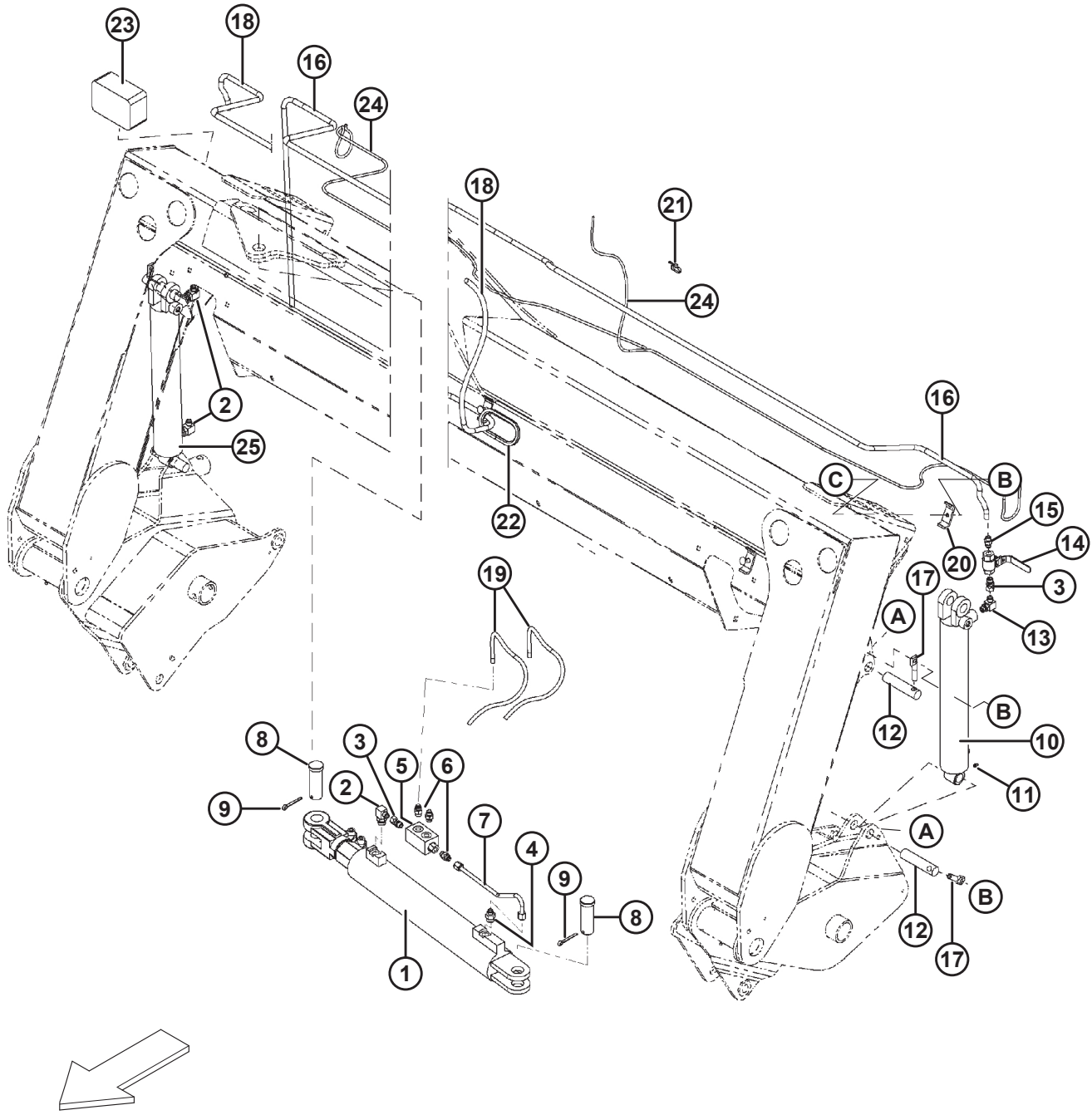
1009557

NON-ARTICULATED PULL-TYPE PUMP/GEARBOX ASSEMBLY

Ref	Part Number	Description	Qty	Serial Number
	36854	SEAL KIT – GEARBOX ²⁰⁰		

200. Includes not sold separately items #14–17 and #19–20.

32 Pull-Type Steering and Lift Cylinder Hydraulics



PULL-TYPE STEERING AND LIFT CYLINDER HYDRAULICS

NOTE:

For hydraulics not shown here, refer to Section *28 Hitch Hydraulics and Electrical, page 91* or *30 Non-Articulated Pull-Type Hitch Hydraulics and Electrical, page 97*.

Ref	Part Number	Description	Qty	Serial Number
1	148840	CYLINDER – HYDRAULIC, STEERING ²⁰¹	1	
	142839	SEAL KIT	1	
	18591	NUT – HEX, 1/2 NC, GR. 5	2	
	252668	BOLT – HEX SOC HD 1/2-13 X 2.0-GR8-ACOC	2	
	142605	CLEVIS	1	
	142654	CONTROL – STROKE	1	
2	30283	FITTING – HYDRAULIC, 90° ELBOW	3	
3	135015	FITTING – HYDRAULIC, ADAPTER	3	
4	21804	FITTING – HYDRAULIC, CONNECTOR	1	
5	148851	VALVE – PRESSURE BALANCE	1	
6	15903	FITTING – HYDRAULIC, CONNECTOR	3	
7	148918	LINE – HYDRAULIC	1	
8	135414	PIN – STEERING CYLINDER	2	
9	18609	PIN – COTTER, 1/4 X 2 IN.	2	
10	149386	CYLINDER – SLAVE, LIFT (LH) ²⁰²	1	
	149702	SEAL KIT – FOR CYLINDER (MD #149386)		
11	18671	FITTING – LUBE, 1/4 NF	1	
12	142376	PIN – LIFT CYLINDERS	4	
13	30282	FITTING – HYDRAULIC, 90° ELBOW	1	
14	247875	VALVE – BALL, CYLINDER STOP	2	
15	15903	FITTING – HYDRAULIC, ADAPTER	2	
16	142591	HOSE – HYDRAULIC, 4060 MM LG ²⁰³	1	
17	112624	PIN – RETAINER, LIFT CYLINDERS	4	
18	142592	HOSE – HYDRAULIC, 3890 MM LG ²⁰⁴	1	
19	142619	HOSE – HYDRAULIC, 850 MM LG ²⁰⁵	2	
20	32225	HOLDER – HOSE	6	
21	21763	FASTENER – CABLE TIE	12	
22	110735	MOULDING – HOSE PROTECTOR	1	
23	REF	LIGHT – RED, TAIL ²⁰⁶	2	
24	REF	HARNESS – WIRING, TAIL LIGHTS ²⁰⁶	1	
25	171197	CYLINDER – RH, MASTER, LIFT	1	
	149701	SEAL KIT – FOR CYLINDER (MD #171197)		

201. Includes seal kit (MD #142839), two nuts (MD #18591), two bolts (MD #252668), clevis (MD #142605), and stroke control (MD #142654).

202. Includes fitting (MD #18671).

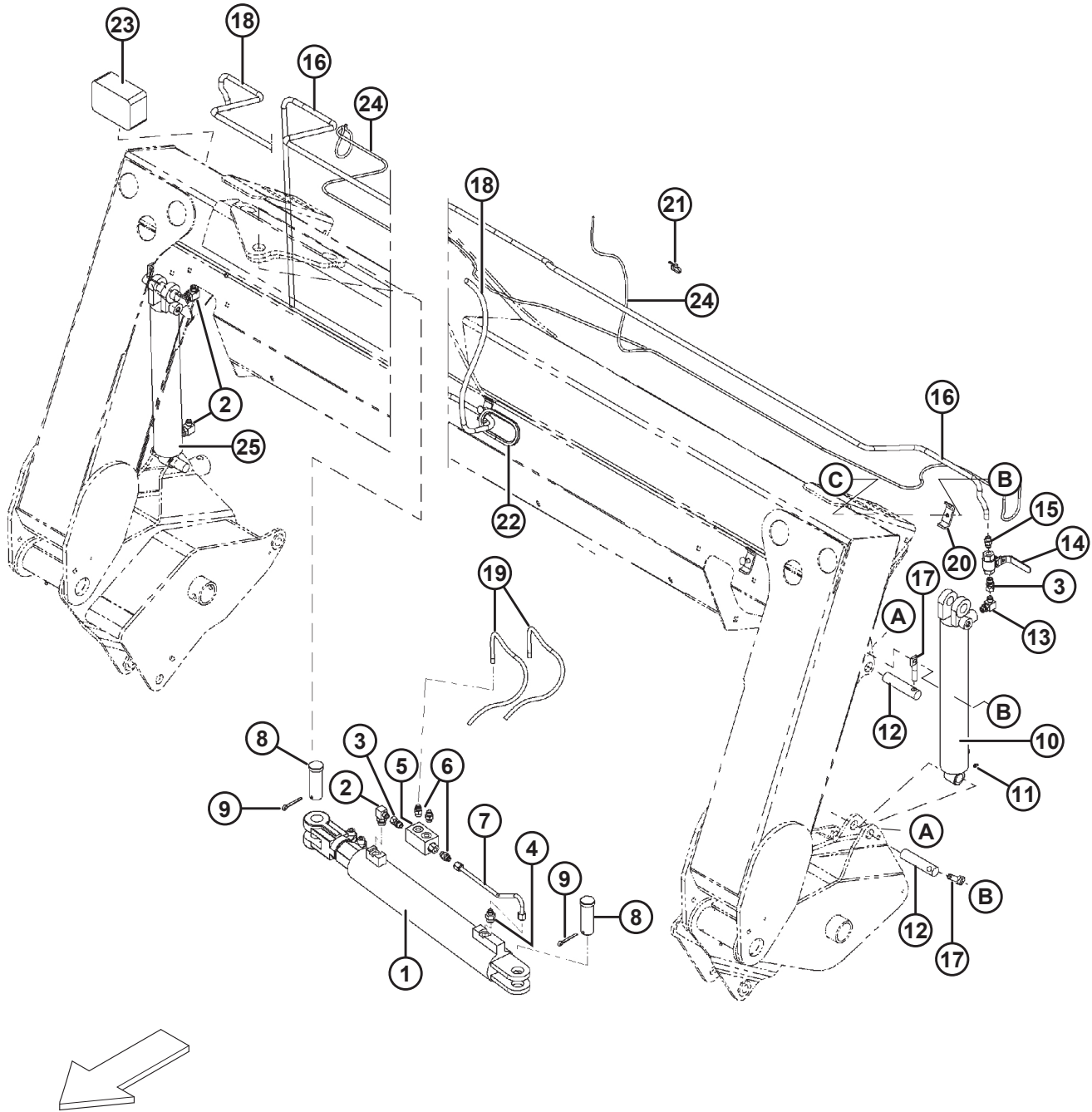
203. Bottom of RH to top of LH lift cylinder.

204. Hitch to top of RH lift cylinder.

205. Hitch to steering cylinder.

206. Refer to Section *42 Electrical – 2017 and Prior PT Mower Conditioner and SP Windrower Header, page 133*.

PULL-TYPE STEERING AND LIFT CYLINDER HYDRAULICS

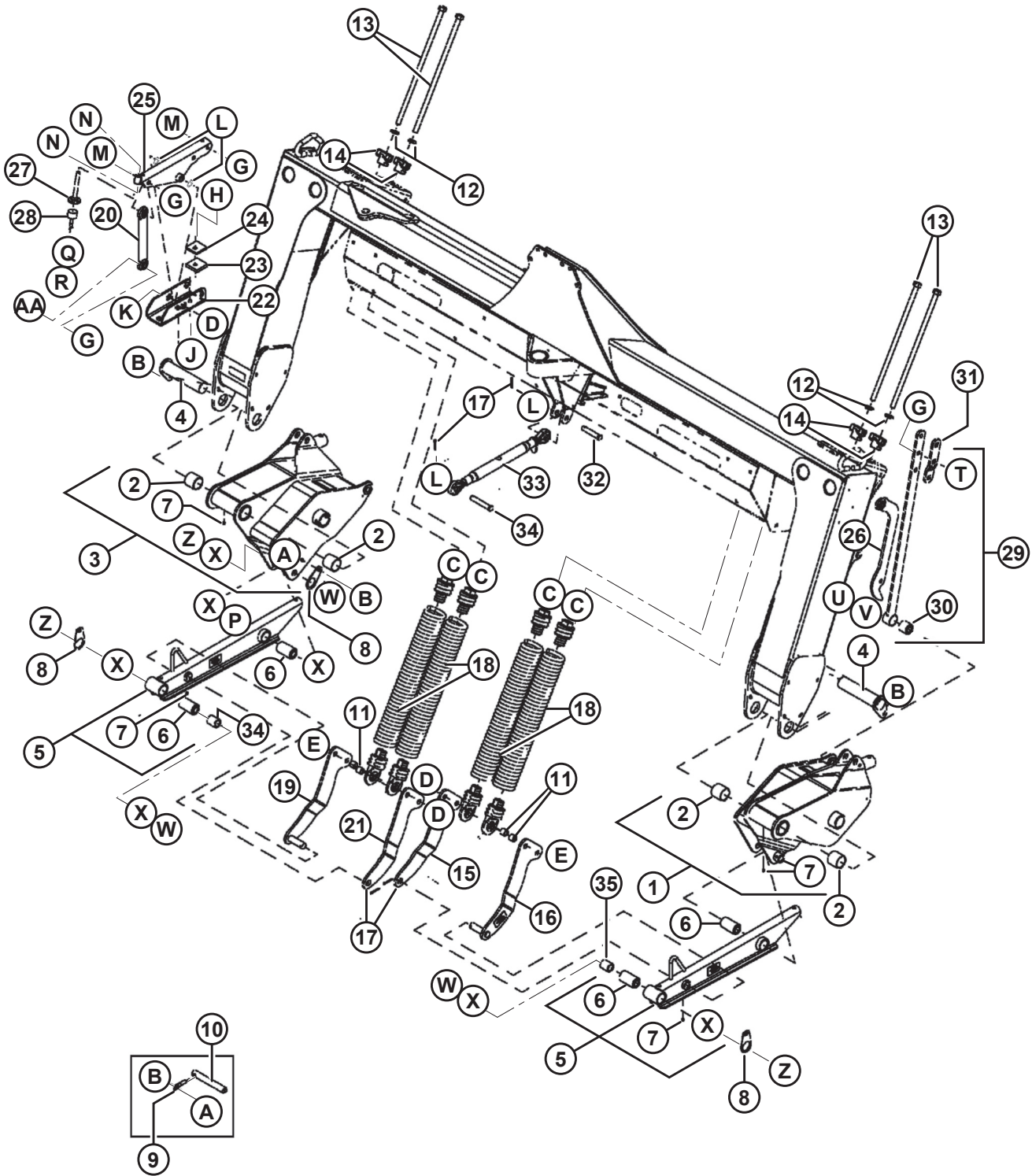


1009438

PULL-TYPE STEERING AND LIFT CYLINDER HYDRAULICS

Ref	Part Number	Description	Qty	Serial Number
A	19965	BOLT – RHSN, 3/8 NC X 1 IN., GR. 5		
B	30228	NUT – SMOOTH FLANGE, 3/8 NC, DT		
C	21484	BOLT – RHSN, 3/8 NC X 1-1/2 IN., GR. 5		

33 Pull-Type Carrier Frame and Float Components



PULL-TYPE CARRIER FRAME AND FLOAT COMPONENTS

Ref	Part Number	Description	Qty	Serial Number
1	142572	ARM – C/W BUSHINGS (LH) ²⁰⁷	1	
2	25579	BUSHINGS – ARM, STEEL	4	
3	142573	ARM – C/W BUSHINGS (RH) ²⁰⁷	1	
4	142583	PIN – LEG	2	
5	142574	ARM – C/W BUSHINGS ²⁰⁸	2	
6	30019	BUSHING – RUBBER	4	
7	18671	FITTING – LUBE, 1/4 IN.-28 UNF	6	
8	142487	PLATE – BOLT RETAINER	4	
9	112624	RETAINER – PIN	2	-168559
10	142540	PIN – LEG	2	-168559
11	142526	SPACER	4	
12	21540	WASHER – HARDENED	4	
13	41122	BOLT – HEX HEAD, 3/4 NC X 20-1/2 IN., TFL	4	
14	36837	PIVOT – SPRING	4	
15	142392	ARM – RH ²⁰⁹	2	
16	142910	ARM – LH, C/W DECAL ²⁰⁹	1	
17	18608	PIN – COTTER, 3/16 IN. DIAMETER X 1-1/2 IN.	4	
18	171299	ASSEMBLY – SINGLE SPRING	4	
19	142911	ARM – RH, C/W DECAL ²¹⁰	1	
20	142658	LINK – C/W DECAL ²¹¹	2	
21	142323	ARM – LH ²¹⁰	1	
22	142496	CHANNEL – LINKAGE	2	
23	142497	PAD – RUBBER	2	
24	142498	BAR – SPACER	2	
25	142471	ARM – STOP	2	
26	142504	ARM – LINK	2	
27	142588	STOP – FLOAT	2	
28	142682	BUMPER – RUBBER	2	
29	142657	LINK – C/W BUSHING ²¹²	2	
30	145480	BUSHING – RUBBER	2	
31	142518	BAR – LINKAGE	2	
32	20312	PIN – CLEVIS	2	
33	42104	JOINT – ASSEMBLY	2	
34	18629	PIN – CLEVIS	1	
35	142680	SPACER	2	
A	19965	BOLT – RHSN, 3/8 NC X 1 IN., GR. 5		
B	30228	NUT – SMOOTH FLANGE, 3/8 NC, DT		

207. Includes two fittings (MD #18671), two bushings (MD #25579), and decals (MD #23165, 171279).

208. Includes fitting (MD #18671), two bushings (MD #30019), and decal (MD #23165).

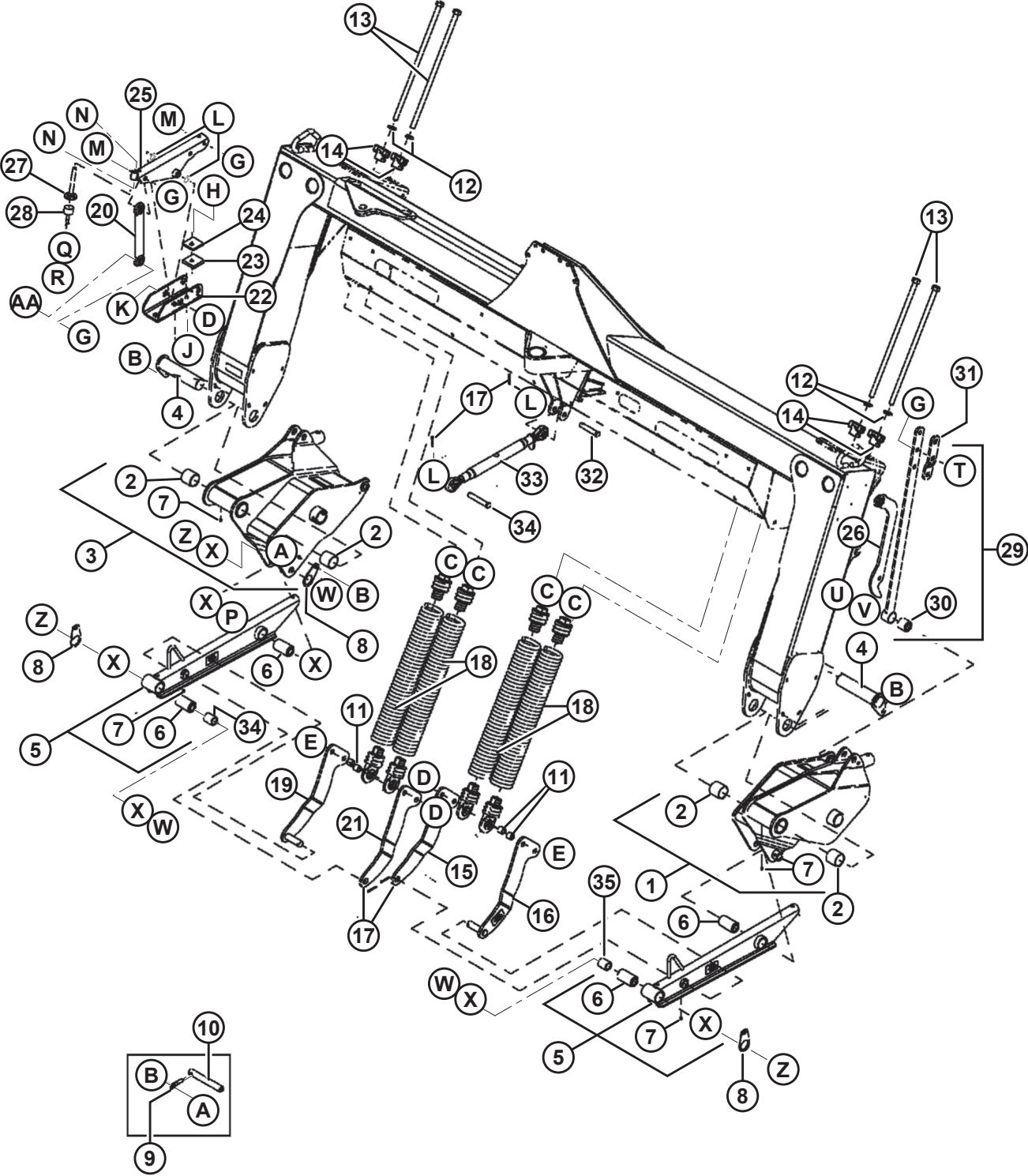
209. Left assembly.

210. Right assembly.

211. Includes decal (MD #142600).

212. Includes rubber bushing (MD #145480).

PULL-TYPE CARRIER FRAME AND FLOAT COMPONENTS

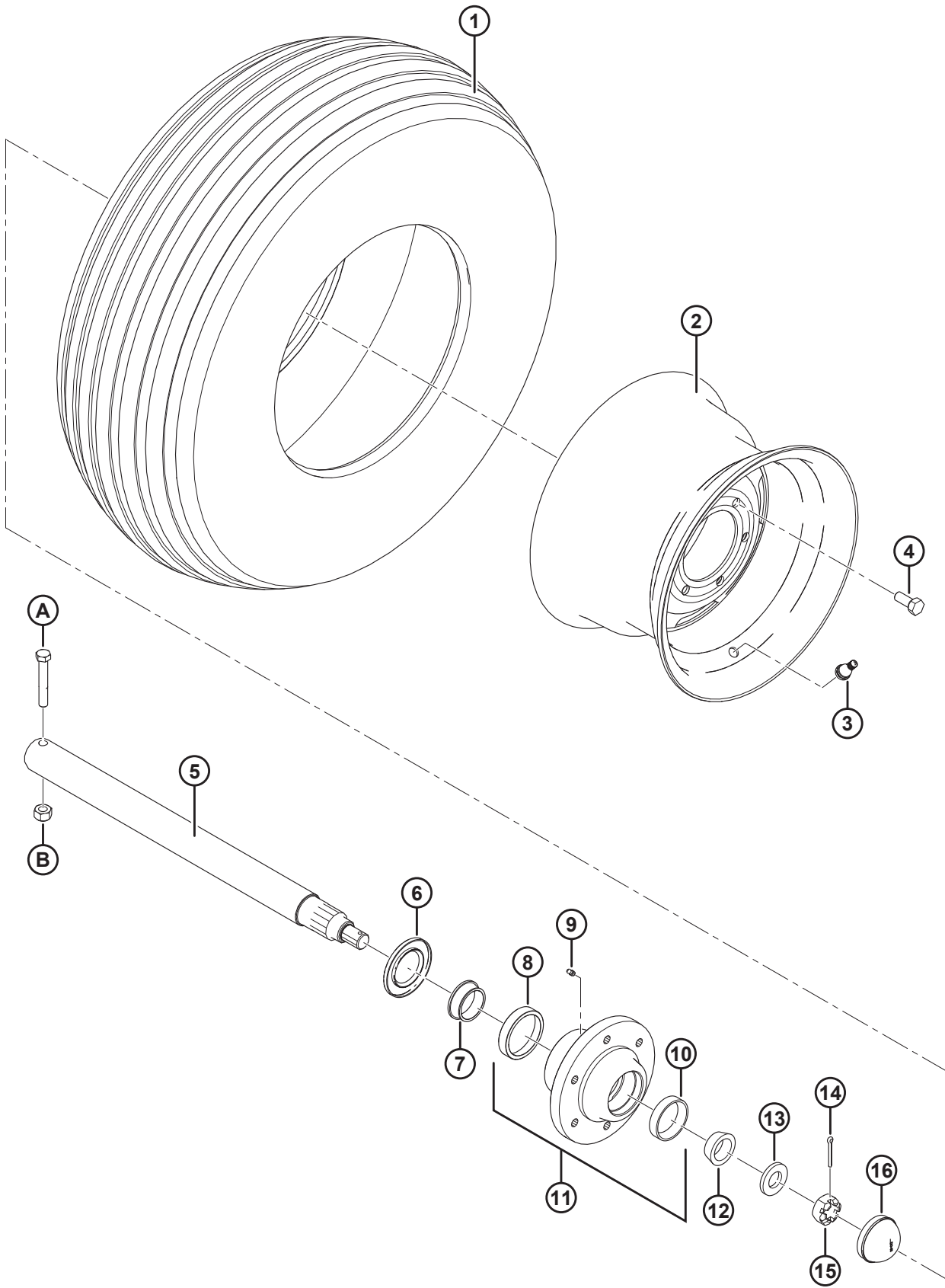


1037660

PULL-TYPE CARRIER FRAME AND FLOAT COMPONENTS

Ref	Part Number	Description	Qty	Serial Number
C	18593	NUT – HEX, 3/4 NC, GR. 5		
D	18689	NUT – HEX, 3/4 IN., DT		
E	19957	BOLT – HEX HEAD, 3/4 NC X 2-1/2 IN., GR. 5		
F	18523	BOLT – RHSN, 5/8 NC X 1-1/2 IN., GR. 5		
G	50225	NUT – SMOOTH FLANGE, 5/8 NC, DT		
H	21469	BOLT – RHSN, 1/2 NC X 1-1/2 IN., GR. 5		
J	50186	NUT – SMOOTH FLANGE, 1/2 NC, DT		
K	113426	BOLT – RHSN, 3/4 NC X 4-1/2 IN., GR. 5		
L	18601	WASHER – FLAT, 13/16 I.D. X 1-1/2 IN. O.D.		
M	30664	BOLT – HEX HEAD, 5/8 NC X 2-1/4 IN., GR. 5		
N	18592	NUT – HEX, 5/8 NC, GR. 5		
P	16919	WASHER – FLAT		
Q	18637	WASHER – LOCK, 3/8 IN. I.D.		
R	18590	NUT – HEX, 3/8 NC, GR. 5		
S	18524	BOLT – RHSN, 5/8 NC X 2 IN., GR. 5		
T	18523	BOLT – RHSN, 5/8 NC X 1-1/2 IN., GR. 5		
U	135384	BOLT – HEX HEAD, 1 NC X 3 IN., GR. 5		
V	18642	WASHER – LOCK, 1 IN. I.D.		
W	135435	BOLT – HEX HEAD, 1 NC X 7 IN.		
X	18603	WASHER – FLAT, 1-1/16 I.D. X 2 IN. O.D.		
Y	19966	BOLT – RHSN, 3/8 NC X 1-1/4 IN., GR. 5		
Z	156708	NUT – HEX, CENTER LOCK, 1 NC		
AA	21587	BOLT – HH 5/8 NC X 2.0 LG GR. 5 ZN PL		

34 Pull-Type Wheels and Tires



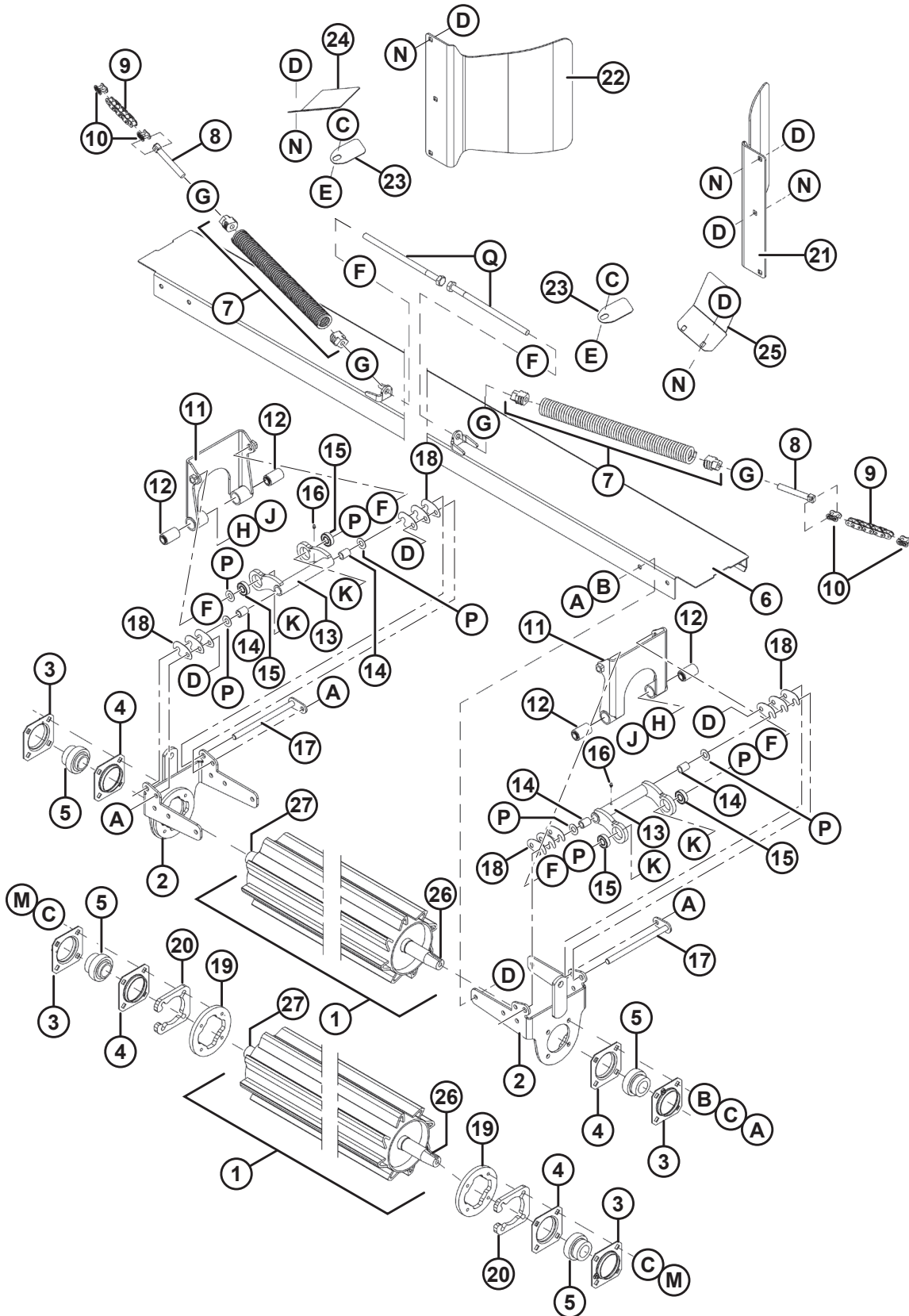
1027258

PULL-TYPE WHEELS AND TIRES

Ref	Part Number	Description	Qty	Serial Number
1	30889	TIRE – 31 X 13.5-15 NHS, 8 PLY, TERRA-RIB	2	
2	30890	WHEEL – 15 X 10 LB, WHITE	2	
3	21153	STEM – VALVE	2	
4	18916	BOLT – WHEEL, 9/16 IN. NF	12	
5	142434	SPINDLE – WHEEL	2	
6	140248	SEAL – GREASE	2	
7	140247	BEARING – CONE, INNER	2	
8	140249	BEARING – CUP, INNER	2	
9	18671	FITTING – LUBE 1/4-28 UNF	2	
10	30701	BEARING – CUP, OUTER	2	
11	140246	HUB – C/W CUPS AND LUBE FITTING ²¹³	2	
12	30702	BEARING – CONE, OUTER	2	
13	31774	WASHER – FLAT, WHEEL	2	
14	18608	PIN – COTTER	2	
15	19878	NUT – HEX, SLOTTED, 1 IN. NF	2	
16	140250	CAP – DUST	2	
A	30011	BOLT – HEX HEAD, 1/2 NC X 3-1/4 IN., GR. 5		
B	18697	NUT – LOCK, 1/2 IN., DT		

213. Includes bearings (MD #30701, 140249) and lube fitting (MD #18671).

35 Conditioner Rolls



CONDITIONER ROLLS

Ref	Part Number	Description	Qty	Serial Number
1	124382	ROLL – CONDITIONER, BALANCED ²¹⁴	2	
2	143042	BRACKET – CONDITIONER ROLL SUPPORT	2	
3	30575	FLANGE – BEARING	4	
4	30576	FLANGE – BEARING	4	
5	143973	BEARING – SPHERICAL, 1-1/2 IN. BORE	4	
6	143031	COVER – TOP	1	
7	124530	ASSEMBLY – SPRING ²¹⁵	2	
8	102602	STUD – CONNECTOR ²¹⁶	2	
9	124531	CHAIN – ROLLER, #60H	2	
10	16659	LINK – CHAIN, CONNECTOR, #60H	4	
11	143989	ARM – C/W BUSHINGS ²¹⁷	2	
12	13626	BUSHING – RUBBER	4	
13	143659	PIVOT – ASSY. ²¹⁸	2	
14	143687	BUSHING – FLANGED, 5/8 IN. X 7/8 IN. X 1 IN.	4	
15	50185	BEARING – BALL, 17 MM O.D. BORE	4	
16	18671	FITTING – LUBE, 1/4 IN. NF	2	
17	143046	ROD – SUPPORT	2	
18	124685	SHIM – PIVOT	12	
19	124523	DISC – CONDITIONER ROLL	2	
20	124501	PLATE – CONDITIONER ROLL	2	
21	171214	DEFLECTOR – LH (PULL-TYPE MOWER CONDITIONER) ²¹⁹	1	
	170039	DEFLECTOR – LH (SELF-PROPELLED WINDROWER HEADER) ²²⁰	1	
22	171214	DEFLECTOR – RH (PULL-TYPE MOWER CONDITIONER) ²¹⁹	1	
	170040	DEFLECTOR – RH (SELF-PROPELLED WINDROWER HEADER) ²²⁰	1	
23	170091	PLATE	2	
24	170157	PLATE – RH	1	
25	170158	PLATE – LH	1	
26	170328	SHAFT – ROLL (LH)	2	
27	170332	SHAFT – ROLL (RH)	2	
A	21491	BOLT – HEX HEAD, 1/2 NC X 1-1/4 IN., GR. 5		
B	18599	WASHER – FLAT, 17/32 I.D. X 1-1/16 IN. O.D.		
C	18638	WASHER – LOCK, 1/2 IN. I.D.		
D	50186	NUT – SMOOTH FLANGE, 1/2 NC, DT, GR. 5		
E	21575	BOLT – HEX HEAD, 1/2 NC X 1 IN., GR. 5		
F	18600	WASHER – FLAT, 21/32 I.D. X 1-5/16 IN. O.D.		

214. Includes shafts (MD #170328, 170332).

215. Includes extension spring and two spring inserts.

216. If replacing previous design formed spring support bracket (serial numbers prior to 185860) with newer stud design (MD #102602), also order bolt (MD #180206) and nut (MD #18592).

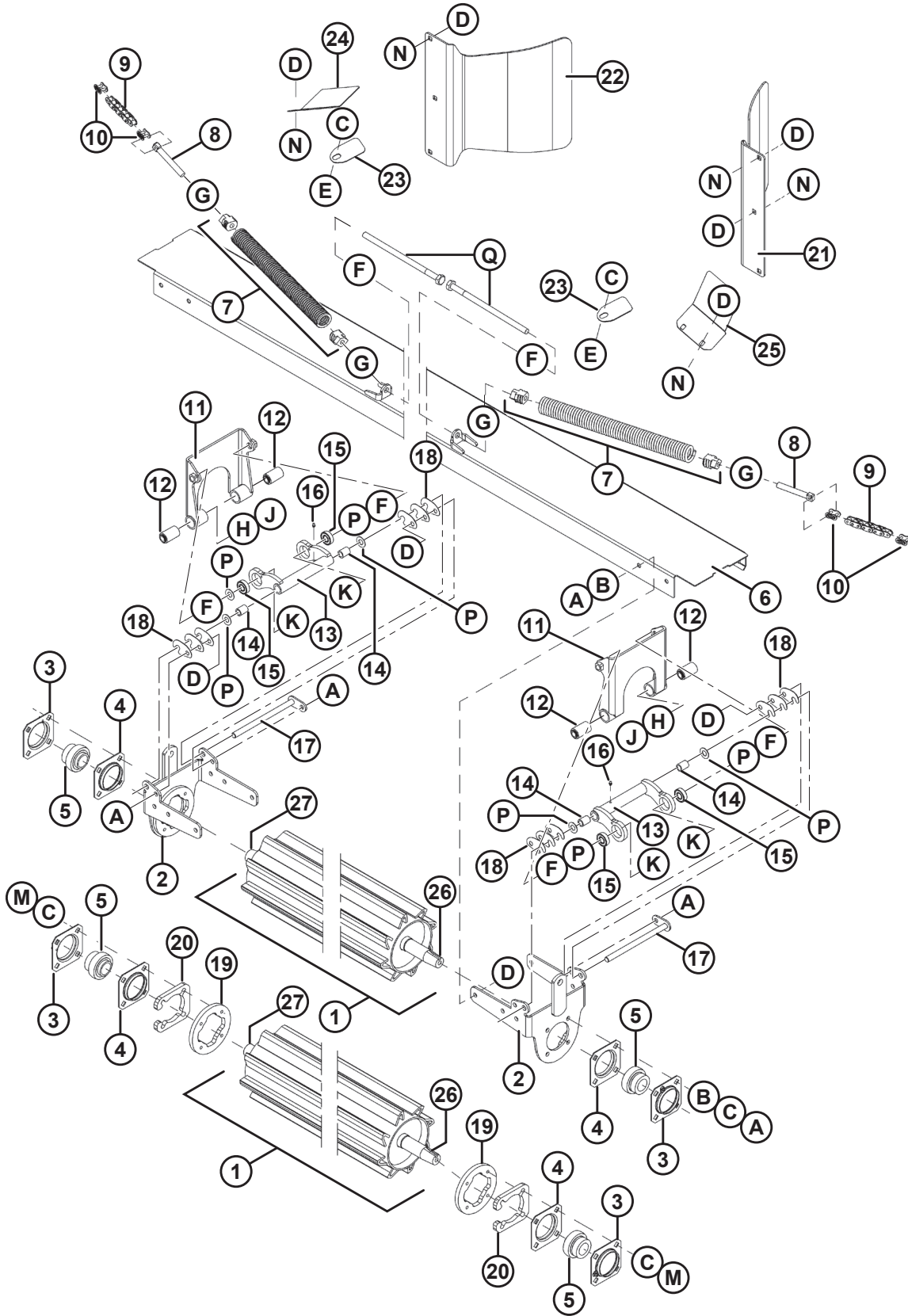
217. Includes two rubber bushings (MD #13626).

218. Includes two bushings (MD #143687), two bearings (MD #50185), and fitting (MD #18671).

219. Used on pull-type mower conditioners.

220. Used on self-propelled windrower headers.

CONDITIONER ROLLS

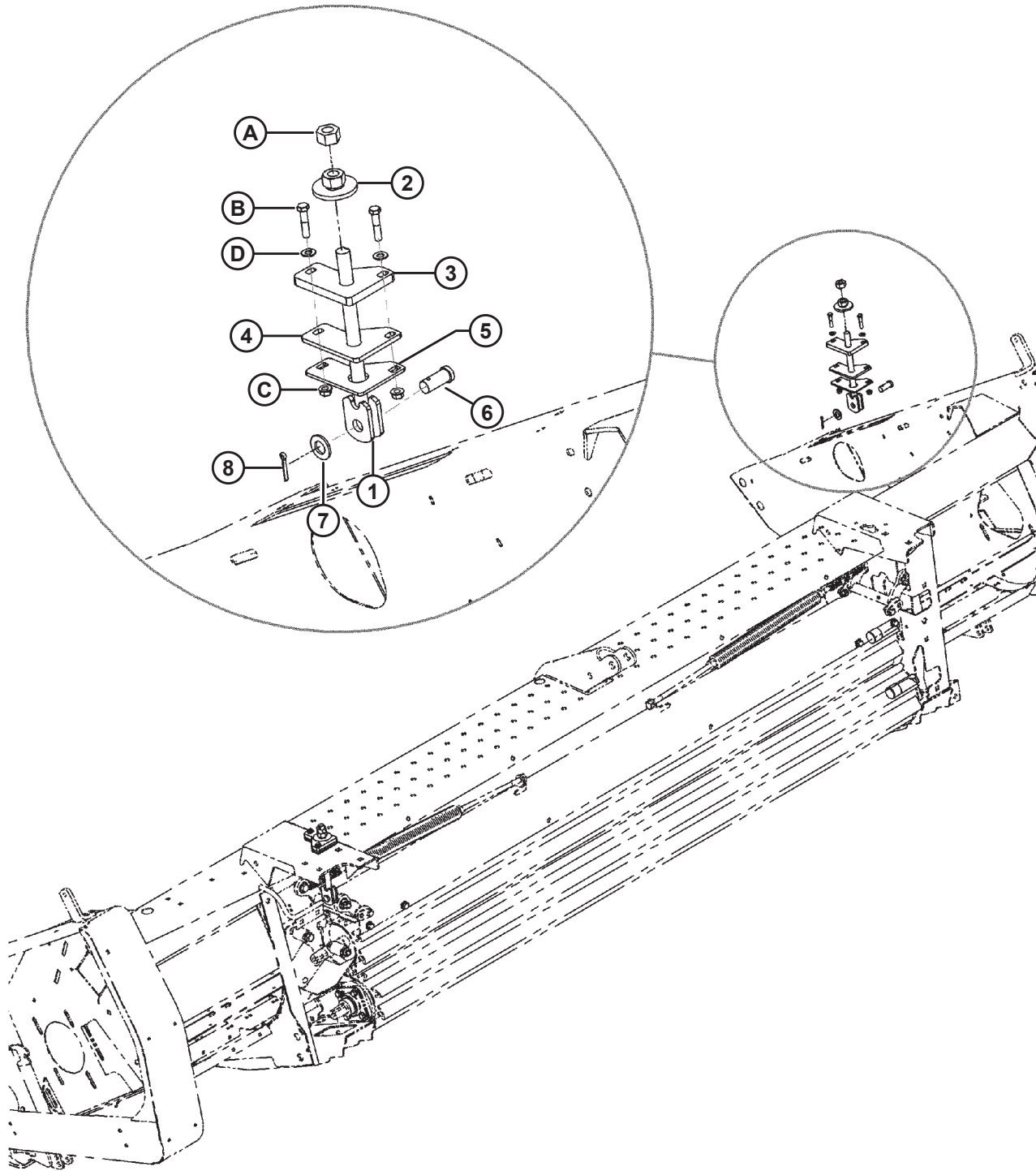


1023497

CONDITIONER ROLLS

Ref	Part Number	Description	Qty	Serial Number
G	18592	NUT – HEX, 5/8 NC, GR. 5		
H	18639	WASHER – LOCK, 5/8 IN. I.D.		
J	135189	BOLT – HEX HEAD, 5/8 NC X 3-1/4 IN., GR. 5		
K	48050	BOLT – SHOULDER, 5/8 NC X 1-3/8 IN.		
L	105173	NUT – HEX, JAM, CENTER LOCK, 5/8 NF		
M	50072	BOLT – HEX HEAD, 1/2 NC X 1-3/4 IN. TFL, GR. 5		
N	21066	BOLT – RHSN, 1/2 NC X 1 IN., GR. 5		
P	124767	WASHER – HARDENED		
Q	180206	BOLT – HEX HEAD, 5/8 NC X 12 IN., GR. 5, HEAVY		

36 Roll Stop Linkages (SP Windrower Header)

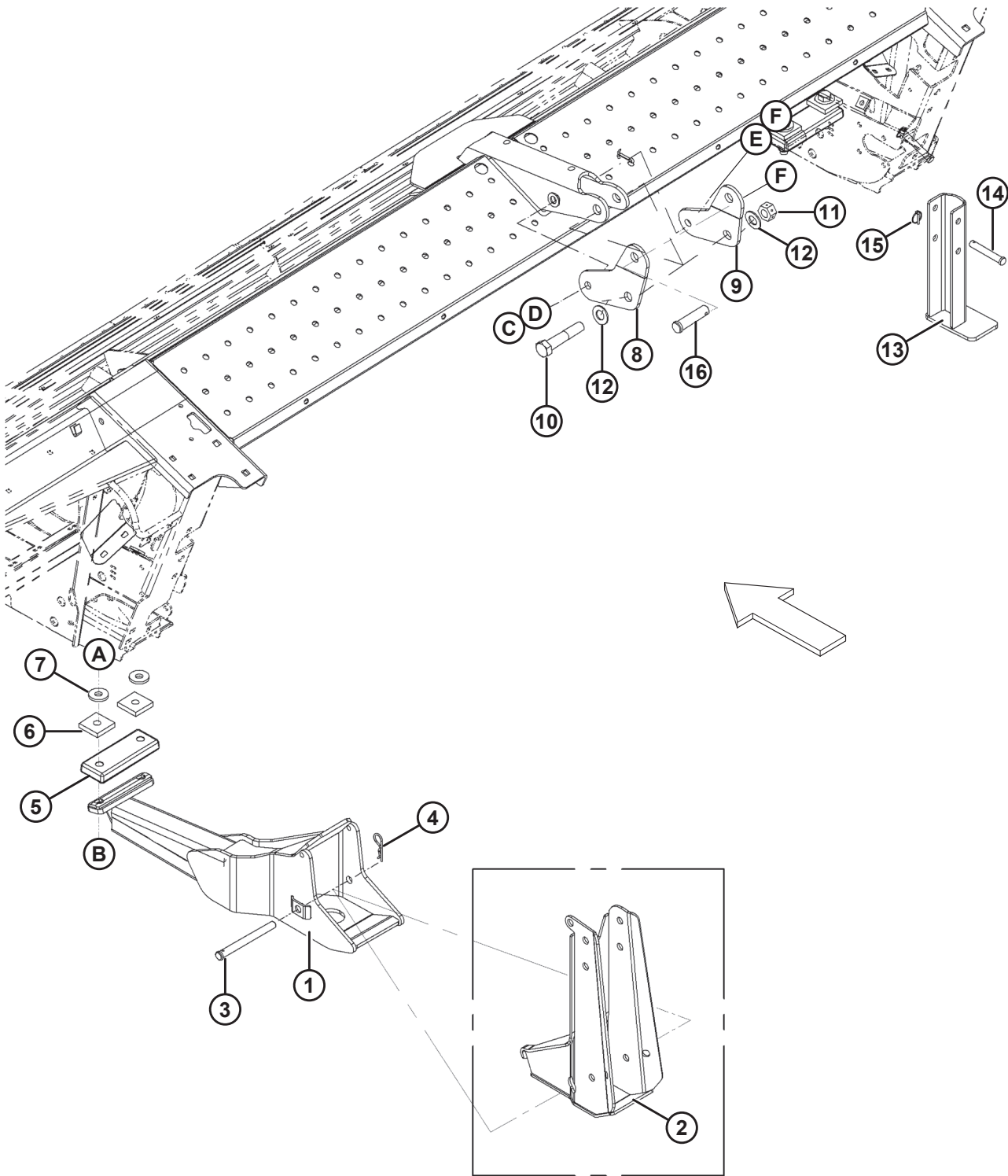


ROLL STOP LINKAGES (SP WINDROWER HEADER)

Ref	Part Number	Description	Qty	Serial Number
1	143069	ROD – ADJUSTER, C/W DECAL ²²¹	2	
2	170321	ADJUSTER – ROLL GAP	2	
3	170320	PAD – PLASTIC	2	
4	170323	PAD – RUBBER	2	
5	170161	PLATE – ROLL STOP	2	
6	11814	PIN – CLEVIS, 23.8 MM, 30 MM, ZN PL	2	
7	18601	WASHER – FLAT, 13/16 IN. I.D.	2	
8	18608	PIN – COTTER, 3/16 DIA. X 1-1/4 IN.	2	
A	18593	NUT – HEX, 3/4 NC		
B	20078	BOLT – HEX HEAD, 3/8 NC X 1 3/4 IN., GR. 5		
C	30228	NUT – SMOOTH FLANGE, 3/8 NC, DT		
D	18598	WASHER – SAE FLAT, 13/32 I.D. X 1.75 LG GR. 5 ZN PL		

²²¹. Includes decal (MD #115287).

37 Lift Links and Header Stand (SP Windrower Header)

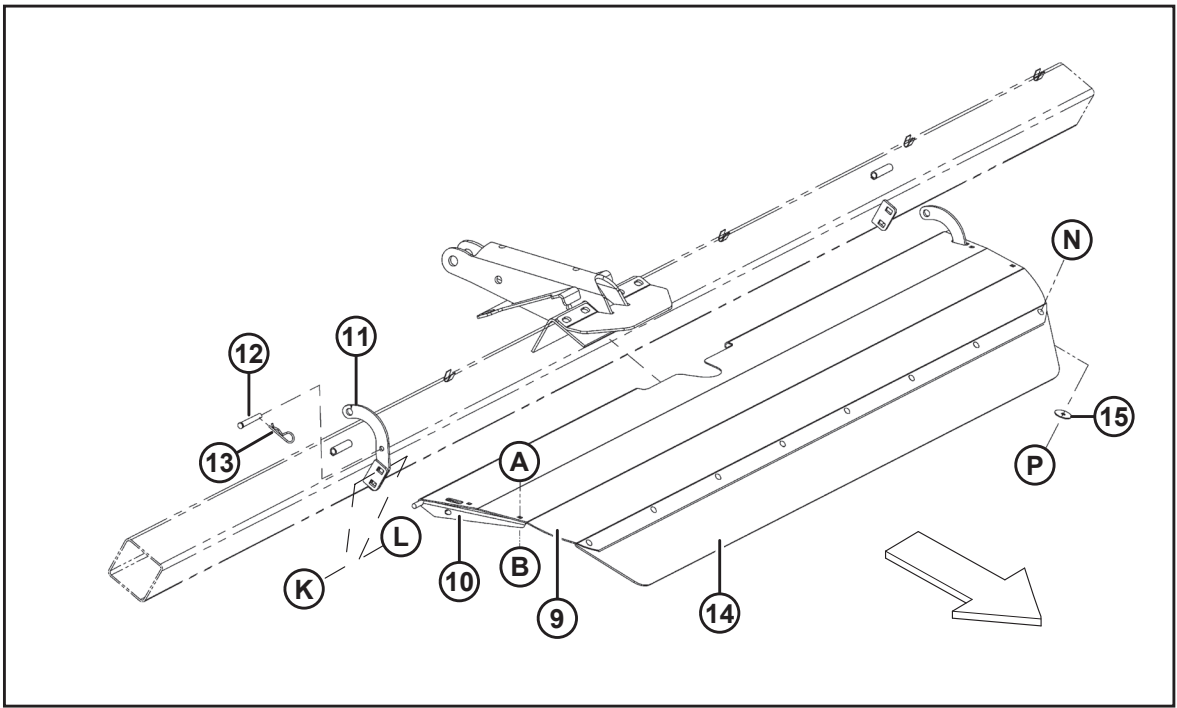
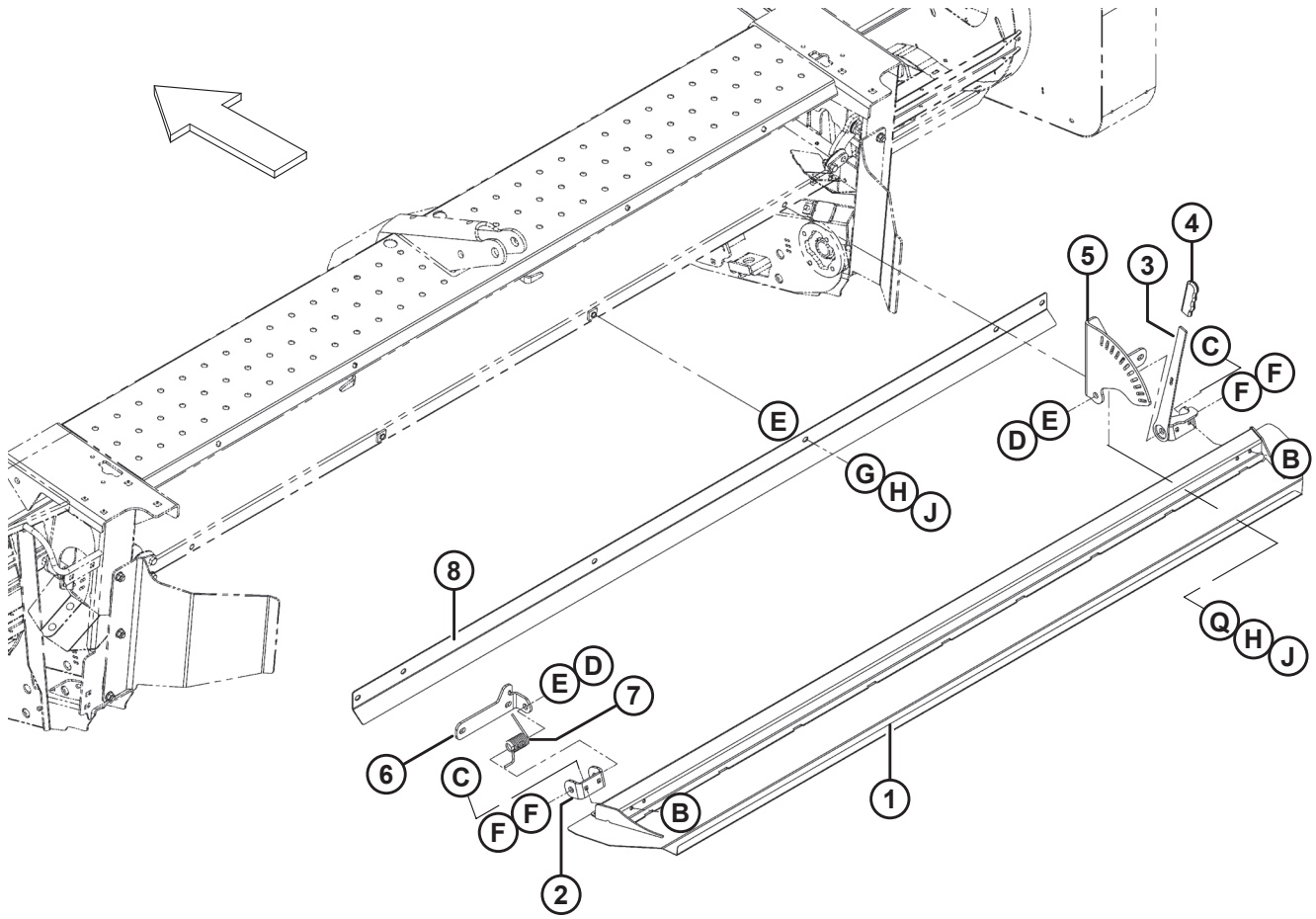


LIFT LINKS AND HEADER STAND (SP WINDROWER HEADER)

Ref	Part Number	Description	Qty	Serial Number
1	124780	MEMBER – BOOT, LH	1	
	124781	MEMBER – BOOT, RH	1	
2	150096	MEMBER – FOOT, LH ²²²	1	-174609
	149608	MEMBER – FOOT, RH ²²²	1	-174609
3	135408	PIN – CLEVIS, 19 MM DIA. X 180 MM	2	
4	13125	PIN – HAIR	2	
5	124787	PAD – RUBBER	2	
6	124783	PAD – RUBBER	4	
7	6647	WASHER – FLAT	4	
8	143027	PLATE – CENTER LINK, LH	1	
9	143028	PLATE – CENTER LINK, RH	1	
10	135244	BOLT – HEX HEAD, 1 NC X 5 IN., GR. 5	1	
11	156708	NUT – CENTER LOCK, 1.0 NC	1	
12	18603	WASHER – FLAT, 1-1/16 IN. I.D.	2	
13	143511	SUPPORT – HEADER STAND	1	
14	103580	PIN – CLEVIS, 16 MM DIA. X 95 MM	1	
15	50193	PIN – LYNCH	1	
16	158635	PIN – CLEVIS, 25 MM DIA. X 85 MM	1	
A	30896	BOLT – HEX HEAD, 3/4 NC X 3-1/2 IN., GR. 5		
B	18689	NUT – LOCK, 3/4 NC DT		
C	21599	BOLT – HEX HEAD, 3/4 NC X 5 IN., GR. 5		
D	18601	WASHER – FLAT, 13/16 IN. I.D.		
E	102636	NUT – SIDE LOCK, 3/4 NC DT		
F	18609	PIN – COTTER, 1/4 X 2 IN.		

222. Service part only for units made in model year 2006 and prior.

38 Center Crop Deflector (SP Windrower Header)



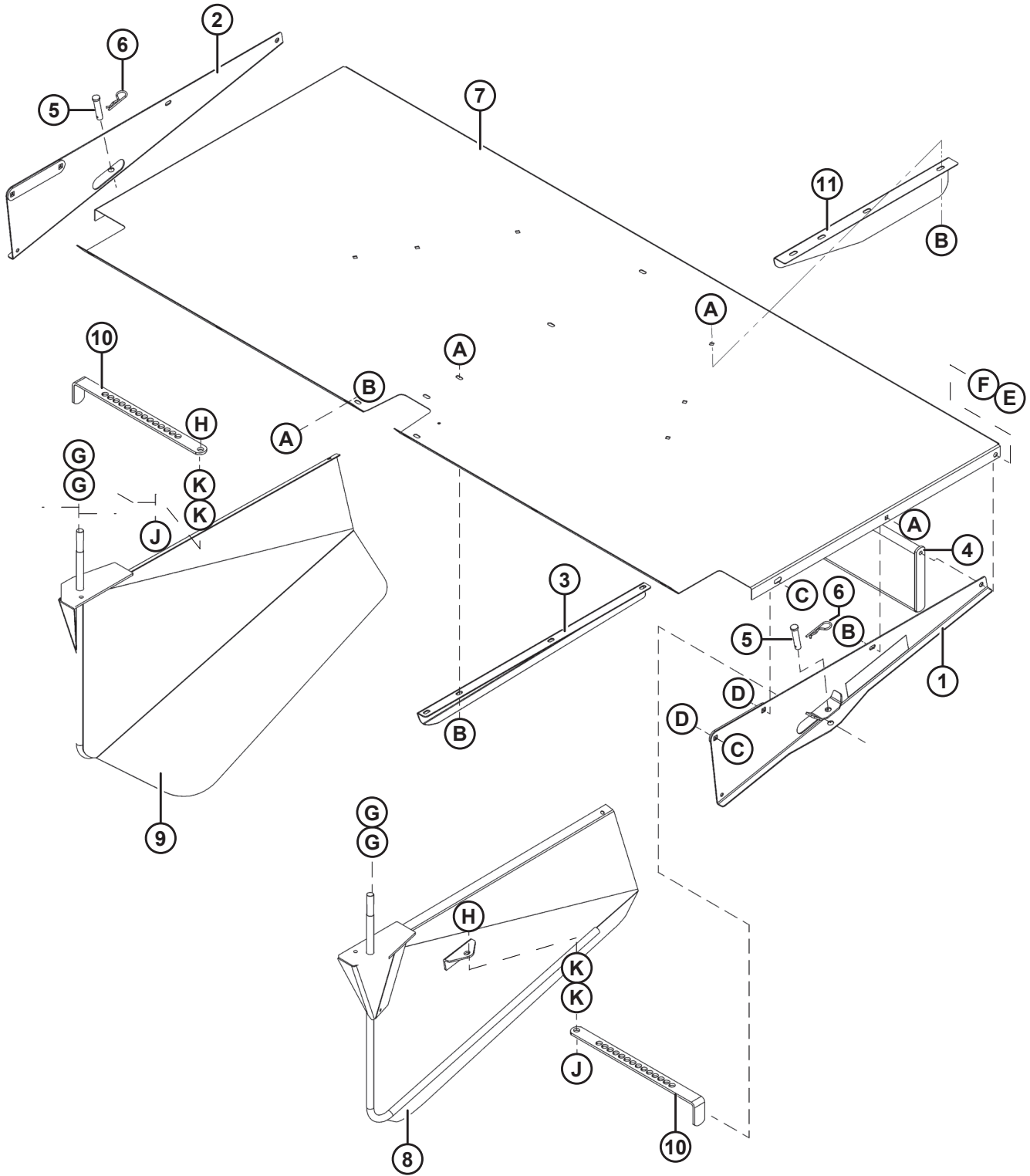
1009445

CENTER CROP DEFLECTOR (SP WINDROWER HEADER)

Ref	Part Number	Description	Qty	Serial Number
1	170027	DEFLECTOR – CROP, CENTER	1	
2	124950	BRACKET – U, MOUNTING	1	
3	124946	HANDLE – ADJUSTMENT	1	
4	150392	HANDLE GRIP – VINYL	1	
5	170585	KIT – BAFFLE BRACE	1	
6	170105	BRACKET – MOUNTING	1	
7	170017	SPRING – TORSION	2	
8	170018	DEFLECTOR	1	
9	170180	PANEL (SP HEADER AUGER COVER) ²²³	1	
10	170093	HINGE – RH (SP HEADER AUGER COVER) ²²³	1	
	170092	HINGE – LH (SP HEADER AUGER COVER) ²²³	1	
11	170102	SUPPORT – HINGE (SP HEADER AUGER COVER) ²²³	2	
12	101007	PIN – CLEVIS (SP HEADER AUGER COVER) ²²³	2	
13	13125	PIN – HAIR (SP HEADER AUGER COVER) ²²³	2	
14	170218	DEFLECTOR – PLASTIC (SP HEADER AUGER COVER) ²²³	1	
15	31465	WASHER – FLAT (SP HEADER AUGER COVER) ²²³	8	
A	21863	BOLT – RHSN, 3/8 NC X 3/4 IN., GR. 5		
B	30228	NUT – SMOOTH FLANGE, 3/8 NC, DT		
C	30307	BOLT – RHSN, 3/8 NC X 3 IN., GR. 5		
D	50163	BOLT – HEX HEAD, 5/8 NC X 5 1/2 IN., GR. 5		
E	18600	WASHER – FLAT, 21/32 IN. I.D.		
F	18592	NUT – HEX, 5/8 NC		
G	18599	WASHER – FLAT 17/32 I.D. X 1 1/16 IN. O.D.		
H	18638	WASHER – REG. LOCK 1/2 IN. NOM. ID ZP		
J	21575	BOLT – HEX HEAD, 1/2-13 UNC, 1.0 IN. LG, ZN PL, GR 5		
K	50186	NUT – FLANGE LOCK SM FACE DT 0.500-13 UNC GR. 5		
L	21066	BOLT – RHSN, 1/2 NC X 1.0 GR. 5 ZN PL		
N	21282	BOLT – RHSN, 5/16 NC X 1.0 GR. 5 ZN PL		
P	30280	NUT – SMOOTH FLANGE, 5/16 NC, DT		
Q	42592	WASHER – FLAT		

223. Self-propelled windrower auger header cover.

39 Pull-Type Forming Shields

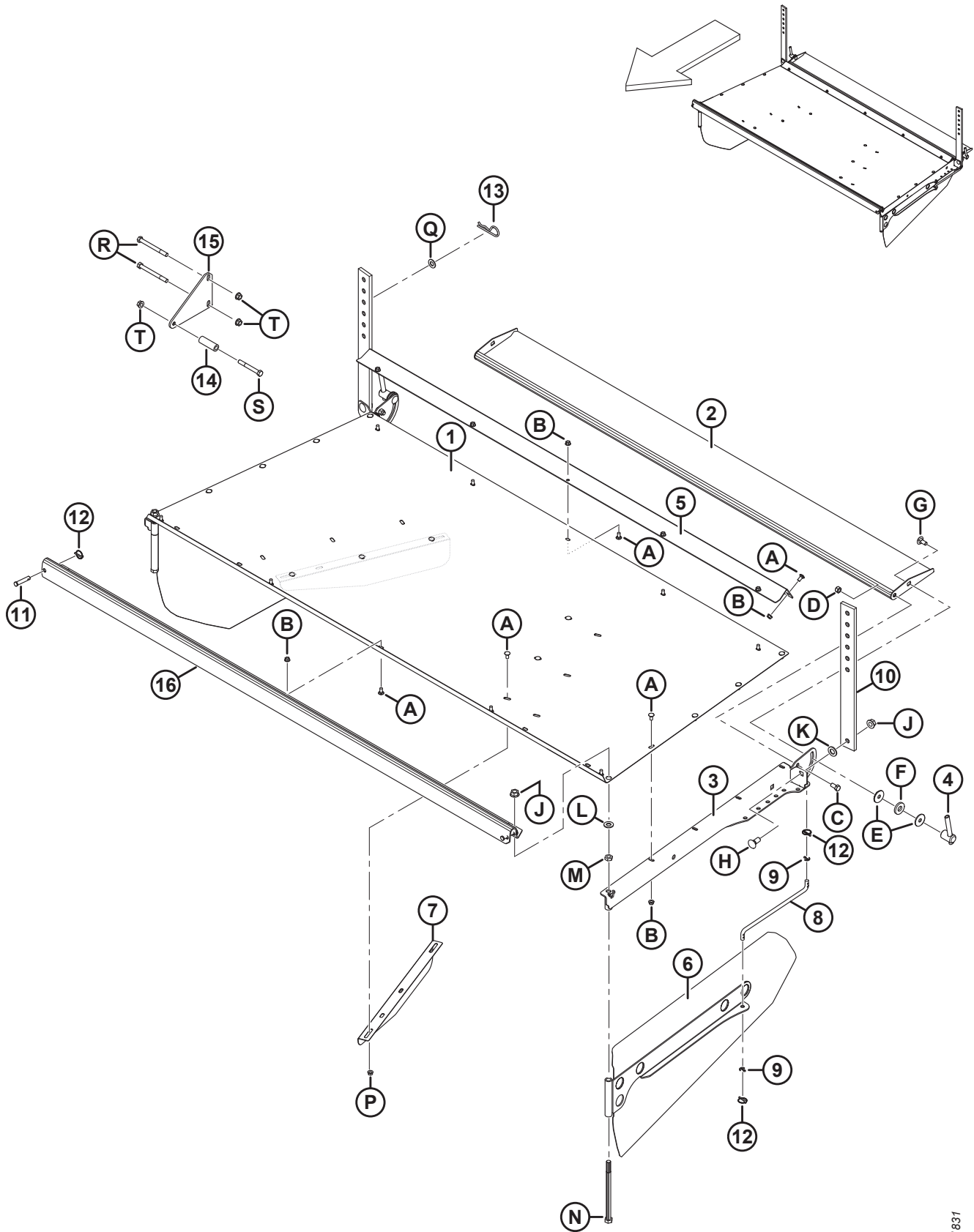


PULL-TYPE FORMING SHIELDS

Ref	Part Number	Description	Qty	Serial Number
1	142638	SUPPORT – LH, C/W REFLECTIVE DECAL ²²⁴	1	
2	142639	SUPPORT – RH, C/W REFLECTIVE DECAL ²²⁴	1	-185859
	171210	SUPPORT – RH, C/W REFLECTIVE DECAL ²²⁴	1	185860-
3	142727	SUPPORT – CENTER	1	
4	142642	DEFLECTOR – REAR	1	
5	18704	PIN – CLEVIS	2	
6	13125	PIN – HAIR	2	
7	142635	COVER – TOP	1	
8	140160	DEFLECTOR – SIDE, LH	1	-185859
	171200	DEFLECTOR – SIDE, LH	1	185860-
9	140161	DEFLECTOR – SIDE, RH	1	-185859
	171201	DEFLECTOR – SIDE, RH	1	185860-
10	142650	BAR – DEFLECTOR ADJUSTER	2	
11	325061	DEFLECTOR – INNER, LH	1	
	325062	DEFLECTOR – INNER, RH	1	
A	21863	BOLT – RHSN, 3/8 NC X 3/4 IN., GR. 5		
B	30228	NUT – SMOOTH FLANGE, 3/8 NC, DT		
C	21471	BOLT – RHSN, 1/2 NC X 1-1/4 IN., GR. 5		
D	50186	NUT – SMOOTH FLANGE, 1/2 NC, DT		
E	21575	BOLT – HEX HEAD, 1/2 NC X 1 IN., GR. 5		
F	18638	WASHER – LOCK, 1/2 IN. I.D.		
G	18593	NUT – HEX, 3/4 NC, GR. 5		
H	21585	BOLT – HEX HEAD, 5/8 NC X 1-1/4 IN., GR. 5		
J	50225	NUT – SMOOTH FLANGE, 5/8 NC, DT		
K	18600	WASHER – FLAT, 21/32 IN. I.D.		

224. Includes amber reflector (MD #115146).

40 SP Windrower Header Forming Shields



1031831

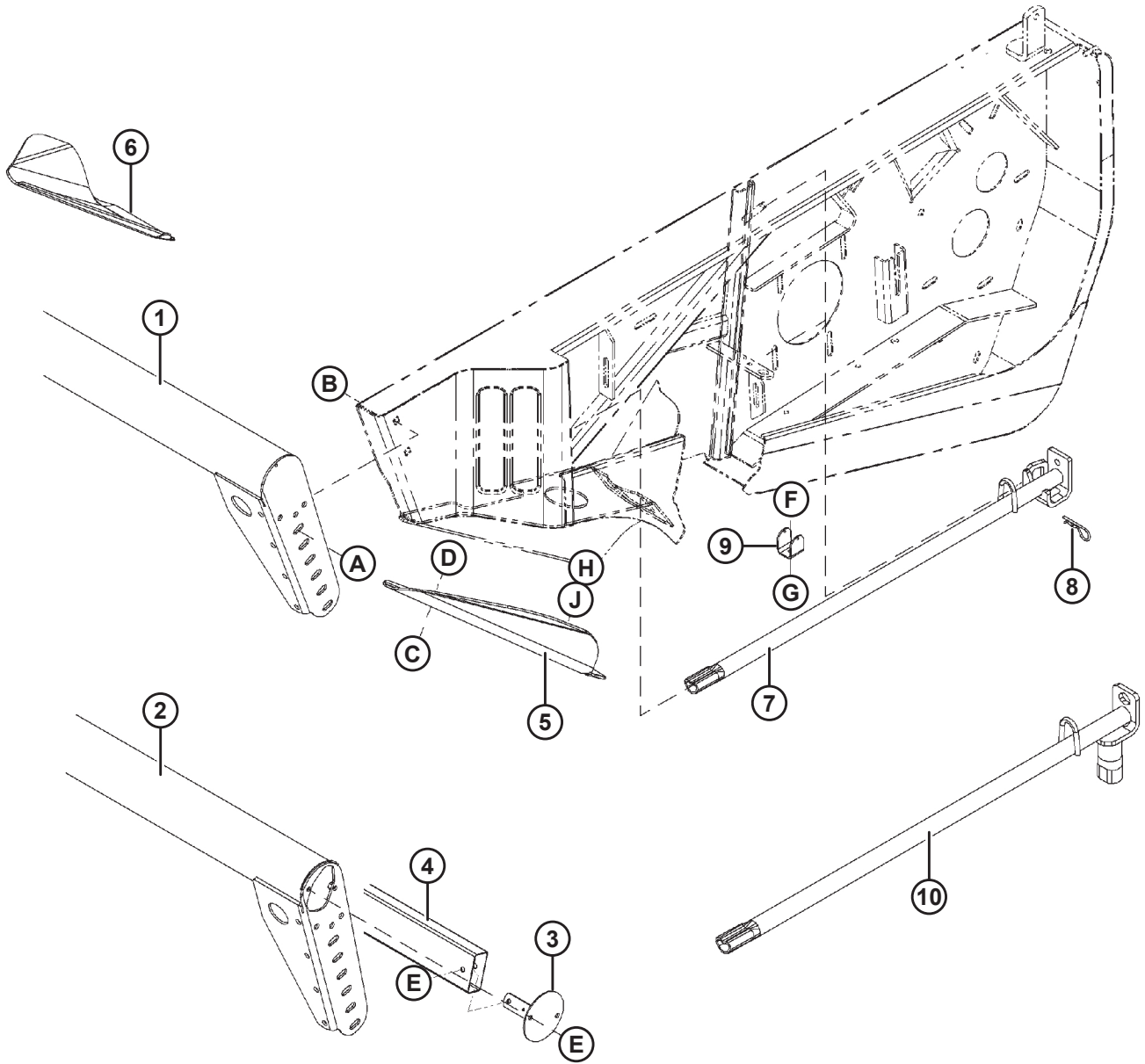
SP WINDROWER HEADER FORMING SHIELDS

Ref	Part Number	Description	Qty	Serial Number
	B6268	KIT – SP WINDROWER FORMING SHIELD ²²⁵		
1	236902	COVER	1	
2	272208	BAFFLE WELDT	1	
3	272252	KIT – BRACKET WELDTS (INCLUDES LH AND RH) ²²⁶	1	
4	247693	ASSEMBLY – HANDLE	2	
5	325060	ANGLE	1	
6	272205	DEFLECTOR – LH WELDT	1	
	272206	DEFLECTOR – RH WELDT	1	
7	325061	DEFLECTOR – LH	1	
	325062	DEFLECTOR – RH	1	
8	150018	ROD	2	
9	18648	PIN – COTTER 3/16 DIA X 1.25 ZP	4	
10	272248	STRAP – RUBBER	2	
11	19809	PIN – CLEVIS	2	
12	50193	PIN – LYNCH	6	
13	13125	PIN – HAIR	2	
14	149168	SPACER	2	
15	149167	PLATE	2	
16	338077	CHANNEL – FORMING SHIELD	1	
A	21863	BOLT – RHSSN 3/8 NC X 0.75 LG GR 5 ZP		
B	30228	NUT – FLANGE DT SMOOTH FACE 0.375-16 UNC		
C	21575	BOLT – HH 1/2 NC X 1.0 LG GR 5 ZP		
D	18697	NUT – HEX LOCK DT .500-13 UNC		
E	42592	WASHER – FLAT		
F	42045	WASHER – RUBBER		
G	184667	BOLT – RHSN M12 X 1.75 X 30-8.8-A3L		
H	18523	BOLT – RHSN 5/8-11 X 1.5-GR5-ZP		
J	50225	NUT – FLANGE DT SMOOTH FACE .625-11 UNC		
K	18601	WASHER – SAE FLAT 13/16 I.D. X 1.5 IN. O.D. ZP		
L	30441	WASHER – HARDENED		
M	21345	NUT – HEX JAM 5/8-11 UNC GR 5 ZP		
N	172339	BOLT – HEX HD 5/8 NC X 10 LG GR 8 ZP		
P	21452	NUT – FLG SER FACE 3/8-16 UNC GR5 AA1J		
Q	18600	WASHER – SAE FLAT 21/32 I.D. X 1 5/16 IN. O.D. ZP		
R	136686	BOLT – HEX HD 1/2 NC X 5.25- GR5-ZP		
S	21589	BOLT – HH 1/2 NC X 4.0 LG GR 5 ZP		
T	50186	NUT – FLANGE LOCK SM FACE DT 0.500-13 UNC GR5		

225. Kits are available through Whole Goods only.

226. The kit includes left and right brackets.

41 Lean Bar, Unplug Wrench, and Side Shoes



LEAN BAR, UNPLUG WRENCH, AND SIDE SHOES

Ref	Part Number	Description	Qty	Serial Number
1	124630	TUBE – LEAN BAR (A30S) 14 FT. ²²⁷	1	
	124631	TUBE – LEAN BAR (A30S) 16 FT. ²²⁷	1	
2	143463	TUBE – LEAN BAR (A40D) 14 FT. ²²⁸	1	
	143464	TUBE – LEAN BAR (A30D AND A40D) 16 FT. ²²⁹	1	
	143465	TUBE – LEAN BAR (A30D AND A40D) 18 FT. ²²⁹	1	
3	124621	COVER – LEAN BAR TUBE (A30D AND A40D) ²²⁹	2	
4	124233	TUBE – KNIFE STORAGE (A40D) 14 FT. ²²⁸	2	
	124234	TUBE – KNIFE STORAGE (A30D AND A40D) 16 FT. ²²⁹	2	
	124235	TUBE – KNIFE STORAGE (A30D AND A40D) 18 FT. ²²⁹	2	
5	143340	SHOE – SIDE, LH	1	
6	143341	SHOE – SIDE, RH	1	
7	140135	WRENCH – UNPLUG (A30S AND A40D) ²³⁰	1	
8	13125	PIN – HAIR (A30S AND A40D) ²³⁰	1	
9	170199	HOLDER – WRENCH, SPRING-ACTION (A40D ONLY) ²³¹	1	
10	170162	WRENCH – UNPLUG (A30D) ²³²	1	
A	21868	BOLT – RHSN, 1/2 NC X 1 IN., GR. 5		
B	21383	NUT – SERRATED FLANGE, 1/2 NC, DT		
C	21066	BOLT – RHSN, 1/2 NC X 1 IN., GR. 5		
D	50186	NUT – LOCK, SMOOTH FLANGE, 1/2 NC, DT		
E	50076	BOLT – HEX FLANGE HEAD, 3/8 NC X 5/8 IN., GR. 5		
F	21476	BOLT – RHSN, 1/4 NC X 3/4 IN., GR. 5		
G	18724	NUT – LOCK, 1/4 NC DT		
H	21491	BOLT – HEX HEAD 1/2 NC X 1-1/4 IN., GR 5.		
J	18591	NUT – HEX 1/2 NC		

227. A30S.

228. A40D.

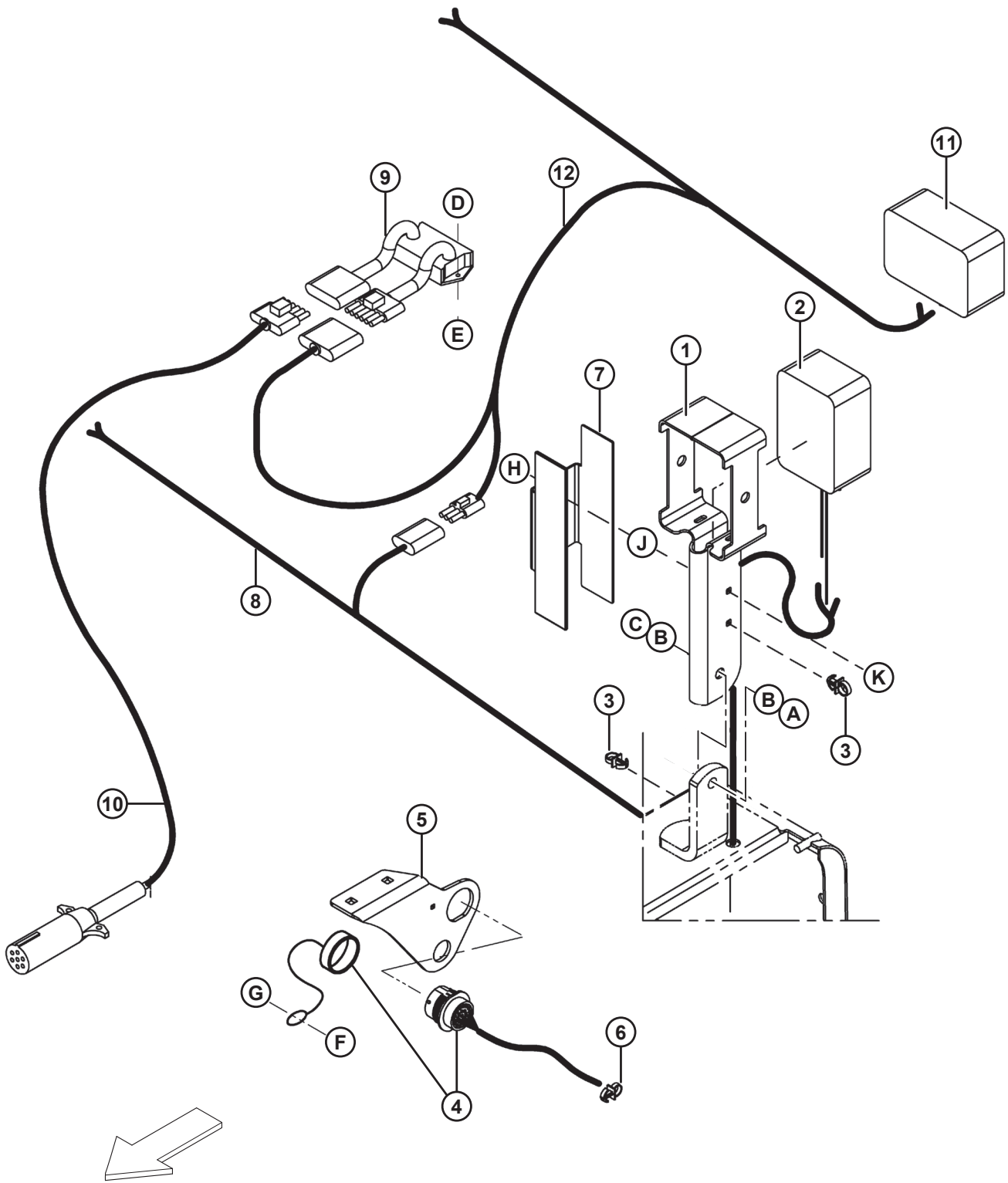
229. A30D and A40D.

230. A30S and A40D.

231. A40D only.

232. A30D.

42 Electrical – 2017 and Prior PT Mower Conditioner and SP Windrower Header



ELECTRICAL – 2017 AND PRIOR PT MOWER CONDITIONER AND SP WINDROWER HEADER

NOTE:

Items #1–3: Self-Propelled Windrower Headers and Pull-Type Mower Conditioners.

Items #4–7: Self-Propelled Windrower Headers **ONLY**.

Items #8–12: Pull-Type Mower Conditioners **ONLY**.

NOTE:

For specific electrical harness parts, refer to Electrical Connector Parts Catalog (MD #169641).

Ref	Part Number	Description	Qty	Serial Number
1	143934	SUPPORT – LIGHT, HEADER	2	
2	120416	LIGHT – AMBER	2	
	NSS	REPLACEMENT BULB #1156, SEE RETAILER ²³³		
	160359	LENS – AMBER, REPLACEMENT		
3	50109	CLIP – PLASTIC SP AND PT	2	
4	170813	KIT – HARNESS, C/W INSTRUCTION AND TOOL ²³⁴	1	
	134010	PANEL NUT – DEUTSCH CONNECTOR		
	134011	WASHER, LOCK SPRING – DEUTSCH CONNECTOR		
	135365	CAP, RECEPTACLE C/W CHAIN – DEUTSCH CONNECTOR		
5	170266	SUPPORT – HARNESS / COUPLER	1	
6	50109	CLIP – PLASTIC, A30D SP HEADER ONLY ²³⁵	3	
7	170365	CHANNEL – C/W REFLECTORS ²³⁶	2	
8	142587	HARNESS – WIRING, LIGHTS, PT HEADER FRAME SECTION	1	
9	171068	MODULE – LIGHT RELAY, PULL-TYPE HITCH	1	
10	171069	HARNESS – MODULE TO FRONT OF PULL-TYPE HITCH	1	
11	112152	LIGHT – TAIL, RED, PULL-TYPE CARRIER FRAME	2	–185859
	171093	LIGHT – TAIL, RED, PULL-TYPE CARRIER FRAME	2	185860–
	NSS	REPLACEMENT BULB #1157, SEE RETAILER ²³⁷		
	160358	LENS – RED, REPLACEMENT		
	160360	LENS – BLACK, REPLACEMENT		
12	142586	HARNESS – TAIL LIGHT, PT CARRIER FRAME SECTION	1	–185859
	171094	HARNESS – TAIL LIGHT, PT CARRIER FRAME SECTION	1	185860–
A	21578	BOLT – HEX HEAD, 1/2 NC X 2 1/4 IN., GR. 5		
B	18599	WASHER – FLAT, 17/32 I.D. X 1-1/16 IN. O.D.		
C	50186	NUT – LOCK, SMOOTH FLANGE, 1/2 NC, DT		
D	135020	SCREW – TRUSS HEAD, #8 X 3/4 IN.		
E	135021	NUT – KEPS LOCK, #8		
F	30465	BOLT – RHSN, #10 NC X 1/2 IN.		
G	105197	NUT – HEX LOCK, #10 NC		
H	135717	BOLT – RHSN, 1/4 NC X 1-3/4 IN.		

233. Replacement bulb #1156 (not sold separately); see retailer.

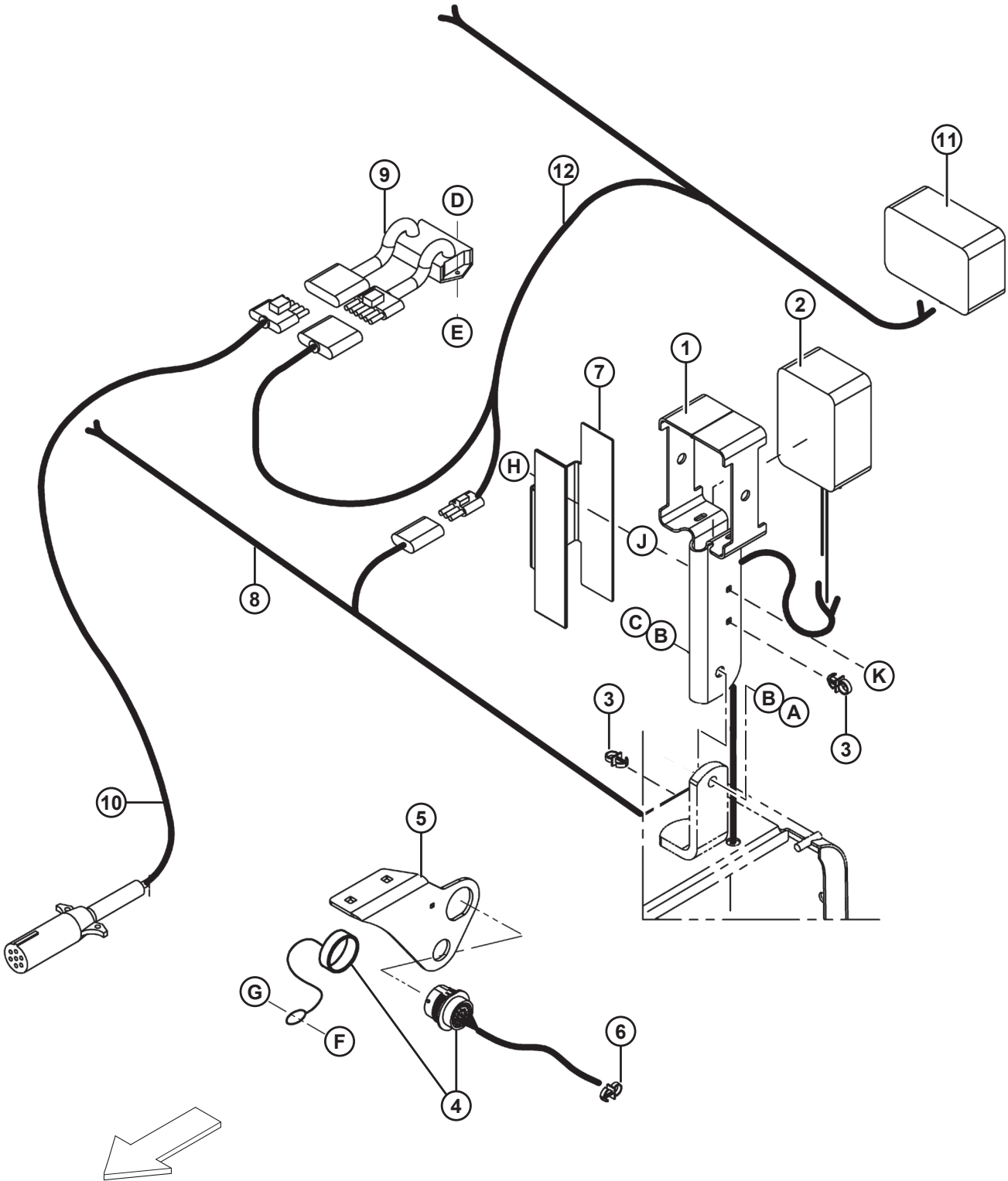
234. Includes contact removal tool (MD #134013), harness, and instructions.

235. A30D SP Windrower Header only.

236. Includes reflectors (MD #115146, 115147).

237. Replacement bulb #1157 (not sold separately); see retailer.

ELECTRICAL – 2017 AND PRIOR PT MOWER CONDITIONER AND SP WINDROWER HEADER

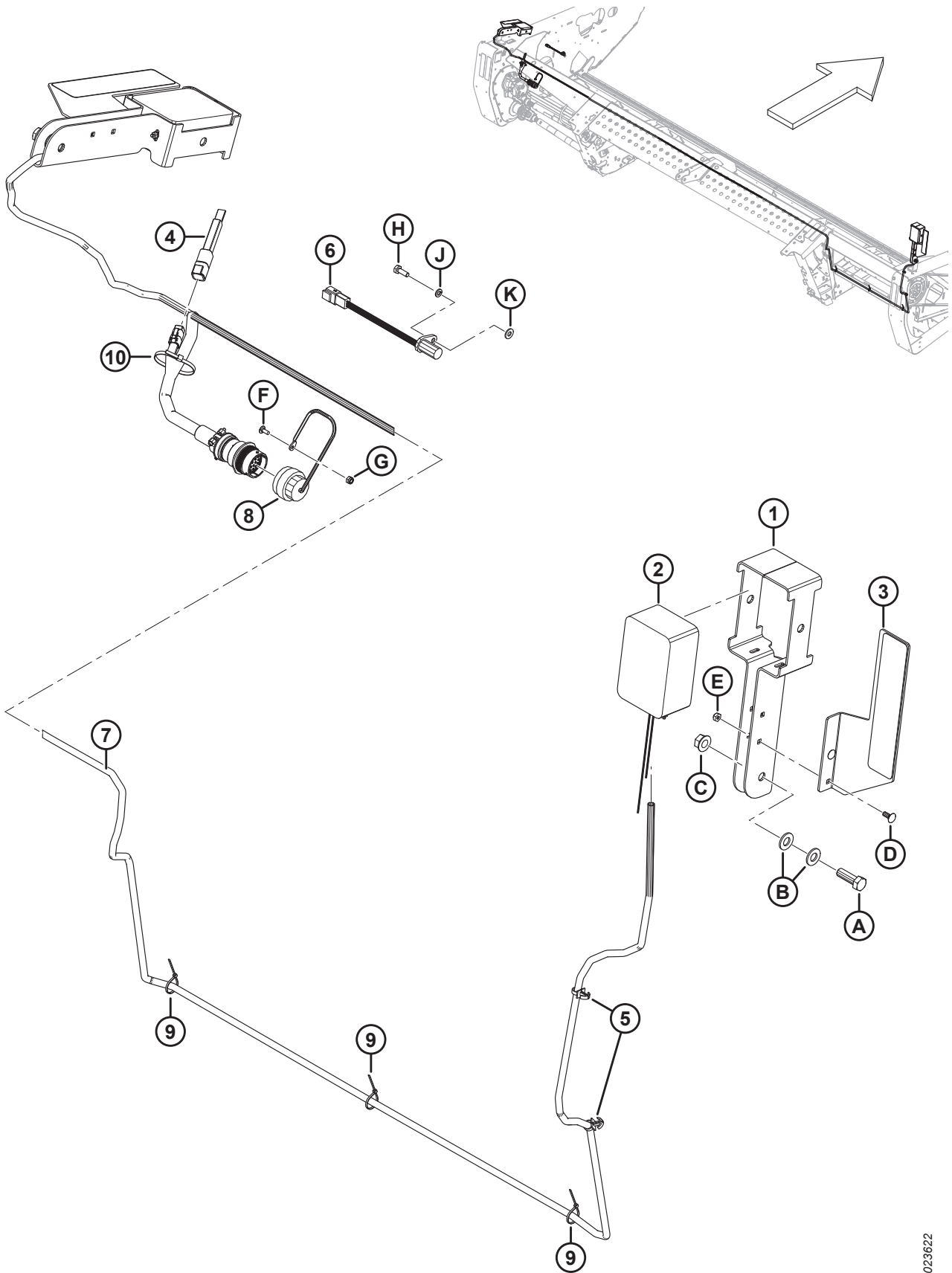


1009456

ELECTRICAL – 2017 AND PRIOR PT MOWER CONDITIONER AND SP WINDROWER HEADER

Ref	Part Number	Description	Qty	Serial Number
J	30228	NUT – LOCK, SMOOTH FLANGE, 3/8 NC, DT (SPACER)		
K	18724	NUT – LOCK, 1/4 NC DT		

43 Electrical – 2018 and Later SP Windrower Header



ELECTRICAL – 2018 AND LATER SP WINDROWER HEADER

NOTE:

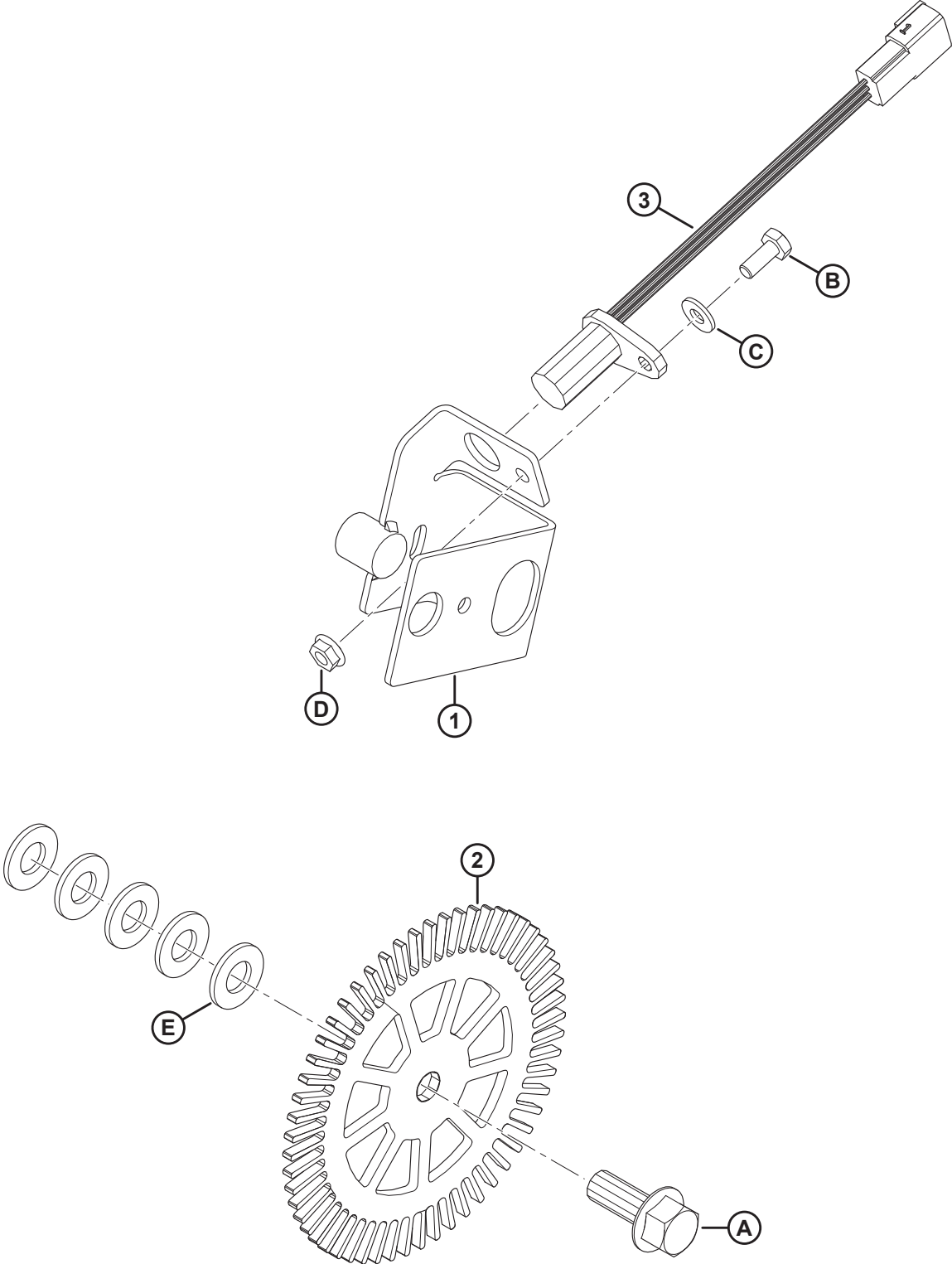
For specific electrical harness parts, refer to Electrical Connector Parts Catalog (MD #169641).

Ref	Part Number	Description	Qty	Serial Number
1	143934	SUPPORT WELD'T	2	
2	120416	LIGHT – AMBER	2	
	160359	LENS – AMBER		
	NSS	BULB – #1156 (SEE RETAILER) ²³⁸		
3	170940	HOLDER – C/W REFLECTORS	2	
	115146	REFLECTOR – AMBER		
4	170876	PLUG – HDR ID, SK AUGER, A30S	1	
	170877	PLUG – HDR ID, AUGER, A40D	1	
	170878	PLUG – HDR ID, DK AUGER, A30D	1	
	170879	PLUG – HDR ID, GSS	1	
5	50109	CLIP – PLASTIC	2	
6	143875	SENDER – SPEED	1	
7	170903	KIT – HARNESS AND HEADER ID PLUGS ²³⁹	1	
8	135365	CAP – WIRE HARNESS	1	
9	16661	FASTENER – CABLE TIE, BLACK, 69 MM LG	3	
10	21763	FASTENER – CABLE TIE, BLACK, 160 MM LG	1	
A	18723	BOLT – HH 1/2 NC X 1.5 LG TFL GR 5 ZP		
B	18599	WASHER – SAE FLAT 17/32 I.D. X 1 1/16 IN. O.D. ZP		
C	50186	NUT – FLANGE LOCK SM FACE DT 0.500-13 UNC GR5		
D	30242	BOLT – RHSN 1/4-20 X .63-GR5-ZP		
E	18724	NUT – HEX LOCK DT 1/4-20 UNC ZP		
F	30465	BOLT – RHSN #10-24 NC X 0.5 IN.		
G	105197	NUT – HEX LOCK .187-24 UNC		
H	109089	BOLT – HH 1/4 NF X 0.75 GR 5 ZP		
J	18635	WASHER – REG. LOCK 1/4 IN. NOM. I.D. ZP		
K	18596	WASHER – SAE FLAT 9/32 I.D. X 5/8 IN. O.D. ZP		

238. Replacement bulb #1156 (not sold separately); see retailer.

239. Includes harness, header ID plugs (MD #170876, 170877, 170878, and 170879), and instructions.

44 Reel Speed Kit – M1 / M2 / M Series Conversion




REEL SPEED KIT – M1 / M2 / M SERIES CONVERSION

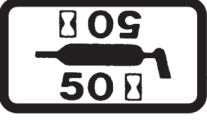
Ref	Part Number	Description	Qty	Serial Number
	318022	KIT – REEL SPEED, M1 /M2 / M SERIES AUGER ²⁴⁰	1	
1	318006	BRACKET – WELDMENT, SPEED SENSOR	1	
2	318004	DISC – ENCODER	1	
3	143875	SENDER – SPEED	1	
A	135965	BOLT – HH FLG (SM FACE) 1/2 NC X 1.25 GR 5 ZP		
B	21572	BOLT – HEX HD 1/4 NC X 0.625 LG GR 5 ZP		
C	18596	WASHER – SAE FLAT 9/32 I.D. X 5/8 IN. O.D. ZP		
D	21455	NUT – FLG (SER FACE) 1/4 NC GR 5 ZP		
E	18599	WASHER – FLAT SAE 17/32 I.D. X 1 1/16 O.D. AA1J		

240. Kit used to upgrade model year 2017 auger header reel speed sensing for M1/M2 capability. Includes all listed parts and instructions. Kit is included in B5998 and B6384.


45 Decals – Information and Reflectors




1




2



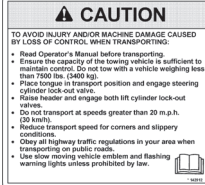
3




4




5




6



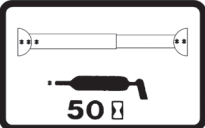
7



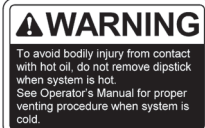
8



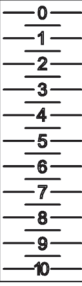
9



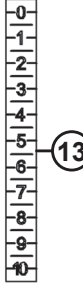
10




11



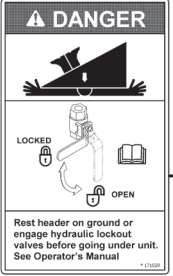
12




13




14



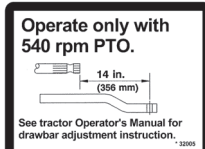
15



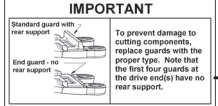
16



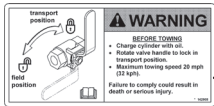
17



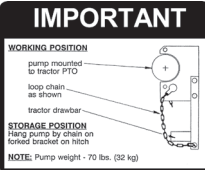
18




19



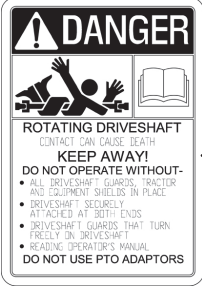
20



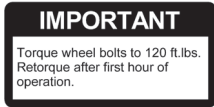
21



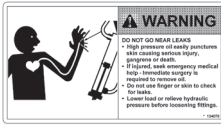
22




23



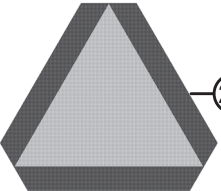
24




25




26




27



28



29



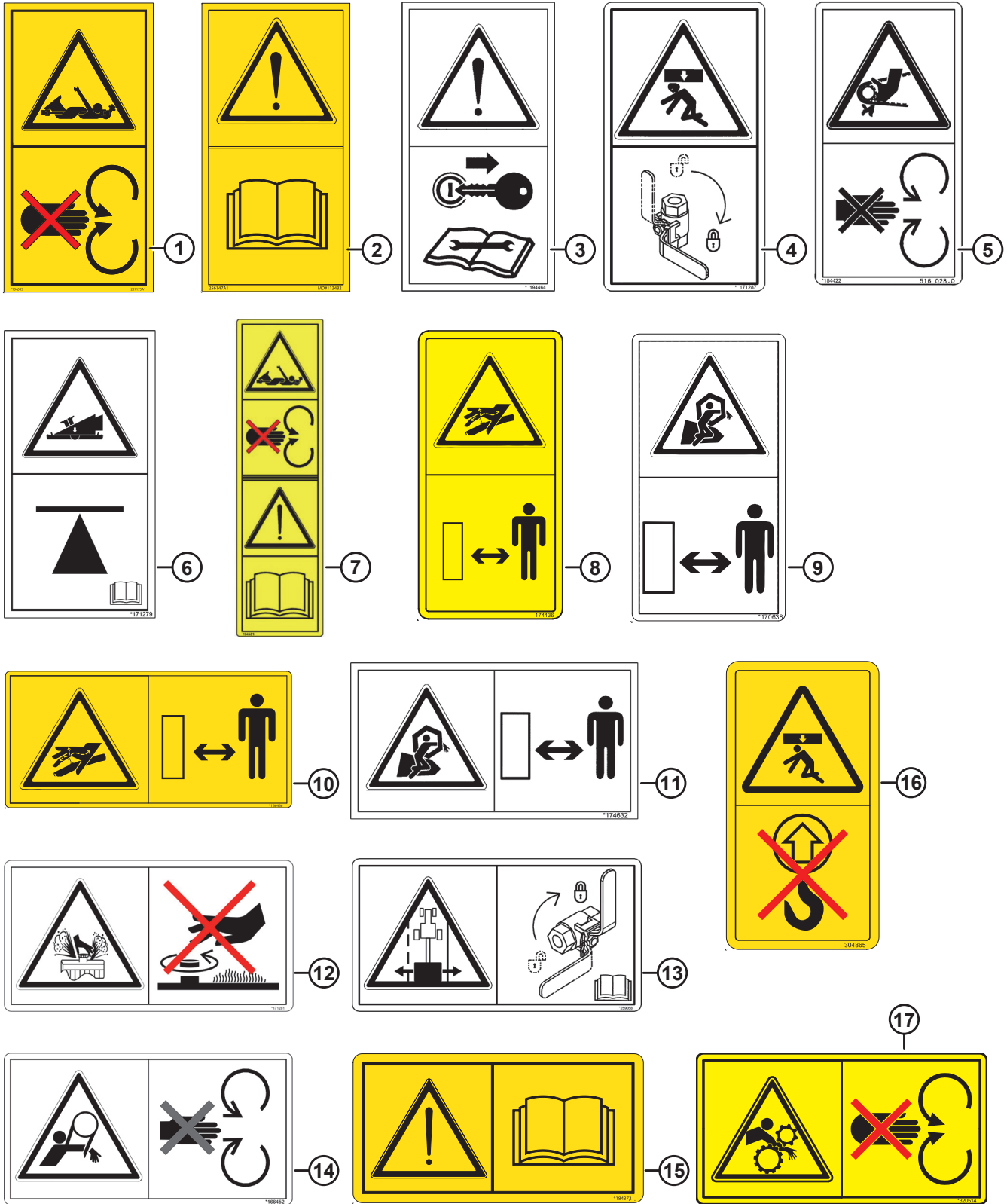
30

DECALS – INFORMATION AND REFLECTORS

Ref	Part Number	Description	Qty	Serial Number
1	23164	DECAL – 25 HOUR LUBE		
2	23165	DECAL – 50 HOUR LUBE		
3	171250	DECAL – 540 RPM		
4	194468	DECAL – 1000 RPM		
5	28403	DECAL – WARNING		
6	142912	DECAL – CAUTION		
7	32070	DECAL – PATENT NUMBER		
8	32738	DECAL – WARNING		
9	36651	DECAL – DANGER, GUARD MISSING, DO NOT OPERATE		
10	111214	DECAL – DRIVELINE GREASE, 50 HOUR		
11	115100	DECAL – WARNING		
12	142600	DECAL – ROLL GAP, PULL-TYPE HEADER		
13	115817	DECAL – ROLL GAP, SP HEADER		
14	109843	DECAL – CAUTION, GENERAL		
15	171029	DECAL – DANGER, LOCKOUT VALVES		
16	170281	DECAL – DANGER		
17	140311	DECAL – WARNING		
18	32005	DECAL – 540 RPM PTO		
	32006	DECAL – 1000 RPM PTO		
19	129313	DECAL – IMPORTANT, SPECIAL GUARDS		
20	142908	DECAL – WARNING, HITCH SWING LOCK		
21	41668	DECAL – PUMP STORAGE		
22	142909	DECAL – DANGER, SHIELD MISSING		
23	30316	DECAL – DANGER, ROTATING DRIVELINE		
24	101375	DECAL – IMPORTANT, WHEEL BOLT TORQUE		
25	NSS	DECAL – WARNING ²⁴¹		
26	171104	DECAL – HYDRAULIC OIL		
27	115148	DECAL – SMV		
28	115145	REFLECTOR – DAY-GLOW ORANGE		
	115146	REFLECTOR – AMBER		
	115147	REFLECTOR – RED		
29	170280	STRIP – ANTI SLIP (180 X 50 MM)		
30	302204	DECAL – CA PROPOSITION 65		

241. Warning decal MD #134070 superseded by decal MD #166466. Refer to Section *46 Decals – Safety, page 143*.

46 Decals – Safety



DECALS – SAFETY

Ref	Part Number	Description	Qty	Serial Number
1	171288	DECAL – KEEP SHIELDS IN PLACE, 158 X 78 MM ²⁴²		
	184385	DECAL – KEEP SHIELDS IN PLACE, 168 X 88 MM ²⁴³		
2	113482	DECAL – GENERAL HAZARD		
3	194464	DECAL – SHUT DOWN FOR SERVICE, TWO-PANEL		
4	171287	DECAL – INSTALL LOCK, TWO-PANEL		
5	184422	DECAL – PINCH POINT EU		
6	171279	DECAL – HEADER CRUSHING HAZARD		
7	194521	DECAL – CE DRIVELINE		
8	174436	DECAL – HIGH PRESSURE FLUID (VERTICAL FORMAT) ²⁴⁴		
9	170638	DECAL – REEL ENTANGLEMENT		
10	166466	DECAL – HIGH PRESSURE FLUID (HORIZONTAL FORMAT) ²⁴⁵		
11	174632	DECAL – STAND CLEAR		
12	171281	DECAL – HOT FLUID UNDER PRESSURE		
13	259058	DECAL – OFF-CENTER TRACKING HAZARD		
14	166452	DECAL – WARNING MOVING PARTS		
15	184372	DECAL – READ MANUAL		
16	304865	DECAL – NO LIFT		
17	320514	DECAL – CONDITIONING DEVICES		

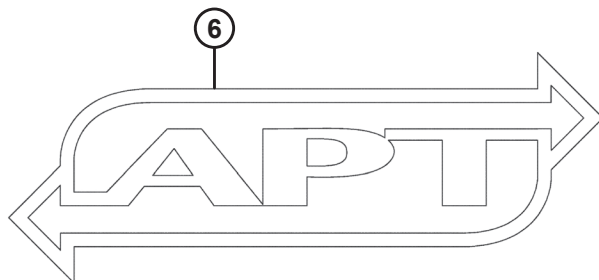
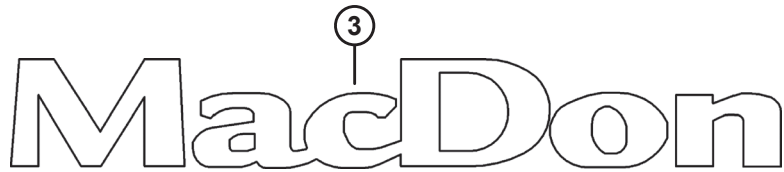
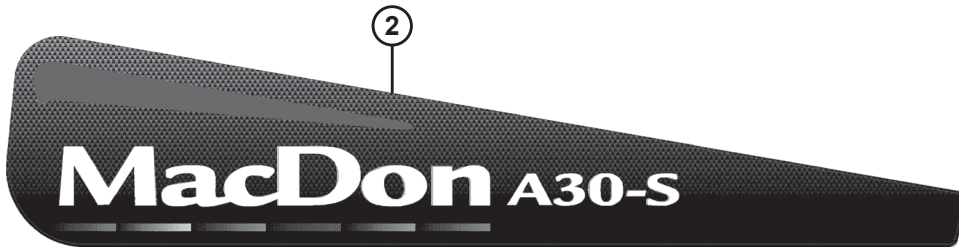
242. 158 mm x 78 mm decal.

243. 168 mm x 88 mm decal.

244. Vertical format decal.

245. Horizontal format decal.

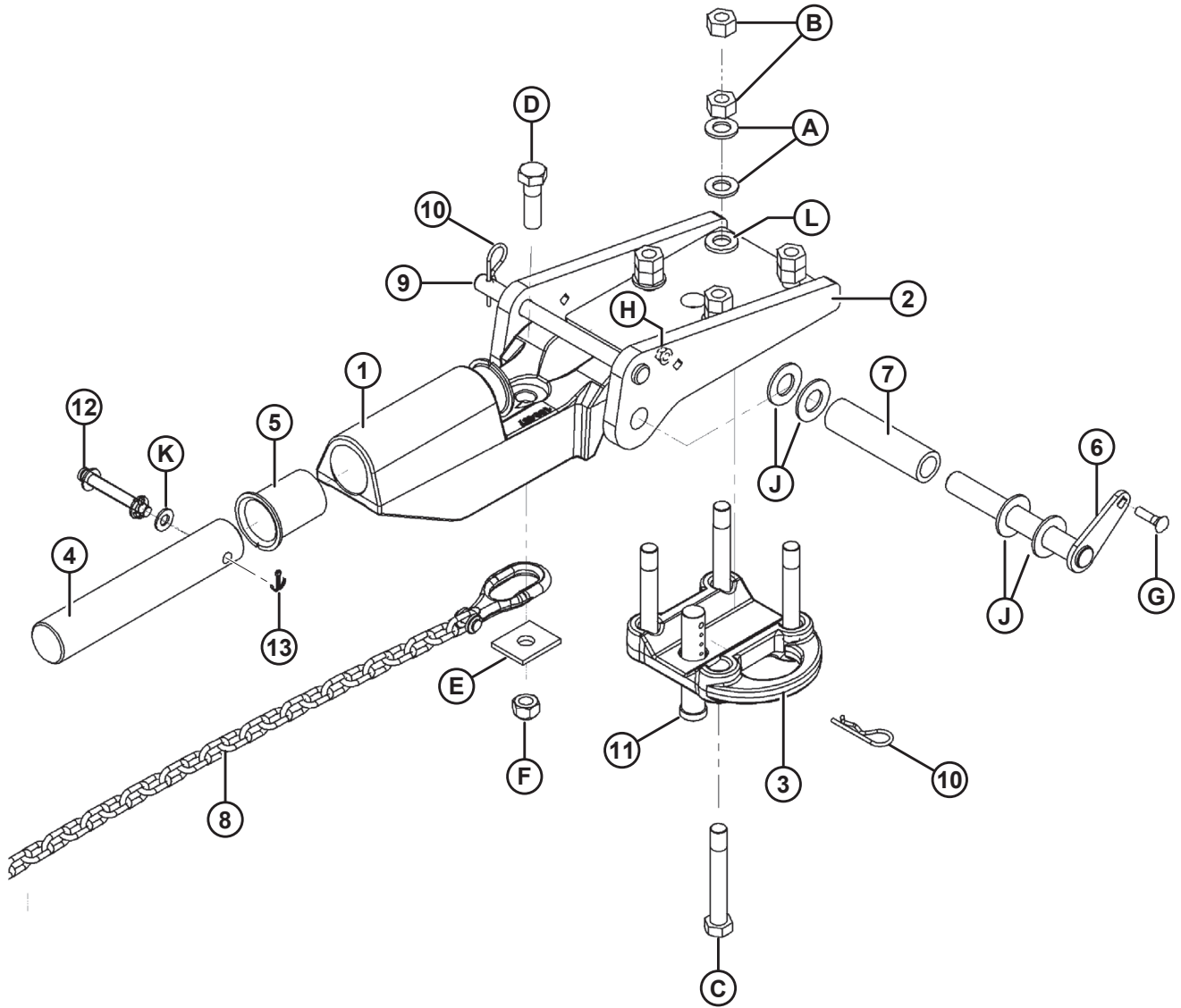
47 Decals – Product Identification and Paint



DECALS – PRODUCT IDENTIFICATION AND PAINT

Ref	Part Number	Description	Qty	Serial Number
1	142728	DECAL – ID, ENDSHIELD, A30S (LH)	1	
	142861	DECAL – ID, ENDSHIELD, A30D (LH)	1	
	170866	DECAL – ID, ENDSHIELD, A40D (LH)	1	
	170870	DECAL – ID, ENDSHIELD, A40D GRASS SEED (LH)	1	
	170868	DECAL – ID, ENDSHIELD, A40DX (LH)	1	
	170872	DECAL – ID, ENDSHIELD, A40DX GRASS SEED (LH)	1	
2	142729	DECAL – ID, ENDSHIELD, A30S (RH)	1	
	142862	DECAL – ID, ENDSHIELD, A30D (RH)	1	
	170867	DECAL – ID, ENDSHIELD, A40D (RH)	1	
	170871	DECAL – ID, ENDSHIELD, A40D GRASS SEED (RH)	1	
	170869	DECAL – ID, ENDSHIELD, A40DX (RH)	1	
	170873	DECAL – ID, ENDSHIELD, A40DX GRASS SEED (LH)	1	
3	142730	DECAL – ID, PULL-TYPE REAR DEFLECTOR, MACDON	1	
4	142895	DECAL – ID, PULL-TYPE TONGUE, COLOR BAR (LH)	1	
5	142896	DECAL – ID, PULL-TYPE TONGUE, COLOR BAR (RH)	1	
6	150823	DECAL – APT	2	
	135148	PAINT – BLACK, SPRAY CAN (55-65 GLOSS LEVEL)		
	25991	PAINT – BLACK, 1 LITER (55-65 GLOSS LEVEL)		
	32879	PAINT – WHITE, SPRAY CAN		
	23957	PAINT – WHITE, 1 LITER		
	23950	PAINT – RED, SPRAY CAN		
	32880	PAINT – RED, 1 LITER		

48 (Option) Drawbar Hitch

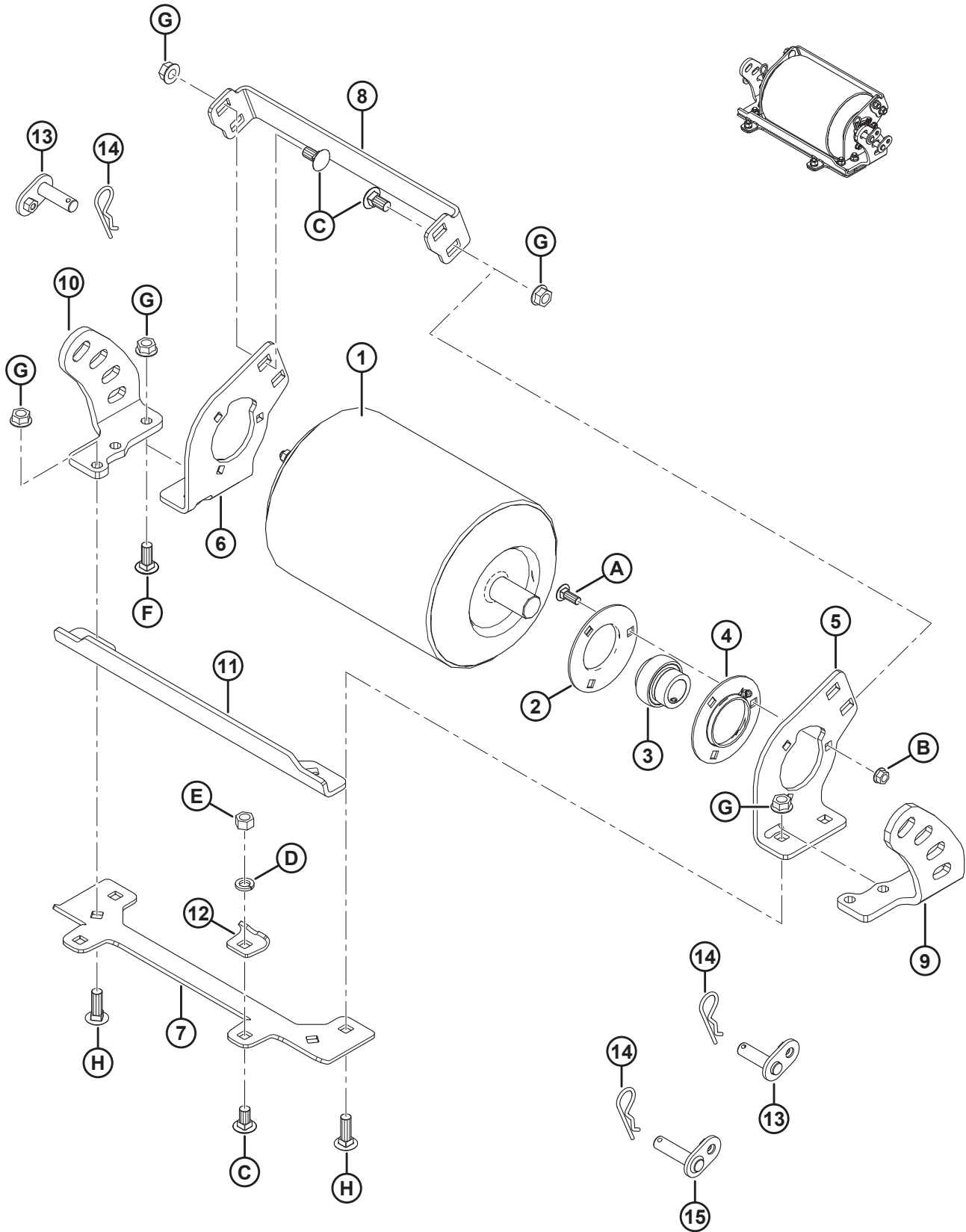


(OPTION) DRAWBAR HITCH

Ref	Part Number	Description	Qty	Serial Number
	B4886	KIT – DRAWBAR HITCH ²⁴⁶		
1	150457	ARM – PT HITCH	1	
2	148388	PLATE – DRAWBAR HITCH ADAPTER WELDT	1	
3	149655	CLAMP – CASTING	1	
4	150217	PIN – ROCKSHAFT	1	
5	31453	TUBE – FLARED	2	
6	149802	PIN WELDMENT	1	
7	150082	BUSHING	1	
8	21404	CHAIN – 59 LINKS	1	
9	135334	PIN – CLEVIS	1	
10	13125	PIN – HAIR	2	
11	135593	PIN – CLEVIS	1	
12	101007	PIN – CLEVIS	1	
13	18648	PIN – COTTER 3/16 DIA X 1.25 ZN PL	1	
A	18601	WASHER – SAE FLAT 13/16 I.D. X 1.5 IN. O.D. ZN PL		
B	18593	NUT – HEX 3/4-10 UNC GR. 5 ZN PL		
C	135415	BOLT – HH 3/4 NC X 5.0 LG GR. 8 ZN PL		
D	19957	BOLT – HH 3/4 NC X 2.5 LG GR. 5 ZN PL		
E	29467	WASHER – FLAT RECTANGULAR		
F	18689	NUT – HEX LOCK DT .750-10 UNC		
G	21484	BOLT – RHSN 3/8 NC X 1.5 LG GR. 5 ZN PL		
H	30228	NUT – FLANGE DT SMOOTH FACE 0.375-16 UNC		
J	18603	WASHER – SAE FLAT 1 1/16 I.D. X 2.0 IN. O.D. ZN PL		
K	18599	WASHER – SAE FLAT 17/32 I.D. X 1 1/16 IN. O.D. ZN PL		
L	21540	WASHER – HARDENED		

246. Kits are available through Whole Goods only.

49 (Option) Gauge Rollers

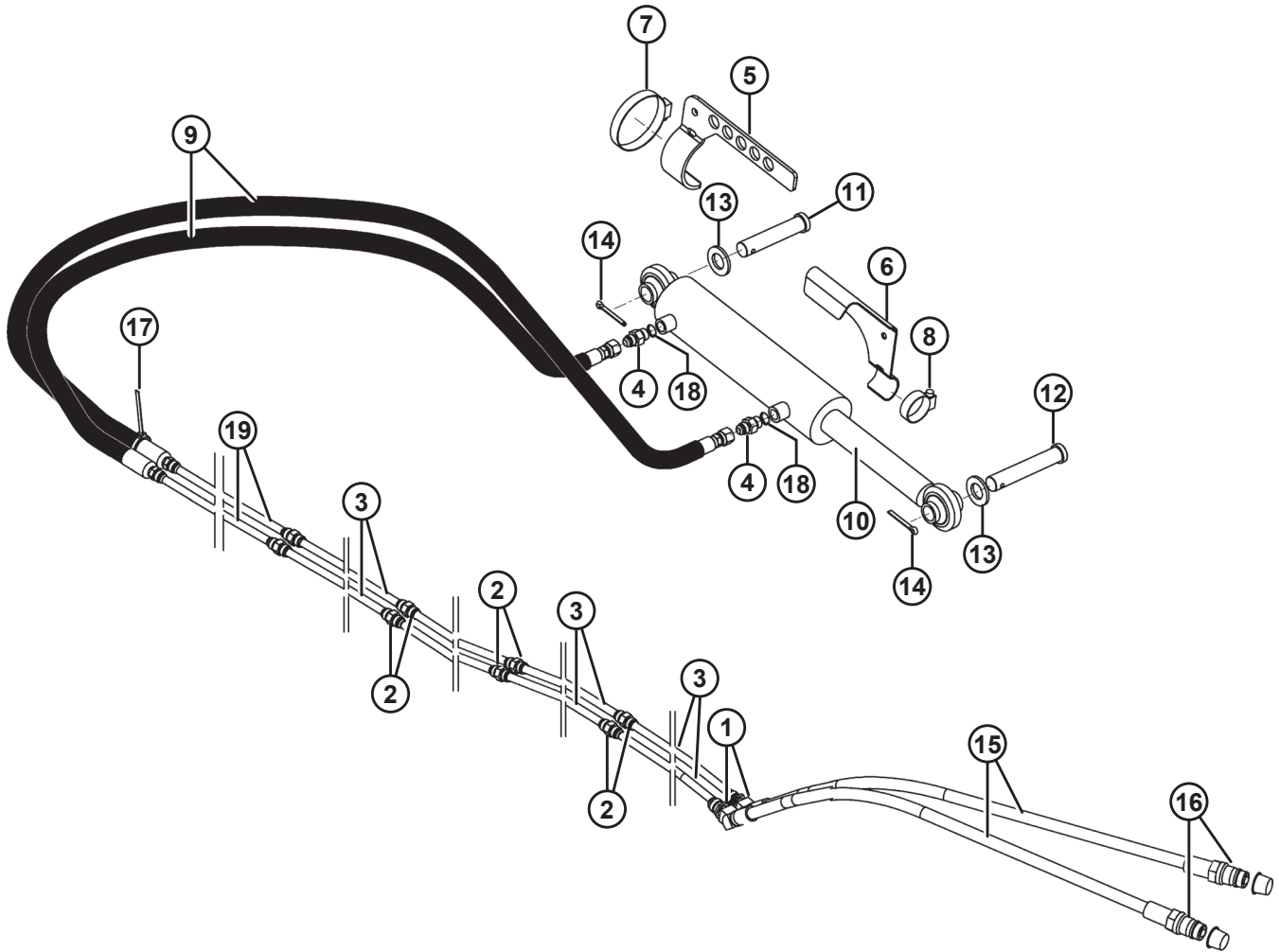


(OPTION) GAUGE ROLLERS

Ref	Part Number	Description	Qty	Serial Number
	B4593	KIT – GAUGE ROLLERS ²⁴⁷		
1	170047	ROLLER – GAUGE	2	
2	49306	FLANGE – BEARING	4	
3	21859	BEARING – BALL, SPHERICAL O.D., 1-3/16 BORE	4	
4	21860	FLANGE – BEARING, WITH LUBE FITTING	4	
5	170138	PLATE – BEARING MOUNT, LH	2	
6	170139	PLATE – BEARING MOUNT, RH	2	
7	170140	SHOE – GAUGE ROLLER	2	
8	170060	BAR – REAR SCRAPER	2	
9	166733	BRACKET – HEIGHT ADJUSTMENT, LH	2	
10	166732	BRACKET – HEIGHT ADJUSTMENT, RH	2	
11	170141	ANGLE – FRONT SCRAPER	2	
12	124761	ANGLE – KEEPER	4	
13	170335	PIN – WELDMENT	4	
14	13125	PIN – HAIR	6	
15	170579	PIN – WELDMENT, LONG	2	
A	19965	BOLT – RHSN, 3/8 NC X 1 IN., GR. 5		
B	30228	NUT – LOCK, SMOOTH FLANGE, 3/8 NC DT, GR. 5		
C	21066	BOLT – RHSN, 1/2 NC X 1 IN., GR. 5		
D	18638	WASHER – LOCK, 1/2 IN. I.D.		
E	18591	NUT – HEX, 1/2 NC, GR. 5		
F	21471	BOLT – RHSN, 1/2 NC X 1-1/4 IN., GR. 5		
G	50186	NUT – LOCK, SMOOTH FLANGE, 1/2 NC DT, GR. 5		
H	21469	BOLT – RHSN 1/2-13 X 1.5-GR5-AA1J		

247. The kit includes two complete assemblies. Kits are available through Whole Goods only.

50 (Option) Hydraulic Header Angle Kit – Articulated Hitch

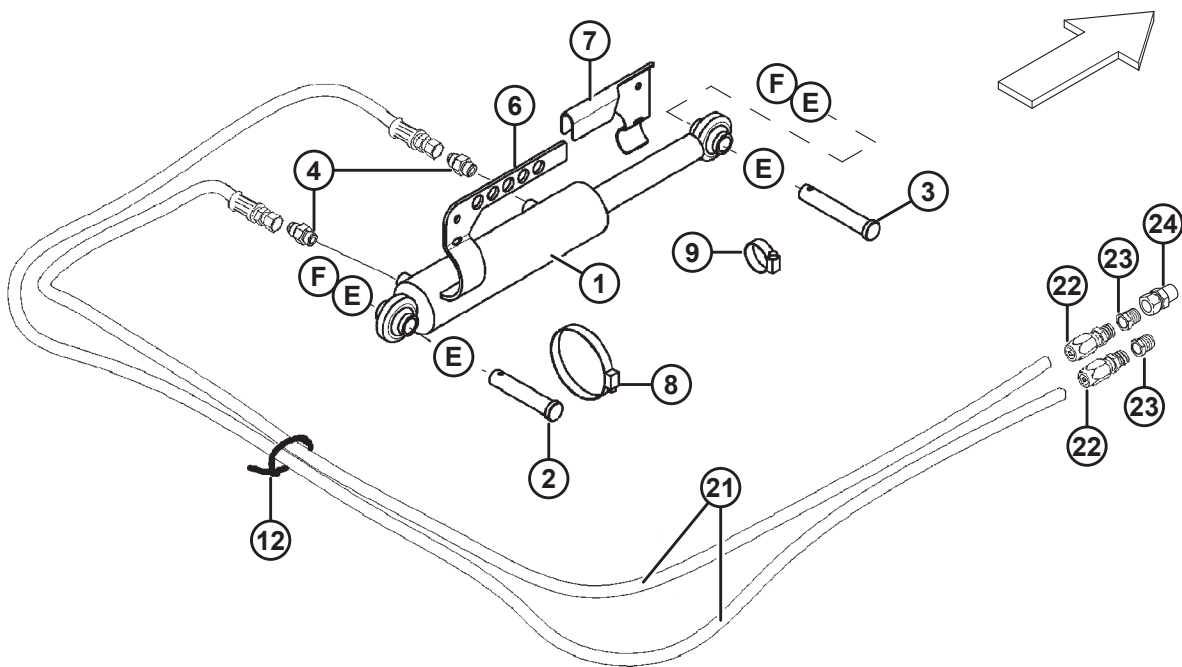
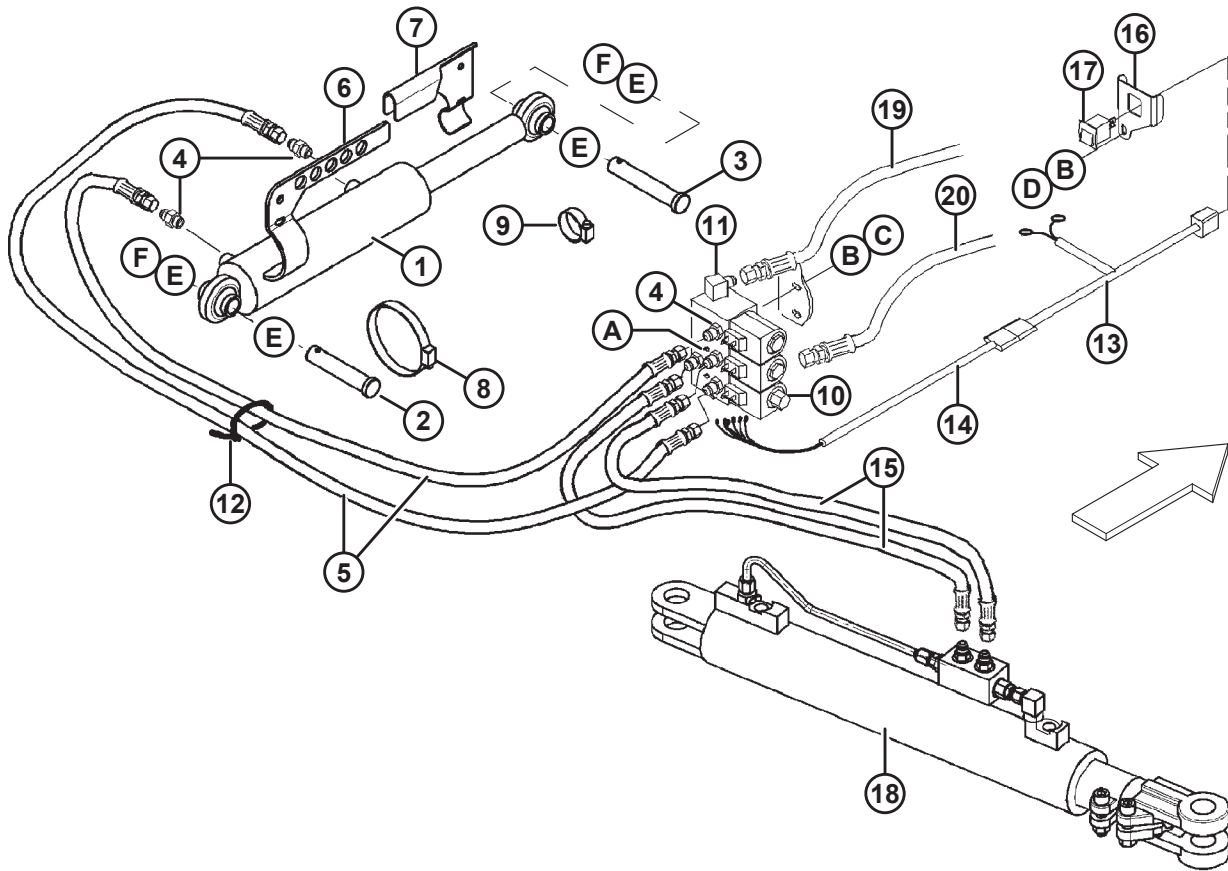


(OPTION) HYDRAULIC HEADER ANGLE KIT – ARTICULATED HITCH

Ref	Part Number	Description	Qty	Serial Number
	B4894	KIT – HYDRAULIC HEADER ANGLE, PT (16–18 FT) ²⁴⁸		
1	150256	FITTING – ELBOW, BULKHEAD UNION HYD	2	
2	30375	FITTING – UNION HYD	6	
3	150124	LINE – HYDRAULIC, 1815 MM LONG	6	
4	15903	FITTING – CONNECTOR HYD	2	
5	140188	BAR	1	
6	140189	GAUGE	1	
7	21913	CLAMP – HOSE	1	
8	113532	CLAMP – HOSE	1	
9	150101	HOSE	2	
10	111035	CYLINDER – HYD, CENTER LINK	1	
	111430	SEAL KIT – FOR CYLINDER (MD #111035)		
11	20312	PIN – CLEVIS	1	
12	18629	PIN – CLEVIS	1	
13	18601	WASHER – SAE FLAT 13/16 I.D. X 1.5 IN. O.D. ZN PL	2	
14	18608	PIN – COTTER 3/16 DIA X 1.5 ZN PL	2	
15	148968	HOSE	2	
16	135563	FITTING – COUPLING HYD	2	
17	21763	FASTENER – CABLE TIE, BLACK	1	
18	50219	O-RING – #6 ORB	2	
19	150483	LINE – HYDRAULIC, 1465 MM LONG	2	

248. Kits are available through Whole Goods only.

51 (Option) Hydraulic Header Angle Kit – Standard Hitch



(OPTION) HYDRAULIC HEADER ANGLE KIT – STANDARD HITCH

Ref	Part Number	Description	Qty	Serial Number
	B4851	KIT – HYDRAULIC HEADER ANGLE, C/W VALVE ²⁴⁹		
	B4852	KIT – HYDRAULIC HEADER ANGLE ²⁵⁰		
1	111035	CYLINDER – HYDRAULIC HEADER ANGLE	1	
2	20312	PIN – CLEVIS, 18.89 MM, 82 MM, ZN PL ²⁵¹	1	
3	18629	PIN – CLEVIS, 18.89 MM, 95 MM, ZN PL ²⁵²	1	
4	15903	FITTING – CONNECTOR HYD, C/W O-RING	6	
	50219	O-RING – FOR FITTING (MD #15903)		
5	31805	HOSE – HYDRAULIC, 2300 MM LG ²⁵³	2	
6	140188	BAR – GAUGE INDICATOR	1	
7	140189	GAUGE – HEADER ANGLE	1	
8	21913	CLAMP – HOSE	1	
9	113532	CLAMP – HOSE	1	
10	140174	VALVE – SELECTOR	1	
11	30282	FITTING – ELBOW 90° HYD, C/W O-RING	2	
	50219	O-RING – FOR FITTING (MD #30282)		
12	21763	FASTENER – CABLE TIE, BLACK	12	
13	115803	HARNESS – WIRING, TRACTOR SECTION ²⁵⁴	1	
14	115804	HARNESS – WIRING, HITCH TO VALVE ²⁵⁵	1	
15	31823	HOSE – HYDRAULIC, 870 MM LG ²⁵⁶	2	
16	140199	SUPPORT – SWITCH MOUNT	1	
17	109062	SWITCH – ROCKER	1	
18	REF	CYLINDER – STEERING ²⁵⁷	1	
19	REF	HOSE – "HITCH LEFT" ²⁵⁸	1	
20	REF	HOSE – "HITCH RIGHT" ²⁵⁹	1	
21	140229	HOSE – HYDRAULIC, 10150 MM LG ²⁶⁰	2	
22	140228	FITTING – HOSE END, REUSABLE, 3/8 NPT MALE	2	
23	21980	FITTING – REDUCER BUSHING	2	
24	30377	FITTING – CONNECTOR, 0.052 IN. DIAMETER ORIFICE	1	
A	21854	BOLT – HEX HEAD, 1/4 NC X 2-1/2 IN.		

249. Shown in top illustration. Uses existing tongue steering cylinder hydraulic circuit. Kits are available through Whole Goods only.

250. Shown in bottom illustration. Requires separate hydraulic circuit from tractor. Kits are available through Whole Goods only.

251. 82 mm long.

252. 95 mm long.

253. Valve to header angle cylinder.

254. Harness for tractor section.

255. Harness for hitch to valve.

256. Valve to steering cylinder.

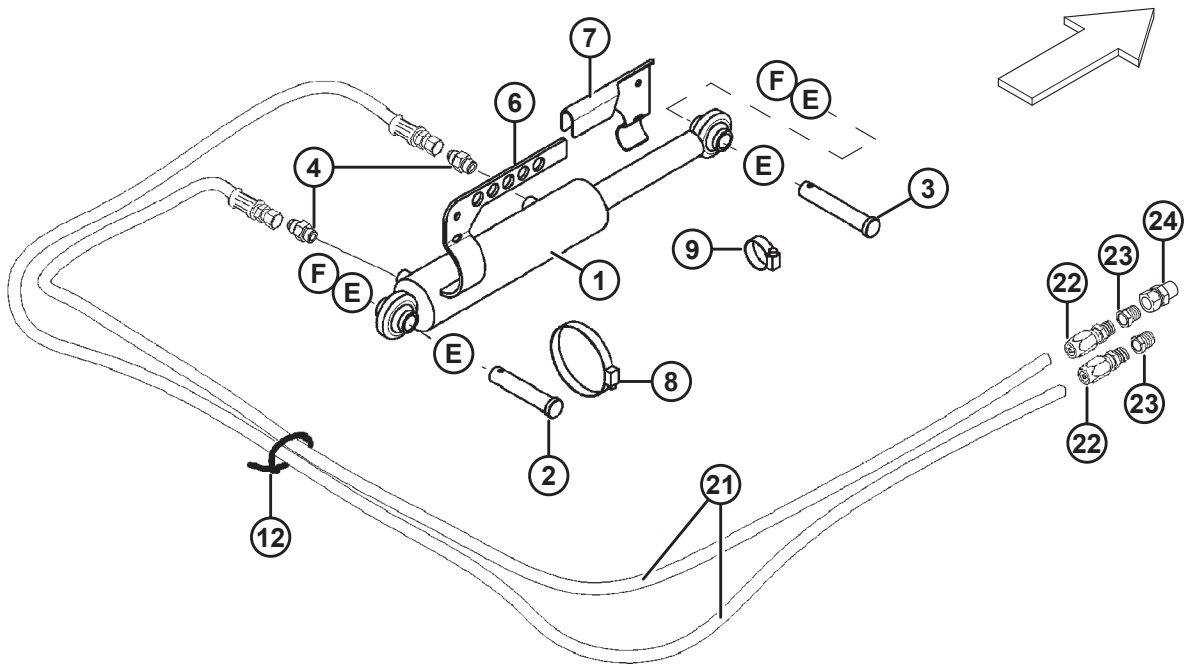
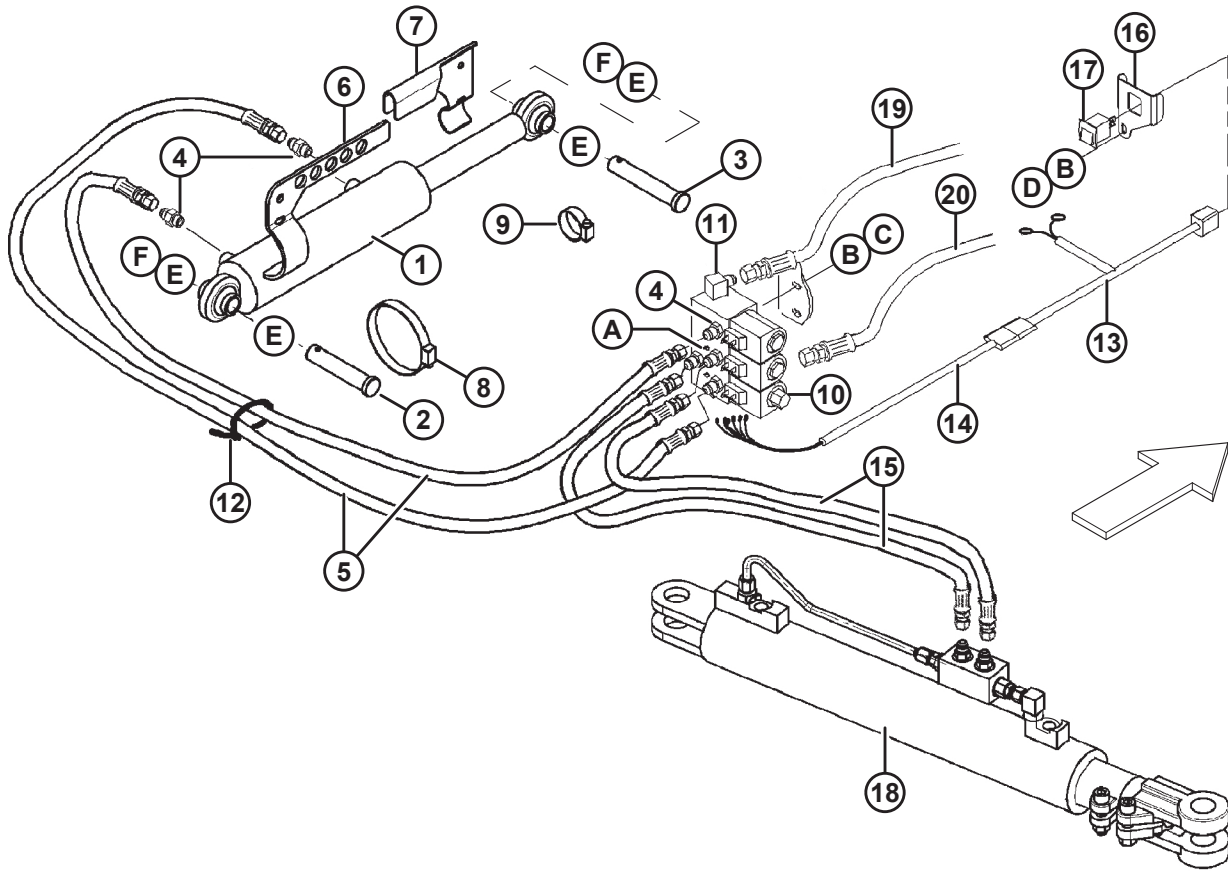
257. Refer to Section [32 Pull-Type Steering and Lift Cylinder Hydraulics](#), page 107.

258. Removed from barrel end of cylinder.

259. Removed from rod end of cylinder.

260. Windrower to header angle cylinder.

(OPTION) HYDRAULIC HEADER ANGLE KIT – STANDARD HITCH

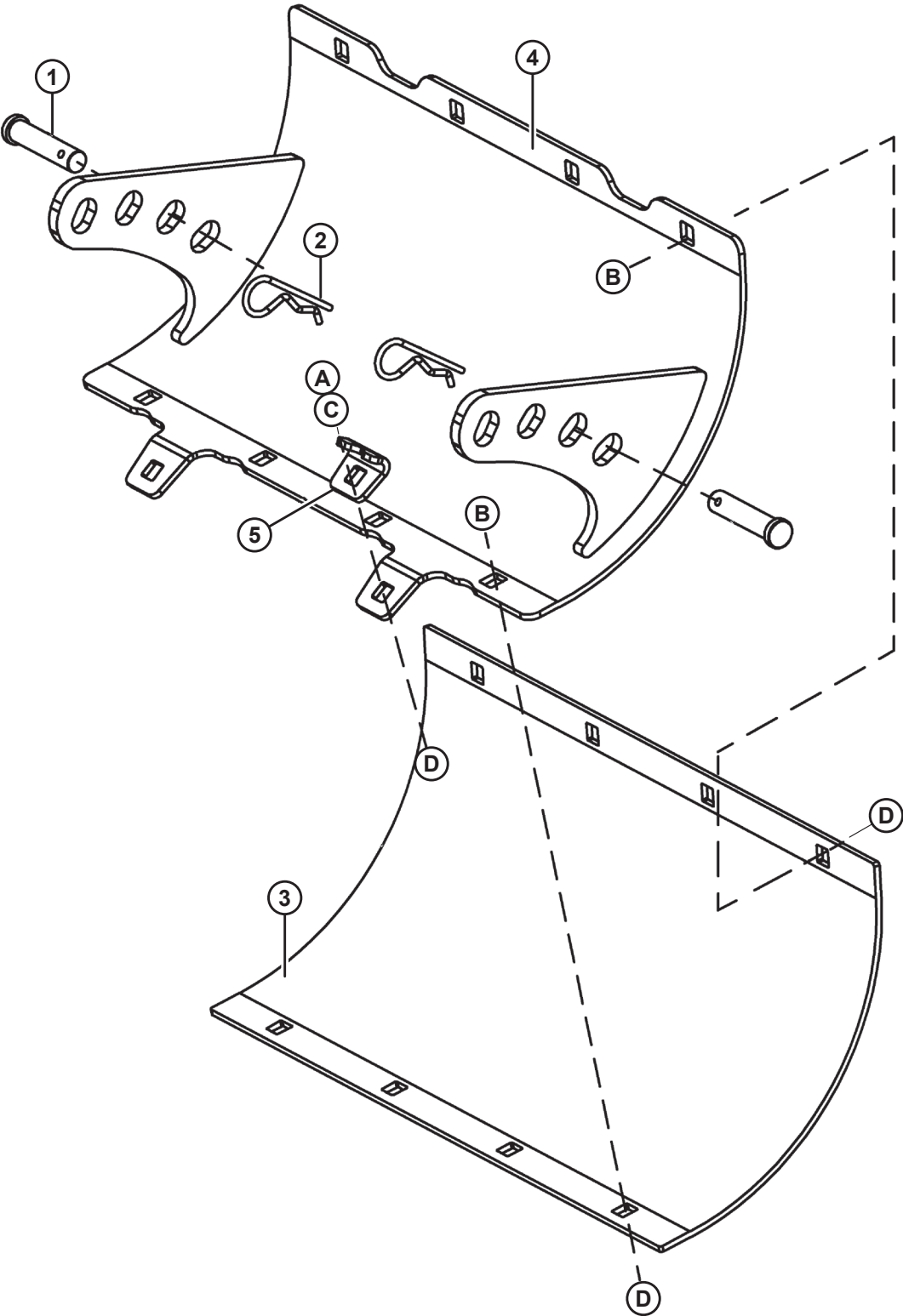


1009460

(OPTION) HYDRAULIC HEADER ANGLE KIT – STANDARD HITCH

Ref	Part Number	Description	Qty	Serial Number
B	18596	WASHER – FLAT, 9/32 IN. I.D.		
C	18724	NUT – LOCK, 1/4 IN. NC, DT		
D	21055	SCREW – SELF TAPPING, 1/4 X 1/2 IN.		
E	18601	WASHER – FLAT, 13/16 IN. I.D.		
F	18608	PIN – COTTER, 3/16 X 1-1/2IN.		

52 (Option) Skid Shoes

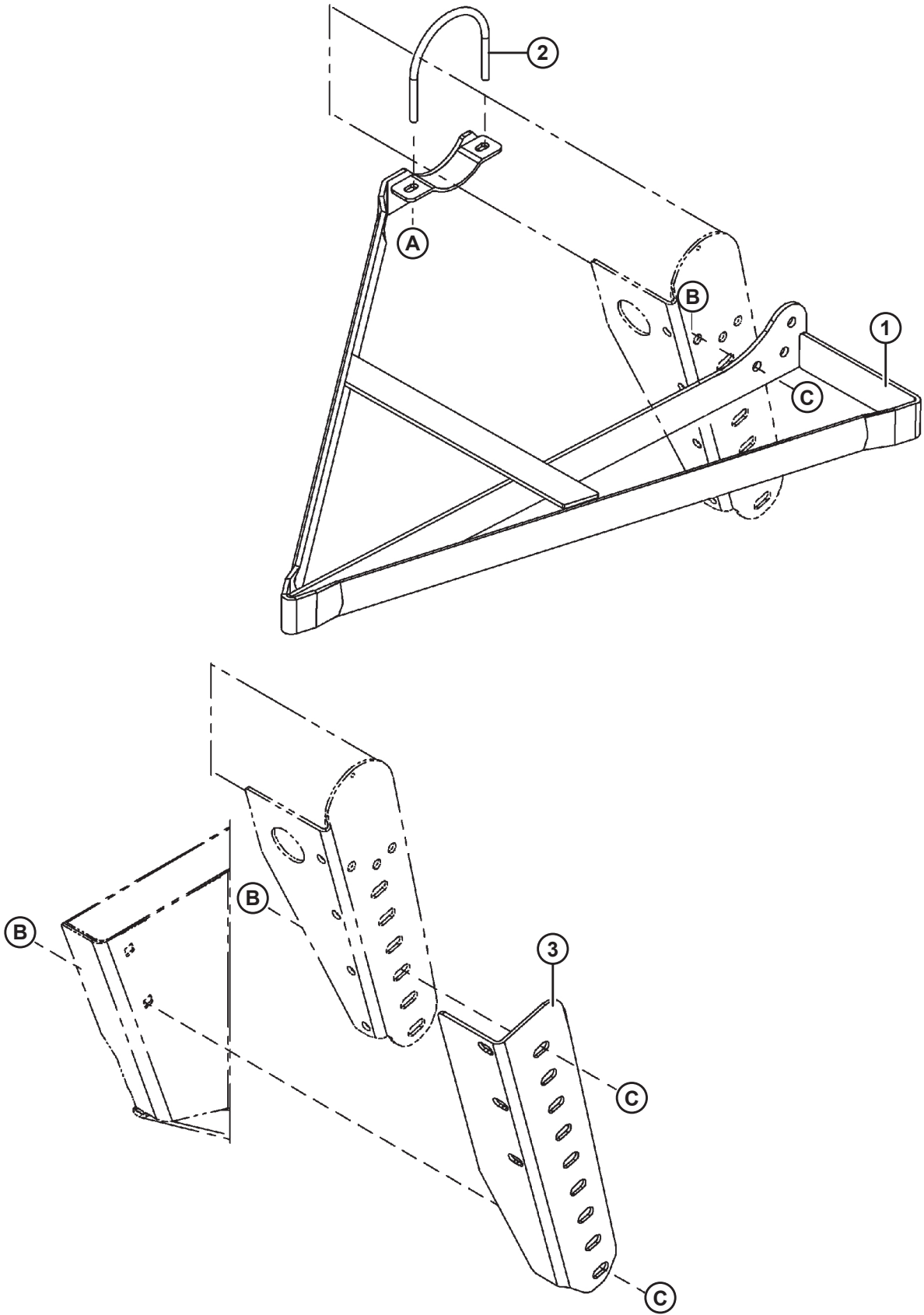


(OPTION) SKID SHOES

Ref	Part Number	Description	Qty	Serial Number
	B4594	KIT – SKID SHOES, ADJUSTABLE ²⁶¹		
1	18704	PIN – CLEVIS	4	
2	13125	PIN – HAIRPIN	4	
3	143827	SHOE	2	
4	143269	SHOE WELDT	2	
5	124761	ANGLE – SHOE CLIP	4	
A	18591	NUT – HEX, 1/2 NC, GR. 5		
B	50186	NUT – LOCK, SMOOTH FLANGE, 1/2 NC, GR. 5		
C	18638	WASHER – LOCK, 1/2 IN. I.D.		
D	21066	BOLT – RHSN, 1/2 NC X 1 IN., GR. 5		

261. Kits are available through Whole Goods only.

53 (Option) Tall Crop Dividers



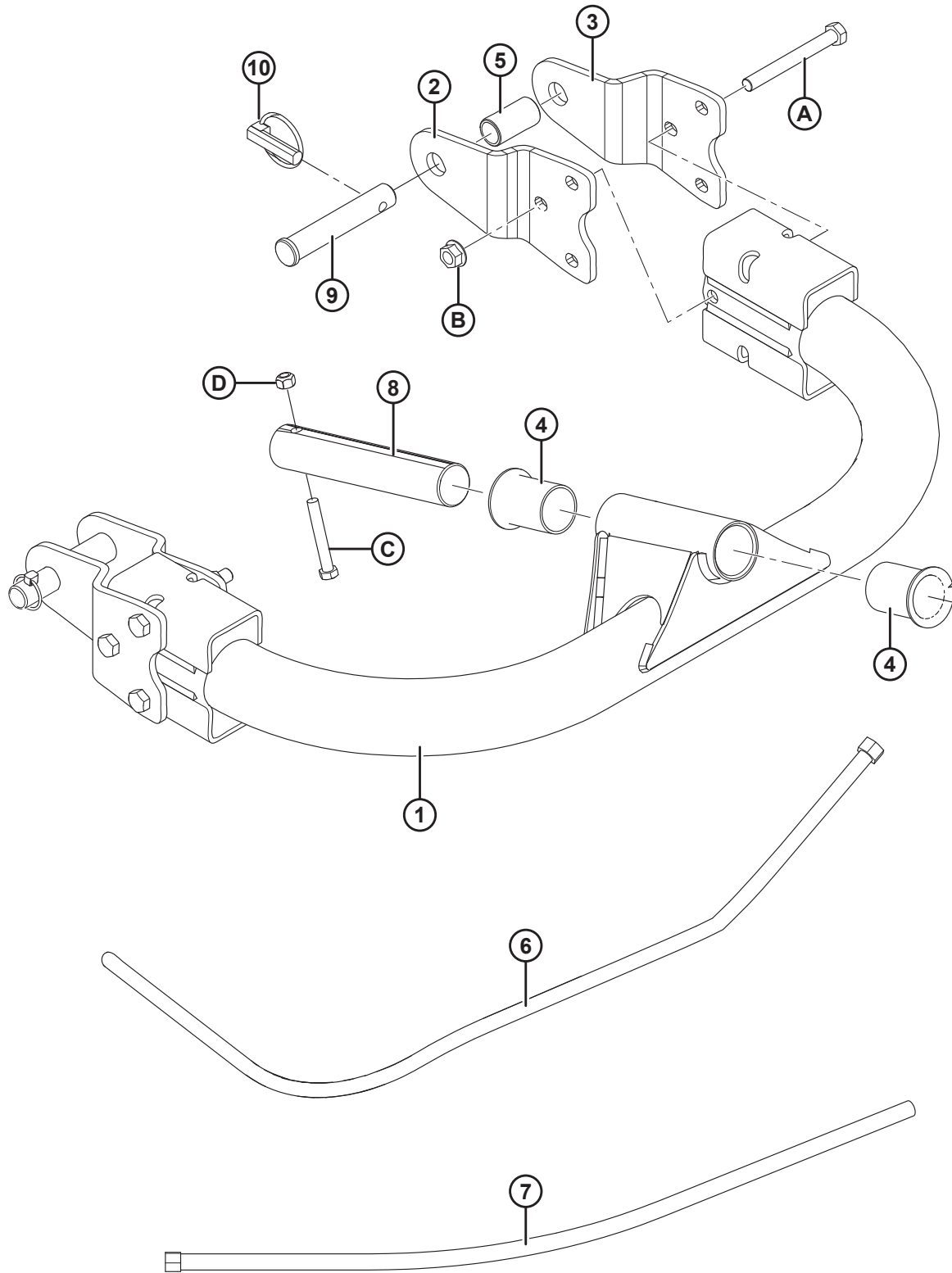
(OPTION) TALL CROP DIVIDERS

Ref	Part Number	Description	Qty	Serial Number
	B4690	KIT – TALL CROP DIVIDERS ²⁶²		
1	124069	DIVIDER – LH	1	
	124070	DIVIDER – RH	1	
2	124626	BOLT – U-BOLT	2	
3	124071	EXTENSION – LEAN BAR, LH (SP HEADER ONLY) ²⁶³	1	
	124072	EXTENSION – LEAN BAR, RH (SP HEADER ONLY) ²⁶³	1	
A	30228	NUT – SMOOTH FLANGE, 3/8 NC		
B	21449	BOLT – HEX HEAD, SER FLANGE, 1/2 NC X 1 IN., GR. 5		
C	21383	NUT – SER FLANGE, 1/2 NC		

262. Kits are available through Whole Goods only.

263. Self-propelled windrower headers only.

54 (Option) Three-Point Hitch Adapter

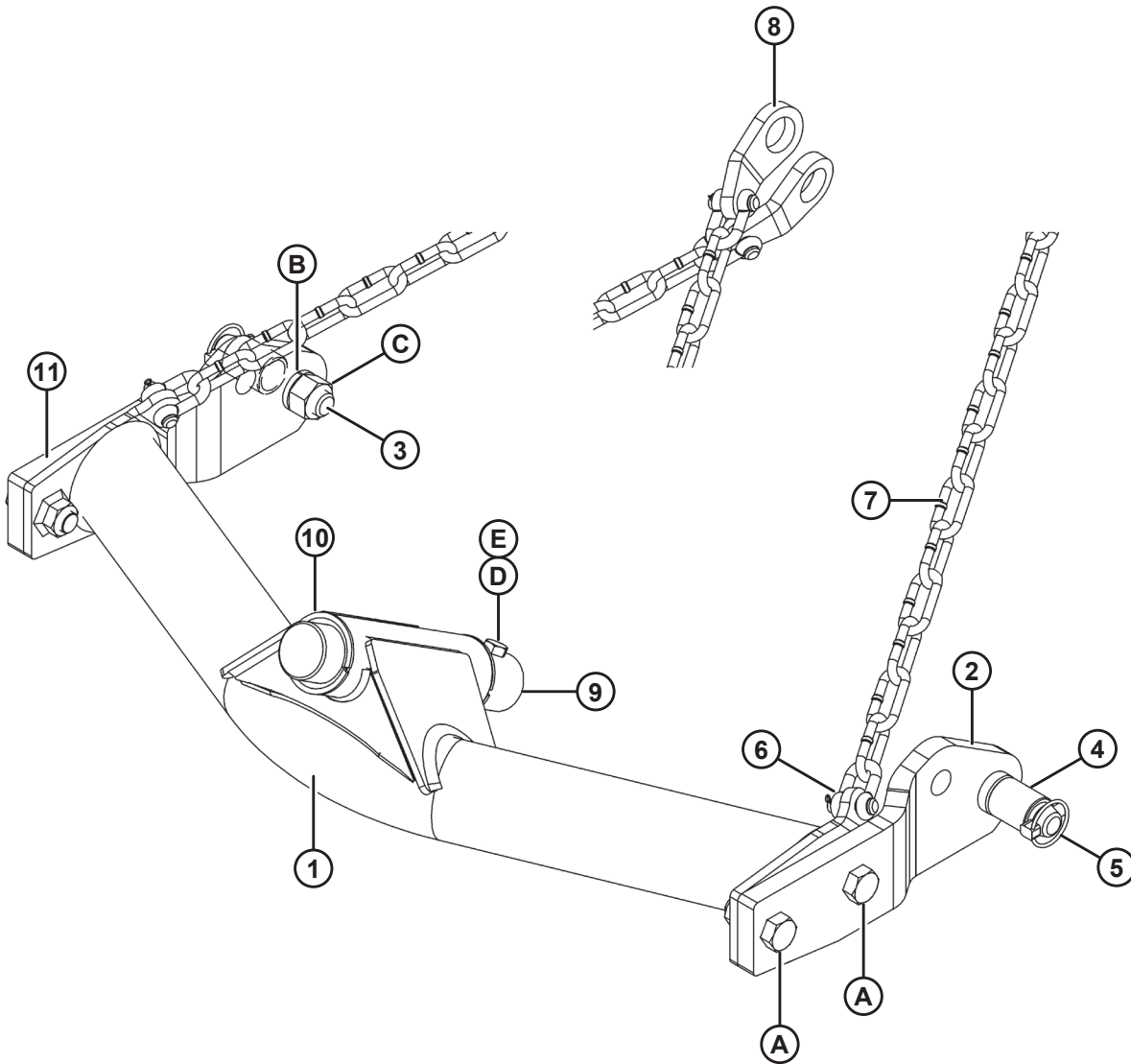


(OPTION) THREE-POINT HITCH ADAPTER

Ref	Part Number	Description	Qty	Serial Number
	B5439	KIT – THREE-POINT HITCH ADAPTER ²⁶⁴		
1	196217	ADAPTER – THREE-POINT HITCH WELDT	1	
2	196219	ARM	2	
3	196240	ARM	2	
4	31453	TUBE – FLARED	2	
5	196261	BUSHING – CAT II TO III	2	
6	196231	HOSE – HYD	4	
7	196232	HOSE – HYD	1	
8	150217	PIN – ROCKSHAFT	1	
9	196228	PIN – CLEVIS	2	
10	113561	PIN – LYNCH	2	
A	50163	BOLT – HH 5/8 NC X 5.5 LG GR. 5 ZN PL	6	
B	50225	NUT – FLANGE DT SMOOTH FACE .625-11 UNC	6	
C	21581	BOLT – HH 1/2 NC X 3.5 LG GR. 5 ZN PL	1	
D	18697	NUT – HEX LOCK DT .500-13 UNC	1	

264. Kits are available through Whole Goods only.

55 (Option) Three-Point Hitch Linkage – Articulated Hitch



(OPTION) THREE-POINT HITCH LINKAGE – ARTICULATED HITCH

Ref	Part Number	Description	Qty	Serial Number
	B4887	KIT – THREE-POINT HITCH LINKAGE ²⁶⁵		
1	149819	YOKE – WELDMENT	1	
2	194417	ARM – RH ²⁶⁶	1	
3	30903	LINKAGE PIN	2	
4	150972	BUSHING – CAT II TO III	2	
5	113561	PIN – LYNCH	2	
6	135606	CLEVIS	4	
7	150982	CHAIN – GRADE 30 LONG LINK ²⁶⁷	2	
8	150983	LINK	2	
9	150217	PIN – ROCKSHAFT	1	
10	31453	TUBE – FLARED	2	
11	194418	ARM – LH ²⁶⁶	1	
A	30512	BOLT – HH 3/4 NC X 2.0 LG GR. 5 ZN PL		
B	18641	WASHER – REG. LOCK 7/8 IN. NOM. I.D. ZN PL		
C	18855	NUT – HEX 7/8-14 UNF GR. 5 ZN PL		
D	21581	BOLT – HH 1/2 NC X 3.5 LG GR. 5 ZN PL		
E	18697	NUT – HEX LOCK DT .500-13 UNC		

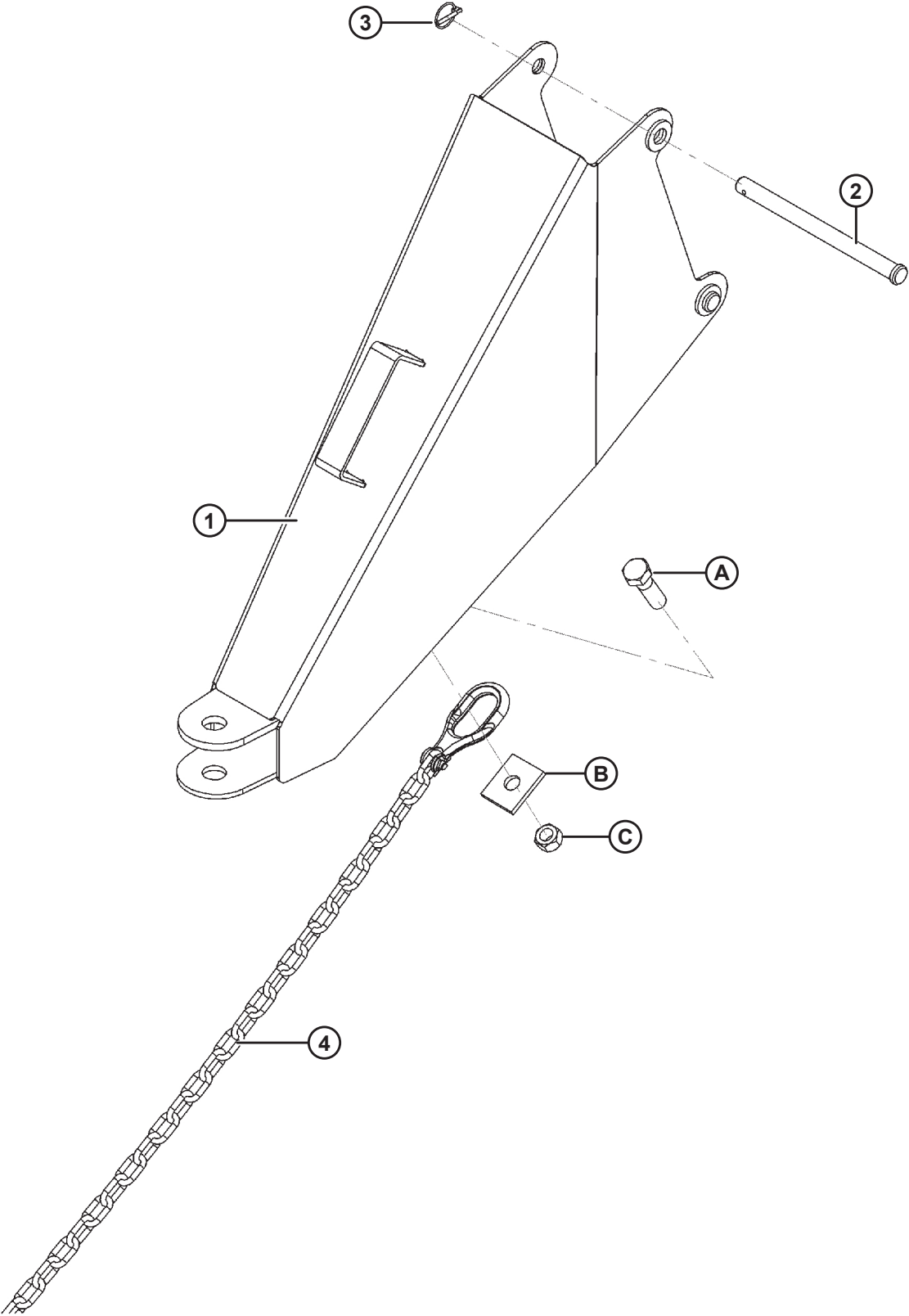
265. Kits are available through Whole Goods only.

266. Earlier production arms used the same arm for both sides and only had one hole for locating pin (MD #30903).

Current models use a RH and LH arm, both of which have two holes for pin location. If replacing earlier production arms with current models, both a RH arm (MD #194417) and LH arm (MD #194418) must be ordered.

267. 1043 kg (2300 lb.) working load limit.

56 (Option) Pull-Type Transport Hitch



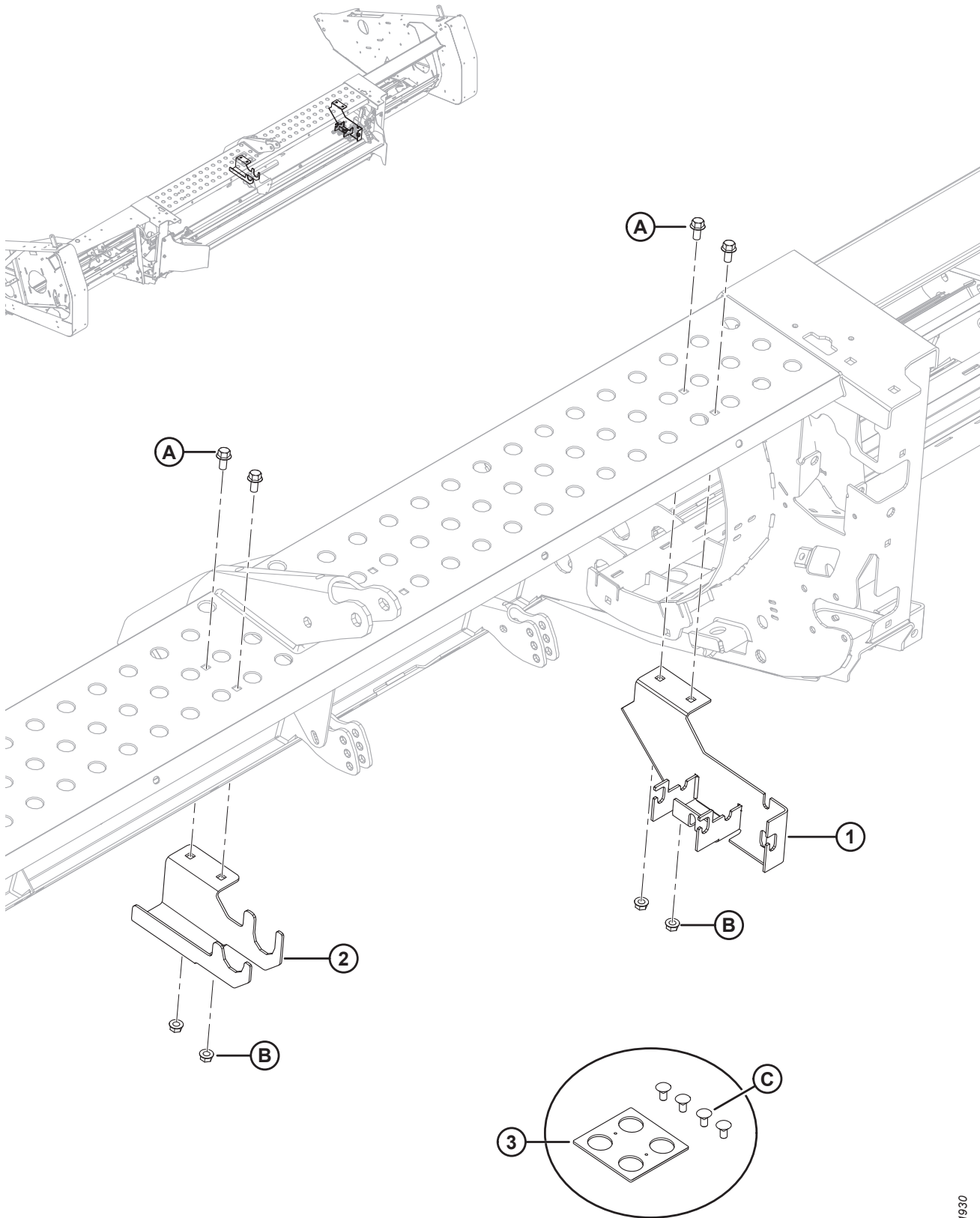
(OPTION) PULL-TYPE TRANSPORT HITCH

Ref	Part Number	Description	Qty	Serial Number
	B4897	KIT – PT TRANSPORT HITCH ²⁶⁸		
1	150314	HITCH – TRANSPORT	1	
2	135334	PIN – CLEVIS	2	
3	50193	PIN – LYNCH	2	
4	21404	CHAIN – SAFETY, 59 LINKS ²⁶⁹	1	
A	19957	BOLT – HH 3/4 NC X 2.5 LG GR. 5 ZN PL		
B	29467	WASHER – FLAT RECTANGULAR		
C	18689	NUT – HEX LOCK DT .750-10 UNC		

268. Kits are available through Whole Goods only.

269. Load rated for 4536 kg (10,000 lb.).

57 (Option) Hose Bundle Storage Kit – A40DX / A40DX Grass Seed



(OPTION) HOSE BUNDLE STORAGE KIT – A40DX / A40DX GRASS SEED

Ref	Part Number	Description	Qty	Serial Number
	B6704	KIT – HOSE BUNDLE STORAGE ²⁷⁰		
1	170995	SUPPORT – HOSE STORAGE WELDMENT	1	
2	170997	SUPPORT – HOSE	1	
3	NSS	PLATE – DRILLING TEMPLATE ²⁷¹	1	
A	21449	BOLT – HEX FLG HD 1/2-13 X 1 GR5-AA1J		
B	50186	NUT – FLG LK DT 1/2-13 UNC GR5 AA1J		
C	21066	BOLT – RHSN 1/2-13 X 1-GR5-AA1J ²⁷¹		

270. Kits are available through Whole Goods only.

271. Used on model year 2018 and prior headers.

Index

795	12, 14	18690	44, 50
4761	4	18697	20, 94, 116, 130, 162, 164
5113	58	18704	128, 158
5735	24	18723	12, 14, 20, 26, 60, 138
5924	104	18724	44, 78, 132, 136, 138, 156
6006	96	18770	24, 26
6647	124	18855	164
7673	26	18898	6, 14
8218	32, 38	18900	104
9213	12, 14	18916	116
9333	12, 14	19183	42, 48
11814	122	19809	130
13125	102, 124, 126, 128, 130, 132, 148, 150, 158	19878	116
13298	10, 18	19957	102, 114, 148, 166
13626	118	19965	12, 20, 44, 46, 60, 110, 112, 150
14338	4	19966	4, 12, 114
15903	92, 98, 108, 152, 154	20077	24, 28, 52, 54, 84
16659	6, 12, 14, 118	20078	122
16661	138	20312	112, 152, 154
16919	114	20535	28
17194	6, 10, 14, 18	21006	20, 60
18523	12, 114, 130	21010	96, 102
18524	12, 14, 114	21024	24
18590	4, 28, 44, 46, 114	21055	156
18591	4, 8, 12, 14, 20, 26, 44, 46, 56, 60, 102, 108, 132, 150, 158	21056	12, 20
18592	114, 120, 126	21062	6, 14
18593	102, 114, 122, 128, 148	21066	8, 12, 20, 34, 38, 44, 46, 56, 58, 64, 68, 102, 120, 126, 132, 150, 158, 168
18596	4, 20, 52, 54, 138, 140, 156	21153	116
18598	4, 30, 44, 46, 84, 102, 122	21194	6, 10, 18
18599	4, 8, 12, 14, 20, 24, 26, 28, 44, 46, 54, 56, 60, 86, 118, 126, 134, 138, 140, 148	21262	46
18600	12, 84, 118, 126, 128, 130	21264	78, 102
18601	114, 122, 124, 130, 148, 152, 156	21282	4, 126
18603	20, 52, 54, 102, 114, 124, 148	21301	10, 18
18607	52, 54	21345	130
18608	112, 116, 122, 152, 156	21354	28
18609	108, 124	21383	4, 132, 160
18629	112, 152, 154	21404	100, 148, 166
18635	4, 20, 138	21406	20, 56, 58
18637	44, 46, 52, 54, 114	21420	104
18638	8, 12, 14, 20, 24, 26, 28, 44, 46, 52, 54, 56, 58, 102, 118, 126, 128, 150, 158	21425	24
18639	44, 46, 102, 120	21449	160, 168
18640	102	21452	12, 44, 50, 130
18641	164	21455	54, 140
18642	114	21469	114, 150
18648	130, 148	21471	4, 20, 44, 46, 84, 128, 150
18654	32, 38, 40	21472	44, 46, 68, 76
18666	6, 12, 20	21476	78, 132
18671	6, 82, 108, 112, 116, 118	21480	44, 50
18689	102, 114, 124, 148, 166	21484	110, 148
		21485	28
		21488	44, 50
		21489	102

INDEX

21491.....	4, 8, 12, 14, 24, 102, 118, 132	30019.....	112
21540.....	112, 148	30027.....	6
21560.....	86	30034.....	10, 18
21563.....	44, 50	30045.....	104
21565.....	102	30140.....	104
21567.....	76	30141.....	104
21569.....	50	30144.....	104
21570.....	44	30228.....	4, 12, 14, 20, 24, 28, 44, 46, 52, 54, 60, 64, 68, 76, 78, 84, 102, 110, 112, 122, 126, 128, 130, 136, 148, 150, 160
21572.....	4, 52, 54, 140	30242.....	138
21575.....	28, 56, 58, 118, 126, 128, 130	30247.....	104
21576.....	84	30266.....	60
21578.....	14, 134	30280.....	4, 44, 50, 126
21581.....	162, 164	30282.....	100, 108, 154
21582.....	86	30283.....	108
21583.....	6, 12, 20	30284.....	92
21585.....	44, 46, 128	30299.....	12, 20, 44, 46
21587.....	114	30307.....	102, 126
21589.....	130	30314.....	64
21599.....	124	30316.....	84, 142
21665.....	38, 40	30375.....	92, 98, 152
21672.....	56, 60	30377.....	100, 154
21761.....	84	30441.....	16, 130
21763.....	4, 94, 108, 138, 152, 154	30465.....	134, 138
21791.....	24	30512.....	164
21804.....	92, 96, 98, 108	30528.....	4, 8, 14, 44, 46
21827.....	82	30575.....	118
21828.....	62, 92, 98, 102	30576.....	56, 118
21830.....	62, 64	30596.....	48
21840.....	62, 94, 100	30600.....	48
21854.....	154	30602.....	10, 18, 42, 46, 58
21859.....	150	30603.....	42, 46
21860.....	150	30609.....	64
21862.....	6	30610.....	64
21863.....	4, 14, 30, 64, 76, 126, 128, 130	30630.....	86
21868.....	14, 28, 132	30664.....	102, 114
21880.....	26	30693.....	6, 12, 20
21913.....	152, 154	30701.....	116
21938.....	58	30702.....	116
21941.....	44, 50	30753.....	52, 66, 72, 76, 78
21975.....	84	30813.....	96
21980.....	154	30846.....	92, 98
23050.....	28	30862.....	40
23164.....	142	30873.....	98
23165.....	142	30876.....	102
23950.....	146	30881.....	52, 54
23957.....	146	30882.....	52, 54
24051.....	100	30884.....	82
25579.....	112	30889.....	116
25991.....	146	30890.....	116
28346.....	44, 50	30896.....	124
28403.....	142	30903.....	164
28790.....	42	30959.....	30
29467.....	100, 148, 166	30968.....	92, 98
30007.....	10, 18		
30011.....	116		

INDEX

30971.....	70, 74, 80, 100	44209.....	70, 74, 76, 78, 96, 98
30977.....	72, 76, 80, 98	44210.....	70, 74, 76, 78, 100
30994.....	92, 98	44968.....	28
31453.....	148, 162, 164	47070.....	56
31465.....	126	47295.....	42
31774.....	116	47418.....	42, 46
31805.....	154	47681.....	2, 42, 48
31823.....	154	48050.....	84, 120
32005.....	142	49232.....	66
32006.....	142	49306.....	150
32070.....	142	49464.....	102
32225.....	64, 108	50004.....	4
32738.....	142	50040.....	28
32879.....	146	50072.....	120
32880.....	146	50076.....	44, 50, 132
33304.....	6, 10, 14, 46	50098.....	62
34359.....	40	50099.....	104
34980.....	38, 40	50100.....	104
36651.....	84, 142	50102.....	62
36837.....	112	50103.....	62
36854.....	106	50109.....	134, 138
36859.....	104	50119.....	40
36880.....	102	50120.....	38, 40
36882.....	104	50163.....	126, 162
36883.....	104	50184.....	42, 48
36891.....	104	50185.....	118
36892.....	104	50186.....	4, 8, 12, 14, 20, 24, 26, 28, 34, 38, 44, 46, 56, 60, 64, 68, 86, 94, 102, 114, 118, 126, 128, 130, 132, 134, 138, 150, 158, 168
36909.....	104	50187.....	10, 18
36942.....	104	50193.....	124, 130, 166
36943.....	104	50197.....	64
37687.....	62, 72, 76	50208.....	104
38854.....	24	50217.....	104
38894.....	28	50219.....	70, 74, 80, 98, 152, 154
38926.....	10, 18	50220.....	102
39274.....	12	50222.....	96, 98, 102
40701.....	66	50225.....	12, 14, 20, 56, 58, 66, 84, 114, 128, 130, 162
40703.....	66, 72, 76, 80	50226.....	6, 12, 14
40704.....	66, 72, 76, 80	100001.....	98
41122.....	112	100500.....	32, 36
41543.....	102	100532.....	6, 10, 18, 22
41545.....	102	100706.....	22
41579.....	100	100707.....	22
41580.....	100	100708.....	22
41581.....	100	100709.....	22
41668.....	142	100710.....	22
41900.....	98	100712.....	22
41904.....	92	100714.....	22
41906.....	92, 98	100715.....	22
41907.....	92, 98	100716.....	22
41908.....	98	100717.....	22
41909.....	92, 98	100718.....	22
42045.....	130	100719.....	22
42104.....	112	100720.....	22
42592.....	126, 130		
44207.....	96		

INDEX

100721	22	115803	154
100722	22	115804	154
100723	22	115817	142
100726	22	115854	56, 58
101007	126, 148	118154	32, 38
101375	142	118162	32, 36
102264	92	118193	32, 38
102602	118	118234	4
102629	22	118301	32, 36
102630	22	118302	32, 36
102636	124	118344	32, 36
103096	22	118345	32, 36
103562	68	118346	40
103580	124	118347	40
103837	44, 50	118491	32, 36
105173	120	120366	10, 18
105197	134, 138	120377	62, 72
107037	82	120416	134, 138
107201	96, 98	120832	32, 36
108089	92, 98	120899	6, 12, 20
108268	52, 64	120901	6, 12, 20, 86
109062	154	124069	160
109089	20, 138	124070	160
109843	142	124071	160
110735	108	124072	160
111035	152, 154	124087	10, 18
111214	142	124088	10, 18
111430	152	124089	58
111895	24	124233	132
111978	64	124234	132
111979	64	124235	132
111984	66	124300	2
112129	24	124301	2
112152	134	124302	2
112624	28, 108, 112	124336	10, 18
112854	102	124337	10, 18
113152	22	124338	38
113153	22	124344	38
113222	32, 36	124357	42, 48
113229	6, 10, 18	124382	118
113426	114	124472	14
113482	144	124501	118
113532	152, 154	124523	118
113561	162, 164	124530	118
113937	32, 36	124531	118
114141	94, 100	124556	42
115074	6, 10, 18	124557	42
115100	142	124558	42
115145	142	124559	42
115146	138, 142	124580	6, 10, 14, 18
115147	142	124618	28
115148	142	124619	6
115670	32, 36	124621	132
115701	98	124625	12, 14
115705	100	124626	160

INDEX

124630	132	135015	108
124631	132	135020	94, 134
124640	6, 10, 14	135021	92, 134
124685	118	135148	146
124742	6, 10, 14	135189	120
124755	14	135204	64
124757	6	135205	64
124761	150, 158	135206	64
124767	120	135213	52, 62
124769	24	135227	100
124770	24	135235	76, 78
124775	40	135237	64
124780	124	135244	124
124781	124	135255	62, 72
124783	124	135288	24, 26
124787	124	135289	24
124816	56	135305	44, 50
124820	20	135313	62
124821	20	135314	62
124826	28	135316	92, 98
124827	28	135324	98
124828	28	135334	148, 166
124842	2	135338	98
124850	4	135340	102
124851	4	135341	102
124855	2	135360	24
124861	58	135362	24
124862	58	135363	24
124864	2	135365	134, 138
124865	2	135384	114
124873	20	135408	124
124880	36	135412	12, 20
124881	36	135414	94, 108
124886	62	135415	148
124887	62	135435	114
124888	2	135457	26
124892	62	135472	64
124894	62	135474	64
124895	62	135479	62, 66
124902	64	135504	62
124906	64	135508	64
124946	126	135542	46
124950	126	135557	82
124984	42, 46	135563	92, 152
124985	58	135581	4
124994	18	135593	102, 148
129313	142	135606	164
129329	32, 36	135626	32, 38
132421	18	135628	34, 38
133632	84, 88, 90	135630	32, 38
134003	2	135632	32, 38
134010	134	135647	52, 64
134011	134	135709	76
134057	66	135717	134
134442	78	135779	70, 74, 80

INDEX

135780	66	140261	98
135784	76, 78	140269	82, 100
135786	70, 74, 80	140311	142
135787	74	142323	112
135788	66, 70	142376	108
135821	70, 74, 80	142392	112
135860	72, 76, 80	142434	116
135866	70, 74, 80	142471	112
135867	70, 74, 76, 78, 80	142477	98
135868	70, 72, 74, 80	142478	92, 98
135889	66, 72, 76, 80	142487	112
135918	76, 78	142494	98
135963	72, 76	142496	112
135965	54, 140	142497	112
135985	66, 70	142498	112
136034	70, 74	142504	112
136089	76, 78	142518	112
136168	64	142524	102
136262	72	142526	112
136265	66	142540	112
136266	66	142556	94, 100
136267	66	142557	94, 100
136282	70	142559	94, 100
136327	70, 74	142561	94, 100
136337	70, 74	142572	112
136348	50	142573	112
136360	82	142574	112
136431	66	142583	112
136459	70, 74	142586	134
136684	70, 74	142587	134
136686	130	142588	112
136741	72, 76, 80	142589	100
136846	74	142591	108
137375	52, 58	142592	108
137503	12	142593	102
139003	22	142600	142
140041	14	142603	100
140046	14	142604	100
140055	14	142605	108
140058	2	142619	108
140059	2	142620	100
140135	132	142621	100
140160	128	142635	128
140161	128	142638	128
140174	154	142639	128
140188	152, 154	142642	128
140189	152, 154	142650	128
140199	154	142654	108
140228	154	142657	112
140229	154	142658	112
140246	116	142680	112
140247	116	142682	112
140248	116	142717	96
140249	116	142727	128
140250	116	142728	146

INDEX

142729	146	143087	52, 54
142730	146	143093	42, 46
142745	42	143104	46
142746	42	143107	46, 58
142757	26	143108	16, 46, 58
142758	26	143109	58
142762	94, 100	143110	58
142763	94, 100	143133	24
142776	26	143142	56, 58
142777	26	143147	56, 58
142783	26	143152	58
142784	26	143153	58
142785	26	143189	18
142786	26	143190	10, 18
142787	26	143191	10, 18
142811	8	143209	24
142825	42, 48	143210	24
142832	92, 98	143234	10, 18
142833	6	143245	10, 18
142836	6	143253	56
142839	108	143269	158
142848	92, 98	143283	46
142849	92, 98	143284	46
142861	146	143285	46
142862	146	143292	32, 38
142895	146	143293	32, 38
142896	146	143296	48
142897	62	143297	48
142903	96	143300	48
142906	92	143301	48
142908	142	143307	48
142909	142	143309	48
142910	112	143311	42
142911	112	143329	48
142912	142	143333	48
142924	84	143334	48
142926	100	143335	48
142933	82	143340	132
142939	82	143341	132
142944	82	143360	42, 46
142945	82	143463	132
142956	92	143464	132
142958	92	143465	132
142959	92	143471	46
142960	82	143511	124
142961	82	143519	2
142965	94	143520	2
143027	124	143521	2
143028	124	143544	42
143031	118	143545	42
143042	118	143546	42
143046	118	143563	42
143069	122	143567	42
143077	52, 54	143572	6
143086	24	143575	6

INDEX

143625	46	149819	164
143648	24	149866	94
143658	52, 54	150018	130
143659	118	150075	92
143661	24	150082	148
143663	24	150096	124
143687	118	150101	152
143699	48	150104	92
143700	10, 18	150105	92
143707	10, 18	150124	152
143726	42, 46	150135	82
143730	10, 18	150138	82
143755	52, 54	150217	148, 162, 164
143778	6, 10, 18	150255	92
143813	56	150256	92, 152
143814	42, 46	150287	94
143827	158	150314	166
143837	6, 14	150392	126
143843	14	150457	148
143867	6, 14	150476	92
143869	14	150483	152
143872	14	150632	82
143875	18, 52, 54, 138, 140	150633	82
143934	134, 138	150634	82
143950	2	150823	146
143970	48	150886	82, 84, 88, 90
143972	42, 46, 58	150887	82, 84
143973	56, 118	150888	82
143974	2	150889	82, 88, 90
143976	2	150890	88, 90
143977	2	150891	88, 90
143985	2	150893	88, 90
143987	2	150899	94
143989	118	150972	164
145392	24	150982	164
145480	112	150983	164
145767	18	151974	92, 98
146351	82	152395	66
146367	88	152668	66
146574	88	155101	2
148163	94, 100	155144	58
148388	148	155148	52, 54
148840	108	155149	52, 54
148851	108	155150	4
148918	108	155151	4
148968	92, 152	156696	96
149167	130	156708	114, 124
149168	130	158635	124
149386	108	160358	134
149608	124	160359	134, 138
149655	102, 148	160360	134
149701	108	163373	30
149702	108	163598	64
149802	148	166452	144
149810	94	166466	144

INDEX

166732	150	170323	122
166733	150	170328	118
170008	2	170332	118
170009	2	170335	150
170010	2	170342	4
170011	2	170365	134
170017	126	170370	48
170018	126	170371	48
170027	126	170372	48
170039	118	170378	28
170040	118	170379	28
170047	150	170380	28
170060	150	170381	28
170091	118	170385	28
170092	126	170386	28
170093	126	170387	28
170099	56, 58	170435	64, 72, 76
170100	56, 58	170436	56, 58
170101	56, 58	170446	26
170102	126	170447	26
170105	126	170448	26
170116	28	170449	26
170117	28	170450	26
170118	28	170451	26
170126	64	170574	70
170138	150	170579	150
170139	150	170581	70, 74
170140	150	170582	70, 74
170141	150	170583	70, 74
170157	118	170584	70, 76, 80
170158	118	170585	126
170161	122	170594	2, 52
170162	132	170599	52, 64
170180	126	170600	2, 52
170186	42, 50	170603	52, 62
170190	50	170606	52, 54
170199	132	170616	52, 62
170218	126	170622	50
170246	2	170626	70, 74
170266	62, 134	170628	74
170268	62	170629	70, 74
170269	62	170631	72
170270	62	170636	66
170273	62	170638	144
170276	64	170642	52
170277	64	170646	66
170279	64	170664	32
170280	142	170665	32
170281	142	170666	32
170313	42, 48	170667	32
170314	48	170668	36
170316	62	170669	36
170317	62	170670	38
170320	122	170671	38
170321	122	170702	2

INDEX

170705	66	171068	92, 134
170706	66	171069	94, 134
170709	66	171093	134
170710	74	171094	134
170711	74	171104	142
170712	74	171106	6
170715	76	171197	108
170716	74	171200	128
170717	76	171201	128
170718	2	171210	128
170725	52	171214	118
170729	74	171226	94
170813	134	171250	142
170851	66	171261	84
170856	66	171268	42
170857	66	171269	42
170863	76	171270	42
170865	20	171277	84, 88, 90
170866	146	171279	144
170867	146	171281	144
170868	146	171287	144
170869	146	171288	144
170870	146	171289	28
170871	146	171299	112
170872	146	172339	130
170873	146	174165	38
170876	138	174436	144
170877	138	174632	144
170878	138	174845	32, 36
170879	138	174857	32, 36
170883	52, 54	174992	6, 10, 18
170884	52, 54	176334	64
170903	138	180206	120
170940	138	183620	92, 98
170943	28	184372	144
170944	28	184385	144
170945	28	184422	144
170952	76, 78	184646	66
170955	76, 78	184667	130
170974	78	184673	4
170988	66	184696	4
170989	70	184705	66
170990	72	184714	66
170995	168	194202	82
170997	168	194417	164
171012	12	194418	164
171020	12	194464	144
171024	10	194468	142
171029	142	194481	28
171040	6, 12, 14	194521	84, 144
171041	14	194525	82, 84
171055	102	194526	90
171059	56	194527	90
171062	82	194531	82
171064	82	196217	162

INDEX

196219	162	279439	38
196228	162	279440	36
196231	162	279441	38
196232	162	279468	32, 36
196240	162	279641	32, 36
196261	162	279642	32, 36
198470	82	279848	36
208172	66	279850	36
208288	66	279851	36
236802	84	279999	36
236803	84	283709	76, 78
236804	84	302204	142
236813	84	304865	144
236814	84	311620	58
236815	88	318001	78
236816	88	318004	54, 140
236825	84	318006	54, 140
236827	84	318012	4
236828	90	318013	4
236829	90	318018	2
236832	84	318022	140
236902	130	318055	66
243542	66	318076	64
243787	66	318077	64
243806	66	320514	144
243808	66	325060	130
243809	66	325061	128, 130
247693	130	325062	128, 130
247875	92, 98, 108	338077	130
252423	22		
252668	108		
252752	6		
252754	10, 18		
252755	4		
252896	76, 78		
252924	76, 78		
252925	76, 78		
252926	76, 78		
252927	76, 78		
259058	144		
272205	130		
272206	130		
272208	130		
272233	66		
272248	130		
272252	130		
273078	58		
273258	58		
273259	52, 58		
279003	24		
279310	36		
279312	36		
279314	36		
279316	36		
279438	36		
		B	
		B4593	150
		B4594	158
		B4690	160
		B4692	40
		B4693	42
		B4694	42
		B4715	40
		B4716	48
		B4717	48
		B4718	48
		B4851	154
		B4852	154
		B4863	42
		B4886	148
		B4887	164
		B4894	152
		B4897	166
		B4955	40
		B4956	40
		B4957	40
		B5439	162
		B5998	70
		B6268	130

INDEX

B6384.....	74
B6604.....	78
B6704.....	168

MacDon®

CUSTOMERS
MacDon.com

DEALERS
Portal.MacDon.com

Trademarks of products are the marks of their
respective manufacturers and/or distributors.

Printed in Canada