

**Model 973
COMBINE HEADER**

**Model 974
FLEX DRAPER
COMBINE HEADER**

PARTS CATALOG

Inside Front Cover
(blank)

Model 973/974 Header PARTS CATALOG

CONTENTS

Main Frame, Lights & Dividers	2 - 5	Reel Drive & Reels	
974 Flex Header: Wing Joint Group	6, 7	Reel Drive & Support Arms	44 - 47
974 Flex Header: Wing Flex Linkage	8, 9	Split Reel Special Components	48, 49
Hydraulics: Draper Drive		2100 Pick-Up Reel for 2 arm reels	50, 51
Draper Drive – Two Deck	10, 11	2100 Pick-Up Reel for 3 arm reels – 5 Bat	52, 53
Draper Drive - Three Deck	12, 13	2100 Pick-Up Reel for 3 arm reels – 6 Bat	54, 55
		Bat Reel	56, 57
Hydraulics - Reel Lift, Drive, Fore-Aft		Decals & Paint	58, 59
2-Arm Reel Lift & Reel Drive	14, 15	Options & Attachments:	
3-Arm Reel Lift & Reel Drive	16, 17	Upper Cross Auger	60, 61
973 Hydraulic Fore-Aft Reel Positioner (Factory Installed) .	18, 19	Gauge Wheels	62, 63
973 Hydraulic Fore-Aft Reel Positioner (Field Installed)	20, 21	30' & 36' Transport – Wheels & Supports	64 - 67
974 Hydraulic Fore-Aft Reel Positioner	22, 23	30' & 36' Transport– Hitch & Lights	68, 69
Sickle Drive		Cutterbar Poly and Inner Shoes (2005 & prior)	70, 71
Single Sickle Drive Shaft	24, 25	Moulded Cutterbar Poly (2006 & after)	72
Windrower Conversion Kits	26, 27	Inner Skid Shoes (2006 & after)	73
Sickle & Drive	28 – 31	Outer Skid Shoes and Poly	74, 75
Segmented Sickles	32, 33	Floating Dividers (European Headers)	76
Raised Sickle Special Components	34, 35	Tool Box	77
Sickle Drive Box	36, 37	Crop Lifter Storage Rack	78
Draper & Decks		Bean Saver	79
Draper Carrier Decks	38, 39	Rock Retarder	80
Drapers, Drive & Tightener	40 - 43	NUMERICAL LIST	81 - 86
		SUGGESTED STOCKING LIST	87 - 89

ABBREVIATIONS

L/H - left hand (Determined from Operator's position, facing forward.)	REF - reference, part number called up elsewhere in catalog
R/H - right hand	SUB - Substitute (Revised design may be used to repair previous design when stock is depleted.)
I.D. - inside diameter	NC - national coarse thread
O.D. - outside diameter	NF - national fine thread
A/R - as required (quantity varies with header size)	

NOTE: Common hardware is not illustrated. Alphabetic references are used to designate position and description of these items. When ordering, be sure the complete and proper serial number is given.

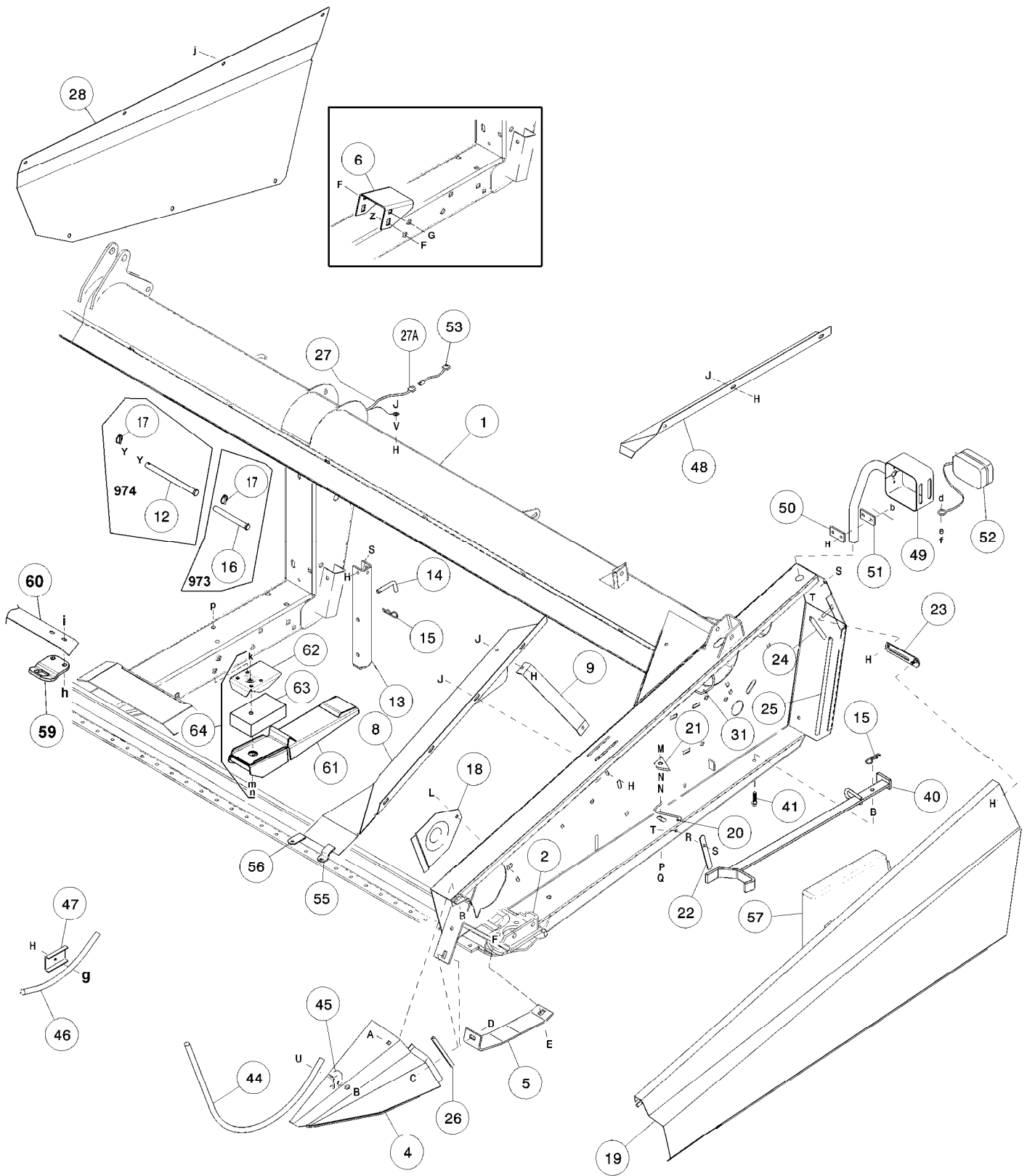
SERIAL NUMBER BREAKS

The side of the serial number on which the dash (-) appears determines whether the part is used "up to" or "after" the serial number given.

Example: -74924 Used on machines up to and including serial number 74924.
 74925- Used on machines including and after serial number 74925.

BOLDED PART NUMBERS INDICATE REVISIONS OR ADDITIONS SINCE LAST PRODUCTION YEAR.

MAIN FRAME, LIGHTS & DIVIDERS



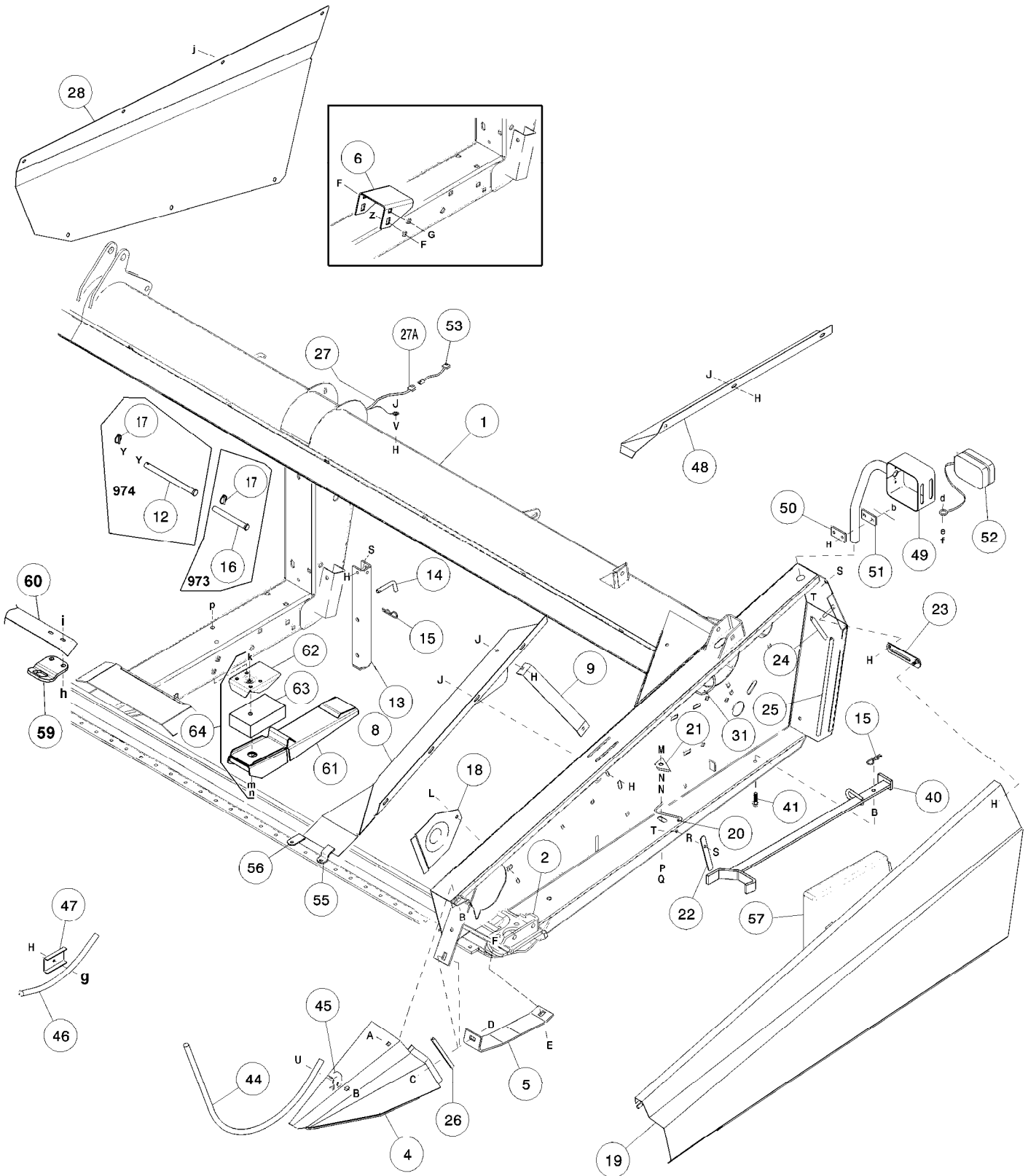
MAIN FRAME, LIGHTS & DIVIDERS

REF	PART NUMBER	DESCRIPTION	QTY	SERIAL NUMBER
1	REF	FRAME - main, not serviced	1	
	158278	CUTTERBAR – repair piece, 1300 mm long (4.3 ft.)		
2	113299	SUPPORT - drive box (welded), single sickle, see Note 1	1	
4	113094	DIVIDER – left, black	1	
	158153	DIVIDER – left, red	1	
	158154	DIVIDER – left, yellow	1	
	113395	DIVIDER - right, single sickle, with reflector - black	1	
	158179	DIVIDER - right, single sickle, with reflector - red	1	
	158180	DIVIDER - right, single sickle, with reflector - yellow	1	
5	102013	SHOE - skid	2	
6	153469	SUPPORT – adapter linkage – 973 Header only	2	-156149
8	118144	DEFLECTOR - left, approx. 7" wide @ cutterbar	1	
	118156	DEFLECTOR - right, approx. 7" wide @ cutterbar	1	
9	102184	BRACE – for combine applications deflector, item 8	2	
12	135334	PIN - clevis, 3/4 x 9-1/4 inch effective length – 974 Flex Header	2	
13	129205	STAND - header support	1	
14	13747	PIN - "L"	1	
15	13125	PIN - hair	2	
16	135333	PIN - clevis, 3/4 x 6.7 inch effective length – 973 Header (was 136013)	2	
17	50193	PIN - lynch	2	
18	102509	SHIELD - wobble box,	1	
19	158763	SHIELD - left end, (see Note 2) - black	1	
	158142	SHIELD - left end, red with Case IH decals	1	
	158143	SHIELD - left end, yellow with New Holland decals	1	
20	102173	SPRING - shield latch	1	
21	102180	SUPPORT - latch spring	1	
22	102489	HANDLE – shield latch (MacDon Headers Only)	1	
23	47876	BAR - adjusting, left hand shield	1	
24	100586	EDGE TRIM - upper rear flange	1	
25	100588	EDGE TRIM - lower rear flange, left	1	
26	101137	EDGE TRIM - left divider	1	
27	101066	HARNES - wiring, 21' & 25' header with manual deck shift	1	
	102260	HARNES - wiring, 30', 36' & 39' headers with manual deck shift	1	
27A	31062	CONNECTOR KIT – 3 way, includes male and female plugs		
28	158151	PANEL – right end, red with Case IH decal and reflector	1	
	158152	PANEL – right end, yellow with New Holland decal and reflector	1	
31	30542	CLIP - harness	2	
40	125042	TOOL – wrench / guard straightener	1	
41	103332	BOLT – special	1	
44	113030	DIVIDER ROD – long	2	
45	113032	CLAMP – divider rod	2	
46	113090	DIVIDER ROD – short	2	
47	113320	CLAMP – divider rod storage (at R/H end sheet)	1	
48	113302	DEFLECTOR – L/H, approx. 3" wide @ cutterbar	OPT	
	113303	DEFLECTOR – R/H, approx. 3" wide @ cutterbar	OPT	
49	113471	SUPPORT – amber light, left	1	
	113473	SUPPORT – amber light, right	1	
50	113474	PLATE – steel, light support	2	
51	113475	PLATE – plastic, light support	2	
52	113511	LIGHT – amber, rectangular – includes M5 hardware	2	
		BULB – replacement #1156		
53	REF	HARNES – wiring, extension piece, see combine adapter catalog	1	

NOTES:

1. Also required – 32926 Welding Jig – TO BE RETURNED TO MacDon.
2. MacDon black end shield (item 19) does not include product I.D. decals.

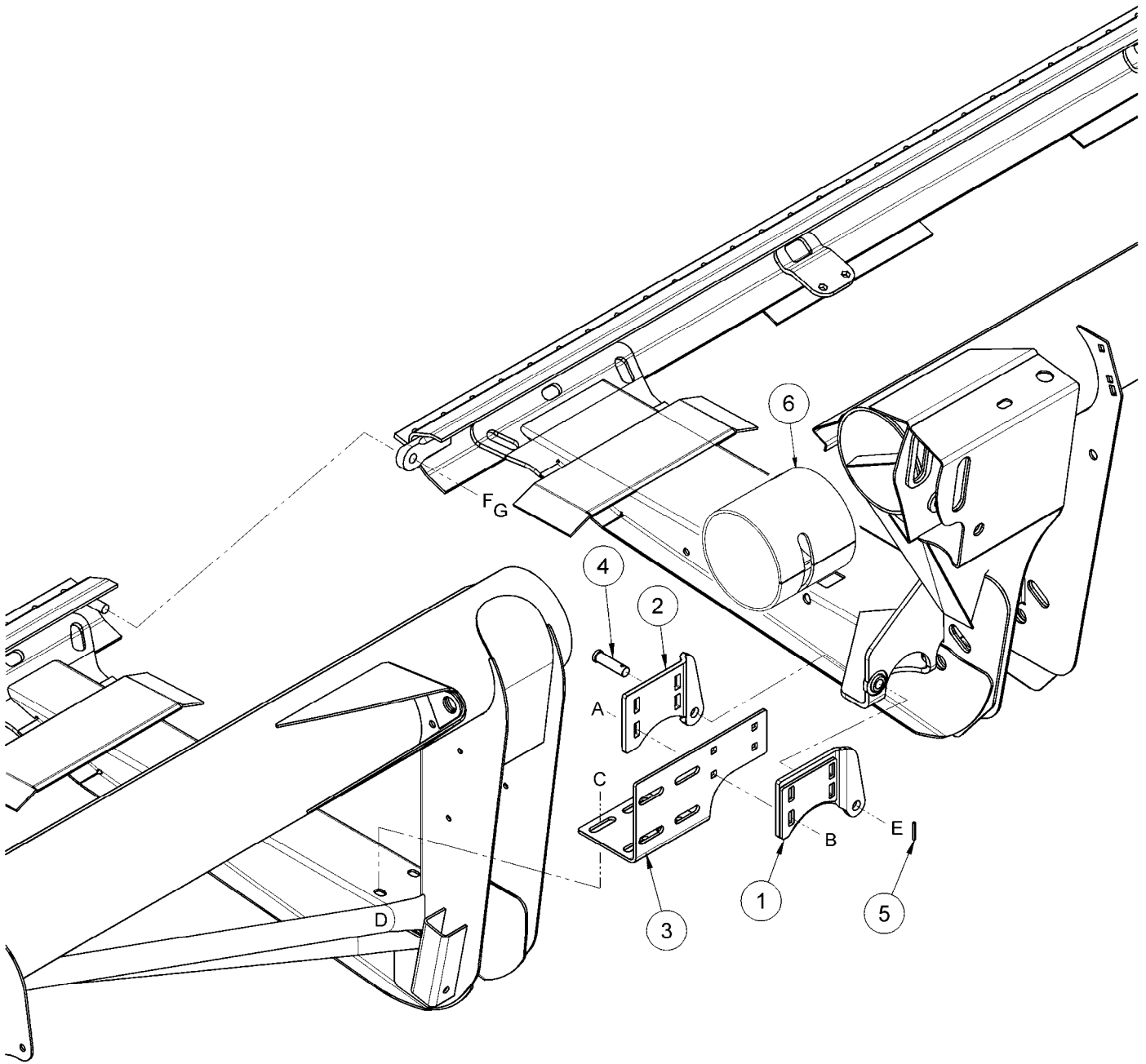
MAIN FRAME, LIGHTS & DIVIDERS



MAIN FRAME, LIGHTS & DIVIDERS

REF	PART NUMBER	DESCRIPTION	QTY	SERIAL NUMBER
55	118142	RETAINER – deflector (qty = 1 (R/H side only) with stub guards)	2	
56	118141	RETAINER – deflector, L/H side with stub guards	1	
57	118234	CASE – manual storage	1	
59	153039	RETAINER – combine adapter feed pan, welded to header cutterbar	2	
60	158710	DEFLECTOR – feed pan retainer.....	1	
61	129159	SUPPORT – rubber isolator, (973 header only)	2	156150-
62	129162	COVER – rubber isolator, (973 header only)	2	156150-
63	129221	PAD – rubber isolator, (973 header only)	2	156150-
64	129160	RUBBER ISOLATOR ASS'Y–includes 1 of items 61-63 and hardware k, m & n (973 header only) 2	2	156150-
A	21868	BOLT - round head, short square neck, 1/2 NC x 1 inch		
B	21383	NUT - serrated flange lock, 1/2 NC		
C	21469	BOLT - round head, square neck, 1/2 NC x 1-1/2 inch		
D	50186	NUT - lock, smooth flange, 1/2 NC distorted thread		
E	18524	BOLT - round head, square neck, 5/8 NC x 2 inch		
F	50225	NUT - lock, smooth flange, 5/8 NC distorted thread		
G	30015	BOLT – hex head, 5/8 NC x 7 inch		
H	30228	NUT - lock, smooth flange, 3/8 NC distorted thread		
J	21863	BOLT - round head, short square neck, 3/8 NC x 3/4 inch		
L	30693	BOLT - flange head, 3/8 NC x 1/2 inch		
M	21594	BOLT - hex head, 5/8 NC x 1-1/2 inch		
N	18639	WASHER - lock, 5/8 inch		
P	18600	WASHER - flat, 21/32 inch I.D.		
Q	18666	NUT - lock, 5/8 NC distorted thread		
R	18637	WASHER - lock, 3/8 inch		
S	21567	BOLT - hex head, 3/8 NC x 3/4 inch		
T	18669	NUT - lock, 3/8 NC distorted thread		
U	30515	BOLT – round head, square neck, 1/2 NC x 1-3/4 inch		
V	30598	WASHER – lock, internal tooth, 3/8 inch		
Y	18601	WASHER – flat, 13/16 inch ID		
Z	18523	BOLT - round head, square neck, 5/8 NC x 1-1/2 inch		
b	21478	BOLT - round head, square neck, 3/8 x 2-1/2 inch		
d	21572	BOLT – hex head, 1/4 NC x 5/8 inch		
e	113757	WASHER – lock, external tooth, 1/4 inch		
f	18724	NUT – lock, 1/4 NC distorted thread		
g	50197	BOLT - round head, square neck, 3/8 NC x 1-3/4 inch		
h	21452	NUT – serrated flange lock, 3/8 NC		
i	105137	SCREW – truss head, Torx Socket, 3/8 NC x 1/2 inch		
j	101898	SCREW – flange head, self tapping, 3/8 NC x 5/8 inch		
k	30266	BOLT – round head, square neck, 1/2 NC x 3 inch		
m	42592	WASHER – flat, 13.5 mm I.D. x 47 mm O.D.		
n	21389	NUT – hex, lock, 1/2 NC		
p	135157	SCREW – torx head, 3/8 NC x 3/4 inch		

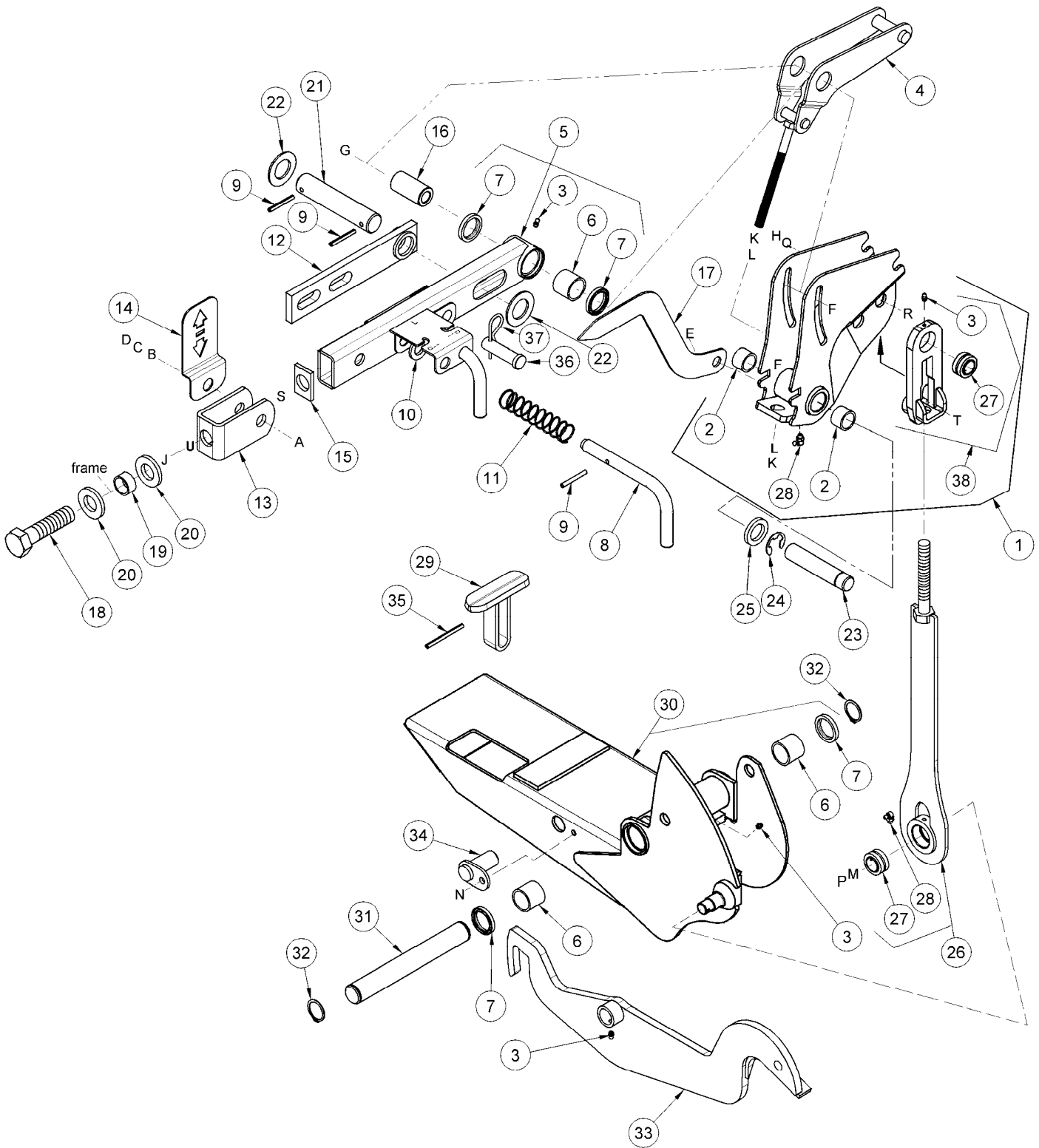
974 Flex Header WING JOINT GROUP



**974 Flex Header
WING JOINT GROUP**

REF	PART NUMBER	DESCRIPTION	QTY	SERIAL NUMBER
1	153646	BRACKET – wing joint, rear left	1	
	153653	BRACKET – wing joint, rear right	1	
2	153647	BRACKET – wing joint, front left.....	1	
	153654	BRACKET – wing joint, front right	1	
3	151053	PLATE – hinge, left.....	1	
	151383	PLATE – hinge, right	1	
4	153332	PIN – clevis, 3/4 x 2.28 inch effective length	2	
5	7642	PIN – roll, 3/16 x 1-1/2 inch	2	
6	158808	SEAL – rubber	2	
A	30027	BOLT – round head, square neck, 1/2 NC x 2-1/4 inch		
B	50186	NUT – lock, smooth flange, 1/2 NC distorted thread		
C	18523	BOLT – round head, square neck, 5/8 NC x 1-1/2 inch		
D	50225	NUT – lock, smooth flange, 5/8 NC distorted thread		
E	18601	WASHER – flat, 13/16 inch I.D.		
F	18689	NUT – lock, 3/4 NC distorted thread		
G	18593	NUT – hex, 3/4 NC		

974 Flex Header WING FLEX LINKAGE

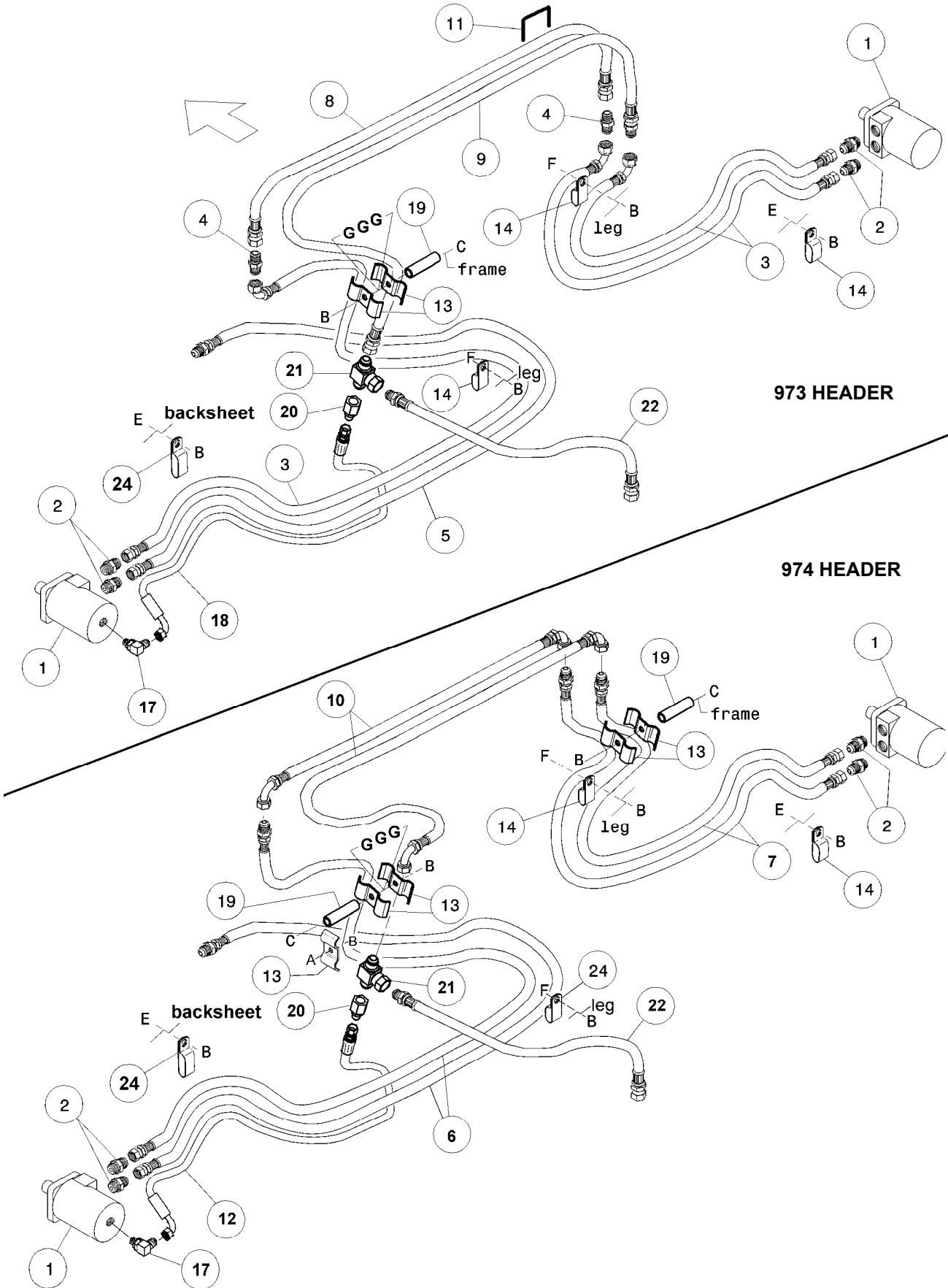


**974 Flex Header
WING FLEX LINKAGE**

REF	PART NUMBER	DESCRIPTION	QTY	SERIAL NUMBER
1	129602	BRACKET – bellcrank, with bearings and lube fitting – was 129245 (30') or 129246 (36').....	2	
2	49904	BEARING – needle.....	4	
3	18671	FITTING – lube, straight, 1/4 NF.....	8	
4	153839	LINK – bellcrank adjusting (1/2 inch bolt).....	2	-156149
	129244	LINK – bellcrank adjusting (5/8 inch bolt).....	2	156150-
5	158357	ARM – top link, left – with bearing, seals and lube fitting.....	1	
	158358	ARM – top link, right – with bearing, seals and lube fitting.....	1	
6	100500	BEARING – needle.....	6	
7	113222	SEAL – install with lip facing outwards.....	6	
8	158030	PIN – L, float lock-out.....	4	
9	2148	PIN – roll, 1/4 x 2 inch.....	8	
10	REF	WASHER – flat, see hardware listing, item B.....	4	
11	29028	SPRING – compression.....	4	
12	153426	BAR – inner, top link.....	2	
13	151082	CHANNEL – top link.....	2	
14	158106	INDICATOR – gauge, wing flex.....	2	
15	151081	WASHER – rectangular.....	2	
16	151097	PIN – bellcrank.....	2	
17	158044	INDICATOR – pointer, wing flex.....	2	
18	151193	BOLT – hex head, 1 NC x 5 inch.....	2	
19	153281	SPACER – tube.....	2	
20	31774	WASHER – flat.....	4	
21	153285	PIN – top link.....	2	
22	13783	WASHER – flat.....	4	
23	151125	PIN – lower bellcrank.....	2	
24	151169	RING – retaining, external.....	2	
25	151117	SPACER – tube.....	2	
26	151189	LINK – vertical tension, includes bearing, lube fitting and nut “T”	2	
27	151188	BEARING – ball.....	4	
28	21010	FITTING – lube, 90°, 1/4 NF.....	4	
29	153516	CLEVIS – cam plate catch.....	2	
30	158412	CHANNEL – balance, left with bearings, seals & lube fitting.....	1	
	158411	CHANNEL – balance, right with bearings, seals & lube fitting.....	1	
31	151124	PIN – balance channel.....	2	
32	153289	RING – retaining, external.....	2	
33	153515	CAM PLATE – left.....	1	
	153526	CAM PLATE – right.....	1	
34	153511	PIN – cam plate to balance channel.....	2	
35	158104	PIN – roll, 1/4 x 3 inch.....	2	
36	30463	PIN – clevis, 3/4 x 2.28 inch (locks linkage in full frown for self-contained transport)...	2	
37	13125	PIN – hair.....	2	
38	129596	SUPPORT – includes bracket and 1 each of items 3 & 27.....	2	
A	30896	BOLT – hex head, 3/4 NC x 3-1/2 inch	L 18599	WASHER – flat, 17/32" I.D (-156149)
B	18601	WASHER – flat, 13/16 inch I.D.	18600	WASHER – flat, 21/32" I.D (156150-)
C	18640	WASHER – lock, 3/4 inch	M 5440	NUT – slotted hex, 3/4 NC
D	18593	NUT – hex, 3/4 NC	N 101898	SCREW – flng hd, self tap, 3/8 x 5/8 inch
E	21868	BOLT – rnd hd, sh sq nk, 1/2 NC x 1"	P 18607	PIN – cotter, 5/32 x 1-1/2 inch
F	50186	NUT – lock, smth flng, 1/2 NC, D.T.	Q 18641	WASHER – lock, 7/8 inch ID
G	30849	BOLT – rnd hd, sq nk, 1/2 NC x 3-1/2"	R 21598	BOLT – hex hd, 7/8 x 2-1/2 inch
H	18594	NUT – hex, 7/8 NC	S 135437	NUT – side lock, 1 NC, distorted thread
J	18595	NUT – hex, 1 NC	T 18720	NUT – hex, 3/4 NF (see note 1)
K	18591	NUT – hex, 1/2 NC (-156149)	U 129957	NUT – hex jam, 1 NC
	18592	NUT – hex, 1/2 NC (156150-)		

Notes: 1.) If replacing nut only on existing vertical link for SN 168559 & below, use 3/4 NC hex nut, item D.

DRAPER DRIVE – TWO-DECK

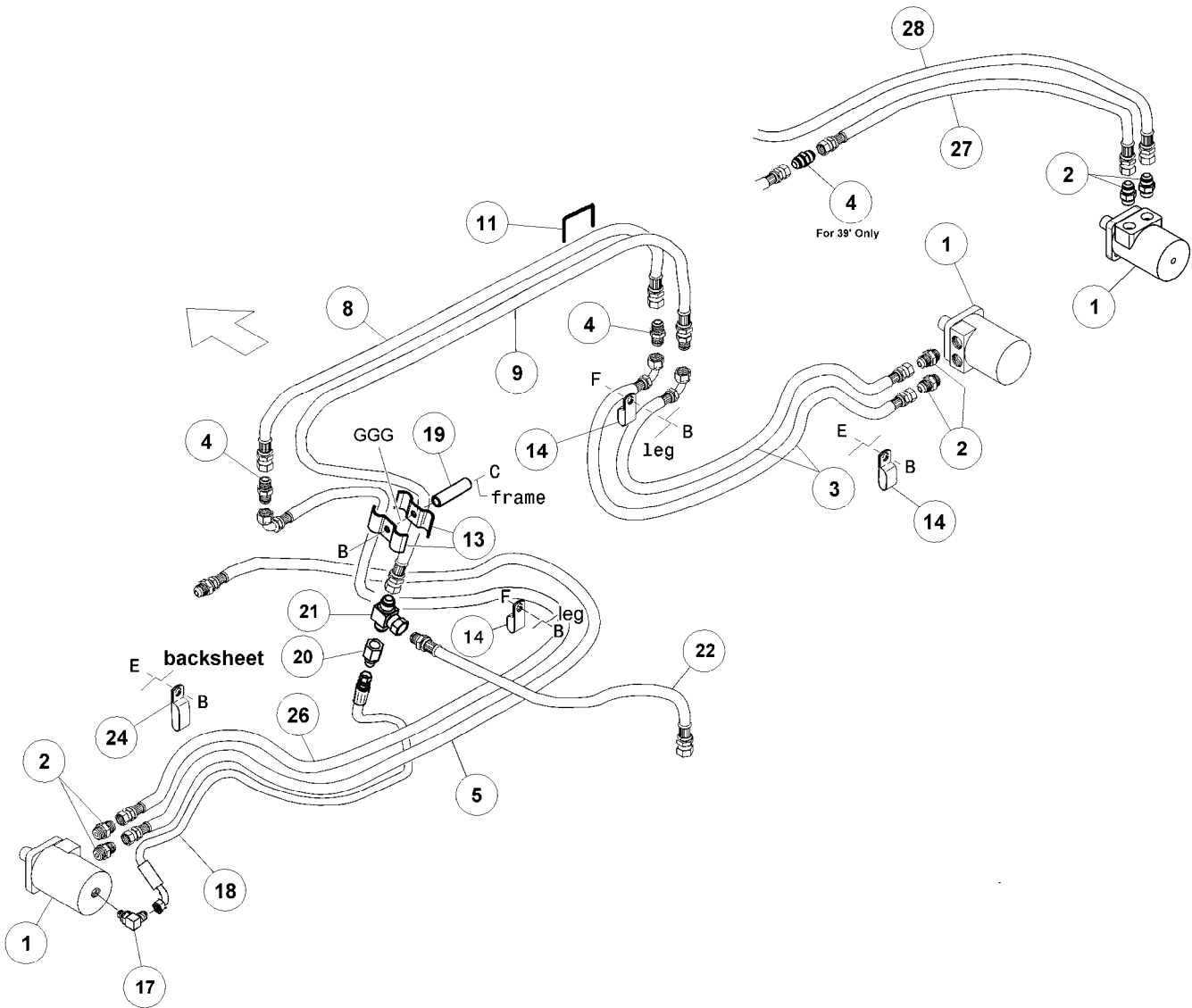


DRAPER DRIVE – TWO-DECK

REF	PART NUMBER	DESCRIPTION	QTY 973 / 974	SERIAL NUMBER
1	114319	MOTOR - draper drive, with key	2	
	2149	KEY - Woodruff, 1/4 x 1 inch - for hydraulic motor		
	123314	SEAL KIT - for hydraulic motor (was 101670)		
2	30695	FITTING - adapter, 5/8 tube x 7/8 O-ring.....	4	
	44210	O-RING - for 7/8 O-ring fitting		
3	103616	HOSE - draper motor, 21' header, except pressure to left motor	3	
	103677	HOSE - draper motor, 25' header, except pressure to left motor	3	
	153972	HOSE - draper motor, 30' 973 header, except pressure to left motor	3	
	135344	HOSE - draper motor, 36' 973 header, except pressure to left motor	3	
	135283	HOSE - draper motor, 39' 973 header, except pressure to left motor	3	
4	30558	FITTING - union, 5/8 tube, 973 Headers only.....	2	
5	158165	HOSE - draper motor pressure, 21' header	1	
	135347	HOSE - draper motor pressure, 25' header	1	
	135346	HOSE - draper motor pressure, 30' 973 header	1	
	135348	HOSE - draper motor pressure, 36' 973 header	1	
	158036	HOSE - draper motor pressure, 39' 973 header	1	
6	153979	HOSE - draper motor, 30' 974 header	2	
	153980	HOSE - draper motor, 36' 974 header, left side	2	
7	153979	HOSE - draper motor, 30' 974 header	2	
	153973	HOSE - draper motor, 36' 974 header, right side	2	
8	102437	HOSE - across opening from left motor, 973 Headers	1	
9	153979	HOSE - across opening, return from right motor, 973 Headers.....	1	
10	153974	HOSE - across opening, 974 Headers	2	
11	135190	SEAL - edge trim, 21' & 25' Headers.....	2	
	101137	SEAL - edge trim, 30 & 36' 973 Headers.....	2	
12	153977	HOSE - case drain, 30' 974 Header	1	
	153975	HOSE - case drain, 36' 974 Header	1	
13	103685	HOLDER - hose	2 / 5	
14	103738	CLIP - insulated, two-hose: right hand side	see note (1)	
17	50104	FITTING - male 90° elbow, 3/8 tube x 7/16 O-ring	1	
	50223	O-RING - for 7/16 fitting		
18	158168	HOSE - case drain, 21' header	1	
	153977	HOSE - case drain, 25' header	1	
	153975	HOSE - case drain, 30' 973 Header	1	
	135345	HOSE - case drain, 36' 973 Header	1	
	135284	HOSE - case drain, 39' 973 Header	1	
19	158172	SPACER - tube	1 / 2	
20	118084	FITTING - reducing adapter, 5/8 tube x 3/8 tube	1	
21	30857	FITTING - swivel branch tee, 5/8 tube	1	
22	153971	HOSE - return, to adapter valve block	1	
24	50022	CLIP - insulated, three-hose: left hand side.....	see note (2)	
A	21484	BOLT - round head, square neck, 3/8 NC x 1-1/2 inch		
B	30228	NUT - lock, smooth flange, 3/8 NC distorted thread		
C	21593	BOLT - hex head, 3/8 NC x 4 inch		
E	21863	BOLT - round head, short square neck, 3/8 NC x 3/4 inch		
F	21975	BOLT - flange head, 3/8 NC x 1 inch		
G	18598	WASHER - flat, 3/8 inch I.D.		

NOTES: 1. Quantities for item 14: 21' = 4, 25' = 5, 30' 973 = 7, 36' 973 = 7, 39' 973 = 8, 30' 974 = 5, 36' 974 = 6
 2. Quantities for item 24: 21' = 2, 25' = 3, 30' 973 = 4, 36' 973 = 5, 39' 973 = 5, 30' 974 = 5, 36' 974 = 6

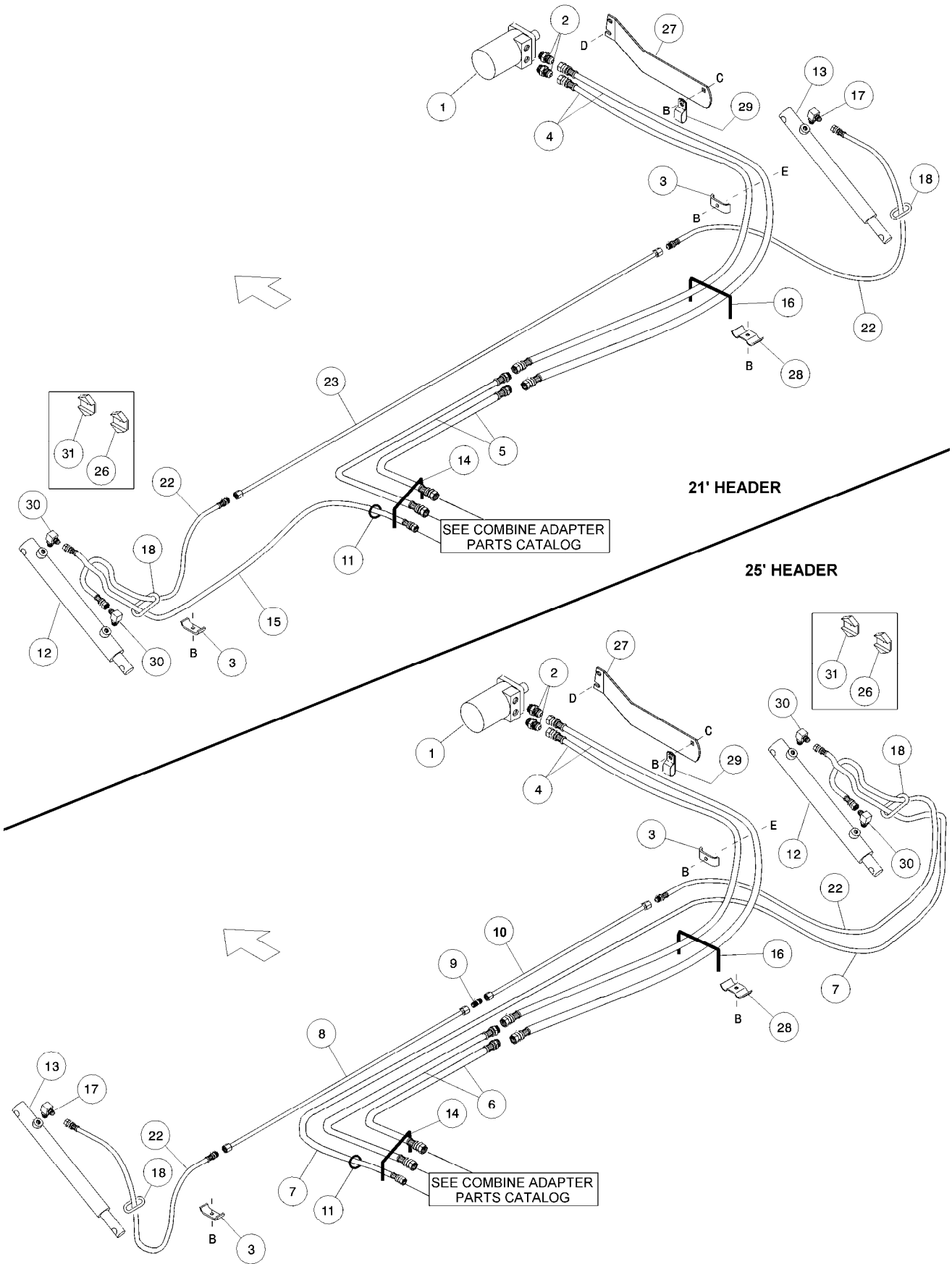
DRAPER DRIVE – THREE-DECK 36' & 39' 973 HEADERS



**DRAPER DRIVE – THREE-DECK
36' & 39' 973 HEADERS**

REF	PART NUMBER	DESCRIPTION	QTY 36' / 39'	SERIAL NUMBER
1	114319	MOTOR - draper drive, with key.....	3	
	2149	KEY - Woodruff, 1/4 x 1 inch - for hydraulic motor		
	123314	SEAL KIT - for hydraulic motor		
2	30695	FITTING - adapter, 5/8 tube x 7/8 O-ring.....	6	
	44210	O-RING - for 7/8 O-ring fitting		
3	103677	HOSE – draper motor, R/H inboard.....	2	
4	30558	FITTING - union, 5/8 tube.....	2 / 3	
5	135348	HOSE – draper motor pressure, 36' 973 Header	1	
	158036	HOSE – draper motor pressure, 39' 973 Header	1	
8	102437	HOSE – across opening from left motor, 973 Headers	1	
9	153979	HOSE – across opening, return from right motor, 973 Headers.....	1	
11	101137	SEAL – edge trim	2	
13	103685	HOLDER – hose.....	2	
14	103738	CLIP – insulated, two-hose: right hand side	19	
17	50104	FITTING – male 90° elbow, 3/8 tube x 7/16 O-ring	1	
	50223	O-RING – for 7/16 fitting		
18	135345	HOSE – case drain, 36' 973 Header	1	
	135284	HOSE – case drain, 39' 973 Header	1	
19	158172	SPACER – tube	1	
20	118084	FITTING – reducing adapter, 5/8 tube x 3/8 tube	1	
21	30857	FITTING – swivel branch tee, 5/8 tube	1	
22	153971	HOSE – return, to adapter valve block	1	
24	50022	CLIP – insulated, three-hose: left hand side.....	5	
26	135344	HOSE – left draper motor return, 36' 973 Header	1	
	135283	HOSE – left draper motor return, 39' 973 Header	1	
27	158036	HOSE – right outboard motor to reel drive motor return, 36' 973 Header	1	
	37134	HOSE – right outboard motor to reel drive motor return, 39' 973 Header	1	
28	135291	HOSE – right outboard motor to combine return, 36' 973 Header	1	
	135292	HOSE – right outboard motor to combine return, 39' 973 Header	1	
A	21484	BOLT - round head, square neck, 3/8 NC x 1-1/2 inch		
B	30228	NUT - lock, smooth flange, 3/8 NC distorted thread		
C	21593	BOLT - hex head, 3/8 NC x 4 inch		
E	21863	BOLT - round head, short square neck, 3/8 NC x 3/4 inch		
F	21975	BOLT – flange head, 3/8 NC x 1 inch		
G	18598	WASHER – flat 3/8 ID		

2-ARM REEL LIFT & REEL DRIVE HYDRAULICS



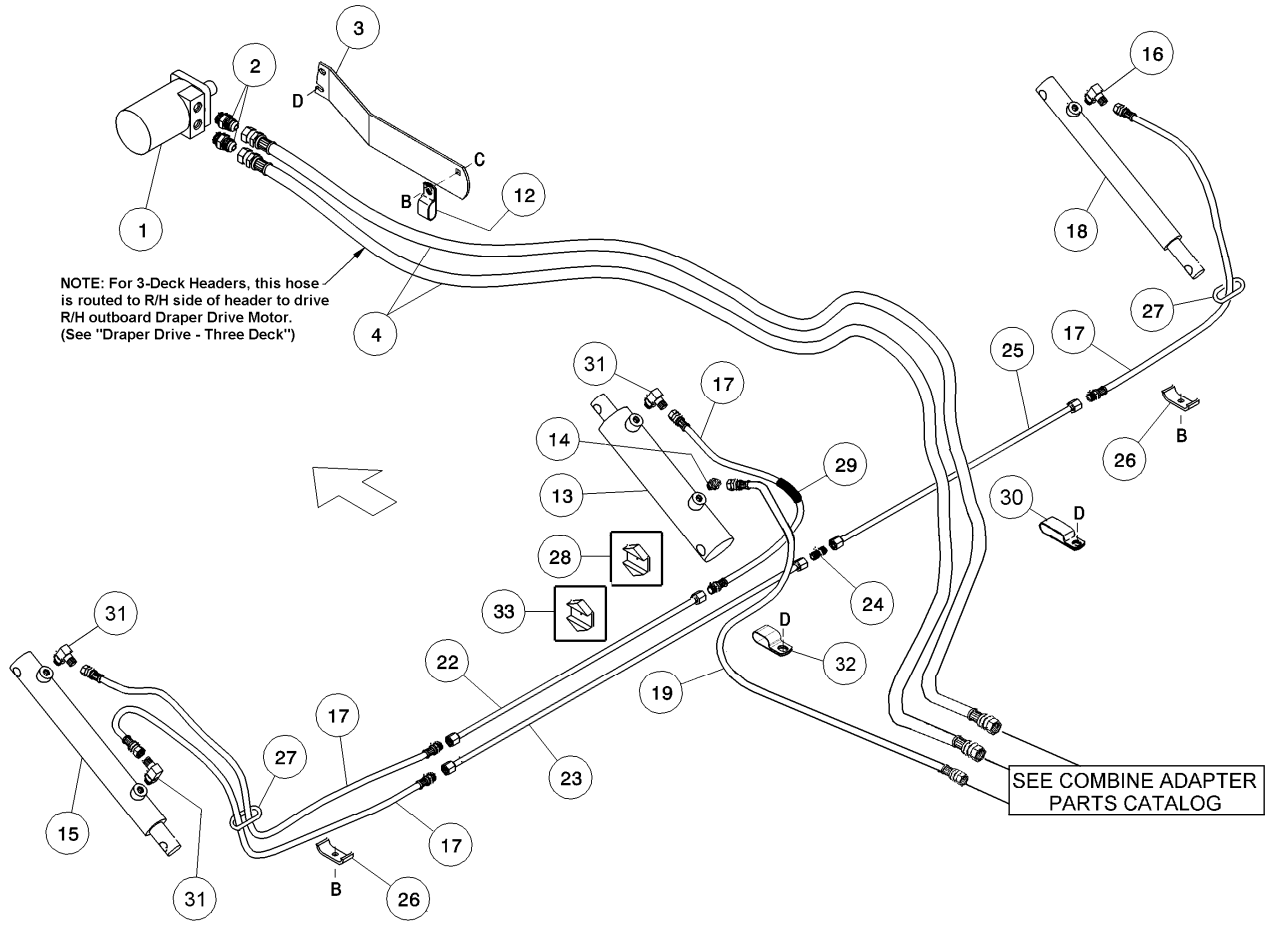
**2-ARM REEL LIFT &
REEL DRIVE HYDRAULICS**

REF	PART NUMBER	DESCRIPTION	QTY	SERIAL NUMBER
1	43011	MOTOR - reel drive, with key	1	
	2149	KEY - Woodruff, 1/4 x 1 inch, for hydraulic motor		
	123314	SEAL KIT - for hydraulic motor (was 101670)		
2	30695	FITTING - adapter, 7/8 O-ring x 5/8 tube.....	2	
	44210	O-RING - for 7/8 fitting		
3	32225	HOLDER - hose.....	3	
4	102437	HOSE - reel drive, to motor	2	
5	135343	HOSE - reel drive, to left side of opening - 21' Header	2	
6	135342	HOSE - reel drive, to left side of opening - 25' Header	2	
7	153985	HOSE - reel lift, pressure to right cylinder - 25' Header	1	
8	103391	LINE - hydraulic, reel lift, left side - 25' Header	1	
9	30375	FITTING - union, 3/8 tube - 25' Header	1	
10	41906	LINE - hydraulic, reel lift, right side - 25' Header	1	
11	113767	SEAL - edge trim	1	
12	129525	CYLINDER - double acting, reel lift, see note 2	1	
	118157	SEAL KIT - for cylinder	1	
13	29168	CYLINDER - single acting, reel lift.....	1	
	21495	SEAL KIT - for cylinder 29168		
14	135190	SEAL - edge trim	1	
15	158037	HOSE - reel lift, pressure to left cylinder - 21' Header	1	
16	135191	SEAL - edge trim	1	
17	30282	FITTING - elbow, 90° - 3/8 tube x 9/16 O-ring, qty for SN 166902 and below = 3	1	
	50219	O-RING - for 9/16 fitting		
18	42634	CONDUIT - hose protector	2	
22	103392	HOSE - from double acting & to single acting	2	
23	103583	LINE - hydraulic, reel lift - 21' Header	1	
26	16568	RESTRICTOR - flow (to slow reel lift & drop rate, install in top port of item 12) ...	1	-166902
27	103398	BAR - hose support	1	
28	103685	HOLDER - hose..... 21' = 2, 25' = 3		
29	103738	CLIP - insulated	1	
30	30283	FITTING - elbow, 90°, 3/8 tube x 3/4 O-ring	2	166903-
	44209	O-RING - for 3/4 fitting		
31	117361	RESTRICTOR - flow, 2.5 mm orifice, included with 129525 cylinder	1	166903 -
B	30228	NUT - lock, smooth flange, 3/8 NC distorted thread		
C	100456	BOLT - round head, short square neck, 3/8 NC x 1 inch		
D	101898	BOLT - hex head, 3/8 x 5/8 thread rolling		
E	21484	BOLT - round head, square neck, 3/8 x 1-1/2 inch		

NOTES:

1. Reel lift and drive couplers will vary according to application. See Combine Adapter Parts Catalog for different combine completion packages.
2. For units with serial no. 166902 and below, when replacing master reel lift cylinder (item 12), also order 3/4 O-ring fittings kit 129530.

3-ARM REEL LIFT & REEL DRIVE HYDRAULICS

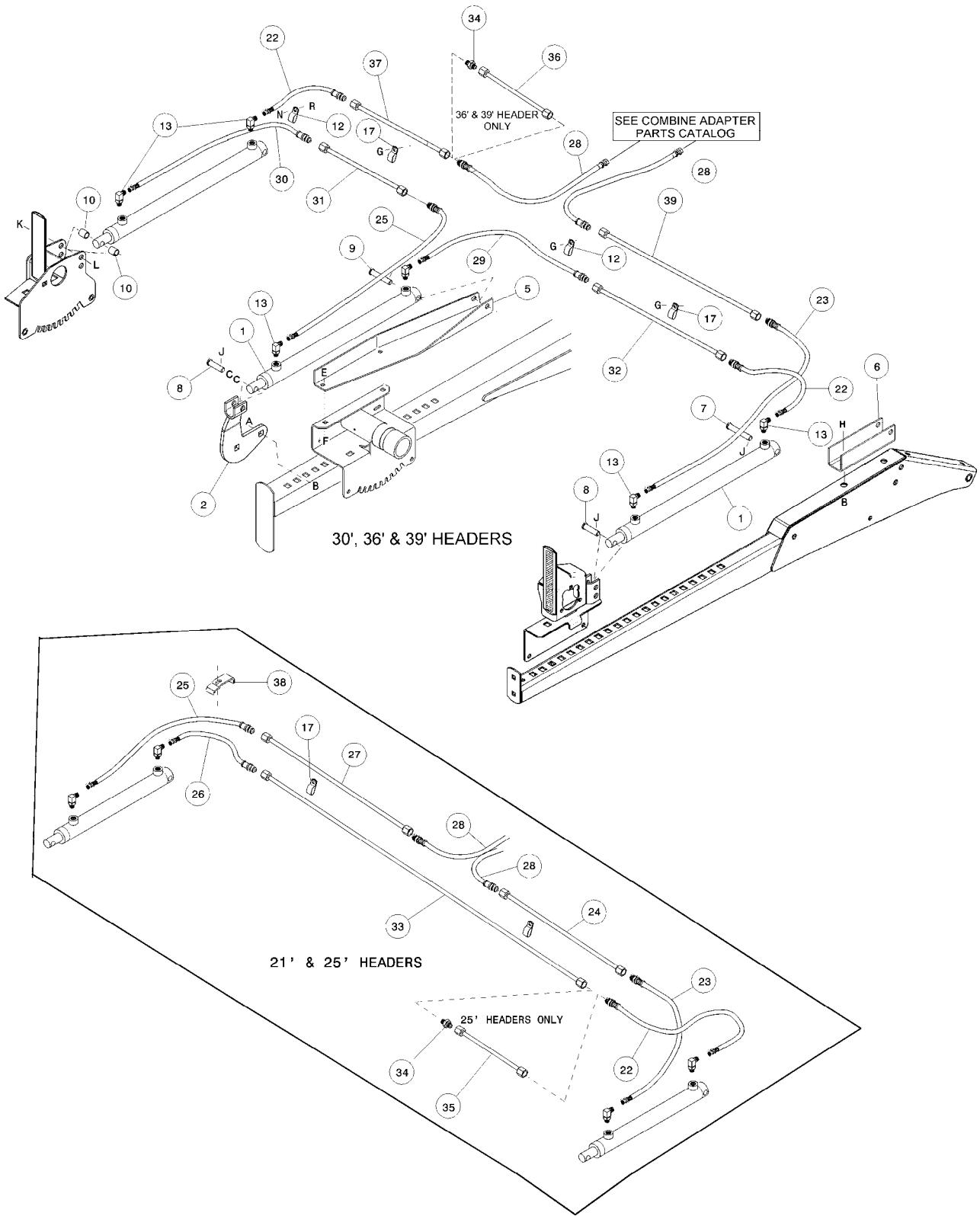


**3-ARM REEL LIFT &
REEL DRIVE HYDRAULICS**

REF	PART NUMBER	DESCRIPTION	QTY	SERIAL NUMBER
1	43011	MOTOR - reel drive, with key	1	
	2149	KEY - Woodruff, 1/4 x 1 inch, for hydraulic motor		
	123314	SEAL KIT - for hydraulic motor (was 101670)		
2	30695	FITTING - adapter, 7/8 O-ring x 5/8 tube.....	2	
	44210	O-RING - for 7/8 fitting		
3	103398	BAR - hose support	1	
4	102437	HOSE - reel drive	2	
12	103738	CLIP - insulated, 2 hose	2	
13	129524	CYLINDER - double acting, center reel lift, see note 3.....	1	
	113835	SEAL KIT - for center cylinder		
	118474	PISTON - for center cylinder (also order seal kit above)		
14	15903	FITTING - adapter, 3/8 tube x 9/16 O-ring.....	1	-166902
	50219	O-RING - for 9/16 fitting		
	21804	FITTING - adapter, 3/8 tube x 3/4 O-ring.....	1	166903-
	44209	O-RING - for 3/4 fitting		
15	129525	CYLINDER - double acting, L/H reel lift, see note 3.....	1	
	118157	SEAL KIT - for L/H cylinder		
16	30282	FITTING - elbow, 90° - 3/8 tube x 9/16 O-ring (qty = 4 for 166902 & below)	1	
	50219	O-RING - for 9/16 fitting		
17	103392	HOSE - from double acting & to single acting	4	
18	29168	CYLINDER - single acting, R/H reel lift	1	
	21495	SEAL KIT - for cylinder 29168		
19	31802	HOSE - reel lift, pressure to center cylinder (bottom port).....	1	
22	103391	LINE - hydraulic, center cylinder to left cylinder - 30'	1	
	113071	LINE - hydraulic, center cylinder to left cylinder - 36'	1	
	113862	LINE - hydraulic, center cylinder to left cylinder - 39'	1	
23	43665	LINE - hydraulic, 30' left side	1	
	103583	LINE - hydraulic, 36' left side	1	
	113881	LINE - hydraulic, 39' left side	1	
24	30375	FITTING - union, 3/8 tube	1	
25	103391	LINE - hydraulic, 30' right side	1	
	43665	LINE - hydraulic, 36' right side	1	
	113881	LINE - hydraulic, 39' right side	1	
26	32225	HOLDER - hose	2	
27	42634	CONDUIT - hose protector	2	
28	16568	RESTRICTOR - flow (to slow reel lift & drop rate, install in bottom port of item 13)	1	-166902
29	37881	CONDUIT - hose protector	1	
30	50022	CLIP - insulated, 3 hose	see note 2	
31	30283	FITTING - elbow, 90, 3/8 tube x 3/4 O-ring.....	3	166903-
	44209	O-RING - for 3/4 fitting		
32	43848	CLIP - hose	1	
33	117361	RESTRICTOR - flow, 2.5 mm orifice, incl. with 129524/129525 cyl's. ...	1	166903-
B	30228	NUT - lock, smooth flange, 3/8 NC distorted thread		
C	100456	BOLT - round head, short square neck, 3/8 NC x 1 inch		
D	101898	BOLT - hex head, 3/8 x 5/8 inch, thread rolling		

- NOTES:
1. Reel lift and drive couplers will vary according to application. See Combine Adapter Parts Catalog for different combine completion packages.
 2. Item 30 - Clip 50022: 973 qty = 2, 974 qty = 1
 3. For units with SN 166902 and below, when replacing reel lift cylinders item 13 or 15, also order 3/4 O-ring fittings kit 129530.

HYDRAULIC FORE-AFT REEL POSITIONER – 973 Header FACTORY INSTALLED - SN 156149 & BELOW



**HYDRAULIC FORE-AFT REEL POSITIONER – 973 Header
FACTORY INSTALLED - SN 156149 & BELOW**

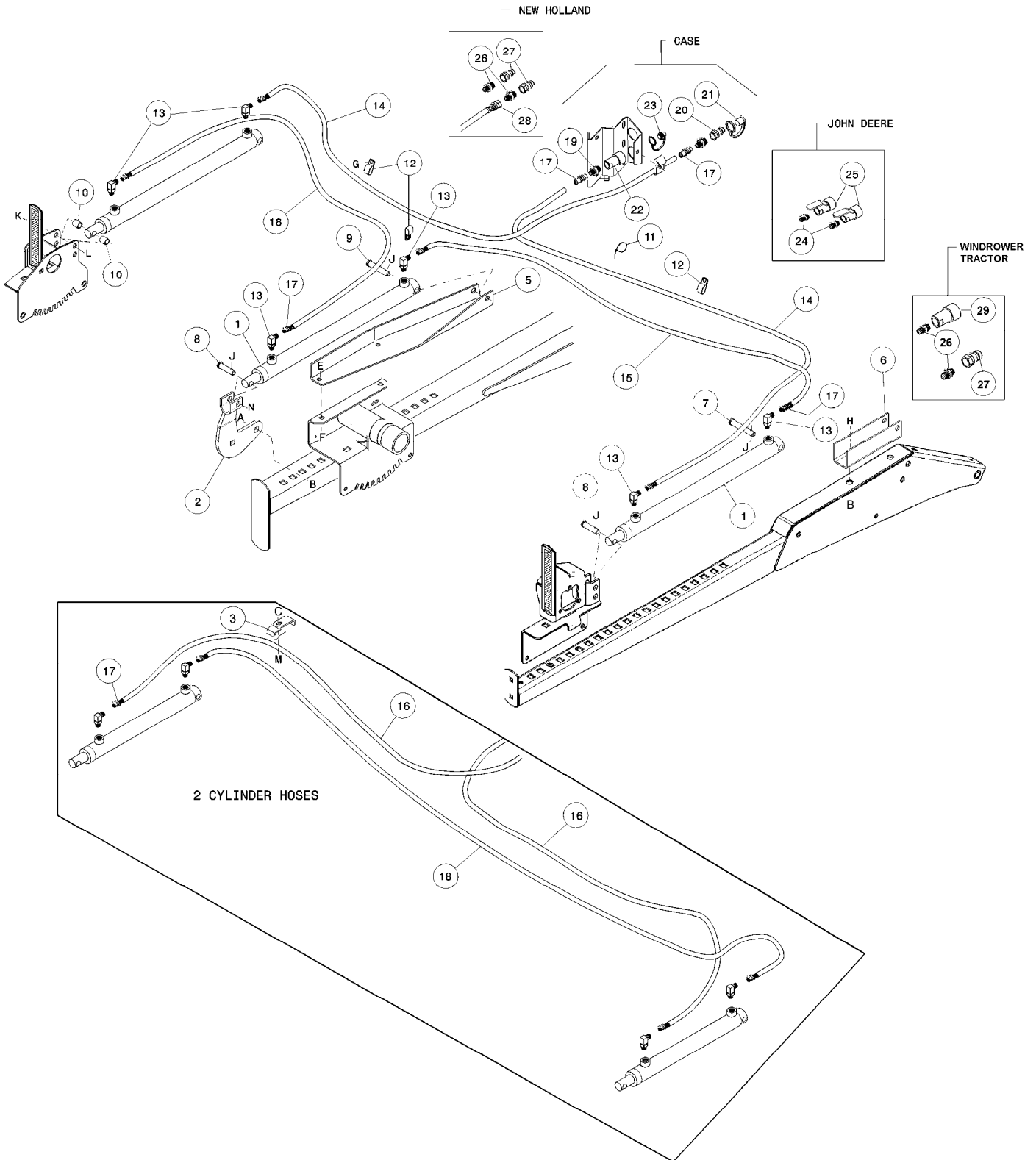
REF	PART NUMBER	DESCRIPTION	QTY		SERIAL NUMBER
			2 ARM	3 ARM	
1	113434	CYLINDER – double acting, reel fore-aft	2	3	
	113435	SEAL KIT – for cylinder			
2	158595	SUPPORT – reel drive arm	1		
5	113449	CHANNEL – reel drive arm	1		
6	117322	LUG – cylinder rear mount, tail arm(s)	1	2	
7	18738	PIN – clevis, 5/8 x 2-1/2 inch effective length	1	2	
8	103879	PIN – clevis, 5/8 x 1-13/16 inch effective length	2		
9	18624	PIN – clevis, 5/8 x 2-3/4 inch effective length	1		
10	7457	SPACER – tube	0	2	
12	43848	CLAMP – hose	see note (1)		
13	30282	FITTING – 90° elbow, 9/16 O-ring x 3/8 tube	4	6	
17	39272	CLIP – hydraulic lines	see note (2)		
22	113875	HOSE – hydraulic	1	2	
23	113877	HOSE – hydraulic	1		
24	113861	LINE – hydraulic, 21' header	1		
	41905	LINE – hydraulic, 25' header	1		
25	36838	HOSE – hydraulic	1		
26	113867	HOSE – hydraulic, 21' and 25' headers	1		
27	113862	LINE – hydraulic, 21' header	1		
	113865	LINE – hydraulic, 25' header	1		
28	36849	HOSE – hydraulic	2		
29	113868	HOSE – hydraulic	0	1	
30	113876	HOSE – hydraulic, 30', 36' & 39' headers	1		
31	103391	LINE - hydraulic, 30' header	1		
	113879	LINE – hydraulic, 36' header	1		
	113881	LINE – hydraulic, 39' header	1		
32	113880	LINE – hydraulic, 30' header	1		
	103583	LINE – hydraulic, 36' header	1		
	135286	LINE – hydraulic, 39' header	1		
33	103583	LINE – hydraulic, 21' header	1		
	103391	LINE – hydraulic, 25' header	1		
34	30375	UNION – hydraulic, 25', 36' & 39' headers	1		
35	41906	LINE – hydraulic, 25' header	1		
36	43664	LINE – hydraulic, 36' header	1		
	113881	LINE – hydraulic, 39' header	1		
37	113881	LINE – hydraulic, 30' header	1		
	103391	LINE – hydraulic, 36' header	1		
	113861	LINE – hydraulic, 39' header	1		
38	113787	CLAMP – hoses, 21' and 25' headers	1		
39	41906	LINE – hydraulic, 30' header	1		
	113878	LINE – hydraulic, 36' header	1		
	135287	LINE – hydraulic, 39' header	1		

NOTES: 1. Quantities for item 12: 21' = 2, 25' = 4, 30' & 36' = 6, 39' = 12
 2. Quantities for item 17: 21' = 6, 25' & 30' = 7, 36' = 10, 39' = 14

- A 18523 BOLT – round head, square neck, 5/8 NC x 1-1/2 inch – (A & B reversed for two-arm assembly.)
- B 50225 NUT – lock, smooth flange, 5/8 NC distorted thread
- C 18600 WASHER – flat, 21/32 inch ID (as required for pin head clearance to reel end shield on 3-arm headers)
- E 50186 NUT – lock, smooth flange, 1/2 NC distorted thread
- F 21868 BOLT – round head, short square neck, 1/2 NC x 1 inch
- G 101898 SCREW – self-tapping, 3/8 x 5/8 inch
- H 21585 BOLT – hex head, 5/8 NC x 1-1/4 inch
- J 18648 PIN – cotter, 3/16 x 1-1/4 inch
- K 19634 BOLT – hex head, 5/8 NC x 4 inch
- L 21941 NUT – hex jam, 5/8 NC distorted thread
- N 21484 BOLT – round head, square neck, 3/8 NC x 1-1/2 inch
- R 30228 NUT – lock, smooth flange, 3/8 NC distorted thread

HYDRAULIC FORE-AFT REEL POSITIONER – 973 Header FIELD INSTALLED - SN 156150 & ABOVE

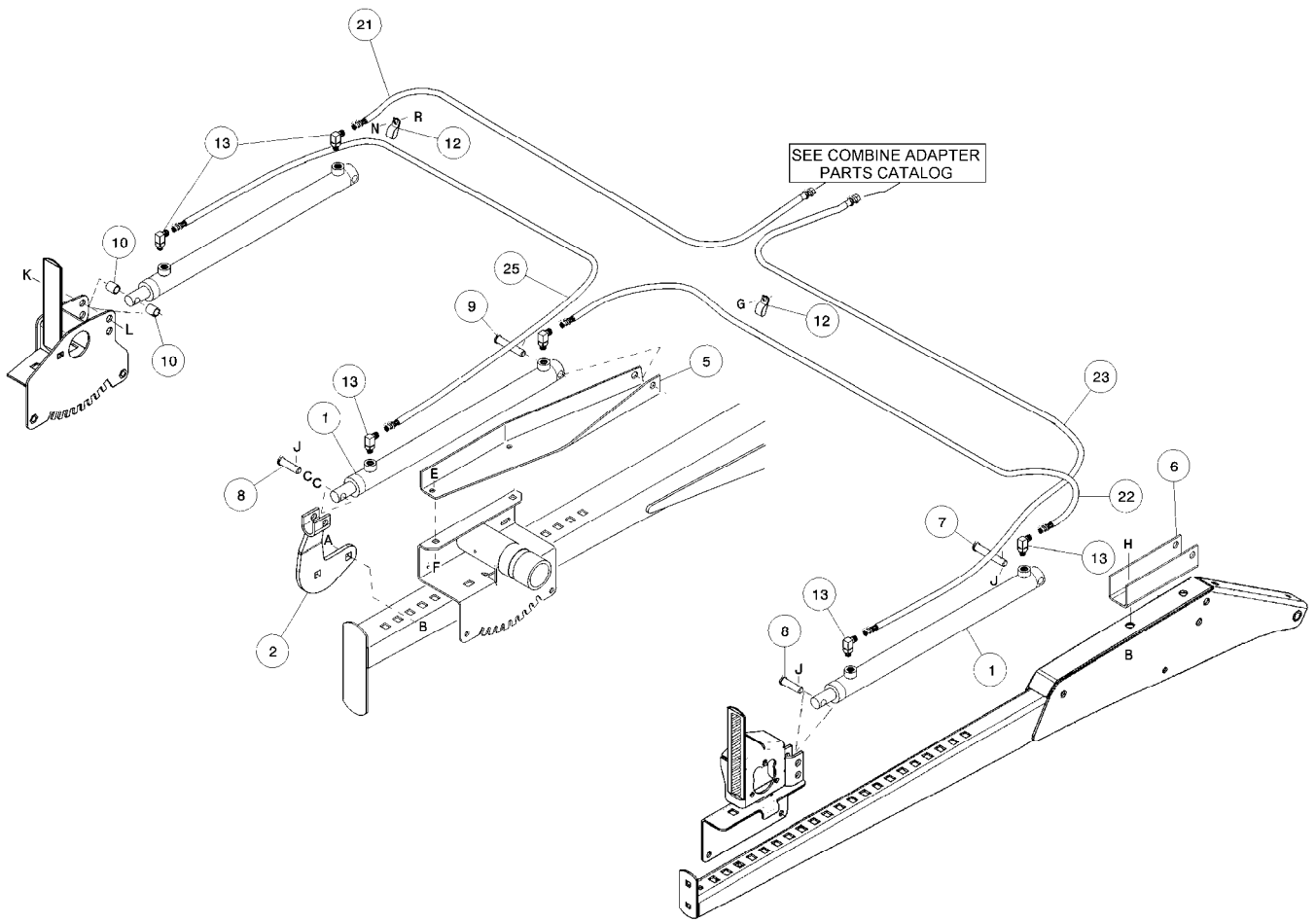
B 4575 – FIELD KIT 21’/25’
B 4576 – FIELD KIT 30’/36’/39’
Kits available through WholeGoods only



**HYDRAULIC FORE-AFT REEL POSITIONER – 973 Header
FIELD INSTALLED - SN 156150 & ABOVE**

REF	PART NUMBER	DESCRIPTION	QTY		SERIAL NUMBER
			2 ARM /	3 ARM	
1	113434	CYLINDER – double acting, reel fore-aft.....	2	3	
	113435	SEAL KIT – for cylinder			
2	158595	SUPPORT – reel drive arm	1		
3	113787	CLAMP	1	0	
5	113449	CHANNEL – reel drive arm	1		
6	117322	CHANNEL	1	2	
7	18738	PIN – clevis, 5/8 x 3-1/4 inch effective length.....	1	2	
8	103879	PIN – clevis, 5/8 x 1-13/16 inch effective length.....	2		
9	18624	PIN – clevis, 5/8 x 2-3/4 inch effective length.....	1		
10	7457	SPACER.....	0	2	
11	30753	FASTENER – cable tie	10	15	
12	43848	HOLDER – hose.....	15	22	
13	30282	FITTING – 90° elbow, 9/16 O-ring x 3/8 tube	4	6	
14	103878	HOSE – hydraulic, 30.5 ft. (9,300 mm), no fitting one end	0	2	
15	100999	HOSE – hydraulic, 26.3 ft (8,000 mm), no fitting one end	0	1	
16	103877	HOSE – hydraulic, 28.2 ft. (8,600 mm), no fitting one end	2	0	
17	101000	FITTING – hose end, 3/8 tube swivel female	3	4	
18	113424	HOSE – hydraulic, 31.8 ft (9,700 mm), no fitting one end	1	1	
CASE					
19	114141	FITTING – male adapter, 3/8 tube x 7/8 O-ring	2		
20	114142	COUPLER – male, 7/8 O-ring	1		
21	114230	CAP – dust	1		
22	114143	COUPLER – female, 7/8 O-ring	1		
	44210	O-RING – for 7/8 fittings			
23	114229	PLUG – dust	1		
JOHN DEERE					
24	15903	FITTING – adapter, 3/8 tube x 9/16 O-ring.....	2		
25	114120	COUPLER – female, with shut-off	2		
NEW HOLLAND					
26	21806	FITTING – adapter, 3/8 tube x 1/2 NPT.....	2		
27	21855	COUPLER – male, 1/2 NPT	2		
28	103392	HOSE – hydraulic	1		
WINDROWER TRACTOR					
26	21806	FITTING – adapter, 3/8 tube x 1/2 NPT.....	2		
27	21855	COUPLER – male, 1/2 NPT	1		
29	21857	COUPLER – female, 1/2 NPT	1		
	50082	O-RING – for 1/2 coupler			
A	18523	BOLT – round head, square neck, 5/8 NC x 1-1/2 inch (A & B reversed for two arm assy.)			
B	50225	NUT – lock, smooth flange, 5/8 NC distorted thread			
C	21484	BOLT – round head, square neck, 3/8 NC x 1-1/2 inch			
E	50186	NUT – lock, smooth flange, 1/2 NC distorted thread			
F	21868	BOLT – round head, short square neck, 1/2 NC x 1 inch			
G	101898	SCREW – self-tapping, 3/8 x 5/8 inch			
H	21585	BOLT – hex head, 5/8 NC x 1-1/4 inch			
J	18648	PIN – cotter, 3/16 x 1-1/4 inch			
K	19634	BOLT – hex head, 5/8 NC x 4 inch			
L	21941	NUT – hex jam, 5/8 NC distorted thread			
M	30228	NUT – hex, flange head, 3/8 NC, distorted thread			
N	18600	WASHER – flat, 21/32 inch ID (as req. for pin head clearance to reel end shield on 3-arm headers)			

HYDRAULIC FORE-AFT REEL POSITIONER – 974 Header



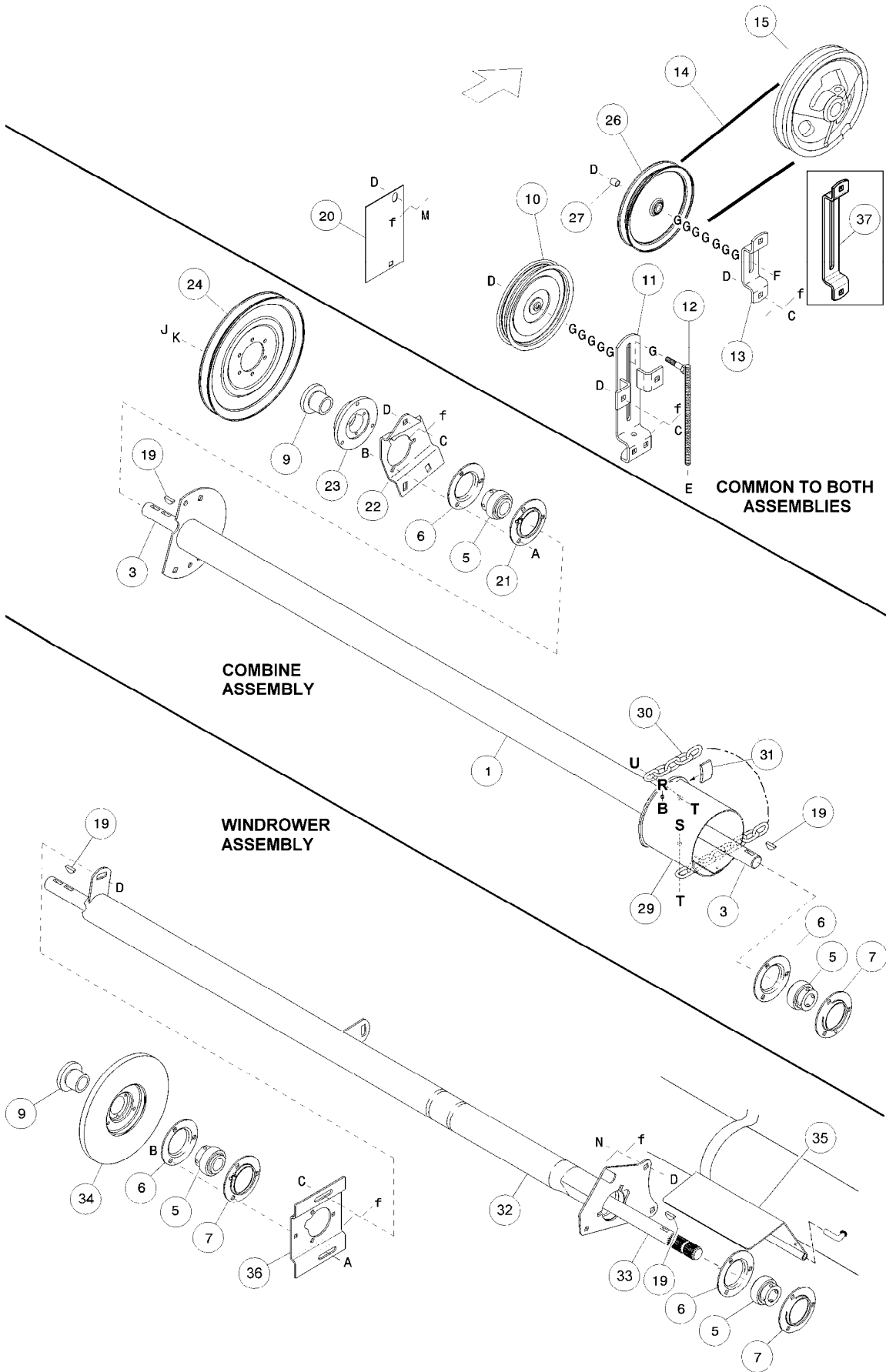
HYDRAULIC FORE-AFT REEL POSITIONER – 974 Header

REF	PART NUMBER	DESCRIPTION	QTY	SERIAL NUMBER
1	113434	CYLINDER – double acting, reel fore-aft.....	3	
	113435	SEAL KIT – for cylinder		
2	158595	SUPPORT – reel drive arm	1	
5	113449	CHANNEL – reel drive arm	1	
6	117322	LUG – cylinder rear mount, tail arms.....	2	
7	18738	PIN – clevis, 5/8 x 2-1/2 inch effective length.....	2	
8	103879	PIN – clevis, 5/8 x 1-13/16 inch effective length.....	2	
9	18624	PIN – clevis, 5/8 x 2-3/4 inch effective length.....	1	
10	7457	SPACER – tube	2	
12	43848	CLAMP – hose	see note (1)	
13	30282	FITTING – 90° elbow, 9/16 O-ring x 3/8 tube	6	
21	158443	HOSE – hydraulic, to right cylinder rear port – 30' Header.....	1	
	121032	HOSE – hydraulic, to right cylinder rear port – 36' Header.....	1	
22	153981	HOSE – hydraulic, to left cylinder rear port – 30' Header.....	1	
	121032	HOSE – hydraulic, to left cylinder rear port – 36' Header.....	1	
23	153983	HOSE – hydraulic, to left cylinder front port – 30' Header.....	1	
	153984	HOSE – hydraulic, to left cylinder front port – 36' Header.....	1	
25	158444	HOSE – hydraulic, center cylinder front port to right cyl. front port – 30'	1	
	100993	HOSE – hydraulic, center cylinder front port to right cyl. front port – 36'	1	

NOTES: 1. Quantities for item 12: 30' = 23, 36' = 26.

A	18523	BOLT – round head, square neck, 5/8 NC x 1-1/2 inch
B	50225	NUT – lock, smooth flange, 5/8 NC distorted thread
C	18600	WASHER – flat, 21/32 inch ID (as required for pin head clearance to reel end shield on 3-arm headers)
E	50186	NUT – lock, smooth flange, 1/2 NC distorted thread
F	21868	BOLT – round head, short square neck, 1/2 NC x 1 inch
G	101898	SCREW – self-tapping, 3/8 x 5/8 inch
H	21585	BOLT – hex head, 5/8 NC x 1-1/4 inch
J	18648	PIN – cotter, 3/16 x 1-1/4 inch
K	19634	BOLT – hex head, 5/8 NC x 4 inch
L	21941	NUT – hex jam, 5/8 NC distorted thread
N	21484	BOLT – round head, square neck, 3/8 NC x 1-1/2 inch
R	30228	NUT – lock, smooth flange, 3/8 NC distorted thread

SINGLE SICKLE DRIVE SHAFT



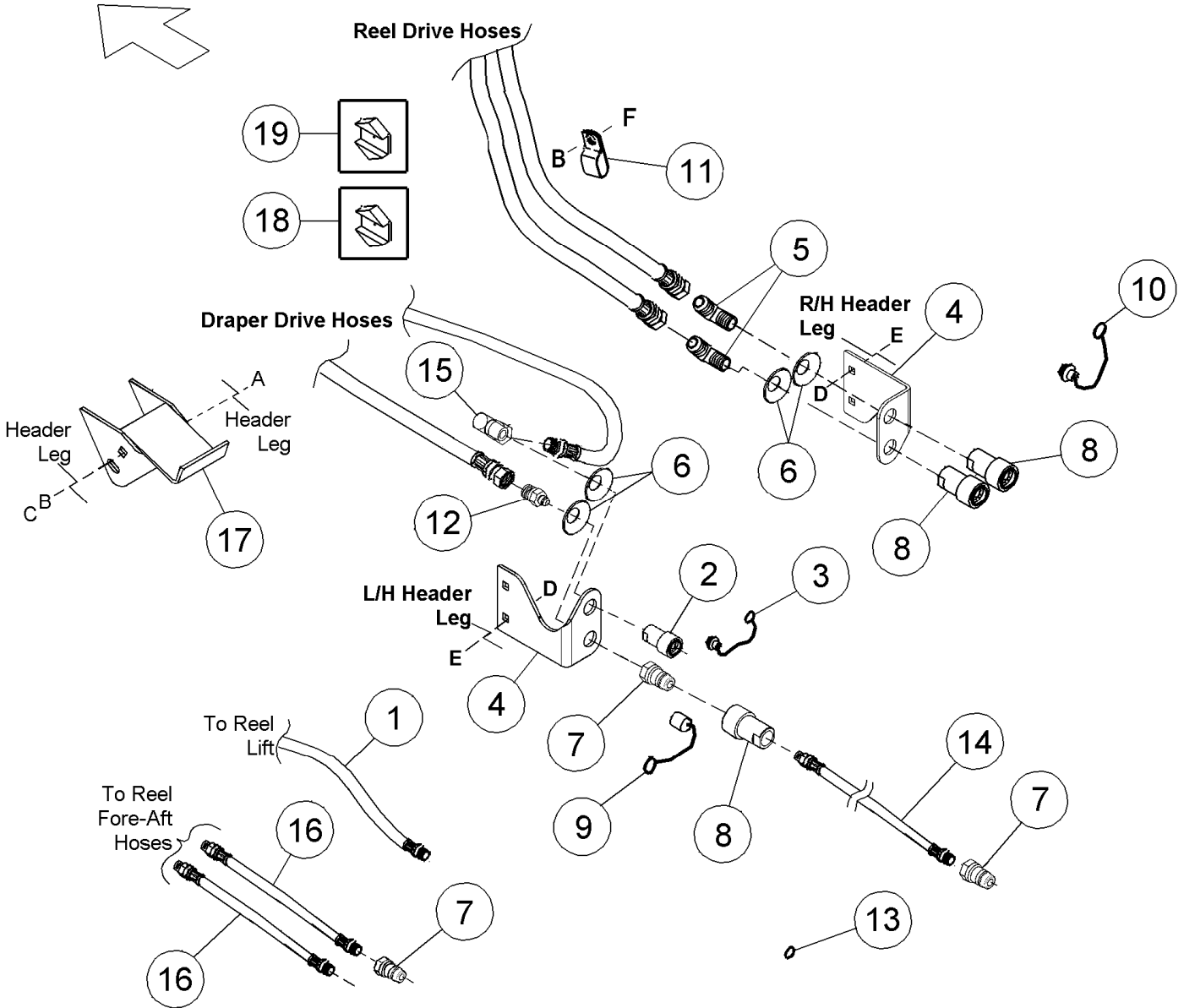
SINGLE SICKLE DRIVE SHAFT

REF	PART NUMBER	DESCRIPTION	QTY	SERIAL NUMBER
1	113871	SUPPORT – drive shaft, 21' header.....	1	
	113872	SUPPORT - drive shaft, 25' header.....	1	
	113873	SUPPORT - drive shaft, 30' header.....	1	
	113874	SUPPORT - drive shaft, 36' header.....	1	
	129105	SUPPORT – drive shaft, 39' header.....	1	
3	100051	SHAFT - drive, 21' header.....	1	
	101047	SHAFT - drive, 25' header.....	1	
	102351	SHAFT - drive, 30' header.....	1	
	102352	SHAFT - drive, 36' header.....	1	
	129102	SHAFT – drive, 39' header.....	1	
5	21936	BEARING - ball, with lock collar.....	2	qty. 3 for 36' & 39'
6	30602	FLANGE - bearing.....	2	
7	30603	FLANGE - bearing, with straight lube fitting.....	1	
9	115074	BUSHING - split taper.....	1	
10	21862	PULLEY - back-side idler, 1/2 inch bore.....	1	
11	100730	BRACKET - rear idler.....	1	
12	100737	ROD - threaded, with welded bolt.....	1	
13	100905	BRACKET - front idler.....	1	
14	114006	BELT - sickle drive.....	1	
15	REF	PULLEY - driven, see "Sickle and Drive", page 29.....	1	
19	11142	KEY - Woodruff, 5/16 x 1-1/8 inch.....	2	
20	102283	PLATE - cover.....	1	
21	21938	FLANGE - bearing, with 45° lube fitting.....	1	
22	102052	SUPPORT - shaft, outboard.....	1	
23	102350	HUB - pulley.....	1	
24	100050	PULLEY - sheet metal, 13 inch O.D. - John Deere, (see note 1 for Case & NH).....	1	
	100042	PULLEY - sheet metal, 11-1/2 inch O.D. – Agco (see note 1 for Case & NH).....	1	
	102836	PULLEY - sheet metal, 9-1/2 inch O.D. – Lexion Combine.....	1	
26	21794	PULLEY – “V” idler, 5/8 inch bore.....	1	
27	103348	BUSHING – idler pulley.....	1	
29	113797	SHIELD – plastic.....	1	
30	113804	CHAIN – shield.....	1	
31	25059	SEAL – sponge.....	2	
32	102285	SUPPORT – drive shaft, 21' header.....	1	
	102286	SUPPORT – drive shaft, 25' header.....	1	
	102287	SUPPORT – drive shaft, 30' header.....	1	
	102288	SUPPORT – drive shaft, 36' header.....	1	
	129151	SUPPORT – drive shaft, 39' header.....	1	
33	102298	SHAFT – drive, 21' header.....	1	
	102299	SHAFT – drive, 25' header.....	1	
	102300	SHAFT – drive, 30' header.....	1	
	102301	SHAFT – drive, 36' header.....	1	
	129342	SHAFT – drive, 39' header.....	1	
34	100039	PULLEY – driven.....	1	
35	100897	SHIELD – drive.....	1	
36	102175	SUPPORT.....	1	
37	117014	SUPPORT – front idler, windrower/combine drive conversion.....	1	

A	19965	BOLT - rnd hd, sq nk, 3/8 NC x 1 inch	K	18637	WASHER - lock, 3/8 inch
B	30228	NUT - lock, smth flng, 3/8 NC, D.T	M	105069	BOLT - rnd hd, sh sq nk, 1/2 NC x 3/4"
C	21868	BOLT - rnd hd, sq nk, 1/2 NC x 1 inch	R	30693	BOLT – flange head, 3/8 NC x 5/8 inch
D	50186	NUT - lock, smth flng, 1/2 NC D.T.	S	21572	BOLT – hex head, 1/4 NC x 5/8 inch
E	18591	NUT - hex, 1/2 NC	T	18724	NUT – lock, 1/4 NC, distorted thread
F	30027	BOLT - rnd hd, sq nk, 1/2 NC x 2-1/4"	U	21566	BOLT – hex head, 1/4 NC x 3/4 inch
G	18599	WASHER - flat, 17/32 inch I.D.			
J	20077	BOLT - hex head, 3/8 NC x 1 inch	~ f	REF	Indicates where hardware passes through frame member.

NOTES: 1. 100050 PULLEY – 13” OD – Used with all headers on John Deere Combines.
 - Used with 974 headers on Case IH, NH CR-CX Combines.
 100042 PULLEY – 11-1/2” OD – Used with all headers on Agco Combines.
 - Used with 973 headers on Case IH, NH CR-CX Combines.
 102836 PULLEY – 9-1/2” OD – Used with all headers on Lexion Combines.

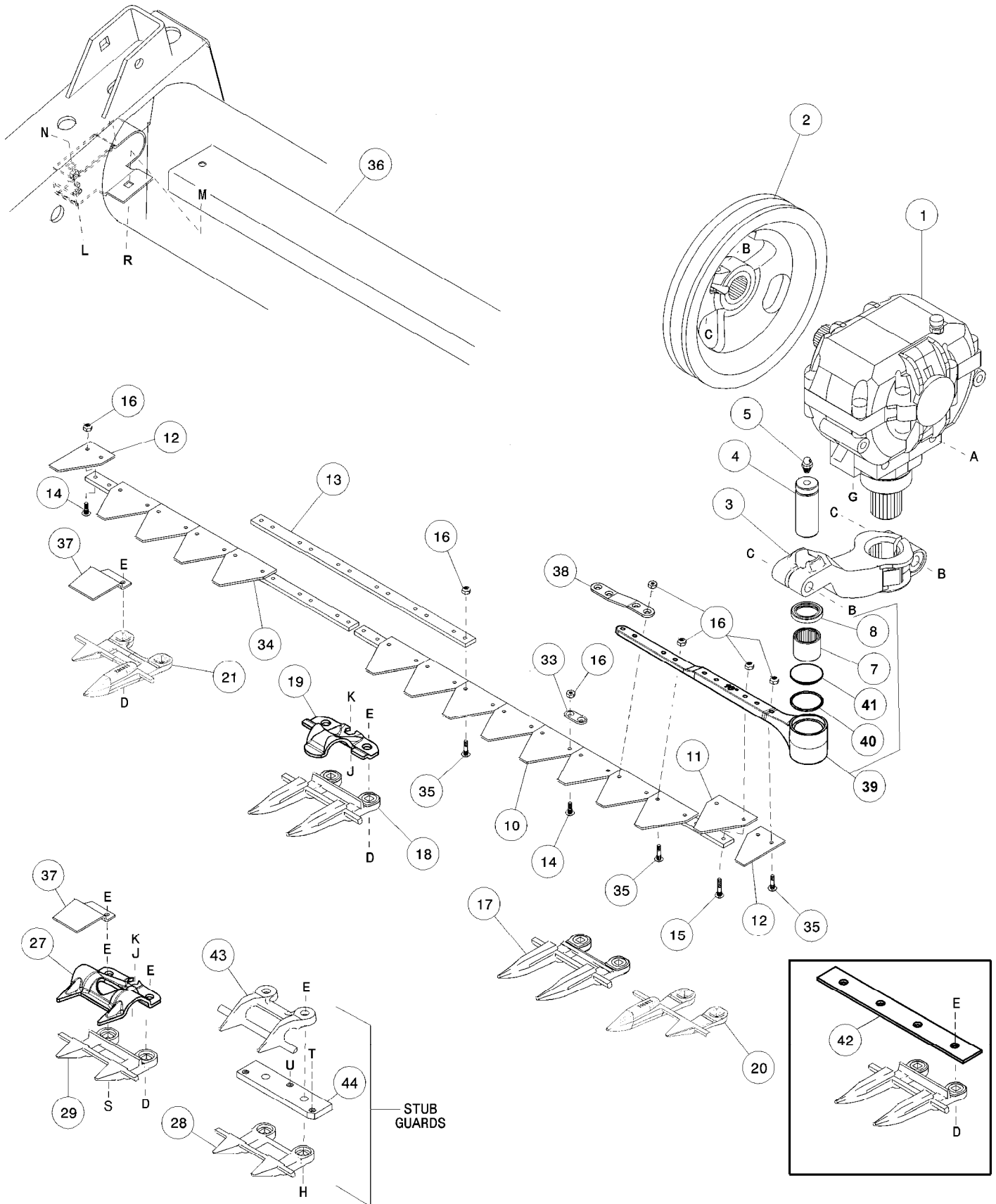
WINDROWER CONVERSION KIT



WINDROWER CONVERSION KIT

REF	PART NUMBER	DESCRIPTION	QTY	SERIAL NUMBER
	B 4672	WINDROWER CONVERSION KIT – 21' 973 Headers		
	B 4673	WINDROWER CONVERSION KIT – 25' 973 Headers		
	B 4674	WINDROWER CONVERSION KIT – 30' 973 Headers		
	B 4675	WINDROWER CONVERSION KIT – 36' 973 Headers		
	B 4676	WINDROWER CONVERSION KIT – 39' 973 Headers		
	NOTE:	(The above bundles include Windrower Assembly components from page 24 and all items below).		
1	47133	HOSE – hydraulic, 3400 mm long, pressure to center cylinder	1	
2	30442	COUPLER – hydraulic, female, 1/4 NPT	1	
	50083	O-RING – for 30442		
3	21876	PLUG – hydraulic.....	1	
4	102707	SUPPORT	2	
5	30553	FITTING – hydraulic, 90° elbow, 5/8 tube x 1/2 NPT.....	2	
6	45153	WASHER – formed.....	4	
7	21855	COUPLER – male, 1/2 NPT	3	
8	21857	COUPLER – female, 1/2 NPT	2	
	50082	O-RING – for coupler 21857		
9	21856	CAP – dust, for male coupler	2	
10	21858	PLUG – dust, for female coupler.....	2	
11	103738	CLAMP – hose	1	
12	21806	FITTING – hydraulic adapter, 3/8 tube x 1/2 NPT	2	
13	44210	O-RING	2	
14	34420	HOSE – hydraulic, 1420 mm long.....	1	
15	50018	FITTING – hydraulic, 90° elbow	1	
16	117353	HOSE – hydraulic	2	
17	117036	ADAPTER	2	
18	16568	RESTRICTOR – flow, 0.052" orifice (to slow reel lift & drop rate, install in bottom port)	1	
19	20988	RESTRICTOR – hydraulic, 0.0935" orifice	1	
A	117028	BOLT – round head, square neck, 5/8 x 6-1/2 inch		
B	18639	WASHER – lock, 5/8 inch ID		
C	18592	NUT – hex, 5/8 NC		
D	21863	BOLT – round head, square neck, 3/8 NC x 1 inch		
E	30228	NUT – lock, smooth flange, 3/8 NC dist thd		

SICKLE AND DRIVE

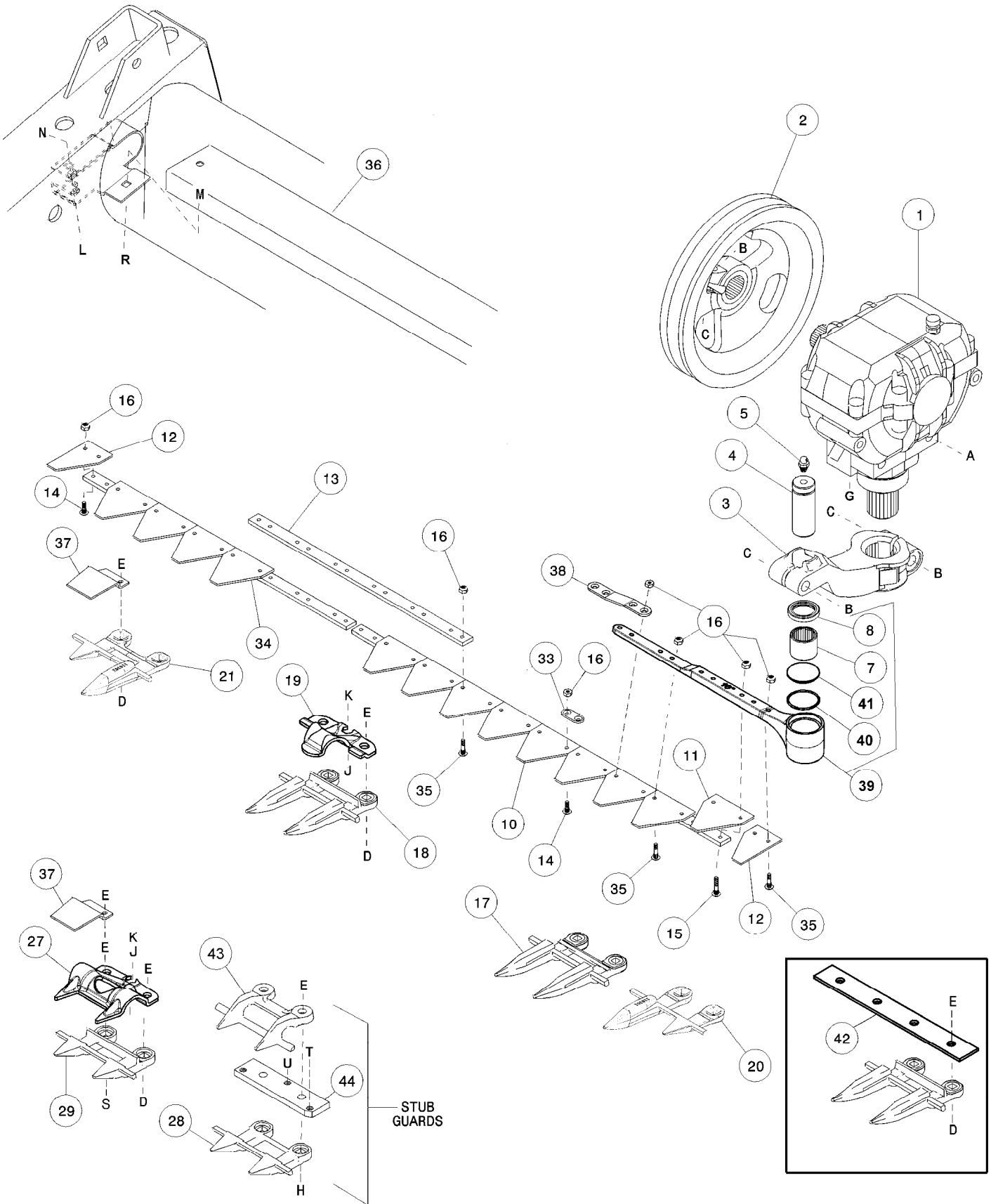


SICKLE AND DRIVE

REF	PART NUMBER	DESCRIPTION	QTY	SERIAL NUMBER
1	100532	DRIVE - sickle, see page 36 for components	1	
2	47832	PULLEY - driven, sickle drive	1	
3	113698	ARM – output.....	1	
4	113229	PIN - sickle head.....	1	
5	21194	FITTING - lubrication, 90°	1	
7	100500	BEARING - needle.....	1	
8	113222	SEAL - sickle head (install with lip facing outward)	1	
10	129361 **	FINE SICKLE ASS'Y - 973 headers: 21' complete, L/H 25', 30', 36' & 39'	1	
	129433 **	COARSE SICKLE ASS'Y – 974 headers: 30' L/H, 36' L/H,	1	
		Includes item 33. See NOTE on page 31 re: complete sickle.		
11	34390	FINE SECTION – sickle, top-serrated– 14 serrations per inch, KONDEX, 973	*	
	118475	FINE SECTION – sickle, top-serrated- 14 serrations per inch, BUSATIS.....	OPT *	
	158516	COARSE SECTION – sickle, top-serrated-9 serrations per inch, 974	*	
		* See note pg. 31 re: qty		
12	34391	SECTION - sickle, half	2	
13	33955	BAR - splice, 25', 30' & 36'.....	1	
14	30696	SCREW - rib neck, #12 NC x 5/8 inch - for sections to sickle back	A/R	
15	30852	SCREW - rib neck, #12 NC x 1-1/8 inch	A/R	
16	30669	NUT - lock, #12 NC distorted thread.....	A/R	
17	118345	SPECIAL SICKLE GUARD – second, third & fourth at drive end	3	
18	118344	SICKLE GUARD - double heat-treated	see note pg. 31 re: qty.	
19	118162	GUIDE - sickle, hold-down, standard guards	see note pg. 31 re: qty.	
20	118301	SPECIAL COMBINATION GUARD - first at L/H end, standard guard hdr.....	1	
21	118302	SPECIAL COMBINATION GUARD – first at R/H end, standard guard hdr	1	
27	118351	GUIDE - sickle, hold-down, stub guards	see note pg. 31 re: qty.	
28	118347	SPECIAL STUB GUARD - first 4 at drive end	4	
29	118346	GUARD - stub.....	see note pg. 31 re: qty.	
33	102876	BAR – reinforcing.....	A/R	
34	43076	FINE SICKLE ASS'Y – right, 25', see NOTE pg. 31, 973 Header.....	1	
	43077	FINE SICKLE ASS'Y – right, 30', see NOTE pg. 31, 973 Header.....	1	
	43078	FINE SICKLE ASS'Y – right, 36', see NOTE pg. 31, 973 Header.....	1	
	129100	FINE SICKLE ASS'Y – right, 39', see NOTE pg. 31, 973 Header.....	1	
	158680	COARSE SICKLE ASS'Y – right 30', see NOTE pg. 31, 974 Header.....	1	
	158681	COARSE SICKLE ASS'Y – right, 36', see NOTE pg. 31, 974 Header.....	1	
35	49671	SCREW – rib neck, #12 NC x 0.92 inch	A/R	
36	113584	TUBE – sickle storage, 21'	1	
	113585	TUBE – sickle storage, 25'	1	
	113586	TUBE – sickle storage, 30'	1	
	113587	TUBE – sickle storage, 36'	1	
	129110	TUBE - sickle storage, 39'	1	
37	102918	SHIELD – sickle, right end	1	
38	129329	BAR – reinforcing (was 113941).....	1	
39	153812	HEAD ASSEMBLY – sickle, includes items 7, 8, 40 & 41.....	1	
40	115670	O-RING – sickle head.....	1	
41	113937	PLUG – sickle head	1	
42	158110	BAR – support, cutterbar flex joint (974 flex headers only)	4	
43	34359	GUIDE – sickle, hold down, stub guards (1 st two @ L/H end).....	2	
44	34980	BAR – adjuster, stub guard hold down (1 st two @ L/H end).....	2	
A	100233	BOLT - hex head, 5/8 NC x 1-1/2 inch	J	118193 NUT – lock, flange, 3/8 NC, stainless stl.
B	21583	BOLT - hex head, 5/8 NC x 3 inch	K	118154 BOLT – hex head, 3/8 NC x 5/8", Gr. 8
C	18666	NUT - lock, 5/8 NC distorted thread	L	30228 NUT – lock, smooth flange, 3/8 NC dist. thread
D	8218	BOLT - rmd hd, square neck, 7/16 NC x 1-1/2"	M	21863 BOLT - round hd, short sq neck, 3/8 NC x 3/4"
	21468	BOLT - rmd hd, square neck, 7/16 NC x 1-3/4"	N	21478 BOLT - round hd, square neck, 3/8 NC x 2-1/2"
E	18654	NUT - hex, 7/16 NC	R	21452 NUT – lock, serrated flange, 3/8 NC
G	30809	BOLT – hex head, 5/8 NC x 2 inch	S	21254 BOLT – round head, square neck, 7/16 NC x 2"
H	30862	BOLT – rmd hd, sq nk, 7/16 NC x 2-1/2"		(For item 37 with stub guards).
	21665	BOLT – rmd hd, sq nk, 7/16 NC x 2-3/4"	T	50119 BOLT – hex hd, 3/8 NC x 3/4", stainless stl
			U	50120 BOLT – hex hd, 3/8 NC x 1", stainless stl

** IMPORTANT - Sickles 129361 & 129433 replace prior numbers 49667 & 158679 respectively. The newer sickles have a slightly wider back. To prevent premature failure of components, install 3 of special guard item 17 at positions 2, 3 & 4 and item 20 at position 1.

SICKLE & DRIVE



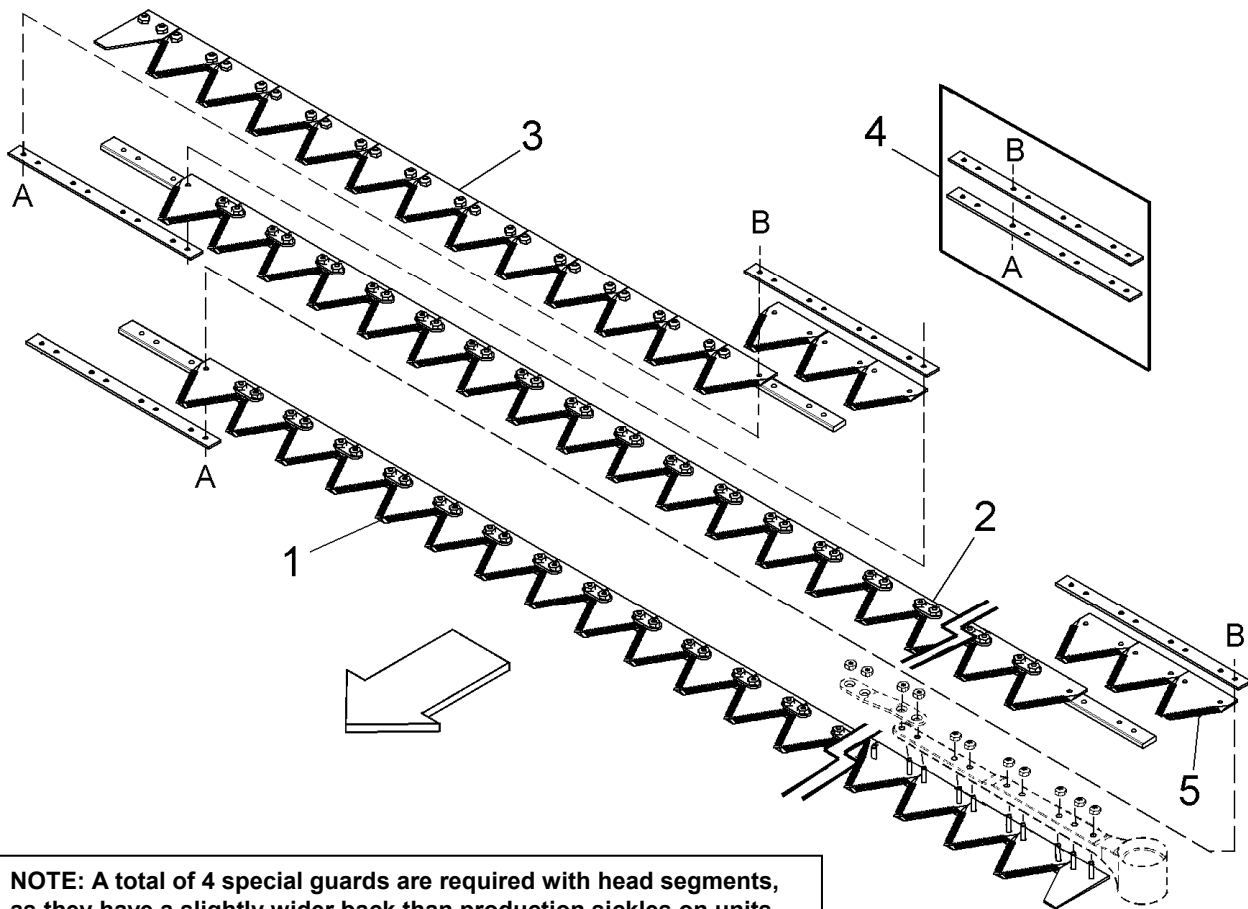
SICKLE AND DRIVE

SECTION / GUARD / HOLD-DOWN QUANTITIES					
	Item 11 – 34390 or 158516	Item18 - 118344	Item 19 - 118162	Item 27 - 118351	Item 29 - 118346
21' 973	83	37	20	40	38
25' 973	99	45	24	48	46
30' 973	119	55	29	58	56
36' 973	143	67	35	N/A	N/A
39' 973	153	72	38	N/A	N/A
30' 974	119	55	27	N/A	N/A
36' 974	143	67	33	N/A	N/A

NOTE: For a complete single sickle, you will need:

21' 973	Item 10	129361	Sickle Assembly	Qty. 1
	Item 12	34391	Section, half *	Qty. 2
	Item 14	30696	Screw, #12 x 5/8 in. (for R/H half section)	Qty. 1
	Item 16	30669	Nut, lock	Qty. 3
	Item 35	49671	Screw, #12 x .92 in.	Qty. 2
Item 38	129329	Bar, reinforcing	Qty. 1	
25' 973	Item 10	129361	Left Sickle Ass'y.	Qty. 1
	Item 11	34390	Section Sickle	Qty. 3
	Item 12	34391	Section, half *	Qty. 1
	Item 13	33955	Bar Splice	Qty. 1
	Item 16	30669	Nut, lock	Qty. 8
	Item 34	43076	Right Sickle Ass'y.	Qty. 1
	Item 35	49671	Screw, #12 x .92"	Qty. 8
	Item 38	129329	Bar, reinforcing	Qty. 1
30' 973	Item 10	129361	Left Sickle Ass'y.	Qty. 1
	Item 11	34390	Section Sickle	Qty. 3
	Item 12	34391	Section, half *	Qty. 1
	Item 13	33955	Bar Splice	Qty. 1
	Item 16	30669	Nut, lock	Qty. 8
	Item 34	43077	Right Sickle Ass'y.	Qty. 1
	Item 35	49671	Screw, #12 x .92"	Qty. 8
	Item 38	129329	Bar, reinforcing	Qty. 1
36' 973	Item 10	129361	Left Sickle Ass'y.	Qty. 1
	Item 11	34390	Section Sickle	Qty. 3
	Item 12	34391	Section, half *	Qty. 1
	Item 13	33955	Bar Splice	Qty. 1
	Item 16	30669	Nut, lock	Qty. 8
	Item 34	43078	Right Sickle Ass'y.	Qty. 1
	Item 35	49671	Screw, #12 x .92"	Qty. 8
	Item 38	129329	Bar, reinforcing	Qty. 1
39' 973	Item 10	129361	Left Sickle Ass'y.	Qty. 1
	Item 11	34390	Section Sickle	Qty. 3
	Item 12	34391	Section, half *	Qty. 1
	Item 13	33955	Bar Splice	Qty. 1
	Item 16	30669	Nut, lock	Qty. 8
	Item 34	129100	Right Sickle Ass'y.	Qty. 1
	Item 35	49671	Screw, #12 x .92"	Qty. 8
	Item 38	129329	Bar, reinforcing	Qty. 1
30' 974	Item 10	129433	Left Sickle Ass'y.	Qty. 1
	Item 11	158516	Section Sickle	Qty. 3
	Item 12	34391	Section, half *	Qty. 1
	Item 13	33955	Bar Splice	Qty. 1
	Item 16	30669	Nut, lock	Qty. 8
	Item 34	158680	Right Sickle Ass'y.	Qty. 1
	Item 35	49671	Screw, #12 x .92"	Qty. 8
	Item 38	129329	Bar, reinforcing	Qty. 1
36' 974	Item 10	129433	Left Sickle Ass'y.	Qty. 1
	Item 11	158516	Section Sickle	Qty. 3
	Item 12	34391	Section, half *	Qty. 1
	Item 13	33955	Bar Splice	Qty. 1
	Item 16	30669	Nut, lock	Qty. 8
	Item 34	158681	Right Sickle Ass'y.	Qty. 1
	Item 35	49671	Screw, #12 x .92"	Qty. 8
	Item 38	129329	Bar, reinforcing	Qty. 1

SEGMENTED SICKLES



NOTE: A total of 4 special guards are required with head segments, as they have a slightly wider back than production sickles on units prior to SN 162250. Install 1 of item 20 (position 1) and 3 of item 17 (positions 2, 3 & 4) from page 29 to prevent premature sickle failure.

SEGMENTED SICKLES

FINE SICKLES – COMPLETE

NOTE: For a complete single sickle, you will need:

21'	Item 1	129000	Left, head seg.	Qty. 1
	Item 2	129002	Center segment	Qty. 1
	Item 3	129004	Right, tail seg.	Qty. 1
	Item 4	129043	MacDon Splice Kit	Qty. 2
	Item 5	34390	Section	Qty. 6

25'	Item 1	129000	Left, head seg.	Qty. 1
	Item 2	129002	Center segment	Qty. 1
	Item 3	129011	Right, tail seg.	Qty. 1
	Item 4	129043	MacDon Splice Kit	Qty. 2
	Item 5	34390	Section	Qty. 6

30'	Item 1	129000	Left, head seg.	Qty. 1
	Item 2	129002	Center segment	Qty. 2
	Item 3	129006	Right, tail seg.	Qty. 1
	Item 4	129043	MacDon Splice Kit	Qty. 3
	Item 5	34390	Section	Qty. 9

36'	Item 1	129000	Left, head seg.	Qty. 1
	Item 2	129002	Center segment	Qty. 3
	Item 3	129010	Right, tail seg.	Qty. 1
	Item 4	129043	MacDon Splice Kit	Qty. 4
	Item 5	34390	Section	Qty. 12

A 129299 SCREW - 90° csk skt hd, #12-24 NC x 0.812"
B 30669 NUT – csk, center lock, #12-24 NC

COARSE SICKLES - COMPLETE

NOTE: For a complete single sickle, you will need:

21'	Item 1	129024	Left, head seg.	Qty. 1
	Item 2	129026	Center segment	Qty. 1
	Item 3	129028	Right, tail seg.	Qty. 1
	Item 4	129043	MacDon Splice Kit	Qty. 2
	Item 5	158516	Section	Qty. 6

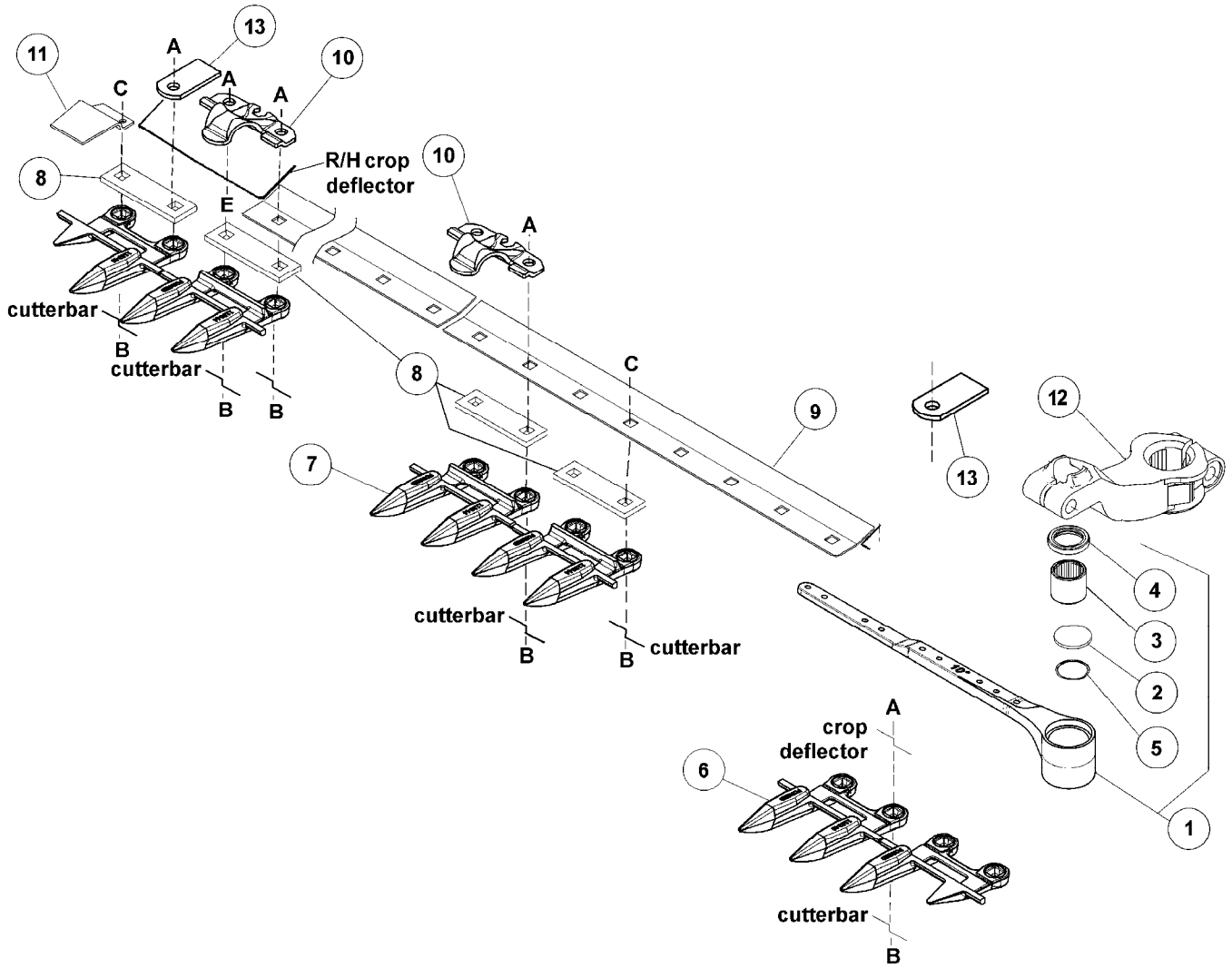
25'	Item 1	129024	Left, head seg.	Qty. 1
	Item 2	129026	Center segment	Qty. 1
	Item 3	129031	Right, tail seg.	Qty. 1
	Item 4	129043	MacDon Splice Kit	Qty. 2
	Item 5	158516	Section	Qty. 6

30'	Item 1	129024	Left, head seg.	Qty. 1
	Item 2	129026	Center segment	Qty. 2
	Item 3	129029	Right, tail seg.	Qty. 1
	Item 4	129043	MacDon Splice Kit	Qty. 3
	Item 5	158516	Section	Qty. 9

36'	Item 1	129024	Left, head seg.	Qty. 1
	Item 2	129026	Center segment	Qty. 3
	Item 3	129030	Right, tail seg.	Qty. 1
	Item 4	129043	MacDon Splice Kit	Qty. 4
	Item 5	158516	Section	Qty. 12

A 129299 SCREW - 90° csk skt hd, #12-24 NC x 0.812"
B 30669 NUT – csk, center lock, #12-24 NC

RAISED SICKLE SPECIAL COMPONENTS



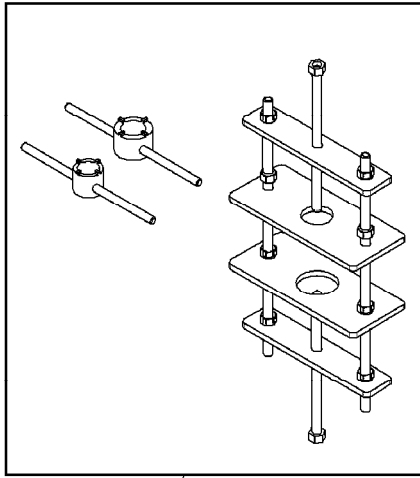
RAISED SICKLE SPECIAL COMPONENTS

REF	PART NUMBER	DESCRIPTION	QTY	SERIAL NUMBER
	B 4670	RAISED SICKLE KIT: 21 & 25' Headers		
	B 4671	RAISED SICKLE KIT: 30', 36' & 39' Headers Kits available through WholeGoods only.		
1	129338	HEAD ASSEMBLY – raised sickle, includes items 2 to 5	1	
2	113937	DISK – sickle head	1	
3	100500	BEARING – needle.....	1	
4	113222	SEAL – sickle head (install with lip facing outward)	1	
5	115670	O-RING – sickle head.....	1	
6	REF	SICKLE END GUARDS (not included).....	see page 28	
7	REF	SICKLE GUARD – double heat treated (not included).....	see page 28	
8	113695	BAR – spacer, for hold-downs.....	see note (1)	
9	113985	PLATE – raised sickle, 595 mm long, left end.....	1	
	113984	PLATE – raised sickle, 912 mm long.....	see note (2)	
	113986	PLATE – raised sickle, 748 mm long, right end.....	see note (3)	
	113987	PLATE – raised sickle, 1053 mm long, right end: 25' only	1	
10	REF	GUIDE – sickle hold-down (not included).....	see page 28	
11	REF	SHIELD – sickle, right end (not included).....	see page 28	
12	REF	ARM – output (not included).....	see page 28	
13	118141	RETAINER – crop deflector.....	2	
A	30867	BOLT – hex head, 7/16 NC x 2 inch		
B	18654	NUT – hex, 7/16 NC		
C	21468	BOLT – round head, square neck, 7/16 NC x 1-3/4 inch		
E	18688	WASHER – flat, 15/32 inch ID		

NOTES:

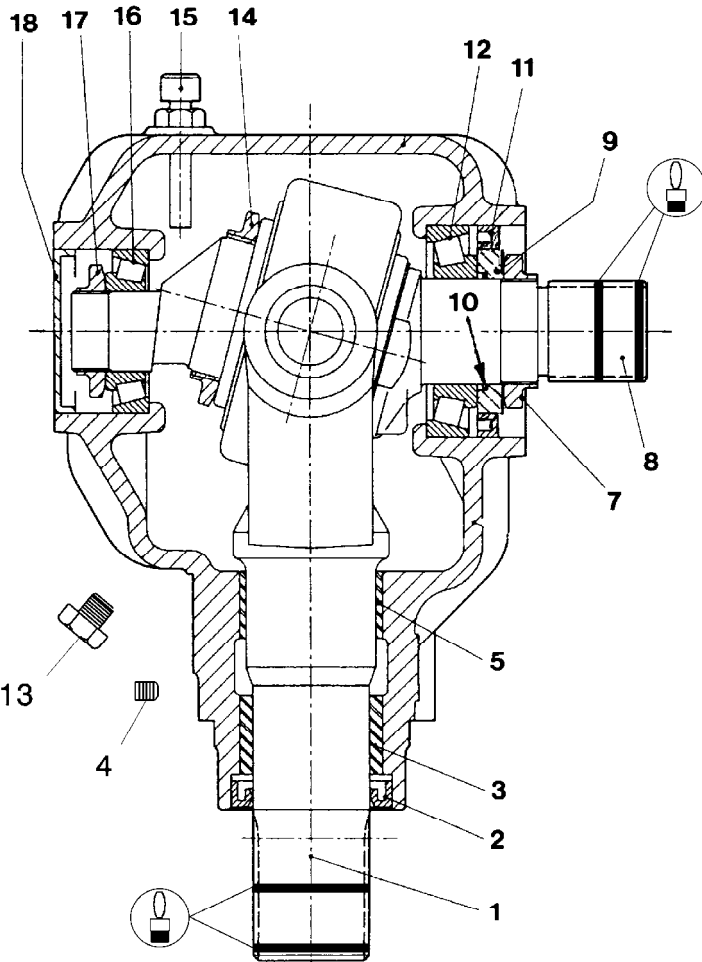
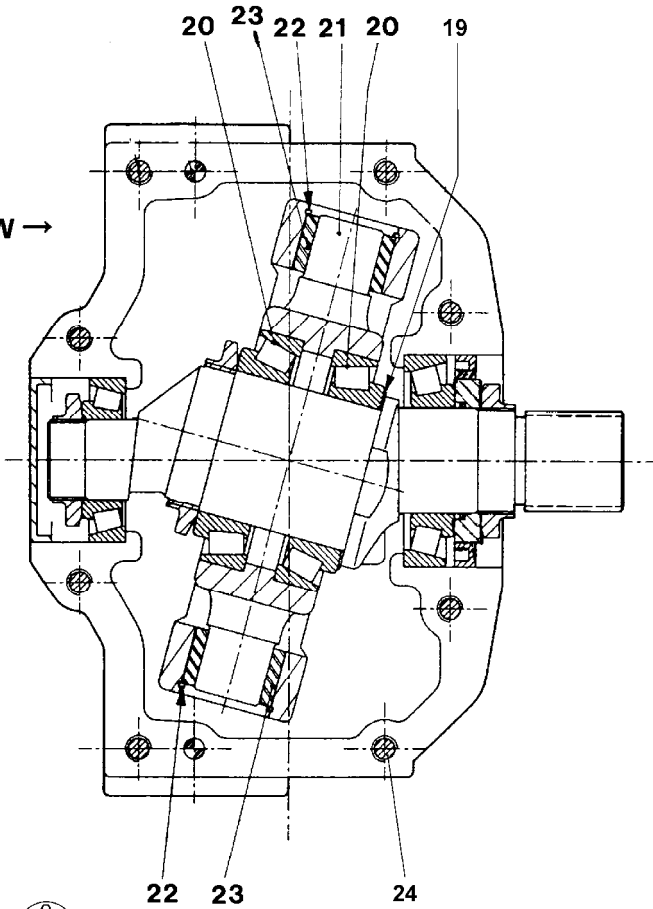
- (1)– Quantities for item 8: 21' = 40, 25' = 48, 30' = 58, 36' = 70, 39' = 75
(2) – Quantities for item 9: (912mm long): 21' = 5, 25' = 6, 30' = 9, 36' & 39' = 10
(3) – Quantities for item 9: (748mm long): 21', 30', 36' = 1, 39'= 2

SICKLE DRIVE BOX



25

TOP VIEW →



← SIDE VIEW

103673

SICKLE DRIVE BOX

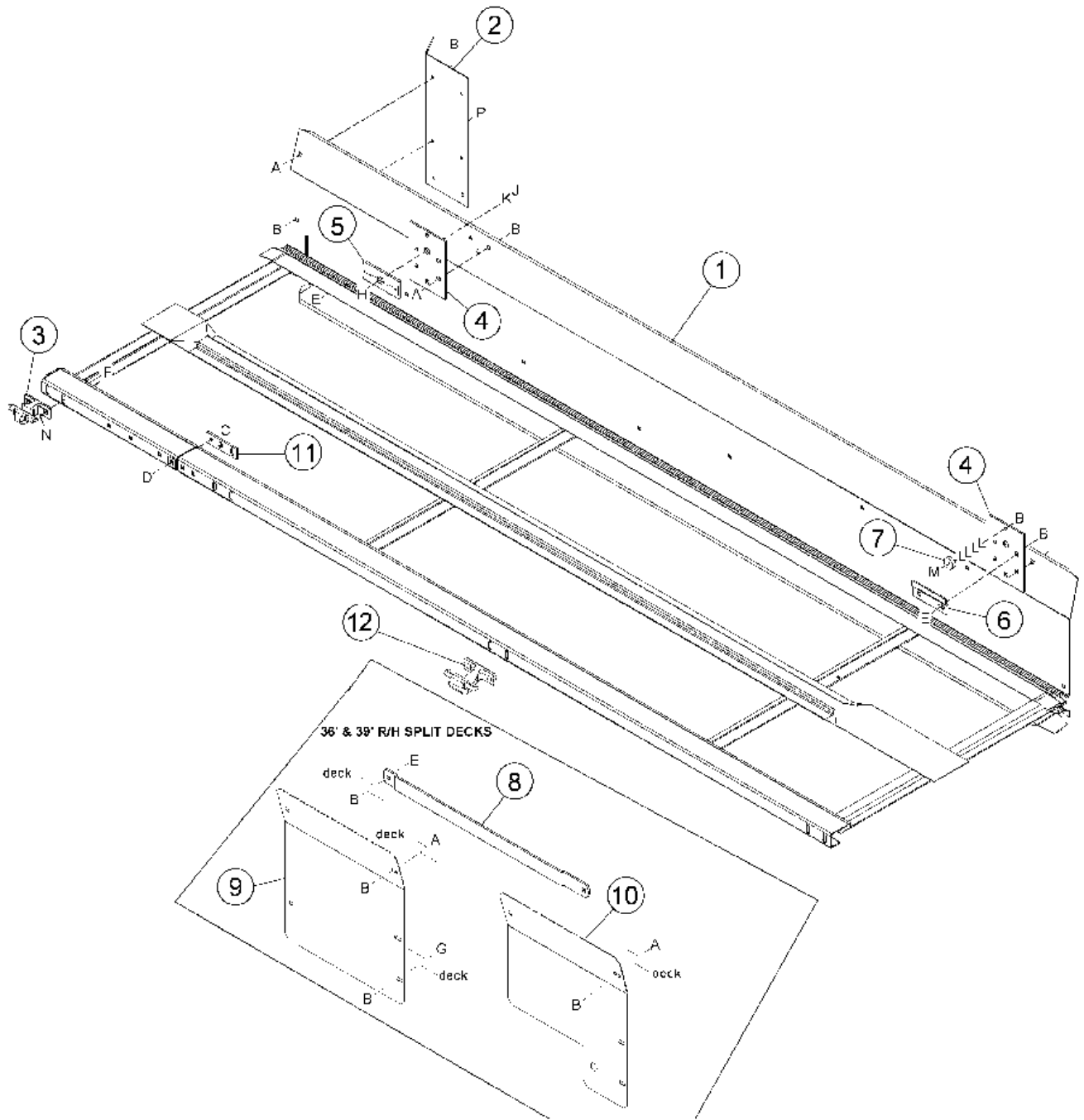
REF	PART NUMBER	DESCRIPTION	QTY	SERIAL NUMBER
	100532	DRIVE - sickle, complete.....	1	
1	100706	YOKE - output	1	
2	100707	SEAL - oil, output shaft.....	1	
3	100708	BUSHING - bronze	1	
4	103565	PLUG - hex socket	2	
5	100726	BUSHING - steel	1	
7	100709	NUT - special	1	
8	100710	SHAFT - input.....	1	
9	102629	SPACER - 60 mm O.D	1	
10	100712	O-RING.....	1	
11	102630	SEAL - oil, input shaft, 60 mm I.D	1	
12	100714	BEARING ASSEMBLY - cup & cone.....	1	
13	103096	PLUG - oil drain	2	
14	100715	NUT - lock, M55 x 2.....	1	
15	100716	BREATHER PLUG - with dipstick.....	1	
16	100717	BEARING ASSEMBLY - cup & cone.....	1	
17	100718	NUT - lock, M30 x 1-1/2.....	1	
18	100719	CAP - dust	1	
19	113152	SHIM - input shaft.....	1	
20	100720	BEARING ASSEMBLY - cup & cone.....	2	
21	100721	PIVOT	1	
22	100722	RING - retaining, internal.....	2	
23	100723	BUSHING - bronze	2	
24	113153	BOLT - socket head, M10 x 50 mm	8	
25	139003	TOOL KIT - sickle drive box disassembly/assembly.....	A/R	

(Refer to Tech Manual for instructions on use)



REF Apply Loctite 243 adhesive or equivalent to splines before assembly.

DRAPER CARRIER DECKS

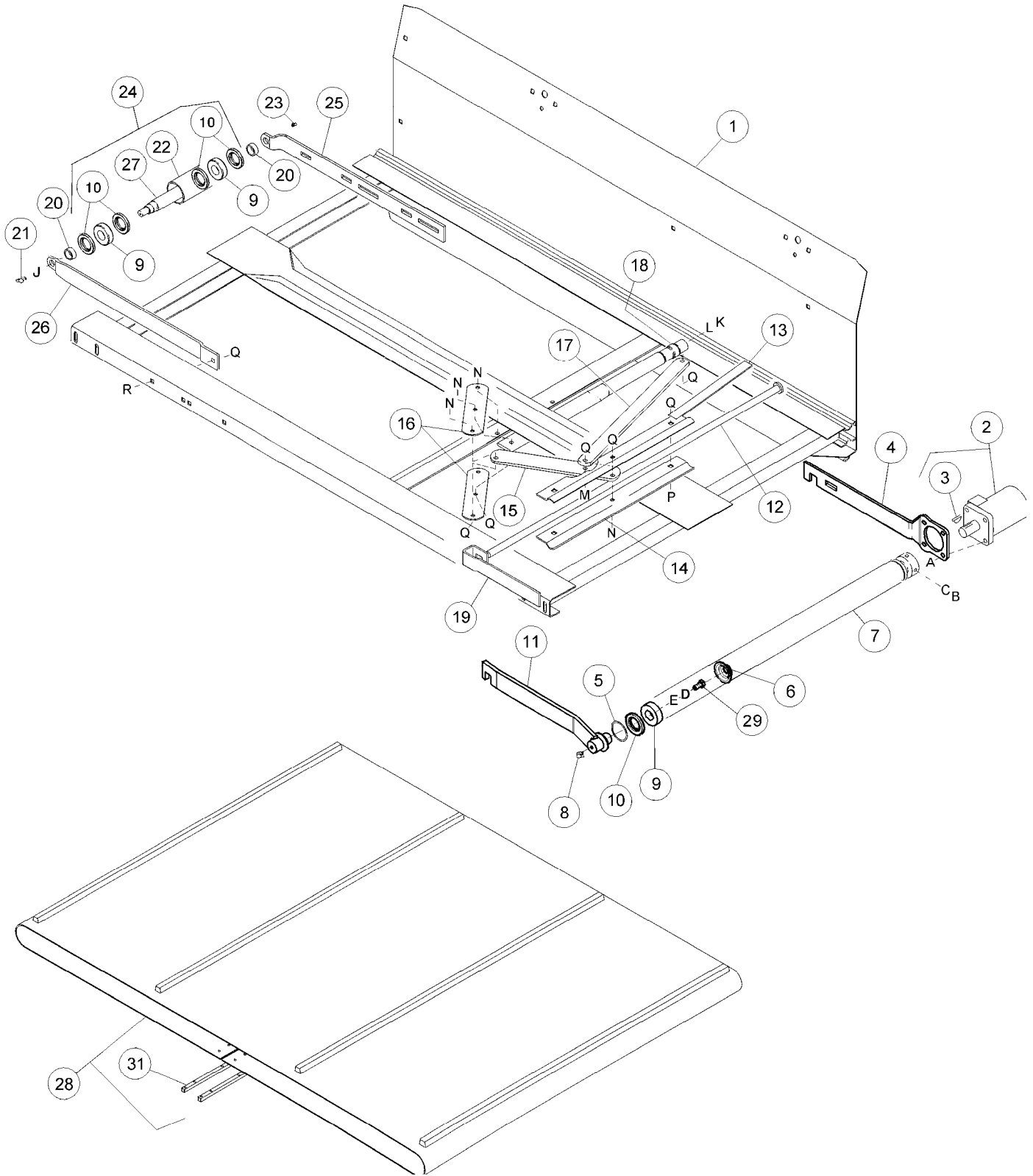


DRAPER CARRIER DECKS

REF	PART NUMBER	DESCRIPTION	QTY	SERIAL NUMBER
1	102936	CARRIER DECK - left, 21' header (shown).....	1	
	102937	CARRIER DECK - left, 25' header.....	1	
	102166	CARRIER DECK - left, 30' 973 header.....	1	
	102167	CARRIER DECK - left, 36' 973 header.....	1	
	129177	CARRIER DECK - left, 39' 973 header.....	1	
	153419	CARRIER DECK - left, 30' 974 header.....	1	
	153212	CARRIER DECK - left, 36' 974 header.....	1	
	102940	CARRIER DECK - right, 21' header	1	
	102941	CARRIER DECK - right, 25' header and right inboard 36' & 39' 973 headers	1	
	102162	CARRIER DECK - right, 30' 973 header	1	
	113087	CARRIER DECK - right outboard, 36' 973/974 header	1	
	129182	CARRIER DECK - right outboard, 39' 973 header	1	
	153404	CARRIER DECK - right, 30' 974 header	1	
	153252	CARRIER DECK - right inboard, 36' 974 header	1	
2	153651	EXTENSION - backsheet, left (shown).....	1	
	153772	EXTENSION - backsheet, right	1	
3	151639	SUPPORT - deck, front	see note (2)	
4	153130	PLATE - deck support, (qty. 7 for 36' & 39' headers)	4	
5	100163	CLAMP - deck, (qty. 4 for 36' & 39' headers)	2	
6	43582	GUIDE - deck	see note (1)	
7	18867	BEARING - ball, (qty. 6 for 36' & 39' headers)	4	
8	113541	BAR - front connecting, 36' & 39' headers with connected R/H decks	1	
9	113542	EXTENSION - backsheet, 36' & 39' headers with connected R/H decks....	1	
10	113668	EXTENSION - backsheet, 36' & 39' header with split R/H decks.....	1	
11	153227	PLATE - (for 30' & 36' flex header only)	2	
12	129913	SUPPORT - front, mid-deck (qty 1 for 36' 974).....	2	
A	21863	BOLT - round head, short square neck, 3/8 NC x 3/4 inch		
B	30228	NUT - lock, smooth flange, 3/8 NC distorted thread.		
C	50186	NUT - lock, smooth flange, 1/2 NC distorted thread		
D	21471	BOLT - round head, square neck, 1/2 NC x 1-1/4 inch		
E	19965	BOLT - round head, square neck, 3/8 NC x 1 inch		
F	21066	BOLT - round head, square neck, 1/2 NC x 1 inch		
G	21567	BOLT - hex head, 3/8 NC x 3/4 inch		
H	18523	BOLT - round head, square neck 5/8 NC x 1-1/2 inch		
J	18592	NUT - hex, 5/8 NC		
K	18639	WASHER - lock, 5/8 inch		
L	18598	WASHER - flat, 13/32 inch I.D.		
M	21264	BOLT - hex head, 3/8 NC x 1-1/4 inch		
N	18697	NUT - lock, 1/2 NC distorted thread		
P	105137	SCREW - machine, torx truss head, 3/8 NC x 1/2 inch		

NOTES: (1) - Quantities for item 6, 43582: 21', 25' & 30' = 2, 36' = 3
(2) - Quantities for item 3, 151639: 21', 25', 30' 973 = 4; 36' & 39' 973 = 5; 30' 974 = 6; 36' 974 = 8

DRAPERS, DRIVE & TIGHTENER



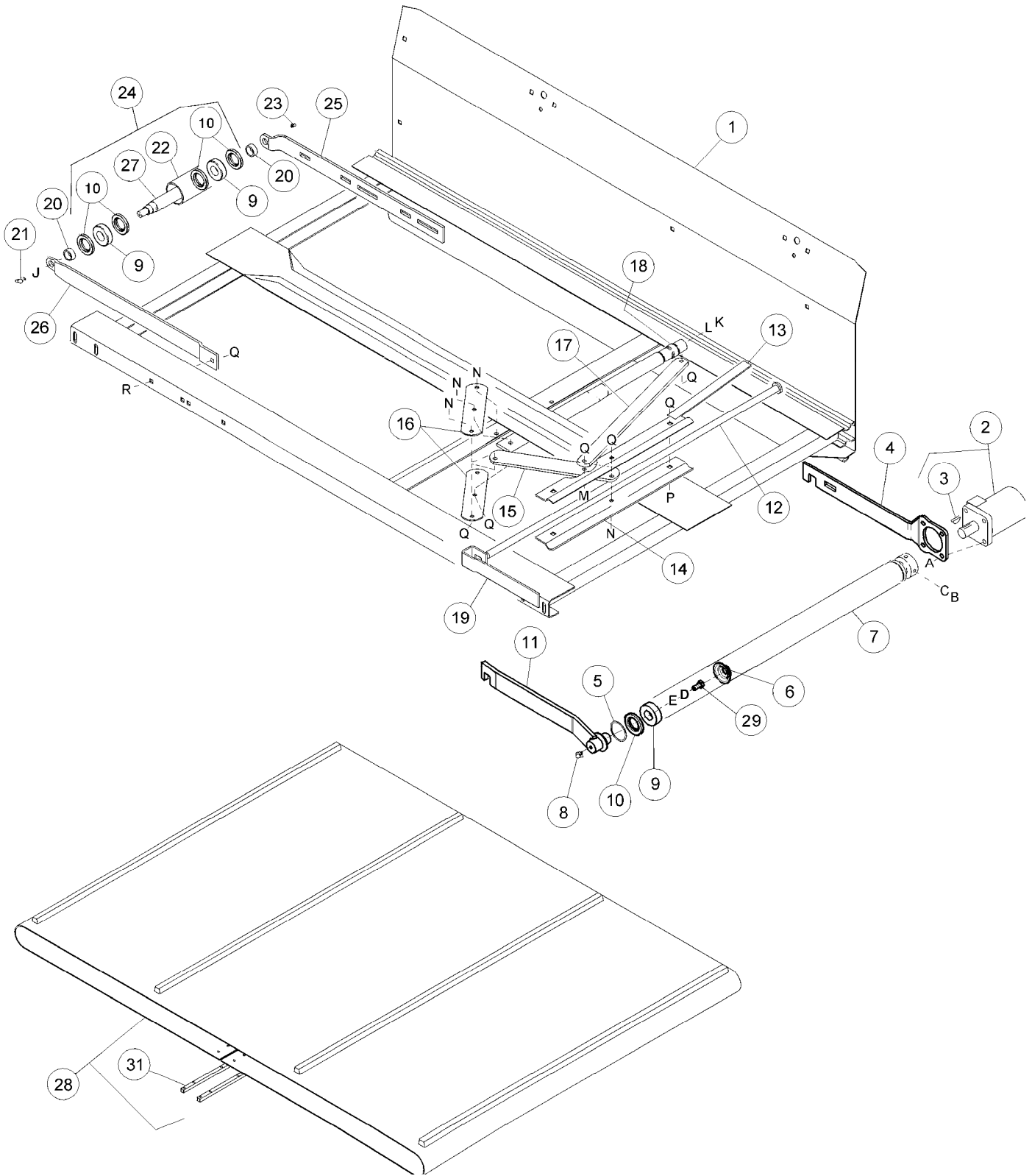
DRAPERS, DRIVE & TIGHTENER

REF	PART NUMBER	DESCRIPTION	QTY	SERIAL NUMBER
1	REF	DECK - draper, see page 39		
2	114319	MOTOR – draper drive, with key (item 3)	2	
	123314	SEAL KIT - hydraulic motor (was 101670)		
3	2149	KEY - Woodruff, 1/4 x 1 inch	2	
4	153202	SUPPORT - motor, left (shown)	1	
	153207	SUPPORT - motor, right	1	
5	118011	RING – internal retaining	2	
6	113954	CAP – drive roller	2	
7	113837	ROLLER – drive, rubber coated	2	
8	21010	FITTING - lube, 90°	2	
9	118185	BEARING – ball, install with shielded side out	6	
10	100862	SEAL – bearing (install with flat side [with writing] out)	10	
11	153204	ARM – L/H outer, front drive roller support (shown)	1	
	153238	ARM – R/H outer, front drive roller support	1	
12	103360	ROD – spring	2	
13	118206	SUPPORT – spring rod, left upper (with indicator bar) (shown)	1	
	118207	SUPPORT – spring rod, right upper (with indicator bar)	1	
14	102045	SUPPORT – spring rod	2	
15	100229	BAR – tensioner	2	
16	102865	BAR – tensioner	4	
17	118214	BAR – compression	2	
18	102861	ARM – tensioner member assembly	2	
19	113997	RETAINER – spring rod, L/H (shown)	1	
	116069	RETAINER – spring rod, R/H	1	
20	101008	SPACER	4	
21	21301	FITTING – lube, 45°	2	
22	100195	TUBE – idler roller	2	
23	18671	FITTING – lube	2	
24	100081	IDLER ROLLER ASSEMBLY – includes items 9 (2), 10 (4), 22 & 27	1	
25	103449	ARM – idler, rear	1	
26	102129	ARM – idler, front	1	
27	100082	SHAFT – idler roller	2	
28	100275	DRAPER – 21' header	2	
	100438	DRAPER – 25' header	2	
	101912	DRAPER – 30' header	2	
	101913	DRAPER – left, 36' header	1	
	129212	DRAPER – left, 39' header	1	
	101914	DRAPER – right, center delivery, 36' header	1	
	129214	DRAPER – right, center delivery, 39' header	1	
	100438	DRAPER – right inboard deck, end delivery, 36' & 39' headers	1	
	113538	DRAPER – right outboard deck, end delivery, 36' header	1	
	129213	DRAPER – right outboard deck, end delivery, 39' header	1	
	103780	DRAPER – extension piece, 19" (485 mm) long	1	
	113938	DRAPER – 75' bulk roll, economy material, (see note 1)	A/R	
	113939	DRAPER – 150' bulk roll, deluxe material, (see note 1)	A/R	
29	113953	BOLT – special, roller bearing, drive only	2	
31	103511	CONNECTOR KIT – includes two slats and hardware (12)	2	
	52414	PACKAGE – draper hardware, includes 25 each of screw and nut		

See next page for hardware listing....

- NOTE:**
1. Economy draper bulk rolls are a lower priced option to the deluxe drapers supplied with a new header. Economy draper material is friction coated with rubber on both sides. Deluxe draper bulk rolls are the same material as supplied with a new header. This material is skim coated with 0.015" thick rubber on cleat side and friction coated with rubber on side opposite cleats. All bulk draper rolls come with no holes and no connector bars.
 2. Quantities shown are for center delivery configuration. 36' & 39' 973 Headers with split R/H deck will have one additional tensioner assembly, drive roller and idler roller and related components.

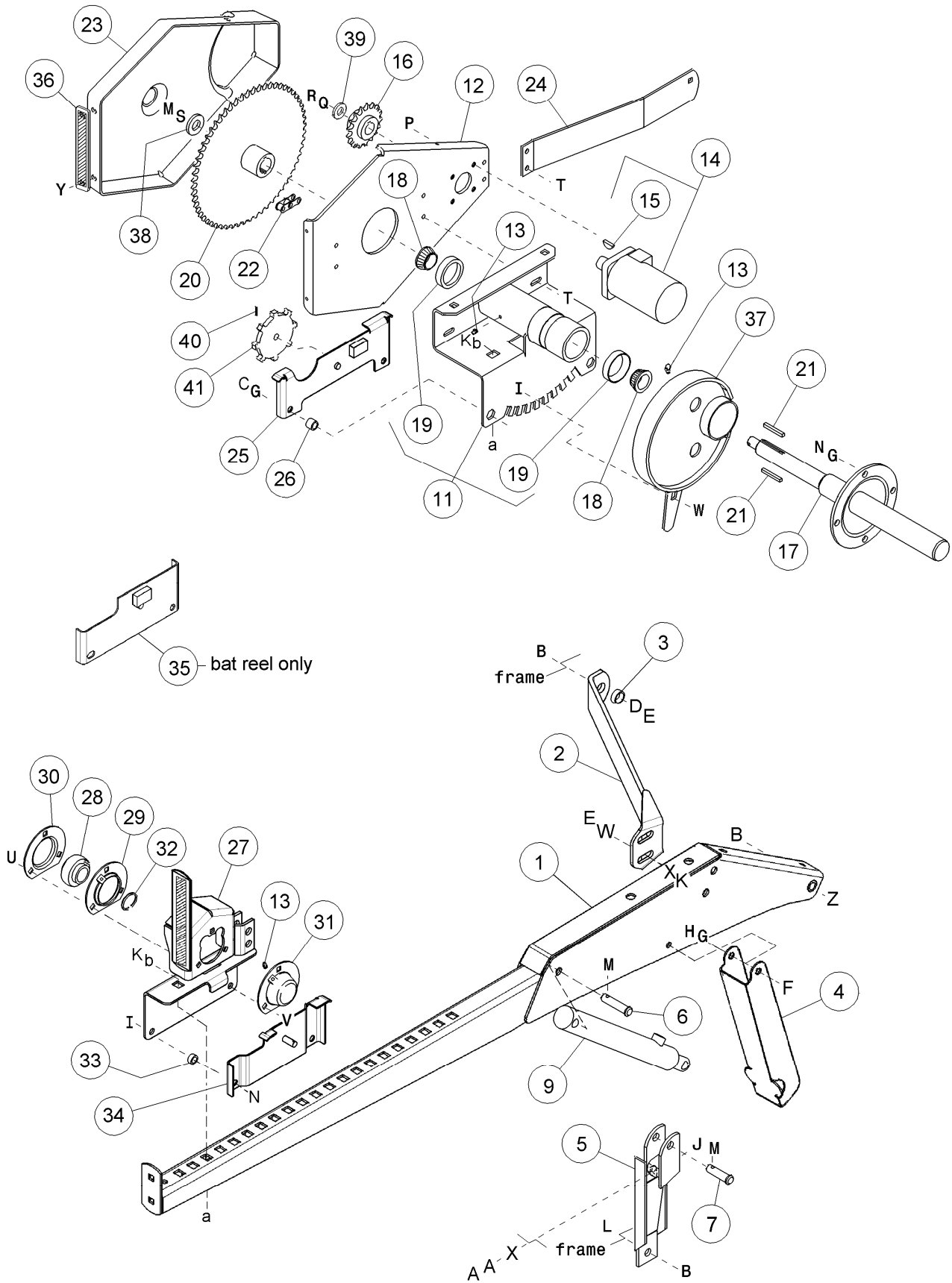
DRAPERS, DRIVE & TIGHTENER



DRAPERS, DRIVE & TIGHTENER

REF	PART NUMBER	DESCRIPTION	QTY	SERIAL NUMBER
A	113420	SCREW - countersunk Torx head, 3/8 NC x 3/4 inch		
B	30941	SETSCREW - hex socket through bore 3/8 NC x 3/16 inch		
C	30940	SETSCREW - socket head, 3/8 NC x 5/16 inch		
D	18637	WASHER - lock, 3/8 inch		
E	118029	WASHER - flat		
J	18592	NUT - hex, 5/8 NC		
K	50190	BOLT - hex head, 5/8 NC x 7-1/2 inch		
L	30441	WASHER - hardened		
M	21264	BOLT - hex head, 3/8 NC x 1-1/4 inch		
N	20077	BOLT - hex head, 3/8 NC x 1 inch		
P	21863	BOLT - round head, short square neck, 3/8 NC x 3/4 inch		
Q	30228	NUT - lock, smooth flange, 3/8 NC distorted thread		
R	19965	BOLT - round head, square neck, 3/8 NC x 1 inch		

REEL DRIVE & SUPPORT ARMS

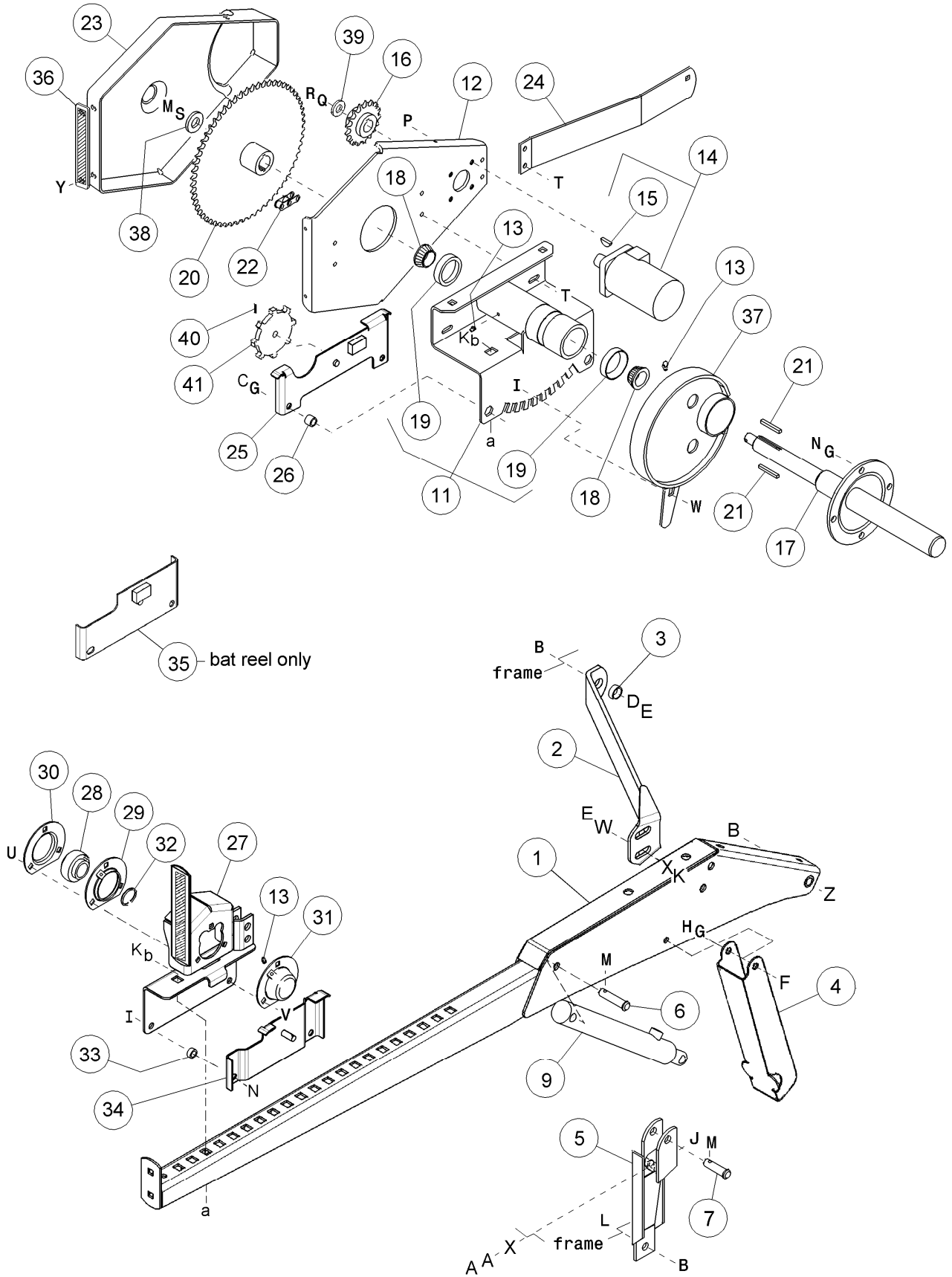


REEL DRIVE & SUPPORT ARMS

REF	PART NUMBER	DESCRIPTION	QTY	SERIAL NUMBER
1	153914	ARM – reel, side	2	
2	118169	BRACE – 21' & 25' headers only.....	2	
3	8640	SPACER - tube.....	2	
4	153918	SUPPORT – reel arm prop.....	2	
5	102808	SUPPORT – cylinder mount, left.....	1	
	102809	SUPPORT – cylinder mount, right.....	1	
6	18624	PIN – clevis.....	2	
7	18725	PIN – clevis.....	2	
9	REF	CYLINDER – hydraulic, reel lift, see Reel Lift Hydraulics		
11	158686	SUPPORT – reel drive, with bearing cups (item 19)	1	
12	103220	PLATE – reel drive	1	
13	18671	FITTING – lube, straight, 1/4 NC.....	3	
14	43011	MOTOR – reel drive, includes key, item 15.....	1	
	123314	SEAL KIT – for motor 43011 (was 101670)		
15	2149	KEY – woodruff, 1/4 x 1 inch	1	
16	103221	SPROCKET – drive, 17 tooth – high speed reel drive.....	1	
	103211	SPROCKET – drive, 11 tooth - high torque reel drive	1	
17	103284	SHAFT – reel drive	1	
18	7910	BEARING – cone.....	2	
19	7900	BEARING – cup.....	2	
20	103210	SPROCKET – driven, 60 tooth, outer drive	1	
21	7038	KEY – 1/4 inch square x 1.89 inch	2	
22	103214	CHAIN – roller, #50 x 70 pitches with connector – high speed reel drive.....	1	
	101870	CHAIN – roller, #50 x 68 pitches with connector - high torque reel drive	1	
	6634	LINK – connector, #50 spring clip		
23	103466	SHIELD – reel drive, continuous reel	1	
24	103398	BAR – hose support	1	
25	113410	SUPPORT – R/H fore-aft.....	1	
26	113441	SPACER – tube, R/H fore-aft support	2	
27	158023	SUPPORT – reel tail, L/H with reflector.....	1	
	129355	SUPPORT – reel tail, R/H with reflector, bat reel only (was 137054).....	1	
28	113617	BEARING – ball, with setscrew, qty. 2 for bat reel	1	
29	100591	FLANGE – bearing, cropped (lube fitting removed), qty. 2 for bat reel.....	1	
30	100589	FLANGE – bearing, cropped, qty. 2 for bat reel	1	
31	100592	COVER – bearing, cropped, qty. 2 for bat reel	1	
32	118010	RING – external retaining	1	
33	113442	SPACER – tube, L/H fore-aft support.....	2	
	113441	SPACER – tube, R/H fore-aft support – bat reel only.....	2	
34	113445	SUPPORT – L/H fore-aft	1	
35	137031	SUPPORT – R/H fore-aft, outboard – bat reel only.....	1	
36	118199	PLATE – with amber reflector, continuous reel	1	
37	113332	CAM – drive, pick up reel only	1	
38	16235	WASHER – flat	1	
39	43219	WASHER – flat	1	
40	30907	PIN – roll, qty. 3 for split reel, (973 headers only).....	2	156150-
41	113447	SPROCKET – manual fore-aft adjustment, qty. 3 for split reel, (973 headers only).....	2	156150-

See next page for hardware listing.....

REEL DRIVE & SUPPORT ARMS

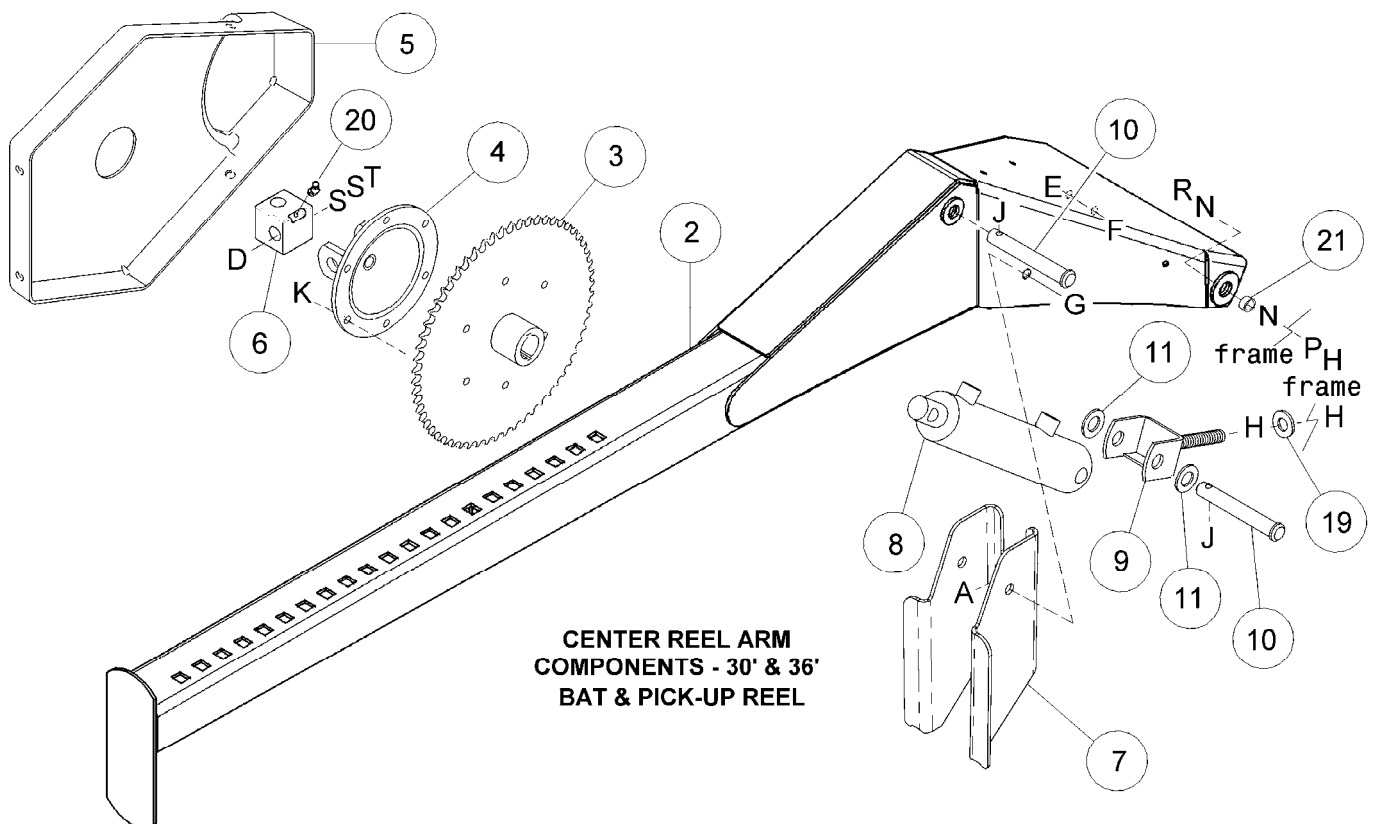
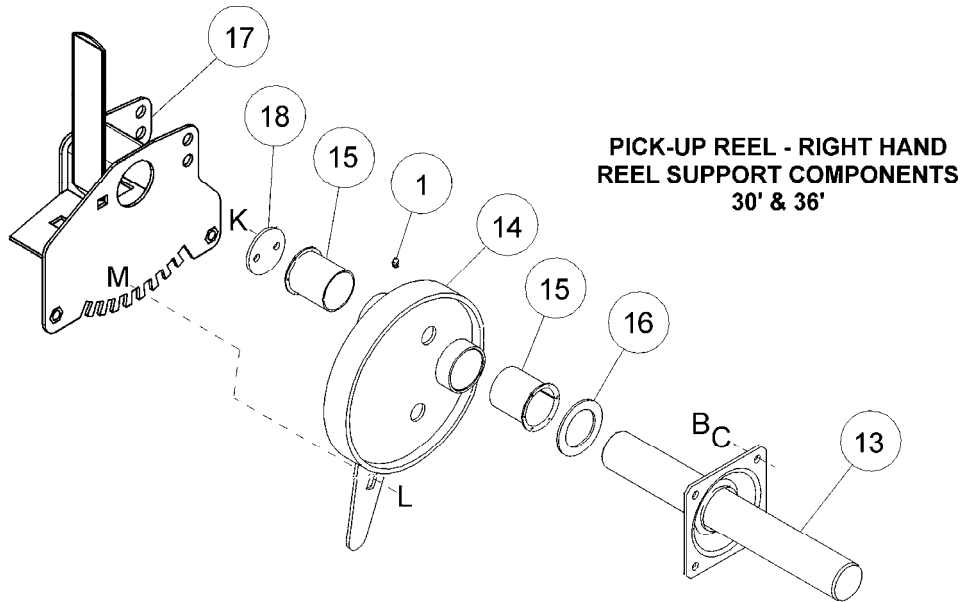


REEL DRIVE & SUPPORT ARMS

REF	PART NUMBER	DESCRIPTION	QTY	SERIAL NUMBER
A	18592	NUT – hex, 5/8 NC (pick-up reel)		
	21345	NUT – hex, jam, 5/8 NC (bat reel)		
B	50225	NUT - lock, flange, 5/8 NC distorted thread		
C	18723	BOLT- hex head, 1/2 NC x 1-1/2 inch		
D	18600	WASHER - flat, 21/32 inch I.D.		
E	21594	BOLT - hex head, 5/8 NC x 1-1/2 inch		
F	21589	BOLT – hex head, 1/2 NC x 4 inch		
G	18638	WASHER - lock, 1/2 inch		
H	18697	NUT - lock, 1/2 NC distorted thread		
I	50186	NUT – lock, smooth flange, 1/2 NC distorted thread		
J	50190	BOLT - hex head, 5/8 NC x 7-1/2 inch, minimum 6-1/2 inch thread		
K	18592	NUT - hex, 5/8 NC		
L	21585	BOLT - hex head, 5/8 NC x 1-1/4 inch		
M	18648	PIN - cotter, 3/16 x 1-1/4 inch		
N	21491	BOLT - hex head, 1/2 NC x 1-1/4 inch, thread full		
P	113420	SCREW - countersunk Torx head, 3/8 NC x 3/4 inch		
Q	18635	WASHER - lock, 1/4 inch		
R	21566	BOLT - hex head, 1/4 NC x 3/4 inch		
S	5512	NUT - slotted hex, 3/4 NF		
T	101898	SCREW - flange head, self tap, 3/8 x 5/8 inch		
U	19965	BOLT – round head, square neck, 3/8 NC x 1 inch		
V	30228	NUT - lock, smooth flange, 3/8 NC distorted thread		
W	22072	WASHER - flat		
X	30441	WASHER – flat		
Y	50124	SCREW - flange head, self tap, 5/16 x 1/2 inch		
	118276	SCREW – flange head, self tap, 5/16 x 3/4 inch (two at front)		
Z	21162	BOLT – round head, square neck, 5/8 NC x 4-1/2 inch		
a	103562	BOLT – round head, square neck, 5/8 NC x 1-1/4 inch (973 only)		
b	18639	WASHER – lock, 5/8 inch		

SPLIT REEL SPECIAL COMPONENTS

NOTE: For Reel Drive and Support Arm components not shown here, see pages 44 - 47.



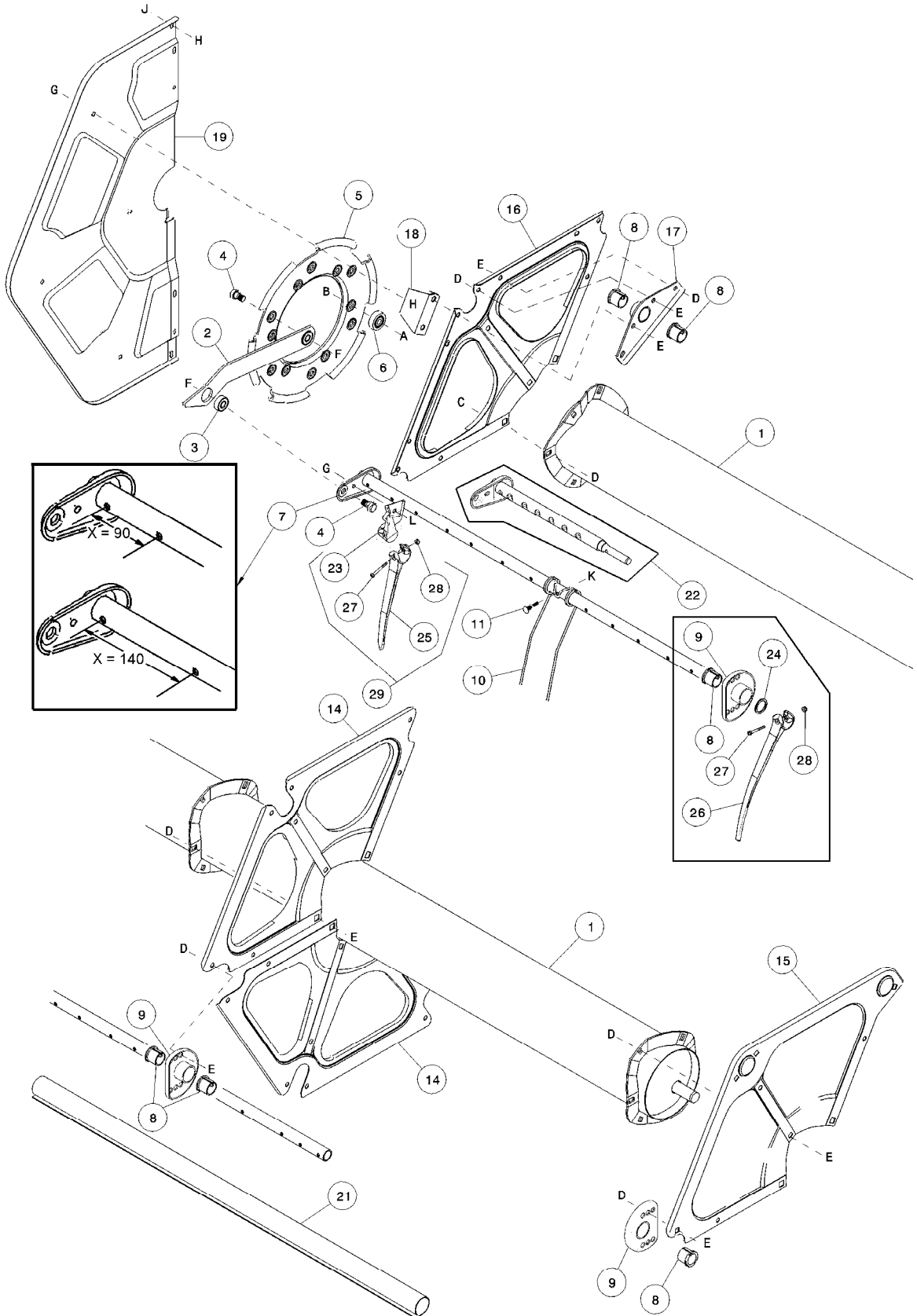
SPLIT REEL SPECIAL COMPONENTS

REF	PART NUMBER	DESCRIPTION	QTY	SERIAL NUMBER
-----	----------------	-------------	-----	------------------

NOTE: For Reel Drive and Support Arm components not shown here, see pages 44 - 47.

1	18671	FITTING - lube, straight.....	1	
2	158726	ARM - reel support, center, with reflector	1	
3	103285	SPROCKET - driven, 60 tooth, split reel	1	
4	103264	HUB - with clevis	1	
5	103595	SHIELD - reel drive, split reel	1	
6	137035	BLOCK - reel connector, with lube fitting item 20.....	1	
7	153919	SUPPORT - reel prop, center reel arm.....	1	
8	REF	CYLINDER - reel lift, center arm, see Reel Lift Hydraulics		
9	153264	CLEVIS - center cylinder adjustment.....	1	
10	103579	PIN - clevis, 3/4 x 4.53 inch effective length.....	2	
11	18601	WASHER - flat, 3/4 SAE.....	2	
13	103322	SHAFT - reel tail	1	
14	113323	CAM - reel.....	1	
15	35694	BUSHING - plastic.....	2	
16	27160	WASHER - flat.....	1	
17	158017	SUPPORT - right hand, with reflector	1	
18	103340	WASHER - thrust.....	1	
19	30441	WASHER - hardened.....	1	
20	21301	FITTING - lube, 45°	1	
21	8640	SPACER - reel arm, center.....	2	
A	21575	BOLT - hex head, 1/2 NC x 1 inch		
B	21264	BOLT - hex head, 3/8 NC x 1-1/4 inch		
C	18637	WASHER - lock, 3/8 inch		
D	137036	BOLT - hex head, 3/4 NC x 4-1/4 inch		
E	102636	NUT - lock, 3/4 NC distorted thread		
F	113426	BOLT - round head, square neck, 3/4 NC x 4-1/2 inch (1 inch thread length)		
G	18697	NUT - lock, 1/2 NC distorted thread		
H	18592	NUT - hex, 5/8 NC		
J	18648	PIN - cotter, 3/16 x 1-1/4 inch		
K	101898	SCREW - flange head, self tap, 3/8 x 5/8 inch		
L	21066	BOLT - round head, square neck, 1/2 NC x 1 inch		
M	50186	NUT - lock, smooth flange, 1/2 NC distorted thread		
N	18600	WASHER - flat		
P	50225	NUT - lock, smooth flange, 5/8 NC, distorted thread		
R	21587	BOLT - hex head, 5/8 NC x 2 inch		
S	18601	WASHER - flat, 3/4 inch I.D.		
T	18689	NUT - lock, hex, 3/4 NC distorted thread		

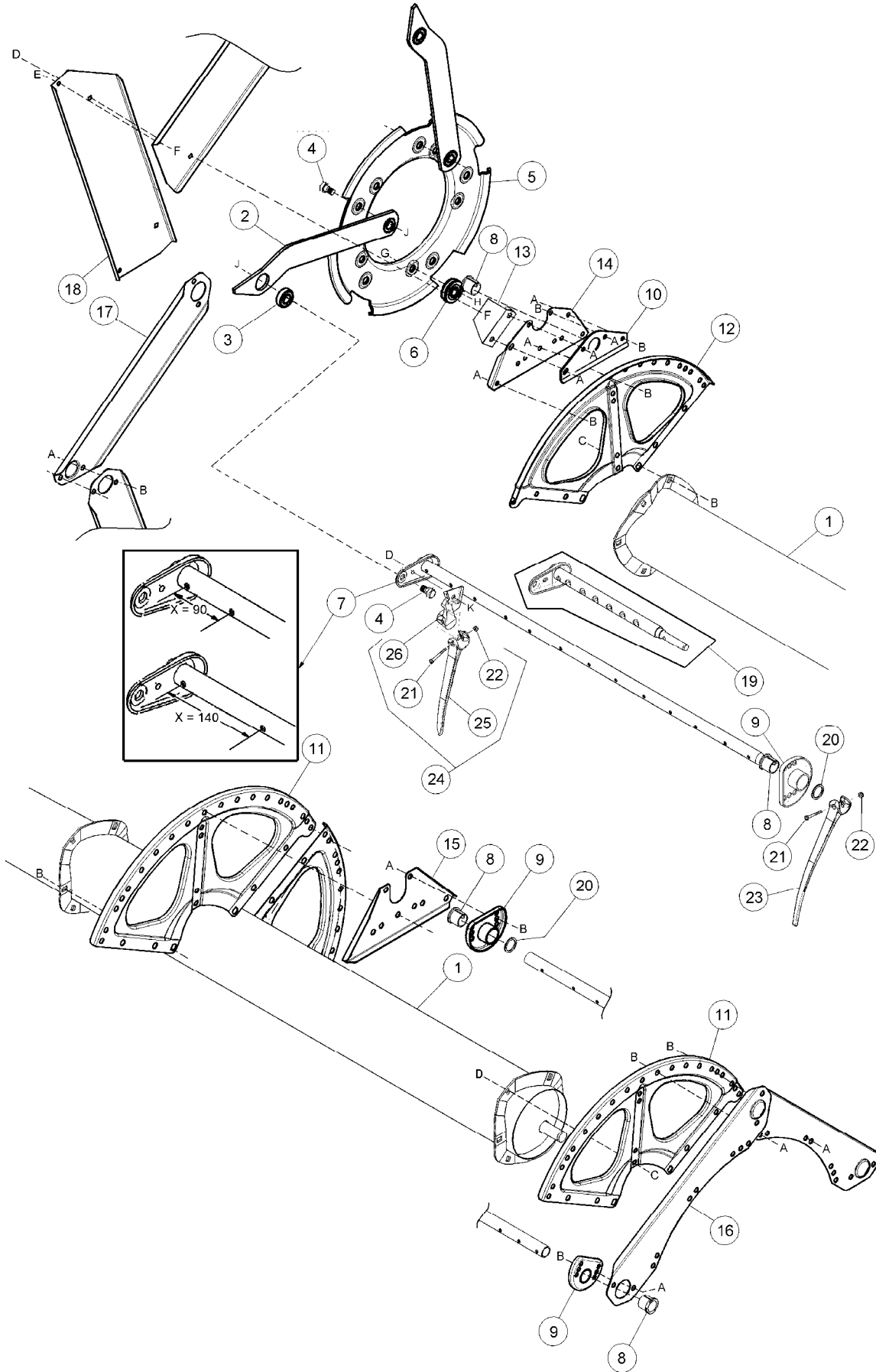
Model 2100 PICK-UP REEL FOR 21' & 25' HEADERS



Model 2100 PICK-UP REEL FOR 21' & 25' HEADERS

REF	PART NUMBER	DESCRIPTION	QTY		SERIAL NUMBER
			21' / 25'		
1	105055	TUBE - center, 21' reel	1		
	105056	TUBE - center, 25' reel	1		
2	48051	ARM - cam, includes 2 bearings (item 3)	6		
3	50185	BEARING - ball.....	12		
4	105141	BOLT - shoulder, special, NOTE: when replacing bolt also replace item nut F .	12		
5	48061	RING - cam, R/H	1		
6	50184	BEARING - ball.....	6		
7	105157	TUBE - finger, outboard stagger (Dimension X = 90 mm) - 21' reel.....	3		
	105159	TUBE - finger, outboard stagger (Dimension X = 90 mm) - 25' reel.....	3		
	105158	TUBE - finger, inboard stagger (Dimension X = 140 mm) - 21' reel.....	3		
	105160	TUBE - finger, inboard stagger (Dimension X = 140 mm) - 25' reel.....	3		
8	100295	BUSHING - finger tube (plastic fingers = 30 / 36).....	51 / 63		
9	105230	HOUSING – bushing	24 / 30		
10	100308	FINGER - pick-up reel, steel.....	174 / 216		
11	100365	BOLT - special, rib neck, 5/16 NC	174 / 216		
14	105062	DISC - 1/3 sector	9 / 12		
15	105063	DISC - 1/3 sector, tail end	3		
16	105048	DISC - 1/3 sector, cam end	3		
17	105049	HOUSING - bushing, cam end	6		
18	105070	SUPPORT - end shield.....	6		
19	105074	SHIELD - end, cam end.....	2		
21	105304	COVER – steel finger tube, 1805 mm (71.1”) – cut to suit	A/R		
22	105129	FINGER TUBE – repair piece, for steel finger.....	A/R		
	137068	FINGER TUBE – repair piece, plastic finger	A/R		
23	NSS	SUPPORT – end finger, not serviced separately – order item 29			
24	16919	WASHER – flat, R/H end (qty. for plastic finger reel = 24 / 30)	3		
25	105333	FINGER – plastic, end.....	6		
26	105212	FINGER – plastic (steel finger reel qty = 9 all sizes)	372 / 450		
27	105196	SCREW – hex washer head, #10 NC x 1- ³ / ₄ inch, black (steel finger reel qty = 15 all sizes)	378 / 456		
28	105197	NUT – lock, #10 NC nylon insert, black (steel finger reel qty = 15 all sizes).....	378 / 456		
29	137185	END FINGER ASS'Y – includes one each of items 23, 25, 27, 28, G & L ...	6		
A	21941	NUT - jam, lock, 5/8 NC distorted thread			
B	21585	BOLT - hex head, 5/8 NC x 1-1/4 inch			
C	105136	SCREW – truss head, Torx socket, 1/2 NC x 1 inch			
D	50186	NUT - lock, smooth flange, 1/2 NC distorted thread			
E	105135	SCREW – truss head, Torx socket, 1/2 NC x 3/4 inch			
F	105173	NUT – jam, lock, 5/8 NF distorted thread			
G	21863	BOLT - round head, short square neck, 3/8 NC x 3/4 inch			
H	30228	NUT - lock, smooth flange, 3/8 NC distorted thread			
J	105137	SCREW – truss head, Torx socket, 3/8 NC x 1/2 inch			
K	18690	NUT - lock, 5/16 NC distorted thread			
L	21452	NUT – serrated flange lock, 3/8 NC			

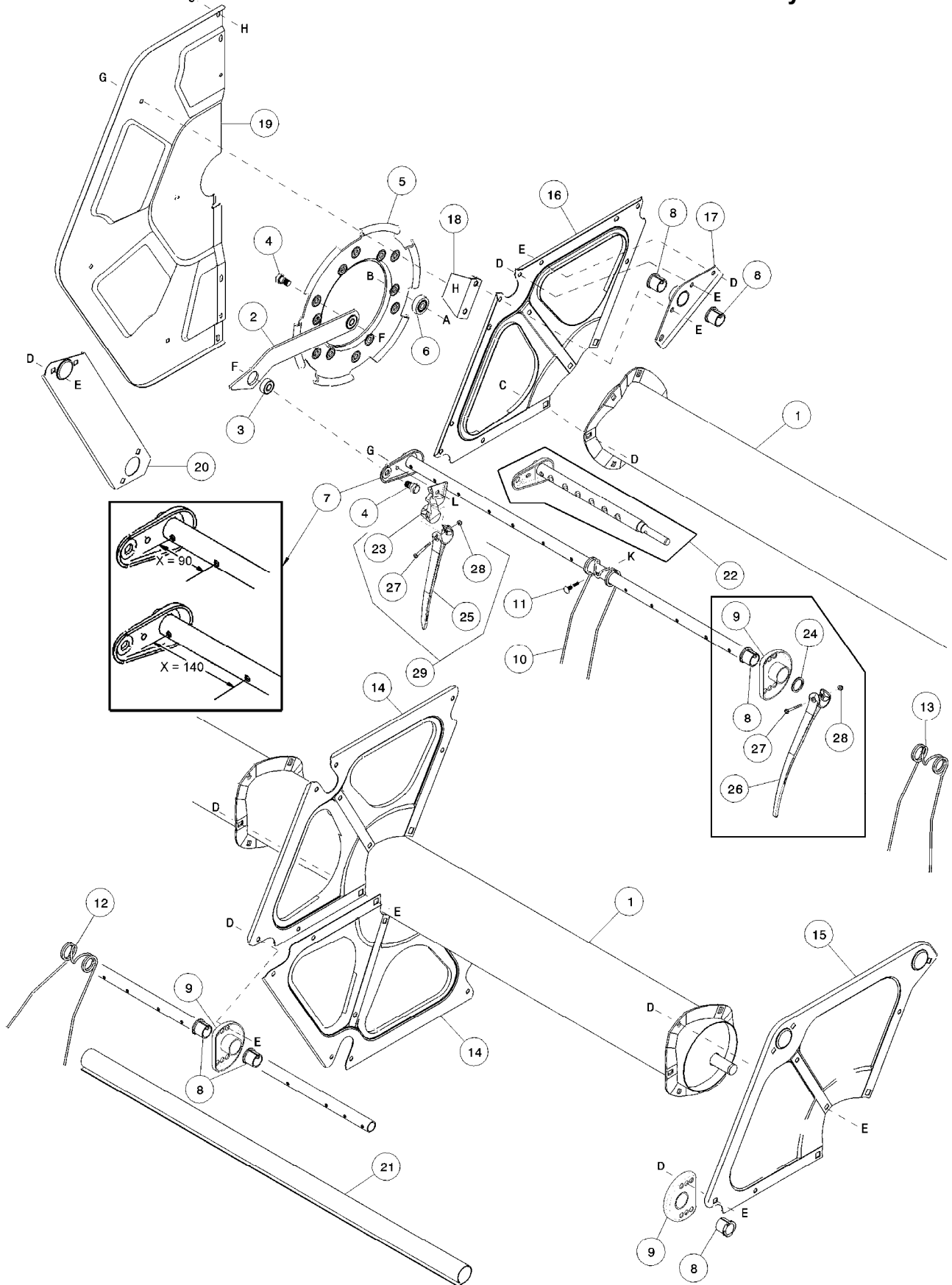
Model 2100 PICK-UP REEL FOR 30', 36' & 39' HEADERS – 5 Bat



Model 2100 PICK-UP REEL FOR 30', 36' & 39' HEADERS – 5 Bat

REF	PART NUMBER	DESCRIPTION	QTY 30'/36'/39'	SERIAL NUMBER
1	105053	TUBE - center, 30' split reel L/H	1	
	105078	TUBE - center, 30' split reel R/H.....	1	
	105079	TUBE - center, 36' split reel L/H	1	
	105080	TUBE - center, 36' split reel R/H.....	1	
	129113	TUBE – center, 39' split reel L/H	1	
	129114	TUBE – center, 39' split reel, R/H.....	1	
2	48051	ARM - cam, includes 2 bearings (item 3)	10	
3	50185	BEARING - ball.....	20	
4	105141	BOLT - shoulder, special, NOTE: when replacing bolt also replace item nut J .	20	
5	48059	RING - cam, R/H end of both sides of reel	2	
6	50184	BEARING - ball.....	10	
7	105153	TUBE - finger, outboard stagger (Dimension X = 90 mm) - 30' reel.....	6	
	105161	TUBE - finger, outboard stagger (Dimension X = 90 mm) - 36' L/H reel	3	
	105163	TUBE - finger, outboard stagger (Dimension X = 90 mm) - 36' R/H reel.....	3	
	129195	TUBE – finger, outboard stagger (Dimension X = 90 mm) – 39' L/H reel	3	
	129190	TUBE – finger, outboard stagger (Dimension X = 90 mm) – 39' R/H reel	3	
	105154	TUBE - finger, inboard stagger (Dimension X = 140 mm) - 30' reel	4	
	105162	TUBE - finger, inboard stagger (Dimension X = 140 mm) - 36' L/H reel	2	
	105164	TUBE - finger, inboard stagger (Dimension X = 140 mm) - 36' R/H reel.....	2	
	129196	TUBE – finger, inboard stagger (Dimension X = 140 mm) – 39' L/H reel.....	2	
	129194	TUBE – finger, inboard stagger (Dimension X = 140 mm) – 39' R/H reel	2	
8	100295	BUSHING - finger tube	45/50/50	
9	105230	HOUSING – bushing	35/40/40	
10	105049	SUPPORT – bushing, cam end.....	10	
11	137142	DISC – 1/3 sector, tail end and mid span	12/15/18	
12	137186	DISC – 1/3 sector, cam end	6	
13	105070	SUPPORT – endshield.....	10	
14	137105	SUPPORT – bushing, cam ends	10	
15	137106	SUPPORT – bushing housing	20/25/30	
16	137107	SHIELD – L/H reel	5	
17	137110	SHIELD – R/H reel, center	5	
18	137117	SHIELD – L/H & R/H cam end.....	10	
19	137068	FINGER TUBE – repair piece.....	A/R	
20	16919	WASHER – flat	35/40/43	
21	105196	SCREW – hex washer head, #10 NC x 1-3/4 inch, black.....	448/525/586	
22	105197	NUT – lock, #10 NC nylon insert, black.....	448/525/586	
23	105212	FINGER – plastic (was 105345)	438/515/576	
24	137185	END FINGER ASS'Y – incl. one each of items 21, 22, 25, 26 and D & K..	10	
25	105333	FINGER – plastic, end.....	10	
26	NSS	SUPPORT – end finger, not serviced separately, order item 24		
A	105135	SCREW – truss head, torx socket, 1/2 NC x 3/4 inch		
B	50186	NUT - lock, smooth flange, 1/2 NC distorted thread		
C	105136	SCREW – truss head, torx socket, 1/2 NC x 1 inch		
D	21863	BOLT – round head, square neck, 3/8 NC x 3/4 inch		
E	105137	SCREW – truss head, torx socket, 3/8 NC x 1/2 inch		
F	30228	NUT – lock, 3/8 NC, distorted thread		
G	21585	BOLT – hex head, 5/8 NC x 1-1/4 inch		
H	21941	NUT – jam, 5/8 NC distorted thread		
J	105173	NUT – jam, 5/8 NF distorted thread		
K	21452	NUT – serrated flange lock, 3/8 NC		

Model 2100 PICK-UP REEL – 6 Bat – 30' 973 Headers Only



103693

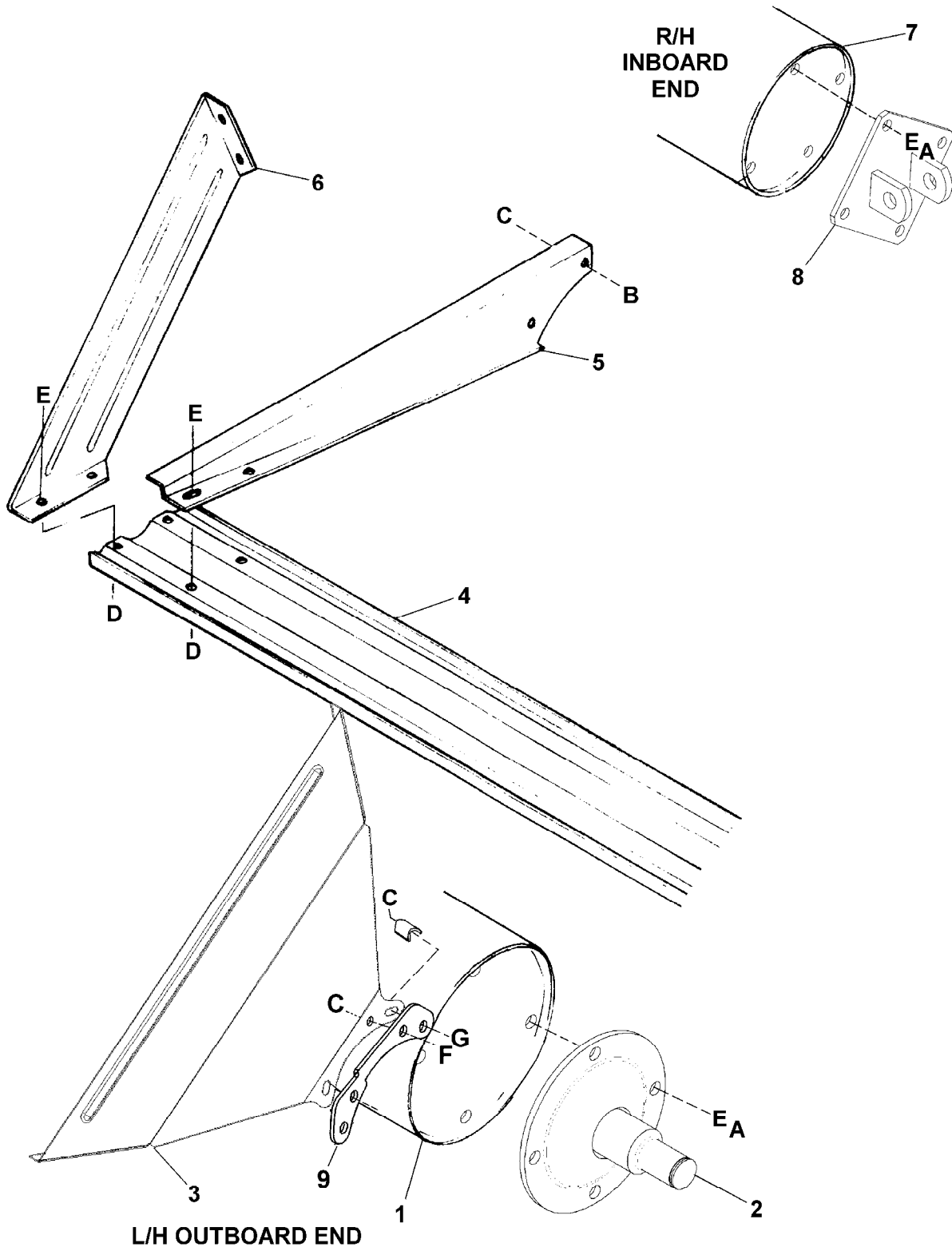
Model 2100 PICK-UP REEL – 6 Bat – 30' 973 Headers Only

REF	PART NUMBER	DESCRIPTION	QTY STD./SPLIT	SERIAL NUMBER
1	105053	TUBE - center, L/H	1	
	105078	TUBE - center, R/H.....	1	
2	48051	ARM - cam, includes 2 bearings (item 3)	12	
3	50185	BEARING - ball.....	24	
4	105141	BOLT - shoulder, special, Note: When replacing bolt also order nut, item F	24	
5	48061	RING - cam, R/H	2	
6	50184	BEARING - ball.....	12	
7	105153	TUBE - finger, outboard stagger (Dimension X = 90 mm).....	6	
	105154	TUBE - finger, inboard stagger (Dimension X = 140 mm).....	6	
8	100295	BUSHING - finger tube	93	
9	105230	HOUSING – bushing	42	
10	100308	FINGER - pick-up reel, steel.....	252	
11	100365	BOLT - special, rib neck, 5/16 NC	264	
12	101703	FINGER - double, R/H end of L/H reel	6	
13	101974	FINGER - double, L/H end of R/H reel	6	
14	105062	DISC - 1/3 sector	15	
15	105063	DISC - 1/3 sector, tail end	3	
16	105048	DISC - 1/3 sector, cam end	6	
17	105049	HOUSING - bushing, cam end	12	
18	105070	SUPPORT - end shield.....	12	
19	105074	SHIELD - end, cam end.....	4	
20	105065	SHIELD - end, inboard end of R/H split reel.....	6	
21	105304	COVER – steel finger tube, 1805 mm (71.1”) – cut to suit	A/R	
	105101	COVER – steel finger tube, inboard end, 100 mm (4”).....	6	
22	105129	FINGER TUBE – repair piece, for steel finger.....	A/R	
23	NSS	SUPPORT – end finger	12	see note (1)
24	16919	WASHER – flat, R/H end.....	3	
25	105333	FINGER – plastic, end.....	12	
26	105212	FINGER – plastic.....	9	
27	105196	SCREW – hex washer head, #10 NC x 1-3/4 inch, black.....	15	
28	105197	NUT – lock, #10 NC nylon insert, black.....	15	
29	137185	END FINGER ASSEMBLY – includes one each of items 23, 25, 27, 28, G & L		
A	21941	NUT - jam, lock, 5/8 NC distorted thread		
B	21585	BOLT - hex head, 5/8 NC x 1-1/4 inch		
C	105136	SCREW – truss head, Torx socket, 1/2 NC x 1 inch		
D	50186	NUT - lock, smooth flange, 1/2 NC distorted thread		
E	105135	SCREW – truss head, Torx socket, 1/2 NC x 3/4 inch		
F	105173	NUT – jam, lock, 5/8 NF distorted thread		
G	21863	BOLT - round head, short square neck, 3/8 NC x 3/4 inch		
H	30228	NUT - lock, smooth flange, 3/8 NC distorted thread		
J	105137	SCREW – truss head, Torx socket, 3/8 NC x 1/2 inch		
K	18690	NUT - lock, 5/16 NC distorted thread		
L	21452	NUT – serrated flange lock, 3/8 NC free spinning		

NOTES:

(1) – NSS: Not serviced separately, order item 29.

BAT REEL



BAT REEL

REF	PART NUMBER	DESCRIPTION	QTY 30'/36'	SERIAL NUMBER
1	137002	TUBE – L/H reel, 30'	1	
	137014	TUBE – L/H reel, 36'	1	
2	137004	SHAFT – reel tube, outboard ends	2	
3	117304	SHIELD – L/H reel end, outboard	5	
	117303	SHIELD – R/H reel end, outboard	5	
4	137006	BAT – reel, 30'	10	
	137017	BAT – reel, 36', L/H	5	
	137018	BAT – reel, 36', R/H	5	
5	43145	ARM – reel bat	30/40	
6	40110	SHIELD – reel end, inboard	10	
7	137011	TUBE – R/H reel, 30'	1	
	137032	TUBE – R/H reel, 36'	1	
8	137008	PLATE – reel tube support	1	
9	121012	SUPPORT – outboard end shield	10	
A	21491	BOLT – hex head, 1/2 NC x 1-1/4 inch		
B	21484	BOLT – round head, square neck, 3/8 NC x 1-1/2 inch		
C	30228	NUT – flange, 3/8 NC, distorted thread		
D	30693	BOLT – hex head, flange, 3/8 NC x 1/2 inch		
E	18638	WASHER – lock, 1/2 ID		
F	21975	BOLT – flange head, 3/8 NC x 1 inch		
G	21470	BOLT – round head, square neck, 3/8 NC x 2 inch		

DECALS

1

2

3

4

5

5A

6

7

8

9

10

11

12

13

14

15

16

17

18

19

20

21

22

23

30 **973 HARVEST HEADER**

31 **974 FLEXDRAPER**

32

DECALS

REF	PART NUMBER	DESCRIPTION	QTY	SERIAL NUMBER
1	113482	DECAL – General Hazard (non verbal)		
1A	32009	DECAL – General Caution (text version)		
2	113480	DECAL – Reel Hazard (non verbal)		
2A	42122	DECAL – Reel Hazard (text version)		
3	113483	DECAL – Header Hazard (non verbal)		
3A	44611	DECAL – Danger, Header Hazard (text version)		
4	113498	DECAL – Shield Opener		
5	113493	DECAL – Draper Adjustment (non verbal)		
5A	113404	DECAL – Draper Tension (text version)		
6	23164	DECAL - 25 Hour Grease, Sickle Head		
	23165	DECAL - 50 Hour Grease		
7	24777	DECAL – 10 Hour Driveline Grease		
8	158977	DECAL – Danger, rotating driveline		
9	115145	REFLECTOR – Day-Glow Orange		
	115146	REFLECTOR – Amber		
	115147	REFLECTOR - Red		
10	113496	DECAL – Gauge Wheel Positions / Stubble Height		
11	113484	DECAL – General Hazard, Transport Hitch		
12	129260	DECAL - Warning		
13	113613	DECAL – Transport Diagonal Brace Installation		
14	113495	DECAL – Transport Wheel Positions / Stubble Height		
15	113565	DECAL – Tire Pressure		
16	113943	REFLECTOR – Slow Moving Vehicle, Transport		
17	158217	DECAL – Reel Fore-Aft Gauge		
18	158223	DECAL – Flex Header Wing Float Adjustment		
19	158621	DECAL – Auger Hazard, upper cross auger option		
20	129261	DECAL – Transport Safety		
21	129154	DECAL – L/H Flex Lock Operation – Flex Headers		
22	129155	DECAL – R/H Flex Lock Operation – Flex Headers		
23	129313	DECAL – Important: Guards		

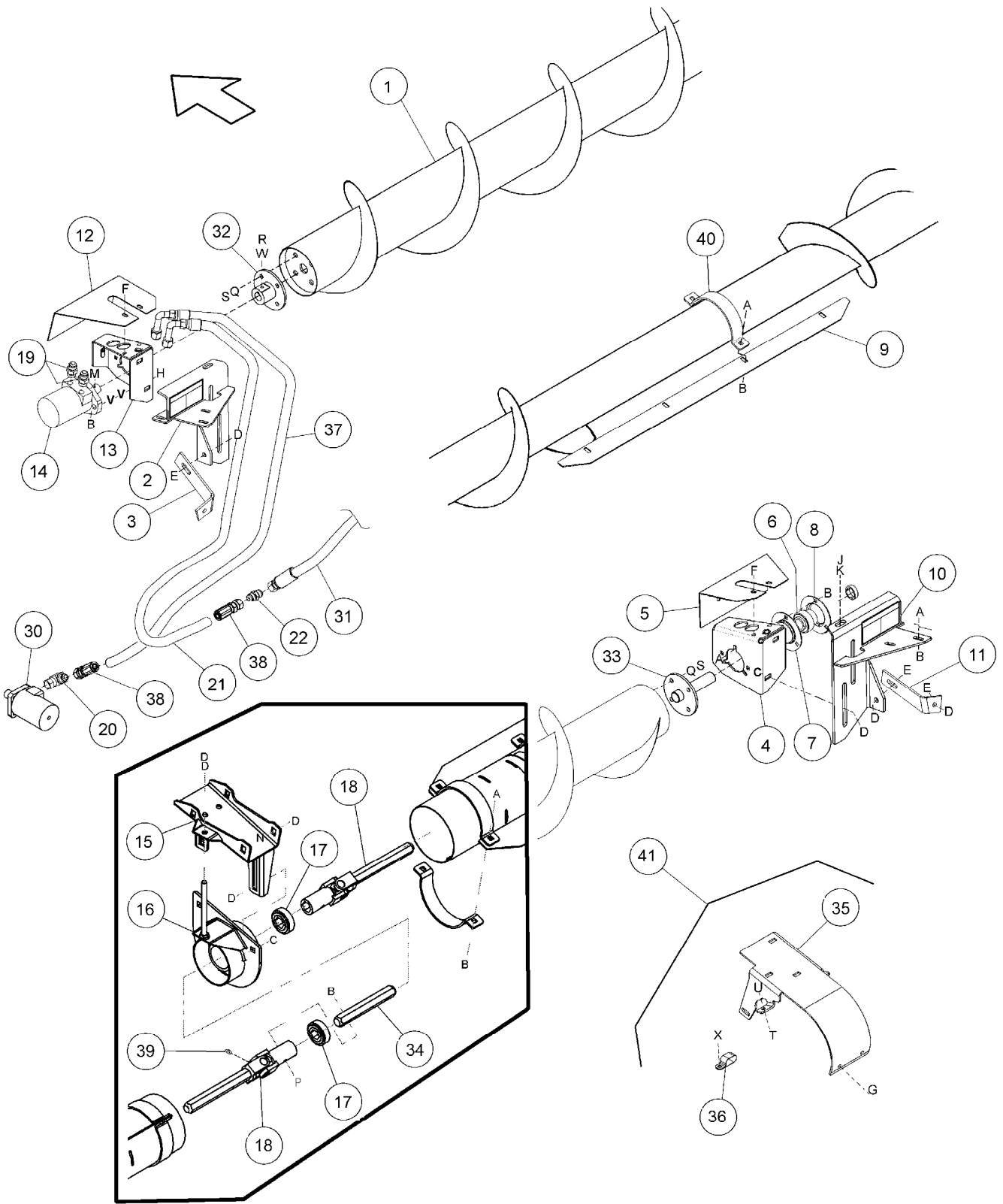
PRODUCT ID DECALS

30	158058	DECAL – ID – endshield, 973 Harvest Header		
31	158059	DECAL – ID – endshield, 974 Flex Draper		
32	102533	DECAL – L/H rainbow with MacDon		
	102532	DECAL – R/H rainbow with MacDon		

PAINT

135148	PAINT - black, spray can (55 – 65 Gloss Level).....
25991	PAINT - black, 1 litre (55 – 65 Gloss Level)

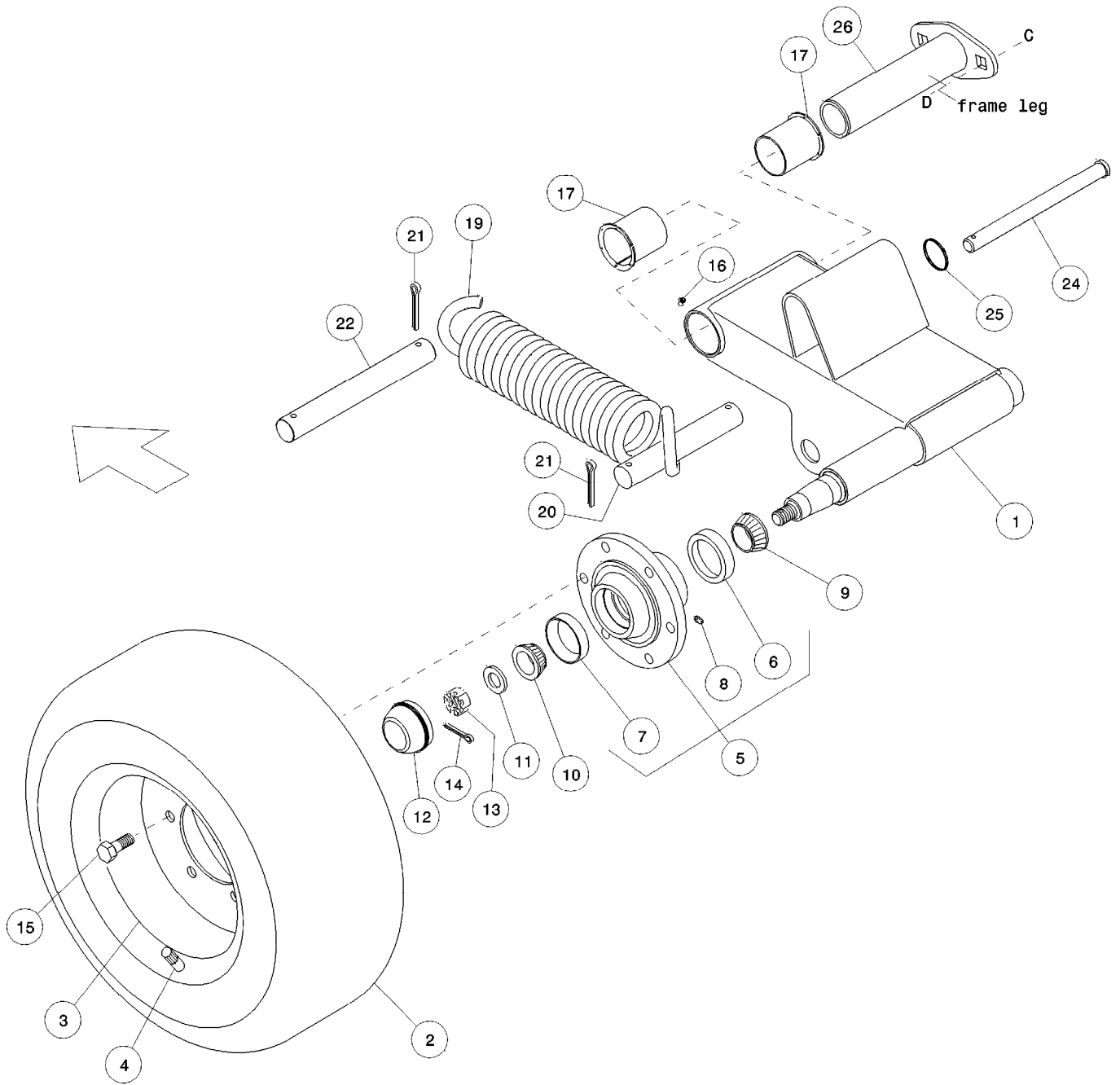
UPPER CROSS AUGER



UPPER CROSS AUGER

REF	PART NUMBER	DESCRIPTION	QTY	SERIAL NUMBER
	B 4419	UPPER CROSS AUGER – 21' header		
	B 4421	UPPER CROSS AUGER – 25' header		
	B 4423	UPPER CROSS AUGER – 30' header		
	B 4425	UPPER CROSS AUGER – 36' header		
	B 4587	UPPER CROSS AUGER – 39' header		
		Kits available through WholeGoods only.		
1	153920	AUGER – upper cross, 21' header	1	
	153921	AUGER – upper cross, 25' header	1	
	153819	AUGER – right, upper cross, 30' header	1	
	153820	AUGER – left, upper cross, 30' header	1	
	158544	AUGER – left, upper cross, 36' header	1	
	158545	AUGER – right, upper cross, 36' header	1	
	129228	AUGER – left, upper cross, 39' header	1	
	129225	AUGER – right, upper cross, 39' header	1	
2	158667	SUPPORT – L/H, c/w decal.....	1	
3	118320	BAR – L/H support.....	1	
4	153923	SUPPORT – auger bearing, outer	1	
5	153927	SHIELD – bearing.....	1	
6	21859	BEARING – ball.....	1	
7	49306	FLANGE	1	
8	30661	FLANGE	1	
9	153967	BAR – beater, 21' & 25' headers	2	
	153833	BAR – beater, 30', 36' & 39' headers	4	
10	158668	SUPPORT – R/H, c/w decal	1	
11	118190	BAR – R/H support	1	
12	153926	SHIELD – motor.....	1	
13	153922	SUPPORT – auger motor end.....	1	
14	153959	MOTOR – hydraulic	1	
	158137	SEAL KIT – for hydraulic cylinder 153959	1	
15	153838	SUPPORT – center, 30', 36' & 39' headers.....	1	
16	158856	SUPPORT – center bearing, 30', 36' & 39' headers	1	
17	172507	BEARING – ball, 30', 36' & 39' headers.....	2	
18	165064	JOINT - universal	2	
19	30695	FITTING – hydraulic, connector.....	2	
20	30556	FITTING – elbow, 90 degree	1	
21	135176	HOSE – hydraulic	1	
22	30558	FITTING – hydraulic, union.....	1	
30	REF	MOTOR – left, draper drive, see Draper Drive Hydraulics, page 10	1	
31	REF	HOSE – hydraulic, see Draper Drive Hydraulics, page 10	1	
32	158740	HUB – drive end	1	
33	158741	HUB – tail end.....	1	
34	172505	SHAFT - hex.....	1	
35	129984	BRACKET – R/H mounting, 30' auger on 36' or 39' header.....	1	
	129983	BRACKET – L/H mounting, 30' auger on 36' or 39' header	1	
36	50022	CLAMP – insulated 15/16 inch.....	1	
37	135177	HOSE – hydraulic	1	
38	135175	FITTING – hydraulic, hose end, female, re-usable.....	2	
39	18671	FITTING – grease.....	2	
40	129521	CLAMP – beater bar, 21', 30', 36' & 39' headers (qty = 8 for 21')	10	
	129522	CLAMP – beater bar, 25' only.....	8	
41	B5109	MOUNTING KIT – for 30' upper cross auger on 36' or 39' headers		
A	19965	BOLT – rnd hd, sq nk, 3/8 NC x 1 inch	N 114233	BOLT – rd hd, sq nk, 1/2 NC x 1-1/4 inch
B	30228	NUT – lock, smth flg, 3/8 NC dist. thd.	P 21354	BOLT – HH, 3/8 nc X 2 inch
C	21868	BOLT – rnd hd, sq nk, 1/2 NC x 1 inch	Q 18638	WASHER – lock
D	50186	NUT – lock, smth flg, 1/2 NC dist. thd.	R 18701	SCREW – set, 3/8 NC x 1 inch
E	21575	BOLT – hex head, 1/2 NC x 1 inch	S 18723	BOLT – hex head, 1/2 NC x 1 ½ inch
F	30693	BOLT – flange head, 3/8 NC x 1/2 inch	T 21452	NUT – flange, 3/8 NC
G	101897	SCREW – hex wash hd 3/8 NC X 3/4	U 21975	BOLT – hex head, 3/8 NC x 1 inch
H	19966	BOLT – rnd hd, sq nk, 3/8 NC x 1-1/4 inch	V 18688	WASHER – flat, 15/32 inch I.D
J	50226	BOLT – hex head, 1/2 NC x 6-1/2 inch	W 18664	NUT – hex, jam, 3/8 NC
K	18599	WASHER – flat	X 101898	SCREW – hex wash hd 3/8 NC X 5/8
M	18908	SCREW – setscrew, 3/8 NC x 1 inch		

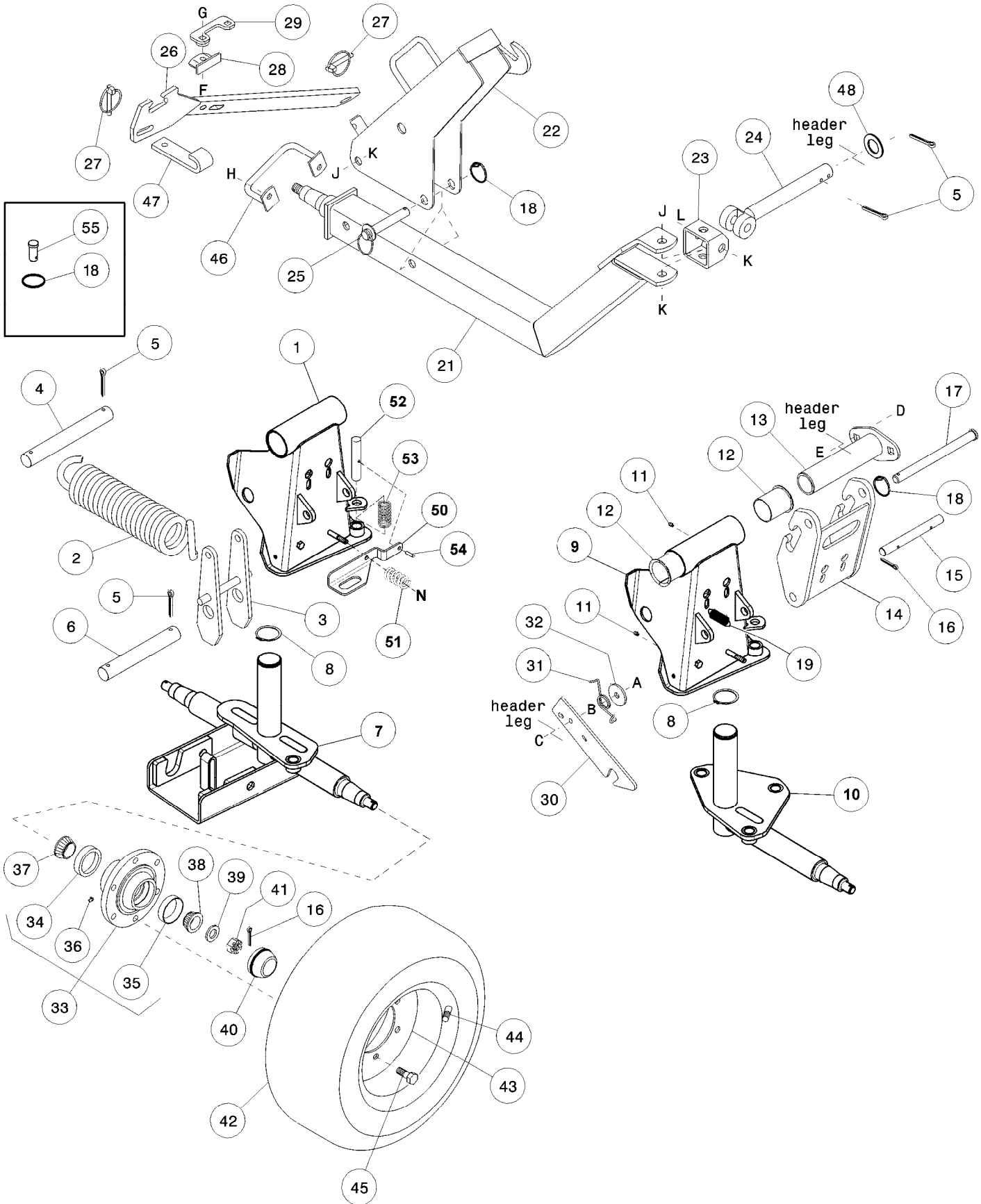
GAUGE WHEELS



GAUGE WHEELS

REF	PART NUMBER	DESCRIPTION	QTY	SERIAL NUMBER
	B 2749	GAUGE WHEELS KIT - complete Kits available through WholeGoods only.		
1	103222	ARM – gauge wheel, left (shown).....	1	
	103223	ARM – gauge wheel, right	1	
2	103696	TIRE – gauge wheel	2	
3	103697	RIM – 6.00 I x 10	2	
4	113020	STEM – tire valve	2	
5	41982	HUB – with bearing cups & grease fitting	2	
6	30516	CUP – bearing, inner	2	
7	7900	CUP – bearing, outer	2	
8	50174	FITTING – lube, drive type (for CTD hub)	2	
	21887	FITTING – lube, 1/8 NPT (for (Armstrong hub)	2	
9	30517	CONE – bearing, with seal, inner	2	
10	21376	CONE – bearing, with seal, outer	2	
11	21540	WASHER – hardened.....	2	
12	30520	CAP – dust	2	
13	5512	NUT – hex, slotted 3/4 NF	2	
14	18648	PIN – cotter, 3/16 x 1-1/4 inch	2	
15	18916	BOLT – wheel, 9/16 NF x 1-1/4 inch	12	
16	18671	FITTING – lube, 1/4 NF	2	
17	35694	BUSHING – plastic	4	
19	37442	SPRING – tension	2	
20	113014	PIN – rear spring.....	2	
21	18609	PIN – cotter, 1/4 x 2 inch	8	
22	49063	PIN – front spring.....	2	
24	135334	PIN – clevis, 3/4 x 9-1/4 inch effective length	2	
25	118137	RING - split	2	
26	113224	TUBE – pivot	2	
A	21491	BOLT – hex head, 1/2 NC x 1-1/4 inch		
B	18697	NUT – lock, 1/2 NC distorted thread		
C	103562	BOLT – round head, square neck, 5/8 NC x 1-1/4 inch		
D	50225	NUT – lock, smooth flange, 5/8 NC distorted thread		

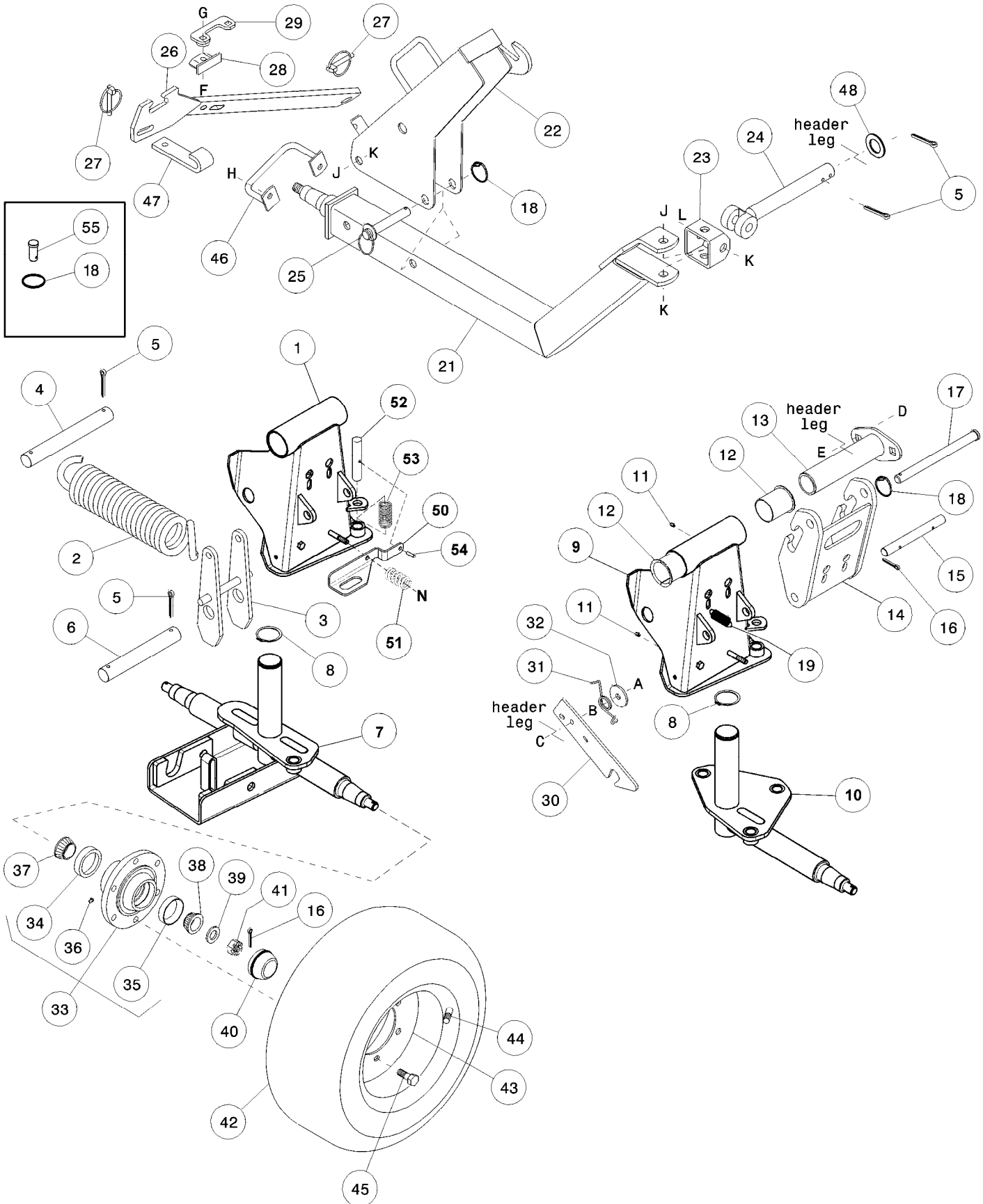
30' & 36' TRANSPORT OPTION – WHEELS & SUPPORTS



30' & 36' TRANSPORT OPTION – WHEELS & SUPPORTS

REF	PART NUMBER	DESCRIPTION	QTY	SERIAL NUMBER
1	118033	SUPPORT – wheel.....	1	
2	37442	SPRING – tension.....	2	
3	113574	LINK – rear spring.....	2	
4	49063	PIN – front spring, left wheel.....	1	
5	18609	PIN – cotter, 1/4 x 2 inch.....	8	
6	113254	PIN – rear spring.....	2	
7	118069	SPINDLE – left dual.....	1	
8	18899	RING – retaining.....	2	
9	118033	SUPPORT – wheel.....	1	
10	118043	SPINDLE – right single.....	1	
11	18671	FITTING – lube, 1/4 NF.....	4	
12	35694	BUSHING – plastic.....	4	
13	113224	TUBE – pivot.....	2	
14	113993	CHANNEL – link.....	2	
15	117000	PIN – straight, 3/4 x 6.9 inch.....	2	
16	18648	PIN – cotter, 3/16 x 1-1/4 inch.....	5	
17	135334	PIN – clevis, 3/4 x 9-1/4 inch effective length.....	2	
18	118137	RING - split.....	4	
19	25321	SPRING – extension.....	4	
21	103810	SUPPORT – right trans-axle.....	1	
22	113616	SUPPORT – strut, with decals.....	1	
23	103934	TUBE – pivot.....	1	
24	113940	PIVOT – right front wheel.....	1	
25	113578	PIN – hitch.....	1	
26	113249	SUPPORT – diagonal brace.....	1	
27	113561	PIN – lynch.....	2	
28	113568	ANCHOR – diagonal brace to cutterbar.....	1	
29	113624	SPACER – anchor, for use when guards are positioned above cutterbar....	1	
30	113428	LATCH – right front wheel storage.....	1	
31	113453	SPRING – torsion.....	1	
32	11695	WASHER – flat.....	1	
33	41982	HUB – with bearing cups & grease fitting.....	4	
34	30516	CUP – bearing, inner.....	4	
35	7900	CUP – bearing, outer.....	4	
36	50174	FITTING – lube, drive type (for CTD hub).....	4	
	21887	FITTING – lube, 1/8 NPT (for (Armstrong hub).....	4	
37	30517	CONE – bearing, with seal, inner.....	4	
38	21376	CONE – bearing, with seal, outer.....	4	
39	21540	WASHER – hardened.....	4	
40	30520	CAP – dust.....	4	
41	5512	NUT – hex, slotted 3/4 NF.....	4	
42	103696	TIRE – gauge wheel.....	4	
43	103697	RIM – 6.00 I x 10.....	4	
44	113020	STEM – tire valve.....	4	
45	18916	BOLT – wheel, 9/16 NF x 1-1/4 inch.....	22	
46	113278	HANDLE – right front wheel.....	1	

30' & 36' TRANSPORT OPTION – WHEELS & SUPPORTS

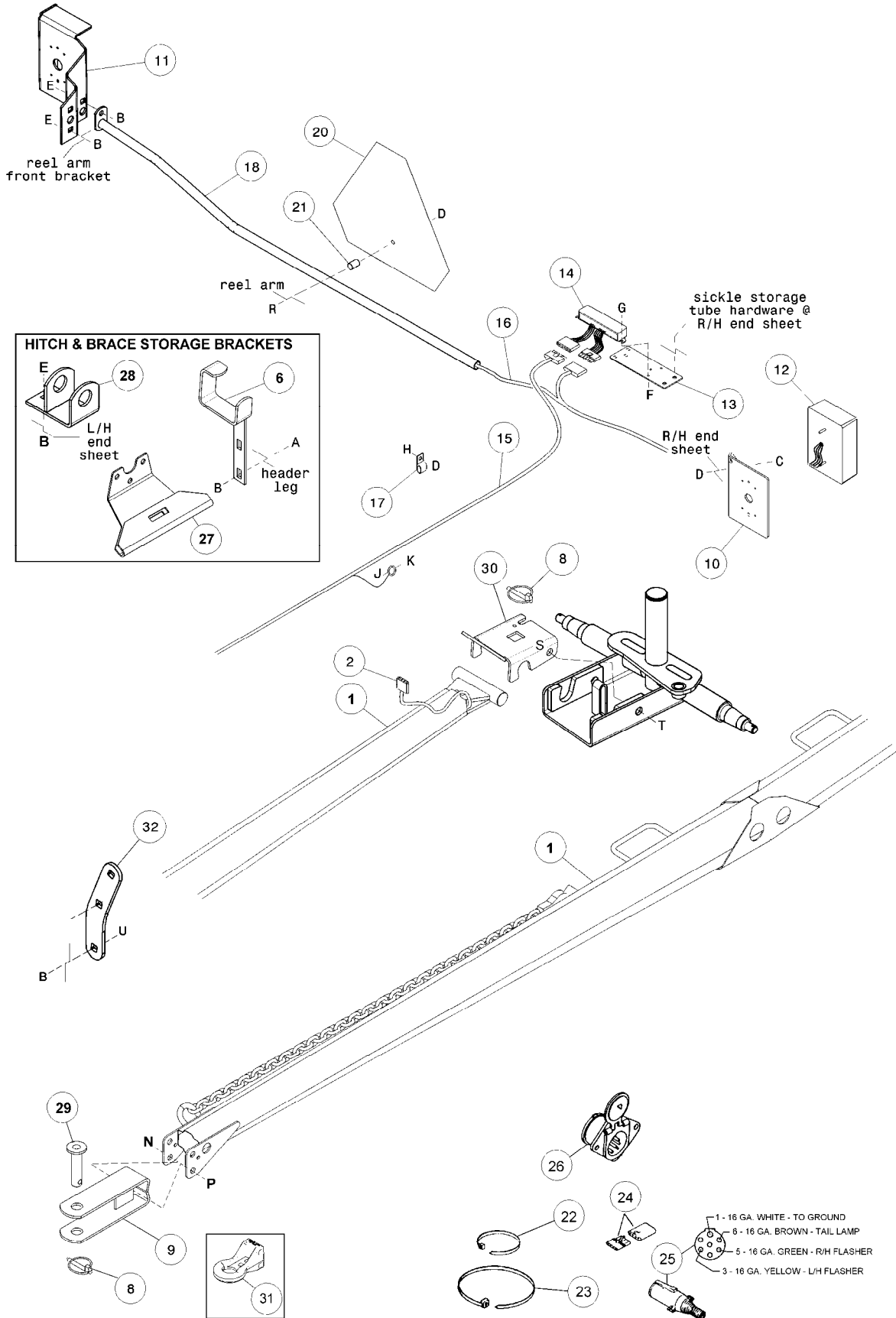


30' & 36' TRANSPORT OPTION – WHEELS & SUPPORTS

REF	PART NUMBER	DESCRIPTION	QTY	SERIAL NUMBER
47	113655	RETAINER – J-bar	1	
	158839	RETAINER – J-bar, for 973 headers with cutterbar poly kit	1	
48	13783	WASHER – flat	1	
50	118213	LEVER – support.....	2	
51	17546	SPRING – compression	2	
52	118041	PIN – latch	2	
53	118048	SPRING – compression	2	
54	16681	PIN – roll, 5/16 x 2 inch	2	
55	11814	PIN – clevis, 3/4 x 1.18 inch effective length	1	
A	50072	BOLT – hex head, 1/2 NC x 1-3/4 inch thread full length		
B	18591	NUT – hex, 1/2 NC		
C	50186	NUT – lock, smooth flange, 1/2 NC distorted thread		
D	103562	BOLT – round head, square neck, 5/8 NC x 1-1/4 inch		
E	50225	NUT – lock, smooth flange, 5/8 NC distorted thread		
F	113575	BOLT – hex head, 7/16 NC x 2-1/4 inch Grade 8 – see note 1 & 2		
	113851	BOLT – hex head, 7/16 NC x 3 inch Grade 8 – see note 2		
G	20213	NUT – lock, 7/16 NC distorted thread – see note 1 & 2		
H	113576	BOLT – hex head, 9/16 NF x 1-1/2 inch		
J	21733	BOLT – hex head, 3/4 NC x 4-1/2 inch		
K	102636	NUT – side lock, 3/4 NC distorted thread		
L	30876	BOLT – hex head, 3/4 NC x 4 inch		
N	30228	NUT – lock, smooth flange, 3/8 NC distorted thread		

- NOTES: 1. With guards positioned below the cutterbar, use 2-1/4 inch bolt 113575 (head down).
2. With guards positioned above cutterbar, use item 29 and:
- a.) if transaxle is inboard of header leg, use 3 inch bolt 113851 (head down).
 - b.) if transaxle is outboard of header leg, use 2-1/4 inch bolt 113575 (head up) with two 7/16 ID flatwashers 18688 between bolt head and guard.

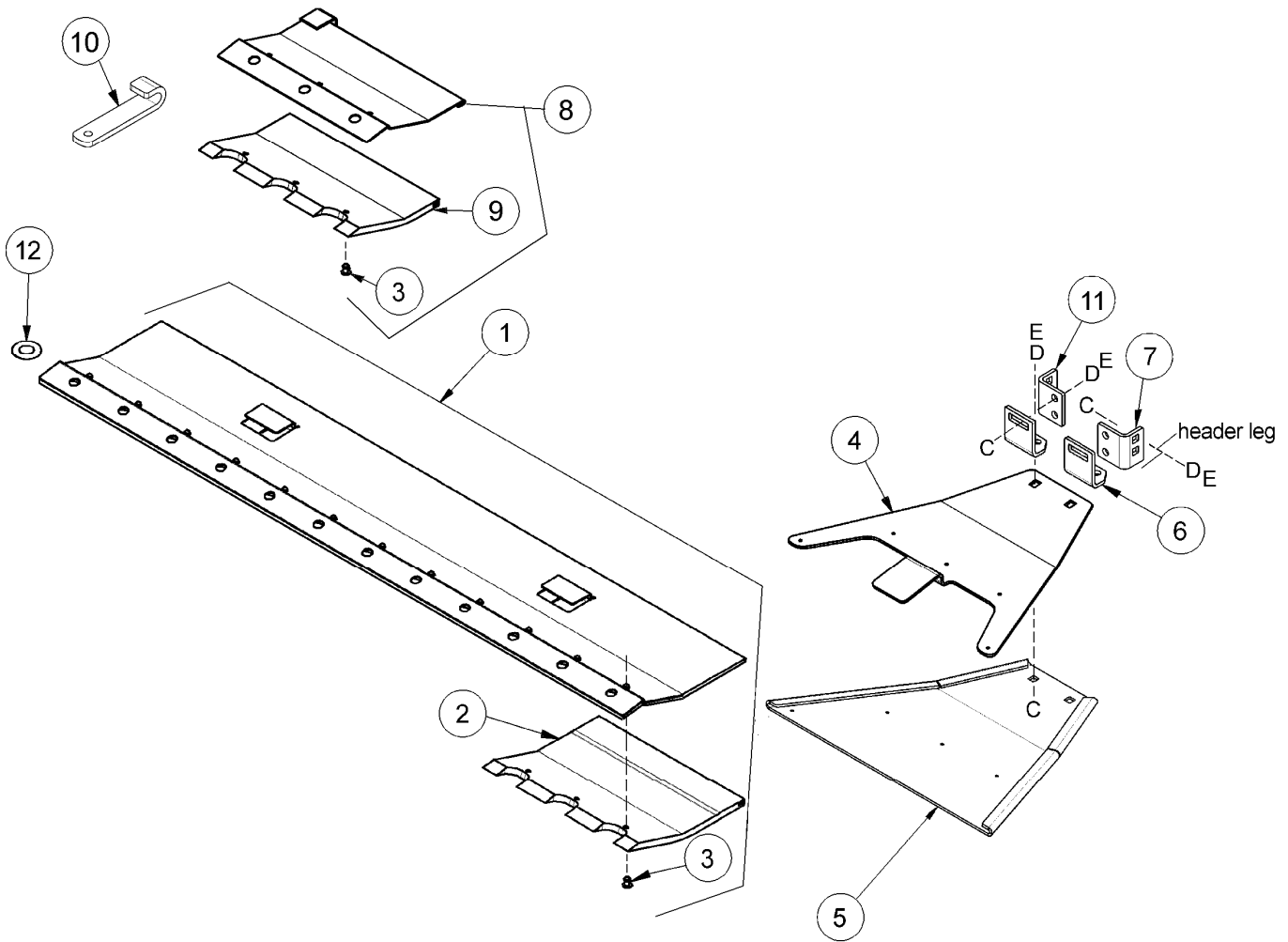
30' & 36' TRANSPORT OPTION – HITCH & LIGHTS



30' & 36' TRANSPORT OPTION – HITCH & LIGHTS

REF	PART NUMBER	DESCRIPTION	QTY	SERIAL NUMBER
1	118241	HITCH – tow pole	1	
2	43838	HARNESS – wiring, hitch section.....	1	
6	118240	SUPPORT – hitch storage, inboard end.....	1	
8	113561	PIN – lynch	2	
9	113536	CLEVIS – hitch	1	
10	113519	SUPPORT – rear lamp	1	
11	117056	SUPPORT – front lamp, with amber reflector.....	1	
12	113518	LAMP – amber/red, ECE/SAE.....	2	
13	113520	SUPPORT – lamp module, except European	1	
14	113579	MODULE – lamp, except European	1	
15	113523	HARNESS – wiring, hitch to module	1	
16	113524	HARNESS – wiring, module to lamps	1	
17	39272	CLIP – insulated	3	
18	113569	GUARD – harness.....	1	
20	REF	SMV SIGN – see Header Decals and Reflectors	1	
21	13710	SPACER – tube	1	
22	21763	FASTENER – plastic tie, 7-1/2 inch.....	7	
23	30753	FASTENER – plastic tie, 14-1/2 inch.....	4	
24	31061	CONNECTOR KIT – 4-way, includes male and female connectors.....	A/R	
25	30710	PLUG – 7 pole	1	
26	30461	RECEPTACLE – 7 pole, for towing vehicle	1	
27	158350	SUPPORT – diagonal brace storage.....	1	-153177
28	118249	SUPPORT – hitch storage, at end sheet.....	1	
29	118239	PIN – hitch	1	
30	118088	CHANNEL – spindle	1	
31	113566	HITCH – pintle eye (not included in standard kit)	1	
32	129669	SUPPORT – tow pole, 30' 974 headers only	1	
A	21066	BOLT – round head, square neck, 1/2 NC x 1 inch		
B	50186	NUT – lock, smooth flange, 1/2 NC distorted thread		
C	19965	BOLT – round head, square neck, 3/8 NC x 1 inch		
D	30228	NUT – lock, smooth flange, 3/8 NC distorted thread		
E	21868	BOLT – round head, short square neck, 1/2 NC x 1 inch		
F	135020	SCREW – truss head, #8 NC x 3/4 inch		
G	135021	NUT – keps lock, #8 NC		
H	50076	BOLT – flange head, 3/8 NC x 5/8 inch		
J	21580	BOLT – hex head, 1/4 NC x 1/2 inch		
K	21455	NUT – serrated flange lock, 1/4 NC		
N	19634	BOLT – hex head, 5/8 NC x 4 inch		
P	50225	NUT – lock, smooth flange, 5/8 NC distorted thread		
R	50197	BOLT – round head, square neck, 3/8 NC x 1-3/4 inch		
S	102636	NUT – side lock, 3/4 NC distorted thread		
T	30512	BOLT – hex head, 3/4 NC x 2 inch		
U	21471	BOLT – round head, square neck, 1/2 NC x 1-1/4 inch		

CUTTERBAR POLY & INNER SHOES (2005 & Prior)



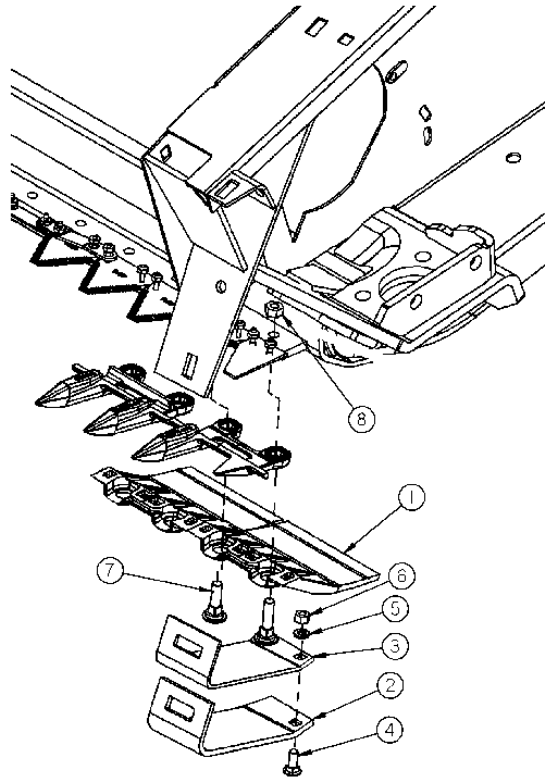
CUTTERBAR POLY & INNER SHOES (2005 & Prior)

REF	PART NUMBER	DESCRIPTION	QTY	SERIAL NUMBER
	B 4393	CUTTERBAR WEAR STRIPS & INBOARD SHOES KIT – 21' 973 Header		
	B 4394	CUTTERBAR WEAR STRIPS & INBOARD SHOES KIT – 25' 973 Header		
	B 4395	CUTTERBAR WEAR STRIPS & INBOARD SHOES KIT – 30' 973 Header		
	B 4396	CUTTERBAR WEAR STRIPS & INBOARD SHOES KIT – 36' 973 Header		
	B 4592	CUTTERBAR WEAR STRIPS & INBOARD SHOES KIT – 39' 973 Header		
	B 4397	CUTTERBAR WEAR STRIPS & INBOARD SHOES KIT – 30' 974 Flex Header		
	B 4398	CUTTERBAR WEAR STRIPS & INBOARD SHOES KIT – 36' 974 Flex Header		
		Dealer Installed Attachment for 973 Header – Kits available through WholeGoods only		
		Standard equipment for 974 Flex Headers		
1	158714	WEARSTRIP – assembly (912mm-2 tabs), includes four 9" poly..... see note (1)		
	158715	WEARSTRIP – assembly (912mm-3 tabs), includes four 9" poly..... see note (2)		
	158717	WEARSTRIP – assembly (684mm), includes three 9" poly see note (3)		
	158720	WEARSTRIP – assembly (303mm), includes two 6" poly see note (4)		
	158750	WEARSTRIP – assembly (150mm), includes one 6" poly see note (5)		
	158793	WEARSTRIP – assembly (455mm), includes two 9" poly see note (6)		
	158797	WEARSTRIP – assembly (1140mm), includes five 9" poly see note (7)		
	158711	WEARSTRIP – ass'y (912mm-2 tabs and notched steel), incl. four 9" poly – 39' 973 & all 974 Hdrs. 1		used @ R/H outboard leg
2	158721	WEARSTRIP – poly, 9 inch (shown) see note (8)		
	158733	WEARSTRIP – poly, 6 inch see note (9)		
3	135404	RIVET – blind, install from bottom see note (10)		
4	129249	SHOE – skid, standard (was 153592) see note (11)		
5	158660	SHOE – poly, skid, standard see note (11)		
6	158530	ANGLE – skid shoe see note (12)		
7	158588	HANGER – skid shoe, left see note (13)		
8	158716	WEARSTRIP – assembly (226mm), includes items 9 & 3 – 974 Header only 1		
9	158619	WEARSTRIP – poly, 9 inch, cropped back – 974 Header only 1		
10	158839	RETAINER – j-bar, 30', 36' & 39' 973 with slow speed transport kit 1		
11	158936	HANGER – skid shoe, right see note (13)		
12	18688	WASHER – flat, used at first guard bolt each end on 36' & 39' headers..... 2		
C	21471	BOLT – round head, square neck, 1/2 NC x 1-1/4 inch		
D	18638	WASHER – lock, 1/2 inch		
E	18591	NUT – hex, 1/2 NC		

NOTES:

- (1) - Quantities: 21' = 1, 25' = 4, 30' 973 = 1, 30' 974 = 1
(2) - Quantities: 21' = 3, 30' 973 = 2, 36' 973 = 4, 39' 973 = 3, 30' 974 = 1, 36' 974 = 2
(3) - Quantities: 21' & 25' = 4, 30' 973 = 7, 36' 973 = 6, 39' 973 = 9, 30' 974 = 5, 36' 974 = 7
(4) - Quantities: 30' 973 = 1, 36' 973 = 1, 39' 973 = 2, 30' 974 = 4
(5) - Quantities: 25' = 2, 30' 973 = 1, 30' 974 = 1, 36' 974 = 2
(6) - Quantities: 25' = 2, 36' 973 = 1, 30' 974 = 3, 36' 974 = 6
(7) - Quantities: 30' 973 = 1, 36' 973 = 2, 39' 973 = 1
(8) - Quantities: 21' = 28, 25' = 32, 30' 973 = 38, 36' 973 = 46, 39' 973 = 48, 30' 974 = 33, 36' 974 = 45
(9) - Quantities: 21' = 0, 25' = 2, 30' 973 = 3, 36' 973 = 2, 39' 973 = 4, 30' 974 = 9, 36' 974 = 2
(10) - Quantities: 21' = 94, 25' = 110, 30' 973 = 140, 36' 973 = 162, 39' 973 = 199, 30' 974 = 150, 36' 974 = 172
(11) - Quantities: 21' = 2, 25' = 2, 30', 36' & 39' 973 = 4, 30' & 36' 974 = 6
(12) - Quantities: 21' & 25' = 4, 30', 36' & 39' 973 = 8, 30' & 36' 974 = 12
(13) - Quantities: 21' & 25' = 2, 30', 36' & 39' 973 = 4, 30' & 36' 974 = 6

MOULDED CUTTERBAR POLY (2006 & After)

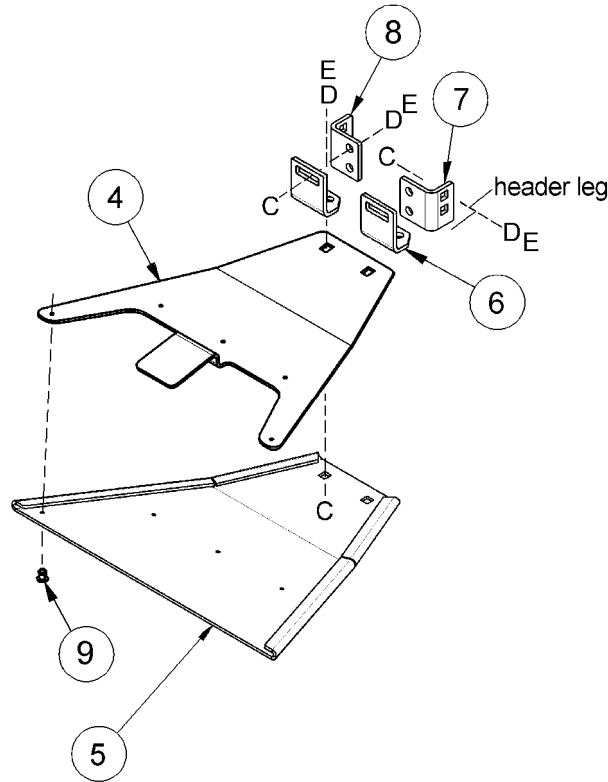


REF	PART NUMBER	DESCRIPTION	QTY	SERIAL NUMBER
	B 4778	MOULDED CUTTERBAR POLY KIT – 21' 973 Header		
	B 4779	MOULDED CUTTERBAR POLY KIT – 25' 973 Header		
	B 4780	MOULDED CUTTERBAR POLY KIT – 30' 973 & 974 Headers		
	B 4781	MOULDED CUTTERBAR POLY KIT – 36' 973 & 974 Headers		
	B 4782	MOULDED CUTTERBAR POLY KIT – 39' 973 Header		
		Dealer Installed Attachment for 973 Header – Kits available through WholeGoods only Standard equipment for 974 Flex Headers		
1	129297	WEAR PLATE – poly, cutterbar..... see note (1)		
2	129720	WEAR PLATE – poly, left divider	1	
	129723	WEAR PLATE – poly, right divider	1	
3	129721	SHOE – mounting, left.....	1	
	129722	SHOE – mounting, right.....	1	
4	19965	BOLT – round head, square neck, 3/8 NC x 1 inch.....	2	
5	18637	WASHER – lock, 3/8 inch.....	2	
6	18590	NUT – hex, 3/8 NC	2	
7	120558	BOLT – special, round head, square neck with step, 7/16 NC x 1 1/2"	see note (2)	
	120639	BOLT – special, round head, square neck with step, 7/16 NC x 1 3/4"	see note (3)	
	120480	BOLT – special, round head, square neck with step, 7/16 NC x 2 1/2"	see note (4)	
8	REF	NUT – hex, 7/16 NC	A/R	

NOTES:

- (1) - Quantities for 129297: 21' = 42, 25' = 50, 30' = 60, 36' = 72, 39' = 77
- (2) - Quantities for 120558: 21' = 80, 25' = 96, 30' = 116, 36' = 138, 39' = 150
- (3) - Quantities for 120639: 21' = 2, 25' = 2, 30' = 10, 36' = 10, 39' = 2
- (4) - Quantities for 120480: 21' = 4, 25' = 4, 30' = 4, 36' = 0, 39' = 0

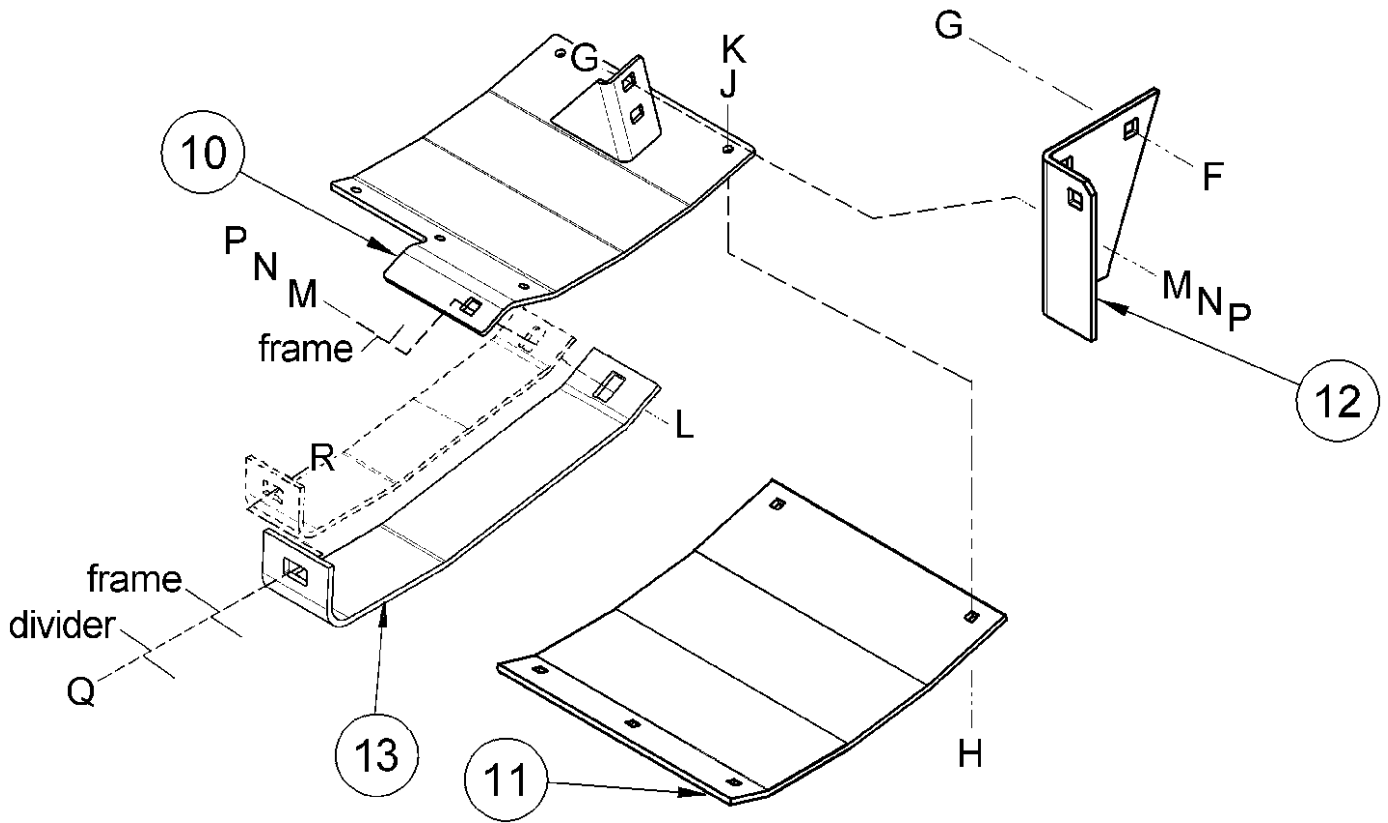
INNER SKID SHOES (2006 & After)



REF	PART NUMBER	DESCRIPTION	QTY	SERIAL NUMBER
	B 4786	INNER SKID SHOES KIT – 21' & 25' 973 Header		
	B 4787	INNER SKID SHOES KIT – 30', 36' & 39' 973 Header		
		Dealer Installed Attachment for 973 Header – Kits available through WholeGoods only		
		Standard equipment for 974 Flex Headers		
4	129249	SHOE – skid, standard	see note (1)	
5	158660	SHOE – poly, skid, standard	see note (1)	
6	158530	ANGLE – skid shoe	see note (2)	
7	158588	HANGER – skid shoe, left	see note (3)	
8	158936	HANGER – skid shoe, right	see note (3)	
9	135404	RIVET – blind, install from bottom	see note (4)	
C	21471	BOLT – round head, square neck, 1/2 NC x 1-1/4 inch		
D	18638	WASHER – lock, 1/2 inch		
E	18591	NUT – hex, 1/2 NC		

- (1) - Quantities: 21' & 25' = 2; 30', 36' & 39' 973 = 4; 30' & 36' 974 = 6
- (2) - Quantities: 21' & 25' = 4; 30', 36' & 39' 973 = 8; 30' & 36' 974 = 12
- (3) - Quantities: 21' & 25' = 2; 30', 36' & 39' 973 = 4; 30' & 36' 974 = 6
- (4) - Quantities: 21' & 25' = 10; 30', 36' & 39' 973 = 20; 30' & 36' 974 = 30

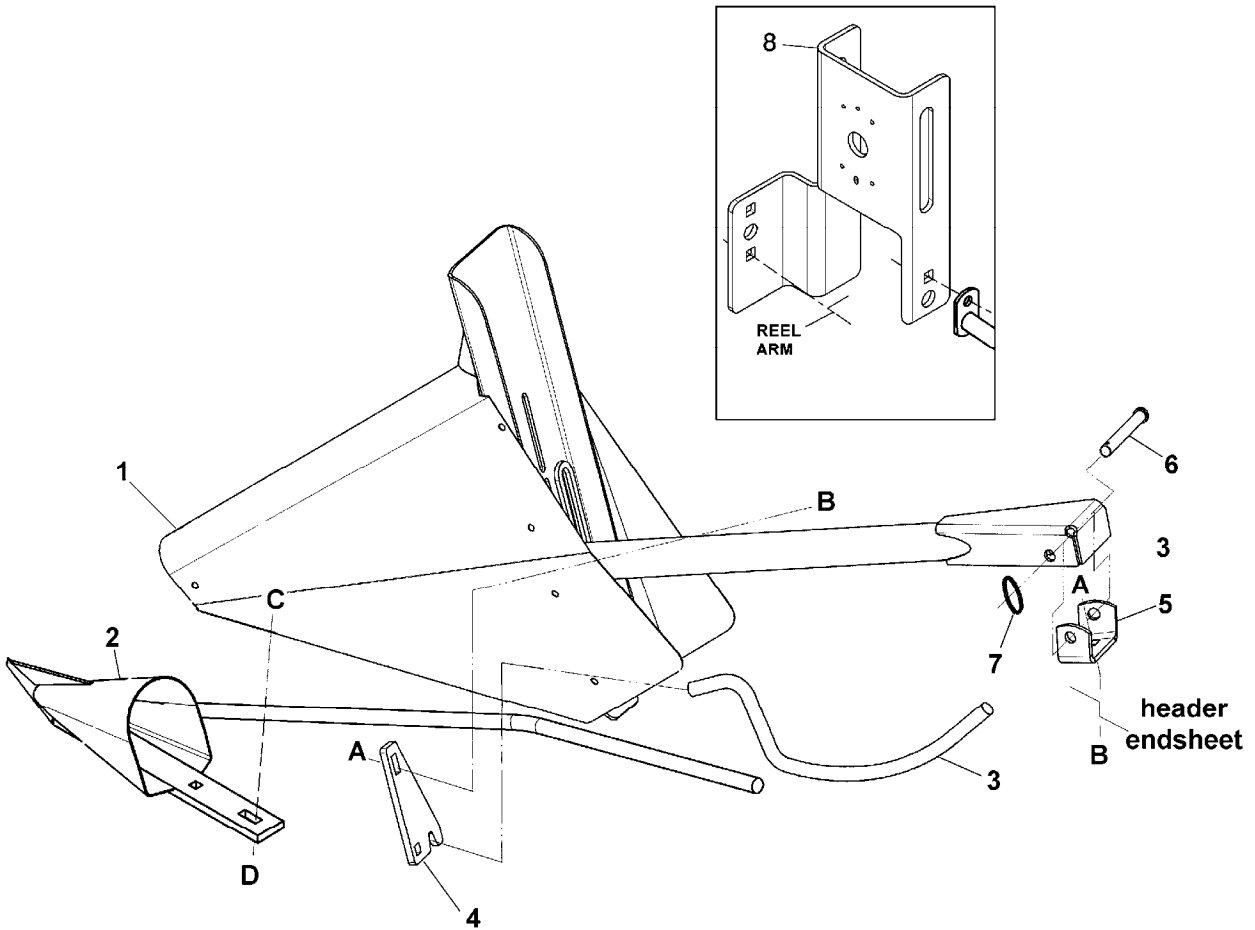
OUTBOARD SKID SHOES & POLY



OUTBOARD SKID SHOES & POLY

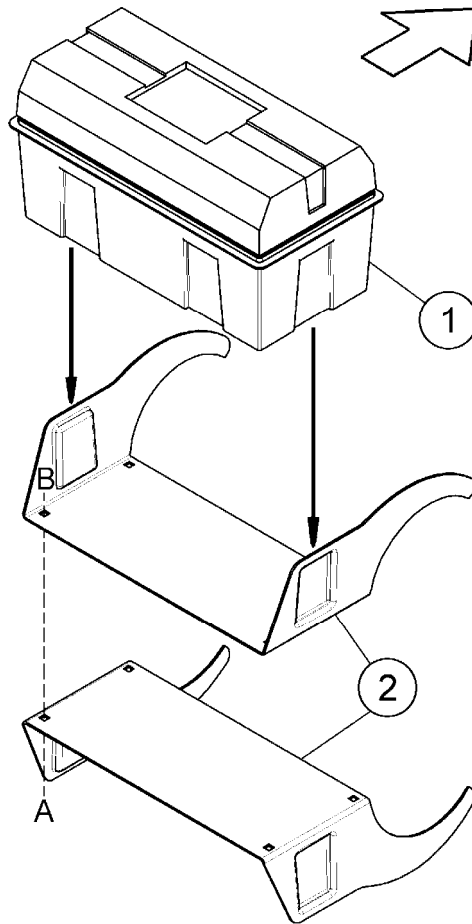
REF	PART NUMBER	DESCRIPTION	QTY	SERIAL NUMBER
	B 4389	ADJUSTABLE OUTBOARD SKID SHOES WITH POLY Dealer Installed Attachment for 973 Header – Kits available through WholeGoods only Standard equipment for 974 Flex Headers		
10	102336	SHOE – skid, adjustable, left.....	1	
	102337	SHOE – skid, adjustable, right.....	1	
11	102965	SHOE – poly, outer.....	2	
12	158050	SUPPORT – skid shoe, left.....	1	
	158052	SUPPORT – skid shoe, right.....	1	
13	153132	SHOE – poly, header end skid.....	2	
F	50225	NUT – lock, smooth flange, 5/8 NC distorted thread		
G	103562	BOLT – round head, square neck, 5/8 NC x 1-1/4 inch		
H	19965	BOLT – round head, square neck, 3/8 NC x 1 inch		
J	18637	WASHER – lock, 3/8 inch		
K	18590	NUT – hex, 3/8 NC		
L	18525	BOLT – round head, square neck, 5/8 NC x 2-1/2 inch		
M	18600	WASHER – flat, 21/32 inch I.D.		
N	18639	WASHER – lock, 5/8 inch		
P	18592	NUT – hex, 5/8 NC		
Q	30515	BOLT – round head, square neck, 1/2 NC x 1-3/4 inch		
R	50186	NUT – lock, smooth flange, 1/2 NC distorted thread		

FLOATING DIVIDERS – European Headers



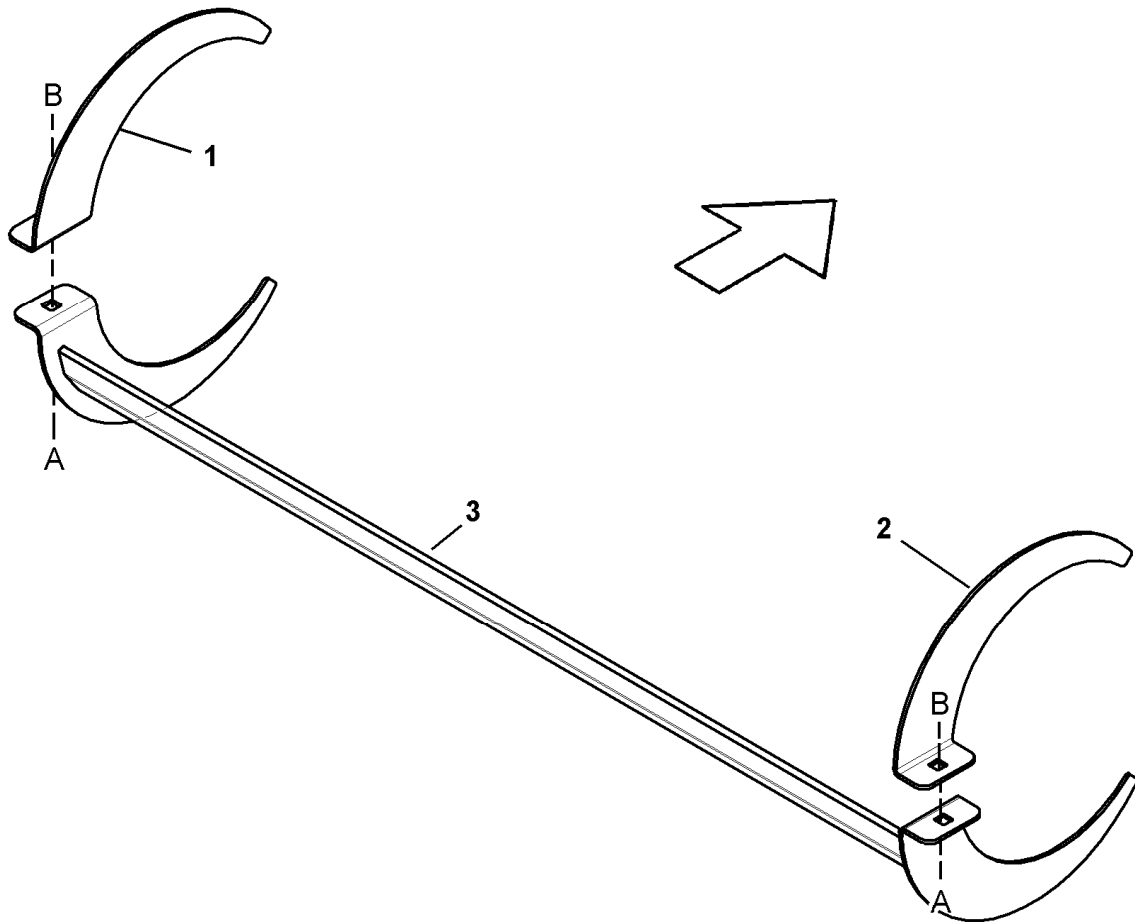
REF	PART NUMBER	DESCRIPTION	QTY
•	B 4367 B 4368	FLOATING CROP DIVIDER, LEFT HAND FLOATING CROP DIVIDER, RIGHT HAND	
1	113788 113811	DIVIDER – left DIVIDER – right	1 1
2	113646 113819	DIVIDER CONE – left..... DIVIDER CONE – right.....	1 1
3	113640	ROD – divider mounting	2
4	113790	STOP – divider height	2
5	113794	SUPPORT – rear.....	2
6	113813	PIN – clevis.....	2
7	118137	RING - split.....	2
8	129571	SUPPORT – light, with reflector (units with slow speed transport option)	1
A	21066	BOLT – round head, square neck, 1/2 NC x 1 inch	
B	50186	NUT – lock, smooth flange, 1/2 NC distorted thread	
C	19965	BOLT – round head, square neck, 3/8 NC x 1 inch	
D	21452	NUT – serrated flange lock, 3/8 NC distorted thread	

TOOL BOX



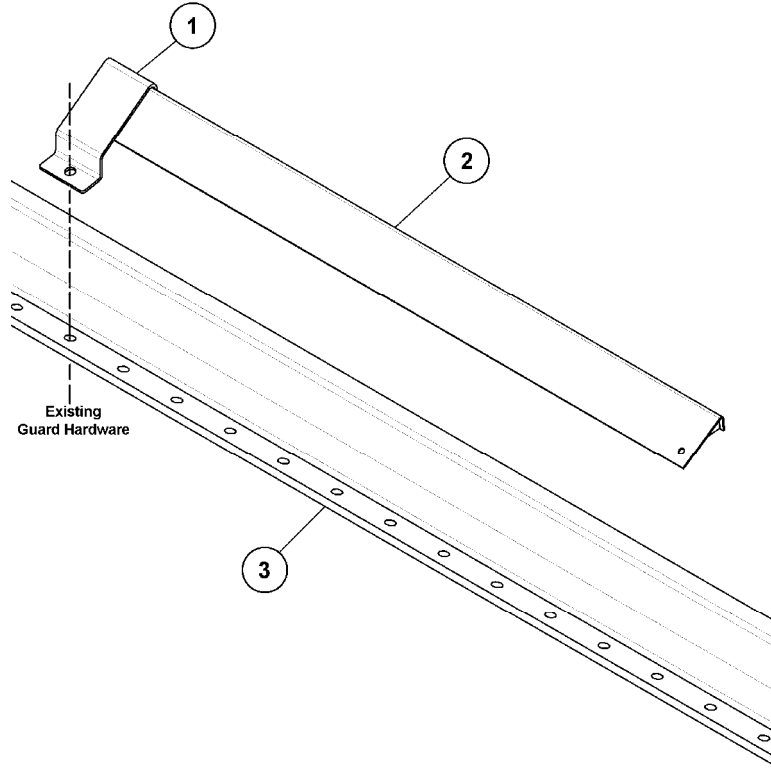
REF	PART NUMBER	DESCRIPTION	QTY
•	B 4400	TOOL BOX	
1	158121	TOOL BOX - plastic.....	1
2	158119	BRACKET – mounting clamp, toolbox.....	2
A	30228	NUT – lock, smooth flange, 3/8 NC distorted thread	
B	21863	BOLT – round head, short square neck, 3/8 x 3/4 inch	

CROP LIFTER - STORAGE



REF	PART NUMBER	DESCRIPTION	QTY
•	B 4401	CROP LIFTER - STORAGE	
1	158314	BRACKET – mounting, L/H	1
2	158313	BRACKET – mounting, R/H.....	1
3	158316	SUPPORT	1
A	30228	NUT – lock, smooth flange, 3/8 NC distorted thread	
B	21863	BOLT – round head, short square neck, 3/8 x 3/4 inch	

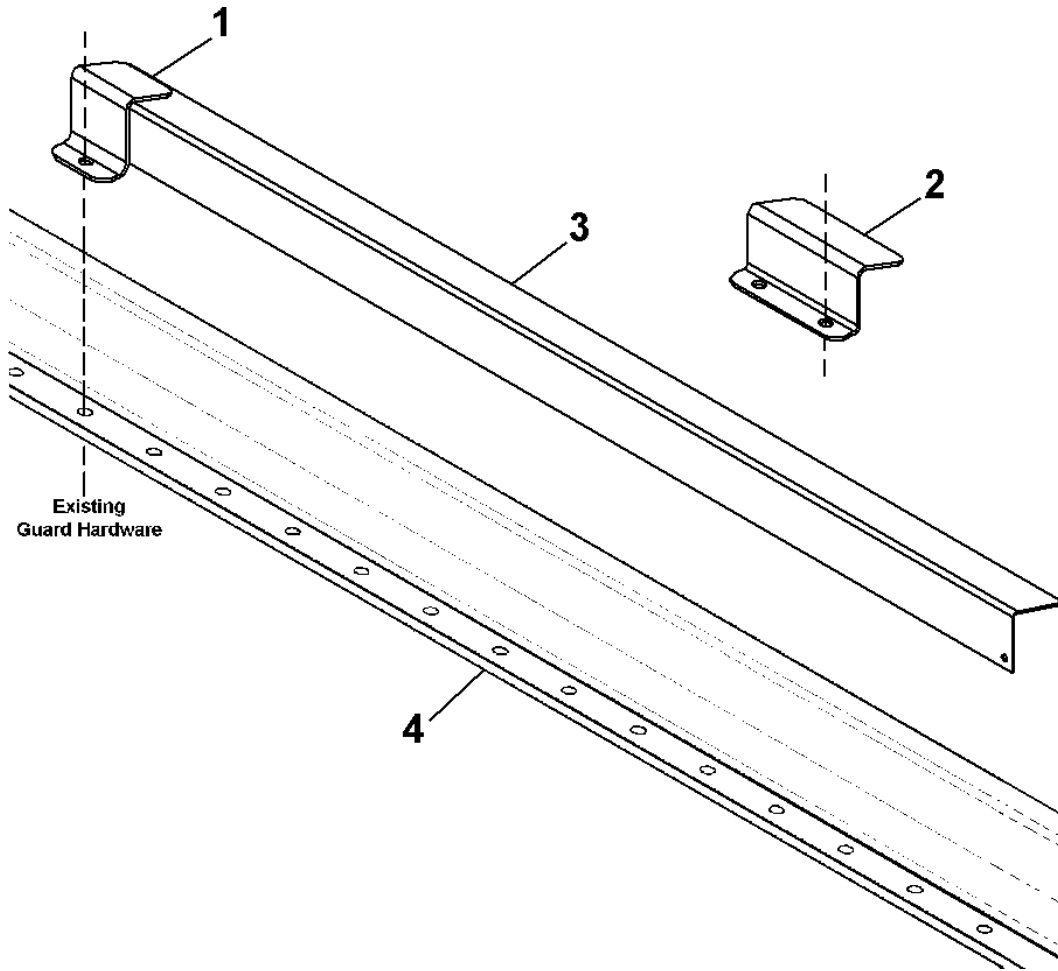
BEAN SAVER



REF	PART NUMBER	DESCRIPTION	QTY
•	B 4542	BEAN SAVER – 21’ 973 Header	
•	B 4543	BEAN SAVER – 25’ 973 Header	
•	B 4544	BEAN SAVER – 30’ 973 Header	
•	B 4545	BEAN SAVER – 36’ 973 Header	
•	B 4589	BEAN SAVER – 39’ 973 Header	
•	B 4546	BEAN SAVER – 30’ 974 Header	
•	B 4547	BEAN SAVER – 36’ 974 Header	
1	158926	SUPPORT – bean saver, connector..... (see note 1)	
	158934	SUPPORT – bean saver, connector, 30’ & 36’ 974 headers only 4	
2	158909	SUPPORT – bean saver, deflector, 533mm lg, 36’ 973 and 974 headers only 1	
	158910	SUPPORT – bean saver, deflector, 609 mm lg (see note 2)	
	158911	SUPPORT – bean saver, deflector, 838 mm lg, 36’ & 39’ 973 & 36’ 974 headers only 1	
	158912	SUPPORT – bean saver, deflector, 913 mm lg (see note 3)	
	158913	SUPPORT – bean saver, deflector, 947 mm lg, 30’, 36’ & 39’ 973 & 974 headers only 4	
	158914	SUPPORT – bean saver, deflector, 990 mm lg (see note 4)	
	158915	SUPPORT – bean saver, deflector, 1066 mm lg, 30’ 973 & 974 headers only 2	
3	REF	CUTTERBAR..... 1	

NOTES: (1) – Quantities for item 1, 158926: 21’ 973 = 14, 25’ 973 = 16, 30’ 973 = 19, 36’ 973 = 25, 39’ 973 = 27
 30’ 974 = 16, 36’ 974 = 21
 (2) – Quantities for item 2, 158910: 21’ 973 = 1, 39’ 973 = 2
 (3) – Quantities for item 2, 158912: 21’ 973 = 5, 25’ 973 = 7, 36’ 973 = 5, 39’ 973 = 5, 36’ 974 = 5
 (4) – Quantities for item 2, 158914: 21’ 973 = 1, 25’ 973 = 1, 30’ 973 = 3, 36’ 973 = 1, 39’ 973 = 1
 30’ 974 = 3, 36’ 974 = 1

ROCK RETARDER



REF	PART NUMBER	DESCRIPTION	QTY
•	B4761	ROCK RETARDER – 25' 973 Header	
•	B4762	ROCK RETARDER – 30' 973/974 Headers	
•	B4763	ROCK RETARDER – 36' 973/974 Headers	
1	129577	SUPPORT – rock retarder clamp (see note 1)	
2	129578	SUPPORT – rock retarder clamp, 30 & 36' 974 headers only, (used at flex joint)..... 2	
3	129580	SUPPORT – rock retarder, 947 mm long (see note 2)	
	129581	SUPPORT – rock retarder, 990 mm long (see note 3)	
	129582	SUPPORT – rock retarder, 913 mm long (see note 4)	
	129583	SUPPORT – rock retarder, 580 mm long, 36' 973/974 headers only 1	
	129584	SUPPORT – rock retarder, 888 mm long, 36' 973/974 headers only 1	
	129589	SUPPORT – rock retarder, 1066 mm long, 30' 973/974 headers only 2	
4	REF	CUTTERBAR..... 1	

NOTES: (1) – Quantities for item 1, 129577: 25' 973 = 24, 30' 973/974 = 28, 36' 973/974 = 35
 (2) – Quantities for item 3, 129580: 25' 973 = 1, 30' 973/974 = 3, 36' 973/974 = 4
 (3) – Quantities for item 4, 129581: 25' 973 = 1, 30' 973/974 = 5, 36' 973/974 = 1
 (4) – Quantities for item 5, 129582: 25' 973 = 6, 36' 973/974 = 5

NUMERICAL LIST

<u>PART NO.</u>	<u>PAGE</u>	<u>PART NO.</u>	<u>PAGE</u>	<u>PART NO.</u>	<u>PAGE</u>	<u>PART NO.</u>	<u>PAGE</u>
2148	9	18637	72	21887	65	30696	29
2149	11	18648	63	21936	25	30696	31
2149	13	18648	65	21938	25	30710	69
2149	15	18671	9	23164	59	30753	21
2149	17	18671	41	23165	59	30753	69
2149	41	18671	45	24777	59	30852	29
2149	45	18671	49	25059	25	30857	11
5512	63	18671	61	25321	65	30857	13
5512	65	18671	63	25991	59	30907	45
6634	45	18671	65	27160	49	31061	69
7038	45	18688	71	29028	9	31062	3
7457	19	18725	45	29168	15	31774	9
7457	21	18738	19	29168	17	31802	17
7457	23	18738	21	30282	15	32009	59
7642	7	18738	23	30282	17	32225	15
7900	45	18867	39	30282	19	32225	17
7900	63	18899	65	30282	21	33955	29
7900	65	18916	63	30282	23	33955	31
7910	45	18916	65	30283	15	34359	29
8640	45	19965	72	30283	17	34390	29
8640	49	20988	27	30375	15	34390	31
11142	25	21010	9	30375	17	34390	33
11695	65	21010	41	30375	19	34391	29
11814	67	21194	29	30441	49	34391	31
13125	3	21301	41	30442	27	34420	27
13125	9	21301	49	30461	69	34980	29
13710	69	21376	63	30463	9	35694	49
13747	3	21376	65	30516	63	35694	63
13783	9	21495	15	30516	65	35694	65
13783	67	21495	17	30517	63	36838	19
15903	17	21540	63	30517	65	36849	19
15903	21	21540	65	30520	63	37134	13
16235	45	21763	69	30520	65	37442	63
16568	15	21794	25	30542	3	37442	65
16568	17	21804	17	30553	27	37881	17
16568	27	21806	21	30556	61	39272	19
16681	67	21806	21	30558	11	39272	69
16919	51	21806	27	30558	13	40110	57
16919	53	21855	21	30558	61	41905	19
16919	55	21855	21	30602	25	41906	15
17546	67	21855	27	30603	25	41906	19
18590	72	21856	27	30661	61	41906	19
18601	49	21857	21	30669	29	41982	63
18609	63	21857	27	30669	31	41982	65
18609	65	21858	27	30695	11	42122	59
18624	19	21859	61	30695	13	42634	15
18624	21	21862	25	30695	15	42634	17
18624	23	21876	27	30695	17	43011	15
18624	45	21887	63	30695	61	43011	17

NUMERICAL LIST

<u>PART NO.</u>	<u>PAGE</u>	<u>PART NO.</u>	<u>PAGE</u>	<u>PART NO.</u>	<u>PAGE</u>	<u>PART NO.</u>	<u>PAGE</u>
43011	45	50083	27	100708	37	102286	25
43076	29	50104	11	100709	37	102287	25
43076	31	50104	13	100710	37	102288	25
43077	29	50174	63	100712	37	102298	25
43078	29	50174	65	100714	37	102299	25
43078	31	50184	51	100715	37	102300	25
43145	57	50184	53	100716	37	102301	25
43219	45	50184	55	100717	37	102336	75
43582	39	50185	51	100718	37	102337	75
43664	19	50185	53	100719	37	102350	25
43665	17	50185	55	100720	37	102351	25
43665	17	50193	3	100721	37	102352	25
43838	69	50219	15	100722	37	102437	11
43848	17	50219	17	100723	37	102437	13
43848	19	50219	17	100726	37	102437	15
43848	21	50223	11	100730	25	102437	17
43848	23	50223	13	100737	25	102489	3
44209	15	52414	41	100862	41	102509	3
44209	17	100039	25	100897	25	102532	59
44210	11	100042	25	100905	25	102533	59
44210	13	100050	25	100993	23	102629	37
44210	15	100051	25	100999	21	102630	37
44210	17	100081	41	101000	21	102707	27
44210	21	100082	41	101008	41	102808	45
44210	27	100163	39	101047	25	102809	45
44611	59	100195	41	101066	3	102836	25
45153	27	100229	41	101137	3	102861	41
47133	27	100275	41	101137	11	102865	41
47832	29	100295	51	101137	13	102876	29
47876	3	100295	53	101703	55	102918	29
48051	51	100295	55	101870	45	102936	39
48051	53	100308	51	101912	41	102937	39
48051	55	100308	55	101913	41	102940	39
48059	53	100365	51	101914	41	102941	39
48061	51	100365	55	101974	55	102965	75
48061	55	100438	41	102013	3	103096	37
49063	63	100438	41	102045	41	103210	45
49063	65	100500	9	102052	25	103211	45
49306	61	100500	29	102129	41	103214	45
49671	29	100500	35	102162	39	103220	45
49671	31	100532	29	102166	39	103221	45
49904	9	100532	37	102167	39	103222	63
50018	27	100586	3	102173	3	103223	63
50022	11	100588	3	102175	25	103264	49
50022	13	100589	45	102180	3	103284	45
50022	17	100591	45	102184	3	103285	49
50022	61	100592	45	102260	3	103322	49
50082	21	100706	37	102283	25	103332	3
50082	27	100707	37	102285	25	103340	49

NUMERICAL LIST

<u>PART NO.</u>	<u>PAGE</u>	<u>PART NO.</u>	<u>PAGE</u>	<u>PART NO.</u>	<u>PAGE</u>	<u>PART NO.</u>	<u>PAGE</u>
103348	25	105049	51	105230	53	113449	19
103360	41	105049	53	105230	55	113449	21
103391	15	105049	55	105304	51	113449	23
103391	17	105053	53	105304	55	113453	65
103391	17	105053	55	105333	51	113471	3
103391	19	105055	51	105333	53	113473	3
103391	19	105056	51	105333	55	113474	3
103391	19	105062	51	113014	63	113475	3
103392	15	105062	55	113020	63	113480	59
103392	17	105063	51	113020	65	113482	59
103392	21	105063	55	113030	3	113483	59
103398	15	105065	55	113032	3	113484	59
103398	17	105070	51	113071	17	113493	59
103398	45	105070	53	113087	39	113495	59
103449	41	105070	55	113090	3	113496	59
103466	45	105074	51	113094	3	113498	59
103511	41	105074	55	113152	37	113511	3
103565	37	105078	53	113153	37	113518	69
103579	49	105078	55	113222	9	113519	69
103583	15	105079	53	113222	29	113520	69
103583	17	105080	53	113222	35	113523	69
103583	19	105101	55	113224	63	113524	69
103583	19	105129	51	113224	65	113536	69
103595	49	105129	55	113229	29	113538	41
103616	11	105141	51	113249	65	113541	39
103677	11	105141	53	113254	65	113542	39
103677	13	105141	55	113278	65	113561	65
103685	11	105153	53	113299	3	113561	69
103685	13	105153	55	113302	3	113565	59
103685	15	105154	53	113303	3	113566	69
103696	63	105154	55	113320	3	113568	65
103696	65	105157	51	113323	49	113569	69
103697	63	105158	51	113332	45	113574	65
103697	65	105159	51	113395	3	113578	65
103738	11	105160	51	113404	59	113579	69
103738	13	105161	53	113410	45	113584	29
103738	15	105162	53	113424	21	113585	29
103738	17	105163	53	113428	65	113586	29
103738	27	105164	53	113434	19	113587	29
103780	41	105196	51	113434	21	113613	59
103810	65	105196	53	113434	23	113616	65
103877	21	105196	55	113435	19	113617	45
103878	21	105197	51	113435	21	113624	65
103879	19	105197	53	113435	23	113640	76
103879	21	105197	55	113441	45	113646	76
103879	23	105212	51	113441	45	113655	67
103934	65	105212	53	113442	45	113668	39
105048	51	105212	55	113445	45	113695	35
105048	55	105230	51	113447	45	113698	29

NUMERICAL LIST

<u>PART NO.</u>	<u>PAGE</u>	<u>PART NO.</u>	<u>PAGE</u>	<u>PART NO.</u>	<u>PAGE</u>	<u>PART NO.</u>	<u>PAGE</u>
113767	15	114006	25	118157	17	129028	33
113787	19	114120	21	118162	29	129029	33
113787	21	114141	21	118162	31	129030	33
113788	76	114142	21	118169	45	129031	33
113790	76	114143	21	118185	41	129043	33
113794	76	114229	21	118190	61	129100	29
113797	25	114230	21	118199	45	129100	31
113804	25	114319	11	118206	41	129102	25
113811	76	114319	13	118207	41	129105	25
113813	76	114319	41	118213	67	129110	29
113819	76	115074	25	118214	41	129113	53
113835	17	115145	59	118234	5	129114	53
113837	41	115146	59	118239	69	129151	25
113861	19	115147	59	118240	69	129154	59
113861	19	115670	29	118241	69	129155	59
113862	17	115670	35	118249	69	129159	5
113862	19	116069	41	118301	29	129160	5
113865	19	117000	65	118302	29	129177	39
113867	19	117014	25	118320	61	129182	39
113868	19	117036	27	118344	29	129190	53
113871	25	117056	69	118344	31	129194	53
113872	25	117303	57	118345	29	129195	53
113873	25	117304	57	118346	29	129196	53
113874	25	117322	19	118347	29	129205	3
113875	19	117322	21	118351	29	129212	41
113876	19	117322	23	118351	31	129213	41
113877	19	117353	27	118474	17	129214	41
113878	19	117361	15	118475	29	129221	5
113879	19	117361	17	120480	72	129225	61
113880	19	118010	45	120558	72	129228	61
113881	17	118011	41	120639	72	129244	9
113881	17	118033	65	121012	57	129249	71
113881	19	118033	65	121032	23	129249	73
113881	19	118041	67	121032	23	129260	59
113881	19	118043	65	123314	11	129261	59
113937	29	118048	67	123314	13	129297	72
113937	35	118069	65	123314	15	129313	59
113938	41	118084	11	123314	17	129329	29
113939	41	118084	13	123314	41	129329	31
113940	65	118088	69	123314	45	129338	35
113943	59	118137	63	125042	3	129342	25
113953	41	118137	65	129000	33	129355	45
113954	41	118137	76	129002	33	129361	29
113984	35	118141	5	129004	33	129361	31
113985	35	118141	35	129006	33	129433	29
113986	35	118142	5	129010	33	129433	31
113987	35	118144	3	129011	33	129521	61
113993	65	118156	3	129024	33	129522	61
113997	41	118157	15	129026	33	129524	17

NUMERICAL LIST

<u>PART NO.</u>	<u>PAGE</u>	<u>PART NO.</u>	<u>PAGE</u>	<u>PART NO.</u>	<u>PAGE</u>	<u>PART NO.</u>	<u>PAGE</u>
129525	15	135348	13	153252	39	153979	13
129525	17	135404	71	153264	49	153980	11
129571	76	135404	73	153281	9	153981	23
129577	80	137002	57	153285	9	153983	23
129578	80	137004	57	153289	9	153984	23
129580	80	137006	57	153332	7	153985	15
129581	80	137008	57	153404	39	158017	49
129582	80	137011	57	153419	39	158023	45
129583	80	137014	57	153426	9	158030	9
129584	80	137017	57	153469	3	158036	11
129589	80	137018	57	153511	9	158036	13
129596	9	137031	45	153515	9	158036	13
129602	9	137032	57	153516	9	158037	15
129669	69	137035	49	153526	9	158044	9
129720	72	137068	51	153646	7	158050	75
129721	72	137068	53	153647	7	158052	75
129722	72	137105	53	153651	39	158058	59
129723	72	137106	53	153653	7	158059	59
129913	39	137107	53	153654	7	158104	9
129983	61	137110	53	153772	39	158106	9
129984	61	137117	53	153812	29	158110	29
135148	59	137142	53	153819	61	158119	77
135175	61	137185	51	153820	61	158121	77
135176	61	137185	53	153833	61	158137	61
135177	61	137185	55	153838	61	158142	3
135190	11	137186	53	153839	9	158143	3
135190	15	139003	37	153914	45	158151	3
135191	15	151053	7	153918	45	158152	3
135283	11	151081	9	153919	49	158153	3
135283	13	151082	9	153920	61	158154	3
135284	11	151097	9	153921	61	158165	11
135284	13	151117	9	153922	61	158168	11
135286	19	151124	9	153923	61	158172	11
135287	19	151125	9	153926	61	158172	13
135291	13	151169	9	153927	61	158179	3
135292	13	151188	9	153959	61	158180	3
135333	3	151189	9	153967	61	158217	59
135334	3	151193	9	153971	11	158223	59
135334	63	151383	7	153971	13	158278	3
135334	65	151639	39	153972	11	158313	78
135342	15	153039	5	153973	11	158314	78
135343	15	153130	39	153974	11	158316	78
135344	11	153132	75	153975	11	158350	69
135344	13	153202	41	153975	11	158357	9
135345	11	153204	41	153977	11	158358	9
135345	13	153207	41	153977	11	158411	9
135346	11	153212	39	153979	11	158412	9
135347	11	153227	39	153979	11	158443	23
135348	11	153238	41	153979	11	158444	23

NUMERICAL LIST

<u>PART NO.</u>	<u>PAGE</u>	<u>PART NO.</u>	<u>PAGE</u>	<u>PART NO.</u>	<u>PAGE</u>	<u>PART NO.</u>	<u>PAGE</u>
158516	29	158915	79	B 4786	73		
158516	31	158926	79	B 4787	73		
158516	33	158934	79	B 5109	61		
158530	71	158936	71				
158530	73	158936	73				
158544	61	158977	59				
158545	61	165064	61				
158588	71	172505	61				
158588	73	172507	61				
158595	19	B 2749	63				
158595	21	B 4367	76				
158595	23	B 4368	76				
158619	71	B 4389	75				
158621	59	B 4393	71				
158660	71	B 4394	71				
158660	73	B 4395	71				
158667	61	B 4396	71				
158668	61	B 4397	71				
158680	29	B 4398	71				
158680	31	B 4400	77				
158681	29	B 4401	78				
158681	31	B 4419	61				
158686	45	B 4421	61				
158710	5	B 4423	61				
158711	71	B 4425	61				
158714	71	B 4542	79				
158715	71	B 4543	79				
158716	71	B 4544	79				
158717	71	B 4545	79				
158720	71	B 4546	79				
158721	71	B 4547	79				
158726	49	B 4587	61				
158733	71	B 4589	79				
158740	61	B 4592	71				
158741	61	B 4670	35				
158750	71	B 4671	35				
158763	3	B 4672	27				
158793	71	B 4673	27				
158797	71	B 4674	27				
158808	7	B 4675	27				
158839	67	B 4676	27				
158839	71	B 4761	80				
158856	61	B 4762	80				
158909	79	B 4763	80				
158910	79	B 4778	72				
158911	79	B 4779	72				
158912	79	B 4780	72				
158913	79	B 4781	72				
158914	79	B 4782	72				

Model 973/974 Harvest Header SUGGESTED STOCKING LIST

P.C. REF	PART NUMBER	DESCRIPTION	SUGGESTED QTY.		ORDER QTY	UNIT PRICE	EXT. PRICE
			2 UNITS	5 UNITS			
<u>MAIN FRAME, LIGHTS & ATTACHMENTS – Page 3</u>							
12	135334 *	PIN - clevis, header lock - 974	1				2
16	135333 *	PIN - clevis, header lock - 973	1				2
17	50193	PIN - lynch	1				2
<u>REEL LIFT & REEL DRIVE HYDRAULICS – Page 15</u>							
1	123314	SEAL KIT - hydraulic motor	3				6
12	118157	SEAL KIT - double acting cylinder	1				2
13	21495	SEAL KIT - single acting cylinder	1				2
<u>3-ARM REEL LIFT & REEL DRIVE HYDRAULICS – Page 17</u>							
13	113835 *	SEAL KIT – center arm cylinder	1				1
<u>HYDRAULIC FORE-AFT REEL POSITIONER – Page 19, 21</u>							
1	113435	SEAL KIT – fore-aft cylinder	2				4
<u>DRIVE SHAFT ASSEMBLY - Page 25</u>							
5	21936	BEARING - ball, with collar	2				4
6	30602	FLANGE - bearing	1				2
7	30603	FLANGE - bearing, w/ straight lube	1				2
10	21862	PULLEY - back-side idler	1				2
12	100737	ROD – threaded	1				2
14	114006	BELT - single sickle drive	1				3
21	21938	FLANGE - bearing, with 45° lube	1				2
26	21794	PULLEY – “V” idler	1				2
<u>SICKLE & DRIVE – Page 29</u>							
3	113698	ARM - output	1				1
4	113229	PIN - sickle head	2				4
7	100500	BEARING - needle	2				4
8	113222	SEAL - sickle head	2				4
10	129361 *	SICKLE ASS'Y - 973 21' complete, 25' L/H, 30' L/H, 36' L/H	1				3
	129433 *	SICKLE ASS'Y – 974, 30 & 36' L/H	1				3
11	34390 *	FINE SECTION – sickle, 973	50				200
	158516 *	COARSE SECTION – sickle, 974	50				100
12	34391	SECTION - sickle, half	2				5
13	33955 *	BAR - splice, 25', 30' & 36'	1				3
14	30696	SCREW - sickle section	50				200
15	30852	SCREW - sickle head	15				60
16	30669	NUT - sickle	50				200
17	118345 *	SPECIAL GUARD - drive end	6				12
18	118344 *	SICKLE GUARD - heat treated	10				100
19	118162 *	GUIDE – adjustable	10				50
20	118301 *	SPEC. COMBO GUARD – L/H	2				5
21	118302 *	SPEC. COMBO GUARD – R/H	2				5
27	118351 *	GUIDE - hold-down, stub guards	10				100
28	118347 *	SPECIAL STUB GUARD - drive end	8				16
29	118346 *	GUARD – stub	10				100

NOTE: Segmented sickles are also available as a more “shipping friendly” alternative. See pages 32 & 33.

* - Order to suit header sizes and types sold.

Model 973/974 Harvest Header SUGGESTED STOCKING LIST

P.C. REF	PART NUMBER	DESCRIPTION	SUGGESTED QTY.		ORDER QTY	UNIT PRICE	EXT. PRICE
			2 UNITS	5 UNITS			
<u>SICKLE & DRIVE – Page 29 (continued)</u>							
34	43076 *	SICKLE ASS'Y - right, 25' 973	1	3			
	43077 *	SICKLE ASS'Y - right, 30' 973	1	3			
	43078 *	SICKLE ASS'Y - right, 36' 973	1	3			
	158680 *	SICKLE ASS'Y – right 30' 974	1	3			
	158681 *	SICKLE ASS'Y – right, 36' 974	1	3			
35	49671	SCREW - sickle head & splice bar	15	60			
38	129329	BAR – reinforcing	1	2			
39	153812	HEAD ASSEMBLY - sickle	2	4			
<u>SICKLE DRIVE BOX – Page 37</u>							
	100532	DRIVE - sickle, complete	0	1			
1	100706	YOKE - output	0	1			
2	100707	SEAL - oil, output shaft	2	4			
3	100708	BUSHING - bronze	1	2			
5	100726	BUSHING - steel	1	2			
8	100710	SHAFT - input	0	1			
10	100712	O-RING	1	2			
11	102630	SEAL - oil, input shaft	1	2			
12	100714	BEARING ASS'Y - cup & cone	1	2			
16	100717	BEARING ASS'Y - cup & cone	1	2			
18	100719	CAP - dust	1	2			
20	100720	BEARING ASS'Y - cup & cone	2	4			
21	100721	PIVOT	0	1			
22	100722	RING - retaining, internal	2	4			
23	100723	BUSHING - bronze	2	4			
<u>DRAPERS, DRIVE & TIGHTENER – Page 41</u>							
9	118185	BEARING - ball, draper roller	3	8			
10	100862	SEAL - bearing	3	8			
12	103360	ROD – spring	1	2			
28	100275 *	DRAPER - 21' header	0	1			
	100438 *	DRAPER - 25' header	0	1			
	101912 *	DRAPER - 30' header	0	1			
	101913 *	DRAPER - left, 36' header	0	1			
	101914 *	DRAPER - right, 36' center del.	0	1			
	103780	DRAPER – extension piece	1	2			
31	103511	CONNECTOR KIT	2	3			
K	50190	BOLT – hex head, 5/8 NC x 7-1/2"	1	2			
<u>REEL DRIVE & SUPPORT ARMS – Page 45</u>							
28	113617	BEARING - ball, with lock collar	1	2			
29	100589	FLANGE - bearing, cropped	1	2			
30	100591	FLANGE - bearing, cropped	1	2			

NOTE: Segmented sickles are also available as a more "shipping friendly" alternative. See pages 32 & 33.

* - Order to suit header sizes and types sold.

Model 973/974 Harvest Header SUGGESTED STOCKING LIST

P.C. REF	PART NUMBER	DESCRIPTION	SUGGESTED QTY.		ORDER QTY	UNIT PRICE	EXT. PRICE
			2 UNITS	5 UNITS			
<u>PICK-UP REEL – Page 51</u>							
2	48051	ARM - cam, with bearings	1	3			
3	50185	BEARING - ball	2	5			
6	50184	BEARING - ball	1	3			
8	100295	BUSHING - finger tube	10	25			
9	105230	HOUSING - bushing	3	10			
10	100308 *	FINGER - double, 21 & 25'	5	10			
11	100365 *	BOLT - finger	5	10			
17	105049	HOUSING - bushing, cam end	3	10			
25	105333	FINGER – plastic, end	6	6			
26	105212 *	FINGER – plastic (optional)	25	50			
27	105196 *	SCREW – for plastic finger	25	50			
28	105197 *	NUT – for plastic finger	25	50			
<u>PAINT – Page 59</u>							
	25991	PAINT - black, 1 litre	1	1			
<u>GAUGE WHEELS OPTION – Page 63</u>							
24	135334 *	PIN – clevis	1	2			
25	118137 *	RING - split	1	2			
<u>30' & 36' TRANSPORT OPTION – Page 65, 69</u>							
17	135334 *	PIN – clevis	1	2			
18	118137 *	RING - split	1	2			
27	113561 *	PIN – lynch	1	2			
28	113568 *	ANCHOR – diagonal brace	1	2			
47	158839 *	RETAINER – J-bar	1	2			
55	11814 *	PIN – clevis	1	2			
<u>MOULDED CUTTERBAR POLY (2006 & After) – Page 72</u>							
1	129297 *	WEAR PLATE – poly, cutterbar	2	4			
2	129270 *	WEAR PLATE – poly, left divider	2	4			
	129273 *	WEAR PLATE – poly, right divider	2	4			
7	120558 *	BOLT – special, sq. nk with step	10	20			
	120639 *	BOLT – special, sq. nk with step	10	20			
	120480 *	BOLT – special, sq. nk with step	10	20			
<u>INNER SKID SHOES (2006 & After) – Page 73</u>							
5	158660 *	SHOE – poly, skid, standard	2	4			
<u>OUTBOARD SKID SHOES & POLY – Page 75</u>							
10	102336 *	SHOE - skid, adj., left - 12' to 25'	1	1			
	102337 *	SHOE - skid, adj., right - 12' to 25'	1	1			
11	102965 *	SHOE - plastic, outer	2	4			
12	158050 *	SUPPORT – skid shoe, left	1	1			
	158052 *	SUPPORT – skid shoe, right	1	1			
13	153132 *	SHOE – poly, header end skid	2	4			

* - Order to suit header sizes and options sold