

*Bleien's*

# MacDon

**Model 970  
HARVEST HEADER  
15', 18', 21' & 25'**

**PARTS  
CATALOG**



**MacDon Industries Ltd.**  
680 Moray Street, Winnipeg, Manitoba  
Canada R3J 3S3  
(204) 885-5590, Fax 832-7749



**Model 970  
Harvest Header  
PARTS CATALOG**

**CONTENTS**

Main Frame, Lights & Attachments .....	2,3
Hydraulics - Draper Drive: Hydraulic Deck Shift .....	4,5
Hydraulics - Draper Drive: Manual Deck Shift .....	6,7
Hydraulics - Reel Lift & Reel Drive .....	8,9
Drive Shaft .....	10,11
Sickle & Drive .....	12,13
Sickle Drive Box .....	14,15
Draper Carrier Decks & Shift Group .....	16,17
Drapers, Drive & Tightener .....	18,19
Reel Drive & Support Arms .....	20,21
2100 Pick-Up Reel .....	22,23
Hydraulic Reel Fore-Aft Positioner .....	24,25
Decals .....	26
Hay Conditioner Mounting Parts .....	27
Windrower Completion Package: 21' & 25' Headers .....	28,29
Sickle Stub Guards (Option) .....	30
<b>NUMERICAL LIST</b> .....	<b>31</b>

**ABBREVIATIONS**

L/H - left hand (Determined from Operator's position, facing forward.)

R/H - right hand

I.D. - inside diameter

O.D. - outside diameter

A/R - as required (quantity varies with header size)

REF - reference, part number called up elsewhere in catalog

SUB - Substitute (Revised design may be used to repair previous design when stock is depleted.)

NC - national coarse thread

NF - national fine thread

**NOTE:** Common hardware is not illustrated. Alphabetic references are used to designate position and description of these items.

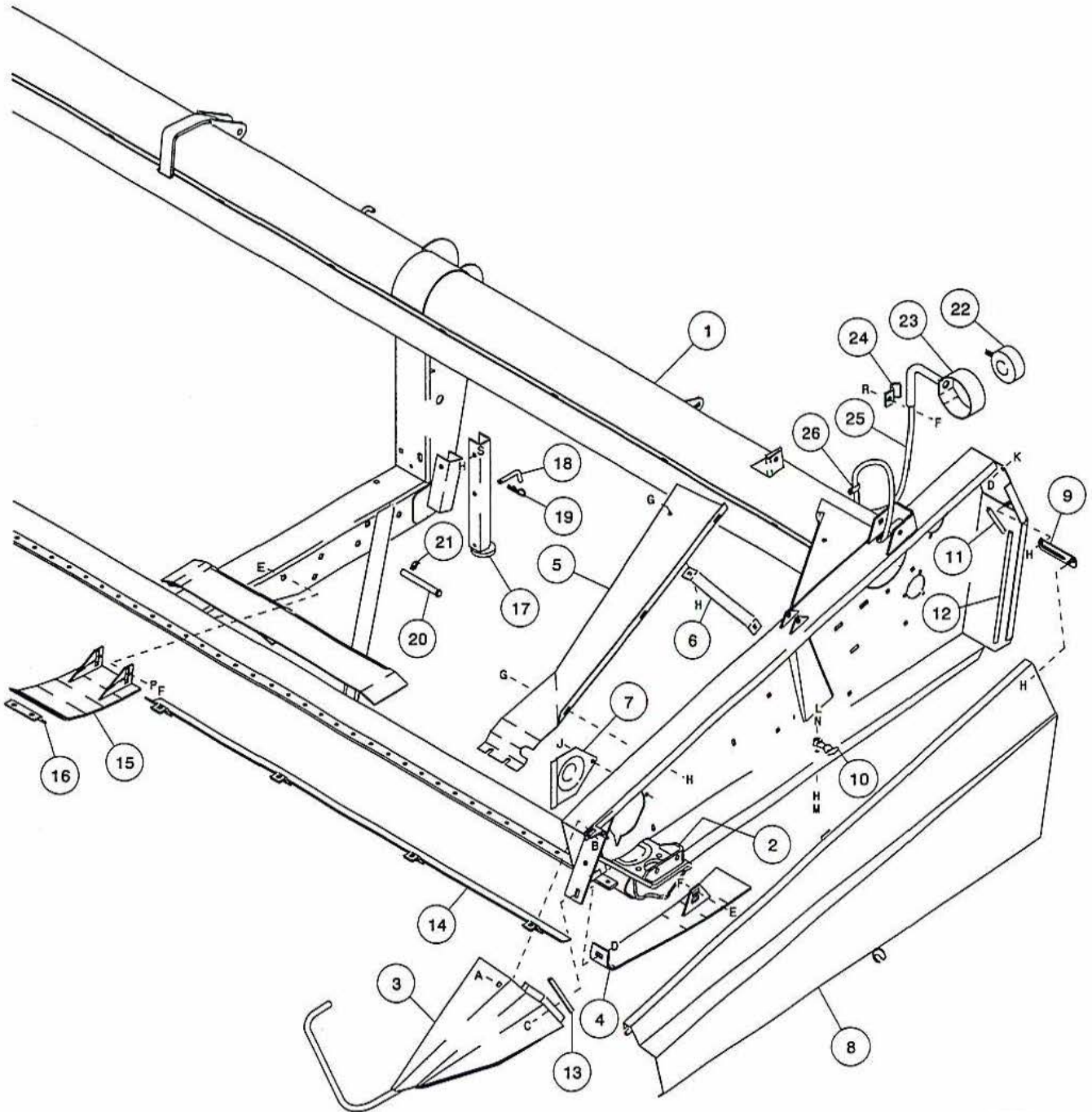
When ordering, be sure the complete and proper serial number is given.

**SERIAL NUMBER BREAKS**

The side of the serial number on which the dash (-) appears determines whether the part is used "up to" or "after" the serial number given.

Example:       -74924       Used on machines up to and including serial number 74924.  
                  74925-       Used on machines including and after serial number 74925.

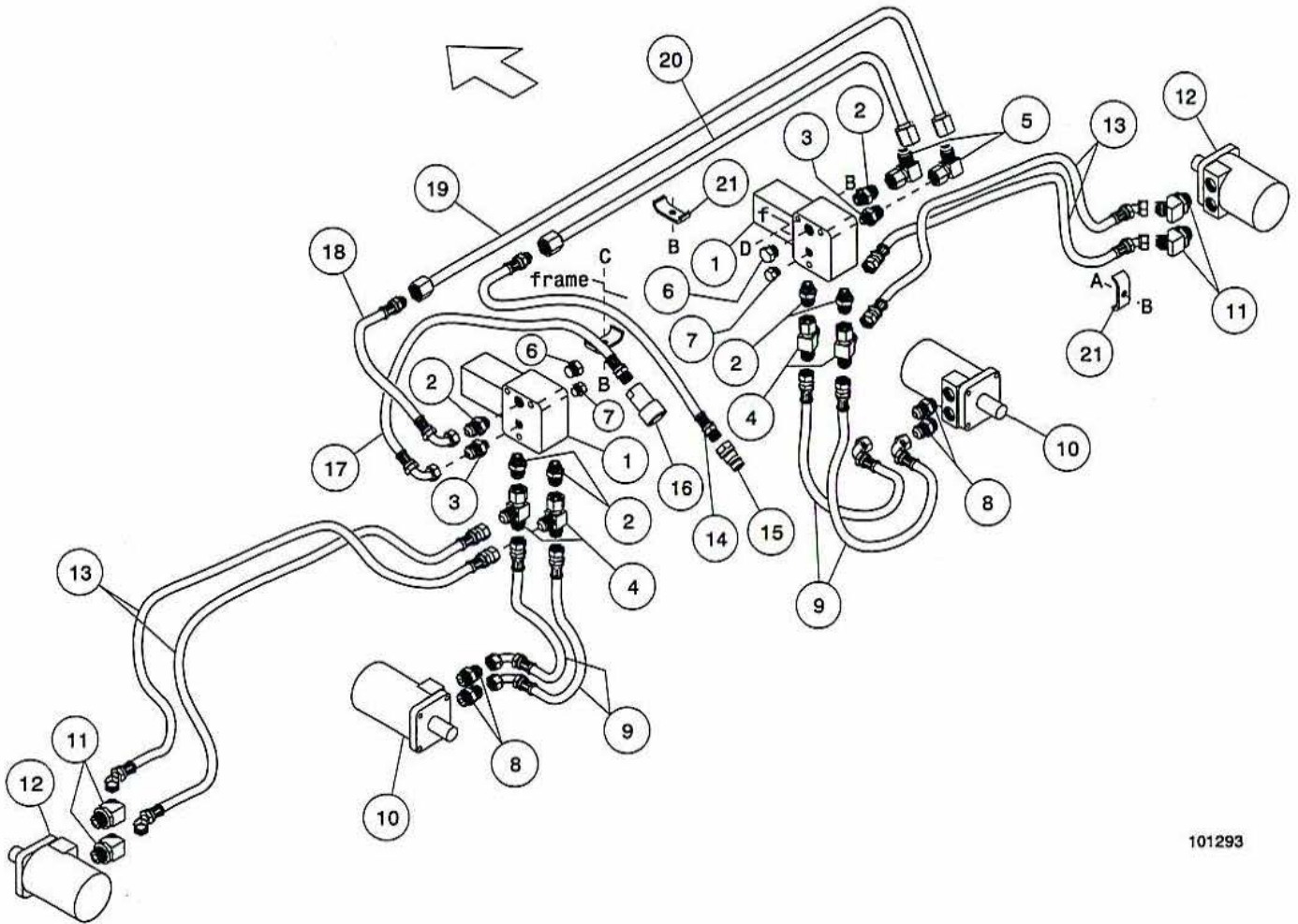
# MAIN FRAME, LIGHTS & ATTACHMENTS



## MAIN FRAME, LIGHTS & ATTACHMENTS

REF	PART NUMBER	DESCRIPTION	QTY	SERIAL NUMBER
1	REF	FRAME - main, not serviced . . . . .	1	
2	100235	SUPPORT - sickle drive box (welded) . . . . .	1	
3	100361	DIVIDER - left . . . . .	1	
	100938	DIVIDER - right . . . . .	1	
4	100799	SHOE - skid . . . . .	2	
5	100851	DEFLECTOR - left . . . . .	1	
	100852	DEFLECTOR - right . . . . .	1	
6	101272	BRACE - deflector . . . . .	2	
7	37368	SHIELD - wobble box . . . . .	1	
8	100705	SHIELD - left end . . . . .	1	
9	47876	BAR - adjusting, left hand shield . . . . .	1	
10	38894	LATCH - rubber . . . . .	1	
11	100586	EDGE TRIM - upper rear flange . . . . .	1	
12	100588	EDGE TRIM - lower rear flange . . . . .	1	
13	101137	EDGE TRIM - left divider . . . . .	1	
14	101208	PLATE - wear, 15' header: left and right ends . . . . .	2	
	101209	PLATE - wear, 18' header: left and right ends . . . . .	2	
	101207	PLATE - wear, 21' header: left and right ends . . . . .	2	
	101210	PLATE - wear, 25' header: left and right ends . . . . .	2	
	101207	PLATE - wear, all sizes: center section for windrower applications . . . . .	1	
15	100593	SHOE - skid . . . . .	2	
16	100885	SUPPORT - skid shoe . . . . .	2	
17	43648	STAND - header support . . . . .	1	
18	13747	PIN - "L" . . . . .	1	
19	13125	PIN - hair . . . . .	1	
20	100765	PIN - clevis, 3/4 x 6-1/2 inch effective length . . . . .	2	
21	50193	PIN - lynch . . . . .	2	
22	16539	LIGHT - amber . . . . .	2	
23	101052	SUPPORT - light . . . . .	2	
24	101041	HOLDER - light support . . . . .	2	
25	101063	HARNESS - wiring, 15' header . . . . .	1	
	101064	HARNESS - wiring, 18' header . . . . .	1	
	101065	HARNESS - wiring, 21' header with manual deck shift . . . . .	1	
	101066	HARNESS - wiring, 25' header with manual deck shift . . . . .	1	
	101061	HARNESS - wiring, 21' header with hydraulic deck shift . . . . .	1	
	101062	HARNESS - wiring, 25' header with hydraulic deck shift . . . . .	1	
	101069	HARNESS - wiring, 21' & 25' adapter for hydraulic deck shift . . . . .	1	
26	43848	HOLDER - harness . . . . .	1	
A	21868	BOLT - round head, short square neck, 1/2 NC x 1 inch		
B	21383	NUT - serrated flange lock, 1/2 NC		
C	21469	BOLT - round head, square neck, 1/2 NC x 1-1/2 inch		
D	50186	NUT - lock, smooth flange, 1/2 NC distorted thread		
E	18523	BOLT - round head, square neck, 5/8 NC x 1-1/2 inch		
F	18666	NUT - lock, 5/8 NC distorted thread		
G	21863	BOLT - round head, short square neck, 3/8 NC x 3/4 inch		
H	30228	NUT - lock, smooth flange, 3/8 NC distorted thread		
J	30693	BOLT - flange head, 3/8 NC x 1/2 inch		
K	21575	BOLT - hex head, 1/2 NC x 1 inch		
L	21354	BOLT - hex head, 3/8 NC x 2 inch		
M	21452	NUT - serrated flange lock, 3/8 NC		
N	18598	WASHER - flat, 13/32 inch I.D.		
P	18600	WASHER - flat, 21/32 inch I.D.		
R	21585	BOLT - hex head, 5/8 NC x 1-1/4 inch		
S	21567	BOLT - hex head, 3/8 NC x 3/4 inch		

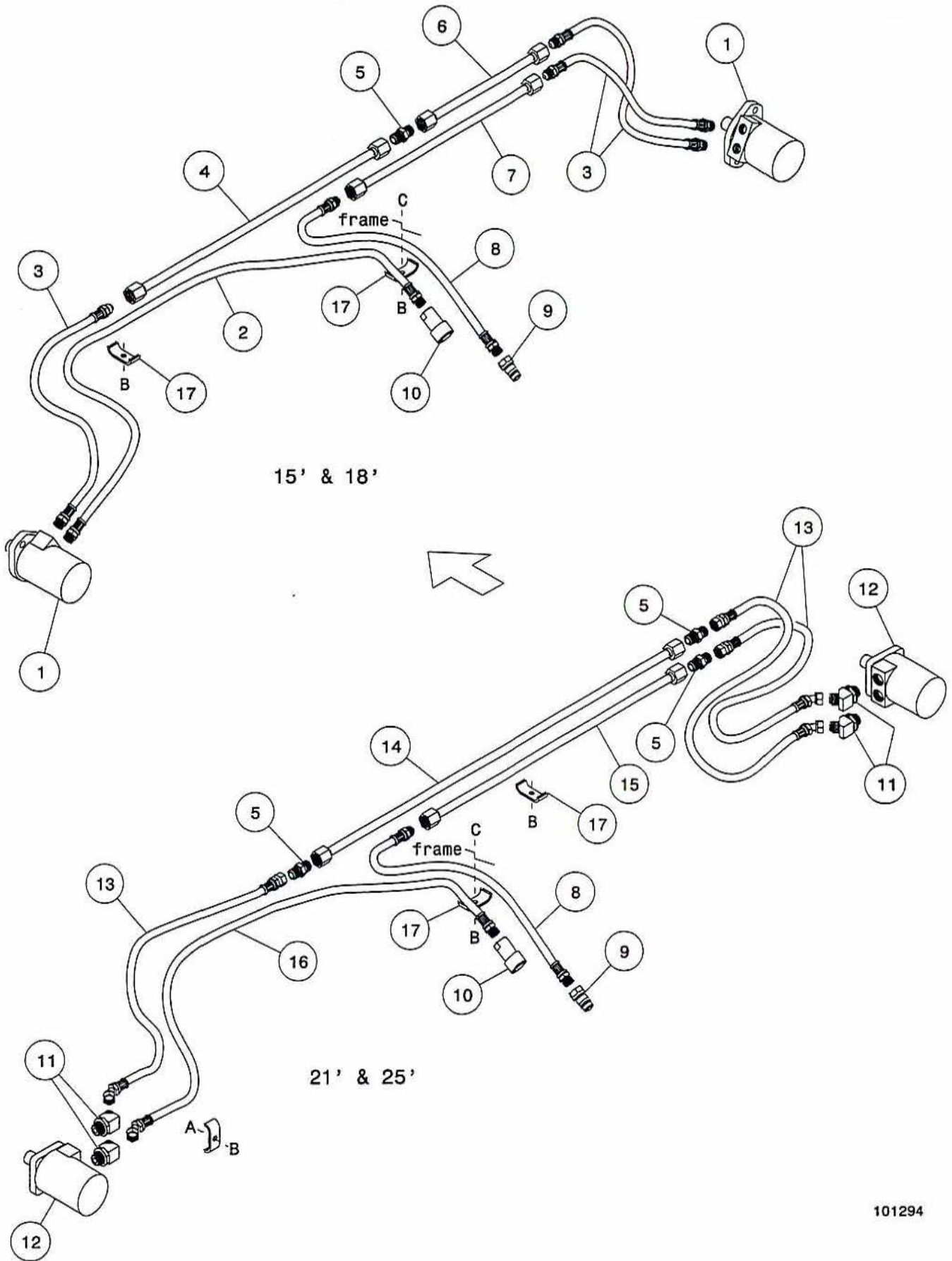
### DRAPER DRIVE: HYDRAULIC DECK SHIFT



**DRAPER DRIVE: HYDRAULIC DECK SHIFT**

REF	PART NUMBER	DESCRIPTION	QTY	SERIAL NUMBER
1	43155	VALVE - four-way	2	
	43156	COIL - for valve 43155	qty. per valve 1	
	43157	O-RING - for valve 43155	qty. per valve 2	
2	21747	FITTING - adapter, 5/8 tube x 3/4 O-ring	6	
3	30995	FITTING - adapter, 5/8 tube x 9/16 O-ring	2	
4	50102	FITTING - run tee, 5/8 tube male (2) x 5/8 tube swivel female	4	
5	30556	FITTING - 90°elbow, 5/8 tube male x 5/8 tube swivel female	2	
6	30977	FITTING - plug, 3/4 O-ring	2	
7	30994	FITTING - plug, 9/16 O-ring	2	
8	30695	FITTING - adapter, 5/8 tube x 7/8 O-ring	4	
9	101028	HOSE - deck shift motor	4	
10	100162	MOTOR - deck shift, with key	2	
	2149	KEY - woodruff, SAE 15 - for hydraulic motor		
	100102	SEAL KIT - for hydraulic motor		
11	50103	FITTING - 45° elbow, 5/8 tube x 7/8 O-ring	4	
12	100108	MOTOR - draper drive, with key, 21' & 25' header	2	
	2149	KEY - woodruff, SAE 15 - for hydraulic motor		
	100102	SEAL KIT - for hydraulic motor		
13	100989	HOSE - draper motor	4	
14	44191	HOSE - return	1	
15	21855	COUPLER - male, 1/2 NPT	1	
16	21857	COUPLER - female, 1/2 NPT	1	
	50082	O-RING - for coupler 21857		
17	100988	HOSE - pressure to L/H 4-way valve	1	
18	37784	HOSE - valve to line	1	
19	100948	LINE - to R/H 4-way valve	1	
20	100947	LINE - return from R/H 4-way valve	1	
21	32225	HOLDER - hose	9	
A	19966	BOLT - round head, square neck, 3/8 NC x 1-1/4 inch		
B	30228	NUT - lock, smooth flange, 3/8 NC distorted thread		
C	20078	BOLT - hex head, 3/8 NC x 1-3/4 inch		
D	30307	BOLT - round head, square neck, 3/8 NC x 3 inch		

### DRAPER DRIVE: MANUAL DECK SHIFT

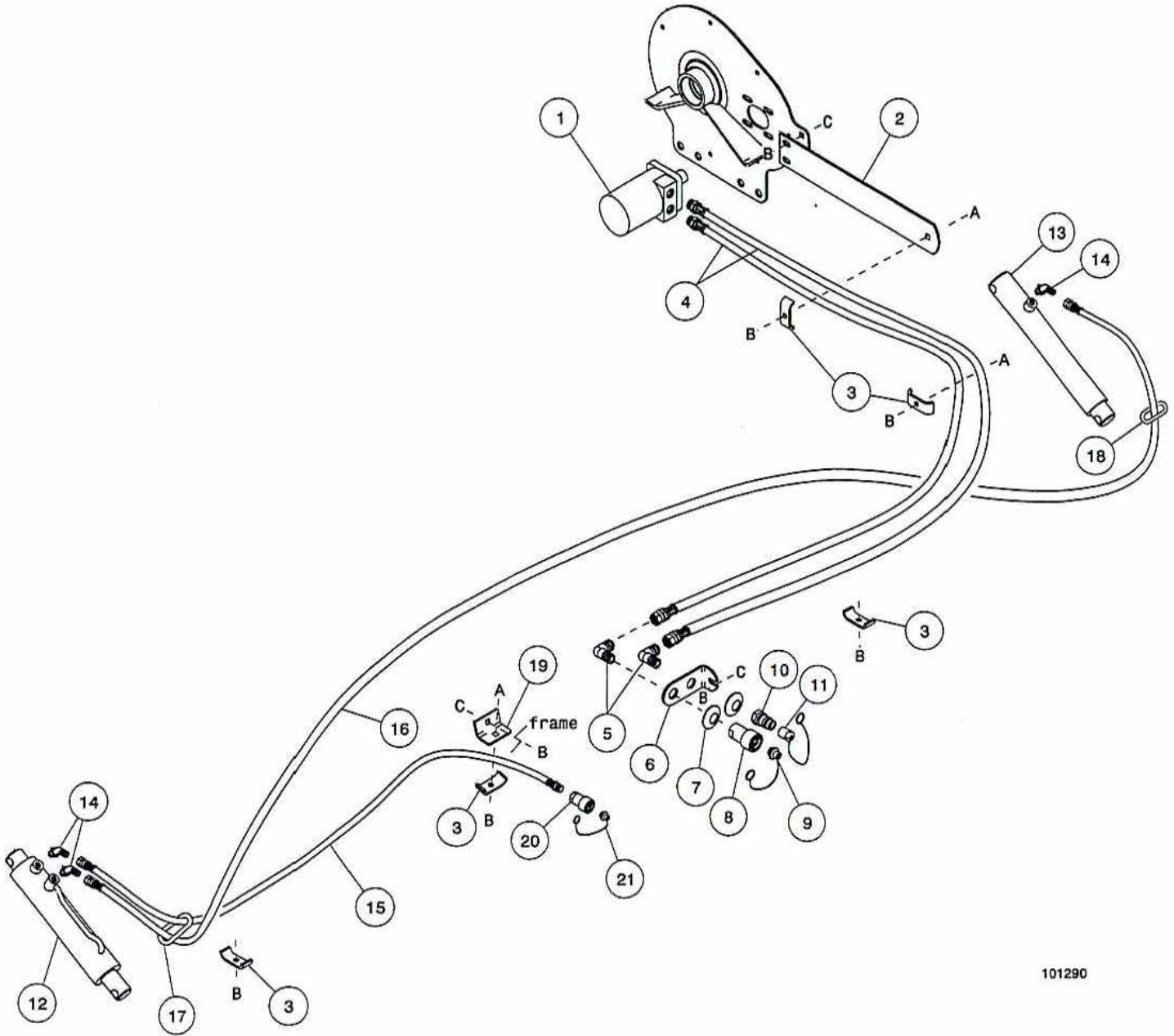




**DRAPER DRIVE: MANUAL DECK SHIFT**

REF	PART NUMBER	DESCRIPTION	QTY		SERIAL NUMBER
				15'/18'/21'/25'	
1	100161	MOTOR - draper drive, with key, 15' & 18' header	2		
	2149	KEY - woodruff, SAE 15 - for hydraulic motor			
	100102	SEAL KIT - for hydraulic motor			
2	43622	HOSE - pressure to left motor, 15' header	1		
	43623	HOSE - pressure to left motor, 18' header	1		
3	101124	HOSE - draper motor, 15' & 18' header	3		
4	101119	LINE - from left motor, 15' header	1		
	101036	LINE - from left motor, 18' header	1		
5	30558	FITTING - union, 5/8 tube	0 / 1 / 3 / 3		
6	101120	LINE - extension, 18' header	1		
7	101122	LINE - from right motor, 15' header	1		
	101036	LINE - from right motor, 18' header	1		
8	44191	HOSE - return	1		
9	21855	COUPLER - male, 1/2 NPT	1		
10	21857	COUPLER - female, 1/2 NPT	1		
	50082	O-RING - for coupler 21857			
11	50103	FITTING - 45° elbow, 5/8 tube x 7/8 O-ring	4		
12	100108	MOTOR - draper drive, with key, 21' & 25' header	2		
	2149	KEY - woodruff, SAE 15 - for hydraulic motor			
	100102	SEAL KIT - for hydraulic motor			
13	100989	HOSE - draper motor, 21' & 25' header	3		
14	101036	LINE - from left motor, 21' & 25' header	1		
15	101035	LINE - from right motor, 21' & 25' header	1		
16	101039	HOSE - pressure to left motor, 21' & 25' header	1		
17	32225	HOLDER - hose	5 / 7 / 9 / 9		
A	19966	BOLT - round head, square neck, 3/8 NC x 1-1/4 inch			
B	30228	NUT - lock, smooth flange, 3/8 NC distorted thread			
C	20078	BOLT - hex head, 3/8 NC x 1-3/4 inch			

# REEL LIFT & REEL DRIVE HYDRAULICS



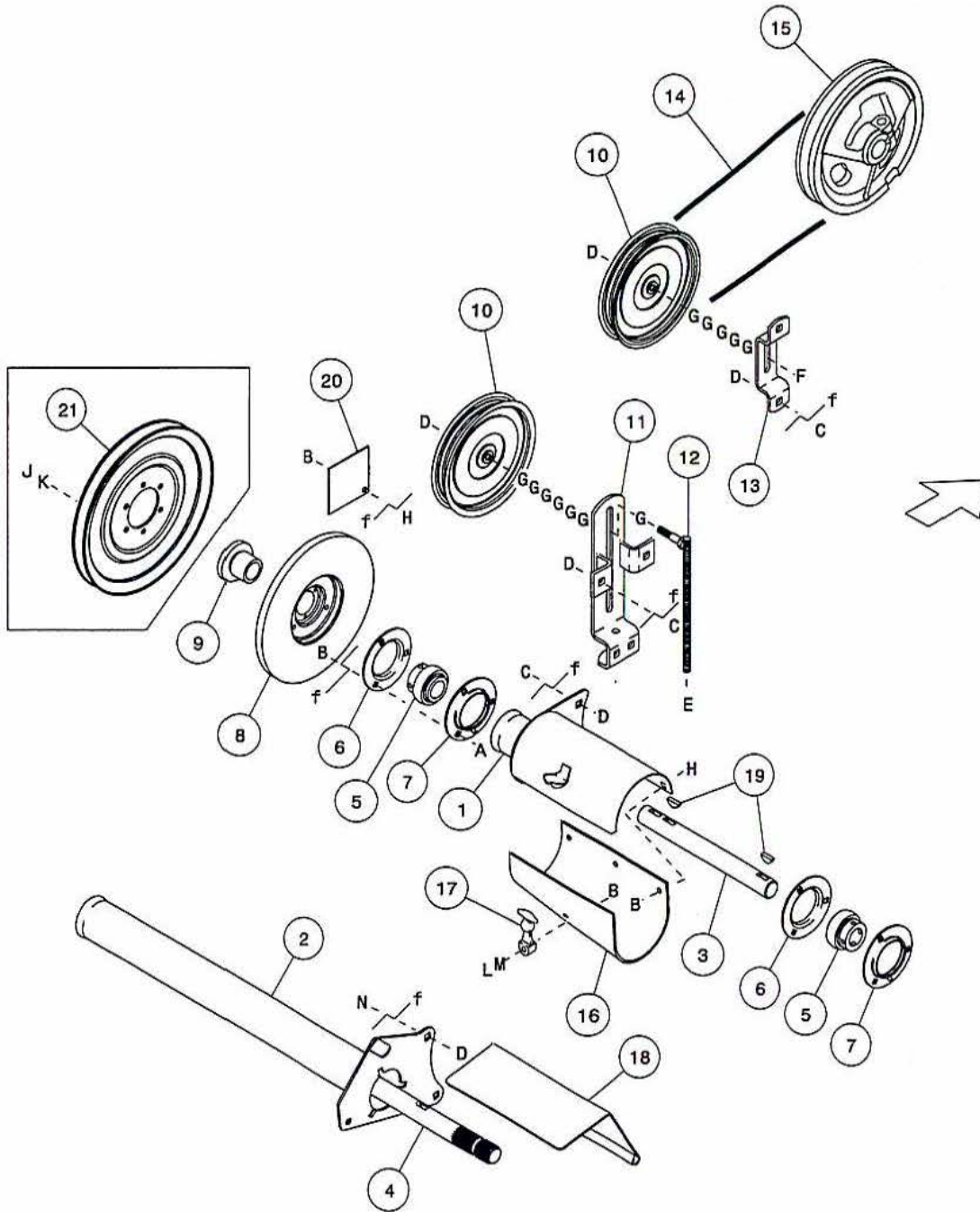
101290

## REEL LIFT & REEL DRIVE HYDRAULICS

REF	PART NUMBER	DESCRIPTION	QTY		SERIAL NUMBER
				15'/18'/21'/25'	
1	100162	MOTOR - reel drive, with key . . . . .	1		
	2149	KEY - woodruff, SAE #15, for hydraulic motor			
	100102	SEAL KIT - for hydraulic motor			
2	100930	BAR - reel drive hoses support . . . . .	1		
3	32225	HOLDER - hose . . . . .	6 / 6 / 7 / 8		
4	101010	HOSE - reel drive, 15' . . . . .	2		
	101011	HOSE - reel drive, 18' . . . . .	2		
	101012	HOSE - reel drive, 21' . . . . .	2		
	101013	HOSE - reel drive, 25' . . . . .	2		
5	30553	FITTING - elbow, 90° - 5/8 tube x 1/2 NPT . . . . .	2		
6	101014	SUPPORT - reel drive couplers . . . . .	1		
7	45153	WASHER - formed . . . . .	2		
8	21857	COUPLER - female, 1/2 NPT . . . . .	1		
	50082	O-RING - for coupler 21857			
9	21858	PLUG - dust, for female coupler . . . . .	1		
10	21855	COUPLER - male, 1/2 NPT . . . . .	1		
11	21856	CAP - dust, for male coupler . . . . .	1		
12	100174	CYLINDER - master, reel lift . . . . .	1		
	100175	SEAL KIT - for master cylinder			
13	100176	CYLINDER - slave, reel lift . . . . .	1		
	100177	SEAL KIT - for slave cylinder			
14	30284	FITTING - elbow, 45° - 3/8 tube x 9/16 O-ring . . . . .	3		
15	100994	HOSE - pressure to master cylinder (barrel end port), 15' . . . . .	1		
	100995	HOSE - pressure to master cylinder (barrel end port), 18' . . . . .	1		
	100996	HOSE - pressure to master cylinder (barrel end port), 21' . . . . .	1		
	100997	HOSE - pressure to master cylinder (barrel end port), 25' . . . . .	1		
16	100990	HOSE - master to slave, 15' . . . . .	1		
	100991	HOSE - master to slave, 18' . . . . .	1		
	100992	HOSE - master to slave, 21' . . . . .	1		
	100993	HOSE - master to slave, 25' . . . . .	1		
17	24122	CONDUIT - hose protector, left endsheet . . . . .	1		
18	42413	CONDUIT - hose protector, right endsheet . . . . .	1		
19	101135	ANGLE - mounts at left header leg . . . . .	1		
20	30442	COUPLER - female, 1/4 NPT - 15' & 18' (others see note 1) . . . . .	1		
	50083	O-RING - for coupler 30442			
21	21876	PLUG - dust, for 1/4 NPT coupler - 15' & 18' (others see note 1) . . . . .	1		
A	19966	BOLT - round head, square neck, 3/8 NC x 1-1/4 inch			
B	30228	NUT - lock, smooth flange, 3/8 NC distorted thread			
C	21863	BOLT - round head, short square neck, 3/8 NC x 3/4 inch			

NOTES: (1) Reel lift couplers for 21 and 25' headers will vary according to application. See windrower or combine adapter completion package for parts identification.

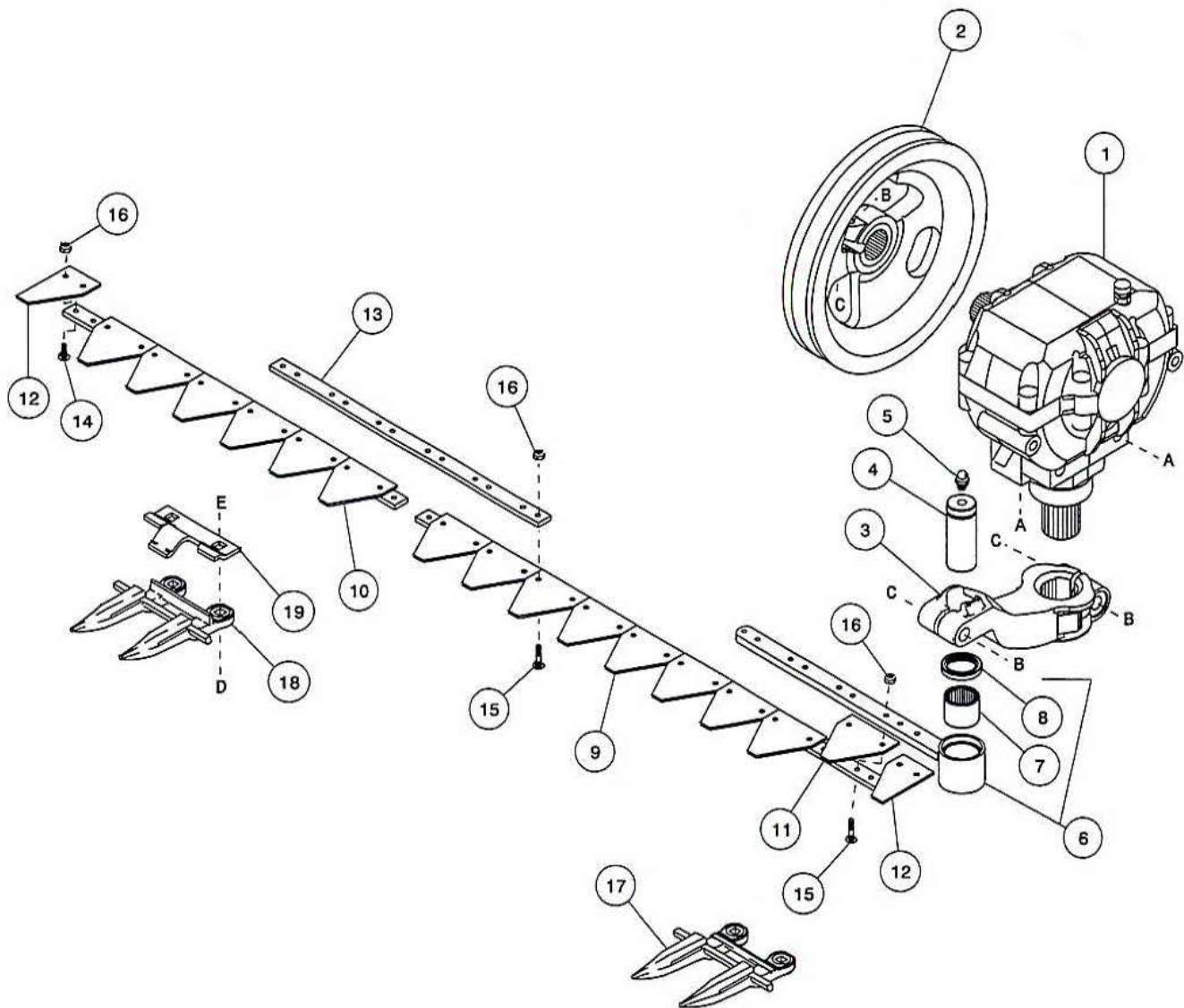
# DRIVE SHAFT



## DRIVE SHAFT

REF	PART NUMBER	DESCRIPTION	QTY		SERIAL NUMBER
				15'/18'/21'/25'	
1	100787	SUPPORT - drive shaft, 21' header		1	
	100788	SUPPORT - drive shaft, 25' header		1	
2	101037	SUPPORT - drive shaft, 15' header		1	
	101040	SUPPORT - drive shaft, 18' header		1	
3	100051	SHAFT - drive, 21' header		1	
	101047	SHAFT - drive, 25' header		1	
4	47662	SHAFT - drive, 15' header		1	
	47663	SHAFT - drive, 18' header		1	
5	21936	BEARING - ball, with lock collar		2	
6	30602	FLANGE - bearing		2	
7	30603	FLANGE - bearing, with lube fitting		2	
8	100073	PULLEY - sickle drive, 15' & 18' headers		1	
	100039	PULLEY - sickle drive, 21' & 25' headers		1	
9	21934	BUSHING - split taper		1	
10	21862	PULLEY - back-side idler		2	
11	100730	BRACKET - rear idler		1	
12	100737	ROD - threaded, with welded bolt		1	
13	100905	BRACKET - front idler		1	
14	100232	BELT - sickle drive		1	
15	REF	PULLEY - driven, see "Sickle and Drive", next page		1	
16	100568	SHIELD - rubber, 21' & 25' headers		1	
17	38894	LATCH - rubber, 21' & 25' headers		1	
18	101280	SHIELD - with decal, 15' & 18' headers		1	
19	11142	KEY - woodruff, SAE #C	1 / 1 / 2 / 2		
20	100655	PLATE - cover, 21' & 25' headers		1	
<b>NOTE: Item 21 is used with 971 Combine Adapter only</b>					
21	100050	PULLEY - sheet metal, 13" O.D. - John Deere and Case Combines		1	
	100042	PULLEY - sheet metal, 11½" O.D. - Gleaner & New Holland Combines		1	
A	19965	BOLT - round head, square neck, 3/8 NC x 1 inch			
B	30228	NUT - lock, smooth flange, 3/8 NC distorted thread			
C	21868	BOLT - round head, square neck, 1/2 NC x 1 inch			
D	50186	NUT - lock, smooth flange, 1/2 NC distorted thread			
E	18591	NUT - hex, 1/2 NC			
F	21474	BOLT - round head, square neck, 1/2 NC x 2 inch			
G	18599	WASHER - flat, 17/32 inch I.D.			
H	21863	BOLT - round head, short square neck, 3/8 NC x 3/4 inch			
J	20077	BOLT - hex head, 3/8 NC x 1 inch			
K	18637	WASHER - lock, 3/8 inch			
L	21264	BOLT - hex head, 3/8 NC x 1-1/4 inch			
M	18598	WASHER - flat, 13/32 inch I.D.			
N	18723	BOLT - hex head, 1/2 NC x 1-1/2 inch			
f	REF	Indicates where hardware passes through frame member.			

## SICKLE AND DRIVE



101249

**NOTE: FOR STUB GUARD OPTION, SEE PAGE 30**

SICKLE AND DRIVE

REF	PART NUMBER	DESCRIPTION	QTY		SERIAL NUMBER
				15'/18'/21'/25'	
1	100532	DRIVE - sickle, see next page for components		1	
2	47832	PULLEY - driven		1	
3	100421	ARM - output		1	
4	100502	PIN - sickle head		1	
5	21194	FITTING - lubrication, 90°		1	
6	100501	HEAD ASSEMBLY - sickle, includes items 7 and 8		1	
7	100500	BEARING - needle		1	
8	37930	SEAL - sickle head (install with lip facing outward)		1	
9	43078	SICKLE ASSEMBLY - less head, 15'		1	
	38634	SICKLE ASSEMBLY - less head, 18'		1	
	43074	SICKLE ASSEMBLY - fine serr., less head, 21' complete and 25' L/H		1	
	100355	SICKLE ASSEMBLY - coarse serr., less head, 21' complete and 25' L/H		1	
10	43076	SICKLE ASSEMBLY - right hand, 25' (4 ft. extension)		1	
11	100357	SECTION - sickle, top-serrated, coarse	59/71/83/99		
12	34391	SECTION - sickle, half		2	
13	33955	BAR - splice, 25' only		1	
14	30696	SCREW - rib neck, #12 NC x 5/8 inch - for sections to sickle back		A/R	
15	30668	SCREW - rib neck, #12 NC x 1 inch - for sickle head (9) & splice plate (12)		A/R	
16	30669	NUT - lock, #12 NC distorted thread		A/R	
17	28014	SPECIAL SICKLE GUARD - first two at left end		2	
18	28013	SICKLE GUARD - 15' & 18'		28/34	
	26064	SICKLE GUARD - 21' & 25'		40/48	
19	28815	GUIDE - sickle, hold-down		28/34/20/23	
A	100233	BOLT - hex head, 5/8 NC x 1 1/2 inch			
B	21583	BOLT - hex head, 5/8 NC x 3 inch			
C	18666	NUT - lock, 5/8 NC distorted thread			
D	8218	BOLT - round head, square neck, 7/16 NC x 1-1/2 inch			
	21468	BOLT - round head, square neck, 7/16 NC x 1-3/4 inch			
E	18654	NUT - hex, 7/16 NC			

**NOTE:** - For a complete sickle, order:

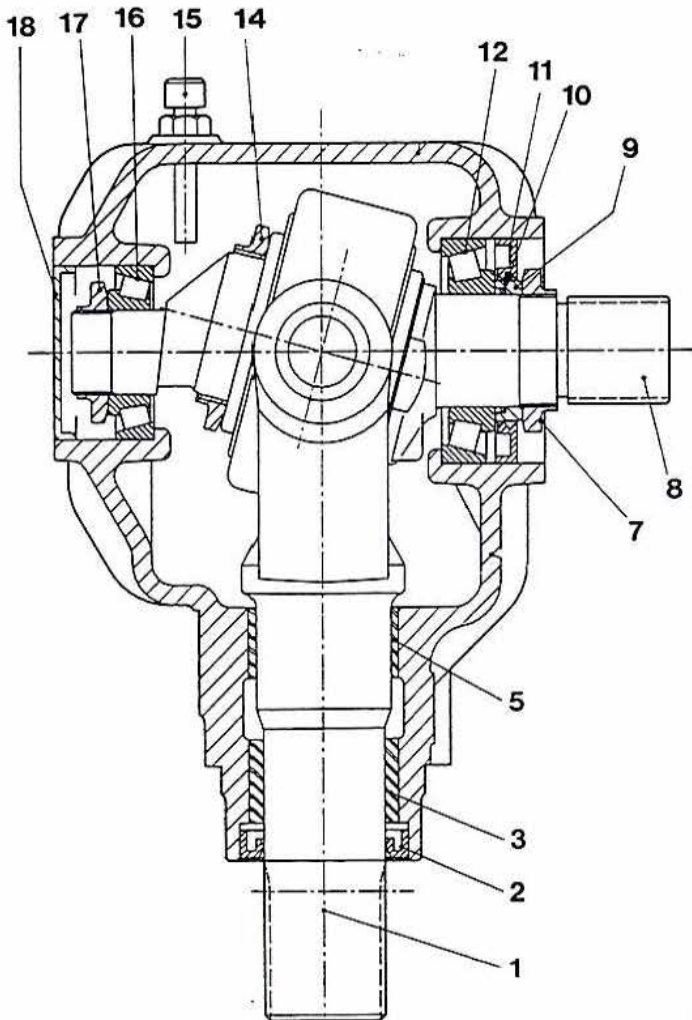
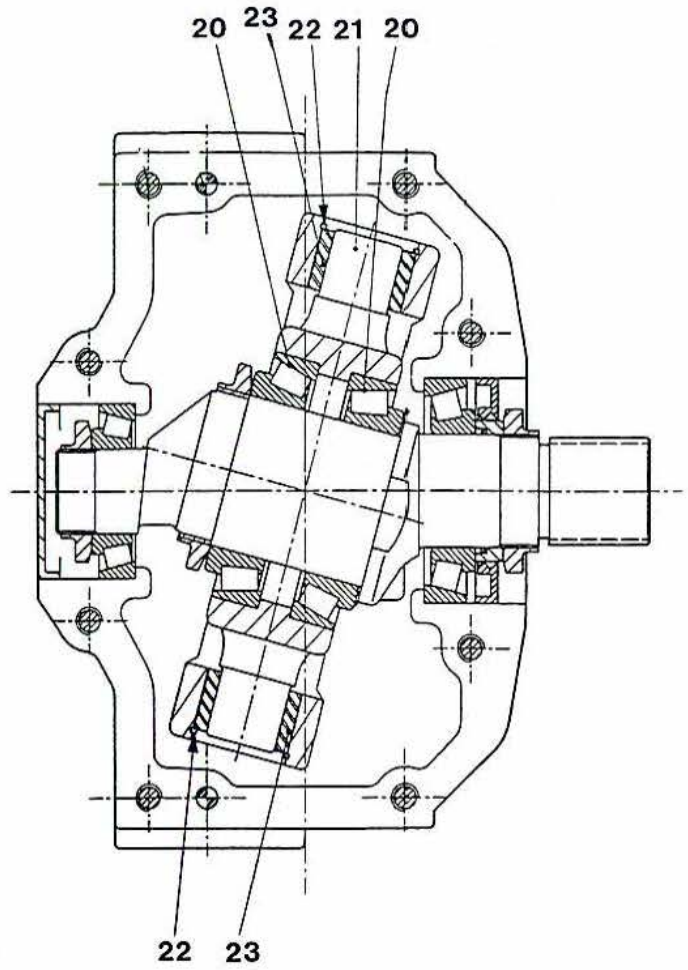
<u>15'</u>	Item 9 *	43078	Sickle Assembly	Qty. 1
	Item 11	100357	Section, sickle	Qty. 2
	Item 12	34391	Section, half	Qty. 1
	Item 15	30668	Screw, csk. head	Qty. 6
	Item 16	30669	Nut, lock	Qty. 6
<u>18'</u>	Item 9 *	38634	Sickle Assembly	Qty. 1
<u>21'</u>	Item 9 *	43074	Sickle Assembly	Qty. 1
	Item 12	34391	Section, half	Qty. 1
<u>25'</u>	Item 9 *	43074	L/H Assembly	Qty. 1
	Item 10	43076	R/H Assembly	Qty. 1
	Item 11	100357	Section, sickle	Qty. 3
	Item 12	34391	Section, half	Qty. 1
	Item 13	33955	Bar, splice	Qty. 1
	Item 15	30668	Screw, csk. head	Qty. 12
	Item 16	30669	Nut, lock	Qty. 6

\* - Item 9, Sickle Assembly must be modified as follows:

Remove L/H half section on repair sickle and cut left end of knife back flush with last full section. L/H half section fastens to sickle head only, not to sickle back.

### SICKLE DRIVE BOX

TOP VIEW →



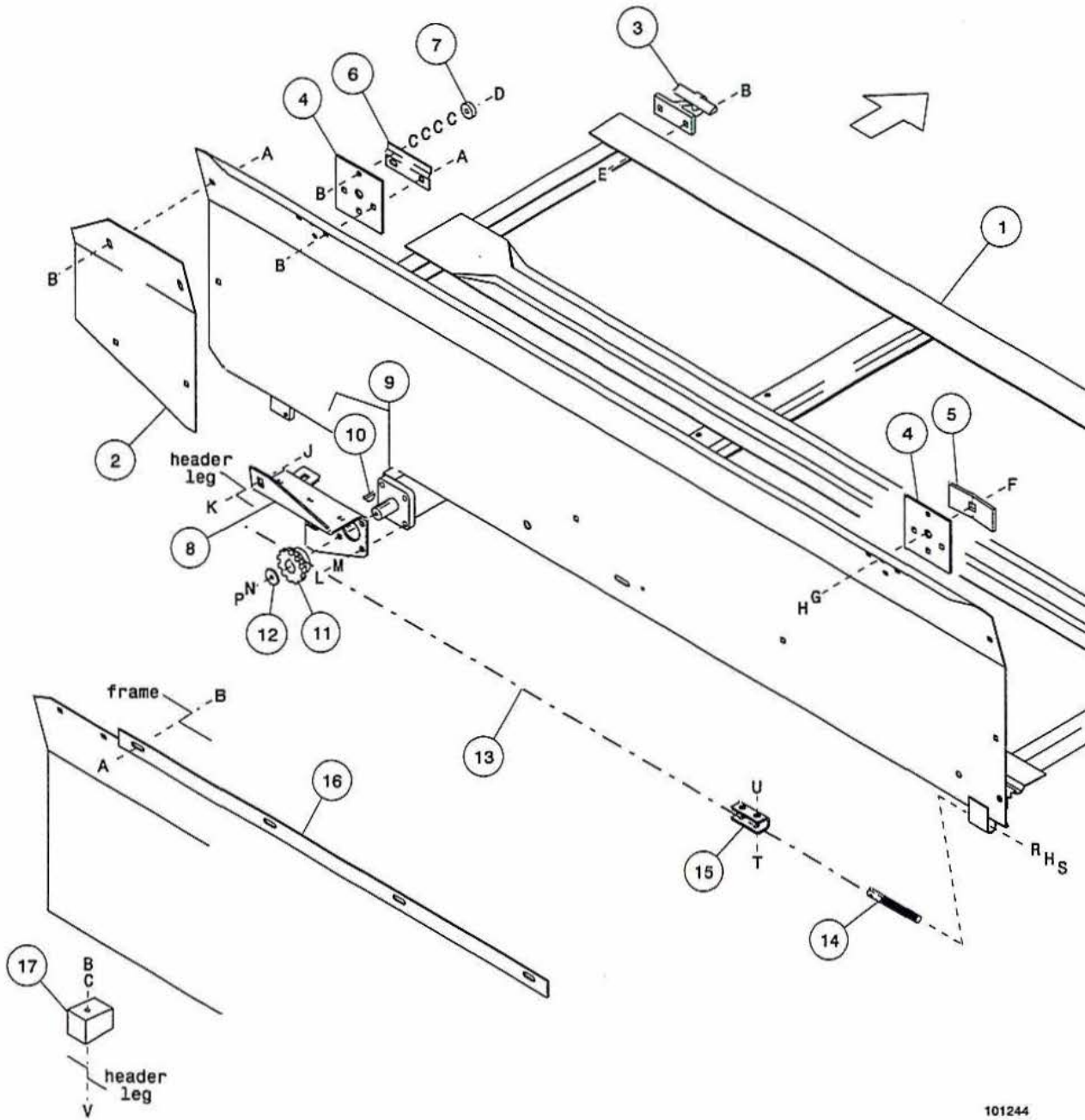
← SIDE VIEW



## SICKLE DRIVE BOX

REF	PART NUMBER	DESCRIPTION	QTY	SERIAL NUMBER
	100532	DRIVE - sickle, complete . . . . .	1	
1	100706	YOKE - output . . . . .	1	
2	100707	SEAL - oil, output shaft . . . . .	1	
3	100708	BUSHING - bronze . . . . .	1	
5	100726	BUSHING - steel . . . . .	1	
7	100709	NUT - special . . . . .	1	
8	100710	SHAFT - input . . . . .	1	
9	100711	SPACER . . . . .	1	
10	100712	O-RING . . . . .	1	
11	100713	SEAL - oil, input shaft . . . . .	1	
12	100714	BEARING ASSEMBLY - cup & cone . . . . .	1	
14	100715	NUT - lock, M55 x 2 . . . . .	1	
15	100716	BREATHER PLUG - with dipstick . . . . .	1	
16	100717	BEARING ASSEMBLY - cup & cone . . . . .	1	
17	100718	NUT - lock, M30 x 1.5 . . . . .	1	
18	100719	CAP - dust . . . . .	1	
20	100720	BEARING ASSEMBLY - cup & cone . . . . .	2	
21	100721	PIVOT . . . . .	1	
22	100722	RING - retaining, internal . . . . .	2	
23	100723	BUSHING - bronze . . . . .	2	

DRAPER CARRIER DECKS & SHIFT GROUP



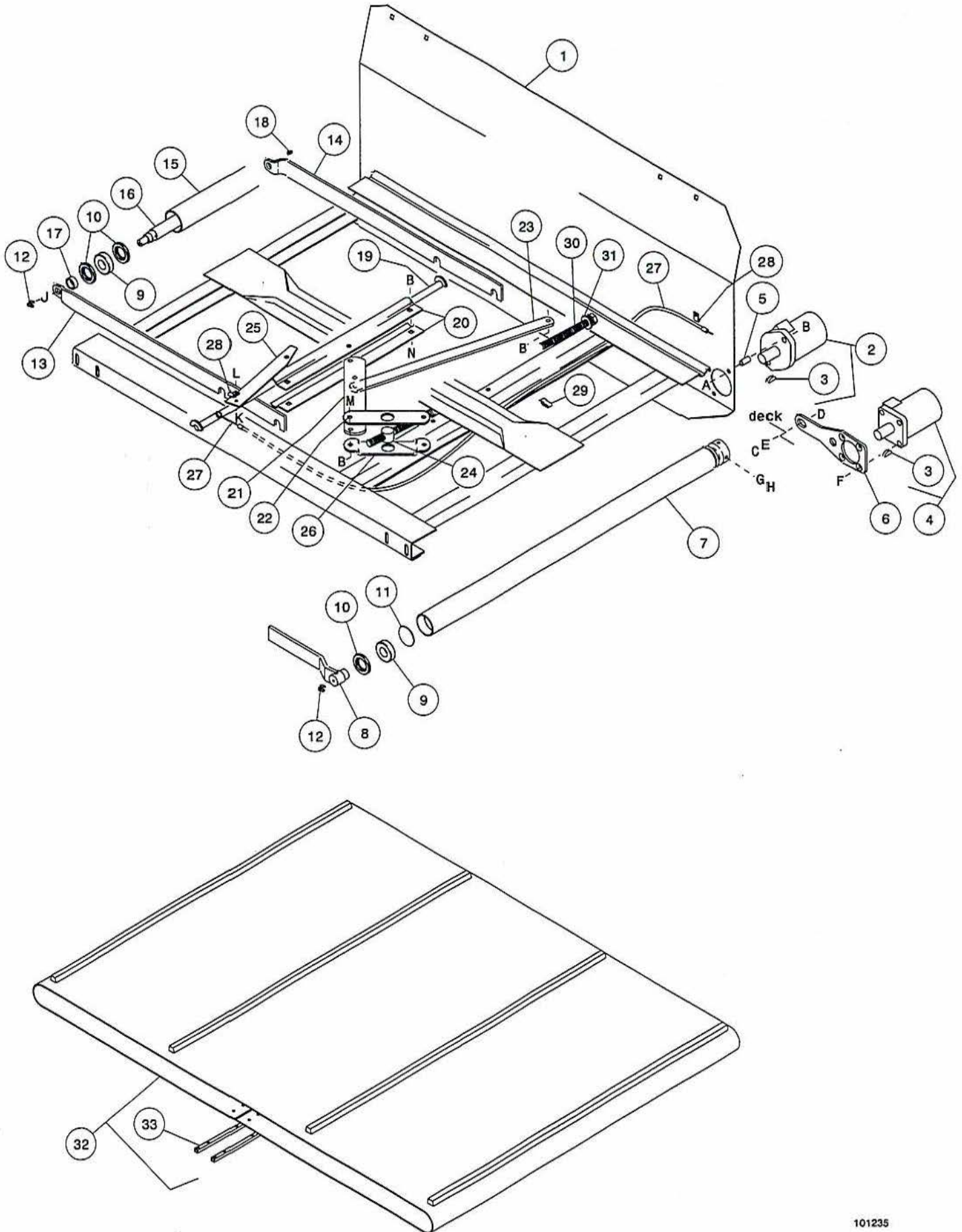
## DRAPER CARRIER DECKS & SHIFT GROUP

REF	PART NUMBER	DESCRIPTION	QTY	SERIAL NUMBER
1	100769	CARRIER DECK - right, 15' header	1	
	100768	CARRIER DECK - right, 18' header	1	
	100023	CARRIER DECK - right, 21' header (shown)	1	
	100767	CARRIER DECK - right, 25' header	1	
	100772	CARRIER DECK - left, 15' header	1	
	100771	CARRIER DECK - left, 18' header	1	
	100702	CARRIER DECK - left, 21' header	1	
	100770	CARRIER DECK - left, 25' header	1	
2	101163	EXTENSION - backsheet (shown), see note (1) - 21' & 25'	1	
	101162	EXTENSION - backsheet, see note (1) - 21' & 25'	1	
3	100263	SUPPORT - deck, front	4	
4	100314	PLATE - deck support, 21' & 25'	4	
5	100163	CLAMP - deck, 21' & 25' manual deck shift	2	
6	43582	GUIDE - deck, 21' & 25' see note (2)		
7	18867	BEARING - ball, 21' & 25'	4	
<b>NOTE: Items 8 to 15 are for 21' &amp; 25' headers with hydraulic deck shift.</b>				
8	100734	SUPPORT - deck shift motor, R/H (shown)	1	
	100475	SUPPORT - deck shift motor, L/H	1	
9	100162	MOTOR - deck shift, with key (item 10)	2	
	100102	SEAL KIT - for hydraulic motor		
10	2149	KEY - woodruff, SAE 15	2	
11	26847	SPROCKET - deck shift	2	
12	43219	WASHER - flat	2	
13	100802	CHAIN - roller, with connector links, 95 pitches overall length - 21'	2	
	100803	CHAIN - roller, with connector links, 127 pitches overall length - 25'	2	
	101125	CHAIN - roller, with connector link, 32 pitches overall length		
	6636	LINK - connector, spring clip type		
14	43592	STUD - chain anchor	2	
15	100581	STOP - chain	4	
16	101257	BAR - deck clamp, 18' header only	2	
17	101260	PAD - rubber, 18' header only	2	
A	21863	BOLT - round head, short square neck, 3/8 NC x 3/4 inch		
B	30228	NUT - lock, smooth flange, 3/8 NC distorted thread		
C	18598	WASHER - flat, 13/32 inch I.D.		
D	21264	BOLT - hex head, 3/8 NC x 1-1/4 inch		
E	19965	BOLT - round head, square neck, 3/8 NC x 1 inch		
F	18523	BOLT - hex head, 5/8 NC x 1-1/2 inch		
G	18639	WASHER - lock, 5/8 inch		
H	18592	NUT - hex, 5/8 NC		
J	21066	BOLT - round head, square neck, 1/2 NC x 1 inch		
K	50186	NUT - lock, smooth flange, 1/2 NC distorted thread		
L	21567	BOLT - hex head, 3/8 NC x 3/4 inch		
M	18637	WASHER - lock, 3/8 inch		
N	18635	WASHER - lock, 1/4 inch		
P	21566	BOLT - hex head, 1/4 NC x 3/4 inch		
R	18600	WASHER - flat, 21/32 inch I.D.		
S	21345	NUT - hex jam, 5/8 NC		
T	30942	BOLT - hex head, 1/4 NC x 1-1/4 inch		
U	21455	NUT - serrated flange, 1/4 NC		
V	21568	BOLT - hex head, 3/8 NC x 3 inch		

NOTES: (1) - Extension 101163 is used at inboard position on right hand deck, and outboard position on left hand deck. Extension 101162 is used at inboard position on left hand deck, and outboard position on right hand deck.

(2) - Quantities for item 6, 43582: manual deck shift = 2, hydraulic deck shift = 4

# DRAPERS, DRIVE & TIGHTENER

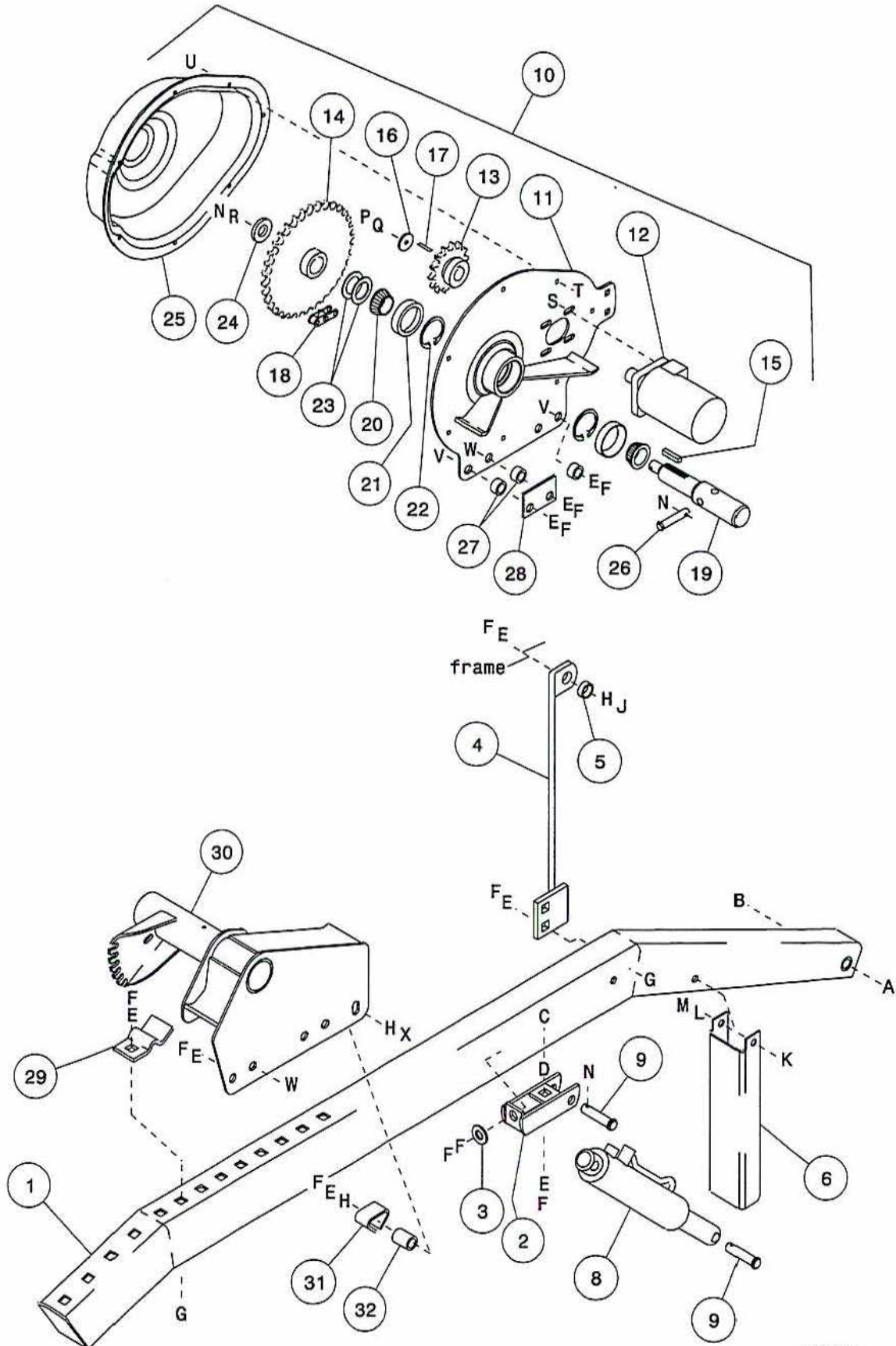


## DRAPERS, DRIVE & TIGHTENER

REF	PART NUMBER	DESCRIPTION	QTY	SERIAL NUMBER
1	REF	DECK - draper, see page 17		
2	100161	MOTOR - draper drive, two-bolt, with key (item 3) - 15' & 18' . . . . .	2	
	100102	SEAL KIT - hydraulic motor		
3	2149	KEY - woodruff, SAE 15 . . . . .	2	
4	100108	MOTOR - draper drive, four-bolt, with key (item 3) - 21' & 25' . . . . .	2	
	100102	SEAL KIT - hydraulic motor		
5	100895	SPACER - motor mount - 15' & 18' . . . . .	4	
6	100796	SUPPORT - motor - 21' & 25' . . . . .	2	
7	100147	ROLLER - drive . . . . .	2	
8	100741	ARM - drive roller . . . . .	2	
9	101026	BEARING - ball . . . . .	6	
10	100862	SEAL - bearing . . . . .	10	
11	100925	DISC - retaining . . . . .	2	
12	21010	FITTING - lube, 90° . . . . .	4	
13	100698	ARM - idler, front - left deck (shown) . . . . .	1	
	100049	ARM - idler, front - right deck . . . . .	1	
14	100696	ARM - idler, rear - left deck (shown) . . . . .	1	
	100199	ARM - idler, rear - right deck . . . . .	1	
15	100195	TUBE - idler roller . . . . .	2	
16	100082	SHAFT - idler roller . . . . .	2	
17	101008	SPACER - tube . . . . .	4	
18	18671	FITTING - lube, straight . . . . .	2	
19	100225	ROD - spring . . . . .	2	
20	100228	SUPPORT - spring rod . . . . .	4	
21	100229	BAR - tightener . . . . .	2	
22	100230	BAR - tightener . . . . .	2	
23	100231	BAR - compression . . . . .	2	
24	100412	NUT - trunnion . . . . .	2	
25	100418	BAR . . . . .	2	
26	100414	BAR - tightener . . . . .	2	
27	100439	CABLE - indicator . . . . .	2	
28	100453	HOLDER - cable . . . . .	4	
29	21218	CLIP - cable . . . . .	2	
30	100413	BOLT - tightener . . . . .	2	
31	30441	WASHER - flat . . . . .	2	
32	100436	DRAPER - 15' header . . . . .	2	
	100437	DRAPER - 18' header . . . . .	2	
	100275	DRAPER - 21' header . . . . .	2	
	100438	DRAPER - 25' header . . . . .	2	
33	100622	CONNECTOR KIT - includes two slats & hardware . . . . .	2	
	23589	PACKAGE - draper hardware, includes 12 each of screw and nut		
A	21561	BOLT - hex head, 3/8 NC x 1-1/2 inch		
B	30228	NUT - lock, smooth flange, 3/8 NC distorted thread		
C	21575	BOLT - hex head, 1/2 NC x 1 inch		
D	21383	NUT - flange, 1/2 NC (install with flange out, hex engages in hole in support)		
E	18638	WASHER - lock, 1/2 inch		
F	49531	SCREW - countersunk head, 3/8 NC x 3/4 inch		
G	30940	SETSCREW - socket head, 3/8 NC x 5/16 inch		
H	30941	SETSCREW - hex socket through bore, 3/8 NC x 3/16 inch		
J	18592	NUT - hex, 5/8 NC		
K	21580	BOLT - hex head, 1/4 NC x 1/2 inch		
L	21455	NUT - serrated flange, 1/4 NC		
M	20077	BOLT - hex head, 3/8 NC x 1 inch		
N	21863	BOLT - round head, short square neck, 3/8 NC x 3/4 inch		

*ON 960 BECAUSE  
DRAPER SLATS ARE  
SHORTER*

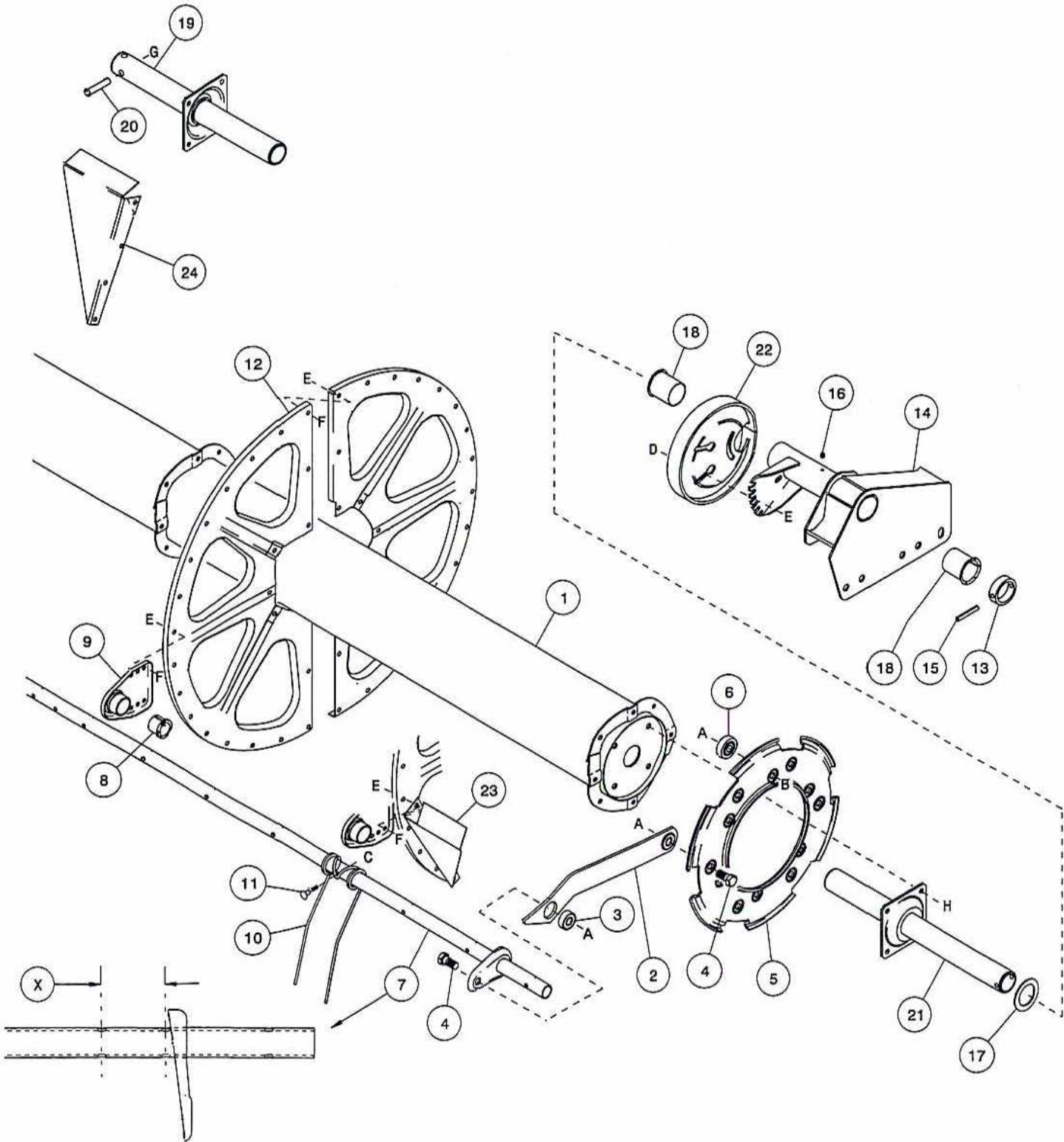
### REEL DRIVE & SUPPORT ARMS



## REEL DRIVE &amp; SUPPORT ARMS

REF	PART NUMBER	DESCRIPTION	QTY	SERIAL NUMBER
1	101017	ARM - reel support, left - with decal	1	
	101018	ARM - reel support, right - with decal	1	
2	100411	CLEVIS - cylinder mount	2	
3	30441	WASHER - flat, hardened	2	
4	100807	BRACE - diagonal	2	
5	8640	SPACER - tube	2	
6	100882	SUPPORT - reel prop	2	
8	REF	CYLINDER - reel lift, see Reel Lift Hydraulics		
9	18704	PIN - clevis, 5/8 x 2.28 inch effective length	4	
10	100956	REEL DRIVE ASSEMBLY - manual fore-aft units (includes items 11-26)	1	
	100955	REEL DRIVE ASSEMBLY - hyd. fore-aft units (includes items 11-26)	1	
11	100926	PLATE - reel drive	1	
12	REF	MOTOR, reel drive, see Reel Drive Hydraulics	1	
13	100173	SPROCKET - drive, 14 toothed - manual fore-aft units	1	
	26847	SPROCKET - drive, 10 toothed - hydraulic fore-aft units	1	
14	26848	SPROCKET - driven, 34 toothed	1	
15	26846	KEY - reel drive shaft	1	
16	43219	WASHER - flat	1	
17	43464	SHIM - reel drive sprocket (nominal quantity = 4)	A/R	
18	21064	CHAIN - roller, #60 x 42 links - manual fore-aft units	1	
	20117	CHAIN - roller, #60 x 40 links - hydraulic fore-aft units	1	
19	33532	SHAFT - reel drive	1	
20	7910	BEARING - cone	2	
21	7900	BEARING - cup	2	
22	21545	RING - retaining, internal	2	
23	19681	WASHER - flat	2	
24	16235	WASHER - flat	1	
25	47167	SHIELD - reel drive, with decals	1	
26	19809	PIN - clevis, 1/2 x 2.05 inch effective length	2	
27	100849	SPACER - tube	3	
28	100848	PLATE - mounting	1	
29	100442	KEEPER - reel	2	
30	REF	ADAPTER - tail tube mounting, see Pick-Up Reel	1	
31	101241	GUIDE - reel mounting	1	
32	101242	SPACER - tube	1	
A	21162	BOLT - round head, square neck, 5/8 NC x 4-1/2 inch		
B	18666	NUT - lock, 5/8 NC distorted thread		
C	18524	BOLT - round head, square neck, 5/8 NC x 2 inch		
D	18593	NUT - hex, 3/4 NC		
E	18639	WASHER - lock, 5/8 inch		
F	18592	NUT - hex, 5/8 NC		
G	18523	BOLT - round head, square neck, 5/8 NC x 1-1/2 inch		
H	18600	WASHER - flat, 21/32 inch I.D.		
J	21594	BOLT - hex head, 5/8 NC x 1-1/2 inch		
K	21589	BOLT - hex head, 1/2 NC x 4 inch		
L	18638	WASHER - lock, 1/2 inch		
M	18697	NUT - lock, 1/2 NC distorted thread		
N	18648	PIN - cotter, 3/16 x 1-1/4 inch		
P	21566	BOLT - hex head, 1/4 NC x 3/4 inch		
Q	18635	WASHER - lock, 1/4 inch		
R	5512	NUT - slotted, 3/4 NF		
S	21821	BOLT - flange head, 3/8 NC x 3/4 inch		
T	21476	BOLT - round head, square neck, 1/4 NC x 3/4 inch		
U	21455	NUT - serrated flange lock, 1/4 NC		
V	21582	BOLT - hex head, 5/8 NC x 1-3/4 inch		
W	21871	BOLT - hex head, 5/8 NC x 2-1/2 inch, thread full length		
X	21584	BOLT - hex head, 5/8 NC x 2-1/2 inch		

Model 2100 PICK-UP REEL





## Model 2100 PICK-UP REEL

REF	PART NUMBER	DESCRIPTION	QTY	SERIAL NUMBER
1	100459	TUBE - center, 15' header	1	
	100476	TUBE - center, 18' header	1	
	100400	TUBE - center, 21' header	1	
	100477	TUBE - center, 25' header	1	
2	48051	ARM - cam, includes 2 bearings (item 3)	6	
3	50185	BEARING - ball	12	
4	48050	BOLT - shoulder, special	12	
5	48060	RING - cam, L/H - 6 bat	1	
6	50184	BEARING - ball	6	
7	100479	TUBE - finger, outboard stagger (Dimension X = 70 mm) - 15' header	3	
	100482	TUBE - finger, outboard stagger (Dimension X = 70 mm) - 18' header	3	
	100485	TUBE - finger, outboard stagger (Dimension X = 70 mm) - 21' header	3	
	100487	TUBE - finger, outboard stagger (Dimension X = 70 mm) - 25' header	3	
	100481	TUBE - finger, inboard stagger (Dimension X = 120 mm) - 15' header	3	
	100484	TUBE - finger, inboard stagger (Dimension X = 120 mm) - 18' header	3	
	100486	TUBE - finger, inboard stagger (Dimension X = 120 mm) - 21' header	3	
	100488	TUBE - finger, inboard stagger (Dimension X = 120 mm) - 25' header	3	
8	100295	BUSHING - finger tube	see note (1)	
9	100370	ARM - finger tube	see note (1)	
10	100308	FINGER - pick-up reel	see note (2)	
11	100365	BOLT - special, finger	see note (2)	
12	100327	DISC - half	see note (3)	
13	100649	COLLAR - tail tube	1	
14	100657	ADAPTER - tail tube mounting	1	
15	728	PIN - roll	1	
16	18671	FITTING - lube	1	
17	27160	WASHER - flat	1	
18	35694	BUSHING - adapter tube	2	
19	100505	TUBE - drive end, 970 header	1	
20	19809	PIN - clevis, 1/2 dia. x 2 inch effective length	2	
21	100651	TUBE - tail end	1	
22	48065	CAM TRACK	1	
23	100923	DEFLECTOR - left	6	
24	100936	DEFLECTOR - right	6	
A	18666	NUT - lock, 5/8 NC distorted thread		
B	21594	BOLT - hex head, 5/8 NC x 1-1/2 inch		
C	18690	NUT - lock, 5/16 NC distorted thread		
D	21472	BOLT - round head, square neck, 3/8 NC x 3/4 inch		
E	30228	NUT - lock, smooth flange, 3/8 NC distorted thread		
F	50076	BOLT - flange head, 3/8 NC x 5/8 inch		
G	18648	PIN - cotter, 3/16 dia. x 1-1/4 inch		
H	30712	BOLT - flange head, 3/8 NC x 2-1/2 inch, thread full length		

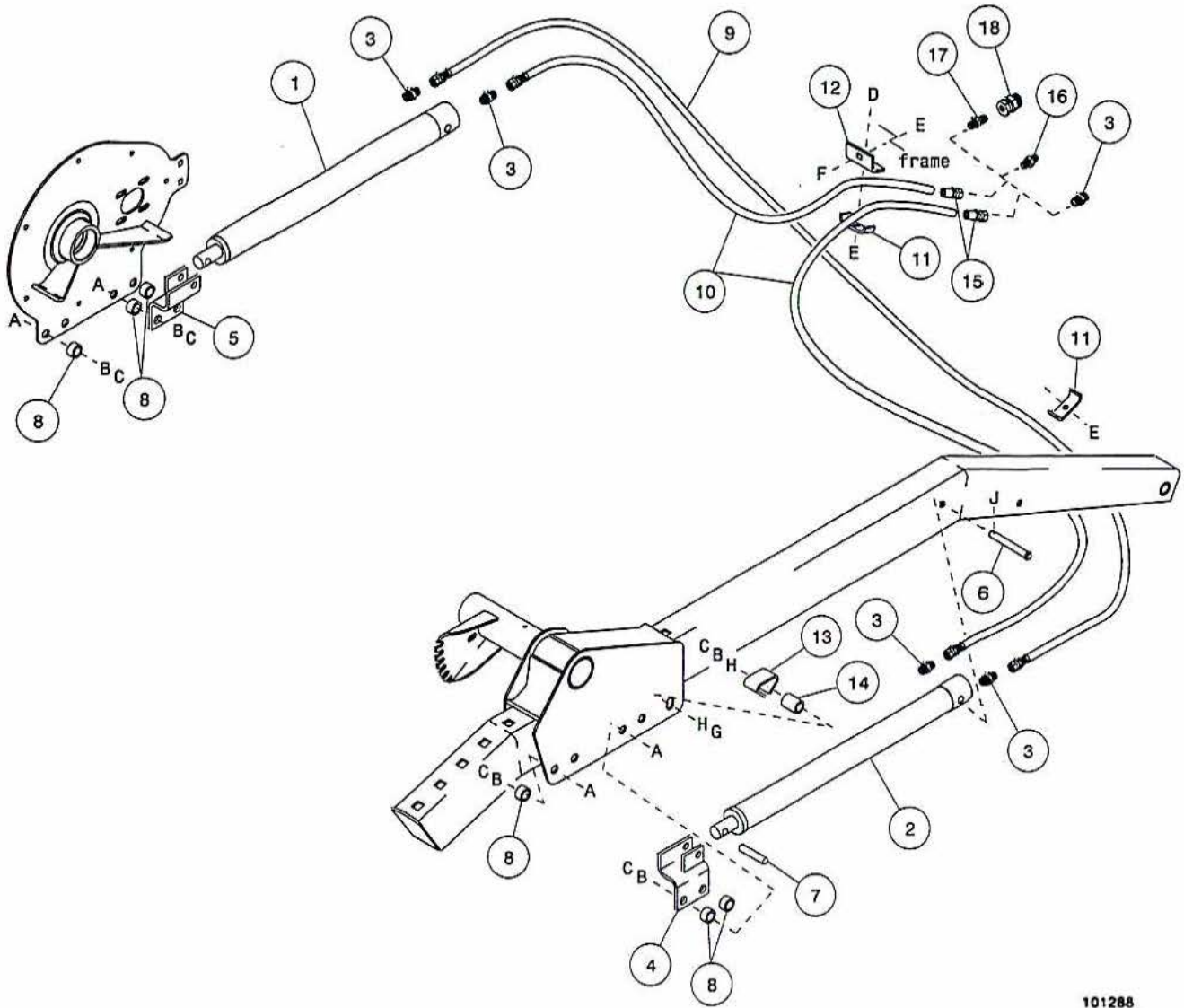
## NOTES:

(1) - Quantities: 15' = 24, 18' = 24, 21' = 30, 25' = 36

(2) - Quantities: 15' = 138, 18' = 156, 21' = 192, 25' = 222

(3) - Quantities: 15' = 8, 18' = 8, 21' = 10, 25' = 12

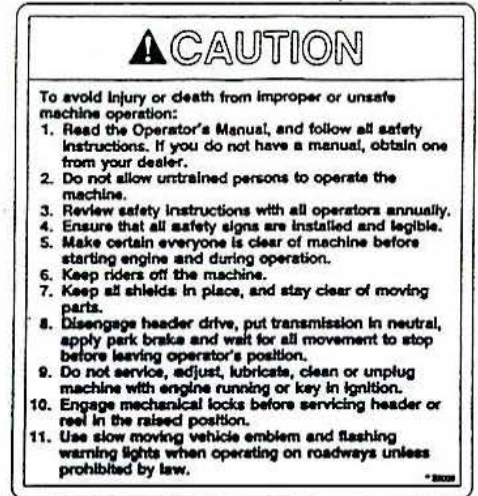
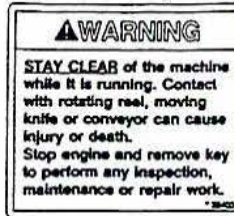
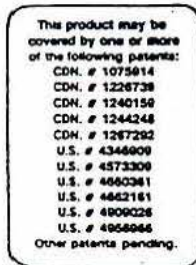
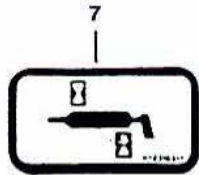
# HYDRAULIC FORE-AFT REEL POSITIONER



## HYDRAULIC FORE-AFT REEL POSITIONER

REF	PART NUMBER	DESCRIPTION	QTY	SERIAL NUMBER
1	100178	CYLINDER - drive side . . . . .	1	
	100179	SEAL KIT - for cylinder 100178		
2	100180	CYLINDER - tail side . . . . .	1	
	100181	SEAL KIT - for cylinder 100180		
3	15903	FITTING - adapter, 3/8 tube x 9/16 O-ring . . . . .	6	
4	100944	MOUNT - cylinder, left . . . . .	1	
5	100467	MOUNT - cylinder, right . . . . .	1	
6	101007	PIN - clevis, 1/2 x 3.07 inch effective length . . . . .	2	
7	36232	PIN - cylinder rod . . . . .	2	
8	100849	SPACER - tube . . . . .	6	
9	100992	HOSE - right side front port to left side rear port, 21' . . . . .	1	
	100993	HOSE - right side front port to left side rear port, 25' . . . . .	1	
10	100998	HOSE - supply and return, 21' . . . . .	2	
	100999	HOSE - supply and return, 25' . . . . .	1	
11	32225	HOLDER - hose . . . . .	2	
12	101135	ANGLE - mounts at left header leg . . . . .	1	
13	101241	GUIDE - reel mounting . . . . .	1	
14	101242	SPACER - tube . . . . .	1	
15	101000	FITTING - hose end, reusable, 3/8 tube swivel female . . . . .	2	
16	21804	FITTING - adapter, 3/8 tube x 3/4 O-ring . . . . .	2	
17	21806	FITTING - adapter, 3/8 tube x 1/2 NPT . . . . .	2	
18	21882	FITTING - adapter, 1/2 NPT female x 7/8 O-ring . . . . .	2	
A	21582	BOLT - hex head, 5/8 NC x 1-3/4 inch		
B	18639	WASHER - lock, 5/8 inch		
C	18592	NUT - hex, 5/8 NC		
D	19966	BOLT - round head, square neck, 3/8 NC x 1-1/4 inch		
E	30228	NUT - lock, smooth flange, 3/8 NC distorted thread		
F	21863	BOLT - round head, short square neck, 3/8 NC x 3/4 inch		
G	21584	BOLT - hex head, 5/8 NC x 2-1/2 inch		
H	18600	WASHER - flat, 21/32 inch I.D.		
J	18648	PIN - cotter, 3/16 x 1-1/4 inch		

DECALS



970



REF	PART NUMBER	DESCRIPTION	QTY	SERIAL NUMBER
1	30316	DECAL - DANGER: Rotating Driveline		
2	36651	DECAL - DANGER: Shield Missing		
3	32738	DECAL - WARNING: Shields & Guards		
4	28403	DECAL - WARNING: Clear While Running		
5	42122	DECAL - WARNING: Reel Props		
6	32009	DECAL - CAUTION: General Safety		
7	25929	DECAL - 5 Hour Grease		
	23163	DECAL - 10 Hour Grease		
	23165	DECAL - 50 Hour Grease		
8	32070	DECAL - Patents		
9	100454	DECAL - Draper Tension Gauge		
10	26694	REFLECTOR - Red		
11	26697	REFLECTOR - Amber		
12	23296	DECAL - Lift Here		
13	49433	DECAL - L/H Rainbow with MacDon		
	49434	DECAL - R/H Rainbow with MacDon		
15	49483	DECAL - 970		

## HAY CONDITIONER MOUNTING PARTS

REF	PART NUMBER	DESCRIPTION	QTY	SERIAL NUMBER
-----	----------------	-------------	-----	------------------

See 942 Multi-Crop Header and Hay Conditioner Parts Catalog #46216 for Hay Conditioner and Hay Conditioner Mounting Parts, with the following exceptions.

**Parts Catalog 46216 Page 34, 35: L/H Drives**

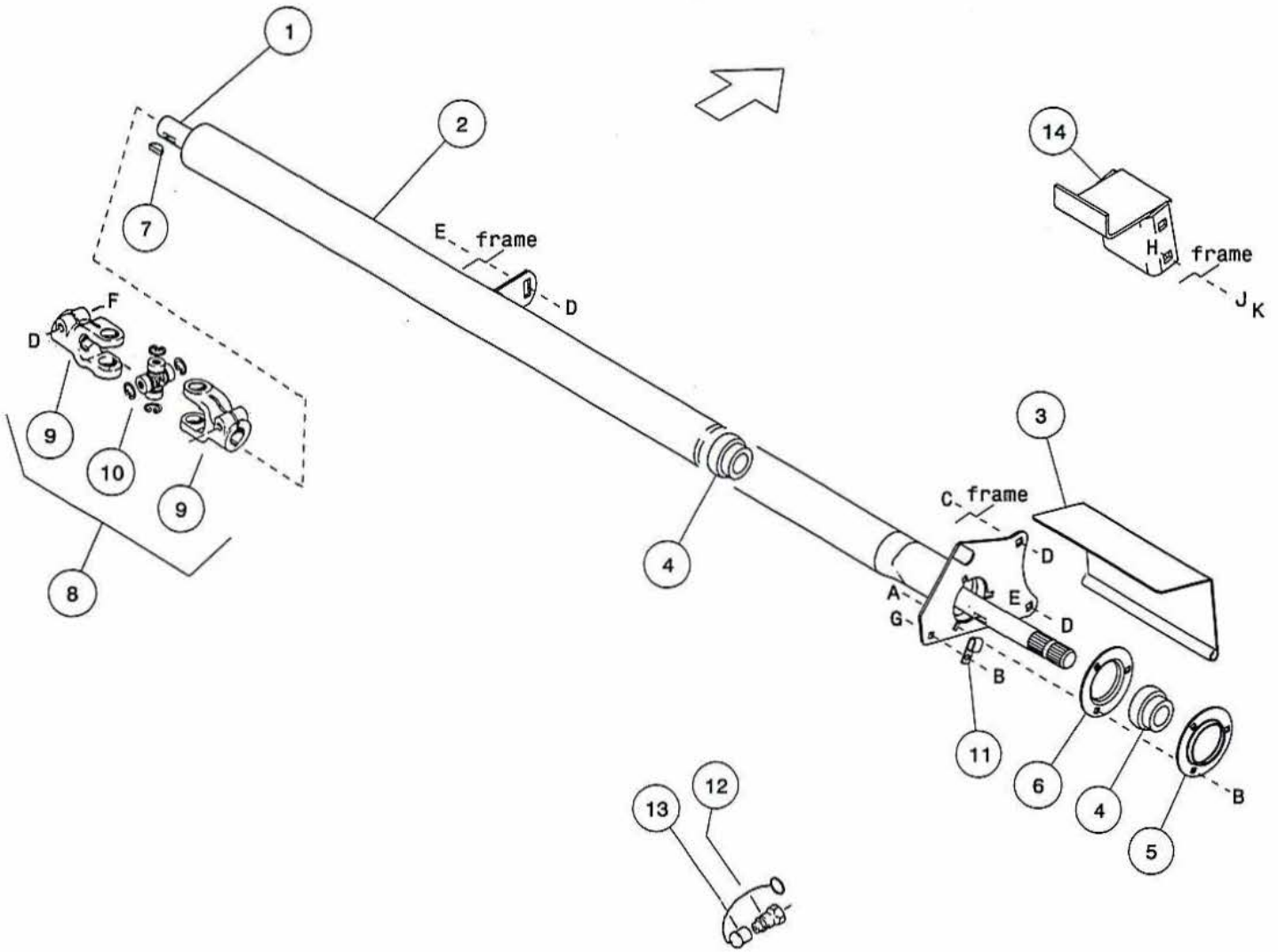
20	101110	BELT - matched set of three .....	1
----	--------	-----------------------------------	---

**Parts Catalog 46216 Page 38, 39: Float & Mounting Parts**

2	101099	SUPPORT - conditioner, left .....	1
3	101100	SUPPORT - conditioner, right .....	1

NOTE: These supports are not exactly as illustrated. For the 970 parts listed above, the upper bolt mounts to the front face of the header leg, instead of the side.

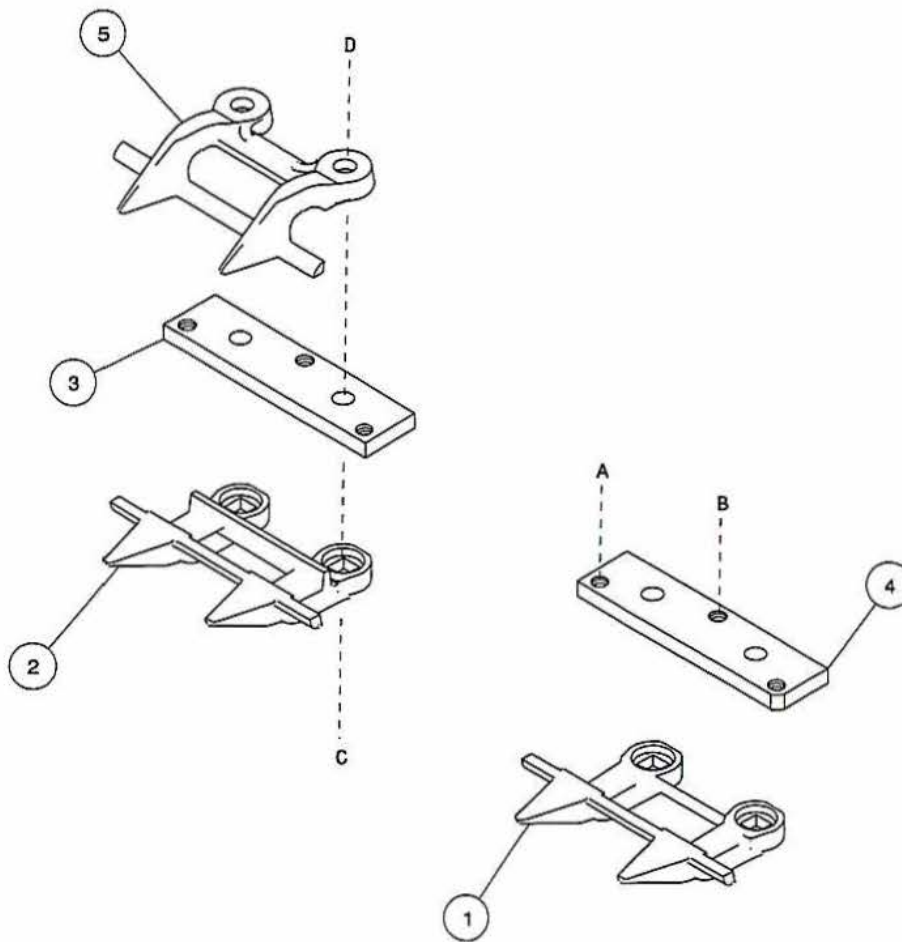
# WINDROWER COMPLETION PACKAGE - 21' & 25' HEADERS



## WINDROWER COMPLETION PACKAGE - 21' & 25' HEADERS

REF	PART NUMBER	DESCRIPTION	QTY	SERIAL NUMBER
1	100648	SHAFT - drive . . . . .	1	
2	100801	SUPPORT - drive shaft . . . . .	1	
3	101280	SHIELD - with decal . . . . .	1	
4	21936	BEARING - ball, with collar . . . . .	2	
5	30602	FLANGE - bearing . . . . .	1	
6	30603	FLANGE - bearing, with lube fitting . . . . .	1	
7	11142	KEY - woodruff, SAE #C . . . . .	2	
8	100691	JOINT - universal . . . . .	1	
9	100692	YOKE - clamp . . . . .	2	
10	30622	CROSS and BEARING KIT . . . . .	1	
11	39272	HOLDER . . . . .	1	
12	30442	COUPLER - female, 1/4 NPT . . . . .	1	
	50083	O-RING - for coupler 30442 . . . . .	1	
13	21876	PLUG - dust, for 1/4 NPT coupler . . . . .	1	
14	101082	SUPPORT - linkage adapter, lower leg . . . . .	2	
A	19965	BOLT - round head, square neck, 3/8 NC x 1 inch		
B	30228	NUT - lock, smooth flange, 3/8 NC distorted thread		
C	18723	BOLT - hex head, 1/2 NC x 1-1/2 inch		
D	50186	NUT - lock, smooth flange, 1/2 NC distorted thread		
E	21868	BOLT - round head, square neck, 1/2 NC x 1 inch		
F	21880	BOLT - hex head, 1/2 NC x 2-3/4 inch		
G	21863	BOLT - round head, short square neck, 3/8 NC x 3/4 inch		
H	18523	BOLT - round head, square neck, 5/8 NC x 1-1/2 inch		
J	18639	WASHER - lock, 5/8 inch		
K	18592	NUT - hex, 5/8 NC		

SICKLE STUB GUARDS (OPTION)



101249

REF	PART NUMBER	DESCRIPTION	QTY 15' / 18'	SERIAL NUMBER
	B 2598	STUB GUARD CONVERSION KIT - 15' Single Sickle Header, complete		
	B 2599	STUB GUARD CONVERSION KIT - 18' Single Sickle Header, complete		
1	34975	SPECIAL END GUARD - no trash bar, first 2 positions at left end	2	
2	34974	GUARD - stub	28 / 34	
3	34976	BAR - adjuster	29 / 35	
4	34980	SPECIAL ADJUSTER BAR - mitred corner	1	
5	34359	GUIDE - sickle	30 / 36	
A	50119	BOLT - hex head, 3/8 NC x 3/4 inch, stainless steel		
B	50120	BOLT - hex head, 3/8 NC x 1 inch, stainless steel		
C	30839	BOLT - round head, square neck, 7/16 NC x 2-1/4 inch		
	30862	BOLT - round head, square neck, 7/16 NC x 2-1/2 inch		
D	18654	NUT - hex, 7/16 NC		



# NUMERICAL LIST

<u>PART NO.</u>	<u>PAGE</u>	<u>PART NO.</u>	<u>PAGE</u>	<u>PART NO.</u>	<u>PAGE</u>	<u>PART NO.</u>	<u>PAGE</u>
000728	23	023589	19	036651	26	100042	11
002149	5	024122	9	037368	3	100049	19
002149	5	025929	26	037784	5	100050	11
002149	7	026064	13	037930	13	100051	11
002149	7	026694	26	038634	13	100073	11
002149	9	026697	26	038894	3	100082	19
002149	17	026846	21	038894	11	100102	5
002149	19	026847	17	039272	29	100102	5
006636	17	026847	21	042122	26	100102	7
007900	21	026848	21	042413	9	100102	7
007910	21	027160	23	043074	13	100102	9
008640	21	028013	13	043076	13	100102	17
011142	11	028014	13	043078	13	100102	19
011142	29	028403	26	043155	5	100102	19
013125	3	028815	13	043156	5	100108	5
013747	3	030284	9	043157	5	100108	7
015903	25	030316	26	043219	17	100108	19
016235	21	030441	19	043219	21	100147	19
016539	3	030441	21	043464	21	100161	7
018671	19	030442	9	043582	17	100161	19
018671	23	030442	29	043592	17	100162	5
018704	21	030553	9	043622	7	100162	9
018867	17	030556	5	043623	7	100162	17
019681	21	030558	7	043648	3	100163	17
019809	21	030602	11	043848	3	100173	21
019809	23	030602	29	044191	5	100174	9
020117	21	030603	11	044191	7	100175	9
021010	19	030603	29	045153	9	100176	9
021064	21	030622	29	047167	21	100177	9
021194	13	030668	13	047662	11	100178	25
021218	19	030669	13	047663	11	100179	25
021545	21	030695	5	047832	13	100180	25
021747	5	030696	13	047876	3	100181	25
021804	25	030977	5	048050	23	100195	19
021806	25	030994	5	048051	23	100199	19
021855	5	030995	5	048060	23	100225	19
021855	7	032009	26	048065	23	100228	19
021855	9	032070	26	049433	26	100229	19
021856	9	032225	5	049434	26	100230	19
021857	5	032225	7	049483	26	100231	19
021857	7	032225	9	050082	5	100232	11
021857	9	032225	25	050082	7	100235	3
021858	9	032738	26	050082	9	100263	17
021862	11	033532	21	050083	9	100275	19
021876	9	033955	13	050083	29	100295	23
021876	29	034359	30	050102	5	100308	23
021882	25	034391	13	050103	5	100314	17
021934	11	034974	30	050103	7	100327	23
021936	11	034975	30	050184	23	100355	13
021936	29	034976	30	050185	23	100357	13
023163	26	034980	30	050193	3	100361	3
023165	26	035694	23	100023	17	100365	23
023296	26	036232	25	100039	11	100370	23

## NUMERICAL LIST

<u>PART NO.</u>	<u>PAGE</u>	<u>PART NO.</u>	<u>PAGE</u>	<u>PART NO.</u>	<u>PAGE</u>	<u>PART NO.</u>	<u>PAGE</u>
100400	23	100709	15	100948	5	101122	7
100411	21	100710	15	100955	21	101124	7
100412	19	100711	15	100956	21	101125	17
100413	19	100712	15	100988	5	101135	9
100414	19	100713	15	100989	5	101135	25
100418	19	100714	15	100989	7	101137	3
100421	13	100715	15	100990	9	101162	17
100436	19	100716	15	100991	9	101163	17
100437	19	100717	15	100992	9	101207	3
100438	19	100718	15	100992	25	101207	3
100439	19	100719	15	100993	9	101208	3
100442	21	100720	15	100993	25	101209	3
100453	19	100721	15	100994	9	101210	3
100454	26	100722	15	100995	9	101241	21
100459	23	100723	15	100996	9	101241	25
100467	25	100726	15	100997	9	101242	21
100475	17	100730	11	100998	25	101242	25
100476	23	100734	17	100999	25	101257	17
100477	23	100737	11	101000	25	101260	17
100479	23	100741	19	101007	25	101272	3
100481	23	100765	3	101008	19	101280	11
100482	23	100767	17	101010	9	101280	29
100484	23	100768	17	101011	9	B 2598	30
100485	23	100769	17	101012	9	B 2599	30
100486	23	100770	17	101013	9		
100487	23	100771	17	101014	9		
100488	23	100772	17	101017	21		
100500	13	100787	11	101018	21		
100501	13	100788	11	101026	19		
100502	13	100796	19	101028	5		
100505	23	100799	3	101035	7		
100532	13	100801	29	101036	7		
100532	15	100802	17	101036	7		
100568	11	100803	17	101036	7		
100581	17	100807	21	101037	11		
100586	3	100848	21	101039	7		
100588	3	100849	21	101040	11		
100593	3	100849	25	101041	3		
100622	19	100851	3	101047	11		
100648	29	100852	3	101052	3		
100649	23	100862	19	101061	3		
100651	23	100882	21	101062	3		
100655	11	100885	3	101063	3		
100657	23	100895	19	101064	3		
100691	29	100905	11	101065	3		
100692	29	100923	23	101066	3		
100696	19	100925	19	101069	3		
100698	19	100926	21	101082	29		
100702	17	100930	9	101099	27		
100705	3	100936	23	101100	27		
100706	15	100938	3	101110	27		
100707	15	100944	25	101119	7		
100708	15	100947	5	101120	7		



# MacDon

*The Quiet Leader*

**46288 Issue 7/96**  
Sugg. Retail: \$15.00

Printed in Canada