

MacDon

Model 960 Double Delivery and Triple Delivery HARVEST HEADERS

PARTS CATALOG

with Adapters for:

Model 7000 Self-Propelled Windrower

Model 9000 Self-Propelled Windrower

John Deere 7720, 8820, 9500, 9600 and CTS Combines

Case IH 1460, 1660, 1480 and 1680 Combines

Gleaner R60, R70, R6, R7, 1982 and up N6 and N7 Combines

Massey Ferguson 860, 8570, 8450 and 8460 Combines

Ford New Holland TR and TX Combines

Claas 96, 106, 98 and 108 Combines

Ford-Versatile 9030 Bi-Directional Tractor (Offset Mount)

MacDon Industries Ltd.

680 Moray Street
Winnipeg, Manitoba R3J 3S3
(204) 885-5590, Fax 832-7749



MacDon, Inc.

9700 NW Conant Avenue
Kansas City, Missouri 64153-1832
(816) 891-7313, Fax 891-7323

MacDon

The Quiet Leader

Model 960 HARVEST HEADER PARTS CATALOG

HEADER

MAIN FRAME, LIGHTS & ATTACHMENTS	2, 3
DRAPER DRIVE HYDRAULICS: DOUBLE DELIVERY HEADERS	4, 5
DRAPER DRIVE HYDRAULICS: TRIPLE DELIVERY HEADERS	6, 7
REEL LIFT AND DRIVE HYDRAULICS: 21', 25' & 30' HEADERS	8-9B
REEL LIFT AND DRIVE HYDRAULICS: 36' HEADER	10, 11
DRIVELINE	12
DRIVE SHAFT	12B, 13
SICKLE AND DRIVE	14, 15
KNIFE HEAD (PARTS BULLETIN) & KNIFE HEAD REPLACEMENT CHART	15A, 15B
SICKLE DRIVE BOX	16, 17
DRAPERS	18
DRAPER CARRIER DECKS & SHIFT GROUP	19
DRAPER ROLLERS & TIGHTENER ASSEMBLY (LONG DECKS)	20
DRAPER ROLLERS & TIGHTENER ASSEMBLY (TRIPLE DELIVERY SHORT DECK)	21
REEL DRIVE & SUPPORT ARMS	22, 23
BAT REEL	24, 25

OPTIONS & ACCESSORIES:

GAUGE WHEEL / TRANSPORT OPTION: 30 & 36'	26-27B
GAUGE WHEELS (NO TRANSPORT): 30 & 36'	28, 29
SKID SHOES & TERRACE SKID SHOE	30

WINDROWER ADAPTERS

WINDROWER ADAPTER GROUP: MODELS 7000 & 9000	31
960 HEADER to 7000 TRACTOR: ADAPTER	32, 33
960 HEADER to 7000 TRACTOR: AUXILIARY FLOAT SPRING	34
960 HEADER to 7000 TRACTOR: DRIVELINE	35

COMBINE ADAPTERS

FRAME & FLOAT ASSEMBLY	36-39
MOUNTING & SPECIAL PARTS	40, 41
DRAPER DRIVE HYDRAULICS	42, 43
REEL LIFT & REEL DRIVE FITTINGS	44-45B
DRIVE CASE	46, 47
DRIVE CASE: CLAAS & MF 860/8450/8460	48, 49
FEEDER DRAPER DRIVELINE	50-51B
INPUT DRIVELINES	52, 53
FEEDER DRAPER GROUP	54-57B
CROSS AUGER	58, 59

DECALS, REFLECTORS & PAINT

HEADER	60, 61
PRODUCT IDENTIFICATION	62, 63
COMBINE ADAPTER	62, 63
PAINT	63

KITS

HYDRAULIC REEL FORE-AFT: 21', 25', & 30'	64, 65
HYDRAULIC REEL FORE-AFT: 36'	66, 67
HEAVY DUTY DRAPER DRIVE	67A, 67B

9030 BI-DIRECTIONAL OFFSET MOUNT ADAPTER

FRAME & FLOAT GROUP	68, 69
WHEEL ASSEMBLY	70, 71
HYDRAULICS: SERIAL NO. 82885 AND BELOW	72, 73
HYDRAULICS: SERIAL NO. 82886 TO 86399	74, 75
HYDRAULICS: SERIAL NO. 86400 AND ABOVE	76, 77
ELECTRICAL	78
DECALS & REFLECTORS	79

NUMERICAL LIST	80-86
-----------------------------	--------------

SUGGESTED STOCKING LIST	87-89
--------------------------------------	--------------

ABBREVIATIONS:

L/H - left hand (Determined from Operator's position,
R/H - right hand facing forward.)

I.D. - inside diameter

O.D. - outside diameter

A/R - as required (quantity varies with header size)

REF - reference, part number called up elsewhere in catalog

NC - national coarse thread

NF - national fine thread

NSS - not serviced separately

COMBINE MODELS:

JD - John Deere

C-IH - Case IH

GL - Gleaner

MF - Massey Ferguson

NH - New Holland TR & TX

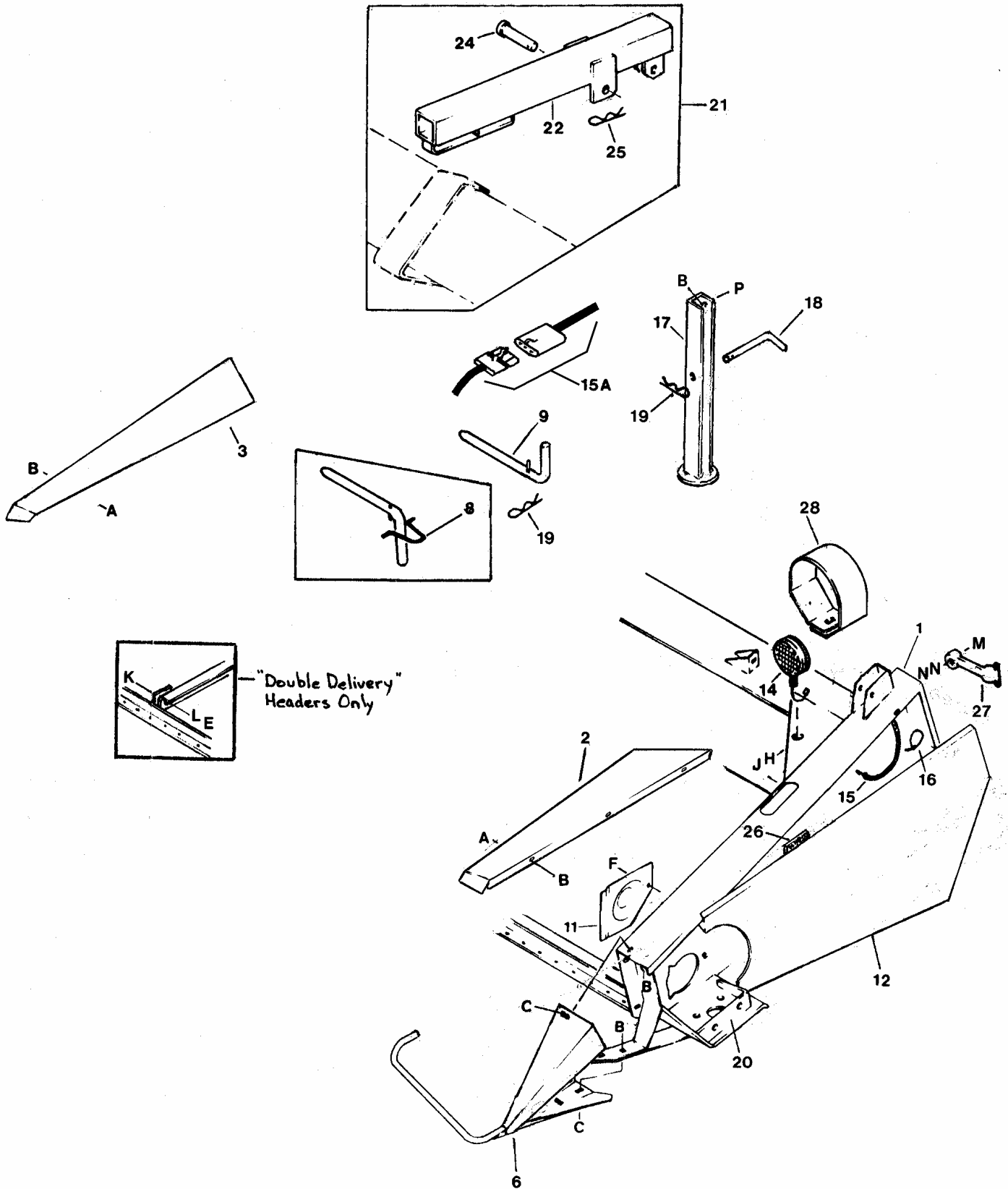
CL - Claas

NOTE: Common hardware is not illustrated. Alphabetic references are used to designate position and description of these items. When ordering, be sure the complete and proper serial number is given. Some parts vary with header size; be sure you are ordering the correct number for your header.

SERIAL NUMBER BREAKS:

Example: -76769 Used on machines up to and including serial number 76769.
76770- Used on machines including and after serial number 76770.

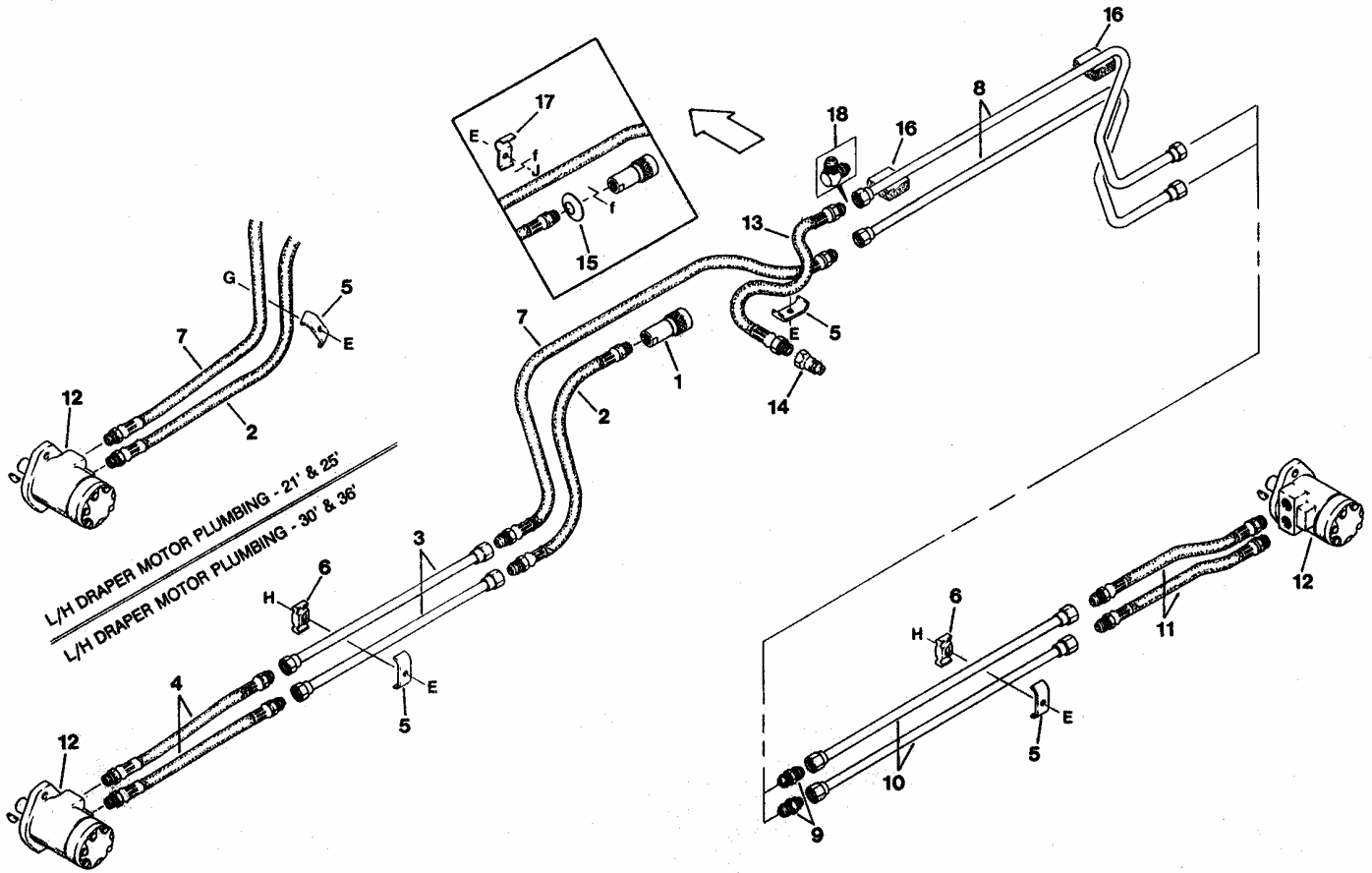
MAIN FRAME LIGHTS & ATTACHMENTS



MAIN FRAME, LIGHTS & ATTACHMENTS

REF	PART NUMBER	DESCRIPTION	QTY	SERIAL NUMBER
1	REF	FRAME - main, not serviced	1	
	32891	BAR - guard, repair piece 1500 mm long (5 ft.)		
	32892	TUBE - back, repair piece 1500 mm long (5 ft.)		
	43261	SUPPORT - sliding deck, repair piece, 1590 mm long (5.2 ft.)		
	32893	CUTTERBAR - repair piece 1500 mm long (5 ft.)		
2	43180	DEFLECTOR - left side (not exactly as shown)	1	-94999
	49076	DEFLECTOR - left side	1	95000-
3	37577	DEFLECTOR - right side (not exactly as shown)	1	-94999
	49077	DEFLECTOR - right side (not exactly as shown)	1	95000-108199
	101019	DEFLECTOR - right side	1	108200-
6	38740	SHOE - divider, left	1	
	38741	SHOE - divider, right	1	
8	37236	RETAINER - header lock pin	2	-82885
9	43633	PIN - "L", header lock	2	
11	37367	SHIELD - wobble box	1	
12	43635	SHIELD - left side with decals	1	
14	16539	LIGHT - amber	2	
15	43099	HARNESS - wiring, 21 ft. Double Delivery	1	
	43100	HARNESS - wiring, 25 ft. Double Delivery	1	
	43101	HARNESS - wiring, 30 ft. Double Delivery	1	
	43102	HARNESS - wiring, 36 ft. Double Delivery	1	
	43092	HARNESS - wiring, 21 ft. Triple Delivery	1	
	43093	HARNESS - wiring, 25 ft. Triple Delivery	1	
	43094	HARNESS - wiring, 30 ft. Triple Delivery	1	
15A	31062	CONNECTOR KIT - 3-way, includes male and female plugs		
16	16661	FASTENER - nylon tie	A/R	
17	43648	STAND - 21', 25' & 30' w/o gauge wheels	1	
18	13747	PIN - "L"	1	
19	13125	PIN - hair	2	
20	49601	SUPPORT - sickle drive box (welded)	1	
		NOTE: Also required - 32927 Welding Jig - TO BE RETURNED		
21	B 2301	KIT - header lifting arm, (kit available through WholeGoods only)	1	
22	43322	BRACKET - lift	1	
24	20312	PIN - clevis, 3/4 x 3-1/4 inch	1	
25	13125	PIN - hair	1	
26	25059	SEAL - sponge	1	
27	38894	LATCH - rubber	1	
28	43711	GUARD - light	2	
A	21863	BOLT - round hd. square nk. 3/8 NC x 3/4 inch		
B	30228	NUT - lock, smooth flange, 3/8 inch NC distorted thread		
C	19965	BOLT - round hd. square nk. 3/8 NC x 1 inch		
E	18669	NUT - lock, 3/8 inch NC distorted thread		
F	21821	BOLT - flange head, 3/8 NC x 3/4 inch		
H	18638	WASHER - lock, 1/2 inch		
J	6771	NUT - hex, 1/2 inch NF		
K	20077	BOLT - hex head, 3/8 NC x 1 inch		
L	18637	WASHER - lock, 3/8 inch		
M	50197	BOLT - round head square neck, 3/8 NC x 1-3/4 inch		
N	18590	NUT - hex, 3/8 NC		
P	21567	BOLT - hex head, 3/8 NC x 3/4 inch		

DRAPER DRIVE: DOUBLE DELIVERY HEADERS

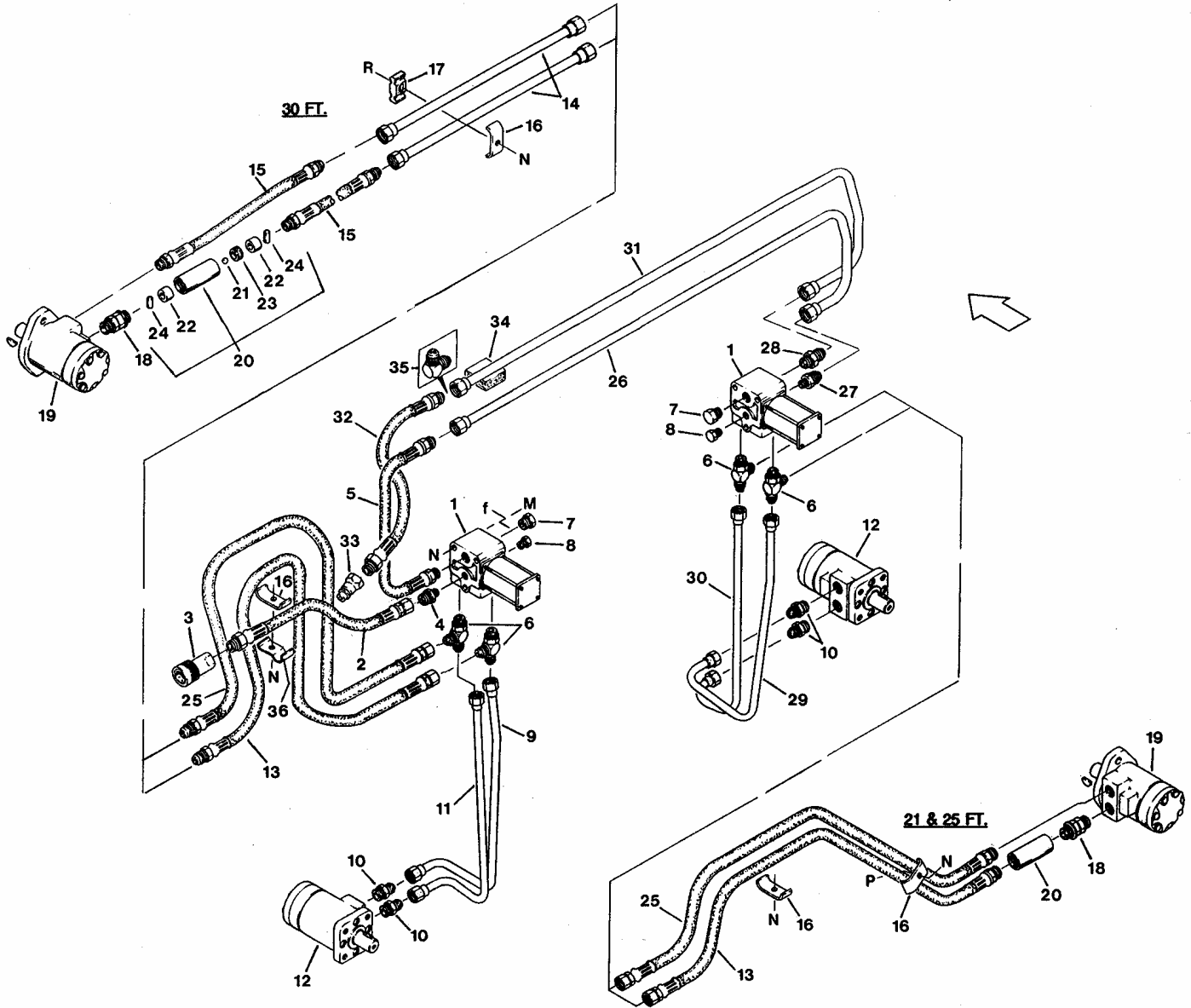


NOTE: See page 67A for Heavy Duty Draper Drive Kit Option.

DRAPER DRIVE: DOUBLE DELIVERY HEADERS

REF	PART NUMBER	DESCRIPTION	QTY	SERIAL NUMBER
1	21857	COUPLER - female	1	
	50082	O-RING - for coupler 21857		
2	43618	HOSE - to left draper motor: 25'	1	-82885
	43611	HOSE - to left draper motor: 30' & 36'	1	-82885
	43621	HOSE - to left draper motor: 21'	1	82886-
	43622	HOSE - to left draper motor: 25'	1	82886-
	43624	HOSE - to left draper motor: 30' & 36'	1	82886-
3	43672	LINE - left side: 30'	2	
	43671	LINE - left side: 36'	2	
4	43606	HOSE - left draper motor, 30' & 36'	2	
5	32225	HOLDER - hose	A/R	
6	37167	HOLDER - hose	A/R	
7	43619	HOSE - from left draper motor: 21'	1	
	43620	HOSE - from left draper motor: 25'	1	
	43605	HOSE - from left draper motor: 30' & 36'	1	
8	43673	LINE - to right side	2	
9	30558	FITTING - union, 5/8 tube	2	
10	37798	LINE - right side: 21'	2	
	37799	LINE - right side: 25'	2	
	37797	LINE - right side: 30'	2	
	43667	LINE - right side: 36'	2	
11	43606	HOSE - right draper motor: 21', 25' & 30'	2	
	43615	HOSE - right draper motor: 36'	2	
12	43010	MOTOR - draper drive, with key	2	
	123314	SEAL KIT - for motor 43010 (was 101670)..... qty. per motor 1		
13	37135	HOSE - draper flow return	1	-82885
	44191	HOSE - draper flow return	1	82886-
14	21855	COUPLER - male	1	
15	45153	WASHER - formed	1	82886-91999
16	43192	PAD - rubber	2	
17	29934	HOLDER - hose	1	82886-91999
18	30557	FITTING - elbow, 5/8 tube x 5/8 tube	1	-82885
E	30228	NUT - lock, smooth flange, 3/8 NC distorted thread		
G	19966	BOLT - round head, square neck, 3/8 NC x 1-1/4 inch		
H	50197	BOLT - round head, square neck, 3/8 NC x 1-3/4 inch		
J	21472	BOLT - round head, square neck, 3/8 NC x 3/4 inch		
~ f	REF	Indicates where hardware passes through frame member.		

DRAPER DRIVE: TRIPLE DELIVERY HEADERS



NOTE: See page 67A for Heavy Duty Draper Drive Kit Option.

NOTE: Short deck draper drive motor (at right end of header) is driven through the reel drive circuit. See "Reel Lift & Drive", page 9A & 9B.

DRAPER DRIVE: TRIPLE DELIVERY HEADERS

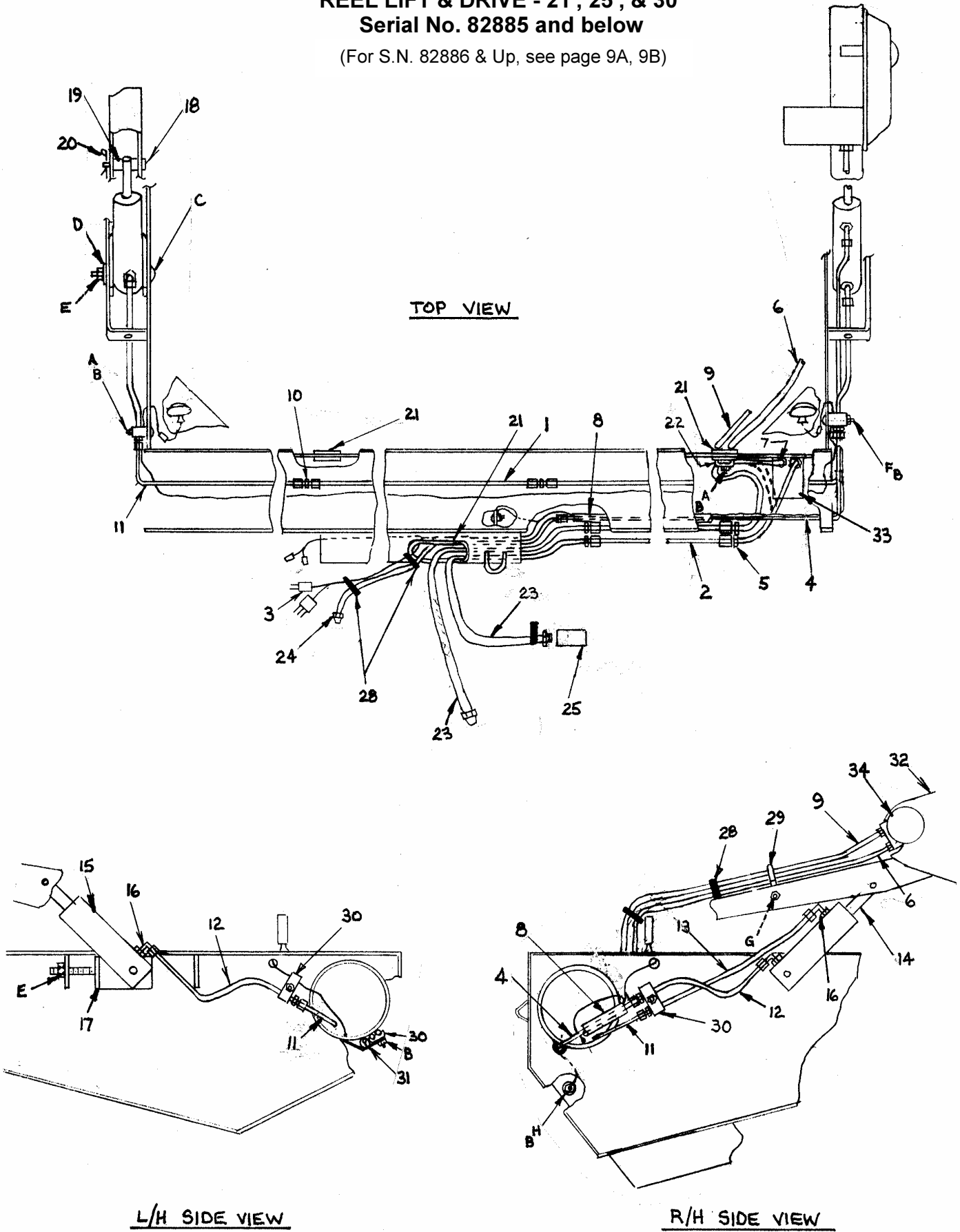
REF	PART NUMBER	DESCRIPTION	QTY	SERIAL NUMBER
1	43155	VALVE - four way	2	
	43156	COIL - for valve 43155	qty. per valve 1	
	43157	O-RING - for valve 43155.....	qty. per valve 2	
2	43616	HOSE - pressure to L/H valve	1	-82885
	33424	HOSE - pressure to L/H valve	1	92000-
3	21857	COUPLER - female	1	
	50082	O-RING - for coupler 21857		
4	30995	FITTING - adapter, 5/8 tube x 9/16 O-ring	1	-82885 & 92000-
	30996	FITTING - adapter, 1/2 NPT x 9/16 O-ring	1	82886-91999
5	43613	HOSE - from left hand valve.....	1	
6	21803	FITTING - tee, 1/2 tube x 3/4 O-ring	4	
7	30977	FITTING - plug, 3/4 O-ring	2	
8	30994	FITTING - plug, 9/16 O-ring	2	
9	43677	LINE - to top port of L/H deck shift motor.....	1	
10	21881	FITTING - adapter, 1/2 tube x 7/8 O-ring	4	
11	43676	LINE - to bottom port of L/H deck shift motor.....	1	
12	43011	MOTOR - deck shift, with key.....	2	
	123314	SEAL KIT - for motor 43011 (was 101670).....	qty. per motor 1	
13	43603	HOSE - valve to draper motor: 21'	2	
	43609	HOSE - valve to draper motor: 25'	2	
	43607	HOSE - valve to line: 30'	2	
14	43672	LINE - connector: 30'	4	
15	43606	HOSE - to draper motor: 30'	4	
16	32225	HOLDER - hose	A/R	
17	37167	HOLDER - hose: 30'	4	
18	30969	FITTING - union, 7/8 O-ring	2	
19	43010	MOTOR - draper drive, with key.....	3	
	123314	SEAL KIT - for motor 43010 (was 101670).....	qty. per motor 1	
20	43786	VALVE - sequence, complete - includes items 21 to 24	2	
21	32182	BALL - sequence valve.....	2	
22	43782	SPACER - sequence valve.....	4	
23	43783	WASHER - special	2	
24	43785	PIN - dowel	4	-82885
	43788	PIN - dowel	4	82886-
25	43604	HOSE - valve to draper motor: 21'	2	
	43610	HOSE - valve to draper motor: 25'	2	
	43608	HOSE - valve to line: 30'	2	
26	43674	LINE - connector	1	
27	30995	FITTING - adapter, 5/8 tube x 9/16 O-ring	1	
28	21747	FITTING - adapter, 5/8 tube x 3/4 O-ring	1	
29	43679	LINE - to top port of R/H deck shift motor	1	
30	43678	LINE - to bottom port of R/H deck shift motor	1	
31	43675	LINE - connector	1	
32	37135	HOSE - draper flow return.....	1	-82885
	44191	HOSE - draper flow return.....	1	82886-
33	21855	COUPLER - male	1	
34	43192	PAD - foam rubber	1	82886-
35	30557	FITTING - elbow, 5/8 tube x 5/8 tube	1	-82885
36	29934	HOLDER - hose	1	92000-
M	30307	BOLT - round head, square neck, 3/8 NC x 3 inch		
N	30228	NUT - lock, smooth flange, 3/8 NC distorted thread		
P	19966	BOLT - round head, square neck, 3/8 NC x 1-1/4 inch		
R	50197	BOLT - round head, square neck, 3/8 NC x 1-3/4 inch		

~ f REF Indicates where hardware passes through frame member.

REEL LIFT & DRIVE - 21', 25', & 30'

Serial No. 82885 and below

(For S.N. 82886 & Up, see page 9A, 9B)



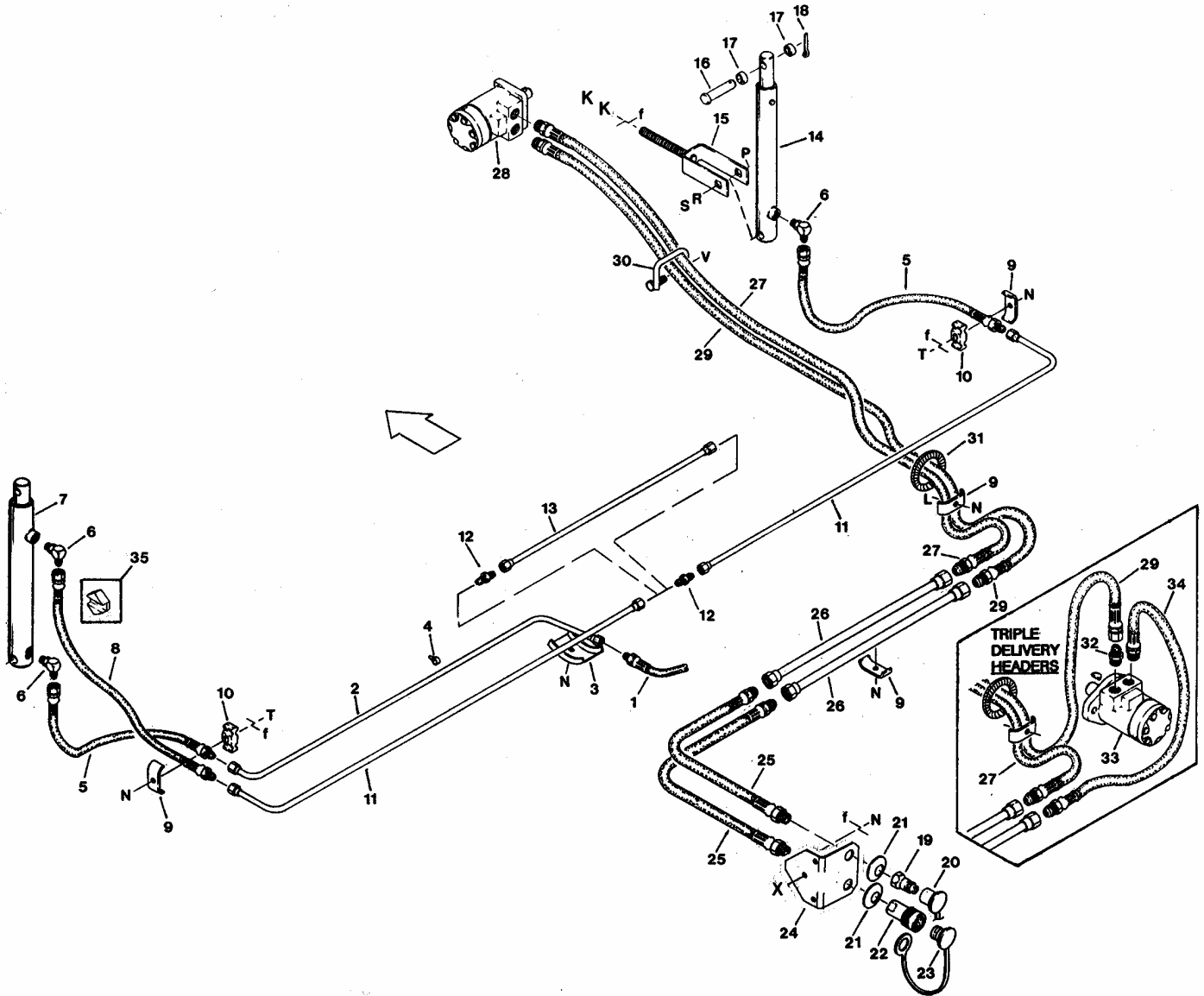
L/H SIDE VIEW

R/H SIDE VIEW

REEL LIFT & DRIVE - 21', 25', & 30'
Serial No. 82885 and below

REF	PART NUMBER	DESCRIPTION	QTY	SERIAL NUMBER
1	43663	LINE - reel lift, connector: 25'	1	
	43664	LINE - reel lift, connector: 30'	1	
2	37798	LINE - reel drive: 21'	2	
	37799	LINE - reel drive: 25'	2	
	37797	LINE - reel drive: 30'	2	
3	REF	HARNESS - wiring, see "Main Frame, Lights, and Attachments	1	
4	43662	LINE - reel lift, to right cylinder: 21'	1	
	43669	LINE - reel lift, to right cylinder: 25'	1	
	43668	LINE - reel lift, to right cylinder: 30'	1	
5	43615	HOSE - return from short deck motor: TD headers	1	
6	43612	HOSE - return from reel drive motor: DD headers	1	
		(connects to LINE, item 2)		
	43609	HOSE - return from reel drive motor: TD headers	1	
		(connects to short deck MOTOR, item 33)		
7	21881	FITTING - adapter, short deck motor	1	
8	43174	CONDUIT - hose protector: 21'	1	
	43175	CONDUIT - hose protector: 25'	1	
	43176	CONDUIT - hose protector: 30'	1	
9	43612	HOSE - pressure to reel drive motor	1	
10	30375	FITTING - union, hydraulic line	A/R	
11	43661	LINE - reel lift, to cylinder	2	
12	32116	HOSE - reel lift cylinder	2	
13	36849	HOSE - right reel lift cylinder	1	
14	29169	CYLINDER - double acting, reel lift	1	
	21494	SEAL KIT - for cylinder 29169	1	
	43802	PISTON - for cylinder 29169 (also order Seal Kit 21494)	1	
15	29168	CYLINDER - single acting, reel lift	1	
	21495	SEAL KIT - for cylinder 29168	1	
16	30282	FITTING - elbow, 90°, reel lift cylinder	3	
17	37345	CLEVIS - cylinder adjusting	2	
18	18738	PIN - clevis, reel lift cylinder	2	
19	8640	SPACER - cylinder rod	4	
20	18648	PIN - cotter, 3/16 dia. x 1-1/4 inch	2	
21	26671	CONDUIT - hose protector	3	
22	32225	HOLDER - hose	1	
23	33416	HOSE - reel drive	2	
24	43601	HOSE - reel lift	1	
25	REF	COUPLER - see Windrower or Combine Adapter Hydraulics	1	
28	16661	FASTENER - plastic tie	4	
29	43597	GUIDE - reel drive hoses	1	
30	37167	HOLDER - hose	A/R	
31	43190	HOLDER - hose	A/R	
32	REF	DRIVE ASSEMBLY - see "Reel Drive & Support Arms"	1	
33	REF	MOTOR - short deck, see "Draper Rollers & Tightener Assembly"	1	
34	43011	MOTOR - reel drive, c/w key	1	
	2149	KEY - Woodruff, SAE #15, for motor 43011	1	
	123314	SEAL KIT - for motor 43011 (was 101670)	1	
A	21484	BOLT - round head, square neck, 3/8 NC x 1-1/2 inch		
B	30228	NUT - lock, smooth flange, 3/8 NC distorted thread		
C	30829	BOLT - round head, square neck, 5/8 NC x 3-1/2 inch		
D	18600	WASHER - flat, 21/32 inch ID		
E	18666	NUT - lock, 5/8 NC distorted thread		
F	21470	BOLT - round head, square neck, 3/8 NC x 2 inch		
G	18697	NUT - lock, 1/2 NC distorted thread		
H	21863	BOLT - round head, square neck, 3/8 NC x 3/4 inch		

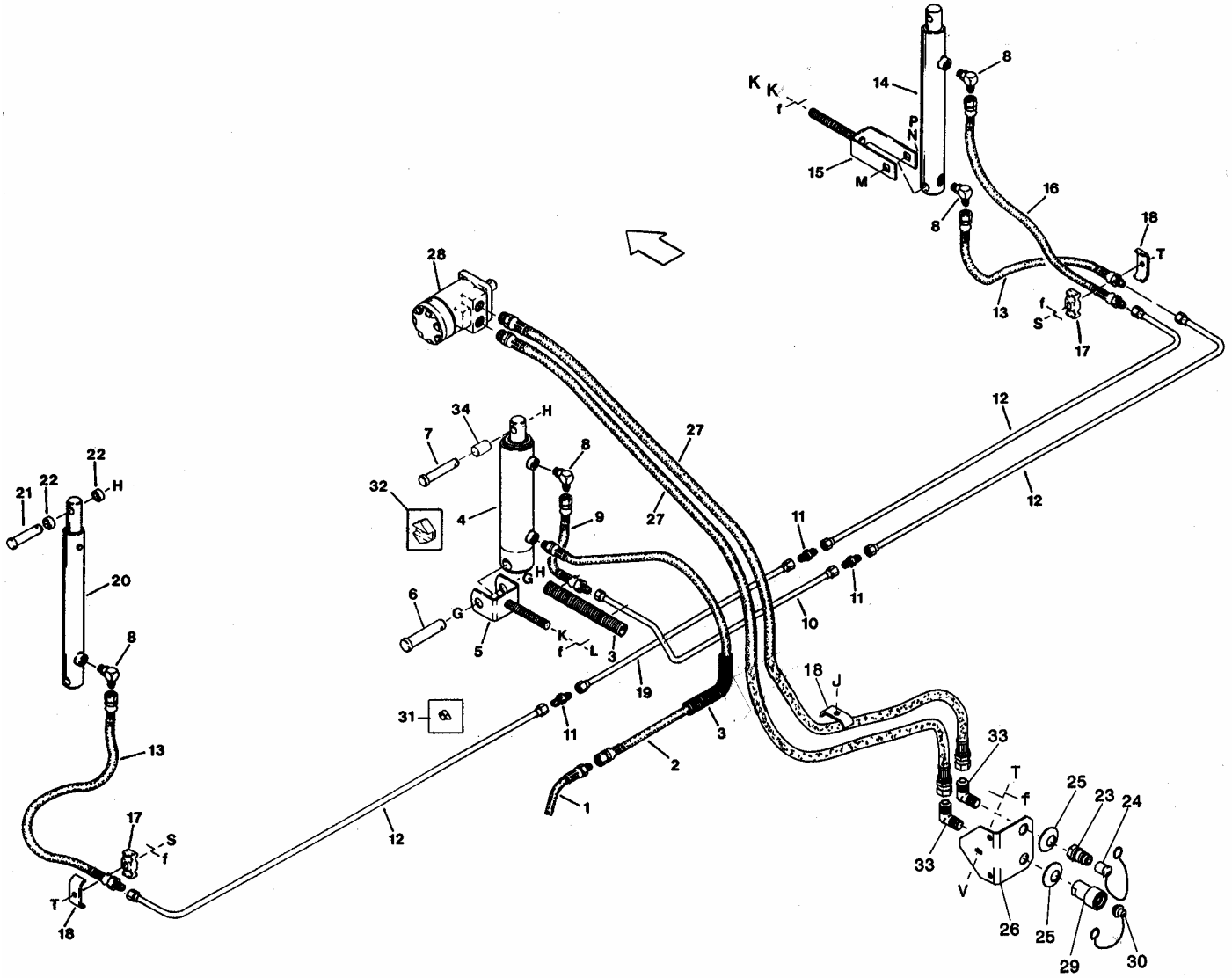
REEL LIFT & REEL DRIVE HYDRAULICS - 21', 25', & 30'
Serial No. 82886 and above



REEL LIFT & REEL DRIVE HYDRAULICS - 21', 25', & 30'
Serial No. 82886 and above

REF	PART NUMBER	DESCRIPTION	QTY	SERIAL NUMBER
1	REF	HOSE - to reel lift line, see Adapter Hydraulics for your Windrower or Combine	1	
2	43680	LINE - reel lift, to left cylinder: 21'	1	82886-84411
	43851	LINE - reel lift, to left cylinder: 21'	1	84412-
	43681	LINE - reel lift, to left cylinder: 25'	1	82886-84411
	43852	LINE - reel lift, to left cylinder: 25'	1	84412-
	43682	LINE - reel lift, to left cylinder: 30'	1	82886-84411
	43853	LINE - reel lift, to left cylinder: 30'	1	84412-
3	43649	CLAMP - reel lift line	1	84412-
4	30542	CLIP - nylon, hose	see note (1)	
5	32116	HOSE - reel lift cylinder	2	
6	30282	FITTING - 90° elbow, 9/16 O-ring x 3/8 tube	3	
7	118337	CYLINDER - double acting, reel lift (see page 11, Note 2 for details) (was 29169)	1	
	21494	SEAL KIT - for cylinder 29169	1	
	118157	SEAL KIT - for cylinder 118337 (see page 11, Note 2 for details)	1	
	43802	PISTON - for cylinder 29169 (also order Seal Kit 21494)	1	
8	36849	HOSE - left reel lift cylinder	1	
9	32225	HOLDER - hose, steel	see note (3)	
10	37167	HOLDER - hose, plastic	2	
11	43661	LINE - reel lift, to cylinder	2	
12	30375	FITTING - 3/8 tube union	see note (2)	
13	43663	LINE - reel lift, connector: 25'	1	
	43664	LINE - reel lift, connector: 30'	1	
14	29168	CYLINDER - single acting, reel lift	1	
	21495	SEAL KIT - for cylinder 29168	1	
15	37345	CLEVIS - cylinder adjusting	2	82886-115999
	103330	CLEVIS - cylinder adjusting, with bolt	2	116000-
16	18738	PIN - clevis, reel lift cylinder	2	
17	8640	SPACER - cylinder rod	4	
18	18648	PIN - cotter, 3/16 x 1-1/4 inch	2	
19	21855	FITTING - male quick coupler, 1/2 NPT	1	
20	21856	CAP - dust, for male coupler	1	
21	45153	WASHER - formed	2	
22	21857	FITTING - female quick coupler, 1/2 NPT	1	
	50082	O-RING - for coupler 21857	1	
23	21858	PLUG - dust, for female coupler	1	
24	49109	HOLDER - hose coupler	1	
25	43630	HOSE - reel drive	2	
26	37798	LINE - reel drive: 21'	2	
	37799	LINE - reel drive: 25'	2	
	37797	LINE - reel drive: 30'	2	
27	43612	HOSE - pressure to reel drive motor (top port)	1	
28	43011	MOTOR - reel drive, c/w key: except "Rice Special"	1	
	43907	MOTOR - reel drive, c/w key: "Rice Special"	1	
	2149	KEY - Woodruff, SAE #15, for motor 43011 or 43907	1	
	123314	SEAL KIT - for motor 43011 or 43907 (was 43177 or 101670)	1	
29	43612	HOSE - return from reel drive motor: Double Delivery Headers	1	
		(connects to LINE, item 26)		
	43609	HOSE - return from reel drive motor: Triple Delivery Headers	1	
		(connects to short deck MOTOR, item 33)		
30	43597	GUIDE - reel drive hoses	1	
31	26671	CONDUIT - hose protector	2	
32	21881	FITTING - adapter, 1/2 tube x 7/8 O-ring	1	
33	43010	MOTOR - short deck draper drive, with key	1	
34	43615	HOSE - return from short deck motor: Triple Delivery Headers	1	
35	16568	RESTRICTOR - flow (to slow reel lift & drop rate, install in bottom port of item 7)	1	
K	18592	NUT - hex, 5/8 NC		
L	21484	BOLT - round head, square neck, 3/8 NC x 1-1/2 inch		
N	30228	NUT - lock, smooth flange, 3/8 NC distorted thread		
P	30829	BOLT - round head, square neck, 5/8 NC x 3-1/2 inch		
R	18600	WASHER - flat, 21/32 inch ID		
S	18666	NUT - lock, 5/8 NC distorted thread		
T	50197	BOLT - round head, square neck, 3/8 NC x 1-3/4 inch		
V	18697	NUT - lock, 1/2 NC distorted thread		
X	21863	BOLT - round head, square neck, 3/8 NC x 3/4 inch		
~ f	REF	Indicates where hardware passes through frame member.		
NOTES:	(1)	- Quantities: 21' = 1 / 25' = 3 / 30' = 4		
	(2)	- Quantities: 21' = 1 / 25' = 2 / 30' = 2		
	(3)	- Quantities: 21' = 6 / 25' = 7 / 30' = 8		

REEL LIFT & REEL DRIVE HYDRAULICS - 36'

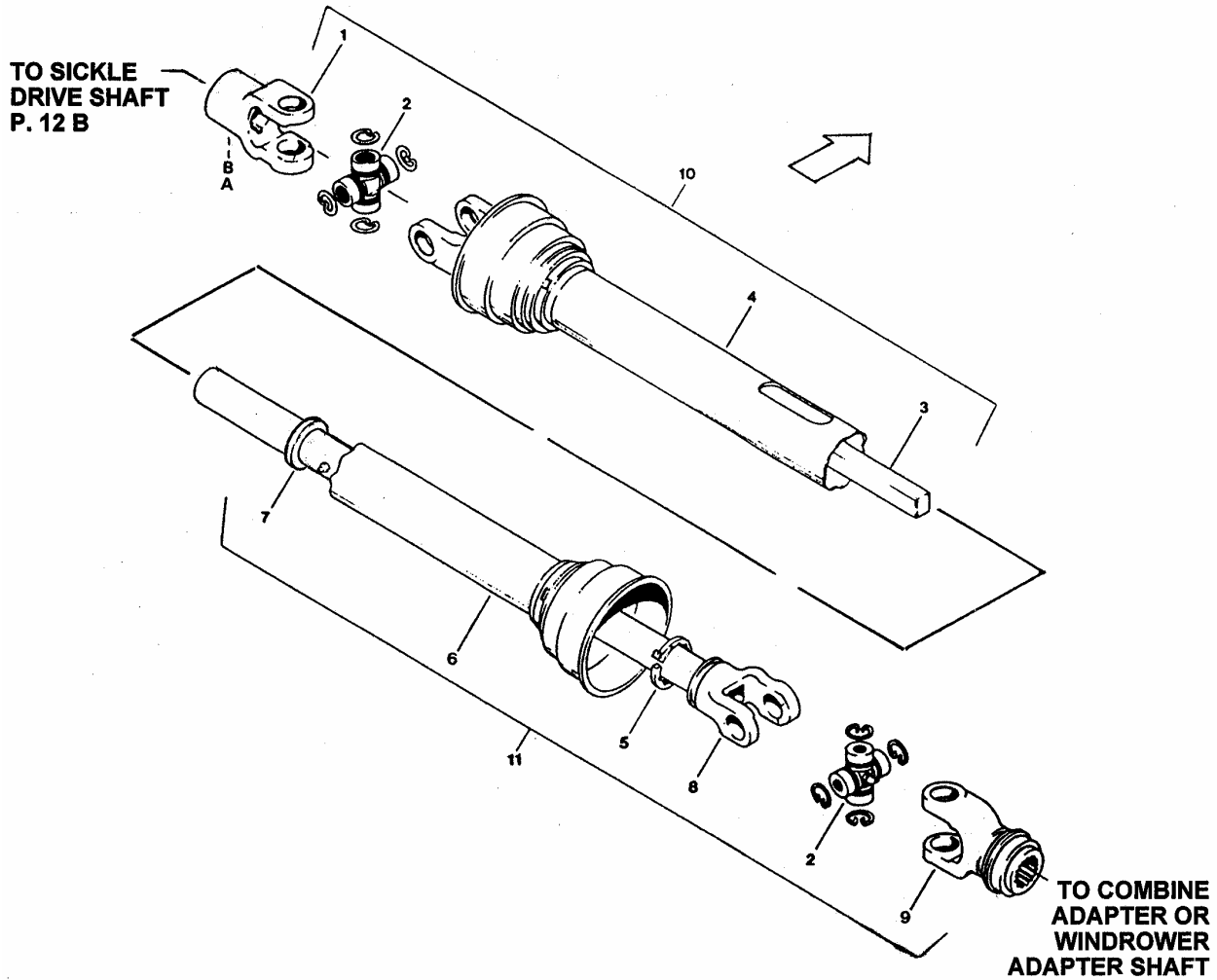


REEL LIFT & REEL DRIVE HYDRAULICS - 36'

REF	PART NUMBER	DESCRIPTION	QTY	SERIAL NUMBER
1	REF	HOSE - to reel lift, see Adapter Hydraulics for Windrower or Combine.....	1	
2	40331	HOSE - reel lift, to center cylinder	1	-82885
	43625	HOSE - reel lift, to center cylinder	1	82886-84450
	43640	HOSE - reel lift, to center cylinder	1	84451-
3	37881	CONDUIT - hose protector	2	
4	113834	CYLINDER - double acting, center reel lift (was 32415)	1	see notes 1 & 2
	32416	SEAL KIT - for cylinder 32415, see note 2.....	1	
	118157	SEAL KIT - for cylinder 113798 or 118337, see note 2	1	
5	37830	CLEVIS - center cylinder adjusting	1	
6	18629	PIN - clevis, 3/4 x 3-3/4 inch effective length	1	
7	19958	PIN - clevis, 5/8 x 3-1/4 inch effective length	1	
8	30282	FITTING - 90° elbow, 9/16 O-ring x 3/8 tube	4	
9	37841	HOSE - reel lift, from center cylinder	1	
10	43666	LINE - reel lift, from center cylinder	1	
11	30375	FITTING - 3/8 tube union	3	
12	43661	LINE - reel lift.....	3	
13	32116	HOSE - reel lift, to cylinder lower port.....	2	
14	118337	CYLINDER - double acting, R/H reel lift (was 29169).....	1	
	21494	SEAL KIT - for cylinder 29169	1	
	118157	SEAL KIT - for cylinder 113798 or 118337, see note 2	1	
	43802	PISTON - for cylinder 29169 (also order Seal Kit 21494).....	1	
15	37345	CLEVIS - L/H and R/H cylinder adjusting	2	-115999
	103330	CLEVIS - L/H and R/H cylinder adjusting, with bolt	2	116000-
16	36849	HOSE - reel lift, from R/H cylinder upper port.....	1	
17	37167	HOLDER - hose, plastic.....	2	
18	32225	HOLDER - hose, steel	3	
19	43665	LINE - reel lift, connector	1	
20	29168	CYLINDER - single acting, L/H reel lift	1	
	21495	SEAL KIT - for cylinder 29168	1	
21	18738	PIN - clevis, 5/8 x 2-1/2 inch effective length	2	
22	8640	SPACER - cylinder rod	4	
23	21855	FITTING - male quick coupler, 1/2 NPT.....	1	
24	21856	CAP - dust, for male coupler.....	1	
25	102653	WASHER - formed.....	2	
26	40336	HOLDER - hose couplers	1	82886-108199
	49109	HOLDER - hose couplers	1	108200-
27	43614	HOSE - reel drive.....	2	-82885
	43623	HOSE - reel drive.....	2	82886-108199
	101219	HOSE - reel drive.....	2	108200-
28	43011	MOTOR - reel drive, with key.....	1	
	2149	KEY - Woodruff, SAE #15, for motor 43011	1	
	123314	SEAL KIT - for motor 43011 (was 101670)	1	
29	21857	FITTING - female quick coupler, 1/2 NPT.....	1	
	50082	O-RING - for coupler 21857	1	
30	21858	PLUG - dust, for female coupler	1	
31	50109	CLIP - nylon, 1/2 I.D. (for reel lift hose)	3	-84450
	30542	CLIP - nylon, 3/8 I.D. (for wiring harness at R/H end panel).....	1	
32	16568	RESTRICTOR - flow (to slow reel lift & drop rate, install in bottom port of item 4) ...	1	
33	30553	FITTING - 90° elbow, 5/8 tube x 1/2 NPT	2	108200-
34	118131	SPACER - cylinder mount, see note 1	1	
G	18601	WASHER - flat, 13/16 inch I.D.		
H	18648	PIN - cotter, 3/16 x 1-1/4 inch		
J	30228	Nut - lock, smooth flange, 3/8 NC distorted thread		
K	18592	NUT - hex, 5/8 NC		
L	21345	NUT - hex jam, 5/8 NC		
M	30829	BOLT - round head, square neck, 5/8 NC x 3-1/2 inch		
N	18600	WASHER - flat, 21/32 inch I.D.		
P	18666	NUT - lock, 5/8 NC distorted thread		
S	30853	BOLT - round head, square neck, 3/8 NC x 1-3/4 inch		
T	30228	NUT - lock, smooth flange, 3/8 NC distorted thread		
V	21863	BOLT - round head, square neck, 3/8 NC x 3/4 inch		
~ f	REF	Indicates where hardware passes through frame member		

- NOTES: 1.) If replacing cylinder 32415 (with 5/8" hole in cylinder rod) with cylinder 113834 (with 3/4" hole in cylinder rod) also order spacer item 34.
- 2.) When ordering seal kit for double-acting cylinders (item 4 & 14), determine which kit you need as follows: Newer cylinders 113834 and 118337 are identified by an ID sticker marked with the part no. If your cylinder has this ID sticker, order seal kit 118157. If there is no ID sticker, order seal kit 21494.

DRIVELINE

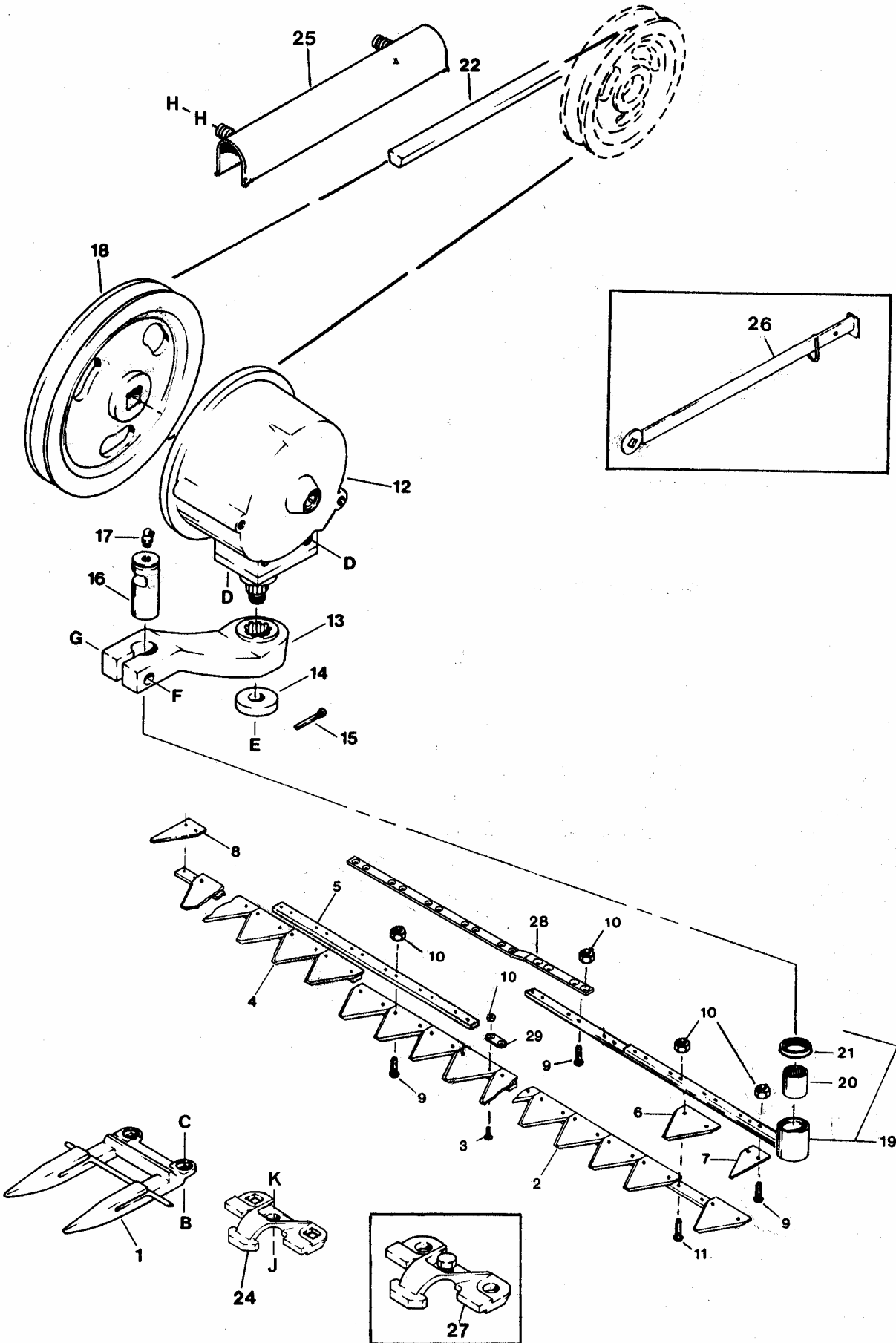


REF	PART NUMBER	DESCRIPTION	QTY	SERIAL NUMBER
..	43701	DRIVELINE - complete, includes items 10 and 11.....	1	
1	43702	YOKE - left end, 1-3/16" bore.....	1	
2	30622	CROSS & BEARING KIT.....	2	
3	NSS	YOKE & SHAFT (order 43708).....	1	
4	43705	SHIELD - outer, with decal.....	1	
5	30623	BEARING - shield, consists of two halves (Walterscheid).....	2	
	32800	BEARING KIT - shield (Weasler).....	2	
6	43706	SHIELD - inner.....	1	
	40496	SHIELD - inner, special (Walterscheid) *.....	1	
	40497	SHIELD - inner, special (Weasler) *.....	1	
7	21655	SUPPORT - shield (Walterscheid).....	1	
8	NSS	YOKE & TUBE (order item 11).....	1	
9	24779	YOKE - spline bore, 1-3/8 x 21 teeth, with slide collar.....	1	
	43709	YOKE - spline bore, 1-3/8 x 21 teeth, clamp type.....	OPT	
	30621	YOKE - for keyed shaft.....	OPT	
10	43708	JOINT ASSEMBLY - male half, includes items 1,2,3,4,5.....	1	
11	43707	JOINT ASSEMBLY - female half, includes items 2,5,6,7,8,9.....	1	
	40495	JOINT ASS"Y. - special *.....	1	
A	18908	SCREW - set, square head, cup point, 3/8 NC x 1 inch		
B	18664	NUT - hex jam, 3/8 NC		
*	NOTE:	Use with 21 header on JD, NH, CL, MF 860/8450/8460 Combines		

DRIVE SHAFT ASSEMBLY

REF	PART NUMBER	DESCRIPTION	QTY	SERIAL NUMBER
1	21861	BUSHING - split taper	1	-102199
2	37118	PULLEY - sickle, driver	1	-102199
3	43426	SHAFT - drive, 21' header.....	1	
	43423	SHAFT - drive, 25' header.....	1	
	43424	SHAFT - drive, 30' header.....	1	
	43425	SHAFT - drive, 36' header.....	1	
4	13298	KEY - woodruff, SAE #18	2	
5	21859	BEARING - ball, with collar (qty. = 3 for 36')	2	
6	30601	FLANGE - bearing.....	2	
7	21860	FLANGE - bearing, with lube fitting	2	
8	43437	PLATE - L/H bearing support, outer	1	
9	43433	BRACKET - tightener	1	
10	43462	PLATE - L/H bearing support, inner	1	
11	43443	TUBE - shield, 21' header	1	-102199
	49452	TUBE - shield, 21' header	1	102200-
	43440	TUBE - shield, 25' header	1	-102199
	49453	TUBE - shield, 25' header	1	102200-
	43441	TUBE - shield, 30' header	1	-102199
	49454	TUBE - shield, 30' header	1	102200-
12	49042	TUBE - shield, 36' header	1	
13	43567	PLATE - R/H bearing support.....	1	
14	43569	SHIELD - driveline.....	1	
15	43660	INSULATOR - rubber, 36' center bearing	1	-084450
16	43221	DISC - flywheel.....	2	-102199
17	49435	PULLEY - sickle, driver	1	102200-
18	30034	BUSHING - split taper	1	102200-
A	18759	BOLT - hex head, 3/8 NC x 3-1/2 inch, thread full length		
D	18598	WASHER - flat, 13/32 inch I.D.		
E	21264	BOLT - hex head, 3/8 NC x 1-1/4 inch		
H	30228	NUT - lock, smooth flange, 3/8 NC distorted thread		
J	21567	BOLT - hex head, 3/8 NC x 3/4 inch		
K	21863	BOLT - round head, square neck, 3/8 NC x 3/4 inch		
L	18637	WASHER - lock, 3/8 inch		
M	18590	NUT - hex, 3/8 NC		
N	20055	BOLT - hex head, 3/8 NC x 2-1/4 inch		
P	18669	NUT - lock, 3/8 NC distorted thread		
R	21526	BOLT - hex head, 5/16 NC x 1-1/4 inch		
~ f	REF	Indicates where hardware passes through frame member.		

SICKLE AND DRIVE



SICKLE AND DRIVE

REF	PART NUMBER	DESCRIPTION	QTY	SERIAL NUMBER
1	28014	SPECIAL SICKLE GUARD - first 3 @ left end	3	
	23064	SICKLE GUARD - except 3 above	A/R	
2	49667	SICKLE ASS'Y. - less head: 21' complete, 25' L/H, 30' L/H & 36' L/H (includes item 29)..	1	
3	30696	SCREW - rib neck, #12 NC x 5/8 inch	A/R	
4	43076	SICKLE ASSEMBLY - right hand, 25' (4 ft. extension).....	1	
	43077	SICKLE ASSEMBLY - right hand, 30' (9 ft. extension).....	1	
	43078	SICKLE ASSEMBLY - right hand, 36' (15 ft. extension).....	1	
5	33955	BAR - splice, 12 hole (not required for 21')	1	
6	34390	SECTION - sickle, top-serrated.....	A/R	
7	34399	SECTION - sickle, left half	1	
8	34391	SECTION - sickle, right half	1	
9	49671	SCREW - rib neck, #12 NC x .92 inch (qty. 6 for 21')	20	
10	30669	NUT - lock, #12 NC distorted thread	A/R	
11	30852	SCREW - rib neck, #12 NC x 1-1/8 inch	7	
12	REF	DRIVE - sickle, see next page.....	1	
13	33834	ARM - drive.....	1	
14	REF	WASHER - flat, see next page.....	1	
15	18648	PIN - cotter, 3/16 x 1-1/4 inch.....	1	
16	115082	PIN - sickle head (was 26321).....	1	
17	21194	FITTING - lubrication, 90°	1	
18	21418	PULLEY - driven.....	1	
19	37835	HEAD ASSEMBLY - sickle (includes items 20 & 21)	1	
	115321	HEAD ASSEMBLY – sickle (complete), (see page 15A & 15B).....	OPT	
20	21866	BEARING - needle	1	
21	37930	SEAL - sickle head (install with lip facing outward).....	1	
22	47041	BELT - sickle drive	1	-109919
	101398	BELT - sickle drive, notched.....	1	109920-
24	49420	GUIDE - sickle, hold-down	A/R	
	50228	GUIDE - sickle, high clearance hold-down (qty. 1 for 21') (may sub 49420)	5	-124499
		(used at fourth guard from L/H end and at splice bar (4) if applicable)		
25	43965	GUIDE - belt (was 43631)	2	
26	34625	TOOL - guard straightening, (Accessory).....	1	
27	47130	GUIDE - adjustable sickle hold-down, with bolt (Optional).....	A/R	
	50119	BOLT - hex head, 3/8 NC x 3/4 inch, stainless steel		
28	102875	STRAP - reinforcing	1	
29	49670	BAR - reinforcing, package of 77	1	
B	8218	BOLT – round head, square neck, 7/16 NC x 1-1/2 inch		
C	18654	NUT - hex, 7/16 NC		
D	30861	BOLT - hex head, 5/8 NF x 2 in Gr. 8		
E	REF	NUT - slotted hex, see next page		
F	30922	BOLT - hex head, 5/8 NC x 2-3/4 inch		
G	18666	NUT - lock, 5/8 NC distorted thread		
H	18592	NUT - hex, 5/8 NC		
J	50237	NUT – hex, 3/8 NC, stainless steel		
K	50119	BOLT – hex head, 3/8 NC x 3/4 inch, stainless steel		

NOTE: For a complete sickle, order:
25', 30' & 36'

2	49667	L/H Assembly.....	1	
4	*	R/H Assembly	1	
5	33955	Bar, splice	1	
6	34390	Section, sickle.....	3	
7	34399	Section, left half	1	
9	49671	Screw, #12 x .92"	8	
10	30669	Nut, lock.....	8	
28	102875	Strap, reinforcing	1	

*Part No. varies by header size. Order appropriate number from Ref. 4 above.

KNIFE HEAD REPLACEMENT



NOTE: Part # 115321 cast knifehead may be used as an optional replacement for the model 960 header. The removal of the hold down clip nearest the wobble box, and the installation of a new sickle pin (#113229 for square shaped wobble boxes – or - #115082 for round shaped wobble boxes), end half section (#34391 – 27 mm hole spacing), and reinforcement bar (#129329) is required to ensure correct installation when changing from the original part # 37835 knifehead.

Removal of some knifeback on the left side of the knife may be required when installing the cast knifehead on the original sickle assembly.

The original sickle assembly can be identified when the knifeback of the sickle assembly extends past the full sickle section, mounting the end half section on the left side of the knife.

Because the new end half section is a different dimension, the end half section on the cast knifehead must be bolted directly to the knifehead itself.

(SEE REPLACEMENT CHART, PG 15 B)

7/21/2004 REVISED

PARTS BULLETIN 98-3

KNIFE HEAD REPLACEMENT CHART

PROD YEAR	MODEL	PULL TYPE						AUGER HEADERS						MULTI CROP						DRAPER HEADERS																					
		3000/20	4000	5000/10/20	910/920/930	912/922/933	932	940	942	960	962	970	972 Std.																												
	PART NO.	21	25	30	36	9	12	14	16	12	14	16	14	16	ALL	ALL	12	14	12	15	18	12	15	18	21	25	30	36	30	36	15	18	21	25	12	15	18	21	25	30	36
EARLY	29336	F	F	F	F																																				
EARLY	32755	O	O	O	F																																				
RECENT	32722	F	F	F	F																																				
	36015					F																																			
ALL	115121						F																																		
TO 1998	L/H 34388						F	F	F	F	F	F	F	F			O	O	F	F	F	O	O	O	O	O		O	O	O	O	O	O	O	O	O	O	O	O	O	
1999-00	L/H 115083						F	F	F	F	F	F	F	F			O	O	F	F	F	O	O	O	O	O		O	O	O	O	O	O	O	O	O	O	O	O	O	
2001 - ON	L&R 115321						O	O	O	O	O	O	O	O	F		O	O	O	O	O	O	O	O	O	O		F	F	O	O	O	O	O	O	O	O	O	O	O	O
TO 1998	R/H 34895																O	O	O	O	O	O	O	O	O	O		O	O	O	O	O	O	O	O	O	O	O	O	O	
1999-00	R/H 115084																O	O	O	O	O	O	O	O	O	O		O	O	O	O	O	O	O	O	O	O	O	O	O	
TO 1998	37835																																								
	47960						O	O	O	O	O	O	O	O			O	O	O	O	O	O	O	O	O	O		O	O	O	O	O	O	O	O	O	O	O	O	O	
1997	100501						O	O	O	O	O	O	O	O			F	F	O	O	O	F	F	O	O	O		F	F	O	O	O	O	O	O	O	O	O	O	O	
1998	103705						O	O	O	O	O	O	O	O			O	O	O	O	O	O	O	O	O	O		O	O	O	O	O	O	O	O	O	O	O	O	O	
1999-00	113232						O	O	O	O	O	O	O	O			O	O	O	O	O	O	O	O	O	O		O	O	O	O	O	O	O	O	O	O	O	O	O	

F = Factory Supplied - When used for more than one knifehead for the same product, serial # breaks exist.
 O = Optional Use - Some minor modification may be required. An optional knife head MAY not be the preferred head for that unit, but it will fit.
 In some cases an optional knifehead may be better than the original, but the cost may be higher.
Note that the 115321 is standard or optional on all headers shown except the 3000 and 4000 series.
 With the 115321, use of a 129329 reinforcing bar is suggested on single knife draper headers.

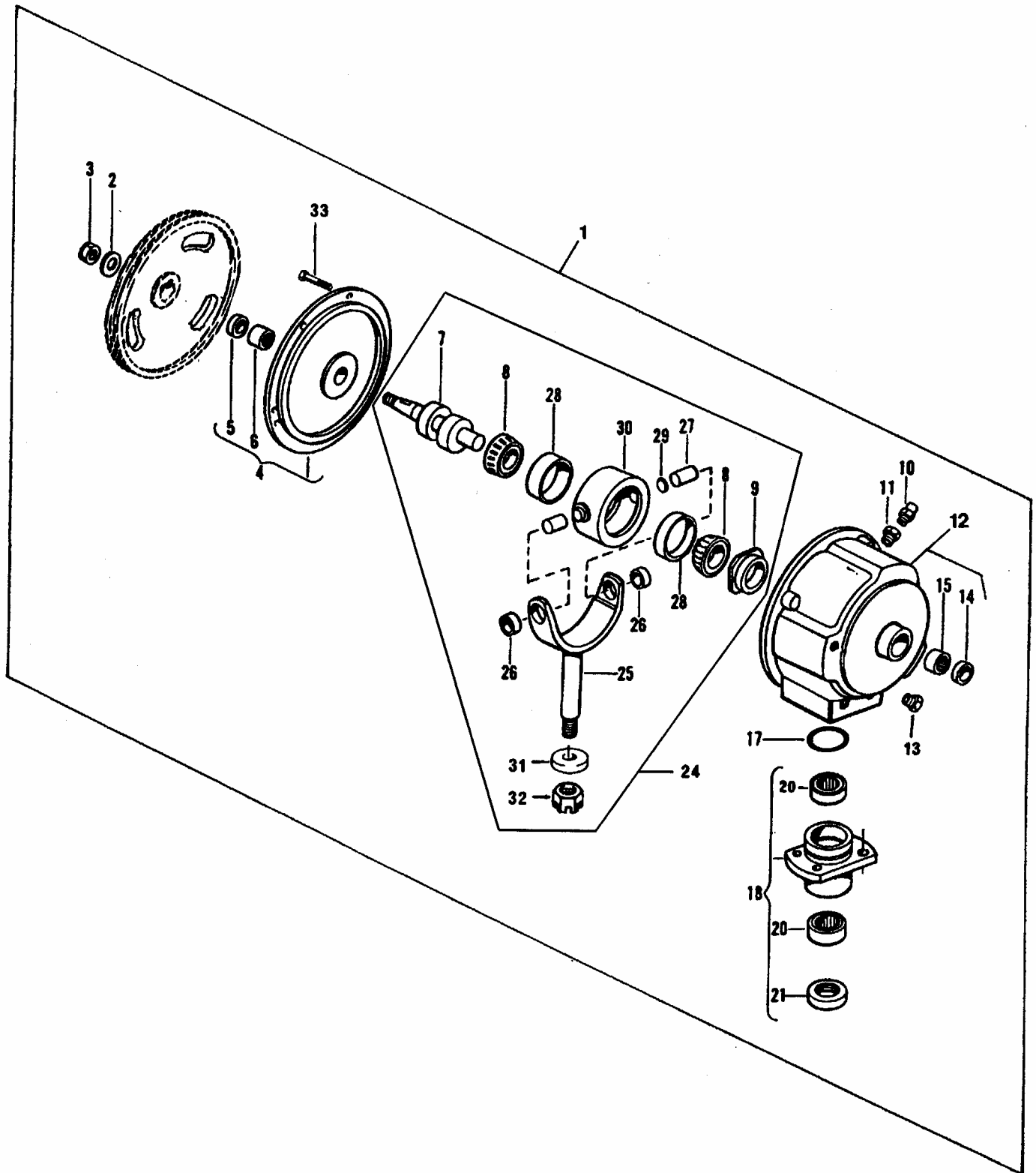
NOTE: 29336 & 32755 will interchange but 32755 is stronger and more expensive.

NOTE: use of the optional knifehead on 960 will require a different half section and mounting of the new half section directly on the knifehead.

NOTE: Use of a cast knifehead may require removal of one of the hold down clips closest to the wobble box (as when 103705 is used on 932)

NOTE: Use of the knifeheads 115321, 115083, ... 084, etc. will require use of the knifehead pins 113229 or 115082. These pins have a beveled or rounded end that will not damage the higher interval grease seal used on the latest version of knifeheads. (Earlier knifehead pins may be carefully rounded on the end and used with the new seals. Caution must be used so sharp edges do not damage lip on the seal.) The old and new 920/930 knifeheads are interchangeable with the grease seal being the only significant difference. The cast knifehead 115321 will be symmetrical and may be used on left or right side.

SICKLE DRIVE BOX



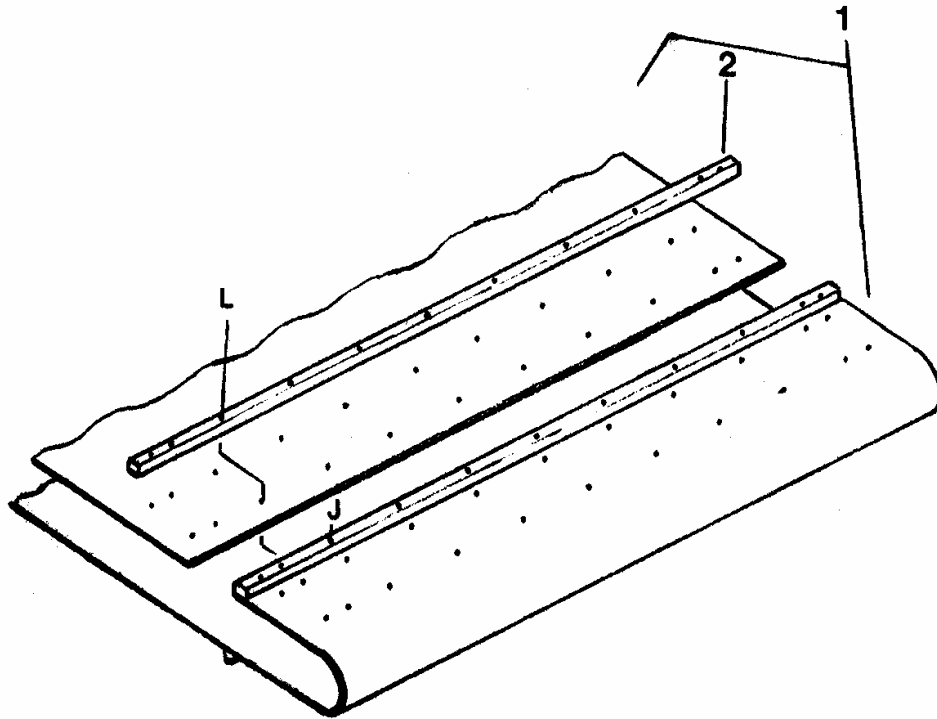
SICKLE DRIVE BOX

REF	PART NUMBER	DESCRIPTION	QTY	SERIAL NUMBER
1	26320	DRIVE - sickle, complete (with mounting hardware).....	1	see Note 1
2	21417	WASHER - flat, .78 I.D. x 1-5/8 O.D. X 1/8 inch thk.	1	
3	18689	NUT - lock, 3/4 inch NC distorted thread	1	
4	21421	COVER ASSEMBLY - includes items 5 & 6.....	1	
5	30814	SEAL - oil.....	1	
6	21420	BEARING - needle	1	
7	21712	SHAFT - drive.....	1	
8	21512	BEARING - cone	2	
9	21424	NUT - stake, 1-15/16 - 20 hex spiral	1	
10	21425	VALVE - relief.....	1	
11	21024	FITTING - reducer bushing, 3/8 x 1/8 pipe thread	1	
12	26319	HOUSING ASSEMBLY - includes items 14, 15 and mounting bolts.....	1	
13	21151	PLUG - 3/8 NPT	1	
14	30815	SEAL - oil.....	1	
15	21513	BEARING - needle	1	
17	21514	O-RING - 2-5/8 x 2-7/8 x 1/8 inch.....	1	
18	26318	CAP ASSEMBLY - includes items 20 & 21	1	
20	21516	BEARING - needle	2	
21	21517	SEAL - oil.....	1	
24	50179	YOKE/HOUSING ASSEMBLY, includes items 25 - 32 (see Notes 1 & 2) ...	1	
	47988	YOKE/HOUSING ASSEMBLY, includes items 7 - 9 and 25 - 32	1	
25	NSS	YOKE - output, with bushings (order item 24).....	1	
26	NSS	BUSHING - bronze (order item 24)	2	
27	NSS	SPINDLE (order item 24)	2	
28	21519	BEARING - cup	2	
29	NSS	PLUG - nylon, 7/8 dia. x 1/64 inch thk. (order item 24)	2	
30	NSS	HOUSING - bearing (order item 24).....	1	
31	21717	WASHER - flat, for 3/4 NC thread (see Note 1).....	1	
	43981	WASHER - flat, for 7/8 NF thread (see Note 1)	1	
32	5440	NUT - slotted hex, 3/4 NC (see Note 1)	1	
	1166	NUT - slotted hex, 7/8 NF (see Note 1).....	1	
33	30269	BOLT - flange head, 5/16 NC x 1 inch	6	
	NSS	Not Serviced Separately		

NOTES:

- Starting with 1996 production, a running change is taking place that increases yoke thread size from 3/4 NC to 7/8 NF.
- Starting in 1998, stock of 50179 will not be replenished, and will be superseded by 47988 when stock is depleted.

DRAPERS



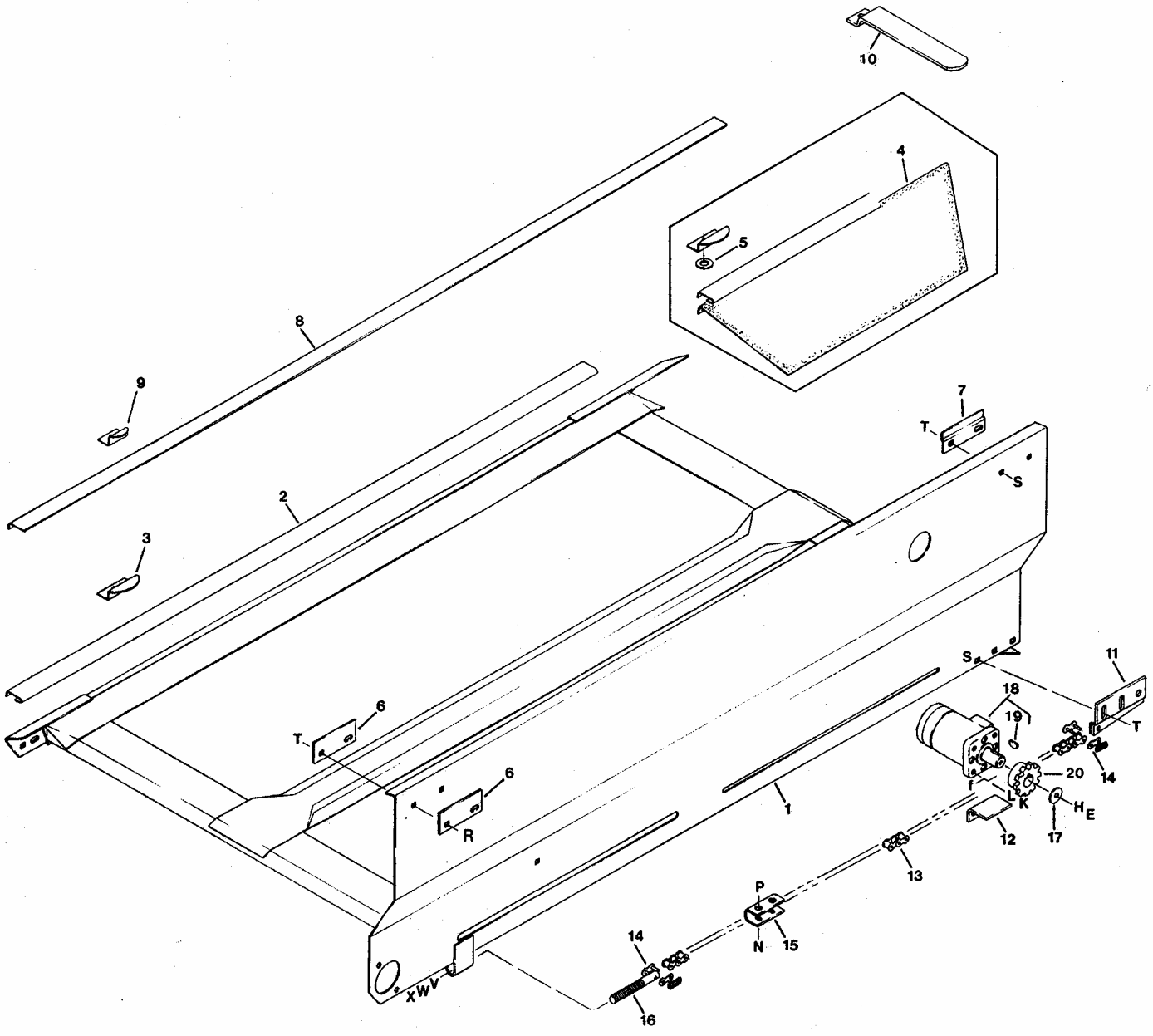
DRAPERS

REF	DELUXE** DRAPER	ECONOMY* DRAPER	DESCRIPTION	QTY	SERIAL NUMBER
1	49501	49515	<u>21 ft. Double Delivery</u> DRAPER - left side	1	
	49503	49516	DRAPER - right side	1	
	49503	49516	<u>25 ft. Double Delivery</u> DRAPER - left side	1	
	49504	49517	DRAPER - right side	1	
	49505	49518	<u>30 ft. Double Delivery</u> DRAPER - left side (sub with 100265)	1	
	49506	49519	DRAPER - right side (sub with 100266)	1	
	49507	49520	<u>36 ft. Double Delivery</u> DRAPER - left side (sub with 100267)	1	
	49508	49521	DRAPER - right side (sub with 100268)	1	
	49501	49515	<u>21 ft. Triple Delivery:</u> DRAPER - right and left side	2	
	49503	49516	<u>25 ft. Triple Delivery:</u> DRAPER - right and left side	2	
	49505	49518	<u>30 ft. Triple Delivery:</u> DRAPER - right and left side	2	
	49161	43182	<u>All Triple Delivery Headers:</u> DRAPER - short deck at R/H end of header.....	1	-82885
		43201	DRAPER - short deck at R/H end of header.....	1	82886-
	49169	33450	DRAPER - side draper extension piece, 15 in. (380 mm) long.....	A/R	
	113939		DRAPER - bulk roll, deluxe** - 150 ft. (45.7 m) (was 43994) A/R		
		43937	DRAPER - bulk roll, economy* - 75 ft. (22.9 m).....	A/R	
2	43194		SLAT - connector kit, includes 2 slats & hardware	A/R	-87955
	43469		SLAT - connector kit, includes 2 slats & hardware	A/R	87956-
J	NSS		SCREW - machine, round Phillips head, #10 NC x 1-1/4 inch		
L	NSS		NUT - hex, #10 NC		
	23589		PACKAGE - hardware, includes 12 each of items J and L		

NOTES:

- * Economy drapers are a lower priced option to the deluxe drapers supplied with a new header. Economy drapers are friction coated with rubber on both sides. Bulk rolls have no holes and no connector.
- ** Deluxe drapers are standard equipment on new headers. These are skim coated with 0.015 inch thick rubber on cleat side and friction coated with rubber on side opposite cleats. Bulk rolls have no holes and no connector.

DRAPER CARRIER DECKS & SHIFT GROUP



DRAPER CARRIER DECKS & SHIFT GROUP

REF	PART NUMBER	DESCRIPTION	QTY	SERIAL NUMBER
1	43475	CARRIER DECK - left, 21' Triple Delivery (TD) & Double Delivery (DD).....	1	TD- all, DD -94999
	49427	CARRIER DECK - left, 21' DD	1	95000-
	43476	CARRIER DECK - left, 25' TD & DD	1	TD- all, DD -94999
	49428	CARRIER DECK - left, 25' DD	1	95000-
	43477	CARRIER DECK - left, 30' TD & DD	1	TD- all, DD -94999
	49429	CARRIER DECK - left, 30' DD	1	95000-
	43478	CARRIER DECK - left, 36' DD	1	-94999
	49430	CARRIER DECK - left, 36' DD	1	95000-
	43480	CARRIER DECK - right, 21' TD.....	1	
	43481	CARRIER DECK - right, 25' TD.....	1	
	43482	CARRIER DECK - right, 30' TD.....	1	
2	43723	SUPPORT - front, 24" (610 mm) - all headers	1	TD- all, DD -94999
	43724	SUPPORT - front, 63" (1600 mm) - 21' header.....	2	TD- all, DD -94999
	43725	SUPPORT - front, 87" (2210 mm) - 25' header.....	2	TD- all, DD -94999
	43726	SUPPORT - front, 93" (2365 mm) - all headers.....	1	TD- all, DD -94999
	43727	SUPPORT - front, 117" (2970 mm) - 30' header.....	2	TD- all, DD -94999
	43728	SUPPORT - front, 153" (3885 mm) - 36' DD header	2	-94999
3	43580	RETAINER - front deck support, used with item 2	see note (1)	TD- all, DD -94999
4	43908	FLAP - plastic, "Rice Special" Headers only	1	-94999
5	18600	WASHER - flat, 21/32 inch I.D., "Rice Special" Headers only.....	see note (2)	-94999
6	43581	PLATE - top guide, left deck, DD Headers only	4	-115999
	103495	PLATE - top guide, left deck, DD Headers only	4	116000-
7	43582	GUIDE - top, TD Headers only.....	4	
8	49096	DRAPER SEAL - front, removable - center section - all DD headers	1	95000-
	49093	DRAPER SEAL - front, removable - end section - 21' DD header.....	2	95000-
	49094	DRAPER SEAL - front, removable - end section - 25' DD header.....	2	95000-
	49095	DRAPER SEAL - front, removable - end section - 30' DD header.....	2	95000-
	49097	DRAPER SEAL - front, removable - end section - 36' DD header.....	2	95000-
9	49075	RETAINER - draper seal, used with item 8.....	see note (3)	95000-
10	49074	DEFLECTOR - crop - 960 DD headers only	1	95000-
		<u>Deck shift components 11 to 20 - TD Headers only</u>		
11	43585	ANCHOR - chain, L/H deck.....	1	
	43586	ANCHOR - chain, R/H deck	1	
12	43594	STOP - chain support.....	2	-80299
13	43465	CHAIN - deck shift (includes two of item 14), 21' header.....	2	
	43467	CHAIN - deck shift (includes two of item 14), 25' header.....	2	
	43466	CHAIN - deck shift (includes two of item 14), 30' header.....	2	
14	6636	LINK - connector, spring clip type.....	4	
15	100581	STOP - chain, (was 43593).....	2	
16	43592	STUD - chain anchor.....	2	
17	43219	WASHER - flat	2	
18	43011	MOTOR - deck shift, includes item 19	2	
	123314	SEAL KIT - for motor 43011 (was 101670)		
19	2149	KEY - woodruff, SAE #15	2	
20	26847	SPROCKET - deck shift.....	2	
E	21566	BOLT - hex head, 1/4 NC x 3/4 inch	S	21863 BOLT - round hd, square neck, 3/8 NC x 3/4 in
H	18635	WASHER - lock, 1/4 inch	T	30228 NUT - lock, smooth flange, 3/8 NC
K	21567	BOLT - hex head, 3/8 NC x 3/4 inch	V	18600 WASHER - flat, 21/32 inch I.D.
L	18637	WASHER - lock, 3/8 inch	W	18592 NUT - hex, 5/8 NC
N	30942	BOLT - hex head, 1/4 NC x 1-1/4 inch	X	21345 NUT - hex jam, 5/8 NC
P	21455	NUT - serrated flange head, 1/4 NC	~ f	REF Indicates where hardware passes through
R	19965	BOLT - rnd hd sq nk 3/8 NC x 1 in.		frame member.

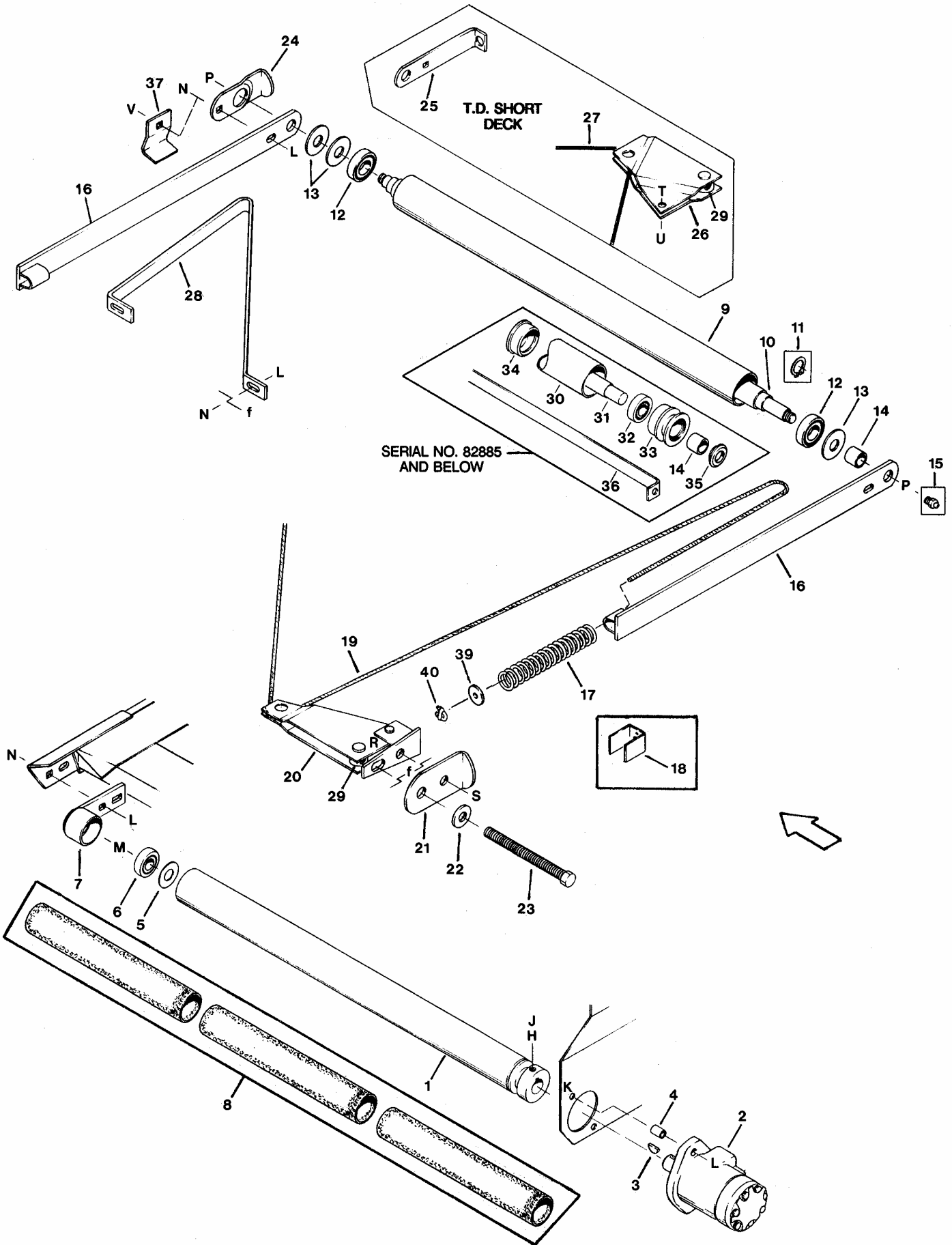
NOTES:

(1) - Quantities for item 3: 21 ft. = 12, 21 ft. Rice Special = 13, 25 ft. = 14, 30 ft. = 16, 36 ft. = 20

(2) - Quantities for item 5: 21 ft. Rice Special = 2, 25 ft. Rice Special = 3

(3) - Quantities for item 9: 21 ft. = 14, 25 ft. = 17, 30 ft. = 18, 36 ft. = 22

DRAPER ROLLERS & TIGHTENER GROUP



DRAPER ROLLERS & TIGHTENER GROUP

REF	PART NUMBER	DESCRIPTION	QTY	SERIAL NUMBER
<p>NOTE: Quantities shown are per deck. For Double Delivery (DD) Headers x 2, Triple Delivery Headers (TD) x 3 (except as noted for short deck).</p>				
1	113962	ROLLER - drive (was 43513)	1	
	101255	ROLLER - drive, with lagging	OPT	
2	43010	MOTOR - draper drive, with key (item 3)	1	
	123314	SEAL KIT - for motor 43010 (was 101670)		
3	2149	KEY - Woodruff, SAE #15	1	
4	43522	SPACER - motor mounting	2	
5	40008	WASHER - flat	1	
6	30550	BEARING - ball, drive roller	1	
7	43517	SUPPORT - drive roller	1	
8	43779	LAGGING KIT - includes 3 pieces, one kit per roller	A/R	
9	43320 *	TUBE - idler roller	1	
10	49056 *	SHAFT - idler roller	1	
11	18898	RING - retaining, external	2	-84450
12	21062 *	BEARING - ball, idler roller	2	
13	43523 *	WASHER - flat	3	
14	37912 *	SPACER - idler roller	1	
15	18671	FITTING - lube, 1/4 NF	1	-84450
	21887	FITTING - lube, 1/8 NPT	1	84451-87955
16	43530	SUPPORT - idler roller, long decks	2	
17	43521	SPRING - compression	2	
18	43541	RETAINER - spring	2	-109919
19	43537	CABLE - tightener, long decks: 21' L/H & R/H, 25' L/H & R/H, 30'DD R/H, 36' L/H & R/H	1	-109919
	49592	CABLE - tightener, long decks: 21' L/H & R/H, 25' L/H & R/H, 30'DD R/H, 36' L/H & R/H	1	109920-
	43538	CABLE - draper tightener, long decks: 30'TD L/H & R/H, 30'DD L/H	1	-109919
	49593	CABLE - draper tightener, long decks: 30'TD L/H & R/H, 30'DD L/H	1	109920-
20	43544	ARM - draper tightener, long decks, includes item 29	1	-108199
	43542	ARM - draper tightener, long decks, incl. item 29	1	108200-
21	43556	ANCHOR - draper tightener	1	
22	22072	WASHER - flat	1	
23	43558	BOLT - draper tightener	1	
24	43540	STOP - deck, TD headers only	1	
25	43527	SUPPORT - idler roller, TD header short deck	2	
26	43562	ARM - draper tightener, TD header short deck, includes item 29	1	-109919
	49596	ARM - draper tightener, TD header short deck, includes item 29	1	109920-
27	43536	CABLE - draper tightener, TD header short deck	1	-109919
	49591	CABLE - draper tightener, TD header short deck	1	109920-
28	40729	SUPPORT - brace, long deck idler rollers (See Note 1 below)	1	
29	43550	NUT - special	1	
30	37419	TUBE - idler roller	1	-82885
31	43526	SHAFT - idler roller (See Note 2 below)	1	-82885
32	6596	BEARING - ball, idler roller	2	-82885
33	37916	GUIDE / BEARING RETAINER - idler roller, back end	1	-82885
34	33001	BEARING RETAINER - idler roller, front end	1	-82885
35	37803	WASHER - formed	2	-82885
36	43528	SUPPORT - idler roller	1	-82885
37	40728	SUPPORT - bracket, long deck idler rollers (See Note 1 below)	1	
39	43219	WASHER - flat	2	109920-
40	49209	CLAMP - cable	2	109920-
H	30940	SETSCREW - 3/8 NC x 5/16 inch	R 21594	BOLT - hex head, 5/8 NC x 1-1/2 inch
J	30941	SETSCREW - through bore	S 18666	NUT - lock, 5/8 NC distorted thread
		3/8 NC x 3/16 inch	T 21575	BOLT - hex head, 1/2 NC x 1 inch
K	21561	BOLT - hex hd, 3/8 NC x 1-1/2 inch	U 18697	NUT - lock, 1/2 NC distorted thread
L	30228	NUT - lock, smooth flange, 3/8 NC	V 19965	BOLT - rnd hd, sq nk, 3/8 NC x 1"
M	21447	BOLT - large flange hd, 3/8 NC x 1"		
N	21863	BOLT - rd. hd, sq. nk, 3/8 NC x 3/4"	~ f REF	Indicates where hardware passes through
P	21941 *	NUT - hex jam, 5/8 NC		frame member.

NOTES:

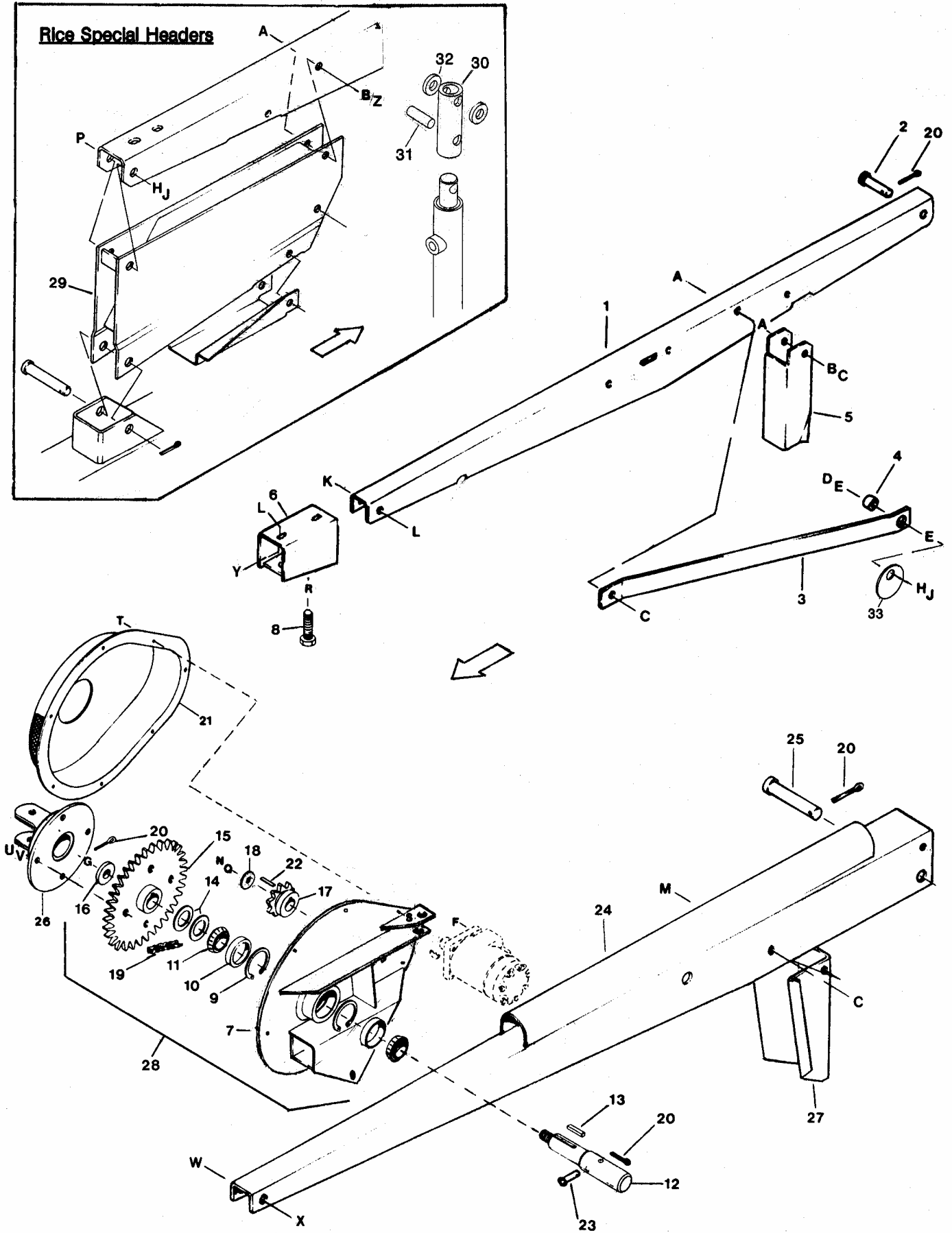
(1) - Items 28 and 37 are used with the following combines and are supplied with the combine adapter:

Case IH, Gleaner, New Holland TR, and MF 8570.

(2) - If replacement shaft 43526 is not available, substitute shaft 43534 plus nuts 21941 (2).

* - Idler roller on units with serial number 82885 and below may be updated to revised design by ordering all items marked *

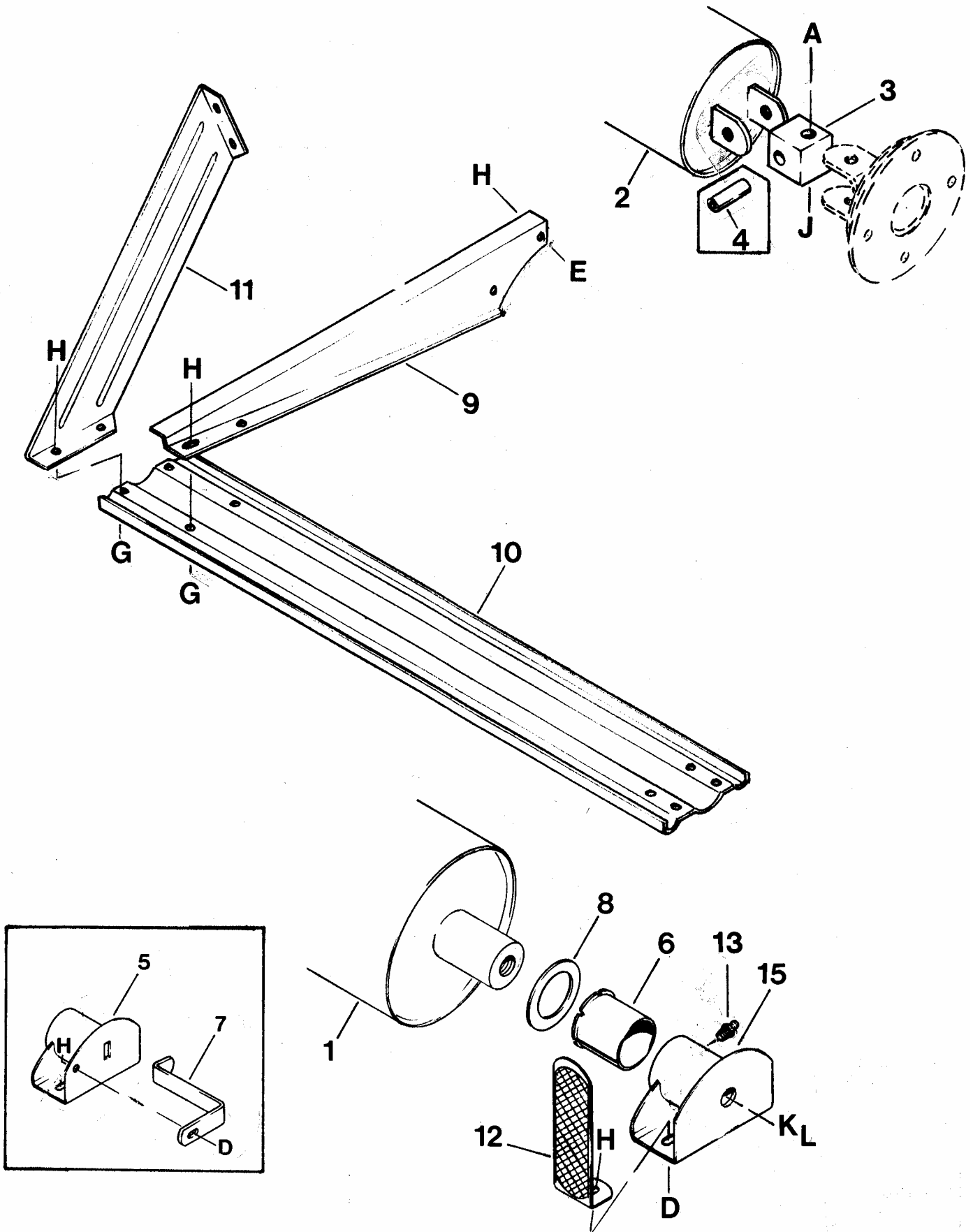
REEL DRIVE & SUPPORT ARMS



REEL DRIVE & SUPPORT ARMS

REF	PART NUMBER	DESCRIPTION	QTY	SERIAL NUMBER
1	37948	ARM - reel support	2	
2	19958	PIN - clevis, 5/8 dia. x 3-1/4 inch.....	2	
3	26446	BRACE - diagonal	2	
4	8640	SPACER - tube.....	2	
5	37336	SUPPORT - reel prop, left.....	1	
	103497	SUPPORT - reel prop, right.....	1	
6	37919	SUPPORT - reel (qty 2 on 36 ft.).....	1	
7	37869	SUPPORT - reel drive (includes items 9 & 10)	1	
8	37866	SCREW - reel position (3 on 36')	2	
9	21545	RING - retaining, internal.....	2	
10	7900	BEARING - cup	2	
11	7910	BEARING - cone	2	
12	33532	SHAFT - reel drive.....	1	
13	103366	KEY - reel drive shaft.....	1	
14	19681	WASHER - flat	2	
15	26848	SPROCKET - driven, 21, 25 & 30 ft.	1	
	33003	SPROCKET - driven, 36 ft.....	1	
16	16235	WASHER - flat	1	
17	26847	SPROCKET - drive, hydraulic motor	1	
18	43219	WASHER - flat	1	
19	20117	CHAIN - roller, #60 x 40 links	1	
20	18648	PIN - cotter, 3/16 x 1-1/4 inch.....	6	
21	47167	SHIELD - reel drive, 21, 25 & 30'	1	
	33010	SHIELD - reel drive, 36 ft.	1	
22	43464	SHIM - reel drive sprocket (nominal quantity 4)	A/R	
23	19809	PIN - clevis, 1/2 dia. x 2 inch	2	
24	37851	ARM - center reel support, 36 ft.	1	
25	18629	PIN - clevis, 3/4 dia. x 3-3/4 inch.....	1	
26	33265	HUB - with clevis, 36 ft. (1/2" holes in clevis)	1	-109919
	49629	HUB - with clevis, 36 ft. (3/4" holes in clevis)	1	109920-
27	37885	SUPPORT - reel prop, 36' center.....	1	
28	47154	REEL DRIVE ASSEMBLY - with motor - 21, 25 & 30' (except Rice Sp.)	1	
	47155	REEL DRIVE ASSEMBLY - with motor - Rice Special only	1	
29	49087	SUPPORT - reel slope enhancement, Rice Special Headers.....	1	
30	49080	EXTENSION - single acting cylinder	1	
	49081	EXTENSION - double acting cylinder.....	1	
31	43326	PIN - cylinder extension.....	2	
32	22070	WASHER - flat	4	
33	101292	RETAINER - reel brace.....	2	
A	21581	BOLT - hex head, 1/2 NC x 3-1/2 inch		
B	18638	WASHER - lock, 1/2 inch		
C	18697	NUT - lock, 1/2 NC distorted thread		
D	21582	BOLT - hex head, 5/8 NC x 1-3/4 inch		
E	18600	WASHER - flat, 21/32 inch I.D.		
F	21821	BOLT - flange head, 3/8 NC x 3/4 inch		
G	5512	NUT - slotted, 3/4 NF		
H	18639	WASHER - lock, 5/8 inch		
J	18592	NUT - hex, 5/8 NC		
K	30035	BOLT - hex head, 3/8 NC x 2-3/4 inch		
L	30228	NUT - lock, smooth flange 3/8 NC distorted thread		
M	21589	BOLT - hex head, 1/2 NC x 4 inch		
N	21566	BOLT - hex head, 1/4 NC x 3/4 inch		
P	21406	BOLT - hex head, 5/8 NC x 3-1/2 inch		
Q	18635	WASHER - lock, 1/4 inch		
R	21345	NUT - hex jam, 5/8 NC		
S	21476	BOLT - round head, square neck, 1/4 NC x 3/4 inch		
T	21455	NUT - serrated flange lock, 1/4 NC		
U	20077	BOLT - hex head, 3/8 NC x 1 inch		
V	18637	WASHER - lock, 3/8 inch		
W	21584	BOLT - hex head, 5/8 NC x 2-1/2 inch		
X	18666	NUT - lock, 5/8 NC distorted thread		
Y	21863	BOLT - round head, square neck, 3/8 NC x 3/4 inch		
Z	18591	NUT - hex, 1/2 NC		

BAT REEL



BAT REEL

REF	PART NUMBER	DESCRIPTION	QTY	SERIAL NUMBER
1	43114	TUBE - reel, 21 (see note 2)	1	-103519
	49471	TUBE - reel, 21'	1	103520-
	43118	TUBE - reel, 25' (see note 2)	1	-103519
	49458	TUBE - reel, 25'	1	103520-
	43119	TUBE - reel, 30' (see note 2)	1	-103519
	49459	TUBE - reel, 30'	1	103520-
	43113	TUBE - L/H reel, 36' (see note 2)	1	-103519
	49470	TUBE - L/H reel, 36'	1	103520-
2	43122	TUBE - R/H reel, 36' (see note 2)	1	-103519
	49468	TUBE - R/H reel, 36' (1/2" holes in clevis)..... 1	103520-109919	
	49633	TUBE - R/H reel, 36' (3/4" holes in clevis).....	1	109920-
3	32200	BLOCK - connector, 36' only	1	
4	32202	SPACER - 36' only, used with 1/2" hardware	2	-109919
5	43147	SUPPORT - reel, includes lube fitting 18671 (qty. 2 for 36')	1	-103519
6	35694	BUSHING - reel support (qty. 2 for 36')	1	
7	43154	HOOK - retaining (qty. 2 for 36')	1	-103519
8	27160	WASHER - flat (qty. 2 for 36')	1	
9	43145	ARM - reel	see note (1)	
10	43107	BAT - reel, 21'	5	
	43108	BAT - reel, 25'	5	
	43109	BAT - reel, 30'	5	
	43106	BAT - reel, 36'	10	
11	40110	SHIELD - reel end (qty. 20 for 36')	10	
12	26710	REFLECTOR - reel end (qty. 2 for 36')	1	
13	18671	FITTING - lube	1	
	21010	FITTING - lube, 90°, 36' R/H only.....	1	
15	49476	SUPPORT - reel, includes lube fitting 18671 (qty. 2 for 36')	1	103520-
A	21581	BOLT - hex head, 1/2 NC x 3-1/2 inch		-109919
	30896	BOLT - hex head, 3/4 NC x 3-1/2 inch		109920-
D	21863	BOLT - round head, square neck, 3/8 NC x 3/4 inch		
E	21863	BOLT - round head, square neck, 3/8 NC x 3/4 inch - 21' & 36'		
	21484	BOLT - round head, square neck, 3/8 NC x 1-1/2 inch - 25' & 30'		
G	30693	BOLT - flange head, 3/8 NC x 1/2 inch		
H	30228	NUT - lock, smooth flange, 3/8 NC distorted thread		
J	18697	NUT - lock 1/2 NC distorted thread		-109919
	102636	NUT - side lock 3/4 NC distorted thread.....		109920-
K	18600	WASHER - flat, 21/32 inch I.D.		
L	21587	BOLT - hex head, 5/8 NC x 2 inch		

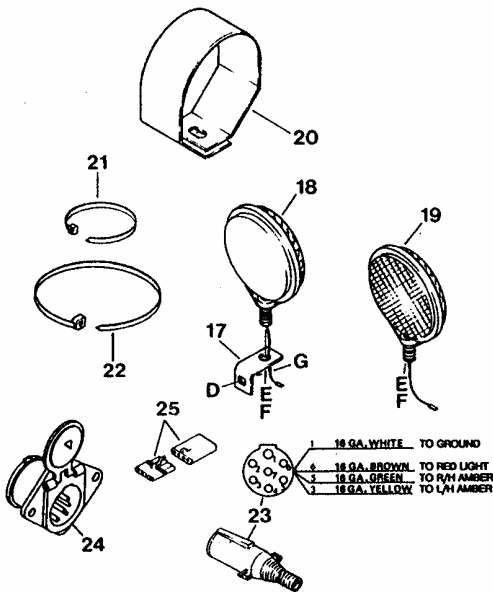
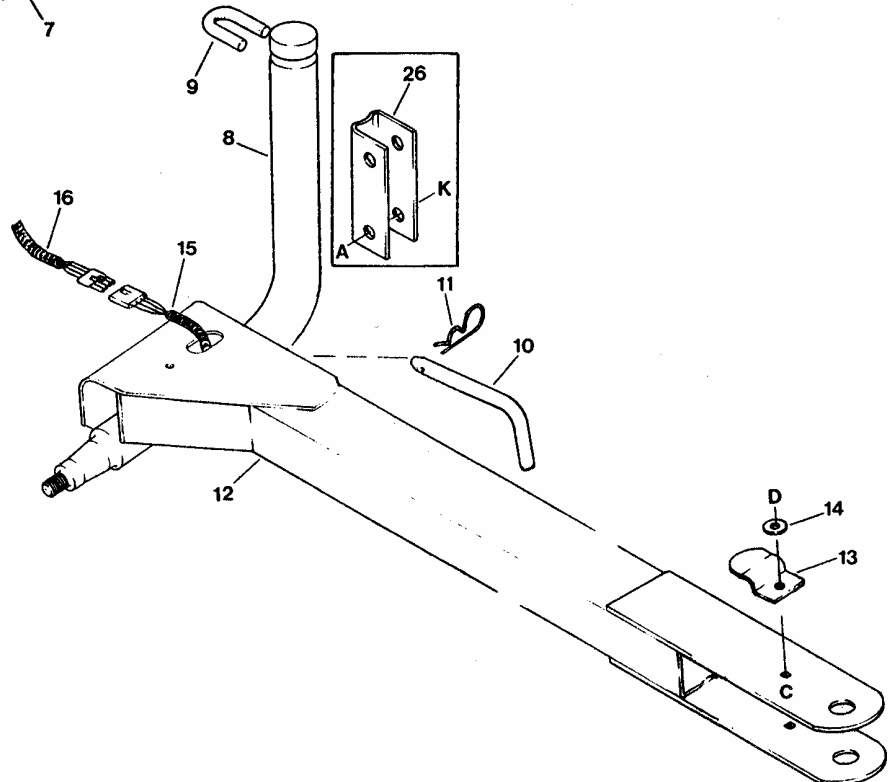
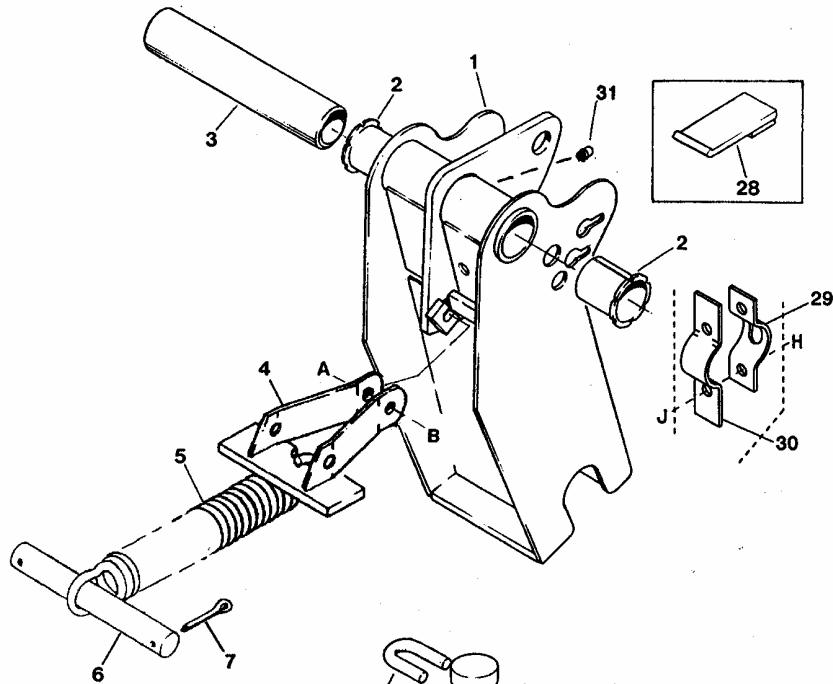
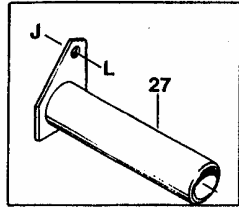
NOTE (1) Reel arm quantity: 21' = 25 / 25' = 30 / 30' = 35 / 36' = 50

NOTE (2) May substitute new tube (those indicated Serial No. 103520-) with the following modifications:

Also order ITEM 15 49476 and hardware K and L. OR

Drill 0.66" hole in existing ITEM 5, beside rectangular slot but centered on the tube component of support weldment. Order new hardware K and L.

30' & 36' Headers: Gauge Wheels with Transport Option
 LEFT WHEEL SUPPORT, HITCH & ELECTRICAL

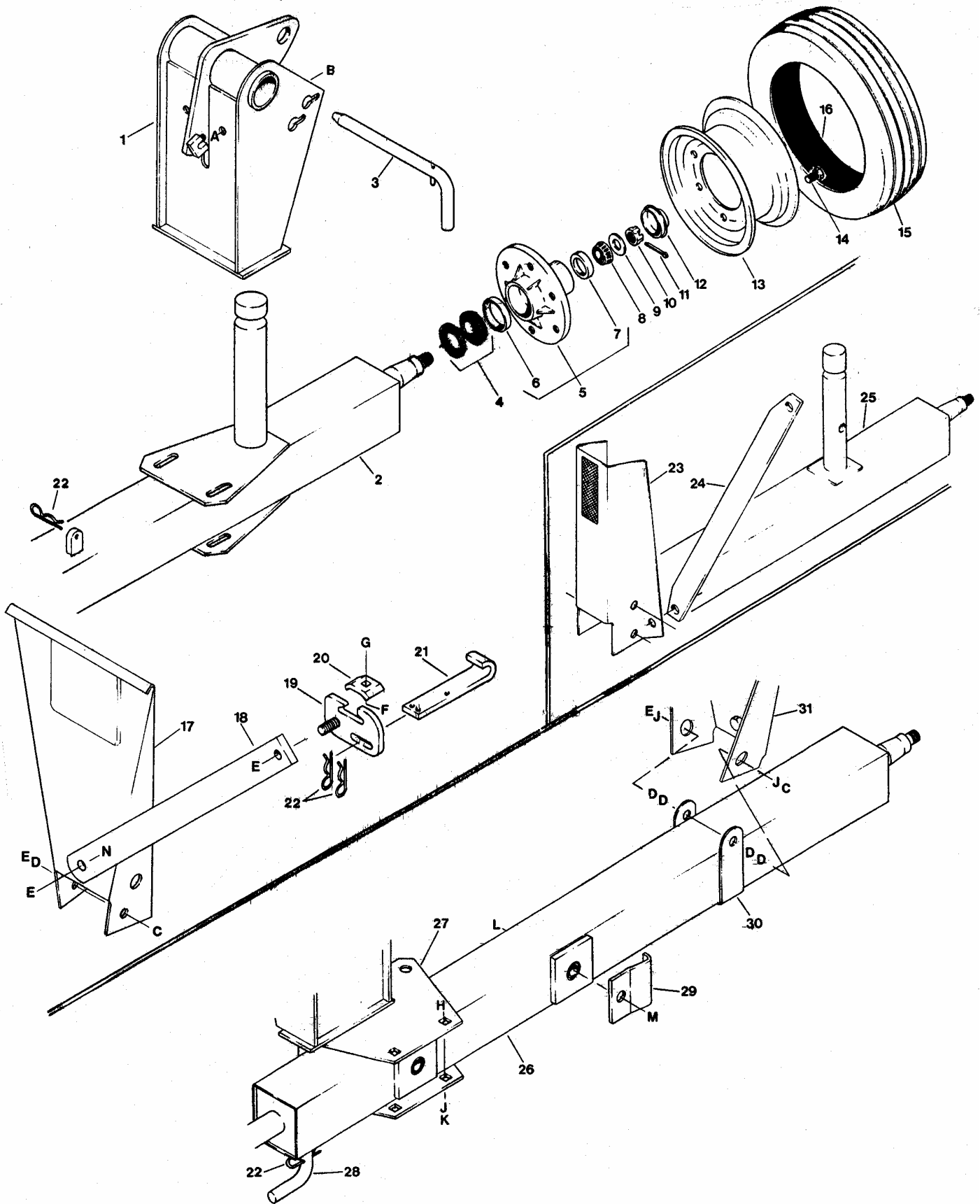


30' & 36' Headers: Gauge Wheels with Transport Option LEFT WHEEL SUPPORT, HITCH & ELECTRICAL

- NOTES:**
- For standard Gauge Wheel package (no transport option), see page 28.
 - For wheel components see page 27A & 27B.
 - Identify the production year of the transport package by checking the design of the right wheel beam (page 27A & 27B)

REF	PART NUMBER	DESCRIPTION	QTY	PROD'N YEAR
1	43796	SUPPORT - left wheel, with decals (not exactly as shown)	1	1992
	43930	SUPPORT - left wheel, with decals (not exactly as shown)	1	1993
	49102	SUPPORT - left wheel, with decals & lube fitting	1	1994 & up
2	35694	BUSHING - plastic.....	4	
3	49060	TUBE - wheel support	2	1994 & up
4	49065	SUPPORT - spring	2	1994 & up
5	37442	SPRING - extension [qty. 4 (2 per side) for 36' headers with a pick up reel in combination with the model 960 combine adapter]	2	
6	49063	PIN - front.....	2	1994 & up
7	18609	PIN - cotter, 1/4 x 2 inch.....	4	1994 & up
8	43804	SPINDLE - left wheel.....	1	1992
	43951	SPINDLE - left wheel.....	1	1993 & up
9	43975	RETAINER - spindle.....	1	1993 & up
10	43826	PIN - L (quantity 2 for '92 Production)	1	
11	13125	PIN - hair	1	
12	43828	HITCH - with decals & transport chain	1	
13	43982	RETAINER - hitch storage	1	1993 & up
14	24750	WASHER - rubber.....	1	1993 & up
15	43838	HARNESS - wiring, hitch section, incl. 7-pole plug & 4-way connector.....	1	
16	43841	HARNESS - wiring, header section, includes 4-way connector	1	
17	43842	SUPPORT - red light.....	1	
18	21402	LIGHT - red	1	
19	16539	LIGHT - amber	2	
20	43711	GUARD - amber light	1	
21	21763	FASTENER - plastic tie, 7-1/2 inch	7	
22	30753	FASTENER - plastic tie, 14-1/2 inch	4	
23	30710	PLUG - 7 pole.....	1	
24	30461	RECEPTACLE - 7 pole, for towing vehicle.....	1	
25	31061	CONNECTOR KIT - harness, includes male and female connectors.....	1	
26	43970	SUPPORT - spindle	1	1993
27	37882	TUBE - wheel support (not exactly as shown)	2	1992
	43978	TUBE - wheel support	2	1993
28	43972	BAR - spindle keeper	1	1993
29	101335	BRACKET - tube support	4	108212-
30	101334	BRACKET - tube support (welded)	4	108212-
31	18671	FITTING - lube	2	110100-
A	18666	NUT - lock, 5/8 NC distorted thread		
B	21583	BOLT - hex head, 5/8 NC x 3 inch		
C	19965	BOLT - round head, square neck, 3/8 NC x 1 inch		
D	30228	NUT - lock, smooth flange, 3/8 NC distorted thread		
E	18638	WASHER - lock, 1/2 inch I.D.		
F	6771	NUT - hex, 1/2 NF		
G	21863	BOLT - round head, square neck, 3/8 NC x 3/4 inch		
H	21560	BOLT - hex head, 1/2 NC x 3 inch		-108211
	21491	BOLT - hex head, 1/2 NC x 1-1/4 inch		108212-
J	18697	NUT - lock, 1/2 NC distorted thread		
K	21406	BOLT - hex head, 5/8 NC x 3 1/2 inch		
L	21066	BOLT - round head, square neck, 1/2 NC x 1 inch		

30' & 36' Headers: Gauge Wheels with Transport Option
RIGHT WHEEL SUPPORT & WHEEL COMPONENTS

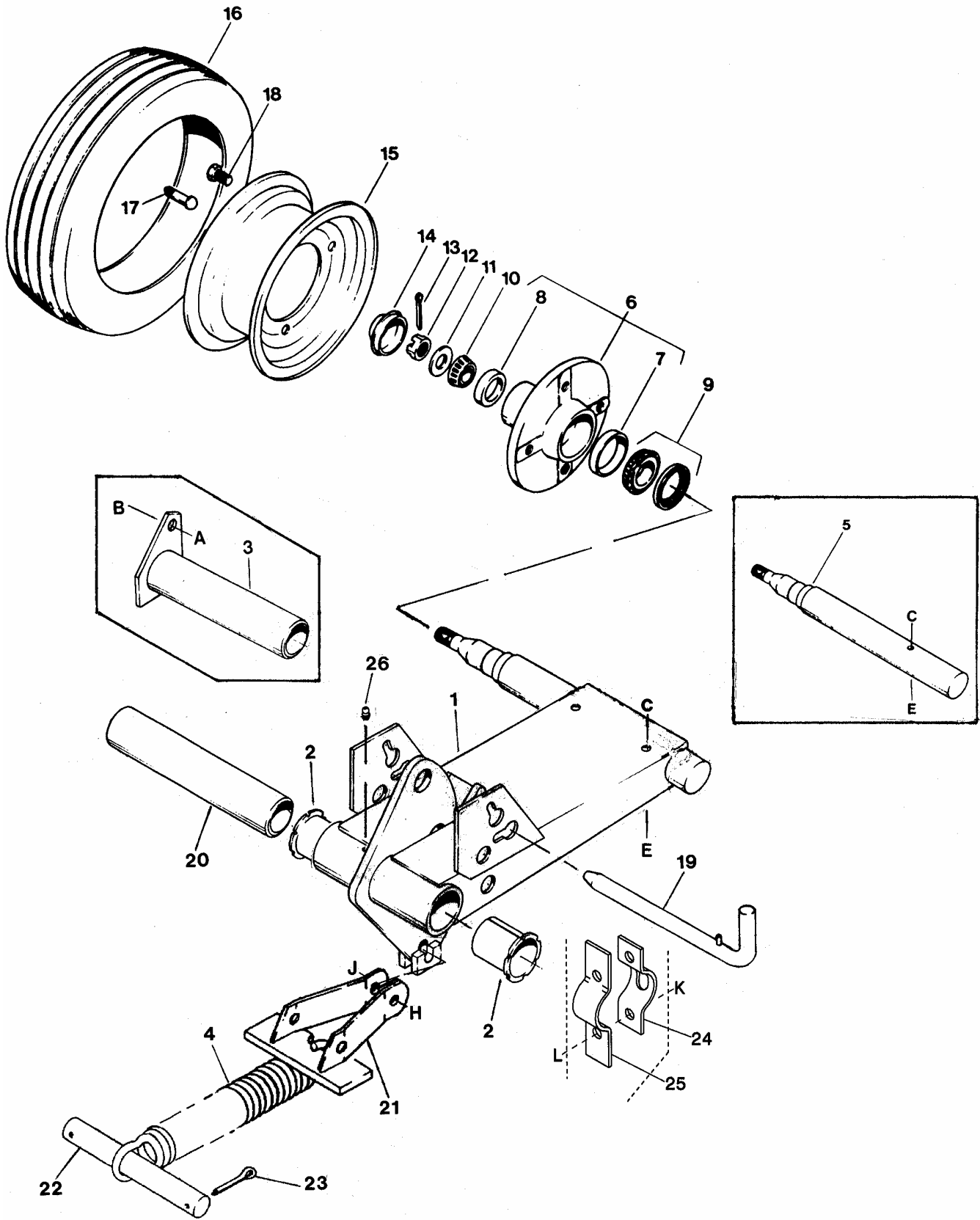


30' & 36' Headers: Gauge Wheels with Transport Option RIGHT WHEEL SUPPORT & WHEEL COMPONENTS

- NOTES:**
- For standard Gauge Wheel package (no transport option), see page 28.
 - For parts common to both left and right wheel supports, but not shown here, see page 26 & 27.
 - Identify the production year of the transport package by checking the design of the right wheel beam:
 - 1992 - Wheel beam has welded upper shaft (see item 25).
 - 1993 - Wheel beam has welded square pads (see item 26). Upper shaft is a bolt-on piece (item 27).
 - 1994 & up - Wheel beam has welded upper shaft and two support plates (see item 2).
 - If replacing 1993 brace bar (with welded pin), order items 18, 19, 20, 21 & 22.

REF	PART NUMBER	DESCRIPTION	QTY	PROD'N YEAR
1	43791	SUPPORT - right wheels, with decals (not exactly as shown)	1	1992
	49031	SUPPORT - right wheels, with decals (not exactly as shown)	1	1993
	49121	SUPPORT - right wheels, with decal & lube fitting	1	1994 & up
2	49135	BEAM - axle, right wheels	1	1994 & up
3	43633	PIN - L, with roll pin	2	
4	30517	BEARING - cone, with seal	3	
5	30521	HUB - with bearing cups, items 6 & 7	3	
6	30516	BEARING - cup, inner	3	
7	7900	BEARING - cup, outer	3	
8	21376	BEARING - cone	3	
9	21540	WASHER - flat, hardened	3	
10	5512	NUT - hex slotted, 3/4 NF	3	
11	18648	PIN - cotter	3	
12	30520	CAP - dust	3	
13	30758	WHEEL - 6 bolt, 14 x 8 KB	3	
14	21719	BOLT - wheel	18	
15	30991	TIRE - tube type, 9.5L-14, 8 ply I1 Rib Implement	3	
16	30827	TUBE - inner	3	
17	49654	SUPPORT - R/H wheel beam, cutterbar end	1	1994 & up
18	49653	BAR - brace, R/H wheel beam, cutterbar end (see Note above)	1	1993 & up
19	49154	RETAINER - brace bar	1	1993 & up
20	49157	ANCHOR - cutterbar, brace bar	1	1993 & up
21	49146	BAR - locking	1	1993 & up
22	13125	PIN - hair	3	
23	43822	SUPPORT - R/H wheel beam, cutterbar end	1	1992
24	43825	BAR - brace, R/H wheel beam, cutterbar end	1	1992
25	43809	BEAM - axle, right wheels	1	1992
26	43954	BEAM - axle, right wheels	1	1993
27	49026	SHAFT - upper, with support plates (bolt-on)	1	1993
28	43634	PIN - L, beam retainer	1	1993
29	43940	RETAINER - support	1	1993
30	43950	U-CHANNEL - cutterbar support	1	1993
31	49013	SUPPORT - R/H wheel beam, cutterbar end	1	1993
A	18697	NUT - lock, 1/2 NC distorted thread		
B	21560	BOLT - hex head, 1/2 NC x 3 inch		
C	21586	BOLT - hex head, 5/8 NC x 6 inch		
D	18639	WASHER - lock, 5/8		
E	18666	NUT - lock, 5/8 NC distorted thread		
F	21468	BOLT - round head, square neck, 7/16 NC x 1-3/4 inch		
G	18654	NUT - hex, 7/16 NC		
H	50147	BOLT - round head, square neck, 5/8 NC x 5-1/2 inch		
J	18600	WASHER - flat, 21/32 inch I.D.		
K	18592	NUT - hex, 5/8 NC		
L	30387	BOLT - hex head, 3/4 NC x 6-1/2 inch		
M	18689	NUT - lock, 3/4 NC distorted thread		
N	21594	BOLT - hex head, 5/8 NC x 1-1/2 inch		

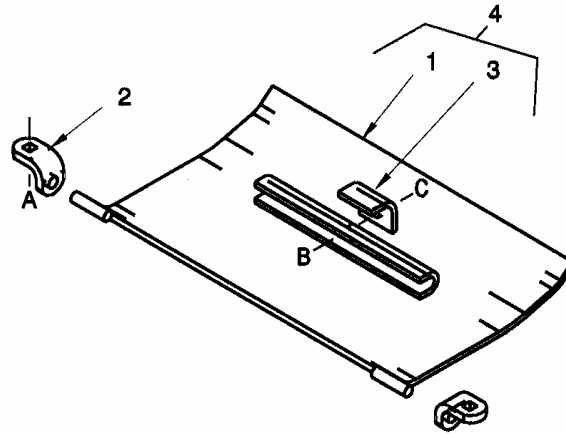
30' & 36' Headers GAUGE WHEELS



30' & 36' Headers GAUGE WHEELS

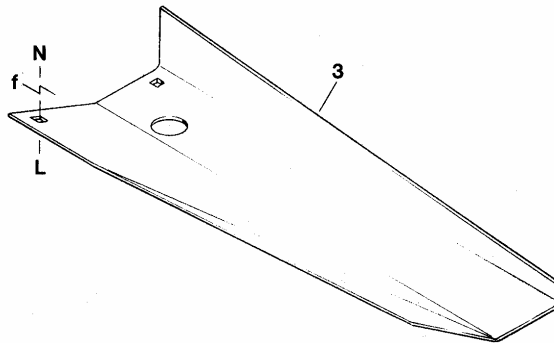
REF	PART NUMBER	DESCRIPTION	QTY	SERIAL NUMBER
NOTE: For Gauge Wheel / Transport option, see page 26 to 27B.				
1	37872	SUPPORT - gauge wheel, less spindle.....	2	-86399
	49048	SUPPORT - gauge wheel, less spindle.....	2	86400-103519
	49072	SUPPORT - gauge wheel, with welded spindle as shown	1	103520-
	49073	SUPPORT - gauge wheel, with welded spindle opposite side	1	103520-
2	35694	BUSHING - plastic.....	4	
3	37882	TUBE - pivot.....	2	-82885
	43978	TUBE - pivot.....	2	82886-86399
4	37442	SPRING – extension [qty. 4 (2 per side) for 36' headers with a 2 pick up reel in combination with the model 960 combine adapter]	2	
5	37889	SPINDLE - gauge wheel.....	2	-103519
6	4453	HUB - with bearing cups.....	2	
7	7900	BEARING - cup, inner	2	
8	7909	BEARING - cup, outer	2	
9	7910	BEARING - cone, with seal	2	
10	7920	BEARING - cone	2	
11	18601	WASHER - flat, 13/16 inch I.D.	2	
12	5512	NUT - slotted hex, 3/4 inch NF	2	
13	18648	PIN - cotter, 3/16 x 1-1/4 inch.....	2	
14	11529	CAP - dust.....	2	
15	4454	WHEEL - 4 bolt.....	2	
	102186	WHEEL - 4 bolt, with valve stem protector.....	OPT	
16	4231	TIRE - 6.70 x 15 I1 rib implement	2	
	50212	TIRE - 205-75 R15-SL2 radial.....	OPT	
17	21153	STEM- valve.....	2	
18	21719	BOLT- wheel	8	
19	43633	PIN- lock, with roll pin.....	2	
20	49060	TUBE - pivot.....	2	86400-
21	49065	SUPPORT - spring	2	86400-
22	49063	PIN - front.....	2	86400-
23	18609	PIN - cotter, 1/4 x 2 inch.....	4	86400-
24	101335	BRACKET - tube support	4	108212-
25	101334	BRACKET - tube support (welded)	4	108212-
26	18671	FITTING - lube	2	110100-
A	21066	BOLT- round head, square neck, 1/2 NC x 1 inch		
B	18697	NUT- lock, 1/2 NC distorted thread		
C	21102	BOLT- hex head, 3/8 NC x 2-1/2 inch		
E	30228	NUT- smooth flange, 3/8 NC distorted thread		
H	21583	BOLT - hex head, 5/8 NC x 3 inch		
J	18666	NUT - lock, 5/8 NC distorted thread		
K	21560	BOLT - hex head, 1/2 NC x 3 inch		-108211
	21491	BOLT - hex head, 1/2 NC x 1-1/4 inch		108212-
L	18697	NUT - lock, 1/2 NC distorted thread		

SKID SHOES



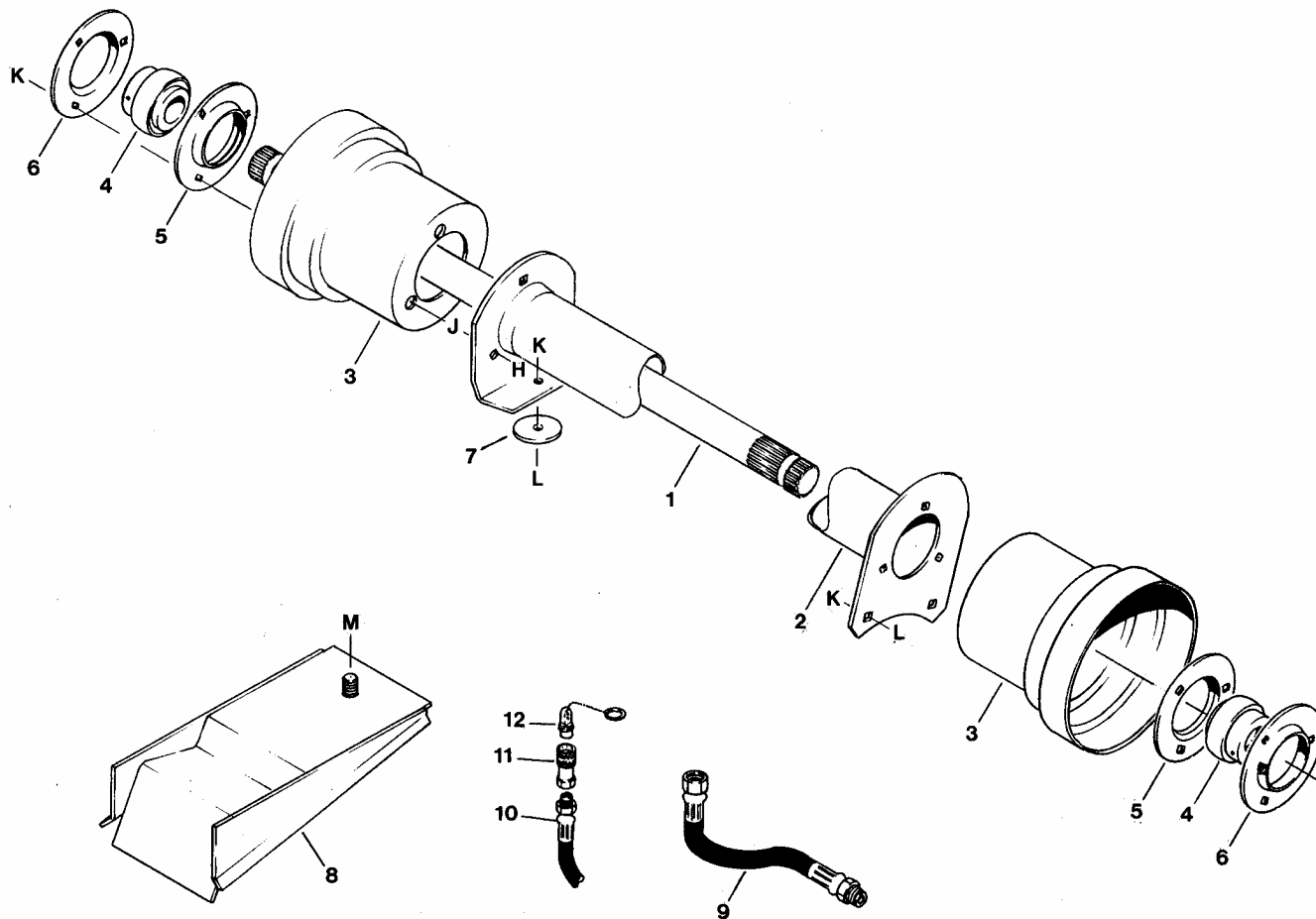
REF	PART NUMBER	DESCRIPTION	QTY	SERIAL NUMBER
..	C 1359	KIT- two skid shoes, complete (Available through WholeGoods only)		
1	49461	SHOE- skid, adjustable	2	
2	43195	SUPPORT- front, skid shoe	4	
3	49465	ANGLE - rear support.....	2	
4	49460	SHOE - skid, adjustable - with rear support angle & hardware	2	
		(replaces shoe with welded supports at both ends of welded angle)		
A	21468	BOLT- round head, square neck, 7/16 NC x 1-3/4 inch		
B	21264	BOLT - hex head, 3/8 NC x 1-1/4 inch		
C	30228	NUT - lock, smooth flange, 3/8 NC distorted thread		

TERRACE SKID SHOE: RICE SPECIAL HEADERS



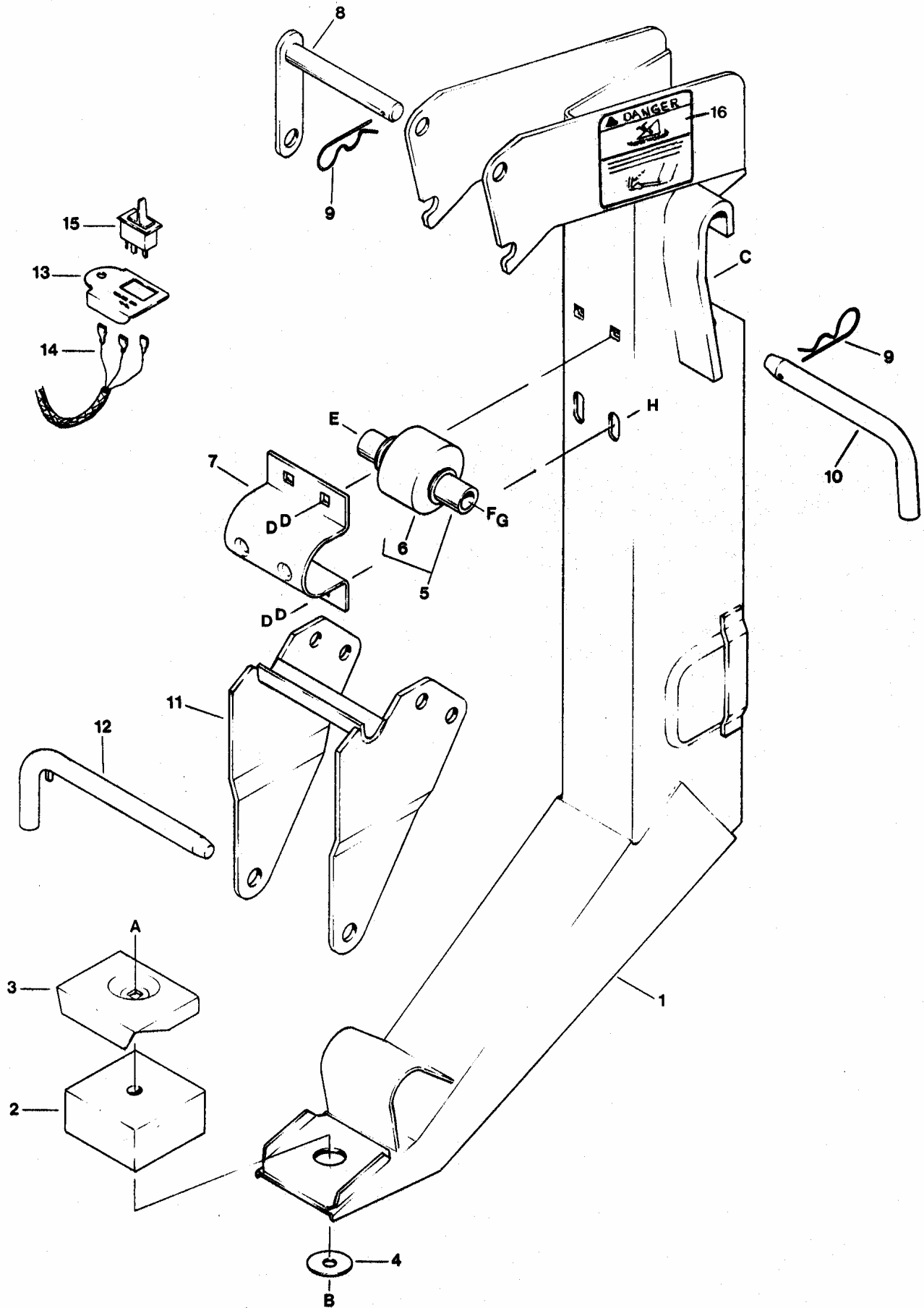
REF	PART NUMBER	DESCRIPTION	QTY	SERIAL NUMBER
..	B 2502	MOUNTING KIT - terrace skid shoe, modifies adapter frame to accept shoe (Available through WholeGoods only.) (Does not include shoe.) (Not required for serial number 94556 and up)		-94555
3	43891	SHOE - terrace skid	1	
L	18523	BOLT - round head, square neck, 5/8 NC x 1-1/2 inch		
N	18666	NUT - lock, 5/8 NC distorted thread		
~ f	REF	Indicates where hardware passes through adapter frame.		

**Models 7000 & 9000 Windrower / 9030 Tractor Center Mount Adapter
WINDROWER ADAPTER GROUP**



REF	PART NUMBER	DESCRIPTION	QTY	SERIAL NUMBER
*	B 2300	Windrower Adapter Driveline & Linkage Supports		
1	43286	SHAFT - driveline adapter.....	1	
2	43770	SUPPORT - adapter.....	1	
3	43777	SHIELD - shaft.....	2	
4	21936	BEARING - ball, with collar.....	2	
5	30602	FLANGE - bearing.....	2	
6	30603	FLANGE - bearing, with lube fitting.....	2	
7	1246	WASHER - flat, 9030 Center Mount Adapter only.....	1	
8	43301	SUPPORT - linkage adapter, lower leg.....	2	
9	40245	HOSE - draper pressure (replaces hose at tractor or adapter L/H leg).....	1	
10	43626	HOSE - reel lift, (attach to hydraulic line at header L/H leg).....	1	
11	30442	COUPLER - q.d. female, 1/4 NPT - attach to header reel lift hose.....	1	
	50083	O-RING - for coupler 30442		
12	21876	PLUG - dust.....	1	
H	20077	BOLT - hex head, 3/8 NC x 1 inch		
J	18637	WASHER - lock, 3/8 inch		
K	30228	NUT - lock, smooth flange, 3/8 NC distorted thread		
L	19965	BOLT - round head, square neck, 3/8 NC x 1 inch		
M	18666	NUT - lock, 5/8 NC distorted thread		

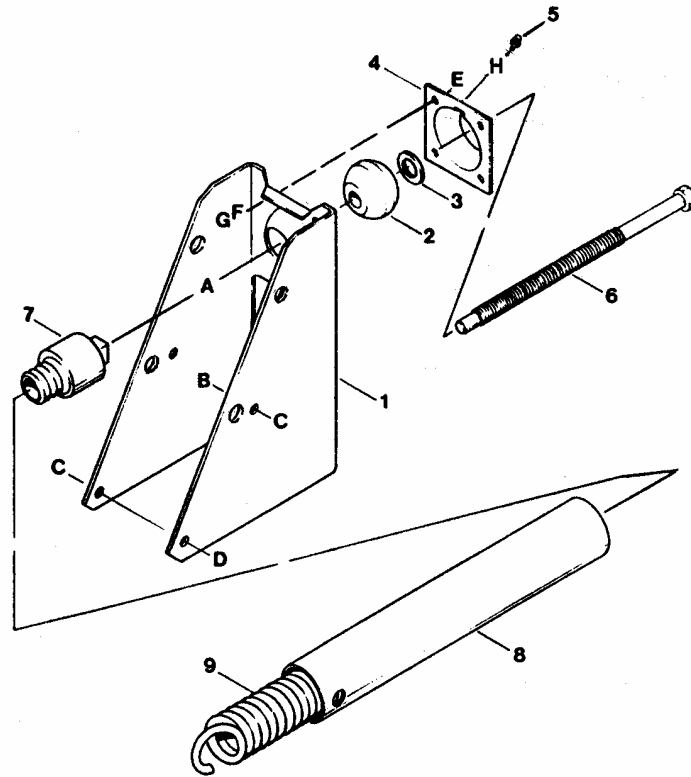
960 Header to 7000 Tractor ADAPTER



**960 Header to 7000 Tractor
ADAPTER**

REF	PART NUMBER	DESCRIPTION	QTY	SERIAL NUMBER
1	43729	ADAPTER - linkage, with decal.....	2	
2	42498	PAD - rubber	2	
3	44575	PLATE - cover	2	
4	11695	WASHER - flat	2	
5	43742	BUSHING ASSEMBLY - includes item 6	2	
6	38489	BUSHING - rubber	2	
7	37618	RETAINER - bushing	2	
8	37616	PIN - spring retainer	4	
9	13125	PIN - hair	6	
10	32275	PIN - leg retainer	2	
11	43746	SUPPORT - header.....	2	
12	43633	PIN - lock, with roll pin.....	2	
13	42684	SUPPORT - deck shift switch (Triple Delivery only).....	1	
14	42430	HARNESS - wiring, deck shift switch (Triple Delivery only)	1	
15	42257	SWITCH - deck shift, mounts to side console in cab (TD only)	1	
16	44612	DECAL - DANGER, header lift cylinder stops	2	
A	30266	BOLT - round head, square neck, 1/2 NC x 3 inch		
B	18697	NUT - lock, 1/2 NC distorted thread		
C	21474	BOLT - round head, square neck, 1/2 NC x 2 inch		
D	18591	NUT - hex, 1/2 NC		
E	30015	BOLT - hex head, 5/8 NC x 7 inch		
F	18639	WASHER - lock, 5/8 inch		
G	18592	NUT - hex, 5/8 NC		
H	21469	BOLT - round head, square neck, 1/2 NC x 1-1/2 inch		

960 Header to 7000 Tractor
AUXILIARY FLOAT SPRING

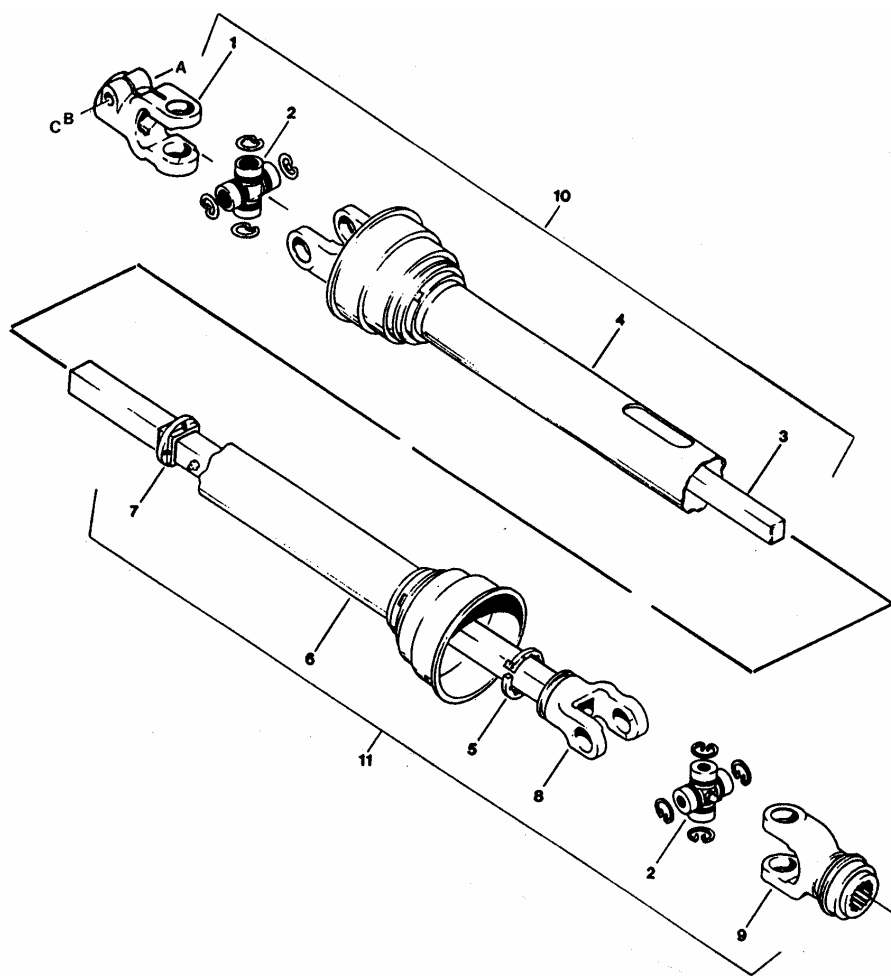


REF	PART NUMBER	DESCRIPTION	QTY	SERIAL NUMBER
1	33288	ANCHOR.....	2	
2	34651	BALL.....	2	
3	21540	WASHER - hardened.....	2	
4	34650	FLANGE - bearing, with lube fitting.....	2	
5	21299	FITTING - lube.....	2	
6	24934	DRAWBOLT - spring.....	2	
7	33275	INSERT - 2-1/4 inch O.D. spring.....	see note (1)	
	24322	INSERT - 3-3/4 inch O.D. spring.....	see note (1)	
8	33276	TUBE - for 2-1/4 inch O.D. spring.....	see note (1)	
	24536	TUBE - for 3-3/4 inch O.D. spring.....	see note (1)	
9	24319	SPRING - 2-1/4 inch O.D.....	see note (1)	
	24320	SPRING - 3-3/4 inch O.D.....	see note (1)	
A	21378	NUT - hex jam, 3/4 NC		
B	21575	BOLT - hex head, 1/2 NC x 1 inch		
C	18697	NUT - lock, 1/2 NC distorted thread		
D	30267	BOLT - hex head, 1/2 NC x 6 inch		
E	21558	BOLT - hex head, 5/16 NC x 3/4 inch		
F	18636	WASHER - lock, 5/16 inch		
G	18589	NUT - hex, 5/16 NC		
H	18798	WASHER - flat, 7/32 inch I.D.		

NOTES:

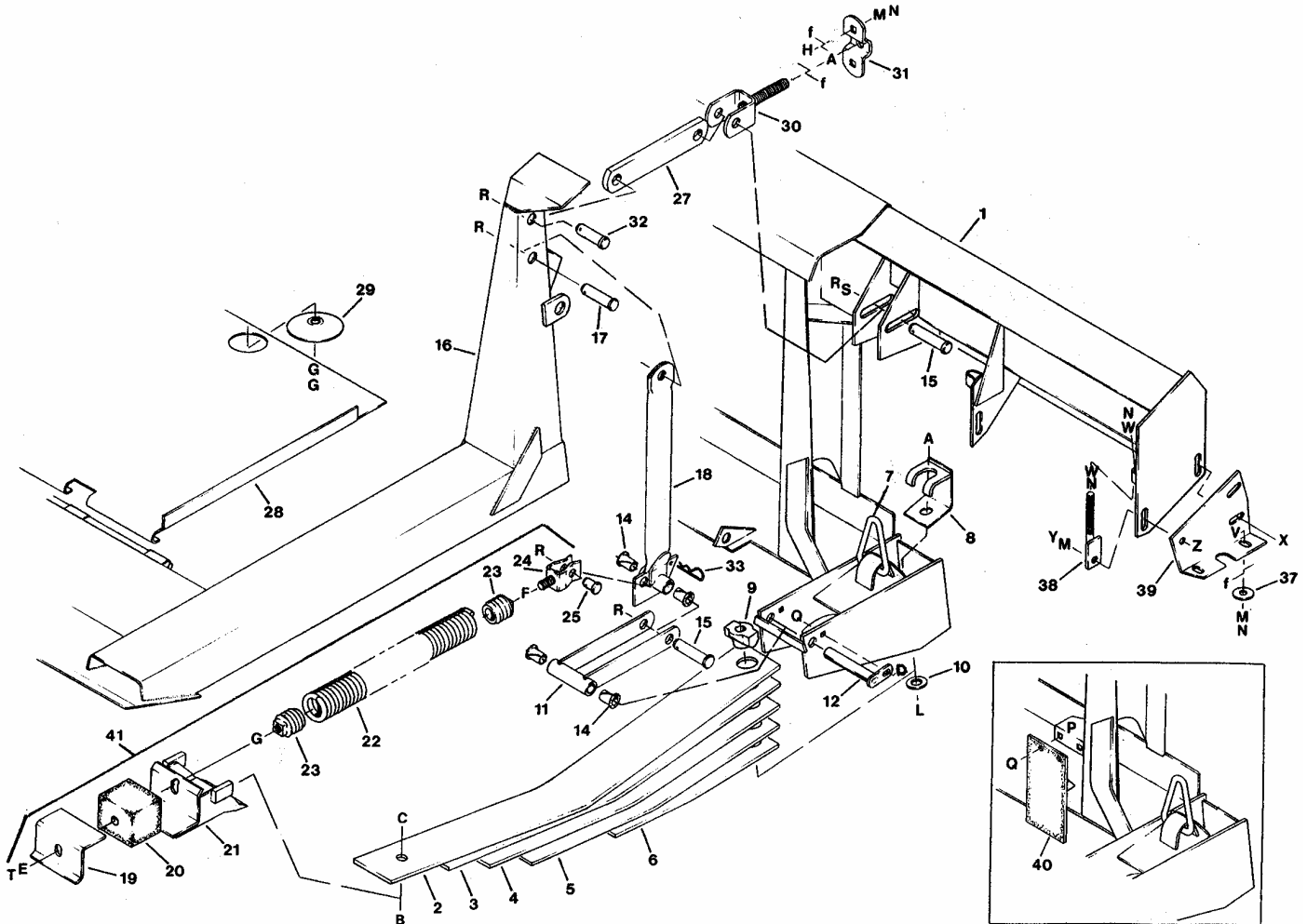
(1) - 21', 25', & 30' headers take 2-1/4" spring on L/H side and 3-3/4" spring on R/H side.
36' header takes 3-3/4" spring on both sides.

960 Header to 7000 Tractor DRIVELINE



REF	PART NUMBER	DESCRIPTION	QTY	SERIAL NUMBER
1	30621	YOKE - clamp, tractor end	1	
2	30622	CROSS & BEARING KIT	2	
3	NSS	YOKE & SHAFT (order item 10).....	1	
4	34362	SHIELD - outer, with decal	1	
5	30623	BEARING - shield, consists of two halves.....	2	
6	30619	SHIELD - inner	1	
7	30167	SUPPORT - shield	1	
8	NSS	YOKE & TUBE - (order item 11).....	1	
9	24779	YOKE - spline bore, 1-3/8 x 21 teeth, with slide collar	1	
	43709	YOKE - spline bore, 1-3/8 x 21 teeth, clamp type	OPT	
10	34366	JOINT ASSEMBLY - male half, includes items 1,2,3,4,5.....	1	
11	24795	JOINT ASSEMBLY - female half, includes items 2,5,6,7,8,9.....	1	
..	24776	DRIVELINE - complete, includes items 10 and 11.....	1	
A	21880	BOLT - hex head, 1/2 NC x 2-3/4 inch		
B	18638	WASHER - lock, 1/2 inch		
C	18591	NUT - hex, 1/2 NC		

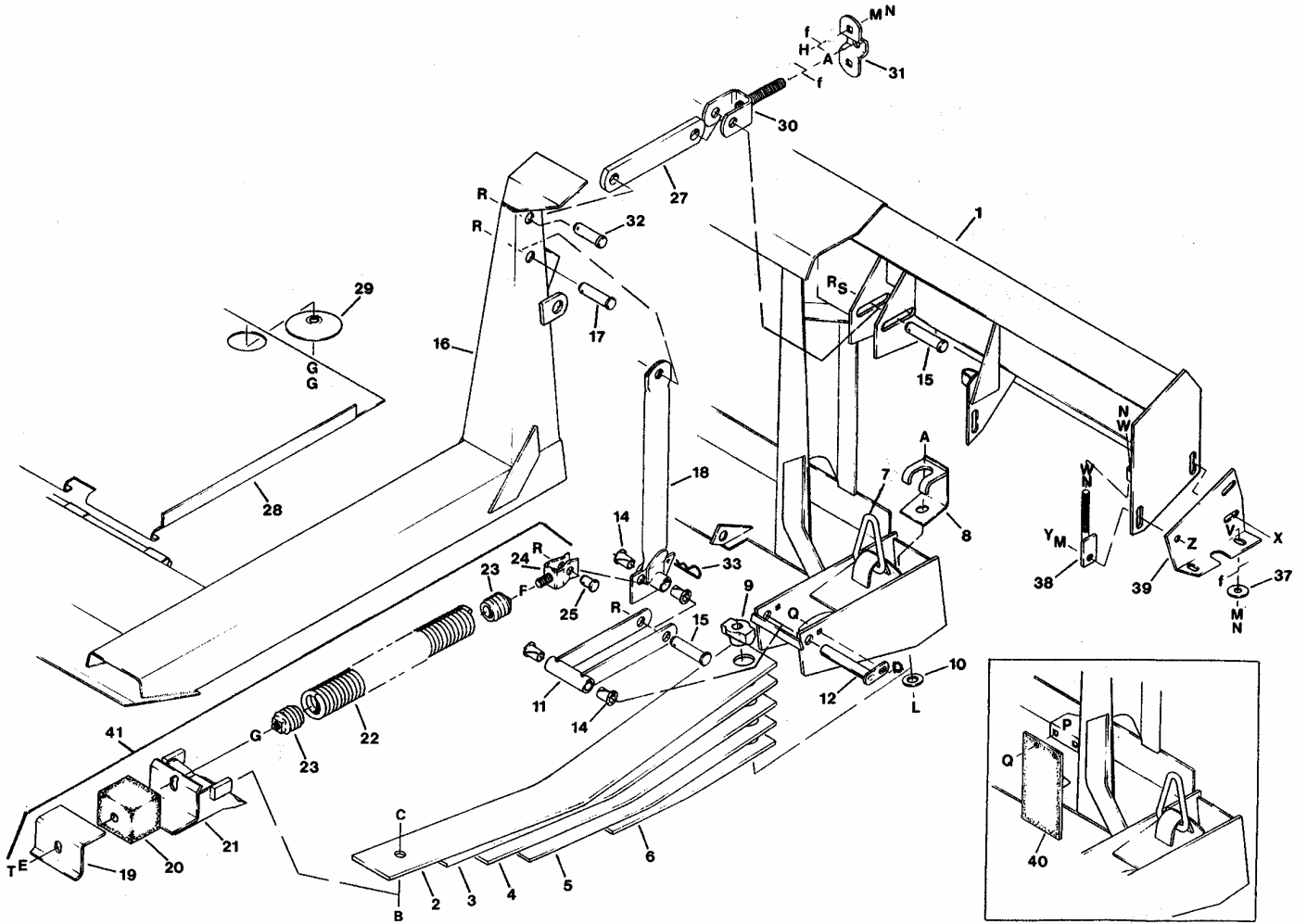
Combine Adapter FRAME & FLOAT ASSEMBLY



**Combine Adapter
FRAME & FLOAT ASSEMBLY**

REF	PART NUMBER	DESCRIPTION	QTY	SERIAL NUMBER
1	37661	FRAME- adapter, JD	1	-91999
	40880	FRAME- adapter, JD	1	92000-
	40220	FRAME- adapter, CASE IH & MF 8570	1	-91999
	40881	FRAME- adapter, CASE IH & MF 8570	1	92000-
	40031	FRAME- adapter, GLEANER	1	-91999
	40882	FRAME- adapter, GLEANER	1	92000-
	40440	FRAME- adapter, NEW HOLLAND TR & TX	1	-91999
	40885	FRAME- adapter, NEW HOLLAND TR & TX	1	92000-
	40525	FRAME- adapter, CLAAS & MF 8450/8460	1	-91999
	40884	FRAME- adapter, CLAAS & MF 8450/8460	1	92000-
	40713	FRAME- adapter, MF 860	1	-91999
	40883	FRAME- adapter, MF 860	1	92000-
2	37453	SPRING- leaf, top.....	2	
3	37454	SPRING- leaf, second.....	2	
4	37457	SPRING- leaf, third.....	2	
5	37455	SPRING- leaf, fourth	2	
6	37456	SPRING- leaf, fifth.....	2	
7	37940	RETAINER - float lock-out.....	2	
8	37547	RETAINER- float	2	
9	36011	PIVOT- spring.....	2	
10	21540	WASHER- flat, hardened	2	
11	37554	ARM- radius	2	
12	40380	PIN- radius arm, lower.....	2	
14	37551	BUSHING- plastic.....	8	
15	20312	PIN- clevis, 3/4 x 3-1/4 inch.....	4	
16	37520	FRAME- float.....	1	
17	30464	PIN- clevis, 3/4 x 2-3/4 inch.....	2	
18	37610	ARM- float link	2	
19	37541	ANGLE- front.....	2	-88999
	40768	RETAINER - front.....	2	89000-
20	26878	PAD- rubber	2	
21	37532	RETAINER- spring, front.....	2	-88999
	40770	RETAINER- spring, front.....	2	89000-
22	37388	SPRING- extension, float - hook ends	2	-88999
	40766	SPRING- extension, float - closed ends.....	2	89000-
23	34019	INSERT - spring	4	89000-
24	40767	CLEVIS - rear spring mount, with bolt.....	2	89000-
25	50176	PIN - clevis, 5/8 x 1 inch.....	2	89000-
27	37775	BAR- link	2	
28	37566	PAN- lower, JD, NH-TX, CL, MF 860/8450/8460	1	-91999
	40779	PAN- lower, JD, NH-TX, CL, MF 860/8450/8460	1	92000-
	37567	PAN- lower, C-IH, GL, NH-TR, MF 8570.....	1	-91999
	40780	PAN- lower, C-IH, GL, NH-TR, MF 8570.....	1	92000-
29	37574	WASHER- special	2	
30	37635	CLEVIS- adjusting, guard angle JD & NH.....	2	
	40089	CLEVIS- adjusting, guard angle C-IH, GL, MF, CL.....	2	
31	37637	LOCK- guard angle, not required for CLAAS, MF 860/8450/8460	2	
32	30463	PIN- clevis, 3/4 x 2-1/4 inch.....	2	
33	13125	PIN- hair	2	
37	4761	WASHER - flat	2	
38	37647	ADJUSTER- chain case height, JD.....	3	
39	40322	BRACKET- chain case pivot, not required for CL, MF 860/8450/8460	1	

Combine Adapter FRAME & FLOAT ASSEMBLY



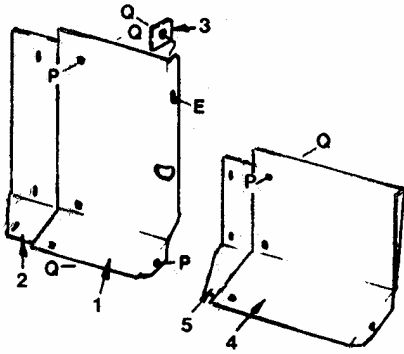
**Combine Adapter
FRAME & FLOAT ASSEMBLY**

REF	PART NUMBER	DESCRIPTION	QTY	SERIAL NUMBER
40	37660	COVER- rubber, feeder draper shaft, JD, GL, NH-TX, MF 860.....	1	-91999
	37655	COVER- rubber, feeder draper shaft, CASE-IH, MF 8570.....	1	-91999
	40252	COVER- rubber, feeder draper shaft, NH-TR	1	-91999
	40503	COVER- rubber, feeder draper shaft, CLAAS, MF 8450/8460	1	-86399
	37660	COVER- rubber, feeder draper shaft, CLAAS, MF 8450/8460	1	86400-91999
41	40775	SPRING ASSEMBLY - includes items 19-25 and related hardware	2	
A	18593	NUT- hex, 3/4 inch NC		
B	21590	BOLT- hex head, 3/4 NC x 1-1/4 inch		
C	18689	NUT- lock, 3/4 inch NC distorted thread		
D	19965	BOLT – round head, square neck, 3/8 NC x 1 inch		
E	18600	WASHER - flat, 21/32 inch I.D.		
F	18639	WASHER- lock, 5/8 inch		
G	18592	NUT- hex, 5/8 inch NC		
H	30515	BOLT- round hd. square nk. 1/2 NC x 1-3/4 inch		
	21066	BOLT- round hd. square nk. 1/2 NC x 1 inch (GL - lower bolts only)		
L	30859	BOLT- hex head, 3/4 NC x 8 inch thread full length		
M	18638	WASHER- lock, 1/2 inch		
N	18591	NUT- hex, 1/2 inch NC		
P	21863	BOLT- round hd. square nk. 3/8 NC x 3/4 inch		
Q	30228	NUT- lock, flange head, 3/8 inch NC distorted thread		
R	18648	PIN- cotter, 3/16 x 1-1/4 inch		
S	18601	WASHER- flat, 3/4 inch I.D.		
T	50163	BOLT - hex head, 5/8 NC x 5-1/2 inch		
V	30368	BOLT - flange head, 1/2 NC x 1-1/4 inch		
W	18599	WASHER- flat, 1/2 inch I.D.		
X	21471	BOLT- round hd. square nk. 1/2 NC x 1-1/4 inch - JD		
	21868	BOLT- round hd. square nk. 1/2 NC x 1 inch - C-IH, GL, NH & MF 8570		
Y	18697	NUT- lock, 1/2 NC distorted thread		
Z	18723	BOLT- hex head, 1/2 NC x 1-1/2 inch - JD		
	21491	BOLT- hex head, 1/2 NC x 1-1/4 inch- C-IH, GL, NH & MF 8570		
~ f	REF	Indicates where hardware passes through frame member.		

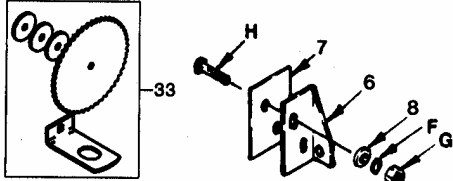
Combine Adapter MOUNTING & SPECIAL PARTS



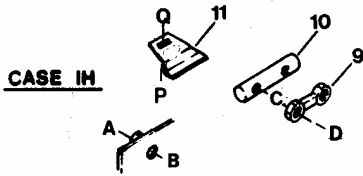
ELECTRICAL



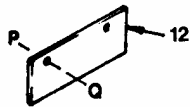
DELIVERY OPENING PANELS & EXTENSIONS



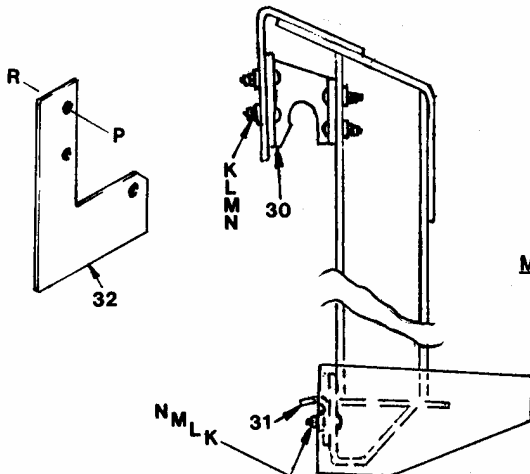
JOHN DEERE



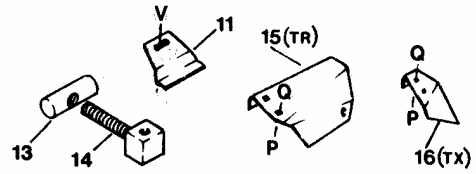
CASE IH



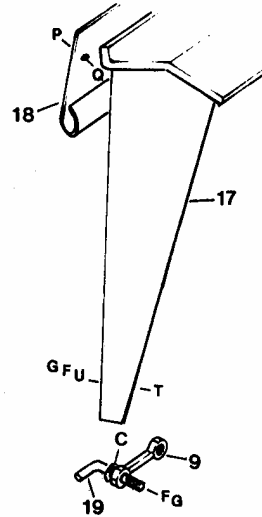
GLEANER



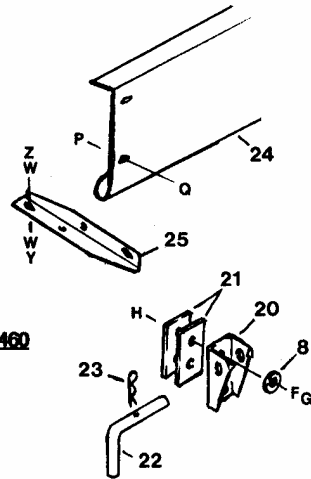
MF 860



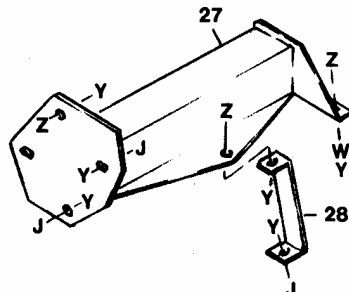
NEW HOLLAND



MF 8570



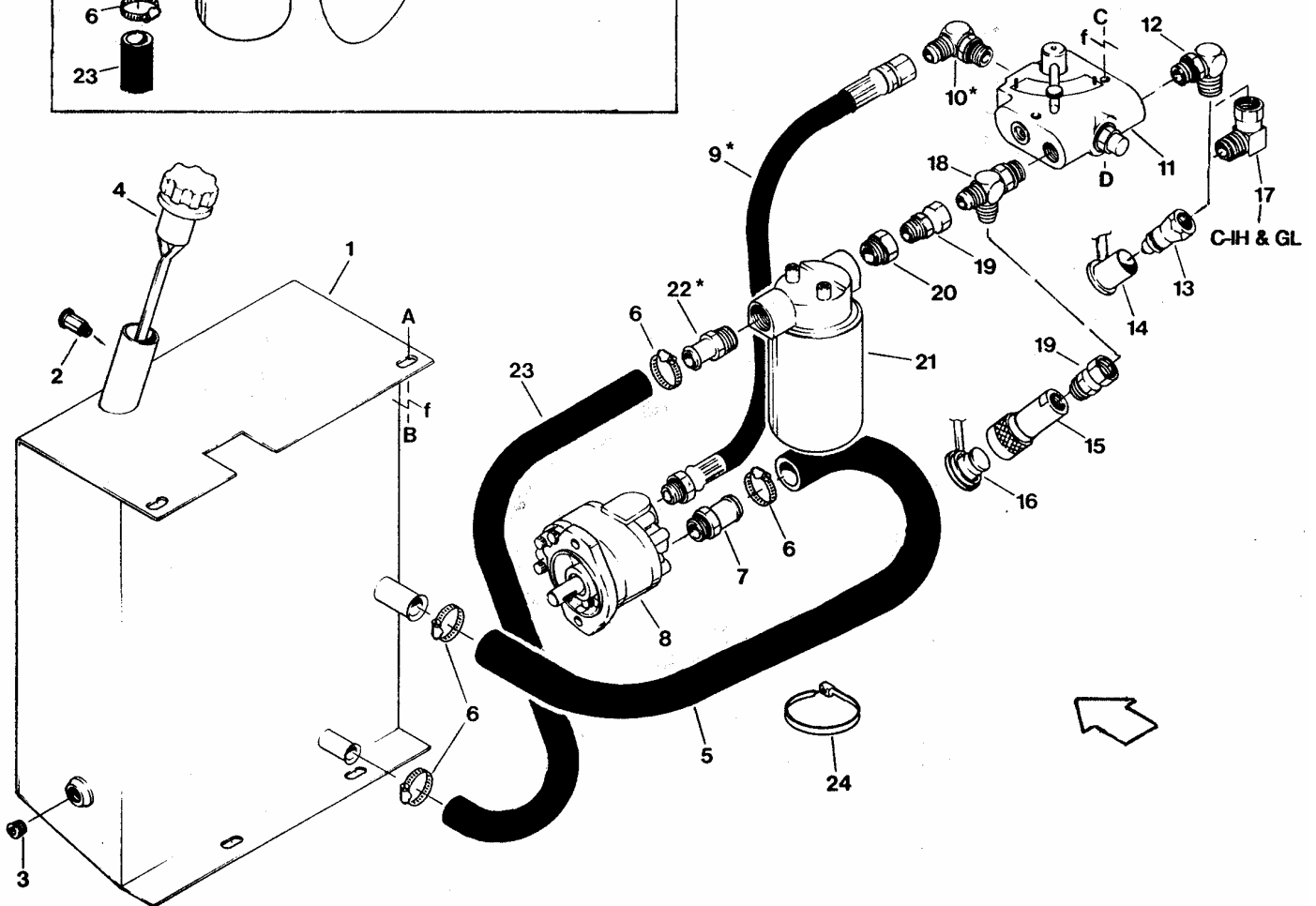
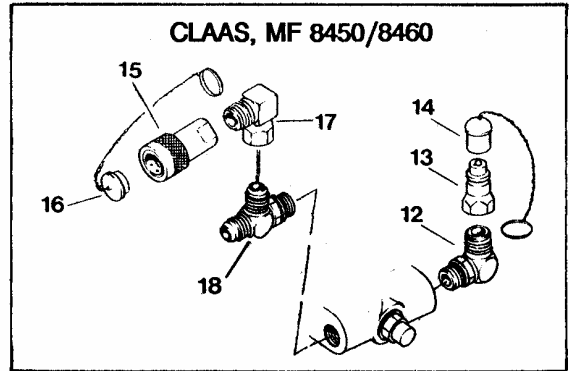
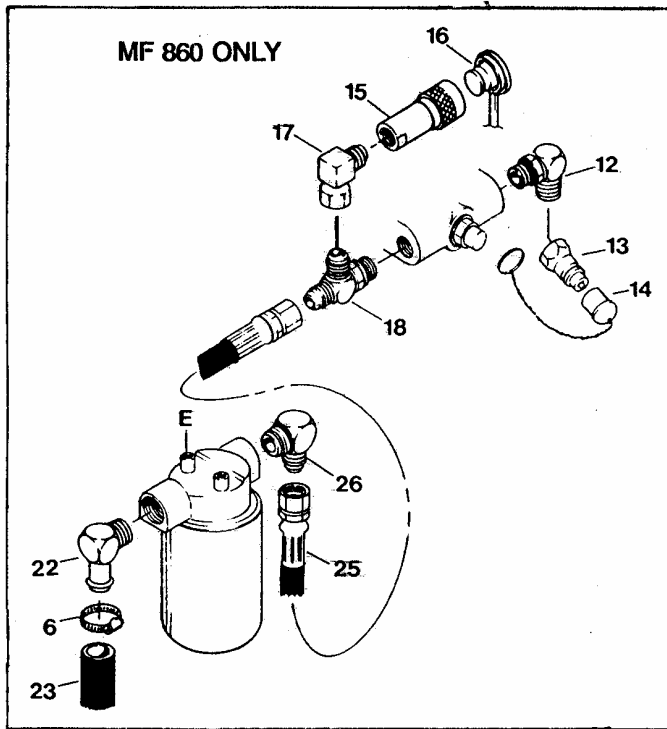
**CLAAS &
MF 8450/8460**



Combine Adapter MOUNTING & SPECIAL PARTS

REF	PART NUMBER	DESCRIPTION	QTY	SERIAL NUMBER
1	37376	PANEL- delivery opening extension, left, JD & MF 860.....	1	-108199
	40826	PANEL- delivery opening extension, left, JD & MF 860.....	1	108200-
	40421	PANEL- delivery opening extension, left, NH.....	1	
	37377	PANEL- delivery opening extension, right, JD & MF 860.....	1	-108199
	40827	PANEL- delivery opening extension, right, JD & MF 860.....	1	108200-
	40422	PANEL- delivery opening extension, right, NH.....	1	
2	40305	DEFLECTOR- extension, JD 7720/9500 & MF 860.....	2	-88999
	40777	DEFLECTOR- extension, JD 7720/9500 & MF 860.....	2	89000-108199
	40828	DEFLECTOR- extension, JD 7720/9500 & MF 860.....	2	108200-
	40429	DEFLECTOR- extension, NH-TR.....	2	
3	40366	WASHER- square, NH.....	2	
4	40222	PANEL- delivery opening extension, left, C-IH, GL, & MF 8570.....	1	
	40506	PANEL- delivery opening extension, left, CLAAS, MF 8450/8460.....	1	
	40223	PANEL- delivery opening extension, right, C-IH, GL, & MF 8570.....	1	
	40507	PANEL- delivery opening extension, right, CLAAS, MF 8450/8460.....	1	
5	40420	DEFLECTOR- extension, C-IH 1460/1660, GL, MF 8450/8570, & CL 96/98.....	2	-88999
	40778	DEFLECTOR- extension, C-IH 1460/1660, GL, MF 8450/8570, & CL 96/98.....	2	89000-
6	37678	ANGLE- left mounting, JD.....	1	
	37679	ANGLE- right mounting, JD.....	1	
7	37682	BAR- mounting, JD.....	4	
8	22072	WASHER- flat, JD, CLAAS & MF 8450/8460.....	4	
9	37995	PIN- clamp, CASE-IH & MF 8570.....	2	
10	40169	PIN- straight, CASE-IH.....	2	
11	40433	COVER- eyebolt access, CASE-IH & NH.....	2	-91999
	40524	COVER- eyebolt access, CASE-IH & NH.....	2	92000-
12	40086	FLAP- rubber, R/H - GLEANER.....	1	
13	40300	PIN- straight, NH.....	2	
14	40432	EYEBOLT- NH.....	2	
15	40427	COVER- driveline, NH-TR.....	1	-91999
16	40428	COVER- driveline, NH-TX.....	1	-91999
17	40406	BEAM- adapter, MF 8570.....	1	
18	40224	DEFLECTOR- MF 8570.....	1	
19	40399	PIN-L, threaded, MF 8570.....	2	
20	40502	SUPPORT- mounting, CLAAS & MF 8450/8460.....	2	
21	40501	BAR- spacer, CLAAS & MF 8450/8460.....	4	
22	40500	PIN-L, CLAAS & MF 8450/8460.....	2	
23	13125	PIN- hair.....	2	
24	40221	DEFLECTOR- CLAAS & MF 8450/8460.....	1	
25	40508	ANGLE- chain case mount, CLAAS & MF 8450/8460.....	1	
26	40511	HARNESS - electrical connector, header lights, JD ONLY.....	1	
	40498	HARNESS - electrical connector, header lights, GL ONLY.....	1	87000-
	40499	HARNESS - electrical connector, header lights, C-IH ONLY.....	1	95000-
	40435	HARNESS - electrical connector, header lights, all makes except JD, C-IH & GL...1	1	
27	40711	SUPPORT - drive case/hydraulic tank, MF 860.....	1	
28	40718	SUPPORT - tank, MF 860.....	1	
30	37808	SUPPORT - feeder house mounting, MF 860.....	1	
31	37809	STOP - lower, MF 860.....	2	
32	37680	SHIELD - rubber, R/H, MF 860.....	1	
33	B 2544	MOUNTING KIT - JD Reel Speed Sensor (Kit available through WholeGoods only)OPT (sensor and wiring harness must be obtained from John Deere)		
A	21378	NUT - hex jam, 3/4 NC (input driveline storage - Case)	P 21863 Q 30228	BOLT- rnd.hd. Sq.nk. 3/8 NC x 3/4" NUT- lock, smth fing 3/8 NC D.T.
B	30448	BOLT - hex head, 3/4 NC x 3 inch (input driveline storage - Case)	T 18523 U 18600	BOLT- rnd hd. sq nk, 5/8 NC x 1-1/2" WASHER- flat, 21/32 inch ID
C	21345	NUT - hex jam, 5/8 NC	V 21821	BOLT- hex head, 3/8 NC x 3/4 inch
D	50080	BOLT- hex head, 5/8 NC x 4-1/2 inch thread full length	W 18599 Y 18697	WASHER- flat, 1/2 inch I.D. NUT- lock, 1/2 NC distorted thread
E	19965	BOLT- rd. hd. sq. nk, 3/8 NC x 1 inch	Z 21491	BOLT- hex head, 1/2 NC x 1-1/4 inch
F	18639	WASHER- lock, 5/8 inch		
G	18592	NUT- hex, 5/8 inch NC		
H	18524	BOLT- rd. hd. sq. nk. 5/8 NC x 2 inch		
J	21868	BOLT - rd. hd. sq. nk. 1/2 NC x 1 inch		
K	21469	BOLT - rd hd sq nk 1/2 NC x 1-1/2"		
L	4761	WASHER - 17/32 I.D. x 3/16" thick		
M	18638	WASHER - lock, 1/2 inch		
N	18591	NUT - hex, 1/2 NC		

Combine Adapter DRAPER DRIVE HYDRAULICS



*For Claas & MF 860/8450/8460 adapters, these components not exactly as shown. See description, next page.

Combine Adapter DRAPER DRIVE HYDRAULICS

REF	PART NUMBER	DESCRIPTION	QTY	SERIAL NUMBER
1	40318	TANK - oil reservoir, includes items 2, 3 and 4	1	
2	50081	BREATHER - 1/8 NPT	1	
3	30590	PLUG - pipe, 3/8 NPT	1	
4	21822	GAUGE - oil filler cap	1	
5	40297	HOSE - tank to pump	1	
6	30670	CLAMP - hose	4	
7	50020	FITTING - adapter, beaded, 1 inch hose I.D. x 1-1/16 O-ring	1	
8	37712	PUMP - hydraulic, with key	1	
	37796	SEAL KIT - for pump 37712		
9	40298	· HOSE - pump to valve	1	
	37757	+ HOSE - pump to valve	1	
10	21843	· FITTING - 90° male elbow, 5/8 tube x 7/8 O-ring	1	
	30695	+ FITTING - straight adapter, 5/8 tube x 7/8 O-ring, (both ends of hose from pump to valve)	2	
11	37710	VALVE - flow control	1	
	30054	SEAL KIT - for valve 37710		
12	30965	FITTING - 90° male elbow, 7/8 O-ring x 1/2 NPT - JD, NH, CL & MF 860/8450/8460	1	
	50103	FITTING - 45° male elbow, 7/8 O-ring x 5/8 tube - C-IH, GL & MF 8570	1	
13	21855	COUPLER - male, 1/2 NPT	1	
14	21856	CAP - dust	1	
15	21857	COUPLER - female, 1/2 NPT	1	
	50082	O-RING - for coupler 21857		
16	21858	PLUG - dust	1	
17	50018	FITTING - 90° elbow, 1/2 NPT male x 5/8 tube female (not required for JD & NH)	1	
18	50019	FITTING - male tee, 5/8 tube x 5/8 tube x 7/8 O-ring	1	
19	30926	FITTING - adapter, 5/8 tube female x 1/2 NPT male	2	
20	5745	FITTING - reducer bushing, 1/2 NPT female x 3/4 NPT male	1	
21	21807	FILTER - oil, with head	1	
	21808	FILTER - replacement element only (Alternate: 45205)		
22	50021	· FITTING - adapter, beaded, 3/4 inch hose I.D. x 3/4 NPT	1	
	50025	+ FITTING - 90° elbow, beaded, 3/4 inch hose I.D. x 3/4 NPT	1	
23	40296	HOSE - filter to tank	1	
24	21763	FASTENER - plastic tie	2	
25	37757	HOSE - valve to filter, MF 860	1	
26	50045	FITTING - 90° elbow, 3/4 NPT x 5/8 tube, MF 860	1	
A	21868	BOLT - round head, square neck 1/2 NC x 1 inch		
B	18697	NUT - lock, 1/2 NC distorted thread		
C	30822	BOLT - round head, square neck 1/4 NC x 2-1/4 inch		
D	21455	NUT - serrated flange, 1/4 NC		
E	21393	BOLT - flange head, 5/16 NC x 5/8 inch		
~ f	REF	Indicates where hardware passes through frame member.		

NOTES:

- - For all combine adapters except Claas, MF 860/8450/8460
- + - For Claas, MF 860/8450/8460 combine adapters

Combine Adapter REEL LIFT & REEL DRIVE FITTINGS

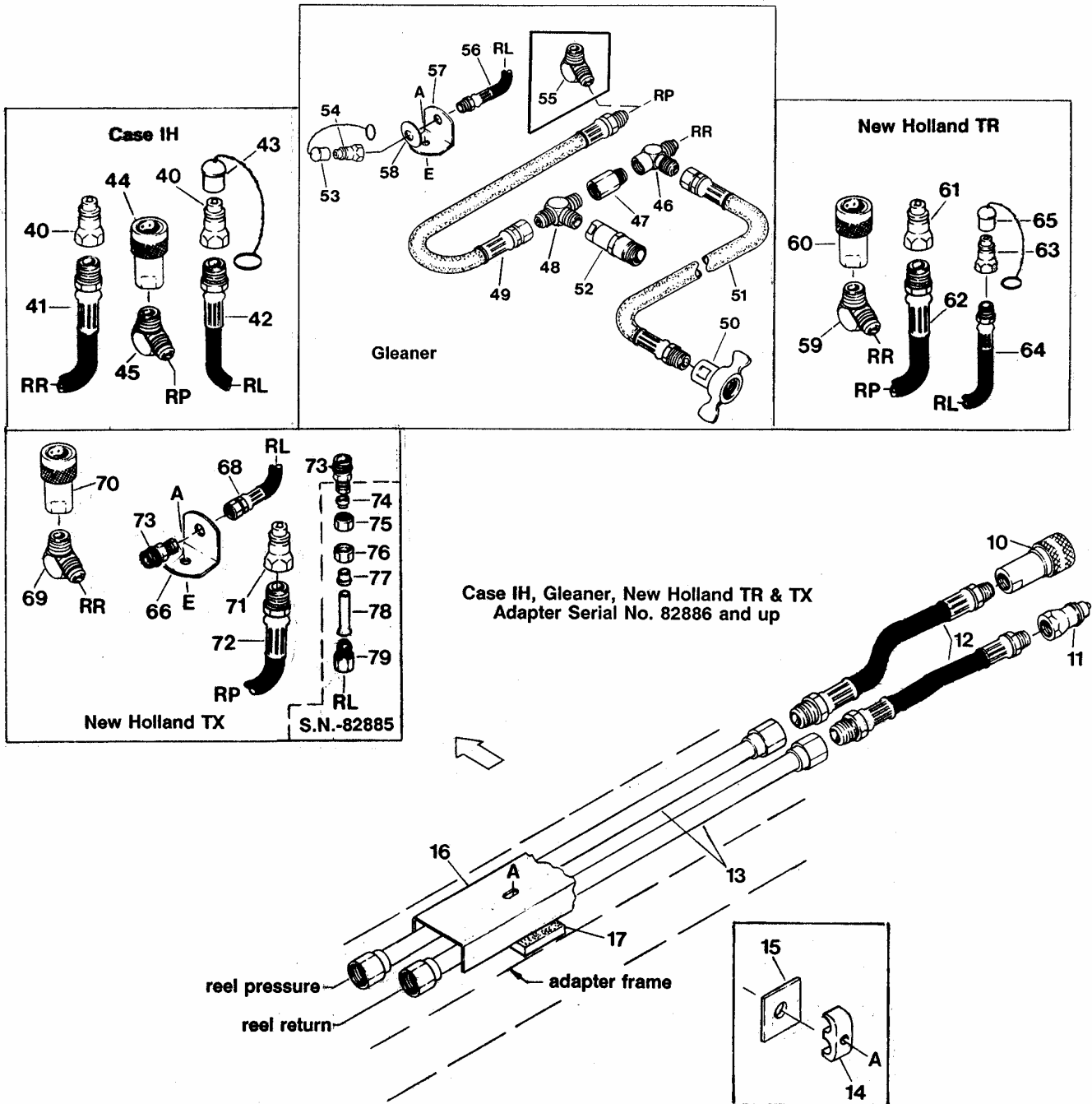
The fittings shown below adapt reel drive and lift for a particular combine.

Code Key:

RR - Attach to reel drive return coupler on header (yellow colour code).

RP - Attach to reel drive pressure coupler on header.

RL - Attach to reel lift line on header.



Combine Adapter REEL LIFT & REEL DRIVE FITTINGS

REF	PART NUMBER	DESCRIPTION	QTY	SERIAL NUMBER
<u>Case-IH, Gleaner & New Holland</u>				
10	21857 *	COUPLER - female, 1/2 NPT	1	82886-
11	21855	COUPLER - male, 1/2 NPT	1	82886-
12	43630	HOSE - header to steel lines on adapter.....	2	82886-
13	43671	LINE - hydraulic.....	2	82886-
14	W34896	CLAMP - hydraulic line.....	2	82886-86399
15	24429	WASHER - square.....	2	82886-86399
16	40746	RETAINER - hydraulic line.....	1	86400-
17	40745	PAD - rubber, (qty. 6 for New Holland TR)	3	86400-
<u>Case IH</u>				
40	21855	COUPLER - male, 1/2 NPT	2	
41	40245	HOSE - extension to reel return hose on header.....	1	-82885
	43624	HOSE - extension to reel return line on adapter	1	82886-
42	40333	HOSE - extension to reel lift hose on header.....	1	-82885
	43628	HOSE - extension to reel lift line on header.....	1	82886-
43	21856	CAP - dust, for coupler 21855.....	1	
44	21857 *	COUPLER - female, 1/2 NPT	1	
45	50084	FITTING - 45° male elbow, 1/2 NPT x 5/8 tube.....	1	82886-
<u>Gleaner</u>				
46	50205	FITTING - tee, 5/8 tube male x 5/8 tube male x 1/2 NPT female	1	102200-
47	49223	VALVE - check	1	102200-
48	30972	FITTING - tee, 5/8 tube male x 1/2 NPT male x 1/2 NPT male	1	102200-
49	40678	HOSE - reel pressure line on adapter to tee	1	102200-
50	30908	COUPLER - female, 1/2 NPT	1	
51	40245	HOSE - extension to reel return hose on header.....	1	-82885
	37840	HOSE - extension to reel return line on adapter	1	82886-102199
	37842	HOSE - extension to reel return line on adapter	1	102200-
52	30909	COUPLER - male, 1/2 NPT	1	
53	21824	CAP - dust.....	1	
54	30825	COUPLER - male, 1/4 NPT	1	
55	50084	FITTING - 45° male elbow, 1/2 NPT x 5/8 tube.....	1	82886-102199
56	43626	HOSE - extension to reel lift line on header	1	82886-
57	40683	SUPPORT - reel lift coupler.....	1	86400-
58	45157	WASHER - dished.....	1	86400-
<u>New Holland TR</u>				
59	50084	FITTING - 45° male elbow, 1/2 NPT x 5/8 tube.....	1	82886-
60	21857 *	COUPLER - female, 1/2 NPT	1	
61	21855	COUPLER - male, 1/2 NPT	1	
62	40245	HOSE - extension to reel drive pressure hose on header	1	-82885
	44191	HOSE - extension to reel drive pressure line on adapter.....	1	82886-
63	30825	COUPLER - male, 1/4 NPT	1	
64	40334	HOSE - extension to reel lift hose on header.....	1	-82885
	43629	HOSE - extension to reel lift line on header.....	1	82886-
65	21824	CAP - dust.....	1	
<u>New Holland TX</u>				
66	40683	SUPPORT - reel lift coupler.....	1	82886-
68	40326	HOSE - extension to reel lift line on header.....	1	82886-
69	50084	FITTING - 45° male elbow, 1/2 NPT x 5/8 tube.....	1	82886-
70	21857 *	COUPLER - female, 1/2 NPT	1	
71	21855	COUPLER - male, 1/2 NPT	1	
72	40245	HOSE - extension to reel drive pressure hose on header	1	-82885
	44191	HOSE - extension to reel drive pressure line on adapter.....	1	82886-
73	REF	FITTING - adapter, supplied with TX Combine	1	
74	50008	SLEEVE - flareless, 3/8 tube	1	-82885
75	50005	NUT - flareless, 3/8 tube	1	-82885
76	50006	NUT - 37° flare, 3/8 tube	1	-82885
77	50007	SLEEVE - 37° flare, 3/8 tube	1	-82885
78	40335	LINE - hydraulic.....	1	-82885
79	30832	FITTING - adapter, 3/8 tube male x 1/4 NPT female	1	-82885
*	50082	O-RING - for coupler 21857		
A	30228	NUT - lock, smooth flange, 3/8 NC distorted thread		
E	21472	BOLT - round head, square neck, 3/8 NC x 3/4 inch		

Combine Adapter REEL LIFT & REEL DRIVE FITTINGS

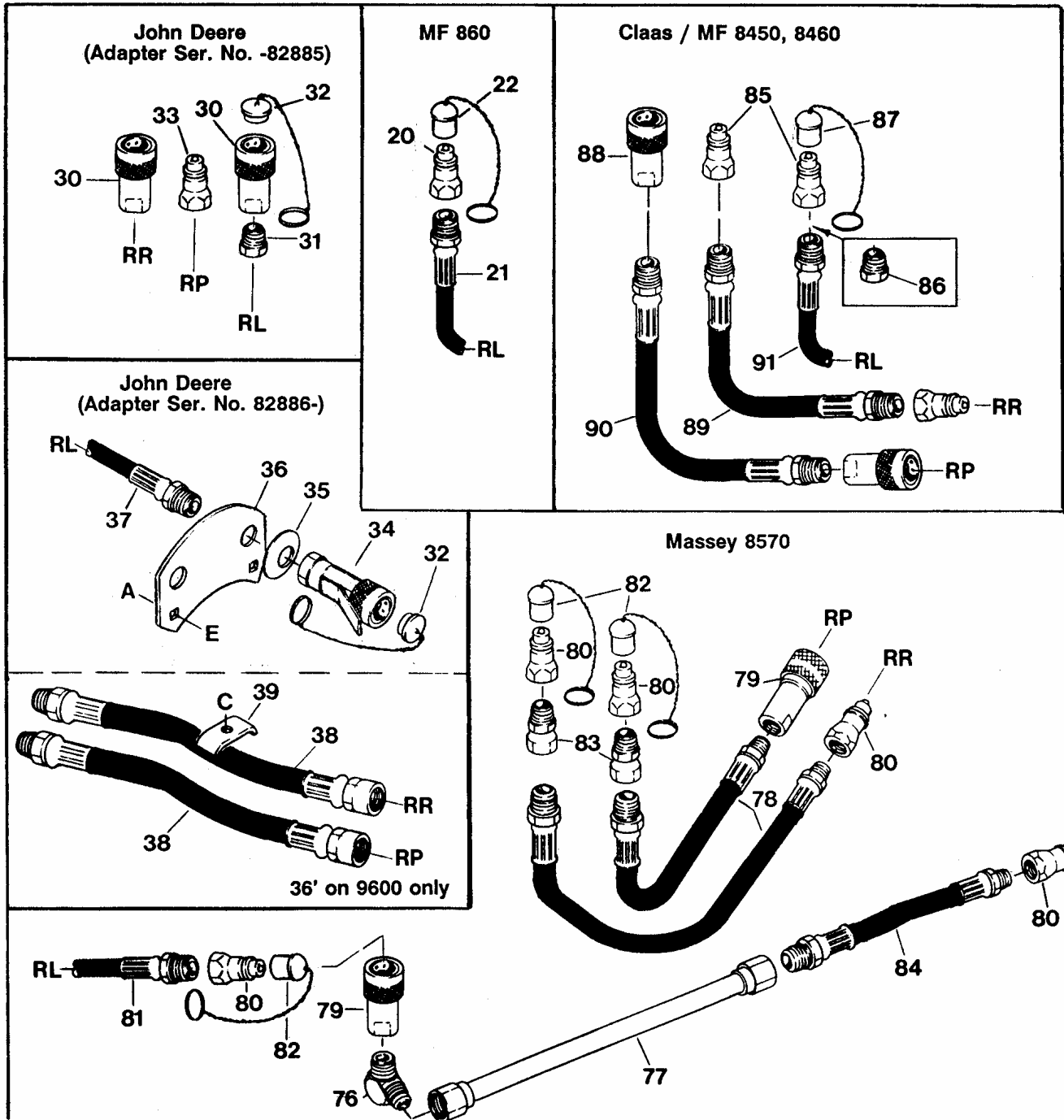
The fittings shown below adapt reel drive and lift for a particular combine.

Code Key:

RR - Attach to reel drive return coupler on header (yellow colour code).

RP - Attach to reel drive pressure coupler on header.

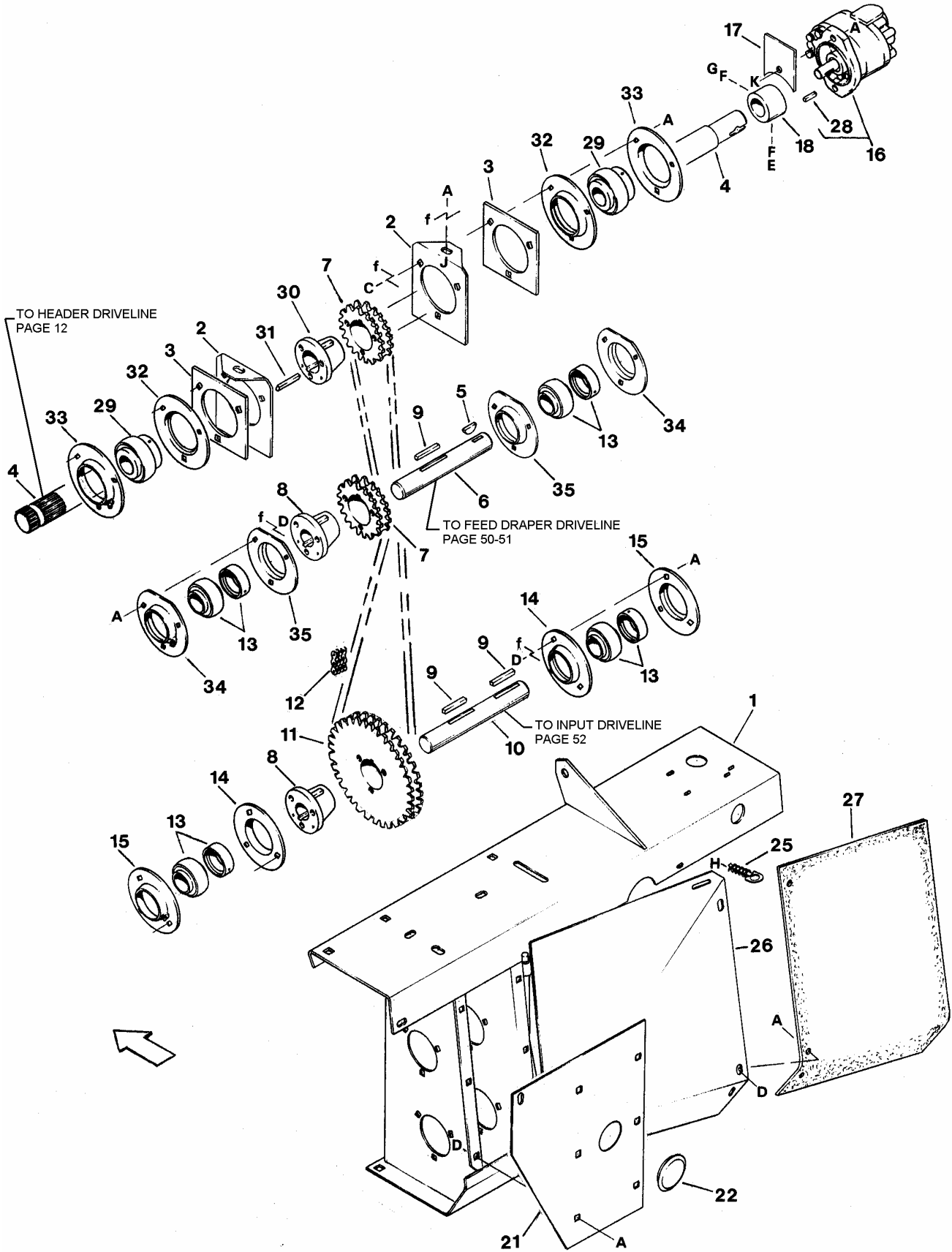
RL - Attach to reel lift line on header.



Combine Adapter
REEL LIFT & REEL DRIVE FITTINGS

REF	PART NUMBER	DESCRIPTION	QTY	SERIAL NUMBER
<u>MF 860</u>				
20	21855	COUPLER - male, 1/2 NPT	1	
21	40295	HOSE - extension to reel lift line on header	1	
22	21856	CAP - dust	1	
<u>John Deere</u>				
30	21857 *	COUPLER - female, 1/2 NPT	2	-82885
31	20043	FITTING - reducer bushing, 1/2 NPT male x 1/4 NPT female	1	-82885
32	21858	PLUG - dust	1	
33	21855	COUPLER - male, 1/2 NPT	1	-82885
34	50085	COUPLER - female	1	82886-
35	45153	WASHER - dished	1	82886-
36	40751	SUPPORT - coupler mount	1	82886-
37	43627	HOSE - extension to reel lift line on header	1	82886-
38	47009	HOSE - extensions to reel drive pressure and return hoses on header..... (47009 hoses required with 36' header on 9600 combine only)	2	82886-
39	32225	HOLDER - hose	1	82886-
<u>Massey 8570</u>				
76	50084	FITTING - 45° male elbow, 1/2 NPT x 5/8 tube	1	82886-
77	43671	LINE - hydraulic	1	82886-
78	43630	HOSE - extensions to reel drive pressure and return.....	2	82886-
79	21857 *	COUPLER - female, 1/2 NPT	2	82886-
80	21855	COUPLER - male, 1/2 NPT	5	
81	40333	HOSE - extension to reel lift hose on header	1	-82885
	43628	HOSE - extension to reel lift line on header	1	82886-
82	21856	CAP - dust	3	
83	30926	FITTING - adapter	2	82886-
84	43624	HOSE - extension to combine	1	82886-
<u>Claas & MF 8450/8460</u>				
85	21855	COUPLER - male, 1/2 NPT	3	
86	20043	FITTING - connector, 1/2 NPT male x 1/4 NPT female	1	-82885
87	21856	CAP - dust	1	
88	21857 *	COUPLER - female, 1/2 NPT	2	
89	26833	HOSE - extension to reel drive pressure.....	1	82886-
90	24217	HOSE - extension to reel drive return	1	82886-
91	40295	HOSE - extension to reel lift line on header	1	82886-
*	50082	O-RING - for coupler 21857		
A	30228	NUT - lock, smooth flange, 3/8 NC distorted thread		
C	21561	BOLT - hex head, 3/8 NC x 1-1/2 inch		
E	21472	BOLT - round head, square neck, 3/8 NC x 3/4 inch		

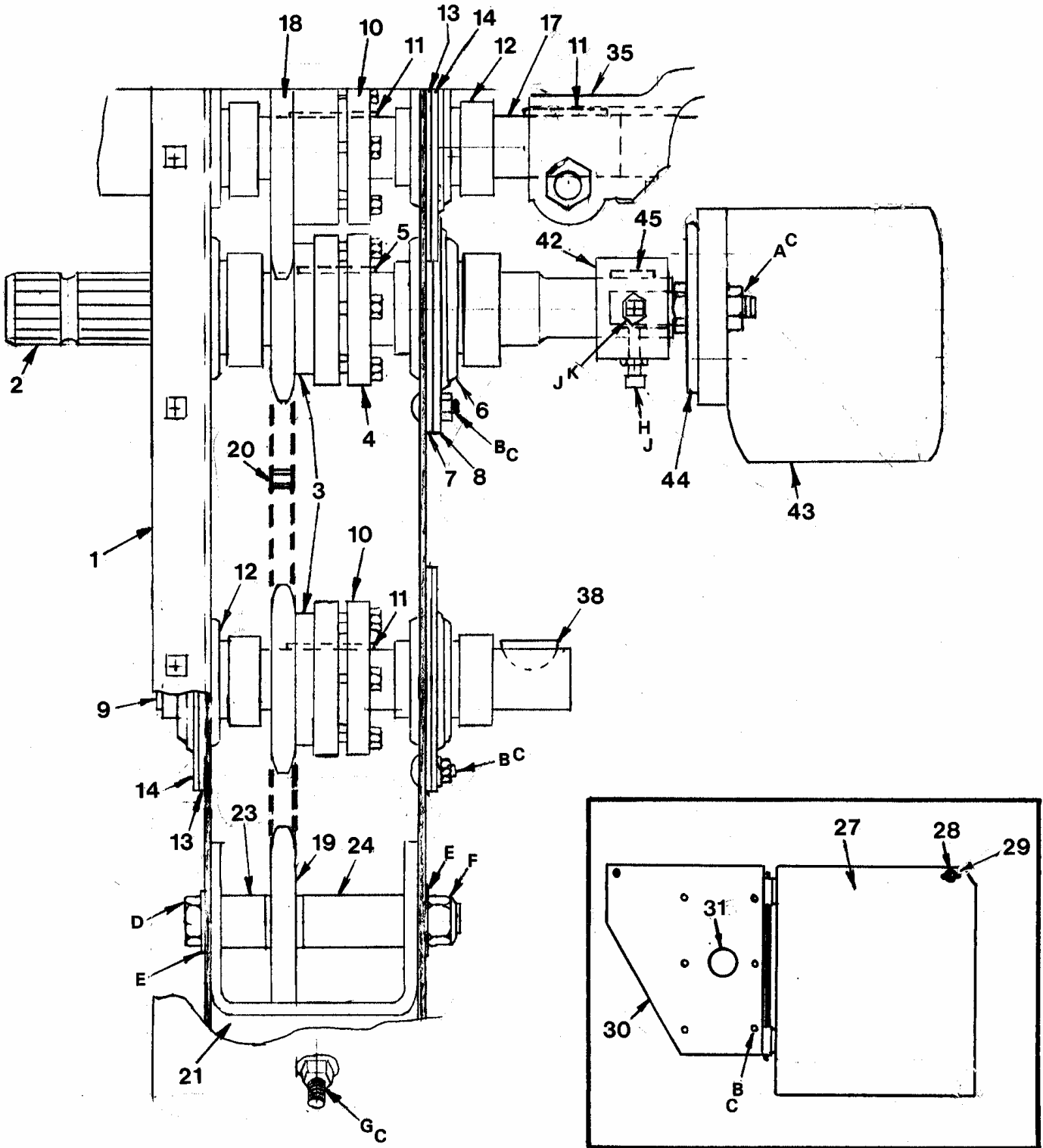
Combine Adapter DRIVE CASE



Combine Adapter DRIVE CASE

REF	PART NUMBER	DESCRIPTION	QTY	SERIAL NUMBER
NOTE: For Claas and MF 860/8450/8460, see page 48, 49.				
1	40226	HOUSING - drive, includes item 26: JD, C-IH, GL, NH, MF 8570	1	
2	40238	ANGLE - upper mounting	2	
3	40239	PLATE - upper mounting	2	
4	43306	SHAFT - upper, to header driveline	1	
5	13298	KEY - woodruff, SAE #18	1	
6	37505	SHAFT - middle, to feeder draper	1	
7	33000	SPROCKET - double: JD, C-IH, & MF 8570	2	
	40091	SPROCKET - double: GL & NH	2	
8	30034	BUSHING - split taper, with bolts and outer key	2	
9	7038	KEY - 1/4 x 1/4 x 2 inch	3	
10	37506	SHAFT - lower, input (takes one key #5 and one key #9)	1	-91999
	40540	SHAFT - lower, input (takes two keys #9)	1	92000-
11	37108	SPROCKET - double, drive	1	
12	37114	CHAIN - roller, double: JD, C-IH, & MF 8570	1	
	40092	CHAIN - roller, double: GL & NH	1	
	30925	LINK - connector, double	1	
13	21859	BEARING - ball, with lock collar	4	
14	30601	FLANGE - bearing	2	
15	21860	FLANGE - bearing, with lube fitting	2	
16	REF	PUMP - see Combine Adapter Hydraulics	1	
17	40387	PLATE - pump mounting	1	
18	37510	COLLAR - shaft	1	
21	37575	COVER - drive: JD, C-IH, NH, GL & MF 8570	1	
22	30823	CAP - plastic	1	
25	21874	FASTENER - 1/4 turn	1	
26	37565	SHIELD - drives (welds to hinge on item 1)	1	
27	37502	SHIELD - rubber, CASE IH & MF 8570	1	
	37503	SHIELD - rubber, JD, GL & NH-TX	1	
	40242	SHIELD - rubber, NH-TR	1	
28	40385	KEY - 3/16 sq. x 0.97 inch (included with pump)	1	
29	21936	BEARING - ball, with lock collar	2	
30	21934	BUSHING - split taper, with bolts and outer key	1	
31	17194	KEY - 5/16 square x 2 inch	1	
32	30602	FLANGE - bearing	2	
33	30603	FLANGE - bearing, with lube fitting	2	
34	40163	FLANGE - bearing, cropped, with lube fitting	2	
35	4890	FLANGE - bearing, cropped	2	
A	30228	NUT- lock, flange 3/8 inch NC distorted thread		
C	19966	BOLT- round hd. square nk. 3/8 NC x 1-1/4 inch		
D	21863	BOLT- round hd. square nk. 3/8 NC x 3/4 inch		
E	18908	SCREW- set, sq. hd. cup pt. 3/8 NC x 1 inch		
F	18664	NUT- hex jam, 3/8 NC		
G	21248	SCREW- set, sq. hd. cup pt. 3/8 NC x 3/4 inch		
H	18597	WASHER - flat, 11/32 I.D.		
J	30853	BOLT- round hd. square nk. 3/8 NC x 1-3/4 inch, thread full length		
K	21264	BOLT- hex head, 3/8 NC x 1-1/4 inch		
~ f	REF	Indicates where hardware passes though housing.		

Combine Adapter
DRIVE CASE: CLAAS & MF 860/8450/8460



Combine Adapter
DRIVE CASE: CLAAS & MF 860/8450/8460

REF	PART NUMBER	DESCRIPTION	QTY	SERIAL NUMBER
1	40515	HOUSING - drive, includes item 27.....	1	
2	43306	SHAFT - to header driveline.....	1	
3	30604	SPROCKET - 14 tooth.....	2	
4	21934	BUSHING - split taper, with bolts and outer key.....	1	
5	17194	KEY - 5/16 square x 2 inch.....	1	
6	21936	BEARING - ball, with lock collar.....	2	
7	30602	FLANGE - bearing.....	2	
8	30603	FLANGE - bearing, with lube fitting.....	2	
9	37505	SHAFT - to feeder draper.....	1	
10	30034	BUSHING - split taper, with bolts and outer key.....	2	
11	7038	KEY - 1/4 square x 2 inch.....	3	
12	21859	BEARING - ball, with lock collar.....	4	
13	30601	FLANGE - bearing.....	4	
14	21860	FLANGE - bearing, with lube fitting.....	4	
17	37506	SHAFT - input (takes one key #11 and one key #38).....	1	-91999
	40540	SHAFT - input (takes two keys #11).....	1	92000-
18	19117	SPROCKET - 20 tooth: Claas & MF 8450/8460.....	1	
	28496	SPROCKET - 28 tooth: MF 860.....	1	
19	9333	SPROCKET - idler, includes bearing and retaining ring.....	1	
	9213	BEARING - ball, for sprocket assembly 9333.....	1	
	795	RING - retaining, for sprocket assembly 9333.....	2	
20	2030	CHAIN - roller, with connector link: Claas & MF 8450/8460.....	1	
	13567	CHAIN - roller, with connector link: MF 860.....	1	
	6636	LINK - connector, for chain 2030 or 13567.....	1	
21	40504	CLEVIS - chain tension adjuster.....	1	
23	13930	SPACER - tube, 17 mm.....	1	-86399
	40505	SPACER - tube, 24 mm.....	1	86400-
24	19107	SPACER - tube, 52 mm.....	1	-86399
	34655	SPACER - tube, 45 mm.....	1	86400-
27	40521	SHIELD - drives (welds to hinge on item 1).....	1	
28	21874	FASTENER - 1/4 turn.....	1	
29	18597	WASHER - flat, 11/32 inch I.D.....	1	
30	37575	COVER - drive.....	1	
31	30823	CAP - plastic.....	1	
35	REF	DRIVELINE - input, see Combine Adapter Input Drivelines.....	1	
38	13298	KEY - woodruff, SAE #18.....	1	
42	37510	COLLAR - shaft.....	1	
43	REF	PUMP - see Combine Adapter Hydraulics.....	1	
44	37509	PLATE - pump mounting.....	1	
45	40385	KEY - 3/16 square x 0.97 inch.....	1	
A	21264	BOLT - hex head, 3/8 NC x 1-1/4 inch		
B	21863	BOLT - round head, square neck, 3/8 NC x 3/4 inch		
C	30228	NUT - lock, smooth flange, 3/8 NC distorted thread		
D	21562	BOLT - hex head, 5/8 NC x 5 inch		
E	18600	WASHER - flat, 21/32 inch I.D.		
F	18666	NUT - lock, 5/8 NC distorted thread		
G	30853	BOLT - round head, square neck, 3/8 NC x 1-3/4 inch		
H	21248	SCREW - set, square head, cup point, 3/8 NC x 3/4 inch		
J	18664	NUT - hex jam, 3/8 NC		
K	18908	SCREW - set, square head, cup point, 3/8 NC x 1 inch		

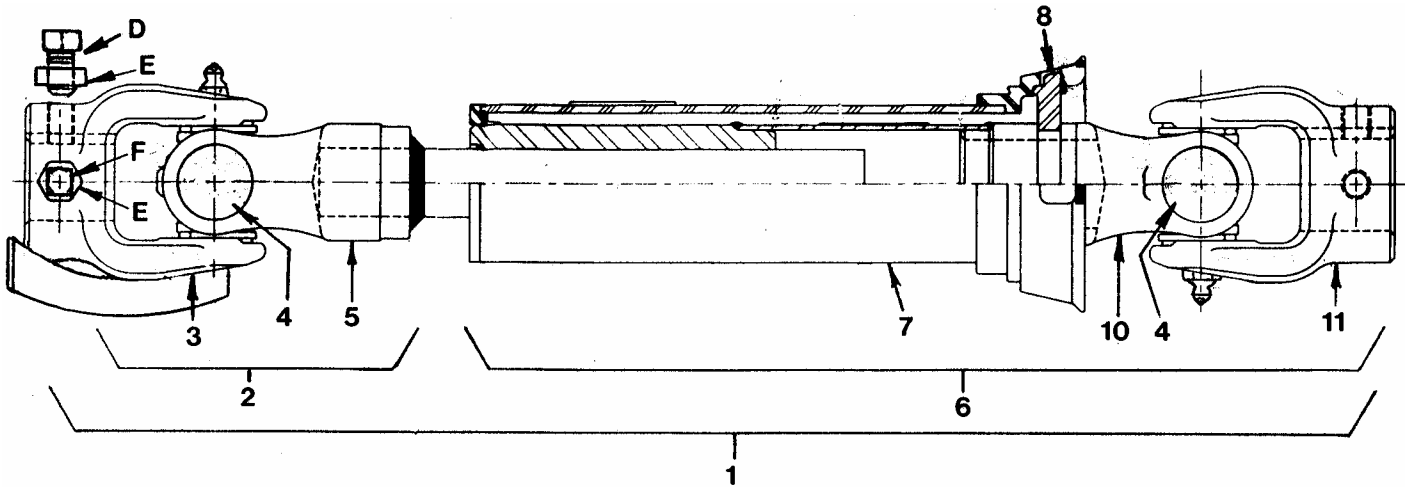
Combine Adapter FEEDER DRAPER DRIVELINES

The following four pages (50, 51, 51A, 51B) describe all feeder draper drivelines used on the 960 Harvest Header Combine Adapter. Be sure driveline is properly identified before ordering or supplying repair parts.

Manufacturer: WEASLER 6 SERIES

Used on Adapter Serial Numbers: Service parts only.

Identifying Features: Cross & bearing snap rings are on inside of yoke.
Tube & shaft have a rectangular cross section.



REF	PART NUMBER	DESCRIPTION	QTY	SERIAL NUMBER
1	40372	DRIVELINE - feeder draper, complete.....	1	
2	40376	JOINT ASSEMBLY - inner half.....	1	
3	36739	YOKE - feeder draper end.....	1	
4	37959	CROSS & BEARING KIT.....	2	
5	NSS	YOKE with SHAFT (order 40376).....	1	
6	36749	JOINT ASSEMBLY - outer half.....	1	
7	36746	SHIELD - plastic.....	1	
8	32803	REPAIR KIT - nylon.....	1	
10	NSS	YOKE with TUBE (order 36749).....	1	
11	36740	YOKE - drive case end.....	1	
D	18908	SCREW - set, square head, cup point, 3/8 NC x 1 inch		
E	18664	NUT - hex jam, 3/8 NC		
F	21248	SCREW - set, square head, cup point, 3/8 NC x 3/4 inch		

Manufacturer: WALTERSCHEID 2100 SERIES

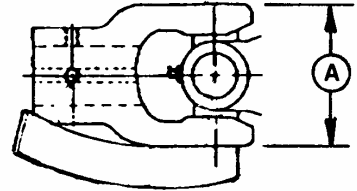
Used on Adapter Serial Numbers: 80000 - 91999

Identifying Features: Cross & bearing snap rings are on outside of yoke.
Inner & outer tubes have an oval cross section.

NOTE: Items 3, 4, & 5 at feeder draper end may have Walterscheid 2200 Series components. Be sure yoke and cross kit are properly identified as follows:

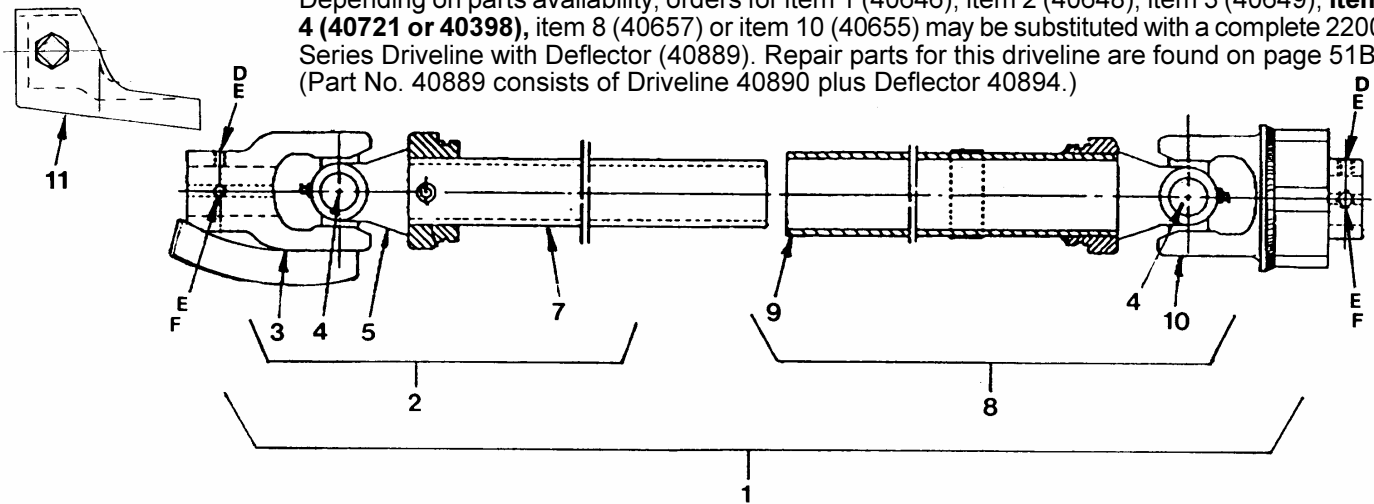
Item 3: YOKE - 2100 Series Yoke width (A) = 2-1/2" (63 mm)
2200 Series Yoke width (A) = 2-3/4" (70 mm)

Item 4: CROSS KIT - 2100 Series Cross is stamped "100"
2200 Series Cross is stamped "2200"



Parts Substitution: Depending on parts availability, orders for item 3 (40649), **item 4 at feed draper end only (40721 or 40398)** may be substituted with 2200 YOKE ASS'Y. (49182). This assembly consists of end yoke (with bolted deflector), cross kit, inboard yoke, and roll pin. This assembly must be connected to inner oval tube.

Depending on parts availability, orders for item 1 (40646), item 2 (40648), item 3 (40649), **item 4 (40721 or 40398)**, item 8 (40657) or item 10 (40655) may be substituted with a complete 2200 Series Driveline with Deflector (40889). Repair parts for this driveline are found on page 51B. (Part No. 40889 consists of Driveline 40890 plus Deflector 40894.)



REF	PART NUMBER	DESCRIPTION	QTY	SERIAL NUMBER
1	* 40646	DRIVELINE - feeder draper, includes items 2-10	1	
2	* 40648	JOINT ASSEMBLY - inner half	1	
3	* 40649	YOKE - 2100 Series, feeder draper end	1	
	49180	YOKE - 2200 Series, feeder draper end	1	
4	* 40721	CROSS & BEARING KIT - 2100 Series	2	
	49178	CROSS & BEARING KIT - 2200 Series	1	
	* 40398	KIT - bearing cap (converts zerck location from cap to cross)	2	-86399
5	NSS	YOKE - inboard (order 40648)	1	
7	NSS	TUBE - inner (order 40648)	1	
8	* 40657	JOINT ASSEMBLY - outer half	1	
9	NSS	YOKE with TUBE (order 40657)	1	
10	* 40655	YOKE with CLUTCH	1	
	40656	REPAIR KIT - clutch (includes cams, springs, and seal ring)		
11	40894	DEFLECTOR - bolt on (for yoke 49180 or yoke ass'y. 49184)	1	
D	18908	SCREW - set, square head, cup point, 3/8 NC x 1 inch		
E	18664	NUT - hex jam, 3/8 NC		
F	21248	SCREW - set, square head, cup point, 3/8 NC x 3/4 inch		

* - See Parts Substitution Note above for items marked *.

Combine Adapter FEEDER DRAPER DRIVELINES

Manufacturer: WALTERSCHEID - 2100 SERIES at Clutch end / 2200 SERIES at Feeder Draper end

Used on Adapter Serial Numbers: 92000 - 94999

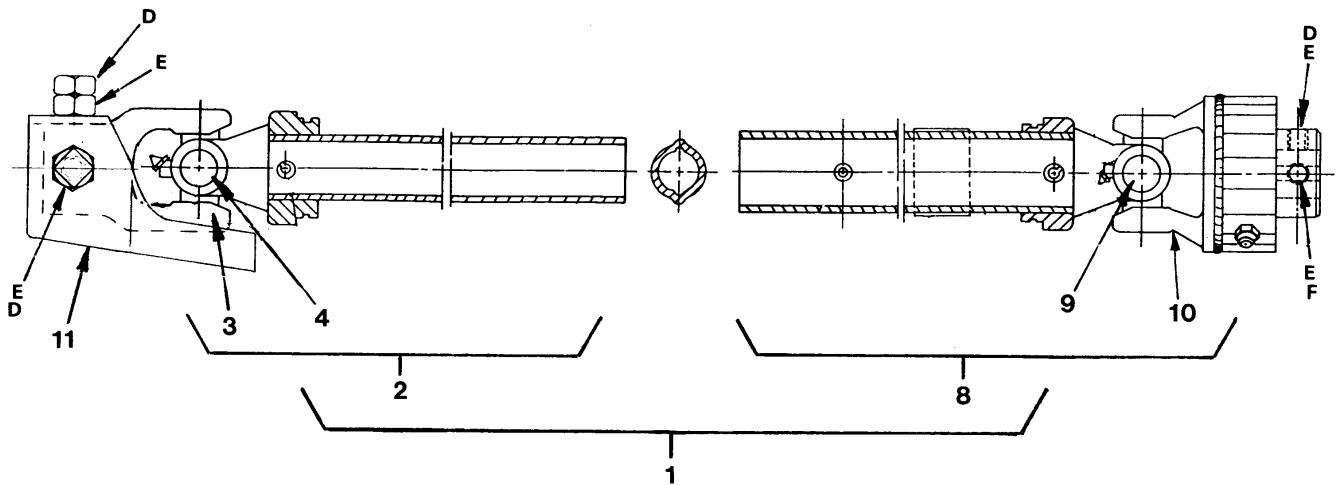
Identifying Features: Cross & bearing snap rings are on outside of yoke.
Inner & outer tubes have an oval cross section.

Parts Substitution: Complete driveline with 2100/2200 series combination is not available. Service complete driveline with 2200 Series driveline (40890).

Service inner half joint assembly (item 2) with complete 2200 Series driveline (40890).

Depending on parts availability, orders for item 8 (40657), item 9 (40721) or item 10 (40655) may be substituted with complete 2200 Series Driveline (40890).

Repair parts for 2200 Series Driveline are found on page 51B.



REF	PART NUMBER	DESCRIPTION	QTY	SERIAL NUMBER
1	* 40890	DRIVELINE - feeder draper) 1 (Note: Driveline 40890 does not include item 11)	1	
2	NSS	JOINT ASSEMBLY - inner half (order 40890) 1	1	
3	49180	YOKE - 2200 Series, feeder draper end 1	1	
4	49178	CROSS & BEARING KIT - 2200 Series 1	1	
8	* 40657	JOINT ASSEMBLY - outer half 1	1	
9	* 40721	CROSS & BEARING KIT - 2100 Series 1	1	
10	* 40655	YOKE with CLUTCH 1	1	
	40656	REPAIR KIT - clutch (includes cams, springs, and seal ring)		
11	40894	DEFLECTOR - bolt on..... 1	1	
D	18908	SCREW - set, square head, cup point, 3/8 NC x 1 inch		
E	18664	NUT - hex jam, 3/8 NC		
F	21248	SCREW - set, square head, cup point, 3/8 NC x 3/4 inch		

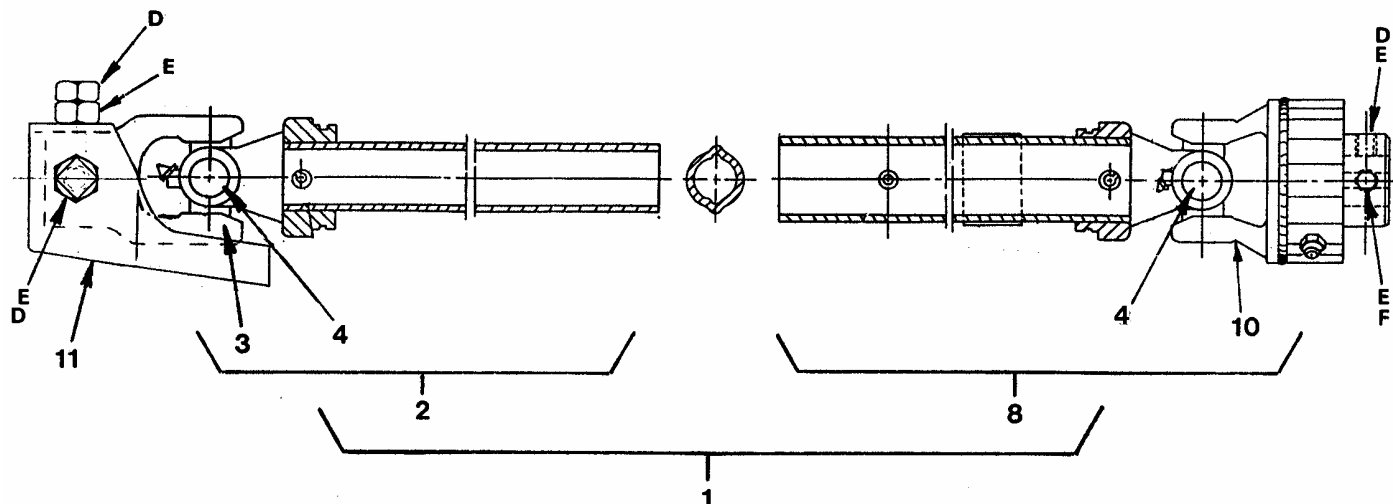
* - See Parts Substitution Note above.

Combine Adapter FEEDER DRAPER DRIVELINES

Manufacturer: WALTERSCHEID - 2200 SERIES

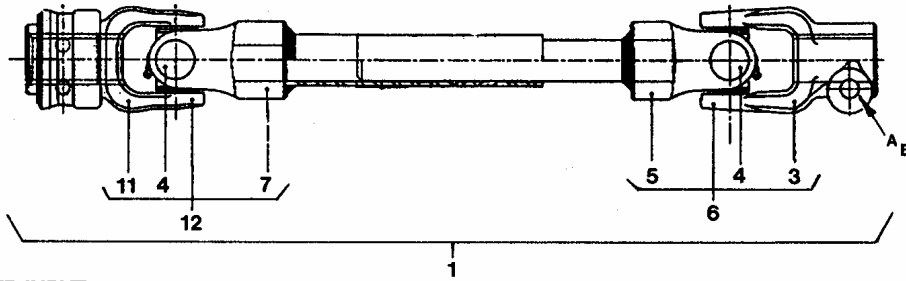
Used on Adapter Serial Numbers: 95000 - and up

Identifying Features: Cross & bearing snap rings are on outside of yoke.
Inner & outer tubes have an oval cross section.

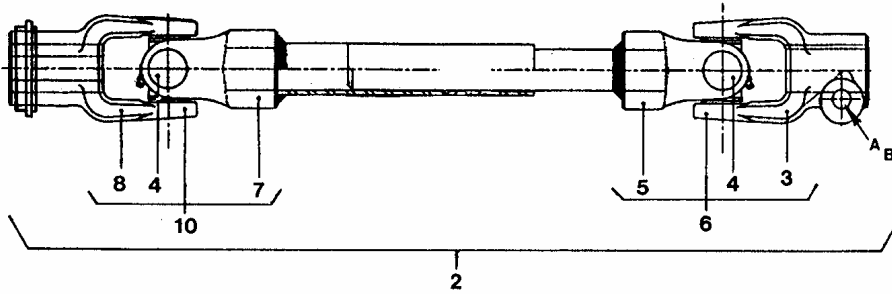


REF	PART NUMBER	DESCRIPTION	QTY	SERIAL NUMBER
1	40890	DRIVELINE - feeder draper (does not include item 11)	1	
2	40891	JOINT ASSEMBLY - inner half	1	
3	49180	YOKE - 2200 Series, feeder draper end	1	
4	49178	CROSS & BEARING KIT - 2200 Series	2	
8	40892	JOINT ASSEMBLY - outer half	1	
10	40893	YOKE with CLUTCH	1	
	40656	REPAIR KIT - clutch (includes cams, springs, and seal ring)		
11	40894	DEFLECTOR - bolt on.....	1	
D	18908	SCREW - set, square head, cup point, 3/8 NC x 1 inch		
E	18664	NUT - hex jam, 3/8 NC		
F	21248	SCREW - set, square head, cup point, 3/8 NC x 3/4 inch		

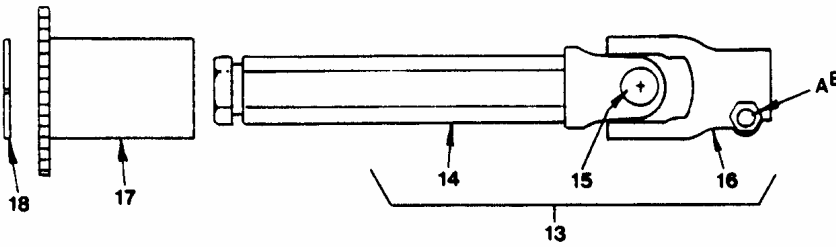
Combine Adapter INPUT DRIVELINES



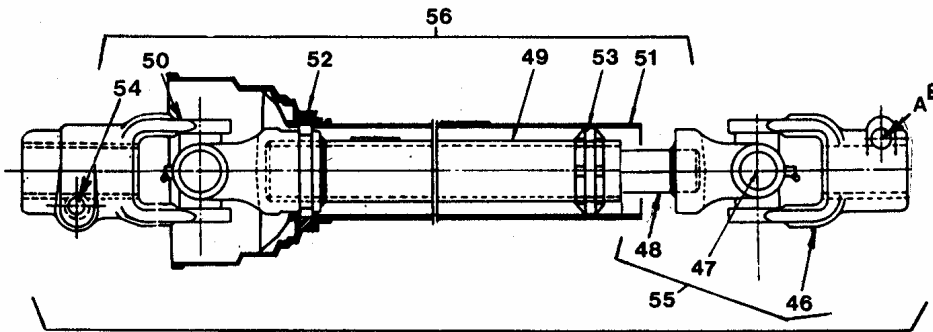
GLEANER INPUT



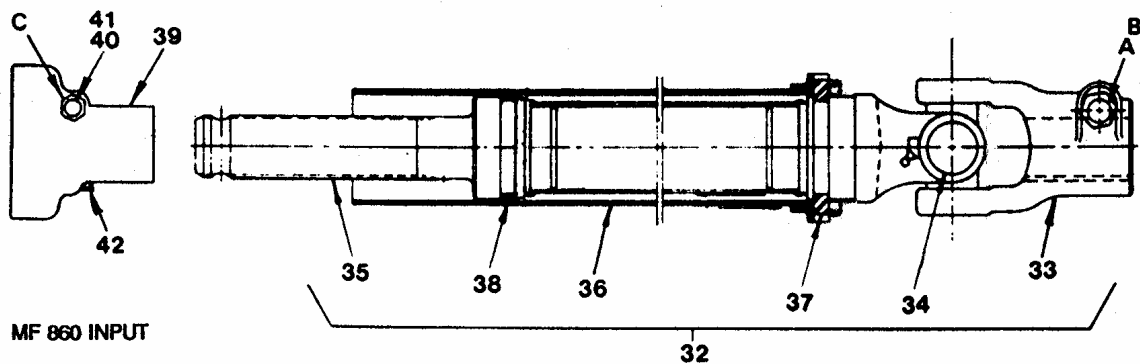
CASE IH & MF 8570 INPUT



JOHN DEERE INPUT



NEW HOLLAND, CLAAS & MF 8450/8460 INPUT



MF 860 INPUT

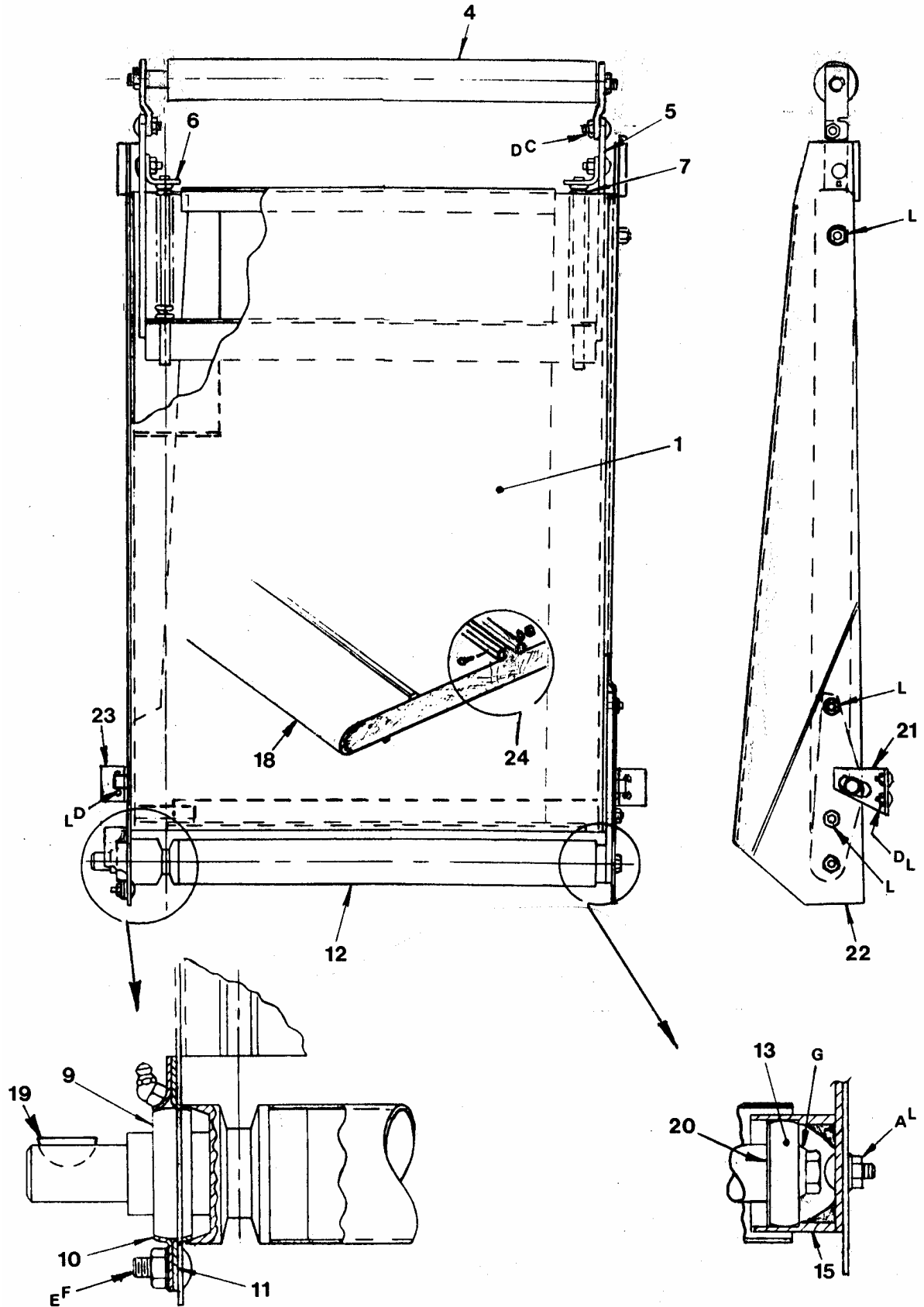
Combine Adapter INPUT DRIVELINES

REF	PART NUMBER	DESCRIPTION	QTY	SERIAL NUMBER
1	40093	DRIVELINE - input, GLEANER complete.....	1	
2	37570	DRIVELINE - input, C-IH, complete (for MF 8570 also order yoke 40404)..	1	
3	37993	YOKE - drive case end.....	1	
4	15406	CROSS & BEARING KIT – Weasler # 03-10077	2	
5	NSS	YOKE with SHAFT (order 37998)	1	
6	37998	JOINT ASSEMBLY - male half.....	1	
7	NSS	YOKE with TUBE (order joint assembly, item 10 or 12).....	1	
8	37958	YOKE - feeder house end, 1-1/8 hex I.D., C-IH	1	
	40404	YOKE - feeder house end, 1-1/4 hex I.D., MF 8570	1	
10	40112	JOINT ASS'Y - female half, C-IH (for MF 8570 also order yoke 40404).....	1	
11	32084	YOKE - feeder house end, GLEANER	1	
12	40094	JOINT ASS'Y - female half, GLEANER.....	1	
13	37714	DRIVELINE - input, JD	1	
14	NSS	YOKE with SHAFT (order 37714)	1	
15	30622	CROSS & BEARING KIT	1	
16	30621	YOKE - drive case end.....	1	
17	37553	SPROCKET - drive.....	1	
18	30865	RING - retaining	1	
32	37709	DRIVELINE- input, MF 860	1	
33	30621	YOKE- drive case end.....	1	
34	30622	CROSS & BEARING KIT	1	
35	NSS	YOKE with SHAFT (order 37709)	1	
36	36785	SHIELD- outer	1	
37	30623	BEARING- nylon, shield	1	
38	36787	BEARING- nylon, support.....	1	
39	REF	COUPLING- order MF #147337M1	1	
40	REF	PIN- coupling, order MF #148162M1	1	
41	37727	SPRING- coupling pin	1	
42	18671	FITTING- lube	1	
45	40244	DRIVELINE - input, NH, CLAAS & MF 8450/8460 complete	1	
46	37993	YOKE - drive case end.....	1	
47	15406	CROSS & BEARING KIT	2	
48	NSS	YOKE with SHAFT (order 40248)	1	
49	NSS	YOKE with TUBE (order 40390).....	1	
50	15549	YOKE - feeder house end	1	
51	30928	SHIELD - plastic (Walterscheid).....	1	
	40392	SHIELD - plastic (Weasler)	1	
52	30623	BEARING - nylon, shield (Walterscheid).....	1	
	32801	KIT - shield bearing & retainer (Weasler).....	1	
53	30167	SUPPORT - shield (Walterscheid)	1	
54	36642	KIT - repair, quick disconnect.....	1	
55	40248	JOINT ASSEMBLY - male half.....	1	
56	40390	JOINT with TUBE and SHIELD	1	
A	21880	BOLT - hex head, 1/2 NC x 2-3/4 inch, except MF 8570		
	21595	BOLT - hex head, 5/16 NC x 3 inch, MF 8570 only		
B	18697	NUT - lock, 1/2 NC distorted thread, except MF 8570		
	18690	NUT - lock, 5/16 NC distorted thread, MF 8570 only		
C	18724	NUT - lock, 1/4 NC distorted thread		

Combine Adapter: FEEDER DRAPER GROUP
Serial No. 88999 and below
(for S.N. 89000 and up see page 57A)

TOP VIEW

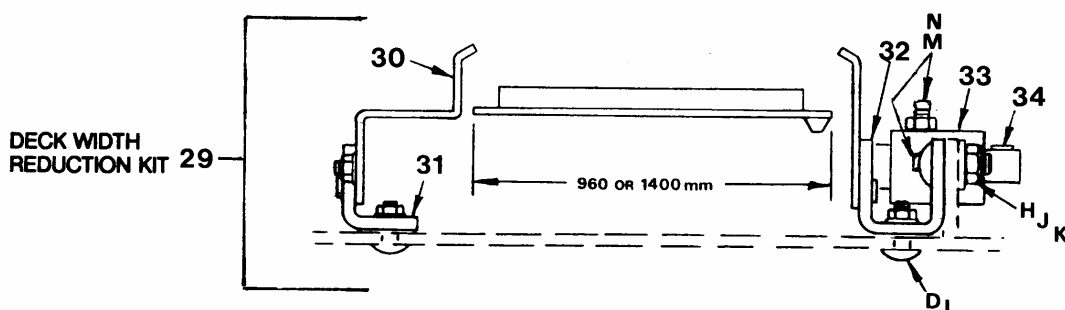
R/H SIDE VIEW



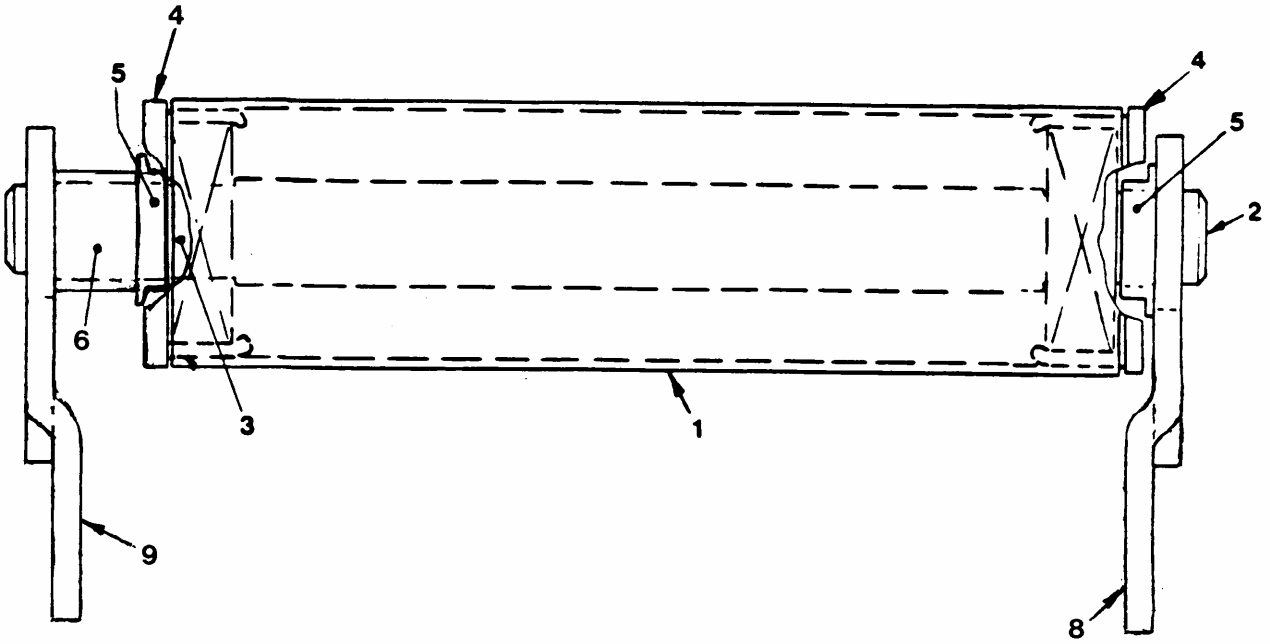
Combine Adapter: FEEDER DRAPER GROUP
Serial No. 88999 and below

REF	PART NUMBER	DESCRIPTION	QTY	SERIAL NUMBER
1	40280	• CARRIER - feeder draper	1	
	40281	+ CARRIER - feeder draper	1	
4	REF	ASSEMBLY - see Feeder Draper Idler Roller	1	
5	37918	BAR - idler adjusting	2	
6	37780	ROD - idler spring	2	
7	37107	SPRING - idler tension	2	
9	21869	BEARING - ball, with lock collar	1	
10	21870	FLANGE - bearing, with lube fitting	1	
11	8316	FLANGE - bearing	1	
12	40337	• ROLLER - drive	1	
	37925	+ ROLLER - drive	1	
13	30550	BEARING - ball	1	
15	37935	SUPPORT - right rear	1	
18	40644	• DRAPER - feeder, 59.5 inch wide	1	-82885
	40698	• DRAPER - feeder, 59.5 inch wide , (see NOTE below)	1	82886-
	40643	+ DRAPER - feeder, 41.5 inch wide	1	-82885
	40697	+ DRAPER - feeder, 41.5 inch wide , (see NOTE below)	1	82886-
	33450	+ DRAPER - side draper extension	2	
19	13298	KEY - woodruff, SAE #18	1	
20	40008	WASHER - flat	1	
21	40011	ANGLE - R/H rear support	1	
22	40005	DEFLECTOR - R/H side	1	
23	40426	ANGLE - L/H rear support, CASE IH, NH & MF 8570	1	
24	40641	• CONNECTOR KIT - includes connector slats (2) & hardware	1	
	40640	+ CONNECTOR KIT - includes connector slats (2) & hardware	1	
29	B 2448	DECK WIDTH REDUCTION KIT - includes items 30-34 & hardware. Also order proper feeder draper, see item 16 on page 57B.		
30	40742	DEFLECTOR - R/H side	1	
31	40722	ANGLE - R/H rear support	1	
32	40723	SUPPORT - L/H rear	1	
33	40724	HUB - connector	1	
34	13298	KEY - woodruff, SAE #18	1	
A	21863	BOLT - round hd. square nk. 3/8 NC x 3/4 inch		
C	18669	NUT - lock, 3/8 NC distorted thread		
D	19965	BOLT - round hd. square nk. 3/8 NC x 1 inch		
E	21281	BOLT - round hd. square nk. 5/16 NC x 3/4 inch		
F	21403	NUT - serrated flange lock, 5/16 NC		
G	21447	BOLT - large flange head, 3/8 NC x 1 inch		
H	18523	BOLT - round head, square neck, 5/8 NC x 1-1/2 inch		
J	18600	WASHER - flat, 21/32 inch I.D.		
K	18666	NUT - lock, 5/8 NC distorted thread		
L	30228	NUT - lock, smooth flange, 3/8 NC distorted thread		
M	18908	SCREW - set, square head, cup point, 3/8 x 1 inch		
	21248	SCREW - set, square head, cup point, 3/8 x 3/4 inch		
N	18664	NUT - jam, 3/8 NC		

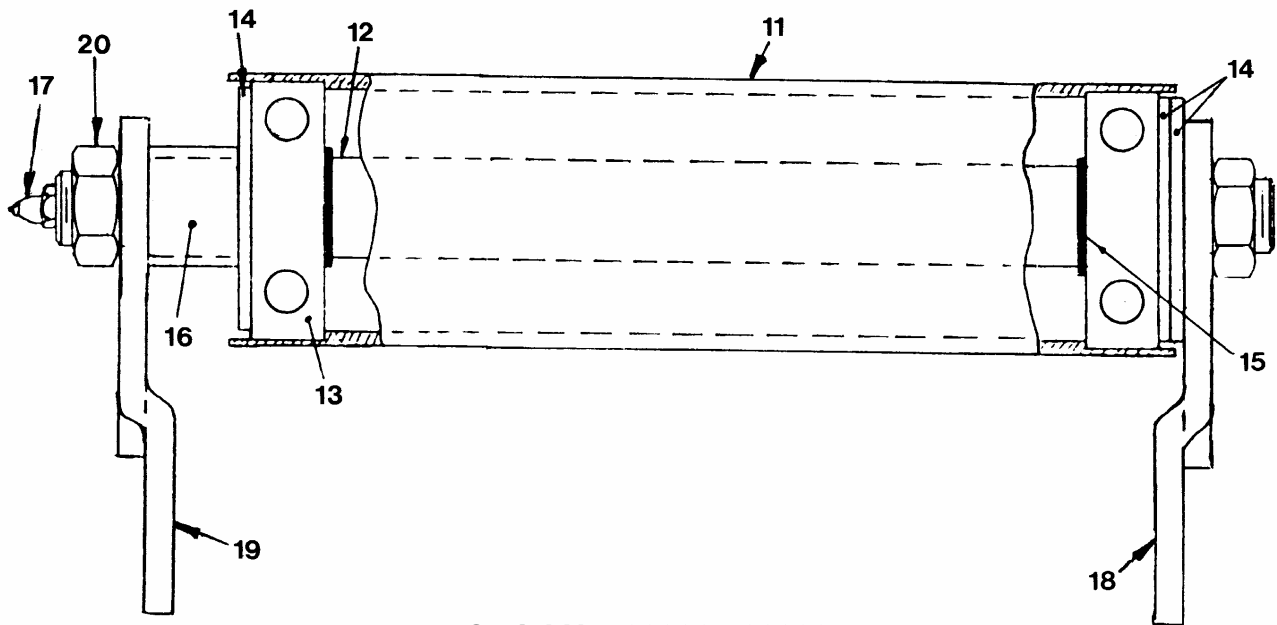
• For John Deere, New Holland TX, Claas and MF 860/8450/8460 adapters.
+ For Case IH, New Holland TR, Gleaner and MF 8570 adapters.
NOTE: If installing feed draper 40697 or 40698 on a combine adapter with serial number 82885 or lower, also order bearing retainer 33001.



Combine Adapter FEEDER DRAPER IDLER ROLLER



Serial No. 82885 and below



Serial No. 82886 - 88999
(for S.N. 89000 and up see page 57A)

**Combine Adapter
FEEDER DRAPER IDLER ROLLER**

REF	PART NUMBER	DESCRIPTION	QTY	SERIAL NUMBER
1	37422 ·	TUBE - idler roller.....	1	-82885
	37419 +	TUBE - idler roller.....	1	-82885
2	37913 ·	SHAFT - idler roller.....	1	-82885
	37914 +	SHAFT - idler roller.....	1	-82885
3	6596	BEARING - ball.....	2	-82885
4	33001	RETAINER - bearing.....	2	-82885
5	37803	WASHER - formed.....	2	-82885
6	37912	SPACER - tube, left side.....	1	
8	37724	SUPPORT - roller, right side.....	1	-82885
9	37725	SUPPORT - roller, left side.....	1	-82885

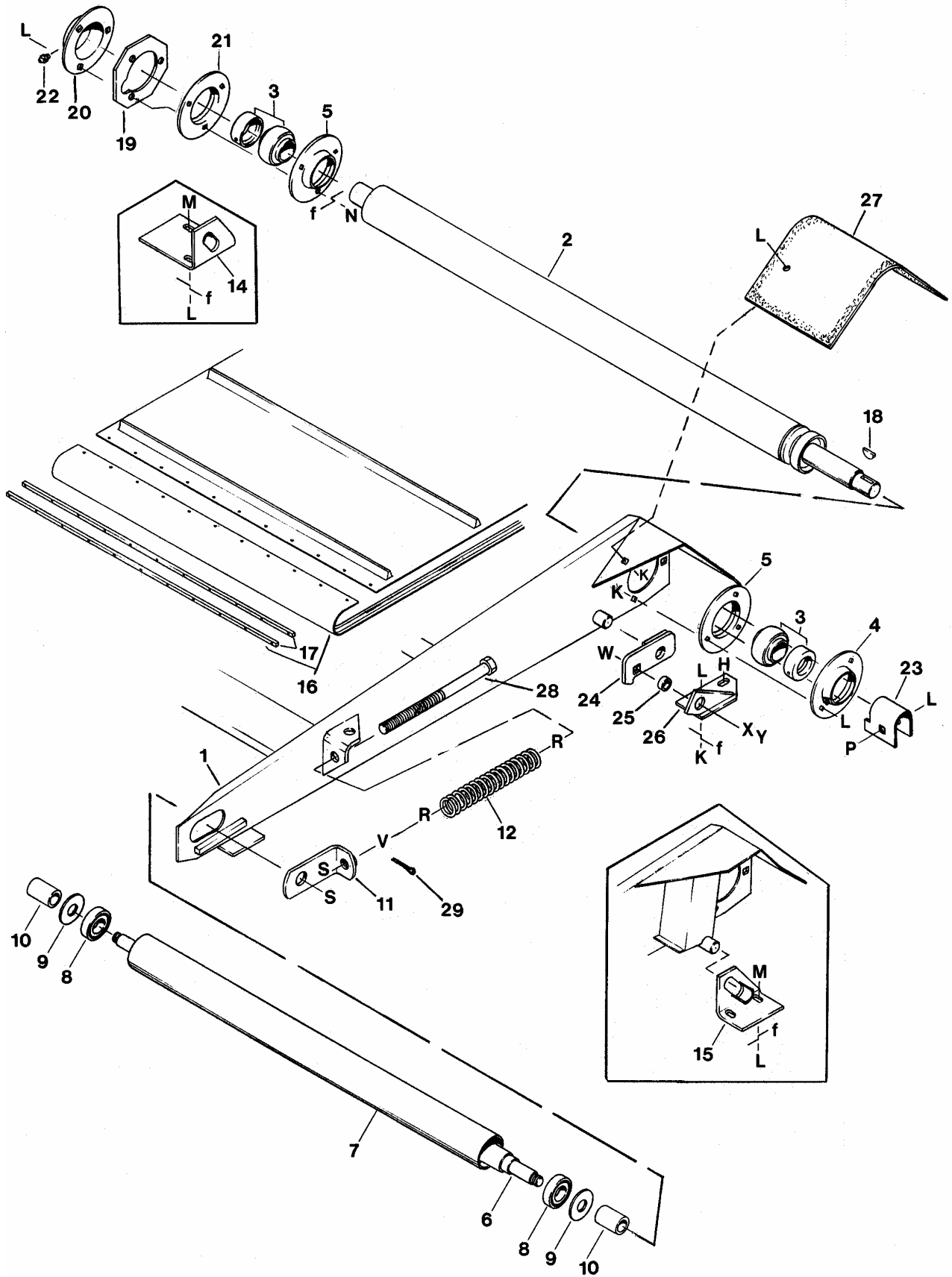
NOTE: Serial No. 82885 and below: Idler roller can be updated to revised design by ordering items 11 to 20, inclusive. For items 11 & 12, order the correct number for your type of adapter.

11	43321 ·	TUBE - idler roller.....	1	82886-88999
	43320 +	TUBE - idler roller.....	1	82886-88999
12	49057 ·	SHAFT - idler roller.....	1	82886-88999
	49056 +	SHAFT - idler roller.....	1	82886-88999
13	21062	BEARING - ball.....	2	82886-88999
14	43523	WASHER - flat.....	3	82886-88999
15	18898	RING - retaining.....	2	82886-86399
16	37912	SPACER - tube, left side.....	1	-88999
17	18671	FITTING - lube, 1/4 NF.....	1	82886-86399
	21887	FITTING - lube, 1/8 NPT.....	1	86400-88999
18	43590	SUPPORT - roller, right side.....	1	82886-88999
19	43591	SUPPORT - roller, left side.....	1	82886-88999
20	21941	NUT - hex jam, 5/8 NC distorted thread.....	2	82886-88999

· - For John Deere, New Holland TX, Claas and MF 860/8450/8460 adapters.

+ - For Case IH, New Holland TR, Gleaner and MF 8570 adapters.

Combine Adapter
FEEDER DRAPER GROUP
Adapter Serial No. 89000 and up



**Combine Adapter
FEEDER DRAPER GROUP
Adapter Serial No. 89000 and up**

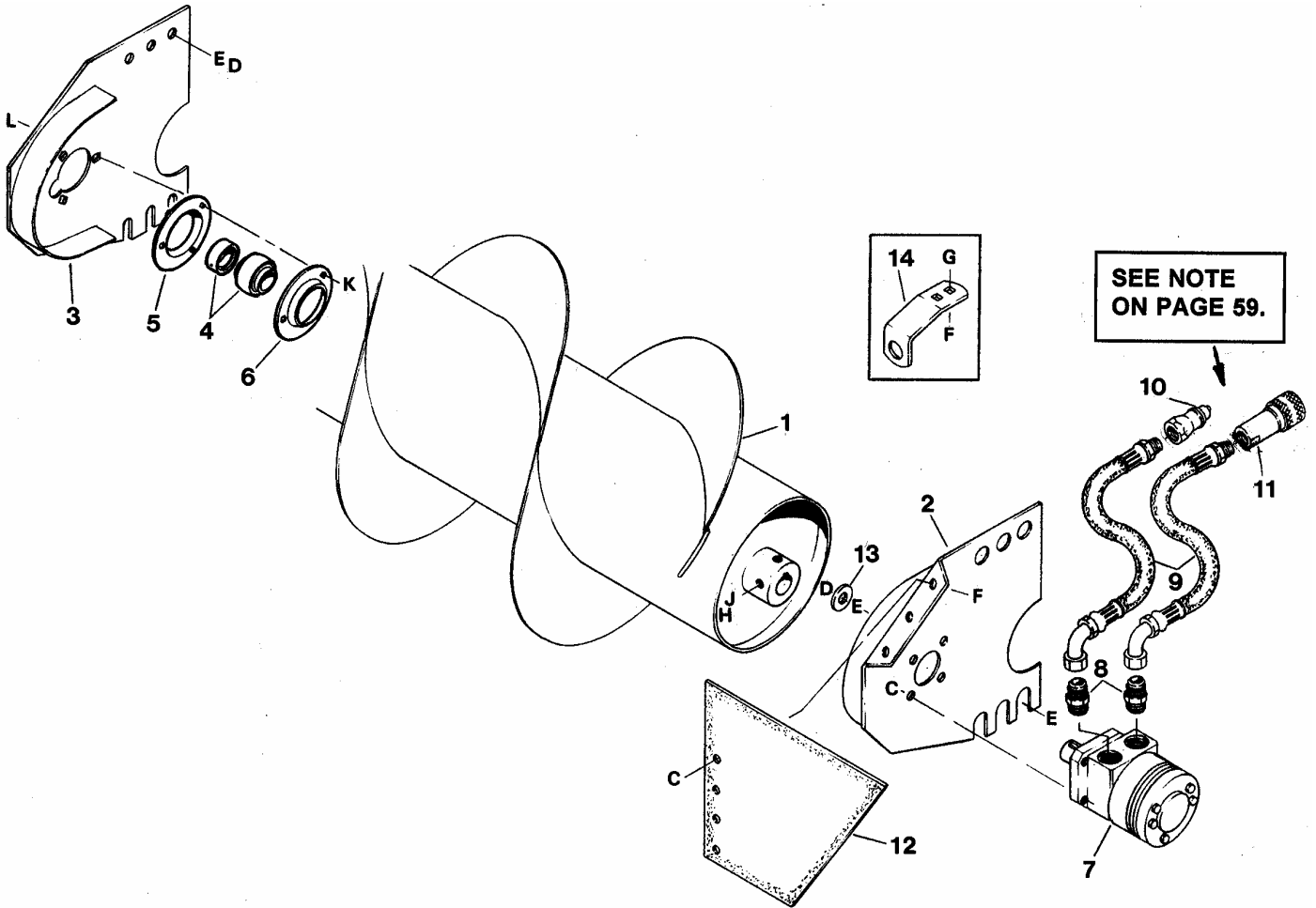
REF	PART NUMBER	DESCRIPTION	QTY	SERIAL NUMBER
1	40783	· CARRIER - feeder draper	1	89000-91999
	40901	· CARRIER - feeder draper, with decals (was 40858).....	1	92000-
	40782	+ CARRIER - feeder draper	1	89000-91999
	40902	+ CARRIER - feeder draper, with decals (was 40859).....	1	92000-
2	40816	· ROLLER - drive	1	
	40817	+ ROLLER - drive	1	
3	21859	BEARING - ball, with lock collar	2	
4	21860	FLANGE - bearing, with lube fitting	1	
5	30601	FLANGE - bearing	2	
6	40811	· SHAFT - idler roller.....	1	
	40810	+ SHAFT - idler roller.....	1	
7	40813	· TUBE - idler roller.....	1	
	40812	+ TUBE - idler roller.....	1	
8	21062	BEARING - ball.....	2	
9	43523	WASHER - flat	2	
10	40814	SPACER - tube.....	2	
11	40805	SUPPORT - idler roller	2	
12	37107	SPRING - idler tension	2	
14	40830	ANGLE - R/H rear support	1	89000-91999
15	40835	ANGLE - L/H rear support, CASE IH, NH & MF 8570.....	1	89000-91999
16	40762	· DRAPER - feeder, 54.9 inch wide	1	
	40761	+ DRAPER - feeder, 37.4 inch wide	1	
	33450	+ DRAPER - side draper extension.....	2	
17	40765	· CONNECTOR KIT - includes connector slats (2) & hardware.....	1	
	40764	+ CONNECTOR KIT - includes connector slats (2) & hardware.....	1	
18	13298	KEY - Woodruff, SAE #18	1	
19	47778	PLATE - octagonal	1	
20	47777	COVER - bearing	1	
21	47858	FLANGE - bearing, with lube hole (less fitting)	1	
22	18671	FITTING - lube	1	
23	47780	CLEVIS - kicker.....	1	
24	40850	SUPPORT - L/H rear.....	1	92000-
	40851	SUPPORT - R/H rear	1	92000-
25	40753	WASHER - spacer	2	92000-
26	40288	BRACKET - L/H mounting, New Holland only (others welded to frame).....	1	92000-
	40289	BRACKET - R/H mounting, New Holland only (others welded to frame).....	1	92000-
27	40098	COVER - rubber: John Deere, Claas & MF8450/8460.....	1	92000-
	40099	COVER - rubber: Case IH.....	1	92000-
	40075	COVER - rubber: Gleaner.....	1	92000-
	40076	COVER - rubber: New Holland TR.....	1	92000-
	40074	COVER - rubber: New Holland TX, MF 860.....	1	92000-
28	40304	BOLT - hex head, 5/8 NC x 9 inch, drilled.....	2	
29	18648	PIN - cotter, 3/16 x 1-1/4 inch.....	2	
H	21821	BOLT - flange head, 3/8 NC x 3/4 inch		
K	21863	BOLT - round head, square neck, 3/8 NC x 3/4 inch		
L	30228	NUT - lock, smooth flange, 3/8 NC distorted thread		
M	19965	BOLT - round head, square neck, 3/8 NC x 1 inch		
N	19966	BOLT - round head, square neck, 3/8 NC x 1-1/4 inch		
P	21470	BOLT - round head, square neck, 3/8 NC x 2 inch		
R	18600	WASHER - flat, 21/32 inch I.D.		
S	18666	NUT - lock, 5/8 NC distorted thread		
V	6649	NUT - slotted hex, 5/8 NC		
W	21471	BOLT - round head, square neck, 1/2 NC x 1-1/4 inch		
X	18599	WASHER - flat, 17/32 inch I.D.		
Y	18697	NUT - lock, 1/2 NC distorted thread		

~ f REF Indicates where hardware passes through frame member.

· - For John Deere, New Holland TX, Claas and MF 860/8450/8460 adapters.

+ - For Case IH, New Holland TR, Gleaner and MF 8570 adapters.

Combine Adapter CROSS AUGER



**Combine Adapter
CROSS AUGER**

REF	PART NUMBER	DESCRIPTION	QTY	SERIAL NUMBER
1	40306	AUGER - cross, double flighting.....	1	
2	40356	SUPPORT - left.....	1	-88999
	40412	SUPPORT - left.....	1	89000-
3	40357	SUPPORT - right.....	1	
4	21869	BEARING - ball.....	1	
5	30596	FLANGE - bearing, with lube fitting.....	1	
6	30600	FLANGE - bearing.....	1	
7	37101	MOTOR - hydraulic, see note (1).....	1	-109919
	37244	MOTOR - hydraulic.....	1	109920-
	37181	SEAL KIT - for motor 37101 or 37244		
8	30695	ADAPTER - 5/8 tube x 7/8 O-ring.....	2	
9	37135	HOSE - hydraulic.....	2	
10	21855	COUPLER - male, 1/2 NPT.....	1	
11	21857	COUPLER - female, 1/2 NPT.....	1	
	50082	O-RING - for coupler 21857		
12	40149	COVER - rubber, auger motor.....	1	
13	4761	WASHER - flat.....	2	
14	40360	SUPPORT - hose coupler.....	1	-82885
C	21821	BOLT - flange head, 3/8 NC x 3/4 inch		
D	21575	BOLT - hex head, 1/2 NC x 1 inch		
E	18638	WASHER - lock, 1/2 inch		
F	30228	NUT - lock, smooth flange, 3/8 NC distorted thread		
G	21863	BOLT - round head, square neck, 3/8 NC x 3/4 inch		
H	18908	SCREW - set, 3/8 NC x 1 inch		
J	18664	NUT - hex jam, 3/8 NC		
K	21281	BOLT - round hd. square nk. 5/16 NC x 3/4 in.		
L	30280	NUT - lock, smooth flange, 5/16 NC distorted thread		

NOTES: (1) For motor 37244 (Serial No. 109920 and up), couplers are as shown. For motor 37101 (Serial No. 109919 and down) couplers are reversed, with male coupler on hose to rear port, and female coupler on hose to front port.

HEADER DECALS & REFLECTORS

! DANGER

ROTATING DRIVELINE
CONTACT CAN CAUSE DEATH
KEEP AWAY!

DO NOT OPERATE WITHOUT —

- ALL DRIVELINE, TRACTOR AND EQUIPMENT SHIELDS IN PLACE
- DRIVELINES SECURELY ATTACHED AT BOTH ENDS
- DRIVELINE SHIELDS THAT TURN FREELY ON DRIVELINE

30316

! DANGER

SHIELD MISSING
DO NOT OPERATE

! WARNING

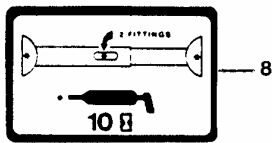
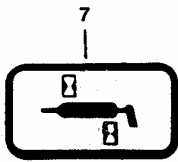
To avoid injury, stop engine before opening power drive system shield.
Keep all shields in place.

* 32738

! WARNING

To avoid injury from fall of raised reel; fully raise reel, stop engine, remove key, and engage mechanical lock on each reel support arm before working on or under reel.
See Operator's Manual.

* 42122



! WARNING

STAY CLEAR of the machine while it is running. Contact with rotating reel, moving knife or conveyor can cause injury or death.
Stop engine and remove key to perform any inspection, maintenance or repair work.

* 29403

! CAUTION

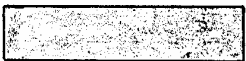
To avoid injury or death from improper or unsafe machine operation:

1. Read the Operator's Manual, and follow all safety instructions. If you do not have a manual, obtain one from your dealer.
2. Do not allow untrained persons to operate the machine.
3. Review safety instructions with all operators annually.
4. Ensure that all safety signs are installed and legible.
5. Make certain everyone is clear of machine before starting engine and during operation.
6. Keep riders off the machine.
7. Keep all shields in place, and stay clear of moving parts.
8. Disengage header drive, put transmission in neutral, apply park brake and wait for all movement to stop before leaving operator's position.
9. Do not service, adjust, lubricate, clean or unplug machine with engine running or key in Ignition.
10. Engage mechanical locks before servicing header or reel in the raised position.
11. Use slow moving vehicle emblem and flashing warning lights when operating on roadways unless prohibited by law.

* 28008



Lift to release cover.



LIFT HERE

IMPORTANT

PIN LOCATION FIELD POSITION STEEP ANGLE FLAT ANGLE

PIN LOCATION TRANSPORT POSITION

STAND POSITION SWATHER ONLY

TRANSPORT PACKAGE (all years)

! CAUTION

To avoid injury and/or machine damage caused by loss of control:

1. Read Operator's Manual before transporting.
2. Do not tow with a vehicle weighing less than 5000 lbs. (2300 kg).
3. Move reel fully back on support arms to increase header stability.
4. Secure all pins and hitch chain in transport position.
5. Do not tow at speeds greater than 20 m.p.h. (30 km/h).
6. Reduce speed for corners and for slippery or rough conditions.
7. Obey all highway traffic regulations in your area when transporting on public roads.
8. Use slow moving vehicle emblem and flashing warning lights unless prohibited by law.

* 42883

DRAPER TIGHTENING INSTRUCTIONS

1. Check that draper belt (A) is properly engaged in grooves of both rollers. (For short deck draper, go to step 4.)
2. Loosen locknut (B) and slide bracket (C) away from idler roller as far as hand force allows.
3. Tighten locknut (B) to secure the new position.
4. Turn bolt head (D) clockwise until gap (E) between idler spring coils is 1/16 inch (1.5 mm). Do not collapse spring.

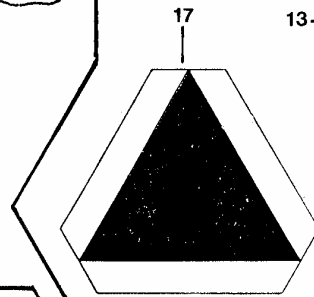
1/16" (1.5 mm)

* 43888

This product may be covered by one or more of the following patents:

CDN. # 1075914
CDN. # 1226739
CDN. # 1240159
CDN. # 1244248
CDN. # 1267292
U.S. # 4348909
U.S. # 4573309
U.S. # 4660361
U.S. # 4662161
U.S. # 4906026
U.S. # 4956966

Other patents pending.



1992 TRANSPORT

! CAUTION

Before converting to transport, move reel fully back on support arms to increase header stability.

Hairpin secures Strap "D" - Transport Position

Pin "C" - Field Position
Pin "B" - Transport Position

Pin "C" - Field Position
Pin "B" - Transport Position

Hairpin secures Strap "D" - Field Position

Pin "C" - Transport Position

43895

! CAUTION

Pin "B" - Transport Position

Pin "A" - Field Position
Pin "A" - Transport Position

43894

IMPORTANT

Pin "B" - Field Position Steep Header Angle Flat Header Angle

Pin "B" - Transport Position

Pin "B" - Stand Position

! WARNING

DO NOT GO NEAR LEAKS

- High pressure oil easily punctures skin causing serious injury, gangrene or death.
- If injured, seek emergency medical help. Immediate surgery is required to remove oil.
- Do not use finger or skin to check for leaks.
- Lower load or relieve hydraulic pressure before loosening fittings.

* 46841

14

15

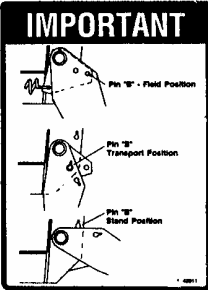
16

30

HEADER DECALS & REFLECTORS

REF	PART NUMBER	DESCRIPTION	QTY	PROD'N YEAR
1	30316	DECAL - DANGER: Rotating Driveline		
2	36651	DECAL - DANGER: Shield Missing		
3	32738	DECAL - WARNING: Shields & Guards		
4	28403	DECAL - WARNING: Clear While Running		
5	42122	DECAL - WARNING: Reel Props		
6	32009	DECAL - CAUTION: General Safety		
7	25929	DECAL - 5 Hour Grease		
	23163	DECAL - 10 Hour Grease		
	23165	DECAL - 50 Hour Grease		
8	24777	DECAL - Driveline Grease		
9	43697	DECAL - Lift to Release Cover		
10	26694	REFLECTOR - Red		
11	26697	REFLECTOR - Amber		
12	23296	DECAL - Lift Here		
13	43693	DECAL - CAUTION: Transport Safety (Transport Option)		
14	43695	DECAL - CAUTION: R/H Wheel Support (Transport Option)		1992
15	43694	DECAL - CAUTION: L/H Wheel Support (Transport Option)		1992
16	43699	DECAL - Wheel Positions (Transport Option)		1992
17	43843	REFLECTOR - Slow Moving Vehicle (Transport Option)		
18	37900	DECAL - Wheel Positions (Standard Gauge Wheel Package) - 30 & 36 ft.		-1993
	49053	DECAL - Wheel Positions (Standard Gauge Wheel Package) - 30 & 36 ft.		1994
	49171	DECAL - Wheel Positions (Standard Gauge Wheel Package) - 30 & 36 ft.		1995-
19	43696	DECAL - Draper Tightening Instructions		
20	32070	DECAL - Patents		
21	43911	DECAL - Wheel Positions (Transport Option)		1993
22	43913	DECAL - L/H Wheel Support: Field to Transport (Transport Option)		1993
23	43914	DECAL - L/H Wheel Support: Transport to Field (Transport Option)		1993
24	43912	DECAL - R/H Wheel Support (Transport Option)		1993
25	43910	DECAL - WARNING: R/H Beam - Pivot Hole Use (Transport Option)		1993
26	49118	DECAL - L/H Wheel Support: Field & Transport Positions (Transport Option)		1994
	49172	DECAL - L/H Wheel Support: Field & Transport Positions (Transport Option)		1995
27	49131	DECAL - R/H Wheel Support: Field & Transport Positions		1994
	49173	DECAL - R/H Wheel Support: Field & Transport Positions		1995
28	49144	DECAL - WARNING: Reel Back for Transport (Transport Option)		1994
29	49152	DECAL - R/H Wheel: Cutterbar Support (Transport Option)		1994
30	44944	DECAL - WARNING: Hydraulic Oil Leaks		

1993 TRANSPORT



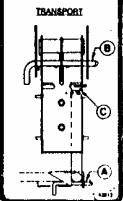
21

IMPORTANT

FIELD TO TRANSPORT

1. Read Operator's Manual for complete instructions.
2. Raise header fully and engage lift cylinder stops.
3. Remove pin (A) from wheel support, allowing caster to lower.
4. Install pin (B) in transport position.
5. Insert bar (C) in slot above caster. Secure with harpin.
6. Secure bar bar on caster with pin (A) and harpin.

TRANSPORT

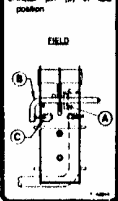


IMPORTANT

TRANSPORT TO FIELD

1. Read Operator's Manual for complete instructions.
2. Raise header fully and engage lift cylinder stops.
3. Insert bar (C) in slot on side opposite caster. Secure with harpin.
4. Move bar bar.
5. Raise caster fully up and install pin (A) to lock caster in raised position.
6. Install pin (B) in field position.

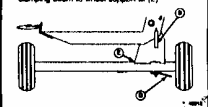
FIELD



IMPORTANT

CONVERTING FROM FIELD TO TRANSPORT

1. Read Operator's Manual for complete instructions.
2. Move reel fully back on support arms.
3. Raise header fully. Engage stops on lift cylinders.
4. Install pin (B) in transport position.
5. Loosen handle (D) until nut is close to end of thread.
6. Swing wheel beam (E) and tighten handle (F), clamping beam to wheel support at (E).



24

WARNING

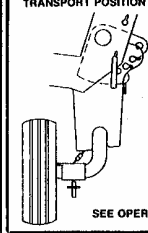
To avoid bodily injury and/or machine damage due to machine tip-over in transport, use this pivot hole. Adjacent hole has restricted use as noted in Operator's Manual.

22 25 23

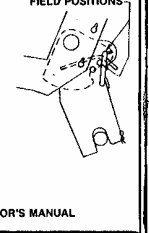
1994 and up TRANSPORT

IMPORTANT

TRANSPORT POSITION



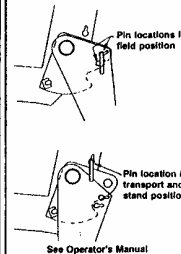
FIELD POSITIONS



SEE OPERATOR'S MANUAL

26 28

IMPORTANT



See Operator's Manual

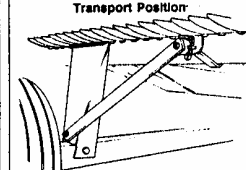
27 29

WARNING

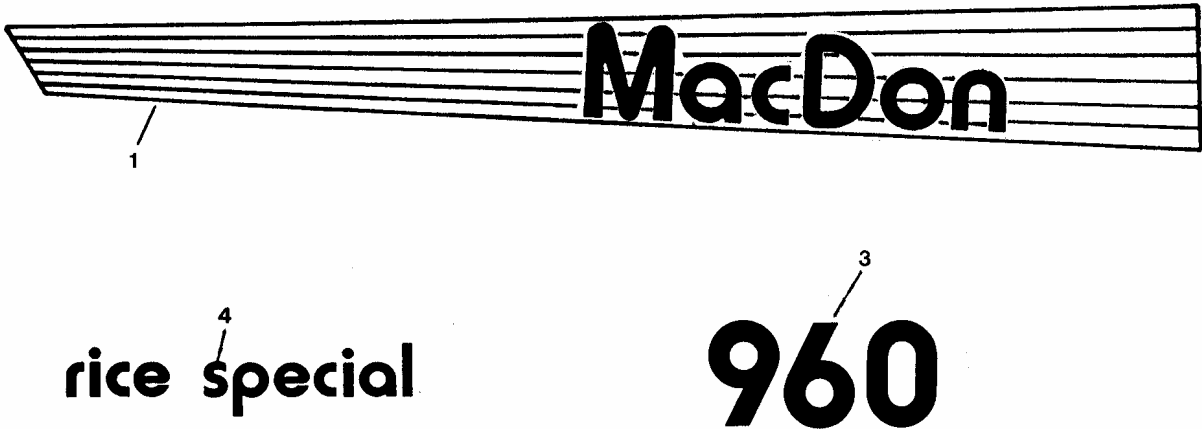
To avoid injury caused by machine tip-over, move reel fully back on support arms before converting to transport. Do not move reel forward while machine is in transport. Read Operator's Manual for transport operating instructions.

IMPORTANT

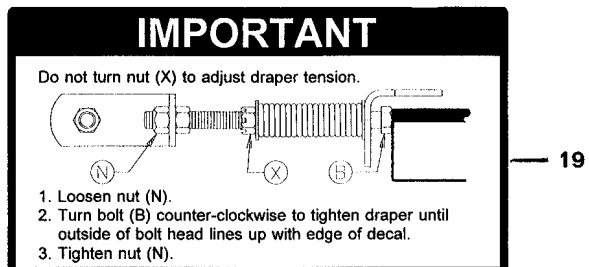
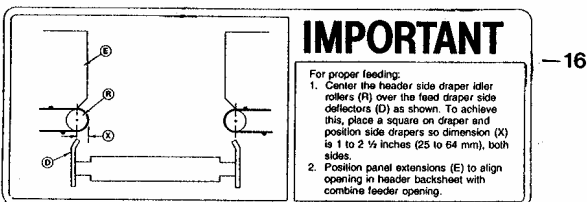
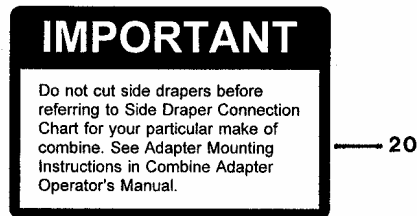
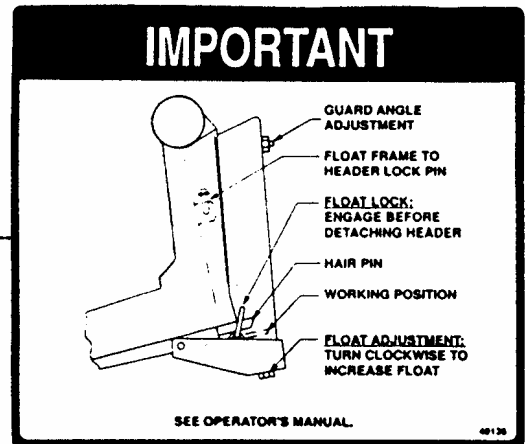
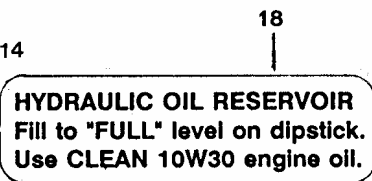
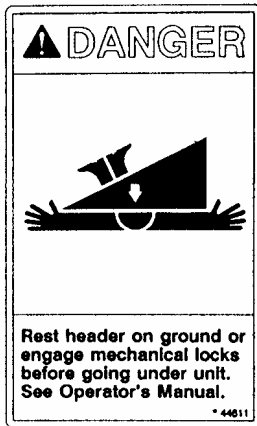
Transport Position



PRODUCT IDENTIFICATION DECALS



COMBINE ADAPTER DECALS



PRODUCT IDENTIFICATION DECALS

REF	PART NUMBER	DESCRIPTION	QTY	SERIAL NUMBER
1	43916	DECAL - L/H Rainbow with MacDon		
	43917	DECAL - R/H Rainbow with MacDon		
3	45413	DECAL - 960		
4	43909	DECAL - rice special		

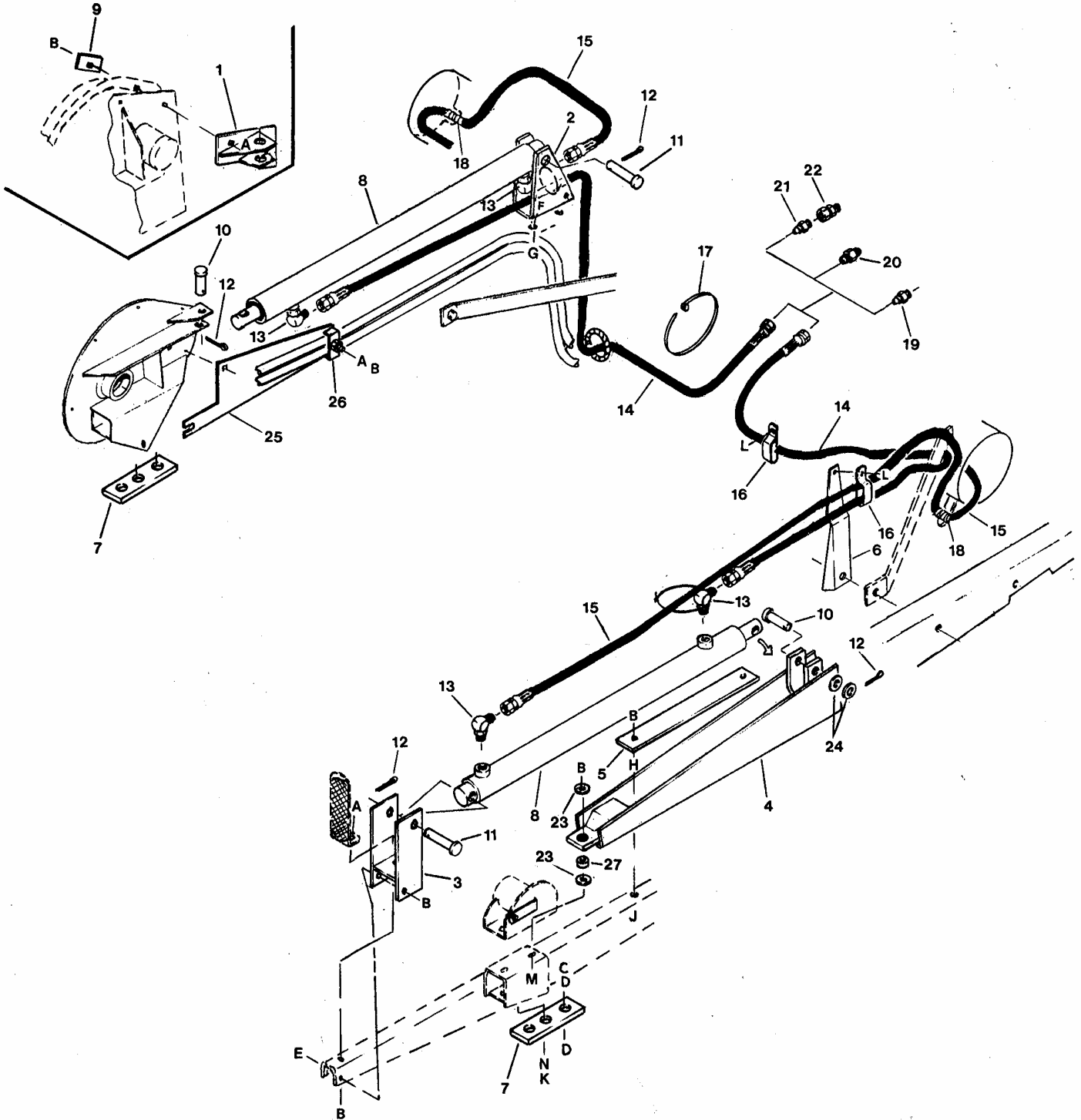
COMBINE ADAPTER DECALS

REF	PART NUMBER	DESCRIPTION	QTY	SERIAL NUMBER
13	30479	DECAL - DANGER: Rotating Driveline		
14	44611	DECAL - DANGER: Servicing Raised Header		
15	40136	DECAL - Adjustment Information		
16	43698	DECAL - Opening Width		-103519
17	23163	DECAL - 10 Hour Grease		
18	40354	DECAL - Hydraulic Oil Reservoir		
19	40900	DECAL - Feeder Draper Tension		
20	43775	DECAL - Side Draper Connection.....		103520-

PAINT

23951	PAINT - black, aerosol spray
23955	PAINT- black, 1 litre
32879	PAINT - white aerosol spray
23957	PAINT- white, 1 litre

21', 25', & 30' HYDRAULIC REEL FORE-AFT KIT



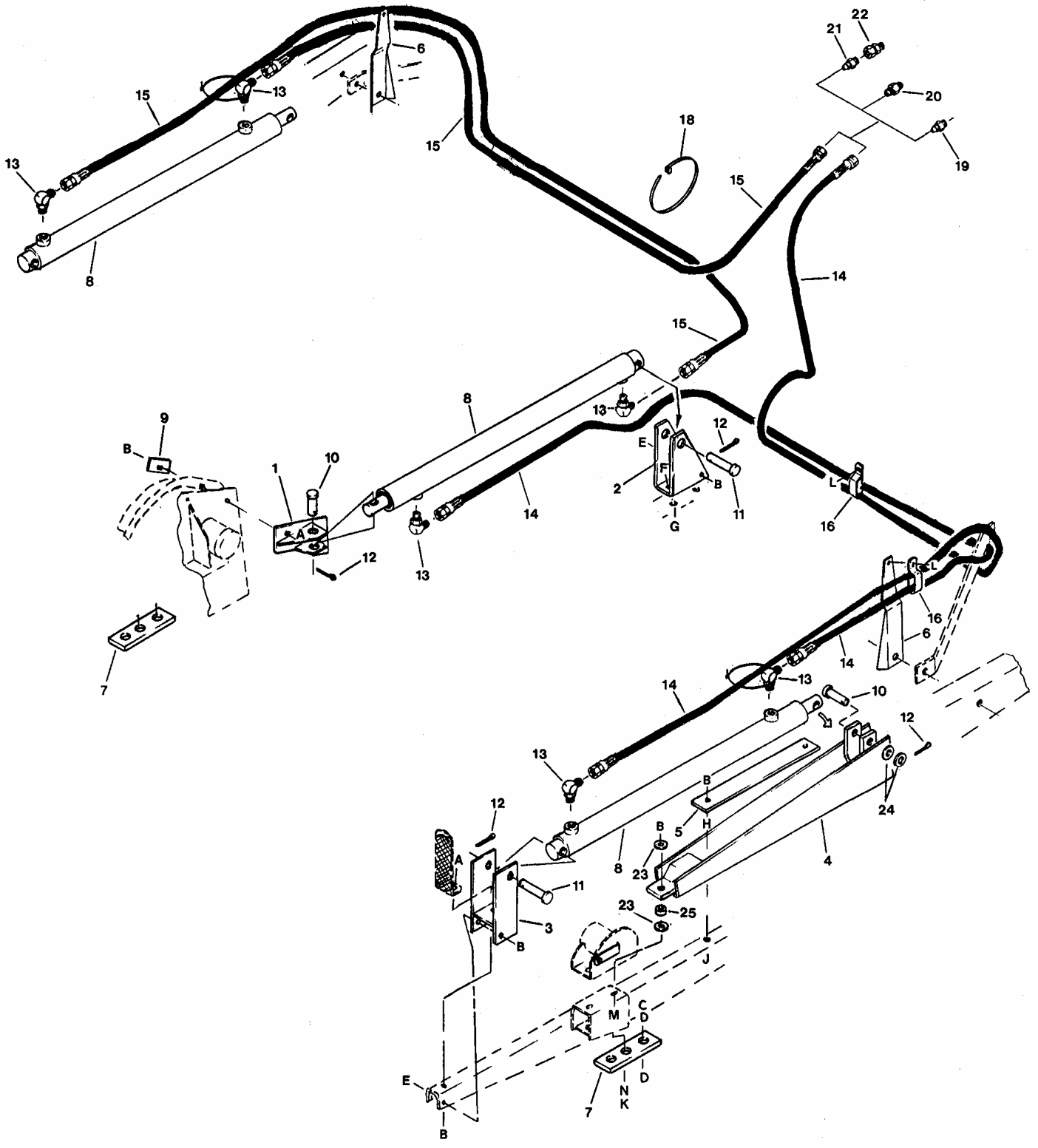
21', 25', & 30'
HYDRAULIC REEL FORE-AFT KIT

REF	PART NUMBER	DESCRIPTION	QTY	SERIAL NUMBER
	B 2416	HYDRAULIC FORE-AFT KIT, complete - for 21' 25' & 30' headers (Kit available through WholeGoods only.)		
1	43854	SUPPORT - cylinder, right front	1	-96449
2	43870	SUPPORT - cylinder, right rear	1	
3	49008	SUPPORT - cylinder, left front	1	
4	49000	SUPPORT - cylinder, left rear	1	
5	43860	BAR - guide	1	
6	49006	SUPPORT - hose	1	
7	43980	BAR - adapter	2	
8	49175	CYLINDER - hydraulic	2	
	43887	SEAL KIT - for cylinder		
	43803	PISTON - for cylinder (also order Seal Kit 43887)		
	43888	SPACER - cylinder, included in Update Kit (see Note 1 below)		
9	43889	BAR - reinforcement	2	-96449
10	18704	PIN - clevis, 5/8 dia. x 2.28 inch effective length	2	
11	18624	PIN - clevis, 5/8 dia. x 2.76 inch effective length	2	
12	18648	PIN - cotter, 3/16 dia. x 1-1/4 inch	4	
13	30282	FITTING - 90° elbow, 9/16 O-ring x 3/8 tube	4	
14	43895	HOSE - to right cylinder front port, and from left cylinder rear port	2	
15	43896	HOSE - right cylinder rear port to left cylinder front port	1	
16	43848	FASTENER - hose clamp	8	
17	30753	FASTENER - plastic tie	11	
18	37881	PROTECTOR - hose	2	
19	15903	FITTING - adapter, 3/8 tube x 9/16 O-ring	2	
20	21804	FITTING - adapter, 3/8 tube x 3/4 O-ring	2	
21	21806	FITTING - adapter, 3/8 tube x 1/2 NPT	2	
22	21882	FITTING - adapter, 1/2 NPT female x 7/8 O-ring	2	
23	20535	WASHER - flat (see Note 2 below)	2	
24	18600	WASHER - flat	2	
25	49007	SUPPORT - reel drive hoses	1	
26	32225	HOLDER - hose	1	
27	19411	SPACER - bushing	1	
A	19966	BOLT - round head, square neck, 3/8 NC x 1-1/4 inch		
B	30228	NUT - lock, smooth flange, 3/8 NC distorted thread		
C	21871	BOLT - hex head, 5/8 NC x 2-1/2 inch - thread full length		
D	18592	NUT - hex, 5/8 NC		
E	21579	BOLT - hex head, 3/8 NC x 3-1/4 inch		
F	21868	BOLT - round head, square neck, 1/2 NC x 1 inch		
G	21383	NUT - serrated flange lock, 1/2 NC		
H	18590	NUT - hex, 3/8 NC		
J	21264	BOLT - hex head, 3/8 NC x 1-1/4 inch		
K	21594	BOLT - hex head, 5/8 NC x 1-1/2 inch		
L	50124	SCREW - self tapping, 5/16 NC x 1/2 inch		
M	21484	BOLT - round head, square neck, 3/8 NC x 1-1/2 inch		
N	18639	WASHER - lock, 5/8 inch		

NOTES:

- To update earlier version hydraulic fore-aft kits (manufactured 1993 and earlier) to the above design, order Fore-Aft Update Kit B 2436 (includes only non-common parts) from MacDon WholeGoods.
- When installed on header with Pick-Up Reel, do not install lower washer.

36' HYDRAULIC REEL FORE-AFT KIT



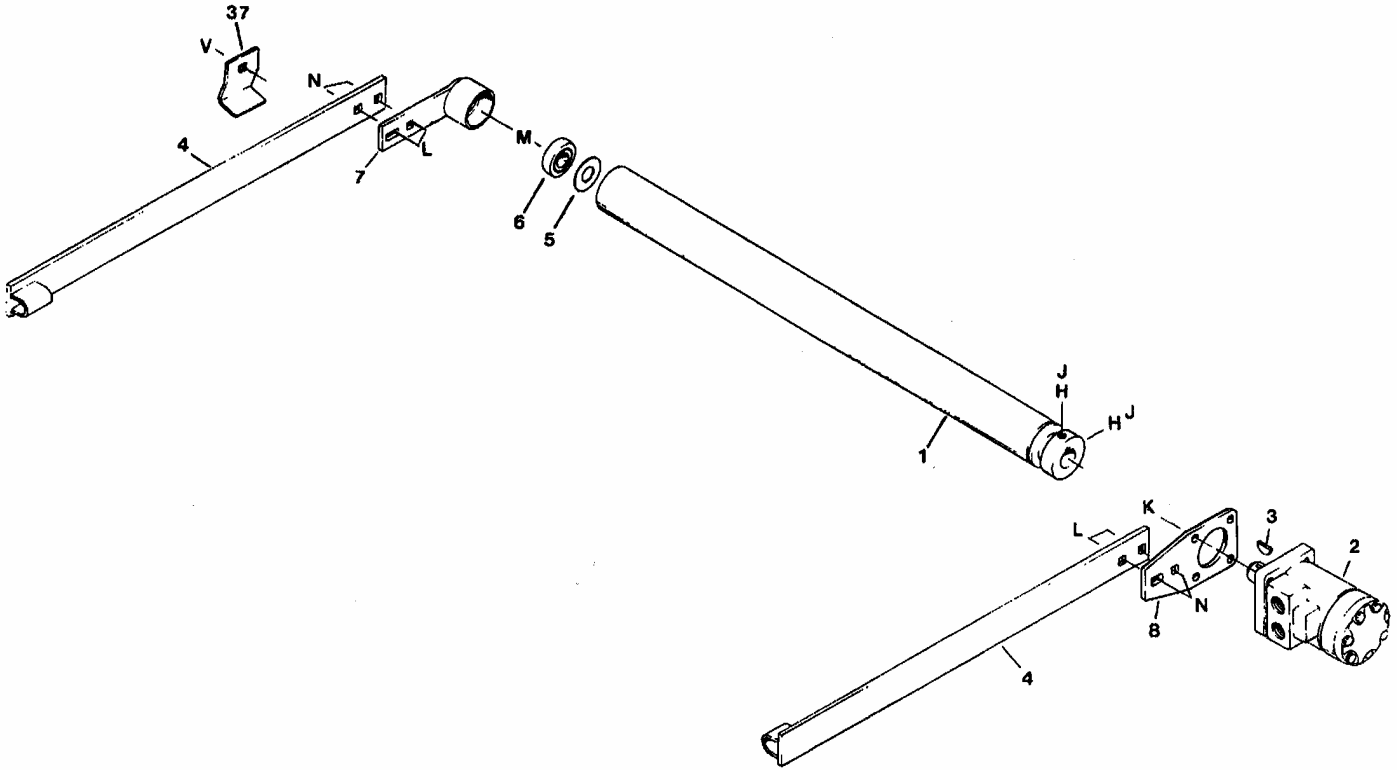
36'
HYDRAULIC REEL FORE-AFT KIT

REF	PART NUMBER	DESCRIPTION	QTY	SERIAL NUMBER
	B 2417	HYDRAULIC FORE-AFT KIT, complete - for 36' header (Kit available through WholeGoods only.)		
1	43854	SUPPORT - cylinder, center front	1	-96449
2	43870	SUPPORT - cylinder, center rear	1	
3	49008	SUPPORT - cylinder, left & right front	2	
4	49000	SUPPORT - cylinder, left & right rear	2	
5	43860	BAR - guide	2	
6	49006	SUPPORT - hose, left	2	
7	43980	BAR - adapter	3	
8	49175	CYLINDER - hydraulic	3	
	43887	SEAL KIT - for cylinder		
	43803	PISTON - for cylinder (also order Seal Kit 43887)		
	43888	SPACER - cylinder, included in Update Kit (see Note 1 below)		
9	43889	BAR - reinforcement	2	-96449
10	18704	PIN - clevis, 5/8 dia. x 2.28 inch effective length	3	
11	18624	PIN - clevis, 5/8 dia. x 2.76 inch effective length	3	
12	18648	PIN - cotter, 3/16 dia. x 1-1/4 inch	6	
13	30282	FITTING - 90° elbow, 9/16 O-ring x 3/8 tube	6	
14	43892	HOSE - from left cylinder front port	2	
		- center cylinder front port to left cylinder rear port		
15	43894	HOSE - to right cylinder rear port	2	
		- right cylinder front port to center cylinder rear port		
16	43848	FASTENER - hose clamp	14	
18	30753	FASTENER - plastic tie	14	
	16661	FASTENER - plastic tie (for reel drive hoses)	5	
19	15903	FITTING - adapter, 3/8 tube x 9/16 O-ring	2	
20	21804	FITTING - adapter, 3/8 tube x 3/4 O-ring	2	
21	21806	FITTING - adapter, 3/8 tube x 1/2 NPT	2	
22	21882	FITTING - adapter, 1/2 NPT female x 7/8 O-ring	2	
23	20535	WASHER - flat (see Note 2 below)	4	
24	18600	WASHER - flat	4	
25	19411	SPACER - bushing	2	
A	19966	BOLT - round head, square neck, 3/8 NC x 1-1/4 inch		
B	30228	NUT - lock, smooth flange, 3/8 NC distorted thread		
C	21871	BOLT - hex head, 5/8 NC x 2-1/2 inch - thread full length		
D	18592	NUT - hex, 5/8 NC		
E	21579	BOLT - hex head, 3/8 NC x 3-1/4 inch		
F	21868	BOLT - round head, square neck, 1/2 NC x 1 inch		
G	21383	NUT - serrated flange lock, 1/2 NC		
H	18590	NUT - hex, 3/8 NC		
J	21264	BOLT - hex head, 3/8 NC x 1-1/4 inch		
K	21594	BOLT - hex head, 5/8 NC x 1-1/2 inch		
L	50124	SCREW - self tapping, 5/16 NC x 1/2 inch		
M	21484	BOLT - round head, square neck, 3/8 NC x 1-1/2 inch		
N	18639	WASHER - lock, 5/8 inch		

NOTES:

1. To update earlier version hydraulic fore-aft kits (manufactured 1993 and earlier) to the above design, order Fore-Aft Update Kit B 2437 (includes only non-common parts) from MacDon WholeGoods.
2. When installed on header with Pick-Up Reel, do not install lower washer (both sides).

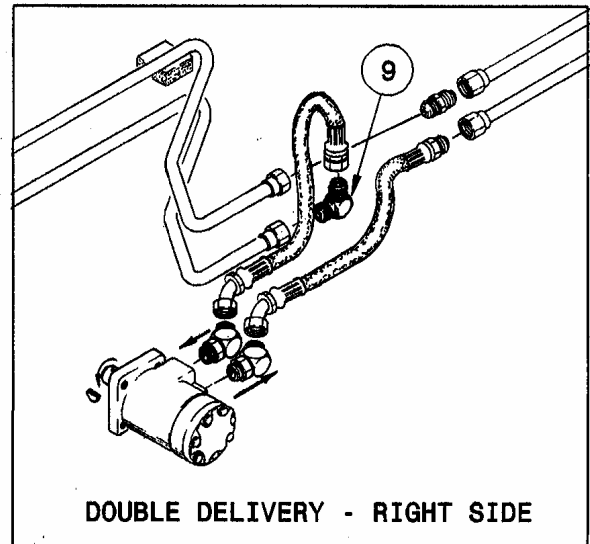
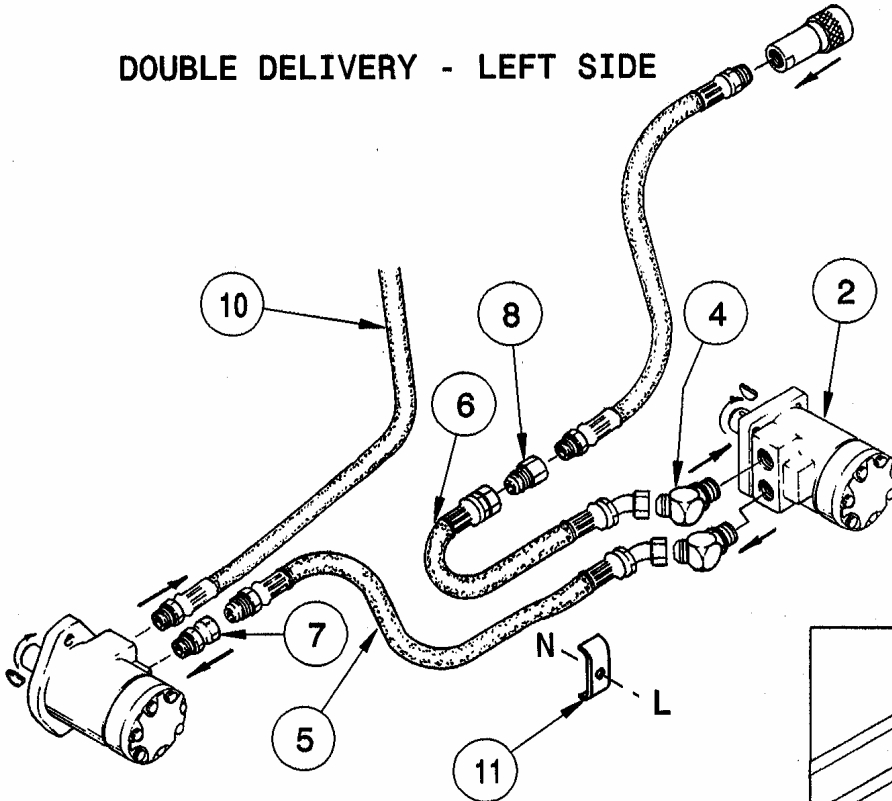
HEAVY DUTY DRAPER DRIVE: ROLLER GROUP



REF	PART NUMBER	DESCRIPTION	QTY	SERIAL NUMBER
*	B2540	HEAVY DUTY DRAPER DRIVE KIT (includes items on pages 67A and 67B)		
1	43513	ROLLER - drive	1	
2	49526	MOTOR - draper drive, four bolt flange, with key (item 3)	1	
	123314	SEAL KIT - for motor 49526 (was 101670)		
3	2149	KEY - Woodruff, SAE #15	1	
4	49536	SUPPORT - drive roller	2	
5	40008	WASHER - flat	1	
6	30550	BEARING - ball, drive roller.....	1	
7	43517	SUPPORT - drive roller.....	1	
8	49532	SUPPORT - motor.....	1	
H	30940	SETSCREW - socket head, cup point, 3/8 NC x 5/16 inch		
J	30941	SETSCREW - hex socket through bore, 3/8 NC x 3/16 inch		
K	49531	SCREW - countersunk head, 3/8 NC x 3/4 inch		
L	30228	NUT - lock, smooth flange, 3/8 NC distorted thread		
M	21447	BOLT - large flange head, 3/8 NC x 1 inch		
N	19965	BOLT - round head, square neck, 3/8 NC x 1 inch		

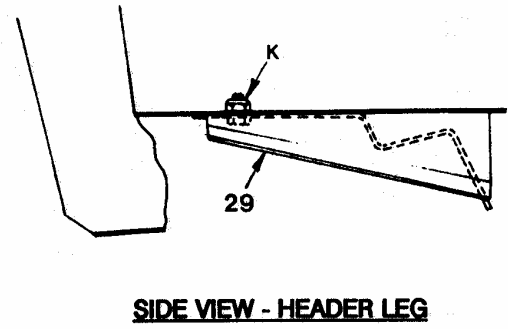
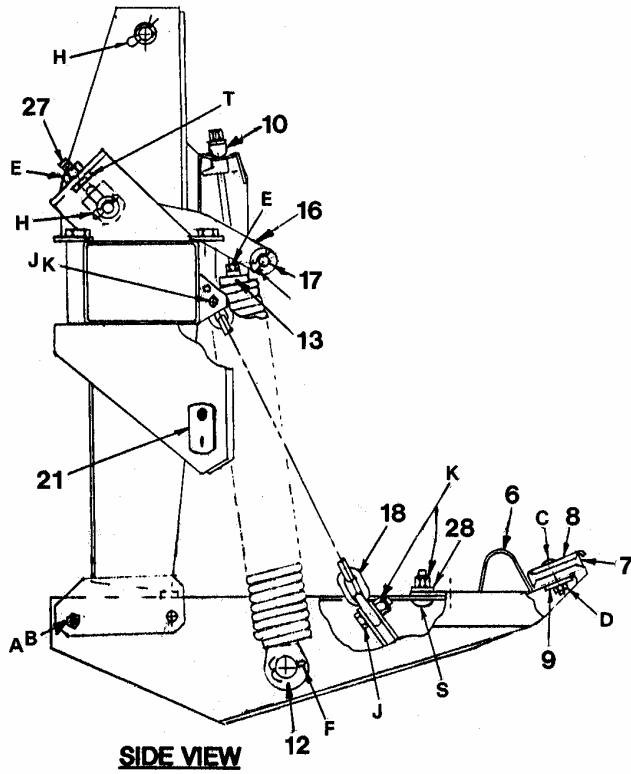
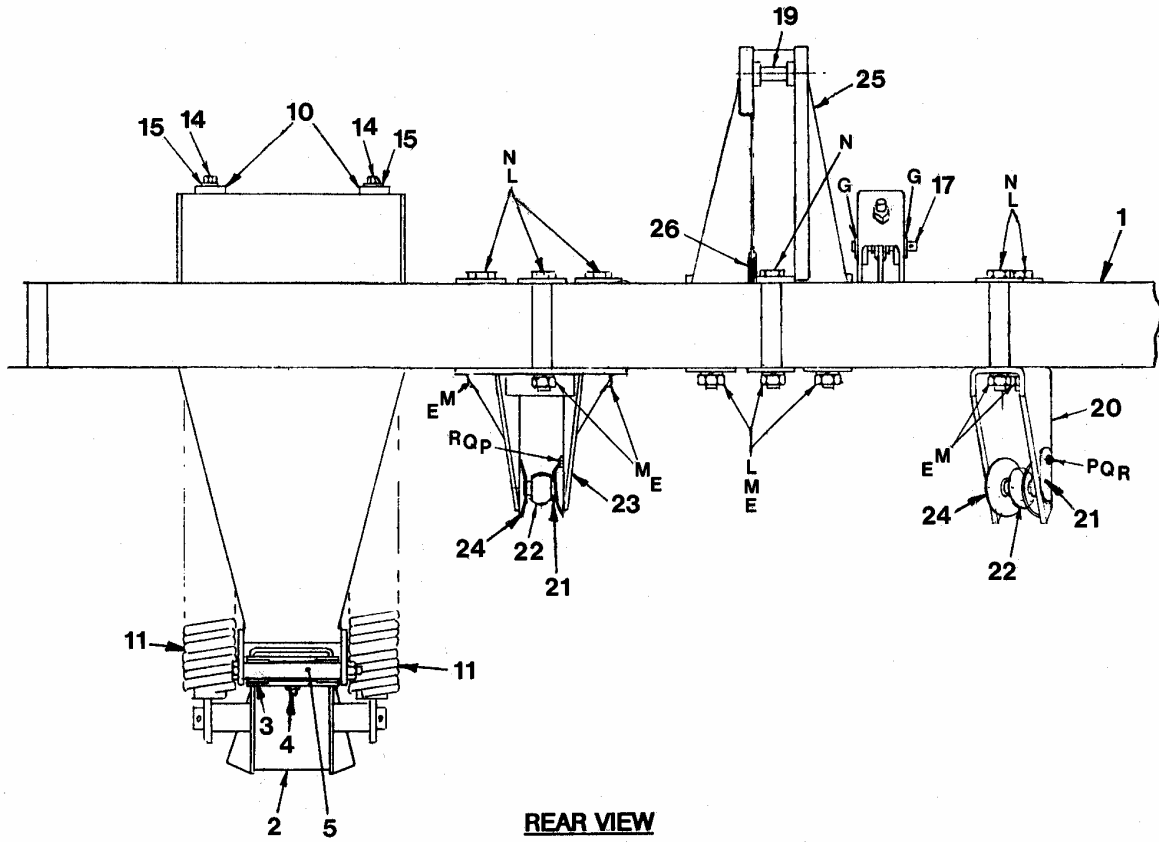
**HEAVY DUTY DRAPER DRIVE: HYDRAULICS
(25' Double Delivery Header shown)**

DOUBLE DELIVERY - LEFT SIDE



REF	PART NUMBER	DESCRIPTION	QTY	SERIAL NUMBER
*	B2540	HEAVY DUTY DRAPER DRIVE KIT (includes items on pages 67A and 67B)		
2	REF	MOTOR - draper drive, see page 67 A	1	
4	50103	FITTING - 45° elbow, 7/8 O-ring x 7/8 JIC	2	
5	49558	HOSE - 7/8 JIC 45° bent tube swivel female x unfinished end	1	
	49563	FITTING - hose, reusable, 7/8 JIC male	1	
6	49558	HOSE - 7/8 JIC 45° bent tube swivel female x unfinished end	1	
	49564	FITTING - hose, reusable, 7/8 JIC swivel female	1	
7	49529	FITTING - adapter, 7/8 JIC swivel female x 7/8 O-ring male	1	21' & 25'
8	49530	FITTING - adapter, 7/8 O-ring female x 7/8 JIC male	1	21' & 25'
9	30557	FITTING - 90° elbow, 7/8 JIC male	1	
10	REF	HOSE - to right side of header		
11	32225	HOLDER - hose	1	
N	21561	BOLT - hex head, 3/8 NC x 1-1/2 inch		
L	30228	NUT - lock, smooth flange, 3/8 NC distorted thread		

9030 Model 901 Offset Mount Adapter FRAME & FLOAT GROUP

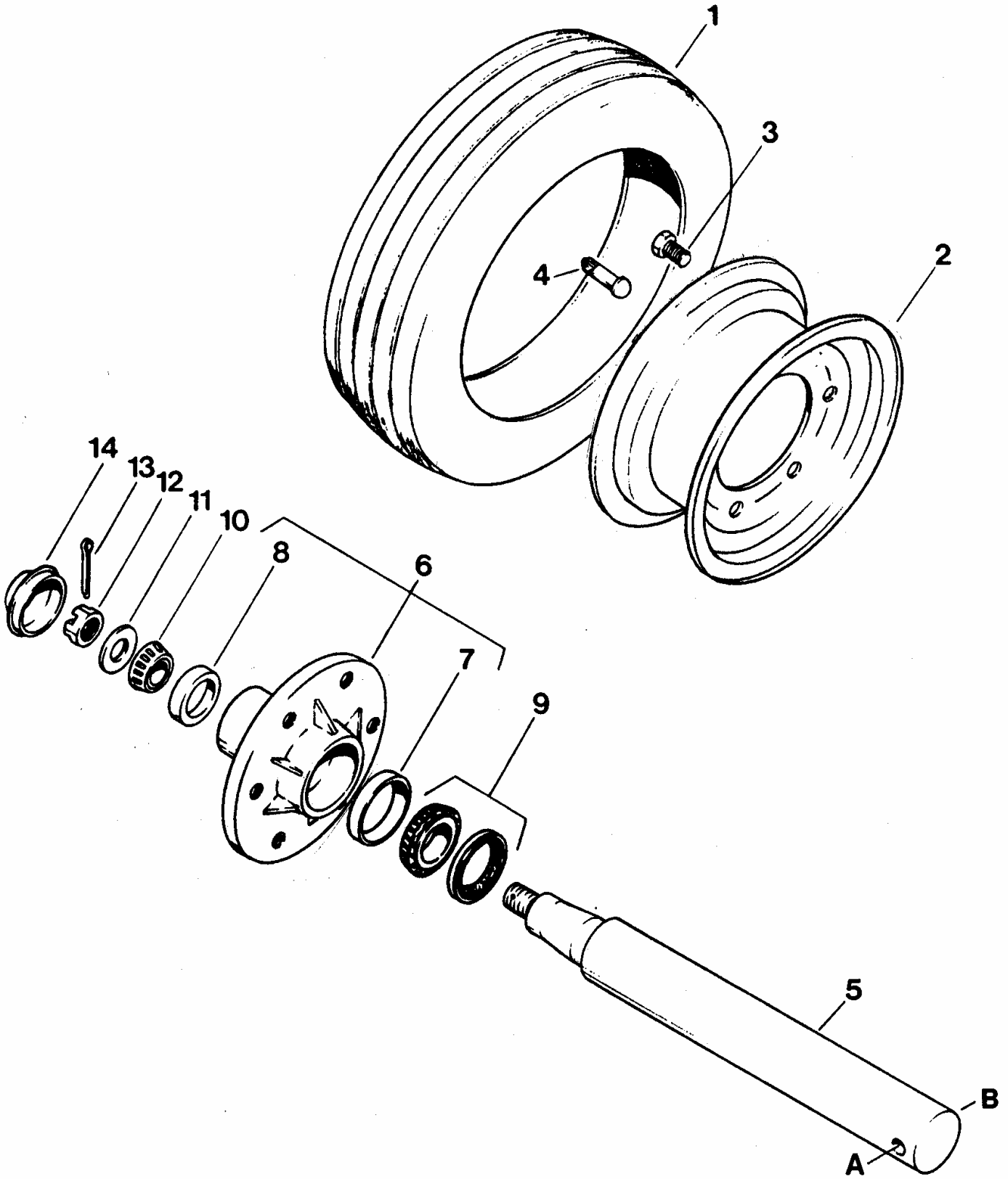


9030 Model 901 Offset Mount Adapter FRAME & FLOAT GROUP

NOTE: For 9030 Model 902 Center Mount Adapter, see Parts Catalog #46170.

REF	PART NUMBER	DESCRIPTION	QTY	SERIAL NUMBER
1	40660	FRAME - adapter, with decals.....	1	82886-
	40549	FRAME - adapter, with decals.....	1	-82885
2	40691	ARM - float, with bushings and lube fitting	2	82886-
	40604	ARM - float, with bushings and lube fitting	2	-82885
3	1134	BUSHING - bronze.....	4	
4	18671	FITTING - lube	2	
5	40611	SPACER - tube.....	2	
6	40545	SUPPORT - lower leg	2	82886-
7	42498	PAD - rubber	2	
8	44575	PLATE - cover	2	
9	11695	WASHER - flat	2	
10	36837	PIVOT - float spring.....	4	
11	42690	SPRING - float.....	4	
12	42691	INSERT - spring, lower.....	4	
13	24322	INSERT - spring, upper.....	4	
14	41122	DRAWBOLT - spring.....	4	
15	21540	WASHER - hardened	4	
16	40613	LINK - header, center	1	
17	20312	PIN - clevis	2	
18	40554	CHAIN - linkage.....	2	
19	49341	PIN - upper link.....	1	
20	40615	SUPPORT - lower link, two-bolt	1	
21	40617	PIN - ball support.....	2	
22	50106	BALL - lower link.....	2	
23	40685	SUPPORT - lower link, three-bolt.....	1	82886-
24	40720	WASHER - formed.....	4	82886-
25	40758	ANCHOR - upper link, with decals	1	
26	25298	PROTECTOR - hose / wiring	3	
27	37635	CLEVIS - center link adjustment	1	82886-
28	22072	WASHER - flat	4	82886-
29	43301	SUPPORT - linkage adapter, lower header leg.....	2	
A	50107	BOLT - hex head, 3/4 NC x 8-1/2 inch		
B	18689	NUT - lock, 3/4 NC distorted thread		
C	30266	BOLT - round head, square neck, 1/2 NC x 3 inch		
D	21389	NUT - lock, 1/2 NC nylon insert		
E	18593	NUT - hex, 3/4 NC		
F	18610	PIN - cotter, 1/4 x 2-1/2 inch		
G	18601	WASHER - flat, 13/16 inch ID		
H	13125	PIN - hair		
J	21587	BOLT - hex head, 5/8 NC x 2 inch		
K	18666	NUT - lock, 5/8 NC distorted thread		
L	16235	WASHER - flat, 1.7 OD x 0.81 ID x 1/4 inch thick		
M	18640	WASHER - lock, 3/4 inch		
N	30597	BOLT - hex head, 3/4 NC x 8 inch		
P	21264	BOLT - hex head, 3/8 NC x 1-1/4 inch		
Q	18590	NUT - hex, 3/8 NC		
R	30228	NUT - lock, smooth flange, 3/8 NC distorted thread		
S	18523	BOLT - round head, square neck, 5/8 NC x 1-1/2 inch		
T	21378	NUT - hex jam, 3/4 NC		

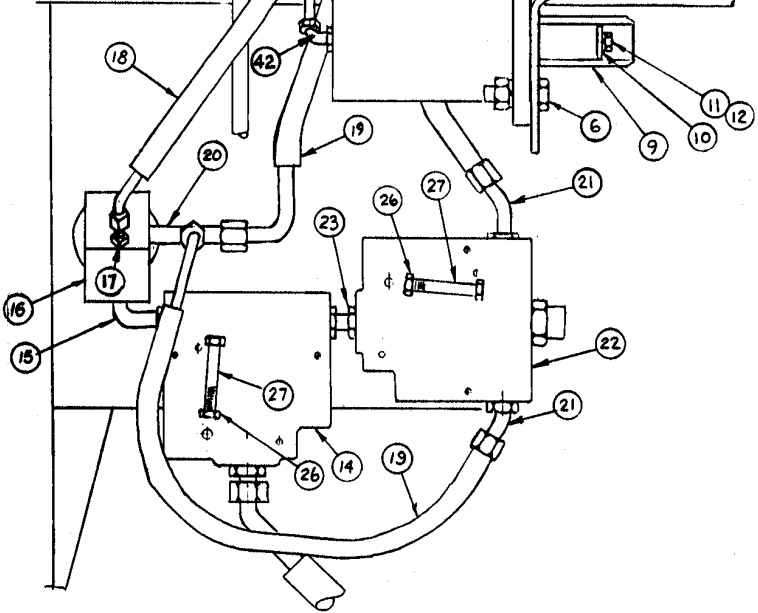
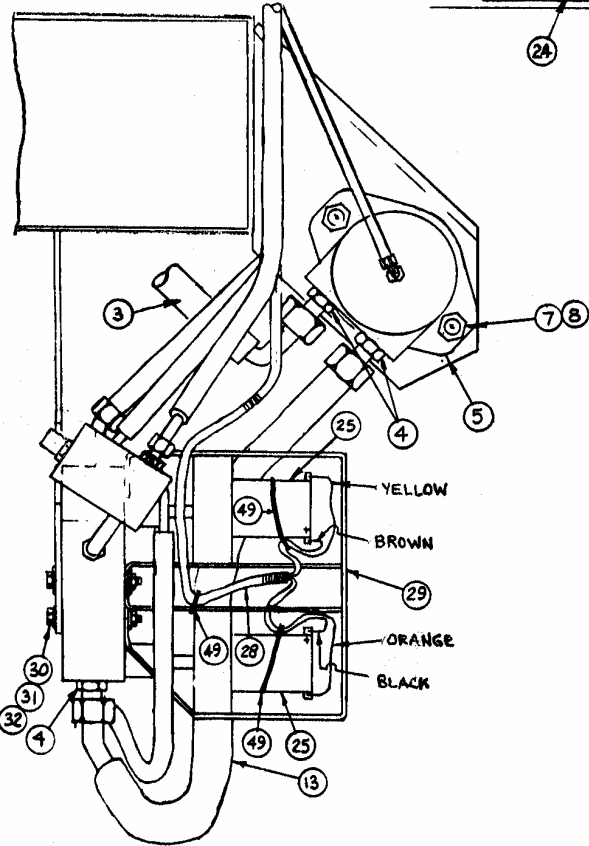
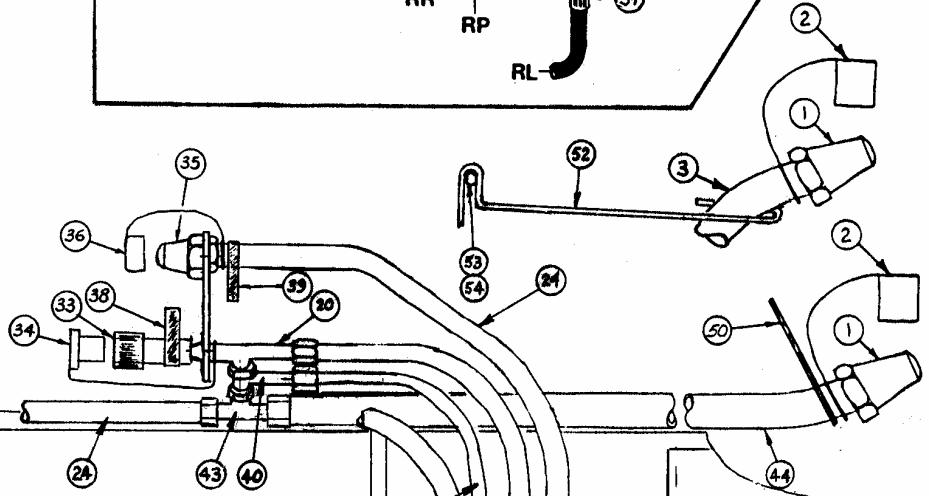
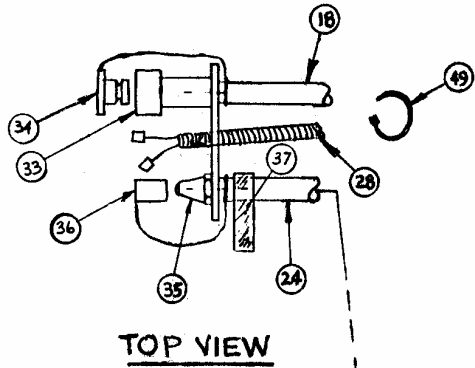
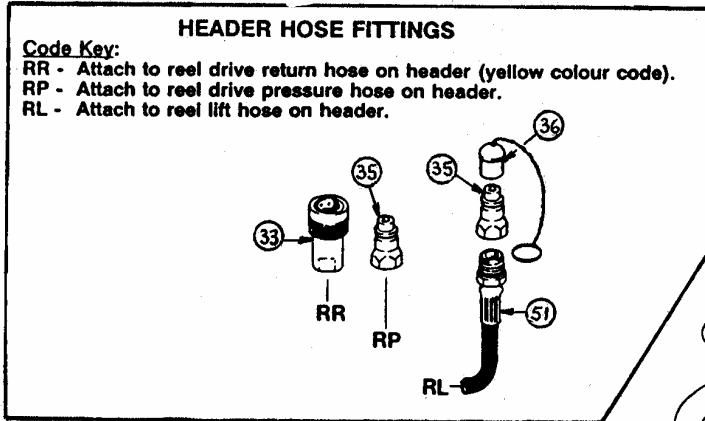
9030 Model 901 Offset Mount Adapter WHEEL ASSEMBLY



**9030 Model 901 Offset Mount Adapter
WHEEL ASSEMBLY**

REF	PART NUMBER	DESCRIPTION	QTY	SERIAL NUMBER
1	30446	TIRE - 9.5L-14 Rib Implement	1	
2	30758	WHEEL - 6 bolt.....	1	
3	21719	BOLT - wheel	6	
4	21395	STEM - valve.....	1	
5	41155	SPINDLE - wheel.....	1	
6	30521	HUB - with cups, items 7 and 8.....	1	
7	30516	BEARING - cup, inner	1	
8	7900	BEARING - cup, outer	1	
9	30517	BEARING - cone, with seal	1	
10	21376	BEARING - cone	1	
11	21540	WASHER - flat, hardened	1	
12	5512	NUT - hex slotted, 3/4 inch NF.....	1	
13	18648	PIN - cotter	1	
14	30520	CAP - dust.....	1	
A	21560	BOLT - hex head, 1/2 NC x 3 inch		
B	50186	NUT - lock, smooth flange, 1/2 inch NC distorted thread		

9030 Model 901 Offset Mount Adapter: Serial No. 82885 and below
HYDRAULICS



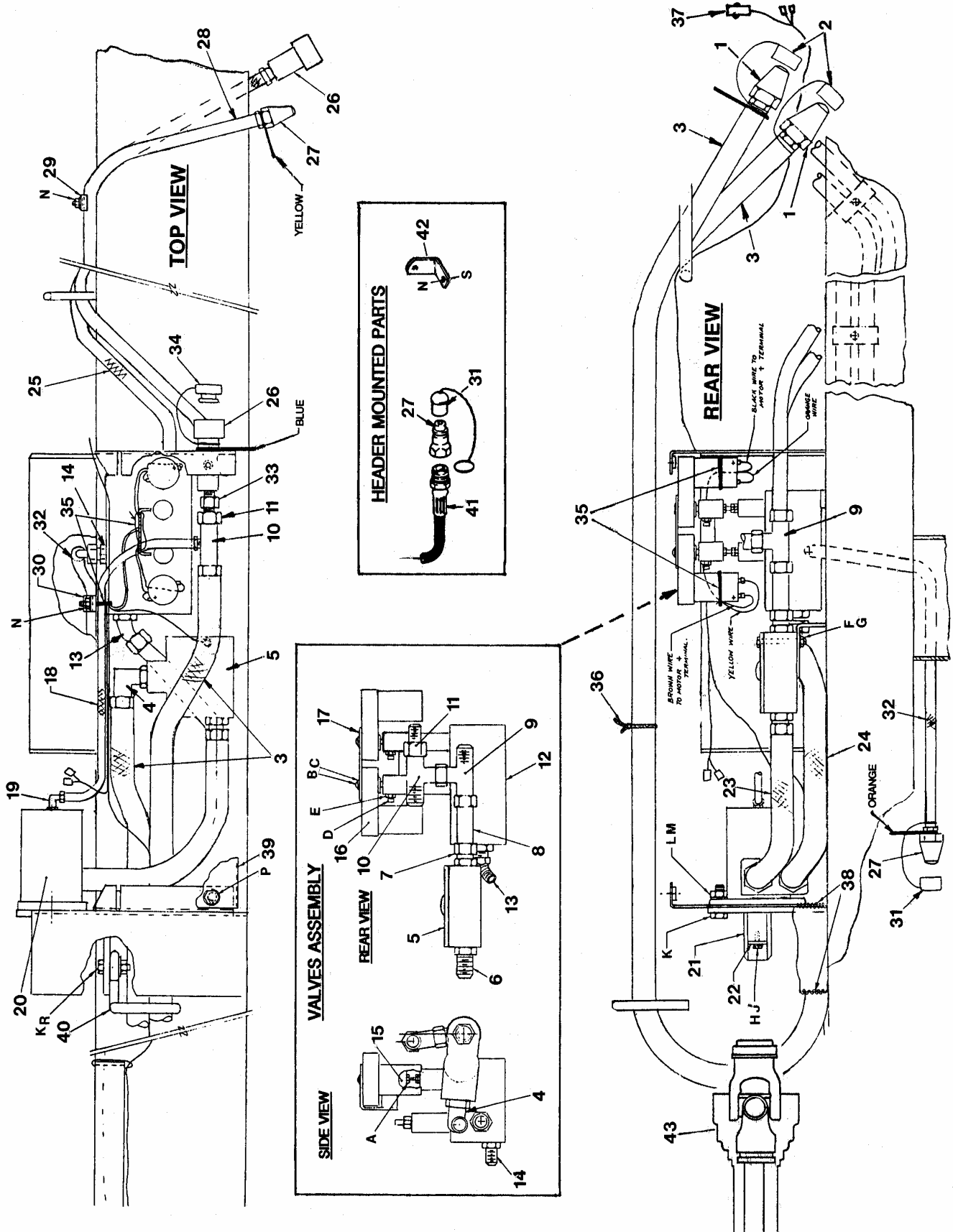
SIDE VIEW

FRONT VIEW

9030 Model 901 Offset Mount Adapter: Serial No. 82885 and below
HYDRAULICS

REF	PART NUMBER	DESCRIPTION	QTY	SERIAL NUMBER
1	30871	COUPLER - male, 3/4 inch	2	
2	50105	CAP - dust, for 3/4 coupler	2	
3	40559	HOSE - supply to motor	1	
4	30610	FITTING - adapter, 3/4 tube x 7/8 O-ring	3	
5	40558	MOTOR - hydraulic, sickle drive.....	1	
	123314	SEAL KIT - for motor 40558 (was 101670)		
6	18723	BOLT - hex head, 1/2 NC x 1-1/2 inch	2	
7	18638	WASHER - lock, 1/2 inch	2	
8	18591	NUT - hex, 1/2 NC.....	2	
9	40566	BUSHING - spline bore and OD.....	1	
10	40628	WASHER - flat	1	
11	18635	WASHER - lock, 1/4 inch	1	
12	21573	BOLT - hex head, 1/4 NC x 1 inch	1	
13	44181	HOSE - motor to reel drive flow control.....	1	
14	42216	FLOW CONTROL - reel drive	1	
	30054	SEAL KIT - for flow control 42216		
15	30965	FITTING - 90° male elbow, 7/8 O-ring x 1/2 NPT.....	1	
16	24508	VALVE - relief, reel drive.....	1	
	24509	SEAL KIT - for relief valve 24508		
17	21746	FITTING - adapter, 5/8 tube x 1/2 NPT	1	
18	40556	HOSE - relief valve to reel drive pressure coupler	1	
19	37757	HOSE - relief valve to return flow and draper flow-control return.....	2	
20	30817	FITTING - male run tee, 5/8 tube x 5/8 tube x 1/2 NPT	2	
21	50103	FITTING - 45° male elbow, 5/8 tube x 7/8 O-ring.....	2	
22	42215	FLOW CONTROL - draper drive, with internal relief valve	1	
	30054	SEAL KIT - for flow control 42215		
23	30969	FITTING - male union, 7/8 O-ring.....	1	
24	33427	HOSE - flow control to draper drive pressure coupler & reel return coupler to tee	2	
	33424	HOSE - flow control to draper drive pressure coupler, Header Ser.#80632 and after	1	
25	42138	MOTOR - electric	2	
26	18664	NUT - jam, 3/8 NC.....	2	
27	20055	BOLT - hex head, 3/8 NC x 2-1/4 inch	2	
28	REF	HARNES - wiring, see Electrical, page 76.....	1	
29	40630	COVER - electric motor.....	1	
30	21854	BOLT - hex head, 1/4 NC x 2-1/2 inch	4	
31	18596	WASHER - flat, 9/32 inch ID	4	
32	21455	NUT - serrated flange, 1/4 NC	4	
33	21857	COUPLER - female, 1/2 NPT.....	3	
	50082	O-RING - for coupler 21857		
34	21858	PLUG - dust, for coupler 21857	2	
35	21855	COUPLER - male, 1/2 NPT.....	4	
36	21856	CAP - dust, for coupler 21855.....	3	
37	REF	TAPE - yellow, reel return		
38	REF	TAPE - blue, draper return		
39	REF	TAPE - orange, draper pressure		
40	50102	FITTING - swivel run tee, 5/8 tube x 5/8 tube x 7/8 O-ring.....	1	
41	33419	HOSE - motor case drain	1	
42	50104	FITTING - 90° male, 3/8 tube x 7/16 O-ring	1	
43	30857	FITTING - swivel branch tee, 5/8 tube x 5/8 tube x 7/8 O-ring.....	1	
44	40560	HOSE - return to tractor	1	
49	21763	FASTENER - plastic tie, 7-1/2 inch	5	
50	30753	FASTENER - plastic tie, 15 inch	4	
51	40355	HOSE - reel lift extension.....	1	
52	40634	HOLDER - hose	1	
53	18723	BOLT - hex head, 1/2 NC x 1-1/2 inch	1	
54	21383	NUT - serrated flange, 1/2 NC	1	

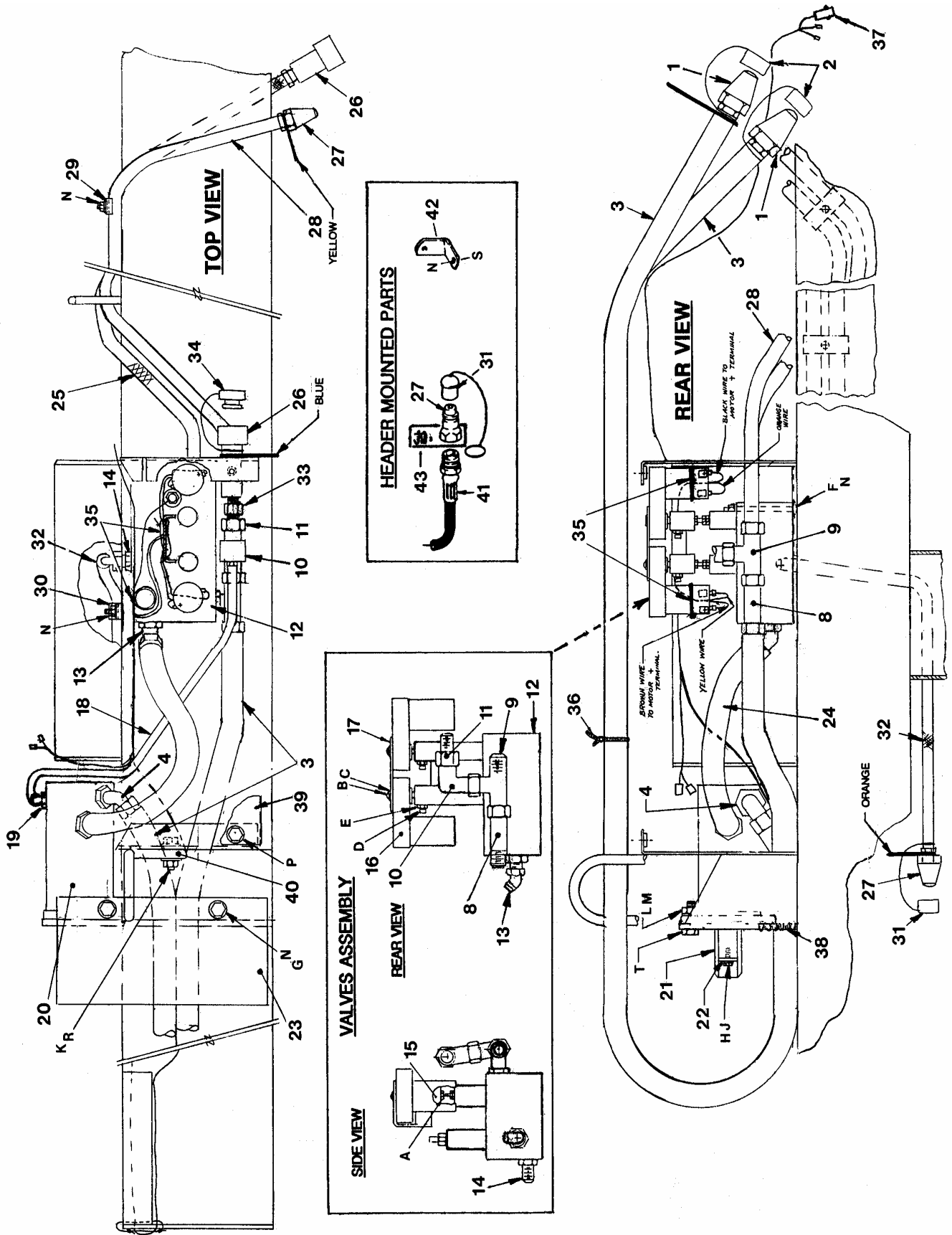
9030 Model 901 Offset Mount Adapter: Serial No. 82886 to 86399
HYDRAULICS



9030 Model 901 Offset Mount Adapter: Serial No. 82886 to 86399
HYDRAULICS

REF	PART NUMBER	DESCRIPTION	QTY	SERIAL NUMBER
1	30871	COUPLER - male, 3/4 inch	2	
2	50105	CAP - dust, for 3/4 coupler	2	
3	40676	HOSE - supply (tractor to flow control) & return (tee #10 to tractor)	2	
4	30970	FITTING - 90° elbow, 3/4 tube x 1-1/16 O-ring	1	
5	40253	VALVE - flow control, supply to motor	1	
6	21830	FITTING - adapter, 3/4 tube x 1-1/16 O-ring	1	
7	40241	FITTING - adapter, 3/4 tube female x 1-1/16 O-ring	1	
8	50050	FITTING - branch tee, 3/4 tube x 3/4 tube x 1-1/16 O-ring (to "T" port on valve)	1	
9	50086	FITTING - swivel run tee, 3/4 tube male (2) x 3/4 tube female	1	
10	40251	FITTING - special swivel branch tee,	1	
		3/4 tube male (2) x 3/4 tube female x 9/16 O-ring (drilled)		
11	30973	FITTING - connector, 3/4 tube female x 5/8 tube male	1	
12	40260	VALVE - flow control block, reel and draper drive	1	
	45101	SEAL KIT - for valve 40260 (repairs one cartridge)		
13	50098	FITTING - 45° elbow, 3/4 tube x 1-1/16 O-ring (to "P" port on valve)	1	
14	30695	FITTING - adapter, 5/8 tube x 7/8 O-ring (to "C" port on valve)	1	
15	40567	HUB - connector, electric motor to valve	2	
16	42369	MOTOR - electric	2	
17	40682	STOP - motor	1	
18	40677	HOSE - motor case drain, motor to tee #10	1	
19	50104	FITTING - 90° elbow, 3/8 tube x 7/16 O-ring	1	
20	40558	MOTOR - hydraulic, sickle drive	1	
	123314	SEAL KIT - for motor 40558 (was 101670)		
21	40566	BUSHING - spline bore and O.D.	1	
22	40628	WASHER - flat	1	
23	40674	HOSE - supply, flow control #5 to motor top port	1	
24	40675	HOSE - pressure, motor bottom port to "P" port on valve #12	1	
25	40672	HOSE - reel drive pressure, from "R" port on valve #12	1	
26	21857	COUPLER - female, 1/2 NPT	2	
	50082	O-RING - for coupler 21857		
27	21855	COUPLER - male, 1/2 NPT	2	
28	40671	HOSE - reel drive return, header to tee #9	1	
29	32225	HOLDER - reel drive hoses	2	
30	29934	HOLDER - draper drive hose	1	
31	21856	CAP - dust, for coupler 21855	1	
32	40512	HOSE - draper drive pressure, from "C" port on valve #12	1	
33	30926	FITTING - adapter, 5/8 tube female x 1/2 NPT	1	
34	21858	PLUG - dust, for coupler 21857	1	
35	21763	FASTENER - plastic tie, 7-1/2 inch	4	
36	30753	FASTENER - plastic tie, 15 inch	3	
37	REF	HARNES - wiring, see Electrical, page 78	1	
38	25298	PROTECTOR - hose	2	
39	40693	COVER - top	1	
40	40634	HOLDER - hose	1	
41	36848	HOSE - extension to reel lift line on header	1	
42	40695	SUPPORT - reel drive header hoses, 21', 25' & 30' headers	1	
43	24795	DRIVELINE HALF - 25', 30', & 36' headers (for serviced components, see page 35)1		
A	18588	NUT - hex, 1/4 NC		
B	30955	SCREW - machine, #8 x 5/16 inch		
C	18795	WASHER - flat, 3/16 I.D.		
D	21248	SCREW - set, 3/8 NC x 3/4 inch		
E	18664	NUT - hex jam, 3/8 NC		
F	21570	BOLT - hex head, 1/4 NC x 2 inch		
G	21455	NUT - serrated flange, 1/4 NC		
H	21573	BOLT - hex head, 1/4 NC x 1 inch		
J	18635	WASHER - lock, 1/4 inch		
K	18723	BOLT - hex head, 1/2 NC x 1-1/2 inch		
L	18638	WASHER - lock, 1/2 inch		
M	18591	NUT - hex, 1/2 NC		
N	30228	NUT - lock, smooth flange, 3/8 NC distorted thread		
P	30693	BOLT - flange head, 3/8 NC x 1/2 inch		
R	21383	NUT - serrated flange, 1/2 NC		
S	21863	BOLT - round head, square neck, 3/8 NC x 1 inch		

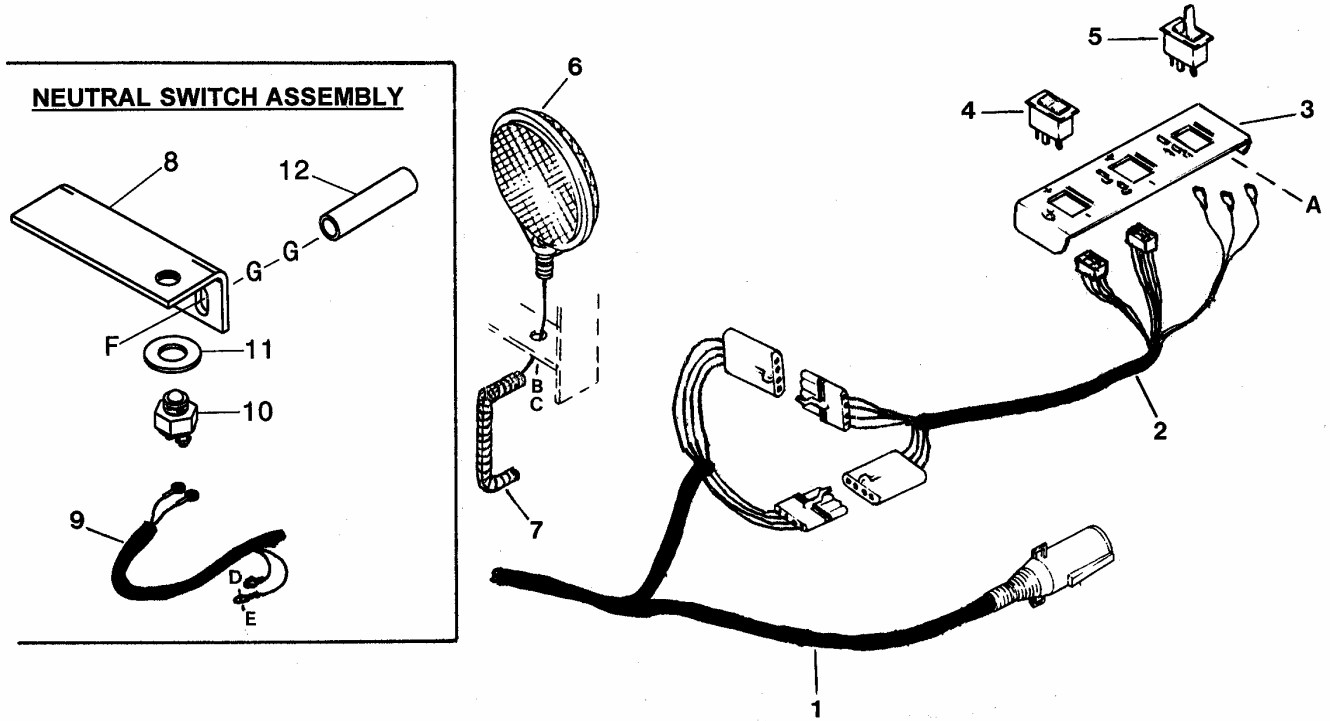
9030 Model 901 Offset Mount Adapter: Serial No. 86400 and above HYDRAULICS



9030 Model 901 Offset Mount Adapter: Serial No. 86400 and above
HYDRAULICS

REF	PART NUMBER	DESCRIPTION	QTY	SERIAL NUMBER
1	30871	COUPLER - male, 3/4 inch	2	
2	50105	CAP - dust, for 3/4 coupler	2	
3	40676	HOSE - supply (tractor to motor #20 bottom port) & return (tee #8 to tractor).....	2	
4	30609	FITTING - 90° elbow, 3/4 tube x 7/8 O-ring	1	
8	50050	FITTING - branch tee, 3/4 tube x 3/4 tube x 1-1/16 O-ring (to "T" port on valve).....	1	
9	50086	FITTING - swivel run tee, 3/4 tube male (2) x 3/4 tube female	1	
10	40548	FITTING - special 90° elbow, 3/4 tube male x 3/4 tube female (drilled 9/16 O-ring)	1	
11	30973	FITTING - connector, 3/4 tube female x 5/8 tube male.....	1	
12	40260	VALVE - flow control block, reel and draper drive	1	
	45101	SEAL KIT - for valve 40260 (repairs one cartridge)	1	
13	50098	FITTING - 45° elbow, 3/4 tube x 1-1/16 O-ring (to "P" port on valve)	1	
14	30695	FITTING - adapter, 5/8 tube x 7/8 O-ring (to "C" port on valve).....	1	
15	40567	HUB - connector, electric motor to valve	2	
16	42369	MOTOR - electric	2	
17	40682	STOP - motor.....	1	
18	40673	HOSE - motor case drain, motor to elbow #10	1	
19	50104	FITTING - 90° elbow, 3/8 tube x 7/16 O-ring	1	
20	40568	MOTOR - hydraulic, sickle drive	1	
	40569	SEAL KIT - for motor 40568	1	
21	40566	BUSHING - spline bore and O.D.	1	
22	40628	WASHER - flat.....	1	
23	40252	COVER - rubber.....	1	
24	40675	HOSE - pressure, motor top port to "P" port on valve #12.....	1	
25	40672	HOSE - reel drive pressure, from "R" port on valve #12.....	1	
26	21857	COUPLER - female, 1/2 NPT	2	
	50082	O-RING - for coupler 21857	2	
27	21855	COUPLER - male, 1/2 NPT	2	
28	40671	HOSE - reel drive return, header to tee #9	1	
29	32225	HOLDER - reel drive hoses	2	
30	29934	HOLDER - draper drive hose.....	1	
31	21856	CAP - dust, for coupler 21855	1	
32	40512	HOSE - draper drive pressure, from "C" port on valve #12	1	
33	30926	FITTING - adapter, 5/8 tube female x 1/2 NPT	1	
34	21858	PLUG - dust, for coupler 21857	1	
35	21763	FASTENER - plastic tie, 7-1/2 inch.....	4	
36	30753	FASTENER - plastic tie, 15 inch.....	3	
37	REF	HARNESS - wiring, see Electrical, page 78.....	1	
38	25298	PROTECTOR - hose	1	
39	40693	COVER - top.....	1	
40	40634	HOLDER - hose	1	
41	36848	HOSE - extension to reel lift line on header.....	1	
42	40695	SUPPORT - reel drive header hoses, 21', 25' & 30' headers	1	
43	49417	TAG - "cylinder retract port"	1	
A	18588	NUT - hex, 1/4 NC		
B	30955	SCREW - machine, #8 x 5/16 inch		
C	18795	WASHER - flat, 3/16 I.D.		
D	21248	SCREW - set, 3/8 NC x 3/4 inch		
E	18664	NUT - hex jam, 3/8 NC		
F	50088	BOLT - round head, square neck, 3/8 NC x 3-1/2 inch		
G	21975	BOLT - flange head, 3/8 NC x 1 inch		
H	21573	BOLT - hex head, 1/4 NC x 1 inch		
J	18635	WASHER - lock, 1/4 inch		
K	18723	BOLT - hex head, 1/2 NC x 1-1/2 inch		
L	18638	WASHER - lock, 1/2 inch		
M	18591	NUT - hex, 1/2 NC		
N	30228	NUT - lock, smooth flange, 3/8 NC distorted thread		
P	30693	BOLT - flange head, 3/8 NC x 1/2 inch		
R	21383	NUT - serrated flange, 1/2 NC		
S	21863	BOLT - round head, square neck, 3/8 NC x 1 inch		
T	21565	BOLT - hex head, 1/2 NC x 1-3/4 inch		

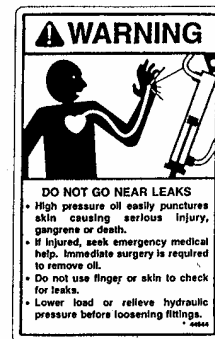
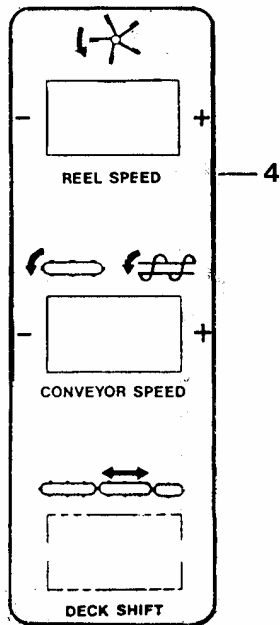
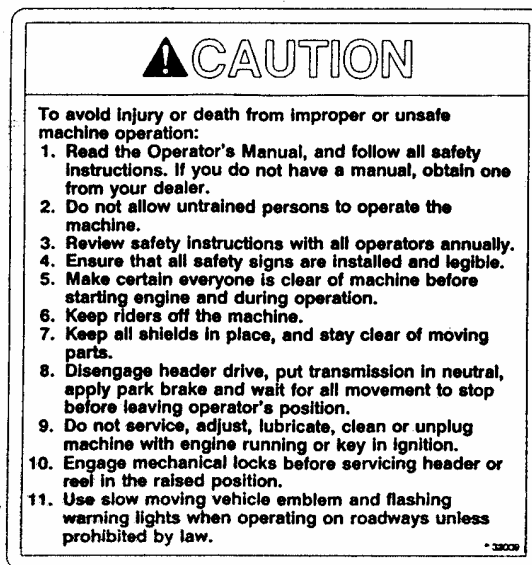
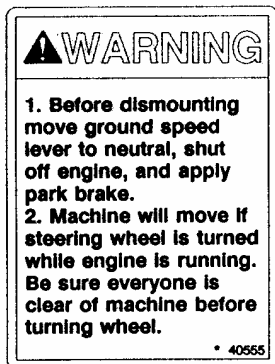
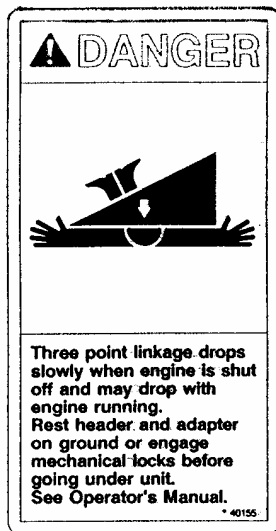
9030 Model 901 Offset Mount Adapter
ELECTRICAL



REF	PART NUMBER	DESCRIPTION	QTY	SERIAL NUMBER
1	40564	HARNESS - wiring, adapter section.....	1	-82885
	40638	HARNESS - wiring, adapter section (see NOTE below).....	1	82886-
	30710	PLUG - 7-pole, included with harness 40564 and 40638		
	31061	CONNECTOR KIT - 4-way, includes tower and shroud		
2	40563	HARNESS - wiring, switch panel section.....	1	
3	40632	PANEL - switch, with decal.....	1	
4	42256	SWITCH - rocker type, reel and draper speed.....	2	
5	42257	SWITCH - paddle type, deck shift - Triple Delivery Headers only.....	1	
6	16539	LIGHT - amber.....	2	82886-
7	33860	CONDUIT - harness protector at R/H light.....	1	
8	49415	SUPPORT - switch.....	1	
9	49414	HARNESS - wiring, neutral switch.....	1	
10	30009	SWITCH - neutral.....	1	
11	18600	WASHER - flat.....	1	
12	45434	SPACER - tube.....	2	
A	42292	SCREW - self tapping, Type A, hex washer head, #10 x 1/2 inch		
B	18638	WASHER - lock, 1/2 inch		
C	6771	NUT - hex, 1/2 NF		
D	30955	SCREW - round head, #8 NC x 5/16 inch		
E	18796	NUT - hex, #8 NC		
F	21579	BOLT - hex head, 3/8 NC x 3-1/4 inch		
G	18598	WASHER - flat, 13/32 inch I.D.		

NOTE: If attaching adapter with serial number 82886 and after to header with serial number 80632 and prior, also order harness extension 47325.

9030 Model 901 Offset Mount Adapter DECALS & REFLECTORS



REF	PART NUMBER	DESCRIPTION	QTY	SERIAL NUMBER
1	40155	DECAL - Danger: Three point linkage.....	2	
2	40555	DECAL - Warning: Controls to neutral	1	
3	32009	DECAL - Caution: General safety.....	1	
4	40562	DECAL - switch panel.....	1	
5	23165	DECAL - 50 Hour grease	2	
6	26697	REFLECTOR - amber	2	
7	26694	REFLECTOR - red	2	
8	49410	DECAL - Warning: Neutral Switch.....	1	
9	44944	DECAL - Warning: Hydraulic Oil Leaks.....	1	

NUMERICAL LIST

<u>PART NO.</u>	<u>PAGE</u>	<u>PART NO.</u>	<u>PAGE</u>	<u>PART NO.</u>	<u>PAGE</u>	<u>PART NO.</u>	<u>PAGE</u>
00795	49	15406	53	19411	65	21763	27
01134	69	15549	53	19411	67	21763	43
01246	31	15903	65	19681	23	21763	73
02030	49	15903	67	19809	23	21763	75
02149	9	16235	23	19958	11	21763	77
02149	9B	16539	3	19958	23	21803	7
02149	11	16539	27	20043	45B	21804	65
02149	19	16539	78	20117	23	21804	67
02149	21	16568	9B	20312	3	21806	65
02149	67A	16568	11	20312	37	21806	67
04231	29	16661	3	20312	69	21807	43
04453	29	16661	9	20535	65	21808	43
04454	29	16661	67	20535	67	21822	43
04761	37	17194	47	21010	25	21824	45
04761	59	17194	49	21024	17	21830	75
04890	47	18597	49	21062	21	21843	43
05512	27B	18598	78	21062	57	21855	5
05512	29	18600	19	21062	57B	21855	7
05512	71	18600	65	21151	17	21855	9B
05745	43	18600	67	21153	29	21855	11
06596	21	18600	78	21194	15	21855	43
06596	57	18601	29	21299	34	21855	45
06636	19	18609	27	21376	27B	21855	45B
06636	49	18609	29	21376	71	21855	59
07038	47	18619	37	21395	71	21855	73
07038	49	18624	65	21402	27	21855	75
07900	23	18624	67	21417	17	21855	77
07900	27B	18629	11	21418	15	21856	9B
07900	29	18629	23	21420	17	21856	11
07900	71	18648	9	21421	17	21856	43
07909	29	18648	9B	21424	17	21856	45
07910	23	18648	15	21425	17	21856	45B
07910	29	18648	23	21494	9	21856	73
07920	29	18648	27B	21494	9B	21856	75
08316	55	18648	29	21494	11	21856	77
08640	9	18648	37	21495	9	21857	5
08640	9B	18648	57B	21495	9B	21857	7
08640	11	18648	65	21495	11	21857	9B
08640	23	18648	67	21512	17	21857	11
09213	49	18648	71	21513	17	21857	43
09333	49	18671	21	21514	17	21857	45
11529	29	18671	25	21516	17	21857	45B
11695	33	18671	27	21517	17	21857	59
11695	69	18671	29	21519	17	21857	73
13125	27	18671	53	21540	27B	21857	75
13125	27B	18671	57	21540	34	21857	77
13125	3	18671	57B	21540	37	21858	9B
13125	33	18671	69	21540	69	21858	11
13125	37	18704	65	21540	71	21858	43
13125	41	18704	67	21545	23	21858	45B
13298	13	18738	9	21655	12	21858	73
13298	47	18738	9B	21712	17	21858	75
13298	49	18738	11	21717	17	21858	77
13298	55	18759	13	21719	27B	21859	13
13298	57B	18898	21	21719	29	21859	47
13567	49	18898	57	21719	71	21859	49
13747	3	19107	49	21746	73	21859	57B
13930	49	19117	49	21747	7	21860	13

NUMERICAL LIST

<u>PART NO.</u>	<u>PAGE</u>	<u>PART NO.</u>	<u>PAGE</u>	<u>PART NO.</u>	<u>PAGE</u>	<u>PART NO.</u>	<u>PAGE</u>
21860	47	26318	17	30517	27B	30753	77
21860	49	26319	17	30517	71	30758	27B
21860	57B	26320	17	30520	27B	30758	71
21861	13	26321	15	30520	71	30814	17
21866	15	26446	23	30521	27B	30815	17
21869	55	26671	9	30521	71	30817	73
21869	59	26671	9B	30542	9B	30823	47
21870	55	26671	67	30542	11	30823	49
21874	47	26694	61	30550	21	30825	45
21874	49	26694	79	30550	55	30827	27B
21876	31	26697	61	30550	67A	30832	45
21881	7	26697	79	30553	11	30852	15
21881	9	26710	25	30557	5	30857	73
21881	9B	26833	45B	30557	7	30859	37
21882	65	26847	19	30557	67B	30865	53
21882	67	26847	23	30558	5	30871	73
21887	21	26848	23	30590	43	30871	75
21887	57	26878	37	30596	59	30871	77
21934	47	27160	25	30600	59	30908	45
21934	49	28014	15	30601	13	30909	45
21936	31	28403	61	30601	47	30925	47
21936	47	28496	49	30601	49	30926	43
21936	49	29168	9	30601	57B	30926	45B
22072	21	29168	9B	30602	31	30926	75
22072	23	29168	11	30602	47	30926	77
22072	41	29169	9	30602	49	30928	53
22072	69	29169	9B	30603	31	30940	21
23064	15	29169	11	30603	47	30940	67A
23163	61	29934	5	30603	49	30941	21
23163	63	29934	7	30604	49	30941	67A
23165	61	29934	75	30609	77	30965	43
23165	79	29934	77	30610	73	30965	73
23296	61	30009	78	30617	35	30969	7
23951	63	30034	13	30618	35	30969	73
23955	63	30034	47	30619	35	30970	75
23957	63	30034	49	30621	12	30973	75
24217	45B	30054	43	30621	35	30973	77
24319	34	30054	73	30621	53	30977	7
24320	34	30054	73	30622	12	30991	27B
24322	34	30167	35	30622	35	30994	7
24322	69	30167	53	30622	53	30995	7
24429	45	30282	9	30623	12	30996	7
24508	73	30282	9B	30623	35	31061	27
24509	73	30282	11	30623	53	31061	78
24536	34	30282	65	30669	15	31062	3
24750	27	30282	67	30670	43	32009	61
24776	35	30316	61	30695	43	32009	79
24777	61	30375	9	30695	59	32070	61
24779	12	30375	9B	30695	75	32084	53
24779	35	30375	11	30695	77	32116	9
24795	35	30442	31	30696	15	32116	9B
24795	75	30446	71	30710	27	32116	11
24934	34	30461	27	30710	78	32182	7
25059	3	30463	37	30753	27	32200	25
25298	69	30464	37	30753	65	32202	25
25298	75	30479	63	30753	67	32225	5
25298	77	30516	27B	30753	73	32225	7
25929	61	30516	71	30753	75	32225	9

NUMERICAL LIST

<u>PART NO.</u>	<u>PAGE</u>	<u>PART NO.</u>	<u>PAGE</u>	<u>PART NO.</u>	<u>PAGE</u>	<u>PART NO.</u>	<u>PAGE</u>
32225	9B	36749	50	37553	53	37881	65
32225	11	36785	53	37554	37	37882	27
32225	45B	36787	53	37565	47	37882	29
32225	65	36837	69	37566	37	37885	23
32225	67B	36848	75	37567	37	37889	29
32225	75	36848	77	37570	53	37900	61
32225	77	36849	9	37574	37	37912	21
32275	33	36849	9B	37575	47	37912	57
32415	11	36849	11	37575	49	37913	57
32416	11	37101	59	37577	3	37914	57
32738	61	37107	55	37610	37	37916	21
32800	12	37107	57B	37616	33	37918	55
32801	53	37108	47	37618	33	37919	23
32803	50	37114	47	37635	37	37925	55
32879	63	37118	13	37635	69	37930	15
32891	3	37135	5	37637	37	37935	55
32892	3	37135	7	37647	37	37940	37
32893	3	37135	59	37655	39	37948	23
32927	3	37167	5	37660	39	37958	53
33000	47	37167	7	37661	37	37959	50
33001	21	37167	9	37678	41	37993	53
33001	57	37167	9B	37679	41	37995	41
33003	23	37167	11	37680	41	37998	53
33010	23	37181	59	37682	41	38489	33
33265	23	37236	3	37709	53	38740	3
33275	34	37244	59	37710	43	38741	3
33276	34	37336	23	37712	43	38894	3
33288	34	37345	9	37714	53	40005	55
33416	9	37345	9B	37724	57	40008	21
33419	73	37345	11	37725	57	40008	55
33424	7	37367	3	37727	53	40008	67A
33427	73	37376	41	37757	43	40011	55
33450	18	37377	41	37757	73	40031	37
33450	55	37388	37	37775	37	40074	57B
33450	57B	37419	21	37780	55	40075	57B
33532	23	37419	57	37796	43	40076	57B
33834	15	37422	57	37797	5	40086	41
33860	78	37442	27	37797	9	40089	37
33955	15	37442	29	37797	9B	40091	47
34019	37	37453	37	37798	5	40092	47
34362	35	37454	37	37798	9	40093	53
34366	35	37455	37	37798	9B	40094	53
34390	15	37456	37	37799	5	40098	57B
34391	15	37457	37	37799	9	40099	57B
34399	15	37502	47	37799	9B	40110	25
34625	15	37503	47	37803	21	40112	53
34650	34	37505	47	37803	57	40136	63
34651	34	37505	49	37808	41	40149	59
34655	49	37506	47	37809	41	40155	79
35694	25	37506	49	37830	11	40163	47
35694	27	37509	49	37835	15	40169	41
35694	29	37510	47	37840	45	40220	37
36011	37	37510	49	37841	11	40221	41
36642	53	37520	37	37851	23	40222	41
36651	61	37532	37	37866	23	40223	41
36739	50	37541	37	37869	23	40224	41
36740	50	37547	37	37872	29	40226	47
36746	50	37551	37	37881	11	40238	47

NUMERICAL LIST

<u>PART NO.</u>	<u>PAGE</u>	<u>PART NO.</u>	<u>PAGE</u>	<u>PART NO.</u>	<u>PAGE</u>	<u>PART NO.</u>	<u>PAGE</u>
40239	47	40427	41	40630	73	40758	69
40241	75	40428	41	40632	76	40761	57B
40242	47	40429	41	40634	73	40762	57B
40244	53	40432	41	40634	75	40764	57B
40245	31	40433	41	40634	77	40765	57B
40245	45	40435	41	40638	78	40766	37
40248	53	40440	37	40640	55	40767	37
40251	75	40495	12	40641	55	40768	37
40252	39	40496	12	40643	55	40770	37
40252	77	40497	12	40644	55	40775	39
40253	75	40498	41	40646	51	40777	41
40260	75	40499	41	40648	51	40778	41
40260	77	40500	41	40649	51	40779	37
40280	55	40501	41	40655	51	40780	37
40281	55	40502	41	40655	51A	40782	57B
40288	57B	40503	39	40656	51	40783	57B
40289	57B	40504	49	40656	51A	40805	57B
40295	45B	40505	49	40656	51B	40810	57B
40296	43	40506	41	40657	51	40811	57B
40297	43	40507	41	40657	51A	40812	57B
40298	43	40508	41	40660	69	40813	57B
40300	41	40511	41	40671	75	40814	57B
40304	57B	40512	75	40671	77	40816	57B
40305	41	40512	77	40672	75	40817	57B
40306	59	40515	49	40672	77	40826	41
40318	43	40521	49	40673	77	40827	41
40322	37	40524	41	40674	75	40828	41
40326	45	40525	37	40675	75	40830	57B
40331	11	40540	47	40675	77	40835	57B
40333	45	40540	49	40676	75	40850	57B
40333	45B	40545	69	40676	77	40851	57B
40334	45	40548	77	40677	75	40880	37
40335	45	40549	69	40682	75	40881	37
40336	11	40554	69	40682	77	40882	37
40337	55	40555	79	40683	45	40883	37
40354	63	40556	73	40685	69	40884	37
40355	73	40558	73	40691	69	40885	37
40356	59	40558	75	40693	75	40889	51
40357	59	40559	73	40693	77	40889	51A
40360	59	40560	73	40695	75	40890	51A
40366	41	40562	79	40695	77	40890	51B
40372	50	40563	78	40697	55	40891	51B
40376	50	40564	78	40698	55	40892	51B
40380	37	40566	73	40711	41	40893	51B
40385	47	40566	75	40713	37	40894	51
40385	49	40566	77	40718	41	40894	51A
40387	47	40567	75	40720	69	40894	51B
40390	53	40567	77	40721	51	40900	63
40392	53	40568	77	40722	55	40901	57B
40398	51	40569	77	40723	55	40902	57B
40399	41	40604	69	40724	55	41122	69
40404	53	40611	69	40728	21	41155	71
40406	41	40613	69	40729	21	42122	61
40412	59	40615	69	40742	55	42138	73
40420	41	40617	69	40745	45	42215	73
40421	41	40628	73	40746	45	42216	73
40422	41	40628	75	40751	45B	42256	78
40426	55	40628	77	40753	57B	42257	33

NUMERICAL LIST

<u>PART NO.</u>	<u>PAGE</u>	<u>PART NO.</u>	<u>PAGE</u>	<u>PART NO.</u>	<u>PAGE</u>	<u>PART NO.</u>	<u>PAGE</u>
42257	78	43190	9	43536	21	43628	45
42369	75	43192	5	43537	21	43628	45B
42369	77	43192	7	43538	21	43629	45
42430	33	43194	18	43540	21	43630	9B
42498	33	43195	30	43541	21	43630	45
42498	69	43201	18	43542	21	43630	45B
42684	33	43219	19	43544	21	43633	3
42690	69	43219	21	43550	21	43633	27B
42691	69	43219	23	43556	21	43633	29
43010	5	43221	13	43558	21	43633	33
43010	7	43261	3	43562	21	43634	27B
43010	9B	43286	31	43567	13	43635	3
43010	21	43301	31	43569	13	43640	11
43011	7	43301	69	43580	19	43648	3
43011	9	43306	47	43581	19	43649	9B
43011	9B	43306	49	43582	19	43660	13
43011	11	43320	21	43585	19	43661	9
43011	19	43320	57	43586	19	43661	9B
43076	15	43321	57	43590	57	43661	11
43077	15	43322	3	43591	57	43662	9
43078	15	43326	23	43592	19	43663	9
43092	3	43423	13	43594	19	43663	9B
43093	3	43424	13	43597	9	43664	9
43094	3	43425	13	43597	9B	43664	9B
43099	3	43426	13	43601	9	43665	11
43100	3	43433	13	43603	7	43666	11
43101	3	43437	13	43604	7	43667	5
43102	3	43440	13	43605	5	43668	9
43106	25	43441	13	43606	5	43669	9
43107	25	43443	13	43606	7	43671	5
43108	25	43459	57	43607	7	43671	45
43109	25	43462	13	43608	7	43671	45B
43113	25	43464	23	43609	7	43672	5
43114	25	43465	19	43609	9	43672	7
43118	25	43466	19	43609	9B	43673	5
43119	25	43467	19	43610	7	43674	7
43122	25	43469	18	43611	5	43675	7
43145	25	43475	19	43612	9	43676	7
43147	25	43476	19	43612	9B	43677	7
43154	25	43477	19	43613	7	43678	7
43155	7	43478	19	43614	11	43679	7
43156	7	43480	19	43615	5	43680	9B
43157	7	43481	19	43615	9	43681	9B
43174	9	43482	19	43615	9B	43682	9B
43175	9	43513	21	43616	7	43693	61
43176	9	43513	67A	43618	5	43694	61
43177	5	43517	21	43619	5	43695	61
43177	7	43517	67A	43620	5	43696	61
43177	9	43521	21	43621	5	43697	61
43177	9B	43522	21	43622	5	43698	63
43177	11	43523	21	43623	11	43699	61
43177	19	43523	57	43624	5	43701	12
43177	21	43523	57B	43624	45	43702	12
43177	67A	43526	21	43624	45B	43705	12
43177	73	43527	21	43625	11	43706	12
43177	75	43528	21	43626	31	43707	12
43180	3	43530	21	43626	45	43708	12
43182	18	43534	21	43627	45B	43709	12

NUMERICAL LIST

<u>PART NO.</u>	<u>PAGE</u>	<u>PART NO.</u>	<u>PAGE</u>	<u>PART NO.</u>	<u>PAGE</u>	<u>PART NO.</u>	<u>PAGE</u>
43709	35	43895	65	49000	65	49180	51
43711	3	43896	65	49000	67	49180	51A
43711	27	43907	9B	49006	65	49180	51B
43723	19	43908	19	49006	67	49182	51
43724	19	43909	63	49007	65	49184	51
43725	19	43910	61	49008	65	49209	21
43726	19	43911	61	49008	67	49341	69
43727	19	43912	61	49013	27B	49410	79
43728	19	43913	61	49026	27B	49414	78
43729	33	43914	61	49031	27B	49415	78
43742	33	43916	63	49042	13	49417	77
43746	33	43917	63	49048	29	49420	15
43770	31	43930	27	49053	61	49427	19
43775	63	43937	18	49056	21	49428	19
43777	31	43940	27B	49056	57	49429	19
43779	21	43950	27B	49057	57	49430	19
43782	7	43951	27	49060	27	49435	13
43783	7	43954	27B	49060	29	49452	13
43785	7	43965	15	49063	27	49453	13
43786	7	43970	27	49063	29	49454	13
43788	7	43972	27	49065	27	49458	25
43791	27B	43975	27	49065	29	49459	25
43796	27	43978	27	49072	29	49460	30
43802	9	43978	29	49073	29	49461	30
43802	9B	43980	65	49074	19	49465	30
43802	11	43980	67	49075	19	49468	25
43803	65	43981	17	49076	3	49470	25
43803	67	43982	27	49077	3	49471	25
43804	27	44181	73	49080	23	47476	25
43809	27B	44191	5	49081	23	49501	18
43822	27B	44191	7	49087	23	49503	18
43825	27B	44191	45	49093	19	49504	18
43826	27	44575	33	49094	19	49505	18
43828	27	44575	69	49095	19	49506	18
43838	27	44611	63	49096	19	49507	18
43841	27	44612	33	49097	19	49508	18
43842	27	44944	61	49102	27	49515	18
43843	61	44944	79	49109	9B	49516	18
43848	65	45101	75	49109	11	49517	18
43848	67	45101	77	49118	61	49518	18
43851	9B	45153	5	49121	27B	49519	18
43852	9B	45153	9B	49131	61	49520	18
43853	9B	45153	45B	49135	27B	49521	18
43854	65	45157	45	49144	61	49526	67A
43854	67	45205	43	49146	27B	49529	67B
43860	65	45413	63	49152	61	49530	67B
43860	67	45434	78	49154	27B	49531	67A
43870	65	47009	45B	49157	27B	49532	67A
43870	67	47041	15	49161	18	49536	67A
43887	65	47130	15	49169	18	49558	67B
43887	67	47154	23	49171	61	49563	67B
43888	65	47155	23	49172	61	49564	67B
43888	67	47167	23	49173	61	49591	21
43889	65	47777	57B	49175	65	49592	21
43889	67	47778	57B	49175	67	49593	21
43891	30	47780	57B	49178	51	49596	21
43892	67	47858	57B	49178	51A	49599	15
43894	67	47988	17	49178	51B		

NUMERICAL LIST

<u>PART NO.</u>	<u>PAGE</u>	<u>PART NO.</u>	<u>PAGE</u>	<u>PART NO.</u>	<u>PAGE</u>	<u>PART NO.</u>	<u>PAGE</u>
49601	3	100267	18A				
49629	23	100268	18A				
49633	25	100581	19				
49653	27B	101219	11				
49654	27B	101292	23				
49667	15	101334	27				
49670	15	101334	29				
49671	15	101335	27				
50005	45	101335	29				
50006	45	101398	15				
50007	45	102186	29				
50008	45	102653	11				
50018	43	102875	15				
50019	43	103217	27				
50020	43	103330	9B				
50021	43	103330	11				
50022	11	103495	19				
50025	43	103497	23				
50045	43	103366	23				
50050	75	113834	11				
50050	77	113939	18A				
50081	43	113962	21				
50082	5	115082	15				
50082	7	115321	15				
50082	11	118337	11				
50082	43	123314	5				
50082	45	123314	7				
50082	45B	123314	9				
50082	59	123314	9B				
50082	73	123314	11				
50082	75	123314	19				
50082	77	123314	21				
50083	31	123314	67A				
50084	45	123314	73				
50084	45B	123314	75				
50085	45B	B 2300	31				
50086	75	B 2301	3				
50086	77	B 2416	65				
50098	75	B 2417	67				
50098	77	B 2436	65				
50102	73	B 2437	67				
50103	43	B 2540	67A				
50103	67B	B 2540	67B				
50103	73	B 2544	41				
50104	73	C 1359	30				
50104	75	W34896	45				
50104	77						
50105	73						
50105	75						
50105	77						
50106	69						
50109	11						
50163	37						
50179	17						
50212	29						
50228	15						
100265	18A						
100266	18A						

Model 960 Harvest Header SUGGESTED STOCKING LIST

P.C. REF	PART NUMBER	DESCRIPTION	SUGGESTED QTY.		ORDER QTY	UNIT PRICE	EXT. PRICE
			2 UNITS	5 UNITS			
<u>MAIN FRAME, LIGHTS & ATTACHMENTS</u>							
<u>- Parts Catalog Pg 3</u>							
9	43633	PIN - "L", header lock	1	2			
<u>REEL LIFT & REEL DRIVE HYDRAULICS</u>							
<u>- Parts Catalog Pg 9 B</u>							
7	21494	SEAL KIT - double acting cylinder	1	2			
14	21495	SEAL KIT - single acting cylinder	1	2			
28	101670	SEAL KIT - hydraulic motor	1	1			
<u>36' REEL LIFT HYDRAULICS - Parts Catalog Pg 11</u>							
4	32416 *	SEAL KIT - for center cylinder	1	1			
<u>DRIVELINE - Parts Catalog Pg 12</u>							
2	30622	CROSS & BEARING KIT	1	3			
<u>DRIVE SHAFT ASSEMBLY - Parts Catalog Pg 13</u>							
4	13298	KEY - Woodruff, SAE #18	1	1			
5	21859	BEARING - ball, with collar	2	4			
6	30601	FLANGE - bearing	1	2			
7	21860	FLANGE - bearing, with lube fitting	1	2			
<u>SICKLE & DRIVE - Parts Catalog Pg 15</u>							
1	28014	SICKLE GUARD - left end	4	10			
	23064	SICKLE GUARD	10	100			
2	49667	SICKLE - less head: 21 complete, 25 L/H, 30 L/H, 36 L/H	1	3			
3	30696	SCREW - sickle section	50	200			
4	43076 *	SICKLE - R/H, 25'	1	3			
	43077 *	SICKLE - R/H, 30'	1	3			
	43078 *	SICKLE - R/H, 36'	1	3			
5	33955 *	BAR - splice, 25, 30, 36'	1	1			
6	34390	SECTION - sickle, top-serrated	50	200			
7	34399	SECTION - sickle, left half	2	8			
8	34391	SECTION - sickle, right half	2	8			
9	49671	SCREW - sickle head & splice pl.	15	60			
10	30669	NUT - sickle	50	200			
11	30852	SCREW - sickle head	15	60			
13	33834	ARM - drive	1	3			
16	26321	PIN - sickle head	2	4			
19	37835	HEAD ASSEMBLY - sickle	2	4			
20	21866	BEARING - needle, sickle head	1	3			
21	37930	SEAL - sickle head	1	3			
22	101398	BELT - sickle drive, notched	2	3			
24	49420	GUIDE - sickle, hold-down	6	40			
	50228	GUIDE - high clearance	2	4			
27	47130	GUIDE - sickle, adjust. hold-down	5	20			
28	102875	STRAP - reinforcing	2	4			
29	49670	BAR - reinforcing, pkg. of 77	3	5			

* - Order to suit header sizes sold.

**Model 960 Harvest Header
SUGGESTED STOCKING LIST**

P.C. REF	PART NUMBER	DESCRIPTION	SUGGESTED QTY.		ORDER QTY	UNIT PRICE	EXT. PRICE
			2 UNITS	5 UNITS			
<u>SICKLE DRIVE BOX - Parts Catalog Pg 17</u>							
1	26320	DRIVE BOX - sickle, complete	0	1			
5	30814	SEAL - oil	1	2			
6	21420	BEARING - needle	1	3			
8	21512	BEARING - cone	1	3			
14	30815	SEAL - oil	1	2			
15	21513	BEARING- needle	1	3			
21	21517	SEAL - oil	2	4			
24	47988	YOKE/HOUSING ASS'Y	0	1			
<u>DRAPERS - Parts Catalog Pg 18 A</u>							
1	49501 *	DRAPER - 21' DD & 21' TD	0	1			
	49503 *	DRAPER - 21' DD, 25' DD & 25'TD	0	1			
	49504 *	DRAPER - 25' DD	0	1			
	49505 *	DRAPER - 30' DD & 30' TD	0	1			
	49506 *	DRAPER - 30' DD	0	1			
	49507 *	DRAPER - 36' DD	0	1			
	49508 *	DRAPER - 36' DD	0	1			
	49161 *	DRAPER - TD short deck	0	1			
	49169	DRAPER - extension piece	1	2			
2	43469	SLAT - connector kit	2	3			
<u>DRAPER ROLLERS & TIGHTENER - Parts Catalog Pg 21</u>							
5	40008	WASHER - flat	1	2			
6	30550	BEARING - ball, drive roller	3	8			
7	43517	SUPPORT - drive roller	1	2			
8	43779	LAGGING KIT	2	6			
12	21062	BEARING - ball, idler roller	2	4			
13	43523	WASHER - flat	1	2			
<u>BAT REEL - Parts Catalog Pg 25</u>							
6	35694	BUSHING - reel support	3	5			
9	43145	ARM - reel	1	3			
<u>TRANSPORT OPTION - Parts Catalog Pg 27 & 27 B</u>							
10	43826 *	PIN - L	0	1			
21	49146 *	BAR - locking	1	2			
<u>COMBINE ADAPTER - DRAPER DRIVE HYDRAULICS</u> <u>- Parts Catalog Pg 43</u>							
8	37796	SEAL KIT - hydraulic pump	1	1			
21	21808	FILTER - element, oil	1	3			
<u>COMBINE ADAPTER DRIVE CASE - Parts Catalog Pg 47</u>							
29	21936	BEARING - ball, with lock collar	1	2			
32	30602	FLANGE - bearing	1	2			
33	30603	FLANGE - bearing, with lube fitting	1	2			

* - Order to suit header sizes and types sold.

**Model 960 Harvest Header
SUGGESTED STOCKING LIST**

P.C. REF	PART NUMBER	DESCRIPTION	SUGGESTED QTY.		ORDER QTY	UNIT PRICE	EXT. PRICE
			2 UNITS	5 UNITS			
<u>COMBINE ADAPTER - FEEDER DRAPER DRIVELINE</u>							
- Parts Catalog Pg 51 B							
1	40890	DRIVELINE - feeder draper	0	1			
4	49178	CROSS & BEARING KIT	1	2			
<u>COMBINE ADAPTER - INPUT DRIVELINE</u>							
- Parts Catalog Pg 53							
4	15406	CROSS & BEARING KIT	1	2			
<u>COMBINE ADAPTER - FEEDER DRAPER GROUP</u>							
Parts Catalog Pg 57 B							
16	40762	· DRAPER - feeder	0	1			
	40761	+ DRAPER - feeder	0	1			
17	40765	· CONNECTOR KIT	1	2			
	40764	+ CONNECTOR KIT	1	2			
<u>COMBINE ADAPTER - CROSS AUGER Parts catalog Pg 59</u>							
4	21869	BEARING - ball	1	3			
7	37181	SEAL KIT - auger motor	0	1			
<u>PAINT - Parts Catalog Pg 63</u>							
	23955	PAINT - black, 1 litre	1	1			
	23957	PAINT - white, 1 litre	1	1			

· - For John Deere, New Holland TX, Claas and MF 860/8450/8460 adapters.

+ - For Case IH, New Holland TR, Gleaner and MF 8570 adapters.