

Model 942 MULTI-CROP HEADER PARTS CATALOG

CONTENTS

HEADER

MAIN FRAME & ATTACHMENTS.....	2, 3
(Shields, Dividers, Shoes, Deflectors, Stand, Lights)	
PANS & STRIPPER BARS.....	4, 5
REEL LIFT HYDRAULICS.....	6, 7
REEL DRIVE HYDRAULICS.....	8, 9
AUGER DRIVE HYDRAULICS.....	10, 11
DRIVE SHAFT: Single Sickle Header.....	12, 13
DRIVE SHAFT: Double Sickle Header.....	13A, 13B
SICKLE AND DRIVE: Single Sickle Header.....	14, 15
SICKLE AND DRIVE: Double Sickle Header.....	15A - 15D
SICKLE STUB GUARDS (OPTION).....	15E, 15F
SICKLE DRIVE BOX.....	16 - 17B
REEL DRIVE & SUPPORT ARMS.....	18, 19
MOUNTING PACKAGE: PICK-UP REEL.....	20, 21
PICK-UP REEL.....	22 - 25
AUGERS AND DRIVE.....	26, 27
UPPER CROSS AUGER (OPTION).....	28, 29
DECALS AND PAINT.....	30, 31

HAY CONDITIONER – SEE CATALOG 46453

NUMERICAL LIST.....	32, 33
----------------------------	---------------

SUGGESTED STOCKING LIST.....	34, 35
-------------------------------------	---------------

ABBREVIATIONS

L/H - left hand (Determined from Operator's position, facing forward.)
R/H - right hand

I.D. - inside diameter
O.D. - outside diameter

A/R - as required (quantity varies with header size)
REF - reference, part number called up elsewhere in catalog
SUB - Substitute (Revised design may be used to repair previous design when stock is depleted.)

NC - national coarse thread
NF - national fine thread

NOTE: Common hardware is not illustrated. Alphabetic references are used to designate position and description of these items.

When ordering, be sure the complete and proper serial number is given. Some parts vary with header size; be sure you are ordering the correct number for your header.

SERIAL NUMBER BREAKS

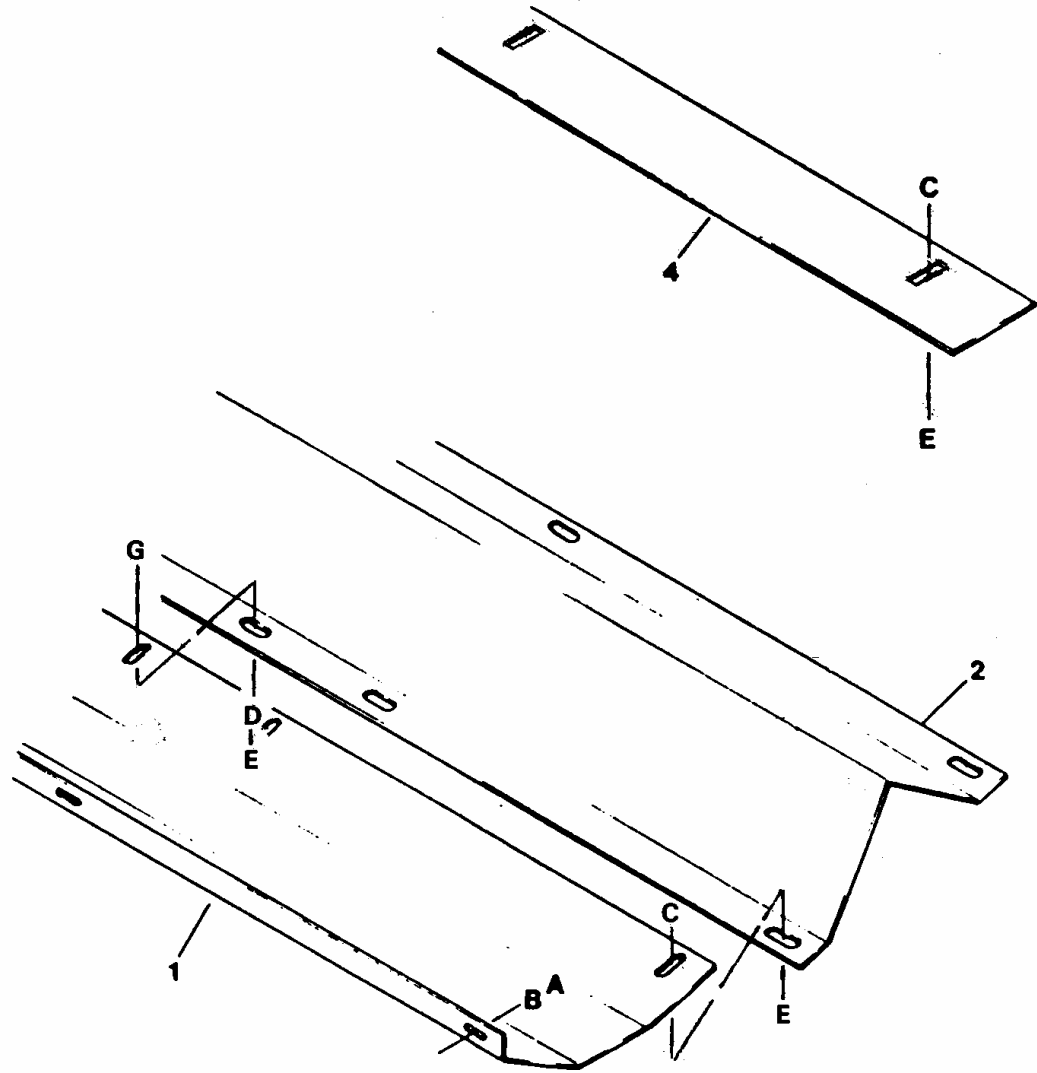
The side of the serial number on which the dash (-) appears determines whether the part is used "up to" or "after" the serial number given.

Example: -74924 Used on machines up to and including serial number 74924.
 74925- Used on machines including and after serial number 74925.

MAIN FRAME & ATTACHMENTS

REF	PART NUMBER	DESCRIPTION	QTY	SERIAL NUMBER
1	REF	FRAME - main, not serviced	1	
2	47543	PLATE - skid	2	
3	47876	BAR - L/H shield.....	1	
	47877	BAR - R/H shield, Double Sickle Header	1	
6	47550	SHOE - divider, left.....	1	
	47551	SHOE - divider, right, Single Sickle Header	1	
	47751	SHOE - divider, right, Double Sickle Header.....	1	
7	47545	BRACE - divider, used left side of Single Sickle, left & right sides of Double Sickle	1	
	47546	BRACE - right divider, Single Sickle Header	1	
8	38500	SHOE - skid, adjustable	2	
9	38506	SUPPORT - front, skid shoe	4	
10	47902	SHIELD - left auger drive	1	
11	37368	SHIELD - wobble box, (quantity = 2 for Double Sickle Headers)	1	
12	47882	SHIELD - left side with decals	1	-124499
	115066	SHIELD - left side with decals	1	124500-
	47895	SHIELD - right side with decals, Double Sickle Header	1	-124499
	115070	SHIELD - right side with decals, Double Sickle Header	1	124500-
14	38737	SHIELD - right auger drive, Single Sickle Header.....	1	
	47903	SHIELD - right auger drive, Double Sickle Header	1	
15	38394	DEFLECTOR - crop, left	1	
	38395	DEFLECTOR - crop, right	1	
16	43648	SUPPORT - header.....	1	
17	38894	LATCH - rubber	1	
18	13125	PIN - hair	4	
19	13747	PIN - "L", header support	1	
21	42516	SEAL - sponge, (quantity is per shield)	1	
22	16539	LIGHT - amber	2	
23	47322	HARNES - wiring, 12, 15, 18 ft. headers	1	
23A	31062	CONNECTOR KIT - harness, includes male and female plugs		
24	16661	FASTENER - cable tie.....	A/R	
25	43711	GUARD - light.....	2	
26	49601	SUPPORT - L/H sickle drive box (welded).....	1	-124499
	115059	SUPPORT - L/H sickle drive box (welded).....	1	124500-
	47690	SUPPORT - R/H sickle drive box (welded), Double Sickle Header	1	-124499
	115060	SUPPORT - R/H sickle drive box (welded), Double Sickle Header	1	124500-
		NOTE: Also required for welded supports - 32927 Welding Jig - TO BE RETURNED		
27	32275	PIN - "L", lower leg	2	
30	47159	ARM - divider brace.....	2	
31	47879	TOOL - wrench / guard straightener	1	
A	21863	BOLT - round head, square neck, 3/8 NC x 3/4 inch		
C	19965	BOLT - round head, square neck, 3/8 NC x 1 inch		
D	21567	BOLT - hex head, 3/8 NC x 3/4 inch		
E	30228	NUT - lock, flange 3/8 NC distorted thread		
G	18602	WASHER - flat, 15/16 inch I.D.		
H	21821	BOLT - flange head, 3/8 NC x 3/4 inch		
J	18523	BOLT - round head, square neck, 5/8 NC x 1 1/2 inch		
K	18600	WASHER - flat, 21/32 inch I.D.		
L	18639	WASHER - lock, 5/8 inch		
M	18592	NUT - hex, 5/8 inch NC		
N	18638	WASHER - lock, 1/2 inch		
P	6771	NUT - hex, 1/2 inch NF		
R	20077	BOLT - hex head, 3/8 NC x 1 inch		
S	30035	BOLT - hex head, 3/8 NC x 2 3/4 inch		
U	50197	BOLT - round head, square neck, 3/8 x 1 3/4 inch		
V	18590	NUT - hex, 3/8 NC		
W	21449	BOLT - flange head, 1/2 NC x 1 inch		
X	21868	BOLT - round head, square neck, 1/2 NC x 1 inch		
Y	21383	NUT - serrated flange, 1/2 NC		
Z	21471	BOLT - round head, square neck, 1/2 NC x 1 1/4 inch		
~ f	REF	Indicates where hardware passes through frame member.		

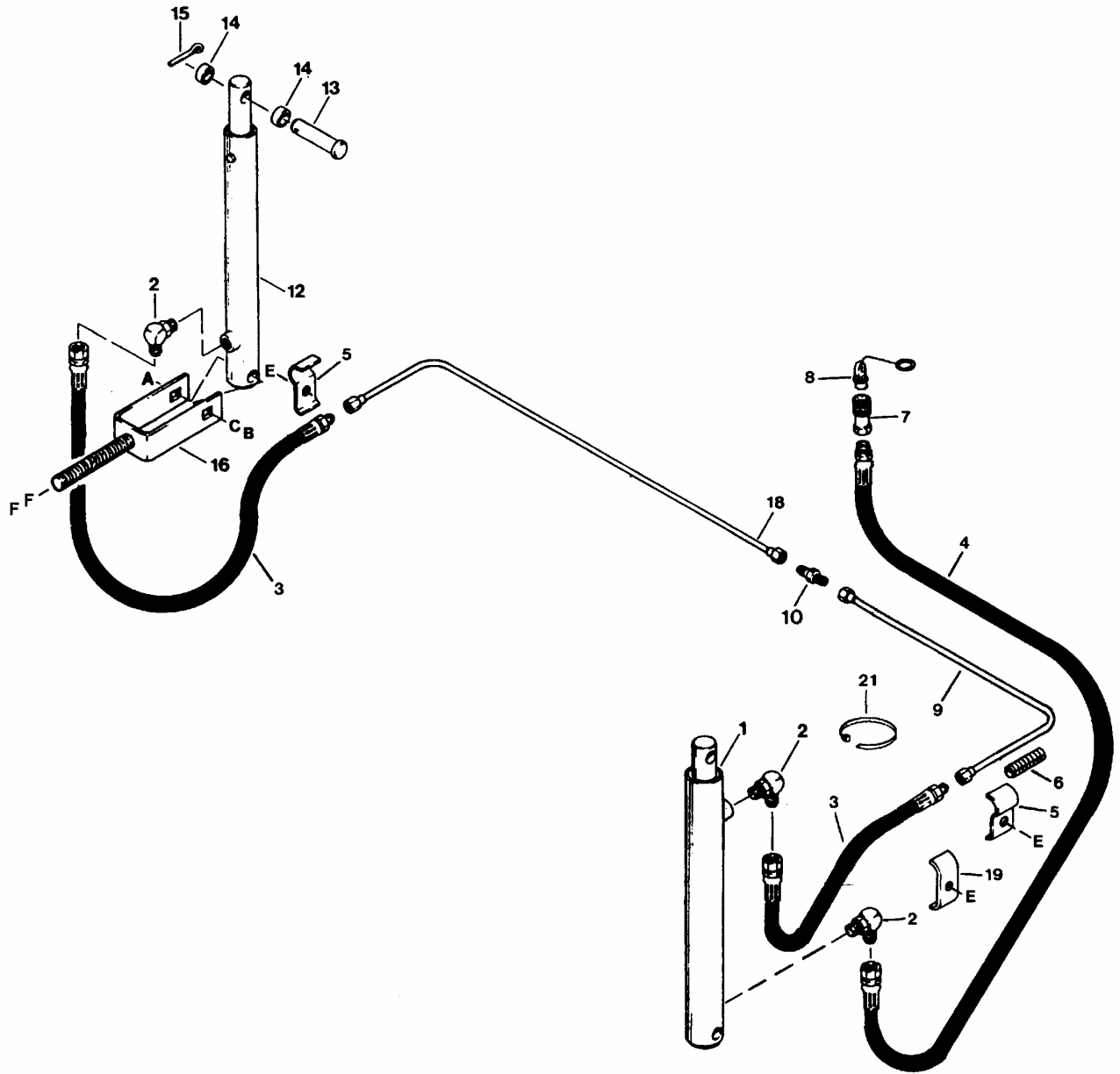
PANS & STRIPPER BARS



PANS & STRIPPER BARS

REF	PART NUMBER	DESCRIPTION	QTY	SERIAL NUMBER
1	47760	PAN - front, 12 ft.....	2	
	47761	PAN - front, 15 ft.....	2	
	47762	PAN - front, 18 ft.....	2	
2	47756	PAN - center, 12 ft.....	2	
	47757	PAN - center, 15 ft.....	2	
	47758	PAN - center, 18 ft.....	2	
4	38137	STRIPPER BAR - rear, 12 ft.....	2	
	38138	STRIPPER BAR - rear, 15 ft.....	2	
	38139	STRIPPER BAR - rear, 18 ft.....	2	
A	21055	SCREW - self tap, hex washer head 1/4 NC x 1/2 inch		
B	18596	WASHER - flat, 9/32 inch I.D.		
C	21863	BOLT - round head, square neck, 3/8 NC x 3/4 inch		
D	16652	WASHER - flat		
E	30228	NUT - lock, flange 3/8 NC distorted thread		
G	19965	BOLT - round head, square neck, 3/8 NC x 1 inch		

REEL LIFT HYDRAULICS



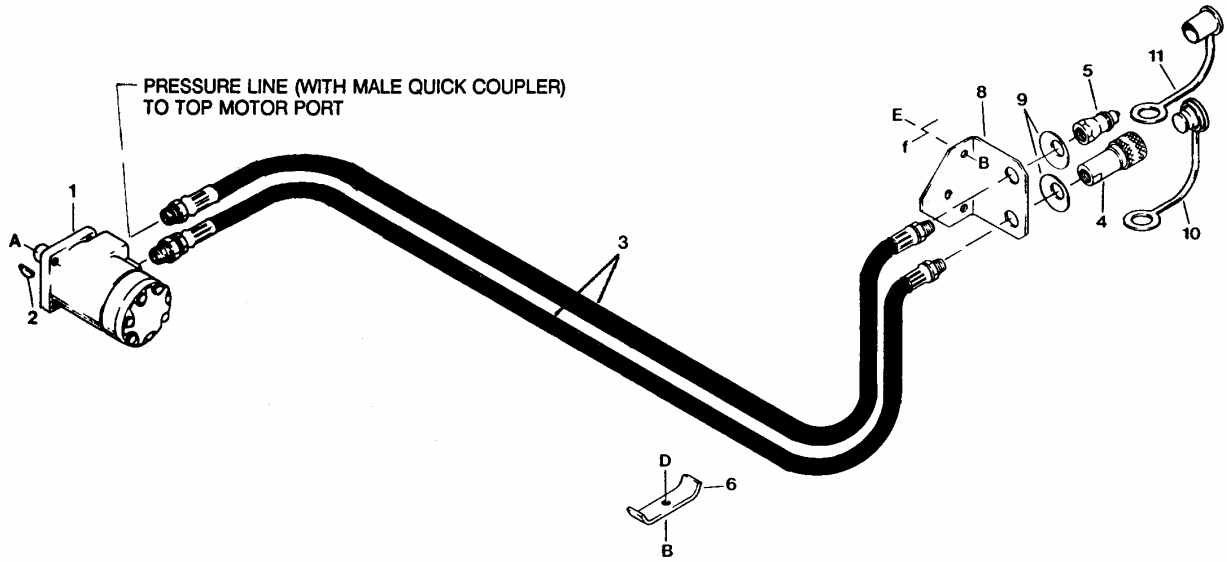
REEL LIFT HYDRAULICS

REF	PART NUMBER	DESCRIPTION	QTY	SERIAL NUMBER
1	29169	CYLINDER - reel lift, double-acting.....	1	
	21494	SEAL KIT - for lift cylinder 29169		
	43802	PISTON - for lift cylinder 29169 (also order Seal Kit 21494)		
2	30282	ELBOW - 90°, 9/16 O-Ring x 3/8 tube	3	
3	31824	HOSE - hydraulic.....	2	
4	33426	HOSE - hydraulic, from header leg - 12 ft.	1	
	47132	HOSE - hydraulic, from header leg - 15 ft.	1	
	47133	HOSE - hydraulic, from header leg - 18 ft.	1	
5	29934	HOLDER - hose	see note (1)	
6	24137	PROTECTOR - hydraulic hose, 12 ft. only.....	1	
7	30442	COUPLER - female, 1/4 NPT.....	1	
	50083	O-RING - for coupler 30442		
8	21876	PLUG - dust.....	1	
9	38371	LINE - hydraulic, left side - to right cylinder - 12 ft.....	1	
	38372	LINE - hydraulic, left side - to right cylinder - 15 ft.....	1	
	38373	LINE - hydraulic, left side - to right cylinder - 18 ft.....	1	
10	21878	UNION - 1/4 tube.....	1	
12	29168	CYLINDER - reel lift, single-acting	1	
	21495	SEAL KIT - for lift cylinder 29168		
13	18738	PIN - clevis, 5/8 dia. x 2 1/2 inch	2	
14	8640	SPACER - tube	4	
15	18648	PIN - cotter, 3/16 dia. x 1 1/4 inch	2	
16	37345	CLEVIS - cylinder adjusting.....	2	-115999
	103330	CLEVIS - cylinder adjusting, with bolt.....	2	116000-
18	38370	LINE - hydraulic, right side - to right cylinder	1	
19	32225	HOLDER - hose	1	
21	21763	FASTENER - cable tie.....	6	
A	30829	BOLT - round head, square neck, 5/8 NC x 3 1/2 inch		
B	18666	NUT - lock, 5/8 NC distorted thread		
C	18600	WASHER - flat, 21/32 inch ID		
E	30228	NUT - lock, flange 3/8 inch NC distorted thread		
F	18592	NUT - hex, 5/8 NC		

NOTES:

(1) - Quantities: 12'=3 / 15'=1 / 18'=1

REEL DRIVE HYDRAULICS



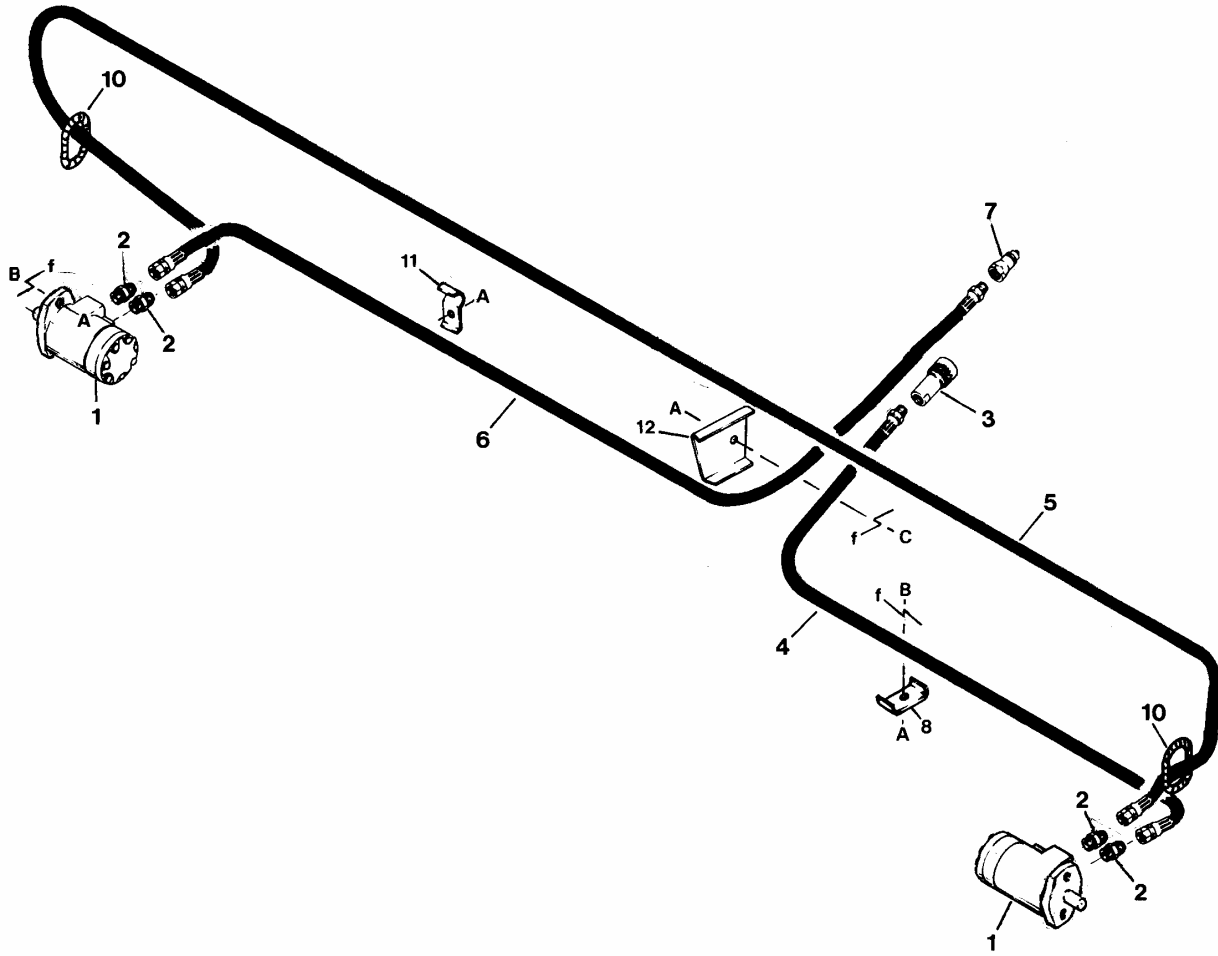
REEL DRIVE HYDRAULICS

REF	PART NUMBER	DESCRIPTION	QTY	SERIAL NUMBER
1	43011	MOTOR - hydraulic, reel drive - with key (Eaton).....	1	
	101670	SEAL KIT - for motor 43011 (was 43177)		
2	2149	KEY - Woodruff, SAE #15	1	
3	43617	HOSE - hydraulic, 12 ft.....	2	
	43618	HOSE - hydraulic, 15 ft.....	2	
	47146	HOSE - hydraulic, 18 ft.....	2	
4	21857	COUPLER - female, 1/2 NPT.....	1	
	50082	O-RING - for coupler 21857		
5	21855	COUPLER - male, 1/2 NPT.....	1	
6	38409	HOLDER - hose	see note (1)	
8	49109	HOLDER - hose couplers.....	1	
9	45153	WASHER - formed.....	2	
10	21858	PLUG - dust.....	1	
11	21856	CAP - dust.....	1	
A	21821	BOLT - flange head, 3/8 NC x 3/4 inch		
B	30228	NUT - lock, smooth flange 3/8 inch NC distorted thread		
D	19966	BOLT - round head square neck, 3/8 NC x 1 1/4 inch		
E	21863	BOLT - round head square neck, 3/8 NC x 3/4 inch		

NOTES:

(1) - Quantities: 12'=2 / 15'=3 / 18'=3

AUGER DRIVE HYDRAULICS



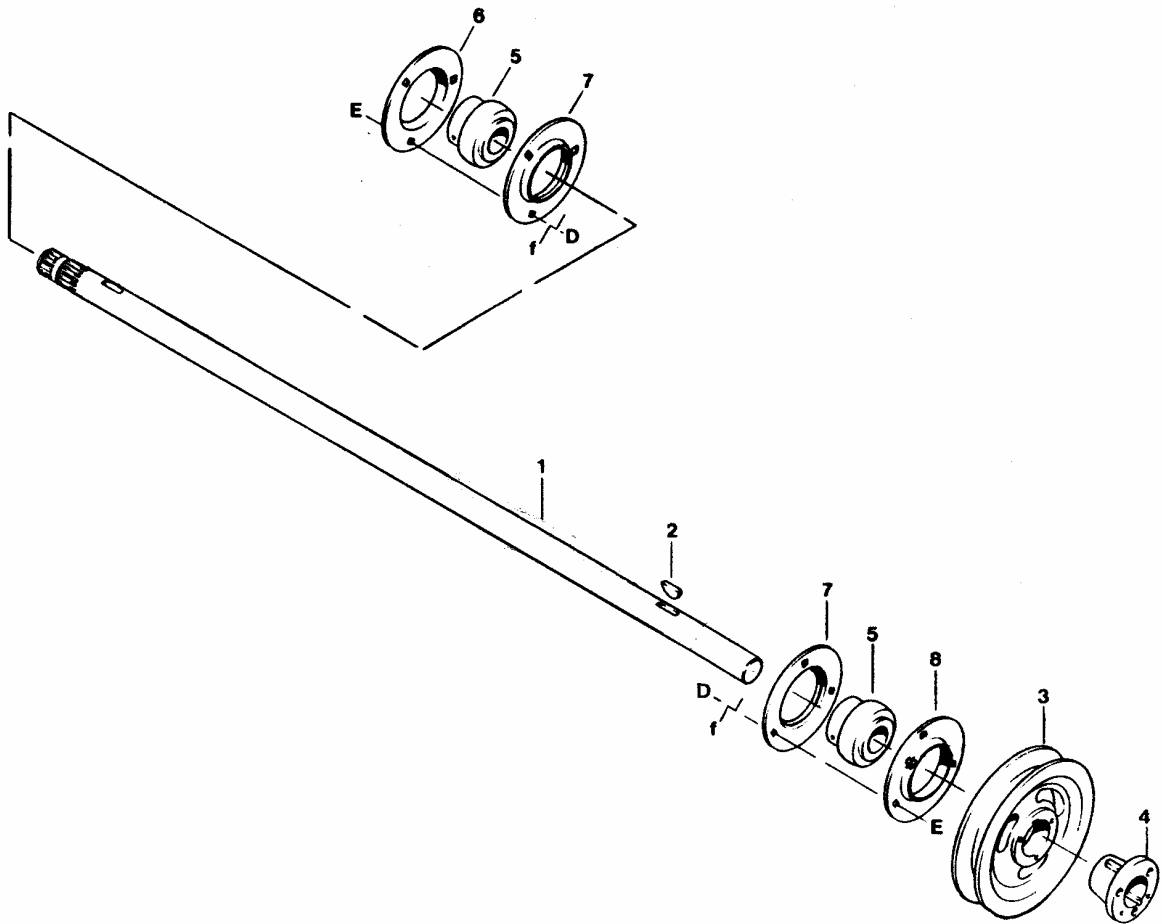
AUGER DRIVE HYDRAULICS

REF	PART NUMBER	DESCRIPTION	QTY	SERIAL NUMBER
1	43010	MOTOR - hydraulic, auger drive	2	
	101670	SEAL KIT - for hydraulic motor 43010 (was 43177)		
2	21881	ADAPTER - male, 7/8 O-Ring x 1/2 tube	4	
3	21857	COUPLER - female, 1/2 NPT.....	1	
	50082	O-RING - for coupler 21857		
4	47147	HOSE - hyd., pressure to left motor, lower port - 12 ft.	1	
	47148	HOSE - hyd., pressure to left motor, lower port - 15 ft.	1	
	47149	HOSE - hyd., pressure to left motor, lower port - 18 ft.	1	
5	47141	HOSE - hydraulic, from left motor upper port - 12 ft.....	1	
	47142	HOSE - hydraulic, from left motor upper port - 15 ft.....	1	
	47143	HOSE - hydraulic, from left motor upper port - 18 ft.....	1	
6	47135	HOSE - hyd., return from right motor upper port - 12 ft.....	1	
	47136	HOSE - hyd., return from right motor upper port - 15 ft.....	1	
	47137	HOSE - hyd., return from right motor upper port - 18 ft.....	1	
7	21855	COUPLER - male, 1/2 NPT	1	
8	32225	HOLDER - hose		see note (1)
10	25298	PROTECTOR - hose.....	2	
11	29934	HOLDER - hose	3	
12	47169	HOLDER - hose	1	
A	30228	NUT - lock, flange 3/8 inch NC distorted thread		
B	19966	BOLT - round head square neck, 3/8 NC x 1 1/4 inch		
C	21484	BOLT - round head square neck, 3/8 NC x 1 1/2 inch		
~ f	REF	Indicates where hardware passes through frame member.		

NOTES:

(1) - Quantities: 12'=4 / 15'=5 / 18'=5

Single Sickle Header DRIVE SHAFT

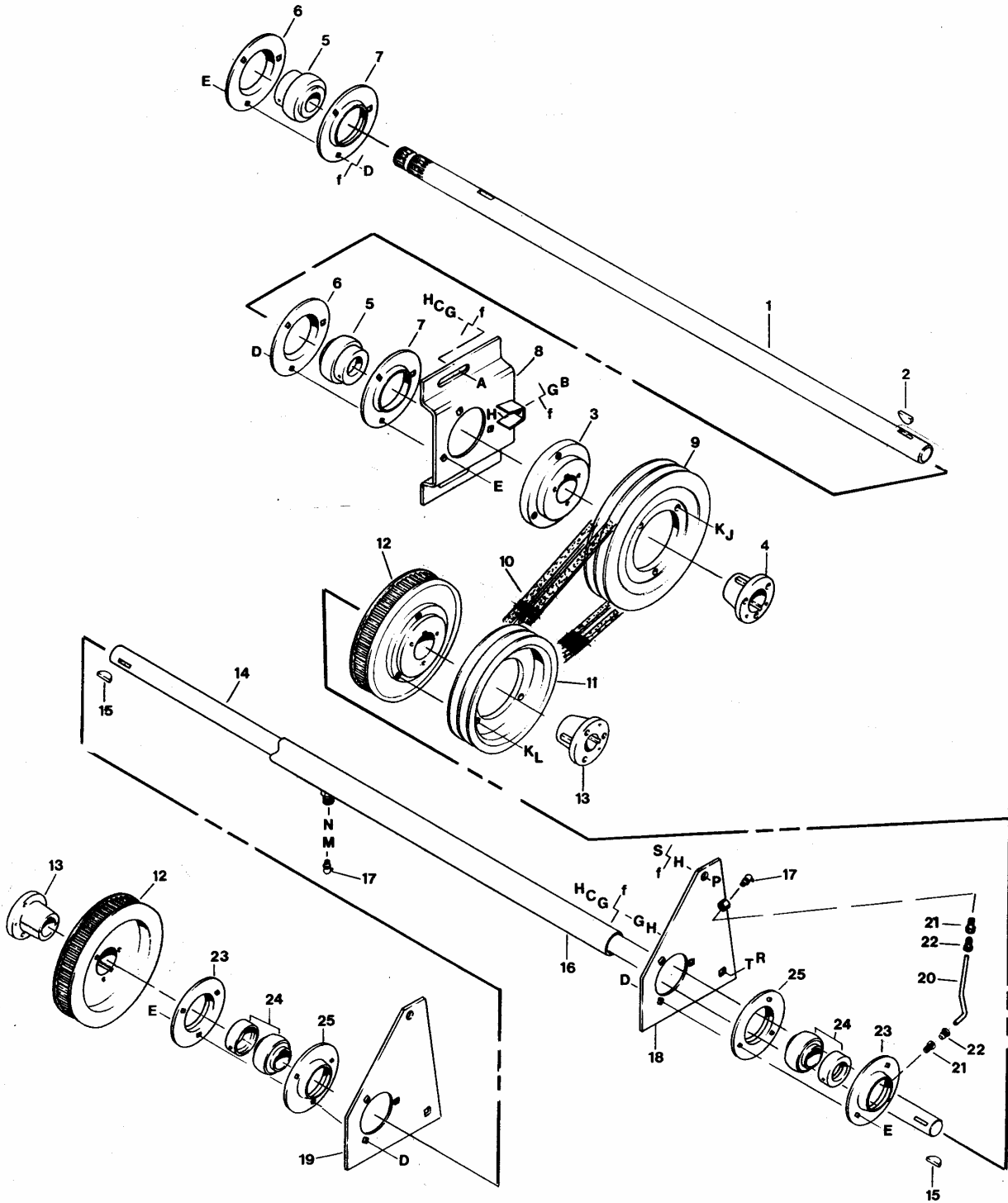


**Single Sickle Header
DRIVE SHAFT**

REF	PART NUMBER	DESCRIPTION	QTY	SERIAL NUMBER
1	47661	SHAFT - drive, 12 ft. header	1	
2	11142	KEY - woodruff, 5/16 X 1 1/8 dia.	1	
3	34364	PULLEY - sickle drive.....	1	
4	21934	BUSHING - split taper	1	
5	21936	BEARING - ball, with lock collar	2	
6	21938	FLANGE - bearing, with lube fitting	1	
7	30602	FLANGE - bearing.....	2	
8	38568	FLANGE - bearing, with lube fitting (see NOTE 1).....	1	
D	19965	BOLT - round head, square neck, 3/8 NC x 1 inch		
E	30228	NUT - lock, smooth flange, 3/8 NC distorted thread		
f	REF	Indicates where hardware passes through frame member.		

NOTES: 1. If 38568 FLANGE is not in stock, make from 21938 FLANGE by replacing lube fitting with 21010 FITTING - lube, 90°.

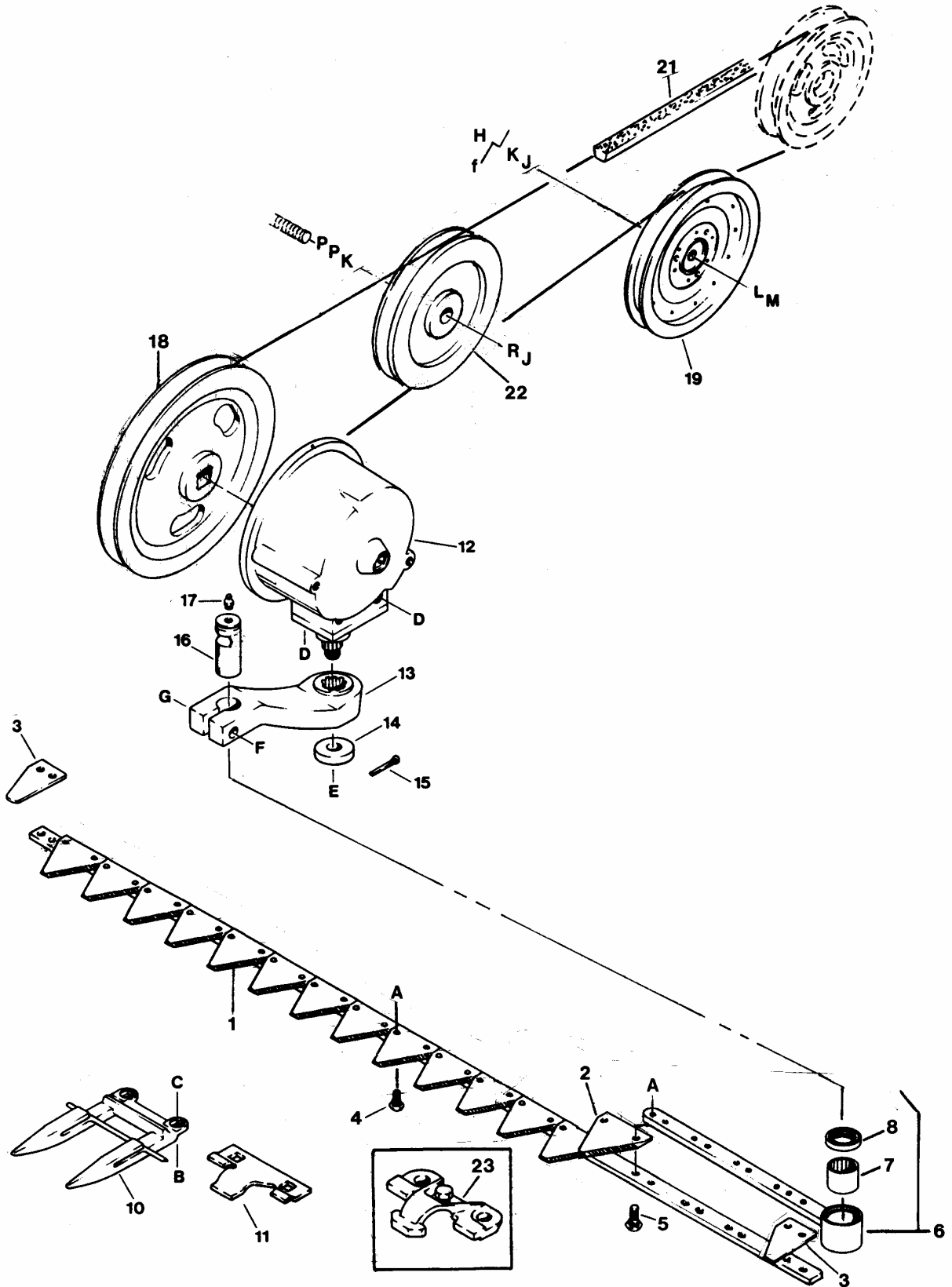
Double Sickle Header DRIVE SHAFT



**Double Sickle Header
DRIVE SHAFT**

REF	PART NUMBER	DESCRIPTION	QTY	SERIAL NUMBER
1	47662	SHAFT - drive, 15 ft. header	1	
	47663	SHAFT - drive, 18 ft. header	1	
2	11142	KEY - woodruff, 5/16 x 1 1/8 dia.....	1	
3	47682	HUB - pulley	1	
4	21934	BUSHING - split taper, with bolts and outer key	1	
5	21936	BEARING - ball, with lock collar	2	
6	21938	FLANGE - bearing, with lube fitting	2	
7	30602	FLANGE - bearing.....	2	
8	47608	SUPPORT - drive pulley.....	1	
9	38551	PULLEY - sickle drive 8.6 inch O.D. (220 mm)	1	
10	38735	BELTS - cross shaft drive, consists of matched pair	1	
11	38550	PULLEY - sickle drive, 7.6 inch O.D. (195 mm).....	1	
12	47676	SPROCKET - HTD, sickle drive	2	
13	30034	BUSHING - split taper, with bolts and outer key	2	
14	47774	CROSS SHAFT - 15 ft. header	1	
	47775	CROSS SHAFT - 18 ft. header	1	
15	13298	KEY - woodruff, 1/4 x 1 1/8 dia.....	2	
16	47766	TUBE - cross shaft support, 15 ft. header.....	1	
	47767	TUBE - cross shaft support, 18 ft. header.....	1	
17	21010	FITTING - lube, 90°, 1/4 NF	4	
18	47853	SUPPORT - cross shaft, left	1	
19	47854	SUPPORT - cross shaft, right	1	
20	47631	LINE - grease	2	
21	50153	FITTING - male connector, 1/8 tube x 1/4 NF.....	4	
22	50152	NUT - tube, 1/8 tube.....	4	
23	47858	FLANGE - bearing, with lube hole (less fitting)	2	
24	21859	BEARING - ball	2	
25	30601	FLANGE - bearing.....	2	
A	21868	BOLT - round head, square neck, 1/2 NC x 1 inch		
B	30299	BOLT - hex head, 1/2 NC x 4 inch, thread full length		
C	18638	WASHER - lock, 1/2 inch		
D	19965	BOLT - round head, square neck, 3/8 NC x 1 inch		
E	30228	NUT - lock, smooth flange, 3/8 NC distorted thread		
G	18599	WASHER - flat, 17/32 inch I.D.		
H	18591	NUT - hex, 1/2 NC		
J	20077	BOLT - hex head, 3/8 NC x 1 inch		
K	18637	WASHER - lock, 3/8 inch		
L	21264	BOLT - hex head, 3/8 NC x 1 1/4 inch		
M	18666	NUT - lock, 5/8 NC distorted thread		
N	18639	WASHER - lock, 5/8 inch		
P	18723	BOLT - hex head, 1/2 NC x 1 1/2 inch		
R	30515	BOLT - round head, square neck, 1/2 NC x 1 3/4 inch		
S	18697	NUT - lock, 1/2 NC distorted thread		
T	18600	WASHER - flat, 21/32 inch I.D.		
f	REF	Indicates where hardware passes through frame member.		

Single Sickle Header SICKLE AND DRIVE



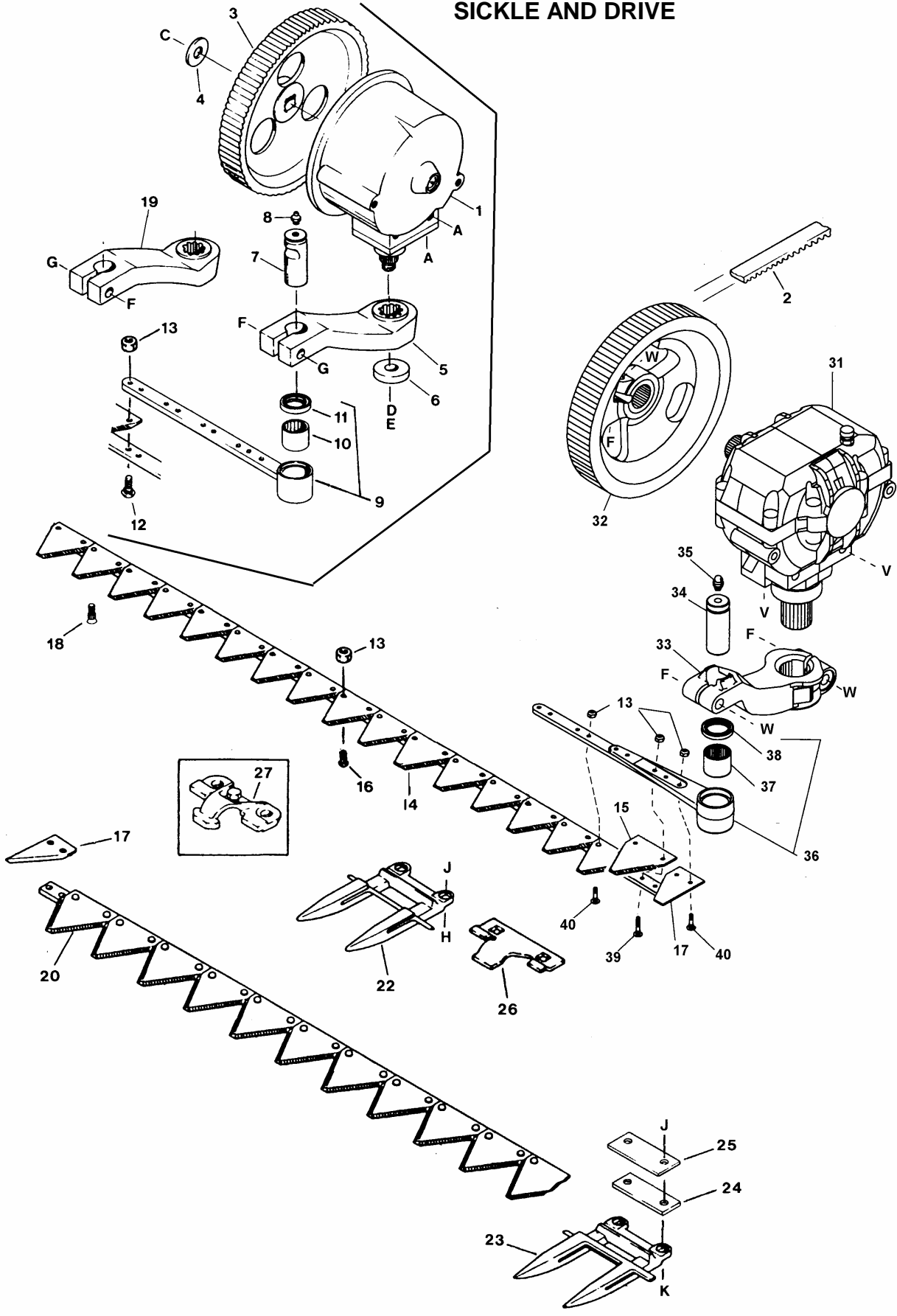
Single Sickle Header SICKLE AND DRIVE

REF	PART NUMBER	DESCRIPTION	QTY	SERIAL NUMBER
1	38632	SICKLE ASSEMBLY - 12 ft., includes items 2 - 4 (see note 1).....	1	
2	34390	SECTION - sickle, top-serrated.....	47	
3	34391	SECTION - sickle, half	2	
4	30696	SCREW - ribbed neck, #12 NC x 5/8 inch	89	
5	30668	SCREW - ribbed neck, #12 NC x 1 inch	9	
6	47960	HEAD ASSEMBLY – sickle, through bore (incl. #7 and 8): see Note 1	1	-115999
	100501	HEAD ASSEMBLY – sickle, closed bore (incl. #7 and 8): see Note 2	1	116000-
7	21866	BEARING – needle, for head 47960	1	-115999
	100500	BEARING – needle, for head 100501	1	116000-
8	37930	SEAL - sickle head, (install with lip facing outwards): see Note 2.....	1	
10	28014	DRIVE-END SICKLE GUARD - first 2 at left end only	2	
	28013	SICKLE GUARD - except first 2 @ left end	22	
11	28815	GUIDE - sickle, hold-down	22	
12	REF	DRIVE - sickle, see page 17	1	
13	33834	ARM - drive	1	
14	REF	WASHER - flat, see page 17.....	1	
15	18648	PIN - cotter, 3/16 x 1 1/4 inch.....	1	
16	26321	PIN - sickle head	1	
17	21887	FITTING - lubrication.....	1	
18	21418	PULLEY - driven.....	1	
19	21862	PULLEY - idler, back-side	1	
21	47041	BELT - single sickle drive	1	-115999
	101398	BELT - single sickle drive, notched	1	116000-
22	21054	PULLEY - "V" idler.....	1	
23	47130	GUIDE - adjustable sickle hold-down, with bolt (Optional).....	A/R	
	50119	BOLT - hex head, 3/8 NC x 3/4 inch, stainless steel		
A	30669	NUT - lock, #12 NC distorted thread		
B	8218	BOLT - round head, sq. neck, 7/16 NC x 1 1/2 inch - THRU GUARD & GUIDE		
	21468	BOLT - round head, sq. neck, 7/16 x 1 3/4 in. - THRU GUARD, GUIDE & SHOE		
C	18654	NUT - hex, 7/16 NC		
D	30861	BOLT - hex head, 5/8 NF x 2 inch Grade 8		
E	REF	NUT - slotted hex, see page 17		
F	30922	BOLT - hex head, 5/8 NC x 2 3/4 inch		
G	18666	NUT - lock, 5/8 NC distorted thread		
H	21489	BOLT - round head, square neck, 1/2 x 2 1/2 inch		
J	18592	NUT - hex, 5/8 NC		
K	18600	WASHER - flat, 21/32 ID		
L	18638	WASHER - lock, 1/2 inch		
M	18591	NUT - hex, 1/2 NC		
P	18593	NUT - hex, 3/4 NC		
R	18639	WASHER - lock, 5/8 inch		

NOTES:

- (1) – Sickle head assembly 100501 may be used to replace 47960. Match-up of bearing to head must be maintained (bearing 21866 for head 47960, bearing 100500 for head 100501).
- (2) – Newer sickle head 113232 (item 36 on page 15B) and seal 113222 (item 38 on page 15B) may be used to replace 100501 head and 37930 seal respectively. When making either of these substitutions, also order sickle head pin 115082.

Double Sickle Header SICKLE AND DRIVE



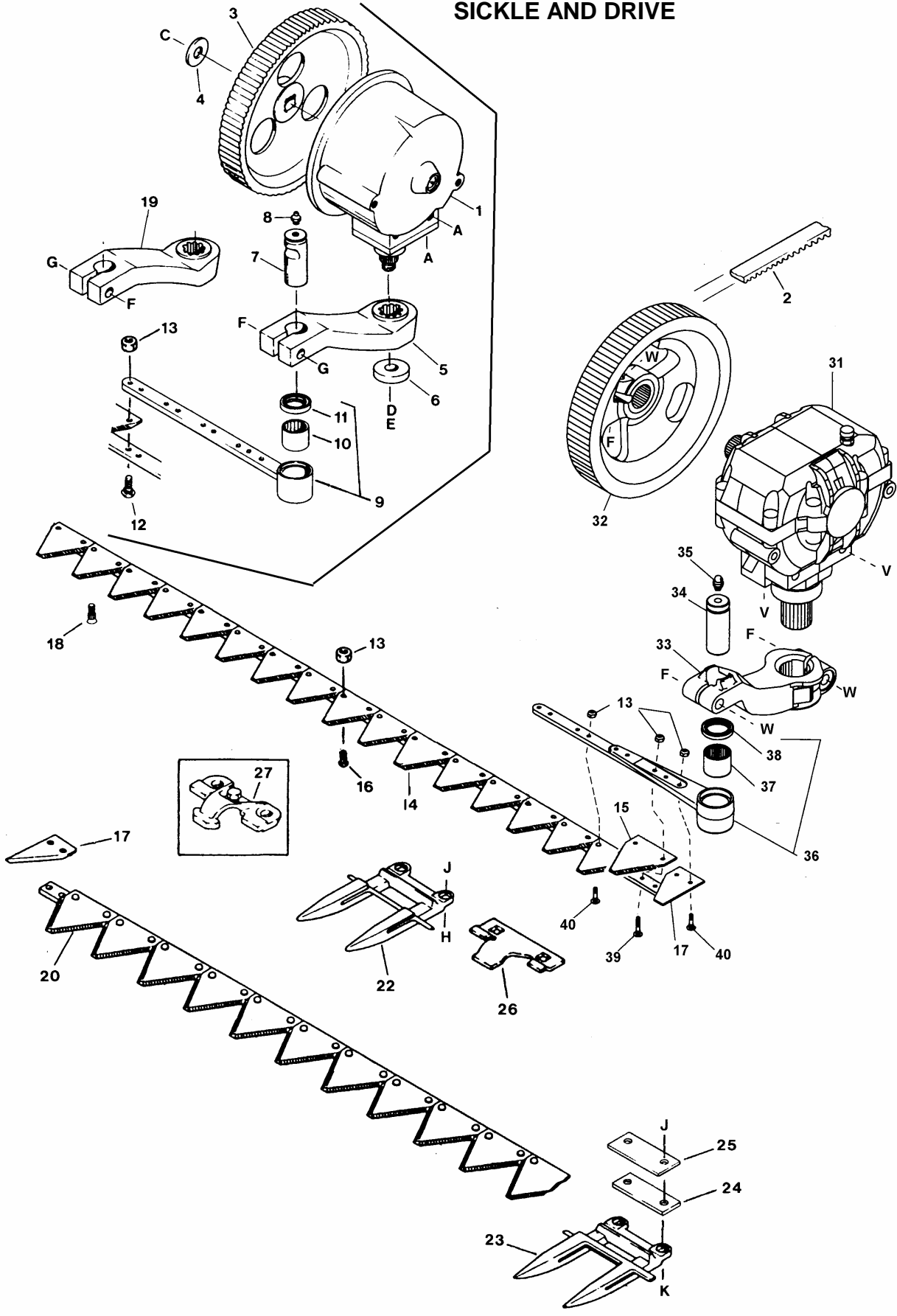
Double Sickle Header SICKLE AND DRIVE

REF	PART NUMBER	DESCRIPTION	QTY	SERIAL NUMBER
1	REF	DRIVE - sickle, see page 17	2	-124499
2	47684	BELT - timing, sickle drive.....	2	
3	33007	SPROCKET - timing, double sickle.....	2	-124499
4	21417	WASHER - flat	2	-124499
5	33834	ARM - drive, left.....	1	-124499
6	REF	WASHER - flat, see page 17.....	2	-124499
7	26321	PIN - sickle head	2	-124499
8	21887	FITTING - lubrication.....	2	-124499
9	47960	HEAD ASSEMBLY – sickle, through bore (incl. #10 and 11): see Note 7 ...	1	-115999
	100501	HEAD ASSEMBLY – sickle, closed bore (incl. #10 and 11): see Note 8	1	116000-124499
10	21866	BEARING – needle, for head 47960	1	-115999
	100500	BEARING – needle, for head 100501	1	116000-
11	37930	SEAL - sickle head (install with lip facing outwards): see Note 8.....	2	-124499
12	30668	SCREW - button head, ribbed neck, #12 NC x 1 inch	18	-124499
13	30669	NUT - lock, #12 NC distorted thread, special.....	see note (1)	
14	34211	SICKLE ASSEMBLY - L/H less head, 15 ft.	1	
	47788	SICKLE ASSEMBLY - L/H less head, 18 ft.	1	
15	34390	SECTION - sickle, top serrated.....	see note (2)	
16	30696	SCREW - button head, ribbed neck, #12 NC x 5/8 inch	see note (3)	
17	34391	SECTION - end	2	
18	50194	SCREW - countersunk hd, ribbed nk, #12 NC x 19/32 in. (see note 6).....	9	
19	30510	ARM - drive, right	1	-124499
20	47783	SICKLE ASSEMBLY - R/H less head, 15 ft.	1	
	47793	SICKLE ASSEMBLY - R/H less head, 18 ft.	1	
22	28014	DRIVE-END SICKLE GUARD - first two at both ends	4	
	28013	SICKLE GUARD - except end guards.....	see note (4)	
23	33114	CENTER SICKLE GUARD.....	1	
24	47649	BAR - spacer, lower	1	
25	47650	BAR - spacer, upper.....	1	
26	28815	GUIDE - sickle, hold-down	see note (5)	
27	47130	GUIDE - adjustable sickle hold-down, with bolt (Optional).....	A/R	
	50119	BOLT - hex head, 3/8 NC x 3/4 inch, stainless steel		
31	REF	DRIVE – sickle, see page 17B	2	124500-
32	47833	PULLEY – driven.....	2	124500-
33	100421	ARM – output	2	124500-
34	113229	PIN – sickle head	2	124500-
35	21194	FITTING – lube, 90°	2	124500-
36	113232	HEAD ASSEMBLY – sickle, includes items 37 & 38.....	2	124500-
37	100500	BEARING – needle	2	116000-
38	113222	SEAL – sickle head (install with lip facing outwards)	2	124500-
39	30852	SCREW – rib neck, #12 NC x 1 1/8 inch	8	124500-
40	49671	SCREW – rib neck, #12 NC x 0.92 inch	10	124500-

NOTES:

- (1) - Quantities: 15'=124 / 18'=148
- (2) - Quantities: 15'=60 / 18'=72
- (3) - Quantities: 15'=97 / 18'=121
- (4) - Quantities: 15'=25 / 18'=31
- (5) - Quantities: 15'=26 / 18'=32
- (6) - 4 used at inboard end of left hand sickle, and 5 used at inboard end of right hand sickle.
- (7) - Sickle head assembly 100501 may be used to replace 47960. Match-up of bearing to head must be maintained (bearing 21866 for head 47960, bearing 100500 for head 100501)
- (8) - Newer sickle head 113232 (item 36) and seal 113222 (item 38) may be used to replace 100501 head and 37930 seal respectively. When making either of these substitutions, also order sickle head pin 115082.

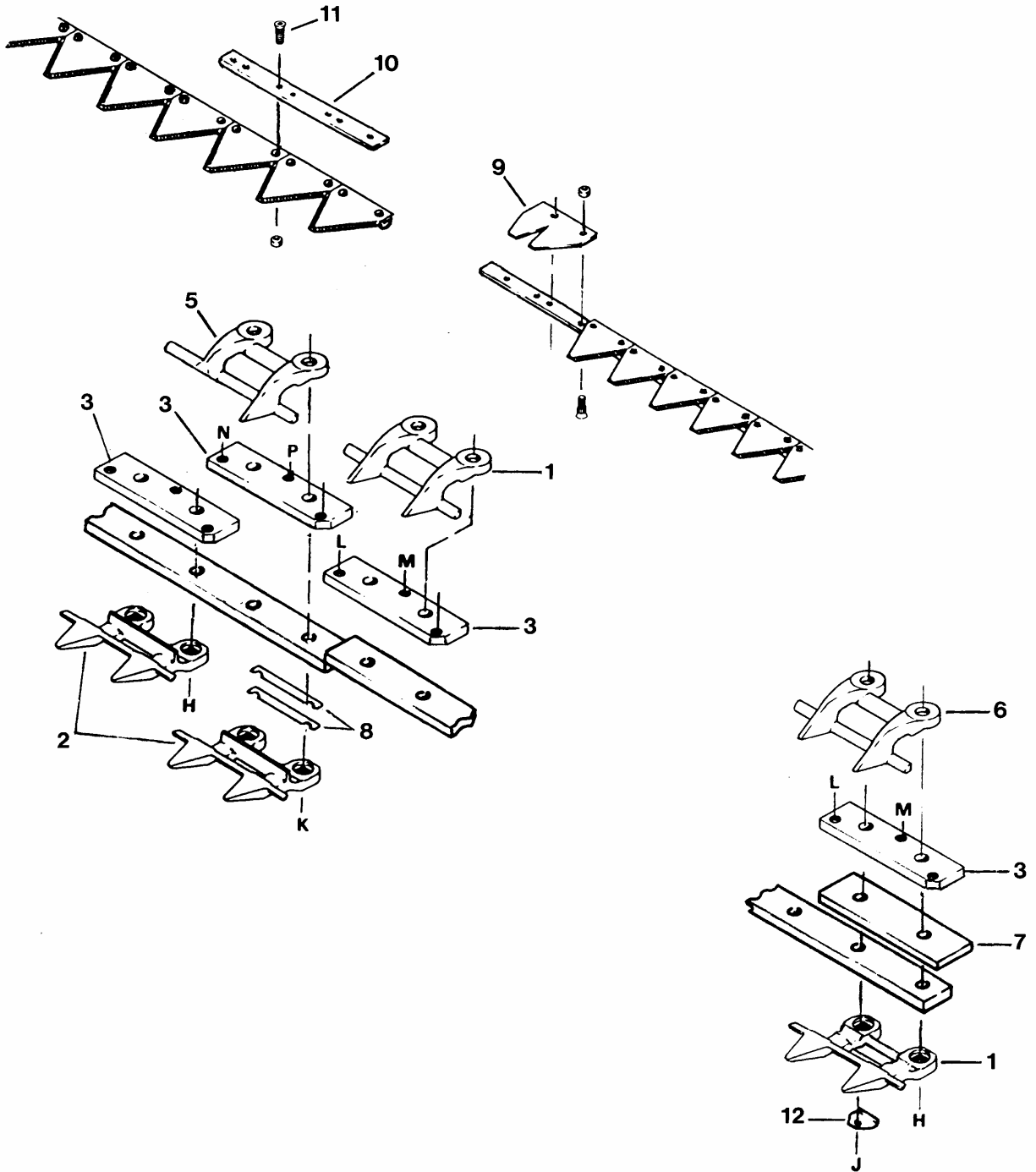
Double Sickle Header SICKLE AND DRIVE



**Double Sickle Header
SICKLE AND DRIVE**

REF	PART NUMBER	DESCRIPTION	QTY	SERIAL NUMBER
A	30861	BOLT - hex head, 5/8 NF x 2 inch, Grade 8		
C	18689	NUT - lock, 3/4 NC distorted thread		
D	REF	NUT - slotted hex, see page 17		
E	18648	PIN - cotter, 3/16 x 1 1/4 inch		
F	18666	NUT - lock, 5/8 NC distorted thread		
G	30922	BOLT - hex head, 5/8 NC x 2 3/4 inch		
H	8218	BOLT - round head, square neck, 7/16 NC x 1 1/2 inch - THRU GUARD & GUIDE		
	21468	BOLT - round head, square neck, 7/16 NC x 1 3/4 inch - THRU GUARD, GUIDE & SHOE		
J	18654	NUT - hex, 7/16 NC		
K	21254	BOLT - round head, square neck, 7/16 NC x 2 inch		
V	100233	BOLT - hex head, 5/8 NC x 1 1/2 inch		
W	21583	BOLT - hex head, 5/8 NC x 3 inch		

SICKLE STUB GUARDS (OPTION)



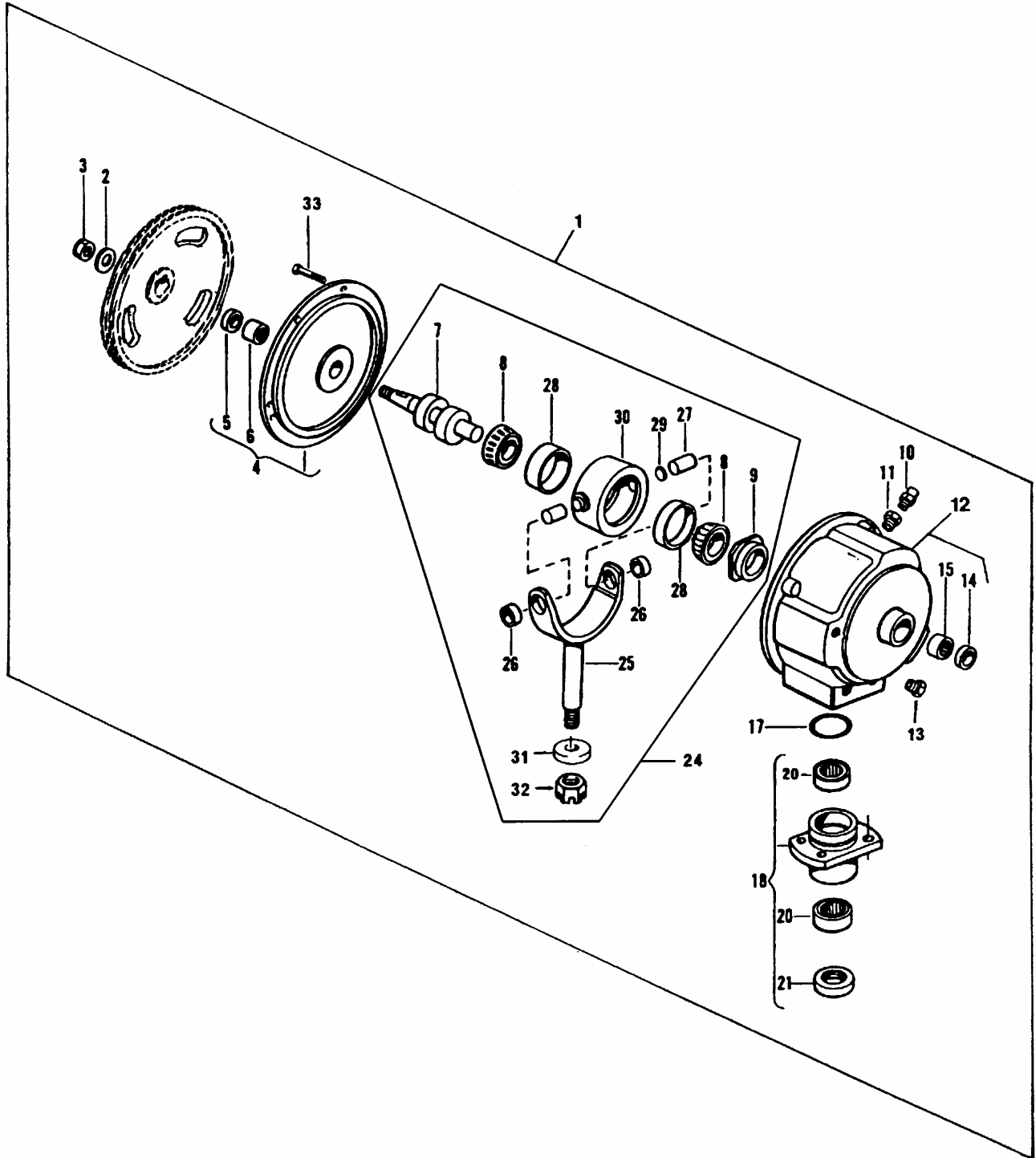
SICKLE STUB GUARDS (OPTION)

REF	PART NUMBER	DESCRIPTION	QTY	SERIAL NUMBER
	B 2520	STUB GUARD CONVERSION KIT - 12' Single Sickle (S/S) Header, complete		
	B 2521	STUB GUARD CONVERSION KIT - 15' Double Sickle (D/S) Header, complete		
	B 2522	STUB GUARD CONVERSION KIT - 18' Double Sickle (D/S) Header, complete		
1	34975	SPECIAL END GUARD - no trash bar see note (1)		
2	34974	GUARD - stub see note (2)		
3	34980	BAR - adjuster see note (3)		
5	23918	SPECIAL CENTER TOP GUIDE - one tip & extended bar see note (5)		
6	34359	GUIDE - sickle..... see note (6)		
7	47324	BAR - spacer see note (7)		
8	34833	SHIM - used at center of Double Sickle only (may not be required) 2		
9	34893	SECTION - special (install serration down), Double Sickle only 1		
10	34968	BAR - spacer, Double Sickle only 1		
11	50194	SCREW - countersunk head, ribbed neck, #12 NC x 19/32 inch..... 7		
12	REF	CLIP - skid shoe front support		
H	30862	BOLT - round head, square neck, 7/16 NC x 2 1/2 inch (used at all guards except where J and K are indicated)		
J	21665	BOLT - round head, square neck, 7/16 NC x 2 3/4 inch (used at skid shoe clips)		
K	30866	BOLT - round head, square neck, 7/16 NC x 3 inch (used at center top guide)		
L	50119	BOLT - hex head, 3/8 NC x 3/4 inch, stainless steel (used at all adjuster bar front holes except at center top guide)		
M	50120	BOLT - hex head, 3/8 NC x 1 inch, stainless steel (used at all adjuster bar rear holes except at center top guide)		
N	21264	BOLT - hex head, 3/8 NC x 1 1/4 inch (used at adjuster bar front holes at center top guide)		
P	50049	BOLT - hex head, 3/8 NC x 1 3/4 inch (used at adjuster bar rear hole at center top guide)		

NOTES:

- (1) - Quantities: S/S = 2 (used first two positions at left end)
D/S = 5 (used first two positions at both ends and one inverted at top center, immediately left of center top guide)
- (2) - Quantities: 12' = 22, 15' = 26, 18' = 32 - Used all positions except as noted at (1).
- (3) - Quantities: 12' = 24, 15' = 30, 18' = 36
- (5) - Quantities: S/S = 0, D/S = 1 (used at position immediately right of offset in cutterbar at center of header)
- (6) - Quantities: 12' = 24, 15' = 28, 18' = 34
- (7) - Quantities: S/S = 1 (used first position at left end)
D/S = 2 (used first position at both ends)

SICKLE DRIVE BOX Serial No. 124499 and Below



SICKLE DRIVE BOX
Serial No. 124499 and Below

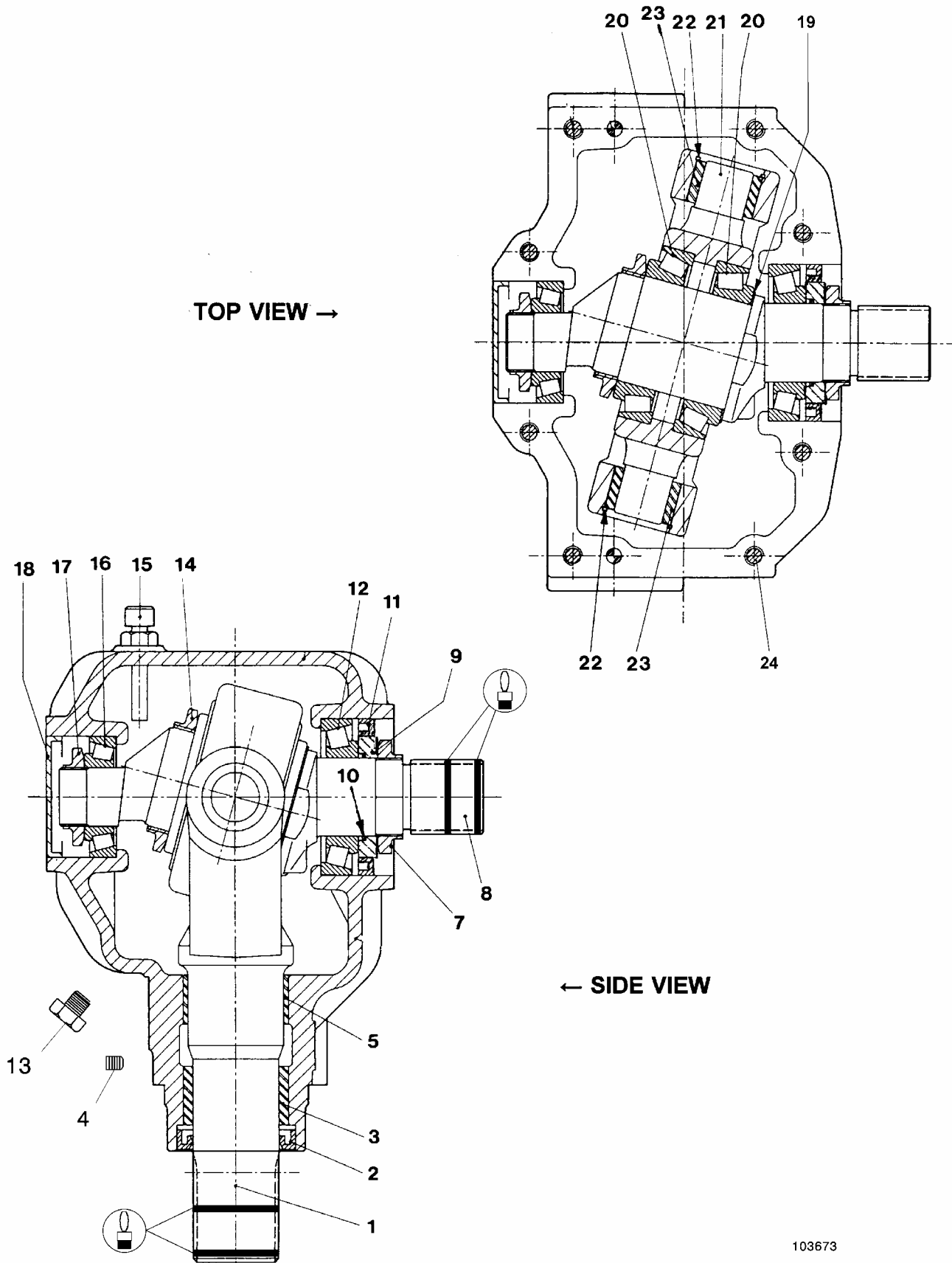
REF	PART NUMBER	DESCRIPTION	QTY	SERIAL NUMBER
1	26320	DRIVE - sickle, complete (with mounting hardware) (Qty 2 for D/S).....	1	see Note 1
		NOTE: Quantities shown are per assembly.		
2	21417	WASHER - flat, .78 I.D. x 1 5/8 O.D. X 1/8 inch thk.....	1	
3	18689	NUT - lock, 3/4 inch NC distorted thread	1	
4	21421	COVER ASSEMBLY - includes items 5 & 6.....	1	
5	30814	SEAL - oil	1	
6	21420	BEARING - needle	1	
7	21712	SHAFT - drive.....	1	
8	21512	BEARING - cone	2	
9	21424	NUT - stake, 1 15/16 - 20 hex spiral	1	
10	21425	VALVE - relief.....	1	
11	21024	FITTING - reducer bushing, 3/8 x 1/8 pipe thread	1	
12	26319	HOUSING ASSEMBLY - incl. #14, 15 and mounting bolts	1	
13	21151	PLUG - 3/8 NPT	1	
14	30815	SEAL - oil	1	
15	21513	BEARING - needle	1	
17	21514	O-RING - 2 5/8 x 2 7/8 x 1/8 inch.....	1	
18	26318	CAP ASSEMBLY - includes items 20 & 21	1	
20	21516	BEARING - needle	2	
21	21517	SEAL - oil	1	
24	50179	YOKE/HOUSING ASSEMBLY, includes items 25 - 32 (see Notes 1 & 2) ...	1	
	47988	YOKE/HOUSING ASSEMBLY, includes items 7 - 9 and 25 - 32.....	1	
25	NSS	YOKE - output, with bushings (order item 24).....	1	
26	NSS	BUSHING - bronze (order item 24)	2	
27	NSS	SPINDLE (order item 24)	2	
28	21519	BEARING - cup	2	
29	NSS	PLUG - nylon, 7/8 dia. x 1/64 inch thk. (order item 24)	2	
30	NSS	HOUSING - bearing (order item 24).....	1	
31	21717	WASHER - flat, for 3/4 NC thread (see Note 1).....	1	
	43981	WASHER - flat, for 7/8 NF thread (see Note 1)	1	
32	5440	NUT - slotted hex, 3/4 NC (see Note 1)	1	
	1166	NUT - slotted hex, 7/8 NF (see Note 1).....	1	
33	30269	BOLT - flange head, 5/16 NC x 1 inch	6	
	NSS	Not Serviced Separately		

NOTES:

- Starting with 1996 production, a running change is taking place that increases yoke thread size from 3/4 NC to 7/8 NF.
- Starting in 1998, stock of 50179 will not be replenished, and will be superseded by 47988 when stock is depleted.

17 A

SICKLE DRIVE BOX Serial No. 124500 and Above



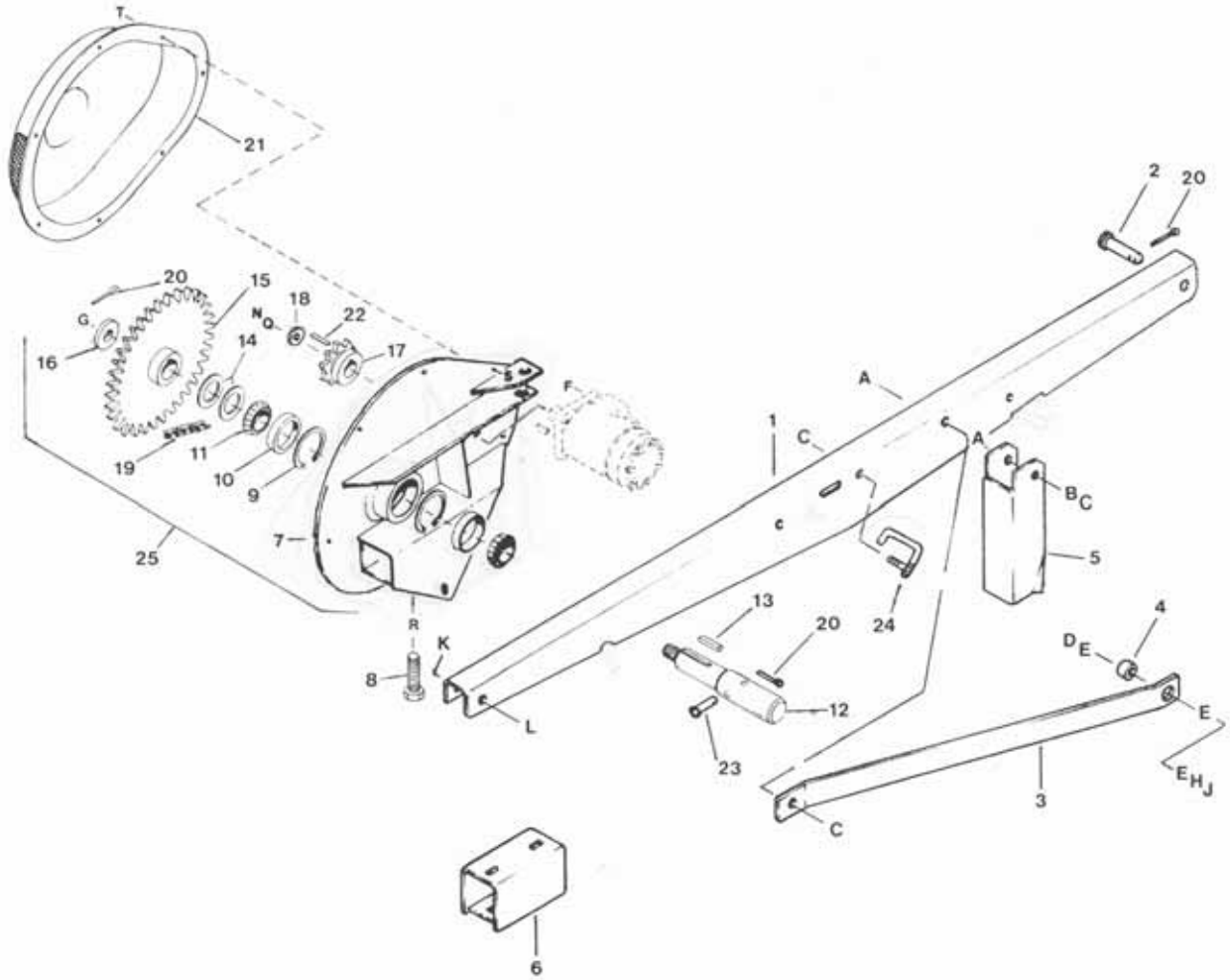
SICKLE DRIVE BOX
Serial No. 124500 and Above

REF	PART NUMBER	DESCRIPTION	QTY	SERIAL NUMBER
	100532	DRIVE - sickle, complete	1	
1	100706	YOKE - output	1	
2	100707	SEAL - oil, output shaft.....	1	
3	100708	BUSHING - bronze.....	1	
4	103565	PLUG - hex socket	2	
5	100726	BUSHING - steel	1	
7	100709	NUT - special.....	1	
8	100710	SHAFT - input.....	1	
9	102629	SPACER - 60 mm O.D.....	1	
10	100712	O-RING	1	
11	102630	SEAL - oil, input shaft, 60 mm I.D.	1	
12	100714	BEARING ASSEMBLY - cup & cone.....	1	
13	103096	PLUG - oil drain.....	2	
14	100715	NUT - lock, M55 x 2	1	
15	100716	BREATHER PLUG - with dipstick	1	
16	100717	BEARING ASSEMBLY - cup & cone.....	1	
17	100718	NUT - lock, M30 x 1.5	1	
18	100719	CAP - dust.....	1	
19	113152	SHIM - input shaft.....	1	
20	100720	BEARING ASSEMBLY - cup & cone.....	2	
21	100721	PIVOT.....	1	
22	100722	RING - retaining, internal.....	2	
23	100723	BUSHING - bronze.....	2	
24	113153	BOLT - socket head, M10 x 50 mm	8	



REF Apply Loctite 243 adhesive or equivalent to splines before assembly

REEL DRIVE & SUPPORT ARMS



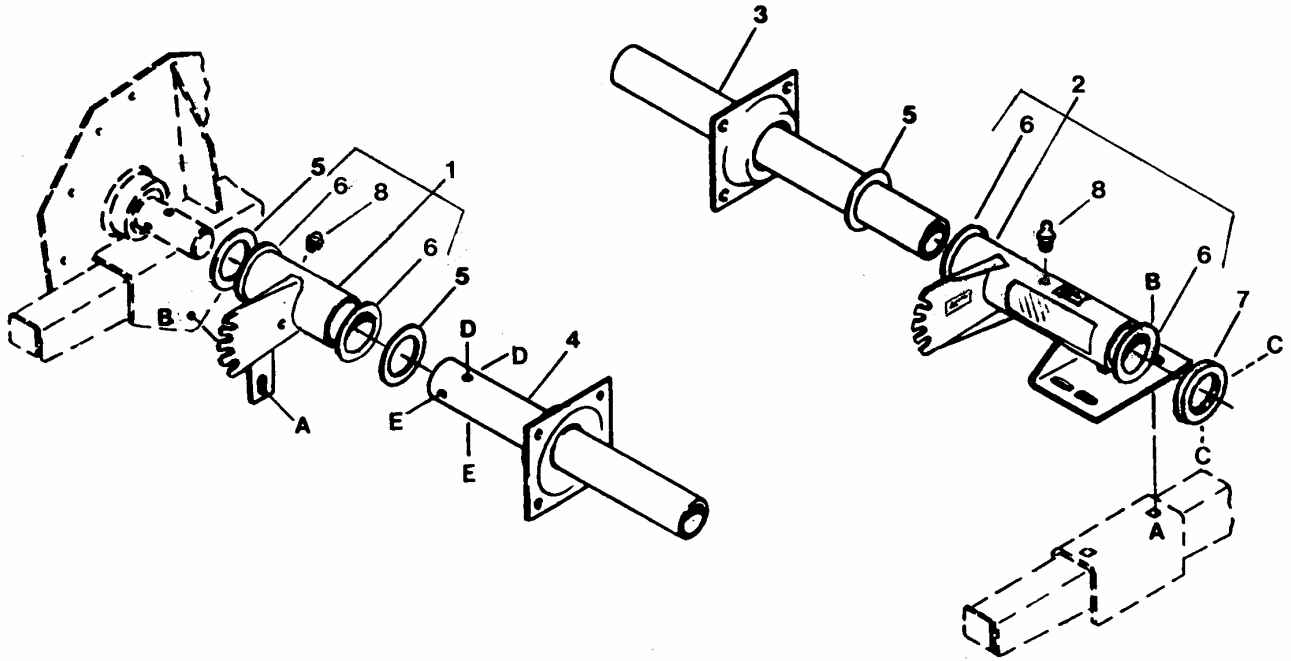
REEL DRIVE & SUPPORT ARMS

REF	PART NUMBER	DESCRIPTION	QTY	SERIAL NUMBER
1	37948	ARM - reel support	2	
2	19958	PIN - clevis, 5/8 dia. x 3 1/4 inch	2	
3	26446	BRACE - diagonal	2	
4	8640	SPACER - tube	2	
5	103497	SUPPORT - reel prop, right	1	
	37336	SUPPORT - reel prop, left	1	
6	37919	SUPPORT - reel mount, left hand	1	
7	37869	SUPPORT - reel drive, with bearing cups & snap rings	1	
8	37866	SCREW - positioning, reel fore-aft	2	
9	21545	RING - retaining, internal	2	
10	7900	BEARING - cup	2	
11	7910	BEARING - cone	2	
12	33532	SHAFT - reel drive	1	
13	103366	KEY - reel drive shaft	1	
14	19681	WASHER - flat	2	
15	26848	SPROCKET - driven	1	
16	16235	WASHER - flat	1	
17	26847	SPROCKET - drive, hydraulic motor	1	
18	43219	WASHER - flat	1	
19	20117	CHAIN - roller, #60 x 40 links	1	
20	18648	PIN - cotter, 3/16 x 1 1/4 inch	5	
21	47167	SHIELD - reel drive, with decal & reflector	1	
22	43464	SHIM - reel drive sprocket	see note (1)	
23	19809	PIN - clevis, 1/2 dia. x 2 inch	2	
24	43597	GUIDE - hose	1	
25	47154	REEL DRIVE ASSEMBLY - includes hydraulic motor	1	
A	21581	BOLT - hex head, 1/2 NC x 3 1/2 inch		
B	18638	WASHER - lock, 1/2 inch		
C	18697	NUT - lock, 1/2 inch NC distorted thread		
D	21582	BOLT - hex head, 5/8 NC x 1 3/4 inch		
E	18600	WASHER - flat, 21/32 inch I.D.		
F	21821	BOLT - flange head, 3/8 NC x 3/4 inch		
G	5512	NUT - slotted, 3/4 inch NF		
H	18639	WASHER - lock, 5/8 inch		
J	18592	NUT - hex, 5/8 inch NC		
K	30035	BOLT - hex head, 3/8 NC x 2 3/4 inch		
L	30228	NUT - lock, smooth flange, 3/8 inch NC distorted thread		
N	21566	BOLT - hex head, 1/4 NC x 3/4 inch		
Q	18635	WASHER - lock, 1/4 inch		
R	21345	NUT - hex jam, 5/8 inch NC		
S	21476	BOLT - round head square neck, 1/4 NC x 3/4 inch		
T	21455	NUT - flange lock, 1/4 inch NC		

NOTES:

(1) - Nominal quantity is 4. Use as required.

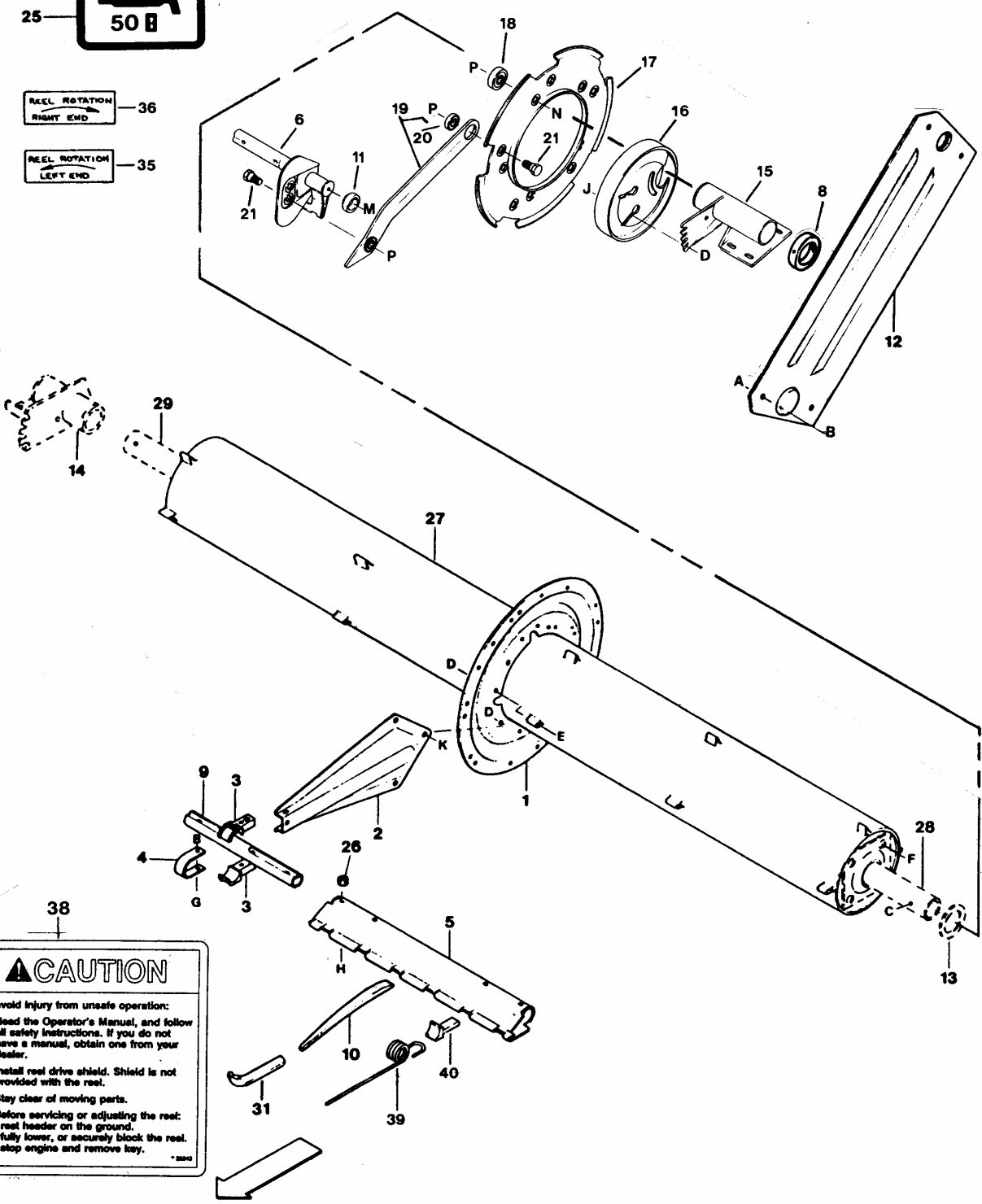
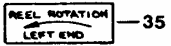
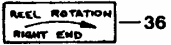
MOUNTING PACKAGE: PICK-UP REEL



MOUNTING PACKAGE: PICK-UP REEL

REF	PART NUMBER	DESCRIPTION	QTY	SERIAL NUMBER
1	35791	SUPPORT - reel, right (includes item 6, qty. 2 and item 8).....	1	
2	35787	SUPPORT - reel, left (includes item 6, qty. 2 and item 8).....	1	
3	35558	TUBE - end, left.....	1	
4	35171	TUBE - drive.....	1	
5	27160	WASHER - flat, 3 inch O.D.	3	
6	35694	BUSHING - plastic.....	4	
7	35564	COLLAR - shaft.....	1	
8	18671	FITTING - lube	2	
A	19965	BOLT - round head, square neck 3/8 NC x 1 inch		
B	30228	NUT - lock, flange 3/8 inch NC distorted thread		
C	30872	SETSCREW - socket, 5/16 NC x 1/4 inch		
D	19809	PIN - clevis, 1/2 dia. x 2 inch		
E	18648	PIN - cotter, 3/16 dia. x 1 1/4 inch		

PICK-UP REEL



CAUTION

To avoid injury from unsafe operation:

1. Read the Operator's Manual, and follow all safety instructions. If you do not have a manual, obtain one from your dealer.
2. Install reel drive shield. Shield is not provided with the reel.
3. Stay clear of moving parts.
4. Before servicing or adjusting the reel:
 - reel header on the ground.
 - fully lower, or securely block the reel.
 - stop engine and remove key.

— 3820

DIRECTION OF TRAVEL

PICK-UP REEL

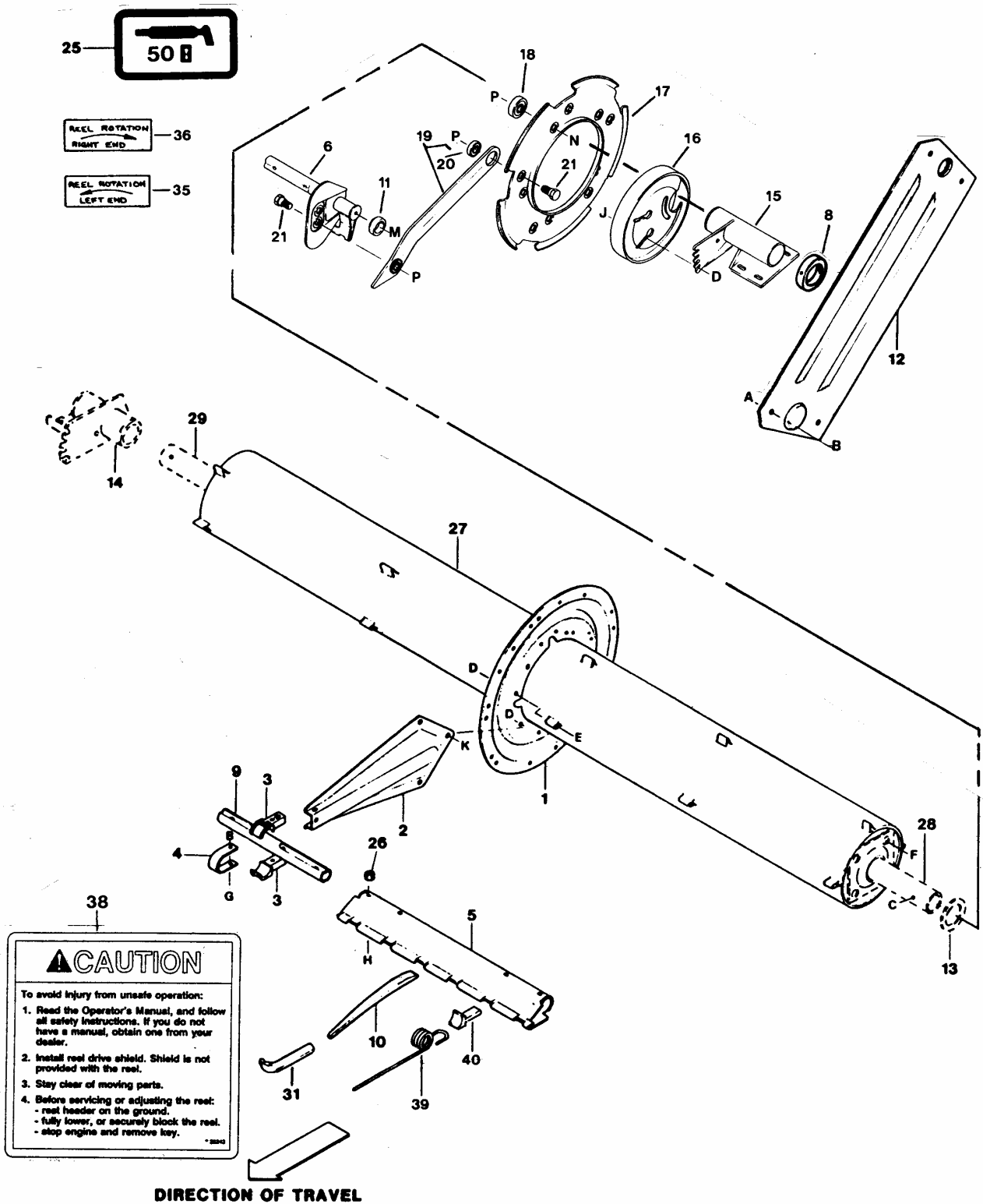
REF	PART NUMBER	DESCRIPTION	QTY	SERIAL NUMBER
1	27171	DISC - arm		see note (1)
2	35017	ARM - reel		see note (2)
3	48083	BEARING HALF - bat.....		see note (3)
4	27166	STRAP - bearing		see note (4)
5	48008	BAT - reel, 54" (1380 mm) - 15 ft. header.....	15	
	48009	BAT - reel, 60" (1535 mm) - 12 ft. header.....	5	
	48010	BAT - reel, 66" (1690 mm) - 12 ft. header.....	5	
	48010	BAT - reel, 66" (1690 mm) - 18 ft. header.....	15	
6	48070	CRANK - L/H	5	
	48071	CRANK - R/H	5	
8	REF	COLLAR - shaft, See Mounting Package.....	1	
9	27984	TUBE - bat connector.....		see note (5)
10	27985	FINGER - pick-up, plastic.....		see note (6)
11	48086	BEARING - end shield (was 35660).....	10	
12	48023	SHIELD - end	10	
13	REF	WASHER - flat, see Mounting Package.....	3	
14	REF	SUPPORT R/H - see Mounting Package.....	1	
15	REF	SUPPORT L/H - see Mounting Package	1	
16	48065	CAM TRACK	2	
17	48058	RING - cam, L/H.....	1	
	48059	RING - cam, R/H.....	1	
18	50184	BEARING - ball	10	
19	48051	ARM - cam	10	
20	50185	BEARING - ball	20	
21	48050	BOLT - shoulder, special.....	20	
25	23165	DECAL - 50 hour grease	2	
26	35689	NUT - special, 5/16 inch NC.....		see note (7)
27	35058	TUBE - main, 12 ft.....	1	
	35064	TUBE - main, 15 ft.....	1	
	35070	TUBE - main, 18 ft.....	1	
28	REF	TUBE - end, L/H, see Mounting Package	1	
29	REF	TUBE - end, R/H, see Mounting Package.....	1	
31	35661	TOOL - finger/adjuster	1	
35	35396	DECAL - reel rotation, left	3	
36	35397	DECAL - reel rotation, right	3	
38	35243	DECAL - CAUTION, general safety	2	
39	35282	FINGER - Pick-Up, steel		see note (6)
40	35281	CLIP - steel finger.....		see note (6)

A-P Hardware See Page 25.

NOTES:

- (1) - Quantities: 12'=3 / 15'=4 / 18'=4
- (2) - Quantities: 12'=15 / 15'=20 / 18'=20
- (3) - Quantities: 12'=30 / 15'=40 / 18'=40
- (4) - Quantities: 12'=15 / 15'=20 / 18'=20
- (5) - Quantities: 12'=5 / 15'=10 / 18'=10
- (6) - Quantities: 12'=165 / 15'=205 / 18'=250
- (7) - Quantities: 12'=40 / 15'=60 / 18'=60

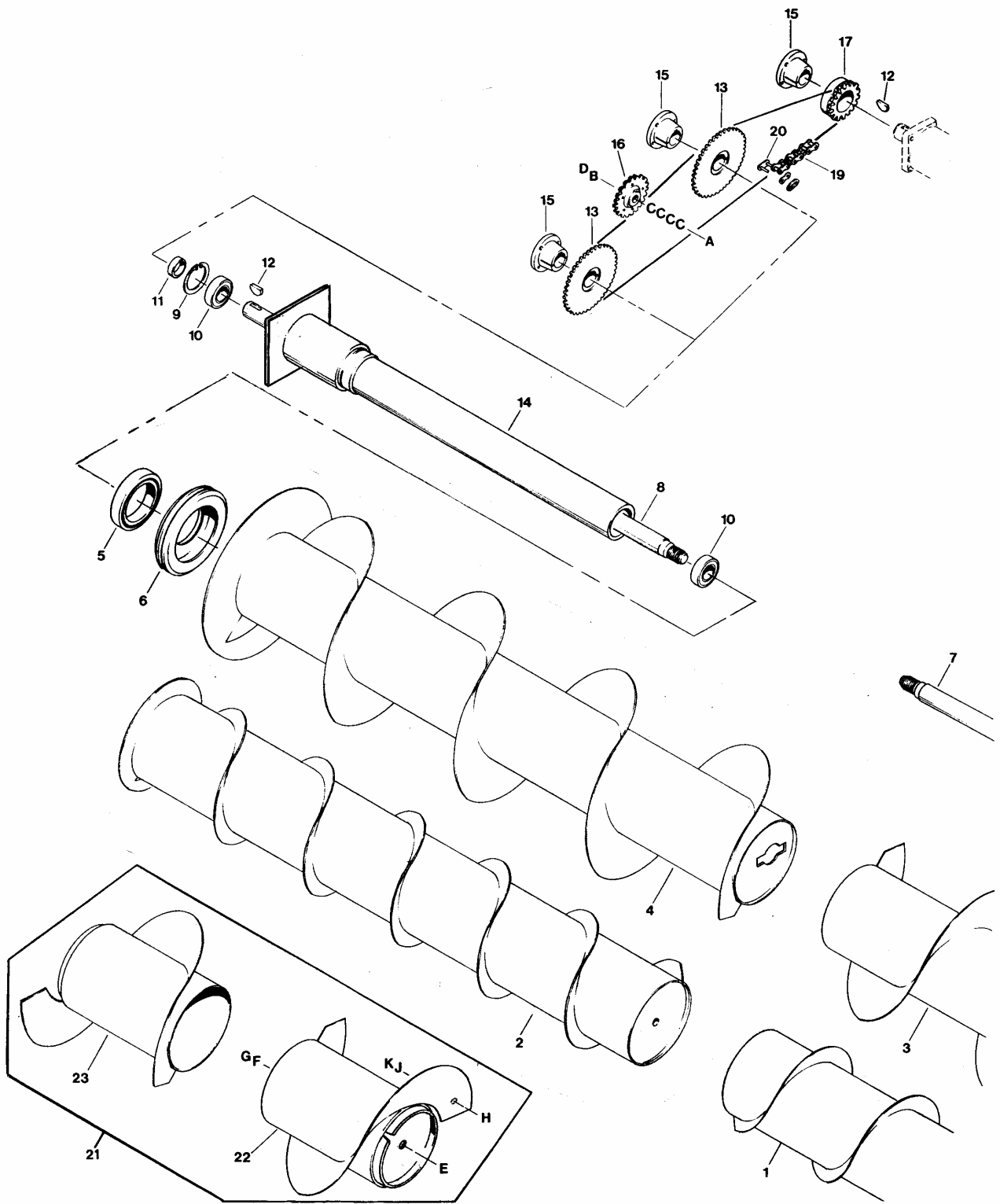
PICK-UP REEL



PICK-UP REEL

REF	PART NUMBER	DESCRIPTION	QTY	SERIAL NUMBER
A	30808	SCREW - machine, Phillips Truss Head, 5/16 NC x 3/8 inch		
B	30280	NUT - lock, flange head, 5/16 inch NC distorted thread		
C	REF	HARDWARE - mounting, see Mounting Package		
D	30228	NUT - lock, flange head, 3/8 inch NC distorted thread		
E	21484	BOLT - carriage head, 3/8 NC x 1 1/2 inch		
F	30712	BOLT - flange head, 3/8 NC x 2 1/2 inch (thread full)		
G	21569	CAPSCREW - hex head, 5/16 NC x 2 inch		
H	30504	CAPSCREW - hex socket head, 5/16 NC x 1 1/2 inch		
J	21472	BOLT - carriage head, 3/8 NC x 3/4 inch		
K	50076	BOLT - flange head, 3/8 NC x 5/8 inch		
M	101898	SCREW - flange head, self tapping, 3/8 x 5/8 inch		
N	21594	BOLT - hex head, 5/8 NC x 1 1/2 inch		
P	18666	NUT - lock, 5/8 NC distorted thread		

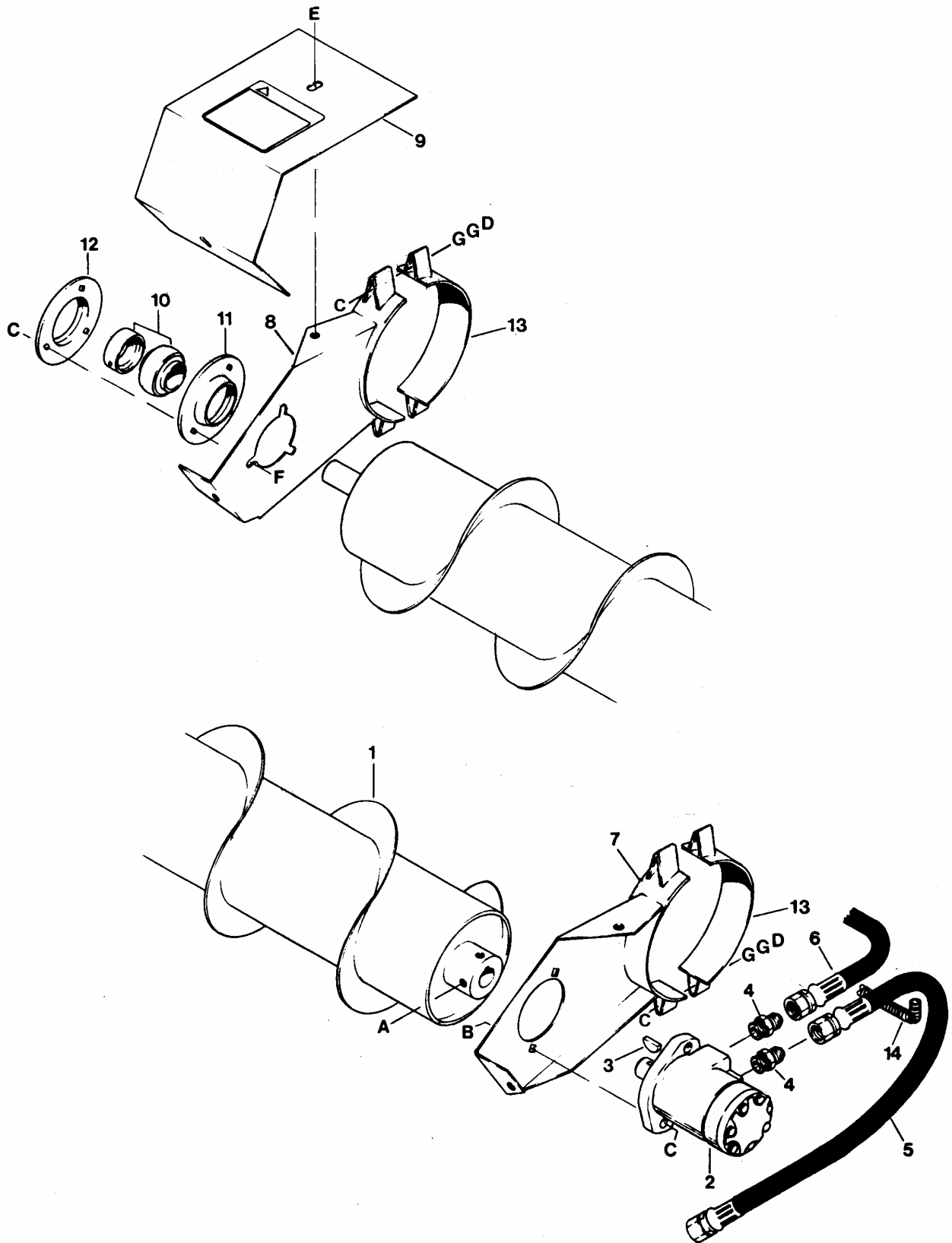
AUGERS AND DRIVE



AUGERS AND DRIVE

REF	PART NUMBER	DESCRIPTION	QTY	SERIAL NUMBER
1	38565	AUGER - left front, 12 ft. header.....	1	
	38566	AUGER - left front, 15 ft. header.....	1	
	38567	AUGER - left front, 18 ft. header.....	1	
2	38575	AUGER - right front, 12 ft. header.....	1	
	38576	AUGER - right front, 15 ft. header.....	1	
	38577	AUGER - right front, 18 ft. header.....	1	
3	47727	AUGER - left rear, 12 ft. header.....	1	
	47728	AUGER - left rear, 15 ft. header.....	1	
	47729	AUGER - left rear, 18 ft. header.....	1	
4	47731	AUGER - right rear, 12 ft. header.....	1	
	47732	AUGER - right rear, 15 ft. header.....	1	
	47733	AUGER - right rear, 18 ft. header.....	1	
5	50016	BEARING - ball.....	4	
6	38487	INSULATOR - rubber.....	4	
7	38091	SHAFT - left auger (R/H thread).....	2	
8	38090	SHAFT - right auger (L/H thread).....	2	
9	21235	RING - retaining, internal.....	4	
10	21310	BEARING - ball.....	8	
11	24416	SPACER - tube.....	4	
12	2149	KEY - woodruff, SAE #15.....	6	
13	38461	SPROCKET - auger.....	4	
14	38300	TUBE - auger support (weld to end panel).....	4	
15	21148	BUSHING - split taper.....	6	
16	38193	SPROCKET - idler.....	2	
17	38223	SPROCKET - hydraulic motor, 17 tooth.....	2	
19	38200	CHAIN - roller, RC40 x 111 links.....	2	
20	6632	LINK - connector, #40.....	2	
21	B 2513	REAR AUGER EXTENSION KIT - Kit available through WholeGoods only.		
22	52164	EXTENSION - left rear auger.....	1	
23	52165	EXTENSION - right rear auger.....	1	
A	21474	BOLT - round head square neck, 1/2 NC x 2 inch		
B	18638	WASHER - lock, 1/2 inch		
C	18600	WASHER - flat, 21/32 inch I.D.		
D	18591	NUT - hex, 1/2 inch NC		
E	18525	BOLT - round head, square neck, 5/8 NC x 2-1/2 inch		
F	18639	WASHER - lock, 5/8 inch		
G	18592	NUT - hex, 5/8 NC		
H	21472	BOLT - round head, square neck, 3/8 NC x 3/4 inch		
J	18637	WASHER - lock, 3/8 inch		
K	18590	NUT - hex, 3/8 NC		

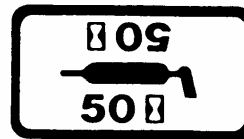
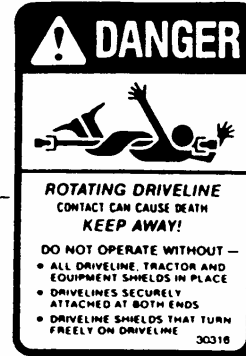
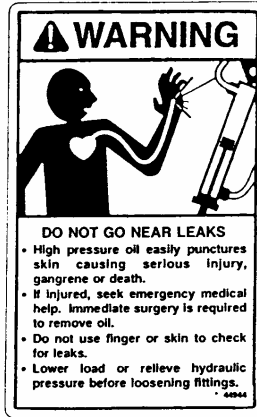
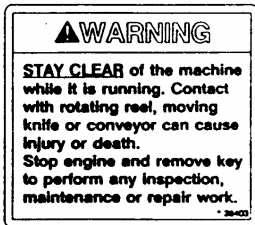
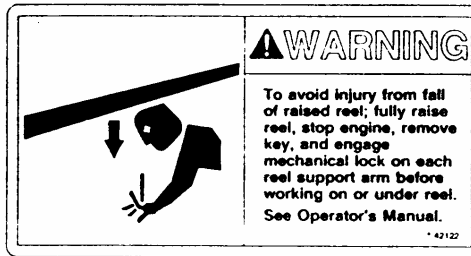
UPPER CROSS AUGER (OPTION)



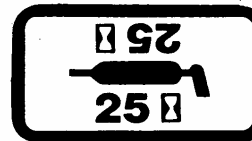
UPPER CROSS AUGER (OPTION)

REF	PART NUMBER	DESCRIPTION	QTY	SERIAL NUMBER
	B 2209	UPPER CROSS AUGER KIT - 12 ft., complete		
	B 2210	UPPER CROSS AUGER KIT - 15 ft., complete		
	B 2211	UPPER CROSS AUGER KIT - 18 ft., complete		
				Kit available through WholeGoods only.
1	38906	AUGER - upper cross, 12 ft.	1	
	38907	AUGER - upper cross, 15 ft.	1	
	38908	AUGER - upper cross, 18 ft.	1	
2	38688	MOTOR - hydraulic, includes key (item 3)	1	
	101670	SEAL KIT - for motor 38688 (was 43177)		
3	2149	KEY - Woodruff, SAE #15	1	
4	21881	FITTING - adapter, 1/2 tube x 7/8 O-ring	2	
5	38771	HOSE - lower port to left auger motor lower port	1	
6	REF	HOSE - conveyor drive pressure from left tractor leg	1	
7	38786	SUPPORT - left	1	
8	38785	SUPPORT - right	1	
9	38935	SHIELD - with decal	2	
10	21859	BEARING - ball, with collar	1	
11	30601	FLANGE - bearing	1	
12	30362	FLANGE - bearing, with lube fitting	1	
13	38899	CLAMP - mounting	2	
14	26671	PROTECTOR - hose	1	
A	18908	SCREW - set, square head, 3/8 NC x 1 inch		
B	19966	BOLT - round head square neck, 3/8 NC x 1 1/4 inch		
C	30228	NUT - lock, smooth flange, 3/8 NC distorted thread		
D	30080	BOLT - hex head, 3/8 NC x 4 1/2 inch, thread full length		
E	21821	BOLT - flange head, 3/8 NC x 3/4 inch		
F	19965	BOLT - round head square neck, 3/8 NC x 1 inch		
G	18598	WASHER - flat, 13/32 inch I.D.		

DECALS



942



multi-crop special



942 MULTI-CROP SPECIAL

16

DECALS

REF	PART NUMBER	DESCRIPTION	QTY	SERIAL NUMBER
1	38399	DECAL - WARNING: Pinch Point		
2	42122	DECAL - WARNING: Reel Props		
3	28403	DECAL - WARNING: Clear While Running		
4	32738	DECAL - WARNING: Shields and Guards		
5	30316	DECAL - DANGER: Rotating Driveline		
6	23296	DECAL - LIFT HERE		
7	25929	DECAL - 5 HOUR GREASE.....		-124499
8	23165	DECAL - 50 HOUR GREASE		
9	115146	DECAL - REFLECTOR, amber (was 26697)		
	115147	DECAL - REFLECTOR, red (was 26694)		
	115145	DECAL - REFLECTOR, Day-Glow orange		
11	23164	DECAL - 25 HOUR GREASE		
12	43916	DECAL - RAINBOW with MacDon, L/H		-124499
	102533	DECAL - RAINBOW with MacDon, L/H		124500-
	43917	DECAL - RAINBOW with MacDon, R/H.....		-124499
	102532	DECAL - RAINBOW with MacDon, R/H.....		124500-
13	44944	DECAL - WARNING: Hydraulic Oil Leaks		
14	25895	DECAL - multi-crop special		-124499
15	47861	DECAL - 942		-124499
16	102548	DECAL - 942 MULTI-CROP SPECIAL.....		124500-

PAINT

REF	PART NUMBER	DESCRIPTION	QTY	SERIAL NUMBER
	23951	PAINT - black, spray can (25 - 35 Gloss Level)		-124499
	23955	PAINT - black, 1 litre (25 - 35 Gloss Level)		-124499
	25990	PAINT - black, spray can (55 - 65 Gloss Level)		124500-
	25991	PAINT - black, 1 litre (55 - 65 Gloss Level)		124500-

NUMERICAL LIST

<u>PART NO.</u>	<u>PAGE</u>	<u>PART NO.</u>	<u>PAGE</u>	<u>PART NO.</u>	<u>PAGE</u>	<u>PART NO.</u>	<u>PAGE</u>
02149	9,27,29	21887	15,15B	32738	31	38373	7
06632	27	21934	13,13B	32927	3	38394	3
07900	19	21936	13,13B	33007	15B	38395	3
07910	19	21938	13,13B	33114	15B	38399	31
08640	7,19	23164	31	33426	7	38409	9
11142	13,13B	23165	23,31	33532	19	38461	27
13125	3	23296	31	33834	15,15B	38487	27
13298	13B	23918	15F	34211	15B	38500	3
13747	3	23951	31	34359	15F	38506	3
16235	19	23955	31	34364	13	38550	13B
16539	3	24137	7	34390	15,15B	38551	13B
16661	3	24416	27	34391	15,15B	38565	27
18648	7,15,19	25298	11	34833	15F	38566	27
18671	21	25895	31	34893	15F	38567	27
18689	17	25929	31	34968	15F	38568	13
18738	7	25990	33	34974	15F	38575	27
19681	19	25991	33	34975	15F	38576	27
19809	19	26318	17	34980	15F	38577	27
19958	19	26319	17	35017	23	38632	15
20117	19	26320	17	35058	23	38688	29
21010	13,13B	26321	15	35064	23	38735	13B
21024	17	26446	19	35070	23	38737	3
21054	15	26671	29	35171	21	38771	29
21148	27	26694	31	35243	23	38785	29
21151	17	26697	31	35281	23	38786	29
21194	15B	26847	19	35282	23	38894	3
21235	27	26848	19	35396	23	38899	29
21310	27	27160	21	35397	23	38906	29
21417	15B,17	27171	23	35558	21	38907	29
21418	15	27984	23	35564	21	38908	29
21420	17	27985	23	35660	23	38935	29
21421	17	28013	15,15B	35661	23	42122	31
21424	17	28014	15,15B	35689	23	42516	3
21425	17	28403	31	35694	21	43010	11
21494	7	28815	15,15B	35787	21	43011	9
21495	7	29168	7	35791	21	43177	9,11,29
21512	17	29169	7	37336	19	43219	19
21513	17	29934	7,11	37345	7	43464	19
21514	17	30034	13B	37368	3	43597	19
21516	17	30282	7	37866	19	43617	9
21517	17	30316	31	37869	19	43618	9
21519	17	30362	29	37919	19	43648	3
21545	19	30442	7	37930	15,15B	43711	3
21712	17	30510	15B	37948	19	43802	7
21717	17	30601	13B,29	38090	27	43916	31
21763	7	30602	13,13B	38091	27	43917	31
21855	9,11	30668	15,15B	38137	5	43981	17
21856	9	30669	15,15B	38138	5	44944	31
21857	9,11	30696	15,15B	38139	5	45153	9
21858	9	30814	17	38193	27	47041	15
21859	13B,29	30815	17	38200	27	47130	15,15B
21862	15	30852	15B	38223	27	47132	7
21866	15,15B	31062	3	38300	27	47133	7
21876	7	31824	7	38370	7	47135	11
21878	7	32225	7,11	38371	7	47136	11
21881	11,29	32275	3	38372	7	47137	11

NUMERICAL LIST

<u>PART NO.</u>	<u>PAGE</u>	<u>PART NO.</u>	<u>PAGE</u>	<u>PART NO.</u>	<u>PAGE</u>	<u>PART NO.</u>	<u>PAGE</u>
47141	11	47882	3	102533	31		
47142	11	47895	3	102548	31		
47143	11	47902	3	102629	17B		
47146	9	47903	3	102630	17B		
47147	11	47960	15,15B	103096	17B		
47148	11	47988	17	103330	7		
47149	11	48008	23	103366	19		
47154	19	48009	23	103497	19		
47159	3	48010	23	103565	17B		
47167	19	48023	23	113152	17B		
47169	11	48050	23	113153	17B		
47322	3	48051	23	113222	15,15B		
47324	15F	48058	23	113229	15B		
47543	3	48059	23	113232	15,15B		
47545	3	48065	23	115059	3		
47546	3	48070	23	115060	3		
47550	3	48071	23	115066	3		
47551	3	48082	23	115070	3		
47608	13B	48083	23	115082	15,15B		
47631	13B	49109	9	115145	33		
47649	15B	49601	3	115146	33		
47650	15B	49671	15B	115147	33		
47661	13	50016	27	B 2209	29		
47662	13B	50082	9,11	B 2210	29		
47663	13B	50083	7	B 2211	29		
47676	13B	50152	13B	B 2513	27		
47682	13B	50153	13B	B 2520	15F		
47684	15B	50179	17	B 2521	15F		
47690	3	50184	23	B 2522	15F		
47727	27	50185	23				
47728	27	50194	15B,15F				
47729	27	52164	27				
47731	27	52165	27				
47732	27	100421	15B				
47733	27	100500	15, 15B				
47751	3	100501	15,15B				
47756	5	100532	17B				
47757	5	100706	17B				
47758	5	100707	17B				
47760	5	100708	17B				
47761	5	100709	17B				
47762	5	100710	17B				
47766	13B	100712	17B				
47767	13B	100714	17B				
47774	13B	100715	17B				
47775	13B	100716	17B				
47783	15B	100717	17B				
47788	15B	100718	17B				
47793	15B	100719	17B				
47833	15B	100720	17B				
47853	13B	100721	17B				
47854	13B	100722	17B				
47858	13B	100723	17B				
47861	31	100726	17B				
47876	3	101398	15				
47877	3	101670	9,11,29				
47879	3	102532	31				

**Model 942 Multi-Crop Header
SUGGESTED STOCKING LIST**

P.C. REF	PART NUMBER	DESCRIPTION	SUGGESTED QTY.		ORDER QTY	UNIT PRICE	EXT. PRICE
			2 UNITS	5 UNITS			
<u>MAIN FRAME & ATTACHMENTS - Parts Catalog Pg 3</u>							
2	47543	SHOE - divider	0	1			
8	38500	SHOE - skid, adjustable	0	2			
<u>REEL LIFT HYDRAULICS - Parts Catalog Pg 7</u>							
1	21494	SEAL KIT - double acting cylinder	2	4			
12	21495	SEAL KIT - single acting cylinder	1	2			
<u>REEL DRIVE HYDRAULICS - Parts Catalog Pg 9</u>							
1	101670	SEAL KIT - hydraulic motor	1	2			
<u>DRIVE SHAFT - Parts Catalog Pg 13</u>							
5	21936	BEARING - ball, with lock collar	1	2			
6	21938	FLANGE - bearing, with lube fitting	0	1			
7	30602	FLANGE - bearing	0	1			
<u>DRIVE SHAFT (Double Sickle Only) - Parts Catalog Pg 13 B</u>							
10	38735 *	BELTS - cross shaft drive	1	2			
24	21859 *	BEARING - ball	2	4			
25	30601 *	FLANGE - bearing	1	2			
<u>SICKLE AND DRIVE - Parts Catalog Pg 15</u>							
1	38632 *	SICKLE ASS'Y - 12'	1	2			
2	34390	SECTION - sickle	50	200			
3	34391	SECTION - sickle end	10	30			
4	30696	SCREW - sickle section	50	200			
5	30668	SCREW - sickle head	100	300			
10	28014	GUARD - sickle, end	2	8			
	28013	GUARD - sickle	10	50			
11	28815	GUIDE - sickle, hold-down	5	20			
13	33834	ARM - L/H drive	1	2			
16	26321	PIN - sickle head	2	4			
19	21862 *	PULLEY - idler, back-side - 12'	0	1			
21	101398 *	BELT - sickle drive - 12'	1	3			
23	47130	GUIDE - sickle, adj. hold-down	2	4			
A	30669	NUT - sickle	100	300			
<u>SICKLE AND DRIVE (cont'd) - Parts Catalog Pg 15 B</u>							
2	47684 *	BELT - HTD, sickle - 15' & 18'	0	1			
14	34211 *	SICKLE ASS'Y - L/H, 15'	1	2			
	47788 *	SICKLE ASS'Y - L/H, 18'	1	2			
18	50194 *	SCREW - countersunk head	15	60			
19	30510 *	ARM - R/H drive	1	2			
20	47783 *	SICKLE ASS'Y - R/H, 15'	1	2			
	47793 *	SICKLE ASS'Y - R/H, 18'	1	2			
23	33114 *	CENTER SICKLE GUARD	3	6			
36	113232	HEAD ASSEMBLY - sickle	1	2			
37	100500	BEARING - needle, sickle head	2	6			
38	113222	SEAL - sickle head	2	4			

* - Order to suit header sizes and types sold.

Model 942 Multi-Crop Header
SUGGESTED STOCKING LIST

P.C. REF	PART NUMBER	DESCRIPTION	SUGGESTED QTY.		ORDER QTY	UNIT PRICE	EXT. PRICE
			2 UNITS	5 UNITS			
<u>SICKLE STUB GUARDS - Parts Catalog Pg 15 D</u>							
3	34980	BAR - adjuster	3	6			
<u>SICKLE DRIVE BOX - Parts Catalog Pg 17B</u>							
	100532	DRIVE - sickle, complete	0	1			
1	100706	YOKE - output	0	1			
2	100707	SEAL - oil, output shaft	2	4			
3	100708	BUSHING - bronze	1	2			
5	100726	BUSHING - steel	1	2			
8	100710	SHAFT - input	0	1			
10	100712	O-RING	1	2			
11	102630	SEAL - oil, input shaft	1	2			
12	100714	BEARING ASS'Y - cup & cone	1	2			
16	100717	BEARING ASS'Y - cup & cone	1	2			
18	100719	CAP - dust	1	2			
20	100720	BEARING ASS'Y - cup & cone	2	4			
21	100721	PIVOT	0	1			
22	100722	RING - retaining, internal	2	4			
23	100723	BUSHING - bronze	2	4			
<u>MOUNTING PACKAGE: PICK-UP REEL - Parts Catalog Pg 21</u>							
6	35694	BUSHING - plastic	0	2			
<u>PICK-UP REEL - Parts Catalog Pg 23</u>							
3	48083	BEARING HALF - bat	20	35			
4	27166	STRAP - bearing	2	4			
5	48008 *	BAT - reel, 54 inch (1380 mm)	1	2			
	48009 *	BAT - reel, 60 inch (1535 mm)	1	2			
	48010 *	BAT - reel, 66 inch (1690 mm)	1	2			
6	48070	CRANK - L/H	1	2			
	48071	CRANK - R/H	1	2			
10	27985 *	FINGER - pick-up, plastic	50	150			
11	35660	BEARING - end shield	6	10			
12	48023	SHIELD - end	3	6			
18	50184	BEARING - cam	2	10			
19	48051	ARM - cam, bat control	1	3			
20	50185	BEARING - cam arm	2	5			
21	48050	BOLT - shoulder, special	2	4			
26	35689	NUT - special, 5/16 inch NC	10	25			
39	35282 *	FINGER - pick-up, steel	20	40			
40	35281 *	CLIP - steel finger	20	40			
H	30504	SCREW - hex socket head	2	8			
<u>AUGERS & DRIVE - Parts Catalog Pg 27</u>							
5	50016	BEARING - ball	0	1			
6	38487	INSULATOR - rubber	0	1			
10	21310	BEARING - ball	1	2			
16	38193	SPROCKET - idler	0	1			
17	38223	SPROCKET - motor, 17 tooth	0	1			
<u>PAINT - Parts Catalog Pg 31</u>							
	25991	PAINT - black, 1 litre	1	1			

* - Order to suit header sizes and types sold.