

Conditioned Windrow SIDE DELIVERY SYSTEM

For 912, 922 & 972 Headers

OPERATOR'S & PARTS MANUAL

Inside Front Cover
(blank)

MacDon Windrower CONDITIONED WINDROW SIDE DELIVERY SYSTEM



TABLE OF CONTENTS

Introduction	1
Set-Up Instructions	2 - 12
Operation	
Safety	13
To Raise & Lower Deck	13
Deck Minimum Height	13
Conditioner Forming Shield Position.....	14
Side Delivery Draper Speed.....	15
Operating Recommendations	15
Maintenance/Service	
Draper Tension Adjustment	16
Front Skid Adjustment.....	16
Lubrication.....	16
Hydraulic Schematics.....	17 - 20
Repair Parts	21 - 30

INTRODUCTION

The conditioned windrow side delivery system allows the combining of two windrows of conditioned material close together to be picked up by a forage chopper. This unit may be mounted on the following MacDon-built windrower tractors: MacDon/Westward 9250, 9350, 9352; Prairie Star 4940, 4950, 4952; Premier 2940, 2950, 2952; and Harvest Pro 8140, 8150, 8152. The system is for use with Model 912, 922 and 972 headers with hay conditioners. The conditioned crop is deposited onto the side delivery system draper and delivered to the side of the tractor when required. Raising the side delivery system shuts off the draper and allows the crop to be deposited between the tractor wheels as it would be without the side delivery system.

Hydraulic Requirements

With a 912/922 Header, the system uses the tractor reel lift circuit to raise and lower the side delivery deck. For headers with hay conditioners equipped with optional Hydraulic Roll Opener Kit, the side delivery system cannot be used, unless the roll opener plumbing is disconnected from the reel lift circuit.

With a 972 Header, an optional hydraulic reel fore-aft package (B2960 + B2961) must be installed on the tractor. When used on 972, only reel fore/aft or side delivery may be used at any one time. The Operator may switch from one to the other by coupling and uncoupling the appropriate couplers.

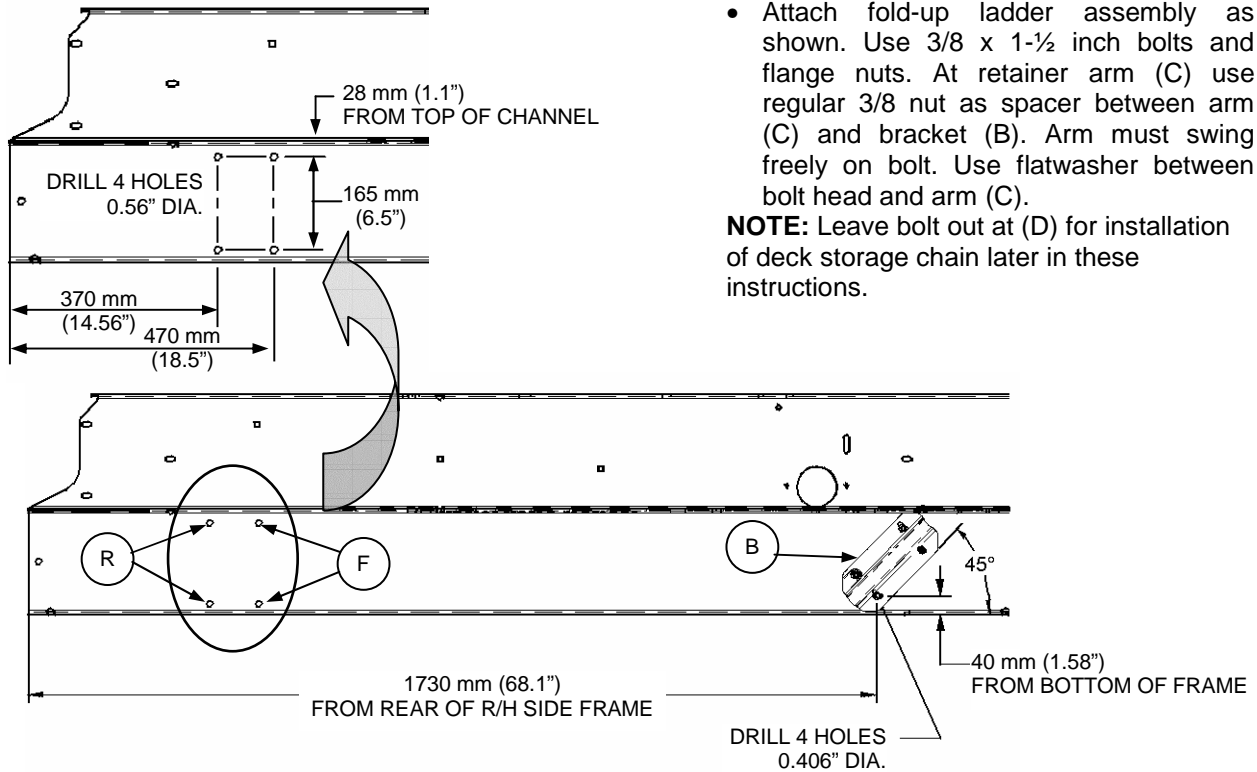
SET-UP INSTRUCTIONS

NOTE: This unit fits only the tractor models listed on page 1. It can not be installed on the following tractor models: MacDon/Westward 9200, 9300; Prairie Star 4920, 4930; Premier 2920, 2930.

NOTE: This page refers to rework required for tractors built prior to Production Year 2001. For tractors built in 2001 and later, go to page 3.

On pre-2001 built tractors:

1. If not present, drill two-hole set (F) for models 9250/9350, 4940/4950, 2940/2950 and 8140/8150 or two-hole set (R) for models 9352, 4952, 2952 and 8152 in both left and right frame members at dimensions shown below. Holes at (F) and (R) are 0.56" diameter.



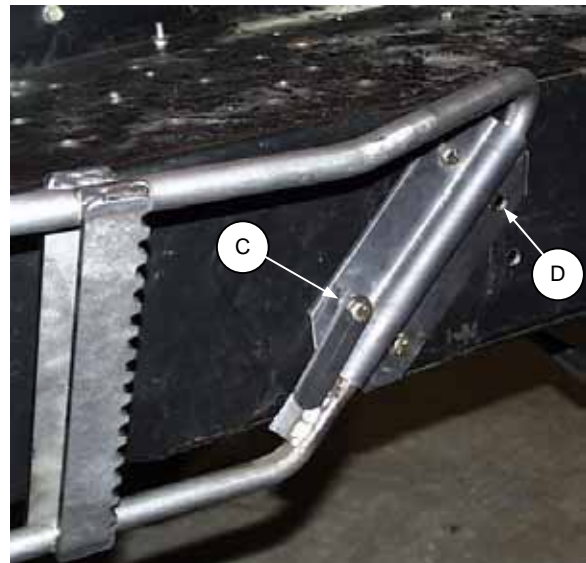
2. Cut off welded ladder (A) on RH side of tractor and replace with new fold-up ladder assembly (B4288) as follows:

- Drill 4 holes (.406" diameter) in right side frame. Locate the lowest hole at dimensions shown below, then use folding ladder bracket (B) for a template.
- Attach fold-up ladder assembly as shown. Use 3/8 x 1-1/2 inch bolts and flange nuts. At retainer arm (C) use regular 3/8 nut as spacer between arm (C) and bracket (B). Arm must swing freely on bolt. Use flatwasher between bolt head and arm (C).

NOTE: Leave bolt out at (D) for installation of deck storage chain later in these instructions.



CUT OFF WELDED LADDER ON R/H SIDE – PRE-2001 PRODUCTION



INSTALL FOLDING LADDER

SET-UP INSTRUCTIONS

Side Delivery System Installation

1. Remove toolbox, toolbox mount and grease gun holder from L/H side of tractor frame. Set these items aside for re-assembly later.
2. Remove cable ties securing side delivery system hoses for shipping. Remove two ½ x 1" bolts and nuts from mounting channels on side delivery system – both sides.
3. a) *Tractor models 9250/9350, 4940/4950, 2940/2950 and 8140/8150:*
 - Position side delivery system under tractor.
 - Raise unit up and slide ahead so that the mounting channels engage tractor side frame rails.
 - Install two ½ x 1" bolts (removed above) through tractor frame and through mounting channels – both sides. Install nuts. Tractor side frame has two sets of holes at this location. *Use front two holes in tractor frame for the above listed models.*



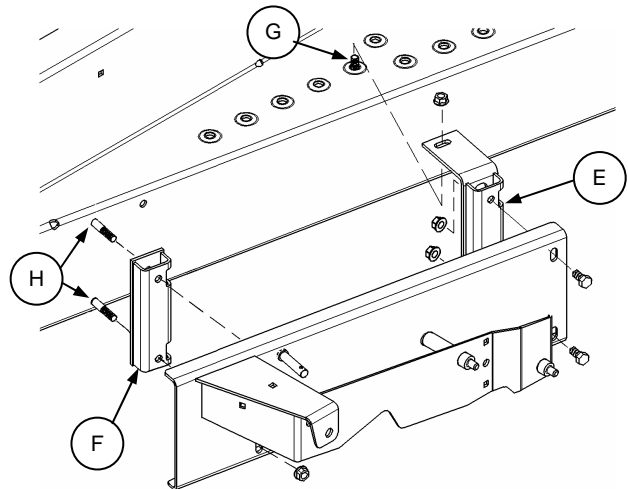
ATTACH TO FRAME – RIGHT SIDE



ATTACH TO FRAME – LEFT SIDE

b) *High clearance tractor models 9352, 4952, 2952 and 8152:*

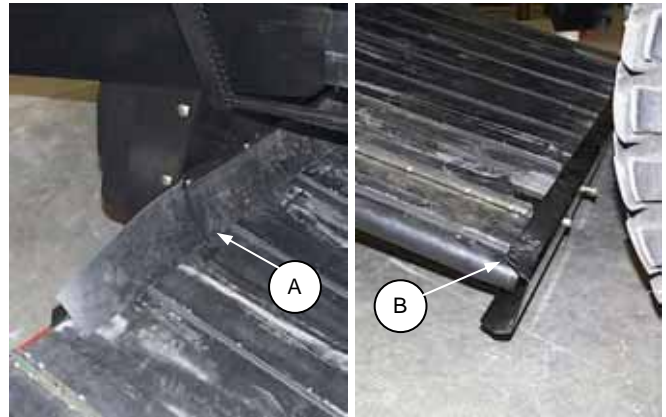
- Position side delivery system under tractor.
- Raise unit up and slide ahead so that the left mounting channel engages tractor frame rail.
- At R/H side, slide support (E) between frame rail and right mounting channel of side delivery system.
- Install ½ x 1" bolt through tractor frame at (G) and install lock nut to attach support (E) to frame.
- Attach right mounting channel to support (E) using ½ x 1" bolts and lock nuts.
- At rear of right channel, slide support (F) between mounting channel and frame. Install two ½ x 2 ½" bolts through rear holes (H) in tractor frame, through support (F) and through mounting channel. Install nuts.
- On left side, install two ½" x 1 bolts and lock nuts to mount channel at rear holes in tractor frame.



ATTACH TO FRAME – RIGHT SIDE:
9352/4952/2952/8152

SET-UP INSTRUCTIONS

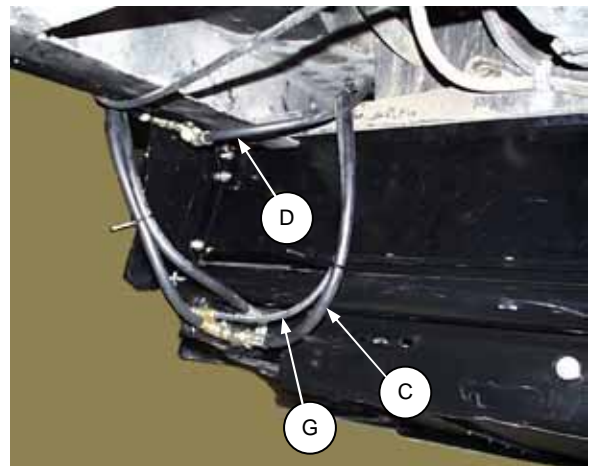
- Install draper, with screw heads facing direction of draper travel. No cutting is required. At back edge, place rubber seal (A) over top of draper. At front edge, draper fits under lip of front skid (B).



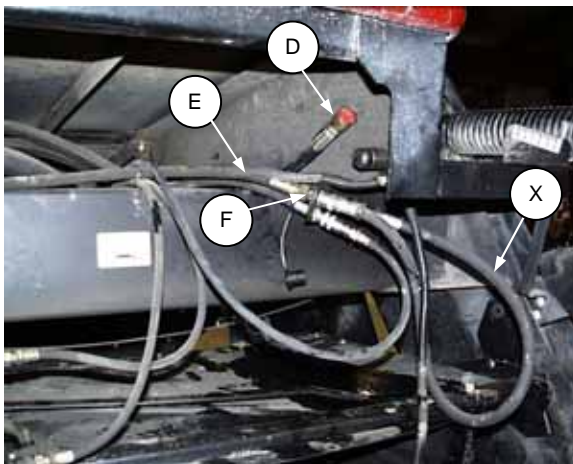
INSTALL DRAPER

Draper Drive Plumbing: Steps 5 to 7

- Route $\frac{1}{2}$ " hoses (C) and (D) for draper drive under left side frame member, over frame cross members towards the front L/H corner of tractor to location of draper drive and reel lift couplers.
- Tractor hose (E) runs from header valve under tractor to header pressure hose. Detach hose (E) at bulkhead coupler (F). Attach hose (C) (marked 130233, with male end) to this hose. Attach hose (D) (marked 130383, with female end) to bulkhead coupler (F). See illustration, next page.



ROUTE DRAPER DRIVE HOSES TO LEFT FRONT CORNER UNDER CAB & CASE DRAIN HOSE TO TANK



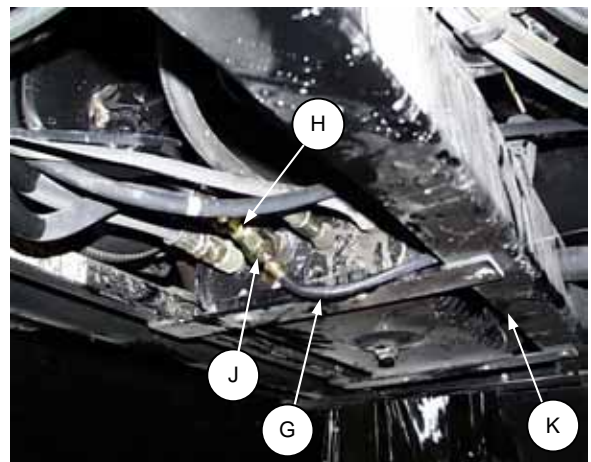
PLUMB INTO HEADER DRIVE CIRCUIT

NOTE: For 912 Auger Header, loop header pressure hose (X) back as shown and connect to female quick coupler at tractor.

- Route case drain hose (G) over frame rear cross member and along cross member (K) to right side of hydraulic tank. At the hydraulic tank, detach hose at connector to check valve (hose that runs from the hydraulic filter). Install tee-fitting (H) between this hose and check valve, oriented as shown. Install reducer (J) and attach case drain hose (G). See illustration, next page.

H – Fitting, Swivel Run Tee, $\frac{3}{4}$ tube

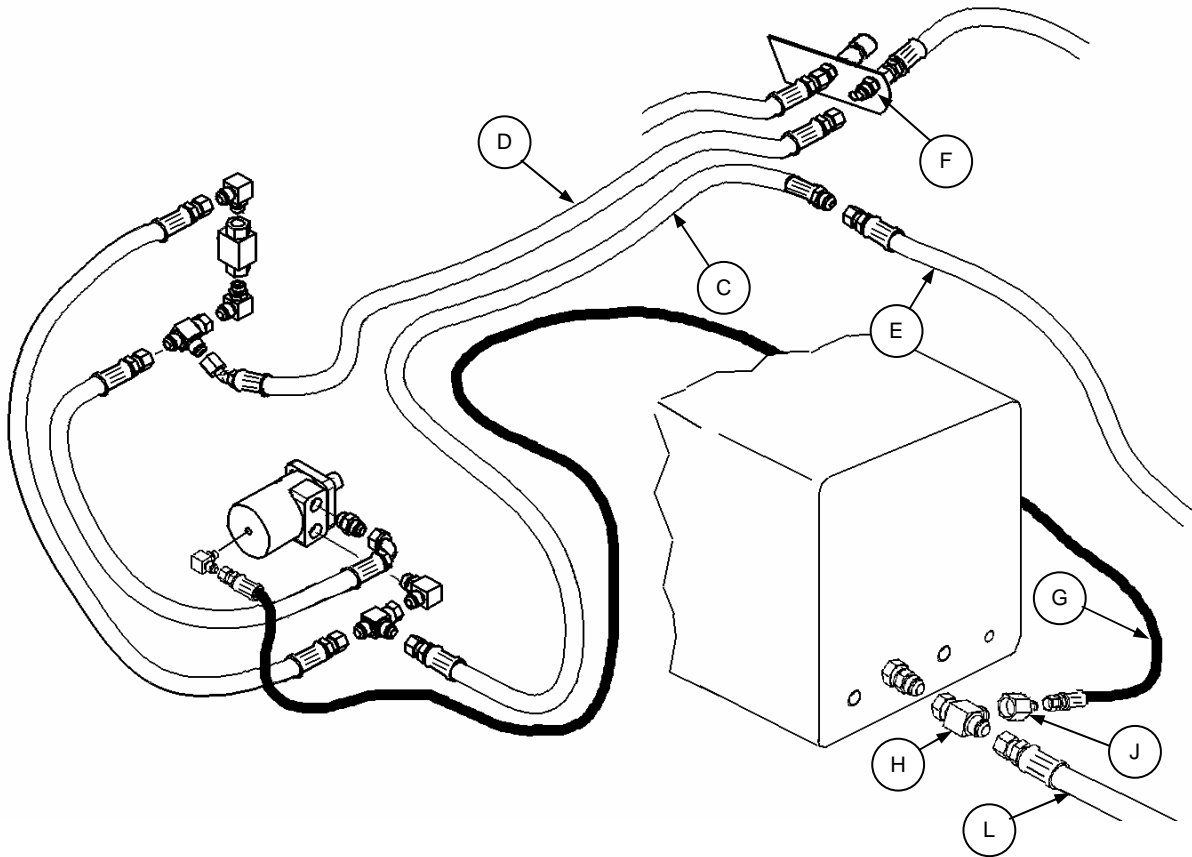
J – Fitting, Reducer, $\frac{3}{4}$ tube x $\frac{3}{8}$ tube



PLUMB CASE DRAIN INTO RETURN TO TANK

SET-UP INSTRUCTIONS

Draper Drive Hydraulics



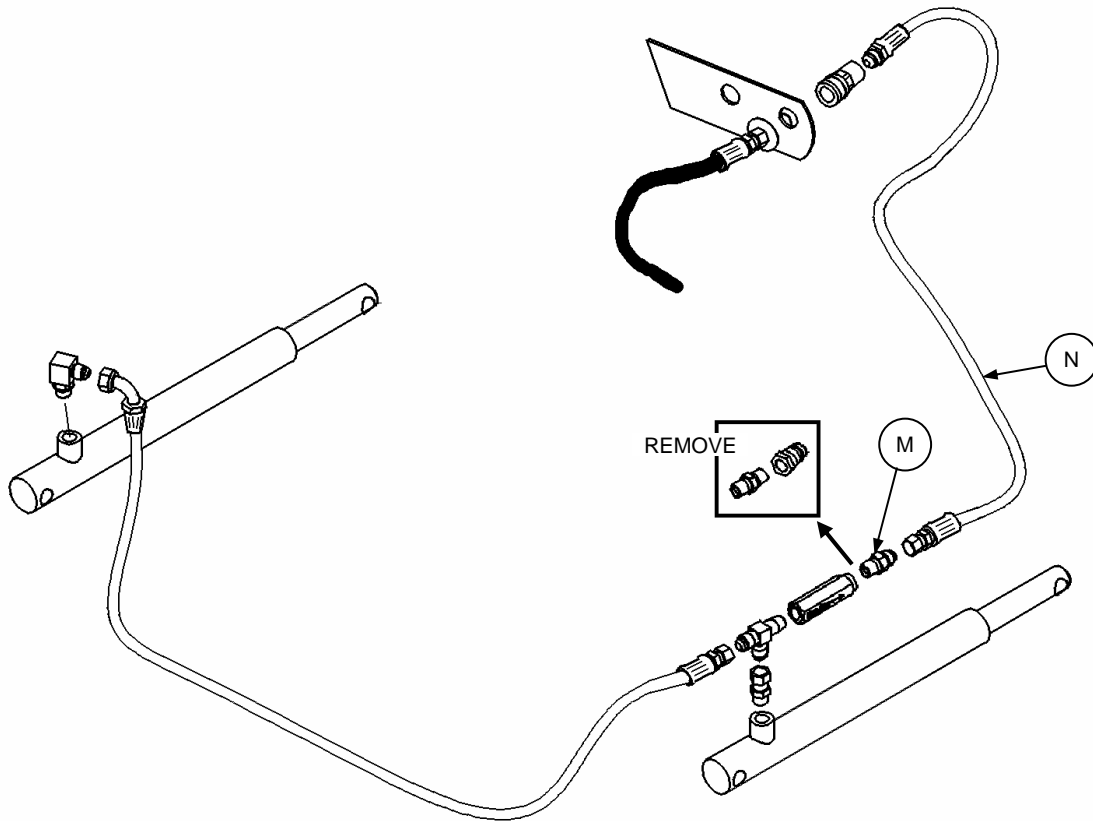
- C – Side delivery draper drive hose 130233
- D – Side delivery draper drive hose 130383
- E – Existing tractor hose from valve block under tractor frame (removed from fitting F)
- F – Bulkhead coupler under left front corner of cab
- G – Side delivery draper motor case drain hose
- H – Fitting, Swivel Run Tee, $\frac{3}{4}$ tube
- J – Fitting, Reducer, $\frac{3}{4}$ tube x $\frac{3}{8}$ tube
- L – Existing tractor hose from hydraulic oil filter

SET-UP INSTRUCTIONS

Side delivery deck lift plumbing:

912 & 922 Headers – plumb into reel lift circuit: Steps 8 & 9

8. Side delivery lift hydraulics are factory assembled for use with model 972 Headers. To adapt for use with 912/922: At R/H cylinder, remove male quick coupler and pipe-to-pipe connector fitting. Replace with pipe-to-tube connector fitting (M). Attach hose (N) (marked 103004) to this fitting. Attach female coupler to other end of hose (N).
9. Route hose (N) with female coupler up under RH frame, over frame cross members towards the front L/H corner of tractor to location of draper drive and reel lift couplers. Connect female coupler to reel lift male coupler. See illustration below.

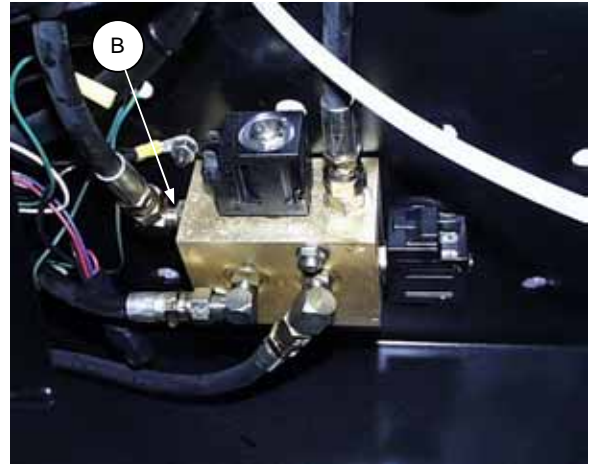


SET-UP INSTRUCTIONS

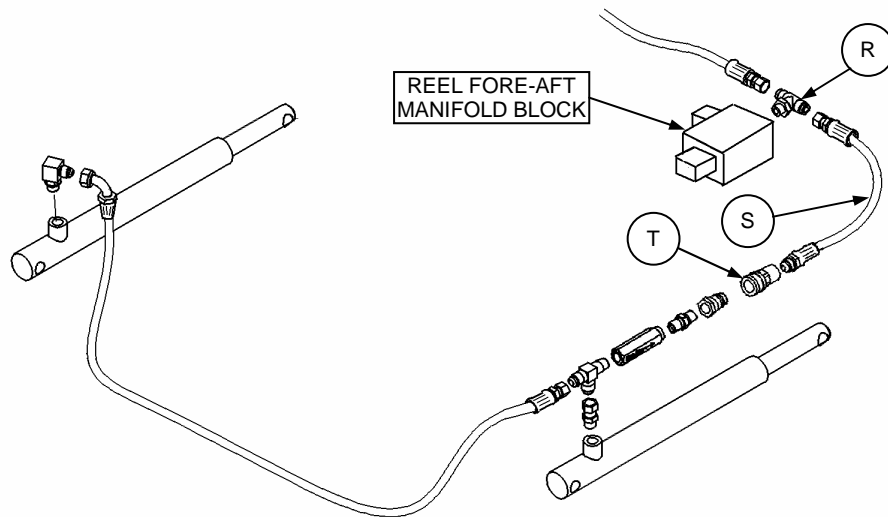
Side delivery deck lift plumbing (continued):

972 Headers – plumb into reel fore-aft manifold: Steps 10 to 12

10. If tractor has hydraulic reel-fore aft option installed, replace elbow at reel fore-aft manifold port 'B' with straight thread branch tee (R) (3/8 tube x 3/8 tube x 9/16 O-Ring). **NOTE:** This allows operation of *either* the reel fore-aft or side delivery system at one time. To switch back and forth, connect and disconnect the appropriate quick couplers.
11. Install hose (S) (marked 130232) on tee (R) installed in step 10. Attach female coupler (T) to other end of hose and connect to coupler at R/H side delivery lift cylinder.



INSTALL TEE TO ALLOW USE OF EITHER FORE-AFT OR SIDE DELIVERY DECK LIFT



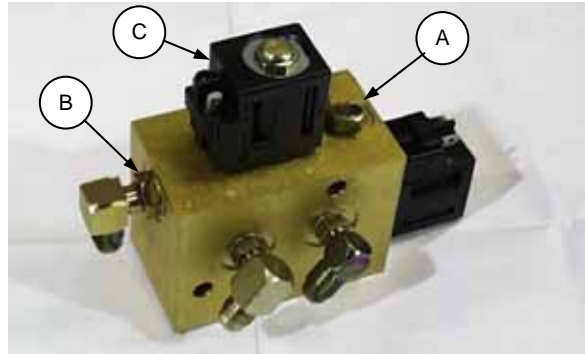
PLUMBING TO ALLOW USE OF EITHER REEL FORE-AFT OR SIDE DELIVERY DECK LIFT

SET-UP INSTRUCTIONS

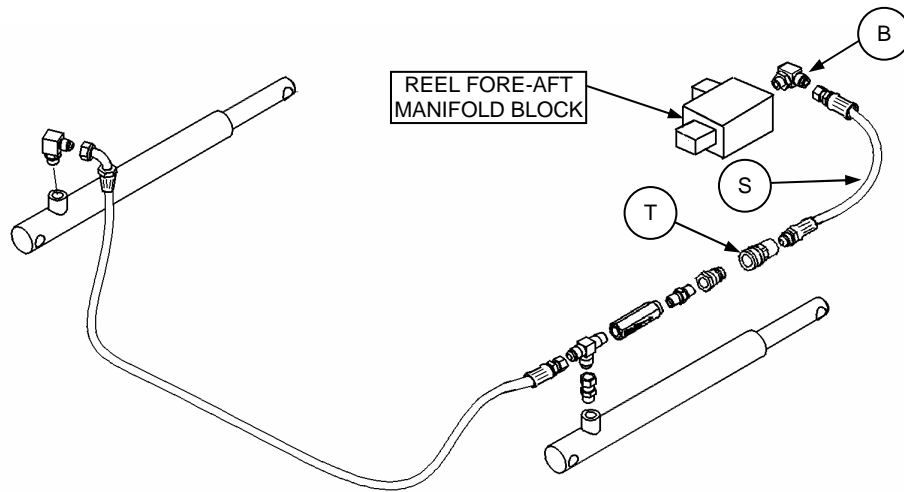
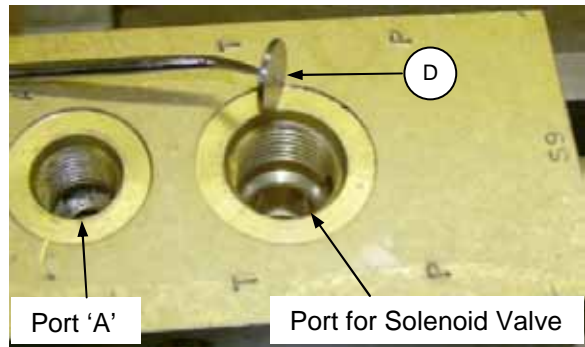
Side delivery deck lift plumbing, 972 Headers – plumb into reel fore-aft manifold (continued):

12. **If tractor does not have reel fore/aft installed**, install reel fore-aft kit B2960 + B2961 using Instruction 46617 (provided with B2961), **with the following exceptions:**

- When preparing the manifold ports in step 1, install plug in port 'A' of manifold instead of male connector. Also, reorient elbow in port 'B' to position shown at right.
- Before installing hydraulic manifold on the tractor, remove solenoid valve (C). This is the solenoid valve located on the same side of the manifold as port 'A' (there is a stamp in the manifold which identifies port 'A'). Once the solenoid valve has been removed, remove the orifice (D) which lies directly beneath the valve, then re-install the solenoid valve.
- In steps 6 & 7 of fore-aft instruction 46617, instead of installing couplers and hoses for reel fore/aft, install hose (S) (marked 130232) on elbow at manifold port 'B'. Attach female coupler (T) to other end of hose and connect to coupler at R/H side delivery lift cylinder.



RECONFIGURE MANIFOLD IF INSTALLING KIT SPECIFICALLY FOR SIDE DELIVERY



PLUMBING FOR USE OF SIDE DELIVERY DECK LIFT ONLY

SET-UP INSTRUCTIONS

13. Install tool box mount (A) onto support angles on LH side of side delivery system mount channels. Install grease gun holder in top or side hole (B) at rear of LH mount channel.

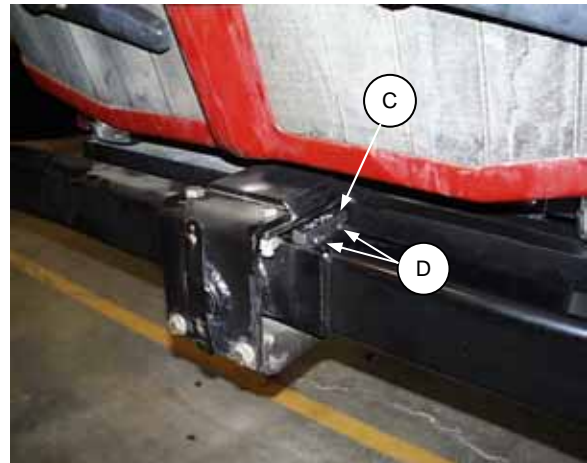


GREASE GUN HOLDER MOUNTING HOLE

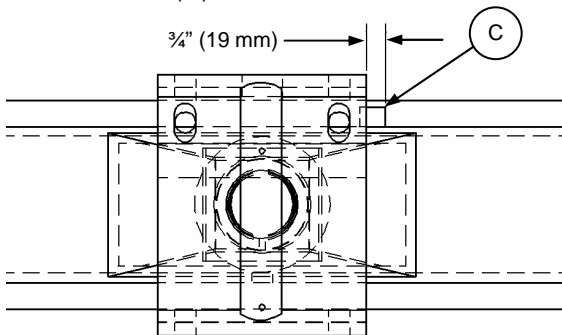


ATTACH TOOL BOX MOUNT

14. Use cable ties to secure all hoses so that they are not pinched during side delivery operation.
15. Weld stop bar (C) onto top of walking beam on R/H side.
- For regular tractor models 9250/9350, 4940/4950, 2940/2950 and 8140/8150, use the $\frac{3}{4}$ x 1" cross section bar.
 - For high clearance tractor models 9352, 4952, 2952 and 8152, use the $\frac{1}{2}$ x 1" cross section bar.
 - For all models, place the 1" surface flat on the beam, position the bar as shown below and place two 1 $\frac{1}{2}$ " long (40 mm) welds at (D).

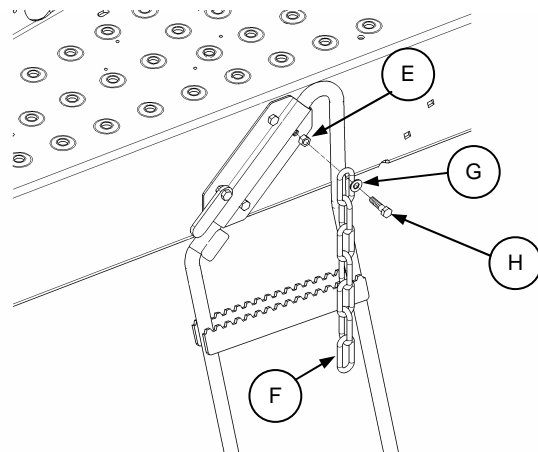


WELD ON WALKING BEAM STOP



POSITION WALKING BEAM STOP

16. Install deck storage chain on folding ladder bracket at R/H side frame. Install regular 3/8 hex nut (E) to act as a spacer, then install chain (F), washer (G) and 3/8 x 1-1/2 bolt (H). Secure with 3/8 flange nut under tractor frame.

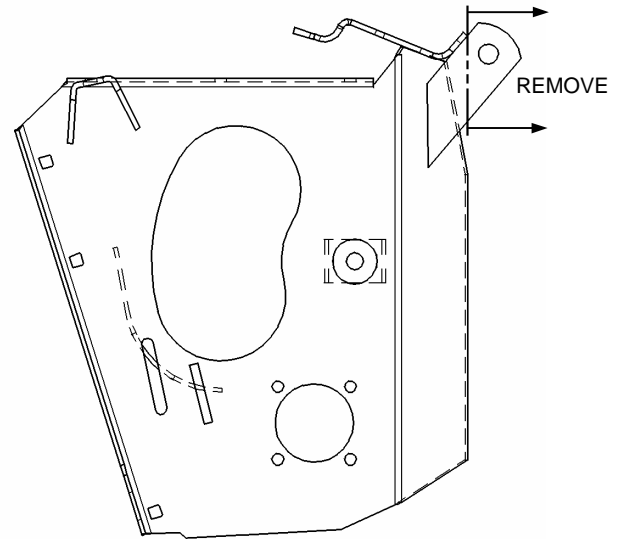


INSTALL DECK STORAGE CHAIN

SET-UP INSTRUCTIONS

742 Hay Conditioner & Forming Shield Modifications: 972 Header Only – Steps 17 & 18

17. For 972 Header – Modify model 742 Hay Conditioner side frames by cutting off lugs as shown.



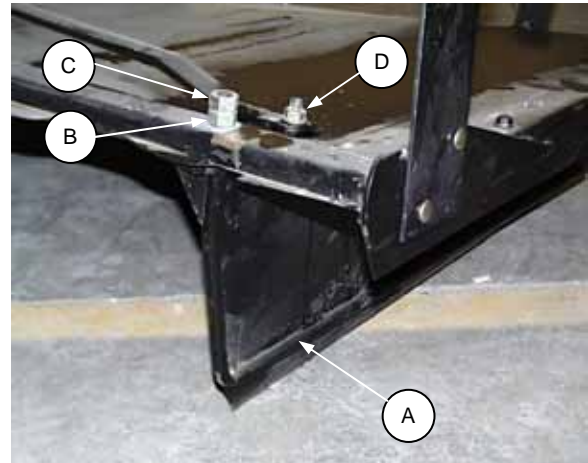
742 HAY CONDITIONER (972 HEADER):
CUT LUGS OFF REAR OF SIDE FRAMES

18. For 972 Header – Remove existing conditioner forming shield package and install new forming shield package B4287 as follows:

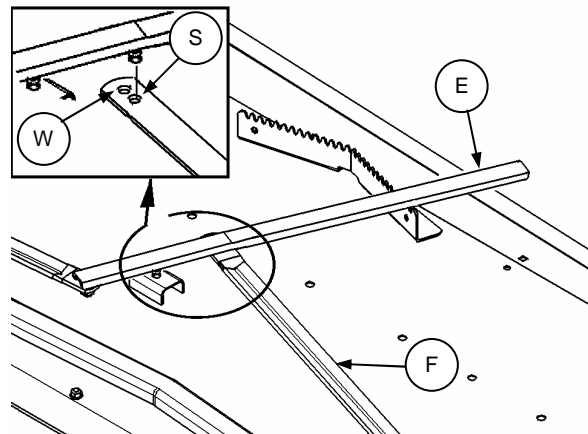
- Insert threaded rod and welded bolt of side deflector through hole and notch at front corner of top shield.

IMPORTANT: Do not confuse left and right side deflectors. Welded rod (A) must be positioned to the outside of the forming shield assembly.

- Install two 5/8 hex nuts (B) and (C) on threaded rod.
 - Tighten nut (B) until snug.
 - Hold nut (B) with a wrench and tighten nut (C) securely against nut (B).
 - Install one 1/2" lock nut (D) to secure L/H link on the welded bolt.
 - Repeat side deflector installation at other side.
 - Operate handle (E) on top shield to adjust side deflector position. If handle is too stiff, loosen nuts (C) and (B) and readjust.
- NOTE:** With hardware securing left hand link (F) in hole (S) as shown, side deflectors open symmetrically about the center of the conditioner rolls. This is the preferred position for the side delivery system. Move hardware to hole (W) only when required to allow side deflectors to open to maximum width. See "Hay Conditioner Forming Shields" in Operation section of your 972 Operator's Manual.



INSTALL SIDE DEFLECTORS

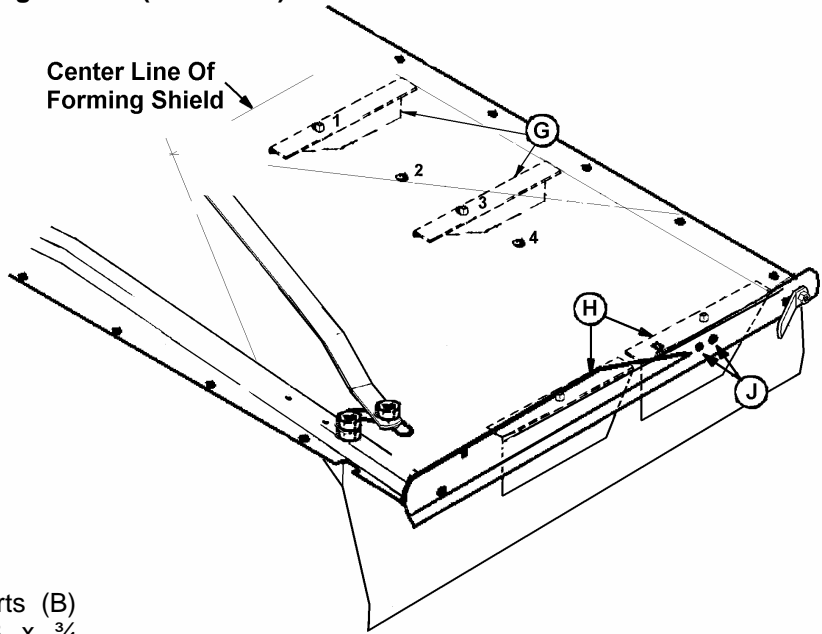


INSTALL SIDE DEFLECTORS

SET-UP INSTRUCTIONS

742 Conditioner (972 Header) Forming Shields (continued)

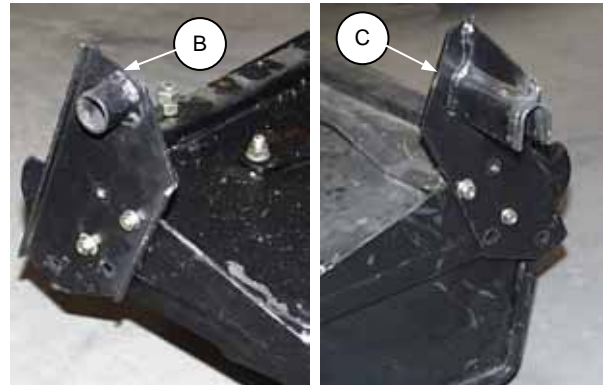
- For laying swaths wider than 70 inches (1780 mm), remove deflector fins (G) from storage position (H), and install in holes 1 & 3 on each side of forming shield centerline. Extra hardware for fins is stored at (J). Position fins approximately parallel to side deflectors and tighten bolt securely. Two additional fins are also provided and should be installed as required for uniform formation of swaths wider than 90 inches (2286 mm).



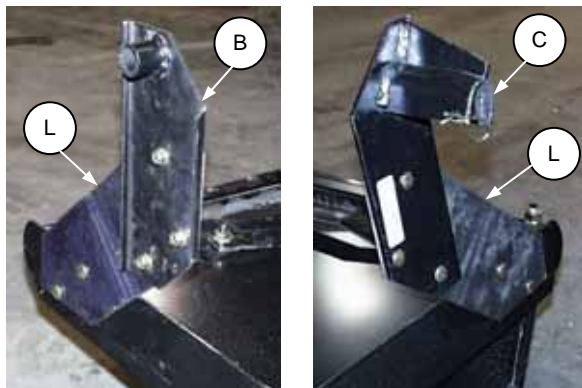
INSTALL FINS FOR WIDE SWATHS

- Attach left and right side supports (B) and (C) to top cover with 3/8 x 3/4 carriage bolts and flange nuts. **NOTE:** Support (C) with the U-bracket and hair pin goes on the right hand side of the forming shield.

NOTE: For high clearance tractors (MacDon 9352, Westward 9352, Prairie Star 4952, Premier 2952, Harvest Pro 8152), add extensions (L) to side support brackets (B) and (C) as shown below.



INSTALL SIDE SUPPORTS:
STANDARD TRACTORS



INSTALL EXTENSIONS & SIDE SUPPORTS:
MODEL XX52 TRACTORS

- To mount forming shield assembly, slide tube of support (B) onto top rear pin of left side tractor linkage. At right side, mount U-bracket onto linkage pin and secure with hair pin.

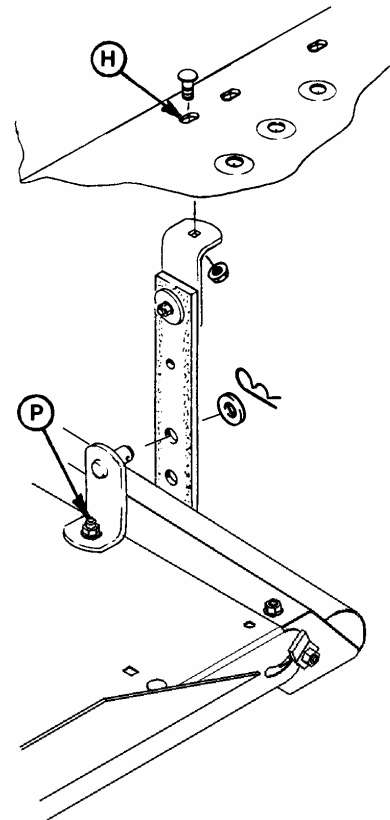


MOUNT SHIELD ON TRACTOR PINS

SET-UP INSTRUCTIONS

742 Conditioner (972 Header) Forming Shields (continued)

- Attach rear supports to forming shield assembly, at the second bolt (P) from each end.
- Attach top bracket of rear support to front hole (H) provided in the tractor floorboard, each side.
- Connect strap in highest position possible.



OPERATION



CAUTION: To avoid bodily injury:

1. Review the safety sections of your tractor and header Operator's Manuals.
2. Keep all shields in place.
3. Engage storage chain when deck is raised fully for transport, service and storage or before going under deck for any reason. To engage chain, raise deck, position chain link on storage bolt on deck and secure with hair pin (A).
4. Keep away from moving draper and rollers.
5. Keep clear of the deck while it is being raised or lowered.



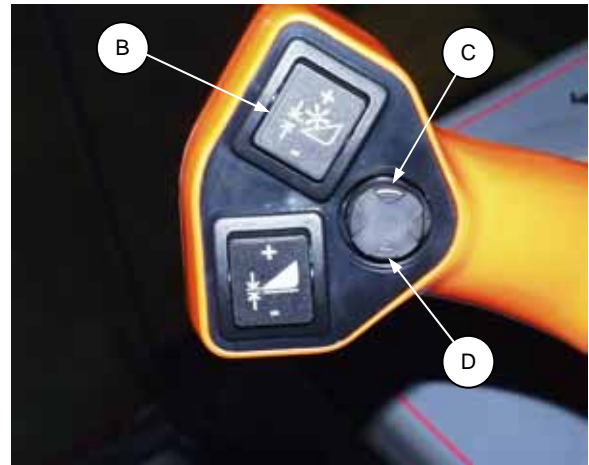
ENGAGE STORAGE CHAIN

To raise and lower deck:

912/922 Headers – Use reel height switch (B) on speed lever handle. Press top of switch to raise deck, bottom to lower.

972 Header – Use reel fore-aft button on speed lever handle. Press at (C) to raise deck, at (D) to lower.

NOTE: Draper shuts off automatically when deck is raised about two thirds of the way up.



DECK LIFT CONTROLS

Deck Minimum Height

Minimum (working) height of side delivery system can be adjusted by installing spacers on lift cylinder rods. To adjust:

- Raise deck fully, engage storage chain, then lower deck until it is supported by chain.
- Shut off engine.
- Remove hair pin and clevis pin from rod end of cylinder at (E).
- Install or remove spacers as required. Extra spacers are located on side of mount channels at (F).
- Replace clevis pin and hair pin.
- Repeat for other side. Be sure setting is the same both sides.
- Raise deck and release storage chain.



DECK MINIMUM HEIGHT ADJUSTMENT

OPERATION

Conditioner Forming Shields Position:

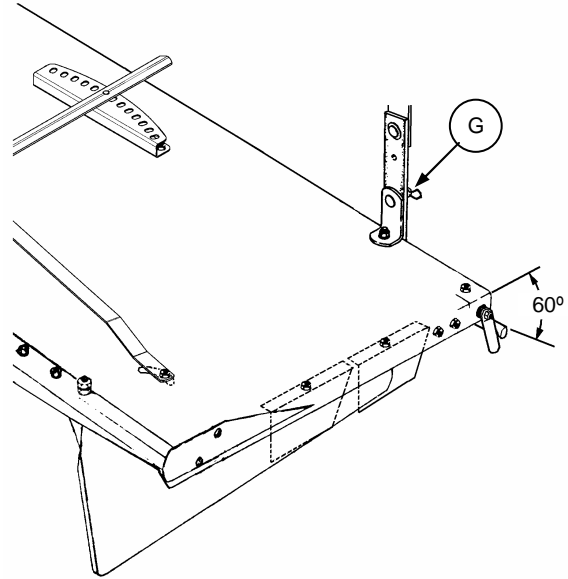
912/922 Headers

Tractor Models 9250/9350, 4940/4950, 2940/2950 8140/8150:

Raise rear of forming shields to highest position (G) for best results. Set rear deflector baffle at about 60° down from horizontal.

Tractor Models 9352, 4952, 2952, 8152:

Use highest possible hole (third or fourth) from top of rubber strap. Set rear deflector baffle at about 45° down from horizontal.

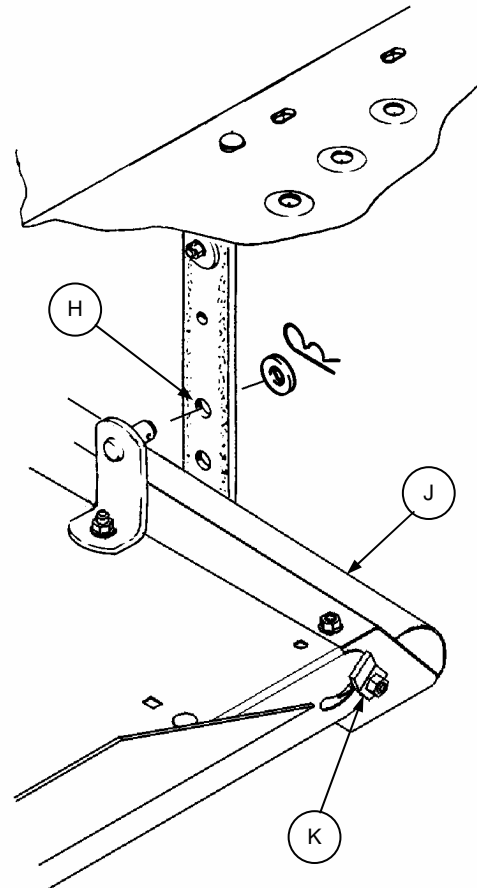


912/922 FORMING SHIELDS:

972 Header

Raise rear of forming shield to highest possible position for best results. For Tractor Models 9250/9350, 4940/4950, 2940/2950, 8140/8150 this will be highest hole (H). For Tractor Models 9352, 4952, 2952, 8152 use the fourth hole from the top.

Adjust rear baffle (J) to desired position to distribute crop across width of draper. To adjust, loosen handle (K), both sides, move baffle as required and tighten handles.



972 HEADER
HAY CONDITIONER FORMING SHIELDS

OPERATION

Side delivery draper speed:

912/922 Headers – To set the draper speed, turn the conveyor speed control (A). Once the correct draper speed has been set, adjust the reel speed of the header using the reel speed control (B).

972 Header – Set side delivery draper speed using conveyor speed control (A). Header draper speed will also be adjusted.



SIDE DELIVERY DRAPER SPEED

Operating Recommendations

14', 16', 18' Headers: On the first pass, the side delivery system is raised and crop is deposited between tractor wheels. On the return pass, the side delivery system is lowered and crop is deposited outside of the tractor wheels to the right, beside the previously laid windrow. Position of the crop can be adjusted by using the side deflectors on the forming shields when depositing the crop in the center and by varying the draper speed when depositing the crop to the side. The faster the draper speed is set, the farther the crop will be delivered to the side.

21', 25' Headers: The side delivery system is lowered at all times. Crop is deposited outside the tractor wheels and laid beside the previously deposited windrow on return pass. Position of the crop can be adjusted by varying the draper speed when depositing the crop to the side.

MAINTENANCE/SERVICE

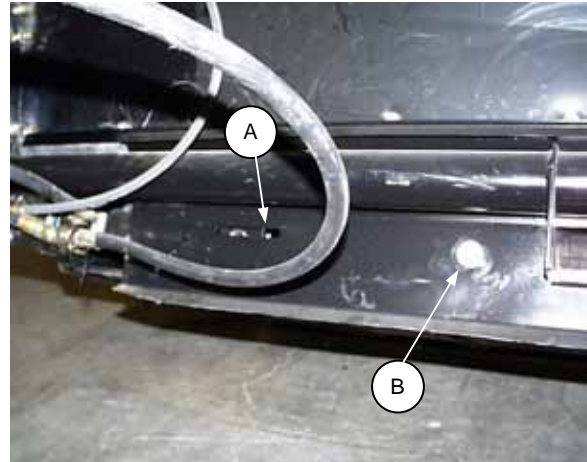
Draper Tension Adjustment:

Draper tension should be just enough to prevent slipping and keep draper from sagging.

Set draper tension as follows:

1. Check that draper guide (rubber track on underside of draper) is properly engaged in grooves of both drive and idler rollers.
2. Tighten bolt (B) until white indicator bar is partially hidden behind the roller support arm at (A).

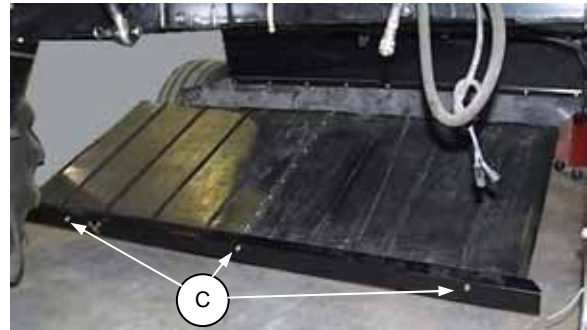
IMPORTANT: To avoid premature failure of draper, draper rollers and/or tightener components, do not operate with tension set so that white bar is fully hidden.



DRAPER TENSION ADJUSTMENT

Front Skid Adjustment:

Adjust front skid so that it is tight to the draper. To adjust, loosen three nuts (C) on front of skid, position skid height and retighten nuts.



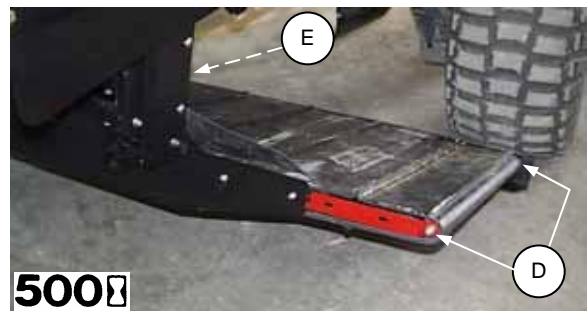
FRONT SKID ADJUSTMENT

Lubrication:

Grease draper roller bearings every 500 hours and/or after end of season.

- Two grease fittings (D) on idler roller
- One grease fitting (E) on front of drive roller.

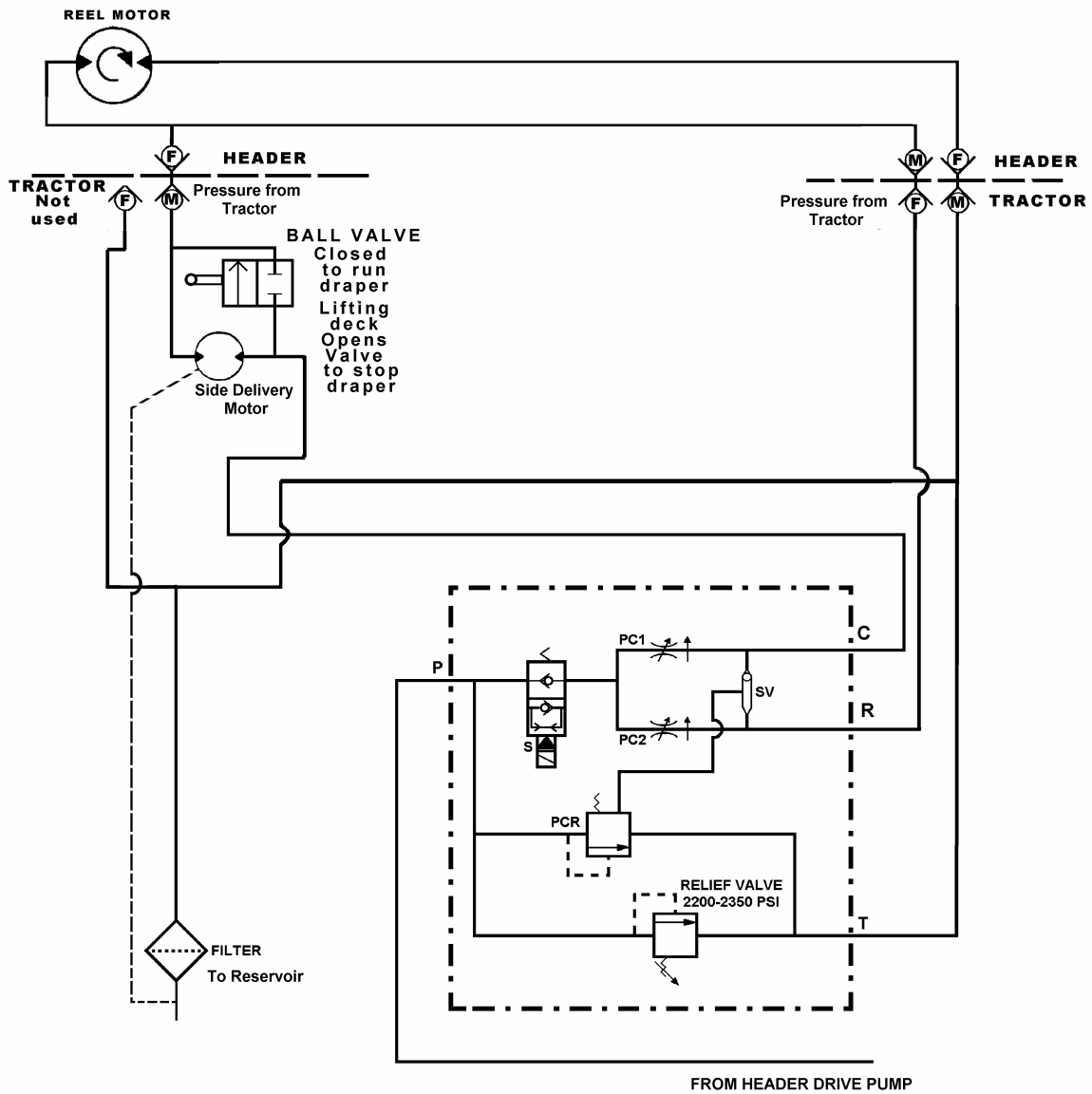
NOTE: Remove three nuts (C) and remove front skid to access front grease fittings.



GREASE DRAPER ROLLER BEARINGS

MAINTENANCE/SERVICE

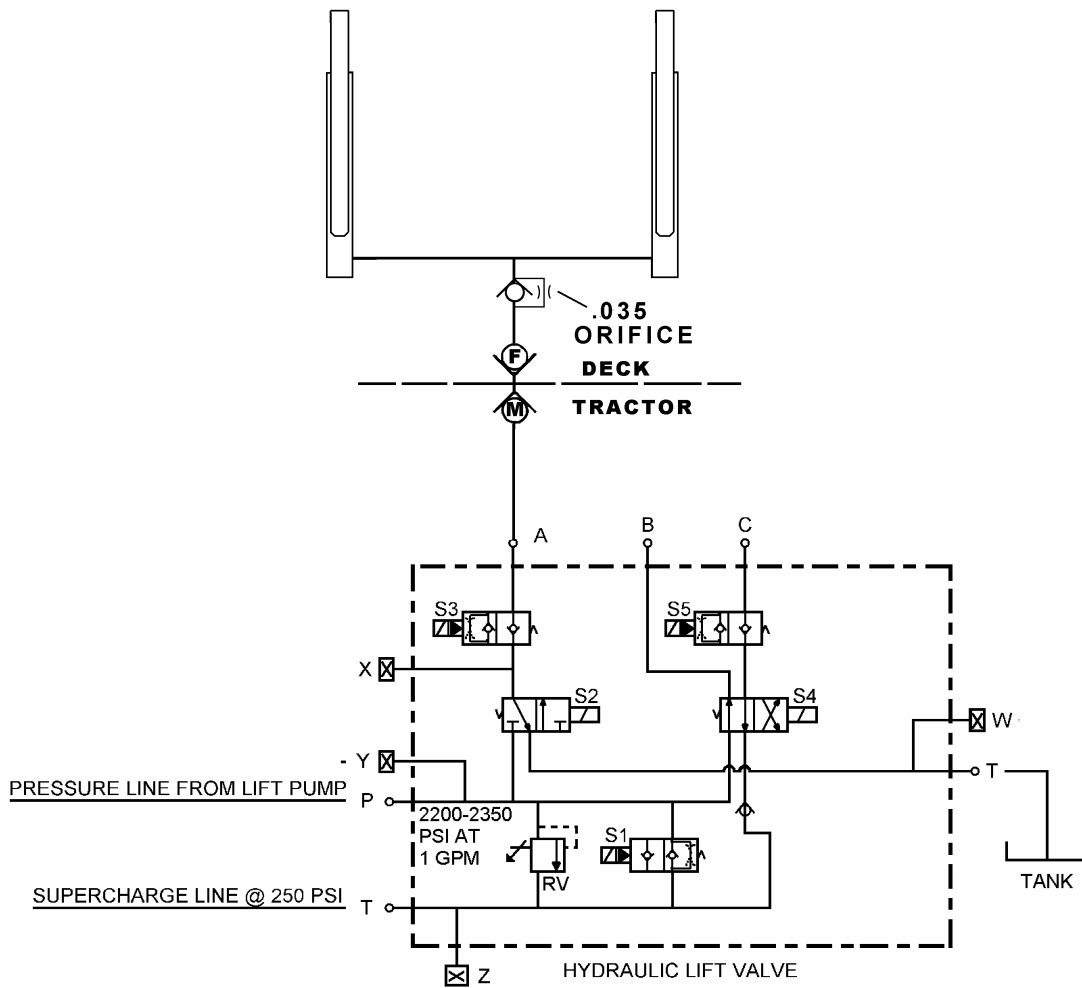
Hydraulic Schematic: 912/922 Side Delivery Draper Drive



912/922 HEADER –
SIDE DELIVERY DRAPER DRIVE

MAINTENANCE/SERVICE

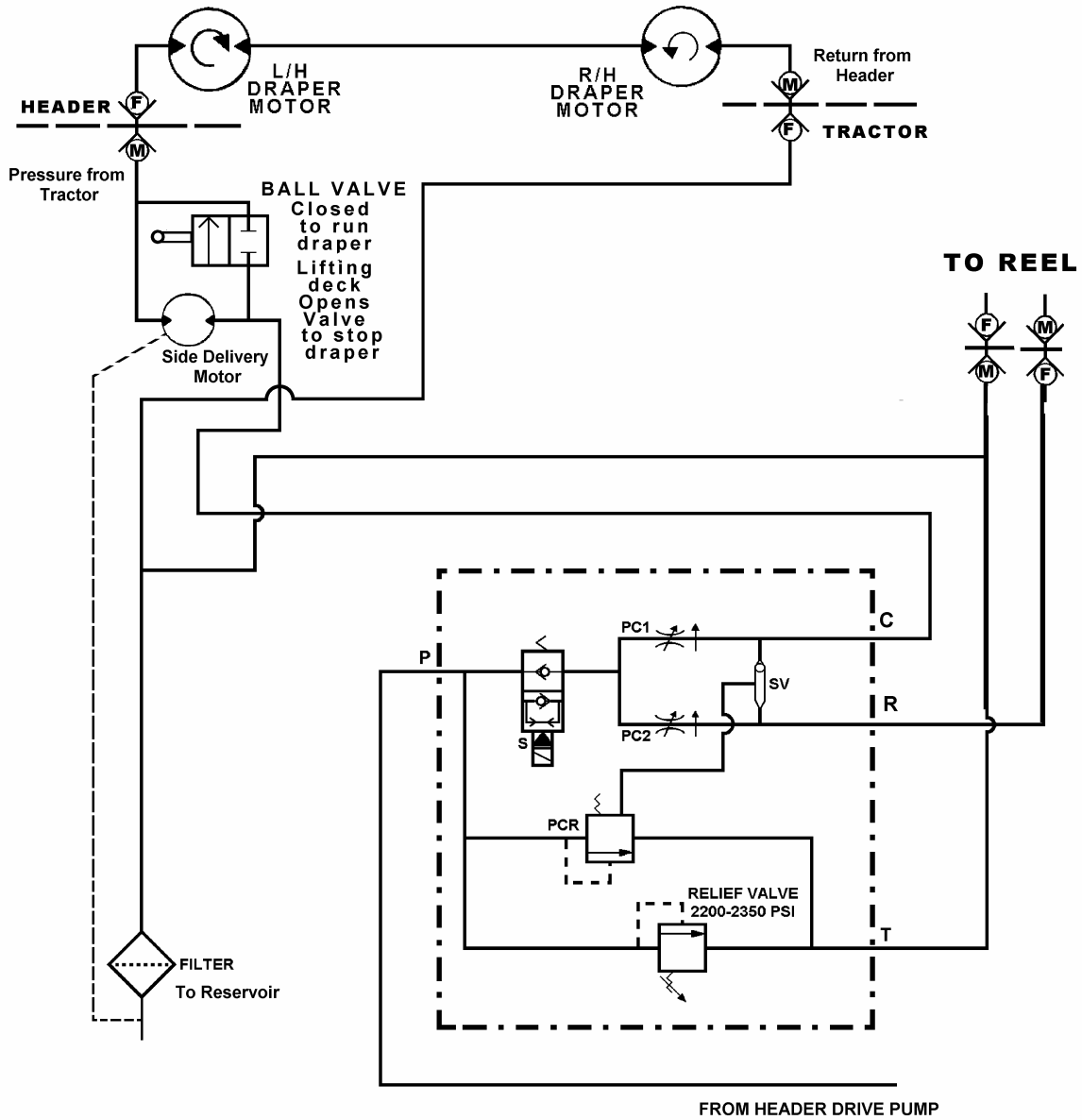
Hydraulic Schematic: 912/922 Side Delivery Deck Lift



912/922 HEADER –
SIDE DELIVERY DECK LIFT

MAINTENANCE/SERVICE

Hydraulic Schematic: 972 Side Delivery Draper Drive

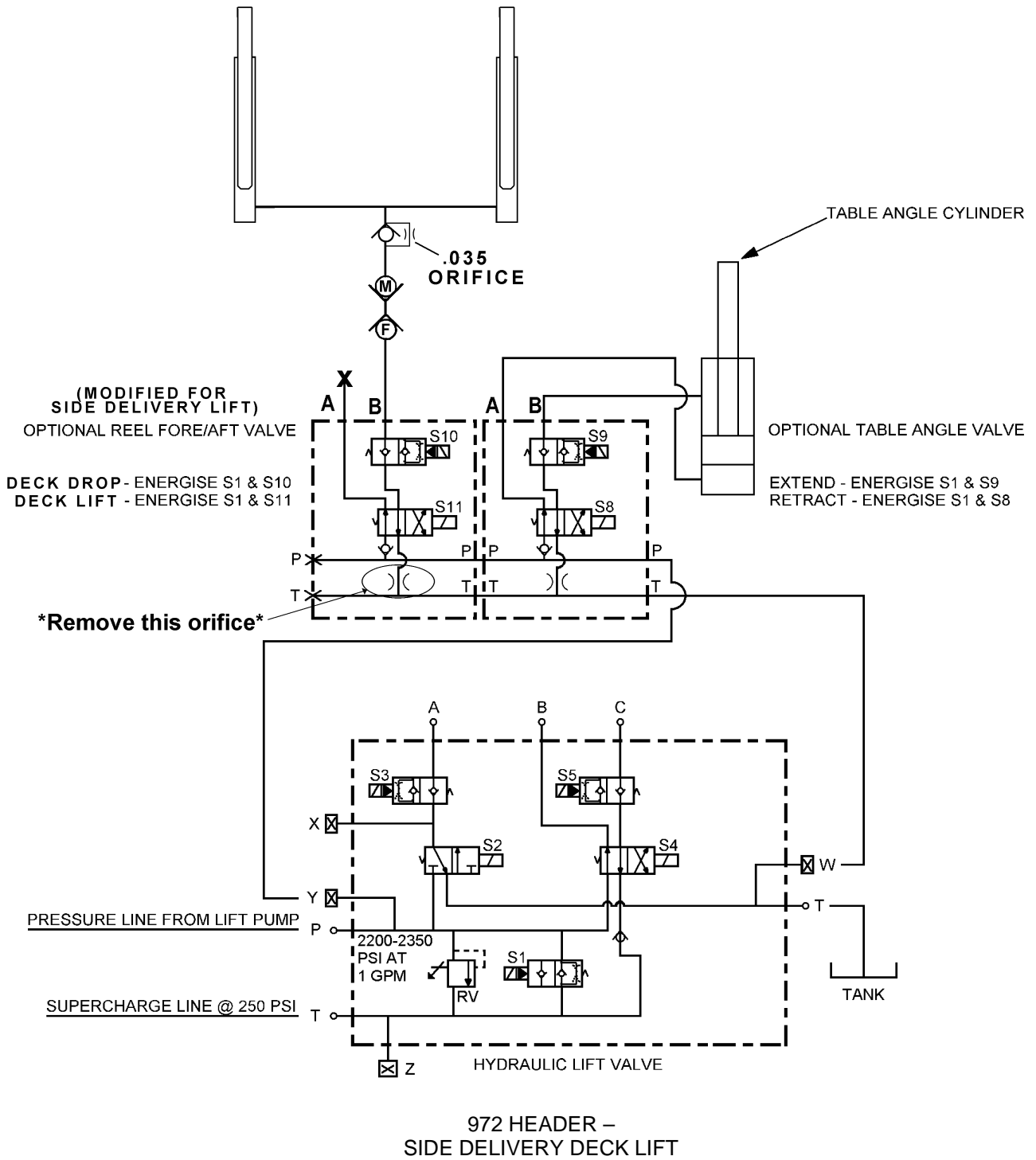


972 HEADER –
SIDE DELIVERY DRAPER DRIVE

MAINTENANCE/SERVICE

Hydraulic Schematic: 972 Side Delivery Deck Lift

SIDE DELIVERY DECK LIFT SCHEMATIC



REPAIR PARTS

TABLE OF CONTENTS

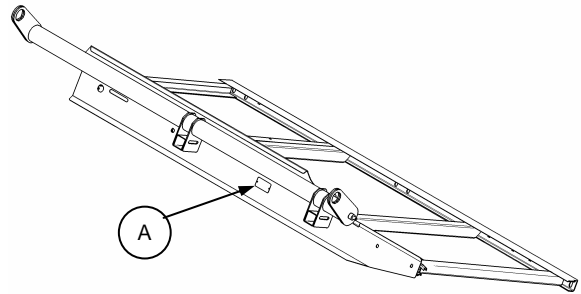
Deck, Draper & Rollers	22, 23
Deck Supports & Linkage	24, 25
Draper Drive Hydraulics	26
Deck Lift Hydraulics	27
742 Hay Conditioner Forming Shields	28, 29
Numerical List	30

Serial Number

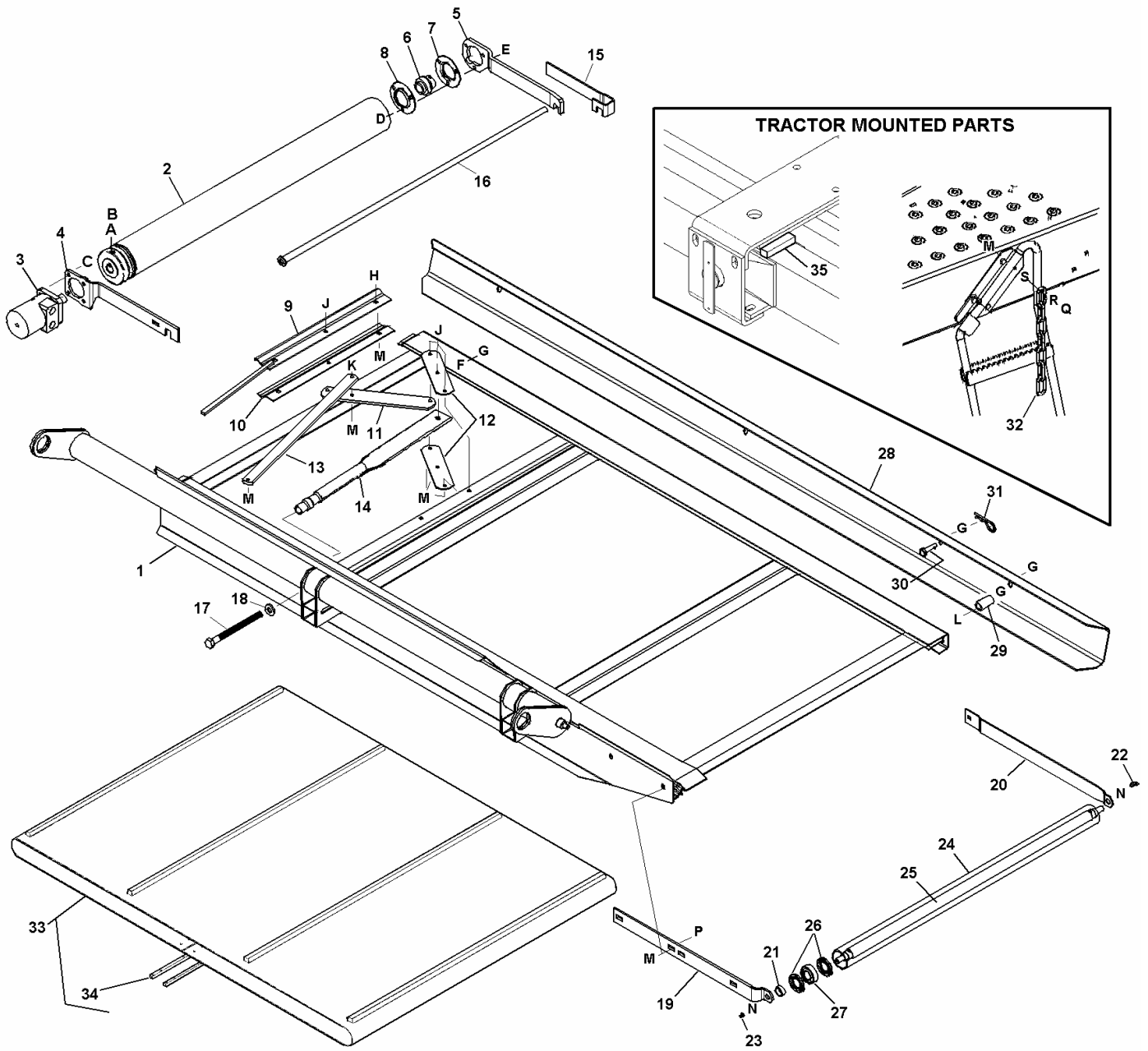
Record the serial number in the space provided.

Plate is located on deck at (A).

NOTE: When ordering parts and service, be sure to give your dealer the complete and proper serial number.



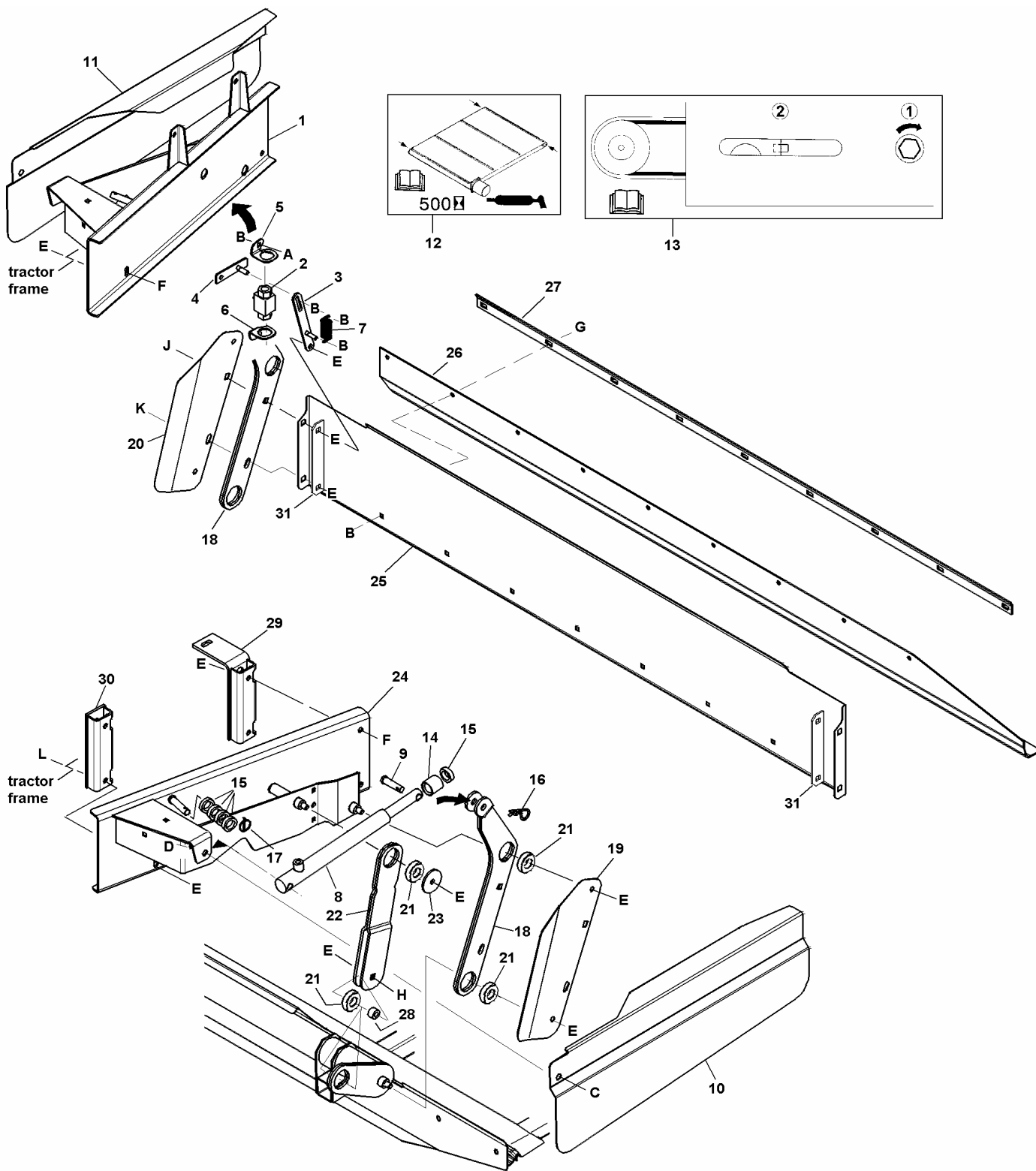
DECK, DRAPER & ROLLERS



DECK, DRAPER & ROLLERS

REF	PART NUMBER	DESCRIPTION	QTY	SERIAL NUMBER
1	130186	DECK – side delivery	1	
2	130182	ROLLER – drive	1	
3	REF	MOTOR – hydraulic, see Draper Drive Hydraulics	1	
4	130505	SUPPORT – deck motor	1	
5	130209	SUPPORT – drive roller, front.....	1	
6	21869	BEARING – ball, with lock collar	1	
7	30596	FLANGE – bearing, with lube fitting.....	1	
8	8316	FLANGE – bearing.....	1	
9	118206	SUPPORT – spring rod, with tension indicator	1	
10	102045	SUPPORT – spring rod, lower	1	
11	100229	BAR – tensioner	1	
12	102865	BAR – tensioner	2	
13	118214	BAR – compression.....	1	
14	102861	ARM – tensioner.....	1	
15	113997	RETAINER – spring rod	1	
16	103360	ROD – spring.....	1	
17	50190	BOLT – hex head, 5/8 NC x 7 ½ inch, thread minimum 6 ½ inch.....	1	
18	30441	WASHER – flat, hardened	1	
19	103449	ARM – idler roller, rear	1	
20	102129	ARM – idler roller, front	1	
21	101008	SPACER – tube.....	2	
22	21301	FITTING – lube, 45°	1	
23	18671	FITTING – lube, straight.....	1	
24	100195	TUBE – idler roller	1	
25	100082	SHAFT – idler roller.....	1	
26	100862	SEAL – bearing, install with flat side (with writing) out.....	4	
27	118185	BEARING – ball, install with shielded side out.....	2	
28	130202	CARRIER – front.....	1	
29	130409	SPACER – tube.....	3	
30	103332	BOLT – special.....	1	
31	13125	PIN – hair	1	
32	47230	CHAIN – deck storage	1	
33	100275	DRAPER – with connector (same as 21’ 972 Header draper).....	1	
34	103511	CONNECTOR KIT – includes two slats and hardware	1	
	103542	PACKAGE – draper hardware, includes 12 each of screw and nut		
35	130396	STOP – walking beam (welded) 9250/9350, 4940/4950, 2940/2950 and 8140/8150..	1	
	130411	STOP – walking beam (welded) 9352, 4952, 2952 and 8152 Model Tractors.....	1	
A	30940	SETSCREW – socket head, 3/8 NC x 5/16 inch		
B	30941	SETSCREW – hex socket through bore, 3/8 NC x 3/16 inch		
C	113420	SCREW – countersunk Torx head, 3/8 NC x ¾ inch		
D	21282	BOLT – round head, square neck, 5/16 NC x 1 inch		
E	30280	NUT – lock, smooth flange, 5/16 NC distorted thread		
F	105069	BOLT – round head, square neck, ½ NC x ¾ inch		
G	50186	NUT – lock, smooth flange, ½ NC distorted thread		
H	21863	BOLT – round head, short square neck, 3/8 NC x ¾ inch		
J	20077	BOLT – hex head, 3/8 NC x 1 inch		
K	21264	BOLT – hex head, 3/8 NC x 1 ¼ inch		
L	30266	BOLT – round head, square neck, ½ NC x 3 inch		
M	30228	NUT – lock, smooth flange, 3/8 NC distorted thread		
N	18592	NUT – hex, 5/8 NC		
P	19965	BOLT – round head, square neck, 3/8 NC x 1 inch		
Q	21561	BOLT – hex head, 3/8 NC x 1 ½ inch		
R	18598	WASHER – flat, 13/32 inch I.D.		
S	18590	NUT – hex, 3/8 NC		

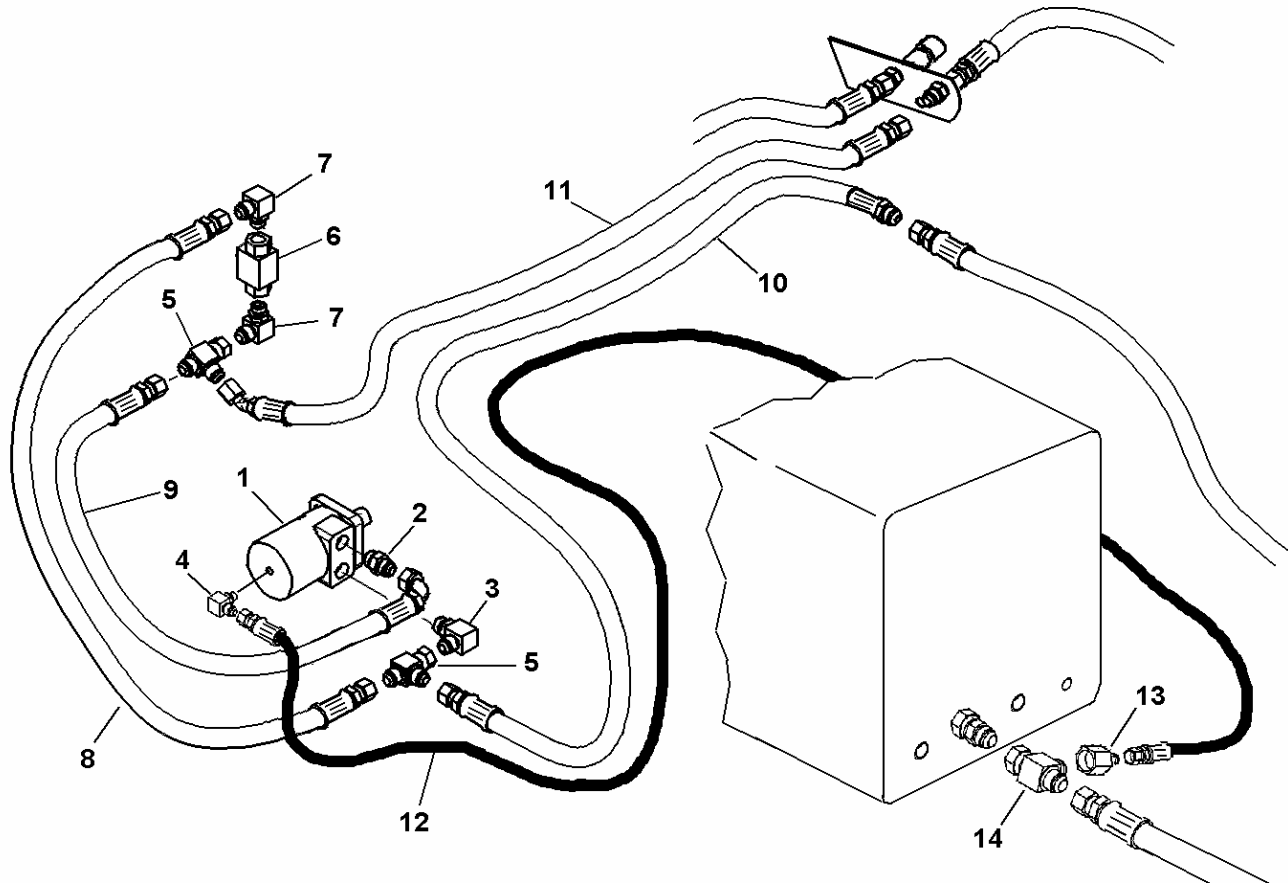
DECK SUPPORTS & LINKAGE



DECK SUPPORTS & LINKAGE

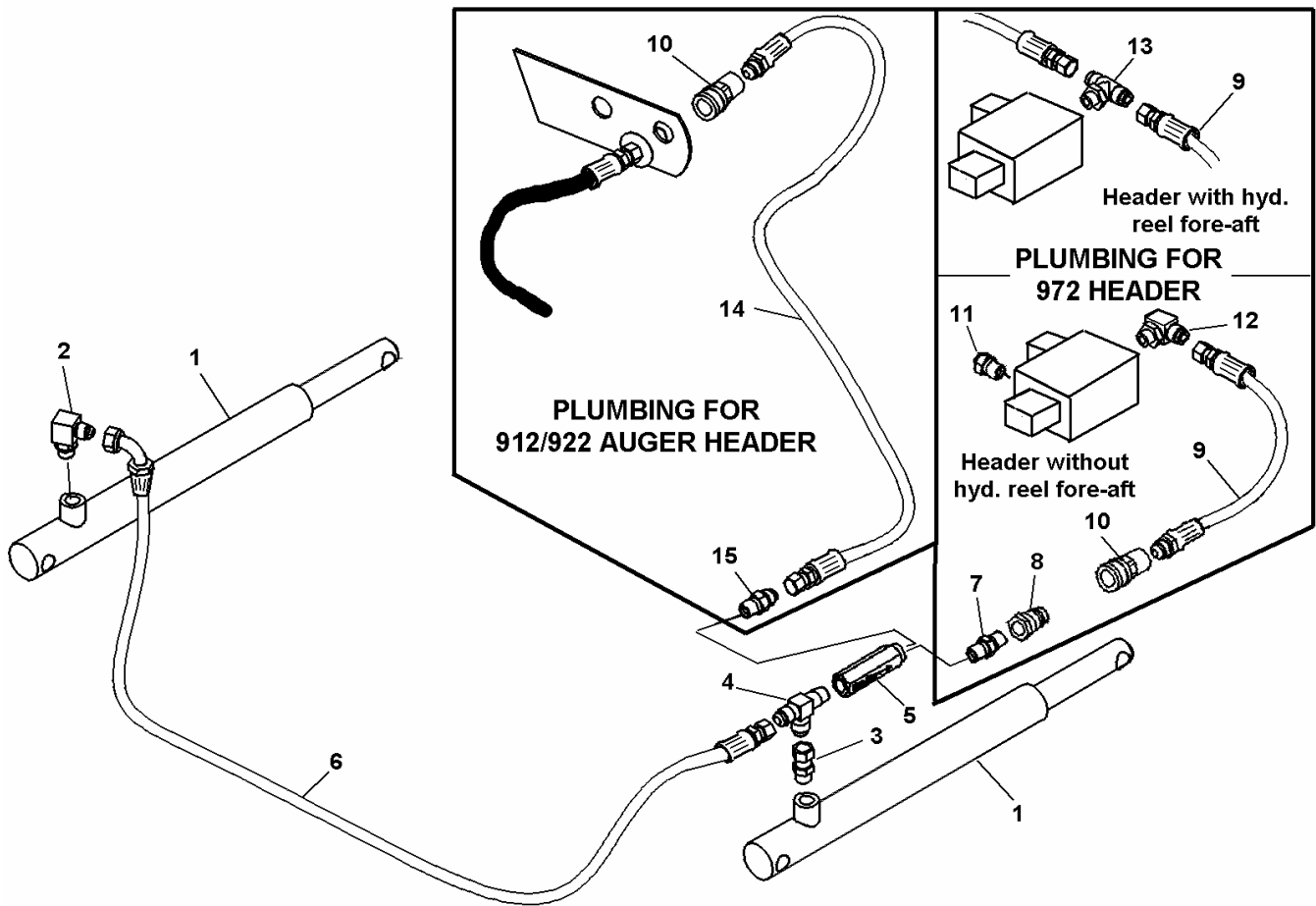
REF	PART NUMBER	DESCRIPTION	QTY	SERIAL NUMBER
1	130199	PIVOT SUPPORT - left.....	1	
2	REF	VALVE – ball, see Draper Drive Hydraulics.....	1	
3	130229	LINK – valve actuator.....	1	
4	130228	ARM – valve.....	1	
5	130222	SUPPORT – valve, upper.....	1	
6	130227	SUPPORT – valve, lower.....	1	
7	25321	SPRING.....	1	
8	REF	CYLINDER – see Deck Lift Hydraulics.....	2	
9	103879	PIN – clevis, 5/8” dia. x 46 mm effective length.....	2	
10	130302	COVER – right side.....	1	
11	130301	COVER – left side.....	1	
12	130418	DECAL – draper roller grease, 500 Hours.....	1	
13	113493	DECAL – draper tightening instruction.....	1	
14	130234	SPACER – tube.....	2	
15	130219	SPACER – tube.....	10	
16	13125	PIN – hair.....	2	
17	50193	PIN – lynch.....	2	
18	130213	ARM – linkage.....	2	
19	130304	COVER – lower, right side.....	1	
20	130303	COVER – lower, left side.....	1	
21	21062	BEARING – ball.....	8	
22	130215	ARM – compression.....	2	
23	1045	WASHER – flat.....	2	
24	130200	PIVOT SUPPORT – right.....	1	
25	130201	PANEL – back sheet.....	1	
26	130255	SEAL – rubber.....	1	
27	47577	STRAP – seal mount.....	1	
28	130216	BUSHING – compression arm pivot.....	2	
29	130286	SUPPORT – right front, 9352/4952/2952/8152 Model Tractors only.....	1	
30	130288	SUPPORT – right rear, 9352/4952/2952/8152 Model Tractors only.....	1	
31	130482	SUPPORT – panel mount.....	2	
A	21472	BOLT – round head, square neck, 3/8 NC x ¾ inch		
B	30228	NUT – lock, smooth flange, 3/8 NC distorted thread		
C	21583	BOLT – hex head, 5/8 NC x 3 inch		
D	50225	NUT – lock, smooth flange, 5/8 NC distorted thread		
E	50186	NUT – lock, smooth flange, ½ NC distorted thread		
F	21575	BOLT – hex head, ½ NC x 1 inch		
G	21863	BOLT – round head, short square neck, 3/8 NC x ¾ inch		
H	30515	BOLT – round head, square neck, ½ NC x 1 ¾ inch		
J	30833	BOLT – hex head, ½ NC x 2 ¼ inch, thread full length		
K	21469	BOLT – round head, square neck, ½ NC x 1 ½ inch		
L	21760	BOLT – hex head, ½ NC x 2 ½ inch		

DRAPER DRIVE HYDRAULICS



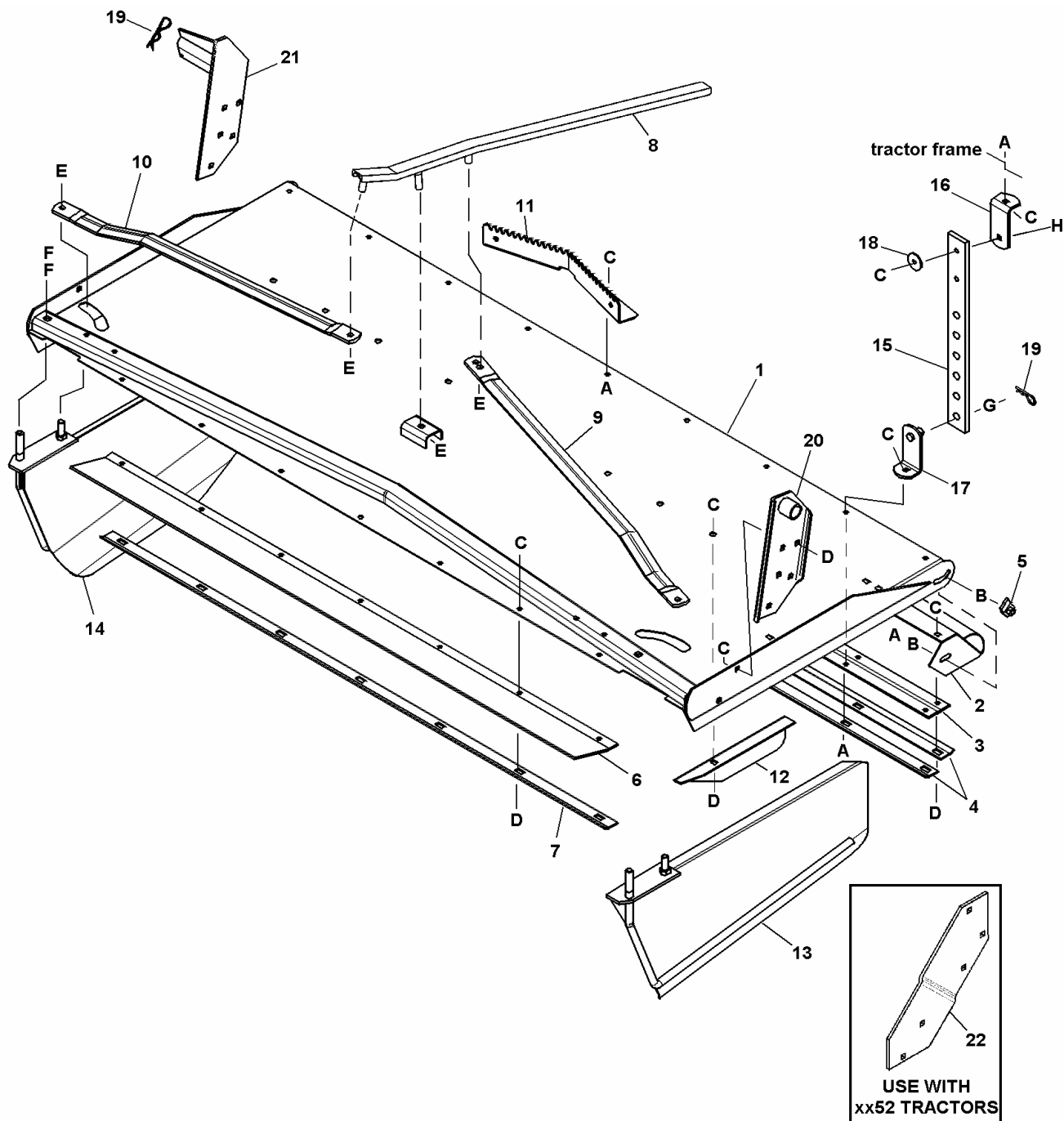
REF	PART NUMBER	DESCRIPTION	QTY	SERIAL NUMBER
1	114319	MOTOR – draper drive, with key.....	1	
	2149	KEY – woodruff, ¼ x 1 inch – for hydraulic motor		
	123314	SEAL KIT – for hydraulic motor (was 101670)		
2	30695	FITTING – adapter, 5/8 tube x 7/8 O-ring	1	
	44210	O-RING – for 7/8 O-ring fitting		
3	21843	FITTING – elbow, 5/8 tube x 7/8 O-ring	1	
4	50104	FITTING – elbow, 3/8 tube x 7/16 O-ring	1	
	50223	O-RING – for 7/16 O-ring fitting		
5	50102	FITTING – swivel run tee, 5/8 tube	2	
6	130226	VALVE – ball	1	
7	130292	FITTING – elbow, 5/8 tube x ¾ O-ring	2	
	44209	O-RING – for ¾ O-ring fitting		
8	33429	HOSE – motor bottom port to valve	1	
9	37136	HOSE – valve to motor top port	1	
10	130233	HOSE – pressure to motor.....	1	
11	130383	HOSE – valve to header pressure hose	1	
12	31805	HOSE – draper motor case drain.....	1	
13	21833	FITTING – reducer, 3/4 tube x 3/8 tube	1	
14	50086	FITTING – swivel run tee, 3/4 tube	1	

DECK LIFT HYDRAULICS



REF	PART NUMBER	DESCRIPTION	QTY	SERIAL NUMBER
1	29168	CYLINDER – hydraulic, single acting.....	2	
	21495	SEAL KIT – for cylinder 29168		
2	30282	FITTING – elbow, 3/8 tube x 9/16 O-ring.....	1	
	50219	O-RING – for 9/16 O-ring fitting		
3	135015	FITTING – adapter, 3/8 tube x 9/16 O-ring.....	1	
4	135005	FITTING – tee, 1/4 NPT x 3/8 tube x 3/8 tube.....	1	
5	130419	VALVE – check, with 0.035" orifice.....	1	
6	130231	HOSE – cylinder to cylinder.....	1	
7	30251	FITTING – nipple, 1/4 NPT.....	1	
8	30443	COUPLER – male, 1/4 NPT.....	1	
9	130232	HOSE – from fore-aft valve.....	1	
10	30442	COUPLER – female, 1/4 NPT.....	1	
	50083	O-RING – for coupler 30442		
11	30994	FITTING – plug, 9/16 O-ring.....	1	
	50219	O-RING – for 9/16 O-ring fitting		
12	30282	FITTING – elbow, 9/16 O-ring x 3/8 tube (part of fore-aft kit).....	1	
13	30874	FITTING – adjustable run tee, 9/16 O-ring x 3/8 tube x 3/8 tube.....	1	
14	103004	HOSE – from reel lift circuit.....	1	
15	6732	FITTING – adapter, 1/4 NPT x 3/8 tube.....	1	

742 Hay Conditioner (972 Header) FORMING SHIELDS FOR SIDE DELIVERY OPTION



742 Hay Conditioner (972 Header)
FORMING SHIELDS FOR SIDE DELIVERY OPTION

REF	PART NUMBER	DESCRIPTION	QTY	SERIAL NUMBER
1	130402	COVER – forming shield	1	
2	130235	DEFLECTOR – rear	1	
3	47578	HINGE – rubber, rear deflector	1	
4	47577	STRAP – rear hinge	2	
5	115651	HANDLE – rear deflector adjustment.....	2	
6	115842	STRIP – rubber	1	
7	115843	BAR – front strip	1	
8	130403	HANDLE – side deflector adjustment.....	1	
9	115294	LINK – left side deflector	1	
10	115295	LINK – right side deflector	1	
11	130384	SUPPORT – notched, side deflector handle.....	1	
12	47042	DEFLECTOR – fin.....	4	
13	130408	DEFLECTOR – left side	1	
14	130239	DEFLECTOR – right side.....	1	
15	47996	STRAP – rubber, rear support	2	
16	47580	ANGLE – tractor mounting	2	
17	52154	ANGLE – lower, with pin	2	
18	16652	WASHER – flat.....	2	
19	13125	PIN – hair	3	
20	130423	SUPPORT – mounting, left	1	
21	130421	SUPPORT – mounting, right.....	1	
22	115979	PLATE – mounting, for use on 9352, 4952, 2952 and 8152 tractors only... 2	2	
A	19965	BOLT – round head, square neck, 3/8 NC x 1 inch		
B	18599	WASHER – flat, 17/32 inch I.D.		
C	30228	NUT – lock, smooth flange, 3/8 NC distorted thread		
D	21863	BOLT – round head, short square neck, 3/8 NC x ¾ inch		
E	50186	NUT – lock, smooth flange, ½ NC distorted thread		
F	18592	NUT – hex, 5/8 NC		
G	18600	WASHER – flat, 21/32 inch I.D.		
H	19966	BOLT – round head, square neck, 3/8 NC x 1 ¼ inch		

NUMERICAL LIST

<u>PART NO.</u>	<u>PAGE</u>	<u>PART NO.</u>	<u>PAGE</u>	<u>PART NO.</u>	<u>PAGE</u>	<u>PART NO.</u>	<u>PAGE</u>
1045	25	100862	23	130302	25		
2149	26	101008	23	130303	25		
6732	27	102045	23	130304	25		
8316	23	102129	23	130383	26		
13125	23	102861	23	130384	29		
13125	25	102865	23	130396	23		
13125	29	103004	27	130402	29		
16652	29	103332	23	130403	29		
18671	23	103360	23	130408	29		
21062	25	103449	23	130409	23		
21301	23	103511	23	130411	23		
21495	27	103542	23	130418	25		
21833	26	103879	25	130419	27		
21843	26	113493	25	130421	29		
21869	23	113997	23	130423	29		
25321	25	114319	26	130482	25		
29168	27	115294	29	130505	23		
30251	27	115295	29	135005	27		
30282	27	115651	29	135015	27		
30282	27	115842	29				
30441	23	115843	29				
30442	27	115979	29				
30443	27	118185	23				
30596	23	118206	23				
30695	26	118214	23				
30874	27	123314	26				
30994	27	130182	23				
31805	26	130186	23				
33429	26	130199	25				
37136	26	130200	25				
44209	26	130201	25				
44210	26	130202	23				
47042	29	130209	23				
47230	23	130213	25				
47577	25	130215	25				
47577	29	130216	25				
47578	29	130219	25				
47580	29	130222	25				
47996	29	130226	26				
50083	27	130227	25				
50086	26	130228	25				
50102	26	130229	25				
50104	26	130231	27				
50190	23	130232	27				
50193	25	130233	26				
50219	27	130234	25				
50219	27	130235	29				
50223	26	130239	29				
52154	29	130255	25				
100082	23	130286	25				
100195	23	130288	25				
100229	23	130292	26				
100275	23	130301	25				