

**Model 912 / 922
AUGER HEADER and
Model 722
HAY CONDITIONER**

**Model 933
Grass Seed Special
AUGER HEADER**

PARTS CATALOG

**Models 912, 922 & 933 AUGER HEADER
and 722 HAY CONDITIONER
PARTS CATALOG**

CONTENTS

HEADER

Main Frame, Lights & Shields 2 - 5
 Feed Pan – 912 & 922 Headers 6,7
 Skid Shoes 8
 Gauge Rollers 9
 Drives Group - 912 Header 10, 11
 Drives Group – 922 & 933 Headers 12, 13
 Sickle Drive Group 14, 15
 Cutting Components: 912 & 922 Headers..... 16, 17
 Cutting Components: 933 Header..... 18, 19
 Segmented Sickles..... 20
 Sickle Drive Box 21
 Auger and Drive - 912 Header 22, 23
 Auger and Drive – 922 & 933 Headers 24, 25
 Auger Gear Drive – 922 & 933 Headers 26, 27
 Reel - 912 Header 28, 29
 Reel Drive & Shields - 912 Header 30, 31
 Reel Drive Group – 922 & 933 Headers..... 32 - 35
 Reel Drive Hydraulics – 922 & 933 Headers..... 36, 37
 Decals & Paint..... 38, 39
 Tall Crop Kit (Optional Attachment)..... 40, 41

722 HAY CONDITIONER

Frame & Rolls Group..... 42, 43
 Drive Group 44, 45
 Roll Tension Group 46, 47
 Winch Group 48, 49
 Forming Shield Group 50, 51
 Hydraulic Roll Opener Kit (Optional Attachment)..... 52, 53

NUMERICAL LIST 54 – 57

SUGGESTED STOCKING LISTS

912 Header..... 58, 59
 922 Header..... 60, 61
 933 Header..... 62, 63

NOTE:

- The Model 922 Auger Header is available in 14, 16 and 18 foot. All are double sickle drive headers.
- The Model 912 (mechanical drive) Auger Header is available in 12 and 14 foot. Both are single sickle drive headers.
- The Model 933 Grass Seed Special Header is available in 12, 14 & 16 foot sizes. All are double sickle drive headers.

ABBREVIATIONS

S/S - Single Sickle Drive
 D/S - Double Sickle Drive
 L/H - Left Hand & R/H - Right Hand (Determined when sitting in Operator's Position, facing forward.)
 C/W - Complete With
 G/S - Grass Seed Special

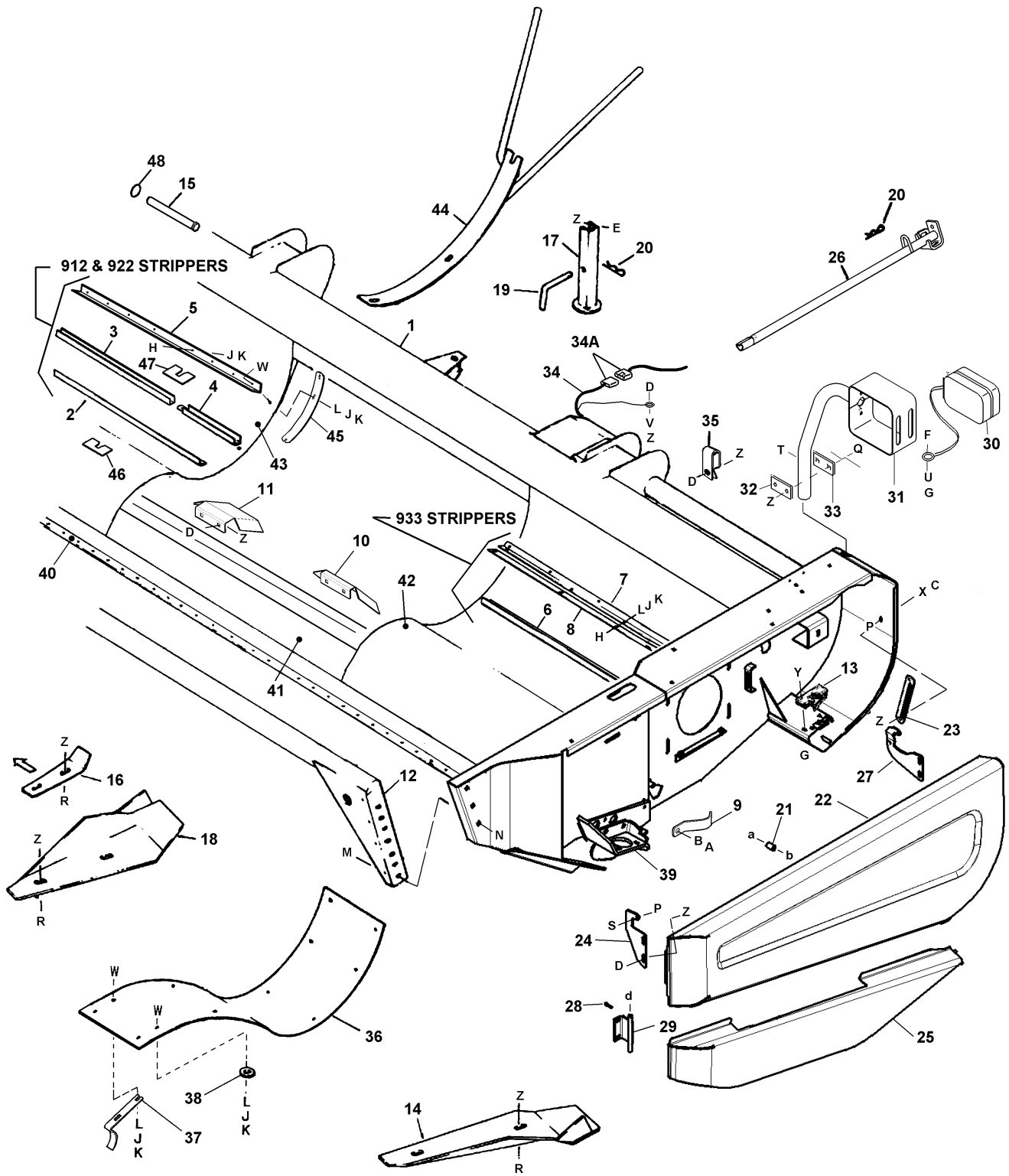
SERIAL NUMBER BREAKS

The side of the serial number on which the dash (-) appears determines whether the part is used "up to" or "after" the serial number given.

Example: - 73102 Used on machines up to and including serial number 73102.
 73103 - Used on machines including and after serial number 73103.

BOLDED PART NUMBERS INDICATE CHANGE FROM LAST PRODUCTION YEAR

MAIN FRAME, LIGHTS & SHIELDS

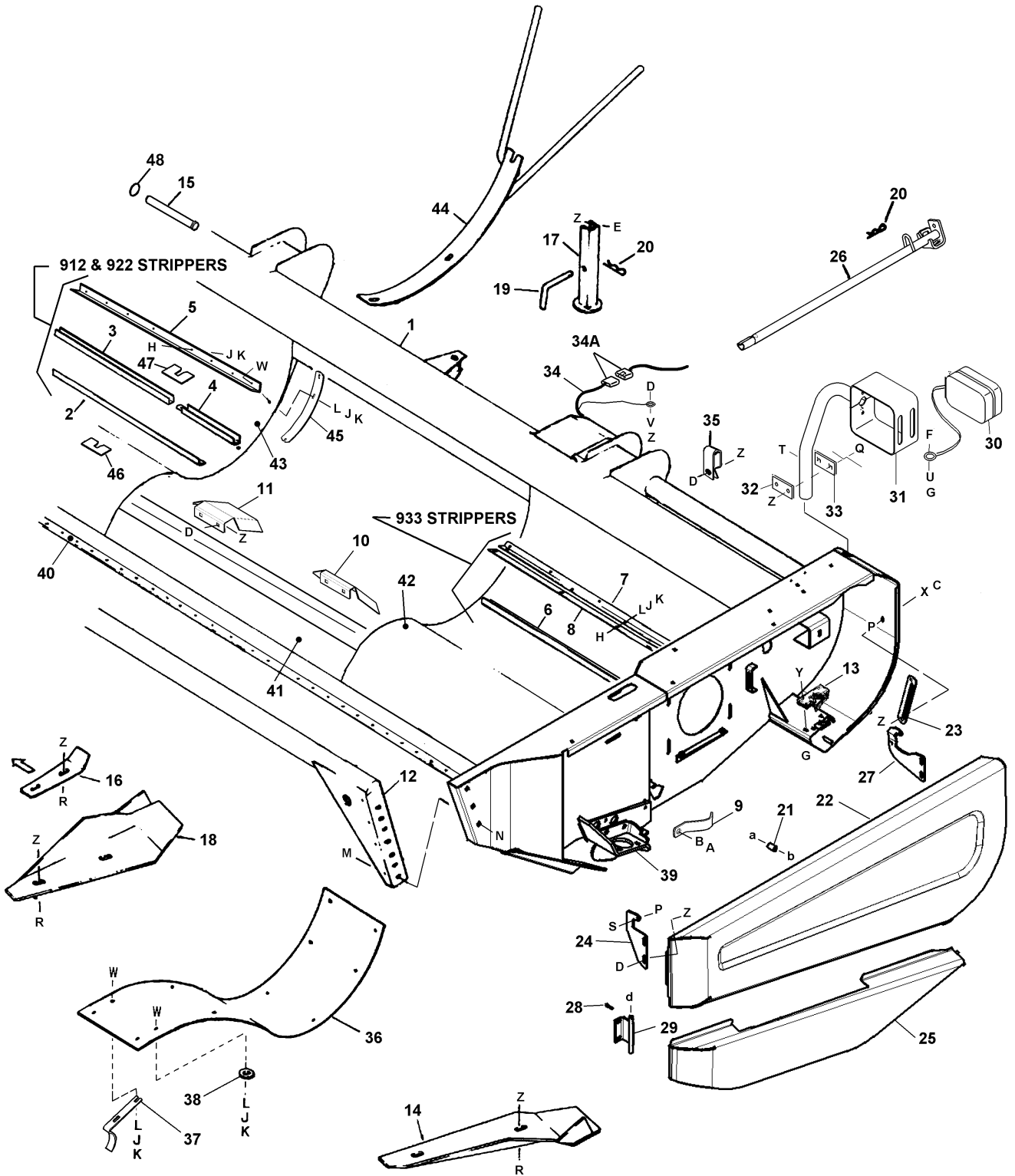


MAIN FRAME, LIGHTS & SHIELDS

REF	PART NUMBER	DESCRIPTION	QTY	SERIAL NUMBER
1	REF	FRAME - main, not serviced.....	1	
2	115217	STRIPPER BAR – front, 1/2 length - “C” channel - 14’ 912 & 922 Headers (OPT)	1	see note 1
	115218	STRIPPER BAR – front, 1/2 length - “C” channel - 16’ 922 Header..... (OPT)	1	see note 1
	115219	STRIPPER BAR – front, 1/2 length - “C” channel - 18’ 922 Header..... (OPT)	1	see note 1
	34532	STRIPPER BAR – front, full length - “L” channel – 14’ 912 & 922 Headers.....	2	
	34533	STRIPPER BAR – front, full length - “L” channel – 16’ 922 Header.....	2	
	115246	STRIPPER BAR – front, full length - “L” channel – 18’ 922 Header.....	2	
3	115425	STRIPPER BAR - L/H center - 12’ 912 Header	1	
	115426	STRIPPER BAR - R/H center - 12’ 912 Header.....	1	
	115427	STRIPPER BAR - center - 14’ 912 & 922 Headers.....	2	
	115428	STRIPPER BAR - center - 16’ 922 Header.....	2	
	115429	STRIPPER BAR - center - 18’ 922 Header.....	2	
4	115642	STRIPPER BAR – center extension – 912 & 922 Headers.....	2	
5	34530	STRIPPER BAR - L/H rear - 12’ 912 Header.....	1	
	34531	STRIPPER BAR - R/H rear - 12’ 912 Header	1	
	34532	STRIPPER BAR - rear - 14’ 912 & 922 Headers	2	
	34533	STRIPPER BAR – rear - 16’ 922 Header.....	2	
	115246	STRIPPER BAR – rear - 18’ 922 Header.....	2	
6	34531	STRIPPER BAR - lower - 12’ 933 Header	2	
	34530	STRIPPER BAR - L/H lower - 14’ 933 Header.....	1	
	52183	STRIPPER BAR – L/H lower – 16’ 933 Header	1	
	34532	STRIPPER BAR - R/H lower - 14’ 933 Header	1	
	34533	STRIPPER BAR – R/H lower – 16’ 933 Header	1	
7	34517	STRIPPER BAR - upper - 12’ 933 Header.....	4	
	34516	STRIPPER BAR - L/H upper - 14’ 933 Header	2	
	52181	STRIPPER BAR - L/H upper - 16’ 933 Header	2	
	34518	STRIPPER BAR - R/H upper - 14’ 933 Header	2	
	34519	STRIPPER BAR - R/H upper - 16’ 933 Header	2	
8	34524	EXTENSION - upper stripper bar - 12’ 933 Header	4	
	34523	EXTENSION - L/H upper stripper bar - 14’ 933 Header.....	2	
	52182	EXTENSION - L/H upper stripper bar - 16’ 933 Header.....	2	
	34525	EXTENSION - R/H upper stripper bar - 14’ 933 Header.....	2	
	34526	EXTENSION - R/H upper stripper bar - 16’ 933 Header	2	
9	115393	CLAMP – sickle storage, 922 Header.....	1	
10	115389	GUIDE – L/H, sickle storage, 922 Header	1	
11	115390	GUIDE – R/H, sickle storage, 922 Header.....	1	
12	115469	LEAN BAR c/w decals - 12’ Header.....	1	
	115470	LEAN BAR c/w decals - 14’ Header.....	1	
	115471	LEAN BAR c/w decals - 16’ Header.....	1	
	115472	LEAN BAR c/w decals - 18’ Header.....	1	
13	42688	LATCH – upper shield	2	
14	47193	PAD - L/H shoe.....	1	
15	100765	PIN – clevis, header retaining, 3/4 dia. x 6-1/4 inch effective length	2	
16	47197	PAD - R/H shoe, 912 Header.....	1	
17	43648	STAND	1	
18	47194	PAD - R/H shoe, 922 & 933 Headers	1	
19	13747	PIN - "L".....	1	
20	13125	PIN - hair	2	
21	37886	SPACER – shield lower latch.....	2	
NOTE – Item 22 Shields do not include rainbow or product I.D. decals				
22	115485	SHIELD - L/H, upper.....	1	
	115492	SHIELD - R/H, upper - 922 & 933 Headers	1	
	115614	SHIELD – R/H - 912 Header (was 115627)	1	
	115672	SETSCREW – socket head, 3/8 NC x 1-3/4 inch TFL – for shield 115614.....	1	

NOTE: 1) “C” channel front strippers are provided with a new header, shipped in storage position under pan.

MAIN FRAME, LIGHTS & SHIELDS

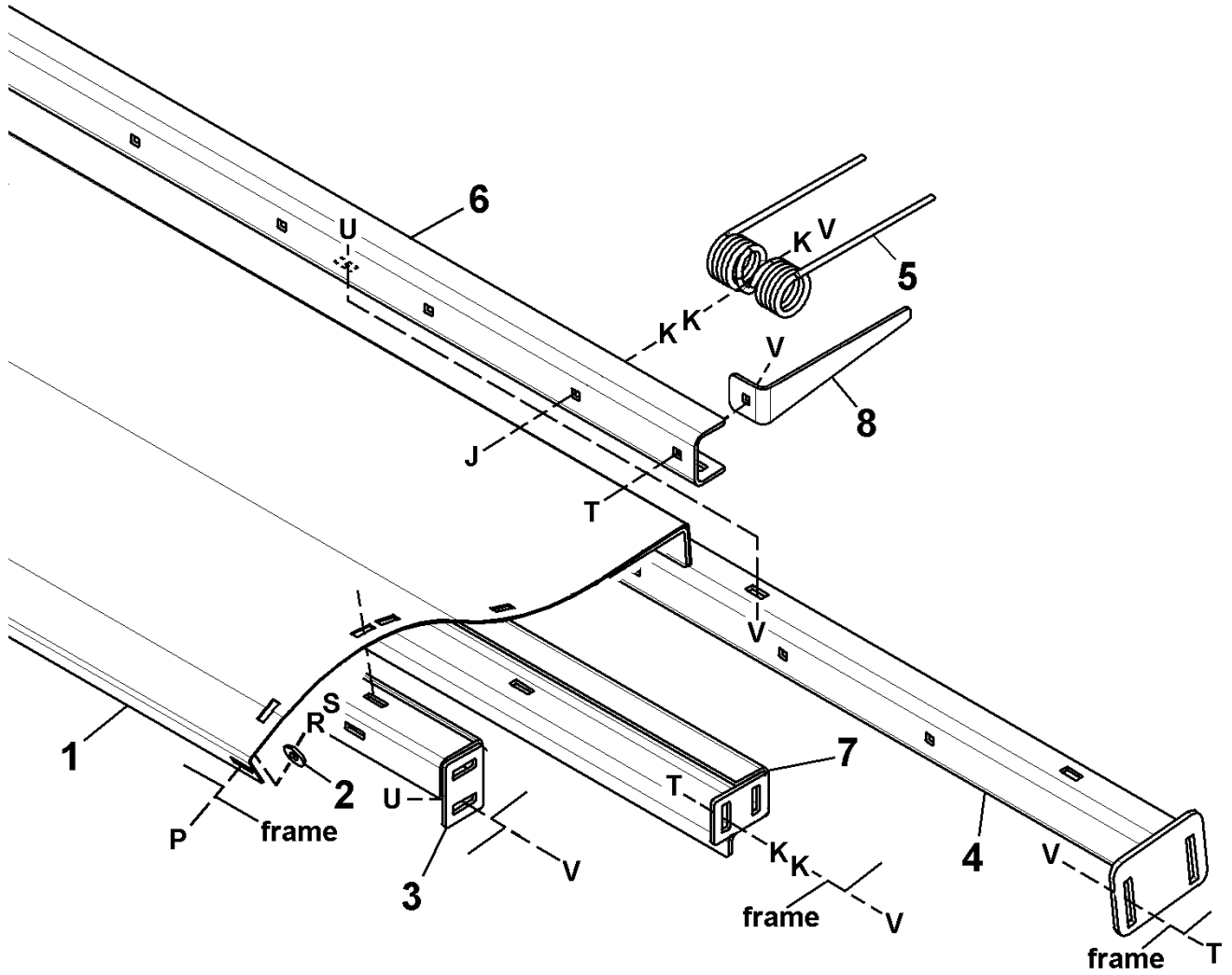


MAIN FRAME, LIGHTS & SHIELDS

REF	PART NUMBER	DESCRIPTION	QTY	SERIAL NUMBER
23	115497	SUPPORT – shield	2	
24	115650	HINGE – front (quantity 1 for 912 Header)	2	
25	115498	SHIELD – L/H, lower	1	
	115504	SHIELD – R/H, lower, 922 & 933 Headers	1	
26	140135	TOOL - wrench / guard straightener (was 52031)	1	
27	115488	HINGE – L/H, rear	1	
	115494	HINGE – R/H, rear, 922 & 933 Headers	1	
28	18648	PIN - cotter 3/16 x 1-1/4 inch (quantity 1 for 912 Header)	2	
29	115607	ANGLE – L/H, lower shield pivot	1	
	115608	ANGLE – R/H, lower shield pivot, 922 & 933 Headers	1	
30	113511	LIGHT - amber	2	
31	113471	SUPPORT – amber light, left	1	
	113473	SUPPORT – amber light, right	1	
32	113474	PLATE – steel, light support	2	
33	113475	PLATE – plastic, light support	2	
34	52368	HARNESS - wiring	1	
34A	31062	CONNECTOR KIT - 3 way (includes male & female plugs)	1	
35	39272	CLIP – insulated, wiring harness	A/R	
36	52218	EXTENSION – pan, 933 Header	1	
37	103727	SUPPORT – pan extension, 12' & 14' 933 Header (shown)	1	
	155099	SUPPORT – pan extension, 16' 933 Header	1	
38	20535	WASHER - flat	14	
39	115057	SUPPORT - L/H - sickle drive box (welded) *	1	
	115058	SUPPORT - R/H - sickle drive box (welded) *	1	
		* NOTE: Also required for welded supports - 32926 Welding Jig - TO BE RETURNED		
40	32891	BAR – guard mounting, repair piece, 1500 mm long (5 ft.) (welded)	1	
41	34969	PANEL - center (welded), 912 & 922 Headers	1	
42	52217	PAN - auger, L/H - 12' 933 Header (welded)	1	
	34454	PAN - auger, L/H - 12' 912 Header & 14' 933 Header (welded)	1	
	34455	PAN - auger, L/H - 14' 912/922 Header (welded)	1	
	34456	PAN - auger, L/H - 16' Header (welded)	1	
	52247	PAN - auger, L/H - 18' Header (welded)	1	
43	34457	PAN - auger, R/H - 12' Header (welded)	1	
	34458	PAN - auger, R/H - 14' Header (welded)	1	
	34459	PAN - auger, R/H - 16' Header (welded)	1	
	52248	PAN - auger, R/H - 18' Header (welded)	1	
44	34725	DEFLECTOR - crop, left, 933 Header	1	
	34726	DEFLECTOR - crop, right, 933 Header	1	
45	115603	STRAP - support, 912 & 922 Headers	2	
46	155100	SHIM – stripper bar, use with front strippers	A/R	
47	155101	SHIM – stripper bar, use with center strippers	A/R	
48	118137	RING - split	2	

A	18592	NUT – hex, 5/8 NC	N	21383	NUT – serrated flange lock, 1/2 NC
B	18639	WASHER - lock, 5/8 inch	P	21452	NUT – serrated flange lock, 3/8 NC
C	50049	BOLT – hex head, 3/8 NC x 1-3/4 inch	Q	21478	BOLT - rnd hd, sq nk, 3/8 NC x 2-1/2 inch
		T.F.L – L/H Shield (all) & R/H for 912 Header	R	19966	BOLT - rnd hd, sq nk, 3/8 NC x 1-1/4 inch
	21262	BOLT – hex head, 3/8 NC x 2-1/2 inch	S	21264	BOLT – hex head, 3/8 NC x 1-1/4 inch
		T.F.L – R/H Shield, 922 & 933 Headers	T	50124	SCREW – hex washer hd, 5/16 x 1/2 thrd cutting
D	21863	BOLT – rnd hd, shrt sq nk, 3/8 NC x 3/4 inch	U	113757	WASHER – lock, external tooth, 1/4 inch
E	21567	BOLT - hex head, 3/8 NC x 3/4 inch	V	30598	WASHER – lock, internal tooth, 3/8 inch
F	21572	BOLT – hex head, 1/4 NC x 5/8 inch	W	21282	BOLT - rnd hd, sq nk, 5/16 NC x 1 inch
G	18724	NUT - lock, 1/4 NC distorted thread	X	18598	WASHER - flat, 13/32 inch I.D.
H	21281	BOLT - round head, square neck 5/16 NC x 3/4"	Y	30942	BOLT – hex head, 1/4 NC x 1-1/4 inch
J	18636	WASHER - lock, 5/16 inch	Z	30228	NUT - lock, smth flng, 3/8 NC dist thd
K	18589	NUT - hex, 5/16 NC	a	21576	BOLT – hex hd, 1/2 NC x 2 inch
L	18597	WASHER - flat, 11/32 I.D.	b	50186	NUT - lock, smth flng, 1/2 NC dist thd
M	21868	BOLT - rnd hd, shrt sq nk, 1/2 NC x 1 inch	d	18697	NUT – lock, 1/2 NC distorted thread

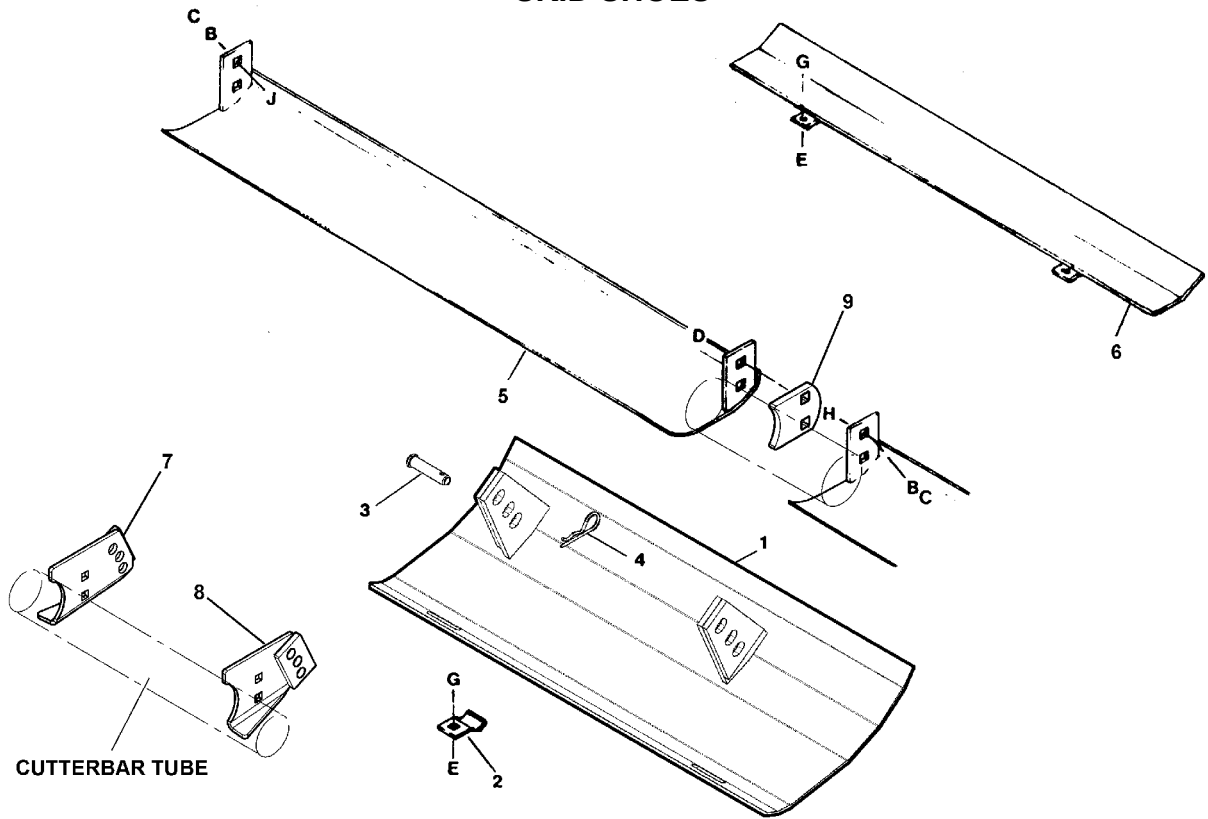
FEED PAN – 912 & 922 HEADERS



FEED PAN – 912 & 922 HEADERS

REF	PART NUMBER	DESCRIPTION	QTY	SERIAL NUMBER
1	115960	PAN – feed (was 115744)	1	
2	20535	WASHER - flat.....	14	
3	52186	CHANNEL - cross, front	1	
4	115956	CHANNEL - cross, rear (was 115754)	1	
5	47681	FINGER - steel	7	
6	115645	CHANNEL - finger mounting	1	
7	155088	CHANNEL – cross, mid	1	
8	155091	INDICATOR – left, alignment	1	
	155092	INDICATOR – right, alignment	1	
J	21484	BOLT - round head, square neck, 3/8 NC x 1-1/2 inch		
K	18599	WASHER - flat, 17/32 inch I.D.		
P	21282	BOLT - round head, square neck, 5/16 NC x 1 inch		
R	18636	WASHER - lock, 5/16		
S	18589	NUT - hex, 5/16 NC		
T	19965	BOLT - round head, square neck, 3/8 NC x 1 inch		
U	21472	BOLT - round head, square neck, 3/8 NC x 3/4 inch		
V	30228	NUT - lock, smooth flange, 3/8 NC distorted thread		

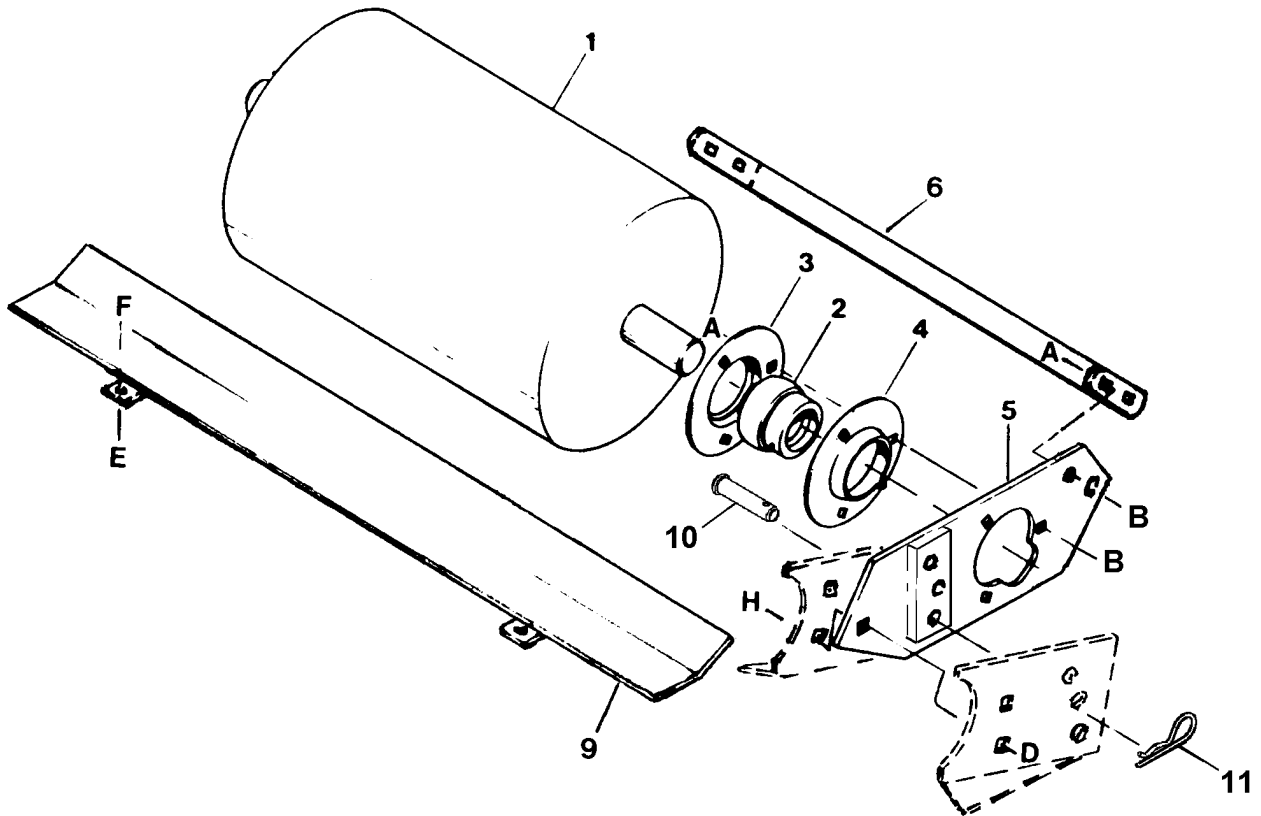
SKID SHOES



REF	PART NUMBER	DESCRIPTION	QTY	SERIAL NUMBER
1	115319	SHOE - L/H adjustable skid (for use without gauge rollers)	1	
	115320	SHOE - R/H adjustable skid (for use without gauge rollers)	1	
	115384	LUG - welded component of shoe	2	
	115330	PLATE - welded component of shoe	1	
2	36627	SUPPORT - front	4	
3	18704	PIN - clevis, 5/8 dia. x 2.28 inch effective length	4	
4	13125	PIN - hair	4	
5	34835	SHOE - center skid - 14' 922 Header	4	
	34836	SHOE - center skid - 16' 922 Headers & 18' 922 (qty. 2)	4	
	34834	SHOE - center skid - 18' 922 Header	2	
	34590	BRACKET - welded component of shoe	2	
6	47202	SHOE - center skid	see note (1)	
7	115325	SUPPORT - R/H (welded to cutterbar tube)	1	
8	115324	SUPPORT - L/H (welded to cutterbar tube)	1	
9	34419	SUPPORT - skid shoe (welded to cutterbar tube)	1	
B	18638	WASHER - lock, 1/2 inch		
C	18591	NUT - hex, 1/2 NC		
D	30515	BOLT - round head, square neck, 1/2 NC x 1-3/4 inch		
E	21468	BOLT - round head, square neck, 7/16 NC x 1-3/4 - standard guards		
	21665	BOLT - round head, square neck, 7/16 NC x 2-3/4, thread full - stub guards		
G	18654	NUT - hex, 7/16 NC		
H	18599	WASHER - flat 17/32 inch I.D. (if required)		
J	21471	BOLT - round head, square neck, 1/2 NC x 1-1/4 inch		

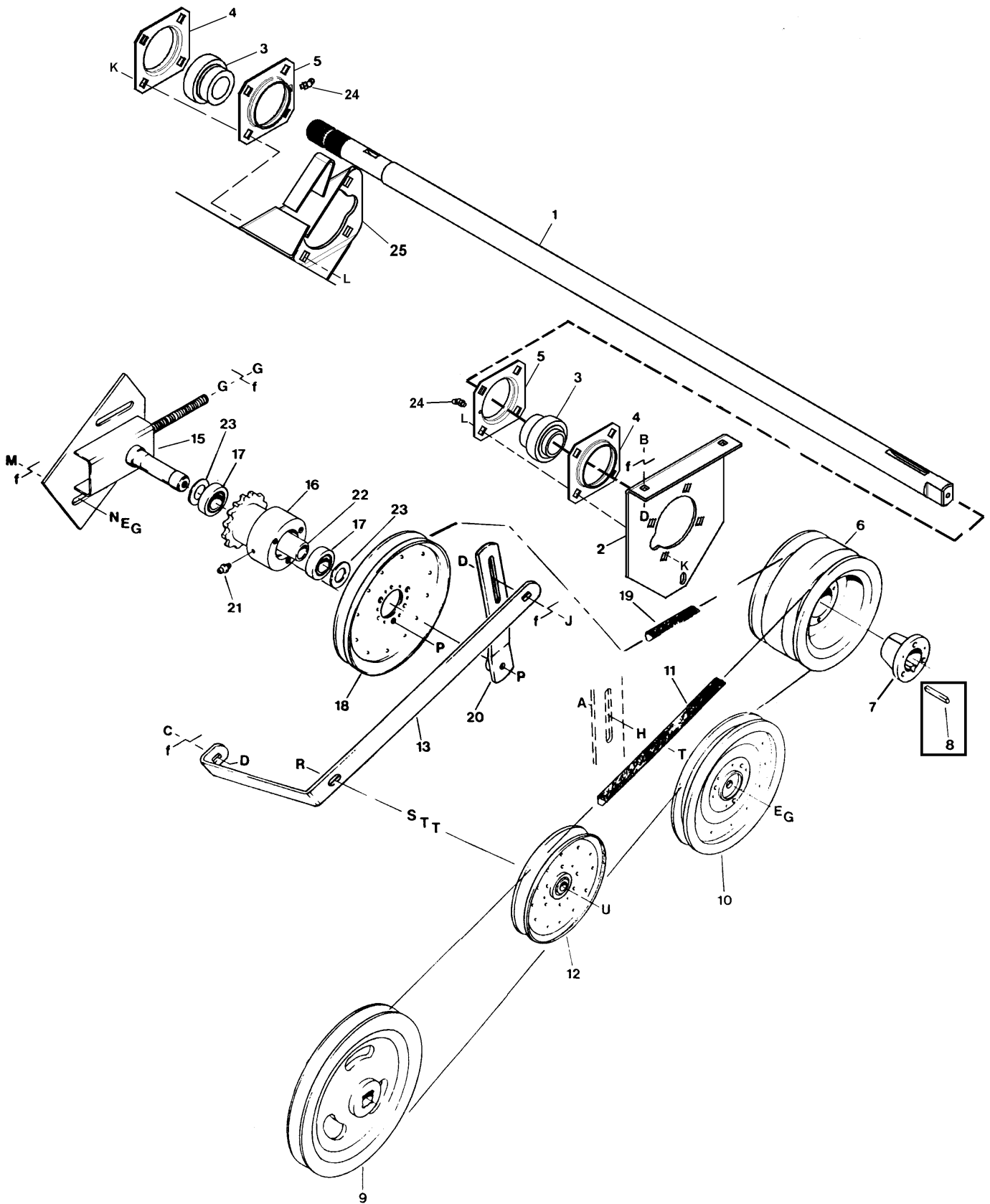
NOTES: 1. 933 Header: Quantities - 12 ft. header = 2, 14 ft. header = 3, 16 ft. header = 4
 912 Header: Item 6 may be installed as a field attachment for full-length cutterbar protection.
 Quantities: 12 ft. header = 2, 14 ft. header = 3

GAUGE ROLLERS



REF	PART NUMBER	DESCRIPTION	QTY	SERIAL NUMBER
1	34566	ROLLER - gauge	2	
2	21859	BEARING - c/w lock collar	4	
3	49306	FLANGE - bearing	4	
4	21860	FLANGE - c/w lube fitting	4	
5	115333	BRACKET - L/H	2	
	115334	BRACKET - R/H	2	
6	47199	BAR	2	
9	47202	SHOE	2	
10	18704	PIN - clevis, 5/8 dia. x 2.28 inch effective length	4	
11	13125	PIN - hair	4	
A	19965	BOLT - round head, square neck, 3/8 NC x 1 inch		
B	30228	NUT - lock, smooth flange, 3/8 NC distorted thread		
D	21474	BOLT - round head, square neck, 1/2 NC x 2 inch		
E	21468	BOLT - round head, square neck, 7/16 NC x 1-3/4 inch - Standard Guard		
	21665	BOLT - round head, square neck, 7/16 NC x 2-3/4 inch, thread full length - Stub Guard		
F	18654	NUT - hex, 7/16 NC		
H	18697	NUT - lock, 1/2 NC distorted thread		

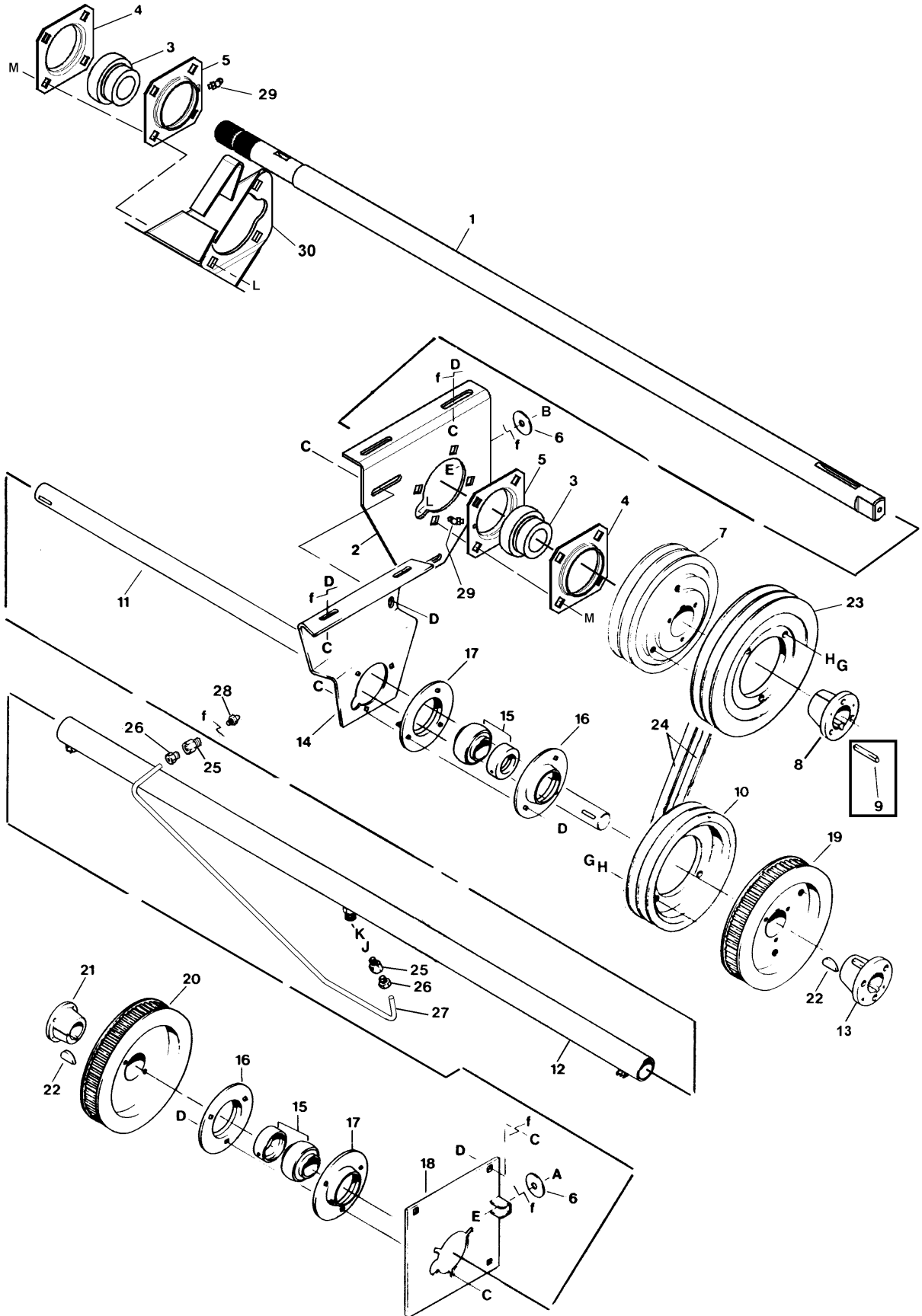
912 Auger Header DRIVES GROUP



912 Auger Header DRIVES GROUP

REF	PART NUMBER	DESCRIPTION	QTY	SERIAL NUMBER
1	43279	SHAFT - driveline to left end, 12 ft. header.....	1	-144176
	155006	SHAFT - driveline to left end, 12 ft. header.....	1	144177-
	43280	SHAFT - driveline to left end, 14 ft. header.....	1	-144176
	155007	SHAFT - driveline to left end, 14 ft. header.....	1	144177-
2	47275	SUPPORT - left.....	1	-144176
	155002	SUPPORT - left.....	1	144177-
3	21936	BEARING - ball, 1-3/8 inch bore.....	2	-144176
	30031	BEARING - ball, 1-1/2 inch bore.....	2	144177-
4	30602	FLANGE - bearing, 3-hole.....	2	-144176
	30576	FLANGE - bearing, 4-hole.....	2	144177-
5	21938	FLANGE - bearing, 3-hole with lube fitting.....	2	-144176
	50182	FLANGE - bearing, 4-hole with lube fitting port.....	2	144177-
6	47330	PULLEY - auger and sickle drive.....	1	
7	21934	BUSHING - split taper.....	1	-144176
	30256	BUSHING - split taper, with integral inner & outer keys.....	1	144177-
8	17194	KEY - 5/16 square x 2 inch, for bushing 21934.....	1	-144176
9	REF	PULLEY - wobble box, see "Sickle Drive Group", pages 14 & 15.....	1	
10	21862	PULLEY - flat idler.....	1	
11	REF	BELT - sickle drive, see "Sickle Drive Group", pages 14 & 15.....	1	
12	21054	PULLEY - "V" idler.....	1	
13	47388	BAR - idler support.....	1	
15	47337	SUPPORT - auger drive.....	1	
16	47326	SPROCKET - auger drive.....	1	
17	21062	BEARING - ball.....	2	
18	47328	PULLEY - auger drive, standard (210 rpm auger speed).....	1	
	41886	PULLEY - auger drive, optional (186 rpm auger speed/63 rpm reel speed)		
19	36012	BELT - auger drive.....	1	
20	47450	ARM - mounting, auger drive.....	1	
21	18671	FITTING - lube.....	1	
22	47329	SPACER - bearing.....	1	
23	47331	WASHER - flat.....	2	
24	21301	FITTING - lube, 45°.....	2	
25	155036	KIT - frame bracket, welded.....	AR	-144176
		Includes bracket and welding instructions. Allows upgrade of headers prior to Serial No. 144177 to allow use of 1-1/2" bearing and related components (items 1 to 5, 7 and 24).		
A	30027	BOLT - round head, square neck, 1/2 NC x 2-1/4 inch		
B	21472	BOLT - round head, square neck, 3/8 NC x 3/4 inch		
C	19965	BOLT - round head, square neck, 3/8 NC x 1 inch		
D	30228	NUT - lock, smooth flange, 3/8 NC distorted thread		
E	18638	WASHER - lock, 1/2 inch		
G	18591	NUT - hex, 1/2 NC		
H	18592	NUT - hex, 5/8 NC (spacer)		
J	19966	BOLT - round head, square neck, 3/8 NC x 1-1/4 inch		
K	50186	NUT - lock, smooth flange, 1/2 NC distorted thread		
L	21066	BOLT - round head, square neck, 1/2 NC x 1 inch		
M	21471	BOLT - round head, square neck, 1/2 NC x 1-1/4 inch		
N	18599	WASHER - flat, 17/32 inch I.D.		
P	21975	BOLT - flange head, 3/8 NC x 1 inch		
R	30922	BOLT - hex head, 5/8 NC x 2-3/4 inch		
S	18593	NUT - hex, 3/4 NC (spacer)		
T	18600	WASHER - flat, 21/32 inch I.D.		
U	18666	NUT - lock, 5/8 NC distorted thread		
~ f	REF	Indicates where hardware passes through frame member.		

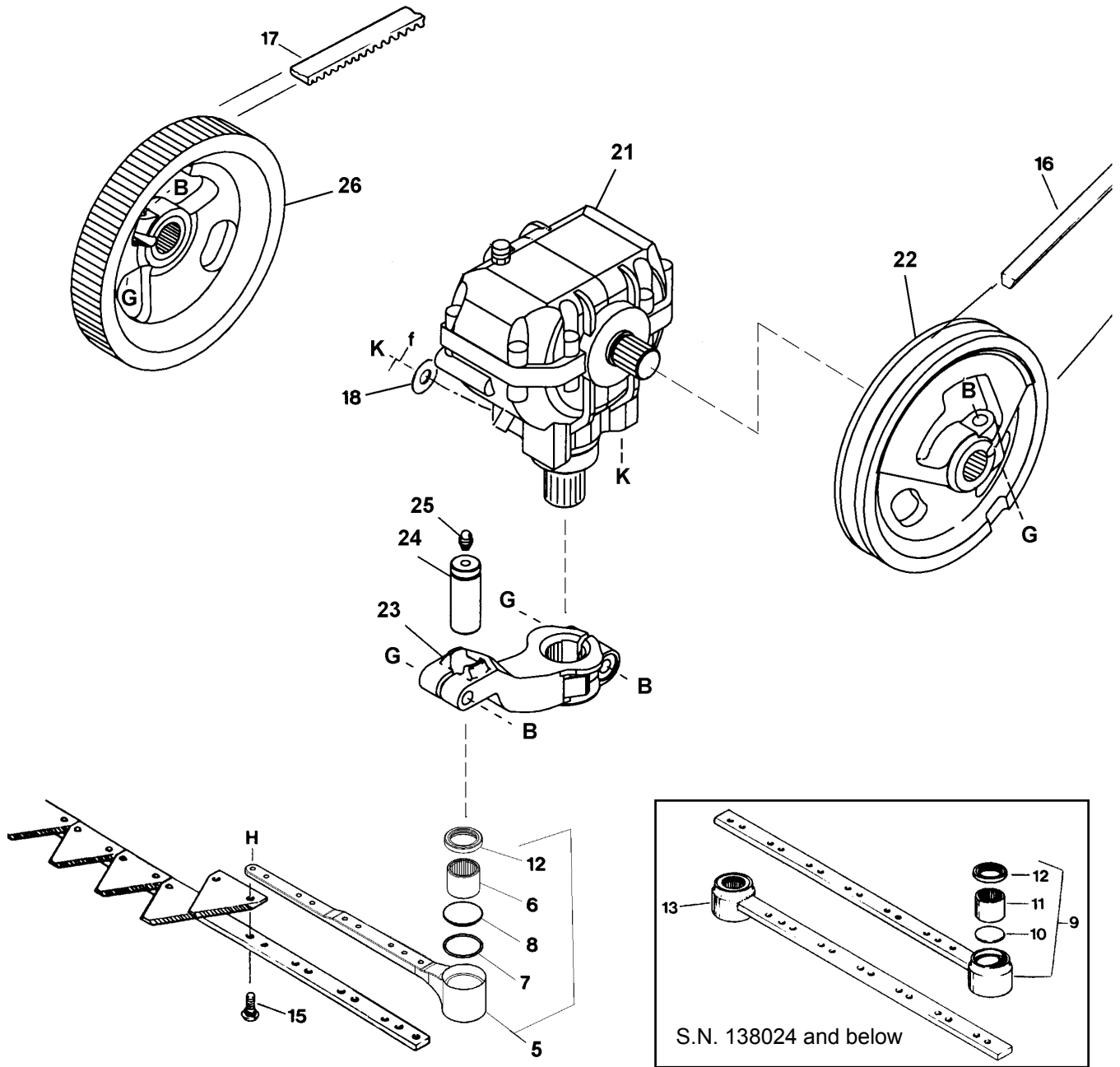
DRIVES GROUP – 922 & 933 HEADERS



DRIVES GROUP – 922 & 933 HEADERS

REF	PART NUMBER	DESCRIPTION	QTY	SERIAL NUMBER
1	43279	SHAFT - driveline to left end, 12 ft. header.....	1	-144176
	155006	SHAFT - driveline to left end, 12 ft. header.....	1	144177-
	43280	SHAFT - driveline to left end, 14 ft. header.....	1	-144176
	155007	SHAFT - driveline to left end, 14 ft. header.....	1	144177-
	43281	SHAFT - driveline to left end, 16 ft. header.....	1	-144176
	155008	SHAFT - driveline to left end, 16 ft. header.....	1	144177-
	52277	SHAFT - driveline to left end, 18 ft. header.....	1	-144176
	155009	SHAFT - driveline to left end, 18 ft. header.....	1	144177-
2	47605	SUPPORT - left.....	1	-144176
	155005	SUPPORT - left.....	1	144177-
3	21936	BEARING – ball, 1-3/8 inch bore.....	2	-144176
	30031	BEARING – ball, 1-1/2 inch bore.....	2	144177-
4	30602	FLANGE – bearing, 3-hole.....	2	-144176
	30576	FLANGE – bearing, 4-hole.....	2	144177-
5	21938	FLANGE - bearing, 3-hole with lube fitting.....	2	-144176
	50182	FLANGE – bearing, 4-hole with lube fitting port.....	2	144177-
6	42592	WASHER - flat.....	2	
7	38553	PULLEY - auger gear drive.....	1	
8	21934	BUSHING - split taper.....	1	-144176
	30256	BUSHING – split taper, with integral inner & outer keys.....	1	144177-
9	17194	KEY - 5/16 square x 2 inch, for bushing 21934.....	1	-144176
10	38550	PULLEY - sickle drive, 7.6 inch O.D. (195 mm).....	1	
11	115692	CROSS SHAFT - 12 ft. header.....	1	
	115693	CROSS SHAFT - 14 ft. header.....	1	
	115694	CROSS SHAFT - 16 ft. header.....	1	
	115695	CROSS SHAFT - 18 ft. header.....	1	
12	47073	TUBE.....	1	
13	30034	BUSHING - split taper.....	1	
14	47084	SUPPORT - cross shaft, left.....	1	
15	21859	BEARING - ball.....	2	
16	49306	FLANGE - bearing.....	2	
17	30661	FLANGE - bearing, with lube fitting.....	2	
18	47606	SUPPORT - cross shaft, right.....	1	
19	115696	SPROCKET - HTD, sickle drive, left.....	1	
20	38548	SPROCKET - HTD, sickle drive, right.....	1	
21	21861	BUSHING - split taper.....	1	
22	13298	KEY - Woodruff.....	2	
23	38551	PULLEY - sickle drive, 8.6 inch O.D. (220 mm).....	1	
24	38735	BELTS - cross shaft drive, consists of matched pair.....	1	
25	50153	FITTING - male connector, 1/8 tube x 1/4 NF.....	2	
26	50152	NUT - tube, 1/8 tube.....	2	
27	115572	LINE - grease.....	1	
28	18671	FITTING - lube, 1/4 NF.....	1	
29	21301	FITTING – lube, 45°.....	2	
30	155036	KIT – frame bracket, welded.....	AR	-144176
		Includes bracket and welding instructions. Allows upgrade of headers prior to Serial No. 144177 to allow use of 1-1/2" bearing and related components (items 1 to 5, 8 and 29).		
A	115538	BOLT - hex hd, 1/2 NC x 5-1/2 in., 3" min. thd.	J	18666 NUT - lock, 5/8 NC distorted thread
B	135136	BOLT - hex hd, 1/2 NC x 4-1/2 in., 3" min. thd.	K	18639 WASHER - flat, 5/8 inch I.D.
C	19965	BOLT - round head, square neck, 3/8 NC x 1"	L	21066 BOLT – round head, sq. neck, 1/2 NC x 1"
D	30228	NUT - lock, smooth flange, 3/8 NC dist. thd.	M	50186 NUT - lock, smooth flange, 1/2 NC dist. thd.
E	18591	NUT - hex, 1/2 NC		
G	21264	BOLT - hex head, 3/8 NC x 1 1/4 inch	~ f REF	Indicates where hardware passes through
H	18637	WASHER - lock, 3/8 inch		frame member.

SICKLE DRIVE GROUP



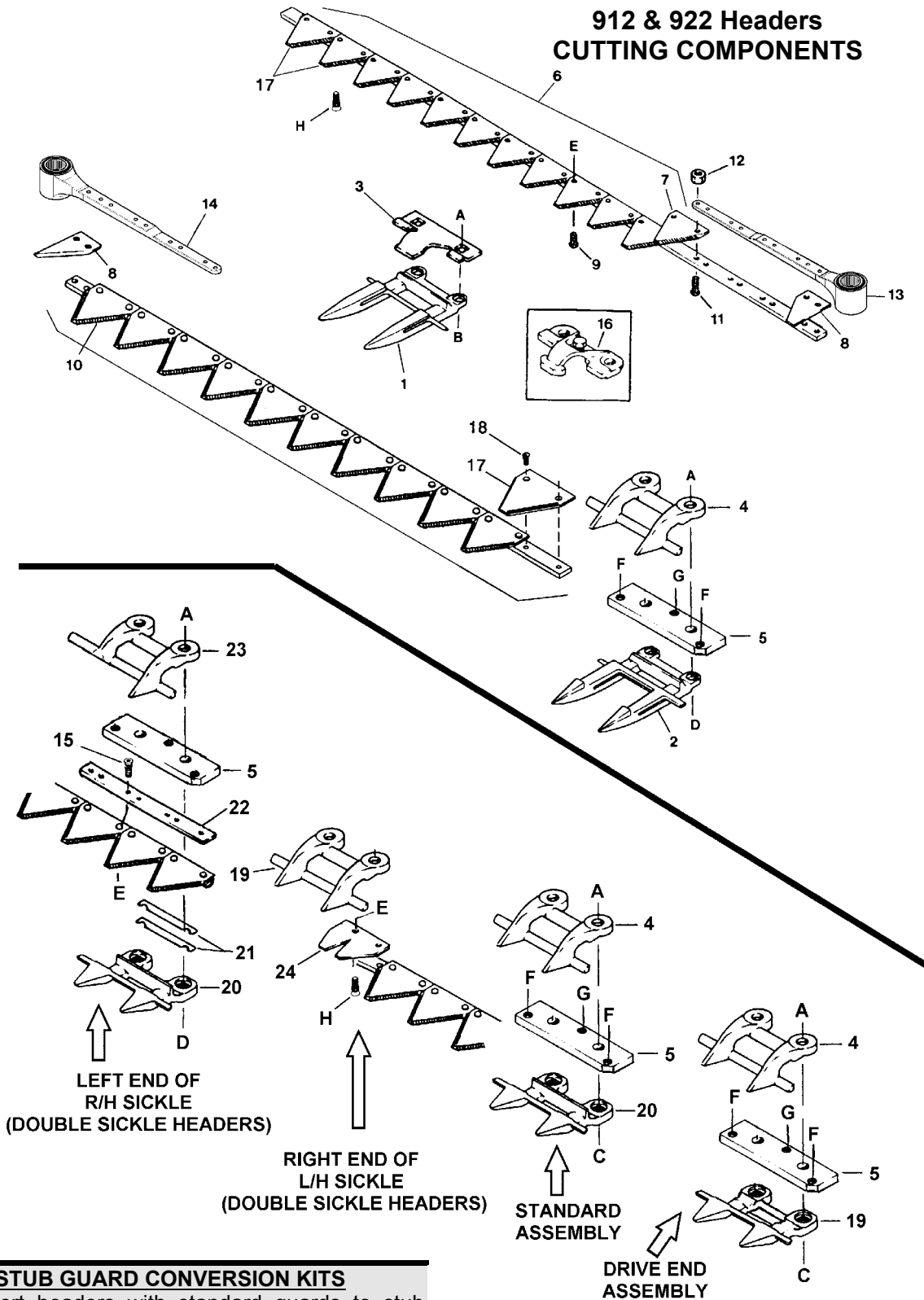
SICKLE DRIVE GROUP

REF	PART NUMBER	DESCRIPTION	QTY	SERIAL NUMBER
NOTE: For pulleys, etc. not shown here, see "Drives Group: 912 Header", or "Drives Group: 922 & 933 Headers".				
5	115321	HEAD ASSEMBLY – sickle, includes items 6, 7, 8 & 12	1*	138025-
6	100500	BEARING - needle	1*	138025-
7	115670	O-RING – sickle head.....	1*	138025-
8	113937	PLUG – sickle head.....	1*	138025-
9	115083	HEAD ASSEMBLY - L/H, includes items 10 – 12	1	-138024
10	34389	PLUG – sickle head.....	1*	-138024
11	30607	BEARING - needle	1*	-138024
12	113222	SEAL - sickle head (install with lip facing outwards)	1*	
13	115084	HEAD ASSEMBLY - R/H, 922 & 933 Headers, includes items 10 – 12	1	-138024
15	30668	SCREW - ribbed neck, #12 NC x 1 inch (qty. 13* for S.N. -138024)	9*	
16	34400	BELT - drive, single sickle	1	
17	38926	BELT - timing, double sickle	2	
18	40008	WASHER - flat (use on front or rear side-mounting bolt for box alignment).....	A/R	
21	REF	DRIVE BOX – sickle, see page 20	1*	
22	47832	PULLEY – driven, 912 Header	1	
23	113698	ARM – output (was 100421).....	1*	
24	113229	PIN – sickle head.....	1*	
25	21194	FITTING – lube, 90°	1*	
26	47833	PULLEY – driven, 922 & 933 Headers	2	
B	21583	BOLT – hex head, 5/8 NC x 3.0 inch		
G	18666	NUT - lock, 5/8 NC distorted thread		
H	30669	NUT - lock, #12 NC		
K	100233	BOLT – hex head, 5/8 NC x 1-1/2 inch		
~ f	REF	Indicates where hardware passes through frame member		

NOTES:

- * For 922 & 933 Double Sickle Headers, quantity is double amount shown.

**912 & 922 Headers
CUTTING COMPONENTS**



STUB GUARD CONVERSION KITS

To convert headers with standard guards to stub guards, order the appropriate kit:

KIT NO. HEADER SIZE AND TYPE

B 2515	12' 912 Single Sickle
B 2516	14' 912 Single Sickle
B 2518	14' 922 Double Sickle
B 2519	16' 922 Double Sickle
B 2771	18' 922 Double Sickle

912 & 922 Headers CUTTING COMPONENTS

REF	PART NUMBER	DESCRIPTION	QTY	SERIAL NUMBER
1	118345	SPECIAL GUARD - used first three positions at drive end (was 28014) ..see note (1)		
	118344	GUARD - standard, all except end guards (was 28013) see note (2)		
2	115961	GUARD - center, 922 Header (was 33114)..... 1		
3	28815	CLIP - hold-down see note (3)		
4	34359	GUIDE – sickle see note (11)		
5	34980	BAR - adjuster see note (9)		
6	34181	SICKLE ASS'Y - serrated, less head - 12 ft. 912 Header..... 1		
	34182	SICKLE ASS'Y - serrated, less head - 14 ft. 912 Header..... 1		
	155062	SICKLE ASS'Y – serr., L/H less head - 14 ft. 922 Hdr. (incl. 2 of item 17) (was 34211)..... 1		
	155063	SICKLE ASS'Y – serr., L/H less head - 16 ft. 922 Hdr. (incl. 2 of item 17) (was 34212)..... 1		
	155066	SICKLE ASS'Y – serr., L/H less head - 18 ft. 922 Hdr. (incl. 2 of item 17) (was 47788)..... 1		
7	34390	SECTION - sickle, over-serrated (Kondex) see note (4)		
	118475	SECTION – sickle, over-serrated (Busatis)OPT		
8	34391	SECTION - end 2		
9	30696	SCREW - ribbed neck #12 NC x 5/8 inch..... see note (5)		
10	155064	SICKLE ASS'Y - serr., R/H less head - 14 ft. 922 Header, (incl. 4 of item 17) (was 52234).... 1		
	155065	SICKLE ASS'Y - serr., R/H less head - 16 ft. 922 Header, (incl. 4 of item 17) (was 34313).... 1		
	155067	SICKLE ASS'Y - serr., R/H less head - 18 ft. 922 Header, (incl. 3 of item 17) (was 47793).... 1		
11-14	REF	SICKLE HEADS - and hardware - see "Sickle Drive Group"		
15	50194	SCREW - 60° csk. head, ribbed neck #12 NC x 19/32 inch..... see note (6)		
16	47130	GUIDE - adjustable sickle hold-down, with bolt (Optional) A/R		
	50119	BOLT - hex head, 3/8 NC x 3/4 inch stainless steel		
17	118357	SECTION - sickle, over-serrated, 90° top csk. (was 52210, 60° csk.)..... 6		(qty. 5 for 18')
18	50199	SCREW - 60° csk. head, ribbed nk #12 NC x 1/2 in. (for sec. 52210) 7		(qty. 5 for 18')
	145246	SCREW - 90° csk. head, ribbed nk #12 NC x 1/2 in. (for sec. 118357) 11		(qty. 9 for 18')

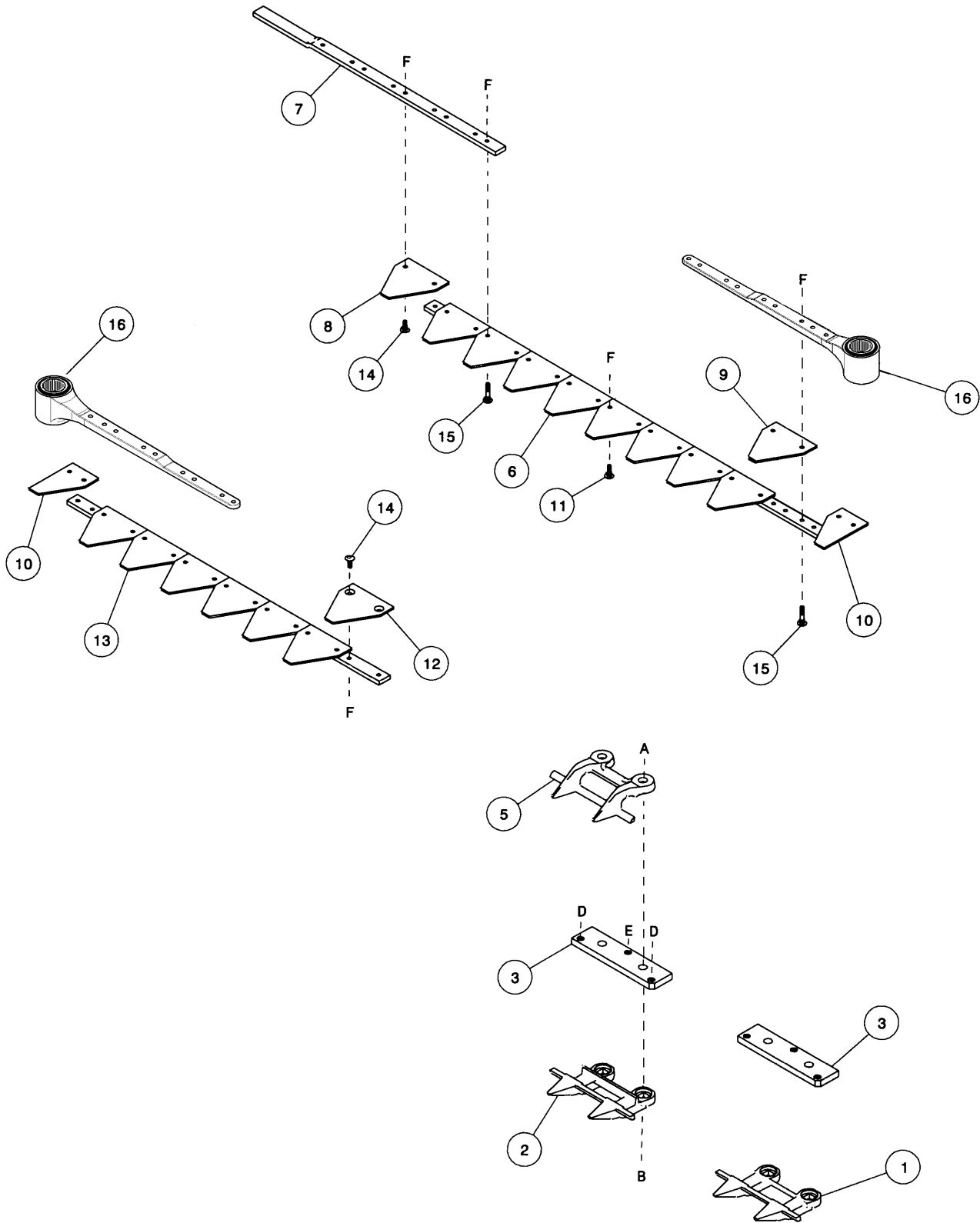
Items 19 to 24 are for 912 & 922 Headers with Stub Guard Conversion Kits

19	118347	SPECIAL END STUB GUARD – no trash bar (was 34975) see note (7)		
20	118346	GUARD – stub (was 34974) see note (8)		
21	34833	SHIM – used at center of double sickle only (may not be required) 2		
22	34968	BAR – spacer, install on top of left end of R/H sickle, double sickle only 1		
23	23918	SPECIAL CENTER TOP GUIDE – one tip & extended bar see note (10)		
24	34893	SECTION – end, used at R/H end of L/H sickle, double sickle only 1		
A	18654	NUT - hex, 7/16 NC		
B	8218	BOLT - round head, square neck, 7/16 NC x 1-1/2 inch (THRU GUARD & CLIP)		
C	30862	BOLT – round head, square neck, 7/16 NC x 2-1/2 inch (thru guard & guide)		
	21665	BOLT – round head, square neck, 7/16 NC x 2-3/4 inch (thru guard, guide & shoe bracket)		
D	30866	BOLT - round head, square neck, 7/16 NC x 3 inch, used at center guard (922) only		
E	30669	NUT - lock, #12 NC		
F	50119	BOLT - hex head, 3/8 NC x 3/4 inch, stainless steel		
G	50120	BOLT - hex head, 3/8 NC x 1 inch, stainless steel		
H	50194	SCREW - 60° csk. head, ribbed neck #12 NC x 19/32 inch.....		-150558
	145246	SCREW - 90° csk. head, ribbed neck #12 NC x 1/2 in.....		150559-

NOTES:

- (1) - Quantities: Single Sickle (912 Header) = 3, Double Sickle (922 Header) = 6
 - (2) - Quantities: 12' 912 = 22, 14' 912 = 26, 14' 922 = 22, 16' 922 = 26, 18' 922 = 29
 - (3) - Quantities: 12' 912 = 22, 14' 912 = 26, 14' 922 = 22, 16' 922 = 26, 18' 922 = 29
 - (4) - Quantities: 12' 912 = 49, 14' 912 = 57, 14' 922 = 56, 16' 922 = 64, 18' 922 = 70
 - (5) - Quantities: 12' 912 = 93, 14' 912 = 109, 14' 922 = 94, 16' 922 = 110, 18' 922 = 129
 - (6) - Standard Guards Qty: 922 Header S.N -150588 = 4 used at inboard end of L/H sickle. Stub Guard Qty. = 7
 - (7) – Quantities: 912 Header = 3 (used first three positions at left hand end)
922 Header = 7 (first three positions at both ends & one inverted at top center, immediately left of center top guide item 23.)
 - (8) –Quantities: 12'S/S = 22, 14'S/S = 26, 14'D/S = 23, 16'D/S = 27, 18'D/S = 30 – used all positions except as noted at (7).
 - (9) – Stub Guard Qty: 12' = 25, 14' = 29, 16' = 33, 18' = 36. Standard Guards Qty: 922 = 1 at center guard.
 - (10) – Quantity = 1 (used at overlapped portion of cutterbar at center of D/S headers only).
 - (11) – Stub Guard Quantities: 12' 912 = 25, 14' 912 = 29, 12' 922 = 27, 14' 912 = 31, 16' 922 = 31, 18' 922 = 34.
- Standard Guards Quantity: 922 Header = 1 at center guard.

933 Grass Seed Special Header CUTTING COMPONENTS



933 Grass Seed Special Header CUTTING COMPONENTS

REF	PART NUMBER	DESCRIPTION	QTY	SERIAL NUMBER
1	118347	SPECIAL END GUARD - no trash bar, (was 34975), see note (1)	6	
2	118346	GUARD – stub (was 34974)	see note (2)	
3	34980	BAR - adjuster	see note (3)	
5	34359	GUIDE - sickle	see note (3)	
6	118392	SICKLE ASSEMBLY - serrated, L/H less head - 12 ft. (incl. items 7 & 8) (was 52235)	1	
	155069	SICKLE ASSEMBLY - serrated, L/H less head - 14 ft. (incl. items 7 & 8) (was 52236)	1	
	155096	SICKLE ASSEMBLY - serrated, L/H less head - 16 ft. (incl. items 7 & 8)	1	
7	52206	GUIDE - top, L/H sickle	1	
8	118358	SECTION - sickle, over-serrated, 90° bottom csk. (was 52211, 60° csk.)	3	
9	34390	SECTION - sickle, over-serrated (Kondex)	see note (4)	
	118475	SECTION – sickle, over-serrated (Busatis)	OPT	
10	34391	SECTION - end	2	
11	30696	SCREW - ribbed neck, #12 NC x 5/8 inch	see note (5)	
12	118357	SECTION - sickle, over-serrated, 90° top csk. (was 52210, 60° csk.)	4	
13	118399	SICKLE ASSEMBLY - serrated, R/H less head - 12 ft. (incl. item 12) (was 52233)	1	
	155064	SICKLE ASSEMBLY - serrated, R/H less head - 14 ft. (incl. item 12)	1	
	155065	SICKLE ASSEMBLY - serrated, R/H less head - 16 ft. (incl. item 12)	1	
14	50199	SCREW - 60° csk. head, ribbed nk #12 NC x 1/2 in. (60° sections)	12	see note 6
	145246	SCREW - 90° csk. head, ribbed nk #12 NC x 1/2 in. (90° sections)	12	see note 6
15	30668	SCREW - ribbed neck, #12 NC x 1 inch (see note 7)	22	
16	REF	HEAD ASSEMBLY - sickle, see Sickle Drive Group, page 14	2	
•	118482	KIT – DOUBLE SICKLE OVERLAP, see note 8	OPT	
A	18654	NUT - hex, 7/16 NC		
B	30862	BOLT - round head, square neck, 7/16 NC x 2-1/2 inch (through guard & guide)		
	21665	BOLT - round head, square neck, 7/16 NC x 2-3/4 inch (through guard, guide & shoe)		
D	50119	BOLT - hex head, 3/8 NC x 3/4 inch, stainless steel (except inboard end of L/H sickle, use 50120, 3/8 x 1 inch)		
E	50120	BOLT - hex head, 3/8 NC x 1 inch, stainless steel		
F	30669	NUT - lock, #12 NC		

NOTES:

(1) - Used first three positions both ends

(2) - Quantities: 12' = 19, 14' = 23, 16' = 27 - Used all positions except as noted at (1).

(3) - Quantities: 12' = 25, 14' = 29, 16' = 33

(4) - Quantities: 12' = 43, 14' = 51, 16' = 59

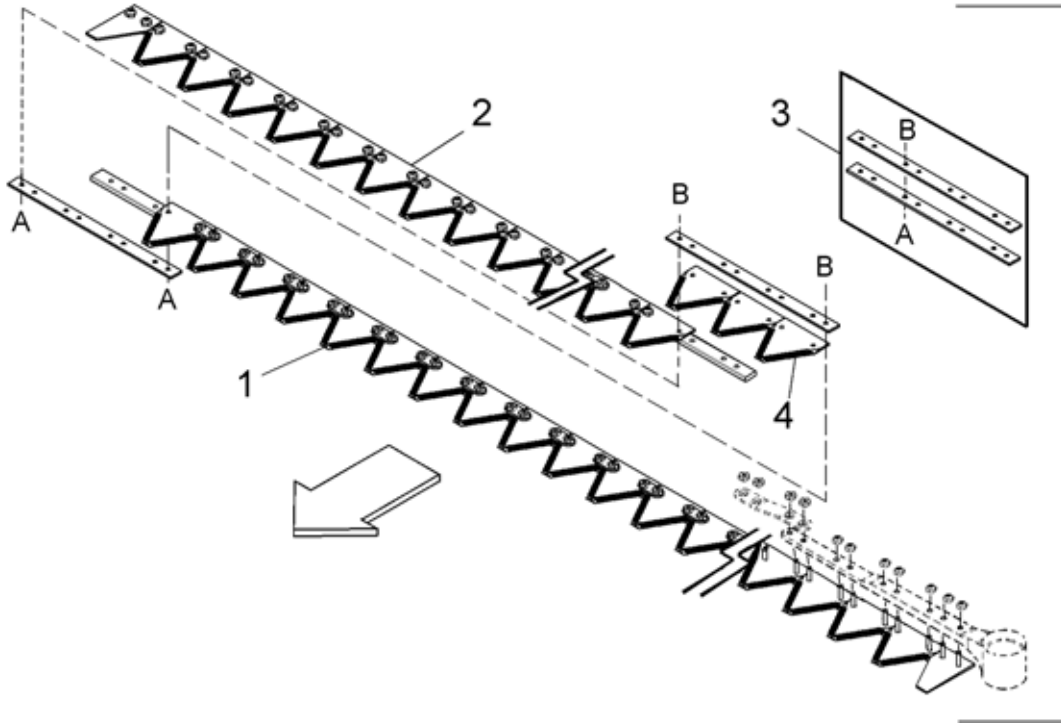
(5) - Quantities: 12' = 70, 14' = 86, 16' = 102

(6) - 5 used at inboard end of L/H sickle, 7 used at inboard end of R/H sickle

(7) - 9 used at each sickle head, 4 used connecting L/H sickle to top guide

(8) – Kit consists of 3 of item 8, 1 of item 11, 4 of item 12, 12 of item 14, and one 49671, #12NC x 0.92 LG, button head-rib neck screw (all hardware is Grade 8).

SEGMENTED SICKLE



SINGLE SICKLE
FINE SICKLES (ONLY) – COMPLETE

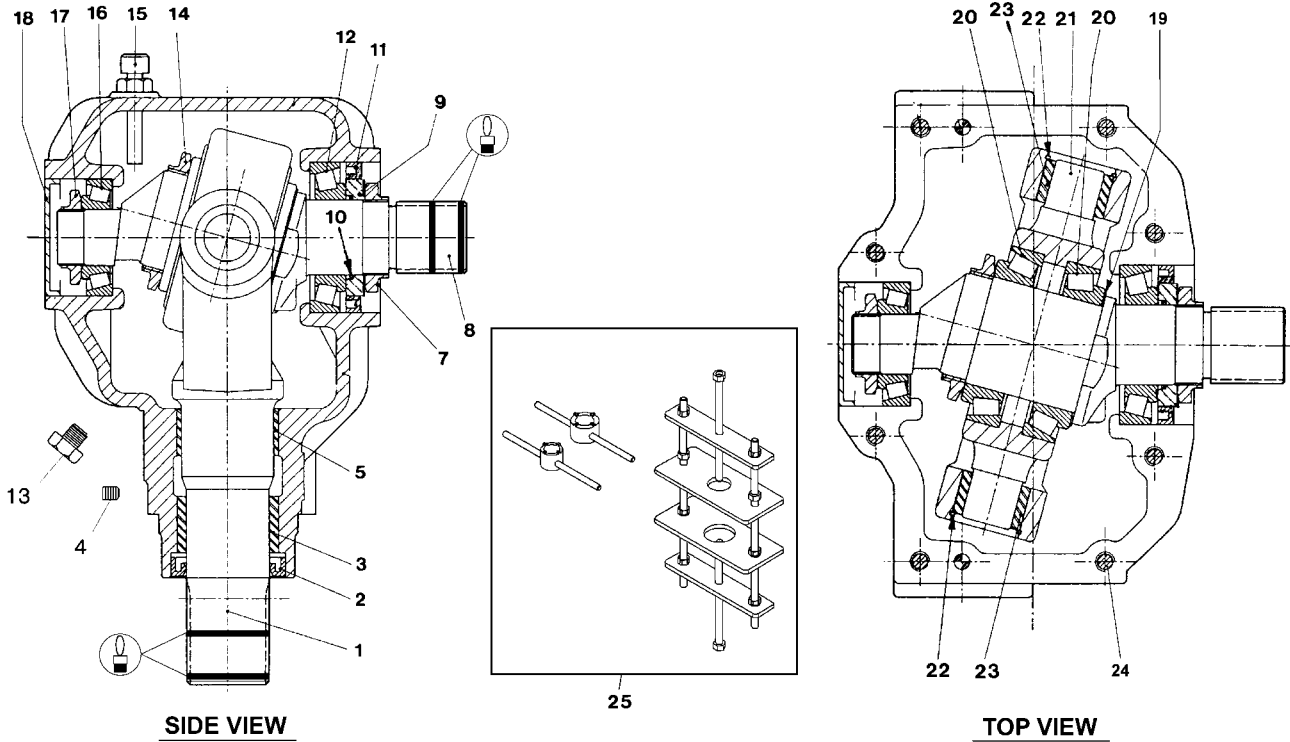
For a complete single sickle, you will need:

12'	Item 1	129000	Left, head seg.	Qty. 1
	Item 2	129006	Right, tail seg.	Qty. 1
	Item 3	129043	MacDon Splice Kit	Qty. 1
	Item 4	34390	Section	Qty. 3
14'	Item 1	129000	Left, head seg.	Qty. 1
	Item 2	129007	Right, tail seg.	Qty. 1
	Item 3	129043	MacDon Splice Kit	Qty. 1
	Item 4	34390	Section	Qty. 3

- A 129299 SCREW - 90° csk skt hd, #12-24 NC x 0.812"
 B 30669 NUT –csk, center lock, #12-24 NC

NOTE: A total of 4 special guards are required with head segments, as they have a slightly wider back than production sickles. Install 4 of item 1, from page 19 to prevent premature sickle failure.

SICKLE DRIVE BOX



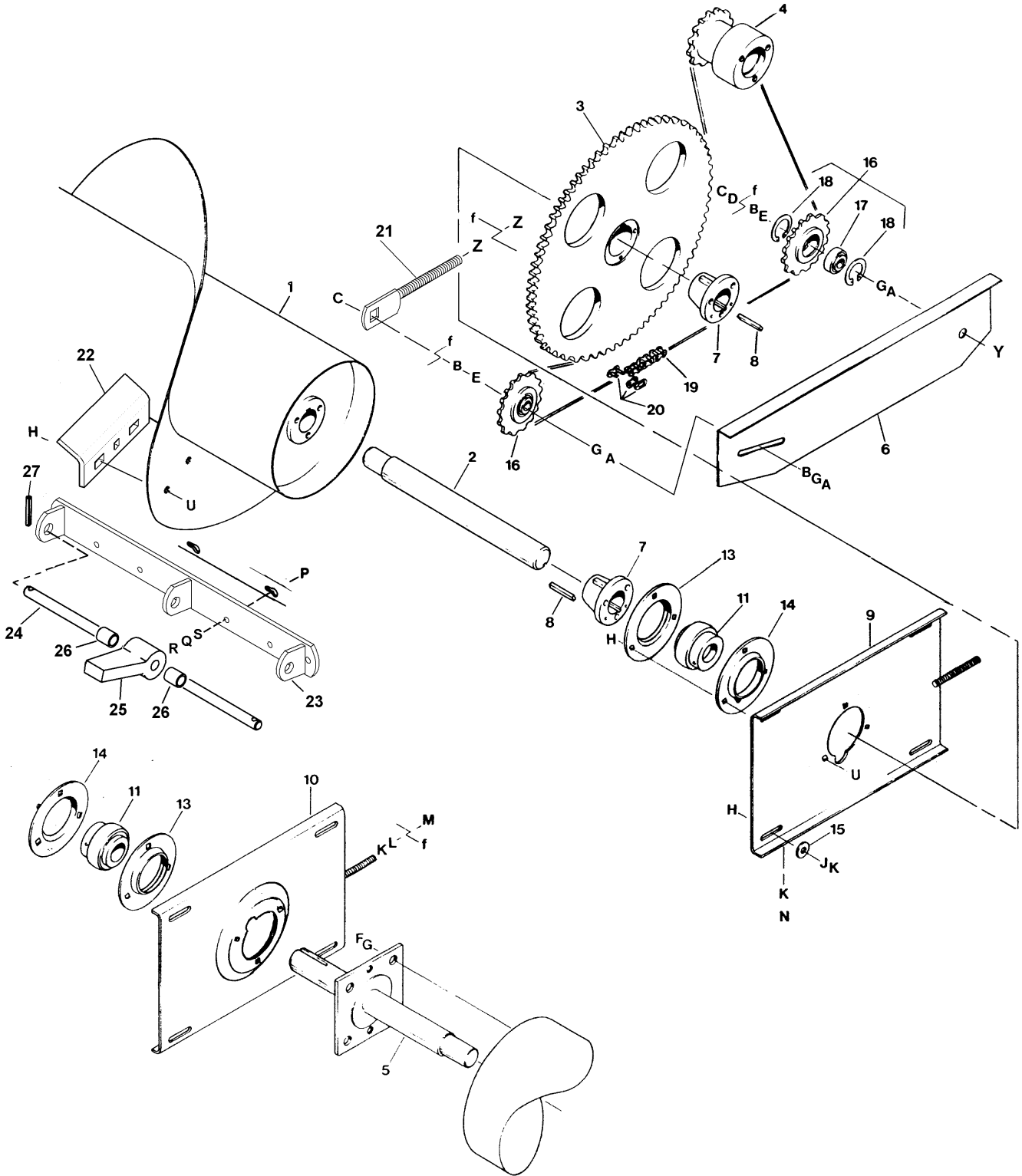
REF	PART NUMBER	DESCRIPTION	QTY	SERIAL NUMBER
	100532	DRIVE - sickle, complete.....	1	
1	100706	YOKE - output	1	
2	100707	SEAL - oil, output shaft.....	1	
3	100708	BUSHING - bronze	1	
4	103565	PLUG - hex socket	2	
5	100726	BUSHING - steel	1	
7	100709	NUT - special.....	1	
8	100710	SHAFT - input.....	1	
9	102629	SPACER - 60 mm O.D.	1	
10	100712	O-RING.....	1	
11	102630	SEAL - oil, input shaft, 60 mm I.D.	1	
12	100714	BEARING ASSEMBLY - cup & cone.....	1	
13	103096	PLUG - oil drain	2	
14	100715	NUT - lock, M55 x 2.....	1	
15	100716	BREATHER PLUG - with dipstick.....	1	
16	100717	BEARING ASSEMBLY - cup & cone.....	1	
17	100718	NUT - lock, M30 x 1.5.....	1	
18	100719	CAP - dust	1	
19	113152	SHIM - input shaft.....	1	
20	100720	BEARING ASSEMBLY - cup & cone.....	2	
21	100721	PIVOT.....	1	
22	100722	RING - retaining, internal.....	2	
23	100723	BUSHING - bronze	2	
24	113153	BOLT - socket head, M10 x 50 mm	8	
25	139003	TOOL KIT - sickle drive box disassembly/assembly.....	A/R	

(Refer to Tech Manual for instructions on use)



REF Apply Loctite 243 adhesive or equivalent to splines before assembly

912 Auger Header AUGER & DRIVE

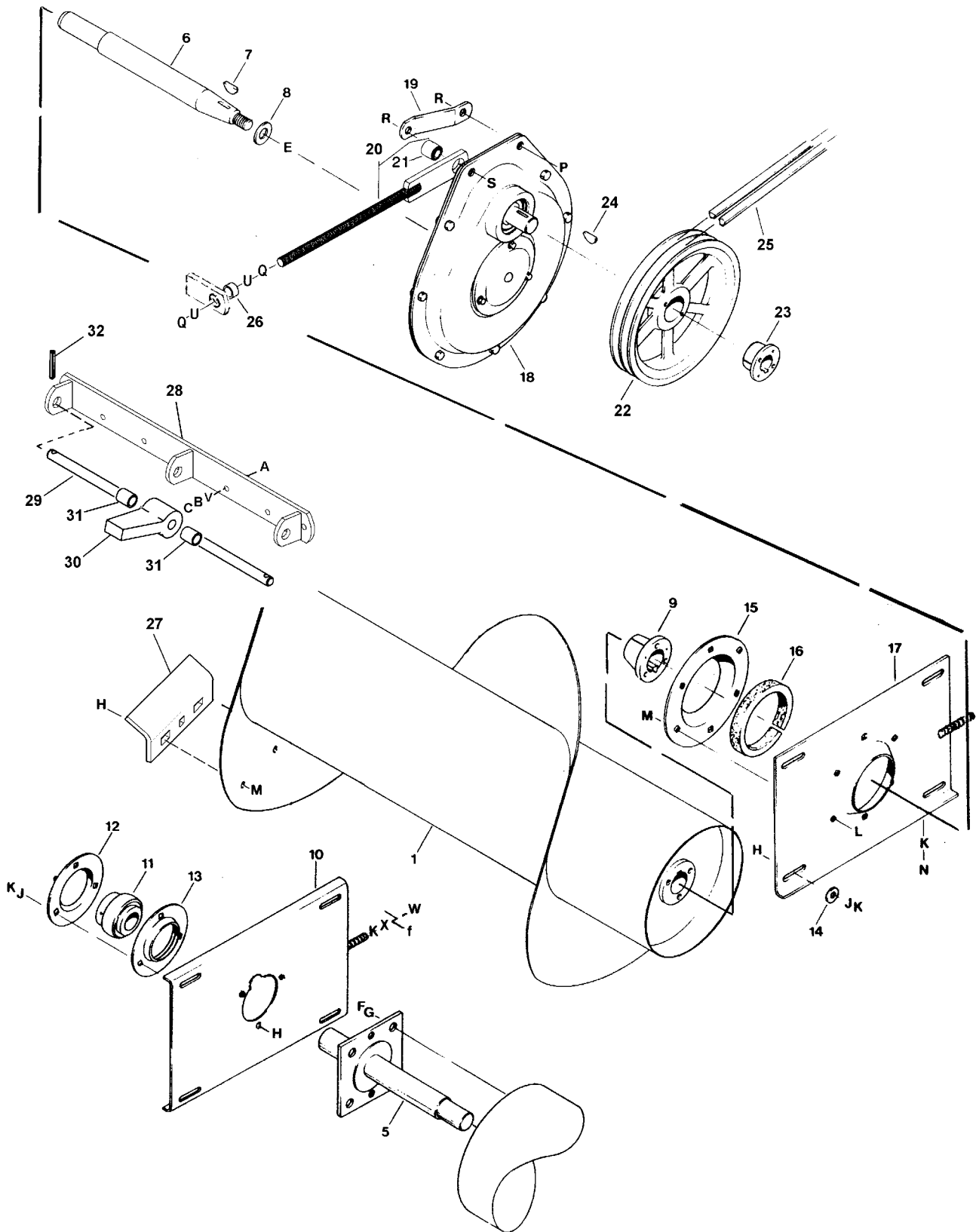


912 Auger Header AUGER & DRIVE

REF	PART NUMBER	DESCRIPTION	QTY	SERIAL NUMBER
1	115170	AUGER - 12' Header	1	
	115171	AUGER - 14' Header	1	
	REF	See page 25 for auger flighting repair part numbers.		
2	34665	SHAFT - auger, L/H	1	
3	36796	SPROCKET - auger, driven.....	1	
4	REF	SPROCKET - drive, see "912 Auger Header - Drives Group", page 10.....	1	
5	47444	SHAFT - auger, R/H	1	
6	47344	SHIELD - chain drive	1	
7	115074	BUSHING - taper lock	2	
8	17194	KEY - 5/16 square x 2 inch long	2	
9	34647	PLATE - L/H, auger mounting	1	
10	47440	PLATE - R/H, auger mounting	1	
11	21936	BEARING - with lock collar	2	
13	30602	FLANGE - bearing	2	
14	21938	FLANGE - bearing, with 45° lube fitting	2	
15	20535	WASHER - flat	8	
16	9333	SPROCKET ASSEMBLY - idler, includes items 17 & 18	2	
17	9213	BEARING - ball.....	2	
18	795	RING - retaining.....	4	
19	47327	CHAIN - roller, auger drive	1	
20	16659	LINK - connector.....	1	
21	115624	ROD - adjuster.....	1	
22	115573	DEFLECTOR - center.....	4	
23	115144	SUPPORT – six-finger mounting (qty. 4 for S.N. up to 156149)	2	
	115402	SUPPORT – three-finger mounting	2	156150-
24	115150	ROD – six-finger mounting (qty. 4 for S.N. up to 156149).....	2	
	115408	ROD – three-finger mounting.....	2	156150-
25	103379	FINGER – rubber (qty. 24 for S.N. up to 156149)	18	
26	103377	SPACER (qty. 20 for S.N. up to 156149)	14	
27	16681	PIN – roll, 5/16 x 2 inch	8	
A	18592	NUT - hex, 5/8 NC		
B	18600	WASHER - flat, 21/32 inch I.D.		
C	30829	BOLT - round head, square neck, 5/8 NC x 3-1/2 inch		
D	18602	WASHER - flat, 15/16 inch I.D.		
E	18593	NUT - hex, 3/4 NC (spacer)		
F	21594	BOLT - hex head, 5/8 NC x 1-1/2 inch		
G	18639	WASHER - lock, 5/8 inch		
H	19965	BOLT - round head, square neck, 3/8 NC x 1 inch		
J	18637	WASHER - lock, 3/8 inch		
K	18590	NUT - hex, 3/8 NC		
L	18598	WASHER - flat, 13/32 inch I.D.		
M	21452	NUT - serrated flange, 3/8 NC		
N	21262	BOLT - hex head, 3/8 NC x 2-1/2 inch, thread full length		
P	21282	BOLT - round head, square neck, 5/16 NC x 1 inch		
Q	18636	WASHER - lock, 5/16 inch		
R	18589	NUT - hex, 5/16 NC		
S	18597	WASHER – flat, 11/32 inch ID (used at 3-finger mounting supports only)		
U	30228	NUT - lock, smooth flange, 3/8 NC distorted thread		
Y	18666	NUT – lock, 5/8 NC distorted thread		
Z	18591	NUT – hex, 1/2 NC		

~ f REF Indicates where hardware passes through frame member.

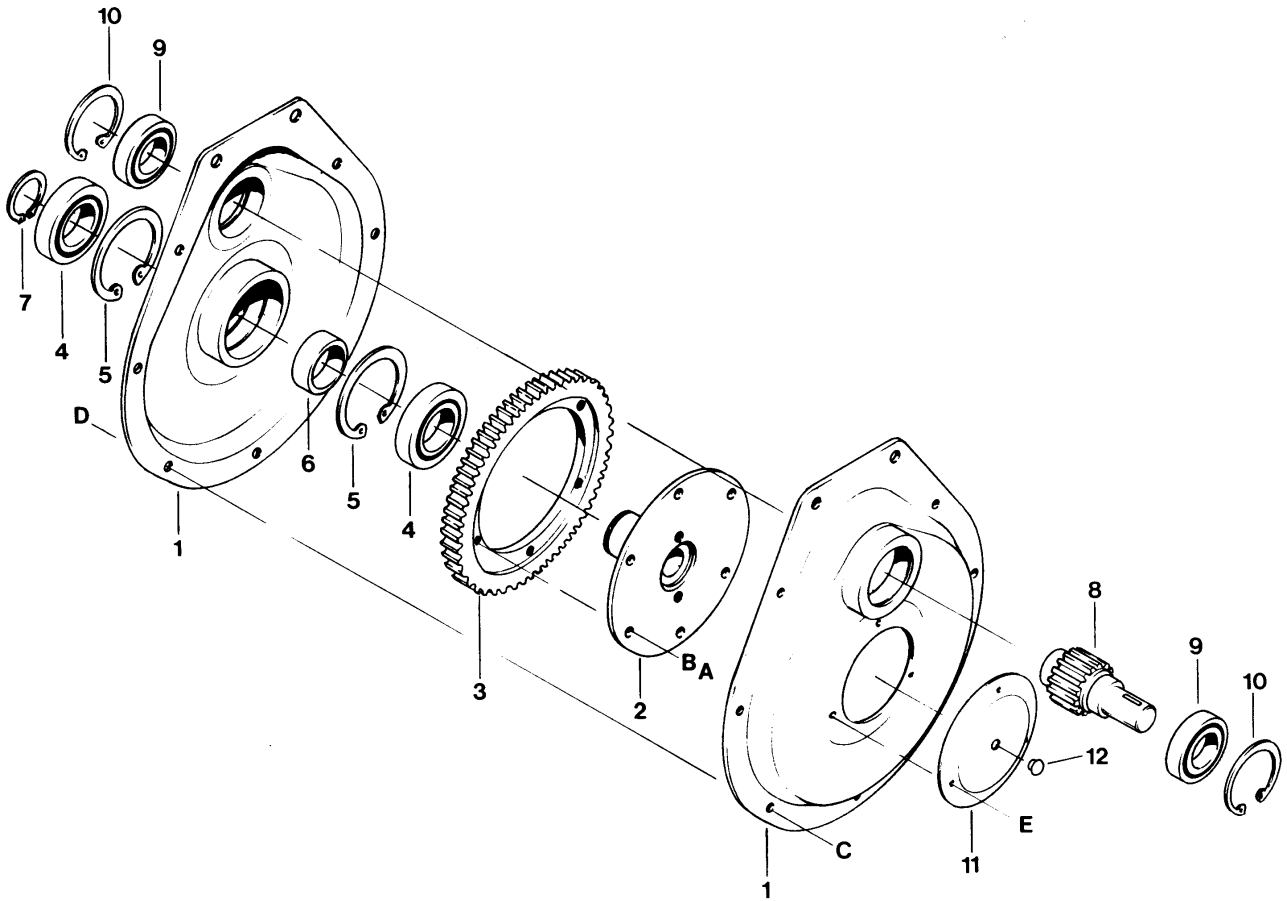
922 & 933 Auger Headers AUGER AND DRIVE



**922 & 933 Auger Headers
AUGER & DRIVE**

REF	PART NUMBER	DESCRIPTION	QTY	SERIAL NUMBER	
1	115171	AUGER - 14' 922 Header	1		
	115172	AUGER - 16' Header	1		
	115173	AUGER - 18' Header	1		
	52222	AUGER - 12' 933 Header	1		
	52223	AUGER - 14' 933 Header	1		
	155097	AUGER - 16' 933 Header	1		
	115945	AUGER FLIGHTING REPAIR KIT - 3" deep ribbon, <u>welds onto</u> worn flighting on one auger, both sides			
	115440	AUGER FLIGHTING - 6" deep, <u>replaces</u> worn flighting on <u>right</u> side of auger			
	115447	AUGER FLIGHTING - 6" deep, <u>replaces</u> worn flighting on <u>left</u> side of auger			
5	34675	SHAFT - auger, R/H	1		
6	38874	SHAFT - auger, L/H	1		
7	11142	KEY - Woodruff	1		
8	21540	WASHER - flat, hardened	1		
9	30256	BUSHING - taper lock	1		
10	34647	PLATE - R/H, auger mounting	1		
11	21936	BEARING - with lock collar	1		
12	30603	FLANGE - bearing, with lube fitting	1		
13	30602	FLANGE - bearing	1		
14	20535	WASHER - flat	8		
15	38937	FLANGE - support	1		
16	38939	INSULATOR - rubber	1		
17	38938	PLATE - L/H, auger mounting	1		
18	REF	DRIVE - See "AUGER GEAR DRIVE", page 26	1		
19	38861	BAR - drive mounting	1		
20	52064	BAR - with bushing (item 21)	1		
21	21810	BUSHING - rubber (quantity 2 for serial no. 102199 and below)	1		
22	38728	PULLEY - auger drive, 9-3/4" O.D. (205 rpm) - 922 & 16' 933 Header standard ..	1		
	38729	PULLEY - auger drive, 11-3/4" O.D. (170 rpm) - 12' & 14' 933 Header standard ..	1		
23	21861	BUSHING - taper lock	1		
24	13298	KEY - Woodruff	1		
25	8407	BELT - auger drive	2		
26	52068	SPACER - tube	1		
27	115573	DEFLECTOR - center, 922 Header	4		
28	115144	SUPPORT - six-finger mounting, 922 Header (qty. 4 for S.N. up to 156149)	2		
	115402	SUPPORT - three-finger mounting, 922 Header	2	156150-	
29	115150	ROD - six-finger mounting, 922 Header (qty. 4 for S.N. up to 156149)	2		
	115408	ROD - three-finger mounting, 922 Header	2	156150-	
30	103379	FINGER - rubber, 922 Header (qty. 24 for S.N. up to 156149)	18		
31	103377	SPACER - finger mounting, 922 Header (qty. 20 for S.N. up to 156149)	14		
32	16681	PIN - roll, 5/16 x 2 inch, 922 Header	8		
A	21282	BOLT - round head, square neck, 5/16 NC x 1"	N	21262	BOLT - hex head, 3/8 NC x 2-1/2" thd full lgth.
B	18636	WASHER - lock, 5/16 inch	P	21491	BOLT - hex head, 1/2 NC x 1-1/4 inch
C	18589	NUT - hex, 5/16 NC	Q	18592	NUT - hex, 5/8 NC
D	21473	BOLT - rnd head, square neck, 5/16 NC x 1-1/4"	R	18697	NUT - lock, 1/2 NC distorted thread
E	18715	NUT - lock, 3/4 NF distorted thread	S	21578	BOLT - hex head, 1/2 NC x 2-1/4 inch
F	21594	BOLT - hex head, 5/8 NC x 1-1/2 inch	T	21576	BOLT - hex head, 1/2 NC x 2 inch
G	18639	WASHER - lock, 5/8 inch	U	18600	WASHER - flat, 21/32 inch ID
H	19965	BOLT - round head, square neck, 3/8 NC x 1"	V	18597	WASHER - 11/32 inch ID.
J	18637	WASHER - lock, 3/8 inch			(used at three-finger mounting supports only)
K	18590	NUT - hex, 3/8 NC	W	21452	NUT - serrated flange, 3/8 NC
L	19966	BOLT - rnd head, square neck, 3/8 NC x 1-1/4"	X	18598	WASHER - flat, 13/32 inch I.D.
M	30228	NUT - lock, smooth flange, 3/8 NC distorted thd			
			~ f	REF	Indicates where hardware passes through frame member.

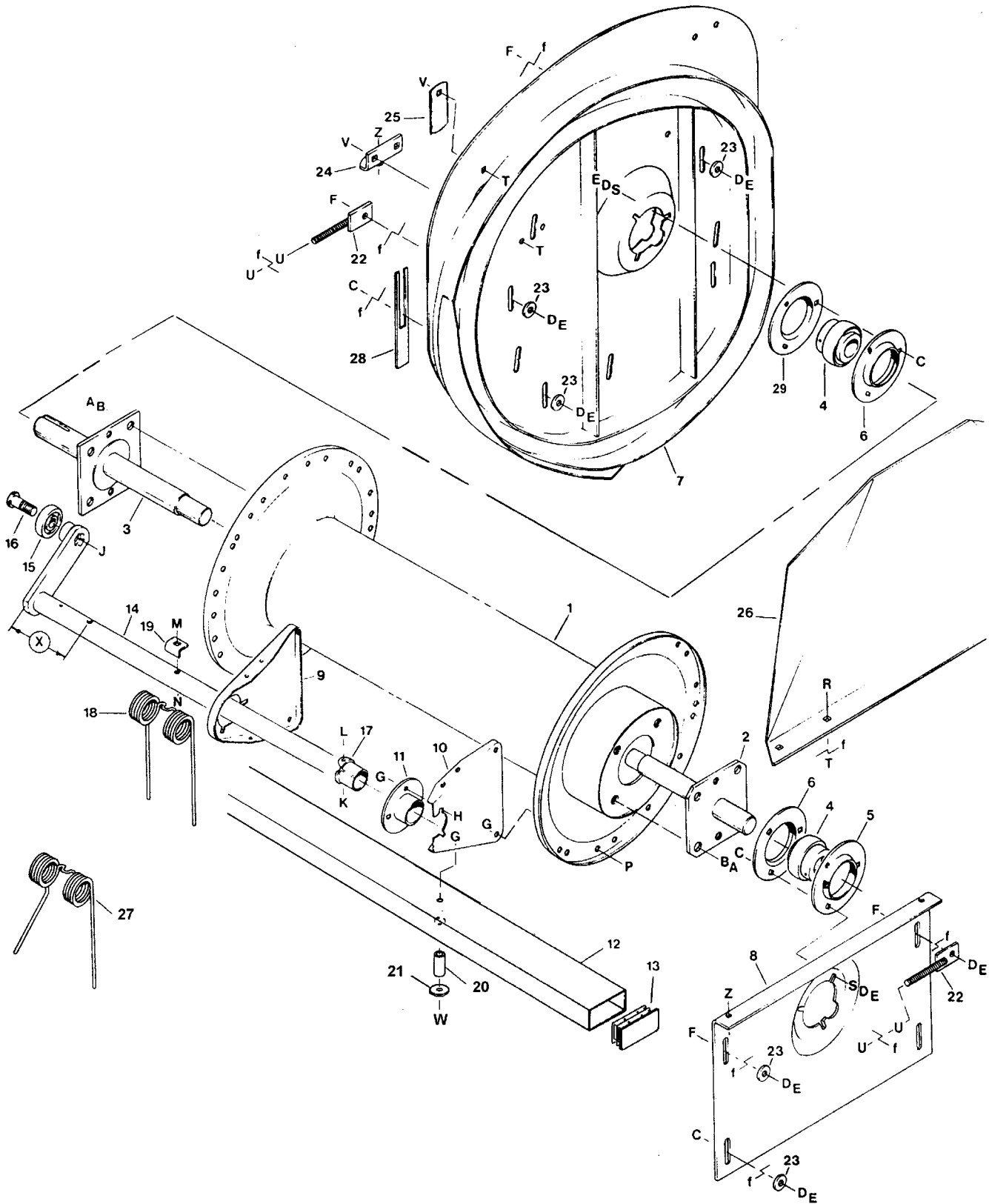
922 & 933 Auger Headers AUGER GEAR DRIVE



**922 & 933 Auger Headers
AUGER GEAR DRIVE**

REF	PART NUMBER	DESCRIPTION	QTY	SERIAL NUMBER
	38846	DRIVE - gear, complete.....	1	
1	38847	HOUSING - consists of two matched halves.....	1	
2	38855	HUB - gear.....	1	
3	34031	GEAR.....	1	
4	30881	BEARING - ball.....	2	
5	30882	RING - retaining, internal.....	2	
6	38860	SPACER.....	1	
7	30883	RING - retaining, external.....	1	
8	38845	PINION GEAR.....	1	
9	14911	BEARING - ball.....	2	
10	38854	RING - retaining, internal.....	2	
11	38859	COVER.....	1	
12	38661	VENT PLUG - plastic.....	1	
A	21567	BOLT - hex head, 3/8 NC x 3/4 inch		
B	18637	WASHER - lock, 3/8 inch		
C	20077	BOLT - hex head, 3/8 x 1 inch		
D	30228	NUT - lock, smooth flange, 3/8 NC distorted thread		
E	21055	SCREW - self tapping, hex washer head, 1/4 "C" thread x 1/2 inch		

912 Auger Header REEL



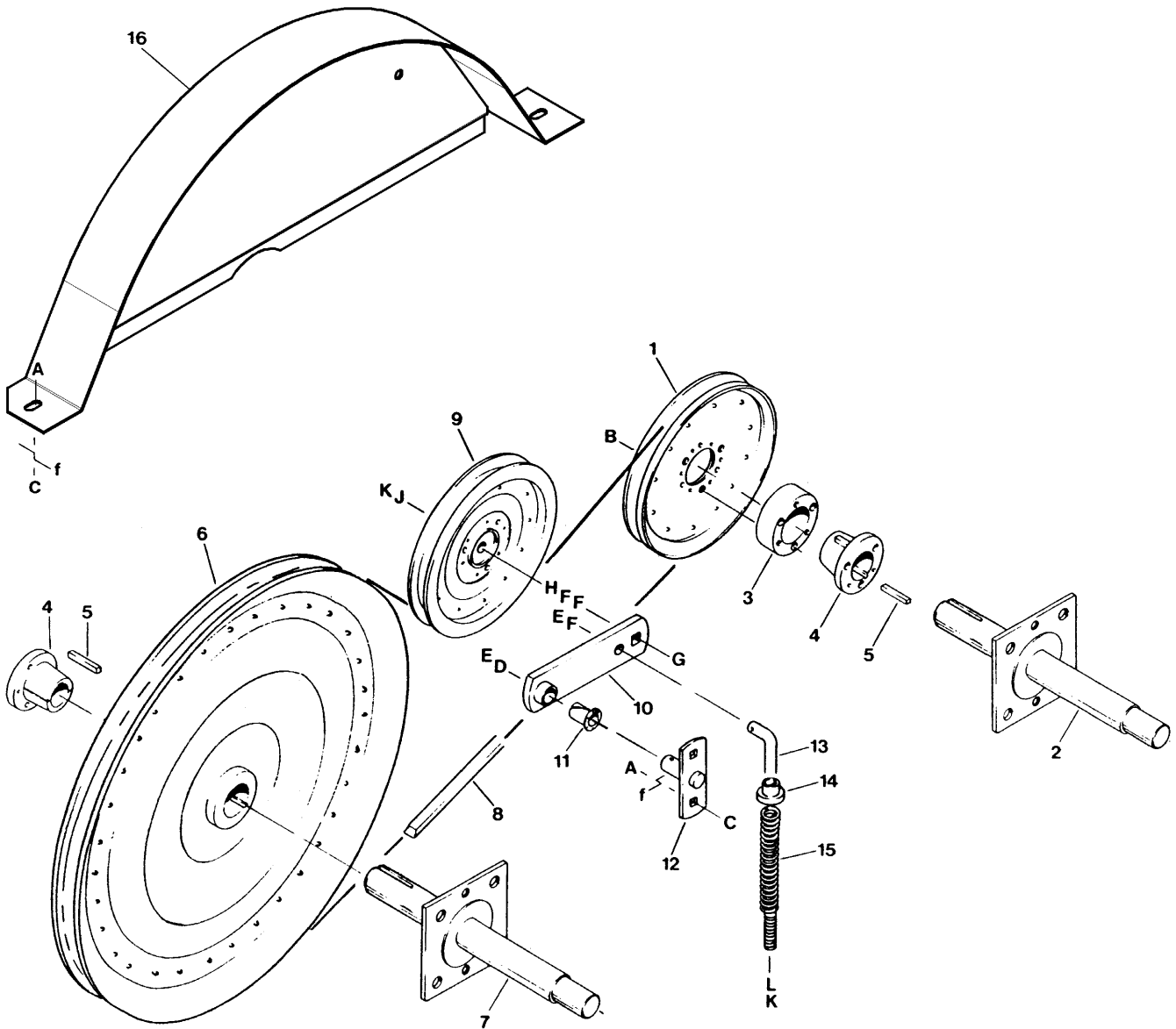
912 Auger Header REEL

REF	PART NUMBER	DESCRIPTION	QTY	SERIAL NUMBER
1	41717	TUBE - reel, 12 ft. header.....	1	
	41718	TUBE - reel, 14 ft. header.....	1	
2	41730	SHAFT - reel drive, left hand.....	1	
3	47444	SHAFT - reel drive, right hand.....	1	
4	21936	BEARING - ball, with lock collar.....	2	
5	30603	FLANGE - bearing, with lube fitting.....	1	
6	30602	FLANGE - bearing.....	2	
7	140096	CAM PLATE – reel (was 47383).....	1	
8	115586	SUPPORT - reel, left hand.....	1	
9	34752	• ARM - reel (right end of each bat).....	5	
10	47300	• ARM - reel.....	see note (1)	
11	47295	• DISC - reel bushing.....	see note (2)	
12	115551	• BAT - reel, 12 ft. header.....	5	
	115552	• BAT - reel, 14 ft. header.....	5	
13	115134	• PLUG – plastic, bat ends.....	10	
14	140215	• TUBE - finger, 12 ft. header, dimension "X"=4-1/2 in. (113 mm).....	3	was 41740
	140217	• TUBE - finger, 14 ft. header, dimension "X"=4-1/2 in. (113 mm).....	3	was 41742
	140216	TUBE - finger, 12 ft. header, dimension "X"=6-5/16 in. (161 mm).....	2	was 41741
	140218	TUBE - finger, 14 ft. header, dimension "X"=6-5/16 in. (161 mm).....	2	was 41743
15	21940	• BEARING - cam follower.....	5	
16	28346	• BOLT - special, cam follower.....	5	
17	28790	• BUSHING - plastic, reel arm.....	see note (2)	
18	47681	• FINGER – pick-up, double (5 coil, .250" dia. wire).....	see note (3)	
19	19183	• HOLDER - finger.....	see note (4)	
20	103650	• SPACER – bat stiffening.....	see note (2)	
21	103837	• WASHER – flat.....	see note (2)	
22	47285	STUD - reel fore-aft adjustment.....	2	
23	20535	WASHER - flat.....	7	
24	115574	ANGLE - cam vertical adjustment.....	2	
25	47418	COVER - cam bearing access.....	1	
26	41528	SHIELD - reel, left side.....	1	
27	47680	• FINGER - right end (5 coil, .250" dia. wire).....	3	
28	16837	SHIM – cam plate, quantity required may vary.....	1	
29	21938	FLANGE – bearing, with 45° lube fitting.....	1	
A	21594	BOLT - hex head, 5/8 NC x 1-1/2 inch	P	21755 • BOLT - hex flange head, 5/16 NC x 1/2 inch
B	18639	WASHER - lock, 5/8	R	21863 BOLT - rnd hd, short sq nk, 3/8 NC x 3/4 inch
C	19965	BOLT - round head, square neck, 3/8 NC x 1"	S	18598 WASHER - flat, 13/32 inch I.D.
D	18637	WASHER - lock, 3/8	T	30228 NUT - lock, smth flng, 3/8 NC distorted thread
E	18590	NUT - hex, 3/8 NC	U	21452 NUT - serrated flange, 3/8 NC
F	21484	BOLT - rnd hd, sq nk, 3/8 NC x 1-1/2 inch	V	21472 BOLT - rnd hd, square neck, 3/8 NC x 3/4 inch
G	30280	• NUT - lock, smth flng, 5/16" NC dist. thread	W	21569 • BOLT – hex head, 5/16 NC x 2 inch
H	21281	• BOLT - rnd hd sq nk, 5/16 x 3/4 inch	Z	21672 BOLT - hex hd, 1/2 NC x 3", thread full length
J	21941	• NUT - hex jam, 5/8 inch NC dist. thread		
K	21570	• BOLT - hex head, 1/4 NC x 2 inch	~ f	REF Indicates where hardware passes through frame member.
L	18724	• NUT - lock, 1/4 inch NC distorted thread		
M	21488	• BOLT - rnd hd sq nk, 5/16 NC x 1-3/4 inch		
N	18690	• NUT - lock, 5/16 NC distorted thread		

NOTES: (1) - Quantities: 12 ft = 10, 14 ft = 15
(2) - Quantities: 12 ft = 15, 14 ft = 20
(3) - Quantities: 12 ft = 87, 14 ft = 102
(4) - Quantities: 12 ft = 90, 14 ft = 105

• Reel Bat Replacement Kit – includes all above items marked • in proper size and quantity for one complete bat. (Kits available through WholeGoods only).
B2890 – Bat Assembly – complete – 12' Header
B2891 – Bat Assembly – complete – 14' Header

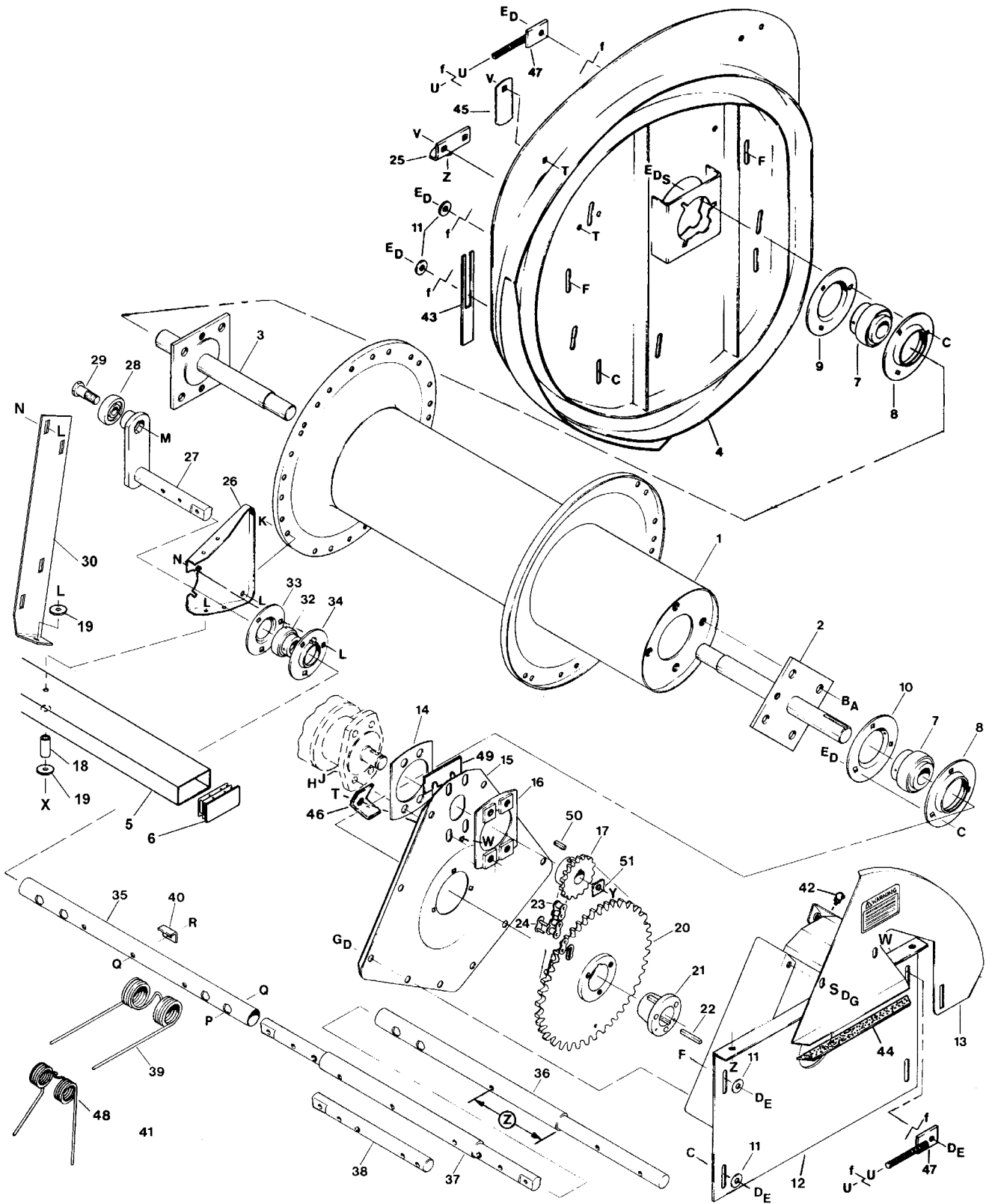
912 Auger Header REEL DRIVE & SHIELD



**912 Auger Header
REEL DRIVE & SHIELD**

REF	PART NUMBER	DESCRIPTION	QTY	SERIAL NUMBER
1	47328	PULLEY - reel, driver - standard (71 rpm reel speed).....	1	
	41886	PULLEY - reel, driver - optional (80 rpm reel speed)		
2	REF	SHAFT - auger, R/H - see "912 Auger Header: Auger & Drive", page 22....	1	
3	41890	HUB - reel drive pulley.....	1	
4	115074	BUSHING - split taper.....	2	
5	17194	KEY - 5/16 square x 2 inch.....	2	
6	47348	PULLEY - reel, driven.....	1	
7	REF	SHAFT - reel, R/H - see "912 Auger Header - Reel", page 28.....	1	
8	34400	BELT - reel drive.....	1	
9	21862	PULLEY - idler.....	1	
10	47357	ARM - idler.....	1	
11	37551	BUSHING - plastic.....	1	
12	47352	BAR - arm pivot.....	1	
13	47362	ROD - idler adjusting.....	1	
14	23142	BUSHING - plastic.....	1	
15	24132	SPRING - compression.....	1	
16	115625	SHIELD - reel pulley.....	1	
A	21863	BOLT - round head, square neck, 3/8 NC x 3/4 inch		
B	21975	BOLT - flange head, 3/8 NC x 1 inch		
C	30228	NUT - lock, smooth flange, 3/8 NC distorted thread		
D	18601	WASHER - flat, 13/16 inch I.D.		
E	18648	PIN - cotter, 3/16 x 1-1/4 inch		
F	18599	WASHER - flat, 17/32 inch I.D.		
G	30266	BOLT - round head, square neck, 1/2 NC x 3 inch		
H	18592	NUT - hex, 5/8 NC (spacer)		
J	18638	WASHER - lock, 1/2 inch		
K	18591	NUT - hex, 1/2 NC		
L	21383	NUT - serrated flange, 1/2 NC		
~ f	REF	Indicates where hardware passes through frame member.		

922 & 933 Auger Headers REEL DRIVE GROUP



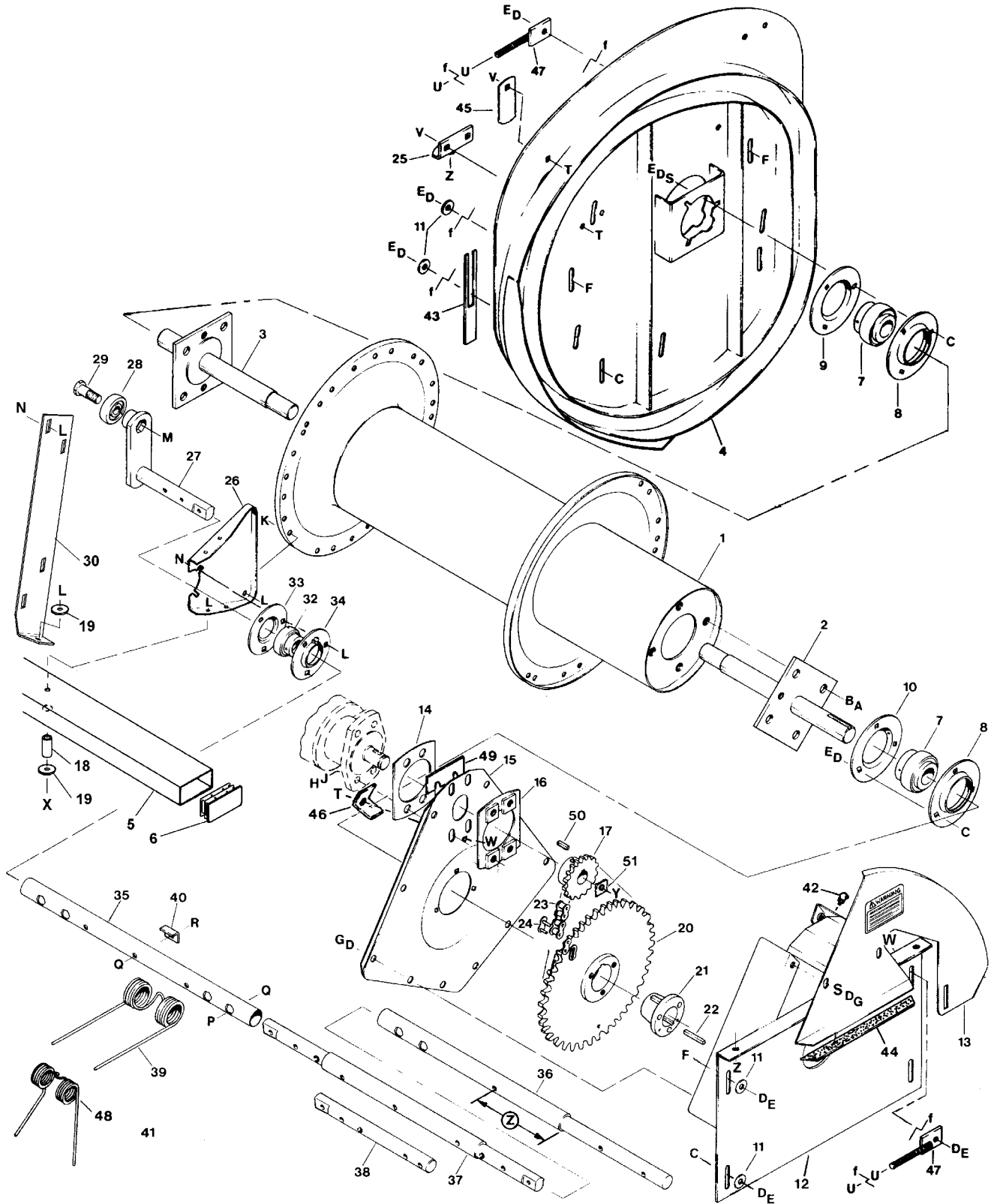
**922 & 933 Auger Headers
REEL DRIVE GROUP**

REF	PART NUMBER	DESCRIPTION	QTY	SERIAL NUMBER
134755	TUBE - reel, main - 12' Header	1	
	34756	TUBE - reel, main - 14' Header.....	1	
	34757	TUBE - reel, main - 16' Header.....	1	
	52250	TUBE - reel, main - 18' Header.....	1	
2	34671	SHAFT - L/H.....	1	
3	34675	SHAFT - R/H.....	1	
4	140096	CAM – reel (was 38246 for 933 Header) (was 47383 for 922 Header).....	1	
5	115115	• BAT – 12' 933 Header.....	6	
	115116	• BAT – 14' Header, quantity 6 for 933 Header.....	5	
	115549	• BAT – 16' 922 Header.....	5	
	103500	• BAT – 18' 922 Header.....	5	
6	115134	• PLUG – plastic, bat ends.....	2/bat	
7	21936	BEARING.....	2	
8	30602	FLANGE - bearing.....	2	
9	30603	FLANGE - bearing, with straight lube fitting.....	1	
10	21938	FLANGE - bearing, with 45° lube fitting.....	1	
11	20535	WASHER.....	8	
12	115575	SUPPORT - L/H.....	1	
13	34744	COVER - c/w decal and seal (item 44).....	1	
14	34747	SPACER - motor.....	1	
15	34750	COVER - reel drive.....	1	
16	34746	SPACER - motor, with weld nuts.....	1	
17	34379	SPROCKET - motor, 11 tooth (standard for 933, opt. for 922 Header).....	1	
	30615	SPROCKET - motor, 12 tooth (standard for 922 Header).....	1	
18	103650	• SPACER – bat stiffening, for rectangular bats.....	see note (1)	
19	103837	• WASHER – flat, for rectangular bats.....	see note (2)	
20	34983	SPROCKET - reel, 44 tooth.....	1	
21	115074	BUSHING - taper lock.....	1	
22	17194	KEY - 5/16 square x 2 inch.....	1	
23	116021	CHAIN - roller #60 x 49 links.....	1	
24	6636	LINK - connecting.....	1	
25	115574	ANGLE - cam vertical adjustment.....	2	
26	34752	• ARM - reel, closed end (install at cam end [R/H] only).....	1/Bat	
	47300	• ARM - reel, cut-away end (as shown) (2 per bat for 12' 933 Header).....	3/Bat	
27	115163	• SHAFT - cam, (includes hardware P & Q).....	1/Bat	
28	21940	• BEARING - cam follower.....	1/Bat	
29	28346	• BOLT - cam follower.....	1/Bat	
30	115236	SUPPORT – reel bat, mid-span.....	15	
32	30614	• BEARING - finger tube (qty. 3/Bat for 12' Header).....	4/Bat	
33	30600	• FLANGE - bearing (qty. 3/Bat for 12' Header).....	4/Bat	
34	30596	• FLANGE - bearing c/w lube fitting (qty. 3/Bat for 12' Header).....	4/Bat	
35	115164	• TUBE - finger - 14' Header, (includes hardware P & Q).....	1/Bat	
	115165	• TUBE - finger - 12', 16' & 18' Headers, (includes hardware P & Q).....	1/Bat	

NOTES: (1) – Item 18 Quantities: 922 Headers = 35, 12' 933 = 18, 14' 933 = 24
 (2) – Item 19 Quantities: 922 Headers = 50, 12' 933 = 30, 14' 933 = 42

- Reel Bat Replacement Kit – includes all items marked • on pages 33 & 35 in proper size and quantity for one complete bat. (Kits available through WholeGoods only).
 B2883 – Bat Assembly – complete – 12' Header
 B2884 – Bat Assembly – complete – 14' Header
 B2885 – Bat Assembly – complete – 16' Header
 B2886 – Bat Assembly – complete – 18' Header

922 & 933 Auger Headers REEL DRIVE GROUP



922 & 933 Auger Headers REEL DRIVE GROUP

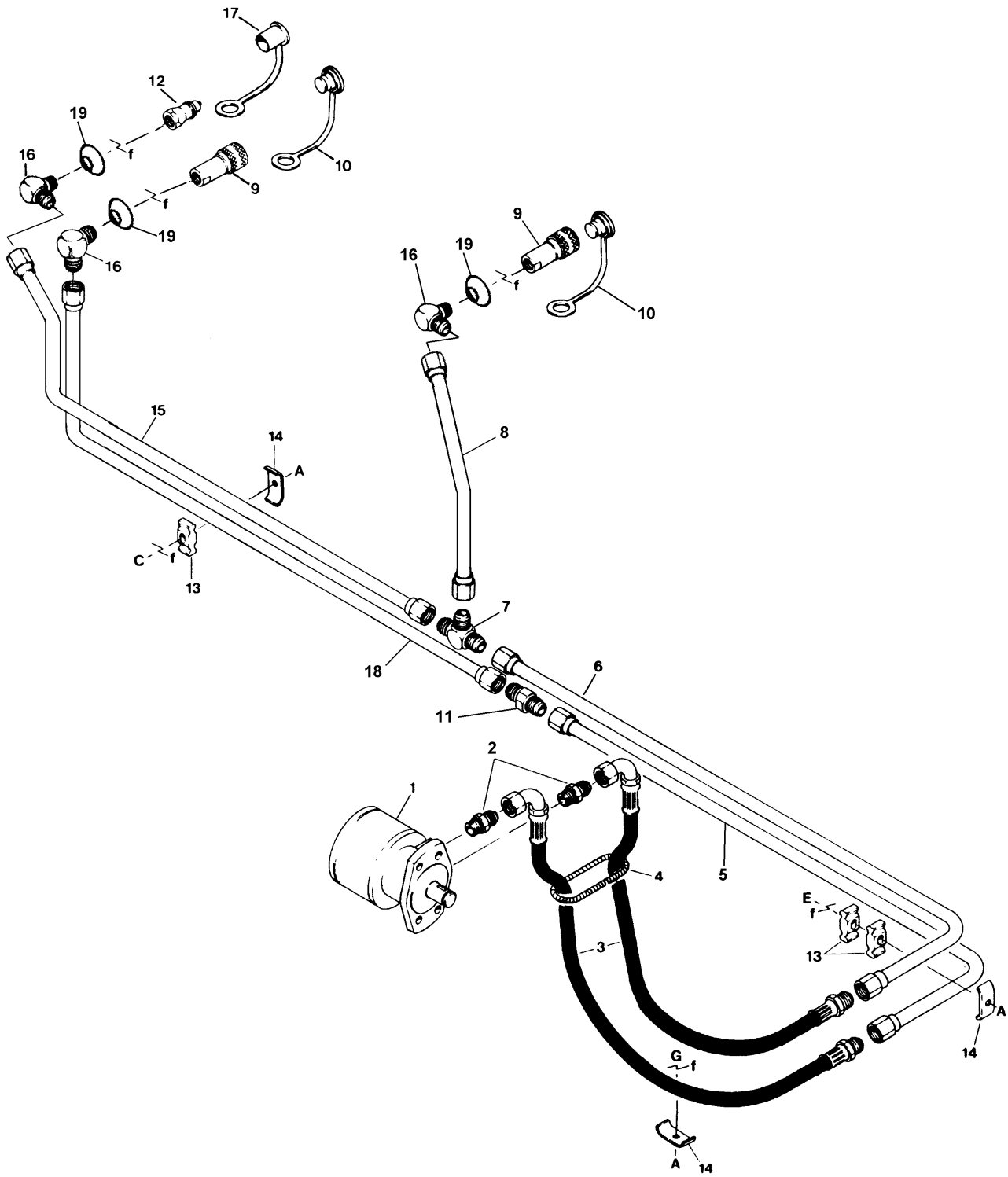
REF	PART NUMBER	DESCRIPTION	QTY	SERIAL NUMBER
36		END SHAFT "A" - Dimension "Z" = 2 inches (50 mm).		
	38411	END SHAFT "A" - 12' & 18' Headers *	3	
	38412	END SHAFT "A" - 14' Header *	3	
	38413	END SHAFT "A" - 16' Header *	3	
		END SHAFT "B" - Dimension "Z" = 4-3/8 inches (110 mm).		
	52291	• END SHAFT "B" - 12' & 18' Headers *, qty. 3 For G/S.....	2	
	38415	• END SHAFT "B" - 14' Header *, qty. 3 For G/S.....	2	
	38416	• END SHAFT "B" - 16' Header *, qty. 3 For G/S.....	2	
		* - NOTE: End shaft includes hardware P & Q.		
37	115158	• TUBE - finger, with connector shafts - 14' & 16'	1/Bat	
	115159	• TUBE - finger, with connector shafts - 18'	1/Bat	
38	115156	• SHAFT - stub (12' Header only)	1/Bat	
39	47681	• FINGER - double pick-up (5 coil, .250 dia. wire)	see note (3)	
40	19183	• CLIP - spring.....	see note (4)	
42	21010	FITTING - lube, 90°	1	
43	16837	SHIM (quantity required may vary).....	1	
44	34751	SEAL - sponge	1	
45	47418	COVER - cam arm.....	1	
46	52318	ANGLE - motor support	1	
47	47285	STUD - reel fore-aft adjustment.....	2	
48	47680	• FINGER - double pick-up, R/H end (5 coil, .250 dia. wire) (qty. 3 for G/S) ..	2	
49	34753	SHIM - chain alignment (quantity required may vary).....	1	
50	18810	KEY - 1/4 square x 1 inch (reel drive motor includes this key).....	1	
51	16123	WASHER - flat.....	1	
A	21594	BOLT - hex head 5/8 NC x 1-1/2"	P	30961 • BOLT - hex hd, 5/16 NC x 2", Grade 8
B	18639	WASHER - lock, 5/8 inch	Q	18690 • NUT - lock, 5/16 NC distorted thread
C	19965	BOLT - rnd hd, sq nk, 3/8 NC x 1"	R	21488 • BOLT - rnd hd, sq nk, 5/16 NC x 1-3/4"
D	18637	WASHER - lock, 3/8 inch		21480 • BOLT - rnd hd, sq nk, 5/16 NC x 2 inch
E	18590	NUT - hex, 3/8 NC		30961 • BOLT - hex hd, 5/16 NC x 2", Grade 8
F	19966	BOLT - rnd hd, sq nk, 3/8 NC x 1-1/4"	S	18598 WASHER - flat, 13/32 I.D.
G	20077	BOLT - hex head, 3/8 NC x 1 inch	T	30228 NUT - lock, smth flng, 3/8 NC dist thd
H	18723	BOLT - hex head, 1/2 NC x 1-1/2"	U	21452 NUT - serrated flange, 3/8 NC
J	18638	WASHER - lock, 1/2 inch	V	21472 BOLT - rnd hd, sq nk, 3/8 NC x 3/4 inch
K	21755	• BOLT - flange head, 5/16 NC x 1/2"	W	21484 BOLT - rnd hd, sq nk, 3/8 NC x 1-1/2"
L	30280	• NUT - lock, smth flng 5/16 NC, dist thd	X	21569 • BOLT - hex head, 5/16 NC x 2 inch
M	21941	• NUT - jam, 5/8 NC distorted thread	Y	30278 BOLT - serr flng hd 5/16 NC x 3/4 inch
N	21281	• BOLT - rnd hd, sq nk, 5/16 NC x 3/4"	Z	21672 BOLT - hex hd, 1/2 NC x 3", thd full lgth

~ f REF Indicates where hardware passes through frame member.

NOTES: (3) – Quantities for item 39: 12' = 105, 14' 922 = 103, 14' 933 = 123, 16'=118, 18' = 128
(4) – Quantities for item 40: 12' = 120, 14' 922 = 115, 14' 933 = 138, 16'=130, 18' = 140

- Reel Bat Replacement Kit – includes all items marked • on pages 33 & 35 in proper size and quantity for one complete bat. (Kits available through WholeGoods only).
B2883 – Bat Assembly – complete – 12' Header
B2884 – Bat Assembly – complete – 14' Header
B2885 - Bat Assembly – complete – 16' Header
B2886 – Bat Assembly – complete – 18' Header

922 & 933 Auger Headers REEL DRIVE HYDRAULICS



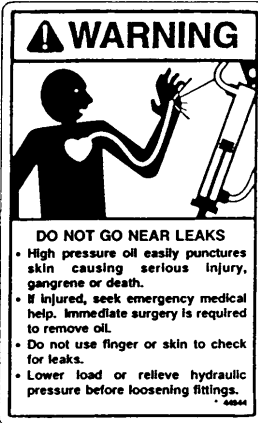
**922 & 933 Auger Headers
REEL DRIVE HYDRAULICS**

REF	PART NUMBER	DESCRIPTION	QTY	SERIAL NUMBER
1	47276	MOTOR - hydraulic (with key)	1	
	47277	SEAL KIT - for motor 47276	1	
2	30695	FITTING - adapter, 7/8 O-ring x 5/8 tube.....	2	
3	38811	HOSE - hydraulic, to/from motor.....	2	
4	38810	PROTECTOR - hose	1	
5	115197	LINE - return, L/H – 12' header.....	1	
	115198	LINE - return, L/H – 14' header.....	1	
	115199	LINE - return, L/H – 16' header.....	1	
	115200	LINE - return, L/H – 18' header.....	1	
6	115193	LINE - pressure, L/H, 12' header.....	1	
	115194	LINE - pressure, L/H, 14' header.....	1	
	115195	LINE - pressure, L/H, 16' header.....	1	
	115196	LINE - pressure, L/H, 18' header.....	1	
7	30976	FITTING - tee, 3/4 tube.....	1	
8	115191	LINE – pressure, L/H connector	1	
9	21857	COUPLER - quick disconnect, female, 1/2 NPT	2	
	50082	O-RING - for coupler 21857	2	
10	21858	PLUG - dust.....	2	
11	30376	FITTING – union, 3/4 tube	1	
12	21855	COUPLER - quick disconnect, male, 1/2 NPT	1	
13	37167	HOLDER – plastic, (quantity 6 for 18' Header).....	5	
14	32225	HOLDER - steel, (quantity 6 for 18' Header)	5	
15	115192	LINE - pressure, R/H	1	
16	50077	FITTING - 90° elbow, 3/4 tube x 1/2 NPT.....	3	
17	21856	CAP - dust	1	
18	115293	LINE – return, R/H	1	
19	102653	WASHER – dished	3	
A	30228	NUT - lock, smooth flange, 3/8 NC distorted thread		
C	21470	BOLT - round head, square neck, 3/8 NC x 2 inch		
E	21478	BOLT - round head, square neck, 3/8 NC x 2-1/2 inch		
G	21484	BOLT - round head, square neck, 3/8 NC x 1-1/2 inch		
~ f	REF	Indicates where hardware passes through frame member.		

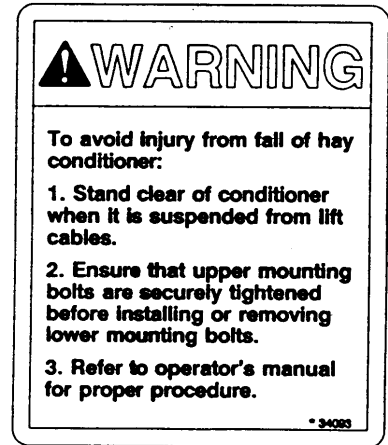
DECALS



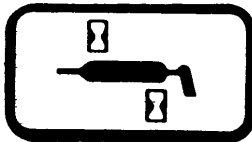
1



5



3



7

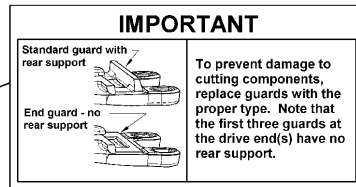


8

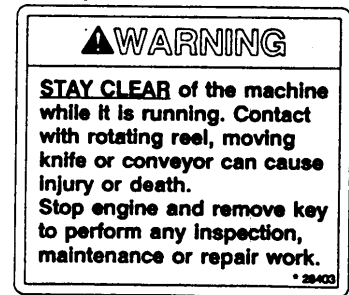
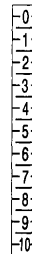
This product may be covered by one or more of the following patents:

CDN. # 1075814
 CDN. # 1226739
 CDN. # 1240159
 CDN. # 1244248
 CDN. # 1267292
 U.S. # 4346909
 U.S. # 4573309
 U.S. # 4660361
 U.S. # 4662161
 U.S. # 4909026
 U.S. # 4986966
 U.S. # 5005343

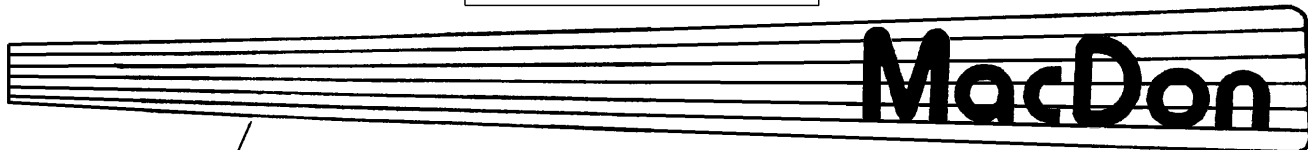
Other patents pending.



15



4



10

11 — **912 AUGER HEADER**

12 — **922 AUGER HEADER**

13 — **933 GRASS SEED SPECIAL**

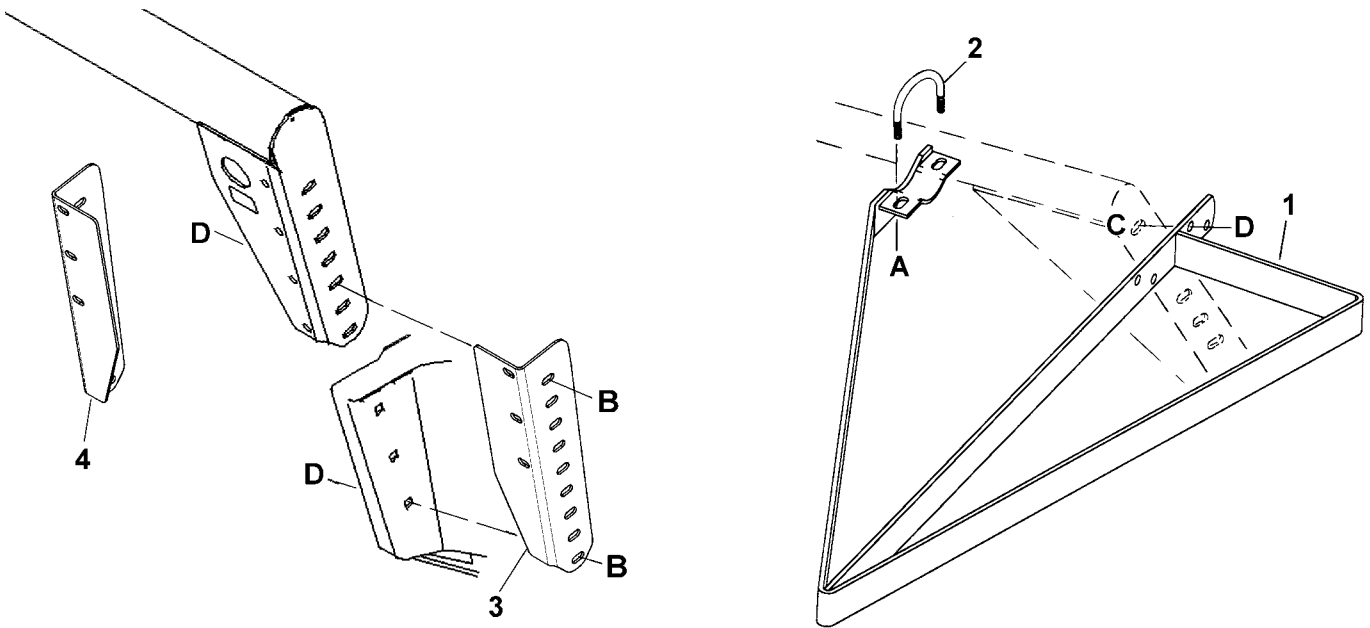
DECALS

REF	PART NUMBER	DESCRIPTION	QTY	SERIAL NUMBER
1	30316	DECAL - Danger: Rotating drive		
2	32738	DECAL - Warning: Shields & guards in place		
3	34093	DECAL - Warning: Hay conditioner winch use		
4	28403	DECAL - Warning: Clear while running		
5	44944	DECAL - Warning: Hydraulic oil leaks		
6	23163	DECAL - 10 hour grease		
	23164	DECAL - 25 hour grease		
	23165	DECAL - 50 hour grease		
	115759	DECAL - 100 hour grease		
7	115147	REFLECTOR - red		
	115146	REFLECTOR - amber		
	115145	REFLECTOR - Day-Glow orange		
8	32070	DECAL - patents		
9	23292	DECAL - "No Lift Or Tie"		
10	115509	DECAL - Rainbow with MacDon, L/H		
	115510	DECAL - Rainbow with MacDon, R/H		
11	115523	DECAL - "912 AUGER HEADER"		
12	115524	DECAL - "922 AUGER HEADER"		
13	115688	DECAL - "933 GRASS SEED SPECIAL"		
14	115817	DECAL - conditioner roll gap (includes two decals)		
15	122019	DECAL - Important: Guards		

PAINT

135148	PAINT - black, spray can (55 - 65 Gloss Level) (was 25990)
25991	PAINT - black, 1 litre (55 - 65 Gloss Level)
23950	PAINT - red, spray can
32880	PAINT - red, 1 litre

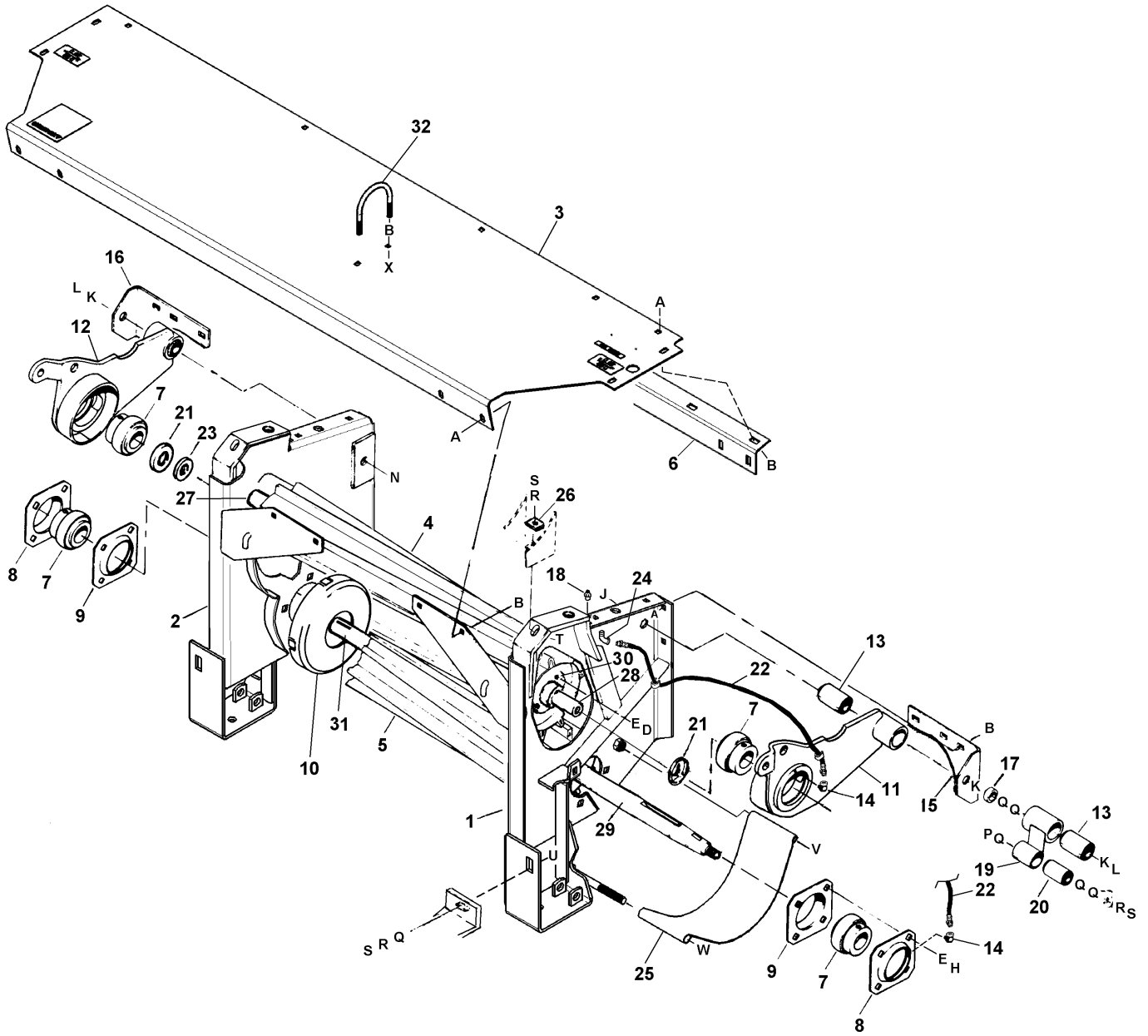
TALL CROP KIT (OPTIONAL ATTACHMENT)



**TALL CROP KIT
(OPTIONAL ATTACHMENT)**

REF	PART NUMBER	DESCRIPTION	QTY	SERIAL NUMBER
	B 2539	KIT - tall crop, complete (includes dividers, lean bar extensions and hardware) Kit available through WholeGoods only.		
1	47345	DIVIDER - left hand	1	
	47346	DIVIDER - right hand	1	
2	47231	BOLT - "U", for 4 inch (100 mm) tube.....	2	
	47225	BOLT - "U", for 3 inch (75 mm) tube (not used in this application).....	2	
3	140254	EXTENSION – left, lean bar	1	
4	140255	EXTENSION – right, lean bar	1	
A	30228	NUT - lock, smooth flange, 3/8 NC distorted thread		
B	21868	BOLT – round head, short square neck, 1/2 NC x 1 inch		
C	21449	BOLT - flange head, 1/2 NC x 1 inch		
D	21383	NUT - serrated flange, 1/2 NC		

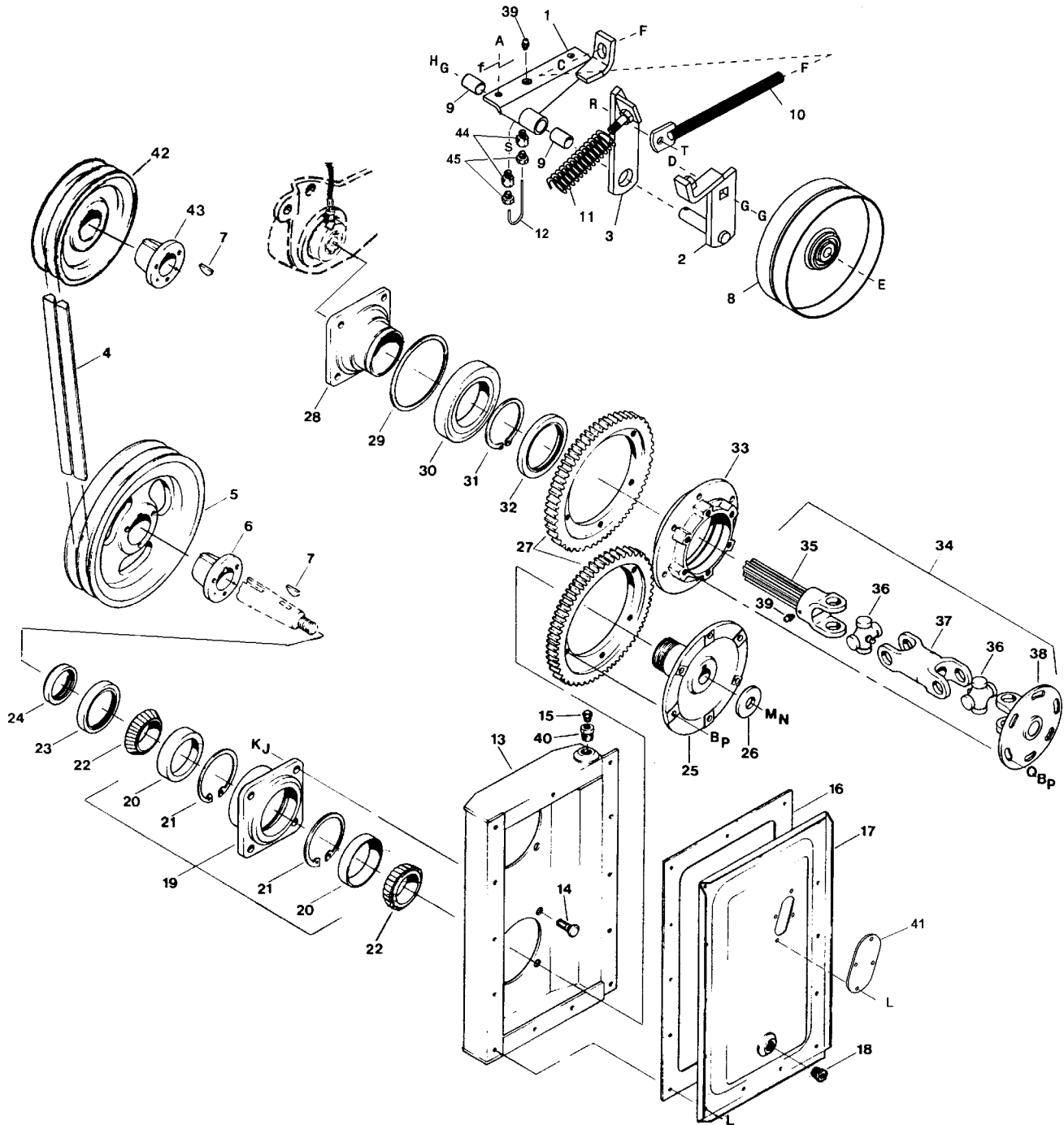
722 Hay Conditioner FRAME & ROLLS GROUP



**722 Hay Conditioner
FRAME & ROLLS GROUP**

REF	PART NUMBER	DESCRIPTION	QTY	SERIAL NUMBER
1	125089	FRAME - left side (was 115204).....	1	
2	125090	FRAME - right side (was 115205)	1	
3	125096	COVER – top, with decals (was 115637)	1	
4	122017	ROLL - upper, includes items 27, 28, 30 & hardware D & E (was 115176) .	1	
5	122012	ROLL - lower, includes items 29 & 31 (was 115178)	1	
6	125086	ANGLE - rear, bolt-on (was 47957).....	1	
7	30031	BEARING - c/w lock collar.....	4	
8	50182	FLANGE - bearing with lube fitting port	2	
9	30576	FLANGE - bearing	2	
10	101173	COVER - bearing, lower roll	2	
11	115526	ARM - L/H c/w bushing (item 13).....	1	
12	115527	ARM - R/H c/w bushing (item 13).....	1	
13	30574	BUSHING - rubber.....	3	
14	50187	FITTING – lube adapter.....	4	
15	34155	SUPPORT - L/H	1	
16	34156	SUPPORT - R/H.....	1	
17	1961	SPACER.....	1	
18	50188	FITTING – lube, 1/8 NPT female.....	4	
19	34085	LINK - c/w rubber bushings (items 13 & 20).....	1	
20	13626	BUSHING - rubber.....	1	
21	47032	COVER - bearing, upper roll.....	2	
22	47723	HOSE - grease	2	
23	47034	WASHER - rubber, 12 mm thick.....	1	
24	115677	FITTING - 45° street elbow, 1/8 NPT	4	
25	47006	SHIELD - lower roll shaft	1	
26	47036	WASHER - square.....	2	
27	47711	SHAFT - upper roll, right side (welded)	1	
28	115226	SLEEVE – with flange, spline bore, upper roll, left side	1	
29	34113	SPINDLE - lower roll, left side (welded)	1	
30	34110	DISC - with tapped holes, upper roll, left side (welded).....	1	
31	122011	SHAFT – with keyway, lower roll, right side (welded).....	1	
32	47225	BOLT – U.....	1	
A	21863	BOLT - round head, square neck, 3/8 NC x 3/4 inch		
B	30228	NUT - lock, smooth flange, 3/8 NC distorted thread		
D	21575	BOLT - hex head, 1/2 NC x 1 inch		
E	18638	WASHER - lock, 1/2 inch		
H	21491	BOLT - hex head, 1/2 NC x 1-1/4 inch		
J	30597	BOLT - hex head, 3/4 NC x 8 inch		
K	18601	WASHER - flat, 13/16 inch I.D.		
L	18689	NUT - lock, 3/4 NC distorted thread		
N	21733	BOLT - hex head, 3/4 NC x 4-1/2 inch		
P	30687	BOLT - hex head, 5/8 NC x 3-3/4 inch		
Q	18600	WASHER - flat, 21/32 inch I.D.		
R	18639	WASHER - lock, 5/8 inch		
S	18592	NUT - hex, 5/8 NC		
T	18525	BOLT - round head, square neck, 5/8 NC x 2-1/2 inch		
U	18523	BOLT - round head, square neck, 5/8 NC x 1-1/2 inch		
V	30015	BOLT - hex head, 5/8 NC x 7 inch		
W	18666	NUT - lock, 5/8 NC distorted thread		
X	21452	NUT – lock, serrated flange, 3/8 NC		

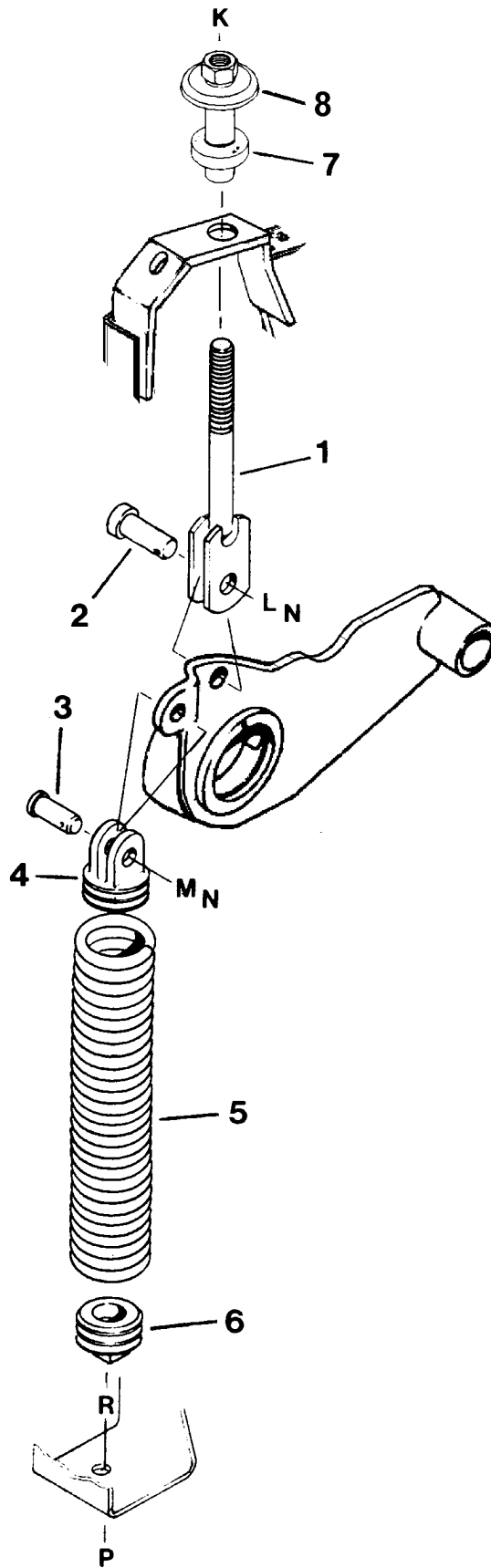
722 Hay Conditioner DRIVE GROUP



722 Hay Conditioner DRIVE GROUP

REF	PART NUMBER	DESCRIPTION	QTY	SERIAL NUMBER	
1	115685	SUPPORT – idler, with bushings, item 9.....	1		
2	47250	ARM - idler.....	1		
3	47241	BAR - idler.....	1		
4	34055	BELT - matched set.....	1		
5	34049	PULLEY - driven.....	1		
6	30256	BUSHING - taper lock.....	1		
7	11142	KEY - Woodruff.....	2		
8	21970	PULLEY - idler.....	1		
9	21983	BUSHING - bronze.....	2		
10	115682	STUD - idler adjust.....	1		
11	42036	SPRING - compression.....	1		
12	115678	LINE – grease.....	1		
13	34184	HOUSING - gear.....	1		
14	34056	BOLT - knurled.....	8		
15	21425	BREATHER.....	1		
16	34022	GASKET.....	1		
17	115640	COVER.....	1		
18	30590	PLUG - 3/8 NPT socket head.....	1		
19	34044	HOUSING - bearing c/w cups & snap rings.....	1		
20	30583	BEARING - cup.....	2		
21	30582	RING - retaining.....	2		
22	30584	BEARING - cone.....	2		
23	30585	SEAL - oil.....	1		
24	34906	NUT.....	1		
25	34015	HUB.....	1		
26	6647	WASHER.....	1		
27	34031	GEAR.....	2		
28	34040	SUPPORT - bearing.....	1		
29	30588	RING - bearing.....	1		
30	30586	BEARING.....	1		
31	30587	RING - retaining.....	1		
32	30589	SEAL - oil.....	1		
33	34033	HOUSING - bearing.....	1		
34	122020	DRIVE SHAFT ASSEMBLY (was 115257).....	1		
35	122022	YOKE - with spline shaft (was 115210).....	1		
36	18922	CROSS & BEARING KIT.....	2		
37	122027	YOKE – double (was 34002).....	1		
38	122021	YOKE - with flange (was 34010).....	1		
39	18671	FITTING - lube.....	2		
40	21024	FITTING - reducer bushing, 3/8 x 1/8 NPT.....	1		
41	115639	PLATE – cover.....	1		
42	34047	PULLEY - driver.....	1		
43	115074	BUSHING - split taper.....	1		
44	50153	FITTING – male connector, 1/8 tube x 1/4 NF.....	2		
45	50152	NUT – tube, 1/8 tube.....	2		
A	21975	BOLT - flange head, 3/8 NC x 1 inch	L	21055	SCREW - self-tapping, 1/4 NC x 1/2"
B	18637	WASHER - lock, 3/8 inch	M	5512	NUT - slotted, 3/4 NF
C	18600	WASHER – flat, 21/32 inch I.D.	N	18607	PIN - cotter, 5/32 x 1-1/2 inch
D	50238	BOLT - rnd hd, sq nk, 5/8 NC x 2-3/4"	P	20077	BOLT - hex head, 3/8 NC x 1 inch
E	18666	NUT - lock, 5/8 NC distorted thread	Q	18598	WASHER - flat, 13/32 inch I.D.
F	18592	NUT - hex, 5/8 NC	R	30228	NUT - lock, sm. fl., 3/8 NC dist. thd.
G	18601	WASHER - flat, 13/16 inch I.D.	S	19243	NUT – hex jam, 5/16 NC
H	18648	PIN - cotter 3/16 x 1-1/4 inch	T	21264	BOLT – hex head, 3/8 NC x 1-1/4 inch
J	18652	WASHER - lock, 7/16 inch	~ f	REF	Indicates where hardware passes
K	18651	NUT - hex, 7/16 NC			through frame member

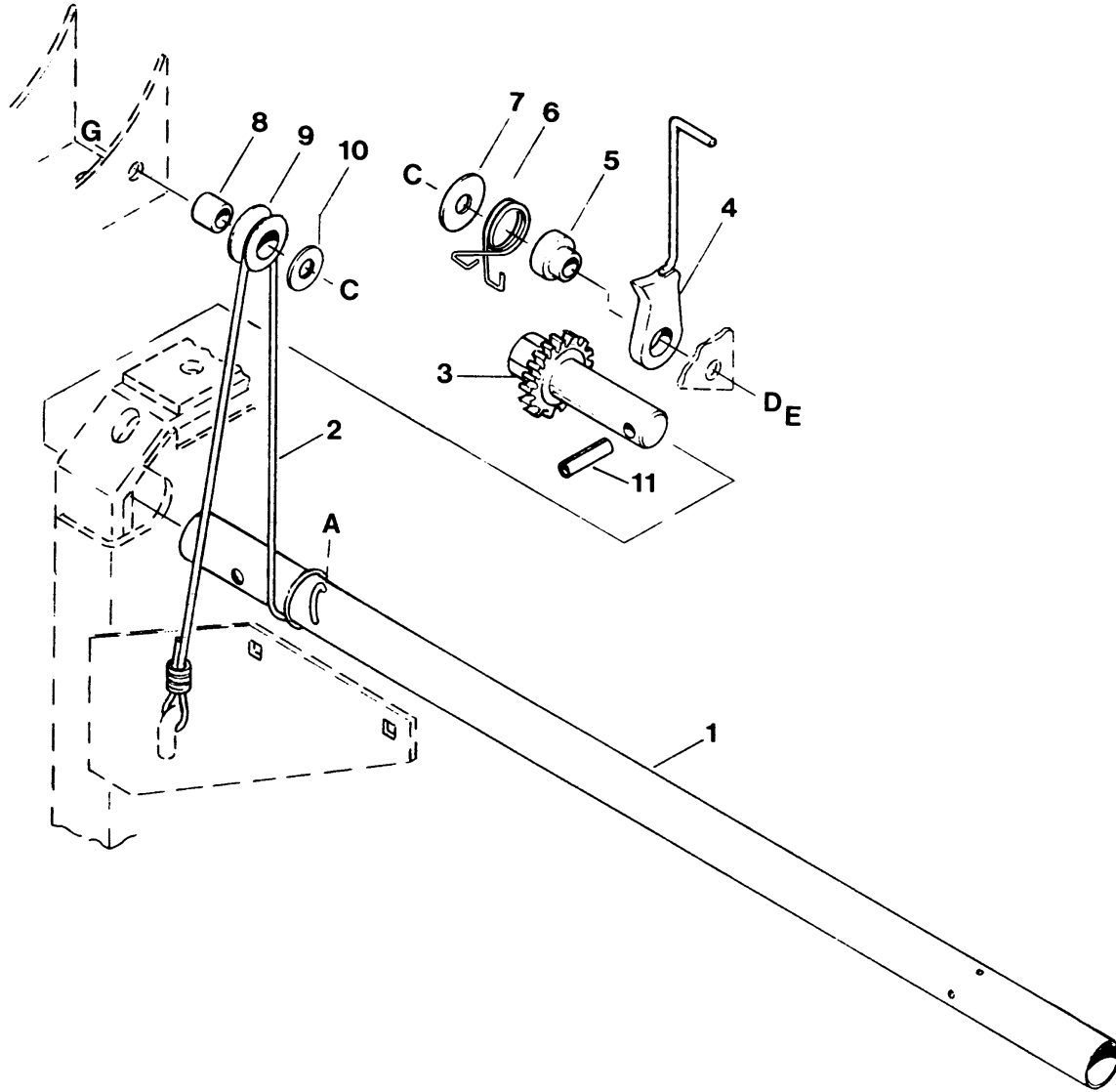
722 Hay Conditioner ROLL TENSION GROUP



**722 Hay Conditioner
ROLL TENSION GROUP**

REF	PART NUMBER	DESCRIPTION	QTY	SERIAL NUMBER
1	115292	ROD - adjuster, roll gap – with decal.....	2	
2	11814	PIN - clevis, 3/4 dia. x 1-3/16 inch effective length.....	2	
3	18620	PIN - clevis, 5/8 dia. x 1-3/8 inch effective length.....	2	
4	47925	INSERT - spring, top	2	
5	47048	SPRING - roll tension	2	
6	47922	INSERT - spring, bottom	2	
7	47124	WASHER - polyurethane.....	2	
8	115281	TUBE - adjuster, roll gap	2	
K	18593	NUT - hex, 3/4 NC		
L	18601	WASHER - flat, 13/16 inch I.D.		
M	18600	WASHER - flat, 21/32 inch I.D.		
N	18648	PIN - cotter, 3/16 x 1-1/4 inch		
P	50080	BOLT - hex head, 5/8 NC x 4-1/2 inch thread full length		
R	18592	NUT - hex, 5/8 NC		

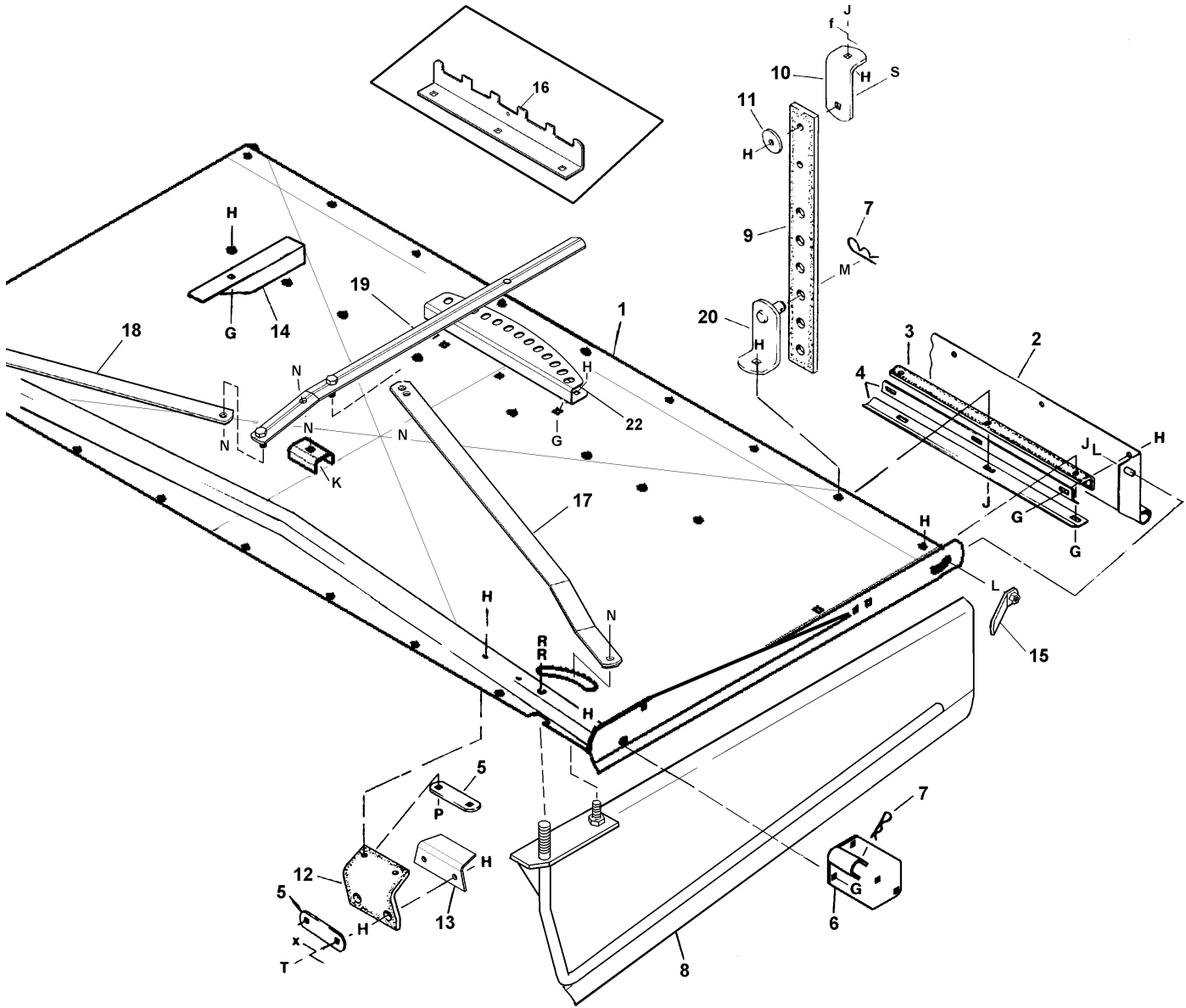
722 Hay Conditioner WINCH GROUP



**722 Hay Conditioner
WINCH GROUP**

REF	PART NUMBER	DESCRIPTION	QTY	SERIAL NUMBER
1	34161	TUBE - winch.....	1	
2	34042	CABLE	2	
3	34037	WHEEL - ratchet.....	1	
4	34168	PAWL	1	
5	34165	SPACER.....	1	
6	115264	SPRING.....	1	
7	32247	WASHER.....	1	
8	24620	SPACER.....	2	
9	34018	PULLEY.....	2	
10	42592	WASHER.....	2	
11	16008	PIN - roll, 5/16 x 1-1/2 inch	1	
A	21947	SCREW - sheet metal, #10 x 5/8 inch		
C	21565	BOLT - hex head, 1/2 NC x 1-3/4 inch		
D	18638	WASHER - lock, 1/2 inch		
E	18591	NUT - hex, 1/2 NC		
G	18697	NUT - lock, 1/2 NC distorted thread		

722 Hay Conditioner FORMING SHIELD GROUP



NOTE: For forming shield components used with Bi-Directional Tractor Center Mount Adapter (Model 802) see Parts Catalog 46493.

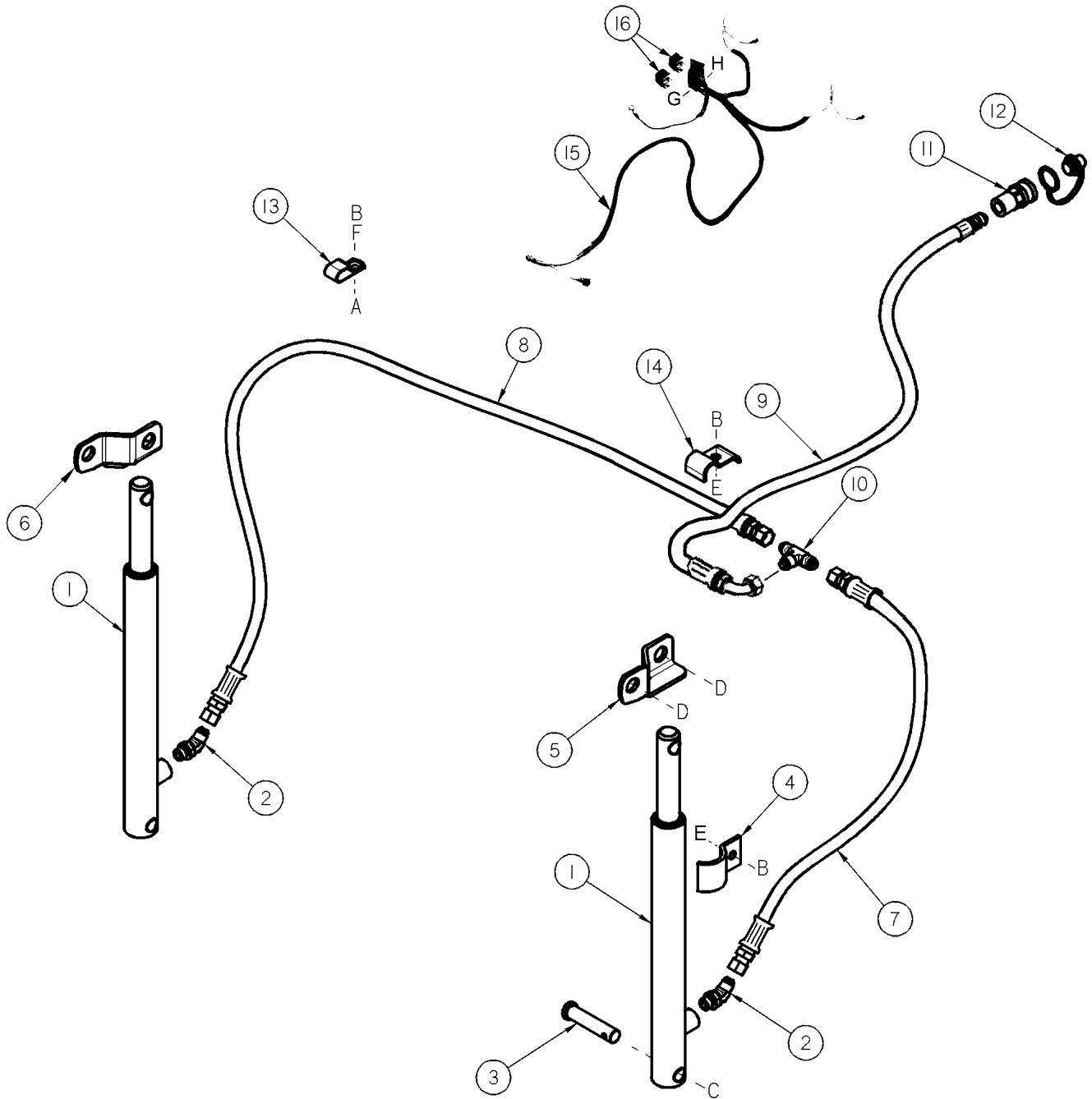
722 Hay Conditioner FORMING SHIELD GROUP

REF	PART NUMBER	DESCRIPTION	QTY	SERIAL NUMBER
1	115311	COVER - top.....	1	
2	47576	DEFLECTOR - rear	1	
3	47578	HINGE - rubber, rear	1	
4	47577	STRAP - deflector hinge support.....	2	
5	47071	BAR - front hinge support.....	4	
6	104301	SUPPORT - mounting (for mounting shields to tractor frame) (was 47584)	2	(see note 1)
7	13125	PIN - hair.....	4	
8	115300	SHIELD - forming, left.....	1	
	115301	SHIELD - forming, right	1	
9	47996	STRAP - rubber, rear support.....	2	
10	47580	ANGLE - tractor mounting	2	
11	16652	WASHER - flat.....	2	
12	47072	HINGE - rubber, front.....	2	
13	47083	SUPPORT - front hinge	2	
14	47042	DEFLECTOR - fin (4 standard, 8 possible)	4	
15	115651	HANDLE – rear deflector	2	
16	115290	ANGLE – notched.....	1	-138024
17	115294	LINK – L/H, side deflector.....	1	
18	115295	LINK, R/H, side deflector.....	1	
19	115296	HANDLE – side deflectors.....	1	-138024
	115926	HANDLE – side deflectors.....	1	138025-
20	52154	ANGLE – lower, with pin.....	2	
22	115920	SUPPORT – side deflector handle	1	138025-
G	21863	BOLT - round head, short square neck, 3/8 NC x 3/4 inch		
H	30228	NUT - lock, flange head, 3/8 NC distorted thread		
J	19965	BOLT - round head, square neck, 3/8 NC x 1 inch		
K	30027	BOLT – round head, square neck, 1/2 NC x 2-1/4 inch		
L	18599	WASHER - flat, 17/32 inch I.D.		
M	18600	WASHER – flat, 21/32 inch I.D.		
N	50186	NUT – lock, smooth flange, 1/2 NC distorted thread		
P	21478	BOLT - round head, square neck, 3/8 NC x 2-1/2 inch		
R	18592	NUT - hex, 5/8 NC		
S	19966	BOLT - round head, square neck, 3/8 NC x 1-1/4 inch		
T	50148	BOLT - round head, square neck, 3/8 NC x 1-1/2 thread full length		
~ x	REF	Hardware passes through conditioner rear angle and/or arm support.		
~ f	REF	Hardware passes through frame member.		

NOTES: (1) – For existing stock of 47584, use on ● tractor models, (see below). For ■ tractor models, (see below), 104301 must be used.

● - MacDon 9250/9350, Westward 9250/9350, Prairie Star 4940/4950, Premier 2940/2950, Harvest Pro 8140/8150
 ■ - MacDon 9352/9352i, Westward 9352/9352i, Prairie Star 4952/4952i, Premier 2952/2952i, Harvest Pro 8152/8152i

722 Hay Conditioner HYDRAULIC ROLL OPENER (Optional Attachment)



**722 Hay Conditioner
HYDRAULIC ROLL OPENER
(Optional Attachment)**

REF	PART NUMBER	DESCRIPTION	QTY.	SERIAL NUMBER
	B 4418	KIT – Hydraulic Roll Opener		
1	29168	CYLINDER – hydraulic.....	2	
	21495	SEAL KIT – for cylinder 29168		
2	30284	FITTING – elbow, 45° - 3/8 tube x 9/16 O-ring.....	2	
	50219	O-RING – for 9/16 fitting		
3	18704	PIN – clevis, 5/8 dia. x 2.28 inch effective length.....	2	
4	125073	HOLDER – cylinder.....	2	
5	125082	BRACKET – roll opener, left.....	1	
6	125083	BRACKET – roll opener, right.....	1	
7	45135	HOSE – to left cylinder.....	1	
8	125088	HOSE – to right cylinder.....	1	
9	125084	HOSE – to tractor reel lift.....	1	
10	7603	FITTING – tube tee, 3/8 tube.....	1	
11	30442	COUPLER – female, 1/4 NPT.....	1	
	50083	O-RING – for coupler 30442		
12	21876	PLUG – dust, for coupler 30442.....	1	
13	43848	HOLDER - hose.....	4	
14	29934	HOLDER – hose.....	1	
15	125099	HARNESS – wiring.....	1	
16	30215	RELAY – electrical.....	2	
A	21863	BOLT – round head, short square neck, 3/8 NC x 3/4 inch		
B	30228	NUT – lock, smooth flange, 3/8 NC distorted thread		
C	18648	PIN – cotter, 3/16 x 1-1/4 inch		
D	REF	Roll opener brackets connect at roll arm clevis pins		
E	19965	BOLT – round head, square neck, 3/8 NC x 1 inch		
F	18598	WASHER – flat, 13/32 inch I.D.		
G	135020	SCREW – truss head, #8 NC x 3/4 inch		
H	135021	NUT – keps lock, #8 NC		

NUMERICAL LIST

<u>PART NO.</u>	<u>PAGE</u>	<u>PART NO.</u>	<u>PAGE</u>	<u>PART NO.</u>	<u>PAGE</u>	<u>PART NO.</u>	<u>PAGE</u>
13125	3	20535	29	24132	31	30615	33
795	23	20535	33	24620	49	30661	13
1961	43	21010	35	25991	39	30668	15
6636	33	21024	45	28346	29	30668	19
6647	45	21054	11	28346	33	30695	37
7603	53	21062	11	28403	39	30696	17
8407	25	21194	15	28790	29	30696	19
9213	23	21301	11	28815	17	30881	27
9333	23	21301	13	29168	53	30882	27
11142	25	21425	45	29934	53	30883	27
11142	45	21495	53	30031	11	30976	37
11814	47	21540	25	30031	13	31062	5
13125	8	21810	25	30031	43	32070	39
13125	9	21855	37	30034	13	32225	37
13125	51	21856	37	30215	53	32247	49
13298	13	21857	37	30256	11	32738	39
13298	25	21858	37	30256	13	32880	39
13626	43	21859	9	30256	25	32891	5
13747	3	21859	13	30256	45	34002	45
14911	27	21860	9	30284	53	34010	45
16008	49	21861	13	30316	39	34015	45
16123	35	21861	25	30376	37	34018	49
16652	51	21862	11	30442	53	34022	45
16659	23	21862	31	30574	43	34031	27
16681	23	21876	53	30576	11	34031	45
16681	25	21934	11	30576	13	34033	45
16837	29	21934	13	30576	43	34037	49
16837	35	21936	11	30582	45	34040	45
17194	11	21936	13	30583	45	34042	49
17194	13	21936	23	30584	45	34044	45
17194	23	21936	25	30585	45	34047	45
17194	31	21936	29	30586	45	34049	45
17194	33	21936	33	30587	45	34055	45
18620	47	21938	11	30588	45	34056	45
18648	5	21938	13	30589	45	34085	43
18671	11	21938	23	30590	45	34093	39
18671	13	21938	29	30596	33	34110	43
18671	45	21938	33	30600	33	34113	43
18704	8	21940	29	30602	11	34155	43
18704	9	21940	33	30602	13	34156	43
18704	53	21970	45	30602	23	34161	49
18810	35	21983	45	30602	25	34165	49
18922	45	23142	31	30602	29	34168	49
19183	29	23163	39	30602	33	34181	17
19183	35	23164	39	30603	25	34182	17
20535	5	23165	39	30603	29	34184	45
20535	7	23292	39	30603	33	34359	17
20535	23	23918	17	30607	15	34359	19
20535	25	23950	39	30614	33	34379	33

NUMERICAL LIST

<u>PART NO.</u>	<u>PAGE</u>	<u>PART NO.</u>	<u>PAGE</u>	<u>PART NO.</u>	<u>PAGE</u>	<u>PART NO.</u>	<u>PAGE</u>
34389	15	34751	35	38937	25	47275	11
34390	17	34752	29	38938	25	47276	37
34390	19	34752	33	38939	25	47277	37
34390	20	34753	35	39272	5	47285	29
34390	20	34755	33	40008	15	47285	35
34390	20	34756	33	41528	29	47295	29
34391	17	34757	33	41717	29	47300	29
34391	19	34833	17	41718	29	47300	33
34400	15	34834	8	41730	29	47326	11
34400	31	34835	8	41886	11	47327	23
34419	8	34836	8	41886	31	47328	11
34454	5	34893	17	41890	31	47328	31
34455	5	34906	45	42036	45	47329	11
34456	5	34968	17	42592	13	47330	11
34457	5	34969	5	42592	49	47331	11
34458	5	34980	17	42688	3	47337	11
34459	5	34980	19	43279	11	47344	23
34516	3	34983	33	43279	13	47345	41
34517	3	36012	11	43280	11	47346	41
34518	3	36627	8	43280	13	47348	31
34519	3	36796	23	43281	13	47352	31
34523	3	37167	37	43648	3	47357	31
34524	3	37551	31	43848	53	47362	31
34525	3	37886	3	44944	39	47388	11
34526	3	38411	35	45135	53	47418	29
34530	3	38412	35	47006	43	47418	35
34530	3	38413	35	47032	43	47440	23
34531	3	38415	35	47034	43	47444	23
34531	3	38416	35	47036	43	47444	29
34532	3	38548	13	47042	51	47450	11
34532	3	38550	13	47048	47	47576	51
34532	3	38551	13	47071	51	47577	51
34533	3	38553	13	47072	51	47578	51
34533	3	38661	27	47073	13	47580	51
34533	3	38728	25	47083	51	47605	13
34566	9	38729	25	47084	13	47606	13
34590	8	38735	13	47124	47	47680	29
34647	23	38810	37	47130	17	47680	35
34647	25	38811	37	47193	3	47681	7
34665	23	38845	27	47194	3	47681	29
34671	33	38846	27	47197	3	47681	35
34675	25	38847	27	47199	9	47711	43
34675	33	38854	27	47202	8	47723	43
34725	5	38855	27	47202	9	47832	15
34726	5	38859	27	47225	41	47833	15
34744	33	38860	27	47225	43	47922	47
34746	33	38861	25	47231	41	47925	47
34747	33	38874	25	47241	45	47996	51
34750	33	38926	15	47250	45	49306	9

NUMERICAL LIST

<u>PART NO.</u>	<u>PAGE</u>	<u>PART NO.</u>	<u>PAGE</u>	<u>PART NO.</u>	<u>PAGE</u>	<u>PART NO.</u>	<u>PAGE</u>
49306	13	100718	21	115144	25	115321	15
50077	37	100719	21	115145	39	115324	8
50082	37	100720	21	115146	39	115325	8
50083	53	100721	21	115147	39	115330	8
50119	17	100722	21	115150	23	115333	9
50152	13	100723	21	115150	25	115334	9
50152	45	100726	21	115156	35	115384	8
50153	13	100765	3	115158	35	115389	3
50153	45	101173	43	115159	35	115390	3
50182	11	102629	21	115163	33	115393	3
50182	13	102630	21	115164	33	115402	23
50182	43	102653	37	115165	33	115402	25
50187	43	103096	21	115170	23	115408	23
50188	43	103377	23	115171	23	115408	25
50194	17	103377	25	115171	25	115425	3
50199	17	103379	23	115172	25	115426	3
50199	19	103379	25	115173	25	115427	3
50219	53	103500	33	115191	37	115428	3
52064	25	103565	21	115192	37	115429	3
52068	25	103650	29	115193	37	115440	25
52154	51	103650	33	115194	37	115447	25
52181	3	103727	5	115195	37	115469	3
52182	3	103837	29	115196	37	115470	3
52183	3	103837	33	115197	37	115471	3
52186	7	104301	51	115198	37	115472	3
52206	19	113152	21	115199	37	115485	3
52217	5	113153	21	115200	37	115488	5
52218	5	113222	15	115210	45	115492	3
52222	25	113229	15	115217	3	115494	5
52223	25	113471	5	115218	3	115497	5
52247	5	113473	5	115219	3	115498	5
52248	5	113474	5	115226	43	115504	5
52250	33	113475	5	115236	33	115509	39
52277	13	113511	5	115246	3	115510	39
52291	35	113698	15	115246	3	115523	39
52318	35	113937	15	115257	45	115524	39
52368	5	115057	5	115264	49	115526	43
100500	15	115058	5	115281	47	115527	43
100532	21	115074	23	115290	51	115549	33
100706	21	115074	31	115292	47	115551	29
100707	21	115074	33	115293	37	115552	29
100708	21	115074	45	115294	51	115572	13
100709	21	115083	15	115295	51	115573	23
100710	21	115084	15	115296	51	115573	25
100712	21	115115	33	115300	51	115574	29
100714	21	115116	33	115301	51	115574	33
100715	21	115134	29	115311	51	115575	33
100716	21	115134	33	115319	8	115586	29
100717	21	115144	23	115320	8	115603	5

NUMERICAL LIST

<u>PART NO.</u>	<u>PAGE</u>	<u>PART NO.</u>	<u>PAGE</u>	<u>PART NO.</u>	<u>PAGE</u>	<u>PART NO.</u>	<u>PAGE</u>
115607	5	122017	43	155065	19		
115608	5	122019	39	155066	17		
115614	3	122020	45	155067	17		
115624	23	122021	45	155069	19		
115625	31	122022	45	155088	7		
115639	45	122027	45	155091	7		
115640	45	125073	53	155092	7		
115642	3	125082	53	155096	19		
115645	7	125083	53	155097	25		
115650	5	125084	53	155099	5		
115651	51	125086	43	155100	5		
115670	15	125088	53	155101	5		
115672	3	125089	43	B2515	16		
115677	43	125090	43	B2516	16		
115678	45	125096	43	B2518	16		
115682	45	125099	53	B2519	16		
115685	45	129000	20	B2539	41		
115688	39	129000	20	B2771	16		
115692	13	129006	20	B2883	33		
115693	13	129007	20	B2883	35		
115694	13	135148	39	B2884	33		
115695	13	139003	21	B2884	35		
115696	13	140096	29	B2885	33		
115759	39	140096	33	B2885	35		
115817	39	140135	5	B2886	33		
115920	51	140215	29	B2886	35		
115926	51	140216	29	B2890	29		
115945	25	140217	29	B2891	29		
115956	7	140218	29	B4418	53		
115960	7	140254	41				
115961	17	140255	41				
116021	33	145246	17				
118137	5	145246	19				
118344	17	155002	11				
118345	17	155005	13				
118346	17	155006	11				
118346	19	155006	13				
118347	17	155007	11				
118347	19	155007	13				
118357	17	155008	13				
118357	19	155009	13				
118358	19	155036	11				
118392	19	155036	13				
118399	19	155062	17				
118475	17	155063	17				
118475	19	155064	17				
118482	19	155064	19				
122011	43	155065	17				
122012	43						

Model 912 Auger Header
SUGGESTED STOCKING LIST

P.C. REF	PART NUMBER	DESCRIPTION	SUGGESTED QTY.		ORDER QTY	UNIT PRICE	EXT. PRICE
			2 UNITS	5 UNITS			
<u>MAIN FRAME, LIGHTS & SHIELDS - Parts Catalog Pg 3</u>							
14	47193	PAD - L/H Shoe	0	1			
16	47197	PAD - R/H Shoe	0	1			
<u>SKID SHOES - Parts Catalog Pg 8</u>							
1	115319 *	SHOE - L/H adjustable skid	0	1			
	115320 *	SHOE - R/H adjustable skid	0	1			
2	36627 *	SUPPORT - front	2	4			
<u>DRIVES GROUP - Parts Catalog Pg 11</u>							
3	30031	BEARING - ball	1	3			
7	30256	BUSHING - split taper	0	1			
10	21862	PULLEY - flat idler	0	1			
12	21054	PULLEY - "V" idler	1	3			
19	36012	BELT - auger drive	1	1			
<u>SICKLE DRIVE GROUP - Parts Catalog Pg 15</u>							
5	115321	HEAD ASSEMBLY - L/H sickle	1	3			
6	100500	BEARING - needle, sickle head	1	3			
12	113222	SEAL - sickle head	1	3			
15	30668	SCREW - sickle head	100	300			
16	34400	BELT - drive, sickle (& reel drive)	1	2			
23	113698	ARM - output	1	1			
24	113229	PIN - sickle head	1	2			
H	30669	NUT - sickle	100	300			
<u>CUTTING COMPONENTS - Parts Catalog Pg 17</u>							
1	118345	GUARD - sickle, end	2	8			
	118344	GUARD - sickle	10	100			
3	28815	CLIP - hold-down	4	20			
6	34181 *	SICKLE ASS'Y - less head - 12'	1	3			
	34182 *	SICKLE ASS'Y - less head - 14'	1	3			
7	34390	SECTION - sickle	50	300			
8	34391	SECTION - sickle end	4	15			
9	30696	SCREW - sickle section	100	300			
<u>SICKLE DRIVE BOX - Parts Catalog Pg 21</u>							
	100532	DRIVE - sickle, complete	0	1			
1	100706	YOKE - output	0	1			
2	100707	SEAL - oil, output shaft	2	4			
3	100708	BUSHING - bronze	1	2			
5	100726	BUSHING - steel	1	2			
8	100710	SHAFT - input	0	1			
10	100712	O-RING	1	2			
11	102630	SEAL - oil, input shaft	1	2			
12	100714	BEARING ASS'Y - cup & cone	1	2			

Continued next page.

* - Order to suit header sizes and options sold.

**Model 912 Auger Header
SUGGESTED STOCKING LIST**

P.C. REF	PART NUMBER	DESCRIPTION	SUGGESTED QTY.		ORDER QTY	UNIT PRICE	EXT. PRICE
			2 UNITS	5 UNITS			
<u>SICKLE DRIVE BOX - Parts Catalog Pg 21 (continued)</u>							
16	100717	BEARING ASS'Y - cup & cone	1	2			
18	100719	CAP - dust	1	2			
20	100720	BEARING ASS'Y - cup & cone	2	4			
21	100721	PIVOT	0	1			
22	100722	RING - retaining, internal	2	4			
23	100723	BUSHING - bronze	2	4			
<u>AUGER & DRIVE - Parts Catalog Pg 23</u>							
11	21936	BEARING - ball	1	2			
14	21938	FLANGE - bearing, 45_ lube fitting	0	1			
16	9333	SPROCKET ASSEMBLY - idler	0	1			
<u>REEL - Parts Catalog Pg 29</u>							
5	30603	FLANGE - bearing, straight lube ftg.	1	1			
11	47295	DISC - reel bushing	0	3			
15	21940	BEARING - cam follower	2	10			
16	28346	BOLT - cam follower	1	2			
17	28790	BUSHING - plastic, reel arm	5	10			
18	47681	FINGER - double, pick-up	20	60			
19	19183	CLIP - spring	5	20			
21	47680	FINGER - double, pick-up, R/H	1	3			
<u>REEL DRIVE & SHIELDS - Parts Catalog Pg 31</u>							
14	23142	BUSHING - plastic	0	1			
<u>PAINT - Parts Catalog Pg 39</u>							
	25991	PAINT - black, 1 litre	1	1			
	32880	PAINT - red, 1 litre	1	1			
<u>HAY CONDITIONER - FRAME & ROLLS - Parts Catalog Pg 43</u>							
7	30031	BEARING - with collar	1	3			
8	50182	FLANGE - brng. with fitting port	0	1			
9	30576	FLANGE - bearing	0	1			
20	13626	BUSHING - rubber	1	3			
<u>HAY CONDITIONER - DRIVE GROUP - Parts Catalog Pg 45</u>							
4	34055	BELT - matched set	1	3			
9	21983	BUSHING - bronze	2	4			
36	18922	CROSS & BEARING KIT	1	2			

Continued next page.

Model 922 Auger Header SUGGESTED STOCKING LIST

P.C. REF	PART NUMBER	DESCRIPTION	SUGGESTED QTY.		ORDER QTY	UNIT PRICE	EXT. PRICE
			2 UNITS	5 UNITS			
<u>MAIN FRAME, LIGHTS & SHIELDS - Parts Catalog Pg 3 & 5</u>							
14	47193	PAD - L/H Shoe	0	1			
18	47194	PAD - R/H shoe	0	1			
<u>SKID SHOES - Parts Catalog Pg 8</u>							
1	115319 *	SHOE - L/H adjustable skid	0	1			
	115320 *	SHOE - R/H adjustable skid	0	1			
2	36627 *	SUPPORT - front	2	4			
<u>DRIVES GROUP - Parts Catalog Pg 13</u>							
4	30576	FLANGE - bearing	1	1			
8	30256	BUSHING - split taper	0	1			
15	21859	BEARING - ball	1	3			
16	49306	FLANGE - bearing	1	1			
21	21861	BUSHING - split taper	0	1			
24	38735	BELTS - cross shaft drive	1	1			
<u>SICKLE DRIVE GROUP - Parts Catalog Pg 15</u>							
5	115321	HEAD ASSEMBLY - sickle	2	4			
6	100500	BEARING - needle, sickle head	1	3			
12	113222	SEAL - sickle head	1	3			
15	30668	SCREW - sickle head	100	300			
17	38926	BELT - timing, double sickle	1	2			
23	113698	ARM - output	1	1			
24	113229	PIN - sickle head	1	2			
H	30669	NUT - sickle	100	300			
<u>CUTTING COMPONENTS - Parts Catalog Pg 17</u>							
1	118345	GUARD - sickle, end	4	10			
	118344	GUARD - sickle	10	100			
2	115961	GUARD - sickle, center	2	5			
3	28815	CLIP - hold-down	4	20			
4	34359	GUIDE - sickle, center	1	2			
5	34980	BAR - adjuster	1	2			
6	155062 *	SICKLE ASS'Y - L/H less hd - 14'	2	5			
	155063 *	SICKLE ASS'Y - L/H less hd - 16'	2	5			
	155066 *	SICKLE ASS'Y - L/H less hd - 18'	2	5			
7	34390	SECTION - sickle	50	300			
8	34391	SECTION - sickle end	4	15			
9	30696	SCREW - sickle section	50	200			
10	155064 *	SICKLE ASS'Y - R/H less hd - 14'	1	3			
	155065 *	SICKLE ASS'Y - R/H less hd - 16'	1	3			
	155067 *	SICKLE ASS'Y - R/H less hd - 18'	1	3			
15	50194 *	SCREW - countersink head, 60°	10	20			
17	118357	SECTION - sickle, top c'sink, 90°	4	15			
18	145246	SCREW - countersink head, 90°	10	20			

* - Order to suit header sizes and options sold.

Continued next page.

**Model 922 Auger Header
SUGGESTED STOCKING LIST**

P.C. REF	PART NUMBER	DESCRIPTION	SUGGESTED QTY.		ORDER QTY	UNIT PRICE	EXT. PRICE
			2 UNITS	5 UNITS			
<u>SICKLE DRIVE BOX - Parts Catalog Pg 21</u>							
	100532	DRIVE - sickle, complete	0	1			
1	100706	YOKE - output	0	1			
2	100707	SEAL - oil, output shaft	2	4			
3	100708	BUSHING - bronze	1	2			
5	100726	BUSHING - steel	1	2			
8	100710	SHAFT - input	0	1			
10	100712	O-RING	1	2			
11	102630	SEAL - oil, input shaft	1	2			
12	100714	BEARING ASS'Y - cup & cone	1	2			
16	100717	BEARING ASS'Y - cup & cone	1	2			
18	100719	CAP - dust	1	2			
20	100720	BEARING ASS'Y - cup & cone	2	4			
21	100721	PIVOT	0	1			
22	100722	RING - retaining, internal	2	4			
23	100723	BUSHING - bronze	2	4			
<u>AUGER & DRIVE - Parts Catalog Pg 25</u>							
25	8407	BELT - auger drive, matched pair	1	1			
<u>REEL DRIVE GROUP - Parts Catalog Pg 33 & 35</u>							
7	21936	BEARING - ball	1	3			
9	30603	FLANGE - bearing, straight lube ftg.	1	1			
10	21938	FLANGE - bearing, 45° lube fitting	1	1			
28	21940	BEARING - cam follower	2	10			
29	28346	BOLT - cam follower	0	2			
32	30614	BEARING - finger tube	1	2			
33	30600	FLANGE - bearing	1	2			
34	30596	FLANGE - bearing, with lube ftg.	1	2			
39	47681	FINGER - double, pick-up	20	100			
40	19183	CLIP - spring	10	100			
48	47680	FINGER - double, pick-up, R/H	1	3			
<u>REEL DRIVE HYDRAULICS - Parts Catalog Pg 37</u>							
1	47277	SEAL KIT - for reel motor	0	1			
<u>PAINT - Parts Catalog Pg 39</u>							
	25991	PAINT - black, 1 litre	1	1			
	32880	PAINT - red, 1 litre	1	1			
<u>HAY CONDITIONER - FRAME & ROLLS - Parts Catalog Pg 43</u>							
7	30031	BEARING - with collar	1	3			
8	50182	FLANGE - brng. with fitting port	0	1			
9	30576	FLANGE - bearing	0	1			
20	13626	BUSHING - rubber	2	5			
<u>HAY CONDITIONER - DRIVE GROUP - Parts Catalog Pg 45</u>							
4	34055	BELT - matched set	1	3			
9	21983	BUSHING - bronze	2	4			
36	18922	CROSS & BEARING KIT	0	2			

Continued next page.

**Model 933 Grass Seed Auger Header
SUGGESTED STOCKING LIST**

P.C. REF	PART NUMBER	DESCRIPTION	SUGGESTED QTY.		ORDER QTY	UNIT PRICE	EXT. PRICE
			2 UNITS	5 UNITS			
<u>DRIVES GROUP - Parts Catalog Pg 13</u>							
3	30031	BEARING - ball	1	3			
4	30576	FLANGE - bearing	1	1			
15	21859	BEARING - ball	1	3			
16	49306	FLANGE - bearing	1	1			
24	38735	BELTS - cross shaft drive	1	1			
<u>SICKLE DRIVE GROUP - Parts Catalog Pg 15</u>							
5	115321	HEAD ASSEMBLY - sickle	2	4			
6	100500	BEARING - needle, sickle head	1	3			
12	113222	SEAL - sickle head	1	3			
17	38926	BELT - timing, double sickle	1	2			
24	113229	PIN - sickle head	1	3			
<u>CUTTING COMPONENTS - Parts Catalog Pg 19</u>							
1	118347	GUARD - sickle, end	2	8			
2	118346	GUARD - sickle, stub	20	100			
3	34980	BAR - adjuster	4	10			
5	34359	GUIDE - sickle	20	100			
6	118392 *	SICKLE ASS'Y - L/H less hd - 12'	1	2			
	155069 *	SICKLE ASS'Y - L/H less hd - 14'	1	2			
	155096 *	SICKLE ASS'Y - L/H less hd - 16'	1	2			
7	52206	GUIDE - top, L/H sickle	1	4			
8	118358	SECTION - bottom countersink	20	100			
9	34390	SECTION - sickle	150	300			
10	34391	SECTION - sickle end	4	20			
11	30696	SCREW - sickle section	50	200			
12	118357	SECTION - top countersink	20	100			
13	118399 *	SICKLE ASS'Y - R/H less hd - 12'	1	2			
	155064 *	SICKLE ASS'Y - R/H less hd - 14'	1	2			
	155065 *	SICKLE ASS'Y - R/H less hd - 16'	1	2			
14	145246	SCREW - countersink head, 90°	50	250			
15	30668	SCREW - sickle hd. & top guide	25	100			
F	30669	NUT - sickle	100	300			

*- Order to suit header sizes and options sold.

Continued next page.

**Model 933 Grass Seed Auger Header
SUGGESTED STOCKING LIST**

P.C. REF	PART NUMBER	DESCRIPTION	SUGGESTED QTY.		ORDER QTY	UNIT PRICE	EXT. PRICE
			2 UNITS	5 UNITS			
<u>SICKLE DRIVE BOX - Parts Catalog Pg 21</u>							
	100532	DRIVE - sickle, complete	0	1			
1	100706	YOKE - output	0	1			
2	100707	SEAL - oil, output shaft	2	4			
3	100708	BUSHING - bronze	1	2			
5	100726	BUSHING - steel	1	2			
8	100710	SHAFT - input	0	1			
10	100712	O-RING	1	2			
11	102630	SEAL - oil, input shaft	1	2			
12	100714	BEARING ASS'Y - cup & cone	1	2			
16	100717	BEARING ASS'Y - cup & cone	1	2			
18	100719	CAP - dust	1	2			
20	100720	BEARING ASS'Y - cup & cone	2	4			
21	100721	PIVOT	0	1			
22	100722	RING - retaining, internal	2	4			
23	100723	BUSHING - bronze	2	4			
<u>AUGER & DRIVE - Parts Catalog Pg 25</u>							
25	8407	BELT - auger drive, matched pair	1	1			
<u>REEL DRIVE GROUP - Parts Catalog Pg 33 & 35</u>							
9	30603	FLANGE - bearing, straight lube ftg.	1	1			
10	21938	FLANGE - bearing, 45° lube fitting	1	1			
28	21940	BEARING - cam follower	2	10			
29	28346	BOLT - cam follower	0	2			
32	30614	BEARING - finger tube	1	2			
33	30600	FLANGE - bearing	1	2			
34	30596	FLANGE - bearing, with lube ftg.	1	2			
39	47681	FINGER - double, pick-up	20	100			
40	19183	CLIP - spring	10	100			
48	47680	FINGER - double, pick-up, R/H	1	3			
<u>REEL DRIVE HYDRAULICS - Parts Catalog Pg 37</u>							
1	47277	SEAL KIT - for reel motor	0	1			
<u>PAINT - Parts Catalog Pg 39</u>							
	25991	PAINT - black, 1 litre	1	1			
	32880	PAINT - red, 1 litre	1	1			