

Model 873 COMBINE ADAPTER

For 963, 972, 973 & 974 Headers on:

- Case Combines
- New Holland Combines
- John Deere Combines
- Lexion Combines
- Agco Combines

PARTS CATALOG

Inside Front Cover
(blank)

Model 873 COMBINE ADAPTER PARTS CATALOG

CONTENTS

Frame and Float Group	2, 3
Hydraulics	4, 5
Hydraulics – Pump	6
Hydraulics – Valve Block	7
Gear Drive	8, 9
Selector Valve and Center Links (Attachment)	10, 11
Feed Draper & Deck	12 - 15
Retracting Tine Drum	16, 17
Case 20 Series Combines	
Adapter Completion Parts	18, 19
Header Completion Parts	20, 21
Case AFX & New Holland CR/CX Series	
Adapter Completion Parts	22, 23
Header Completion Parts	24, 25
John Deere Combines	
Adapter Completion Parts (Pre 50 Series & 50 Series Models)	26, 27
Header Completion Parts (All Models)	28, 29
Adapter Completion Parts (60 Series Models)	30, 31
Lexion Combines	
Adapter Completion Parts	32, 33
Header Completion Parts	34 - 37
Auto Reel Speed/Height Group	38, 39
Agco Combines	
Adapter Completion Parts	40, 41
Header Completion Parts	42, 43
Decals	44, 45
Driveline	46, 47
Float Optimizer (Attachment): Case, Agco & John Deere (50 & 60 Series) Combines	48 - 51
Float Optimizer (Attachment): New Holland CR/CX Combines	52 - 55
Float Optimizer (Attachment): John Deere (Prior to 50 Series) Combines	56 - 59
Float Optimizer (Attachment): Lexion Combines	60 - 63
Float Indicator (Attachment)	64 - 67
NUMERICAL LIST	68 - 71
SUGGESTED STOCKING LIST	72, 73

ABBREVIATIONS

L/H - left hand (Determined from Operator's position, facing forward.)	A/R - as required (quantity varies)
R/H - right hand	REF - reference, part number called up elsewhere in catalog
I.D. - inside diameter	NC - national coarse thread
O.D. - outside diameter	NF - national fine thread
	NSS – not serviced separately

NOTE: Common hardware is not illustrated. Alphabetic references are used to designate position and description of these items. When ordering, be sure the complete and proper serial number is given.

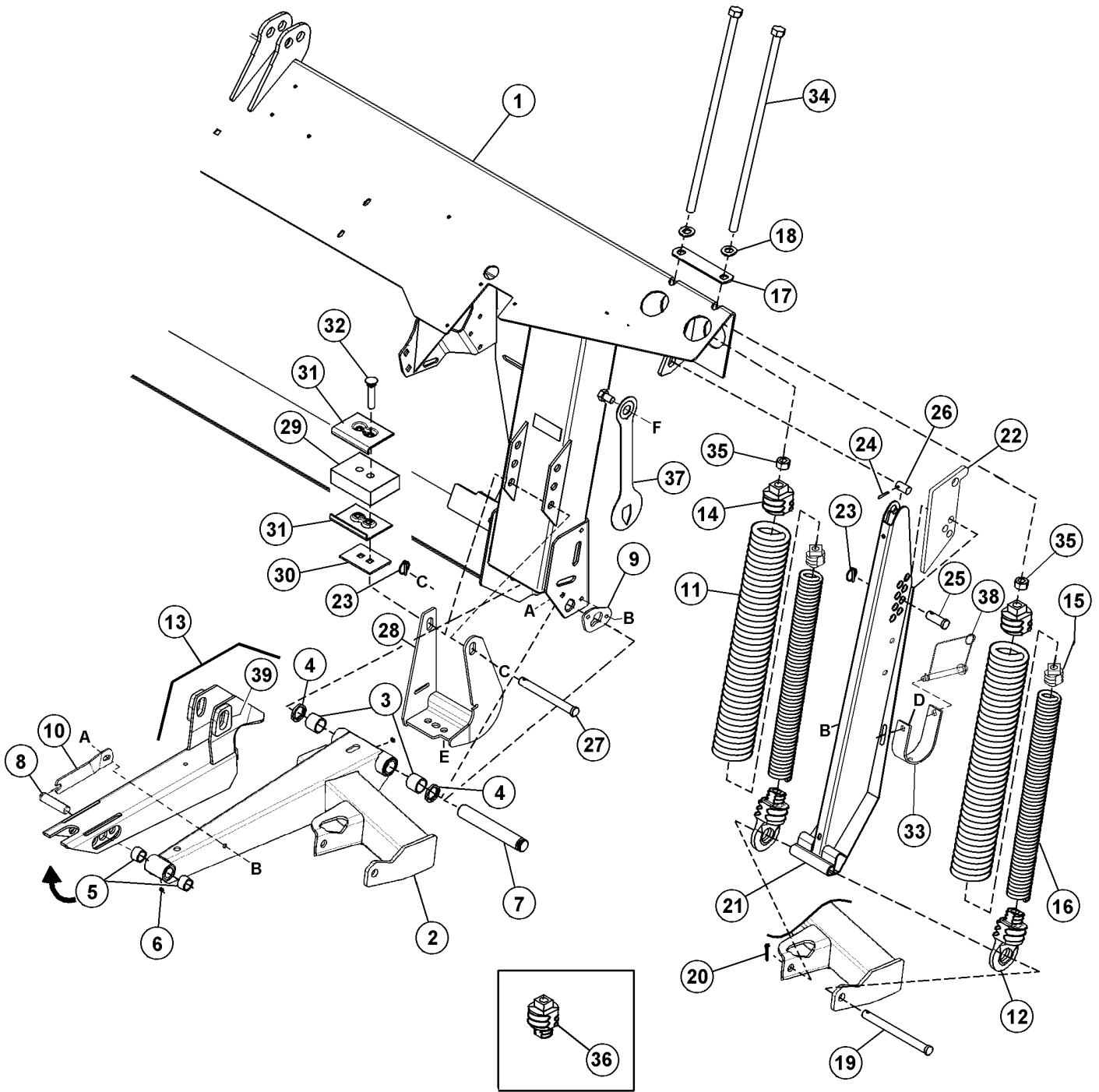
SERIAL NUMBER BREAKS

The side of the serial number on which the dash (-) appears determines whether the part is used "up to" or "after" the serial number given.

Example:	-74924	Used on machines up to and including serial number 74924.
	74925-	Used on machines including and after serial number 74925.

BOLDED PART NUMBERS INDICATE REVISIONS OR ADDITIONS SINCE LAST PRODUCTION YEAR.

FRAME AND FLOAT GROUP



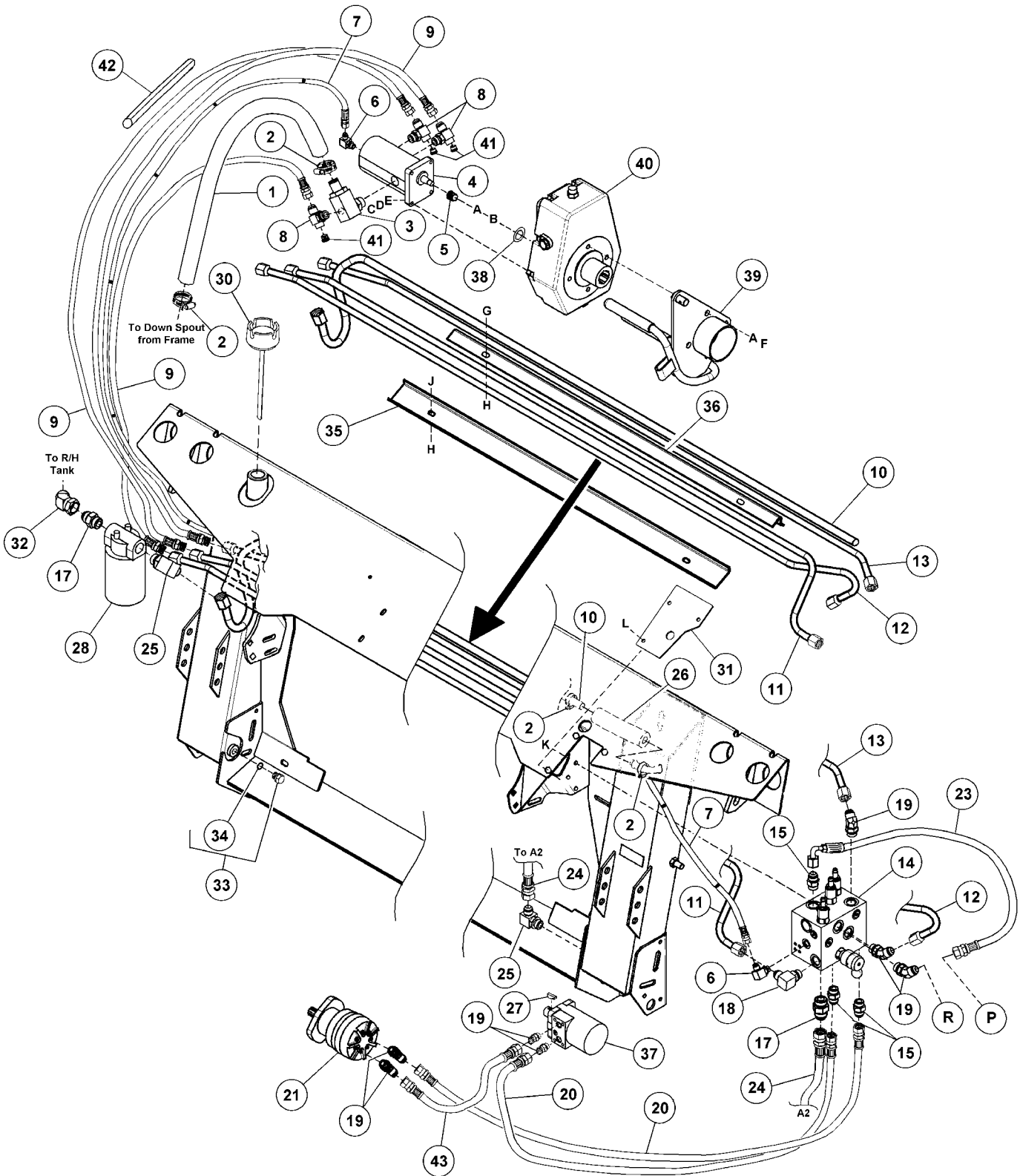
FRAME AND FLOAT GROUP

REF	PART NUMBER	DESCRIPTION	QTY	SERIAL NUMBER
1	REF	FRAME - 873 Adapter, not serviced	1	
2	158671	MEMBER – lower pivot arm, L/H, includes items 3 - 6.....	1	
	158672	MEMBER – lower pivot arm, R/H, includes items 3 – 6 * (see notes).....	1	-153177
	158815	MEMBER – lower pivot arm, R/H, includes items 3 – 6 ** (see notes).....	1	153178-
3	100500	BEARING – needle, for item 2	4	
4	113222	SEAL – install with lip facing outwards.....	4	
5	49904	BEARING – needle, for item 2, front, c/w seals, seals face outwards.....	4	
6	18671	FITTING – lube, 1/4 NC.....	4	
7	153288	PIN - straight.....	2	
8	158596	PIN – pivot.....	2	
9	129495	RETAINER (was 153319).....	2	
10	158581	RETAINER – pivot pin, L/H.....	1	
	158736	RETAINER – pivot pin, R/H.....	1	
11	45858	SPRING – extension, outer.....	4	
12	42691	INSERT – spring.....	4	
13	151060	MEMBER – float	2	-156149
	129081	MEMBER – float (includes item 39).....	2	156150-
14	41358	INSERT – spring.....	4	
15	41357	INSERT – spring.....	4	
16	40766	SPRING – extension, inner.....	4	
17	153429	BAR - spacer	2	
18	21540	WASHER – 3/4" ID, hardened	4	
19	49342	PIN – clevis.....	2	
20	18648	PIN – cotter.....	4	
21	158073	LOCK	2	
22	158075	LOCK.....	2	
23	50193	PIN – lynch	4	
24	13617	PIN – spring.....	2	
25	158080	PIN – clevis.....	2	
26	158181	PIN - straight.....	2	
27	153421	PIN – clevis.....	2	
28	153375	STOP – L/H	1	-156149
	129130	STOP – L/H	1	156150-
	153366	STOP – R/H.....	1	-156149
	129131	STOP – R/H.....	1	156150-
29	153364	BUMPER – rubber, down stop.....	2	
30	153377	PLATE – shim.....	2	-156149
	129133	PLATE – shim.....	2	156150-
31	153376	PLATE – stop	4	-156149
	129128	PLATE – stop	4	156150-
32	158116	BOLT – plow, #3 HD, 1/2 NC x 2.5".....	4	
33	158203	HOLDER – driveline	1	
34	153291	BOLT – hex head, 3/4 NC x 20-1/2 inch, thread full length.....	4	
35	18593	NUT – regular hex, 3/4 NC	4	
36	24322	INSERT – spring, for 21' headers with no inner spring	4	
37	158790	INDICATOR – header angle, see NOTE 1	1	
38	129509	PIN – safety lock.....	1	
39	129475	PLATE – reinforcement (welded).....	4	
A	19965	BOLT – round head, square neck, 3/8 NC x 1 inch		
B	30228	NUT – lock, smooth flange, 3/8 NC distorted thread		
C	18601	WASHER – flat, 20.6 mm ID		
D	21863	BOLT – round head, square neck, 3/8 NC x 3/4 inch		
E	50186	NUT – lock, smooth flange, 1/2 NC distorted thread		
F	21941	NUT – hex jam, 5/8 NC distorted thread		

NOTES:

1. Repair part will have cut-out at top mounting hole. For Case AFX/New Holland CR & CX Combines, remove this cut-out to enlarge hole. See page 22 for mounting details.
- * JD, Case 2300 Series, NH CR 970/980 & Lexion adapters only.
- ** Used for all serial numbers on Combines except those listed at *. For combines listed at *, used 153178 & Up.

HYDRAULICS

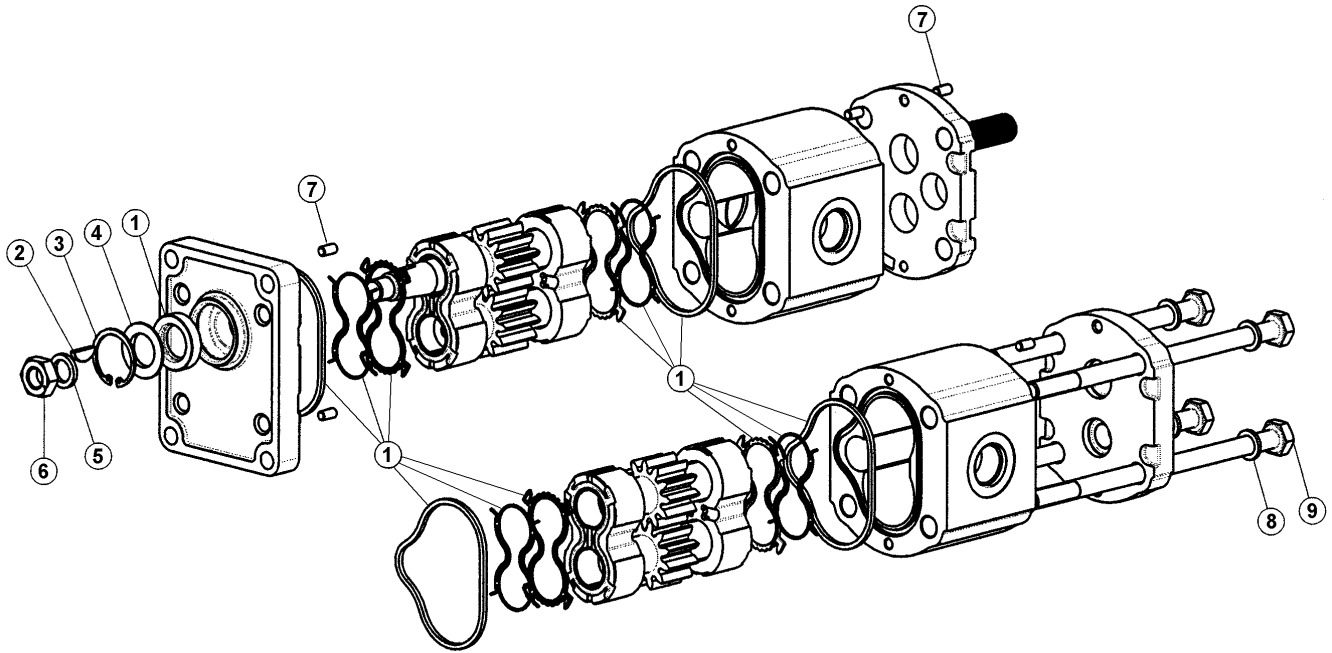


HYDRAULICS

REF	PART NUMBER	DESCRIPTION	QTY	SERIAL NUMBER	
1	101797	HOSE – R/H tank to pump input	1		
2	30639	CLAMP – hose, for item 1	2		
3	153558	VALVE - check	1		
4	REF	PUMP – hydraulic, see page 6 for service parts	1		
5	101793	BUSHING – spline, 18 teeth.....	1		
6	30282	FITTING – hydraulic, 90° elbow, 9/16 O-ring x 3/8 tube	1		
	50219	O-RING – for 9/16 fitting			
7	153434	HOSE – hydraulic.....	1		
8	135275	FITTING – hydraulic, run tee, 7/8 O-ring x 5/8 tube x 9/16 O-ring run.....	3		
9	158016	HOSE – hydraulic.....	3		
10	153726	LINE – hydraulic, steel	1		
11	153734	LINE – hydraulic, steel	1		
12	153728	LINE – hydraulic, steel	1		
13	153727	LINE – hydraulic, steel	1		
14	REF	VALVE – hydraulic, combination, see page 7 for service parts.....	1		
15	30695	FITTING – hydraulic, connector, 7/8 O-ring x 5/8 tube	3		
	44210	O-RING – for 7/8 fitting			
17	21830	FITTING – hydraulic, connector, 1-1/16 O-ring x 3/4 tube	2		
	30971	O-RING – for 1-1/16 fitting			
18	21843	FITTING – hydraulic, 90° elbow, 7/8 O-ring x 5/8 tube	1		
	44210	O-RING – for 7/8 fitting			
19	50103	FITTING – hydraulic, 45° elbow, c/w o-ring, 5/8 O-ring x 5/8 tube	7		
20	114359	HOSE – hydraulic.....	2		
21	153557	MOTOR – hydraulic, drum drive	1		
	47277	SEAL KIT – for drum motor			
23	158041	HOSE – hydraulic.....	1		
24	153436	HOSE – hydraulic.....	1		
25	30970	FITTING – hydraulic, 90° elbow, 1-1/16 O-ring x 3/4 tube	2		
	30971	O-RING – for 1-1/16 fitting			
26	102438	HOSE – hydraulic.....	1		
27	123306	KEY – woodruff, for item 37	1		
28	45205	FILTER ELEMENT- (LHA #SPE-15-10), see note 1 re: substitution.....	1		
	45160	FILTER ASSEMBLY - with head			
30	100100	GAUGE – oil dipstick.....	1		
31	153735	COVER – valve	1		
32	102627	FITTING – hydraulic, 45° swivel elbow, 3/4 O-ring x 3/4 tube.....	1		
33	44207	PLUG – hydraulic c/w item 34	1		
34	44209	O-RING – hydraulic, SAE J515 Type 1, Nitrile 90.....	1		
35	153738	HOLDER – hydraulic lines, steel.....	1		
36	153740	HOLDER – hydraulic lines, steel.....	1		
37	153284	MOTOR – draper drive.....	1		
	37181	KIT – seal, for draper drive motor	1		
38	158309	WASHER.....	1		
39	REF	ARM – for item 40, see adapter completion packages	1		
40	REF	DRIVE – gear, see pages 8 & 9	1		
41	100577	PLUG – hex head, c/w 9/16 o-ring (50219).....	3		
42	129527	SLEEVE – plastic	1		
43	114373	HOSE – hydraulic.....	1		
A	30633	WASHER – lock, 12.5mm ID	H	30228	NUT – lock, smth flng, 3/8 NC dist. thd
B	101899	NUT – jam, hex, M12	J	21484	BOLT – rnd hd, sq. nk, 3/8 NC x 1-1/2"
C	103513	BOLT – socket hd, M8 - 1.25 x 30mm	K	21821	BOLT – hex hd, smth flng, 3/8 NC x 3/4"
D	30716	WASHER – lock, M8	L	101898	SCREW – self tapping, 3/8 NC x 5/8"
E	18597	WASHER – flat, 8.7mm ID	P	REF	Pressure to Header
F	50155	BOLT – hex head, M12 – 1.75 x 25mm	R	REF	Return from Header
G	21863	BOLT – round hd, sq. nk, 3/8 NC x 3/4"			

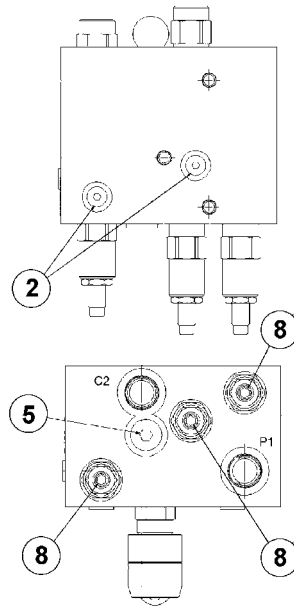
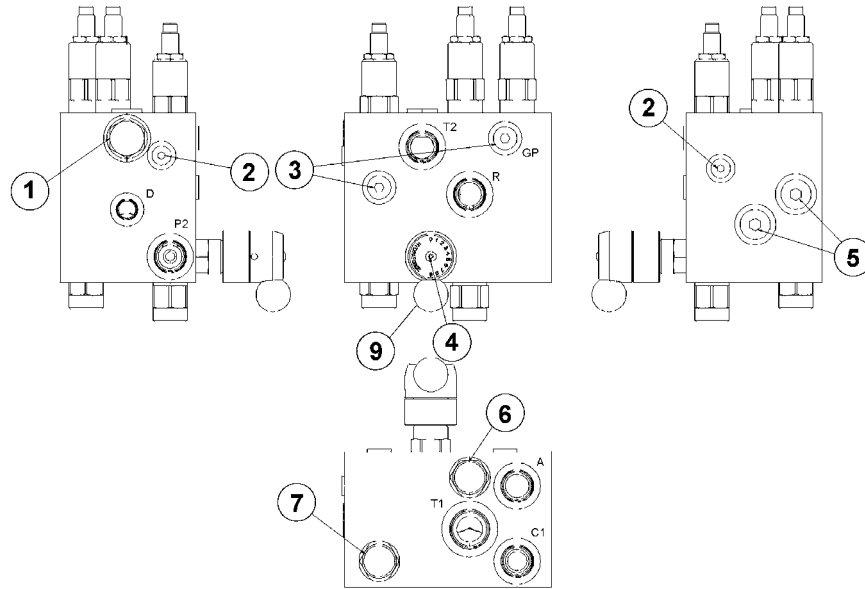
NOTES: 1. MacDon filter element 21808 may be substituted in this application.

HYDRAULICS – PUMP



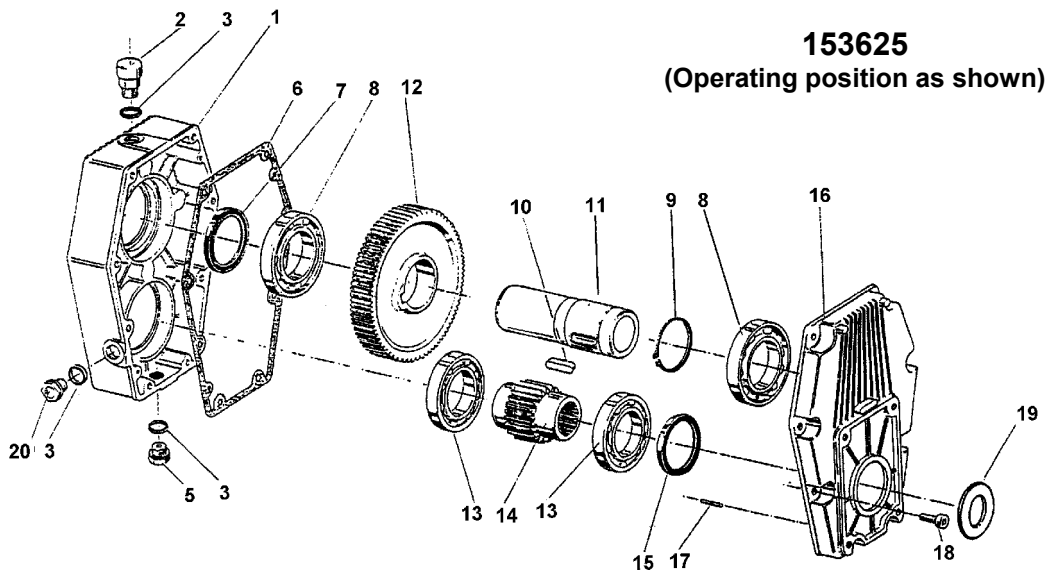
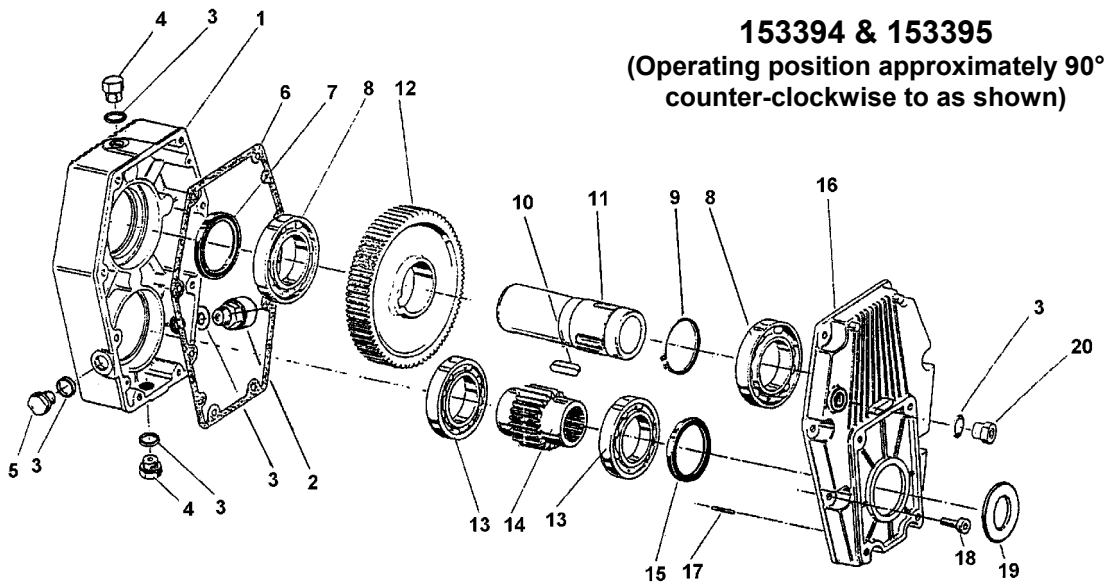
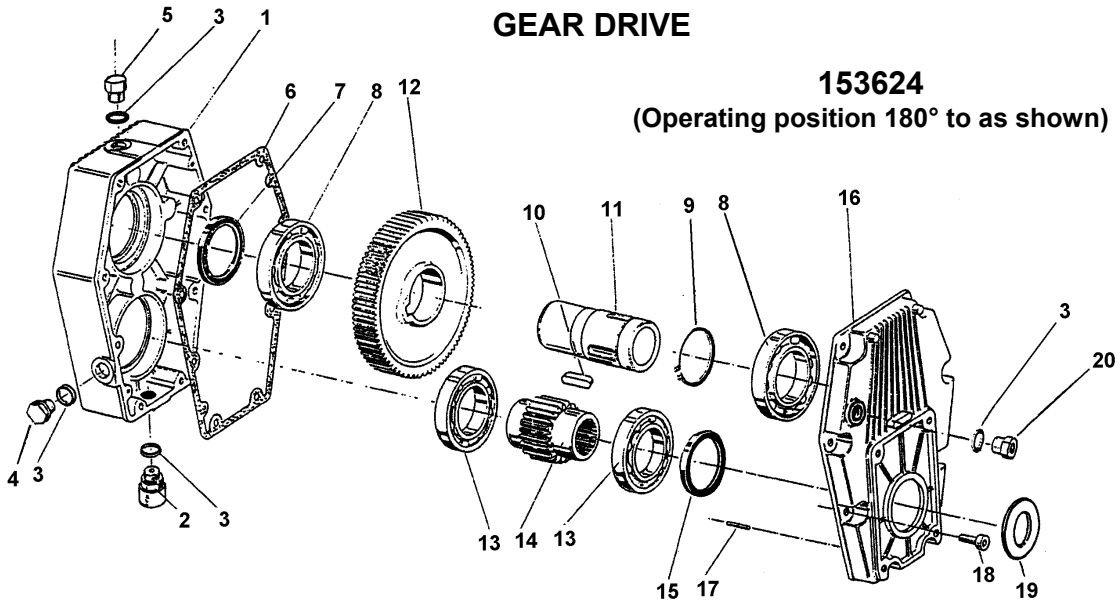
REF	PART NUMBER	DESCRIPTION	QTY	SERIAL NUMBER
*	153559	PUMP – hydraulic, complete	1	
1	158652	KIT – seal (was 114053).....	1	
2	102640	KEY – woodruff.....	1	
3	158360	RING – retaining, internal	1	
4	158653	WASHER – backup	1	
5	30633	WASHER – lock, 12.5mm ID.....	1	
6	101899	NUT – jam, hex M12.....	1	
7	158659	PIN – dowel	8	
8	158654	WASHER – flat	4	
9	158658	BOLT – hex head, M10 x 180 mm.....	4	

HYDRAULICS – VALVE BLOCK



REF	PART NUMBER	DESCRIPTION	QTY	SERIAL NUMBER
*	153556	VALVE – block.....	1	
	158176	KIT – seal, for valve block	1	
1	123318	VALVE – check, CV1, cartridge CV10-20-0-N-02	1	
2	102711	PLUG – hex socket head, 7/16 O-ring (50023)	4	
3	100577	PLUG – hex head, 9/16 O-ring (50219).....	1	
4	102705	VALVE – needle, cartridge MR10-20B-0-N	1	
5	158174	PLUG – hex socket head,	3	
6	158173	VALVE – 2 way, cartridge PD10-32-0-N-60	1	
7	123319	VALVE – pressure compensator, cartridge EC50-40-0-P-80	1	
8	123110	VALVE – relief, cartridge RV50-26A-0-P.....	3	
9	102706	KIT – ball handle kit.....	1	

GEAR DRIVE



GEAR DRIVE

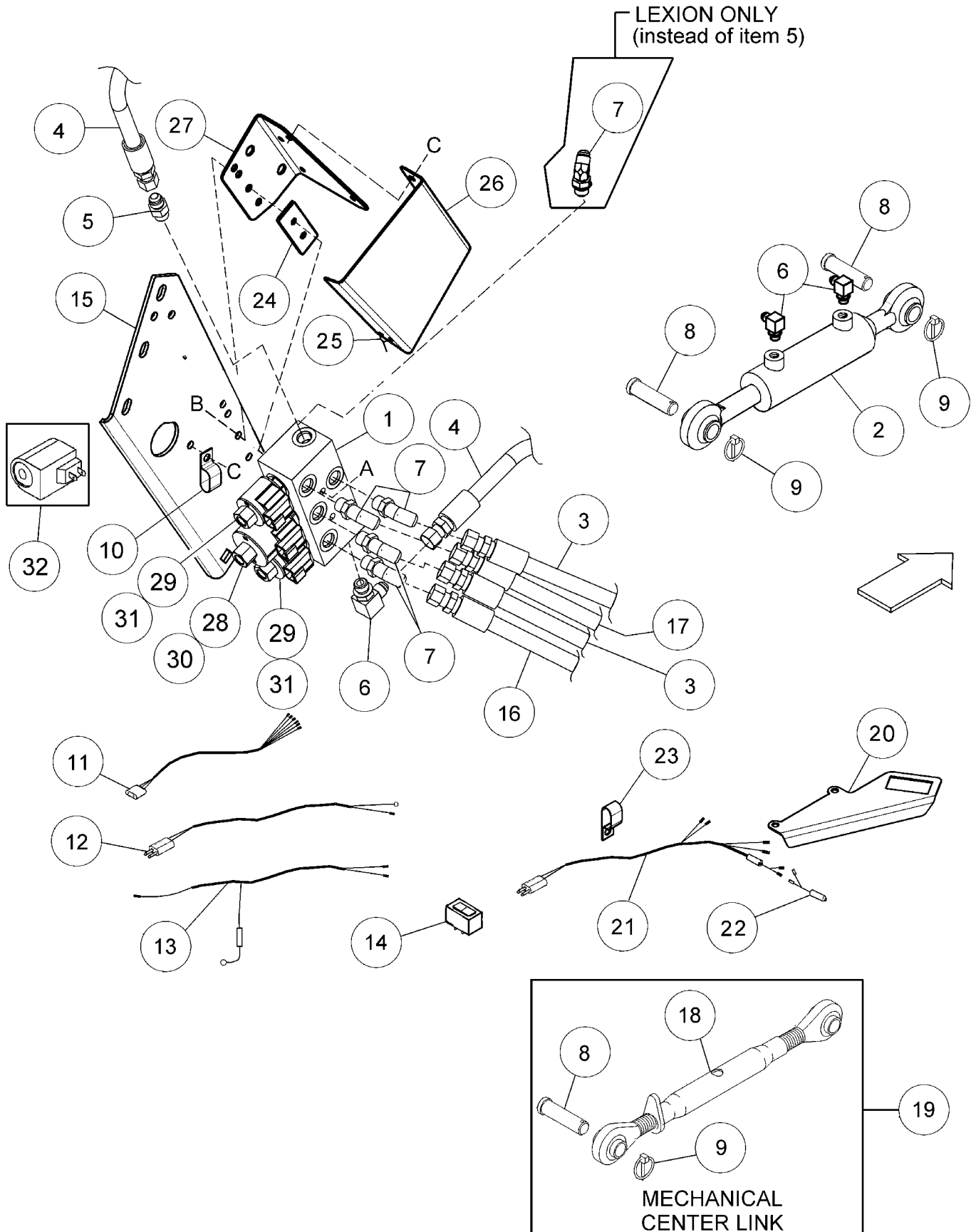
REF	PART NUMBER	DESCRIPTION	QTY	SERIAL NUMBER
	153624	DRIVE – gear, complete: Case 2300 Series, JD Level Land – prior to 50 Series		
	153394	DRIVE – gear, complete: JD Level Land – 50 Series and up & Contour Master, Agco		
	153395	DRIVE - gear, complete: New Holland CR & CX, Case AFX		
	153625	DRIVE - gear, complete: Lexion		
1	158490	HOUSING – gear drive, with one washer item 3 & one plug, item 4	1	
2	158488	BREATHER – oil plug.....	1	
3	158468	WASHER – flat	see note (1)	
4	158469	PLUG – oil, DIN 3852	see note (2)	
5	158470	PLUG – oil, magnetic.....	1	
6	158471	GASKET – gear drive housing	1	
7	158472	SEAL – shaft.....	1	
8	103518	BEARING – ball	2	
9	158473	RING – retaining, external	1	
10	158474	KEY – shaft.....	1	
11	158475	SHAFT – hex bore, for drive 153624	1	
	158746	SHAFT – extended, 21 tooth spline bore, for drive 153625	1	
	158748	SHAFT – 21 tooth spline bore, for drive 153394	1	
	158747	SHAFT – 6 tooth spline bore, for drive 153395	1	
12	158479	GEAR – for drives 153624, 153394 and 153395.....	1	
	158480	GEAR – for drive 153625	1	
13	103517	BEARING – ball	2	
14	158482	GEAR – for drives 153624, 153394 and 153395.....	1	
	158491	GEAR – for drive 153625	1	
15	158483	SEAL – shaft.....	1	
16	158484	HOUSING – gear drive	1	
17	158485	PIN – housing	1	
18	158486	BOLT – socket head, M8 x 28 mm	8	
19	158309	RING – centering	1	
20	158487	GAUGE – oil level sight glass.....	1	

NOTES:

(1) – Quantities for item 3 Washer: Drives 153394 & 153395 = 5, Drive 153624 = 4, Drive 153625 = 3

(2) – Quantities for item 4 Plug: Drives 153394 & 153395 = 2, Drive 153624 = 1, Drive 153625 = 0

SELECTOR VALVE & CENTER LINK



SELECTOR VALVE & CENTER LINK

REF	PART NUMBER	DESCRIPTION	QTY	SERIAL NUMBER
	C1837	HEADER TILT KIT – complete, Case 2300 Series Combines	OPT	
	C1838	HEADER TILT KIT – complete, NH CR/CX, CNH AFX Combines..... (Used on 2003 and older combines)	OPT	
	B4399	HEADER TILT KIT – complete, NH-CR/CX, CNH AFX Combines..... (Used on 2004 and newer combines)	OPT	
	C1839	HEADER TILT KIT – complete, Lexion Combines	OPT	
	C1840	HEADER TILT KIT – complete, John Deere Combines	OPT	
	C1931	HEADER TILT KIT – complete, Agco Combines.....	OPT	

NOTE: 1. Kits (B and C numbers) are available through Wholegoods only.

2. For New Holland CR/CX and NH AFX combines with integral control, items 14, 21, 22, 23 are not required.

1	129590	VALVE – selector, kit (includes valve & harness).....	1	-166474
	129564	VALVE – selector	1	166475-
	129709	KIT – seal, for selector valve 129564 (complete)	1	166475-
2	114314	CYLINDER – hydraulic, center link.....	1	
	113835	SEAL KIT – for cylinder	1	
3	158414	HOSE – hydraulic, to center link cylinder	2	
4	153987	HOSE – hydraulic, to combine couplers.....	2	
5	15903	FITTING – hydraulic, connector	1	
6	30282	FITTING – hydraulic, elbow, 90°	3	
7	30284	FITTING – hydraulic, elbow, 45° - quantity 5 for Lexion.....	4	
8	158635	PIN – clevis.....	2	
9	102264	PIN – lynch	2	
10	103738	CLAMP - wiring.....	1	
11	153988	HARNES – wiring, selector valve to item 12 or 21	1	-166474
	129566	HARNES – wiring, selector valve to item 12 or 21	1	166475-
12	153989	● HARNES – wiring, fore-aft/header tilt, from header to 31 pin connector.....	1	
13	153990	● HARNES – wiring, fore-aft/header tilt, from 31 pin connector to item 14	1	
14	109064	SWITCH – electrical, mounted inside combine, see note 2	1	
15	REF	SUPPORT – selector valve, see header completion package	1	
16	REF	HOSE – hydraulic, reel fore-aft, aft.....	1	
17	REF	HOSE – hydraulic, reel fore-aft, fore	1	
18	103410	JOINT ASSEMBLY – mechanical center link	1	
19	B2701	HEADER ANGLE MECHANICAL ADJUSTMENT KIT	OPT	see note 1 above
20	158377	■ SUPPORT – switch mount	1	
21	158326	▲ HARNES – wiring, fore-aft/header tilt, from item 11 to combine cab	1	see note 2
22	158349	◆ HARNES – wiring, cigar lighter adapter, see note 2	1	
23	100453	* HOLDER – harness, see note 2	1	
24	129067	SHIM – selector valve.....	1	
25	21763	FASTENER – cable tie, black.....	1	
26	158956	COVER – selector valve.....	1	
27	158945	COVER – selector valve.....	1	
28	129705	CARTRIDGE – valve	1	166475-
29	129706	CARTRIDGE – valve	2	166475-
30	129707	COIL – valve.....	1	166475-
31	129708	COIL – valve.....	2	166475-
32	111225	COIL – 12V DC DS for selector valve	3	-166474
A	135250	BOLT – hex head, 1/4 NC x 2-3/4 inch		
B	18724	NUT – lock, 1/4 NC		
C	101898	SCREW – self tapping, 3/8 NC x 5/8 inch		

● - Case 2300 Series Combines

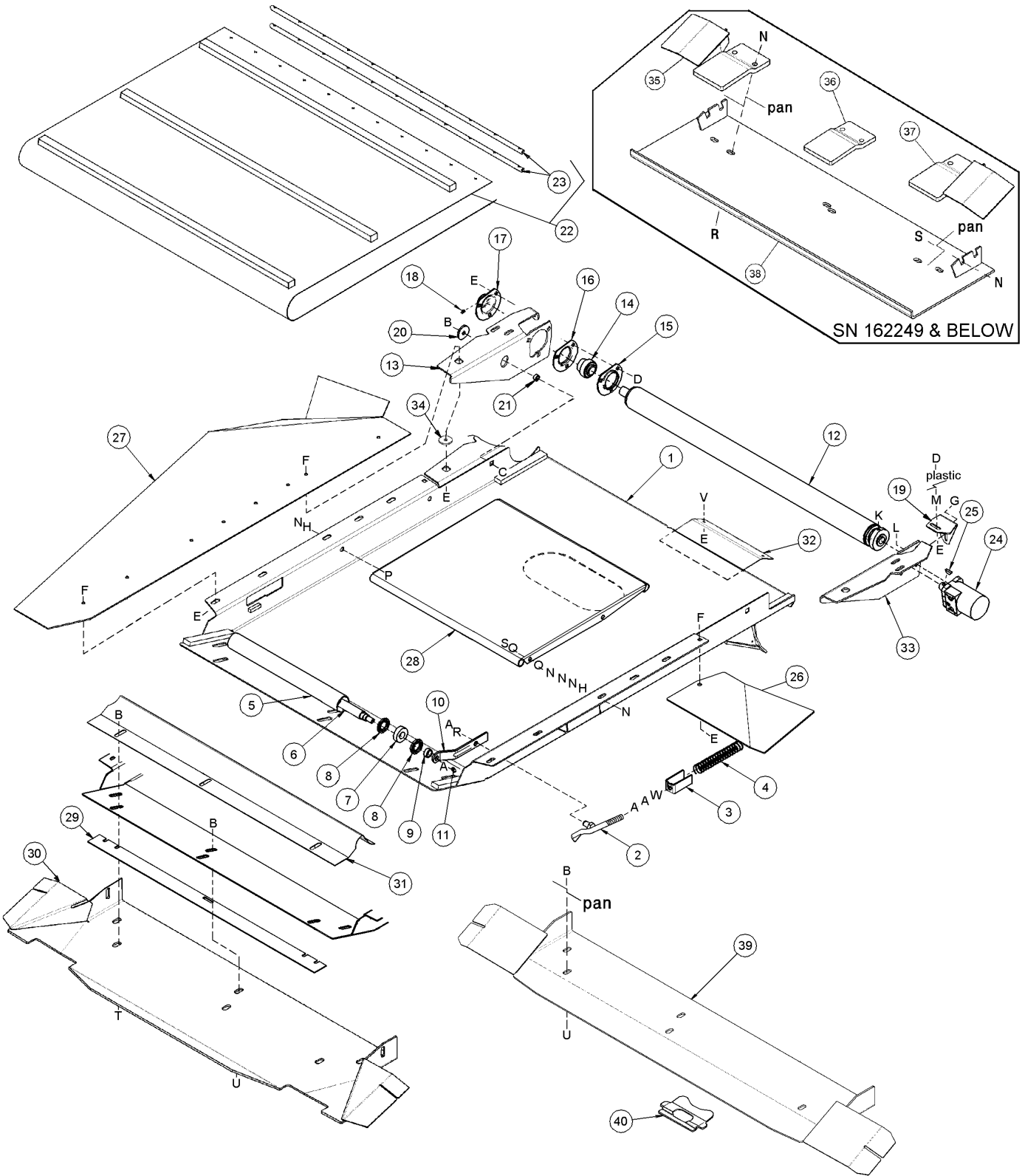
■ - John Deere & Agco Combines

▲ - New Holland CR/CX, CNH AFX, John Deere, Agco and Lexion Combines

◆ - New Holland CR/CX, CNH AFX, and John Deere & Agco Combines

* - New Holland CR/CX, and CNH AFX Combines

FEED DRAPER & DECK



FEED DRAPER & DECK

REF	PART NUMBER	DESCRIPTION	QTY	SERIAL NUMBER
-----	----------------	-------------	-----	------------------

NOTE: There are three deck sizes: 38", 45" and 56" (approximate feed draper width). Combines using each size are as follows:

38" – Case 60 & 66 Series / New Holland CR 920/940/960 / Gleaner

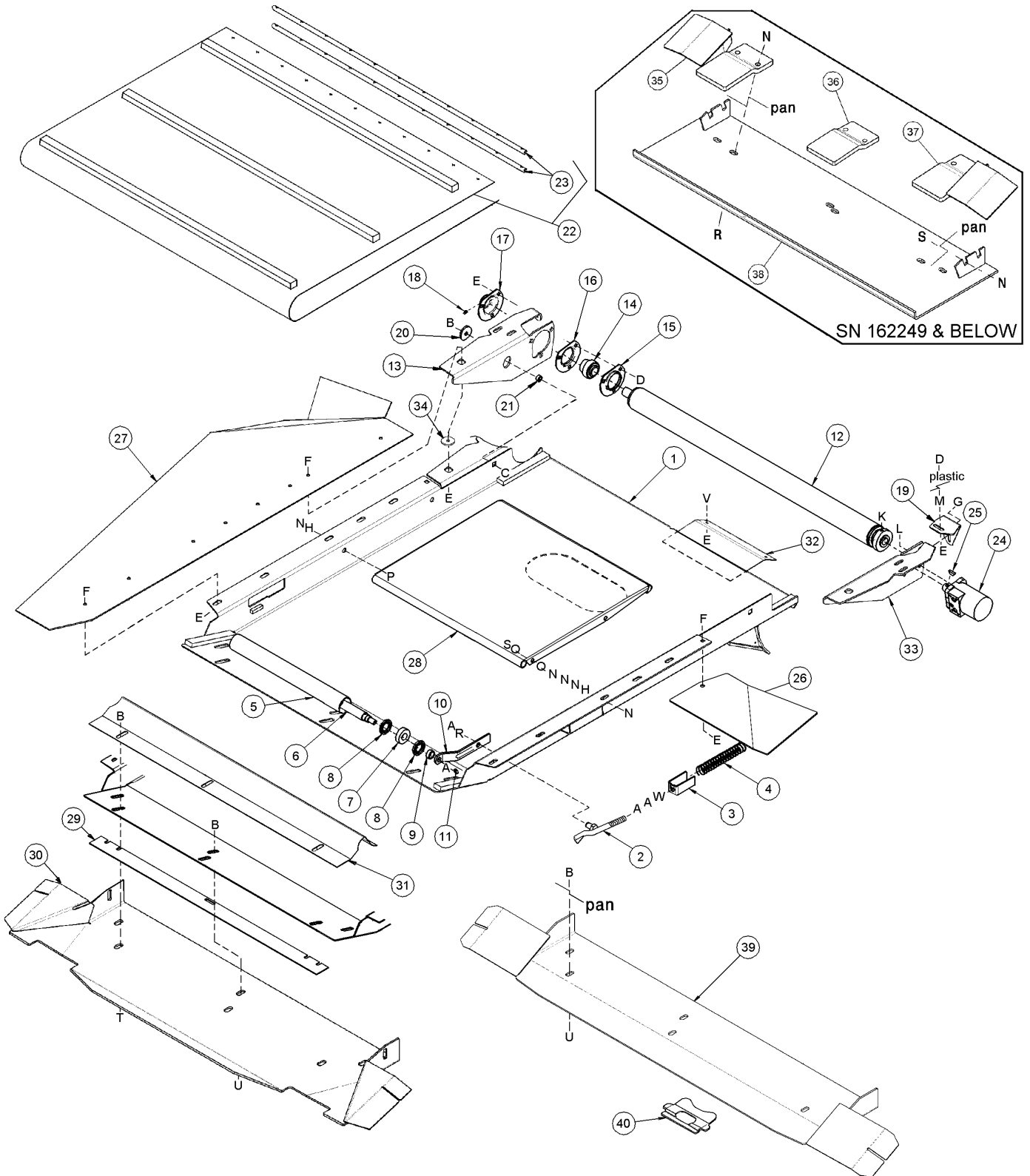
45" – Case 2377, 80 & 88 Series / Lexion 450, 470 & 475 / Case AFX / New Holland CR 970/980 / Challenger 660 / MF 9690

56" – John Deere* / New Holland CX / Lexion 460, 465, 480 & 485 / Challenger 670 / MF 9790

* Some John Deere CTS Combines with dust shields in rice applications may have been converted to 45" decks. Check feed draper width carefully before ordering parts that are specific to one deck size.

1	153554	PAN - feed draper, 38" deck, includes item 32	1	
	153433	PAN - feed draper, 45" deck, includes item 32	1	
	153555	PAN - feed draper, 56" deck, includes item 32	1	
2	101711	ROD - idler adjuster	2	
3	100222	SUPPORT - idler rod	2	
4	43521	SPRING - idler tension	2	
5	100201	TUBE - idler roller, 38" deck	1	
	116079	TUBE - idler roller, 45" deck	1	
	100383	TUBE - idler roller, 56" deck	1	
6	101715	SHAFT - idler roller, 38" deck	1	
	116080	SHAFT - idler roller, 45" deck	1	
	101716	SHAFT - idler roller, 56" deck	1	
7	101026	BEARING - ball	2	
8	100862	SEAL - bearing	4	
9	101008	SPACER - tube	2	
10	101719	ARM - idler	2	
11	21010	FITTING - lubrication, 90°	2	
12	123407	ROLLER - drive, 38" deck	1	
	123408	ROLLER - drive, 45" deck	1	
	123403	ROLLER - drive, 56" deck	1	
13	158773	SUPPORT - drive roller	1	
14	21859	BEARING - ball, with lock collar	1	
15	100589	FLANGE - bearing, cropped	1	
16	100591	FLANGE - bearing, cropped (lube fitting removed)	1	
17	100592	COVER - bearing, cropped	1	
18	18671	FITTING - lubrication	1	
19	158774	SUPPORT - rear deflector, left	1	
	158775	SUPPORT - rear deflector, right	1	
20	11695	WASHER - flat	4	
21	10686	SPACER - tube	2	
22	101671	DRAPER - feed, 38" deck, includes item 23	1	
	114267	DRAPER - feed, 45" deck, includes item 23	1	
	101672	DRAPER - feed, 56" deck, includes item 23	1	
23	40764	CONNECTOR KIT - incl. 2 slats and hardware, 38" deck	1	
	114269	CONNECTOR KIT - incl. 2 slats and hardware, 45" deck	1	
	40765	CONNECTOR KIT - incl. 2 slats and hardware, 56" deck	1	
24	REF	MOTOR - draper drive, see Hydraulics page 4 & 5	1	
25	123306	KEY - woodruff	1	
26	158795	SUPPORT - deflector, 38" deck, L/H	1	
	158796	SUPPORT - deflector, 38" deck, R/H	1	
	158786	SUPPORT - deflector, 45" deck, L/H	1	
	158792	SUPPORT - deflector, 45" deck, R/H	1	
	158767	SUPPORT - deflector, 56" deck, L/H & R/H	2	
27	158778	DEFLECTOR - plastic, 38" deck, L/H	1	
	158779	DEFLECTOR - plastic, 38" deck, R/H	1	
	158407	DEFLECTOR - plastic, 45" deck, L/H	1	
	158777	DEFLECTOR - plastic, 45" deck, R/H	1	
	158776	DEFLECTOR - plastic, 56" deck, L/H & R/H	2	

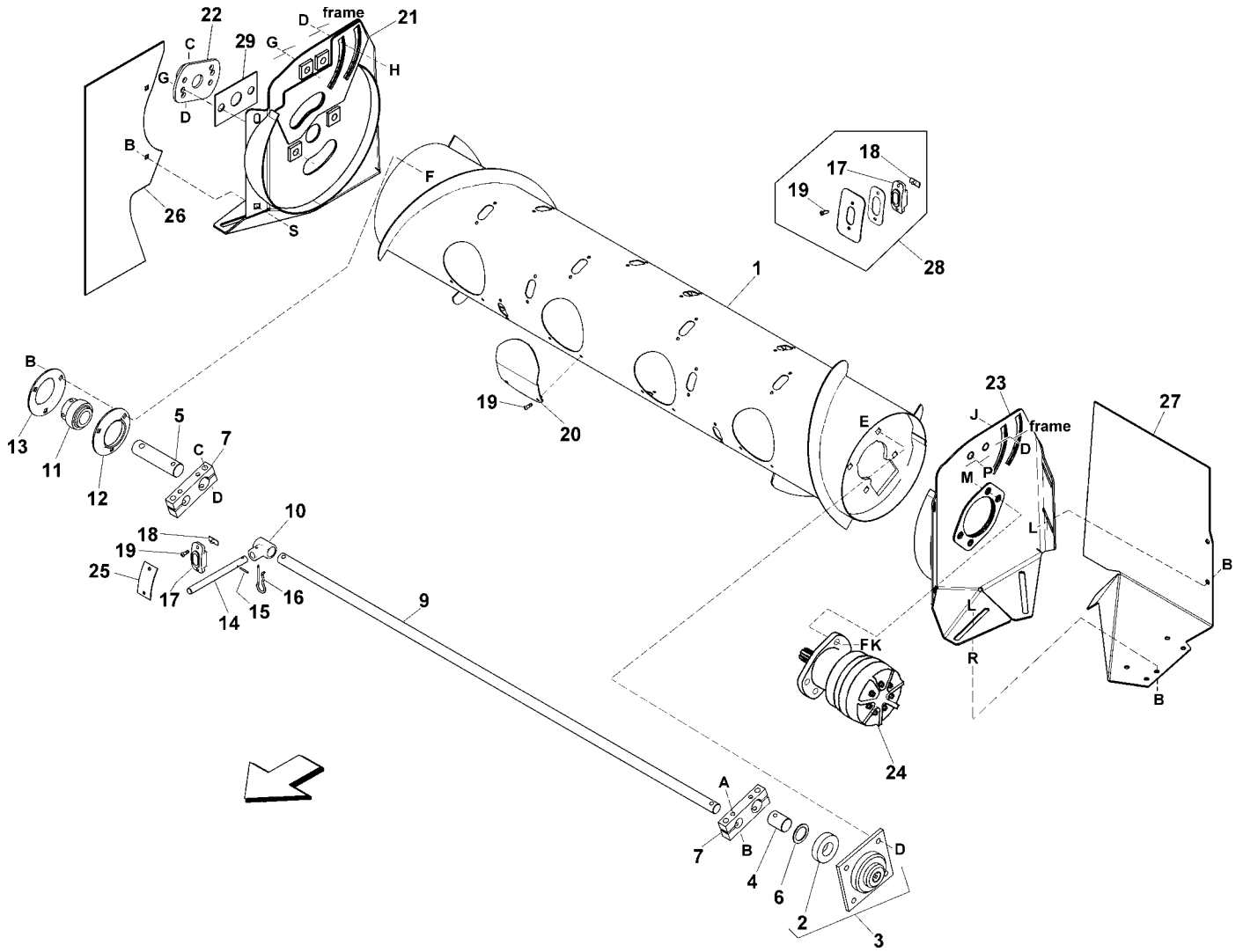
FEED DRAPER & DECK



FEED DRAPER & DECK

REF	PART NUMBER	DESCRIPTION	QTY	SERIAL NUMBER
28	153742	SUPPORT – 38" deck	1	
	153547	SUPPORT – 45" deck	1	
	153741	SUPPORT – 56" deck	1	
29	153178	SHIM – pan, 38" deck, 972/973/974 headers	1	
	153040	SHIM – pan, 45" deck, 972/973/974 headers	1	
	153177	SHIM – pan, 56" deck, 972/973/974 headers	1	
30	158823	PAN – feed pan to cutterbar, 38" deck (shown), 972/973/974 headers	1	
	158824	PAN – feed pan to cutterbar, 45" deck, 972/973/974 headers	1	
	158825	PAN – feed pan to cutterbar, 56" deck, 972/973/974 headers	1	
31	158707	DEFLECTOR – steel, 38" deck, 972/973/974 headers	1	
	158708	DEFLECTOR – steel, 45" deck, 972/973/974 headers	1	
	158709	DEFLECTOR – steel, 56" deck, 972/973/974 headers	1	
32	158810	COVER – feed pan, 38" deck	1	
	158814	COVER – feed pan, 45" & 56" decks	1	
33	158410	SUPPORT – drive roller, left	1	
34	20535	WASHER – flat	2	
35	158846	SUPPORT - right, 963 Header	1	-162249
36	101660	RETAINER - 963 Header	1	-162249
37	158845	SUPPORT - left, 963 Header	1	-162249
38	REF	MOUNT - 963 Header, not serviced, order items 39 & 40	1	-162249
39	129515	PLATE – transition, 963 Header, 38" deck	1	162250-
	129505	PLATE – transition, 963 Header, 45" deck	1	162250-
	129507	PLATE – transition, 963 Header, 56" deck	1	162250-
40	129508	ANCHOR – transition plate support, 963 Header (welded to cutterbar)	2	162250-
A	18592	NUT - hex, 5/8 NC		
B	50186	NUT - lock, smooth flange, 1/2 NC distorted thread		
C	114233	BOLT - round head, short square neck, 1/2 NC x 1-1/4 inch		
D	19965	BOLT - round head, square neck, 3/8 NC x 1 inch		
E	30228	NUT - lock, smooth flange, 3/8 NC distorted thread		
F	135157	SCREW – machine, torx socket head, 3/8 NC x 3/4 inch		
G	105137	SCREW – machine, torx socket head, 3/8 NC x 1/2 inch		
H	18638	WASHER – lock, 1/2 inch		
K	135168	SETSCREW – socket head, cone point, 3/8 NC x 5/16 inch		
L	113420	SCREW - machine, countersunk torx head, 3/8 NC x 3/4 inch		
M	18637	WASHER – lock, 3/8 ID		
N	18591	NUT - hex, 1/2 NC		
P	21449	BOLT – flange head, 1/2 NC x 1 inch		
Q	18599	WASHER – flat, 17/32 inch ID		
R	18639	WASHER – lock, 5/8 inch ID		
S	30833	BOLT – hex head, 1/2 NC x 2-1/4 inch, thread full length		
T	21471	BOLT – round head, square neck, 1/2 NC x 1-1/4 inch		
U	21868	BOLT – round head, square neck, 1/2 NC x 1 inch		
V	21863	BOLT – round head, short square neck, 3/8 NC x 3/4 inch		
W	18600	WASHER – flat, 21/32 inch ID		

RETRACTING TINE DRUM

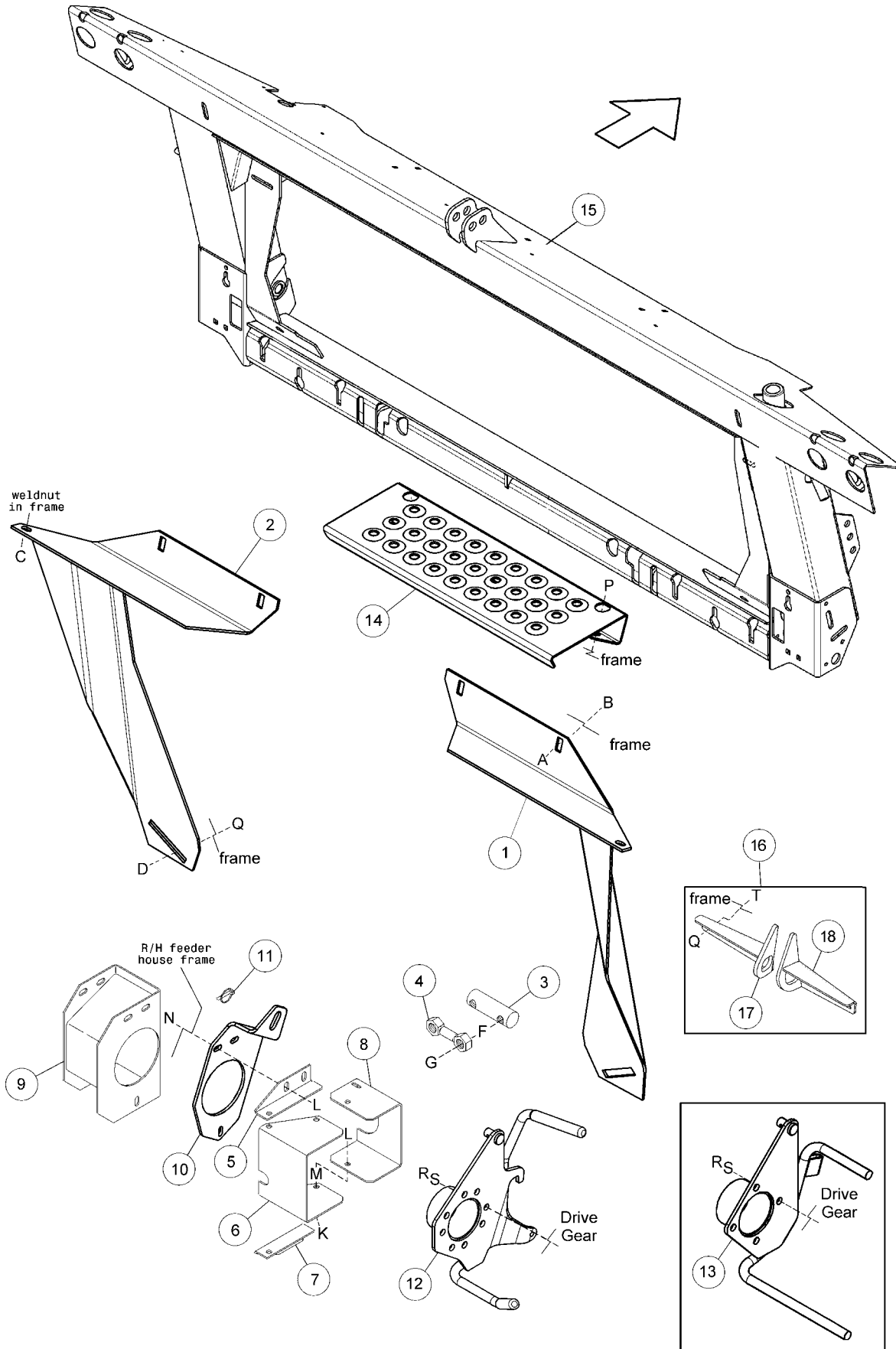


RETRACTING TINE DRUM

REF	PART NUMBER	DESCRIPTION	QTY	SERIAL NUMBER	
1	153276	DRUM – retracting tine	1		
2	14911	BEARING – ball	1		
3	123409	FLANGE – motor mount with bearing, item 2	1		
4	123068	SHAFT – left	1		
5	123069	SHAFT – right	1		
6	123071	WASHER – flat	1		
7	123244	BLOCK – tine shaft	2		
9	123063	SHAFT – tine	1		
10	123055	BEARING – plastic, tine mount	31		
11	21936	BEARING – ball, with lock collar	1		
12	30602	FLANGE – bearing	1		
13	30603	FLANGE – bearing, with lube fitting	1		
14	123245	TINE – finger	31	see note 1	
15	18632	PIN – roll, 1/8 x 1 inch	31		
16	123180	PIN – hair	31		
17	123054	GUIDE – plastic	31		
18	123202	T-NUT – 1/4 NC	70		
19	123084	SCREW – hex socket, button head, 1/4 NC x 3/4 inch	70		
20	123087	COVER – drum	4		
21	153198	SUPPORT – right	1		
22	123034	PLATE – cam	1		
23	153538	SUPPORT – left	1		
24	REF	MOTOR – drum drive, see Hydraulics pages 4 & 5	1		
25	153684	COVER – guide, used at outboard locations where tine is removed	AR		
26	158806	DEFLECTOR – plastic, front L/H and R/H, 38” & 45” decks	2		
	153094	DEFLECTOR – plastic, front L/H and R/H, 56” deck	2		
27	129498	DEFLECTOR – plastic, L/H rear (38” deck) (was 158812)	1		
	129499	DEFLECTOR – plastic, R/H rear (38” deck) (was 158813)	1		
	129496	DEFLECTOR – plastic, L/H rear (45” deck) (was 158408)	1		
	129497	DEFLECTOR – plastic, R/H rear (45” deck) (was 158811)	1		
	129494	DEFLECTOR – plastic, L/H rear (56” deck) (was 158826)	1		
	129493	DEFLECTOR – plastic, R/H rear (56” deck) (was 158827)	1		
28	114382	KIT – repair, RTD patch	AR		
29	123173	SHIM	AR		
A	21102	BOLT – hex head, 3/8 NC x 2-1/2”	K	18591	NUT – reg hex, 1/2 NC
B	30228	NUT – lock, smth flng, 3/8 NC dist thd	L	21472	BOLT – rnd head, sq nk, 3/8 NC x 3/4”
C	21760	BOLT – hex head, 1/2 NC x 2-1/2 inch	M	21576	BOLT – hex hd, 1/2 NC x 2 inch
D	50186	NUT – lock, smth flng, 1/2 NC dist thd	P	105066	BOLT – hex hd flange, 1/2 NC x 3/4”
E	21469	BOLT – rnd head, sq nk, 1/2 NC x 1 1/2”	R	18637	WASHER – lock, 3/8 ID
F	21056	NUT – jam, 1/2 NC	S	135157	SCREW – machine, torx head, 3/8 NC x 3/4”
G	21449	BOLT – flange head, 1/2 NC x 1 inch			
H	21471	BOLT – rnd head, sq nk, 1/2 NC x 1 1/4”			
J	21066	BOLT – rnd hd, sq nk, 1/2 NC x 1 inch			

NOTES: 1. Tine quantities shown are for full drum width. For some combines, tines are removed from each end of the drum to ensure clearance to header side drapers.

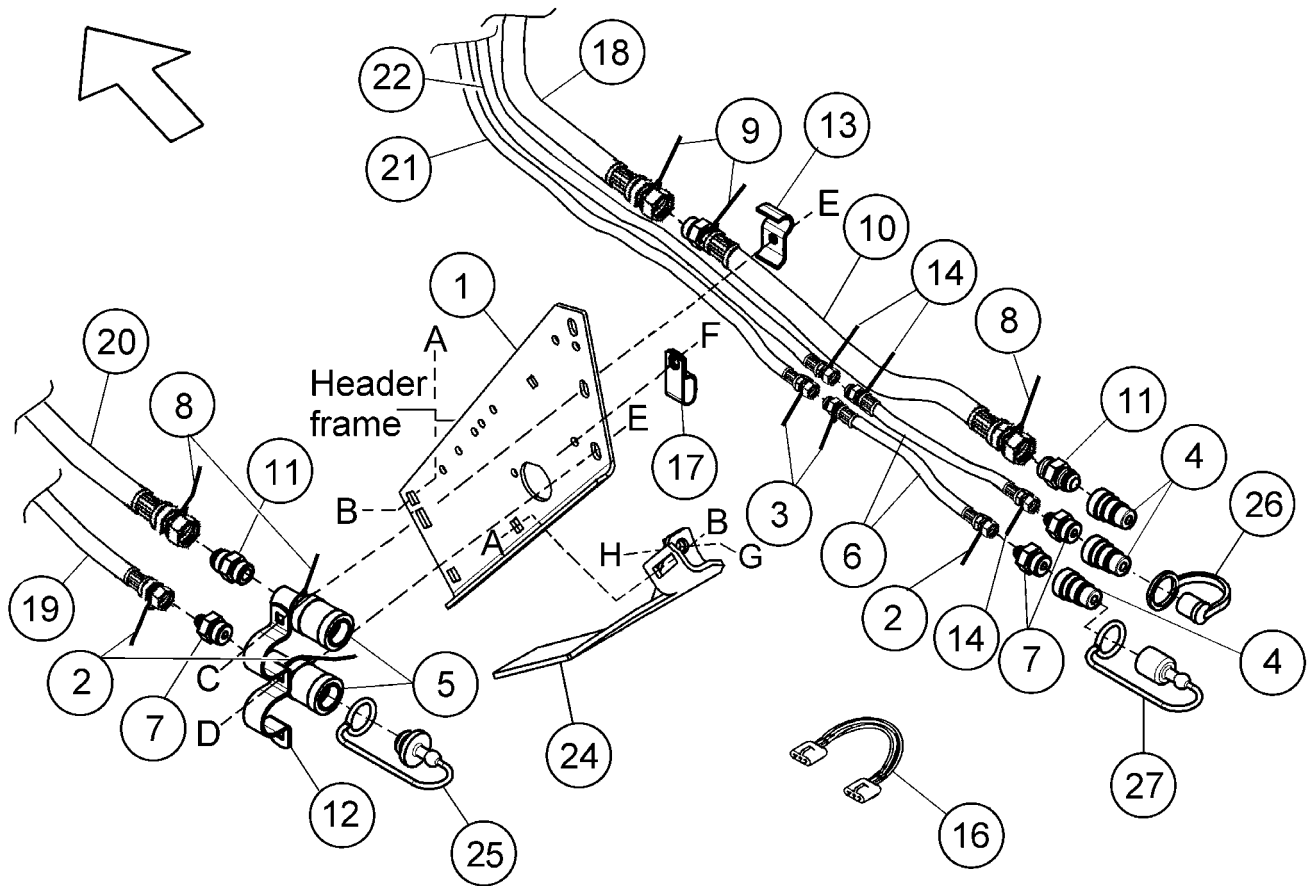
CASE 20 SERIES COMBINES ADAPTER COMPLETION PARTS



**CASE 20 SERIES COMBINES
ADAPTER COMPLETION PARTS**

REF	PART NUMBER	DESCRIPTION	QTY	SERIAL NUMBER
1	158192	MEMBER - adapter frame, right	1	
2	153754	MEMBER - adapter frame, left	1	
3	40169	PIN – straight.....	1	
4	37995	PIN – clamp	1	
5	103317	SUPPORT – R/H shield, top.....	1	
6	103246	SHIELD – R/H, rear section.....	1	
7	103245	SUPPORT – R/H shield, bottom.....	1	
8	103247	SHIELD – R/H, front section.....	1	
9	114157	SHIELD – R/H extension for narrow feeder house Models 1640, 1644, 1660, 2166, 2366	1	
10	158202	ARM – drive support.....	1	
11	50193	PIN – lynch	1	
12	129473	ARM – drive (was 158782)	1	153178-
13	158193	ARM - drive.....	1	-153177
14	158199	PLATE – walkway.....	2	
15	REF	FRAME – adapter, not serviceable, see Frame and Float pages 2 & 3	1	
16	B4819	Case 2300 Series – Sliding Pin Latch Kit Available through Wholegoods only		
17	129761	BRACKET – L/H, sliding latch kit.....	1	
18	129762	BRACKET – R/H, sliding latch kit.....	1	
A	21066	BOLT - round head, square neck, 1/2 NC x 1 inch		
B	50186	NUT - lock, smooth flange, 1/2 NC distorted thread		
C	21449	BOLT - flange head, 1/2 NC x 1 inch		
D	117015	BOLT – round head, square neck, 5/8 NC x 1 inch		
F	21345	NUT - hex jam, 5/8 NC		
G	50080	BOLT – hex head, 5/8 NC x 4-1/2 inch		
K	21821	BOLT - flange head, 3/8 NC x 3/4 inch		
L	30228	NUT - lock, smooth flange, 3/8 NC distorted thread		
M	18598	WASHER - flat, 13/32 inch ID		
N	30936	BOLT – flange head, 3/8 NC x 1-1/4 inch		
P	101898	SCREW – self tapping, 3/8 NC x 5/8 inch		
Q	50225	NUT – lock, smooth flange, 5/8 NC distorted thread		
R	50155	BOLT – hex head, M12 – 1.75 x 25mm		
S	30633	WASHER – lock, 12.5mm ID		
T	18523	BOLT – round head square neck, 5/8 NC x 1-1/2 inch		

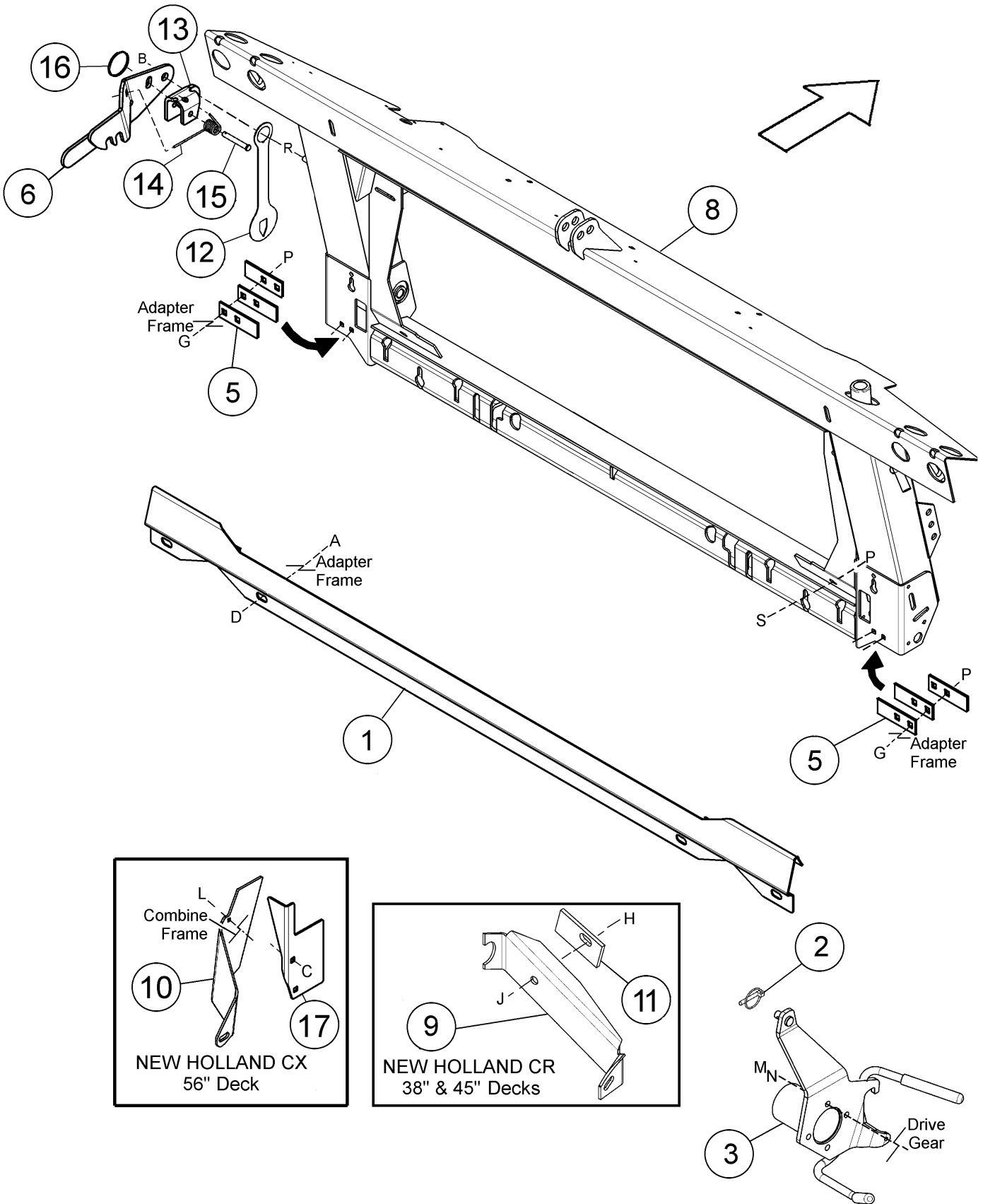
CASE 20 SERIES COMBINES HEADER COMPLETION PARTS



**CASE 20 SERIES COMBINES
HEADER COMPLETION PARTS**

REF	PART NUMBER	DESCRIPTION	QTY	SERIAL NUMBER
1	153730	BRACKET – hydraulic coupler mount	1	
2	40702	FASTENER – cable tie, red	2	
3	49227	FASTENER – cable tie, green	1	
4	114142	FITTING – male hydraulic coupler	3	
5	114143	FITTING – female hydraulic coupler	2	
6	37845	HOSE – hydraulic	2	
7	114141	FITTING – hydraulic coupler	3	
8	49232	FASTENER – cable tie, white	2	
9	40701	FASTENER – cable tie, yellow	1	
10	153971	HOSE – hydraulic	1	
11	30695	FITTING – hydraulic, connector	2	
12	114140	HOLDER - hose	1	
13	29934	HOLDER – hose	1	
14	21763	FASTENER – cable tie, black	1	
16	40499	HARNES – wiring	1	
17	43848	CLAMP - wiring	1	
18	REF	HOSE – hydraulic, reel drive, pressure	1	
19	REF	HOSE – hydraulic, fore-aft, aft	1	
20	REF	HOSE – hydraulic, reel drive, return	1	
21	REF	HOSE – hydraulic, fore-aft, fore	1	
22	REF	HOSE – hydraulic, reel lift	1	
23	16661	FASTENER – cable tie	12	
24	129438	GUSSET – coupler bracket (was 129066)	1	
25	114229	PLUG – dust, female coupler (red)	1	
26	21856	CAP – dust, male coupler (black)	1	
27	114230	PLUG – dust, male coupler (red)	1	
A	21868	BOLT – round head, square neck, 1/2 NC x 1 inch		
B	50186	NUT – lock, smooth flange, 1/2 NC distorted thread		
C	19965	BOLT – round head, square neck, 3/8 NC x 1 inch		
D	19966	BOLT – round head, square neck, 3/8 NC x 1-1/4 inch		
E	30228	NUT – lock, smooth flange, 3/8 NC		
F	101898	SCREW – self tapping, 3/8 NC x 5/8 inch		
G	21813	BOLT – hex head, 1/2 NC x 2 inch, threaded full length		
H	21056	NUT – hex jam, 1/2 NC		

CASE AFX/NEW HOLLAND CR/CX COMBINES ADAPTER/COMBINE COMPLETION PARTS



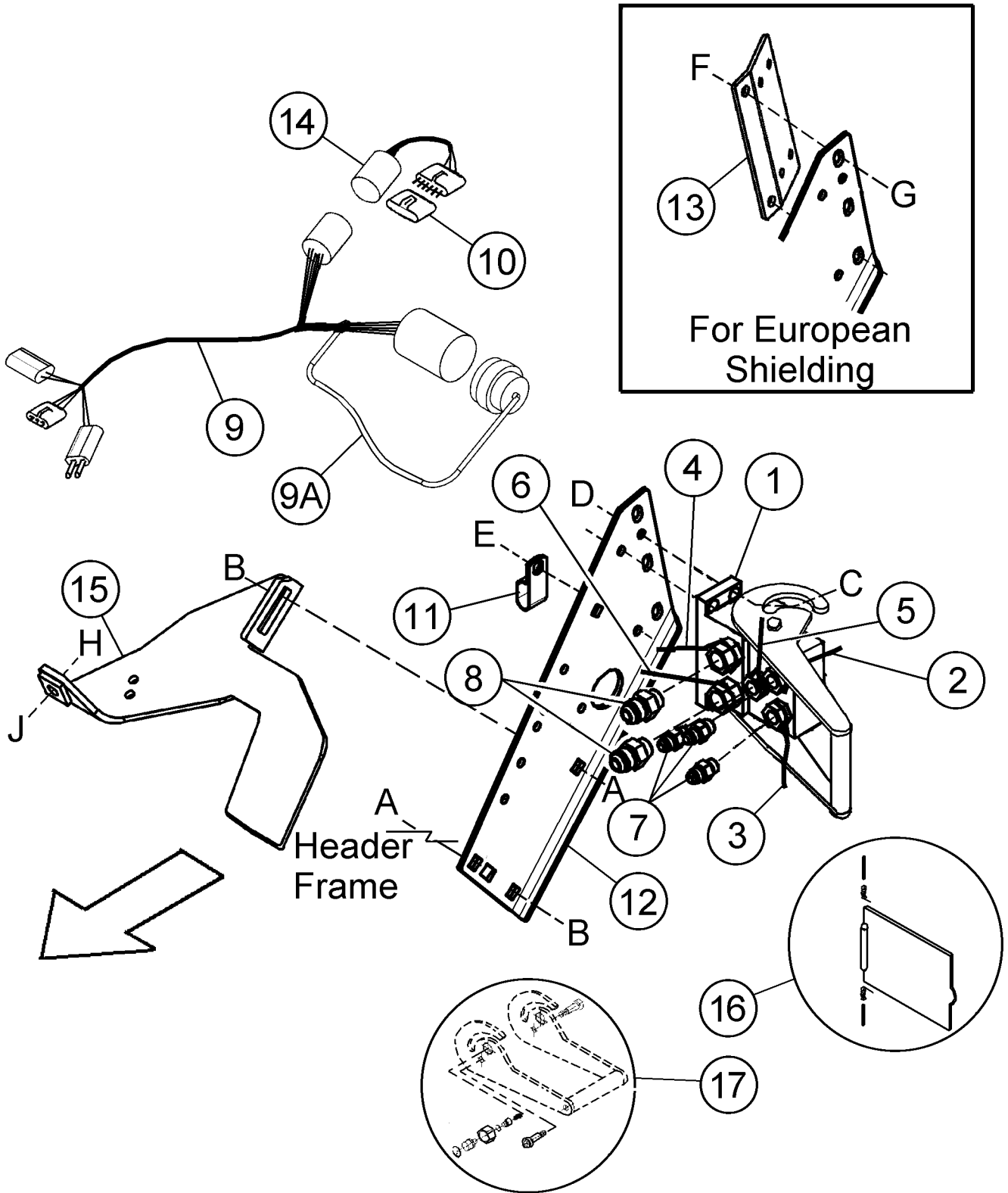
**CASE AFX/NEW HOLLAND CR/CX COMBINES
ADAPTER/COMBINE COMPLETION PARTS**

REF	PART NUMBER	DESCRIPTION	QTY	SERIAL NUMBER
1	153382	ADAPTER - plate.....	1	
2	50193	PIN – lynch, New Holland CR/CX.....	1	
	135192	PIN – lynch, Case AFX.....	1	
3	158818	HANDLE – drive gear, New Holland CR/CX	1	
	158791	HANDLE – drive gear, Case AFX.....	1	
5	153422	SHIM – latch	6	
6	153480	LATCH - adapter.....	1	
8	REF	FRAME – adapter, not serviceable, see Frame and Float pages 2 & 3	1	
9	158221	ARM – gear drive mount, New Holland CR combine 38” and 45” decks.....	1	
10	158200	ARM – gear drive mount, New Holland CX 56” deck	1	
11	158725	SHIM.....	1	
12	REF	INDICATOR – header angle, see NOTE 1 below.....	1	
13	158883	LATCH.....	1	
14	158935	SPRING – torsion	1	
15	13249	PIN – clevis.....	1	
16	118137	RING – split	1	
17	129111	CLAMP – torque arm, New Holland CX 56” deck.....	1	
A	117015	BOLT – round head, square neck, 5/8 NC x 1 inch		
B	21941	NUT – hex jam, 5/8 NC distorted thread		
C	30228	NUT – lock, smooth flange, 3/8 NC distorted thread		
D	50225	NUT – lock, smooth flange, 5/8 NC distorted thread		
G	21469	BOLT – round head, square neck, 1/2 NC x 1-1/2 inch		
H	18689	NUT – lock, 3/4 NC distorted thread		
J	30512	BOLT – hex head, 3/4 NC x 2 inch		
L	19966	BOLT – round head, square neck, 3/8 NC x 1-1/4 inch		
M	50155	BOLT – hex head, M12 x 25mm		
N	30633	WASHER – lock, 12.5mm ID		
P	50186	NUT – lock, smooth flange, 1/2 NC distorted thread		
R	18600	WASHER – flat, 21/32 inch ID		
S	21066	BOLT – round head, square neck, 1/2 NC x 1 inch		

NOTES:

1. See page 3 for part number. Repair part will have cut-out at top mounting hole. Remove this cut-out to enlarge hole for Case AFX/New Holland CR & CX.

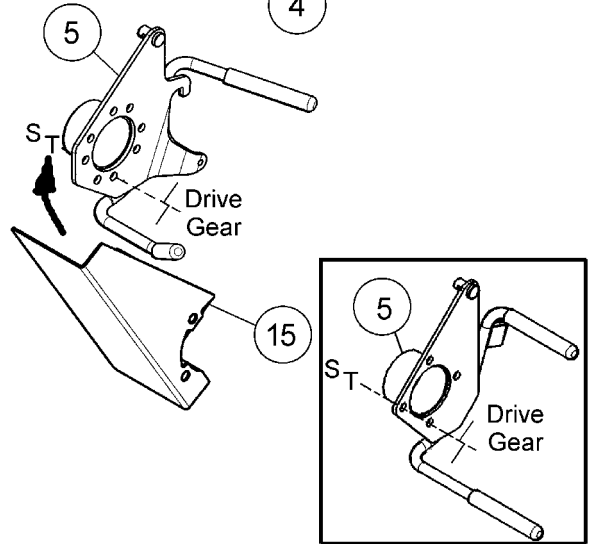
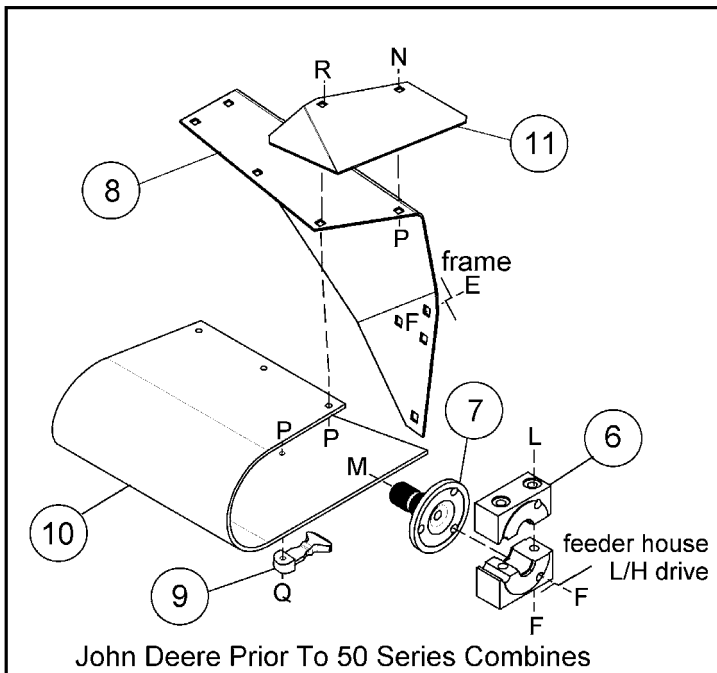
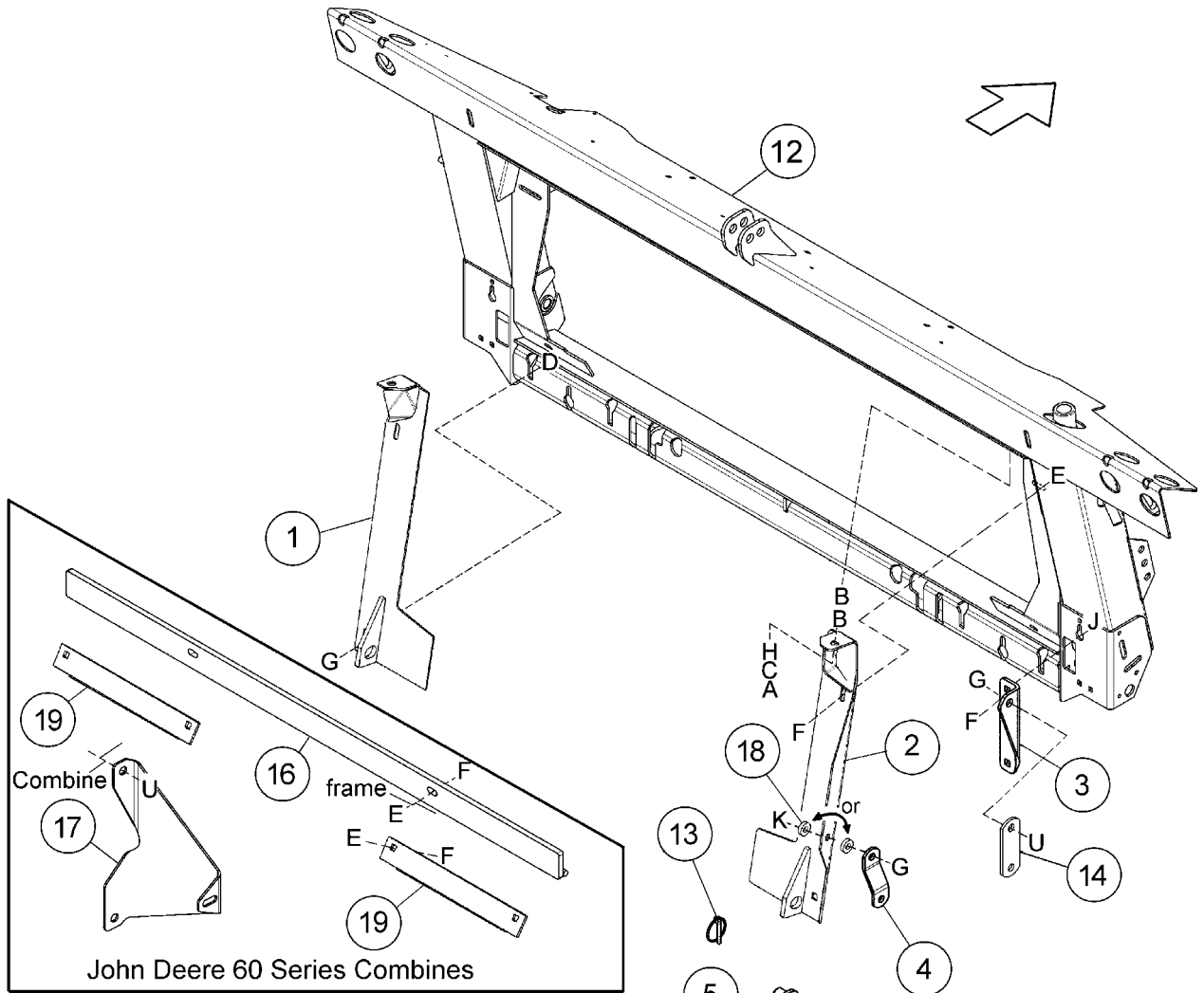
CASE AFX/NEW HOLLAND CR/CX COMBINES HEADER COMPLETION PARTS



**CASE AFX/NEW HOLLAND CR/CX COMBINES
HEADER COMPLETION PARTS**

REF	PART NUMBER	DESCRIPTION	QTY	SERIAL NUMBER
1	153151	VALVE – multi-link, includes items 16 & 17.....	1	
	129976	COUPLING 1/4", for multi –link valve	3	
	129977	COUPLING 3/8", for multi –link valve	2	
2	49227	FASTENER – cable tie, green, to fore-aft, fore	1	
3	40702	FASTENER – cable tie, red, to fore-aft, aft	1	
4	49232	FASTENER – cable tie, white, to reel drive pressure.....	1	
5	21763	FASTENER – cable tie, black, to reel lift	1	
6	40701	FASTENER – cable tie, yellow, to reel drive return.....	1	
7	158587	FITTING – hydraulic, 0.052" orifice.....	3	
8	21747	FITTING – hydraulic	2	
9	153157	HARNESS – wiring.....	1	
9A	135365	CAP – for multi pin connector on harness 153157	1	
10	153933	RESISTOR – header recognition	1	
11	43848	CLAMP – wiring harness	1	
12	153730	BRACKET – hydraulic coupler mount	1	
13	158322	PLATE – extension, for European shielding, used to mount item 1	1	
14	158974	HARNESS – wiring, header recognition, for units without float optimizer	A/R	
15	129438	GUSSET – coupler bracket (was 129066)	1	
16	129800	KIT – multi-link valve cover.....	A/R	
17	129801	KIT – multi-link latch button & hardware (does not include lever)	A/R	
A	21868	BOLT – round head, square neck, 1/2 NC x 1 inch		
B	50186	NUT – lock, smooth flange, 1/2 NC distorted thread		
C	158177	BOLT – hex head, 5/16 NC x 1 inch		
D	30280	NUT – lock, smooth flange, 5/16 NC distorted thread		
E	101898	SCREW – self tapping, 3/8 NC x 5/8 inch		
F	30228	NUT – lock, smooth flange, 3/8 NC distorted thread (for item 13)		
G	21863	BOLT – round head, square neck, 3/8 NC x 3/4 inch (for item 13)		
H	21813	BOLT – hex head, 1/2 NC x 2 inch, threaded full length		
J	21056	NUT – hex jam, 1/2 NC		

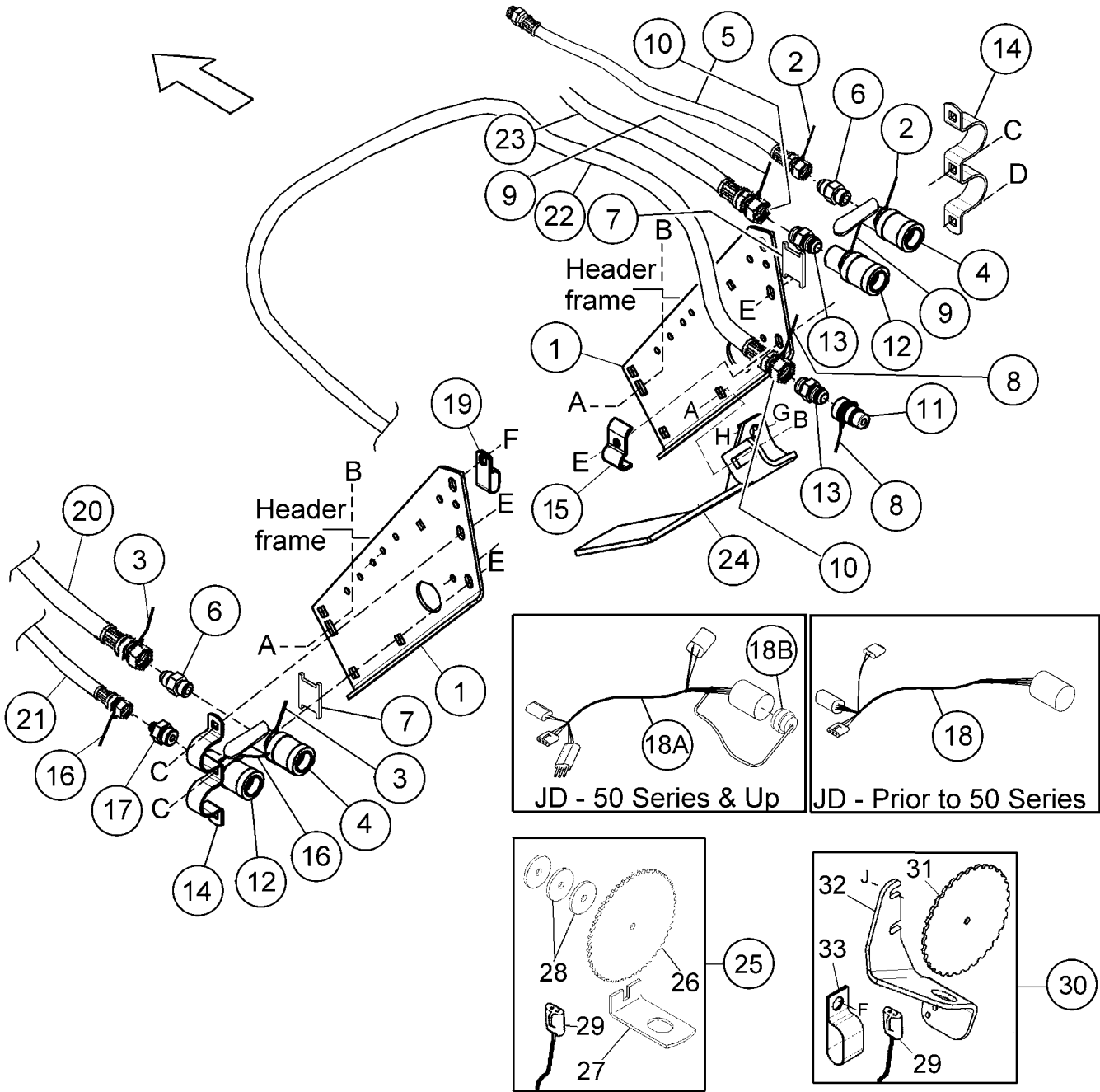
JOHN DEERE COMBINES ADAPTER COMPLETION PARTS



**JOHN DEERE COMBINES
ADAPTER COMPLETION PARTS**

REF	PART NUMBER	DESCRIPTION	QTY	SERIAL NUMBER
1	158247	MEMBER – adapter frame, L/H.....	1	
2	129073	MEMBER – adapter frame, R/H (was 158248)	1	
3	129076	ANCHOR – drive, 9600, 9610, 9650 & contour master combines (was 153405).....	1	
4	129075	ARM – torque, (was 158197).....	1	
5	158193	HANDLE – drive gear	1	-153177
	158782	HANDLE – drive gear (except 60 Series).....	1	153178-
	129473	HANDLE – drive gear, 60 Series only	1	
6	114086	CLAMP – hex bore	2	
7	100155	SHAFT - spline	1	
8	158835	SHIELD.....	1	
9	38894	LATCH – rubber.....	1	
10	102668	SHIELD - rubber	1	
11	114112	SHIELD - left.....	1	
12	REF	FRAME – adapter, not serviceable, see Frame and Float pages 2 & 3	1	
13	50193	PIN – lynch	1	
14	102171	ARM – torque, prior to 50 Series, after SN 156149 use item 4	1	-156149
15	158899	SHIELD.....	1	
16	129463	BEAM – upper support, 60 Series	1	-162249
17	129096	ARM – torque, 60 Series	1	
18	40915	WASHER – spacer (position as required to space torque arm)	1	
19	129478	SUPPORT – upper	2	162250-
A	30512	BOLT – hex head, 3/4 NC x 2 inch		
B	25689	WASHER – flat, 19.8 mm ID		
C	18640	WASHER – lock, 19 mm ID		
D	103562	BOLT – round head, square neck, 5/8 NC x 1-1/4 inch		
E	21066	BOLT – round head, square neck, 1/2 NC x 1 inch		
F	50186	NUT – lock, smooth flange, 1/2 NC distorted thread		
G	50225	NUT – lock, smooth flange, 5/8 NC distorted thread		
H	18601	WASHER – flat, 20.6 mm ID		
J	21471	BOLT – round head, square neck, 1/2 NC x 1-1/4 inch		
K	21594	BOLT – hex head, 5/8 NC x 1-1/2 inch		
L	30209	BOLT – hex head, 1/2 NC x 4-1/2 inch		
M	21560	BOLT – hex head, 1/2 NC x 3 inch		
N	21472	BOLT – round head, square neck, 3/8 NC x 3/4 inch		
P	30228	NUT – lock, smooth flange, 3/8 NC distorted thread		
Q	21561	BOLT – hex head, 3/8 NC x 1-1/2 inch		
R	19965	BOLT – round head, square neck, 3/8 NC x 1 inch		
S	50155	BOLT – hex head, M12 – 1.75 x 25mm		
T	30633	WASHER – lock, 12.5mm ID		
U	21582	BOLT – hex head, 5/8 NC x 1-3/4 inch		

JOHN DEERE COMBINES (Pre 50 Series & 50 Series Models) HEADER COMPLETION PARTS

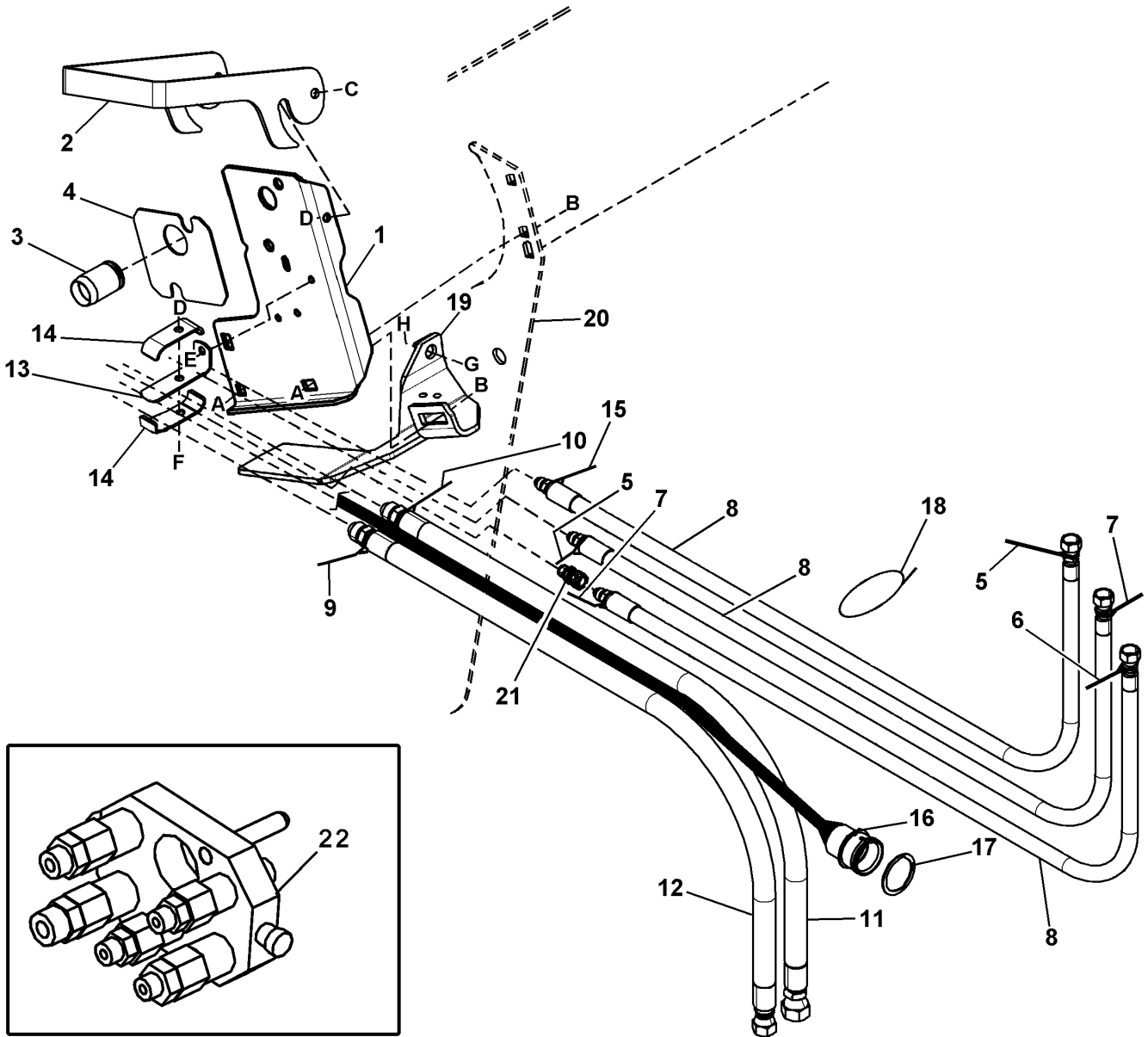


JOHN DEERE COMBINES (Pre 50 Series & 50 Series Models)
HEADER COMPLETION PARTS

REF	PART NUMBER	DESCRIPTION	QTY	SERIAL NUMBER
1	153730	BRACKET – hydraulic coupler mounting.....	2	
2	40702	FASTENER – cable tie, red.....	1	
3	49227	FASTENER – cable tie, green.....	1	
4	114120	FITTING – female hydraulic coupler c/w lever.....	2	
5	113867	HOSE – hydraulic.....	1	
6	15903	FITTING – connector.....	2	
7	158253	SPACER – coupler.....	2	
8	49232	FASTENER – cable tie, white.....	1	
9	40701	FASTENER – cable tie, yellow.....	1	
10	135175	HOSE END – reusable (for 2 arm reel drive only).....	2	
11	114142	FITTING – male hydraulic coupler.....	1	
12	114143	FITTING – female hydraulic coupler.....	2	
13	30695	FITTING – connector.....	2	
14	114140	HOLDER – hose.....	2	
15	29934	HOLDER – hose.....	1	
16	21763	FASTENER – cable tie, black.....	1	
17	114141	FITTING – hydraulic coupler.....	1	
18	114299	HARNESS – wiring, JD pre-50 series combines only.....	1	
18A	123380	HARNESS – wiring, JD 50 Series and up combines.....	1	
18B	135365	CAP – for multi pin connector on harness 123380.....	1	
19	43848	CLAMP – wiring, JD pre-50 Series combines only.....	1	
20	REF	HOSE – hydraulic, reel fore-aft, fore.....	1	
21	REF	HOSE – hydraulic, reel lift.....	1	
22	REF	HOSE – hydraulic, reel drive, pressure.....	1	
23	REF	HOSE – hydraulic, reel drive, return.....	1	
24	129438	GUSSET – coupler bracket, inboard header legs (was 129066).....	2	
25	B 2544 *	MOUNTING KIT – JD Reel Speed Sensor for 963 Headers.....	OPT	
26	43554	SPROCKET – timing, 50 tooth.....	1	
27	43555	SUPPORT – sensor.....	1	
28	43219	WASHER – flat (third washer comes with header).....	2	
29	117005	HARNESS – wiring, extension (for 21 & 25' 972/973/974 & all 963 headers).....	1	
30	B 4001 *	MOUNTING KIT – JD Reel Speed Sensor for 972/973/974 Headers.....	OPT	
31	113188	SPROCKET – timing, 31 tooth.....	1	
32	118009	SUPPORT – sensor.....	1	
33	103738	HOLDER - harness.....	2	
A	21868	BOLT – round head, square neck, 1/2 NC x 1 inch		
B	50186	NUT – lock, smooth flange, 1/2 NC distorted thread		
C	19965	BOLT – round head, square neck, 3/8 NC x 1 inch		
D	19966	BOLT – round head, square neck, 3/8 NC x 1-1/4 inch		
E	30228	NUT – lock, smooth flange, 3/8 NC		
F	101898	SCREW – self tapping, 3/8 NC x 5/8 inch		
G	21813	BOLT – hex head, 1/2 NC x 2 inch, threaded full length		
H	21056	NUT – hex jam, 1/2 NC		
J	21821	BOLT – flange head, 3/8 NC x 3/4 inch		

* - Available through WholeGoods only.

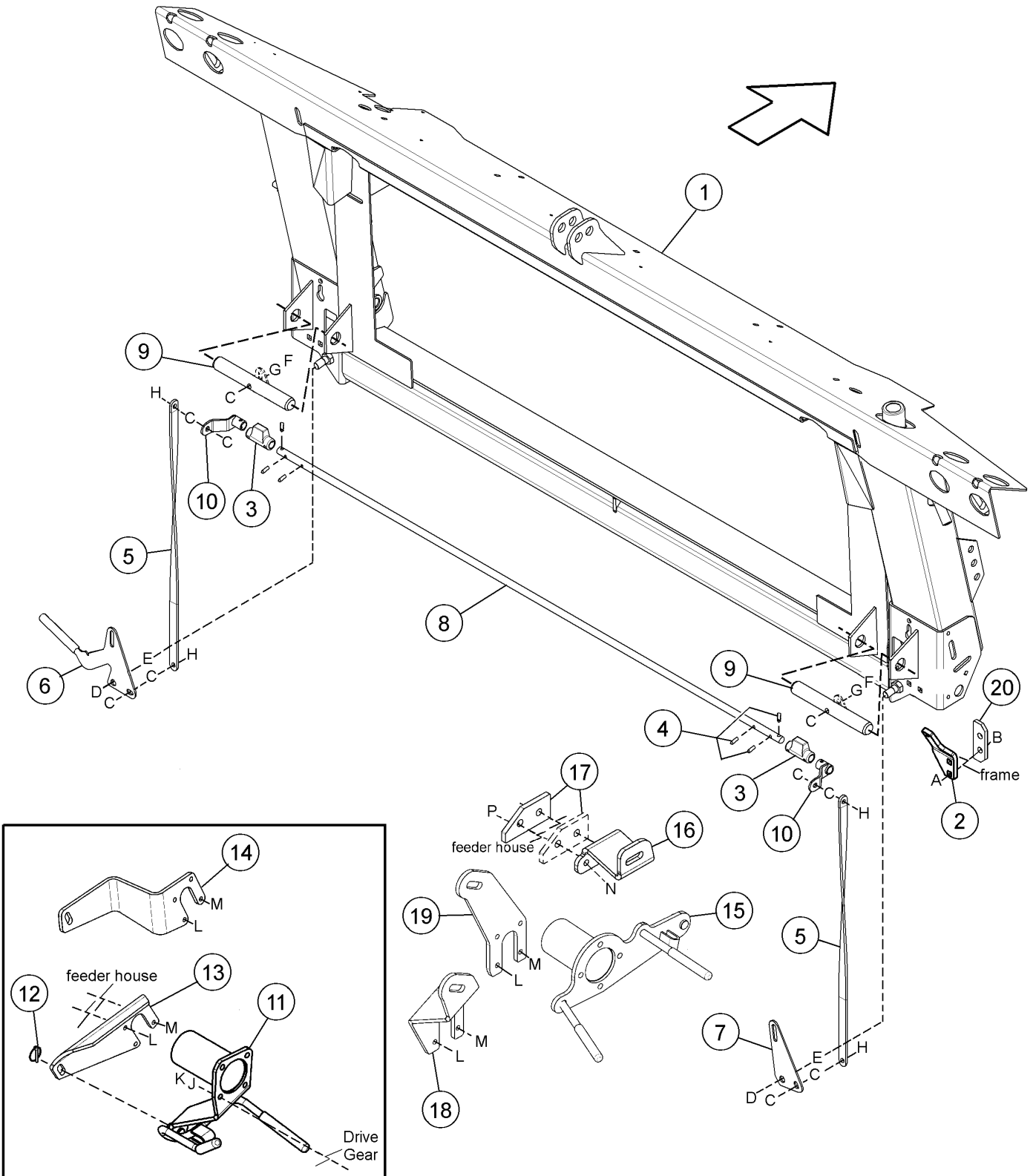
JOHN DEERE COMBINES (60 Series) HEADER COMPLETION PARTS



**JOHN DEERE COMBINES (60 Series)
HEADER COMPLETION PARTS**

REF	PART NUMBER	DESCRIPTION	QTY	SERIAL NUMBER
1	129123	BRACKET – hydraulic coupler mounting.....	2	
2	129143	LATCH – coupler bracket	1	
3	129148	PLUG - rubber	1	
4	129149	PAD - rubber.....	1	
5	40702	FASTENER – cable tie, red.....	2	
6	40704	FASTENER – cable tie, orange.....	1	
7	49227	FASTENER – cable tie, green.....	2	
8	135265	HOSE - hydraulic.....	3	
9	49232	FASTENER – cable tie, white.....	1	
10	40701	FASTENER – cable tie, yellow	1	
11	135264	HOSE - hydraulic.....	1	
12	135272	HOSE - hydraulic.....	1	
13	129127	BRACKET – mounting.....	1	
14	103351	HOLDER – hose.....	2	
15	21763	FASTENER – cable tie, black (7-3/4 inches long).....	1	
16	129145	HARNESS – electrical wiring.....	1	
17	135267	RING – retaining, inverted.....	1	
18	30753	FASTENER – cable tie, black (14 inches long).....	1	
19	129438	GUSSET – coupler bracket (was 129066).....	1	
20	REF	LEG – L/H inner header leg.....	1	
21	135015	FITTING – hydraulic, swivel adapter (headers with hydraulic center link).....	1	
22	129120	COUPLING-MULTI	1	
	129859	SEAL KIT – 3/8 in.	1	
	129860	SEAL KIT – 1/2 in.	1	
A	21868	BOLT – round head, square neck, 1/2 NC x 1 inch		
B	50186	NUT – lock, smooth flange, 1/2 NC distorted thread		
C	27647	BOLT – hex washer head, shoulder, 3/8 NC x 23 mm long		
D	30228	NUT – lock, smooth flange, 3/8 NC		
E	101898	SCREW – hex washer head, thread forming, 3/8 NC x 5/8 inch		
F	20055	BOLT – hex head, 3/8 NC x 2-1/4 inch		
G	21813	BOLT – hex head, 1/2 NC x 2 inch, threaded full length		
H	21056	NUT – hex jam, 1/2 NC		

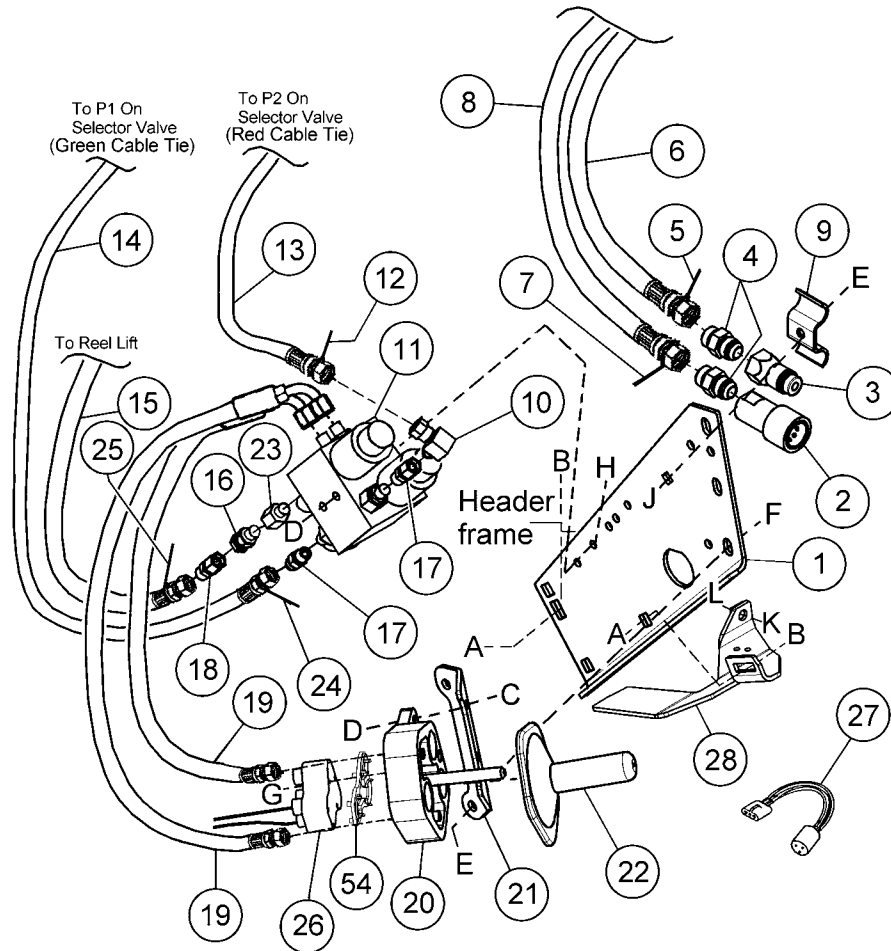
LEXION COMBINE ADAPTER COMPLETION PARTS



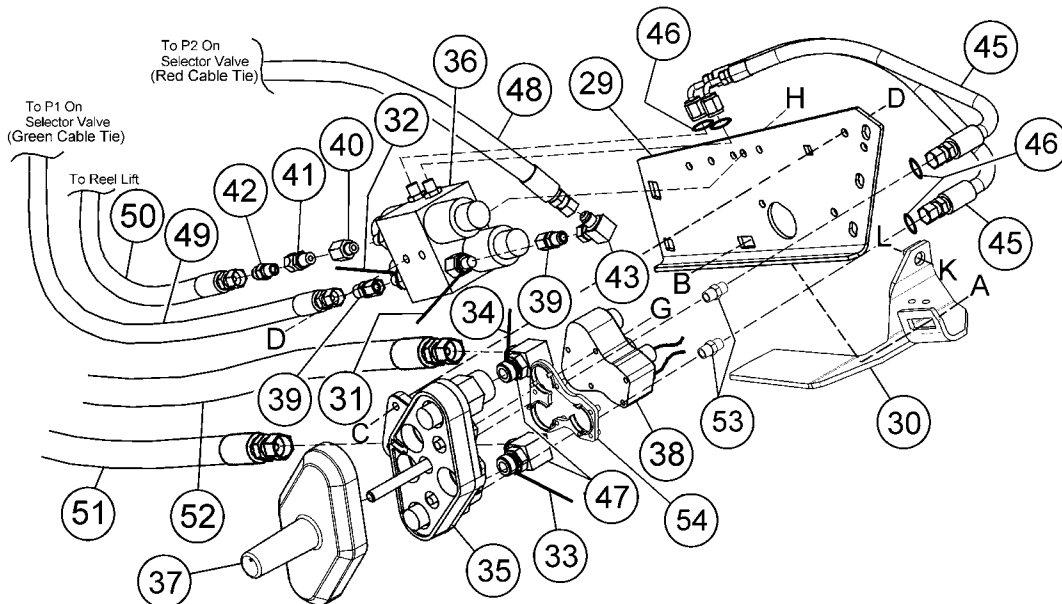
**LEXION COMBINE
ADAPTER COMPLETION PARTS**

REF	PART NUMBER	DESCRIPTION	QTY	SERIAL NUMBER
1	REF	FRAME – adapter, not serviceable, see Frame and Float pages 2 & 3	1	
2	158539	HOLDER – pump storage.....	1	
3	103922	LATCH - top.....	2	
4	103886	PIN – roll.....	6	
5	158395	ARM - lever.....	2	
6	158405	LEVER - latch	1	
7	158393	LEVER - latch	1	
8	NSS	SHAFT - latch	1	
9	103733	PIN – bottom latching	2	
10	158383	ARM.....	2	
11	158403	HANDLE – drive gear	1	-168559
12	50193	PIN – lynch	1	
13	129440	ARM – support, wide feeder house models (was 102864).....	1	-168559
14	129441	ARM – support, narrow feeder house models (was 114210)	1	-168559
15	129659	HANDLE – gear drive	1	
16	129607	ARM – gear drive support, for HP5 Tilting Feed Elevator only.....	1	
17	129608	SUPPORT – plate, for HP5 Tilting Feed Elevator only	1	
		(item 17 qty = 2 for wide feeder house models)		
18	129443	ARM – gear drive support, offset, for standard wide feeder house	1	168560-
19	129832	ARM – gear drive support, flat, for standard narrow feeder house.....	1	168560-
20	129845	PLATE – backing.....	1	
A	19966	BOLT – round head, square neck, 3/8 NC x 1-1/4 inch		
B	30228	NUT – lock, smooth flange, 3/8 NC distorted thread		
C	50186	NUT – lock, smooth flange, 1/2 NC distorted thread		
D	102636	NUT – hex head, 3/4 NC, distorted thread		
E	21378	NUT – hex jam, 3/4 NC		
F	21578	BOLT – hex head, 1/2 NC x 2-1/4 inch		
G	18600	WASHER – flat, SAE 0.66 inch ID		
H	18723	BOLT – hex head, 1/2 NC x 1-1/2 inch		
J	50155	BOLT – hex head, M12-1.75 x 25 mm		
K	30633	WASHER – lock, 12.5 mm ID		
L	30628	BOLT – flange head, M10 x 35 mm		
M	135335	BOLT – hex head, M10 x 45 mm		
N	21576	BOLT – hex head, 1/2 NC x 2 inch		
P	18697	NUT – lock, 1/2 NC distorted thread		

LEXION COMBINE HEADER COMPLETION PARTS



400 SERIES LEXION COMBINES



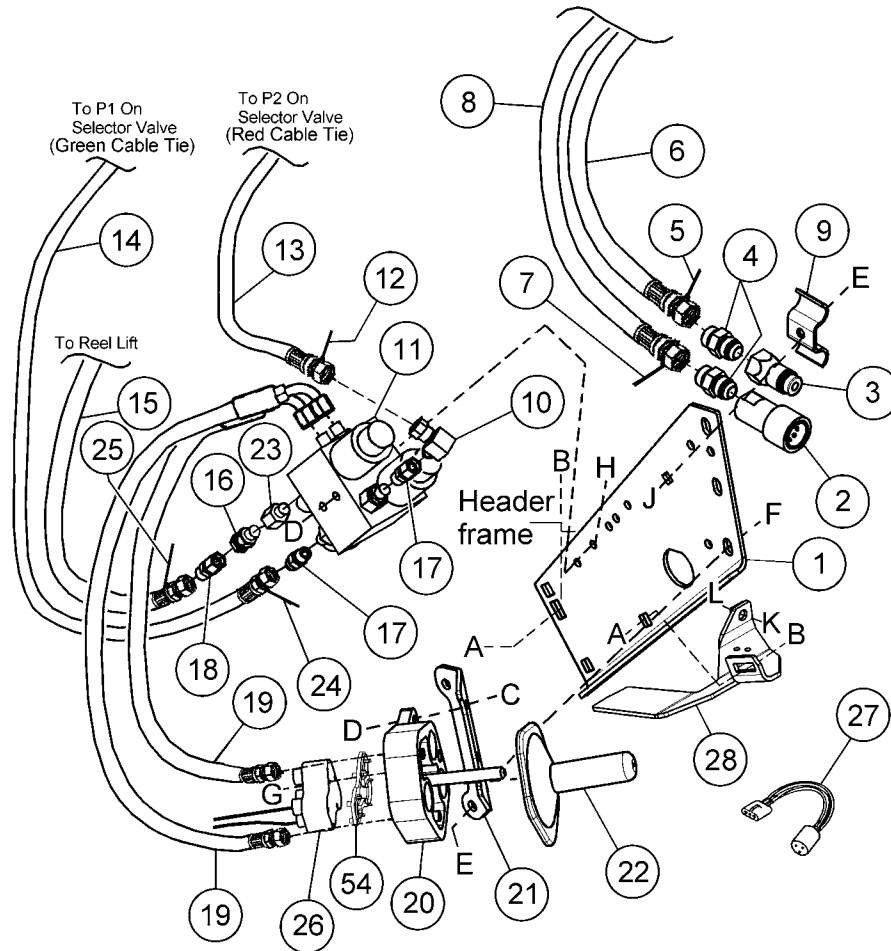
500 SERIES LEXION COMBINES

LEXION COMBINE HEADER COMPLETION PARTS

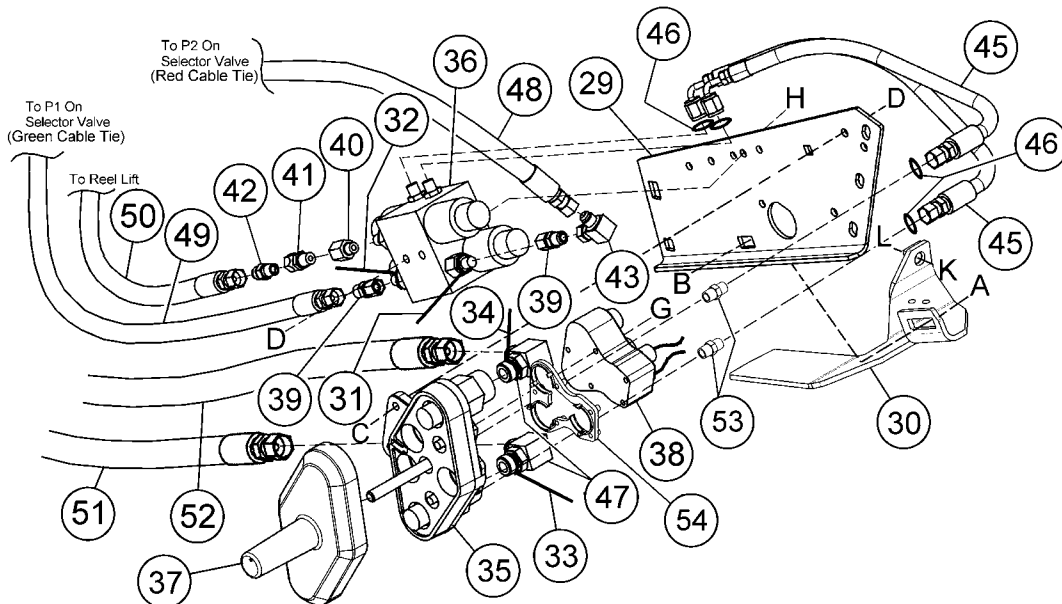
REF	PART NUMBER	DESCRIPTION	QTY	SERIAL NUMBER
400 SERIES COMBINE COMPLETION				
1	153730	BRACKET – hydraulic coupler mounting	1	
2	123375	FITTING – female hydraulic coupler	1	
3	123376	FITTING – male hydraulic coupler	1	
4	30695	FITTING – hydraulic adapter	2	
5	49232	FASTENER – cable tie, white	1	
6	REF	HOSE – hydraulic, reel drive	1	
7	40701	FASTENER – cable tie, yellow	1	
8	REF	HOSE – hydraulic, reel drive	1	
9	114195	HOLDER – hose	1	
10	106717	FITTING – hydraulic, 90° elbow	1	
11	103890	VALVE – hydraulic, 2 function	1	
12	40702	FASTENER – cable tie, red	1	
13	REF	HOSE – hydraulic, from P2 on selector valve, red tie	1	
14	REF	HOSE – hydraulic, from P1 on selector valve, green tie	1	
15	REF	HOSE – hydraulic, reel lift	1	
16	30302	FITTING – hydraulic, restrictor (0.052" orifice)	1	
17	103921	FITTING – hydraulic, adapter	2	
18	135323	FITTING – hydraulic, connector, 3/8 tube x 1/4 NPT (30° seat)	1	
19	158371	HOSE – hydraulic, with o-rings	2	
	108131	O-RING – for hose 158371	4	
20	103893	COUPLER – hydraulic and electrical	1	
21	158363	BRACKET – hydraulic coupler	1	
22	108130	GUARD – rubber cap	1	
23	103749	FITTING – hydraulic, M12 thread into block (depends on item 11 thread size)	1	
	135425	FITTING – hydraulic, M14 thread into block (depends on item 11 thread size)	1	
24	49227	FASTENER – cable tie, green	1	
25	21763	FASTENER – cable tie, black	1	
26	103892	HARNES – wiring, 2 function	1	
27	114005	HARNES – wiring connector (lights)	1	
28	129438	GUSSET – coupler bracket (was 129066)	1	
54	129773	SPACER – wiring harness	1	
500 SERIES COMBINE COMPLETION				
29	153730	BRACKET – hydraulic coupler mounting	1	
30	129438	GUSSET – coupler bracket	1	
31	40702	FASTENER – cable tie, red	1	
32	49227	FASTENER – cable tie, green	1	
33	49232	FASTENER – cable tie, white	1	
34	40701	FASTENER – cable tie, yellow	1	
35	129941	COUPLER – hydraulic and electrical (was 129444)	1	
36	103890	VALVE – hydraulic, 2 function	1	-168559
	129771	VALVE – hydraulic, 2 function	1	168560-174609
	129963	VALVE – hydraulic, 2 function		174610-
37	129481	COVER – coupler	1	
38	129533	HARNES – wiring	1	-168559
	129772	HARNES – wiring	1	168560-
39	103921	FITTING – hydraulic, adapter	2	
40	103749	FITTING – hydraulic, adapter, M12 thread into block (depends on item 36 thread size)	1	
	135425	FITTING – hydraulic, adapter, M14 thread into block (depends on item 36 thread size)	1	
41	30302	FITTING – hydraulic, connector	1	
42	135323	FITTING – hydraulic, connector	1	
43	106717	FITTING – hydraulic, 90 elbow	1	
44	30284	FITTING – hydraulic, 45 elbow, c/w O-ring	1	
45	158371	HOSE – hydraulic	2	-174609
	129962	HOSE – hydraulic for hose 158371 (6 mm I.D.)	2	174610-
46	108131	O-RING	4	-174609
	129964	O-RING – for hose 129962 (8 mm I.D.)	4	174610-
47	21843	FITTING – hydraulic, 90° elbow	2	
48	REF	HOSE – hydraulic, from P2 on selector valve, red tie	1	
49	REF	HOSE – hydraulic, from P1 on selector valve, green tie	1	
50	REF	HOSE – hydraulic, reel lift	1	
51	REF	HOSE – hydraulic, reel drive, pressure	1	
52	REF	HOSE – hydraulic, reel drive, return	1	
53	135426	FITTING – union	2	-174609
	129961	FITTING – union	2	174610-
54	129773	SPACER – wiring harness	1	

Note: See next page for hardware.

LEXION COMBINE HEADER COMPLETION PARTS (Continued)



400 SERIES LEXION COMBINES

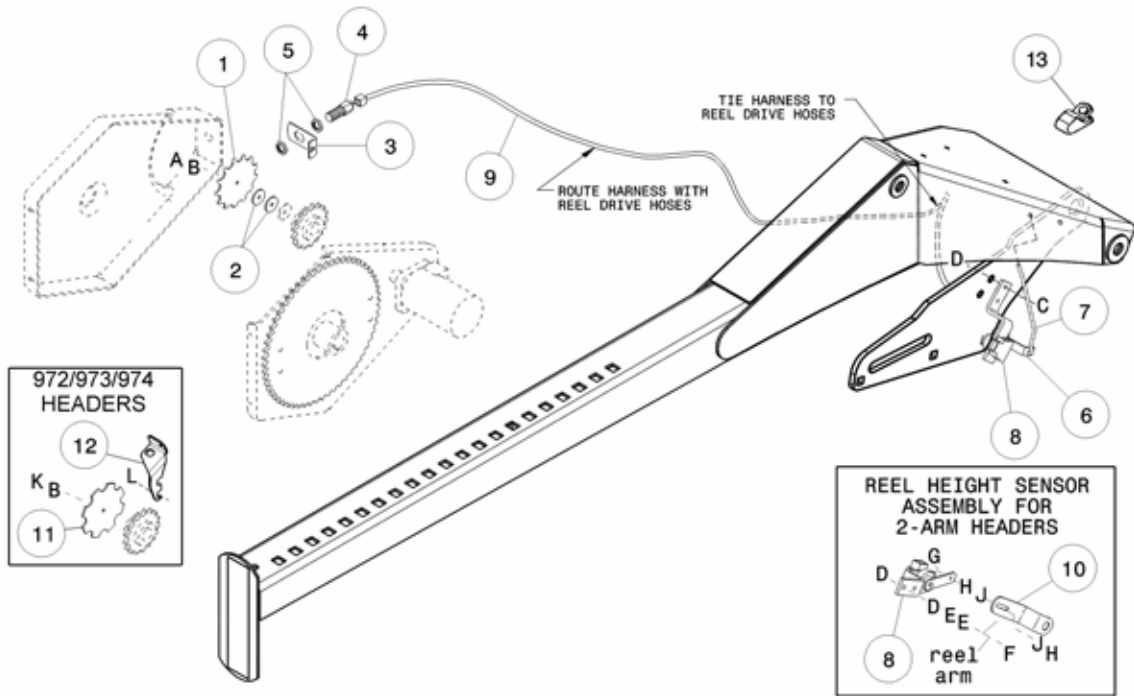


500 SERIES LEXION COMBINES

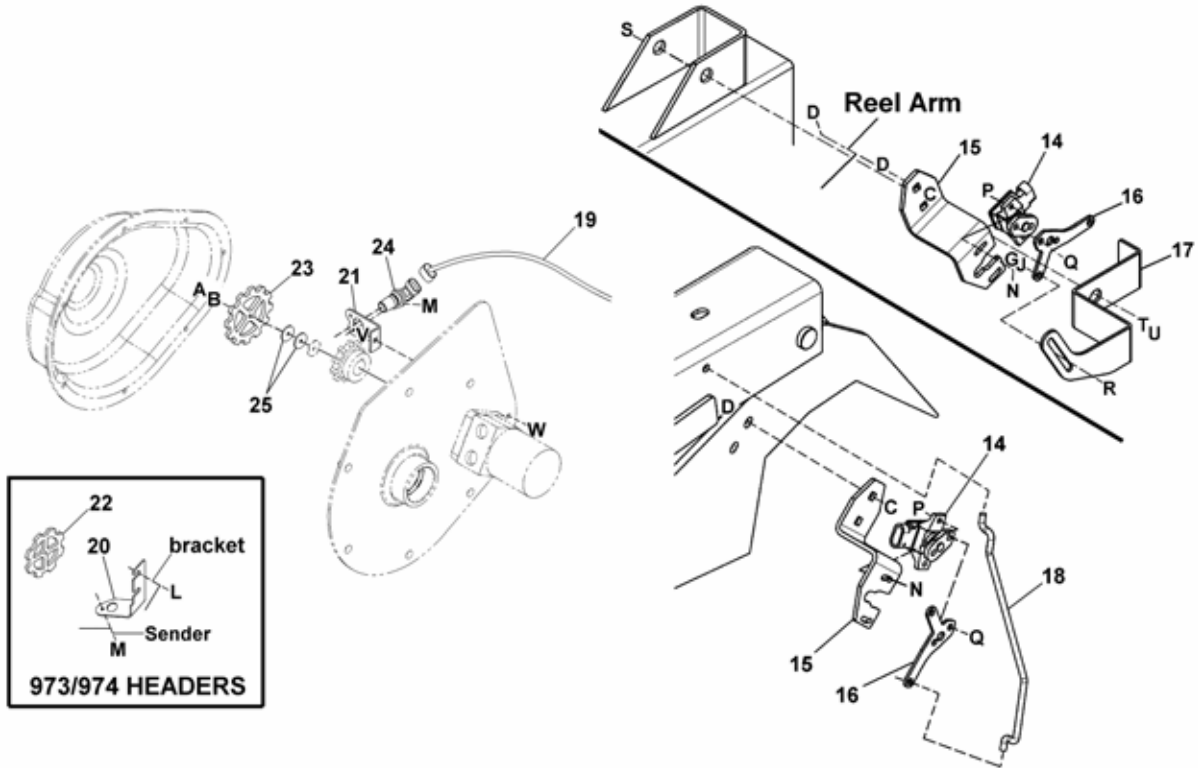
LEXION COMBINE
HEADER COMPLETION PARTS (Continued)

REF	PART NUMBER	DESCRIPTION	QTY	SERIAL NUMBER
A	21868	BOLT – round head, sq neck, 1/2 NC x 1”		
B	50186	NUT - lock, smooth flange, 1/2 NC, D.T.		
C	21087	BOLT – hex head, 5/16 x 1 inch		
D	30280	NUT – flange head, 5/16 NC		
E	30228	NUT – flange head, 3/8 NC		
F	21863	BOLT – round head, sq neck, 3/8 NC x 3/4”		
G	129965	BOLT – hex head, M5 x 45mm		
H	50235	BOLT – hex head, 5/16 NC x 3-3/4”		
J	50148	BOLT – round head, sq neck, 3/8 x 1-1/2”, T.F.L		
K	21813	BOLT – hex head, 1/2 NC x 2”, T.F.L.		
L	21056	NUT – hex jam, 1/2 NC		

LEXION COMBINE AUTO REEL SPEED/HEIGHT GROUP



400 Series Lexion Combines



500 Series Lexion Combines

**LEXION COMBINE
AUTO REEL SPEED/HEIGHT GROUP**

REF	PART NUMBER	DESCRIPTION	QTY	SERIAL NUMBER
-----	-------------	-------------	-----	---------------

400 Series Lexion Combines:

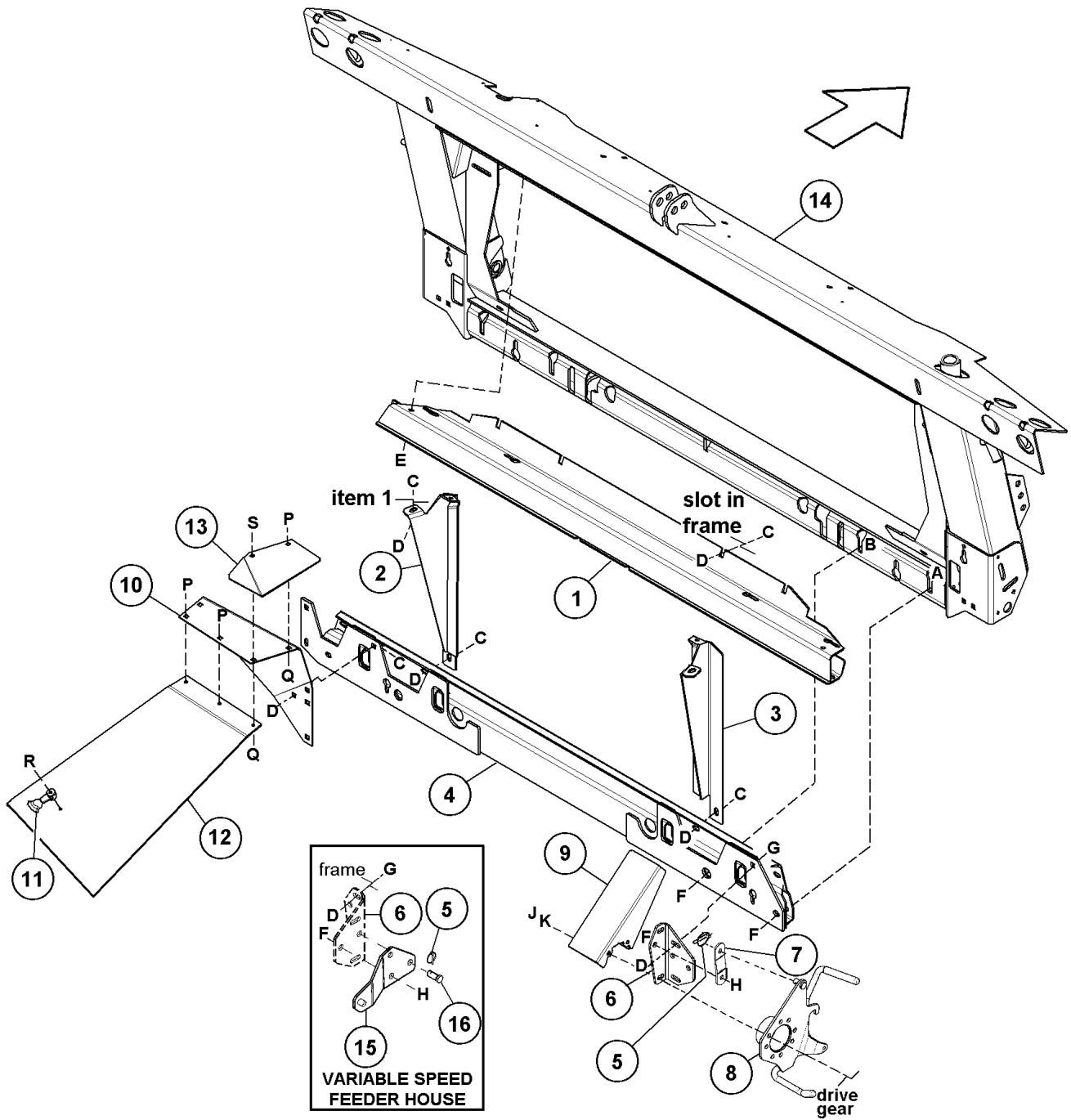
1	103866	DISC – 13 teeth, reel speed sensor	1	
2	43219	WASHER – flat	2	
3	43555	SUPPORT – reel speed sensor.....	1	
4	103908	SENSOR – reel speed.....	1	
5	103909	NUT – reel sensor.....	2	
6	103881	ARM – reel height sensor, 3 arm headers	1	
7	158753	ROD – link, reel height sensor, 3 arm headers	1	
8	114368	POTENTIOMETER ASSEMBLY	1	
9	103907	HARNESS – reel speed/height.....	1	-168559
	114348	HARNESS – extension, 2 arm headers.....	1	-168559
	129796	HARNESS – wiring, 2 or 3 arm headers	1	168560-
10	114239	SUPPORT – reel height sensor, 2 arm headers	1	
11	113197	DISC – 8 teeth, reel speed sensor	1	
12	118009	SUPPORT – reel speed sensor.....	1	
13	43848	CLAMP – harness	2	

500 Series Lexion Combines:

14	158666	SENSOR – reel height.....	1	
15	129458	SUPPORT – sensor, 963, 973, 974 headers only	1	
16	129457	ARM – sensor, 963, 973, 974 headers only	1	
17	129532	SUPPORT – 973 & 974 2 arm headers only	1	
	129536	SUPPORT – 963 30' headers only	1	
18	129538	ROD – linkage, 963 – 36' headers only	1	
	158753	ROD – linkage, 973, 974 – 30', 36' & 39' headers only	1	
19	129487	HARNESS – wiring.....	1	
20	129460	BRACKET – speed sensor, 973 & 974 Headers only	1	
21	129471	BRACKET – speed sensor, 963 Headers only	1	
22	129467	DISC – 8 teeth, reel speed sensor, 973 & 974 Headers only	1	
23	129436	DISC – 12 teeth, reel speed sensor, 963 Headers only	1	
24	129459	SENSOR – reel speed.....	1	
25	43219	WASHER – flat	2	

A	30942	BOLT – hex head, 1/4 NC x 1-1/4"	M	21055	SCREW – self tapping, 1/4 NC x 1/2"
B	18635	WASHER – lock, 1/4 NC	N	158722	BOLT – rnd hd, sq nk, #10-24 NC x 3/4"
C	21282	BOLT – rnd hd, sq nk, 5/16 NC x 1 inch	P	105197	NUT – lock, #10-24 NC
D	21403	NUT – lock, serrated flange, 5/16 NC	Q	158704	SCREW – machine, M6x8
E	18590	NUT – hex, 3/8 NC	R	18724	NUT – lock, 1/4 NC
F	18902	BOLT – hex head, 5/16 NC x 1-3/4 inch	S	19634	BOLT – hex head, 5/8 NC x 4 inch
G	21573	BOLT – hex head, 1/4 NC x 1 inch	T	18600	WASHER – flat, 5/8 ID
H	18724	NUT – lock, 1/4 NC distorted thread	U	50225	NUT – lock, 5/8 NC
J	18596	WASHER – flat, 9/32 inch ID	V	21476	BOLT – rnd hd, sq nk, 1/4 NC x 3/4 inch
K	101898	SCREW – self tapping, 3/8 NC x 5/8 inch	W	21455	NUT – serrated flange, 1/4 NC
L	21821	BOLT – flange head, 3/8 NC x 3/4 inch			

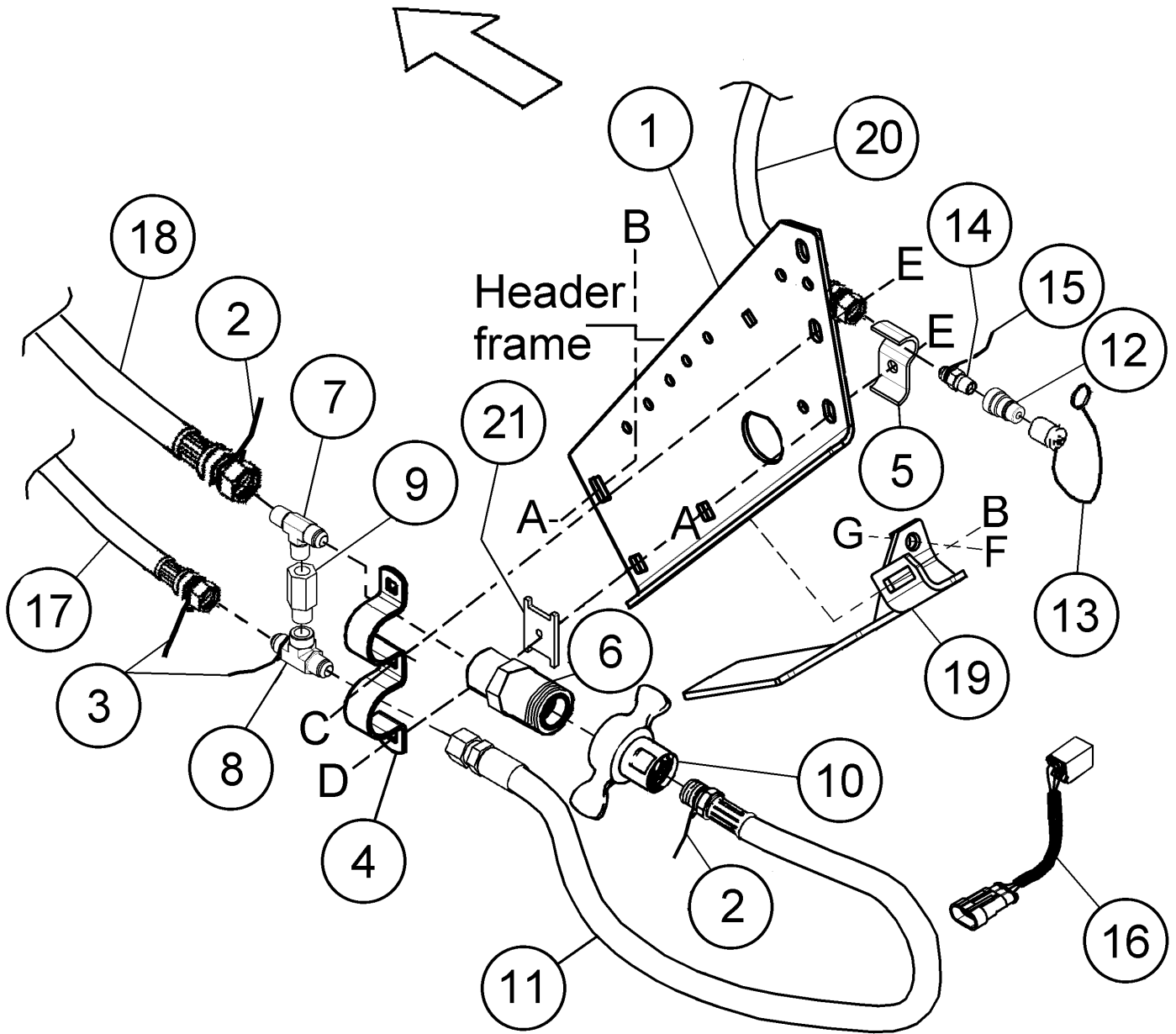
AGCO COMBINES ADAPTER COMPLETION PARTS



**AGCO COMBINES
ADAPTER COMPLETION PARTS**

REF	PART NUMBER	DESCRIPTION	QTY	SERIAL NUMBER
1	158877	BEAM - upper	1	
2	158891	MEMBER – L/H	1	
3	158907	MEMBER – R/H.....	1	
4	129510	BEAM – lower (was 158852)	1	
5	50193	PIN – lynch, qty = 2 with variable speed feeder house.....	1	
6	129848	ANCHOR (was 129511)	1	
7	129075	ARM – standard feeder house (was 158197).....	1	
8	129473	HANDLE – gear drive (was 158782)	1	
9	158899	SHIELD.....	1	
10	158835	SHIELD.....	1	
11	38894	LATCH – rubber.....	1	
12	102668	SHIELD – rubber	1	
13	114112	SHIELD.....	1	
14	REF	FRAME – adapter, not serviceable, see Frame and Float pages 2 & 3	1	
15	129838	ARM – pump support, variable speed feeder house only.....	1	
16	50176	PIN – clevis, 5/8" dia. x 0.98" effective length, variable speed feeder house only.....	1	
A	18525	BOLT – round head, square neck, 5/8 NC x 2-1/2 inch		
B	103562	BOLT – round head, square neck, 5/8 NC x 1-1/4 inch		
C	21066	BOLT – round head, square neck, 1/2 NC x 1 inch		
D	50186	NUT – lock, smooth flange, 1/2 NC distorted thread		
E	21449	BOLT – hex head, serrated flange, 1/2 NC x 1 inch		
F	50225	NUT – smooth flange, 5/8 NC distorted thread		
G	21471	BOLT – round head, square neck, 1/2 NC x 1-1/4 inch		
H	21594	BOLT – hex head, 5/8 NC x 1-1/2 inch		
J	50155	BOLT – hex head, M12 x 1-3/4 x 25 long		
K	30633	WASHER – spring lock		
P	21472	BOLT – round head, square neck, 3/8 NC x 3/4 inch		
Q	30228	NUT – smooth flange, 3/8 NC distorted thread		
R	21561	BOLT – hex head, 3/8 NC x 1-1/2 inch		
S	19965	BOLT – round head, square neck, 3/8 NC x 1 inch		

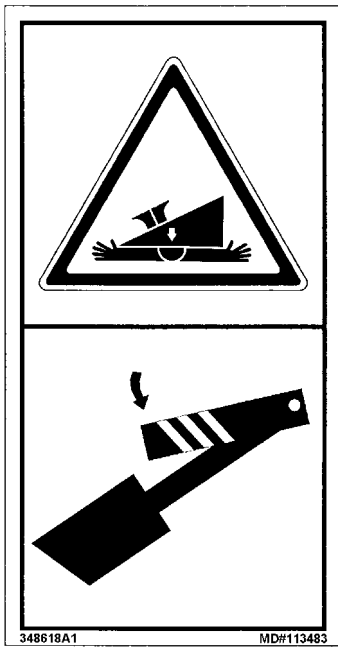
AGCO COMBINES HEADER COMPLETION PARTS



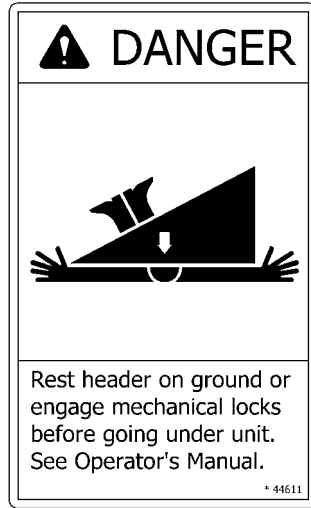
**AGCO COMBINES
HEADER COMPLETION PARTS**

REF	PART NUMBER	DESCRIPTION	QTY	SERIAL NUMBER
1	153730	BRACKET - mounting.....	1	
2	49232	FASTENER – cable tie, white.....	1	
3	40701	FASTENER – cable tie, yellow	1	
4	114140	HOLDER – couplers	1	
5	29934	HOLDER – hose & harness.....	1	
6	30909	FITTING – hydraulic, female coupler.....	1	
7	30972	FITTING – hydraulic, tee	1	
8	30854	FITTING – hydraulic, tee	1	
9	49223	VALVE – check.....	1	
10	30908	FITTING – hydraulic, male coupler.....	1	
11	37842	HOSE – hydraulic	1	
12	30825	FITTING – hydraulic, male coupler.....	1	
13	21824	CAP – dust, rubber.....	1	
14	135323	FITTING – hydraulic, connector, 3/8 tube x 1/4 NPT (30° seat).....	1	
15	21763	FASTENER – cable tie, black.....	1	
16	40498	HARNESS – wiring.....	1	
17	REF	HOSE – hydraulic, reel drive, return.....	1	
18	REF	HOSE – hydraulic, reel drive, pressure	1	
19	129438	GUSSET – coupler bracket (was 129066)	1	
20	REF	HOSE – hydraulic, reel lift	1	
21	158253	SPACER – coupler	1	
A	21868	BOLT – round head, square neck, 1/2 NC x 1 inch		
B	50186	NUT – lock, smooth flange, 1/2 NC distorted thread		
C	19965	BOLT – round head, square neck, 3/8 NC x 1 inch		
D	19966	BOLT – round head, square neck, 3/8 NC x 1-1/4 inch		
E	30228	NUT – lock, smooth flange, 3/8 NC distorted thread		
F	21813	BOLT – hex head, 1/2 NC x 2 inch, threaded full length		
G	21056	NUT – hex jam, 1/2 NC		

DECALS



1



1A

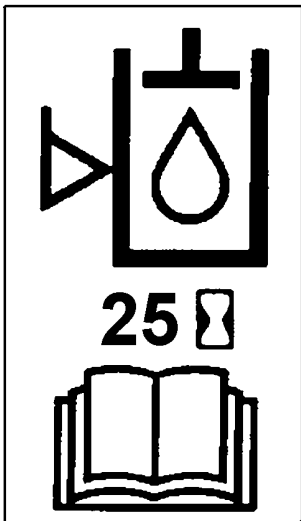


2

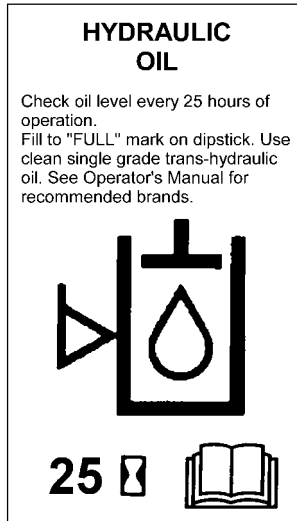


3

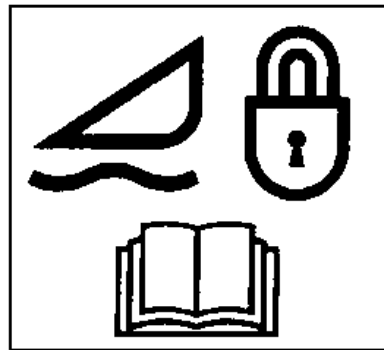
Model 873



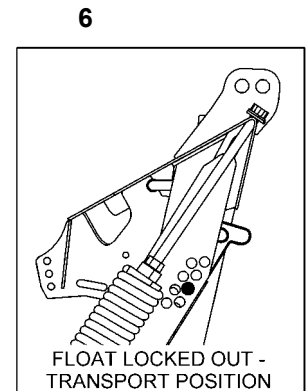
4



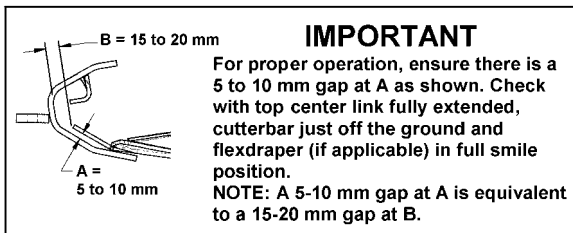
4A



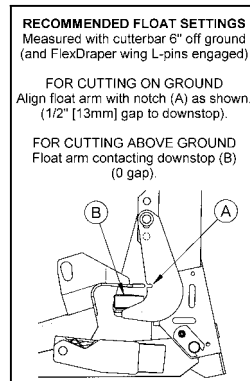
5



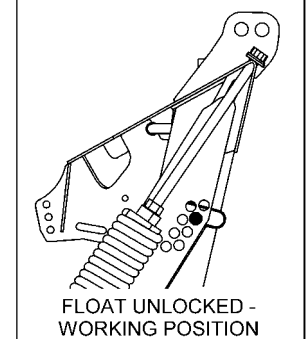
6



7



8

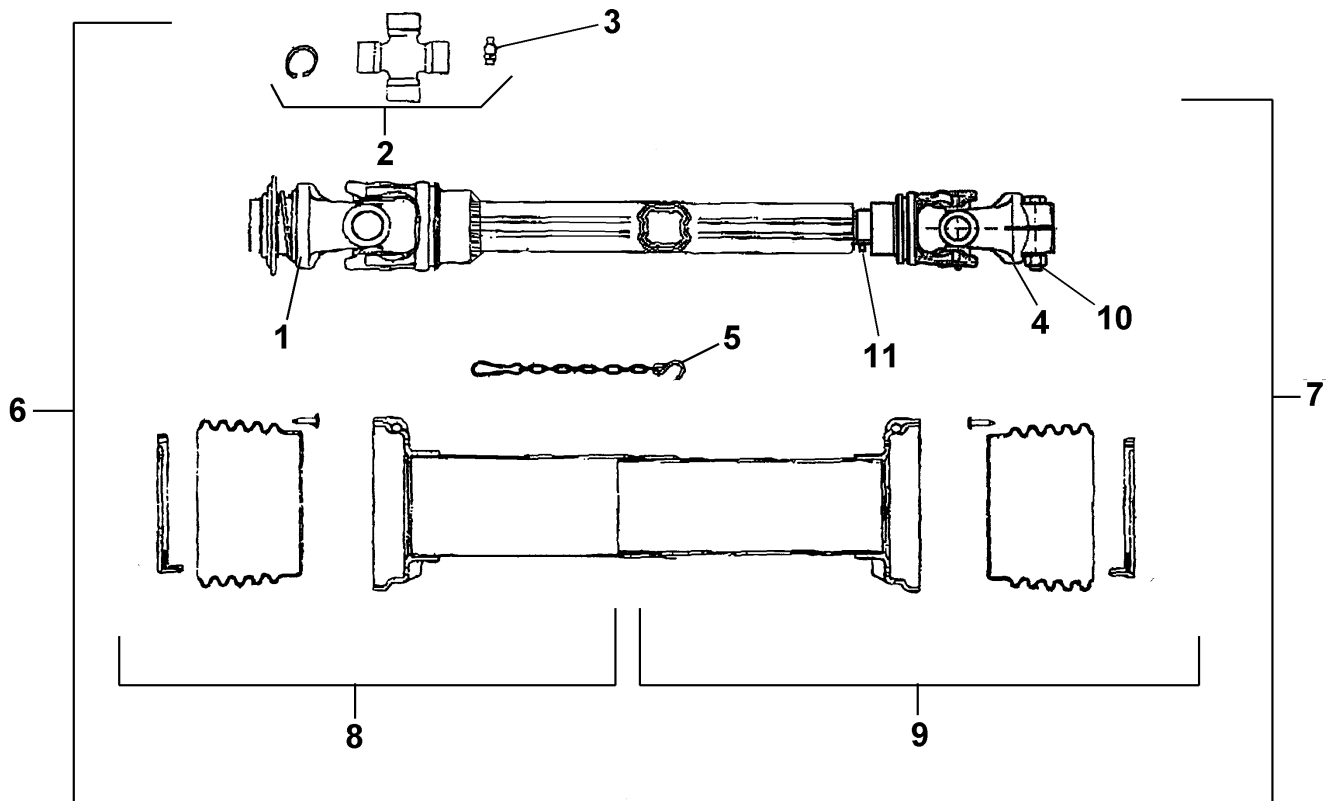


5A

DECALS

REF	PART NUMBER	DESCRIPTION	QTY	SERIAL NUMBER
1	113483	DECAL – Header Hazard (non-verbal)		
1A	44611	DECAL – Header Hazard (text version)		
2	158288	DECAL – DANGER - INNER: Shield Missing		
3	158289	DECAL – DANGER - OUTER: Rotating Driveline		
	158291	BOOKLET - driveline		
4	113497	DECAL - Hydraulic Oil (non-verbal)		
4A	158976	DECAL – Hydraulic Oil (text version)		
5	113486	DECAL – Float Lock Out (non-verbal)		
5A	129156	DECAL – Float Lock Out (text version)		
6	158259	DECAL – model 873		
7	129157	DECAL – IMPORTANT: Pan to Cutterbar Clearance		
8	129702	DECAL – Float Settings		

DRIVELINE

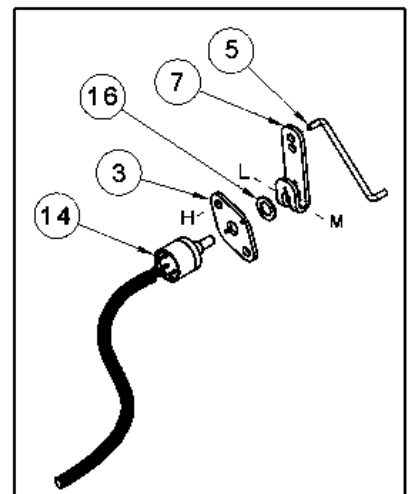
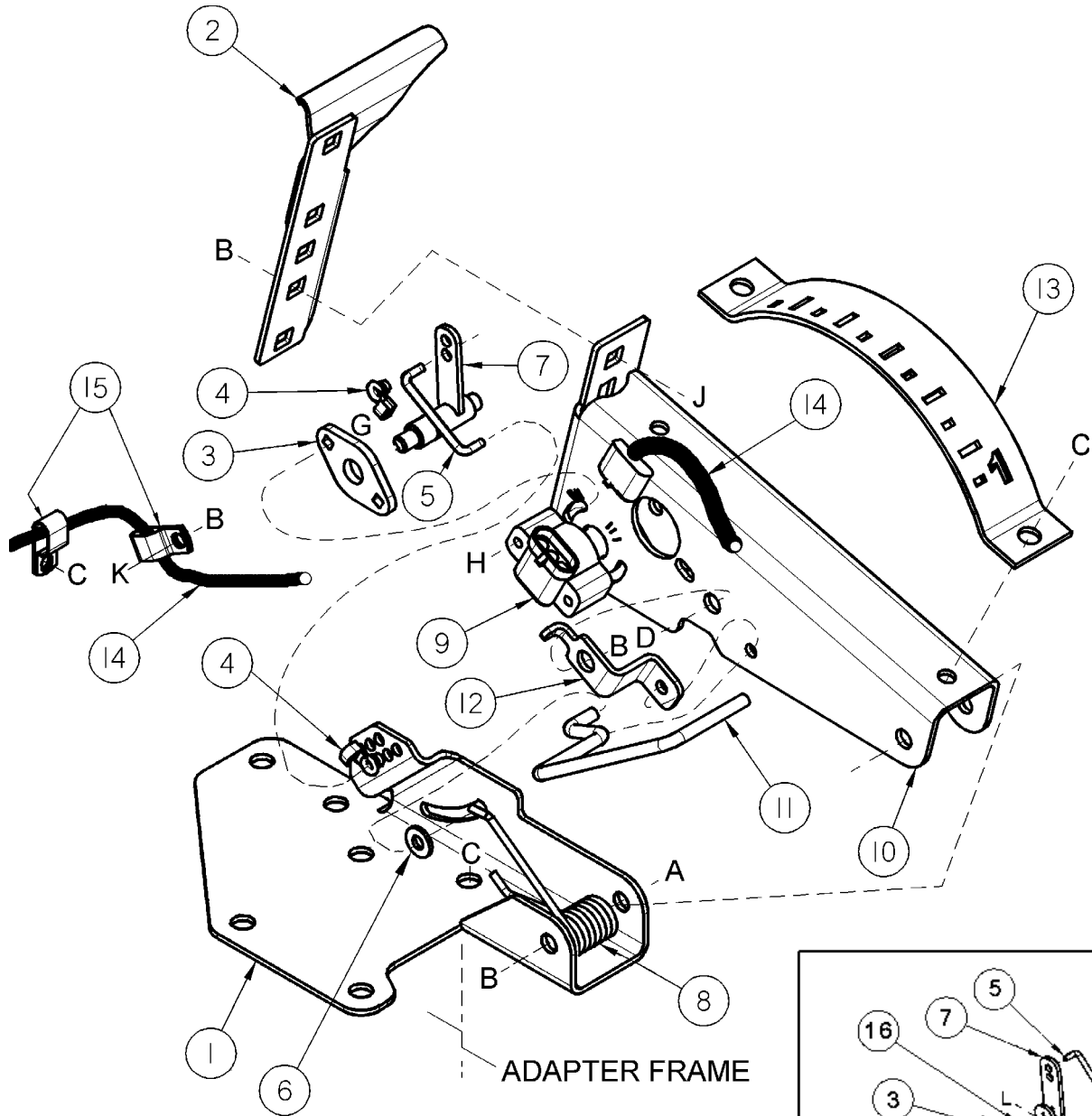


DRIVELINE

REF	PART NUMBER	DESCRIPTION	QTY	SERIAL NUMBER
*	153153	6T DRIVELINE – complete.....	1	
**	153544	21T DRIVELINE – complete.....	1	
***	153545	HEX BORE DRIVELINE – complete.....	1	
1	158283	YOKE – 6T driveline.....	1	
	158298	YOKE – 21T driveline.....	1	
	158297	YOKE – hex bore driveline.....	1	
2	158284	CROSS JOURNAL ASSEMBLY – includes c-clips and grease fitting.....	2	
3	158285	FITTING – grease, M8 x straight.....	1	
4	158287	YOKE – 1-3/8 inch bore.....	1	
5	111242	CHAIN – anti-rotation.....	2	
6	158290	HALF SHAFT – 6T driveline, outer, c/w shield.....	1	
	158296	HALF SHAFT – 21T driveline, outer, c/w shield.....	1	
	158295	HALF SHAFT – Hex Bore driveline, outer, c/w shield.....	1	
7	158292	HALF SHAFT – inner, c/w shield.....	1	
8	158293	SHIELD – outer – 21T & hex bore drivelines.....	1	
	158951	SHIELD – outer - 6T driveline.....	1	
9	158294	SHIELD – inner.....	1	
10	135155	BOLT – hex head, M12-1.75 x 75 mm long.....	1	
	135156	NUT – hex, M12.....	1	
	30633	WASHER – lock, M12.....	1	
11	158639	FITTING - lube.....	1	

- * Driveline 6T – New Holland CR/CX and Case AFX Combines
- ** Driveline 21T – John Deere, Agco & Lexion Combines
- *** Driveline Hex Bore – Case 20 Series Combines

FLOAT OPTIMIZER (Attachment)
Case, Agco & John Deere (50 & 60 Series) Combines
SN 150558 and below



CASE 2300 SERIES COMBINES

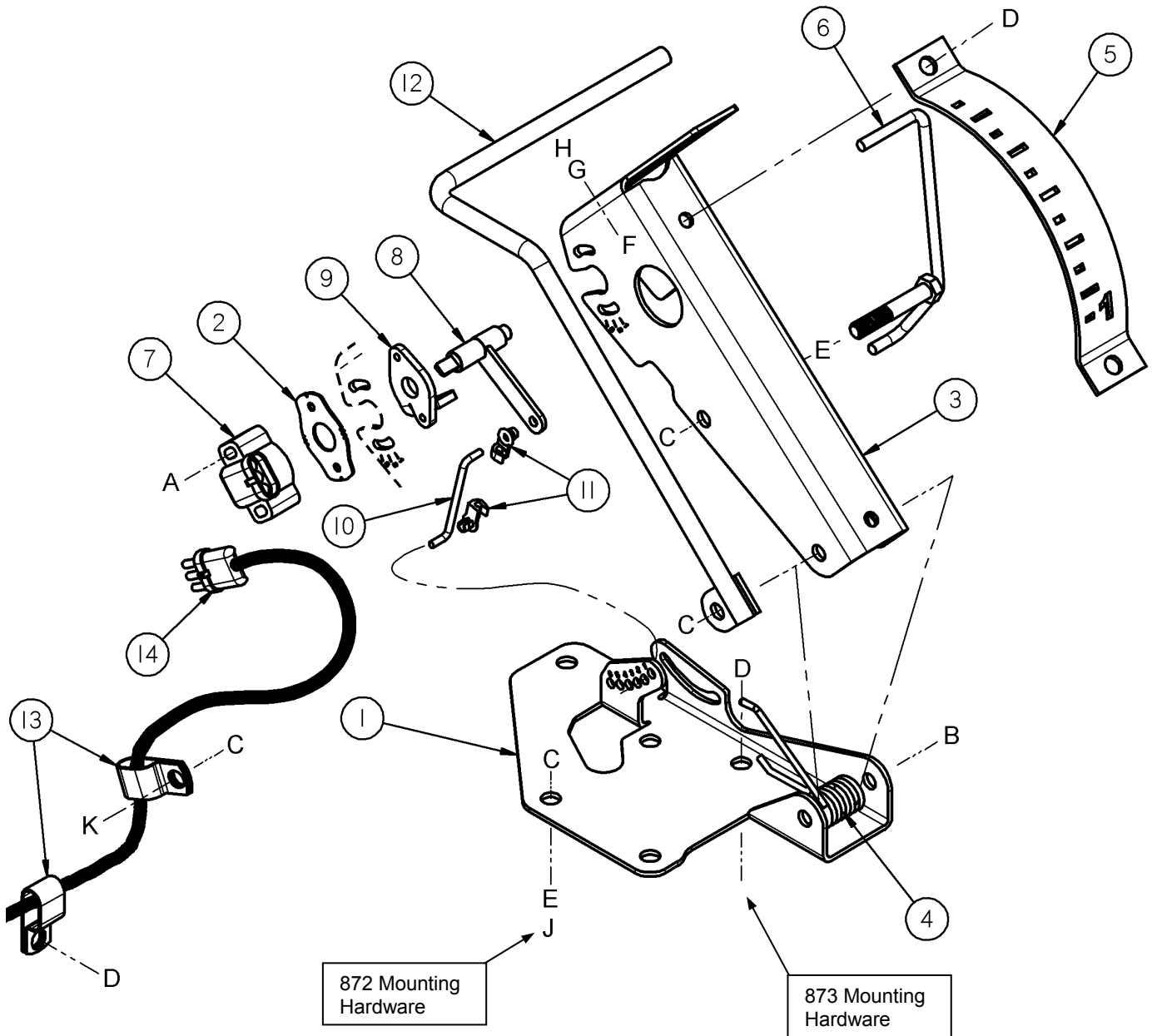
FLOAT OPTIMIZER (Attachment)
Case, Agco & John Deere (50 & 60 Series) Combines
SN 150558 and below

REF	PART NUMBER	DESCRIPTION	QTY.	SERIAL NUMBER
1	158255	SUPPORT – lower mounting bracket, John Deere 50 Series	1	
	153638	SUPPORT – lwr mntg brkt, Case Axial Flow/2300 Combines	1	
2	153675	ARM – sensing, top link	1	
3	153786	PLATE – potentiometer mntg, JD 50 Series & Case Axial Flow	1	
	153938	PLATE – potentiometer mounting, Case 2300 Series	1	
4	153492	CLIP – rod end	2	
5	158256	ROD – linkage, John Deere 50 Series	1	
	153700	ROD – linkage, Case Axial Flow Combines	1	
	153473	ROD – linkage, Case 2300 Series Combines	1	
6	18596	WASHER – flat, SAE 9/32 ID	1	
7	153976	ARM – pivot, John Deere 50 Series	1	
	153782	ARM – pivot, Case Axial Flow Combines	1	
	153943	ARM – pivot, Case 2300 Series Combines	1	
8	153689	SPRING – torsion	1	
9	REF	CONTROL – potentiometer, order John Deere RE 69297	1	
	158069	CONTROL – potentiometer, Case Axial Flow Combines	1	
10	153699	ARM – upper, John Deere 50 Series & Case 2300 Series	1	
	158096	ARM – upper, Case Axial Flow Combines	1	
11	153627	INDICATOR – rod, header float	1	
12	153633	SUPPORT – indicator pivot	1	
13	153631	INDICATOR – gauge, header float	1	
14	123380	HARNESS – wiring, John Deere 50 Series	1	
	153698	HARNESS – wiring, Case Axial Flow Combines	1	
	114300	HARNESS – wiring, Case 2300 Series Combines	1	
15	43848	HOLDER – harness	5	
16	158048	WASHER - special	1	
A	21102	BOLT – hex head, 3/8 NC x 2 ½ inch		
B	30228	NUT – lock, smooth flange, 3/8 NC distorted thread		
C	101898	SCREW – self-tapping, 3/8 x 5/8 inch		
D	21567	BOLT – hex head, 3/8 NC x ¾ inch		
G	21487	BOLT – round head, square neck, #10 NC x 1 ½ inch		
H	105197	NUT – lock, 0.190 NC nylon patch		
J	21863	BOLT – round head, short square neck, 3/8 NC x ¾ inch		
K	21447	BOLT – large flange head, 3/8 NC x 1 inch (at optimizer end)		
	21863	BOLT – round hd, short square neck, 3/8 NC x ¾ inch (at left leg)		
L	21573	BOLT – hex head, ¼ NC x 1 inch		
M	18724	NUT – lock, ¼ NC distorted thread		

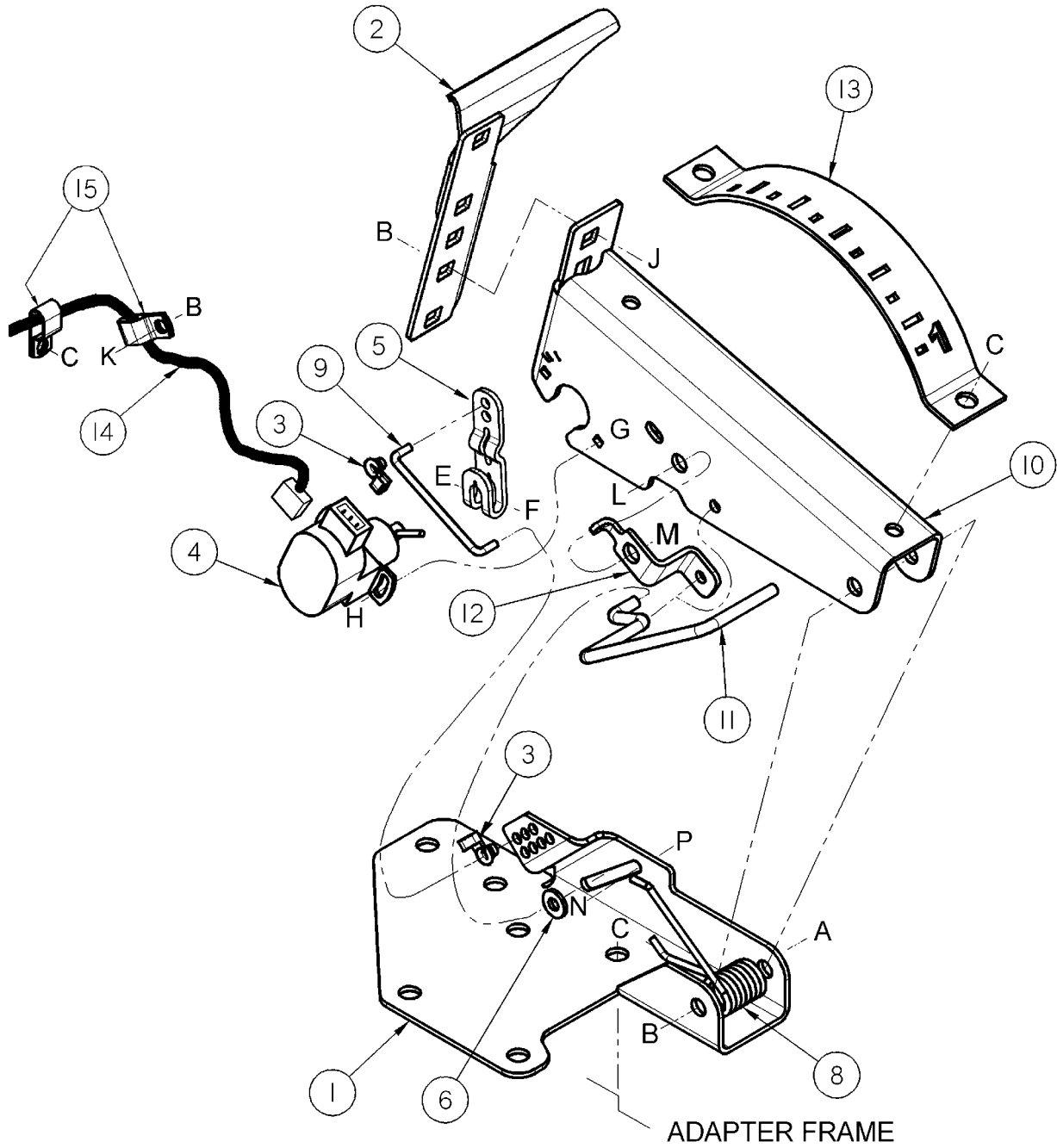
FLOAT OPTIMIZER (Attachment)
Case, Agco & John Deere (50 & 60 Series) Combines
SN 150559 and above

REF	PART NUMBER	DESCRIPTION	QTY.	SERIAL NUMBER
	B4415	FLOAT OPTIMIZER KIT – Case 2100/2300 and AFX Combines		
	B4499	FLOAT OPTIMIZER KIT – John Deere (50 & 60 Series) & Agco		
1	158685	SUPPORT – lower mounting bracket.....	1	
2	158723	PLATE – sensor mounting	1	
3	158684	ARM – upper	1	
4	158603	SPRING – torsion.....	1	
5	153631	INDICATOR – gauge, header float.....	1	
6	158625	INDICATOR – rod, header float	1	
7	158069	SENSOR - potentiometer.....	1	
8	158688	ARM – pivot.....	1	
9	158644	SUPPORT – pivot arm	1	
10	158633	ROD – linkage	1	
11	153492	CLIP – rod end	2	
12	158642	ARM – sensing	1	
13	43848	HOLDER - harness	5	
14	133133	HARNES – float optimizer, Case 2100/2300 Series (was 158351).....	1	
	153698	HARNES – float optimizer, Case AFX Combine.....	1	
	123380	HARNES – float optimizer, John Deere (50 Series)	1	
	129145	HARNES – float optimizer, John Deere (60 Series)	1	
	123388	HARNES – float optimizer, Gleaner R62/R72	1	
	129501	HARNES – float optimizer, Gleaner R65/R75, Challenger 660/670, Massey Ferguson 9690/9790	1	
A	135188	SCREW – hex washer head, #10 x 1-1/2 inch, self-tapping		
B	21102	BOLT – hex head, 3/8 NC x 2-1/2 inch		
C	30228	NUT – lock, smooth flange, 3/8 NC distorted thread		
D	101898	SCREW – self-tapping, 3/8 x 5/8 inch		
E	18598	WASHER – flat, 13/32 inch ID		
F	30432	BOLT – round head, square neck, 3/8 NC x 2-1/4 inch, thread full		
G	18599	WASHER – flat, 17/32 inch ID		
H	21452	NUT – serrated flange lock, 3/8 NC		
J	21567	BOLT – hex head, 3/8 NC x 3/4 inch		
K	21447	BOLT – large flange head, 3/8 NC x 1 inch		
	21863	BOLT – round head, short square neck, 3/8 NC x 3/4 inch		

FLOAT OPTIMIZER (Attachment)
Case, Agco & John Deere (50 & 60 Series) Combines
SN 150559 and above



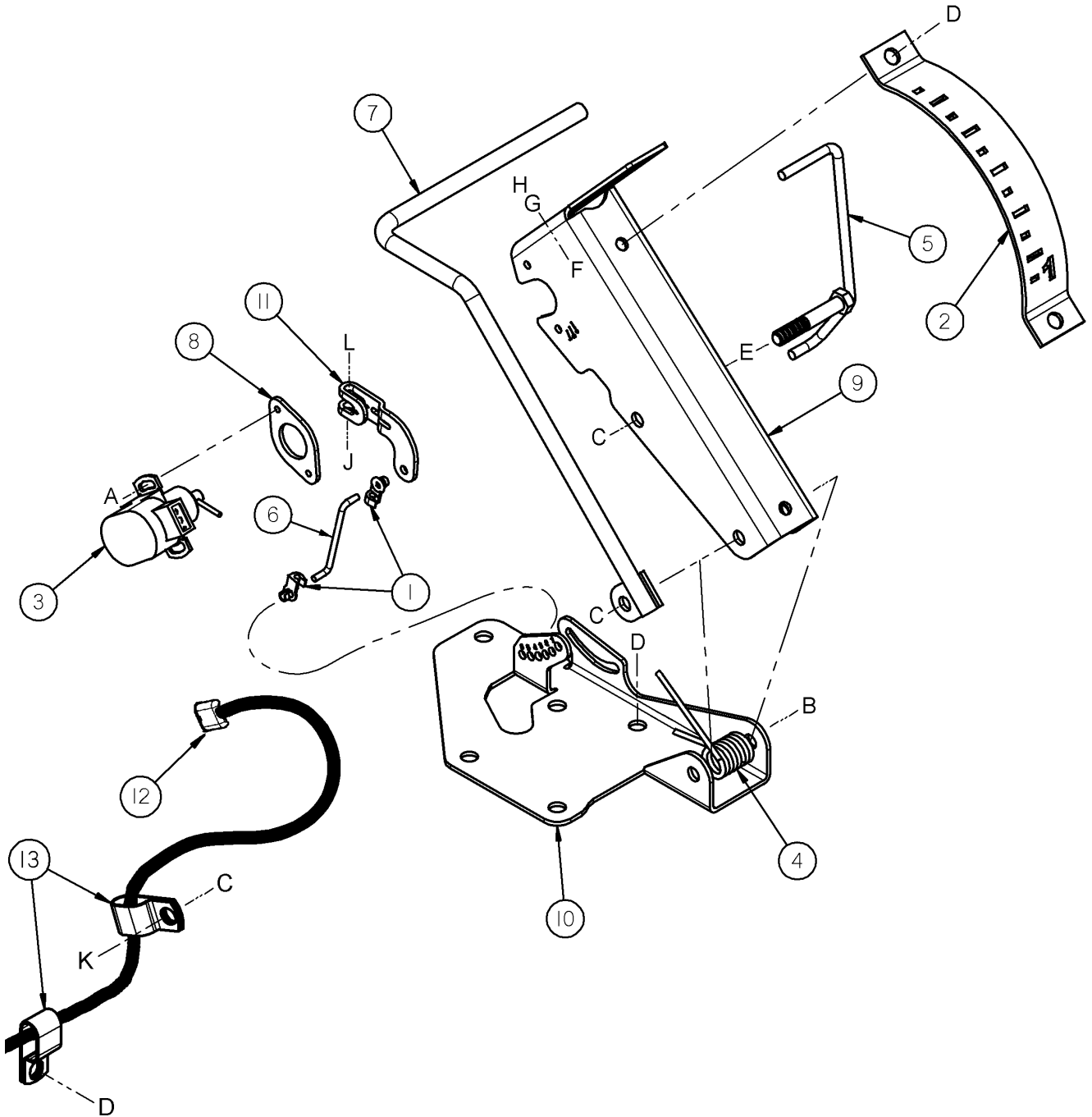
FLOAT OPTIMIZER (Attachment)
New Holland CR / CX Combines
(SN 150558 and below)



**FLOAT OPTIMIZER (Attachment)
New Holland CR / CX Combines
SN 150558 and below**

REF	PART NUMBER	DESCRIPTION	QTY.	SERIAL NUMBER
	B4325	FLOAT OPTIMIZER KIT – New Holland CR/CX Combines		
1	153638	SUPPORT – lower mounting bracket	1	
2	158419	ARM – sensing, top link.....	1	
3	153492	CLIP – rod end	2	
4	153692	CONTROL – potentiometer.....	1	
5	153701	ARM – pivot.....	1	
6	18596	WASHER – flat, SAE 9/32 ID.....	1	
8	153689	SPRING – torsion	1	
9	153700	ROD – linkage	1	
10	153818	ARM – upper	1	
11	153627	INDICATOR – rod, header float	1	
12	153633	SUPPORT – indicator pivot	1	
13	153631	INDICATOR – gauge, header float	1	
14	153769	HARNESS – wiring, New Holland CR/CX	1	
15	43848	HOLDER – harness	5	
A	21102	BOLT – hex head, 3/8 NC x 2 1/2 inch		
B	30228	NUT – lock, smooth flange, 3/8 NC distorted thread		
C	101898	SCREW – self-tapping, 3/8 x 5/8 inch		
E	21573	BOLT – hex head, 1/4 NC x 1 inch		
F	18724	NUT – lock, 1/4 NC distorted thread		
G	30465	BOLT – round head, square neck, #10 NC x 1/2 inch		
H	105197	NUT – lock, 0.190 NC nylon patch		
J	21863	BOLT – round head, short square neck, 3/8 NC x 3/4 inch		
K	21447	BOLT – large flange head, 3/8 NC x 1 inch (at optimizer end)		
	21863	BOLT – round hd, short square neck, 3/8 NC x 3/4 inch (at left leg)		
L	21821	BOLT – flange head, 3/8 NC x 3/4 inch		
M	21452	NUT – serrated flange lock, 3/8 NC		
N	21926	BOLT – round head, square neck, 1/4 NC x 1/2 inch		
P	21455	NUT – serrated flange lock, 1/4 NC		

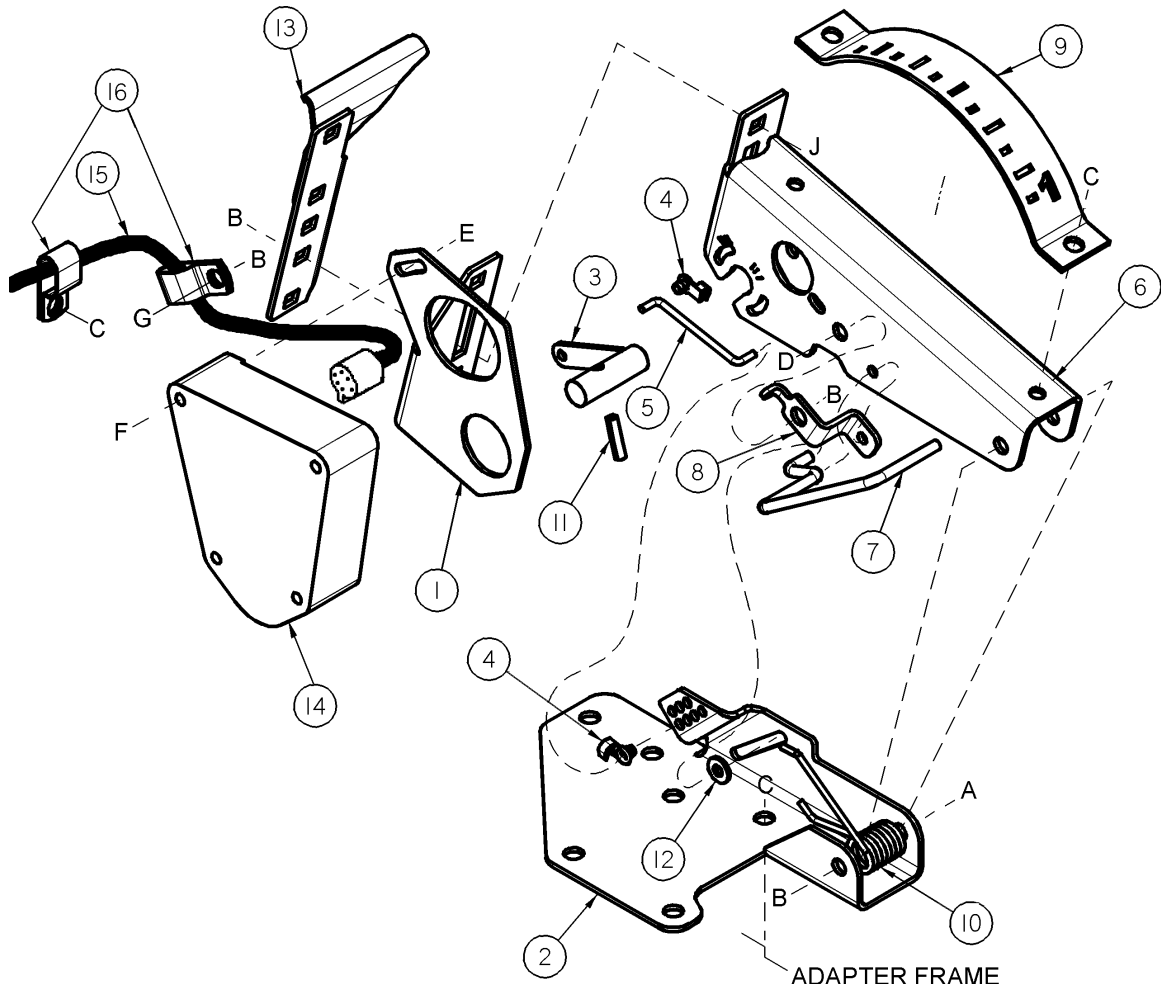
FLOAT OPTIMIZER (Attachment)
New Holland CR / CX Combines
SN 150559 and above



FLOAT OPTIMIZER (Attachment)
New Holland CR / CX Combines
SN 150559 and above

REF	PART NUMBER	DESCRIPTION	QTY.	SERIAL NUMBER
	B4498	FLOAT OPTIMIZER KIT – New Holland CR / CX Combines		
1	153492	CLIP – rod end	2	
2	153631	INDICATOR – gauge, header float.....	1	
3	153692	SENSOR - potentiometer	1	
4	158603	SPRING – torsion.....	1	
5	158625	INDICATOR – rod, header float	1	
6	158633	ROD – linkage	1	
7	158642	ARM – sensing	1	
8	158649	SUPPORT – sensor mounting	1	
9	158664	ARM – upper	1	
10	158685	SUPPORT – lower mounting bracket.....	1	
11	158692	ARM – linkage	1	
12	153769	HARNESSE – float optimizer, New Holland CR / CX.....	1	
13	43848	HOLDER - harness	5	
A	42292	SCREW – self-tapping, #10 x 1/2 inch		
B	21102	BOLT – hex head, 3/8 NC x 2-1/2 inch		
C	30228	NUT – lock, smooth flange, 3/8 NC distorted thread		
D	101898	SCREW – self-tapping, 3/8 x 5/8 inch		
E	18598	WASHER – flat, 13/32 inch ID		
F	30432	BOLT – round head, square neck, 3/8 NC x 2-1/4 inch, thread full		
G	18599	WASHER – flat, 17/32 inch ID		
H	21452	NUT – serrated flange lock, 3/8 NC		
J	21573	BOLT – hex head, 1/4 NC x 1 inch		
K	21447	BOLT – large flange head, 3/8 NC x 1 inch		
	21863	BOLT – round head, short square neck, 3/8 NC x 3/4 inch		
L	18724	NUT – lock, 1/4 NC distorted thread		

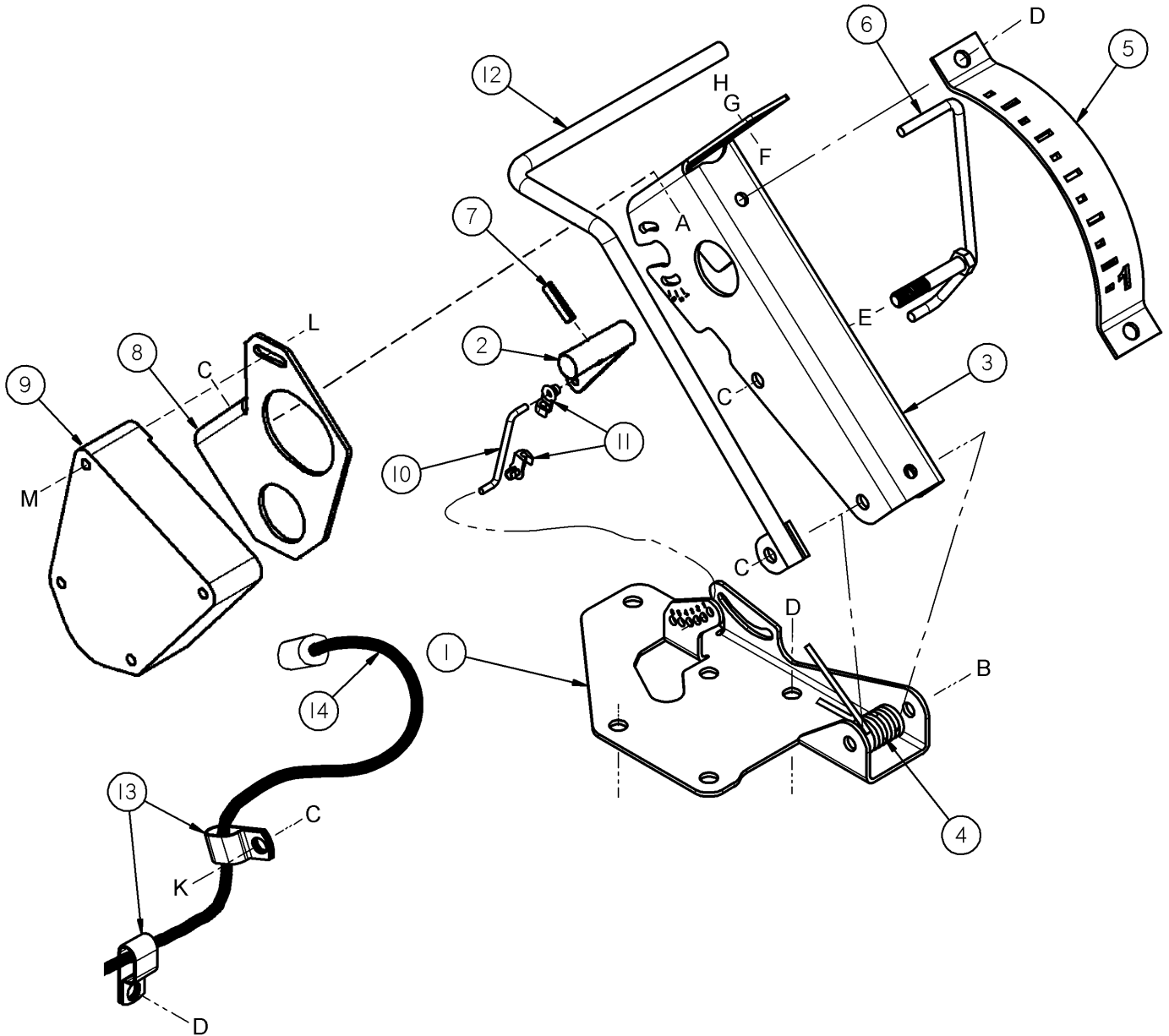
FLOAT OPTIMIZER (Attachment)
John Deere Combines (Pre 50 Series)
SN 150558 and below



**FLOAT OPTIMIZER (Attachment)
John Deere Combines (Pre 50 Series)
SN 150558 and below**

REF	PART NUMBER	DESCRIPTION	QTY.	SERIAL NUMBER
	B4366	FLOAT OPTIMIZER KIT – John Deere Comb. prior to 50 Series		
1	158032	SUPPORT – control box	1	
2	153638	SUPPORT – lower mounting bracket	1	
3	158033	ARM – pivot.....	1	
4	153492	CLIP – rod end	2	
5	153473	ROD – linkage	1	
6	153699	ARM – upper	1	
7	153627	INDICATOR – rod, header float	1	
8	153633	SUPPORT – indicator pivot	1	
9	153631	INDICATOR – gauge, header float	1	
10	153689	SPRING – torsion	1	
11	30943	PIN – spring	1	
12	18596	WASHER – flat, SAE 9/32 ID	1	
13	153675	ARM – sensing, top link.....	1	
14	REF	CIRCUIT BOX – order John Deere AH 142086	1	
15	114299	HARNESSESS – wiring	1	
16	43848	HOLDER – harness	5	
A	21102	BOLT – hex head, 3/8 NC x 2 1/2 inch		
B	30228	NUT – lock, smooth flange, 3/8 NC distorted thread		
C	101898	SCREW – self-tapping, 3/8 x 5/8 inch		
D	21567	BOLT – hex head, 3/8 NC x 3/4 inch		
E	30822	BOLT – round head, square neck, 1/4 NC x 2 1/4 inch		
F	18724	NUT – lock, 1/4 NC distorted thread		
G	21447	BOLT – large flange head, 3/8 NC x 1 inch (at optimizer end)		
	21863	BOLT – round hd, short square neck, 3/8 NC x 3/4 inch (at left leg)		
J	21863	BOLT – round head, short square neck, 3/8 NC x 3/4 inch		

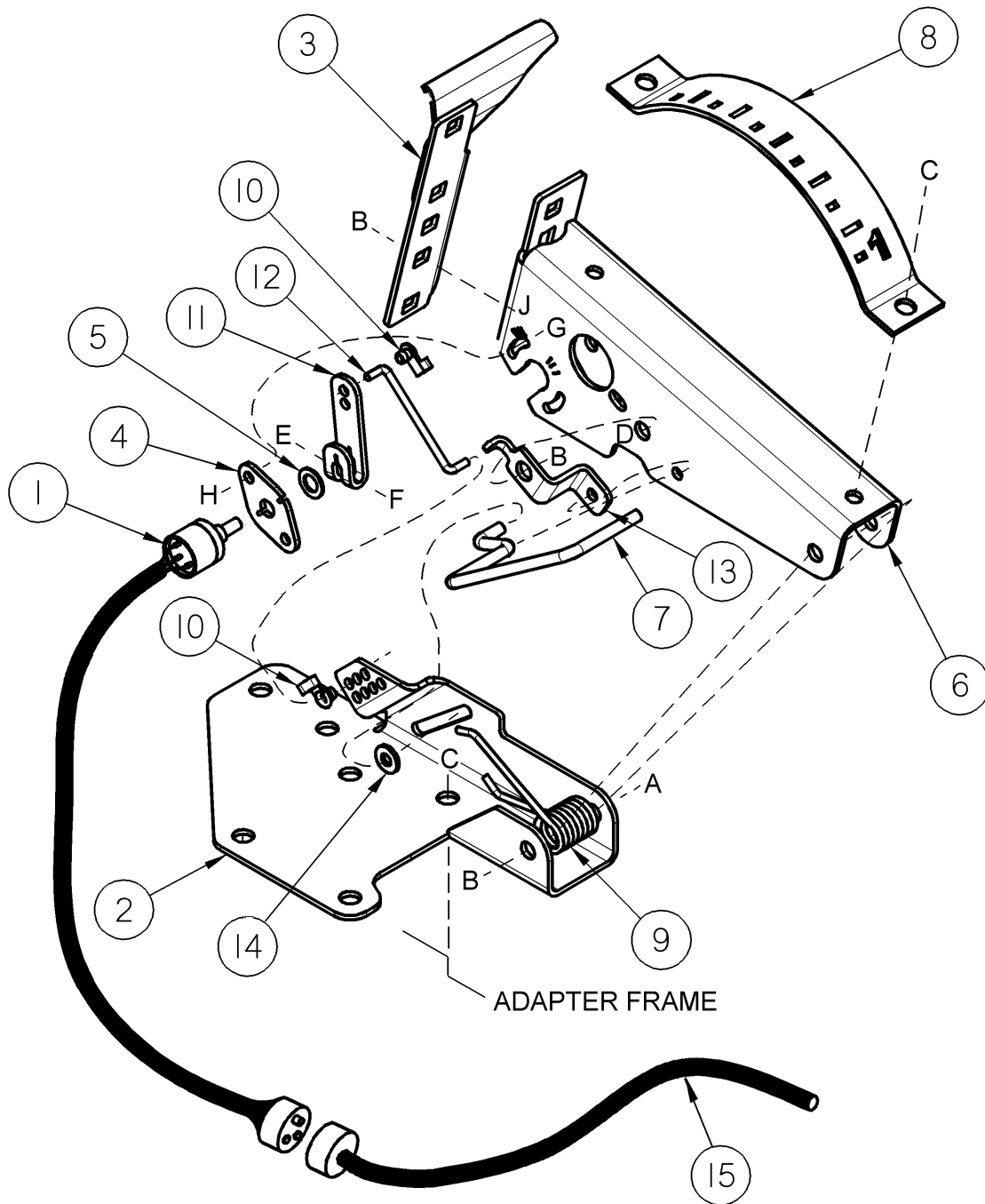
FLOAT OPTIMIZER (Attachment)
John Deere Combines (Pre 50 Series)
SN 150559 and above



FLOAT OPTIMIZER (Attachment)
John Deere Combines (Pre 50 Series)
SN 150559 and above

REF	PART NUMBER	DESCRIPTION	QTY.	SERIAL NUMBER
	B4500	FLOAT OPTIMIZER KIT – John Deere (Pre 50 Series)		
1	158685	SUPPORT – lower mounting bracket.....	1	
2	158693	ARM – sensor mounting.....	1	
3	158684	ARM – upper.....	1	
4	158603	SPRING – torsion.....	1	
5	153631	INDICATOR – gauge, header float.....	1	
6	158625	INDICATOR – rod, header float.....	1	
7	30943	PIN - spring.....	1	
8	158643	SUPPORT.....	1	
9	REF	CIRCUIT BOX – order John Deere AH 142086.....	1	
10	158633	ROD – linkage.....	1	
11	153492	CLIP – rod end.....	2	
12	158642	ARM – sensing.....	1	
13	43848	HOLDER - harness.....	5	
14	114299	HARNES – float optimizer, John Deere (Pre 50 Series).....	1	
A	21863	BOLT – round head, short square neck, 3/8 NC x 3/4 inch		
B	21102	BOLT – hex head, 3/8 NC x 2-1/2 inch		
C	30228	NUT – lock, smooth flange, 3/8 NC distorted thread		
D	101898	SCREW – self-tapping, 3/8 x 5/8 inch		
E	18598	WASHER – flat, 13/32 inch ID		
F	30432	BOLT – round head, square neck, 3/8 NC x 2-1/4 inch, thd. full		
G	18599	WASHER – flat, 17/32 inch ID		
H	21452	NUT – serrated flange lock, 3/8 NC		
K	21447	BOLT – large flange head, 3/8 NC x 1 inch		
L	30822	BOLT – round head, square neck, 1/4 NC x 2-1/4 inch		
M	18724	NUT – hex, lock, 1/4 NC distorted thread		

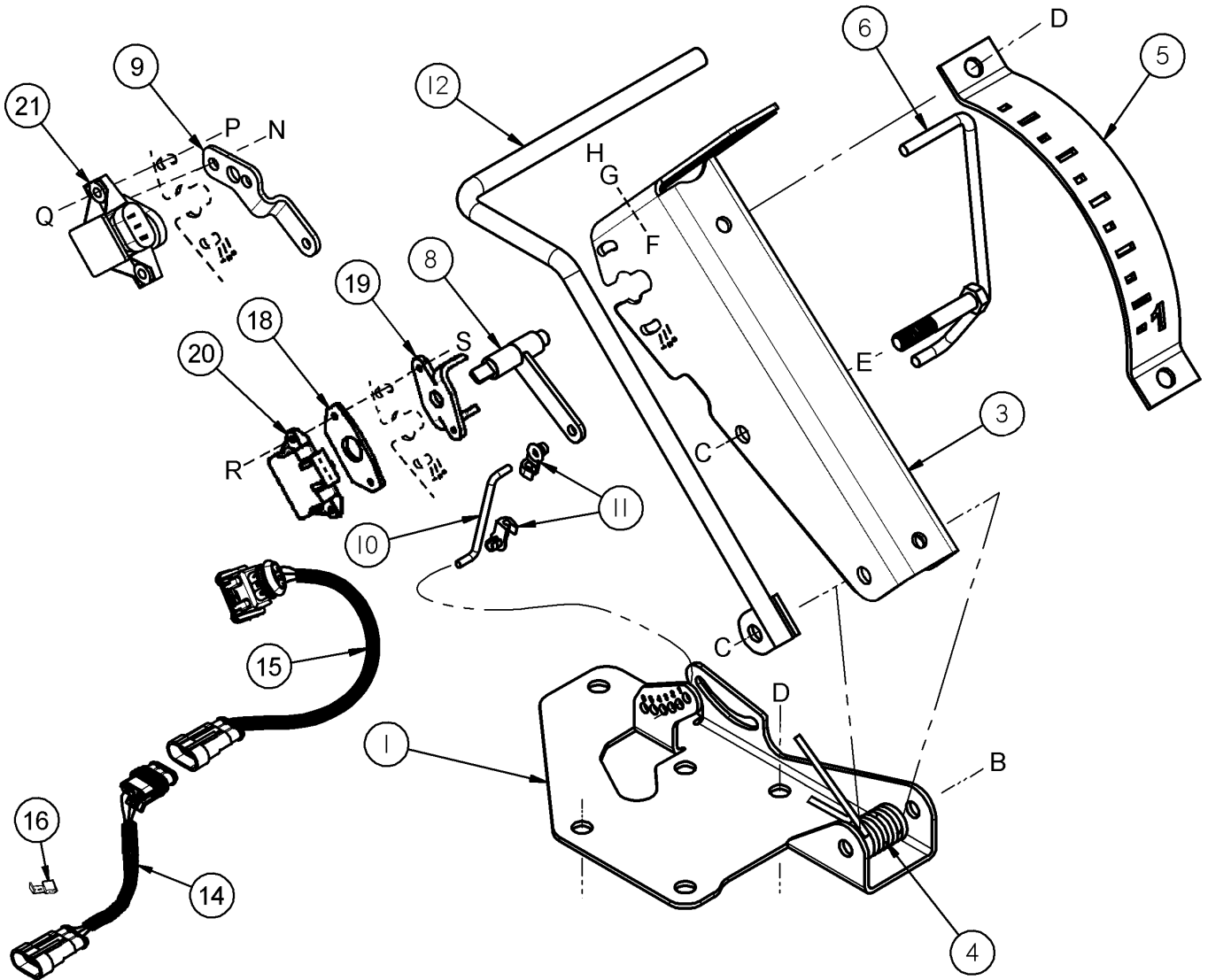
FLOAT OPTIMIZER (Attachment)
LEXION COMBINES
SN 150558 and below



**FLOAT OPTIMIZER (Attachment)
LEXION COMBINES
SN 150558 and below**

REF	PART NUMBER	DESCRIPTION	QTY.	SERIAL NUMBER
	B4327	FLOAT OPTIMIZER KIT – Cat Lexion Combines		
1	114300	HARNESS – wiring	1	
2	153638	SUPPORT – lower mounting bracket	1	
3	153675	ARM – sensing, top link.....	1	
4	153938	PLATE – mounting	1	
5	158048	WASHER – special	1	
6	153699	ARM – upper	1	
7	153627	INDICATOR – rod, header float	1	
8	153631	INDICATOR – gauge, header float	1	
9	153689	SPRING – torsion	1	
10	153492	CLIP – rod end	2	
11	153943	ARM – linkage.....	1	
12	153473	ROD – linkage	1	
13	153633	SUPPORT – float indicator tab.....	1	
14	18596	WASHER – flat, 9/32 inch I.D.	1	
15	114369	HARNESS – wiring, to combine.....	1	
A	21102	BOLT – hex head, 3/8 NC x 2 ½ inch		
B	30228	NUT – lock, smooth flange, 3/8 NC distorted thread		
C	101898	SCREW – self-tapping, 3/8 x 5/8 inch		
D	21567	BOLT – hex head, 3/8 NC x ¾ inch		
E	21573	BOLT – hex head, ¼ NC x 1 inch		
F	18724	NUT – lock, ¼ NC distorted thread		
G	30465	BOLT – round head, square neck, #10 NC x ½ inch		
H	105197	NUT – lock, 0.190 NC nylon patch		
J	21863	BOLT – round head, short square neck, 3/8 NC x ¾ inch		

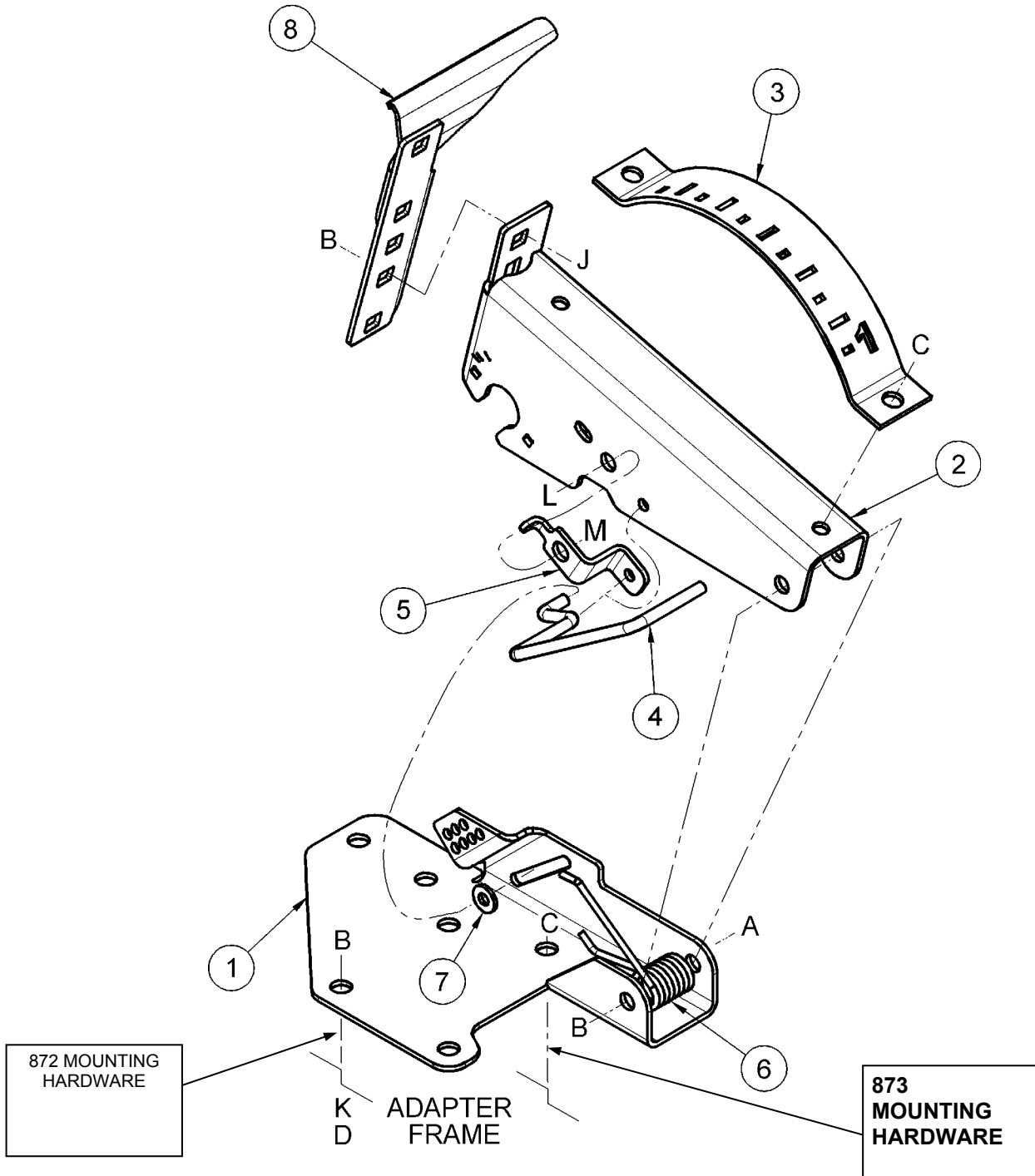
FLOAT OPTIMIZER (Attachment)
LEXION COMBINES
SN 150559 and above



**FLOAT OPTIMIZER (Attachment)
LEXION COMBINES
SN 150559 and above**

REF	PART NUMBER	DESCRIPTION	QTY.	SERIAL NUMBER
	B4416	FLOAT OPTIMIZER KIT – Lexion		
1	158685	SUPPORT – lower mounting bracket.....	1	
3	158648	ARM – upper	1	
4	158603	SPRING – torsion.....	1	
5	153631	INDICATOR – gauge, header float.....	1	
6	158625	INDICATOR – rod, header float	1	
7	REF	SENSOR - potentiometer	1	
8	158688	ARM – pivot.....	1	
9	158669	ARM – linkage (12V)	1	
10	158633	ROD – linkage	1	
11	153492	CLIP – rod end	4	
12	158642	ARM – sensing	1	
14	158697	HARNESS – feeder house (6 metres long) combines with float springs on feeder hose lift.....	1	
	129841	HARNESS – feeder house (6 metres long) combines with pressure transducer – no float springs	1	
15	158698	HARNESS – float optimizer, Lexion 12V (2 metres long)	1	
	158699	HARNESS – float optimizer, Lexion 5V (2 metres long)	1	
16	158754	SPLICE TAP - connector.....	3	
18	158678	PLATE – adapter, (5V)	1	
19	158677	SUPPORT – (5V)	1	
20	REF	SENSOR – (5V), Lexion # 147-7894.....	1	
21	REF	SENSOR – (12V), Lexion # 190-6388.....	1	
B	21102	BOLT – hex head, 3/8 NC x 2-1/2 inch		
C	30228	NUT – lock, smooth flange, 3/8 NC distorted thread		
D	101898	SCREW – self-tapping, 3/8 x 5/8 inch		
E	18598	WASHER – flat, 13/32 inch ID		
F	30432	BOLT – round head, square neck, 3/8 NC x 2-1/4 inch, thd. full		
G	18599	WASHER – flat, 17/32 inch ID		
H	21452	NUT – serrated flange lock, 3/8 NC		
N	158704	SCREW – phillips, pan, M6 x 1.0 x 8 mm		
P	158722	BOLT – round head, square neck, #10-24 NC x 3/4 inch		
Q	105197	NUT – lock, hex head, 0.19-24 UNC		
R	135020	SCREW – phillips, pan head, M8 x 3/4 inch		
S	135021	NUT – hex, M8-32 UNC		

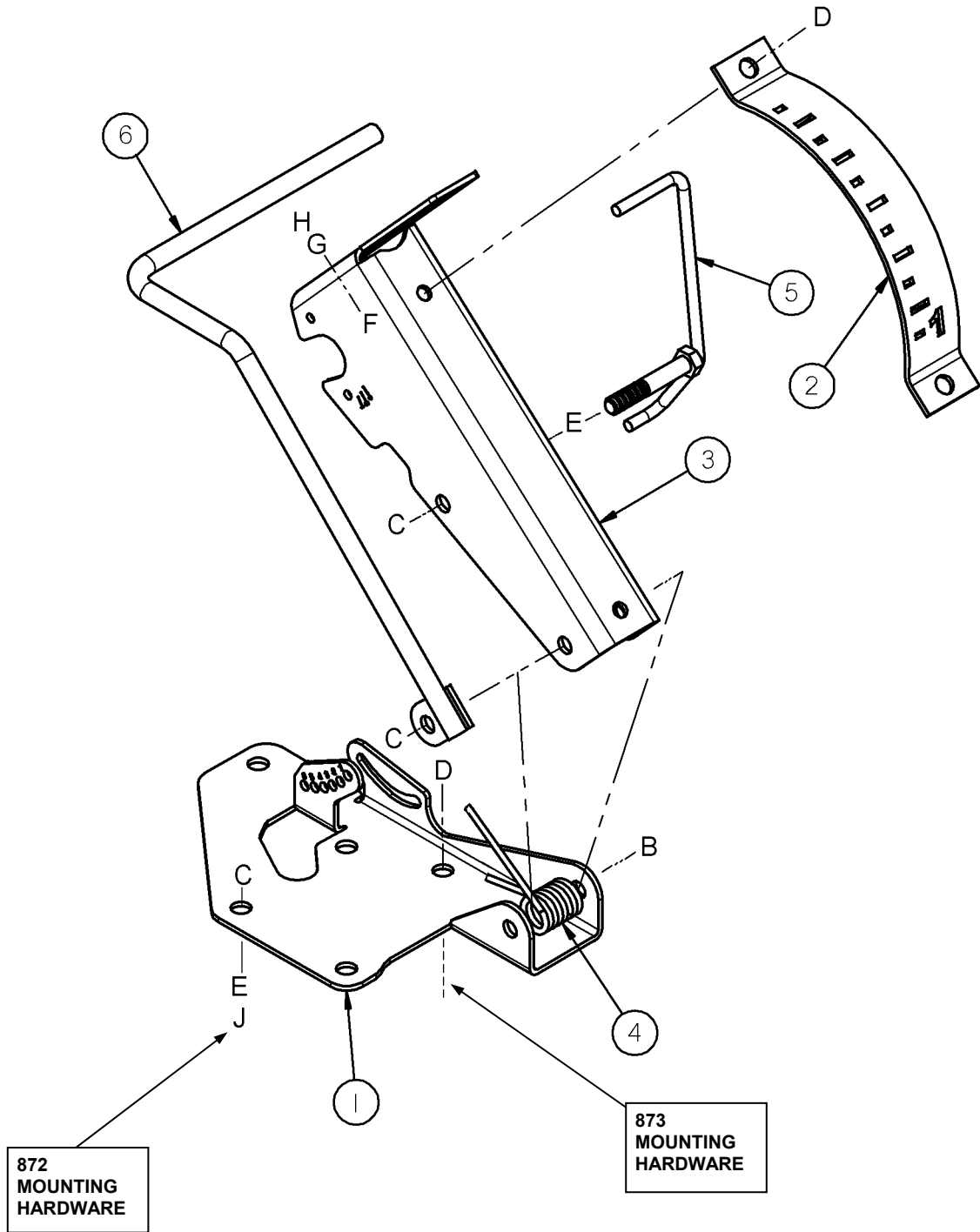
FLOAT INDICATOR (Attachment) SN 150558 and below



**FLOAT INDICATOR (Attachment)
SN 150558 and below**

REF	PART NUMBER	DESCRIPTION	QTY.	SERIAL NUMBER
	B4369	FLOAT INDICATOR KIT		
1	153638	SUPPORT – lower mounting bracket	1	
2	153818	ARM – upper	1	
3	153631	INDICATOR – gauge, header float	1	
4	153627	INDICATOR – rod, header float	1	
5	153633	SUPPORT – indicator pivot	1	
6	153689	SPRING – torsion	1	
7	18596	WASHER – flat, SAE 9/32 ID	1	
8	158419	ARM – sensing, top link.....	1	
A	21102	BOLT – hex head, 3/8 NC x 2 ½ inch		
B	30228	NUT – lock, smooth flange, 3/8 NC distorted thread		
C	101898	SCREW – self-tapping, 3/8 x 5/8 inch		
D	21567	BOLT – hex head, 3/8 NC x ¾ inch		
J	21863	BOLT – round head, short square neck, 3/8 NC x ¾ inch		
K	18598	WASHER – flat, 13/32 inch ID		
L	21821	BOLT – flange head, 3/8 NC x ¾ inch		
M	21452	NUT – lock, serrated flange, 3/8 NC		

FLOAT INDICATOR (Attachment) SN 150559 and above



**FLOAT INDICATOR (Attachment)
SN 150559 and above**

REF	PART NUMBER	DESCRIPTION	QTY.	SERIAL NUMBER
	B4502	FLOAT INDICATOR KIT		
1	158685	SUPPORT – lower mounting bracket.....	1	
2	153631	INDICATOR – gauge, header float.....	1	
3	158664	ARM – upper	1	
4	158603	SPRING – torsion.....	1	
5	158625	INDICATOR – rod, header float	1	
6	158642	ARM – sensing	1	
B	21102	BOLT – hex head, 3/8 NC x 2-1/2 inch		
C	30228	NUT – lock, smooth flange, 3/8 NC distorted thread		
D	101898	SCREW – self-tapping, 3/8 x 5/8 inch		
E	18598	WASHER – flat, 13/32 inch ID		
F	30432	BOLT – round head, square neck, 3/8 NC x 2-1/4 inch, thread full		
G	18599	WASHER – flat, 17/32 inch ID		
H	21452	NUT – serrated flange lock, 3/8 NC		
J	21567	BOLT – hex head, 3/8 NC x 3/4 inch		

NUMERICAL LIST

<u>PART NO.</u>	<u>PAGE</u>	<u>PART NO.</u>	<u>PAGE</u>	<u>PART NO.</u>	<u>PAGE</u>	<u>PART NO.</u>	<u>PAGE</u>
10686	13	30695	5	43848	21	100577	5
11695	13	30695	21	43848	25	100577	7
13249	23	30695	29	43848	29	100589	13
13617	3	30695	35	43848	39	100591	13
14911	17	30753	31	43848	49	100592	13
15903	11	30813	35	43848	51	100862	13
15903	29	30825	43	43848	53	101008	13
16661	21	30854	43	43848	55	101026	13
18593	3	30908	43	43848	57	101660	15
18596	49	30909	43	43848	59	101671	13
18596	53	30943	57	44207	5	101672	13
18596	57	30943	59	44209	5	101711	13
18596	61	30970	5	44210	5	101715	13
18596	65	30971	5	44210	5	101716	13
18632	17	30971	5	44611	45	101719	13
18648	3	30972	43	45160	5	101793	5
18671	3	37181	5	45205	5	101797	5
18671	13	37842	43	45858	3	101899	6
20535	15	37845	21	47277	5	102171	27
21010	13	37995	19	49223	43	102264	11
21540	3	38894	27	49227	21	102438	5
21747	25	38894	41	49227	25	102627	5
21763	11	40169	19	49227	29	102640	6
21763	21	40498	43	49227	31	102668	27
21763	25	40499	21	49227	35	102668	41
21763	29	40701	21	49232	21	102705	7
21763	31	40701	25	49232	25	102706	7
21763	35	40701	29	49232	29	102711	7
21763	43	40701	31	49232	31	103245	19
21824	43	40701	35	49232	35	103246	19
21830	5	40701	43	49232	43	103247	19
21843	5	40702	21	49342	3	103317	19
21843	35	40702	25	49904	3	103351	31
21856	21	40702	29	50103	5	103410	11
21859	13	40702	31	50176	41	103517	9
21936	17	40702	35	50193	3	103518	9
24322	3	40704	31	50193	19	103733	33
29934	21	40764	13	50193	23	103738	11
29934	29	40765	13	50193	27	103738	29
29934	43	40766	3	50193	33	103749	35
30282	5	40915	27	50193	41	103866	39
30282	11	41357	3	50219	5	103881	39
30284	11	41358	3	100100	5	103886	33
30284	35	42691	3	100155	27	103890	35
30302	35	43219	29	100201	13	103892	35
30602	17	43219	39	100222	13	103893	35
30603	17	43521	13	100383	13	103907	39
30633	6	43554	29	100453	11	103908	39
30633	47	43555	29	100500	3	103909	39
30639	5	43555	39	100575	7	103921	35

NUMERICAL LIST

<u>PART NO.</u>	<u>PAGE</u>	<u>PART NO.</u>	<u>PAGE</u>	<u>PART NO.</u>	<u>PAGE</u>	<u>PART NO.</u>	<u>PAGE</u>
103922	33	117005	29	129156	45	129705	11
106717	35	118009	29	129157	45	129706	11
108130	35	118009	39	129436	39	129707	11
108131	35	118137	23	129438	21	129708	11
109064	11	123034	17	129438	25	129709	11
111225	11	123054	17	129438	29	129761	19
111242	47	123055	17	129438	31	129762	19
113188	29	123063	17	129438	43	129771	35
113197	39	123068	17	129440	33	129771	35
113222	3	123069	17	129441	33	129772	35
113483	45	123071	17	129443	33	129773	35
113486	45	123084	17	129457	39	129796	39
113497	45	123087	17	129458	39	129800	25
113835	11	123110	7	129459	39	129801	25
113867	29	123173	17	129460	39	129832	33
114005	35	123180	17	129463	27	129838	41
114086	27	123202	17	129467	39	129841	63
114112	27	123244	17	129471	39	129845	33
114112	41	123245	17	129473	19	129848	41
114120	29	123306	5	129473	27	129859	31
114140	21	123306	13	129473	41	129860	31
114140	29	123318	7	129475	11	129941	35
114140	43	123380	29	129478	27	129961	35
114141	21	123380	49	129487	39	129962	35
114141	29	123380	51	129493	17	129963	35
114142	21	123388	51	129494	17	129964	35
114142	29	123403	13	129495	3	129976	25
114143	21	123407	13	129496	17	129977	25
114143	29	123408	13	129497	17	133133	51
114157	19	123409	17	129498	17	135015	31
114195	35	129067	11	129499	17	135155	47
114229	21	129073	27	129501	51	135156	47
114230	21	129075	27	129505	15	135175	29
114239	39	129075	41	129507	15	135192	23
114267	13	129076	27	129508	15	135264	31
114269	13	129081	3	129509	3	135265	31
114299	29	129096	27	129510	41	135267	31
114299	57	129111	23	129515	15	135272	31
114299	59	129120	31	129527	5	135275	5
114300	49	129123	31	129532	39	135323	35
114300	61	129127	31	129533	35	135323	43
114314	11	129128	3	129536	39	135365	25
114348	39	129130	3	129538	39	135365	29
114359	5	129131	3	129564	11	135425	35
114368	39	129133	3	129566	11	135426	35
114369	61	129143	31	129590	11	151060	3
114373	5	129145	31	129607	33	153040	15
114382	17	129145	51	129608	33	153094	17
116079	13	129148	31	129659	33	153151	25
116080	13	129149	31	129702	45	153153	47

NUMERICAL LIST

<u>PART NO.</u>	<u>PAGE</u>	<u>PART NO.</u>	<u>PAGE</u>	<u>PART NO.</u>	<u>PAGE</u>	<u>PART NO.</u>	<u>PAGE</u>
153157	25	153627	65	153738	5	158253	43
153177	15	153631	49	153740	5	158255	49
153178	15	153631	51	153741	15	158256	49
153198	17	153631	53	153742	15	158259	45
153276	17	153631	55	153754	19	158283	47
153284	5	153631	57	153769	53	158284	47
153288	3	153631	59	153769	55	158285	47
153291	3	153631	61	153782	49	158287	47
153364	3	153631	63	153786	49	158288	45
153366	3	153631	65	153818	53	158289	45
153375	3	153631	67	153818	65	158290	47
153376	3	153633	49	153933	25	158291	45
153377	3	153633	53	153938	49	158292	47
153382	23	153633	57	153938	61	158293	47
153394	9	153633	61	153943	49	158294	47
153395	9	153633	65	153943	61	158295	47
153421	3	153638	49	153971	21	158296	47
153422	23	153638	53	153971	29	158297	47
153429	3	153638	57	153976	49	158298	47
153433	13	153638	61	153987	11	158309	5
153434	5	153638	65	153988	11	158309	9
153436	5	153675	49	153989	11	158322	25
153473	49	153675	57	153990	11	158326	11
153473	57	153675	61	158016	5	158349	11
153473	61	153684	17	158032	57	158360	6
153480	23	153689	49	158033	57	158363	35
153492	49	153689	53	158041	5	158371	35
153492	51	153689	57	158048	49	158377	11
153492	53	153689	61	158048	61	158383	33
153492	55	153689	65	158069	49	158393	33
153492	57	153692	53	158069	51	158395	33
153492	59	153692	55	158073	3	158403	33
153492	61	153698	49	158075	3	158405	33
153492	63	153698	51	158080	3	158407	13
153538	17	153699	49	158096	49	158410	15
153544	47	153699	57	158116	3	158414	11
153545	47	153699	61	158173	7	158419	53
153547	15	153700	49	158174	7	158419	65
153554	13	153700	53	158176	7	158468	9
153555	13	153701	53	158181	3	158469	9
153556	7	153726	5	158192	19	158470	9
153557	5	153727	5	158193	19	158471	9
153558	5	153728	5	158193	27	158472	9
153559	6	153730	21	158199	19	158473	9
153624	9	153730	25	158200	23	158474	9
153625	9	153730	29	158202	19	158475	9
153627	49	153730	35	158203	3	158479	9
153627	53	153730	43	158221	23	158480	9
153627	57	153734	5	158247	27	158482	9
153627	61	153735	5	158253	29	158483	9

NUMERICAL LIST

<u>PART NO.</u>	<u>PAGE</u>	<u>PART NO.</u>	<u>PAGE</u>	<u>PART NO.</u>	<u>PAGE</u>	<u>PART NO.</u>	<u>PAGE</u>
158484	9	158648	63	158736	3	158883	23
158485	9	158649	55	158746	9	158891	41
158486	9	158652	6	158747	9	158899	27
158487	9	158653	6	158748	9	158899	41
158488	9	158654	6	158753	39	158907	41
158490	9	158658	6	158754	63	158935	23
158491	9	158659	6	158767	13	158945	11
158539	33	158664	55	158773	13	158951	47
158581	3	158664	67	158774	13	158956	11
158587	25	158666	39	158775	13	158974	25
158596	3	158669	63	158776	13	158976	45
158603	51	158671	3	158777	13	B 2544	29
158603	55	158672	3	158778	13	B 2701	11
158603	59	158677	63	158779	13	B 4001	29
158603	63	158678	63	158782	27	B 4399	11
158603	67	158684	51	158786	13	B 4415	51
158625	51	158684	59	158790	3	B 4416	63
158625	55	158685	51	158791	23	B 4498	55
158625	59	158685	55	158792	13	B 4499	51
158625	63	158685	59	158795	13	B 4500	59
158625	67	158685	63	158796	13	B 4502	67
158633	51	158685	67	158806	17	B 4819	19
158633	55	158688	51	158810	15	B4325	53
158633	59	158688	63	158814	15	B4327	61
158633	63	158692	55	158815	3	B4366	57
158635	11	158693	59	158818	23	B4369	65
158639	47	158697	63	158823	15	C 1837	11
158642	51	158698	63	158824	15	C 1838	11
158642	55	158699	63	158825	15	C 1839	11
158642	59	158707	15	158835	27	C 1840	11
158642	63	158708	15	158835	41	C 1931	11
158642	67	158709	15	158845	15		
158643	59	158723	51	158846	15		
158644	51	158725	23	158877	41		

Model 873 Combine Adapter SUGGESTED STOCKING LIST

P.C. REF	PART NUMBER	DESCRIPTION	SUGGESTED QTY.		ORDER QTY	UNIT PRICE	EXT. PRICE
			2 UNITS	5 UNITS			
<u>FRAME & FLOAT GROUP - Parts Catalog Page 3</u>							
3	100500	BEARING – needle	0	2			
4	113222	SEAL – bearing	0	2			
5	49904	BEARING – needle	0	2			
<u>HYDRAULICS – Parts Catalog Page 5</u>							
1	101797	HOSE - R/H tank to pump input	0	1			
2	30639	CLAMP - hose	0	1			
21	47277	SEAL KIT – RTD hydraulic motor	0	1			
28	45205	FILTER - element (or 21808)	1	3			
30	100100	CAP - with level indicator	0	1			
37	37181	SEAL KIT – draper hydraulic motor	0	1			
<u>HYDRAULICS – PUMP & VALVE – Parts Catalog Page 6 & 7</u>							
1	158652	SEAL KIT - for pump	1	1			
*	153556	VALVE – relief	0	1			
	158176	SEAL KIT – for valve block	1	1			
<u>GEAR DRIVE - Parts Catalog Page 9</u>							
	153624	✚ DRIVE – gear	0	1			
	153394	✘ DRIVE – gear	0	1			
	153395	● DRIVE – gear	0	1			
	153625	▲ DRIVE – gear	0	1			
<u>CENTER LINKS – Parts Catalog page 11</u>							
2	113835	SEAL KIT – cylinder (hyd. center link)	1	1			
8	158635	PIN - clevis, center link	1	2			
9	102264	PIN - lynch	1	2			
<u>FEED DRAPER - Parts Catalog Page 13 & 15</u>							
7	101026	BEARING - ball	2	4			
8	100862	SEAL - bearing	4	8			
14	21859	BEARING - ball, with lock collar	1	2			
15	100589	FLANGE - bearing, cropped	1	2			
16	100591	FLANGE - bearing, cropped	1	2			
22	101671	DRAPER – feed, 38” deck*	0	1			
	114267	DRAPER – feed, 45” deck*	0	1			
	101672	DRAPER – feed, 56” deck*	0	1			
23	40764	CONNECTOR KIT, 38” deck*	1	2			
	114269	CONNECTOR KIT, 45” deck*	1	2			
	40765	CONNECTOR KIT, 56” deck*	1	2			
27	158778	DEFLECTOR – 38” deck, L/H*	0	1			
	158779	DEFLECTOR – 38” deck, R/H*	0	1			
	158407	DEFLECTOR – 45” deck, L/H*	0	1			
	158777	DEFLECTOR – 45” deck, R/H*	0	1			
	158776	DEFLECTOR – 56” dk, L/H & R/H*	0	2			

✚ - Case & John Deere Level Land prior to 50 Series
 ✘ - John Deere Level Land 50 Series and newer, all John Deere Contour Master and Agco
 ● - New Holland, CNH AFX
 ▲ - Lexion

NOTE: There are three deck sizes: 38”, 45” and 56” (approximate feed draper width). Combines using each size are as follows:

38” – Case 60 & 66 Series / New Holland CR 920/940/960 / Gleaner

45” – Case 2377, 80 & 88 Series / Lexion 450, 470 & 475 / Case AFX / New Holland CR 970/980 / Challenger 660 / MF 9690

56” – John Deere* / New Holland CX / Lexion 460, 465, 480 & 485 / Challenger 670 / MF 9790

* Some John Deere CTS Combines with dust shields in rice applications may have been converted to 45” decks. Check feed draper width carefully before ordering parts that are specific to one deck size.

**Model 873 Combine Adapter
SUGGESTED STOCKING LIST**

P.C. REF	PART NUMBER	DESCRIPTION	SUGGESTED QTY.		ORDER QTY	UNIT PRICE	EXT. PRICE
			2 UNITS	5 UNITS			
<u>RETRACTING TINE DRUM – Parts Catalog Page 17</u>							
10	123055	BEARING – plastic, tine mount	0	2			
14	123245	TINE – finger	1	1			
17	123054	GUIDE – plastic	1	1			
18	123202	T-NUT – 1/4 NC	2	2			
19	123084	SCREW – hex socket	2	2			
26	158806	DEFLECTOR – front, 38" & 45" dks*	0	2			
	153094	DEFLECTOR – front, 56" deck*	0	2			
27	158812	DEFLECTOR – L/H rear, 38" deck*	0	1			
	158813	DEFLECTOR – R/H rear, 38" deck*	0	1			
	158408	DEFLECTOR – L/H rear, 45" deck*	0	1			
	158811	DEFLECTOR – R/H rear, 45" deck*	0	1			
	158826	DEFLECTOR – L/H rear, 56" deck*	0	1			
	158827	DEFLECTOR – R/H rear, 56" deck*	0	1			
<u>DRIVELINE - Parts Catalog Page 39</u>							
2	158284	CROSS JOURNAL ASSEMBLY	1	2			

NOTE: There are three deck sizes: 38", 45" and 56" (approximate feed draper width). Combines using each size are as follows:

38" – Case 60 & 66 Series / New Holland CR 920/940/960 / Gleaner

45" – Case 2377, 80 & 88 Series / Lexion 450, 470 & 475 / Case AFX / New Holland CR 970/980 / Challenger 660 / MF 9690

56" – John Deere* / New Holland CX / Lexion 460, 465, 480 & 485 / Challenger 670 / MF 9790

* Some John Deere CTS Combines with dust shields in rice applications may have been converted to 45" decks. Check feed draper width carefully before ordering parts that are specific to one deck size.