

Model 872 COMBINE ADAPTER PARTS CATALOG

CONTENTS

Frame and Float Group.....	2 - 5
Hydraulics	6 - 9
Gear Drive.....	10, 11
Feed Draper & Deck	12 - 15
Retracting Tine Drum.....	16, 17
John Deere Combines	
Adapter Completion Parts.....	18, 19
Header Completion Parts.....	20, 21
Case Combines	
Adapter Completion Parts.....	22, 23
Header Completion Parts.....	24, 25
Gleaner Combines	
Adapter Completion Parts.....	26, 27
Header Completion Parts.....	28, 29
New Holland Combines	
Adapter Completion Parts.....	30, 31
Header Completion Parts.....	32, 33
Cat Lexion Combines	
Adapter Completion Parts.....	34, 35
Header Completion Parts.....	36, 37
Auto Reel Speed Height Group.....	38, 39
Auto Contour Package.....	40, 41
Decals	42, 43
Driveline	44, 45
CE Driveline (European Applications): Case.....	46
John Deere.....	47
New Holland.....	48
Float Optimizer (Attachment): Case & Cat Lexion– Serial # 153177 & Prior	49
Float Optimizer (Attachment): Cat Lexion– Serial # 153178 & Up.....	50, 51
Float Optimizer (Attachment): Case 2100/2300 Series & John Deere (50 Series) – Serial # 153178 & Up.....	52, 53
Float Optimizer (Attachment): John Deere – Serial # 153177 & Prior	54, 55
Float Optimizer (Attachment): John Deere (Pre 50 Series) – Serial # 153178 & Up.....	56, 57
Seed Saver (Attachment): European Headers	58, 59
Plastic Skids (Attachment).....	60, 61
Visual Float Indicator (Attachment) – Serial # 153177 & Prior	62
Float Indicator (Attachment) – Serial # 153178 & Up.....	63
NUMERICAL LIST.....	64 - 67
SUGGESTED STOCKING LIST.....	68

ABBREVIATIONS

L/H - left hand (Determined from Operator's position, facing forward.)	A/R - as required (quantity varies)
R/H - right hand	REF - reference, part number called up elsewhere in catalog
I.D. - inside diameter	NC - national coarse thread
O.D. - outside diameter	NF - national fine thread

NOTE: Common hardware is not illustrated. Alphabetic references are used to designate position and description of these items. When ordering, be sure the complete and proper serial number is given.

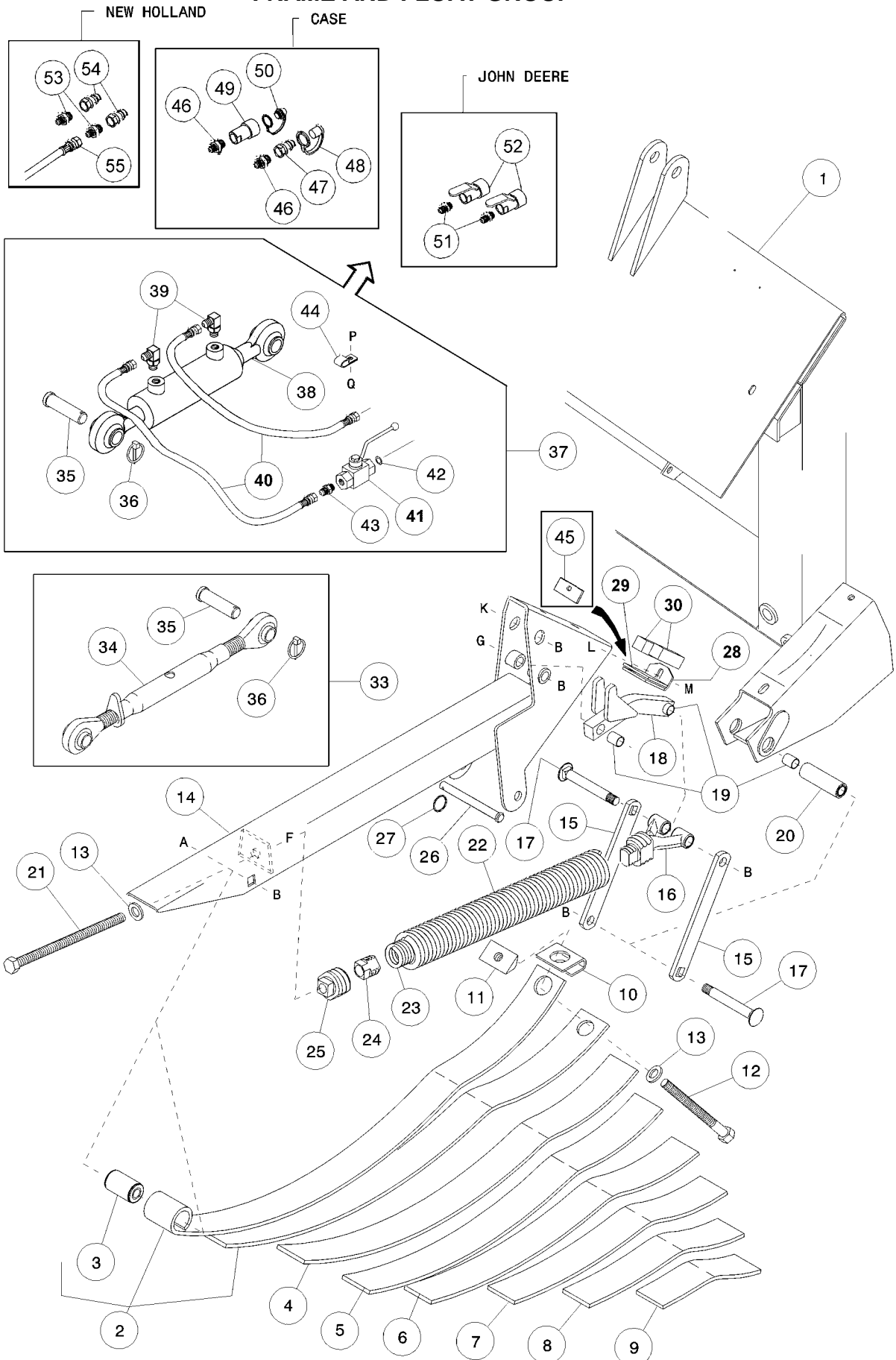
SERIAL NUMBER BREAKS

The side of the serial number on which the dash (-) appears determines whether the part is used "up to" or "after" the serial number given.

Example: -74924 Used on machines up to and including serial number 74924.
 74925- Used on machines including and after serial number 74925.

BOLDDED PART NUMBERS INDICATE REVISIONS OR ADDITIONS SINCE LAST PRODUCTION YEAR.

FRAME AND FLOAT GROUP

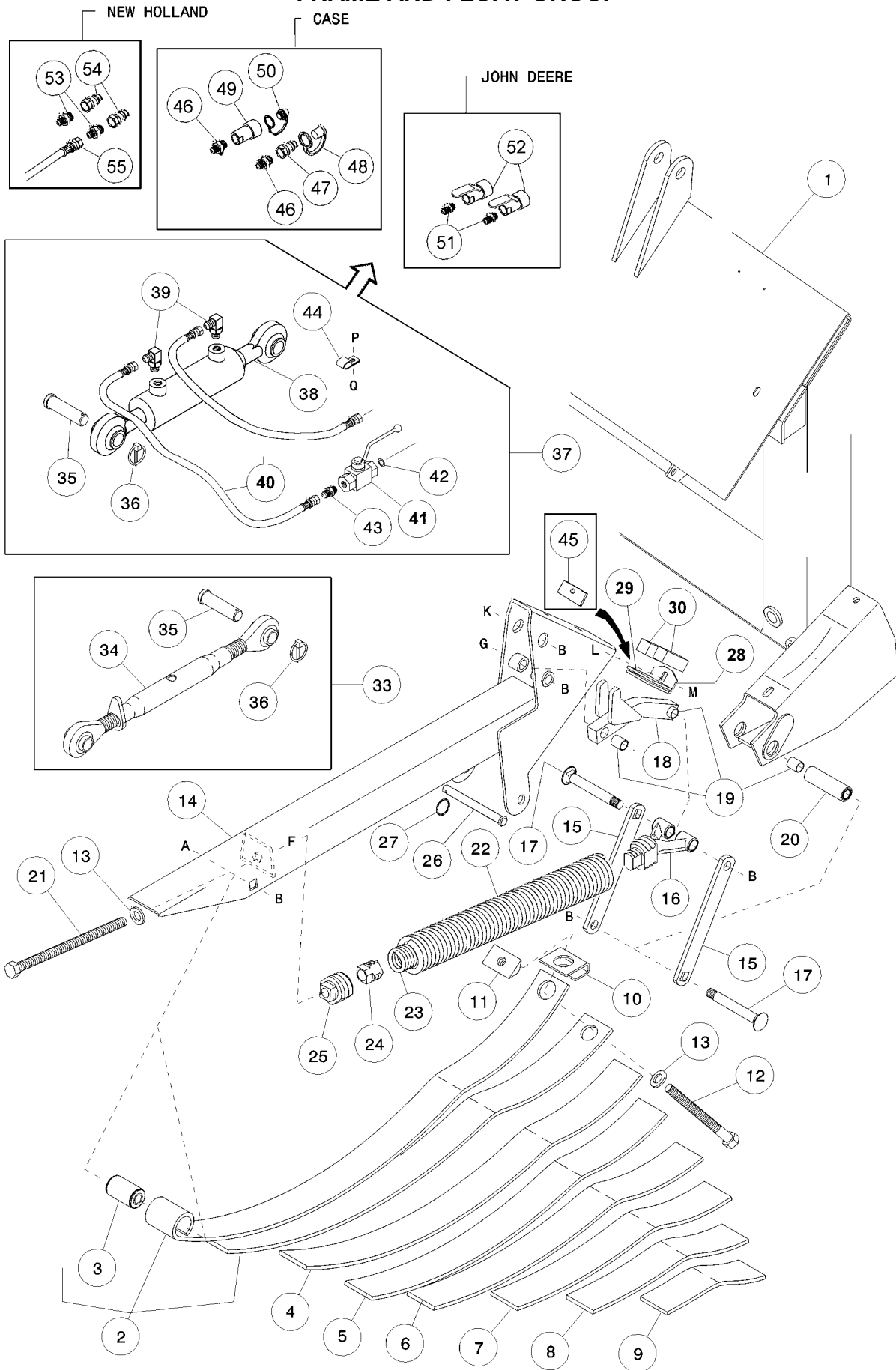


FRAME AND FLOAT GROUP

REF	PART NUMBER	DESCRIPTION	QTY	SERIAL NUMBER
1	REF	FRAME - 872 Adapter, not serviced.....	1	
2	114273	LEAF SPRING SET – top spring with bushing and second spring	2	
3	100820	BUSHING - rubber, 3/4 I.D.	2	
4	114056	LEAF SPRING - third	2	
5	114057	LEAF SPRING – fourth	2	
6	103091	LEAF SPRING - fifth.....	2	
7	103092	LEAF SPRING - sixth	2	
8	103093	LEAF SPRING - seventh.....	2	
9	103094	LEAF SPRING – eighth.....	2	
10	103059	RETAINER - leaf spring, rear	2	
11	101749	PIVOT - leaf spring.....	2	
12	101752	BOLT - hex head, 3/4 NC x 7 inch, thread full length.....	2	
13	21540	WASHER - hardened	4	
14	101243	MEMBER - float.....	2	
15	101859	BAR - float link.....	4	
16	101895	INSERT - spring, with yoke	2	
17	102107	BOLT - round head, square neck, 3/4 NC x 142 mm.....	4	
18	103045	ARM - float, with two bushings (item 19).....	2	
19	101986	BUSHING - plastic.....	8	
20	103061	PIN - with two bushings (item 19).....	2	
21	123396	BOLT - hex head, 3/4 NC x 13", thread full length (was 102108, 12")	2	
22	41388	SPRING - float, outer	2	
23	101878	SPRING - float, inner.....	2	
24	101902	INSERT - spring, inner	2	
25	101901	INSERT - spring, front.....	2	
26	49342	PIN – clevis, 3/4 x 8 inch effective length – 962 Header	2	
	100765	PIN – clevis, 3/4 x 6 1/4 inch effective length – 972 Header	2	
27	118137	RING - split.....	2	
28	103308	ANGLE – upper stop	2	
29	103274	SHIM – upper stop (qty. 4 for 12" RTD units – 56' deck).....	2	
30	103273	PAD – upper stop	4	
33	B 2701	HEADER ANGLE MECHANICAL ADJUSTMENT KIT.....	OPT*	
34	103410	JOINT ASSEMBLY - center link.....	1	
35	158635	PIN - clevis, 1 inch, center link.....	2	
36	102264	PIN - lynch	2	
37	B 4234	HEADER ANGLE HYDRAULIC ADJUSTMENT KIT.....	OPT*	
38	114314	CYLINDER - hydraulic.....	1	
	113835	SEAL KIT – for cylinder	1	
39	30282	FITTING - 90° elbow, 9/16 O-ring x 3/8 tube	2	
	50219	O-RING – for 9/16 fitting		
40	31805	HOSE - hydraulic.....	2	
41	108100	VALVE – ball, shut-off	1	
42	30707	O-RING – for 3/8 tube fitting.....	1	
43	15903	FITTING - adapter, 3/8 tube x 9/16 O-ring	1	
	50219	O-RING - for 9/16 fitting		
44	39272	HOLDER – hose.....	1	
45	123377	SHIM – float range limiter, JD 50 Series & Contour Master, NH-TR..... up to 3 per side		
	B 2825	CASE HYDRAULIC CENTER LINK COMPLETION KIT	OPT*	
46	114141	FITTING – male adapter, 3/8 tube x 7/8 O-ring.....	2	
47	114142	COUPLER – male, 7/8 O-ring.....	1	
48	114230	CAP – dust	1	
49	114143	COUPLER – female, 7/8 O-ring.....	1	
	44210	O-RING – for 7/8 fittings		
50	114229	PLUG – dust.....	1	

* NOTE: Kits available through WholeGoods only.

FRAME AND FLOAT GROUP

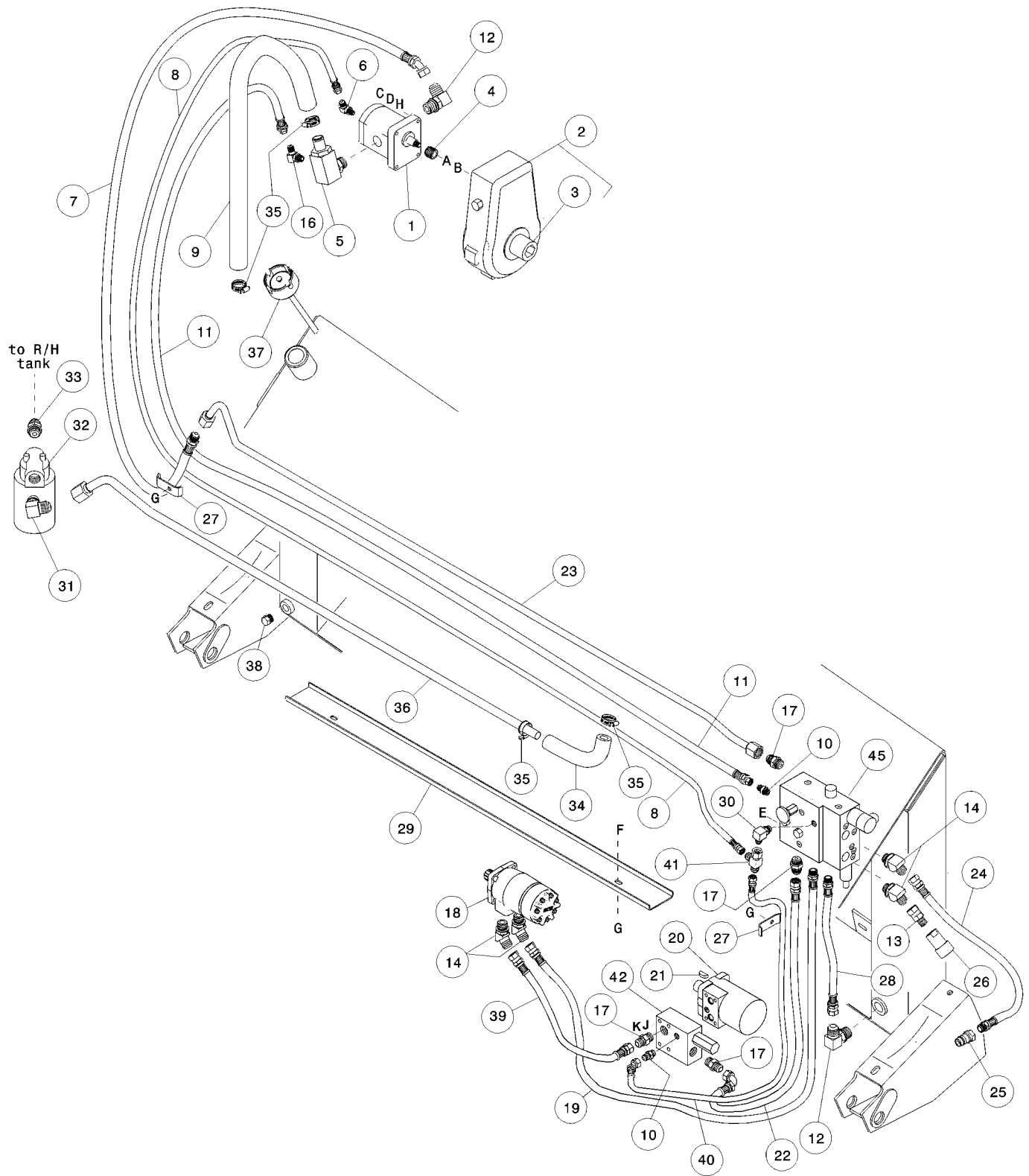


FRAME AND FLOAT GROUP

REF	PART NUMBER	DESCRIPTION	QTY	SERIAL NUMBER
	B 2826	JOHN DEERE HYDRAULIC CENTER LINK COMPLETION KIT.....	OPT*	
51	15903	FITTING – adapter, 3/8 tube x 9/16 O-ring.....	2	
52	114120	COUPLER – female, with shut-off.....	2	
	B 2827	NEW HOLLAND HYDRAULIC CENTER LINK COMPLETION KIT	OPT*	
53	21806	FITTING – adapter, 3/8 tube x 1/2 NPT	2	
54	21855	COUPLER – male, 1/2 NPT	2	
55	103392	HOSE – hydraulic	1	
A	102266	BOLT - round head, short square neck, 3/4 NC x 4-1/2 inch		
B	102636	NUT - lock, 3/4 NC distorted thread, center punch		
F	18593	NUT - hex, 3/4 NC		
G	21733	BOLT - hex head, 3/4 NC x 4-1/2 inch		
K	30906	BOLT – hex head, 3/4 NC x 7 1/2 inch		
L	30475	BOLT - round head, square neck, 3/8 NC x 4 1/2 inch		
	135019	BOLT – round head, square neck, 3/8 NC x 5 1/2 inch (used with item 48)		
M	30228	NUT – lock, smooth flange, 3/8 NC distorted thread		
P	21863	BOLT - round head, square neck, 3/8 NC x 3/4 inch – 962 Header		
	101898	BOLT – hex head, 3/8 x 5/8 inch, thread rolling – 972 Header		
Q	30228	NUT – lock, smooth flange, 3/8 NC distorted thread – 962 Header		

* **NOTE:** Kits available through WholeGoods only.

HYDRAULICS



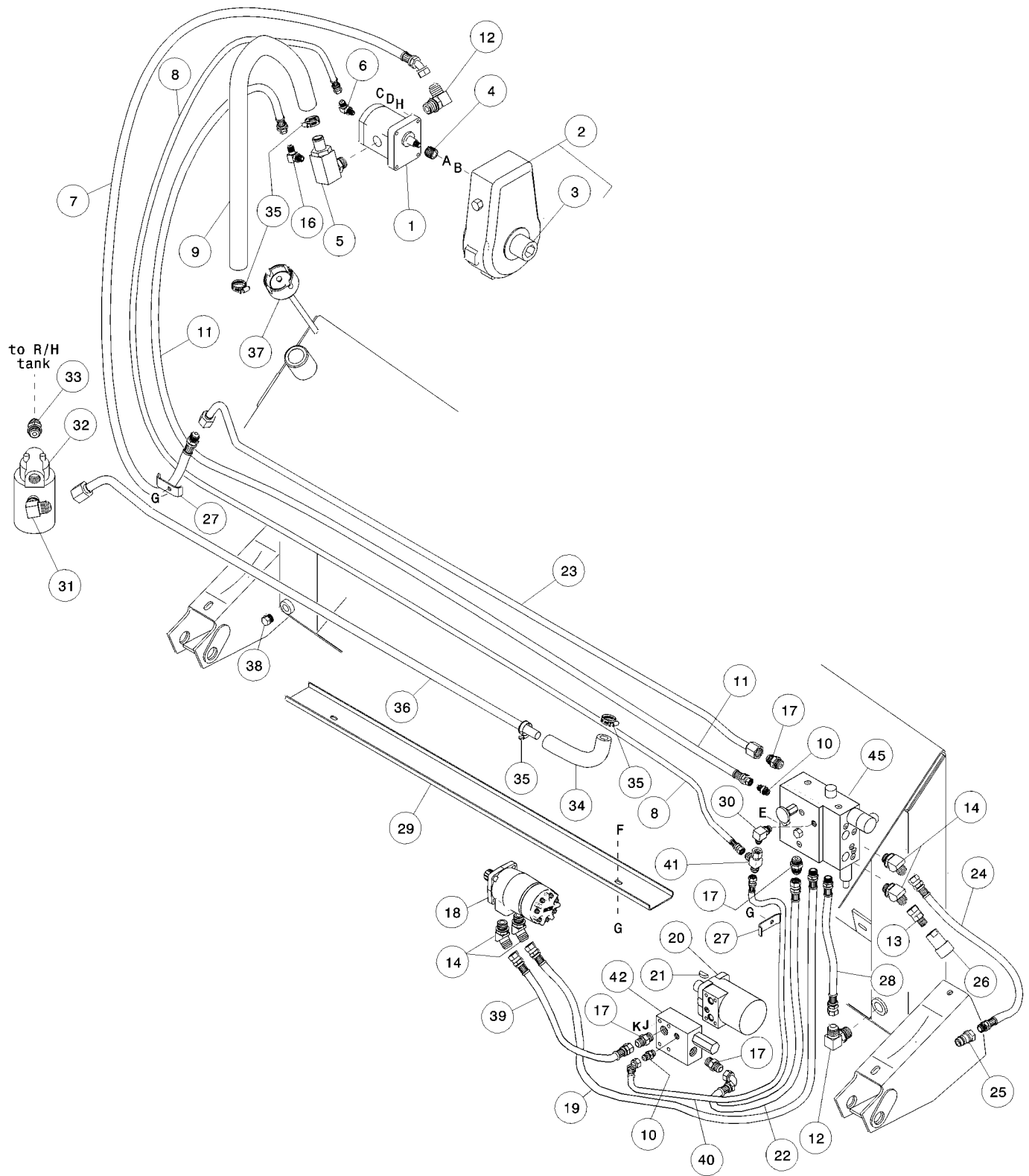
HYDRAULICS

REF	PART NUMBER	DESCRIPTION	QTY	SERIAL NUMBER
1	101664	PUMP - hydraulic.....	1	
	114053	SEAL KIT - for pump		
	102640	KEY - Woodruff, for pump		
	158360	RING – retaining, internal		
2	REF	DRIVE - gear, see Pages 10 & 11.....	1	
3	REF	SHAFT – input, see Pages 10 & 11	1	
4	101793	BUSHING - spline	1	
5	101666	VALVE - check	1	
6	50104	FITTING - 90° elbow, 7/16 O-ring x 3/8 tube	1	
	50223	O-RING - for 7/16 fitting		
7	114358	HOSE - pump output to 5/8 steel line.....	1	
8	103350	HOSE - pump case drain to valve block D port.....	1	
9	101797	HOSE - R/H tank to pump input	1	
10	15903	FITTING - adapter, 9/16 O-ring x 3/8 tube	2	
	50219	O-RING - for 9/16 fitting		
11	103496	HOSE - check valve to valve block R port.....	1	
12	50221	FITTING - 90° elbow, 1-1/16 O-ring x 5/8 tube	2	
	30971	O-RING - for 1-1/16 fitting		
13	30926	FITTING - adapter, 5/8 tube swivel female x 1/2 NPT male	1	
14	50103	FITTING - 45° elbow, 7/8 O-ring x 5/8 tube	4	
	44210	O-RING - for 7/8 fitting		
16	103028	VALVE - check, 9/16 O-ring x 3/8 tube	1	
	50219	O-RING - for 9/16 fitting		
17	30695	FITTING - adapter, 7/8 O-ring x 5/8 tube	4	
	44210	O-RING - for 7/8 fitting		
18	123311	MOTOR - RTD drive.....	1	
	123314	SEAL KIT - for motor		
19	114359	HOSE - valve block A port to drum motor rear port	1	
20	123330	MOTOR - draper drive (replace key supplied with motor with item 21)	1	
	123314	SEAL KIT - for motor		
21	123306	KEY - Woodruff, SAE 15, hardened (identified by score marks on top)	1	
22	114357	HOSE - draper motor bottom port to valve block C1 port	1	
23	103190	LINE - 5/8 hydraulic, valve block P port to right side hose (item 7)	1	
24	114361	HOSE - valve block C2 port to male coupler.....	1	
25	21855	COUPLER - male	1	
26	21857	COUPLER - female	1	
	50082	O-RING - for coupler 21857		
27	103351	HOLDER - hose	2	
28	114362	HOSE - L/H tank to valve block T1 port	1	
29	102643	HOLDER - hydraulic lines.....	1	
30	30282	FITTING - 90° elbow, 9/16 O-ring x 3/8 tube	1	
	50219	O-RING - for 9/16 fitting		
31	30970	FITTING - 90° elbow, 1-1/16 O-ring x 3/4 tube	1	
	30971	O-RING - for 1-1/16 fitting		
32	45205	FILTER ELEMENT- (LHA #SPE-15-10), see note 1 re: substitution	1	
	45160	FILTER ASSEMBLY - with head		
33	21830	FITTING - adapter, 1-1/16 O-ring x 3/4 tube.....	1	
	30971	O-RING - for 1-1/16 fitting		
34	102438	HOSE - tank to hydraulic line (item 36)	1	
35	30639	CLAMP - hose	4	
36	102436	LINE - hydraulic, filter to hose (item 34)	1	
37	100100	CAP - with level indicator.....	1	
38	44207	PLUG - magnetic, with O-ring, 3/4 NF.....	1	
	44209	O-RING - for 3/4 fitting		

NOTES:

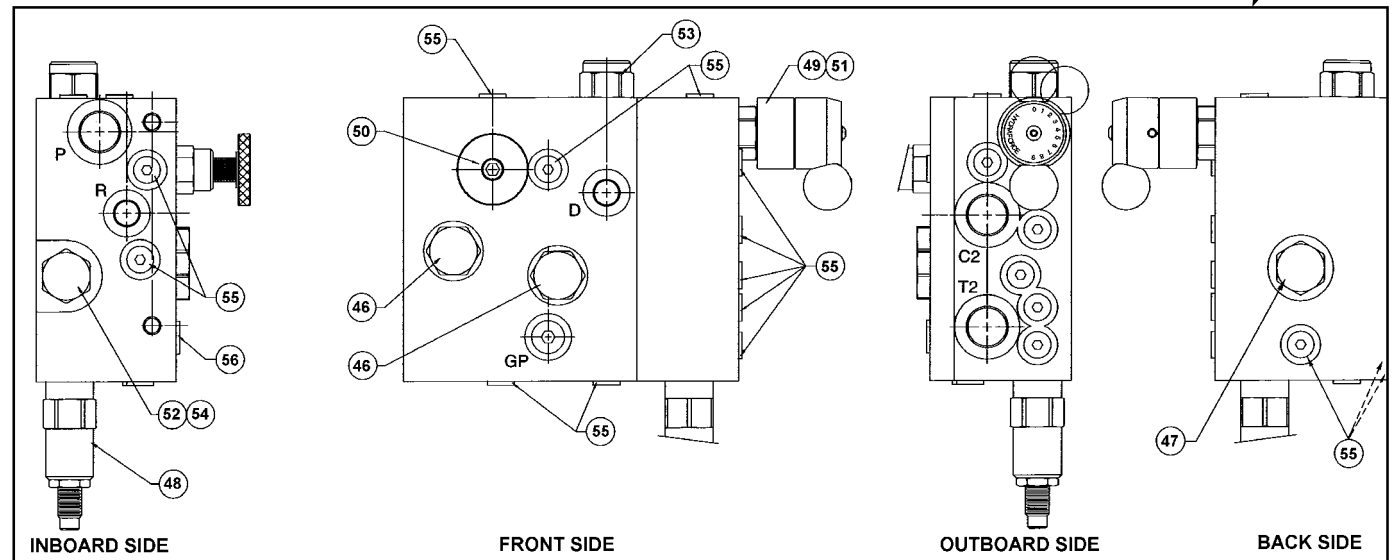
1. MacDon filter element 21808 may be substituted in this application.

HYDRAULICS



HYDRAULICS

REF	PART NUMBER	DESCRIPTION	QTY	SERIAL NUMBER
39	114359	HOSE – drum motor front port to draper motor top port – 38" & 45" decks	1	see note 2
	114373	HOSE – drum motor front port to draper motor top port – 56" deck	1	see note 2
40	114320	HOSE – draper motor case drain	1	
41	30873	FITTING – swivel run tee, 3/8 tube	1	
42	123331	VALVE – sequence	1	
	123336	VALVE – sequence, cartridge PS10-40H-0-N-4/2.0	1	
45	123030	VALVE BLOCK – includes items 46 to 56	1	
	123323	SEAL KIT - for valve block	1	
46	114055	VALVE - check, CV1 & CV2, cartridge CV10-20-0-N-05	2	
47	123318	VALVE – check, CV4, cartridge CV10-20-0-N-02	1	
48	123110	VALVE - relief, cartridge RV50-26A-0-P-50/31	1	
49	102705	VALVE - needle, cartridge MR10-20B-0-N	1	
50	123320	VALVE - needle, cartridge NV08-20E-0-N	1	
51	102706	BALL/HANDLE KIT	1	
52	100574	VALVE - check, pilot operated, CV3, cartridge CV10-20-0-N-30	1	
53	123319	VALVE - pressure compensator, cartridge EC50-40-0-P-80	1	
54	100576	PISTON – pilot	1	
55	102711	PLUG - hex socket head, 7/16 O-ring (50223)	15	
56	100577	PLUG - hex head, 9/16 O-ring (50219)	1	



A	30633	WASHER - lock, M12	F	50197	BOLT - rnd hd, sq. nk, 3/8 NC x 1-3/4"
B	101899	NUT - hex jam, M12	G	30228	NUT - lock, smth flng, 3/8 NC dist. thd
C	103513	BOLT - hex socket head, M8 x 30 mm	H	18597	WASHER - flat, 11/32 inch I.D.
D	30716	WASHER - lock, M8	J	18636	WASHER - lock, 5/16 I.D.
E	21821	BOLT - flange head, 3/8 NC x 3/4 inch	K	5252	BOLT - hex head, 5/16 NC x 2 1/4"

NOTES:

2. There are three deck sizes: 38", 45" and 56" (approximate feed draper width). Combines using each size are as follows:

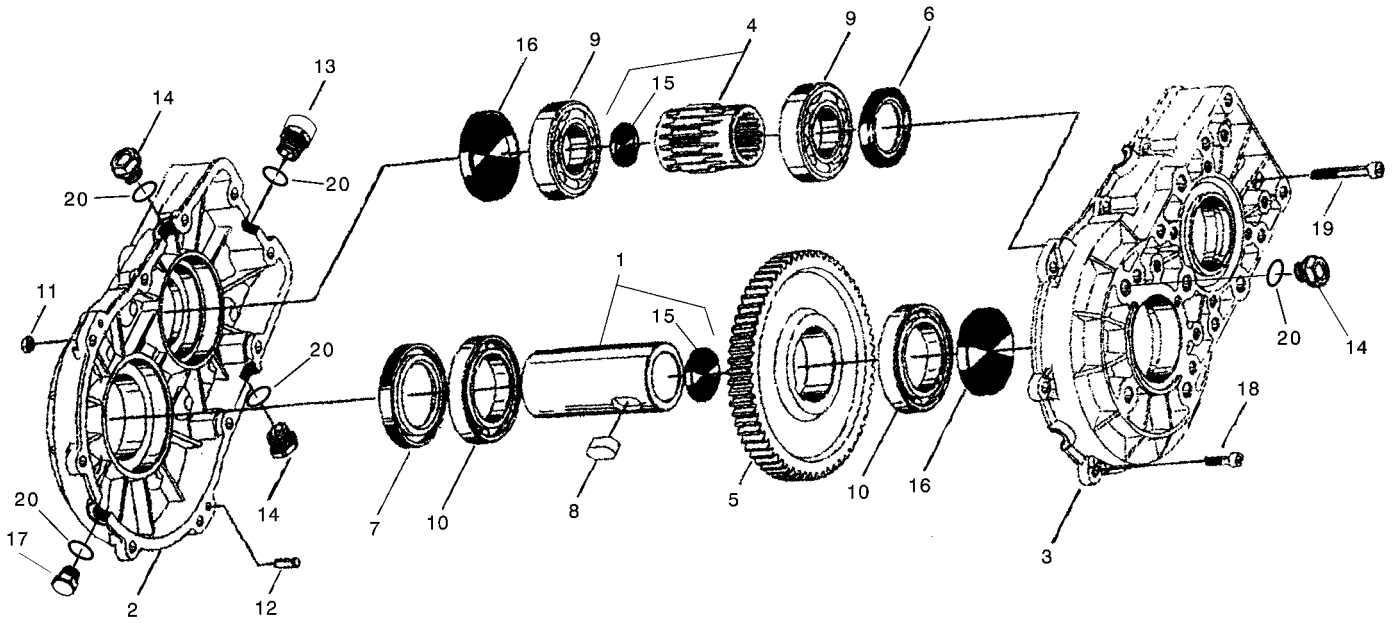
38" – Case 60 & 66 Series / Gleaner / New Holland TR

45" – Case 80 & 88 Series / Cat Lexion 450, 470 & 475

56" – John Deere** / New Holland TX / Cat Lexion 460, 465, 480 & 485

** Some John Deere CTS Combines with dust shields in rice applications may have been converted to 45" decks. Check feed draper width carefully before ordering parts that are specific to one deck size.

GEAR DRIVE



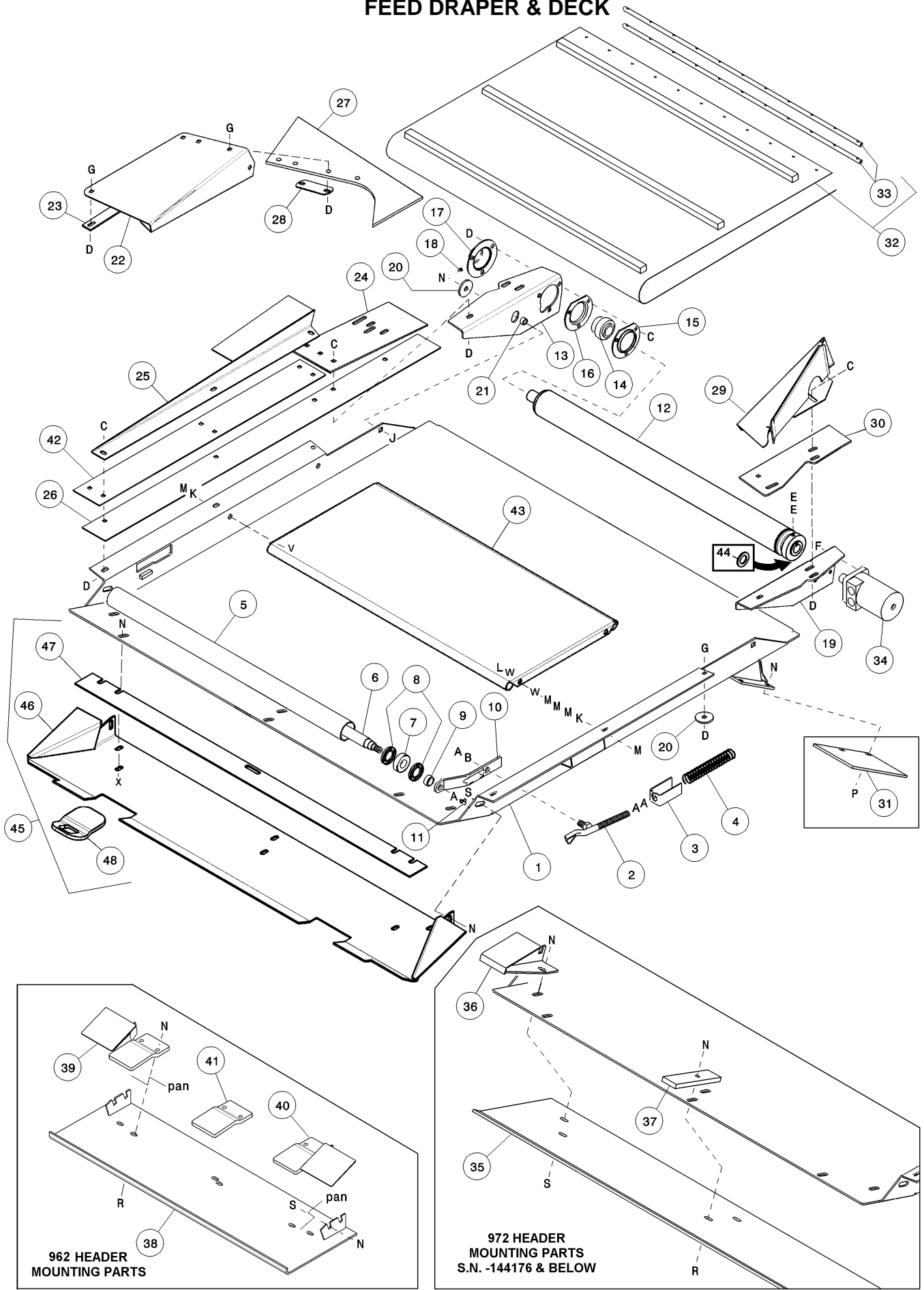
GEAR DRIVE

REF	PART NUMBER	DESCRIPTION	QTY	SERIAL NUMBER
	101687	DRIVE - gear, Case.....	1	
	101688	DRIVE - gear, Gleaner	1	
	101690	DRIVE - gear, New Holland.....	1	
	102764	DRIVE - gear, Cat Lexion.....	1	
	101687	DRIVE - gear, John Deere Level Land - prior to 50 Series	1	
	114318	DRIVE – gear, John Deere Level land – 50 Series and up	1	
	114318	DRIVE – gear, John Deere Contour Master.....	1	
1	103525	SHAFT - input, hex bore, with end cup: Case	1	
	103526	SHAFT - input, 21 tooth bore, with end cup: Gleaner	1	
	103527	SHAFT - input, 6 tooth spline bore, with end cup: New Holland.....	1	
	103930	SHAFT - input, 21 tooth long spline bore, with end cup: Cat Lexion.....	1	
	103525	SHAFT - input, hex bore, with end cup: JD Level Land prior to 50 Series ...	1	
	103930	SHAFT - input, 21 tooth long spline bore, with end cup: JD Level Land - 50 Series & up	1	
	103930	SHAFT - input, 21 tooth long spline bore, with end cup: JD Contour Master	1	
2	103528	HOUSING.....	1	
3	103529	HOUSING.....	1	
4	103530	SHAFT - output, with end cup: Case, John Deere & Gleaner	1	
	103531	SHAFT - output, with end cup: New Holland	1	
	103931	SHAFT - output, with end cup: Cat Lexion	1	
5	103532	GEAR - Case, John Deere & Gleaner	1	
	103533	GEAR - New Holland.....	1	
	103932	GEAR – Cat Lexion	1	
6	103514	SEAL - oil, output shaft.....	1	
7	103515	SEAL - oil, input shaft	1	
8	103516	KEY - input shaft.....	1	
9	103517	BEARING - output shaft	2	
10	103518	BEARING - input shaft	2	
11	30856	NUT - hex, M8	10	
12	103534	PIN - dowel	2	
13	103519	BREATHER - oil plug (see note 1)	1	
14	103520	PLUG - oil (see note 1).....	3	
15	103535	CUP – RCA 35	2	
16	103536	CUP - RCA 62	2	
17	103522	PLUG - oil, magnetic (see note 1).....	1	
18	103523	SCREW - hex socket head, M8 x 25 mm	8	
19	103524	SCREW - hex socket head, M8 x 65 mm	2	
20	123401	O-RING – for plugs, items 13, 14 and 17.....	5	

NOTES:

- For gear drives 101690 (New Holland) and 114318 (John Deere as specified above): Position of breather plug, standard plugs and magnetic plug are 90° counter-clockwise to positions shown.
For gear drive 102764 (Cat Lexion): Position of breather plug and magnetic plug are reversed.

FEED DRAPER & DECK



FEED DRAPER & DECK

REF	PART NUMBER	DESCRIPTION	QTY	SERIAL NUMBER
-----	----------------	-------------	-----	------------------

NOTE: There are three deck sizes; 38", 45" and 56" (approximate feed draper width). Combines using each size are as follows:

38" – Case 60 & 66 Series / Gleaner / New Holland TR

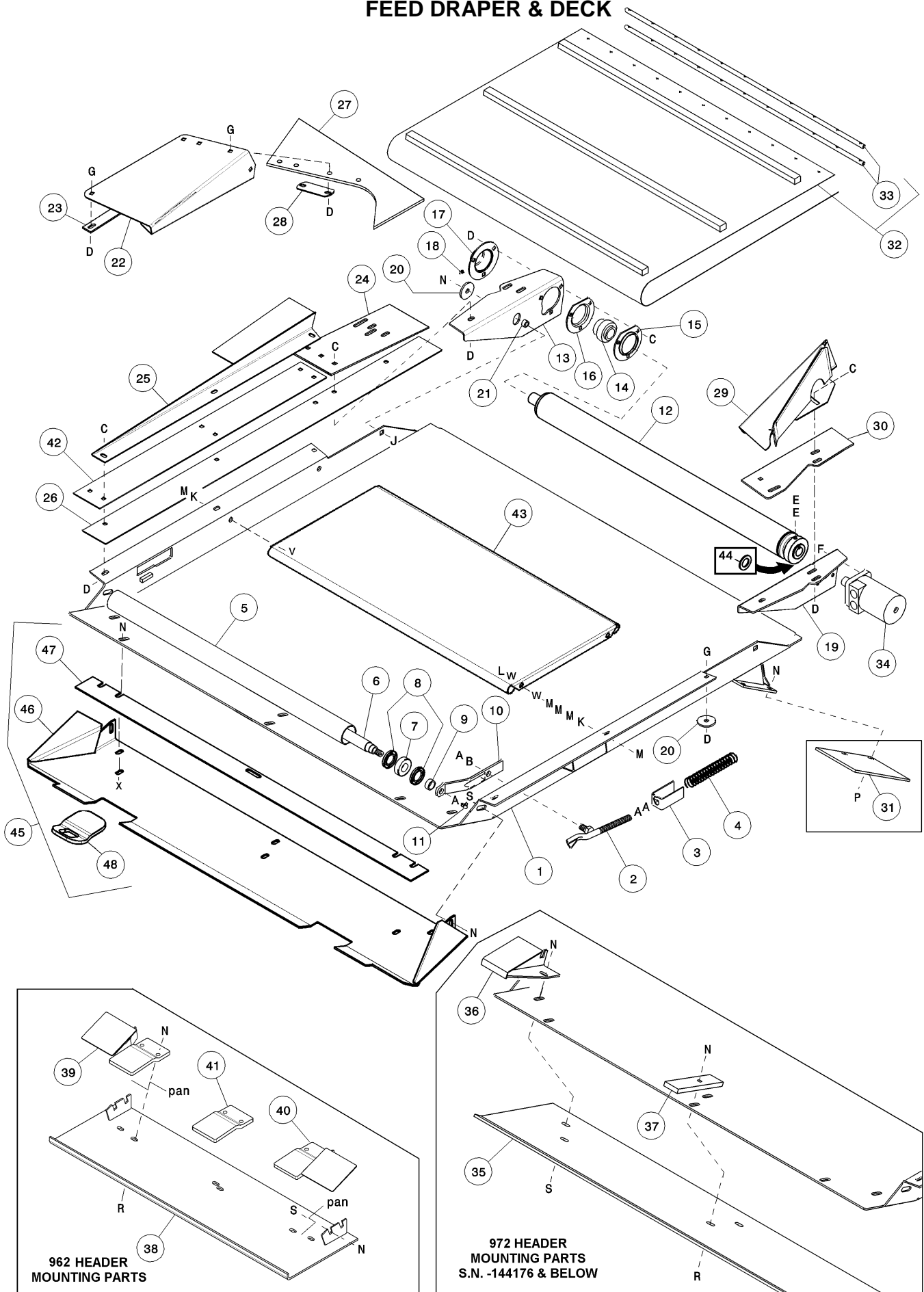
45" – Case 80 & 88 Series / Cat Lexion 450, 470 & 475

56" – John Deere* / New Holland TX / Cat Lexion 460, 465, 480 & 485

*** Some John Deere CTS Combines with dust shields in rice applications may have been converted to 45" decks. Check feed draper width carefully before ordering parts that are specific to one deck size.**

1	101692	PAN - feed draper, 38" deck.....	1	
	116091	PAN - feed draper, 45" deck.....	1	
	101693	PAN - feed draper, 56" deck.....	1	
2	101711	ROD - idler adjuster.....	2	
3	100222	SUPPORT - idler rod.....	2	
4	43521	SPRING - idler tension.....	2	
5	100201	TUBE - idler roller, 38" deck.....	1	
	116079	TUBE - idler roller, 45" deck.....	1	
	100383	TUBE - idler roller, 56" deck.....	1	
6	101715	SHAFT - idler roller, 38" deck.....	1	
	116080	SHAFT - idler roller, 45" deck.....	1	
	101716	SHAFT - idler roller, 56" deck.....	1	
7	101026	BEARING - ball.....	2	
8	100862	SEAL - bearing.....	4	
9	101008	SPACER - tube.....	2	
10	101719	ARM - idler.....	2	
11	21010	FITTING - lubrication, 90°.....	2	
12	123407	ROLLER - drive, 38" deck (was 100057).....	1	
	123408	ROLLER - drive, 45" deck (was 116078).....	1	
	123403	ROLLER - drive, 56" deck (was 100069).....	1	
13	123343	SUPPORT - drive roller, right.....	1	
14	21859	BEARING - ball, with lock collar.....	1	
15	100589	FLANGE - bearing, cropped.....	1	
16	100591	FLANGE - bearing, cropped (lube fitting removed).....	1	
17	100592	COVER - bearing, cropped.....	1	
18	18671	FITTING - lubrication.....	1	
19	123344	SUPPORT - drive roller, left.....	1	
20	11695	WASHER - flat.....	4	
21	10686	SPACER - tube.....	2	
22	123304	SUPPORT - rear right (shown), 38" deck.....	1	
	123303	SUPPORT - rear left (not shown), 38" deck.....	1	
	123267	SUPPORT - rear right (not shown), 45" deck.....	1	
	123265	SUPPORT - rear left (not shown), 45" deck.....	1	
23	123263	BAR - support, outboard - 38" & 45" decks.....	2	
24	123342	SUPPORT - rear, 38" & 45" decks.....	2	
25	123278	SUPPORT - front right (shown).....	1	
	123255	SUPPORT - front left (not shown).....	1	
26	101731	SEAL - draper.....	2	
27	123307	FLAP - rubber, 38" & 45" decks.....	2	
28	123270	BAR - support, 38" & 45" decks.....	2	
29	123253	SUPPORT - rear left (shown), 56" deck.....	1	
	123239	SUPPORT - rear right (not shown), 56" deck.....	1	
30	103024	SUPPORT - rear, 56" deck.....	1	
31	101888	PLATE - motor protector.....	1	
32	101671	DRAPER - feed, 38" deck, includes item 33.....	1	
	114267	DRAPER - feed, 45" deck, includes item 33.....	1	
	101672	DRAPER - feed, 56" deck, includes item 33.....	1	

FEED DRAPER & DECK



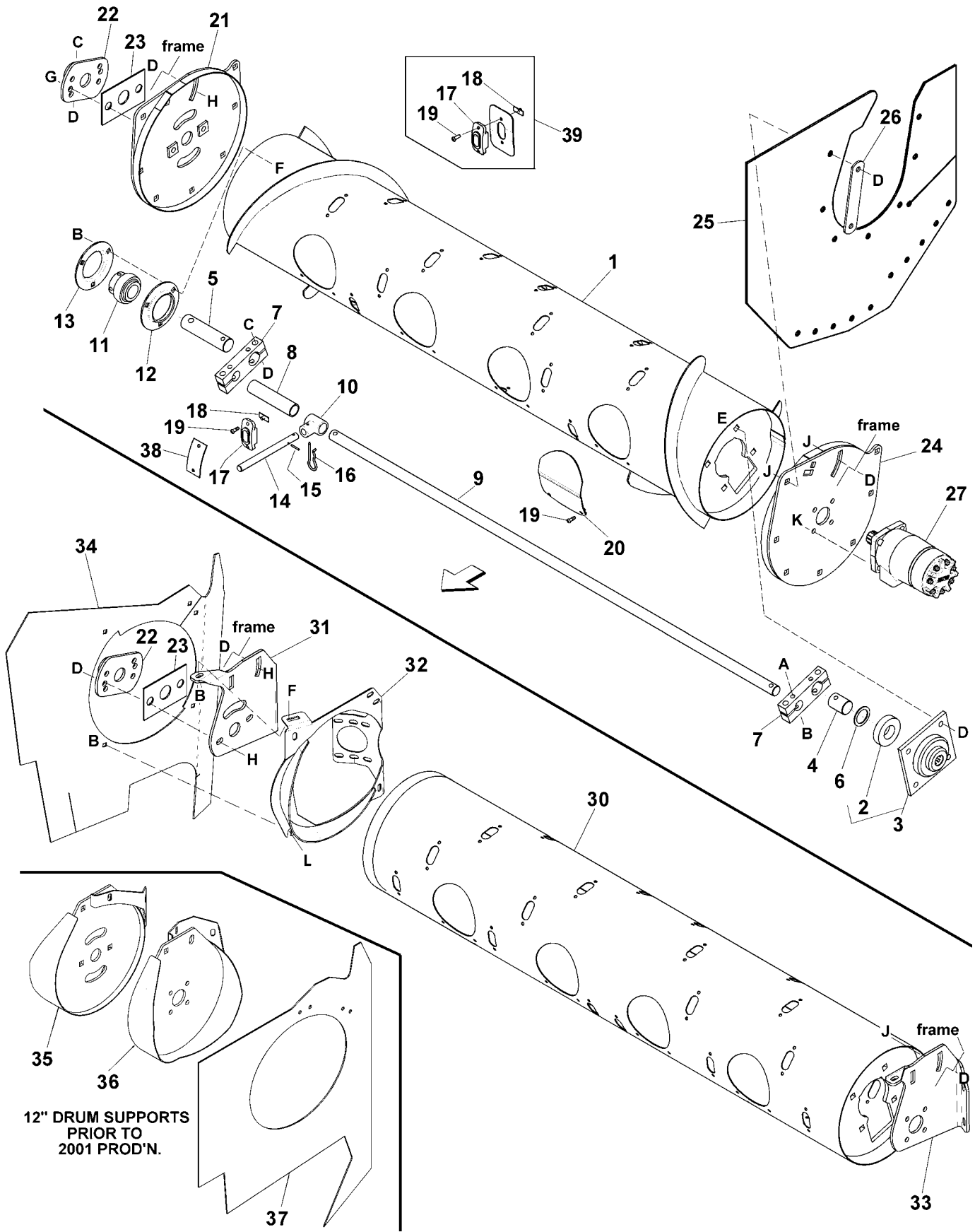
962 HEADER MOUNTING PARTS

**972 HEADER MOUNTING PARTS
S.N. -144176 & BELOW**

FEED DRAPER & DECK

REF	PART NUMBER	DESCRIPTION	QTY	SERIAL NUMBER
33	40764	CONNECTOR KIT - incl. 2 slats and hardware, 38" deck.....	1	
	114269	CONNECTOR KIT - incl. 2 slats and hardware, 45" deck.....	1	
	40765	CONNECTOR KIT - incl. 2 slats and hardware, 56" deck.....	1	
34	REF	MOTOR - draper drive, see Hydraulics	1	
35	101738	MOUNT - 972 Header, 38" deck	1	-144176
	116082	MOUNT - 972 Header, 45" deck	1	-144176
	101739	MOUNT - 972 Header, 56" deck	1	-144176
36	101741	SUPPORT - right, 972 Header (shown)	1	-144176
	101740	SUPPORT - left, 972 Header (not shown)	1	-144176
37	101745	RETAINER - 972 Header	3	-144176
38	158842	MOUNT - 962 Header, 38" deck (was 101655)	1	
	158844	MOUNT - 962 Header, 45" deck (was 116084)	1	
	158843	MOUNT - 962 Header, 56" deck (was 101736)	1	
39	158846	SUPPORT - right, 962 Header (was 101658)	1	
40	158845	SUPPORT - left, 962 Header (was 101659).....	1	
41	101660	RETAINER - 962 Header	1	
42	103470	BAR - draper seal support.....	2	
43	114296	SUPPORT – draper, 38" deck.....	1	
	114345	SUPPORT – draper, 45" deck.....	1	
	114295	SUPPORT – draper, 56" deck.....	1	
44	123406	WASHER – flat (use as spacer for drive rollers without stepped hub).....	1	-144176
45	B 4267	QUICK ATTACH TRANSITION PLATE KIT – 972 header, 38" deck	1	-144176
	B 4268	QUICK ATTACH TRANSITION PLATE KIT – 972 header, 45" deck	1	-144176
	B 4269	QUICK ATTACH TRANSITION PLATE KIT – 972 header, 54" deck	1	-144176
		Item 45 Kits available through WholeGoods only.		
46	153185	PAN – quick attach, 972 header, 38" deck.....	1	144177-
	153038	PAN – quick attach, 972 header, 45" deck.....	1	144177-
	153181	PAN – quick attach, 972 header, 56" deck.....	1	144177-
47	153178	SHIM – spacer plate, quick attach pan, 38" deck.....	1	144177-
	153040	SHIM – spacer plate, quick attach pan, 45" deck.....	1	144177-
	153177	SHIM – spacer plate, quick attach pan, 56" deck.....	1	144177-
48	153039	RETAINER – pan, welded to header cutterbar (allows use of new pan)	2	-144176
A	18592	NUT - hex, 5/8 NC		
B	18639	WASHER - lock, 5/8 I.D.		
C	19965	BOLT - round head, square neck, 3/8 NC x 1 inch		
D	30228	NUT - lock, smooth flange, 3/8 NC distorted thread		
E	30940	SETSCREW - 3/8 NC x 5/16 inch		
F	113420	SCREW - machine, countersunk Torx head, 3/8 NC x 3/4 inch		
G	19966	BOLT - round head, square neck, 3/8 NC x 1-1/4 inch		
J	114233	BOLT - round head, short square neck, 1/2 NC x 1-1/4 inch		
K	18638	WASHER – lock, 1/2 inch		
L	30833	BOLT - hex head, 1/2 NC x 2-1/4 inch, thread full length		
M	18591	NUT - hex, 1/2 NC		
N	50186	NUT - lock, smooth flange, 1/2 NC distorted thread		
P	21066	BOLT - round head, square neck, 1/2 NC x 1 inch		
R	21469	BOLT - round head, square neck, 1/2 NC x 1-1/2 inch		
S	21868	BOLT – round head, short square neck, 1/2 NC x 1 inch		
V	21449	BOLT – flange head, 1/2 NC x 1 inch		
W	18599	WASHER – flat, 17/32 inch I.D.		
X	21471	BOLT – round head, square neck, 1/2 NC x 1 1/4 inch		

RETRACTING TINE DRUM



12" DRUM SUPPORTS
PRIOR TO
2001 PROD'N.

37

33

RETRACTING TINE DRUM

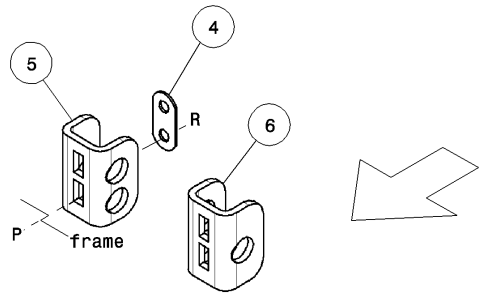
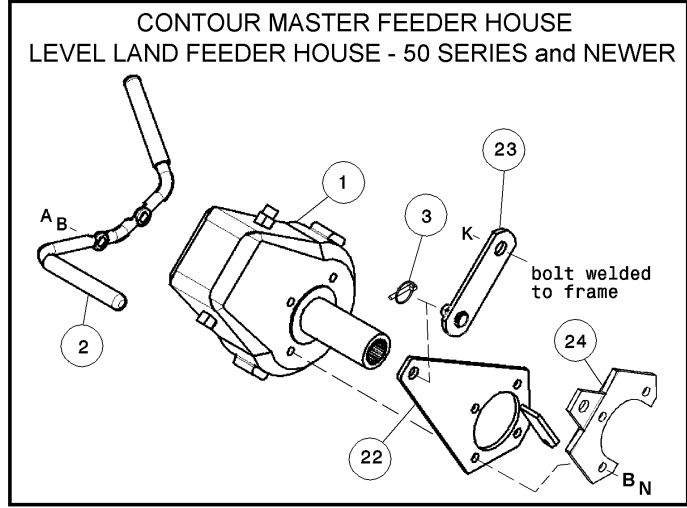
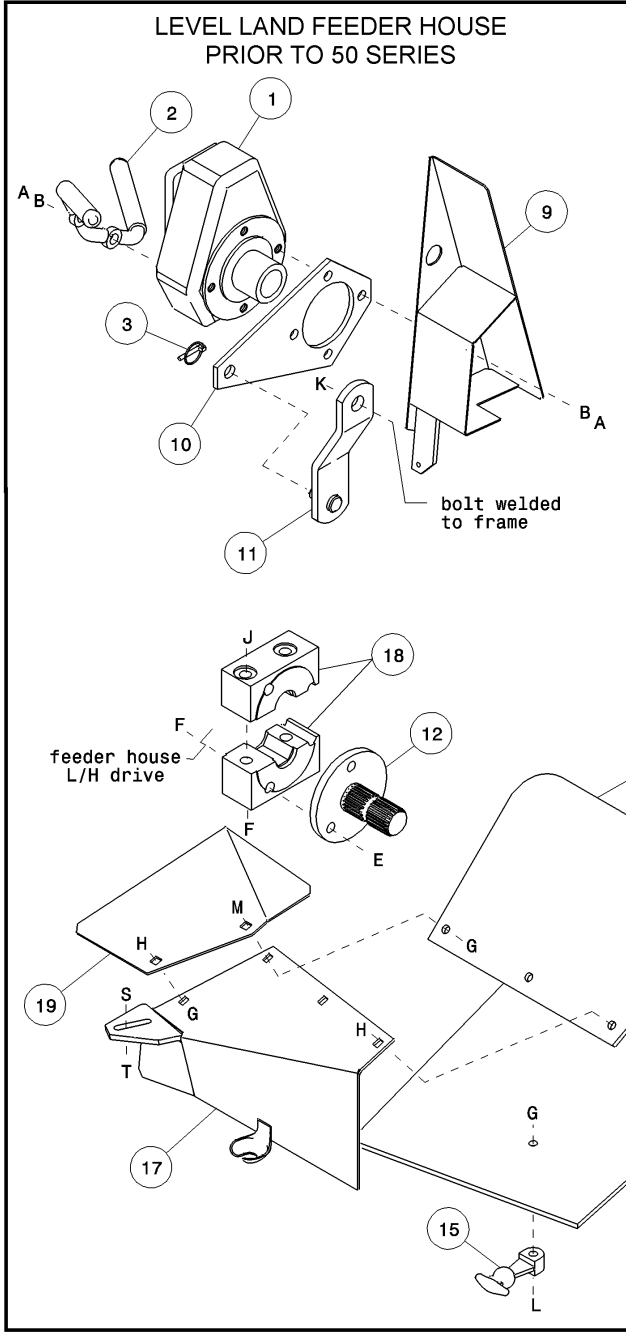
REF	PART NUMBER	DESCRIPTION	QTY	SERIAL NUMBER
			11" / 12"	

NOTE: There are two drum types; 11" diameter drum with flighting and 12" diameter drum (no flighting). Combines using each size are as follows:
11" diameter drum with flighting – Case / Gleaner / New Holland TR / Cat Lexion 450, 470 & 475
12" diameter drum (no flighting) – John Deere / New Holland TX / Cat Lexion 460, 465, 480 & 485

1	123240	DRUM – 11" retracting tine.....	1 / 0		
2	14911	BEARING – ball.....	1		
3	123409	FLANGE – motor mount, with bearing (item 2)	1		
4	123068	SHAFT – left	1		
5	123069	SHAFT – right.....	1		
6	123071	WASHER – flat.....	1		
7	123244	BLOCK – tine shaft, 11" drum	2 / 0		
	123028	BLOCK – tine shaft, 12" drum	0 / 2		
8	123305	SPACER – tine shaft, 11" drum.....	2 / 0		
9	123063	SHAFT – tine	1		
10	123055	BEARING – plastic, tine mount	25 / 31		
11	21936	BEARING – ball, with lock collar	1		
12	30602	FLANGE – bearing	1		
13	30603	FLANGE – bearing, with lube fitting	1		
14	123245	TINE – finger, 11" drum.....	25 / 0	see note 1	
	123029	TINE – finger, 12" drum.....	0 / 31	see note 1	
15	18632	PIN – roll, 1/8 x 1 inch	25 / 31		
16	123180	PIN – hair.....	25 / 31		
17	123054	GUIDE – plastic.....	25 / 31		
18	123202	T-NUT – ¼ NC	50 / 62		
19	123084	SCREW – hex socket, button head, ¼ NC x ¾ inch.....	50 / 70		
20	123087	COVER – drum	4		
21	123259	SUPPORT – right, 11" drum.....	1 / 0		
22	123034	PLATE – cam	1		
23	123173	SHIM – cam plate, (nominal qty. 1)	A/R		
24	123260	SUPPORT – left, 11" drum.....	1 / 0		
25	123405	FLAP – closure, 11" drum	2 / 0		
26	123269	STRAP – flap mounting, 11" drum	2 / 0		
27	REF	MOTOR – drum drive, see Hydraulics	1		
30	123058	DRUM – 12" retracting tine.....	0 / 1		
31	123299	SUPPORT – right, 12" drum.....	0 / 1	138025-	
32	123310	SUPPORT – outer, right, 12" drum	0 / 1	138025-	
	123281	SUPPORT – outer, left, 12" drum	0 / 1	138025-	
33	123288	SUPPORT – left, 12" drum.....	0 / 1	138025-	
34	123317	FLAP – closure, right, 12" drum	0 / 1	138025-	
	123277	FLAP – closure, left, 12" drum.....	0 / 1	138025-	
35	123083	SUPPORT – right, 12" drum.....	0 / 1	-138024	
36	123082	SUPPORT – left, 12" drum.....	0 / 1	-138024	
37	123096	FLAP – closure, 12" drum	0 / 2	-138024	
38	153684	COVER – guide, used at outboard locations where tine is removed	AR		
39	114382	KIT – repair, RTD patch.....	AR		
A	21102	BOLT – hex head, 3/8 NC x 2 ½"	G	30368	BOLT – flange head, ½ NC x 1 ¼ inch
B	30228	NUT – lock, smth flng, 3/8 NC dist thd	H	21471	BOLT – rnd head, sq nk, ½ NC x 1 ¼"
C	21760	BOLT – hex head, ½ NC x 2 ½ inch	J	21066	BOLT – rnd hd, sq nk, ½ NC x 1 inch
D	50186	NUT – lock, smth flng, ½ NC dist thd	K	135001	BOLT – hx hd, shlder, 3/8 NC x 29/32"
E	21469	BOLT – rnd head, sq nk, ½ NC x 1 ½"	L	21472	BOLT – rnd head, sq nk, 3/8 NC x ¾"
F	19965	BOLT – rnd head, sq nk, 3/8 NC x 1"			

NOTES: 1. Tine quantities shown are for full drum width. For some combines, tines are removed from each end of the drum to ensure clearance to header side drapers.

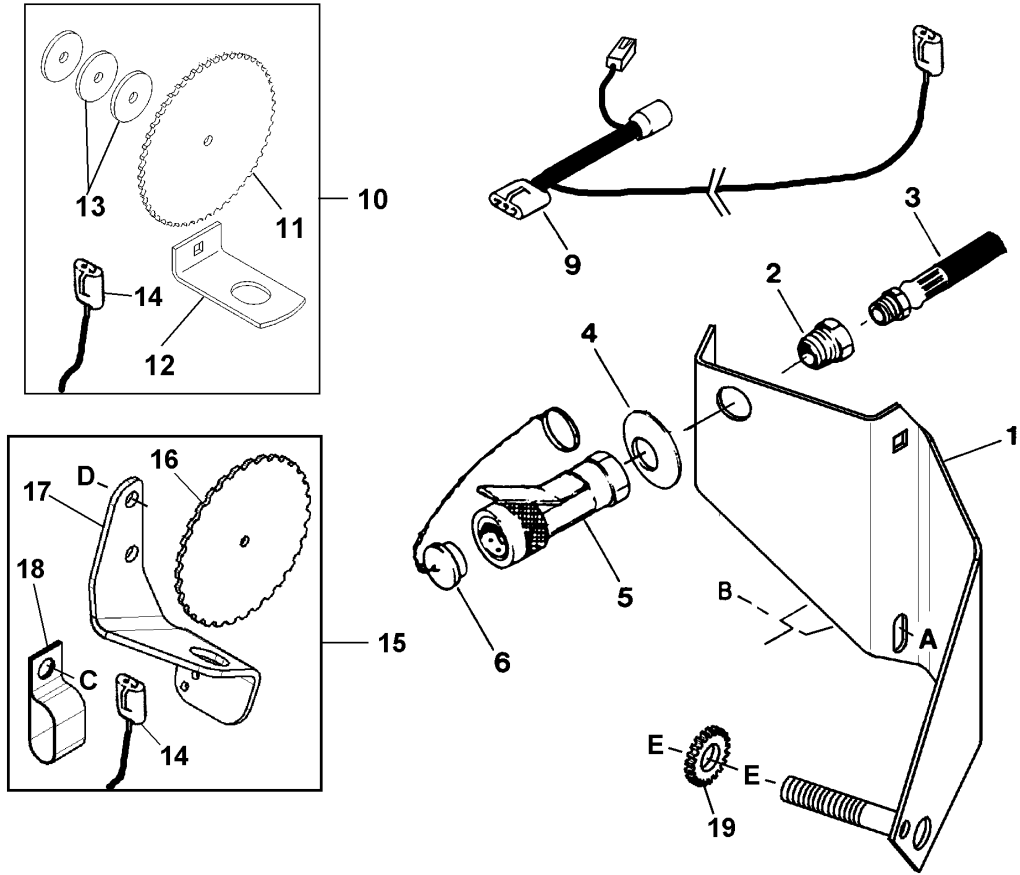
JOHN DEERE COMBINES ADAPTER COMPLETION PARTS



JOHN DEERE COMBINES ADAPTER COMPLETION PARTS

REF	PART NUMBER	DESCRIPTION	QTY	SERIAL NUMBER
1	REF	DRIVE - gear, see page 11	1	
Items 2 to 6 are common to both Level Land and Contour Master Feeder Houses				
2	103550	HANDLE - gear drive.....	1	
3	50193	PIN - lynch	1	
4	114297	BAR – lower lock	2	
5	114284	CHANNEL - lower lock, R/H.....	1	
6	114285	CHANNEL - lower lock, L/H	1	
Items 9 to 19 are used with Level Land Feeder House prior to 50 Series only				
9	103288	SHIELD - drive.....	1	
10	102157	ARM - drive.....	1	
11	103294	ARM - torque, with welded pin.....	1	
12	100155	SHAFT - spline	1	
13	102668	SHIELD - rubber.....	1	
15	38894	LATCH - rubber	1	
17	103597	SHIELD - left	1	
18	114086	CLAMP – hex bore, 7720, 9500 and CTS Combines.....	2	
19	114112	SHIELD – left, 7720, 9500 and CTS Combines	1	
Items 22 to 24 are used with Level Land Feeder Houses – 50 Series & Newer and Contour Master Feeder Houses				
22	114329	ARM - drive.....	1	
23	114324	ARM – torque, with welded pin.....	1	
24	114337	ARM – drive, 9650 Combine only.....	1	
A	50155	BOLT - hex head, M12 x 25 mm		
B	30633	WASHER - lock, M12		
E	21560	BOLT - hex head, 1/2 NC x 3 inch – 7720, 9500 & CTS		
	30368	BOLT – flange head, ½ NC x 1 ¼ inch - 9600		
F	50186	NUT - lock, smooth flange, 1/2 NC distorted thread		
G	30228	NUT - lock, smooth flange, 3/8 NC distorted thread		
H	21472	BOLT - round head, square neck, 3/8 NC x 3/4 inch		
J	30209	BOLT – hex head, ½ NC x 4 ½ inch		
K	18689	NUT - lock, 3/4 NC distorted thread		
L	21561	BOLT - hex head, 3/8 NC x 1-1/2 inch		
M	19965	BOLT – round head, square neck, 3/8 NC x 1 inch		
N	50155	BOLT - hex head, M12 x 25 mm – without item 24		
	30630	BOLT - hex head, M12 x 30 mm – with item 24		
P	18523	BOLT - round head, square neck, 5/8 NC x 1-1/2 inch		
R	50225	NUT - lock, smooth flange, 5/8 NC distorted thread		
S	30278	BOLT - flange head, 5/16 NC x 3/4 inch		
T	21403	NUT - serrated flange lock, 5/16 NC		

JOHN DEERE COMBINES HEADER COMPLETION PARTS

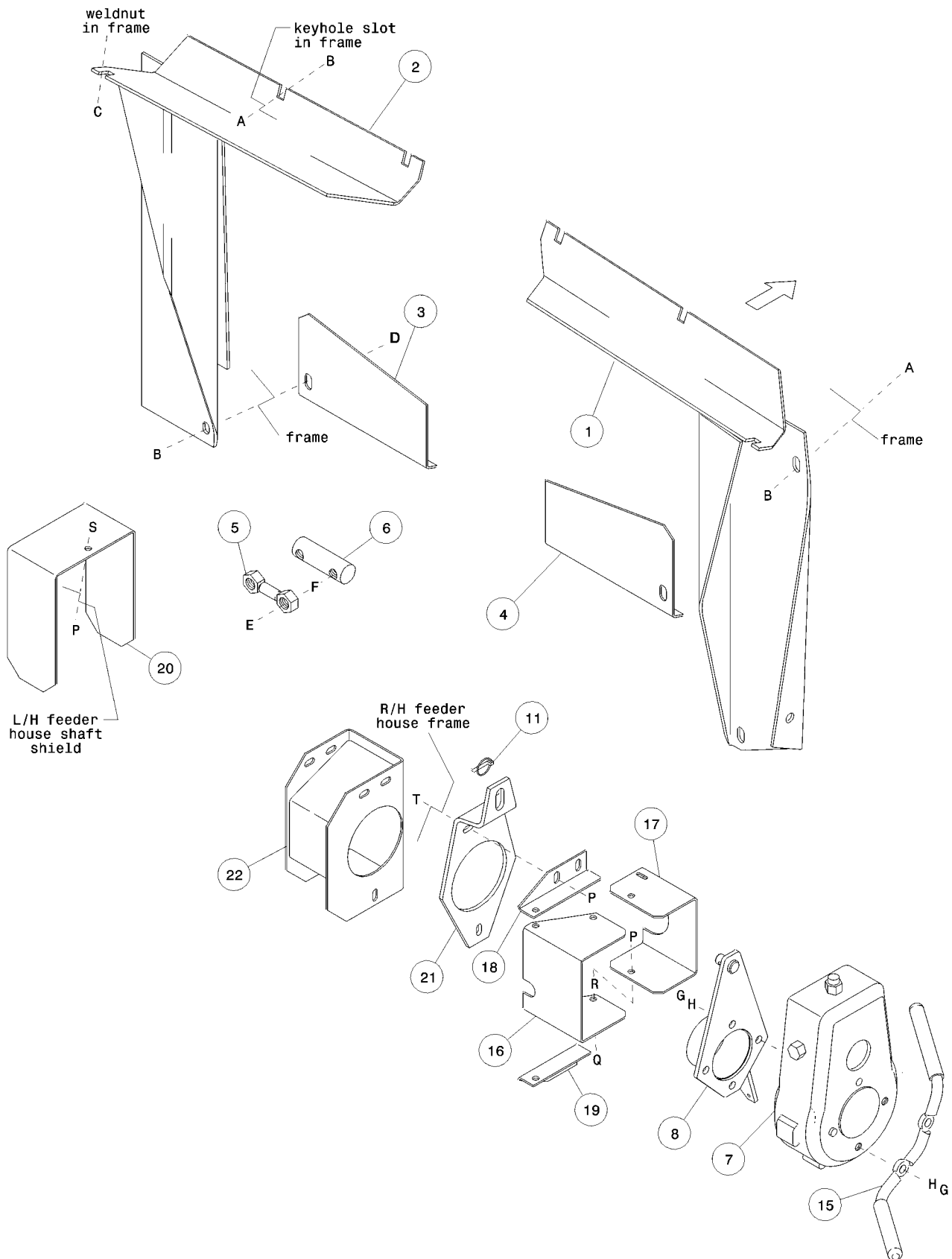


**JOHN DEERE COMBINES
HEADER COMPLETION PARTS**

REF	PART NUMBER	DESCRIPTION	QTY	SERIAL NUMBER
1	114350	HOLDER - reel lift coupler.....	1	
2	20043	FITTING - reducer bushing, 1/4 NPT female x 1/2 NPT male	1	
3	43629	HOSE - extension, reel lift, 962 Header only.....	1	
	REF	HOSE - reel lift, see 972 Header Parts Catalog	1	
4	45153	WASHER - dished.....	1	
5	50085	COUPLER - reel lift	1	
6	21858	PLUG - dust.....	1	
9	118046	HARNES - header lights, adapter, prior to 50 Series combines	1	
	114321	HARNES - header lights, adapter, 50 Series Combines & newer.....	1	
10	B 2544 *	MOUNTING KIT - JD Reel Speed Sensor for 962 Headers.....	OPT	
11	43554	SPROCKET - timing, 50 tooth	1	
12	43555	SUPPORT - sensor	1	
13	43219	WASHER - flat (third washer comes with header)	2	
14	117005	HARNES - wiring, extension (for 21 & 25' 972 & all 962 headers)	1	
15	B 4001 *	MOUNTING KIT - JD Reel Speed Sensor for 972 Headers.....	OPT	
16	113188	SPROCKET - timing, 31 tooth	1	
17	118009	SUPPORT - sensor	1	
18	103738	HOLDER - harness	2	
19	114338	DISC - 21 tooth.....	1	
A	21472	BOLT - round head, square neck, 3/8 NC x 3/4 inch		
B	30228	NUT - lock, smooth flange, 3/8 NC distorted thread		
C	101898	BOLT - hex head, 3/8 x 5/8 inch, thread rolling		
D	21821	BOLT - flange head, 3/8 NC x 3/4 inch		
E	18666	NUT - lock, 5/8 NC distorted thread		

* NOTE: Kits available through WholeGoods only. Sensor must be obtained from John Deere.

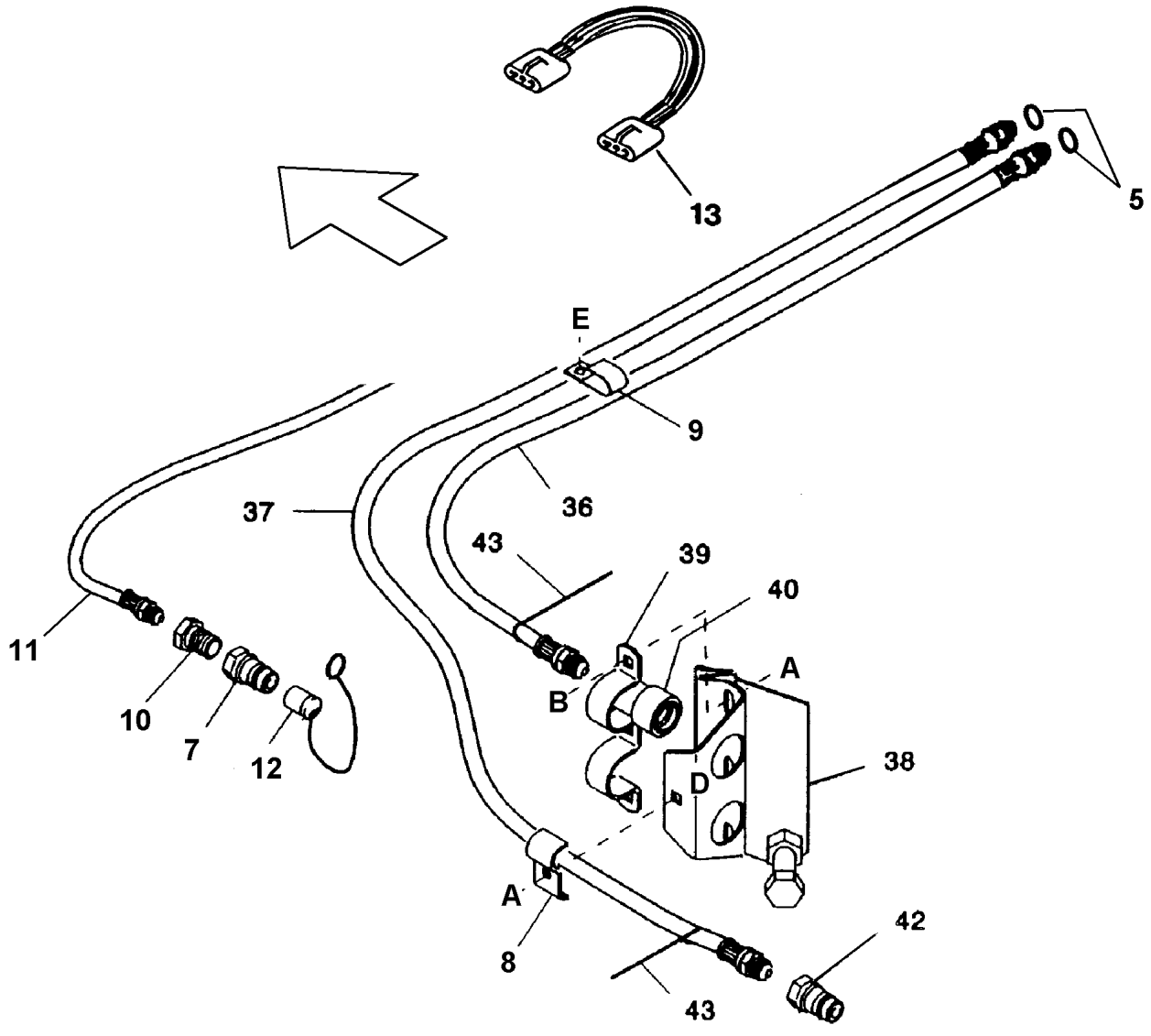
CASE COMBINES ADAPTER COMPLETION PARTS



**CASE COMBINES
ADAPTER COMPLETION PARTS**

REF	PART NUMBER	DESCRIPTION	QTY	SERIAL NUMBER
1	102006	MEMBER - adapter frame, right.....	1	
2	102004	MEMBER - adapter frame, left.....	1	
3	102169	FILLER - lower, left – 60 & 66 Series Combines.....	1	
	123349	FILLER - lower, left – 80 & 88 Series Combines.....	1	
4	102170	FILLER - lower, right – 60 & 66 Series Combines.....	1	
	123350	FILLER – lower, right – 80 & 88 Series Combines.....	1	
5	37995	PIN - clamp.....	2	
6	40169	PIN - straight	2	
7	REF	DRIVE - gear, see page 11	1	
8	114154	ARM – drive.....	1	
11	50193	PIN - lynch.....	1	
15	103550	HANDLE - gear drive.....	1	
16	103246	SHIELD – R/H, rear section	1	
17	103247	SHIELD - R/H, front section	1	
18	103317	SUPPORT - R/H shield, top	1	
19	103245	SUPPORT - R/H shield, bottom	1	
20	114009	SHIELD – L/H.....	1	
21	114153	SUPPORT – drive arm	1	
22	114157	SHIELD – R/H extension for narrow feeder house Models: 1640,1644, 1660, 1666, 2166, 2366.....	1	
A	21066	BOLT - round head, square neck, 1/2 NC x 1 inch		
B	50186	NUT - lock, smooth flange, 1/2 NC distorted thread		
C	21449	BOLT - flange head, 1/2 NC x 1 inch		
D	21471	BOLT - round head, square neck, 1/2 NC x 1-1/4 inch		
E	50080	BOLT - hex head, 5/8 NC x 4-1/2 inch, thread full length		
F	21345	NUT - hex jam, 5/8 NC		
G	50155	BOLT - hex head, M12 x 25 mm		
H	30633	WASHER - lock, M12		
P	30228	NUT - lock, smooth flange, 3/8 NC distorted thread		
Q	21821	BOLT - flange head, 3/8 NC x 3/4 inch		
R	18598	WASHER - flat, 13/32 inch I.D.		
S	50076	BOLT – flange head, 3/8 NC x 5/8 inch		
T	30936	BOLT – flange head, 3/8 NC x 1 ¼ inch		

CASE COMBINES HEADER COMPLETION PARTS



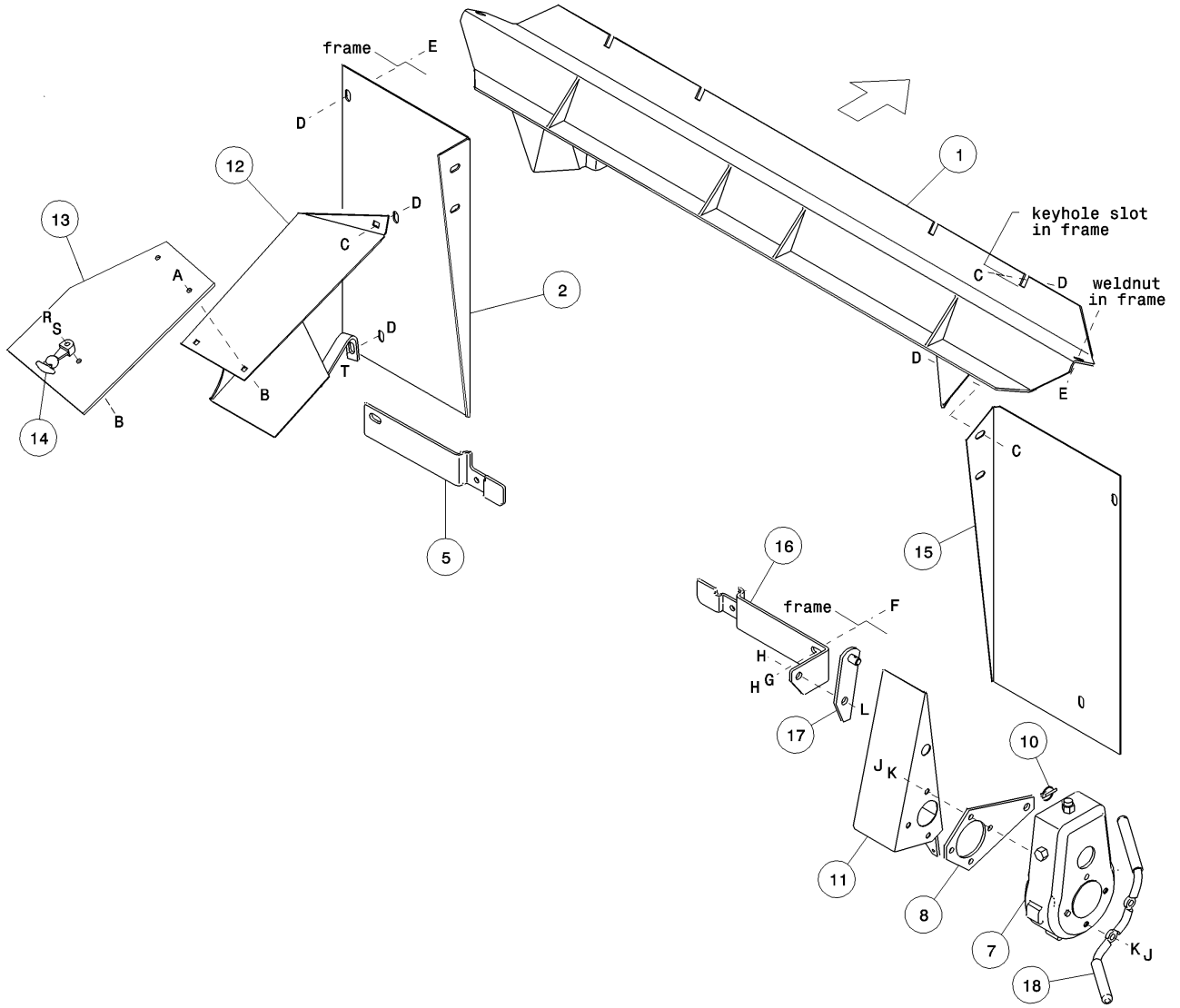
**CASE COMBINES
HEADER COMPLETION PARTS**

REF	PART NUMBER	DESCRIPTION	QTY	SERIAL NUMBER
5	44210	O-RING	2	see note (1)
7	21855	COUPLER - male, 1/2 NPT	1	
8	29934	HOLDER - hose	1	
9	50022	HOLDER - hose	4	
10	20043	FITTING - reducer bushing, 1/4 NPT female x 1/2 NPT male	1	
11	43629	HOSE - extension, reel lift, 962 Header only	1	
	REF	HOSE - reel lift, see 972 Header Parts Catalog	1	
12	21856	CAP - dust	1	
13	40499	HARNESS - header lights, adapter piece	1	
36	114137	HOSE – reel drive pressure	1	
37	114139	HOSE – reel drive return	1	
38	114135	HOLDER – reel drive couplers	1	
39	114140	CLAMP – coupler	1	
40	114143	COUPLER – female	1	
42	114142	COUPLER – male	1	
43	49232	CABLE TIE – white	2	
A	30228	NUT - lock, smooth flange, 3/8 NC distorted thread		
B	21472	BOLT - round head, square neck, 3/8 NC x 3/4 inch		
D	19966	BOLT - round head, square neck, 3/8 NC x 1-1/4 inch		
E	101898	SCREW - hex washer head, 3/8 NC x 5/8 inch thread forming		

NOTES:

1. 962 Header: Serial No. –124499 972 Header: All Serial Nos.

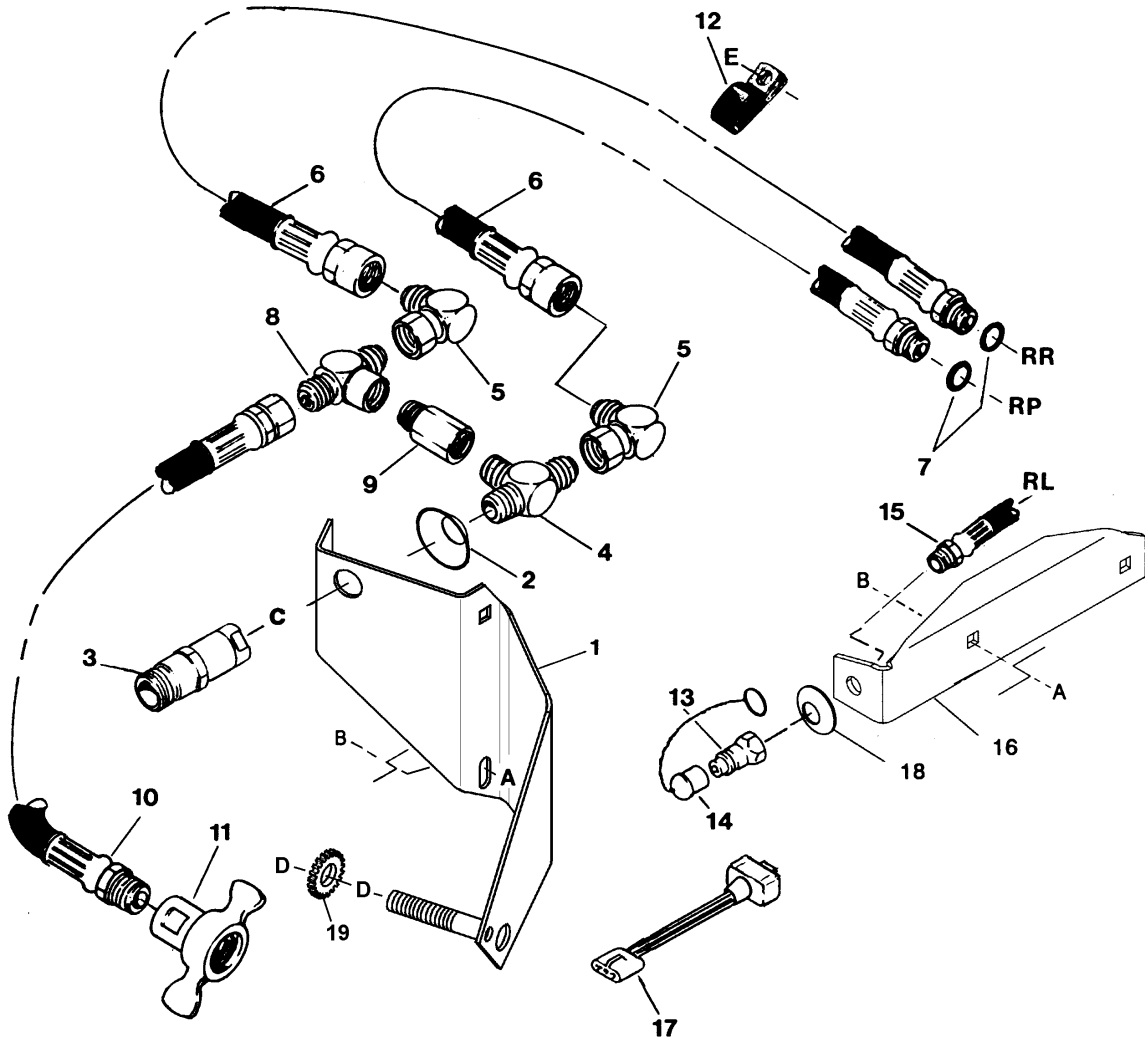
GLENER COMBINES ADAPTER COMPLETION PARTS



**GLEANER COMBINES
ADAPTER COMPLETION PARTS**

REF	PART NUMBER	DESCRIPTION	QTY	SERIAL NUMBER
1	102465	SUPPORT - beam.....	1	
2	102477	MEMBER - adapter frame, left	1	
5	102505	SUPPORT - lower, left	1	
7	REF	DRIVE - gear, see page 11	1	
8	102157	ARM - drive.....	1	
10	50193	PIN - lynch	1	
11	103547	SHIELD - drive, right.....	1	
12	102830	SHIELD - drive, left.....	1	
13	102831	FLAP - rubber	1	
14	38894	LATCH - rubber	1	
15	103297	MEMBER - adapter frame, right.....	1	
16	103296	SUPPORT - lower, right	1	
17	103295	BAR - arm support.....	1	
18	103550	HANDLE - gear drive.....	1	
A	21472	BOLT - round head, square neck, 3/8 NC x 3/4 inch		
B	30228	NUT - lock, smooth flange, 3/8 NC distorted thread		
C	21066	BOLT - round head, square neck, 1/2 NC x 1 inch		
D	50186	NUT - lock, smooth flange, 1/2 NC distorted thread		
E	21449	BOLT - flange head, 1/2 NC x 1 inch		
F	18523	BOLT - round head, square neck, 5/8 NC x 1-1/2 inch		
G	18600	WASHER - flat, 21/32 inch I.D.		
H	18666	NUT - lock, 5/8 NC distorted thread		
J	50155	BOLT - hex head, M12 x 25 mm		
K	30633	WASHER - lock, M12		
L	21594	BOLT - hex head, 5/8 NC x 1-1/2 inch		
R	21561	BOLT - hex head, 3/8 NC x 1-1/2 inch		
S	18598	WASHER - flat, 13/32 inch I.D.		
T	21471	BOLT - round head, short square neck, 1/2 NC x 1-1/4 inch		

GLENER COMBINES HEADER COMPLETION PARTS



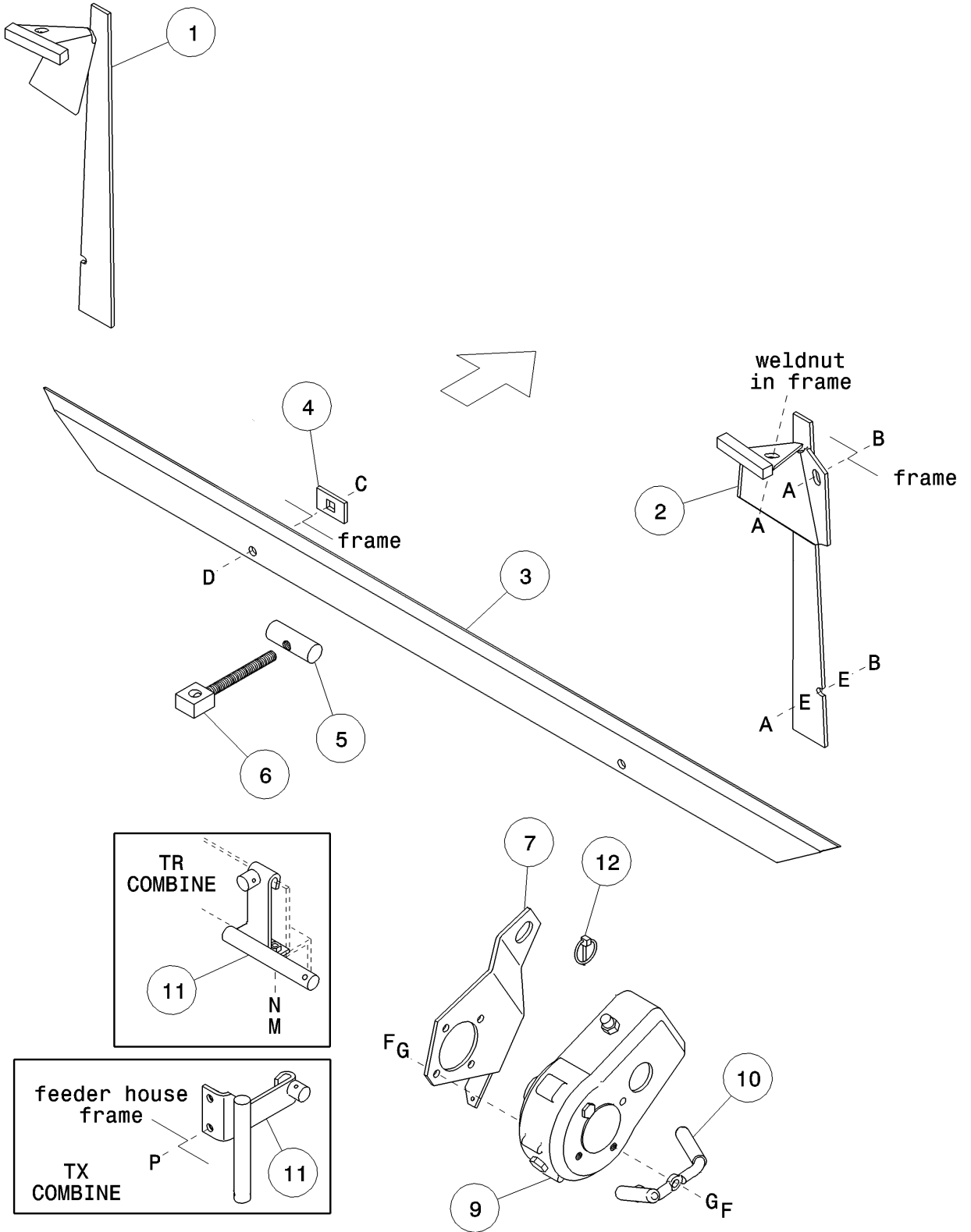
**GLEANER COMBINES
HEADER COMPLETION PARTS**

REF	PART NUMBER	DESCRIPTION	QTY	SERIAL NUMBER
1	114350	HOLDER - reel lift coupler.....	1	
2	102653	WASHER - dished.....	1	
3	30909	COUPLER - male, 1/2 NPT.....	1	
4	30972	FITTING - tee, 1/2 NPT male x 1/2 NPT male x 5/8 tube.....	1	
5	30556	FITTING - 90° elbow, 5/8 tube male x 5/8 tube female.....	2	
6	100528	HOSE - reel drive, from right side of opening.....	2	
7	44210	O-RING.....	2	
8	30854	FITTING - tee, 1/2 NPT female x 5/8 tube male x 5/8 tube male.....	1	
9	49223	VALVE - check.....	1	
10	37842	HOSE - reel drive return.....	1	
11	30908	COUPLER - female, 1/2 NPT.....	1	
12	50022	HOLDER - hose.....	4	
13	30825	COUPLER - male, 1/4 NPT - reel lift.....	1	
14	21824	CAP - dust.....	1	
15	43629	HOSE - extension, reel lift, 962 Header only.....	1	
	REF	HOSE - reel lift, see 972 Header Parts Catalog.....	1	
16	102820	HOLDER - hose.....	1	
17	40498	HARNESS - header lights, adapter piece.....	1	
18	45157	WASHER - dished.....	1	
19	114338	DISC - 21 tooth.....	1	
A	21472	BOLT - round head, square neck, 3/8 NC x 3/4 inch		
B	30228	NUT - lock, smooth flange, 3/8 NC distorted thread		
C	18602	WASHER - flat, 15/16 inch ID		
D	18666	NUT - lock, 5/8 NC distorted thread		
E	101898	SCREW - hex washer head, 3/8 NC x 5/8 inch thread forming		

NOTES:

1. RL = Reel Lift, RP = Reel Pressure, RR = Reel Return

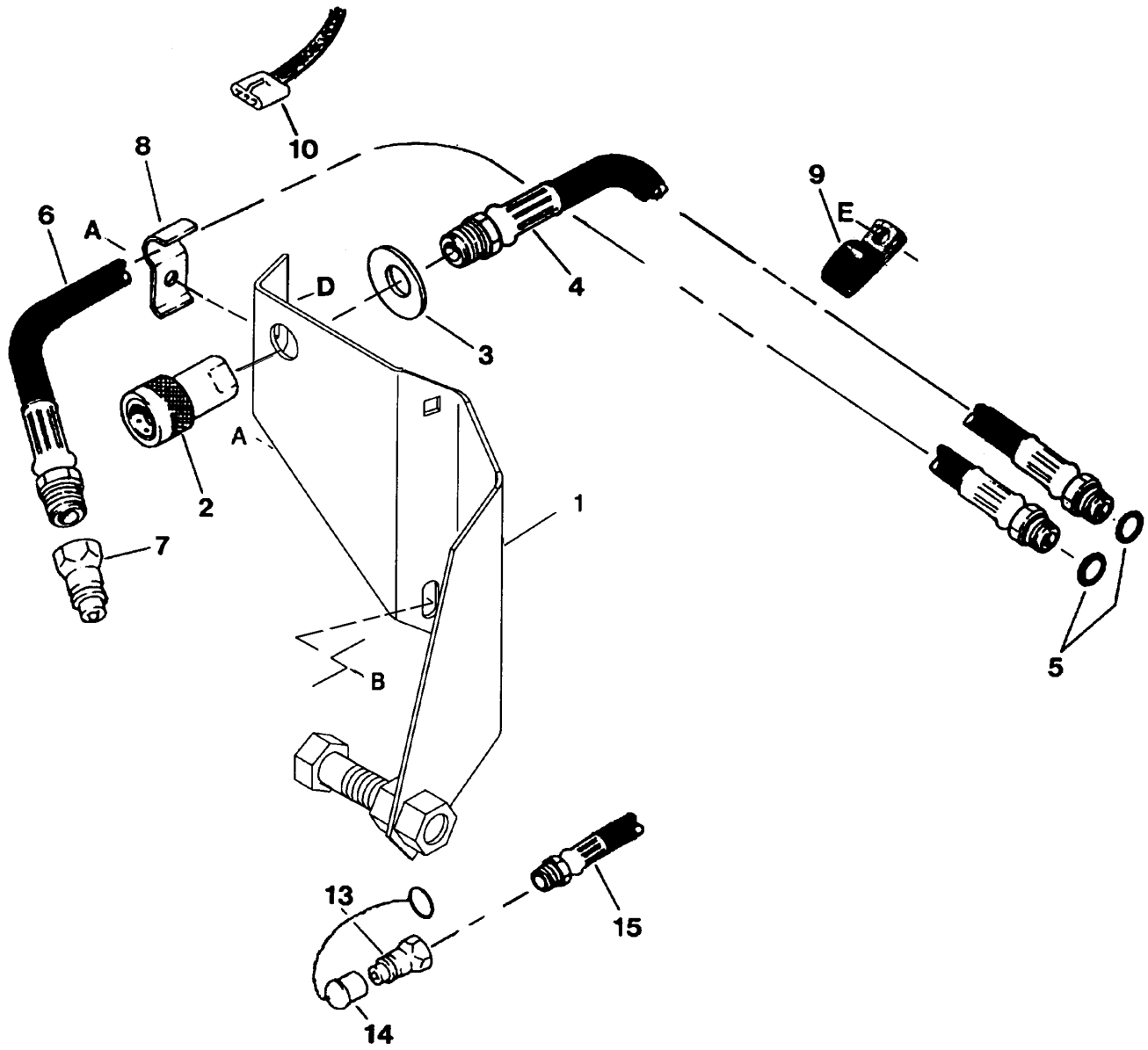
NEW HOLLAND COMBINES ADAPTER COMPLETION PARTS



**NEW HOLLAND COMBINES
ADAPTER COMPLETION PARTS**

REF	PART NUMBER	DESCRIPTION	QTY	SERIAL NUMBER
1	102634	MEMBER - adapter frame, left	1	
2	102633	MEMBER - adapter frame, right	1	
3	102615	BEAM - lower.....	1	
4	40918	WASHER - rectangular	2	
5	40300	PIN - straight	2	
6	40432	EYEBOLT, feeder house latch	2	
7	103368	ARM - drive.....	1	
9	REF	DRIVE - gear, see page 11	1	
10	103550	HANDLE - gear drive.....	1	
11	103370	SUPPORT - with pins for TR & TX.....	1	
12	102264	PIN - lynch	1	
A	21449	BOLT - flange head, 1/2 NC x 1 inch		
B	50186	NUT - smooth flange, 1/2 NC distorted thread		
C	18523	BOLT - round head, square neck, 5/8 NC x 1-1/2 inch		
D	18666	NUT - lock, 5/8 NC distorted thread		
E	18600	WASHER - flat 21/32 inch I.D.		
F	50155	BOLT - hex head, M12 x 25 mm		
G	30633	WASHER - lock, M12		
M	18663	SETSCREW - 3/8 NC x 1-1/2 inch		
N	18664	NUT - hex jam, 3/8 NC		
P	21975	BOLT - flange head, 3/8 NC x 1 inch		

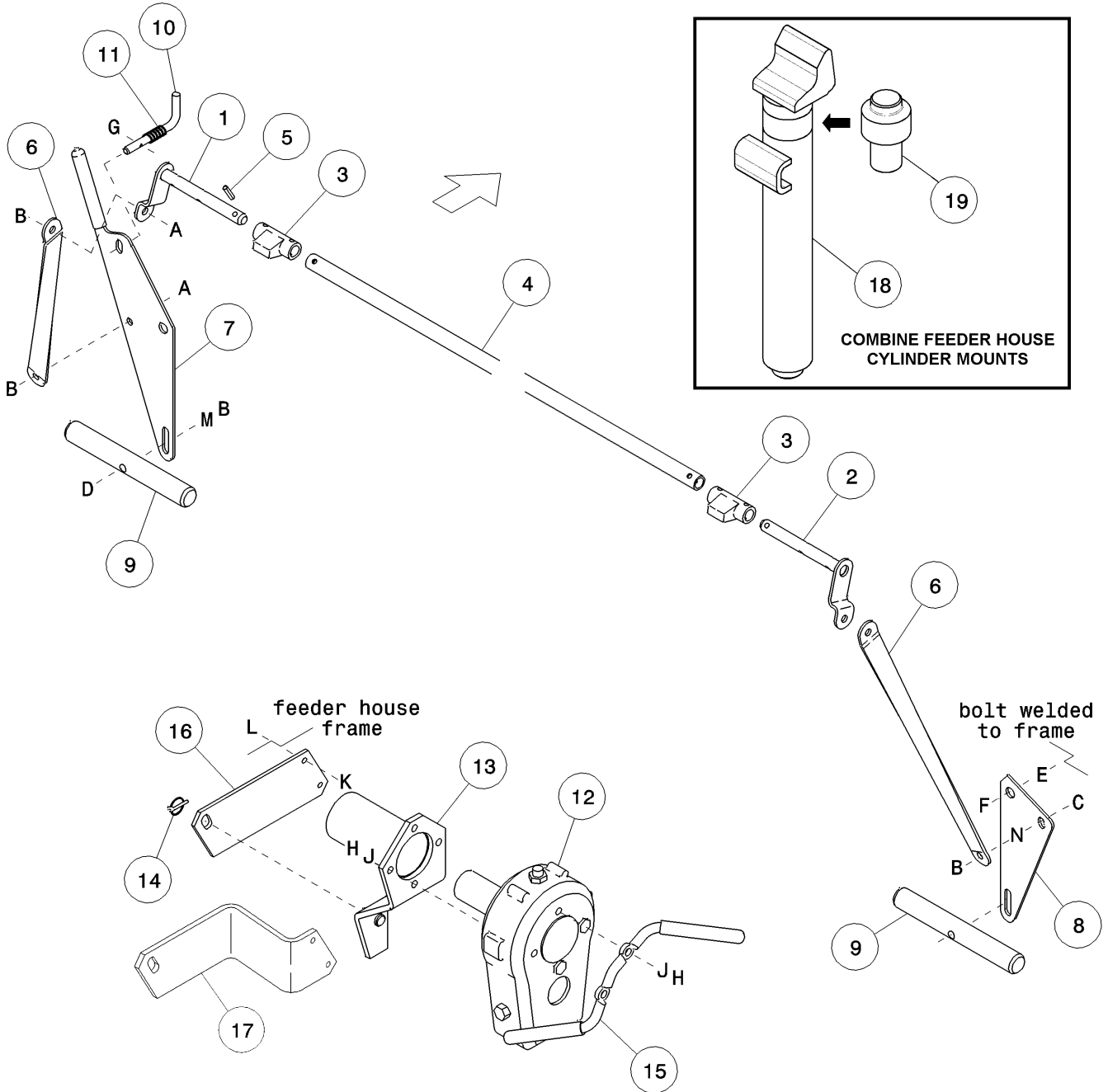
NEW HOLLAND COMBINES HEADER COMPLETION PARTS



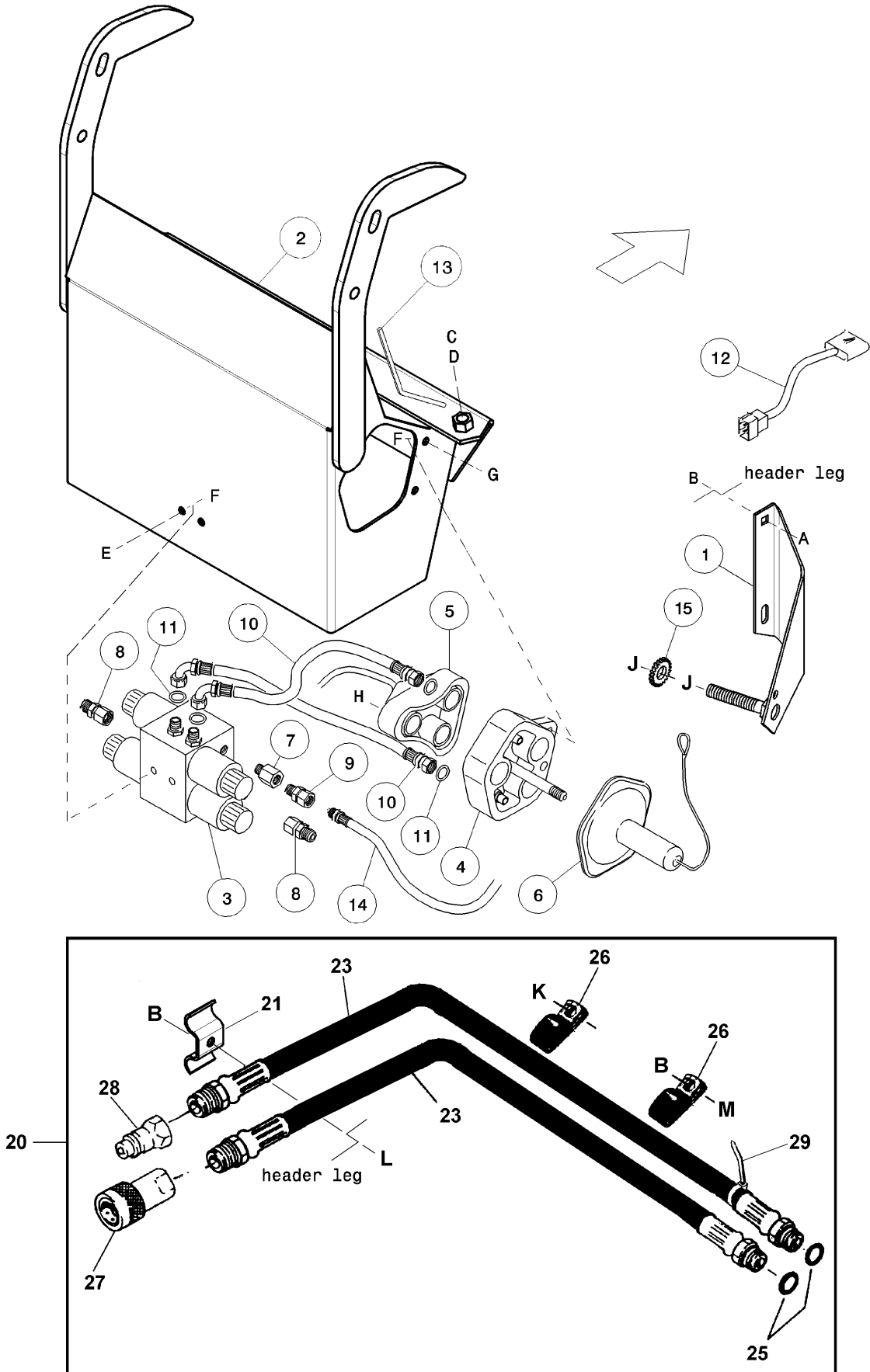
**NEW HOLLAND COMBINES
HEADER COMPLETION PARTS**

REF	PART NUMBER	DESCRIPTION	QTY	SERIAL NUMBER
1	102717	HOLDER - reel drive coupler.....	1	
2	21857	COUPLER - female, 1/2 NPT.....	1	
	50082	O-RING - for coupler 21857		
3	45153	WASHER - dished.....	1	
4	37785	HOSE - reel drive return.....	1	
5	44210	O-RING	2	
6	100525	HOSE - reel drive pressure	1	
7	21855	COUPLER - male, 1/2 NPT.....	2	
8	29934	HOLDER - hose	1	
9	50022	HOLDER - hose	4	
10	103507	HARNES - header lights, adapter piece	1	
13	30825	COUPLER - male, 1/4 NPT - reel lift.....	1	
14	21824	CAP - dust.....	1	
15	43629	HOSE - extension, reel lift, 962 Header only.....	1	
	REF	HOSE - reel lift, see 972 Header Parts Catalog.....	1	
A	30228	NUT - lock, smooth flange, 3/8 NC distorted thread		
B	21472	BOLT - round head, square neck, 3/8 NC x 3/4 inch		
D	19966	BOLT - round head, square neck, 3/8 NC x 1-1/4 inch		
E	101898	SCREW - hex washer head, 3/8 NC x 5/8 inch thread forming		

CAT LEXION COMBINE ADAPTER COMPLETION PARTS



CAT LEXION COMBINE HEADER COMPLETION PARTS



CAT LEXION COMBINE HEADER COMPLETION PARTS

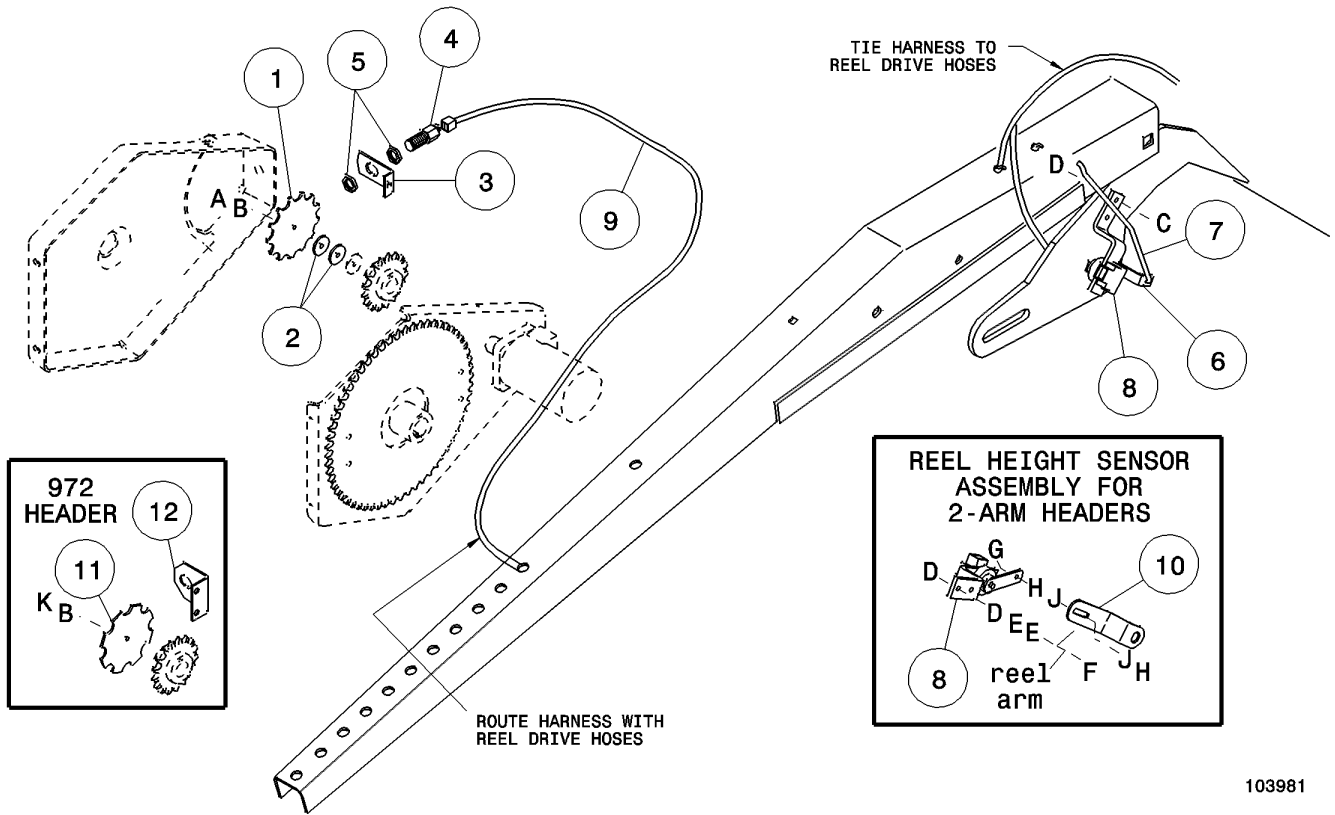
REF	PART NUMBER	DESCRIPTION	QTY.	SERIAL NUMBER
1	114347	SUPPORT – driveline storage	1	
2	103849	HOLDER – electrical/hydraulics group	1	
3	103890	VALVE – two function	1	
4	103893	COUPLING – electrical/hydraulic	1	
5	103892	HARNESS – electrical, coupling to valve	1	
6	108130	COVER – rubber cap	1	
7	103749	FITTING – adapter, M12 O-ring x ¼ NPT	1	
8	103921	FITTING – adapter, M14 x 3/8 tube	2	
9	30302	FITTING – restrictor, 0.052 inch orifice	1	
10	103891	HOSE – hydraulic, coupling to valve	2	
11	108131	O-RING – hose fittings	4	
12	114005	HARNESS – adapter, header lights	1	
13	24122	CONDUIT – protective	2	
14	43629	HOSE – reel lift extension, 962 Header	1	
	REF	HOSE – reel lift, 972 Header: see 972 Header Parts Catalog	1	
15	114338	DISC – 21 tooth	1	
20	123374	REEL DRIVE KIT – for Combines with left side reel drive	1	See Note 1
21	114195	HOLDER – reel drive couplers	1	
23	114137	HOSE – reel drive to left side	2	
25	44210	O-RING	2	
26	50022	HOLDER – hose	4	
27	123375	COUPLER – female (Cat Lexion # 353010.0)	1	
28	123376	COUPLER – male (Cat Lexion # 353009.0)	1	
29	40701	TIE – plastic, yellow	1	
A	21863	BOLT – round head, short square neck, 3/8 NC x ¾ inch		
B	30228	NUT – lock, smooth flange, 3/8 NC distorted thread		
C	30299	BOLT – hex head, ½ NC x 4 inch, thread full length		
D	18591	NUT – hex, ½ NC		
E	50235	BOLT – hex head, 5/16 NC x 3 ¾ inch		
F	30280	NUT – lock, smooth flange, 5/16 NC distorted thread		
G	21087	BOLT – hex head, 5/16 NC x 1 inch		
H	50236	BOLT – socket head, M5 x 45 mm		
J	18666	NUT – lock, 5/8 NC distorted thread		
K	101898	SCREW – hex washer head, 3/8 x 5/8 inch thread forming		
L	19965	BOLT – round head, square neck, 3/8 NC x 1 inch		
M	21472	BOLT – round head, square neck, 3/8 NC x ¾ inch		

NOTES:

- Combines beginning with the following Serial Numbers have left side reel drive:

MODEL #	S/N
450	8YW 00528
460	9FW 00633
465	3HZ 00520
470	9TW 00436
475	3MZ 00404
480	2BZ 00634
485	8ZW 00530

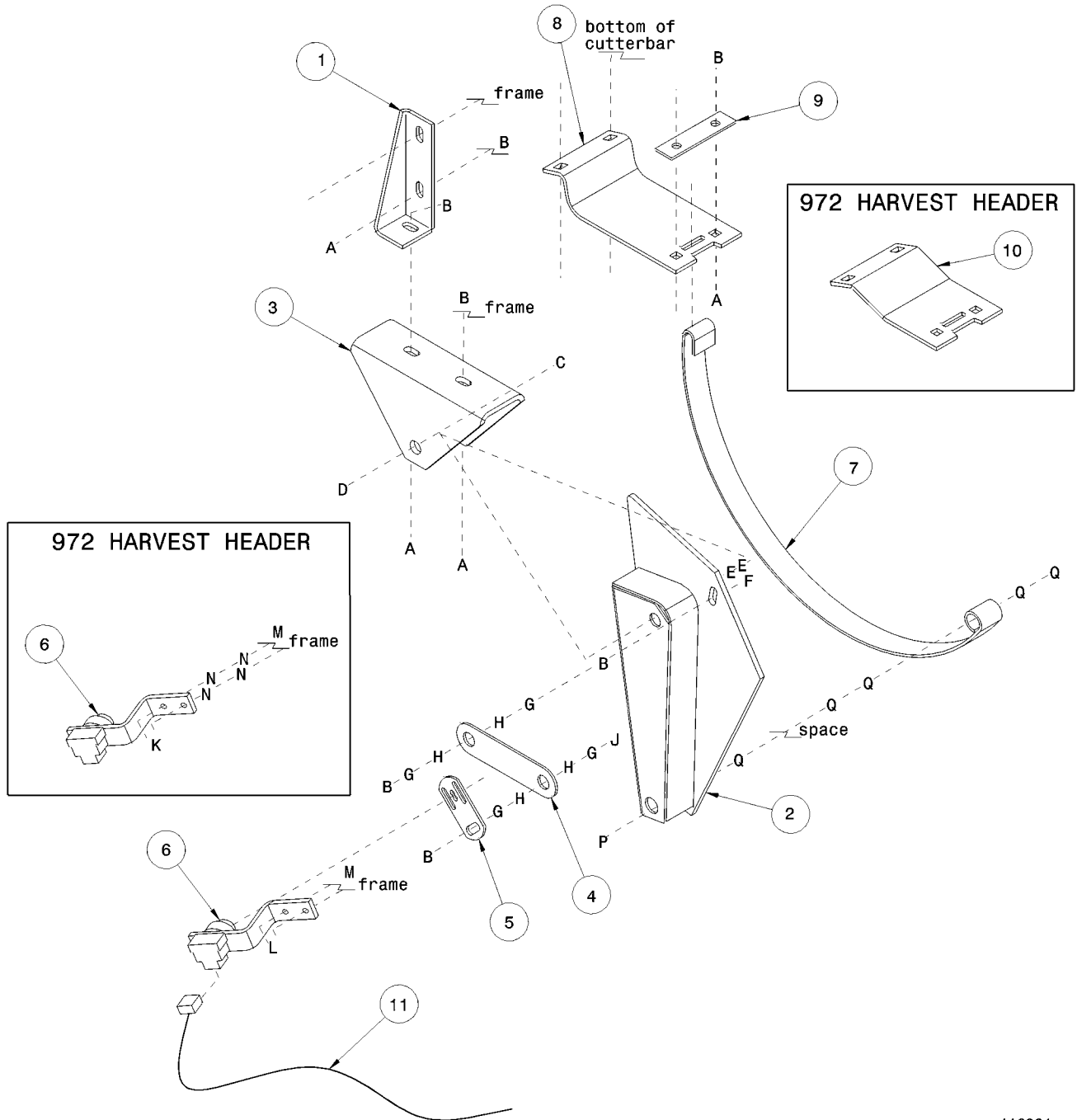
CAT LEXION COMBINE AUTO REEL SPEED/HEIGHT GROUP



**CAT LEXION COMBINE
AUTO REEL SPEED/HEIGHT GROUP**

REF	PART NUMBER	DESCRIPTION	QTY.	SERIAL NUMBER
1	103866	DISC – 13 teeth, reel speed sensor: 962 Header.....	1	
2	43219	WASHER – flat: 962 Header	2	
3	43555	SUPPORT – reel speed sensor: 962 Header.....	1	
4	103908	SENSOR – reel speed.....	1	
5	103909	NUT – reel sensor	2	
6	103881	ARM – reel height sensor, 3-arm headers.....	1	
7	103880	ROD – link, reel height sensor, 3-arm headers	1	
8	114368	POTENTIOMETER ASSEMBLY	1	
9	103907	HARNESS – reel speed/height.....	1	
	114348	HARNESS – extension, 2-arm headers	1	
10	114239	SUPPORT – reel height sensor, 2-arm headers	1	
11	113197	DISC – 8 teeth, reel speed sensor: 972 Header.....	1	
12	103582	SUPPORT – reel speed sensor: 972 Header.....	1	
A	30942	BOLT – hex head, ¼ NC x 1 ¼ inch		
B	18635	WASHER – lock, ¼ inch		
C	21282	BOLT – round head, square neck, 5/16 NC x 1 inch		
D	21403	NUT – serrated flange lock, 5/16 NC		
E	18590	NUT – hex, 3/8 NC		
F	18902	BOLT – hex head, 5/16 NC x 1 ¾ inch		
G	21573	BOLT – hex head, ¼ NC x 1 inch		
H	18724	NUT – lock, ¼ NC distorted thread		
J	18596	WASHER – flat, 9/32 inch ID		
K	21566	BOLT – hex head, ¼ NC x ¾ inch		

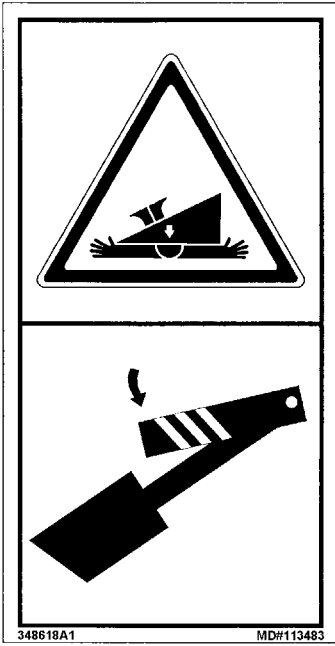
CAT LEXION COMBINE AUTO CONTOUR PACKAGE



**CAT LEXION COMBINE
AUTO CONTOUR PACKAGE**

REF	PART NUMBER	DESCRIPTION	QTY.	SERIAL NUMBER
1	114220	GUSSET – mounting	2	
2	114202	ARM – L/H	1	
	114203	ARM – R/H.....	1	
3	114196	ANCHOR – arm	2	
4	114014	ARM – link	2	
5	114197	ARM – adjusting	2	
6	114368	POTENTIOMETER ASSEMBLY	2	
7	114018	BAND – ground sensor.....	2	
8	114022	SUPPORT – band, 962 header	2	
9	114023	SUPPORT – clamp.....	2	
10	114024	SUPPORT – band, 972 header	2	
11	103906	HARNESS – wiring.....	1	
A	19965	BOLT – round head, square neck, 3/8 NC x 1 inch		
B	30228	NUT – lock, smooth flange, 3/8 NC distorted thread		
C	21406	BOLT – hex head, 5/8 NC x 3 ½ inch		
D	50225	NUT – lock, smooth flange, 5/8 NC distorted thread		
E	18600	WASHER – flat, SAE 21/32 ID		
F	21484	BOLT – round head, square neck, 3/8 NC x 1 ½ inch		
G	18598	WASHER – flat, SAE 13/32 ID		
H	18637	WASHER – lock, 3/8 inch		
J	20077	BOLT – hex head, 3/8 NC x 1 inch		
K	21479	BOLT – round head, square neck, 5/16 NC x 1 ½ (972 only)		
L	21281	BOLT - round head, square neck, 5/16 NC x 3/4		
M	30280	NUT – lock, smooth flange, 5/16 NC distorted thread		
N	18590	NUT – hex, 3/8 NC (972 only)		
P	30859	BOLT – hex head, ¾ NC x 8, threaded full length		
Q	18593	NUT – hex, ¾ NC		

DECALS



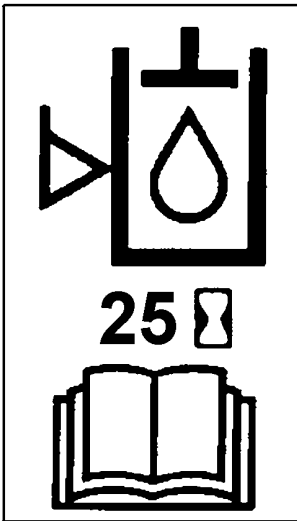
1



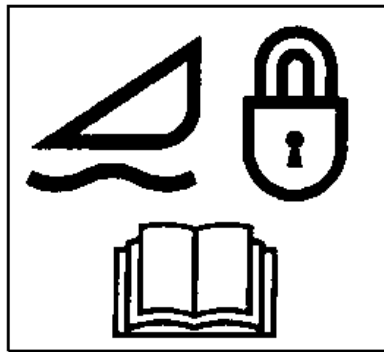
2



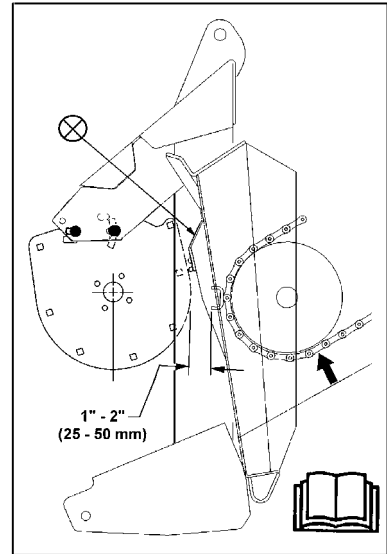
3



5



6

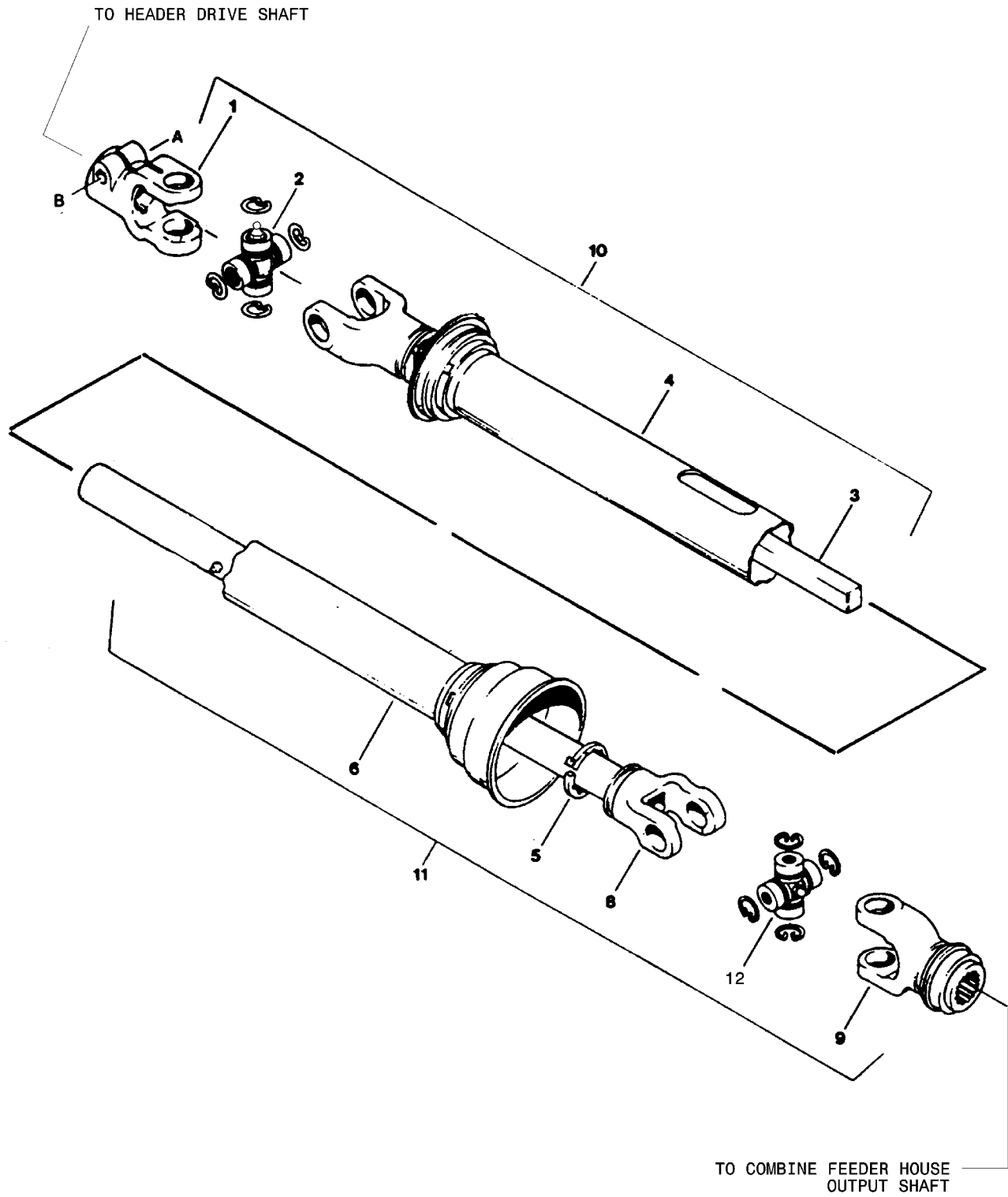


7

DECALS

REF	PART NUMBER	DESCRIPTION	QTY	SERIAL NUMBER
1	113483	DECAL – Header Hazard		
2	30316	DECAL - DANGER: Rotating Driveline		
3	36651	DECAL - DANGER: Shield Missing		
4	114169	DECAL – Refer to Operator's Manual: CE Drivelines		
5	113497	DECAL - Hydraulic Oil		
6	113486	DECAL – Float Lock Out		
7	113487	DECAL – Auger/Drum Position for Case Combines		

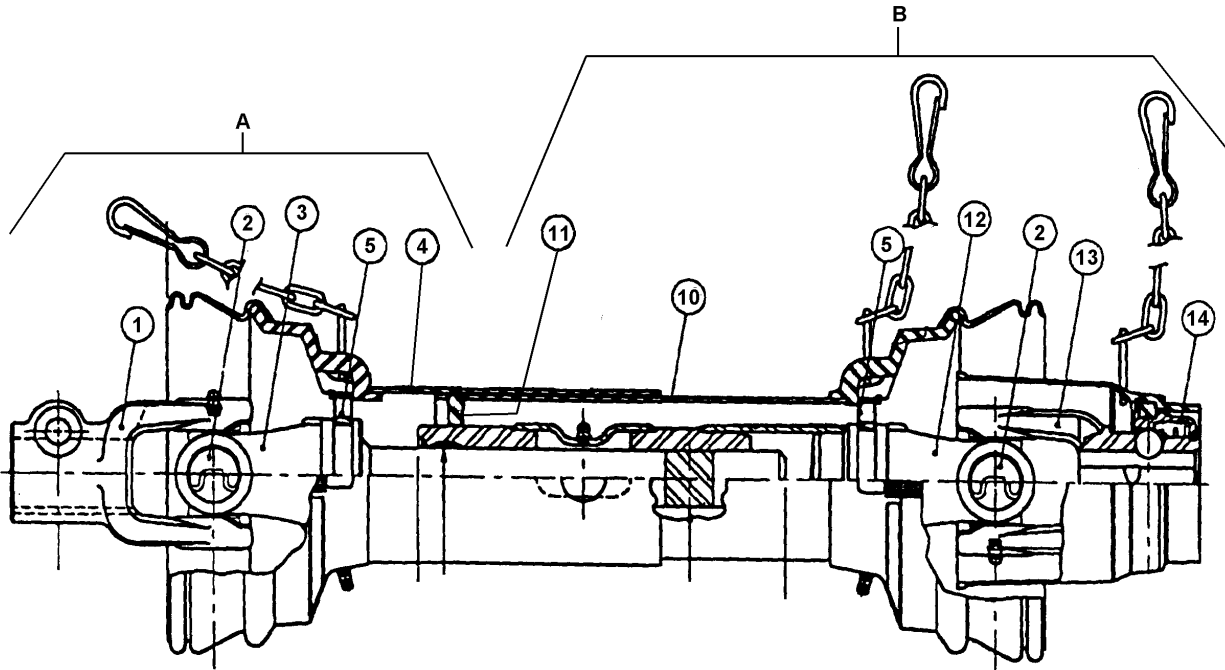
DRIVELINE



DRIVELINE

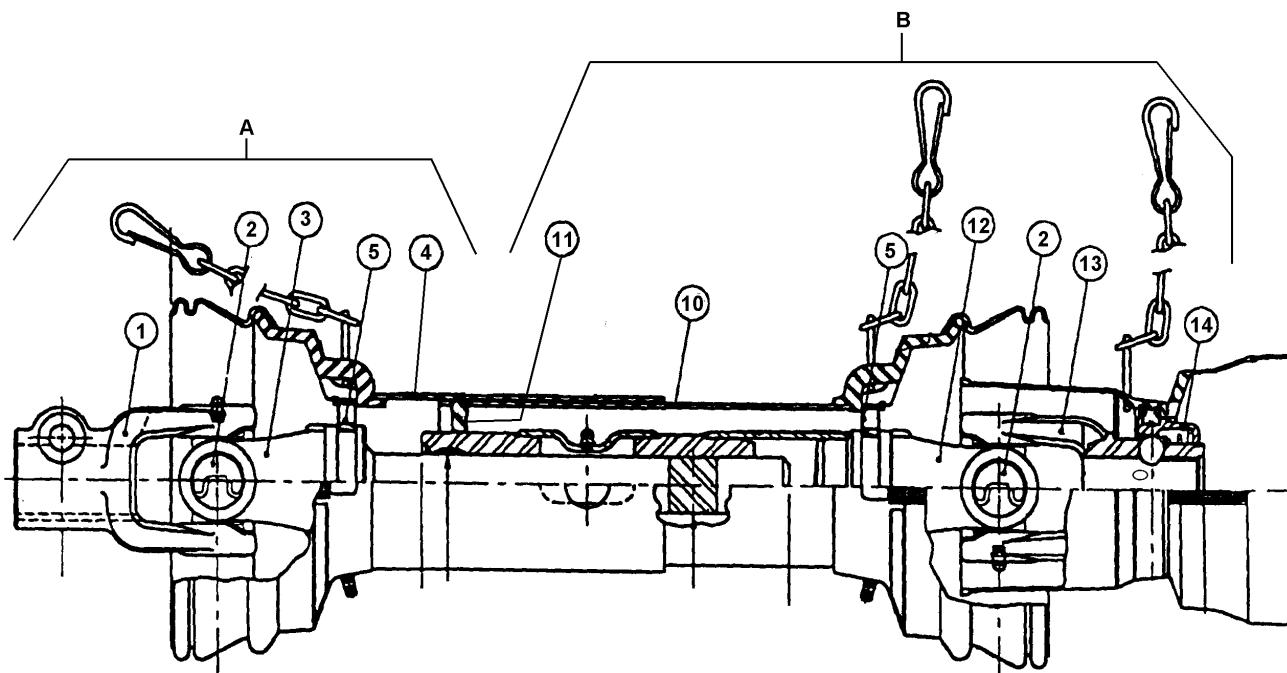
REF	PART NUMBER	DESCRIPTION	QTY	SERIAL NUMBER
NOTE: For CE Driveline for European Applications, see pages 46 & 47.				
1	100692	YOKE - clamp, to header drive shaft.....	1	
2	114145	CROSS & BEARING KIT, with lube fitting in end cap	1	
3	NSS	YOKE & SHAFT (order item 10).....	1	
4	114375	SHIELD - outer, with decal.....	1	
5	32800	BEARING KIT - shield	2	
6	100829	SHIELD - inner: John Deere, Case, Gleaner & CAT	1	
	103022	SHIELD - inner: New Holland	1	
8	NSS	YOKE & TUBE - (order item 11).....	1	
9	24779	YOKE - spline bore, 1 3/8 x 21 teeth, with slide collar: JD, Gleaner & CAT. 1		
	101144	YOKE - hex bore, with slide collar: Case.....	1	
	101147	YOKE - spline bore, 1 3/8 x 6 teeth, with slide collar: New Holland	1	
10	114374	JOINT ASS'Y. - male half, includes items 1,2,3,4,5	1	
11	101150	JOINT ASS'Y. - female half, incl. items 5,6,8,9,12: JD, Gleaner & CAT	1	
	100826	JOINT ASS'Y. - female half, incl. items 5,6,8,9,12: Case	1	
	101146	JOINT ASS'Y. - female half, incl. items 5,6,8,9,12: New Holland	1	
12	30622	CROSS & BEARING KIT, with lube fitting in body of cross	1	
..	100111	DRIVELINE - complete, includes items 10 and 11: JD, Gleaner & CAT	1	
	100110	DRIVELINE - complete, includes items 10 and 11: Case	1	
	100112	DRIVELINE - complete, includes items 10 and 11: New Holland	1	
A	21880	BOLT - hex head, 1/2 NC x 2 3/4 inch		
B	50186	NUT - lock, smooth flange, 1/2 NC distorted thread		

**CE DRIVELINE (European Applications)
CASE COMBINE**



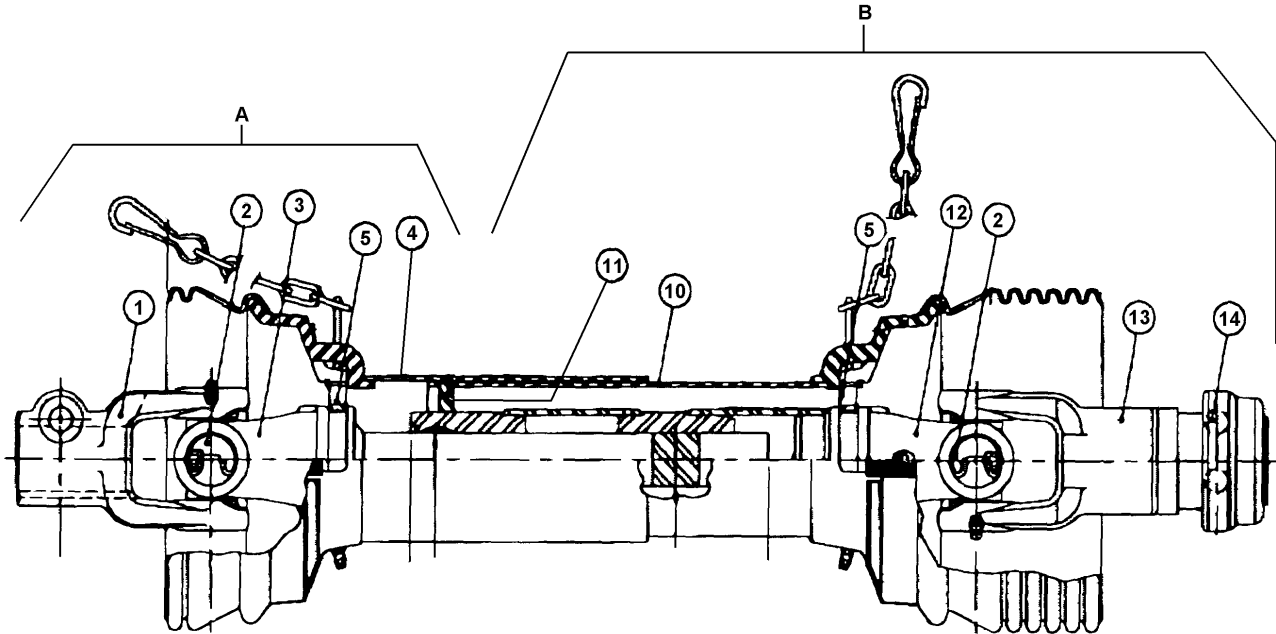
REF	PART NUMBER	DESCRIPTION	QTY	SERIAL NUMBER
•	114165	DRIVELINE - complete, includes items A and B: Case	1	
A	114181	JOINT ASS'Y. - male half, includes items 1,2,3,4,5.....	1	
B	114183	JOINT ASS'Y. - female half, incl. items 2,5,10,11,12,13: Case	1	
1	100692	YOKE - clamp, to header drive shaft.....	1	
2	114145	CROSS & BEARING KIT, with lube fitting in end cap	2	
3	NSS	YOKE & SHAFT (order item A)	1	
4	114172	SHIELD - outer, with decals	1	
5	114170	BEARING KIT - shield	2	
10	114173	SHIELD - inner: Case	1	
11	114171	CENTRALIZER - tube	1	
12	NSS	YOKE & TUBE - (order item B)	1	
13	114175	YOKE - Auto-Lok, hex bore: Case.....	1	
14	114176	REPAIR KIT - Auto-Lok yoke	1	

**CE DRIVELINE (European Applications)
JOHN DEERE COMBINE**



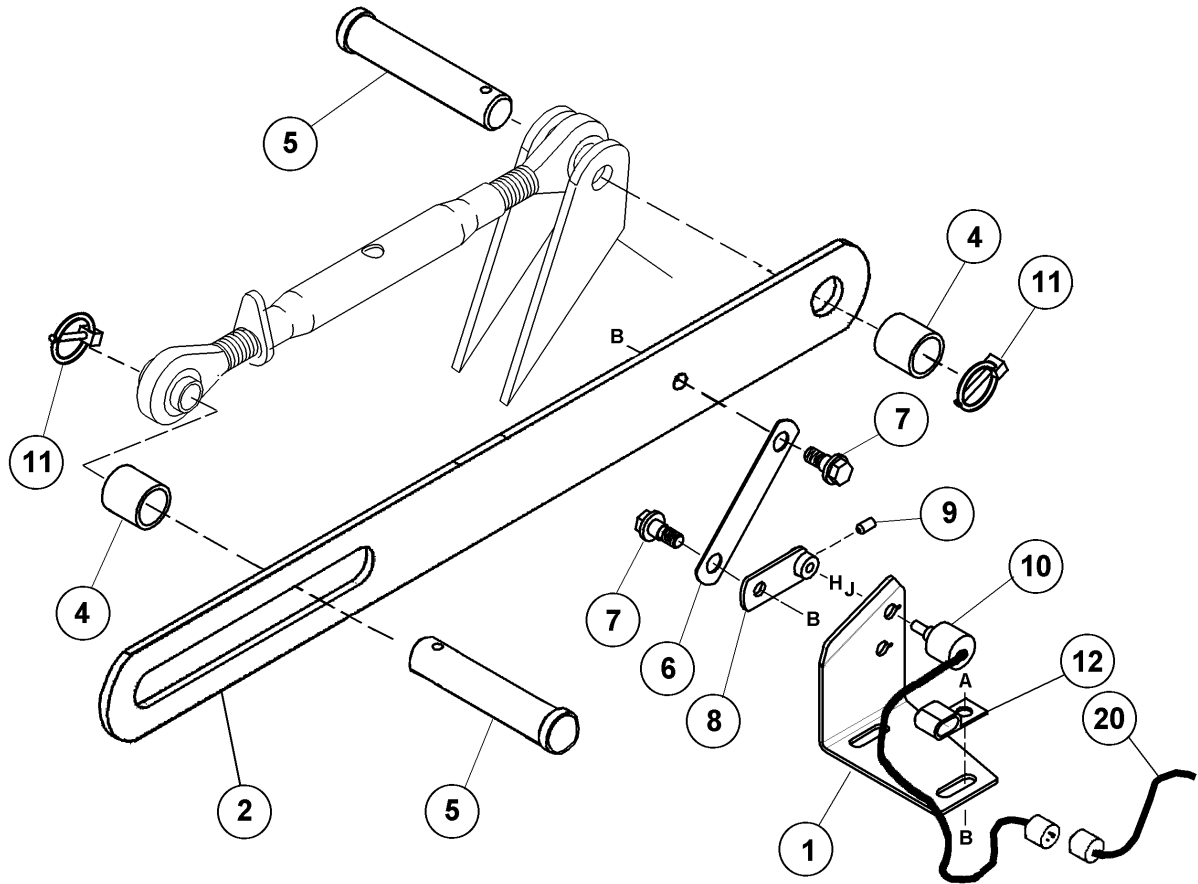
REF	PART NUMBER	DESCRIPTION	QTY	SERIAL NUMBER
•	114167	DRIVELINE - complete, includes items A and B: John Deere	1	
A	114184	JOINT ASS'Y. - male half, includes items 1,2,3,4,5.....	1	
B	114186	JOINT ASS'Y. - female half, incl. items 2,5,10,11,12,13: John Deere	1	
1	100692	YOKE - clamp, to header drive shaft.....	1	
2	114145	CROSS & BEARING KIT, with lube fitting in end cap	2	
3	NSS	YOKE & SHAFT (order item A)	1	
4	114194	SHIELD - outer, with decals	1	
5	114170	BEARING KIT - shield	2	
10	114173	SHIELD - inner: John Deere	1	
11	114171	CENTRALIZER - tube	1	
12	NSS	YOKE & TUBE - (order item B)	1	
13	114179	YOKE - Auto-Lok, spline bore: John Deere.....	1	
14	114177	REPAIR KIT - Auto-Lok yoke	1	

**CE DRIVELINE (European Applications)
NEW HOLLAND COMBINE**



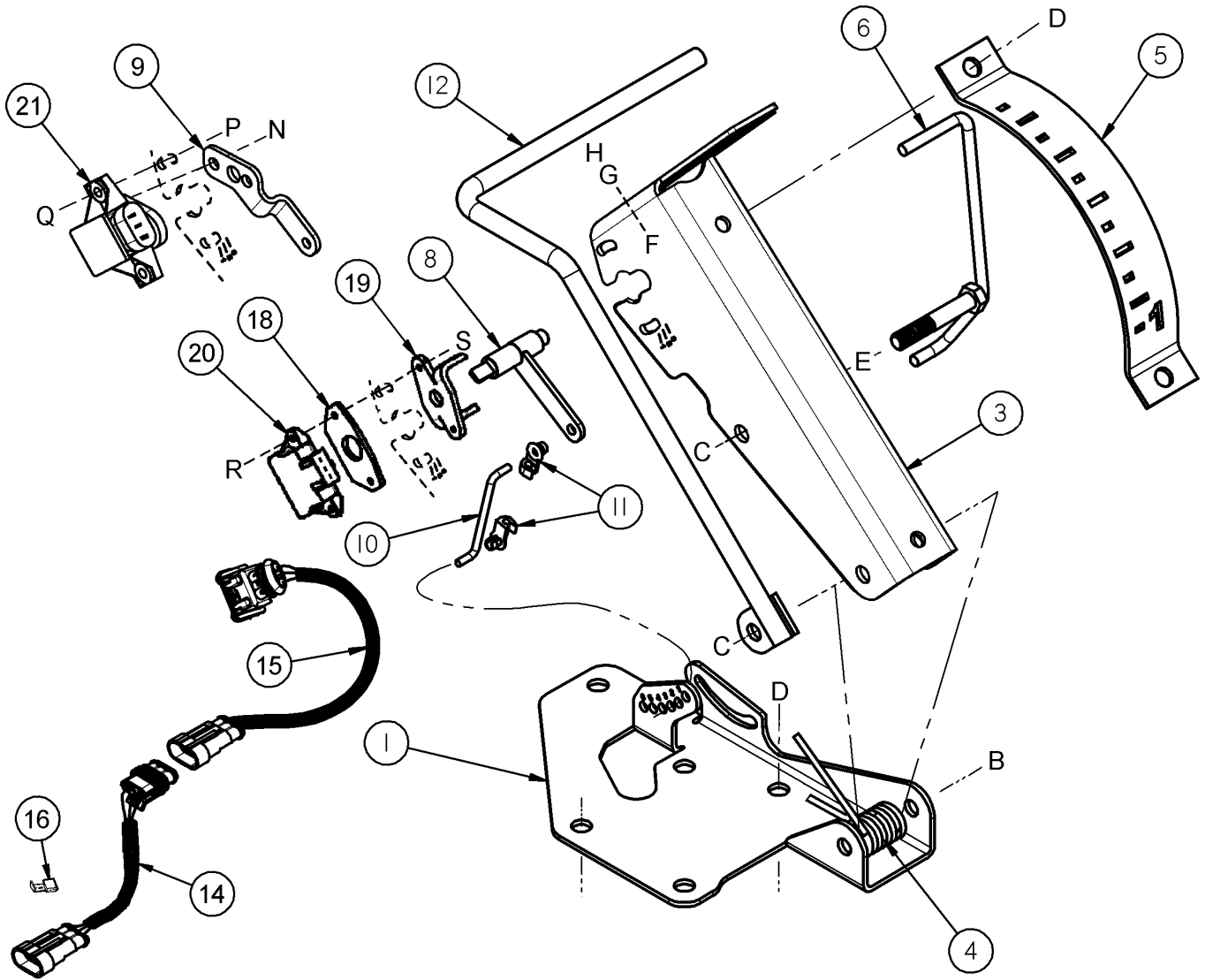
REF	PART NUMBER	DESCRIPTION	QTY.	SERIAL NUMBER
•	114168	DRIVELINE – complete, includes items A and B: New Holland	1	
A	114185	JOINT ASS'Y. – male half, includes items 1,2,3,4,5.....	1	
B	114208	JOINT ASS'Y. – female half, includes items 2,5,10,11,12,13.....	1	
1	100692	YOKE – clamp, to header drive shaft.....	1	
2	114145	CROSS & BEARING KIT, with lube fitting in end cap.....	2	
3	NSS	YOKE & SHAFT (order item A).....	1	
4	114377	SHIELD – outer, with decals	1	
5	114170	BEARING KIT – shield.....	2	
10	114378	SHIELD – inner	1	
11	114171	CENTRALIZER – tube	1	
12	NSS	YOKE & TUBE (order item B)	1	
13	114180	YOKE – Auto-Lok, spline bore	1	
14	114177	REPAIR KIT – Auto-Lok yoke	1	

**FLOAT OPTIMIZER (Attachment) – SERIAL # 153177 & PRIOR
CASE & CAT LEXION COMBINES**



REF	PART NUMBER	DESCRIPTION	QTY	SERIAL NUMBER
•	B 2898	FLOAT OPTIMIZER – CASE IH, complete	1	
	B 4246	FLOAT OPTIMIZER – CAT Lexion, complete.....	1	
		Kits available through WholeGoods Only.		
1	114310	SUPPORT – controller	1	
2	123345	ARM – float optimizer	1	
4	114371	SPACER – tube.....	2	
5	114317	PIN – clevis, 1 x 4.53 inch effective length.....	2	
6	123390	LINK – control, plastic (was 114306, steel)	1	
7	135001	BOLT – shoulder, 3/8 NC	4	
8	114307	ARM – control.....	1	
9	21061	SCREW – set, Allen head, cup point, ¼ NC x ½ inch.....	1	
10	114300	HARNESS – wiring.....	1	
		Assemble in bottom hole for Adapters with traction surface walkway		
		Assemble in top hole for Adapters without traction surface walkway		
11	102264	PIN – lynch	2	
12	39272	HOLDER – harness.....	1	
20	114369	HARNESS – wiring, Cat Lexion only	1	
A	21821	BOLT – flange head, 3/8 NC x ¾ inch – Adapters with traction surface walkway		
	101898	SCREW – self-tapping, 3/8 x 5/8 inch – Adapters without traction surface walkway		
B	30228	NUT – lock, smooth flange, 3/8 NC distorted		
H	135013	NUT – jam, 3/8 extra fine		
J	30598	WASHER – lock, internal tooth, 3/8 I.D.		

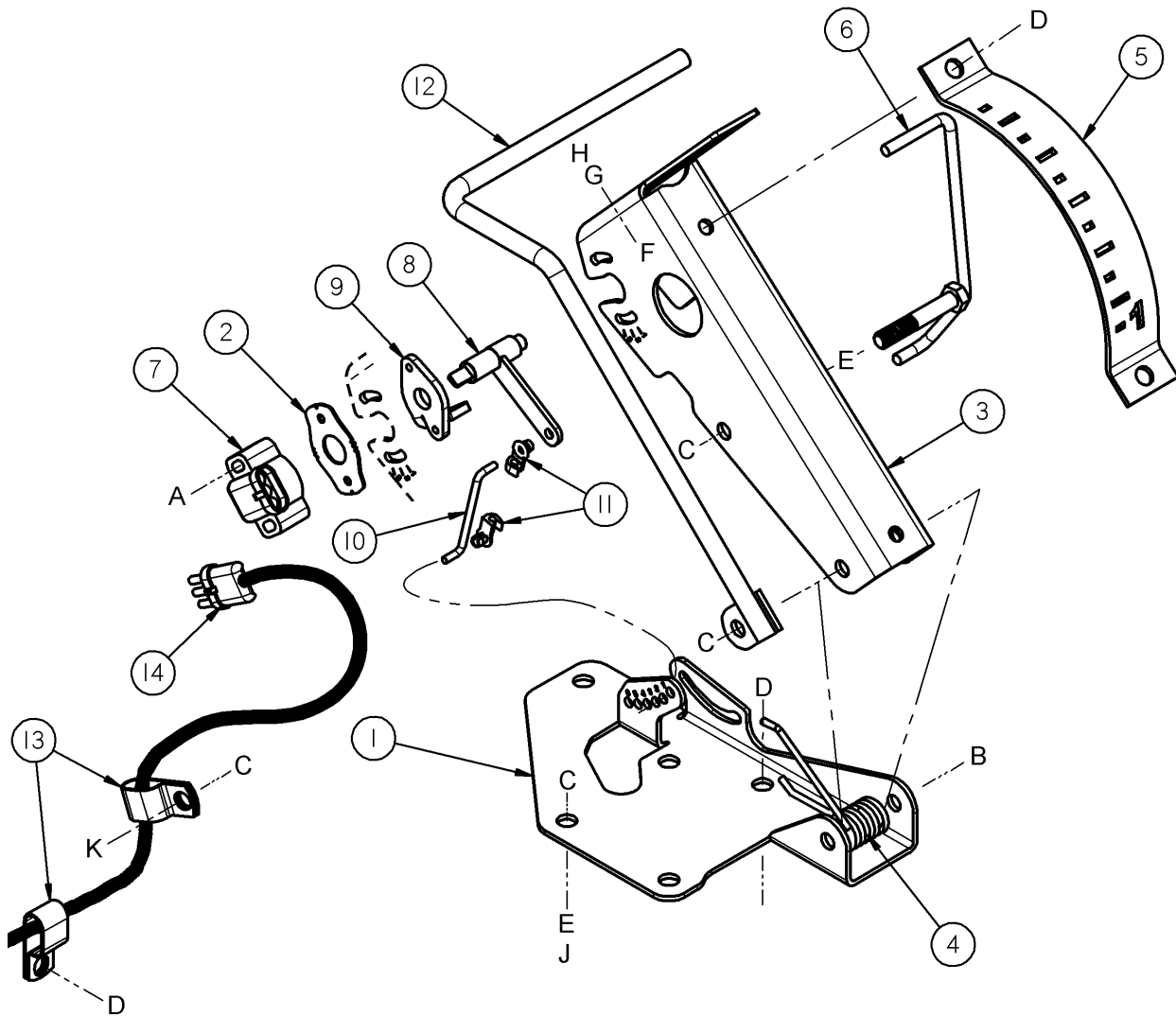
FLOAT OPTIMIZER (Attachment) – SERIAL # 153178 & UP
CAT LEXION COMBINES



**FLOAT OPTIMIZER (Attachment) – SERIAL # 153178 & UP
CAT LEXION COMBINES**

REF	PART NUMBER	DESCRIPTION	QTY.	SERIAL NUMBER
	B4416	FLOAT OPTIMIZER KIT – Cat Lexion		
1	158685	SUPPORT – lower mounting bracket.....	1	
3	158648	ARM – upper	1	
4	158603	SPRING – torsion	1	
5	153631	INDICATOR – gauge, header float	1	
6	158625	INDICATOR – rod, header float.....	1	
7	REF	SENSOR - potentiometer.....	1	
8	158688	ARM – pivot	1	
9	158669	ARM – linkage (12V).....	1	
10	158633	ROD – linkage.....	1	
11	153492	CLIP – rod end.....	4	
12	158642	ARM – sensing	1	
14	158697	HARNESS – feeder house	1	
15	158698	HARNESS – float optimizer, Cat Lexion (12V).....	1	
	158699	SUPPORT – float optimizer, Cat Lexion (5V)	1	
16	158754	SPLICE TAP - connector	3	
18	158678	PLATE – adapter, (5V)	1	
19	158677	SUPPORT – (5V)	1	
20	REF	SENSOR – (5V), Cat Lexion # 147-7894	1	
21	REF	SENSOR – (12V), Cat Lexion # 190-6388	1	
B	21102	BOLT – hex head, 3/8 NC x 2 ½ inch		
C	30228	NUT – lock, smooth flange, 3/8 NC distorted thread		
D	101898	SCREW – self-tapping, 3/8 x 5/8 inch		
E	18598	WASHER – flat, 13/32 inch ID		
F	30432	BOLT – round head, square neck, 3/8 NC x 2 ¼ inch, thd. full		
G	18599	WASHER – flat, 17/32 inch ID		
H	21452	NUT – serrated flange lock, 3/8 NC		
N	158704	SCREW – phillips, pan, M6 x 1.0 x 8 mm		
P	158722	BOLT – round head, square neck, #10-24 NC x 3/4 inch		
Q	105197	NUT – lock, hex head, 0.19-24 UNC		
R	135020	SCREW – phillips, pan head, M8 x 3/4 inch		
S	135021	NUT – hex, M8-32 UNC		

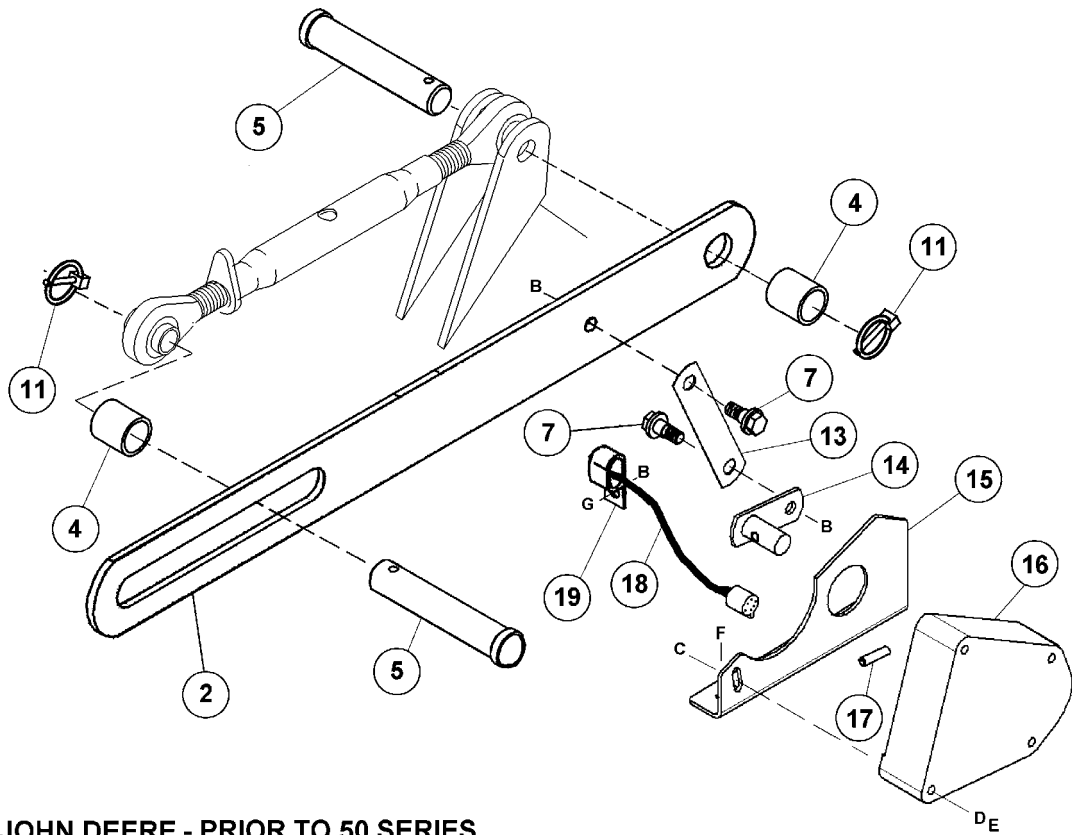
FLOAT OPTIMIZER (Attachment) – SERIAL # 153178 & UP
Case Combines – 2100/2300 Series & John Deere Combines (50 Series)



FLOAT OPTIMIZER (Attachment) – SERIAL # 153178 & UP
Case Combines – 2100/2300 Series & John Deere Combines (50 Series)

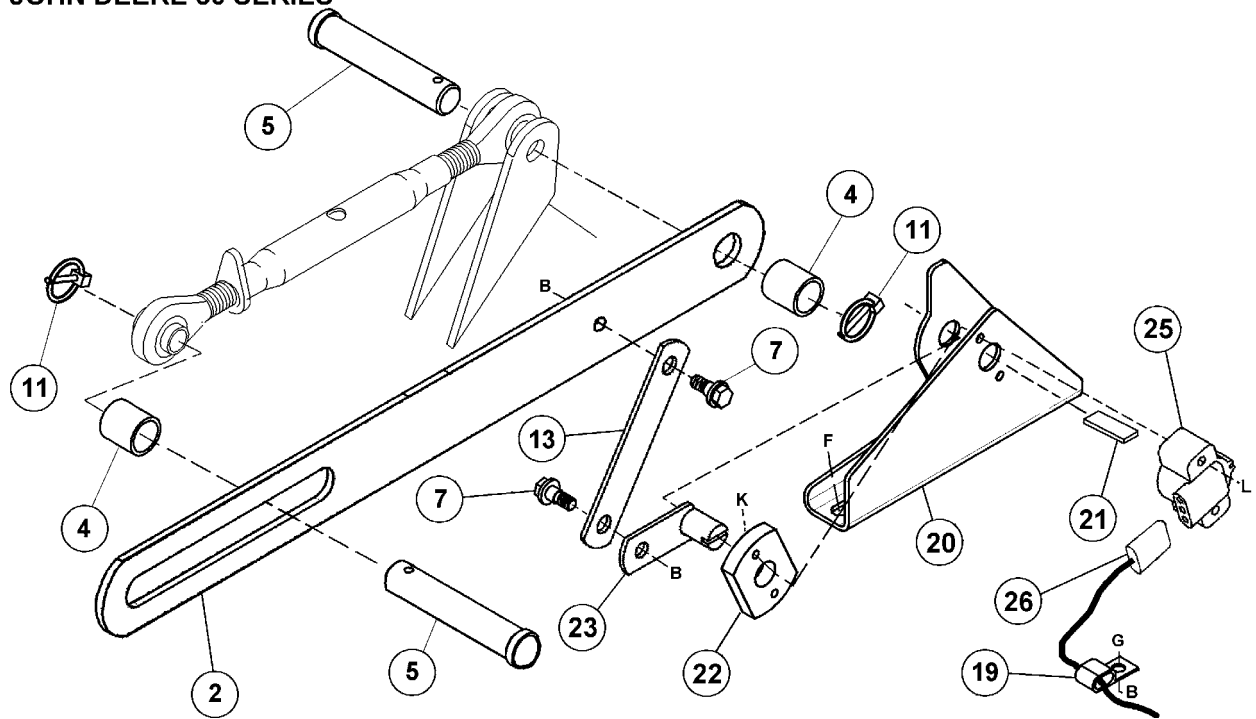
REF	PART NUMBER	DESCRIPTION	QTY.	SERIAL NUMBER
	B4415	FLOAT OPTIMIZER KIT – Case 2100/2300		
	B4499	FLOAT OPTIMIZER KIT – John Deere (50 Series)		
1	158685	SUPPORT – lower mounting bracket.....	1	
2	158723	PLATE – sensor mounting	1	
3	158684	ARM – upper	1	
4	158603	SPRING – torsion	1	
5	153631	INDICATOR – gauge, header float	1	
6	158625	INDICATOR – rod, header float.....	1	
7	158069	SENSOR - potentiometer.....	1	
8	158688	ARM – pivot	1	
9	158644	SUPPORT – pivot arm	1	
10	158633	ROD – linkage.....	1	
11	153492	CLIP – rod end.....	2	
12	158642	ARM – sensing	1	
13	43848	HOLDER - harness.....	5	
14	158351	HARNES – float optimizer, Case 2100/2300 Series.....	1	
	123380	HARNES – float optimizer, John Deere (50 Series)	1	
A	135165	SCREW – hex washer head, #10 x 1 ¼ inch, self-tapping		
B	21102	BOLT – hex head, 3/8 NC x 2 ½ inch		
C	30228	NUT – lock, smooth flange, 3/8 NC distorted thread		
D	101898	SCREW – self-tapping, 3/8 x 5/8 inch		
E	18598	WASHER – flat, 13/32 inch ID		
F	30432	BOLT – round head, square neck, 3/8 NC x 2 ¼ inch, thd. full		
G	18599	WASHER – flat, 17/32 inch ID		
H	21452	NUT – serrated flange lock, 3/8 NC		
J	21567	BOLT – hex head, 3/8 NC x ¾ inch (Case Only)		
K	21447	BOLT – large flange head, 3/8 NC x 1 inch		
	21863	BOLT – round head, short square neck, 3/8 NC x 3/4 inch		

**FLOAT OPTIMIZER (Attachment) – SERIAL # 153177 & PRIOR
JOHN DEERE COMBINES**



JOHN DEERE - PRIOR TO 50 SERIES

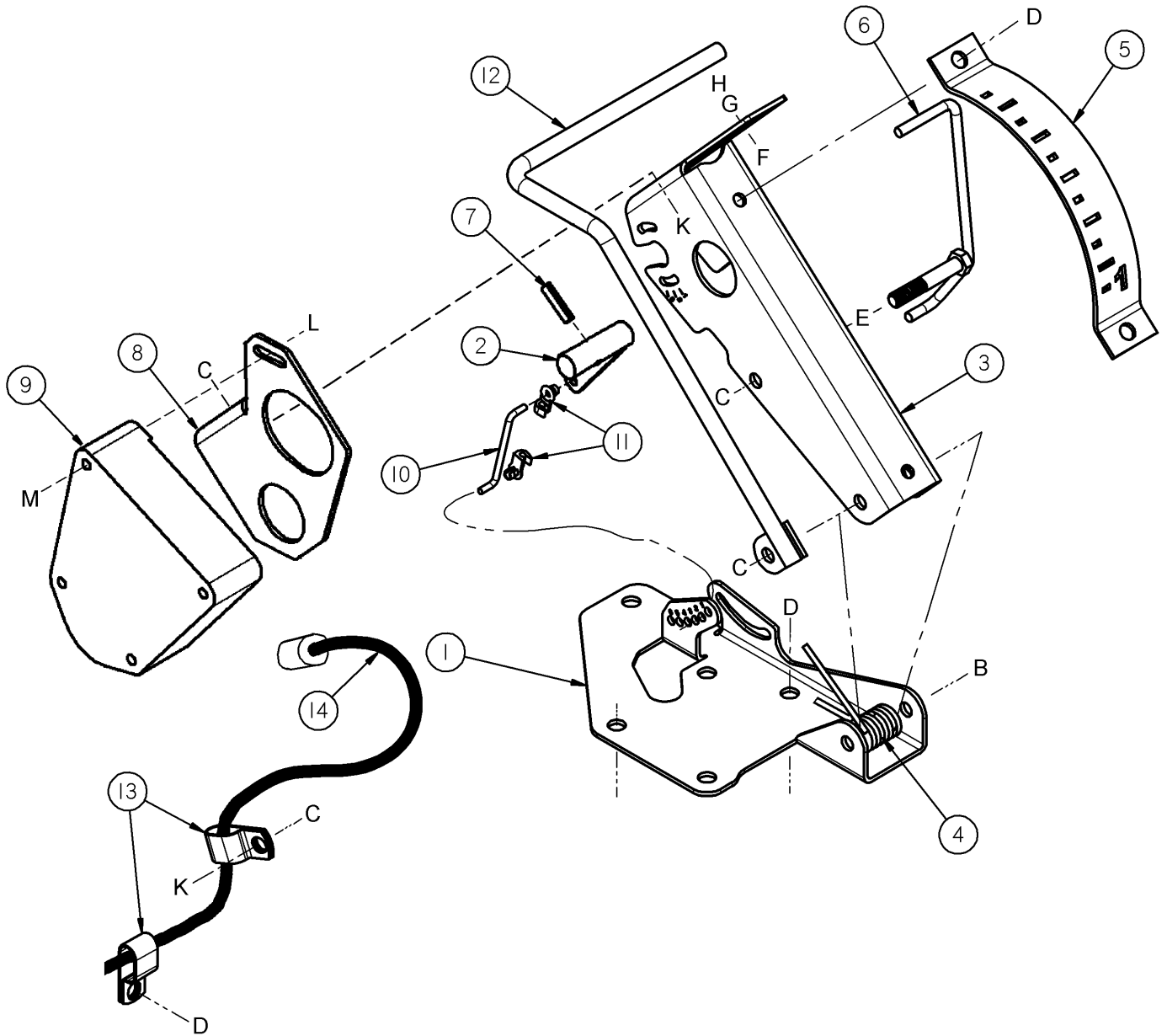
JOHN DEERE 50 SERIES



**FLOAT OPTIMIZER (Attachment) – SERIAL # 153177 & PRIOR
JOHN DEERE COMBINES**

REF	PART NUMBER	DESCRIPTION	QTY	SERIAL NUMBER
•	B 2899	FLOAT OPTIMIZER – JOHN DEERE PRIOR TO 50 SERIES, complete ...	1	
	B 4252	FLOAT OPTIMIZER – JOHN DEERE – 50 SERIES, complete	1	
		Kits available through WholeGoods Only.		
2	123345	ARM – float optimizer	1	
4	114371	SPACER – tube.....	2	
5	114317	PIN – clevis, 1 x 4.53 inch effective length.....	2	
7	135001	BOLT – shoulder, 3/8 NC	4	
11	102264	PIN – lynch	2	
13	123391	LINK – control, plastic (was 114087, steel)	1	
14	114303	ARM – control, John Deere – Prior to 50 Series	1	
15	114304	SUPPORT – controller, John Deere – Prior to 50 Series.....	1	
16	REF	CIRCUIT BOX – order John Deere AH 142086 – Prior to 50 Series	1	
17	30943	PIN – roll, ¼ x 1 inch, John Deere – Prior to 50 Series.....	1	
18	114299	HARNESS – wiring, John Deere – Prior to 50 Series	1	
19	43848	HOLDER – harness.....	5	
20	123381	SUPPORT – sensor, John Deere – 50 Series	1	
21	123384	BAR – sensor, John Deere – 50 Series	1	
22	123385	BAR – John Deere – 50 Series	1	
23	123382	ARM – John Deere – 50 Series.....	1	
25	REF	SENSOR – order John Deere RE 69297 – 50 Series	1	
26	123380	HARNESS – wiring, John Deere 50 Series	1	
B	30228	NUT – lock, smooth flange, 3/8 NC distorted		
C	30822	BOLT – round head, square neck, ¼ NC x 2 ¼ inch		
D	18635	WASHER – lock, ¼ inch		
E	18588	NUT – hex, ¼ NC		
F	101898	SCREW – self-tapping, 3/8 x 5/8 inch		
G	21863	BOLT – round head, short square neck, 3/8 NC x ¾ inch		
	21447	BOLT – large flange head, 3/8 NC x 1 inch		
K	105197	NUT – lock, #10-24		
L	105196	SCREW - #10-24 x 1-3/4 inch		

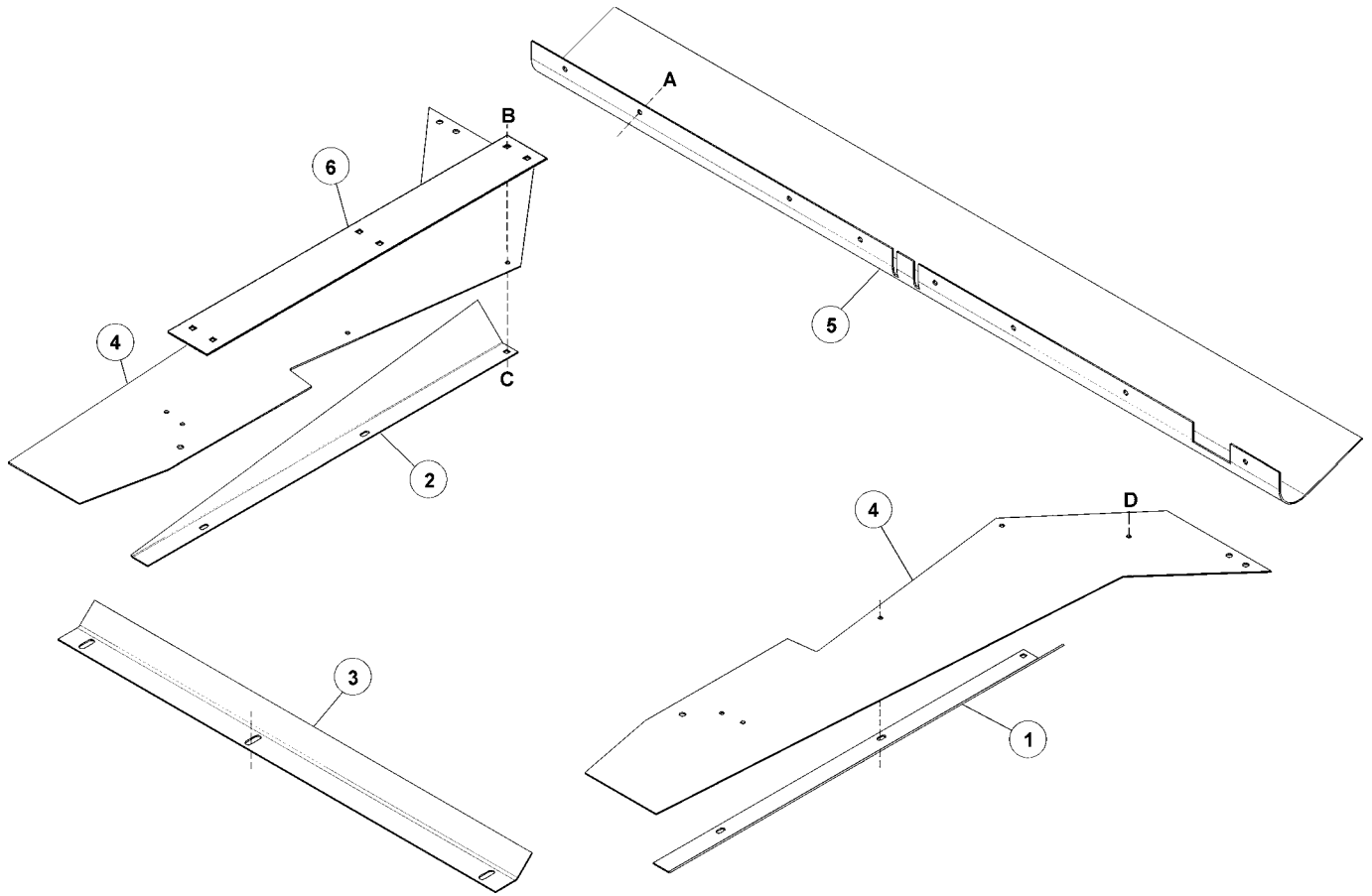
FLOAT OPTIMIZER (Attachment) – SERIAL # 153178 & UP
John Deere Combines (Pre 50 Series)



**FLOAT OPTIMIZER (Attachment) – SERIAL # 153178 & UP
John Deere Combines (Pre 50 Series)**

REF	PART NUMBER	DESCRIPTION	QTY.	SERIAL NUMBER
	B4500	FLOAT OPTIMIZER KIT – John Deere (Pre 50 Series)		
1	158685	SUPPORT – lower mounting bracket.....	1	
2	158693	ARM – sensor mounting.....	1	
3	158684	ARM – upper	1	
4	158603	SPRING – torsion	1	
5	153631	INDICATOR – gauge, header float	1	
6	158625	INDICATOR – rod, header float.....	1	
7	30943	PIN - spring.....	1	
8	158643	SUPPORT.....	1	
9	REF	CIRCUIT BOX – order John Deere AH 142086.....	1	
10	158633	ROD – linkage.....	1	
11	153492	CLIP – rod end.....	2	
12	158642	ARM – sensing	1	
13	43848	HOLDER - harness.....	5	
14	114299	HARNES – float optimizer, John Deere (Pre 50 Series)	1	
B	21102	BOLT – hex head, 3/8 NC x 2 ½ inch		
C	30228	NUT – lock, smooth flange, 3/8 NC distorted thread		
D	101898	SCREW – self-tapping, 3/8 x 5/8 inch		
E	18598	WASHER – flat, 13/32 inch ID		
F	30432	BOLT – round head, square neck, 3/8 NC x 2 ¼ inch, thd. full		
G	18599	WASHER – flat, 17/32 inch ID		
H	21452	NUT – serrated flange lock, 3/8 NC		
K	21447	BOLT – large flange head, 3/8 NC x 1 inch		
	21863	BOLT – round head, short square neck, 3/8 NC x 3/4 inch		
L	30822	BOLT – round head, square neck, 1/4 NC x 2-1/4 inch		
M	18724	NUT – hex, lock, 1/4 NC distorted thread		

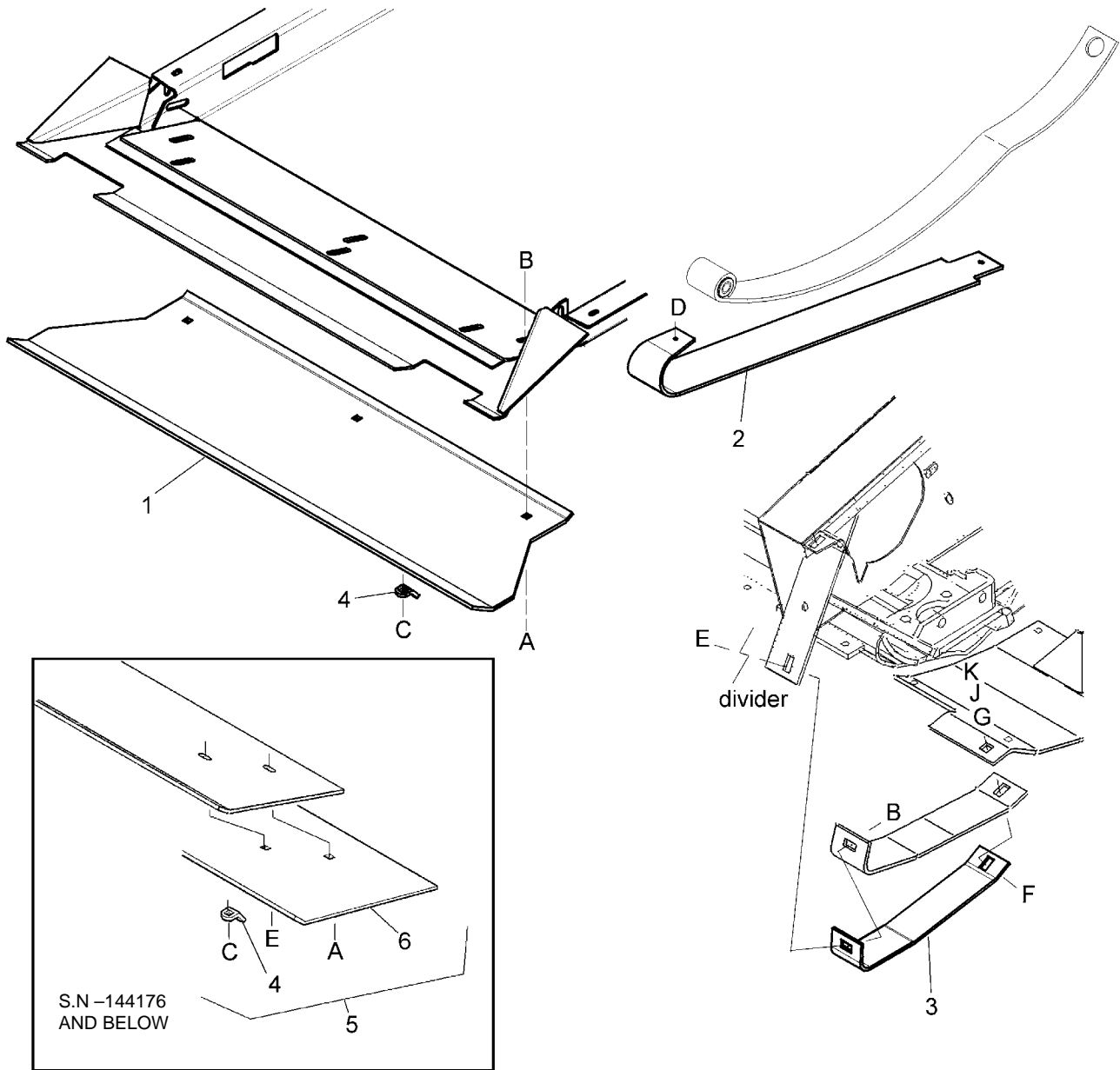
SEED SAVER (Attachment) EUROPEAN HEADERS



**SEED SAVER (Attachment)
EUROPEAN HEADERS**

REF	PART NUMBER	DESCRIPTION	QTY	SERIAL NUMBER
•	B 4254	SEED SAVER – European Headers Kits available through WholeGoods only	1	
1	123062	DEFLECTOR – L/H	1	
2	123064	DEFLECTOR – R/H	1	
3	123290	DEFLECTOR – plastic, front (near cutterbar)	1	
4	123070	SEAL – rubber, side	2	
5	123298	DEFLECTOR – plastic, rear (header mounted)	1	
6	REF	BAR – draper seal support, see Feed Draper	2	
A	101898	BOLT – self tapping, 3/8 NC x 5/8 inch		
B	21472	BOLT – round head, square neck, 3/8 NC x 3/4 inch		
C	30228	NUT – lock, flange, 3/8 NC		
D	21821	BOLT – flange head, 3/8 NC x 3/4 inch		

PLASTIC SKIDS (Attachment)



PLASTIC SKIDS (Attachment)

REF	PART NUMBER	DESCRIPTION	QTY	SERIAL NUMBER
•	B 4270	PLASTIC SKIDS KIT – 972 Header, 38” deck	1	144177-
	B 4271	PLASTIC SKIDS KIT – 972 Header, 45” deck	1	144177-
	B 4272	PLASTIC SKIDS KIT – 972 Header, 56” deck	1	144177-
		Kits include items 1 to 4 plus hardware. Available through WholeGoods only.		
1	153180	STRIP – plastic wear, feed pan, 38” deck	1	144177-
	153121	STRIP – plastic wear, feed pan, 45” deck	1	144177-
	153179	STRIP – plastic wear, feed pan, 56” deck	1	144177-
2	123395	SHOE – plastic wear, float spring.....	2	
3	153132	SHOE – plastic wear, header end skid.....	2	
4	114286	LUG – cutterbar clip		see note (2)
		Items 5 & 6 are used with 972 feed pan with cutterbar anchors (prior to 2002 Production).		
5	B 2896	PLASTIC WEAR STRIP KIT, 38” deck	1	-144176
	B 4241	PLASTIC WEAR STRIP KIT, 45” deck	1	-144176
	B 2897	PLASTIC WEAR STRIP KIT, 56” deck	1	-144176
6	114287	STRIP – plastic wear, 38” deck	1	-144176
	123312	STRIP – plastic wear, 45” deck	1	-144176
	114288	STRIP – plastic wear, 56” deck	1	-144176
A	21471	BOLT – round head, square neck, ½ NC x 1 ¼ inch		
B	50186	NUT – lock, smooth flange, ½ NC distorted thread		
C	21468	BOLT – round head, square neck, 7/16 NC x 1 ¾ inch – standard guards		
	21665	BOLT – round head, square neck, 7/16 NC x 2 ¾ inch – stub guards		
D	101898	BOLT – flange head, 3/8 x 5/8 inch, self tapping		
E	30515	BOLT – round head, square neck, ½ NC x 1 ¾ inch		
F	18524	BOLT – round head, square neck, 5/8 NC x 2 inch – without adjustable skid shoe		
	18525	BOLT – round head, square neck, 5/8 NC x 2 ½ inch – with adjustable skid shoe		
G	18600	WASHER – flat, 21/32 inch I.D.		
J	18639	WASHER – lock, 5/8 inch		
K	18592	NUT – hex, 5/8 NC		

NOTES:

1. There are three deck sizes; 38”, 45” and 56” (approximate feed draper width). Combines using each size are as follows:

38” – Case 60 & 66 Series / Gleaner / New Holland TR

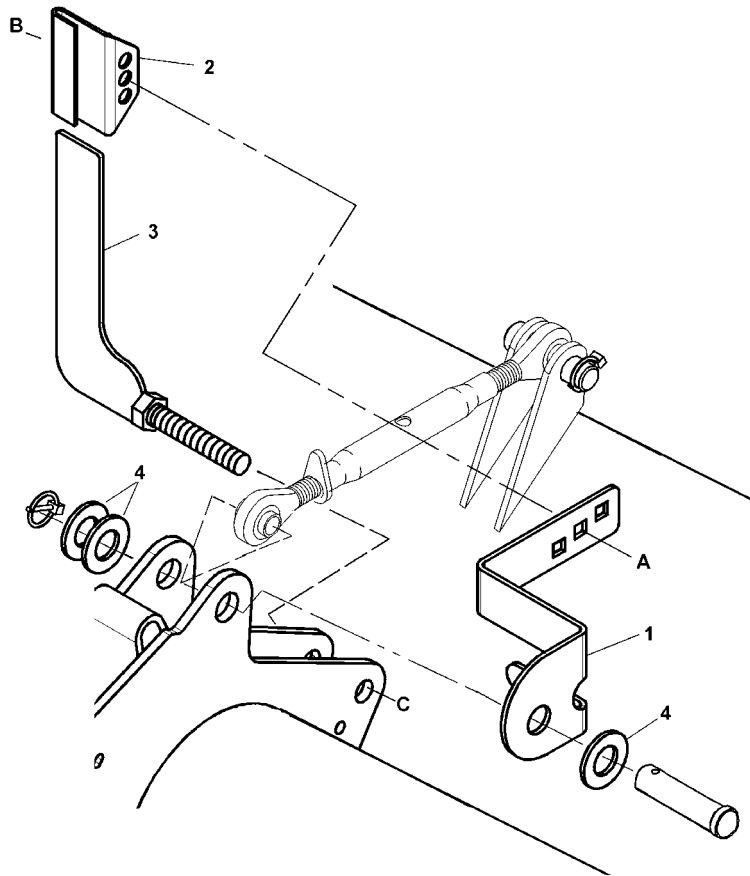
45” – Case 80 & 88 Series / Cat Lexion 450, 470 & 475

56” – John Deere* / New Holland TX / Cat Lexion 460, 465, 480 & 485

* Some John Deere CTS Combines with dust shields in rice applications may have been converted to 45” decks. Check feed draper width carefully before ordering parts that are specific to one deck size.

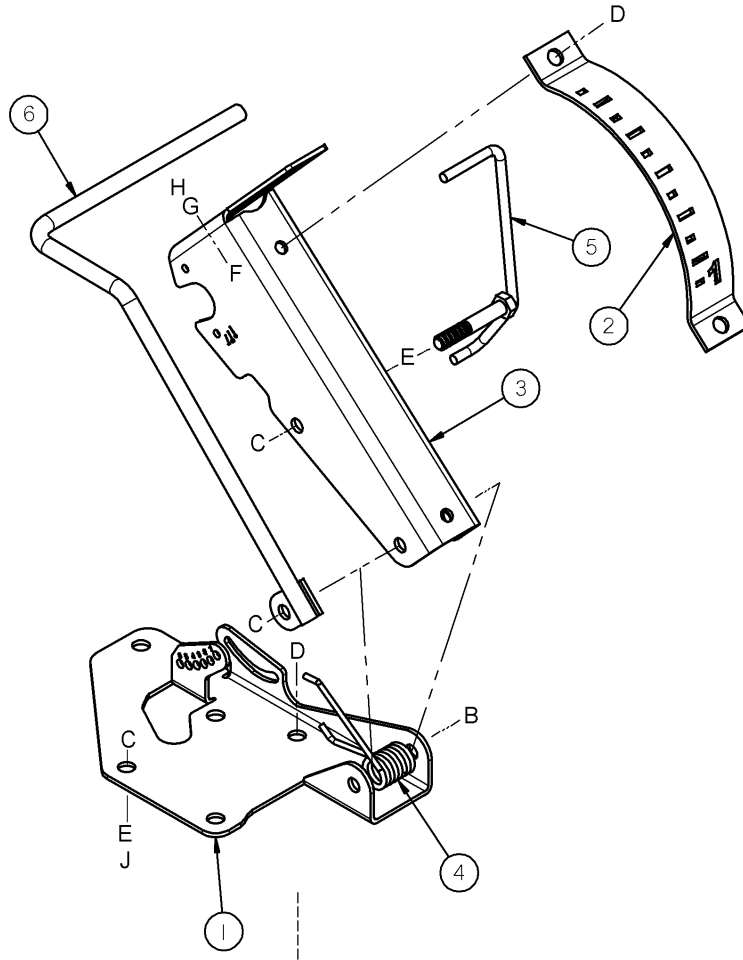
2. Quantities for item 4: 38” deck = 6 45” deck = 7 56” deck = 8

VISUAL FLOAT INDICATOR (Attachment) – SERIAL # 153177 & PRIOR



REF	PART NUMBER	DESCRIPTION	QTY	SERIAL NUMBER
•	B 4253	VISUAL FLOAT INDICATOR KIT - complete..... Kit available through WholeGoods only	1	
1	123369	SUPPORT – front link mount	1	
2	123370	GUIDE – indicator	1	
3	123371	ARM – float indicator	1	
4	18603	WASHER – flat, 1-1/16 inch I.D.	3	
A	21868	BOLT – round head, square neck, ½ NC x 1 inch		
B	50186	NUT – lock, smooth flange, ½ NC distorted thread		
C	18689	NUT – lock, ¾ NC distorted thread		

FLOAT INDICATOR (Attachment) – SERIAL # 153178 & UP



REF	PART NUMBER	DESCRIPTION	QTY.	SERIAL NUMBER
	B4502	FLOAT INDICATOR KIT		
1	158685	SUPPORT – lower mounting bracket.....	1	
2	153631	INDICATOR – gauge, header float.....	1	
3	158664	ARM – upper.....	1	
4	158603	SPRING – torsion.....	1	
5	158625	INDICATOR – rod, header float.....	1	
6	158642	ARM – sensing.....	1	
B	21102	BOLT – hex head, 3/8 NC x 2 ½ inch		
C	30228	NUT – lock, smooth flange, 3/8 NC distorted thread		
D	101898	SCREW – self-tapping, 3/8 x 5/8 inch		
E	18598	WASHER – flat, 13/32 inch ID		
F	30432	BOLT – round head, square neck, 3/8 NC x 2 ¼ inch, thd. full		
G	18599	WASHER – flat, 17/32 inch ID		
H	21452	NUT – serrated flange lock, 3/8 NC		
J	21567	BOLT – hex head, 3/8 NC x ¾ inch		

NUMERICAL LIST

<u>PART NO.</u>	<u>PAGE</u>	<u>PART NO.</u>	<u>PAGE</u>	<u>PART NO.</u>	<u>PAGE</u>	<u>PART NO.</u>	<u>PAGE</u>
10686	13	30970	7	45205	7	101147	45
11695	13	30971	7	49223	29	101150	45
14911	17	30971	7	49232	25	101243	3
15903	3	30971	7	49342	3	101660	15
15903	5	30972	29	50022	25	101664	7
15903	7	31805	3	50022	29	101666	7
18603	62	32800	45	50022	33	101671	13
18632	17	35618	35	50022	37	101672	13
18671	13	36651	43	50082	7	101687	11
20043	21	37785	33	50082	33	101687	11
20043	25	37842	29	50085	21	101688	11
21010	13	37995	23	50103	7	101690	11
21061	49	38894	19	50104	7	101692	13
21540	3	38894	27	50193	19	101693	13
21806	5	39272	3	50193	23	101711	13
21824	29	39272	49	50193	27	101715	13
21824	33	40169	23	50193	35	101716	13
21830	7	40300	31	50219	3	101719	13
21855	5	40432	31	50219	3	101731	13
21855	7	40498	29	50219	7	101738	15
21855	25	40499	25	50219	7	101739	15
21855	33	40701	37	50219	7	101740	15
21856	25	40764	15	50221	7	101741	15
21857	7	40765	15	50223	7	101745	15
21857	33	40918	31	100100	7	101749	3
21858	21	41388	3	100110	45	101752	3
21859	13	43219	21	100111	45	101793	7
21936	17	43219	39	100112	45	101797	7
24122	37	43521	13	100155	19	101859	3
24779	45	43554	21	100201	13	101878	3
29934	25	43555	21	100222	13	101888	13
29934	33	43555	39	100383	13	101895	3
30282	3	43629	21	100525	33	101901	3
30282	7	43629	25	100528	29	101902	3
30302	37	43629	29	100574	9	101986	3
30316	43	43629	33	100576	9	102004	23
30556	29	43629	37	100577	9	102006	23
30602	17	43848	53	100589	13	102107	3
30603	17	43848	55	100591	13	102157	19
30622	45	43848	57	100592	13	102157	27
30639	7	44207	7	100692	45	102169	23
30695	7	44209	7	100692	46	102170	23
30707	3	44210	3	100692	47	102264	3
30825	29	44210	7	100692	48	102264	31
30825	33	44210	7	100765	3	102264	49
30854	29	44210	25	100820	3	102264	55
30856	11	44210	29	100826	45	102436	7
30873	9	44210	33	100829	45	102438	7
30908	29	44210	37	100862	13	102465	27
30909	29	45153	21	101008	13	102477	27
30926	7	45153	33	101026	13	102505	27
30943	55	45157	29	101144	45	102615	31
30943	57	45160	7	101146	45	102633	31

NUMERICAL LIST

<u>PART NO.</u>	<u>PAGE</u>	<u>PART NO.</u>	<u>PAGE</u>	<u>PART NO.</u>	<u>PAGE</u>	<u>PART NO.</u>	<u>PAGE</u>
102634	31	103522	11	103932	11	114172	46
102640	7	103523	11	103951	35	114173	46
102643	7	103524	11	108100	3	114173	47
102653	29	103525	11	108130	37	114175	46
102668	19	103525	11	108131	37	114176	46
102705	9	103526	11	113188	21	114177	47
102706	9	103527	11	113197	39	114177	48
102711	9	103528	11	113483	43	114179	47
102717	33	103529	11	113486	43	114180	48
102764	11	103530	11	113487	43	114181	46
102820	29	103531	11	113497	43	114183	46
102830	27	103532	11	113835	3	114184	47
102831	27	103533	11	114005	37	114185	48
102864	35	103534	11	114009	23	114186	47
103022	45	103535	11	114014	41	114194	47
103024	13	103536	11	114018	41	114195	37
103028	7	103547	27	114022	41	114196	41
103045	3	103550	19	114023	41	114197	41
103059	3	103550	23	114024	41	114202	41
103061	3	103550	27	114053	7	114203	41
103091	3	103550	31	114055	9	114208	48
103092	3	103550	35	114056	3	114210	35
103093	3	103582	39	114057	3	114220	41
103094	3	103597	19	114086	19	114229	3
103190	7	103730	35	114112	19	114230	3
103245	23	103733	35	114120	5	114239	39
103246	23	103735	35	114135	25	114267	13
103247	23	103736	35	114137	25	114269	15
103273	3	103738	21	114137	37	114273	3
103274	3	103739	35	114139	25	114284	19
103288	19	103749	37	114140	25	114285	19
103294	19	103750	35	114141	3	114286	61
103295	27	103751	35	114142	3	114287	61
103296	27	103849	37	114142	25	114288	61
103297	27	103866	39	114143	3	114295	15
103308	3	103880	39	114143	25	114296	15
103317	23	103881	39	114145	45	114297	19
103350	7	103886	35	114145	46	114299	55
103351	7	103887	35	114145	47	114299	57
103368	31	103890	37	114145	48	114300	49
103370	31	103891	37	114153	23	114303	55
103392	5	103892	37	114154	23	114304	55
103410	3	103893	37	114157	23	114307	49
103470	15	103906	41	114165	46	114310	49
103496	7	103907	39	114167	47	114313	35
103507	33	103908	39	114168	48	114314	3
103514	11	103909	39	114169	43	114317	49
103515	11	103921	37	114170	46	114317	55
103516	11	103922	35	114170	47	114318	11
103517	11	103930	11	114170	48	114318	11
103518	11	103930	11	114171	46	114320	9
103519	11	103930	11	114171	47	114321	21
103520	11	103931	11	114171	48	114324	19

NUMERICAL LIST

<u>PART NO.</u>	<u>PAGE</u>	<u>PART NO.</u>	<u>PAGE</u>	<u>PART NO.</u>	<u>PAGE</u>	<u>PART NO.</u>	<u>PAGE</u>
114329	19	123096	17	123371	62	158625	63
114337	19	123110	9	123374	37	158633	51
114338	21	123133	35	123375	37	158633	53
114338	29	123173	17	123376	37	158633	57
114338	37	123180	17	123377	3	158635	3
114345	15	123202	17	123380	53	158642	51
114347	37	123239	13	123380	55	158642	53
114348	39	123240	17	123381	55	158642	57
114350	21	123244	17	123382	55	158642	63
114350	29	123245	17	123384	55	158643	57
114357	7	123253	13	123385	55	158644	53
114358	7	123255	13	123390	49	158648	51
114359	7	123259	17	123391	55	158664	63
114359	9	123260	17	123395	61	158669	51
114361	7	123263	13	123396	3	158677	51
114362	7	123265	13	123401	11	158678	51
114368	39	123267	13	123403	13	158684	53
114368	41	123269	17	123405	17	158684	57
114369	49	123270	13	123406	15	158685	51
114371	49	123277	17	123407	13	158685	53
114371	55	123278	13	123408	13	158685	57
114373	9	123281	17	123409	17	158685	63
114374	45	123288	17	135001	49	158688	51
114375	45	123290	59	135001	55	158688	53
114377	48	123298	59	153038	15	158693	57
114378	48	123299	17	153039	15	158697	51
114382	17	123303	13	153040	15	158698	51
116079	13	123304	13	153121	61	158699	51
116080	13	123305	17	153132	61	158723	53
116082	15	123306	7	153177	15	158754	51
116091	13	123307	13	153178	15	158842	15
117005	21	123310	17	153179	61	158843	15
118009	21	123311	7	153180	61	158844	15
118046	21	123312	61	153181	15	158845	15
118137	3	123314	7	153185	15	158846	15
123028	17	123314	7	153492	51	B 2544	21
123029	17	123317	17	153492	53	B 2701	3
123030	9	123318	9	153492	57	B 2825	3
123034	17	123319	9	153631	51	B 2826	5
123054	17	123320	9	153631	53	B 2827	5
123055	17	123323	9	153631	57	B 2896	61
123058	17	123330	7	153631	63	B 2897	61
123062	59	123331	9	153684	17	B 2898	49
123063	17	123336	9	158069	53	B 2899	55
123064	59	123342	13	158351	53	B 4001	21
123068	17	123343	13	158360	7	B 4234	3
123069	17	123344	13	158603	51	B 4241	61
123070	59	123345	49	158603	53	B 4246	49
123071	17	123345	55	158603	57	B 4252	55
123082	17	123349	23	158603	63	B 4253	62
123083	17	123350	23	158625	51	B 4254	59
123084	17	123369	62	158625	53	B 4267	15
123087	17	123370	62	158625	57	B 4268	15

NUMERICAL LIST

<u>PART NO.</u>	<u>PAGE</u>	<u>PART NO.</u>	<u>PAGE</u>	<u>PART NO.</u>	<u>PAGE</u>	<u>PART NO.</u>	<u>PAGE</u>
B 4269	15						
B 4270	61						
B 4271	61						
B 4272	61						
B 4415	53						
B 4416	51						
B 4499	53						
B 4500	57						
B 4502	63						

Model 872 Combine Adapter SUGGESTED STOCKING LIST

P.C. REF	PART NUMBER	DESCRIPTION	SUGGESTED QTY.		ORDER QTY	UNIT PRICE	EXT. PRICE
			2 UNITS	5 UNITS			
<u>FRAME & FLOAT GROUP - Parts Catalog Page 3</u>							
19	101986	BUSHING - plastic	0	2			
35	114126	PIN - clevis, center link	1	2			
36	102264	PIN - lynch	1	2			
38	113835	SEAL KIT – cylinder (hyd. center link)	1	1			
<u>HYDRAULICS - Parts Catalog Page 7 & 9</u>							
1	114053	SEAL KIT - for pump	1	1			
9	101797	HOSE - R/H tank to pump input	0	1			
18	123314	SEAL KIT – hydraulic motor	0	1			
32	45205	FILTER - element (or 21808)	1	3			
35	30639	CLAMP - hose	0	1			
37	100100	CAP - with level indicator	0	1			
42	123331	VALVE – sequence	0	1			
45	123030	VALVE – relief	0	1			
<u>GEAR DRIVE - Parts Catalog Page 11</u>							
	101687	✚ DRIVE - gear	0	1			
	101688	✘ DRIVE - gear	0	1			
	101690	● DRIVE - gear	0	1			
	102764	▲ DRIVE – gear	0	1			
	114318	■ DRIVE – gear	0	1			
<u>FEED DRAPER - Parts Catalog Page 13 & 15</u>							
7	101026	BEARING - ball	2	4			
8	100862	SEAL - bearing	4	8			
14	21859	BEARING - ball, with lock collar	1	2			
15	100589	FLANGE - bearing, cropped	1	2			
16	100591	FLANGE - bearing, cropped	1	2			
26	101731	SEAL - draper	0	2			
27	123307	FLAP – rubber, 38" & 45" decks*	0	2			
32	101671	DRAPER – feed, 38" deck*	0	1			
	114267	DRAPER – feed, 45" deck*	0	1			
	101672	DRAPER – feed, 56" deck*	0	1			
33	40764	CONNECTOR KIT, 38" deck*	1	2			
	114269	CONNECTOR KIT, 45" deck*	1	2			
	40765	CONNECTOR KIT, 56" deck*	1	2			
<u>DRIVELINE - Parts Catalog Page 45</u>							
2	114145	CROSS & BEARING KIT	1	2			
12	30622	CROSS & BEARING KIT	1	2			

✚ - Case & John Deere Level Land prior to 50 Series

✘ - Gleaner

● - New Holland

▲ - Cat Lexion

■ - John Deere Level Land 50 Series and newer & all John Deere Contour Master

*** NOTE: There are three deck sizes; 38", 45" and 56" (approximate feed draper width). Combines using each size are as follows:**

38" – Case 60 & 66 Series / Gleaner / New Holland TR

45" – Case 80 & 88 Series / Cat Lexion 450, 470 & 475

56" – John Deere / New Holland TX / Cat Lexion 460, 465, 480 & 485**

**** Some John Deere CTS Combines with dust shields in rice applications may have been converted to 45" decks. Check feed draper width carefully before ordering parts that are specific to one deck size.**