

Model 871  
COMBINE ADAPTER  
PARTS CATALOG

**CONTENTS**

**SUGGESTED STOCKING LIST**.....ii

Frame and Float Group..... 2 - 5

Hydraulics ..... 6 - 13

Gear Drive..... 14, 15

Feed Draper ..... 16 - 19

Feed Auger ..... 20

**John Deere Combines**

Header Completion Parts..... 21

Adapter Completion Parts..... 22, 23

**Case Combines**

Adapter Completion Parts ..... 24, 25

Header Completion Parts..... 26, 27

**Gleaner Combines**

Adapter Completion Parts ..... 28, 29

Header Completion Parts..... 30, 31

**New Holland Combines**

Adapter Completion Parts ..... 32, 33

Header Completion Parts..... 34, 35

**Cat Lexion Combines**

Adapter Completion Parts ..... 36, 37

Header Completion Parts..... 38, 39

Auto Reel Speed Height Group..... 40, 41

Auto Contour Package ..... 42, 43

Decals ..... 44, 45

Driveline ..... 46, 47

CE Driveline (European Applications): Case ..... 48

  John Deere..... 49

Float Optimizer (Attachment) ..... 50, 51

**NUMERICAL LIST**..... 52 - 54

**ABBREVIATIONS**

- |  |   |
|--|---|
| L/H - left hand (Determined from Operator's position, facing forward.) | REF - reference, part number called up elsewhere in catalog                                     |
| R/H - right hand   | SUB - Substitute (Revised design may be used to repair previous design when stock is depleted.) |
| I.D. - inside diameter   |   |
| O.D. - outside diameter  | NC - national coarse thread   |
| A/R - as required (quantity varies with header size)                   | NF - national fine thread   |

**NOTE:** Common hardware is not illustrated. Alphabetic references are used to designate position and description of these items. When ordering, be sure the complete and proper serial number is given.

**SERIAL NUMBER BREAKS**

The side of the serial number on which the dash (-) appears determines whether the part is used "up to" or "after" the serial number given.

Example:	-74924	Used on machines up to and including serial number 74924.
	74925-	Used on machines including and after serial number 74925.

**BOLDED PART NUMBERS INDICATE REVISIONS OR ADDITIONS SINCE LAST PRODUCTION YEAR.**

## Model 871 Combine Adapter SUGGESTED STOCKING LIST

P.C. REF	PART NUMBER	DESCRIPTION	SUGGESTED QTY.		ORDER QTY	UNIT PRICE	EXT. PRICE
			2 UNITS	5 UNITS			
<u>FRAME &amp; FLOAT GROUP - Parts Catalog Page 3</u>							
19	101986	BUSHING - plastic	0	2			
<b>35</b>	<b>114126</b>	<b>PIN - clevis, center link</b>	<b>1</b>	<b>2</b>			
36	102264	PIN - lynch	1	2			
38	32416	SEAL KIT – cylinder (hyd. center link)	1	1			
<u>HYDRAULICS - Parts Catalog Page 11 &amp; 13</u>							
1	114053	SEAL KIT - for pump	1	1			
9	101797	HOSE - R/H tank to pump input	0	1			
15	114054	VALVE – relief	0	1			
18	101670	SEAL KIT - hydraulic motor	0	1			
32	45205	FILTER - element (or 21808)	1	3			
35	30639	CLAMP - hose	0	1			
37	100100	CAP - with level indicator	0	1			
<u>GEAR DRIVE - Parts Catalog Page 15</u>							
	101687	• DRIVE - gear	0	1			
	101688	* DRIVE - gear	0	1			
	101690	⊠ DRIVE - gear	0	1			
	102764	▲ DRIVE – gear	0	1			
	114318	■ DRIVE – gear	0	1			
<u>FEED DRAPER - Parts Catalog Page 17 &amp; 19</u>							
7	101026	BEARING - ball	2	4			
8	100862	SEAL - bearing	4	8			
14	21859	BEARING - ball, with lock collar	1	2			
15	100589	FLANGE - bearing, cropped	1	2			
16	100591	FLANGE - bearing, cropped	1	2			
26	101731	SEAL - draper	0	2			
27	101732	✓ FLAP - rubber	0	2			
32	101671	✓ DRAPER - feed	0	1			
	101672	✘ DRAPER - feed	0	1			
33	40764	✓ CONNECTOR KIT	1	2			
	40765	✘ CONNECTOR KIT	1	2			
45	114089	✘ FLAP - rubber	0	2			
<u>DRIVELINE - Parts Catalog Page 47</u>							
2	114145	CROSS & BEARING KIT	1	2			
12	30622	CROSS & BEARING KIT	1	2			

• - Case & John Deere Level Land prior to 50 Series

\* - Gleaner

⊠ - New Holland

▲ - Cat Lexion

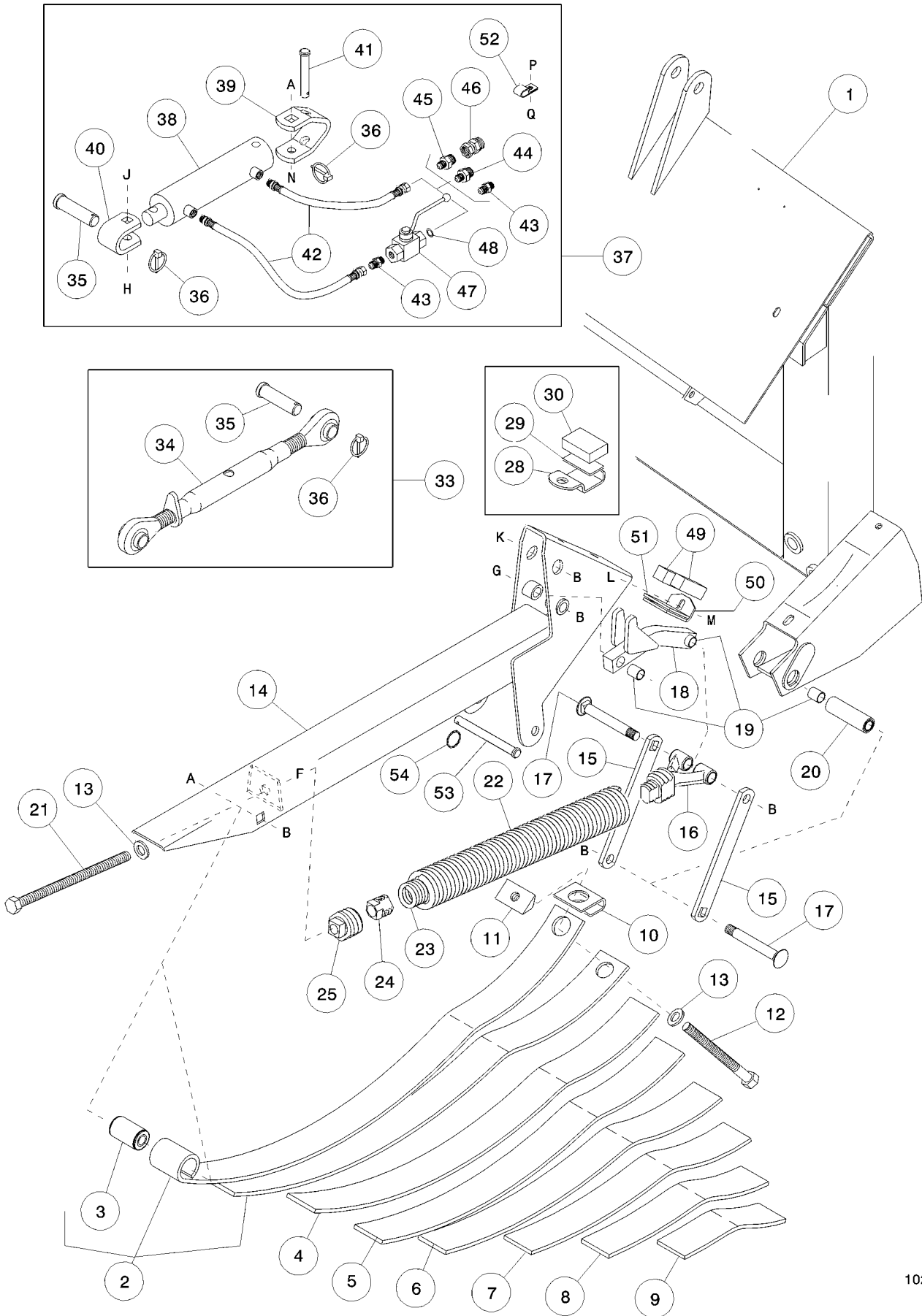
■ - John Deere Level Land 50 Series and newer & all John Deere Contour Master

✓ - Case, Gleaner & New Holland TR

✘ - John Deere, New Holland TX & Cat Lexion



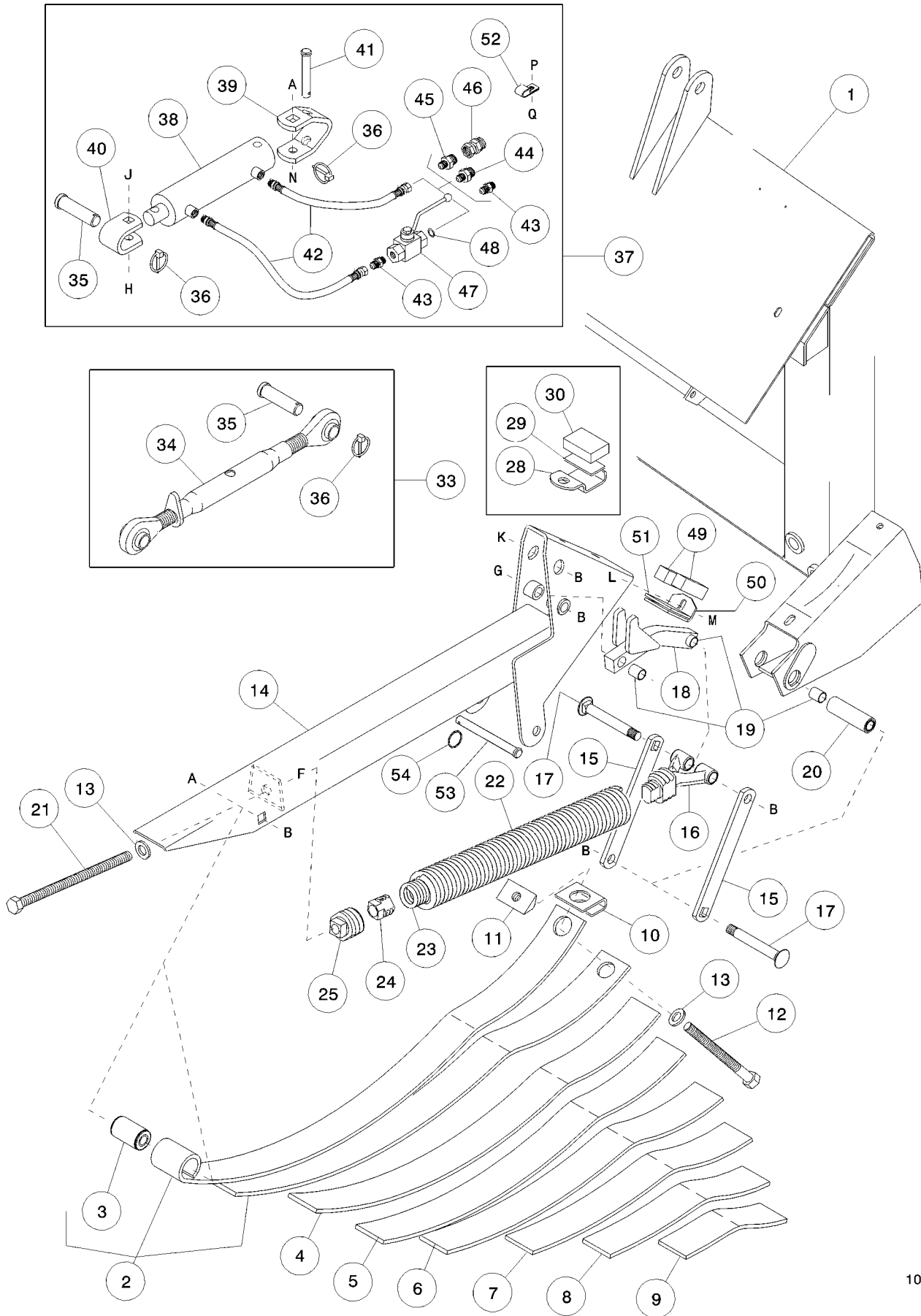
# FRAME AND FLOAT GROUP



## FRAME AND FLOAT GROUP

REF	PART NUMBER	DESCRIPTION	QTY	SERIAL NUMBER
1	REF	FRAME - 871 Adapter, not serviced.....	1	
2	114273	LEAF SPRING SET – top spring with bushing and second spring .....	2	
3	100820	BUSHING - rubber, 3/4 I.D.....	2	
4	103090	LEAF SPRING - third .....	2	-124499
	114056	LEAF SPRING - third .....	2	124500-
5	114057	LEAF SPRING – fourth .....	2	124500-
6	103091	LEAF SPRING - fifth (fourth for Serial No. up to 124499).....	2	
7	103092	LEAF SPRING - sixth (fifth for Serial No. up to 124499).....	2	
8	103093	LEAF SPRING - seventh (sixth for Serial No. up to 124499).....	2	
9	103094	LEAF SPRING – eighth (seventh for Serial No. up to 124499).....	2	
10	103059	RETAINER - leaf spring, rear .....	2	
11	101749	PIVOT - leaf spring.....	2	
12	101752	BOLT - hex head, 3/4 NC x 7 inch, thread full length.....	2	
13	21540	WASHER - hardened .....	4	
14	101243	MEMBER - float.....	2	
15	101859	BAR - float link.....	4	
16	101895	INSERT - spring, with yoke .....	2	
17	102107	BOLT - round head, square neck, 3/4 NC x 142 mm.....	4	
18	103045	ARM - float, with two bushings (item 19).....	2	
19	101986	BUSHING - plastic.....	8	
20	103061	PIN - with two bushings (item 19).....	2	
21	102108	BOLT - hex head, 3/4 NC x 12 inch, thread full length.....	2	
22	41388	SPRING - float, outer .....	2	
23	101878	SPRING - float, inner.....	2	
24	101902	INSERT - spring, inner .....	2	
25	101901	INSERT - spring, front.....	2	
28	103073	SUPPORT - upper stop.....	2	-115999
29	103051	SHIM - upper stop .....	2	-115999
30	103052	PAD - rubber, upper stop .....	2	-115999
33	B 2701	HEADER ANGLE MECHANICAL ADJUSTMENT KIT.....	OPT	
34	101891	JOINT ASSEMBLY - center link .....	1	-115999
	103410	JOINT ASSEMBLY - center link .....	1	116000-
35	114126	PIN - clevis, 1 inch, center link (was 102265) .....	2	
36	102264	PIN - lynch (qty. 3 with hydraulic adjuster) .....	2	
37	B 2642	HEADER ANGLE HYDRAULIC ADJUSTMENT KIT.....	OPT	
38	102449	CYLINDER - hydraulic.....	1	
	32416	SEAL KIT – for cylinder .....	1	
	103149	PISTON – for cylinder (also order seal kit).....	1	
39	103101	CLEVIS - adapter end .....	1	
40	102474	CLEVIS - header end .....	1	
41	103105	PIN - clevis, 5/8 x 3.46 inch effective length.....	1	
42	43640	HOSE - hydraulic.....	2	
43	15903	FITTING - adapter, 3/8 tube x 9/16 O-ring.....	2	
	50219	O-RING - for 9/16 fitting .....		
44	21804	FITTING - adapter, 3/8 tube x 3/4 O-ring.....	2	
	44209	O-RING - for 3/4 fitting .....		
45	21806	FITTING - adapter, 3/8 tube x 1/2 NPT .....	2	
46	21882	FITTING - adapter, 1/2 NPT female x 7/8 O-ring.....	2	
	44210	O-RING - for 7/8 fitting .....		
47	108100	VALVE – ball, shut-off .....	1	
48	30707	O-RING – for 3/8 tube fitting.....	1	

### FRAME AND FLOAT GROUP

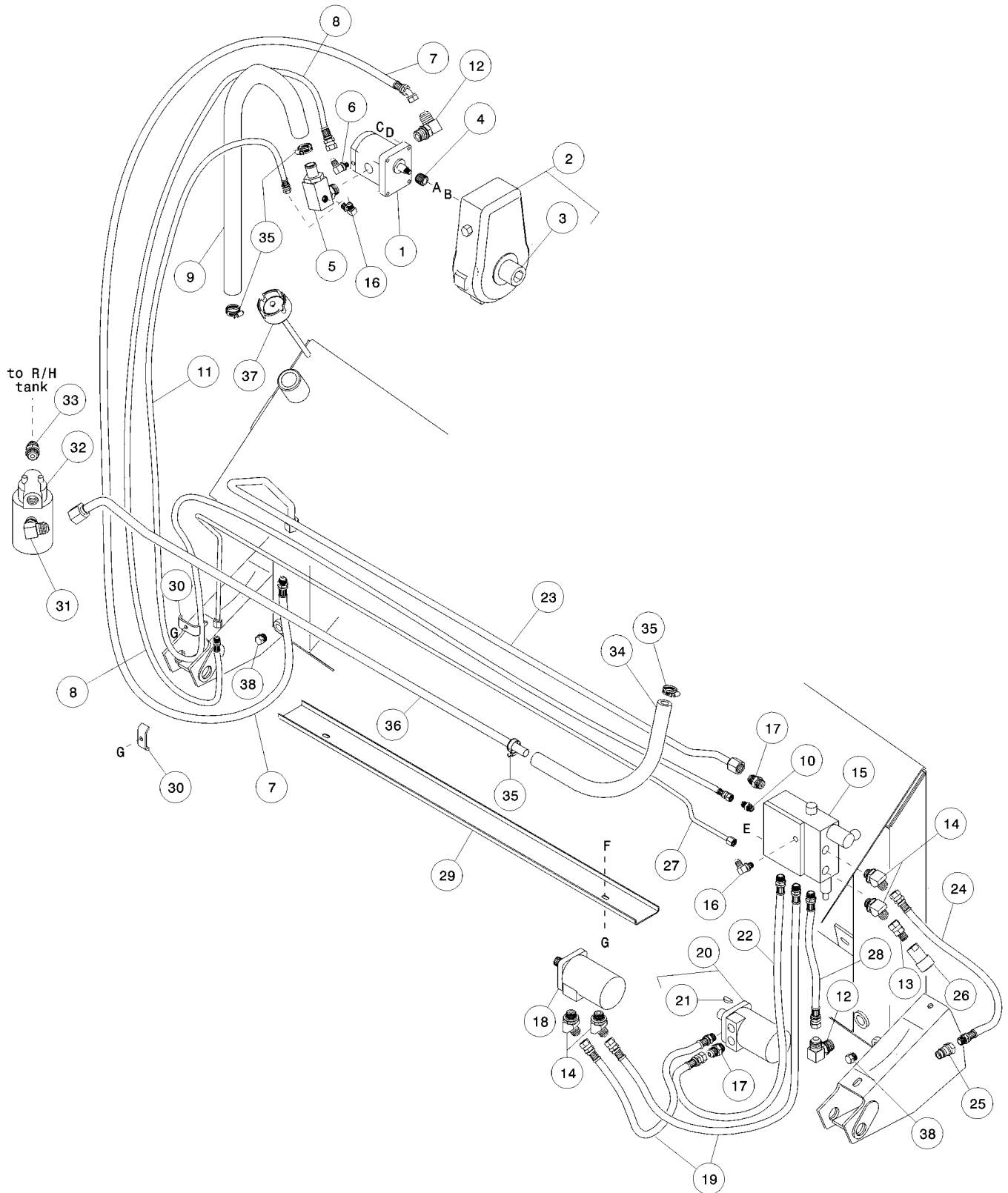


## FRAME AND FLOAT GROUP

REF	PART NUMBER	DESCRIPTION	QTY	SERIAL NUMBER
49	103273	PAD – upper stop .....	4	
50	103308	ANGLE – upper stop .....	2	
51	103274	SHIM – upper stop .....	2	
52	39272	HOLDER – hose.....	1	
<b>53</b>	<b>49342</b>	<b>PIN – clevis, 3/4 x 8 inch effective length – 962 Header .....</b>	<b>2</b>	
	<b>100765</b>	<b>PIN – clevis, 3/4 x 6 1/4 inch effective length – 972 Header .....</b>	<b>2</b>	
<b>54</b>	<b>118137</b>	<b>RING - split.....</b>	<b>2</b>	
A	102266	BOLT - round head, short square neck, 3/4 NC x 4-1/2 inch		
B	102636	NUT - lock, 3/4 NC distorted thread, center punch		
F	18593	NUT - hex, 3/4 NC		
G	21733	BOLT - hex head, 3/4 NC x 4-1/2 inch		
H	18666	NUT - lock, 5/8 NC distorted thread		
J	30829	BOLT - round head, square neck, 5/8 NC x 3 1/2 inch		
K	30906	BOLT – hex head, 3/4 NC x 7 1/2 inch		
L	30475	BOLT - round head, square neck, 3/8 NC x 4 1/2 inch		
M	30228	NUT – lock, smooth flange, 3/8 NC distorted thread		
N	18689	NUT – lock, 3/4 NC distorted thread		
P	21863	BOLT - round head, square neck, 3/8 NC x 3/4 inch – 962 Header		
	101898	BOLT – hex head, 3/8 x 5/8 inch, thread rolling – 972 Header		
Q	30228	NUT – lock, smooth flange, 3/8 NC distorted thread – 962 Header		

# HYDRAULICS

Serial Number 115999 and below



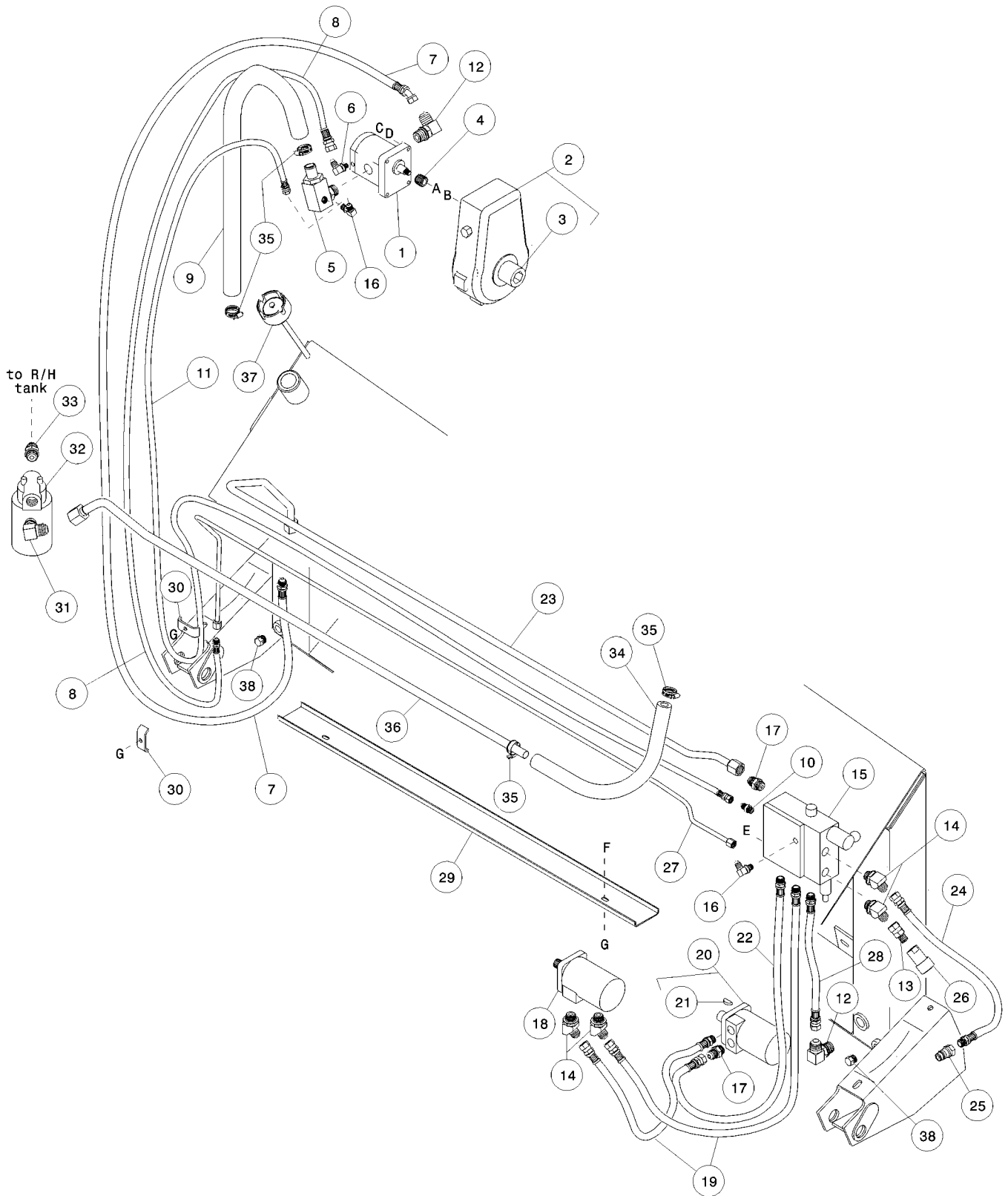


**HYDRAULICS**  
**Serial Number 115999 and below**

REF	PART NUMBER	DESCRIPTION	QTY	SERIAL NUMBER
1	101664	PUMP - hydraulic.....	1	
	101665	SEAL KIT - for pump		
	102640	KEY - Woodruff, for pump		
2	REF	DRIVE - gear, see Pages 14 & 15.....	1	
3	REF	SHAFT - input, see Pages 14 & 15 .....	1	
4	101793	BUSHING - spline .....	1	
5	101666	VALVE - check .....	1	
6	50104	FITTING - 90° elbow, 7/16 O-ring x 3/8 tube .....	1	
	50223	O-RING - for 7/16 fitting		
7	101939	HOSE - pump output to 5/8 steel line.....	1	
8	37845	HOSE - pump case drain to 3/8 steel line .....	1	
9	101797	HOSE - R/H tank to pump input.....	1	
10	15903	FITTING - adapter, 9/16 O-ring x 3/8 tube.....	1	
	50219	O-RING - for 9/16 fitting		
11	42604	HOSE - check valve to valve block R port.....	1	
12	50221	FITTING - 90° elbow, 1-1/16 O-ring x 5/8 tube .....	2	
	30971	O-RING - for 1-1/16 fitting		
13	30926	FITTING - adapter, 5/8 tube swivel female x 1/2 NPT male .....	1	
14	50103	FITTING - 45° elbow, 7/8 O-ring x 5/8 tube .....	4	
	44210	O-RING - for 7/8 fitting		
15	101394	VALVE BLOCK.....	1	
	100570	SEAL KIT - for valve block		
	100571	VALVE - check, cartridge CV08-20-0-N-04		
	102704	VALVE - relief, cartridge RV08-20A-0-N-33/25		
	102705	VALVE - needle, cartridge MR10-20B-0-N		
	102706	BALL/HANDLE KIT		
	100574	VALVE - check, pilot operated, cartridge CV10-20-0-N-30		
	100575	VALVE - press compensator, cartridge EC10-4--0-N-80		
	100576	PISTON - pilot		
	102711	PLUG - hex socket head, 7/16 O-ring (50223)		
	30977	PLUG - hex head, 3/4 O-ring (44209)		
16	30282	FITTING - 90° elbow, 9/16 O-ring x 3/8 tube .....	2	
	50219	O-RING - for 9/16 fitting		
17	30695	FITTING - adapter, 7/8 O-ring x 5/8 tube .....	2	
	44210	O-RING - for 7/8 fitting		
18	101668	MOTOR - auger drive.....	1	
	101670	SEAL KIT - for motor 101668 (was 43177)		
19	101941	HOSE - valve block A port to auger motor rear port .....	2	
		& draper motor top port to auger motor front port		
20	101669	MOTOR - draper drive, with key.....	1	
	101670	SEAL KIT - for motor 101669		
21	2149	KEY - Woodruff, SAE 15.....	1	
22	101940	HOSE - draper motor bottom port to valve block C1 port .....	1	
23	102435	LINE - 5/8 hydraulic, valve block P port to right side hose (item 7).....	1	
24	33424	HOSE - valve block C2 port to male coupler.....	1	
25	21855	COUPLER - male .....	1	
26	21857	COUPLER - female .....	1	
	50082	O-RING - for coupler 21857		
27	102434	LINE - 3/8 hydraulic, valve block D port to right side hose (item 8).....	1	
28	102616	HOSE - L/H tank to valve block T1 port .....	1	

# HYDRAULICS

Serial Number 115999 and below



**HYDRAULICS**  
**Serial Number 115999 and below**

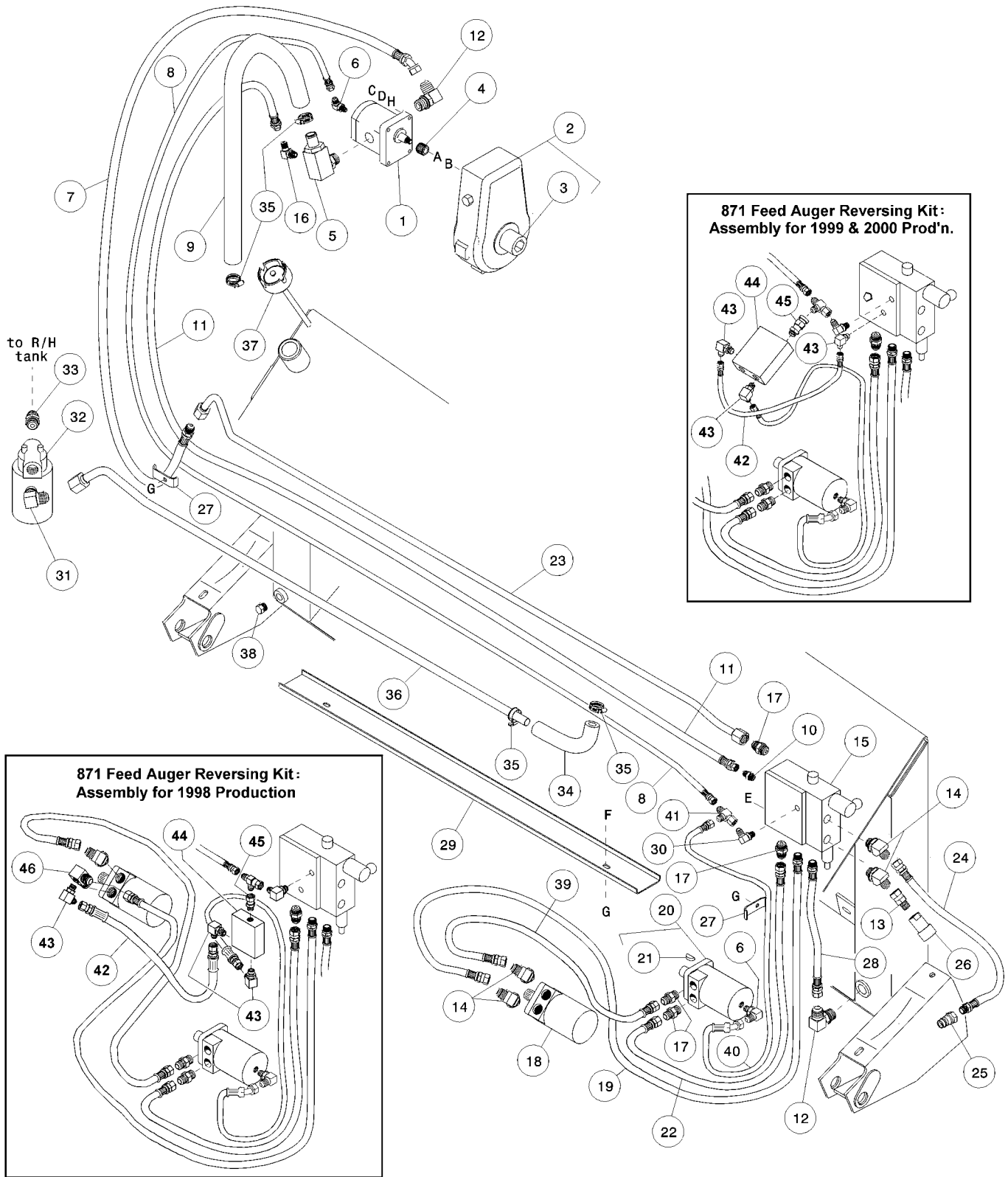
REF	PART NUMBER	DESCRIPTION	QTY	SERIAL NUMBER
29	102643	HOLDER - hydraulic lines.....	1	
30	32225	HOLDER - hose .....	1	
31	30970	FITTING - 90° elbow, 1-1/16 O-ring x 3/4 tube .....	1	
	30971	O-RING - for 1-1/16 fitting		
32	45160	FILTER ASSEMBLY - with head .....	1	
	45205	FILTER - element only (LHA #SPE-15-10), see note 1 re: substitution		
33	21830	FITTING - adapter, 1-1/16 O-ring x 3/4 tube.....	1	
	30971	O-RING - for 1-1/16 fitting		
34	102438	HOSE - tank to hydraulic line (item 36) .....	1	
35	30639	CLAMP - hose .....	4	
36	102436	LINE - hydraulic, filter to hose (item 34) .....	1	
37	100100	CAP - with level indicator.....	1	
38	44207	PLUG - magnetic, with O-ring, 3/4 NF.....	2	
	44209	O-RING - for 3/4 fitting		
A	30633	WASHER - lock, M12		
B	101899	NUT - hex jam, M12		
C	101900	BOLT - hex socket head, M8 x 35 mm		
D	30716	WASHER - lock, M8		
E	21821	BOLT - flange head, 3/8 NC x 3/4 inch		
F	21484	BOLT - round head, square neck, 3/8 NC x 1-1/2 inch		
G	30228	NUT - lock, smooth flange, 3/8 NC distorted thread		

## NOTES:

1. MacDon filter element 21808 may be substituted in this application.

# HYDRAULICS

Serial Number 116000 and above

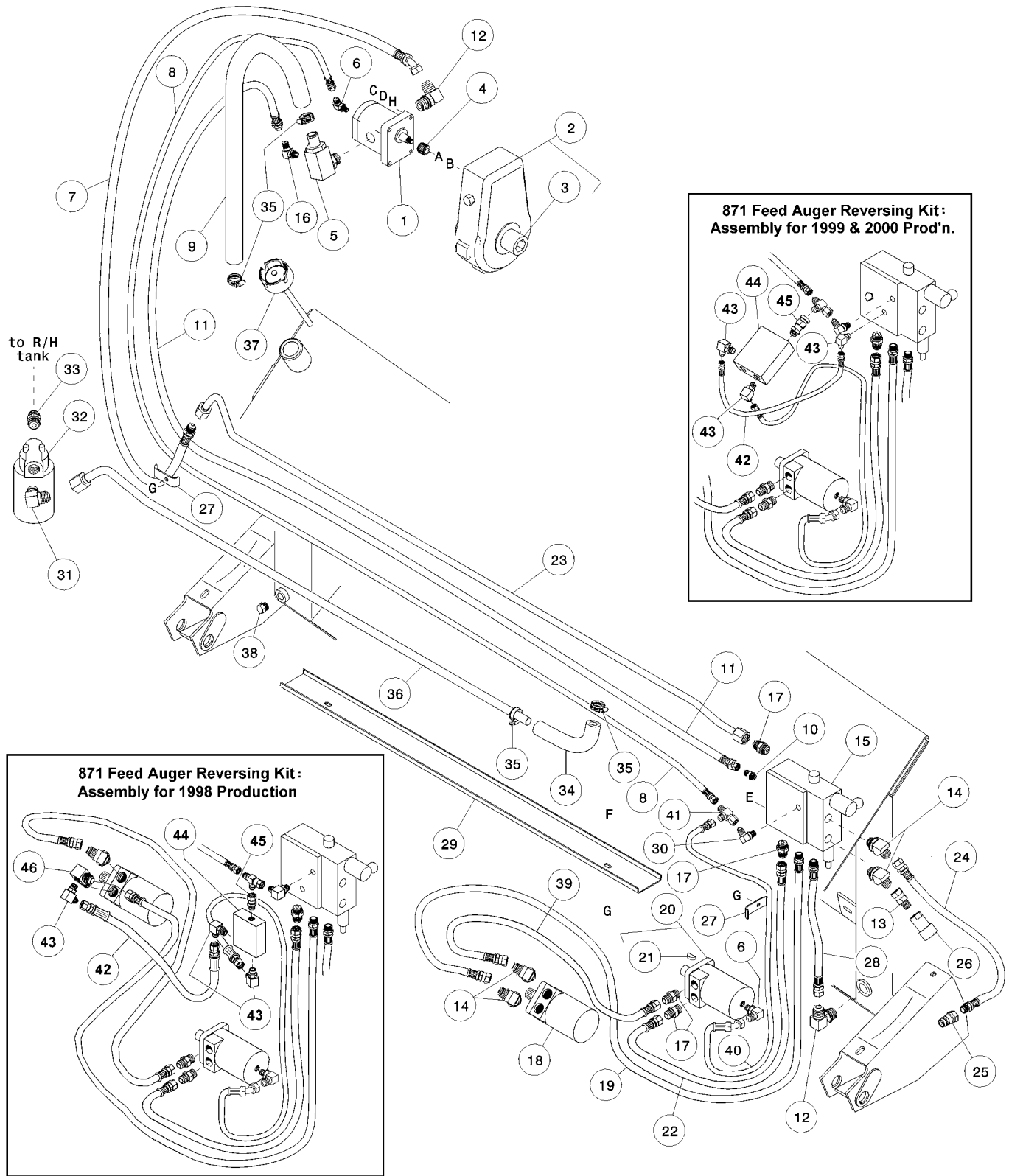


**HYDRAULICS**  
**Serial Number 116000 and above**

REF	PART NUMBER	DESCRIPTION	QTY	SERIAL NUMBER
1	101664	PUMP - hydraulic.....	1	
	114053	SEAL KIT - for pump (was 101665)		
	102640	KEY - Woodruff, for pump		
2	REF	DRIVE - gear, see Pages 14 & 15.....	1	
3	REF	SHAFT - input, see Pages 14 & 15 .....	1	
4	101793	BUSHING - spline .....	1	
5	101666	VALVE - check .....	1	
6	<b>50104</b>	<b>FITTING - 90° elbow, 7/16 O-ring x 3/8 tube, qty 1 up to S.N. 134349....</b>	<b>2</b>	
	50223	O-RING - for 7/16 fitting		
7	<b>114358</b>	<b>HOSE - pump output to 5/8 steel line (was 103510).....</b>	<b>1</b>	
8	103350	HOSE - pump case drain to valve block D port.....	1	
9	101797	HOSE - R/H tank to pump input .....	1	
10	15903	FITTING - adapter, 9/16 O-ring x 3/8 tube .....	1	
	50219	O-RING - for 9/16 fitting		
11	103496	HOSE - check valve to valve block R port.....	1	
12	50221	FITTING - 90° elbow, 1-1/16 O-ring x 5/8 tube .....	2	
	30971	O-RING - for 1-1/16 fitting		
13	30926	FITTING - adapter, 5/8 tube swivel female x 1/2 NPT male .....	1	
14	50103	FITTING - 45° elbow, 7/8 O-ring x 5/8 tube .....	4	
	44210	O-RING - for 7/8 fitting		
15	114048	VALVE BLOCK (was 103025) .....	1	
	100570	SEAL KIT - for valve block		
	100571	VALVE - check, cartridge CV08-20-0-N-04.....		-124499
	114055	VALVE - check, cartridge CV10-20-0-N-05.....		124500-
	102704	VALVE - relief, cartridge RV08-20A-0-N-33/25 .....		-124499
	114054	VALVE - relief, cartridge RV10-26A-0-N-30/29 .....		124500-
	102705	VALVE - needle, cartridge MR10-20B-0-N		
	102706	BALL/HANDLE KIT		
	100574	VALVE - check, pilot operated, cartridge CV10-20-0-N-30		
	100575	VALVE - press compensator, cartridge <b>EC10-40-0-N-80</b>		
	100576	PISTON - pilot		
	102711	PLUG - hex socket head, 7/16 O-ring (50223)		
	30977	PLUG - hex head, 3/4 O-ring (44209)		
16	103028	VALVE - check, 9/16 O-ring x 3/8 tube .....	1	
	50219	O-RING - for 9/16 fitting		
17	<b>30695</b>	<b>FITTING - adapter, 7/8 O-ring x 5/8 tube, qty 2 up to S.N. 134349 .....</b>	<b>4</b>	
	44210	O-RING - for 7/8 fitting		
18	101668	MOTOR - auger drive.....	1	
	101670	SEAL KIT - for motor 101668 (was 43177)		
19	<b>114359</b>	<b>HOSE - valve block A port to auger motor front port (was 45128).....</b>	<b>1</b>	
20	<b>114319</b>	<b>MOTOR - draper drive, with key (was 101669) .....</b>	<b>1</b>	
	101670	SEAL KIT - for motor 101669 or 114319		
21	2149	KEY - Woodruff, SAE 15 .....	1	
22	<b>101940</b>	<b>HOSE - draper motor bottom port to valve block C1 port.....</b>	<b>1</b>	<b>-134349</b>
	<b>114357</b>	<b>HOSE - draper motor bottom port to valve block C1 port.....</b>	<b>1</b>	<b>134350-</b>
23	103190	LINE - 5/8 hydraulic, valve block P port to right side hose (item 7) .....	1	
24	<b>114361</b>	<b>HOSE - valve block C2 port to male coupler (was 33424) .....</b>	<b>1</b>	
25	21855	COUPLER - male .....	1	
26	21857	COUPLER - female .....	1	
	50082	O-RING - for coupler 21857		
27	103351	HOLDER - hose .....	2	

# HYDRAULICS

Serial Number 116000 and above



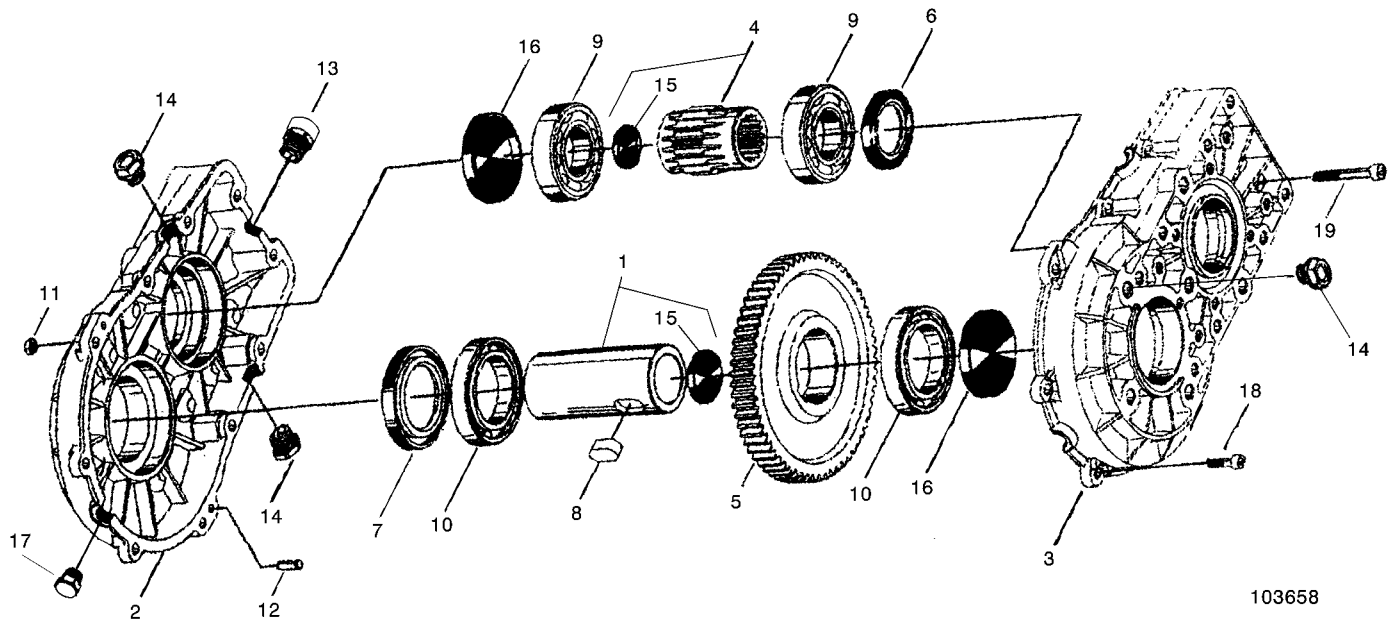
**HYDRAULICS**  
**Serial Number 116000 and above**

REF	PART NUMBER	DESCRIPTION	QTY	SERIAL NUMBER
28	114362	HOSE - L/H tank to valve block T1 port (was 103657) .....	1	
29	102643	HOLDER - hydraulic lines.....	1	
30	30282	FITTING - 90° elbow, 9/16 O-ring x 3/8 tube .....	1	
	50219	O-RING - for 9/16 fitting		
31	30970	FITTING - 90° elbow, 1-1/16 O-ring x 3/4 tube .....	1	
	30971	O-RING - for 1-1/16 fitting		
32	45160	FILTER ASSEMBLY - with head .....	1	
	45205	FILTER - element only (LHA #SPE-15-10), see note 1 re: substitution		
33	21830	FITTING - adapter, 1-1/16 O-ring x 3/4 tube.....	1	
	30971	O-RING - for 1-1/16 fitting		
34	102438	HOSE - tank to hydraulic line (item 36) .....	1	
35	30639	CLAMP - hose .....	4	
36	102436	LINE - hydraulic, filter to hose (item 34) .....	1	
37	100100	CAP - with level indicator.....	1	
38	44207	PLUG - magnetic, with O-ring, 3/4 NF.....	1	
	44209	O-RING - for 3/4 fitting		
39	114359	HOSE – auger motor rear port to draper motor top port (was 45128) ..	1	-134349
	114360	HOSE – auger motor rear port to draper motor top port.....	1	134350-
40	114320	HOSE – draper motor case drain .....	1	134350-
41	30873	FITTING – swivel run tee, 3/8 tube.....	1	134350-
	114364	REVERSING KIT – feed auger, includes items 42 to 46		
42	123337	HOSE – reversing kit.....	1	
43	30282	FITTING - 90° elbow, 9/16 O-ring x 3/8 tube.....	3	
	50219	O-RING - for 9/16 fitting		
44	114356	VALVE – check, reversing - complete .....	1	
	123321	VALVE – check, pilot operated, PC1, cartridge PC08-30-0-N		
	123318	VALVE – check, CV1, cartridge CV10-20-0-N-02		
45	135015	FITTING – adapter, 9/16 O-ring x 3/8 tube.....	1	
46	33854	FITTING - 90° elbow, 7/8 O-ring x 5/8 tube x 9/16 tapped .....	1	
	44210	O-RING - for 7/8 fitting		
A	30633	WASHER - lock, M12		
B	101899	NUT - hex jam, M12		
C	103513	BOLT - hex socket head, M8 x 30 mm		
D	30716	WASHER - lock, M8		
E	21821	BOLT - flange head, 3/8 NC x 3/4 inch		
F	50197	BOLT - round head, square neck, 3/8 NC x 1-3/4 inch		
G	30228	NUT - lock, smooth flange, 3/8 NC distorted thread		
H	18597	WASHER - flat, 11/32 inch I.D.		

## NOTES:

1. MacDon filter element 21808 may be substituted in this application.

### GEAR DRIVE



103658



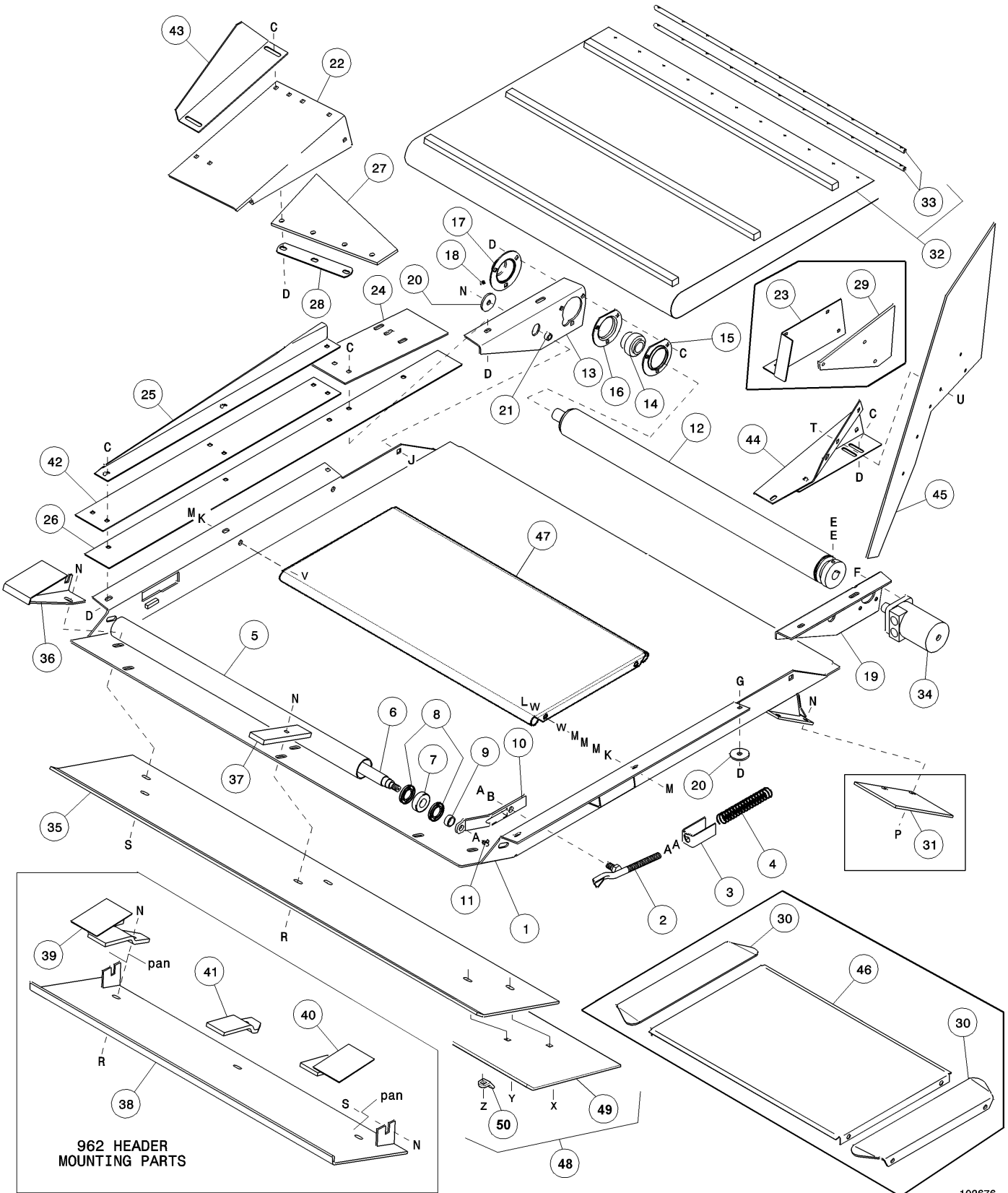
## GEAR DRIVE

REF	PART NUMBER	DESCRIPTION	QTY	SERIAL NUMBER
	101687	DRIVE - gear, Case.....	1	
	101688	DRIVE - gear, Gleaner .....	1	
	101690	DRIVE - gear, New Holland.....	1	
	102764	DRIVE - gear, Cat Lexion.....	1	
	101687	DRIVE - gear, John Deere Level Land - prior to 50 Series .....	1	
	114318	DRIVE - gear, John Deere Level land - 50 Series and up .....	1	
	101688	DRIVE - gear, John Deere Contour Master.....	1	-131619
	114318	DRIVE - gear, John Deere Contour Master.....	1	131620-
1	103525	SHAFT - input, hex bore, with end cup: Case .....	1	
	103526	SHAFT - input, 21 tooth bore, with end cup: Gleaner .....	1	
	103527	SHAFT - input, 6 tooth spline bore, with end cup: New Holland.....	1	
	103930	SHAFT - input, 21 tooth long spline bore, with end cup: Cat Lexion.....	1	
	103525	SHAFT - input, hex bore, with end cup: JD Level Land prior to 50 Series ...	1	
	103930	SHAFT - input, 21 tooth long spline bore, with end cup: JD Level Land - 50 Series & up .....	1	
	103526	SHAFT - input, 21 tooth bore, with end cup: JD Contour Master .....	1	-131619
	103930	SHAFT - input, 21 tooth long spline bore, with end cup: JD Contour Master .....	1	131620-
2	103528	HOUSING.....	1	
3	103529	HOUSING.....	1	
4	103530	SHAFT - output, with end cup: Case, John Deere & Gleaner .....	1	
	103531	SHAFT - output, with end cup: New Holland .....	1	
	103931	SHAFT - output, with end cup: Cat Lexion .....	1	
5	103532	GEAR - Case, John Deere & Gleaner .....	1	
	103533	GEAR - New Holland.....	1	
	103932	GEAR - Cat Lexion .....	1	
6	103514	SEAL - oil, output shaft.....	1	
7	103515	SEAL - oil, input shaft .....	1	
8	103516	KEY - input shaft.....	1	
9	103517	BEARING - output shaft .....	2	
10	103518	BEARING - input shaft .....	2	
11	30856	NUT - hex, M8 .....	10	
12	103534	PIN - dowel.....	2	
13	103519	BREATHER - oil plug (see note 1) .....	1	
14	103520	PLUG - oil (see note 1).....	3	
15	103535	CUP - RCA 35 .....	2	
16	103536	CUP - RCA 62 .....	2	
17	103522	PLUG - oil, magnetic (see note 1) .....	1	
18	103523	SCREW - hex socket head, M8 x 25 mm .....	8	
19	103524	SCREW - hex socket head, M8 x 65 mm .....	2	

## NOTES:

- For gear drives 101690 (New Holland) and 114318 (John Deere as specified above): Position of breather plug, standard plugs and magnetic plug are 90° counter-clockwise to positions shown.  
For gear drive 102764 (Cat Lexion): Position of breather plug and magnetic plug are reversed.

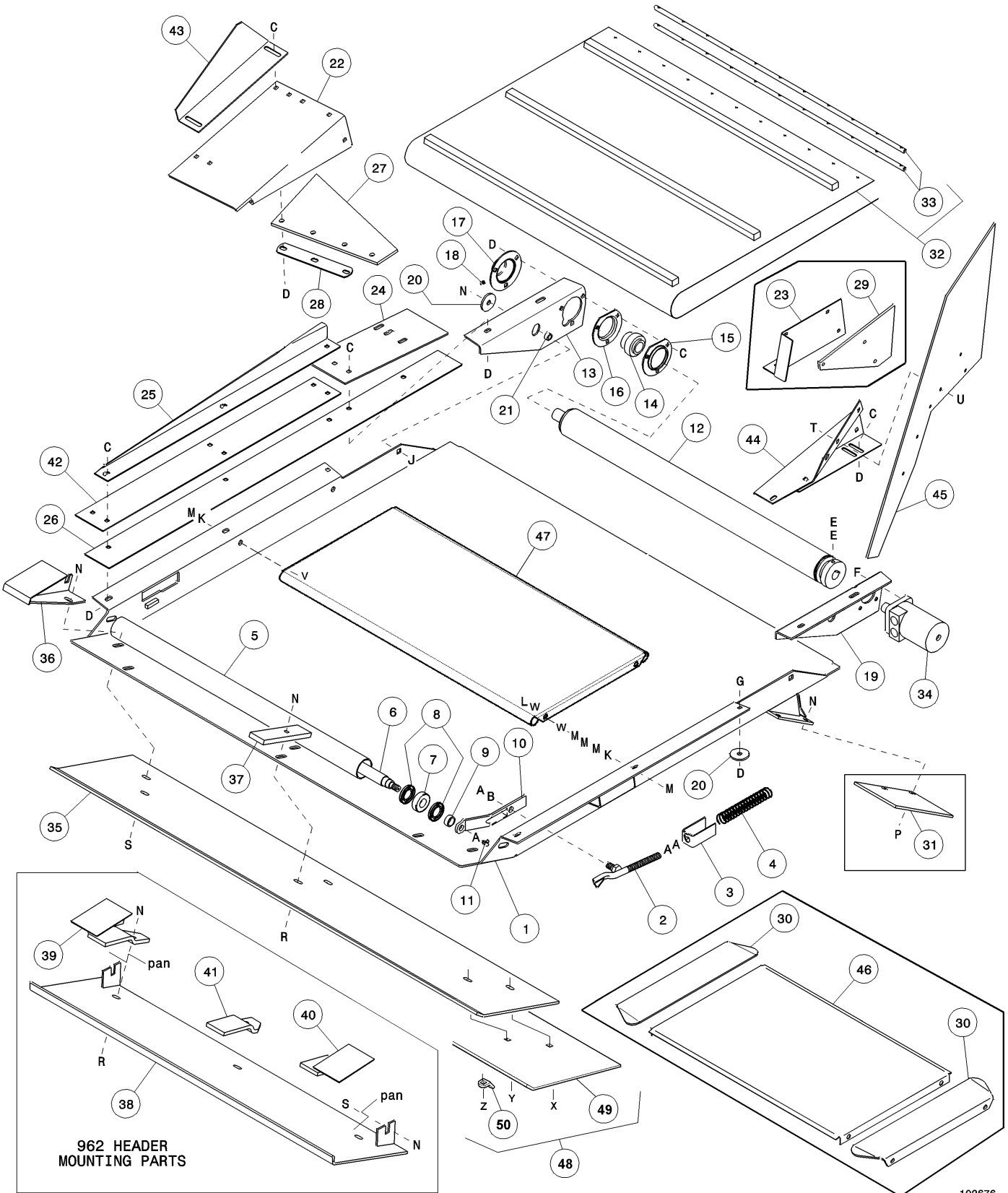
# FEED DRAPER



## FEED DRAPER

REF	PART NUMBER	DESCRIPTION	QTY	SERIAL NUMBER
<b>NOTE:</b> For John Deere CTS Combines with dust shields in rice applications, use Case/Gleaner/ NH-TR parts instead of JD/NH-TX/Cat Lexion parts.				
<b>NOTE:</b> For Case 80 & 88 Series Combines and Cat Lexion 450, 470 & 475 Combines, a 45" Feed Deck Kit is available. Order B 4244 (available through WholeGoods only). For service parts for this deck, see Model 872 Combine Adapter Parts Catalog #46885.				
1	101692	PAN - feed draper: Case, Gleaner, New Holland TR .....	1	
	101693	PAN - feed draper: John Deere, New Holland TX, Cat Lexion.....	1	
2	101711	ROD - idler adjuster.....	2	
3	100222	SUPPORT - idler rod.....	2	
4	43521	SPRING - idler tension .....	2	
5	100201	TUBE - idler roller: Case, Gleaner, New Holland TR .....	1	
	100383	TUBE - idler roller: John Deere, New Holland TX, Cat Lexion .....	1	
6	101715	SHAFT - idler roller: Case, Gleaner, New Holland TR .....	1	
	101716	SHAFT - idler roller: John Deere, New Holland TX, Cat Lexion.....	1	
7	101026	BEARING - ball.....	2	
8	100862	SEAL - bearing .....	4	
9	101008	SPACER - tube.....	2	
10	101719	ARM - idler.....	2	
11	21010	FITTING - lubrication, 90° .....	2	
12	100057	ROLLER - drive: Case, Gleaner, New Holland TR.....	1	
	100069	ROLLER - drive: John Deere, New Holland TX, Cat Lexion .....	1	
13	101720	SUPPORT - drive roller, right .....	1	-115999
	103472	SUPPORT - drive roller, right .....	1	116000-124499
	114092	SUPPORT - drive roller, right .....	1	124500-
14	21859	BEARING - ball, with lock collar .....	1	
15	100589	FLANGE - bearing, cropped.....	1	
16	100591	FLANGE - bearing, cropped (lube fitting removed).....	1	
17	100592	COVER - bearing, cropped .....	1	
18	18671	FITTING - lubrication.....	1	
19	101721	SUPPORT - drive roller, left .....	1	-115999
	103473	SUPPORT - drive roller, left .....	1	116000-124499
	114093	SUPPORT - drive roller, left .....	1	124500-
20	11695	WASHER - flat .....	4	
21	10686	SPACER - tube.....	2	
22	101725	SUPPORT - rear right (shown): Case, Gleaner, New Holland TR .....	1	
	101723	SUPPORT - rear left (not shown): Case, Gleaner, New Holland TR .....	1	
23	103474	SUPPORT - rear left (shown): John Deere, New Holland TX, Cat Lexion... 1	1	-124499
	103499	SUPPORT - rear right (not shown): John Deere, NH-TX, Cat Lexion.....	1	-124499
24	101728	SUPPORT - rear .....	2	
25	101729	SUPPORT - front right (shown).....	1	
	101730	SUPPORT - front left (not shown) .....	1	
26	101731	SEAL - draper.....	2	
27	101732	FLAP - rubber: Case, Gleaner, New Holland TR .....	2	
28	101773	BAR - support: Case, Gleaner, New Holland TR .....	2	
29	101733	FLAP - rubber: John Deere, New Holland TX, Cat Lexion .....	2	-124499
30	101734	SUPPORT - draper (may sub item 47).....	2	-134349
31	101888	PLATE - motor protector .....	1	
32	101671	DRAPER - feed: Case, Gleaner, New Holland TR.....	1	
	101672	DRAPER - feed: John Deere, New Holland TX, Cat Lexion .....	1	
33	40764	CONNECTOR KIT - incl. 2 slats and hardware: Case, Gleaner, NH-TR.....	1	
	40765	CONNECTOR KIT - incl. 2 slats and hardware: JD, NH-TX, Cat Lexion.....	1	
34	REF	MOTOR - draper drive, see Hydraulics .....	1	
35	101738	MOUNT - 972 Header: Case, Gleaner, New Holland TR.....	1	
	101739	MOUNT - 972 Header: John Deere, New Holland TX, Cat Lexion .....	1	

# FEED DRAPER



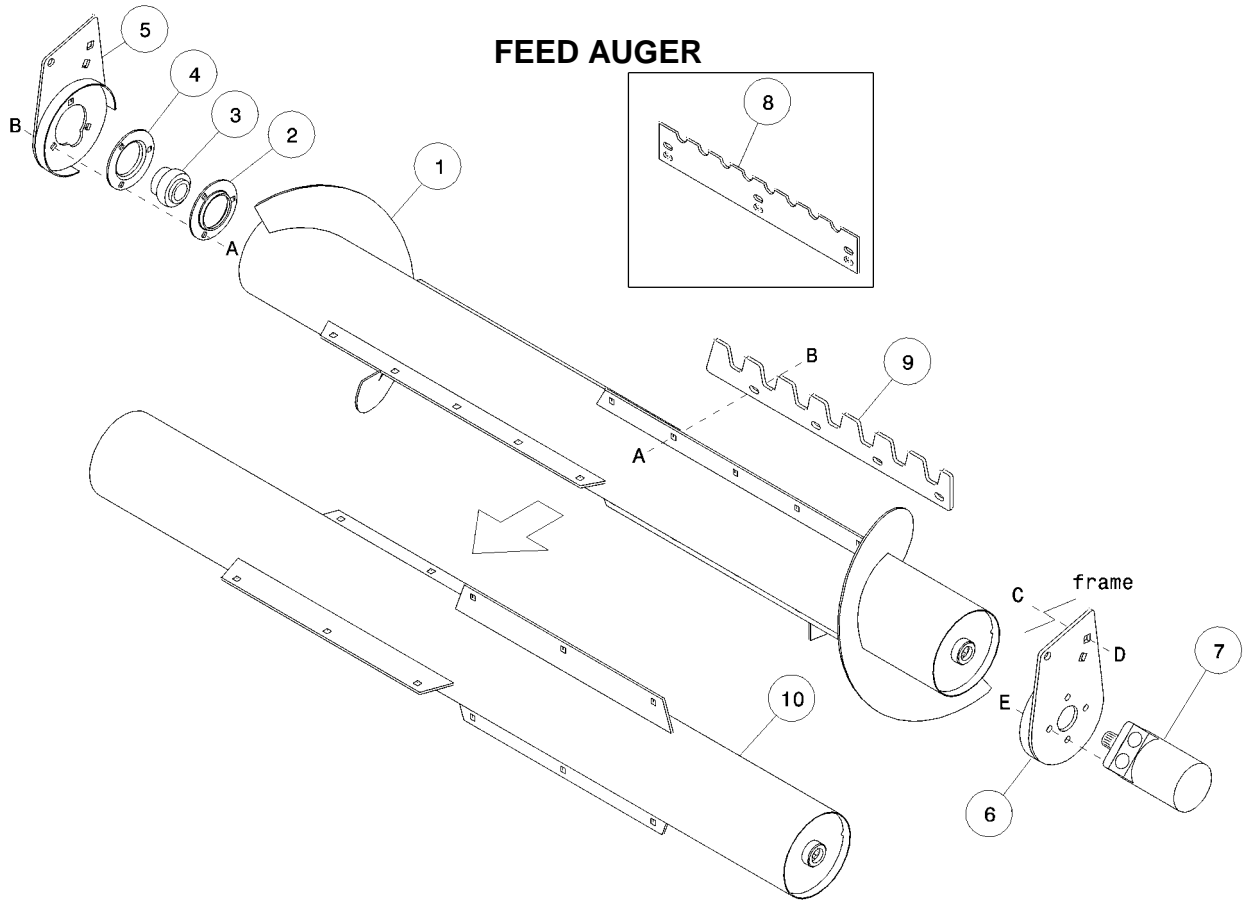
## FEED DRAPER

REF	PART NUMBER	DESCRIPTION	QTY	SERIAL NUMBER
36	101741	SUPPORT - right, 972 Header (shown) .....	1	
	101740	SUPPORT - left, 972 Header (not shown) .....	1	
37	101745	RETAINER - 972 Header .....	3	
38	101655	MOUNT - 962 Header: .....	1	
	101736	MOUNT - 962 Header: John Deere, New Holland TX .....	1	
39	101658	SUPPORT - right, 962 Header .....	1	
40	101659	SUPPORT - left, 962 Header .....	1	
41	101660	RETAINER - 962 Header .....	1	
42	103470	BAR - draper seal support.....	2	
43	103142	ANGLE - side support, right (shown): Case, Gleaner, New Holland TR .....	1	
	103169	ANGLE - side support, left (not shown): Case, Gleaner, New Holland TR ..	1	
44	114091	SUPPORT - rear left (shown): John Deere, New Holland TX, Cat Lexion...	1	124500-
	114051	SUPPORT - rear right (not shown): John Deere, NH-TX, Cat Lexion.....	1	124500-
45	114089	FLAP - rubber: John Deere, New Holland TX, Cat Lexion.....	2	124500-
46	114090	SUPPORT – draper: John Deere, NH-TX, Cat Lexion (may sub item 47)...	1	-134349
	114213	SUPPORT – draper: Case, Gleaner, New Holland TR (may sub item 47) ..	1	-134349
47	114295	SUPPORT – draper: John Deere, New Holland TX, Cat Lexion.....	1	134350-
	114296	SUPPORT – draper: Case, Gleaner, New Holland TR .....	1	134350-
48	B 2896	PLASTIC WEAR STRIP KIT: Case, Gleaner, New Holland TR		
	B 2897	PLASTIC WEAR STRIP KIT: John Deere, New Holland TX, Cat Lexion		
49	114287	STRIP – plastic wear: Case, Gleaner, New Holland TR .....	1	
	114288	STRIP – plastic wear: John Deere, New Holland TX, Cat Lexion.....	1	
50	114286	LUG – mounting, plastic wear strip .....		see note (1)

### NOTES:

- Quantities for item 50: Case, Gleaner, New Holland TR = 6  
John Deere, New Holland TX, Cat Lexion = 8

A	18592	NUT - hex, 5/8 NC
B	18639	WASHER - lock, 5/8 I.D.
C	19965	BOLT - round head, square neck, 3/8 NC x 1 inch
D	30228	NUT - lock, smooth flange, 3/8 NC distorted thread
E	30940	SETSCREW - 3/8 NC x 5/16 inch
F	113420	SCREW - machine, countersunk Torx head, 3/8 NC x 3/4 inch
G	19966	BOLT - round head, square neck, 3/8 NC x 1-1/4 inch
J	114233	BOLT - round head, short square neck, 1/2 NC x 1-1/4 inch
K	18638	WASHER – lock, 1/2 inch
L	30833	BOLT - hex head, 1/2 NC x 2-1/4 inch, thread full length
M	18591	NUT - hex, 1/2 NC
N	50186	NUT - lock, smooth flange, 1/2 NC distorted thread
P	21066	BOLT - round head, square neck, 1/2 NC x 1 inch
R	21469	BOLT - round head, square neck, 1/2 NC x 1-1/2 inch
S	21868	BOLT – round head, short square neck, 1/2 NC x 1 inch
T	21472	BOLT – round head, square neck, 3/8 NC x 3/4 inch
U	21452	NUT – serrated flange lock, 3/8 NC
V	21449	BOLT – flange head, 1/2 NC x 1 inch
W	18599	WASHER – flat, 17/32 inch I.D.
X	21471	BOLT – round head, square neck, 1/2 NC x 1 1/4 inch
Y	30515	BOLT – round head, square neck, 1/2 NC x 1 3/4 inch
Z	21468	BOLT – round head, square neck, 7/16 NC x 1 3/4 inch (standard guards)
	21665	BOLT – round head, square neck, 7/16 NC x 2 3/4 inch (stub guards)



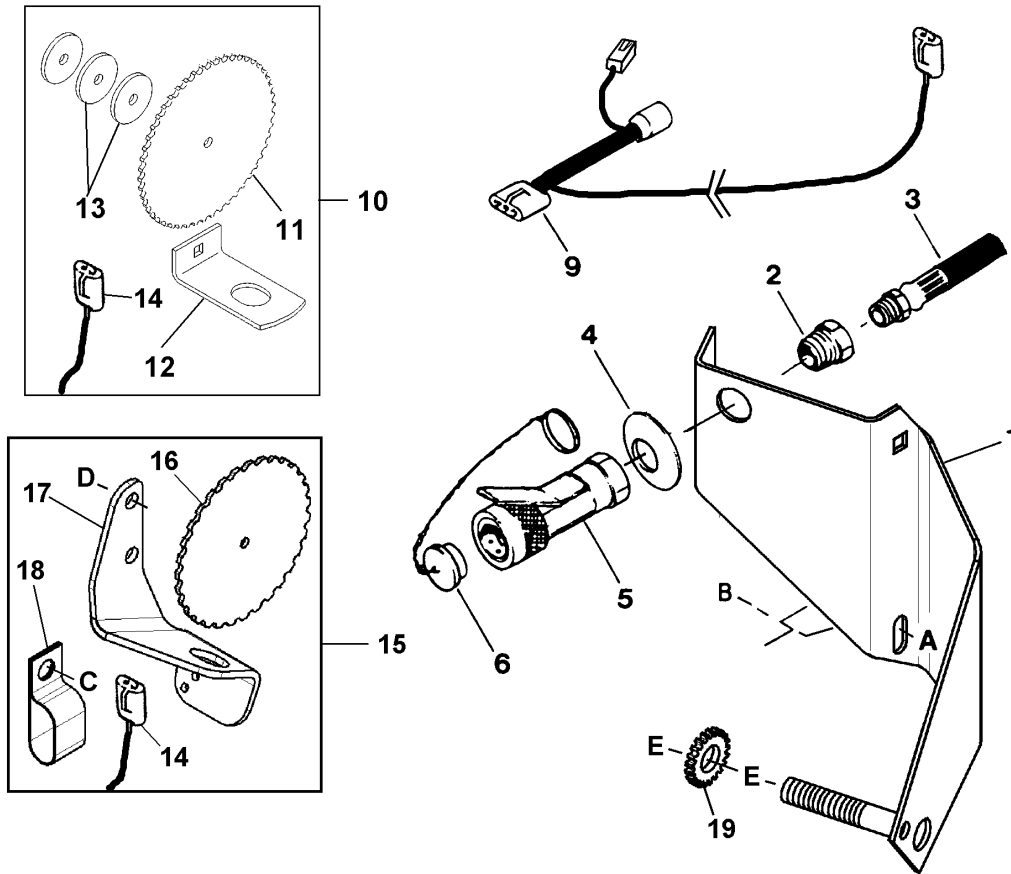
102316

REF	PART NUMBER	DESCRIPTION	QTY	SERIAL NUMBER
1	101756	AUGER - feed: John Deere, New Holland, Cat Lexion (see note 1) .....	1	-124499
	102467	AUGER - feed: Case, Gleaner (see note 1) .....	1	-124499
	114070	AUGER - feed.....	1	124500-
2	30601	FLANGE - bearing .....	1	
3	21859	BEARING - ball, with lock collar .....	1	
4	21860	FLANGE - bearing, with lube fitting .....	1	
5	102463	SUPPORT - auger, bearing side .....	1	-115999
	103355	SUPPORT - auger, bearing side: all except JD Contour Master & 50 Series Level Land .....	1	116000-
	114164	SUPPORT - auger, bearing side: JD Contour Master & 50 Series Level Land only .....	1	116000-
6	102466	SUPPORT - auger, motor side.....	1	-115999
	103354	SUPPORT - auger, motor side: all except JD Contour Master & 50 Series Level Land.....	1	116000-
	114163	SUPPORT - auger, motor side: JD Contour Master & 50 Series Level Land only .....	1	116000-
7	REF	MOTOR - auger drive, see Hydraulics .....	1	
8	101343	BEATER - auger, center.....	4	-124499
9	114071	BEATER - auger, center.....	4	124500-
10	103753	ROLLER - feed: John Deere CTS with dust shields.....	1	
A	19965	BOLT - round head, square neck, 3/8 NC x 1 inch		
B	30228	NUT - lock, smooth flange, 3/8 NC distorted thread		
C	21066	BOLT - round head, square neck, 1/2 NC x 1 inch		
D	50186	NUT - lock, smooth flange, 1/2 NC distorted thread		
E	135001	BOLT - hex head, shoulder, 3/8 NC x 29/32 inch		

NOTES:

1. If replacing auger 101756 or 102467 with auger 114070, order package 114107, which includes auger 114070, 4 beater bars 114071 (item 9) and hardware.
2. **Retracting Tine Drum Kits are available to replace the feed auger. Order as follows:**  
**B 4242 - 11" diameter RTD for Case, Gleaner, New Holland TR and Cat Lexion 450, 470 & 475.**  
**B 4243 - 12" diameter RTD for John Deere, New Holland TX and Cat Lexion 460, 465, 480 & 485.**  
 Kits are available through WholeGoods only. For service parts for these drum kits, see Model 872 Combine Adapter Parts Catalog #46885.

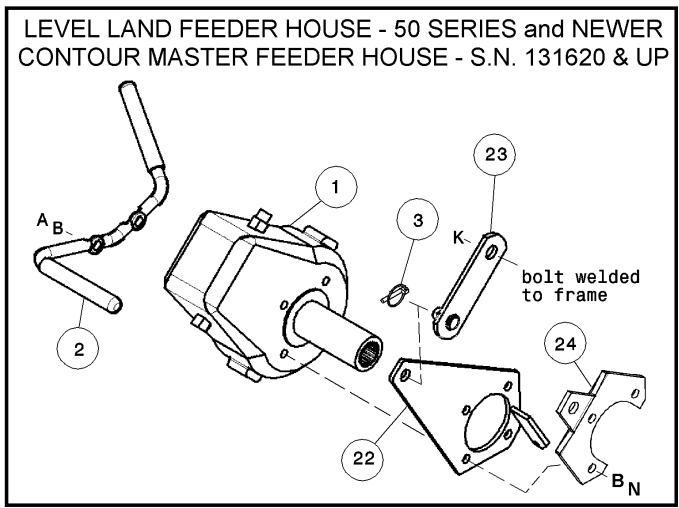
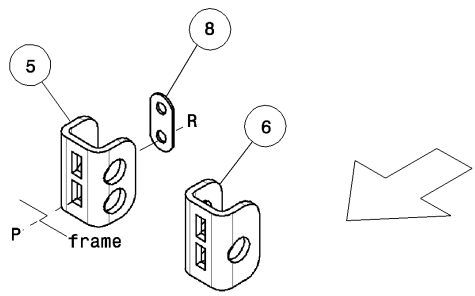
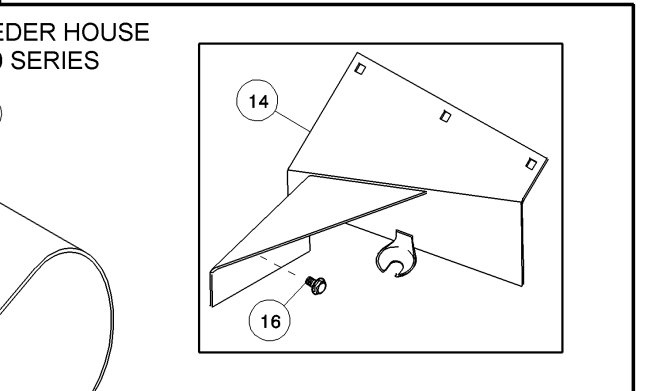
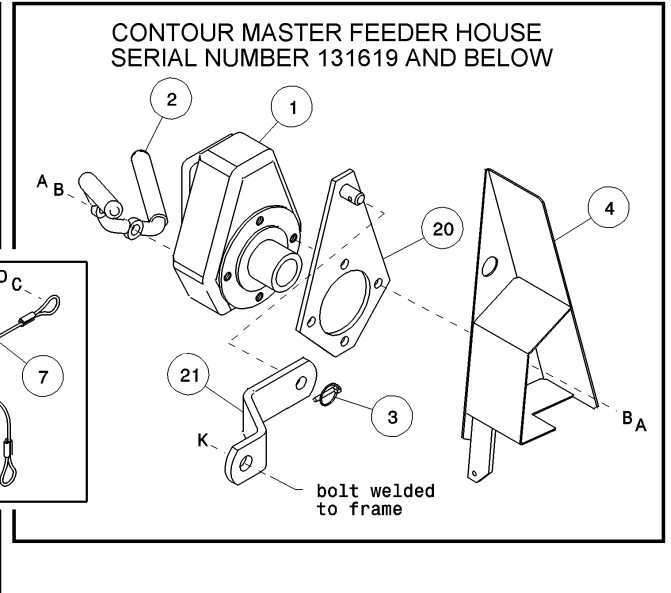
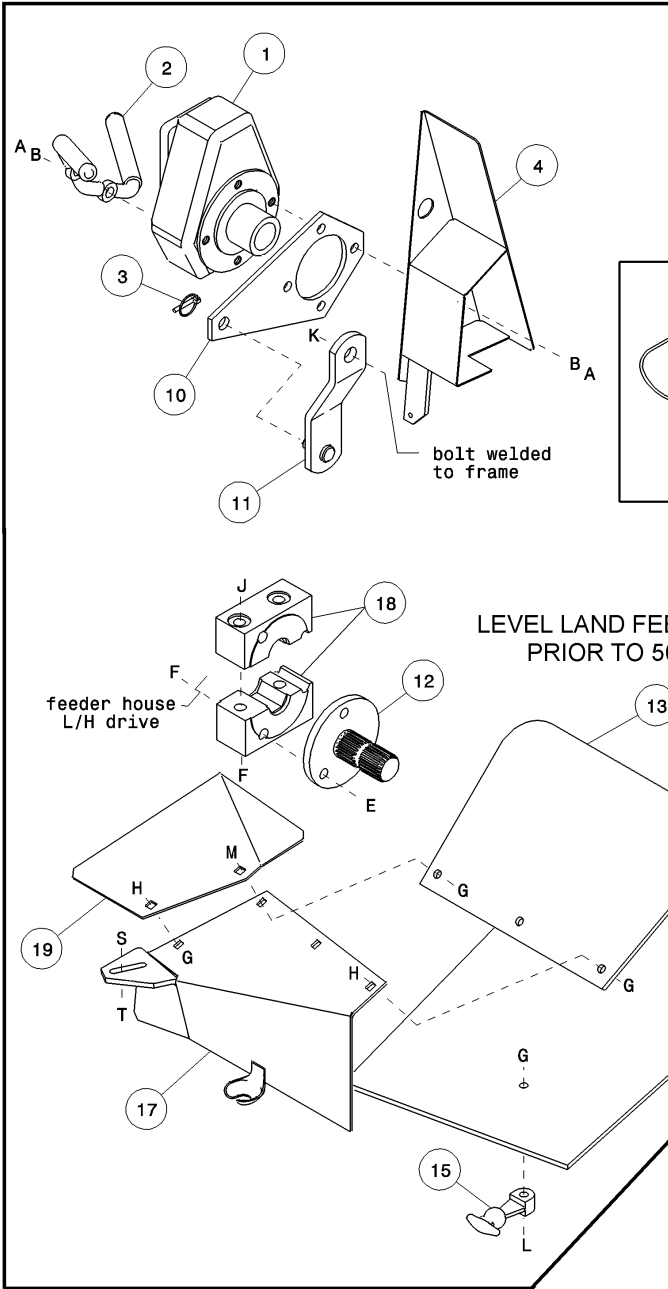
### JOHN DEERE COMBINES HEADER COMPLETION PARTS



REF	PART NUMBER	DESCRIPTION	QTY	SERIAL NUMBER
1	114350	<b>HOLDER - reel lift coupler (was 101984)</b> .....	1	
2	20043	FITTING - reducer bushing, 1/4 NPT female x 1/2 NPT male .....	1	
3	43629	HOSE - extension, reel lift, 962 Header only.....	1	
	REF	HOSE - reel lift, see 972 Header Parts Catalog .....	1	
4	45153	WASHER - dished.....	1	
5	50085	COUPLER - reel lift .....	1	
6	21858	PLUG - dust.....	1	
9	118046	HARNESS - header lights, adapter, prior to 50 Series combines .....	1	
	114321	HARNESS - header lights, adapter, 50 Series Combines & newer.....	1	
10	B 2544 *	MOUNTING KIT - JD Reel Speed Sensor for 962 Headers.....	OPT	
11	43554	SPROCKET - timing, 50 tooth .....	1	
12	43555	SUPPORT - sensor .....	1	
13	43219	WASHER - flat (third washer comes with header) .....	2	
14	117005	HARNESS - wiring, extension (for 21 & 25' 972 & all 962 headers) .....	1	
15	B 4001 *	MOUNTING KIT - JD Reel Speed Sensor for 972 Headers.....	OPT	
16	113188	SPROCKET - timing, 31 tooth .....	1	
17	118009	SUPPORT - sensor .....	1	
18	103738	HOLDER - harness .....	2	
19	114338	<b>DISC - 21 tooth</b> .....	1	
A	21472	BOLT - round head, square neck, 3/8 NC x 3/4 inch		
B	30228	NUT - lock, smooth flange, 3/8 NC distorted thread		
C	101898	BOLT - hex head, 3/8 x 5/8 inch, thread rolling		
D	21821	<b>BOLT - flange head, 3/8 NC x 3/4 inch</b>		
E	18666	<b>NUT - lock, 5/8 NC distorted thread</b>		

\* NOTE: Kits available through WholeGoods only. Sensor must be obtained from John Deere.

# JOHN DEERE COMBINES ADAPTER COMPLETION PARTS

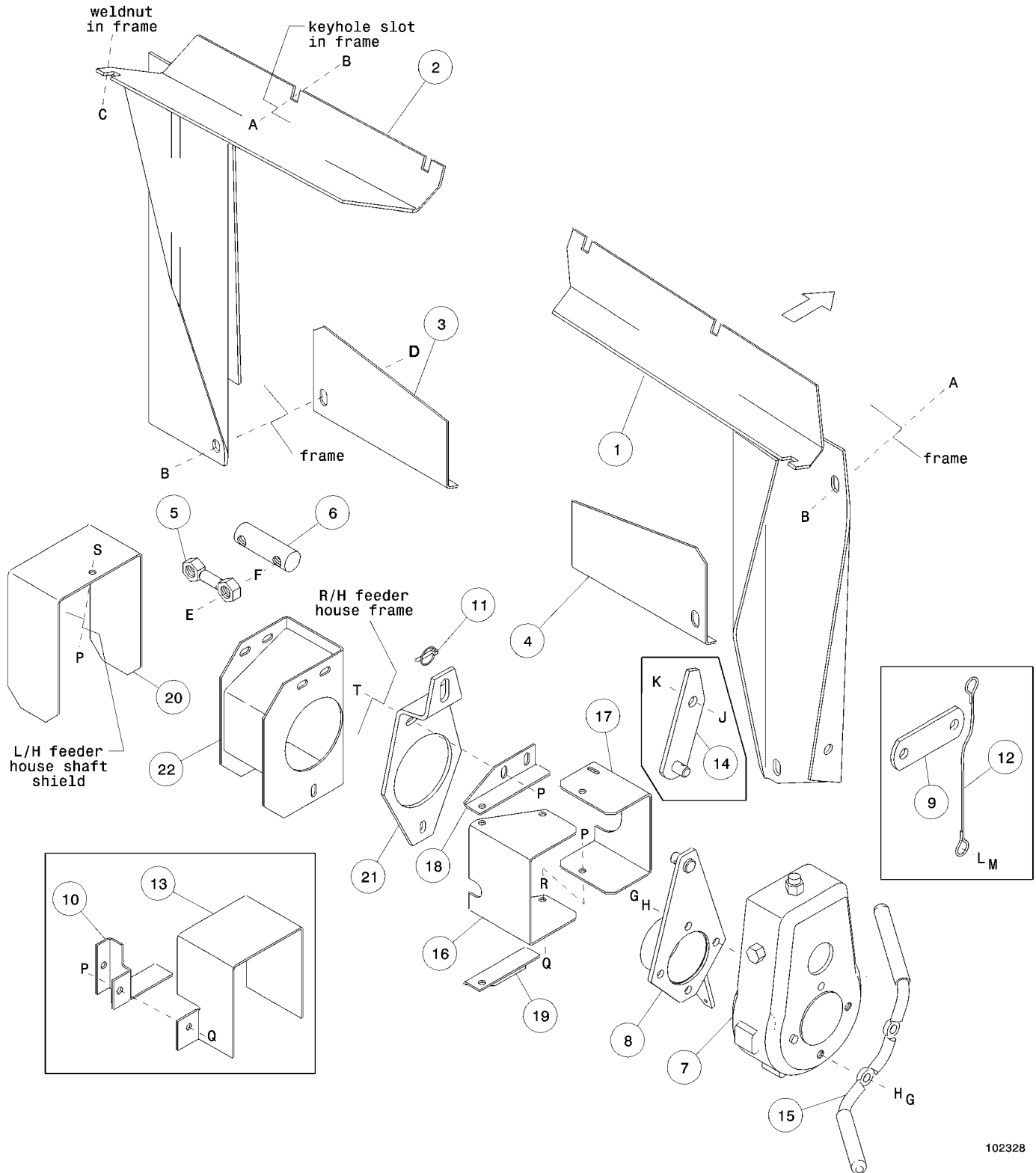




## JOHN DEERE COMBINES ADAPTER COMPLETION PARTS

REF	PART NUMBER	DESCRIPTION	QTY	SERIAL NUMBER
1	REF	DRIVE - gear, see Hydraulics, page 15 .....	1	
<b>Items 2 to 8 are common to both Level Land and Contour Master Feeder Houses</b>				
2	103550	HANDLE - gear drive.....	1	116000-
3	50193	PIN - lynch .....	1	
4	102179	SHIELD - drive.....	1	-115999
	103288	SHIELD - drive.....	1	116000-
5	114284	CHANNEL - lower lock, R/H (was 103365).....	1	116000-
6	114285	CHANNEL - lower lock, L/H (was 103569).....	1	116000-
7	101798	CABLE - drive storage.....	1	-115999
8	114297	BAR - lower lock .....	2	
<b>Items 10 to 19 are used with Level Land Feeder House prior to 50 Series only</b>				
10	102157	ARM - drive.....	1	
11	103294	ARM - torque, with welded pin.....	1	
12	100155	SHAFT - spline .....	1	
13	102668	SHIELD - rubber.....	1	
14	102671	SHIELD - left .....	1	-115999
15	38894	LATCH - rubber .....	1	
16	101898	BOLT - special, self-tapping, 3/8 x 5/8 inch.....	1	-115999
17	103597	SHIELD - left .....	1	116000-
18	114086	CLAMP - hex bore, 7720, 9500 and CTS Combines.....	2	124500-
19	114112	SHIELD - left, 7720, 9500 and CTS Combines .....	1	124500-
<b>Items 20 and 21 are used with Contour Master Feeder House only (adapter S.N. -131619)</b>				
20	102178	ARM - drive, with welded pin .....	1	-131619
21	102220	ARM - torque .....	1	-131619
<b>Items 22 to 24 are used with Level Land Feeder Houses - 50 Series &amp; Newer and Contour Master Feeder Houses (adapter S.N. 131620-)</b>				
22	114329	ARM - drive.....	1	
23	114324	ARM - torque, with welded pin.....	1	
24	114337	ARM - drive, 9650 Combine only.....	1	
A	50155	BOLT - hex head, M12 x 25 mm		
B	30633	WASHER - lock, M12		
C	30635	WASHER - flat, M10		
D	50071	BOLT - hex head, M10 x 15 mm		
E	21560	BOLT - hex head, 1/2 NC x 3 inch - 7720, 9500 & CTS		
	30368	BOLT - flange head, 1/2 NC x 1 1/4 inch - 9600		
F	50186	NUT - lock, smooth flange, 1/2 NC distorted thread		
G	30228	NUT - lock, smooth flange, 3/8 NC distorted thread		
H	21472	BOLT - round head, square neck, 3/4 NC x 3/4 inch		
J	30209	BOLT - hex head, 1/2 NC x 4 1/2 inch		
K	18689	NUT - lock, 3/4 NC distorted thread		
L	21561	BOLT - hex head, 3/8 NC x 1-1/2 inch		
M	19965	BOLT - round head, square neck, 3/8 NC x 1 inch		
N	50155	BOLT - hex head, M12 x 25 mm - without item 24		
	30630	BOLT - hex head, M12 x 30 mm - with item 24		
P	18523	BOLT - round head, square neck, 5/8 NC x 1-1/2 inch		
R	50225	NUT - lock, smooth flange, 5/8 NC distorted thread		
S	30278	BOLT - flange head, 5/16 NC x 3/4 inch		
T	21403	NUT - serrated flange lock, 5/16 NC		

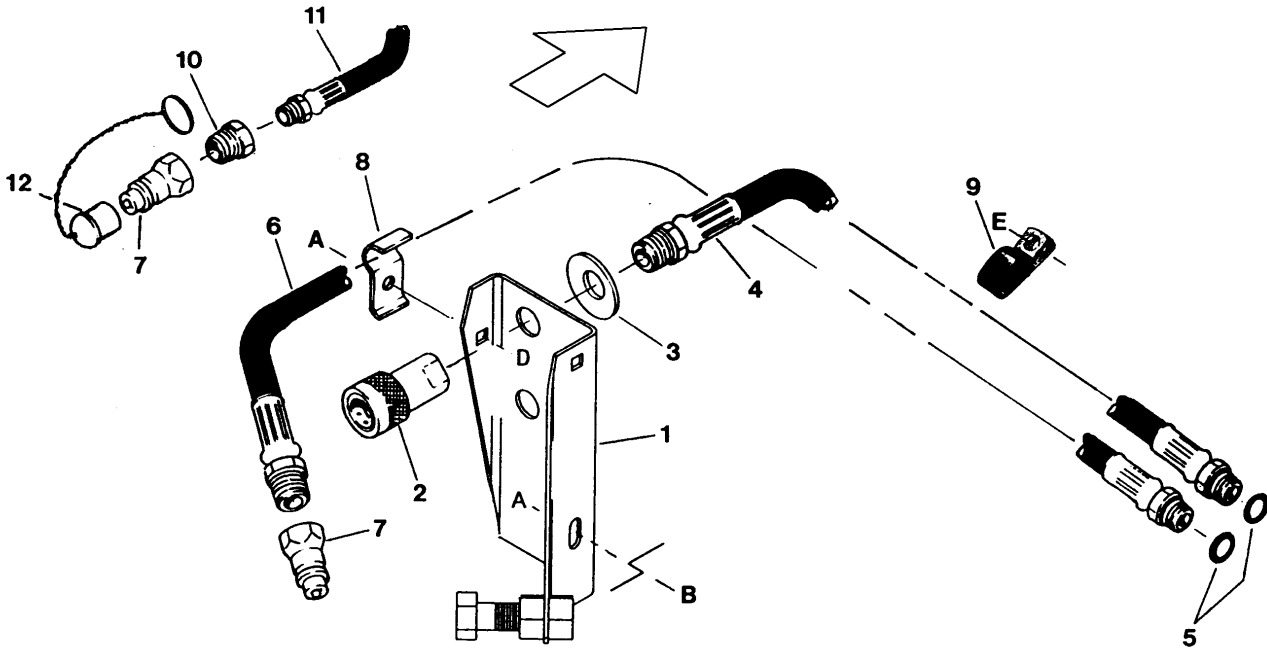
### CASE COMBINES ADAPTER COMPLETION PARTS



**CASE COMBINES  
ADAPTER COMPLETION PARTS**

REF	PART NUMBER	DESCRIPTION	QTY	SERIAL NUMBER
1	102006	MEMBER - adapter frame, right.....	1	
2	102004	MEMBER - adapter frame, left.....	1	
3	102169	FILLER - lower, left.....	1	
4	102170	FILLER - lower, right.....	1	
5	37995	PIN - clamp.....	2	
6	40169	PIN - straight.....	2	
7	REF	DRIVE - gear, see Hydraulics, page 15.....	1	
8	102168	ARM - drive.....	1	-115999
	103326	ARM - drive.....	1	116000-124499
	114154	ARM - drive.....	1	124500-
9	102171	BAR - arm support.....	1	-115999
10	102713	MOUNT - shield.....	1	-115999
11	50193	PIN - lynch.....	1	
12	101798	CABLE - drive storage.....	1	-115999
13	102709	SHIELD - hinged.....	1	-115999
14	103295	BAR - arm support.....	1	116000-124499
15	103550	HANDLE - gear drive.....	1	116000-
16	103246	SHIELD - R/H, rear section.....	1	116000-
17	103247	SHIELD - R/H, front section.....	1	116000-
18	103317	SUPPORT - R/H shield, top.....	1	116000-
19	103245	SUPPORT - R/H shield, bottom.....	1	116000-
20	114009	SHIELD - L/H.....	1	
21	114153	SUPPORT - drive arm.....	1	124500-
22	114157	SHIELD - R/H extension for narrow feeder house Models: 1640,1644, 1660, 1666, 2166, 2366.....	1	124500-
A	21066	BOLT - round head, square neck, 1/2 NC x 1 inch		
B	50186	NUT - lock, smooth flange, 1/2 NC distorted thread		
C	21449	BOLT - flange head, 1/2 NC x 1 inch		
D	21471	BOLT - round head, square neck, 1/2 NC x 1-1/4 inch		
E	50080	BOLT - hex head, 5/8 NC x 4-1/2 inch, thread full length		
F	21345	NUT - hex jam, 5/8 NC		
G	50155	BOLT - hex head, M12 x 25 mm		
H	30633	WASHER - lock, M12		
J	21594	BOLT - hex head, 5/8 NC x 1-1/2 inch		
K	18666	NUT - lock, 5/8 NC distorted thread		
L	30635	WASHER - flat, M10		
M	50071	BOLT - hex head, M10 x 15 mm		
P	30228	NUT - lock, smooth flange, 3/8 NC distorted thread		
Q	21821	BOLT - flange head, 3/8 NC x 3/4 inch		
R	18598	WASHER - flat, 13/32 inch I.D.		
S	50076	BOLT - flange head, 3/8 NC x 5/8 inch		
T	30936	BOLT - flange head, 3/8 NC x 1 1/4 inch		

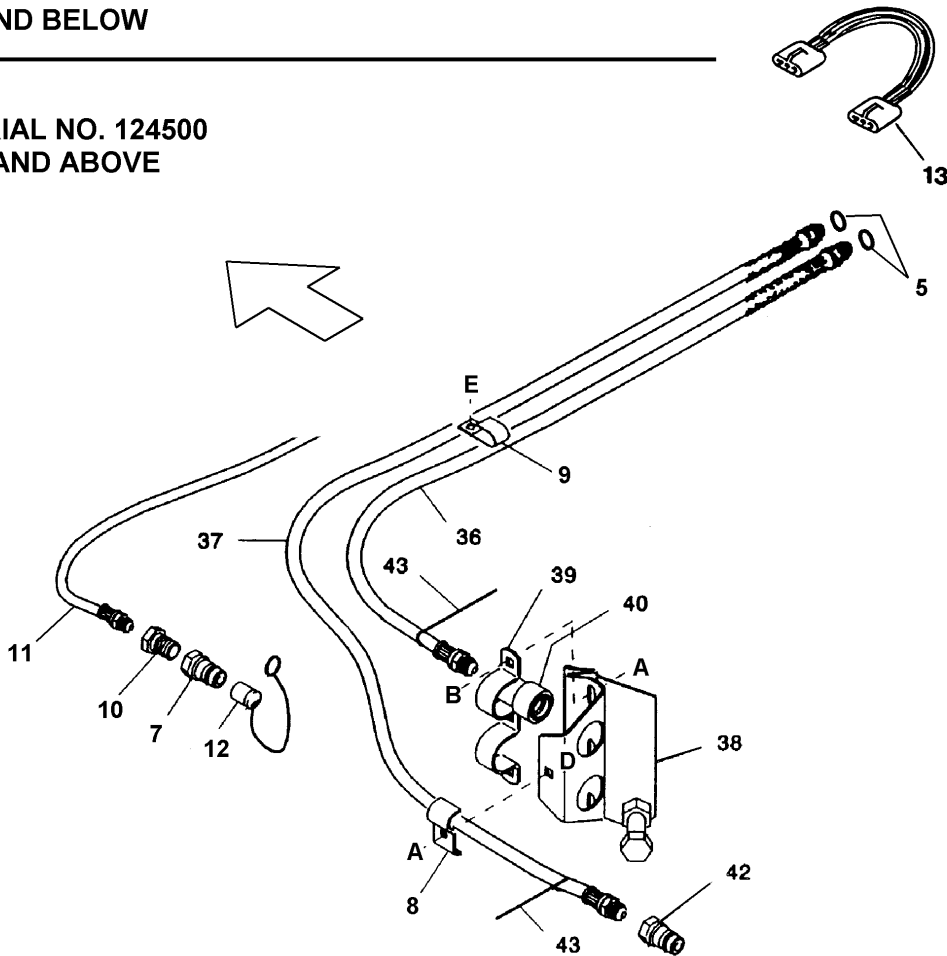
### CASE COMBINES HEADER COMPLETION PARTS



SERIAL NO 124499  
AND BELOW

---

SERIAL NO. 124500  
AND ABOVE



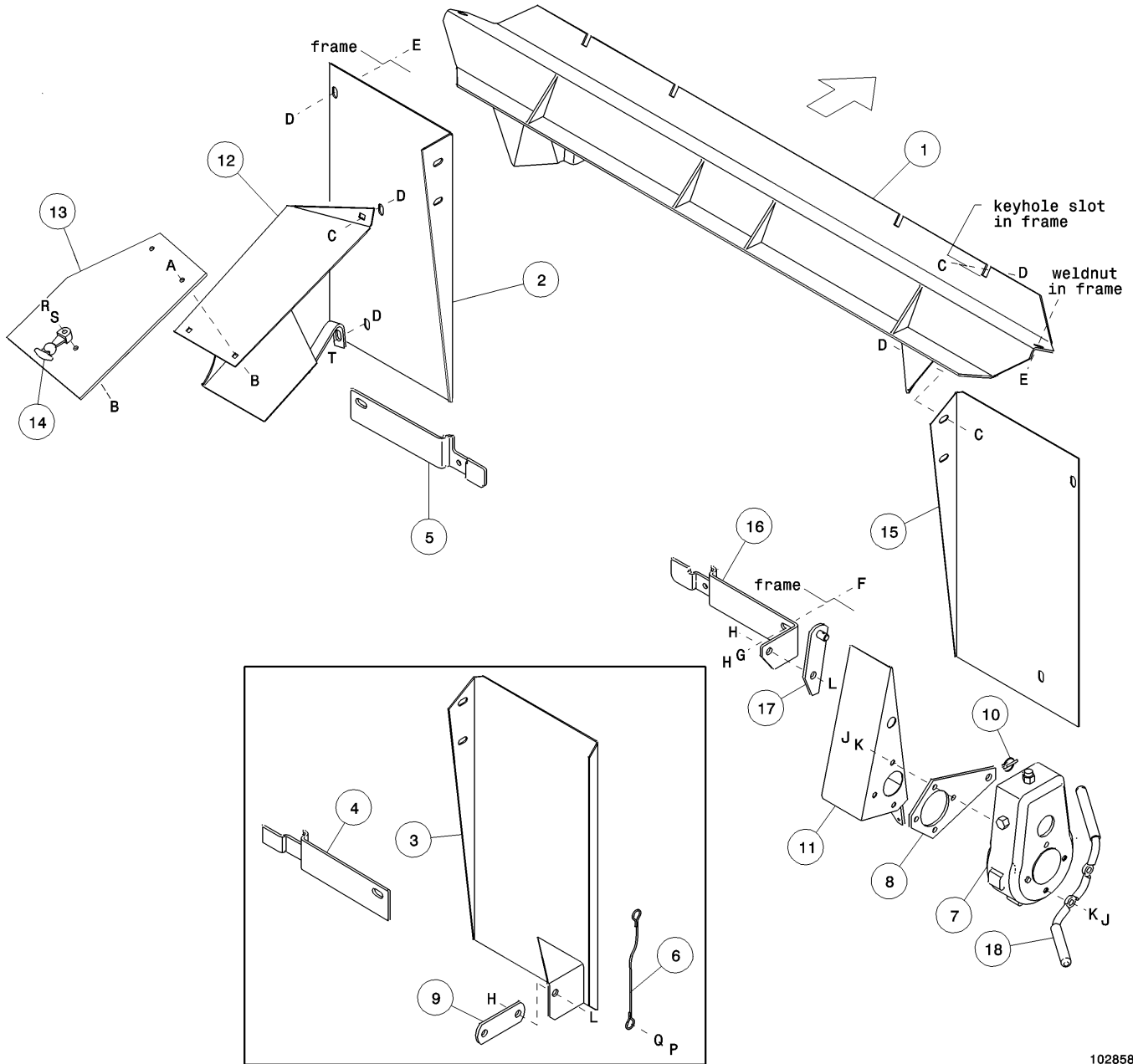
**CASE COMBINES  
HEADER COMPLETION PARTS**

REF	PART NUMBER	DESCRIPTION	QTY	SERIAL NUMBER
1	101983	HOLDER - reel drive coupler.....	1	-124499
2	21857	COUPLER - female, 1/2 NPT.....	1	-124499
	50082	O-RING - for coupler 21857		
3	45153	WASHER - dished.....	1	-124499
4	37785	HOSE - reel drive pressure .....	1	-124499
5	44210	O-RING .....	2	see note (1)
6	100525	HOSE - reel drive return.....	1	-124499
7	21855	COUPLER - male, 1/2 NPT (qty. 2 for Serial No. 124499 and below) .....	1	
8	29934	HOLDER - hose .....	1	
9	50022	HOLDER - hose .....	see note (2)	
10	20043	FITTING - reducer bushing, 1/4 NPT female x 1/2 NPT male .....	1	
11	43629	HOSE - extension, reel lift, 962 Header only.....	1	
	REF	HOSE - reel lift, see 972 Header Parts Catalog.....	1	
12	21856	CAP - dust .....	1	
13	40499	HARNESS - header lights, adapter piece .....	1	
36	114137	HOSE - reel drive pressure .....	1	124500-
37	114139	HOSE - reel drive return .....	1	124500-
38	114135	HOLDER - reel drive couplers .....	1	124500-
39	114140	CLAMP - coupler .....	1	124500-
40	114143	COUPLER - female .....	1	124500-
42	114142	COUPLER - male .....	1	124500-
43	49232	CABLE TIE - white.....	2	124500-
A	30228	NUT - lock, smooth flange, 3/8 NC distorted thread		
B	21472	BOLT - round head, square neck, 3/8 NC x 3/4 inch		
D	19966	BOLT - round head, square neck, 3/8 NC x 1-1/4 inch		
E	101898	SCREW - hex washer head, 3/8 NC x 5/8 inch thread forming		

## NOTES:

1. 962 Header: Serial No. -124499      972 Header: All Serial Nos.
2. Quantities: 30' 962 Header = 4, 36' 962 Header = 2, not used for 972 Header

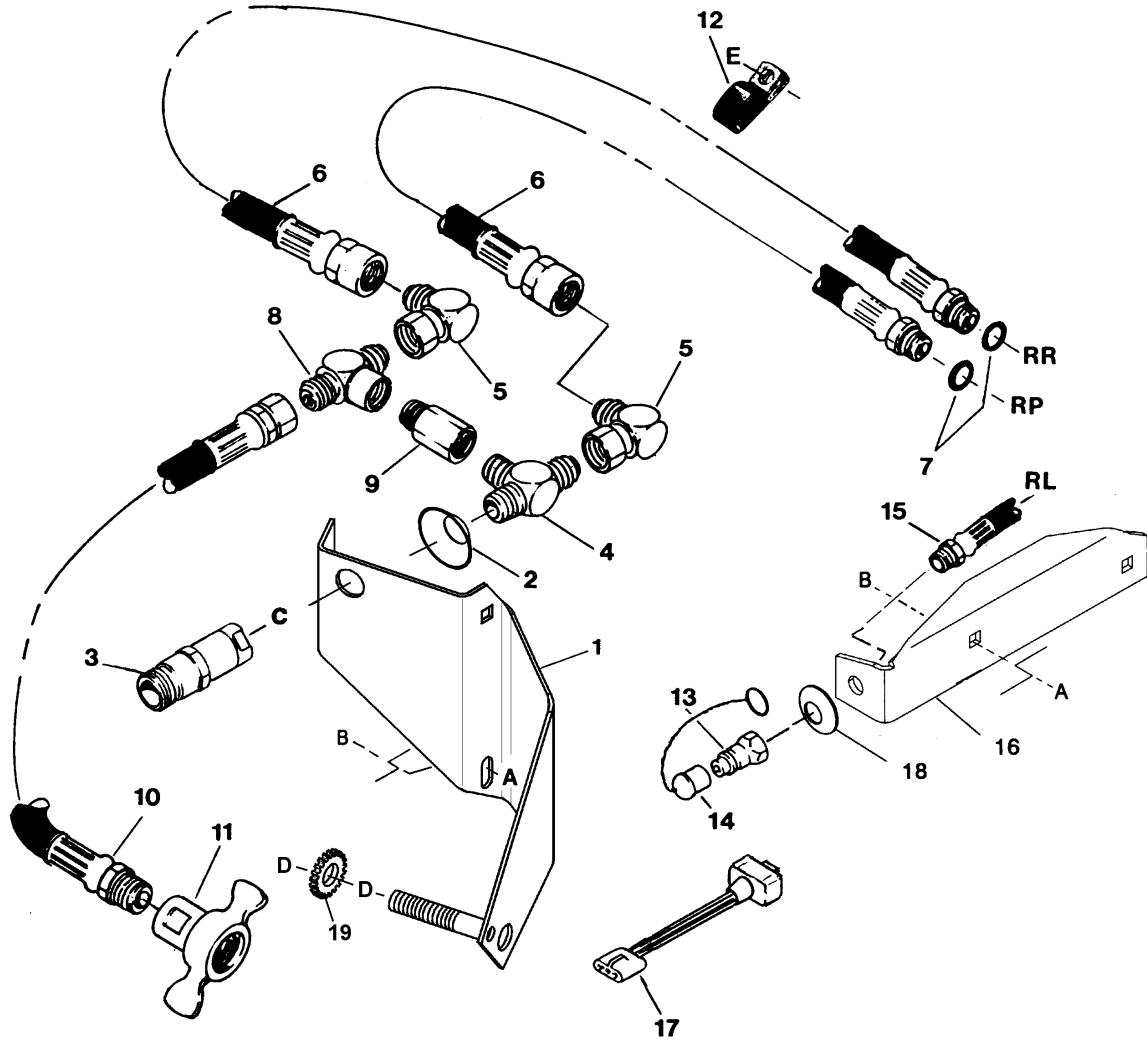
# GLEANER COMBINES ADAPTER COMPLETION PARTS



**GLEANER COMBINES  
ADAPTER COMPLETION PARTS**

REF	PART NUMBER	DESCRIPTION	QTY	SERIAL NUMBER
1	102465	SUPPORT - beam.....	1	
2	102477	MEMBER - adapter frame, left .....	1	
3	102564	MEMBER - adapter frame, right.....	1	-115999
4	102506	SUPPORT - lower, right .....	1	-115999
5	102505	SUPPORT - lower, left .....	1	
6	101798	CABLE - drive storage.....	1	-115999
7	REF	DRIVE - gear, see Hydraulics, page 15.....	1	
8	102178	ARM - drive.....	1	-115999
	102157	ARM - drive.....	1	116000-
9	102171	BAR - arm support.....	1	-115999
10	50193	PIN - lynch .....	1	
11	102179	SHIELD - drive, right.....	1	-115999
	103547	SHIELD - drive, right.....	1	116000-
12	102830	SHIELD - drive, left.....	1	
13	102831	FLAP - rubber .....	1	
14	38894	LATCH - rubber .....	1	
15	103297	MEMBER - adapter frame, right.....	1	116000-
16	103296	SUPPORT - lower, right .....	1	116000-
17	103295	BAR - arm support.....	1	116000-
18	103550	HANDLE - gear drive.....	1	116000-
A	21472	BOLT - round head, square neck, 3/8 NC x 3/4 inch		
B	30228	NUT - lock, smooth flange, 3/8 NC distorted thread		
C	21066	BOLT - round head, square neck, 1/2 NC x 1 inch		
D	50186	NUT - lock, smooth flange, 1/2 NC distorted thread		
E	21449	BOLT - flange head, 1/2 NC x 1 inch		
F	18523	BOLT - round head, square neck, 5/8 NC x 1-1/2 inch		
G	18600	WASHER - flat, 21/32 inch I.D.		
H	18666	NUT - lock, 5/8 NC distorted thread		
J	50155	BOLT - hex head, M12 x 25 mm		
K	30633	WASHER - lock, M12		
L	21594	BOLT - hex head, 5/8 NC x 1-1/2 inch		
P	50071	BOLT - hex head, M10 x 15 mm		
Q	30635	WASHER - flat, M10		
R	21561	BOLT - hex head, 3/8 NC x 1-1/2 inch		
S	18598	WASHER - flat, 13/32 inch I.D.		
T	21471	BOLT - round head, short square neck, 1/2 NC x 1-1/4 inch		

### GLEANER COMBINES HEADER COMPLETION PARTS





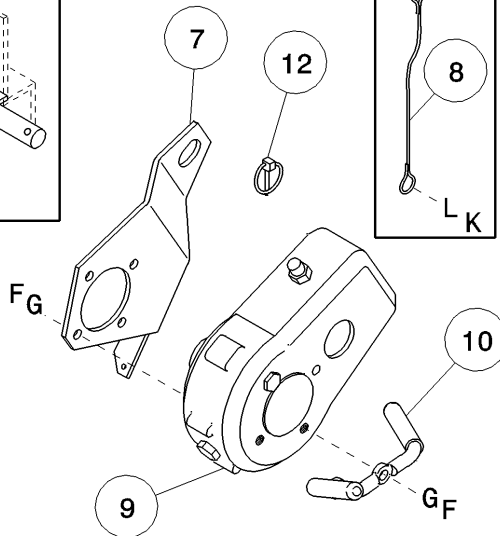
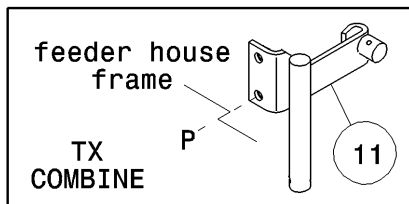
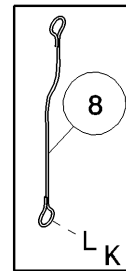
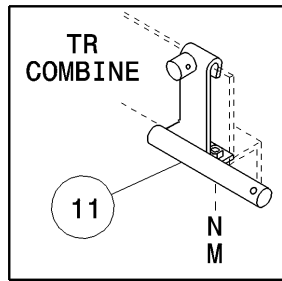
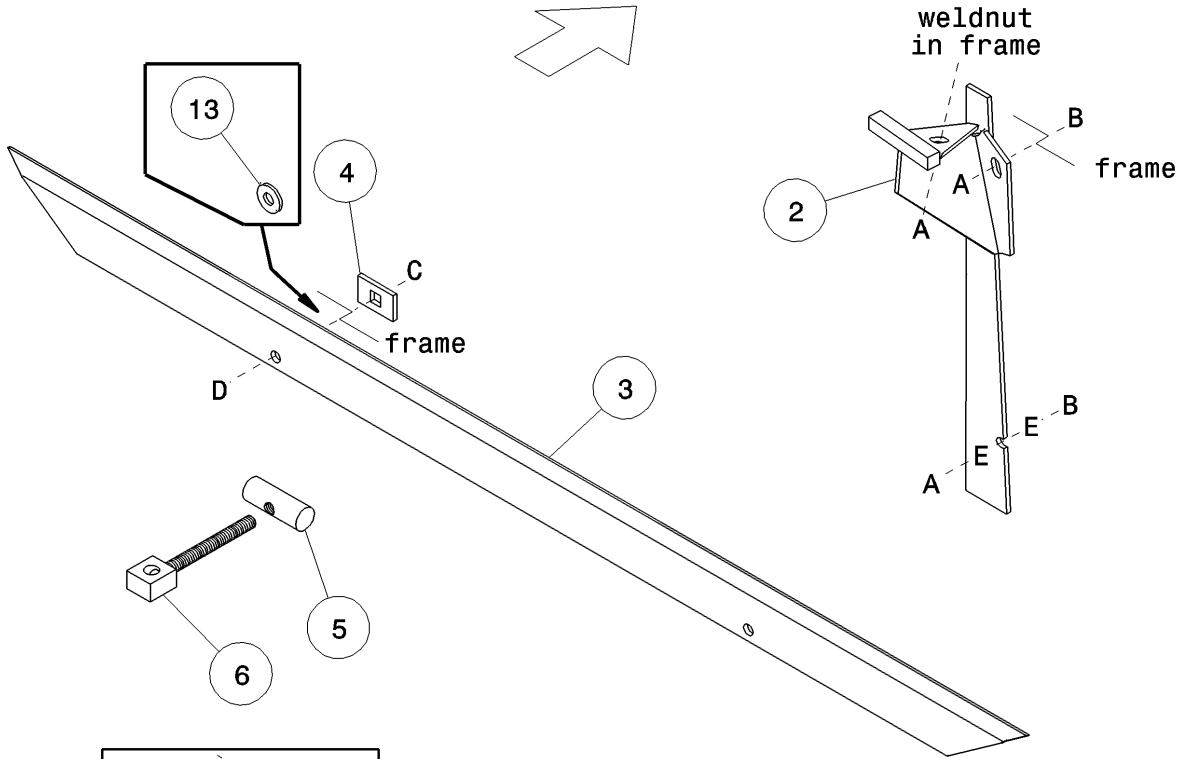
**GLEANER COMBINES  
HEADER COMPLETION PARTS**

REF	PART NUMBER	DESCRIPTION	QTY	SERIAL NUMBER
1	114350	<b>HOLDER - reel lift coupler (was 101984)</b> .....	1	
2	102653	WASHER - dished.....	1	
3	30909	COUPLER - male, 1/2 NPT.....	1	
4	30972	FITTING - tee, 1/2 NPT male x 1/2 NPT male x 5/8 tube.....	1	
5	30556	FITTING - 90° elbow, 5/8 tube male x 5/8 tube female.....	2	
6	100528	HOSE - reel drive, from right side of opening.....	2	
7	44210	O-RING.....	2	
8	30854	FITTING - tee, 1/2 NPT female x 5/8 tube male x 5/8 tube male.....	1	
9	49223	VALVE - check.....	1	
10	37842	HOSE - reel drive return.....	1	
11	30908	COUPLER - female, 1/2 NPT.....	1	
12	50022	HOLDER - hose..... see note (1)		
13	30825	COUPLER - male, 1/4 NPT - reel lift.....	1	
14	21824	CAP - dust.....	1	
15	43629	HOSE - extension, reel lift, 962 Header only.....	1	
	REF	HOSE - reel lift, see 972 Header Parts Catalog.....	1	
16	102820	HOLDER - hose.....	1	
17	40498	HARNESS - header lights, adapter piece.....	1	
18	45157	WASHER - dished.....	1	
19	114338	<b>DISC - 21 tooth</b> .....	1	
A	21472	BOLT - round head, square neck, 3/8 NC x 3/4 inch		
B	30228	NUT - lock, smooth flange, 3/8 NC distorted thread		
C	18602	WASHER - flat, 15/16 inch ID		
D	18666	<b>NUT - lock, 5/8 NC distorted thread</b>		
E	101898	SCREW - hex washer head, 3/8 NC x 5/8 inch thread forming		

## NOTES:

- Quantities: 30' 962 Header = 4, 36' 962 Header = 2, not used for 972 Header
- RL = Reel Lift, RP = Reel Pressure, RR = Reel Return

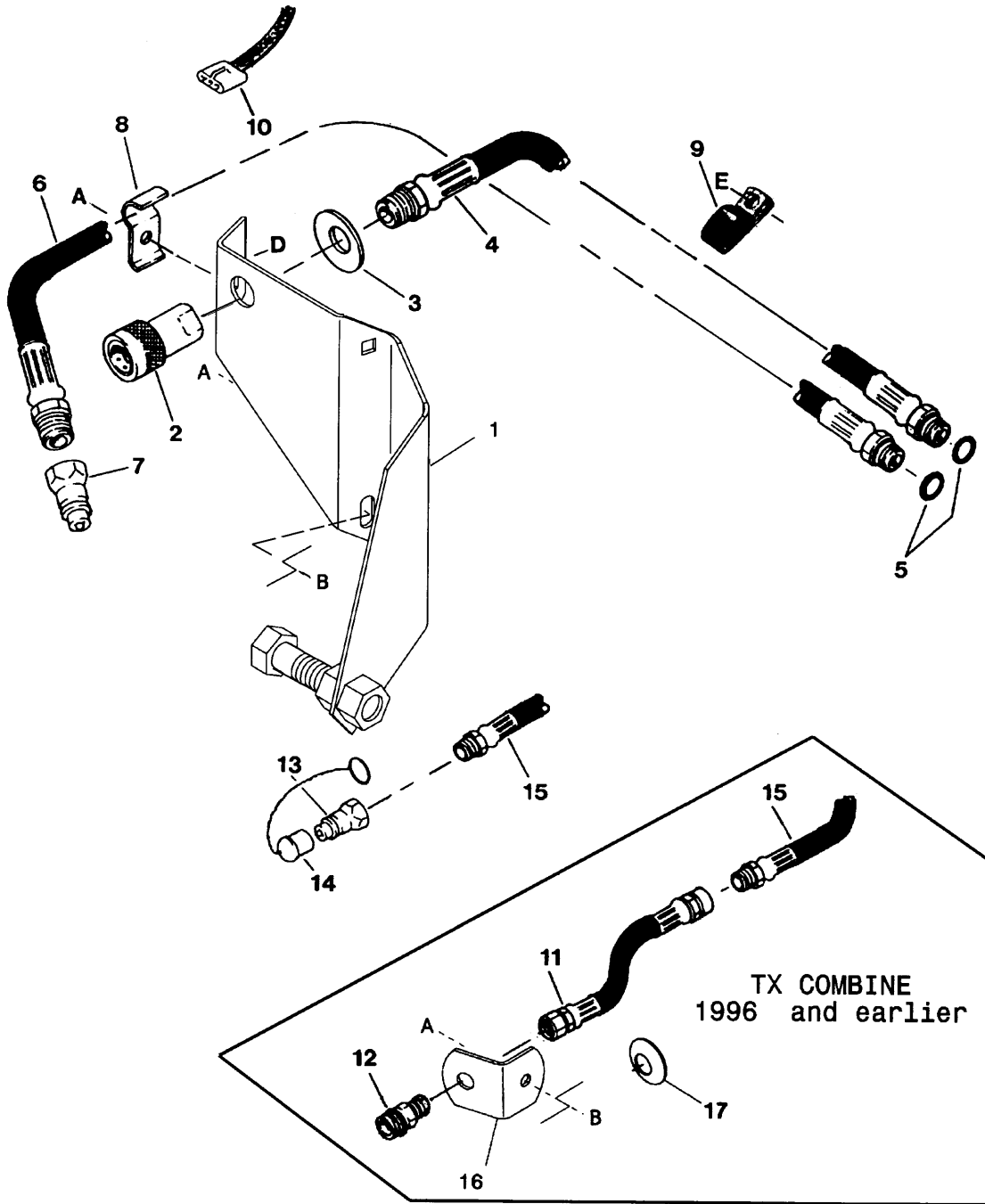
# NEW HOLLAND COMBINES ADAPTER COMPLETION PARTS



**NEW HOLLAND COMBINES  
ADAPTER COMPLETION PARTS**

REF	PART NUMBER	DESCRIPTION	QTY	SERIAL NUMBER
1	102634	MEMBER - adapter frame, left .....	1	
2	102633	MEMBER - adapter frame, right .....	1	
3	102615	BEAM - lower .....	1	
4	40918	WASHER - rectangular .....	2	
5	40300	PIN - straight .....	2	
6	40432	EYEBOLT, feeder house latch .....	2	
7	103368	ARM - drive .....	1	
8	101798	CABLE - drive storage .....	1	-115999
9	REF	DRIVE - gear, see Hydraulics, page 15 .....	1	
10	103550	HANDLE - gear drive .....	1	
11	103370	SUPPORT - with pins for TR & TX .....	1	
12	102264	PIN - lynch .....	1	
13	22072	WASHER - flat .....	2	116000-124499
A	21449	BOLT - flange head, 1/2 NC x 1 inch		
B	50186	NUT - smooth flange, 1/2 NC distorted thread		
C	18523	BOLT - round head, square neck, 5/8 NC x 1-1/2 inch		
D	18666	NUT - lock, 5/8 NC distorted thread		
E	18600	WASHER - flat 21/32 inch I.D.		
F	50155	BOLT - hex head, M12 x 25 mm		
G	30633	WASHER - lock, M12		
K	50071	BOLT - hex head, M10 x 15 mm		
L	30635	WASHER - flat, M10		
M	18663	SETSCREW - 3/8 NC x 1-1/2 inch		
N	18664	NUT - hex jam, 3/8 NC		
P	21975	BOLT - flange head, 3/8 NC x 1 inch		

# NEW HOLLAND COMBINES HEADER COMPLETION PARTS



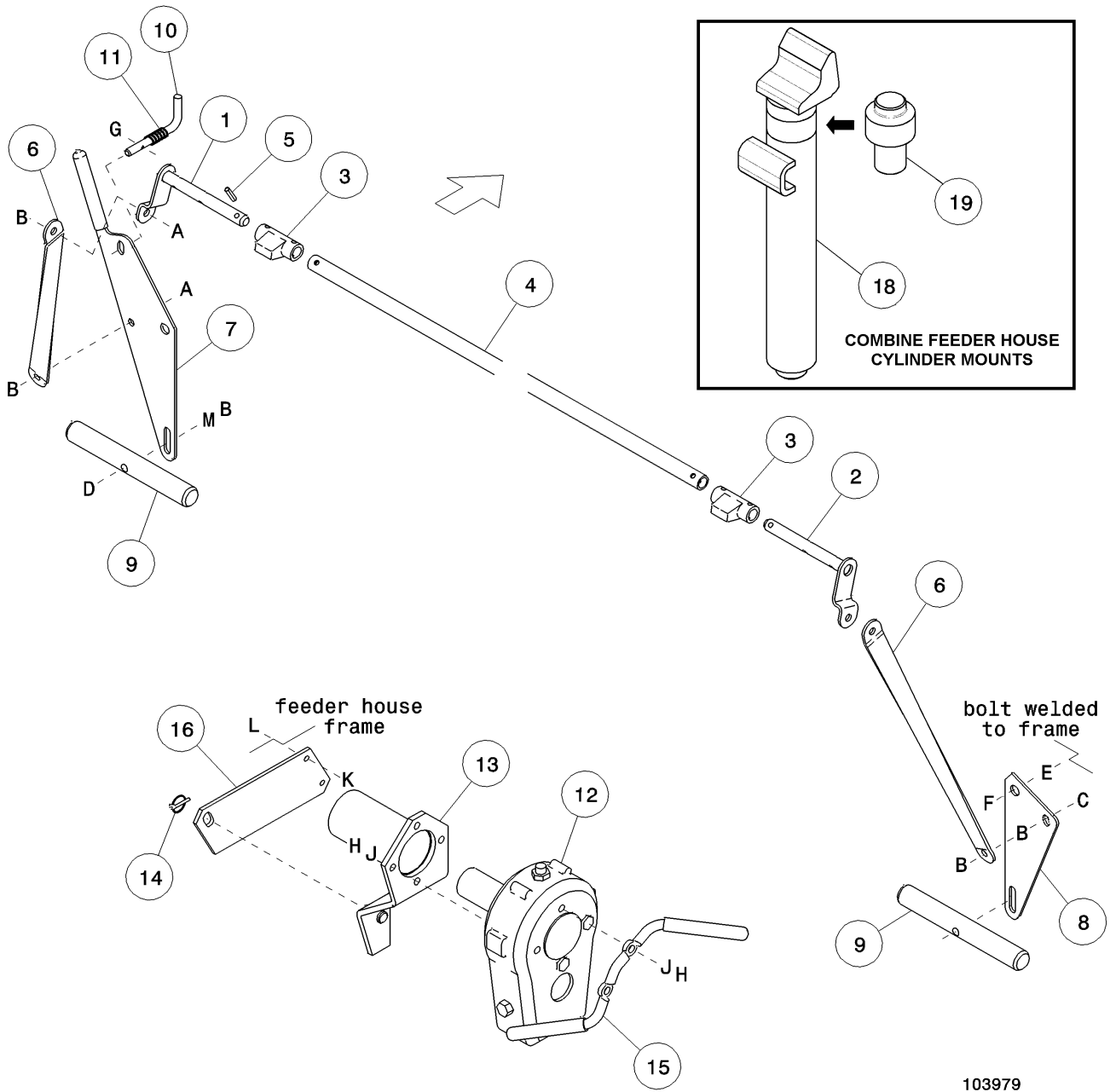
**NEW HOLLAND COMBINES  
HEADER COMPLETION PARTS**

REF	PART NUMBER	DESCRIPTION	QTY	SERIAL NUMBER
1	102717	HOLDER - reel drive coupler.....	1	
2	21857	COUPLER - female, 1/2 NPT.....	1	
	50082	O-RING - for coupler 21857		
3	45153	WASHER - dished.....	1	
4	37785	HOSE - reel drive return.....	1	
5	44210	O-RING.....	2	
6	100525	HOSE - reel drive pressure.....	1	
7	21855	COUPLER - male, 1/2 NPT.....	2	
8	29934	HOLDER - hose.....	1	
9	50022	HOLDER - hose..... see note (1)		
10	40435	HARNESS - header lights, adapter piece: 1996 and earlier combines.....	1	
	103507	HARNESS - header lights, adapter piece: 1997 and later combines.....	1	
11	101109	HOSE - adapter piece, TX Combine, 1996 and earlier.....	1	-115999
12	REF	FITTING - adapter, supplied with TX Combine, 1996 and earlier.....	1	
13	30825	COUPLER - male, 1/4 NPT - reel lift.....	1	
14	21824	CAP - dust.....	1	
15	43629	HOSE - extension, reel lift, 962 Header only.....	1	
	REF	HOSE - reel lift, see 972 Header Parts Catalog.....	1	
16	40683	SUPPORT - reel lift coupler, TX Combine, 1996 and earlier.....	1	-115999
17	45157	WASHER - dished, use if support (item 16) is used with TR Combine.....	1	-115999
A	30228	NUT - lock, smooth flange, 3/8 NC distorted thread		
B	21472	BOLT - round head, square neck, 3/8 NC x 3/4 inch		
D	19966	BOLT - round head, square neck, 3/8 NC x 1-1/4 inch		
E	101898	SCREW - hex washer head, 3/8 NC x 5/8 inch thread forming		

## NOTES:

1. Quantities: 30' 962 Header = 4, 36' 962 Header = 2, not used for 972 Header

### CAT LEXION COMBINE ADAPTER COMPLETION PARTS



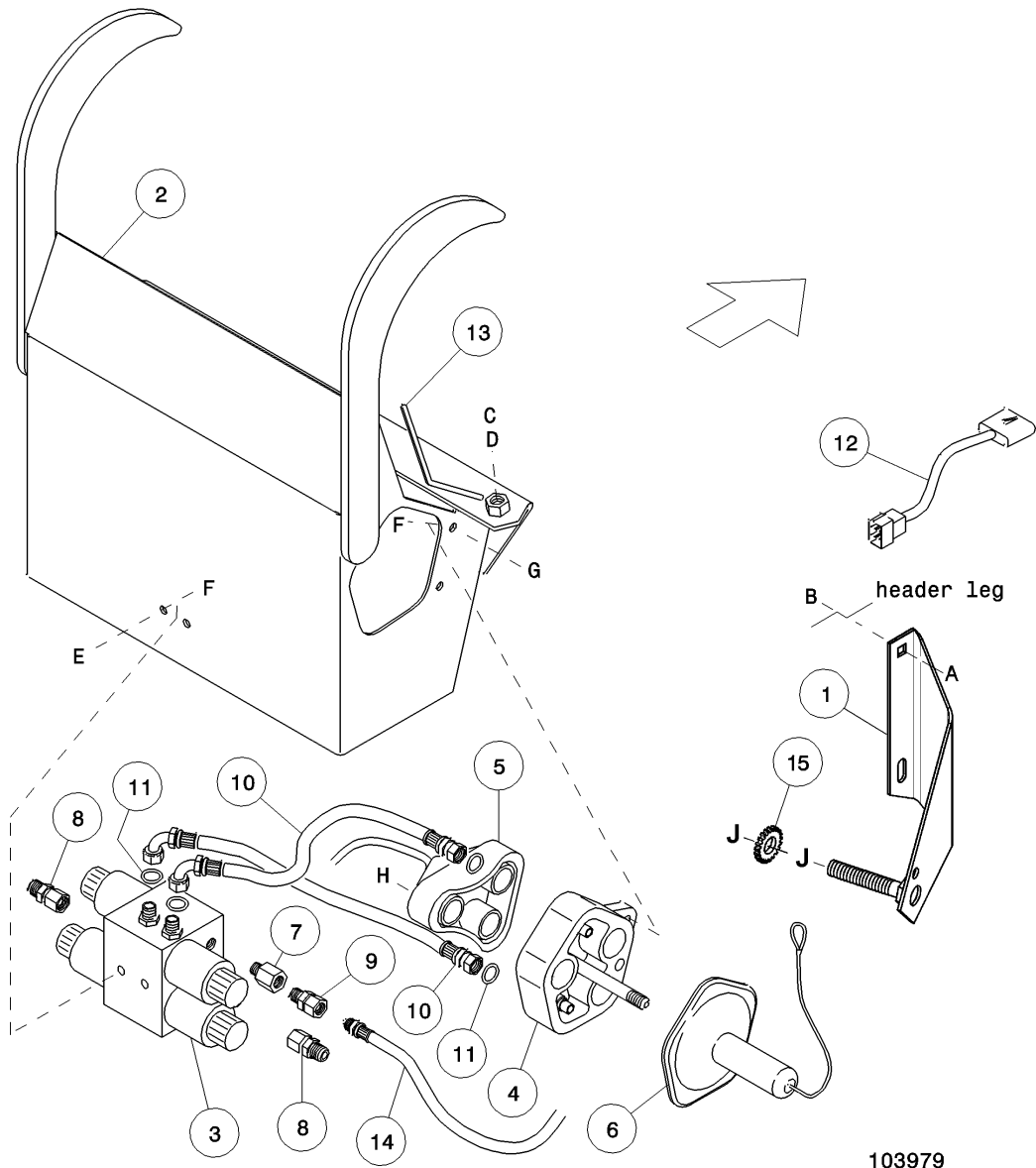
**CAT LEXION COMBINE  
ADAPTER COMPLETION PARTS**

REF	PART NUMBER	DESCRIPTION	QTY.	SERIAL NUMBER
1	103736	ARM – latch, left.....	1	
2	103750	ARM – latch, right.....	1	
3	103922	LATCH – upper.....	2	
4	103735	TUBE – latch.....	1	
5	103886	PIN – roll, 5/16 x 1 ¼ inch.....	6	
6	103730	ARM – linkage.....	2	
7	103887	LEVER – left, with handle.....	1	
8	103951	LEVER – right.....	1	
9	103733	PIN – lower latch.....	2	
10	103751	PIN – “L”.....	1	
11	35618	SPRING – compression.....	1	
12	REF	DRIVE – gear, see Hydraulics, page 15.....	1	
13	103739	ARM – drive.....	1	
14	50193	PIN – lynch.....	1	
15	103550	HANDLE – gear drive.....	1	
16	102864	ARM – support, models 460/465, and 480/485.....	1	
17	114210	ARM – support, models 450/470.....	1	
<b>18</b>	<b>123133</b>	<b>SUPPORT – extended, includes item 19.....</b>	<b>2</b>	<b>(see note 1)</b>
<b>19</b>	<b>114313</b>	<b>PLUG – extension.....</b>	<b>2</b>	<b>(see note 1)</b>
A	21575	BOLT – hex head, ½ NC x 1 inch		
B	50186	NUT – lock, smooth flange, ½ NC distorted thread		
C	30368	BOLT – flange head, ½ NC x 1 ¼ inch		
D	21560	BOLT – hex head, ½ NC x 3 inch		
E	18593	NUT – hex, ¾ inch		
F	102636	NUT – lock, ¾ NC distorted thread, center punch		
G	18605	PIN – cotter, 1/8 x 1 inch		
H	50155	BOLT – hex head, M12 x 25 mm		
J	30633	WASHER – lock, M12		
K	21975	BOLT – flange head, 3/8 NC x 1 inch		
L	30228	NUT – lock, smooth flange, 3/8 NC distorted thread		
M	18600	WASHER – flat, 21/32 inch ID		

**NOTES:**

- RE: Items 18 & 19, extended supports are required for Non-CAC Combines with Serial Numbers as follows:
  - PRIOR TO - 8YW 00513 – Model 450
  - 9FW 00597 – Model 460
  - 3HZ 00512 – Model 465
  - 9TW 00402 – Model 470
  - 2BZ 00573 – Model 480
  - 8ZW 00513 – Model 485

### CAT LEXION COMBINE HEADER COMPLETION PARTS

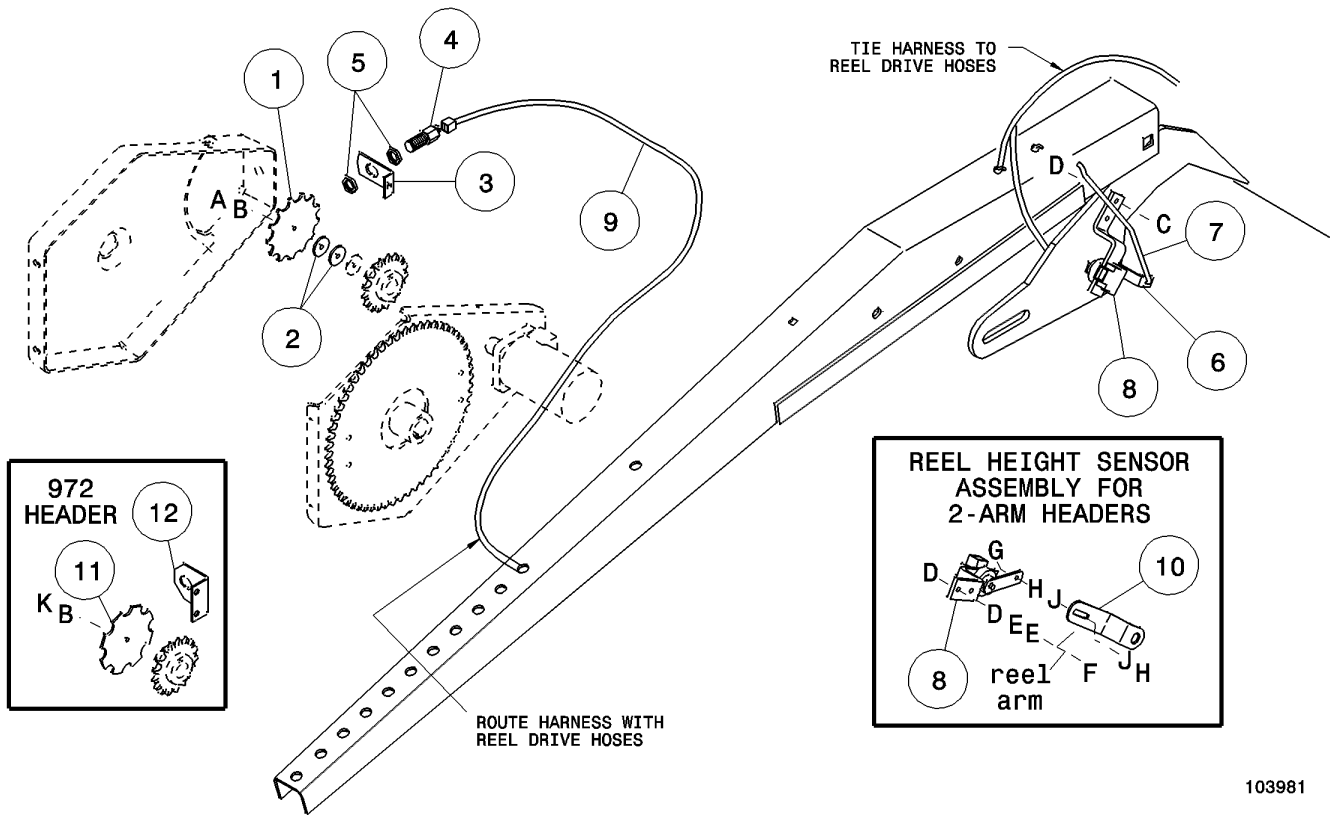




**CAT LEXION COMBINE  
HEADER COMPLETION PARTS**

REF	PART NUMBER	DESCRIPTION	QTY.	SERIAL NUMBER
1	<b>114347</b>	<b>SUPPORT – driveline storage (was 103895)</b> .....	1	
2	103849	HOLDER – electrical/hydraulics group .....	1	
3	103890	VALVE – two function .....	1	
4	103893	COUPLING – electrical/hydraulic .....	1	
5	103892	HARNESS – electrical, coupling to valve .....	1	
6	108130	COVER – rubber cap .....	1	
7	103749	FITTING – adapter, M12 O-ring x ¼ NPT .....	1	
8	103921	FITTING – adapter, M14 x 3/8 tube .....	2	
9	30302	FITTING – restrictor, 0.052 inch orifice .....	1	
10	103891	HOSE – hydraulic, coupling to valve .....	2	
11	108131	O-RING – hose fittings .....	4	
12	114005	HARNESS – adapter, header lights .....	1	
13	24122	CONDUIT – protective .....	2	
14	43629	HOSE – reel lift extension, 962 Header .....	1	
	REF	HOSE – reel lift, 972 Header: see 972 Header Parts Catalog .....	1	
<b>15</b>	<b>114338</b>	<b>DISC – 21 tooth</b> .....	<b>1</b>	
A	21863	BOLT – round head, square neck, 3/8 NC x ¾ inch		
B	30228	NUT – lock, smooth flange, 3/8 NC distorted thread		
C	30299	BOLT – hex head, ½ NC x 4 inch, thread full length		
D	18591	NUT – hex, ½ NC		
E	50235	BOLT – hex head, 5/16 NC x 3 ¾ inch		
F	30280	NUT – lock, smooth flange, 5/16 NC distorted thread		
G	21087	BOLT – hex head, 5/16 NC x 1 inch		
H	50236	BOLT – socket head, M5 x 45 mm		
J	<b>18666</b>	<b>NUT – lock, 5/8 NC distorted thread</b>		

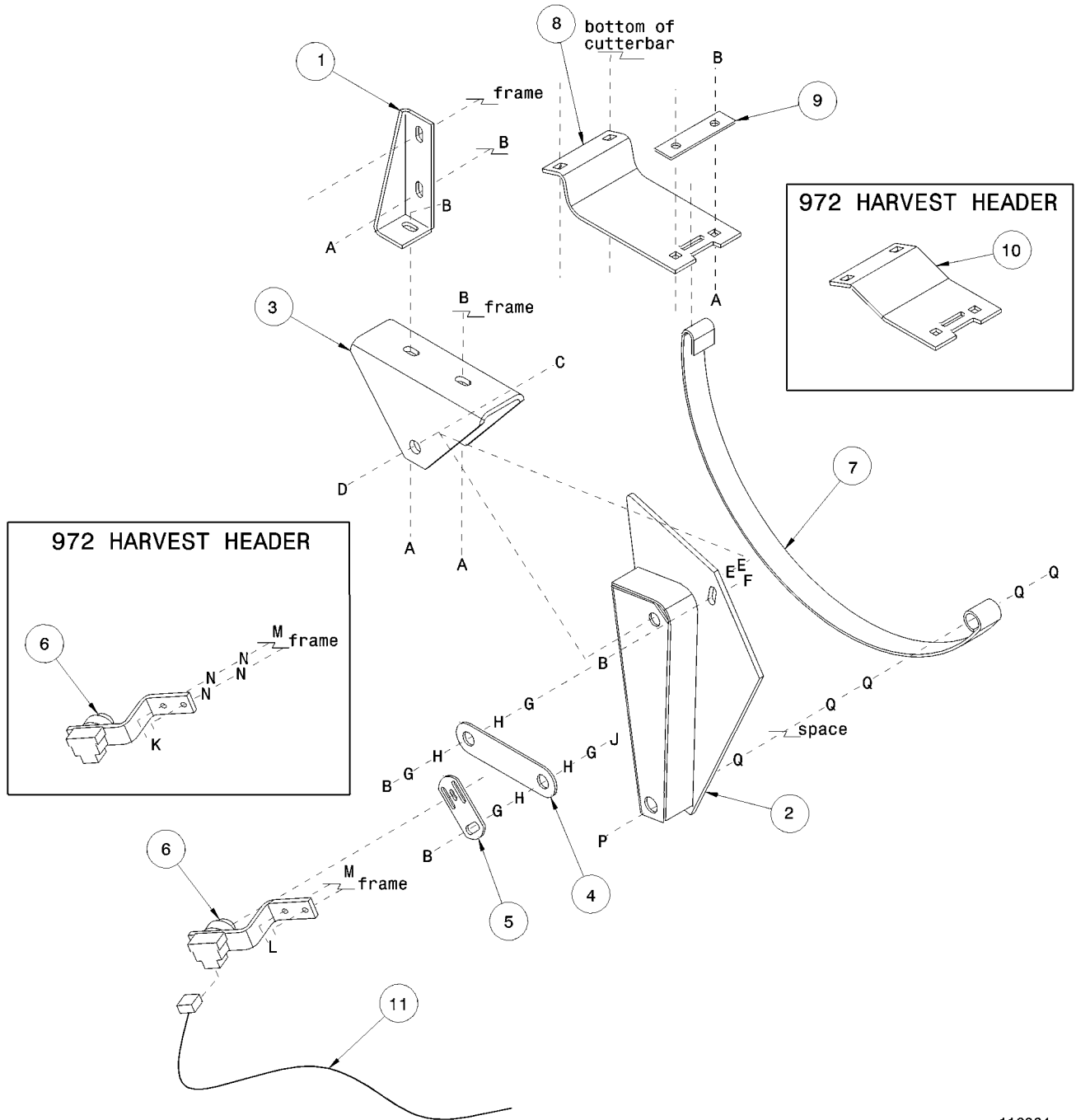
# CAT LEXION COMBINE AUTO REEL SPEED/HEIGHT GROUP



**CAT LEXION COMBINE  
AUTO REEL SPEED/HEIGHT GROUP**

REF	PART NUMBER	DESCRIPTION	QTY.	SERIAL NUMBER
1	103866	DISC – 13 teeth, reel speed sensor: 962 Header.....	1	
2	43219	WASHER – flat: 962 Header .....	2	
3	43555	SUPPORT – reel speed sensor: 962 Header .....	1	
4	103908	SENSOR – reel speed.....	1	
5	103909	NUT – reel sensor .....	2	
6	103881	ARM – reel height sensor, 3-arm headers.....	1	
7	103880	ROD – link, reel height sensor, 3-arm headers .....	1	
<b>8</b>	<b>114368</b>	<b>POTENTIOMETER ASSEMBLY .....</b>	<b>1</b>	
9	103907	HARNESS – reel speed/height.....	1	
	<b>114348</b>	<b>HARNESS – extension, 2-arm headers.....</b>	<b>1</b>	
10	114239	SUPPORT – reel height sensor, 2-arm headers .....	1	
11	113197	DISC – 8 teeth, reel speed sensor: 972 Header.....	1	
12	103582	SUPPORT – reel speed sensor: 972 Header.....	1	
A	30942	BOLT – hex head, ¼ NC x 1 ¼ inch		
B	18635	WASHER – lock, ¼ inch		
C	21282	BOLT – round head, square neck, 5/16 NC x 1 inch		
D	21403	NUT – serrated flange lock, 5/16 NC		
E	18590	NUT – hex, 3/8 NC		
F	18902	BOLT – hex head, 5/16 NC x 1 ¾ inch		
G	21573	BOLT – hex head, ¼ NC x 1 inch		
H	18724	NUT – lock, ¼ NC distorted thread		
J	18596	WASHER – flat, 9/32 inch ID		
K	21566	BOLT – hex head, ¼ NC x ¾ inch		

# CAT LEXION COMBINE AUTO CONTOUR PACKAGE



**CAT LEXION COMBINE  
AUTO CONTOUR PACKAGE**

REF	PART NUMBER	DESCRIPTION	QTY.	SERIAL NUMBER
1	114220	GUSSET – mounting .....	2	
2	114202	ARM – L/H .....	1	
	114203	ARM – R/H.....	1	
3	114196	ANCHOR – arm.....	2	
4	114014	ARM – link .....	2	
5	114197	ARM – adjusting .....	2	
<b>6</b>	<b>114368</b>	<b>POTENTIOMETER ASSEMBLY .....</b>	<b>2</b>	
7	114018	BAND – ground sensor.....	2	
8	114022	SUPPORT – band, 962 header .....	2	
9	114023	SUPPORT – clamp.....	2	
10	114024	SUPPORT – band, 972 header .....	2	
11	103906	HARNESS – wiring .....	1	
A	19965	BOLT – round head, square neck, 3/8 NC x 1 inch		
B	30228	NUT – lock, smooth flange, 3/8 NC distorted thread		
C	21406	BOLT – hex head, 5/8 NC x 3 ½ inch		
D	50225	NUT – lock, smooth flange, 5/8 NC distorted thread		
E	18600	WASHER – flat, SAE 21/32 ID		
F	21484	BOLT – round head, square neck, 3/8 NC x 1 ½ inch		
G	18598	WASHER – flat, SAE 13/32 ID		
H	18637	WASHER – lock, 3/8 inch		
J	20077	BOLT – hex head, 3/8 NC x 1 inch		
K	21479	BOLT – round head, square neck, 5/16 NC x 1 ½ (972 only)		
L	21281	BOLT - round head, square neck, 5/16 NC x 3/4		
M	30280	NUT – lock, smooth flange, 5/16 NC distorted thread		
N	18590	NUT – hex, 3/8 NC (972 only)		
P	30859	BOLT – hex head, ¾ NC x 8, threaded full length		
Q	18593	NUT – hex, ¾ NC		

DECALS



1



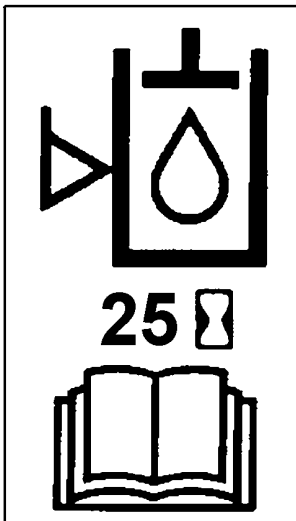
2



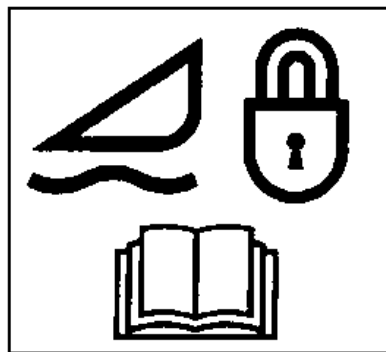
4



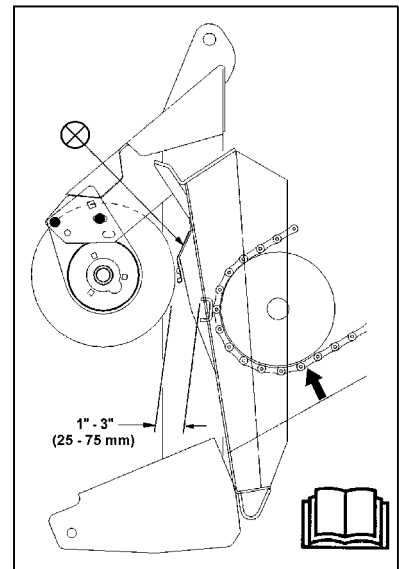
3



5



6



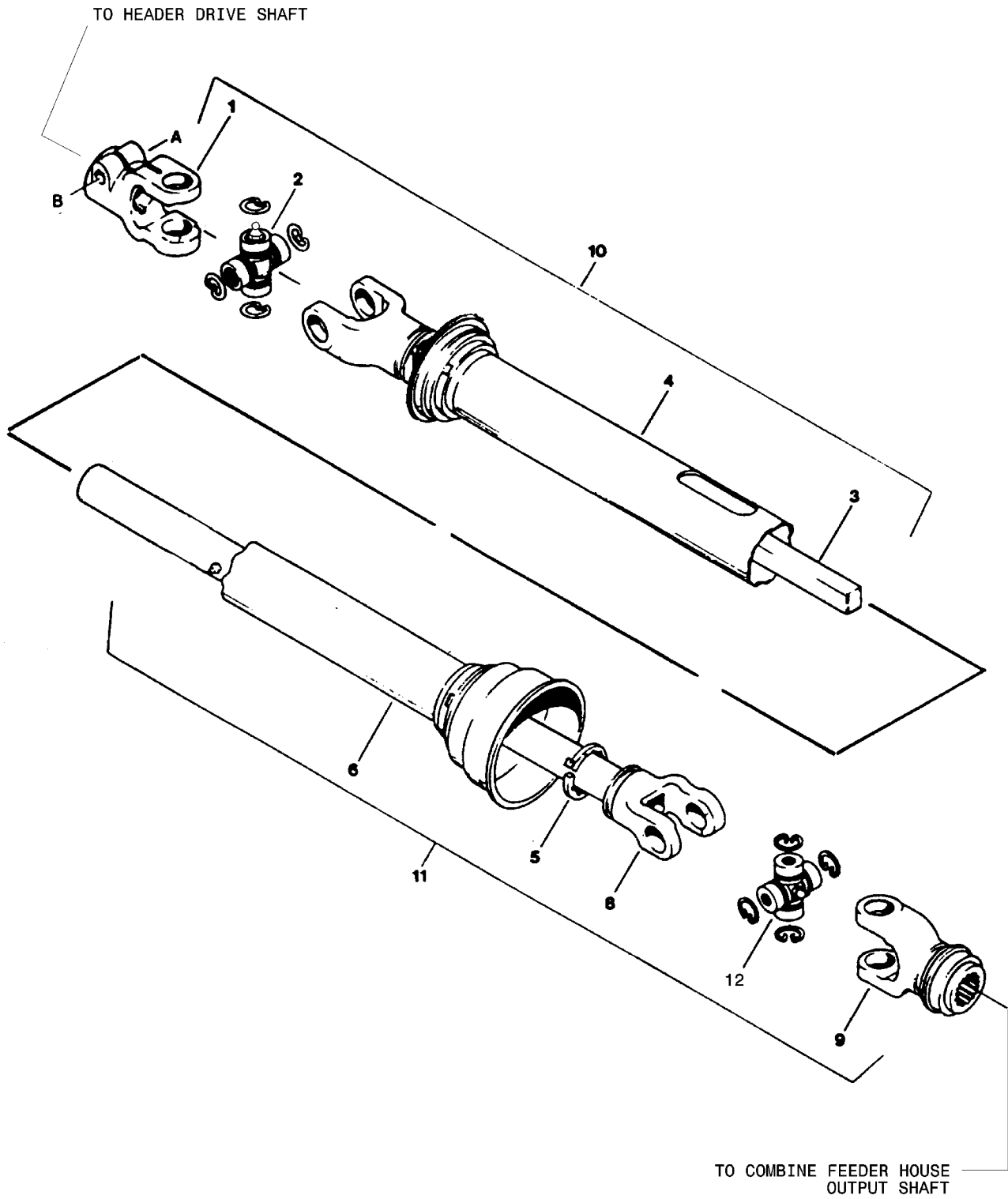
7

**DECALS**

---

<b>REF</b>	<b>PART NUMBER</b>	<b>DESCRIPTION</b>	<b>QTY</b>	<b>SERIAL NUMBER</b>
1	113483	DECAL – Header Hazard		
2	30316	DECAL - DANGER: Rotating Driveline		
3	36651	DECAL - DANGER: Shield Missing		
4	114169	DECAL – Refer to Operator’s Manual: CE Drivelines		
5	113497	DECAL - Hydraulic Oil		
6	113486	DECAL – Float Lock Out		
7	113487	DECAL – Auger Position for Case Combines		

# DRIVELINE

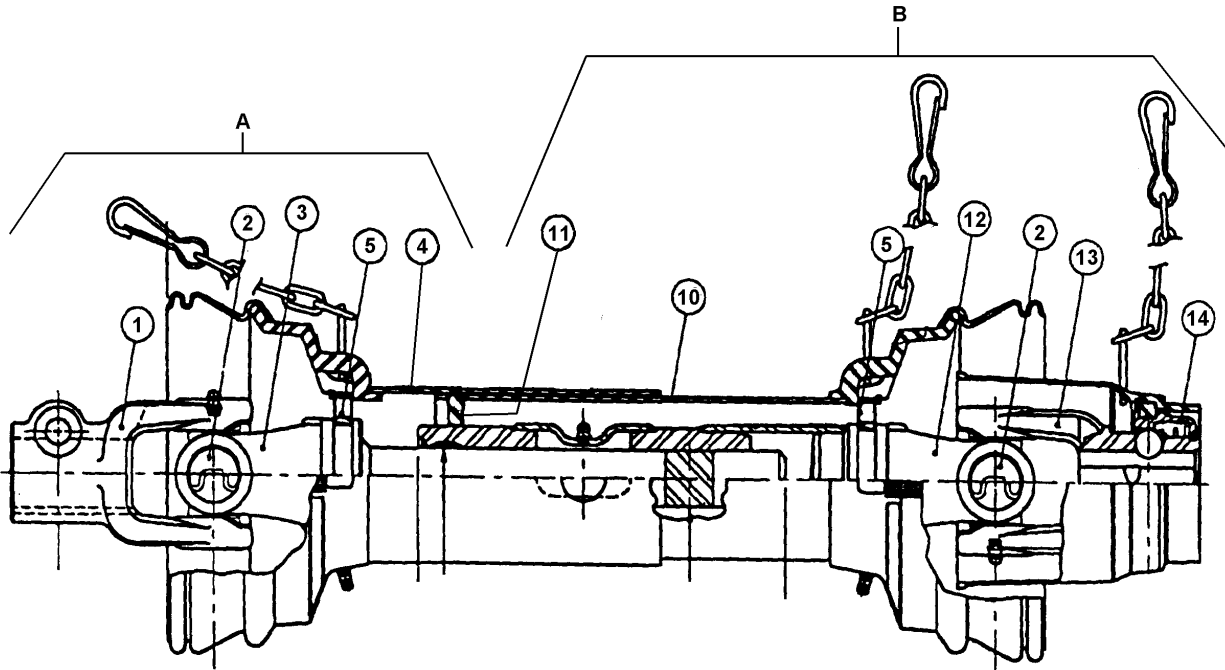




## DRIVELINE

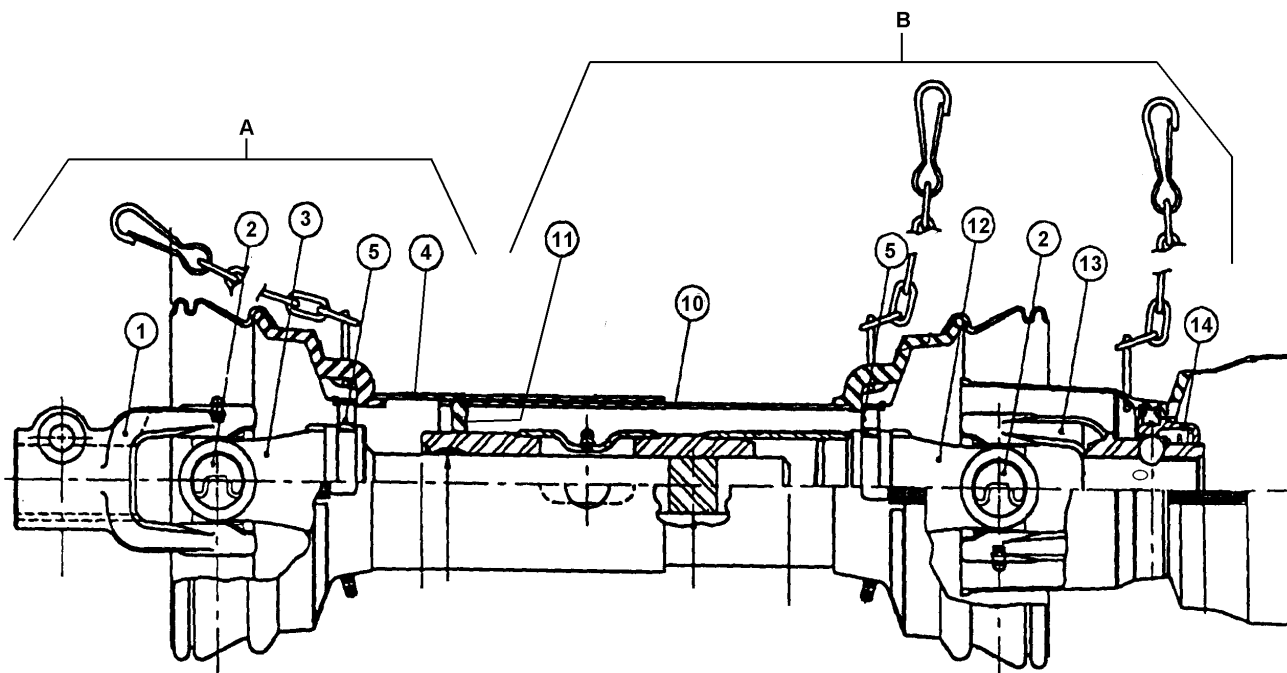
REF	PART NUMBER	DESCRIPTION	QTY	SERIAL NUMBER
<b>NOTE: For CE Driveline for European Applications, see pages 48 &amp; 49.</b>				
1	100692	YOKE - clamp, to header drive shaft.....	1	
2	114145	CROSS & BEARING KIT, with lube fitting in end cap .....	1	
3	NSS	YOKE & SHAFT (order item 10).....	1	
4	100828	SHIELD - outer, with decal .....	1	
5	32800	BEARING KIT - shield .....	2	
6	100829	SHIELD - inner: John Deere, Case & Gleaner .....	1	
	103022	SHIELD - inner: New Holland .....	1	
8	NSS	YOKE & TUBE - (order item 11).....	1	
9	24779	YOKE - spline bore, 1 3/8 x 21 teeth, with slide collar: JD, Gleaner & CAT. 1	1	
	101144	YOKE - hex bore, with slide collar: Case.....	1	
	101147	YOKE - spline bore, 1 3/8 x 6 teeth, with slide collar: New Holland .....	1	
10	100825	JOINT ASS'Y. - male half, includes items 1,2,3,4,5.....	1	
11	101150	JOINT ASS'Y. - female half, incl. items 5,6,8,9,12: JD, Gleaner & CAT .....	1	
	100826	JOINT ASS'Y. - female half, incl. items 5,6,8,9,12: Case .....	1	
	101146	JOINT ASS'Y. - female half, incl. items 5,6,8,9,12: New Holland .....	1	
12	30622	CROSS & BEARING KIT, with lube fitting in body of cross .....	1	
..	100111	DRIVELINE - complete, includes items 10 and 11: JD, Gleaner & CAT .....	1	
	100110	DRIVELINE - complete, includes items 10 and 11: Case .....	1	
	100112	DRIVELINE - complete, includes items 10 and 11: New Holland .....	1	
A	21880	BOLT - hex head, 1/2 NC x 2 3/4 inch		
B	50186	NUT - lock, smooth flange, 1/2 NC distorted thread		

**CE DRIVELINE (European Applications)  
CASE COMBINE**



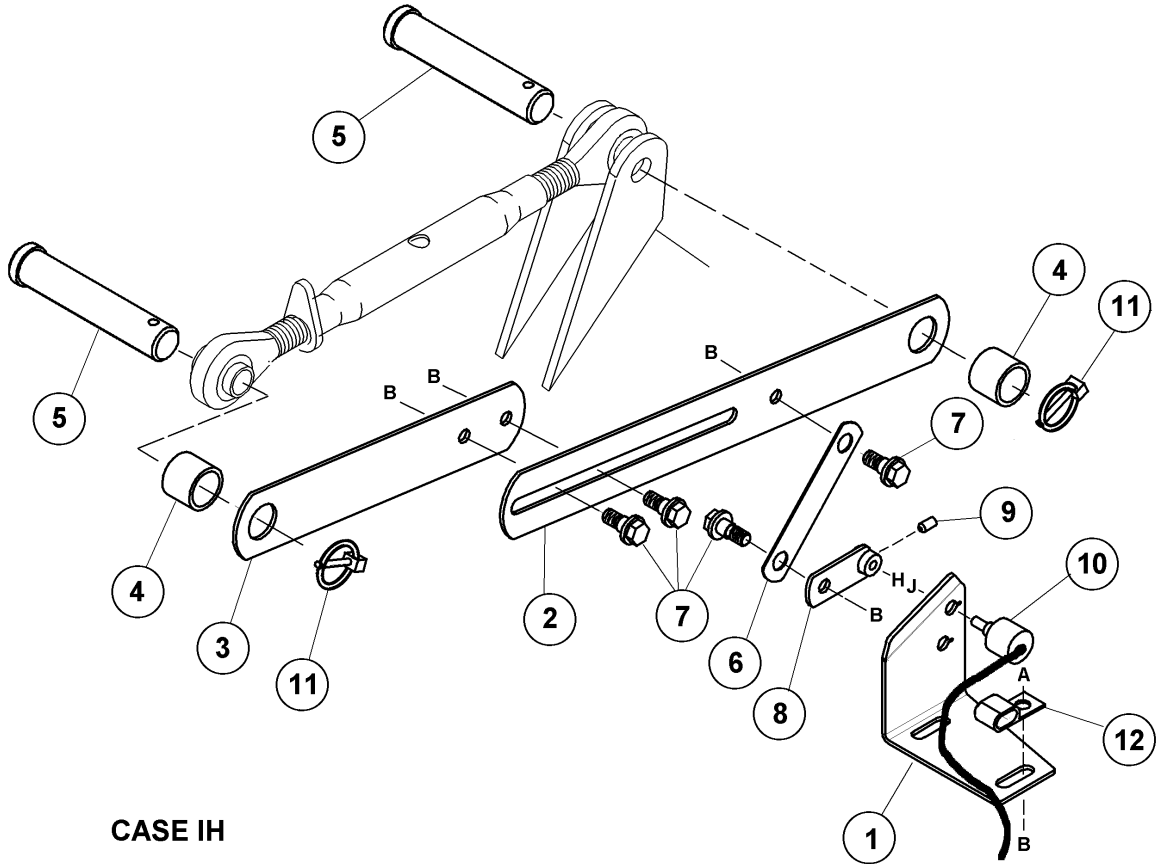
REF	PART NUMBER	DESCRIPTION	QTY	SERIAL NUMBER
•	114165	DRIVELINE - complete, includes items A and B: Case .....	1	
A	114181	JOINT ASS'Y. - male half, includes items 1,2,3,4,5.....	1	
B	114183	JOINT ASS'Y. - female half, incl. items 2,5,10,11,12,13: Case .....	1	
1	100692	YOKE - clamp, to header drive shaft.....	1	
2	114145	CROSS & BEARING KIT, with lube fitting in end cap .....	2	
3	NSS	YOKE & SHAFT (order item A) .....	1	
4	114172	SHIELD - outer, with decals .....	1	
5	114170	BEARING KIT - shield .....	2	
10	114173	SHIELD - inner: Case .....	1	
11	114171	CENTRALIZER - tube .....	1	
12	NSS	YOKE & TUBE - (order item B) .....	1	
13	114175	YOKE - Auto-Lok, hex bore: Case.....	1	
14	114176	REPAIR KIT - Auto-Lok yoke .....	1	

**CE DRIVELINE (European Applications)  
JOHN DEERE COMBINE**



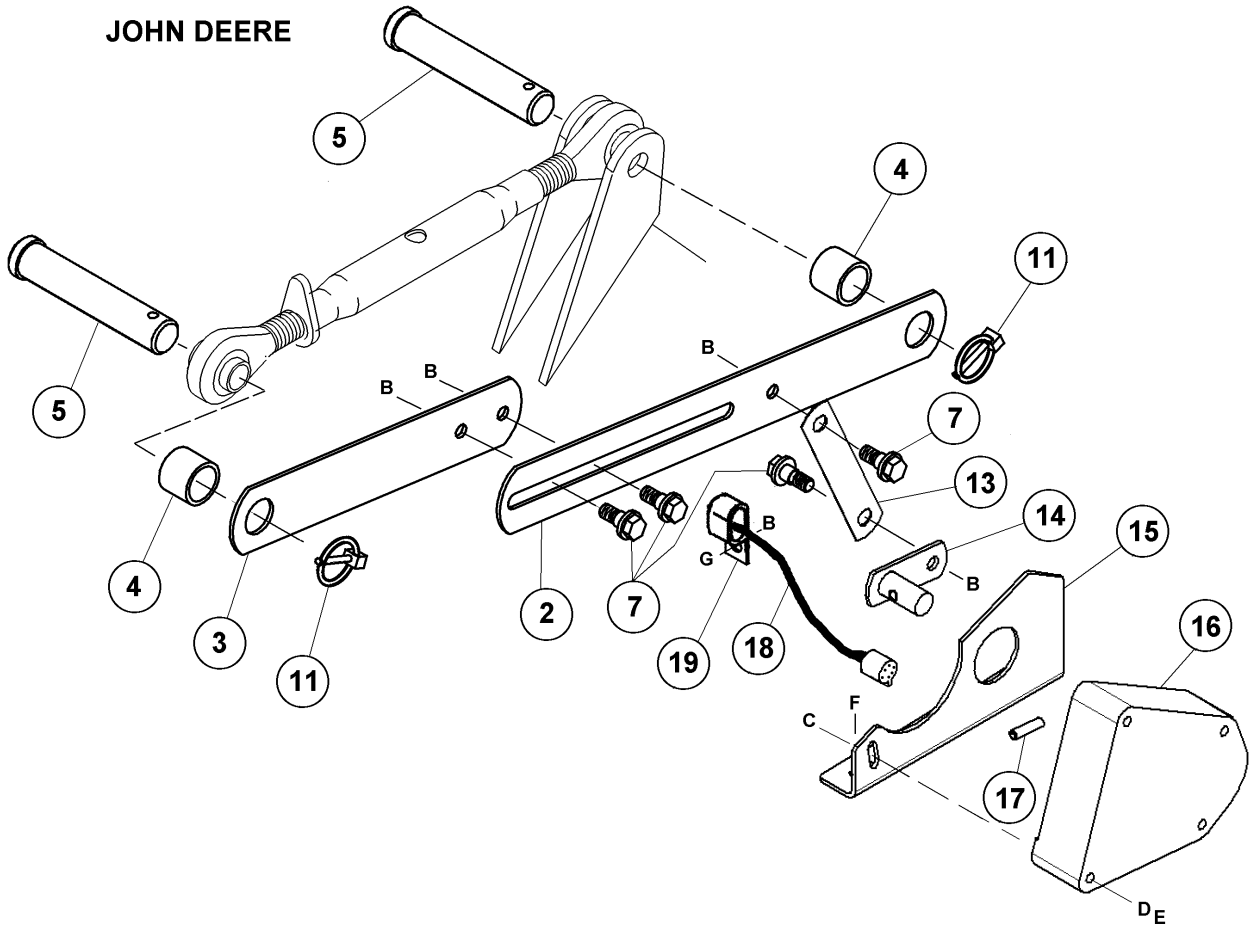
REF	PART NUMBER	DESCRIPTION	QTY	SERIAL NUMBER
•	114167	DRIVELINE - complete, includes items A and B: John Deere .....	1	
A	114184	JOINT ASS'Y. - male half, includes items 1,2,3,4,5.....	1	
B	114186	JOINT ASS'Y. - female half, incl. items 2,5,10,11,12,13: John Deere .....	1	
1	100692	YOKE - clamp, to header drive shaft.....	1	
2	114145	CROSS & BEARING KIT, with lube fitting in end cap .....	2	
3	NSS	YOKE & SHAFT (order item A) .....	1	
4	114194	SHIELD - outer, with decals .....	1	
5	114170	BEARING KIT - shield .....	2	
10	114173	SHIELD - inner: John Deere.....	1	
11	114171	CENTRALIZER - tube .....	1	
12	NSS	YOKE & TUBE - (order item B) .....	1	
13	114179	YOKE - Auto-Lok, spline bore: John Deere.....	1	
14	114177	REPAIR KIT - Auto-Lok yoke .....	1	

### FLOAT OPTIMIZER (Attachment)



CASE IH

JOHN DEERE



## FLOAT OPTIMIZER (Attachment)

REF	PART NUMBER	DESCRIPTION	QTY	SERIAL NUMBER
•	B 2898	FLOAT OPTIMIZER – CASE IH, complete .....	1	
	B 2899	FLOAT OPTIMIZER – JOHN DEERE, complete .....	1	
		Kits available through WholeGoods Only		
1	114310	SUPPORT – controller, Case .....	1	
2	114312	ARM – header height, rear .....	1	
3	114311	ARM – header height, front .....	1	
4	16095	SPACER – tube .....	2	
5	114317	PIN – clevis, 1 x 4.53 inch effective length .....	2	
6	114306	LINK – control, Case .....	1	
7	135001	BOLT – shoulder, 3/8 NC .....	4	
8	114307	ARM – control, Case .....	1	
9	21061	SCREW – set, Allen head, cup point, ¼ NC x ½ inch .....	1	
10	114300	HARNESS – wiring, Case .....	1	
		Assemble in bottom hole for Adapters with traction surface walkway		
		Assemble in top hole for Adapters without traction surface walkway		
11	102264	PIN – lynch .....	2	
12	39272	HOLDER – harness, Case .....	1	
13	114087	LINK – control, John Deere .....	1	
14	114303	ARM – control, John Deere .....	1	
15	114304	SUPPORT – controller, John Deere .....	1	
16	REF	CIRCUIT BOX – order John Deere AH 142086 .....	1	
17	30943	PIN – roll, ¼ x 1 inch .....	1	
18	114299	HARNESS – wiring, John Deere .....	1	
19	43848	HOLDER – harness, John Deere .....	5	
A	21821	BOLT – flange head, 3/8 NC x ¾ inch – Adapters with traction surface walkway		
	101898	SCREW – self-tapping, 3/8 x 5/8 inch – Adapters without traction surface walkway		
B	30228	NUT – lock, smooth flange, 3/8 NC distorted		
C	30822	BOLT – round head, square neck, ¼ NC x 2 ¼ inch		
D	18635	WASHER – lock, ¼ inch		
E	18588	NUT – hex, ¼ NC		
F	101898	SCREW – self-tapping, 3/8 x 5/8 inch		
G	21863	BOLT – round head, short square neck, 3/8 NC x ¾ inch		
	21447	BOLT – large flange head, 3/8 NC x 1 inch		
H	135013	<b>NUT – jam, 3/8 extra fine</b>		
J	30598	<b>WASHER – lock, internal tooth, 3/8 I.D.</b>		

## NUMERICAL LIST

<u>PART NO.</u>	<u>PAGE</u>	<u>PART NO.</u>	<u>PAGE</u>	<u>PART NO.</u>	<u>PAGE</u>	<u>PART NO.</u>	<u>PAGE</u>
2149	7	30825	35	43555	21	50219	7
2149	11	30854	31	43555	41	50219	11
10686	17	30856	15	43629	21	50219	11
11695	17	30873	13	43629	27	50219	13
15903	3	30908	31	43629	31	50219	13
15903	7	30909	31	43629	35	50221	7
15903	11	30926	7	43629	39	50221	11
16095	51	30926	11	43640	3	50223	7
18671	17	30943	51	43848	51	50223	11
20043	21	30970	9	44207	9	100057	17
20043	27	30970	13	44207	13	100069	17
21010	17	30971	7	44209	3	100100	9
21061	51	30971	9	44209	9	100100	13
21540	3	30971	9	44209	13	100110	47
21804	3	30971	11	44210	3	100111	47
21806	3	30971	13	44210	7	100112	47
21824	31	30971	13	44210	7	100155	23
21824	35	30972	31	44210	11	100201	17
21830	9	30977	7	44210	11	100222	17
21830	13	30977	11	44210	13	100383	17
21855	7	32225	9	44210	27	100525	27
21855	11	32416	3	44210	31	100525	35
21855	27	32800	47	44210	35	100528	31
21855	35	33424	7	45153	21	100570	7
21856	27	33854	13	45153	27	100570	11
21857	7	35618	37	45153	35	100571	7
21857	11	36651	45	45157	31	100571	11
21857	27	37785	27	45157	35	100574	7
21857	35	37785	35	45160	9	100574	11
21858	21	37842	31	45160	13	100575	7
21859	17	37845	7	45205	9	100575	11
21859	20	37995	25	45205	13	100576	7
21860	20	38894	23	49223	31	100576	11
21882	3	38894	29	49232	27	100589	17
22072	33	39272	5	49342	5	100591	17
24122	39	39272	51	50022	27	100592	17
24779	47	40169	25	50022	31	100692	47
29934	27	40300	33	50022	35	100692	48
29934	35	40432	33	50082	7	100692	49
30282	7	40435	35	50082	11	100765	5
30282	13	40498	31	50082	27	100820	3
30282	13	40499	27	50082	35	100825	47
30302	39	40683	35	50085	21	100826	47
30316	45	40764	17	50103	7	100828	47
30556	31	40765	17	50103	11	100829	47
30601	20	40918	33	50104	7	100862	17
30622	47	41388	3	50104	11	101008	17
30639	9	42433	3	50193	23	101026	17
30639	13	42604	7	50193	25	101109	35
30695	7	43219	21	50193	29	101144	47
30695	11	43219	41	50193	37	101146	47
30707	3	43521	17	50219	3	101147	47
30825	31	43554	21	50219	7	101150	47

## NUMERICAL LIST

<u>PART NO.</u>	<u>PAGE</u>	<u>PART NO.</u>	<u>PAGE</u>	<u>PART NO.</u>	<u>PAGE</u>	<u>PART NO.</u>	<u>PAGE</u>
101243	3	101793	7	102477	29	103245	25
101343	20	101793	11	102505	29	103246	25
101394	7	101797	7	102506	29	103247	25
101655	19	101797	11	102564	29	103273	5
101658	19	101798	23	102615	33	103274	5
101659	19	101798	25	102616	7	103288	23
101660	19	101798	29	102633	33	103294	23
101664	7	101798	33	102634	33	103295	25
101664	11	101859	3	102640	7	103295	29
101665	7	101878	3	102640	11	103296	29
101666	7	101888	17	102643	9	103297	29
101666	11	101891	3	102643	13	103308	5
101668	7	101895	3	102653	31	103317	25
101668	11	101898	23	102664	3	103326	25
101669	7	101901	3	102666	3	103350	11
101670	7	101902	3	102667	3	103351	11
101670	7	101939	7	102668	23	103354	20
101670	11	101940	7	102671	23	103355	20
101670	11	101940	11	102704	7	103368	33
101671	17	101941	7	102704	11	103370	33
101672	17	101983	27	102705	7	103410	3
101687	15	101986	3	102705	11	103470	19
101687	15	102004	25	102706	7	103472	17
101688	15	102006	25	102706	11	103473	17
101688	15	102107	3	102709	25	103474	17
101690	15	102108	3	102711	7	103496	11
101692	17	102157	23	102711	11	103499	17
101693	17	102157	29	102713	25	103507	35
101711	17	102168	25	102717	35	103514	15
101715	17	102169	25	102764	15	103515	15
101716	17	102170	25	102820	31	103516	15
101719	17	102171	25	102830	29	103517	15
101720	17	102171	29	102831	29	103518	15
101721	17	102178	23	102864	37	103519	15
101723	17	102178	29	103022	47	103520	15
101725	17	102179	23	103028	11	103522	15
101728	17	102179	29	103045	3	103523	15
101729	17	102220	23	103051	3	103524	15
101730	17	102264	3	103052	3	103525	15
101731	17	102264	33	103059	3	103525	15
101732	17	102264	51	103061	3	103526	15
101733	17	102434	7	103073	3	103526	15
101734	17	102435	7	103090	3	103527	15
101736	19	102436	9	103091	3	103528	15
101738	17	102436	13	103092	3	103529	15
101739	17	102438	9	103093	3	103530	15
101740	19	102438	13	103094	3	103531	15
101741	19	102449	3	103101	3	103532	15
101745	19	102463	20	103105	3	103533	15
101749	3	102465	29	103142	19	103534	15
101752	3	102466	20	103149	3	103535	15
101756	20	102467	20	103169	19	103536	15
101773	17	102474	3	103190	11	103547	29

## NUMERICAL LIST

<u>PART NO.</u>	<u>PAGE</u>	<u>PART NO.</u>	<u>PAGE</u>	<u>PART NO.</u>	<u>PAGE</u>	<u>PART NO.</u>	<u>PAGE</u>
103550	23	114023	43	114194	49	114368	41
103550	25	114024	43	114196	43	114368	43
103550	29	114048	11	114197	43	117005	21
103550	33	114051	19	114202	43	118009	21
103550	37	114053	11	114203	43	118046	21
103582	41	114054	11	114210	37	118137	5
103597	23	114055	11	114213	19	123133	37
103730	37	114056	3	114220	43	123318	13
103733	37	114057	3	114239	41	123321	13
103735	37	114070	20	114273	3	123337	13
103736	37	114071	20	114284	23	135001	51
103738	21	114086	23	114285	23	135015	13
103739	37	114087	51	114286	19	B 2544	21
103749	39	114089	19	114287	19	B 2642	3
103750	37	114090	19	114288	19	B 2701	3
103751	37	114091	19	114295	19	B 2896	19
103753	20	114092	17	114296	19	B 2897	19
103849	39	114093	17	114297	23	B 2898	51
103866	41	114107	20	114299	51	B 2899	51
103880	41	114112	23	114300	51	B 4001	21
103881	41	114126	3	114303	51	B 4242	20
103886	37	114135	27	114304	51	B 4243	20
103887	37	114137	27	114306	51	B 4244	17
103890	39	114139	27	114307	51		
103891	39	114140	27	114310	51		
103892	39	114142	27	114311	51		
103893	39	114143	27	114312	51		
103906	43	114145	47	114313	37		
103907	41	114145	48	114317	51		
103908	41	114145	49	114318	15		
103909	41	114153	25	114318	15		
103921	39	114154	25	114319	11		
103922	37	114157	25	114320	13		
103930	15	114163	20	114321	21		
103930	15	114164	20	114324	23		
103930	15	114165	48	114329	23		
103931	15	114167	49	114337	23		
103932	15	114169	45	114338	21		
103951	37	114170	48	114338	31		
108100	3	114170	49	114338	39		
108130	39	114171	48	114347	39		
108131	39	114171	49	114348	41		
113188	21	114172	48	114350	21		
113197	41	114173	48	114350	31		
113483	45	114173	49	114356	13		
113486	45	114175	48	114357	11		
113487	45	114176	48	114358	11		
113497	45	114177	49	114359	11		
114005	39	114179	49	114359	13		
114009	25	114181	48	114360	13		
114014	43	114183	48	114361	11		
114018	43	114184	49	114362	13		
114022	43	114186	49	114364	13		