

**Model 802 Center Mount Adapter
For New Holland 9030 & TV140
Bi-Directional Tractors**

PARTS CATALOG

TABLE OF CONTENTS

Frame & Tractor Linkage.....	2,3
Header Linkage & Float Group.....	4,5
Header Drive Hydraulics – with MacDon Pump	6-9
MacDon Pump/Gearbox Assembly	10,11
Header Drive Hydraulics – with New Holland Auxiliary Pump	12-15
Header Driveline.....	16,17
Header & Reel Lift Hydraulics – Serial No. 124499 and below.....	18,19
Header & Reel Lift Hydraulics – Serial No. 124500 and above	20,21
Header Lift Cylinder – 2.5” Bore Seal Kit	22
Electrical	23
Hay Conditioner Forming Shields & Mounting Group	24,25
Decals.....	26,27
<u>NUMERICAL LIST</u>	28,29

ABBREVIATIONS

L/H - left hand (Determined from Operator's position, facing forward.)
R/H - right hand
I.D. - inside diameter
O.D. - outside diameter
A/R - as required (quantity varies)
REF - reference, part number called up elsewhere in catalog
SUB - Substitute (Revised design may be used to repair previous design when stock is depleted.)
NC - national coarse thread
NF - national fine thread

NOTE: Common hardware is not illustrated. Alphabetic references are used to designate position and description of these items.

When ordering, be sure the complete and proper serial number is given.

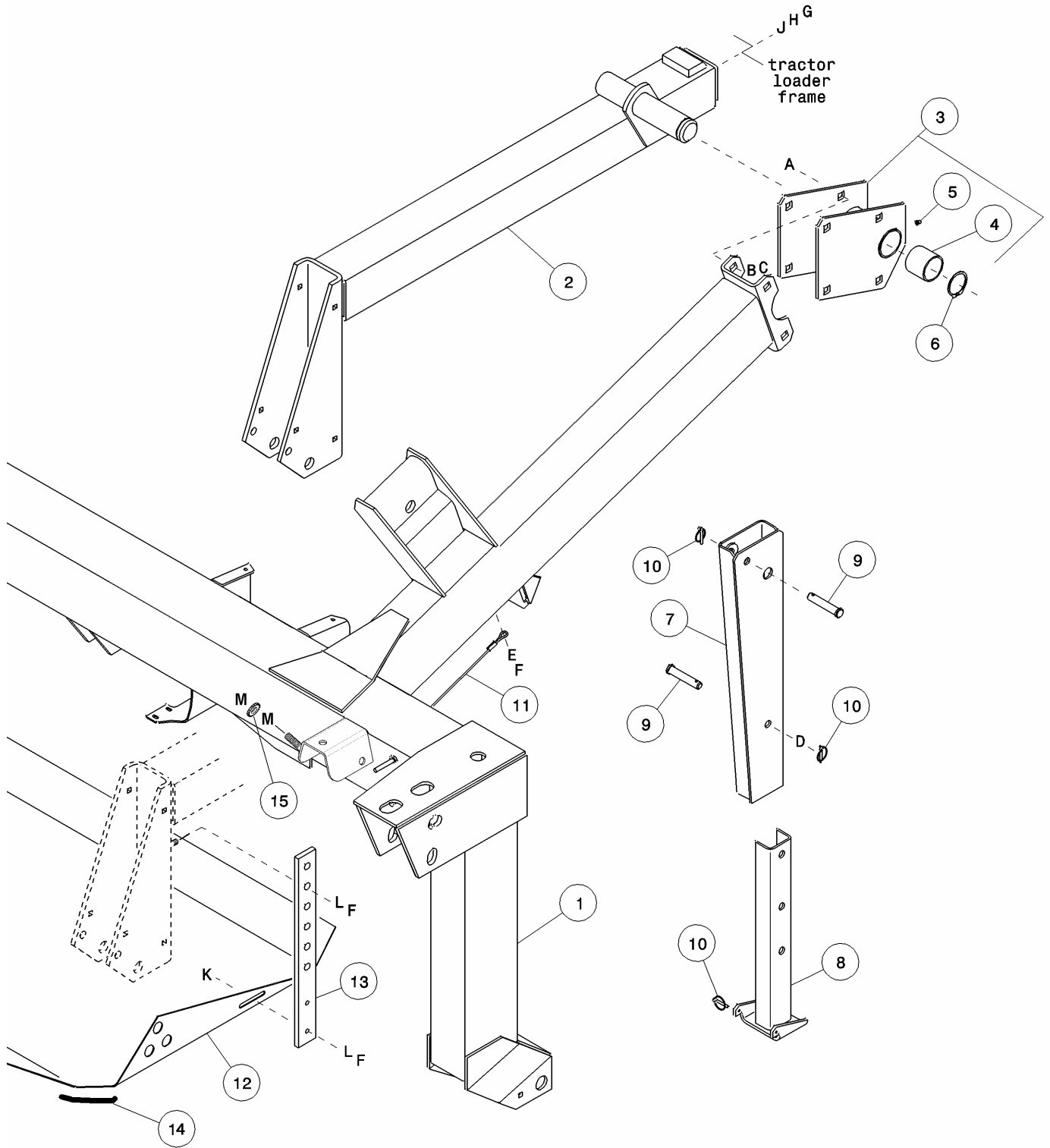
SERIAL NUMBER BREAKS

The side of the serial number on which the dash (-) appears determines whether the part is used "up to" or "after" the serial number given.

Example:	-74924	Used on machines up to and including serial number 74924.
	74925-	Used on machines including and after serial number 74925.

BOLDED PART NUMBERS INDICATE REVISIONS OR ADDITIONS SINCE LAST PRODUCTION YEAR.
--

FRAME & TRACTOR LINKAGE



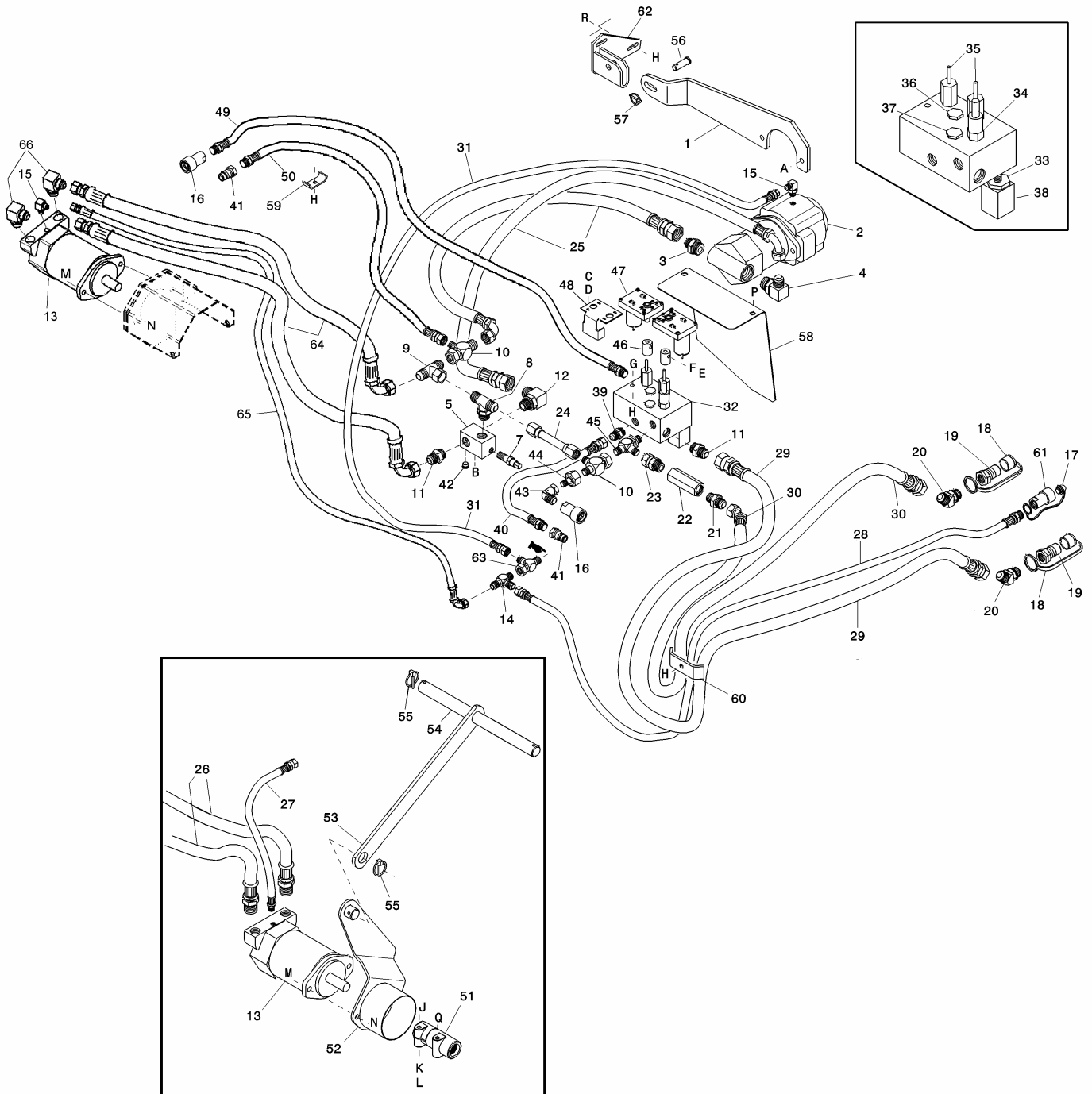
FRAME & TRACTOR LINKAGE

REF	PART NUMBER	DESCRIPTION	QTY.	SERIAL NUMBER
1	108117	FRAME – adapter, with decals	1	
2	108019	SUPPORT – tractor link, left (shown)	1	
	108018	SUPPORT – tractor link, right	1	-124499
	108249	SUPPORT – tractor link, right	1	124500-
3	108045	PIVOT – rear, with bushings and lube fitting	2	
4	25579	BUSHING – steel	4	
5	18671	FITTING – lube	2	
6	18899	RING – retaining	2	
7	108169	SUPPORT – stand	2	
8	108199	STAND – adapter	2	
9	18624	PIN – clevis, 5/8" dia. x 70 mm effective length	4	
10	50193	PIN – lynch	6	
11	108202	CABLE – stand storage	2	
12	108278	DEFLECTOR – shield	1	124500-
13	47996	STRAP – rubber	2	124500-
14	31888	SEAL – edge trim, (used on deflector right front corner)	1	
15	114338	DISC – driveline storage	1	144177-
A	103562	BOLT – round head, square neck, 5/8 NC x 1 ¼ inch		
B	18639	WASHER – lock, 5/8 inch		
C	18592	NUT – hex, 5/8 NC		
D	18600	WASHER – flat, 21/32 inch ID		
E	18598	WASHER – flat, 13/32 inch ID		
F	30228	NUT – lock, smooth flange, 3/8 NC distorted thread		
G	30448	BOLT – hex head, ¾ NC x 3 inch		
H	18640	WASHER – lock, ¾ inch		
J	6647	WASHER - flat		
K	19966	BOLT – round head, square neck, 3/8 NC x 1 ¼ inch		
L	16652	WASHER - flat		
M	21941	NUT – lock, jam, 5/8 NC distorted thread		

HEADER LINKAGE & FLOAT GROUP

REF	PART NUMBER	DESCRIPTION	QTY.	SERIAL NUMBER
1	108170	LEG – header lower link, includes items 2 & 3.....	2	-124499
	108276	LEG – header lower link, includes items 2 & 3.....	2	124500-
2	1134	SLEEVE – bearing.....	4	
3	18671	FITTING – lube.....	2	
4	49344	PIN – leg (NOTE: Install pin from inboard side of adapter).....	4	
6	102264	PIN – lynch	5	
7	42498	PAD – rubber.....	2	
8	44575	PLATE – pad cover	2	
9	11695	WASHER – flat	2	
10	49214	BAR – spring support	2	-124499
	108263	BAR – spring support	2	124500-
11	49213	PIN – lower spring anchor	2	
12	42691	INSERT – spring, lower.....	4	
13	42690	SPRING – extension	4	
14	24322	INSERT – spring, upper, with threaded hole.....	4	-124499
	41358	INSERT – spring, upper, with through hole.....	4	124500-
15	41122	BOLT – float spring.....	4	
16	21540	WASHER – hardened.....	5	
17	36837	PIVOT – float spring	4	
18	49341	PIN – float spring	4	
19	108161	JOINT ASSEMBLY – center link	1	
20	158635	PIN – clevis, center link, adapter end (was 114126).....	1	
21	41357	INSERT – spring, inner.....	4	124500-
22	40766	SPRING – extension, inner	4	124500-
23	108239	SUPPORT – header level	1	124500-
24	50193	PIN – lynch	1	
25	20312	PIN – clevis, center link, header end.....	1	
26	108240	BOLT – hex head, ¾ NC x 4 inch, thread full length.....	1	124500-
27	6647	WASHER – flat	1	124500-
28	108241	INDICATOR – header float gauge (at R/H spring support).....	1	124500-
A	19965	BOLT – round head, square neck, 3/8 NC x 1 inch		
B	18590	NUT – hex, 3/8 NC (fits in slot of pin bracket)		
C	30228	NUT – lock, smooth flange, 3/8 NC distorted thread		
D	30266	BOLT – round head, square neck, 1/2 NC x 3 inch		
E	21389	NUT – lock, ½ NC nylon insert		
F	20078	BOLT – hex head, 3/8 NC x 1 ¼ inch		
G	18603	WASHER – flat, 1-1/16 inch ID		
H	18593	NUT – hex, ¾ NC		
J	21975	BOLT – flange head, 3/8 NC x 1 inch		
K	18598	WASHER – flat, 13/32 inch I.D.		

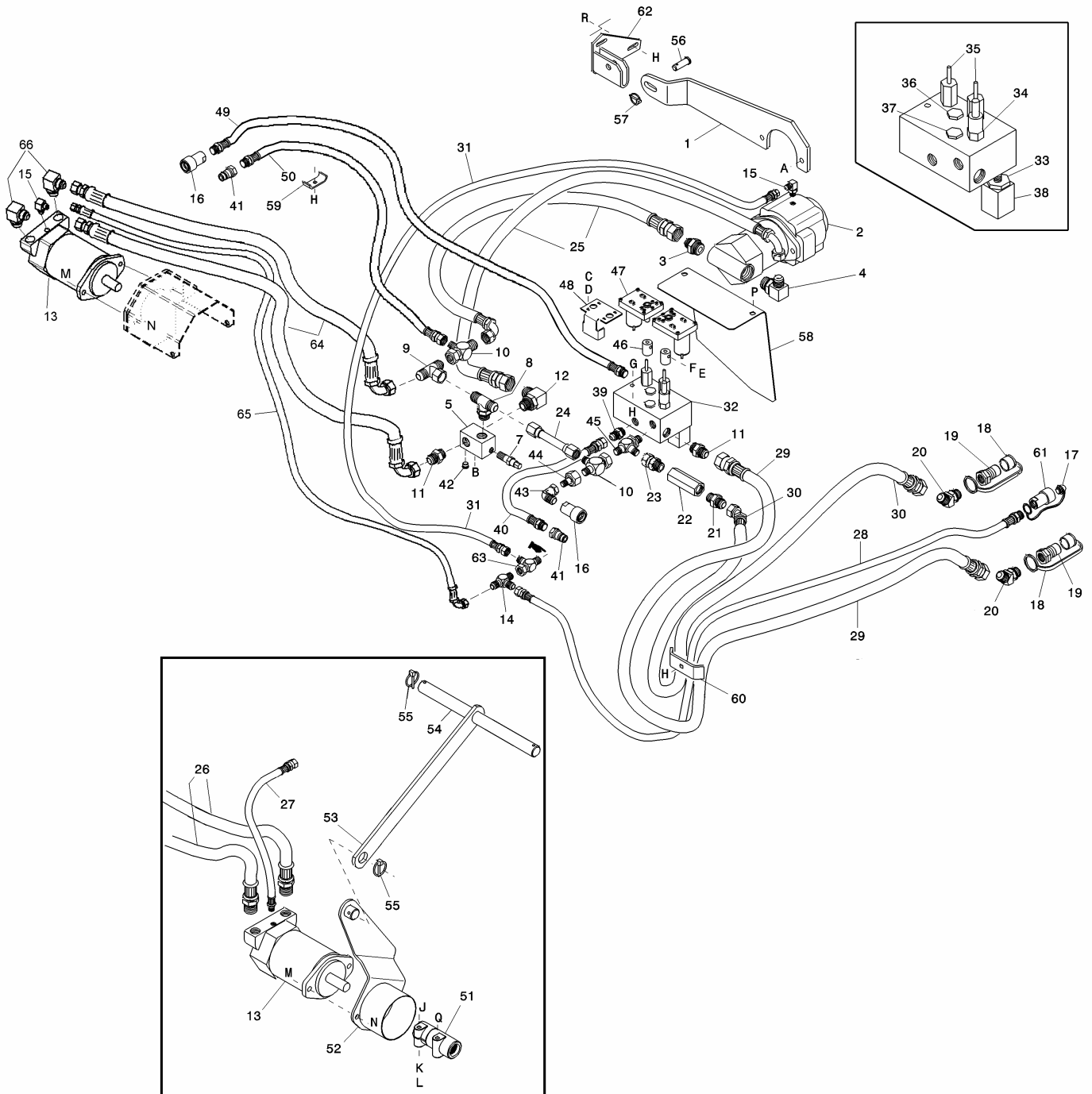
HEADER DRIVE HYDRAULICS With MacDon PUMP



HEADER DRIVE HYDRAULICS
With MacDon PUMP

REF	PART NUMBER	DESCRIPTION	QTY.	SERIAL NUMBER
1	108143	ARM – torque, pump	1	
2	REF	PUMP/GEARBOX ASSEMBLY, see Pages 10 and 11.....	1	
3	108089	FITTING – adapter, 1 5/8 O-ring x 1 tube	1	
	50222	O-RING – for 1 5/8 fitting		
4	108153	FITTING - 90° elbow, 1 5/16 O-ring x ¾ tube	1	
	50220	O-RING – for 1 5/16 fitting		
5	108062	VALVE – manifold block (was 108504).....	1	
	24509	KIT – seal, for valve 108062.....	1	
7	108517	VALVE – relief, 4000 psi.....	1	
8	50050	FITTING – branch tee, 1 1/16 O-ring* x ¾ tube	1	
9	50097	FITTING – swivel branch tee, 1 1/16 O-ring* x ¾ tube	1	
10	50086	FITTING – swivel run tee, ¾ tube	2	
11	21830	FITTING – adapter, 1 1/16 O-ring* x ¾ tube	2	
12	21800	FITTING – elbow, 1 1/16 O-ring* x 1 tube.....	1	
13	36855	MOTOR – sickle drive	1	
	36856	SEAL KIT – for motor 36855		
14	30694	FITTING – union tee, 1/2 tube.....	1	
15	30282	FITTING - 90° elbow, 9/16 O-ring x 3/8 tube (qty. 1 S.N. -144176)	2	
	50219	O-RING – for 9/16 fitting		
16	21857	COUPLER – female, ½ NPT	2	
	50082	O-RING – for coupler 21857		
17	21858	PLUG – dust	1	
18	50105	CAP – dust	2	
19	30871	COUPLER – male, 1 1/16 ORB	2	
20	50098	FITTING – 45° elbow, 1 1/16 O-ring* x ¾ tube	2	
21	21836	FITTING – adapter, ¾ tube x ¾ NPT	1	
22	21842	VALVE – check.....	1	
23	108073	FITTING – adapter, ¾ NPT x ¾ tube swivel female	1	
24	108137	LINE – hydraulic	1	
25	108087	HOSE – pump suction & pressure	2	
26	108091	HOSE – sickle drive motor pressure & return	2	-144176
27	108139	HOSE – sickle drive motor case drain.....	1	-144176
28	38747	HOSE – case drain return to tractor	1	
29	108146	HOSE – tractor to valve “P” port.....	1	
30	108145	HOSE – check valve to tractor return.....	1	
31	45122	HOSE – pump case drain NOTE: For Adapters without Header- ... Lower Control Group, hose Item 31 connects to tee Item 14. Tee Item 63 is not used.	1	
32	45542	VALVE – header drive, includes items 33 to 38.....	1	
	45101	SEAL KIT – repairs <i>one</i> valve cartridge		
33	45107	VALVE – N.C.....	1	
34	45108	VALVE – P.D., relief, header drive block (stamped I.D. #2155)	1	
35	45109	FLOW CONTROL.....	2	
	45123	SETSCREW – for flow control 45109		
36	45110	VALVE – shuttle	1	
37	45111	VALVE – regulator.....	1	
38	45104	COIL – DS, 12 VDC.....	1	
39	30695	FITTING – adapter, 7/8 O-ring x 5/8 tube	1	
	44210	O-RING – for 7/8 fitting		
40	33424	HOSE – valve “C” port to header conveyor pressure.....	1	
41	21855	COUPLER – male, ½ NPT	2	
42	135011	FITTING – plug, #2 ORB	1	- 150558
	100577	FITTING – plug, 3/8 ORB, hex socket	1	150559 -
*	30971	O-RING – for 1 1/16 fitting		

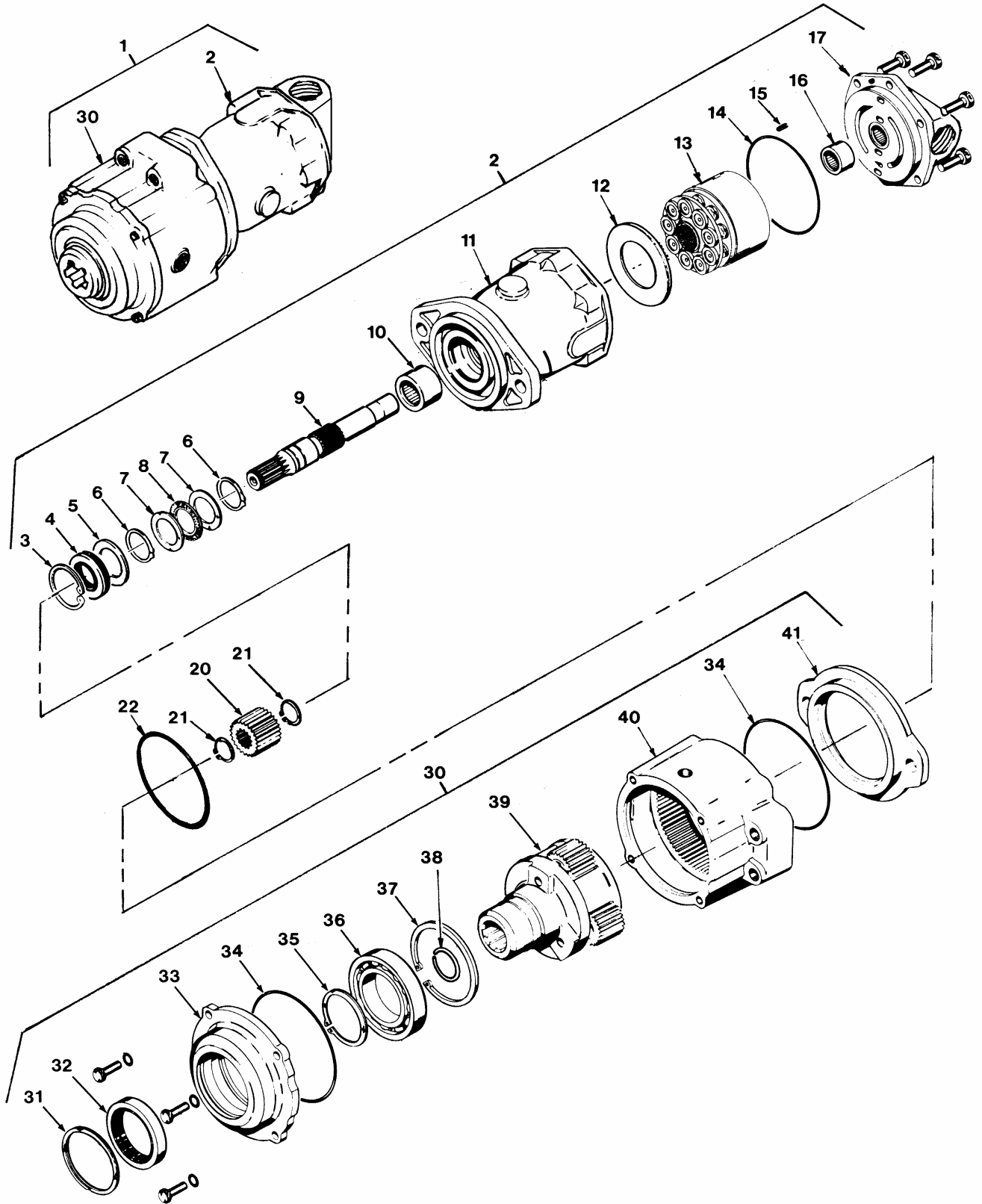
HEADER DRIVE HYDRAULICS With MacDon PUMP



HEADER DRIVE HYDRAULICS With MacDon PUMP

REF	PART NUMBER	DESCRIPTION	QTY.	SERIAL NUMBER
43	50018	FITTING – elbow, 90°, 5/8 tube female x ½ NPT male.....	1	
44	30973	FITTING – reducer, 5/8 tube male x ¾ tube female.....	1	
45	30858	FITTING – run tee, ¾ tube male x 1 1/16 O-ring	1	
	30971	O-RING – for 1 1/16 fitting		
46	40567	HUB – connector, electric motor to valve	2	
47	42369	MOTOR – electric.....	2	
48	40682	STOP – motor.....	1	
49	108140	HOSE – valve “R” port to header reel drive pressure	1	
50	37758	HOSE – header reel drive return to tee at relief valve	1	-124499
	108232	HOSE – header reel drive return to tee at relief valve	1	124500-
51	108064	COUPLING – sickle drive motor.....	1	-144176
52	108125	ARM – motor support	1	-144176
53	108126	ARM – link	1	-144176
54	108129	PIN – motor support	1	-144176
55	102264	PIN – lynch	3	-144176
56	18620	PIN – clevis, 5/8” dia. x 35 mm effective length	1	
57	50193	PIN – lynch	1	
58	108123	COVER – valve block.....	1	
59	32225	HOLDER – hose.....	1	
60	24051	HOLDER – hose.....	1	
61	108226	COUPLER – female, poppet style, 7/8 ORB thread.....	1	
62	108251	SUPPORT – pump torque arm.....	1	-124499
63	108268	FITTING – swivel run tee, ½ tube, Adapters with “Header-Lower” ... Control Group	1	
64	108539	HOSE – sickle drive motor, pressure & return	2	144177-
65	108540	HOSE – sickle drive motor, case drain.....	1	144177-
66	30970	FITTING – 90° elbow, ¾ tube x 1 1/16 O-ring.....	2	144177-
	30971	O-RING – for 1 1/16 fitting		
☛	REF	Hose from “Header-Lower” Control Group connects here. See Header and Reel Lift Hydraulics, page 20.		
A	21565	BOLT – hex head, ½ NC x 1 ¾ inch		
B	21968	BOLT – flange head, ¼ NC x ½ inch		
C	30955	SCREW – machine, #8 x 5/16 inch		
D	21185	WASHER – lock, #10 internal tooth		
E	21248	SCREW – set, 3/8 NC x ¾ inch		
F	18664	NUT – hex jam, 3/8 NC		
G	21593	BOLT – hex head, 3/8 NC x 4 inch		
H	30228	NUT – lock, smooth flange, 3/8 NC distorted thread		
J	108172	BOLT – hex head, M10 x 65 mm		
K	30632	WASHER – lock, M10		
L	30505	NUT – hex, M10		
M	18723	BOLT – hex head, ½ NC x 1 ½ inch		
N	18697	NUT – lock, ½ NC distorted thread		
P	101898	SCREW – flange head, self-tapping, 3/8 x 5/8 inch		
Q	108247	KIT – tapered clamp bolt		
R	21471	BOLT – round head, square neck, 3/8 NC x 1 ¼ inch		

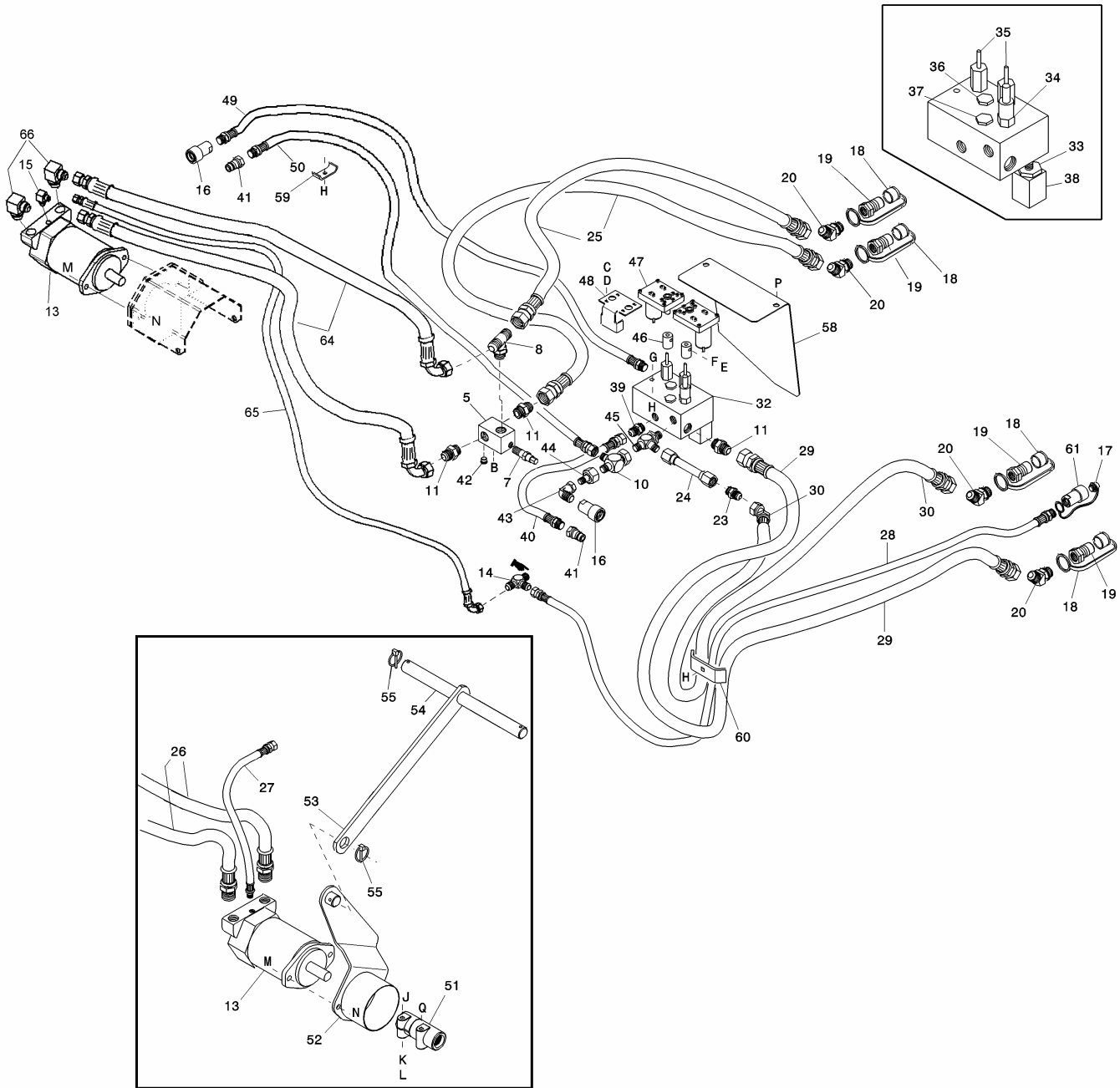
MacDon PUMP/GEARBOX ASSEMBLY



MacDon PUMP/GEARBOX ASSEMBLY

REF	PART NUMBER	DESCRIPTION	QTY.	SERIAL NUMBER
1	108148	PUMP/GEARBOX - 1000 RPM, incl. items 2, 20 to 22, and 30.....	1	
		<u>PISTON PUMP COMPONENTS</u>		
2	108149	PUMP - piston, 1000 RPM - includes items 3 to 17	1	
3	* 18900	RING - retaining, outer	1	
4	* 30046	SEAL - shaft.....	1	
5		WASHER - flat, 1-19/32 x 2 x 5/64 inch	1	
6	* 30144	RING - retaining.....	2	
7	30140	BEARING RACE - thrust	2	
8	30141	BEARING - thrust	1	
9		SHAFT - drive	1	
10	21420	BEARING - needle, housing.....	1	
11		HOUSING ASSEMBLY 1000 RPM (2.01 cu.in./rev. displacement)..	1	
12		INSERT - cam plate.....	1	
13		ROTATING ASSEMBLY.....	1	
14	* 30045	O-RING - housing to back plate	1	
15		ROLL PIN	1	
16		BEARING - needle, back plate (Torrington B-1412)	1	
17		BACK PLATE ASSEMBLY.....	1	
*	30247	SEAL KIT - for piston pump, includes items marked *		
		<u>CONNECTING COMPONENTS</u>		
20	50100	SUN GEAR - 1000 RPM, pump to gear box connection.....	1	
21	5924	RING - retaining, sun gear	2	
22	30045	O-RING - pump to gear box connection.....	1	
		<u>GEARBOX COMPONENTS</u>		
30	36892	GEARBOX - 1000 RPM - includes items 31 to 41	1	
31	+	RING - retaining, internal 3 inch		
32	+	SEAL - shaft		
33		PLATE - front		
34	+	O-RING - housing to front plate and housing to adapter plate		
35	+	RING - retaining, external 2 5/32 inch		
36	50208	BEARING - carrier		
37	+	RING - retaining, internal 3 9/16 inch		
38	+	RING - lock		
39	36943	CARRIER ASSEMBLY - 1000 RPM		
40		HOUSING		
41		PLATE - adapter		
+	36854	SEAL KIT - for gearbox, includes items marked +		

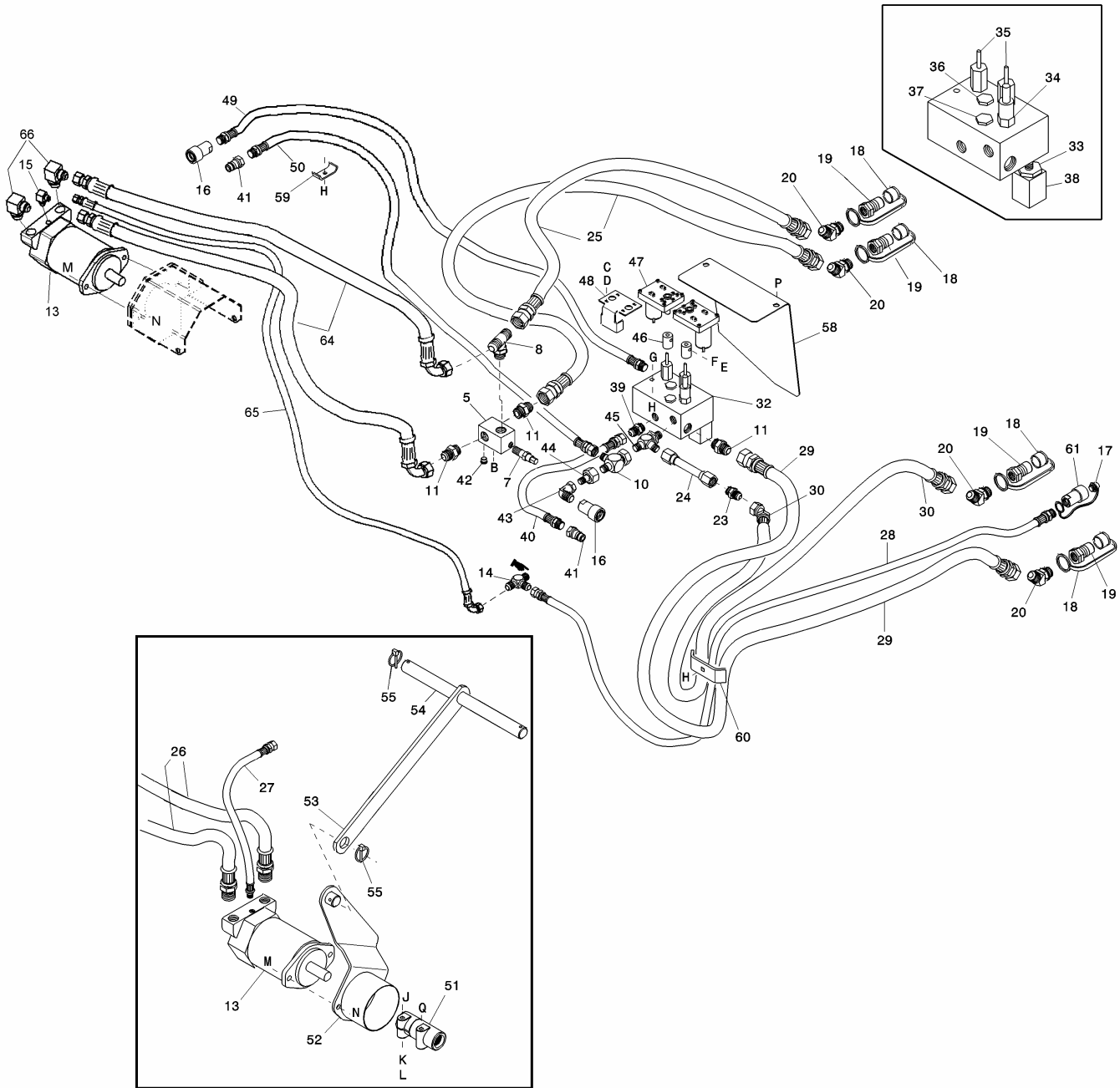
HEADER DRIVE HYDRAULICS With New Holland AUXILIARY PUMP



HEADER DRIVE HYDRAULICS
With New Holland AUXILIARY PUMP

REF	PART NUMBER	DESCRIPTION	QTY.	SERIAL NUMBER
5	108062	VALVE – manifold block (was 108504)	1	
	24509	KIT – seal, for valve block 108062	1	
7	108517	VALVE – relief, 4000 psi.....	1	
8	50050	FITTING – branch tee, 1 1/16 O-ring* x 3/4 tube	1	
10	50086	FITTING – swivel run tee, 3/4 tube.....	1	
11	21830	FITTING – adapter, 1 1/16 O-ring* x 3/4 tube	3	
13	36855	MOTOR – sickle drive	1	
	36856	SEAL KIT – for motor 36855		
14	30694	FITTING – union tee, 1/2 tube.....	1	
15	30282	FITTING - 90° elbow, 9/16 O-ring x 3/8 tube.....	1	144177-
	50219	O-RING – for 9/16 fitting		
16	21857	COUPLER – female, 1/2 NPT	2	
	50082	O-RING – for coupler 21857		
17	21858	PLUG – dust	1	
18	50105	CAP – dust	4	
19	30871	COUPLER – male, 1 1/16 ORB.....	4	
20	50098	FITTING – 45° elbow, 1 1/16 O-ring* x 3/4 tube.....	4	
23	30376	FITTING – union, 3/4 tube.....	1	
24	108137	LINE – hydraulic	1	
25	108235	HOSE – suction & pressure from NH auxiliary pump	2	
26	108091	HOSE – sickle drive motor pressure & return.....	2	-144176
27	108139	HOSE – sickle drive motor case drain.....	1	-144176
28	38747	HOSE – case drain return to tractor	1	
29	108146	HOSE – tractor to valve “P” port.....	1	
30	108145	HOSE – check valve to tractor return	1	
32	45542	VALVE – header drive, includes items 33 to 38	1	
	45101	SEAL KIT – repairs <i>one</i> valve cartridge		
33	45107	VALVE – N.C.....	1	
34	45108	VALVE – P.D., relief, header drive block (stamped I.D. #2155).....	1	
35	45109	FLOW CONTROL.....	2	
	45123	SETSCREW – for flow control 45109		
36	45110	VALVE – shuttle	1	
37	45111	VALVE – regulator	1	
38	45104	COIL – DS, 12 VDC.....	1	
39	30695	FITTING – adapter, 7/8 O-ring x 5/8 tube	1	
	44210	O-RING – for 7/8 fitting		
40	33424	HOSE – valve “C” port to header conveyor pressure	1	
41	21855	COUPLER – male, 1/2 NPT	2	
42	135011	FITTING – plug, #2 ORB	1	- 150558
	100577	FITTING – plug, 3/8 ORB, hex socket	1	150559 -
43	50018	FITTING – elbow, 90°, 5/8 tube female x 1/2 NPT male	1	
44	30973	FITTING – reducer, 5/8 tube male x 3/4 tube female	1	
45	30858	FITTING – run tee, 3/4 tube male x 1 1/16 O-ring*	1	
46	40567	HUB – connector, electric motor to valve	2	
47	42369	MOTOR – electric.....	2	
48	40682	STOP – motor.....	1	
49	108140	HOSE – valve “R” port to header reel drive pressure.....	1	
50	108232	HOSE – header reel drive return to tee at relief valve.....	1	
51	108064	COUPLING – sickle drive motor.....	1	-144176
52	108125	ARM – motor support	1	-144176
53	108126	ARM – link	1	-144176
54	108129	PIN – motor support	1	-144176
55	102264	PIN – lynch	3	-144176
☛	REF	Hose from “Header-Lower” Control Group connects here. See Header and Reel Lift Hydraulics, page 20.		
*	30971	O-RING – for 1 1/16 fitting		

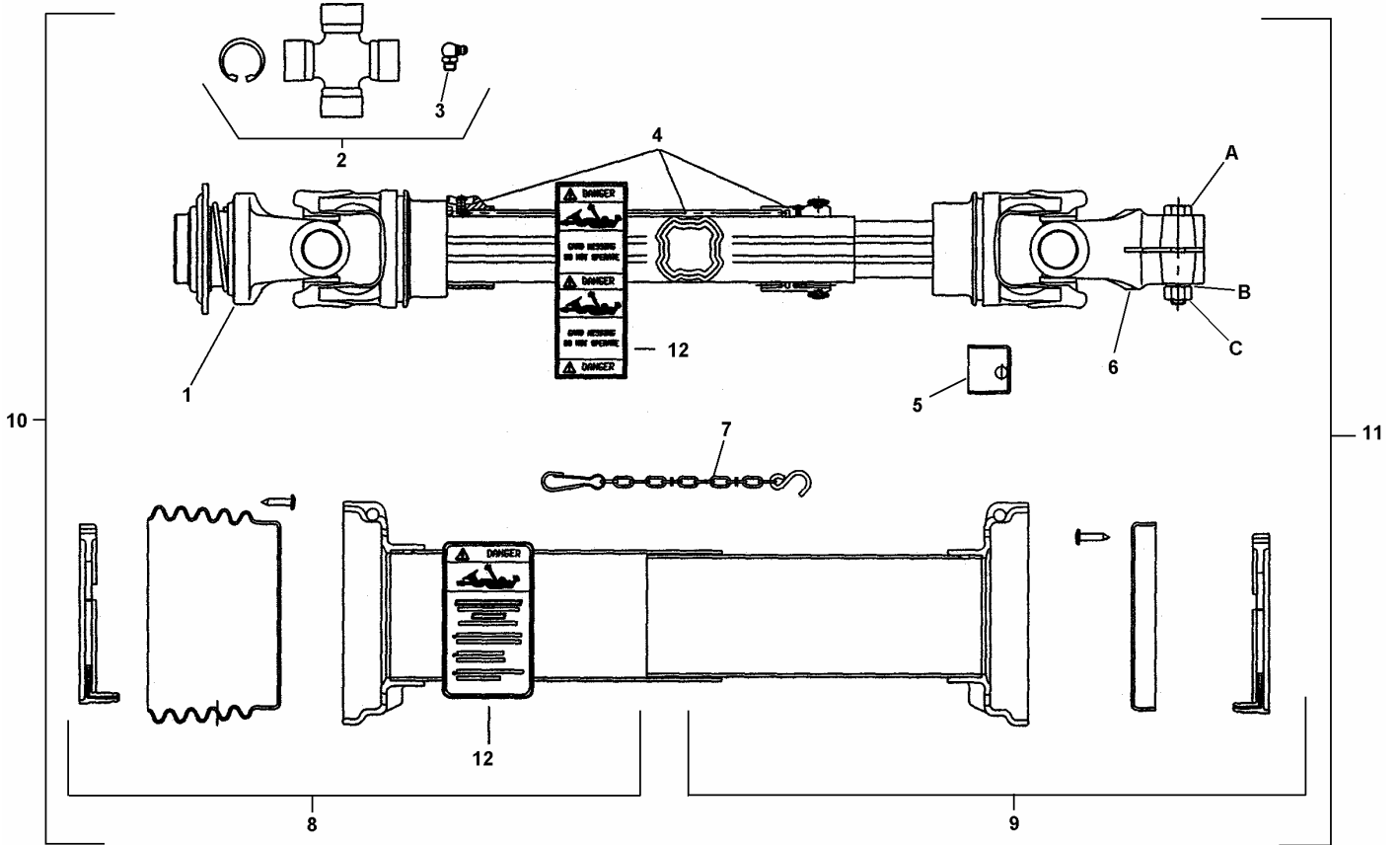
HEADER DRIVE HYDRAULICS With New Holland AUXILIARY PUMP



HEADER DRIVE HYDRAULICS
With New Holland AUXILIARY PUMP

REF	PART NUMBER	DESCRIPTION	QTY.	SERIAL NUMBER
56	18620	PIN – clevis, 5/8" dia. x 35 mm effective length	1	
57	50193	PIN – lynch	1	
58	108123	COVER – valve block	1	
59	32225	HOLDER – hose.....	1	
60	24051	HOLDER – hose.....	1	
61	108226	COUPLER – female, poppet style, 7/8 ORB thread.....	1	
64	108539	HOSE – sickle drive motor, pressure & return	2	144177-
65	108540	HOSE – sickle drive motor, case drain.....	1	144177-
66	30970	FITTING – 90° elbow, ¾ tube x 1 1/16 O-ring.....	2	144177-
	30971	O-RING – for 1 1/16 fitting		
B	21968	BOLT – flange head, ¼ NC x ½ inch		
C	30955	SCREW – machine, #8 x 5/16 inch		
D	21185	WASHER – lock, #10 internal tooth		
E	21248	SCREW – set, 3/8 NC x ¾ inch		
F	18664	NUT – hex jam, 3/8 NC		
G	21593	BOLT – hex head, 3/8 NC x 4 inch		
H	30228	NUT – lock, smooth flange, 3/8 NC distorted thread		
J	108172	BOLT – hex head, M10 x 65 mm		
K	30632	WASHER – lock, M10		
L	30505	NUT – hex, M10		
M	18723	BOLT – hex head, ½ NC x 1 ½ inch		
N	18697	NUT – lock, ½ NC distorted thread		
P	101898	SCREW – flange head, self-tapping, 3/8 x 5/8 inch		
Q	108247	KIT – tapered clamp bolt		

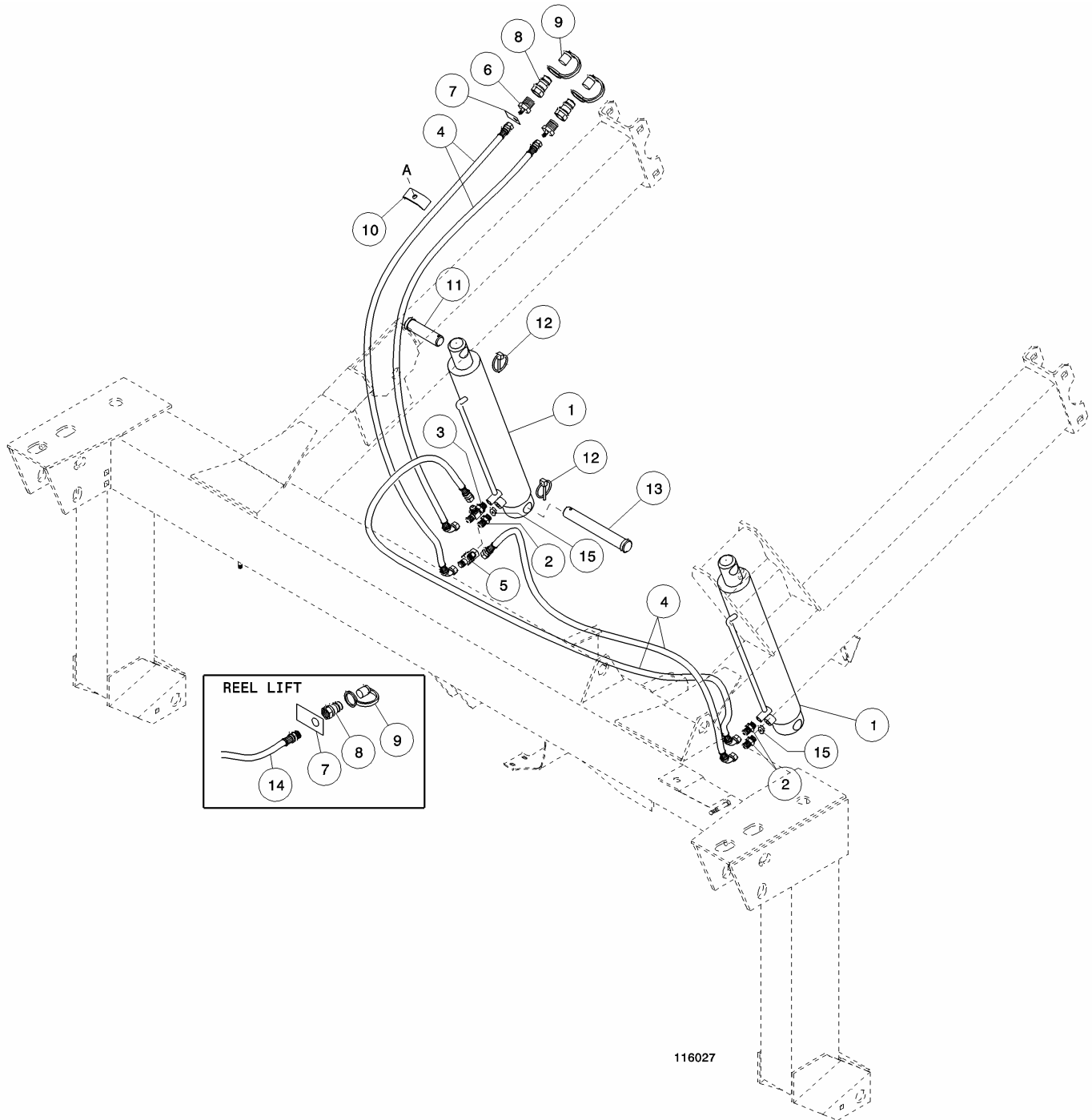
HEADER DRIVELINE



HEADER DRIVELINE

REF	PART NUMBER	DESCRIPTION	QTY.	SERIAL NUMBER
	108534	DRIVELINE – complete	1	
1	111227	YOKE – spline bore, header end.....	1	
2	111228	CROSS JOURNAL ASS'Y – includes circlips and lube fitting.....	2	
3	111230	FITTING – lube, 90° M8, for cross	2	
4	111236	GREASE SYSTEM.....	1	
5	111234	COVER	1	
6	108542	YOKE – clamp, motor end.....	1	
7	111242	CHAIN – safety	2	
8	111248	SHIELD HALF – outer	1	
9	108544	SHIELD HALF – inner	1	
10	111246	HALF SHAFT – header end: includes yokes, tube & shield.....	1	
11	108543	HALF SHAFT – motor end: includes yokes, shaft & shield.....	1	
12	REF	See DECALS page		
A	108172	BOLT – hex countersunk head, M10 x 65 mm, Class 8.8		
B	30632	WASHER – lock, M10		
C	30505	NUT – hex, M10, Class 8.8		

HEADER & REEL LIFT HYDRAULICS Serial No. 124499 and below

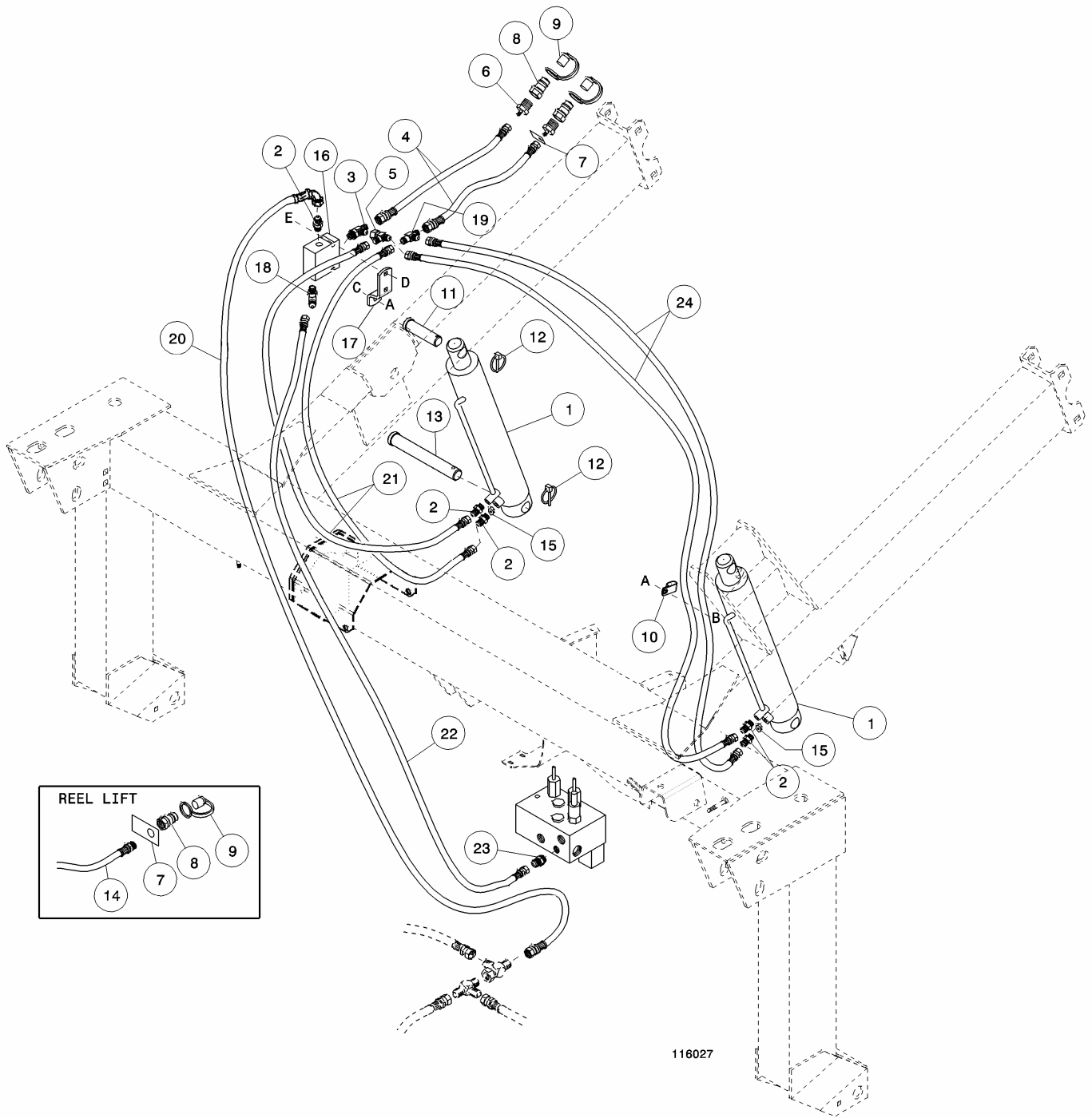


HEADER & REEL LIFT HYDRAULICS
Serial No. 124499 and below


REF	PART NUMBER	DESCRIPTION	QTY.	SERIAL NUMBER
1	45164	CYLINDER – header lift.....	2	
	42126	SEAL KIT – for cylinder 45164, see Page 22 for kit contents		
2	15903	FITTING – adapter, 3/8 tube x 9/16 O-ring	3	
	50219	O-RING – for 9/16 fitting		
3	30286	FITTING – run tee, 9/16 O-ring x 3/8 tube	1	
4	108068	HOSE – header lift cylinder	4	
5	30873	FITTING – swivel run tee, 3/8 tube	1	
6	21806	FITTING – adapter, 3/8 tube x ½ NPT	2	
7	49417	TAG – hose routing instruction	2	
8	21855	COUPLER – male, ½ NPT	3	
9	21856	CAP – dust	3	
10	32225	HOLDER – hose.....	1	
11	158635	PIN – clevis, 1” dia. x 85 mm effective length (was 114126)	2	
12	102264	PIN – lynch	4	
13	108033	PIN – clevis, 1” dia. x 170 mm effective length	2	
14	40333	HOSE – reel lift extension, 942 & 972 headers.....	1	
15	20988	RESTRICTOR – flow, to slow header drop rate (install in bottom port, slot facing cylinder)		
A	30228	NUT – lock, smooth flange, 3/8 NC distorted thread		

HEADER & REEL LIFT HYDRAULICS

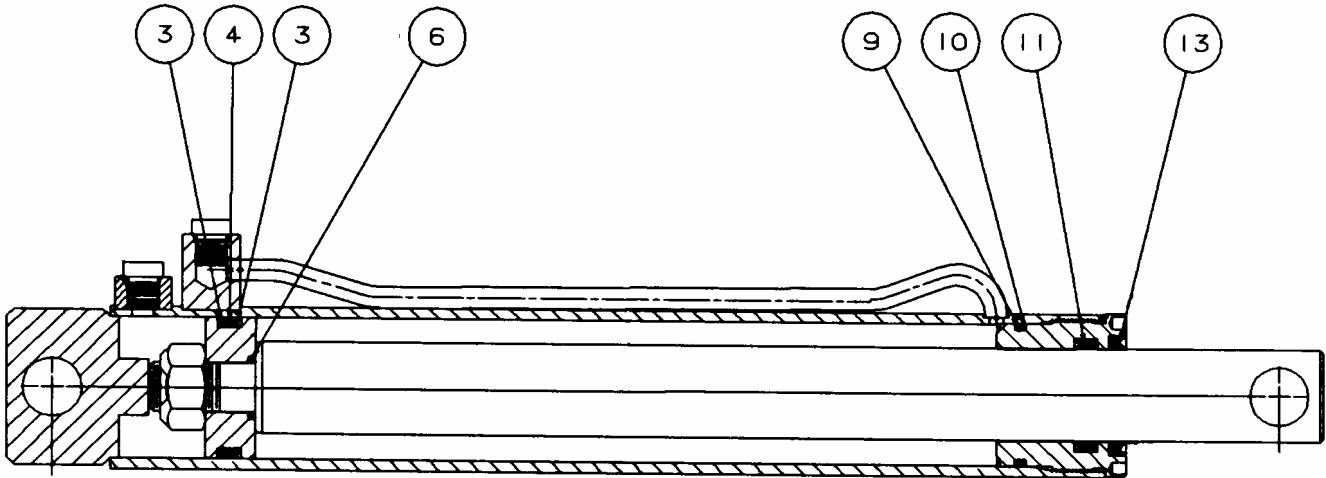
Serial No. 124500 and above



HEADER & REEL LIFT HYDRAULICS
Serial No. 124500 and above

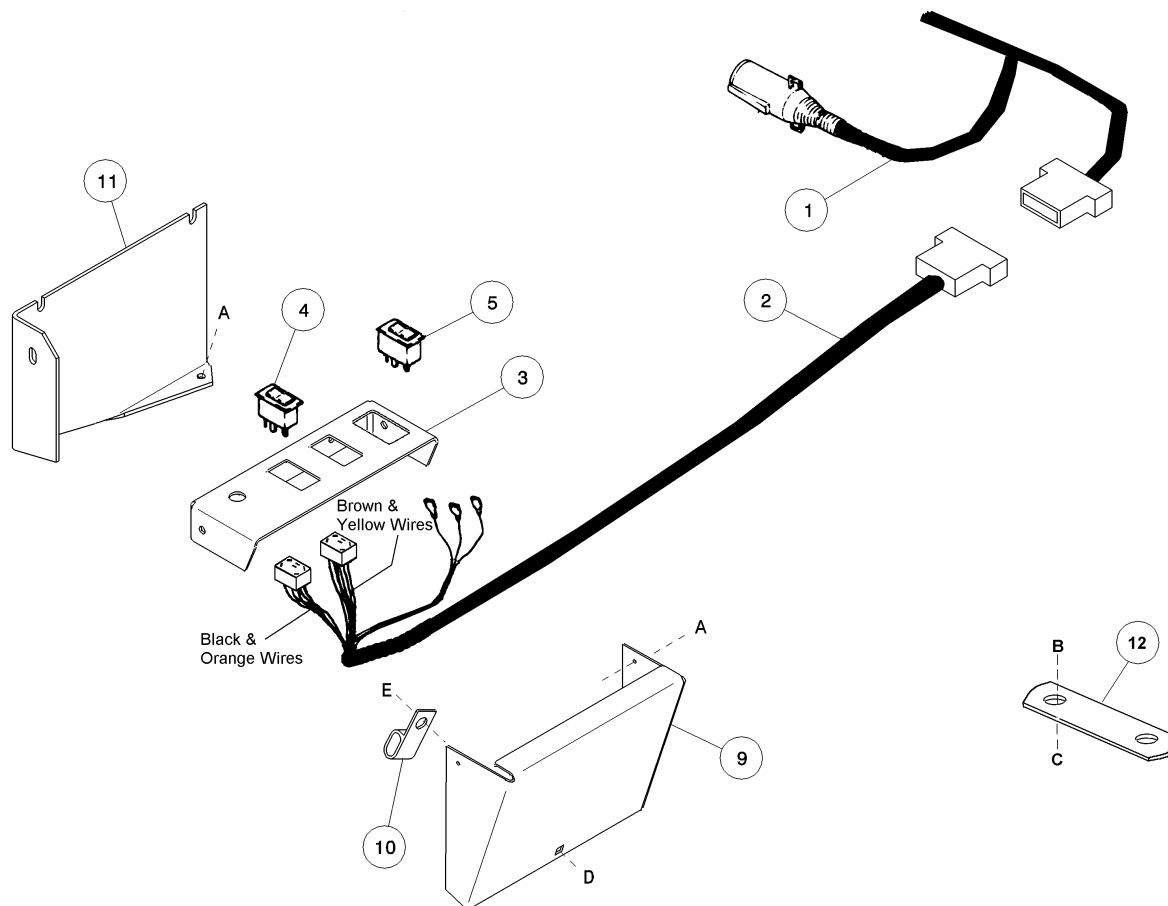
REF	PART NUMBER	DESCRIPTION	QTY.	SERIAL NUMBER
1	45164	CYLINDER – header lift.....	2	
	42126	SEAL KIT – for cylinder 45164, see Page 22 for kit contents		
2	15903	FITTING – adapter, 3/8 tube x 9/16 O-ring	5	
	50219	O-RING – for 9/16 fitting		
3	30286	FITTING – run tee, 9/16 O-ring x 3/8 tube	1	
4	31813	HOSE – tractor to valve.....	2	
5	30873	FITTING – swivel run tee, 3/8 tube	1	
6	21806	FITTING – adapter, 3/8 tube x ½ NPT	2	
7	49417	TAG – hose routing instruction.....	2	
8	21855	COUPLER – male, ½ NPT	3	
9	21856	CAP – dust	3	
10	43848	HOLDER – hose.....	1	
11	158635	PIN – clevis, 1” dia. x 85 mm effective length (was 114126)	2	
12	102264	PIN – lynch	4	
13	108033	PIN – clevis, 1” dia. x 170 mm effective length	2	
14	40333	HOSE – reel lift extension, 942 & 972 headers.....	1	
15	20988	RESTRICTOR – flow, to slow header drop rate (install in bottom port, slot facing cylinder)		
16	108236	VALVE – check.....	1	
17	108271	SUPPORT – valve.....	1	
18	30282	FITTING – elbow, 90° - 3/8 tube x 9/16 O-ring.....	1	
	50219	O-RING – for 9/16 fitting		
19	7603	FITTING – union tee, 3/8 tube.....	1	
20	31816	HOSE – check valve to tee. See  on pages 6 and 12 for connection to Header Drive hydraulic circuit	1	
21	45135	HOSE – valve to R/H lift cylinder.....	2	
22	45131	HOSE – check valve to header drive valve	1	
23	21804	FITTING – adapter, 3/8 tube x ¾ O-ring		
	44209	O-RING – for ¾ fitting		
24	31802	HOSE – valve to L/H lift cylinder	2	
A	30228	NUT – lock, smooth flange, 3/8 NC distorted thread		
B	19965	BOLT – round head, square neck, 3/8 NC x 1 inch		
C	19966	BOLT – round head, square neck, 3/8 NC x 1 ¼ inch		
D	21482	BOLT – round head, square neck, 5/16 NC x 2 ¼ inch		
E	30280	NUT – lock, smooth flange, 5/16 NC distorted thread		

**HEADER LIFT CYLINDER
2.5" BORE SEAL KIT**



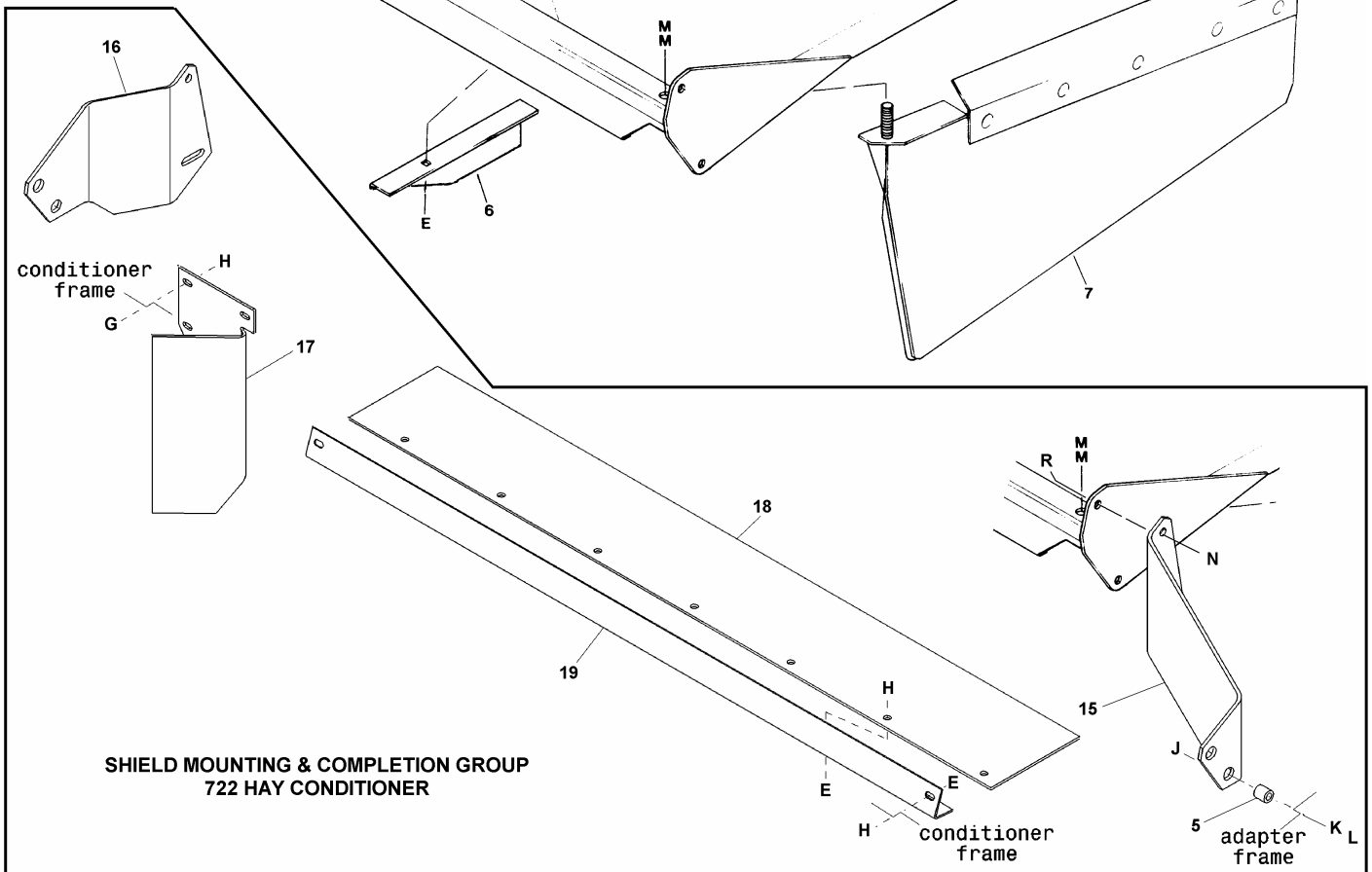
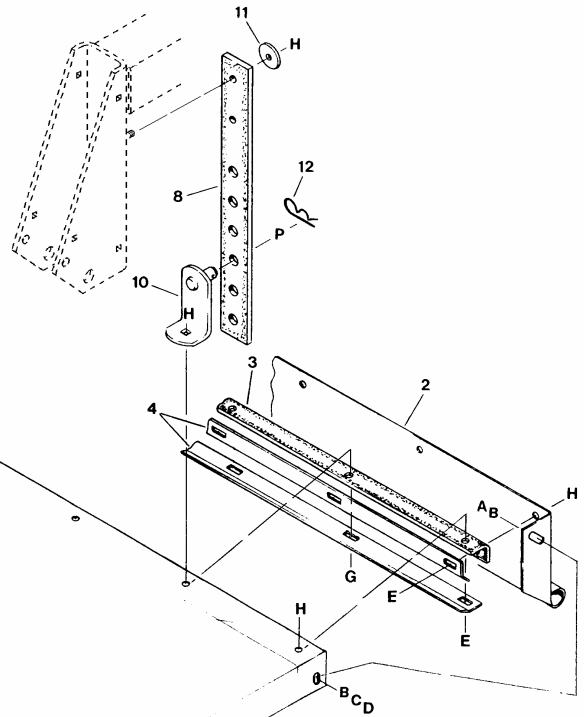
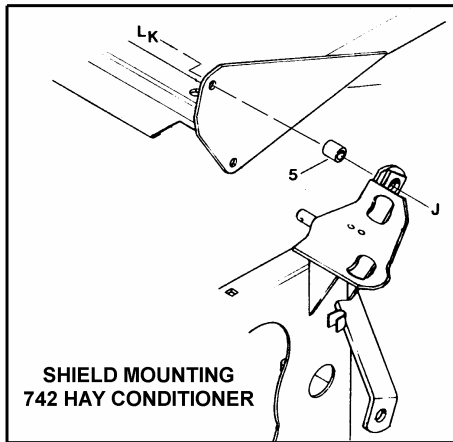
REF	PART NUMBER	DESCRIPTION	QTY	SERIAL NUMBER
	42126	SEAL KIT - 2.5" bore, for header lift cylinder 45164		
		Includes the following:		
3		BU WASHER - 2-1/2" OD x 2-1/8" ID	2	
4		O-RING BN - 2-1/2" OD x 2-1/8" ID	1	
6		O-RING BN - 1-1/8" OD x 7/8" ID.....	1	
9		O-RING BN - 2-1/2" OD x 2-1/4" ID	1	
10		BU WASHER - 2-1/2" OD x 2-1/4" ID	1	
11		U CUP, L B - 2" OD x 1-5/8" ID x 3/8" long.....	1	
13		WIPER MT - 1-5/8" ID x 2-1/8" OD x 5/16" long	1	

ELECTRICAL



REF	PART NUMBER	DESCRIPTION	QTY.	SERIAL NUMBER
1	108077	HARNESS – wiring, adapter section	1	
	30710	PLUG – 7-pole, included with harness 108077		
2	108523	HARNESS – wiring, switch panel section (was 108267)	1	
3	108081	PANEL – switch, with decal	1	-131619
	108284	PANEL – switch, with decal	1	131620-
4	42256	SWITCH – reel and draper speed	2	
5	113543	SWITCH – deck shift – Hyd. Shift Headers only (was 42257)	1	-131619
	109063	SWITCH – deck shift – Hyd. Shift Headers only	1	131620-
9	108191	COVER – switch panel	1	
10	39272	HOLDER – harness	1	
11	108192	MOUNT – switch panel, TV140 tractor only	1	
12	108158	SUPPORT – headlight, 9030 tractor only	2	
A	42292	SCREW – self-tapping, Type A, hex washer head, #10 x ½ inch		
B	21449	BOLT – serrated flange head, ½ NC x 1 inch		
C	50186	NUT – lock, smooth flange, ½ NC distorted thread		
D	21926	BOLT – round head, square neck, ¼ NC x ½ inch		
E	21455	NUT – serrated flange lock, ¼ NC		

HAY CONDITIONER FORMING SHIELDS & MOUNTING GROUP



**HAY CONDITIONER FORMING SHIELDS
& MOUNTING GROUP**

REF	PART NUMBER	DESCRIPTION	QTY.	SERIAL NUMBER
1	52134	COVER – top.....	1	
2	52131	DEFLECTOR – rear	1	
3	47997	HINGE – rubber.....	1	
4	52132	STRAP - deflector hinge support.....	2	
5	52163	SPACER - front mount	2	
6	47042	DEFLECTOR - fin (4 standard, 8 possible).....	4	
7	47596	SHIELD - forming, left.....	1	
	47597	SHIELD - forming, right	1	
8	47996	STRAP - rubber, rear support	2	
9	47580	ANGLE - upper, tractor mounting.....	2	
10	52154	ANGLE - lower, with pin	2	
11	16652	WASHER – flat	2	
12	13125	PIN – hair.....	2	
NOTE: Items 15 to 19 are for 721/722 Hay Conditioner Only				
15	108212	ARM – left, forming shield mount	1	
16	108213	ARM – right, forming shield mount.....	1	
17	108190	DEFLECTOR – right.....	1	
18	108221	DEFLECTOR – rubber	1	
19	108220	ANGLE – deflector mounting.....	1	
A	20077	BOLT - hex head, 3/8 NC x 1 inch		
B	18598	WASHER - flat, 13/32 inch I.D.		
C	18637	WASHER - lock, 3/8 inch		
D	18590	NUT - hex, 3/8 NC		
E	21863	BOLT - round head, square neck, 3/8 NC x 3/4 inch		
G	19965	BOLT - round head, square neck, 3/8 NC x 1 inch		
H	30228	NUT - lock, smooth flange, 3/8 NC distorted thread		
J	21565	BOLT - hex head, 1/2 NC x 1 3/4 inch		
K	18638	WASHER - lock, 1/2 inch		
L	18591	NUT - hex, 1/2 NC		
M	18592	NUT - hex, 5/8 NC		
N	21449	BOLT – serrated flange head, 1/2 NC x 1 inch		
P	18600	WASHER - flat, 21/32 inch I.D.		
R	50186	NUT – lock, smooth flange, 1/2 NC distorted thread		

DECALS

⚠ DANGER

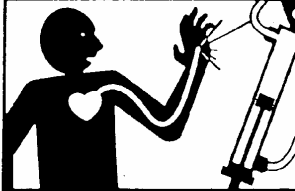


Rest header on ground or engage mechanical locks before going under unit. See Operator's Manual.

* 44611

1

⚠ WARNING



DO NOT GO NEAR LEAKS

- High pressure oil easily punctures skin causing serious injury, gangrene or death.
- If injured, seek emergency medical help. Immediate surgery is required to remove oil.
- Do not use finger or skin to check for leaks.
- Lower load or relieve hydraulic pressure before loosening fittings.

* 44944

4

2


⚠ WARNING

1. Before dismantling move ground speed lever to neutral, shut off engine, and apply park brake.
2. Machine will move if steering wheel is turned while engine is running. Be sure everyone is clear of machine before turning wheel.

* 40555

3

⚠ DANGER



ROTATING DRIVELINE
CONTACT CAN CAUSE DEATH
KEEP AWAY!

DO NOT OPERATE WITHOUT —

- ALL DRIVELINE, TRACTOR AND EQUIPMENT SHIELDS IN PLACE
- DRIVELINES SECURELY ATTACHED AT BOTH ENDS
- DRIVELINE SHIELDS THAT TURN FREELY ON DRIVELINE

30516

5

⚠ DANGER



SHIELD MISSING
DO NOT OPERATE

10

11

⚠ CAUTION

To avoid injury or death from improper or unsafe machine operation:

1. Read the Operator's Manual, and follow all safety instructions. If you do not have a manual, obtain one from your dealer.
2. Do not allow untrained persons to operate the machine.
3. Review safety instructions with all operators annually.
4. Ensure that all safety signs are installed and legible.
5. Make certain everyone is clear of machine before starting engine and during operation.
6. Keep riders off the machine.
7. Keep all shields in place, and stay clear of moving parts.
8. Disengage header drive, put transmission in neutral, apply park brake and wait for all movement to stop before leaving operator's position.
9. Do not service, adjust, lubricate, clean or unplug machine with engine running or key in ignition.
10. Engage mechanical locks before servicing header or reel in the raised position.
11. Use slow moving vehicle emblem and flashing warning lights when operating on roadways unless prohibited by law.

* 32008

9

8

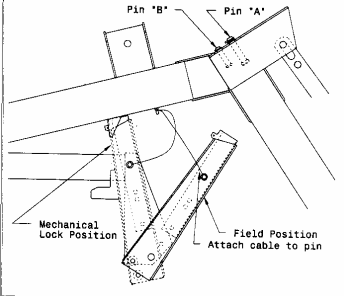
1 2 3 4 5 6

1 2 3 4 5 6

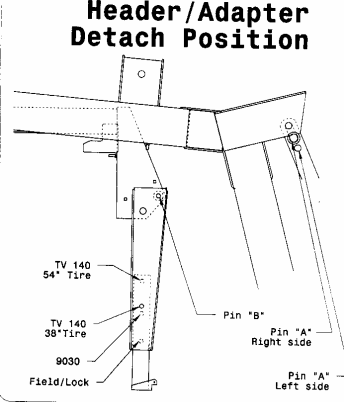
6

IMPORTANT

Field/Lock Position

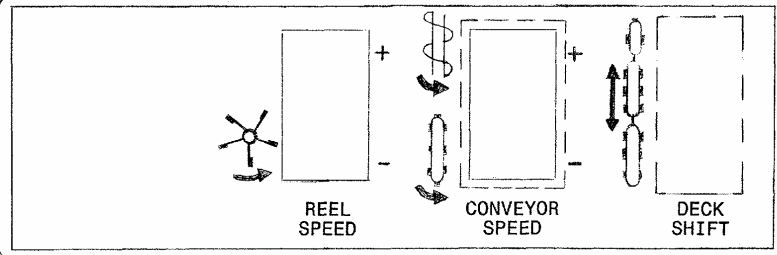


Header/Adapter Detach Position



IMPORTANT

Damage to pump will occur if blue hydraulic circuit is not activated before engaging the PTO when pump is installed on PTO.




REEL SPEED

CONVEYOR SPEED

DECK SHIFT

7

50



50

K-23165-1

DECALS

REF	PART NUMBER	DESCRIPTION	QTY.	SERIAL NUMBER
1	44611	DECAL – Danger: Engage Mechanical Locks	2	
2	44944	DECAL – Warning: Hydraulic Oil Leaks	1	
3	40555	DECAL – Warning: Controls to Neutral	1	
4	32009	DECAL – Caution: General Safety	1	
5	108177	DECAL – Important: Upper Float Pin Positions (was 49240).....	1	
6	108283	DECAL – Switch Panel (was 108084).....	1	
7	23165	DECAL – 50 Hour Grease	4	
8	44627	DECAL – Gauge, Header Float	1	
9	108282	DECAL – Important: Pump Damage	1	
10	30316	DECAL – Danger: Rotating Driveline	1	
11	36651	DECAL – Danger: Driveline Shield Missing	1	

NUMERICAL LIST

<u>PART NO.</u>	<u>PAGE</u>	<u>PART NO.</u>	<u>PAGE</u>	<u>PART NO.</u>	<u>PAGE</u>	<u>PART NO.</u>	<u>PAGE</u>
1134	5	30282	7	40567	9	47996	25
5924	11	30282	13	40567	13	47997	25
6647	5	30282	21	40682	9	49213	5
7603	21	30286	19	40682	13	49214	5
11695	5	30286	21	40766	5	49341	5
13125	25	30316	27	41122	5	49344	5
15903	19	30376	13	41357	5	49417	19
15903	21	30694	7	41358	5	49417	21
16652	25	30694	13	42126	19	50018	9
18620	9	30695	7	42126	21	50018	13
18620	15	30695	13	42126	22	50050	7
18624	3	30710	23	42256	23	50050	13
18671	3	30858	9	42369	9	50082	7
18671	5	30858	13	42369	13	50082	13
18899	3	30871	7	42498	5	50086	7
18900	11	30871	13	42690	5	50086	13
20312	5	30873	19	42691	5	50097	7
20988	19	30873	21	43848	21	50098	7
20988	21	30970	9	44209	21	50098	13
21420	11	30970	15	44210	7	50100	11
21540	5	30971	7	44210	13	50105	7
21800	7	30971	9	44575	5	50105	13
21804	21	30971	9	44611	27	50193	3
21806	19	30971	13	44627	27	50193	5
21806	21	30971	15	44944	27	50193	9
21830	7	30973	9	45101	7	50193	15
21830	13	30973	13	45101	13	50208	11
21836	7	31802	21	45104	7	50219	7
21842	7	31813	21	45104	13	50219	13
21855	7	31816	21	45107	7	50219	19
21855	13	31888	3	45107	13	50219	21
21855	19	32009	27	45108	7	50219	21
21855	21	32225	9	45108	13	50220	7
21856	19	32225	15	45109	7	50222	7
21856	21	32225	19	45109	13	52131	25
21857	7	33424	7	45110	7	52132	25
21857	13	33424	13	45110	13	52134	25
21858	7	36651	27	45111	7	52154	25
21858	13	36837	5	45111	13	52163	25
23165	27	36854	11	45122	7	100577	7
24051	9	36855	7	45123	7	100577	13
24051	15	36855	13	45123	13	102264	5
24322	5	36856	7	45131	21	102264	9
24509	7	36856	13	45135	21	102264	13
24509	13	36892	11	45164	19	102264	19
25579	3	36943	11	45164	21	102264	21
30045	11	37758	9	45542	7	108018	3
30045	11	38747	7	45542	13	108019	3
30046	11	38747	13	47042	25	108033	19
30140	11	39272	23	47580	25	108033	21
30141	11	40333	19	47596	25	108045	3
30144	11	40333	21	47597	25	108062	7
30247	11	40555	27	47996	3	108062	13

NUMERICAL LIST

<u>PART NO.</u>	<u>PAGE</u>	<u>PART NO.</u>	<u>PAGE</u>	<u>PART NO.</u>	<u>PAGE</u>	<u>PART NO.</u>	<u>PAGE</u>
108064	9	108239	5				
108064	13	108240	5				
108068	19	108241	5				
108073	7	108249	3				
108077	23	108251	9				
108081	23	108263	5				
108087	7	108268	9				
108089	7	108271	21				
108091	7	108276	5				
108091	13	108278	3				
108117	3	108282	27				
108123	9	108283	27				
108123	15	108284	23				
108125	9	108517	7				
108125	13	108517	13				
108126	9	108523	23				
108126	13	108534	17				
108129	9	108539	9				
108129	13	108539	15				
108137	7	108540	9				
108137	13	108540	15				
108139	7	108542	17				
108139	13	108543	17				
108140	9	108544	17				
108140	13	109063	23				
108143	7	111227	17				
108145	7	111228	17				
108145	13	111230	17				
108146	7	111234	17				
108146	13	111236	17				
108148	11	111242	17				
108149	11	111246	17				
108153	7	111248	17				
108158	23	113543	23				
108161	5	114338	3				
108169	3	135011	7				
108170	5	135011	13				
108177	27	158635	5				
108190	25	158635	19				
108191	23	158635	21				
108192	23						
108199	3						
108202	3						
108212	25						
108213	25						
108220	25						
108221	25						
108226	9						
108226	15						
108232	9						
108232	13						
108235	13						
108236	21						