

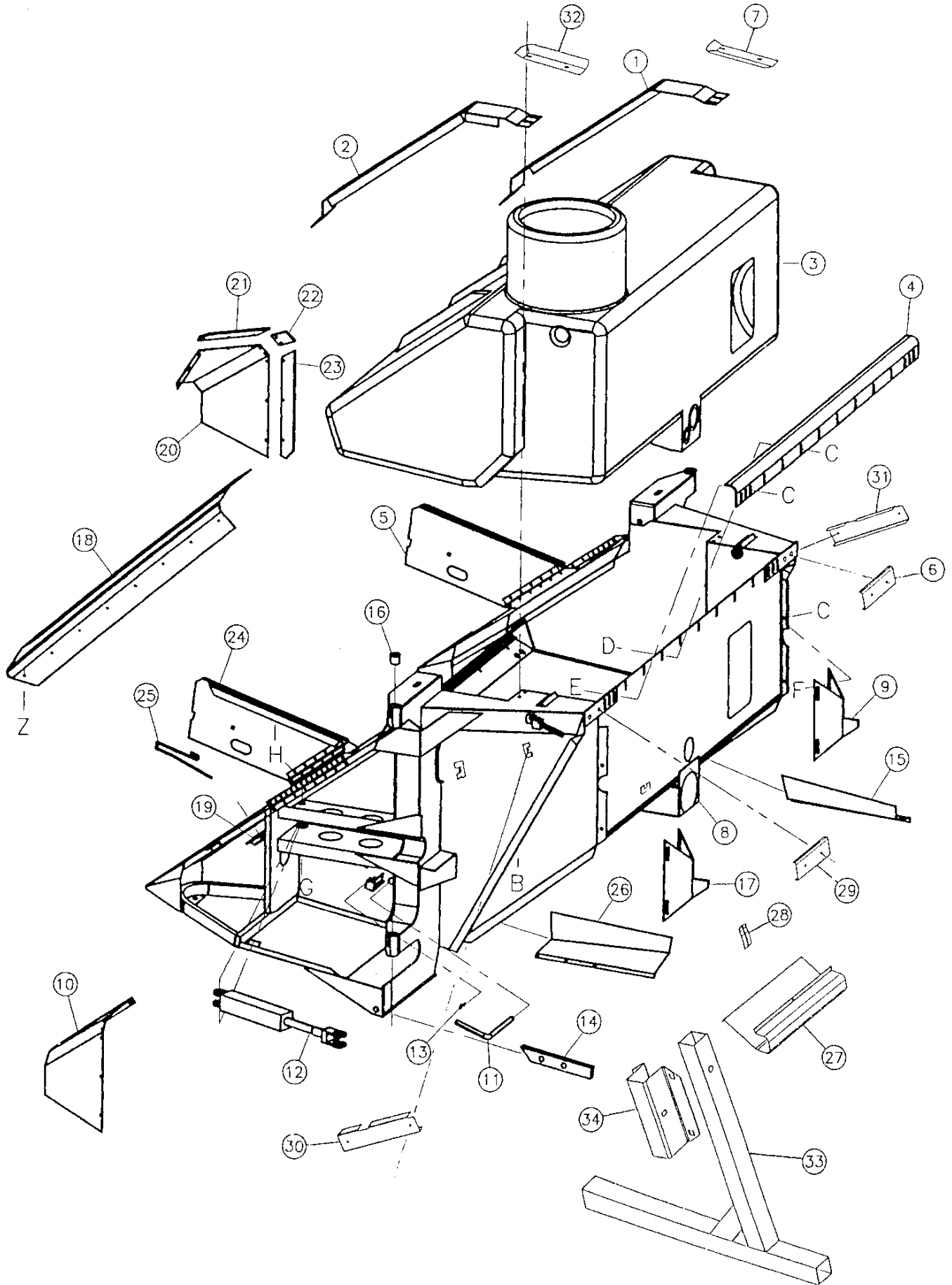
**MacDon Model 625 Spray System
For 9000 Series Tractors
TABLE OF CONTENTS**

TANK SUPPORT.....	2
MAST AND SWING CUSHION RIGHT HAND SIDE	6
MAST AND SWING CUSHION LEFT HAND SIDE.....	8
TOP CONNECTION OF INNER BOOM AND END FRAME RIGHT HAND SIDE	10
TOP CONNECTION OF INNER BOOM AND END FRAME LEFT HAND SIDE	12
BOTTOM CONNECTION OF INNER BOOM AND END FRAME RIGHT HAND SIDE	14
BOTTOM CONNECTION OF INNER BOOM AND END FRAME LEFT HAND SIDE	16
STAND RIGHT HAND SIDE.....	18
STAND LEFT HAND SIDE	20
INNER BOOM, MID-BOOM CONNECTION RIGHT HAND SIDE	22
INNER BOOM, MID-BOOM CONNECTION LEFT HAND SIDE	24
MID-BOOM RIGHT HAND SIDE	26
MID-BOOM LEFT HAND SIDE	28
BOOMTIP - RIGHT HAND	30
BOOMTIP - LEFT HAND.....	32
FRONT BOOM.....	34
REAR BOOM.....	36
REAR TANK HOSE SUPPORTS.....	38
CROP DIVIDER.....	38
REAR TANK SUPPORT.....	40
CARRIER RIGHT HAND SIDE.....	42
CARRIER LEFT HAND SIDE	44
SPRING SUPPORT AND STOP REINFORCEMENT	46
TENSION RODS	46
CONTROL PANEL	48
SPEED SENSOR	48
HYDRAULIC:BOOM TIP LIFT, LEFT AND RIGHT	50
HYDRAULICS: MAST, LEFT.....	52
HYDRAULICS: MAST, RIGHT	56
HYDRAULICS: CENTER FRAME	60
HYDRAULICS: REAR BOOM.....	64
ELECTRICAL SYSTEM & FILTER.....	66
SPRAY SYSTEM.....	70
FRONT TANK ASSEMBLY	74
BALL VALVE ASSEMBLY	78
BOOM ASSEMBLY LH & RH	80
CENTER BOOM ASSEMBLY.....	84
REAR TANK ASSEMBLY.....	88
PRESSURE GAUGES.....	90
CATWALK.....	92
PLATFORM.....	94
BOOM TOUCH-DOWN WHEEL.....	96
SAFETY DECAL, Serial No. 130000 and prior.....	98
SAFETY DECAL, Serial No. 130001 and above	102
INFORMATION DECALS & REFLECTORS, Serial No. 130000 and prior	104
INFORMATION DECAL & REFLECTORS, Serial No. 130001 and above.....	108

NOTE: FOR FOAM MARKER REPAIR PARTS, SEE CATALOG SUPPLIED WITH THIS ATTACHMENT.

BOLDED PART NUMBERS INDICATE REVISIONS OR ADDITIONS FROM LAST PRODUCTION YEAR.

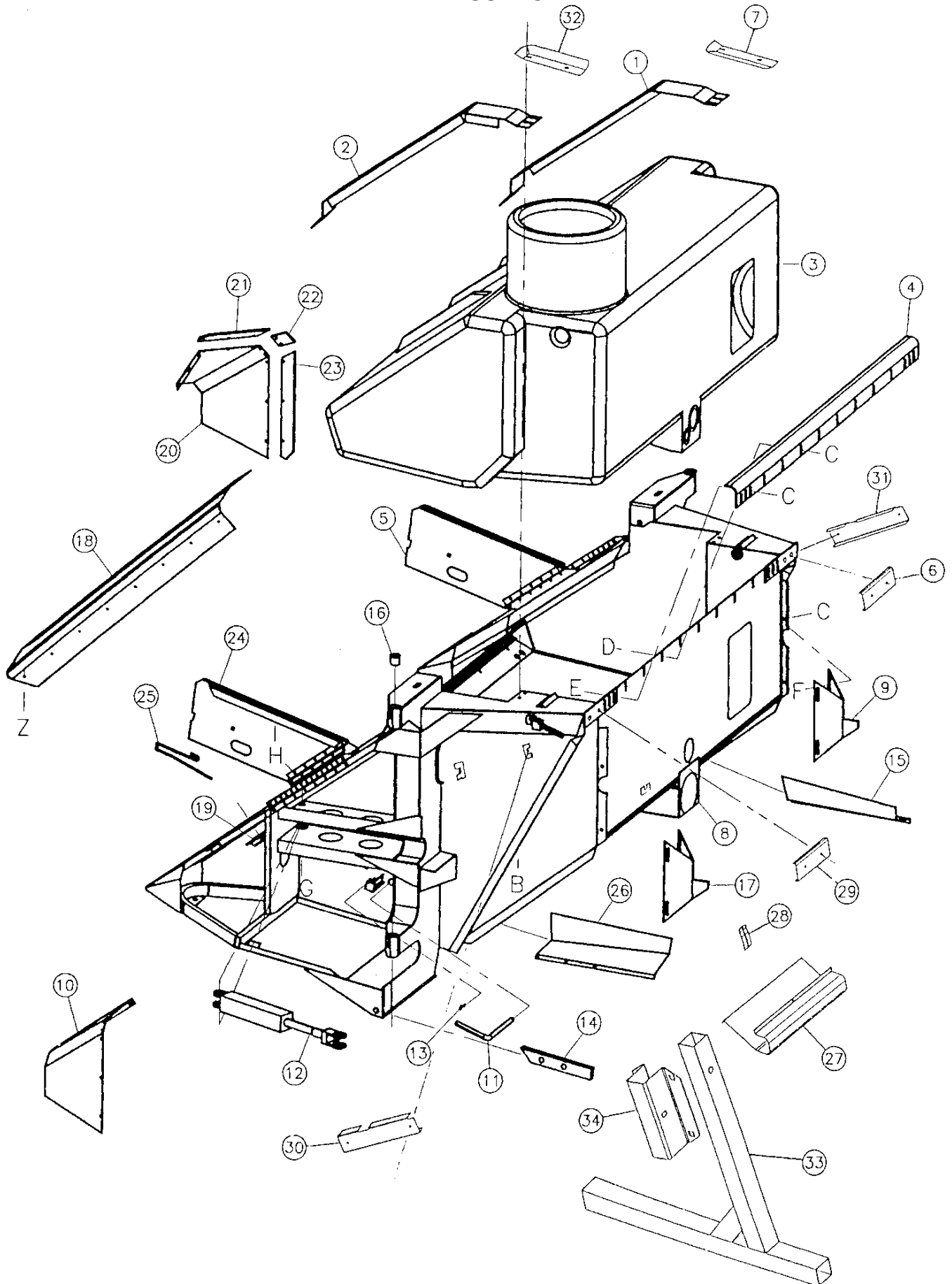
TANK SUPPORT



TANK SUPPORT

REF	PART NUMBER	DESCRIPTION	QTY	SERIAL NUMBER
1	106111	HOLD DOWN STRAP RH	1	
2	106110	HOLD DOWN STRAP LH	1	
3	107442	TANK SUB-ASSEMBLY	1	130001-
	106757	TANK SUB-ASSEMBLY	1	-130000
4	106086	STIFFENER	1	
5	107337	DOOR ASSEMBLY-RH	1	130001-
	106910	DOOR ASSEMBLY-RH	1	-130000
6	107301	CHANNEL RH	1	130001-
7	107388	COVER RH	1	130001-
8	107004	FRAME, DECAL ASSEMBLY	1	
9	107324	STOP WELDMENT-RH	1	130001-
	106172	STOP WELDMENT-RH	1	-130000
10	107344	PANEL WELDMENT-LH	1	130001-
	106923	PANEL WELDMENT-LH	1	-130000
11	106130	HANDLE	4	
12	REF	CYLINDER	2	
13	13125	HAIR PIN	4	
14	106162	TUBE	2	130001-
15	106891	SHIELD-RH	1	
16	106897	BUSHING	8	
17	107320	STOP WELDMENT-LH	1	130001-
	106185	STOP WELDMENT-LH	1	-130000
18	106201	TANK COVER	1	
19	106600	SUPPORT	2	
20	107345	PANEL WELDMENT-RH	1	130001-
	106926	PANEL WELDMENT-RH	1	-130000
21	106920	RUBBER FLAP	2	-130000
22	106922	RUBBER FLAP	2	
23	106921	RUBBER FLAP	2	
24	107335	DOOR ASSEMBLY-LH	1	130001-
	106911	DOOR ASSEMBLY-LH	1	-130000
25	106907	LATCH	2	
26	106890	SHIELD-LH	1	
27	107298	SUPPORT	1	130001-
28	107299	BRACKET	1	130001-
29	107443	CHANNEL LH	1	130001-

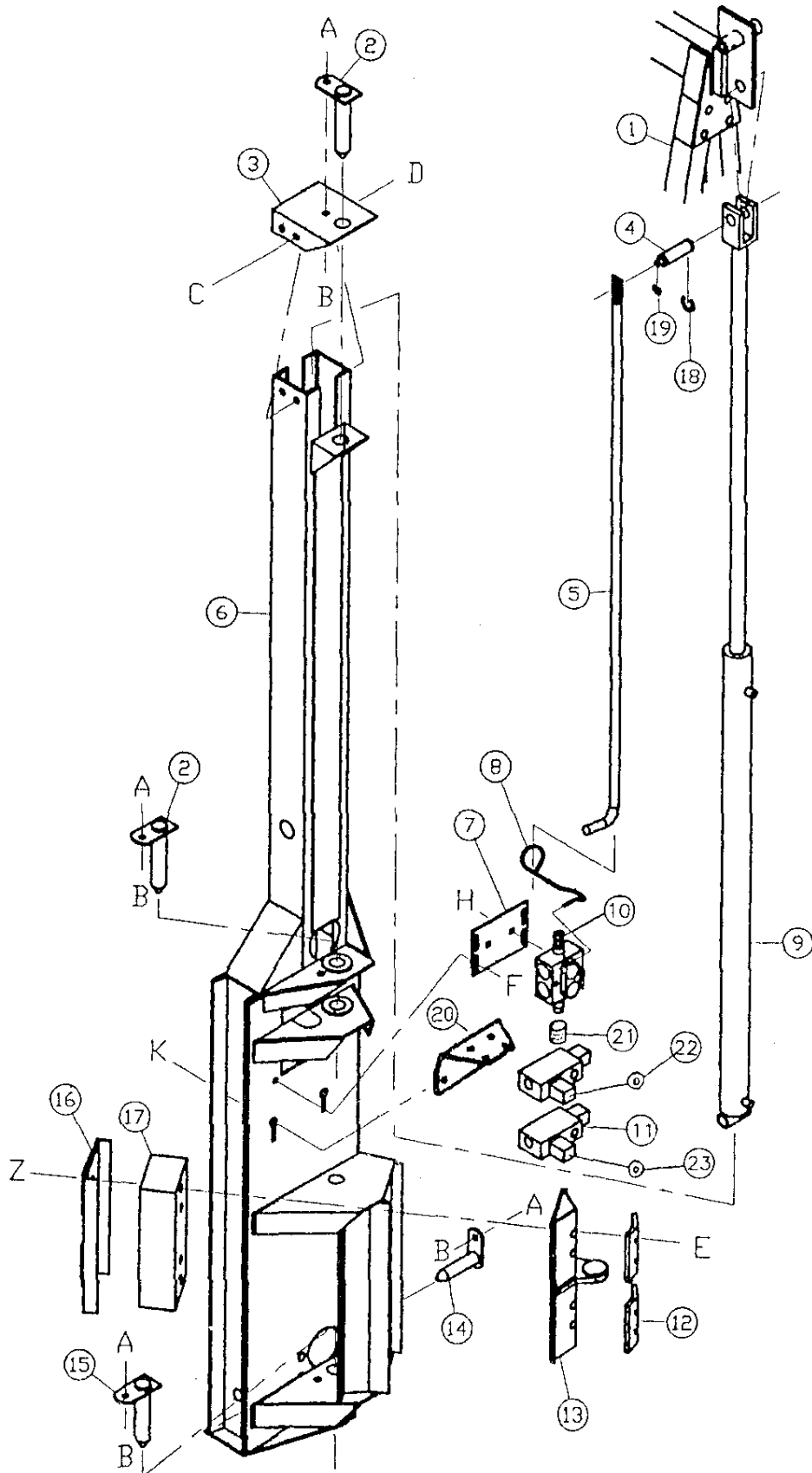
TANK SUPPORT



TANK SUPPORT

REF	PART NUMBER	DESCRIPTION	QTY	SERIAL NUMBER
30	107302	CHANNEL LH	1	130001-
31	107303	CHANNEL RH	1	130001-
32	107389	COVER LH.	1	130001-
33	107453	TUBE WELDMENT.	2	130001-
34	107414	CHANNEL, STAND.	2	130001-
A		BOLT - hex, 3/8 NC x 3 inch grade 5		
B		NUT - lock, prevailing torque, 3/8 NC		
C		NUT - flange, 3/8 NC		
D		BOLT - carriage, 3/8 NC x 0.75 inch grade 2		
E		BOLT - carriage, 3/8 NC x 1 inch grade 2		
F		BOLT - flange, 3/8 NC x 1 inch		
G		PIN - clevis, 1 x 2.25 inch min. grip length		
H		WASHER - flat, 1.0 SAE		
I		PIN - cotter, 3/16 x 1.5 inch		
J		BOLT - hex, 3/8 NC x 1.5 inch grade 5		
K		WASHER - flat, 3/8 SAE		
L		BOLT - carriage, 1/2 NC x 3 inch grade 2		
M		NUT - flange, 1/2 NC		

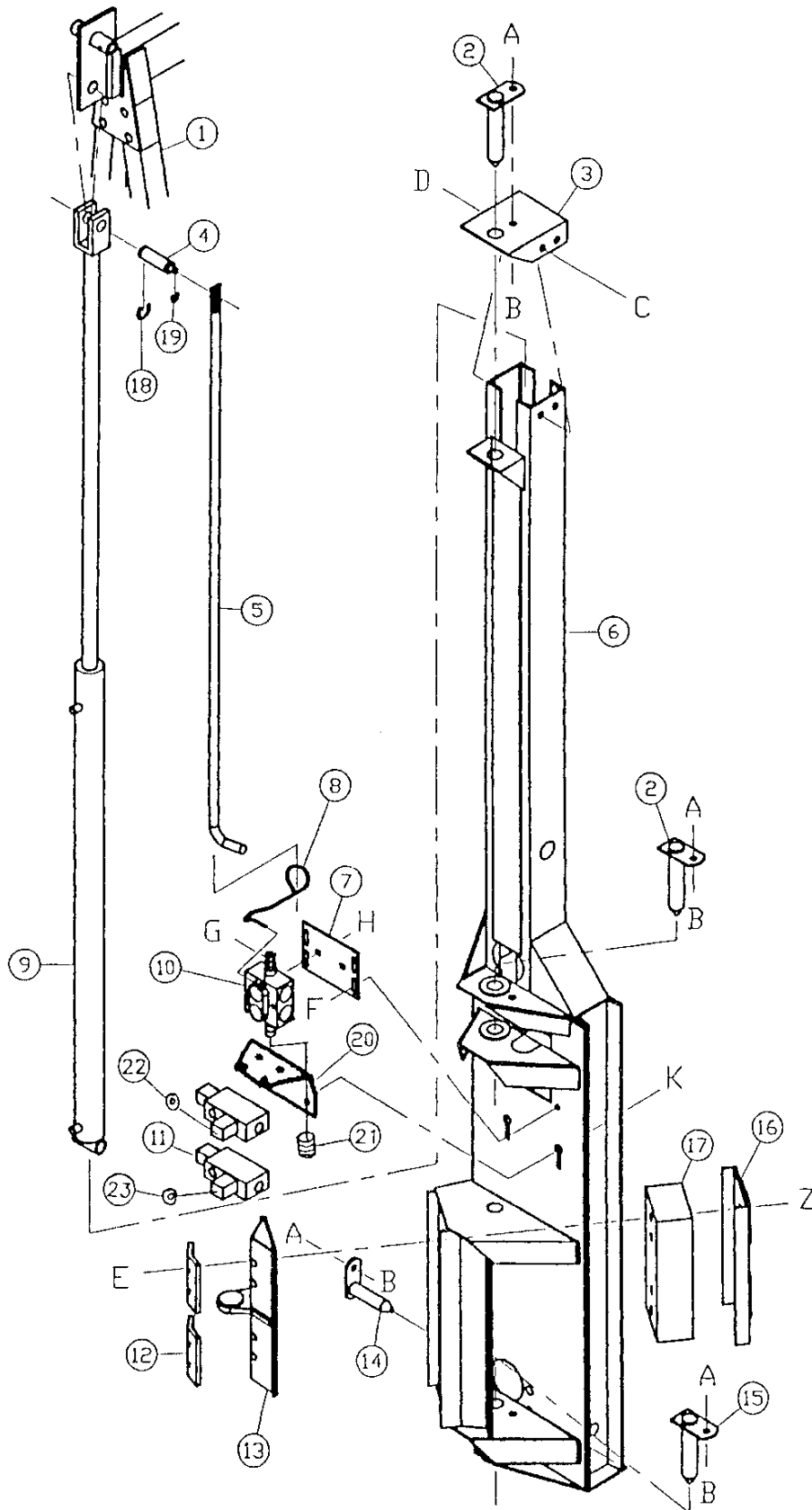
MAST AND SWING CUSHION: RIGHT HAND SIDE



MAST AND SWING CUSHION RIGHT HAND SIDE

REF	PART NUMBER	DESCRIPTION	QTY	SERIAL NUMBER
1	REF	A-FRAME RH.	1	
2	106030	PIVOT PIN WELDMENT	2	
3	106025	END CAP	1	
4	106055	CYLINDER PIN	1	
5	106058	TUBE	1	
6	107286	MAST WELDMENT-RH.	1	130001-
	107000	MAST, DECAL ASSY-RH.	1	-130000
7	106075	VALVE PLATE	1	
8	106060	WIRE-RH.	1	
9	REF	CYLINDER	1	
10	106081	SELECTOR VALVE	1	
11	111129	MANIFOLD.	2	130001-
	106080	MANIFOLD ASSEMBLY	1	-130000
12	106044	PLATE	2	
13	106051	CYLINDER MOUNT WELDMENT	1	
14	106053	CYLINDER PIN WELDMENT	1	
15	106077	PIVOT PIN WELDMENT	1	
16	106552	CHANNEL WELDMENT	1	
17	106047	RUBBER BLOCK	1	
18	106057	SNAP RING	2	
19	106056	SNAP RING	1	
20	107259	BRACKET-VALVE SUPPORT.	1	130001-
21	107444	TUBE	1	130001-
22	107436	ORIFICE PLATE.	1	130001-
23	107437	ORIFICE PLATE.	1	130001-
A		BOLT - flange, 1/2 NC x 1 inch		
B		NUT - flange, 1/2 NC		
C		BOLT - hex, 1/2 NC x 6.25 inch grade 5		
D		NUT - lock, prevailing torque, 1/2 NC		
E		BOLT - hex, 5/8 NC x 6 inch grade 5		
F		BOLT - flange, 3/8 NC x 0.5 inch		
G		PIN - cotter, 1/4 x 1.5 inch		
H		BOLT - carriage, 3/8 NC x 2.25 inch grade 2		
I		WASHER - lock, 3/8 inch		

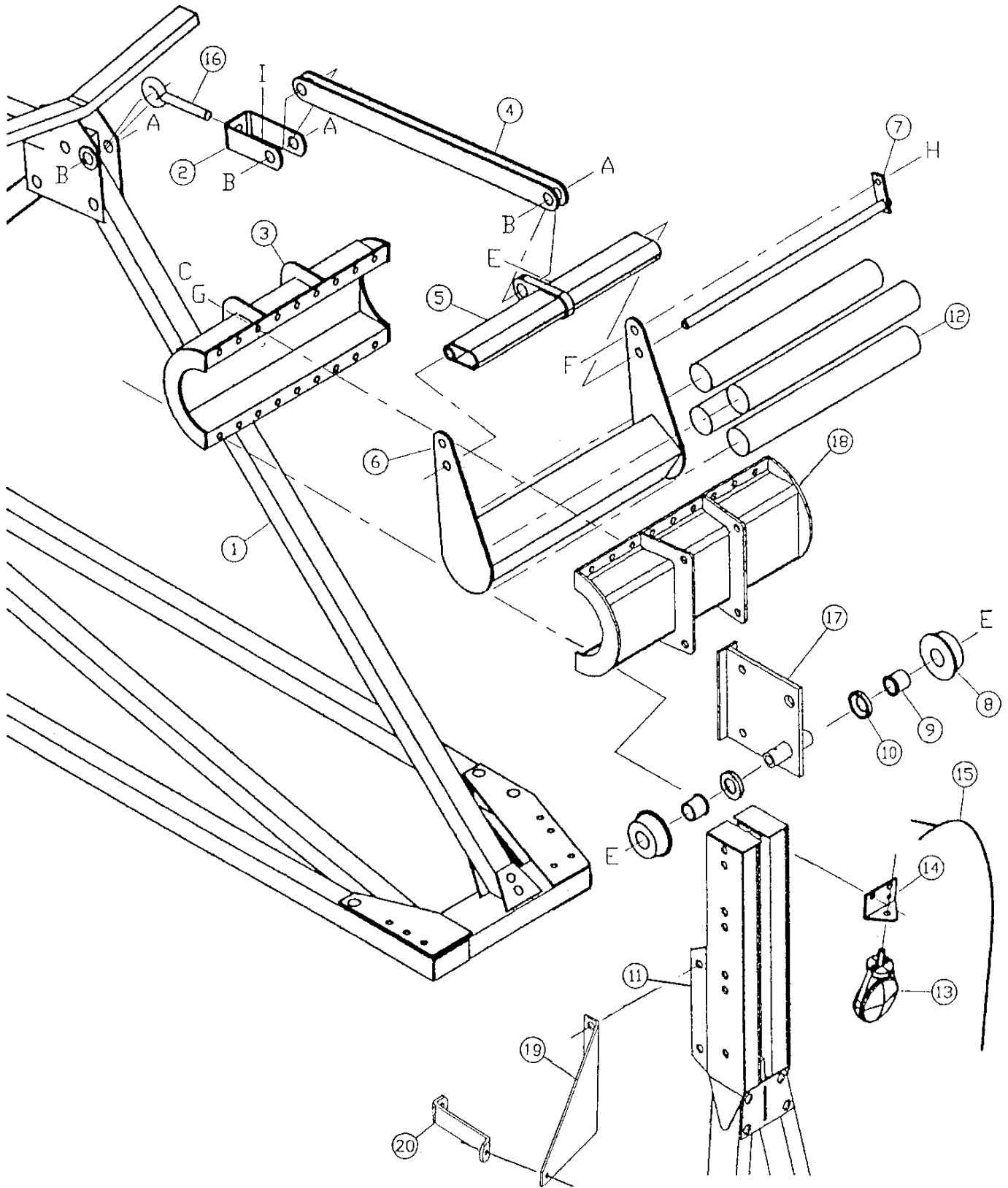
MAST AND SWING CUSHION LEFT HAND SIDE



MAST AND SWING CUSHION LEFT HAND SIDE

REF	PART NUMBER	DESCRIPTION	QTY	SERIAL NUMBER
1	REF	A-FRAME LH	1	
2	106030	PIVOT PIN WELDMENT	2	
3	106025	END CAP	1	
4	106055	CYLINDER PIN	1	
5	106058	TUBE	1	
6	107287	MAST WELDMENT-LH.	1	130001-
	107001	MAST, DECAL ASSY-LH.	1	-130000
7	106075	VALVE PLATE	1	
8	106059	WIRE-LH	1	
9	REF	CYLINDER.	1	
10	106081	SELECTOR VALVE	1	
11	111129	MANIFOLD.	2	130001-
	106080	MANIFOLD ASSEMBLY	1	-130000
12	106044	PLATE	2	
13	106051	CYLINDER MOUNT WELDMENT.	1	
14	106053	CYLINDER PIN WELDMENT.	1	
15	106077	PIVOT PIN WELDMENT	1	
16	106552	CHANNEL WELDMENT	1	
17	106047	RUBBER BLOCK.	1	
18	106057	SNAP RING	2	
19	106056	SNAP RING	1	
20	107259	BRACKET-VALVE SUPPORT.	1	130001-
21	107444	TUBE.	1	130001-
22	107436	ORIFICE.	1	130001-
23	107437	ORIFICE.	1	130001-
A		BOLT - flange, 1/2 NC x 1 inch		
B		NUT - flange, 1/2 NC		
C		BOLT - hex, 1/2 NC x 6.25 inch grade 5		
D		NUT - lock, prevailing torque, 1/2 NC		
E		BOLT - hex, 5/8 NC x 6 inch grade 5		
F		BOLT - flange, 3/8 NC x 0.5 inch		
G		PIN - cotter, 1/4 x 1.5 inch		
H		BOLT - carriage, 3/8 NC x 2.25 inch grade 2		
I		WASHER - lock, 3/8 inch		

TOP CONNECTION OF INNER BOOM AND END FRAME RIGHT HAND SIDE

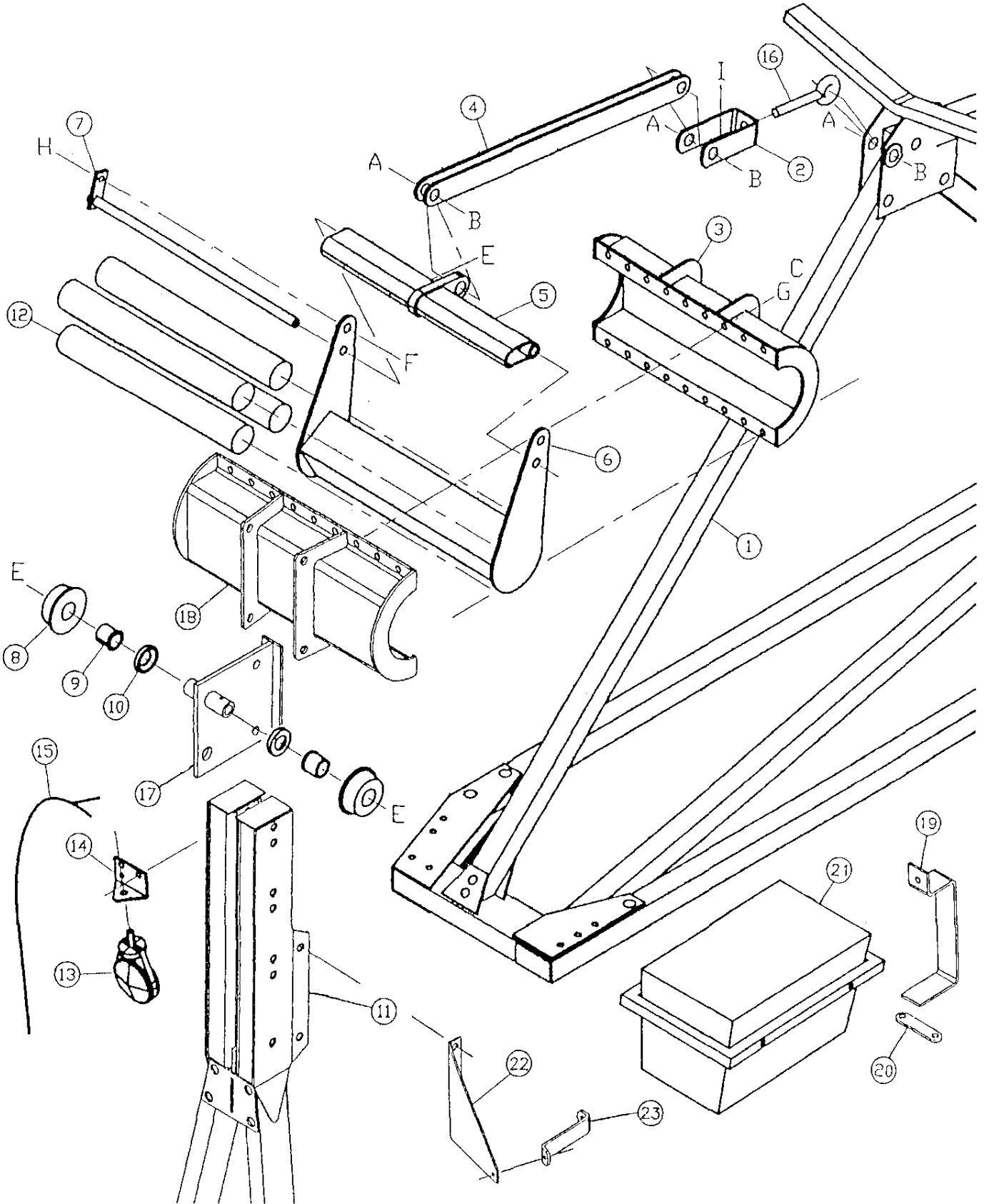


TOP CONNECTION OF INNER BOOM AND END FRAME RIGHT HAND SIDE

REF	PART NUMBER	DESCRIPTION	QTY	SERIAL NUMBER
1	REF	INNER RH BOOM WELDMENT	1	
2	106966	CLEVIS.....	1	
3	106945	COVER WELDMENT	1	
4	106971	BAR.....	2	
5	106967	PIVOT TUBE WELDMENT.....	1	
6	106948	TUBE WELDMENT	1	
7	106964	PIN WELDMENT.....	1	
8	106415	WHEEL.....	2	
9	106897	BUSHING, see note 1.....	2	
10	106898	BUSHING WASHER , see note 1.....	2	
11	107364	A-FRAME WELDMENT-RH.....	1	
12	106888	ROUND, RUBBER.....	4	
13	16539	AMBER LIGHT	1	
14	106733	BRACKET	1	
15	REF	WIRING HARNESS LIGHTS BOOM	1	
16	106961	EYEBOLT.....	1	
17	107349	SPINDLE WELDMENT.....	1	
18	107350	COVER WELDMENT.....	1	
19	107452	BRACKET-RH.....	1	
20	107450	BAR.....	1	
A		PIN - clevis, 1 x 3.3 inch min. grip length		
B		PIN - cotter, 3/16 x 1 ½ inch		
C		BOLT – hex, ½ NC x 2.25 inch		
E		FITTING – grease, straight, ¼ - 28 NF		
F		NUT – lock, prevailing torque, ½ NC		
G		WASHER – flat, ½ S.A.E.		
H		BOLT – hex, ½ NC x 1.25 GR5		
I		NUT – lock, prevailing torque, ¾ NC		

NOTES: 1. For items 9 & 10: If replacing flanged bushing (item 9) or washer (item 10) on units with serial number 130000 and prior, order both items 9 & 10.

TOP CONNECTION OF INNER BOOM AND END FRAME LEFT HAND SIDE

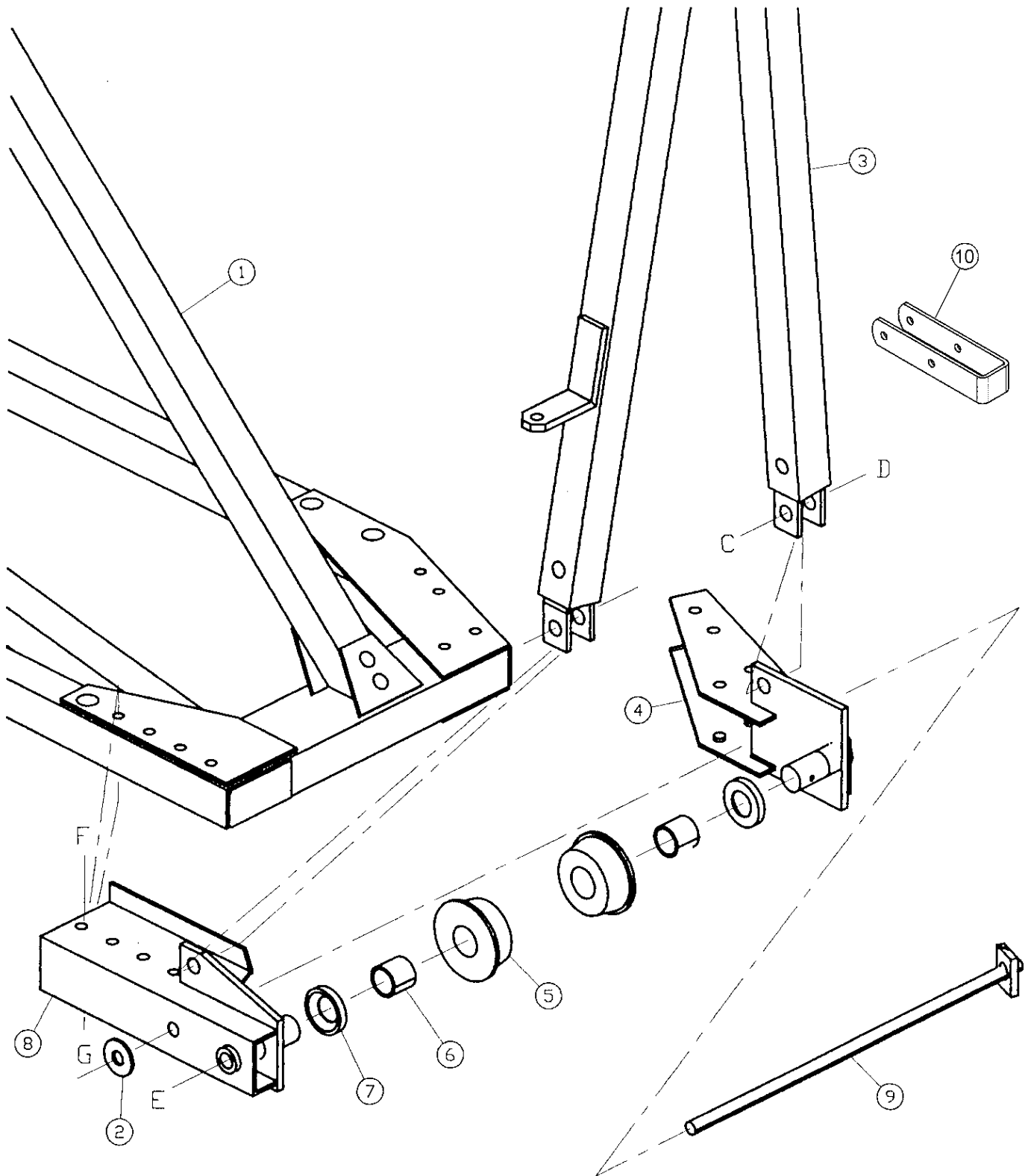


TOP CONNECTION OF INNER BOOM AND END FRAME LEFT HAND SIDE

REF	PART NUMBER	DESCRIPTION	QTY	SERIAL NUMBER
1	REF	INNER LH BOOM WELDMENT	1	
2	106966	CLEVIS.....	1	
3	106945	COVER WELDMENT	1	
4	106971	BAR.....	2	
5	106967	PIVOT TUBE WELDMENT.....	1	
6	106948	TUBE WELDMENT	1	
7	106964	PIN WELDMENT.....	1	
8	106415	WHEEL.....	2	
9	106897	BUSHING, see note 1	2	
10	106898	BUSHING WASHER, see note 1	2	
11	107363	A-FRAME WELDMENT-LH.....	1	
12	106888	ROUND, RUBBER.....	4	
13	16539	AMBER LIGHT	1	
14	106733	BRACKET	1	
15	REF	WIRING HARNESS LIGHTS BOOM	1	
16	106961	EYEBOLT.....	1	
17	107349	SPINDLE WELDMENT.....	1	
18	107350	COVER WELDMENT.....	1	
19	106842	BRACKET	1	
20	106841	STRAP.....	3	
21	106783	EMERGENCY WASH TANK.....	1	
22	107451	BRACKET-LH.....	1	
23	107450	BAR.....	1	
A		PIN - clevis, 1 x 3.3 inch min. grip length		
B		PIN - cotter, 3/16 x 1 ½ inch		
C		BOLT – hex, ½ NC x 2.25 inch		
D		NUT – hex, ½ NC		
E		FITTING – grease, straight, ¼ - 28 NF		

NOTES: 1. For items 9 & 10: If replacing flanged bushing (item 9) or washer (item 10) on units with serial number 130000 and prior, order both items 9 & 10.

BOTTOM CONNECTION OF INNER BOOM AND END FRAME RIGHT HAND SIDE

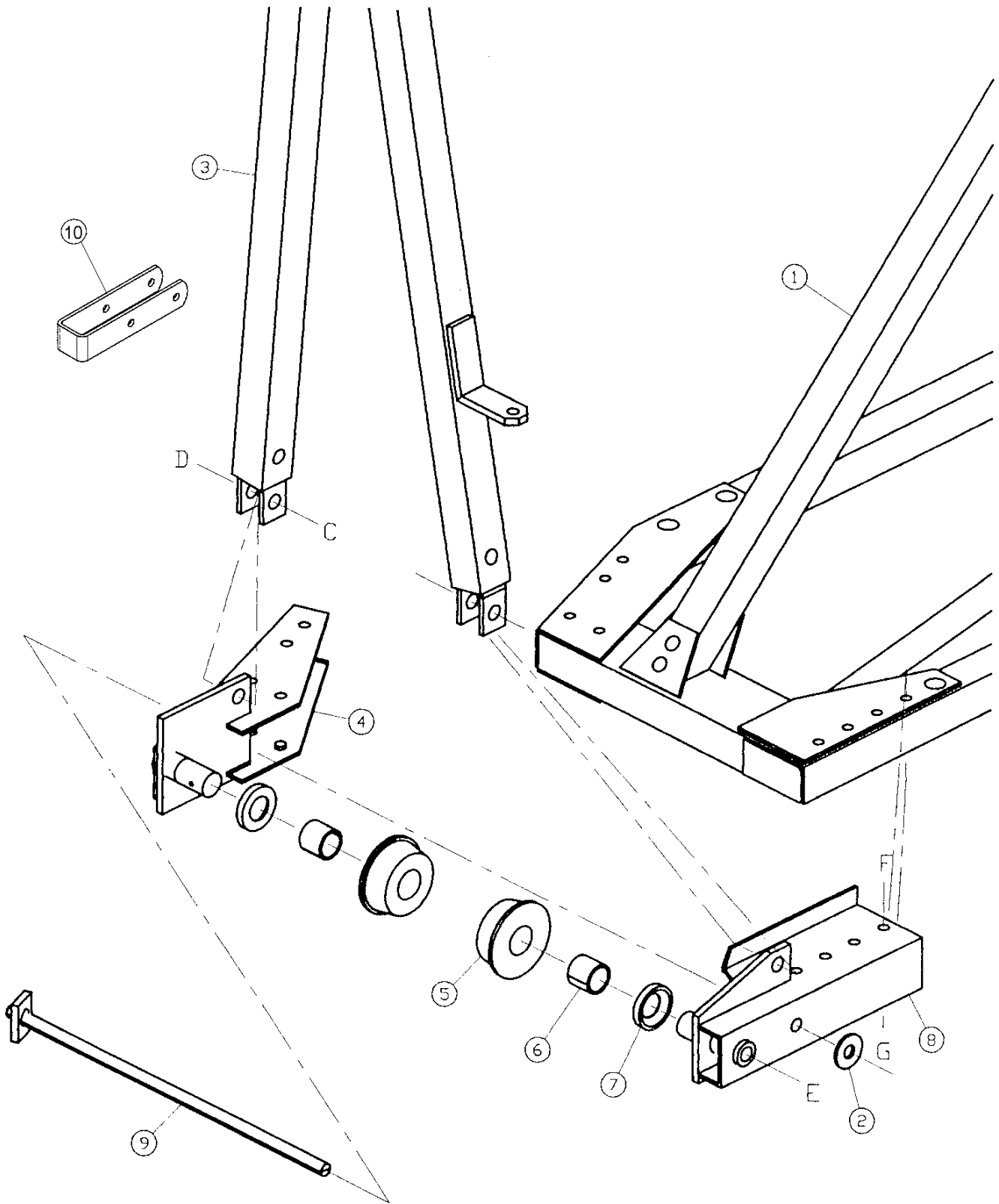


BOTTOM CONNECTION OF INNER BOOM AND END FRAME RIGHT HAND SIDE

REF	PART NUMBER	DESCRIPTION	QTY	SERIAL NUMBER
1	REF	INNER RH BOOM WELDMENT	1	
2	22070	WASHER-ROUND	1	
3	REF	A-FRAME WELDMENT-RH.	1	
4	106449	SPINDLE WELDMENT-RH	1	
5	106415	WHEEL	2	
6	106897	BUSHING.	2	
7	106898	BUSHING WASHER	2	
8	107003	SPINDLE, DECAL ASSY-RH.	1	
9	106692	ROD WELDMENT	1	
10	107316	CLEVIS – hose holder.....	1	

C	PIN - clevis, 3/4 x 1.8 inch min. grip length
D	PIN - cotter, 5/32 x 2 inch
E	FITTING - grease, straight, 1/4 - 28 NF
F	BOLT - flange, 1/2 NC x 3.5 inch
G	NUT - flange, 1/2 NC

BOTTOM CONNECTION OF INNER BOOM AND END FRAME LEFT HAND SIDE

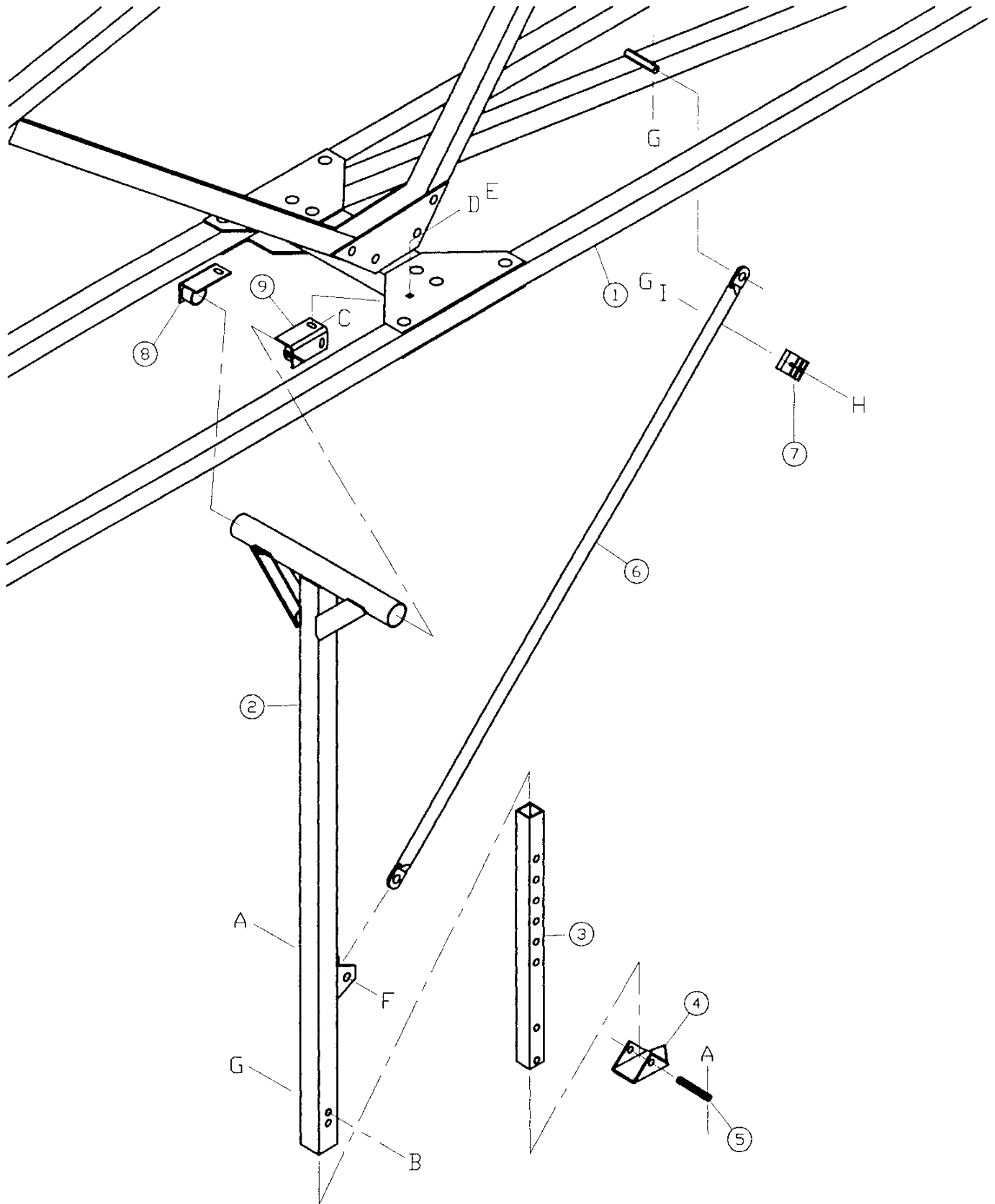


BOTTOM CONNECTION OF INNER BOOM AND END FRAME LEFT HAND SIDE

REF	PART NUMBER	DESCRIPTION	QTY	SERIAL NUMBER
1	REF	INNER LH BOOM WELDMENT	1	
2	22070	WASHER-ROUND	1	
3	REF	A-FRAME WELDMENT-LH.	1	
4	106443	SPINDLE WELDMENT-LH	1	
5	106415	WHEEL.	2	
6	106897	BUSHING.	2	
7	106898	BUSHING WASHER	2	
8	107002	SPINDLE, DECAL ASSY-LH.	1	
9	106692	ROD WELDMENT	1	
10	107316	CLEVIS – hose holder.....	1	

- C PIN - clevis, 3/4 x 1.8 inch min. grip length
- D PIN - cotter, 5/32 x 2 inch
- E FITTING - grease, straight, 1/4 - 28 NF
- F BOLT - flange, 1/2 NC x 3.5 inch
- G NUT - flange, 1/2 NC

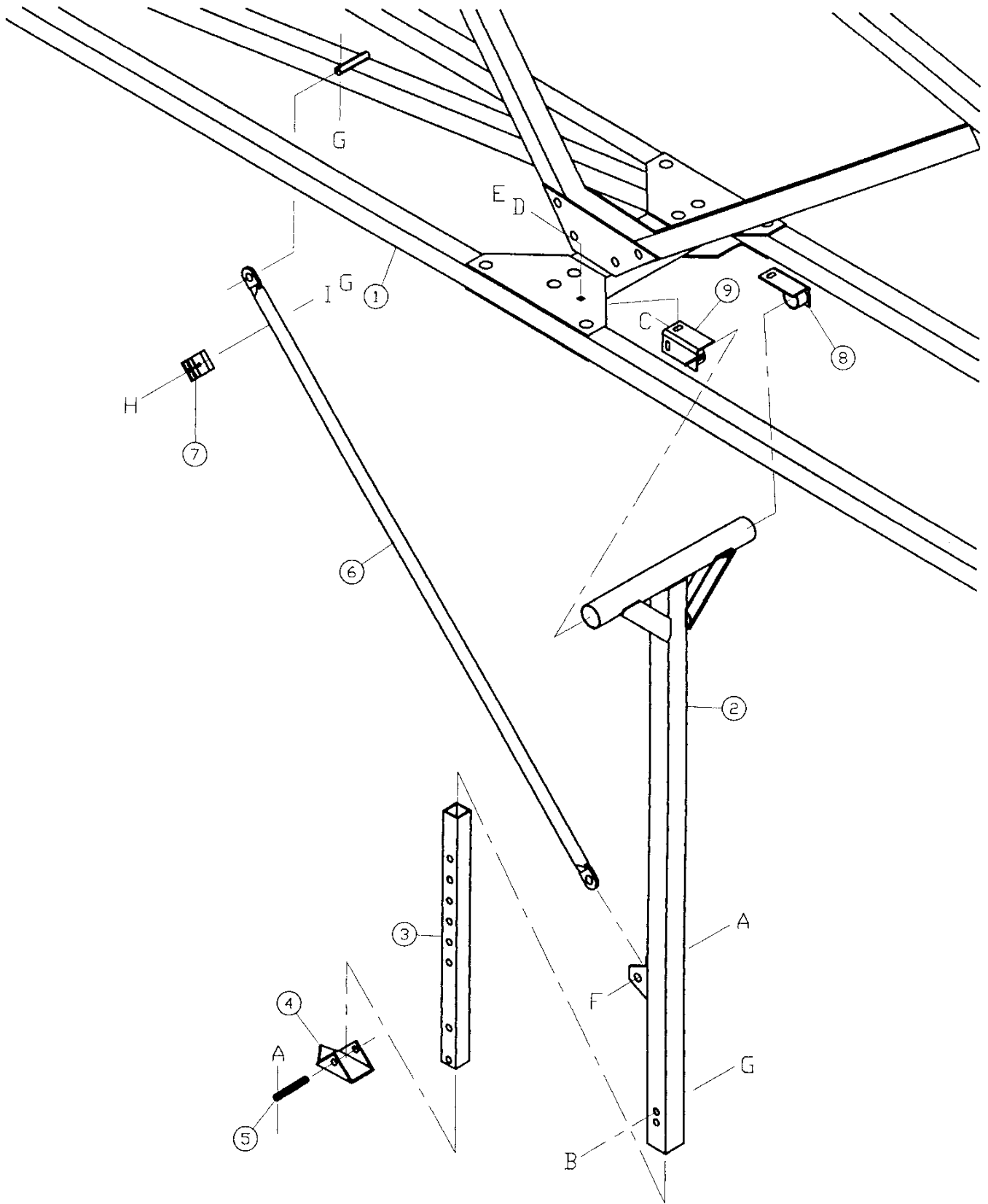
STAND RIGHT HAND SIDE



STAND RIGHT HAND SIDE

REF	PART NUMBER	DESCRIPTION	QTY	SERIAL NUMBER
1	REF	INNER RH BOOM WELDMENT	1	
2	106341	STAND WELDMENT	1	
3	106333	STAND TUBE	1	
4	106332	FOOT	1	
5	106331	PIVOT PIN	1	
6	106329	STRUT	1	
7	106583	STRUT CLAMP	1	
8	106580	PIVOT TUBE WELDMENT	1	
9	106582	PIVOT TUBE WELDMENT	1	
A		PIN - cotter, 5/32 x 1 inch		
B		PIN - clevis, 1/2 x 2.5 inch min. grip length		

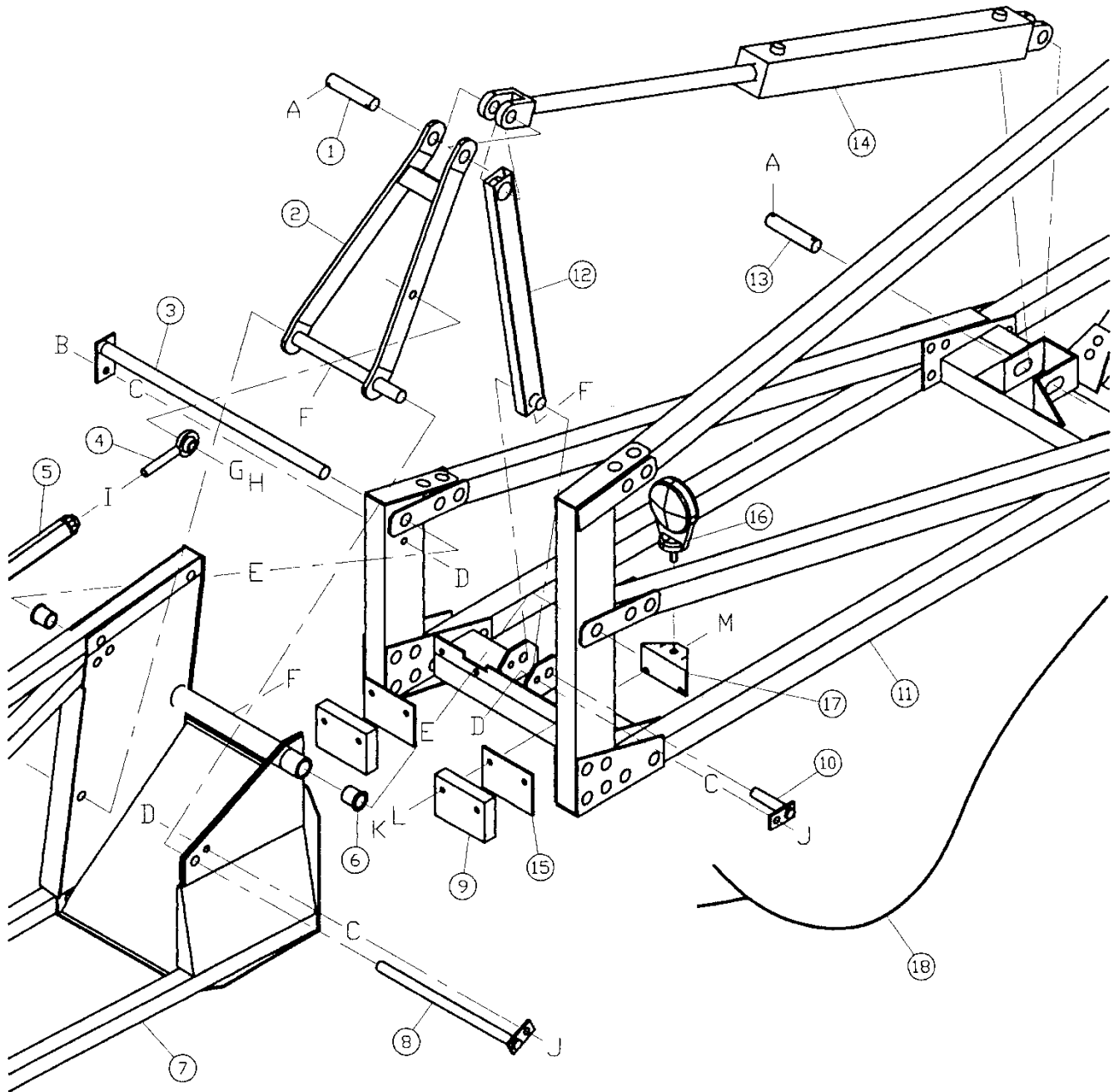
STAND LEFT HAND SIDE



STAND LEFT HAND SIDE

REF	PART NUMBER	DESCRIPTION	QTY	SERIAL NUMBER
1	REF	INNER LH BOOM WELDMENT	1	
2	106341	STAND WELDMENT	1	
3	106333	STAND TUBE	1	
4	106332	FOOT	1	
5	106331	PIVOT PIN	1	
6	106329	STRUT	1	
7	106583	STRUT CLAMP	1	
8	106582	PIVOT TUBE WELDMENT	1	
9	106580	PIVOT TUBE WELDMENT	1	
A		PIN - cotter, 5/32 x 1 inch		
B		PIN - clevis, 1/2 x 2.5 inch min. grip length		

INNER BOOM, MID-BOOM CONNECTION RIGHT HAND SIDE

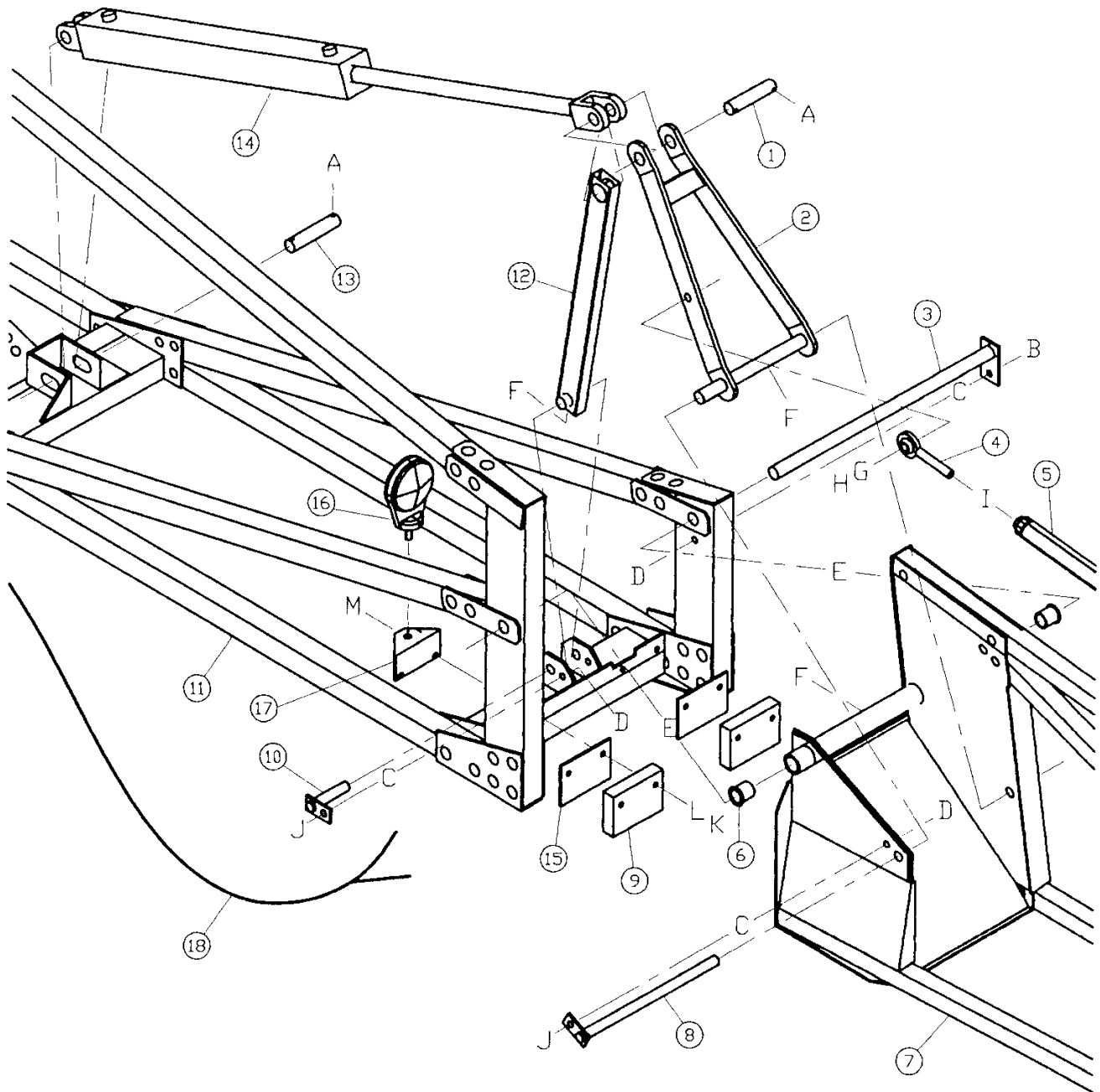


INNER BOOM, MID - BOOM CONNECTION RIGHT HAND SIDE

REF	PART NUMBER	DESCRIPTION	QTY	SERIAL NUMBER
1	106277	CYLINDER PIN	1	
2	106263	LINKAGE WELDMENT	1	
3	106320	PIVOT PIN WELDMENT	1	
4	106375	BALL JOINT, THREADED.	1	
5	REF	STRUT BOOMTIP CONTROL " MID - BOOM R/H "	1	
6	106328	FLANGED BUSHING.	2	
7	REF	OUTER RH BOOM WELDMENT.	1	
8	106304	PIVOT PIN WELDMENT	1	
9	106326	STOP, RUBBER.	2	
10	106322	PIVOT PIN WELDMENT.	1	
11	106998	BOOM, DECAL ASSY-RH.	1	
12	106274	LINKAGE TUBE WELDMENT.	1	
13	106276	CYLINDER PIN	1	
14	REF	CYLINDER.	1	
15	106327	SPACER, STOP	2	
16	16539	AMBER LIGHT	1	
17	106732	BRACKET	1	
18	106731	WIRING HARNESS LIGHTS BOOM	1	

A	PIN - cotter, 3/16 x 1.5 inch
B	BOLT - hex, 1/2 NC x 3.25 inch grade 5
C	WASHER - lock, 1/2 inch
D	NUT - lock, prevailing torque, 1/2 NC
E	WASHER - flat, 1.0 SAE
F	FITTING - grease, straight, 1/4 - 28 NF
G	WASHER - flat, 5/8 SAE
H	NUT - lock, prevailing torque, 5/8 NC
I	NUT - hex, 3/4 NC
J	BOLT - hex, 1/2 NC x 1.25 inch grade 5
K	BOLT - hex, 3/8 NC x 2 inch grade 5
L	WASHER - flat, 3/8 SAE

INNER BOOM, MID-BOOM CONNECTION LEFT HAND SIDE

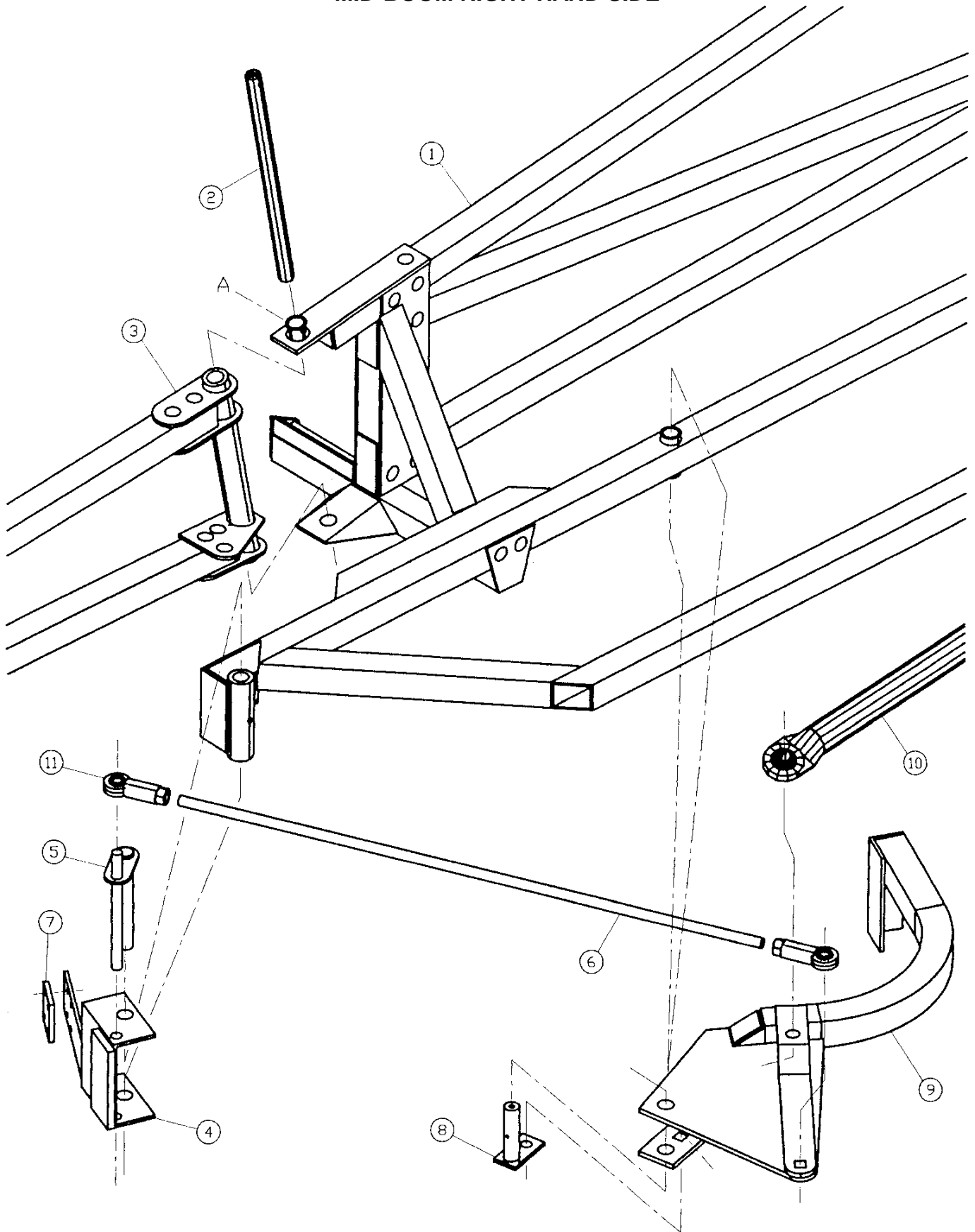


INNER BOOM, MID - BOOM CONNECTION LEFT HAND SIDE

REF	PART NUMBER	DESCRIPTION	QTY	SERIAL NUMBER
1	106277	CYLINDER PIN	1	
2	106263	LINKAGE WELDMENT	1	
3	106320	PIVOT PIN WELDMENT	1	
4	106375	BALL JOINT, THREADED.	1	
5	REF	STRUT BOOMTIP CONTROL.	1	
6	106328	FLANGED BUSHING.	2	
7	REF	OUTER LH BOOM WELDMENT.	1	
8	106304	PIVOT PIN WELDMENT	1	
9	106326	STOP, RUBBER.	2	
10	106322	PIVOT PIN WELDMENT.	1	
11	106997	BOOM, DECAL ASSY-LH	1	
12	106274	LINKAGE TUBE WELDMENT.	1	
13	106276	CYLINDER PIN	1	
14	REF	CYLINDER.	1	
15	106327	SPACER, STOP	2	
16	16539	AMBER LIGHT	1	
17	106732	BRACKET	1	
18	106731	WIRING HARNESS LIGHTS BOOM	1	

A	PIN - cotter, 3/16 x 1.5 inch
B	BOLT - hex, 1/2 NC x 3.25 inch grade 5
C	WASHER - lock, 1/2 inch
D	NUT - lock, prevailing torque, 1/2 NC
E	WASHER - flat, 1.0 SAE
F	FITTING - grease, straight, 1/4 - 28 NF
G	WASHER - flat, 5/8 SAE
H	NUT - lock, prevailing torque, 5/8 NC
I	NUT - hex, 3/4 NC
J	BOLT - hex, 1/2 NC x 1.25 inch grade 5
K	BOLT - hex, 3/8 NC x 2 inch grade 5
L	WASHER - flat, 3/8 SAE

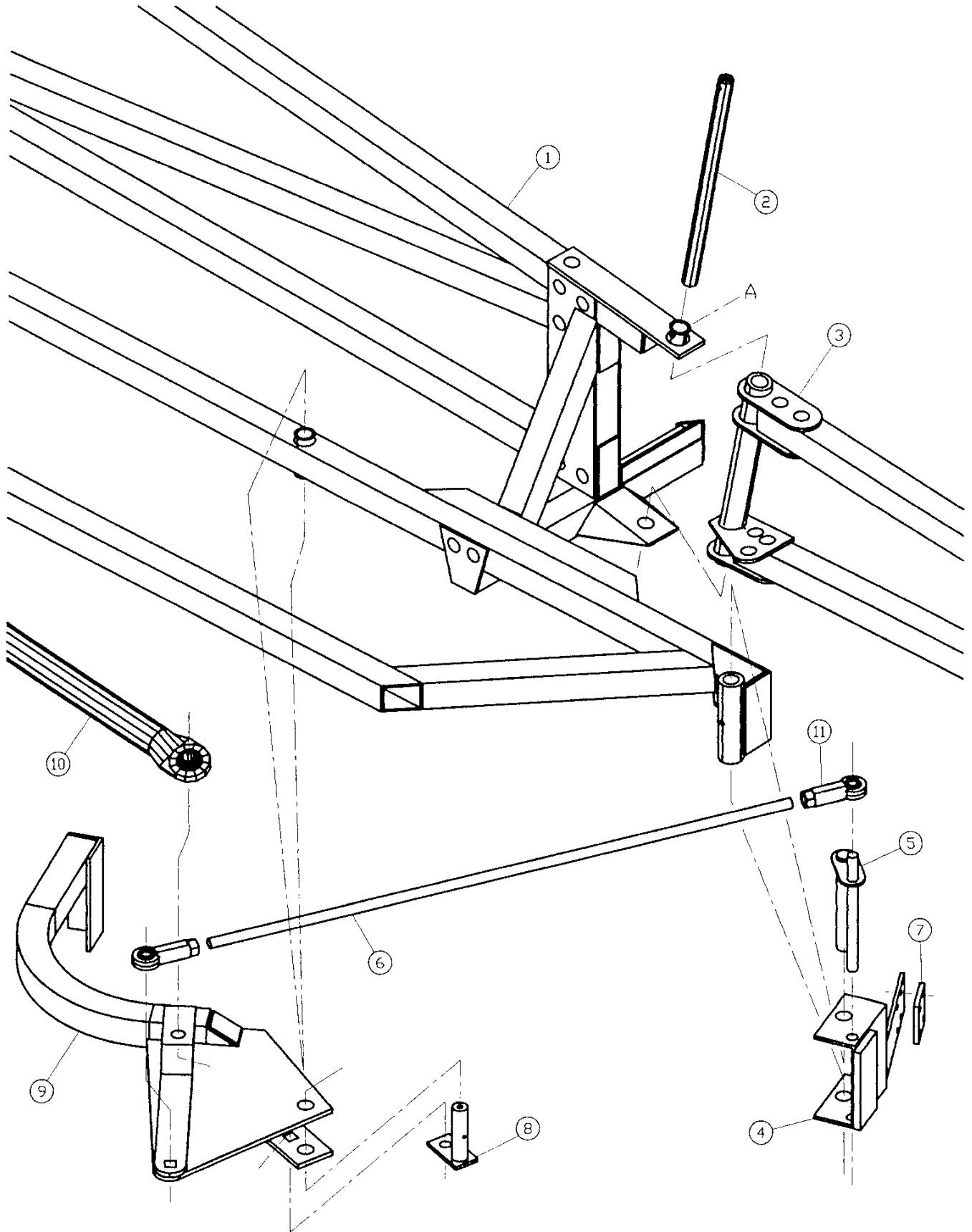
MID-BOOM RIGHT HAND SIDE



MID - BOOM - RIGHT HAND SIDE

REF	PART NUMBER	DESCRIPTION	QTY	SERIAL NUMBER
1	106343	OUTER RH BOOM WELDMENT	1	-130000
	107459	OUTER RH BOOM WELDMENT.....	1	130001-
2	106391	HINGE PIN	1	
3	REF	BOOMTIP ASSEMBLY RH	1	
4	106532	LATCH WELDMENT - RH	1	
5	106534	PIN WELDMENT	1	
6	106535	TENSION ROD	1	
7	106575	POLY SHEET	1	
8	106353	PIVOT PIN WELDMENT	1	
9	107373	LINKAGE WELDMENT	1	130001-
	106356	LINKAGE WELDMENT	1	-130000
10	106377	STRUT BOOMTIP CONTROL	1	
11	106536	BALL JOINT ROD END	2	
A		PIN - roll, 3/16 x 1 inch		
B		BOLT - flange, 1/2 NC x 4.75 inch		
C		NUT - flange, 1/2 NC		
D		PIN - cotter, 3/16 x 1.25 inch		
E		BOLT - carriage, 3/8 NC x 1 inch grade 2		
F		WASHER - flat, 3/8 SAE		
G		NUT - lock, prevailing torque, 3/8 NC		
H		WASHER - flat, 5/8 SAE		

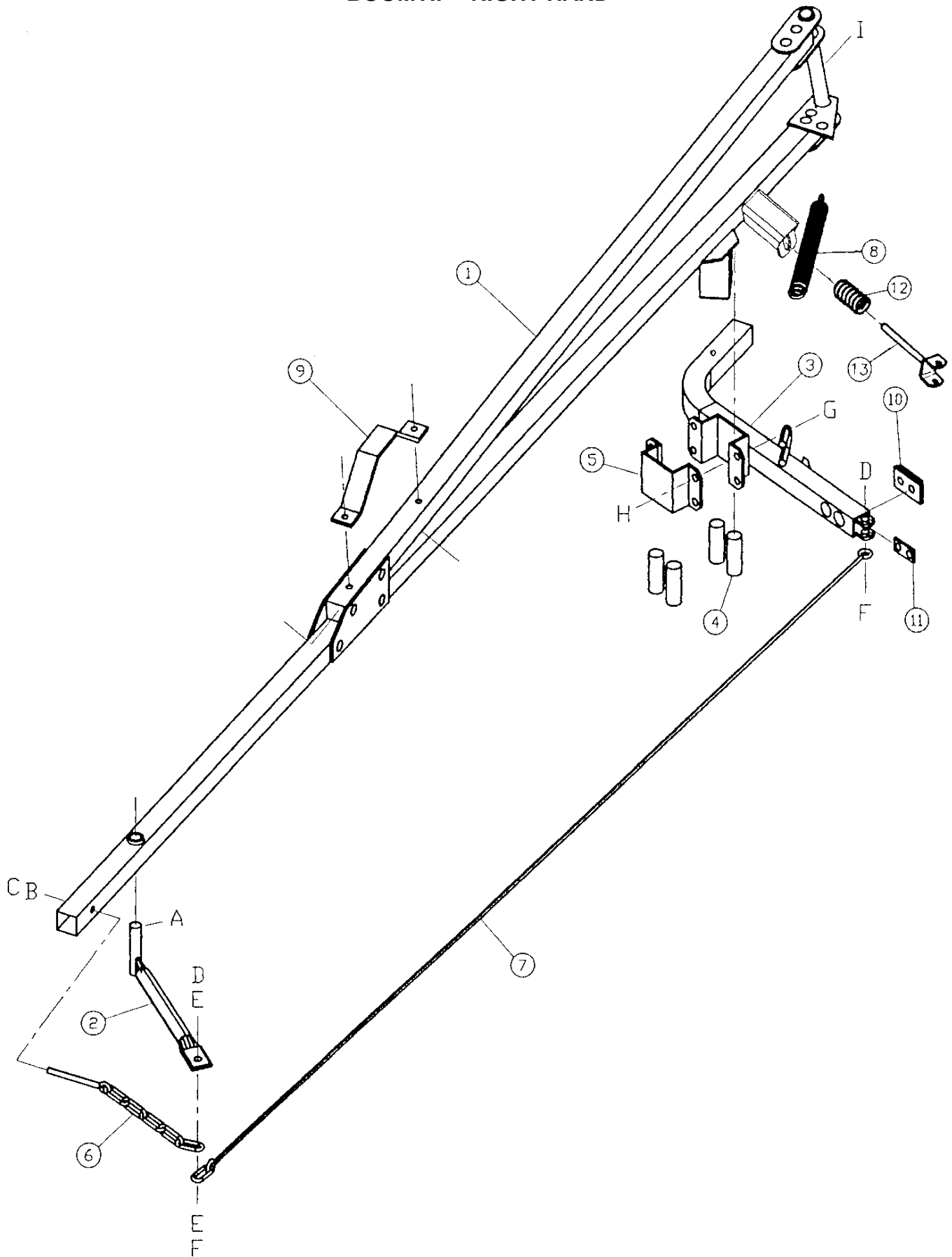
MID-BOOM LEFT HAND SIDE



MID - BOOM - LEFT HAND SIDE

REF	PART NUMBER	DESCRIPTION	QTY	SERIAL NUMBER
1	106342	OUTER LH BOOM WELDMENT	1	-130000
	107458	OUTER LH BOOM WELDMENT.....	1	130001-
2	106391	HINGE PIN	1	
3	REF	BOOMTIP ASSEMBLY LH	1	
4	106533	LATCH WELDMENT LH	1	
5	106534	PIN WELDMENT	1	
6	106535	TENSION ROD	1	
7	106575	POLY SHEET	1	
8	106353	PIVOT PIN WELDMENT	1	
9	107384	LINKAGE WELDMENT - LH	1	130001-
	106398	LINKAGE WELDMENT - LH	1	-130000
10	106377	STRUT BOOMTIP CONTROL	1	
11	106536	BALL JOINT ROD END	2	
A		PIN - roll, 3/16 x 1 inch		
B		BOLT - flange, 1/2 NC x 4.75 inch		
C		NUT - flange, 1/2 NC		
D		PIN - cotter, 3/16 x 1.25 inch		
E		BOLT - carriage, 3/8 NC x 1 inch grade 2		
F		WASHER - flat, 3/8 SAE		
G		NUT - lock, prevailing torque, 3/8 NC		
H		WASHER - flat, 5/8 SAE		

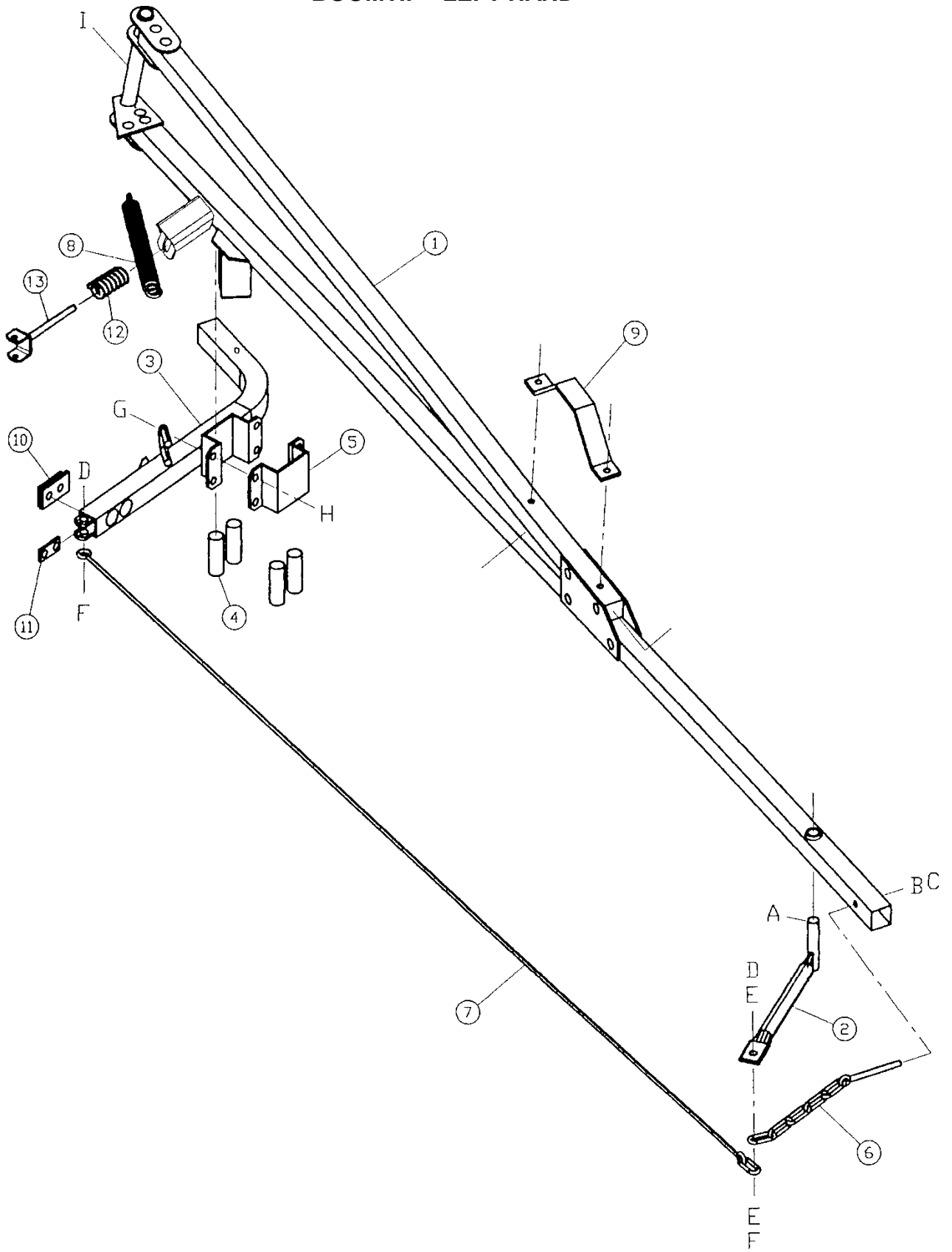
BOOMTIP - RIGHT HAND



BOOMTIP - RIGHT HAND

REF	PART NUMBER	DESCRIPTION	QTY	SERIAL NUMBER
1	106280	BOOMTIP WELDMENT RIGHT	1	
2	107331	ARM WELDMENT	1	130001-
	106366	ARM WELDMENT	1	-130000
3	107366	ARM TRIP RH	1	130001-
	106371	ARM TRIP RH	1	-130000
4	106298	ROUND, RUBBER	4	
5	106271	BRACKET	1	
6	107445	CHAIN ASSEMBLY	1	130001-
	106283	CHAIN ASSEMBLY	1	-130000
7	107268	CABLE ASSEMBLY.....	1	130001-
	106282	CABLE ASSEMBLY.....	1	-130000
8	28480	TENSION SPRING	1	
9	106736	BAR	1	-130000
10	106541	PLATE WELDMENT	1	
11	106539	PLATE	1	
12	42036	SPRING.....	1	
13	107019	CLEVIS WELDMENT.....	1	
A		PIN - cotter, 3/16 x 1.5 inch		
B		WASHER - flat, 3/8 SAE		
C		NUT - lock, prevailing torque, 3/8 NC		
D		BOLT - hex, 1/2 NC x 2 inch grade 5		

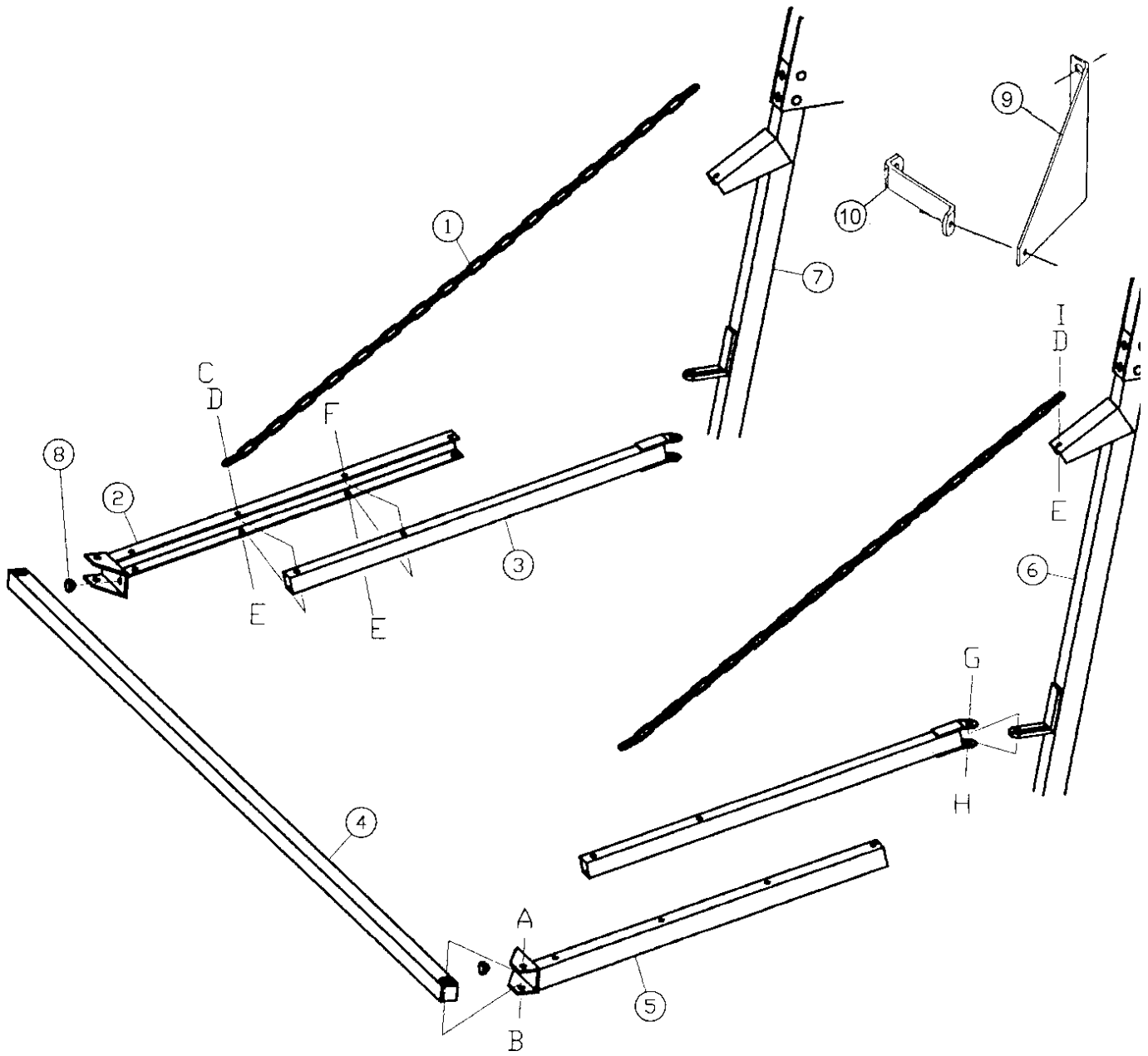
BOOMTIP - LEFT HAND



BOOMTIP - LEFT HAND

REF	PART NUMBER	DESCRIPTION	QTY	SERIAL NUMBER
1	106279	BOOMTIP WELDMENT LEFT	1	
2	107331	ARM WELDMENT	1	130001-
	106366	ARM WELDMENT	1	-130000
3	107367	ARM TRIP LH	1	130001-
	106401	ARM TRIP LH	1	-130000
4	106298	ROUND, RUBBER	4	
5	106271	BRACKET	1	
6	107445	CHAIN ASSEMBLY	1	130001-
	106283	CHAIN ASSEMBLY	1	-130000
7	107268	CABLE ASSEMBLY	1	130001-
	106282	CABLE ASSEMBLY	1	-130000
8	28480	TENSION SPRING	1	
9	106736	BAR	1	-130000
10	106541	PLATE WELDMENT	1	
11	106539	PLATE	1	
12	42036	SPRING	1	
13	107019	CLEVIS WELDMENT	1	
A		PIN - cotter, 3/16 x 1.5 inch		
B		WASHER - flat, 3/8 SAE		
C		NUT - lock, prevailing torque, 3/8 NC		
D		BOLT - hex, 1/2 NC x 2 inch grade 5		

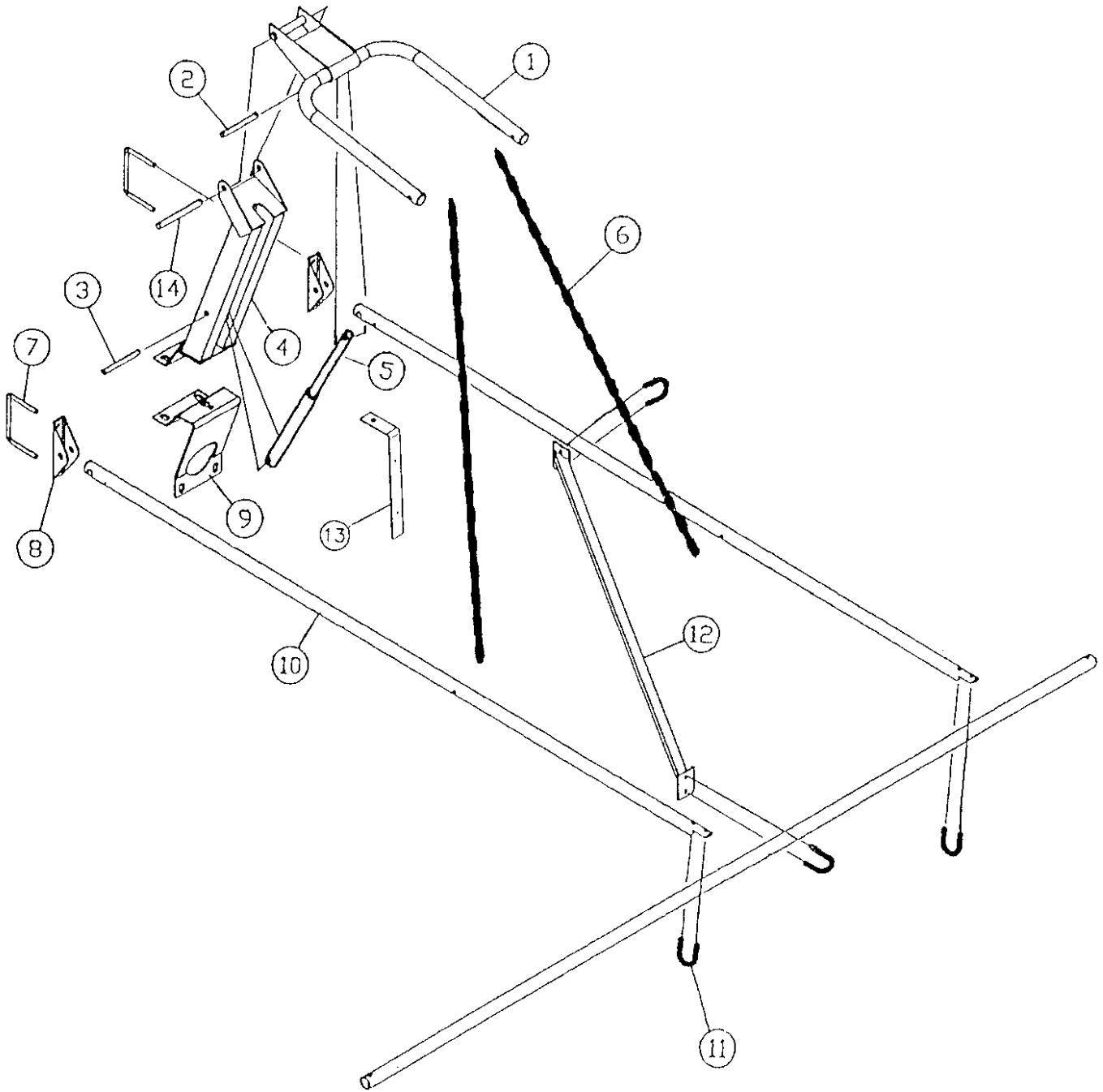
FRONT BOOM



FRONT BOOM

REF	PART NUMBER	DESCRIPTION	QTY	SERIAL NUMBER
1	106424	FRONT BOOM CHAIN	2	
2	106427	RH-CHANNEL WELDMENT	1	
3	106426	SIDE TUBE WELDMENT.	2	
4	107119	CENTER BOOM TUBE.	1	130001-
	106425	FRONT TUBE WELDMENT.	1	-130000
5	106428	LH-CHANNEL WELDMENT.	1	
6	REF	A-FRAME WELDMENT-LH	1	
7	REF	A-FRAME WELDMENT-RH.	1	
8	106448	PLUG BUMPER-BUTTON TYPE.	2	
9	REF	BRACKET – RH, see page 11, ref. 19.	1	
10	REF	BAR, see page 11, ref. 20.	1	
A		BOLT - hex, 1/2 NC x 2.75 inch grade 5		
B		NUT - lock, prevailing torque, 1/2 NC		
C		BOLT - hex, 3/8 NC x 3 inch grade 5		
D		WASHER - flat, 3/8 SAE		
E		NUT - flange, 3/8 NC		
F		BOLT - flange, 3/8 NC x 2.5 inch		
G		PIN - clevis, 1/2 x 2 inch min. grip length		
H		PIN - cotter, 5/32 x 1 inch		

REAR BOOM

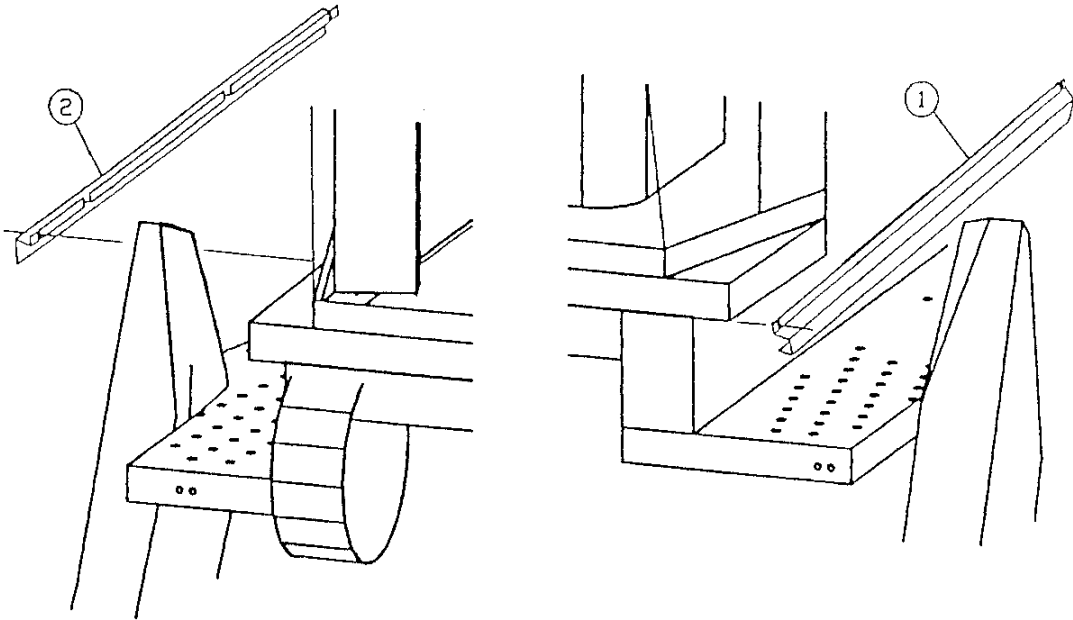


REAR BOOM

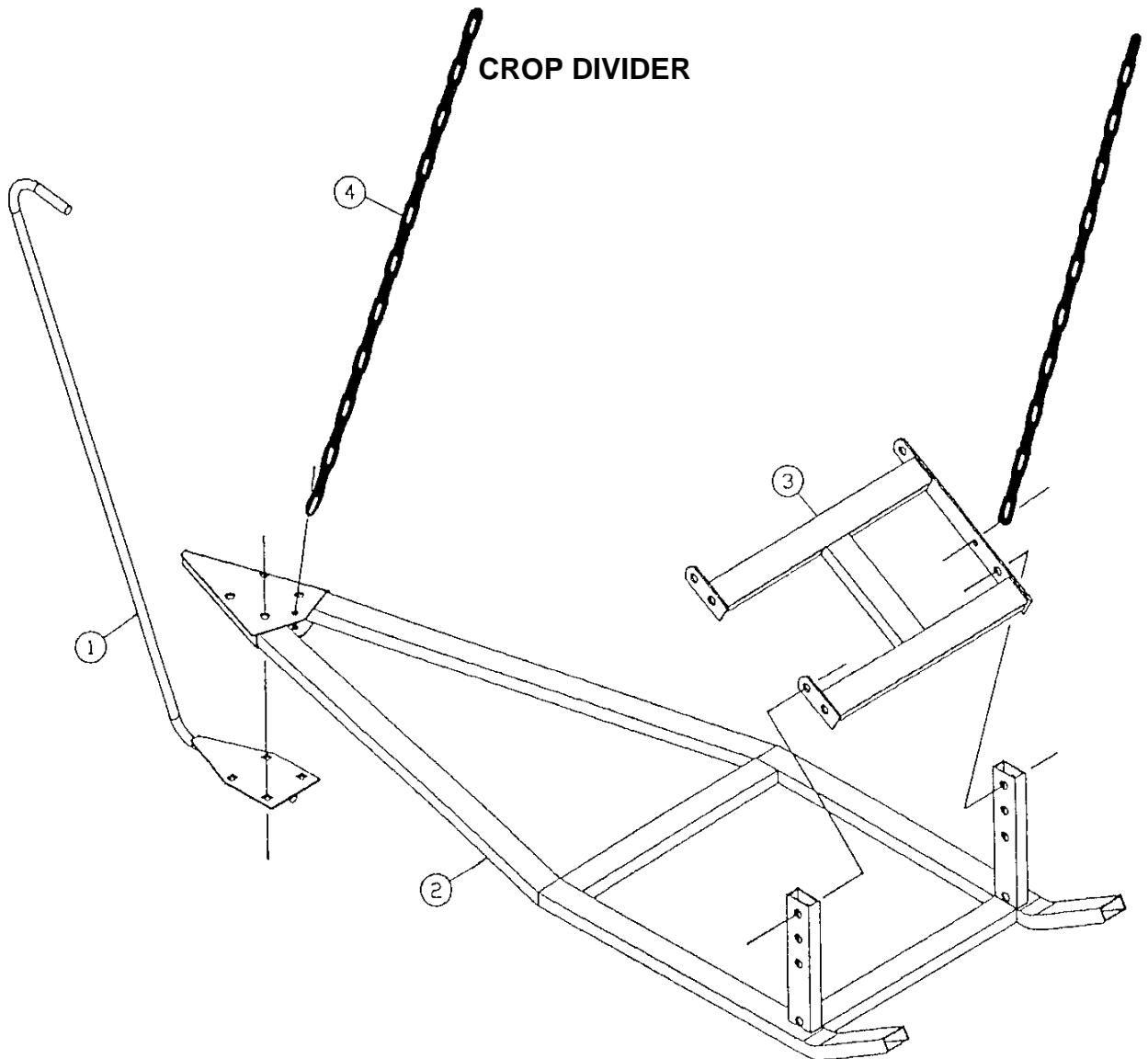
REF	PART NUMBER	DESCRIPTION	QTY	SERIAL NUMBER
1	106866	SUPPORT-TOP LINK.	1	
2	107122	PIN.	1	
3	13094	PIN.	1	
4	107116	REAR BOOM WELDMENT.	1	
5	REF	CYLINDER.		
6	REF	CHAIN – FRONT BOOM.		
7	106553	U – BOLT.	2	
8	106852	MOUNTING CLEVIS.	2	
9	107109	BRACKET.	1	
10	106850	TUBE, see note 1.	2	
11	106976	U – BOLT.	4	
12	107120	BRACE.	1	
13	107418	BRACKET-SMV.	1	
14	107053	PIN.	1	

NOTES: 1. For item 10: If replacing tube with welded flange (SN 130000 and prior), order qty 2 of item 10 and 2 of item 11.

REAR TANK HOSE SUPPORTS



CROP DIVIDER



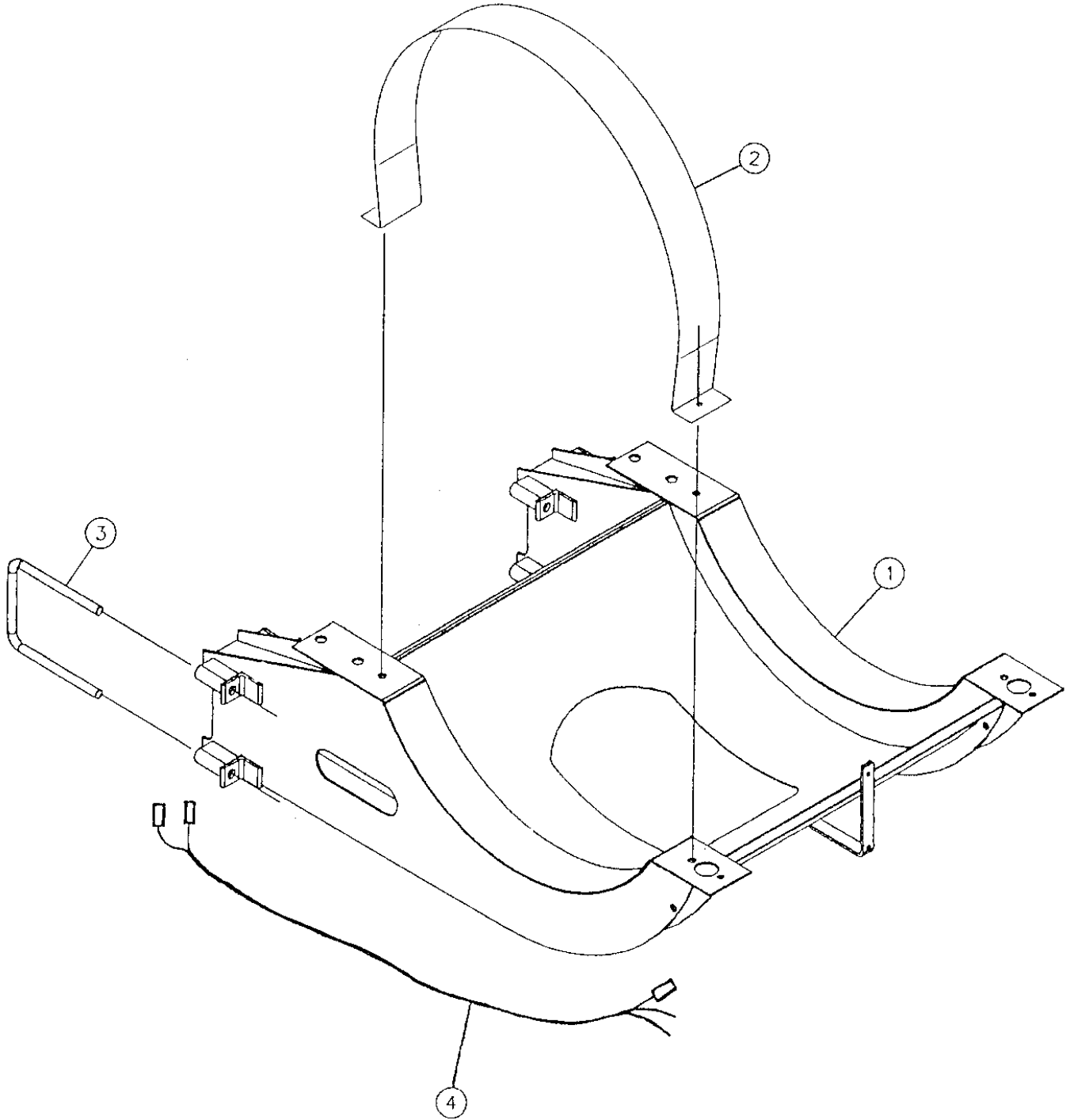
**REAR TANK
HOSE SUPPORTS**

REF	PART NUMBER	DESCRIPTION	QTY	SERIAL NUMBER
1	107055	SUPPORT HOSE LH.....	1	130001-
2	107056	SUPPORT HOSE RH.....	1	130001-

CROP DIVIDER

REF	PART NUMBER	DESCRIPTION	QTY	SERIAL NUMBER
1	106154	ROD WELDMENT.....	1	130001-
2	107152	DIVIDER WELDMENT.....	1	130001-
3	107151	PIVOT WELDMENT.....	1	130001-
4	107156	CHAIN.....	2	130001-

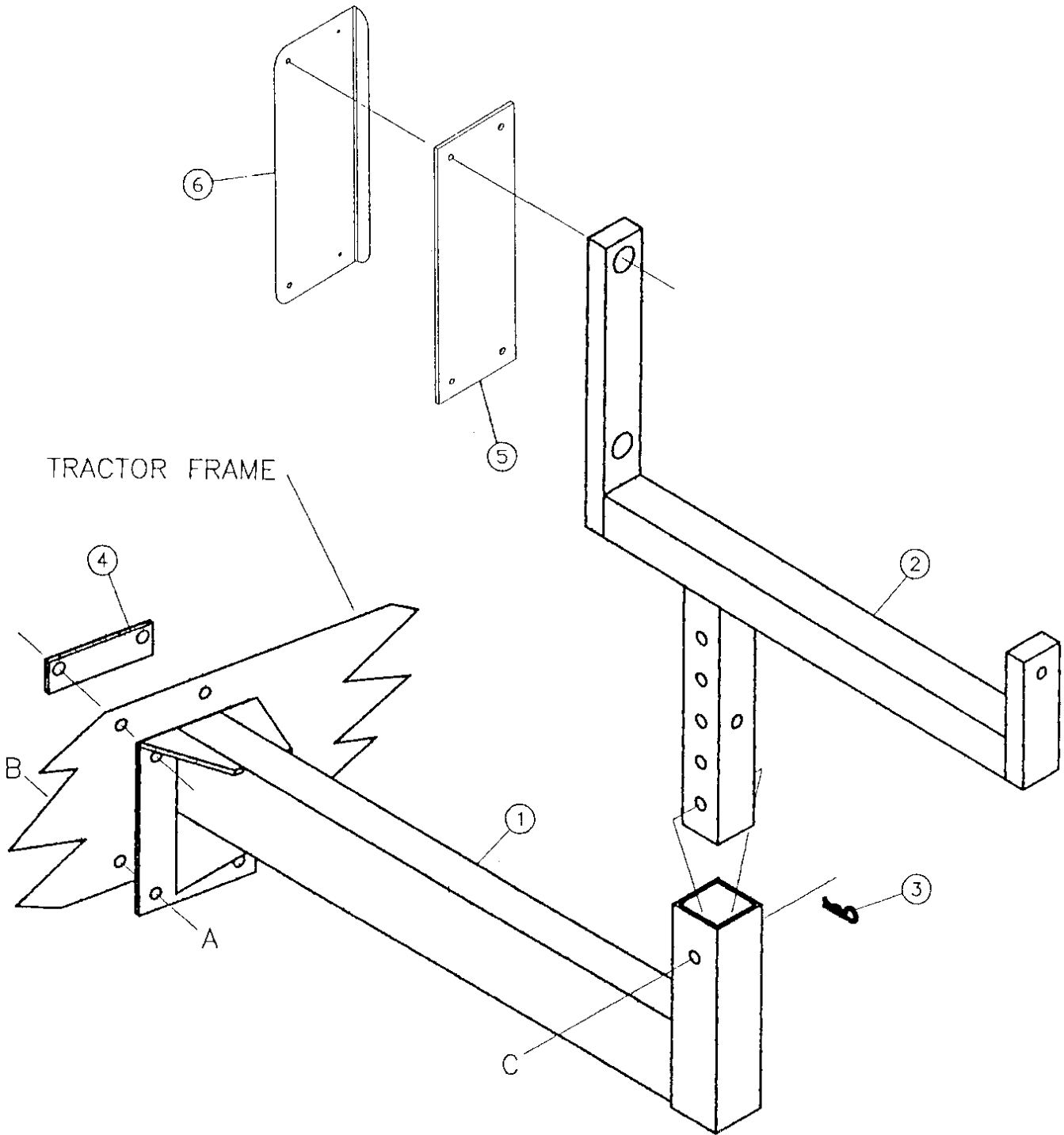
REAR TANK SUPPORT



REAR TANK SUPPORT

REF	PART NUMBER	DESCRIPTION	QTY	SERIAL NUMBER
1	107039	SUPPORT TANK WELDMENT.....	1	130001-
2	107051	BAND-REAR TANK.....	2	130001-
3	107048	U-BOLT.....	4	130001-
4	107082	WIRING HARNESS TAIL LIGHTS.....	2	130001-

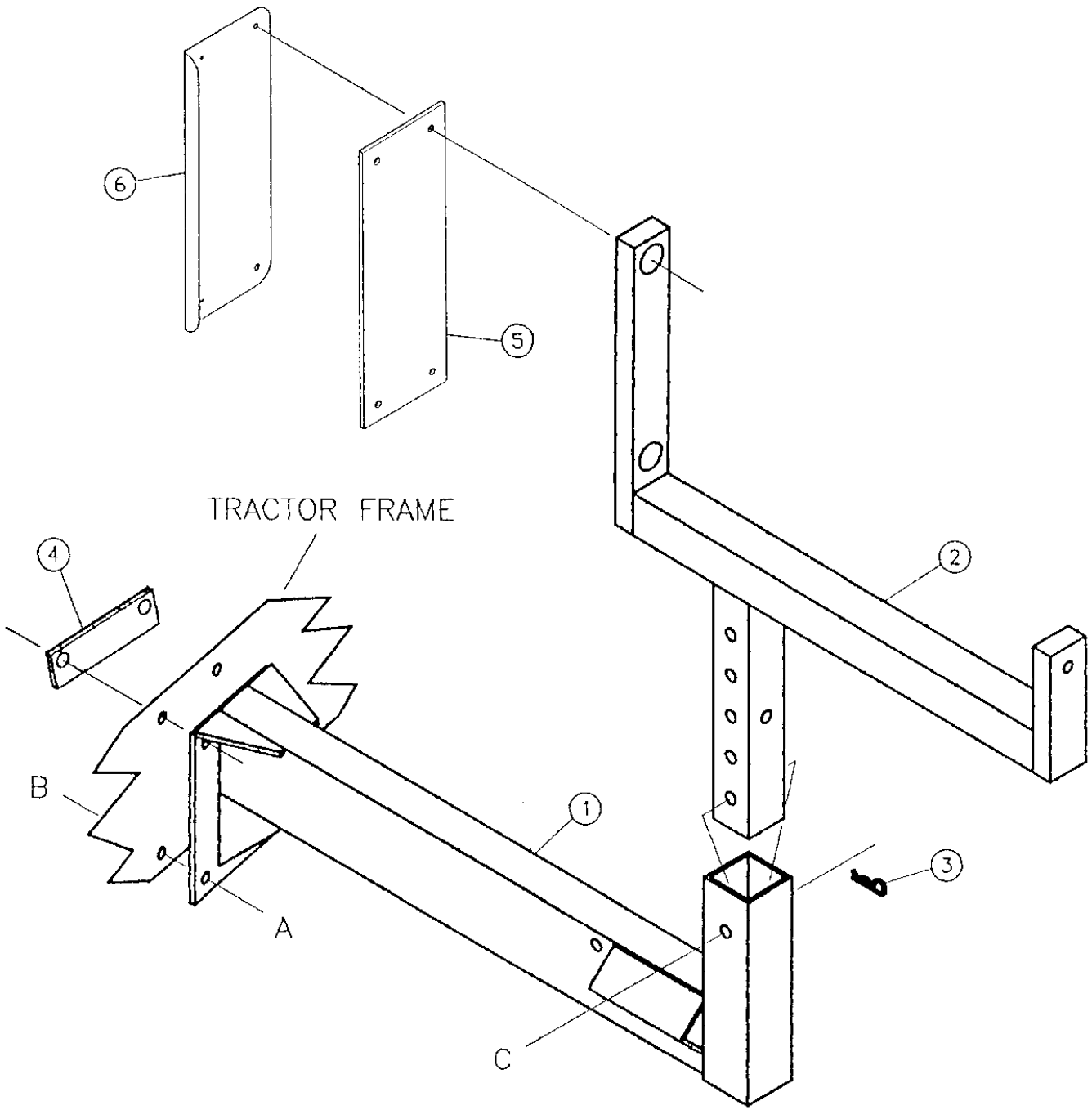
CARRIER RIGHT HAND SIDE



CARRIER RIGHT HAND SIDE

REF	PART NUMBER	DESCRIPTION	QTY	SERIAL NUMBER
1	106499	REST SUPPORT WELDMENT RH.	1	
2	106491	REST WELDMENT.	1	
3	13125	HAIR PIN.	1	
4	107138	REINFORCING BAR.	1	130001-
	106550	REINFORCING BAR.	1	-130000
5	107266	STRIP.	1	130001-
6	107228	BAR.	1	130001-
A		BOLT - flange, 1/2 NC x 1 inch		
B		NUT - flange, 1/2 NC		
C		PIN - clevis, 1/2 x 3 inch		

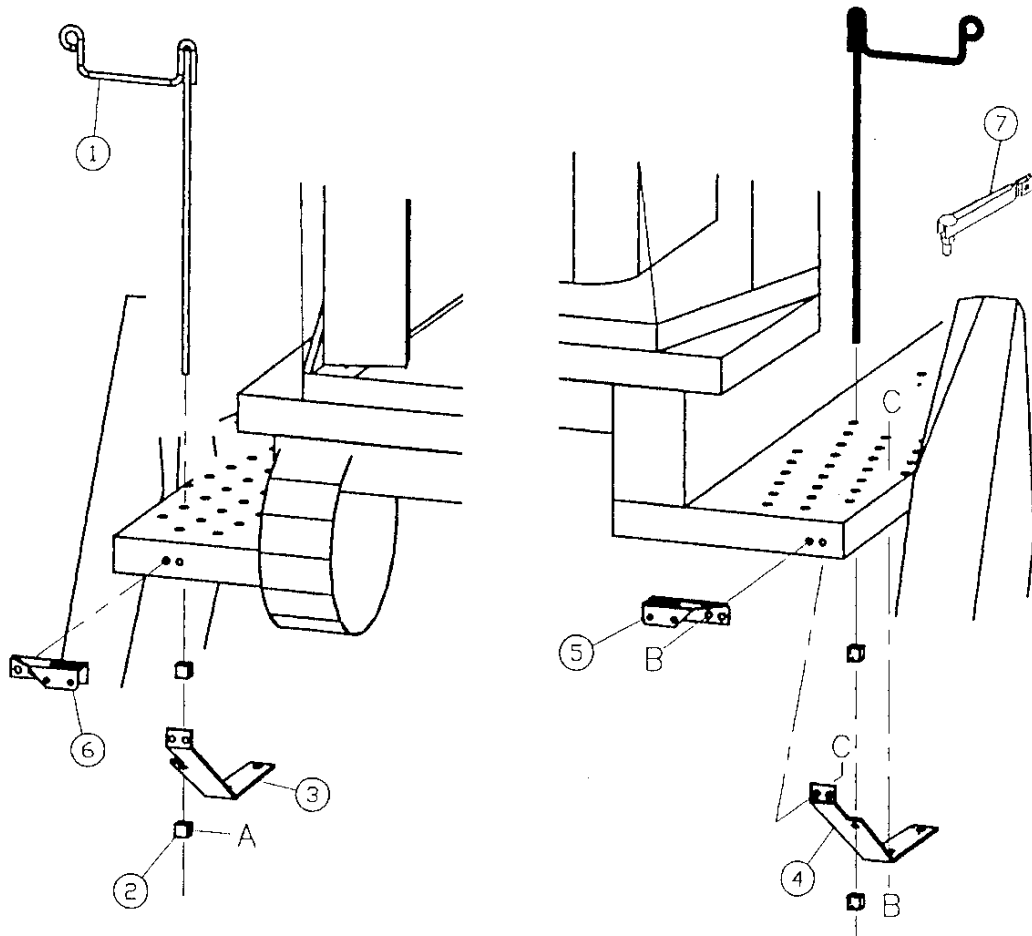
CARRIER LEFT HAND SIDE



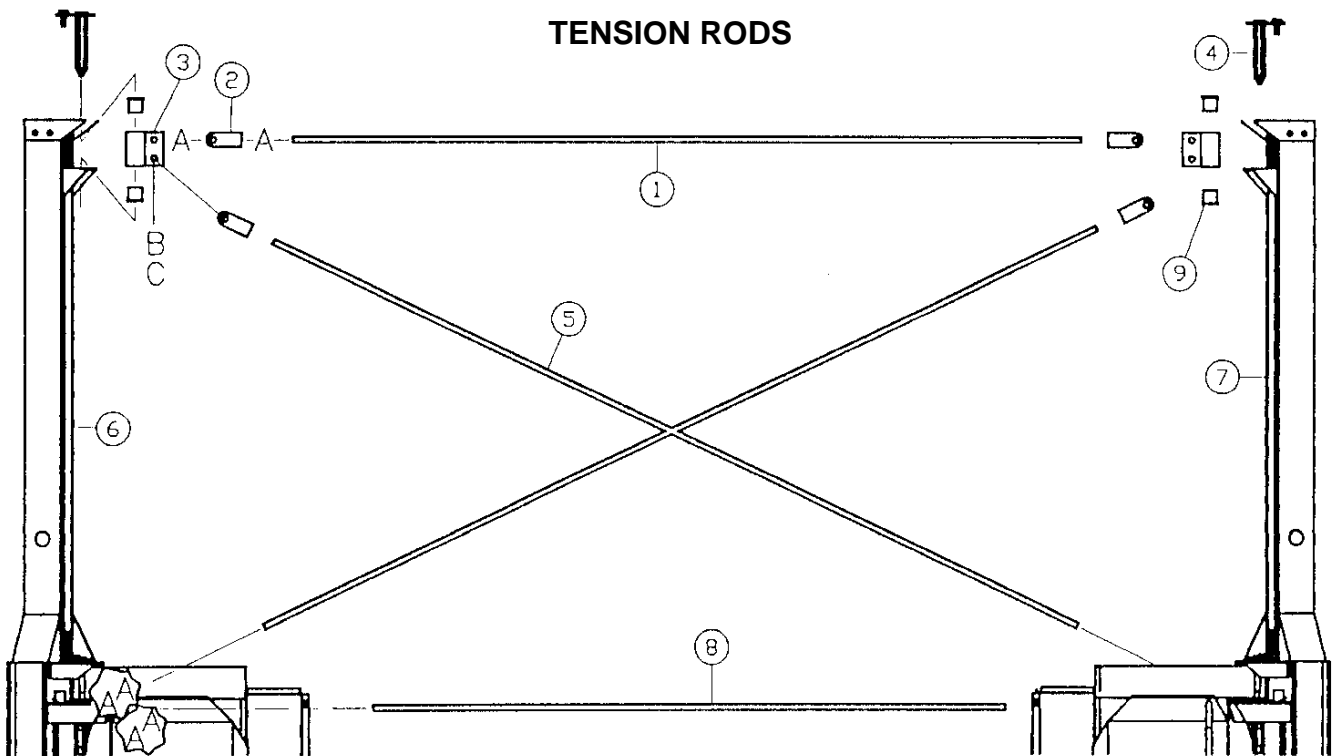
CARRIER LEFT HAND SIDE

REF	PART NUMBER	DESCRIPTION	QTY	SERIAL NUMBER
1	106496	REST SUPPORT WELDMENT LH.	1	-130000
	107471	REST SUPPORT WELDMENT LH.	1	130001-
2	106491	REST WELDMENT.	1	
3	13125	HAIR PIN.	1	
4	107138	REINFORCING BAR.	1	130001-
	106550	REINFORCING BAR.	1	-130000
5	107266	STRIP.	1	130001-
6	107228	BAR.	1	130001-
A		BOLT - flange, 1/2 NC x 1 inch		
B		NUT - flange, 1/2 NC		
C		PIN - clevis, 1/2 x 3 inch		

SPRING SUPPORT AND STOP REINFORCEMENT



TENSION RODS



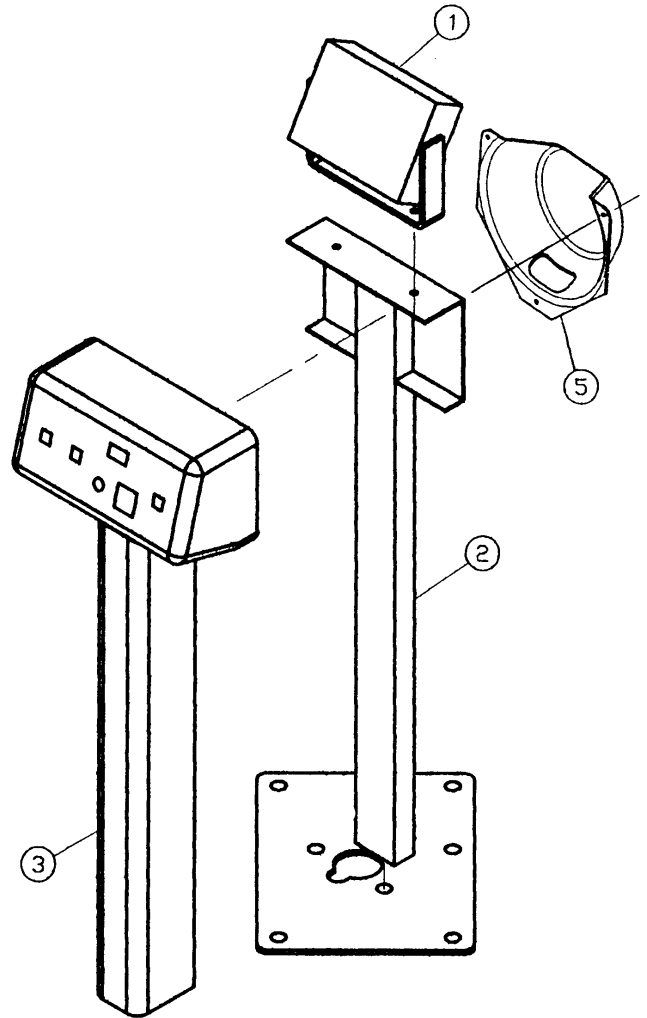
SPRING SUPPORT AND STOP REINFORCEMENT

REF	PART NUMBER	DESCRIPTION	QTY	SERIAL NUMBER
1	106934	SUPPORT ROD WELDMENT.....	2	
2	106935	BLOCK.....	4	
3	106937	BAR – RH.....	1	
4	106936	BAR – LH.....	1	
5	106793	HOSE BRACKET.....	1	-130000
6	106792	HOSE BRACKET.....	1	-130000
7	106805	LINK DOOR STOP.....	1	
A		SCREW – set, 5/16 NC x 0.75		
B		BOLT - flange, 1/2 NC x 1 inch		
C		NUT - flange, 1/2 NC		

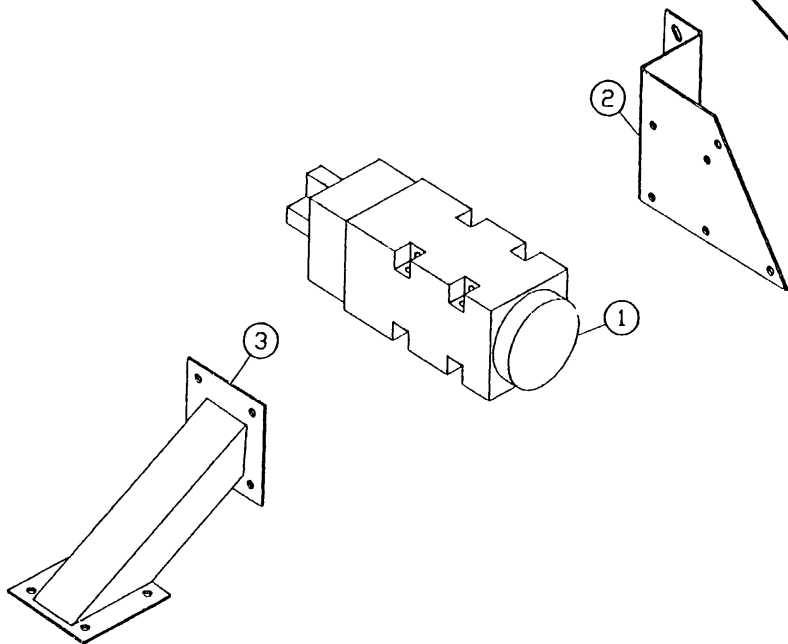
TENSION RODS

REF	PART NUMBER	DESCRIPTION	QTY	SERIAL NUMBER
1	106429	CROSS BRACE ROD.....	1	
2	106430	CLEVIS.....	4	
3	106084	PIVOT TUBE WELDMENT.....	2	
4	REF	PIVOT PIN WELDMENT.....	2	
5	106431	CROSS BRACE ROD.....	2	
6	REF	MAST WELDMENT-RH.....	1	
7	REF	MAST WELDMENT-LH.....	1	
8	106432	CROSS BRACE ROD.....	1	
9	106897	BUSHING.....	4	
A		NUT - hex, 5/8 NC		
B		BOLT - hex, 5/8 NC x 2.25 inch grade 5		

CONTROL PANEL



SPEED SENSOR



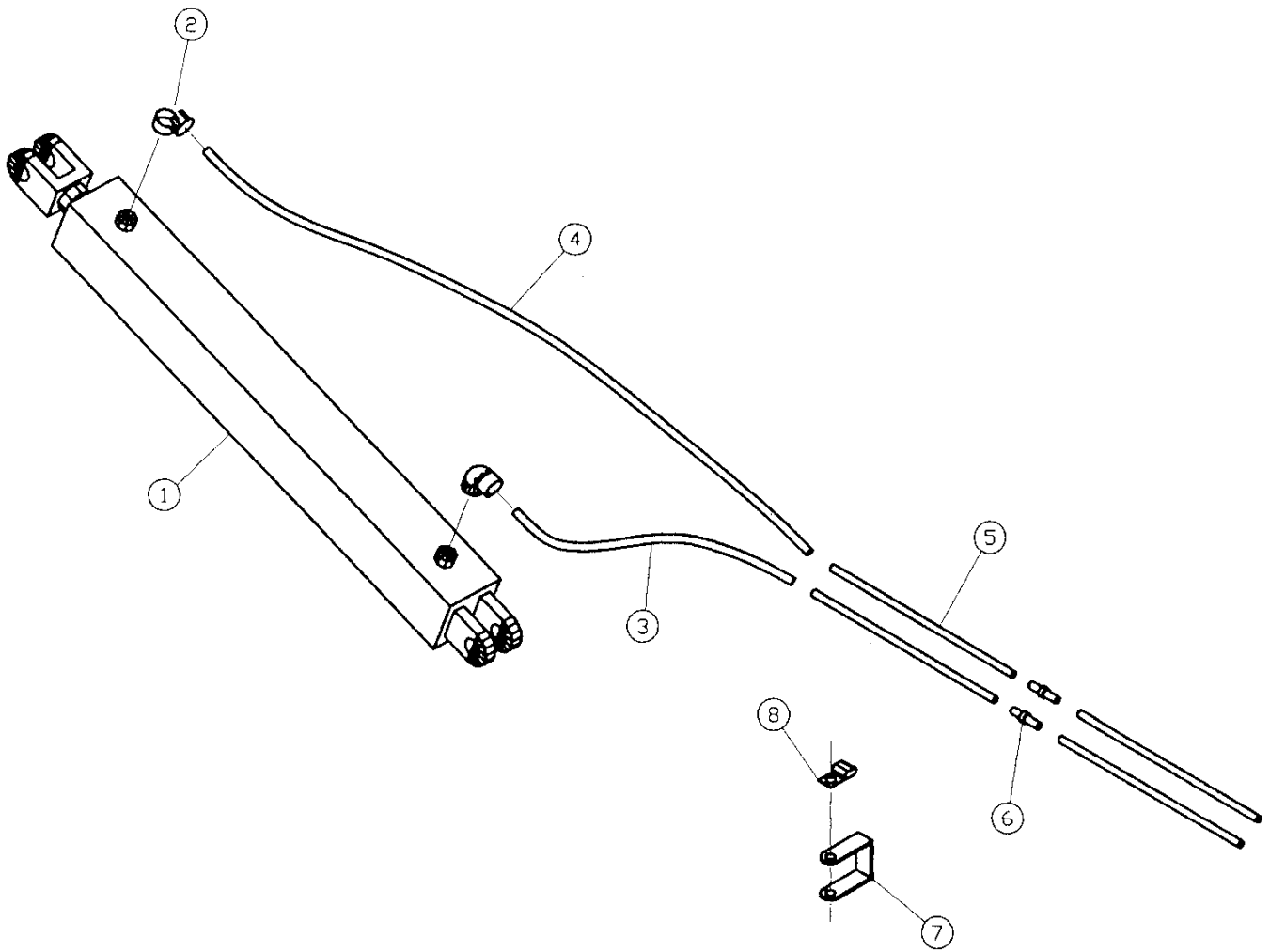
CONTROL PANEL

REF	PART NUMBER	DESCRIPTION	QTY	SERIAL NUMBER
1	107233	MICRO-TRAK 3505F CONTROL.....	1	130001-
	106880	MICRO-TRAK 3400 CONTROL.....	1	-130000
2	106701	PEDESTAL.....	1	
3	107446	PEDESTAL COVER ASSEMBLY.....	1	130001-
	106744	PEDESTAL COVER ASSEMBLY.....	1	-130000
5	107288	COVER.....	1	130001-

SPEED SENSOR

REF	PART NUMBER	DESCRIPTION	QTY	SERIAL NUMBER
1	107155	RADAR SPEED SENSOR.....	1	
2	107220	BRACKET.....	1	
3	107221	BRACKET.....	1	

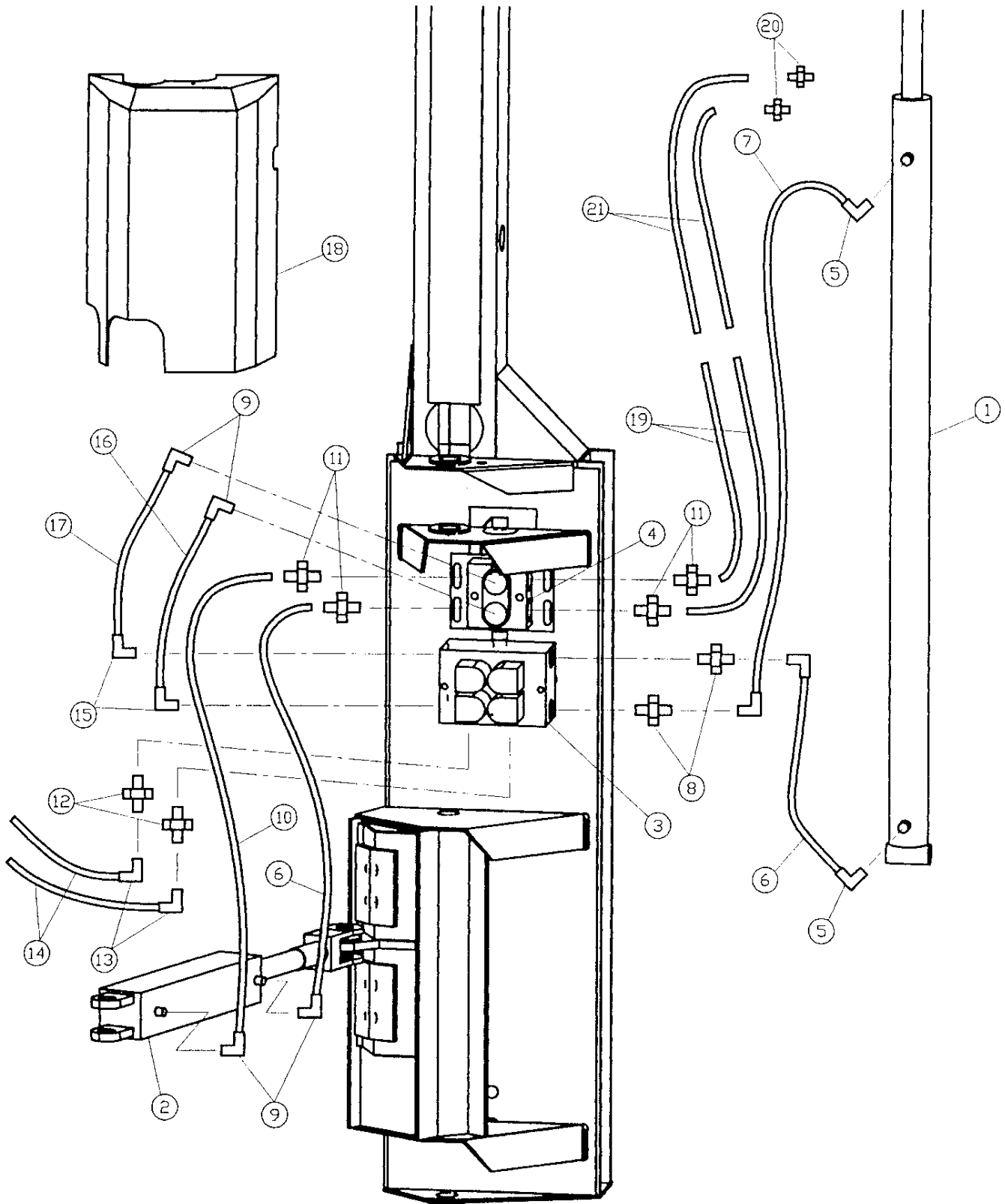
HYDRAULIC: BOOM TIP LIFT, LEFT AND RIGHT



HYDRAULICS: BOOM TIP LIFT, LEFT AND RIGHT

REF	PART NUMBER	DESCRIPTION	QTY	SERIAL NUMBER
1	106261	CYLINDER, 3 in dia x 24 in. stroke	2	
	106559	SEAL KIT, for cylinder 106261		
2	21085	ELBOW 90° #8 ORB X #6 37° flare male	4	
3	37841	HOSE #6 37° swivel X #6 37° male X 340 long	2	
4	106708	HOSE #6 37° swivel X #6 37° male X 970 long	2	
5	106709	STEEL LINE 3/8	8	
6	30375	UNION #6 X #6	4	
7	106707	CLAMP, clevis	8	
8	106698	CLAMP, tubing and wiring	8	

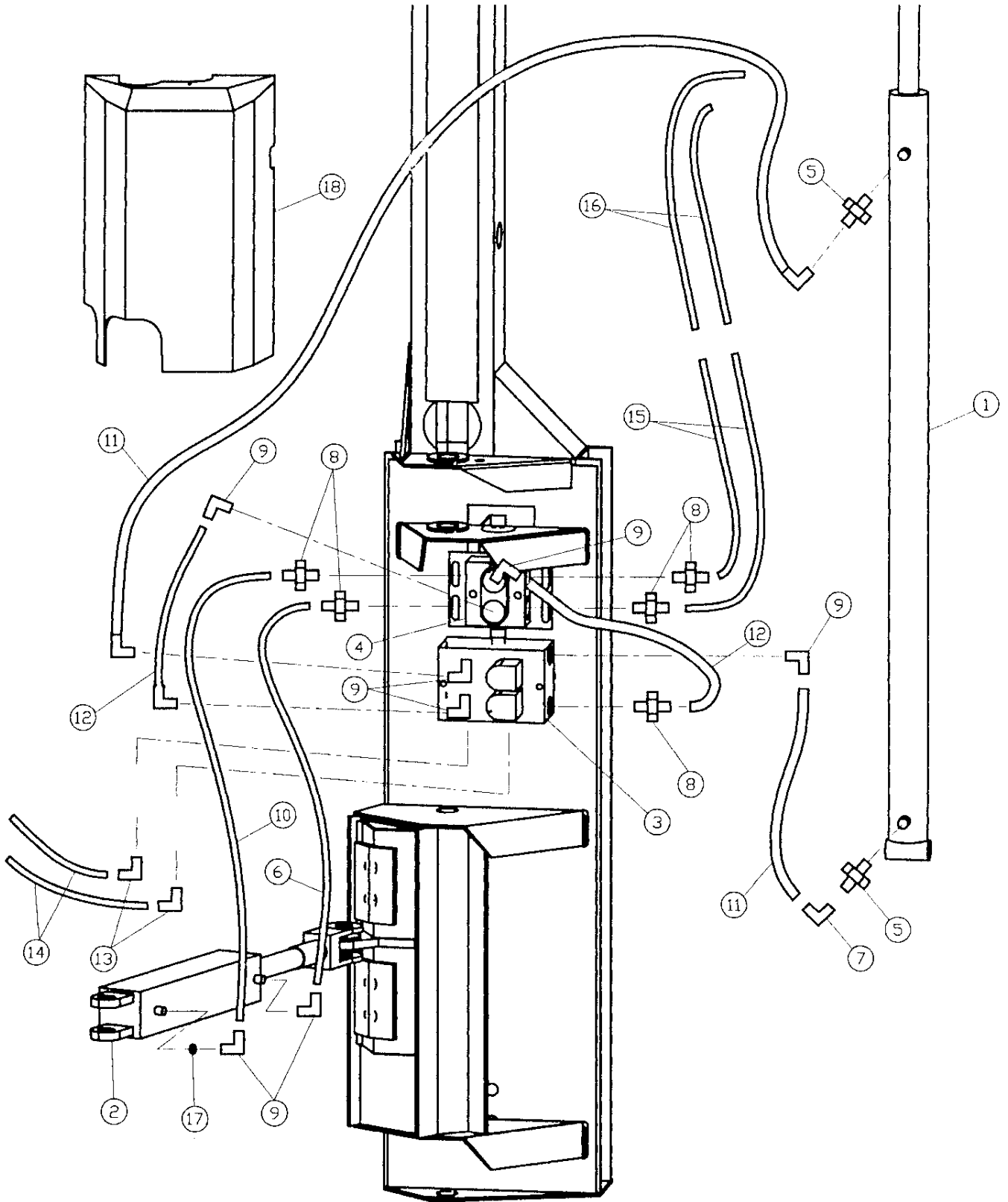
HYDRAULICS: MAST, LEFT
SERIAL NUMBER 130000 AND PRIOR



**HYDRAULICS: MAST, LEFT
SERIAL NUMBER 130000 AND PRIOR**

REF	PART NUMBER	DESCRIPTION	QTY	SERIAL NUMBER
1	106021	CYLINDER, 2 in dia x 40 in. stroke	1	-130000
	106561	SEAL KIT, for cylinder 106021	1	-130000
2	106022	CYLINDER, 2 ½ in dia x 10 in. stroke	1	-130000
	106560	SEAL KIT, for cylinder 106022	1	-130000
3	106080	MANIFOLD ASSEMBLY	1	-130000
4	106081	VALVE, SELECTOR	1	-130000
5	50104	ELBOW 90° #6 ORB X #4 37° flare male	2	-130000
6	106711	HOSE #6 37° flare female X #6 90° bent tube 37° flare female X 1070 long	2	-130000
7	106714	HOSE #6 37° flare female X #6 90° bent tube 37° flare female X 660 long	1	-130000
8	21804	ADAPTER #8 ORB X #6 37° flare male	2	-130000
9	30282	ELBOW 90° #6 ORB X #6 37° flare male	4	-130000
10	106712	HOSE #6 37° flare female X #6 90° bent tube 37° flare female X 1270 long	1	-130000
11	15903	ADAPTER #6 ORB X #6 37° flare male	4	-130000
12	106716	ADAPTER , #10 ORB X #6 37° flare male	2	-130000
13	106717	ELBOW 90° #6 37° male X #6 37° female	2	-130000
14	31823	HOSE #6 37° flare female X #6 37° flare female X 870 long	2	-130000
15	30283	ELBOW 90° #8 ORB X #6 37° male flare	2	-130000
16	106719	TUBE	1	-130000
17	106718	TUBE	1	-130000
18	107006	COVER, DECAL ASSY LH	1	-130000
19	106710	HOSE 90° #6 37° swivel X #6 37° male X 1630 long	2	-130000
20	30375	UNION #6 X #6	2	-130000
21	31802	¼ HOSE #6 37° female X 1820 long	2	-130000

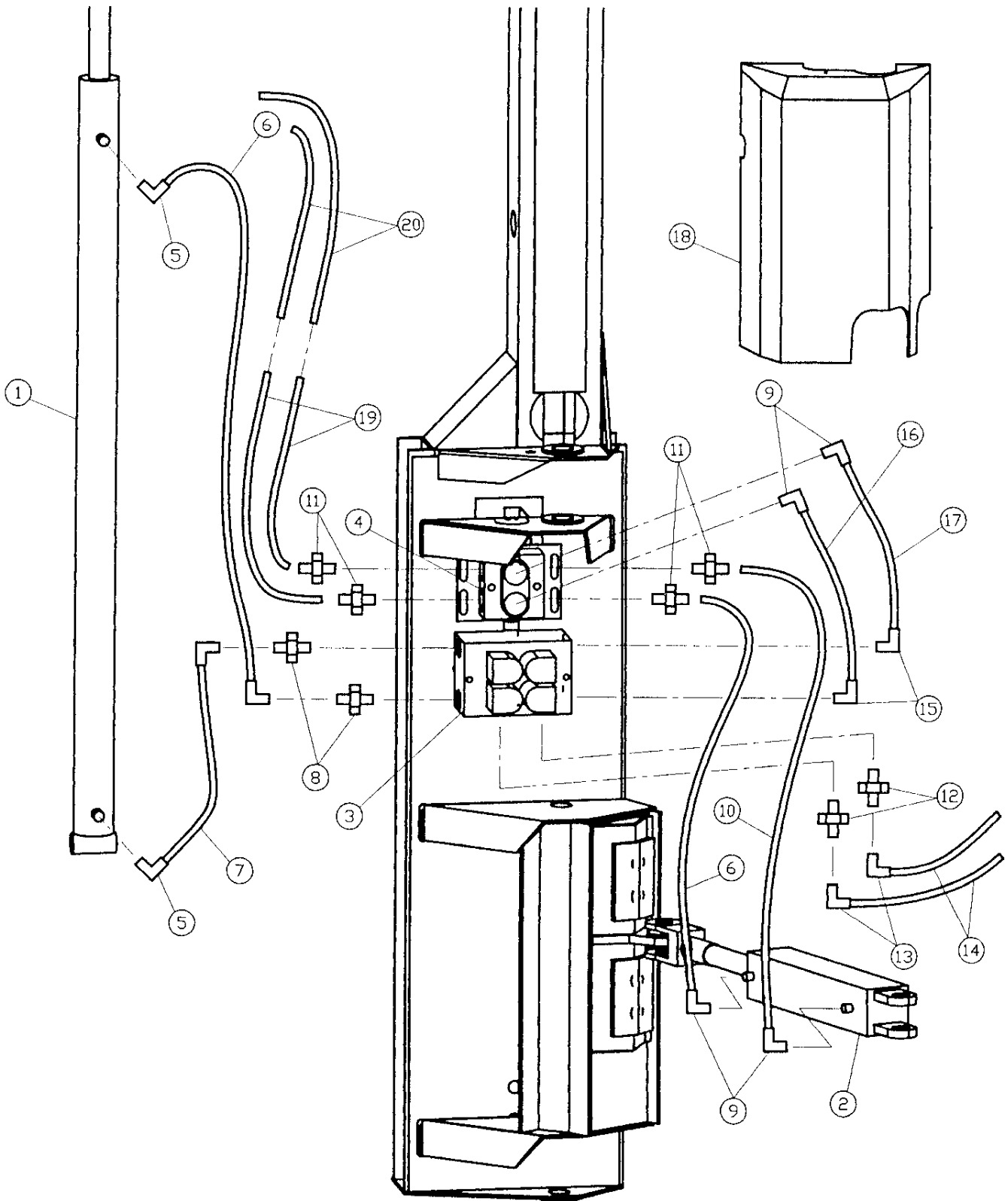
HYDRAULICS: MAST, LEFT
SERIAL NUMBER 130001 AND ABOVE



**HYDRAULICS: MAST, LEFT
SERIAL NUMBER 130001 AND ABOVE**

REF	PART NUMBER	DESCRIPTION	QTY	SERIAL NUMBER
1	106021	CYLINDER, 2 in dia x 40 in. stroke.	1	130001-
	106561	SEAL KIT, for cylinder 106021.	1	130001-
2	106022	CYLINDER, 2 ½ in dia x 10 in. stroke.	1	130001-
	106560	SEAL KIT, for cylinder 106022.	1	130001-
3	111129	MANIFOLD.	2	130001-
4	106081	VALVE, SELECTOR.	1	130001-
5	100790	ADAPTER #4 ORB X #6 37° flare male.	2	130001-
6	106711	HOSE #6 37° flare female X #6 90° bent tube 37° flare female X 1070 long.	1	130001-
7	106717	ELBOW 90° #6 37° male X #6 37° female.	1	130001-
8	15903	ADAPTER #6 ORB X #6 37° flare male.	5	130001-
9	30282	ELBOW 90° #6 ORB X #6 37° flare male.	7	130001-
10	106712	HOSE #6 37° flare female X #6 90° bent tube 37° flare female X 1270 long.	1	130001-
11	106714	HOSE #6 37° flare female X #6 90° bent tube 37° flare female X 660 long.	2	130001-
12	107289	HOSE #6 37° flare female X #6 90° bent tube 37° flare female X 250 long.	2	130001-
13	50104	ELBOW 90° #6 ORB X #4 37° flare male.	2	130001-
14	31823	HOSE #6 37° flare female X #6 37° flare female X 870 long.	2	130001-
15	106710	HOSE 90° #6 37° swivel X #6 37° male X 1630 long	2	130001-
16	36845	¼ HOSE #6 37° male X #6 37° female X 1350 long.	2	130001-
17	16566	ORIFICE PLATE.	1	130001-
18	107438	COVER, DECAL ASSY LH.	1	130001-

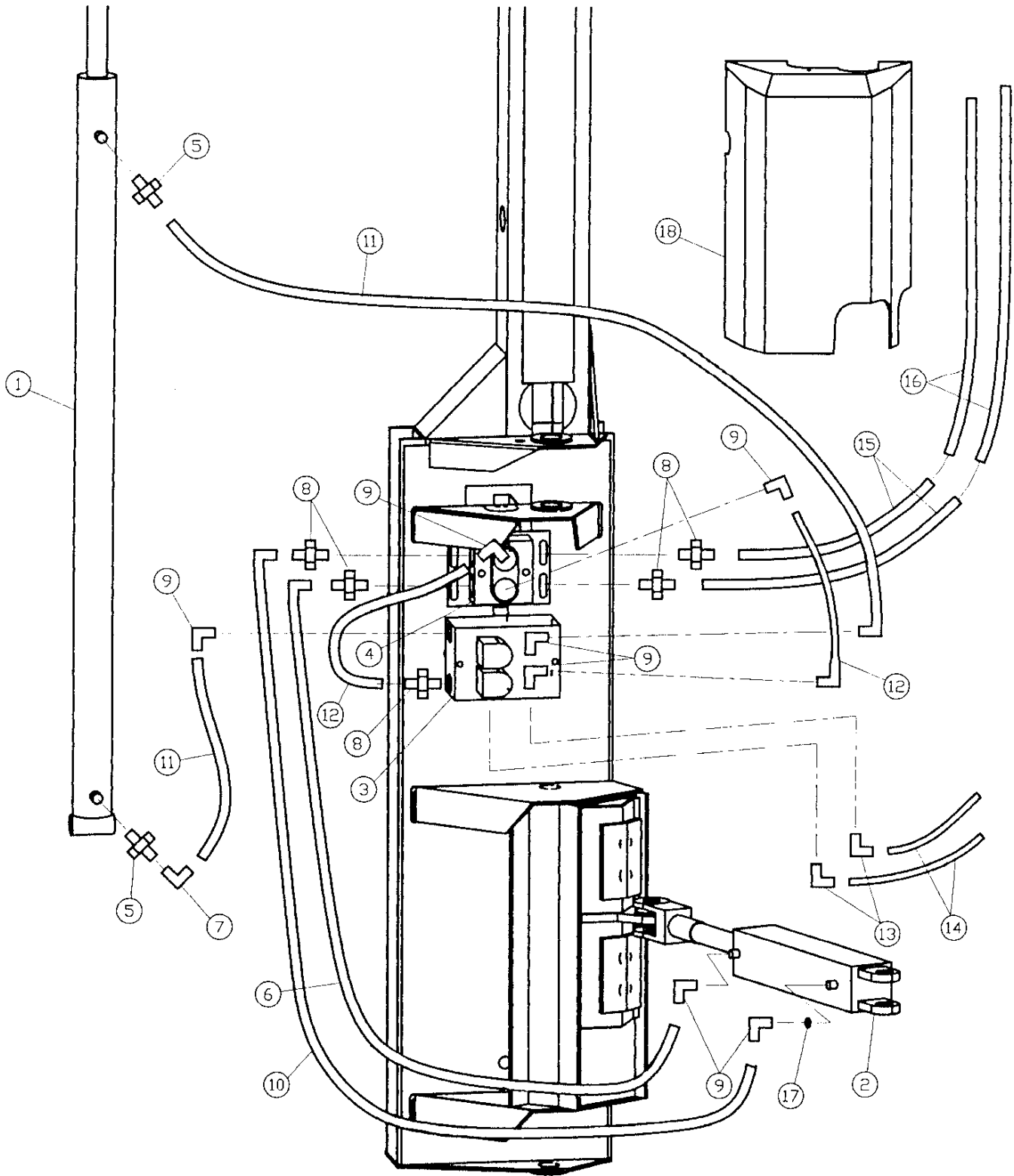
HYDRAULICS: MAST, RIGHT
SERIAL NUMBER 130000 AND PRIOR



**HYDRAULICS: MAST, RIGHT
SERIAL NUMBER 130000 AND PRIOR**

REF	PART NUMBER	DESCRIPTION	QTY	SERIAL NUMBER
1	106021	CYLINDER, 2 in dia x 40 in. stroke	1	-130000
	106561	SEAL KIT, for cylinder 106021	1	-130000
2	106022	CYLINDER, 2 ½ in dia x 10 in. stroke	1	-130000
	106560	SEAL KIT, for cylinder 106022	1	-130000
3	106080	MANIFOLD ASSEMBLY	1	-130000
4	106081	VALVE, SELECTOR	1	-130000
5	50104	ELBOW 90° #6 ORB X #4 37° flare male	2	-130000
6	106711	HOSE #6 37° flare female X #6 90° bent tube 37° flare female X 1070 long	2	-130000
7	106714	HOSE #6 37° flare female X #6 90° bent tube 37° flare female X 660 long	1	-130000
8	21804	ADAPTER #8 ORB X #6 37° flare male	2	-130000
9	30282	ELBOW 90° #6 ORB X #6 37° flare male	2	-130000
10	106712	HOSE #6 37° flare female X #6 90° bent tube 37° flare female X 1270 long	1	-130000
11	15903	ADAPTER #6 ORB X #6 37° flare male	4	-130000
12	106716	ADAPTER , #10 ORB X #6 37° flare male	2	-130000
13	106717	ELBOW 90° #6 37° male X #6 37° female	2	-130000
14	31823	HOSE #6 37° flare female X #6 37° flare female X 870 long	2	-130000
15	30283	ELBOW 90° #8 37° male X #6 37° male	2	-130000
16	106719	TUBE	1	-130000
17	106718	TUBE	1	-130000
18	107005	COVER, DECAL ASSY RH	1	-130000
19	106710	HOSE 90° #6 37° swivel X #6 37° male X 1630 long	2	-130000
20	36845	¼ HOSE #6 37° male X #6 37° female X 1350 long	2	-130000

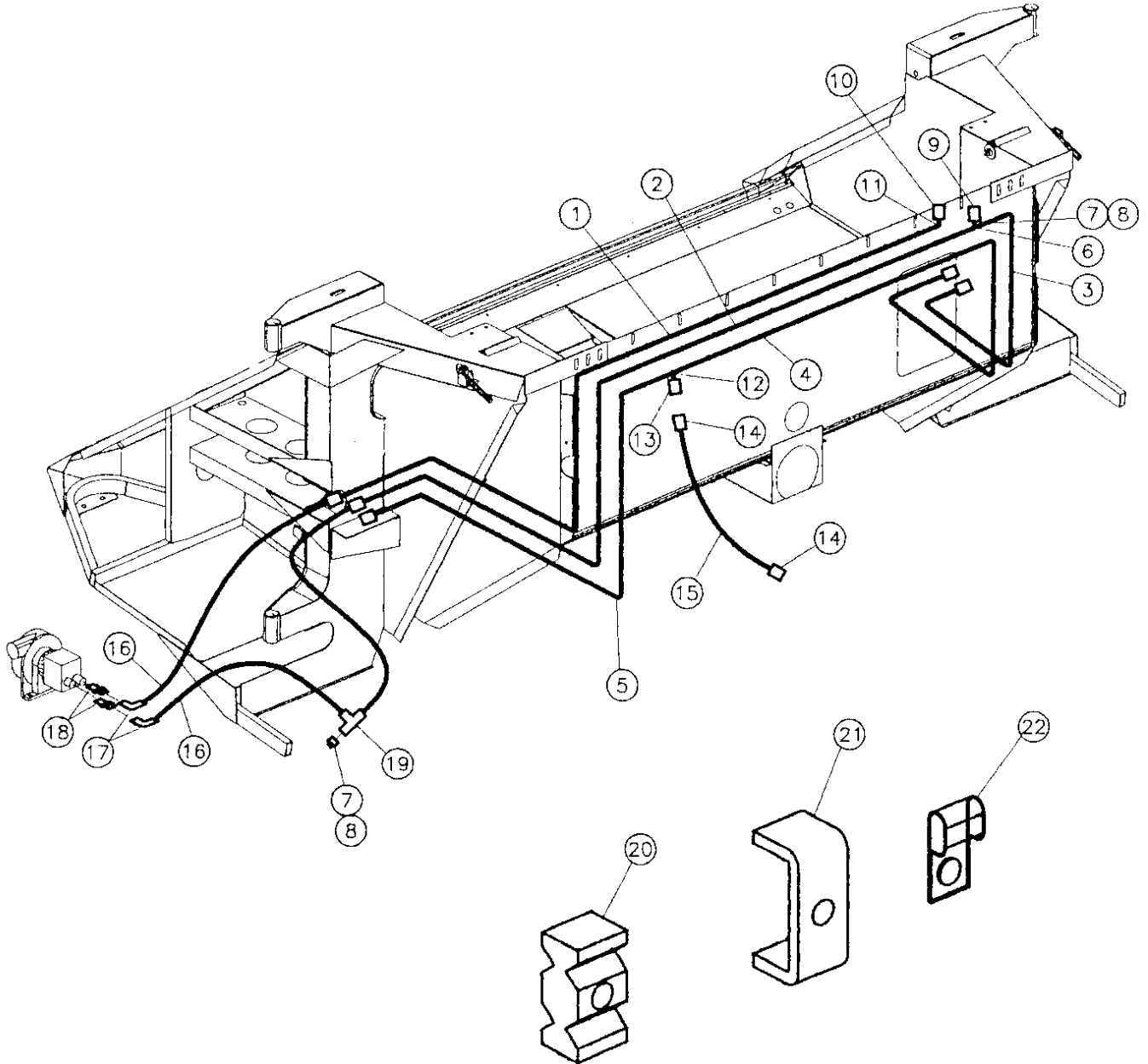
HYDRAULICS: MAST, RIGHT
SERIAL NUMBER 130001 AND ABOVE



**HYDRAULICS: MAST, RIGHT
SERIAL NUMBER 130001 AND ABOVE**

REF	PART NUMBER	DESCRIPTION	QTY	SERIAL NUMBER
1	106021	CYLINDER, 2 in dia x 40 in. stroke.	1	130001-
	106561	SEAL KIT, for cylinder 106021.	1	130001-
2	106022	CYLINDER, 2 ½ in dia x 10 in. stroke.	1	130001-
	106560	SEAL KIT, for cylinder 106022.	1	130001-
3	111129	MANIFOLD.	2	130001-
4	106081	VALVE, SELECTOR.	1	130001-
5	100790	ADAPTER #4 ORB X #6 37° flare male.	2	130001-
6	106711	HOSE #6 37° flare female X #6 90° bent tube 37° flare female X 1070 long.	1	130001-
7	106717	ELBOW 90° #6 37° male X #6 37° female.	1	130001-
8	15903	ADAPTER #6 ORB X #6 37° flare male.	5	130001-
9	30282	ELBOW 90° #6 ORB X #6 37° flare male.	7	130001-
10	106712	HOSE #6 37° flare female X #6 90° bent tube 37° flare female X 1270 long.	1	130001-
11	106714	HOSE #6 37° flare female X #6 90° bent tube 37° flare female X 660 long.	2	130001-
12	107289	HOSE #6 37° flare female X #6 90° bent tube 37° flare female X 250 long.	2	130001-
13	50104	ELBOW 90° #6 ORB X #4 37° flare male.	2	130001-
14	31823	HOSE #6 37° flare female X #6 37° flare female X 870 long.	2	130001-
15	106710	HOSE 90° #6 37° swivel X #6 37° male X 1630 long	2	130001-
16	31802	¼ HOSE #6 37° female X 1820 long.	2	130001-
17	16566	ORIFICE PLATE.	1	130001-
18	107439	COVER, DECAL ASSY RH.	1	130001-

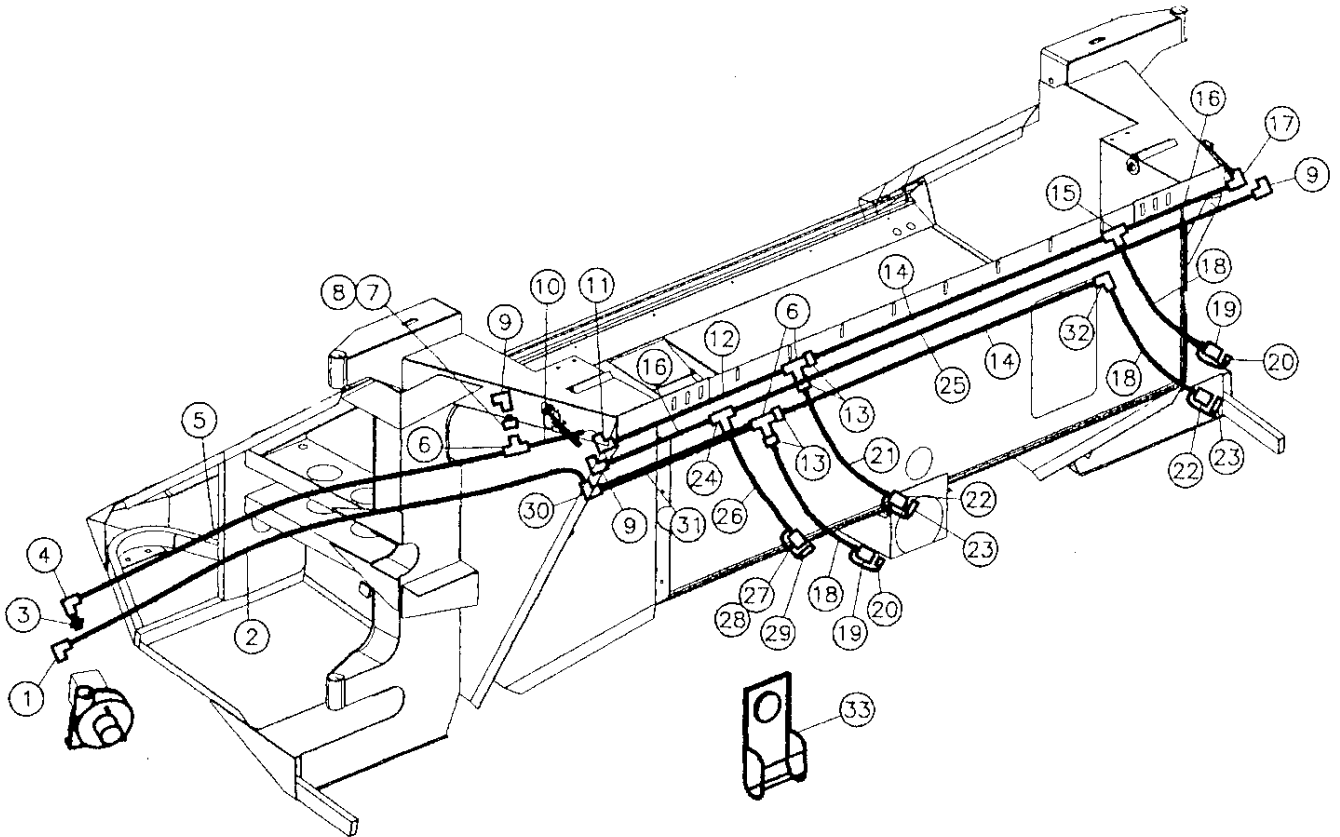
HYDRAULICS: CENTRE FRAME SERIAL NUMBER 130000 AND PRIOR



**HYDRAULICS: CENTRE FRAME
SERIAL NUMBER 130000 AND PRIOR**

REF	PART NUMBER	DESCRIPTION	QTY	SERIAL NUMBER
1	106725	TUBE, STEEL , ½ inch	1	-130000
2	106722	TUBE, STEEL, ½ inch	1	-130000
3	106721	TUBE, STEEL, 3/8 inch	1	-130000
4	106720	TUBE, STEEL, 3/8 inch	1	-130000
5	106723	TUBE, STEEL, 3/8 inch	1	-130000
6	21817	TEE, #8 37°male X #8 37°male X ½ male pipe thread	1	-130000
7	30981	ADAPTER, #8 37° female X #6 37° flare male	2	-130000
8	21069	TUBE NUT, ¾ - 16	2	-130000
9	21857	FEMALE QUICK COUPLING, ½ NPT	1	-130000
10	21855	MALE QUICK COUPLING, ½ NPT	1	-130000
11	30988	ELBOW 90° #8 37° flare male X ½ NPT	1	-130000
12	21837	TEE, #6 37°male X #6 37°male X ¼ male pipe thread	1	-130000
13	30443	FEMALE QUICK COUPLING, ¼ NPT	1	-130000
14	30442	MALE QUICK COUPLING, 1/4 NPT	2	-130000
15	13685	HOSE ¼ NPT X 533 long	1	-130000
16	44198	HOSE, ½ inch X 200	2	-130000
17	30314	ELBOW 90° 37° flare male X 37° flare female	2	-130000
18	21848	ADAPTER ½ male pipe X #8 37° flare male	2	-130000
19	30694	TEE. #8 37°	1	-130000
20	37167	CLAMP	3	-130000
21	32225	HOLDER	3	-130000
22	106698	CLAMP, tubing and wiring	1	-130000

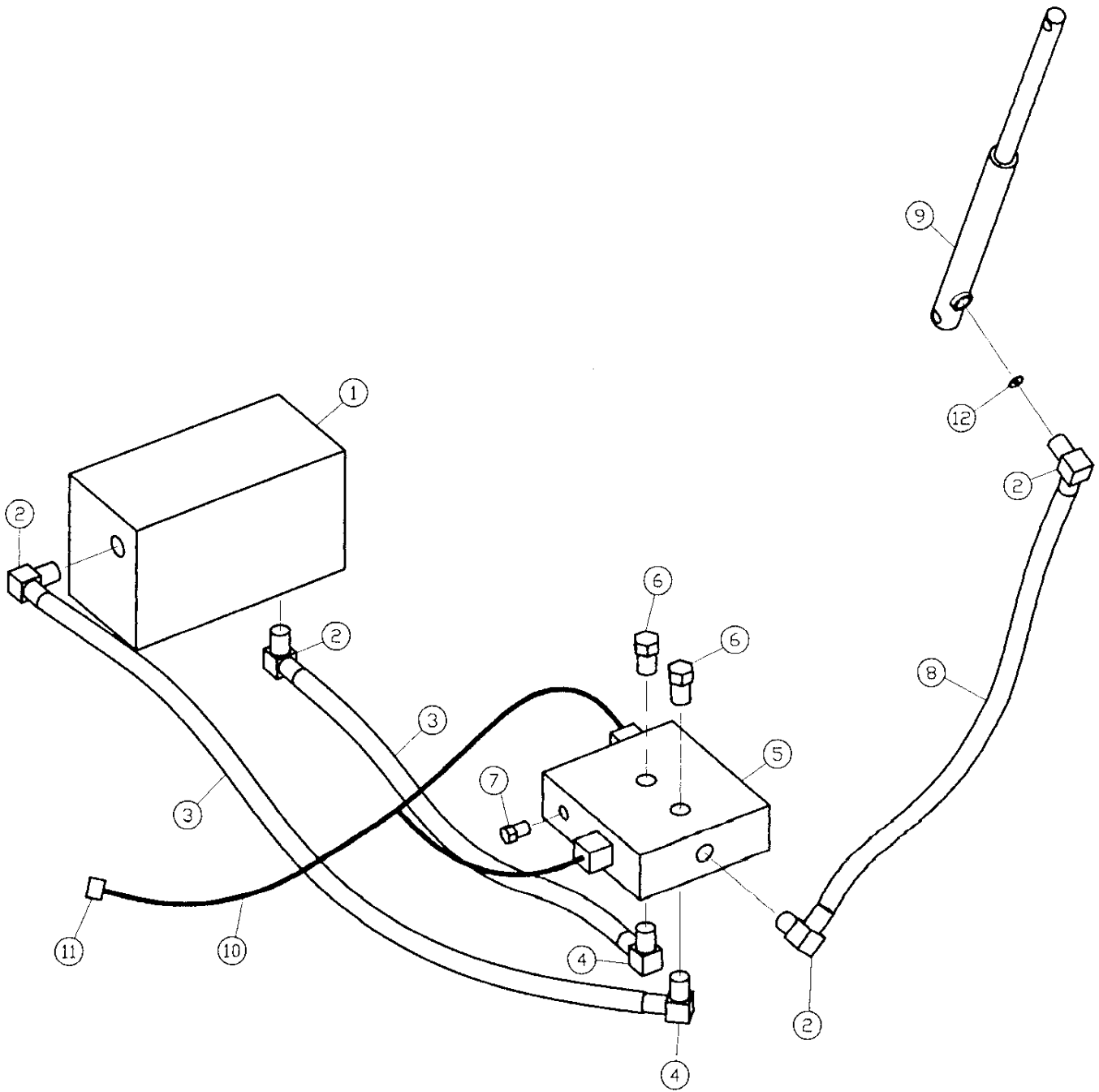
**HYDRAULICS: CENTRE FRAME
SERIAL NUMBER 130001 AND ABOVE**



**HYDRAULICS: CENTRE FRAME
SERIAL NUMBER 130001 AND ABOVE**

REF	PART NUMBER	DESCRIPTION	QTY	SERIAL NUMBER
1	107407	90 DEG ELBOW HYDRAULIC	1	130001-
2	107312	HOSE-HYDRAULIC	1	130001-
3	107408	ADAPTER-HYDRAULIC	1	130001-
4	50175	90 DEG ELBOW HYDRAULIC	1	130001-
5	107311	HOSE-HYDRAULIC	1	130001-
6	30976	TEE-HYDRAULIC	3	130001-
7	21833	REDUCER FITTING-HYDRAULIC	1	130001-
8	50087	NUT-HYDRAULIC	1	130001-
9	106717	90 DEG ELBOW HYDRAULIC	3	130001-
10	107310	TUBE, STEEL, ¾ in	1	130001-
11	30997	90 DEG ELBOW HYDRAULIC	1	130001-
12	107307	TUBE, STEEL, ¾ in	1	130001-
13	107309	REDUCER FITTING-HYDRAULIC	4	130001-
14	107306	TUBE, STEEL, ½ in	2	130001-
15	30694	TEE-HYDRAULIC	1	130001-
16	107305	TUBE, STEEL, 3/8 in	2	130001-
17	30539	90 DEG ELBOW HYDRAULIC	1	130001-
18	33415	HOSE-HYDRAULIC	3	130001-
19	21857	FEMALE QUICK COUPLING	2	130001-
20	21858	DUST PLUG	2	130001-
21	33882	HOSE-HYDRAULIC	1	130001-
22	21855	MALE QUICK COUPLING	2	130001-
23	21856	DUST CAP	2	130001-
24	7603	TEE-HYDRAULIC	1	130001-
25	106709	TUBE, STEEL, 3/8 in	1	130001-
26	45135	HOSE-HYDRAULIC	1	130001-
27	6732	ADAPTER-HYDRAULIC	1	130001-
28	30442	MALE QUICK COUPLING	1	130001-
29	21876	DUST CAP	1	130001-
30	50175	90 DEG ELBOW HYDRAULIC	1	130001-
31	107308	TUBE, STEEL, ¾ in	1	130001-
32	107410	90 DEG ELBOW HYDRAULIC	1	130001-
33	106698	CLAMP, tubing and wiring	2	130001-

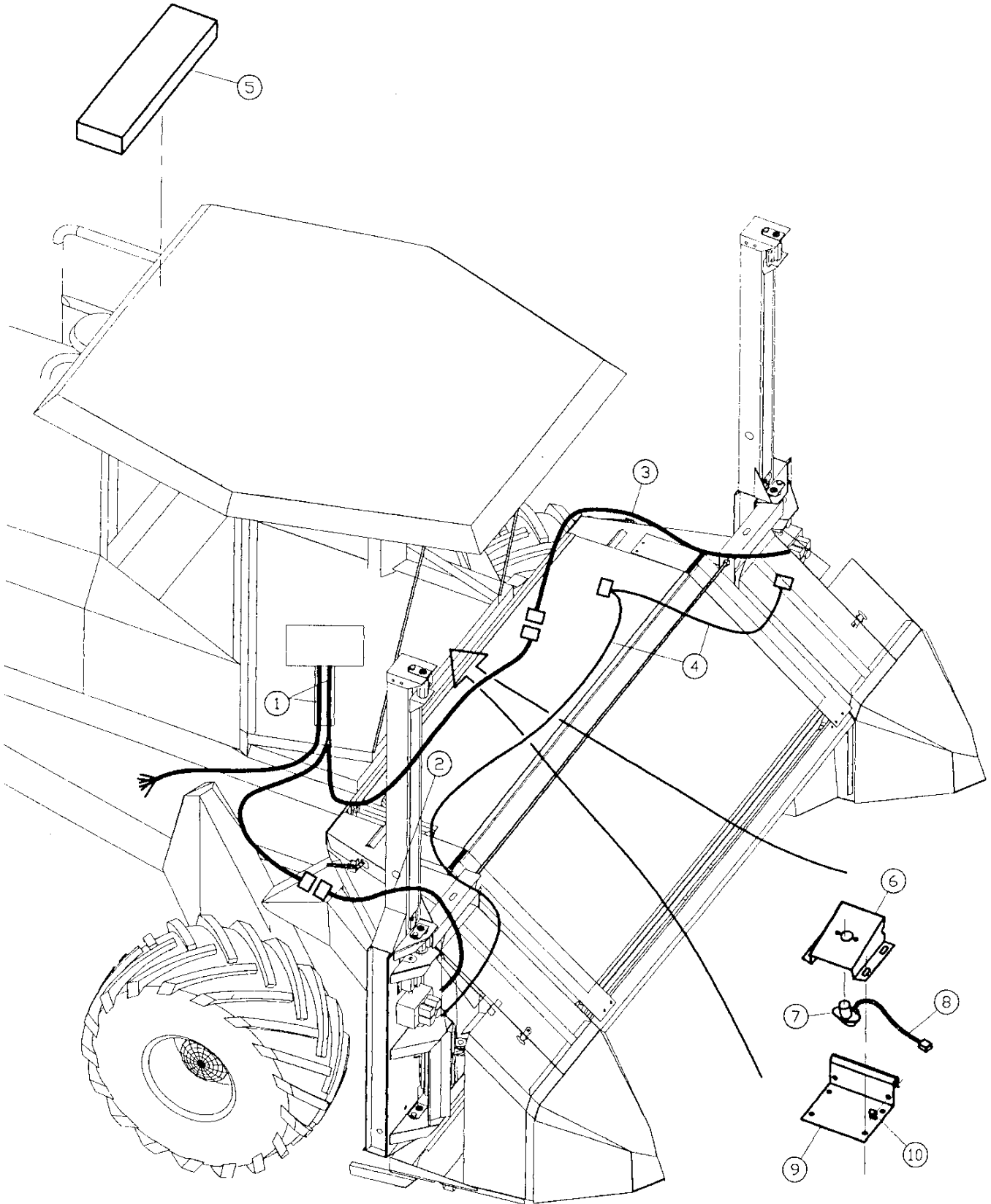
HYDRAULICS: REAR BOOM



HYDRAULICS: REAR BOOM

REF	PART NUMBER	DESCRIPTION	QTY	SERIAL NUMBER
1	REF	EXISTING HEADER MANIFOLD.		
2	30282	ELBOW 90° #6 ORB x #6 37° flare.	4	
3	112208	¼ HOSE #6 37° flare female.	2	
4	50104	ELBOW 90° #4 ORB x #6 37° flare.	2	
5	111129	TABLE ANGLE MANIFOLD.	1	
6	102711	PLUG #4 ORB.	2	
7	30994	PLUG #6 ORB.	1	
8	41862	½ HOSE 3/8 37° female x 2900mm long.	1	
9	29168	CYLINDER-single acting.	1	
10	106903	WIRING HARNESS REAR BOOM.	1	-130000
11	42449	SWITCH.	1	-130000
12	16566	ORIFICE PLATE.	1	

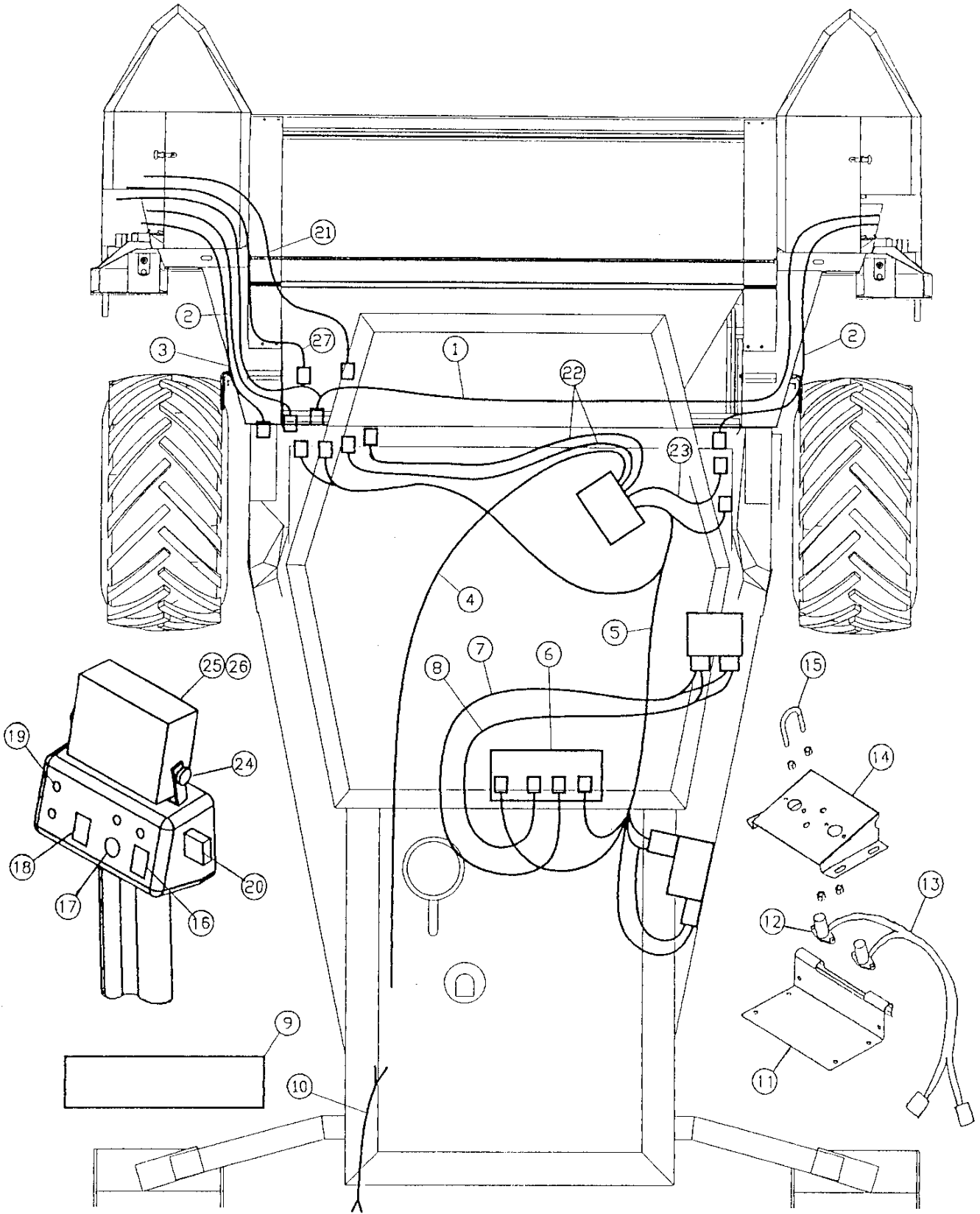
ELECTRICAL SYSTEM & FILTER SERIAL NUMBER 130000 AND PRIOR



**ELECTRICAL SYSTEM & FILTER
SERIAL NUMBER 130000 AND PRIOR**

REF	PART NUMBER	DESCRIPTION	QTY	SERIAL NUMBER
1	106523	WIRING HARNESS.	1	-130000
2	106524	WIRING HARNESS, SPRAYER RIGHT.	1	-130000
3	106525	WIRING HARNESS, SPRAYER LEFT.	1	-130000
4	106730	WIRING HARNESS LIGHTS CENTER SECTION.	1	-130000
5	106563	CHARCOAL FILTER	1	-130000
6	107273	BRACKET.	1	-130000
7	30289	DIMMER SWITCH.	1	-130000
8	107239	RUN HOLD WIRING HARNESS.	1	-130000
9	107274	BRACKET.	1	-130000
10	100453	CABLE AND WIRING CLAMP.	1	-130000

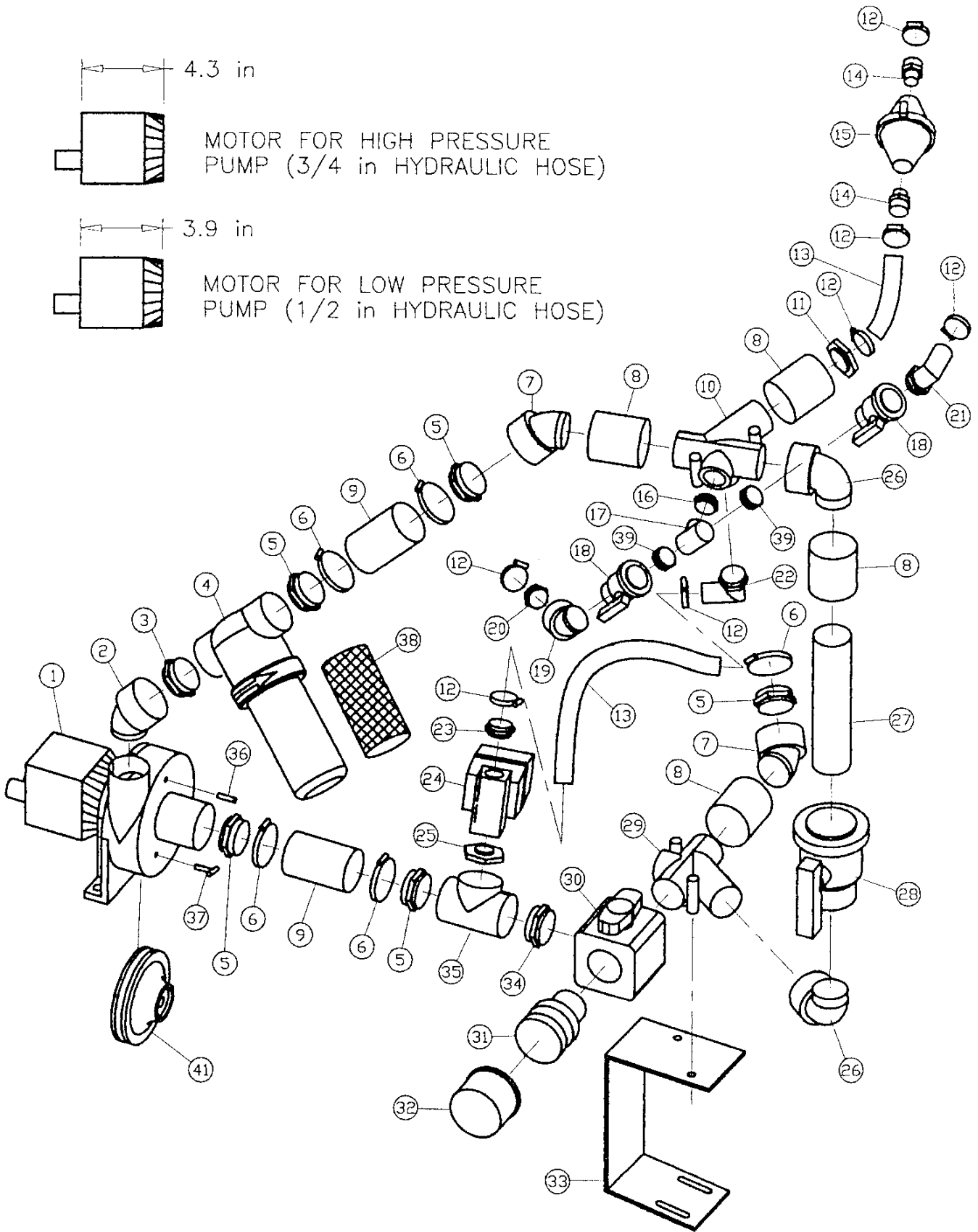
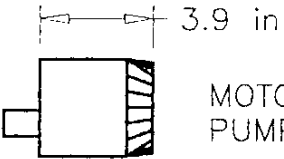
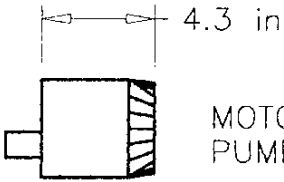
ELECTRICAL SYSTEM & FILTER SERIAL NUMBER 130001 AND ABOVE



**ELECTRICAL SYSTEM & FILTER
SERIAL NUMBER 130001 AND ABOVE**

REF	PART NUMBER	DESCRIPTION	QTY	SERIAL NUMBER
1	106730	WIRING HARNESS LIGHTS CENTER SECTION.	1	130001-
2	107232	WIRING HARNESS BOOM CONTROL.	2	130001-
3	107238	WIRING HARNESS BALL VALVE & PUMP.	1	130001-
4	107244	WIRING HARNESS POWER.	1	130001-
5	107235	WIRING HARNESS CONTROL.	1	130001-
6	107230	SWITCHBOX.	1	130001-
7	107236	WIRING HARNESS CONTROL VALVE.	1	130001-
8	107237	WIRING HARNESS HEADER/SPRAYER SWITCH	1	130001-
9	106563	CHARCOAL FILTER.	1	130001-
10	107435	WIRING HARNESS TAIL LIGHT.	1	130001-
11	107274	BRACKET.	1	130001-
12	30289	DIMMER SWITCH.	2	130001-
13	107239	WIRING HARNESS FOOT SWITCH.	1	130001-
14	107273	BRACKET.	1	130001-
15	107226	U-BOLT.	1	130001-
16	107263	ROCKER SWITCH.	1	130001-
17	107264	PUSH BUTTON SWITCH.	1	130001-
18	42449	MOMENTARY ROCKER SWITCH.	1	130001-
19	50043	LIGHT.	4	130001-
20	107265	RUN/HOLD CIRCUIT BOARD.	1	130001-
21	107242	BOOM 2 & 3.	1	130001-
22	106877	EXTENSION CABLE.	2	130001-
23	107248	DIGITAL ADAPTER.	1	130001-
24	107241	MICRO TRAK CONSOLE MOUNTING KIT.	1	130001-
25	107233	MT-3405F CONSOLE.	1	130001-
26	107234	MT-3405F MANUAL.	1	130001-
27	107243	FLOW RUN HOLD SERVO.	1	130001-

SPRAY SYSTEM

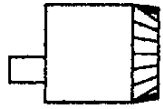


SPRAY SYSTEM

REF	PART NUMBER	DESCRIPTION	QTY	SERIAL NUMBER
1	107104	SPRAY PUMP (HYPRO PART # 9303CHM5C).	1	130000-
	107105	HYDRAULIC MOTOR (FOR PUMP PART # 107104)		130000-
	106568	SPRAY PUMP (HYPRO PART # 9303CHM4C).	1	-130001
	107447	HYDRAULIC MOTOR (FOR PUMP PART # 106568). . . .		
	106569	SEAL KIT FOR PUMP (106568 AND 107104).		
2	107100	45 DEG STREET ELBOW 1 ¼.	1	
3	107099	REDUCER NIPPLE 1 ¼ MPT x 1 ½ MPT.	1	
4	107088	STRAINER.	1	
5	106640	ADAPTER 1 ½ MPT x 1 ½ HB.	5	
6	107037	T-BOLT HOSE CLAMP 1 ½.	5	
7	106659	45 DEG STREET ELBOW 1 ½.	2	
8	106642	COUPLING 1 ½.	4	
9	106662	SUCTION HOSE 1 ½.	A/R	
10	107086	MANIFOLD.	1	
11	106839	REDUCER ADAPTER 1 ½ MPT x 1 HB.	1	
12	30639	HOSE CLAMP ¾-1.	7	
13	106664	HOSE 1 in.	A/R	
14	106657	REDUCER ADAPTER 1 HB x ¾ MPT.	2	
15	106873	FLOW METER.	1	
16	107098	REDUCER NIPPLE 1 MPT x ¾ MPT.	1	
17	106652	TEE ¾ FPT.	1	
18	107034	2-WAY BALL VALVE ¾.	2	
19	107101	45 DEG STREET ELBOW ¾.	1	
20	107033	ADAPTER ¾ MPT x ¾ HB.	1	
21	107092	90 DEG ELBOW ¾ MPT x ¾ HB.	1	
22	106650	90 DEG ELBOW 1 MPT x 1 HB.	1	
23	106656	ADAPTER 1 MPT x 1 HB.	1	
24	106872	SERVO VALVE.	1	
25	107103	REDUCER NIPPLE 1 ½ MPT x 1 MPT.	1	
26	106654	90 DEG STREET ELBOW 1 ½.	2	
27	107091	NIPPLE 1 ½ x 6 LG.	1	
28	106615	2-WAY BALL VALVE 1 ½ (see page 89 for units with rear tank option)	1	
29	106566	MANIFOLD.	1	
30	107094	3-WAY BALL VALVE 1 ½	1	
31	107095	ADAPTER 1 ½ MCAM x 1 ½ MPT	1	

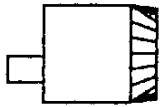
SPRAY SYSTEM

4.3 in

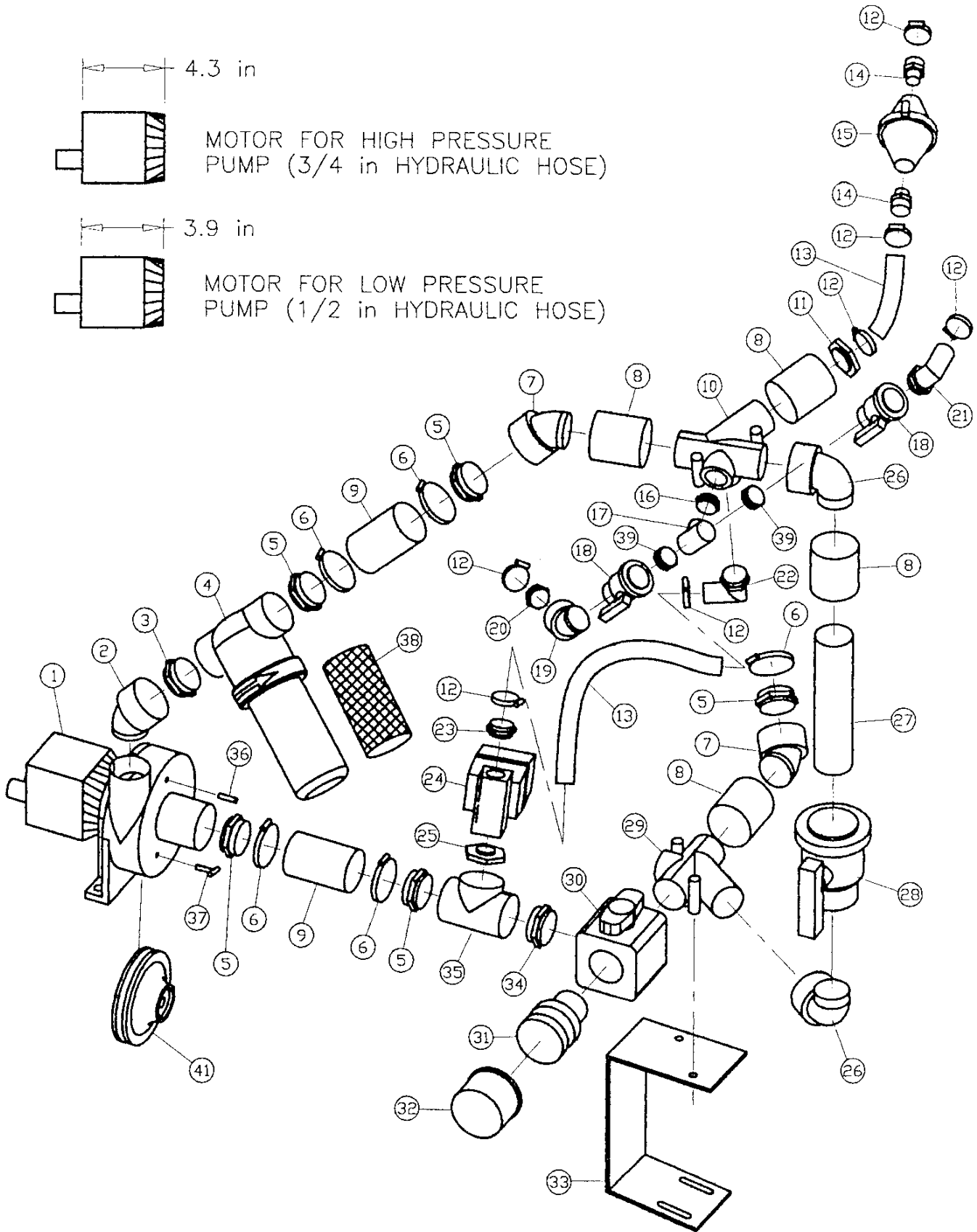


MOTOR FOR HIGH PRESSURE
PUMP (3/4 in HYDRAULIC HOSE)

3.9 in



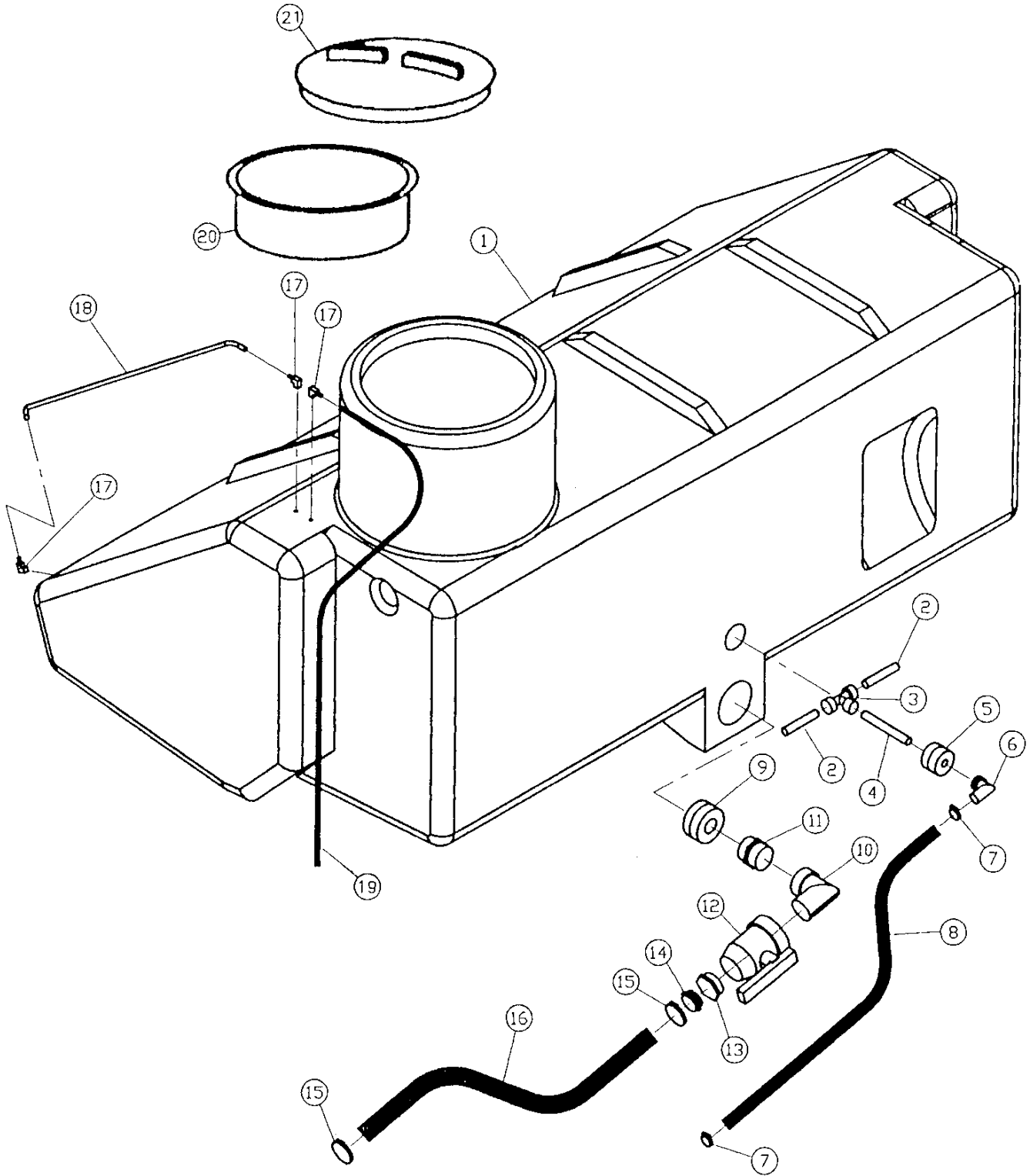
MOTOR FOR LOW PRESSURE
PUMP (1/2 in HYDRAULIC HOSE)



SPRAY SYSTEM

REF	PART NUMBER	DESCRIPTION	QTY	SERIAL NUMBER
32	107096	CAM LEVER CAP 1 ½.....	1	
33	107317	BRACKET.....	1	130000-
	107054	BRACKET.....	1	-130001
34	106643	NIPPLE 1 ½ x SHORT.....	1	
35	107097	TEE 1 ½ FPT.....	1	
36	106645	REDUCER ADAPTER ¼ HB x 1/8 MPT (brass).....	1	
37	107106	DRAIN VALVE 1/8 MPT (brass).....	1	
38	107089	STRAINER SCREEN.....	1	
39	107032	NIPPLE ¾ x SHORT.....	2	
40	106871	FLOW SENSOR CABLE.....	1	
41	107448	IMPELLER-SPRAY PUMP.....	1	

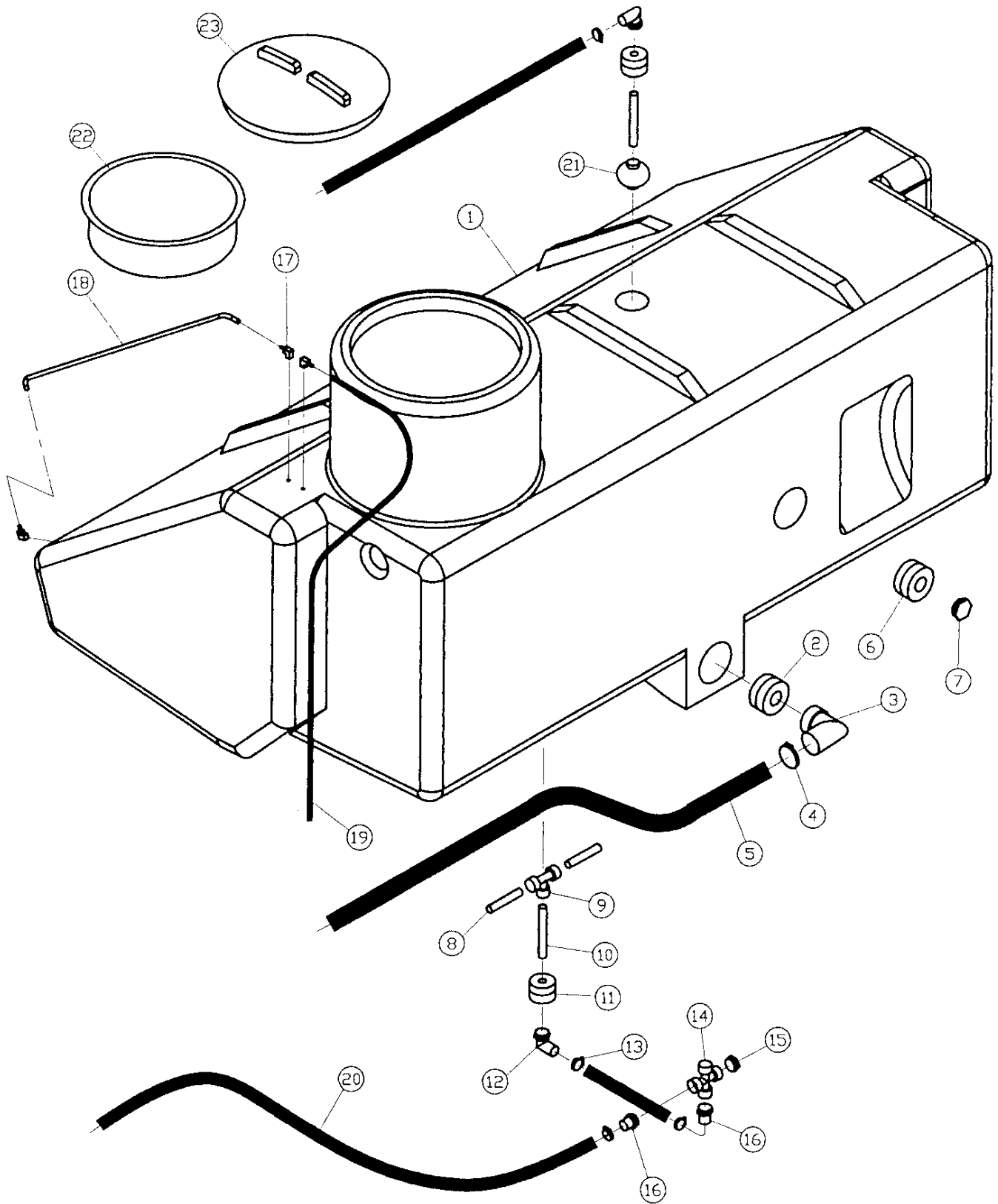
TANK ASSEMBLY SERIAL NUMBER 130000 AND PRIOR



**TANK ASSEMBLY
SERIAL NUMBER 130000 AND PRIOR**

REF	PART NUMBER	DESCRIPTION	QTY	SERIAL NUMBER
1	REF	SOLUTION TANK		-130000
2	106631	AGITATOR (3/16 ORIFICE).....	2	-130000
3	106652	3/4" FEMALE TEE	1	-130000
4	106660	3/4" x 6" NIPPLE	1	-130000
5	106634	3/4" BULKHEAD	1	-130000
6	106651	HOSE BARB	1	-130000
7	106666	HOSE CLAMP	2	-130000
8	106664	1" I.D. HOSE	A/R	-130000
9	106635	2" BULKHEAD	1	-130000
10	106637	90 DEG ELBOW	1	-130000
11	106638	NIPPLE	1	-130000
12	106614	2" BALL VALVE	1	-130000
13	106639	REDUCER BUSHING	1	-130000
14	106640	HOSE BARB	1	-130000
15	17959	HOSE CLAMP	2	-130000
16	106662	1 1/2" I.D. HOSE	A/R	-130000
17	106646	HOSE BARB	3	-130000
18	106670	1/4" I.D. HOSE (CLEAR).....	A/R	-130000
19	107007	1/4" I.D. HOSE.....	A/R	-130000
20	106784	BASKET STRAINER.....	1	-130000
21	106996	LID, DECAL ASSEMBLY.....	1	-130000

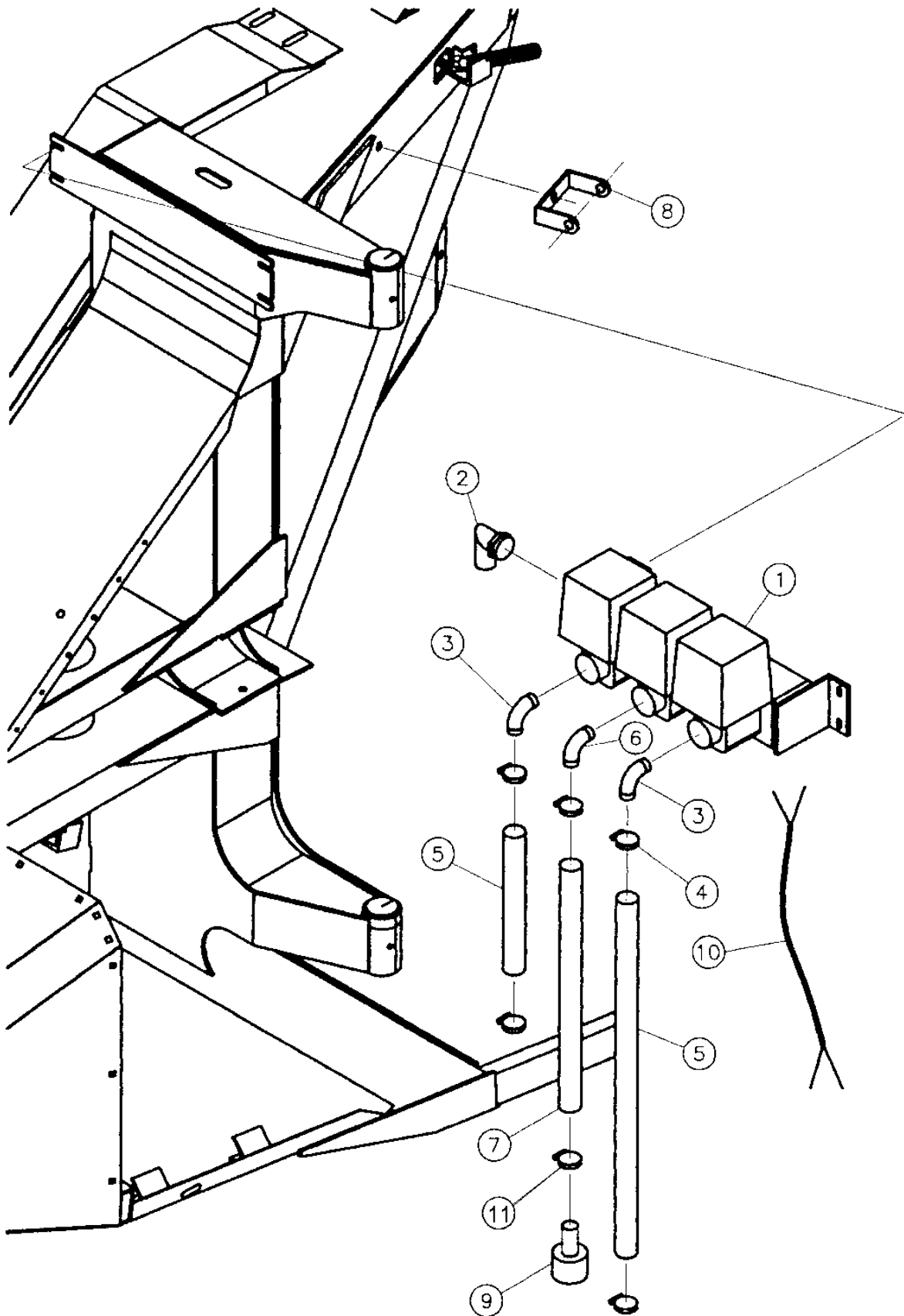
TANK ASSEMBLY SERIAL NUMBER 130001 AND ABOVE



TANK ASSEMBLY
SERIAL NUMBER 130001 AND ABOVE

REF	PART NUMBER	DESCRIPTION	QTY	SERIAL NUMBER
1	REF	SOLUTION TANK		
2	107025	BULKHEAD FITTING 1 ½ FPT.	1	130001-
3	107026	90 DEG ELBOW 1 ½ MPT x 1 ½ HB.	1	130001-
4	107037	T-BOLT HOSE CLAMP 1 ½.	1	130001-
5	106662	SUCTION HOSE 1 ½	A/R	130001-
6	107423	BULKHEAD FITTING 2 FPT.	1	130001-
7	107427	PLUG 2 MPT.	1	130001-
8	106631	AGITATOR (3/16 ORIFICE).	2	130001-
9	106652	TEE ¾ FPT.	1	130001-
10	107032	NIPPLE ¾ short	2	130001-
11	106634	BULKHEAD FITTING ¾ FPT.	2	130001-
12	107092	90 DEG ELBOW ¾ MPT x ¾ HB.	2	130001-
13	30639	HOSE CLAMP ¾-1.	4	130001-
14	107251	CROSS ¾ FPT.	1	130001-
15	107080	PLUG ¾ MPT.	1	130001-
16	107033	ADAPTER ¾ MPT x ¾ HB.	2	130001-
17	107078	90 DEG ELBOW ¼ MPT x ¼ HB (BRASS).	3	130001-
18	106670	HOSE ¼ (CLEAR).	A/R	130001-
19	107007	HOSE ¼	A/R	130001-
20	106665	HOSE ¾	A/R	130001-
21	107083	RINSE BALL (TEFLON).	1	130001-
22	106784	BASKET STRAINER.	1	130001-
23	106996	LID, DECAL ASSEMBLY.	1	130001-

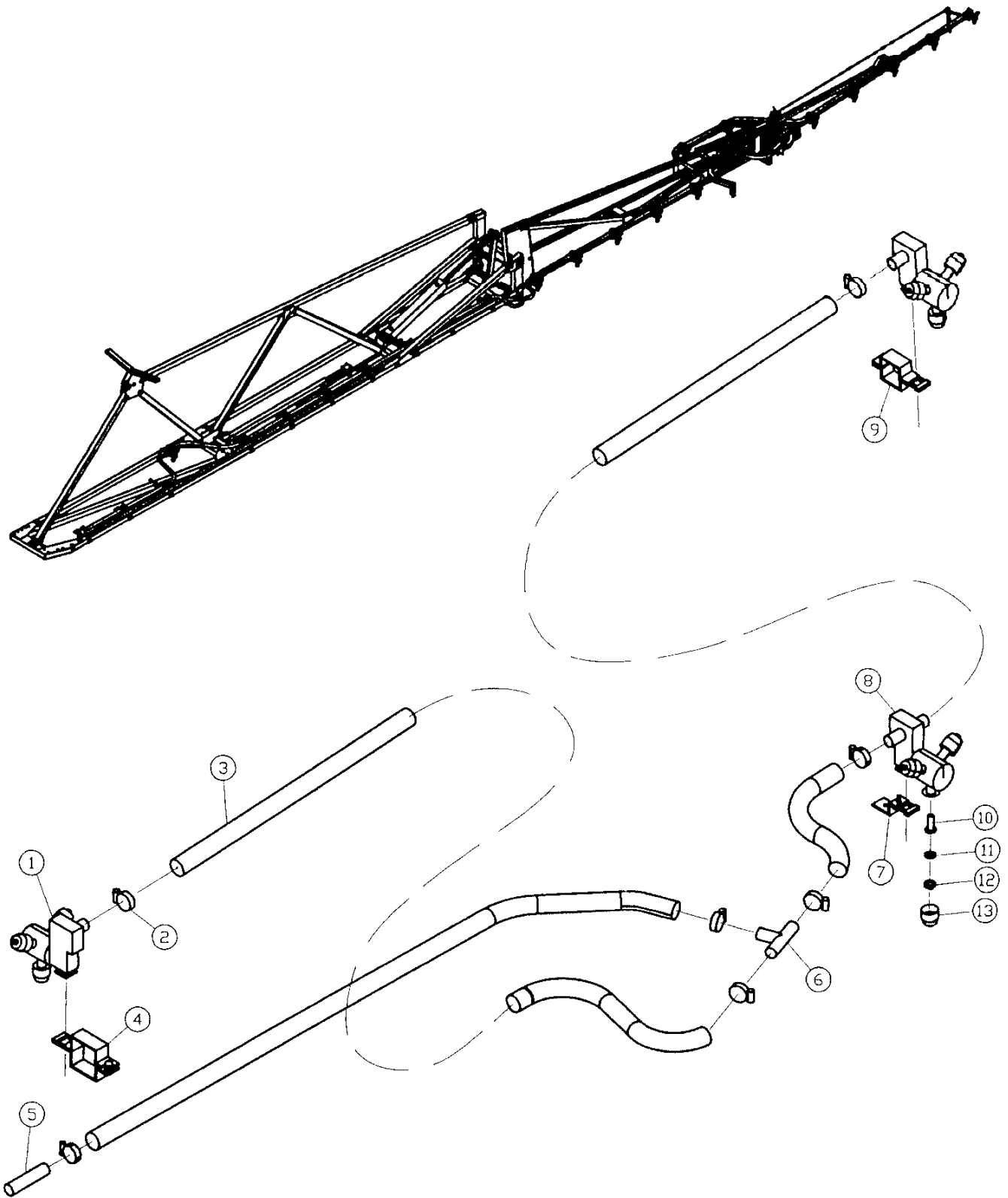
BALL VALVE ASSEMBLY



BALL VALVE ASSEMBLY

REF	PART NUMBER	DESCRIPTION	QTY	SERIAL NUMBER
1	106621	TRIPLE MOTORIZED VALVE	1	
2	106650	90 DEG ELBOW.....	1	
3	106655	HOSE BARB	2	
4	30639	HOSE CLAMP	6	
5	106665	3/4" I.D. HOSE	A/R	
6	106959	FITTING – ELBOW PLASTIC.....	1	
7	106995	1/2" I.D. HOSE	A/R	
8	106706	CLAMP.....	3	
9	106957	HOSE SHANK ADAPTER 1/2".....	1	
10	106885	SHUT OFF VALVE CABLE.....	3	
11	21349	CLAMP – hose, 1/2"	2	

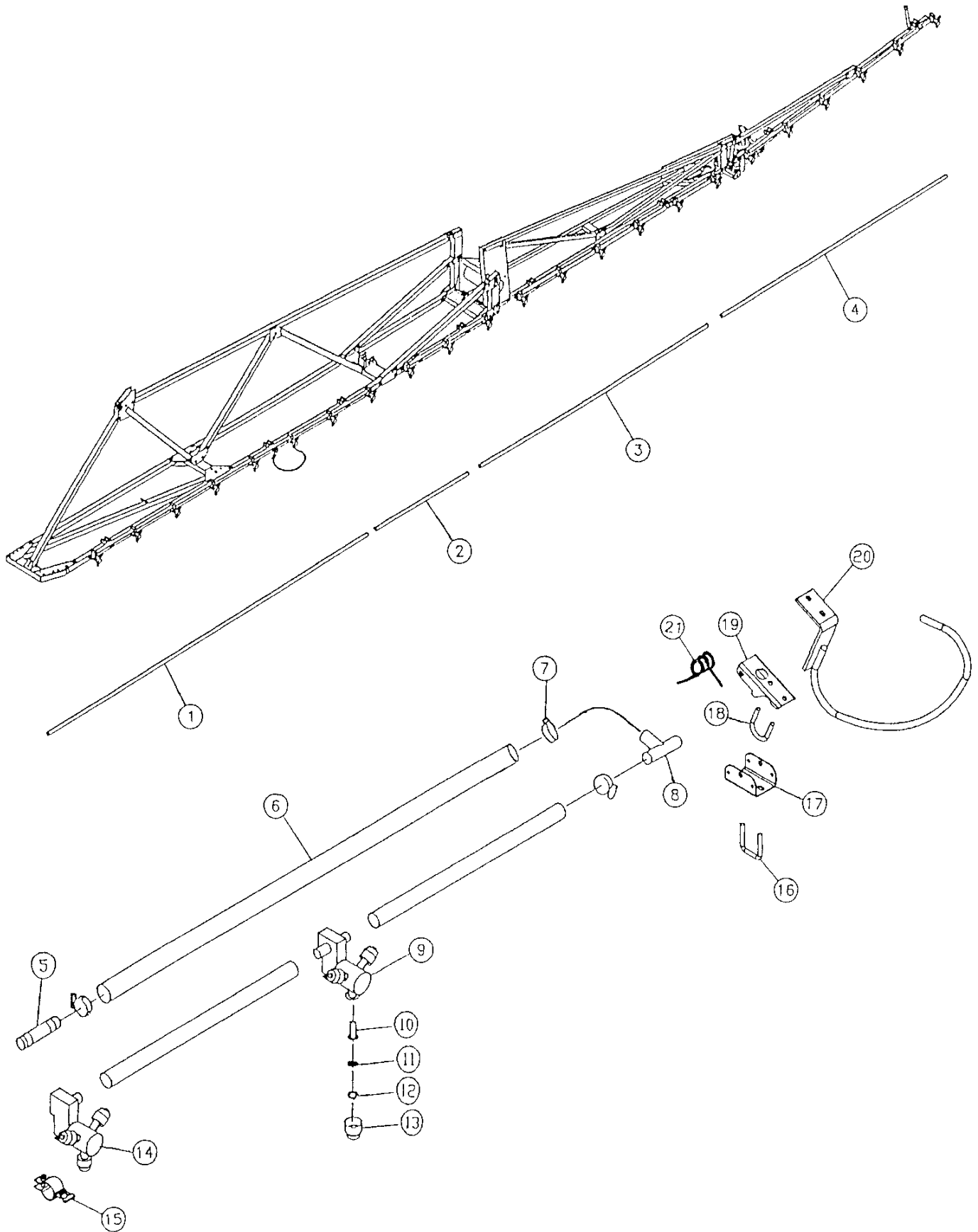
**BOOM ASSEMBLY LH & RH
SERIAL NUMBER 130000 AND PRIOR**



**BOOM ASSEMBLY LH & RH
SERIAL NUMBER 130000 AND PRIOR**

REF	PART NUMBER	DESCRIPTION	QTY	SERIAL NUMBER
1	106617	NOZZLE BLIND	2	-130000
2	106667	HOSE CLAMP	48	-130000
3	106665	¾" I.D. HOSE	A/R	-130000
4	106661	BRACKET ASSEMBLY	11	-130000
5	106752	HOSE BARB	1	-130000
6	106658	INSERT TEE	1	-130000
7	106785	BRACKET ASSEMBLY	2	-130000
8	106618	NOZZLE THRU	21	-130000
9	106630	NOZZLE CLAMP-SMALL	10	-130000
10	106620	NOZZLE SCREEN	23	-130000
11	106797	NOZZLE GASKET	23	-130000
12	106619	NOZZLE TIP	23	-130000
13	106798	NOZZLE CAP	23	-130000
14	21763	NYLON TIE LONG.	2	-130000
15	16661	NYLON TIE SHORT.	15	-130000

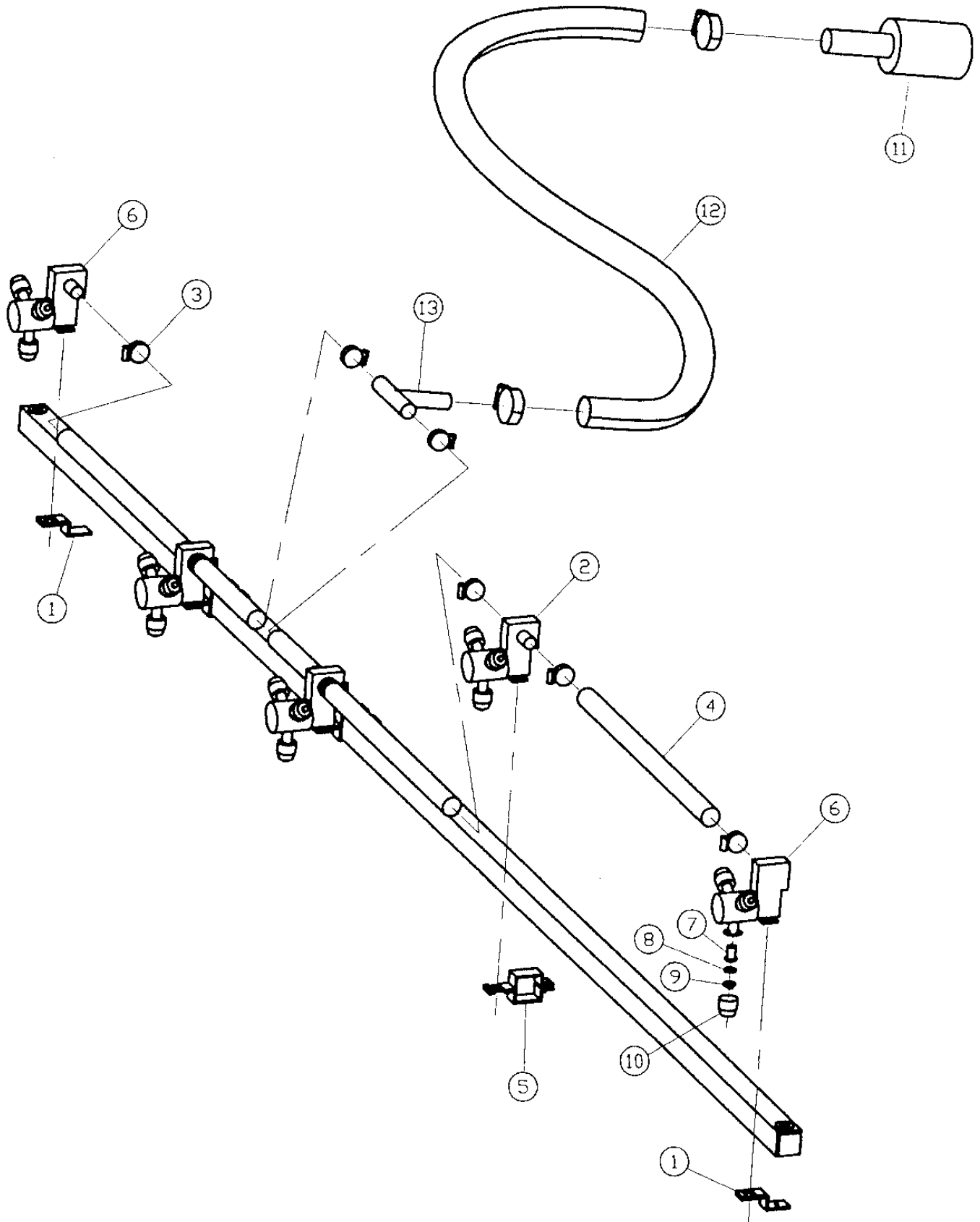
BOOM ASSEMBLY LH & RH SERIAL NUMBER 130001 AND ABOVE



**BOOM ASSEMBLY LH & RH
SERIAL NUMBER 130001 AND ABOVE**

REF	PART NUMBER	DESCRIPTION	QTY	SERIAL NUMBER
1	107218	TUBE.....	1	130001-
2	107217	TUBE.....	1	130001-
3	107215	TUBE.....	1	130001-
4	107216	TUBE.....	1	130001-
5	106752	HOSE BARB 3/4.....	1	130001-
6	106665	HOSE 3/4.....	A/R	130001-
7	30639	HOSE CLAMP 3/4 - 1.....	52	130001-
8	106658	TEE 3/4 HB.....	3	130001-
9	106618	NOZZLE THRU.....	19	130001-
10	106620	NOZZLE SCREEN.....	23	130001-
11	106797	NOZZLE GASKET.....	23	130001-
12	106619	NOZZLE TIP.....	23	130001-
13	106798	NOZZLE CAP.....	23	130001-
14	106617	NOZZLE BLIND.....	4	130001-
15	107214	NOZZLE CLAMP.....	23	130001-
16	106808	U-BOLT (LARGE).....	5	130001-
16	107219	U-BOLT (SMALL).....	4	130001-
17	107224	BRACKET.....	9	130001-
18	107226	U-BOLT.....	9	130001-
19	107225	CHANNEL.....	9	130001-
20	107278	ROD WELDMENT.....	1	130001-
21	107213	SPRING.....	9	130001-

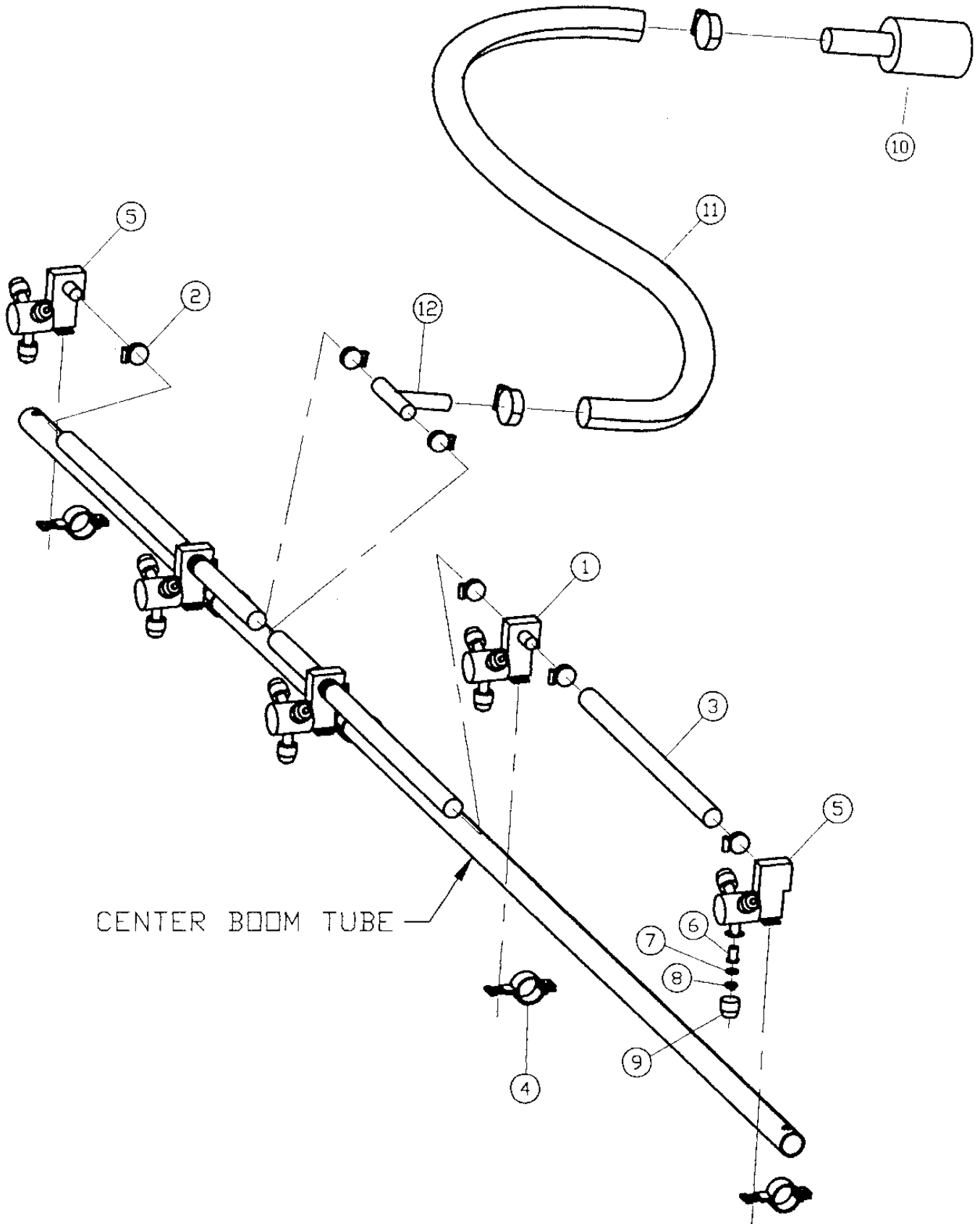
**CENTER BOOM SPRAY ASSEMBLY
SERIAL NUMBER 130000 AND PRIOR**



**CENTER BOOM SPRAY ASSEMBLY
SERIAL NUMBER 130000 AND PRIOR**

REF	PART NUMBER	DESCRIPTION	QTY	SERIAL NUMBER
1	106786	BRACKET ASSEMBLY	2	-130000
2	106618	NOZZLE THRU	6	-130000
3	21053	HOSE CLAMP	18	-130000
4	106665	HOSE ¾" I.D.	A/R	-130000
5	106630	NOZZLE CLAMP - SMALL.	6	-130000
6	106617	NOZZLE BLIND	2	-130000
7	106620	NOZZLE SCREEN	8	-130000
8	106797	NOZZLE GASKET	8	-130000
9	106619	NOZZLE TIP	8	-130000
10	106798	NOZZLE CAP	8	-130000
11	106958	COUPLER HOSE SHANK 1/2.	1	-130000
12	106995	HOSE ½ in I.D.	A/R	-130000
13	106980	TEE ¾ HB x ¾ HB x ½ HB.	1	-130000

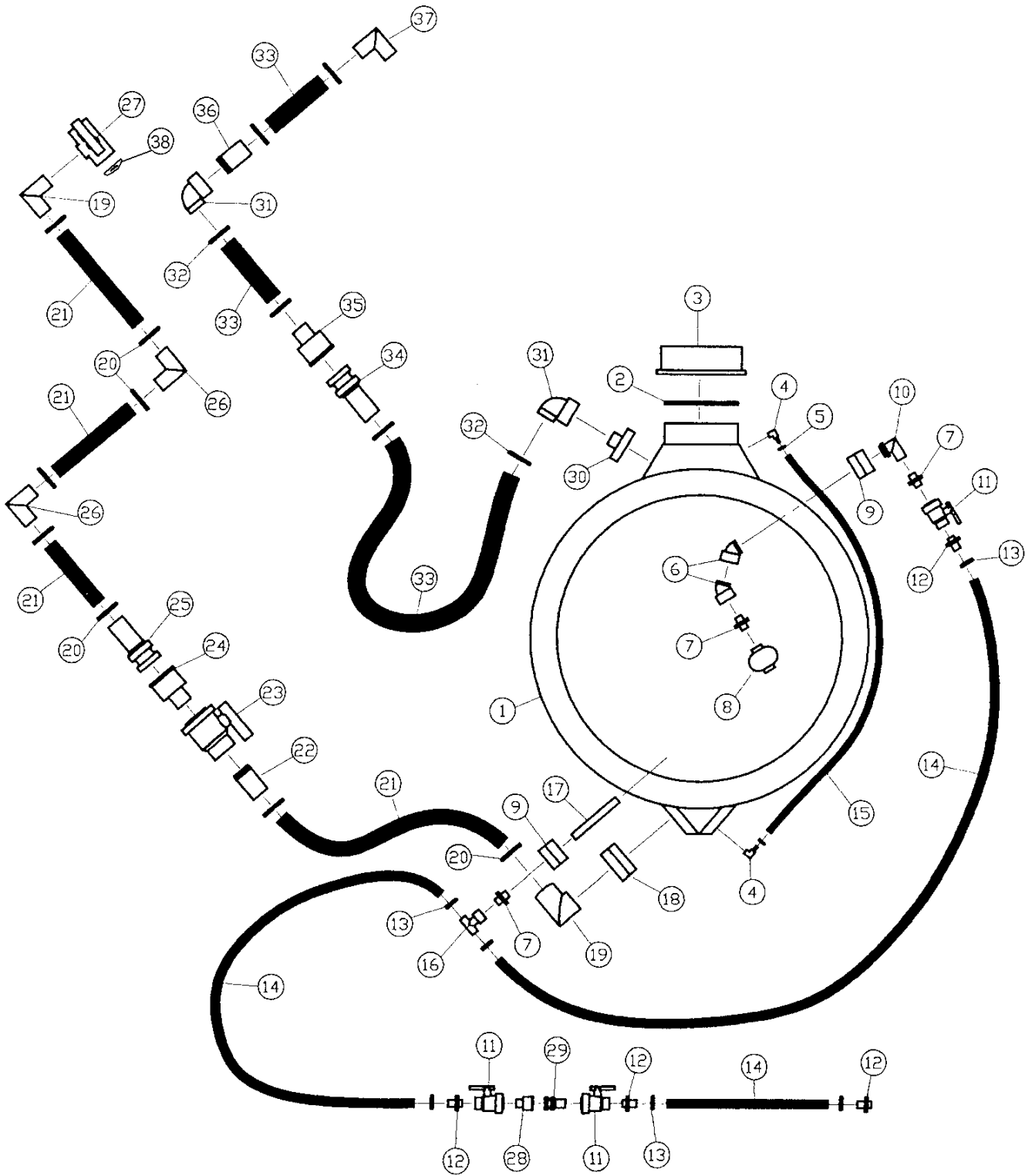
**CENTER BOOM SPRAY ASSEMBLY
SERIAL NUMBER 130001 AND ABOVE**



**CENTER BOOM SPRAY ASSEMBLY
SERIAL NUMBER 130001 AND ABOVE**

REF	PART NUMBER	DESCRIPTION	QTY	SERIAL NUMBER
1	106618	NOZZLE THRU	6	130001-
2	30639	HOSE CLAMP	18	130001-
3	106665	HOSE ¾" I.D.	A/R	130001-
4	107107	NOZZLE CLAMP.....	8	130001-
5	106617	NOZZLE BLIND	2	130001-
6	106620	NOZZLE SCREEN	8	130001-
7	106797	NOZZLE GASKET	8	130001-
8	106619	NOZZLE TIP	8	130001-
9	106798	NOZZLE CAP	8	130001-
10	106958	COUPLER HOSE SHANK 1/2.....	1	130001-
11	106995	HOSE ½ in I.D.	A/R	130001-
12	106980	TEE ¾ HB x ¾ HB x ½ HB.....	1	130001-

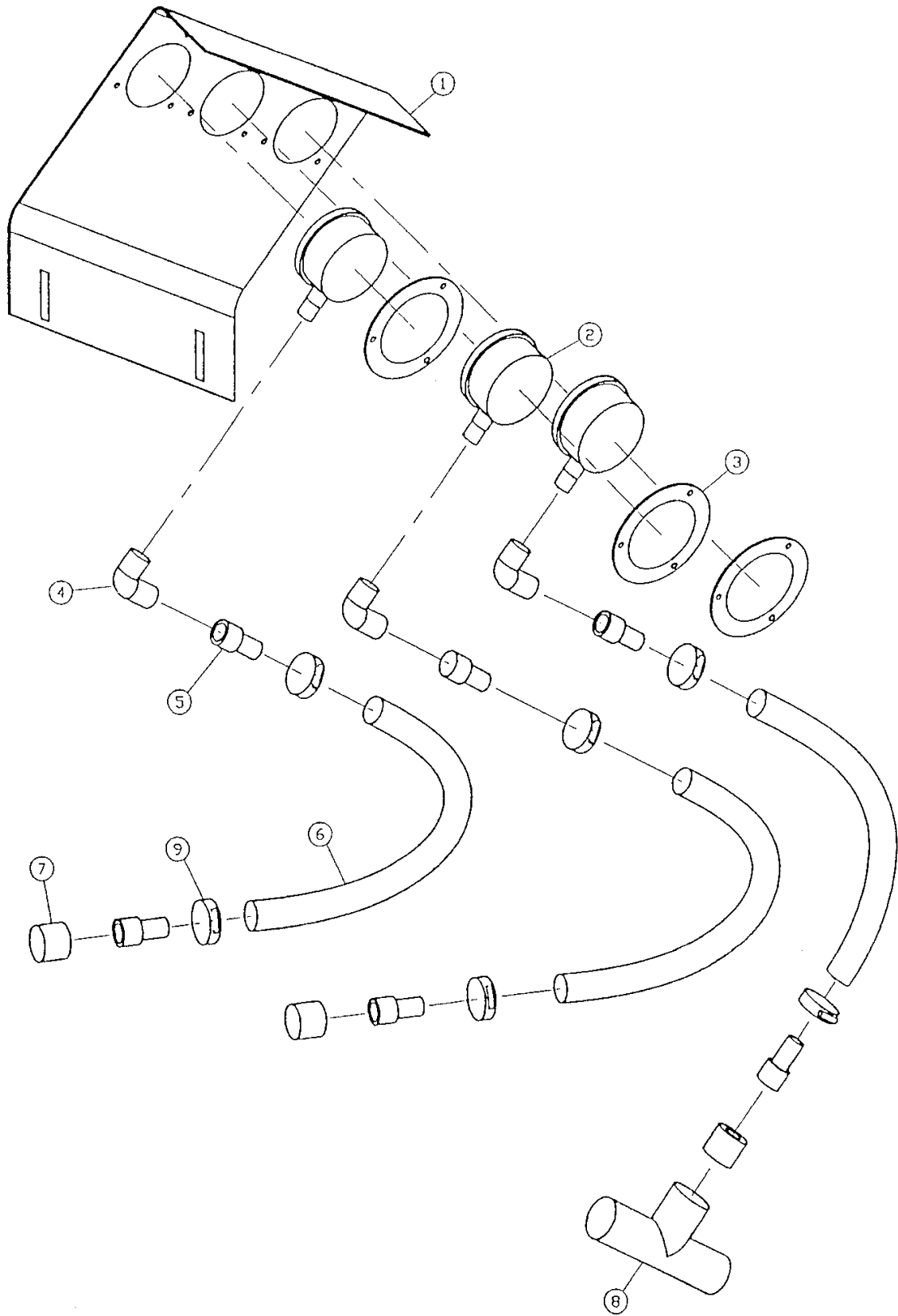
REAR TANK ASSEMBLY SERIAL NUMBER 130001 AND ABOVE



REAR TANK ASSEMBLY
SERIAL NUMBER 130001 AND ABOVE

REF	PART NUMBER	DESCRIPTION	QTY	SERIAL NUMBER
1	107050	TANK.	1	130001-
2	107085	GASKET.	1	130001-
3	107084	LID.	1	130001-
4	107078	90 DEG ELBOW ¼ MPT x ¼ HB (BRASS)	2	130001-
5	30094	HOSE CLAMP ¼	2	130001-
6	107101	45 DEG STREET ELBOW ¾.	2	130001-
7	107032	NIPPLE ¾ x SHORT.	3	130001-
8	107083	RINSE BALL (TEFLON).	1	130001-
9	106634	BULKHEAD FITTING ¾.	2	130001-
10	107079	90 DEG STREET ELBOW ¾.	1	130001-
11	107034	2-WAY BALL VALVE ¾.	3	130001-
12	107033	ADAPTER ¾ MPT x ¾ HB.	4	130001-
13	30639	HOSE CLAMP ¾-1.	6	130001-
14	106665	HOSE ¾.	A/R	130001-
15	106670	HOSE ¼ (CLEAR).	A/R	130001-
16	107102	TEE ¾ HB x ¾ HB x ¾ FPT.	1	130001-
17	106631	AGITATOR.	1	130001-
18	107025	BULKHEAD FITTING 1 ½.	1	130001-
19	107026	90 DEG ELBOW 1 ½ MPT x 1 ½ HB.	2	130001-
20	107037	T-BOLT HOSE CLAMP 1 ½.	8	130001-
21	106662	SUCTION HOSE 1 ½.	A/R	130001-
22	106640	ADAPTER 1 ½ MPT x 1 ½ HB.	1	130001-
23	106615	2-WAY BALL VALVE 1 ½.	1	130001-
24	107027	ADAPTER 1 ½ FCAM x 1 ½ MPT.	1	130001-
25	107028	ADAPTER 1 ½ MCAM x 1 ½ HB.	1	130001-
26	107029	90 DEG ELBOW 1 ½ MPT x 1 ½ HB.	2	130001-
27	107031	3-WAY BALL VALVE 1 ½ (DIRECTO)	1	130001-
28	107035	ADAPTER ¾ FCAM x ¾ MPT.	1	130001-
29	107036	ADAPTER ¾ MCAM x ¾ MPT.	1	130001-
30	107421	BULKHEAD FITTING 2.	1	130001-
31	107420	90 DEG ELBOW 2 SWIVEL NUT x 2 HB.	2	130001-
32	21995	HOSE CLAMP 2 in.	6	130001-
33	107426	HOSE 2 in.	A/R	130001-
34	107425	ADAPTER 2 MCAM x 2 HB.	1	130001-
35	106982	ADAPTER 2 FCAM x 2 HB.	1	130001-
36	107424	ADAPTER 2 MPT x 2 HB.	1	130001-
37	107419	90 DEG ELBOW 2 MPT x 2 HB.	1	130001-
38	107346	PLATE – orifice.	1	130001-

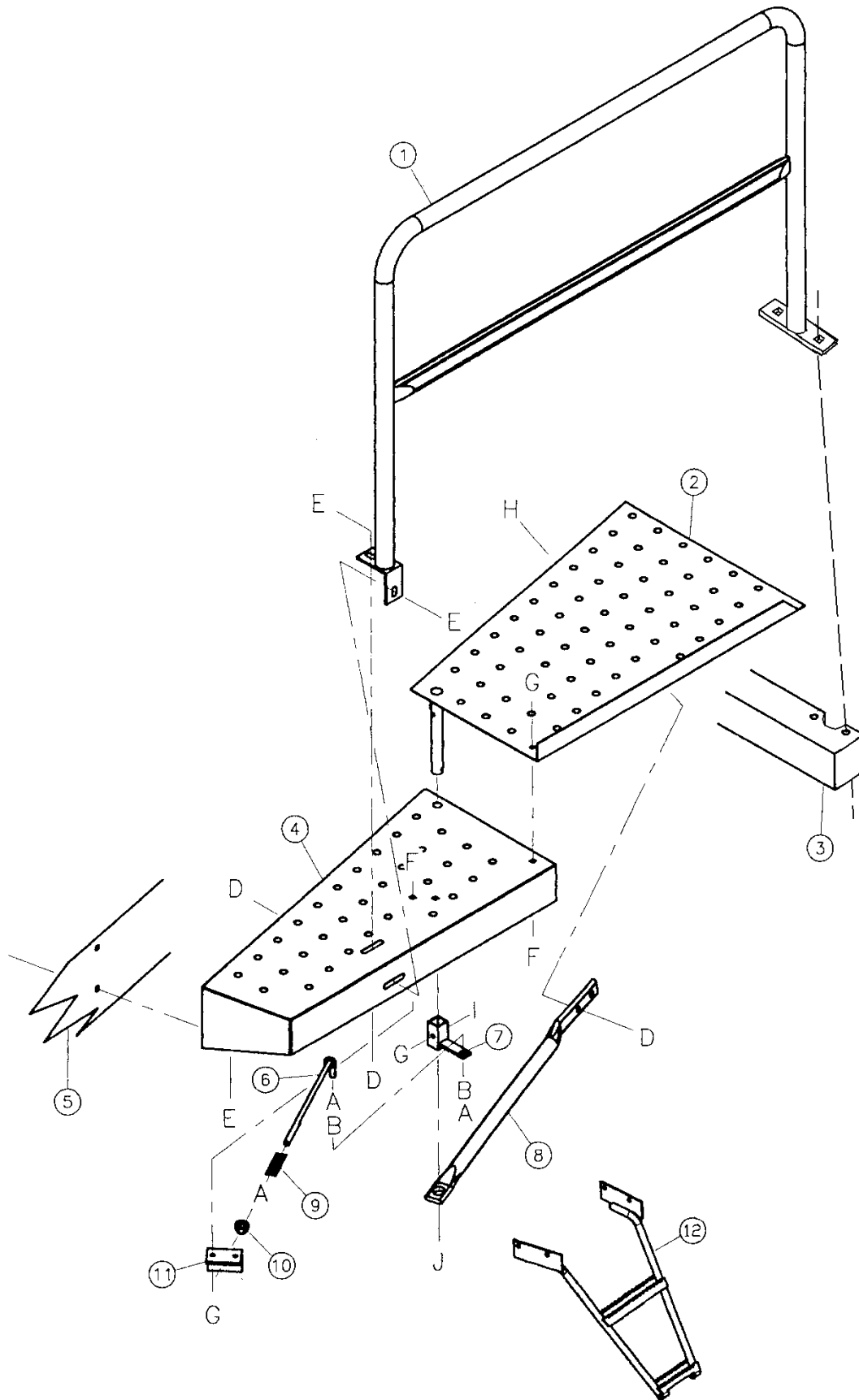
PRESSURE GAUGES



PRESSURE GAUGES

REF	PART NUMBER	DESCRIPTION	QTY	SERIAL NUMBER
1	107159	GAUGE MOUNT.....	1	
2	107075	PRESSURE GAUGE.....	3	
3	106919	RETAINING RING.....	3	
4	106941	90 DEG ELBOW.....	3	
5	106940	HOSE BARB.....	6	
6	107007	HOSE ¼ in I.D.....	A/R	
7	106954	REDUCER BUSHING.....	3	
8	107102	TEE.....	1	
9	30094	HOSE CLAMP.....	6	

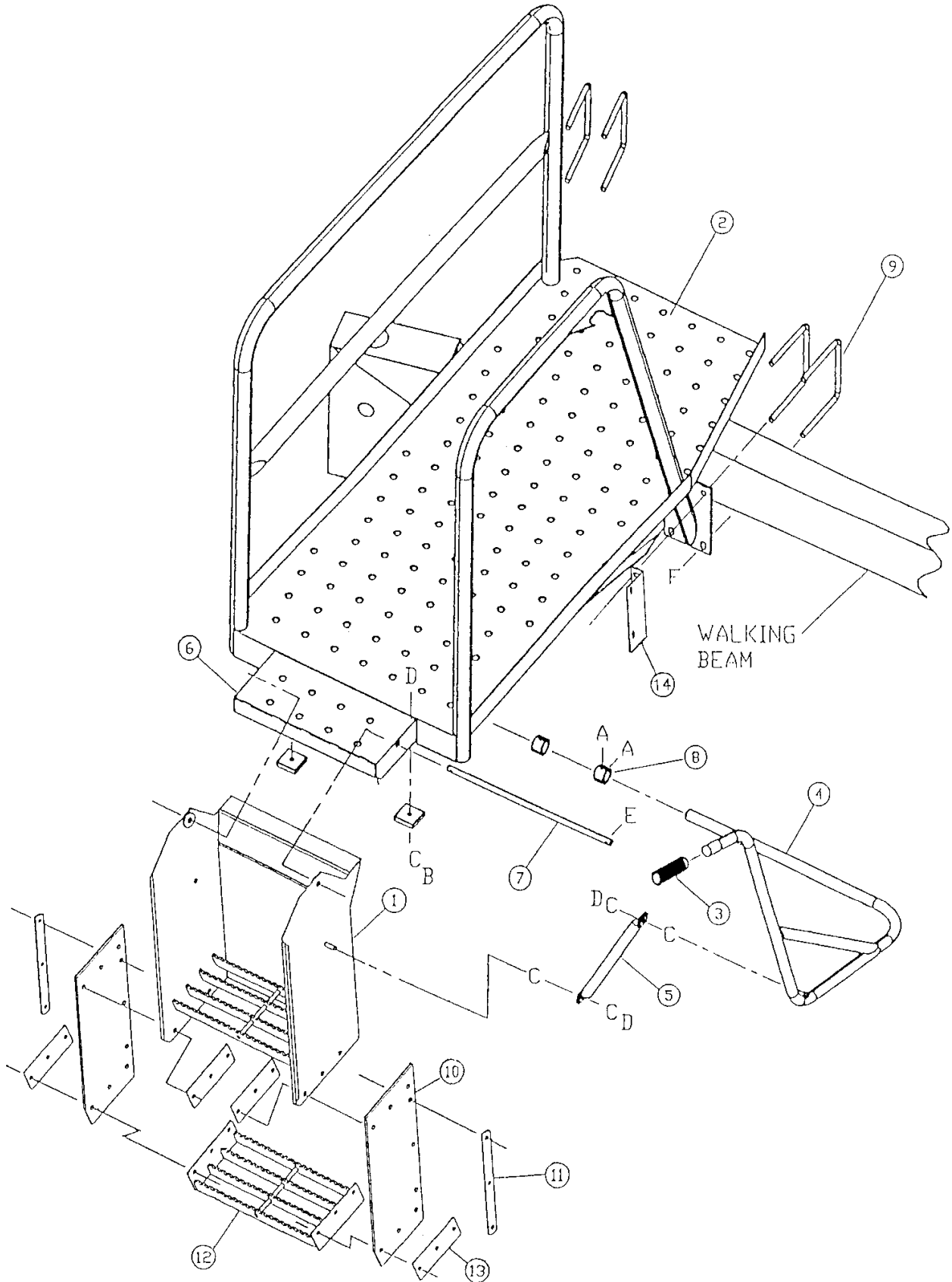
CATWALK



CATWALK

REF	PART NUMBER	DESCRIPTION	QTY	SERIAL NUMBER
1	106456	HAND RAIL WELDMENT	1	-130000
	107468	HAND RAIL WELDMENT	1	130001-
2	106471	CATWALK DOOR WELDMENT	1	
3	REF	CARRIER L/H.	1	
4	106451	CATWALK WELDMENT	1	
5	REF	TRACTOR FRAME	1	
6	106466	SPRING ROD.	1	
7	106462	SPRING ARM.	1	
8	106460	SUPPORT TUBE.	1	
9	106429	SPRING	1	
10	23142	PLASTIC BUSHING	1	
11	106468	BRACKET	1	
12	107167	STEP WELDMENT.	1	130001-
A		PIN - cotter, 3/16 x 1.5 inch		
B		WASHER - flat, 1/2 SAE		
D		NUT - flange, 1/2 NC		
E		BOLT - flange, 1/2 NC x 1.5 inch		
F		BOLT - carriage, 3/8 NC x 1 inch grade 2		
G		NUT - flange, 3/8 NC		
H		BOLT - carriage, 1/2 NC x 1 inch grade 2		
I		BOLT - flange, 3/8 NC x 2 inch		
J		PIN - spring, 1/4 x 2 inch		

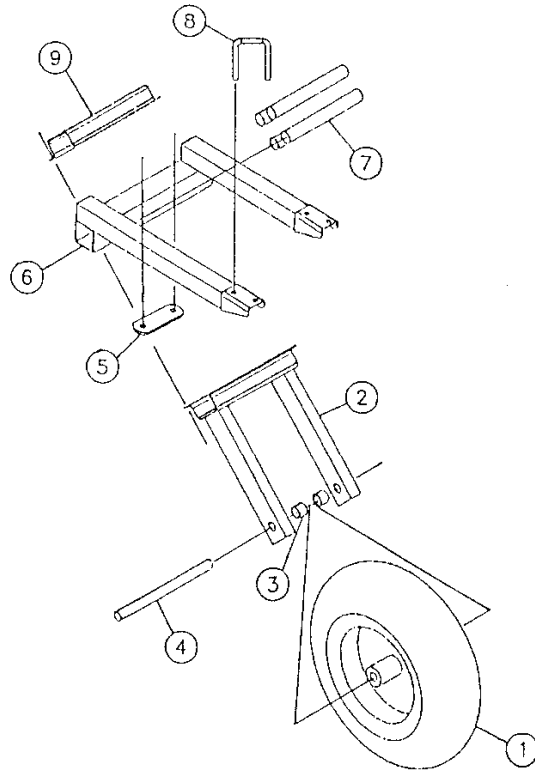
PLATFORM



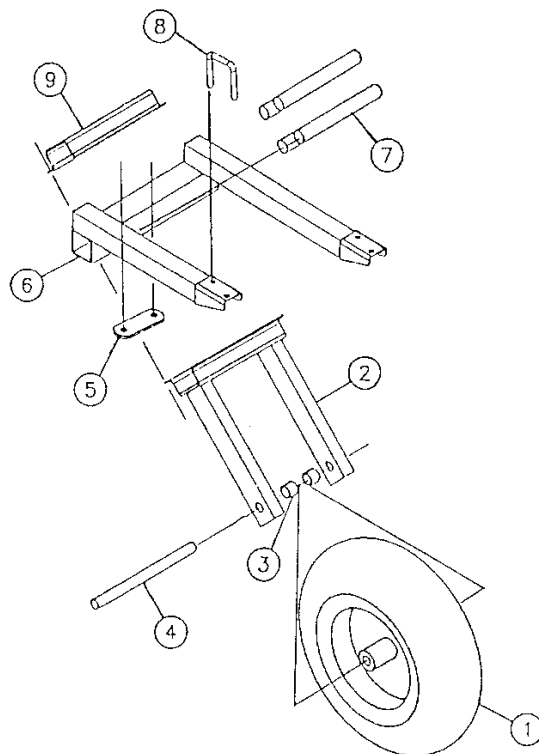
PLATFORM

REF	PART NUMBER	DESCRIPTION	QTY	SERIAL NUMBER
1	107434	STEP, DECAL ASSY.	1	
2	106484	PLATFORM WELDMENT	1	
3	106505	HANDLE GRIPS.	1	
4	106509	LEVER WELDMENT	1	
5	106510	TUBE - LINK	1	
6	106511	RUBBER STOP.	2	
7	106515	SHAFT.	1	
8	106517	COLLAR.	2	
9	106553	U - BOLT.	4	
10	107132	STRAP.	2	
11	107211	BAR.	2	
12	107130	STEP-LOWER WELDMENT.	1	
13	107133	BAR.	4	
14	107417	BRACKET.	1	130001-
A		SCREW - set, sq. hd., cup pnt. 1/4 NC x 0.375 inch		
B		BOLT - hex, 3/8 NC x 1 inch grade 5		
C		WASHER - flat, 3/8 SAE		
D		NUT - lock, prevailing torque, 3/8 NC		
E		PIN - cotter, 3/16 x 1.25 inch		
F		NUT - flange, 1/2 NC		

BOOM TOUCH-DOWN WHEEL LEFT HAND SIDE



BOOM TOUCH-DOWN WHEEL RIGHT HAND SIDE



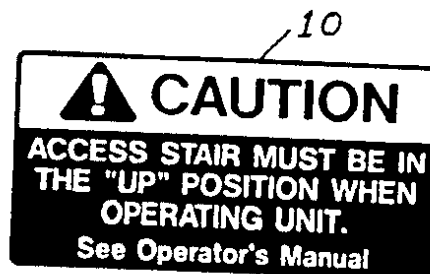
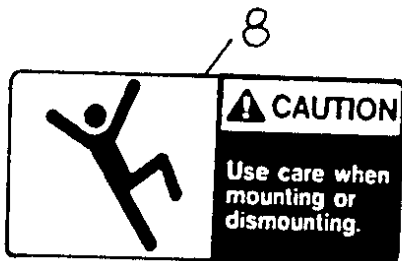
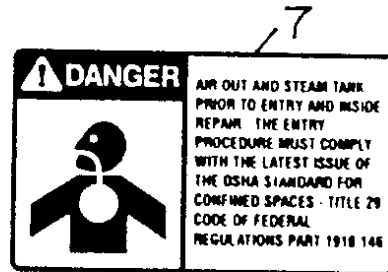
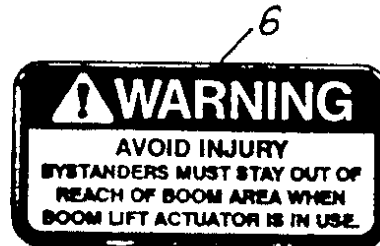
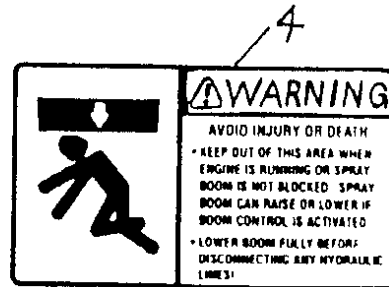
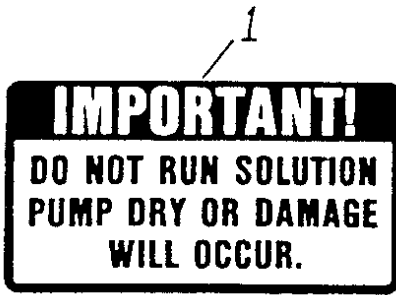
**BOOM TOUCH-DOWN WHEEL
LEFT HAND SIDE**

REF	PART NUMBER	DESCRIPTION	QTY	SERIAL NUMBER
1	107271	WHEEL.....	1	
2	107397	COVER WELDMENT.....	1	
3	107365	SPACER TUBE.....	2	
4	107407	SPINDLE.....	1	
5	107402	BAR.....	6	
6	107405	TUBE WELDMENT.....	1	
7	107270	ROUND RUBBER.....	4	
8	106860	U-BOLT.....	2	
9	107395	BRACKET.....	1	

**BOOM TOUCH-DOWN WHEEL
RIGHT HAND SIDE**

REF	PART NUMBER	DESCRIPTION	QTY	SERIAL NUMBER
1	107271	WHEEL.....	1	
2	107397	COVER WELDMENT.....	1	
3	107365	SPACER TUBE.....	2	
4	107407	SPINDLE.....	1	
5	107402	BAR.....	6	
6	107403	TUBE WELDMENT.....	1	
7	107270	ROUND RUBBER.....	4	
8	106860	U-BOLT.....	2	
9	107395	BRACKET.....	1	

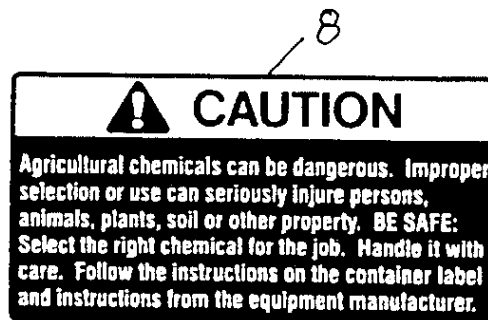
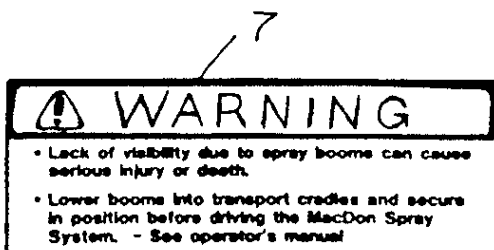
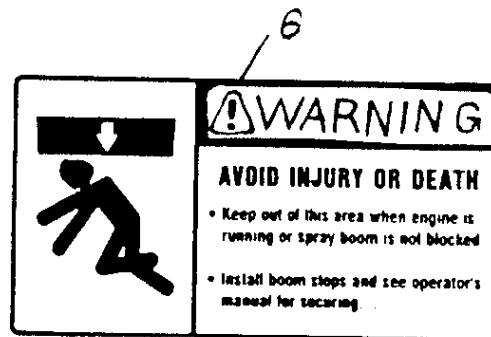
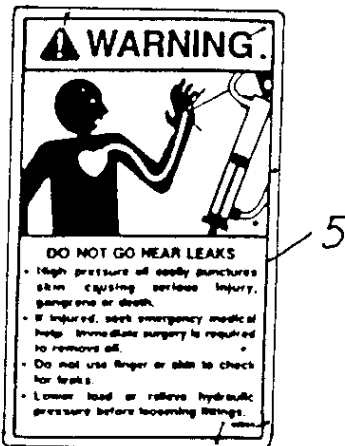
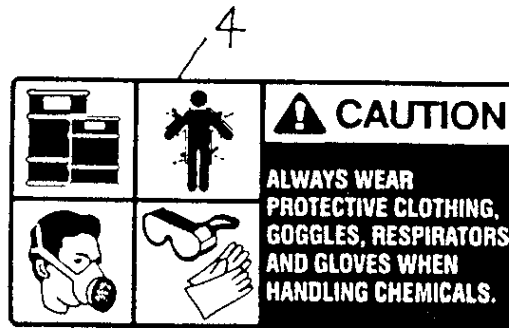
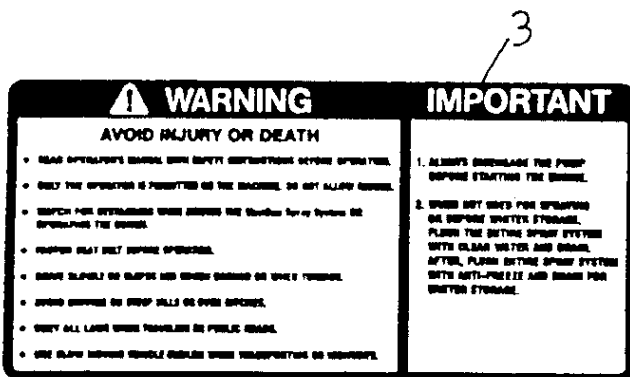
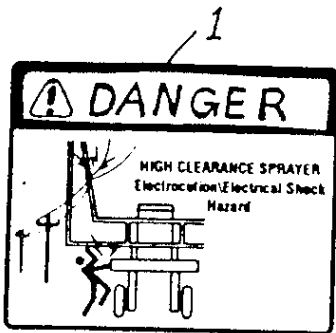
SAFETY DECAL
SERIAL NUMBER 130000 AND PRIOR



SAFETY DECALS
SERIAL NUMBER 130000 AND PRIOR

REF	PART NUMBER	DESCRIPTION	QTY	SERIAL NUMBER
1	106823	DECAL IMPORTANT.....	1	-130000
2	106828	DECAL CAUTION.....	1	-130000
3	106826	DECAL WARNING.....	1	-130000
4	106822	DECAL WARNING.....	1	-130000
5	106829	DECAL WARNING.....	1	-130000
6	106821	DECAL WARNING.....	1	-130000
7	106824	DECAL DANGER.....	1	-130000
8	106830	DECAL CAUTION.....	1	-130000
9	106944	DECAL WARNING.....	1	-130000
10	106825	DECAL CAUTION.....	1	-130000

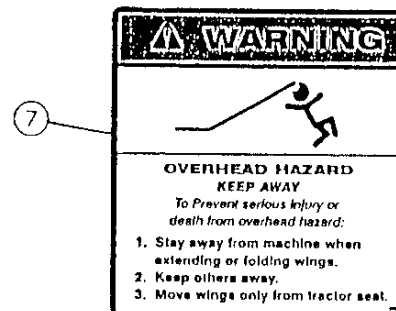
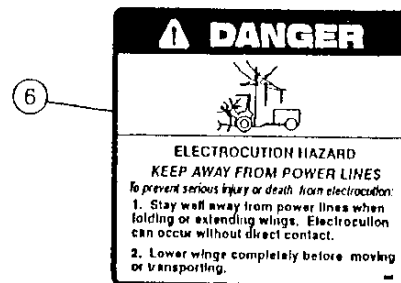
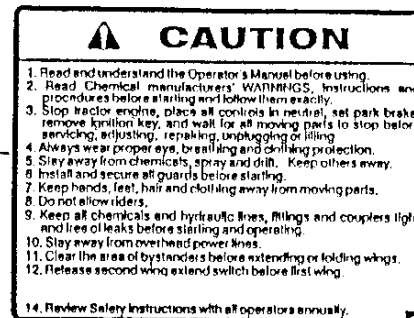
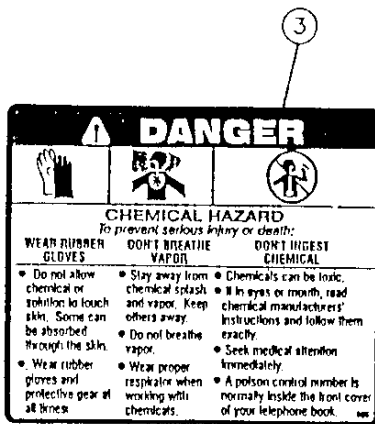
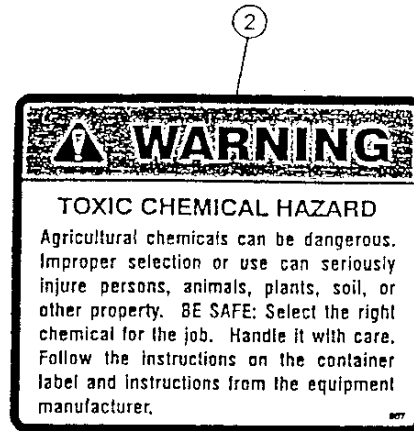
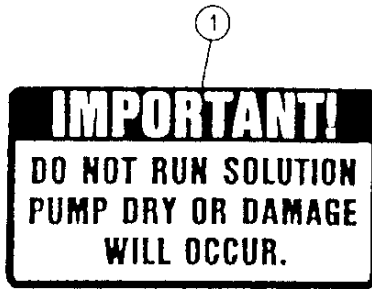
SAFETY DECAL
SERIAL NUMBER 130000 AND PRIOR



SAFETY DECALS
SERIAL NUMBER 130000 AND PRIOR

REF	PART NUMBER	DESCRIPTION	QTY	SERIAL NUMBER
1	106835	DECAL DANGER	1	-130000
2	106818	DECAL CAUTION	1	-130000
3	106819	DECAL WARNING	1	-130000
4	106831	DECAL CAUTION	1	-130000
5	44944	DECAL WARNING	1	-130000
6	106820	DECAL WARNING	1	-130000
7	106817	DECAL WARNING	1	-130000
8	106827	DECAL CAUTION	1	-130000

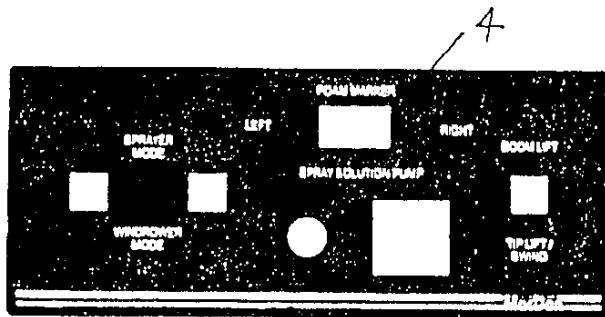
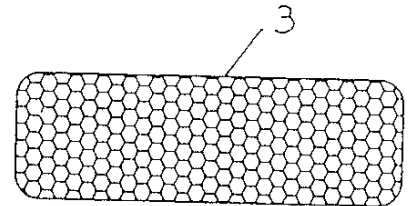
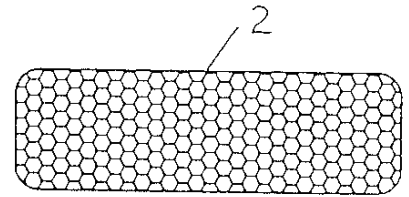
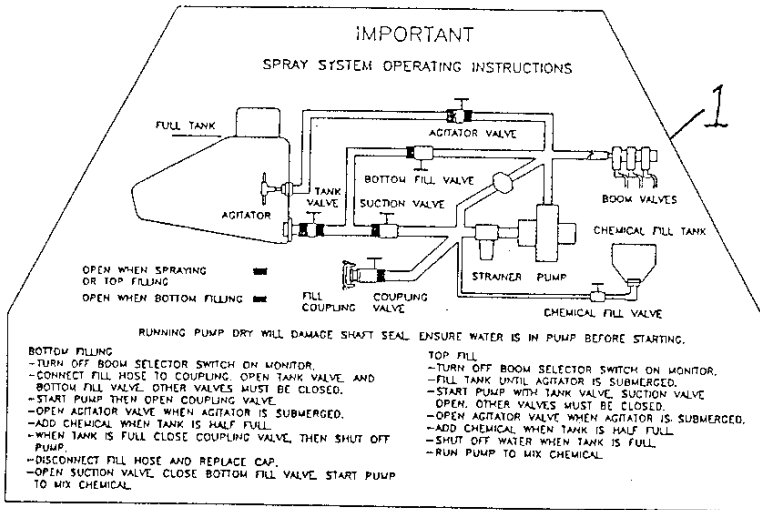
**SAFETY DECAL
SERIAL NUMBER 130001 AND ABOVE**



SAFETY DECALS
SERIAL NUMBER 130001 AND ABOVE

REF	PART NUMBER	DESCRIPTION	QTY	SERIAL NUMBER
1	106823	DECAL IMPORTANT.....	1	130001-
2	107464	DECAL WARNING	1	130001-
3	107460	DECAL DANGER	1	130001-
4	107461	DECAL CAUTION	1	130001-
5	107465	DECAL WARNING	1	130001-
6	107462	DECAL DANGER	1	130001-
7	107463	DECAL WARNING	1	130001-

INFORMATION DECALS & REFLECTORS
 SERIAL NUMBER 130000 AND PRIOR

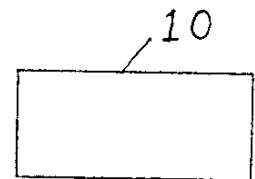
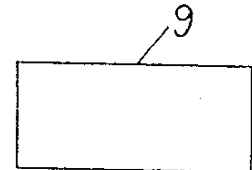


625 SPRAYER

MACDON

REAR BOOM HEIGHT

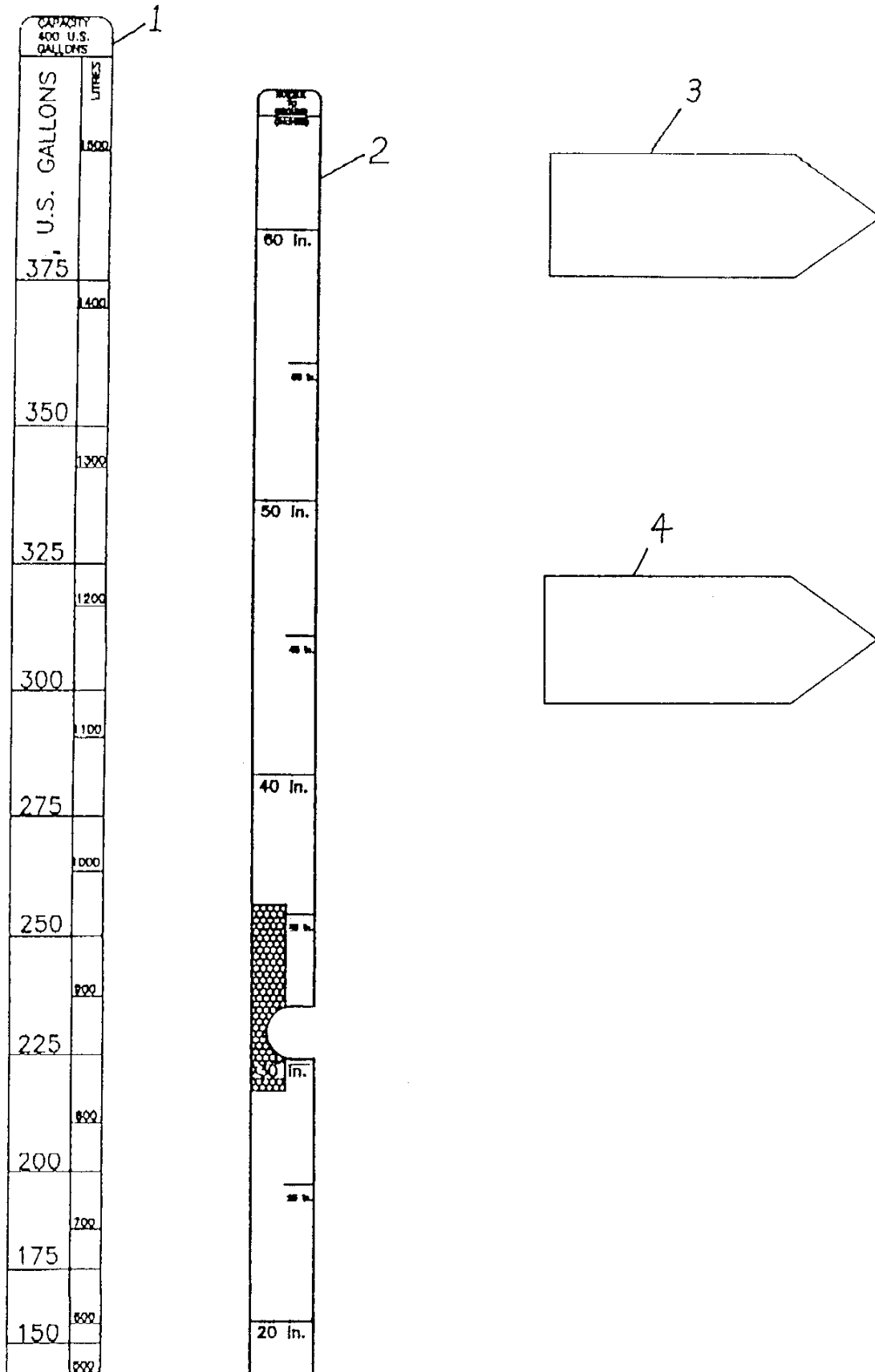
NOZZLE PRESSURE SPRAY SYSTEM PRESSURE



**INFORMATION DECALS & REFLECTORS
SERIAL NUMBER 130000 AND PRIOR**

REF	PART NUMBER	DESCRIPTION	QTY	SERIAL NUMBER
1	106977	OPERATING INSTRUCTIONS.....	1	-130000
2	26694	RED REFLECTOR TAPE	2	-130000
3	26697	AMBER REFLECTOR.....	4	-130000
4	106833	DECAL CONTROLS	1	-130000
5	106750	DECAL PRODUCT I.D.....	1	-130000
6	45471	DECAL MACDON	1	-130000
7	106989	DECAL-REAR BOOM.....	1	-130000
8	106987	DECAL-GAUGE PRESSURE.....	1	-130000
9	37394	TAPE-RED.....	A/R	-130000
10	37393	TAPE-YELLOW.....	A/R	-130000

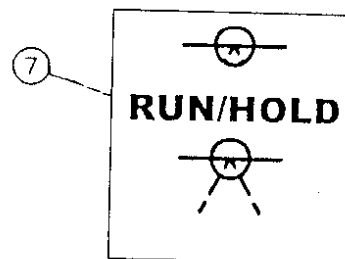
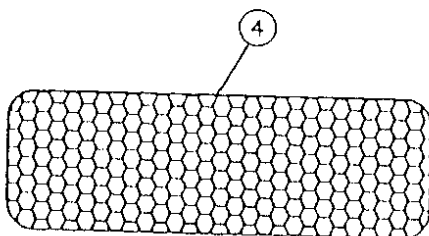
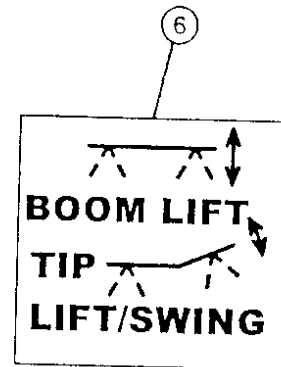
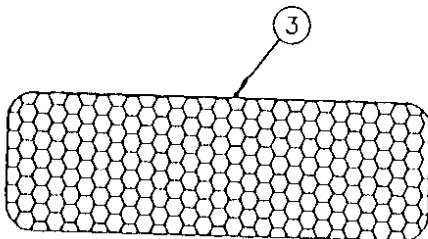
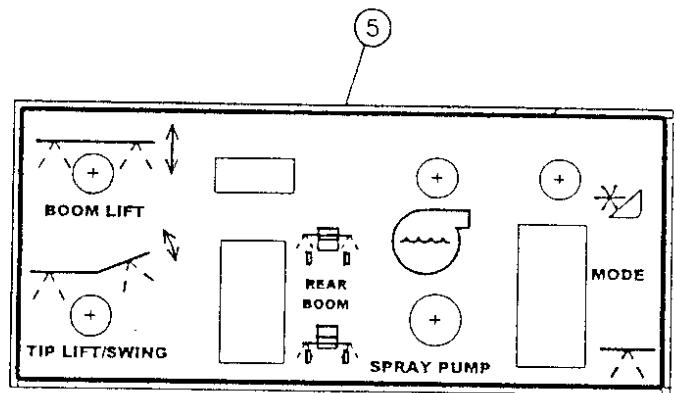
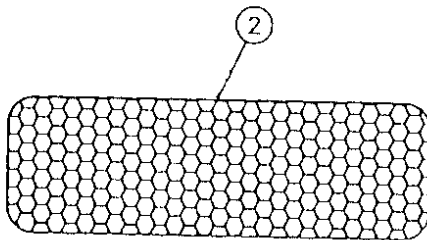
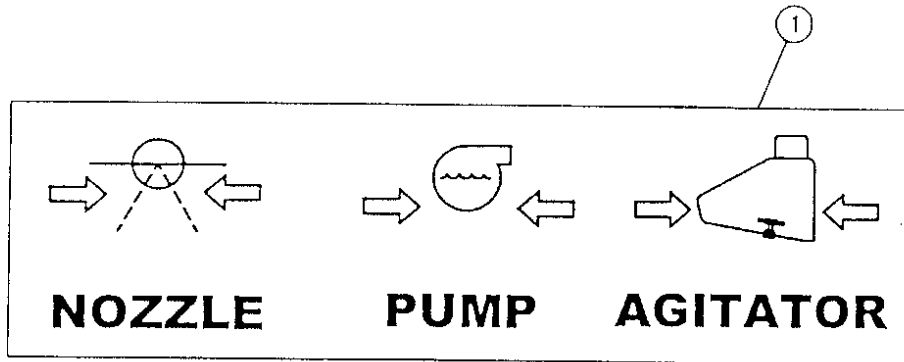
INFORMATION DECALS SERIAL NUMBER 130000 AND PRIOR



**INFORMATION DECALS
SERIAL NUMBER 130000 AND PRIOR**

REF	PART NUMBER	DESCRIPTION	QTY	SERIAL NUMBER
1	107015	TANK LEVEL DECAL.	1	-130000
2	107014	BOOM HEIGHT DECAL.	2	-130000
3	107013	YELLOW MARKER DECAL.	2	-130000
4	107012	GREEN MARKER DECAL.	2	-130000

INFORMATION DECALS & REFLECTORS
SERIAL NUMBER 130001 AND ABOVE

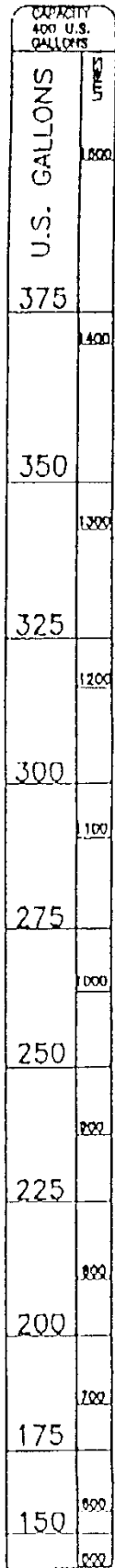


**INFORMATION DECALS & REFLECTORS
SERIAL NUMBER 130001 AND ABOVE**

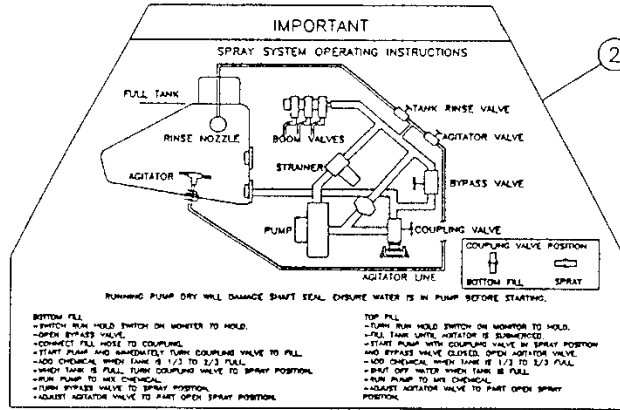
REF	PART NUMBER	DESCRIPTION	QTY	SERIAL NUMBER
1	107433	DECAL PRESSURE.....	1	130001-
2	115147	REFLECTOR-RED.....	2	130001-
3	115146	REFLECTOR-AMBER.....	4	130001-
4	115145	REFLECTOR-RED-ORANGE.....	2	130001-
5	107413	DECAL CONTROLS.....	1	130001-
6	107431	DECAL FOOT SWITCH.....	1	130001-
7	107432	DECAL RUN/HOLD SWITCH.....	1	130001-

INFORMATION DECALS

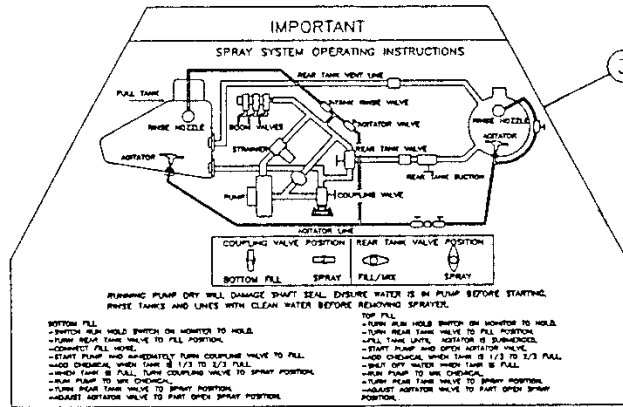
SERIAL NUMBER 130001 AND ABOVE



1



2



3



4

625 SPRAYER

5

**INFORMATION DECALS
SERIAL NUMBER 130001 AND ABOVE**

REF	PART NUMBER	DESCRIPTION	QTY	SERIAL NUMBER
1	107015	TANK LEVEL DECAL.	1	130001-
2	107430	OPERATING INSTRUCTIONS.	1	130001-
3	107429	OPERATING INSTRUCTIONS.	1	130001-
4	45471	DECAL MACDON.	1	130001-
5	106750	DECAL PRODUCT I.D.	1	130001-

NUMERICAL LIST

<u>PART NO.</u>	<u>PAGE</u>	<u>PART NO.</u>	<u>PAGE</u>	<u>PART NO.</u>	<u>PAGE</u>	<u>PART NO.</u>	<u>PAGE</u>
6732	63	30282	65	50104	55	106081	59
7603	63	30283	53	50104	57	106084	47
13094	37	30283	57	50104	59	106086	3
13125	3	30289	67	50104	65	106110	3
13125	43	30289	69	50175	63	106111	3
13125	45	30314	61	50175	63	106130	3
13685	61	30375	51	100453	67	106154	39
15903	53	30375	53	100790	55	106162	3
15903	55	30442	61	100790	59	106172	3
15903	57	30442	63	102711	65	106185	3
15903	59	30443	61	106021	53	106201	3
16539	11	30539	63	106021	55	106261	51
16539	13	30639	71	106021	57	106263	23
16539	23	30639	77	106021	59	106263	25
16539	25	30639	79	106022	53	106271	31
16566	55	30639	83	106022	55	106271	33
16566	59	30639	87	106022	57	106274	23
16566	65	30639	89	106022	59	106274	25
16661	81	30694	61	106025	7	106276	23
17959	75	30694	63	106025	9	106276	25
21053	85	30976	63	106030	7	106277	23
21069	61	30981	61	106030	9	106277	25
21085	51	30988	61	106044	7	106279	33
21349	79	30994	65	106044	9	106280	31
21763	81	30997	63	106047	7	106282	31
21804	53	31802	53	106047	9	106282	33
21804	57	31802	59	106051	7	106283	31
21817	61	31823	53	106051	9	106283	33
21833	63	31823	55	106053	7	106298	31
21837	61	31823	57	106053	9	106298	33
21848	61	31823	59	106055	7	106304	23
21855	61	32225	61	106055	9	106304	25
21855	63	33415	63	106056	7	106320	23
21856	63	33882	63	106056	9	106320	25
21857	61	36845	55	106057	7	106322	23
21857	63	36845	57	106057	9	106322	25
21858	63	37167	61	106058	7	106326	23
21876	63	37393	105	106058	9	106326	25
21995	89	37394	105	106059	9	106327	23
22070	15	37841	51	106060	7	106327	25
22070	17	41862	65	106075	7	106328	23
23142	93	42036	31	106075	9	106328	25
26694	105	42036	33	106077	7	106329	19
26697	105	42449	65	106077	9	106329	21
28480	31	42449	69	106080	7	106331	19
28480	33	44198	61	106080	9	106331	21
29168	65	44944	101	106080	53	106332	19
30094	89	45135	63	106080	57	106332	21
30094	91	45471	105	106081	7	106333	19
30282	53	45471	111	106081	9	106333	21
30282	55	50043	69	106081	53	106341	19
30282	57	50087	63	106081	55	106341	21
30282	59	50104	53	106081	57	106342	29

NUMERICAL LIST

<u>PART NO.</u>	<u>PAGE</u>	<u>PART NO.</u>	<u>PAGE</u>	<u>PART NO.</u>	<u>PAGE</u>	<u>PART NO.</u>	<u>PAGE</u>
106343	27	106532	27	106619	83	106665	87
106353	27	106533	29	106619	85	106665	89
106353	29	106534	27	106619	87	106666	75
106356	27	106534	29	106620	84	106667	81
106366	31	106535	27	106620	83	106670	75
106366	33	106535	29	106620	85	106670	77
106371	31	106536	27	106620	87	106670	89
106375	23	106536	29	106621	79	106692	15
106375	25	106539	31	106630	81	106692	17
106377	27	106539	33	106630	85	106698	51
106377	29	106541	31	106631	75	106698	61
106391	27	106541	33	106631	77	106698	63
106391	29	106550	43	106631	89	106701	49
106398	29	106550	45	106634	75	106706	79
106401	33	106552	7	106634	77	106707	51
106415	11	106552	9	106634	89	106708	51
106415	13	106553	37	106635	75	106709	51
106415	15	106553	95	106637	75	106709	63
106415	17	106559	51	106638	75	106710	53
106424	35	106560	53	106639	75	106710	55
106425	35	106560	55	106640	71	106710	57
106426	35	106560	57	106640	75	106710	59
106427	35	106560	59	106640	89	106711	53
106428	35	106561	53	106642	71	106711	55
106429	47	106561	55	106643	73	106711	57
106429	93	106561	57	106645	73	106711	59
106430	47	106561	59	106646	75	106712	51
106431	47	106563	67	106650	71	106712	55
106432	47	106563	69	106650	79	106712	57
106443	17	106566	71	106651	75	106712	59
106448	35	106568	71	106652	71	106714	53
106449	15	106569	71	106652	75	106714	55
106451	93	106575	27	106652	77	106714	57
106456	93	106575	29	106654	71	106714	59
106460	93	106580	19	106655	79	106716	53
106462	93	106580	21	106656	71	106716	57
106466	93	106582	19	106657	71	106717	53
106468	93	106582	21	106658	81	106717	55
106471	93	106583	19	106658	83	106717	57
106484	95	106583	21	106659	71	106717	59
106491	43	106600	3	106660	75	106717	63
106491	45	106614	75	106661	81	106718	53
106496	45	106615	71	106662	71	106718	57
106499	43	106615	89	106662	75	106719	53
106505	95	106617	81	106662	77	106719	57
106509	95	106617	83	106662	89	106720	61
106510	95	106617	85	106664	71	106721	61
106511	95	106617	87	106664	75	106722	61
106515	95	106618	81	106665	77	106723	64
106517	95	106618	83	106665	79	106725	61
106523	67	106618	85	106665	81	106730	67
106524	67	106618	87	106665	83	106730	69
106525	67	106619	84	106665	85	106731	23

NUMERICAL LIST

<u>PART NO.</u>	<u>PAGE</u>	<u>PART NO.</u>	<u>PAGE</u>	<u>PART NO.</u>	<u>PAGE</u>	<u>PART NO.</u>	<u>PAGE</u>
106731	25	106860	97	106966	11	107034	89
106732	23	106860	97	106966	13	107035	89
106732	25	106866	37	106967	11	107036	89
106733	11	106871	73	106967	13	107037	71
106733	13	106872	71	106971	11	107037	77
106736	31	106873	71	106971	13	107037	89
106736	33	106877	69	106976	37	107039	41
106744	49	106880	49	106977	105	107048	41
106750	105	106885	79	106980	85	107050	89
106750	111	106888	11	106980	87	107051	41
106752	81	106888	13	106982	89	107053	37
106752	83	106890	3	106987	105	107054	73
106757	3	106891	3	106989	105	107055	39
106783	13	106897	3	106995	79	107056	39
106784	75	106897	11	106995	85	107075	91
106784	77	106897	13	106995	87	107078	77
106785	81	106897	15	106996	75	107078	89
106786	85	106897	17	106996	77	107079	89
106792	47	106897	47	106997	25	107080	77
106793	47	106898	11	106998	23	107082	41
106797	81	106898	13	107000	7	107083	77
106797	83	106898	15	107001	9	107083	89
106797	85	106898	17	107002	17	107084	89
106797	87	106903	65	107003	15	107085	89
106798	81	106907	3	107004	3	107086	71
106798	83	106910	3	107005	57	107088	71
106798	85	106911	3	107006	53	107089	73
106798	87	106919	91	107007	75	107091	71
106805	47	106920	3	107007	77	107092	71
106808	83	106921	3	107007	94	107092	77
106817	101	106922	3	107012	107	107094	71
106818	101	106923	3	107013	107	107095	71
106819	101	106926	3	107014	107	107096	73
106820	101	106934	47	107015	107	107097	73
106821	99	106935	47	107015	111	107098	71
106822	99	106936	47	107019	31	107099	71
106823	99	106937	47	107019	33	107100	71
106823	103	106940	91	107025	77	107101	71
106824	99	106941	91	107025	89	107101	89
106825	99	106944	99	107026	77	107102	89
106826	99	106945	11	107026	89	107102	91
106827	101	106945	13	107027	89	107103	71
106828	99	106948	11	107028	89	107104	71
106829	99	106948	13	107029	89	107105	71
106830	99	106954	91	107031	89	107106	73
106831	101	106957	79	107032	73	107107	87
106833	105	106958	85	107032	77	107109	37
106835	101	106958	87	107032	89	107116	37
106839	71	106959	79	107033	71	107119	35
106841	13	106961	11	107033	77	107120	37
106842	13	106961	13	107033	89	107122	37
106850	37	106964	11	107034	71	107130	95
106852	37	106964	13			107132	95

NUMERICAL LIST

<u>PART NO.</u>	<u>PAGE</u>	<u>PART NO.</u>	<u>PAGE</u>	<u>PART NO.</u>	<u>PAGE</u>	<u>PART NO.</u>	<u>PAGE</u>
107133	95	107271	97	107397	97	107461	103
107138	43	107271	97	107397	97	107462	103
107138	45	107273	67	107402	97	107463	103
107151	39	107273	69	107402	97	107464	103
107152	39	107274	67	107403	97	107465	103
107155	49	107274	69	107405	97	107468	93
107156	39	107278	83	107407	63	107471	45
107159	91	107286	7	107407	97	111129	7
107167	93	107287	9	107407	97	111129	9
107211	95	107288	49	107408	63	111129	55
107213	83	107289	55	107410	63	111129	59
107214	83	107289	59	107413	109	111129	65
107215	83	107298	3	107414	5	112208	65
107216	83	107299	3	107417	95	115145	109
107217	83	107301	3	107418	37	115146	109
107218	83	107302	5	107419	89	115147	109
107219	83	107303	5	107420	89		
107220	49	107305	63	107421	89		
107221	49	107306	63	107423	77		
107224	83	107307	63	107424	89		
107225	83	107308	63	107425	89		
107226	69	107309	63	107426	89		
107226	83	107310	63	107427	77		
107228	43	107311	63	107429	111		
107228	45	107312	63	107430	111		
107230	69	107316	15	107431	109		
107232	69	107316	17	107432	109		
107233	49	107317	73	107433	109		
107233	69	107320	3	107434	95		
107234	69	107324	3	107435	69		
107235	69	107331	31	107436	7		
107236	69	107331	33	107436	9		
107237	69	107335	3	107437	7		
107238	69	107337	3	107437	9		
107239	69	107344	3	107438	55		
107239	69	107345	3	107439	59		
107241	69	107346	89	107442	3		
107242	69	107349	11	107443	3		
107243	69	107349	13	107444	7		
107244	69	107350	11	107444	9		
107248	69	107350	13	107445	31		
107251	77	107363	13	107445	33		
107259	7	107364	11	107446	49		
107259	9	107365	97	107447	71		
107263	69	107365	97	107448	73		
107264	69	107366	31	107450	11		
107265	69	107367	33	107450	13		
107266	43	107373	27	107451	13		
107266	45	107384	29	107452	11		
107268	31	107388	3	107453	5		
107268	33	107389	5	107458	29		
107270	97	107395	97	107459	27		
107270	97	107395	97	107460	103		