

# MacDon

## Model 5000 POWER-TONGUE WINDROWER

## PARTS CATALOG

### **MacDon Industries Ltd.**

680 Moray Street  
Winnipeg, Manitoba R3J 3S3  
(204) 885-5590, Fax 832-7749



### **MacDon, Inc.**

9700 NW Conant Avenue  
Kansas City, Missouri 64153-1832  
(816) 891-7313, Fax 891-7323



## MacDon Model 5000 Power-Tongue Windrower Parts Catalog

### **CONTENTS**

Main Frame, Tongue & Transport Lock.....	2
Hitch Group.....	3
Float and Lift Group.....	4,5
Wheels and Tires.....	6,7
Header Frame, Deflector & Shields.....	8,9
Feed Pans & Stripper Bars.....	10
Skid Shoes.....	11
Steering & Lift Cylinder Hydraulics.....	12,13
Header Drive Hydraulics.....	14,15
Pump/Gearbox Assembly.....	15A,15B
Header Primary Drive.....	16,17
Sickle and Belt Drive.....	18,19
Sickle Stub Guards (Option).....	19A,19B
Sickle Drive Box.....	20 – 21B
Reel and Drive.....	22-25
Auger and Drive.....	26,27
Conditioner Rolls & Drivelines.....	28,29
Forming Shields.....	30,31
Tool Box & Wrench.....	32
Light Group.....	33
Decals & Reflectors.....	34,35
Paint.....	35
Product Identification Decals.....	36
Tall Crop Dividers (Attachment).....	37
Numerical List.....	38-40
<b>Suggested Stocking List .....</b>	<b>41,42</b>

### **ABBREVIATIONS:**

L/H - left hand, determined from Operator's position, facing forward.  
R/H - right hand  
ID - inside diameter  
OD - outside diameter  
NC - national coarse thread  
NF - national fine thread  
AR - as required (quantity varies with header size)  
REF - reference, part number is called up elsewhere in catalog.  
NSS - not serviced separately

**NOTE:** Common hardware is not illustrated. Alphabetic references are used to designate position and description of these items.

When ordering, be sure the complete and proper serial number is given.

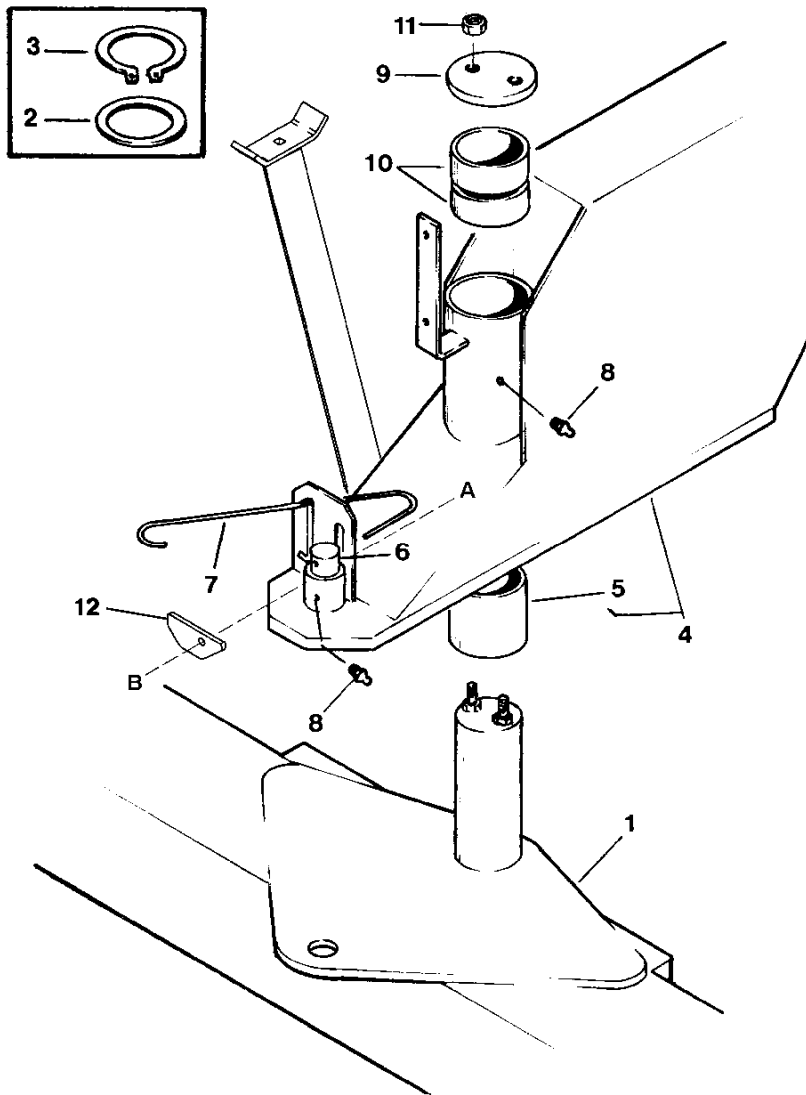
Some parts vary with header size; be sure you are ordering the correct number for your windrower.

### **SERIAL NUMBER BREAKS:**

The side of the serial number on which the dash (-) appears determines whether the part is used "up to" or "after" the serial number given.

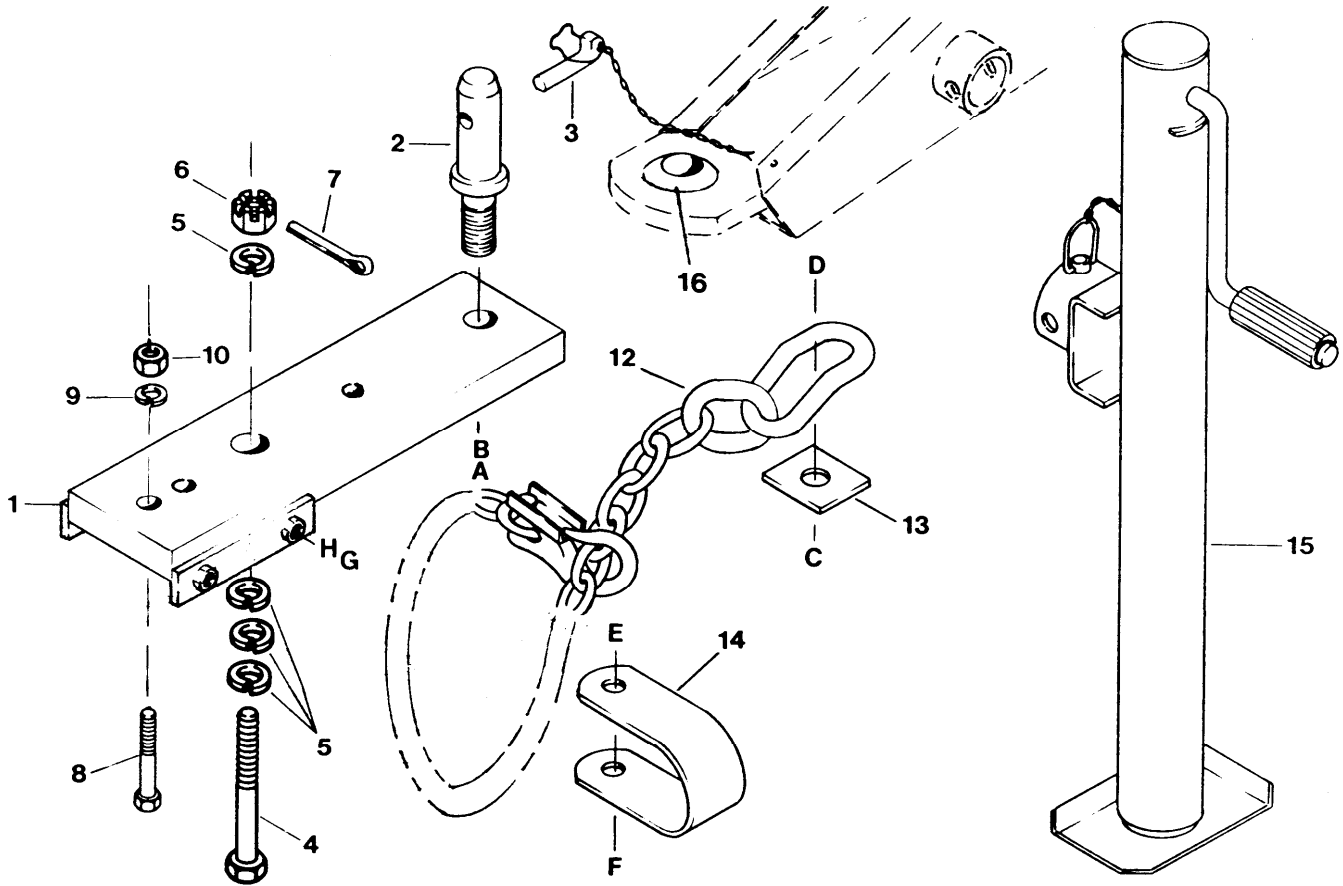
Example:       -77746       Used on machines up to and including serial number 77746.  
                  77747-       Used on machines including and after serial number 77747.

MAIN FRAME, TONGUE & TRANSPORT LOCK



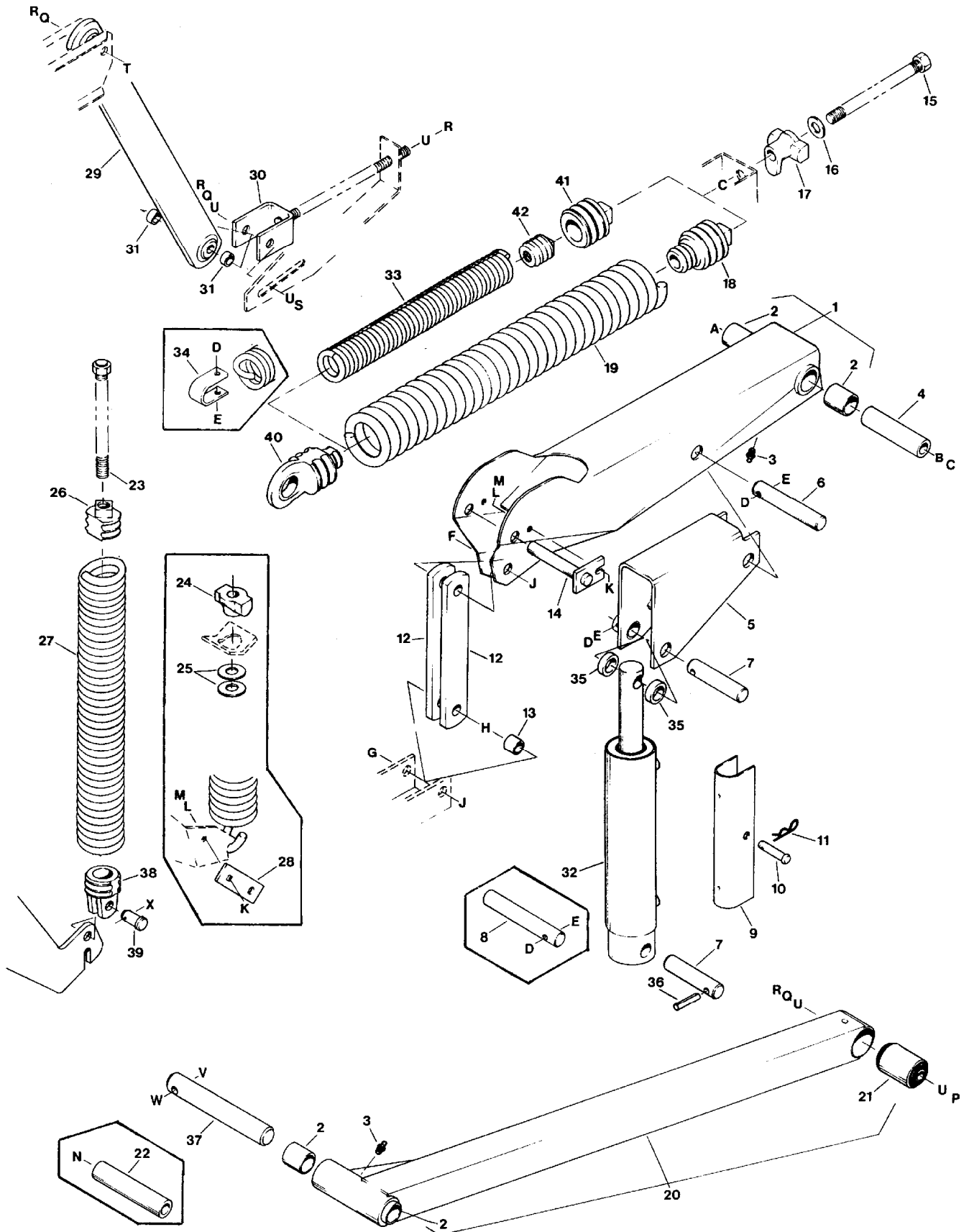
REF	PART NUMBER	DESCRIPTION	QTY	SERIAL NUMBER
1	REF	FRAME - main, not serviced.....	1	
2	41080	WASHER - flat.....	1	-77746
3	30884	RING - retaining, external.....	1	-77746
4	41590	TONGUE - 12 ft. header, includes item 5 (qty 2).....	1	
	41591	TONGUE - 14 ft. header, includes item 5 (qty 2).....	1	
	41592	TONGUE - 16 ft. header, includes item 5 (qty 2).....	1	
5	36836	BUSHING - plastic.....	1	
6	41660	PIN - transport lock.....	1	
7	41659	ROD - transport lock.....	1	
8	18671	FITTING - lube.....	2	
9	41100	RETAINER - frame shaft.....	1	77747-
10	36823	BUSHING - plastic.....	2	
11	18666	NUT - lock, 5/8 NC distorted thread.....	2	77747-
12	115133	BAR - rod retainer.....	1	
A	20077	BOLT - hex head, 3/8 NC x 1 inch		
B	30228	NUT - lock, smooth flange, 3/8 NC distorted thread		

HITCH GROUP



REF	PART NUMBER	DESCRIPTION	QTY	SERIAL NUMBER
1	41650	EXTENSION - hitch .....	1	
2	30903	PIN - hitch .....	1	
3	30902	PIN - lock .....	1	
4	41655	BOLT - drilled, 1 NC x 4 inch .....	1	
5	18642	WASHER - lock, 1 inch .....	4	
6	30898	NUT - slotted hex, 1 NC .....	1	
7	18609	PIN - cotter, 1/4 x 2 inch .....	1	
8	21406	BOLT - hex head, 5/8 NC x 3 1/2 inch .....	1	
9	18639	WASHER - lock, 5/8 inch .....	1	
10	18666	NUT - lock, 5/8 NC distorted thread .....	1	
12	21404	CHAIN - hitch .....	1	
13	29467	WASHER - flat .....	1	
14	29598	CLEVIS - hitch chain .....	1	
15	41785	JACK - hitch .....	1	
16	30904	BALL JOINT - hitch (welded) .....	1	
A	18855	NUT - hex, 7/8 NF		
B	18641	WASHER - lock, 7/8 inch		
C	19957	BOLT - hex head, 3/4 NC x 2 1/2 inch		
D	18689	NUT - lock, 3/4 NC distorted thread		
E	21406	BOLT - hex head, 5/8 NC x 3 1/2 inch		
F	18666	NUT - lock, 5/8 NC distorted thread		
G	21871	BOLT - hex head, 5/8 NC x 2 1/2 inch thread full length		
H	18594	NUT - hex, 5/8 NC		

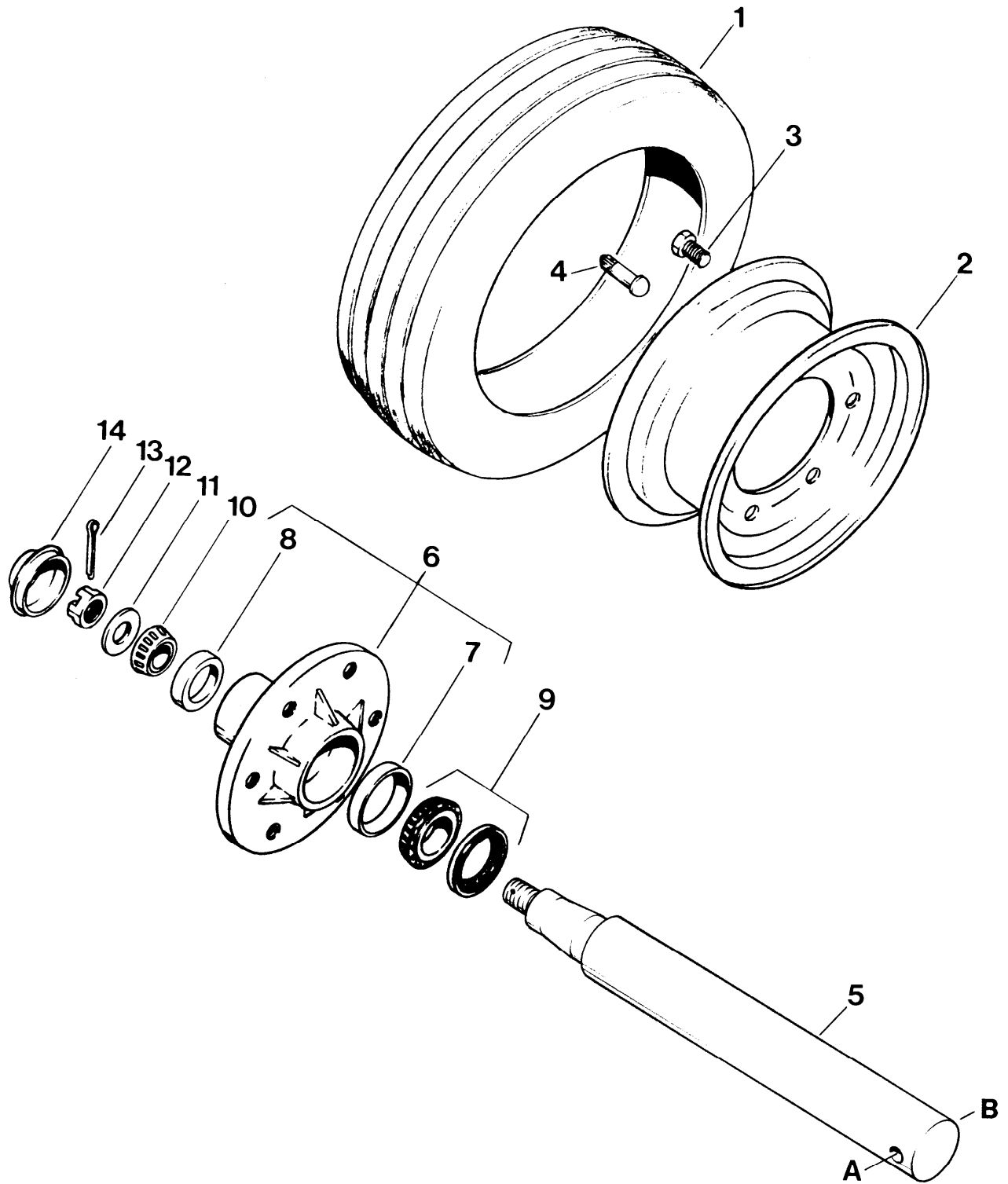
### FLOAT AND LIFT GROUP



## FLOAT AND LIFT GROUP

REF	PART NUMBER	DESCRIPTION	QTY	SERIAL NUMBER	
1	41090	ARM - with two bushings (item 2) & fitting (item 3)	2		
2	1134	BUSHING - bronze	8		
3	18671	FITTING - lube	4		
4	41098	SPACER - tube	2		
5	41102	ARM - float	2		
6	24408	PIN - float arm to cylinder mount	2		
7	41107	PIN - lift cylinder	4		
8	41108	PIN - lift cylinder, bottom	2	-82885	
9	41881	STOP - lift cylinder	2		
10	19926	PIN - clevis	2		
11	13125	PIN - hair	2		
12	41114	BAR - float link	4		
13	11644	SPACER - tube	2		
14	41118	PIN - spring anchor	2		
15	41122	BOLT - float adjusting	2		
16	21540	WASHER - flat, hardened	2		
17	36837	PIVOT - float spring	2		
18	24322	INSERT - spring, rear right	1		
19	24320	SPRING - float, 3.75 inch OD, spring hook at front	2	-89999	
	42690	SPRING - float, 3.75 inch OD, spring insert at front	2	90000-	
20	41127	ARM - lower link, (includes 2 of item 2, 1 of item 21, and 1 of item 3)	2		
21	21897	BUSHING - rubber	2		
22	41136	SPACER - tube	2	-89999	
23	41138	BOLT - float spring, 3/4 NC	2	-89999	
	44994	BOLT - float spring, 5/8 NC	2	90000-	
24	36011	PIVOT - float spring	2	-80250	
25	6647	WASHER - flat (quantity 1 per spring)	2	-80250	
	18601	WASHER - flat (quantity 2 per spring)	4	80251-89999	
26	36010	INSERT - spring, 3/4 NC thread	2	-89999	
	41405	INSERT - spring, upper, 5/8 NC thread	2	90000-	
27	36009	SPRING - float, 3 inch OD, spring hook at bottom	2	-89999	
	41388	SPRING - float, 3 inch OD, spring insert at bottom	2	90000-	
28	41142	BAR - spring lock	2	-80250	
29	41145	BAR - center link	1		
30	41150	ROD - adjusting, cutterbar angle	1		
31	8640	SPACER - tube	2		
32	REF	CYLINDER - lift, see "Steering & Lift Cylinder Hydraulics"			
33	24319	SPRING - float, 2 1/4 inch O.D., spring hook at front - 14 & 16 ft. (left side only)	1	-89999	
	40766	SPRING - float, 2 1/4 inch O.D., spring insert at front (left side only)	1	90000-	
34	24397	CLAMP - spring, 14 & 16 ft.	1	-89999	
35	24416	SPACER - tube	4		
36	30061	PIN - roll, 3/8 x 2 inch	2	82886-	
37	41244	PIN - straight	2	90000-	
38	41408	INSERT - spring, lower	2	90000-	
39	18620	PIN - clevis, 5/8 x 1 3/8 inch	2	90000-	
40	42691	INSERT - spring, front	2	90000-	
41	41358	INSERT - spring, rear, left	1	90000-	
42	41357	INSERT - spring, inner, left	1	90000-	
A	30387	BOLT - hex head, 3/4 NC x 6 1/2"	P	21562	BOLT - hex head, 5/8 NC x 5 inch
B	18640	WASHER - lock, 3/4 inch	Q	18639	WASHER - lock, 5/8 inch
C	18593	NUT - hex, 3/4 NC	R	18592	NUT - hex, 5/8 NC
D	20078	BOLT - hex head, 3/8 NC x 1 3/4 "	S	19634	BOLT - hex head, 5/8 NC x 4 inch
E	18669	NUT - lock, 3/8 NC distorted thread	T	21584	BOLT - hex head, 5/8 NC x 2 1/2"
F	19957	BOLT - hex head, 3/4 NC x 2 1/2"	U	18600	WASHER - flat, 21/32 inch ID
G	21733	BOLT - hex head, 3/4 NC x 4 1/2"	V	21560	BOLT - hex head, 1/2 NC x 3 inch
H	18601	WASHER - flat, 13/16 inch ID	W	18697	NUT - lock, 1/2 NC distorted thread
J	18689	NUT - lock, 3/4 NC distorted thread	X	18648	PIN - cotter, 3/16 x 1 1/4 inch
K	19965	BOLT - rnd. hd, sq. nk 3/8 NC x 1"			
L	18637	WASHER - lock, 3/8 inch			
M	18590	NUT - hex, 3/8 NC			
N	50156	BOLT - hx hd, 3/4 NC x 7 1/2" Gr. 8			

### WHEELS AND TIRES



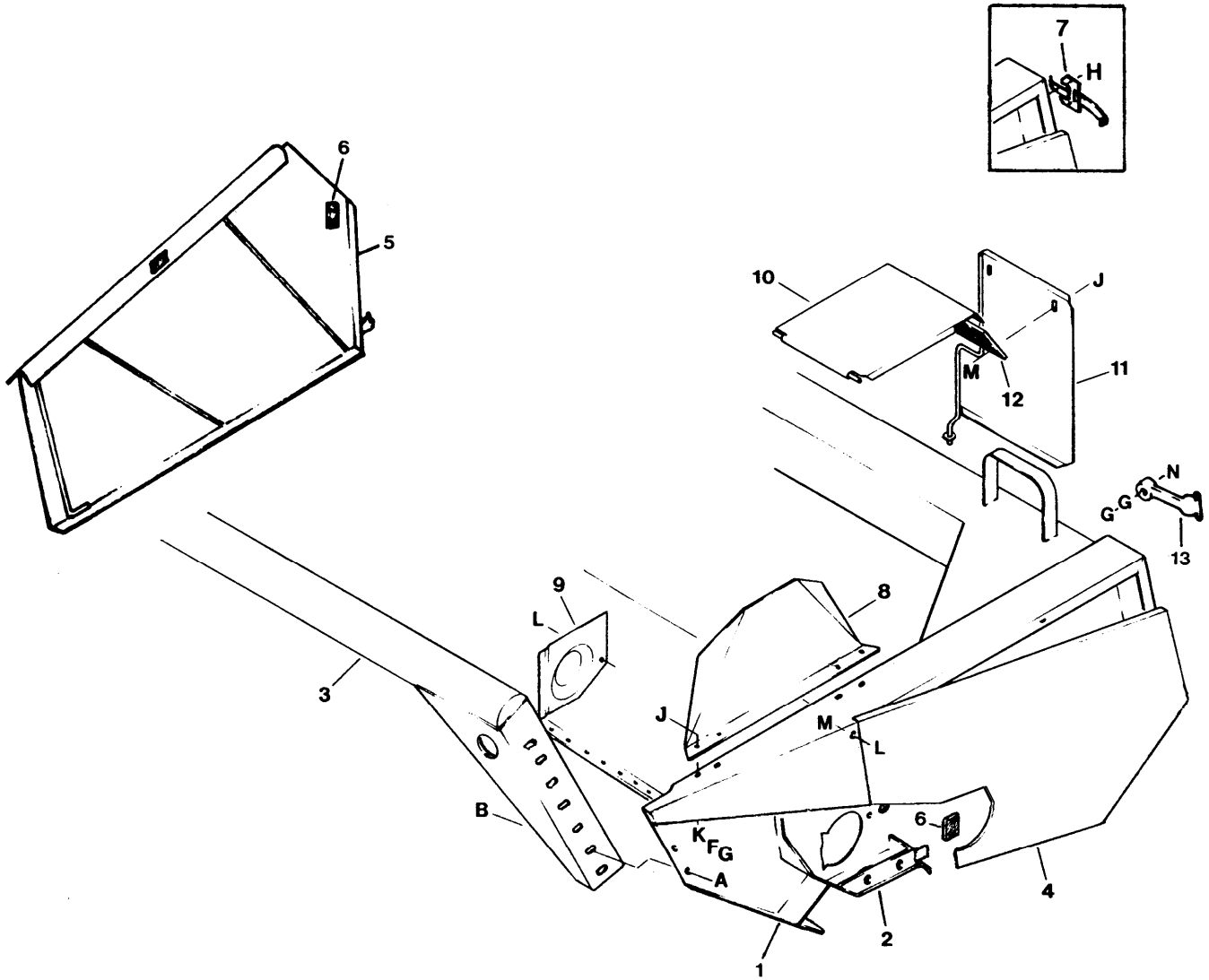


## WHEELS AND TIRES

REF	PART NUMBER	DESCRIPTION	QTY	SERIAL NUMBER
1	30889	TIRE - 31 x 13.5-15 NHS 8 ply Terra-Rib .....	2	
2	30890	WHEEL - 15 x 10 LB .....	2	
3	21719	BOLT - wheel, 1/2 NF .....	12	-108199
	18916	BOLT - wheel, 9/16 NF .....	12	108200-
4	21153	STEM - valve .....	2	
5	41155	SPINDLE - wheel.....	2	
6	30521	HUB - with cups, items 7 and 8 .....	2	-108199
	41982	HUB - with cups, items 7 and 8 .....	2	108200-
7	30516	BEARING - cup, inner .....	2	
8	7900	BEARING - cup, outer .....	2	
9	30517	BEARING - cone, with seal .....	2	
10	21376	BEARING - cone .....	2	
11	21540	WASHER - flat, hardened.....	2	
12	5512	NUT - hex slotted, 3/4 NF .....	2	
13	18648	PIN - cotter.....	2	
14	30520	CAP - dust .....	2	
A	30011	BOLT - hex head, 1/2 NC x 3 ¼ inch		
B	18697	NUT - lock, 1/2 NC distorted thread		

**NOTE:** A heavier duty hub and spindle assembly is available. An upgrade can be made to replace the above items 5 to 14 inclusive. See Model 5020 Parts Catalog 147007. The parts must be ordered as a group. Individual items are not interchangeable.

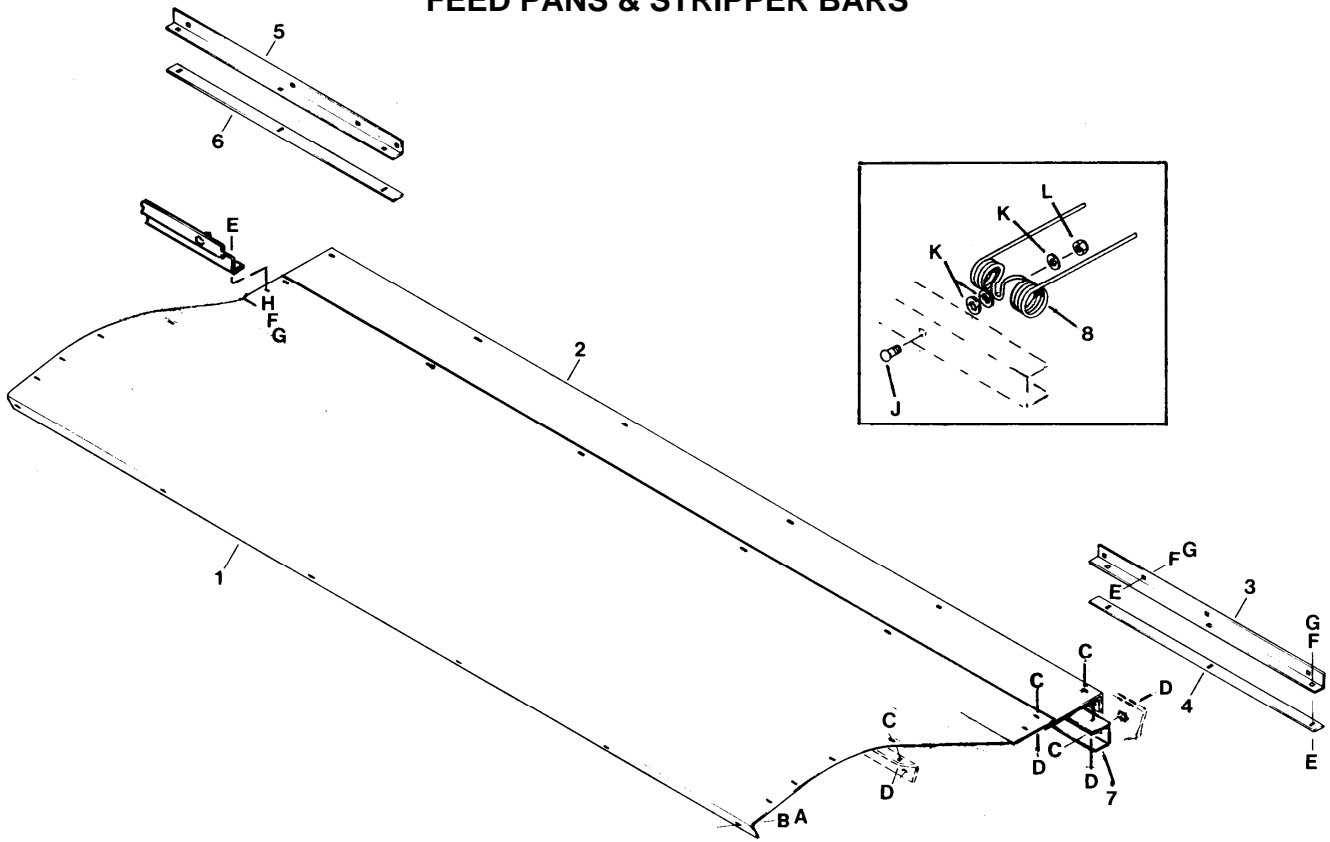
# HEADER FRAME, DEFLECTOR & SHIELDS



## HEADER FRAME, DEFLECTOR & SHIELDS

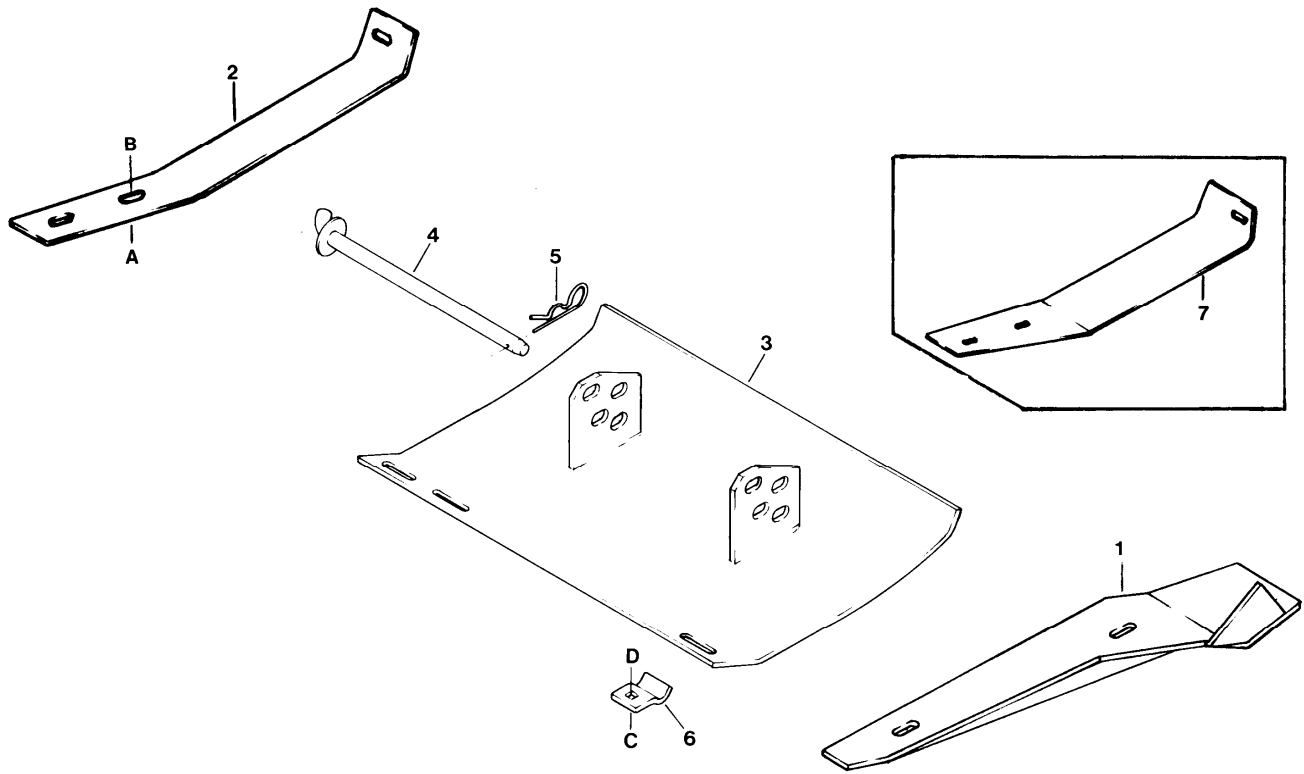
REF	PART NUMBER	DESCRIPTION	QTY	SERIAL NUMBER
1	REF	HEADER - frame, not serviced.....	1	
2	41200	SUPPORT - sickle drive box, (welded).....	1	-124499
	115062	SUPPORT - sickle drive box, (welded).....	1	124500-
		NOTE: Also required - 32927 Welding Jig - TO BE RETURNED		
3	41390	DEFLECTOR - lean bar, 12 ft. header .....	1	
	41391	DEFLECTOR - lean bar, 14 ft. header .....	1	
	41392	DEFLECTOR - lean bar, 16 ft. header .....	1	
4	41512	SHIELD - drives, left side (not exactly as shown).....	1	-80250
	41245	SHIELD - drives, left side, with seals and decals .....	1	80251-89999
	41319	SHIELD - drives, left side, with seals and decals .....	1	90000-124499
	115025	SHIELD - drives, left side, with seals and decals .....	1	124500-
5	41520	SHIELD - drives, right side (not exactly as shown) .....	1	-80250
	41266	SHIELD - drives, right side, with seals and decals .....	1	80251-
6	25059	SEAL - sponge .....	7	
7	41808	LATCH - shield .....	2	-80250
8	41528	SHIELD - reel, left side .....	1	
9	37367	SHIELD - sickle drive box .....	1	
10	41809	SHIELD - primary drive.....	1	
11	41813	SHIELD - roll drivelines .....	1	
12	41540	HINGE - rubber.....	1	
13	38894	LATCH - rubber .....	3	80251-
A	21383	NUT - serrated flange lock, 1/2 NC		
B	21449	BOLT - hex flange head, 1/2 NC x 1 inch		
C	21472	BOLT - round head square neck, 3/8 NC x 3/4 inch		
D	21452	NUT - serrated flange lock, 3/8 NC		
F	18637	WASHER - lock, 3/8 inch		
G	18590	NUT - hex, 3/8 NC		
H	21947	SCREW - self tapping, #10 x 5/8 inch		
J	21863	BOLT - round head short square neck, 3/8 NC x 3/4 inch		
K	18598	WASHER - flat, 13/32 inch ID		
L	30693	BOLT - hex flange head, 3/8 NC x 1/2 inch		
M	30228	NUT - lock, flange head, 3/8 NC distorted thread		
N	50197	BOLT - round head square neck, 3/8 x 1 3/4 inch		
	30035	BOLT - hex head, 3/8 NC x 2 3/4 inch - L/H front latch only		

FEED PANS & STRIPPER BARS



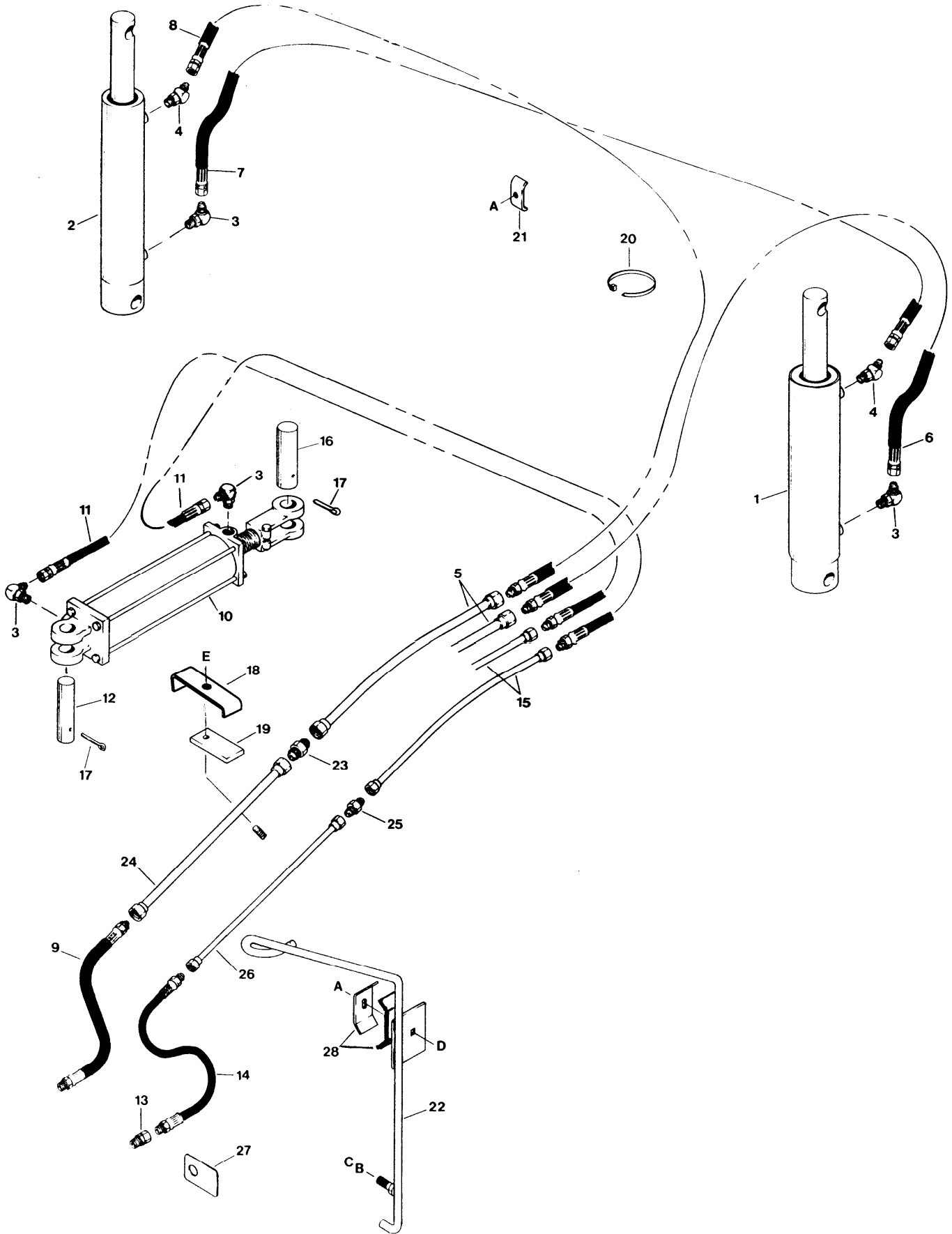
REF	PART NUMBER	DESCRIPTION	QTY	SERIAL NUMBER
1	41360	PAN - feed, front.....	1	-102199
	41451	PAN - feed, front.....	1	102200-
2	41362	PAN - feed, extension.....	1	-102199
	41429	PAN - feed, rear.....	1	102200-
3	41368	ANGLE - stripper, left - 12 ft. header.....	2	
	41369	ANGLE - stripper, left - 14 ft. header.....	2	
	41370	ANGLE - stripper, left - 16 ft. header.....	2	
4	41376	BAR - stripper, left - 12 ft. header.....	2	
	41377	BAR - stripper, left - 14 ft. header.....	2	
	41378	BAR - stripper, left - 16 ft. header.....	2	
5	41372	ANGLE - stripper, right - 12 ft. header.....	2	
	41373	ANGLE - stripper, right - 14 ft. header.....	2	
	41374	ANGLE - stripper, right - 16 ft. header.....	2	
6	41379	BAR - stripper, right - 12 ft. header.....	2	
	41380	BAR - stripper, right - 14 ft. header.....	2	
	41381	BAR - stripper, right - 16 ft. header.....	2	
7	41420	CHANNEL - feed pan support.....	1	102200-
8	47681	FINGER - steel, for units with feed pan stone drop modification.....	11	
A	21055	SCREW - self-tapping, 1/4 NC x 1/2 inch		
B	18596	WASHER - flat, 9/32 inch ID		
C	21863	BOLT - round head, square neck 3/8 NC x 3/4 inch		
D	21452	NUT - serrated flange lock, 3/8 NC		
E	21281	BOLT - round head, square neck 5/16 NC x 3/4 inch		
F	18636	WASHER - lock, 5/16 inch		
G	18589	NUT - hex, 5/16 NC		
H	18597	WASHER - flat, 11/32 inch ID		
J	19966	BOLT - round head, square neck 3/8 NC x 1-1/4 inch		
K	18599	WASHER - flat, 17/32 inch I.D.		
L	30228	NUT - lock, smooth flange, 3/8 NC distorted thread		
M	21282	BOLT - round head, square neck 5/16 NC x 1 inch		

SKID SHOES



REF	PART NUMBER	DESCRIPTION	QTY	SERIAL NUMBER
1	47193	SHOE - skid, left .....	1	80251-
2	41410	SHOE - skid, right.....	1	
3	41413	SHOE - skid, adjustable .....	2	
4	41417	ROD - skid shoe height adjustment.....	2	
5	13125	PIN - hair.....	2	
6	36627	SUPPORT - skid shoe, front.....	4	
7	41409	SHOE - skid, left .....	1	-80250
..	B 2149	KIT - skid shoes, adjustable (Contains two shoes 41413, complete with rods, pins, supports and hardware. Available through WholeGoods only.)		
A	19965	BOLT - round head square neck, 3/8 NC x 1 inch		
B	21452	NUT - serrated flange lock, 3/8 NC		
C	21468	BOLT - round head square neck, 7/16 NC x 1 3/4 inch		
D	18654	NUT - hex, 7/16 NC		

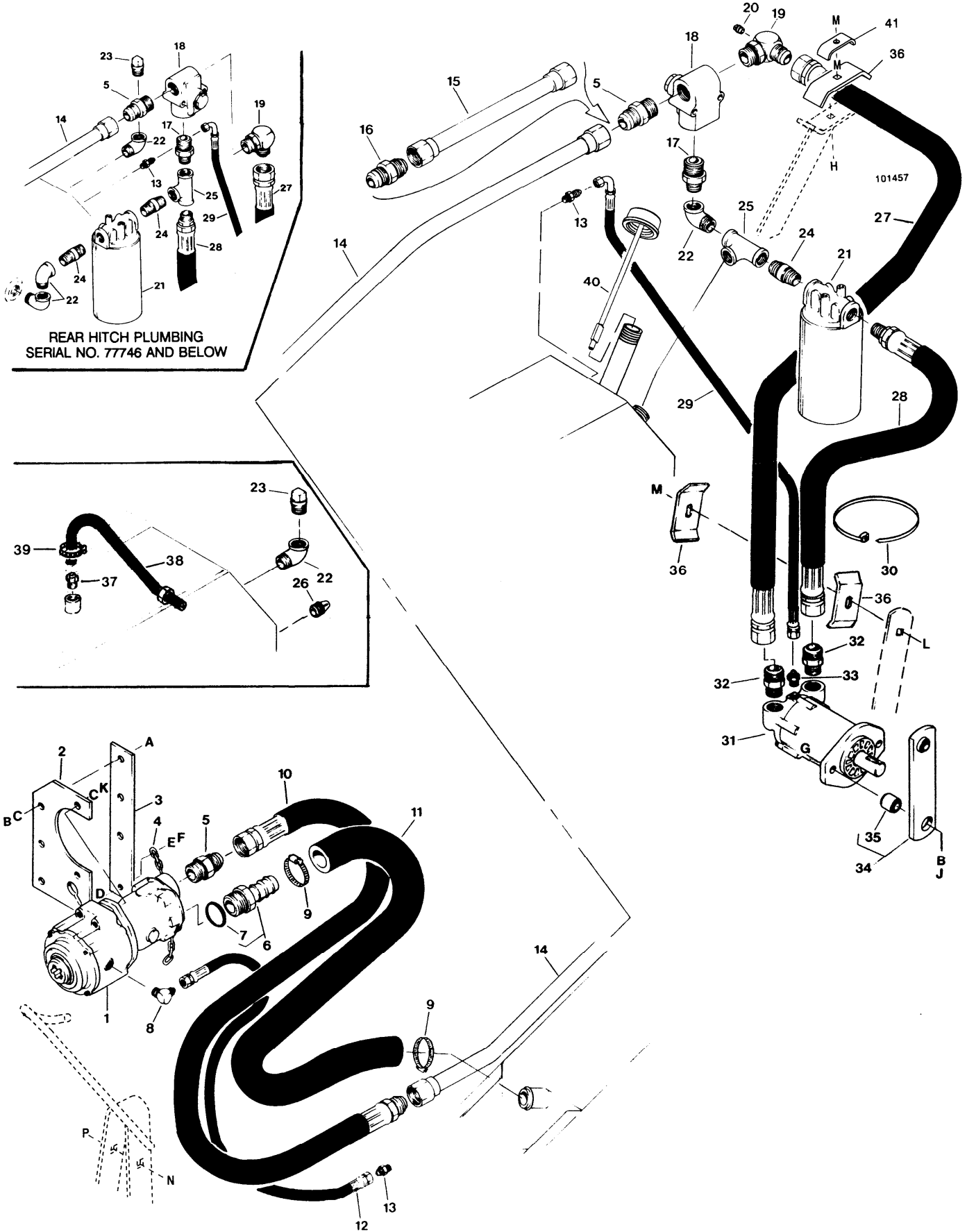
# STEERING & LIFT CYLINDER HYDRAULICS



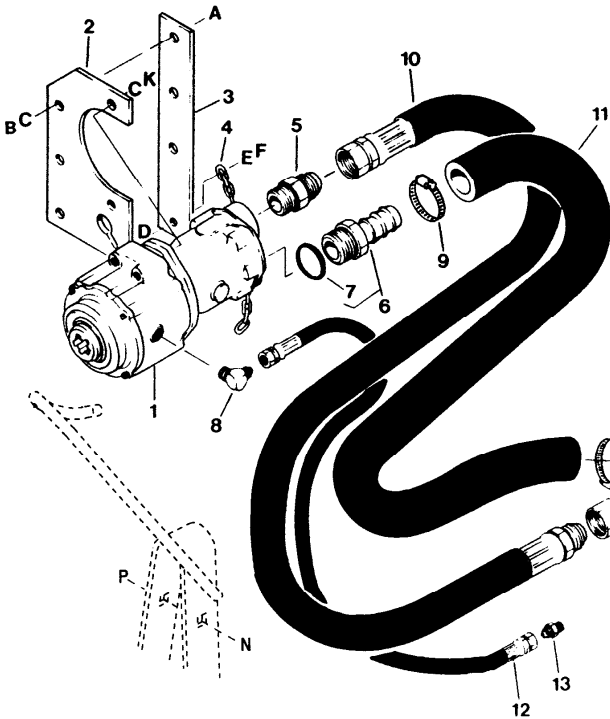
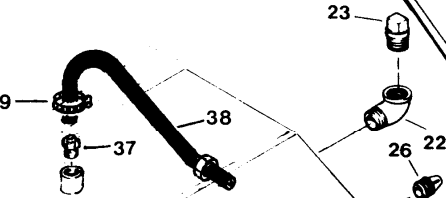
## STEERING & LIFT CYLINDER HYDRAULICS

REF	PART NUMBER	DESCRIPTION	QTY	SERIAL NUMBER
1	41870	CYLINDER - lift, left side (master, 3.0" bore) .....	1	
	42125	SEAL KIT - for cylinder 41870 .....	1	
2	41871	CYLINDER - lift, right side (slave, 2.5" bore).....	1	
	42126	SEAL KIT - for cylinder 41871 (2.5" bore) .....	1	77300-
	36875	SEAL KIT - for R/H lift cylinder 36874 (3.5" bore) .....	1	-77299
3	30282	FITTING - 90° elbow, 9/16 O-ring x 3/8 inch tube .....	4	
4	30284	FITTING - 45° elbow, 9/16 O-ring x 3/8 inch tube .....	2	
5	41907 *	LINE - hydraulic, lift, rear section - 12 ft. header .....	2	
	41908 *	LINE - hydraulic, lift, rear section - 14 ft. header .....	2	
	41909 *	LINE - hydraulic, lift, rear section - 16 ft. header .....	2	
6	41868	HOSE - line to left cylinder, 12 ft. header .....	1	
	41864	HOSE - line to left cylinder, 14 ft. header .....	1	
	41865	HOSE - line to left cylinder, 16 ft. header .....	1	
7	41860	HOSE - left to right cylinder, 12 ft. header.....	1	
	41861	HOSE - left to right cylinder, 14 ft. header.....	1	
	41862	HOSE - left to right cylinder, 16 ft. header.....	1	
8	41866	HOSE - right cylinder to line, 12 ft. header.....	1	
	41867	HOSE - right cylinder to line, 14 ft. header.....	1	
	41863	HOSE - right cylinder to line, 16 ft. header.....	1	
9	41859	HOSE - lift line to tractor.....	2	
10	41780	CYLINDER - steering .....	1	-89999
	41872	CYLINDER - steering .....	1	90000-
	50164	SEAL KIT - for steering cylinder .....	1	-77746
	50165	SEAL KIT - for steering cylinder .....	1	77747-
11	36845	HOSE - line to steering cylinder .....	2	
12	41707	PIN - steering cylinder, barrel end .....	1	
13	30301	RESTRICTOR - fitting, 0.078 inch diameter orifice .....	1	
14	36888	HOSE - to tractor .....	2	
15	41904	• LINE - hydraulic, steering, rear section - 12 ft. header .....	2	
	41905	• LINE - hydraulic, steering, rear section - 14 ft. header .....	2	
	41906	• LINE - hydraulic, steering, rear section - 16 ft. header .....	2	
16	41708	PIN - steering cylinder, rod end .....	1	
17	18607	PIN - cotter, 5/32 x 1 1/2 inch .....	2	
18	36834	HOLDER - hydraulic line (quantity 4 for 12' header) .....	5	-102199
	100001	HOLDER - hydraulic line (quantity 4 for 12' header) .....	5	102200-
19	36811	PAD - rubber (quantity 4 for 12' header).....	5	
20	21763	FASTENER - plastic tie .....	6	
21	32225	HOLDER - hose (quantity 9 for 12' header).....	11	
22	41787	GUIDE - hose .....	1	-108199
23	30846	FITTING - union, 1/2 inch tube .....	2	
24	41909 *	LINE - hydraulic, lift, front section.....	2	
25	30375	FITTING - union, 3/8 inch tube .....	2	
26	41906	• LINE - hydraulic, steering, front section.....	2	
27	41579	TAG - "Hitch Left" .....	1	
	41580	TAG - "Hitch Right" .....	1	
	41581	TAG - "Raise Header".....	1	
	41582	TAG - "Lower Header" .....	1	
28	24051	HOLDER - hose.....	2	-108199
*	<b>NOTE:</b>	If replacing a one-piece hydraulic lift line, order items 5, 23 and 24.		
•	<b>NOTE:</b>	If replacing a one-piece hydraulic steering line, order items 15, 25 and 26.		
A	30228	NUT - lock, flange head, 3/8 NC distorted thread		
B	18638	WASHER - lock, 1/2 inch		
C	18591	NUT - hex, 1/2 NC		
D	30307	BOLT - round head, square neck, 3/8 NC x 3 inch		
E	18697	NUT - lock, 1/2 NC distorted thread		

# HEADER DRIVE HYDRAULICS



REAR HITCH PLUMBING  
SERIAL NO. 77746 AND BELOW

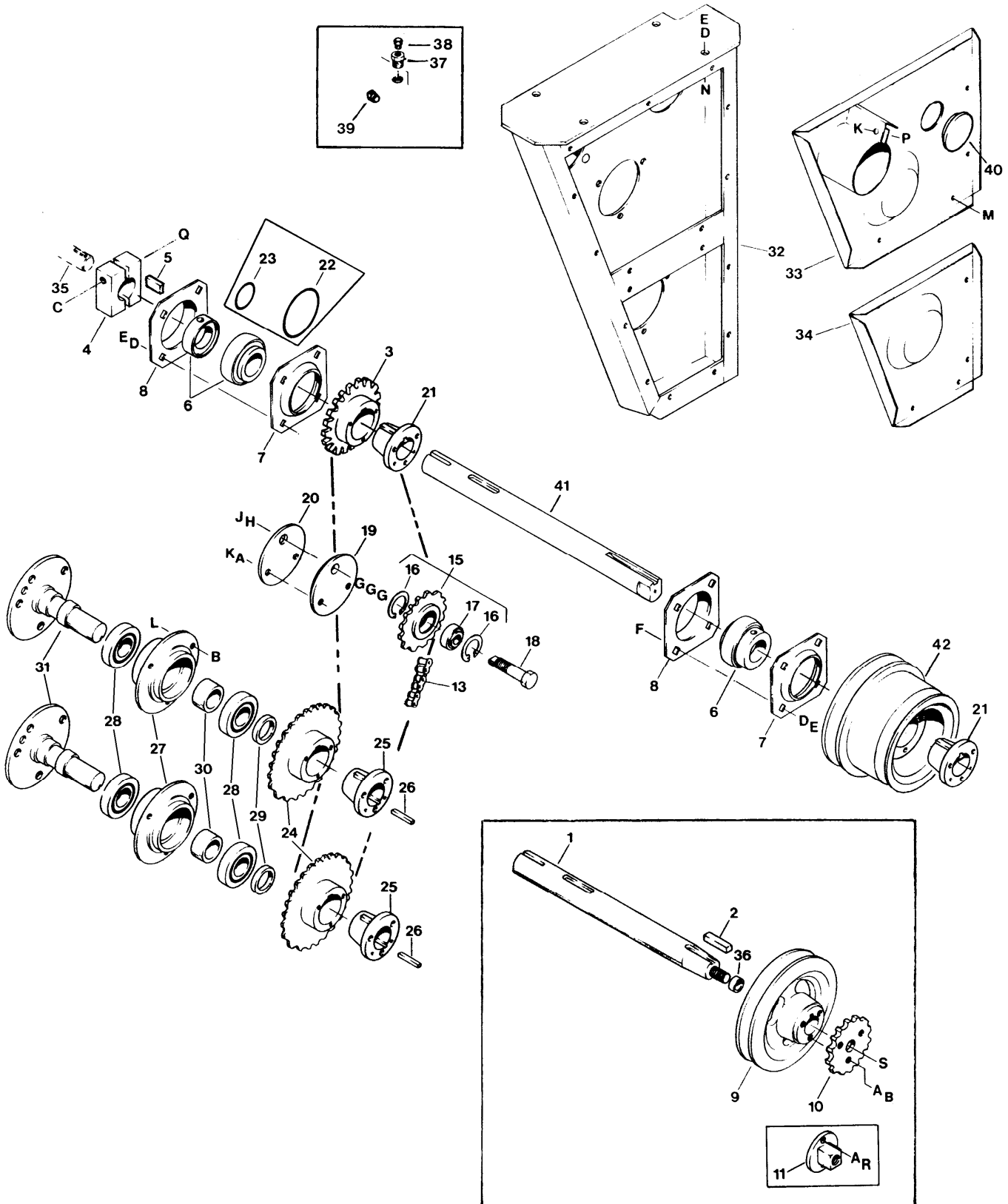




HEADER DRIVE HYDRAULICS

REF	PART NUMBER	DESCRIPTION	QTY	SERIAL NUMBER
1	REF	PUMP/GEARBOX ASSEMBLY - see page 15 A.....	1	
2	41543	PLATE - pump .....	1	
3	41545	ARM - torque .....	1	
4	36880	CHAIN - 21 link.....	1	
5	21828	FITTING - adapter, 1 5/16 O-ring x 1 inch tube .....	2	
6	30910	FITTING - barbed, includes item 7, 1 5/8 O-ring x 1 1/4 ID hose .....	1	
7	30911	O-RING - for barbed fitting (30910) .....	1	
8	30927	FITTING - elbow, 9/16 O-ring x 1/4 inch tube.....	1	
9	17958	CLAMP - hose .....	2	
10	24042	HOSE - pressure, pump to line.....	1	
11	36842	HOSE - suction, reservoir to pump.....	1	
12	36868	HOSE - pump case drain.....	1	
13	21884	FITTING - adapter, 3/8 NPT x 1/4 inch tube.....	2	
14	41900	* LINE - hydraulic, front section.....	1	
15	41901	* LINE - hydraulic, rear section - 12 ft. header .....	1	
	41902	* LINE - hydraulic, rear section - 14 ft. header .....	1	
	41903	* LINE - hydraulic, rear section - 16 ft. header.....	1	
*	<b>NOTE:</b>	If replacing a one-piece hydraulic line, order items 14, 15 and 16.		
16	30968	FITTING - union, 1 inch tube .....	1	
17	30893	FITTING - adapter, 1 5/16 O-ring x 1 inch NPT .....	1	
18	36857	VALVE - relief, complete - 3500 psi.....	1	
	36912	VALVE - relief, complete - 4000 psi.....	1	
	36913	CARTRIDGE - replacement, 4000 psi (fits relief valve 36912 and 36857)...	1	
	36853	SEAL KIT - for relief valve 36912 or 36857 .....	1	
19	41663	FITTING - elbow, 1 5/16 O-ring x 1 inch tube, tapped.....	1	
20	6007	PLUG - pipe, 1/4 NPT .....	1	
21	30895	ELEMENT - hydraulic oil filter .....	1	
	30894	FILTER HEAD WITH ELEMENT - includes 30895.....	1	
22	21819	FITTING - street elbow, 1 inch NPT (qty. 2 for serial no. up to 102199) .....	1	
23	21820	PLUG - square head, 1 inch NPT .....	1	-102199
24	21193	FITTING - nipple, 1 inch NPT .....	1	
25	30891	FITTING - tee, 1 inch NPT.....	1	
26	30918	INDICATOR - oil level sight glass.....	1	77747-102199
27	36841	HOSE - pressure, relief valve to motor.....	1	
28	36840	HOSE - return, motor to tee.....	1	
29	36844	HOSE - motor case drain .....	1	
30	30753	FASTENER - plastic tie .....	AR	
31	36855	MOTOR - hydraulic.....	1	
	36856	SEAL KIT - for hydraulic motor .....	1	
32	21840	FITTING - adapter, 1 1/16 O-ring x 1 inch tube .....	2	
33	16227	FITTING - adapter, 9/16 O-ring x 1/4 inch tube .....	1	
34	41817	BAR - with bushings .....	1	
35	21810	BUSHING - rubber.....	2	
36	24051	HOLDER - hose (qty. 2 for Serial No. -108199) .....	3	
37	21425	VALVE - relief .....	1	-102199
38	41759	HOSE - relief oil drain .....	1	-102199
39	21053	CLAMP - hose .....	1	-102199
40	51004	INDICATOR - oil level.....	1	102200-
41	32225	HOLDER - hose.....	1	108200-
A	21491	BOLT - hex head, 1/2 NC x 1 1/4 in.	L 30307	BOLT - round head, square neck, 3/8 NC x 3 in
B	18591	NUT - hex, 1/2 NC	M 30228	NUT - lock, smooth flange, 3/8 NC distorted thd.
C	18638	WASHER - lock, 1/2 inch	N 30849	BOLT - round hd. square nk. 1/2 NC x 3 1/2 inch
D	20077	BOLT - hex head, 3/8 NC x 1 inch	P 50186	NUT - lock, smooth flange, 1/2 NC distorted thd.
E	18598	WASHER - flat, 13/32 inch ID		
F	18669	NUT - lock, 3/8 NC distorted thread		
G	21760	BOLT - hex head, 1/2 NC x 2 1/2 inch		
H	18759	BOLT - hex hd. 3/8 NC x 3 1/2" thd. full		
J	18697	NUT - lock, 1/2 NC distorted thread		
K	21565	BOLT - hex head, 1/2 NC x 1 3/4 inch		

# HEADER PRIMARY DRIVE

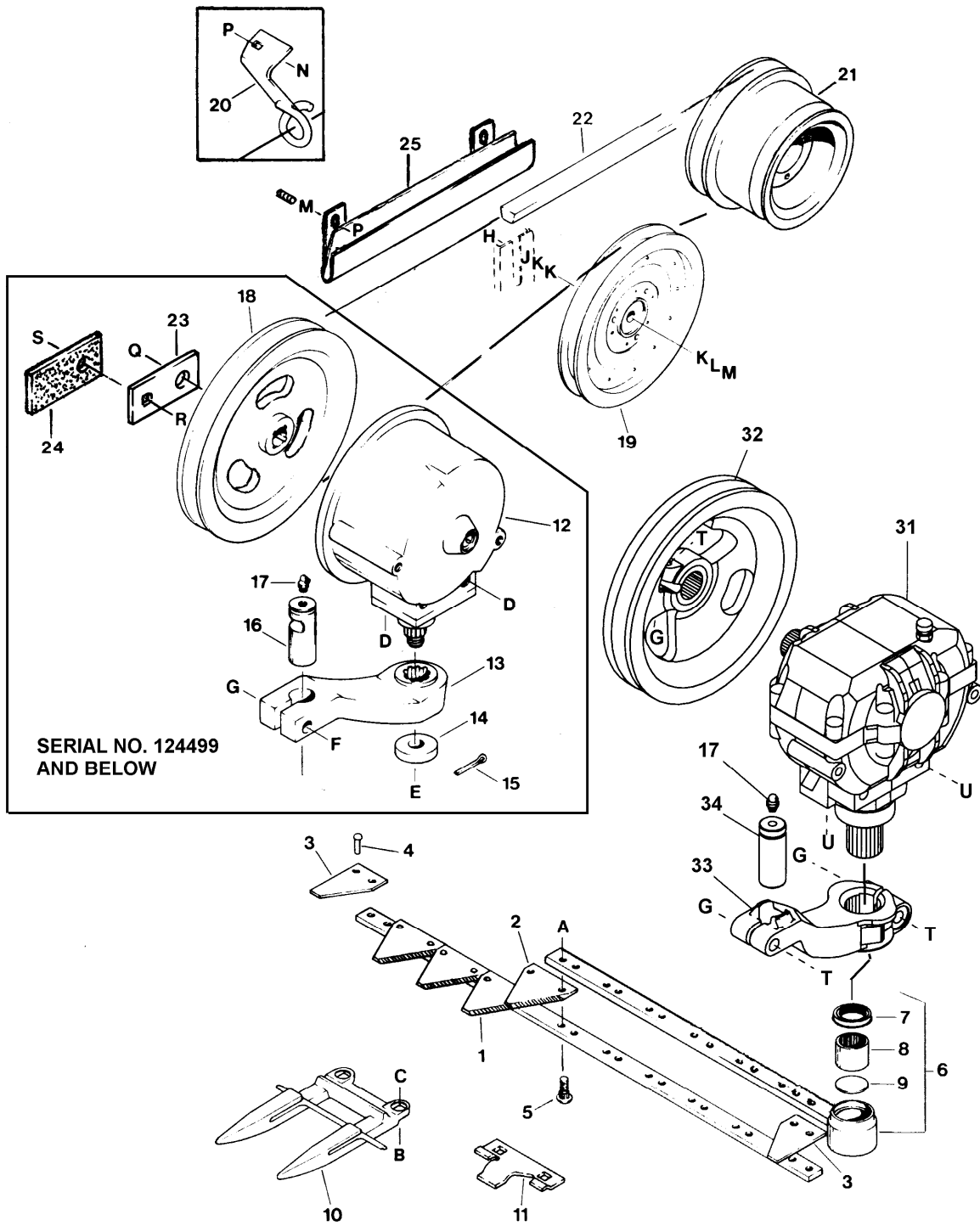


HEADER PRIMARY DRIVE

REF	PART NUMBER	DESCRIPTION	QTY	SERIAL NUMBER
1	41448	SHAFT - drive, 12 ft. header.....	1	-89999
	41449	SHAFT - drive, 14 ft. header.....	1	-89999
	41450	SHAFT - drive, 16 ft. header.....	1	-89999
2	34126	KEY - 3/8 square x 2 inch.....	1	-89999
3	19117	SPROCKET - driver, rolls.....	1	
4	36819	CLAMP HALF - drive shaft to motor shaft.....	2	see note (1)
5	41174	KEY - 1/4 x 1/2 x 1 3/16 inch.....	1	
6	30031	BEARING - ball, with lock collar.....	2	
7	30576	FLANGE - bearing.....	2	
8	41034	FLANGE - bearing, with lube fitting.....	2	
9	36790	PULLEY - driver, knife.....	1	-89999
10	36794	SPROCKET - driver, auger.....	1	-89999
11	41383	NUT - special.....	1	82886-84699
13	41806	CHAIN - roller, roll drive, #60H x 85 pitches plus connector link.....	1	
15	9333	SPROCKET ASSEMBLY - idler, includes items 16 & 17.....	1	
16	795	RING - retaining, internal.....	2	
17	9213	BEARING - ball.....	1	
18	41454	BOLT - special.....	1	
19	41455	DISC - inner, chain tightener.....	1	
20	41456	DISC - outer, chain tightener.....	1	
21	30256	BUSHING - split taper, with outer/inner key.....	2	
22	30966	O-RING.....	1	-89999
23	30218	O-RING.....	1	-89999
24	28496	SPROCKET - roll drive.....	2	
25	21934	BUSHING - split taper, with outer key.....	2	
26	26846	KEY - 5/16 square x 1-1/2 inch.....	2	
27	41844	HUB - bearing.....	2	
28	14911	BEARING - ball.....	2	
29	41841	BUSHING - steel.....	2	
30	41850	SPACER.....	1	
31	41800	SHAFT - roll drive.....	1	
32	41830	HOUSING - drive.....	1	
33	41824	COVER - upper.....	1	
34	41821	COVER - lower.....	1	
35	REF	MOTOR - hydraulic, see "Header Drive Hydraulics".....	1	
36	41877	SPACER - if required (shaft without shoulder).....	1	-89999
37	21024	FITTING - reducer bushing, 3/8 NPT x 1/8 NPT.....	1	-82885
38	21425	VALVE - relief.....	1	-82885
39	21791	PLUG - 1/8 NPT.....	1	-82885
40	18766	PLUG - plastic.....	1	
41	41992	SHAFT - drive, 12 ft. header.....	1	90000-
	41993	SHAFT - drive, 14 ft. header.....	1	90000-
	41994	SHAFT - drive, 16 ft. header.....	1	90000-
42	41924	PULLEY - driver, auger and sickle.....	1	90000-
A	18637	WASHER - lock, 3/8 inch	K 21567	BOLT - hex head, 3/8 NC x 3/4 inch
B	20077	BOLT - hex head, 3/8 NC x 1 inch	L 21452	NUT - serrated flange, 3/8 NC
C	30011	BOLT - hex head, 1/2 NC x 3 1/4 inch	M 21968	BOLT - hex flange head, 1/4 NC x 1/2"
D	18638	WASHER - lock, 1/2 inch	21055	SCREW - self tapping, 1/4 NC x 1/2 inch
E	18591	NUT - hex, 1/2 NC	N 21491	BOLT - hex head, 1/2 NC x 1 1/4 inch
F	21575	BOLT - hex head, 1/2 NC x 1 inch	P 18669	NUT - lock, 3/8 NC distorted thread
G	18600	WASHER - flat, 21/32 inch ID	Q 18697	NUT - lock, 1/2 NC distorted thread
H	18639	WASHER - lock, 5/8 inch	R 21264	BOLT - hex head, 3/8 NC x 1 1/4 inch
J	18592	NUT - hex, 5/8 NC	S 18666	NUT - lock, 5/8 NC distorted thread

NOTES: (1) If replacing a one-piece clamp (serial no. 80250 and below) order the following:  
 36819 CLAMP HALF QTY. 2 / 41174 KEY QTY. 1  
 30011 BOLT QTY. 2 / 18697 NUT QTY. 2

### SICKLE AND BELT DRIVE



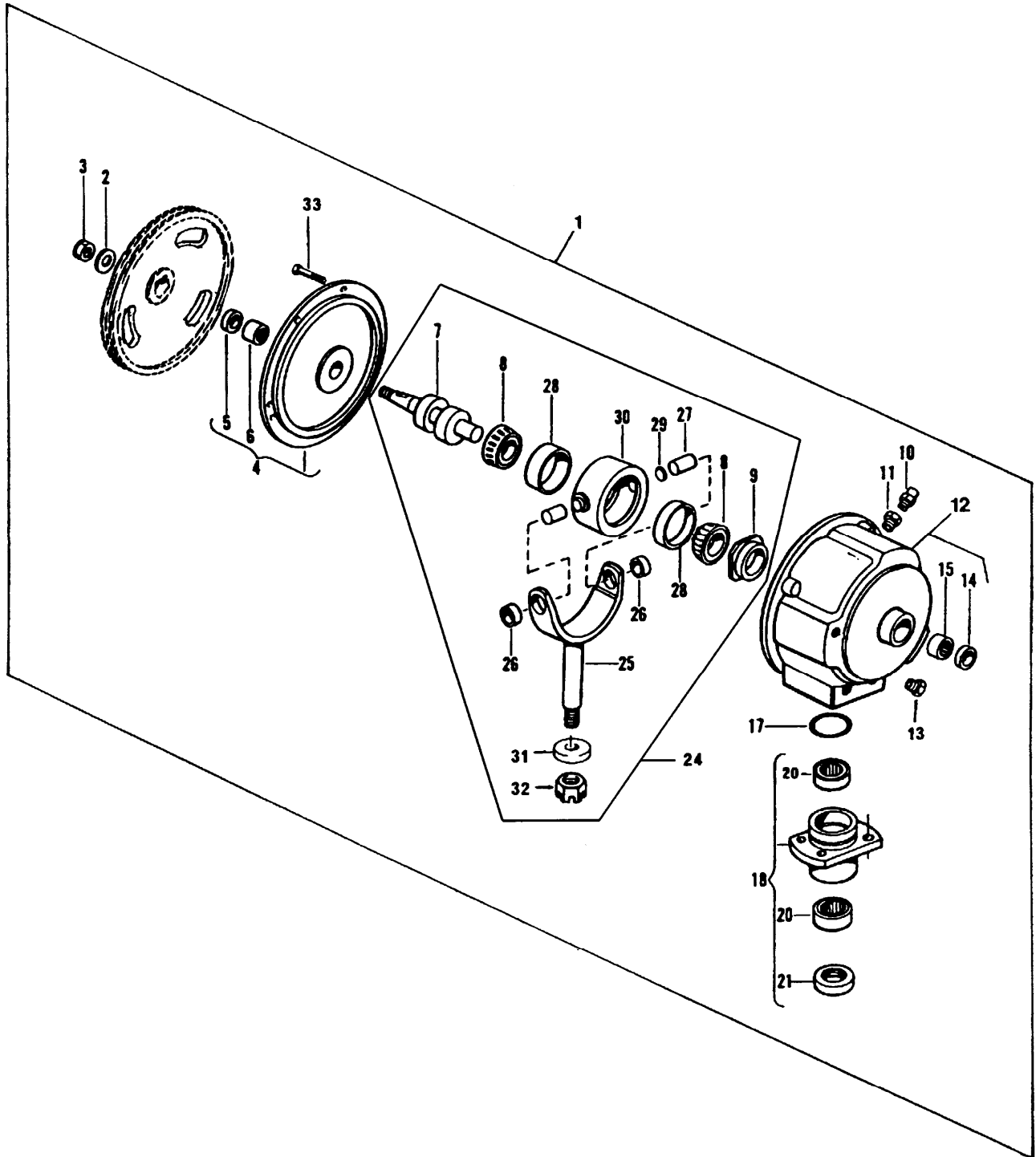
## SICKLE AND BELT DRIVE

REF	PART NUMBER	DESCRIPTION	QTY	SERIAL NUMBER
1	34181	SICKLE ASSEMBLY - bolted sections, less head, 12 ft. (see note 5).....	1	
	34182	SICKLE ASSEMBLY - bolted sections, less head, 14 ft. (see note 5).....	1	
	34183	SICKLE ASSEMBLY - bolted sections, less head, 16 ft. (see note 5).....	1	
2	34390	SECTION - sickle, over-serrated .....	see note (1)	
3	34391	SECTION - half, left and right end .....	2	
4	7258	RIVET - round head, 0.208 x 5/8 inch .....	see note (2)	-80250
5	30668	SCREW - button head, ribbed neck #12 NC x 1 inch.....	13	
	30696	SCREW - button head, ribbed neck #12 NC x 5/8 inch.....	see note (2)	
6	34388	HEAD - sickle, includes items 7, 8 & 9, see Note 5 .....	1	-124499
	115083	HEAD - sickle, includes items 7, 8 & 9 .....	1	124500-
7	37930	SEAL - sickle head (install with lip facing outwards), see Note 5 .....	1	-124499
	113222	SEAL - sickle head (install with lip facing outwards) .....	1	124500-
8	30607	BEARING - needle, sickle head .....	1	
9	34389	PLUG - sickle head.....	1	
10	28014	SPECIAL SICKLE GUARD - first two at left end only.....	2	
	28013	SICKLE GUARD - used at all other positions .....	see note (3)	
11	28815	GUIDE - sickle .....	see note (4)	
12	REF	DRIVE - sickle, see "Sickle Drive", page 21 .....	1	-124499
13	33834	ARM - drive.....	1	-124499
14	REF	WASHER - flat, see "Sickle Drive", page 21 .....	1	-124499
15	18648	PIN - cotter, 3/16 x 1 1/4 inch .....	1	-124499
16	26321	PIN - sickle head .....	1	-124499
17	21194	FITTING - lube, 90° .....	1	
18	21418	PULLEY - driven.....	1	-124499
19	21862	PULLEY - idler, back-side .....	1	
20	41421	GUIDE - belt .....	1	-80250
21	REF	PULLEY - driver, see "Header Primary Drive", page 17 .....	1	
22	9530	BELT - sickle drive.....	1	
23	36915	BAR - deflector mounting .....	1	-124499
24	36916	PAD - crop deflector .....	1	-124499
25	41424	GUIDE - belt .....	1	80251-
31	REF	DRIVE - sickle, see "Sickle Drive", page 21 B.....	1	124500-
32	47832	PULLEY - driven.....	1	124500-
33	100421	ARM - output.....	1	124500-
34	113229	PIN - sickle head.....	1	124500-
A	30669	NUT - lock, #12 NC distorted thread		
B	21468	BOLT - round head square neck, 7/16 NC x 1 3/4 inch - thru guard, guide & shoe support		
	8218	BOLT - round head square neck, 7/16 NC x 1 1/2 inch - thru guard & guide		
C	18654	NUT - hex, 7/16 NC		
D	30861	BOLT - hex head, 5/8 NF x 2 inch Grade 8		
E	REF	NUT - slotted hex, see "Sickle Drive", page 21		
F	30922	BOLT - hex head, 5/8 NC x 2 3/4 inch		
G	18666	NUT - lock, 5/8 NC distorted thread		
H	30027	BOLT - round head square neck, 1/2 NC x 2 1/4 inch		
J	18600	WASHER - flat, 21/32 inch ID		
K	18599	WASHER - flat, 17/32 inch ID - use as required for idler alignment		
L	18638	WASHER - lock, 1/2 inch		
M	18591	NUT - hex, 1/2 NC		
N	21868	BOLT - round head square neck, 1/2 NC x 1 inch		
P	21383	NUT - serrated flange lock, 1/2 NC		
Q	18689	NUT - lock, 3/4 NC distorted thread		
R	21863	BOLT - round head square neck, 3/8 NC x 3/4 inch		
S	30228	NUT - lock, flange head, 3/8 NC distorted thread		
T	21583	BOLT - hex head, 5/8 NC x 3 inch		
U	100233	BOLT - hex head, 5/8 NC x 1 1/2 inch		

## NOTES:

- (1) - Quantities: 12 ft = 49, 14 ft = 57, 16 ft = 65  
(2) - Quantities: 12 ft = 89, 14 ft = 105, 16 ft = 121  
(3) - Quantities: 12 ft = 23, 14 ft = 27, 16 ft = 31  
(4) - Quantities: 12 ft = 22, 14 ft = 26, 16 ft = 30  
(5) - Newer sickle head 115083 and seal 113222 may be used to replace 34388 head and 37930 seal, respectively. When making either of these substitutions, also order sickle head pin 115082.

### SICKLE DRIVE Serial No. 124499 and Below



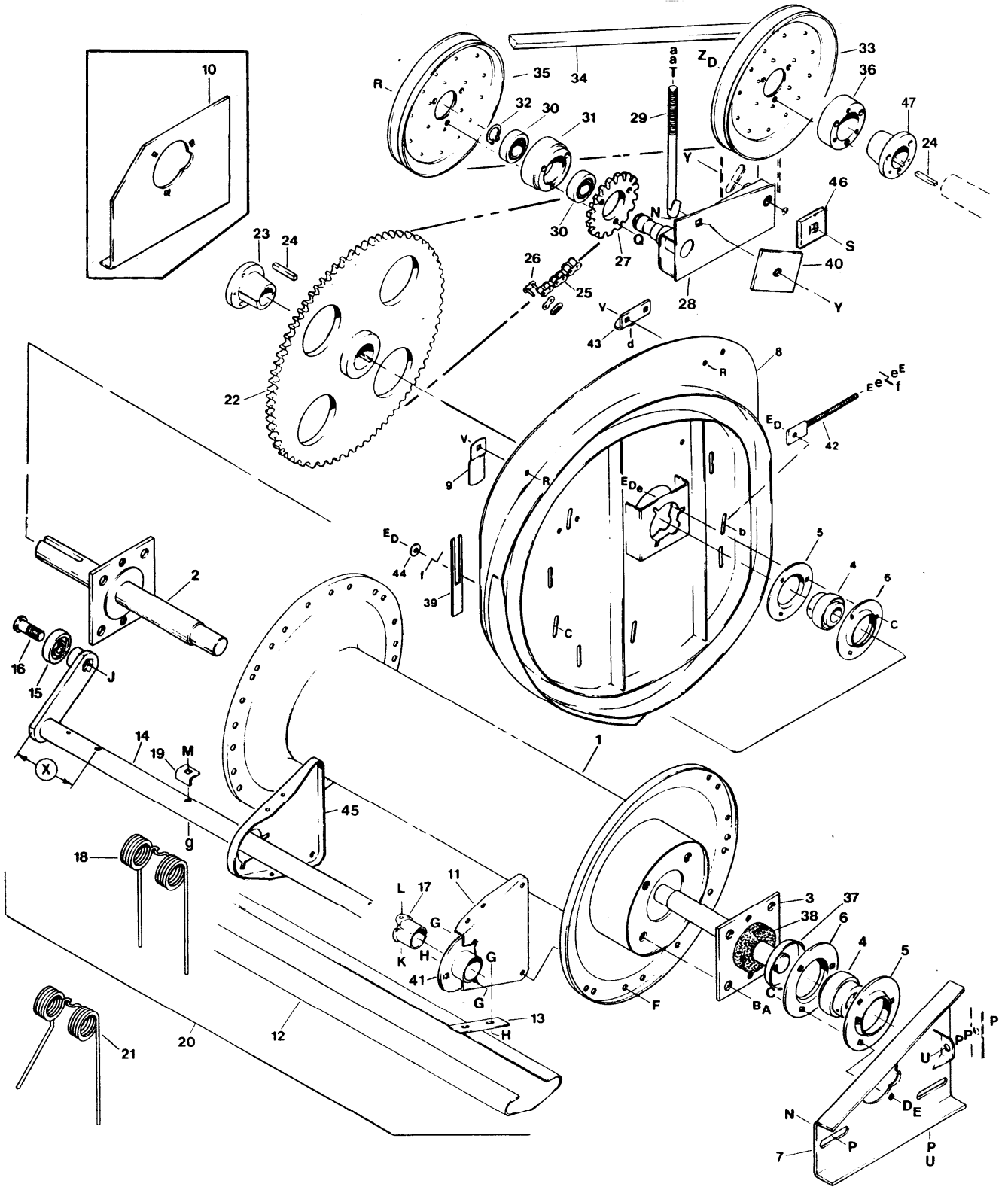
**SICKLE DRIVE**  
**Serial No. 124499 and Below**

REF	PART NUMBER	DESCRIPTION	QTY	SERIAL NUMBER
1	26320	DRIVE - sickle, complete - includes mounting hardware (see Note 1).....	1	
2	21417	WASHER - flat, .78 ID x 1 5/8 OD x 1/8 inch thick (replaced by 36915 BAR, see Page 18).....	1	
3	18689	NUT - lock, 3/4 NC distorted thread .....	1	
4	21421	COVER ASSEMBLY - includes items 5 & 6 .....	1	
5	30814	SEAL - oil.....	1	
6	21420	BEARING - needle .....	1	
7	21712	SHAFT - drive .....	1	
8	21512	BEARING - cone .....	2	
9	21424	NUT - stake, 1 15/16 - 20 hex spiral .....	1	
10	21425	VALVE - relief .....	1	
11	21024	FITTING - reducer bushing, 3/8 x 1/8 pipe thread .....	1	
12	26319	HOUSING ASSEMBLY - includes items 14, 15 and mounting bolts .....	1	
13	21151	PLUG - 3/8 NPT .....	1	
14	30815	SEAL - oil.....	1	
15	21513	BEARING - needle .....	1	
17	21514	O-RING - 2 5/8 x 2 7/8 x 1/8 inch .....	1	
18	26318	CAP ASSEMBLY - includes items 20 & 21 .....	1	
20	21516	BEARING - needle .....	2	
21	21517	SEAL - oil.....	1	
24	50179	YOKE/HOUSING ASSEMBLY, includes items 25 - 32 (see Notes 1 & 2) ...	1	
	47988	YOKE/HOUSING ASSEMBLY, includes items 7 - 9 and 25 - 32.....	1	
25	NSS	YOKE - output, with bushings (order 50179) .....	1	
26	NSS	BUSHING - bronze (order 50179) .....	2	
27	NSS	SPINDLE (order 50179) .....	2	
28	21519	BEARING - cup .....	2	
29	NSS	PLUG - nylon, 7/8 dia. x 1/64 inch thk. (order 50179) .....	2	
30	NSS	HOUSING - bearing (order 50179).....	1	
31	21717	WASHER - flat, for 3/4 NC thread (see Note 1) .....	1	
	43981	WASHER - flat, for 7/8 NF thread (see Note 1).....	1	
32	5440	NUT - slotted hex, 3/4 NC (see Note 1).....	1	
	1166	NUT - slotted hex, 7/8 NF (see Note 1) .....	1	
33	30269	BOLT - flange head, 5/16 NC x 1 inch.....	6	
	NSS	Not Serviced Separately		

## NOTES:

- Starting with 1996 production, a running change is taking place which increases yoke thread size from 3/4 NC to 7/8 NF.
- Starting in 1998, stock of 50179 will not be replenished, and will be superseded by 47988 when stock is depleted.

# REEL & DRIVE





## REEL &amp; DRIVE

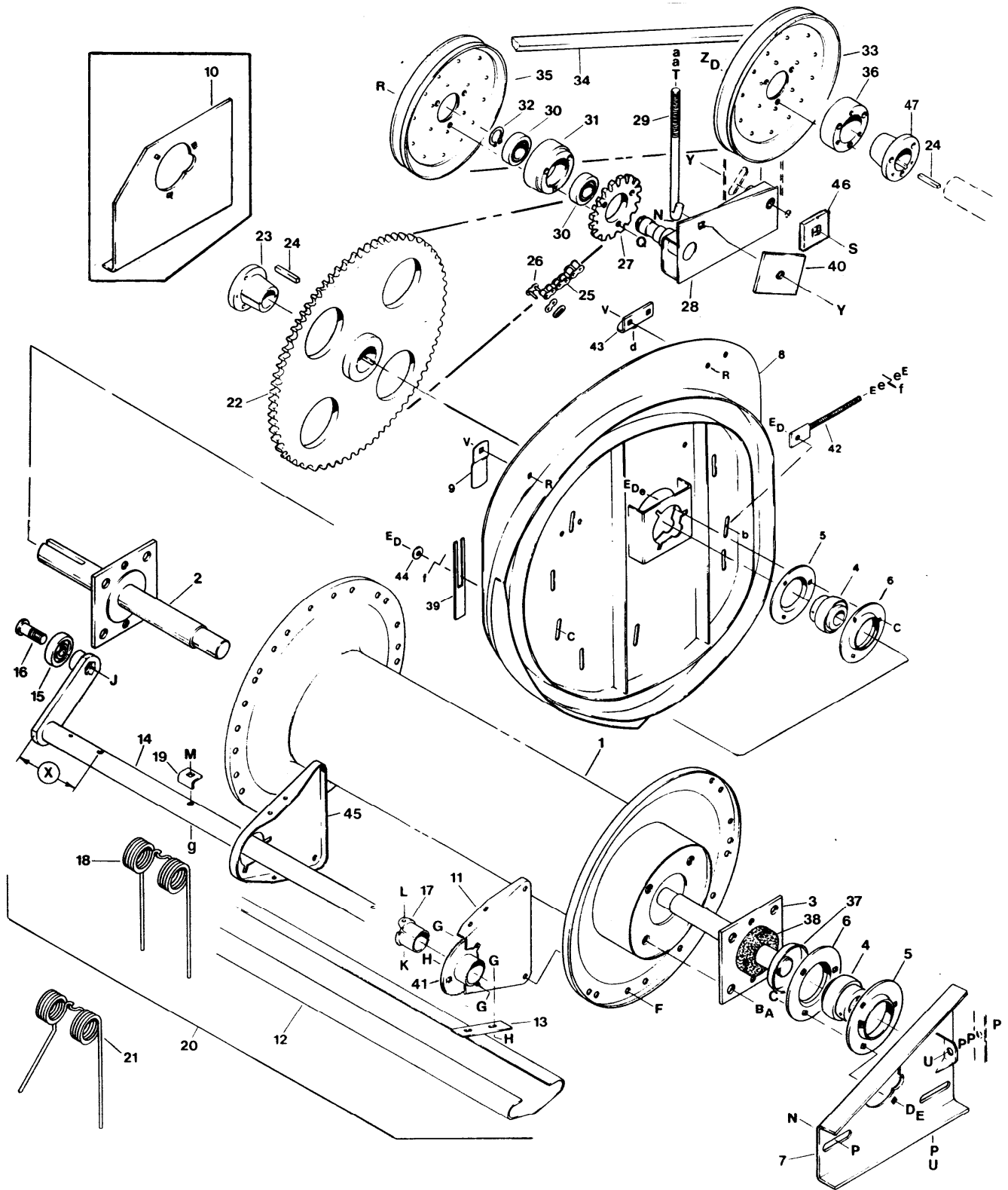
REF	PART NUMBER	DESCRIPTION	QTY	SERIAL NUMBER
1	41717	TUBE - reel, 12 ft. header.....	1	
	41718	TUBE - reel, 14 ft. header.....	1	
	41719	TUBE - reel, 16 ft. header.....	1	
2	41734	SHAFT - reel drive, right hand.....	1	
3	41730	SHAFT - reel drive, left hand.....	1	
4	21936	BEARING - ball, with lock collar.....	2	
5	30603	FLANGE - bearing, with lube fitting.....	2	
6	30602	FLANGE - bearing.....	2	
7	41439	SUPPORT - reel, left hand.....	1	
8	41463	CAM PLATE - reel.....	1	-82885
	38246	CAM PLATE - reel.....	1	82886-
9	34583	COVER - cam bearing access.....	1	
10	41440	SUPPORT - reel, right hand.....	1	-82885
11	36368	ARM - reel..... see notes (1) & (5)		-82885
	47300	ARM - reel..... see notes (1) & (5)		82886-
12	34808	BAT - reel, 12 ft. header.....	5	
	34809	BAT - reel, 14 ft. header.....	5	
	34812	BAT - reel, 16 ft. header.....	5	
13	34813	HOLDER - bat..... see note (2)		
14	41740	TUBE - finger, 12 ft. header, dimension "X"=4 1/2 in. (113 mm).....	3	
	41742	TUBE - finger, 14 ft. header, dimension "X"=4 1/2 in. (113 mm).....	3	
	41744	TUBE - finger, 16 ft. header, dimension "X"=4 1/2 in. (113 mm).....	3	
	41741	TUBE - finger, 12 ft. header, dimension "X"=6 5/16 in. (161 mm).....	2	
	41743	TUBE - finger, 14 ft. header, dimension "X"=6 5/16 in. (161 mm).....	2	
	41745	TUBE - finger, 16 ft. header, dimension "X"=6 5/16 in. (161 mm).....	2	
15	21940	BEARING - cam follower.....	5	
16	28346	BOLT - special, cam follower.....	5	
17	28790	BUSHING - plastic, reel arm..... see note (2)		
18	34351	FINGER - pick-up, double (4 coil, .225" dia. wire)..... see note (3)		-115999
	47681	FINGER - pick-up, double (5 coil, .250" dia. wire)..... see note (3)		116000-
19	19183	HOLDER - finger..... see note (4)		
20	B 2145	BAT ASSEMBLY - complete, 12 ft. header *.....	AR	
	B 2146	BAT ASSEMBLY - complete, 14 ft. header *.....	AR	
	B 2147	BAT ASSEMBLY - complete, 16 ft. header *.....	AR	
		* NOTE: Item 20, Bat Assembly includes items 11 to 19, 41, 45 and hardware F to M in proper quantities for one complete bat. Available through WholeGoods only.		
21	34378	FINGER - right end (4 coil, .225" dia. wire).....	3	-115999
	47680	FINGER - right end (5 coil, .250" dia. wire).....	3	116000-
22	36796	SPROCKET - reel drive.....	1	
23	21934	BUSHING - split taper.....	1	
24	17194	KEY - 5/16 square x 2 inch.....	2	
25	41882	CHAIN - roller, reel drive.....	1	
26	16659	LINK - connector.....	1	
27	41884	SPROCKET - reel driver.....	1	
28	41894	ARM - reel drive.....	1	
29	41879	BOLT - hook.....	1	

## NOTES:

- (1) - Quantities: 12 ft = 10, 14 ft = 15, 16 ft = 15  
(2) - Quantities: 12 ft = 15, 14 ft = 20, 16 ft = 20  
(3) - Quantities: 12 ft = 87, 14 ft = 102, 16 ft = 117

- (4) - Quantities: 12 ft = 90, 14 ft = 105, 16 ft = 120  
(5) - If replacing one-piece reel arm (36368) with cut-away version (47300), also order item 41 (47295 - DISC)

# REEL & DRIVE



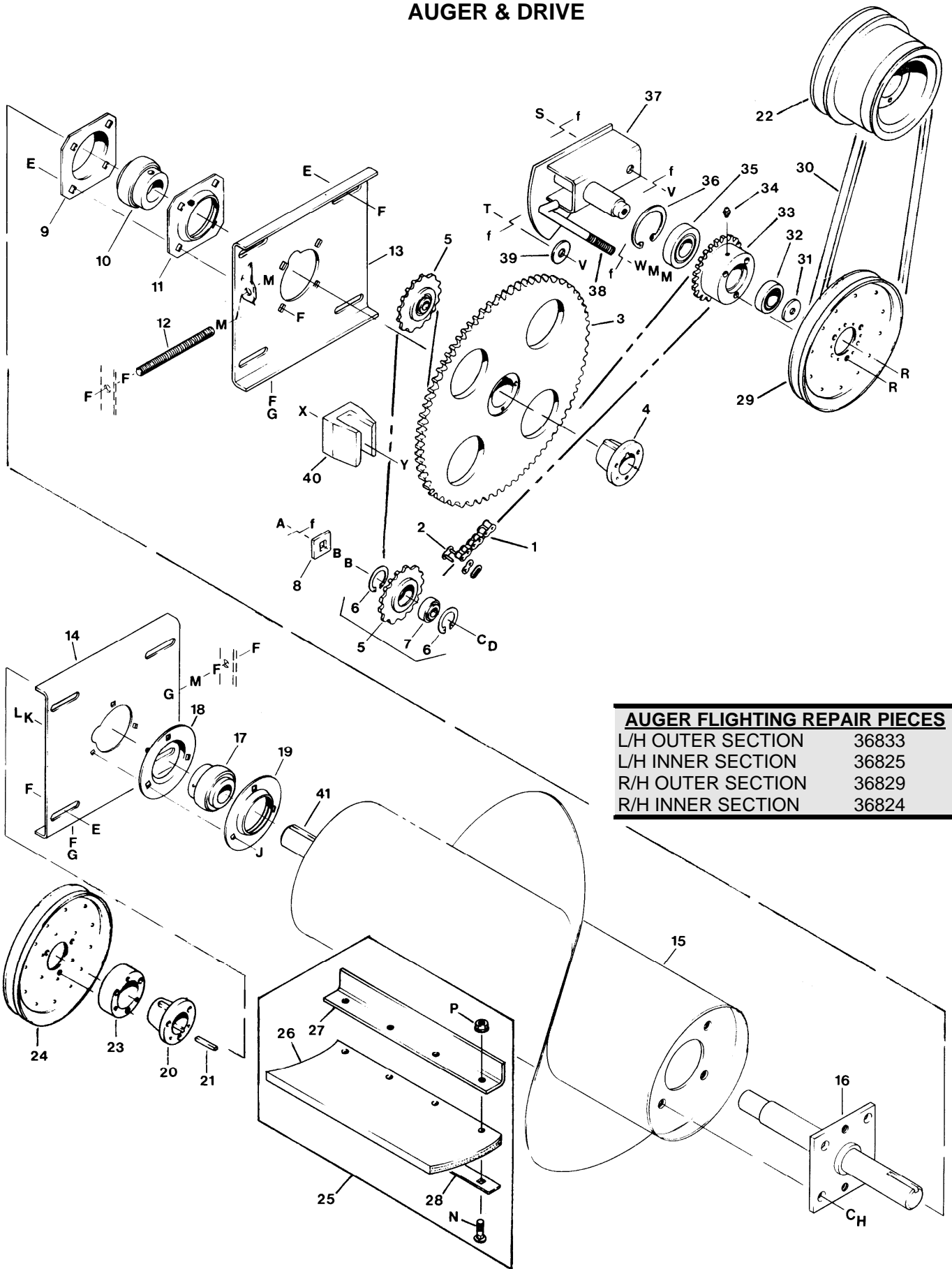
## REEL &amp; DRIVE

REF	PART NUMBER	DESCRIPTION	QTY	SERIAL NUMBER
30	21062	BEARING - ball.....	2	
31	41891	HUB - pulley, at drive arm.....	1	
32	18898	RING - retaining, external.....	1	
33	41887	PULLEY - reel drive, 10 1/2 inch O.D. (267 mm) .....	1	
34	36012	BELT - reel drive.....	1	
35	41886	PULLEY - reel drive, 9 1/2 inch O.D. (241 mm) .....	1	
36	41890	HUB - pulley, at auger shaft.....	1	
37	41794	COVER - bearing.....	1	
38	41793	SEAL - rubber .....	1	
39	41438	BAR - spacer, use to square cam plate to reel.....	AR	-82885
	16837	BAR - spacer, use to square cam plate to reel.....	AR	82886-
40	41888	WASHER - flat.....	1	
41	47295	DISC - reel bushing .....	see note (2)	
42	47292	STUD - reel fore-aft adjustment.....	1	
43	47306	ANGLE - cam vertical adjustment .....	2	
44	20535	WASHER - flat.....	3	
45	34752	ARM - reel, right hand end of each bat.....	5	
46	25486	WASHER - flat.....	1	
47	115074	BUSHING – split taper.....	1	
A	21594	BOLT - hex head, 5/8 NC x 1 1/2 inch		
B	18639	WASHER - lock, 5/8 inch		
C	19965	BOLT - round head square neck, 3/8 NC x 1 inch		
D	18637	WASHER - lock, 3/8 inch		
E	18590	NUT - hex, 3/8 NC		
F	21755	BOLT - hex flange head, 5/16 NC x 1/2 inch		
G	30280	NUT - lock, smooth flange, 5/16 NC distorted thread		
H	21281	BOLT - round head square neck, 5/16 x 3/4 inch		
J	21941	NUT - hex jam, 5/8 NC distorted thread		
K	21570	BOLT - hex head, 1/4 NC x 2 inch		
L	18724	NUT - lock, 1/4 NC distorted thread		
M	21488	BOLT - round head square neck, 5/16 NC x 1 3/4 inch		
N	21868	BOLT - round head square neck, 1/2 NC x 1 inch		
P	21383	NUT - serrated flange lock, 1/2 NC		
Q	21102	BOLT - hex head, 3/8 NC x 2 1/2 inch		
R	30228	NUT - lock, smooth flange, 3/8 NC distorted thread		
S	30266	BOLT - round head square neck, 1/2 NC x 3 inch		
T	18599	WASHER - flat, 17/32 inch I.D.		
U	30528	BOLT - hex head, 1/2 NC x 3 1/2 inch, thread full length		
V	21863	BOLT - round head square neck, 3/8 NC x 3/4 inch		
Y	50186	NUT - lock, smooth flange, 1/2 NC distorted thread		
Z	20077	BOLT - hex head, 3/8 NC x 1 inch		
a	18697	NUT - lock, 1/2 NC distorted thread		
b	19966	BOLT - round head, square neck, 3/8 NC x 1 1/4 inch		
d	21262	BOLT - hex head, 3/8 NC x 2 1/2 inch thread full length		
e	18598	WASHER - flat, 13/32 inch I.D.		
f	REF	Indicates where hardware passes through frame member		
g	18690	NUT – lock, 5/16 NC distorted thread		

## NOTES:

(2) - Quantities: 12 ft = 15, 14 ft = 20, 16 ft = 20

**AUGER & DRIVE**

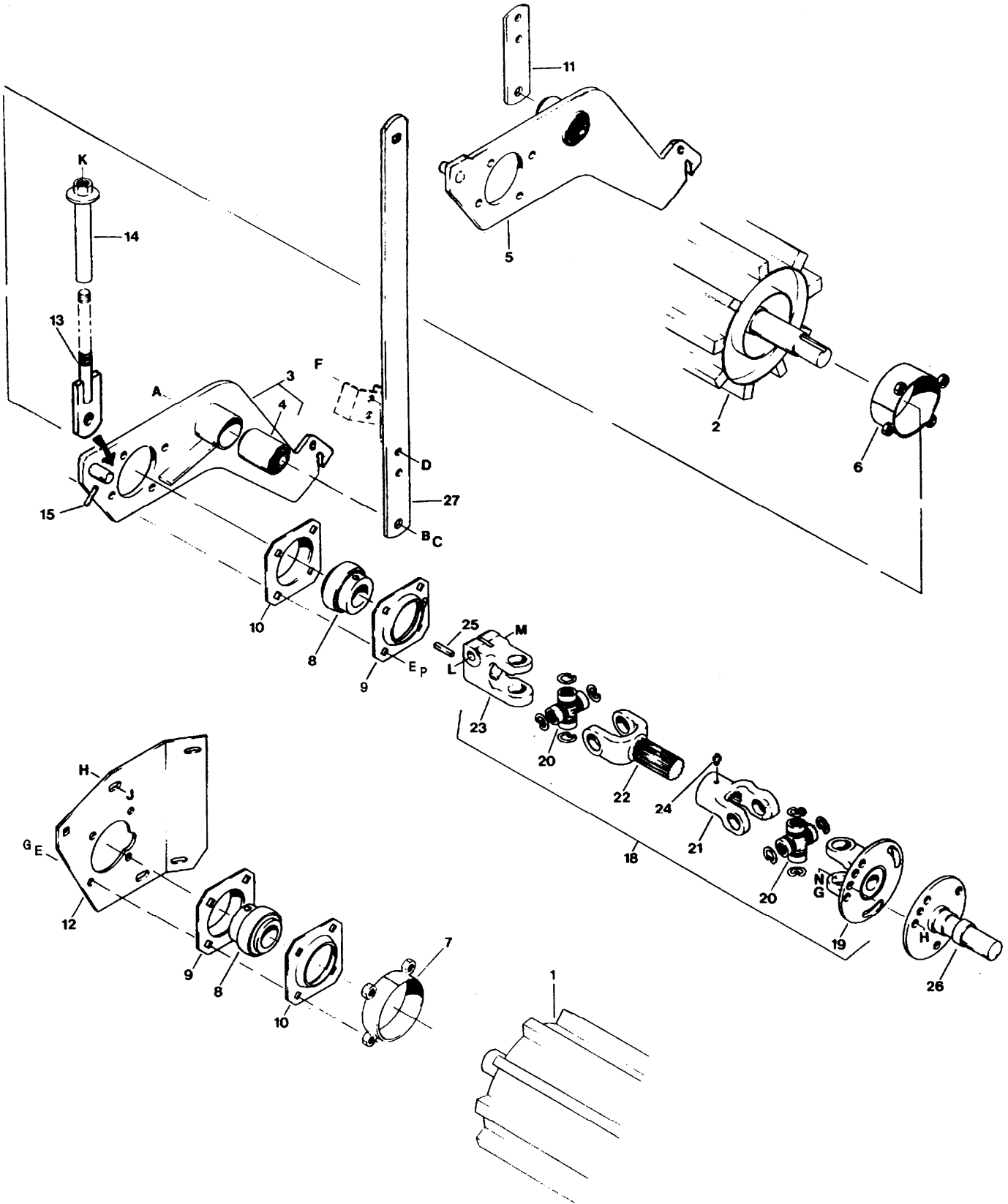


<b>AUGER FLIGHTING REPAIR PIECES</b>	
L/H OUTER SECTION	36833
L/H INNER SECTION	36825
R/H OUTER SECTION	36829
R/H INNER SECTION	36824

**AUGER & DRIVE**

REF	PART NUMBER	DESCRIPTION	QTY	SERIAL NUMBER	
1	41662	CHAIN - roller, auger drive .....	1		
2	16659	LINK - connector .....	1		
3	36796	SPROCKET - auger drive .....	1		
4	30256	BUSHING - split taper .....	1		
5	9333	SPROCKET ASSEMBLY - idler, includes items 6 & 7 .....	2		
6	795	RING - retaining .....	4		
7	9213	BEARING - ball .....	2		
8	34581	WASHER - square .....	2		
9	30576	FLANGE - bearing .....	1		
10	30031	BEARING - ball, with lock collar .....	1		
11	30575	FLANGE - bearing, with lube fitting .....	1		
12	22018	STUD - auger positioning .....	1		
13	41430	SUPPORT - auger, left .....	1	-80250	
	41435	SUPPORT - auger, left .....	1	80251-	
14	41431	SUPPORT - auger, right .....	1		
15	41680	AUGER - 12 ft. header, includes item 41 (41692) .....	1	-102199	
	41912	AUGER - 12 ft. header, bolted shafts both ends .....	1	102200-	
	41681	AUGER - 14 ft. header, includes item 41 (41692) .....	1	-102199	
	41913	AUGER - 14 ft. header, bolted shafts both ends .....	1	102200-	
	41682	AUGER - 16 ft. header, includes item 41 (41692) .....	1	-102199	
	41914	AUGER - 16 ft. header, bolted shafts both ends .....	1	102200-	
16	41700	SHAFT - auger drive, left .....	1		
17	21936	BEARING - ball, with lock collar .....	1		
18	30603	FLANGE - bearing, with lube fitting .....	1		
19	30602	FLANGE - bearing .....	1		
20	21934	BUSHING - split taper .....	1		
21	17194	KEY - 5/16 square x 2 inch .....	1		
22	REF	PULLEY - driver, see "Header Primary Drive" .....	1		
23	REF	HUB - reel drive, see "Reel & Drive" .....	1		
24	REF	PULLEY - reel drive, see "Reel & Drive" .....	1		
25	B 2457	AUGER PADDLE KIT - incl. two complete assemblies (Available through WholeGoods only)			
26	41874	FLAP - rubber .....	2		
27	41875	ANGLE - welded .....	2		
28	41876	BAR - mounting .....	2		
29	47328	PULLEY - auger drive .....	1	90000-	
30	36012	BELT - auger drive .....	1	90000-	
31	44623	WASHER - flat .....	1	90000-	
32	21062	BEARING - ball .....	1	90000-	
33	41949	SPROCKET - auger drive .....	1	90000-	
34	18671	FITTING - lube .....	1	90000-	
35	14911	BEARING - ball .....	1	90000-	
36	38854	RING - retaining, internal .....	1	90000-	
37	41984	PIVOT - drive .....	1	90000-	
38	41879	BOLT - hook .....	1	90000-	
39	4761	WASHER - flat .....	1	90000-	
40	39274	GUIDE - chain .....	2	90000-	
41	41692	SHAFT - auger, right (welded) .....	1	-102199	
	47444	SHAFT - auger, right (bolted) .....	1	102200-	
A	18525	BOLT - rnd. hd. sq. nk, 5/8 NC x 2 1/2"	N	21473	BOLT - rnd.hd. sq.nk, 5/16 NC x 1 1/4"
B	18600	WASHER - flat, 21/32 inch ID (quantity may vary for alignment)	P	30280	NUT - lock, smooth flange, 5/16 NC distorted thread
C	18639	WASHER - lock, 5/8 inch	R	21975	BOLT - serr. flange hd, 3/8 NC x 1 inch
D	18592	NUT - hex, 5/8 NC	S	21589	BOLT - hex head, 1/2 NC x 4 inch
E	21868	BOLT - rnd. hd. sq. nk, 1/2 NC x 1 inch	T	21575	BOLT - hex head, 1/2 NC x 1 inch
F	21383	NUT - serrated flange lock, 1/2 NC	V	18697	NUT - lock, 1/2 NC distorted thread
G	30528	BOLT - hex head, 1/2 NC x 3 1/2 inch,	W	18599	WASHER - flat, 17/32 inch ID
H	21594	BOLT - hex head, 5/8 NC x 1 1/2 inch	X	21452	NUT - serrated flange lock, 3/8 NC
J	19965	BOLT - rnd. hd. sq. nk, 3/8 NC x 1 inch	Y	19966	BOLT - round hd, square nk, 3/8 NC x 1 1/4"
K	18637	WASHER - lock, 3/8 inch			
L	18590	NUT - hex, 3/8 NC	~ f	REF	Indicates where hardware passes through frame member.
M	18591	NUT - hex, 1/2 NC			

### CONDITIONER ROLLS & DRIVELINES



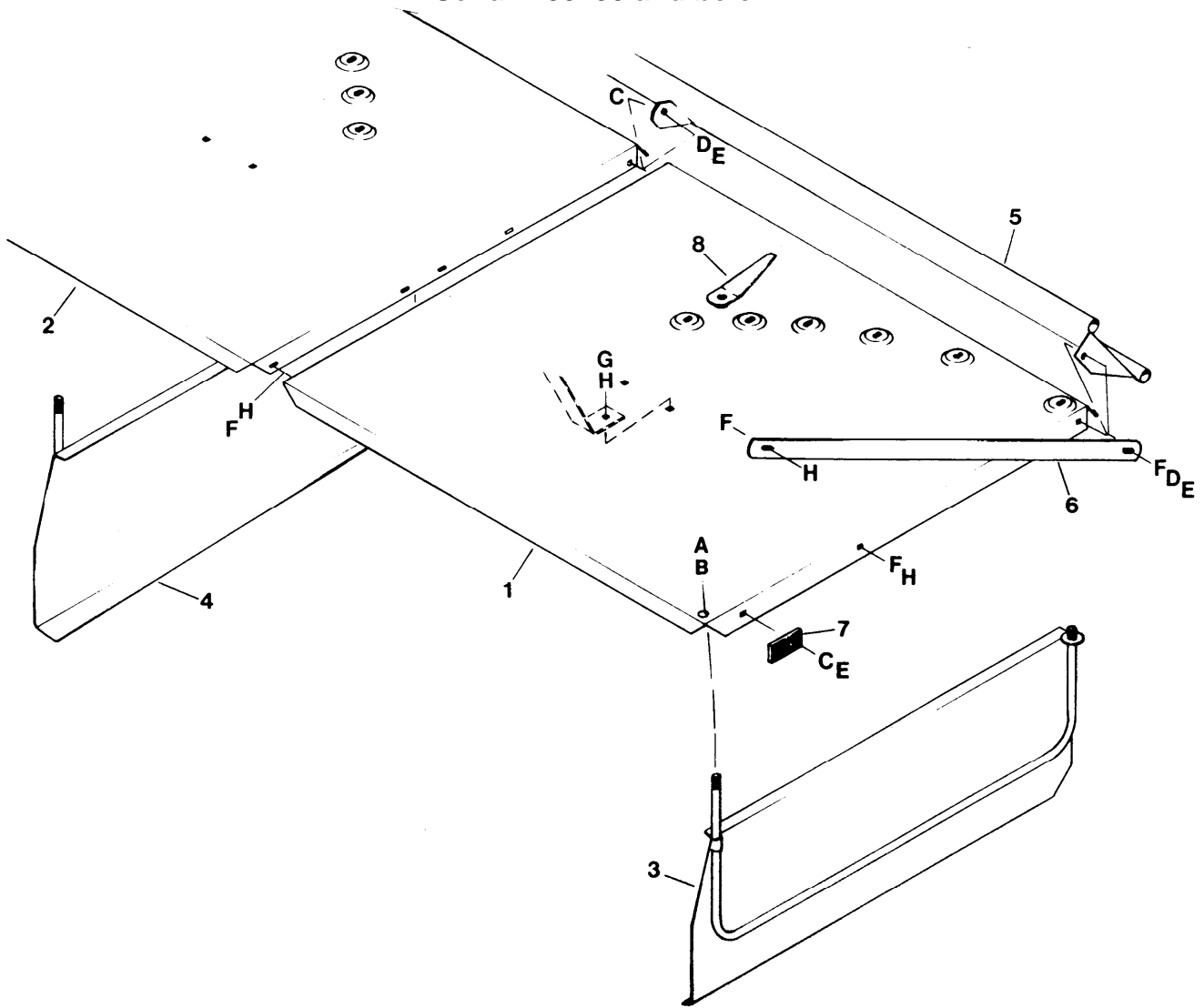
## CONDITIONER ROLLS & DRIVELINES

REF	PART NUMBER	DESCRIPTION	QTY	SERIAL NUMBER
1	41469	ROLL - conditioner, lower .....	1	
2	41470	ROLL - conditioner, upper .....	1	
3	41952	ARM - upper roll support, left hand (includes item 4) (see note 1) .....	1	-89999
	51000	ARM - upper roll support, left hand (includes item 4) .....	1	90000-
4	21897	BUSHING - rubber .....	2	
5	41953	ARM - upper roll support, right hand (includes item 4) (see note 1) .....	1	-89999
	51001	ARM - upper roll support, right hand (includes item 4) .....	1	90000-
6	41490	GUARD - upper roll .....	2	
7	41493	GUARD - lower roll .....	2	
8	30031	BEARING - ball, with lock collar .....	4	
9	30575	FLANGE - bearing, with lube fitting .....	4	
10	30576	FLANGE - bearing .....	4	
11	41496	BAR - upper roll support, right hand .....	1	
12	41498	SUPPORT - lower roll, right hand .....	1	
13	41501	ROD - roll gap adjustment .....	2	-80250
	41961	ROD - roll gap adjustment .....	2	80251-
14	41507	TUBE - roll gap adjustment .....	2	
15	16008	PIN - roll, 5/16 x 1 1/2 inch .....	2	
18	36816	DRIVELINE - conditioner rolls, includes items 19 - 24 .....	2	
19	36876	YOKE - flange .....	2	
20	30622	CROSS AND BEARING KIT .....	4	
21	36877	YOKE - spline bore .....	2	
22	36878	YOKE - spline shaft .....	2	
23	36817	YOKE - clamp .....	2	
24	18671	FITTING - lube .....	2	
25	26846	KEY - 5/16 square x 1 1/2 inch .....	2	77747-
26	REF	SHAFT - roll drive, see "Header Primary Drive" .....	2	
27	41497	BAR - upper roll support, left hand .....	1	
A	21720	BOLT - hex head, 5/8 NC x 4 1/2 inch		
B	18639	WASHER - lock, 5/8 inch		
C	18592	NUT - hex, 5/8 NC		
D	21575	BOLT - hex head, 1/2 NC x 1 inch		
E	18638	WASHER - lock, 1/2 inch		
F	18591	NUT - hex, 1/2 NC		
G	21491	BOLT - hex head, 1/2 NC x 1 1/4 inch		
H	21383	NUT - serrated flange lock, 1/2 NC		
J	21471	BOLT - round head square neck, 1/2 NC x 1 1/4 inch		
K	18593	NUT - hex 3/4 NC		
L	30930	BOLT - hex head, 5/8 NC x 3 inch, Grade 8 (Torque: 220 ft.lbs.) .....		-77746
	21583	BOLT - hex head, 5/8 NC x 3 inch, Grade 5 (Torque: 160 ft.lbs.) .....		77747-109919
	21560	BOLT - hex head, 1/2 NC x 3 inch, Grade 5 (Torque: 80 ft.lbs.) .....		109920-
M	18666	NUT - lock, 5/8 NC distorted thread .....		-109919
	50186	NUT - lock, smooth flange, 1/2 NC distorted thread .....		109920-
N	18599	WASHER - flat, 17/32 inch ID		
P	18723	BOLT - hex head, 1/2 NC x 1 1/2 inch		

### NOTES:

- For machines with serial number 80250 and below, when replacing upper roll support arm (item 3 or 5), also order 41961 ROD (item 13) and 16008 PIN (item 15).

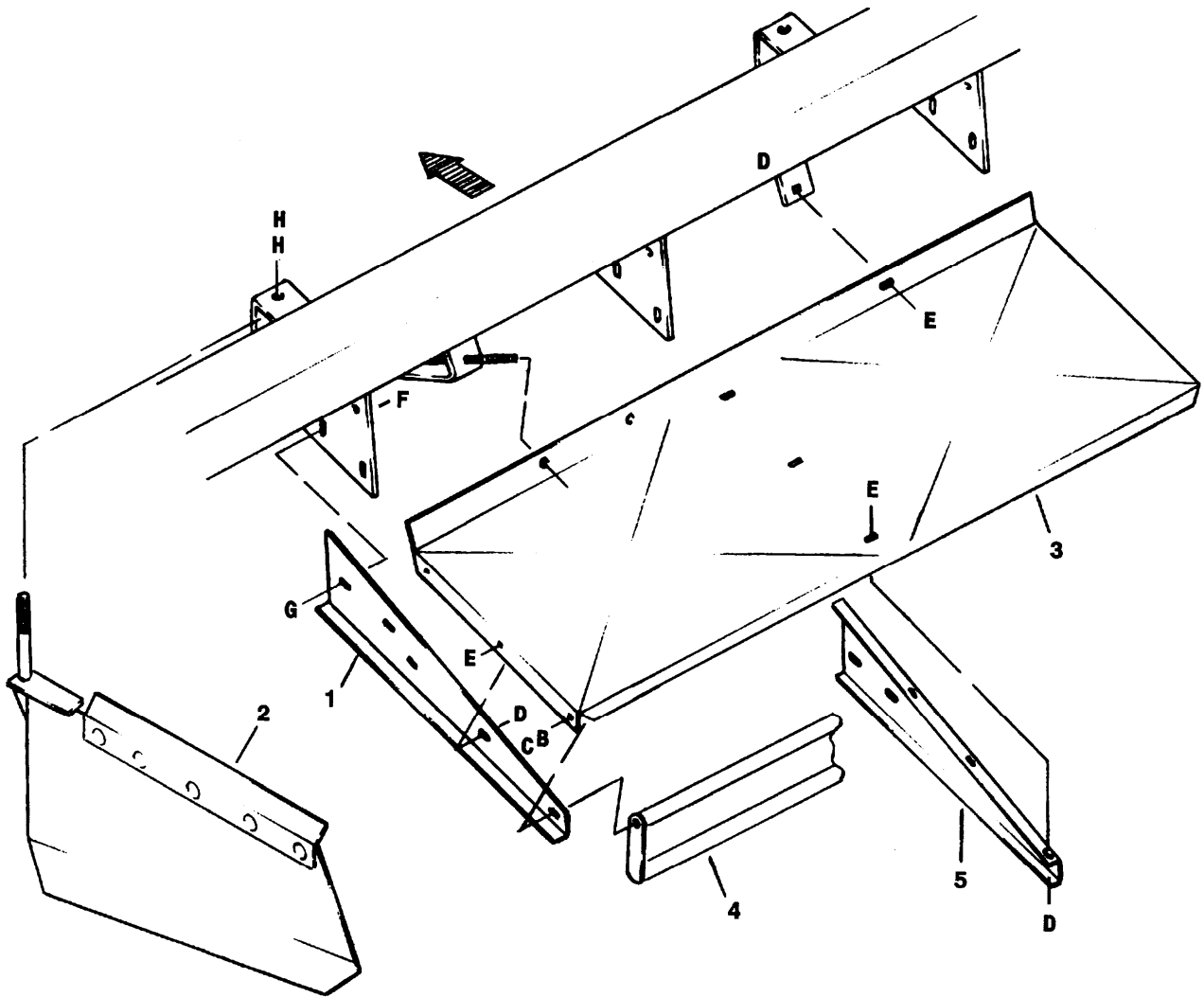
**FORMING SHIELDS**  
Serial # 80250 and below



REF	PART NUMBER	DESCRIPTION	QTY	SERIAL NUMBER
1	41551	COVER - top, left.....	1	-80250
2	41552	COVER - top, right.....	1	-80250
3	41559	DEFLECTOR - side, left .....	1	-80250
4	41560	DEFLECTOR - side, right.....	1	-80250
5	41568	DEFLECTOR - rear .....	1	-80250
6	41573	BAR - support .....	2	-80250
7	36811	PAD - rubber.....	2	-80250
8	41576	HANDLE - deflector adjustment .....	2	-80250
A	18666	NUT - lock, 5/8 NC distorted thread		
B	18639	WASHER - lock, 5/8 inch		
C	19965	BOLT - round head square neck, 3/8 NC x 1 inch		
D	18637	WASHER - lock, 3/8 inch		
E	18669	NUT - lock, 3/8 NC distorted thread		
F	21863	BOLT - round head short square neck, 3/8 NC x 3/4 inch		
G	21975	BOLT - flange head, 3/8 NC x 1 inch		
H	21452	NUT - serrated flange lock, 3/8 NC		

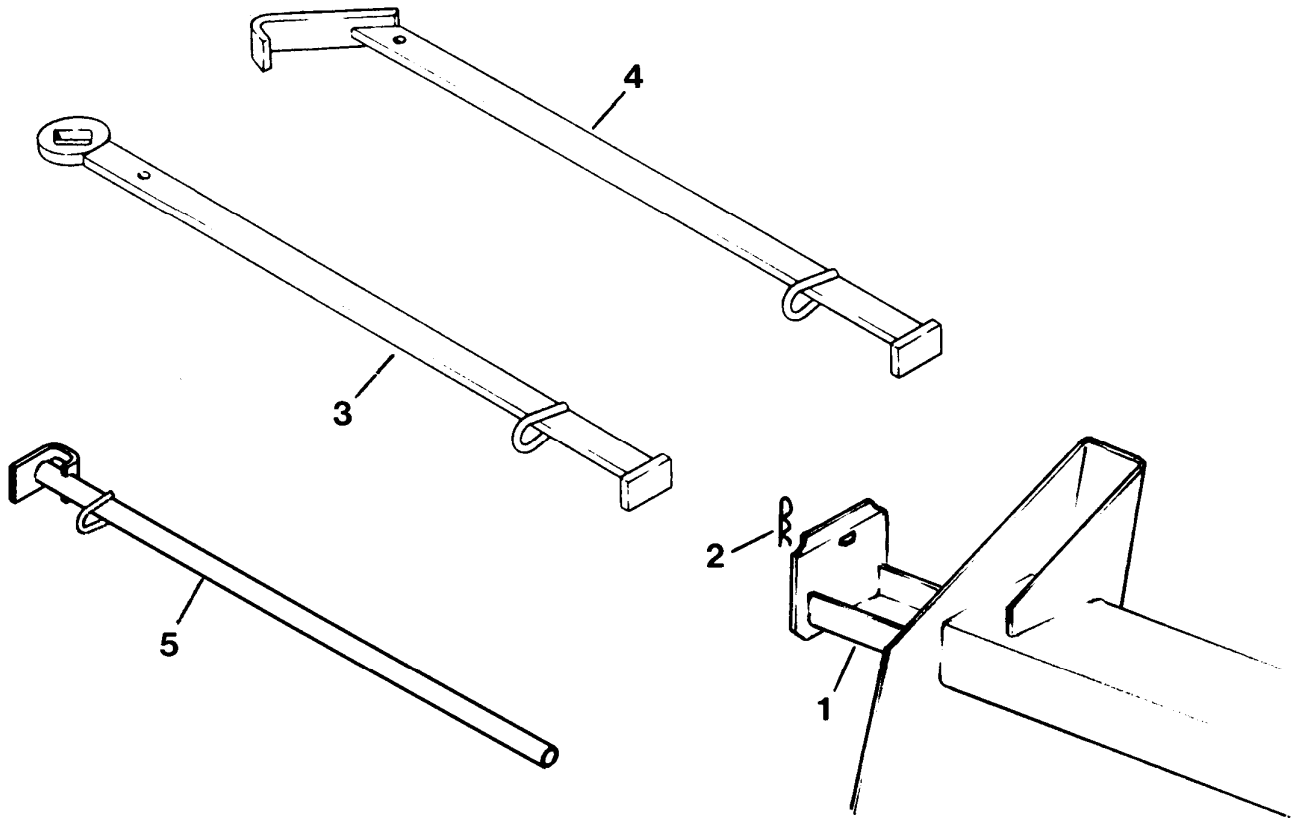


**FORMING SHIELDS**  
Serial # 80251 and up



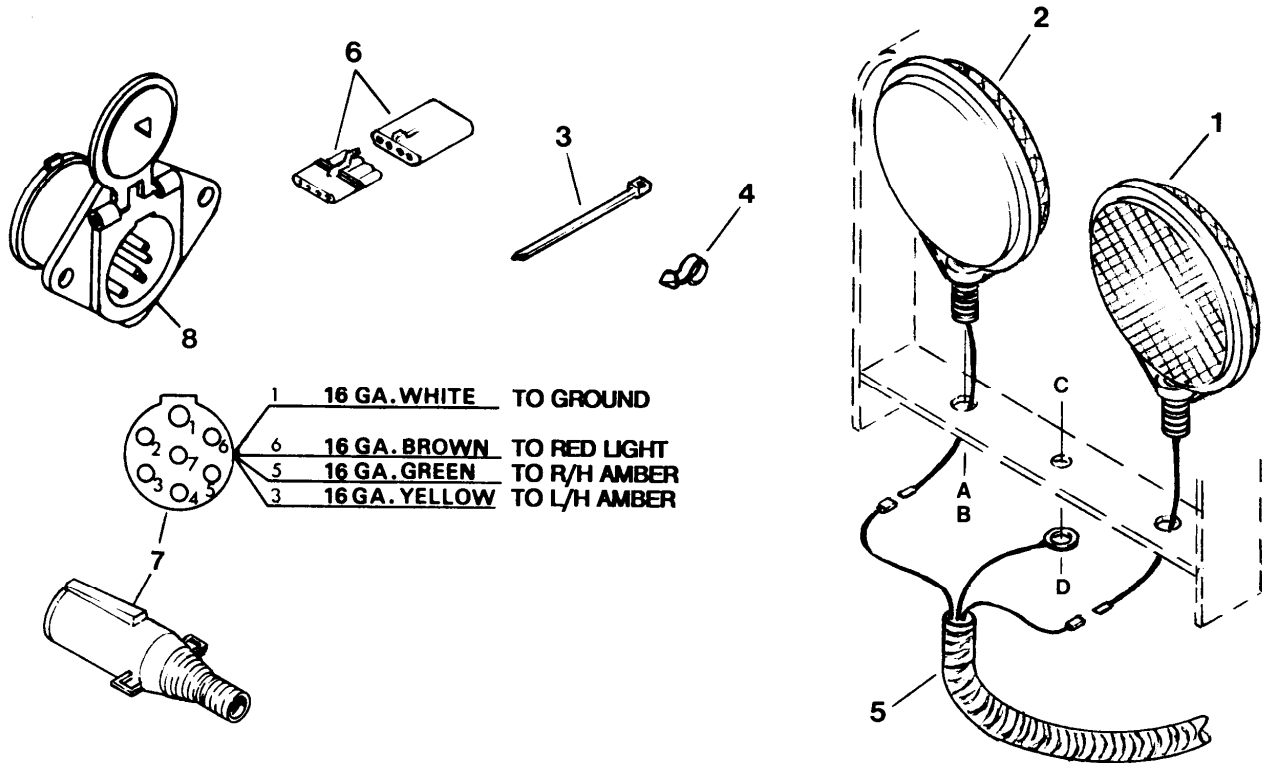
REF	PART NUMBER	DESCRIPTION	QTY	SERIAL NUMBER
1	115244	SUPPORT – left, with reflector (was 41935)	1	80251-
	115245	SUPPORT – right, with reflector (was 41936)	1	80251-
2	41971	DEFLECTOR - side, left	1	80251-
	41972	DEFLECTOR - side, right	1	80251-
3	41915	COVER - top	1	80251-
4	41925	DEFLECTOR - rear	1	80251-
5	41932	SUPPORT - center	1	80251-
B	18638	WASHER - lock, 1/2 inch		
C	21575	BOLT - hex head, 1/2 NC x 1 inch		
D	30228	NUT - lock, smooth flange, 3/8 NC distorted thread		
E	21863	BOLT - round head, square neck, 3/8 NC x 3/4 inch		
F	21383	NUT - serrated flange, 1/2 NC		
G	21868	BOLT - round head, square neck, 1/2 NC x 1 inch		
H	18593	NUT - hex, 3/4 NC		

TOOL BOX & WRENCH



REF	PART NUMBER	DESCRIPTION	QTY	SERIAL NUMBER
1	41025	BOX - tool .....	1	
2	13125	PIN - hair.....	1	
3	34625	TOOL - guard straightener / drive wrench (shaft engaging) .....	1	-102199
4	47645	TOOL - guard straightener / drive wrench (roll engaging) .....	1	84700-89999
5	52031	TOOL - guard straightener / drive wrench (shaft engaging) .....	1	102200-

LIGHT GROUP



REF	PART NUMBER	DESCRIPTION	QTY	SERIAL NUMBER
1	16539	LIGHT - amber.....	2	
2	21402	LIGHT - red.....	1	
3	16661	FASTENER - plastic tie .....	10	
4	30542	CLIP - nylon.....	see note (1)	
5	36885	HARNESS - wiring, complete, includes front and rear sections .....	1	
	36910	HARNESS - front section, includes connector and plug		
	36911	HARNESS - rear section, includes connector		
6	31061	CONNECTOR KIT - harness.....	1	
7	30710	PLUG - 7 pole.....	1	
8	30461	RECEPTACLE - 7 pole, tractor .....	1	
A	18638	WASHER - lock, 1/2 inch		
B	6771	NUT - hex, 1/2 NF		
C	21567	BOLT - hex head, 3/8 NC x 3/4 inch		
D	21452	NUT - serrated flange lock, 3/8 NC		

NOTES:

(1) - Quantities: 12 ft = 12, 14 ft = 14, 16 ft = 16

DECALS & REFLECTORS

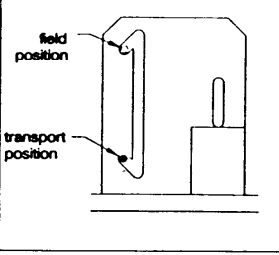
**CAUTION**

To avoid injury or death from improper or unsafe machine operation:

1. Read the Operator's Manual, and follow all safety instructions. If you do not have a manual, obtain one from your dealer.
2. Do not allow untrained persons to operate the machine.
3. Review safety instructions with all operators annually.
4. Ensure that all safety signs are installed and legible.
5. Make certain everyone is clear of machine before starting engine and during operation.
6. Keep riders off the machine.
7. Keep all shields in place, and stay clear of moving parts.
8. Disengage header drive, put transmission in neutral, apply park brake and wait for all movement to stop before leaving operator's position.
9. Do not service, adjust, lubricate, clean or unplug machine with engine running or key in ignition.
10. Engage mechanical locks before servicing header or reel in the raised position.
11. Use slow moving vehicle emblem and flashing warning lights when operating on roadways unless prohibited by law.

\* 32009

**CAUTION**



field position  
transport position

Before transporting windrower:  
To avoid injury and/or machine damage caused by sudden, unexpected movement of hitch swing hydraulics:

1. Move latch rod to transport position.
2. Swing hitch to center until lock is engaged.

\* 41008


1

2

3

4


**DANGER**



Rest header on ground or engage mechanical locks before going under unit. See Operator's Manual.

\* 44811


**WARNING**



To avoid injury, stop engine before opening power drive system shield. Keep all shields in place.

\* 32738

**WARNING**



**DO NOT GO NEAR LEAKS**

- High pressure oil easily punctures skin causing serious injury, gangrene or death.
- If injured, seek emergency medical help. Immediate surgery is required to remove oil.
- Do not use finger or skin to check for leaks.
- Lower load or relieve hydraulic pressure before loosening fittings.

\* 44844

**CAUTION**

To avoid injury and/or machine damage caused by loss of control:

1. Read Operator's Manual before transporting.
2. Do not tow with a vehicle weighing less than 5000 lbs. (2300 kg).
3. Secure all pins and hitch chain in transport position.
4. Do not transport at speeds greater than 20 m.p.h. (30 km/h).
5. Reduce transport speed for corners and slippery conditions.
6. Obey all highway traffic regulations in your area when transporting on public roads.
7. Use slow moving vehicle emblem and flashing warning lights unless prohibited by law.

\* 32008

5

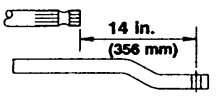
6

**WARNING**

**STAY CLEAR** of the machine while it is running. Contact with rotating reel, moving knife or conveyor can cause injury or death. Stop engine and remove key to perform any inspection, maintenance or repair work.

\* 28423

**Operate only with 540 rpm PTO.**



14 in.  
(356 mm)

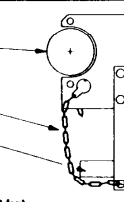
See tractor Operator's Manual for drawbar adjustment instruction.

\* 32005

20

**IMPORTANT**

**WORKING POSITION**



pump mounted to tractor PTO  
loop chain as shown  
tractor drawbar

**STORAGE POSITION**  
Hang pump by chain on forked bracket on hitch

NOTE: Pump weight - 70 lbs. (32 kg)

8

Lift to release cover.



17

11

**NO LIFT OR TIE**

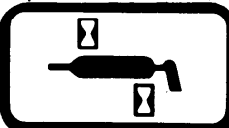
12

**WARNING**

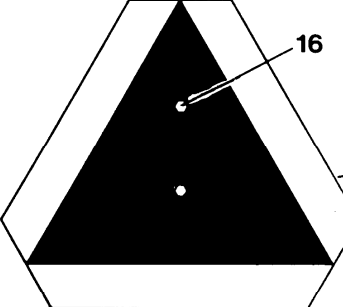
To avoid bodily injury from contact with hot oil, do not remove dipstick when system is hot. See Operator's Manual for proper venting procedure when system is cold.

\* 115100

21



9



16

15

19

**IMPORTANT**

Torque wheel bolts to 120 ft.lbs. Retorque after first hour of operation.

13

Mfd. under license U.S. Patent 3,832,837 and Canadian Patent 979,665 (1975).

41081

14

This product may be covered by one or more of the following patents:

CDN. # 1075914  
CDN. # 1226739  
CDN. # 1240159  
CDN. # 1244248  
CDN. # 1267292  
U.S. # 4346909  
U.S. # 4573309  
U.S. # 4660361  
U.S. # 4662161  
U.S. # 4909026  
U.S. # 4958966  
U.S. # 5005343

Other patents pending.

## DECALS &amp; REFLECTORS

REF	PART NUMBER	DESCRIPTION	QTY	SERIAL NUMBER
1	32009	DECAL - CAUTION, general precautions.....	1	
2	41666	DECAL - CAUTION, transport lock.....	1	
3	44611	DECAL - DANGER, header locks.....	2	
4	32738	DECAL - WARNING, shields & guards .....	3	
5	32008	DECAL - CAUTION, transport precautions .....	1	
6	28403	DECAL - WARNING, clear while running .....	3	
7	32005	DECAL - 540 rpm PTO .....	1	
	32006	DECAL - 1000 rpm PTO .....	1	
8	41668	DECAL - hydraulic pump .....	1	
9	23163	DECAL - 10 hour lube .....	1	
	25929	DECAL - 5 hour lube .....	1	-124499
	23164	DECAL - 25 hour lube.....	1	124500-
	23165	DECAL - 50 hour lube .....	16	
11	115146	REFLECTOR - amber .....	5	
	115147	REFLECTOR - red .....	2	
	115145	REFLECTOR - Day-Glow Orange .....	2	
12	23292	DECAL - no lift or tie.....	2	
13	32070	DECAL - patents.....	1	
14	41081	DECAL - patent license .....	1	
15	21032	REFLECTOR - slow moving vehicle .....	1	
16	18631	SCREW - machine, Phillips pan head #10 NC x 1/2 inch .....	2	
	21492	NUT - flange, #10 NC .....	2	
17	43697	DECAL - lift to release cover .....	2	
19	101375	DECAL - wheel bolt torque. ....	1	108200-
20	44944	DECAL - WARNING, hydraulic oil leaks.....	2	
21	115100	DECAL - WARNING, hot oil.....	1	

## PAINT

REF	PART NUMBER	DESCRIPTION	QTY	SERIAL NUMBER
	23951	PAINT - black, spray can (25 - 35 Gloss Level).....		-124499
	23955	PAINT - black, 1 litre (25 - 35 Gloss Level) .....		-124499
	25990	PAINT - black, spray can (55 - 65 Gloss Level).....		124500-
	25991	PAINT - black, 1 litre (55 - 65 Gloss Level) .....		124500-
	32879	PAINT - white, spray can		
	23957	PAINT - white, 1 litre		
	23917	PAINT - red, spray can .....		-80250
	23950	PAINT - red, spray can .....		80251-
	32880	PAINT - red, 1 litre .....		80251-

PRODUCT IDENTIFICATION DECALS

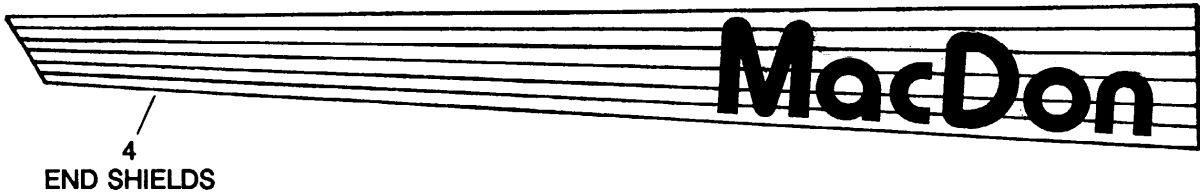


**MacDon** — 2

1  
HITCH & FRAME TUBE

**5000** — 3

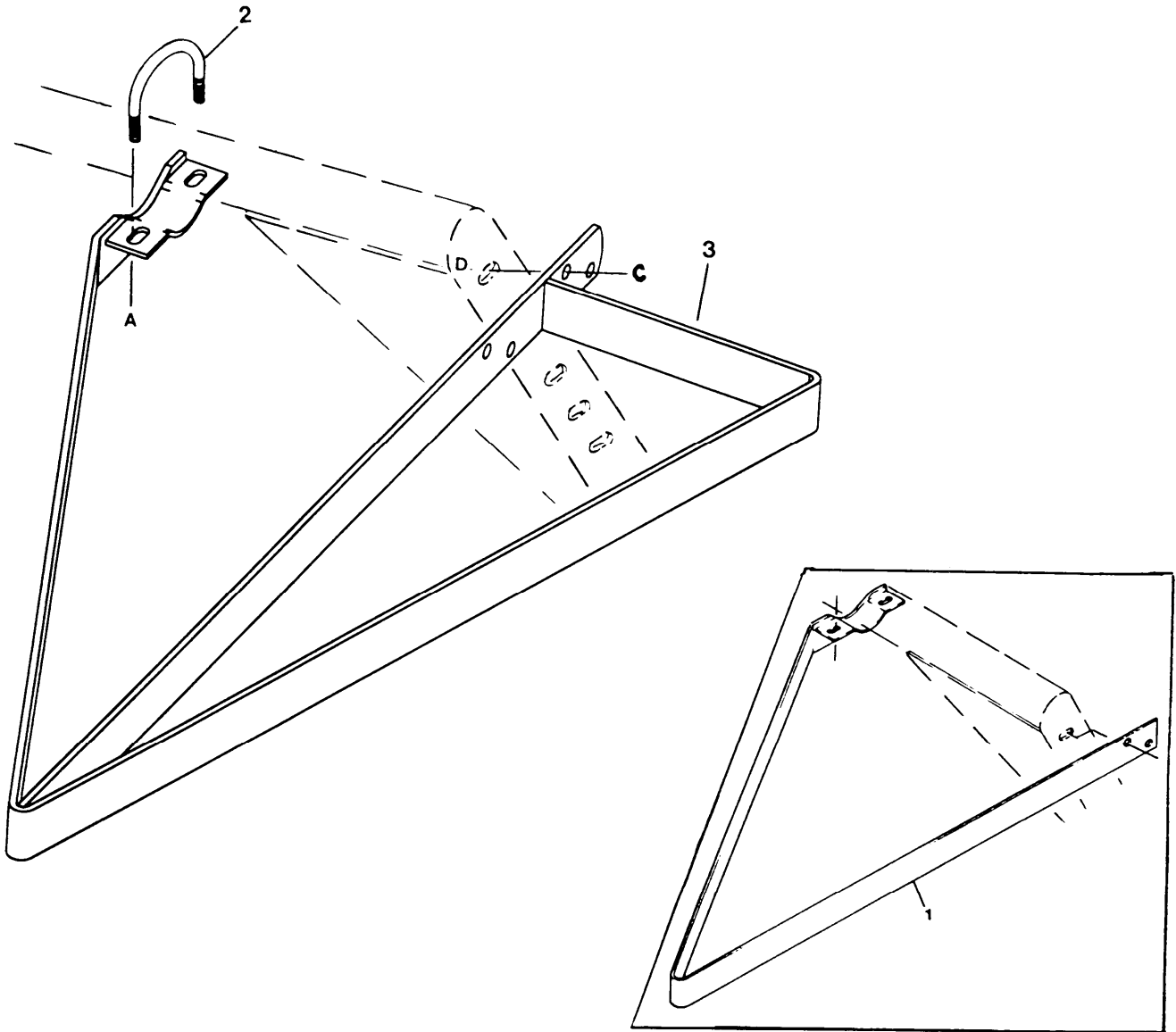
**5000 MOWER CONDITIONER** — 5



REF	PART NUMBER	DESCRIPTION	QTY	SERIAL NUMBER
1	25874	DECAL - rainbow, 105 x 1460 mm .....	see note (1)	-124499
	41950	DECAL - rainbow, 105 x 965 mm - 12 ft.....	2	-124499
	41951	DECAL - rainbow, 105 x 1385 mm - 14 ft.....	2	-124499
	102525	DECAL - rainbow, 102 x 1840 mm - frame tube .....	2	124500-
	102527	DECAL - rainbow, 153 x 1500 mm - hitch..... see note (2)		124500-
		12' & 14' - rear section (both sides)		
		16' - front and rear sections (both sides)		
	115049	DECAL - rainbow, 153 x 750 mm - 12' hitch front section (both sides) .....	2	124500-
	115048	DECAL - rainbow, 153 x 1170 mm - 14' hitch front section (both sides) .....	2	124500-
2	45403	DECAL - MacDon, 81 x 348 mm .....	3	-124499
	102582	DECAL - MacDon, 82 mm high - frame tube .....	1	124500-
	102524	DECAL - MacDon, 122 mm high - hitch.....	2	124500-
3	45417	DECAL - 5000, 53 x 152 mm.....	2	-124499
4	43916	DECAL - MacDon on rainbow, tapered, L/H.....	1	-124499
	43917	DECAL - MacDon on rainbow, tapered, R/H.....	1	-124499
	102533	DECAL - MacDon on rainbow, tapered, L/H.....	1	124500-
	115045	DECAL - MacDon on rainbow, tapered, R/H.....	1	124500-
5	102530	DECAL - 5000 MOWER CONDITIONER .....	2	124500-

NOTES: (1) - Quantities: 12 ft = 3, 14 ft = 3, 16 ft = 5  
 (2) - Quantities: 12 ft = 2, 14 ft = 2, 16 ft = 4

TALL CROP DIVIDERS (ATTACHMENT)



REF	PART NUMBER	DESCRIPTION	QTY	SERIAL NUMBER
	B 2476	KIT - tall crop dividers, complete (includes dividers and hardware) .....		-102199
	B 2539	KIT - tall crop dividers, complete (includes dividers and hardware) .....		102200-
Kits available through WholeGoods only.				
1	47220	DIVIDER - left hand .....	1	-102199
	47221	DIVIDER - right hand .....	1	-102199
2	47231	BOLT - "U", for 4 inch (100 mm) tube.....	2	
NOTE: Smaller U-bolts in kit are not used in this application.				
3	47345	DIVIDER - left hand .....	1	102200-
	47346	DIVIDER - right hand .....	1	102200-
A	30228	NUT - lock, smooth flange, 3/8 NC distorted thread		
C	21449	BOLT - flange head, 1/2 NC x 1 inch		
D	21383	NUT - serrated flange, 1/2 NC		

## NUMERICAL LIST

<u>PART NO.</u>	<u>PAGE</u>	<u>PART NO.</u>	<u>PAGE</u>	<u>PART NO.</u>	<u>PAGE</u>	<u>PART NO.</u>	<u>PAGE</u>
795	17,27	21404	3	25991	35	30898	3
1134	5	21417	21	26318	21	30902	3
4761	27	21418	19	26319	21	30903	3
5512	7	21420	15B,21	26320	21	30904	3
5924	15B	21421	21	26321	19	30910	15
6007	15	21424	21	26846	29	30911	15
6647	5	21425	15,17,21	28013	19	30918	15
6649	3	21492	35	28014	19	30927	15
7258	19	21512	21	28346	23	30966	17
7900	7	21513	21	28403	35	30968	15
8640	5	21514	21	28496	17	31061	33
9213	17,27	21516	21	28790	23	32005	35
9333	17,27	21517	21	28815	19	32006	35
9530	19	21519	21	29598	3	32008	35
11644	5	21540	5,7	30031	17,27,29	32009	35
13125	5,11,32	21712	21	30045	15B	32070	35
14911	17,27	21717	21	30046	15B	32225	13,15
16008	29	21719	7	30140	15B	32738	35
16227	15	21763	13	30141	15B	32879	35
16539	33	21791	17	30144	15B	32880	35
16659	23,27	21810	15	30218	17	32927	9
16661	33	21819	15	30247	15B	33834	19
16837	25	21820	15	30256	17,27	34126	17
17194	17,23,27	21828	15	30282	13	34181	19
17958	15	21840	15	30284	13	34182	19
18601	5	21862	19	30301	13	34183	19
18606	3	21884	15	30375	13	34351	23
18607	13	21897	5,29	30461	33	34359	19B
18609	3	21934	17,23,27	30516	7	34378	23
18620	5	21936	23,27	30517	7	34388	19
18631	35	21940	23	30520	7	34389	19
18639	3	22018	27	30521	7	34390	19
18642	3	23163	35	30542	33	34391	19
18648	7,19	23164	35	30575	27,29	34581	27
18671	2,5,27,29	23165	35	30576	17,27,29	34583	23
18689	21	23292	35	30602	23,27	34625	32
18766	17	23917	35	30603	23,27	34752	25
18898	25	23950	35	30607	19	34808	23
18900	15B	23951	35	30622	29	34809	23
18916	7	23955	35	30661	5	34812	23
19117	17	23957	35	30668	19	34813	23
19183	23	24042	15	30696	19	34974	19B
19926	5	24051	13,15	30710	33	34975	19B
20535	25	24319	5	30753	15	34980	19B
21024	17,21	24320	5	30814	21	36009	5
21032	35	24322	5	30815	21	36010	5
21053	15	24397	5	30846	13	36011	5
21062	25,27	24408	5	30884	2	36012	25,27
21151	21	24416	5	30889	7	36368	23
21153	7	25059	9	30890	7	36627	11
21193	15	25486	25	30891	15	36790	17
21194	19	25874	36	30893	15	36794	17
21376	7	25929	35	30894	15	36796	23,27
21402	33	25990	35	30895	15	36811	13,30
36816	29	36823	2	36829	26	36836	2
36817	29	36824	26	36833	26	36837	5
36819	17	36825	26	36834	13	36840	15



# NUMERICAL LIST

<u>PART NO.</u>	<u>PAGE</u>	<u>PART NO.</u>	<u>PAGE</u>	<u>PART NO.</u>	<u>PAGE</u>	<u>PART NO.</u>	<u>PAGE</u>
36841	15	41127	5	41449	17	41708	13
36842	15	41136	5	41450	17	41717	23
36844	15	41138	5	41451	10	41718	23
36845	13	41142	5	41454	17	41719	23
36853	15	41145	5	41455	17	41730	23
36854	15B	41150	5	41456	17	41734	23
36855	15	41155	7	41463	23	41740	23
36856	15	41174	17	41469	29	41741	23
36857	15	41200	9	41470	29	41742	23
36859	15B	41244	5	41490	29	41743	23
36868	15	41245	9	41493	29	41744	23
36875	13	41266	9	41496	29	41745	23
36876	29	41319	9	41497	29	41759	15
36877	29	41357	5	41498	29	41780	13
36878	29	41358	5	41501	29	41785	3
36880	15	41360	10	41507	29	41787	13
36882	15B	41362	10	41512	9	41793	25
36883	15B	41368	10	41520	9	41794	25
36885	33	41369	10	41528	9	41800	17
36888	13	41370	10	41540	9	41806	17
36891	15B	41372	10	41543	15	41808	9
36892	15B	41373	10	41545	15	41809	9
36909	15B	41374	10	41551	30	41813	9
36910	33	41376	10	41552	30	41817	15
36911	33	41377	10	41559	30	41821	17
36912	15	41378	10	41560	30	41824	17
36913	15	41379	10	41568	30	41830	17
36915	19	41380	10	41573	30	41841	17
36916	19	41381	10	41576	30	41844	17
36942	15B	41383	17	41579	13	41850	17
36943	15B	41388	5	41580	13	41859	13
37367	9	41390	9	41581	13	41860	13
37930	19	41391	9	41582	13	41861	13
38246	23	41392	9	41590	2	41862	13
38854	27	41405	5	41591	2	41863	13
38894	9	41408	5	41592	2	41864	13
39274	27	41409	11	41650	3	41865	13
40766	5	41410	11	41655	3	41866	13
41025	32	41413	11	41656	3	41867	13
41034	17	41417	11	41659	2	41868	13
41080	2	41420	10	41660	2	41870	13
41081	35	41421	19	41662	27	41871	13
41090	5	41424	19	41663	15	41872	13
41098	5	41429	10	41666	35	41874	27
41100	2	41430	27	41668	35	41875	27
41102	5	41431	27	41680	27	41876	27
41107	5	41435	27	41681	27	41879	23,27
41108	5	41438	25	41682	27	41881	5
41114	5	41439	23	41692	27	41882	23
41118	5	41440	23	41700	27	41884	23
41122	5	41448	17	41707	13	41886	25
41887	25	41901	15	41907	13	41915	31
41888	25	41902	15	41908	13	41924	17
41890	25	41903	15	41909	13	41925	31
41891	25	41904	13	41912	27	41932	31
41894	23	41905	13	41913	27	41935	31
41900	15	41906	13	41914	27	41936	31

## NUMERICAL LIST

<u>PART NO.</u>	<u>PAGE</u>	<u>PART NO.</u>	<u>PAGE</u>	<u>PART NO.</u>	<u>PAGE</u>	<u>PART NO.</u>	<u>PAGE</u>
41949	27	100421	19	B 2517	19B		
41950	36	100532	21B	B 2539	37		
41951	36	100706	21B				
41952	29	100707	21B				
41953	29	100708	21B				
41961	29	100709	21B				
41971	31	100710	21B				
41972	31	100712	21B				
41982	7	100714	21B				
41984	27	100715	21B				
41992	17	100716	21B				
41993	17	100717	21B				
41994	17	100718	21B				
42125	13	100719	21B				
42126	13	100720	21B				
42690	5	100721	21B				
42691	5	100722	21B				
43697	35	100723	21B				
43916	36	100726	21B				
43917	36	101375	35				
43981	21	102524	36				
44611	35	102525	36				
44623	27	102527	36				
44944	35	102530	36				
44994	5	102533	36				
45403	36	102582	36				
45417	36	102629	21B				
47193	11	102630	21B				
47220	37	103096	21B				
47221	37	103565	21B				
47231	37	113152	21B				
47292	25	113153	21B				
47295	25	113222	19				
47300	23	113229	19				
47306	25	115025	3				
47324	19B	115045	36				
47328	27	115048	36				
47345	37	115049	36				
47346	37	115062	3				
47444	27	115074	25				
47645	32	115082	19				
47680	23	115083	19				
47681	10	115100	35				
47681	23	115133	2				
47832	19	115145	35				
47988	21	115146	35				
50099	15B	115147	35				
50100	15B	115244	31				
50164	13	115245	31				
50165	13	B 2145	23				
50179	21	B 2146	23				
50208	15B	B 2147	23				
51000	29	B 2149	11				
51001	29	B 2457	27				
51004	15	B 2476	37				
52031	32	B 2515	19B				
100001	13	B 2516	19B				

**Model 5000 Power Tongue Windrower  
SUGGESTED STOCKING LIST**

P.C. REF	PART NUMBER	DESCRIPTION	SUGGESTED QTY.		ORDER QTY	UNIT PRICE	EXT. PRICE
			2 UNITS	5 UNITS			
<u>WHEELS AND TIRES - Parts Catalog Pg 7</u>							
6	41982	HUB - with cups	1	1			
14	30520	CAP - dust	1	1			
<u>SKID SHOES - Parts Catalog Pg 11</u>							
1	47193	SHOE - skid, left	0	1			
6	36627	SUPPORT - front	1	2			
<u>STEERING &amp; LIFT CYLINDER HYDRAULICS - Parts Catalog Pg 13</u>							
1	42125	SEAL KIT - master lift cylinder	0	1			
2	42126	SEAL KIT - slave lift cylinder	0	1			
10	50165	SEAL KIT - steering cylinder	1	1			
<u>HEADER DRIVE HYDRAULICS - Parts Catalog Pg 15</u>							
18	36913	CARTRIDGE - relief valve	0	1			
	36853	SEAL KIT - relief valve	1	1			
21	30895	ELEMENT - hydraulic oil filter	2	6			
31	36856	SEAL KIT - hydraulic motor	1	1			
35	21810	BUSHING - rubber	1	2			
<u>PUMP/GEARBOX ASSEMBLY - Parts Catalog Pg 15 B</u>							
	36854	SEAL KIT - gearbox	1	1			
<u>HEADER PRIMARY DRIVE - Parts Catalog Pg 17</u>							
6	30031	BEARING - ball, with lock collar	1	4			
7	30576	FLANGE - bearing	1	3			
10	36794	SPROCKET - driver, auger	0	2			
15	9333	SPROCKET ASSEMBLY - idler	0	1			
<u>SICKLE &amp; BELT DRIVE - Parts Catalog Pg 19</u>							
1	34181 *	SICKLE ASS'Y - less head, 12 ft.	1	3			
	34182 *	SICKLE ASS'Y - less head, 14 ft.	1	3			
	34183 *	SICKLE ASS'Y - less head, 16 ft.	1	3			
2	34390	SECTION - sickle	50	200			
3	34391	SECTION - half, end	2	8			
5	30668	BOLT - sickle head	15	60			
	30696	BOLT - sickle section	50	200			
6	115083	HEAD - sickle	1	2			
7	113222	SEAL - sickle head	1	3			
8	30607	BEARING - needle, sickle head	1	3			

Continued next page...

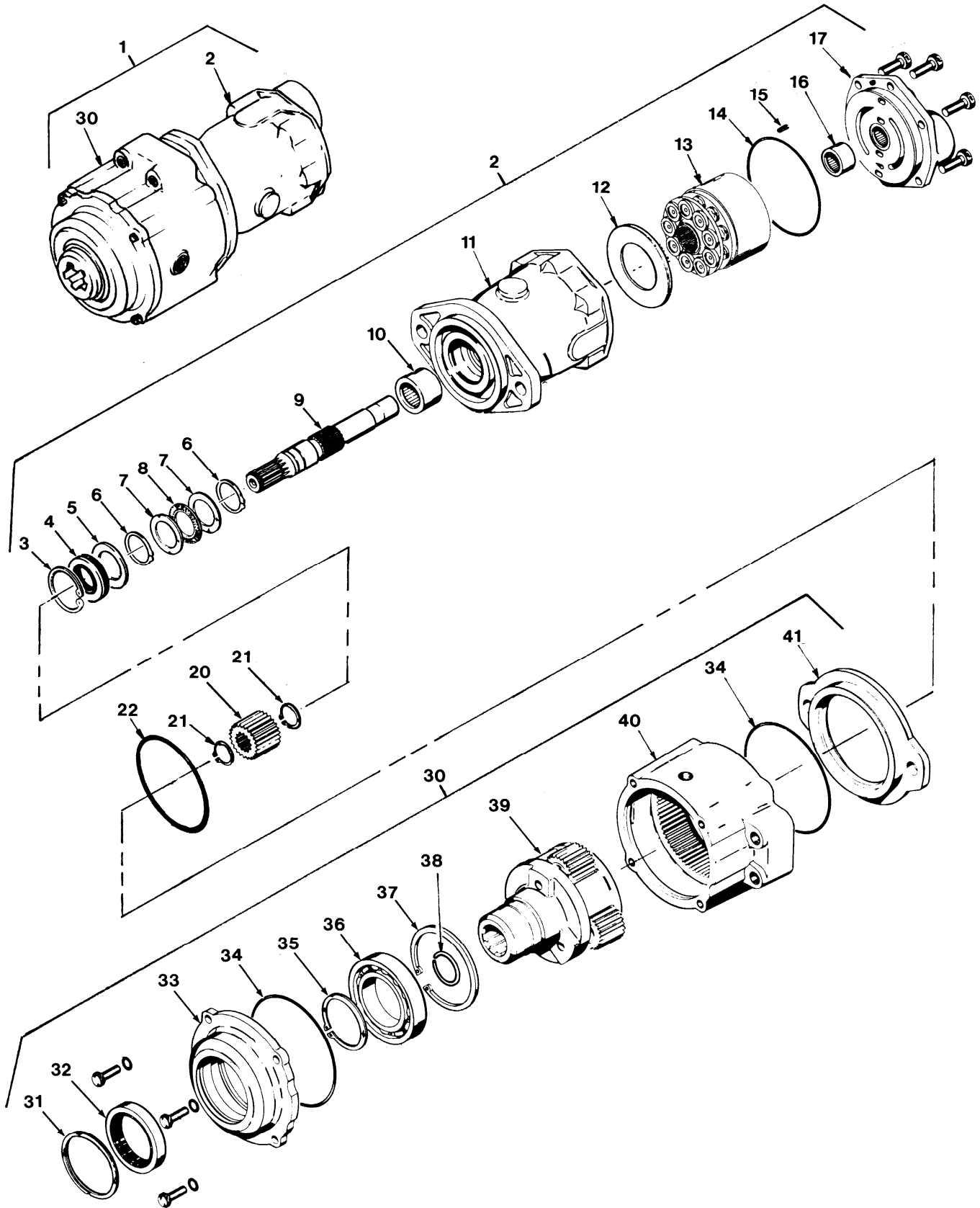
\* - Order to suit header sizes sold.

**Model 5000 Power Tongue Windrower  
SUGGESTED STOCKING LIST**

P.C. REF	PART NUMBER	DESCRIPTION	SUGGESTED QTY.		ORDER QTY	UNIT PRICE	EXT. PRICE
			2 UNITS	5 UNITS			
<u>SICKLE &amp; BELT DRIVE - Parts Catalog Pg 19 (continued)</u>							
10	28014	SICKLE GUARD - left end	2	8			
	28013	SICKLE GUARD	10	100			
11	28815	GUIDE - sickle	5	30			
19	21862	PULLEY - idler	0	1			
22	9530	BELT - sickle drive	1	3			
33	100421	ARM - output	1	1			
34	113229	PIN - sickle head	1	4			
A	30669	NUT - sickle	50	200			
<u>SICKLE DRIVE BOX - Parts Catalog Pg 21 B</u>							
	100532	DRIVE - sickle, complete	0	1			
1	100706	YOKE - output	0	1			
2	100707	SEAL - oil, output shaft	2	4			
3	100708	BUSHING - bronze	1	2			
5	100726	BUSHING - steel	1	2			
8	100710	SHAFT - input	0	1			
10	100712	O-RING	1	2			
11	102630	SEAL - oil, input shaft	1	2			
12	100714	BEARING ASS'Y - cup & cone	1	2			
16	100717	BEARING ASS'Y - cup & cone	1	2			
18	100719	CAP - dust	1	2			
20	100720	BEARING ASS'Y - cup & cone	2	4			
21	100721	PIVOT	0	1			
22	100722	RING - retaining, internal	2	4			
23	100723	BUSHING - bronze	2	4			
<u>REEL &amp; DRIVE - Parts Catalog Pg 23 &amp; 25</u>							
4	21936	BEARING - ball, with lock collar	1	2			
5	30603	FLANGE - bearing, with lube fitting	1	1			
6	30602	FLANGE - bearing	1	1			
15	21940	BEARING - cam follower	2	5			
16	28346	BOLT - special, cam follower	1	2			
17	28790	BUSHING - plastic, reel arm	5	15			
18	47681	FINGER - pick-up, double	20	60			
19	19183	HOLDER - finger	5	20			
21	47680	FINGER - right end	1	3			
30	21062	BEARING - ball	1	4			
34	36012	BELT - reel drive	1	2			
41	47295	DISC - reel bushing	1	4			
<u>CONDITIONER ROLLS &amp; DRIVELINES - Parts Catalog Pg 29</u>							
4	21897	BUSHING - rubber	1	2			
18	36816	DRIVELINE - conditioner rolls	0	1			
20	30622	CROSS AND BEARING KIT	1	2			
<u>PAINT - Parts Catalog Pg 35</u>							
	25991	PAINT - black, 1 litre	1	1			
	23957	PAINT - white, 1 litre	1	1			
	32880	PAINT - red, 1 litre	1	1			

15 A

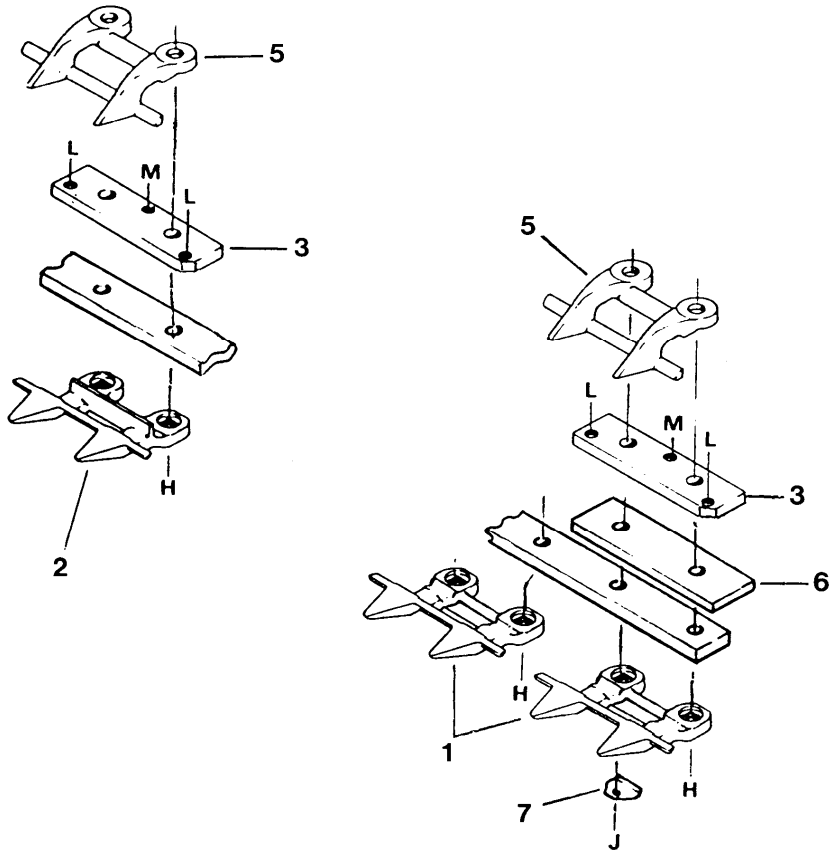
### PUMP/GEARBOX ASSEMBLY



## PUMP/GEARBOX ASSEMBLY

REF	PART NUMBER	DESCRIPTION	QTY	SERIAL NUMBER
1	36909	PUMP/GEARBOX ASS'Y. - 540 RPM, incl. items 2, 20 to 22, and 30.....	1	
	36859	PUMP/GEARBOX ASS'Y. - 1000 RPM, incl. items 2, 20 to 22, and 30.....	1	
<u>PISTON PUMP COMPONENTS</u>				
2	36882	PUMP - piston, 540 RPM - includes items 3 to 17 .....	1	
	36891	PUMP - piston, 1000 RPM - includes items 3 to 17 .....	1	
3	18900 *	RING - retaining, outer.....	1	
4	30046 *	SEAL - shaft .....	1	
5		WASHER - flat, 1 19/32 x 2 x 5/64 inch .....	1	
6	30144 *	RING - retaining.....	2	
7	30140	BEARING RACE - thrust .....	2	
8	30141	BEARING - thrust .....	1	
9		SHAFT - drive .....	1	
10	21420	BEARING - needle, housing .....	1	
11		HOUSING ASSEMBLY 540 RPM (2.77 cu.in./rev. displacement) .....	1	
		HOUSING ASSEMBLY 1000 RPM (2.01 cu.in./rev. displacement) .....	1	
12		INSERT - cam plate.....	1	
13		ROTATING ASSEMBLY.....	1	
14	30045 *	O-RING - housing to back plate .....	1	
15		ROLL PIN .....	1	
16		BEARING - needle, back plate (Torrington B-1412).....	1	
17		BACK PLATE ASSEMBLY .....	1	
*	30247	SEAL KIT - for piston pump, includes items marked *		
<u>CONNECTING COMPONENTS</u>				
20	50099	SUN GEAR - 540 RPM, pump to gear box connection .....	1	
	50100	SUN GEAR - 1000 RPM, pump to gear box connection .....	1	
21	5924	RING - retaining, sun gear.....	2	
22	30045	O-RING - pump to gear box connection .....	1	
<u>GEARBOX COMPONENTS</u>				
30	36883	GEARBOX - 540 RPM - includes items 31 to 41.....	1	
	36892	GEARBOX - 1000 RPM - includes items 31 to 41.....	1	
31	+	RING - retaining, internal 3 inch .....	1	
32	+	SEAL - shaft .....	1	
33		PLATE - front.....	1	
34	+	O-RING - housing to front plate and housing to adapter plate .....	2	
35	+	RING - retaining, external 2 5/32 inch.....	1	
36	50208	BEARING - carrier .....	1	
37	+	RING - retaining, internal 3 9/16 inch.....	1	
38	+	RING - lock.....	1	
39	36942	CARRIER ASSEMBLY - 540 RPM.....	1	
	36943	CARRIER ASSEMBLY - 1000 RPM.....	1	
40		HOUSING .....	1	
41		PLATE - adapter.....	1	
+	36854	SEAL KIT - for gearbox, includes items marked +		

SICKLE STUB GUARDS (OPTION)



### SICKLE STUB GUARDS (OPTION)

REF	PART NUMBER	DESCRIPTION	QTY	SERIAL NUMBER
	B 2515	STUB GUARD CONVERSION KIT - 12' Header, complete		
	B 2516	STUB GUARD CONVERSION KIT - 14' Header, complete		
	B 2517	STUB GUARD CONVERSION KIT - 16' Header, complete		
1	34975	SPECIAL END GUARD - no trash bar, first two positions at L/H end .....	2	
2	34974	GUARD - stub.....	see note (1)	
3	34980	BAR - adjuster .....	see note (2)	
5	34359	GUIDE - sickle .....	see note (2)	
6	47324	BAR - spacer .....	1	
7	REF	CLIP - skid shoe front support		
H	30862	BOLT - round head, square neck, 7/16 NC x 2 1/2 inch (used at all guards except at skid shoe clips)		
J	21665	BOLT - round head, square neck, 7/16 NC x 2 3/4 inch (used at skid shoe clips)		
L	50119	BOLT - hex head, 3/8 NC x 3/4 inch, stainless steel		
M	50120	BOLT - hex head, 3/8 NC x 1 inch, stainless steel		

## NOTES:

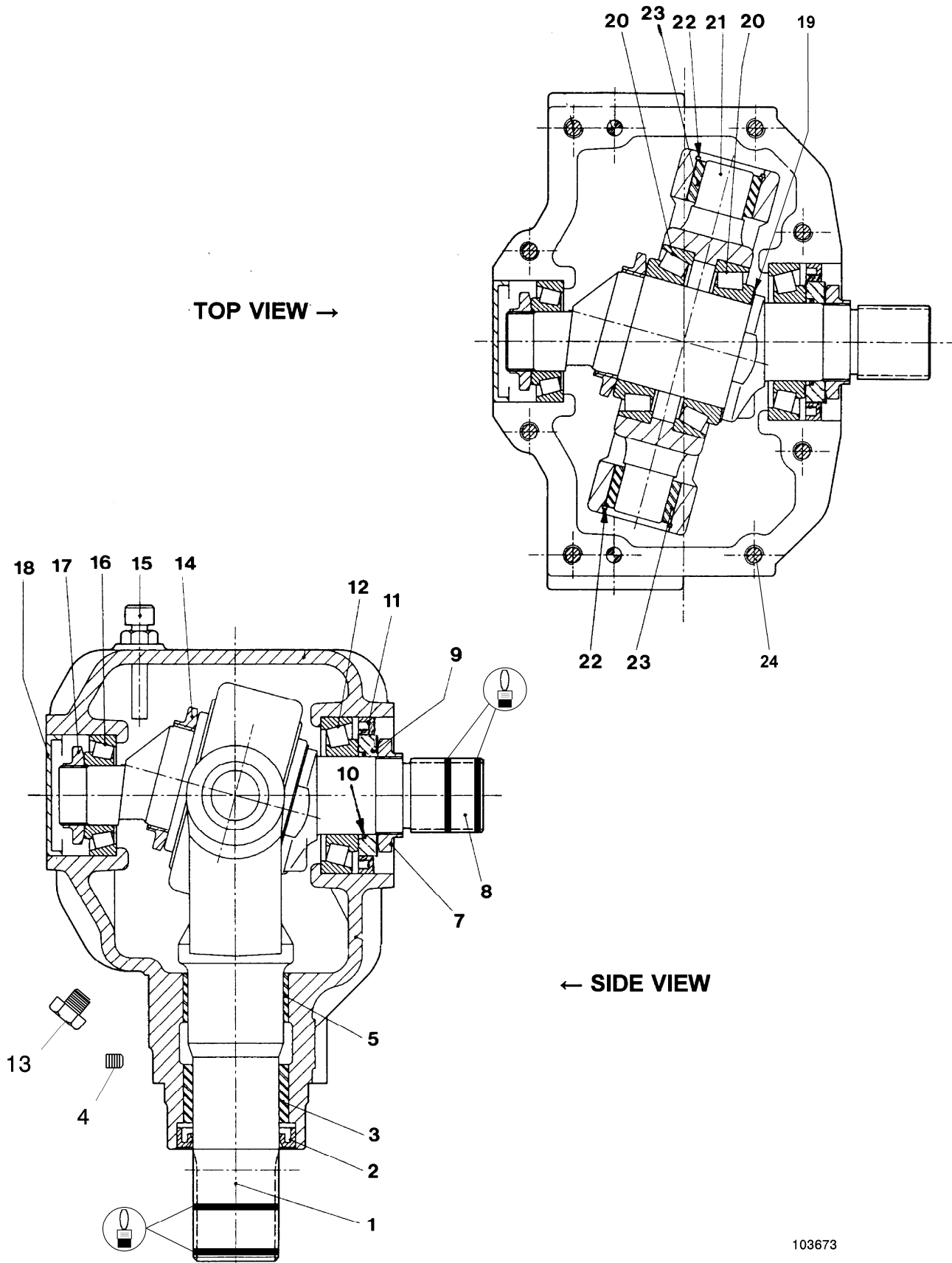
(1) - Quantities: 12' = 23, 14' = 27, 16' = 31

(2) - Quantities: 12' = 25, 14' = 29, 18' = 33



21 A

### SICKLE DRIVE BOX Serial No. 124500 and Above



**SICKLE DRIVE BOX**  
**Serial No. 124500 and Above**

REF	PART NUMBER	DESCRIPTION	QTY	SERIAL NUMBER
	100532	DRIVE - sickle, complete.....	1	
1	100706	YOKE - output .....	1	
2	100707	SEAL - oil, output shaft.....	1	
3	100708	BUSHING - bronze .....	1	
4	103565	PLUG - hex socket .....	2	
5	100726	BUSHING - steel .....	1	
7	100709	NUT - special.....	1	
8	100710	SHAFT - input.....	1	
9	102629	SPACER - 60 mm O.D. ....	1	
10	100712	O-RING.....	1	
11	102630	SEAL - oil, input shaft, 60 mm I.D. ....	1	
12	100714	BEARING ASSEMBLY - cup & cone.....	1	
13	103096	PLUG - oil drain .....	2	
14	100715	NUT - lock, M55 x 2.....	1	
15	100716	BREATHER PLUG - with dipstick.....	1	
16	100717	BEARING ASSEMBLY - cup & cone.....	1	
17	100718	NUT - lock, M30 x 1.5.....	1	
18	100719	CAP - dust .....	1	
19	113152	SHIM - input shaft .....	1	
20	100720	BEARING ASSEMBLY - cup & cone.....	2	
21	100721	PIVOT .....	1	
22	100722	RING - retaining, internal.....	2	
23	100723	BUSHING - bronze .....	2	
24	113153	BOLT - socket head, M10 x 50 mm .....	8	



REF Apply Loctite 243 adhesive or equivalent to splines before assembly



# MacDon

*The Quiet Leader*

**12992 Issue 03/97**  
Sugg. Retail: \$15.00

Printed in Canada