

PARTS CATALOG

MacDon MODEL 3000
PULL-TYPE WINDROWERS
SINGLE & DUPLEX UNITS



MacDon Industries Ltd.

680 Moray Street
Winnipeg, Manitoba R3J 3S3
Canada

Form K-12654 5/84

TABLE OF CONTENTS

MAIN FRAMES **SECTION ONE**
BAT REEL
WHEELS

HITCH GROUPS **SECTION TWO**

DRIVES **SECTION THREE**

DRAPERS **SECTION FOUR**

HYDRAULICS **SECTION FIVE**
ELECTRICAL

DECALS **SECTION SIX**

BELT LIST **SECTION SEVEN**
NUMERICAL LIST

SERIAL NUMBER BREAKS

Example:

- 56152 used on machines up to and including serial number 56152

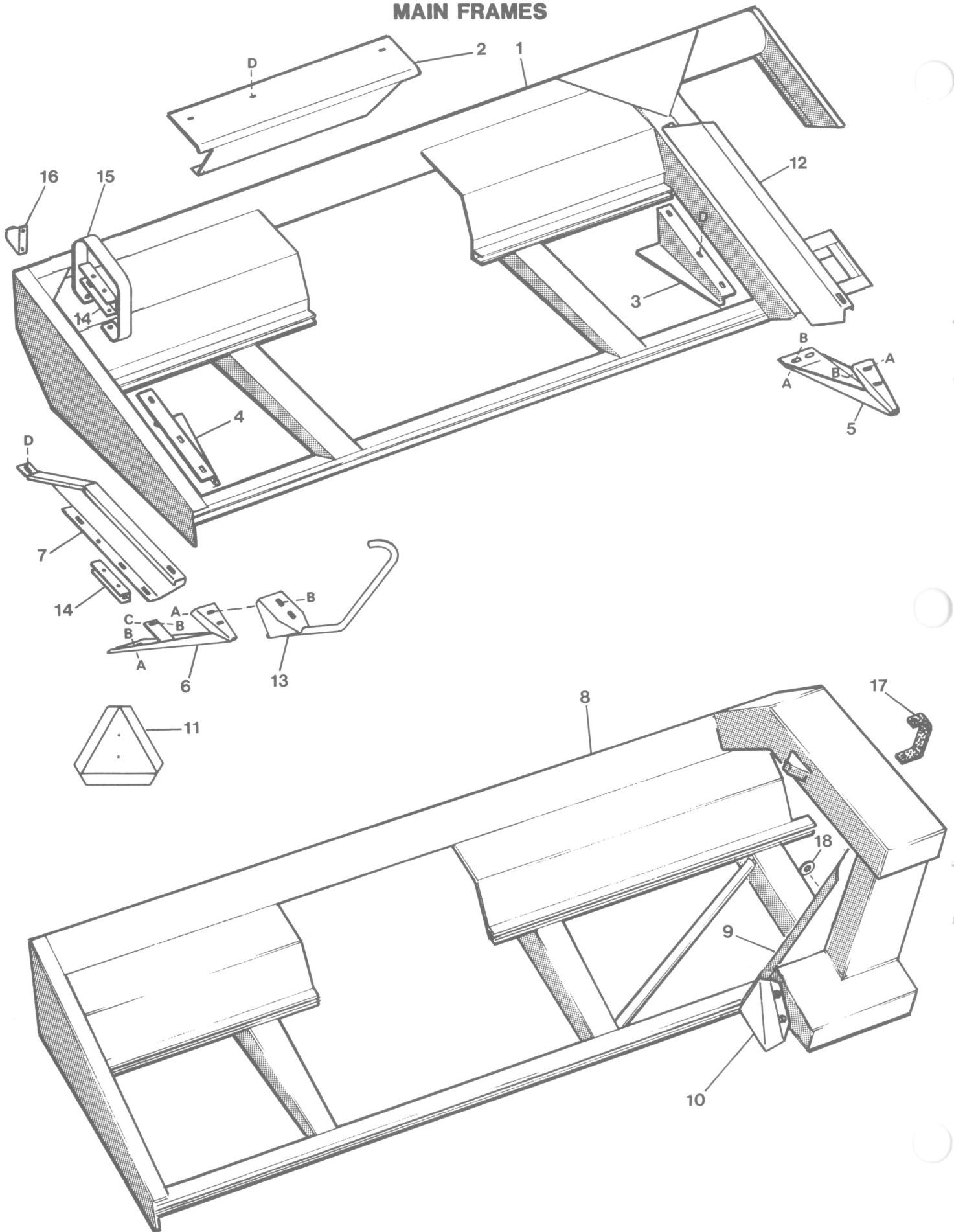
- 56153 - used on machines including and after serial number 56153

SECTION ONE

CONTENTS

MAIN FRAMES	-----1.1
BAT REEL	-----1.2
WHEELS, CASTERS & WHEEL LOCKS	-----1.3
FRONT WHEEL SUPPORT - DUPLEX	-----1.4
REAR UNIT	

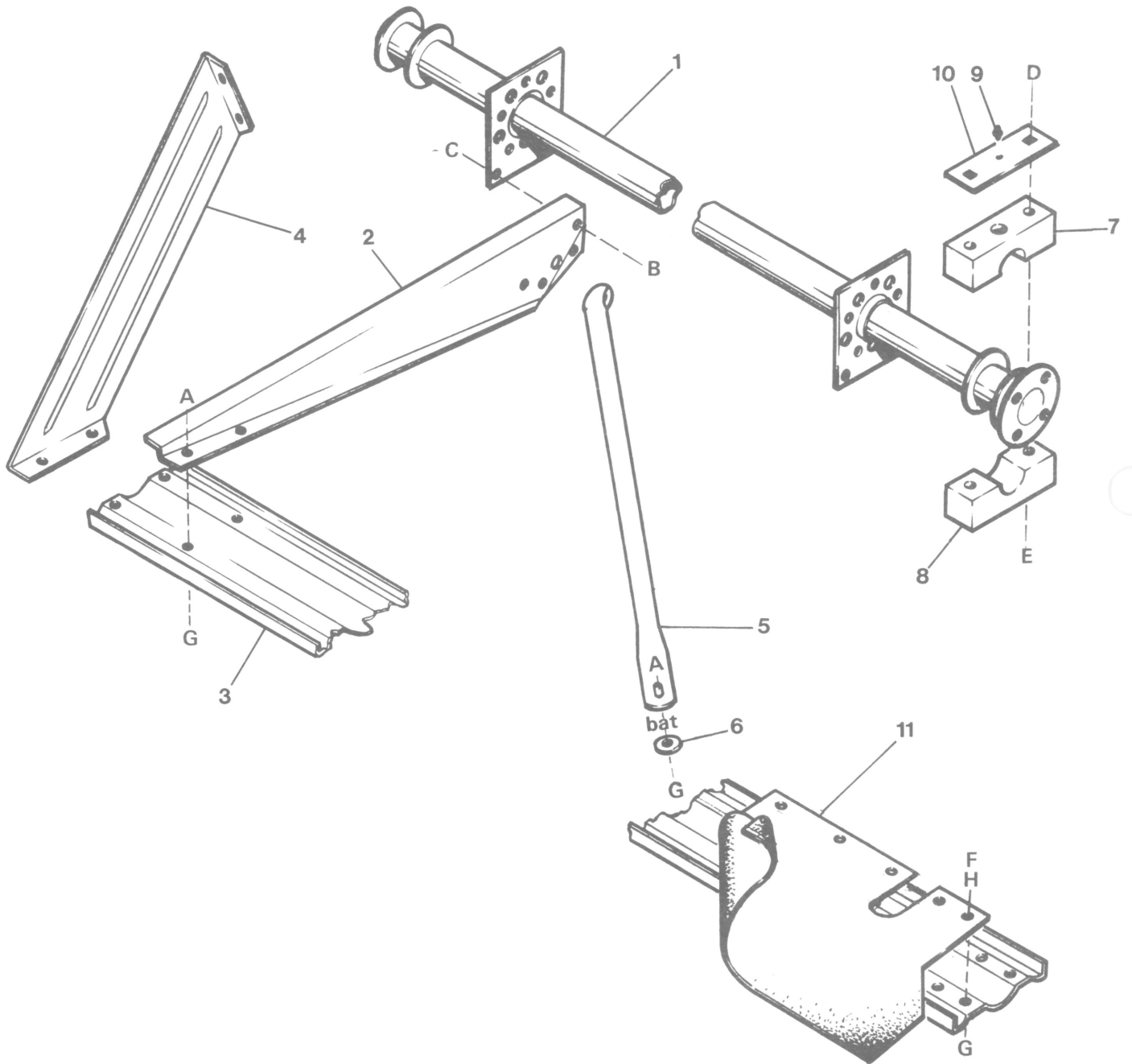
MAIN FRAMES



MAIN FRAMES

REF.	PART NO.	DESCRIPTION	QTY.	SERIAL NUMBER
1	K-29051-1	Header - 21'	1	
	K-29052-1	Header - 25'	1	
	K-29053-1	Header - 30'	1	
2	K-31892-1	Shield,Center - 21' front and 25' front	1	
	K-31893-1	Shield,Center - 30',21' rear and 25' rear	1	
3	K-29772-1	Deflector, L/H	1	
4	K-29773-1	Deflector, R/H - front and rear	1	
5	K-29804-1	Shoe, L/H	1	
6	K-29783-1	Shoe, R/H- front & rear(for machines up to Serial no. 56152 ; also order items 7 & 13)	1	
7	K-29797-1	Divider, R/H - front and rear	1	
8	K-31045-1	Header - Rear Duplex 21'	1	
	K-31046-1	Header - Rear Duplex 25'	1	
9	K-31775-1	Shield, L/H Drive	1	-56152
	K-31767-1	Shield, L/H Drive	1	56153-
10	K-31776-1	Deflector, L/H	1	-56152
	K-31768-1	Deflector, L/H	1	56153-
11	P-21032	Sign, SMV - front and rear	1	
12	K-29817-1	Divider, L/H	1	
13	K-29792-1	Rod,Divider - front and rear (for machines up to Ser. no. 56152 also order items 6 & 7)	1	
14	K-29774-1	Channel, (Lights)	2	56153-
15	K-29775-1	Bar, (Lights)	1	56153-
16	K-29765-1	Stand, (Lights)	1	-56152
17	K-31778-1	Belting	2	
18	K-18963-1	Washer	4	
A	P-21863	Bolt, Carriage 3/8 NC x 3/4 lg., Short Sq. Neck		
B	P-21452	Nut, Flange 3/8 NC		
C	P-19965	Bolt, Carriage 3/8 NC x 1.0 lg.		
D	P-21821	Bolt, Flange 3/8 NC x 3/4 lg.		

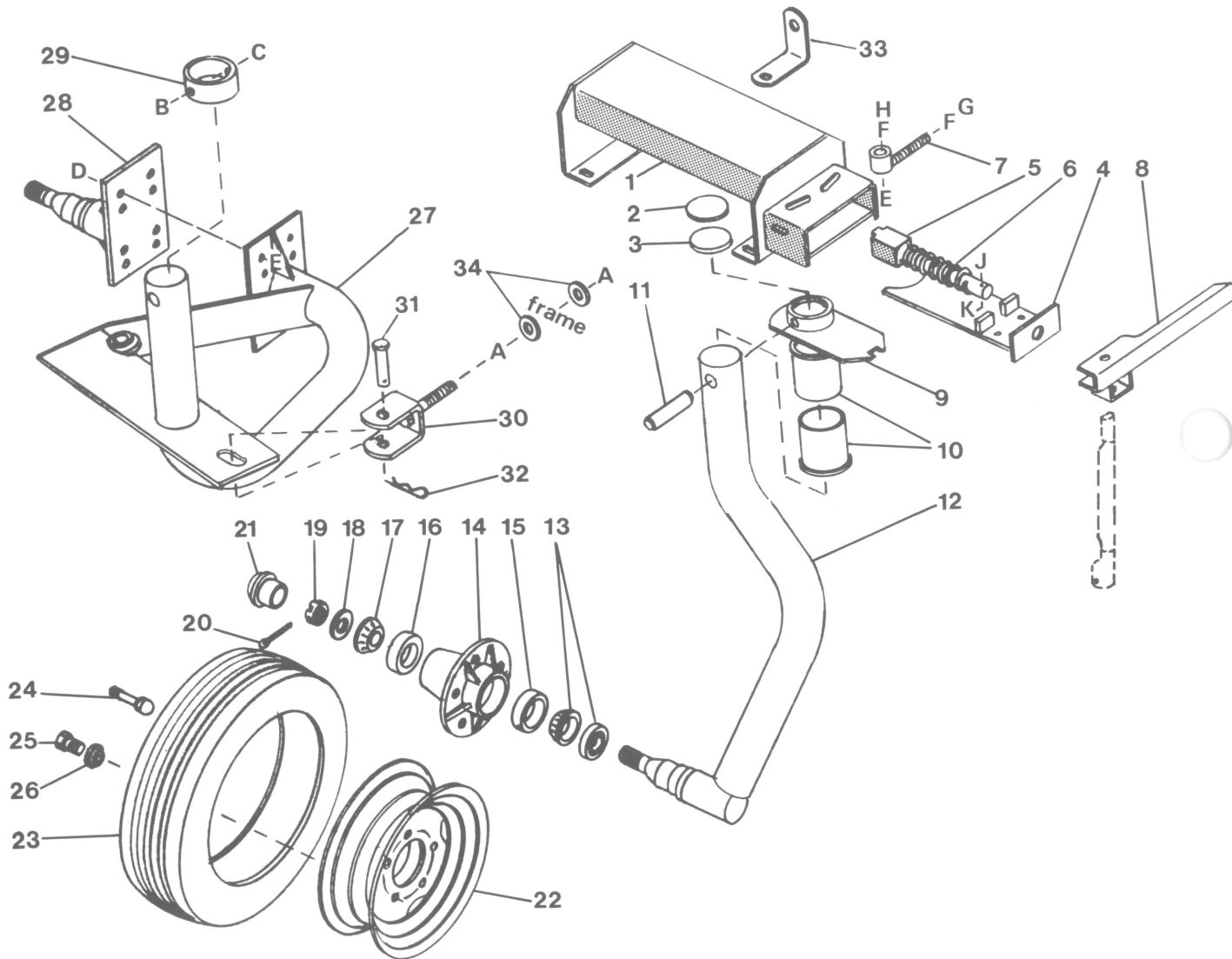
BAT REEL



BAT REEL

REF.	PART NO.	DESCRIPTION	QTY.	SERIAL NUMBER
1	K-29667-1	Shaft, Reel - 21' front unit	1	
	K-29668-1	Shaft, Reel - 25' front unit	1	
	K-29669-1	Shaft, Reel - 30'	1	
	K-31285-1	Shaft, Reel - 21' rear unit	1	
	K-31286-1	Shaft, Reel - 25' rear unit	1	
2	K-26729-1	Arm, Reel	A/R	
3	K-26724-1	Bat, Reel - 21' front unit	5	
	K-26725-1	Bat, Reel - 25' front unit	5	
	K-26726-1	Bat, Reel - 30'	5	
	K-31110-1	Bat, Reel - 21' rear unit	5	
	K-31132-1	Bat, Reel - 25' rear unit	5	
4	K-22671-1	Shield, End	10	
5	K-26736-1	Brace	10	
6	K-20535-1	Washer	10	
7	K-20410-1	Bearing, Wooden (upper half)	2	
8	K-20411-1	Bearing, Wooden (lower half)	2	
9	P-30036	Fitting, Grease	2	
10	K-26766-2	Cap, Bearing c/w Grease Fitting	2	
11	K-31269-1	Flap, Rubber (rear duplex unit only)	5	
A	P-21403	Nut, Flange 5/16 NC		
B	P-21975	Bolt, Flange 3/8 NC x 1.0 lg.		
C	P-21452	Nut, Flange 3/8 NC		
D	P-21486	Bolt, Carriage 3/8 NC x 4.0 lg.		
E	P-18669	Nut, Lock 3/8 NC		
F	P-18690	Nut, Lock 5/16 NC		
G	P-30278	Bolt, Flange 5/16 x 3/4 lg.		
H	P-18597	Washer, Flat 11/32 I.D.		

WHEELS, CASTERS & WHEEL LOCKS

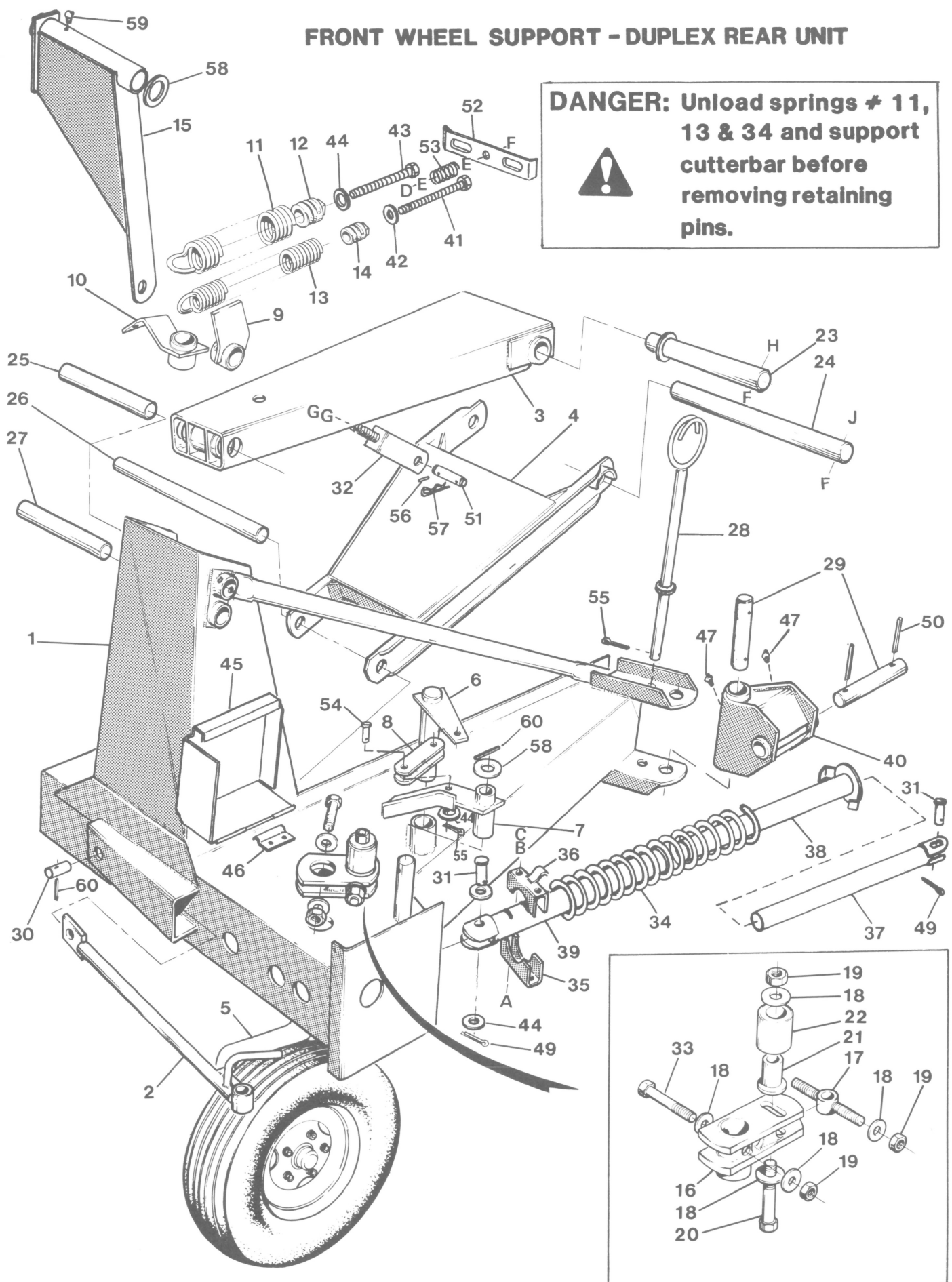


WHEELS, CASTERS & WHEEL LOCKS

REF.	PART NO.	DESCRIPTION	QTY.	SERIAL NUMBER
1	K-29776-1	Housing, Lock	1	
2	K-29019-1	Bearing, Nylon Thrust	1	
3	K-29786-1	Bearing Thrust	1	
4	K-29788-1	Lock	1	
5	K-29798-1	Dog, L/H Lock	1	
6	K-29027-1	Spring, Compression	1	
7	K-29794-1	Eyebolt	2	
8	K-29713-1	Handle (for machines up to Ser. no. 56152 also order K-29678-1 Hose Assy., pg. 5.1)	1	
9	K-29888-1	Lockplate	1	
10	K-31453-1	Bushing	2	
11	K-29894-1	Pin, Left Wheel	1	
12	K-29805-1	Caster, Left Wheel	1	
13	P-7910	Cone, Bearing c/w Seal	2	
14	P-21686	Hub c/w Bearing Cups	2	
15	P-7900	Cup, Inner Bearing	2	
16	P-7909	Cup, Outer Bearing	2	
17	P-7920	Cone, Bearing	2	
18	P-18601	Washer, Flat 13/16 I.D.	2	
19	P-5512	Nut, Slotted Hex 3/4 NF	2	
20	P-18648	Pin, Cotter 3/16 dia. x 1 1/4 lg.	2	
21	P-21687	Cap, dust	2	
22	P-21685	Wheel, 5-Bolt	2	
23	P-21313	Tire, Tubeless 8.5L 14(Rib Implement 4-ply)	2	
24	P-21395	Valve, Tire	2	
25	P-193	Bolt, Wheel 1/2 NF x 3/4 lg.	10	
26	K-29807-1	Washer, Wheel Bolt (required on L/H Wheel of front duplex unit only)	5	
27	K-29809-1	Caster, Right Wheel	1	
28	K-29818-1	Spindle Weld't., R/H Wheel	1	
29	K-29823-1	Bushing, Retainer	1	
30	K-29836-1	Clevis Weld't.	1	-56152
	K-29839-1	Clevis Weld't.	1	56153-
31	K-29841-1	Pin, Clevis	1	
32	P-13125	Pin, Hair WW#10	1	
33	K-29785-1	Bracket, Lamp (single unit)	1	
34	K-15325-1	Washer	2	
A	P-18593	Nut, Hex 3/4 NC		
B	P-21568	Capscrew, Hex Hd. 3/8 NC x 3.0 lg.		
C	P-18669	Nut, Lock 3/8 NC Distorted Thread		
D	P-21565	Capscrew, Hex Hd. 1/2 NC x 1 3/4 lg.		
E	P-21383	Nut, Flange 1/2 NC		
F	P-18599	Washer, Flat 17/32 I.D.		
G	P-18697	Nut, Lock 1/2 NC		
H	P-21760	Capscrew, Hex Hd. 1/2 NC x 2 1/2 lg.		
J	P-18690	Nut, Lock 5/16 NC		
K	P-21526	Capscrew, Hex Hd. 5/16 NC x 1 1/4 lg.		

FRONT WHEEL SUPPORT - DUPLEX REAR UNIT

DANGER: Unload springs # 11, 13 & 34 and support cutterbar before removing retaining pins.

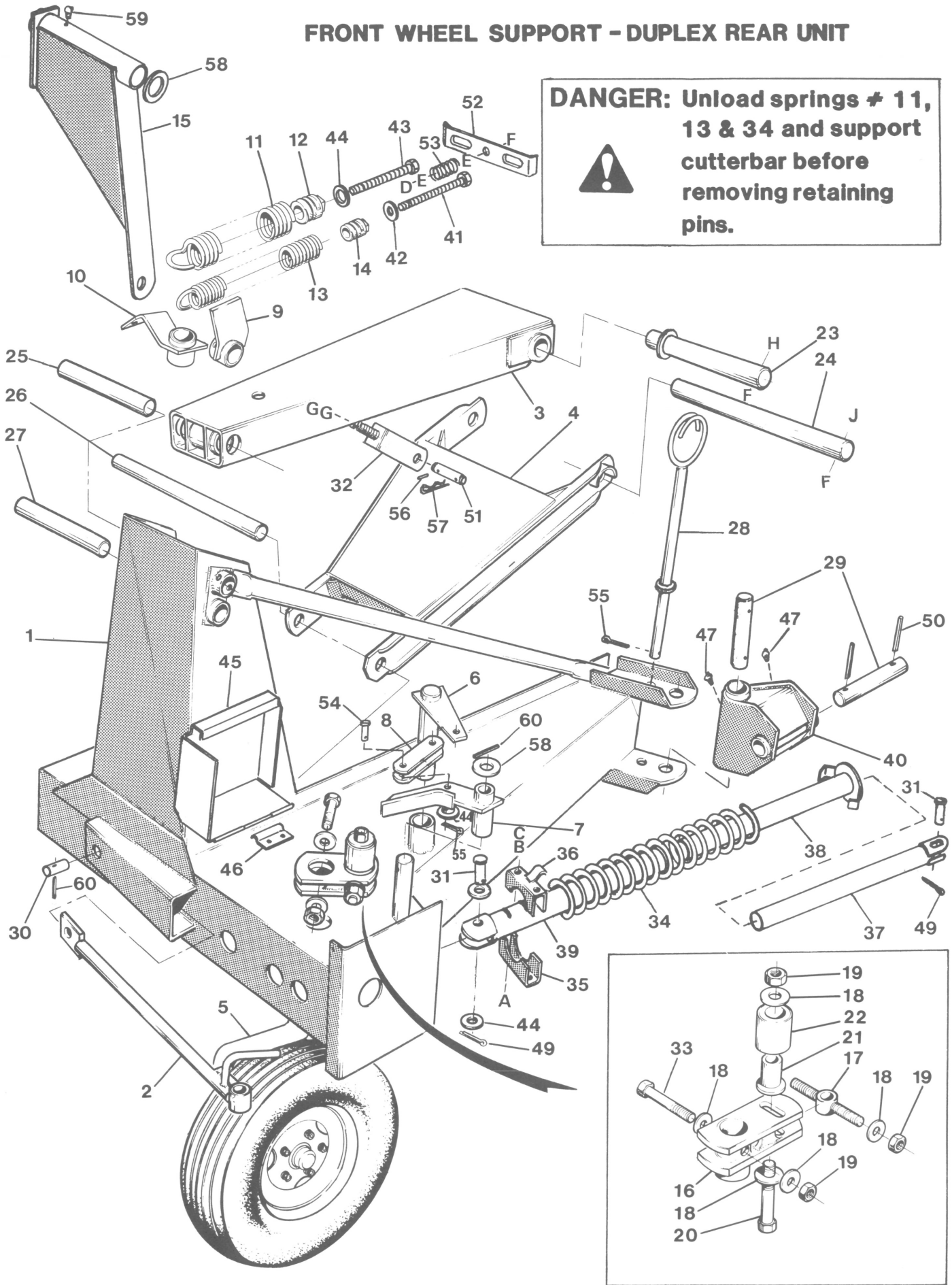


FRONT WHEEL SUPPORT-DUPLEX REAR UNIT

REF.	PART NO.	DESCRIPTION	QTY.	SERIAL NUMBER
1	K-31294-1	Support, Front Wheel	1	
2	K-31420-1	Shaft	1	
3	K-31460-1	Link, Upper	1	-56152
	K-31965-1	Link, Upper	1	56153-
4	K-31366-1	Link, Lower	1	-56152
	K-31365-1	Link, Lower	1	56153-
5	K-31512-1	Caster/Spindle(for wheel & hub components, see Page 1.3)	1	
6	K-31380-1	Arm	1	
7	K-31396-1	Cam	1	
8	K-31402-1	Link	1	
9	K-31390-1	Arm, Release	1	
10	K-31385-1	Arm, Spring	1	
11	K-29005-1	Spring	1	
12	K-29006-1	Insert, Spring	1	
13	K-29004-1	Spring	1	
14	K-20497-1	Insert, Spring	1	
15	K-31412-1	Arm, Cylinder	1	
16	K-31434-1	Crank	1	
17	K-31440-1	Adjuster	1	
18	K-22072-1	Washer	4	
19	P-18666	Nut, Lock 5/8 NC	3	
20	P-21720	Capscrew, Hex Hd. 5/8 NC x 4.5 lg.	1	
21	K-31445-1	Bearing	1	
22	K-31450-2	Roller, c/w Bronze Bushing	1	
23	K-31478-1	Pin, Upper Link, Rear	1	
24	K-31395-1	Pin, Lower Link, Rear	1	
25	K-31481-1	Pin, Upper Link, Front	1	
26	K-31394-1	Pin, Lower Link, Front	1	
27	K-31416-1	Pin, Cylinder Arm	1	
28	K-29861-1	Support Hose	1	
29	K-31865-1	Pin, Duplex Hitch	2	
30	K-31430-1	Pin, Tension Link	1	
31	P-20312	Pin, Clevis	2	
32	K-29533-1	Clevis	1	
33	P-19634	Capscrew, Hex Hd. 5/8 NC x 4.0 lg.	1	
34	K-18611-1	Spring	1	
35	K-31770-1	Clamp (clip extends 30 mm past clamp side)	1	
36	K-31771-1	Clamp (clip extends 20 mm past clamp side)	1	
37	K-31764-1	Tube, Inner	1	
38	K-31752-1	Tube, Spring Clamp	1	
39	K-31758-1	Tube, Outer	1	
40	K-31742-1	Clevis, Rear Duplex Hitch (c/w Grease fittings)	1	
41	K-29558-1	Bolt, Adjusting	1	
42	P-30441	Washer, 21/32 I.D.	1	
43	K-31431-1	Bolt, Adjusting	1	
44	P-21540	Washer, 13/16 I.D.	5	
45	K-31454-1	Shield, Front Wheel	1	
46	K-31336-1	Hinge, Shield	1	
47	P-18671	Fitting, Grease, Straight	2	
48				
49	P-18607	Pin, Cotter 5/32 dia. x 1 1/2 lg.	2	

FRONT WHEEL SUPPORT - DUPLEX REAR UNIT

DANGER: Unload springs # 11, 13 & 34 and support cutterbar before removing retaining pins.



FRONT WHEEL SUPPORT - DUPLEX REAR UNIT

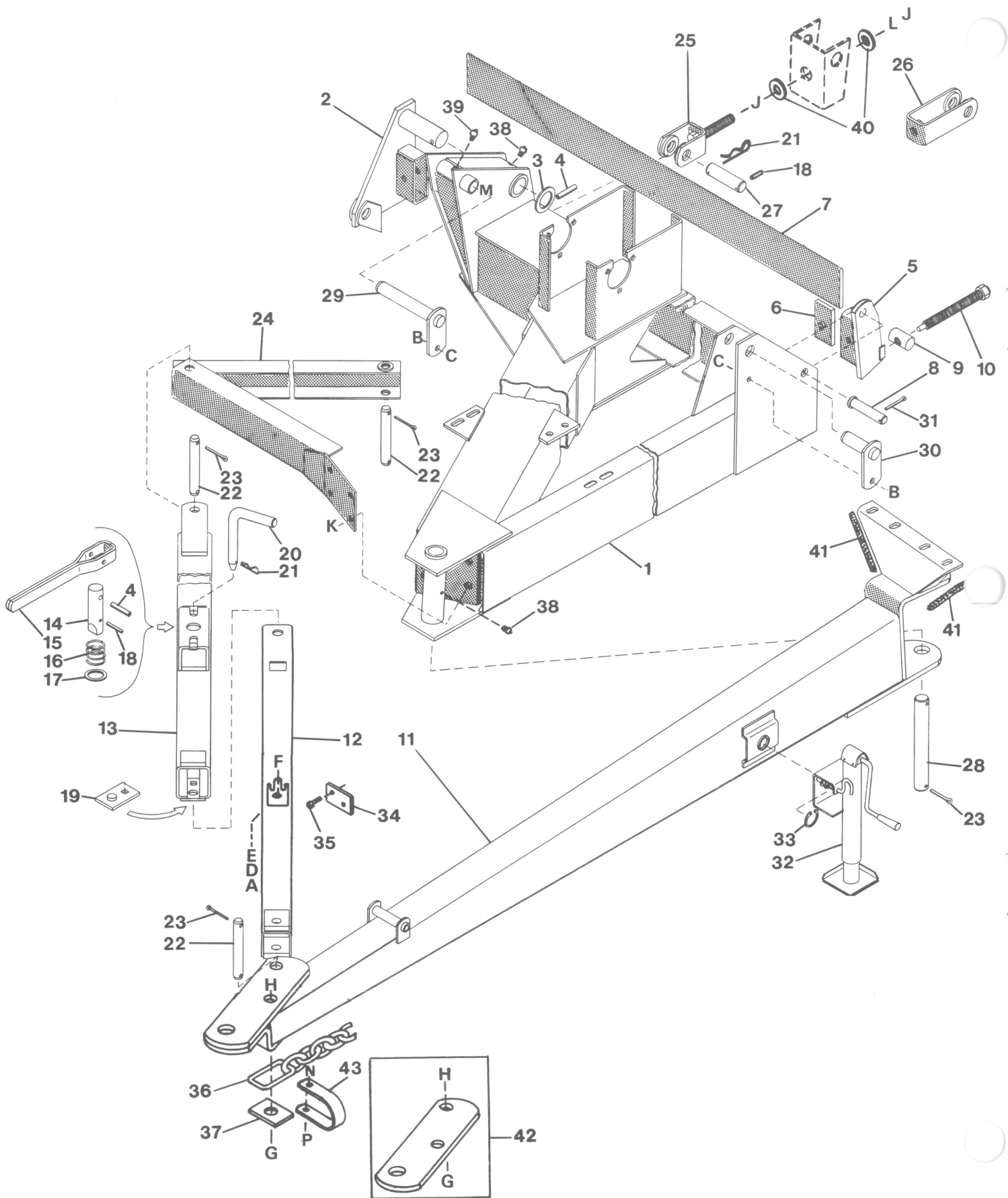
REF.	PART NO.	DESCRIPTION	QTY.	SERIAL NUMBER
50	P-30061	Pin, Roll 3/8 dia. x 2.0 lg.	4	
51	K-31492-1	Pin, Safety Link	2	
52	K-31328-1	Lock, Spring Bolt	1	56153-
53	K-18349-1	Spring	1	56153-
54	P-11814	Pin, Clevis 3/4 dia. x 1 1/8 lg.	2	
55	P-18609	Pin, Cotter 1/4 dia. x 2.0 lg.	3	
56	P-2146	Pin, Roll 1/4 dia. x 1 3/4 lg.	1	
57	P-13125	Pin, Hair WW#10	1	
58	P-18603	Washer, Flat 1 1/16 I.D	2	
59	P-21010	Fitting, Grease, 90 degree	1	
60	P-2147	Pin, Roll 1/4 dia. x 1 1/2 lg.	2	
A	P-30209	Capscrew, Hex Hd. 1/2 NC x 4 1/2 lg.		
B	P-18638	Washer, Lock 1/2 Nom. I.D.		
C	P-18591	Nut, Hex 1/2 NC		
D	P-21592	Capscrew, Hex Hd. 3/8 NC x 3 1/2 Lg.		
E	P-18598	Washer, Flat 3/8 I.D.		
F	P-18669	Nut, Lock 3/8 NC Distorted Thread		
G	P-18593	Nut, Hex 3/4 NC		
H	P-21102	Capscrew, Hex Hd. 3/8 NC x 2 1/2 lg.		
J	P-21354	Capscrew, Hex Hd. 3/8 NC x 2.0 lg.		

SECTION TWO

CONTENTS

MAIN HITCH GROUP (front)	2.1
DUPLEX HITCH GROUP (front section) - - - - -	2.2
DUPLEX HITCH GROUP (rear section) - - - - -	2.3

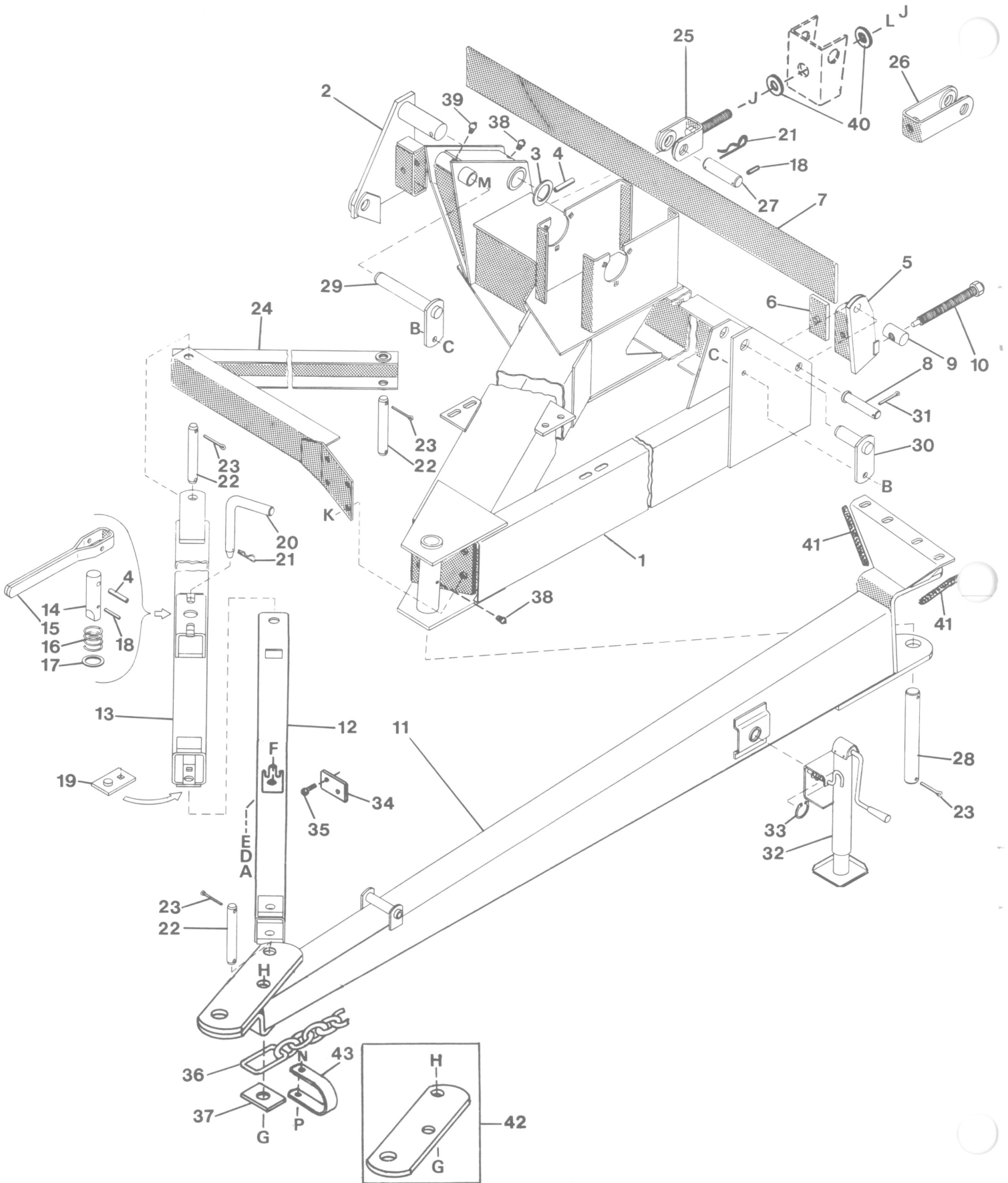
MAIN HITCH GROUP (front)



MAIN HITCH GROUP (front)

REF.	PART NO.	DESCRIPTION	QTY.	SERIAL NUMBER
1	K-29500-1	Hitch Weld't.	1	
2	K-29536-1	Pivot, Cylinder	1	
3	K-31145-1	Washer	1	
4	P-30061	Pin, Roll 3/8 dia. x 2.0 lg.	2	
5	K-29543-1	Pivot, Spring	1	
6	K-29550-1	Spacer (none on 30')	2	
7	K-29003-1	Spring, Float (qty. 3 on 30')	2	
8	P-20312	Pin, Clevis 3/4 dia. x 3 1/4 lg.	1	
9	K-29555-1	Nut	1	
10	K-29556-1	Bolt, Adjusting	1	
11	K-29568-1	Hitch, Front Weld't	1	-56152
	K-29585-1	Hitch, Front Weld't.	1	56153-
12	K-29607-1	Hitch, Inside Channel	1	
13	K-29620-1	Hitch, Outside Channel	1	
14	K-29638-1	Pin, Lock	1	
15	K-29639-1	Lever	1	
16	K-29020-1	Spring, Compression	1	
17	K-11460-1	Washer	1	
18	P-2146	Pin, Roll 1/4 dia. x 1 3/4 lg.(for machines up to Ser. no. 56152 ,quantity is 4)	2	
19	K-29642-1	Plate - Pin	1	
20	K-29646-1	Pin, Securing	1	
21	P-13125	Pin, Hair WW#10	2	
22	K-29647-1	Pin, Hitch	3	
23	P-18609	Pin, Cotter 1/4 dia. x 2.0 lg.	10	
24	K-29708-1	Brace, Rear Hitch	1	
25	K-31482-1	Clevis, Male (header lock)	1	-56152
	K-29533-1	Clevis (header lock)	1	56153-
26	K-31488-1	Clevis, Female (header lock)	1	-56152
27	K-31492-1	Pin, Safety Link (qty. 2 up to serial no. 56152)	1	
28	K-29648-1	Pin, Hitch	1	
29	K-29652-1	Pin, R/H Hitch	1	
30	K-29657-1	Pin, L/H Hitch	1	
31	P-18607	Pin, Cotter	1	
32	P-21795	Jack	1	
33	P-30243	Snap-ring	1	
34	K-29612-1	Bar, Flat	1	-56152
35	P-21354	Bolt, Shear 3/8 NC x 2.0 lg. Gr. 5	2	-56152
36	P-21404	Chain, Safety	1	
37	K-29467-1	Washer	1	
38	P-18671	Fitting, Grease, Straight	2	
39	P-21010	Fitting, Grease, 90 degree	1	
40	K-16235-1	Washer	2	
41	K-31889-1	Edge Trim (duplex units only)	2	
42	K-29247-2	Hitch Plate Kit (includes plate and 1 each of items A & B)	OPT	
43	K-29598-1	Clevis	1	
A	P-18591	Nut, Hex 1/2 NC		
B	P-18697	Nut, Lock 1/2 NC Distorted Thread		
C	P-18723	Capscrew, Hex Hd. 1/2 NC x 1 1/2 lg.		

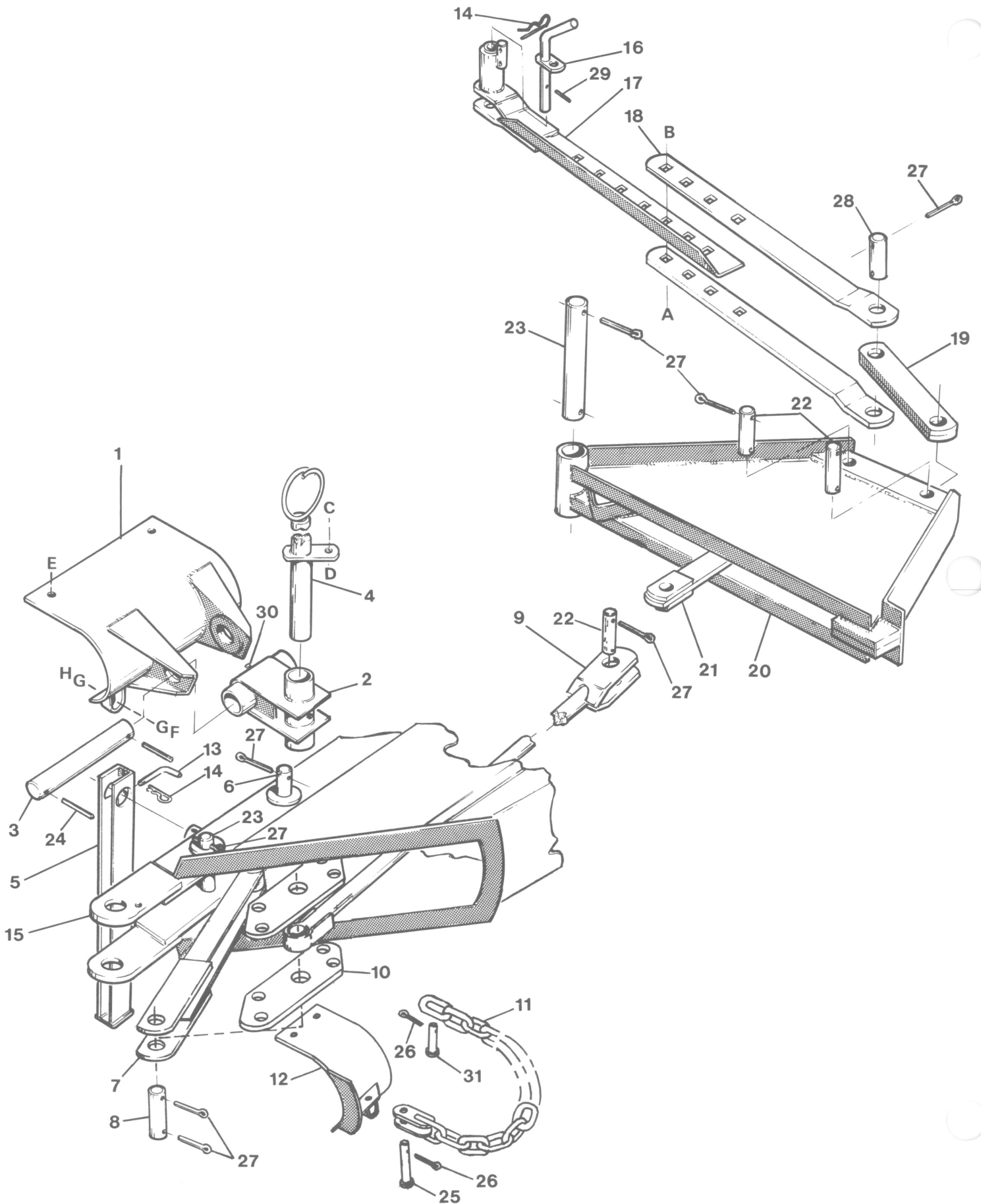
MAIN HITCH GROUP (front)



MAIN HITCH GROUP (front)

REF.	PART NO.	DESCRIPTION	QTY.	SERIAL NUMBER
D	P-18638	Washer, Lock 1/2 Nom. I.D.		
E	P-18599	Washer, Flat 17/32 I.D.		
F	P-30416	Bolt, Sq. Hd. 1/2 NC x 1 3/4 lg. Grade 2		
G	P-30387	Capscrew, Hex Hd. 3/4 NC x 6 1/2 lg.		
H	P-18689	Nut, Lock 3/4 NC Distorted Thread		
J	P-18593	Nut, Hex 3/4 NC		
K	P-21449	Bolt, Flange 1/2 NC x 1.0 lg.		
L	P-18640	Washer, Lock 3/4 Nom I.D.		
M	P-18603	Washer, Flat 1 1/16 I.D.		
N	P-21406	Capscrew, Hex Hd. 5/8 NC x 3 1/2 lg.		
P	P-18666	Nut, Lock 5/8 N/C		

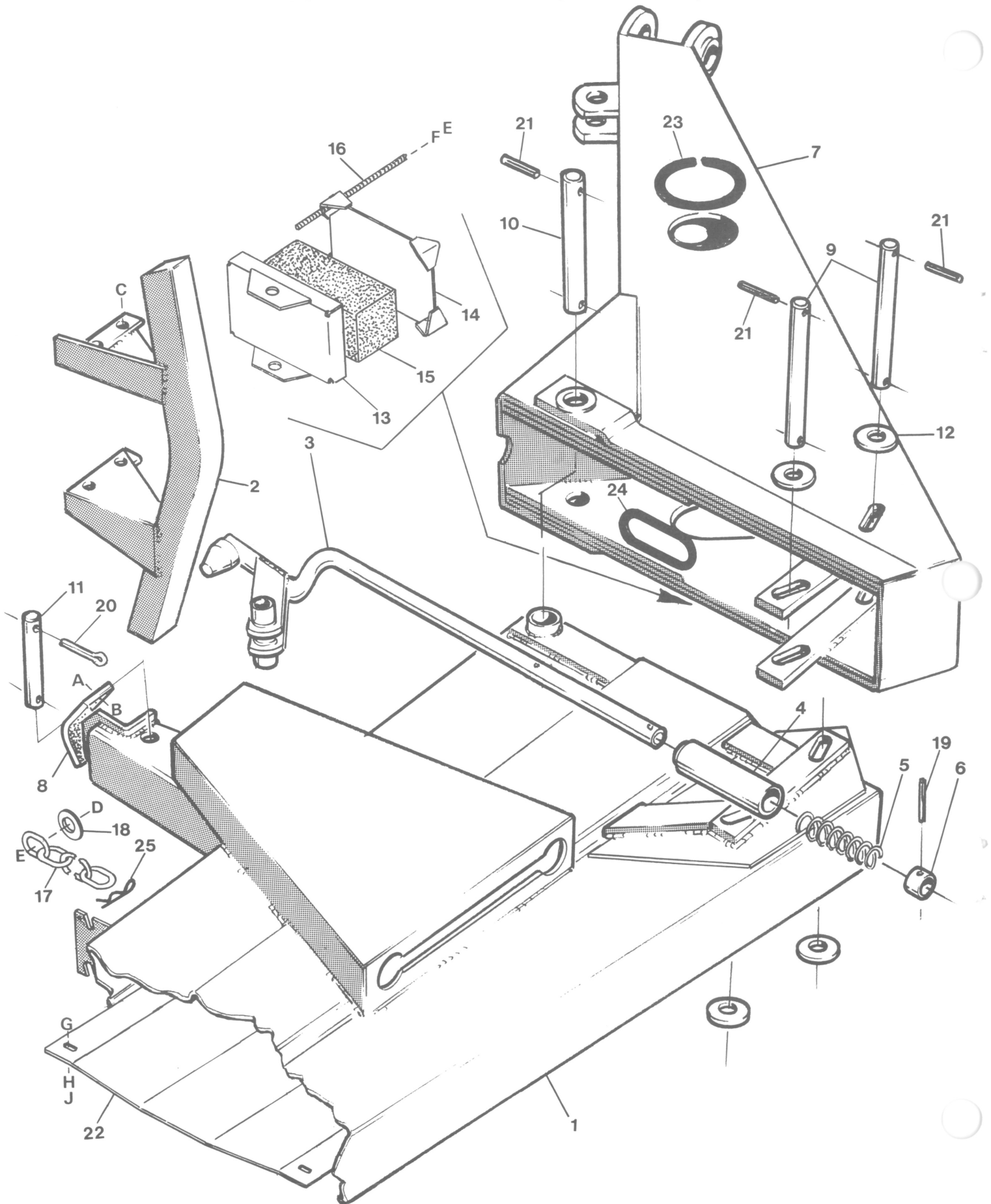
DUPLEX HITCH GROUP (front section)



DUPLEX HITCH GROUP (front section)

REF.	PART NO.	DESCRIPTION	QTY.	SERIAL NUMBER
1	K-29845-1	Bracket, Hitch	1	
2	K-29850-1	Clevis, Front c/w Grease Fittings	1	
3	K-31858-1	Pin	1	
4	K-29862-1	Support, Pin	1	
5	K-31896-1	Stand, Hitch	1	
6	K-31851-1	Pin	1	
7	K-31636-1	Arm, Radius	1	
8	K-31492-1	Pin	1	
9	K-31684-1	Link (for machines up to Ser. no. 56152, also order items 17 & 19)	1	
10	K-31490-1	Plate	2	
11	K-31514-1	Chain (for machines up to Ser. no. 56152, also order items 7 (qty.1) & 10 (qty.2)	1	
12	K-29868-1	Anchor, Chain	1	-56152
	K-29956-1	Anchor, Chain	1	56153-
13	K-24425-1	Pin, Retaining	1	
14	P-13125	Pin, Hair WW#10	2	
15	K-31870-1	Hitch, Telescoping	1	
16	K-31688-1	Pin	1	
17	K-31692-1	Link, Tension (for machines up to Serial no. 56152, also order items 9 & 19)	1	
18	K-31694-1	Bar, Rear Tension	2	
19	K-31691-1	Bar (for machines up to Ser. no. 56152, also order items 9 & 17)	2	
20	K-31660-1	Bell-crank, Rear	1	
21	K-31646-1	Link, Bell-crank	1	
22	K-31860-1	Pin	3	
23	K-31857-1	Pin	2	
24	P-30061	Pin, Roll 3/8 dia. x 2.0 lg.	2	
25	P-18627	Pin, Clevis 3/4 dia. x 2 1/2 lg.	1	
26	P-18607	Pin, Cotter 5/32 dia. x 1 1/2 lg.	1	
27	P-18609	Pin, Cotter 1/4 dia. x 2.0 lg.	A/R	
28	K-31856-1	Pin	1	
29	P-13617	Pin, Roll 3/16 dia. x 1 1/4 lg.	1	
30	P-18671	Fitting, Grease, Straight	2	
31	P-18626	Pin, Clevis 3/4 dia. 1 3/4 lg.	1	
A	P-21471	Bolt, Carriage 1/2 NC x 1 1/4 lg.		
B	P-21383	Nut, Flange 1/2 NC		
C	P-20077	Capscrew, Hex Hd. 3/8 NC x 1.0 lg.		
D	P-18669	Nut, Lock 3/8 NC Distorted Thread		
E	P-21449	Bolt, Flange 1/2 NC x 1.0 lg.		
F	P-30267	Capscrew, Hex Hd. 1/2 NC x 6.0 lg.		
G	P-18599	Washer, Flat 17/32 I.D.		
H	P-18697	Nut, Lock 1/2 NC Distorted Thread		

DUPLEX HITCH GROUP (rear section)



DUPLEX HITCH GROUP (rear section)

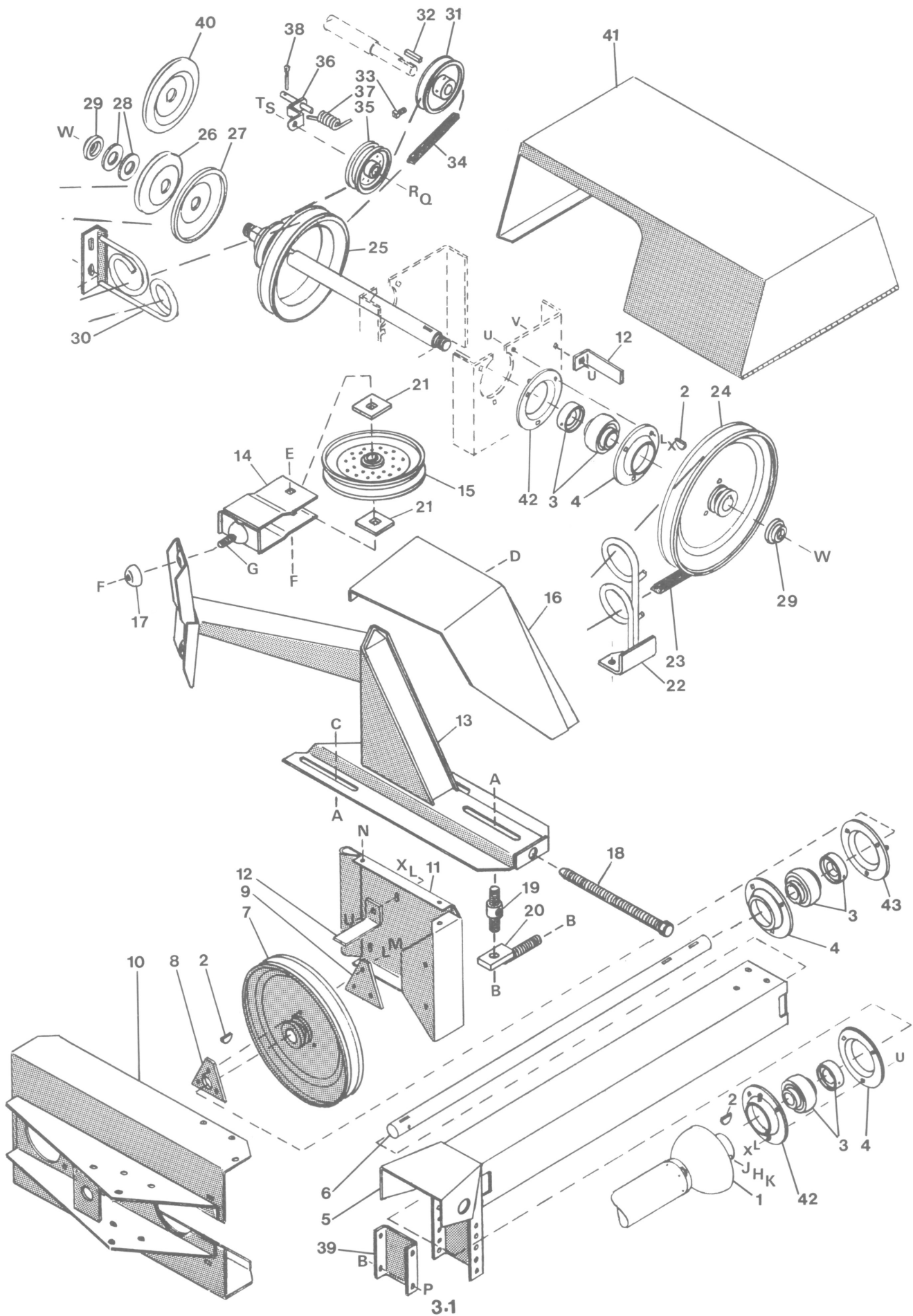
REF.	PART NO.	DESCRIPTION	QTY.	SERIAL NUMBER
1	K-31600-1	Hitch, Duplex	1	
2	K-29878-1	Bracket	1	
3	K-31698-1	Handle	1	-56152
	K-31670-1	Handle	1	56153-
4	K-31706-1	Handle	1	
5	K-29028-1	Spring	1	
6	K-31710-1	Sleeve	2	
7	K-31726-1	Hitch, Duplex Rear	1	
8	K-31724-1	Bumper, Rubber	1	-56152
	K-31675-1	Bumper, Rubber	1	56153-
9	K-31859-1	Pin	2	
10	K-31866-1	Pin	1	
11	K-31852-1	Pin	1	
12	K-31774-1	Washer, Hardened	4	
13	K-31713-1	Base, Rubber Blocks	2	
14	K-31718-1	Mid-Plate	3	
15	K-29022-1	Block, Rubber	4	
16	K-31723-1	Rod, Threaded	4	
17	K-31955-1	Chain, Safety	1	
18	K-4761-1	Washer	1	
19	P-16266	Pin, Roll 1/4 dia. x 1 1/4 lg.	2	
20	P-18609	Pin, Cotter 1/4 dia. x 2.0 lg.	2	
21	P-30061	Pin, Roll 3/8 dia. x 2.0 lg.	6	
22	K-31634-1	Shield	1	
23	K-31887-1	Trim, Edge	1	
24	K-31888-1	Trim, Edge	1	
25	P-13125	Pin, Hair WW#10	1	
A	P-19966	Bolt, Carriage 3/8 NC x 1 1/4 lg.		
B	P-18669	Nut, Lock 3/8 NC distorted Thread		
C	P-21449	Bolt, Flange 1/2 NC x 1.0 lg.		
D	P-18723	Capscrew, Hex Hd. 1/2 NC x 1 1/2 lg.		
E	P-18697	Nut, Lock 1/2 NC		
F	P-18599	Washer, Flat 17/32 I.D.		
G	P-21473	Bolt, Carriage 5/16 NC x 1 1/4 lg.		
H	P-18636	Washer, Lock 5/16 Nom. I.D.		
J	P-18589	Nut, Hex 5/16 NC		

SECTION THREE

CONTENTS

MAIN DRIVES (single) , PTO components . . .	3.1
MAIN DRIVES (duplex front) - - - - -	3.2
MAIN DRIVES (duplex rear) - - - - -	3.3
KNIFE DRIVE (single unit or duplex front) - - -	3.4
KNIFE DRIVE (duplex rear) - - - - -	3.5
DRAPER DRIVES - - - - -	3.6
REEL DRIVE & SUPPORT ARMS - - - - -	3.7

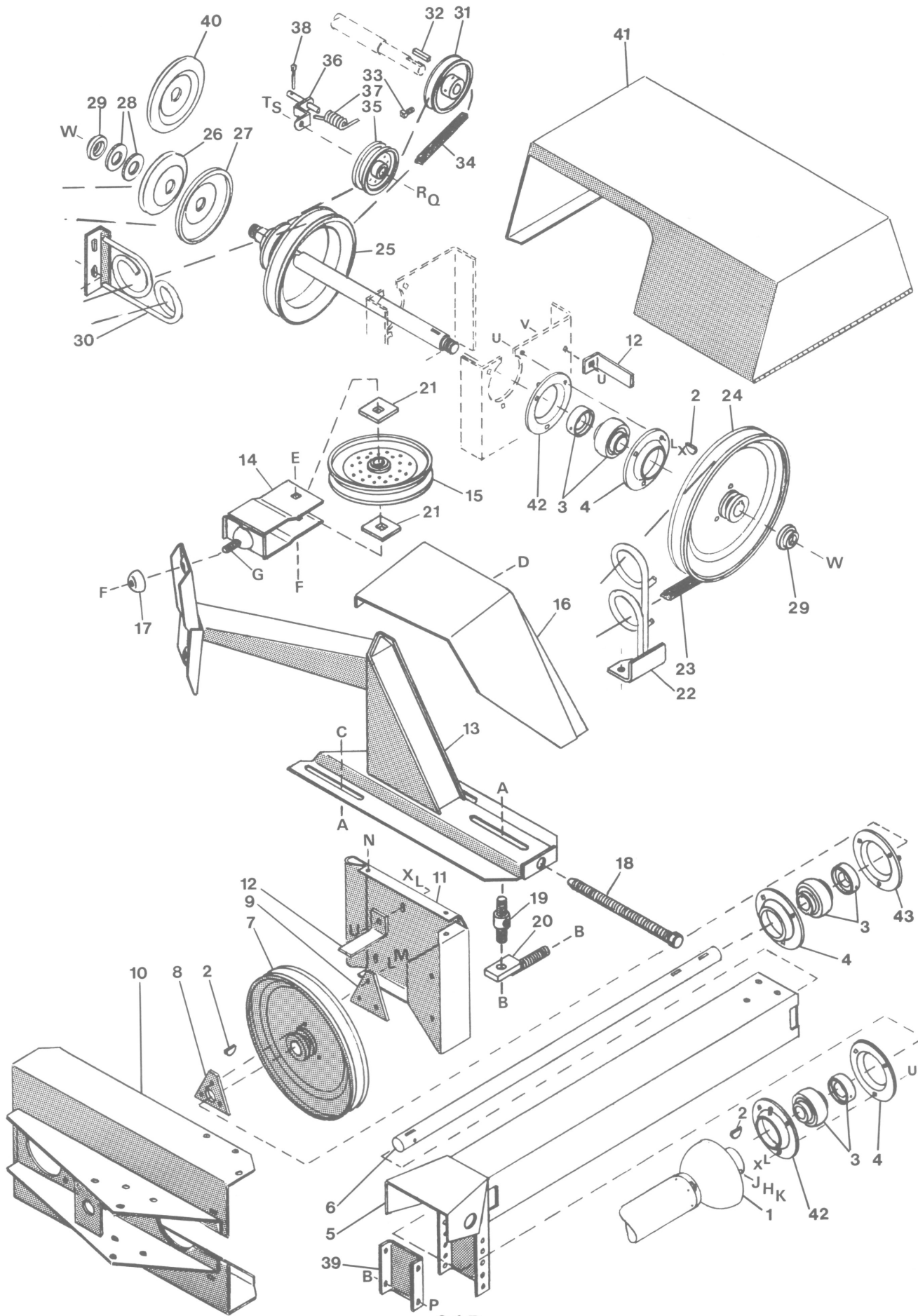
MAIN DRIVES (single)



MAIN DRIVES (single)

REF.	PART NO.	DESCRIPTION	QTY.	SERIAL NUMBER
1		Shaft Assy. P.T.O. - see Page 3.1D for components		
2	P-11142	Key, Woodruff SAE #C	3	
3	P-21859	Bearing, c/w Lock Collar	4	
4	P-7701	Flangette, (Triangular shape optional)	4	
5	K-29580-1	Frame, Drive	1	
6	K-29588-1	Shaft	1	
7	K-29902-1	Pulley, for 540 RPM PTO (approx. 12 1/2" (320 mm) O.D.)	1	
	K-29901-1	Pulley, for 1000 RPM PTO (approx. 9 1/2" (240 mm) O.D.)	1	
8	K-29903-1	Plate	1	
9	K-29905-1	Plate	1	
10	K-29590-1	Shield, Drive	1	
11	K-29702-1	Shield	1	
12	K-29706-1	Guide, Belt	3	
13	K-29731-1	Mount, Mule Drive Idler	1	
14	K-29723-1	Bracket, Swivel Idler	2	
15	P-21794	Pulley Idler	2	
16	K-29704-1	Shield, Mule Idler	1	
17	K-29742-1	Washer, Formed	2	
18	K-29016-1	Bolt	1	
19	K-29700-1	Nut, Machined	1	
20	K-29726-1	Eyebolt	1	
21	K-22051-1	Washer	4	
22	K-29755-1	Guide, Belt	1	
23	K-29695-1	Belt, Main Drive	1	
24	K-29901-1	Pulley, for 540 RPM PTO (approx. 9 1/2" (240 mm) O.D.)	1	
	K-29902-1	Pulley for 1000 RPM PTO (approx. 12 1/2" (320 mm) O.D.)	1	
25	K-29010-1	Shaft - Pulley Assy.	1	
26	K-29560-1	Pulley Half (5" (127 mm) O.D.)-see note, item 40	1	
27	K-29561-1	Pulley Half (6 3/8" (162 mm) O.D.)	1	
28	K-19681-1	Shim	6	
29	K-29564-1	Washers, Weld't.	2	
30	K-29385-1	Guide, Belt	1	
31	K-9128-1	Pulley	1	
32	K-334-1	Key 1/4 sq. x 1.5 lg.	1	
33	P-18585	Screw, Set 3/8 NC x 1/2 lg. Allan Socket	2	
34	K-29916-1	Belt, Draper Countershaft Drive	1	
35	P-21263	Idler, Flat	1	
36	K-29632-1	Bracket, Idler	1	
37	K-29033-1	Spring, Torsion	1	
38	P-18608	Pin, Cotter	1	
39	K-29055-1	Bracket, Drive Frame Support	1	
40	K-31876-1	Pulley Half (6 3/8" (162 mm) O.D.)	1	
		NOTE: Items 40 & 26 may be interchanged to vary reel speed. Store pulley half not in use under cover, Item 41)		
41	K-29959-2	Cover c/w Decal	1	

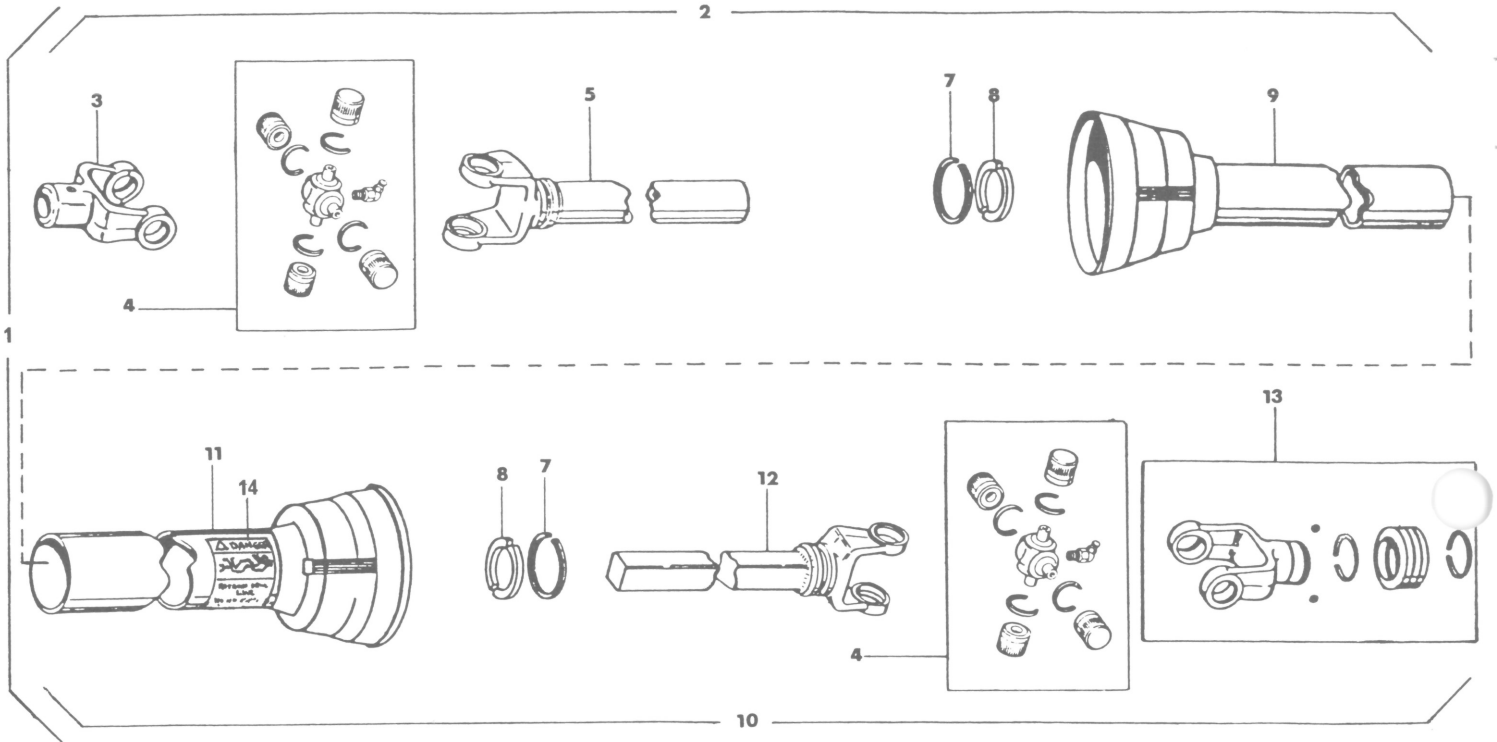
MAIN DRIVES (single)



MAIN DRIVES (single)

REF.	PART NO.	DESCRIPTION	QTY.	SERIAL NUMBER
42	P-21860	Flangette, Regreasable c/w Straight Grease Fitting	1	
43	P-30362	Flangette, Regreasable c/w 45-degree Grease Fitting	1	
A	P-21383	Nut, Flange 1/2 NC		
B	P-18697	Nut, Lock 1/2 NC Distorted Thread		
C	P-21449	Bolt, Flange 1/2 NC x 1.0 lg.		
D	P-21821	Bolt, Flange 3/8 NC x 3/4 lg.		
E	P-18525	Bolt, Carriage 5/8 NC x 2 1/2 lg.		
F	P-18666	Nut, Lock 5/8 NC Distorted Thread		
G	P-30415	Bolt, Plow 5/8 NC x 2.0 lg.		
H	P-18636	Washer, Lock 5/16 Nom. I.D.		
J	P-18589	Nut, Hex 5/16 NC		
K	P-21595	Capscrew, Hex Hd. 5/16 NC x 3.0 lg.		
L	P-18637	Washer, Lock 3/8 Nom. I.D.		
M	P-30035	Capscrew, Hex Hd. 3/8 NC x 2 3/4 lg.		
N	P-21393	Bolt, Flange 5/16 NC x 5/8 lg.		
P	P-30267	Capscrew, Hex Hd. 1/2 NC x 6.0 lg.		
Q	P-21576	Capscrew, Hex Hd. 1/2 NC x 2.0 lg.		
R	P-18599	Washer, Flat 17/32 I.D.		
S	P-18638	Washer, Lock 1/2 Nom. I.D.		
T	P-18591	Nut, Hex 1/2 NC		
U	P-19965	Bolt, Carriage 3/8 NC x 1.0 lg.		
V	P-21452	Nut, Flange 3/8 NC		
W	P-18689	Nut, Lock 3/4 NC		
X	P-18590	Nut, Hex 3/8 NC		

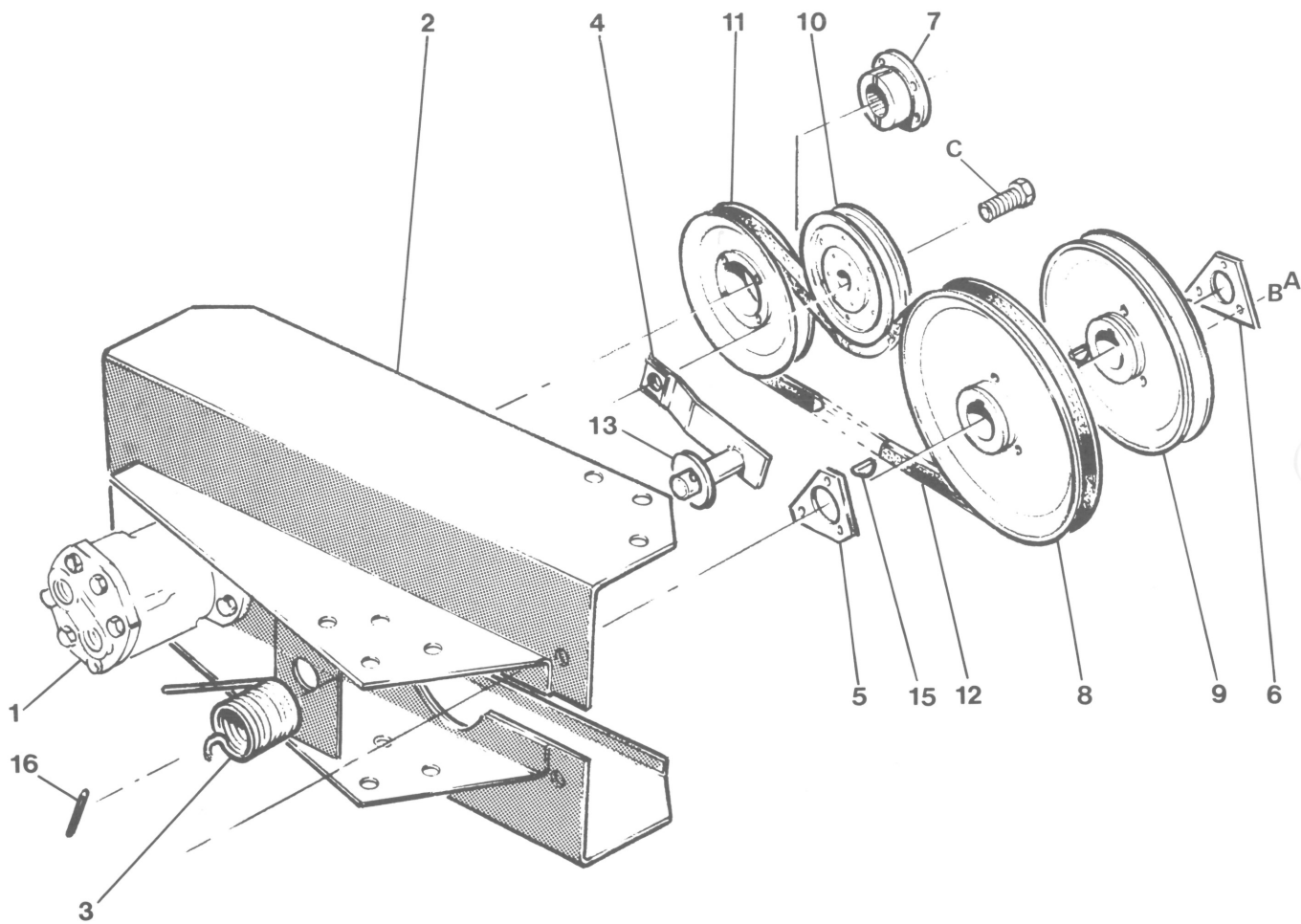
MAIN DRIVES (single) (P.T.O. SHAFT ASSEMBLY)



**MAIN DRIVES
PTO SHAFT ASSEMBLY**

REF.	PART NO.	DESCRIPTION	QTY.	SERIAL NUMBER
1	K-29911-2	Shaft Assy. PTO, 540 RPM	1	
	K-29912-2	Shaft Assy. PTO, 1000 RPM	1	
2	K-29950-2	Joint & Tube Half c/w Guard (Rear Half)	1	
3	P-30330	Yoke, End	1	
4	P-30321	Kit, Repair	2	
5	P-30327	Yoke & Tube	1	
6				
7	P-30323	Retainer, Bearing	2	
8	P-30322	Bearing, Nylon	2	
9	P-30328	Guard, Inner	1	
10	K-29951-2	Joint & Shaft Half c/w Guard (Front Half), 540 RPM	1	
	K-29913-2	Joint & Shaft Half c/w Guard (Front Half), 1000 RPM	1	
11	P-30318	Guard, Outer	1	
12	P-30317	Yoke & Shaft	1	
13	P-30319	Lock Yoke Assy., 540 RPM	1	
	P-30324	Lock Yoke Assy., 1000 RPM	1	
14	P-30316	Decal, Danger	1	
	K-29197-2	Kit, Conversion 540 RPM to 1000 RPM (includes P-30324 (item 13), caution decal and instructions).		
	K-29172-2	Kit, Conversion 1000 RPM to 540 RPM (includes P-30319 (item 13), caution decal and instructions).		

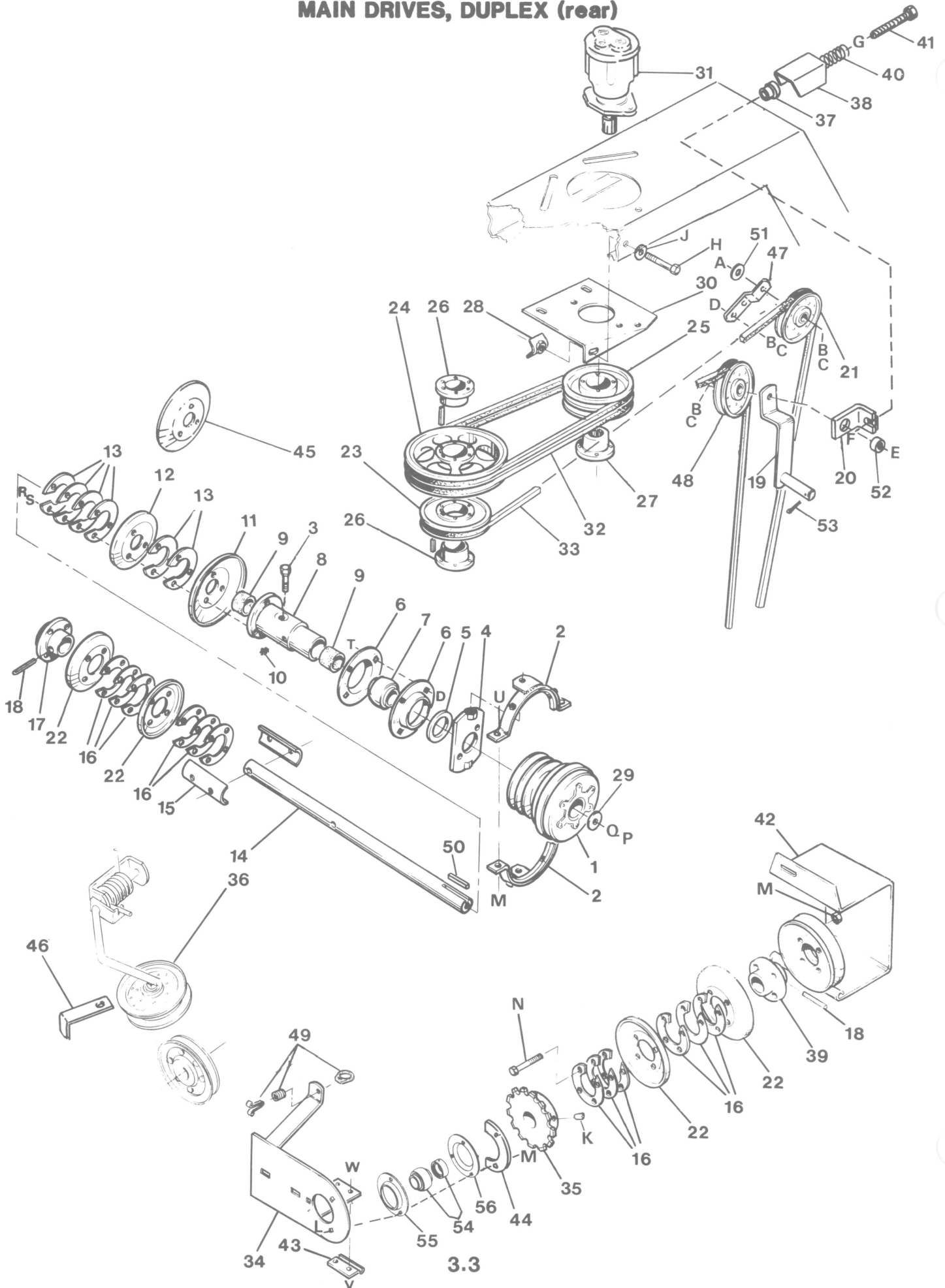
MAIN DRIVES, DUPLEX (front)



MAIN DRIVES , DUPLEX (front)

REF.	PART NO.	DESCRIPTION	QTY.	SERIAL NUMBER
1		Pump, Hydraulic See Page 5.3		
2		Shield, Drive See Page 3.1		
3	K-29023-1	Spring, Torsion	1	-56152
	K-29120-1	Spring, Torsion	1	56153-
4	K-29600-1	Arm, Idler	1	
5	K-29903-1	Plate	1	
6	K-29904-1	Plate	1	
7	K-29032-1	Bushing, Splined	1	
8	K-29902-1	Pulley (approx. 12 1/2" (320 mm) O.D.)	1	
9	K-29901-1	Pulley (approx. 9 1/2 (240 mm) O.D.)	1	
10	P-21020	Idler, Back-side	1	
11	K-29012-1	Pulley	1	
12	K-9517-1	Belt	1	
13	K-1709-1	Washer	1	
14				
15	P-11142	Key, Woodruff	2	
16	P-4199	Pin, Roll	1	
NOTE: For remainder of main Drive, See Main Drives (Single), Page 3.1.				
A	P-21596	Capscrew, Hex Hd. 3/8 NC x 5.0 lg.		
B	P-18637	Washer, Lock 3/8 Nom. I.D.		
C	P-18723	Capscrew, Hex Hd. 1/2 NC x 1 1/2 lg.		

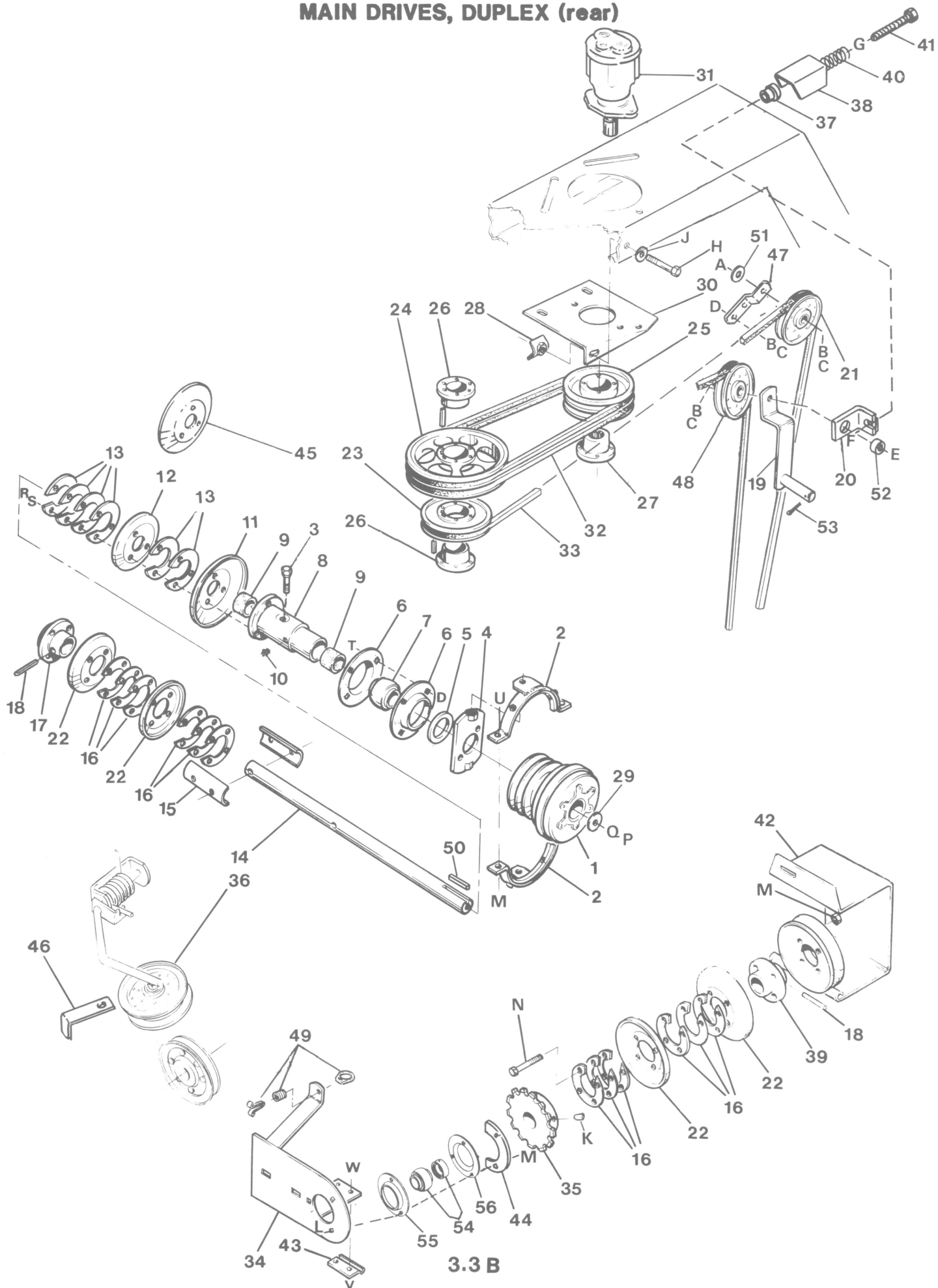
MAIN DRIVES, DUPLEX (rear)



MAIN DRIVES, DUPLEX (rear)

REF.	PART NO.	DESCRIPTION	QTY.	SERIAL NUMBER
1	K-29008-1	Clutch	1	
2	K-31151-1	Strap Assy.	2	
3	K-31150-1	Bolt, Drive	2	
4	K-31146-1	Plate	1	
5	K-31145-1	Spacer	1	
6	P-9211	Flangette, 4-hole	2	
7	P-30257	Bearing	1	
	K-31144-2	Spool, c/w Bronze Bushings & Grease		
8		Fitting	1	
9	P-5259	Bushing, Bronze	2	
10	P-18671	Fitting, Grease, 1/4" N.F. x 1/2" lg.	1	
11	K-31136-1	Pulley Half	1	
12	K-31137-1	Pulley Half	1	
13	K-31138-1	Shim	6	
14	K-31135-1	Shaft	1	
15	K-29495-1	Coupler	2	
16	K-29407-1	Shim .06" thick	A/R	
17	K-29405-1	Hub	1	
18	P-16008	Rollpin 5/16 x 1.5	2	
19	K-31280-1	Mount, Idler	1	
20	K-31289-1	Angle	1	
21	P-14649	Idler, V-Belt	1	
22	K-13697-1	Pulley Half	6	
23	P-21798	Pulley	1	
24	P-21796	Pulley, Double	1	
25	P-21797	Pulley, Double	1	
26	P-30256	Bushing, Tapered c/w Key	2	
27	K-29032-1	Bushing, Splined	1	
28	K-29380-1	Nut, Motor Adjustment	1	
29	K-16652-1	Washer	1	
30	K-31282-1	Mount, Motor	1	
31	K-24141-2	Motor	1	
32	K-29919-1	Belt (matched pair)	2	
33	K-9520-1	Belt	1	
34	K-31189-1	Plate	1	
35	K-31177-1	Sprocket	1	
36	Ref. Only	Pulleys, Idler/Tension - See Page 3.6		
37	K-23142-1	Bushing	1	
38	K-31292-1	Gauge (welded)	1	
39	K-31186-1	Hub	1	
40	K-31084-1	Spring	1	
41	K-31287-1	Rod, Adjusting	1	
42	K-31330-1	Shield	1	
43	K-31336-1	Hinge, Shield	1	
44	K-31178-1	Retainer, Deck	1	
45	K-31875-1	Pulley Half, Reel Drive	1	
46	K-31203-1	Retainer, Conveyor Pulley	1	
47	K-31283-1	Mount, Idler	1	
48	P-30388	Idler, Flat	1	
49	P-21874	Fastener, 1/4 Turn	1	
50	K-334-1	Key 1/4 sq. x 1 1/2 lg.	1	
51	P-18600	Washer	1	

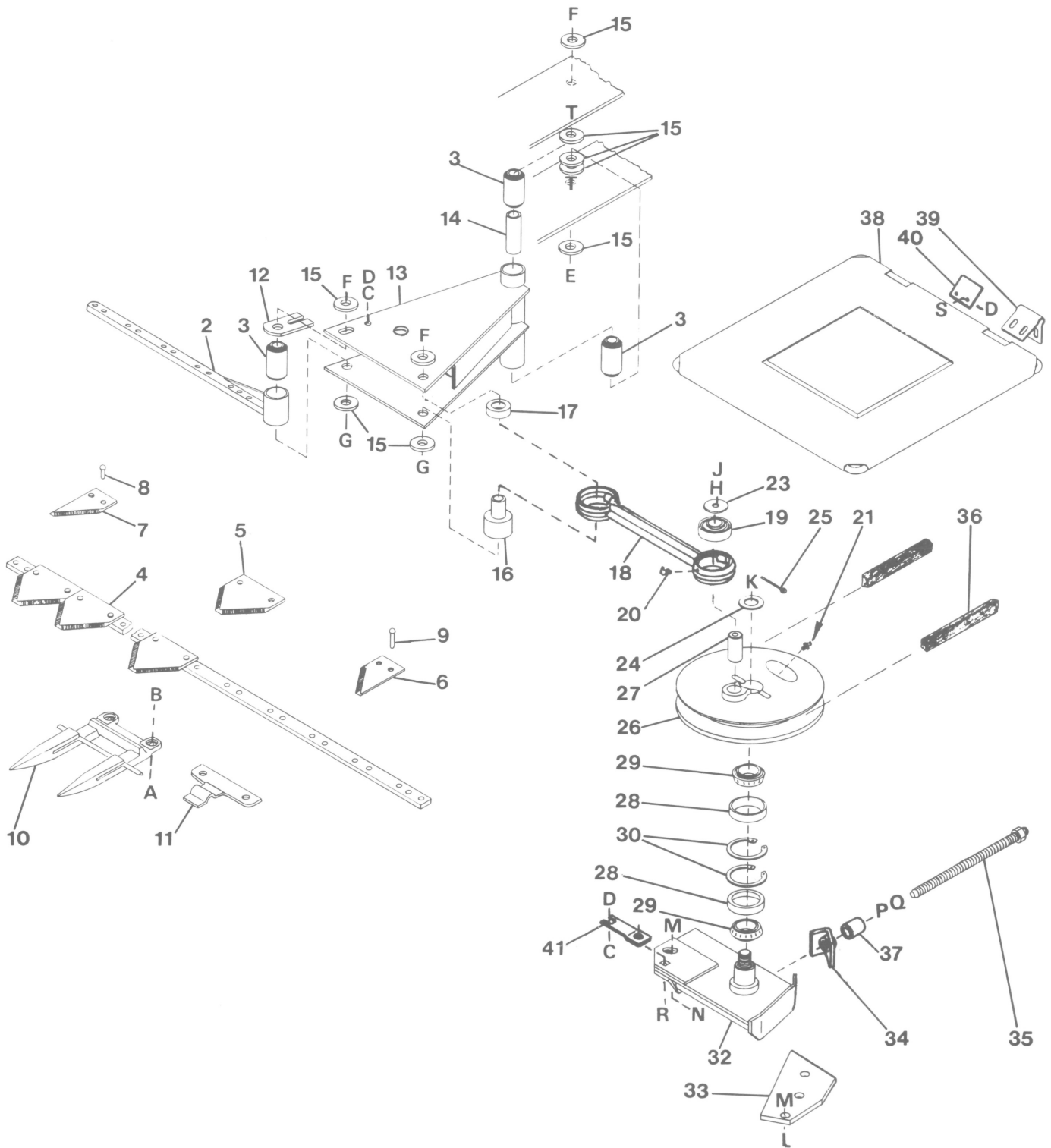
MAIN DRIVES, DUPLEX (rear)



MAIN DRIVES , DUPLEX (rear)

REF.	PART NO.	DESCRIPTION	QTY.	SERIAL NUMBER
52	K-1868-1	Spacer	1	
53	P-18648	Pin, Cotter 3/16 dia. x 1 1/4 lg.	1	
54	P-21869	Bearing c/w Collar	1	
55	P-8316	Flangette, 3-Hole	1	
56	P-21870	Flangette, Regreaseable c/w fitting	1	
A	P-21474	Bolt, Carriage 1/2 NC x 2.0 lg.		
B	P-18638	Washer, Lock 1/2 Nom. I.D.		
C	P-18591	Nut, Hex 1/2 NC		
D	P-21066	Bolt, Carriage 1/2 NC x 1.0 lg.		
E	P-21576	Capscrew, Hex Hd. 1/2 NC x 2.0 lg.		
F	P-18590	Nut, Hex. 3/8 NC		
G	P-18670	Washer, Flat 7/16 I.D.		
H	P-30299	Capscrew, Hex Hd. 1/2 NC x 4.0 lg. Thread Full		
J	P-18599	Washer, Flat 17/32 I.D.		
K	P-21061	Setscrew, Allan Hd. Cup Pt. 1/4 NC x 1/2 lg.		
L	P-21282	Bolt, Carriage 5/16 NC x 1.0 lg.		
M	P-21403	Nut, Lock 5/16 NC		
N	P-21595	Capscrew, Hex Hd. 5/16 NC x 3.0 lg.		
P	P-20078	Capscrew, Hex Hd. 3/8 NC x 1 3/4 lg.		
Q	P-18637	Washer, Lock 3/8 Nom. I.D.		
R	P-21087	Capscrew, Hex Hd. 5/16 NC x 1.0 lg.		
S	P-18636	Washer, Lock 5/16 Nom. I.D.		
T	P-21383	Nut, Flange 1/2 NC		
U	P-21268	Capscrew, Hex Hd. 5/16 NC x 1 1/2 lg.		
V	P-19965	Bolt, Carriage 3/8 NC x 1.0 lg.		
W	P-21452	Nut, Flange 3/8 NC		

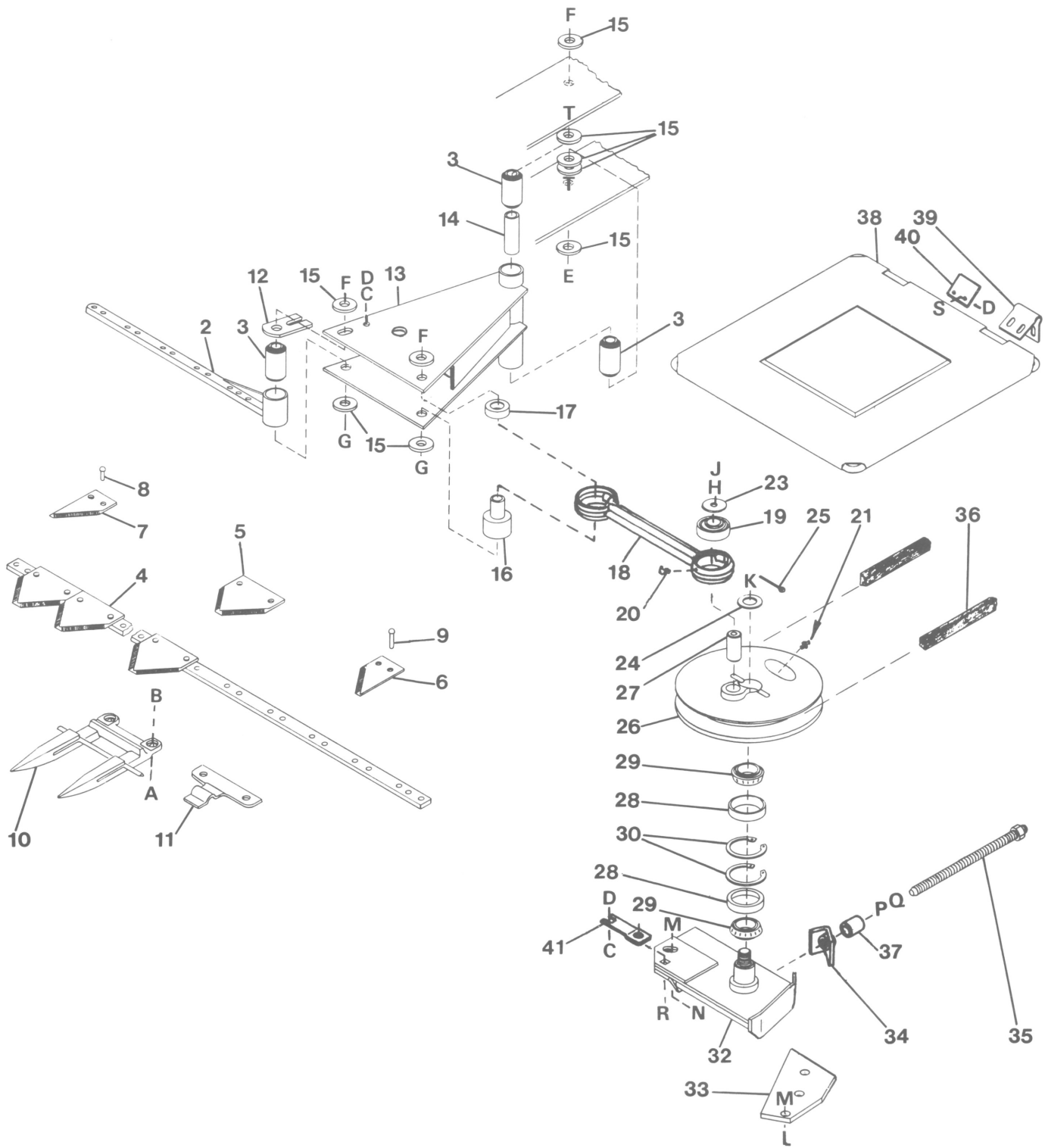
KNIFE DRIVE (single unit or duplex front)



KNIFE DRIVE (single unit or duplex front)

REF.	PART NO.	DESCRIPTION	QTY.	SERIAL NUMBER
1			1	
2	K-29336-2	Head, Knife (includes 1 of item 3)	3	
3	P-13626	Bushing, Rubber	1	
4	K-20906-2	Knife - 21' (includes items 5 thru 9)	1	
	K-29428-2	Knife - 25' " " "	1	
	K-29429-2	Knife - 30' " " "	1	
5	K-23065-1	Section, Knife, Over-serrated, High Shoulder	A/R	-56152
	K-16671-1	Section, Knife, Under-serrated, Low Shoulder	A/R	56153-
6	K-23116-1	Section, Knife, L/H Half, High Shoulder	1	-56152
	K-20694-1	Section, Knife, L/H Half, Low Shoulder	1	56153-
7	K-23117-1	Section, Knife, R/H Half, High Shoulder	1	-56152
	K-16944-1	Section, Knife, R/H Half, Low Shoulder	1	56153-
8	P-7258	Pivot - .208 dia. x 5/8 lg.	A/R	
9	P-18730	Rivet - .208 dia. x 1.0 lg.	11	
10	K-23064-1	Guard, Knife	A/R	
11	K-23071-1	Clip - Hold-down	A/R	
12	K-29371-1	Spacer	1	
13	K-29364-2	Arm, Radius c/w bushings (item 3) and spacer (item 14)	1	-56152
	K-29376-2	Arm, Radius c/w bushings (item 3) and spacer (item 14)	1	56153-
			1	
14	K-29374-1	Spacer	A/R	
15	K-22072-1	Washer 21/32 I.D. x 1.5 O.D.	1	
16	K-29361-1	Pin	1	
17	K-29362-1	Spacer	1	
18	K-29274-2	Pitman, c/w Bearings less collars (includes items 19 & 20 - qty. 2 each)	1	
19	P-30367	Bearing, less Collar - regreaseable	2	
20	P-21010	Fitting, Grease, 90-degree	2	
21	P-18671	Fitting, Grease, Straight	1	
22			1	
23	K-14045-1	Washer	1	
24	P-21540	Washer	1	
25	P-18607	Pin, Cotter	1	
26	K-29355-2	Pulley, Crank (incl. items 20 & 27 thru 30)	1	-56152
	K-29410-2	Pulley, Crank (incl. items 20 & 27 thru 30)	1	56153-
	K-29356-1	Pin	1	
27			2	
28	P-7900	Cup, Bearing	2	
29	P-7910	Cone, Bearing c/w Seal	2	
30	P-21545	Snap-ring	2	
31			1	-56152
32	K-29347-1	Spindle	1	56153-
	K-29394-1	Spindle	1	
33	K-29378-1	Plate Clamp	1	
34	K-29380-1	Nut, Stop	1	
35	K-29016-1	Bolt, Adjusting	1	
36	K-29384-1	Belt	1	
37	K-17675-1	Spacer	1	
38	K-29661-1	Cover c/w Rods & Hinges	1	
39	K-29752-1	Hinge	2	
40	K-29753-1	Plate Spacer	2	
41	K-29418-1	Nut Weld't.	1	

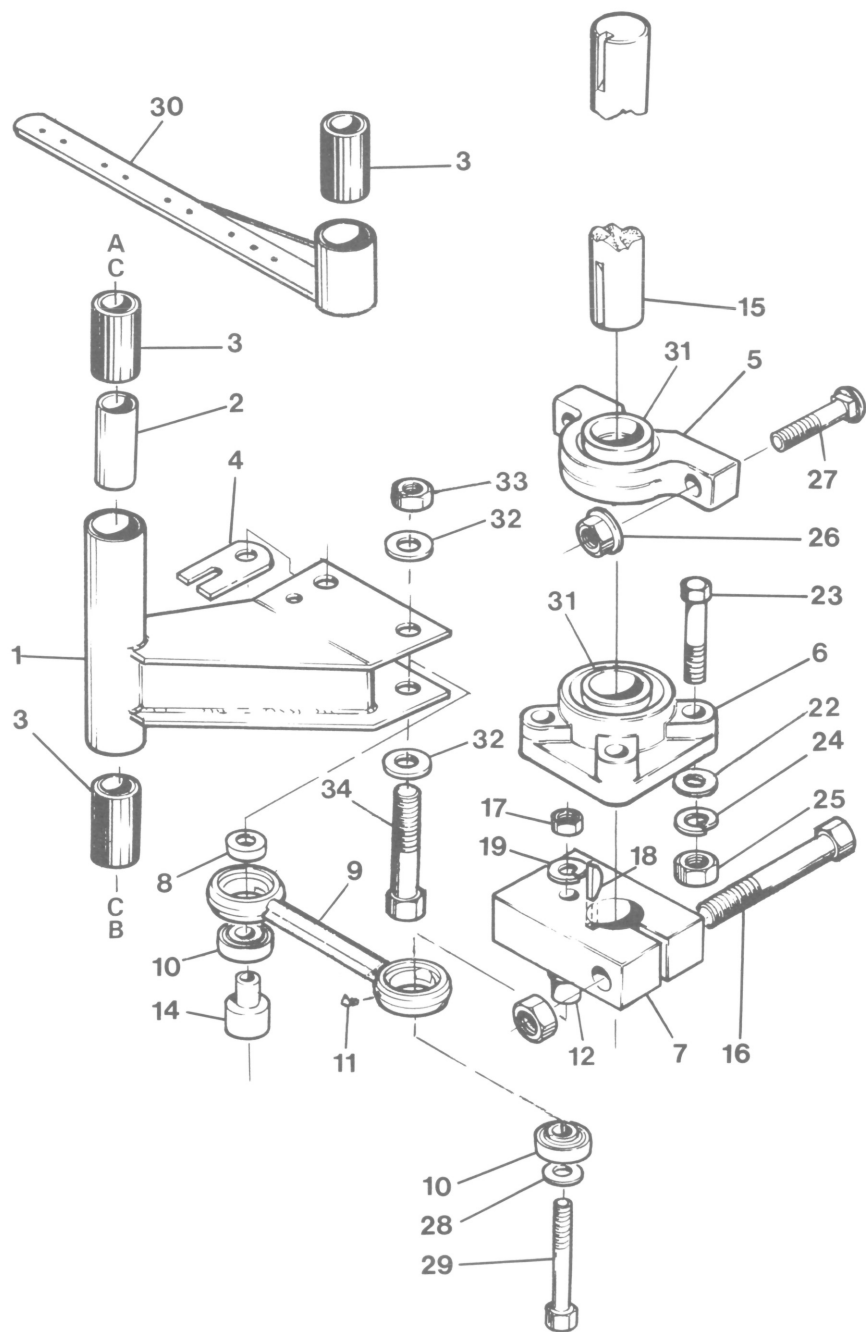
KNIFE DRIVE (single unit or duplex front)



KNIFE DRIVE (single unit or duplex front)

REF.	PART NO.	DESCRIPTION	QTY.	SERIAL NUMBER
A	P-8219	Bolt, Carriage 7/16 NC x 1 1/4 lg. (thru guard only)		
	P-8218	Bolt, Carriage 7/16 NC x 1 1/2 lg. (thru guard & clip)		
B	P-18654	Nut, Hex. 7/16 NC		
C	P-21863	Bolt, Carriage 3/8 NC x 3/4 lg., Short Sq. Neck		
D	P-21452	Nut, Flange 3/8 NC		
E	P-30265	Capscrew, Hex. Hd. 5/8 NC x 9.5 lg.		
F	P-18666	Nut, Lock 5/8 NC Distorted Thread		
G	P-19634	Capscrew, Hex. Hd. 5/8 NC x 4.0 lg.		
H	P-18637	Washer, Lock 3/8 Nom. I.D.		
J	P-21568	Capscrew, Hex Hd. 3/8 Nc x 3.0 lg.		
K	P-5512	Nut, Slotted 3/4 NF		
L	P-30266	Bolt, Carriage 1/2 NC x 3.0 lg.		
M	P-21383	Nut, Flange 1/2 NC		
N	P-21469	Bolt, Carriage 1/2 NC x 1 1/2 lg.		
P	P-18599	Washer, Flat 17/32 I.D.		
Q	P-18591	Nut, Hex 1/2 NC		
R	P-30368	Bolt, Flange 1/2 NC x 1 1/4 lg.		
S	P-21975	Bolt, Flange 3/8 NC x 1.0 lg.		
T	P-1624	Washer, Flat 5/8 I.D.		

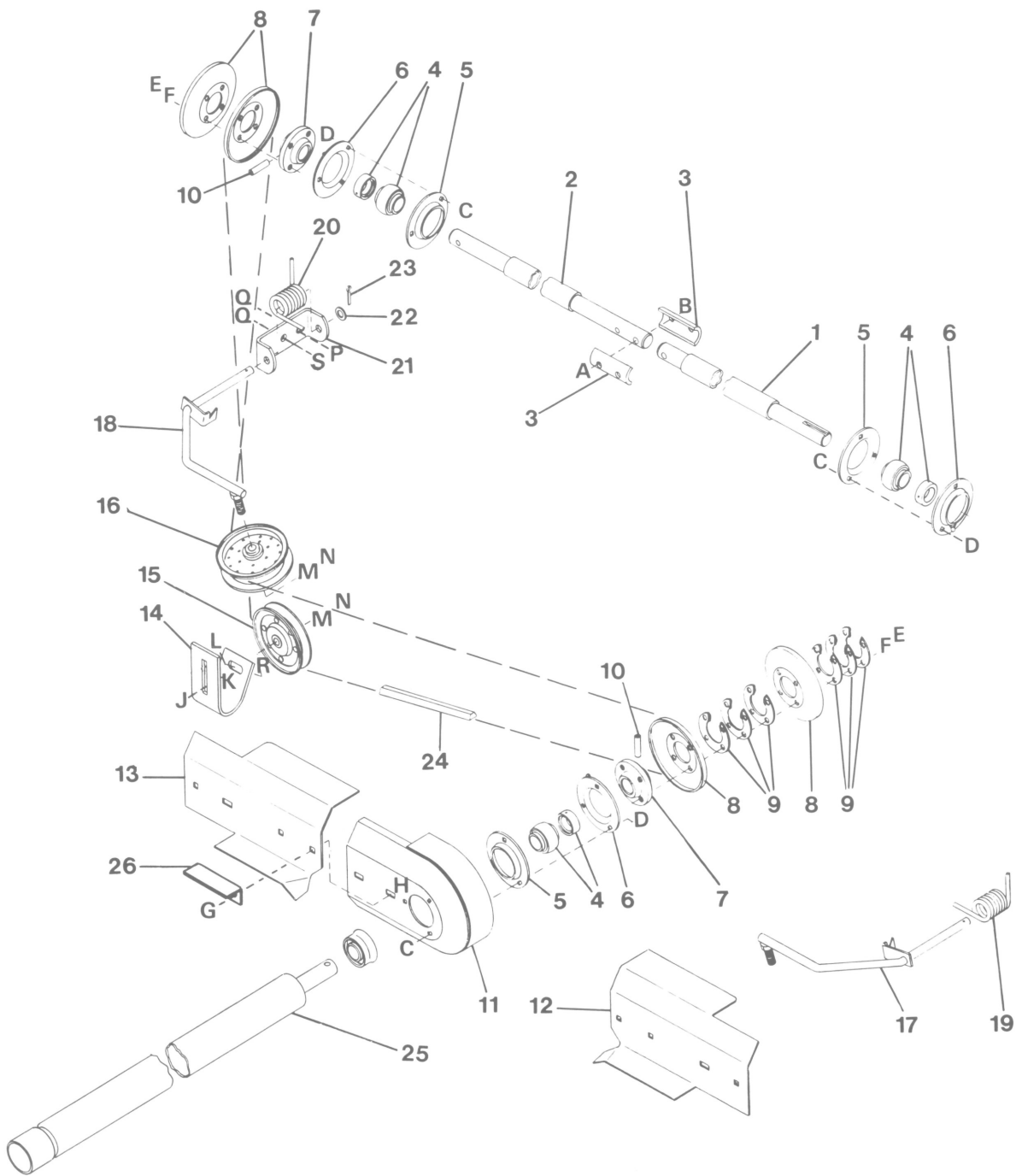
KNIFE DRIVE (duplex rear)



KNIFE DRIVE (duplex rear)

REF.	PART NO.	DESCRIPTION	QTY.	SERIAL NUMBER
1	K-31161-2	Arm, Radius c/w Bushings & Spacer	1	-56152
	K-31976-2	Arm, Radius c/w Bushings & Spacer	1	56153-
2	K-29462-1	Spacer	1	-56152
	K-29374-1	Spacer	1	56153-
3	P-13626	Bushing, Rubber	3	
4	K-29371-1	Spacer	1	
5	P-30270	Pillow-block c/w Bearing (item 31)	1	
6	P-30052	Flange-block, 4-Bolt c/w Bearing (item 31)	1	
7	K-31170-2	Pin, Crank (includes Item 12)	1	
8	K-29362-1	Spacer	1	
9	K-29274-2	Pitman c/w Bearings less Collars (includes items 10 & 11)	1	
10	P-30367	Bearing, less Collar - Regreasable	2	
11	P-21010	Fitting, Grease, 90-degree	2	
12	K-29356-1	Pin	1	
13				
14	K-29361-1	Pin	1	
15	K-31176-1	Shaft, Drive	1	
16	P-21589	Capscrew, Hex. Hd. 1/2 NC x 4.0 lg.	1	
17	P-18590	Nut, Hex 3/8 NC	1	
18	P-11142	Key, Woodruff	1	
19	P-18637	Washer, Lock 3/8 Nom. I.D.	1	
20				
21				
22	P-18599	Washer, Flat 17/32 I.D.	4	
23	P-21565	Capscrew, Hex Hd. 1/2 NC x 1 3/4 lg.	4	
24	P-18638	Washer, Lock 1/2 Nom. I.D.	4	
25	P-18591	Nut, Hex 1/2 NC	4	
26	P-21383	Nut, Flange	2	
27	P-21474	Bolt, Carriage 1/2 NC x 2.0 lg.	2	
28	K-14045-1	Washer	1	
29	P-21568	Capscrew, Hex Hd. 3/8 NC x 3.0 lg.	1	
30	K-31124-2	Head, Knife c/w Rubber Bushing (item 3)	1	
31	P-30031	Bearing	2	
32	K-22072-1	Washer	4	
33	P-18666	Nut, Lock 5/8 NC Distorted Thread	2	
34	P-19634	Capscrew, Hex hd. 5/8 NC x 4.0 lg.	2	
		NOTE: For Knife components, see Knife Drive, Single Unit or Front Duplex, Page 3.4		
A	P-30298	Capscrew, Hex. Hd. 5/8 Nc x 8.5 lg.		-56152
	P-30265	Capscrew, Hex. Hd. 5/8 NC x 9.5 lg.		56153-
B	P-18666	Nut, Lock 5/8 NC Distorted Thread		
C	P-1624	Washer, Flat 5/8 I.D.		

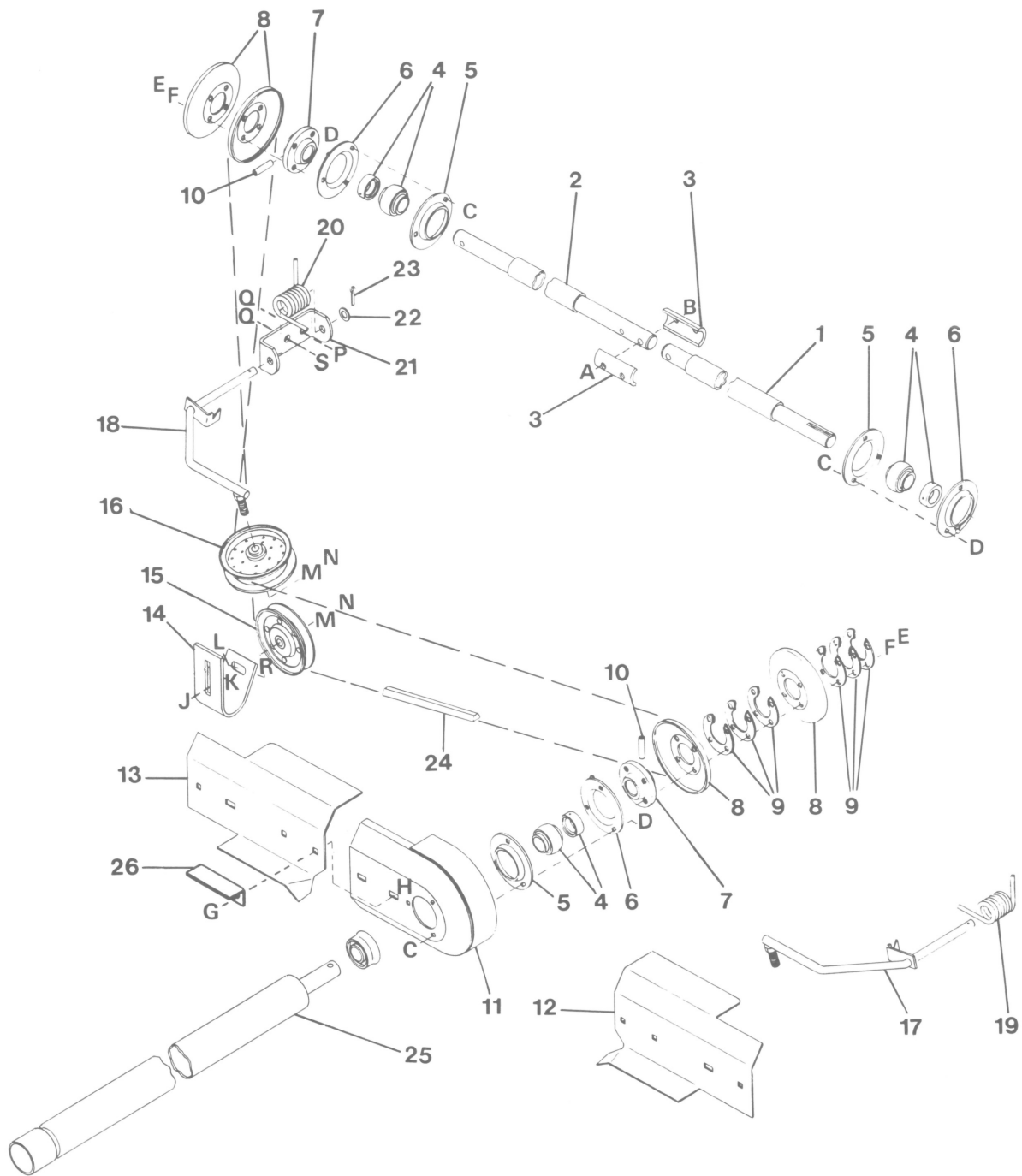
DRAPER DRIVES



DRAPER DRIVES

REF.	PART NO.	DESCRIPTION	QTY.	SERIAL NUMBER
1	K-29493-1	Tube - Shaft Weld't. - 21' (front)	1	
	K-29482-1	Tube - Shaft Weld't. - 25' (front)	1	
	K-29483-1	Tube - Shaft Weld't. - 30'	1	
2	K-29473-1	Drive Shaft, Draper - 21' (front & rear,) 25' (front & rear) and 30': 91.7" (2330 mm) lg.	1	
	K-31112-1	Drive Shaft, Draper - 21' (rear) 48.7" (1236 mm) lg.	1	
	K-31113-1	Drive Shaft, Draper - 25' (rear) 96.7" (2455 mm) lg.	1	
3	K-29495-1	Coupler, Shaft	2	
4	P-21869	Bearing, c/w Collar (Qty. 6 on 30')	5	
5	P-8316	Flangette, 3-Hole (Qty. 6 on 30')	5	
6	P-21870	Flangette, 3-Hole Regreasable c/w Fittings (Qty. 6 on 30')	5	
7	K-29405-1	Pulley, Hub	4	
8	K-13697-1	Pulley, Half	8	
9	K-29407-1	Shim	12	
10	P-16008	Roll-Pin, 5/16 dia. x 1/5 lg.	4	
11	K-29396-1	Support, Drive Roller	2	
12	K-29401-1	Track Extension, L/H (Single Unit or Front Duplex)(Optional-Narrow Opening Pkg.)	1	
13	K-29402-1	Track Extension, R/H (Single Unit or Front Duplex)	1	
14	K-29408-1	Tightener, Front Unit	2	
	K-31202-1	Tightener, Rear Unit, R/H	1	
15	P-14649	Pulley, Idler, "V"	2	
16	P-21263	Pulley, Idler, Backside	2	
17	K-29412-1	Tightener, Draper, L/H Front	1	
	K-31205-1	Tightener, Draper, L/H Rear	1	
18	K-29413-1	Tightener, Draper, R/H Front	1	
	K-31209-1	Tightener, Draper, R/H Rear	1	
19	K-29025-1	Spring, Idler, L/H	1	
20	K-29026-1	Spring, Idler R/H	1	
21	K-29409-1	Swivel, Idler	2	
22	P-18599	Washer, Flat, 17/32 I.D.	A/R	
23	P-18605	Pin, Cotter, 1/8 dia. x 1.0 lg.	2	
24	K-29914-1	Belt, Wide Opening (Single or Front)	2	
	K-29915-1	Belt, Narrow Opening (Single or Front) (qty. 2 w/ Narrow Op. Pkg.)	1	
	K-29920-1	Belt, R/H - Duplex Rear	1	
	K-29917-1	Belt, L/H - Duplex Rear	1	
25	Ref. only	Roller, Draper, See Page 4.1		
26	K-29403-1	Track Extension, Top (qty. 2 /w. Narrow Op. Pkg.)	1	
	K-29173-2	Narrow Opening Package	OPT	
A	P-21354	Capscrew, Hex. Hd., 3/8 NC x 2.0 lg.		
B	P-18669	Nut, Lock, Distorted Thread, 3/8 NC		
C	P-21281	Bolt, Carriage, 5/16 NC x .3/4 lg.		
D	P-21403	Nut, Flange, 5/16 NC.		
E	P-21087	Capscrew, Hex Hd. 5/16 NC x 1.0 lg.		
F	P-18636	Washer, Lock, 5/16 Nom. I.D		

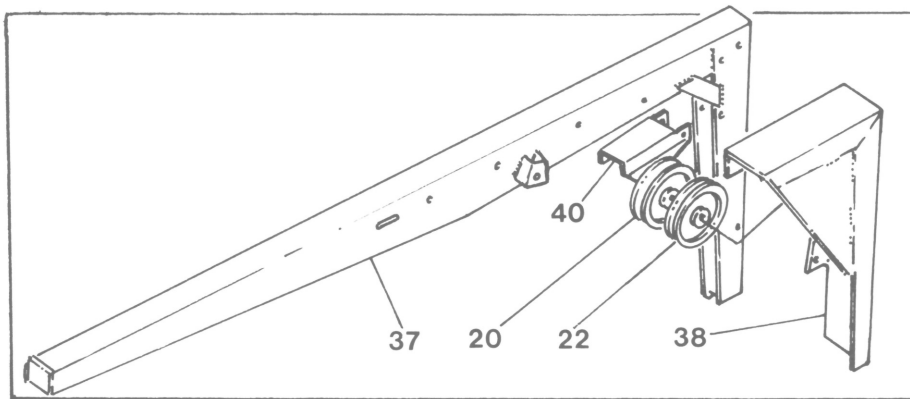
DRAPER DRIVES



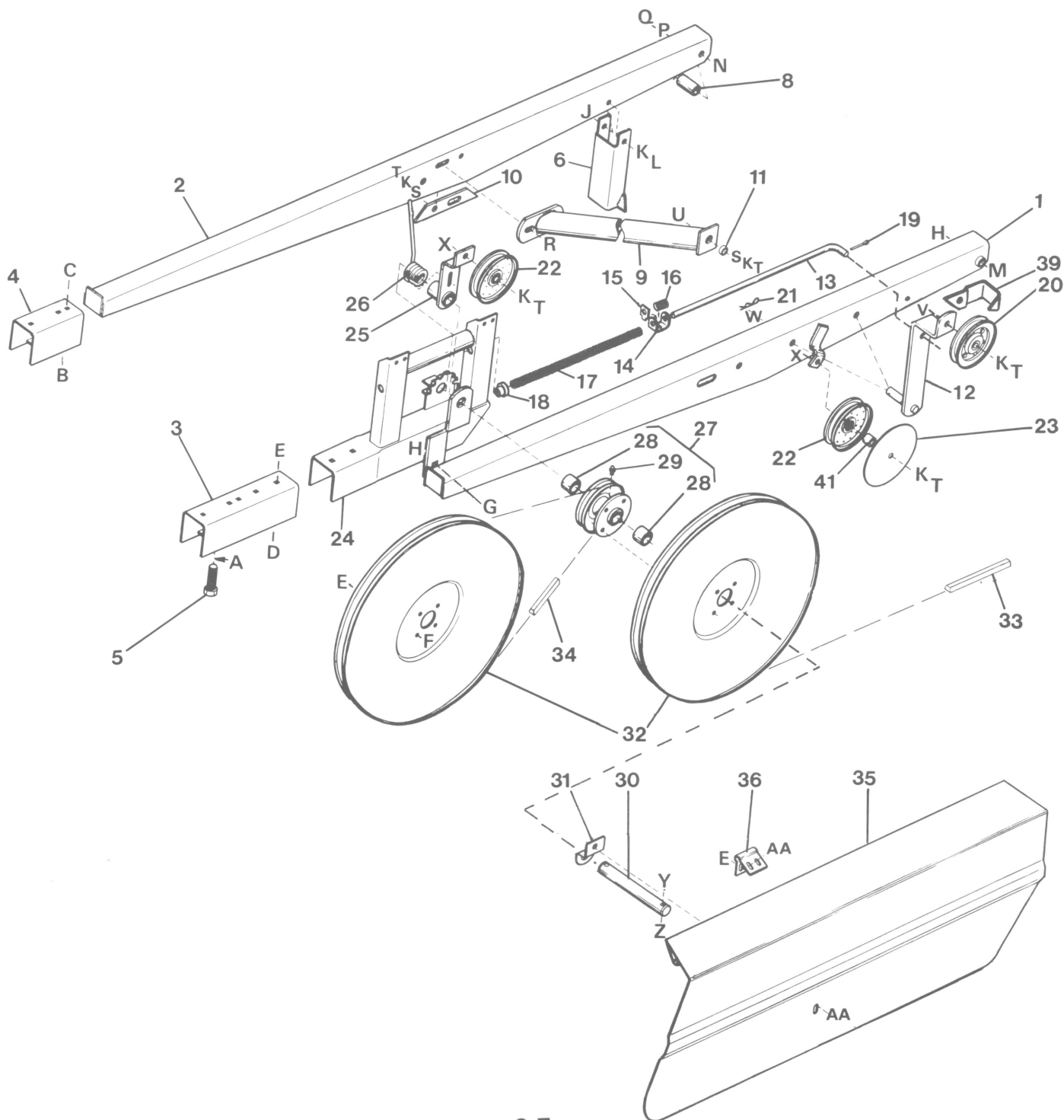
DRAPER DRIVES

REF.	PART NO.	DESCRIPTION	QTY.	SERIAL NUMBER
G	P-21863	Bolt, Carriage, 3/8 NC x 3/4 lg. Short Sq. Neck		
H	P-21452	Nut, Flange 3/8 NC		
J	P-21383	Nut, Flange, 1/2 NC.		
K	P-21868	Bolt, Carriage, 1/2 NC x 1.0 lg. Short Sq. Neck		
L	P-21474	Bolt, Carriage, 1/2 NC x 2.0 lg.		
M	P-18638	Washer, Lock, 1/2 Nom. I.D.		
N	P-18591	Nut, Hex 1/2 NC		
P	P-21449	Bolt, Flange 1/2 NC x 1.0 lg.		
Q	P-21383	Nut, Flange 1/2 NC.		
R	P-18600	Washer, Flat 21/32 I.D.		
S	P-21575	Capscrew, Hex Hd. 1/2 NC x 1.0 lg.		
<p>NOTE: For specifics on L/H draper drive, rear unit, See page 3.3</p>				

REEL DRIVE & REEL SUPPORT ARMS



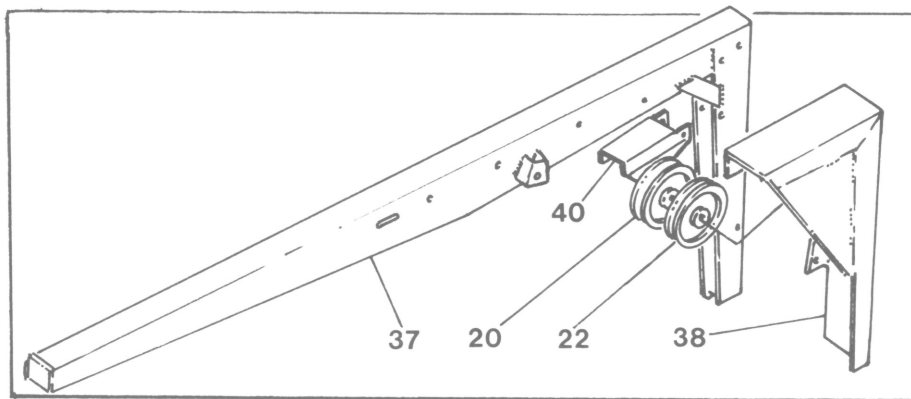
- duplex rear



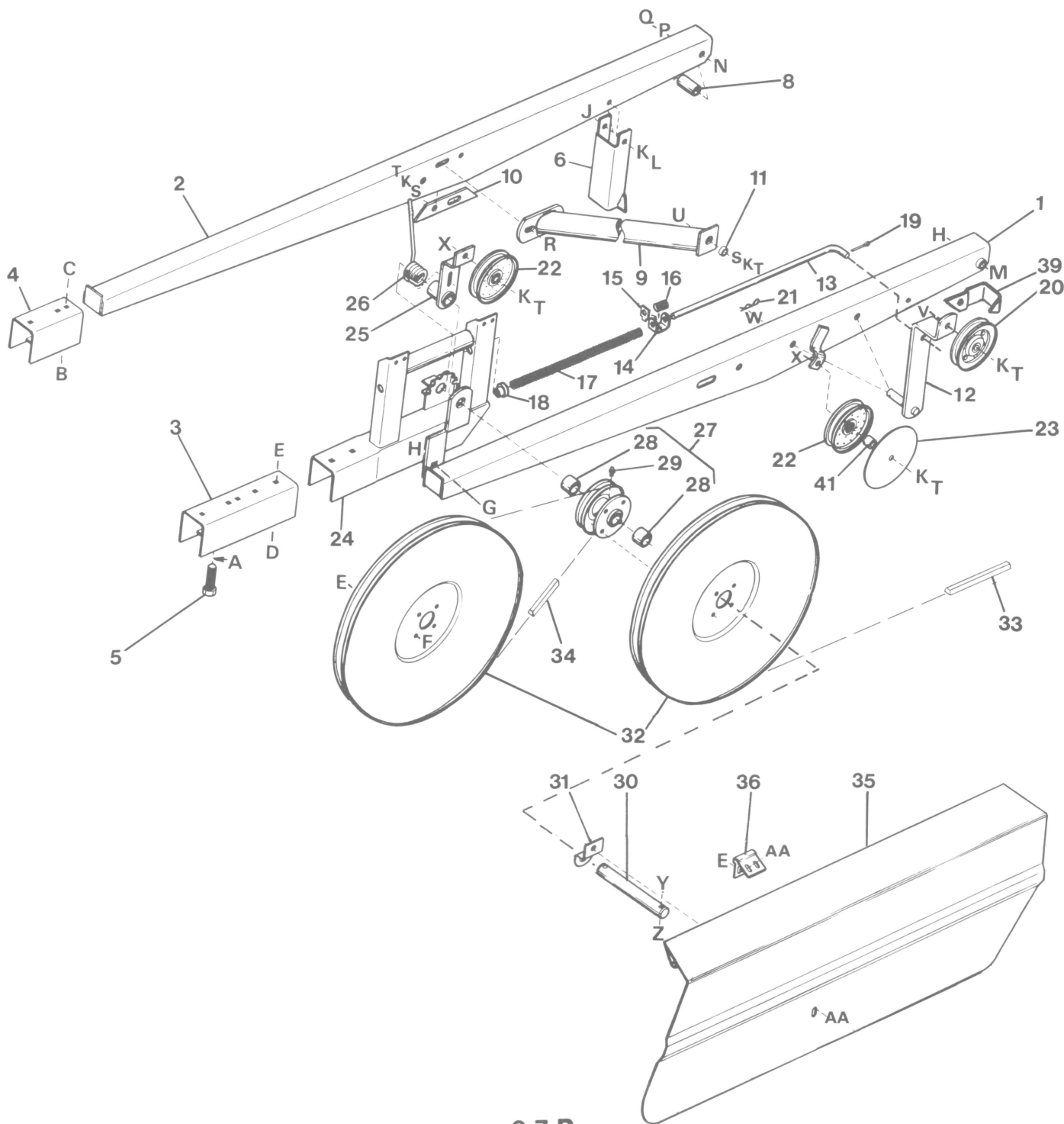
REEL DRIVE & REEL SUPPORT ARMS

REF.	PART NO.	DESCRIPTION	QTY.	SERIAL NUMBER
1	K-29421-1	Support Arm, L/H, Reel (Front)	1	
2	K-29454-1	Support Arm, R/H, Reel (Front & Rear)	1	
3	K-29440-1	Bracket, Bearing, L/H	1	
4	K-29458-1	Bracket, Bearing, R/H	1	
5	K-26471-1	Screw, Positioning	2	
6	K-29446-1	Prop, Safety	2	
7				
8	K-29462-1	Spacer	1	
9	K-29464-1	Brace, Reel Arm	1	
10	K-29470-1	Plate	1	
11	K-1868-1	Spacer	1	
12	K-29430-1	Arm, Idler	1	
13	K-29435-1	Rod, Spring	1	
14	K-26427-1	Channel, Stop	1	
15	K-26428-1	Washer, Stop	1	
16	K-26429-1	Spring	1	
17	K-20429-1	Spring	1	
18	K-23142-1	Bushing, Plastic	1	
19	P-18608	Pin, Cotter, 3/16 dia. x 1.5 lg.	3	
20	P-14649	Pulley, Idler, V-Belt	1	
21	P-13125	Hair - Pin, Cotter	1	
22	P-21263	Idler, Flat	2	
23	K-29438-1	Shield	1	
24	K-29715-1	Channel, Reel Drive	1	
25	K-29732-1	Arm, Idler	1	
26	K-29024-1	Spring, torsion	1	
27	K-29738-2	Hub, c/w Bronze Bushing (incl. items 28 and 29)	1	
28	P-5259	Bushing, Bronze	2	
29	P-18671	Fitting, Grease 1/4 N.F. x 1/2 lg.	1	
30	K-29737-1	Pin	1	
31	K-29728-1	Tab, Shield	1	
32	K-29000-1	Pulley, Reel	2	
33	K-4226-1	Belt, Primary Reel Drive (Single or Front Duplex)	1	
	K-15657-1	Belt, Primary Reel Drive (Duplex Rear)	1	
34	K-29914-1	Belt, Final Reel Drive	1	
35	K-29744-1	Shield, Reel Drive c/w Hinges	1	
36	K-29752-1	Hinge Shield	1	
37	K-31340-1	Support Arm, Reel L/H (Duplex Rear)	1	
38	K-31358-1	Shield (Duplex Rear)	1	
39	K-29436-1	Shield, Pulley	1	
40	K-31348-1	Prop. Safety	1	
41	K-13684-1	Spacer	1	
A	P-21345	Nut, Jam, Hex., 5/8 N.C.		
B	P-21486	Bolt, Carriage, 3/8 NC x 4.0 lg.		
C	P-18669	Nut, Lock, Distorted Thread, 3/8 NC.		
D	P-21863	Bolt, Carriage, 3/8 NC x .75 lg. Short Sq. Neck		
E	P-21452	Nut, Flange, 3/8 NC		
F	P-21975	Bolt, Flange, 3/8 NC x 1.0 lg.		
G	P-21158	Bolt, Carriage, 5/8 N.C. x 4.0 lg.		
H	P-18666	Nut, Lock, Distorted Thread, 5/8 NC		

REEL DRIVE & REEL SUPPORT ARMS



- duplex rear



REEL DRIVE & SUPPORT ARMS

REF.	PART NO.	DESCRIPTION	QTY.	SERIAL NUMBER
J	P-21581	Capscrew, Hex. Hd. 1/2 N.C. x 3.5 lg.		
K	P-18638	Washer, Lock, 1/2 Nom. I.D.		
L	P-18697	Nut, Lock, 1/2 NC		
M	P-21720	Capscrew, Hex Hd. 5/8 NC x 4.5 lg.		
N	P-21406	Capscrew, Hex Hd., 5/8 NC x 3.5 lg.		
P	P-18639	Washer, Lock, 5/8 Nom. I.D.		
Q	P-18592	Nut, Hex. 5/8 NC.		
R	P-21469	Bolt, Carriage, 1/2 NC x 1.5 lg.		
S	P-18599	Washer, Flat, 17/32 I.D		
T	P-18591	Nut, Hex, 1/2 NC		
U	P-21491	Capscrew, Hex Hd. 1/2 NC x 1.25 lg.		
V	P-21576	Capscrew, Hex Hd. 1/2 NC x 2.0 lg.		
W	P-18600	Washer, Flat 21/32 I.D.		
X	P-21760	Capscrew, Hex Hd. 1/2 NC x 2.5 lg.		
Y	P-18902	Capscrew, Hex Hd. 5/16 NC x 1.75 lg.		
Z	P-18690	Nut, Lock, Distorted Thread, 5/16 NC.		
AA	P-21821	Bolt, Flange, 3/8 NC x .75 lg.		

SECTION FOUR

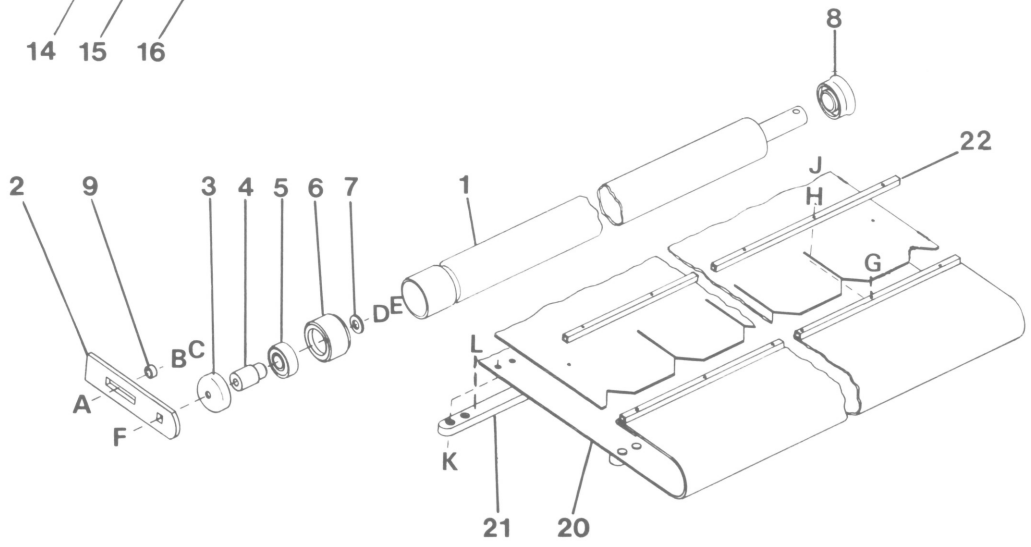
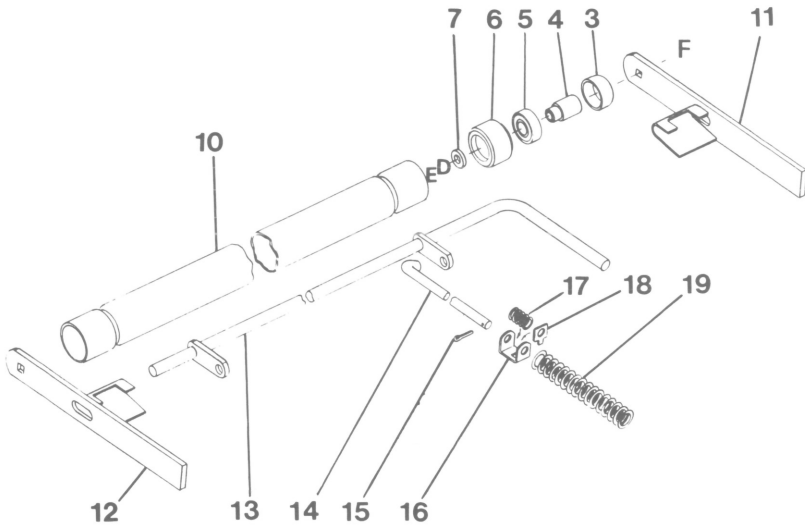
CONTENTS

DRAPER ROLLERS, DRAPERS -----4.1

CONVEYOR -----4.2

CENTER DECK & STORAGE CLAMPS-----4.3

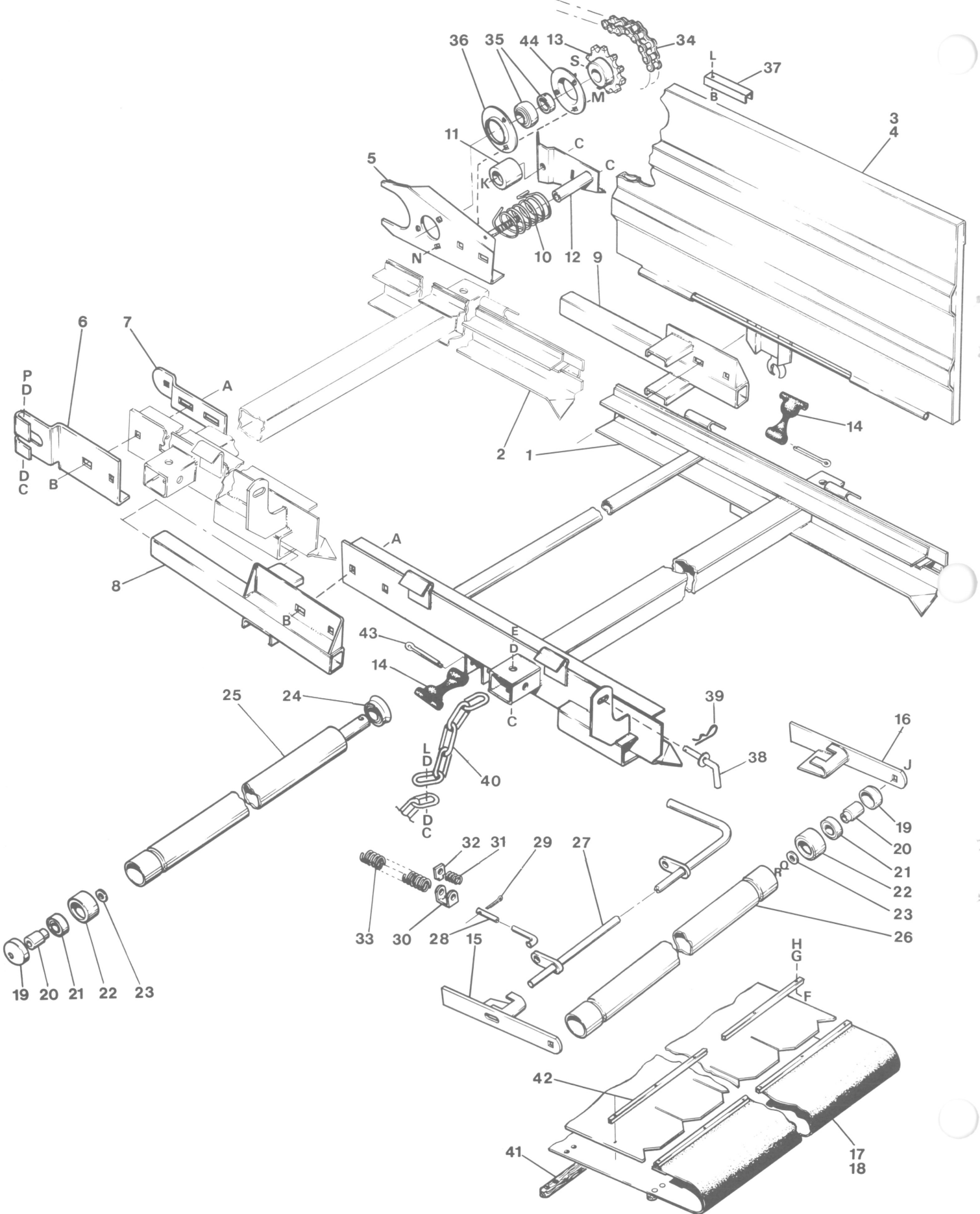
DRAPER ROLLERS, DRAPERS



DRAPER ROLLERS, DRAPERS

REF.	PART NO.	DESCRIPTION	QTY.	SERIAL NUMBER
1	K-29390-1	Roller, Draper Drive-front or single unit	2	
	K-31180-1	Roller, Draper Drive - rear unit L/H	1	
	K-31196-1	Roller, Draper Drive - rear unit R/H & Centre Deck	2	
2	K-26390-1	Support, Drive Roller	2	
3	K-26391-1	Shield, Anti-wrap	6	
4	K-26392-1	Pin, Roller	6	
5	P-6596	Bearing, Ball	6	
6	K-26393-1	Retainer, Rubber Bearing	6	
7	K-20535-1	Washer	6	
8	K-26396-1	Bushing, Anti-wrap	2	
9	K-20044-1	Spacer	2	
10	K-26408-1	Roller, Idler	2	
11	K-26411-1	Support, Idler Roller	2	
12	K-26412-1	Support, Idler Roller	2	
13	K-26420-1	Rod, Tightener	2	
14	K-26426-1	Rod, Spring	4	
15	P-18605	Pin, Cotter, 1/8 dia. x 1.0 lg.	4	
16	K-26427-1	Channel, Stop	4	
17	K-26429-1	Spring	4	
18	K-26428-1	Washer, Stop	4	
19	K-26431-1	Spring	4	
20	K-22922-2	Draper, L/H 30', R/H 21' & 25' (single or front duplex)	1	
	K-29827-2	Draper, R/H 30' (Single)	1	
	K-29824-2	Draper, L/H 25' (Front Duplex)	1	
	K-29828-2	Draper, L/H 21' (Front Duplex)	1	
	K-29826-2	Draper, L/H 25' (Rear Duplex)	1	
	K-31134-2	Draper, L/H 21' (Rear Duplex)	1	
	K-29825-2	Draper, R/H 21' & 25' (Rear Duplex)	1	
	K-29054-2	Draper - Center Deck (Rear Duplex)	1	
	*K-29829-2	Draper, Extension, 490 mm. lg.	A/R	
21	K-14333-1	Slat, Wooden	A/R	
22	K-14334-1	Slat, Metal Connector	A/R	
A	P-19965	Bolt, Carriage 3/8 NC x 1.0 lg.		
B	P-18598	Washer, Flat 13/32 I.D.		
C	P-18669	Nut, Lock 3/8 NC Distorted Thread		
D	P-18637	Washer, Lock 3/8 Nom. I.D.		
E	P-18590	Nut, Hex. 3/8 NC		
F	P-21478	Bolt, Carriage, 3/8 NC x 2.5 lg.		
G	P-5144	Screw, Rd. Hd. #10 NC x 1 1/4 lg.		
H	P-18634	Washer, Lock 3/16 Nom. I.D.		
J	P-18647	Nut, Hex. #10 NC		
K	P-5145	Rivet, 3/16 dia. x 9/16 lg. (1/2 lb. pkg.)		
L	P-5146	Staple, 18 ga. x 1/4 wide x 3/8 lg. (1/2 lb. pkg.)		
*Included in Optional Narrow Opening Package				

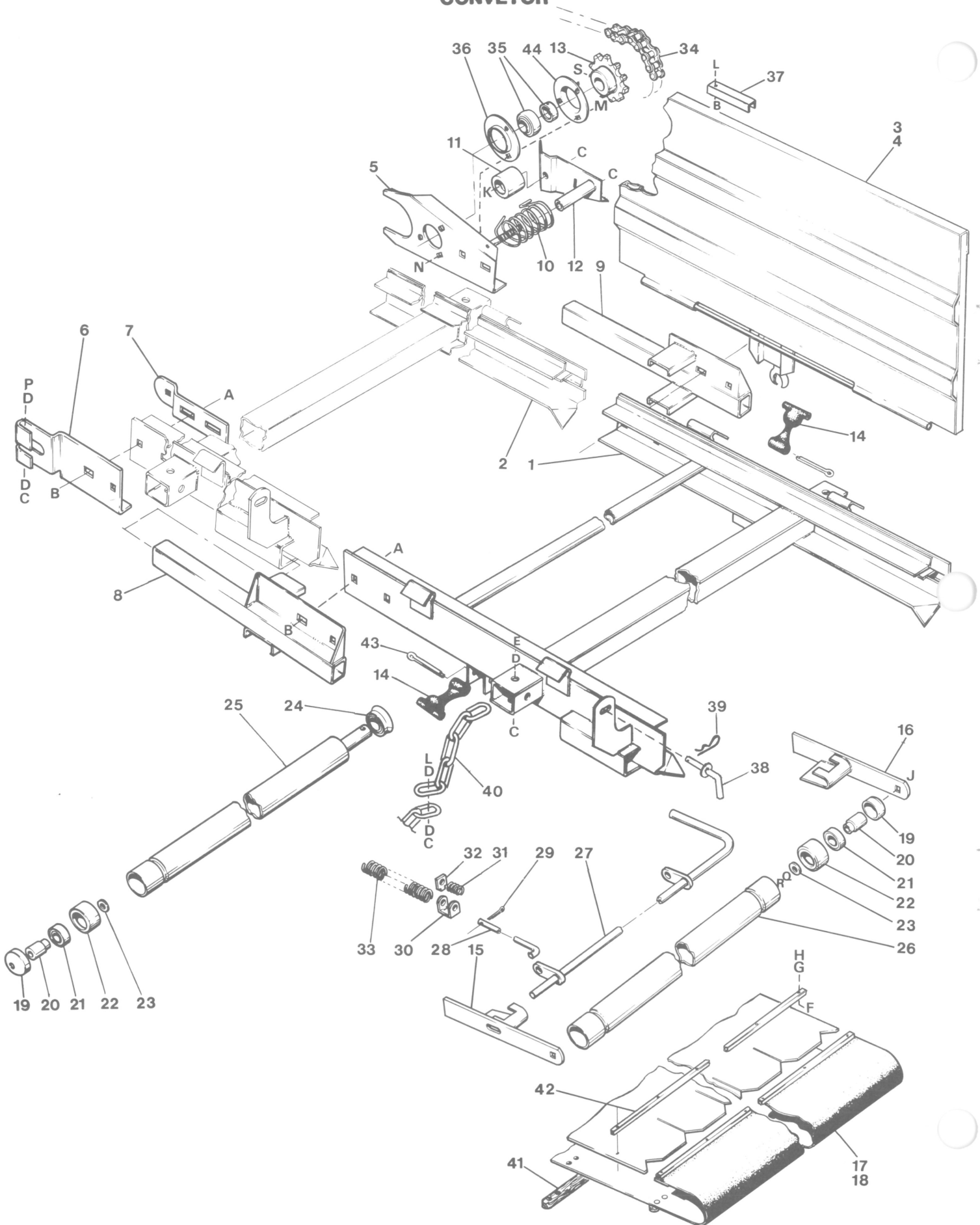
CONVEYOR



CONVEYOR

REF.	PART NO.	DESCRIPTION	QTY.	SERIAL NUMBER
		*Included in Optional Conveyor Extension Package K-29174-2		
1	*K-31540-1	Deck, Short	1	
2	K-31520-1	Deck, Long	1	
3	*K-31552-1	Door, Short	2	
4	K-31544-1	Door, Long	2	
5	K-31575-1	Mount	1	
6	K-31586-1	Mount	1	
7	K-31584-1	Bar, Idler	1	
8	*K-31558-1	Connector, Front	1	
9	*K-31559-1	Connector, Rear	1	
10	K-31131-1	Spring, Torsion	1	
11	K-31250-1	Roller	1	
12	K-31570-1	Arm, Chain Tension	1	
13	K-31177-1	Sprocket	1	
14	P-21021	Latch, Rubber (qty. 4 with Extension Pkg.)	2	
15	K-26411-1	Support, Idler Roller	1	
16	K-26412-1	Support, Idler Roller	1	
17	K-29030-1	Draper, Long	1	
18	*K-29031-1	Draper, Short	1	
19	K-26391-1	Shield, Anti-Wrap	2	
20	K-26392-1	Pin, Roller	2	
21	P-6596	Bearing, Ball	2	
22	K-26393-1	Retainer, Rubber Bearing	2	
23	K-20535-1	Washer	2	
24	K-26396-1	Bushing, Anti-Wrap	2	
25	K-31579-1	Roller, Drive	1	
26	K-26408-1	Roller, Idler	1	
27	K-26420-1	Rod, Tightener	1	
28	K-26426-1	Rod, Spring	1	
29	P-18605	Pin, Cotter	1	
30	K-26427-1	Channel, Stop	1	
31	K-26429-1	Spring	1	
32	K-26428-1	Washer, Stop	1	
33	K-26431-1	Spring	1	
34	P-30239	Chain x 36 links including connector	1	
35	P-21869	Bearing c/w Collar	1	
36	P-8316	Flangette, 3-Hole	1	
37	*K-31592-1	Channel	2	
38	K-31588-1	Pin, Storage	1	
39	P-15380	Pin, Hair 3/32 dia. x 2 5/16 lg.	1	
40	P-30373	Chain, Hang-Up	2	
40	*P-30372	Chain, Hang-Up (Extension Package)	2	
41	K-14333-1	Slat, Wooden	A/R	
42	K-14334-1	Slat, Metal	A/R	
43	P-18609	Pin, Cotter 1/4 dia. x 2.0 lg. (qty. 4 with Extension Pkg.)	2	
44	P-21870	Flangette, 3-Hole Regreaseable	1	
A	P-19965	Bolt, Carriage 3/8 NC x 1.0 lg.		
B	P-21452	Nut, Flange 3/8 NC		
C	P-18669	Nut, Lock 3/8 NC		
D	P-18598	Washer, Flat 13/32 I.D.		
E	P-21102	Capscrew, Hex Hd. 3/8 NC x 2 1/2 lg.		

CONVEYOR



CONVEYOR

REF.	PART NO.	DESCRIPTION	QTY.	SERIAL NUMBER
F	P-5144	Screw, Rd. Hd. #10 NC x 1 1/4 lg.		
G	P-18634	Washer, Lock 3/16 Nom. I.D.		
H	P-18647	Nut, Hex #10 NC		
J	P-21478	Bolt, Carriage 3/8 NC x 2 1/2 lg.		
K	P-21561	Capscrew, Hex. Hd. 3/8 NC x 1 1/2 lg.		
L	P-20077	Capscrew, Hex. Hd. 3/8 NC x 1.0 lg.		
M	P-21281	Bolt, Carriage 5/16 NC x 3/4 lg.		
N	P-21403	Nut, Flange 5/16 NC		
P	P-21593	Capscrew, Hex. Hd. 3/8 NC x 4.0 lg.		
Q	P-18637	Washer, Lock 3/8 Nom. I.D.		
R	P-18590	Nut, Hex 3/8 NC		
S	P-21061	Setscrew 1/4 NC x 1/2 lg.		

CENTER DECK & STORAGE CLAMPS

REF.	PART NO.	DESCRIPTION	QTY.	SERIAL NUMBER
1	K-31215-1	Center Deck	1	
2	K-31268-1	Flap, Rubber	1	
3	K-31252-1	Back Sheet, Deck	1	
4	K-31238-1	Arm, Tightener	1	
5	P-30239	Chain, 36 Links, c/w Connector	1	
6	K-31130-1	Spring, torsion	1	
7	K-31177-1	Sprocket	2	
8	P-8316	Flangette, 3-Hole	2	
9	P-21870	Flangette, 3- Hole, Regreasable, c/w Fitting	1	
10	P-21869	Bearing, Ball, c/w Lock Collar	1	
11	K-31250-1	Tightener, Plastic	1	
12	K-31266-1	Retainer Strip, Top	1	
13	K-31267-1	Retainer, Strip, Bottom	1	
14	K-31504-1	Clamp	2	
15	K-31501-1	Link	2	
16	K-31500-1	Lever	2	
17	K-31509-1	Protector, Rubber	2	
18	K-31495-1	Bracket, Clamp	2	
19	Ref. only	Drapers, Draper Rollers, Supports, See Page 4.1		
20	P-16266	Roll Pin 1/4 dia. x 1 1/4 lg.	2	
21	P-16010	Roll Pin 3/16 dia. x 1.0 lg.	2	
22	P-16061	Roll Pin 3/16 dia. x 1/2 lg.	2	
A	P-30080	Capscrew, Hex. Hd. 3/8 NC x 4.5 lg.		
B	P-18590	Nut, Hex. 3/8 NC		
C	P-18598	Washer, Flat 13/32 I.D.		
D	P-21863	Bolt, Carriage 3/8 NC x 3/4 lg. Short Sq. Neck		
E	P-18669	Nut, Lock 3/8 NC Distorted Thread		
F	P-21354	Capscrew, Hex. Hd. 3/8 NC x 2.0 lg.		
G	P-21567	Capscrew, Hex. Hd. 3/8 NC x 3/4 lg.		
H	P-21476	Bolt, Carriage 1/4 NC x 3/4 lg.		
J	P-21455	Nut, Flange 1/4 NC		
K	P-21061	Setscrew 1/4 NC x 1/2 lg.		

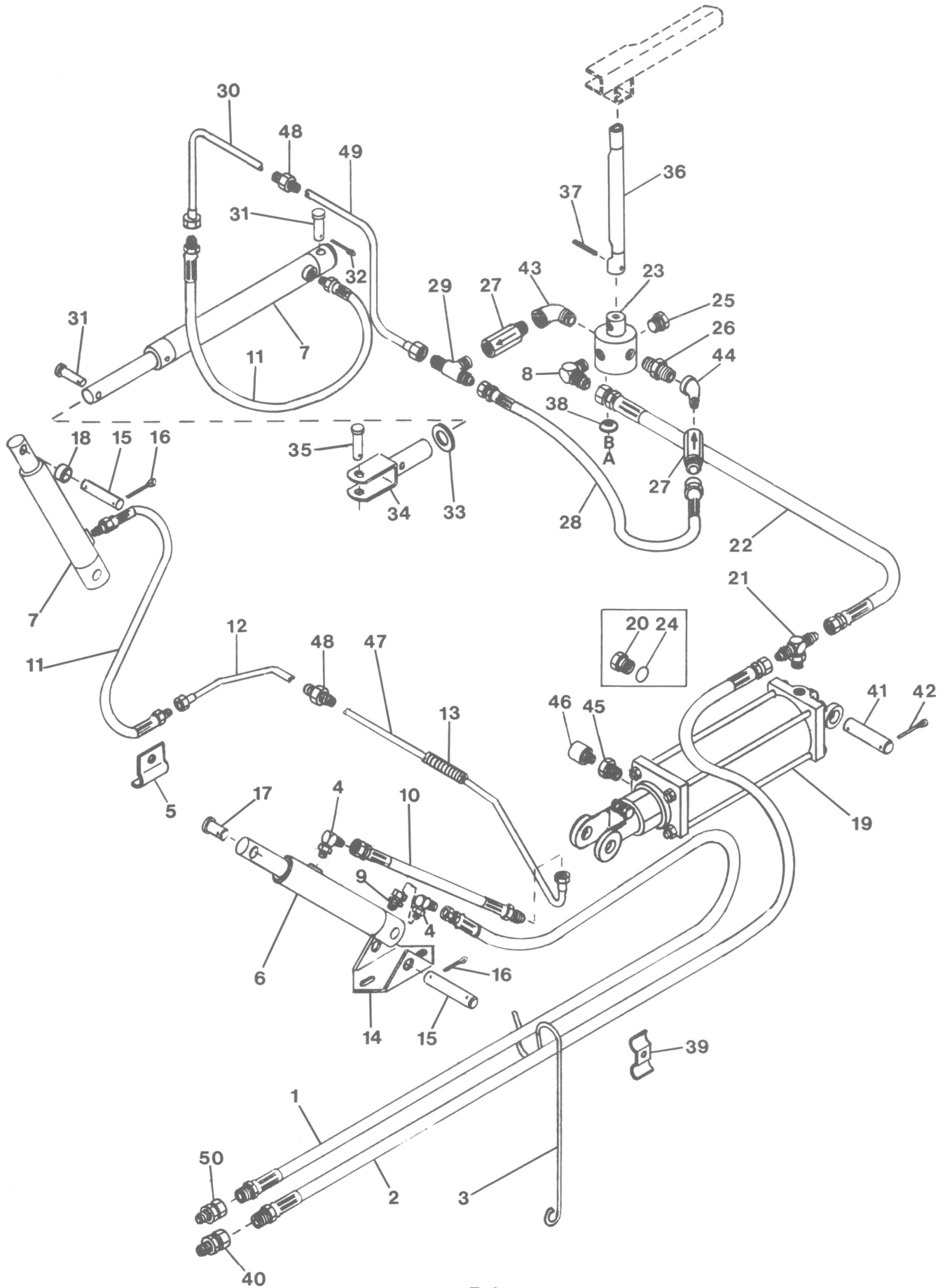
SECTION FIVE

CONTENTS

HYDRAULICS

. SINGLE UNIT	5.1
. DUPLEX (front)	5.2
. DUPLEX (reservoir, pump)	5.3
. DUPLEX (hitch)	5.4
. DUPLEX (rear)	5.5
. SCHEMATICS	5.6
ELECTRICAL (& schematic)	5.7

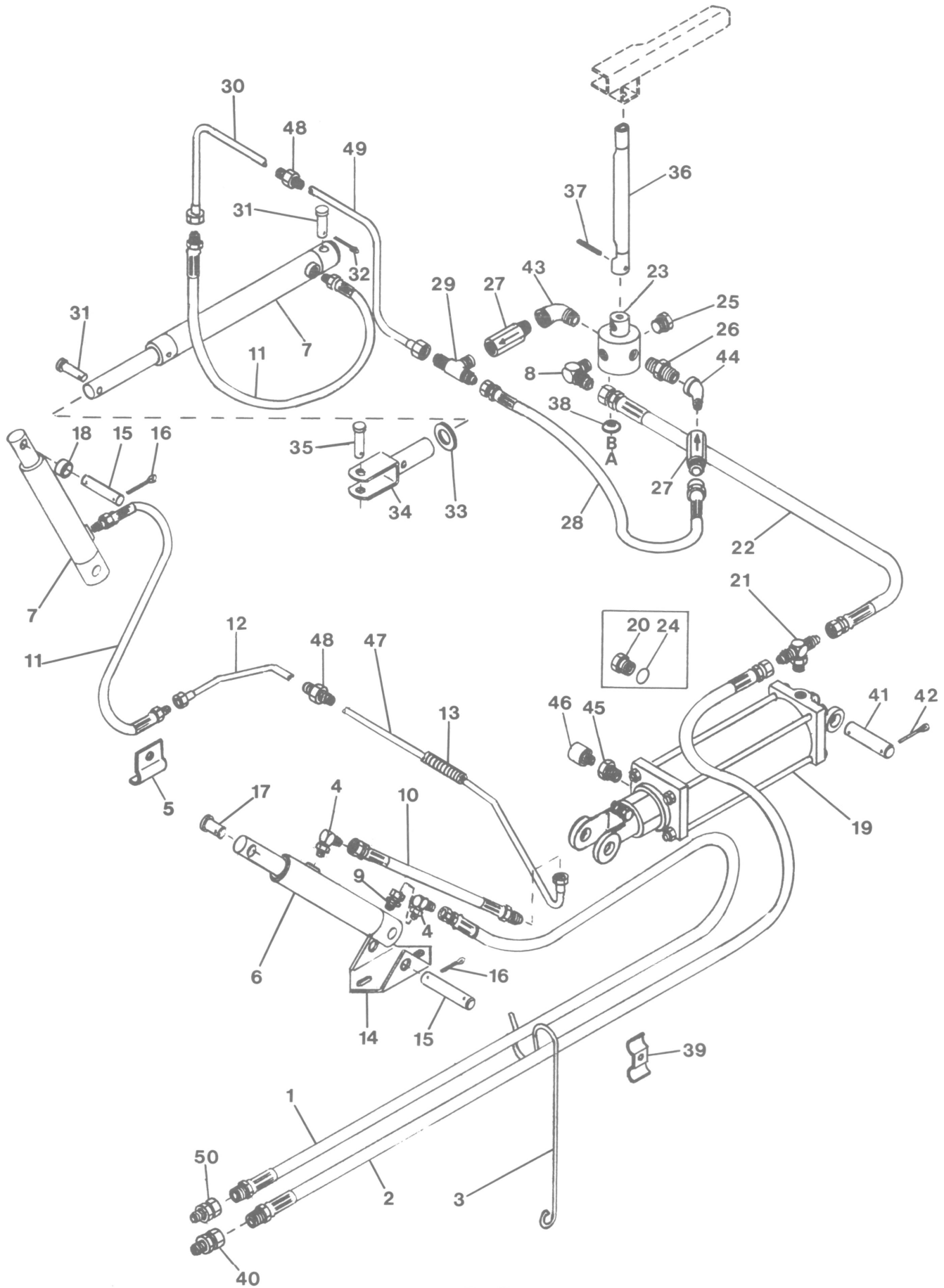
HYDRAULICS, SINGLE UNIT



HYDRAULICS, SINGLE UNIT

REF.	PART NO.	DESCRIPTION	QTY.	SERIAL NUMBER
1	K-31814-1	Hose - Tractor to Reel Cylinder	1	
2	K-31815-1	Hose - Tractor to Header Lift Cylinder	1	
3	K-29018-1	Support Hose	1	
4	P-30282	Elbow, 90-degree Male (for machines up to Serial no. 56152; fittings at Master Cylinder were #'s 8 & 43, qty. 1 each)	2	56153-
5	K-24063-1	Clamp Hose	3	
6	K-24185-2	Cylinder, Master Reel Lift (Seal Kit: P21494)	1	-56152
	K-29110-2	Cylinder, Master Reel Lift (Seal Kit: P30314)	1	56153-
7	K-24186-2	Cylinder, Slave Reel Lift (Seal Kit: P21495)	1	-56152
	K-29109-2	Cylinder, Slave Reel Lift (Seal Kit: P30413)	1	56153-
8	P-30281	Elbow, 90-degree Male (qty. 2 for machines up to Serial no. 56152)	1	
9	P-30302	Union, Restricting Swivel Adapter - 0.052" dia. orifice	1	-56152
10	K-13689-1	Hose - Cylinder to Line	1	-56152
	K-31824-1	Hose - Cylinder to Line	1	56153-
11	K-13689-1	Hose - to Cylinder	2	-56152
	K-31821-1	Hose - to Cylinder	2	56153-
12	K-31942-1	Hydraulic Line - to R/H Reel Cylinder - 21' Front	1	
	K-31941-1	Hydraulic Line - to R/H Reel Cylinder - 25' Front	1	
	K-31940-1	Hydraulic Line - to R/H Reel Cylinder - 30' Single & 25' Rear	1	
	K-31944-1	Hydraulic Line - to R/H Reel Cylinder - 21' Rear (For machines up to Ser. no. 56152; also order items 47 & 48)	1	
13	K-24137-1	Tubing, Protective	A/R	
14	K-29448-1	Bracket, Cylinder Mounting	2	
15	K-29451-1	Pin	3	
16	P-18608	Pin, Cotter 3/16 dia. x 1 1/2 lg.	A/R	
17	P-18621	Pin, Clevis 5/8 dia. x 1 9/16 lg.	1	
18	K-8640-1	Spacer	2	
19	K-29910-2	Cylinder - Header Lift (for machines up to Serial no. 56152; also order items 45 & 46) - Seal Kit: P-30306	1	
20	P-30261	Breather Plug	1	-56152
21	P-30287	Tee, Male Run	1	
22	K-31818-1	Hose - Hdr. Lift Cylinder to Valve - 30'	1	
	K-31819-1	Hose - Hdr. Lift Cylinder to Valve - 21' & 25'	1	
23	K-29007-2	Valve c/w O-Ring (P-30345)	1	
24	P-30313	O-Ring	1	-56152
25	P-6007	Plug, Pipe	1	
26	P-30251	Nipple, Pipe	1	
27	P-30255	Valve, Check	2	
28	K-29496-1	Hose, Tee to Check Valve	1	
29	P-30254	Tee, Male Branch	1	

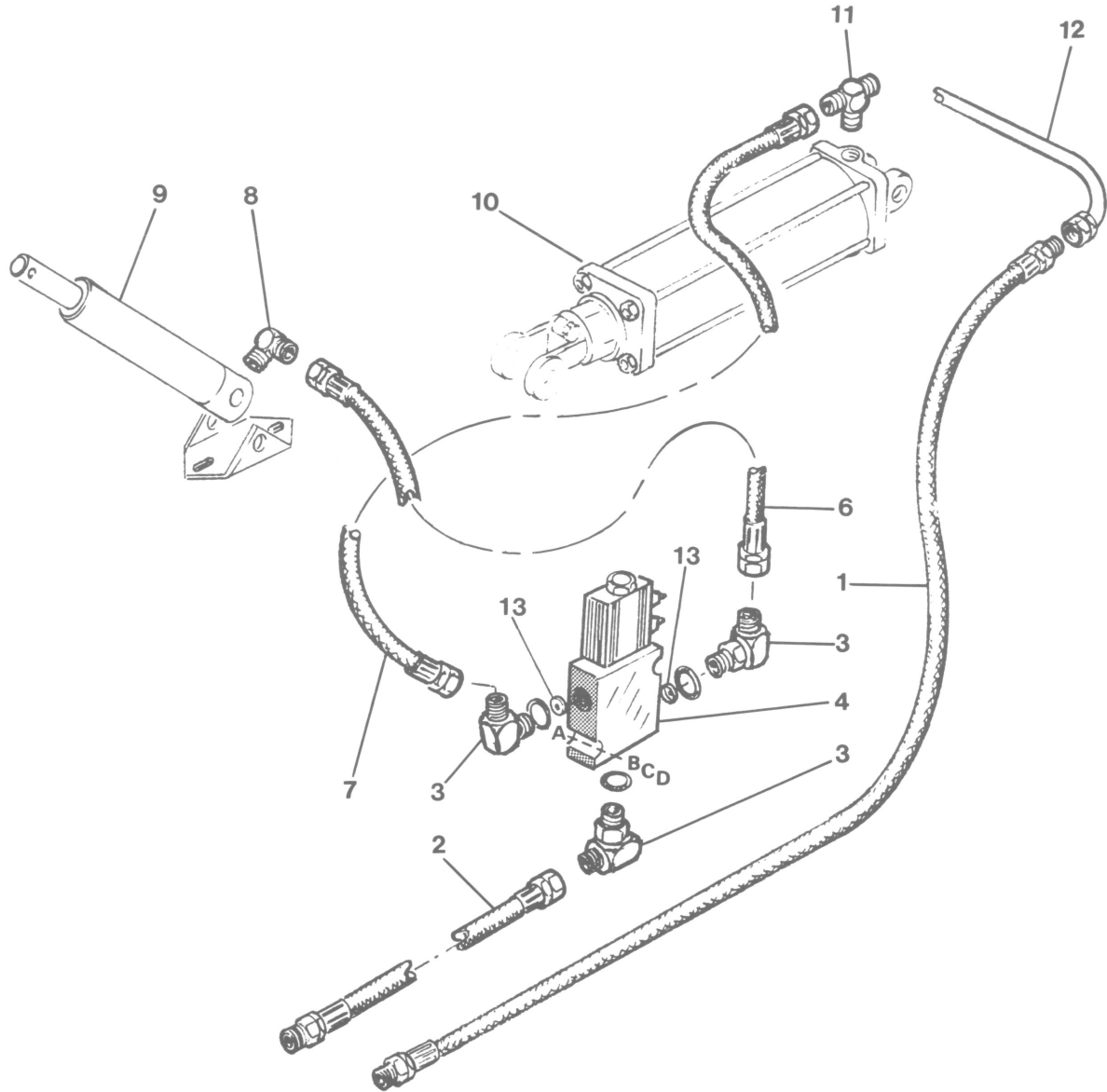
HYDRAULICS, SINGLE UNIT



HYDRAULICS, SINGLE UNIT

REF.	PART NO.	DESCRIPTION	QTY.	SERIAL NUMBER
30	K-31936-1	Hyd. Line - R/H Wheel Cylinder 21' Front	1	
	K-31937-1	Hyd. Line - to R/H Wheel Cylinder 25' Front & Rear	1	
	K-31938-1	Hydraulic Line - to R/H Wheel Cylinder - 30' Single	1	
	K-31945-1	Hydraulic Line - to R/H Wheel Cylinder - 21' Rear (for machines up to Serial No. 56152; also order items 48 & 49)	1	
31	P-18704	Pin, Clevis 5/8 dia. x 2 1/4 lg.	2	
32	P-18606	Pin, Cotter 1/8 dia. x 1 1/2 lg.	3	
33	P-18603	Washer, Flat 1 1/16 I.D.	7	
34	K-29831-1	Clevis Weld't.	1	
35	P-18627	Pin, Clevis 3/4 dia. x 2 1/2 lg.	1	
36	K-29678-1	Hose Assembly (for machines up to Serial no. 56152 ; also order handle K-29713-1, pg. 1.3)	1	
37	P-16008	Pin, Roll 5/16 dia. x 1 1/2 lg.	1	
38	K-29712-1	Washer, Dished	2	
39	K-31881-1	Clamp	2	
40	P-30301	Union, Restricting Swivel Adapter - 0.078" dia. orifice	1	
41	K-31492-1	Pin	2	
42	P-18609	Pin, Cotter 1/4 dia. x 2.0 lg.	4	
43	P-5736	Elbow, 90-degree Street (qty. 2 for machines up to Serial no. 56152)	1	
44	P-15158	Elbow, 45-degree Street-21' front unit only	1	
45	P-20043	Reducer Bushing, Hex	1	56153-
46	P-21816	Breather Filter	1	56153-
47	K-31939-1	Hydraulic Line - from L/H Reel Cylinder (single & front)	1	
	K-31943-1	Hydraulic Line - from L/H Reel Cylinder (rear) (for machines up to Ser.no. 56152; also order items 12 & 48)	1	
48	P-21878	Union	2	
49	K-31935-1	Hydraulic Line - from Valve (for machines up to Ser. no. 56152 :also order items 30 & 48)	1	
50	P-30377	Union, Restricting Swivel Adapter - 0.052" dia. orifice	1	56153-
A	P-21580	Capscrew, Hex. Hd. 1/4 NC x 1/2 lg.		
B	P-18635	Washer, Lock 1/4 Nom. I.D		

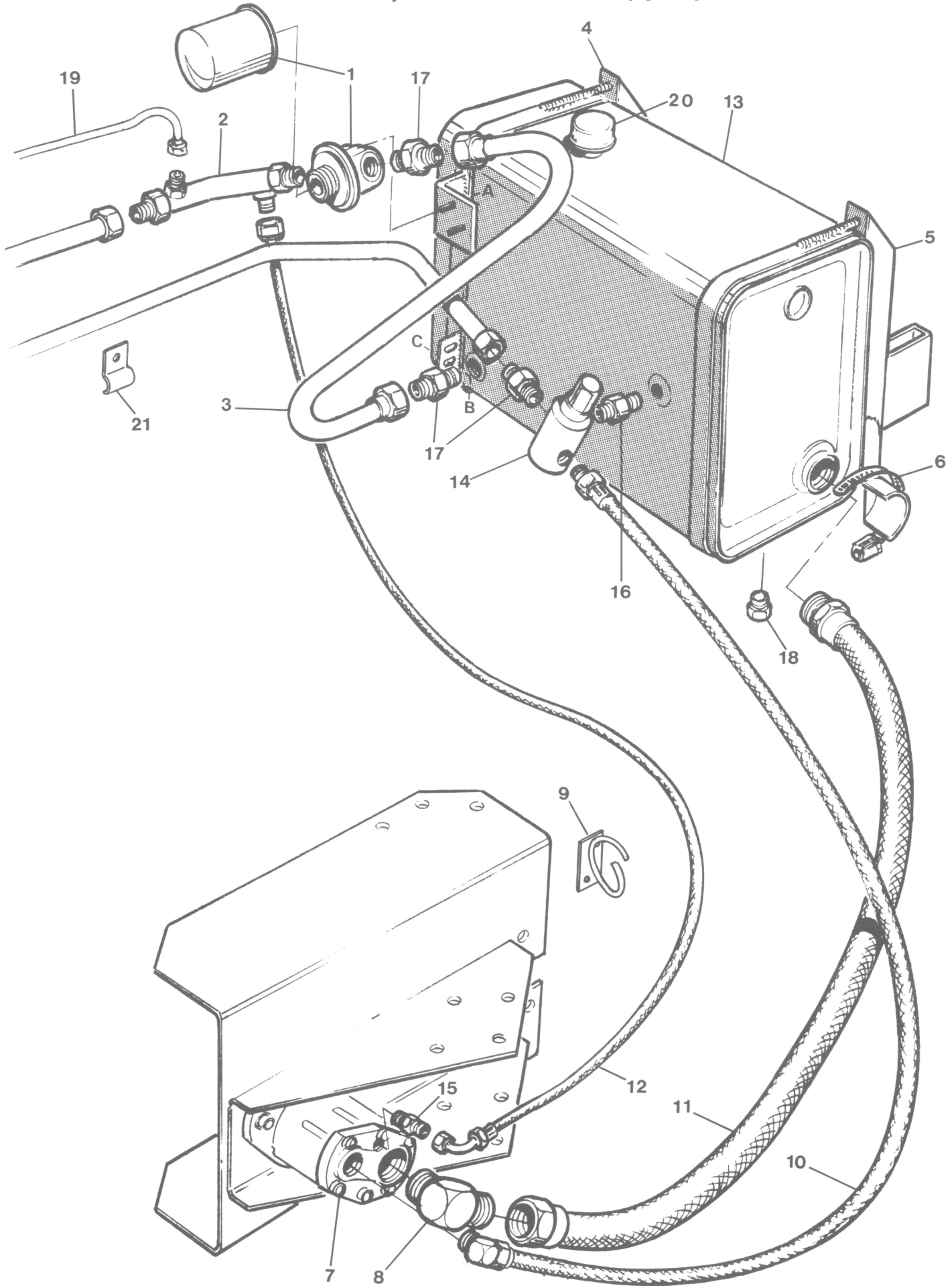
HYDRAULICS, DUPLEX (front)



HYDRAULICS, DUPLEX (front)

REF.	PART NO.	DESCRIPTION	QTY.	SERIAL NUMBER
1	K-31817	Hose	1	
2	K-31814-1	Hose	1	
3	P-30282	Elbow - 90-degree Male (qty. 3 for machines up to Ser. no. 56152)	5	
4	P-30264	Solenoid Valve - Modular Controls	1	
		P-30347- Coil - Modular Controls		
		P-30348 - Seal Kit - Modular Controls		
	P-30263	Solenoid Valve - Waterman (Alternate to Modular Controls Valve)		
5				
6	K-31816-1	Hose	1	
7	K-31813-1	Hose	1	
8	P-30281	Elbow, 90-degree Male (for machines after Serial no. 56152 ; both fittings in cylinder are item 3)	1	-56152
9		Cylinder, Reel Lift, see page 5.1		
10		Cylinder, Header Lift, see page 5.1		
11	P-30287	Tee, Male Branch	1	
12	K-29988-1	Hydraulic Line - to Rear Solenoid - 21'	1	
12	K-29976-1	Hydraulic Line - to Rear Solenoid - 25'	1	
13	P-16568	Orifice 0.052" dia.	2	
NOTE:Remainder of Duplex Front Hydraulics same as Single Unit, Page 5.1				
A	P-21570	Capscrew, Hex Hd. 1/4 NC x 2.0 lg.		
B	P-18596	Washer, Flat 9/32 I.D.		
C	P-18635	Washer, Lock 1/4 Nom. I.D.		
D	P-18588	Nut, Hex 1/4 NC		

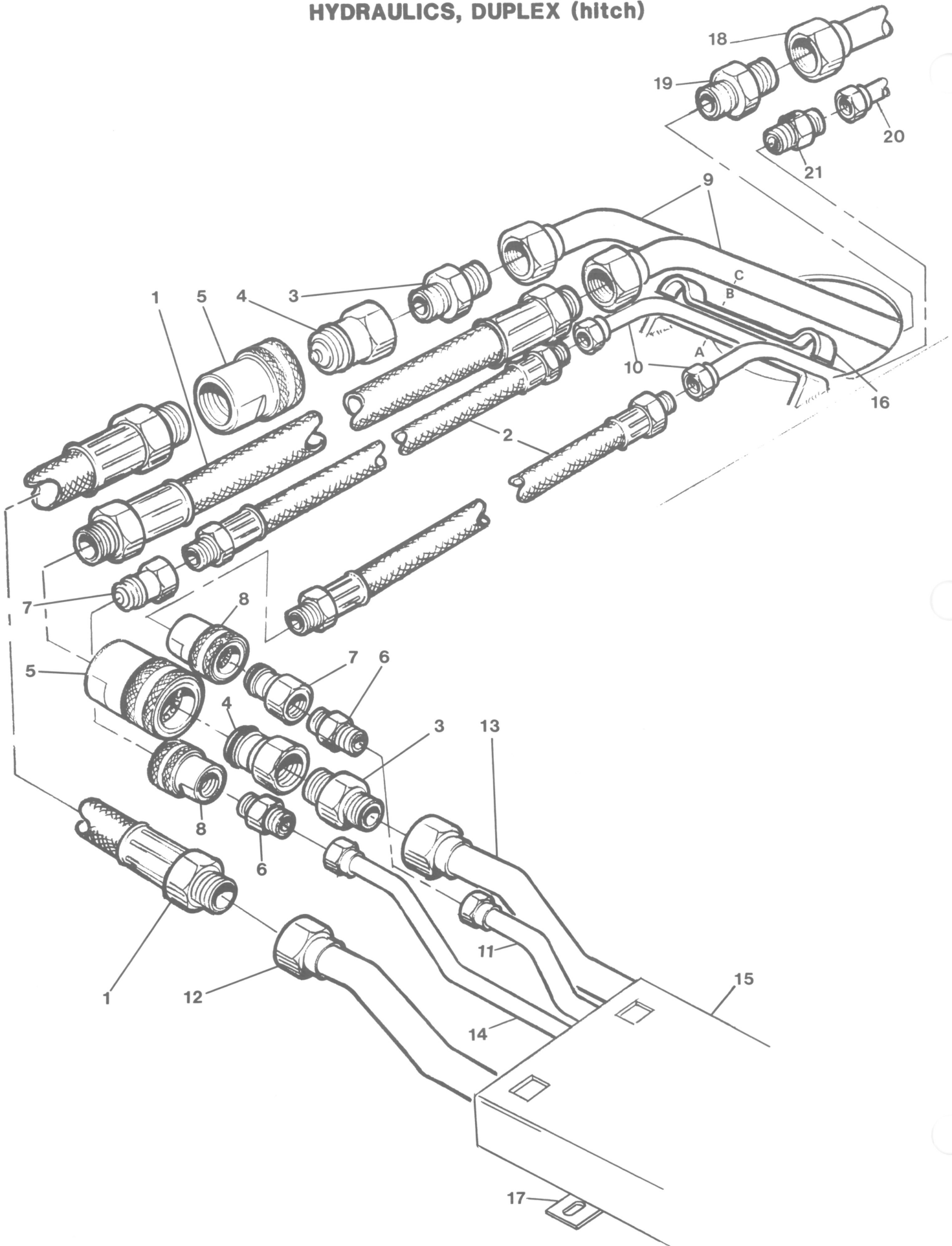
HYDRAULICS, DUPLEX (reservoir, pump)



HYDRAULICS, DUPLEX (reservoir, pump)

REF.	PART NO.	DESCRIPTION	QTY.	SERIAL NUMBER
1	P-21807	Filter, Oil c/w Head(Element Only:P21808)		
2	K-29940-1	Manifold, Return Line	1	
3	K-29972-1	Line, Hyd. Filter to Tank	1	
4	K-29944-1	Mount, Tank, Rear	1	
5	K-29954-1	Mount, Tank, Front	1	
6	P-17959	Clamp, Hose	1	
7	K-29009-2	Pump, Hydraulic	1	
8	P-30258	Elbow, Male, 90-degree	1	
9	K-29922-1	Loop	1	
10	K-31809-1	Hose, Hyd., High Pressure	1	
11	K-31810-1	Hose, Hyd., Suction	1	
12	K-31811-1	Hose, Hyd., Case Drain	1	
13	K-29925-1	Reservoir, Oil	1	
14	P-30273	Valve, Relief	1	
15	P-15903	Connector, Male	1	
16	P-21976	Nipple, Hex	1	
17	P-21836	Connector, Male	1	
18	P-30262	Plug, Magnetic	3	
19	K-29979-1	Line, Hyd. Case Drain - 21'	1	
	K-29975-1	Line, Hyd. Case Drain - 25'	1	
20	P-21044	Filter, Breather	1	
21	K-29934-1	Clamp, Vertical	1	
			2	
A	P-21755	Bolt, Flange 5/16 NC x 1/2 lg.		
B	P-21821	Bolt, Flange 3/8 NC x 3/4 lg.		
C	P-21452	Nut, Flange 3/8 NC		

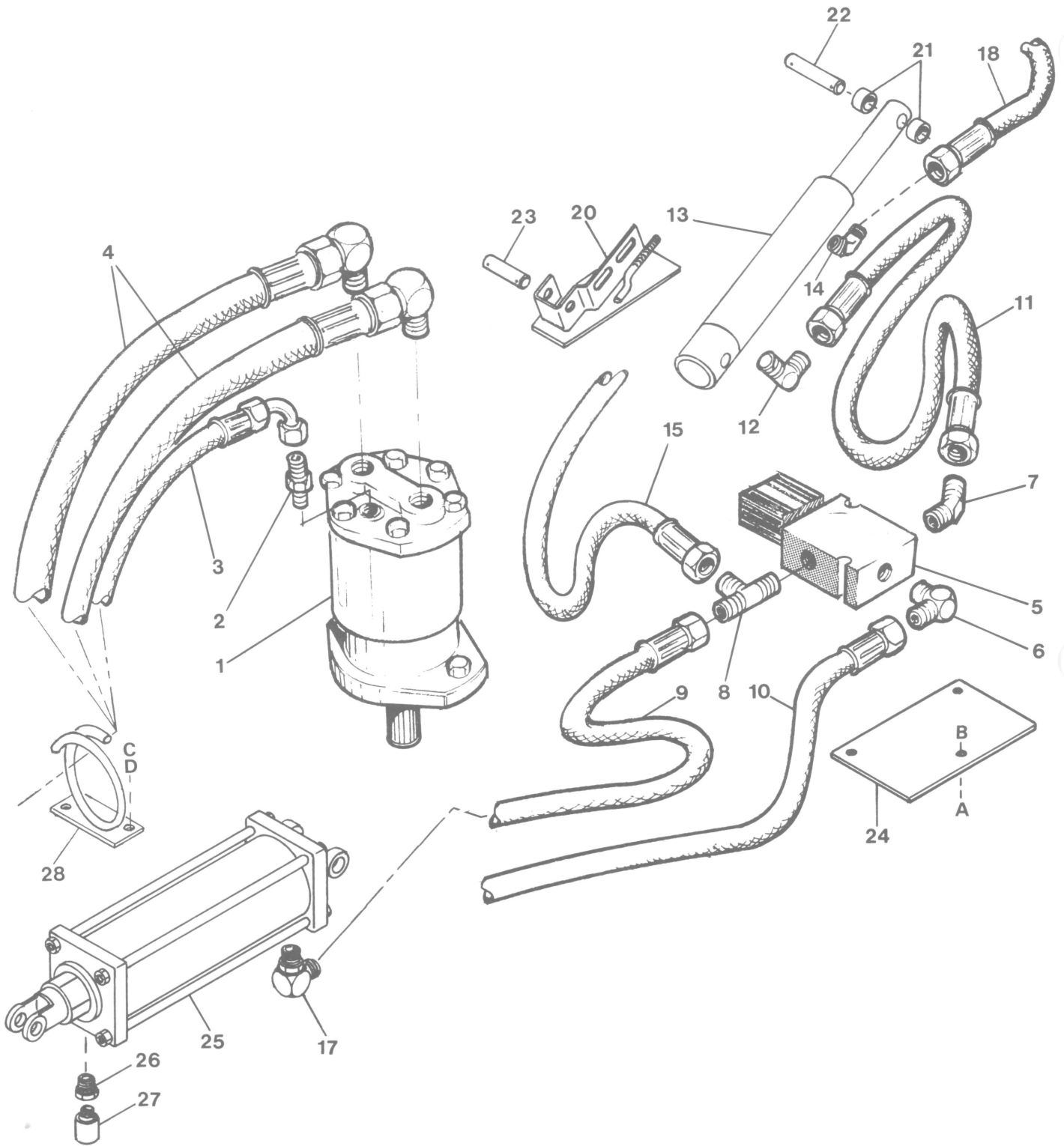
HYDRAULICS, DUPLEX (hitch)



HYDRAULICS, DUPLEX (hitch)

REF.	PART NO.	DESCRIPTION	QTY.	SERIAL NUMBER
1	K-31812-1	Hose, Hydraulic	2	
2	K-31820-1	Hose, Hydraulic	2	
3	P-21830	Connector, Male	2	
4	P-30275	Coupler, Nose	2	
5	P-30274	Coupler, Body	2	
6	P-21804	Connector, Male	2	
7	P-30277	Coupler, Nose	2	
8	P-30276	Coupler, Body	2	
9	K-31947-1	Duplex Hitch Line-Front Section 3/4 O.D. Tube (for machines up to Serial no. 56152; also order items 19 & 20)	2	
10	K-31949-1	Duplex Hitch Line-Front Section 3/8 O.D. Tube (for machines up to Serial no. 56152 :also order items 20 & 21)	2	
11	K-29979-1	Hydraulic Line - Case Drain - 21'	1	
	K-29975-1	Hydraulic Line - Case Drain -25'	1	
12	K-29977-1	Hydraulic Line - High Pressure - 21'	1	
	K-29974-1	Hydraulic Line - High Pressure - 25'	1	
13	K-29978-1	Hydraulic Line - Return - 21'	1	
	K-29973-1	Hydraulic Line - Return - 25'	1	
14	K-29988-1	Hyd. Line-Front Hitch to Rear Solenoid-21'	1	
	K-29976-1	Hyd. Line-Front Hitch to Rear Solenoid-25'	1	
15	K-29936-1	Shield, Hydraulic Line - 25'	1	-56152
	K-29952-1	Shield, Hydraulic Line - 21'	1	
	K-29953-1	Shield, Hydraulic Line - 25'	1	56153-
16	K-29935-1	Clamp, Hydraulic Line	6	
17	K-29938-1	Plate, Hydraulic Line	2	
18	K-31946-1	Duplex Hitch Line - Rear Section 3/4 O.D. Tube (for machines up to Ser. no. 56152 ; also order items 9 & 19)	2	
19	P-30376	Union - 3/4 Tube	2	
20	K-31948-1	Duplex Hitch Line - Rear Section 3/8 O.D. Tube (for machines up to Ser. no. 56152 :also order items 10 & 21)	2	
21	P-30375	Union - 3/8 Tube	2	
A	P-21473	Bolt, Carriage 5/16 NC x 1 1/4 lg.		
B	P-18636	Washer, Lock 5/16 Nom. I.D.		
C	P-18589	Nut, Hex 5/16 NC		

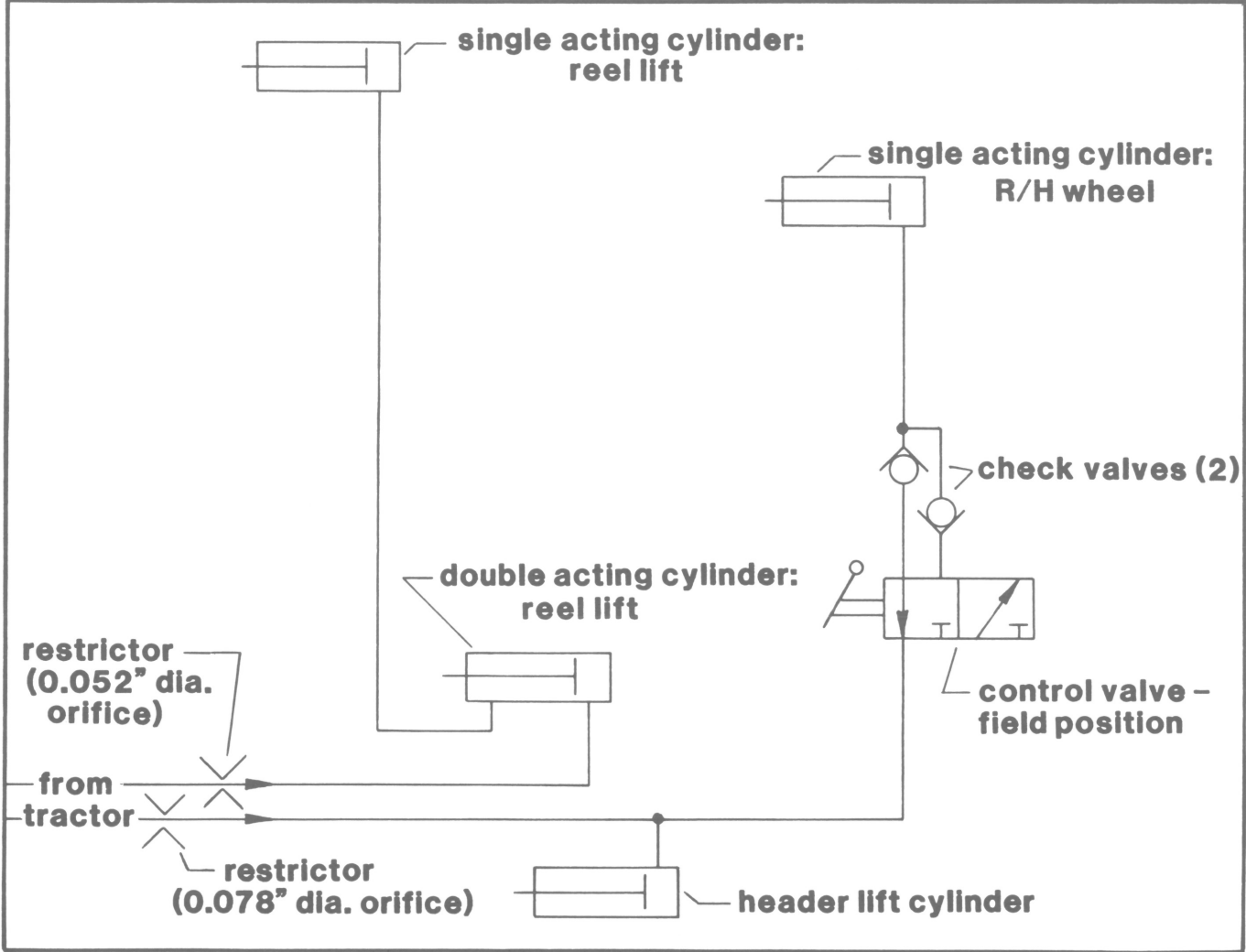
HYDRAULICS, DUPLEX (rear)



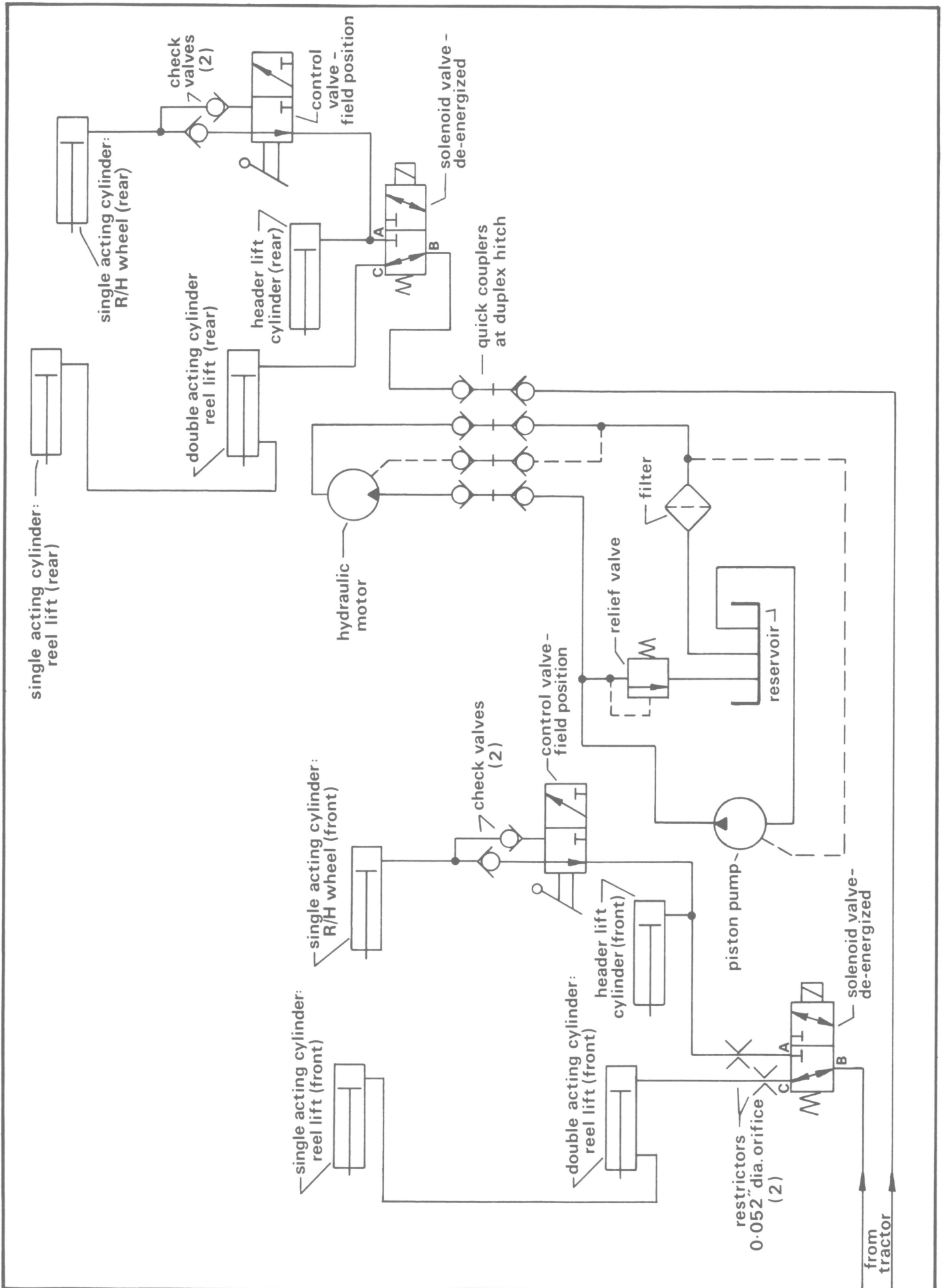
HYDRAULICS, DUPLEX (rear)

REF.	PART NO.	DESCRIPTION	QTY.	SERIAL NUMBER
1	K-24141-2	Motor, Hydraulic	1	
		P-30045- O-ring		
		P-30046 - Seal, Oil		
2	P-15903	Adapter, Flare	1	
3	K-31808-1	Hose, Case Drain	1	
4	K-31807-1	Hose - to Motor	2	
5	P-30264	Solenoid Valve - Modular Controls	1	
		P-30347 - Coil - Modular Controls		
		P-30348 - Seal Kit - Modular Controls		
	P-30263	Solenoid Valve - Waterman (alternate to Modular Controls Valve)		
6	P-30282	Elbow, 90-degree Male	1	
7	P-30284	Elbow, 45-degree Male	1	
8	P-30286	Tee, Run	1	
9	K-31805-1	Hose, Header Lift Cylinder	1	
10	K-31806-1	Hose - to Valve	1	
11	K-31804-1	Hose, Reel Lift	1	-56152
	K-31823-1	Hose, Reel Lift	1	56153-
12	P-21877	Elbow, 90-degree Male	1	-56152
	P-30282	Elbow, 90-degree Male	1	56153-
13		Cylinder, Master Reel Lift, Page 5.1		
14	P-30285	Elbow, 45-degree Male	1	-56152
	P-30284	Elbow, 45-degree Male	1	56153-
15	K-31802-1	Hose - to Wheel Lock Valve	1	
16				
17	P-30283	Elbow - 90-degree	1	
18	K-31803-1	Hose, Master Reel Cyl. to Hydraulic Line	1	-56152
	K-31822-1	Hose, Master Reel Cyl. to Hydraulic Line	1	56153-
19				
20	K-31350-1	Plate, Cylinder Adjusting	1	
21	K-8640-1	Spacer	2	
22	K-29452-1	Pin, Cylinder (Rod End)	1	
23	K-29451-1	Pin, Cylinder (Barrel End)	1	
24	K-31873-1	Shield	1	
25	K-29995-2	Cylinder, Header Lift (Seal Kit:P-30306)	1	
26	P-20043	Bushing, Hex.	1	
27	P-21816	Breather Filter	1	
28	K-31037-1	Loop	1	56153-
A	P-21087	Capscrew, Hex. Hd. 5/16 NC x 1.0 lg.		
B	P-18690	Nut, Lock 5/16 NC Distorted Thread		
C	P-20077	Capscrew, Hex Hd. 3/8 NC x 1.0 lg.		
D	P-18637	Washer, Lock 3/8 Nom. I.D.		

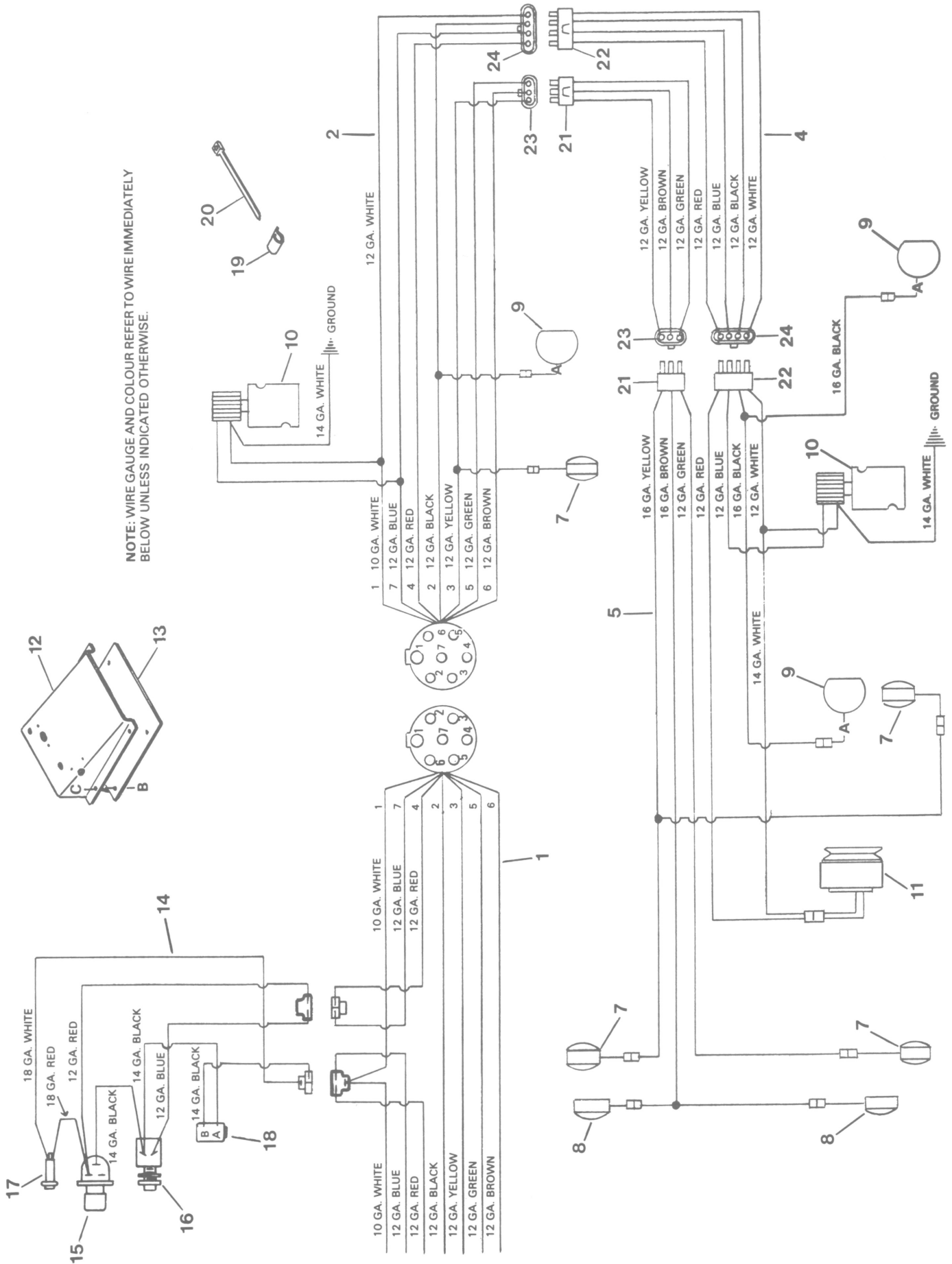
HYDRAULIC SCHEMATIC: SINGLE UNIT



HYDRAULIC SCHEMATIC: DUPLEX UNIT



ELECTRICAL SCHEMATIC



NOTE: WIRE GAUGE AND COLOUR REFER TO WIRE IMMEDIATELY BELOW UNLESS INDICATED OTHERWISE.

ELECTRICAL

REF.	PART NO.	DESCRIPTION	QTY.	SERIAL NUMBER
1	K-29980-1	Wiring Harness, tractor section c/w 7-pole receptacle and connectors	1	
2	K-29987-1	Wiring Harness - 30' Single Unit c/w connectors	1	
	K-29989-1	Wiring Harness - 21' Duplex Front Unit c/w connectors	1	
	K-29982-1	Wiring Harness - 25' Duplex Front Unit c/w connectors		
3				
4	K-29983-1	Wiring Harness - Duplex Hitch Section c/w connectors	1	
5	K-31777-1	Wiring Harness - 21' Duplex Rear Unit c/w connectors	1	
	K-29992-1	Wiring Harness - 25' Duplex Rear Unit c/w connectors	1	
6				
7	P-16539	Light, Amber (qty. 3 for single unit) (bulb # 1156)	4	
8	P-21402	Light, Red (bulb #1156)	2	
9	P-21757	Lamp, Work (qty. 1 for single unit) (seal beam #4406)	3	
10		Solenoid Valve, See page 5.2		
11		Clutch, see Page 3.3		
12	K-31882-1	Switch Box, Top	1	
13	K-31883-1	Switch Box, Bottom	1	
14	K-29981-1	Wiring Harness c/w connectors, Switch Box (duplex only)	1	
15	P-30289	Switch, Control (rear machine clutch)	1	
16	P-30290	Switch, Hydraulic Valve	1	
17	P-30062	Light, Indicator	1	
18	P-30291	Circuit Breaker, 20 Amp, Manual Re-set	1	
19	P-21218	Clip, Wiring (qty. 6 for single unit)	5	
20	P-16661	Cable Tie	A/R	
21	P-30438	Connector, 3-Way Tower	2	
22	P-30437	Connector, 4-Way Tower	2	
23	P-30440	Connector, 3-Way Shroud	2	
24	P-30439	Connector, 4-Way Shroud	2	
A	P-18598	Washer, Flat 13/32 I.D. (one per worklamp)		
B	P-21580	Capscrew, Hex. Hd. 1/4 NC x 1/2 lg.		
C	P-21455	Nut, Flange 1/4 NC		

SECTION SIX

CONTENTS

DECALS ----- 6.1

DECALS

1 **DANGER**
DO NOT RIDE ON MACHINE
K-3190-1

2 **DANGER**
Lower cutter bar to ground and unload springs before removing pins for repairs.
SEE OPERATORS MANUAL
K-3191-1

3 **CAUTION**
Belt drive inside frame.
K-3025-1

CAUTION
- Maximum transport speed 20 mph (30 km/h).
- Minimum weight of towing vehicle 5000 lbs. (2300 kg).
- Reduce speed for corners and slippery conditions.
- Ensure all safety pins and chain are in transport position.
- And obey all highway traffic regulations in your area when transporting this equipment on public roads.
- Read operator's manual before transporting.

CAUTION
- Maximum transport speed 15 mph (25 km/h).
- Minimum weight of towing vehicle 8000 lbs. (3600 kg).
- Reduce speed for corners and slippery conditions.
- Ensure all safety pins and chains are in transport position.
- And obey all highway traffic regulations in your area when transporting this equipment on public roads.
- Read operator's manual before transporting.

5 **WARNING**
To avoid bodily injury, keep all power drive system safety shields in place.
Operate only with 540 rpm PTO. Adjust tractor drawbar to 14.0 in. (356mm).
PTO shaft
Tractor drawbar
K-3192-1

4 **WARNING**
To avoid bodily injury, keep all power drive system safety shields in place.
Operate only with 1000 rpm PTO. Adjust tractor drawbar to 16.0 in. (406mm).
PTO shaft
Tractor drawbar
K-3193-1

10 **WARNING**
To avoid injury from fall of raised reel, completely raise reel, stop engine, remove ignition key, and set safety prop on or under reel. Safety prop is located on each reel arm behind top cylinder pin.
To avoid injury from fall of raised header, completely raise header, stop engine, remove ignition key, and install header lock. Header lock is located behind header lift cylinder.
K-3195-1

8 **CAUTION**
LEARN TO OPERATE THIS MACHINE SAFELY. DO NOT RISK INJURY OR DEATH. Before operating this machine, READ THE OPERATOR'S MANUAL and all safety instructions. If you do not have a manual, obtain one from your nearest dealer.
1. Make certain everyone is clear of machine before starting engine or operation.
2. Stop the engine, remove the key and wait for all movement to stop before leaving operator's position for any reason.
3. Keep hands, feet, clothing and hair away from moving parts.
4. Keep all riders off the machine.
5. Never adjust, lubricate, clean or unplug machine running. See owner's manual for all adjustment and lubrication procedures.
6. Use slow moving vehicle identification emblem and flashing warning lights when operating on highway except when prohibited by law.

11 **CAUTION**
Transport lock position
Install pin in storage hole for field
K-3196-1

12 **CAUTION**
FIELD TRANSPORT
hair pin
K-3197-1

9 **CAUTION**
handle in field position
pin in safety position for transport
pin in storage position for field
handle in transport position
K-3194-1

IMPORTANT

TO CONVERT FROM FIELD POSITION TO TRANSPORT:

1. Raise headers fully up. Drive forward and turn right to position shown.
2. Move levers and pins at positions 1, 2, 5, 6, 8 and 9 from field to transport position.
3. Turn left and drive forward. When machines begin to straighten out, continue forward and move header lift valves to up position and hold until pin 1 locks and right wheels 4 and 10 move into transport position.
4. Secure lock pins at positions 1, 3, 4, 7, 8 and 10.

TO CONVERT FROM TRANSPORT TO FIELD POSITION:

1. Raise headers fully up. Drive forward and turn right. Back up to position shown.
2. Move lock pins and levers at positions 1, 2, 3, 4, 5, 6, 7, 8, 9 and 10 from transport position to field position.
3. Back tractor up so that front hitch 1 locks in field position.
4. Drive forward to lock left wheel 2 in field position.
5. Lower front header about 12 in. (300mm) and drive forward until right wheel 4 casters into field position.
6. Lower rear header about 12 in. (300mm) and drive forward until right wheel 10 casters into field position.
7. If left wheel 9 is not locked in field position, raise header fully up and back up until it locks.

ITEM 6
HAIR PIN
TRANSPORT POSITION
FIELD POSITION
ITEM 8
FIELD POSITION
TRANSPORT POSITION
PIN
HAIR PIN
TRANSPORT POSITION
K-3198-1

24 **DRAPER DRIVE BELT INSTALLATION**
K-3199-1

23 **DRAPER DRIVE BELT INSTALLATION**
K-3198-1

22 **DRAPER DRIVE BELT INSTALLATION**
K-3197-1

21 **DRAPER DRIVE BELT INSTALLATION WITH CONVEYOR**

DRAPER DRIVE BELT INSTALLATION WITHOUT CONVEYOR
K-3196-1

IMPORTANT

TO CONVERT FROM FIELD POSITION TO TRANSPORT:

1. Raise header full up.
2. Move levers and pins at positions 1 and 2 from field position to transport.
3. Drive forward and hold header lift valve in up position until pin 1 locks, and right wheel moves into transport position.
4. Secure lock pins at positions 1, 3 and 4.

TO CONVERT FROM TRANSPORT TO FIELD POSITION:

1. Raise header full up.
2. Remove lock pins at positions 1, 3 and 4 from transport to field position.
3. Move levers at positions 1 and 2 from transport to field position.
4. Back tractor up so that left wheel casters to field position and locks, and front hitch pivots to field position and locks.
5. Lower header about 12 in. (300mm) and drive forward until right wheel casters into field position.
6. P.T.O. may be engaged when angle "A" is 45° or less.

K-3199-1

15 **IMPORTANT**
To prevent damage to pump, large hoses must be coupled when pump is driven.
Refer to operator's manual.
K-3195-1

16 **50 lb**
K-3195-1

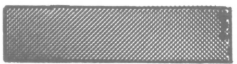
19 **10 lb**
K-3196-1

17 **IMPORTANT**
REEL MUST BE FULLY RAISED before adjusting tension of primary reel drive belt, with idler arm spring.
Idler arm channel spring adjuster
Idler arm
1 2
For best belt alignment, use hole 1 for idler arm pivot, if reel is to be operated at forward three reel arm positions. Use hole 2 if reel is to be positioned at rear three reel arm locations.
K-3197-1

Ensure stop channel on front machine is locked as shown for transport.
5
Field position Transport position
K-3194-1

25 **PATENT PENDING**
K-3190-1

18 **2** Transport position
Field position
K-3190-1



27

28

DECALS

REF.	PART NO.	DESCRIPTION	QTY.	SERIAL NUMBER
<u>SAFETY DECALS</u>				
1	K-31910-1	DANGER: Do Not Ride		
2	K-31911-1	DANGER: Unload Springs (Duplex Only)		
3	K-31925-1	CAUTION: Belt Drive		
4	K-31913-1	WARNING: Power Drive System Shields - 1000 RPM		
5	K-31912-1	WARNING: Power Drive System Shields - 540 RPM		
6	K-31894-1	CAUTION: Transport Safety (Single Unit)		
7	K-31934-1	CAUTION: Transport Safety (Duplex Unit)		
8	K-23438-1	CAUTION: General Safety		
9	K-31904-1	CAUTION: Telescoping Hitch Safety Pin		
10	K-31903-1	WARNING: Reel & Header Safety		
11	K-31960-1	CAUTION: Transport Safety Lock		
12	K-31895-1	CAUTION: Transport Safety Chain(Duplex Only)		
<u>INFORMATION DECALS</u>				
13	K-31901-1	IMPORTANT: Transport (Single Unit)		
14	K-31902-1	IMPORTANT: Transport (Duplex Unit)		
15	K-31921-1	IMPORTANT: Hydraulic Hoses		
16	K-23165-1	50 Hour Grease		
17	K-31905-1	IMPORTANT: Reel Drive Idler Position (Single or Front Duplex)		
	K-31929-1	IMPORTANT: Reel Drive Idler Position (Rear Duplex)		
18	K-31909-1	L/H Wheel Lock Handle		
19	K-23163-1	10 Hour Grease		
20	K-31914-1	Duplex Hitch Lock (Duplex Only)		
21	K-31916-1	L/H Draper Drive Belt - Rear (Duplex Only)		
22	K-31917-1	R/H Draper Drive Belt - Rear (Duplex Only)		
23	K-31918-1	L/H Draper Drive Belt -Single or Front Duplex		
24	K-31919-1	R/H Draper Drive Belt -Single or Front Duplex		
25	K-31920	Patent Pending		
26	K-31928-1	Header Height Indicator (Duplex Only)		
27	P-20016	Reflector, Amber		
28	P-18684	Reflector, Red		

SECTION SEVEN

CONTENTS

BELT LISTING ----- 7.1

NUMERICAL LISTING : K- #'s ----- 7.2

P- #'s ----- 7.2 H

BELT LISTING

REF.	PART NO.	DESCRIPTION	QTY.	SERIAL NUMBER
		<u>SINGLE OR FRONT - DUPLEX UNIT</u>		
	K-29695-1	Main Drive - "C" Section		
	K-29384-1	Knife Drive - "C" Section		
	K-4226-1	Primary Reel Drive - "B" Section		
	K-29916-1	Draper Countershaft Drive "B" Section		
	K-29914-1	Final Reel Drive - "B" Section		
		R/H Draper Drive (Wide Opening)		
		L/H Draper Drive (Wide Opening)		
	K-29915-1	R/H Draper Drive (Narrow Opening) - "B" Section		
		L/H Draper Drive (Narrow Opening)(Optional)		
	K-9517-1	Pump Drive - "C" Section (Duplex Only)		
		<u>REAR DUPLEX UNIT</u>		
	K-29914-1	Final Reel Drive - "B" Section		
	K-29919-1	Crankshaft Drive - "B" Section (Matched Pr.)		
	K-9520-1	Countershaft Drive - "B" Section		
	K-15657-1	Primary Reel Drive - "B" Section		
	K-29920-1	R/H Draper Drive - "B" Section		
	K-29917-1	L/H Draper Drive - "B" Section		

NUMERICAL LISTING

<u>PART NUMBER</u>	<u>SECTION</u>	<u>PART NUMBER</u>	<u>SECTION</u>
K-334-1	3.1, 3.3	K-20694-1	3.4
K-1709-1	3.2	K-20906-2	3.4
K-1868-1	3.3, 3.7	K-22051-1	3.1
K-4226-1	3.7, 7.1	K-22072-1	1.4, 3.4, 3.5
		K-22671-1	1.2
K-4761-1	2.3	K-22922-2	4.1
K-8640-1	5.1, 5.5	K-23064-1	3.4
K-9128-1	3.1	K-23065-1	3.4
K-9517-1	3.2, 7.1	K-23071-1	3.4
K-9520-1	3.3, 7.1	K-23116-1	3.4
K-11460-1	2.1	K-23117-1	3.4
K-13684-1	3.7	K-23142-1	3.3, 3.7
K-13689-1	5.1	K-23163-2	6.1
K-13697-1	3.3, 3.6	K-23165-1	6.1
K-14045-1	3.4, 3.5	K-23438-1	6.1
K-14333-1	4.1, 4.2	K-24063-1	5.1
K-14334-1	4.1, 4.2	K-24137-1	5.1
K-15325-1	1.3	K-24141-2	3.3, 5.5
K-15657-1	3.7, 7.1	K-24185-2	5.1
K-16235-1	2.1	K-24186-2	5.1
K-16652-1	3.3	K-24425-1	2.2
K-16671-1	3.4	K-26390-1	4.1
K-16944-1	3.4	K-26391-1	4.1, 4.2
K-17675-1	3.4	K-26392-1	4.1, 4.2
K-18349-1	1.4	K-26393-1	4.1, 4.2
K-18611-1	1.4		
K-18963-1	1.1		
K-19681-1	3.1	K-26396-1	4.1, 4.2
K-20044-1	4.1	K-26408-1	4.1, 4.2
K-20410-1	1.2	K-26411-1	4.1, 4.2
K-20411-1	1.2	K-26412-1	4.1, 4.2
K-20429-1	3.7	K-26420-1	4.1, 4.2
K-20497-1	1.4	K-26426-1	4.1, 4.2
K-20535-1	1.2, 4.1, 4.2	K-26427-1	3.7, 4.1, 4.2

<u>PART NUMBER</u>	<u>SECTION</u>	<u>PART NUMBER</u>	<u>SECTION</u>
K-26428-1	3.7, 4.1, 4.2	K-29033-1	3.1
K-26429-1	3.7, 4.1, 4.2	K-29051-1	1.1
K-26431-1	4.1, 4.2	K-29052-1	1.1
K-26471-1	3.7	K-29053-1	1.1
K-26724-1	1.2	K-29054-2	4.1
K-26725-1	1.2	K-29055-1	3.1
K-26726-1	1.2	K-29109-2	5.1
K-26729-1	1.2	K-29110-2	5.1
K-26736-1	1.2	K-29120-1	3.2
K-26766-2	1.2	K-29172-2	3.1
		K-29173-2	3.6
		K-29174-2	4.2
K-29000-1	3.7	K-29197-2	3.1
K-29003-1	2.1	K-29247-2	2.1
K-29004-1	1.4	K-29274-2	3.4, 3.5
K-29005-1	1.4	K-29336-2	3.4
K-29006-1	1.4	K-29347-1	3.4
K-29007-2	5.1	K-29355-2	3.4
K-29008-1	3.3	K-29356-1	3.4, 3.5
K-29009-2	5.3	K-29361-1	3.4, 3.5
K-29010-1	3.1	K-29362-1	3.4, 3.5
K-29012-1	3.2	K-29364-2	3.4
K-29016-1	3.1, 3.4	K-29371-1	3.4, 3.5
K-29018-1	5.1	K-29374-1	3.4, 3.5
K-29019-1	1.3	K-29376-2	3.4
K-29020-1	2.1	K-29378-1	3.4
K-29022-1	2.3	K-29380-1	3.3, 3.4
K-29023-1	3.2	K-29384-1	3.4, 7.1
K-29024-1	3.7	K-29385-1	3.1
K-29025-1	3.6	K-29390-1	4.1
K-29026-1	3.6	K-29394-1	3.4
K-29027-1	1.3	K-29396-1	3.6
K-29028-1	2.3	K-29401-1	3.6
K-29030-1	4.2	K-29402-1	3.6
K-29031-1	4.2	K-29403-1	3.6
K-29032-1	3.2, 3.3	K-29405-1	3.3, 3.6

7.2A

<u>PART NUMBER</u>	<u>SECTION</u>	<u>PART NUMBER</u>	<u>SECTION</u>
K-29407-1	3.3, 3.6	K-29543-1	2.1
K-29408-1	3.6	K-29550-1	2.1
K-29409-1	3.6	K-29555-1	2.1
K-29410-2	3.4	K-29556-1	2.1
K-29412-1	3.6	K-29558-1	1.4
		K-29560-1	3.1
K-29413-1	3.6	K-29561-1	3.1
K-29418-1	3.4	K-29564-1	3.1
K-29421-1	3.7	K-29568-1	2.1
K-29428-2	3.4	K-29580-1	3.1
K-29429-2	3.4	K-29585-1	2.1
K-29430-1	3.7	K-29588-1	3.1
K-29435-1	3.7	K-29590-1	3.1
K-29436-1	3.7	K-29598-1	2.1
K-29438-1	3.7	K-29600-1	3.2
K-29440-1	3.7	K-29607-1	2.1
		K-29612-1	2.1
K-29446-1	3.7	K-29620-1	2.1
K-29448-1	5.1	K-29632-1	3.1
K-29451-1	5.1, 5.5	K-29638-1	2.1
K-29452-1	5.5	K-29639-1	2.1
K-29454-1	3.7	K-29642-1	2.1
K-29458-1	3.7	K-29646-1	2.1
K-29462-1	3.5, 3.7	K-29647-1	2.1
K-29464-1	3.7	K-29648-1	2.1
K-29467-1	2.1	K-29652-1	2.1
K-29470-1	3.7	K-29657-1	2.1
K-29473-1	3.6	K-29661-1	3.4
K-29482-1	3.6	K-29667-1	1.2
K-29483-1	3.6	K-29668-1	1.2
K-29493-1	3.6	K-29669-1	1.2
K-29495-1	3.3, 3.6	K-29678-1	5.1
K-29496-1	5.1	K-29695-1	3.1, 7.1
K-29500-1	2.1	K-29700-1	3.1
K-29533-1	1.4, 2.1	K-29702-1	3.1
K-29536-1	2.1	K-29704-1	3.1

PART NUMBERSECTIONPART NUMBERSECTION

K-29706-1
 K-29708-1
 K-29712-1
 K-29713-1
 K-29715-1

3.1
 2.1
 5.1
 1.3
 3.7

K-29809-1
 K-29817-1
 K-29818-1
 K-29823-1
 K-29824-2

1.3
 1.1
 1.3
 1.3
 4.1

K-29723-1
 K-29726-1
 K-29728-1
 K-29731-1
 K-29732-1

3.1
 3.1
 3.7
 3.1
 3.7

K-29825-2
 K-29826-2
 K-29827-2
 K-29828-2
 K-29829-2

4.1
 4.1
 4.1
 4.1
 4.1

K-29737-1
 K-29738-2
 K-29742-1
 K-29744-1
 K-29752-1

3.7
 3.7
 3.1
 3.7
 3.4, 3.7

K-29831-1
 K-29836-1
 K-29839-1
 K-29841-1
 K-29845-1
 K-29850-1

5.1
 1.3
 1.3
 1.3
 2.2
 2.2

K-29753-1
 K-29755-1
 K-29765-1
 K-29772-1
 K-29773-1

3.4
 3.1
 1.1
 1.1
 1.1

K-29861-1
 K-29862-1
 K-29868-1
 K-29878-1
 K-29888-1

1.4
 2.2
 2.2
 2.3
 1.3

K-29774-1
 K-29775-1
 K-29776-1
 K-29783-1
 K-29785-1

1.1
 1.1
 1.3
 1.1
 1.3

K-29894-1
 K-29901-1
 K-29902-1
 K-29903-1
 K-29904-1

1.3
 3.1, 3.2
 3.1, 3.2
 3.1, 3.2
 3.2

K-29786-1
 K-29788-1
 K-29792-1
 K-29794-1
 K-29797-1

1.3
 1.3
 1.1
 1.3
 1.1

K-29905-1
 K-29910-2
 K-29911-2
 K-29912-2
 K-29913-2

3.1
 5.1
 3.1
 3.1
 3.1

K-29798-1
 K-29804-1
 K-29805-1
 K-29807-1

1.3
 1.1
 1.3
 1.3

K-29914-1
 K-29915-1
 K-29916-1
 K-29917-1

3.6, 3.7, 7.1
 3.6, 7.1
 3.1, 7.1
 3.6, 7.1

<u>PART NUMBER</u>	<u>SECTION</u>	<u>PART NUMBER</u>	<u>SECTION</u>
K-29919-1	3.3,7.1	K-31037-1	5.5
K-29920-1	3.6,7.1	K-31045-1	1.1
K-29922-1	5.3	K-31046-1	1.1
K-29925-1	5.3	K-31084-1	3.3
K-29934-1	5.3	K-31110-1	1.2
		K-31112-1	3.6
K-29935-1	5.4	K-31113-1	3.6
K-29936-1	5.4	K-31124-2	3.5
K-29938-1	5.4	K-31130-1	4.3
K-29940-1	5.3	K-31131-1	4.2
K-29944-1	5.3	K-31132-1	1.2
K-29950-2	3.1	K-31134-2	4.1
K-29951-2	3.1	K-31135-1	3.3
K-29952-1	5.4	K-31136-1	3.3
K-29953-1	5.4	K-31137-1	3.3
K-29954-1	5.3	K-31138-1	3.3
K-29956-1	2.2	K-31144-2	3.3
K-29959-2	3.1	K-31145-1	2.1,3.3
K-29972-1	5.3	K-31146-1	3.3
K-29973-1	5.4	K-31150-1	3.3
K-29974-1	5.4	K-31151-1	3.3
K-29975-1	5.3,5.4	K-31161-2	3.5
K-29976-1	5.2,5.4	K-31170-2	3.5
K-29977-1	5.4	K-31176-1	3.5
K-29978-1	5.4	K-31177-1	3.3,4.2,4.3
K-29979-1	5.3,5.4	K-31178-1	3.3
K-29980-1	5.7	K-31180-1	4.1
K-29981-1	5.7	K-31186-1	3.3
K-29982-1	5.7	K-31189-1	3.3
K-29983-1	5.7	K-31196-1	4.1
K-29987-1	5.7	K-31202-1	3.6
K-29988-1	5.2,5.4	K-31203-1	3.3
K-29989-1	5.7	K-31205-1	3.6
K-29992-1	5.7	K-31209-1	3.6
K-29995-2	5.5	K-31215-1	4.3

<u>PART NUMBER</u>	<u>SECTION</u>	<u>PART NUMBER</u>	<u>SECTION</u>
K-31238-1	4.3	K-31420-1	1.4
K-31250-1	4.2, 4.3	K-31430-1	1.4
K-31252-1	4.3	K-31431-1	1.4
K-31266-1	4.3	K-31434-1	1.4
K-31267-1	4.3	K-31440-1	1.4
K-31268-1	4.3	K-31445-1	1.4
K-31269-1	1.2	K-31450-2	1.4
K-31280-1	3.3	K-31453-1	1.3
K-31282-1	3.3	K-31454-1	1.4
K-31283-1	3.3	K-31460-1	1.4
K-31285-1	1.2	K-31478-1	1.4
K-31286-1	1.2	K-31481-1	1.4
K-31287-1	3.3	K-31482-1	2.1
K-31289-1	3.3	K-31488-1	2.1
K-31292-1	3.3	K-31490-1	2.2
K-31294-1	1.4	K-31492-1	1.4, 2.1, 2.2, 5.1
K-31328-1	1.4	K-31495-1	4.3
K-31330-1	3.3	K-31500-1	4.3
K-31336-1	1.4, 3.3	K-31501-1	4.3
K-31340-1	3.7	K-31504-1	4.3
K-31348-1	3.7	K-31509-1	4.3
K-31350-1	5.5	K-31512-1	1.4
K-31358-1	3.7	K-31514-1	2.2
K-31365-1	1.4	K-31520-1	4.2
K-31366-1	1.4	K-31540-1	4.2
K-31380-1	1.4	K-31544-1	4.2
K-31385-1	1.4	K-31552-1	4.2
K-31390-1	1.4	K-31558-1	4.2
K-31394-1	1.4	K-31559-1	4.2
K-31395-1	1.4	K-31570-1	4.2
K-31396-1	1.4	K-31575-1	4.2
K-31402-1	1.4	K-31579-1	4.2
K-31412-1	1.4	K-31584-1	4.2
K-31416-1	1.4	K-31586-1	4.2

<u>PART NUMBER</u>	<u>SECTION</u>	<u>PART NUMBER</u>	<u>SECTION</u>
K-31588-1	4.2	K-31778-1	1.1
K-31592-1	4.2	K-31802-1	5.5
K-31600-1	2.3	K-31803-1	5.5
K-31634-1	2.3	K-31804-1	5.5
K-31636-1	2.2	K-31805-1	5.5
K-31646-1	2.2	K-31806-1	5.5
K-31660-1	2.2	K-31807-1	5.5
K-31670-1	2.3	K-31808-1	5.5
K-31675-1	2.3	K-31809-1	5.3
K-31684-1	2.2	K-31810-1	5.3
K-31688-1	2.2	K-31811-1	5.3
K-31691-1	2.2	K-31812-1	5.4
K-31692-1	2.2	K-31813-1	5.2
K-31694-1	2.2	K-31814-1	5.1, 5.2
K-31698-1	2.3	K-31815-1	5.1
K-31706-1	2.3	K-31816-1	5.2
K-31710-1	2.3	K-31817-1	5.2
K-31713-1	2.3	K-31818-1	5.1
K-31718-1	2.3	K-31819-1	5.1
K-31723-1	2.3	K-31820-1	5.4
K-31724-1	2.3	K-31821-1	5.1
K-31726-1	2.3	K-31822-1	5.5
K-31742-1	1.4	K-31823-1	5.5
K-31752-1	1.4	K-31824-1	5.1
K-31758-1	1.4	K-31851-1	2.2
K-31764-1	1.4	K-31852-1	2.3
K-31767-1	1.1	K-31856-1	2.2
K-31768-1	1.1	K-31857-1	2.2
K-31770-1	1.4	K-31858-1	2.2
K-31771-1	1.4	K-31859-1	2.3
K-31774-1	2.3	K-31860-1	2.2
K-31775-1	1.1	K-31865-1	1.4
K-31776-1	1.1	K-31866-1	2.3
K-31777-1	5.7	K-31870-1	2.2

<u>PART NUMBER</u>	<u>SECTION</u>	<u>PART NUMBER</u>	<u>SECTION</u>
K-31873-1	5.5	K-31934-1	6.1
K-31875-1	3.3	K-31935-1	5.1
K-31876-1	3.1	K-31936-1	5.1
K-31881-1	5.1	K-31937-1	5.1
K-31882-1	5.7	K-31938-1	5.1
K-31883-1	5.7	K-31939-1	5.1
K-31887-1	2.3	K-31940-1	5.1
K-31888-1	2.3	K-31941-1	5.1
K-31889-1	2.1	K-31942-1	5.1
K-31892-1	1.1	K-31943-1	5.1
K-31893-1	1.1	K-31944-1	5.1
K-31894-1	6.1	K-31945-1	5.1
K-31895-1	6.1	K-31946-1	5.4
K-31896-1	2.2	K-31947-1	5.4
K-31901-1	6.1	K-31948-1	5.4
K-31902-1	6.1	K-31949-1	5.4
K-31903-1	6.1	K-31955-1	2.3
K-31904-1	6.1	K-31960-1	6.1
K-31905-1	6.1	K-31965-1	1.4
K-31909-1	6.1	K-31973-2	6.1
K-31910-1	6.1	K-31974-2	6.1
K-31911-1	6.1	K-31975-2	6.1
K-31912-1	6.1	K-31976-2	3.5
K-31913-1	6.1	K-31982-2	6.1
K-31914-1	6.1	K-31983-2	6.1
K-31916-1	6.1	K-31993-1	6.1
K-31917-1	6.1	K-31994-1	6.1
K-31918-1	6.1	K-31995-1	6.1
K-31919-1	6.1	K-31996-1	6.1
K-31920-1	6.1	K-31997-1	6.1
K-31921-1	6.1		
K-31925-1	6.1		
K-31928-1	6.1		
K-31929-1	6.1		

<u>PART NUMBER</u>	<u>SECTION</u>	<u>PART NUMBER</u>	<u>SECTION</u>
P-193	1.3	P-18585	3.1
P-2146	1.4,2.1	P-18590	3.5
P-2147	1.4	P-18591	3.5
P-4199	3.2	P-18599	3.5,3.6
P-5259	3.3,3.7	P-18600	3.3
P-5512	1.3	P-18601	1.3
P-5736	5.1	P-18603	1.4,5.1
P-6007	5.1	P-18605	3.6,4.1,4.2
P-6596	4.1,4.2	P-18606	5.1
P-7258	3.4	P-18607	1.4,2.1,2.2,3.4
P-7701	3.1	P-18608	3.1,3.7,5.1
P-7900	1.3,3.4	P-18609	1.4,2.1,2.2,
P-7909	1.3		2.3,4.2,5.1
P-7910	1.3,3.4	P-18621	5.1
P-7920	1.3	P-18626	2.2
P-8316	3.3,3.6,4.2,4.3	P-18627	2.2,5.1
P-9211	3.3	P-18637	3.5
P-11142	3.1,3.2,3.5	P-18638	3.5
P-11814	1.4	P-18648	1.3,3.3
P-13125	1.3,1.4,2.1, 2.2,2.3,3.7	P-18666	1.4,3.5
P-13617	2.2	P-18671	1.4,2.1,2.2,3.3, 3.4,3.7
P-13626	3.4,3.5		
P-14649	3.3,3.6,3.7	P-18684	6.1
P-15158	5.1	P-18704	5.1
P-15380	4.2	P-18730	3.4
P-15903	5.3,5.5	P-19634	1.4,3.5
P-16008	3.3,3.6,5.1	P-20016	6.1
P-16010	4.3	P-20043	5.1,5.5
P-16061	4.3	P-20312	1.4,2.1
P-16266	2.3,4.3	P-21010	1.4,2.1,3.4,3.5
P-16539	5.7	P-21020	3.2
P-16568	5.2	P-21021	4.2
P-16661	5.7	P-21032	1.1
P-17959	5.3	P-21044	5.3

PART NUMBERSECTIONPART NUMBERSECTION

P-21218
P-21263
P-21313
P-21354
P-21383

5.7
3.1, 3.6, 3.7
1.3
2.1
3.5

P-21878
P-21976
P-30031
P-30036
P-30052

5.1
5.3
3.5
1.2
3.5

P-21395
P-21402
P-21404
P-21474
P-21540

1.3
5.7
2.1
3.5
1.4, 3.4

P-30061
P-30062
P-30239
P-30243
P-30251

1.4, 2.1, 2.2, 2.3
5.7
4.2, 4.3
2.1
5.1

P-21545
P-21565
P-21568
P-21589
P-21685

3.4
3.5
3.5
3.5
1.3

P-30254
P-30255
P-30256
P-30257
P-30258

5.1
5.1
3.3
3.3
5.3

P-21686
P-21687
P-21720
P-21757
P-21794

1.3
1.3
1.4
5.7
3.1

P-30261
P-30262
P-30263
P-30264
P-30270

5.1
5.3
5.2, 5.5
5.2, 5.5
3.5

P-21795
P-21796
P-21797
P-21798
P-21804

2.1
3.3
3.3
3.3
5.4

P-30273
P-30274
P-30275
P-30276
P-30277

5.3
5.4
5.4
5.4
5.4

P-21807
P-21816
P-21830
P-21836
P-21859

5.3
5.1, 5.5
5.4
5.3
3.1

P-30281
P-30282
P-30283
P-30284
P-30285

5.1, 5.2
5.1, 5.2, 5.5
5.5
5.5
5.5

P-21860
P-21869
P-21870
P-21874
P-21877

3.1
3.3, 3.6, 4.2, 4.3
3.3, 3.6, 4.2, 4.3
3.3
5.5

P-30286
P-30287
P-30289
P-30290

5.5
5.1, 5.2
5.7
5.7

<u>PART NUMBER</u>	<u>SECTION</u>	<u>PART NUMBER</u>	<u>SECTION</u>
P-30291	5.7		
P-30301	5.1		
P-30302	5.1		
P-30313	5.1		
P-30316	3.1, 6.1		
P-30317	3.1		
P-30318	3.1		
P-30319	3.1		
P-30321	3.1		
P-30322	3.1		
P-30323	3.1		
P-30324	3.1		
P-30327	3.1		
P-30328	3.1		
P-30329	3.1		
P-30330	3.1		
P-30345	5.1,		
P-30347	5.2, 5.5		
P-30348	5.2, 5.5		
P-30362	3.1		
P-30367	3.4, 3.5		
P-30372	4.2		
P-30373	4.2		
P-30375	5.4		
P-30376	5.4		
P-30377	5.1		
P-30388	3.3		
P-30413	5.1		
P-30414	5.1		
P-30437	5.7		
P-30438	5.7		
P-30439	5.7		
P-30440	5.7		
P-30441	1.4		

MacDon . . . “cutting a wide swath towards
more profitable farming.”