

**Model 2000, 2000B**  
**PICK-UP REEL**  
**(Single Plastic or Steel Finger)**

---

**PARTS CATALOG**

---



**MacDon Model 2000, 2000-B  
PICK-UP REEL  
PARTS CATALOG**

**CONTENTS**

**Section S: Suggested Stocking List**

Section R1: Pick-Up Reel Main Tubes, all serial numbers  
Section R2: 2000 Pick-Up Reel, Serial No. 56028 to 58084  
Section R3: 2000 Pick-Up Reel, Serial No. 66882 to 68947  
Section R4: 2000 Pick-Up Reel, Serial No. 68960 to 70212  
Section R5: 2000 Pick-Up Reel, Serial No. 70213 and up  
Section R6: 2000-B Pick-Up Reel, Serial No. 93000 and up

Section M1: Mounting Packages, Serial No. 56028 to 68947  
Section M2: Mounting Packages, Serial No. 68980 and up

Section N: Numerical List (for Sections R1 to R6 and M2)

Repair or replacement parts may be ordered from your nearest authorized dealer. When ordering, be sure to include the following information:

1. Serial number of reel. The serial number is located on the left-hand cam assembly.
2. Part number, description and quantity of each part.
3. Make and header width of windrower or combine.

**WARRANTY CLAIMS:** When claiming warranty, be sure to include the following information:

1. Serial number of reel.
2. Date purchased.
3. Date of failure.
4. Description of failure.
5. Part number, description and quantity of failed parts.

**NOTE:** For parts description purposes, right and left hand are determined when seated in the operator's position, facing forward. These may be abbreviated using R/H and L/H. Other abbreviations used include:

A/R - as required. Quantity varies with length and number of bats.  
REF - reference. Part number is called up elsewhere in catalog.  
O.D. - outside diameter.  
I.D. - inside diameter  
NC - national coarse thread  
NF - national fine thread

**ATTENTION INSTALLER: Shielding for the reel drive is not provided with reel. The drive MUST be properly shielded before use.**

**Model 2000-B Pick-Up Reel (12' to 30')  
SUGGESTED STOCKING LIST**

P.C. REF	PART NUMBER	DESCRIPTION	SUGGESTED QTY.		ORDER QTY	UNITEXT. PRICE
			2 UNITS	5 UNITS		
<u>Parts Catalog Pg R6-2</u>						
3	48083	BEARING HALF - bat	8	12		
4	27166	STRAP - bearing	2	4		
5	48008 *	BAT - reel, 54 inch (1380 mm)	1	2		
	48009 *	BAT - reel, 60 inch (1535 mm)	1	2		
	48010 *	BAT - reel, 66 inch (1690 mm)	1	2		
	48011 *	BAT - reel, 72 inch (1840 mm)	1	2		
6	48070 *	CRANK - L/H, long	1	2		
	48071 *	CRANK - R/H, long	1	2		
	48128 *	CRANK - L/H, short	1	2		
	48129 *	CRANK - R/H, short	1	2		
10	27985 *	FINGER - pick-up, plastic	50	150		
11	48086	BEARING - end shield	2	4		
12	48023 *	SHIELD - end, 5 bat reel	2	5		
	48024 *	SHIELD - end, 6 bat reel	2	5		
18	50184	BEARING - cam	5	15		
19	48051	ARM - cam, bat control	1	3		
20	50185	BEARING - cam arm	2	5		
21	48050	BOLT - shoulder, special	2	4		
26	35689	NUT - special, 5/16 inch NC	10	25		
39	35282 *	FINGER - pick-up, steel	20	40		
40	35281 *	CLIP - steel finger	5	20		
H	30504	SCREW - hex socket head	2	8		
	25991	PAINT - black, 1 litre	1	1		

Mounting Package Parts

35694	BUSHING - plastic	2	2
-------	-------------------	---	---

\* - Order to suit reel sizes and types (5 vs. 6 bat, plastic vs. steel fingers, long vs. short crank) sold.

## PICK-UP REEL MAIN TUBES (all serial numbers)

NOTE: If replacing a main tube that has welded end shafts, also order:

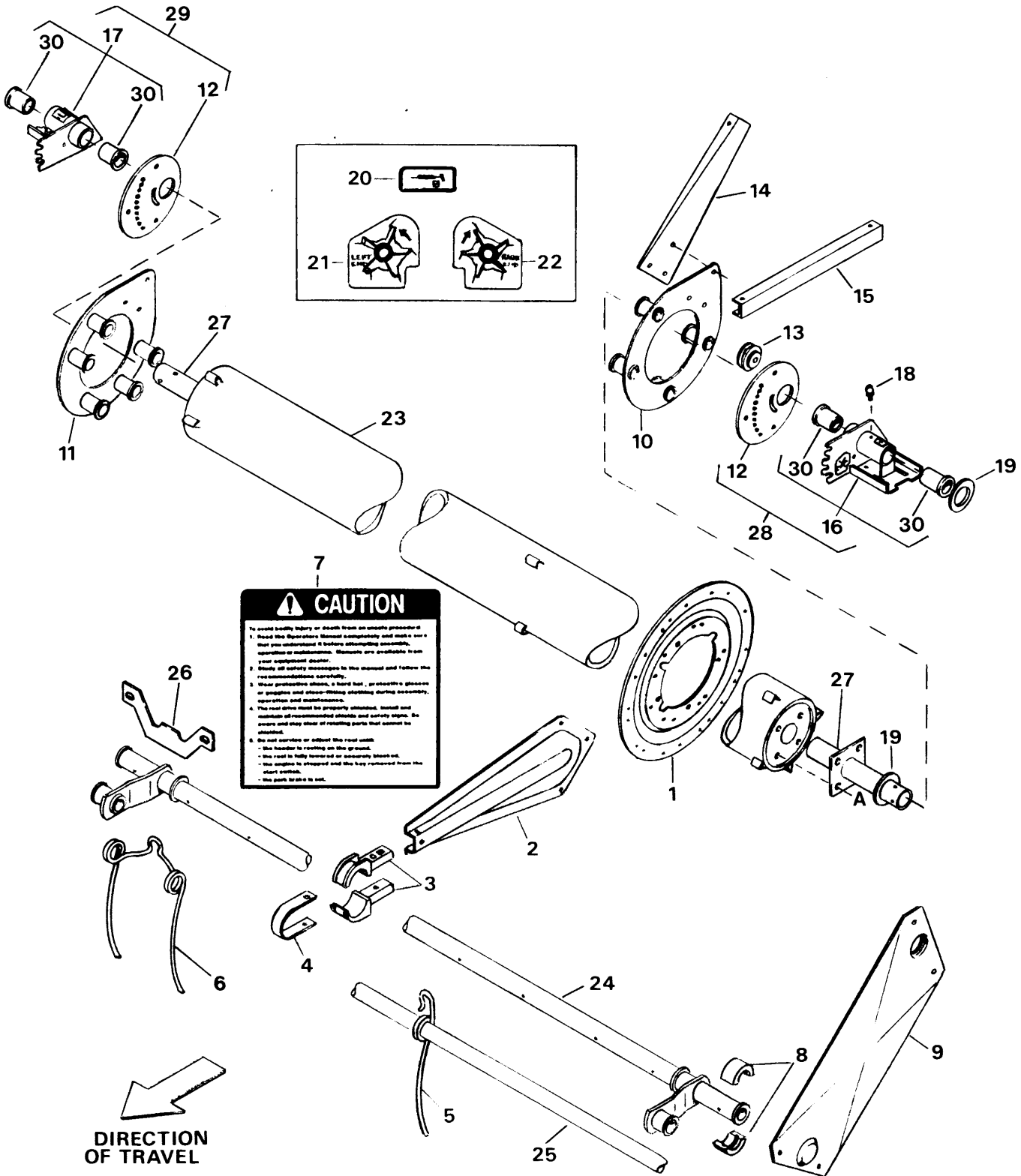
35171 End Tube, Qty. 2  
30712 Flange Bolt, Qty. 8

Lengths below are tube only

REF	PART NUMBER	DESCRIPTION	QTY	SERIAL NUMBER
	35058	MAIN TUBE - 128 inches (3245 mm) long - 12 ft. header		
	35059	MAIN TUBE - 134 inches (3400 mm) long - 12 1/2 ft. header		
	35060	MAIN TUBE - 140 inches (3550 mm) long - 13 ft. header		
	35061	MAIN TUBE - 146 inches (3705 mm) long - 13 1/2 ft. header		
	35064	MAIN TUBE - 164 inches (4155 mm) long - 15 ft. header		
	35065	MAIN TUBE - 170 inches (4310 mm) long - 15 1/2 ft. header		
	35066	MAIN TUBE - 176 inches (4460 mm) long - 16 ft. header		
	35067	MAIN TUBE - 182 inches (4615 mm) long - 16 1/2 ft. header		
	35068	MAIN TUBE - 188 inches (4770 mm) long - 17 ft. header		
	35069	MAIN TUBE - 194 inches (4920 mm) long - 17 1/2 ft. header		
	35070	MAIN TUBE - 200 inches (5075 mm) long - 18 ft. header & 36 ft. header (qty. 2)		
	35071	MAIN TUBE - 206 inches (5230 mm) long - 18 1/2 ft. header		
	35072	MAIN TUBE - 212 inches (5380 mm) long - 19 ft. header		
	35073	MAIN TUBE - 218 inches (5535 mm) long - 19 1/2 ft. header		
	35074	MAIN TUBE - 224 inches (5680 mm) long - 20 ft. header		
	35075	MAIN TUBE - 230 inches (5830 mm) long - 20 1/2 ft. header		
	35076	MAIN TUBE - 236 inches (5985 mm) long - 21 ft. header		
	35077	MAIN TUBE - 242 inches (6140 mm) long - 21 1/2 ft. header		
	35078	MAIN TUBE - 248 inches (6290 mm) long - 22 ft. header		
	35079	MAIN TUBE - 254 inches (6445 mm) long - 22 1/2 ft. header		
	35082	MAIN TUBE - 272 inches (6905 mm) long - 24 ft. header		
	35083	MAIN TUBE - 278 inches (7060 mm) long - 24 1/2 ft. header		
	35084	MAIN TUBE - 284 inches (7210 mm) long - 25 ft. header		
	35087	MAIN TUBE - 302 inches (7660 mm) long - 26 1/2 ft. header		
	35088	MAIN TUBE - 308 inches (7815 mm) long - 27 ft. header		
	35091	MAIN TUBE - 338 inches (8580 mm) long - 29 1/2 ft. header		
	35092	MAIN TUBE - 344 inches (8735 mm) long - 30 ft. header		
	35093	MAIN TUBE - 350 inches (8890 mm) long - 30 1/2 ft. header		

# PICK-UP REEL

Serial no. 56028 – 58084



**PICK-UP REEL**  
**Serial No. 56028 - 58084**

REF	PART NUMBER	DESCRIPTION	QTY	SERIAL NUMBER
1	27171	DISC - arm.....	A/R	
2	27170	ARM - reel.....	A/R	
3	27172	BEARING HALF - bat .....	A/R	
4	27166	STRAP - bearing .....	A/R	
5	27095	FINGER - pick-up .....	A/R	
6	20416	FINGER - double, pick-up(if applicable) .....	A/R	
7	35243	DECAL - CAUTION, general safety.....	2	
8	<b>27173</b>	<b>BUSHING HALF – plastic, see note 1 .....</b>	<b>A/R</b>	
9	27183	SHIELD - end, 5 bat reel .....	10	
	27184	SHIELD - end, 6 bat reel .....	12	
10	27188	DISC - cam, L/H and R/H - 5 bat reel .....	2	
	27189	DISC - cam, L/H - 6 bat reel .....	1	
11	27190	DISC - cam, R/H - 6 bat reel.....	1	
12	27185	PLATE - cam .....	2	
13	30268	ROLLER - cam .....	6	
14	27161	ARM - fixed, cam .....	2	
15	27162	ARM - cam.....	A/R	
16	35725	BEARING-main, L/H w/ bushings (see * NOTE) .....	1	
17	35726	BEARING-main, R/H w/ bushings (see * NOTE).....	1	
*	<b>NOTE:</b>	If replacing 2 3/8 inch O.D. main bearing (without bushings) order Main Bearing Kit, Ref. item 28 or 29		
18	18671	FITTING - lube, 1/4 inch NF .....	2	
19	27160	WASHER - flat.....	4	
20	23163	DECAL - 10 hour grease (for bearings without plastic bushings).....	2	
	23165	DECAL - 50 hour grease (for bearings with plastic bushings).....	2	
21	27167	DECAL - L/H cam mounting .....	1	
22	27168	DECAL - R/H cam mounting.....	1	
23	REF	TUBE - main, listed on page R1-1 (see • NOTE) .....	1	
•	<b>NOTE:</b>	If replacing main tube with welded end shafts <u>also</u> order Ref. 27 (qty.2) and "A"(qty. 8)		
24	27254	TUBE - finger, 234 inch (593 cm).....	A/R	
	27269	TUBE - finger, 279 inch (708 cm) .....	A/R	
	27270	TUBE - finger, 282 inch (715 cm).....	A/R	
	27274	TUBE - finger, 294 inch (746 cm).....	A/R	
25	27059	BAT - reel, 233 inch (591 cm).....	A/R	
	27063	BAT - reel, 281 inch (713 cm).....	A/R	
	27064	BAT - reel, 293 inch (743 cm).....	A/R	
26	27070	STOP - cam.....	A/R	
27	35171	TUBE - end.....	2	
28	35953	REPAIR KIT - L/H main bearing (see * NOTE) .....	1	
29	35954	REPAIR KIT - R/H main bearing (see * NOTE).....	1	
30	35694	BUSHING - plastic.....	4	
A	30712	BOLT - flange head, 3/8 NC x 2 1/2 inch, thread full length.....	8	

**NOTE:**

1. Molded part 27173 (item 8) may not be available. A machined part 105348 is available as a replacement. It is a full one piece bushing rather than halves so 1 of 105348 will replace 2 of 27173. Due to different manufacturing processes, 105348 (1) will be more expensive than 27173 (2).

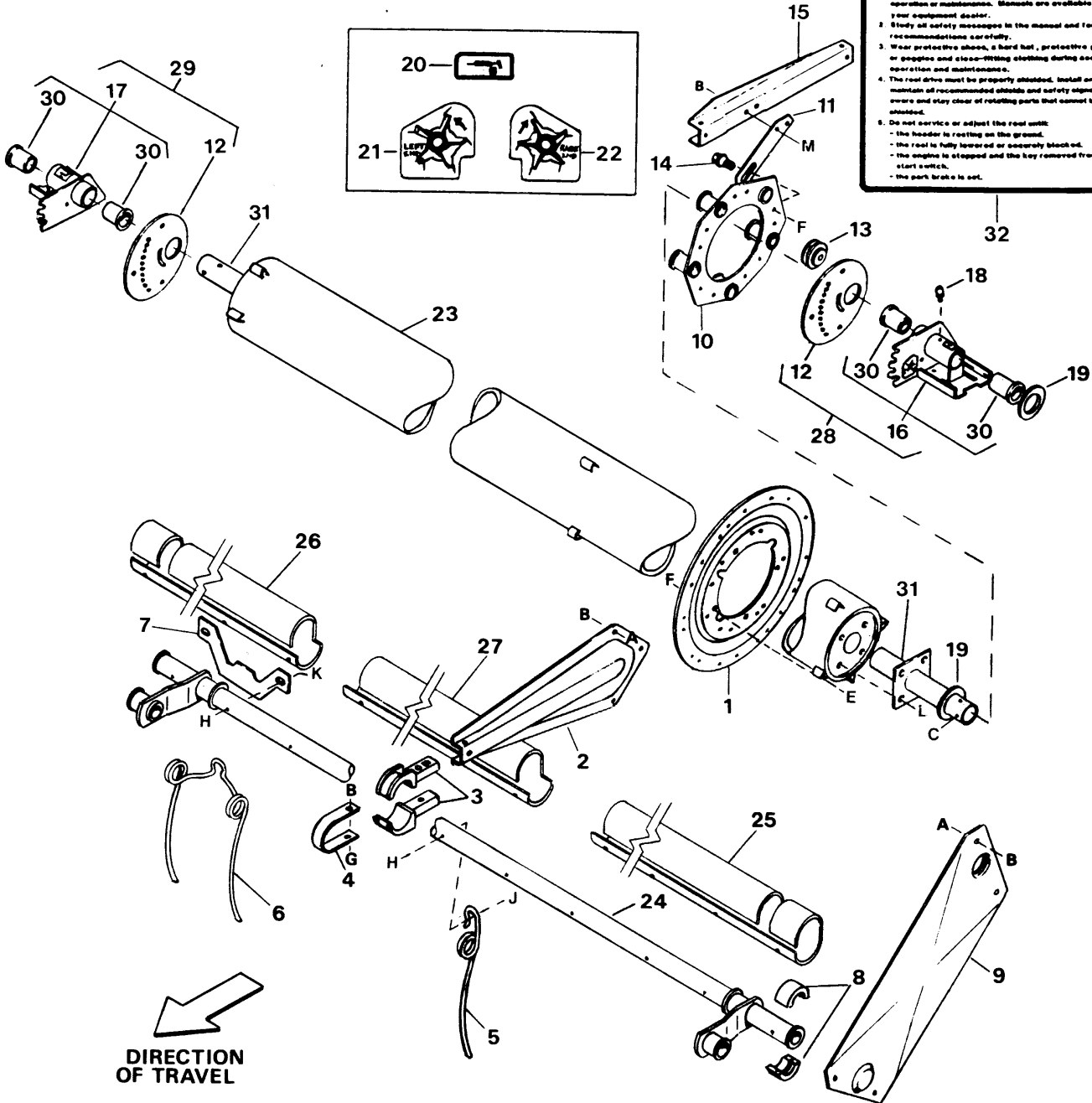
# PICK-UP REEL

Serial no. 66882 – 68947

**CAUTION**

To avoid bodily injury or death from an unsafe procedure:

1. Read the Operator Manual completely and make sure that you understand it before attempting assembly, operation or maintenance. Manuals are available from your equipment dealer.
2. Study all safety messages in the manual and follow the recommendations carefully.
3. Wear protective shoes, a hard hat, protective glasses or goggles and close-fitting clothing during assembly, operation and maintenance.
4. The reel drive must be properly shielded, bolted and maintain all recommended shields and safety stops. Be aware and stay clear of rotating parts that cannot be stopped.
5. Do not service or adjust the reel until:
  - the header is resting on the ground.
  - the reel is fully lowered or securely blocked.
  - the engine is stopped and the key removed from the start switch.
  - the park brake is set.





**PICK-UP REEL**  
**Serial No. 66882 - 68947**

REF	PART NUMBER	DESCRIPTION	QTY	SERIAL NUMBER
1	27171	DISC - arm.....	A/R	
2	27170	ARM - reel.....	A/R	
3	27172	BEARING HALF - bat.....	A/R	
4	27166	STRAP - bearing.....	A/R	
5	27095	FINGER - pick-up.....	A/R	
6	20416	FINGER - double, pick-up (if applicable).....	A/R	
7	27070	STOP - cam.....	A/R	
<b>8</b>	<b>27173</b>	<b>BUSHING HALF – plastic, see note 1 .....</b>	<b>A/R</b>	
9	27183	SHIELD - end, 5 bat reel.....	10	
	27184	SHIELD - end, 6 bat reel.....	12	
10	27648	DISC - cam, 5 bat reel.....	2	
	27650	DISC - cam, 6 bat reel.....	2	
11	27662	LINK - control, cam.....	A/R	
12	27654	PLATE - cam.....	2	
13	30268	ROLLER - cam.....	6	
14	27647	BOLT - shoulder, special.....	A/R	
15	27663	ARM - cam.....	A/R	
16	35725	BEARING - main, L/H w/ bushings (see * NOTE).....	1	
17	35726	BEARING - main, R/H w/ bushings (see * NOTE).....	1	
*	<b>NOTE:</b>	If replacing 2 3/8 inch O.D. main bearing (without bushings) order Main Bearing Kit, Ref. item 28 or 29		
18	18671	FITTING - lube, 1/4 inch NF.....	2	
19	27160	WASHER - flat.....	4	
20	23163	DECAL - 10 hour grease (for bearings without plastic bushings).....	2	
	23165	DECAL - 50 hour grease (for bearings with plastic bushings).....	2	
21	27167	DECAL - L/H cam mounting.....	1	
22	27168	DECAL - R/H cam mounting.....	1	
23	REF	TUBE - main, listed on page R1-1 (see • NOTE).....	1	
•	<b>NOTE:</b>	If replacing main tube with welded end shafts <u>also</u> order Ref. 31 (qty.2) and "L" (qty. 8)		
24	REF	TUBE - finger, listed on page R3-3.....	A/R	
25	REF	BAT - L/H, listed on page R3-3.....	A/R	
26	REF	BAT - R/H, listed on page R3-4.....	A/R	
27	REF	BAT - center, listed on page R3-4.....	A/R	
28	35931	REPAIR KIT - L/H main bearing (see * NOTE).....	1	
29	35932	REPAIR KIT - R/H main bearing (see * NOTE).....	1	
30	35694	BUSHING - plastic.....	4	
31	35171	TUBE - end.....	2	
32	35243	DECAL - CAUTION, general safety.....	2	
A	30808	SCREW - machine, Phillips Truss Head, 5/16 NC x 3/8 inch		
B	30280	NUT - lock, flange head, 5/16 inch NC distorted thread		
C	REF	HARDWARE - mounting, see Mounting Packages		
E	21484	BOLT - carriage head, 3/8 NC x 1 1/2 inch		
F	30228	NUT - lock, smooth flange, 3/8 inch NC distorted thread		
G	30279	BOLT - carriage head, short neck, 5/16 NC x 2 1/4 inch		
H	18690	NUT - lock, 5/16 NC distorted thread		
J	21479	BOLT - carriage head, 5/16 NC x 1 1/2 inch		
K	21488	BOLT - carriage head, 5/16 NC x 1 3/4 inch		
L	30712	BOLT - flange head, 3/8 NC x 2 1/2 inch (thread full length)		
M	21393	BOLT - flange head, 5/16 NC x 5/8 inch		

**NOTE:**

- 1. Molded part 27173 (item 8) may not be available. A machined part 105348 is available as a replacement. It is a full one piece bushing rather than halves so 1 of 105348 will replace 2 of 27173. Due to different manufacturing processes, 105348 (1) will be more expensive than 27173 (2).**

**PICK-UP REEL**  
**Serial No. 66882 - 68947**

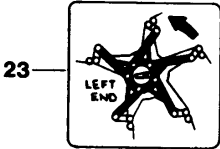
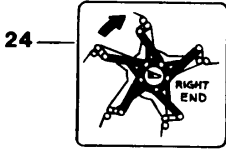
REF	PART NUMBER	DESCRIPTION	QTY	SERIAL NUMBER
24	27221	FINGER TUBE - 135 inches (342 cm) long.....	A/R	
	27222	FINGER TUBE - 138 inches (349 cm) long.....	A/R	
	27223	FINGER TUBE - 141 inches (357 cm) long.....	A/R	
	27225	FINGER TUBE - 147 inches (372 cm) long.....	A/R	
	27226	FINGER TUBE - 150 inches (380 cm) long.....	A/R	
	27227	FINGER TUBE - 153 inches (387 cm) long.....	A/R	
	27229	FINGER TUBE - 159 inches (403 cm) long.....	A/R	
	27230	FINGER TUBE - 162 inches (410 cm) long.....	A/R	
	27231	FINGER TUBE - 165 inches (418 cm) long.....	A/R	
	27233	FINGER TUBE - 171 inches (433 cm) long.....	A/R	
	27234	FINGER TUBE - 174 inches (441 cm) long.....	A/R	
	27235	FINGER TUBE - 177 inches (448 cm) long.....	A/R	
	27237	FINGER TUBE - 183 inches (464 cm) long.....	A/R	
	27238	FINGER TUBE - 186 inches (471 cm) long.....	A/R	
	27239	FINGER TUBE - 189 inches (479 cm) long.....	A/R	
	27242	FINGER TUBE - 198 inches (502 cm) long.....	A/R	
	27243	FINGER TUBE - 201 inches (509 cm) long.....	A/R	
	27245	FINGER TUBE - 207 inches (525 cm) long.....	A/R	
	27246	FINGER TUBE - 210 inches (532 cm) long.....	A/R	
	27247	FINGER TUBE - 213 inches (540 cm) long.....	A/R	
	27249	FINGER TUBE - 219 inches (555 cm) long.....	A/R	
	27251	FINGER TUBE - 225 inches (570 cm) long.....	A/R	
	27253	FINGER TUBE - 231 inches (586 cm) long.....	A/R	
	27254	FINGER TUBE - 234 inches (593 cm) long.....	A/R	
	27255	FINGER TUBE - 237 inches (601 cm) long.....	A/R	
	27258	FINGER TUBE - 246 inches (624 cm) long.....	A/R	
	27259	FINGER TUBE - 249 inches (631 cm) long.....	A/R	
	27261	FINGER TUBE - 255 inches (647 cm) long.....	A/R	
	27262	FINGER TUBE - 258 inches (654 cm) long.....	A/R	
	27263	FINGER TUBE - 261 inches (662 cm) long.....	A/R	
	27269	FINGER TUBE - 279 inches (707 cm) long.....	A/R	
	27270	FINGER TUBE - 282 inches (715 cm) long.....	A/R	
	27271	FINGER TUBE - 285 inches (723 cm) long.....	A/R	
	27274	FINGER TUBE - 294 inches (746 cm) long.....	A/R	
	27279	FINGER TUBE - 309 inches (784 cm) long.....	A/R	
	27282	FINGER TUBE - 318 inches (807 cm) long.....	A/R	
	27289	FINGER TUBE - 351 inches (890 cm) long.....	A/R	
	27290	FINGER TUBE - 354 inches (898 cm) long.....	A/R	
25	27926	L/H BAT - 58.5 inches (148.5 cm) long .....	A/R	
	27927	L/H BAT - 60 inches (152.5 cm) long .....	A/R	
	27928	L/H BAT - 64.5 inches (164 cm) long .....	A/R	
	27929	L/H BAT - 66 inches (167.5 cm) long .....	A/R	
	27930	L/H BAT - 70.5 inches (179 cm) long .....	A/R	
	27931	L/H BAT - 72 inches (183 cm) long .....	A/R	
	27932	L/H BAT - 76.5 inches (194 cm) long .....	A/R	
	27933	L/H BAT - 78 inches (198 cm) long .....	A/R	

**PICK-UP REEL**  
**Serial No. 66882 - 68947**

REF	PART NUMBER	DESCRIPTION	QTY	SERIAL NUMBER
26	27936	R/H BAT - 58.5 inches (148.5 cm) long .....	A/R	
	27937	R/H BAT - 60 inches (152.5 cm) long .....	A/R	
	27938	R/H BAT - 64.5 inches (164 cm) long .....	A/R	
	27939	R/H BAT - 66 inches (167.5 cm) long .....	A/R	
	27940	R/H BAT - 70.5 inches (179 cm) long .....	A/R	
	27941	R/H BAT - 72 inches (183 cm) long .....	A/R	
	27942	R/H BAT - 76.5 inches (194 cm) long .....	A/R	
	27943	R/H BAT - 78 inches (198 cm) long .....	A/R	
27	27946	BAT - 55 inches (140 cm) long .....	A/R	
	27947	BAT - 61 inches (155.5 cm) long .....	A/R	
	27948	BAT - 67 inches (170.5 cm) long .....	A/R	
	27949	BAT - 73 inches (186 cm) long .....	A/R	

# PICK-UP REEL

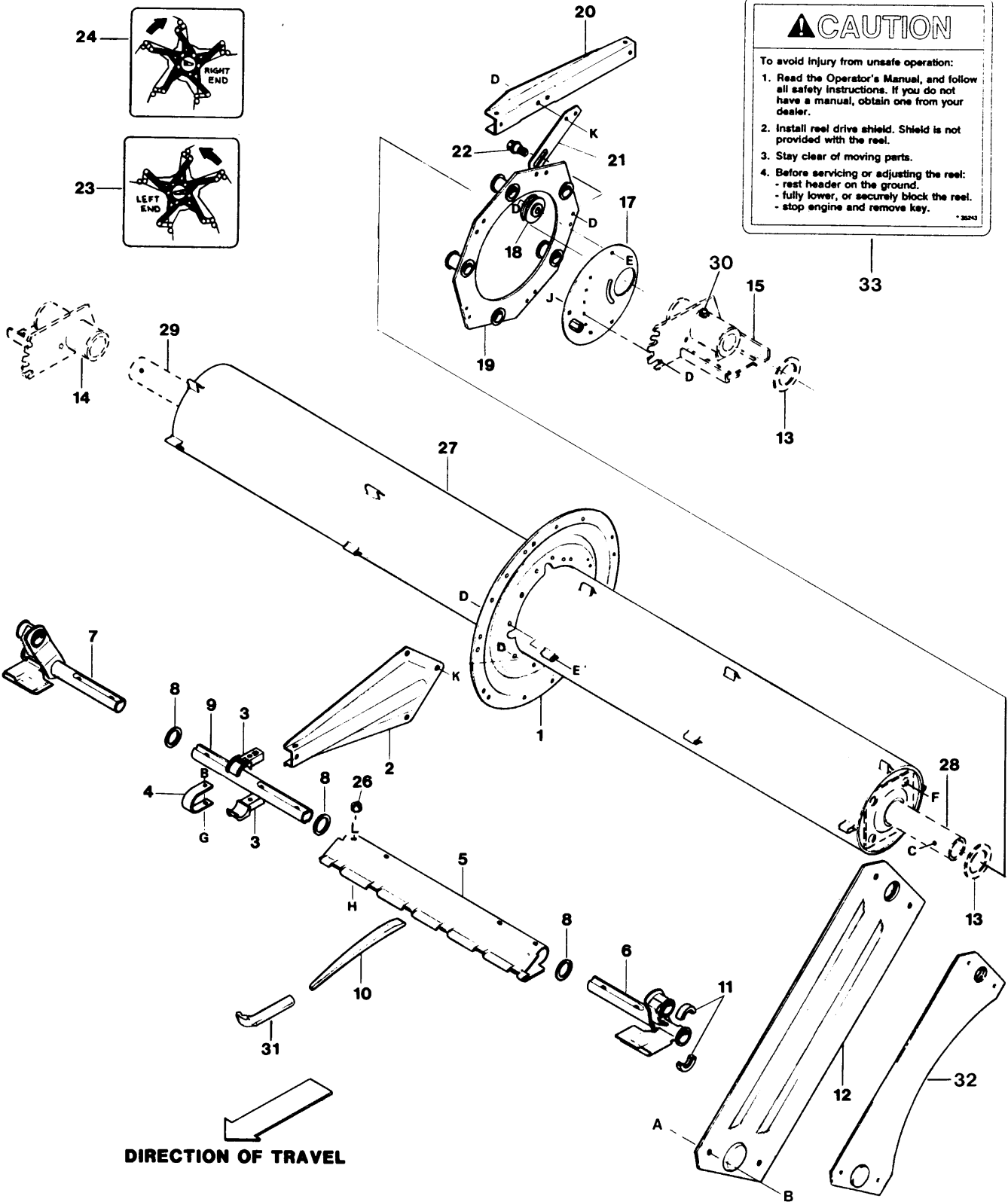
Serial no. 68980 – 70212



**CAUTION**

To avoid injury from unsafe operation:

1. Read the Operator's Manual, and follow all safety instructions. If you do not have a manual, obtain one from your dealer.
2. Install reel drive shield. Shield is not provided with the reel.
3. Stay clear of moving parts.
4. Before servicing or adjusting the reel:
  - rest header on the ground.
  - fully lower, or security block the reel.
  - stop engine and remove key.



**DIRECTION OF TRAVEL**

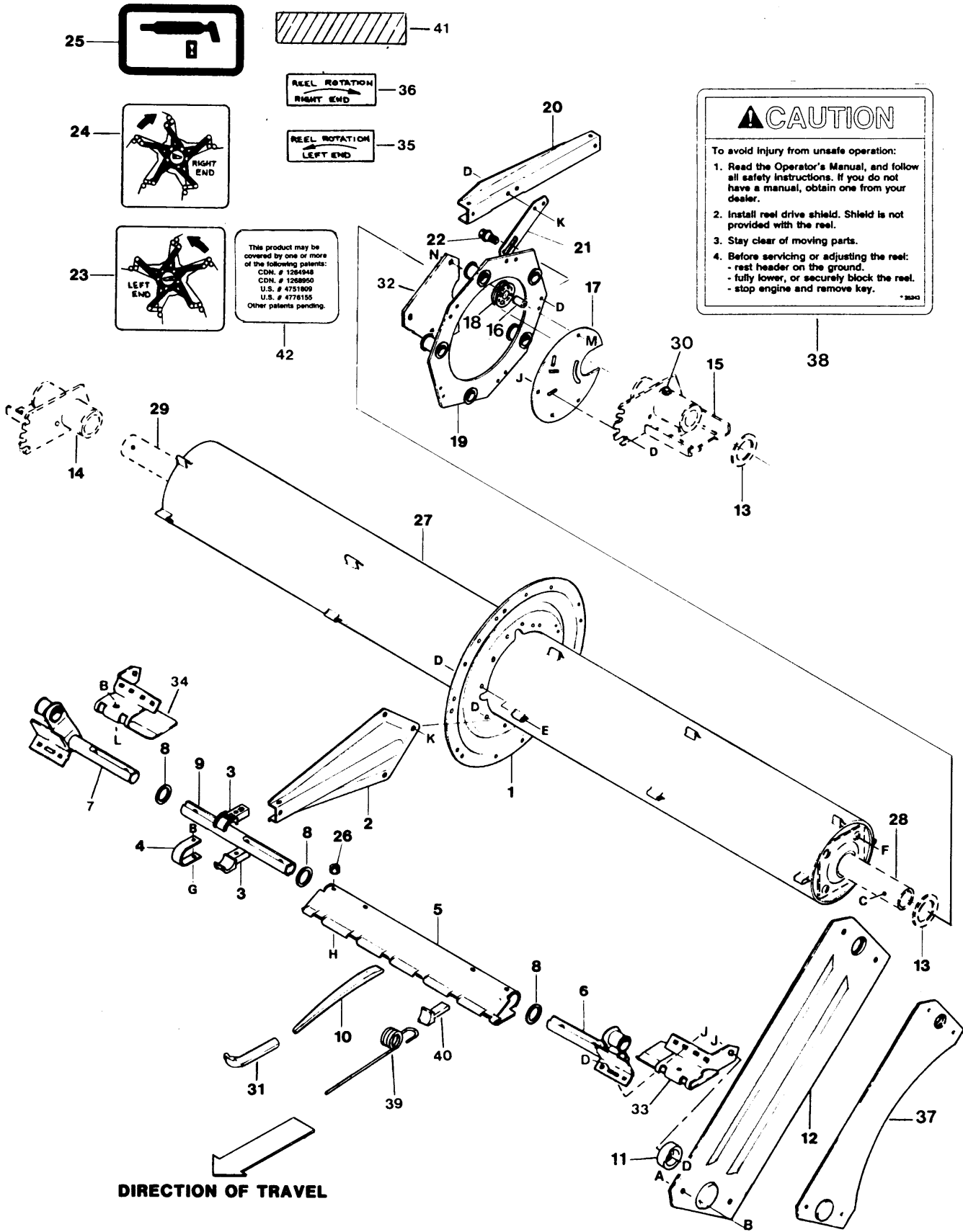
**PICK-UP REEL**  
**Serial No. 68980 - 70212**

REF	PART NUMBER	DESCRIPTION	QTY	SERIAL NUMBER
1	27171	DISC - arm.....	A/R	
2	35017	ARM - reel.....	A/R	
3	27172	BEARING HALF - bat.....	A/R	
4	27166	STRAP - bearing.....	A/R	
5	48008	BAT - reel, approx. 54 inch (1380 mm).....	A/R	
	48009	BAT - reel, approx. 60 inch (1535 mm).....	A/R	
	48010	BAT - reel, approx. 66 inch (1690 mm).....	A/R	
	48011	BAT - reel, approx. 72 inch (1840 mm).....	A/R	
6	35187	BAT - end, L/H, one finger.....	A/R	
	35189	BAT - end, L/H, two finger (not shown).....	A/R	
7	35188	BAT - end, R/H, one finger.....	A/R	
	35190	BAT - end, R/H, two finger (not shown).....	A/R	
8	16919	WASHER - flat (not required with bats with flanged end).....	A/R	
9	27984	TUBE - connector, bat.....	A/R	
10	27985	FINGER - pick-up.....	A/R	
11	<b>27173</b>	<b>BUSHING HALF – plastic, see note 1.....</b>	<b>A/R</b>	
12	48023	SHIELD - end, 5 bat reel.....	10	
	48024	SHIELD - end, 6 bat reel.....	12	
13	REF	WASHER - flat, see Mounting Packages.....	A/R	
14	REF	BEARING - main, R/H - see Mounting Packages.....	1	
15	REF	BEARING - main, L/H - see Mounting Packages.....	1	
17	35202	PLATE - control.....	2	
18	30268	ROLLER - cam.....	6	
19	B 1514	RING - cam, 5 bat reel (kit).....	2	
	B 1515	RING - cam, 6 bat reel (kit).....	2	
20	35011	ARM - bat control.....	A/R	
21	35012	LINK - cam control.....	A/R	
22	27647	BOLT - shoulder, special.....	A/R	
23	27167	DECAL - L/H cam mounting.....	1	
24	27168	DECAL - R/H cam mounting.....	1	
25	23163	DECAL - 10 hour grease (bearings without plastic bushings).....	2	
	23165	DECAL - 50 hour grease (bearings with plastic bushings).....	2	
26	35689	NUT - special , 5/16 inch NC.....	A/R	
27	REF	TUBE - main, see listing on page R1-1.....	1	
28	REF	TUBE - end, L/H, see Mounting Packages.....	1	
29	REF	TUBE - end, R/H, see Mounting Packages.....	1	
30	18671	FITTING - lube, 1/4 inch NF.....	2	
31	35661	TOOL - finger/adjuster.....	1	
32	35264	SHIELD - end, cut-out (special).....	5	
33	35243	DECAL - CAUTION, general safety.....	2	
A	30808	SCREW - machine, Phillips Truss Head, 5/16 NC x 3/8 inch		
B	30280	NUT - lock, flange head, 5/16 inch NC distorted thread		
C	REF	HARDWARE - mounting, see Mounting Packages		
D	30228	NUT - lock, smooth flange, 3/8 inch NC distorted thread		
E	21484	BOLT - carriage head, 3/8 NC x 1 1/2 inch		
F	30712	BOLT - flange head, 3/8 NC x 2 1/2 inch (thread full length)		
G	21569	BOLT - hex head, 5/16 NC x 2 inch		
H	30504	SCREW - flat Phillips head, 80° countersink, 5/16 NC x 1 1/2 inch		
J	19965	BOLT - carriage head, 3/8 NC x 1 inch		
K	50076	BOLT - flange head, 3/8 NC x 5/8 inch		
L	18597	WASHER - flat, 11/32 inch I.D.		

**NOTE:**

1. Molded part 27173 (item 11) may not be available. A machined part 105348 is available as a replacement. It is a full one piece bushing rather than halves so 1 of 105348 will replace 2 of 27173. Due to different manufacturing processes, 105348 (1) will be more expensive than 27173 (2).

# Model 2000 PICK-UP REEL Serial no. 70213 and up

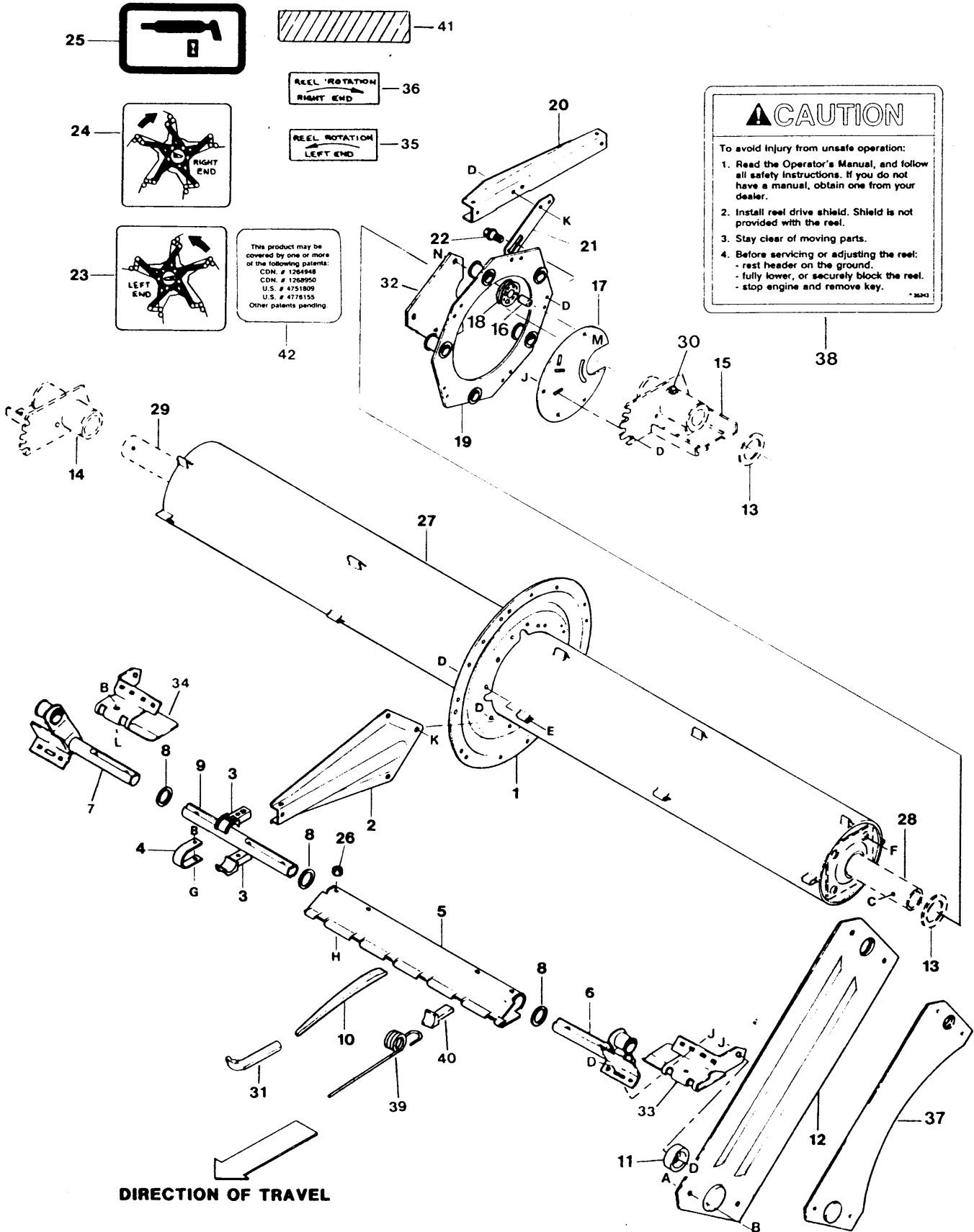


**Model 2000 PICK-UP REEL  
Serial No. 70213 and up**

**NOTE:** Serial numbers for Models 2000 and 2000-B Reels may overlap. Identify the model you have by cam design. For Model 2000-B, see section R6.

REF	PART NUMBER	DESCRIPTION	QTY	SERIAL NUMBER
1	27171	DISC - arm.....	A/R	
2	35017	ARM - reel.....	A/R	
3	27172	BEARING HALF - bat.....	A/R	
4	27166	STRAP - bearing.....	A/R	
5	48008	BAT - reel, approx. 54 inch (1380 mm).....	A/R	
	48009	BAT - reel, approx. 60 inch (1535 mm).....	A/R	
	48010	BAT - reel, approx. 66 inch (1690 mm).....	A/R	
	48011	BAT - reel, approx. 72 inch (1840 mm).....	A/R	
6	35680	CRANK - L/H, reel.....	A/R	
7	35681	CRANK - R/H, reel.....	A/R	
8	16919	WASHER - flat (not required with bats with flanged end).....	A/R	70213-70371
9	27984	TUBE - connector, bat.....	A/R	
10	27985	FINGER - pick-up, plastic.....	A/R	
11	35660	BEARING - end shield.....	A/R	
12	48023	SHIELD - end, 5 bat reel.....	10	
	48024	SHIELD - end, 6 bat reel.....	12	
13	REF	WASHER - flat, see Mounting Packages.....	A/R	
14	REF	BEARING - main, R/H - see Mounting Packages.....	1	
15	REF	BEARING - main, L/H - see Mounting Packages.....	1	
16	4150	SPACER - cam roller.....	8	70372-
17	35202	PLATE - control (not exactly as shown).....	2	70213-70371
	35659	PLATE - control.....	2	70372-
18	30268	ROLLER - cam.....	6	70213-70371
	35688	ROLLER - cam.....	8	70372-
19	B 1514	RING - cam, 5 bat reel (kit).....	2	70213-70371
	B 1515	RING - cam, 6 bat reel (kit).....	2	70213-70371
	35655	RING - cam, 5 bat reel.....	2	70372-
	35656	RING - cam, 6 bat reel.....	2	70372-
20	35679	ARM - bat control.....	A/R	
21	35012	LINK - cam control.....	A/R	
22	27647	BOLT - shoulder, special.....	A/R	
23	27167	DECAL - L/H bearing.....	1	
24	27168	DECAL - R/H bearing.....	1	
25	23163	DECAL - 10 hour grease (bearing without plastic bushings).....	2	
	23165	DECAL - 50 hour grease (bearing with plastic bushings).....	2	
26	35689	NUT - special, 5/16 inch NC.....	A/R	
27	REF	TUBE - main, see listing on page R1-1.....	1	
28	REF	TUBE - end, L/H, see Mounting Packages.....	1	
29	REF	TUBE - end, R/H, see Mounting Packages.....	1	
30	18671	FITTING - lube, 1/4 inch NF.....	2	
31	35661	TOOL - finger/adjuster.....	1	
32	48020	PLATE - support.....	2	70372-
33	35767	BAT - end, L/H.....	A/R	
34	35768	BAT - end, R/H.....	A/R	

# Model 2000 PICK-UP REEL Serial no. 70213 and up



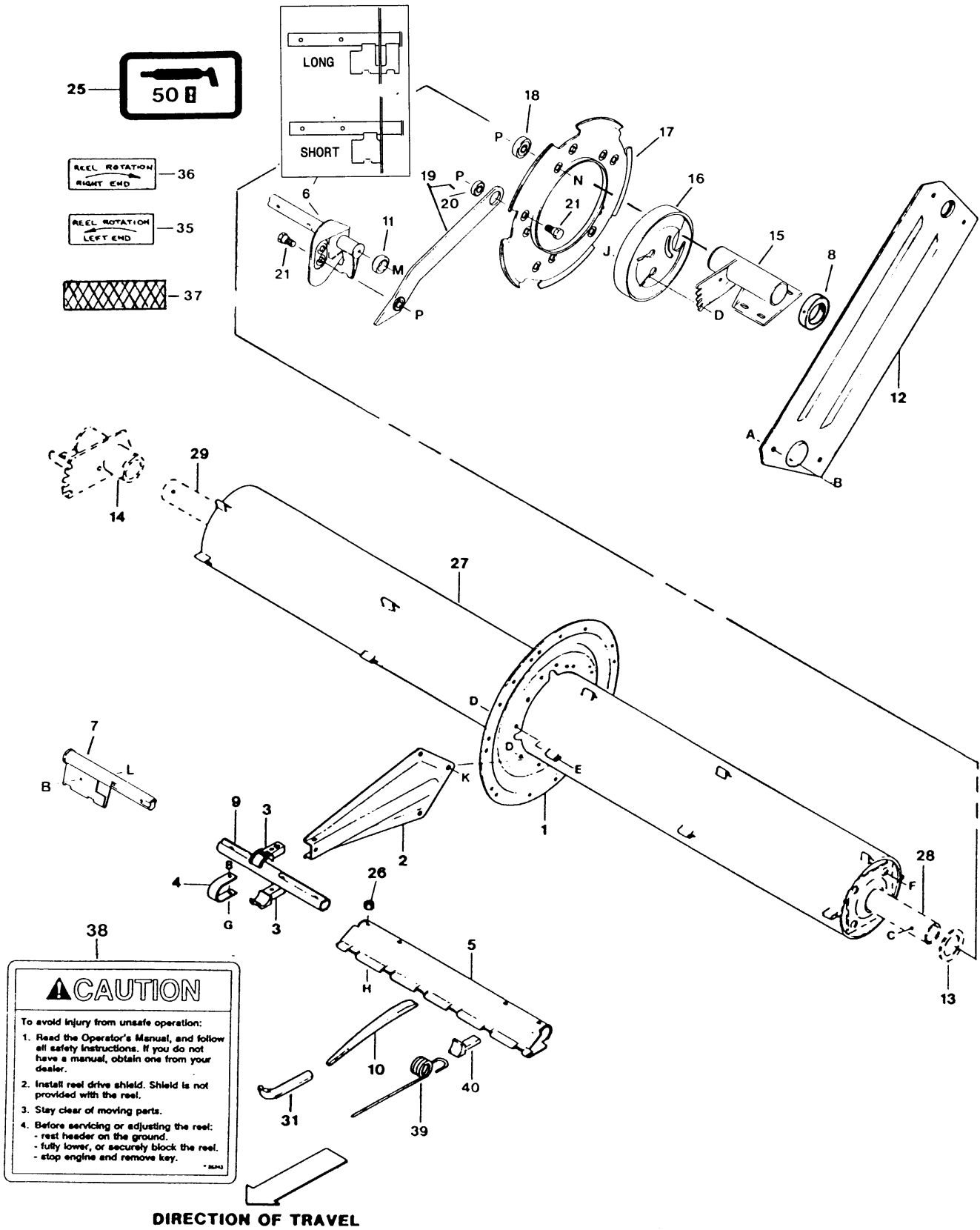


**Model 2000 PICK-UP REEL  
Serial No. 70213 and up**

**NOTE:** Serial numbers for Models 2000 and 2000-B Reels may overlap. Identify the model you have by cam design. For Model 2000-B, see section R6.

REF	PART NUMBER	DESCRIPTION	QTY	SERIAL NUMBER
35	35396	DECAL - reel rotation, left.....	3	
36	35397	DECAL - reel rotation, right .....	3	
37	35264	SHIELD - end, cut-out (special).....	5	
38	35243	DECAL - CAUTION, general safety.....	2	
39	35282	FINGER - pick-up, steel.....	A/R	
40	35281	CLIP - steel finger.....	A/R	
41	26697	REFLECTOR - amber .....	2	
42	32071	DECAL - patents.....	1	
A	30808	SCREW - machine, Phillips Truss Head, 5/16 NC x 3/8 inch		
B	30280	NUT - lock, smooth flange, 5/16 inch NC distorted thread		
C	REF	HARDWARE - mounting, see Mounting Packages		
D	30228	NUT - lock, smooth flange, 3/8 inch NC distorted thread		
E	21484	BOLT - carriage head, 3/8 NC x 1 1/2 inch		
F	30712	BOLT - flange head, 3/8 NC x 2 1/2 inch (thread full length)		
G	21569	BOLT - hex head, 5/16 NC x 2 inch		
H	30504	SCREW - flat Phillips head, 80° countersink, 5/16 NC x 1 1/2 inch		
J	21472	BOLT - carriage head, 3/8 NC x 3/4 inch		
K	50076	BOLT - flange head, 3/8 NC x 5/8 inch		
L	21282	BOLT - carriage head, 5/16 NC x 1 inch		
	21281	BOLT - carriage head, 5/16 NC x 3/4 inch (center end bats on 36')		
M	21484	BOLT - carriage head, 3/8 NC x 1 1/2 inch .....		70213-70371
	21578	BOLT - hex head, 1/2 NC x 2 1/4 inch.....		70372-
N	30228	NUT - lock, smooth flange, 3/8 inch NC distorted thread .....		70213-70371
	18697	NUT - lock, 1/2 inch NC distorted thread.....		70372-
<b>PAINT</b>				
	23955	PAINT - black, 1 litre		
	23951	PAINT - black, spray can		

Model 2000-B PICK-UP REEL: Serial No. 93000 and up



**Model 2000-B PICK-UP REEL  
Serial No. 93000 and up**

**NOTE:** Serial numbers for Models 2000 and 2000-B Reels may overlap. Identify the model you have by cam design. For Model 2000, see section R5.

REF	PART NUMBER	DESCRIPTION	QTY	SERIAL NUMBER
1	27171	DISC - arm.....	A/R	
2	35017	ARM - reel.....	A/R	
3	48083	BEARING HALF - bat .....	A/R	
4	27166	STRAP - bearing .....	A/R	
5	48008	BAT - reel, 54" (1380 mm).....	A/R	
	48009	BAT - reel, 60" (1535 mm).....	A/R	
	48010	BAT - reel, 66" (1690 mm).....	A/R	
	48011	BAT - reel, 72" (1840 mm).....	A/R	
6	48070	CRANK - L/H, long .....	A/R	
	48071	CRANK - R/H, long.....	A/R	
	48128	CRANK - L/H, short.....	A/R	
	48129	CRANK - R/H, short.....	A/R	
7	48095	BAT - INBOARD END, L/H reel - 36' 960 Header only.....	5	-124499
	48135	BAT - INBOARD END, L/H reel - 36' 962 Header only.....	5	
	48096	BAT - INBOARD END, R/H reel - 36' 960 Header only.....	5	-124499
	48136	BAT - INBOARD END, R/H reel - 36' 962 Header only.....	5	
8	REF	COLLAR - shaft, See Mounting Packages .....	A/R	
9	27984	TUBE - bat connector .....	A/R	
10	27985	FINGER - pick-up, plastic .....	A/R	
11	48086	BEARING - end shield (was 35660) .....	A/R	
12	48023	SHIELD - end, 5 bat reel .....	10	
	48024	SHIELD - end, 6 bat reel .....	12	
13	REF	WASHER - flat, see Mounting Packages .....	A/R	
14	REF	SUPPORT R/H - see Mounting Packages .....	1	
15	REF	SUPPORT L/H - see Mounting Packages .....	1	
16	48065	CAM TRACK .....	2	
17	48058	RING - cam, L/H, 5 bat reel .....	1	
	48059	RING - cam, R/H, 5 bat reel .....	1	
	48060	RING - cam, L/H, 6 bat reel .....	1	
	48061	RING - cam, R/H, 6 bat reel .....	1	
18	50184	BEARING - ball.....	A/R	
19	48051	ARM - cam.....	A/R	
20	50185	BEARING - ball.....	A/R	
21	48050	BOLT - shoulder, special .....	A/R	
25	23165	DECAL - 50 hour grease .....	2	
26	35689	NUT - special, 5/16 inch NC .....	A/R	
27	REF	TUBE - main, see listing on page R1-1 .....	1	
28	REF	TUBE - end, L/H, see Mounting Packages.....	1	
29	REF	TUBE - end, R/H, see Mounting Packages .....	1	
31	35661	TOOL - finger/adjuster .....	1	
35	35396	DECAL - reel rotation, left.....	3	
36	35397	DECAL - reel rotation, right .....	3	
37	115146	REFLECTOR - amber (was 26697).....	2	
38	35243	DECAL - CAUTION, general safety.....	2	
39	35282	FINGER - Pick-Up, steel.....	A/R	
40	35281	CLIP - steel finger.....	A/R	
A-P	Hardware	See Page R6-3.		

**Model 2000-B PICK-UP REEL  
Serial No. 93000 and up**

REF	PART NUMBER	DESCRIPTION	QTY	SERIAL NUMBER
A	30808	SCREW - machine, Phillips Truss Head, 5/16 NC x 3/8 inch		
B	30280	NUT - lock, flange head, 5/16 inch NC distorted thread		
C	REF	HARDWARE - mounting, see Mounting Package		
D	30228	NUT - lock, flange head, 3/8 inch NC distorted thread		
E	21484	BOLT - round head, square neck, 3/8 NC x 1 1/2 inch		
F	30712	BOLT - flange head, 3/8 NC x 2 1/2 inch (thread full)		
G	21569	CAPSCREW - hex head, 5/16 NC x 2 inch		
H	30504	CAPSCREW - flat Phillips Head, 80° countersink, 5/16 NC x 1 1/2 inch		
J	21472	BOLT - round head, square neck, 3/8 NC x 3/4 inch		
K	50076	BOLT - flange head, 3/8 NC x 5/8 inch		
L	21281	BOLT - round head, square neck, 5/16 NC x 3/4 inch		
M	101898	SCREW - flange head, self tapping, 3/8 x 5/8 inch		
N	21594	BOLT - hex head, 5/8 NC x 1 1/2 inch		
P	18666	NUT - lock, 5/8 NC distorted thread		
Q	50225	NUT - lock, smooth flange, 5/8 NC distorted thread		

**PAINT**

23955	PAINT - black, 1 litre (25-35 Gloss Level) .....	-124499
23951	PAINT - black, spray can (25-35 Gloss Level) .....	-124499
25991	PAINT - black, 1 litre (55-65 Gloss Level) .....	124500-
25990	PAINT - black, spray can (55-65 Gloss Level) .....	124500-

**Section M1  
Mounting Packages  
Reel Serial No. 56028 – 68947**

**Index**

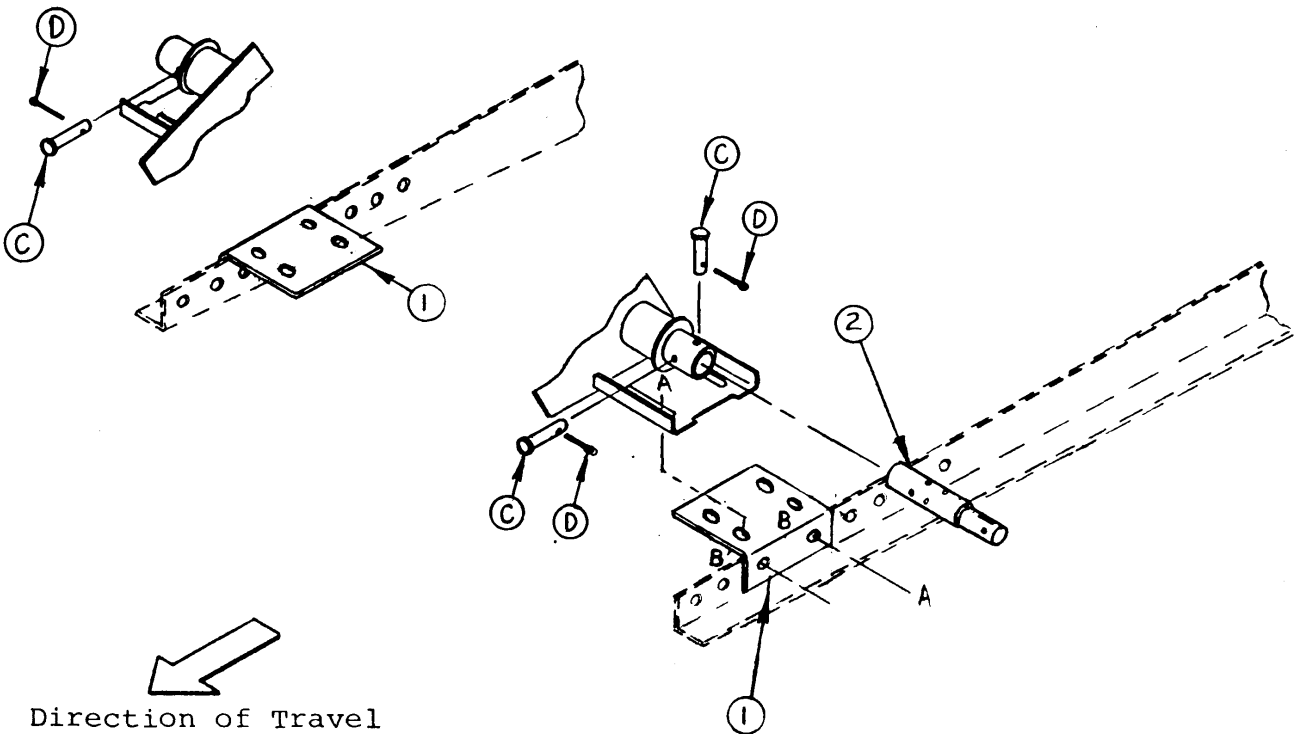
Allis – Chalmers Combines.....	M1-1
Avco New Idea Combines .....	M1-2
CCIL 500 S.P. and 601 P.T. Windrowers .....	M1-3
CO-OP 550 S.P. and 622 P.T. Windrowers.....	M1-4
Deutz Allis Combines.....	M1-5
Hesston Windrowers – 420 and 520.....	M1-6
Hesston Windrowers – 6450, 6550 and 6650.....	M1-7
I.H. Combines – 810 Header, serial no. 30000 and below .....	M1-8
I.H. Combines – 810 and 820 Headers, serial no. 30001 and up.....	M1-9
I.H. Self Propelled Windrowers.....	M1-10
John Deere Combines – previous to 200 series headers.....	M1-11
John Deere Combines – 200 Series Headers .....	M1-12
John Deere S.P Windrowers – 780, 800, 830, 880, 2250 & 2270 .....	M1-13
John Deere S.P Windrowers – 2280, 2320 & 2420 .....	M1-14
John Deere S.P Windrowers – 2360 .....	M1-15
MacDon 7000 Windrowers.....	M1-15
Massey Ferguson Combines – 1859 Series Headers .....	M1-16
Massey Ferguson Combines – 9000 and 2381 Series Headers .....	M1-17
Massey Ferguson S.P. Windrowers – 34 and 36.....	M1-18
Massey Ferguson S.P Windrowers – 885 (Belt Driven Reel).....	M1-19
Massey Ferguson S.P Windrowers – 885 (Chain Driven Reel).....	M1-15
Owatonna Windrowers.....	M1-20
Sperry New Holland Combines & Windrowers (Hydraulic Reel Drive) .....	M1-21
Sperry New Holland Windrowers (Mechanical Reel Drive) .....	M1-22
Versatile Windrowers – SP400 and SP4400 .....	M1-23
White Farm Combines – Belt Driven Headers.....	M1-24
White Farm Combines – 900 Series Headers .....	M1-25
White Farm S.P Windrowers – 6400 (Belt Driven Reel).....	M1-19
White Farm S.P Windrowers – 6400 (Chain Driven Reel).....	M1-15

**ATTENTION INSTALLER: Shielding for the  
reel drive is not provided with reel. The drive  
MUST be properly shielded before use.**

**MOUNTING PARTS LIST**  
**Reel Serial No. 56028 - 68947**

For Allis Chalmers Combines  
 Models: L, M, E, A, C, K, F, G  
 Headers: All headers with "L" shaped reel arms

NOTE: Reel end tubes and drive adapter are secured with 1/2 dia. clevis pins. Replacement of parts may require drilling out holes in mating parts to 1/2 inch for installation of pins.



35512 - Mounting Package

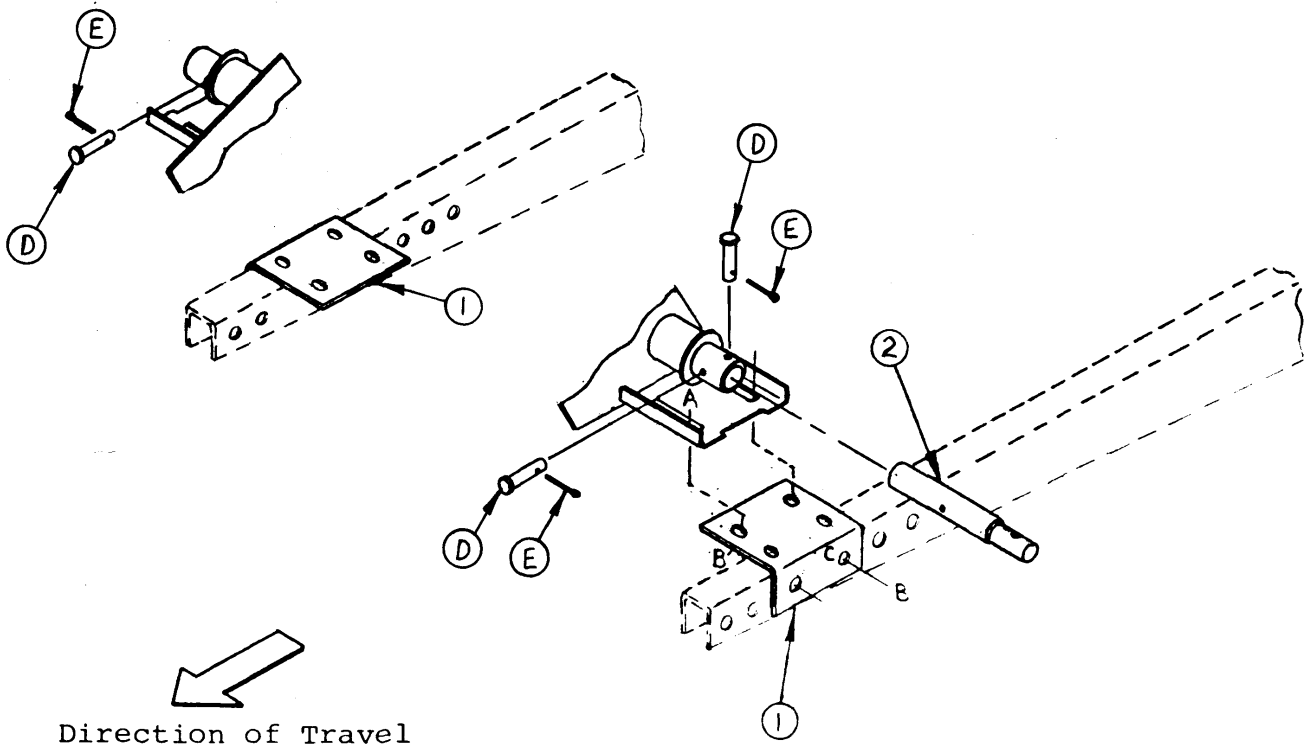
Parts List

Ref.	Part No.	Description	Qty.
1	K-27082-1	Channel Adapter	2
2	K-27072-1	Drive Shaft	1
A	P-19965	Carriage Bolt 3/8 NC x 1"	8
B	P-30228	Locknut, 3/8 Flange Hd., Distorted Thread	8
C	P-19809	Clevis pin 1/2 dia. x 2" eff. length	3
D	P-18648	Cotter pin 3/16 dia. x 1 1/4"	3

**MOUNTING PARTS LIST**  
**Reel Serial No. 56028 - 68947**

For AVCO New Idea Combines  
 Models: 717, 818  
 Headers: 713, 715, 813, 815, 820

NOTE: Reel end tubes and drive adapter are secured with 1/2 dia. clevis pins. Replacement of parts may require drilling out holes in mating parts to 1/2 inch for installation of pins.



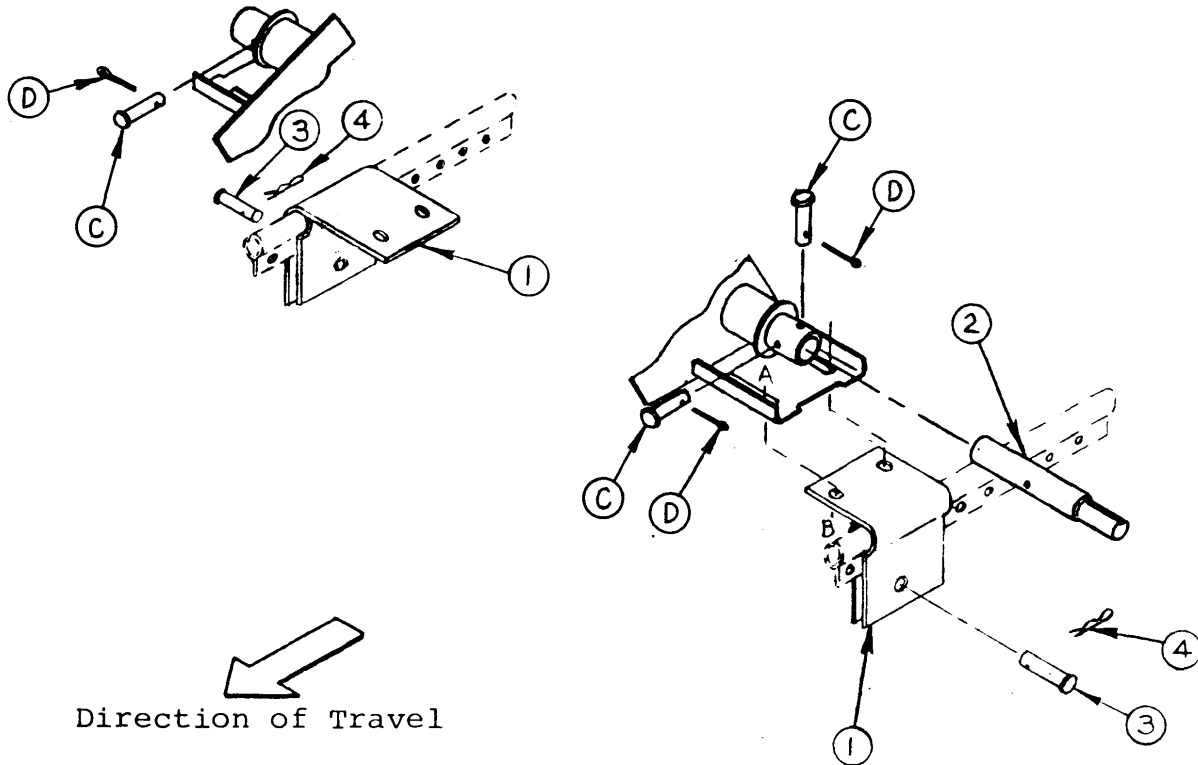
35525 - Mounting Package Parts List

Ref.	Part No.	Description	Qty.
1	K-27082-1	Channel Adapter	2
2	K-27083-1	Drive Shaft	1
A	P-19965	Carriage Bolt 3/8 NC x 1"	4
B	P-30228	Locknut, 3/8 Flange Hd., Prevailing Torque	8
C	P-30035	Capscrew 3/8 NC x 2 3/4"	4
D	P-19809	Clevis pin 1/2 dia. x 2" eff. length	3
E	P-18648	Cotter pin 3/16 dia. x 1 1/4"	3

**MOUNTING PARTS LIST**  
**Reel Serial No. 56028 - 68947**

For CCIL S.P. & P.T. Windrowers  
 Models: 500, 601

NOTE: Reel end tubes and drive adapter are secured with 1/2 dia. clevis pins. Replacement of parts may require drilling out holes in mating parts to 1/2 inch for installation of pins.



**35514 - Mounting Package**

**Parts List**

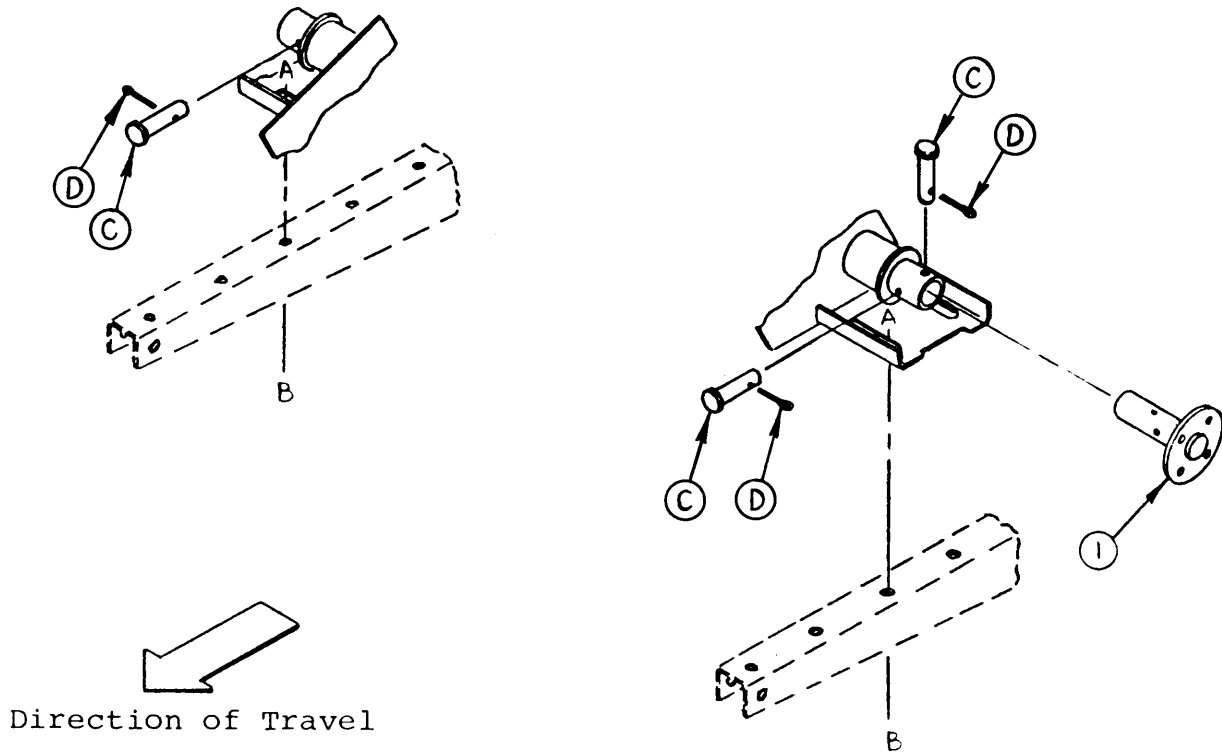
Ref.	Part No.	Description	Qty.
1	K-27395-1	Channel Adapter	2
2	K-27400-1	Drive Shaft	1
3	P-19927	Clevis Pin 1/2 dia. x 1 1/8 eff. length	2
4	P-13125	Hair Pin	2
A	P-19965	Carriage Bolt 3/8 NC x 1"	4
B	P-30228	Locknut, 3/8 Flange Hd., Prevailing Torque	4
C	P-19809	Clevis pin 1/2 dia. x 2" eff. length	3
D	P-18648	Cotter pin 3/16 dia. x 1 1/4"	3



**MOUNTING PARTS LIST**  
**Reel Serial No. 56028 - 68947**

For CO-OP 550 S.P. and 622 P.T. Windrowers

NOTE: Reel end tubes and drive adapter are secured with 1/2 dia. clevis pins. Replacement of parts may require drilling out holes in mating parts to 1/2 inch for installation of pins.



35528 - Mounting Package      Parts List

Ref.	Part No.	Description	Qty.
1	K-27846-1	Drive Shaft	1
A	P-19965	Carriage Bolt 3/8 NC x 1"	4
B	P-30228	Locknut, 3/8 Flange Hd., Prevailing Torque	4
C	P-19809	Clevis pin 1/2 dia. x 2" eff. length	3
D	P-18648	Cotter pin 3/16 dia. x 1 1/4"	3

## MOUNTING PARTS LIST

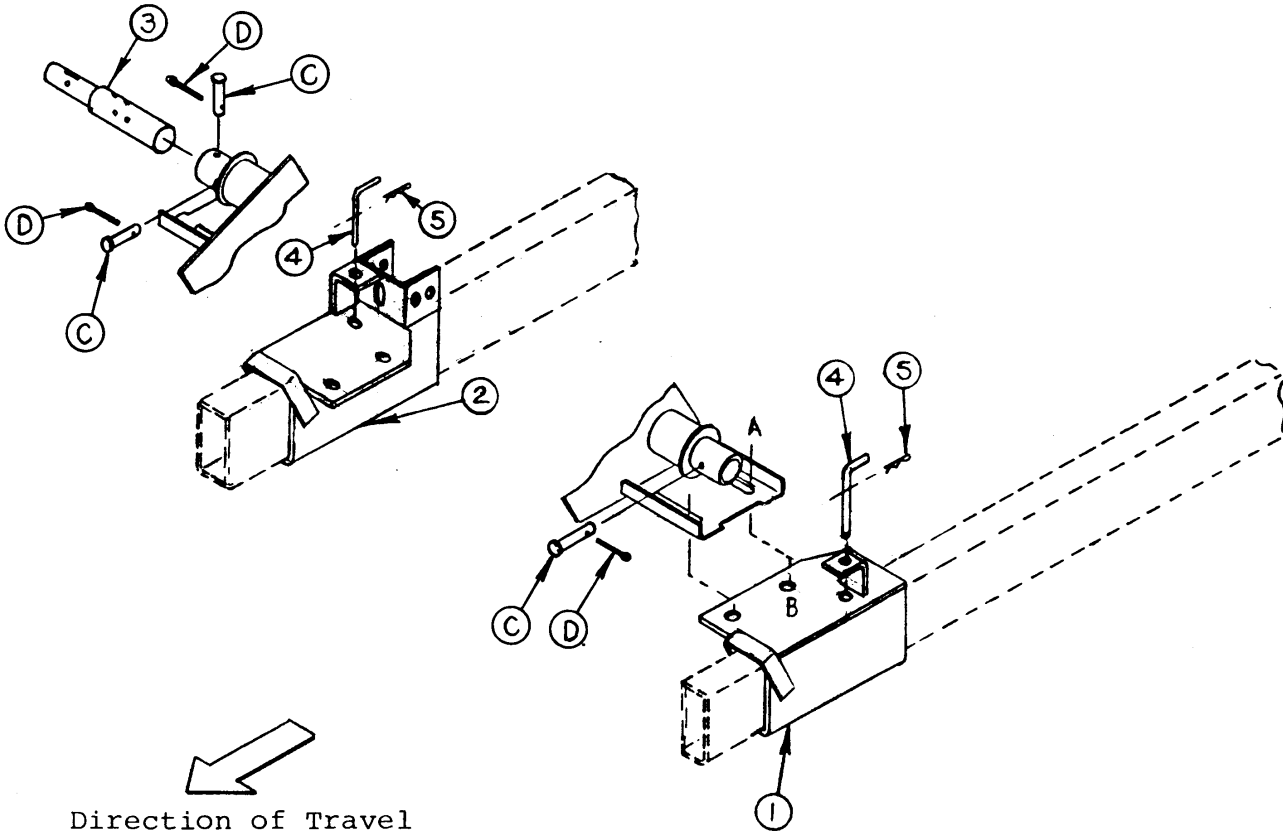
### Reel Serial No. 56028 – 68947

For Deutz Allis Combine

Models: L, M, LR, MR, MH, F3, M3, L3, N5, N6, N7

Header: All headers with rectangular reel arms

NOTE: Reel end tubes and drive adapter are secured with 1/2 dia. clevis pins. Replacement of parts may require drilling out holes in mating parts to 1/2 inch for installation of pins.



35506 - Mounting Package

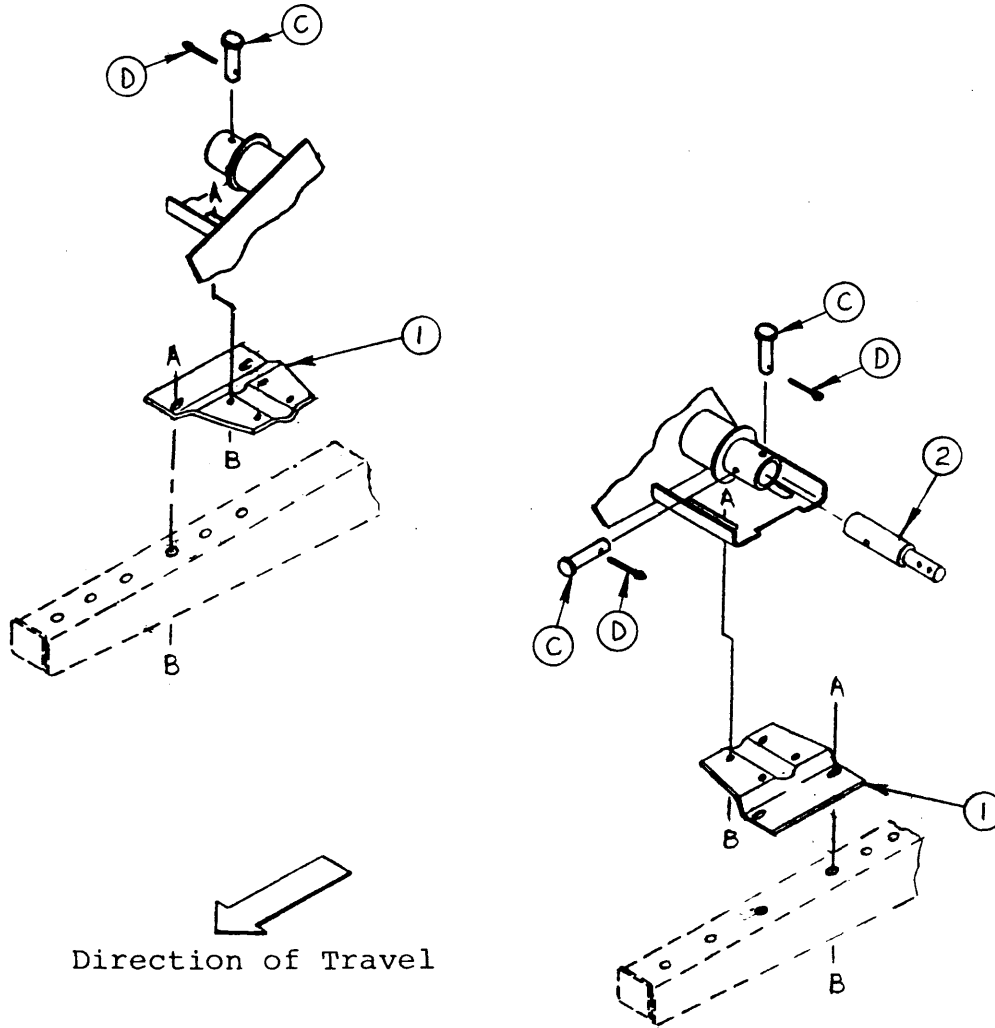
Parts List

Ref.	Part No.	Description	Qty.
1	K-27073-1	L/H Channel Adapter	1
2	K-27074-1	R/H Channel Adapter	1
3	K-27072-1	Drive Shaft	1
4	K-23370-1	Lock Pin	2
5	P-15380	Hair Pin	2
A	P-19965	Carriage Bolt 3/8 NC x 1"	4
B	P-30228	Locknut, 3/8 Flange Hd., Prevailing Torque	4
C	P-19809	Clevis pin 1/2 dia. x 2" eff. length	3
D	P-18648	Cotter pin 3/16 dia. x 1 1/4"	3

**MOUNTING PARTS LIST**  
**Reel Serial No. 56028 - 68947**

For Hesston Windrowers  
 Models: 420, 520

**NOTE:** Reel end tubes and drive adapter are secured with 1/2 dia. clevis pins. Replacement of parts may require drilling out holes in mating parts to 1/2 inch for installation of pins.



35516 - Mounting Package

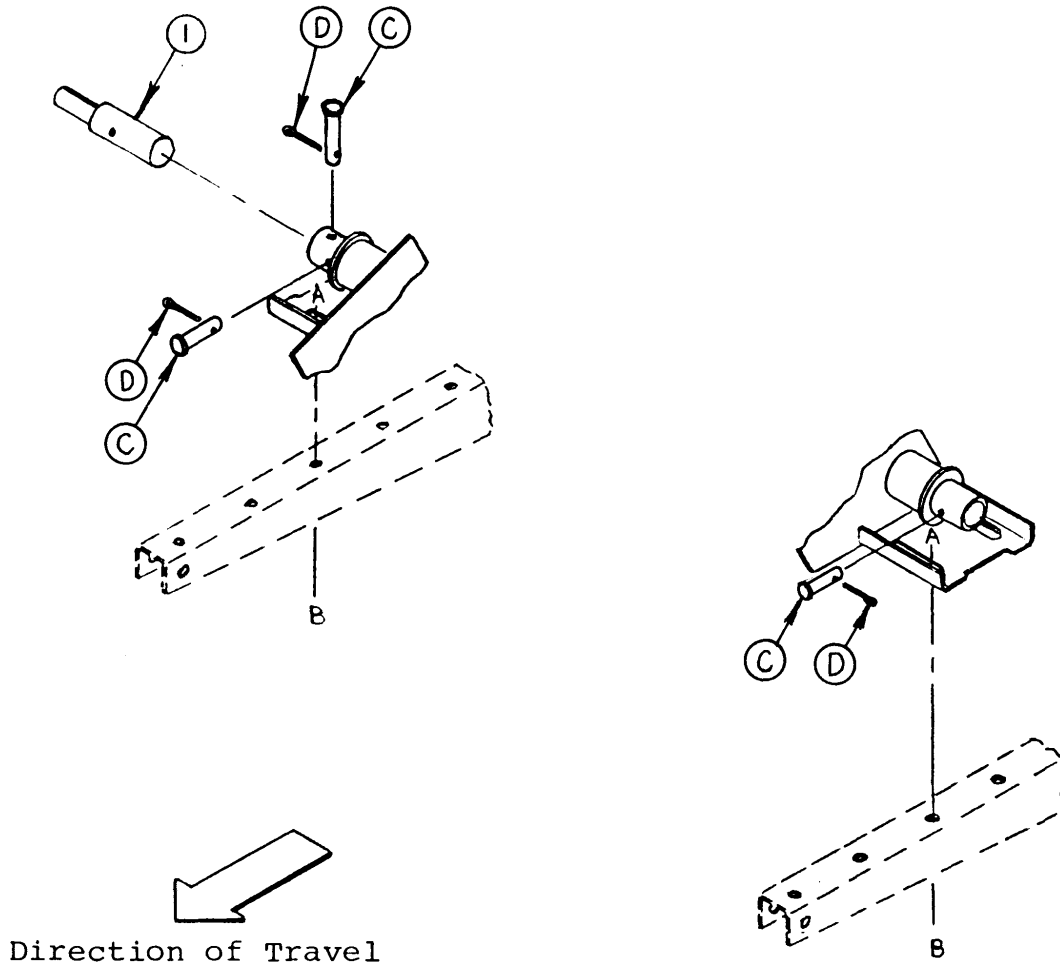
Parts List

Ref.	Part No.	Description	Qty.
1	K-27209-1	Channel Adapter	2
2	K-27406-1	Drive Shaft	1
A	P-19965	Carriage Bolt 3/8 NC x 1"	8
B	P-30228	Locknut, 3/8 Flange Hd., Prevailing Torque	8
C	P-19809	Clevis pin 1/2 dia. x 2" eff. length	3
D	P-18648	Cotter pin 3/16 dia. x 1 1/4"	3

**MOUNTING PARTS LIST**  
**Reel Serial No. 56028 - 68947**

For Hesston Windrowers  
 Models: 6550, 6450, 6650

**NOTE:** Reel end tubes and drive adapter are secured with 1/2 dia. clevis pins. Replacement of parts may require drilling out holes in mating parts to 1/2 inch for installation of pins.



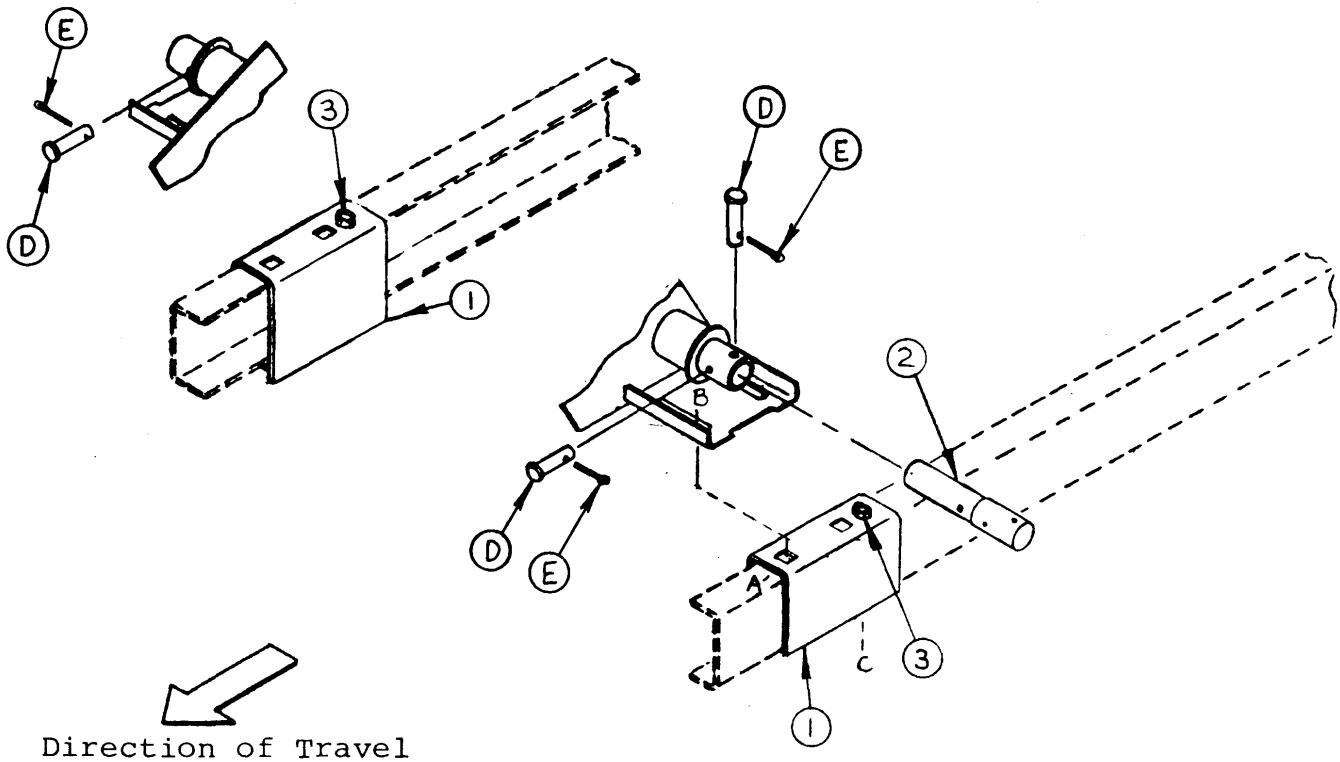
35515 - Mounting Package      Parts List

Ref.	Part No.	Description	Qty.
1	K-27405-1	Drive Shaft	1
A	P-19965	Carriage Bolt 3/8 NC x 1"	4
B	P-30228	Locknut, 3/8 Flange Hd., Prevailing Torque	4
C	P-19809	Clevis pin 1/2 dia. x 2" eff. length	3
D	P-18648	Cotter pin 3/16 dia. x 1 1/4"	3

**MOUNTING PARTS LIST**  
**Reel Serial No. 56028 - 68947**

For I.H. Combines  
 Models: 303, 615, 403, 715, 503, 815, 915, 203, 205, 315  
 Header: 810 (serial no. up to 30000)

NOTE: Reel end tubes and drive adapter are secured with 1/2 dia. clevis pins. Replacement of parts may require drilling out holes in mating parts to 1/2 inch for installation of pins.



35517 - Mounting Package      Parts List

Ref.	Part No.	Description	Qty.
1	K-27633-1	Channel Adapter	2
2	K-27638-1	Drive Shaft	1
3	K-26471-1	Positioning Screw	2
A	P-19965	Carriage Bolt 3/8 NC x 1"	4
B	P-30228	Locknut, 3/8 Flange Hd., Prevailing Torque	4
C	P-21345	Jam Nut 5/8 NC	2
D	P-19809	Clevis pin 1/2 dia. x 2" eff. length	3
E	P-18648	Cotter pin 3/16 dia. x 1 1/4"	3

**MOUNTING PARTS LIST**  
**Reel Serial No. 56028 - 68947**

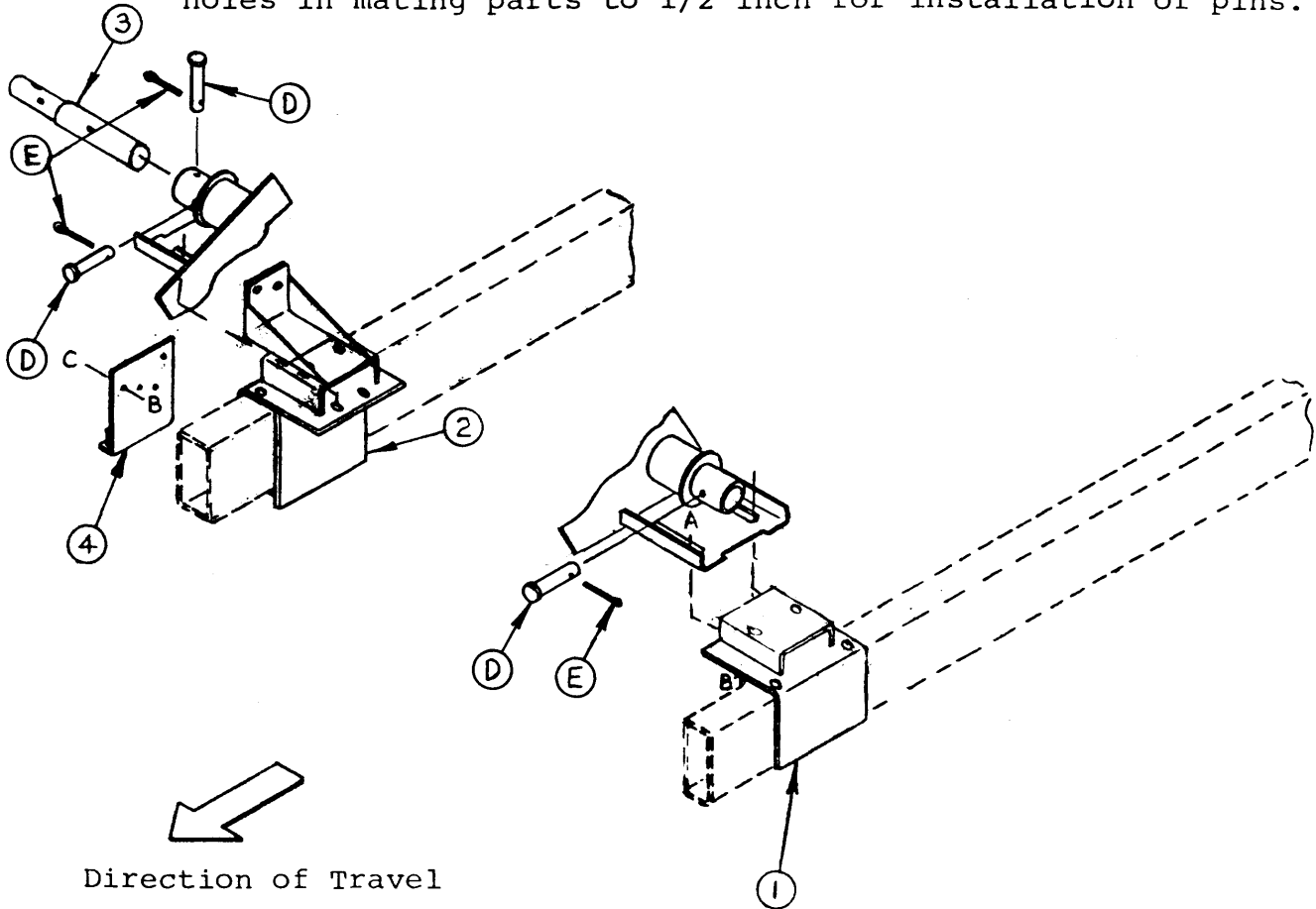
For I.H. Combines

Models: 1420, 1440, 1460, 1470, 1480, 1482

Header: 810, 820

Serial Nos: 30001 & Up

NOTE: Reel end tubes and drive adapter are secured with 1/2 dia. clevis pins. Replacement of parts may require drilling out holes in mating parts to 1/2 inch for installation of pins.



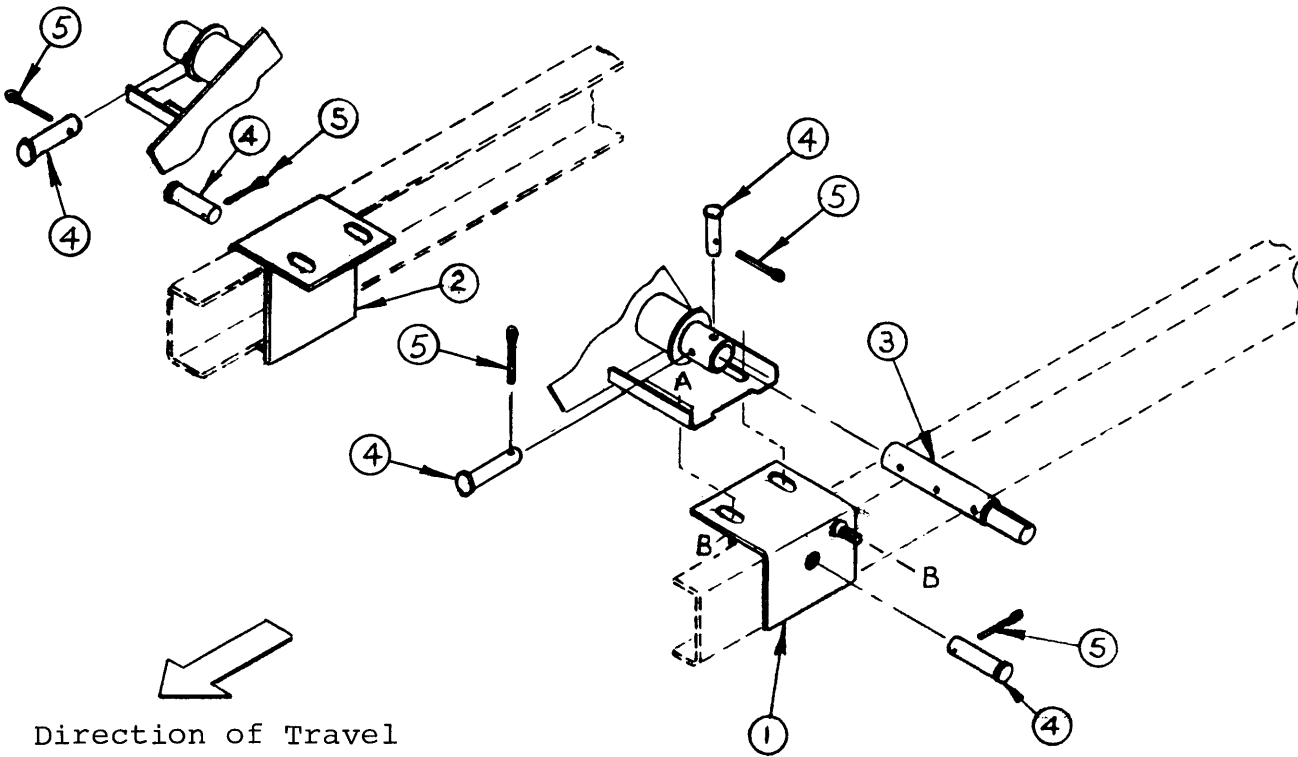
35508 - Mounting Package      Parts List

Ref.	Part No.	Description	Qty.
1	K-27752-1	L/H Channel Adapter	1
2	K-27742-1	R/H Channel Adapter	1
3	K-27758-1	Drive Shaft	1
4	K-27754-1	Shield Plate	1
A	P-19965	Carriage Bolt 3/8 NC x 1"	4
B	P-30228	Locknut, 3/8 Flange Hd., Prevailing Torque	8
C	P-21975	Flange Bolt 3/8 NC x 1"	4
D	P-19809	Clevis pin 1/2 dia. x 2" eff. length	3
E	P-18648	Cotter pin 3/16 dia. x 1 1/4"	3

**MOUNTING PARTS LIST**  
**Reel Serial No. 56028 – 68947**

For I.H. S.P. Windrowers  
 Models: 175, 210, 230, 275, 375 & 4000

NOTE: Reel end tubes and drive adapter are secured with 1/2 dia. clevis pins. Replacement of parts may require drilling out holes in mating parts to 1/2 inch for installation of pins.



35503 - Mounting Package      Parts List

Ref.	Part No.	Description	Qty.
1	K-27214-1	L/H Channel Adapter	1
2	K-27216-1	R/H Channel Adapter	1
3	K-27215-1	Drive Adapter	1
4	P-19809	Clevis Pin 1/2 dia. x 2" eff. length	5
5	P-18648	Cotter Pin 3/16 dia. x 1 1/4"	5
A	P-19965	Carriage Bolt 3/8 NC x 1"	4
B	P-30228	Locknut, 3/8 Flange Hd., Prevailing Torque	5

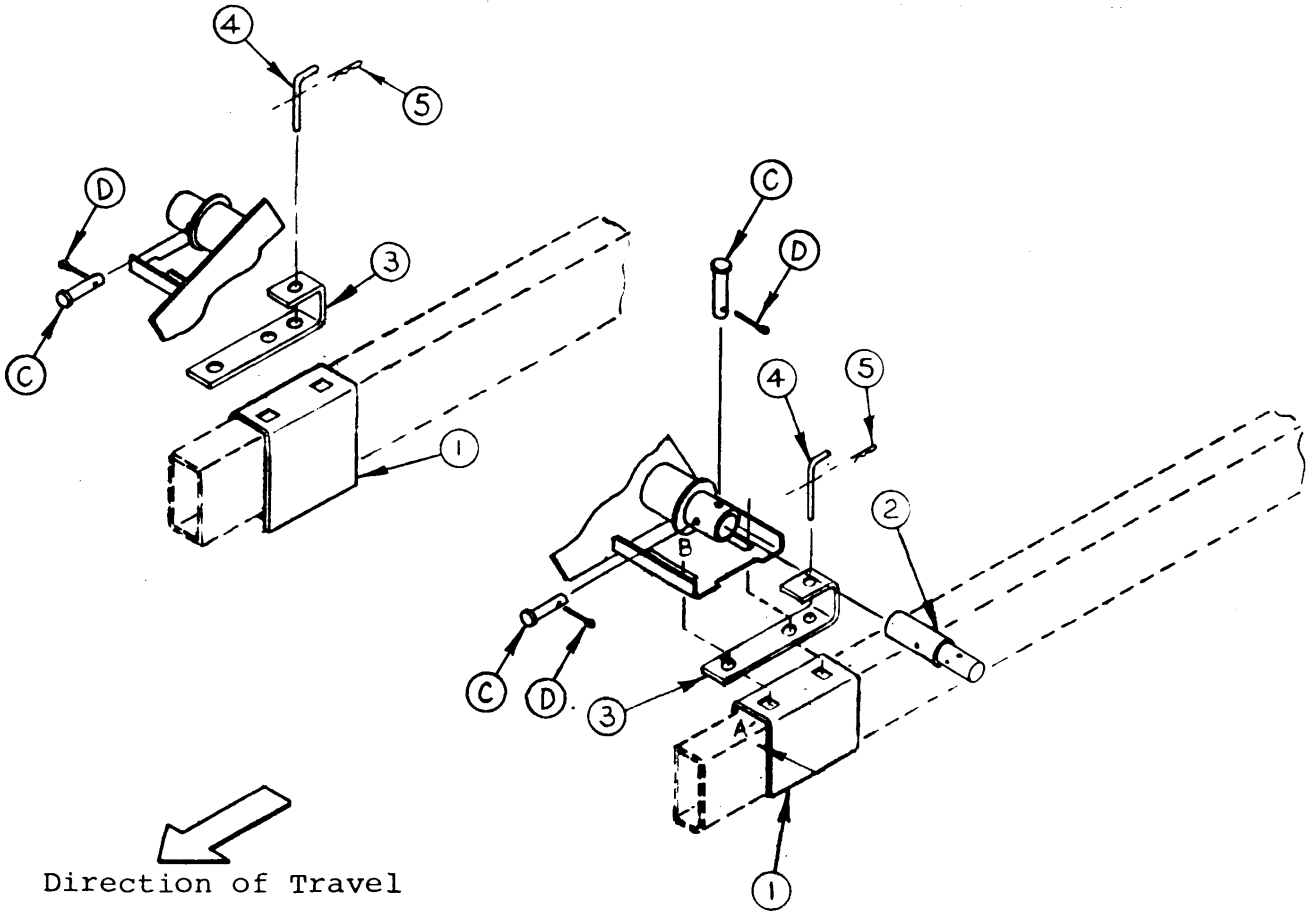
**MOUNTING PARTS LIST**  
**Reel Serial No. 56028 - 68947**

For John Deere Combines

Models: 55, 95, 105, 3300, 4400, 6600, 6601, 7700

Header: Previous to 200 series

NOTE: Reel end tubes and drive adapter are secured with 1/2 dia. clevis pins. Replacement of parts may require drilling out holes in mating parts to 1/2 inch for installation of pins.



**35518 - Mounting Package      Parts List**

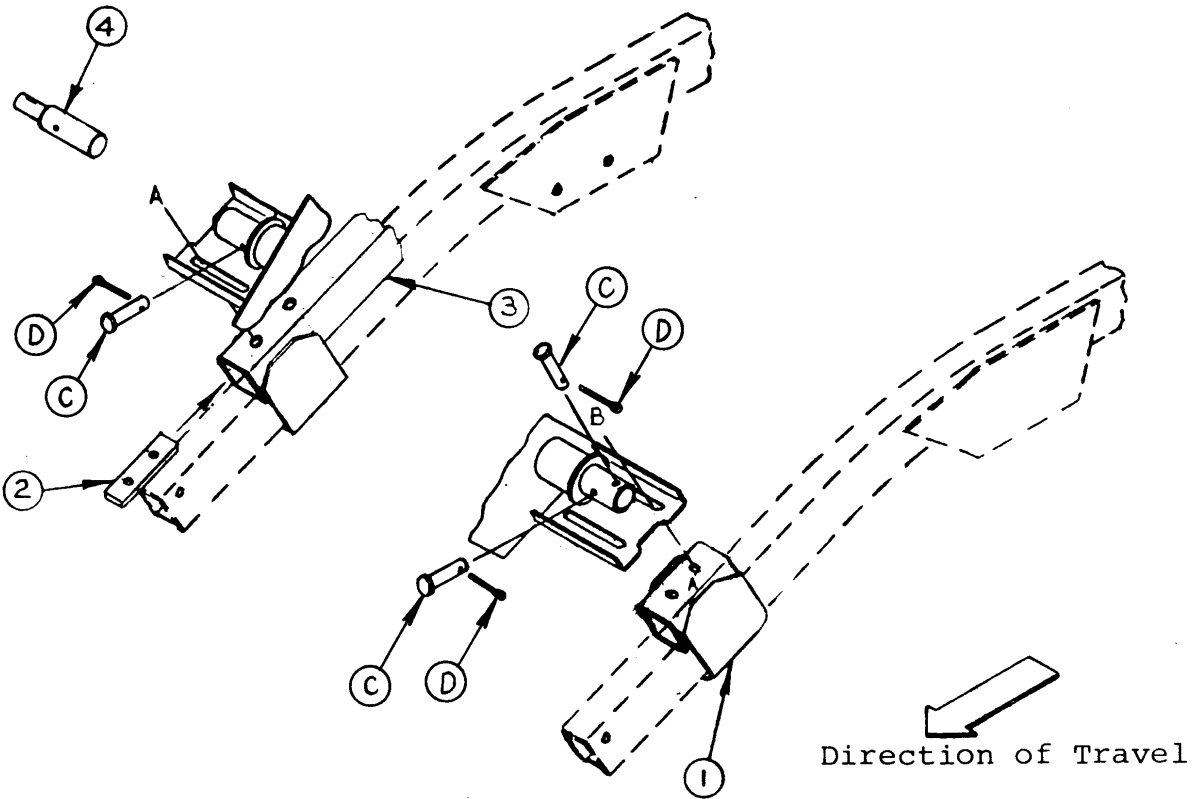
Ref.	Part No.	Description	Qty.
1	K-27762-1	Channel Adapter	2
2	K-27761-1	Drive Shaft	1
3	K-27767-1	Pin Mount	2
4	K-23370-1	Lock Pin	2
5	P-15380	Hair Pin	2
A	P-19965	Carriage Bolt 3/8 NC x 1"	4
B	P-30228	Locknut, 3/8 Flange Hd., Prevailing Torque	4
C	P-19809	Clevis pin 1/2 dia. x 2" eff. length	3
D	P-18648	Cotter pin 3/16 dia. x 1 1/4"	3



**MOUNTING PARTS LIST**  
**Reel Serial No. 56028 - 68947**

For John Deere Combines  
 Models: 6600, 6620, 7700, 7720, 8820  
 - 200 series headers

NOTE: Reel end tubes and drive adapter are secured with 1/2 dia. clevis pins. Replacement of parts may require drilling out holes in mating parts to 1/2 inch for installation of pins.



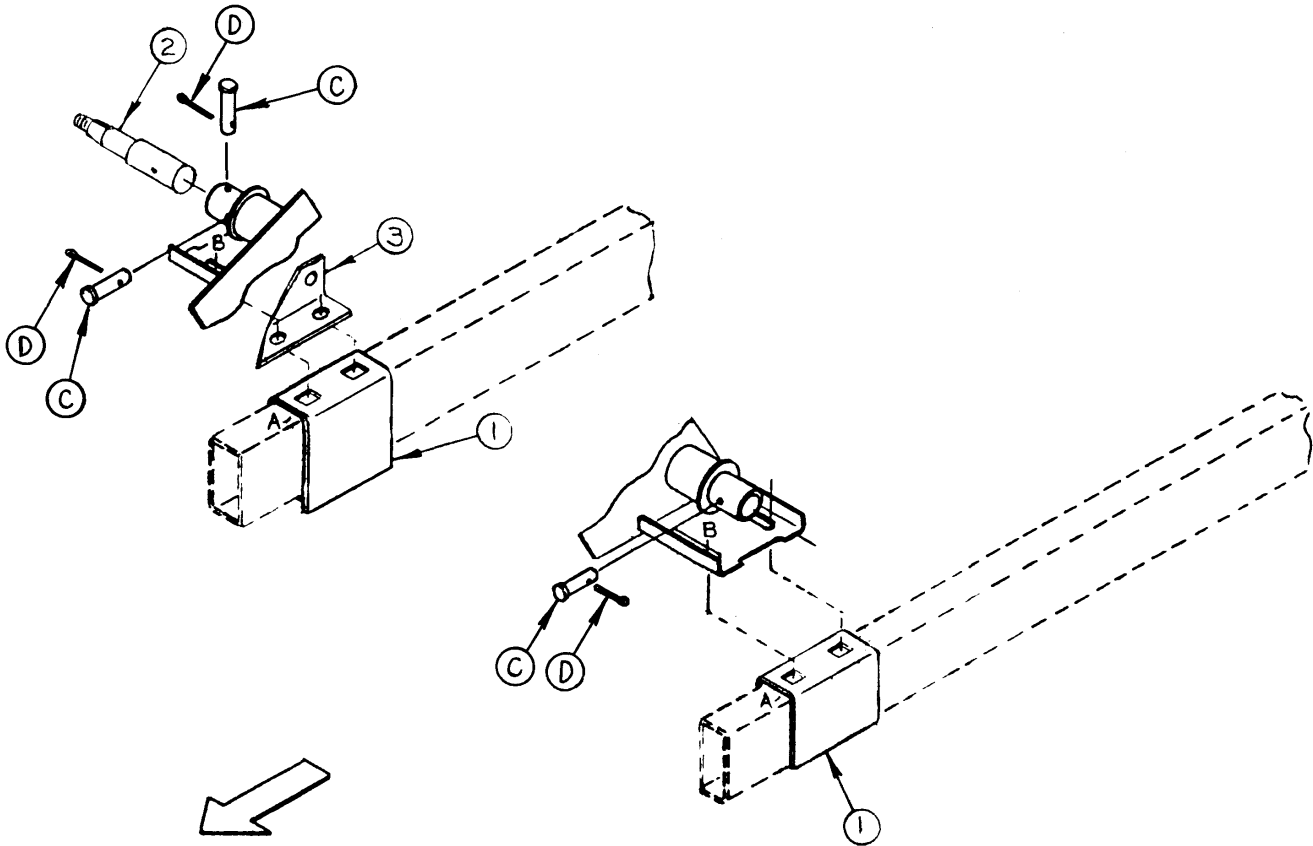
35509 - Mounting Package      Parts List

Ref.	Part No.	Description	Qty.
1	K-27784-1	L/H Channel Adapter	1
2	K-27787-1	Bracket	1
3	K-27774-1	R/H Bracket	1
4	K-27790-1	Drive Shaft	1
A	P-21975	Flange Bolt 3/8 NC x 1"	4
B	P-30228	Locknut, 3/8 Flange Hd., Prevailing Torque	2
C	P-19809	Clevis pin 1/2 dia. x 2" eff. length	3
D	P-18648	Cotter pin 3/16 dia. x 1 1/4"	3

**MOUNTING PARTS LIST**  
**Reel Serial No. 56028 – 68947**

For John Deere S.P. Windrowers  
 Models: 780, 800, 830, 880, 2250, 2270  
 Headers: 78, 88, 120

NOTE: Reel end tubes and drive adapter are secured with 1/2 dia. clevis pins. Replacement of parts may require drilling out holes in mating parts to 1/2 inch for installation of pins.



Direction of Travel

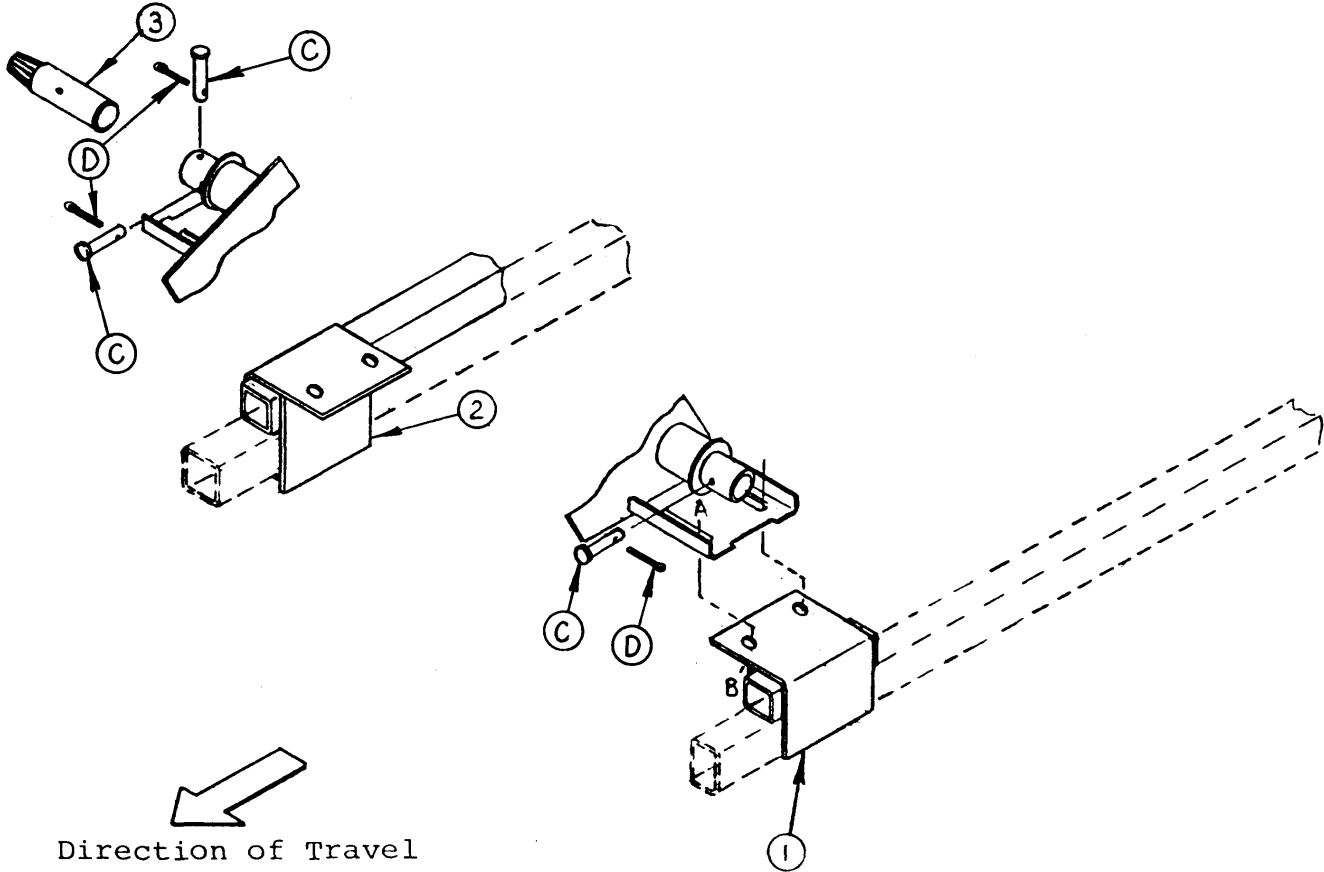
35519 - Mounting Package      Parts List

Ref.	Part No.	Description	Qty.
1	K-27762-1	Channel Adapter	2
2	K-27770-1	Drive Shaft	1
3	K-27771-1	Drive Adapter	1
A	P-19965	Carriage Bolt 3/8 NC x 1"	4
B	P-30228	Locknut, 3/8 Flange Hd., Prevailing Torque	4
C	P-19809	Clevis pin 1/2 dia. x 2" eff. length	3
D	P-18648	Cotter pin 3/16 dia. x 1 1/4"	3

**MOUNTING PARTS LIST**  
**Reel Serial No. 56028 - 68947**

For John Deere S.P. Windrowers  
 Models: 2280, 2320, 2420  
 Headers: 130

NOTE: Reel end tubes and drive adapter are secured with 1/2 dia. clevis pins. Replacement of parts may require drilling out holes in mating parts to 1/2 inch for installation of pins.



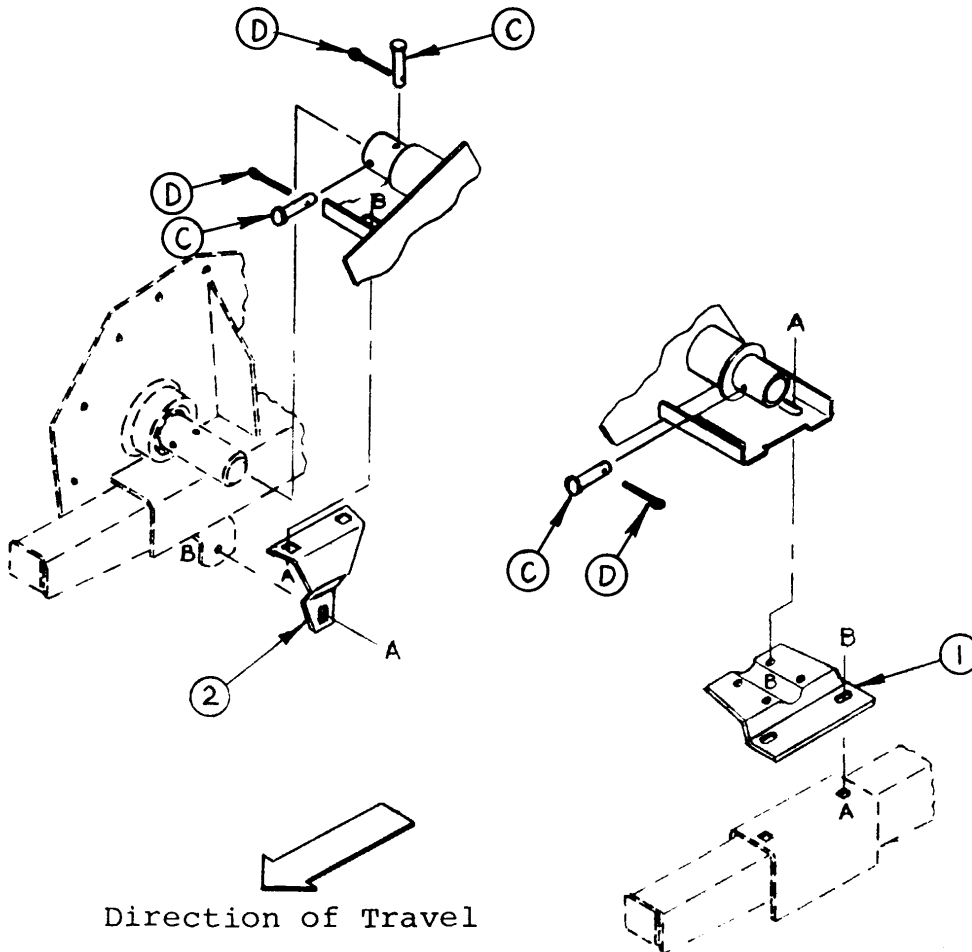
35510 - Mounting Package      Parts List

Ref.	Part No.	Description	Qty.
1	K-27800-1	L/H Channel Adapter	1
2	K-27793-1	R/H Channel Adapter	1
3	K-27804-1	Drive Shaft	1
A	P-19965	Carriage Bolt 3/8 NC x 1"	4
B	P-30228	Locknut, 3/8 Flange Hd., Prevailing Torque	4
C	P-19809	Clevis pin 1/2 dia. x 2" eff. length	3
D	P-18648	Cotter pin 3/16 dia. x 1 1/4"	3

**MOUNTING PARTS LIST**  
**Reel Serial No. 56028 – 68947**

For Massey Ferguson 885 Windrower with Chain Driven Reel  
 White Farm 6400 Windrower with Chain Driven Reel  
 John Deere 2360 Windrower  
 and MacDon 6000/7000 Windrowers with Chain Driven Reel

NOTE: Reel end tubes and drive adapter are secured with 1/2 dia. clevis pins. Replacement of parts may require drilling out holes in mating parts to 1/2 inch for installation of pins.



35505 - Mounting Package      Parts List

Ref.	Part No.	Description	Qty.
1	K-27209-1	Channel Adapter	1
2	K-27212-1	Drive Adapter	1
A	P-19965	Carriage Bolt 3/8 NC x 1"	7
B	P-30228	Locknut, 3/8 Flange Hd., Prevailing Torque	7
C	P-19809	Clevis pin 1/2 dia. x 2" eff. length	3
D	P-18648	Cotter pin 3/16 dia. x 1 1/4"	3

## MOUNTING PARTS LIST

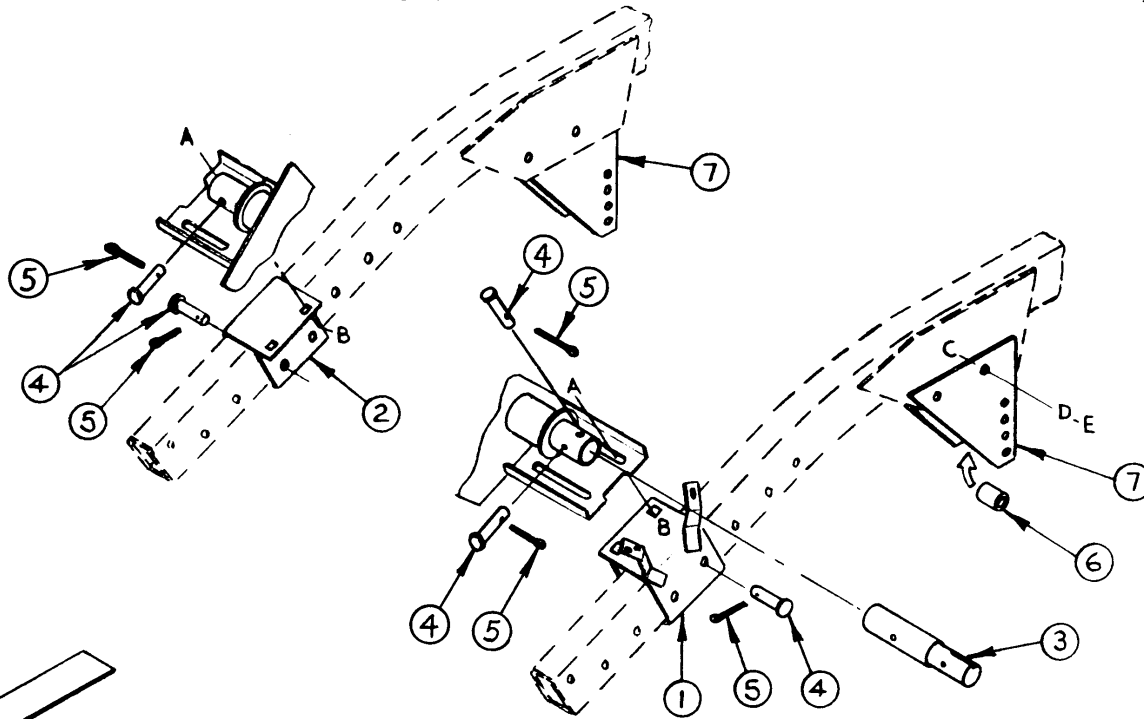
### Reel Serial No. 56028 – 68947

For Massey Ferguson Combines:

Models: 300, 410, 510, 540, 550, 750, 760, 850, 855, 860

- for 1859 series headers (belt or chain driven reels)

NOTE: Reel end tubes and drive adapter are secured with 1/2 dia. clevis pins. Replacement of parts may require drilling out holes in mating parts to 1/2 inch for installation of pins.



Direction of Travel

35502 - Mounting Package

#### Parts List

Ref.	Part No.	Description	Qty.
1	K-27199-1	L/H Channel Adapter	1
2	K-27196-1	R/H Channel Adapter	1
3	K-27195-1	Drive Adapter	1
4	P-19809	Clevis Pin 1/2 dia. x 2" eff. length	7
5	P-18648	Cotter Pin 3/16 dia. x 1 1/4"	7
6	K-4267-1	Spacer	2
7	K-27200-1	Riser	4
A	P-19965	Carriage Bolt 3/8 NC x 1"	4
B	P-30228	Locknut, 3/8 Flange Hd., Prevailing Torque	4
C	P-21575	Capscrew 1/2 NC x 1"	8
D	P-18638	Lockwasher 1/2" I.D.	8
E	P-18591	Hex Nut 1/2 NC	8

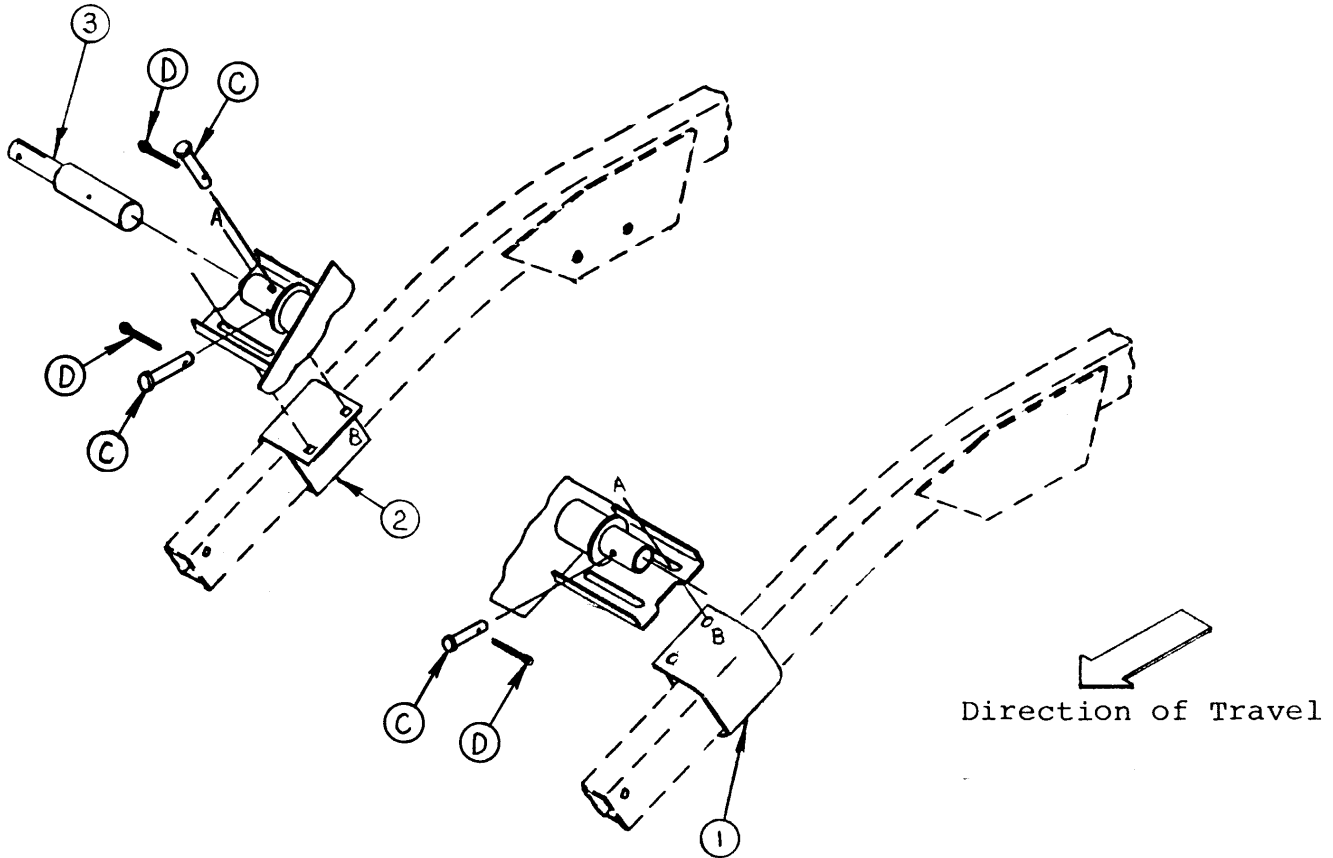
**MOUNTING PARTS LIST**  
**Reel Serial No. 56028 - 68947**

For Massey Ferguson Combines

Models: 550, 750, 760, 850, 855, 860

- 9000 & 2381 series headers only (gear driven reel)

NOTE: Reel end tubes and drive adapter are secured with 1/2 dia. clevis pins. Replacement of parts may require drilling out holes in mating parts to 1/2 inch for installation of pins.



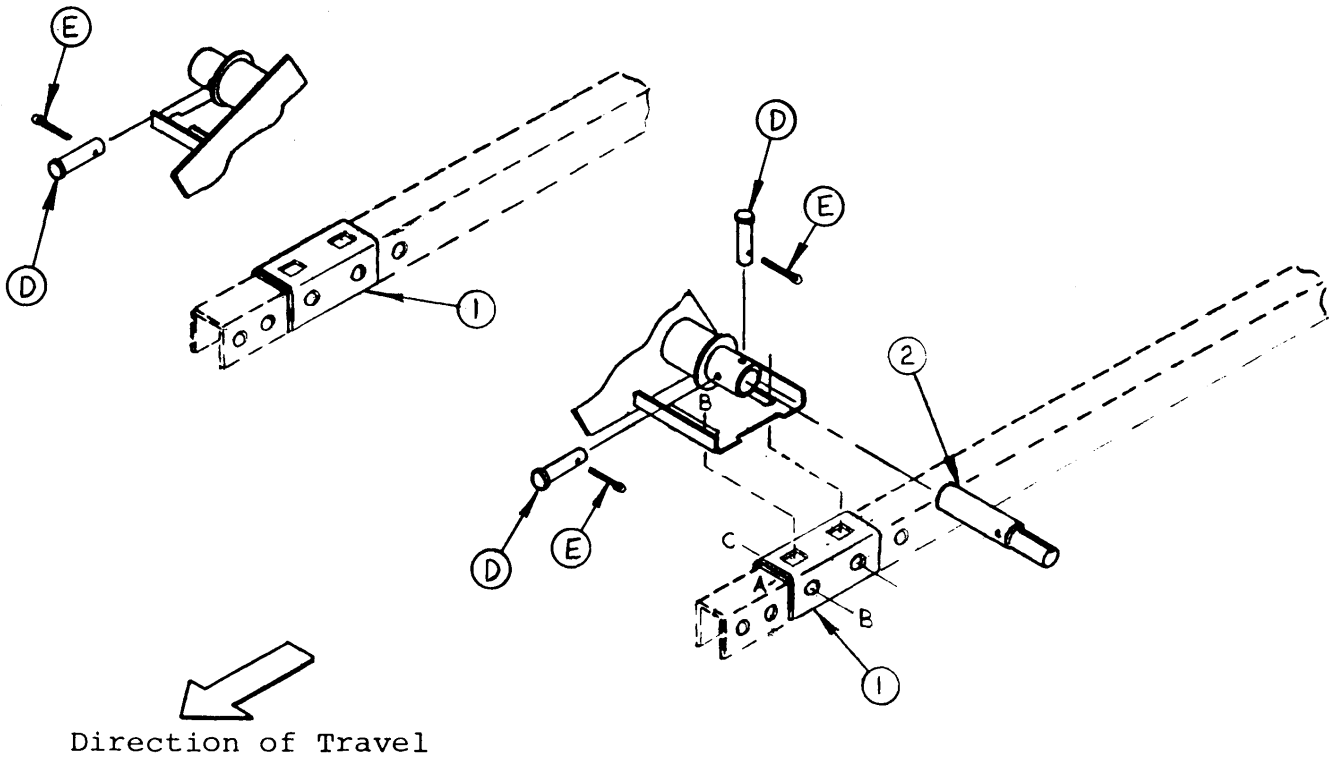
35507 - Mounting Package      Parts List

Ref.	Part No.	Description	Qty.
1	K-27300-1	L/H Channel Adapter	1
2	K-27301-1	R/H Channel Adapter	1
3	K-27195-1	Drive Shaft	1
A	P-19965	Carriage Bolt 3/8 NC x 1"	4
B	P-30228	Locknut, 3/8 Flange Hd., Prevailing Torque	4
C	P-19809	Clevis pin 1/2 dia. x 2" eff. length	3
D	P-18648	Cotter pin 3/16 dia. x 1 1/4"	3

**MOUNTING PARTS LIST**  
**Reel Serial No. 56028 – 68497**

For Massey Ferguson S.P. Windrowers  
 Models: 34, 36

NOTE: Reel end tubes and drive adapter are secured with 1/2 dia. clevis pins. Replacement of parts may require drilling out holes in mating parts to 1/2 inch for installation of pins.



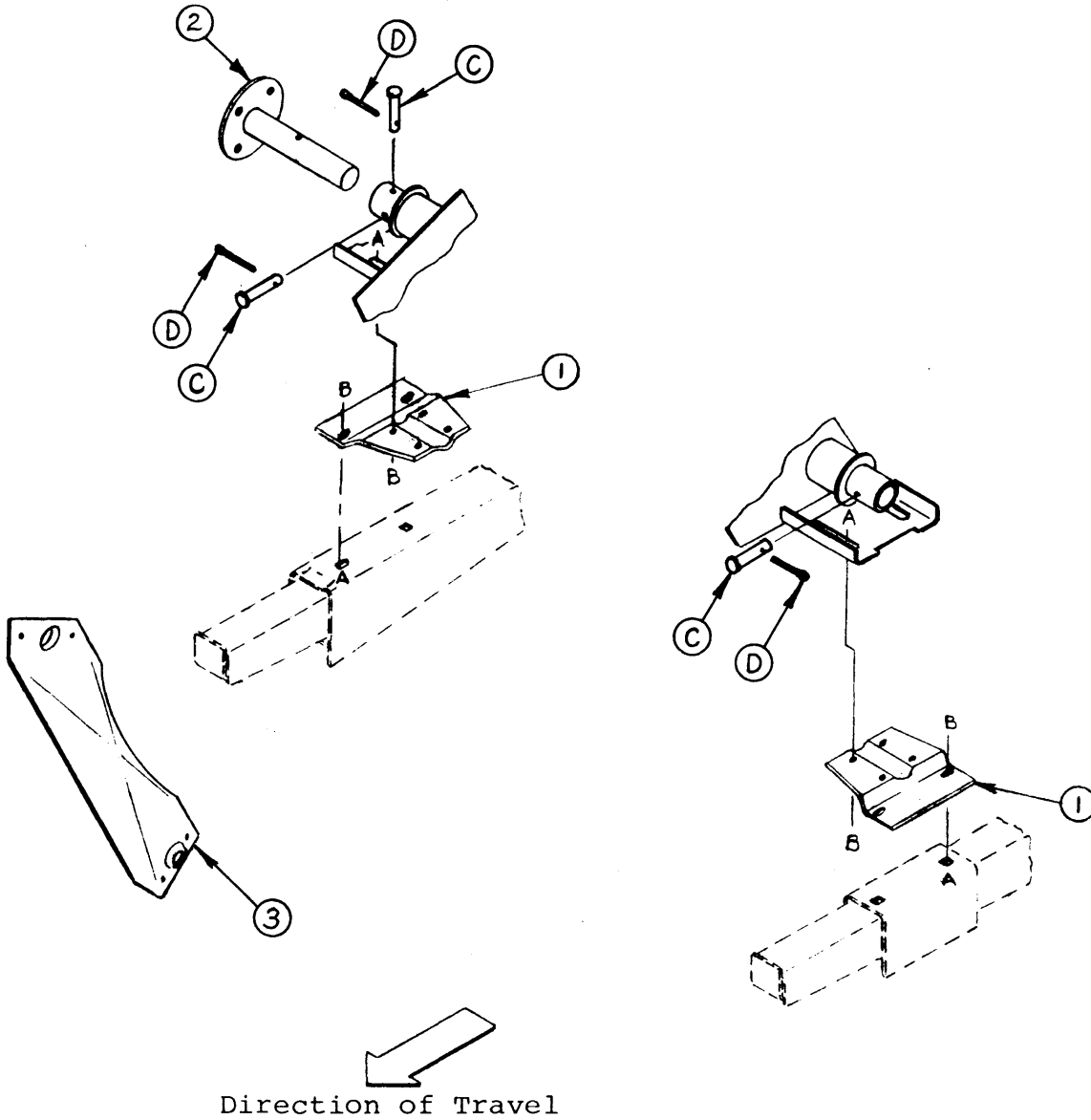
35520 - Mounting Package      Parts List

Ref.	Part No.	Description	Qty.
1	K-27809-1	Channel Adapter	2
2	K-27812-1	Drive Shaft	1
A	P-19965	Carriage Bolt 3/8 NC x 1"	4
B	P-30228	Locknut, 3/8 Flange Hd., Prevailing Torque	8
C	P-30035	Capscrew 3/8 NC x 2 3/4"	4
D	P-19809	Clevis pin 1/2 dia. x 2" eff. length	3
E	P-18648	Cotter pin 3/16 dia. x 1 1/4"	3

**MOUNTING PARTS LIST**  
**Reel Serial No. 56028 – 68947**

For Massey Ferguson 885 Windrower with belt driven reel  
 and White Farm 6400 Windrower with belt driven reel

NOTE: Reel end tubes and drive adapter are secured with 1/2 dia. clevis pins. Replacement of parts may require drilling out holes in mating parts to 1/2 inch for installation of pins.



35504 - Mounting Package      Parts List

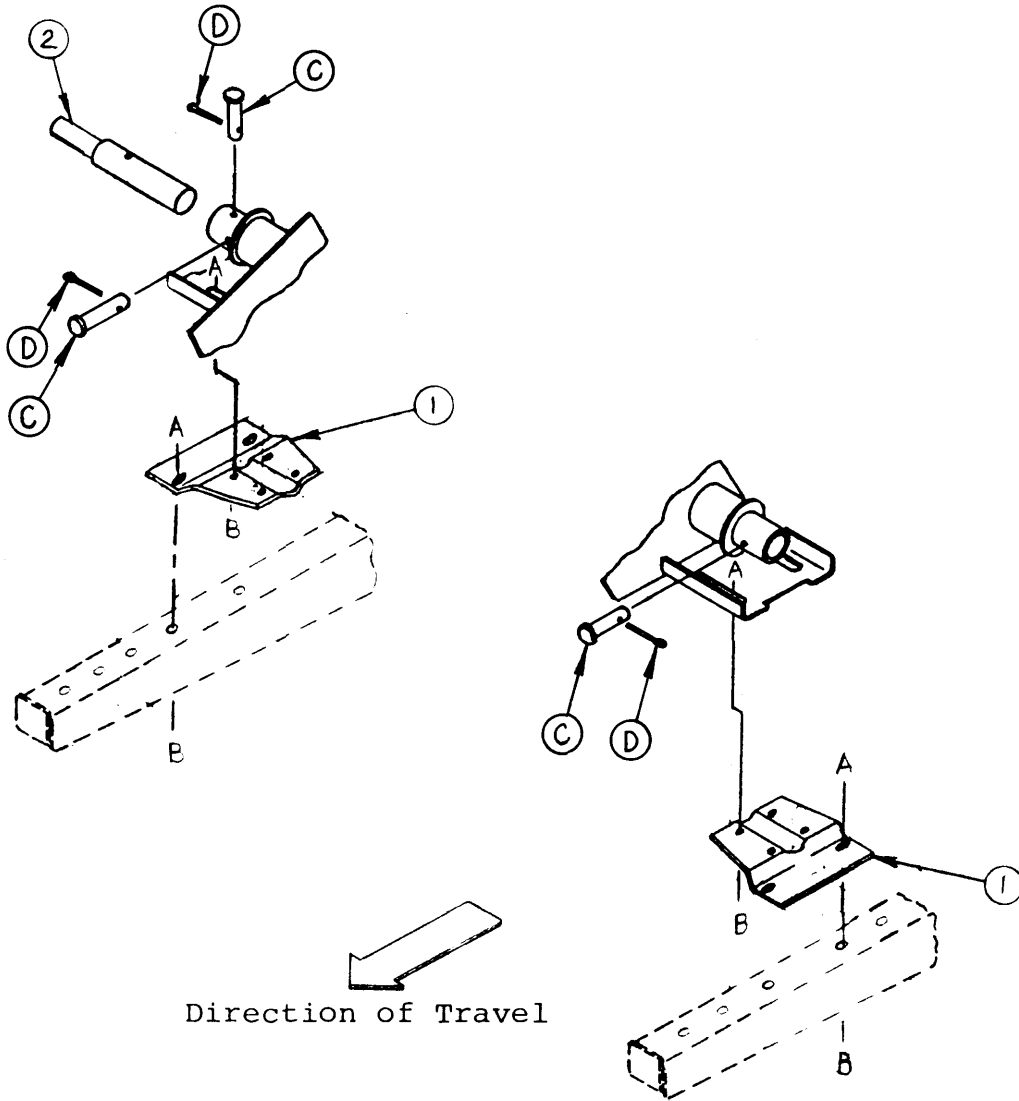
Ref.	Part No.	Description	Qty.
1	K-27209-1	Channel Adapter	2
2	K-27206-1	Stub Shaft	1
3	K-27181-1	R/H End Shield	5
A	P-19965	Carriage Bolt 3/8 NC x 1"	8
B	P-30228	Locknut, 3/8 Flange Hd., Prevailing Torque	8
C	P-19809	Clevis pin 1/2 dia. x 2" eff. length	3
D	P-18648	Cotter pin 3/16 dia. x 1 1/4"	3



**MOUNTING PARTS LIST**  
**Reel Serial No. 56028 – 68947**

For Owatonna Windrowers  
 Models: 260D, 270D, 270, 700, 28, 35

NOTE: Reel end tubes and drive adapter are secured with 1/2 dia. clevis pins. Replacement of parts may require drilling out holes in mating parts to 1/2 inch for installation of pins.



35521 - Mounting Package      Parts List

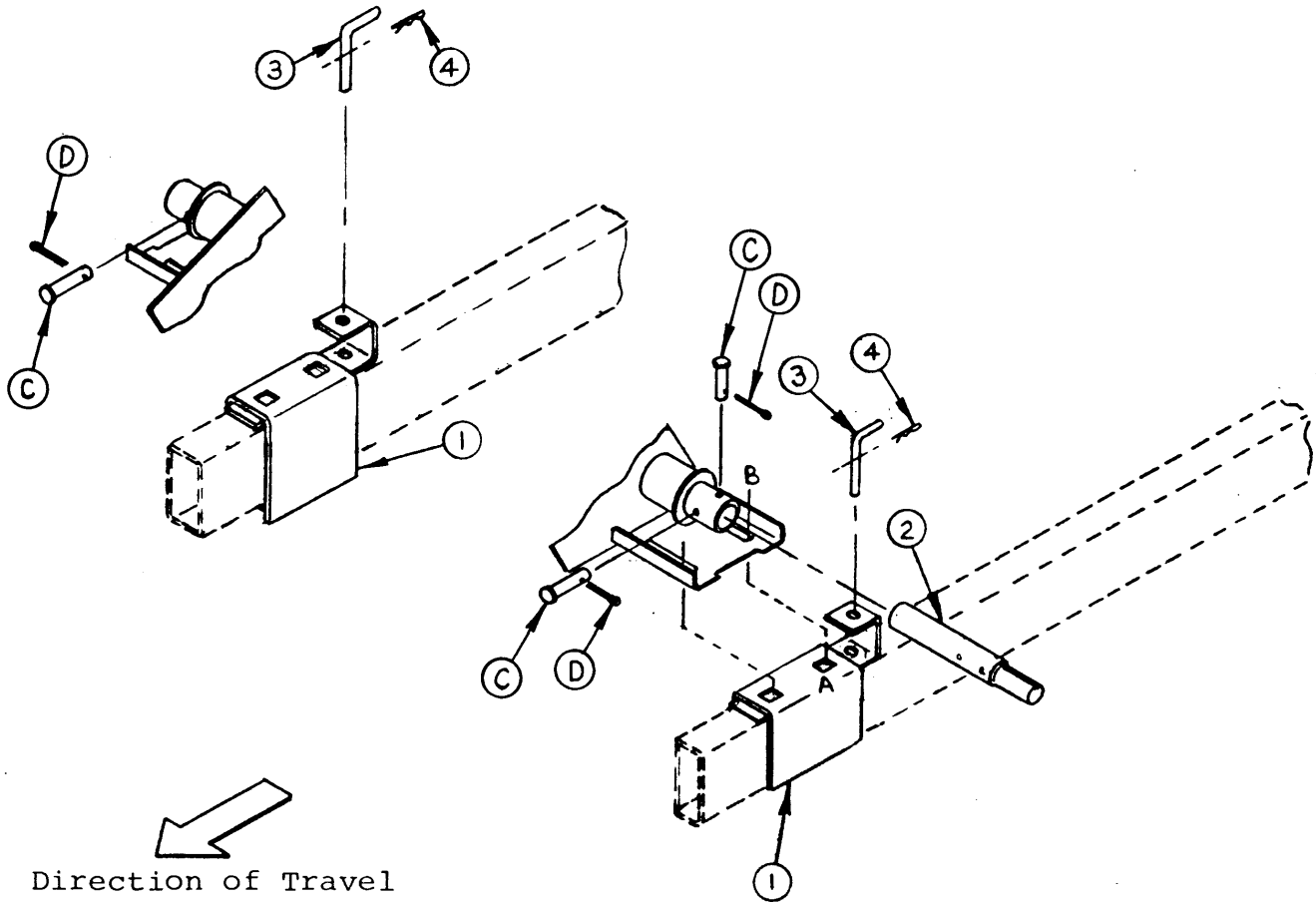
Ref.	Part No.	Description	Qty.
1	K-27209-1	Channel Adapter	2
2	K-27813-1	Drive Shaft	1
A	P-19965	Carriage Bolt 3/8 NC x 1"	8
B	P-30228	Locknut, 3/8 Flange Hd., Prevailing Torque	8
C	P-19809	Clevis pin 1/2 dia. x 2" eff. length	3
D	P-18648	Cotter pin 3/16 dia. x 1 1/4"	3

**MOUNTING PARTS LIST**  
**Reel Serial No. 56028 - 68947**

For Sperry New Holland Combines  
 Models: 975, 985, 995, TR75, TR85, TR95  
 Header Models: 960, 970, 971, 972, 973

and Windrowers  
 Models: 1100, 1116, 1495  
 (hydraulic reel drive)

NOTE: Reel end tubes and drive adapter are secured with 1/2 dia. clevis pins. Replacement of parts may require drilling out holes in mating parts to 1/2 inch for installation of pins.



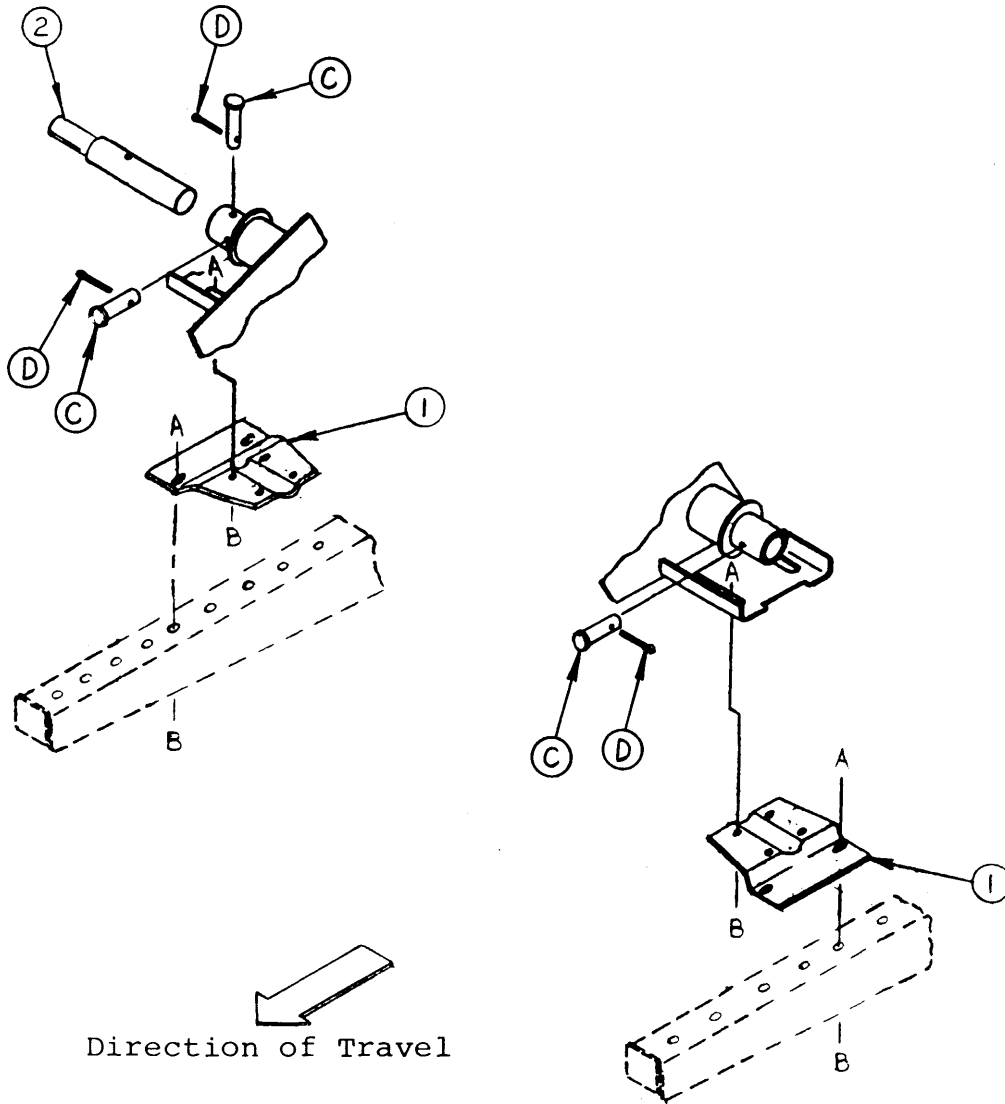
35511 - Mounting Package      Parts List

Ref.	Part No.	Description	Qty.
1	K-27816-1	Channel Adapter	2
2	K-27815-1	Drive Shaft	1
3	K-27822-1	Pin	2
4	P-15380	Hair Pin	2
A	P-19965	Carriage Bolt 3/8 NC x 1"	4
B	P-30228	Locknut, 3/8 Flange Hd., Prevailing Torque	4
C	P-19809	Clevis pin 1/2 dia. x 2" eff. length	3
D	P-18648	Cotter pin 3/16 dia. x 1 1/4"	3

**MOUNTING PARTS LIST**  
**Reel Serial No. 56028 - 68947**

For Sperry New Holland Windrowers  
 Models: 903, 905, 1100 (mechanical reel drive)

NOTE: Reel end tubes and drive adapter are secured with 1/2 dia. clevis pins. Replacement of parts may require drilling out holes in mating parts to 1/2 inch for installation of pins.



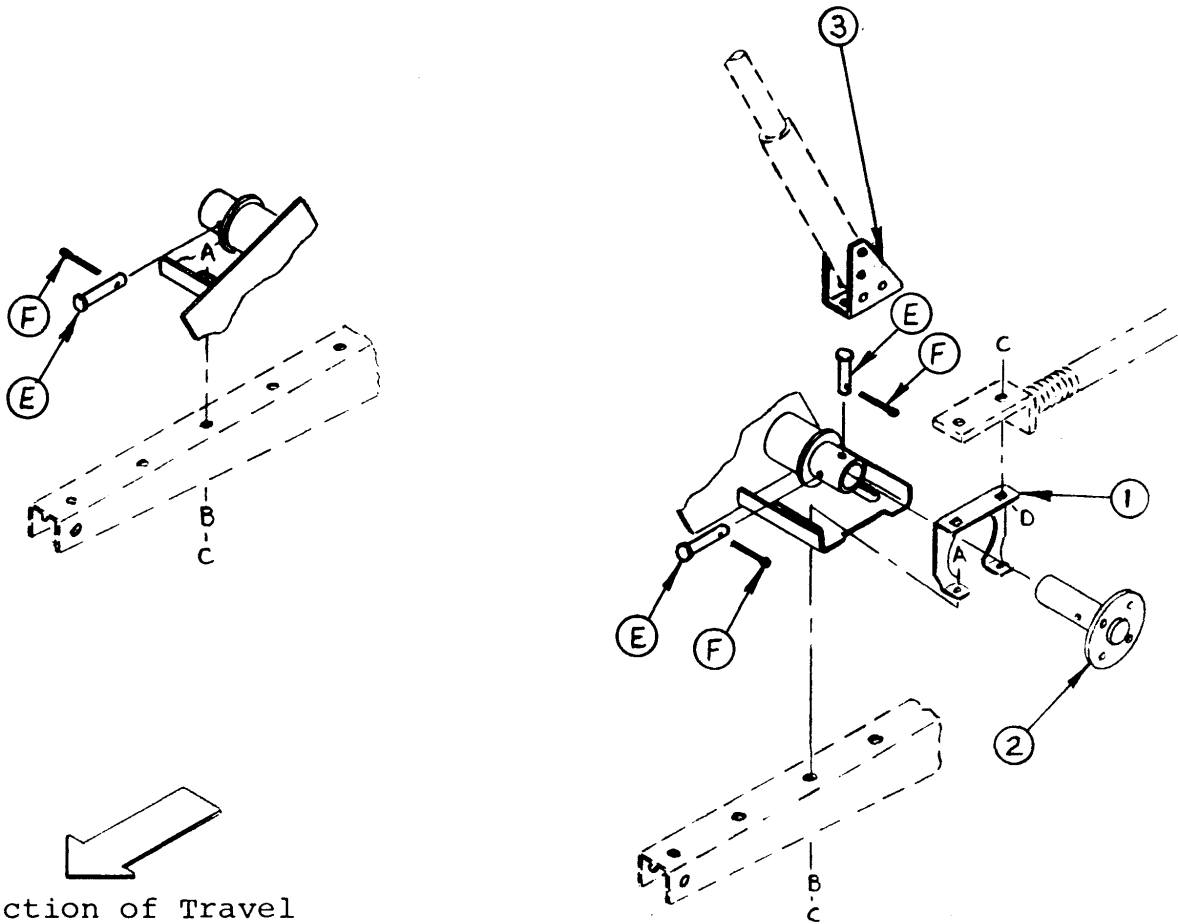
35522 - Mounting Package      Parts List

Ref.	Part No.	Description	Qty.
1	K-27209-1	Channel Adapter	2
2	K-27814-1	Drive Shaft	1
A	P-19965	Carriage Bolt 3/8 NC x 1"	8
B	P-30228	Locknut, 3/8 Flange Hd., Prevailing Torque	8
C	P-19809	Clevis pin 1/2 dia. x 2" eff. length	3
D	P-18648	Cotter pin 3/16 dia. x 1 1/4"	3

**MOUNTING PARTS LIST**  
**Reel Serial No. 56028 - 68947**

For Versatile SP400 and SP4400 Windrowers

NOTE: Reel end tubes and drive adapter are secured with 1/2 dia. clevis pins. Replacement of parts may require drilling out holes in mating parts to 1/2 inch for installation of pins.



35501 - Mounting Package      Parts List

Ref.	Part No.	Description	Qty.
1	K-27203-1	Drive Adapter (may not be required)	1
2	K-27204-1	Stub Shaft	1
3	K-27208-1	Riser	2
A	P-21264	Capscrew 3/8 NC x 1 1/4"	4
B	P-18598	Flatwasher 13/32" I.D.	4
C	P-30228	Locknut, 3/8 Flange Hd., Prevailing Torque	6
D	P-21484	Carriage Bolt 3/8 NC x 1 1/2"	2
E	P-19809	Clevis pin 1/2 dia. x 2" eff. length	3
F	P-18648	Cotter pin 3/16 dia. x 1 1/4"	3

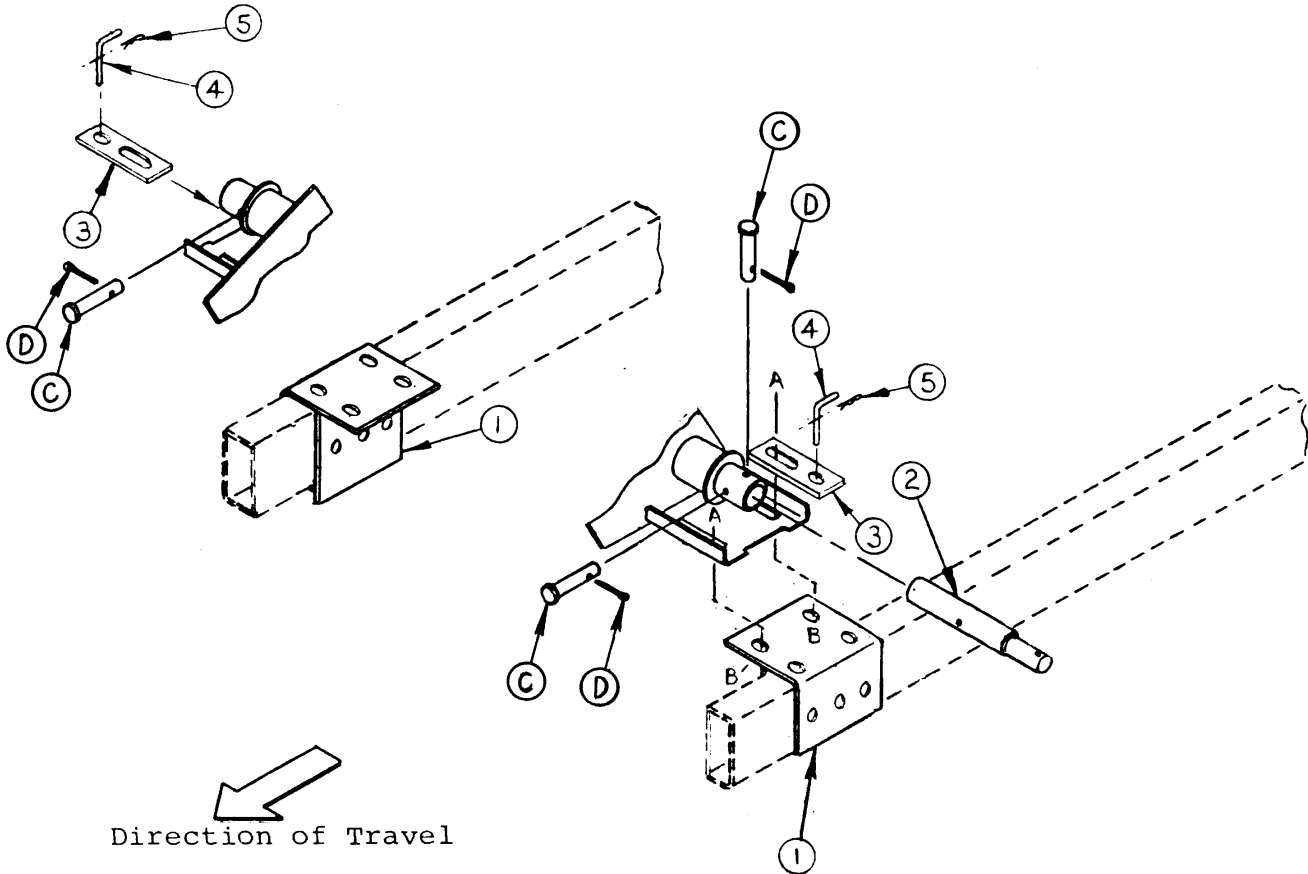
**MOUNTING PARTS LIST**  
**Reel Serial No. 56028 – 68947**

For White Combines

Models: 525, 535, 545, 5542, 7300, 7600, 7800, 8700, 8800, 8900, 9700

Header: Belt drive

NOTE: Reel end tubes and drive adapter are secured with 1/2 dia. clevis pins. Replacement of parts may require drilling out holes in mating parts to 1/2 inch for installation of pins.



35523 - Mounting Package

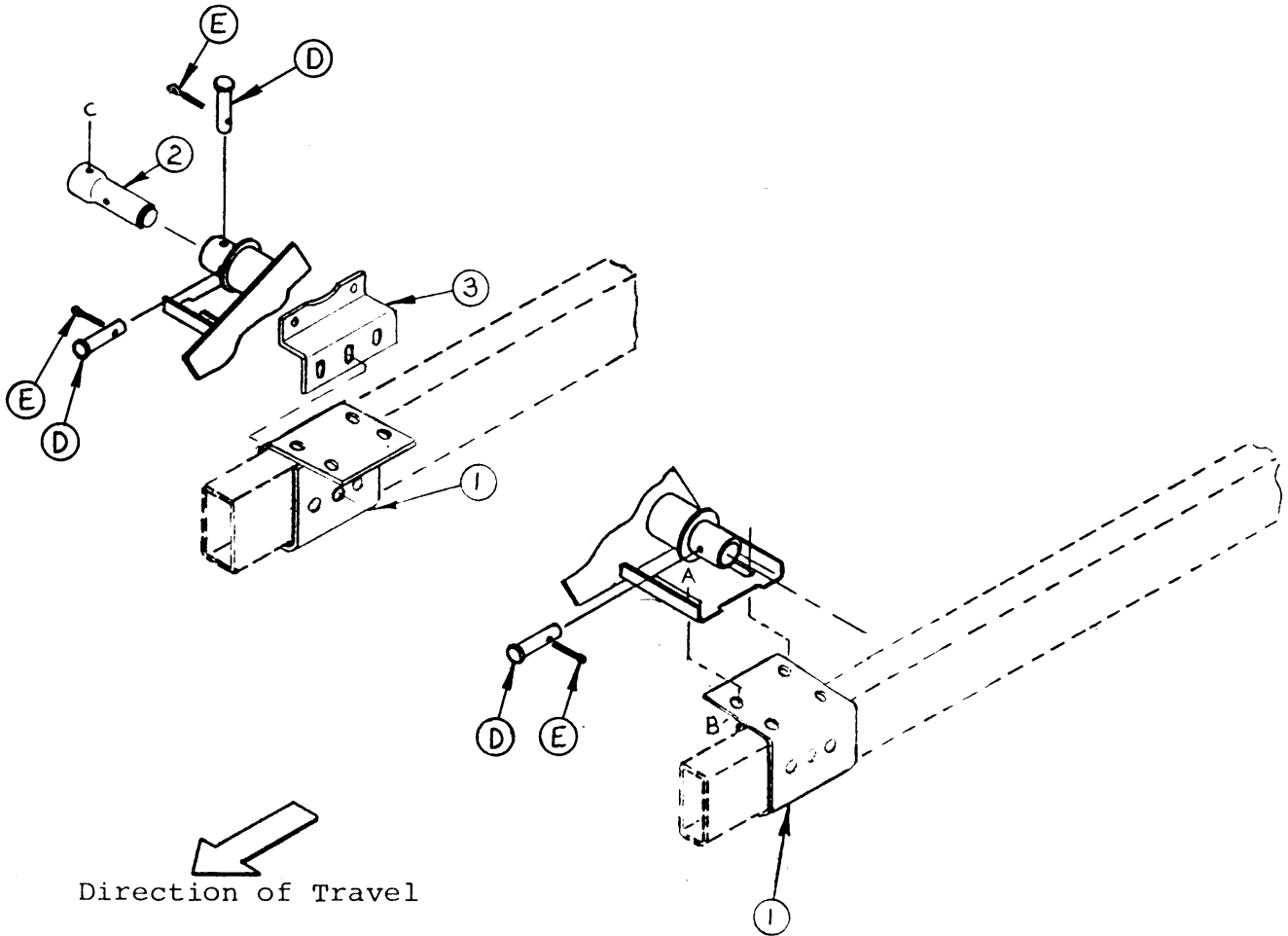
Parts List

Ref.	Part No.	Description	Qty.
1	K-27826-1	Channel Adapter	2
2	K-27825-1	Drive Shaft	1
3	K-27831-1	Pin Mount	2
4	K-23370-1	Lock Pin	2
5	P-15380	Hair Pin	2
A	P-19965	Carriage Bolt 3/8 NC x 1"	4
B	P-30228	Locknut, 3/8 Flange Hd., Prevailing Torque	4
C	P-19809	Clevis pin 1/2 dia. x 2" eff. length	3
D	P-18648	Cotter pin 3/16 dia. x 1 1/4"	3

**MOUNTING PARTS LIST**  
**Reel Serial No. 56028 – 68947**

For White Combines  
 Models: 8700, 8900, 9700, 8920, 9720  
 Header: 900 series

NOTE: Reel end tubes and drive adapter are secured with 1/2 dia. clevis pins. Replacement of parts may require drilling out holes in mating parts to 1/2 inch for installation of pins.



35524 - Mounting Package      Parts List

Ref.	Part No.	Description	Qty.
1	K-27826-1	Channel Adapter	2
2	K-27989-1	Drive Shaft (qty. 2 for headers with 2 reel drive motors)	1
3	K-27829-1	Drive Adapter (qty. 2 for headers with 2 reel drive motors)	1
A	P-19965	Carriage Bolt 3/8 NC x 1"	4
B	P-30228	Locknut, 3/8 Flange Hd., Prevailing Torque	4
C	P-18584	Screw, Allan Hd. Socket 5/16 NC x 3/8"	4
D	P-19809	Clevis pin 1/2 dia. x 2" eff. length	3
E	P-18648	Cotter pin 3/16 dia. x 1 1/4"	3



**Section M2  
Mounting Packages  
Reel Serial No. 68980 and up**

**Index**

Avco New Idea Combines .....	M2-3
Case Combines - 1060, 1160, 1665, 1660.....	M2-4
Case I.H. Combines - 1010 Series Headers, Ser. No. JJC0200000 and below 1020 Series Headers, Ser. No. JJC0215000 and below.....	M2-15
Case I.H. Combines - 1010 Series Headers, Ser. No. JJC0200001 and above 1020 Series Headers, Ser. No. JJC0215001 and above .....	M2-39
Case Windrower - 855.....	M2-5
Case I.H. Pulltype Windrower - 721, 725, 730, 742 (front), 750 (front).....	M2-6
Case I.H. Pulltype Windrower - 742 (rear), 750 (rear).....	M2-7
Case I.H. Pulltype Windrower - 8200 Series .....	M2-38
Case I.H. S.P. Windrowers - 6000, 6500 .....	M2-8
Case I.H. S.P. Windrowers - 6000, 6500 with 36' Harvest Header .....	M2-35
Case I.H. S.P. Windrowers - 8820, 8830 .....	M2-38
CCIL 500 S.P. and 601 P.T. Windrowers.....	M2-9
CO-OP 550 S.P. and 622 P.T. Windrowers .....	M2-10
Cereal Implements: See Vicon	
Gleaner Combines - rectangular reel arms - 3 Series Headers and previous.....	M2-1
Gleaner Combines - "L" shaped reel arms.....	M2-2
Gleaner R Series Combines - 400 & 500 Series Headers .....	M2-40
Hesston Windrowers - 420 and 520 .....	M2-11
Hesston Windrowers - 6450, 6550, 6650 .....	M2-12
Hesston Windrowers - 8100 & 8200 S.P. / 1200 Pulltype .....	M2-38
I.H. Combines - 810 Header, serial # 30000 and below.....	M2-13
I.H. Combines - 810 and 820 Headers, serial # 30001 and above .....	M2-14
I.H. Pulltype Windrowers - 75.....	M2-16
I.H. S.P. Windrowers - 175, 210, 230, 275, 375, 4000.....	M2-17
John Deere Combines - previous to 200 Series Headers .....	M2-18
John Deere Combines - 200 Series Headers.....	M2-19
John Deere Combines - 900 Series Headers.....	M2-37
John Deere Pulltype Windrowers - 580.....	M2-16
John Deere Pulltype Windrowers - 590.....	M2-6
John Deere S.P. Windrowers - 780, 800, 830, 880, 2250, 2270.....	M2-20
John Deere S.P. Windrowers - 2280, 2320, 2420.....	M2-21
John Deere S.P. Windrowers - 2360.....	M2-8
John Deere S.P. Windrowers - 2360 with 36' Harvest Header .....	M2-35
MacDon Pulltype Windrower - 3000 and Duplex (front).....	M2-6
MacDon Pulltype Windrower - Duplex (rear).....	M2-7
MacDon S.P. Windrower - 6000, 7000 (belt driven reel).....	M2-22
MacDon S.P. Windrower - 6000, 7000 (chain driven reel).....	M2-8
MacDon S.P. Windrower - 6000, 7000, 9000 (chain driven reel) with 36' Harvest Header.....	M2-35
MacDon S.P. Windrower - 6000, 7000, 9000 w/ 21, 25 & 30' Harvest Hdr. & Multi-Crop Hdr .....	M2-36



**Section M2  
Mounting Packages  
Reel Serial No. 68980 and up**

**Index - continued**

Massey Ferguson Combines - 1859 Series Headers.....	M2-23
Massey Ferguson Combines - 9000 and 2381 Series Headers.....	M2-24
Massey Ferguson Pulltype Windrowers - 35.....	M2-16
Massey Ferguson Pulltype Windrowers - 613 and 625 (front).....	M2-6
Massey Ferguson Pulltype Windrowers - 625 (rear).....	M2-7
Massey Ferguson Pulltype Windrowers - 210.....	M2-32
Massey Ferguson S.P. Windrowers - 34, 36.....	M2-25
Massey Ferguson S.P. Windrowers - 775, 785.....	M2-10
Massey Ferguson S.P. Windrowers - 885 (belt driven reel).....	M2-22
Massey Ferguson S.P. Windrowers - 885 (chain driven reel).....	M2-8
Massey Ferguson S.P. Windrowers - 885 (chain driven reel) with 36' Harvest Header.....	M2-35
Massey Ferguson S.P. Windrowers - 200.....	M2-32
Minneapolis Moline Windrower - 101.....	M2-5
Owatonna Windrowers.....	M2-26
Sperry New Holland Combines - 960, 970, 972 Headers.....	M2-27
Sperry New Holland Combines - 971, 973 Headers.....	M2-28
Sperry New Holland Windrowers - 1100, 1116, 1495 (hydraulic reel drive).....	M2-27
Sperry New Holland Windrowers - 903, 905, 1100 (mechanical reel drive).....	M2-29
Sperry New Holland Pulltype Windrower - 109.....	M2-16
Sperry New Holland S.P. Windrower - 1090.....	M2-10
Versatile S.P. Windrowers - 400, 4400.....	M2-30
Versatile S.P. Windrowers - 4700.....	M2-31
Vicon Windrowers - 722 & 702 Series.....	M2-32
White Farm Combines - Belt Driven Header.....	M2-33
White Farm Combines - 900 Series Header.....	M2-34
White Farm Pulltype Windrowers - 601.....	M2-16
White Farm Pulltype Windrowers - 630, 650 (front).....	M2-6
White Farm Pulltype Windrowers - 650 (rear).....	M2-7
White Farm S.P. Windrowers - 503, 504.....	M2-5
White Farm S.P. Windrowers - 6200.....	M2-10
White Farm S.P. Windrowers - 6400 (belt driven reel).....	M2-22
White Farm S.P. Windrowers - 6400 (chain driven reel).....	M2-8
White Farm S.P. Windrowers - 6400 (chain driven reel) with 36' Harvest Header.....	M2-35

**ATTENTION INSTALLER: Shielding for the reel drive is not provided with reel. The drive MUST be properly shielded before use.**

## MOUNTING PARTS LIST

### Reel Serial No. 68980 and up

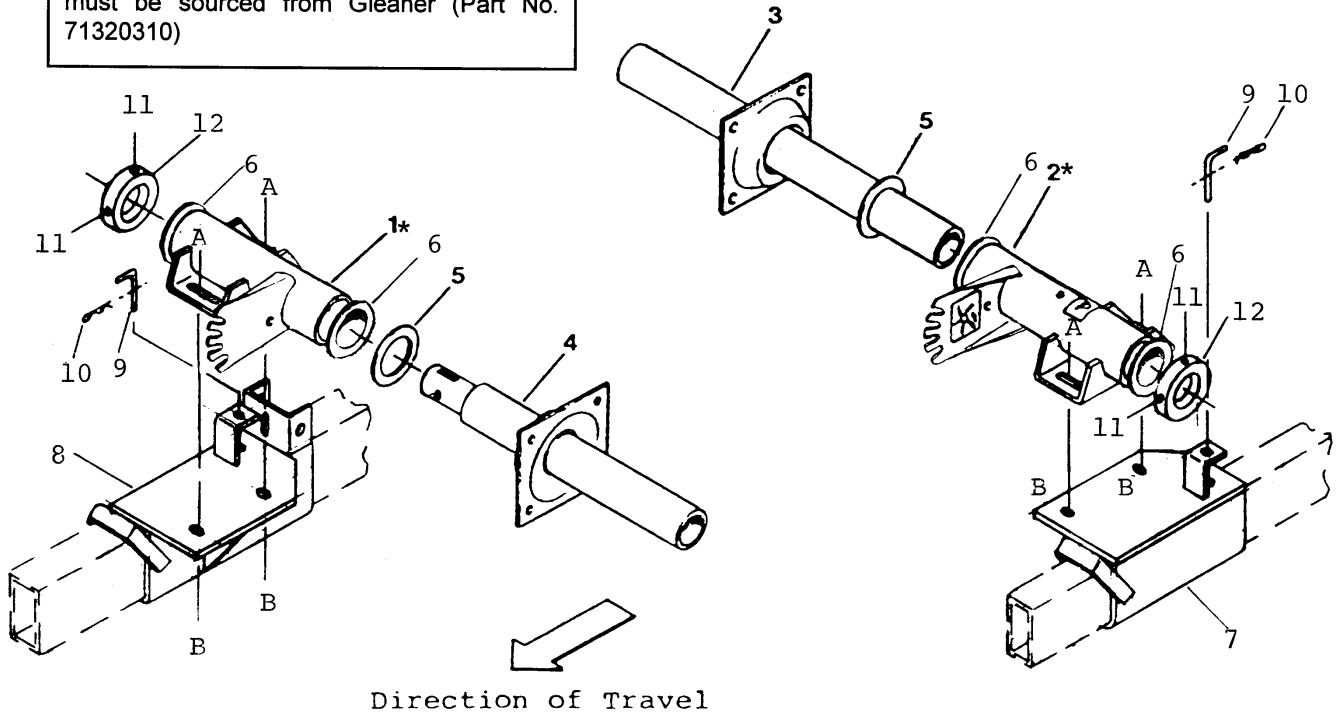
For Gleaner (Allis Chalmers) Combines

Models: L, M, LR, MR, MH, F3, M3, L3, N5, N6, N7, R5, R6, R7, R50, R60, R70, R52, R62, R72

Header: 3 Series and previous headers with rectangular reel arms

\* If replacing 2 3/8" O.D. main bearing (without bushings), order Main bearing kit K-35949-2 R/H or K-35948-2 L/H. Kit includes main bearing (with bushings) and modified cam plate.

**NOTE:** 78 tooth sprocket with 1-5/16" bore must be sourced from Gleaner (Part No. 71320310)



#### B 1889 - Mounting Package

#### PARTS LIST

REF	PART NUMBER	DESCRIPTION	QTY	SERIAL NUMBER
1	35770	Main Bearing - R/H, with decals, lube fitting & bushings .....	1	
2	35769	Main Bearing - L/H, with decals, lube fitting & bushings .....	1	
3	35558	Tube, end.....	1	
4	35552	Tube, drive.....	1	
5	27160	Washer .....	2	
6	35694	Bushing.....	4	
7	27073	L/H Mount .....	1	
8	27074	R/H Mount.....	1	
9	23370	Lock Pin.....	2	
10	15380	Hair Pin.....	2	
11	30872	Setscrew.....	4	
12	35564	Shaft Collar.....	2	
A	19965	Bolt, round head, square neck, 3/8 NC x 1 inch .....	4	
B	30228	Nut, lock, smooth flange, 3/8 NC distorted thread.....	4	

## MOUNTING PARTS LIST

### Reel Serial No. 68980 and up

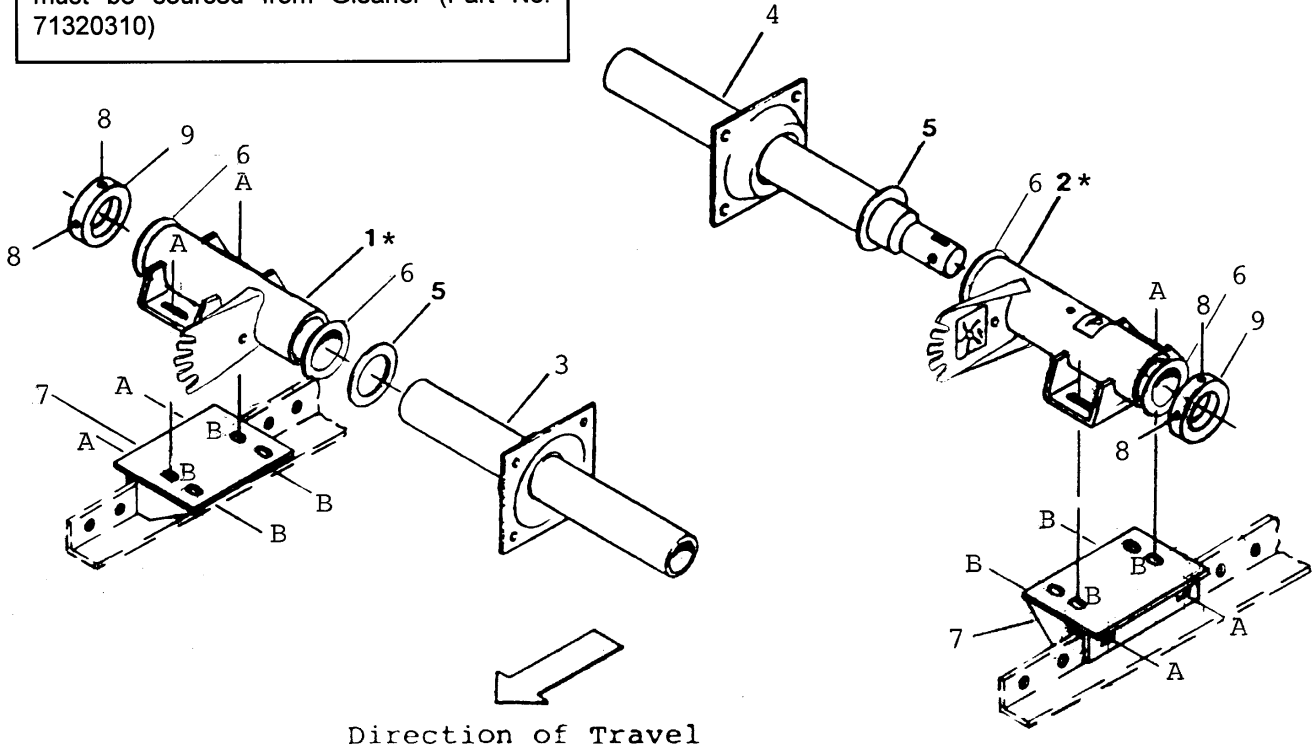
For Gleaner (Allis Chalmers) Combines

Models: L, M, E, A, C, K, F, G

Header: All headers with "L" shaped reel arms

\* If replacing 2 3/8" O.D. main bearing (without bushings), order Main bearing kit K-35949-2 R/H or K-35948-2 L/H. Kit includes main bearing (with bushings) and modified cam plate.

**NOTE:** 78 tooth sprocket with 1-5/16" bore must be sourced from Gleaner (Part No. 71320310)



### B 1890 - Mounting Package

### PARTS LIST

REF	PART NUMBER	DESCRIPTION	QTY	SERIAL NUMBER
1	35770	Main Bearing - R/H, with decals, lube fitting & bushings .....	1	
2	35769	Main Bearing - L/H, with decals, lube fitting & bushings.....	1	
3	35558	Tube, end.....	1	
4	35552	Tube, drive.....	1	
5	27160	Washer .....	2	
6	35694	Bushing.....	4	
7	35628	Mount.....	2	
8	30872	Setscrew .....	4	
9	35564	Shaft Collar.....	2	
A	19965	Bolt, round head, square neck, 3/8 NC x 1 inch .....	4	
B	30228	Nut, lock, smooth flange, 3/8 NC distorted thread.....	4	

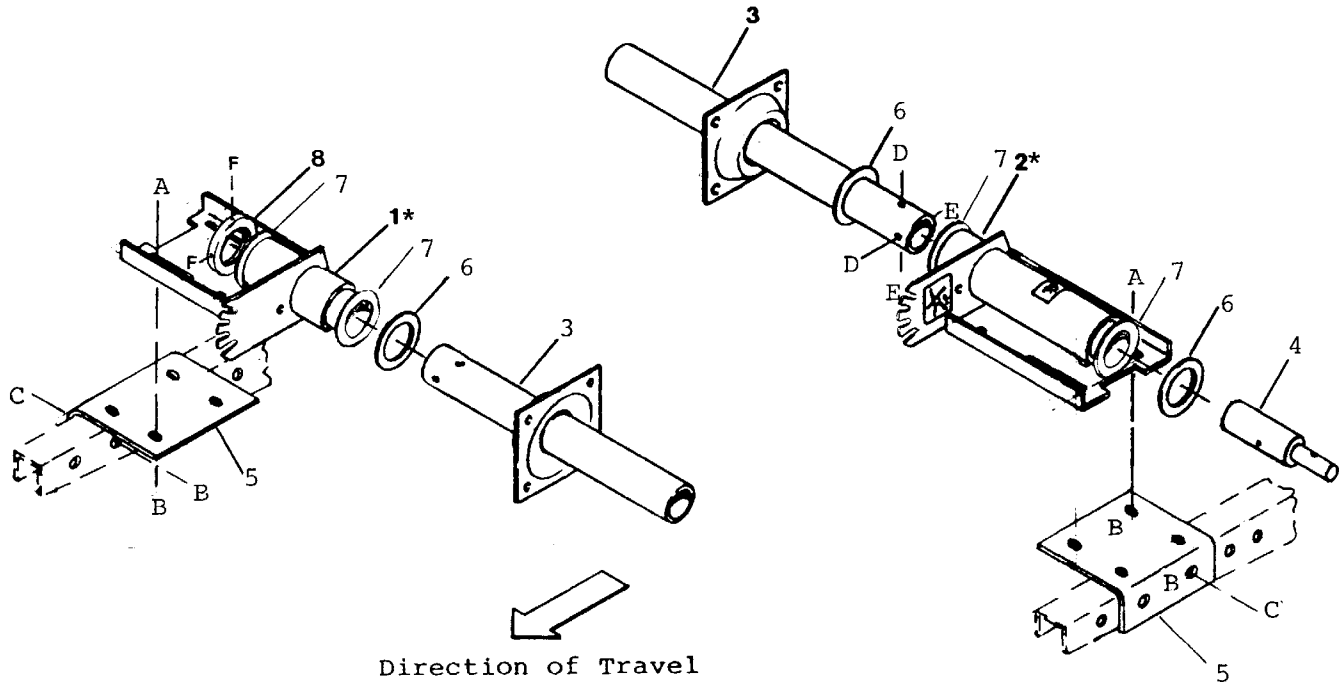
## MOUNTING PARTS LIST

### Reel Serial No. 68980 and up

For Avco New Idea 700 & 800 series Combines  
 Headers: 713, 715, 813, 815, 820

**NOTE:** Reel end tubes and drive adapter are secured with 1/2 dia. Clevis pins. Replacement of parts may require drilling out holes in mating parts to 1/2 inch for installation of pins.

\* If replacing 2 3/8" O.D. main bearing (without bushings), order Main bearing kit K-35940-2 R/H or K-35939-2 L/H. Kit includes main bearing (with bushings) and modified cam plate.



#### C 1091 - Mounting Package

#### PARTS LIST

REF	PART NUMBER	DESCRIPTION	QTY	SERIAL NUMBER
1	35726	Main Bearing - R/H, with decals, lube fitting & bushings .....	1	
2	35725	Main Bearing - L/H, with decals, lube fitting & bushings.....	1	
3	35171	Tube, drive.....	2	
4	27083	Driveshaft.....	1	
5	27082	Mount.....	2	
6	27160	Washer .....	3	
7	35694	Bushing.....	4	
8	35564	Shaft Collar.....	1	
A	19965	Bolt, round head, square neck, 3/8 NC x 1 inch .....	4	
B	30228	Nut, lock, smooth flange, 3/8 NC distorted thread .....	8	
C	30035	Bolt, hex head, 3/8 NC x 2 3/4 inch .....	4	
D	19809	Clevis Pin, 1/2 dia. x 2 inch effective length .....	2	
E	18648	Cotter Pin, 3/16 dia. x 1 1/4 inch .....	2	
F	30872	Setscrew, socket head, 5/16 NC x 1/4 inch.....	2	

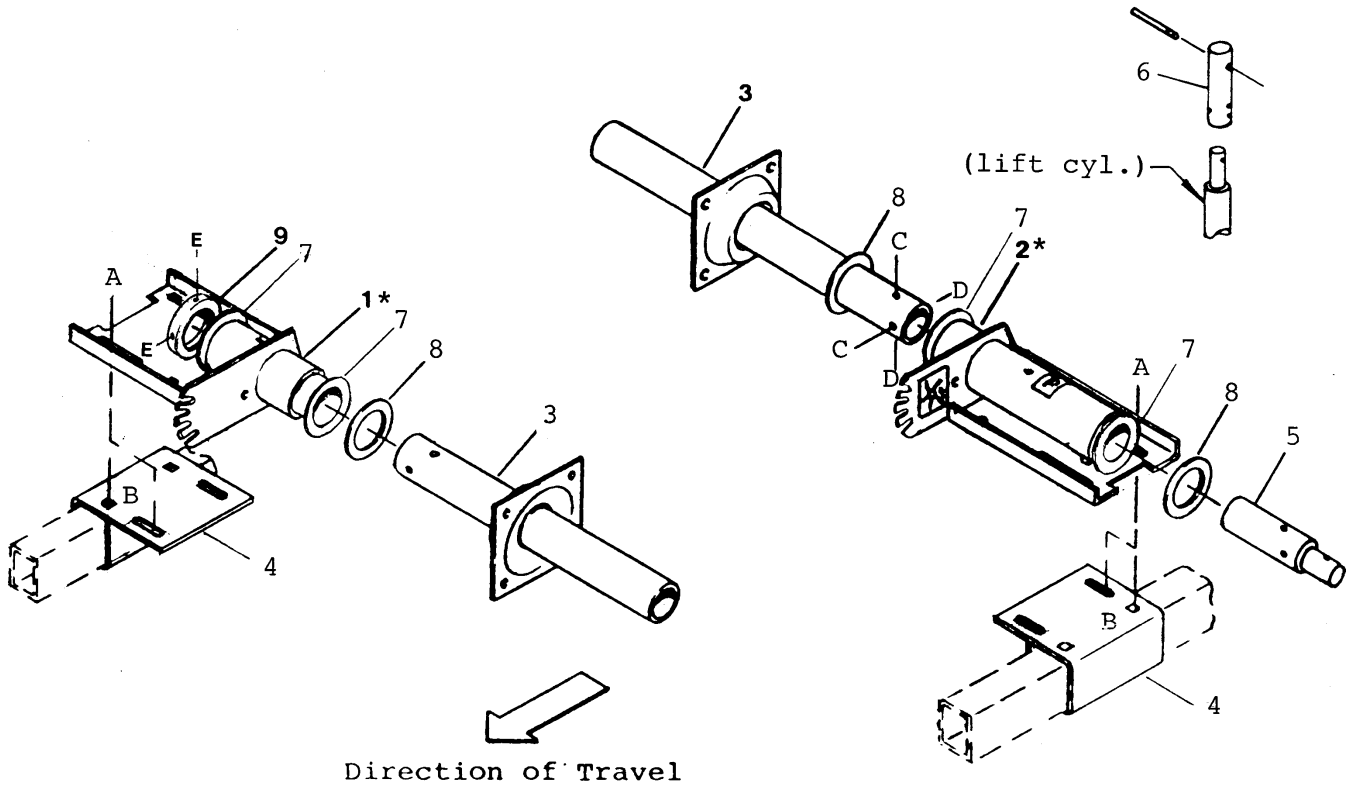
# MOUNTING PARTS LIST

## Reel Serial No. 68980 and up

For Case 1060, 1160, 1665, 1660 Combines

**NOTE:** Reel and tubes and drive adapter are secured with 1/2 dia. Clevis pins. Replacement of parts may require drilling out holes in mating parts to 1/2 inch for installation of pins.

\* If replacing 2 3/8" O.D. main bearing (without bushings), order Main bearing kit K-35940-2 R/H or K-35939-2 L/H. Kit includes main bearing (with bushings) and modified cam plate.



### C 1079 - Mounting Package

### PARTS LIST

REF	PART NUMBER	DESCRIPTION	QTY	SERIAL NUMBER
1	35726	Main Bearing - R/H, with decals, lube fitting & bushings .....	1	
2	35725	Main Bearing - L/H, with decals, lube fitting & bushings .....	1	
3	35171	Tube, drive.....	2	
4	27308	Mount.....	2	
5	27307	Driveshaft.....	1	
6	27314	Riser .....	2	
7	35694	Bushing.....	4	
8	27160	Washer .....	3	
9	35564	Shaft Collar.....	1	
A	30228	Nut, lock, smooth flange, 3/8 NC distorted thread .....	4	
B	19965	Bolt, round head, square neck, 3/8 NC x 1 inch .....	4	
C	19809	Clevis Pin, 1/2 dia. x 2 inch effective length .....	2	
D	18648	Cotter Pin, 3/16 dia. x 1 1/4 inch .....	2	
E	30872	Setscrew, socket head, 5/16 NC x 1/4 inch.....	2	

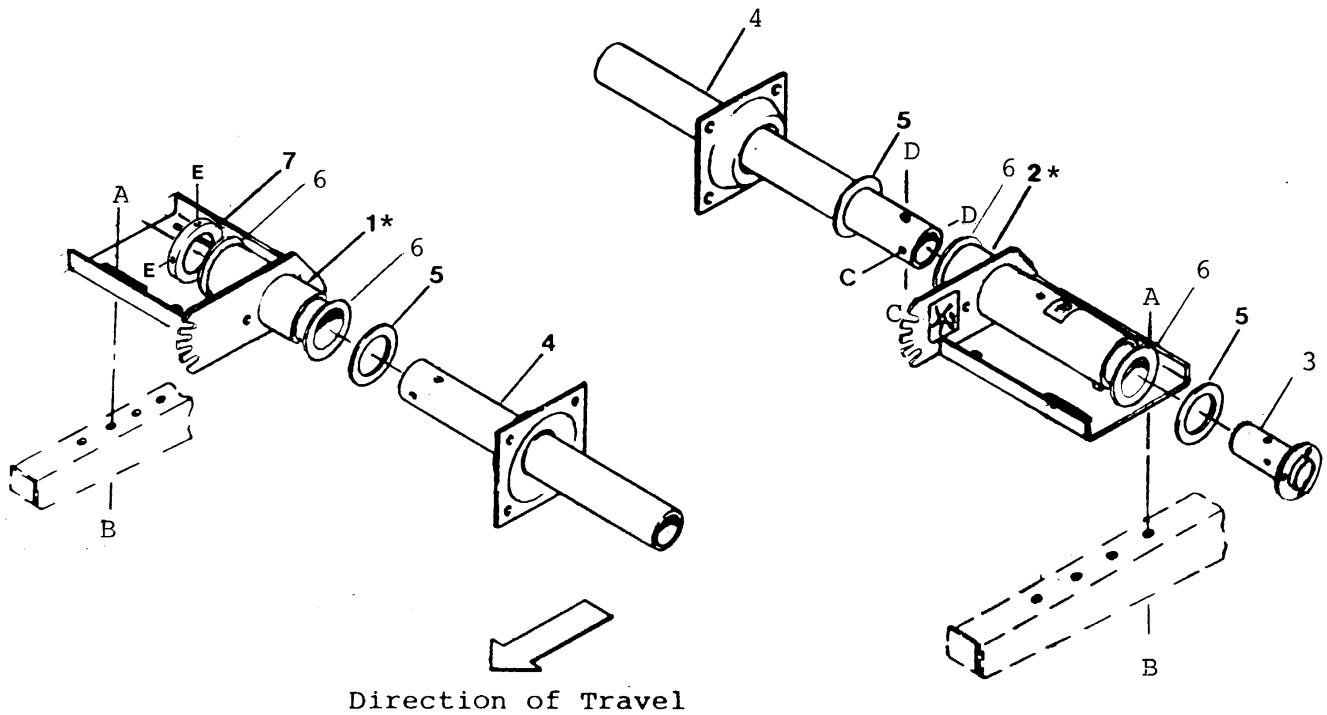
## MOUNTING PARTS LIST

### Reel Serial No. 68980 and up

For White Farm 503, 504 Windrower  
Case 855 Windrower  
Minneapolis Moline 101 Windrower

**NOTE:** Reel and tubes and drive adapter are secured with 1/2 dia. Clevis pins. Replacement of parts may require drilling out holes in mating parts to 1/2 inch for installation of pins.

\* If replacing 2 3/8" O.D. main bearing (without bushings), order Main bearing kit K-35942-2 R/H or K-35941-2 L/H. Kit includes main bearing (with bushings) and modified cam plate.



#### C 1093 - Mounting Package

#### PARTS LIST

REF	PART NUMBER	DESCRIPTION	QTY	SERIAL NUMBER
1	35728	Main Bearing - R/H, with decals, lube fitting & bushings .....	1	
2	35727	Main Bearing - L/H, with decals, lube fitting & bushings.....	1	
3	27846	Driveshaft.....	1	
4	35172	Tube, drive.....	2	
5	27160	Washer .....	3	
6	35694	Bushing.....	4	
7	35564	Shaft Collar.....	1	
A	19965	Bolt, round head, square neck, 3/8 NC x 1 inch .....	4	
B	30228	Nut, lock, smooth flange, 3/8 NC distorted thread.....	4	
C	19809	Clevis Pin, 1/2 dia. x 2 inch effective length .....	2	
D	18648	Cotter Pin, 3/16 dia. x 1 1/4 inch .....	2	
E	30872	Setscrew, socket head, 5/16 NC x 1/4 inch.....	2	

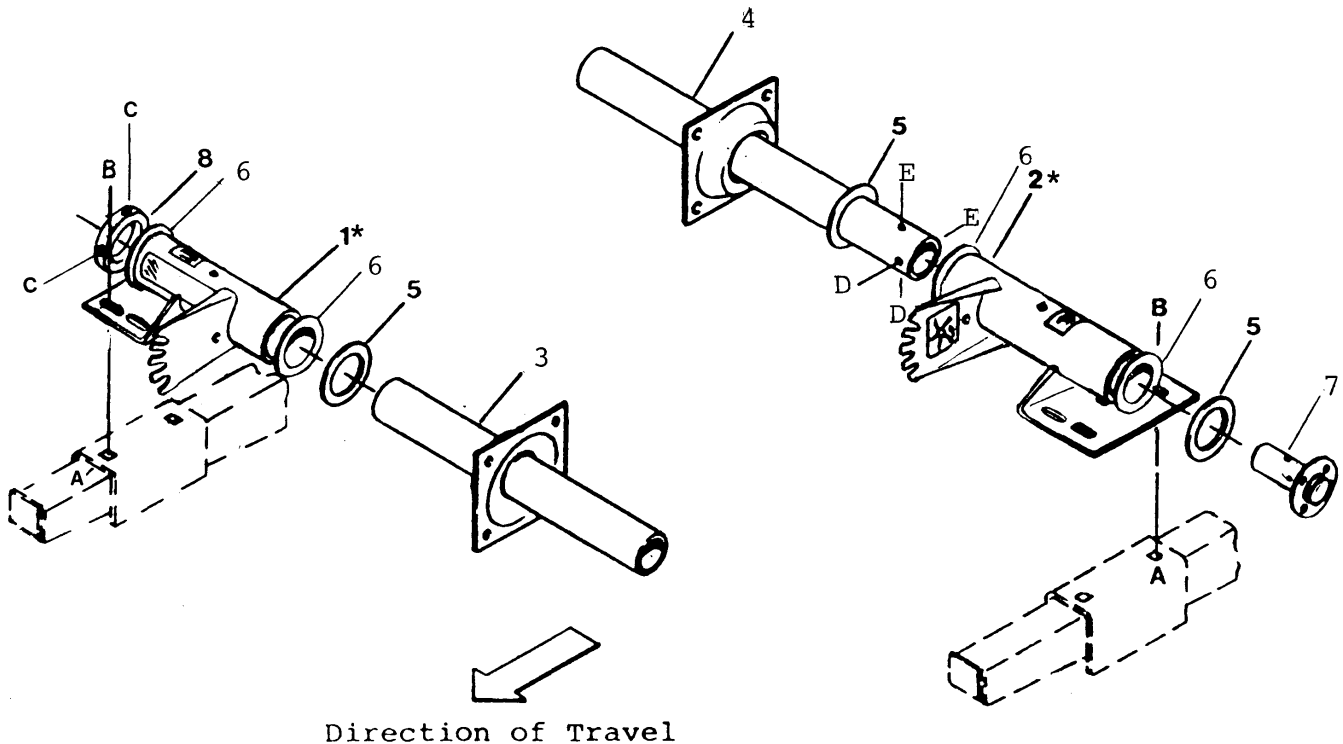
## MOUNTING PARTS LIST

### Reel Serial No. 68980 and up

For Massey Ferguson 613 Windrower and 625 Duplex Windrower Front Unit  
 White Farm 630 Windrower and 650 Duplex Windrower Front Unit  
 MacDon 3000 Windrower and 3000 Duplex Windrower Front Unit  
 John Deere 590 Windrower  
 Case 721, 725, 730 Windrowers and 742, 750 Duplex Windrowers Front Unit

**NOTE:** Reel and tubes and drive adapter are secured with 1/2 dia. Clevis pins. Replacement of parts may require drilling out holes in mating parts to 1/2 inch for installation of pins.

\* If replacing 2 3/8" O.D. main bearing (without bushings), order Main bearing kit K-35937-2 R/H or K-35935-2 L/H. Kit includes main bearing (with bushings) and modified cam plate.



#### B 1879 - Mounting Package PARTS LIST

REF	PART NUMBER	DESCRIPTION	QTY	SERIAL NUMBER
1	35711	Main Bearing - R/H, with decals, lube fitting & bushings .....	1	
2	35672	Main Bearing - L/H, with decals, lube fitting & bushings .....	1	
3	35558	Tube, end.....	1	
4	35173	Tube, drive.....	1	
5	27160	Washer .....	3	
6	35694	Bushing.....	4	
7	35199	Driveshaft.....	1	
8	35564	Shaft Collar.....	1	
A	19965	Bolt, round head, square neck, 3/8 NC x 1 inch .....	4	
B	30228	Nut, lock, smooth flange, 3/8 NC distorted thread.....	4	
C	30872	Setscrew, socket head, 5/16 x 1/4 inch .....	2	
D	19809	Clevis Pin, 1/2 dia. x 2 inch effective length .....	2	
E	18648	Cotter Pin, 3/16 dia. x 1 1/4 inch .....	2	

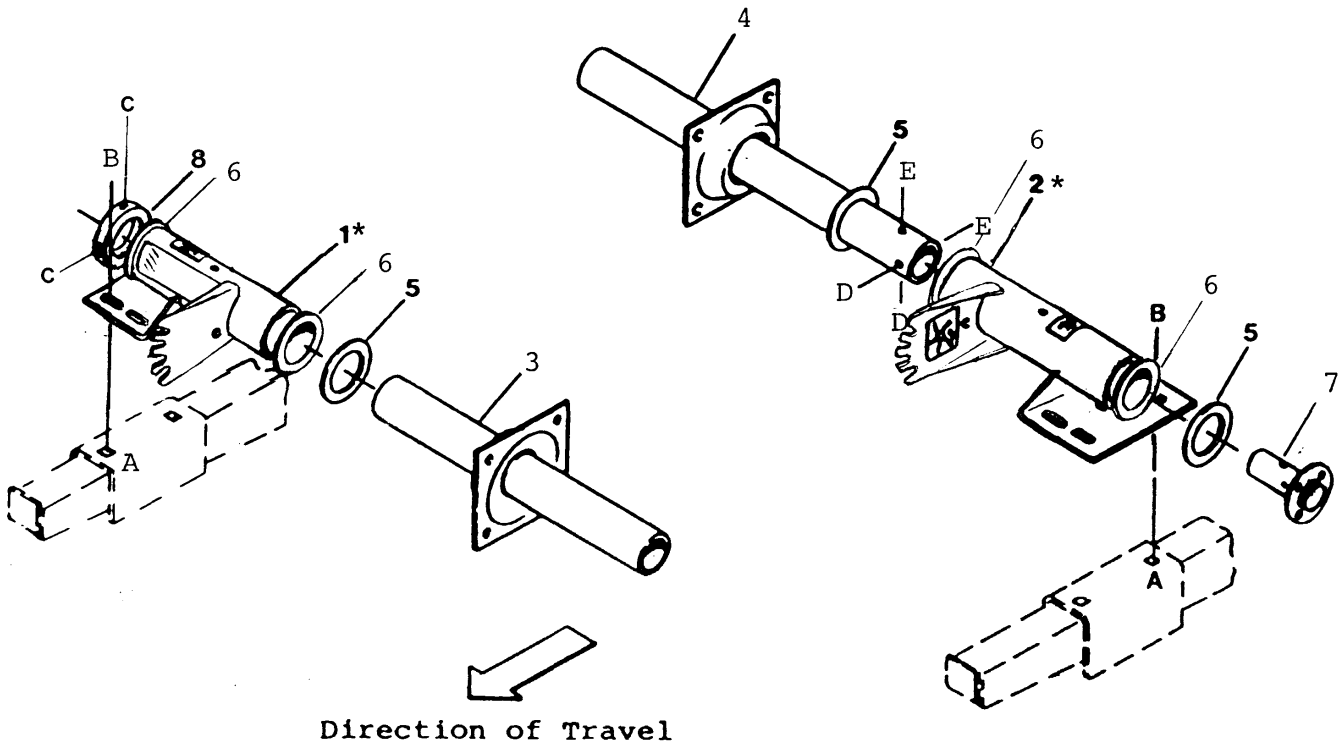
## MOUNTING PARTS LIST

### Reel Serial No. 68980 and up

For Massey Ferguson 625 Duplex Windrower Rear Unit  
 White Farm 650 Duplex Windrower Rear Unit  
 Case 742, 750 Duplex Windrower Rear Unit  
 MacDon 3000 Duplex Windrower Rear Unit

**NOTE:** Reel and tubes and drive adapter are secured with 1/2 dia. Clevis pins. Replacement of parts may require drilling out holes in mating parts to 1/2 inch for installation of pins.

\* If replacing 2 3/8" O.D. main bearing (without bushings), order Main bearing kit K-35937-2 R/H or K-35933-2 L/H. Kit includes main bearing (with bushings) and modified cam plate.



#### B 1880 - Mounting Package

#### PARTS LIST

REF	PART NUMBER	DESCRIPTION	QTY	SERIAL NUMBER
1	35711	Main Bearing - R/H, with decals, lube fitting & bushings.....	1	
2	35670	Main Bearing - L/H, with decals, lube fitting & bushings.....	1	
3	35558	Tube, end.....	1	
4	35172	Tube, drive.....	1	
5	27160	Washer .....	3	
6	35694	Bushing.....	4	
7	35199	Driveshaft.....	1	
8	35564	Shaft Collar.....	1	
A	19965	Bolt, round head, square neck, 3/8 NC x 1 inch .....	4	
B	30228	Nut, lock, smooth flange, 3/8 NC distorted thread .....	4	
C	30872	Setscrew, socket head, 5/16 x 1/4 inch .....	2	
D	19809	Clevis Pin, 1/2 dia. x 2 inch effective length .....	2	
E	18648	Cotter Pin, 3/16 dia. x 1 1/4 inch .....	2	



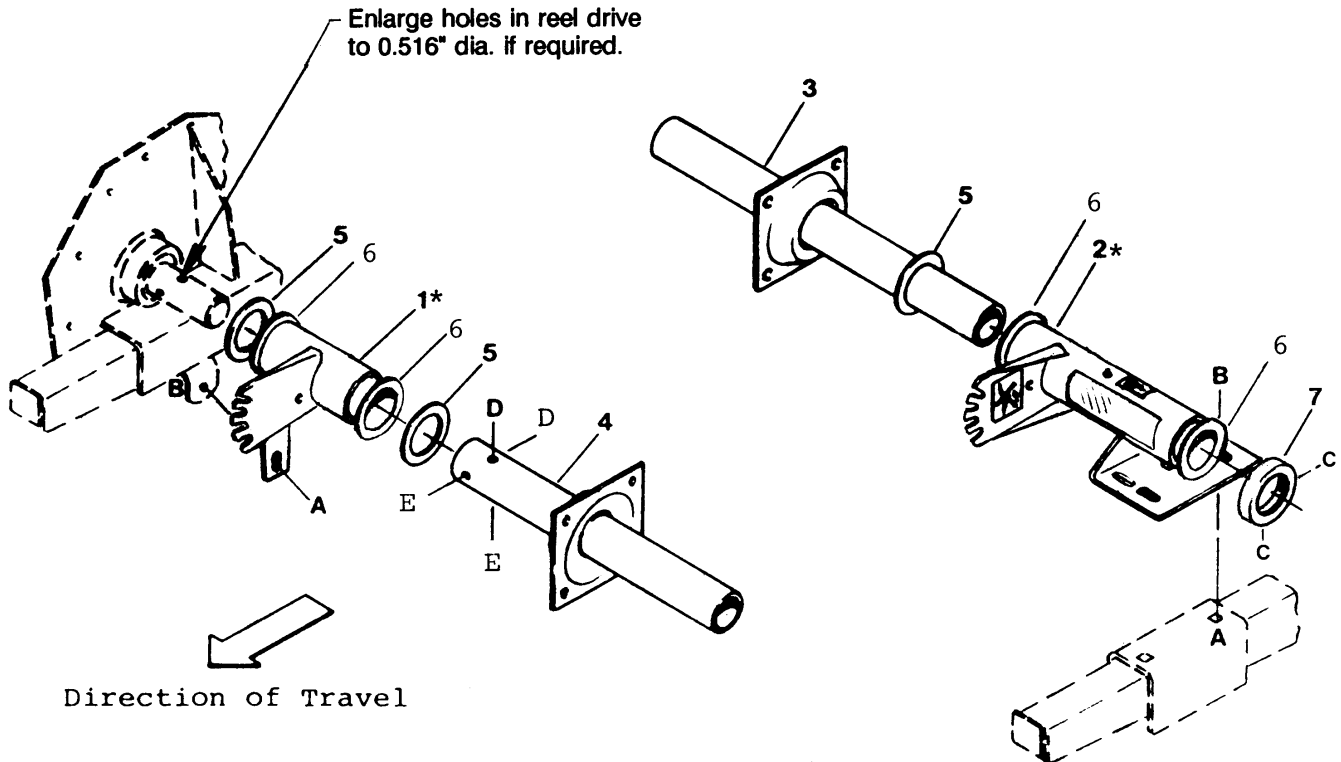
## MOUNTING PARTS LIST

### Reel Serial No. 68980 and up

For Massey Ferguson 885 Windrower with Chain Driven Reel  
 White Farm 6400 Windrower with Chain Driven Reel  
 John Deere 2360 Windrower  
 Case IH 6000/6500 Windrower  
 MacDon 6000/7000 Windrower with Chain Driven Reel

**NOTE:** This page applies to Windrowers with 12' to 30' headers with serial number 77287 and below. For headers with later serial numbers, see Page M2-36.

**NOTE:** Reel end tubes and drive adapter are secured with 1/2 dia. clevis pins. Replacement of parts may require drilling out holes in mating parts to 1/2 inch for installation of pins.



\* If replacing 2 3/8" O.D. main bearing (without bushings), order Main bearing kit K-35936-2 R/H or K-35934-2 L/H. Kit includes main bearing (with bushings) and modified cam plate.

#### B 2067 - Mounting Package PARTS LIST

REF	PART NUMBER	DESCRIPTION	QTY	SERIAL NUMBER
1	35709	Main Bearing - R/H, with decals, lube fitting & bushings .....	1	
2	35960	Main Bearing - L/H, with decals, lube fitting & bushings.....	1	
3	35963	Tube, end.....	1	
4	35198	Tube, drive.....	1	
5	27160	Washer .....	3	
6	35694	Bushing.....	4	
7	35564	Shaft Collar .....	1	
A	19965	Bolt, round head, square neck, 3/8 NC x 1 inch .....	3	
B	30228	Nut, lock, smooth flange, 3/8 NC distorted thread .....	3	
C	30872	Setscrew, socket head, 5/16 x 1/4 inch .....	2	
D	19809	Clevis Pin, 1/2 dia. x 2 inch effective length .....	2	
E	18648	Cotter Pin, 3/16 dia. x 1 1/4 inch .....	2	

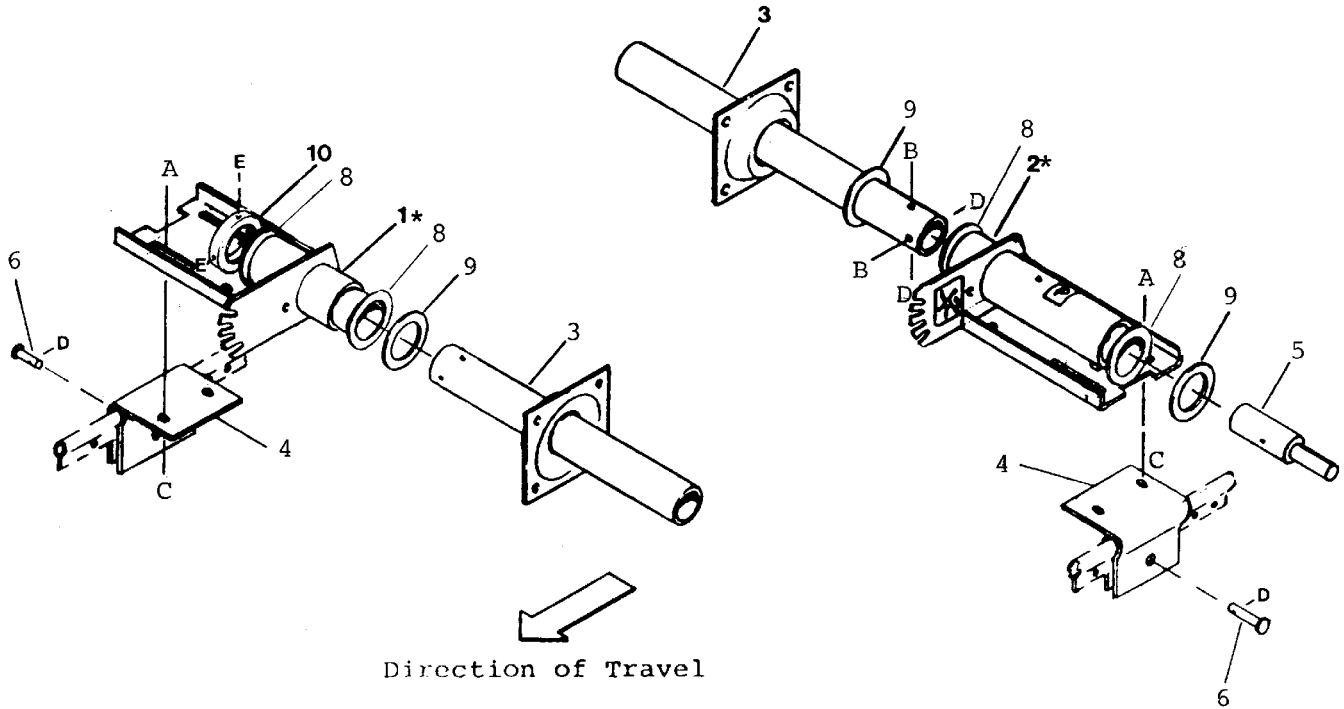
## MOUNTING PARTS LIST

### Reel Serial No. 68980 and up

For CCIL 500, 601 S.P. & P.T. Windrowers

NOTE: Reel end tubes and drive adapter are secured with 1/2 dia. clevis pins. Replacement of parts may require drilling out holes in mating parts to 1/2 inch for installation of pins.

\* If replacing 2 3/8" O.D. main bearing (without bushings), order Main bearing kit K-35940-2 R/H or K-35939-2 L/H. Kit includes main bearing (with bushings) and modified cam plate.



#### C 1080 - Mounting Package

#### PARTS LIST

REF	PART NUMBER	DESCRIPTION	QTY	SERIAL NUMBER
1	35726	Main Bearing - R/H, with decals, lube fitting & bushings .....	1	
2	35725	Main Bearing - L/H, with decals, lube fitting & bushings .....	1	
3	35171	Tube, drive .....	2	
4	27395	Mount .....	2	
5	27400	Driveshaft .....	1	
6	19927	Clevis Pin, 1/2 dia. x 1 1/8 inch effective length .....	2	
8	35694	Bushing .....	4	
9	27160	Washer .....	3	
10	35564	Shaft Collar .....	1	
A	19965	Bolt, round head, square neck, 3/8 NC x 1 inch .....	4	
B	19809	Clevis Pin, 1/2 dia. x 2 inch effective length .....	2	
C	30228	Nut, lock, smooth flange, 3/8 NC distorted thread .....	4	
D	18648	Cotter Pin, 3/16 dia. x 1 1/4 inch .....	4	
E	30872	Setscrew, socket head, 5/16 NC x 1/4 inch .....	2	

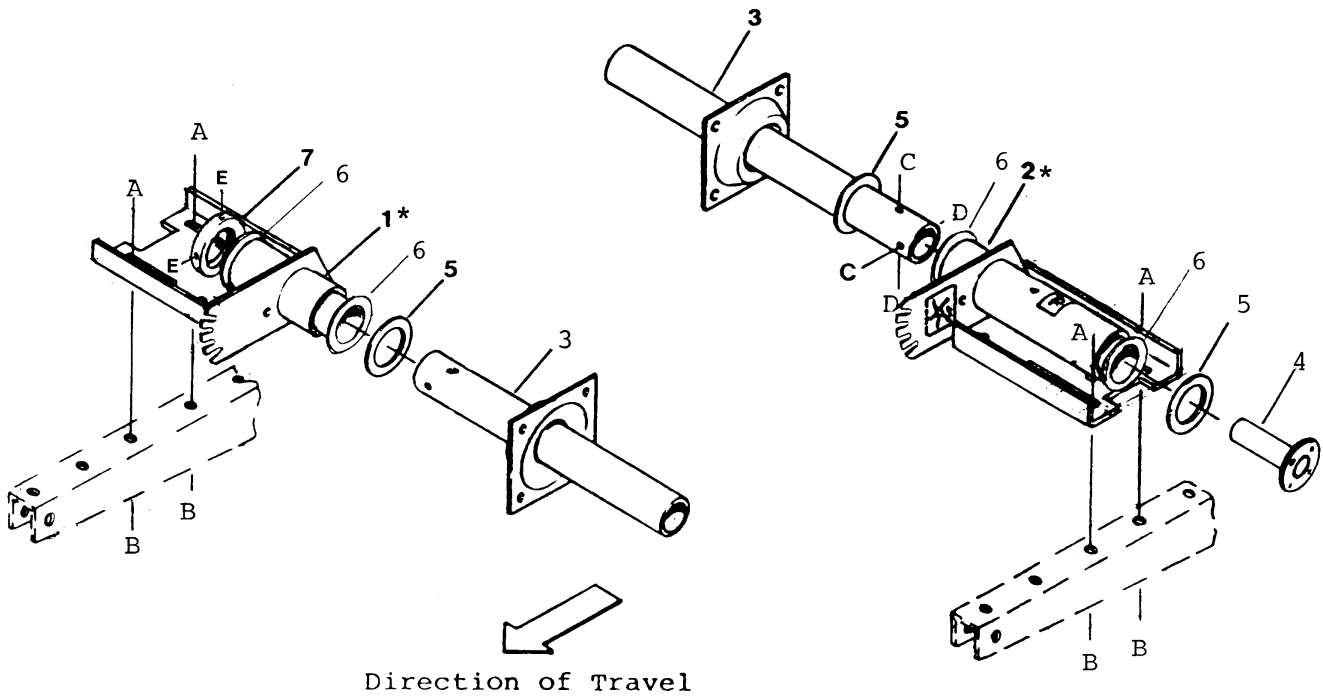
## MOUNTING PARTS LIST

### Reel Serial No. 68980 and up

For CO-OP 550 S.P. & 622 P.T. Windrowers  
 Massey Ferguson 775 & 785 Windrowers  
 White Farm 6200 Windrower  
 New Holland 1090 Windrower

NOTE: Reel end tubes and drive adapter are secured with 1/2 dia. clevis pins. Replacement of parts may require drilling out holes in mating parts to 1/2 inch for installation of pins.  
 Holes in reel support arms may have to be drilled on 76 mm centers to accept main bearings.

\* If replacing 2 3/8" O.D. main bearing (without bushings), order Main bearing kit K-35940-2 R/H or K-35939-2 L/H. Kit includes main bearing (with bushings) and modified cam plate.



#### C 1092 - Mounting Package

#### PARTS LIST

REF	PART NUMBER	DESCRIPTION	QTY	SERIAL NUMBER
1	35726	Main Bearing - R/H, with decals, lube fitting & bushings .....	1	
2	35725	Main Bearing - L/H, with decals, lube fitting & bushings.....	1	
3	35171	Tube, drive.....	2	
4	27846	Driveshaft.....	1	
5	27160	Washer .....	3	
6	35694	Bushing.....	4	
7	35564	Shaft Collar.....	1	
A	19965	Bolt, round head, square neck, 3/8 NC x 1 inch .....	4	
B	30228	Nut, lock, smooth flange, 3/8 NC distorted thread .....	4	
C	19809	Clevis Pin, 1/2 dia. x 2 inch effective length .....	2	
D	18648	Cotter Pin, 3/16 dia. x 1 1/4 inch .....	2	
E	30872	Setscrew, socket head, 5/16 NC x 1/4 inch.....	2	

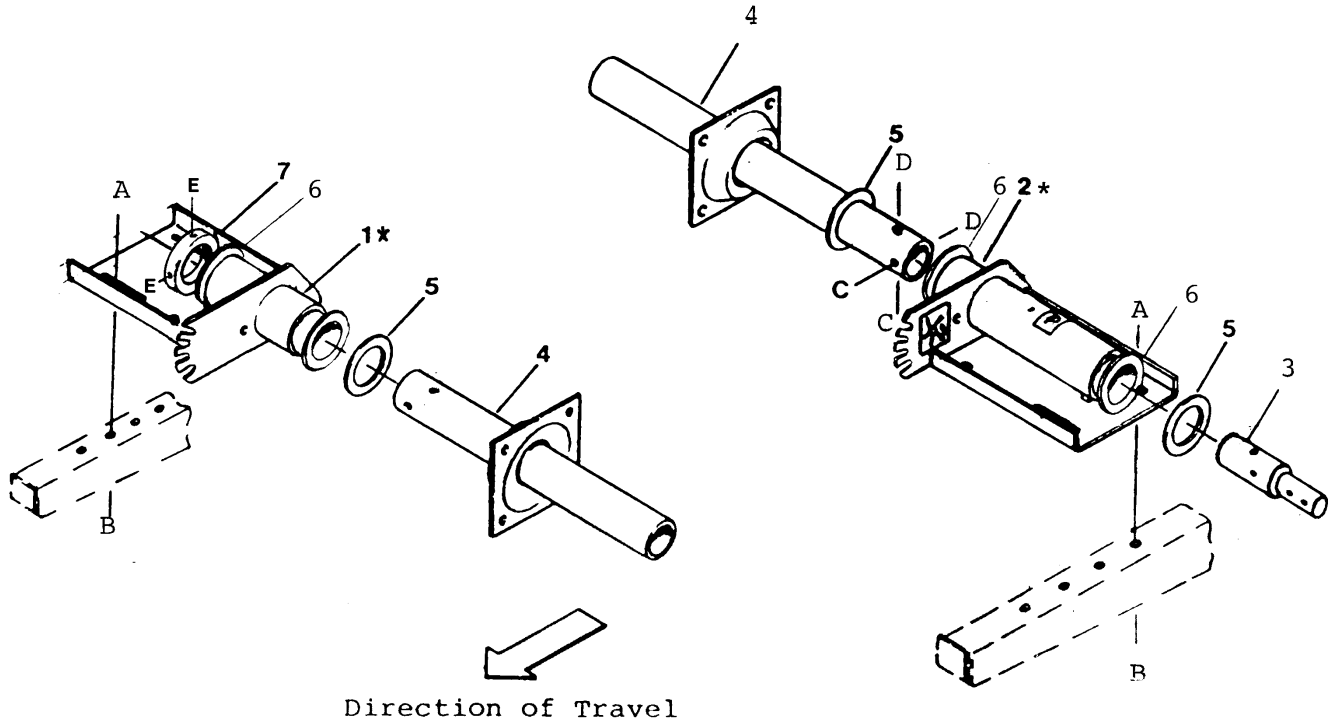
## MOUNTING PARTS LIST

### Reel Serial No. 68980 and up

For Hesston 420, 520 Windrowers

NOTE: Reel end tubes and drive adapter are secured with 1/2 dia. clevis pins. Replacement of parts may require drilling out holes in mating parts to 1/2 inch for installation of pins.

\* If replacing 2 3/8" O.D. main bearing (without bushings), order Main bearing kit K-35942-2 R/H or K-35941-2 L/H. Kit includes main bearing (with bushings) and modified cam plate.



#### C 1082 - Mounting Package

#### PARTS LIST

REF	PART NUMBER	DESCRIPTION	QTY	SERIAL NUMBER
1	35728	Main Bearing - R/H, with decals, lube fitting & bushings.....	1	
2	35727	Main Bearing - L/H, with decals, lube fitting & bushings.....	1	
3	35220	Driveshaft.....	1	
4	35172	Tube, drive.....	2	
5	27160	Washer.....	3	
6	35694	Bushing.....	4	
7	35564	Shaft Collar.....	1	
A	19965	Bolt, round head, square neck, 3/8 NC x 1 inch.....	4	
B	30228	Nut, lock, smooth flange, 3/8 NC distorted thread.....	4	
C	19809	Clevis Pin, 1/2 dia. x 2 inch effective length.....	2	
D	18648	Cotter Pin, 3/16 dia. x 1 1/4 inch.....	2	
E	30872	Setscrew, socket head, 5/16 NC x 1/4 inch.....	2	

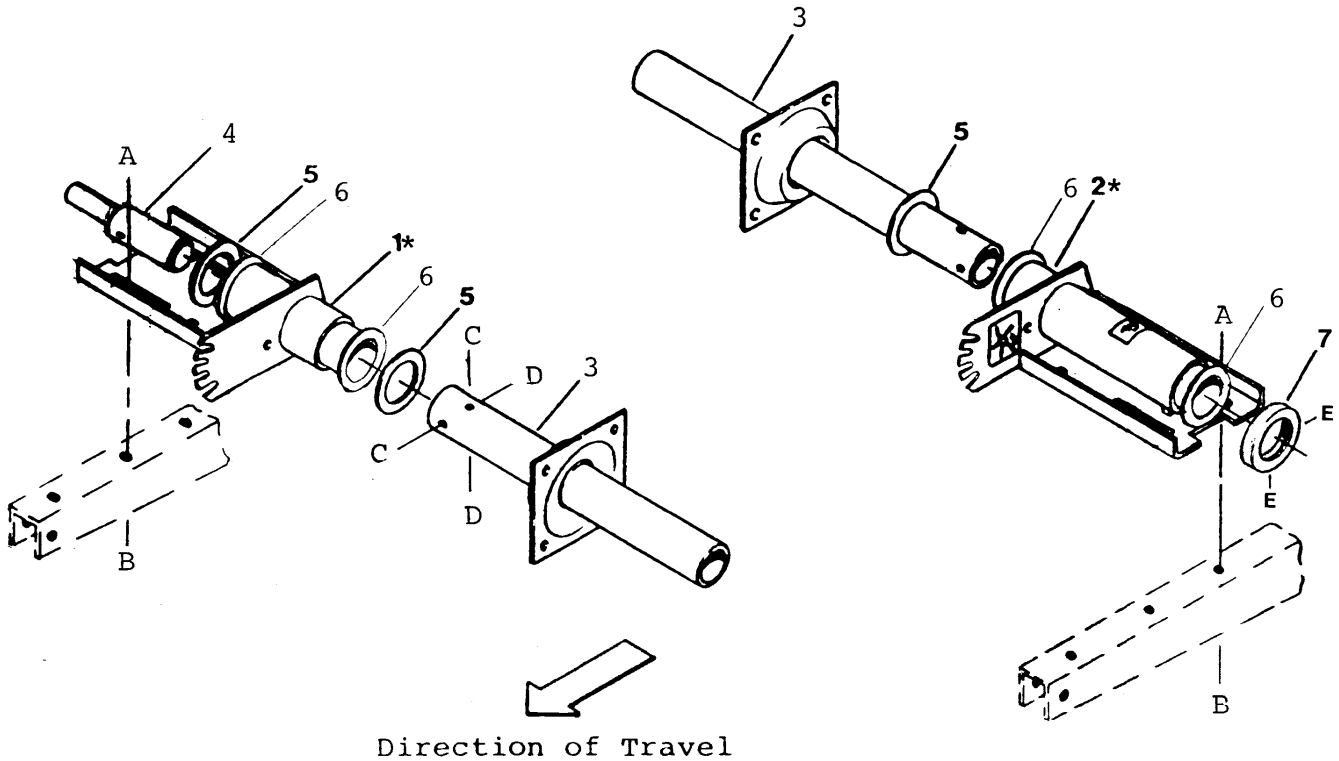
## MOUNTING PARTS LIST

### Reel Serial No. 68980 and up

For Hesston 6450, 6550, 6650 Windrowers

NOTE: Reel end tubes and drive adapter are secured with 1/2 dia. clevis pins. Replacement of parts may require drilling out holes in mating parts to 1/2 inch for installation of pins.

\* If replacing 2 3/8" O.D. main bearing (without bushings), order Main bearing kit K-35940-2 R/H or K-35939-2 L/H. Kit includes main bearing (with bushings) and modified cam plate.



#### C 1081 - Mounting Package

#### PARTS LIST

REF	PART NUMBER	DESCRIPTION	QTY	SERIAL NUMBER
1	35726	Main Bearing - R/H, with decals, lube fitting & bushings .....	1	
2	35725	Main Bearing - L/H, with decals, lube fitting & bushings.....	1	
3	35171	Tube, drive.....	2	
4	27405	Driveshaft.....	1	
5	27160	Washer .....	3	
6	35694	Bushing.....	4	
7	35564	Shaft Collar .....	1	
A	19965	Bolt, round head, square neck, 3/8 NC x 1 inch .....	4	
B	30228	Nut, lock, smooth flange, 3/8 NC distorted thread .....	4	
C	19809	Clevis Pin, 1/2 dia. x 2 inch effective length .....	2	
D	18648	Cotter Pin, 3/16 dia. x 1 1/4 inch .....	2	
E	30872	Setscrew, socket head, 5/16 NC x 1/4 inch.....	2	

## MOUNTING PARTS LIST

### Reel Serial No. 68980 and up

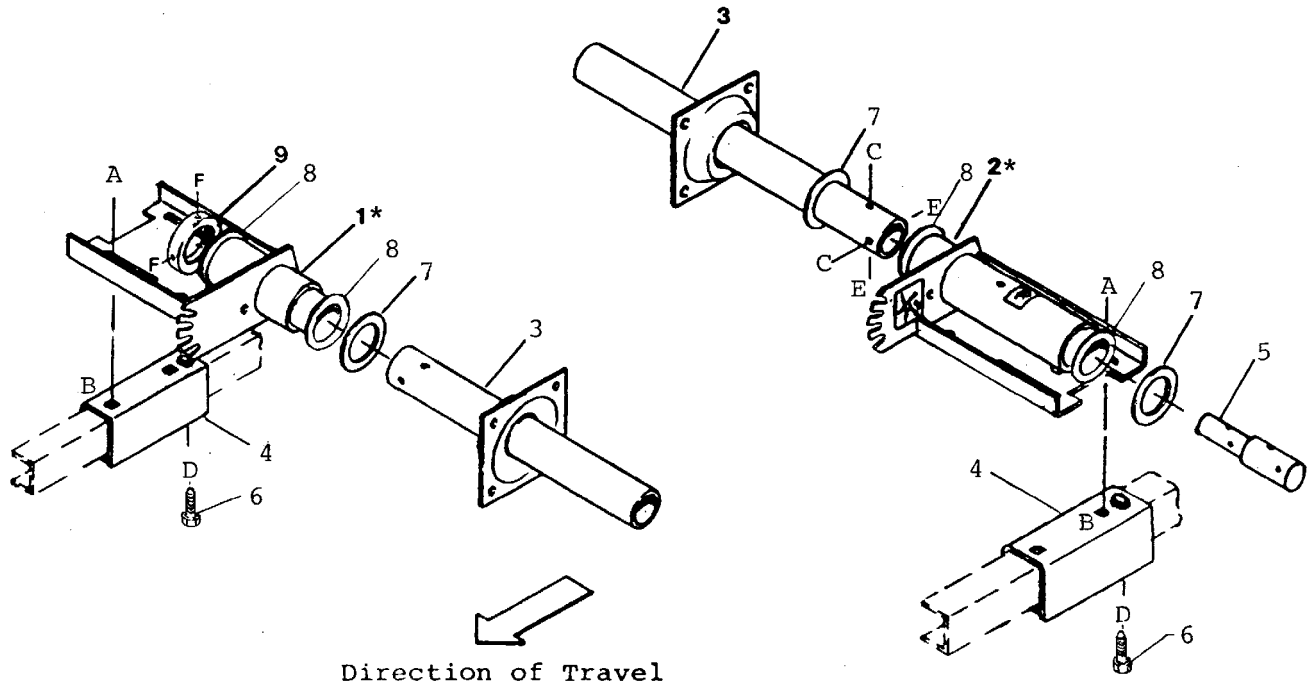
For I.H. Combines

Models: 203, 205, 303, 315, 403, 503, 615, 715, 815, 915

Header: 810 (serial no. up to 30000)

NOTE: Reel end tubes and drive adapter are secured with 1/2 d . clevis pins. Replacement of parts may require drilling out holes in mating parts to 1/2 inch for installation of pins.

\* If replacing a 2 3/8" O.D. main bearing (without bushings), order Main bearing kit K-35940-2 R/H or K-35939-2 L/H. Kit includes main bearing (with bushings) and modified cam plate.



#### C 1083 - Mounting Package

#### PARTS LIST

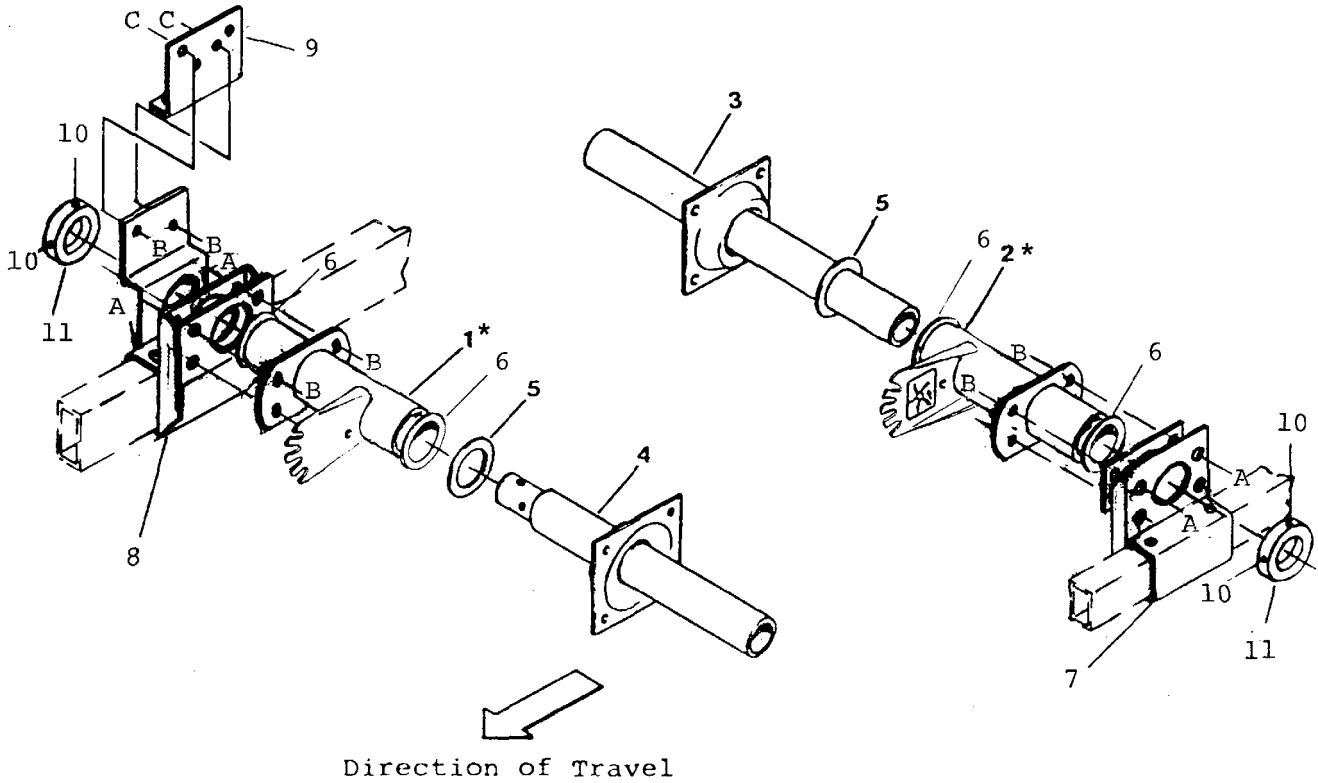
REF	PART NUMBER	DESCRIPTION	QTY	SERIAL NUMBER
1	35726	Main Bearing - R/H, with decals, lube fitting & bushings .....	1	
2	35725	Main Bearing - L/H, with decals, lube fitting & bushings.....	1	
3	35171	Tube, drive.....	2	
4	27633	Mount.....	2	
5	27638	Driveshaft.....	1	
6	37866	Positioning Screw .....	2	
7	27160	Washer .....	3	
8	35694	Bushing.....	4	
9	35564	Shaft Collar.....	1	
A	30228	Nut, lock, smooth flange, 3/8 NC distorted thread.....	4	
B	19965	Bolt, round head, square neck, 3/8 NC x 1 inch .....	4	
C	19809	Clevis Pin, 1/2 dia. x 2 inch effective length .....	2	
D	21345	Jam Nut 5/8 NC .....	2	
E	18648	Cotter Pin, 3/16 dia. x 1 1/4 inch .....	2	
F	30872	Setscrew, socket head, 5/16 NC x 1/4 inch.....	2	

## MOUNTING PARTS LIST

### Reel Serial No. 68980 and up

For I.H. Combines  
 Models: 1420, 1440, 1460, 1470, 1480, 1482  
 Header: 810, 820 (serial no. 30001 and up)

\* If replacing 2 3/8" O.D. main bearing (without bushings), order Main bearing kit K-35947-2 R/H or K-35943-2 L/H. Kit includes main bearing (with bushings) and modified cam plate.



#### B 1885 - Mounting Package PARTS LIST

REF	PART NUMBER	DESCRIPTION	QTY	SERIAL NUMBER
1	35744	Main Bearing - R/H, with decals, lube fitting & bushings.....	1	
2	35740	Main Bearing - L/H, with decals, lube fitting & bushings.....	1	
3	35557	Tube, end.....	1	
4	35549	Tube, drive.....	1	
5	27160	Washer .....	2	
6	35694	Bushing.....	4	
7	35577	L/H Mount.....	1	
8	35578	R/H Mount.....	1	
9	27754	Shield Plate .....	1	
10	30872	Setscrew .....	4	
11	35564	Shaft Collar.....	2	
A	19965	Bolt, round head, square neck, 3/8 NC x 1 inch .....	8	
B	30228	Nut, lock, smooth flange, 3/8 NC distorted thread.....	12	
C	21975	Bolt, flange head, 3/8 NC x 1 inch .....	4	

## MOUNTING PARTS LIST

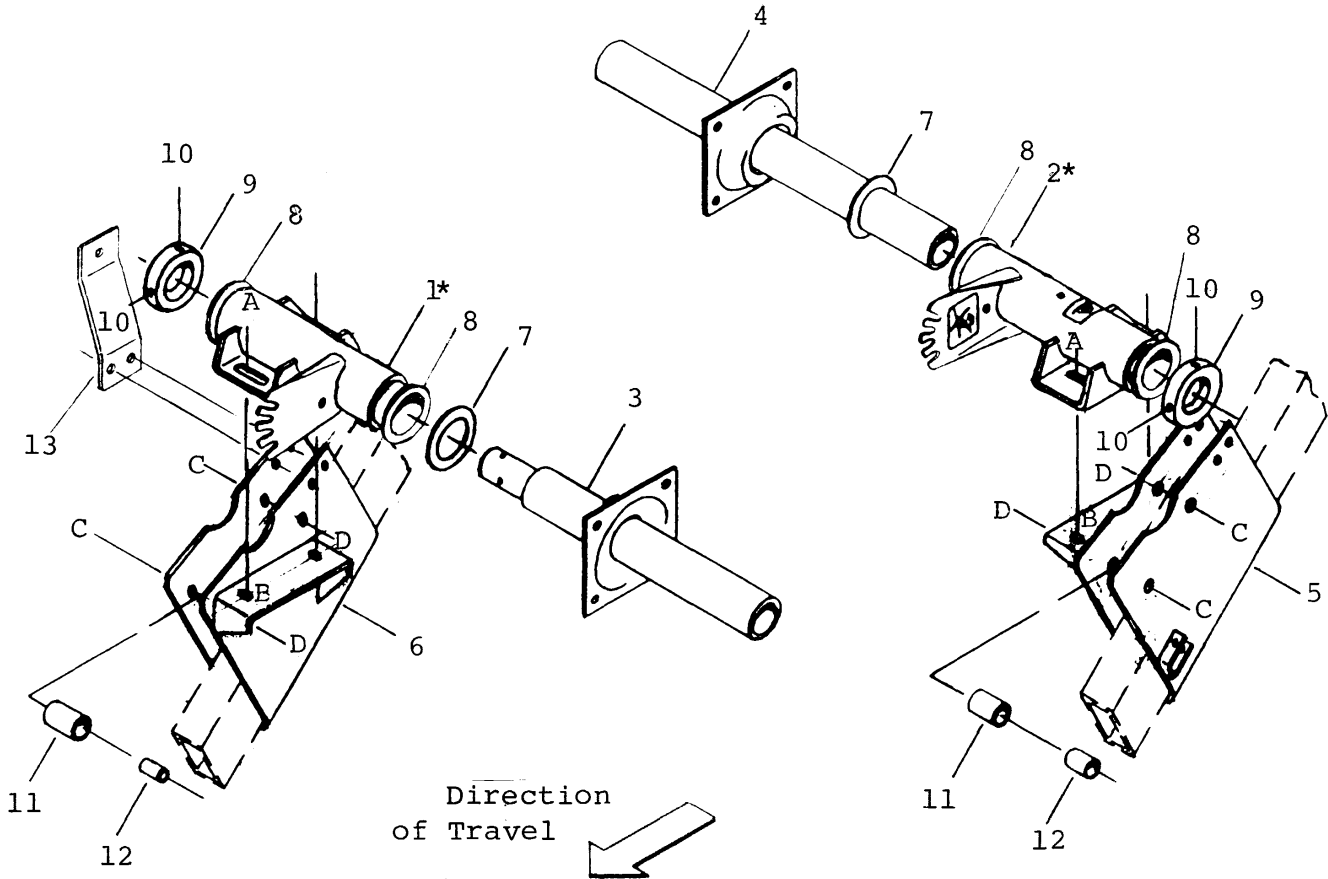
### Reel Serial No. 68980 and up

For Case I.H. 1600 & 2100 Series Combines

1010 Series Headers prior to serial #JJC0200001 and

1020 Series Headers prior to serial #JJC0215001

\* If replacing 2 3/8" O.D. main bearing (without bushings), order Main bearing kit K-35949-2 R/H or K-35948-2 L/H. Kit includes main bearing (with bushings) and modified cam plate.



### B 1891 - Mounting Package

### PARTS LIST

REF	PART NUMBER	DESCRIPTION	QTY	SERIAL NUMBER
1	35770	Main Bearing - R/H, with decals, lube fitting & bushings .....	1	
2	35769	Main Bearing - L/H, with decals, lube fitting & bushings.....	1	
3	35553	Tube, drive.....	1	
4	35558	Tube, end.....	1	
5	35620	L/H Mount .....	1	
6	35621	R/H Mount.....	1	
7	27160	Washer .....	2	
8	35694	Bushing.....	4	
9	35564	Shaft Collar.....	2	
10	30872	Setscrew .....	4	
11	35619	Roller .....	4	
12	32202	Spacer .....	4	
13	35602	Shield Mount.....	1	
A	19965	Bolt, round head, square neck, 3/8 NC x 1 inch .....	4	
B	30228	Nut, lock, smooth flange, 3/8 NC distorted thread.....	4	
C	30011	Bolt, hex head, 1/2 NC x 3 1/4 inch .....	4	
D	21383	Nut, serrated flange, 1/2 NC.....	4	



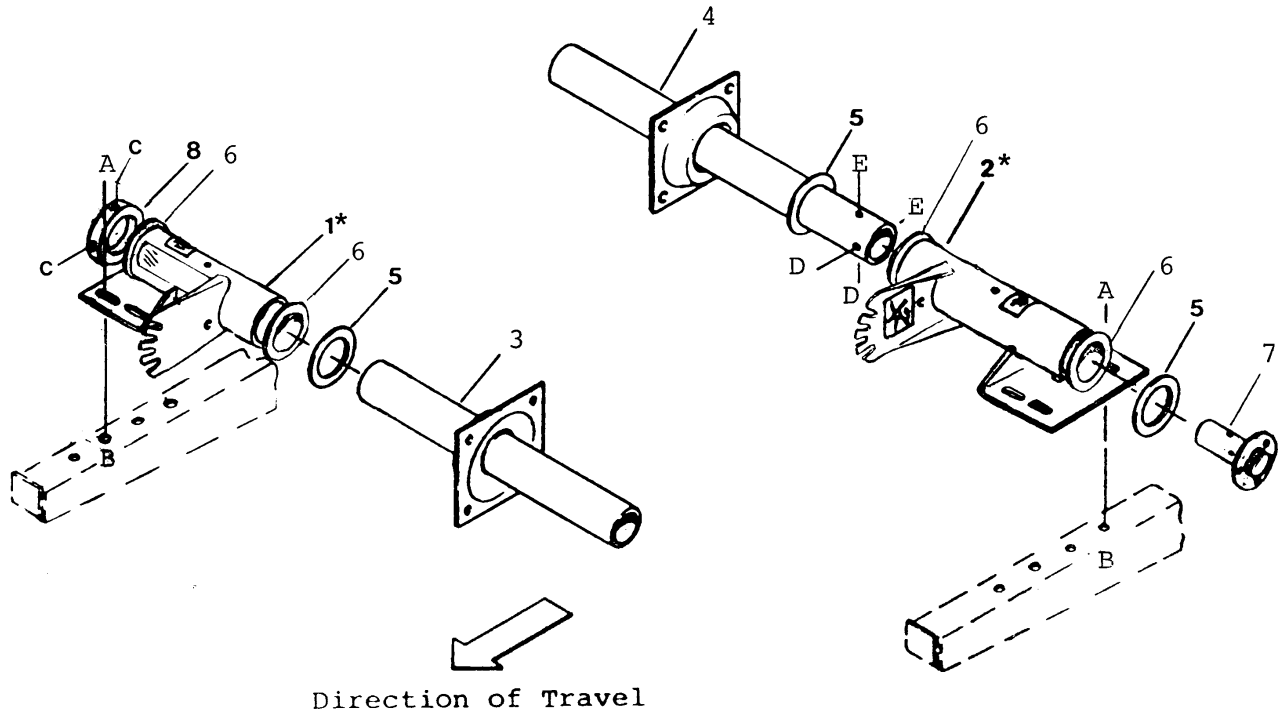
## MOUNTING PARTS LIST

### Reel Serial No. 68980 and up

For Massey Ferguson 35 Windrower  
 White Farm 601 Windrower  
 John Deere 580 Windrower  
 New Holland 109 Windrower  
 International 75 Windrower

NOTE: Reel end tubes and drive adapter are secured with 1/2 dia. clevis pins. Replacement of parts may require drilling out holes in mating parts to 1/2 inch for installation of pins.

\* If replacing 2 3/8" O.D. main bearing (without bushings), order Main bearing kit K-35937-2 R/H or K-35952-2 L/H. Kit includes main bearing (with bushings) and modified cam plate.



#### B 1895 - Mounting Package

#### PARTS LIST

REF	PART NUMBER	DESCRIPTION	QTY	SERIAL NUMBER
1	35711	Main Bearing - R/H, with decals, lube fitting & bushings .....	1	
2	35673	Main Bearing - L/H, with decals, lube fitting & bushings.....	1	
3	35558	Tube, end.....	1	
4	35651	Tube, drive.....	1	
5	27160	Washer .....	3	
6	35694	Bushing.....	4	
7	27846	Driveshaft.....	1	
8	35564	Shaft Collar.....	1	
A	19965	Bolt, round head, square neck, 3/8 NC x 1 inch .....	4	
B	30228	Nut, lock, smooth flange, 3/8 NC distorted thread .....	4	
C	30872	Setscrew, socket head, 5/16 x 1/4 inch .....	2	
D	19809	Clevis Pin, 1/2 dia. x 2 inch effective length .....	2	
E	18648	Cotter Pin, 3/16 dia. x 1 1/4 inch .....	2	

# MOUNTING PARTS LIST

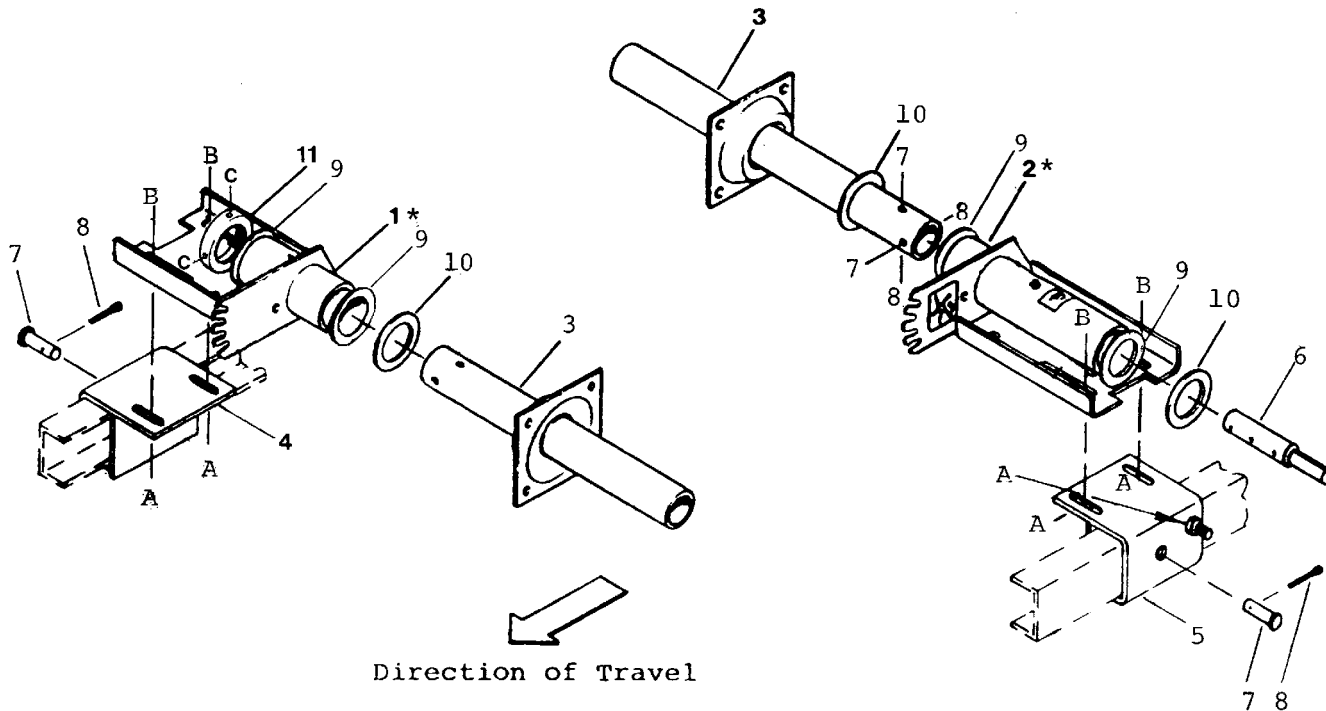
## Reel Serial No. 68980 and up

For I.H. S.P. Windrowers  
Models: 175, 210, 230, 275, 375 & 4000

NOTE: Reel end tubes and drive adapter are secured with 1/2 dia. clevis pins. Replacement of parts may require drilling out holes in mating parts to 1/2 inch for installation of pins.

For models 175 & 210, driveshaft (Item 6) is 180° from shown.

\* If replacing 2 3/8" O.D. main bearing (without bushings), order Main bearing kit K-35940-2 R/H or K-35939-2 L/H. Kit includes main bearing (with bushings) and modified cam plate.



### C 1077 - Mounting Package

### PARTS LIST

REF	PART NUMBER	DESCRIPTION	QTY	SERIAL NUMBER
1	35726	Main Bearing - R/H, with decals, lube fitting & bushings .....	1	
2	35725	Main Bearing - L/H, with decals, lube fitting & bushings.....	1	
3	35171	Tube, drive.....	2	
4	27214	L/H Mount .....	1	
5	27216	R/H Mount.....	1	
6	27215	Driveshaft.....	1	
7	19809	Clevis Pin, 1/2 dia. x 2 inch effective length .....	4	
8	18648	Cotter Pin, 3/16 dia. x 1 1/4 inch .....	4	
9	35694	Bushing.....	4	
10	27160	Washer .....	3	
11	35564	Shaft Collar.....	1	
A	30228	Nut, lock, smooth flange, 3/8 NC distorted thread.....	5	
B	19965	Bolt, round head, square neck, 3/8 NC x 1 inch .....	4	
C	30872	Setscrew, socket head, 5/16 NC x 1/4 inch.....	2	

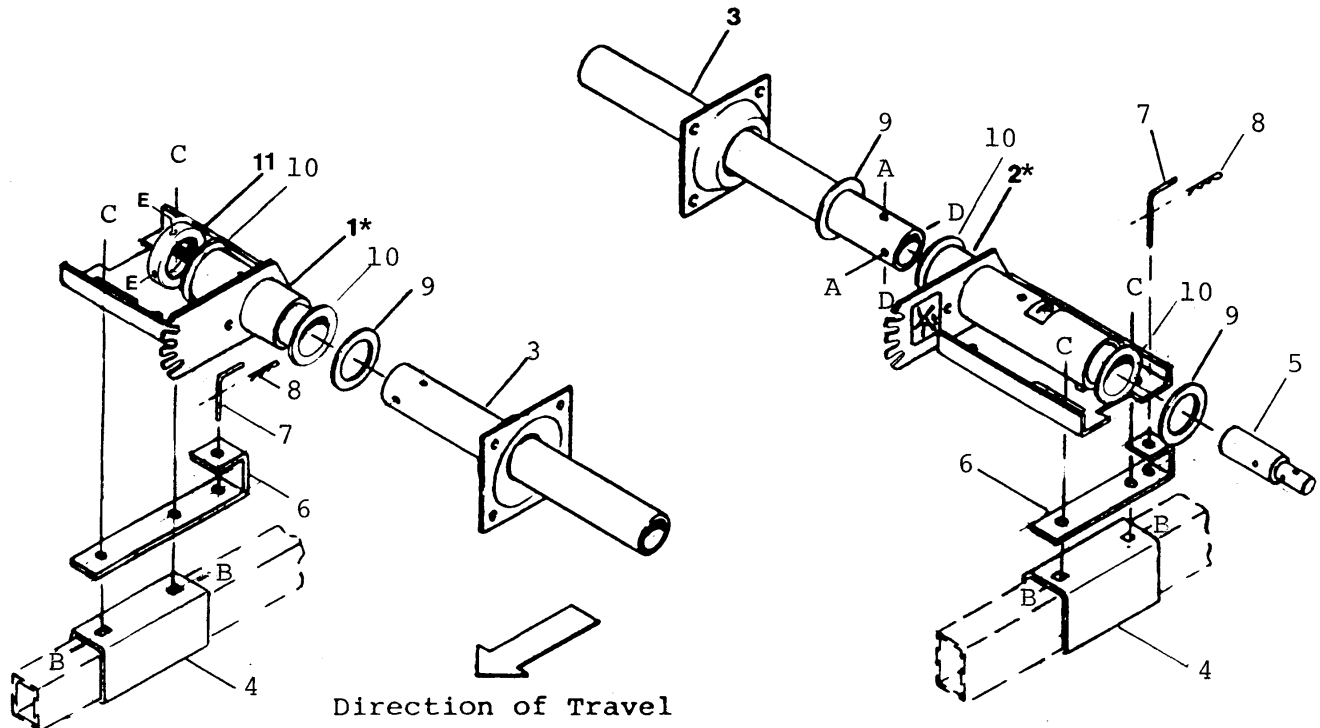
## MOUNTING PARTS LIST

### Reel Serial No. 68980 and up

For John Deere Combines  
 Models: 55, 95, 105, 3300, 4400, 6600, 6601, 7700  
 Header: Previous to 200 series

NOTE: Reel end tubes and drive adapter are secured with 1/2 dia. clevis pins. Replacement of parts may require drilling out holes in mating parts to 1/2 inch for installation of pins.

\* If replacing 2 3/8" O.D. main bearing (without bushings), order Main bearing kit K-35940-2 R/H or K-35939-2 L/H. Kit includes main bearing (with bushings) and modified cam plate.



#### C 1084 - Mounting Package

#### PARTS LIST

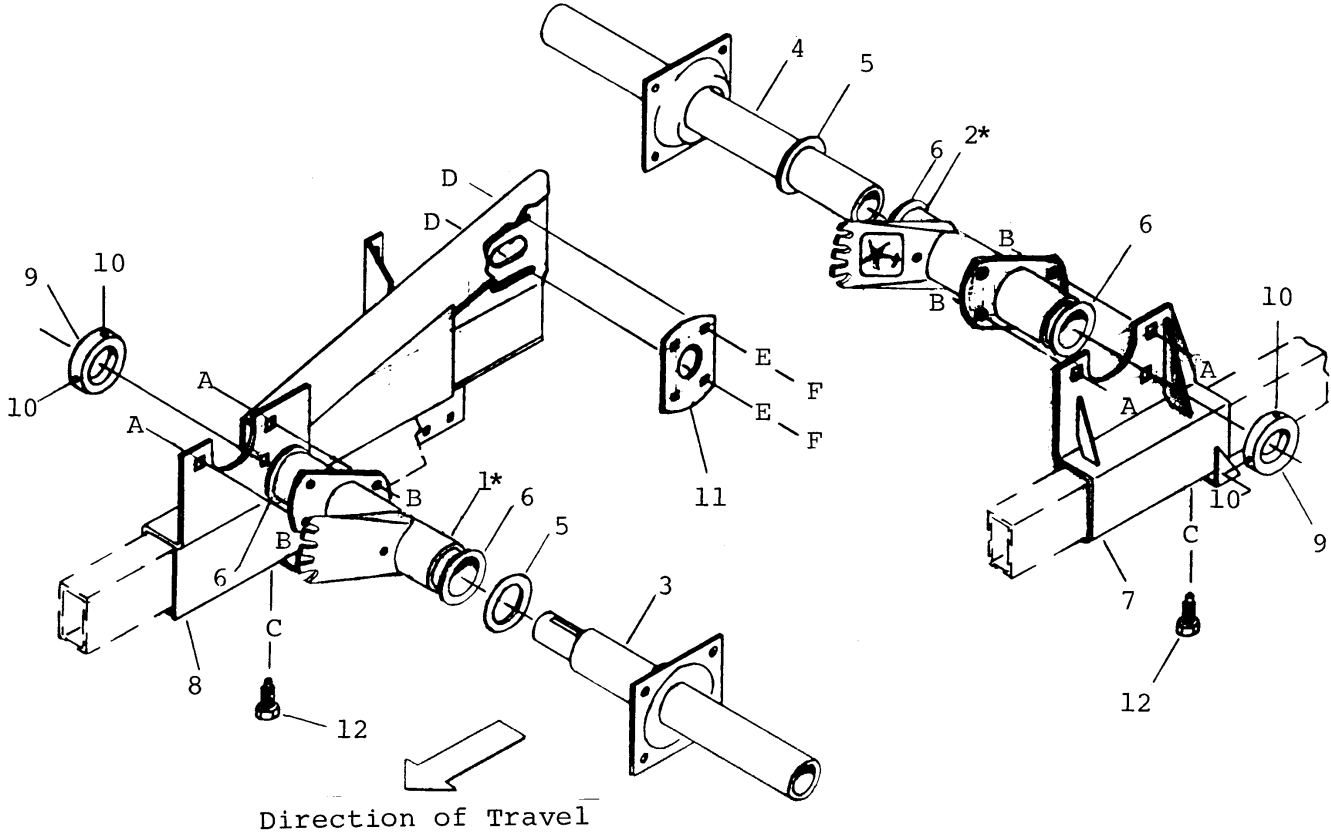
REF	PART NUMBER	DESCRIPTION	QTY	SERIAL NUMBER
1	35726	Main Bearing - R/H, with decals, lube fitting & bushings .....	1	
2	35725	Main Bearing - L/H, with decals, lube fitting & bushings.....	1	
3	35171	Tube, drive.....	2	
4	27762	Mount.....	2	
5	27761	Driveshaft.....	1	
6	27767	Pin Mount.....	2	
7	23370	Lock Pin.....	2	
8	15380	Hair Pin.....	2	
9	27160	Washer.....	3	
10	35694	Bushing.....	4	
11	35564	Shaft Collar.....	1	
A	19809	Clevis Pin, 1/2 dia. x 2 inch effective length .....	2	
B	19965	Bolt, round head, square neck, 3/8 NC x 1 inch .....	4	
C	30228	Nut, lock, smooth flange, 3/8 NC distorted thread.....	4	
D	18648	Cotter Pin, 3/16 dia. x 1 1/4 inch .....	2	
E	30872	Setscrew, socket head, 5/16 NC x 1/4 inch.....	2	

## MOUNTING PARTS LIST

### Reel Serial No. 68980 and up

For John Deere Combines  
 Models: 6600, 6620, 7700, 7720, 8820  
 Header: 200 series

\* If replacing 2 3/8" O.D. main bearing (without bushings), order Main bearing kit K-35947-2 R/H or K-35943-2 L/H. Kit includes main bearing (with bushings) and modified cam plate.



#### B 1884 - Mounting Package

#### PARTS LIST

REF	PART NUMBER	DESCRIPTION	QTY	SERIAL NUMBER
1	35744	Main Bearing - R/H, with decals, lube fitting & bushings .....	1	
2	35740	Main Bearing - L/H, with decals, lube fitting & bushings.....	1	
3	35548	Tube, drive.....	1	
4	35557	Tube, end.....	1	
5	27160	Washer .....	2	
6	35694	Bushing.....	4	
7	35634	L/H Mount .....	1	
8	35641	R/H Mount.....	1	
9	35564	Shaft Collar.....	2	
10	30872	Setscrew .....	4	
11	35646	Motor Spacer .....	1	
12	35616	Setscrew .....	2	
A	19965	Bolt, round head, square neck, 3/8 NC x 1 inch .....	6	
B	30228	Nut, lock, smooth flange, 3/8 NC distorted thread .....	6	
C	21345	Jam Nut, 5/8 NC .....	2	
D	21469	Bolt, round head, square neck, 1/2 NC x 1 1/2 inch .....	4	
E	18638	Lockwasher, 1/2 inch.....	4	
F	18591	Nut, hex 1/2 NC .....	4	

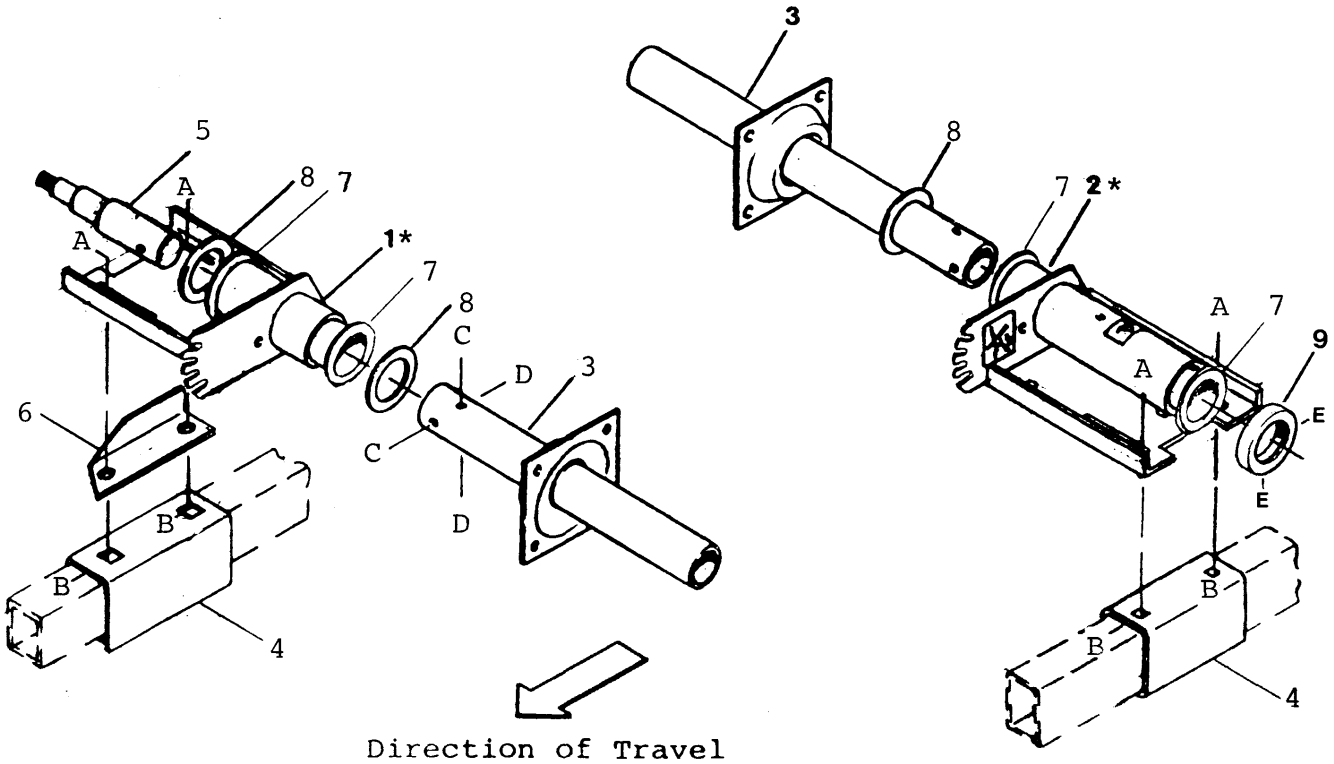
## MOUNTING PARTS LIST

### Reel Serial No. 68980 and up

For John Deere S.P. Windowers  
 Models: 780, 800, 830, 880, 2250, 2270  
 Header: 78, 88, 120

NOTE: Reel end tubes and drive adapter are secured with 1/2 dia. clevis pins. Replacement of parts may require drilling out holes in mating parts to 1/2 inch for installation of pins.

\* If replacing 2 3/8" O.D. main bearing (without bushings), order Main bearing kit K-35940-2 R/H or K-35939-2 L/H. Kit includes main bearing (with bushings) and modified cam plate.



#### C 1085 - Mounting Package

#### PARTS LIST

REF	PART NUMBER	DESCRIPTION	QTY	SERIAL NUMBER
1	35726	Main Bearing - R/H, with decals, lube fitting & bushings .....	1	
2	35725	Main Bearing - L/H, with decals, lube fitting & bushings.....	1	
3	35171	Tube, drive.....	2	
4	27762	Mount.....	2	
5	27770	Driveshaft.....	1	
6	27771	Drive Adapter.....	1	
7	35694	Bushing.....	4	
8	27160	Washer .....	3	
9	35564	Shaft Collar.....	1	
A	30228	Nut, lock, smooth flange, 3/8 NC distorted thread.....	4	
B	19965	Bolt, round head, square neck, 3/8 NC x 1 inch .....	4	
C	19809	Clevis Pin, 1/2 dia. x 2 inch effective length .....	2	
D	18648	Cotter Pin, 3/16 dia. x 1 1/4 inch .....	2	
E	30872	Setscrew, socket head, 5/16 NC x 1/4 inch.....	2	

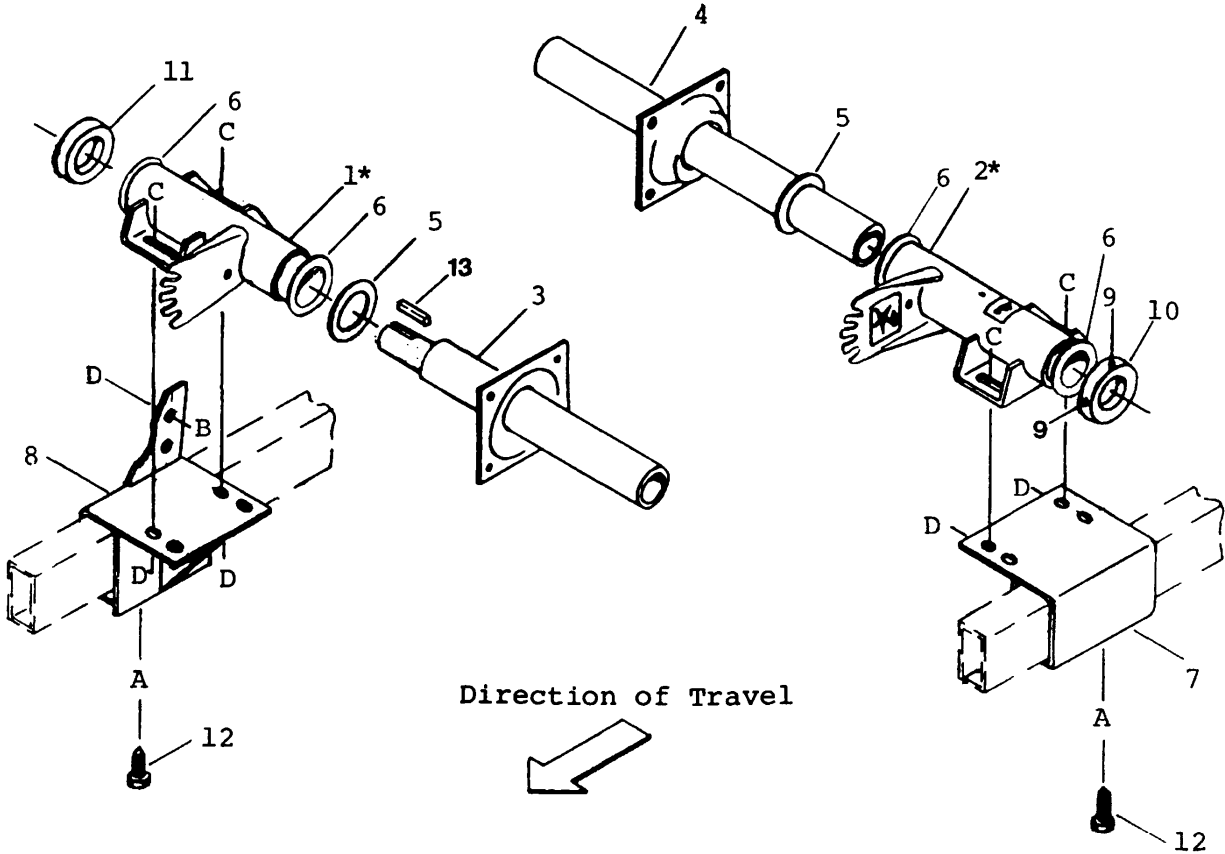
## MOUNTING PARTS LIST

### Reel Serial No. 68980 and up

For: John Deere Windrowers  
 Models: 2280, 2320, and 2420  
 Header: 130 Series

\* - If replacing a 2 3/8" O.D. main bearing (without bushings), order Main Bearing Kit 35949 (R/H) or 35948 (L/H). Kit includes main bearing (with bushings) and modified cam plate.

**NOTE:** Machine the sprocket or pulley supplied with header to fit item 3.



#### B 1892 - Mounting Package

#### PARTS LIST

REF	PART NUMBER	DESCRIPTION	QTY	SERIAL NUMBER
1	35770	Main Bearing - R/H, with decals, lube fitting & bushings .....	1	
2	35769	Main Bearing - L/H, with decals, lube fitting & bushings .....	1	
3	35996	Tube, drive, with straight keyed shaft .....	1	
4	35558	Tube, end.....	1	
5	27160	Washer .....	2	
6	35694	Bushing.....	4	
7	35596	L/H Mount .....	1	
8	35597	R/H Mount.....	1	
9	30872	Setscrew .....	2	
10	35564	Shaft Collar .....	1	
11	35600	Spacer, for spline shaft drive tube .....	1	
	35564	Shaft Collar, for straight shaft drive tube (uses 30872 Setscrews [2]).....	1	
12	37866	Positioning Screw .....	2	
13	34126	Key, 3/8 square x 2 inch, for shaft 35996 .....	1	
A	21345	Jam Nut, 5/8 NC .....	2	
B	21975	Bolt, flange head, 3/8 NC x 1 inch .....	2	
C	19965	Bolt, round head, square neck, 3/8 NC x 1 inch .....	4	
D	30228	Nut, lock, smooth flange, 3/8 NC distorted thread .....	6	

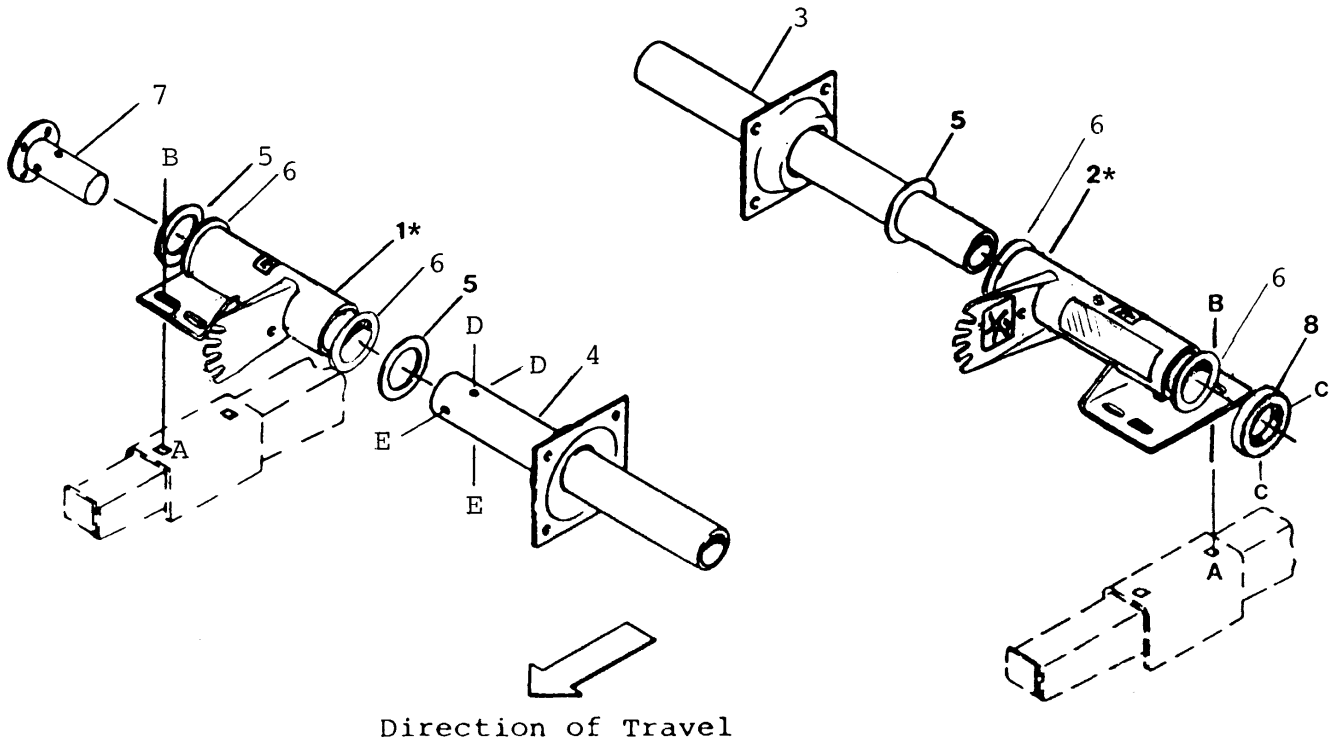
## MOUNTING PARTS LIST

### Reel Serial No. 68980 and up

For Massey Ferguson 885 Windrower with belt driven reel  
 White Farm 6400 Windrower with belt driven reel  
 MacDon 6000/7000 Windrower with belt driven reel

**NOTE:** Reel end tubes and drive adapter are secured with 1/2 dia. clevis pins. Replacement of parts may require drilling out holes in mating parts to 1/2 inch for installation of pins.

\* If replacing 2 3/8" O.D. main bearing (without bushings), order Main bearing kit K-35938-2 R/H or K-35934-2 L/H. Kit includes main bearing (with bushings) and modified cam plate.



#### B 1881 - Mounting Package

#### PARTS LIST

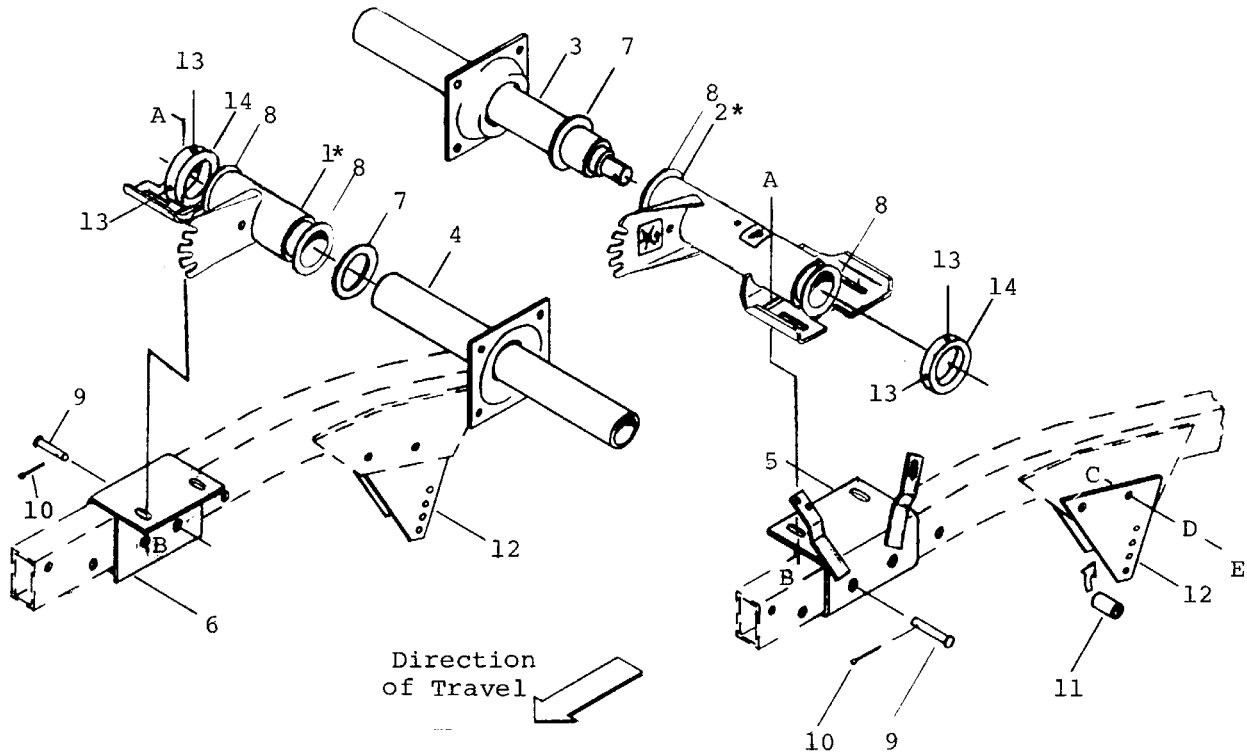
REF	PART NUMBER	DESCRIPTION	QTY	SERIAL NUMBER
1	35712	Main Bearing - R/H, with decals, lube fitting & bushings .....	1	
2	35960	Main Bearing - L/H, with decals, lube fitting & bushings.....	1	
3	35963	Tube, end.....	1	
4	35172	Tube, drive.....	1	
5	27160	Washer .....	3	
6	35694	Bushing.....	4	
7	35199	Driveshaft.....	1	
8	35564	Shaft Collar .....	1	
A	19965	Bolt, round head, square neck, 3/8 NC x 1 inch .....	4	
B	30228	Nut, lock, smooth flange, 3/8 NC distorted thread .....	4	
C	30872	Setscrew, socket head, 5/16 x 1/4 inch .....	2	
D	19809	Clevis Pin, 1/2 dia. x 2 inch effective length .....	2	
E	18648	Cotter Pin, 3/16 dia. x 1 1/4 inch .....	2	

## MOUNTING PARTS LIST

### Reel Serial No. 68980 and up

For Massey Ferguson Combines  
 Models: 300, 410, 510, 540, 550, 750, 760, 850, 855, 860, 865

\* If replacing 2 3/8" O.D. main bearing (without bushings), order Main bearing kit K-35951-2 R/H or K-35950-2 L/H. Kit includes main bearing (with bushings) and modified cam plate.



Header: 1859 series (belt or chain driven reels)

#### B 1887 - Mounting Package PARTS LIST

REF	PART NUMBER	DESCRIPTION	QTY	SERIAL NUMBER
1	35762	Main Bearing - R/H, with decals, lube fitting & bushings.....	1	
2	35761	Main Bearing - L/H, with decals, lube fitting & bushings.....	1	
3	35551	Tube, drive.....	1	
4	35558	Tube, end.....	1	
5	27199	L/H Mount.....	1	
6	27196	R/H Mount.....	1	
7	27160	Washer.....	2	
8	35694	Bushing.....	4	
9	19809	Clevis Pin, 1/2 dia. x 2 inch effective length.....	4	
10	18648	Cotter Pin, 3/16 dia. x 1 1/4 inch.....	4	
11	4267	Spacer.....	2	
12	27200	Riser.....	4	
13	30872	Setscrew.....	4	
14	35564	Shaft Collar.....	2	
A	19965	Bolt, round head, square neck, 3/8 NC x 1 inch.....	4	
B	30228	Nut, lock, smooth flange, 3/8 NC distorted thread.....	4	
C	21575	Bolt, hex head, 1/2 NC x 1 inch.....	8	
D	18638	Lockwasher, 1/2 inch.....	8	
E	18591	Nut, hex, 1/2 NC.....	8	



## MOUNTING PARTS LIST

### Reel Serial No. 68980 and up

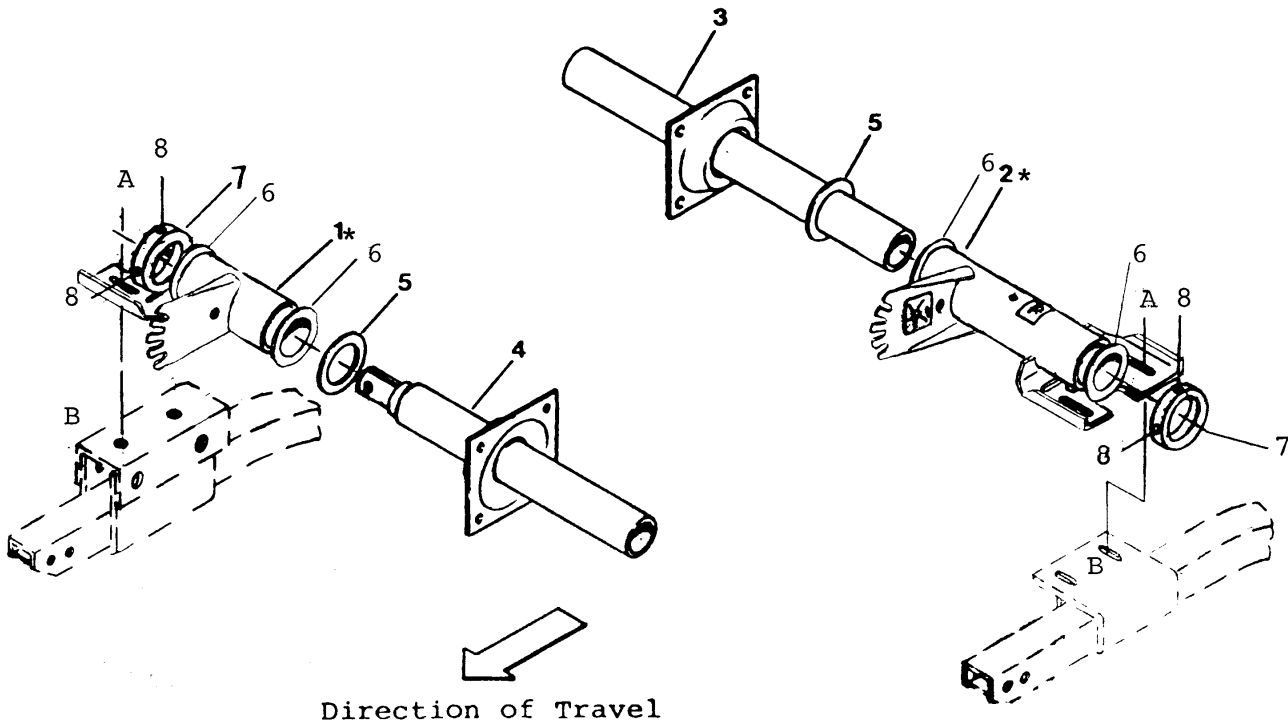
For Massey Ferguson Combines

Models: 540, 550, 750, 760, 850, 855, 860, 865, 8560, 8570, 8590

Header: 9000, 9100, 9200, 9300, 9700, 9750, & 2381

NOTE: Drive shaft may be on L/H or R/H of header depending on application

\* If replacing 2 3/8" O.D. main bearing (without bushings), order Main bearing kit K-35951-2 R/H or K-35950-2 L/H. Kit includes main bearing (with bushings) and modified cam plate.



#### B 1888 - Mounting Package

#### PARTS LIST

REF	PART NUMBER	DESCRIPTION	QTY	SERIAL NUMBER
1	35762	Main Bearing - R/H, with decals, lube fitting & bushings .....	1	
2	35761	Main Bearing - L/H, with decals, lube fitting & bushings.....	1	
3	35558	Tube, end.....	1	
4	35551	Tube, drive.....	1	
5	27160	Washer .....	2	
6	35694	Bushing.....	4	
7	35564	Shaft Collar.....	2	
8	30872	Setscrew, socket head, 5/16 x 1/4 inch .....	4	
A	21975	Bolt, flange head, 3/8 NC x 1 inch .....	4	
B	30228	Nut, lock, smooth flange, 3/8 NC distorted thread.....	4	

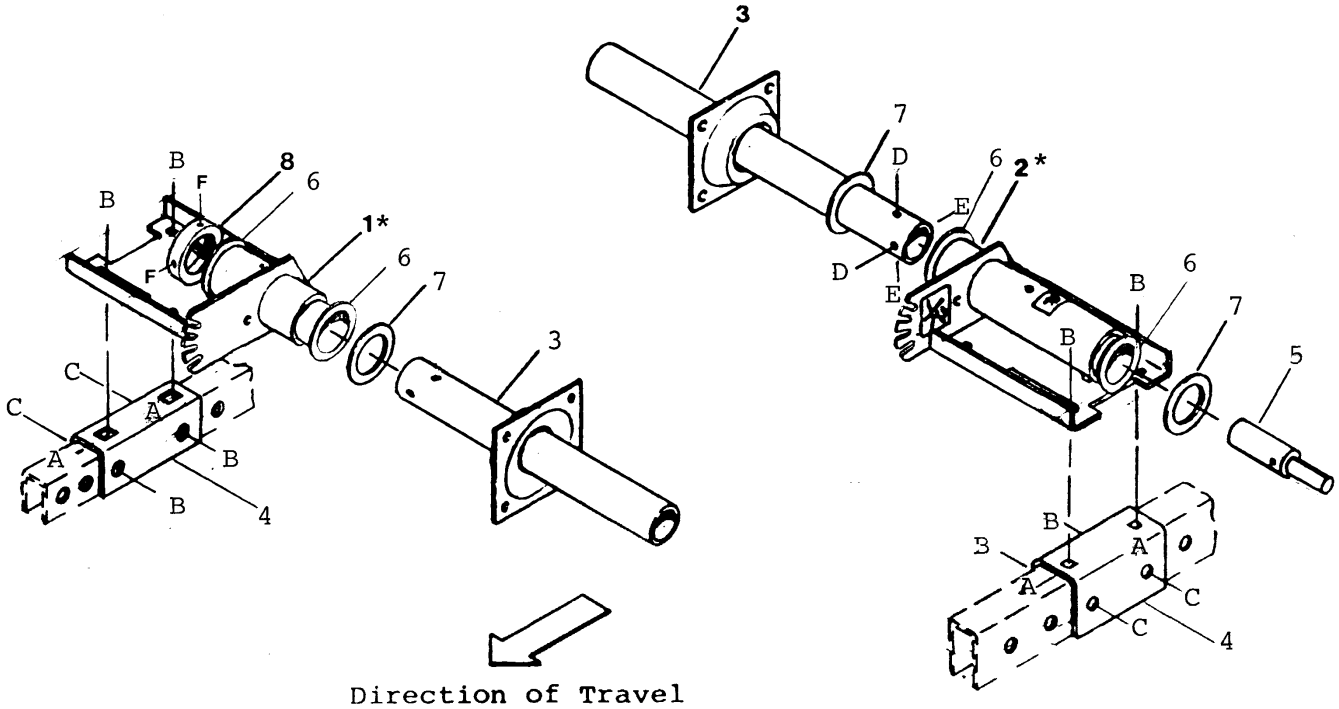
## MOUNTING PARTS LIST

### Reel Serial No. 68980 and up

For Massey Ferguson 34 & 36 S.P Windrowers

NOTE: Reel end tubes and drive adapter are secured with 1/2 dia. clevis pins. Replacement of parts may require drilling out holes in mating parts to 1/2 inch for installation of pins.

\* If replacing 2 3/8" O.D. main bearing (without bushings), order Main bearing kit K-35940-2 R/H or K-35939-2 L/H. Kit includes main bearing (with bushings) and modified cam plate.



#### C 1086 - Mounting Package

#### PARTS LIST

REF	PART NUMBER	DESCRIPTION	QTY	SERIAL NUMBER
1	35726	Main Bearing - R/H, with decals, lube fitting & bushings .....	1	
2	35725	Main Bearing - L/H, with decals, lube fitting & bushings.....	1	
3	35171	Tube, drive.....	2	
4	27809	Mount.....	2	
5	27812	Driveshaft.....	1	
6	35694	Bushing.....	4	
7	27160	Washer .....	3	
8	35564	Shaft Collar.....	1	
A	19965	Bolt, round head, square neck, 3/8 NC x 1 inch .....	4	
B	30228	Nut, lock, smooth flange, 3/8 NC distorted thread .....	8	
C	30035	Bolt, hex head, 3/8 NC x 2 3/4 inch .....	4	
D	19809	Clevis Pin, 1/2 dia. x 2 inch effective length .....	2	
E	18648	Cotter Pin, 3/16 dia. x 1 1/4 inch .....	2	
F	30872	Setscrew, socket head, 5/16 NC x 1/4 inch.....	2	

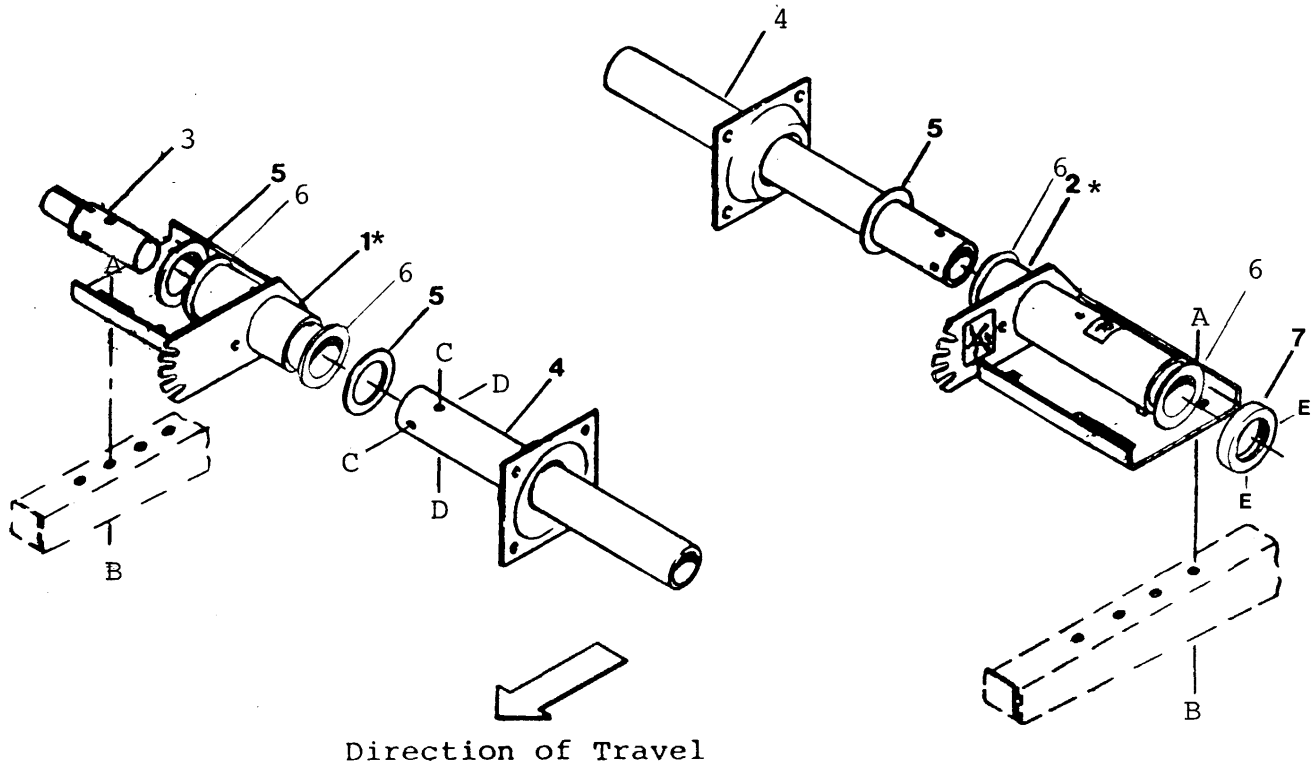
## MOUNTING PARTS LIST

### Reel Serial No. 68980 and up

For Owatonna Windrowers  
Models: 28, 35, 260D, 270D, 270, 700

**NOTE:** Reel end tubes and drive adapter are secured with 1/2 dia. clevis pins. Replacement of parts may require drilling out holes in mating parts to 1/2 inch for installation of pins.

\* If replacing 2 3/8" O.D. main bearing (without bushings), order Main bearing Kit K-35942-2 R/H or K-35941-2 L/H. Kit includes main bearing (with bushings) and modified cam plate.



#### C 1087 - Mounting Package

#### PARTS LIST

REF	PART NUMBER	DESCRIPTION	QTY	SERIAL NUMBER
1	35728	Main Bearing - R/H, with decals, lube fitting & bushings .....	1	
2	35727	Main Bearing - L/H, with decals, lube fitting & bushings.....	1	
3	35221	Driveshaft.....	1	
4	35172	Tube, drive.....	2	
5	27160	Washer .....	3	
6	35694	Bushing.....	4	
7	35564	Shaft Collar .....	1	
A	19965	Bolt, round head, square neck, 3/8 NC x 1 inch .....	4	
B	30228	Nut, lock, smooth flange, 3/8 NC distorted thread .....	4	
C	19809	Clevis Pin, 1/2 dia. x 2 inch effective length .....	2	
D	18648	Cotter Pin, 3/16 dia. x 1 1/4 inch .....	2	
E	30872	Setscrew, socket head, 5/16 NC x 1/4 inch .....	2	

## MOUNTING PARTS LIST

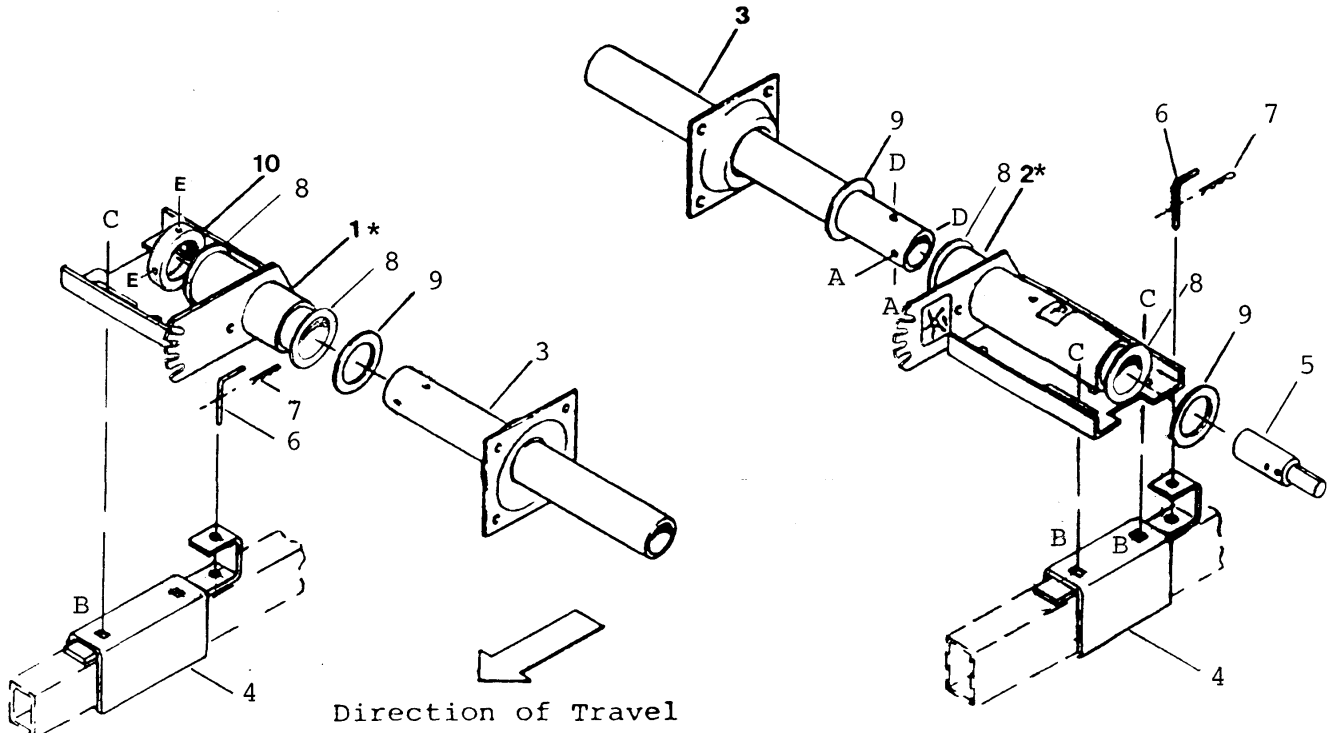
### Reel Serial No. 68980 and up

For Sperry New Holland Combines  
 Models: 975, 985, 995, TR75, TR85, TR95  
 Header: 960, 970, 972

& Windrowers  
 Models: 1100, 1116, 1495  
 (hydraulic reel drive)

**NOTE:** Reel end tubes and drive adapter are secured with 1/2 dia. clevis pins. Replacement of parts may require drilling out holes in mating parts to 1/2 inch for installation of pins.

\* If replacing 2 3/8" O.D. main bearing (without bushings), order Main bearing kit K-35940-2 R/H or K-35939-2 L/H. Kit includes main bearing (with bushings) and modified cam plate.



**C 1078 - Mounting Package**

**PARTS LIST**

REF	PART NUMBER	DESCRIPTION	QTY	SERIAL NUMBER
1	35726	Main Bearing - R/H, with decals, lube fitting & bushings .....	1	
2	35725	Main Bearing - L/H, with decals, lube fitting & bushings.....	1	
3	35171	Tube, drive.....	2	
4	27816	Mount.....	2	
5	27815	Driveshaft.....	1	
6	27822	Pin.....	2	
7	15380	Hair Pin .....	2	
8	35694	Bushing.....	4	
9	27160	Washer .....	3	
10	35564	Shaft Collar .....	1	
A	19809	Clevis Pin, 1/2 dia. x 2 inch effective length .....	2	
B	19965	Bolt, round head, square neck, 3/8 NC x 1 inch .....	4	
C	30228	Nut, lock, smooth flange, 3/8 NC distorted thread .....	4	
D	18648	Cotter Pin, 3/16 dia. x 1 1/4 inch .....	2	
E	30872	Setscrew, socket head, 5/16 NC x 1/4 inch.....	2	

## MOUNTING PARTS LIST

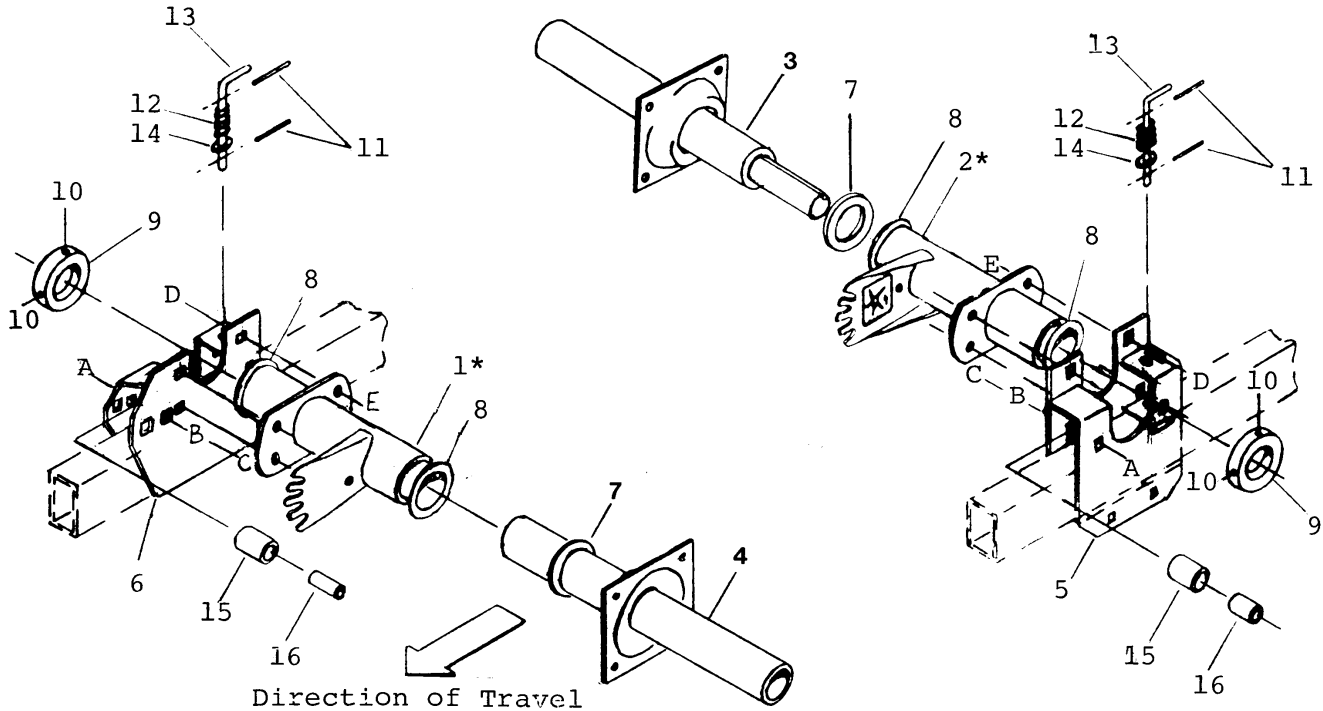
### Reel Serial No. 68980 and up

For Sperry New Holland Combines

Models: TR86, TR87, TR96, TR97, TX34, TX36, TX66, TX68

Headers: 971, 973

\* - If replacing a 2 3/8" O.D. main bearing (without bushings), order Main Bearing Kit 35947 (R/H) or 35943 (L/H).  
Kit includes main bearing (with bushings) and modified cam plate.



### B 1886 - Mounting Package

### PARTS LIST

REF	PART NUMBER	DESCRIPTION	QTY	SERIAL NUMBER
1	35744	Main Bearing - R/H, with decals, lube fitting & bushings .....	1	
2	35740	Main Bearing - L/H, with decals, lube fitting & bushings.....	1	
3	35550	Tube, drive.....	1	
4	35557	Tube, end.....	1	
5	35585	L/H Mount .....	1	
6	35586	R/H Mount.....	1	
7	27160	Washer .....	2	
8	35694	Bushing.....	4	
9	35564	Shaft Collar.....	2	
10	30872	Setscrew .....	4	
11	18632	Roll Pin .....	4	
12	35618	Spring .....	2	
13	35617	Pin.....	2	
14	18599	Washer .....	2	
15	35619	Roller .....	4	
16	32202	Spacer .....	4	
A	30681	Bolt, round head, square neck, 1/2 NC x 3 3/4 inch .....	4	
B	18638	Lockwasher, 1/2 inch.....	4	
C	18591	Nut, hex, 1/2 NC .....	4	
D	19965	Bolt, round head, square neck, 3/8 NC x 1 inch .....	6	
E	30228	Nut, lock, smooth flange, 3/8 NC distorted thread.....	6	

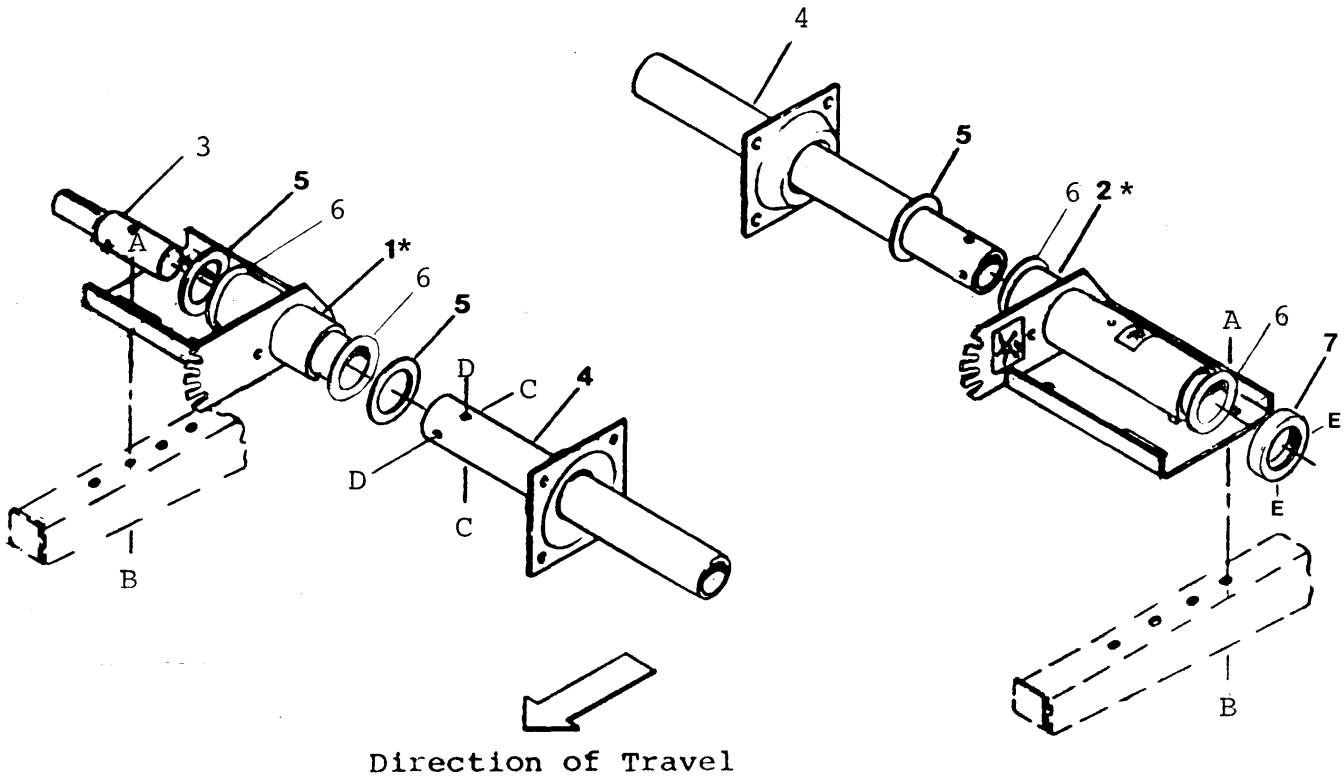
## MOUNTING PARTS LIST

### Reel Serial No. 68980 and up

For Sperry New Holland Windrowers  
 Models: 903, 905, 1100 (mechanical reel drive)

**NOTE:** Reel end tubes and drive adapter are secured with 1/2 dia. clevis pins. Replacement of parts may require drilling out holes in mating parts to 1/2 inch for installation of pins.

\* If replacing 2 3/8" O.D. main bearing (without bushings), order Main bearing kit K-35942-2 R/H or K-35941-2 L/H. Kit includes main bearing (with bushings) and modified cam plate.



#### C 1088 - Mounting Package

#### PARTS LIST

REF	PART NUMBER	DESCRIPTION	QTY	SERIAL NUMBER
1	35728	Main Bearing - R/H, with decals, lube fitting & bushings .....	1	
2	35727	Main Bearing - L/H, with decals, lube fitting & bushings.....	1	
3	35222	Driveshaft.....	1	
4	35172	Tube, drive.....	2	
5	27160	Washer .....	3	
6	35694	Bushing.....	4	
7	35564	Shaft Collar.....	1	
A	19965	Bolt, round head, square neck, 3/8 NC x 1 inch .....	4	
B	30228	Nut, lock, smooth flange, 3/8 NC distorted thread .....	4	
C	18648	Cotter Pin, 3/16 dia. x 1 1/4 inch .....	2	
D	19809	Clevis Pin, 1/2 dia. x 2 inch effective length .....	2	
E	30872	Setscrew, socket head, 5/16 NC x 1/4 inch.....	2	

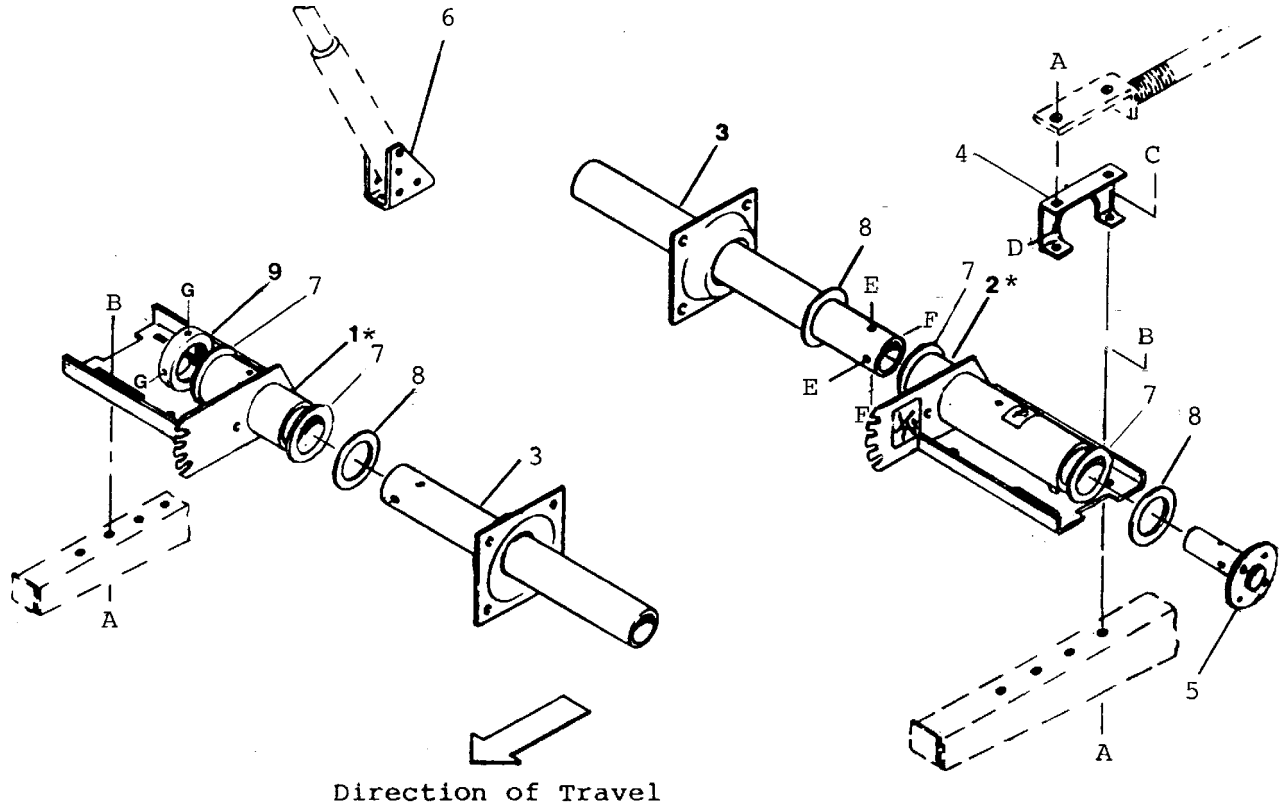
## MOUNTING PARTS LIST

### Reel Serial No. 68980 and up

For Versatile 400 & 4400 S.P. Windrowers

NOTE: Reel end tubes and drive adapter are secured with 1/2 dia. clevis pins. Replacement of parts may require drilling out holes in mating parts to 1/2 inch for installation of pins.

\* If replacing 2 3/8" O.D. main bearing (without bushings), order Main bearing kit K-35940-2 R/H or K-35939-2 L/H. Kit includes main bearing (with bushings) and modified cam plate.



#### C 1076 - Mounting Package

#### PARTS LIST

REF	PART NUMBER	DESCRIPTION	QTY	SERIAL NUMBER
1	35726	Main Bearing - R/H, with decals, lube fitting & bushings .....	1	
2	35725	Main Bearing - L/H, with decals, lube fitting & bushings.....	1	
3	35171	Tube, drive.....	2	
4	27203	Drive Adapter (may not be required) .....	1	
5	35199	Stub Shaft.....	1	
6	27208	Riser .....	2	
7	35694	Bushing.....	4	
8	27160	Washer .....	3	
9	35564	Shaft Collar.....	1	
A	30228	Nut, lock, smooth flange, 3/8 NC distorted thread.....	6	
B	19965	Bolt, round head, square neck, 3/8 NC x 1 inch .....	4	
C	21264	Bolt, hex head, 3/8 NC x 1 1/4 inch .....	2	
D	21484	Bolt, round head, square neck, 3/8 NC x 1 1/2 inch .....	2	
E	19809	Clevis Pin, 1/2 dia. x 2 inch effective length .....	2	
F	18648	Cotter Pin, 3/16 dia. x 1 1/4 inch .....	2	
G	30872	Setscrew, socket head, 5/16 NC x 1/4 inch.....	2	

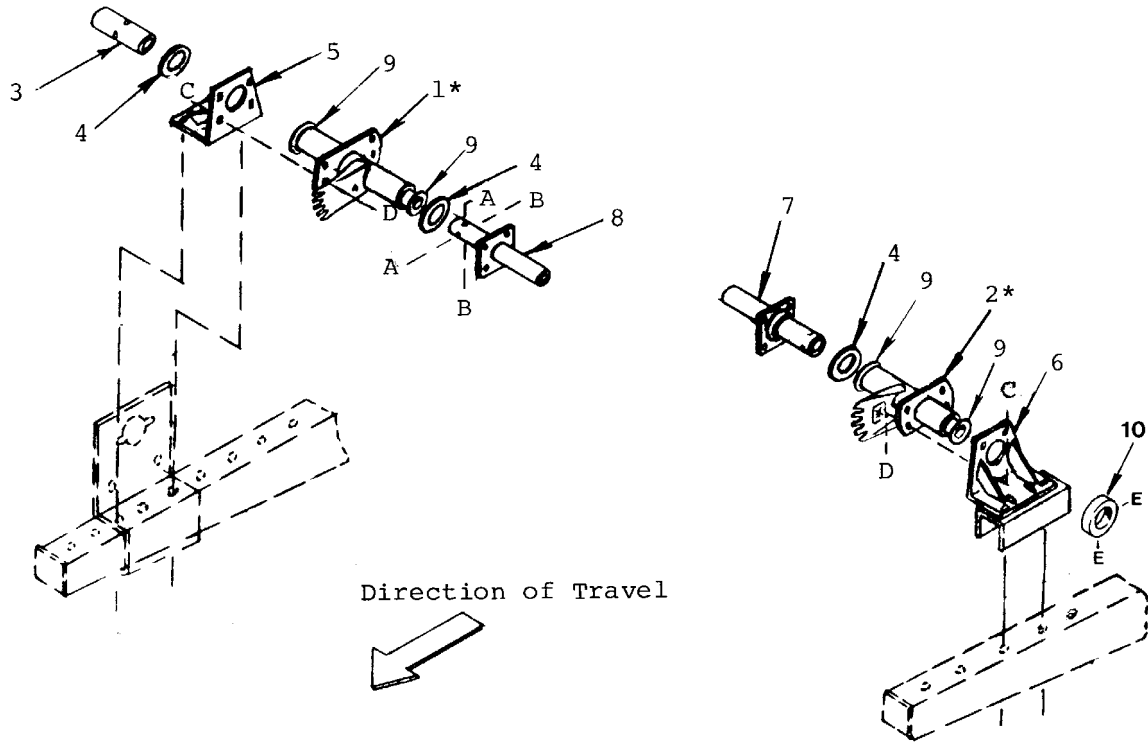
## MOUNTING PARTS LIST

### Reel Serial No. 68980 and up

For Versatile 4700 S.P. Windrower  
Header: 4000 Series

**NOTE:** Reel end tubes and drive adapter are secured with 1/2 dia. clevis pins. Replacement of parts may require drilling out holes in mating parts to 1/2 inch for installation of pins.

\* If replacing 2 3/8" O.D. main bearing (without bushings), order Main bearing kit K-35946-2 R/H or K-35945-2 L/H. Kit includes main bearing (with bushings) and modified cam plate.



### B 1894 -Mounting Package

### PARTS LIST

REF	PART NUMBER	DESCRIPTION	QTY	SERIAL NUMBER
1	35743	Main Bearing - R/H, with decals, lube fitting & bushings .....	1	
2	35742	Main Bearing - L/H, with decals, lube fitting & bushings.....	1	
3	35267	Driveshaft.....	1	
4	27160	Washer .....	3	
5	35257	R/H Mount.....	1	
6	35256	L/H Mount .....	1	
7	35181	Tube, end.....	1	
8	35171	Tube, drive.....	1	
9	35694	Bushing.....	4	
10	35564	Shaft Collar.....	1	
A	19809	Clevis Pin, 1/2 dia. x 2 inch effective length .....	2	
B	18648	Cotter Pin, 3/16 dia. x 1 1/4 inch .....	2	
C	19965	Bolt, round head, square neck, 3/8 NC x 1 inch .....	8	
D	30228	Nut, lock, smooth flange, 3/8 NC distorted thread .....	8	
E	30872	Setscrew, socket head, 5/16 NC x 1/4 inch.....	2	

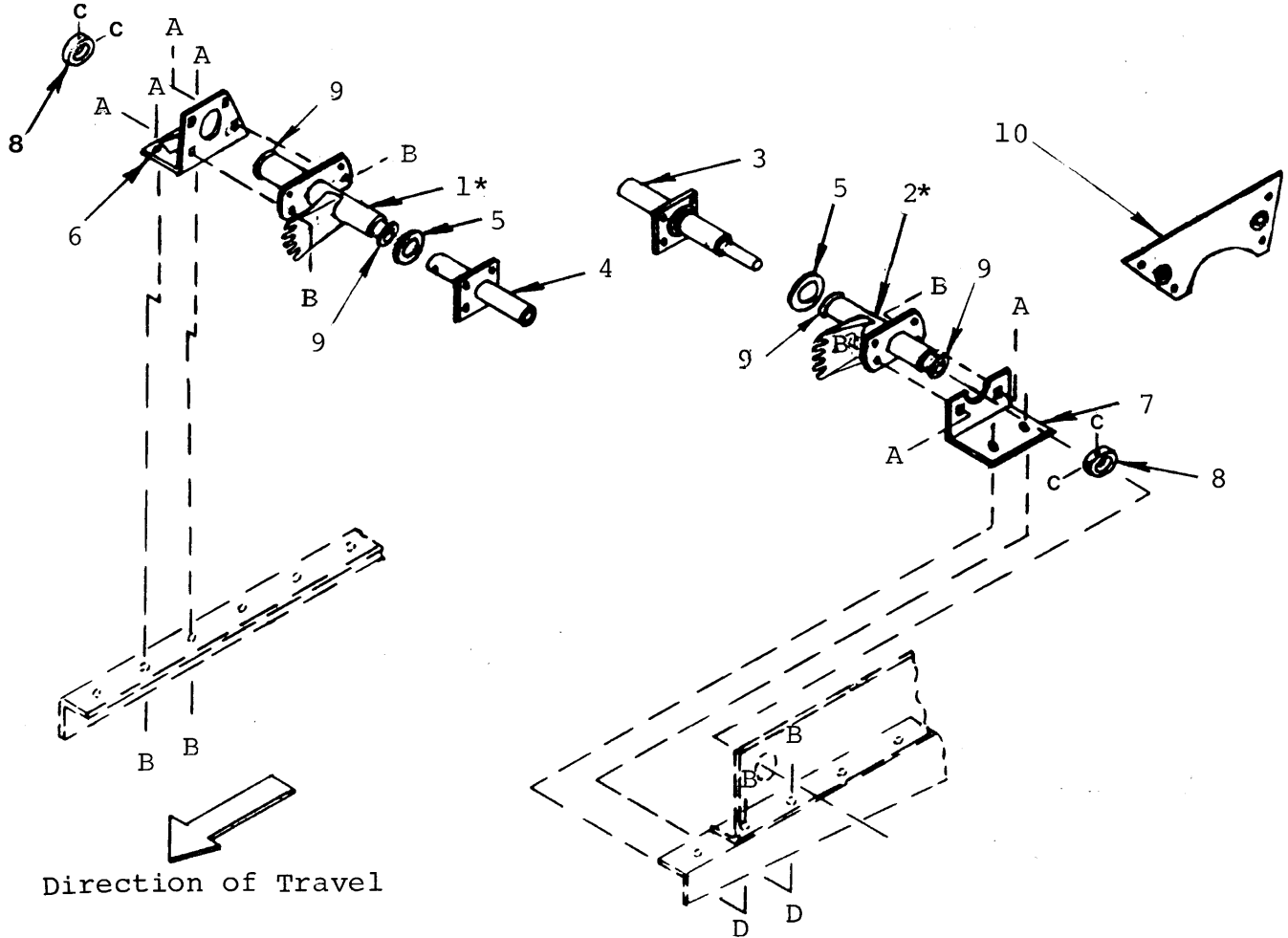


## MOUNTING PARTS LIST

### Reel Serial No. 68980 and up

For: Viccon Windrowers - 722 & 702 Series  
 Massey Ferguson Windrowers - 200 & 210 Series

\* If replacing 2 3/8" O.D. main bearing (without bushings), order Main bearing kit K-35944-2 R/H or K-35943-2 L/H. Kit includes main bearing (with bushings) and modified cam plate.



**B 1893 - Mounting Package**

### PARTS LIST

REF	PART NUMBER	DESCRIPTION	QTY	SERIAL NUMBER
1	35741	Main Bearing - R/H, with decals, lube fitting & bushings .....	1	
2	35740	Main Bearing - L/H, with decals, lube fitting & bushings .....	1	
3	35555	Driveshaft.....	1	
4	35181	Tube, end.....	1	
5	27160	Washer .....	2	
6	35257	Mount.....	1	
7	35263	Torque Arm.....	1	
8	35564	Shaft Collar .....	2	
9	35694	Bushing.....	4	
10	REF	End Shield with cut-out (see Section R4 or R5 of this catalog) .....	5	
A	19965	Bolt, round head, square neck, 3/8 NC x 1 inch .....	10	
B	30228	Nut, lock, smooth flange, 3/8 NC distorted thread .....	12	
C	30872	Setscrew, socket head, 5/16 NC x 1/4 inch .....	4	
D	21264	Bolt, 3/8 NC x 1 1/4 inch .....	2	

## MOUNTING PARTS LIST

### Reel Serial No. 68980 and up

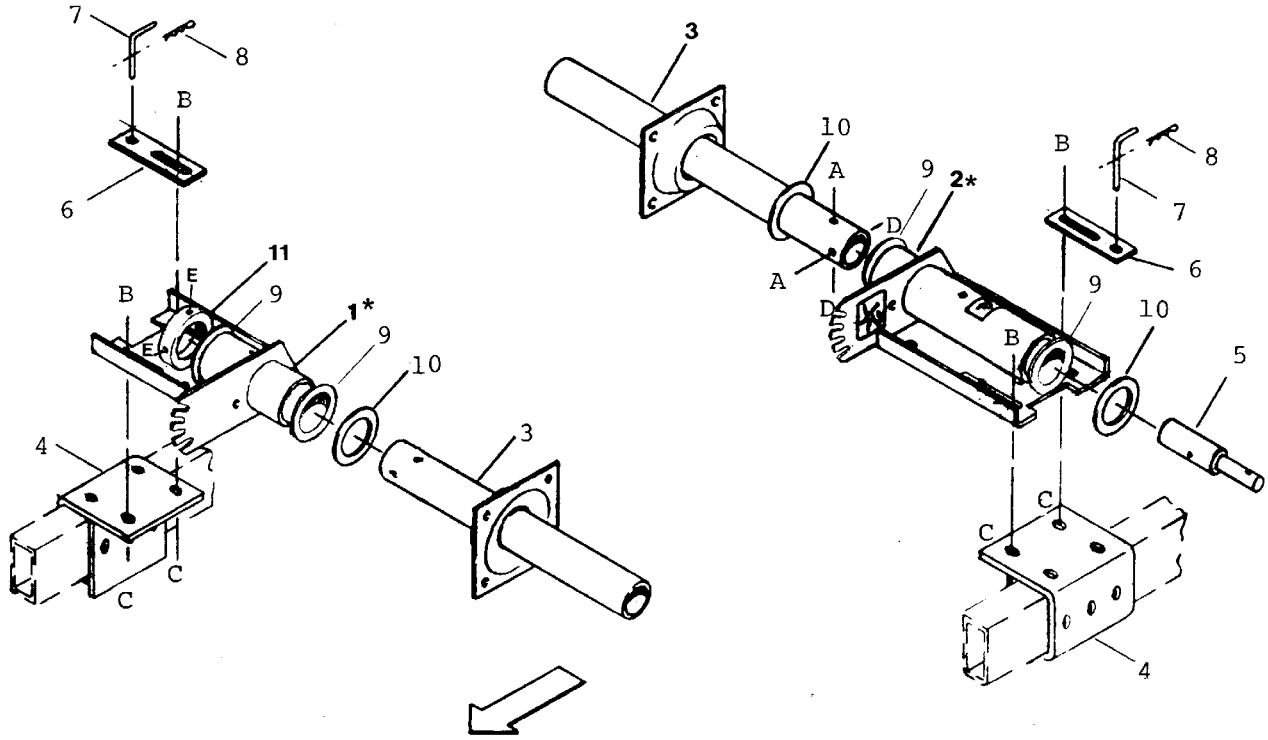
For White Combines

Models: 525, 535, 545, 5542, 7300, 7600, 7800, 8700, 8800, 8900, 9700

Header: Belt Drive

**NOTE:** Reel end tubes and drive adapter are secured with 1/2 dia. clevis pins. Replacement of parts may require drilling out holes in mating parts to 1/2 inch for installation of pins.

\* If replacing 2 3/8" O.D. main bearing (without bushings), order Main bearing kit K-35940-2 R/H or K-35939-2 L/H. Kit includes main bearing (with bushings) and modified cam plate.



Direction of Travel

**C 1089 - Mounting Package**

**PARTS LIST**

REF	PART NUMBER	DESCRIPTION	QTY	SERIAL NUMBER
1	35726	Main Bearing - R/H, with decals, lube fitting & bushings .....	1	
2	35725	Main Bearing - L/H, with decals, lube fitting & bushings.....	1	
3	35171	Tube, drive.....	2	
4	27826	Mount.....	2	
5	27825	Driveshaft.....	1	
6	27831	Pin Mount.....	2	
7	23370	Lock Pin.....	2	
8	15380	Hair Pin.....	2	
9	35694	Bushing.....	4	
10	27160	Washer .....	3	
11	35564	Shaft Collar.....	1	
A	19809	Clevis Pin, 1/2 dia. x 2 inch effective length .....	2	
B	19965	Bolt, round head, square neck, 3/8 NC x 1 inch .....	4	
C	30228	Nut, lock, smooth flange, 3/8 NC distorted thread.....	4	
D	18648	Cotter Pin, 3/16 dia. x 1 1/4 inch .....	2	
E	30872	Setscrew, socket head, 5/16 NC x 1/4 inch.....	2	

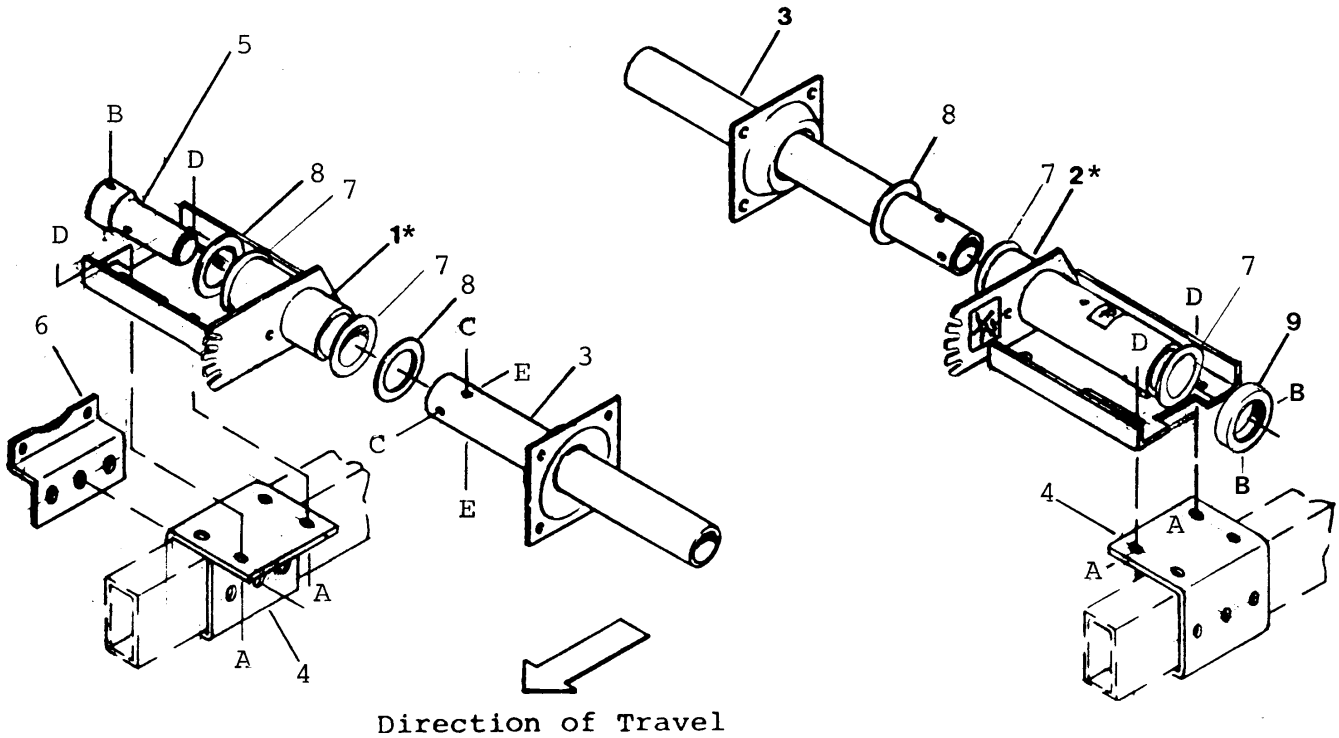
## MOUNTING PARTS LIST

### Reel Serial No. 68980 and up

For White Combines  
 Models: 8700, 8900, 8920, 9700, 9720  
 Header: 900 Series

NOTE: Reel end tubes and drive adapter are secured with 1/2 dia. clevis pins. Replacement of parts may require drilling out holes in mating parts to 1/2 inch for installation of pins.

\* If replacing 2 3/8" O.D. main bearing (without bushings), order Main bearing kit K-35940-2 R/H or K-35939-2 L/H. Kit includes main bearing (with bushings) and modified cam plate.



#### C 1090 - Mounting Package

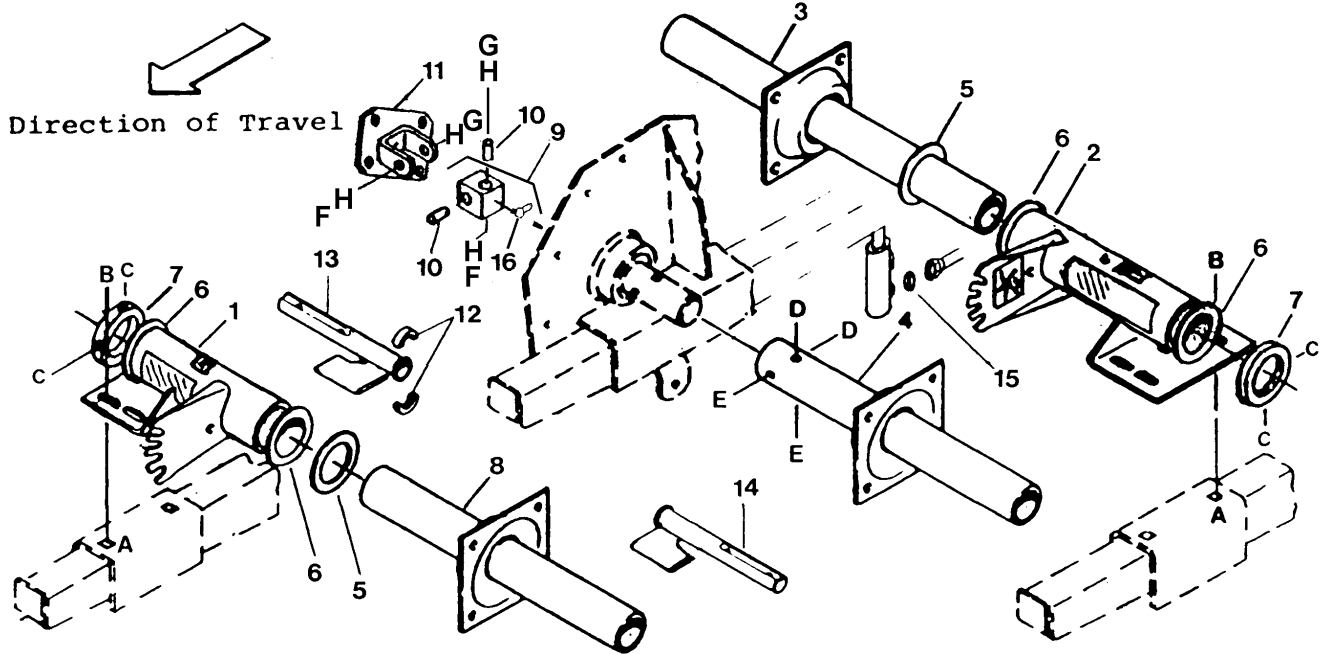
#### PARTS LIST

REF	PART NUMBER	DESCRIPTION	QTY	SERIAL NUMBER
1	35726	Main Bearing - R/H, with decals, lube fitting & bushings .....	1	
2	35725	Main Bearing - L/H, with decals, lube fitting & bushings.....	1	
3	35171	Tube, drive.....	2	
4	27826	Mount.....	2	
5	27989	Driveshaft (qty. 2 for headers with 2 reel drive motors).....	1	
6	27829	Drive Adapter (qty. 2 for headers with 2 reel drive motors) .....	1	
7	35694	Bushing.....	4	
8	27160	Washer .....	3	
9	35564	Shaft Collar.....	1	
A	30228	Nut, lock, smooth flange, 3/8 NC distorted thread.....	4	
B	30872	Setscrew, socket head, 5/16 NC x 1/4 inch.....	4	
C	19809	Clevis Pin, 1/2 dia. x 2 inch effective length .....	2	
D	19965	Bolt, round head, square neck, 3/8 NC x 1 inch .....	4	
E	18648	Cotter Pin, 3/16 dia. x 1 1/4 inch .....	2	

## MOUNTING PARTS LIST

### Reel Serial No. 68980 and up

For: MacDon 36 ft. 960 & 962/963 Harvest Header on MacDon S.P. Tractors - 6000/7000/9000 Series (and equivalent tractor models from: Massey, White, John Deere, Case, Westward, Prairie Star and Premier).



**B 2036 - Mounting Package**

### PARTS LIST

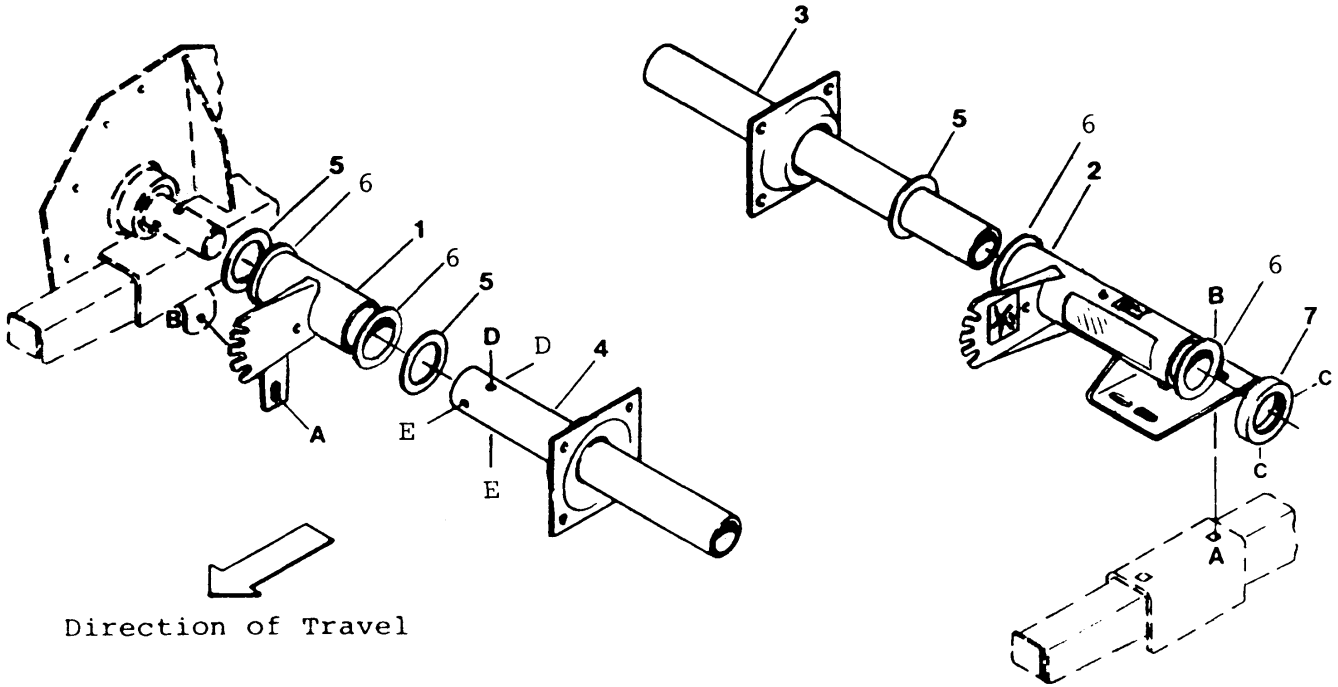
REF	PART NUMBER	DESCRIPTION	QTY	SERIAL NUMBER
1	35711	Main Bearing - R/H, with decals, lube fitting & bushings.....	1	
2	35960	Main Bearing - L/H, with decals, lube fitting & bushings.....	1	-77287
	35787	Main Bearing - L/H, with decals, lube fitting & bushings.....	1	77288-
3	35963	Tube, L/H end.....	1	-77287
	35558	Tube, L/H end.....	1	77288-
4	35198	Tube, drive (center reel arm).....	1	-77287
	35171	Tube, drive (center reel arm).....	1	77288-
5	27160	Washer.....	2	
6	35694	Bushing.....	4	
7	35564	Shaft Collar.....	2	
8	35558	Tube, R/H end.....	1	
<b>9</b>	<b>137035</b>	<b>Block, with fitting (item 16).....</b>	<b>1</b>	
10	32202	Spacer, used with 1/2" hardware.....	2	-109919
11	35965	Plate with Clevis (1/2" holes in clevis).....	1	-109919
	49631	Plate with Clevis (3/4" holes in clevis).....	1	109920-
12	27173	Bushing, half (2000 Reel only).....	20	
13	35973	Bat, end - R/H center (2000 Reel only, see page R6-2 for 2000-B).....	5	
14	35972	Bat, end - L/H center (2000 Reel only, see page R6-2 for 2000-B).....	5	
15	20988	Restrictor - bottom port of center reel lift cylinder (slot faces cylinder).....	1	
16	21301	Fitting - lube.....	1	
A	19965	Bolt, round head, square neck, 3/8 NC x 1 inch.....	4	
B	30228	Nut, lock, smooth flange, 3/8 NC distorted thread.....	4	
C	30872	Setscrew, socket head, 5/16 NC x 1/4 inch.....	4	
D	19809	Clevis Pin, 1/2 dia. x 2 inch effective length.....	2	
E	18648	Cotter Pin, 3/16 dia. x 1 1/4 inch.....	2	
F	21581	Bolt, hex head, 1/2 NC x 3 1/2 inch.....	2	-109919
	<b>137036</b>	<b>Bolt, hex head, 3/4 NC x 4 1/4 inch.....</b>	<b>2</b>	<b>109920-</b>
G	18697	Nut, lock 1/2 NC distorted thread.....	2	-109919
	<b>18689</b>	<b>Nut, lock 3/4 NC distorted thread.....</b>	<b>2</b>	<b>109920-</b>
H	18601	Washer - flat, 13/16" I.D.....	4	

## MOUNTING PARTS LIST

### Reel Serial No. 68980 and up

For: MacDon 21, 25 and 30 ft. 960 & 962 Harvest Header  
 MacDon 940 & 942 Multi-Crop Header

**NOTE:** This page applies to headers with serial number 77288 and up. For headers with earlier serial numbers, see Page M2-8.



#### B 2090 - Mounting Package

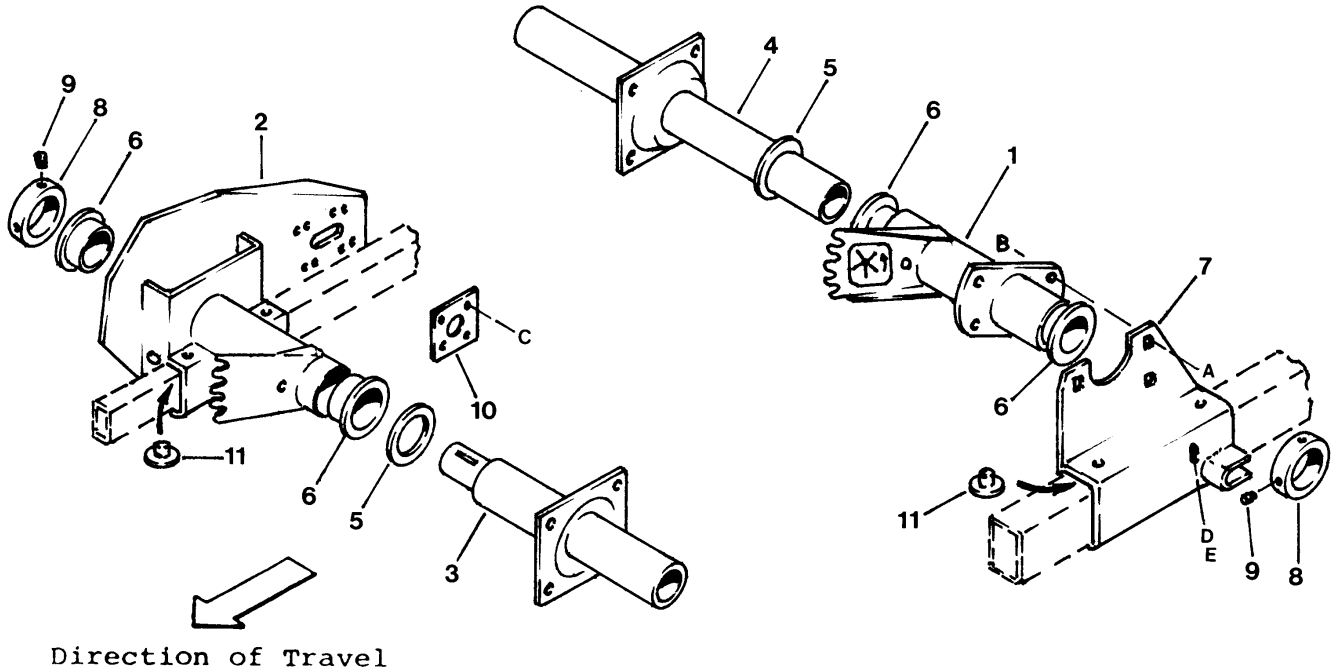
#### PARTS LIST

REF	PART NUMBER	DESCRIPTION	QTY	SERIAL NUMBER
1	35791	Main Bearing - R/H, with decals, lube fitting & bushings .....	1	
2	35787	Main Bearing - L/H, with decals, lube fitting & bushings.....	1	
3	35558	Tube, end.....	1	
4	35171	Tube, drive.....	1	
5	27160	Washer .....	3	
6	35694	Bushing.....	4	
7	35564	Shaft Collar.....	1	
A	19965	Bolt, round head, square neck, 3/8 NC x 1 inch .....	3	
B	30228	Nut, lock, smooth flange, 3/8 NC distorted thread .....	3	
C	30872	Setscrew, socket head, 5/16 NC x 1/4 inch.....	2	
D	19809	Clevis Pin, 1/2 dia. x 2 inch effective length .....	2	
E	18648	Cotter Pin, 3/16 dia. x 1 1/4 inch .....	2	

## MOUNTING PARTS LIST

### Reel Serial No. 68980 and up

For: John Deere Combines  
 Models: 6600, 6620, 7700, 7720, 8820, 9400, 9500 and 9600  
 Header: 900 Series



#### B 2091 - Mounting Package

#### PARTS LIST

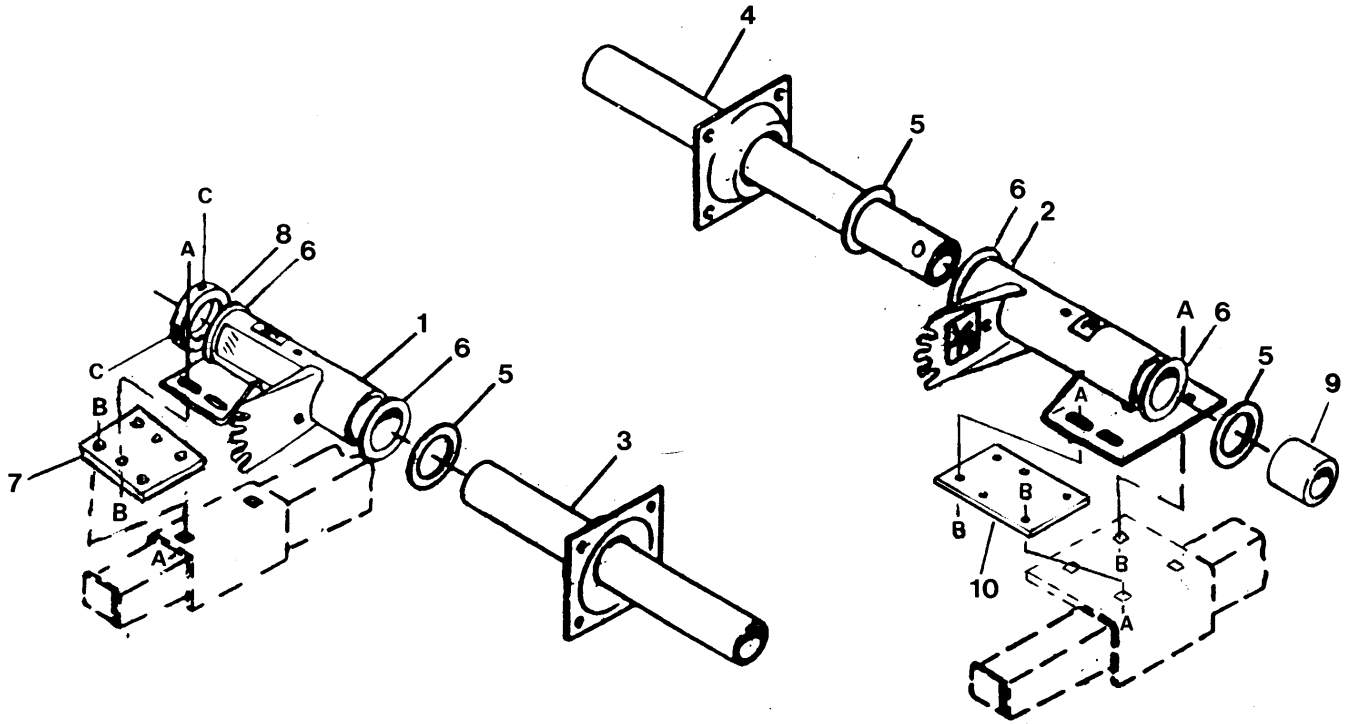
REF	PART NUMBER	DESCRIPTION	QTY	SERIAL NUMBER
1	35740	Main Bearing - L/H, with decals, lube fitting & bushings.....	1	
2	35490	Main Bearing - R/H, with decals, lube fitting & bushings .....	1	
3	35481	Tube, drive.....	1	
4	35557	Tube, end.....	1	
5	27160	Washer .....	2	
6	35694	Bushing.....	4	
7	35491	Mount, L/H .....	1	
8	35564	Shaft Collar.....	2	
9	30872	Setscrew, socket head, 5/16 NC x 1/4 inch.....	4	
10	35496	Plate.....	1	
11	14347	Wear Pad.....	4	
A	19965	Bolt, round head, square neck, 3/8 NC x 1 inch .....	3	
B	30228	Nut, lock, smooth flange, 3/8 NC distorted thread .....	3	
C	21975	Bolt, flange head, 3/8 NC x 1 inch .....	4	
D	35497	Pin, Clevis, 3/8 dia. x 2 1.4 effective length.....	2	
E	18605	Cotter Pin, 1/8 dia. x 1 inch .....	2	

## MOUNTING PARTS LIST

### Reel Serial No. 68980 and up

For: Case I.H. 8820 & 8830\* S.P. Windrowers and 8200 Series P.T. Windrowers  
 Hesston 8100 & 8200\* S.P. Windrowers and 1200 P.T. Windrower

NOTE:\* - Drive is R/H on Case 8830 and Hesston 8200. Exchange items 3, 4, 7 & 8.



#### B 2469 - Mounting Package

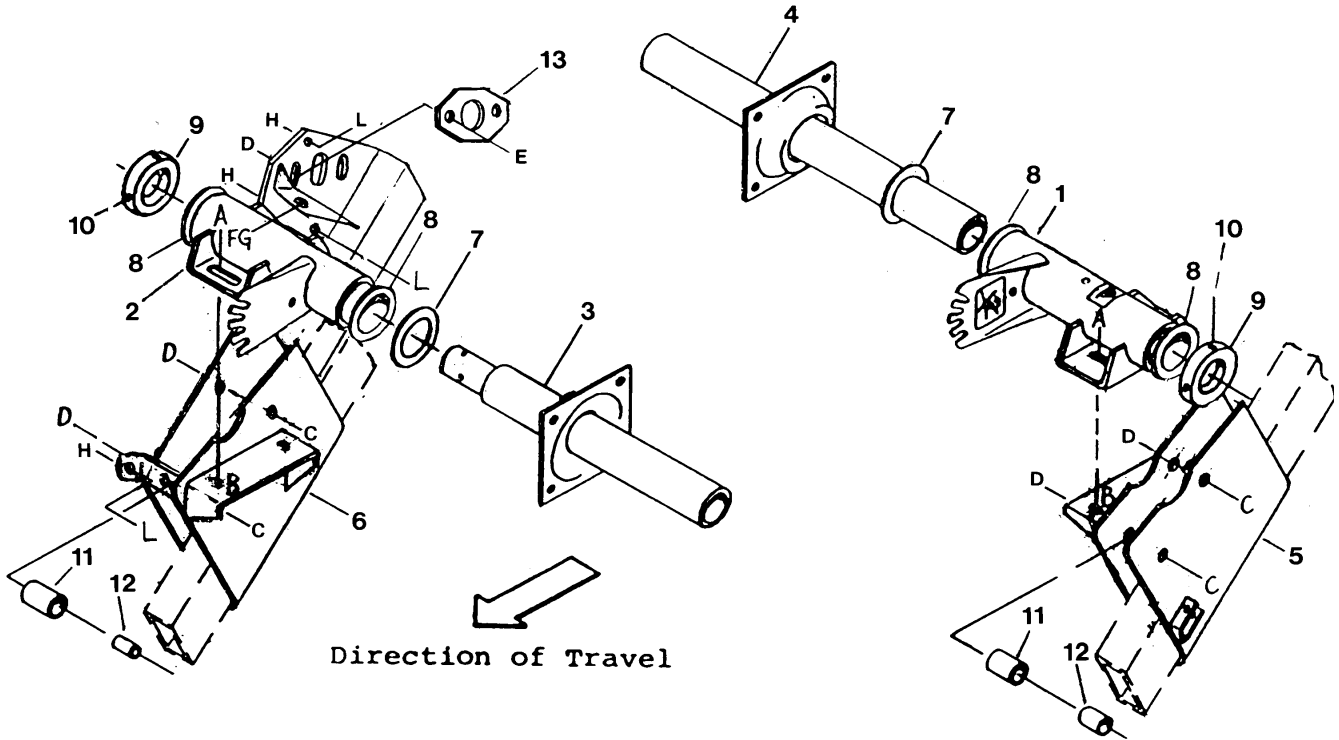
#### PARTS LIST

REF	PART NUMBER	DESCRIPTION	QTY	SERIAL NUMBER
1	35711	Main Bearing - R/H, with decals, lube fitting & bushings.....	1	
2	35787	Main Bearing - L/H, with decals, lube fitting & bushings.....	1	
3	35558	Tube, end.....	1	
4	48027	Shaft, drive.....	1	
5	27160	Washer .....	3	
6	35694	Bushing.....	4	
7	48026	Plate.....	1	
8	35564	Shaft Collar.....	1	
9	48034	Spacer - L/H side - Pulltype Windrower only .....	1	
10	48035	Plate - L/H side - Pulltype Windrower only .....	1	
A	19965	Bolt, round head, square neck, 3/8 NC x 1 inch .....	8	
B	30228	Nut, lock, smooth flange, 3/8 NC distorted thread.....	8	
C	30872	Setscrew, socket head, 5/16 NC x 1/4 inch.....	2	

## MOUNTING PARTS LIST

### Reel Serial No. 68980 and up

For Case I.H. 1600 & 2100 Series Combines  
 1010 Series Headers, serial #JJC0200001 and after  
 1020 Series Headers, serial #JJC0215001 and after



#### B 2533 - Mounting Package

#### PARTS LIST

REF	PART NUMBER	DESCRIPTION	QTY	SERIAL NUMBER
1	35769	Main Bearing - L/H, with decals, lube fitting & bushings.....	1	
2	35770	Main Bearing - R/H, with decals, lube fitting & bushings.....	1	
3	35553	Tube, drive.....	1	
4	35558	Tube, end.....	1	
5	48106	Mount - L/H.....	1	
6	48111	Mount - R/H.....	1	
7	27160	Washer.....	2	
8	35694	Bushing.....	4	
9	35564	Shaft Collar.....	2	
10	30872	Setscrew.....	4	
11	35619	Roller.....	4	
12	32202	Spacer.....	4	
13	48119	Plate.....	1	
A	19965	Bolt, round head, square neck, 3/8 NC x 1 inch.....	4	
B	30228	Nut, lock, smooth flange, 3/8 NC distorted thread.....	4	
C	30011	Bolt, hex head, 1/2 NC x 3 1/4 inch.....	4	
D	50186	Nut, lock, flange head, 1/2 NC.....	6	
E	21565	Bolt, hex head, 1/2 NC x 1 3/4 inch.....	2	
F	21672	Bolt, hex head, 1/2 NC x 3 inch, thread full length.....	1	
G	18591	Nut, hex, 1/2 NC.....	1	
H	30278	Bolt, flange head, 5/16 NC x 3/4 inch.....	3	
L	30280	Nut, lock, smooth flange, 5/16 NC distorted thread.....	3	

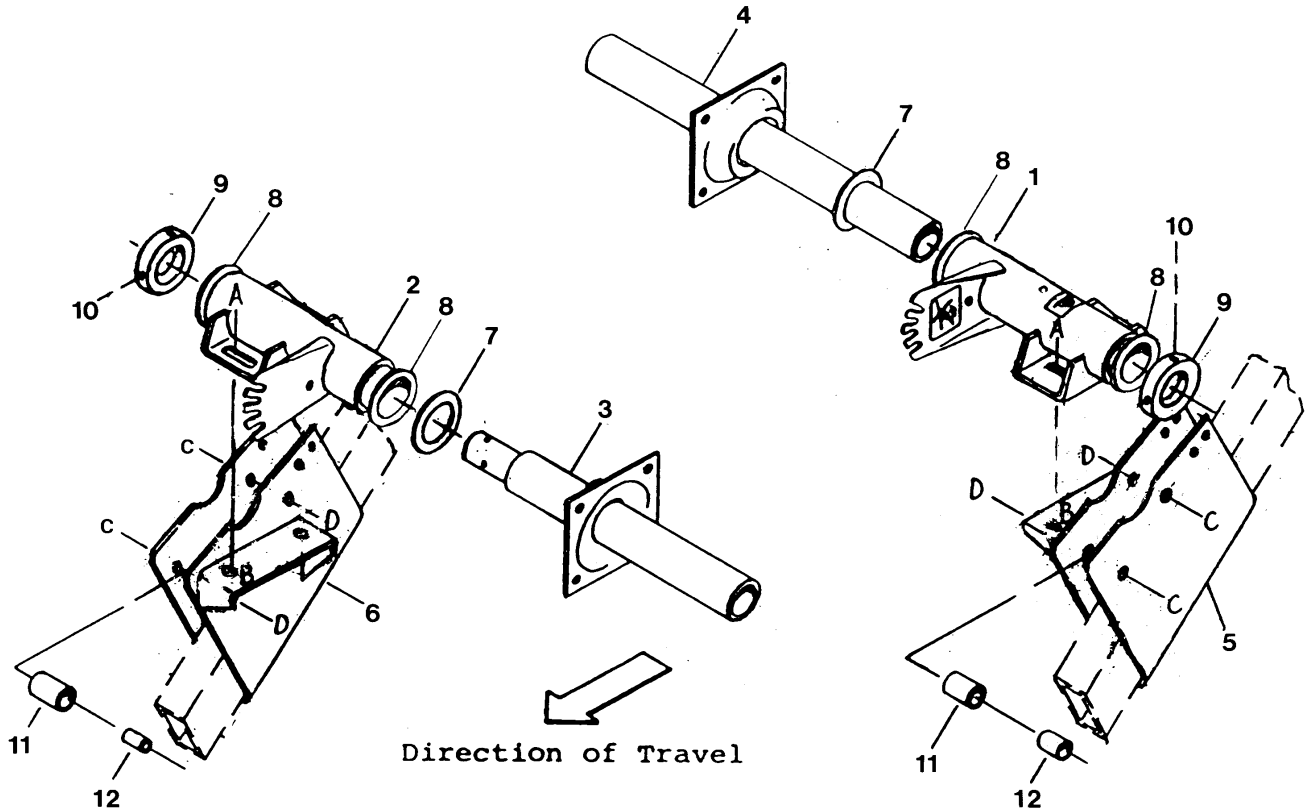


## MOUNTING PARTS LIST

### Reel Serial No. 68980 and up

For Gleaner Combines  
 Models: R  
 Header: 400 & 500 Series

**NOTE:** 78-tooth sprocket with 1-5/16" bore must be sourced from Gleaner (Part No. 71320310)



#### B 2534 - Mounting Package

#### PARTS LIST

REF	PART NUMBER	DESCRIPTION	QTY	SERIAL NUMBER
1	35769	Main Bearing - L/H, with decals, lube fitting & bushings.....	1	
2	35770	Main Bearing - R/H, with decals, lube fitting & bushings .....	1	
3	35552	Tube, drive.....	1	
4	35558	Tube, end.....	1	
5	48102	Mount - L/H.....	1	
6	48103	Mount - R/H .....	1	
7	27160	Washer .....	2	
8	35694	Bushing.....	4	
9	35564	Shaft Collar.....	2	
10	30872	Setscrew .....	4	
11	35619	Roller .....	4	
12	32202	Spacer .....	4	
A	19965	Bolt, round head, square neck, 3/8 NC x 1 inch .....	4	
B	30228	Nut, lock, smooth flange, 3/8 NC distorted thread .....	4	
C	30011	Bolt, hex head, 1/2 NC x 3 1/4 inch .....	4	
D	50186	Nut, flange lock, 1/2 NC.....	4	

## NUMERICAL LIST

<u>PART NO.</u>	<u>PAGE</u>	<u>PART NO.</u>	<u>PAGE</u>	<u>PART NO.</u>	<u>PAGE</u>	<u>PART NO.</u>	<u>PAGE</u>
04150	R5-2	27160	M2-03	27170	R2-2	27254	R3-3
04267	M2-23	27160	M2-04	27170	R3-2	27255	R3-3
14347	M2-37	27160	M2-05	27171	R2-2	27258	R3-3
15380	M2-01	27160	M2-06	27171	R3-2	27259	R3-3
15380	M2-18	27160	M2-07	27171	R4-2	27261	R3-3
15380	M2-27	27160	M2-08	27171	R5-2	27262	R3-3
15380	M2-33	27160	M2-09	27171	R6-2	27263	R3-3
16919	R4-2	27160	M2-10	27172	R2-2	27269	R2-2
16919	R5-2	27160	M2-11	27172	R3-2	27269	R3-3
18599	M2-28	27160	M2-12	27172	R4-2	27270	R2-2
18632	M2-28	27160	M2-13	27172	R5-2	27270	R3-3
18648	M2-17	27160	M2-14	27173	M2-35	27271	R3-3
18648	M2-23	27160	M2-15	27173	R2-2	27274	R2-2
18671	R2-2	27160	M2-16	27173	R3-2	27274	R3-3
18671	R3-2	27160	M2-17	27173	R4-2	27279	R3-3
18671	R4-2	27160	M2-18	27183	R2-2	27282	R3-3
18671	R5-2	27160	M2-19	27183	R3-2	27289	R3-3
19809	M2-17	27160	M2-20	27184	R2-2	27290	R3-3
19809	M2-23	27160	M2-21	27184	R3-2	27307	M2-04
19927	M2-09	27160	M2-22	27185	R2-2	27308	M2-04
20416	R2-2	27160	M2-23	27188	R2-2	27314	M2-04
20416	R3-2	27160	M2-24	27189	R2-2	27395	M2-09
20988	M2-35	27160	M2-25	27190	R2-2	27400	M2-09
21301	M2-35	27160	M2-26	27196	M2-23	27405	M2-12
23163	R2-2	27160	M2-27	27199	M2-23	27633	M2-13
23163	R3-2	27160	M2-28	27200	M2-23	27638	M2-13
23163	R4-2	27160	M2-29	27203	M2-30	27647	R3-2
23163	R5-2	27160	M2-30	27208	M2-30	27647	R4-2
23165	R2-2	27160	M2-31	27214	M2-17	27647	R5-2
23165	R3-2	27160	M2-32	27215	M2-17	27648	R3-2
23165	R4-2	27160	M2-33	27216	M2-17	27650	R3-2
23165	R5-2	27160	M2-34	27221	R3-3	27654	R3-2
23165	R6-2	27160	M2-35	27222	R3-3	27662	R3-2
23370	M2-01	27160	M2-36	27223	R3-3	27663	R3-2
23370	M2-18	27160	M2-37	27225	R3-3	27754	M2-14
23370	M2-33	27160	M2-38	27226	R3-3	27761	M2-18
23951	R6-3	27160	M2-39	27227	R3-3	27762	M2-18
23955	R6-3	27160	M2-40	27229	R3-3	27762	M2-20
25990	R6-3	27160	R2-2	27230	R3-3	27767	M2-18
25991	R6-3	27160	R3-2	27231	R3-3	27770	M2-20
26697	R5-4	27161	R2-2	27233	R3-3	27771	M2-20
26697	R6-2	27162	R2-2	27234	R3-3	27809	M2-25
27059	R2-2	27166	R2-2	27235	R3-3	27812	M2-25
27063	R2-2	27166	R3-2	27237	R3-3	27815	M2-27
27064	R2-2	27166	R4-2	27238	R3-3	27816	M2-27
27070	R2-2	27166	R5-2	27239	R3-3	27822	M2-27
27070	R3-2	27166	R6-2	27242	R3-3	27825	M2-33
27073	M2-01	27167	R2-2	27243	R3-3	27826	M2-33
27074	M2-01	27167	R3-2	27245	R3-3	27826	M2-34
27082	M2-03	27167	R4-2	27246	R3-3	27829	M2-34
27083	M2-03	27167	R5-2	27247	R3-3	27831	M2-33
27095	R2-2	27168	R2-2	27249	R3-3	27846	M2-05
27095	R3-2	27168	R3-2	27251	R3-3	27846	M2-10
27160	M2-01	27168	R4-2	27253	R3-3	27846	M2-16
27160	M2-02	27168	R5-2	27254	R2-2	27926	R3-3

## NUMERICAL LIST

<u>PART NO.</u>	<u>PAGE</u>	<u>PART NO.</u>	<u>PAGE</u>	<u>PART NO.</u>	<u>PAGE</u>	<u>PART NO.</u>	<u>PAGE</u>
27927	R3-3	35017	R6-2	35173	M2-06	35557	M2-28
27928	R3-3	35058	R1-1	35181	M2-31	35557	M2-37
27929	R3-3	35059	R1-1	35181	M2-32	35558	M2-01
27930	R3-3	35060	R1-1	35187	R4-2	35558	M2-02
27931	R3-3	35061	R1-1	35188	R4-2	35558	M2-06
27932	R3-3	35064	R1-1	35189	R4-2	35558	M2-07
27933	R3-3	35065	R1-1	35190	R4-2	35558	M2-15
27936	R3-4	35066	R1-1	35198	M2-08	35558	M2-16
27937	R3-4	35067	R1-1	35198	M2-35	35558	M2-21
27938	R3-4	35068	R1-1	35199	M2-06	35558	M2-23
27939	R3-4	35069	R1-1	35199	M2-07	35558	M2-24
27940	R3-4	35070	R1-1	35199	M2-22	35558	M2-35
27941	R3-4	35071	R1-1	35199	M2-30	35558	M2-35
27942	R3-4	35072	R1-1	35202	R4-2	35558	M2-36
27943	R3-4	35073	R1-1	35202	R5-2	35558	M2-38
27946	R3-4	35074	R1-1	35220	M2-11	35558	M2-39
27947	R3-4	35075	R1-1	35221	M2-26	35558	M2-40
27948	R3-4	35076	R1-1	35222	M2-29	35564	M2-01
27949	R3-4	35077	R1-1	35243	R2-2	35564	M2-02
27984	R4-2	35078	R1-1	35243	R3-2	35564	M2-03
27984	R5-2	35079	R1-1	35243	R4-2	35564	M2-04
27984	R6-2	35082	R1-1	35243	R5-4	35564	M2-05
27985	R4-2	35083	R1-1	35243	R6-2	35564	M2-06
27985	R5-2	35084	R1-1	35256	M2-31	35564	M2-07
27985	R6-2	35087	R1-1	35257	M2-31	35564	M2-08
27989	M2-34	35088	R1-1	35257	M2-32	35564	M2-09
30268	R2-2	35091	R1-1	35263	M2-32	35564	M2-10
30268	R3-2	35092	R1-1	35264	R4-2	35564	M2-11
30268	R4-2	35093	R1-1	35264	R5-4	35564	M2-12
30268	R5-2	35171	M2-03	35267	M2-31	35564	M2-13
30712	R1-1	35171	M2-04	35281	R5-4	35564	M2-14
30872	M2-01	35171	M2-09	35281	R6-2	35564	M2-15
30872	M2-02	35171	M2-10	35282	R5-4	35564	M2-16
30872	M2-14	35171	M2-12	35282	R6-2	35564	M2-17
30872	M2-15	35171	M2-13	35396	R5-4	35564	M2-18
30872	M2-19	35171	M2-17	35396	R6-2	35564	M2-19
30872	M2-21	35171	M2-18	35397	R5-4	35564	M2-20
30872	M2-23	35171	M2-20	35397	R6-2	35564	M2-21
30872	M2-24	35171	M2-25	35481	M2-37	35564	M2-21
30872	M2-28	35171	M2-27	35490	M2-37	35564	M2-22
30872	M2-37	35171	M2-30	35491	M2-37	35564	M2-23
30872	M2-39	35171	M2-31	35496	M2-37	35564	M2-24
30872	M2-40	35171	M2-33	35548	M2-19	35564	M2-25
32071	R5-4	35171	M2-34	35549	M2-14	35564	M2-26
32202	M2-15	35171	M2-35	35550	M2-28	35564	M2-27
32202	M2-28	35171	M2-36	35551	M2-23	35564	M2-28
32202	M2-35	35171	R1-1	35551	M2-24	35564	M2-29
32202	M2-39	35171	R2-2	35552	M2-01	35564	M2-30
32202	M2-40	35171	R3-2	35552	M2-02	35564	M2-31
34126	M2-21	35172	M2-05	35552	M2-40	35564	M2-32
35011	R4-2	35172	M2-07	35553	M2-15	35564	M2-33
35012	R4-2	35172	M2-11	35553	M2-39	35564	M2-34
35012	R5-2	35172	M2-22	35555	M2-32	35564	M2-35
35017	R4-2	35172	M2-26	35557	M2-14	35564	M2-36
35017	R5-2	35172	M2-29	35557	M2-19	35564	M2-37

## NUMERICAL LIST

<u>PART NO.</u>	<u>PAGE</u>	<u>PART NO.</u>	<u>PAGE</u>	<u>PART NO.</u>	<u>PAGE</u>	<u>PART NO.</u>	<u>PAGE</u>
35564	M2-38	35694	M2-13	35726	M2-09	35931	R3-2
35564	M2-39	35694	M2-14	35726	M2-10	35932	R3-2
35564	M2-40	35694	M2-15	35726	M2-12	35953	R2-2
35577	M2-14	35694	M2-16	35726	M2-13	35954	R2-2
35578	M2-14	35694	M2-17	35726	M2-17	35960	M2-08
35585	M2-28	35694	M2-18	35726	M2-18	35960	M2-22
35586	M2-28	35694	M2-19	35726	M2-20	35960	M2-35
35596	M2-21	35694	M2-20	35726	M2-25	35963	M2-08
35597	M2-21	35694	M2-21	35726	M2-27	35963	M2-22
35600	M2-21	35694	M2-22	35726	M2-30	35963	M2-35
35602	M2-15	35694	M2-23	35726	M2-33	35965	M2-35
35616	M2-19	35694	M2-24	35726	M2-34	35972	M2-35
35617	M2-28	35694	M2-25	35726	R2-2	35973	M2-35
35618	M2-28	35694	M2-26	35726	R3-2	35996	M2-21
35619	M2-15	35694	M2-27	35727	M2-05	37866	M2-13
35619	M2-28	35694	M2-28	35727	M2-11	37866	M2-21
35619	M2-39	35694	M2-29	35727	M2-26	48008	R4-2
35619	M2-40	35694	M2-30	35727	M2-29	48008	R5-2
35620	M2-15	35694	M2-31	35728	M2-05	48008	R6-2
35621	M2-15	35694	M2-32	35728	M2-11	48009	R4-2
35628	M2-02	35694	M2-33	35728	M2-26	48009	R5-2
35634	M2-19	35694	M2-34	35728	M2-29	48009	R6-2
35641	M2-19	35694	M2-35	35740	M2-14	48010	R4-2
35646	M2-19	35694	M2-36	35740	M2-19	48010	R5-2
35651	M2-16	35694	M2-37	35740	M2-28	48010	R6-2
35655	R5-2	35694	M2-38	35740	M2-32	48011	R4-2
35656	R5-2	35694	M2-39	35740	M2-37	48011	R5-2
35659	R5-2	35694	M2-40	35741	M2-32	48011	R6-2
35660	R5-2	35694	R2-2	35742	M2-31	48020	R5-2
35660	R6-2	35694	R3-2	35743	M2-31	48023	R4-2
35661	R4-2	35709	M2-08	35744	M2-14	48023	R5-2
35661	R5-2	35711	M2-06	35744	M2-19	48023	R6-2
35661	R6-2	35711	M2-07	35744	M2-28	48024	R4-2
35670	M2-07	35711	M2-16	35761	M2-23	48024	R5-2
35672	M2-06	35711	M2-35	35761	M2-24	48024	R6-2
35673	M2-16	35711	M2-38	35762	M2-23	48026	M2-38
35679	R5-2	35712	M2-22	35762	M2-24	48027	M2-38
35680	R5-2	35725	M2-03	35767	R5-2	48034	M2-38
35681	R5-2	35725	M2-04	35768	R5-2	48035	M2-38
35688	R5-2	35725	M2-09	35769	M2-01	48050	R6-2
35689	R4-2	35725	M2-10	35769	M2-02	48051	R6-2
35689	R5-2	35725	M2-12	35769	M2-15	48058	R6-2
35689	R6-2	35725	M2-13	35769	M2-21	48059	R6-2
35694	M2-01	35725	M2-17	35769	M2-39	48060	R6-2
35694	M2-02	35725	M2-18	35769	M2-40	48061	R6-2
35694	M2-03	35725	M2-20	35770	M2-01	48065	R6-2
35694	M2-04	35725	M2-25	35770	M2-02	48070	R6-2
35694	M2-05	35725	M2-27	35770	M2-15	48071	R6-2
35694	M2-06	35725	M2-30	35770	M2-21	48083	R6-2
35694	M2-07	35725	M2-33	35770	M2-39	48095	R6-2
35694	M2-08	35725	M2-34	35770	M2-40	48096	R6-2
35694	M2-09	35725	R2-2	35787	M2-35	48102	M2-40
35694	M2-10	35725	R3-2	35787	M2-36	48103	M2-40
35694	M2-11	35726	M2-03	35787	M2-38	48106	M2-39
35694	M2-12	35726	M2-04	35791	M2-36	48111	M2-39

## NUMERICAL LIST

<u>PART NO.</u>	<u>PAGE</u>	<u>PART NO.</u>	<u>PAGE</u>	<u>PART NO.</u>	<u>PAGE</u>	<u>PART NO.</u>	<u>PAGE</u>
48119	M2-39						
48128	R6-2						
48129	R6-2						
48135	R6-2						
48136	R6-2						
49631	M2-35						
50184	R6-2						
50185	R6-2						
115146	R6-2						
137035	M2-35						
B 1514	R4-2						
B 1514	R5-2						
B 1515	R4-2						
B 1515	R5-2						
B 1879	M2-06						
B 1880	M2-07						
B 1881	M2-22						
B 1884	M2-19						
B 1885	M2-14						
B 1886	M2-28						
B 1887	M2-23						
B 1888	M2-24						
B 1889	M2-01						
B 1890	M2-02						
B 1891	M2-15						
B 1892	M2-21						
B 1893	M2-32						
B 1894	M2-31						
B 1895	M2-16						
B 2036	M2-35						
B 2067	M2-08						
B 2090	M2-36						
B 2091	M2-37						
B 2469	M2-38						
B 2533	M2-39						
B 2534	M2-40						
C 1076	M2-30						
C 1077	M2-17						
C 1078	M2-27						
C 1079	M2-04						
C 1080	M2-09						
C 1081	M2-12						
C 1082	M2-11						
C 1083	M2-13						
C 1084	M2-18						
C 1085	M2-20						
C 1086	M2-25						
C 1087	M2-26						
C 1088	M2-29						
C 1089	M2-33						
C 1090	M2-34						
C 1091	M2-03						
C 1092	M2-10						
C 1093	M2-05						

