

R85

**4.9 Meter (16 Foot) Rotary Disc
Pull-Type Mower Conditioner and
Self-Propelled Windrower Header**

Parts Catalog

214816 Revision A

Original Instruction

R85 4.9 Meter (16 Foot) Rotary Disc Self-Propelled Windrower Header and Pull-Type Mower Conditioner



1002166

Published: December 2018

NOTE:

Keep your MacDon publications up-to-date. The most current version can be downloaded from our website (www.macdon.com) or from our Dealer-only site (<https://portal.macdon.com>) (login required).

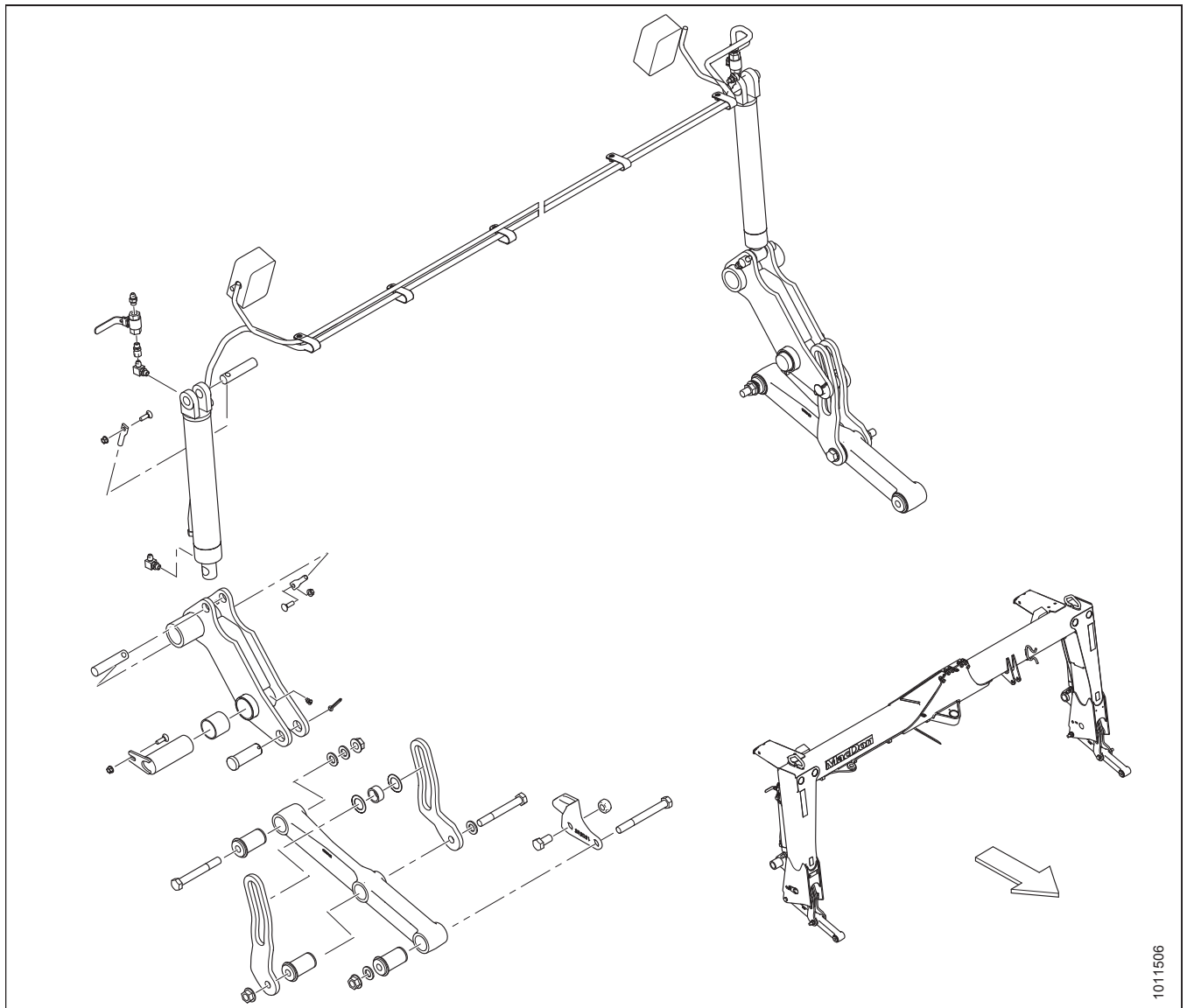
Introduction

This Parts Catalog lists all the replacement parts that can be ordered for a MacDon R85 4.9 Meter (16 Foot) Rotary Disc Pull-Type Mower Conditioner or Self-Propelled Windrower Header.

When ordering, be sure to use the complete and proper part number. Some parts vary with machine type; be sure you are ordering the correct part number for your unit.

Bold text is used to indicate updates made at the current revision level. With each new revision of the catalog, previous revisions are returned to regular text.

In this catalog, right-hand (RH) and left-hand (LH) are determined from the operator's seated driving position in the tractor or windrower cab. An arrow is sometimes used in illustrations to indicate forward position as shown below.



NOTE:

For specific electrical harness parts, refer to Electrical Connector Parts Catalog (MD #169641).

Abbreviations

A/R – as required (quantity varies)
ASSY – assembly
BHRN – button head rib neck
C/W – complete with
CCW – counterclockwise
CW – clockwise
CSK – countersink
DK – double knife
DT – distorted thread
FLG – flange
HDR – header
HYD – hydraulic
GS – grass seed
MFA – manual fore-aft
I.D. – inside diameter
LG – long
LH – left hand (determined from Operator's position, facing forward)
HFA – hydraulic fore-aft
NC – national coarse thread
NF – national fine thread
NSS – not sold separately
O.D. – outside diameter
OPT – optional
PT – pull-type (mower conditioner)
REF – reference, part number called up elsewhere in catalog
RH – right hand (determined from Operator's position, facing forward)
RHSN – round head, square neck or square neck carriage bolt
RHSSN – round head, short, square neck
SER – serrated
SMV – slow moving vehicle
SK – single knife
SP – self-propelled (windrower) header
SPI – serrations per inch (knife sections)
UDK – untimed double knife

Serial Number Breaks

The side of the serial number on which the dash (–) appears determines whether the part is used "up to" or "after" the serial number given.

Example:

- –162249 Used on machines up to and including serial number 166249
- 166250– Used on machines including and after serial number 166250

Summary of Changes – R85 4.9 Meter (16 Foot) – 214816 Rev. A

This list covers changes made since the last revision (214365 Rev. A)

Section	Summary of Change	Internal Use Only
OVERALL	Added serial number breaks to all parts specific to a given model year. Added footnotes to clarify serial number breaks. Reorganized catalog to work with new version of Arbortext Editor 7.1.	Tech Pubs
<i>1 Cutterbar Components, page 1</i>	Changed the blade quantities from 10 to 2 as blades can only be ordered in packs of six. To replace all blades, two packages of each clockwise (CW) and counterclockwise (CCW) blades are required. Added footnote to clarify.	Tech Pubs
<i>2 Cutterbar – Ten Disc, page 2</i>	Added serial number break and footnote to short spindle flange 268095 to clarify.	Parts
<i>3 Cutterbar and Rockguards, page 6</i>	Support 196783 not current after model year 2017. Added support 268294 to list for model year 2018. Added serial number breaks and footnotes to clarify.	ECN 55659
<i>6 Auger – 2013 and Prior, page 14</i>	Added LH and RH chromed inner flighting 236850 and 236851 to list and illustration.	Parts
	Added LH and RH outer helix flight pairs 194942 and 194943 to list and illustration. Helix flight pairs changed from SC 4 to SC 1. Updated illustration from 1002580 to 1027588 to show changes.	ECN 56575
	Machined plate 236030 superseded by 268332.	ECN 56791
<i>7 Auger – 2014 and Later, page 18</i>	Machined plate 236030 superseded by 268332.	ECN 56791
	Added shim 268335 to list and illustration. Updated illustration from 1006421 to 1027615 to show changes.	ECN 57130
<i>8 Pans, Cradle, and Frame, page 22</i>	Bolt 30512 replaced by 19957.	ECN 55940
<i>9 Cages and Cutterbar Drives, page 24</i>	Cage driven deflector 150682 superseded by 268322.	ECN 55593
	Bolt 148799 replaced by 268321 and added washer 18599 to list and illustration. Updated illustration from 1022888 to 1027596 to show changes	ECN 55940
<i>10 Cutterbar Gearbox Repair Parts – 2015 and Prior, page 28</i>	Double lip seal 111961 superseded by viton seal 268144. Updated illustration from 1006452 to 1027415 to show change.	ECN 56155
<i>14 Header Top Shields, page 40</i>	Removed shield 198202 as its stock has been depleted. Only shield 268039 will remain available. Updated footnote to clarify.	Parts

Section	Summary of Change	Internal Use Only
<i>15 Header Front Shields, page 42</i>	LH and RH weldt supports 198050 and 198051 (2016 and prior) superseded by 268181 and 268182 (2017 and later) already on list.	ECN 52521
	Removed covers 198172 (2016 and prior) and 268184 (2017 and later) both superseded by 268227 and again superseded by 268285 already on list.	ECN 51581 ECN 55345 ECN 55170
	Removed channel weldment 198086 and LH and RH weldt supports 198050 and 198051 as its stock has been depleted. Only channel weldment 268187 and LH and RH weldt supports 268181 and 268182 will remain available. Removed serial number breaks and footnotes as they are no longer required.	Parts
<i>18 Hydraulics, page 50</i>	Removed discontinued seal kit 135480 from list.	ECN 47629
	Added fittings (136412, 136413, and 136631) and harness (207299) to list and illustration, previously located in section "Self-Propelled header forming shields – 2016 and Later". Updated illustration from 1018895 to 1027538 to show changes.	Parts Tech Pubs
<i>19 Completion Package for Windrower Headers, page 54</i>	Swath baffle weldment shield 236785 superseded by 268268. Baffle plate 146070 superseded by baffle plates kit 268337. Footnote added to clarify included parts in kit. Updated illustration from 1018762 to 1027556 to show changes.	ECN 54127
<i>20 Carrier Assembly, page 58</i>	Removed incorrectly included parts (30702, 140247, 140248, and 140250) from footnote and incorrect brackets in illustration from hub 140246. Updated illustration from 1002594 to 1027557 to show changes.	Parts
<i>21 Carrier Frame Components, page 62</i>	Ball valve 148852 superseded by 247875. Updated illustration from 1002595 to 1027413 to show change.	ECN 53392
<i>22 Carrier Springs, page 66</i>	Spring assembly 149814 superseded by 268340.	ECN 57169
<i>25 Hitch Hydraulic Drive – 2013 and Later, page 74</i>	Corrected bolt from 21582 to 135955 in list.	Parts
<i>26 Front Half Drivelines, page 78</i>	MacDon has decided to make all drivelines CE compliant and suitable for all markets. Thus reducing the complexity of service parts and inventory cost; NA Drivelines 146555, 196141, 150049, and 150620 have been superseded by CE compliant drivelines 146574, 146367, 194527, and 194526. Shields 146556, 146352, 150892 and 150895 superseded by 236815, 236816, 236829, and 236828. Corrected yoke repair kit from 133632 to 150894. Added and removed footnotes where necessary to clarify.	ECN 57414
<i>27 Hitch Hydraulics and Electrical, page 82</i>	Ball valve 148852 superseded by 247875.	ECN 53392
	Hydraulic motor 194100 superseded by 198610 already listed. Removed 194100, serial number breaks, and footnotes from list.	ECN 56799
<i>28 Hitch Assembly, page 88</i>	Footnote for included parts for hitch assembly 194476 changed transport lock PT hyd decal 171286 to 259058.	ECN 56335

Section	Summary of Change	Internal Use Only
<i>29 Decals – Information and Reflectors, page 90</i>	Warning decal 44944 superseded by high pressure fluid decal 174436, #10 in section “Decals – Two Panel (Non-Text)”. Removed decal 44944 from list and illustration. Warning decal 134070 superseded by high pressure fluid decal 166466. Removed decal 134070 from list and illustration. Added 166466 to section “Decals – Two Panel (Non-Text)”. Reconfigured list and updated illustration from 1006389 to 1027595 to show changes.	ECN 47310
	Added California proposition 65 decal 302204 to list and illustration.	ECN 57716
<i>30 Decals – Two-Panel (Non-Text), page 92</i>	Added high pressure fluid decal 166466 to list and illustration.	ECN 47310
	Two panel install lock decal 194462 superseded by 171287. Updated illustration from 1014300 to 1027389 to show changes.	ECN 47958
	Transport lock PT hyd decal 171286 superseded by 259058.	ECN 56335
<i>34 Self-Propelled Header Forming Shields – 2015 and Prior, page 100</i>	Corrected by replacing LH and RH forming shield brackets 236637 and 236638 (SC 5) with bracket weldt kit 236639. Added footnote to clarify included parts.	Parts
	Rear angle 150211 and LH and RH inner deflectors 194199 and 194200 superseded by 325060, 325061, and 325062. Forming shield channel 236901 superseded by 325063.	ECN 57898
	Unsuperseded forming shield channel 236901, supersession was done in error. Forming shield channel 325063 is discontinued.	ECN 57917
<i>35 Self-Propelled Header Forming Shields – 2016 and Later, page 104</i>	Moved fittings (136412, 136413, and 136631) and harness (207299) from list and illustration to section “Hydraulics”. Removed support 272233 from list and illustration as it was already listed in section “Hydraulics”.	Parts Tech Pubs
	Rear angle 150211 and LH and RH inner deflectors 194199 and 194200 superseded by 325060, 325061, and 325062.	ECN 57898
	Added forming shield channel 325084 to list and illustration, previously missed. Updated illustration from 1018530 to 1027537 to show changes.	ECN 57917
<i>38 R85 to M205 – Connections, page 112</i>	SP rotary disc wiring harness 268026 superseded by 268274.	ECN 55170
<i>42 (Option) M200–R85 Hydraulic Drive, page 122</i>	Number missing from list, reorganized list and callouts in illustration. Updated illustration from 1002642 to 1027751 to show changes.	Tech Pubs
<i>46 (Option) R85 to M1240 – Rotary Quick Coupler Kit, page 132</i>	Added new section for bundle B6277.	Support
<i>48 (Option) Solid Drums and Shield, page 136</i>	Replaced bundle B6433 with parts kit 268223. Added bolt 136151 to list and illustration as it was previously missed. Updated illustration from 1022884 to 1027561 to show changes.	Support Parts
<i>51 (Option) Tractor Utility Hitch Adapter, page 142</i>	Changed description of bundle B4897 and title of section to “Tractor Utility Hitch Adapter” to be consistent with all publications.	Support Parts

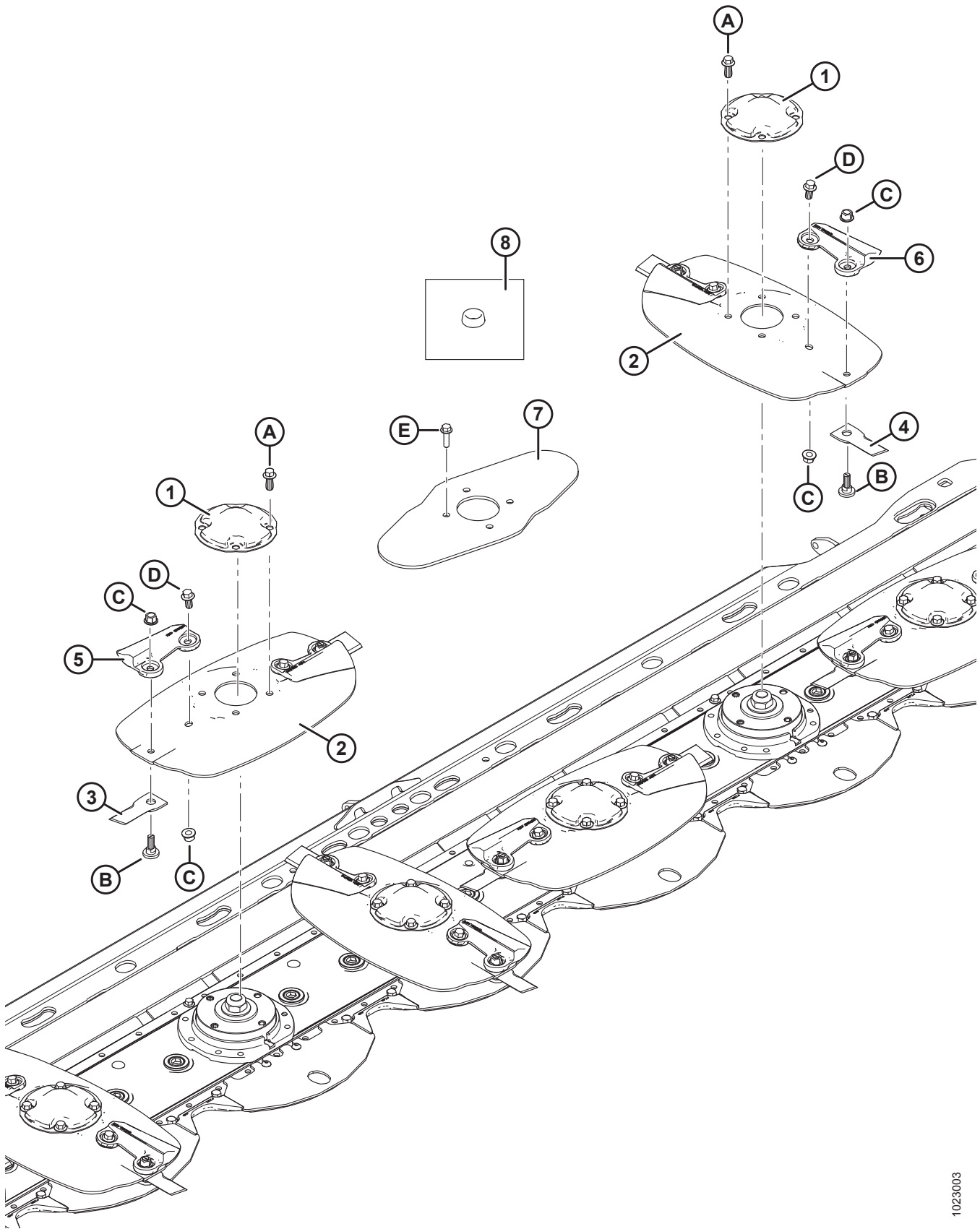
TABLE OF CONTENTS

Introduction	i
Abbreviations.....	ii
Serial Number Breaks	iii
Summary of Changes – R85 4.9 Meter (16 Foot) – 214816 Rev. A	iv
1 Cutterbar Components	1
2 Cutterbar – Ten Disc.....	2
3 Cutterbar and Rockguards.....	6
4 Cutterbar End Supports	8
5 Conditioner Rolls	10
6 Auger – 2013 and Prior	14
7 Auger – 2014 and Later.....	18
8 Pans, Cradle, and Frame	22
9 Cages and Cutterbar Drives	24
10 Cutterbar Gearbox Repair Parts – 2015 and Prior	28
11 Cutterbar Gearbox Repair Parts – 2016 and Later	30
12 Bevel Gearbox Kit	32
13 Rolls and Auger Drives	34
14 Header Top Shields	40
15 Header Front Shields.....	42
16 Header Drive Shields.....	46
17 Lights and Wiring Harness.....	48
18 Hydraulics	50
19 Completion Package for Windrower Headers.....	54
20 Carrier Assembly	58
21 Carrier Frame Components	62
22 Carrier Springs	66
23 Hitch Hydraulic Drive – 2012 and Prior.....	68
24 Hitch Drive Gearbox – 2012 and Prior	72
25 Hitch Hydraulic Drive – 2013 and Later	74
26 Front Half Drivelines	78
27 Hitch Hydraulics and Electrical.....	82
28 Hitch Assembly	88
29 Decals – Information and Reflectors	90
30 Decals – Two-Panel (Non-Text)	92
31 Decals – Product Identification	94
32 Paint.....	96
33 Latches	98
34 Self-Propelled Header Forming Shields – 2015 and Prior.....	100
35 Self-Propelled Header Forming Shields – 2016 and Later.....	104
36 Pull-Type Forming Shields	108
37 Hydraulic Header Angle Kit	110
38 R85 to M205 – Connections.....	112
39 (Option) Drawbar Hitch	116

TABLE OF CONTENTS

40	(Option) Gauge Rollers	118
41	(Option) Header Drive Performance Improvement Kit	120
42	(Option) M200–R85 Hydraulic Drive	122
43	(Option) Mechanical Header Angle	126
44	(Option) Pressure Gauge and Feed Plate	128
45	(Option) R85 Service Kit.....	130
46	(Option) R85 to M1240 – Rotary Quick Coupler Kit	132
47	(Option) Skid Shoes	134
48	(Option) Solid Drums and Shield	136
49	(Option) Tall Crop Dividers	138
50	(Option) Three-Point Hitch Adapter	140
51	(Option) Tractor Utility Hitch Adapter	142
	Index	145

1 Cutterbar Components

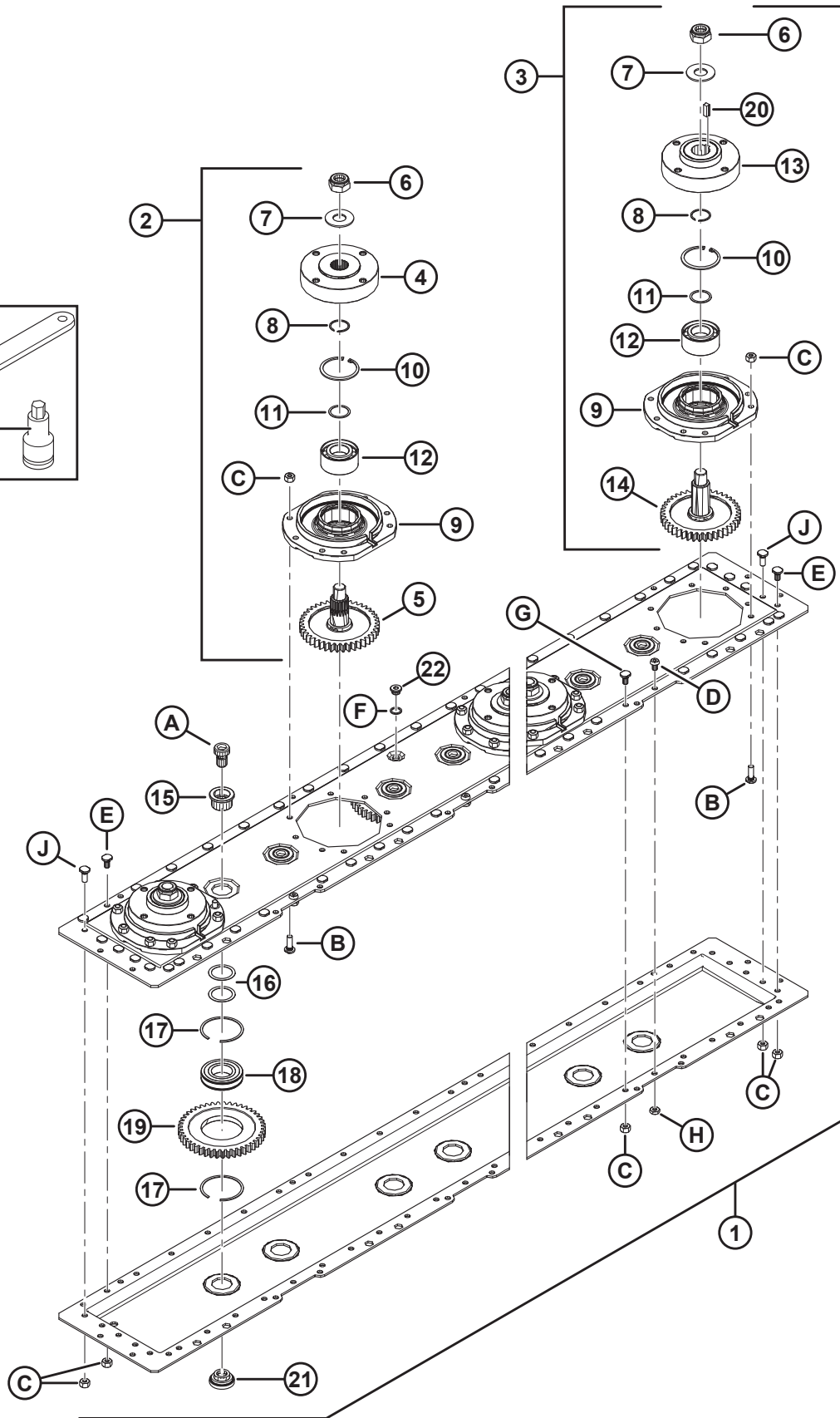
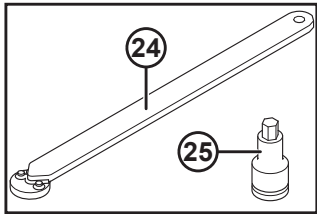
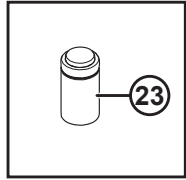


CUTTERBAR COMPONENTS

Ref	Part Number	Description	Qty	Serial Number
1	148735	COVER	9	
2	148730	DISC – WELDT	10	
3	268204	BLADE – CW, 18° BEVEL DN (6 PACK) ¹	2	
	268205	BLADE – CW, 11° BEVEL DN (6 PACK)	2	
4	268206	BLADE – CCW, 18° BEVEL DN (6 PACK)	2	
	268207	BLADE – CCW, 11° BEVEL DN (6 PACK)	2	
5	150413	ACCELERATOR – CW	10	
6	150734	ACCELERATOR – CCW	10	
7	148220	PLATE – TALL CROP FEED ²	2	
8	221530	SHIELD – NUT	12	
A	148798	BOLT – HH FLANGE M12 X 1.75 X 30 LG ZP		
B	148644	BOLT – SHOULDER, BLADE PIVOT		
C	148645	NUT – LOCK FLG STOVER M12 X 1.75 ZP		
D	148800	BOLT – HH FLANGE M12 X 1.75 X 25 LG ZP		
E	148799	BOLT – HEX FLG HD M12 X 1.75 X 45-10.9-AA1J		

-
1. Replacement blades are sold in packages of six. To replace all blades, two packages of each clockwise (CW) and counterclockwise (CCW) blades are required.
 2. Two tall crop feed plates (MD #148220) and twelve nut shields (MD #221530) are shipped with the 4.9 meter (16 foot) R85, stored at the right-hand end panel.

2 Cutterbar – Ten Disc



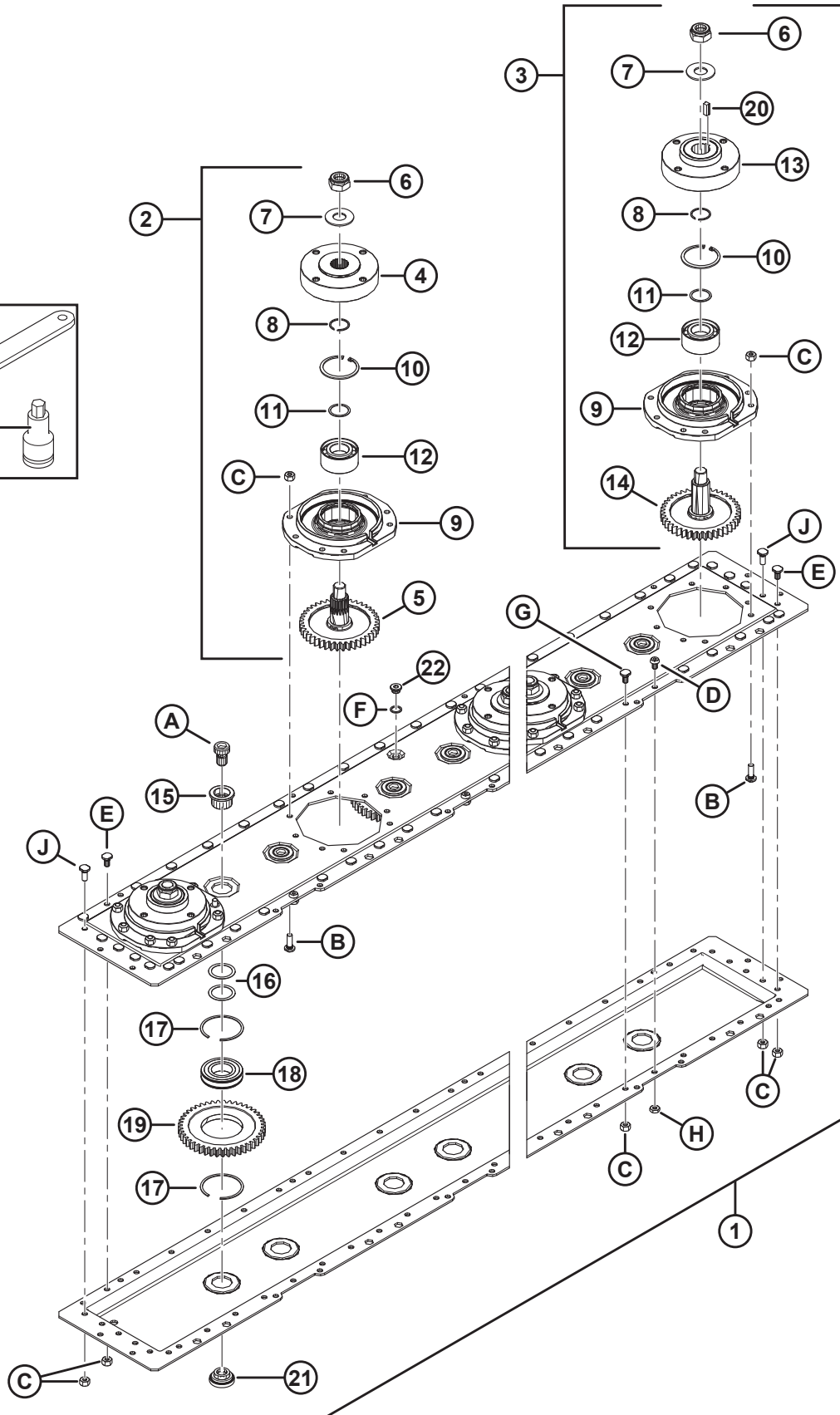
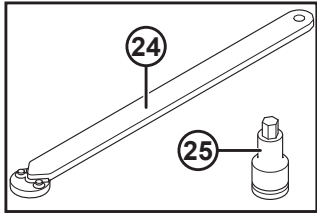
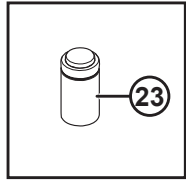
1006727

CUTTERBAR – TEN DISC

Ref	Part Number	Description	Qty	Serial Number
	B4905	KIT – CUTTERBAR REPAIR TOOL ³		
1	146925	CUTTERBAR – 16 FT ROTARY 10 DISC COMPLETE	1	
2	150849	SPINDLE ASSEMBLY, SHORT ⁴	8	-216509
	194653	SPINDLE ASSEMBLY, SHORT ⁵	8	216510-
3	198278	SPINDLE ASSEMBLY, TALL ⁶	2	
4	268095	FLANGE – SPINDLE, SHORT	8	216510-
5	194175	GEAR – SPINDLE, SHORT ⁷	8	-216509
	194651	GEAR – SPINDLE, SHORT (SHEAR KEY TYPE) ⁸	8	216510-
6	150842	LOCKNUT	10	
7	150837	SPRING – BELLEVILLE	10	
8	150845	SNAP RING	10	
9	NSS	MOUNTING – SPINDLE ⁹	10	
10	150844	SNAP RING	10	
11	150832	SPACER	10	
12	150838	BEARING	10	
13	268096	FLANGE – SPINDLE, TALL	2	
14	198516	GEAR – SPINDLE, TALL	2	
15	150834	BUSHING – CUTTERBAR	18	
16	150826	SHIM	36	
17	150829	SNAP RING	36	
18	150833	BEARING	18	
19	150852	GEAR ASSEMBLY, 45T ¹⁰	18	
20	198280	KEY – SPINDLE SHEAR	2	
21	150835	PIN	18	
22	150830	PLUG – 3/8 IN. GAS (FILL QTY 3 / DRAIN QTY 1)	3	
23	222705	TOOL – BUSHING EXTRACTION	1	
	115670	O-RING	1	
24	194179	TOOL – SPANNER WRENCH	1	
25	194178	TOOL – SOCKET	1	

3. Kit includes spanner wrench tool (MD #194179), socket tool (MD #194178), bushing extraction tool (MD #222705), and bolt (MD #184674). Kits available through Whole Goods only.
4. For units made in model year 2011 and prior. Includes parts #4–12.
5. For units made in model year 2012 and later. Includes parts #4–12.
6. Includes parts #6–14 and 20.
7. For units made in model year 2011 and prior.
8. For units made in model year 2012 and later.
9. Not sold separately. To replace part, an entire short or tall spindle assembly (MD #150849, 194653, or 198278) must be ordered.
10. Includes bearing (MD #150833).

CUTTERBAR – TEN DISC

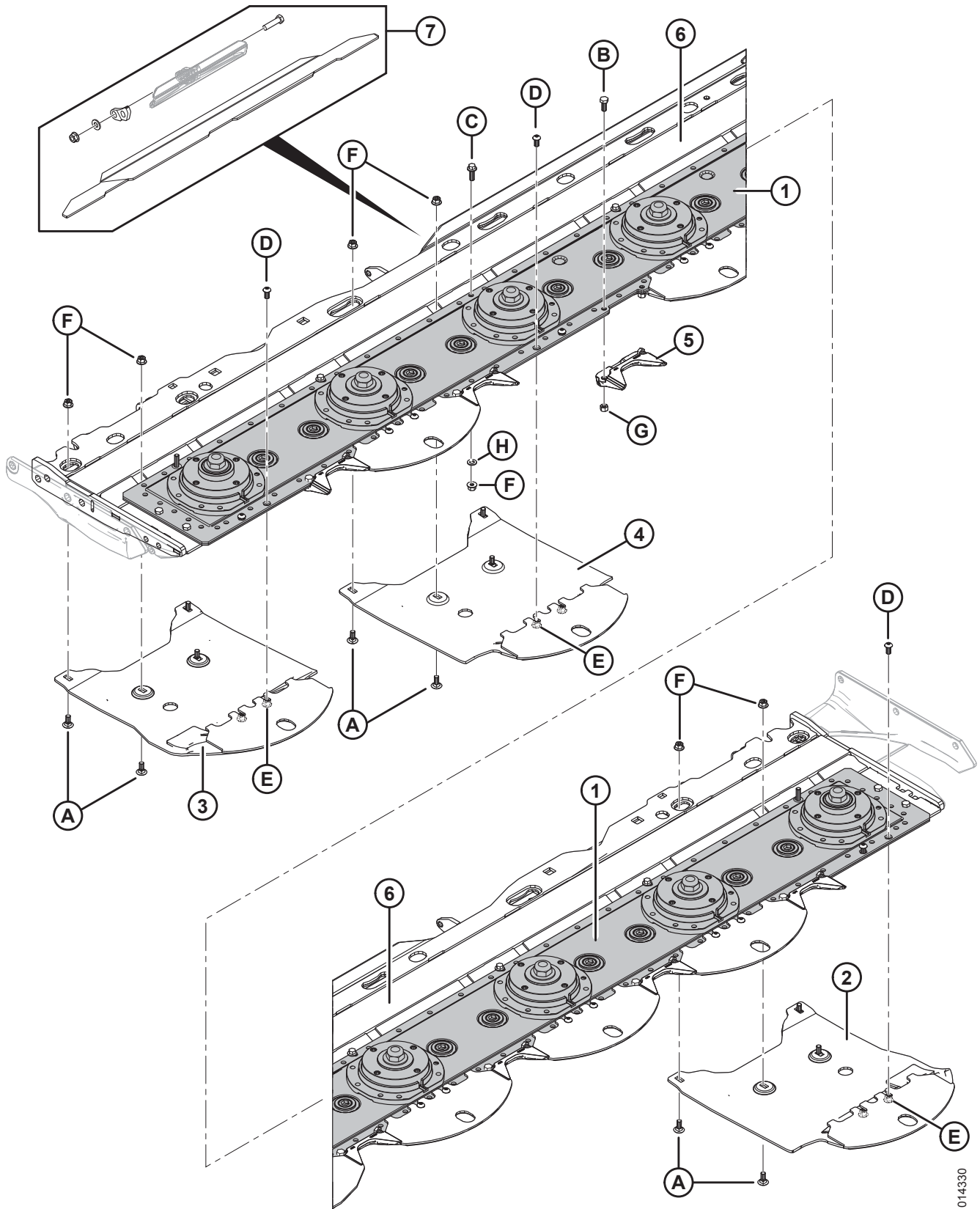


1006727

CUTTERBAR – TEN DISC

Ref	Part Number	Description	Qty	Serial Number
A	150828	BOLT – SHOULDER, M20, 30 MM LG, SILVER		
B	150827	SCREW – SELF-TAPPING, M10, 30 MM LG, SILVER		
C	150840	NUT – REGULAR HEX, M10, SILVER		
D	150839	BOLT – SOCKET HEAD, M10, 15 MM LG, SILVER		
E	150831	SCREW – BUTTON HD RIB NK, M10, 25 MM LG, SILVER		
F	150843	WASHER – FLAT, 17 MM I.D., 22 MM O.D., 1.5 MM THK, SLVR		
G	150846	SCREW – BUTTON HD RIB NK, M10, 19 MM LG, SILVER		
H	150841	NUT – REGULAR HEX, M10, SILVER		
J	150836	SCREW – BUTTON HD RIB NK, M10, 43 IN LG, SILVER		

3 Cutterbar and Rockguards



1014330

CUTTERBAR AND ROCKGUARDS

Ref	Part Number	Description	Qty	Serial Number
1	146925	CUTTERBAR – 16 FT ROTARY 10 DISC COMPLETE ¹¹	1	
2	146293	GUARD – LH CONT WELDT	1	
3	146371	GUARD – RH CONT WELDT	1	
4	157946	GUARD – CENTER WELDT	8	
5	157202	GUARD – NOTCH, COUNTER ROTATING	9	
6	196783	SUPPORT – WELDT, 10 DISC CUTTERBAR ¹²	1	-321189
	268294	SUPPORT – WELDT CUTTERBAR ¹³	1	321190–
7	236483	KIT – AUGER CENTER SUPPORT BRACKET REPAIR ¹⁴	A/R	
A	135785	BOLT – RHSN M10 X 1.5 X 25 LG ZP		
B	30627	BOLT – HH M10 X 1.5 X 25 LG ZP		
C	184665	BOLT – HEX HD FLANGE M10 X 1.5 X 30 LG ZP		
D	135723	BOLT – BUTTON HD HEX SOCKET ZP M10 X 20		
E	135799	NUT – FLG CENTER LOCK SM FACE M10-1.5		
F	50101	NUT – FLG LOCK PREV TORQUE SM FACE M10-1.5		
G	135800	NUT – CENTER LOCK, STYLE 1, M10-1.5		
H	18598	WASHER – FLAT SAE 13-32 I.D.		

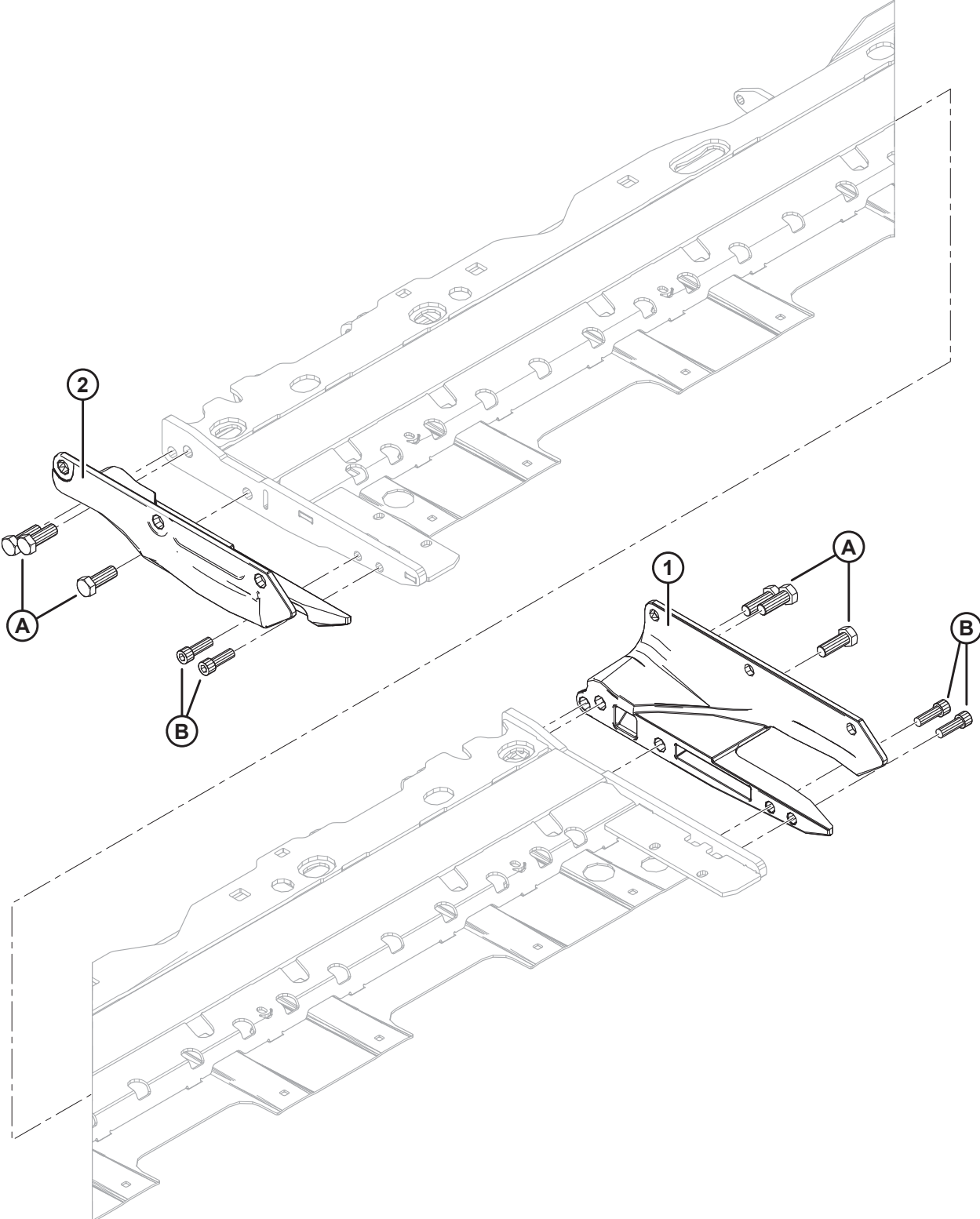
11. For service parts, refer to Section 2 *Cutterbar – Ten Disc, page 2*.

12. For 2017 and prior model year units. Does not include cutterbar ends. For cutterbar ends, refer to Section 4 *Cutterbar End Supports, page 8*.

13. For 2018 model year units. Does not include cutterbar ends. For cutterbar ends, refer to Section 4 *Cutterbar End Supports, page 8*.

14. Repair kit (MD #236483) includes all parts and hardware required to repair mounting lug at rear center of support (MD #196783).

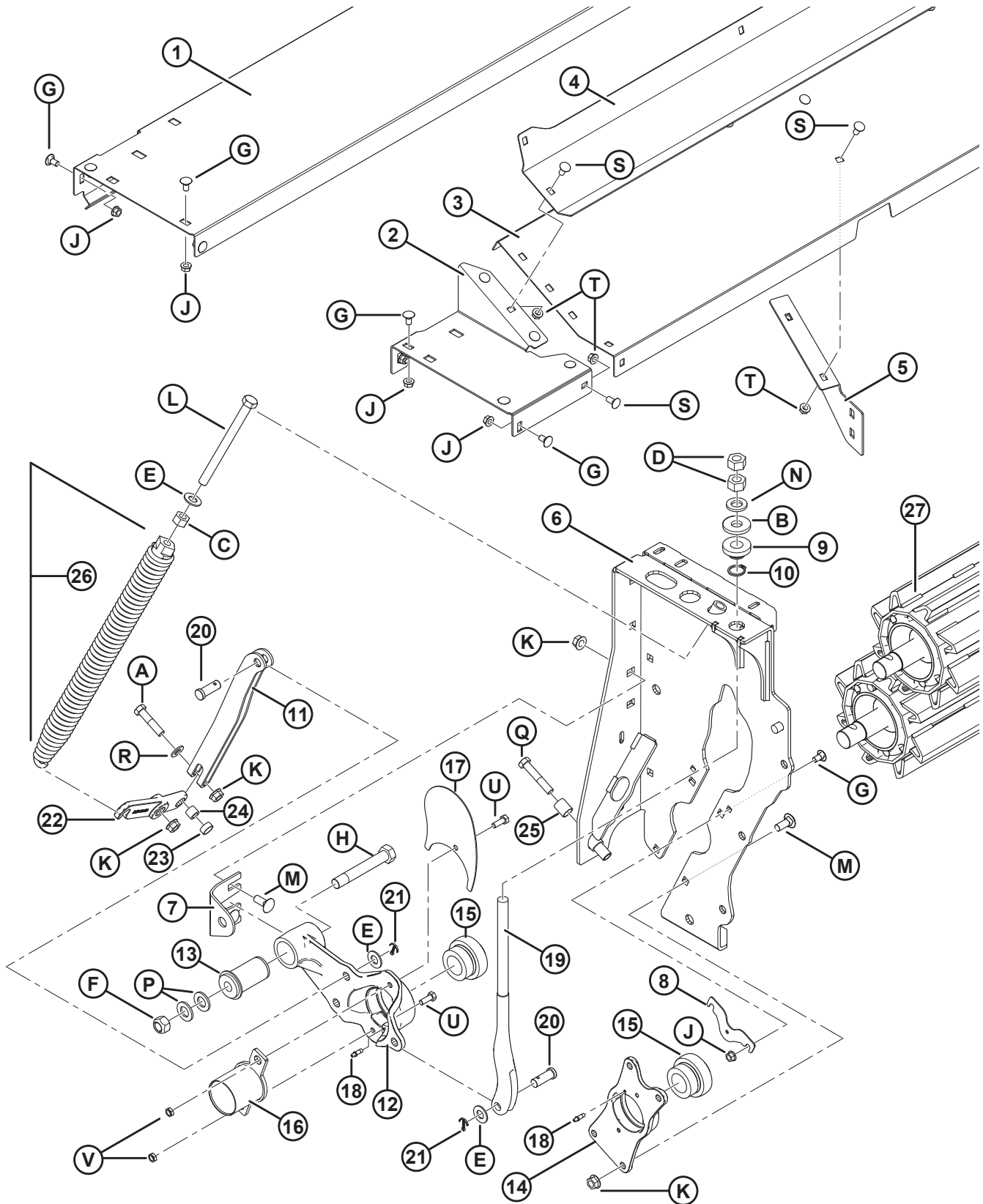
4 Cutterbar End Supports



CUTTERBAR END SUPPORTS

Ref	Part Number	Description	Qty	Serial Number
1	236954	SUPPORT – CRADLE LH	1	
2	236955	SUPPORT – CRADLE RH	1	
A	21582	BOLT – HH 5/8 NC X 1.75 LG GR 5 ZP		
B	252669	SCREW – HEX SOC HD 1/2-13 X 1.5-GR5-ACOC		

5 Conditioner Rolls



1023004

CONDITIONER ROLLS

Ref	Part Number	Description	Qty	Serial Number
	236844	KIT – CONDITIONER ARM REPAIR ¹⁵	A/R	
1	196294	COVER – CONDITIONER (PT ONLY)	1	
2	236118	COVER – CONDITIONER, LH (SP ONLY)	1	
	236119	COVER – CONDITIONER, RH (SP ONLY)	1	
3	236259	SHIELD – C/W DECALS (SP ONLY) ¹⁶	1	
4	236794	SHIELD – EXTENSION (SP ONLY)	1	
5	236125	ANGLE – LH (SP ONLY)	1	
	236126	ANGLE – RH (SP ONLY)	1	
6	198203	PANEL – LH C/W DECALS ¹⁷	1	
	198204	PANEL – RH C/W DECALS ¹⁸	1	
7	157381	ANGLE	1	
8	236939	SHIELD – CONDITIONER PANEL	2	
9	157334	STOP – PLASTIC	2	
10	135764	RING – EXT RETAINING HEAVY DUTY	2	
11	236796	ARM	2	
12	236790	ARM – C/W BUSHING ¹⁹	2	
13	149342	BUSHING – RUBBER	2	
14	196989	HOUSING – LOWER COND ROLL BRG	2	
15	149950	BEARING – SPH O.D. C/W COLLAR 1.5 IN. BORE	4	
16	236786	SHIELD – WELD'T	2	
17	236662	SHIELD	2	
18	7536	FITTING – LUBRICATION 1/4-28 TAPER THD	4	
19	198419	STOP – MACHINING	2	
20	18619	PIN – CLEVIS	4	
21	18648	PIN – COTTER 3/16 DIA X 1.25 ZP	4	
22	196285	ARM – C/W BUSHINGS ²⁰	2	
23	157380	BUSHING – PLASTIC	2	
24	156501	BUSHING – PLASTIC	2	

15. Replaces conditioner arm assembly MD #196907 (no longer in production), which was installed on R85 Rotary Disc Headers built in model year 2012 and prior. All parts included in this kit can be ordered separately. Includes arms (MD # 236790, 236796), bearing (MD #149950), fitting (MD #7536), shields (MD #236786, 236662, 236939), hardware (MD #20077, 18664, 30228), and instructions.

16. Includes two decals (MD #190546).

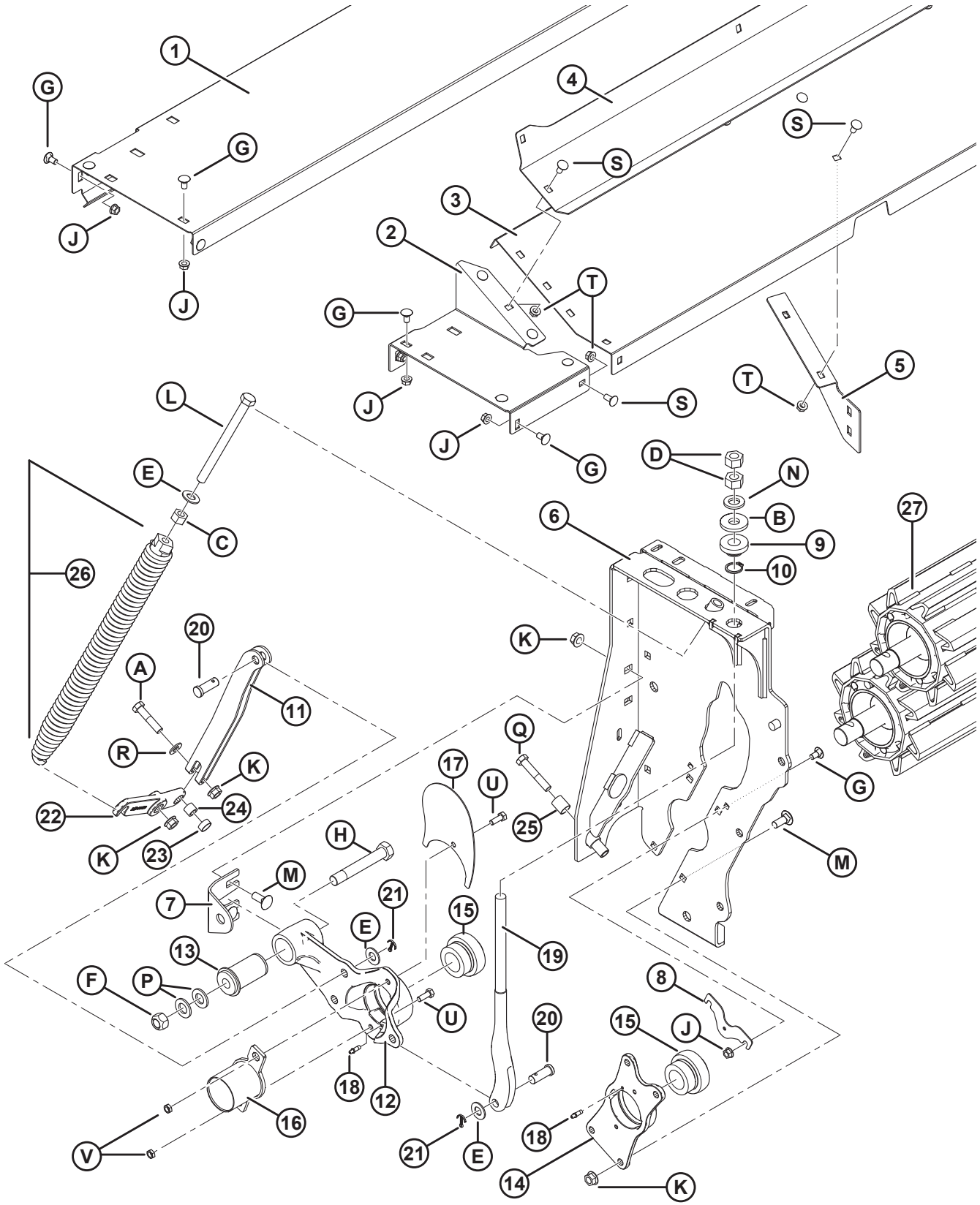
17. Includes decal (MD #184385).

18. Includes decal (MD #184386).

19. Includes bushing (MD #149342).

20. Includes bushings (MD #157380, 156501).

CONDITIONER ROLLS



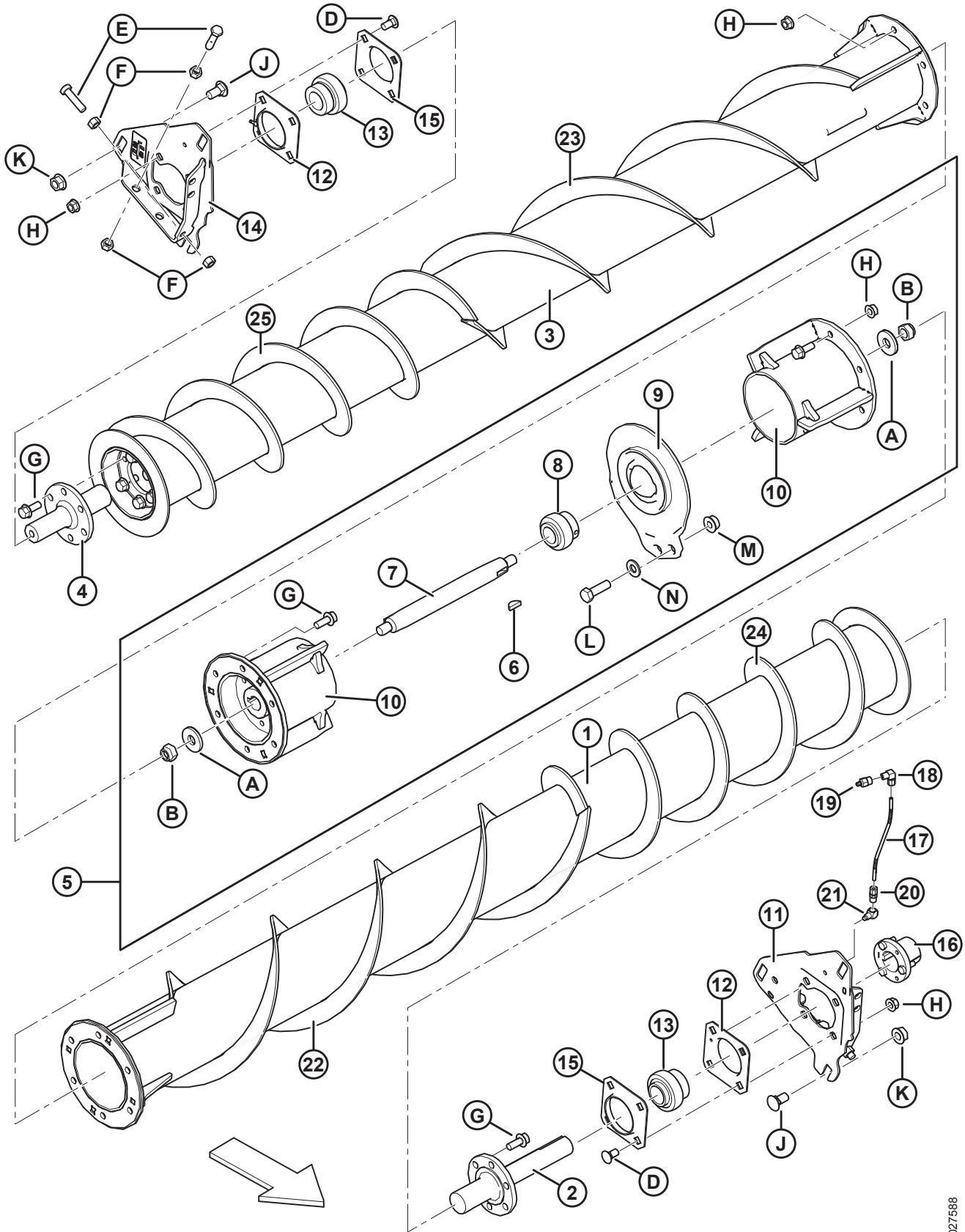
1023004

CONDITIONER ROLLS

Ref	Part Number	Description	Qty	Serial Number
25	236568	SPACER	2	
26	196279	ASSEMBLY – SPRING ²¹	2	
27	198154	ROLL – BALANCED (PT ONLY)	2	
	198047	ROLL – BALANCED (SP ONLY)	2	
A	21578	BOLT – HH 1/2 NC X 2.25 LG GR 5 ZP		
B	6647	WASHER – FLAT		
C	18592	NUT – HEX 5/8-11 UNC GR 5 ZP		
D	18593	NUT – HEX 3/4-10 UNC GR 5 ZP		
E	18600	WASHER – SAE FLAT 21/32 I.D. X 1-5/16 IN. O.D. ZP		
F	18689	NUT – HEX LOCK DT .750-10 UNC		
G	21472	BOLT – RHSN 3/8 NC X 0.75 GR 5 ZP		
H	21599	BOLT – HH 3/4 NC X 5.0 LG GR 5 ZP		
J	30228	NUT – FLANGE DT SMOOTH FACE 0.375-16 UNC		
K	50186	NUT – FLANGE LOCK SM FACE DT 0.500-13 UNC GR 5		
L	135906	BOLT – HH 5/8 NC X 7.5 TFL LG GR 5 ZP		
M	21471	BOLT – RHSN 1/2 NC X 1.25 GR 5 ZP		
N	21540	WASHER – HARDENED		
P	18601	WASHER – SAE FLAT		
Q	21880	BOLT – HH 1/2 NC X 2.75 LG		
R	18599	WASHER – SAE FLAT		
S	21863	BOLT – RHSSN 3/8 NC X 0.75 LG GR 5 ZP		
T	30228	NUT – FLANGE DT SMOOTH FACE 0.375-16 UNC		
U	20077	BOLT – HEX HD 3/8 NC X 1.0 LG GR 5 ZP		
V	18664	NUT – HEX JAM 3/8-16 UNC GR 5 ZP		

21. Includes extension spring and machined insert. These parts are NOT sold separately. To replace left-hand or right-hand spring assembly, order complete spring assembly (MD #196279).

6 Auger – 2013 and Prior



1027588

AUGER – 2013 AND PRIOR

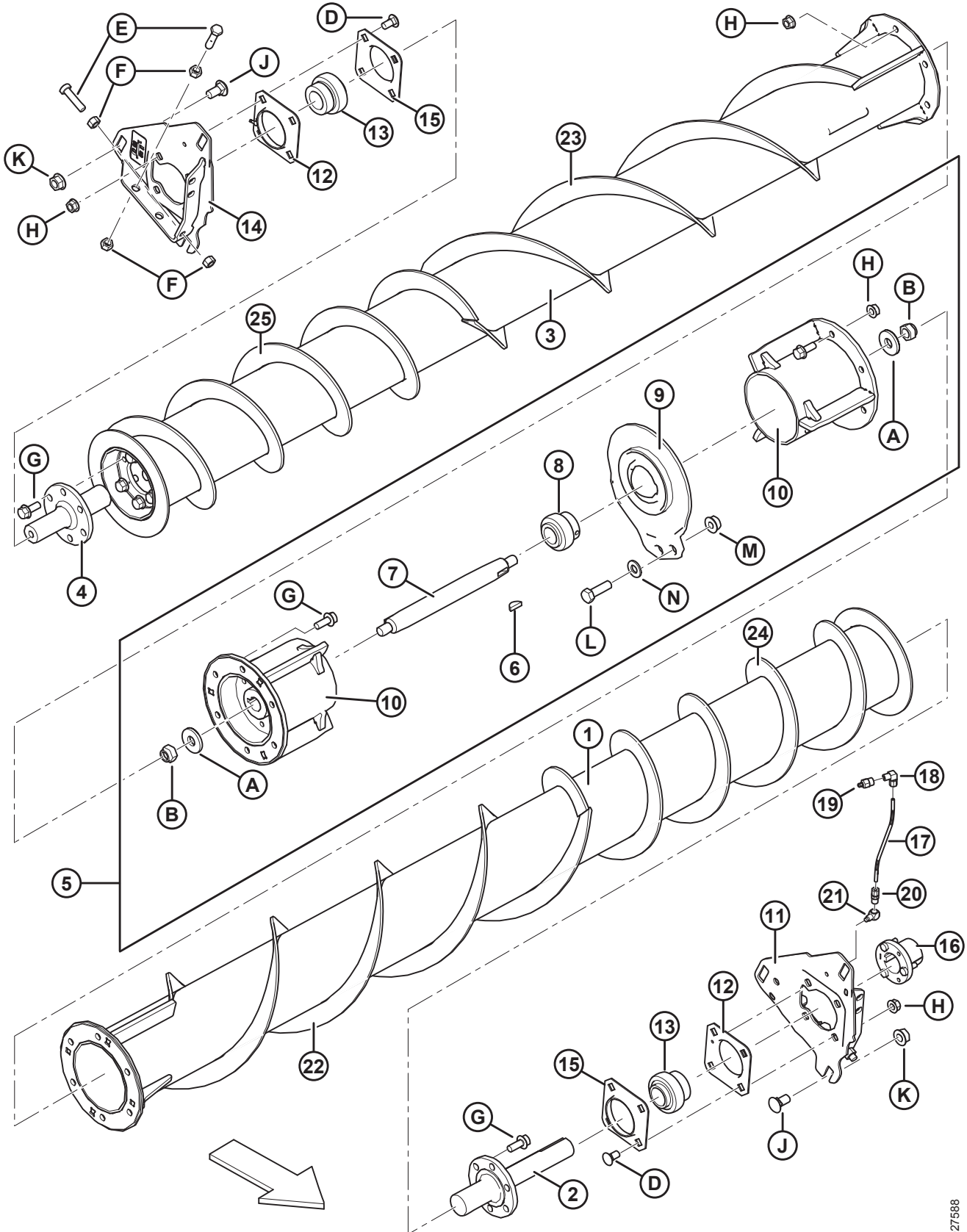
NOTE:

Individual components are NOT interchangeable between 2013 and 2014 auger versions. An entire kit is required if subbing an auger (LH, RH, or center) section from one version to the other. Determine which auger you have through a visual inspection of the center section prior to ordering parts. For units made in 2014 and later, refer to Section 7 *Auger – 2014 and Later, page 18*.

Ref	Part Number	Description	Qty	Serial Number
1	194920	AUGER – C/W SHAFT BAL-LH 16 FT-22/7 FLIGHT	1	-244009
2	236933	SHAFT – MACH-INPUT 1-1/2 O.D.–16 FT	1	-244009
3	194921	AUGER – C/W SHAFT BAL-RH 16 FT-22/7 FLIGHT	1	-244009
4	194865	SHAFT – MACH-TAIL 1-1/2 O.D.	1	-244009
5	236667	AUGER SUB-ASSY CENTER – TAPER SHAFT ²²	1	-244009
6	11142	KEY – WOODRUFF (5/16 X 1-1/8 NOM.)	2	-244009
7	236668	SHAFT – CENTER AUGER, ROUND TAPERED	1	-244009
8	150438	BEARING – BALL SPH O.D. C/W LC (1-3/8 IN. BORE)	1	-244009
9	268332	PLATE – MACHINED	1	-244009
10	194937	CENTER AUGER HUB – MACHINED	2	-244009
11	194827	PLATE WELDT – LH	1	-244009
12	47070	FLANGE – C/W LUBE FITTING	2	-244009
13	30031	BEARING – SPH O.D. C/W COLLAR 1.5 IN. BORE	2	-244009
14	194828	PLATE WELDT – RH	1	-244009
15	30576	FLANGE	2	-244009
16	30256	BUSHING – TAPER	1	-244009
17	236579	HOSE – GREASE	1	-244009
18	120365	FITTING – ELBOW COMPRESS-ALIGN	1	-244009
19	50188	FITTING – LUBRICATION 1/8 NPT FEMALE	1	-244009
20	120366	FITTING – CONNECTOR COMPRESS-ALIGN	1	-244009
21	50187	FITTING – LUBRICATION 90° ELBOW ADAPTER	1	-244009
22	194942	FLIGHTING – PAIR, LH HELIX-21.5P (SET OF 2)	1	-244009
23	194943	FLIGHTING – PAIR, RH HELIX-21.5P (SET OF 2)	1	-244009
24	236850	FLIGHTING – 7 IN. P-LH; CHROMED	1	-244009
25	236851	FLIGHTING – 7 IN. P-RH; CHROMED	1	-244009
A	6647	WASHER – FLAT		
B	112129	NUT – HEX LOCK DT 3/4-16 UNF		
D	21066	BOLT – RHSN 1/2 NC X 1 GR 5 ZP		
E	21813	BOLT – HH 1/2 NC X 2.0 TFL GR 5 ZP		

22. Includes shaft (MD #236668), two center auger hubs (MD #194937), two keys (MD #11142), two nuts (MD #112129), and two washers (MD #6647).

AUGER – 2013 AND PRIOR

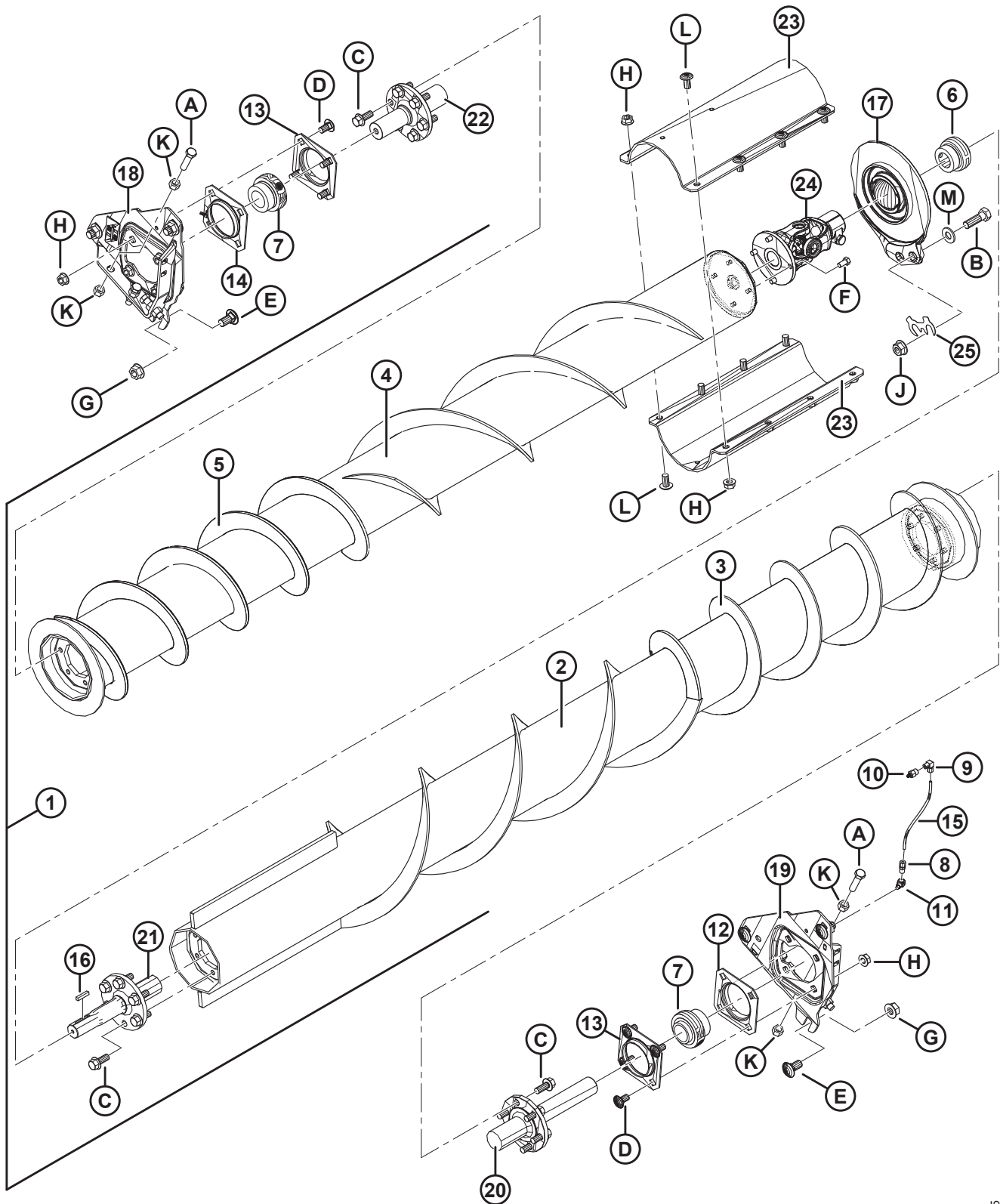


1027568

AUGER – 2013 AND PRIOR

Ref	Part Number	Description	Qty	Serial Number
F	18591	NUT – HEX 1/2-13 UNC GR 5 ZP		
G	30368	BOLT – HH FLG (SER FACE) 1/2 NC X 1.25 GR 5 ZP		
H	50186	NUT – FLANGE LOCK SM FACE DT 0.500-13 UNC GR 5		
J	103562	BOLT – RHSN 1/2 NC X 1 GR 5 ZP		
K	50225	NUT – FLANGE DT SMOOTH FACE .625-11 UNC		
L	30861	BOLT – HH 5/8 NF X 2.0 LG GR 8 ZP		
M	136792	NUT – HEX SMOOTH FLANGE 5/8-18 GR 8 ZP		
N	30441	WASHER – FLAT		

7 Auger – 2014 and Later



1027615

AUGER – 2014 AND LATER

NOTE:

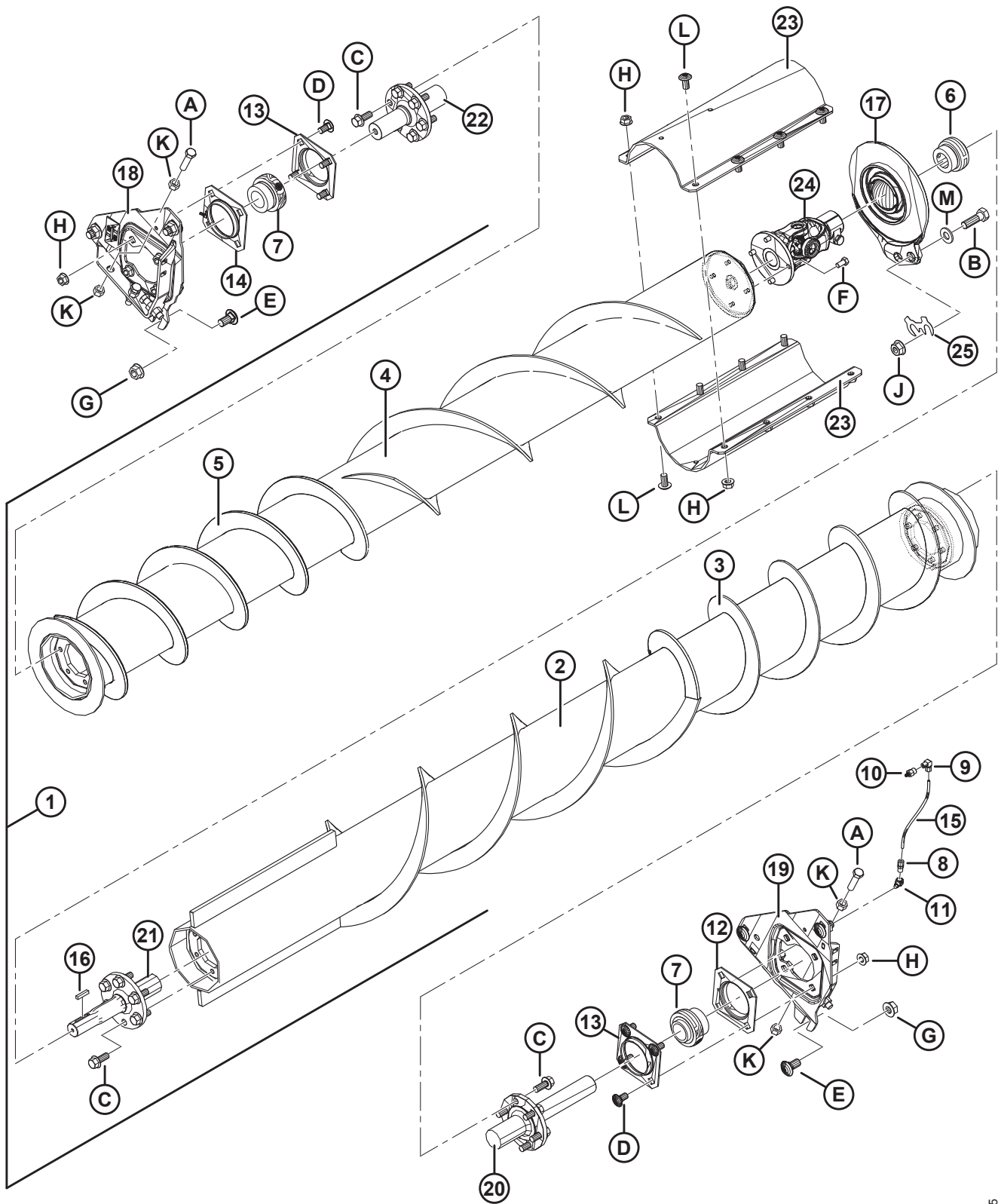
Individual components are NOT interchangeable between 2013 and 2014 auger versions. An entire kit is required if subbing an auger (LH, RH, or center) section from one version to the other. Determine which auger you have through a visual inspection of the center section prior to ordering parts. For units made in model year 2013 and prior, refer to Section 6 *Auger – 2013 and Prior, page 14.*

Ref	Part Number	Description	Qty	Serial Number
1	236930	KIT – 16 FT R85 AUGER CHROME UPGRADE ²³	1	244010–
2	236972	AUGER – C/W SHAFT BAL-LH 16 FT-22/7 FLIGHT	1	244010–
3	236850	FLIGHTING – 7 IN. P-LH; CHROMED ²⁴	1	244010–
4	236974	AUGER – C/W SHAFT BAL-RH 16 FT-22/7 FLIGHT	1	244010–
5	236851	FLIGHTING – 7 IN. P-RH; CHROMED	1	244010–
6	150438	BEARING – BALL SPH O.D. C/W LC (1-3/8 IN. BORE)	1	244010–
7	30031	BEARING – SPH O.D. C/W COLLAR 1.5 IN. BORE	2	244010–
8	120366	FITTING – CONNECTOR COMPRESS-ALIGN	1	244010–
9	120365	FITTING – ELBOW COMPRESS-ALIGN	1	244010–
10	50188	FITTING – LUBRICATION 1/8 NPT FEMALE	1	244010–
11	50187	FITTING – LUBRICATION 90° ELBOW ADAPTER	1	244010–
12	50182	FLANGE	1	244010–
13	30576	FLANGE	1	244010–
14	47070	FLANGE – C/W LUBE FTG	1	244010–
15	236579	HOSE – GREASE	1	244010–
16	1113	KEY	1	244010–
17	268332	PLATE – MACHINED	1	244010–
18	194828	PLATE – WELDT, RH	1	244010–
19	194827	PLATE – WELDT, LH	1	244010–
20	236933	SHAFT – MACH-INPUT 1-1/2 O.D.	1	244010–
21	235819	SHAFT – MACH-STEPPED 1.38-1.25 O.D.	1	244010–
22	236934	SHAFT – MACH-TAIL 1-1/2 O.D.	1	244010–
23	235310	SHIELD – AUGER-CENTER	2	244010–
24	236975	UNIVERSAL JOINT	1	244010–
25	268335	SHIM	1	244010–
A	21813	BOLT – HH 1/2 NC X 2.0 TFL GR 5 ZP		
B	30861	BOLT – HH 5/8 NF X 2.0 LG GR 8 ZP		
C	135965	BOLT – HH FLG (SM FACE) 1/2 NC X 1.25 GR 5 ZP		

23. Chrome flighting provides increased service life in high-wear conditions. Includes augers (MD #236972, 236974), bearing (MD #150438), key (MD #1113), plate (MD #236030), universal joint (MD #236975), two auger-center shields (MD #235310), hardware (MD #21567, 105136, 50186, 30441, 30861, 136792), and instructions.

24. Chrome flighting provides increased service life in high wear conditions.

AUGER – 2014 AND LATER

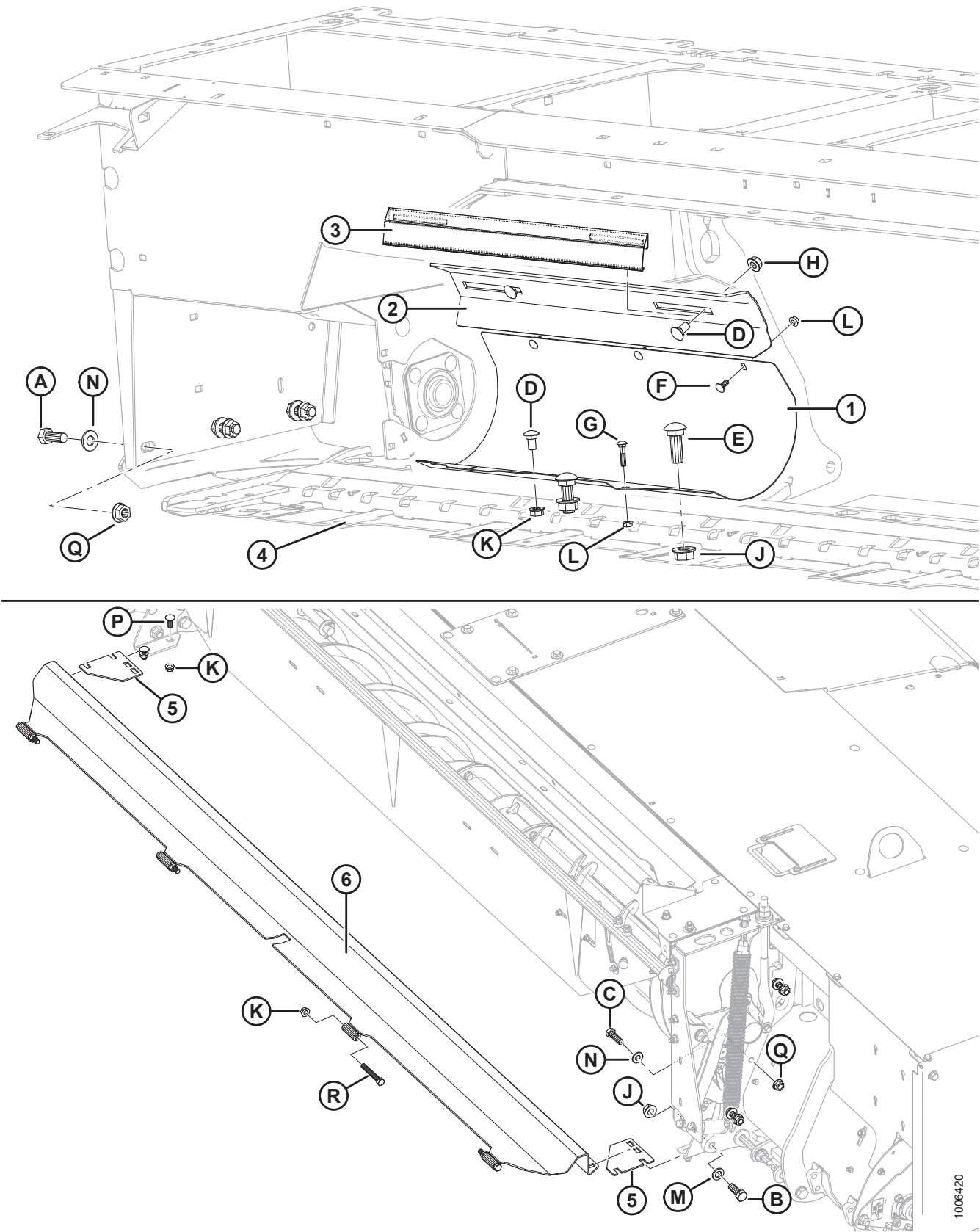


1027615

AUGER – 2014 AND LATER

Ref	Part Number	Description	Qty	Serial Number
D	21066	BOLT – RHSN 1/2 NC X 1 GR 5 ZP		
E	103562	BOLT – RHSN 5/8 NC X 1.25 GR 5 ZP		
F	21567	BOLT – HEX HD .375-16 UNC X 0.75 LG		
G	50225	NUT – FLANGE DT SMOOTH FACE .625-11 UNC		
H	50186	NUT – FLANGE LOCK SM FACE DT 0.500-13 UNC GR 5		
J	136792	NUT – HEX SMOOTH FLANGE 5/8-18 GR 8 ZP		
K	18591	NUT – HEX 1/2-13 UNC GR 5 ZP		
L	105136	SCREW – MACHINE		
M	30441	WASHER – HARDENED		

8 Pans, Cradle, and Frame



1006420

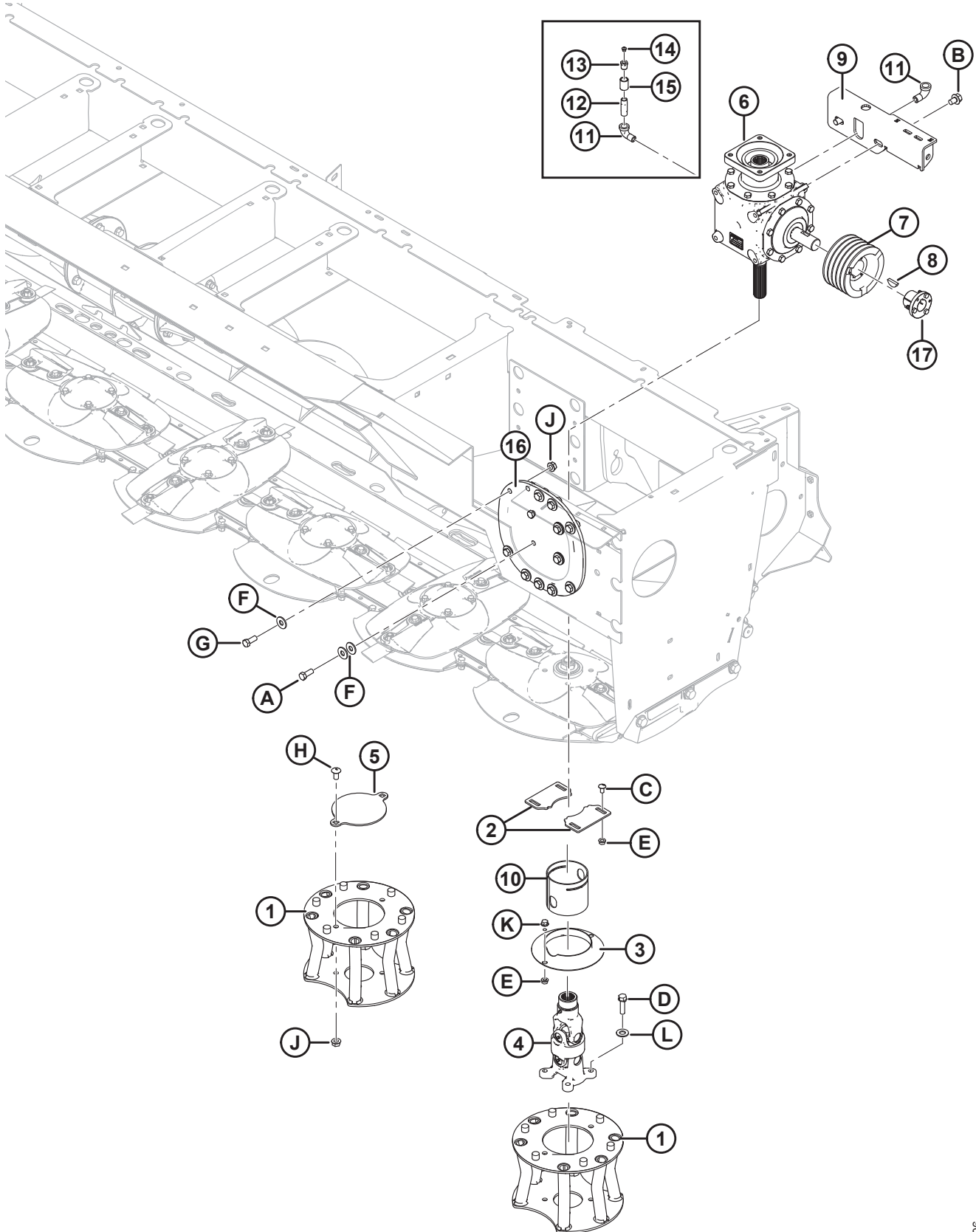
PANS, CRADLE, AND FRAME

Ref	Part Number	Description	Qty	Serial Number
1	196797	PAN – RH	1	
	196796	PAN – LH	1	
2	146029	CHANNEL – CROP STRIPPER	2	
3	146085	ANGLE STRIPPER ²⁵	2	-216509
4	REF	CUTTERBAR ASSEMBLY ²⁶		
5	236016	PLATE – PAN MOUNTING	2	
6	236014	PLATE – PAN CENTER	1	
A	21594	BOLT – HEX HD 5/8-11 UNC X 1.50		
B	19957	BOLT – HEX HD 3/4-10 X 2.5 GR5-AA1J		
C	21587	BOLT – HH 5/8 NC X 2.0 LG GR 5 ZP		
D	21066	BOLT – RHSN 1/2 NC X 1 GR 5 ZP		
E	135771	BOLT – RHSN 3/4 NC X 2.25 LG GR 5 ZP		
F	21281	BOLT – RHSN 5/16 NC X 0.75 GR 5 ZP		
G	21479	BOLT – RHSN 5/16 NC X 1.5 LG GR 5 ZP		
H	21383	NUT – FLANGE .500-13 UNC (SER FACE)		
J	135367	NUT – FLANGE DT SMOOTH FACE 0.75-10 UNC		
K	50186	NUT – FLANGE LOCK SM FACE DT 0.500-13 UNC GR 5		
L	21403	NUT – FLG (SER FACE) 5/16 NC GR 5 ZP		
M	112130	WASHER – HARDENED		
N	120901	WASHER – FLAT HARDENED 5/8 IN. NOMINAL (L9)		
P	21471	BOLT – RHSN 1/2-13 X 1.25 GR 5 ZP		
Q	50225	NUT – FLANGE DT SMOOTH FACE 0.625-11 UNC		
R	21581	BOLT – HH 1/2 NC X 3.5 LG GR 5 ZP		

25. For units made in model year 2012 and prior. Units with serial number 216510 and later do NOT require angle strippers.

26. Components removed for clarity. Refer to Sections [1 Cutterbar Components, page 1](#), [2 Cutterbar – Ten Disc, page 2](#), or [3 Cutterbar and Rockguards, page 6](#).

9 Cages and Cutterbar Drives



1027596

CAGES AND CUTTERBAR DRIVES

NOTE:

Be sure to determine which 90° drive gearbox is installed on the unit before ordering service parts. Gearboxes for units made in model year 2015 and prior (was MD #198404) will have the breather pipe opposite the pulley (item #7) and split taper bushing (item #17). Gearboxes for units made in model year 2016 and later (MD #236983, replaced by MD #268159) will have the breather pipe opposite the gearbox plate (item #16).

Ref	Part Number	Description	Qty	Serial Number
1	268322	DEFLECTOR – DRIVEN-CAGE	2	
2	146378	PLATE	2	
3	150821	SHIELD WELDT	1	
4	281316	UNIVERSAL JOINT ASSY	1	
	281328	YOKE – CENTER		
	124541	CROSS JOURNAL KIT		
5	150730	PLATE	1	
6	268255	KIT – R85 BEVEL GEARBOX ²⁷	A/R	–285419
	268159	GEARBOX – DRIVE, 90° ²⁸	1	285420–
7	149077	PULLEY ²⁹	1	–285419
	268129	PULLEY (SHOWN, GROOVES TO THE OUTSIDE) ³⁰	1	285420–
8	11142	KEY – WOODRUFF (5/16 X 1-1/8 NOM.)	1	
9	236034	PIVOT WELDT	1	–285419
	268122	IDLER BRACKET WELDT	1	285420–
10	146380	SHIELD	1	
11	5735	FITTING – 90° STREET ELBOW 3/8 NPT	1	
12	5734	FITTING – SHORT NIPPLE 3/8 NPT	1	
13	21024	FITTING – REDUCER BUSHING	1	
14	21425	VALVE – RELIEF	1	
15	30946	FITTING – COUPLING 3/8 NPT	1	
16	236046	PLATE – MACHINED	1	–285419
	236985	PLATE – GEARBOX	1	285420–
17	115074	BUSHING – SPLIT TAPER	1	
A	136067	BOLT – HH 1/2 NC X 1.25 LG GR 8 ZP ³¹		285420–
B	105066	BOLT – HH FLG (SER FACE) 1/2 -NC X 0.75 GR 5 ZP		
C	21472	BOLT – RHSN 3/8 NC X 0.75 GR 5 ZP		

27. For units made in model year 2015 and prior. For service parts, refer to Section [12 Bevel Gearbox Kit, page 32](#).

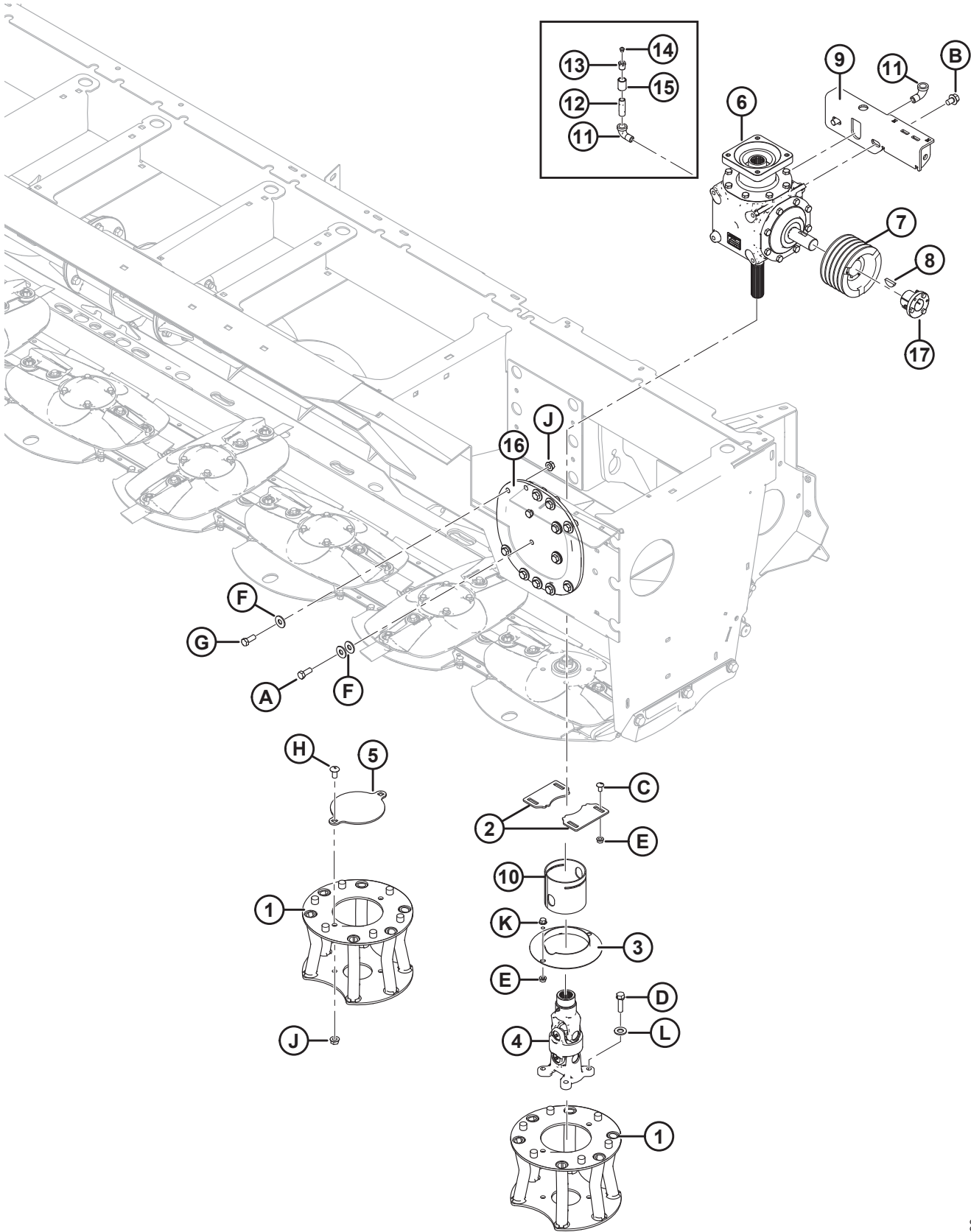
28. For units made in model year 2016 and later. For service parts, refer to Section [11 Cutterbar Gearbox Repair Parts – 2016 and Later, page 30](#).

29. For units made in model year 2015 and prior with discontinued 90° drive gearbox (was MD #198404, replaced by MD #268040 in model year 2016 and later).

30. For units made in model year 2016 and later, or units with 90° drive gearbox (MD #236983, replaced by MD #268159).

31. For units made in model year 2016 and later, or units with 90° drive gearbox (MD #236983, replaced by MD #268159), only use one washer (MD #137699) per bolt (MD #136067).

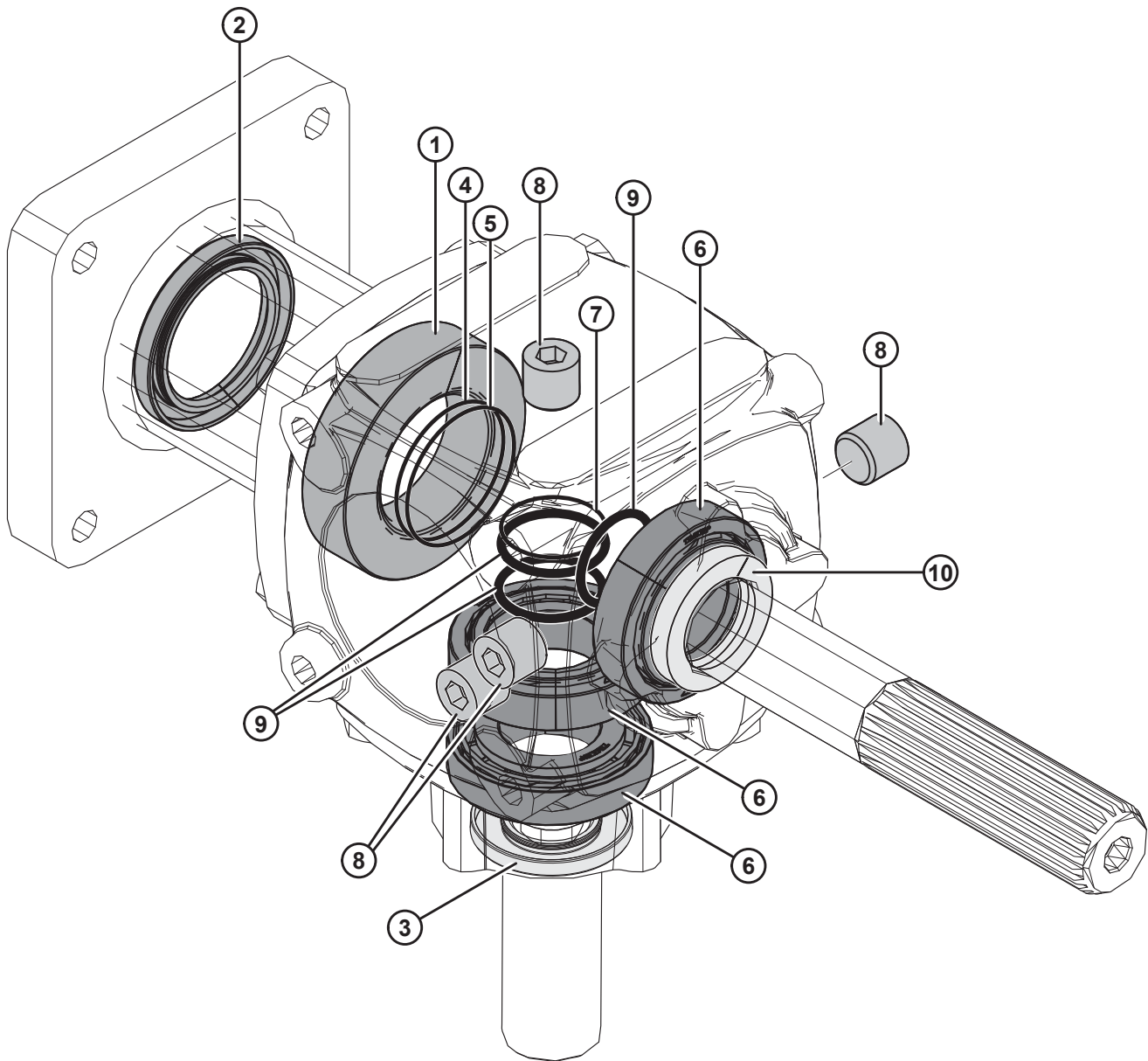
CAGES AND CUTTERBAR DRIVES



CAGES AND CUTTERBAR DRIVES

Ref	Part Number	Description	Qty	Serial Number
D	268321	BOLT – HEX HD M12 X 1.75 X 55-10.9-AA0J		
E	30228	NUT – FLANGE DT SMOOTH FACE 0.375-16 UNC		
F	137699	WASHER – FLAT USS HARDENED 1/2 NOM. I.D.		
G	21491	BOLT – HH 1/2 NC X 1.25 LG TFL GR 5 ZP		
H	21868	BOLT – RHSSN 1/2 NC X 1.0 GR 5 ZP		
J	50186	NUT – FLANGE LOCK SM FACE DT 0.500-13 UNC GR 5		
K	21821	BOLT – HH FLG (SER FACE) 3/8 NC X 0.75 GR 5 ZP		
L	18599	WASHER – FLAT SAE17/32 ID X 1 1/16 OD AA1J		

10 Cutterbar Gearbox Repair Parts – 2015 and Prior



CUTTERBAR GEARBOX REPAIR PARTS – 2015 AND PRIOR

NOTE:

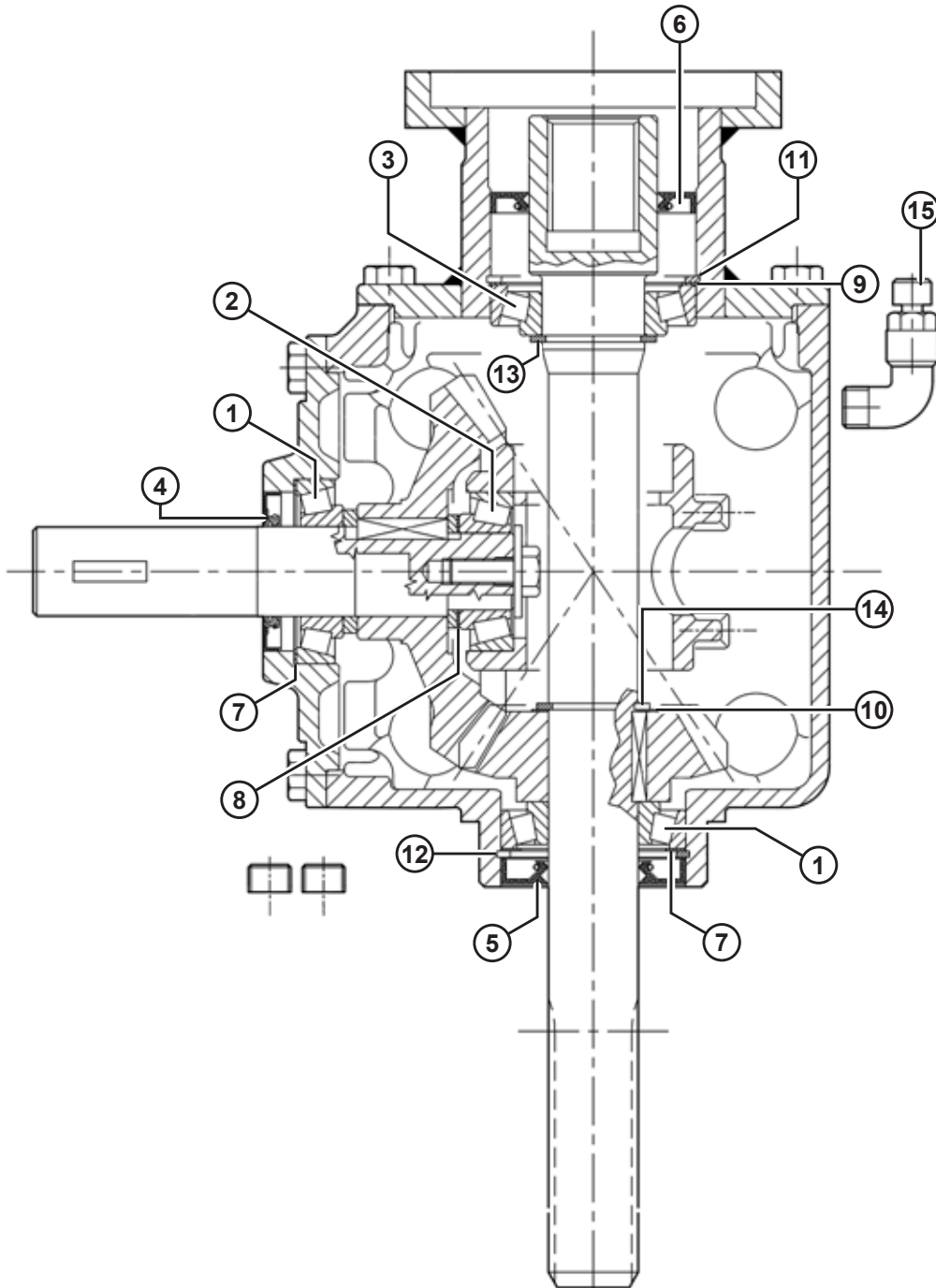
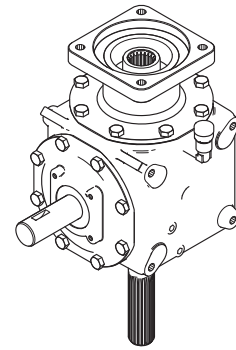
All parts listed are available as service parts only for units made in model year 2015 and prior. For units made in model year 2016 and later, refer to Section *11 Cutterbar Gearbox Repair Parts – 2016 and Later, page 30*.

Ref	Part Number	Description	Qty	Serial Number
	NSS	GEARBOX – DRIVE, 90° (2015 AND PRIOR) ³²		-285419
	REF	KIT – R85 BEVEL GEARBOX ³³	A/R	
1	150871	BEARING – TAPERED ROLLER CUP AND CONE	1	-285419
2	150872	SEAL – VITON, 50 X 72 X 8 BA	1	-285419
3	268144	SEAL – VITON, 35 X 72 X 8	1	-285419
4	150873	SHIM – 50.3 X 1	1	-285419
5	150874	SHIM – 70.3	1	-285419
6	50091	BEARING – TAPER ROLLER CUP AND CONE (35 MM BORE)	3	-285419
7	150875	RING – RETAINING	1	-285419
8	150864	FITTING – PLUG	4	-285419
9	150877	SHIM – 35.3 X 48	3	-285419
10	150878	SEAL – VITON, 35 X 52 X 6/6.5	1	-285419

32. Previously was MD #198404, which is no longer available and replaced by MD #236983, and MD #268159 in model year 2016. All parts listed remain available for service only of discontinued gearbox (MD #198404). For units made in model year 2015 and prior, when replacing discontinued gearbox (MD #198404) order Bevel Gearbox kit (MD #268255).

33. For service parts, refer to Section *12 Bevel Gearbox Kit, page 32*.

11 Cutterbar Gearbox Repair Parts – 2016 and Later

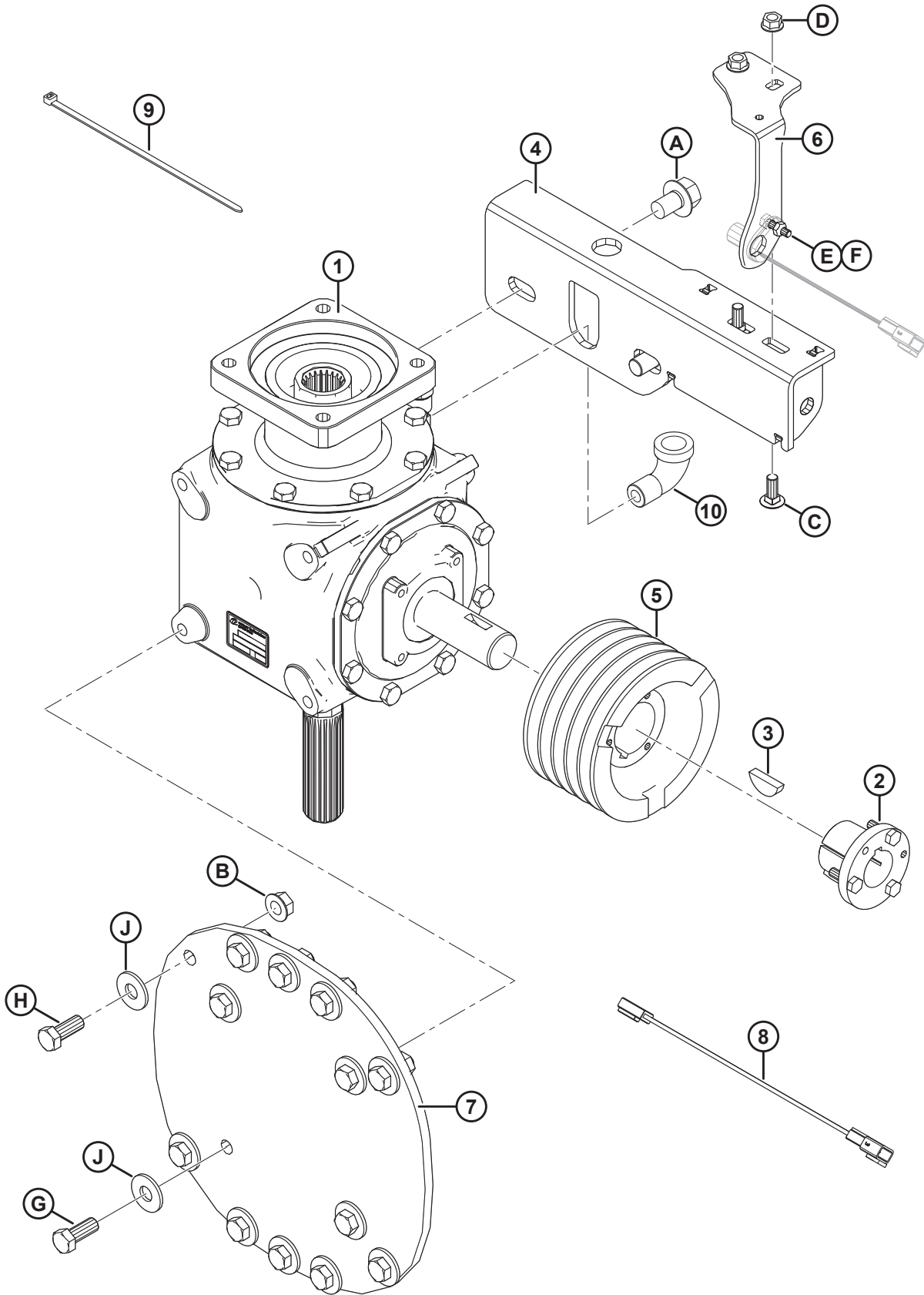


CUTTERBAR GEARBOX REPAIR PARTS – 2016 AND LATER

Ref	Part Number	Description	Qty	Serial Number
	268159	GEARBOX – DRIVE, 90° (2016 AND LATER) ³⁴		285420–
1	236871	BEARING	2	285420–
2	236874	BEARING	1	285420–
3	236875	BEARING	1	285420–
4	268143	SEAL – DOUBLE LIP, VITON, 35 X 62 X 7	1	285420–
5	268144	SEAL – VITON, 35 X 72 X 8	1	285420–
6	268145	SEAL – DOUBLE LIP, VITON, 50 X 80 X 8	1	285420–
7	268146	SHIM – 60.3 X 71.1	2	285420–
8	268147	SHIM – 30.3 X 44.0	1	285420–
9	268148	SHIM – 69.0 X 79.9	1	285420–
10	268149	SHIM – 35.3 X 48.0	1	285420–
11	268150	RING – RETAINING, 80 MM	1	285420–
12	268151	RING – RETAINING, 72 MM	1	285420–
13	268152	RING – RETAINING, 40 MM	1	285420–
14	268153	RING – RETAINING, 35 MM	1	285420–
15	236994	PLUG – BREATHER	1	285420–

34. For gearbox placement, refer to Section *9 Cages and Cutterbar Drives*, page 24.

12 Bevel Gearbox Kit

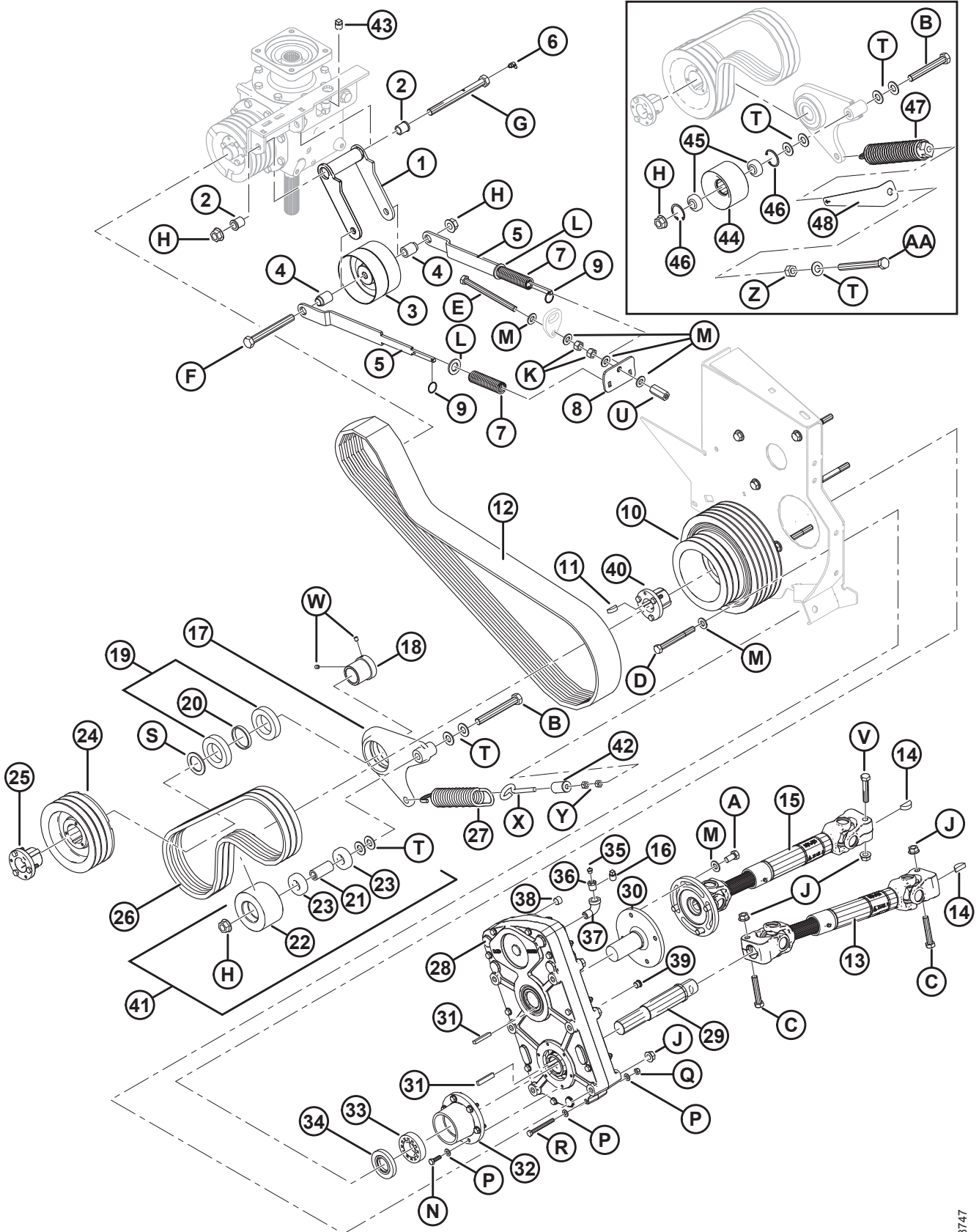


BEVEL GEARBOX KIT

Ref	Part Number	Description	Qty	Serial Number
	268255	KIT – R85 BEVEL GEARBOX ³⁵		
1	268159	GEARBOX – DRIVE, 90°	1	
2	115074	BUSHING – SPLIT TAPER	1	
3	11142	KEY – WOODRUFF 5/16 X 1-1/8 NOM.	1	
4	268122	IDLER BRACKET WELDT	1	
5	268129	PULLEY	1	
6	268023	BRACKET – SPEED SENSOR	1	
7	236985	PLATE – GEARBOX	1	
8	268049	HARNESS – WIRING SP EXTENSION	1	
9	30753	FASTENER – CABLE TIE (BLACK)	1	
10	5735	FITTING – 90° STREET ELBOW 3/8 NPT	1	
A	105066	BOLT – HH FLG (SER FACE) 1/2 -NC X 0.75 GR 5 ZP		
B	50186	NUT – FLG LOCK SM FACE DT 0.500-13 UNC GR 5		
C	19965	BOLT – RHSN 3/8-16 X 1 GR 5 ZP		
D	30228	NUT – FLANGE DT SMOOTH FACE 0.375-16 UNC		
E	21573	BOLT – HEX HD 1/4 NC X 1.0 LG GR 5 ZP		
F	18724	NUT – HEX LOCK DT 1/4-20 UNC ZP		
G	136067	BOLT – HH 1/2 NC X 1.25 LG GR 8 ZP		
H	21491	BOLT – HH 1/2 NC X 1.25 LG GR 5 ZP		
J	137699	WASHER – FLAT USS HARDENED 1/2 NOM. I.D.		

35. Kit is required for units made in model year 2015 and prior when replacing discontinued gearbox (MD #198404), which is replaced by gearbox (MD #236983, replaced by MD #268159) in model year 2016. Includes all listed parts and instructions.

13 Rolls and Auger Drives



1018747

ROLLS AND AUGER DRIVES

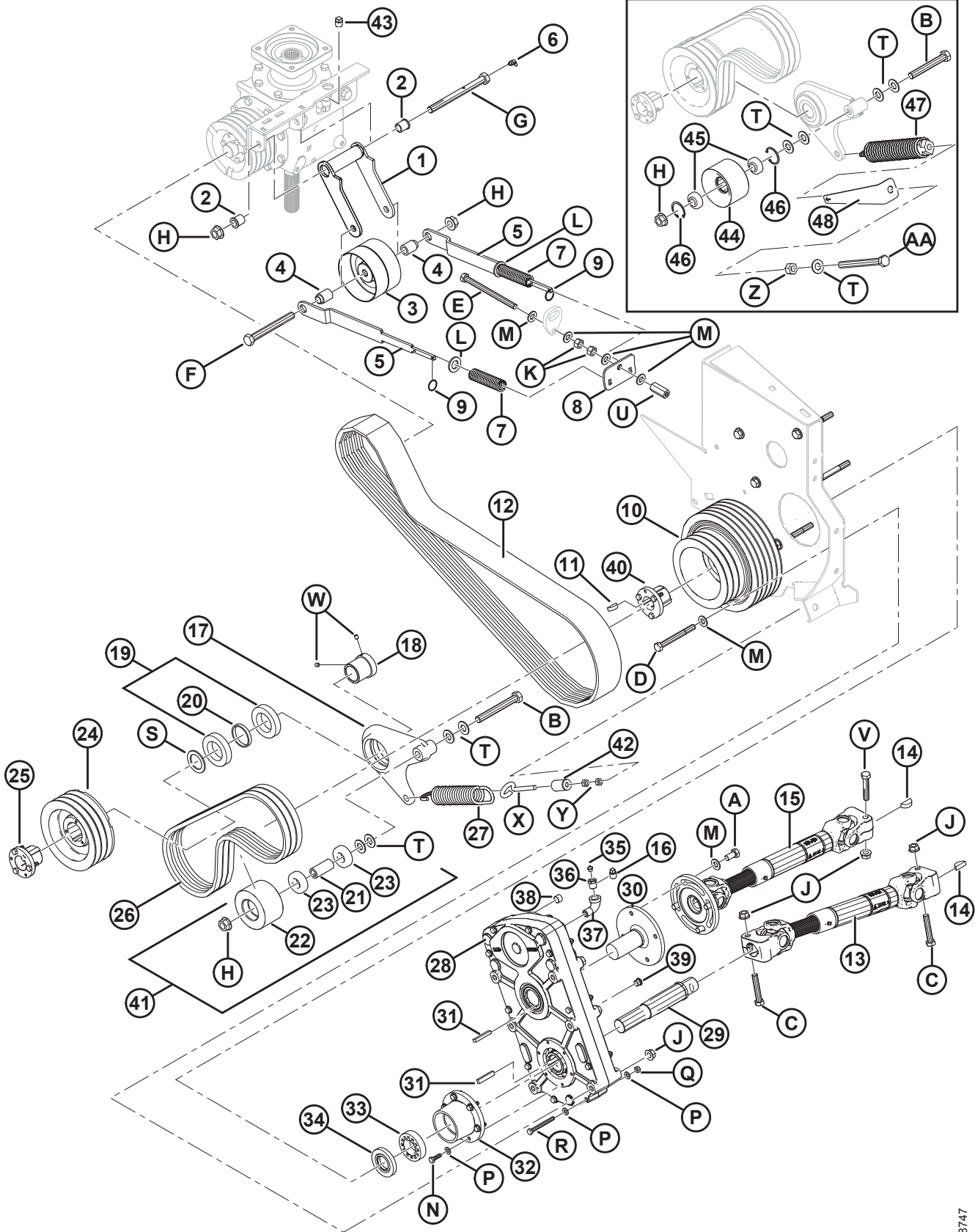
Ref	Part Number	Description	Qty	Serial Number
1	198095	ARM – C/W BUSHINGS ³⁶	1	
2	150437	BUSHING – FLANGED 5/8 X 7/8 X 1L	2	
3	149183	PULLEY – IDLER	1	
4	196195	SPACER	2	
5	146654	PLATE	2	
6	21010	FITTING – LUBE 90° 1/4-28 TAPER THD	1	
7	150934	SPRING – COMPRESSION	2	
8	146655	ANGLE	1	
9	184720	RING – SPLIT, 1-1/16	2	
10	235414	PULLEY – MACHINING	1	
11	11142	KEY – WOODRUFF (5/16 X 1-1/8 NOM.)	1	
12	196889	BELT – CONDITIONER DRIVE	1	
13	196846	DRIVELINE – LOWER 16 FT C/W DECAL ³⁷	1	
	124541	CROSS JOURNAL KIT		
	198329	YOKE		
14	30836	KEY – WOODRUFF (3/8 X 1-1/4 NOM.)	3	
15	196848	DRIVELINE – UPPER 16 FT C/W DECAL	1	
	124541	CROSS JOURNAL KIT		
	198329	YOKE		
	149399	YOKE – FLANGE		
16	21791	PLUG – SQ HEAD PIPE	2	
17	235565	IDLER – SUB-ASSEMBLY ³⁸	1	
18	194631	SLEEVE – MACHINED	1	
19	194646	BEARING – BALL CYL C/W SEALS	2	
20	194699	SPACER – HOUSING TENSIONER	1	
21	236917	SLEEVE – MACHINED	1	
22	236914	PULLEY – IDLER (MACH)	1	
23	21062	BEARING – BALL CYC C/W TWO SEALS	2	
24	198981	PULLEY	1	
25	30256	BUSHING – TAPER, 1-1/2 IN. SHAFT	1	
26	221279	BELT – TRIPLE B	1	

36. Includes two bushings (MD #150437).

37. Includes decal (MD #36651).

38. Previously was idler sub-assembly (MD #236168), which has been replaced by sub-assembly (MD #235565). Idler sub-assembly (MD #235565) includes sleeve (MD #194631), two bearings (MD #194646), spacer (MD #194699), and sealant (MD #30489).

ROLLS AND AUGER DRIVES



1018747

ROLLS AND AUGER DRIVES

Ref	Part Number	Description	Qty	Serial Number
27	236755	SPRING – EXTENSION	1	
28	146279	GEARBOX – ASSY, C/W SHAFTS ³⁹	1	
	268163	KIT – R85 COND REPLACEMENT GEARS ⁴⁰	1	216510–
	198616	BEARING – BALL 90 MM O.D. (INTERNAL COMPONENT)	3	
	198457	SEAL – OIL (INTERNAL COMPONENT)	3	
29	146093	SHAFT – AUGER DRIVE GEARBOX	1	
30	198433	SHAFT – FLANGED	1	
31	198486	KEY – 3/8 X 1/4 X 2 IN.	2	
32	146271	CONE – HOUSING, MACHINED	1	
33	135362	BEARING – ROLLER	1	
34	143663	SEAL – OIL	1	
35	21425	VALVE – RELIEF	1	
36	21024	FITTING – REDUCER BUSHING	1	
37	5735	FITTING – 90° STREET ELBOW 3/8 NPT	1	
38	30590	PLUG – PIPE INT HEX SOCKET	1	
39	100577	PLUG – HEX SOCKET C/W O-RING	3	
40	115074	BUSHING – SPLIT TAPER, 1-3/8 IN. SHAFT	1	
41	236926	KIT – IDLER ARM TENSIONER PULLEY REPLACEMENT ⁴¹	A/R	
42	136830	SPACER – 10.4 MM I.D., 25.4 MM O.D., 27 MM LONG ⁴²	1	266820–
	20535	WASHER – FLAT, 13/32 IN. I.D., 1 IN. O.D., 11 GA, ZN PL ⁴³	1	–266819
43	21151	PLUG – SQ HEAD PIPE ⁴⁴	1	285420–
44	NSS	PULLEY – IDLER (MACH) ⁴⁵	A/R	
45	9213	BEARING – BALL	A/R	
46	795	RING – RETAINING	A/R	

39. Includes shafts (MD #146093, 198433), two keys (MD #198486), cone (MD #146271), bearing (MD #135362), seal (MD #143663), valve (MD #21425), fittings (MD #21024, 5735), plugs (MD #100577), and hardware (MD #18597, 21595, 18690).

40. For units made in model year 2012 and later. Kit includes two gear assemblies (not sold separately) and instructions. Units made in model year 2011 and prior used a different bearing/hub set-up which included gear (MD #130680) and bolt (MD #113420).

41. Previously was idler pulley assembly (MD #194672), which has been replaced by kit (MD #236926). Kit includes sleeve (MD #236917), pulley (MD #236914), and two bearings (MD #21062).

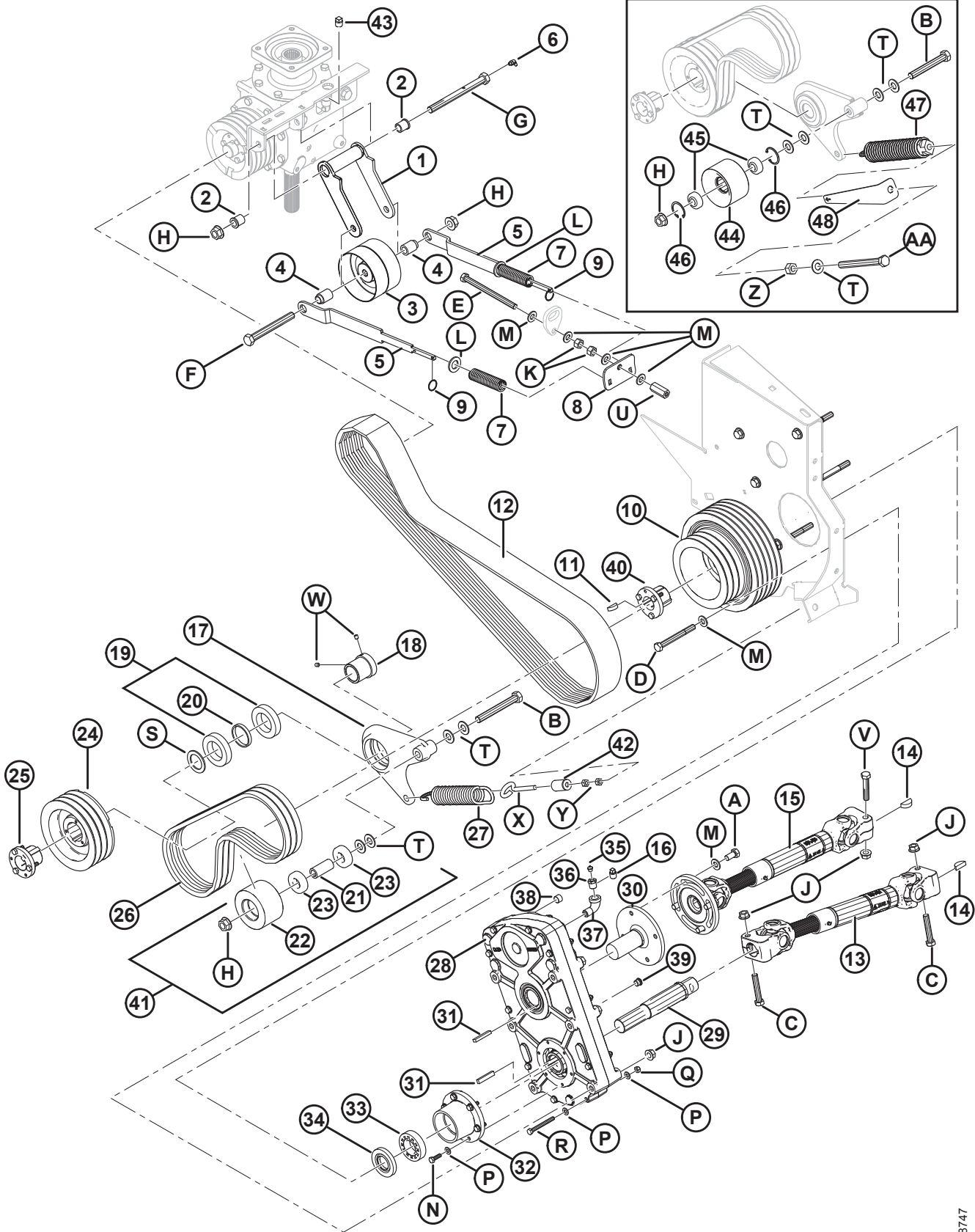
42. Spacer replaced washer (MD #20535) in model year 2015 to enable higher tension on auger belt drive. New belt drive has less capability for applying high initial tension values as previous.

43. For units made in model year 2014 and prior.

44. For units made in model year 2016 and later, or units with 90° drive gearbox (MD #236983, replaced by MD #268159). Plug is used to keep oil inside the gearbox during shipping only.

45. For units with discontinued idler pulley assembly (MD #194672). To replace entire idler pulley assembly, order Idler Arm Tensioner Pulley Replacement kit (MD #236926).

ROLLS AND AUGER DRIVES



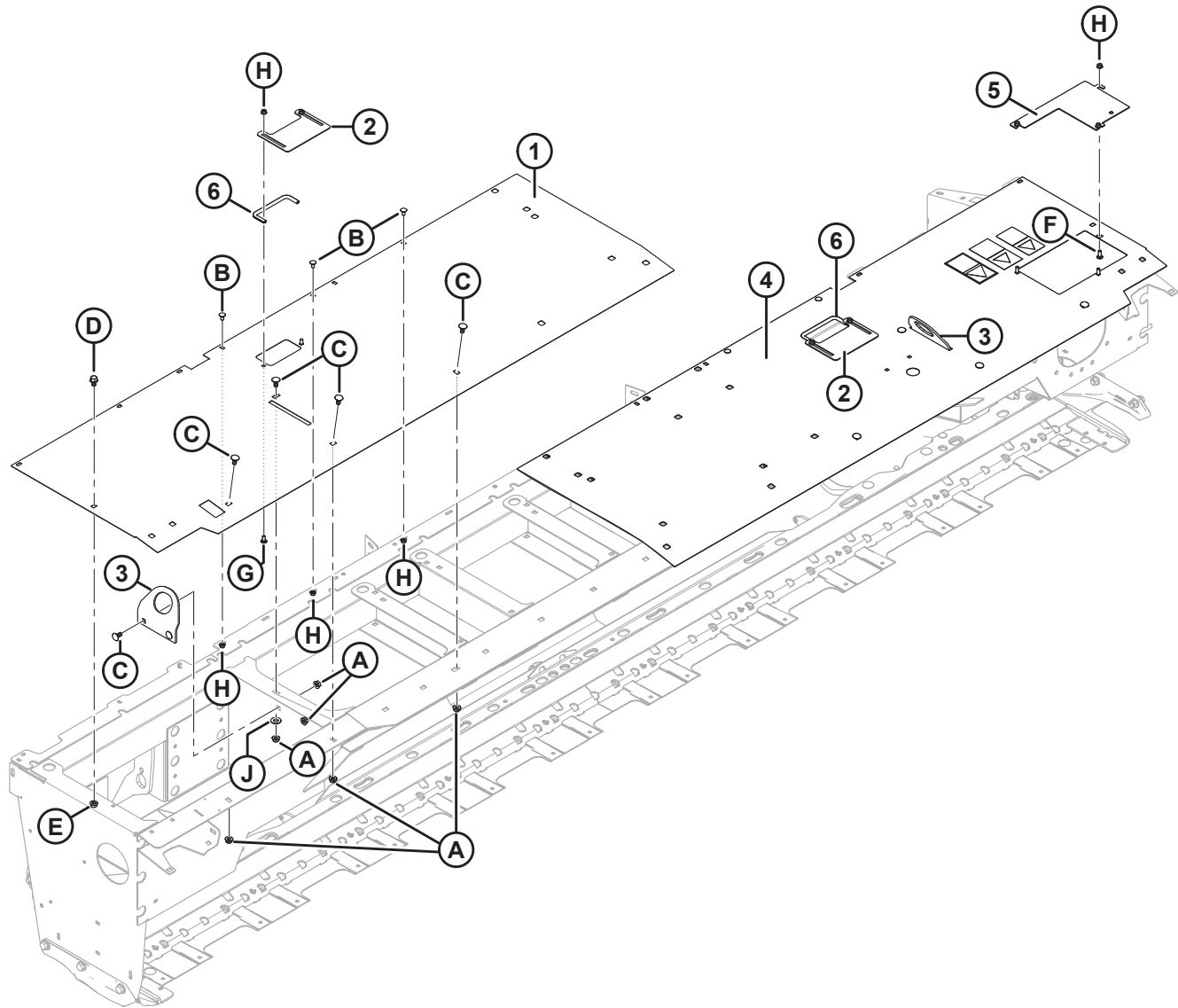
1018747

ROLLS AND AUGER DRIVES

Ref	Part Number	Description	Qty	Serial Number
47	150381	SPRING – C/W INSERT ⁴⁶	A/R	
	130529	INSERT – MACHINED	A/R	
48	194959	BRACKET – GAUGE SPRING	A/R	
A	21575	BOLT – HH 1/2 NC X 1.0 LG TFL GR 5 ZP		
B	21562	BOLT – HH 5/8 NC X 5.0 LG GR 5 ZP		
C	21880	BOLT – HH 1/2 NC X 2.75 LG GR 5 ZP		
D	30209	BOLT – HH 1/2 NC X 4.5 LG GR 5 ZP		
E	50226	BOLT – HH 1/2 NC X 6.5 TFL GR 5 ZP		
F	50163	BOLT – HH 5/8 NC X 5.5 LG GR 5 ZP		
G	146384	BOLT – HH 5/8 NC X 7.0 LG GR 5 ZP, SPECIAL-DRILLED		
H	50225	NUT – FLANGE DT SMOOTH FACE .625-11 UNC		
J	50186	NUT – FLANGE LOCK SM FACE DT 0.500-13 UNC GR 5		
K	18591	NUT – HEX 1/2-13 UNC GR 5 ZP		
L	18601	WASHER – SAE FLAT 13/16 I.D. X 1.5 IN. O.D. ZP		
M	135369	WASHER – HARDENED		
N	21087	BOLT – HEX HD 5/16 NC X 1.0 LG GR 5 ZP		
P	18597	WASHER – SAE FLAT 11/32 I.D. X 11/16 IN. O.D. ZP		
Q	18690	NUT – HEX LOCK DT 5/16-18 UNC ZP		
R	21595	BOLT – HH 5/16 NC X 3.0 LG GR 5 ZP		
S	31145	WASHER – FLAT		
T	18600	WASHER – SAE FLAT 21/32 I.D. X 1-5/16 IN. O.D. ZP		
U	136065	NUT – HEX COUPLING 1/2-13 UNC GR 5 ZN P		
V	21760	BOLT – HH 1/2 NC X 2.5 LG GR 5 ZP		
W	18584	SCREW – SET HEX SOC CUP PT 5/16 NC X 3/8 LG		
X	106622	BOLT – EYE		
Y	18590	NUT – HEX 3/8-16 UNC GR 5 ZP		
Z	18592	NUT – HEX 5/8-11 UNC GR 5 ZP		
AA	50189	BOLT – HH (MIN THD) 5/8 NC X 6.5 LG GR 5 ZP		

46. For units with discontinued idler sub-assembly (MD #236138). For units with idler sub-assembly (MD #235565), order extension spring (MD #236755).

14 Header Top Shields



HEADER TOP SHIELDS

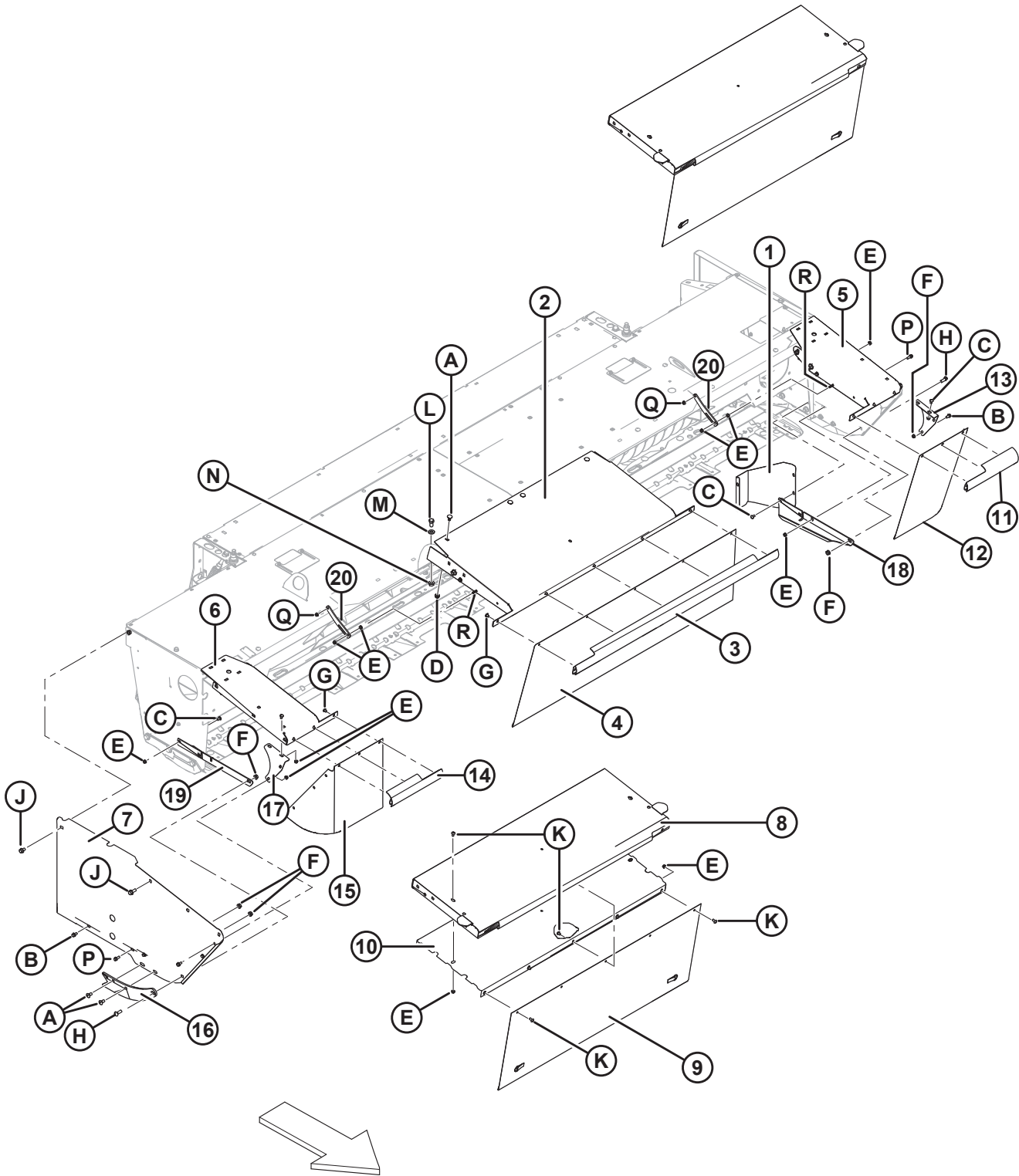
Ref	Part Number	Description	Qty	Serial Number
1	198079	COVER – RH, 16 FT	1	
2	198540	COVER – TOP SHIELD	2	
3	198006	HOOK	2	
4	268039	SHIELD – C/W DECALS, 16 FT ⁴⁷	1	
5	198417	SHIELD – TOP, 16 FT ⁴⁸	1	-285419
	268033	SHIELD – TOP, 16 FT ⁴⁹	1	285420-
6	45427	MOULDING – (SPEC 31886)	2	
A	21383	NUT – FLANGE .500-13 UNC (SER FACE)		
B	21472	BOLT – RHSN 3/8 NC X 0.75 GR 5 ZP		
C	21066	BOLT – RHSN 1/2 NC X 1 GR 5 ZP		
D	135962	BOLT – HH FLG (SMOOTH FACE) 1/2-NC X 0.75 GR 5 ZP		
E	50186	NUT – FLANGE LOCK SM FACE DT 0.500-13 UNC GR 5		
F	100456	BOLT – RHSSN 3/8 NC X 1.0 GR 5 ZP		
G	21863	BOLT – RHSSN 3/8 NC X 0.75 LG GR 5 ZP		
H	21452	NUT – FLANGE (SER FACE) .375-16 UNC		
J	30441	WASHER – HARDENED		

47. Replacement for units with 90° drive gearbox (MD #236983, replaced by MD #268159). Includes top shield (MD #268033) and decals (MD #174436, 113482, 194464).

48. For units made in model year 2015 and prior.

49. For units made in model year 2016 and later, or units with shield complete with decals (MD #268039).

15 Header Front Shields

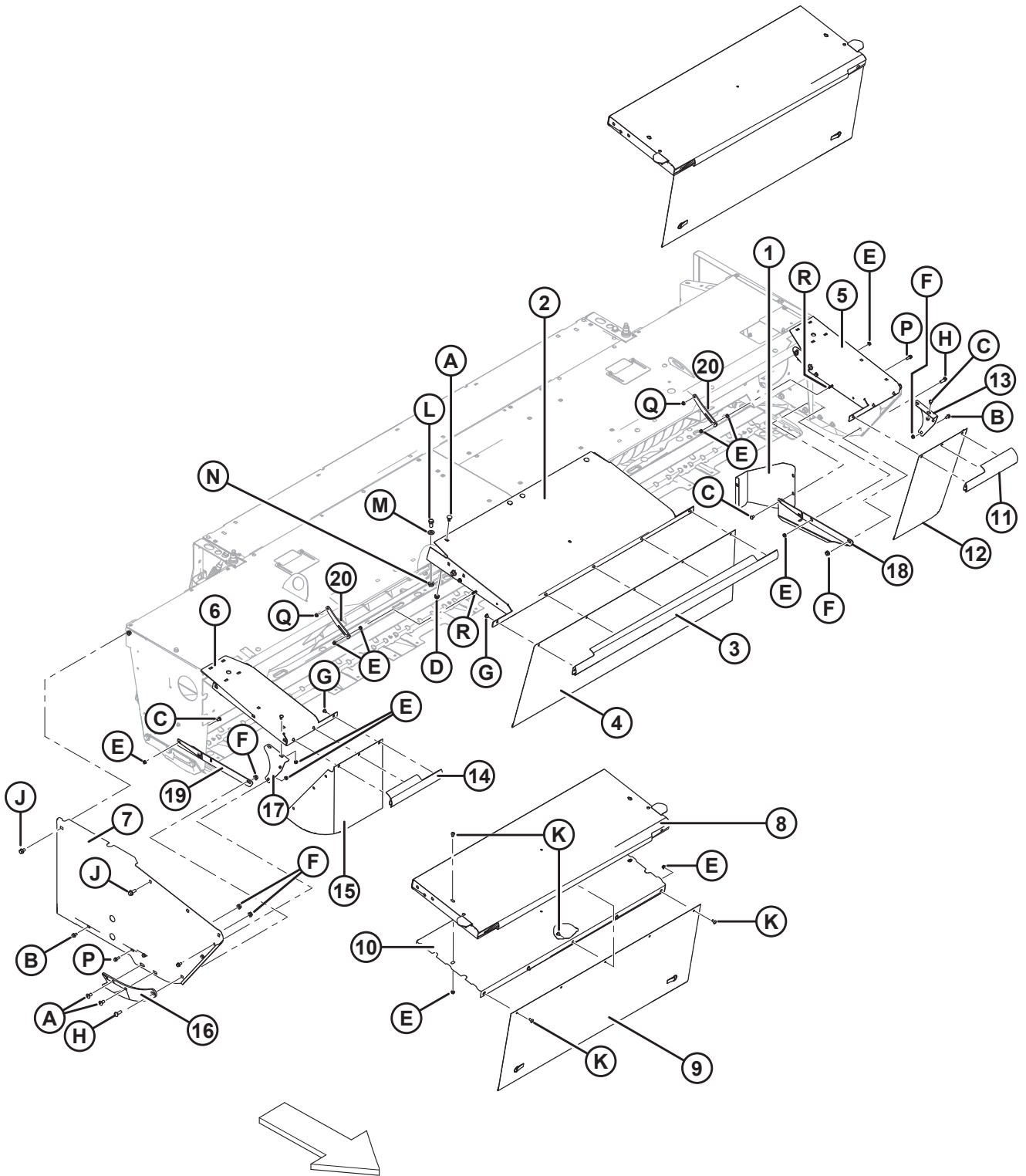


HEADER FRONT SHIELDS

Ref	Part Number	Description	Qty	Serial Number
1	146493	SHIELD – LH	1	
	146492	SHIELD – RH	1	
2	268187	CHANNEL – WELDMENT	1	
3	198084	COVER WELDT	1	
4	236081	SHIELD – RUBBER CENTER	1	
5	268181	SUPPORT – LH WELDT	1	
6	268182	SUPPORT – RH WELDT	1	
7	198157	WELDT – PANEL RH	1	
	196438	WELDT – PANEL LH	1	
8	268285	COVER – C/W DECALS ⁵⁰	2	
9	236080	SHIELD – DOOR	2	
10	196877	LINER – COVER	2	
11	198009	COVER – LH WELDT	1	
12	198498	SHIELD – CORNER LH	1	
13	146385	BRACKET – END SHIELD LH	1	
14	198024	COVER – RH WELDT	1	
15	198503	SHIELD – CORNER RH	1	
16	146476	SUPPORT – DIVIDER	2	
17	146464	BRACKET – END SHIELD RH	1	
18	236122	SUPPORT – END PLATE LH	1	
19	236124	SUPPORT – END PLATE RH	1	
20	268212	COVER LATCH	2	
A	21066	BOLT – RHSN 1/2 -NC X 1.00 GR 5 ZP		
B	135963	BOLT – HH FLG (SMOOTH FACE) 3/8 NC X 0.75 GR 5 ZP		
C	21472	BOLT – RHSN 3/8 NC X 0.75 GR 5 ZP		
D	21383	NUT – FLANGE .500-13 UNC (SER FACE)		
E	30228	NUT – FLANGE DT SMOOTH FACE 0.375-16 UNC		
F	50186	NUT – FLANGE LOCK SM FACE DT 0.500-13 UNC GR 5		
G	105137	SCREW – MACHINE		
H	21469	BOLT – RHSN 1/2 NC X 1.5 LG GR 5 ZP		
J	135965	BOLT – HH FLG (SER FACE) 1/2 NC X 1.25 GR 5 ZP		
K	135157	SCREW – MACHINE		
L	21594	BOLT – HEX HD 0.625-11 UNC X 1.50		
M	120901	WASHER – FLAT 5/8 IN. NOMINAL (L9)		
N	50225	NUT – FLANGE SMOOTH FACE .625-11 UNC		
P	135966	BOLT – HH FLANGE 3/8 NC X 1.0 GR 5 ZP		

50. Includes decals (MD #194463, 194465, 194466).

HEADER FRONT SHIELDS

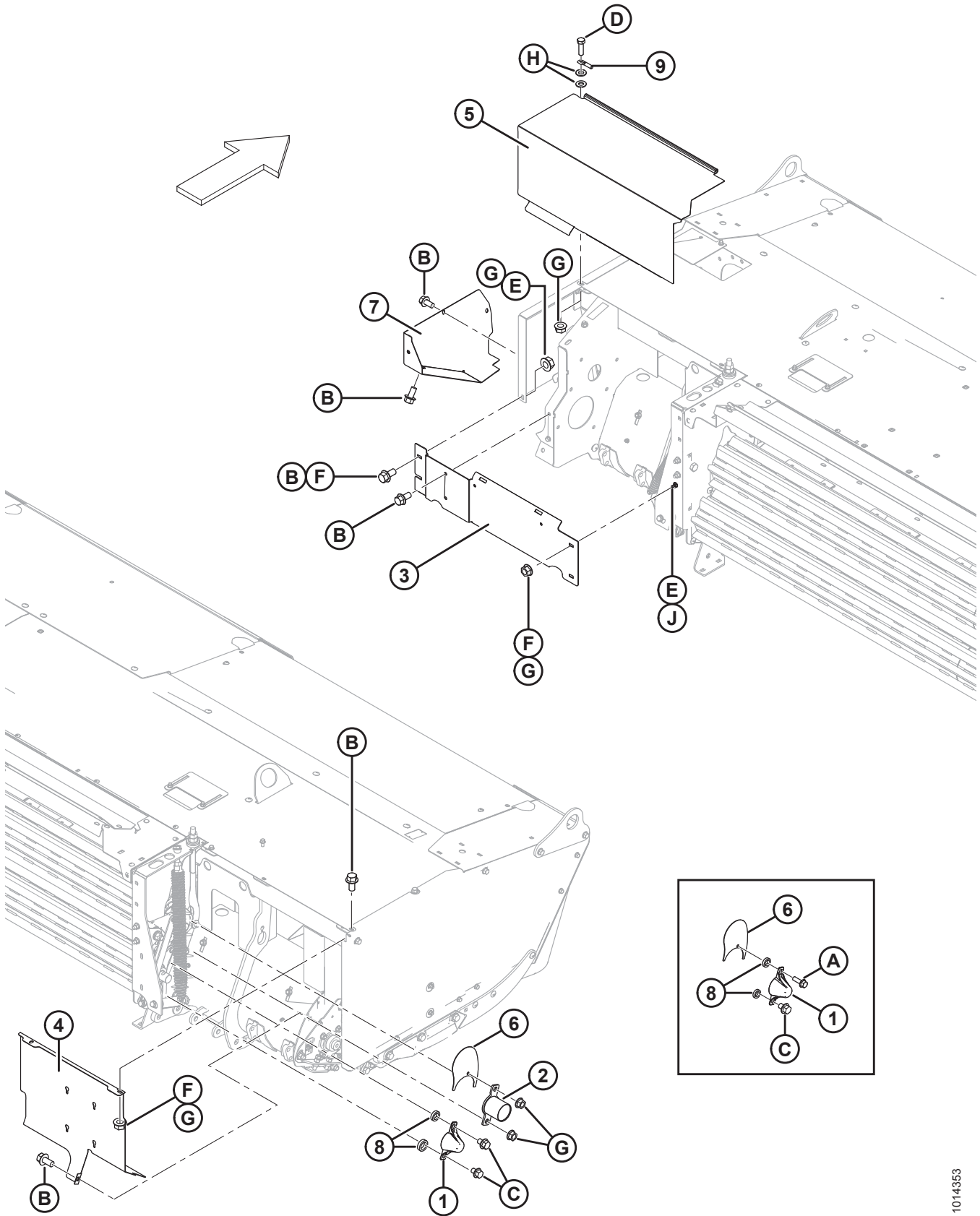


1018905

HEADER FRONT SHIELDS

Ref	Part Number	Description	Qty	Serial Number
Q	105010	NUT – LG FLG DT SMTH FACE 5/16 NC GR 5 ZP		
R	50004	BOLT – HH 3/8 NC X 1.25 LG TFL GR 5 ZP		

16 Header Drive Shields



HEADER DRIVE SHIELDS

Ref	Part Number	Description	Qty	Serial Number
1	198310	SHIELD – CONDITIONER	1	
2	236786	SHIELD – CONDITIONER	1	
3	146471	SHIELD – LH ⁵¹	1	-216509
	236055	SHIELD – LH ⁵²	1	216510-
4	198094	SHIELD – RH	1	
5	198173	SHIELD – LH UPPER REAR, C/W DECAL ⁵³	1	-216509
	236164	SHIELD – LH UPPER REAR, C/W DECAL ⁵⁴	1	216510-
6	196393	SHIELD – WELDMENT RH	1	-216509
	146965	SHIELD – WELDMENT RH	1	216510-
	196287	SHIELD – WELDMENT LH	1	-216509
	146964	SHIELD – WELDMENT LH	1	216510-
7	235828	SHIELD – C/W DECAL ⁵⁵	1	
8	236050	SPACER	4	
9	112624	RETAINER – PIN	2	
A	30269	BOLT – HEX FLANGE HD 5/16 NC X 1.0 LG GR 5 ZP		-216509
B	135963	BOLT – HH FLG (SMOOTH FACE) 3/8 NC X 0.75 GR 5 ZP		
C	30693	BOLT – HH 3/8 X 1/2 LG ZP		
D	21264	BOLT – HH 3/8 NC X 1.25 LG GR 5 ZP		
E	21863	BOLT – RHSSN 3/8 NC X 0.75 LG GR 5 ZP		-216509
F	21452	NUT – FLANGE (SER FACE) .375-16 UNC		-216509
G	30228	NUT – FLANGE DT SMOOTH FACE 0.375-16 UNC		
H	18598	WASHER – SAE FLAT 13/32 I.D. X 13/16 IN. O.D. ZP		
J	21472	BOLT – RHSN 3/8-16 X .75 GR 5		

51. For units made in model year 2011 and prior.

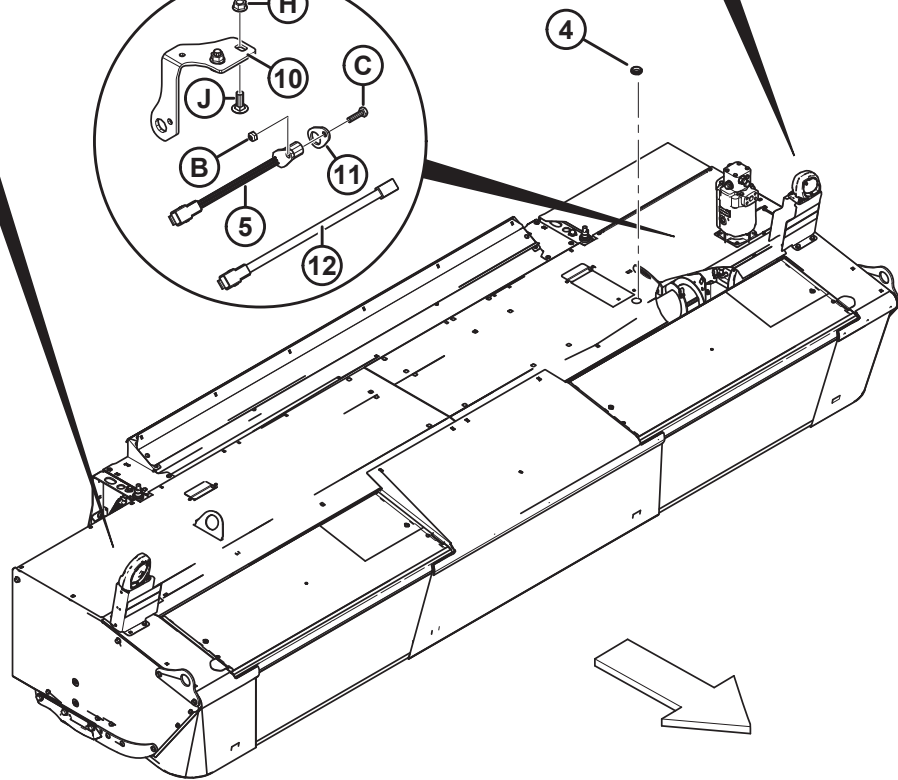
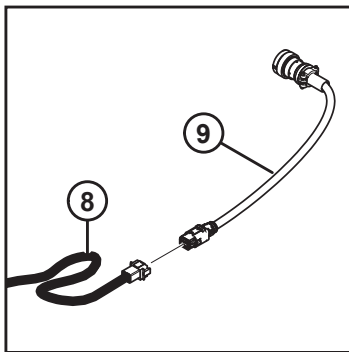
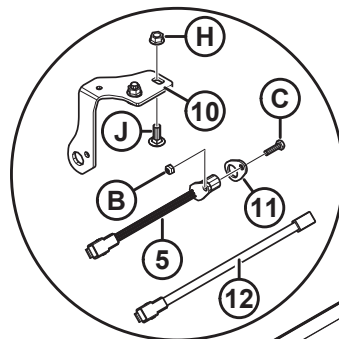
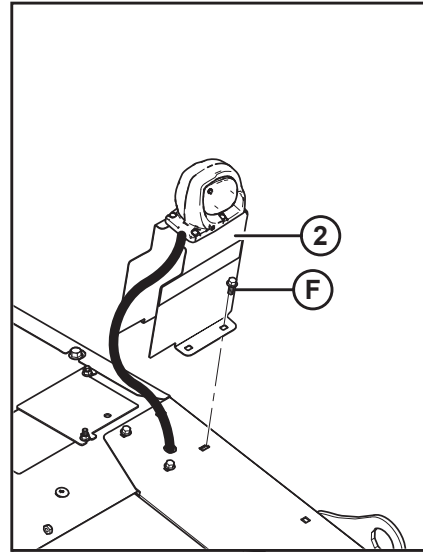
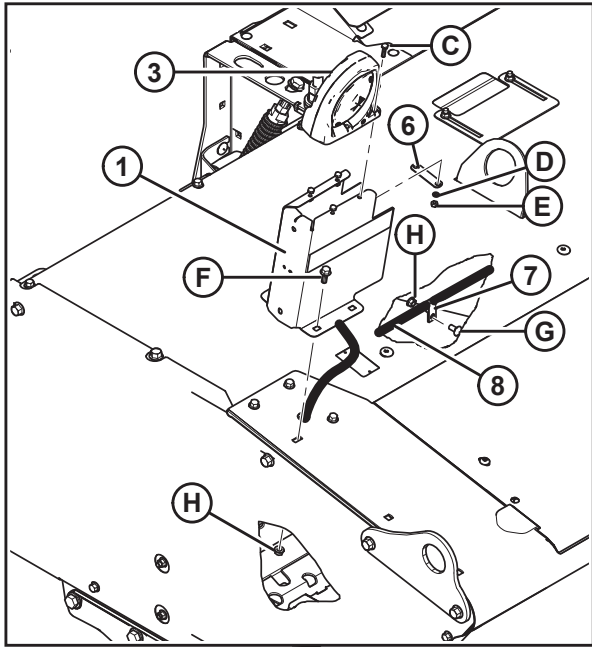
52. For units made in model year 2012 and later.

53. For units made in model year 2011 and prior. Includes decals (MD #184371, 184385).

54. For units made in model year 2012 and later. Includes decals (MD #184371, 184385, 247166).

55. Includes decal (MD #136331).

17 Lights and Wiring Harness



LIGHTS AND WIRING HARNESS

Ref	Part Number	Description	Qty	Serial Number
1	198964	LAMP – RH ASSEMBLY ⁵⁶	1	
2	198963	LAMP – LH ASSEMBLY	1	
3	138150	LAMP – CLEARANCE	2	
	139630	LENS – AMBER		
4	111713	GROMMET – 1.5 IN. I.D.	1	
5	143875	SENDER – SPEED	1	
6	198785	STRAP	2	
7	135233	CLAMP – DOUBLE HOSE INSULATED	12	
8	236033	HARNESS – WIRING SP ROTARY DISC HEADER ⁵⁷	1	-285419
	268274	HARNESS – WIRING SP ROTARY DISC HEADER ⁵⁸	1	285420-
	138709	HARNESS – M205, HEADER CONNECTION, DISC ⁵⁹	1	
9	207299	HARNESS – ADAPTER, DISC HEADER ⁶⁰	A/R	
10	146364	BRACKET – SPEED SENSOR, 16 FT ⁶¹	1	-216509
	236036	BRACKET – SPEED SENSOR, 16 FT ⁶²	1	216510-285419
	268023	BRACKET – SPEED SENSOR, 16 FT	1	285420-
11	146365	PLATE – SENSOR COVER, 16 FT	1	
12	268049	HARNESS – WIRING SP EXTENSION ⁶³	A/R	
A	18596	WASHER – SAE FLAT 9/32 I.D. X 5/8 IN. O.D. ZP ⁶⁴		
B	18724	NUT – HEX LOCK DT 1/4-20 UNC ZP		
C	21573	BOLT – HEX HD 1/4 NC X 1.0 LG GR 5 ZP		
D	18635	WASHER – REG. LOCK 1/4 IN. NOM. I.D. ZP		
E	18588	NUT – HEX 1/4-20 UNC GR 5 ZP		
F	135966	BOLT – RHSN 3/8 NC X 1.0 GR 5 ZP		
G	21863	BOLT – RHSSN 3/8 NC X 0.75 LG GR 5 ZP		
H	30228	NUT – FLANGE DT SMOOTH FACE 0.375-16 UNC		
J	19965	BOLT – RHSN 3/8-16 X 1 GR 5 ZP		

56. Includes lamp (MD #138150), strap (MD #198785), reflectors (MD #115146, 115145, 115147), and hardware (MD #21573, 18635, 18588).

57. For units made in model year 2015 and prior.

58. For units made in model year 2016 and later.

59. Not illustrated.

60. Header end of adapter harness (MD #207299) connects to disc header connection harness (MD #138709).

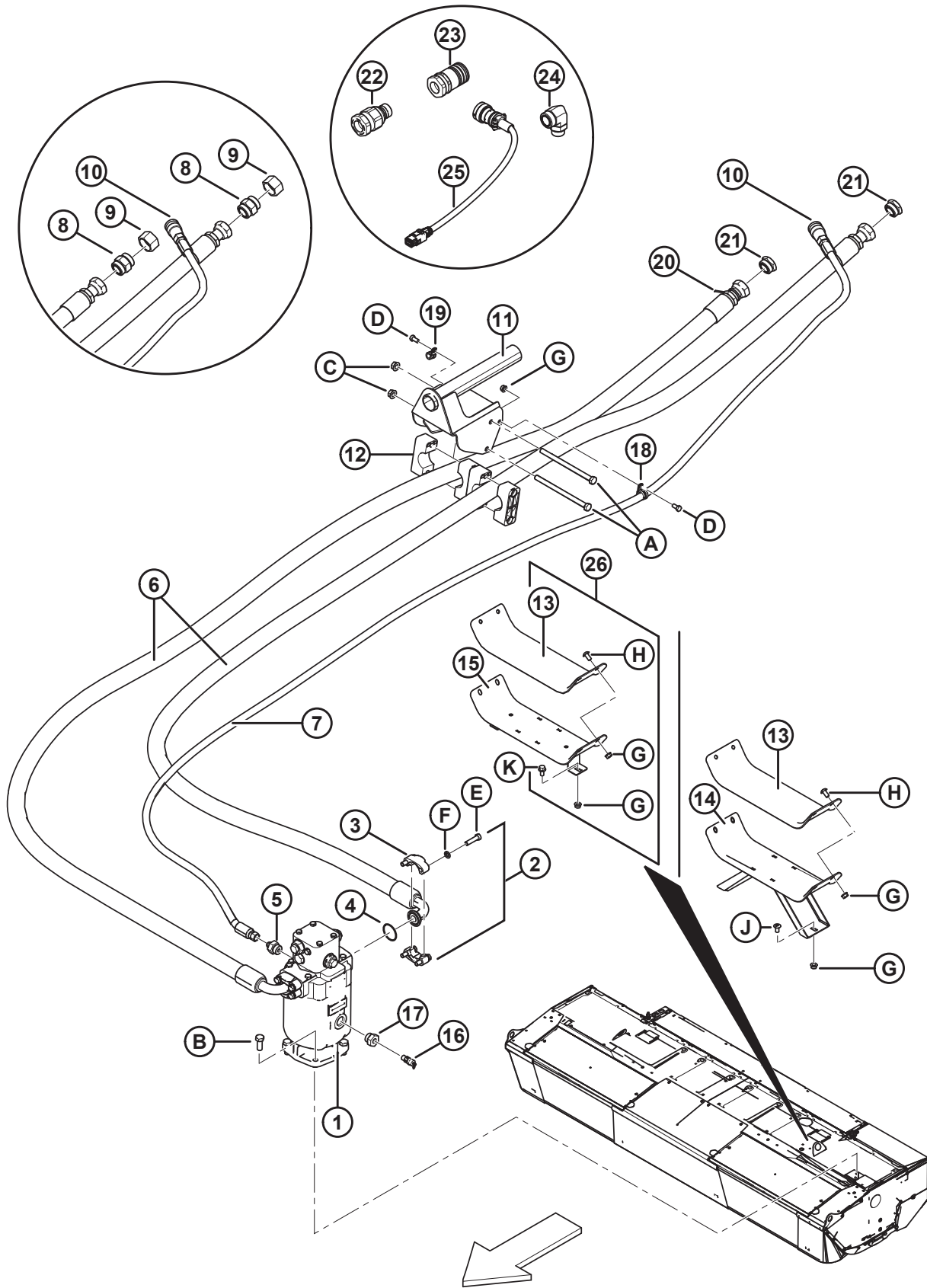
61. For units made in model year 2011 and prior.

62. For units made in model years 2013 to 2015.

63. For units made in model year 2015. Header wiring harness in 2015 model year is routed around the flange of the gearbox, requiring a harness extension (MD #268049) to connect the speed sender (MD #143875) to the header wiring harness.

64. Not illustrated. For use with speed sensor bracket (MD #146364) only.

18 Hydraulics



HYDRAULICS

Ref	Part Number	Description	Qty	Serial Number
1	194563	MOTOR – HYDRAULIC, PISTON	1	
	150879	SEAL		
	198514	RING – RETAINING		
2	138127	ASSEMBLY – 1 IN. CODE 62 SPLIT FLANGE ⁶⁵	2	
3	194043	FLANGE – HALF SPLIT 1 IN. CODE 62	2	
4	112868	O-RING – 1.296 IN. I.D. X 0.139 IN. WALL	2	
5	30939	FITTING – ADAPTER HYD	1	
6	138855	HOSE – HYDRAULIC	2	
7	138124	HOSE – HYDRAULIC	1	
8	135708	FITTING – UNION SAE -20 ORFS ⁶⁶	2	
	135869	O-RING – #20 ORFS		
9	135719	CAP – HYD SAE -20 ORFS	2	
10	135474	COUPLER – HYDRAULIC, 1/2 IN. FEMALE FF	1	
11	272233	SUPPORT – WELDT	1	
12	135946	CLAMP PAIR	2	
13	146474	SUPPORT – HOSE	1	
14	146553	STAND – HOSE	1	
15	236855	SUPPORT – HOSE (SP ONLY)		
16	198927	VALVE – RELIEF	1	
17	135560	FITTING – ADAPTER HYD C/W O-RING	1	
18	135709	CLAMP – INSULATED 3/4 IN.	1	
19	135818	CLAMP – INSULATED 1/2 IN.	1	
20	40702	FASTENER – CABLE TIE (RED)	1	
21	135762	PLUG – HYDRAULIC, 20 ORFS	2	
22	136412	FITTING – COUPLING MALE 1 IN. ⁶⁷	1	285420–
23	136413	FITTING – COUPLING FEMALE 1 IN.	1	285420–
24	136631	FITTING – ELBOW 90° HYD	2	285420–
	50220	O-RING – #16 ORB	1	
	135869	O-RING – #20 ORFS	1	
25	207299	HARNESS – ADAPTER, DISC HEADER	1	285420–
26	REF	ASSEMBLY – HOSE SUPPORT (SP ONLY) ⁶⁸		

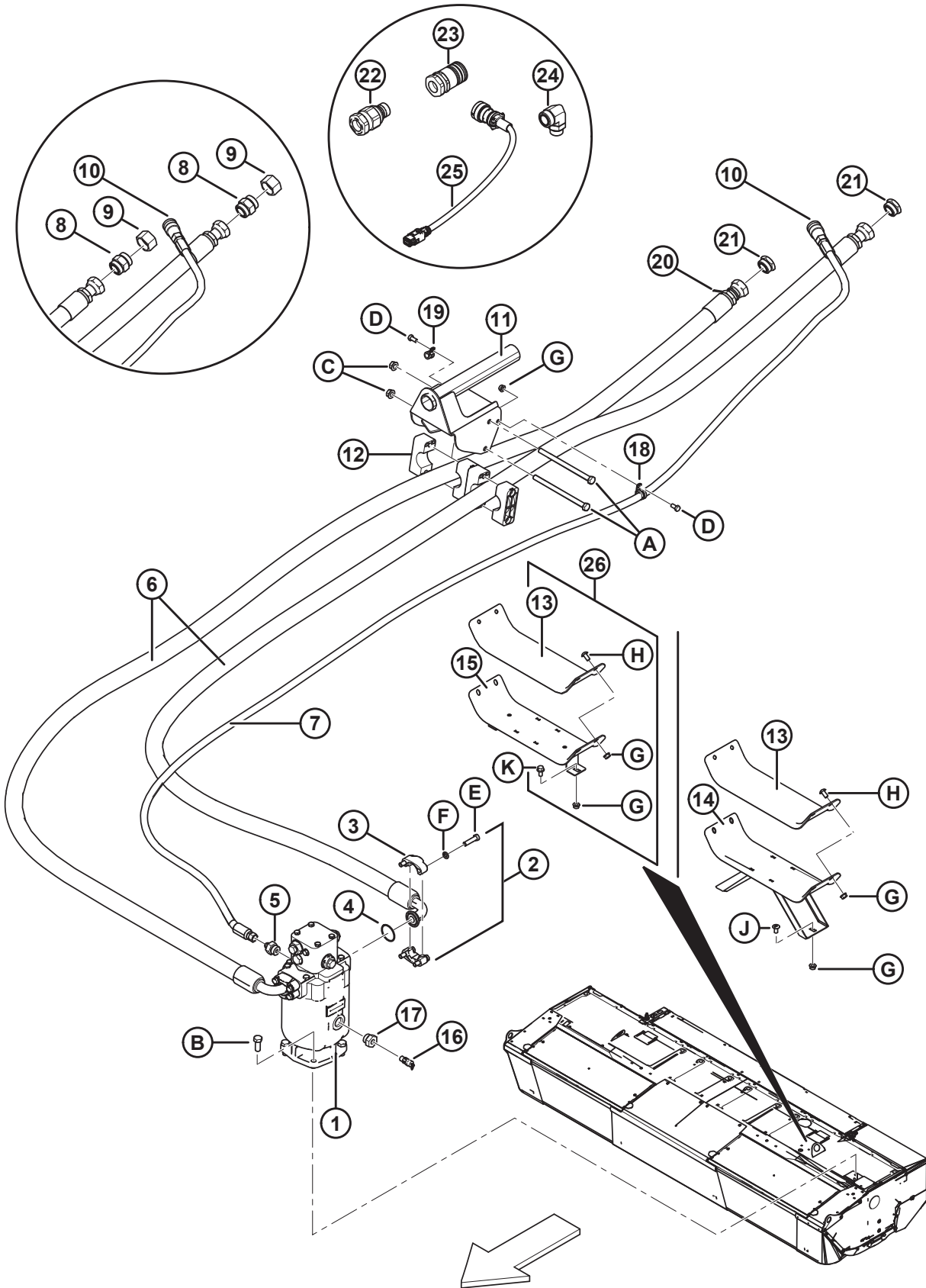
65. Includes two flanges (MD #194043), O-ring (MD #112868), four bolts (MD #21564), and four washers (MD #18652).

66. Fitting (MD #135708) only used if connecting R85 to M205.

67. For self-propelled 2016 and later model year units.

68. Includes hose support (MD #146474), SP only hose support (MD #236855), and hardware (MD #30228, 135157, 135963). Hose support assembly is located close to the windrower connection on the forming shield assembly and raises the hydraulic hoses high enough to clear the forming shield at any header position to prevent wear on the hoses. For assembly placement, refer to Section [34 Self-Propelled Header Forming Shields – 2015 and Prior, page 100](#) and Section [35 Self-Propelled Header Forming Shields – 2016 and Later, page 104](#).

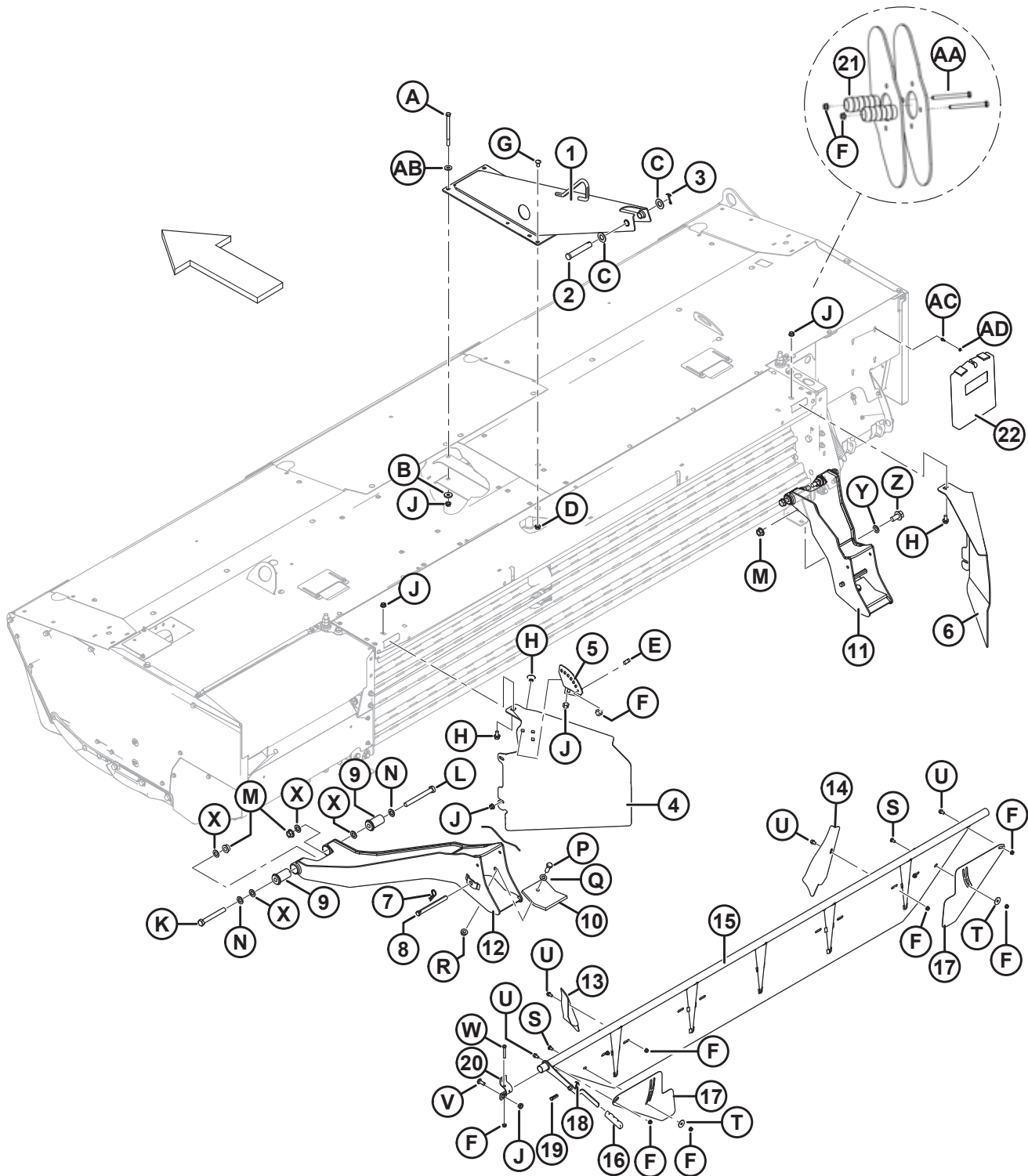
HYDRAULICS



HYDRAULICS

Ref	Part Number	Description	Qty	Serial Number
A	135976	BOLT – HH 1/2 NC X 8 LG GR 5 ZP		
B	135491	BOLT – HH M14 X 2 X 35 LG ZP		
C	50186	NUT – FLANGE LOCK SM FACE DT 0.500-13 UNC GR 5		
D	21567	BOLT – HEX HD .375-16 UNC X 0.75 LG		
E	21564	BOLT – HH 7/16 NC X 1.75 LG GR 5 ZP		
F	18652	WASHER – REG. LOCK 7/16 IN. NOM. I.D. ZP		
G	30228	NUT – FLANGE DT SMOOTH FACE 0.375-16 UNC		
H	135157	SCREW – MACHINE		
J	21472	BOLT – RHSN 3/8 NC X 0.75 GR 5 ZP		
K	135963	BOLT – HH FLG SM FACE 3/8 NC X 0.75 GR 5 ZP		

19 Completion Package for Windrower Headers



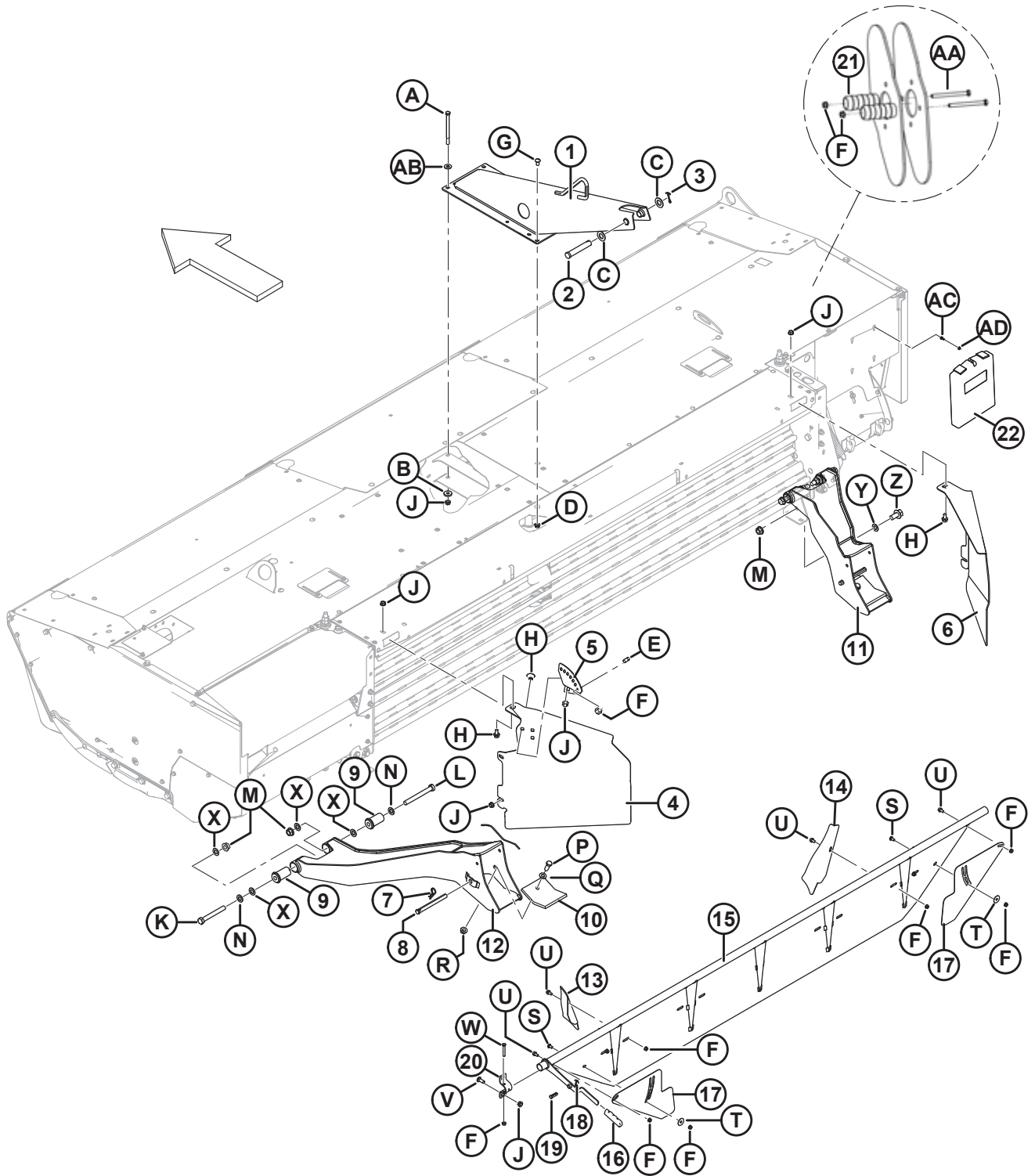
COMPLETION PACKAGE FOR WINDROWER HEADERS

Ref	Part Number	Description	Qty	Serial Number
1	198097	WELDT – ANCHOR	1	
2	49341	PIN – CLEVIS	1	
3	18609	PIN – COTTER 1/4 DIA X 2 ZP	1	
4	198103	SHIELD – LH	1	
5	236783	BRACKET – SWATH BAFFLE	1	
6	198104	SHIELD – RH	1	
7	13125	PIN – HAIR	2	
8	135408	PIN – CLEVIS	2	
9	149342	BUSHING – RUBBER	4	
10	150454	PAD – RUBBER	2	
11	256047	MEMBER – BOOT C/W BUSHINGS, RH ⁶⁹	1	
12	256046	MEMBER – BOOT C/W BUSHINGS, LH	1	
13	146250	BAFFLE FIN – LH	2	
14	146420	BAFFLE FIN – RH	2	
15	268268	SHIELD – SWATH BAFFLE WELDMENT	1	
16	150392	HANDLE	1	
17	268337	KIT – BAFFLE PLATES ⁷⁰	2	
18	50193	PIN – LYNCH	1	
19	11847	PIN – CLEVIS	1	
20	157549	SUPPORT – BAFFLE	2	
21	221530	SHIELD – NUT	12	
22	118234	CASE – MANUALS	1	
A	50009	BOLT – HH 1/2 NC X 7.0 LG GR 5 ZP		
B	18770	WASHER – FLAT		
C	18603	WASHER – SAE FLAT 1-1/16 I.D. X 2.0 IN. O.D. ZP		
D	21383	NUT – FLANGE .500-13 UNC (SER FACE)		
E	21567	BOLT – HEX HD .375-16 UNC X 0.75 LG		
F	30228	NUT – FLANGE DT SMOOTH FACE 0.375-16 UNC		
G	21066	BOLT – RHSN 1/2 NC X 1 GR 5 ZP		
H	21449	BOLT – HH FLG (SER FACE) 1/2 NC X 1.0 GR 5 ZP		
J	50186	NUT – FLANGE LOCK SM FACE DT 0.500-13 UNC GR 5		
K	30743	BOLT – HH 3/4 NC X 6.0 LG GR 5 ZP		
L	135576	BOLT – HH 3/4 NC X 7.0 LG GR 5 ZP		
M	135367	NUT – FLANGE DT SMTH FACE 0.75-10 UNC GR 5		

69. Includes two bushings (MD #149342).

70. Kit includes two baffle plates (NSS), two rectangular washers (MD #268336), and hardware (MD #30228, 21821, and 100456).

COMPLETION PACKAGE FOR WINDROWER HEADERS



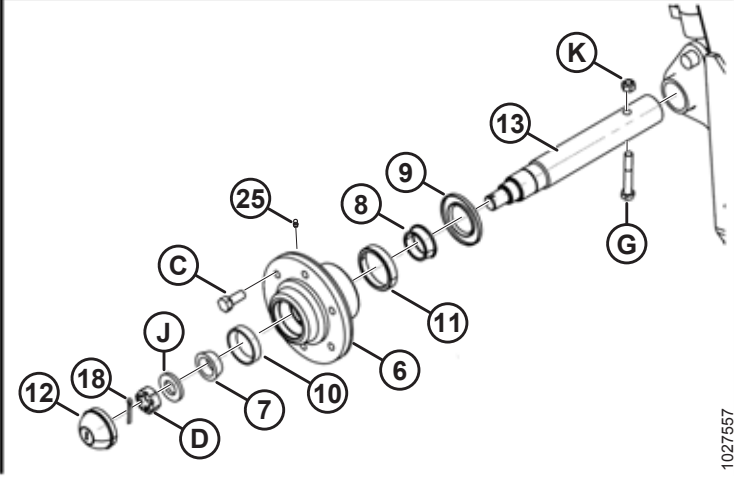
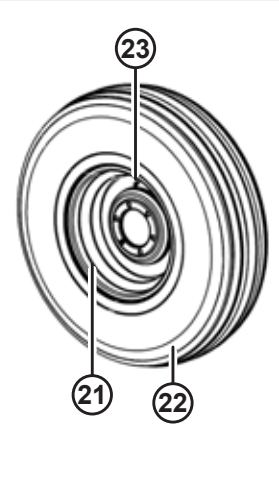
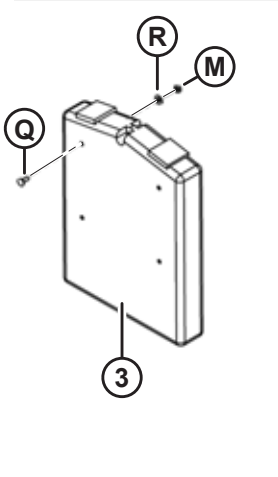
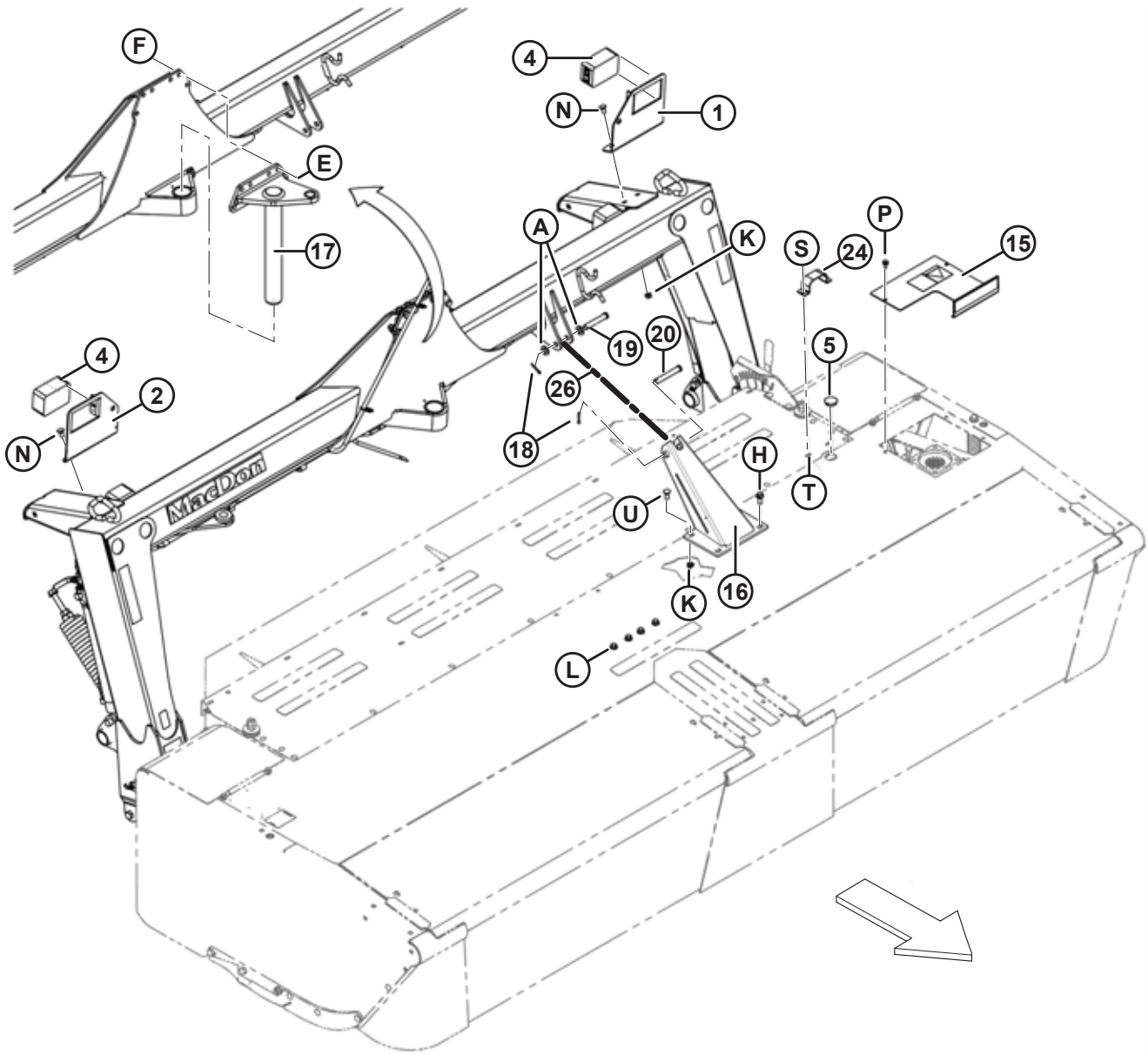
1027556

COMPLETION PACKAGE FOR WINDROWER HEADERS

Ref	Part Number	Description	Qty	Serial Number
N	18601	WASHER – SAE FLAT 13/16 I.D. X 1.5 IN. O.D. ZP		
P	21582	BOLT – HH 5/8 NC X 1.75 LG GR 5 ZP		
Q	50225	NUT – FLANGE DT SMOOTH FACE .625-11 UNC		
R	18600	WASHER – SAE FLAT 21/32 I.D. X 1-5/16 IN. O.D. ZP		
S	21863	BOLT – RHSSN 3/8 NC X 0.75 GR 5 ZP		
T	18963	WASHER – FLAT		
U	21821	BOLT – HH FLG (SER FACE) 3/8 NC X 0.75 GR 5 ZP		
V	21471	BOLT – RHSN 1/2 NC X 1.25 GR 5 ZP		
W	21102	BOLT – HH 3/8 NC X 2.5 LG GR 5 ZP		
X	5113	WASHER – FLAT ⁷¹		
Y	112130	WASHER – FLAT		
Z	30512	BOLT – HH /4 NC X 2.0 LG GR 5 ZP		
AA	19906	BOLT – HEX HD 3/8 NC X 4.5 TFL GR 5 ZP		
AB	137699	WASHER – FLAT USS HARDENED 1/2 NOM. I.D.		
AC	NSS	BOLT – HH SER FLG 1/4-20 X 0.625-GR5-AA3L		
AD	21455	NUT – FLG (SER FACE) 1/4 NC GR 5 ZP		

71. Use as required for shimming.

20 Carrier Assembly



CARRIER ASSEMBLY

Ref	Part Number	Description	Qty	Serial Number
1	150996	ASSEMBLY – LH LIGHT BRACKET, C/W REFLECTORS ⁷²	1	
2	150997	ASSEMBLY – RH LIGHT BRACKET, C/W REFLECTORS	1	
3	118234	CASE – MANUALS	1	
4	120416	LAMP – AMBER	2	
	NSS	REPLACEMENT BULB – #1156, SEE RETAILER		
	160359	LENS – AMBER, REPLACEMENT		
5	135613	PLUG – PLASTIC SNAP-IN	1	
6	140246	HUB – C/W BEARING CUPS ⁷³	2	
7	30702	BEARING – CONE	2	
8	140247	BEARING CONE ROLLER	2	
9	140248	SEAL – GREASE	2	
10	30701	CUP – OUTER	2	
11	140249	CUP – INNER	2	
12	140250	CAP – DUST	2	
13	236223	SPINDLE 16 FT	2	
15	150662	SHIELD – LH C/W DECAL 16 FT ⁷⁴	1	
16	194910	SUPPORT – PT ROTARY CENTER LINK	1	
17	194419	HITCH PIN WELDMENT	1	
18	18608	PIN – COTTER 3/16 DIA X 1.5 ZP	2	
19	18629	PIN – CLEVIS	1	
20	103579	PIN – CLEVIS	1	
21	30890	WHEEL – 15 X 10 LB WHITE	2	
22	30889	TIRE – 31 X 13-5-15 NHS, 8 PLY, TERRA-RIB	2	
23	21153	STEM – TIRE VALVE ASSEMBLY #TR-415	2	
24	194169	CLAMP – HOSES	1	
25	18671	FITTING – LUBE 1/4-28 UNF	2	
26	REF	KIT – HEADER ANGLE ⁷⁵		
A	18601	WASHER – SAE FLAT 13/16 I.D. X 1.5 IN. O.D. ZP		
C	18916	BOLT – 90° WHEEL 9/16 NF X 1.75 OL		
D	19878	NUT – HEX SLOTTED 1.00-14 UNF		
E	135340	BOLT – HH 5/8 NC X 1.75 LG GR 8 ZP		
F	135341	NUT – FLANGE DT SMOOTH FACE .625-11 UNC GR G		
G	30011	BOLT – HH 1/2 NC X 3.25 LG GR 5 ZP		

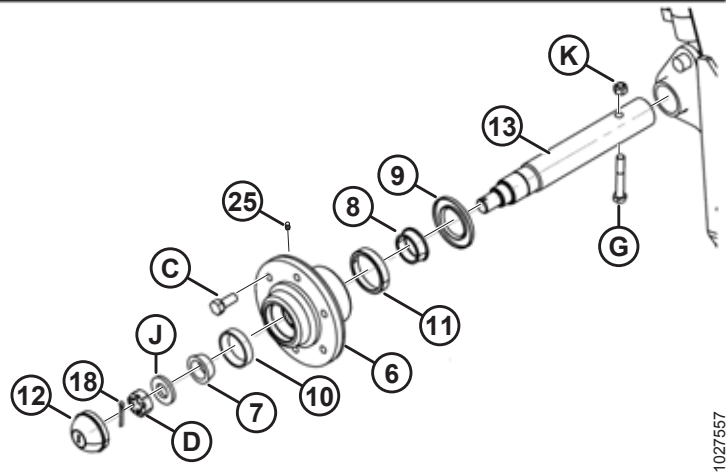
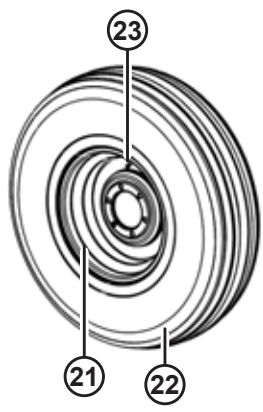
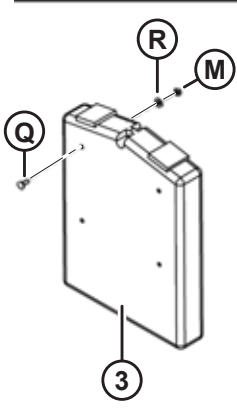
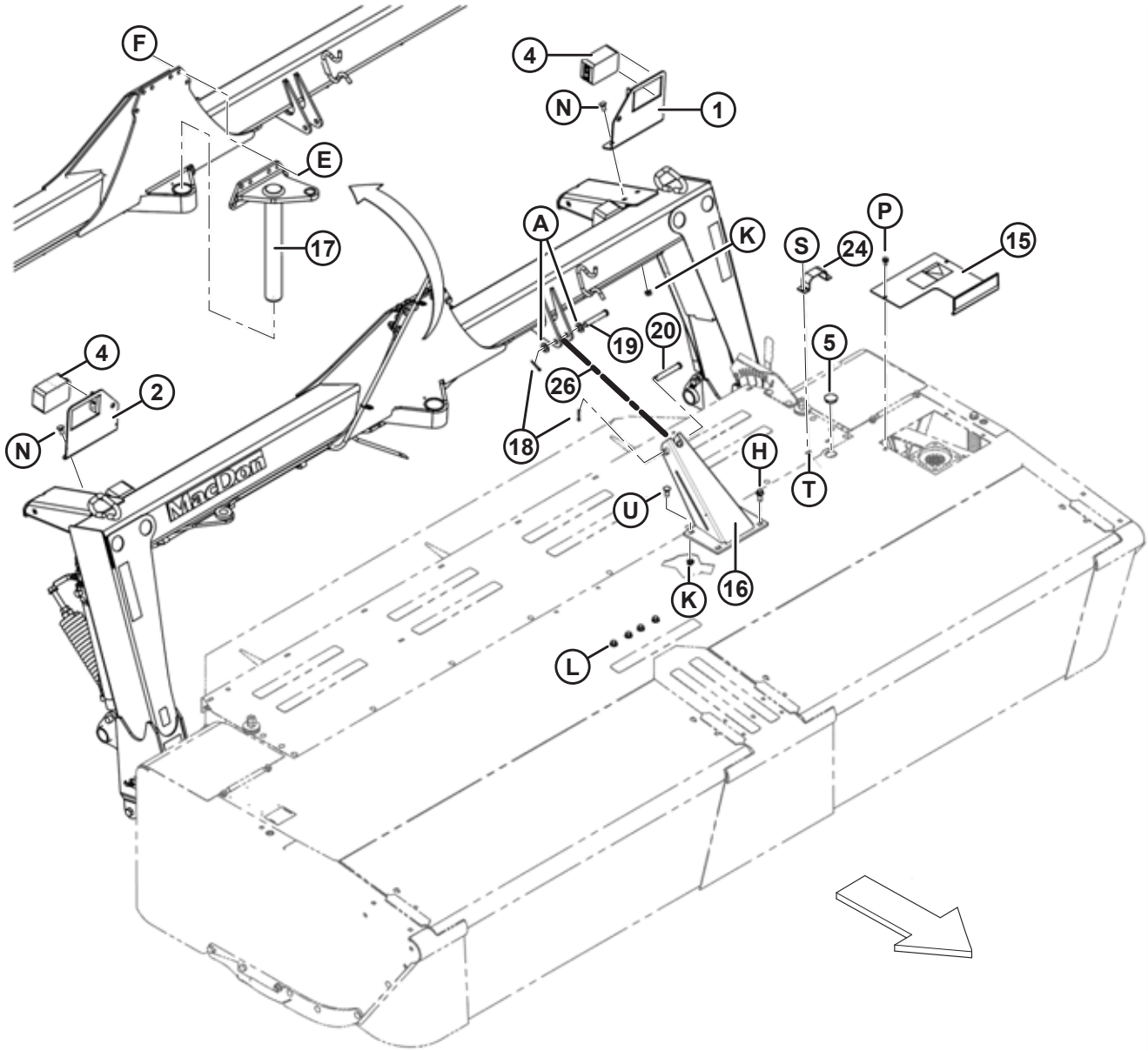
72. Includes reflectors (MD #115145, 115147).

73. Includes bearing cups (MD #30701, 140249) and grease fitting (MD #18671).

74. Includes decal (MD #174474).

75. Refer to Section [37 Hydraulic Header Angle Kit, page 110](#) or [43 \(Option\) Mechanical Header Angle, page 126](#).

CARRIER ASSEMBLY

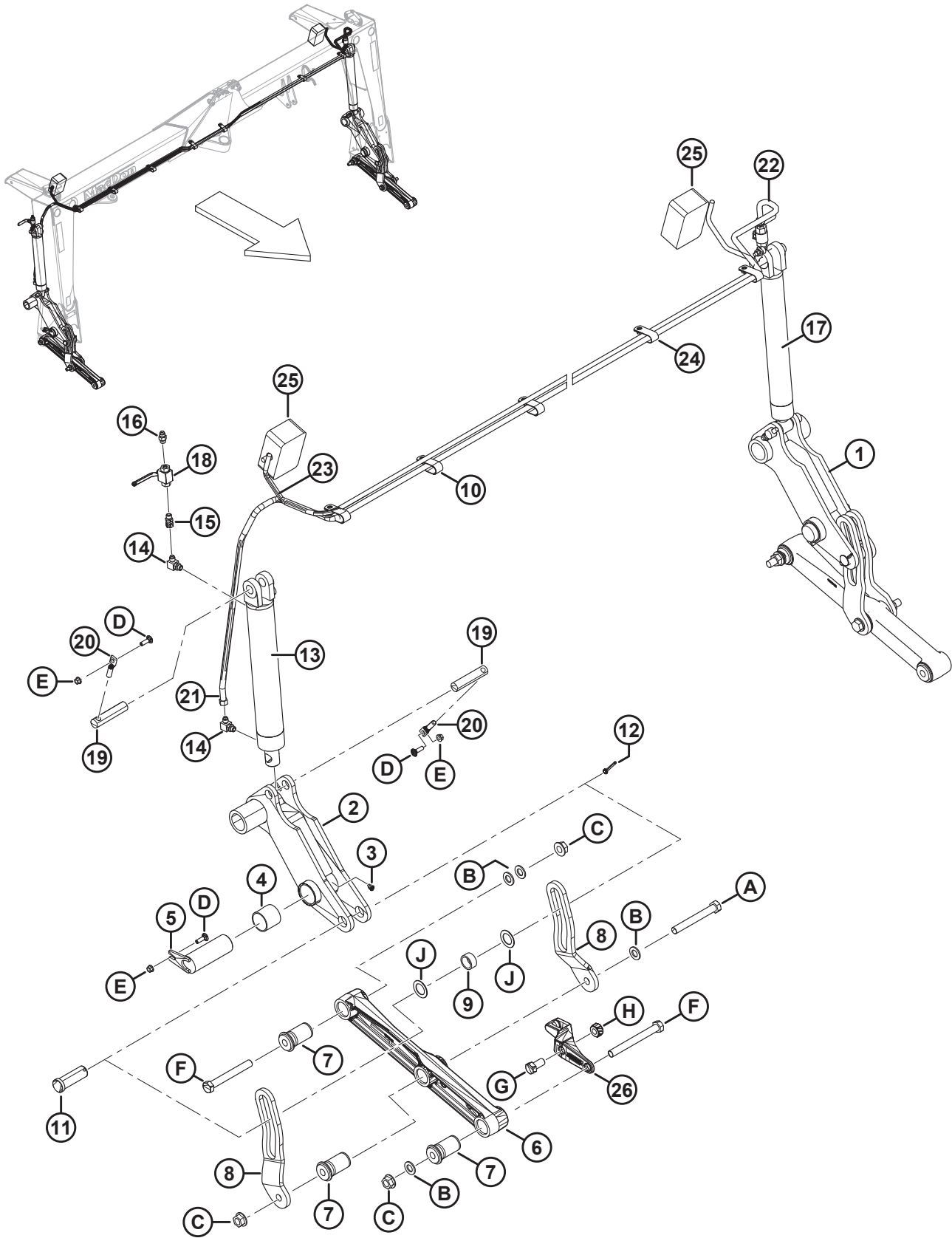


1027557

CARRIER ASSEMBLY

Ref	Part Number	Description	Qty	Serial Number
H	30368	BOLT – HH FLG (SER FACE) 1/2 NC X 1.25 GR 5 ZP		
J	31774	WASHER – FLAT		
K	50186	NUT – FLANGE LOCK SM FACE DT 0.500-13 UNC GR 5		
L	105066	BOLT – HH FLG (SER FACE) 1/2 -NC X 0.75 GR 5 ZP		
M	18724	NUT – HEX LOCK DT 1/4-20 UNC ZP		
N	21066	BOLT – ROUND HEAD SQUARE NECK 1/2 NC X 1 GR 5 ZP		
P	21821	BOLT – HH FLG (SER FACE) 3/8 NC X 0.75 GR 5 ZP		
Q	30242	BOLT – RHSN 1/4 NC X 0.625 GR 5 ZP		
R	18596	WASHER – SAE FLAT 9/32 I.D. X 5/8 IN. O.D. ZP		
S	21863	BOLT – RHSSN 3/8 NC X 0.75 LG GR 5 ZP		
T	30228	NUT – FLANGE, 3/8-16 UNC, ZN PL, GR 5		
U	21471	BOLT – RHSN 1/2 X 1.25 GR 5 ZP		

21 Carrier Frame Components



CARRIER FRAME COMPONENTS

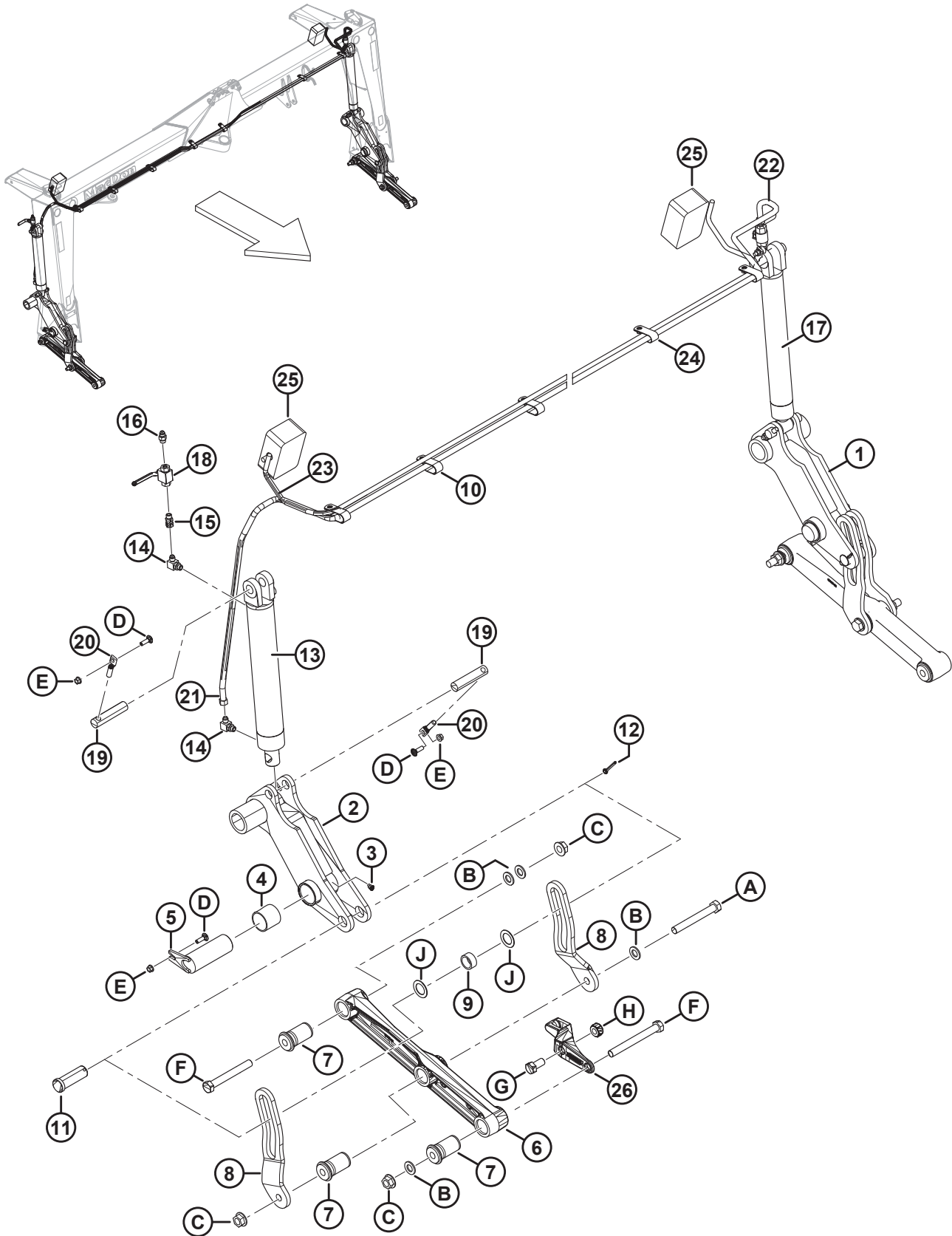
Ref	Part Number	Description	Qty	Serial Number
1	236212	ARM – LH ⁷⁶	1	
2	236218	ARM – RH	1	
3	18671	FITTING – LUBE 1/4-28 UNF, 90°	2	
4	25579	BUSHING – STEEL	4	
5	148078	PIN – WELDT, WHEEL ARM	2	
6	149820	ARM – C/W BUSHINGS ⁷⁷	2	
7	149342	BUSHING – RUBBER	6	
8	146240	ARM – LINK, LH	2	
	146241	ARM – LINK, RH	2	
9	150298	SPACER	2	
10	50022	CLAMP – INSULATED, 15/16 IN.	3	
11	135414	PIN – CLEVIS	2	
12	18609	PIN – COTTER 1/4 DIA X 2 ZP	2	
13	150306	CYLINDER – HYDRAULIC	1	
	150339	SEAL KIT	1	
14	30282	FITTING – ELBOW 90° HYD	3	
15	135015	FITTING – ADAPTER HYD	2	
16	15903	FITTING – CONNECTOR HYD	2	
17	150307	CYLINDER – 2.0 X 13	1	
	150338	SEAL KIT	1	
18	247875	VALVE – BALL	2	
19	142376	PIN – CYLINDER	4	
20	112624	RETAINER – PIN	4	
21	148961	HOSE – LIFT	1	
22	148962	HOSE – LIFT	1	
23	150971	HARNESS – WIRING	1	
24	103738	CLAMP – DOUBLE HOSE INSULATED, 13/16 IN.	4	
25	171093	LIGHT – RED TAIL	2	
	NSS	REPLACEMENT BULB ⁷⁸		
	160358	LENS – RED, REPLACEMENT		
	160360	LENS – BLACK, REPLACEMENT		
26	150959	HOOK – SPRING	2	
A	135577	BOLT – HH 3/4 NC X 6.0 LG GR 8 ZP		
B	18601	WASHER – SAE FLAT 13/16 I.D. X 1.5 IN. O.D. ZP		

76. Includes lube fitting (MD #18671) and bushing (MD #25579).

77. Includes bushing (MD #149342).

78. See retailer and order replacement bulb #1157.

CARRIER FRAME COMPONENTS

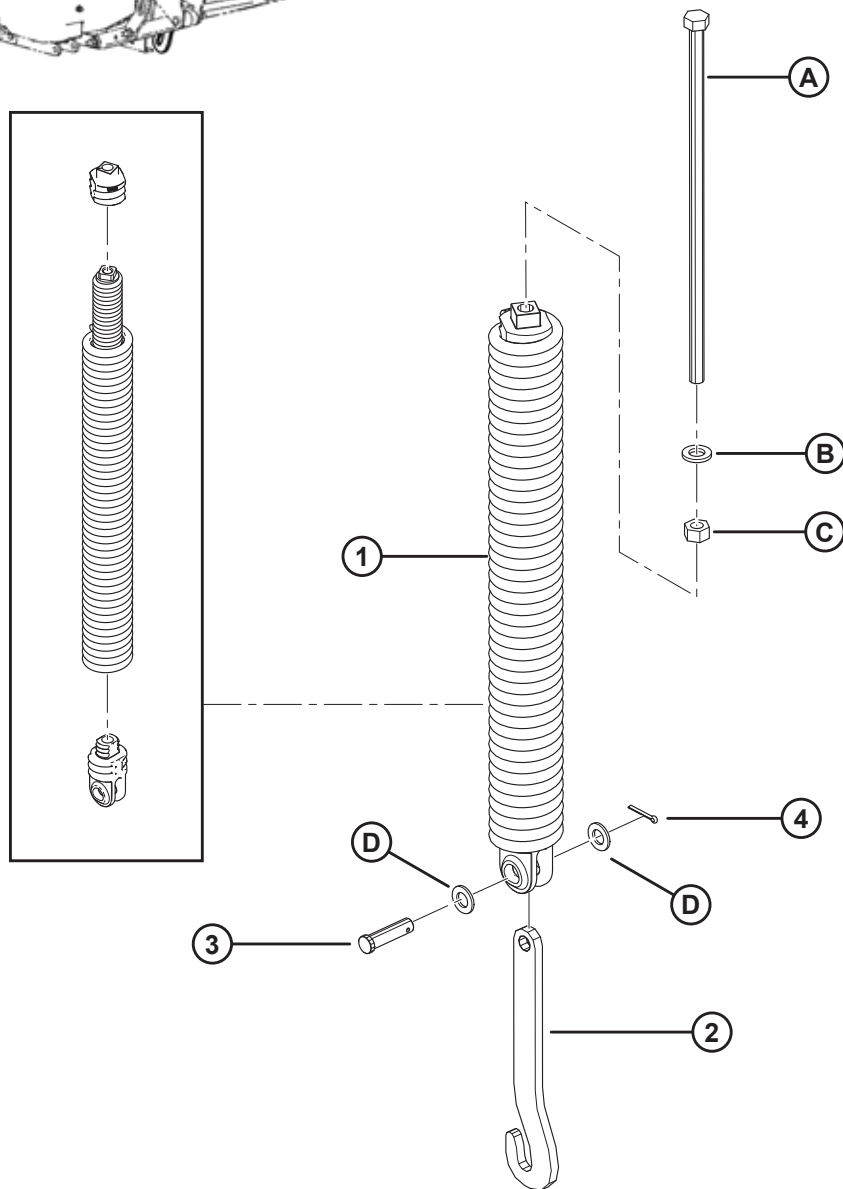
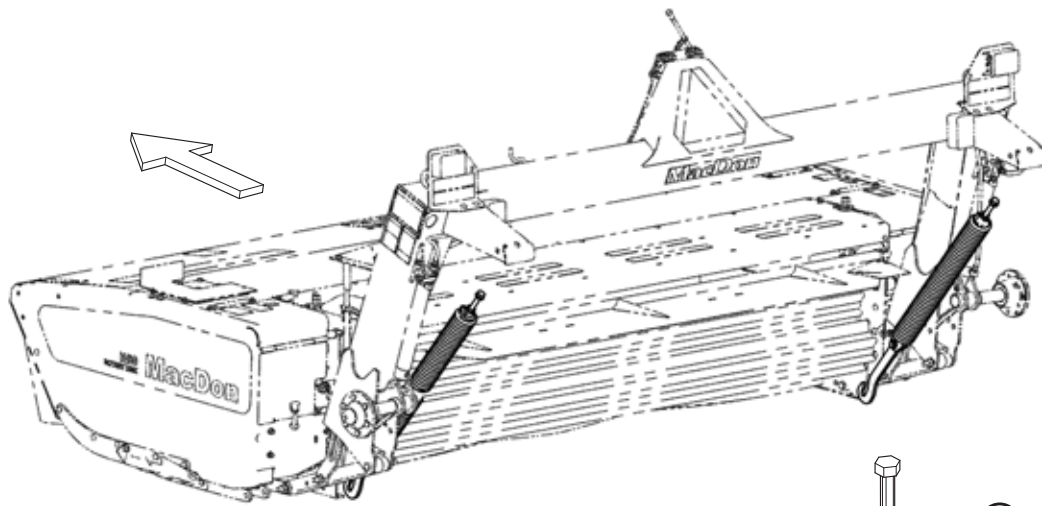


1027413

CARRIER FRAME COMPONENTS

Ref	Part Number	Description	Qty	Serial Number
C	135367	NUT – FLANGE DT SMTH FACE 0.75-10 UNC GR G		
D	19966	BOLT – RHSN 3/8 NC X 1.25 LG GR 5 ZP		
E	30228	NUT – FLANGE DT SMOOTH FACE 0.375-16 UNC		
F	30906	BOLT – HH 3/4 NC X 7.5 LG GR 5 ZP		
G	135004	BOLT – HH 3/4 NC X 1.5 LG GR 5 ZP		
H	135490	NUT – HEX, HEAVY 3/4-10 UNC GR 5 ZP		
J	136174	WASHER – HARDENED		

22 Carrier Springs

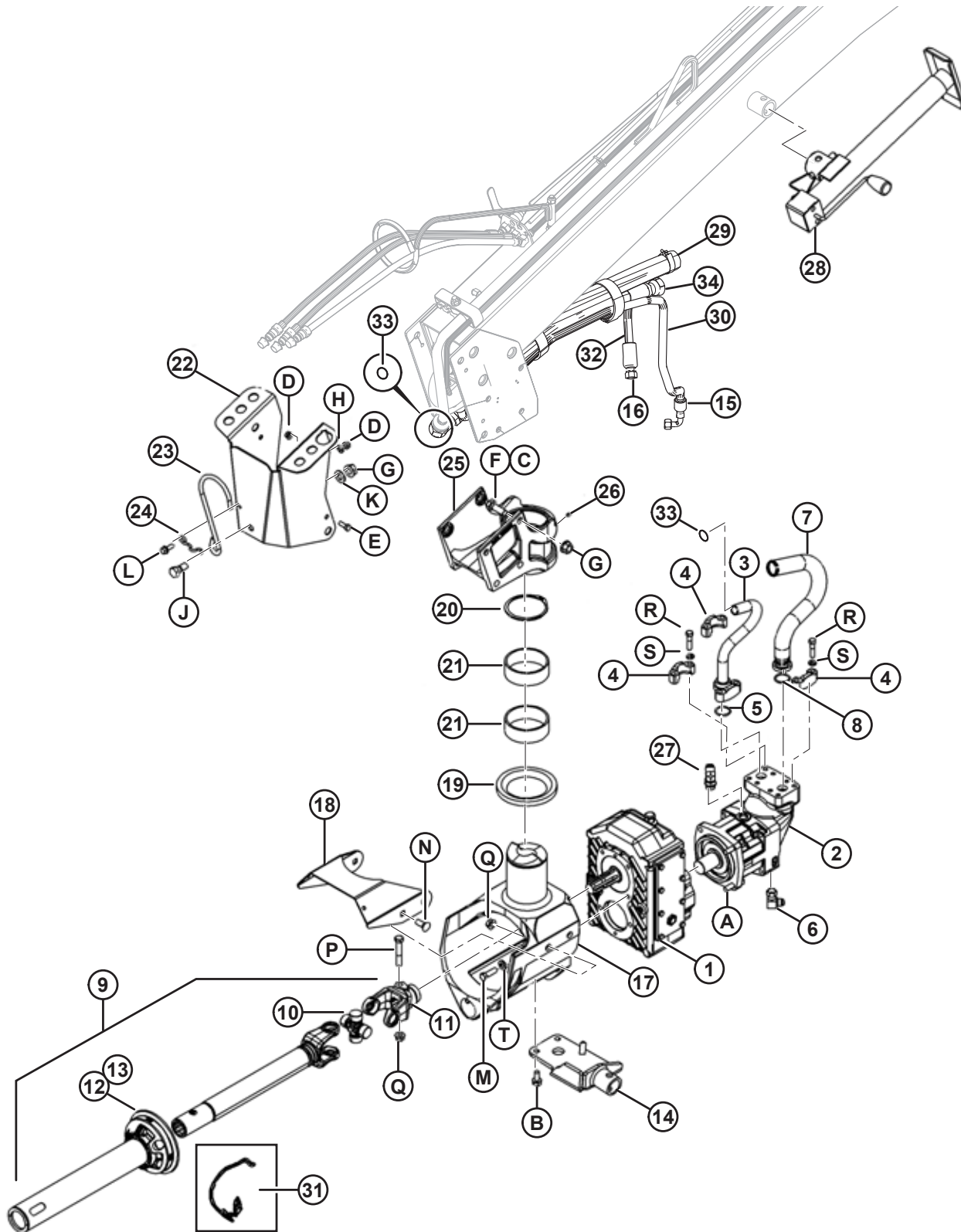


CARRIER SPRINGS

Ref	Part Number	Description	Qty	Serial Number
1	268340	SPRING – ASSEMBLY ⁷⁹	2	
2	194177	ARM – LINK	2	
3	30463	PIN – CLEVIS	4	
4	18608	PIN – HAIR	4	
A	153291	BOLT – HEX HD 0.75-10 UNC X 20.5 TFL GR 5		
B	21540	WASHER – HARDENED		
C	18593	NUT – HEX 3/4-10 UNC GR 5 ZP		
D	18601	WASHER – SAE FLAT 13/16 I.D. X 1.5 IN. O.D. ZP		

79. Includes yoke spring insert, casting spring insert, external extension spring, and internal booster spring assembly. These parts are NOT sold separately. To replace left-hand or right-hand spring assembly, order complete spring assembly (MD #268340).

23 Hitch Hydraulic Drive – 2012 and Prior



1022873

HITCH HYDRAULIC DRIVE – 2012 AND PRIOR

Ref	Part Number	Description	Qty	Serial Number
1	194039	DRIVE – GEARBOX ⁸⁰	1	–229509
2	194073	PUMP – BENT AXIS PISTON	1	–229509
	194183	SEAL KIT	1	
3	146394	FITTING – ADAPTER HYDRAULIC PRESSURE ⁸¹	1	–229509
4	194043	FLANGE – HALF SPLIT, 3/4	4	–229509
5	112868	O-RING	1	–229509
6	30314	FITTING – ELBOW 90° HYD	1	–229509
7	146395	ADAPTER – SUCTION	1	–229509
8	112868	O-RING	1	–229509
9	146351	DRIVELINE – MAIN (NORTH AMERICA) ⁸²	1	–229509
	194525	DRIVELINE – MAIN (EXPORT ONLY) ⁸³	1	–229509
10	150886	CROSS	1	–229509
11	150887	YOKE	1	–229509
12	150888	SHIELD – DRIVELINE	1	–229509
13	150889	SHIELD REPAIR KIT	1	–229509
14	150692	BRACKET WELDMENT	1	–229509
15	194104	HOSE – CASE	1	–229509
16	194089	HOSE – CASE DRAIN	1	–229509
17	150630	PIVOT – MACHINING	1	–229509
18	194531	GUARD	1	–229509
19	150634	WASHER – THRUST	1	–229509
20	30884	RING – EXT RETAINING	1	–229509
21	150633	BUSHING – 102 I.D. X 111 O.D. X 38 LONG	2	–229509
22	194202	CHANNEL	1	–229509
23	150135	HOOK	1	–229509
24	150138	CLIP	1	–229509
25	150632	PIVOT – MACHINING	1	–229509
26	18671	FITTING – LUBE 1/4-28 UNF	1	–229509
27	50103	FITTING – CONNECTOR HYD	1	–229509
28	140269	JACK	1	–229509
29	146405	HOSE – SUCTION	1	–229509
30	136360	CLAMP – T-BOLT	2	–229509
31	171277	KIT – CE CONVERSION (EXPORT ONLY) ⁸⁴	1	–229509

80. For service parts, refer to Section *24 Hitch Drive Gearbox – 2012 and Prior, page 72*.

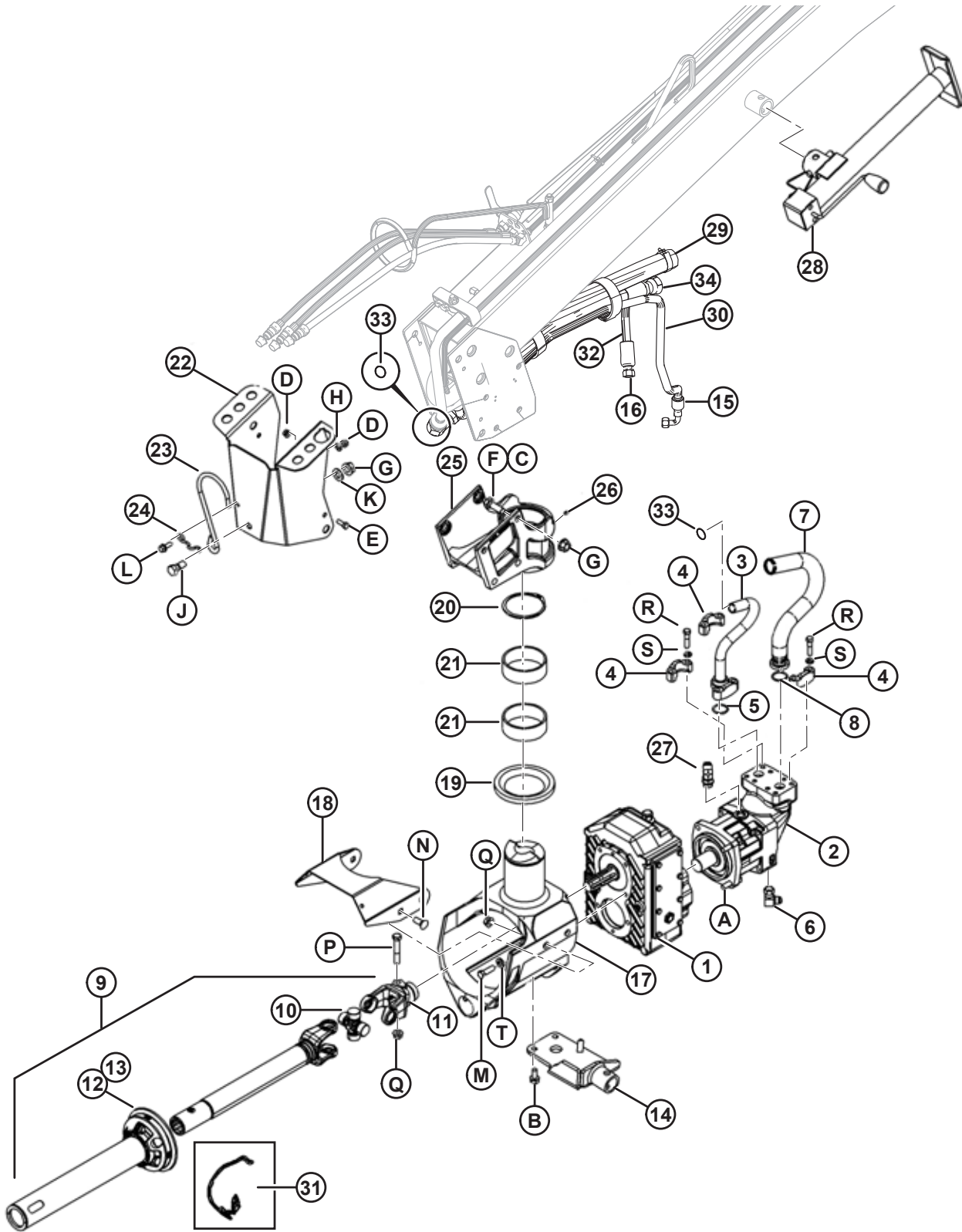
81. O-ring (MD #135554) is required to connect fitting (MD #146394) with hose (MD #146404).

82. Includes cross (MD #150886), yoke (MD #150887), driveline shield (MD #150888), shield repair kit (MD #150889), and decal (MD #36651).

83. For markets that require CE compliance. Includes cross (MD #150886), yoke (MD #150887), guard repair kit (MD #236804), inner guard CE (MD #236817), safety sign (MD #36651), safety chain, decals, and manual.

84. Includes two chains, decals, CE manual, and instruction sheet.

HITCH HYDRAULIC DRIVE – 2012 AND PRIOR

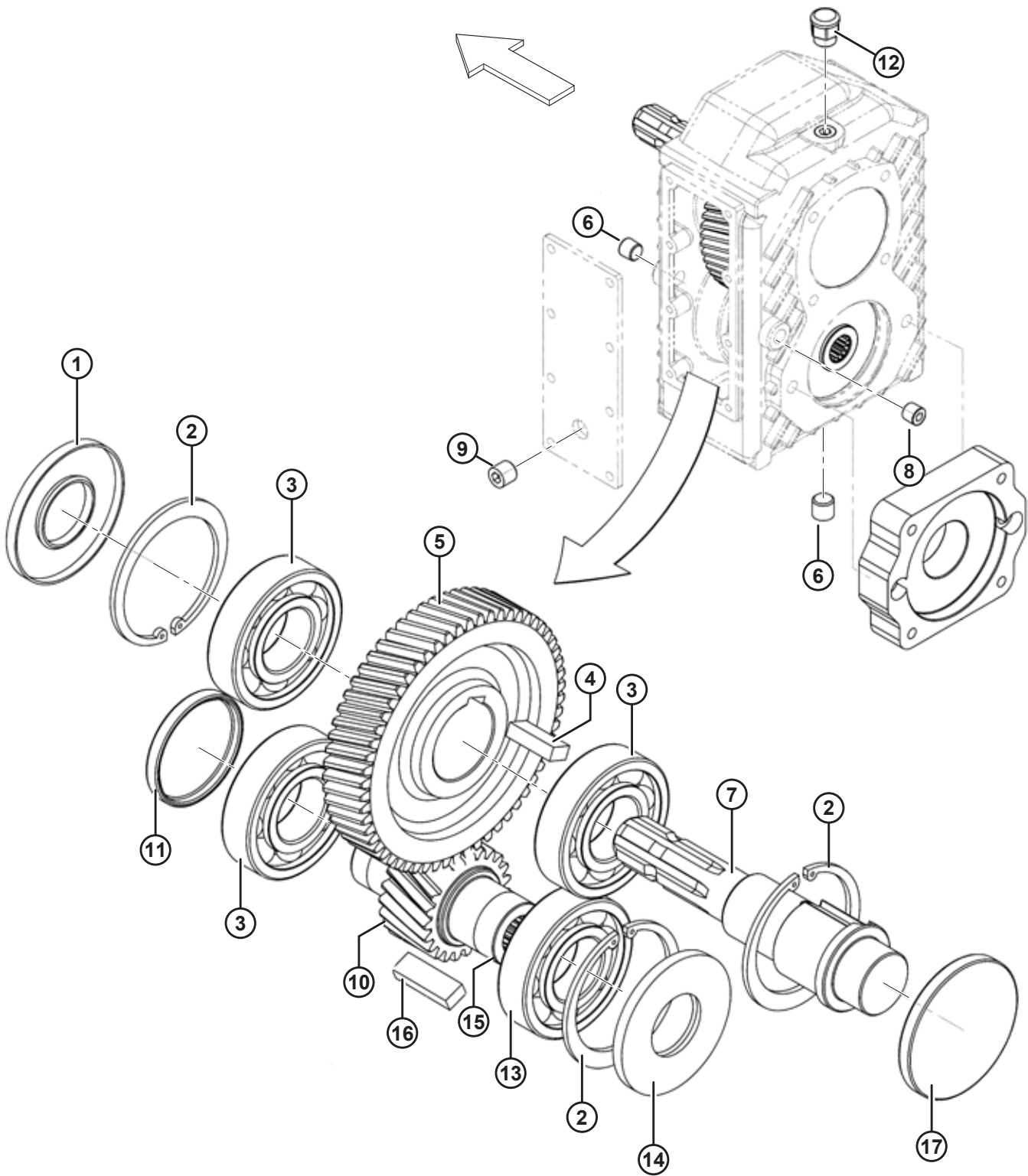


1022873

HITCH HYDRAULIC DRIVE – 2012 AND PRIOR

Ref	Part Number	Description	Qty	Serial Number
32	135981	FASTENER – VELCRO STRAP (305 MM)	2	-229509
33	135554	O-RING (FOR #16 ORFS FITTING)	2	-229509
34	146404	HOSE – HIGH PRESSURE	1	-229509
A	148799	BOLT – HH FLANGE M12 X 1.75 X 45 LG ZP		
B	148800	BOLT – HH FLANGE M12 X 1.75 X 25 LG ZP		
C	120901	WASHER – HARD L9 SPCL 5/8-82/85HR15N-AB3C		
D	30228	NUT – FLANGE DT SMOOTH FACE 0.375-16 UNC		
E	20077	BOLT – HEX HD 3/8 NC X 1.0 LG GR 5 ZP		
F	21582	BOLT – HEX HD 5/8 NC X 1-3/4 LG BLK PL		
G	50225	NUT – FLANGE DT SMOOTH FACE .625-11 UNC		
H	18598	WASHER – SAE FLAT 13/32 I.D. X 13/16 IN. O.D. ZP		
J	48050	BOLT – SHOULDER .625-11 UNC		
K	18600	WASHER – SAE FLAT 21/32 I.D. X 1-5/16 IN. O.D. ZP		
L	21975	BOLT – HH FLG (SER FACE) 3/8 NC X 1.0 GR 5 ZP		
M	184669	BOLT – HH M12 X 1.75 X 40 LG ZP		
N	21471	BOLT – RHSN 1/2-13 X 1.25 GR 5 ZP		
P	21560	BOLT – HH 1/2 NC X 3.0 LG GR 5 ZP		
Q	50186	NUT – FLANGE LOCK SM FACE DT 0.500-13 UNC GR 5		
R	21564	BOLT – HEX HD 7/16 NC X 1.75 LG GR 5 ZP		
S	18652	WASHER – REG. LOCK 7/16 IN. NOM. I.D. ZP		
T	30636	WASHER – FLAT		

24 Hitch Drive Gearbox – 2012 and Prior

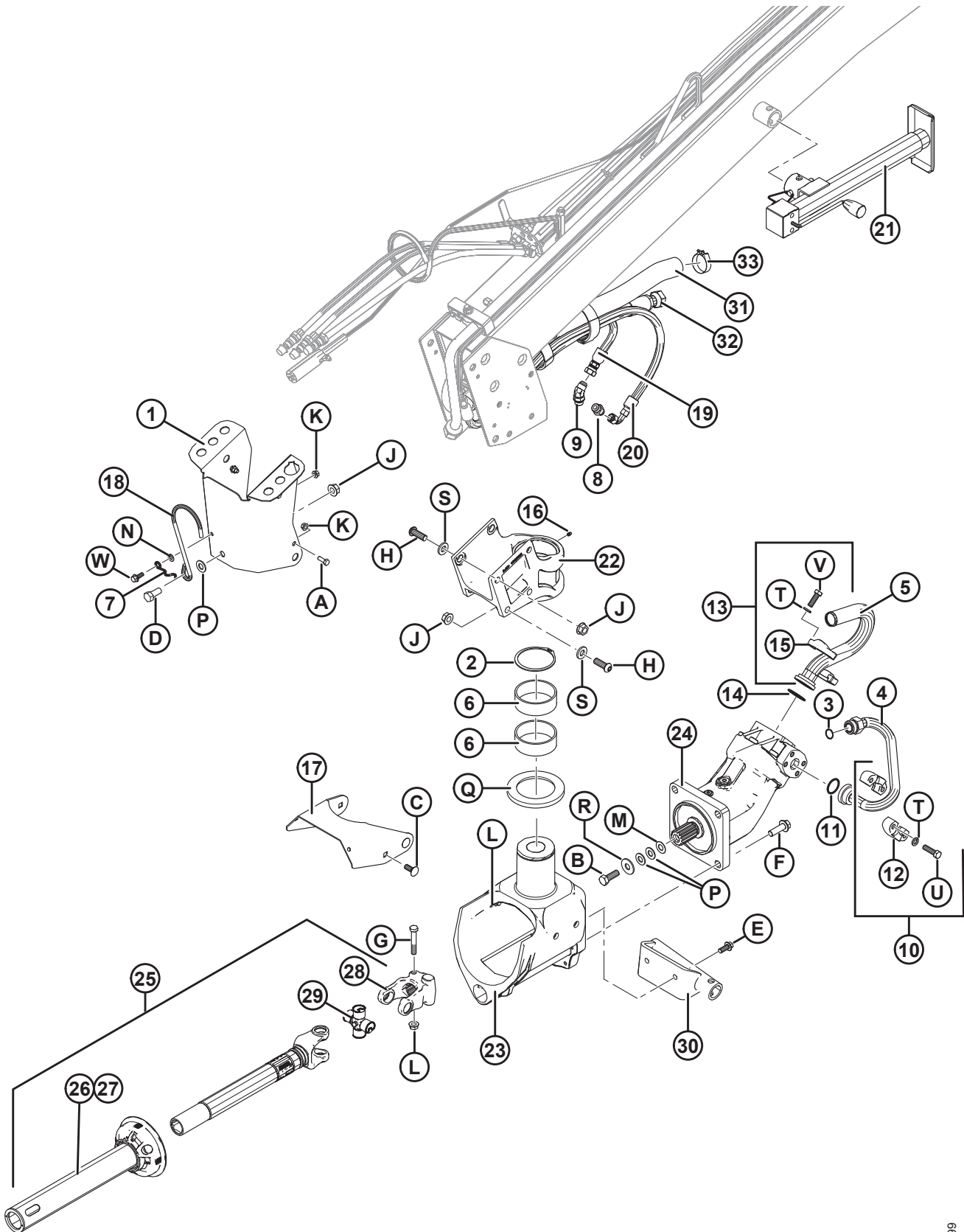


HITCH DRIVE GEARBOX – 2012 AND PRIOR

Ref	Part Number	Description	Qty	Serial Number
	194039	DRIVE – GEARBOX ⁸⁵		-229509
1	150857	SEAL – 45 X 100 X 8 DOUBLE LIP	1	-229509
2	150858	RING – RETAINING	3	-229509
3	150859	BEARING – BALL	3	-229509
4	150860	KEY – UPPER, 16 MM WIDE, 10 MM TALL, 40 MM LONG	1	-229509
5	194185	GEAR – PUMP DRIVE	1	-229509
6	150862	FITTING – PLUG, 1/2 IN. GAS	2	-229509
7	150863	SHAFT – 6T MALE SPLINE, INPUT SHAFT	1	-229509
8	150864	FITTING – PLUG, 3/8 IN. GAS	2	-229509
9	150865	INDICATOR – OIL LEVEL	1	-229509
10	194186	GEAR – PUMP DRIVE	1	-229509
11	150867	CAP – PLASTIC, END SEAL	1	-229509
12	150868	BREATHER – FILLER, 1/2 IN. GAS	1	-229509
13	150869	BEARING – 100 MM O.D., 55 MM I.D., 21 MM WIDE	1	-229509
14	150870	SEAL – DOUBLE LIP 55 X 100 X 10	1	-229509
15	194211	SHAFT – OUTPUT, 1.375 X 21 T FEMALE	1	-229509
16	194212	KEY – LOWER, 16 MM X 10 MM X 50 MM	1	-229509
17	111284	CAP – DUST	1	-229509

85. For hitch drive gearbox placement, refer to Section *23 Hitch Hydraulic Drive – 2012 and Prior*, page 68.

25 Hitch Hydraulic Drive – 2013 and Later



1002599

HITCH HYDRAULIC DRIVE – 2013 AND LATER

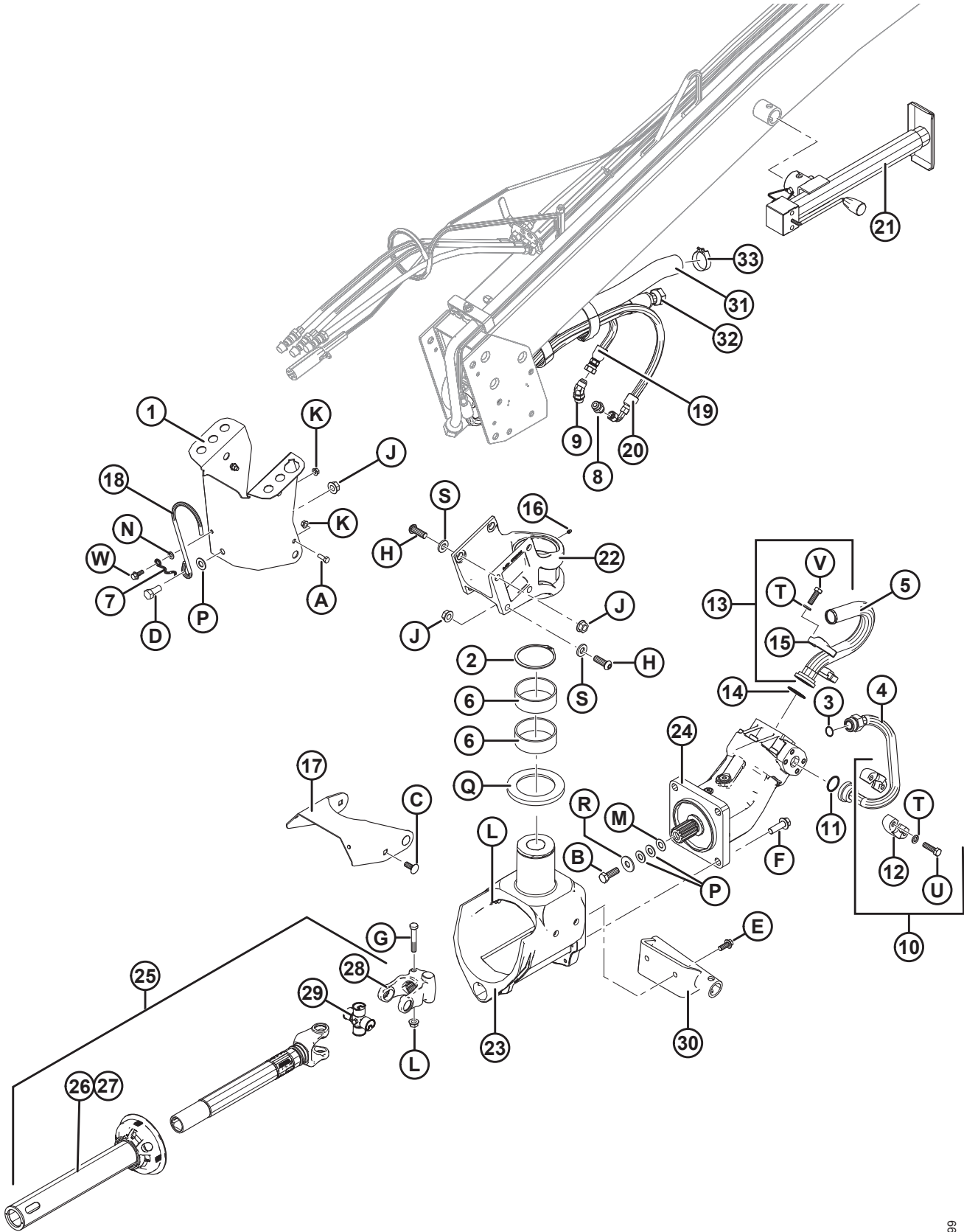
Ref	Part Number	Description	Qty	Serial Number
1	194202	COVER – HITCH	1	229510–
2	30884	RING – EXT RETAINING	1	229510–
3	135554	O-RING	3	229510–
4	146745	ADAPTER – TUBE FITTING PRESSURE	1	229510–
5	146760	ADAPTER – TUBE FITTING SUCTION	1	229510–
6	150633	BUSHING – 102 I.D. X 111 O.D. X 38 LONG	2	229510–
7	150138	CLIP	1	229510–
8	21881	FITTING – ADAPTER HYD	1	229510–
9	50103	FITTING – ELBOW 45° HYD C/W O-RING	1	229510–
10	135881	FLANGE – SPLIT, 1.25 IN. CODE 62 C/W HARDWARE ⁸⁶	1	229510–
11	194041	O-RING – 1.484 IN. I.D. X 0.139 IN. WALL		229510–
12	135875	FLANGE – HALF SPLIT		229510–
13	136246	FLANGE – SPLIT, 1.5 IN. CODE 61 C/W HARDWARE ⁸⁷	1	229510–
14	135400	O-RING – 1.859 IN. I.D. X 0.139 IN. WALL		229510–
15	136106	FLANGE – HALF SPLIT 1.5 IN. CODE 61		229510–
16	18671	FITTING – LUBE 1/4-28 UNF	1	229510–
17	194531	GUARD	1	229510–
18	150135	HOOK	1	229510–
19	198547	HOSE – DRAIN	1	229510–
20	198546	HOSE – DRAIN	1	229510–
21	140269	JACK	1	229510–
22	150632	PIVOT – MACHINING	1	229510–
23	198470	PIVOT – PULL-TYPE MOCO HITCH	1	229510–
24	196495	PUMP – BENT AXIS	1	229510–
	236534	SEAL KIT		
25	196476	DRIVELINE – MAIN, 1.75 IN. SPLINE SHAFT ⁸⁸	1	229510–
26	150889	SHIELD REPAIR KIT	1	229510–
27	150888	SHIELD – DRIVELINE	1	229510–
28	236511	YOKE	1	229510–
29	150886	CROSS	1	229510–
30	142961	SUPPORT	1	229510–
31	146405	HOSE – SUCTION	1	229510–
32	146404	HOSE – PRESSURE	1	229510–
33	136360	CLAMP – T-BOLT	1	229510–

86. Includes two flanges (MD #135875), O-ring (MD #194041), four bolts (MD #21565), and four washers (MD #18638).

87. Includes two flanges (MD #136106), O-ring (MD #135400), four bolts (MD #18723), and four washers (MD #18638).

88. Includes cross (MD #150886), yoke (MD #236511), driveline shield (MD #150888), shield repair kit (MD #150889), and decal (MD #36651).

HITCH HYDRAULIC DRIVE – 2013 AND LATER

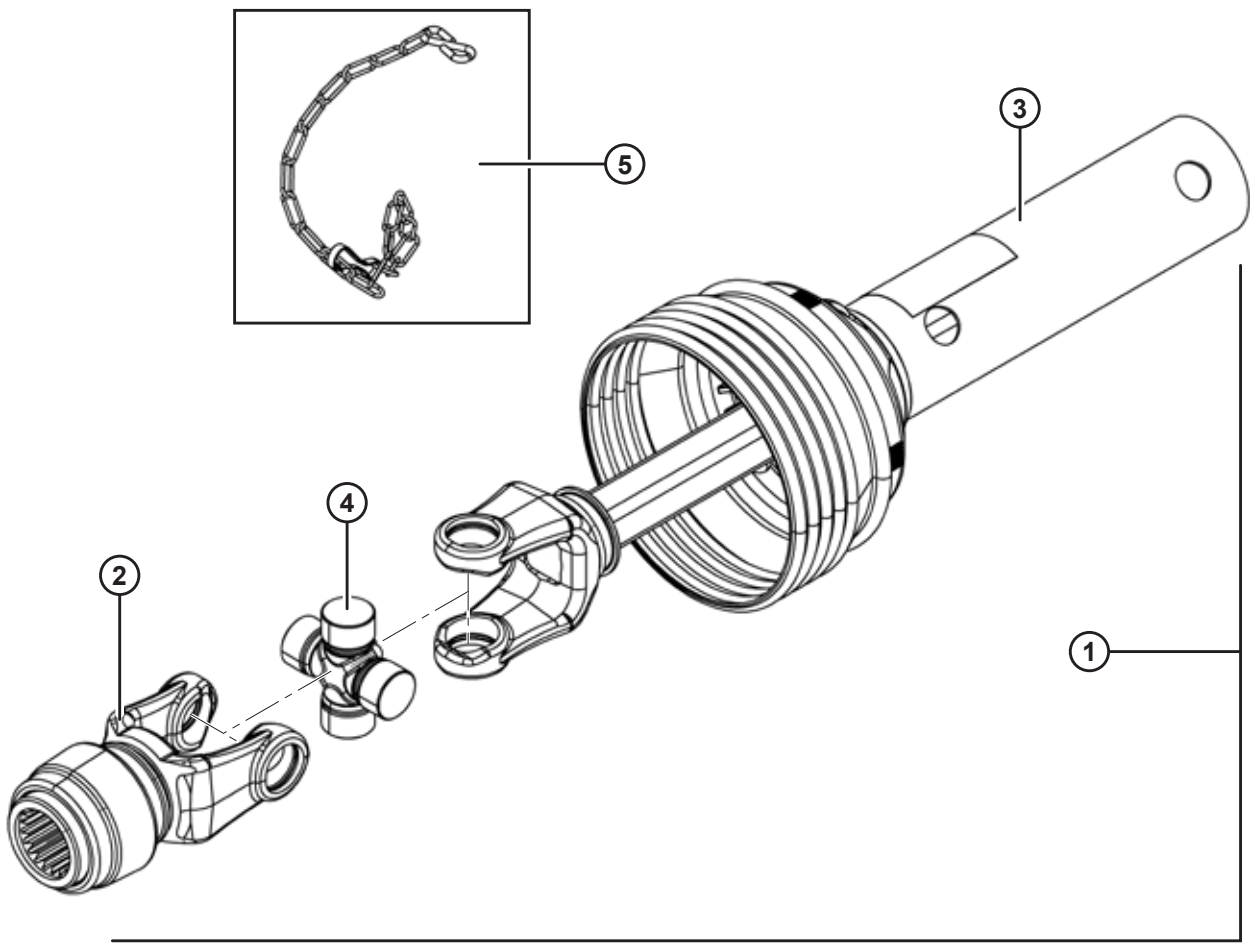


1002599

HITCH HYDRAULIC DRIVE – 2013 AND LATER

Ref	Part Number	Description	Qty	Serial Number
A	20077	BOLT – HEX HD 3/8 NC X 1.0 LG GR 5 ZP		
B	21582	BOLT – HH 5/8 NC X 1.75 LG GR 5 ZP		
C	21471	BOLT – RHSN 1/2 NC X 1.25 GR 5 ZP		
D	48050	BOLT – SHOULDER .625-11 UNC		
E	148798	BOLT – HEX FLG HD ISO 4162		
F	136101	BOLT – HEX FLG HD TFL ISO 4162		
G	21560	BOLT – HEX HD SAE J429		
H	135955	BOLT – SKT BUTTON HD 5/8 NC X 1.75 L BLK PL		
J	50225	NUT – FLANGE DT SMOOTH FACE .625-11 UNC		
K	30228	NUT – FLANGE DT SMOOTH FACE 0.375-16 UNC		
L	50186	NUT – FLANGE LOCK SM FACE DT 0.500-13 UNC GR 5		
M	124767	WASHER – HARD ASTM F436 16-434HV-AB3C		
N	18598	WASHER – SAE FLAT 13/32 I.D. X 13/16 IN. O.D. ZP		
P	18600	WASHER – SAE FLAT 21/32 I.D. X 1-5/16 IN. O.D. ZP		
Q	150634	WASHER – THRUST		
R	184600	WASHER – FLAT		
S	120901	WASHER – FLAT HARDENED 5/8 IN. NOMINAL (L9)		
T	18638	WASHER – REG. LOCK 1/2 IN. NOM. I.D. ZP		
U	21565	BOLT – HH 1/2 NC X 1.75 LG GR 5 ZP		
V	18723	BOLT – HH 1/2 NC X 1.5 LG TFL GR 5 ZP		
W	21975	BOLT – HH FLG (SER FACE) 3/8 NC X 1.0 GR 5 ZP		

26 Front Half Drivelines



FRONT HALF DRIVELINES

Ref	Part Number	Description	Qty	Serial Number
		DRIVELINE – 1.75 IN 20 T FRONT HALF (FOR 3PT HITCH)		
1	146574	DRIVELINE – C/W DECALS AND SHIELD CHAIN ⁸⁹	1	
2	150890	YOKE	1	
	150891	YOKE REPAIR KIT	1	
3	236815	SHIELD, C/W DECAL ⁹⁰	1	
	150889	SHIELD REPAIR KIT	1	
4	150886	CROSS	1	
5	171277	KIT – CE CONVERSION (EXPORT ONLY) ⁹¹	A/R	
		DRIVELINE – 1.375 IN 21 T FRONT HALF (FOR 3PT HITCH)		
1	146367	DRIVELINE – C/W DECALS AND SHIELD CHAIN (EXPORT) ⁹²	1	
2	150893	YOKE	1	
	150894	YOKE REPAIR KIT	1	
3	236816	SHIELD, C/W DECAL	1	
	150889	SHIELD REPAIR KIT	1	
4	150886	CROSS	1	
5	171277	KIT – CE CONVERSION (EXPORT ONLY)	A/R	

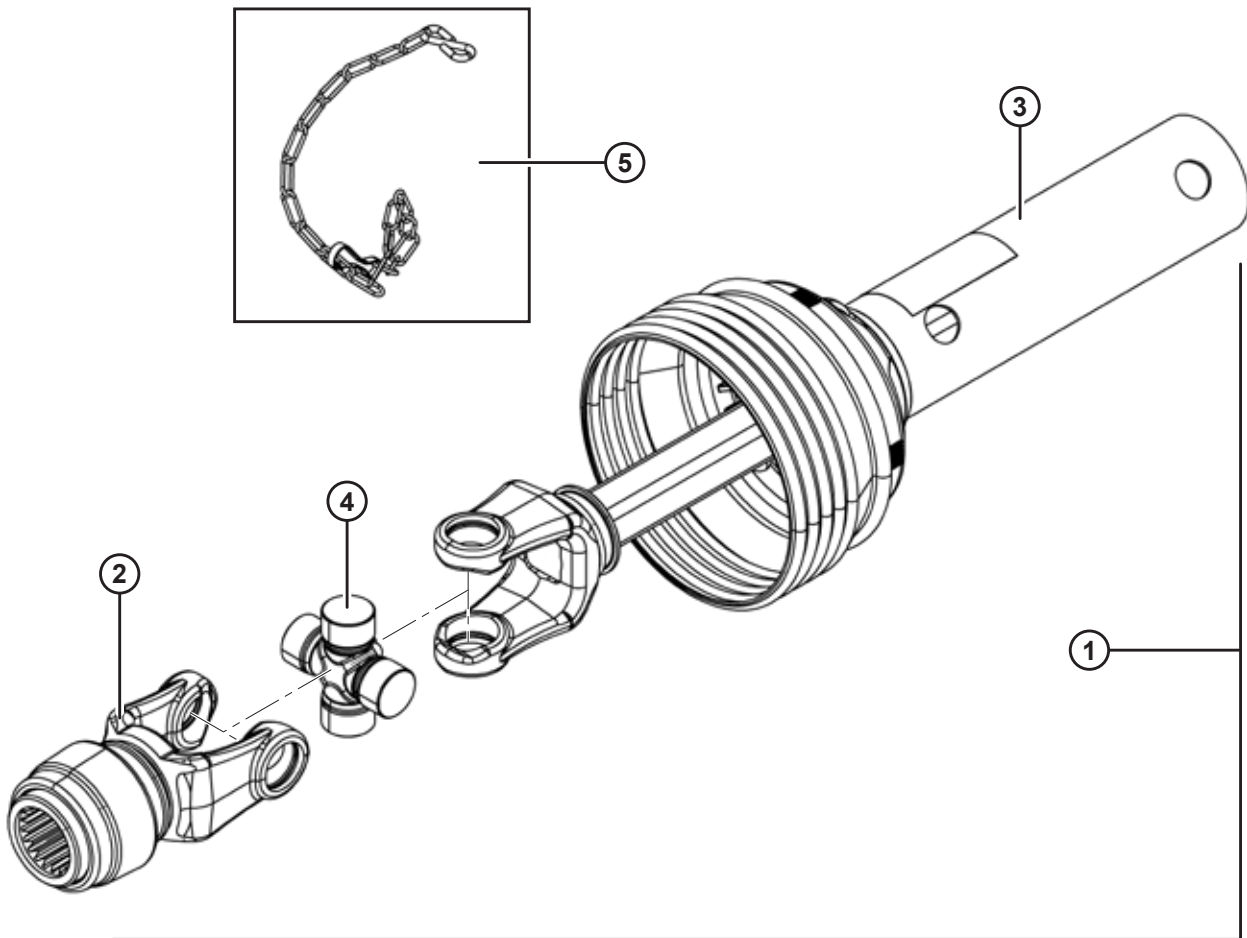
89. CE compliant. Includes cross (MD #150886), yoke (MD #150890), yoke repair kit (MD #150891), guard repair kit (MD #236804), outer guard CE (MD #236815), safety sign (MD #30316), decal (MD #194521), safety chain, and manual.

90. Includes safety sign (MD #30316) and decal (MD #194521).

91. For markets that require CE compliance. Includes two safety chains, CE certification decal, CE warning decal, CE manual, and instruction sheet.

92. CE compliant. Includes cross (MD #150886), yoke (MD #150893), yoke repair kit (MD #133632), guard repair kit (MD #236804), outer guard CE (MD #236816), safety sign (MD #30316), decal (MD #194521), safety chain, and manual.

FRONT HALF DRIVELINES



1002600

FRONT HALF DRIVELINES

Ref	Part Number	Description	Qty	Serial Number
		DRIVELINE – 1.75 IN 20 T FRONT HALF (STD DRAWBAR HITCH)		
1	194527	DRIVELINE – C/W DECALS AND SHIELD CHAIN (EXPORT) ⁹³	1	
2	150890	YOKE	1	
	150891	YOKE REPAIR KIT	1	
3	236829	SHIELD, C/W DECAL ⁹⁴	1	
	150889	SHIELD REPAIR KIT	1	
4	150886	CROSS	1	
5	171277	KIT – CE CONVERSION (EXPORT ONLY) ⁹⁵	A/R	
		DRIVELINE – 1.375 IN 21 T FRONT HALF (STD DRAWBAR HITCH)		
1	194526	DRIVELINE – C/W DECALS AND SHIELD CHAIN (EXPORT) ⁹⁶	1	
2	150893	YOKE	1	
	150894	YOKE REPAIR KIT	1	
3	236828	SHIELD, C/W DECAL	1	
	150889	SHIELD REPAIR KIT	1	
4	150886	CROSS	1	
5	171277	KIT – CE CONVERSION (EXPORT ONLY)	A/R	

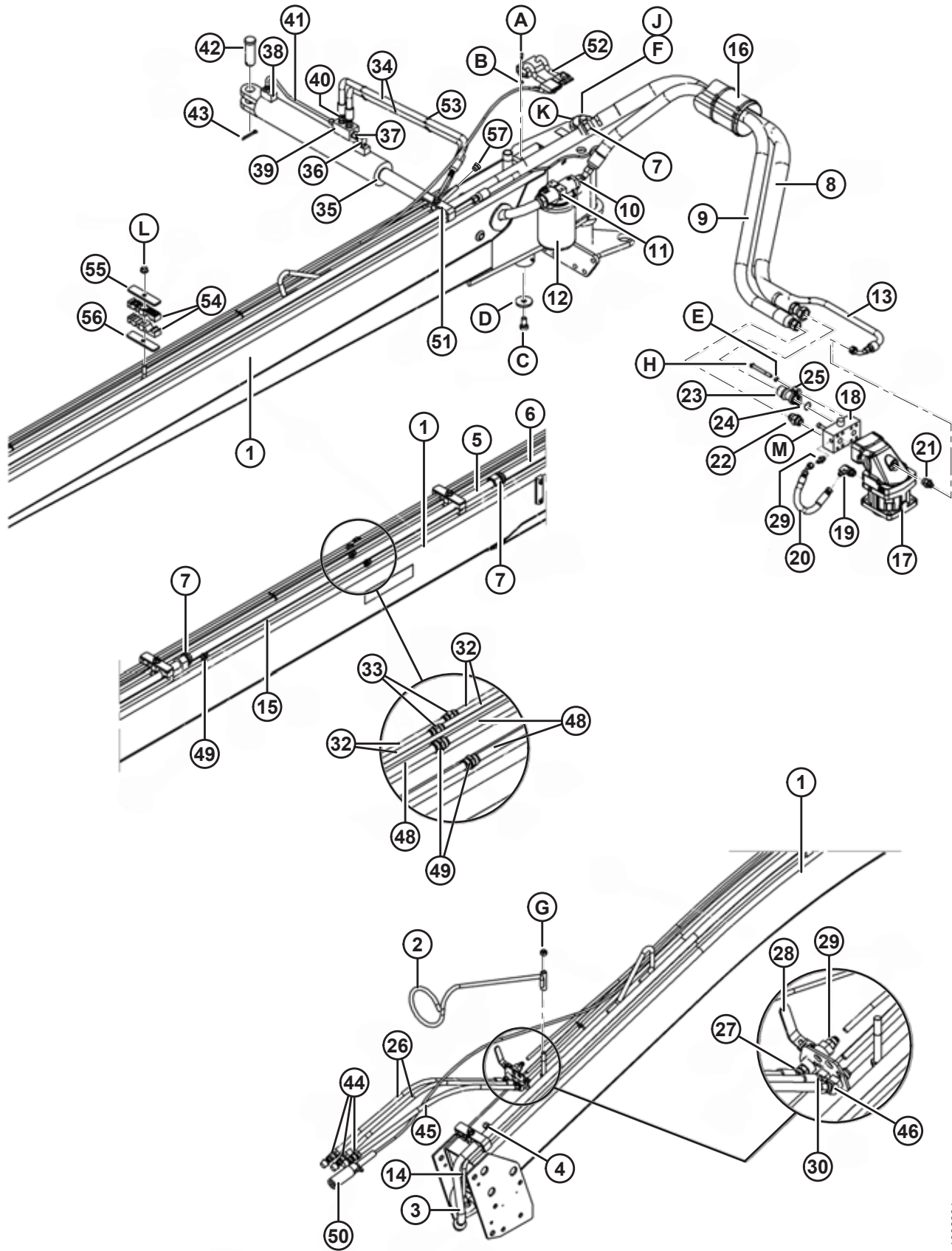
93. CE compliant. Includes cross (MD #150886), yoke (MD #150890), yoke repair kit (MD #150891), guard repair kit (MD #236804), outer guard CE (MD #236829), safety sign (MD #30316), decal (MD #194521), safety chain, and manual.

94. Includes safety sign (MD #30316) and decal (MD #194521).

95. For markets that require CE compliance. Includes two safety chains, CE certification decal, CE warning decal, CE manual, and instruction sheet.

96. CE compliant. Includes cross (MD #150886), yoke (MD #150893), yoke repair kit (MD #133632), guard repair kit (MD #236804), outer guard CE (MD #236828), safety sign (MD #30316), decal (MD #194521), safety chain, and manual.

27 Hitch Hydraulics and Electrical



HITCH HYDRAULICS AND ELECTRICAL

Ref	Part Number	Description	Qty	Serial Number
1	REF	HITCH ASSEMBLY ⁹⁷	1	
2	150287	ARM WELDMENT	1	
3	150732	LINE – HYDRAULIC	1	
4	30813	CAP – 3/8 IN. TUBE	1	
5	150713	LINE – HYDRAULIC	1	
6	150714	LINE – HYDRAULIC	1	
7	135554	O-RING	3	
8	150715	HOSE – HIGH PRESSURE	1	
9	194097	HOSE – RETURN	1	
10	135619	FITTING – CONNECTOR HYD	1	
11	151974	FILTER HEAD – 1-5/8 IN. -12 SAE (#20)	1	
12	183620	KIT – FILTER, SERVICE ⁹⁸	1	
13	194103	HOSE – DRAIN	1	
14	150123	LINE – HYDRAULIC	1	
15	194004	LINE – HYDRAULIC	1	
16	150311	SLEEVE	1	
17	198610	MOTOR – HYDRAULIC	1	
	236535	SEAL KIT	1	
18	194101	VALVE – C/W HARDWARE ⁹⁹	1	-229509
	194187	VALVE – PRESSURE RELIEF (PARKER HANNIFIN)	1	
	236393	O-RING (PARKER HANNIFIN)		
	150904	VALVE – RELIEF (SUN HYDRAULICS)	1	-229509
	150906	SEAL KIT – FOR RELIEF VALVE 150904 (SUN HYDRAULICS)		
	150905	VALVE – CHECK (SUN HYDRAULICS)	1	
	150907	SEAL KIT – FOR CHECK VALVE 150905 (SUN HYDRAULICS)		
	236634	VALVE – C/W HARDWARE ¹⁰⁰	1	229510–
	150595	O-RING	2	
	236684	VALVE – CHECK	1	
	236538	VALVE – RELIEF	1	
19	135352	FITTING – ELBOW 90° HYD	1	
20	194094	HOSE – DRAIN	1	
21	21881	FITTING – ADAPTER HYD	1	
22	21830	FITTING – CONNECTOR HYD	1	

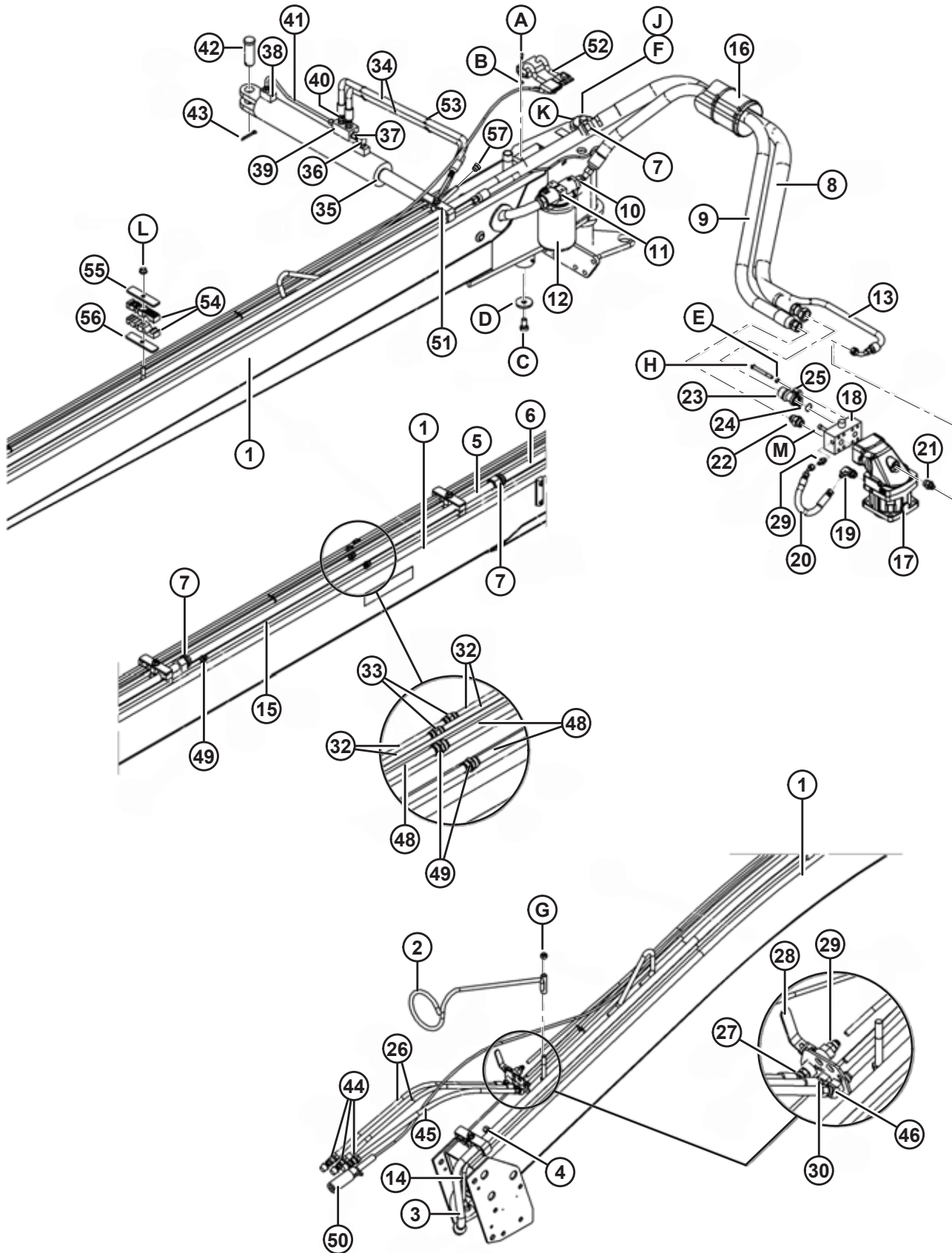
97. For service parts, refer to Section *28 Hitch Assembly, page 88*.

98. Kit includes filter (MD #151975), O-ring (MD #183619), and instruction (MD #147875).

99. For units made in model year 2012 and prior. Valve comes from two suppliers (Parker Hannifin and Sun Hydraulics), make sure you order the correct service parts. For units made in model year 2013 and later, see valve MD #236634

100. For units made in model year 2013 and later.

HITCH HYDRAULICS AND ELECTRICAL



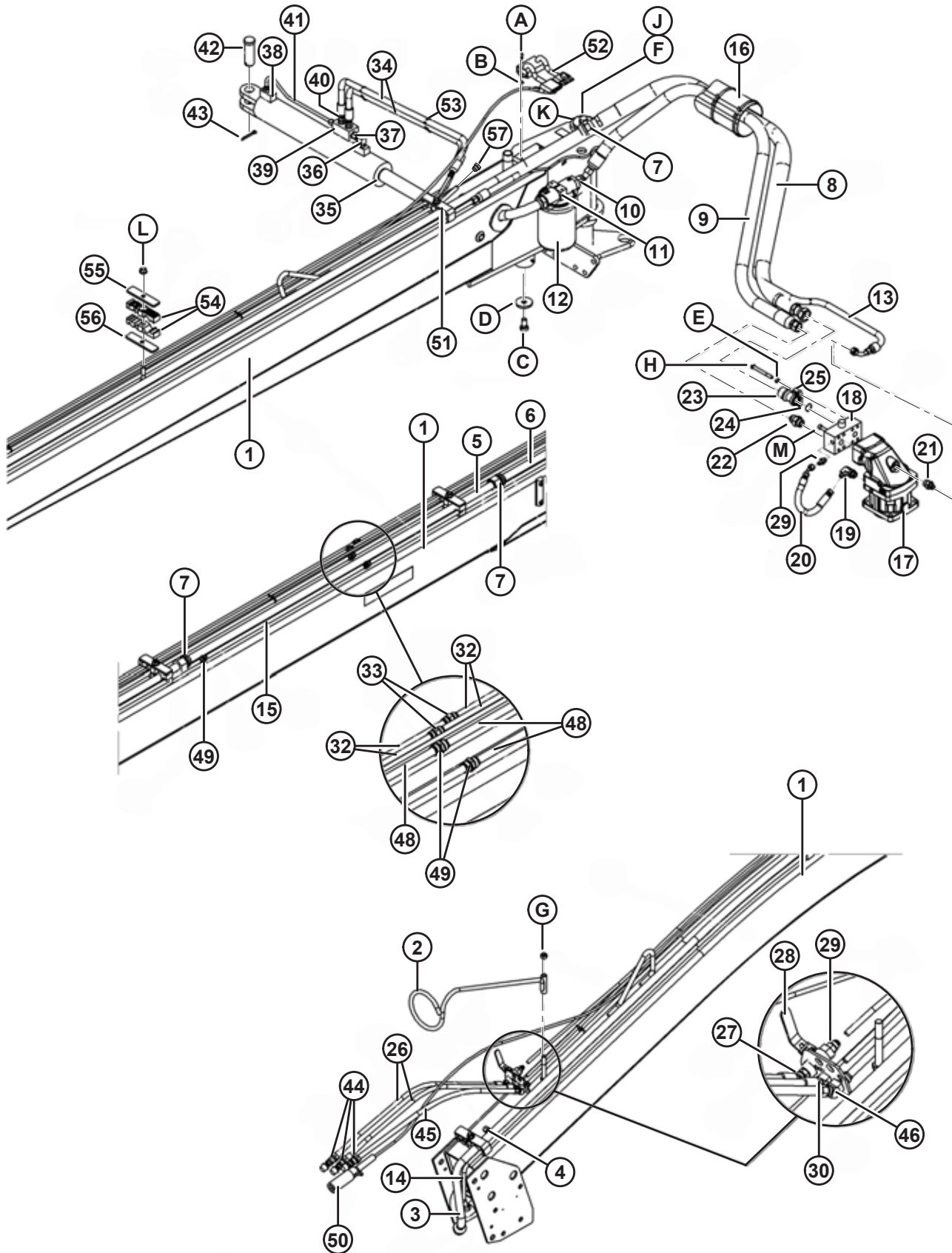
1002601

HITCH HYDRAULICS AND ELECTRICAL

Ref	Part Number	Description	Qty	Serial Number
23	135550	FITTING – 3/4 IN. CD 62 X #16 MALE ORS C/W O-RING	1	
24	150595	O-RING	3	
25	194026	FLANGE – HALF SPLIT 3/4 IN.-CODE 62	2	
26	148968	HOSE	2	
27	30284	FITTING – ELBOW 45° HYD CW O-RING	1	
28	247875	VALVE – BALL	1	
29	15903	FITTING – CONNECTOR HYD	2	
30	150256	FITTING – ELBOW, BULKHEAD UNION HYD	1	
32	150476	LINE – HYDRAULIC	4	
33	30375	FITTING – UNION HYD	2	
34	150101	HOSE	2	
35	149829	CYLINDER – HYDRAULIC	1	
	150331	SEAL KIT		
36	30283	FITTING – ELBOW HYD	1	
37	135015	FITTING – ADAPTER HYD	1	
38	21804	FITTING – CONNECTOR HYD	1	
39	148851	VALVE – PRESSURE BALANCE	1	
40	15903	FITTING – CONNECTOR HYD	3	
41	148918	LINE – HYDRAULIC	1	
42	135414	PIN – CLEVIS	1	
43	18609	PIN – COTTER 1/4 DIA X 2 ZP	1	
44	135563	FITTING – COUPLING HYD	3	
45	150075	HOSE	1	
46	150255	FITTING – ELBOW, BULKHEAD UNION HYD	1	
48	150475	LINE – HYDRAULIC	3	
49	30846	FITTING – UNION HYD	3	
50	142965	HARNESS – WIRING	1	
51	150899	PLATE	2	
52	171068	RELAY – TRANSPORT LIGHTING MODULE	1	
53	21763	FASTENER – CABLE TIE (BLACK)	5	
54	149866	CLAMP	12	
55	149810	PLATE	4	
56	146391	PLATE SPACER	2	
57	135374	PLUG – 1/2 IN. TUBE (STEEL) ¹⁰¹	1	
A	135020	SCREW – MACHINE		
B	135021	NUT – SPECIAL		

101.Used to prevent rust and foreign material from entering the hydraulic system.

HITCH HYDRAULICS AND ELECTRICAL



1002601

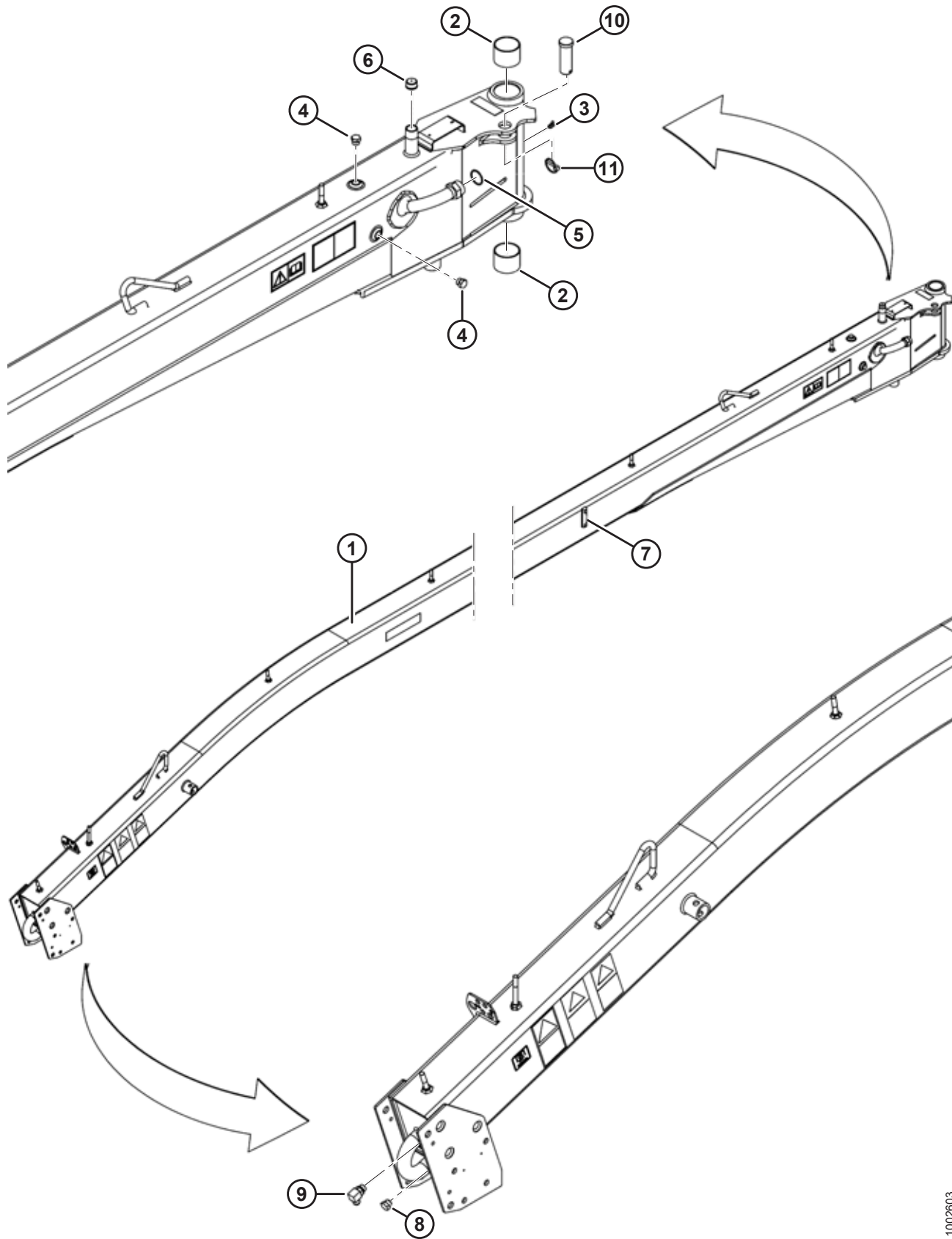
HITCH HYDRAULICS AND ELECTRICAL

Ref	Part Number	Description	Qty	Serial Number
C	135547	BOLT – HH 5/8 NC X 1.25 LG GR 5 ZP WITH PATCH		
D	150093	WASHER		
E	18637	WASHER – REG. LOCK 3/8 IN. NOM. I.D. ZP (PARKER HANNIFIN / SUN HYDRAULICS) ¹⁰²		–229509
	30632	WASHER – LOCK SPRING ¹⁰³		229510–
F	18639	WASHER – REG. LOCK 5/8 IN. NOM. I.D. ZP		
G	18697	NUT – HEX LOCK DT .500-13 UNC		
H	135442	BOLT – HH 3/8 NC X 3.5 LG GR 8 ZP (PARKER HANNIFIN)		–229509
	252849	BOLT – HEX HD 3/8-16 X 5.0-GR8 (SUN HYDRAULICS)		–229509
	136354	SCREW – HEX SOC HD ISO 4762M10		229510–
J	21594	BOLT – HEX HD 0.625-11 UNC X 1.50		
K	49464	WASHER – FLAT		
L	50186	NUT – FLANGE LOCK SM FACE DT 0.500-13 UNC GR 5		
M	135607	SCREW – HEX SOC HD 3/8-16 X 2.25 (PARKER HANNIFIN)		–229509
	252850	SCREW – HEX SOC HD 3/8-16 X 3.75-GR8 (SUN HYDRAULICS)		–229509
	136108	SCREW – HEX SOC HD M10 X 1.5 X 80-12.9-BO		229510–

102. Installation hardware for valve MD #194101, model year 2012 and prior.

103. Installation hardware for valve MD #236634, model year 2013 and later.

28 Hitch Assembly

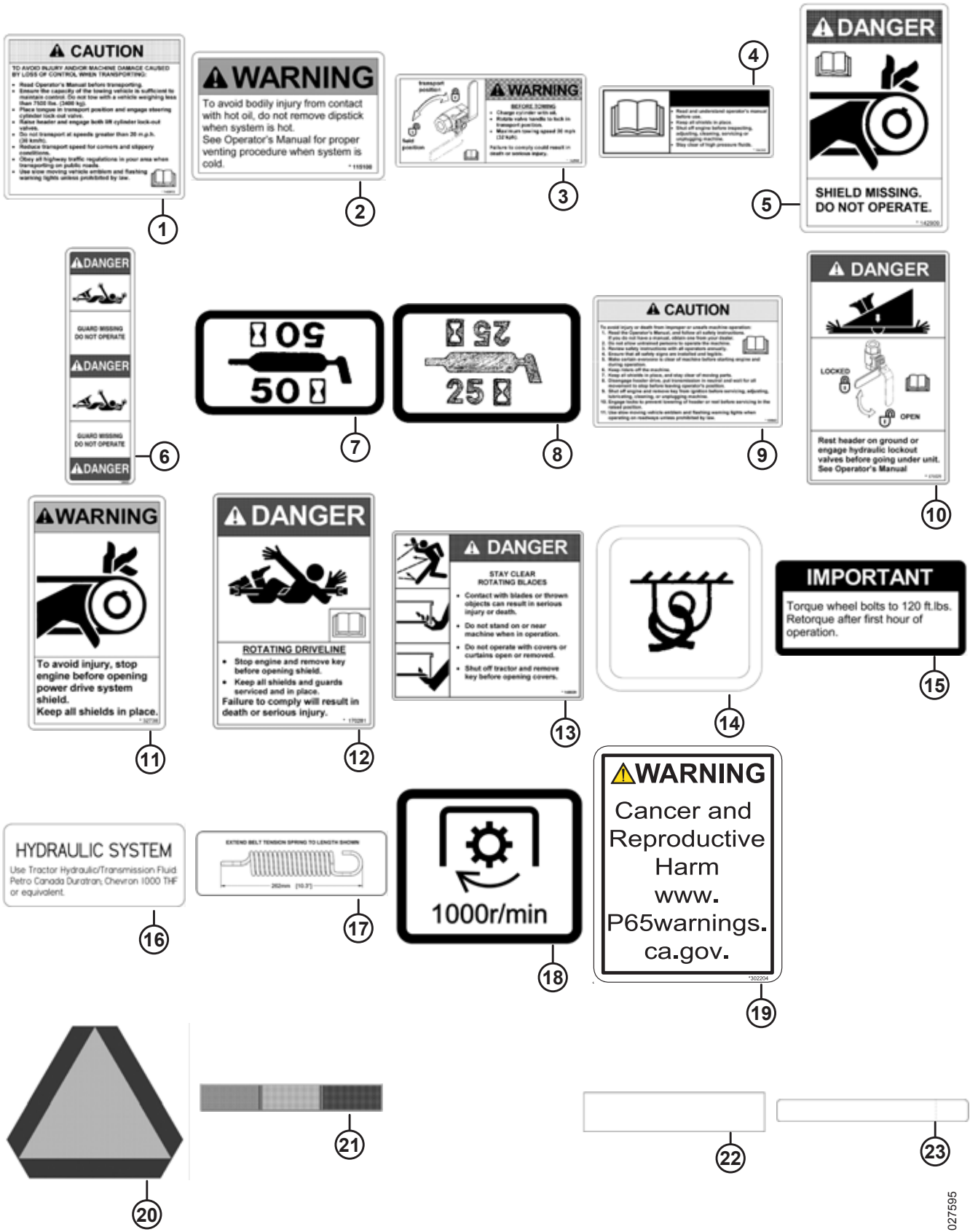


HITCH ASSEMBLY

Ref	Part Number	Description	Qty	Serial Number
1	194476	HITCH ASSEMBLY – C/W BUSHING AND DECALS ¹⁰⁴	1	
2	107201	BUSHING – SLEEVE	2	
3	21010	FITTING – LUBE 90° 1/4-28 TAPER THD	1	
4	136140	PLUG – HEX C/W O-RING	2	
5	50222	O-RING	1	
6	6006	CAP – 1 IN. NPT	1	
7	156696	GAUGE – LEVEL	1	
8	44207	PLUG – C/W O-RING	1	
	44209	O-RING	2	
9	21076	FITTING – ELBOW HYD	1	
10	135414	PIN – CLEVIS	1	
11	102264	PIN – LYNCH	1	

104. Includes all listed parts except pins (MD #135414 and 102264). Also includes decals (MD #113482, 194464, 174436, 194468, 171281, 259058, and 171298).

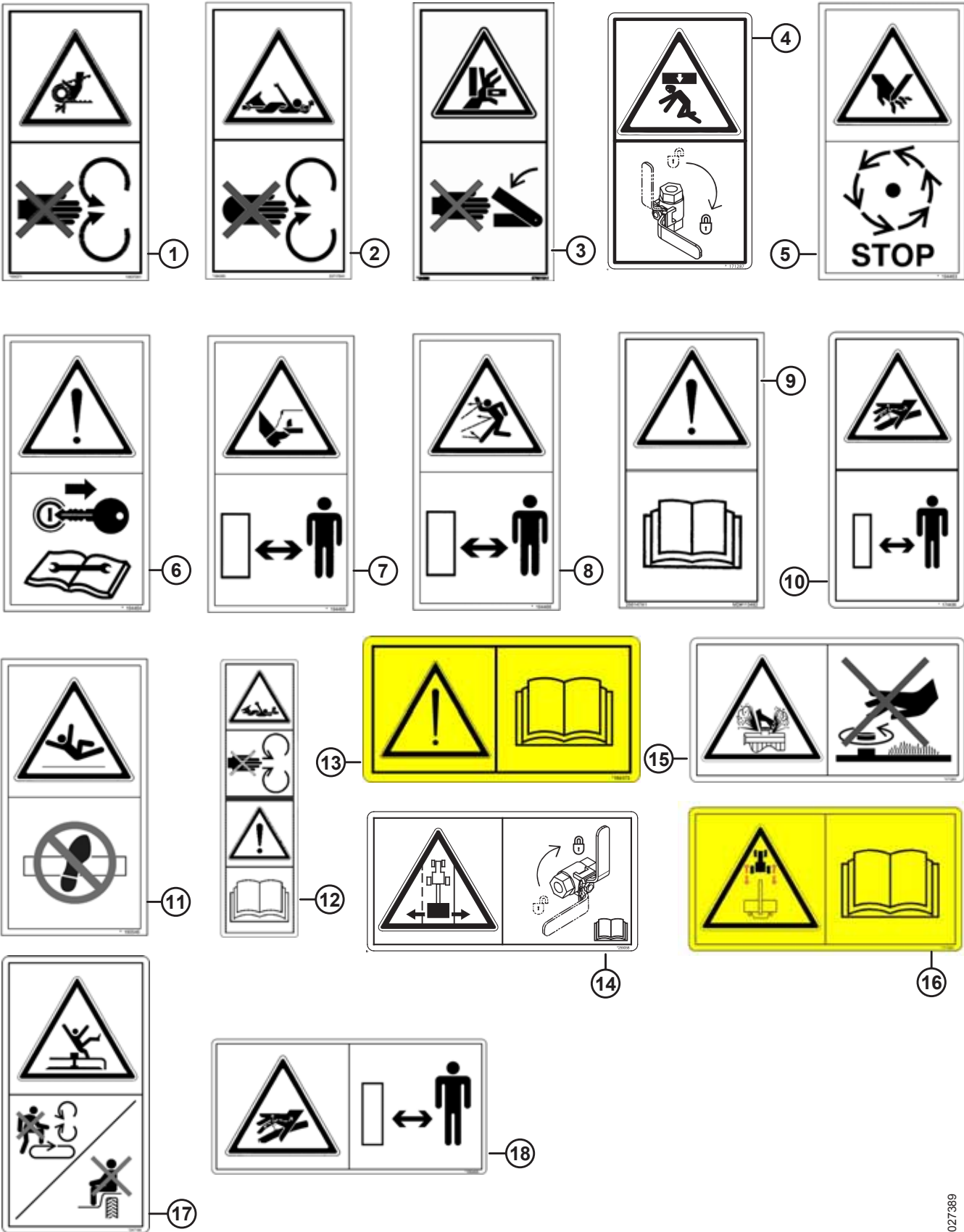
29 Decals – Information and Reflectors



DECALS – INFORMATION AND REFLECTORS

Ref	Part Number	Description	Qty	Serial Number
1	142912	DECAL – CAUTION		
2	115100	DECAL – WARNING		
3	142908	DECAL – WARNING, TRANSPORT LOCK ENGAGEMENT		
4	184390	DECAL – READ INSTRUCTION WARNING		
5	142909	DECAL – DANGER		
6	36651	DECAL – DANGER		
7	23165	DECAL – 50 HR LUBE		
8	23164	DECAL – 25 HR LUBE		
9	109843	DECAL – GENERAL CAUTION		
10	171029	DECAL – DANGER		
11	32738	DECAL – WARNING		
12	170281	DECAL – DANGER		
13	148829	DECAL – DANGER ROTATING BLADES		
14	109207	DECAL – TIE DOWN		
15	101375	DECAL – IMPORTANT, WHEEL BOLT TORQUE		
16	194021	DECAL – HYDRAULIC OIL		
17	136331	DECAL – SPRING TENSION		
18	194468	DECAL – 1000 RPM		
19	302204	DECAL – CA PROPOSITION 65		
20	115148	DECAL – SMV		
21	150651	DECAL – GAUGE, HYD CENTER LINK		
22	115145	REFLECTOR – FLUORESCENT RED-ORANGE		
	115146	REFLECTOR – AMBER		
	115147	REFLECTOR – RED		
23	132117	STRIP – ANTI-SLIP (450 X 50 MM)		
	132898	STRIP – ANTI-SLIP (450 X 80 MM) PULL-TYPE ONLY		

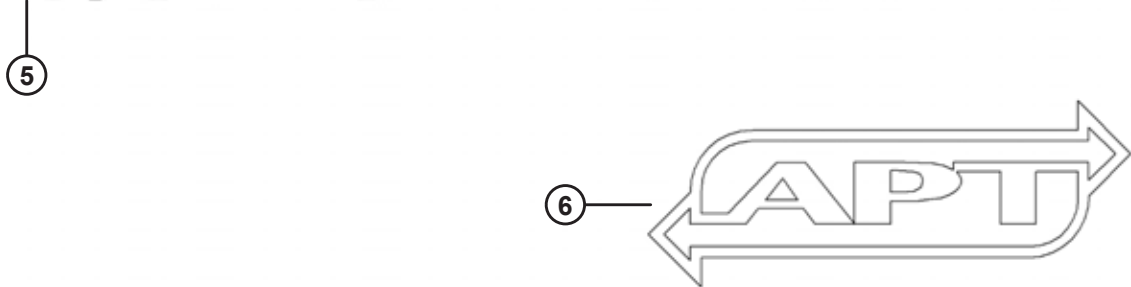
30 Decals – Two-Panel (Non-Text)



DECALS – TWO-PANEL (NON-TEXT)

Ref	Part Number	Description	Qty	Serial Number
1	184371	DECAL – CHAIN ENTANGLEMENT		
2	184385	DECAL – KEEP SHIELDS IN PLACE		
3	184386	DECAL – PINCH POINT		
4	171287	DECAL – INSTALL LOCK, 2 PANEL		
5	194463	DECAL – STOP DRIVE, 2 PANEL		
6	194464	DECAL – SHUT DOWN FOR SERVICE, 2 PANEL		
7	194465	DECAL – STAND CLEAR BLADES, 2 PANEL		
8	194466	DECAL – STAND CLEAR THROWN OBJECTS, 2 PANEL		
9	113482	DECAL – GENERAL HAZARD		
10	174436	DECAL – HIGH PRESSURE FLUID		
11	190546	DECAL – SLIPPERY SURFACE, 2 PANEL (SP ONLY)		
12	194521	DECAL – CE DRIVELINE		
13	184372	DECAL – READ MANUAL		
14	259058	DECAL – LOCK PT HYDRAULIC FOR TRANSPORT		
15	171281	DECAL – HOT FLUID UNDER PRESSURE		
16	171298	DECAL – PT TRANSPORT LOCK PIN		
17	247166	DECAL – MOVING IMPLEMENT		
18	166466	DECAL – HIGH PRESSURE FLUID		

31 Decals – Product Identification



DECALS – PRODUCT IDENTIFICATION

Ref	Part Number	Description	Qty	Serial Number
1	198543	DECAL – RH, R85 END PANEL	1	
2	146243	DECAL – LH, R85 END PANEL	1	
3	150609	DECAL – MACDON, R85 TABLE (930 ±25 MM LG)	1	
4	142895	DECAL – MACDON LH HITCH (PULL-TYPE)	1	
5	142896	DECAL – MACDON RH HITCH (PULL-TYPE)	1	
6	150823	DECAL – APT (PULL-TYPE)	2	

32 Paint

PREPARATION: WARNING! Removal of old paint by sanding, scraping or other means may generate dust or fumes that contain lead. Exposure to lead dust or fumes may cause brain damage or other adverse health effects, especially in children or pregnant women. Controlling exposure to lead or other hazardous substances requires the use of proper protective equipment, such as a properly fitted respirator (NIOSH Approved) and proper containment and clean up. For more information, call the National Lead Information Center at 1-800-424-LEAD (in US) or contact your local health authority.

Surface must be free of grease, rust, dirt and wax. Mask off or protect other areas from overspray. Product should be sprayed in a well ventilated area. Use at room temperature 21°C (70°F) for best operation.

FOR BEST RESULT: Shake until ball inside can rattle. Hold can at top, and swing bottom of can in a circle for at least 2 minutes, making ball travel around bottom groove. Shake up and down occasionally. Repeat shaking procedure for 10 seconds after each minute of spraying. Press spray button firmly, with the 15-25 cm (6-8 inches) from surface. Apply several thin coats. To prevent dripping, clear the valve by holding can upside down, and spray until only clear gas comes out.

Made in Canada / Fabriqué au Canada
For / Pour
MACDON INDUSTRIES LTD
WINNIPEG, MANITOBA

PRÉPARATION: MISE EN GARDE! Enlèvement des anciennes peintures par ponçage, grattage ou toute autre méthode risque de dégager des poussières ou des vapeurs contaminées par le plomb. L'exposition à ces poussières ou vapeurs peut entraîner un dysfonctionnement du cerveau ou d'autres effets néfastes sur la santé, surtout chez les femmes enceintes et les enfants. L'utilisation d'équipement de protection approprié, tel qu'un appareil respiratoire bien ajusté et homologué par le NIOSH, ainsi que des moyens de confinement adéquats et un nettoyage contrôlé de ces substances dangereuses. Pour obtenir plus de renseignements, communiquez avec le National Lead Information Center au 1-800-424-5123 (aux E-U) ou avec le service local de santé publique.

La surface doit être exempte de graisse, de rouille, de saleté et de cire. Masquer ou protéger les surfaces avoisinantes pour les protéger des suraspersions. Le produit doit être vaporisé dans un endroit bien aéré. Pour optimiser les résultats, utiliser à température ambiante 21°C (70°F).

POUR DES RÉSULTATS OPTIMUM: Agiter le contenu jusqu'à ce que la bille de mélange bouge librement. Ensuite, tenir la canette par le haut et en agitant le fond pendant au moins 2 minutes en faisant des mouvements circulaires pour que la bille se déplace autour du fond de la canette. Agiter de haut en bas de temps à autre. Agiter pendant 10 secondes pour chaque minute de vaporisation. Presser fermement sur le bouton de vaporisation en tenant la canette à 15-25 cm (6-8 pouces) de la surface. Appliquer plusieurs couches minces. Pour empêcher le gicler de s'échapper, le nettoyer en tenant la canette à l'envers et en pressant sur le bouton de vaporisation jusqu'à ce qu'il n'y ait plus que du gaz incolore.

Tous les produits conformes à la réglementation sur les COV de votre région.



Industrial Touch Up Paint Peinture de retouche industrielle



DANGER!

**FLAMMABLE - CONTENTS UNDER PRESSURE
INFLAMMABLE - CONTENU SOUS PRESSION**



Part number / Numéro de pièce

Net weight with paint 12 oz. / 340 g
Poids net avec peinture

1

2

CANADA: CONSUMER CHEMICALS AND CONTAINERS REGULATIONS (CCCR)
CONTENTS MAY CATCH FIRE - CONTAINER MAY EXPLODE IF HEATED - MAY IRRITATE EYES - MAY IRRITATE SKIN
Do not smoke. Do not puncture or incinerate container. Do not breathe fumes. Do not swallow. Do not get on skin or clothing. Use only in a well ventilated area. Keep away from flames, such as a pilot light, and any object that sparks, such as an electric motor. Store away from heat. Keep out of reach of children.
FIRST AID TREATMENT: Contains Xylene, 1,2,4-Trimethylbenzene; Methyl ethyl ketone; Ethylbenzene. If breathed in, move person to fresh air. If swallowed, call a Poison Control Centre or doctor immediately. Do not induce vomiting. If in eyes, rinse with water for 15 minutes. If on skin, rinse well with water.

CANADA: RÉGLEMENT SUR LES PRODUITS CHIMIQUES ET LES CONTENANTS DE CONSOMMATION (RPPCC)
LE CONTENU PEUT S'ENFLAMMER - CE CONTENANT PEUT EXPLOSER S'IL EST CHAUFFÉ - PEUT IRRITER LES YEUX - PEUT IRRITER LA PEAU
Ne pas fumer. Ne pas percer. Ne pas brûler le contenu. Ne pas respirer les émanations. Ne pas avaler. Éviter tout contact avec les yeux. Éviter tout contact avec la peau ou les vêtements. N'utiliser que dans un endroit bien aéré. Tenir loin des flammes, telle une flamme pilote, et de tout objet produisant des étincelles, tel un moteur électrique. Conserver loin des sources de chaleur. Tenir hors de portée des enfants.
PREMIERS SOINS: Contient Xylène; 1,2,4-Triméthylbenzène; Méthyléthylcétone; Éthylbenzène. En cas d'inhalation, transporter à l'air frais la personne exposée. En cas d'ingestion, appeler immédiatement un centre antipoison ou un médecin. Ne pas provoquer le vomissement. En cas de contact avec les yeux, rincer avec de l'eau pendant 15 minutes. En cas de contact avec la peau, bien rincer avec de l'eau.

USA: CONSUMER PRODUCT SAFETY COMMISSION REGULATIONS (CPSC)
CONTENTS MAY CATCH FIRE - CONTAINER MAY EXPLODE IF HEATED - HARMFUL IF ABSORBED THROUGH SKIN - HARMFUL OR FATAL IF SWALLOWED - CAUSES RESPIRATORY TRACT, EYE AND SKIN IRRITATION - MAY CAUSE SEVERE ALLERGIC RESPIRATORY AND SKIN REACTION - CANCER HAZARD - CAN CAUSE CANCER, DEVELOPMENTAL TOXICITY TERATOGENIC EFFECTS.
WARNING: This product contains a chemical known to the State of California to cause cancer and birth defects or other reproductive harm. In a fire or if heated, a pressure increase will occur and the container may burst or explode. Can enter lungs and cause damage. Risk of cancer depends on duration and level of exposure. Contains material which can cause birth defects. Contains material which can cause developmental abnormalities. Do not puncture or incinerate container. Do not expose to heat or store at temperatures above 120°F. Use only with adequate ventilation. Do not breathe vapor or mist. Do not swallow. Do not get on skin or clothing. Avoid contact with eyes. Keep container tightly closed and sealed until ready for use. Wash thoroughly after handling. Avoid exposure during pregnancy. Keep out of reach of children.
FIRST AID TREATMENT: Contains Xylene, 1,2,4-Trimethylbenzene; Methyl ethyl ketone; Ethylbenzene. If breathed in, move person to fresh air. If swallowed, call a Poison Control Centre or doctor immediately. Do not induce vomiting. If in eyes, rinse with water for 15 minutes. If on skin, rinse well with water.

Read and understand all safety instructions before using this product.
Lire et bien comprendre toutes les consignes de sécurité avant d'utiliser ce produit.

Made in Canada / Fabriqué au Canada
For / Pour
MACDON INDUSTRIES LTD
WINNIPEG, MANITOBA

CANADA: CONSUMER CHEMICALS AND CONTAINERS REGULATIONS (CCCR)
CONTENTS MAY CATCH FIRE, MAY IRRITATE EYES, MAY IRRITATE SKIN. Do not smoke. Do not breathe fumes. Do not get on skin or clothing. Use only in a well ventilated area. Keep away from flames, such as a pilot light, and any object that sparks, such as an electric motor. Store away from heat. Keep out of reach of children.
FIRST AID TREATMENT: Contains Xylene, 1,2,4-Trimethylbenzene; Methyl ethyl ketone; Ethylbenzene. If breathed in, move person to fresh air. If swallowed, call a Poison Control Centre or doctor immediately. Do not induce vomiting. If in eyes, rinse with water for 15 minutes. If on skin, rinse well with water.

USA: CONSUMER PRODUCT SAFETY COMMISSION REGULATIONS (CPSC), FLAMMABLE LIQUID AND VAPOR, HARMFUL IF ABSORBED THROUGH SKIN, HARMFUL OR FATAL IF SWALLOWED, CAUSES RESPIRATORY TRACT, EYE AND SKIN IRRITATION, MAY CAUSE SEVERE ALLERGIC RESPIRATORY AND SKIN REACTION, CANCER HAZARD - CAN CAUSE CANCER, DEVELOPMENTAL TOXICITY TERATOGENIC EFFECTS.
WARNING: This product contains a chemical known to the State of California to cause cancer and birth defects or other reproductive harm. Can enter lungs and cause damage. Risk of cancer depends on duration and level of exposure. Contains material which can cause birth defects. Contains material which can cause developmental abnormalities. Do not puncture or incinerate container. Do not expose to heat or store at temperatures above 120°F. Use only with adequate ventilation. Do not breathe vapor or mist. Do not swallow. Do not get on skin or clothing. Use only in a well ventilated area. Keep away from flames, such as a pilot light, and any object that sparks, such as an electric motor. Store away from heat. Keep out of reach of children.
FIRST AID TREATMENT: Contains Xylene, 1,2,4-Trimethylbenzene; Methyl ethyl ketone; Ethylbenzene. If breathed in, move person to fresh air. If swallowed, call a Poison Control Centre or doctor immediately. Do not induce vomiting. If in eyes, rinse with water for 15 minutes. If on skin, rinse well with water.



Industrial Paint / Peinture industrielle



DANGER!
FLAMMABLE / INFLAMMABLE



One US quart

Part number / Numéro de pièce

946 ml

DIRECTIONS FOR USE
THIS PRODUCT IS READY TO USE, NO MIXING IS REQUIRED.

APPLICATION
Spray method at 40 to 50 PSI (2.7 to 3.5 MPa).

SHAKE & SPRAY IS NOT NECESSARY WITH THIS PRODUCT.

Shake container well, allow to settle and stir with ball wet coat.

FOR VOC REGULATED AREAS
These directions refer to the use of products which may be restricted or require special mixing instructions in VOC regulated areas. Follow mixing and application instructions in the VOC Compliance Chart for your area.

MODE D'EMPLOI
CE PRODUIT EST PRÊT À UTILISER, AUCUN MÉLANGE N'EST REQUIS.

APPLICATION
Pulvériser à une pression de 40 à 50 Psi (2,7 à 3,5 MPa).

L'UTILISATION D'UN APPRÊT N'EST PAS NÉCESSAIRE AVEC CE PRODUIT.

Agiter le récipient bien avant utilisation, laisser se déposer et mélanger avec une balle humide.

RÉGLEMENTATION SUR LES COV
Ces directives concernent l'utilisation de produits pouvant être réglementés ou soumis à des restrictions COV dans les zones réglementées. Suivre les recommandations de mélange et d'application indiquées au tableau des produits conformes à la réglementation sur les COV de votre région.

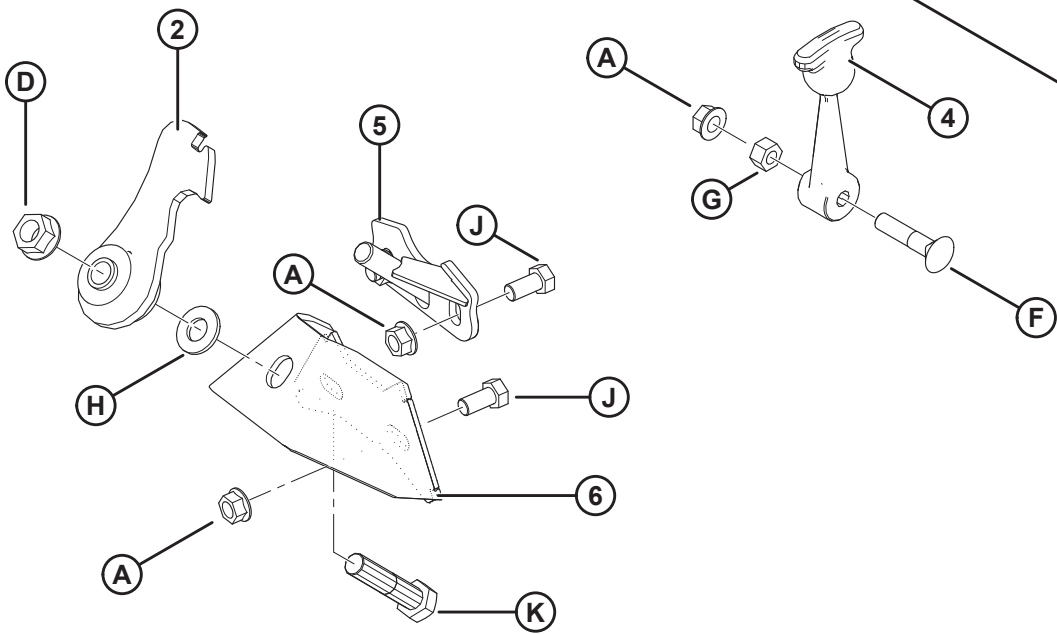
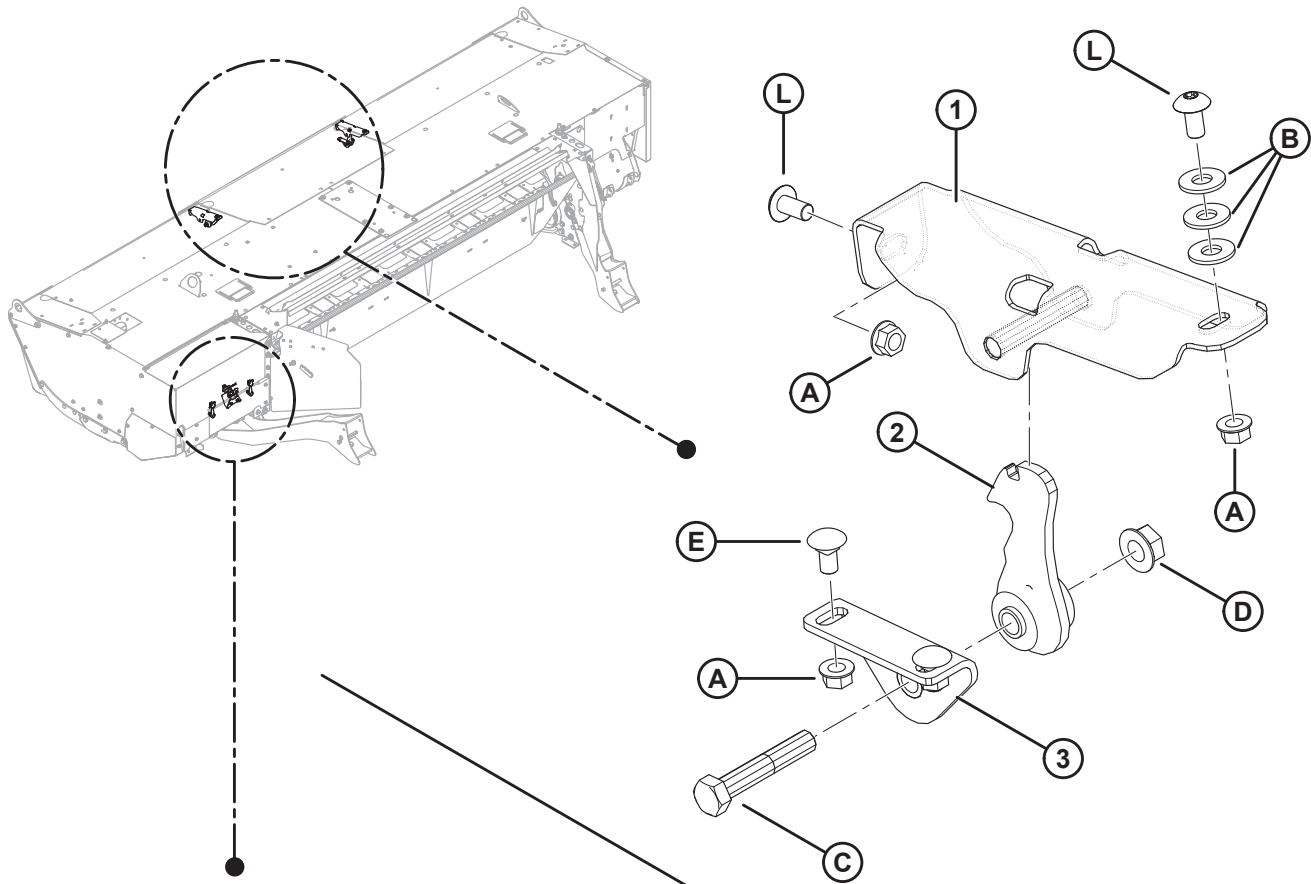
PAINT

Ref	Part Number	Description	Qty	Serial Number
1	135148	PAINT – BLACK (55-65 GLOSS LEVEL), SPRAY CAN, 12 OZ. (340 G) AEROSOL ¹⁰⁵		
	32879	PAINT – WHITE, SPRAY CAN, 12 OZ. (340 G) AEROSOL		
	23950	PAINT – RED, SPRAY CAN, 12 OZ. (340 G) AEROSOL ¹⁰⁶		
2	25991	PAINT – BLACK (55-65 GLOSS LEVEL), 1 US QUART (946 ML)		
	23957	PAINT – WHITE, 1 US QUART (946 ML)		
	32880	PAINT – MACDON RED, 1 US QUART (946 ML)		

105. Previously was MD #25990.

106. To be used for small touch-ups only.

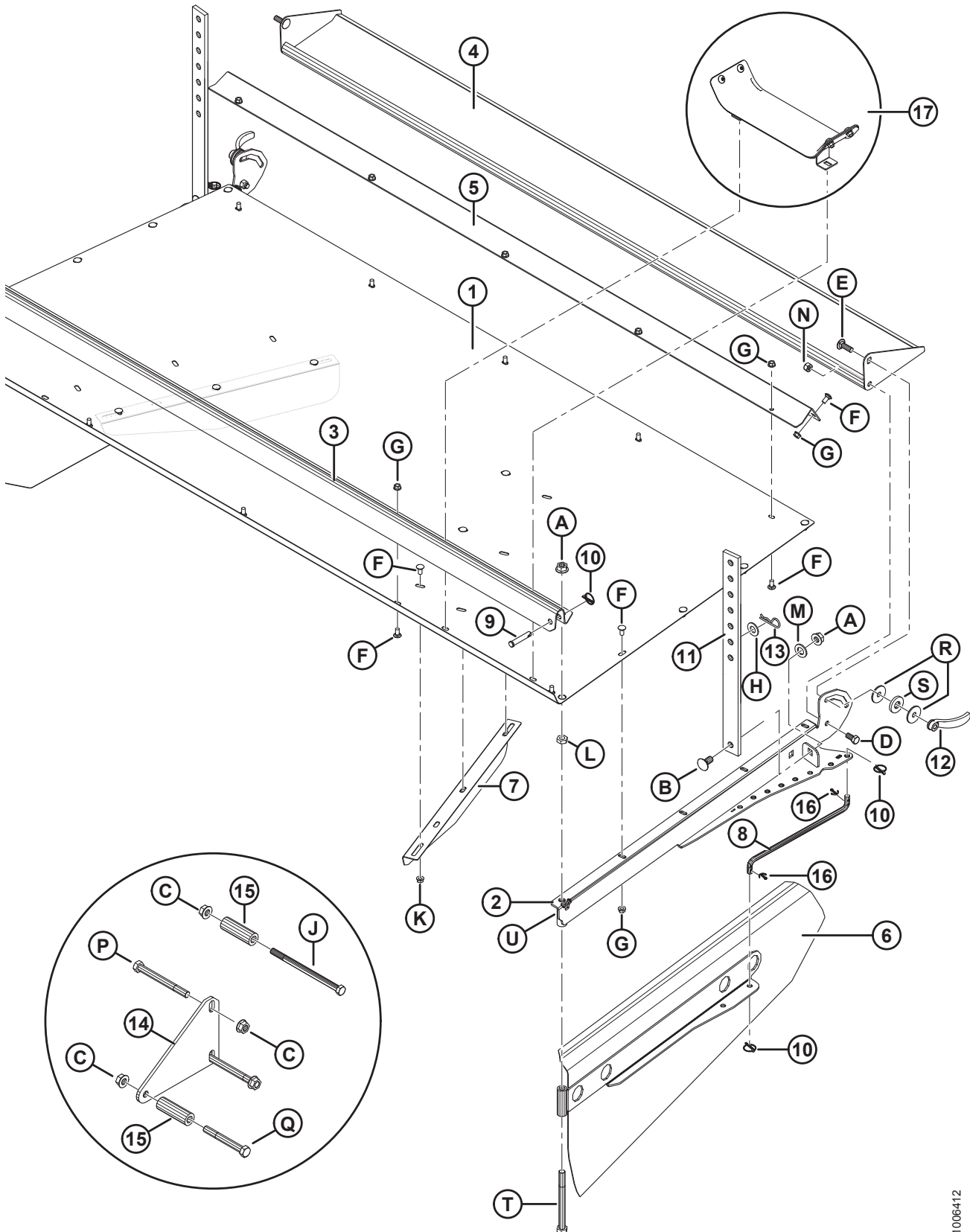
33 Latches



LATCHES

Ref	Part Number	Description	Qty	Serial Number
1	146481	BRACKET – FRONT COVER WELDT	2	
2	146485	LATCH – HOOK AND BUSHING	3	
	50040	BUSHING – RUBBER	2	
3	146430	BRACKET – FRONT COVER LATCH PIN WELDT	2	
4	38894	LATCH – RUBBER (NORTH AMERICA)	2	
5	236358	BRACKET – PIN PLATE	1	
6	236365	BRACKET – LATCHING SYSTEM (EXPORT)	1	
A	30228	NUT – FLANGE DT SMOOTH FACE 0.375-16 UNC		
B	18670	WASHER – SAE FLAT 7/16 I.D. X 1.0 IN. O.D. ZP		
C	21880	BOLT – HH 1/2 NC X 2.75 LG GR 5 ZP		
D	50186	NUT – FLANGE LOCK SM FACE DT 0.500-13 UNC GR 5		
E	21472	BOLT – RHSN 3/8 NC X 0.75 GR 5 ZP		
F	50197	BOLT – RHSN 3/8-16 X 1.75 GR 5 ZP		
G	18590	NUT – HEX 3/8 NC		
H	135369	WASHER – HARD ASTM F436 1/2-254-460HV-AB2C		
J	21567	BOLT – HH .375-16 UNC X 0.75 LG		
K	21578	BOLT – HH 1/2 NC X 2.25 LG GR 5 ZP		
L	135157	SCREW – MACHINE		

34 Self-Propelled Header Forming Shields – 2015 and Prior



1006412

SELF-PROPELLED HEADER FORMING SHIELDS – 2015 AND PRIOR

NOTE:

All parts listed are available as service parts only for model year 2015 and prior self-propelled header forming shields. For model year 2016 and later self-propelled header forming shields, refer to Section *35 Self-Propelled Header Forming Shields – 2016 and Later, page 104.*

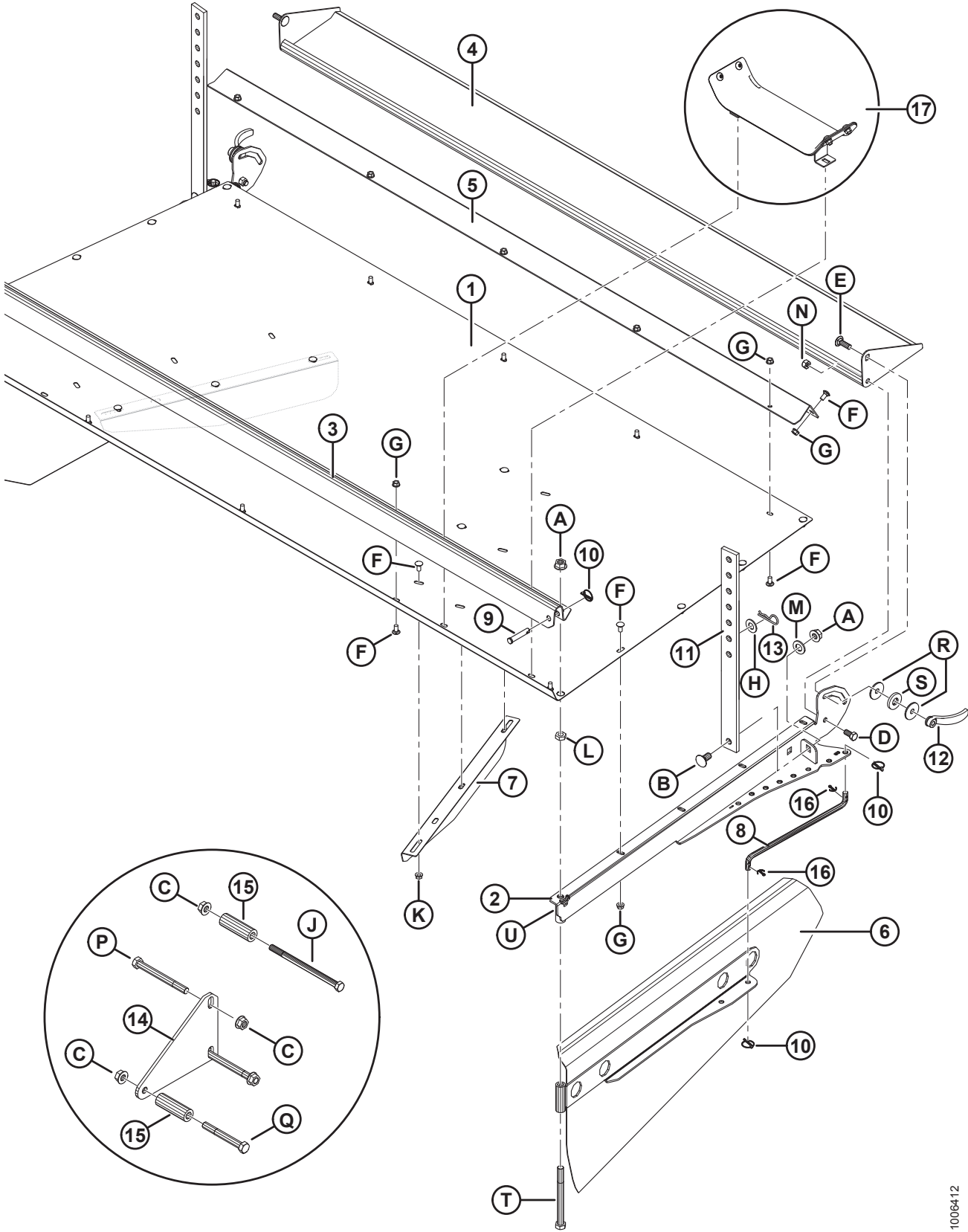
Ref	Part Number	Description	Qty	Serial Number
1	236902	COVER	1	-285419
2	236639	KIT – BRACKET WELD-TS ¹⁰⁷	1	-285419
3	236901	CHANNEL – FORMING SHIELD	1	-285419
4	149173	BAFFLE – REAR	1	-285419
5	325060	ANGLE – REAR	1	-285419
6	194197	DEFLECTOR – SIDE, LH	1	-285419
	194198	DEFLECTOR – SIDE, RH	1	-285419
7	325061	DEFLECTOR – INNER, LH	1	-285419
	325062	DEFLECTOR – INNER, RH	1	-285419
8	150018	ROD – ADJUSTER	2	-285419
9	19809	PIN – CLEVIS, 1/2 X 2 IN. EFFECTIVE LENGTH	2	-285419
10	50193	PIN – LYNCH	6	-285419
11	149743	STRAP – RUBBER ¹⁰⁸	2	-285419
12	149317	HANDLE – BAFFLE ADJUSTMENT	2	-285419
13	13125	PIN – HAIR	2	-285419
14	149167	PLATE	2	-285419
15	149168	SPACER	4	-285419
16	18648	PIN – COTTER 3/16 DIA X 1.25 ZP	6	-285419
17	REF	ASSEMBLY – HOSE SUPPORT (SP ONLY) ¹⁰⁹		
A	50225	NUT – SMOOTH FLANGE, 5/8 NC, DISTORTED THREAD		
B	103562	BOLT – RHSN, 5/8 NC X 1-1/4 IN. GR 5		
C	50186	NUT – SMOOTH FLANGE, 1/2 NC, DISTORTED THREAD		
D	21575	BOLT – HEX HEAD, 1/2 NC X 1 IN., GR 5		
E	21469	BOLT – RHSN, 1/2 NC X 1-1/2 IN., GR 5		
F	21863	BOLT – RHSN, 3/8 NC X 3/4 IN., GR 5		
G	30228	NUT – SMOOTH FLANGE, 3/8 NC, DISTORTED THREAD		
H	18600	WASHER – FLAT, 21/32 IN. I.D.		
J	135976	BOLT – HEX HEAD, 1/2 NC X 8.0 IN., GR 5		
K	135954	NUT – FLANGE SPINNER GRIP 0.375-16 UNC		

107.Sold only as a pair, includes LH and RH bracket weldt.

108.Attaches to pin on windrower leg.

109.For service parts, refer to Section *18 Hydraulics, page 50.*

SELF-PROPELLED HEADER FORMING SHIELDS – 2015 AND PRIOR

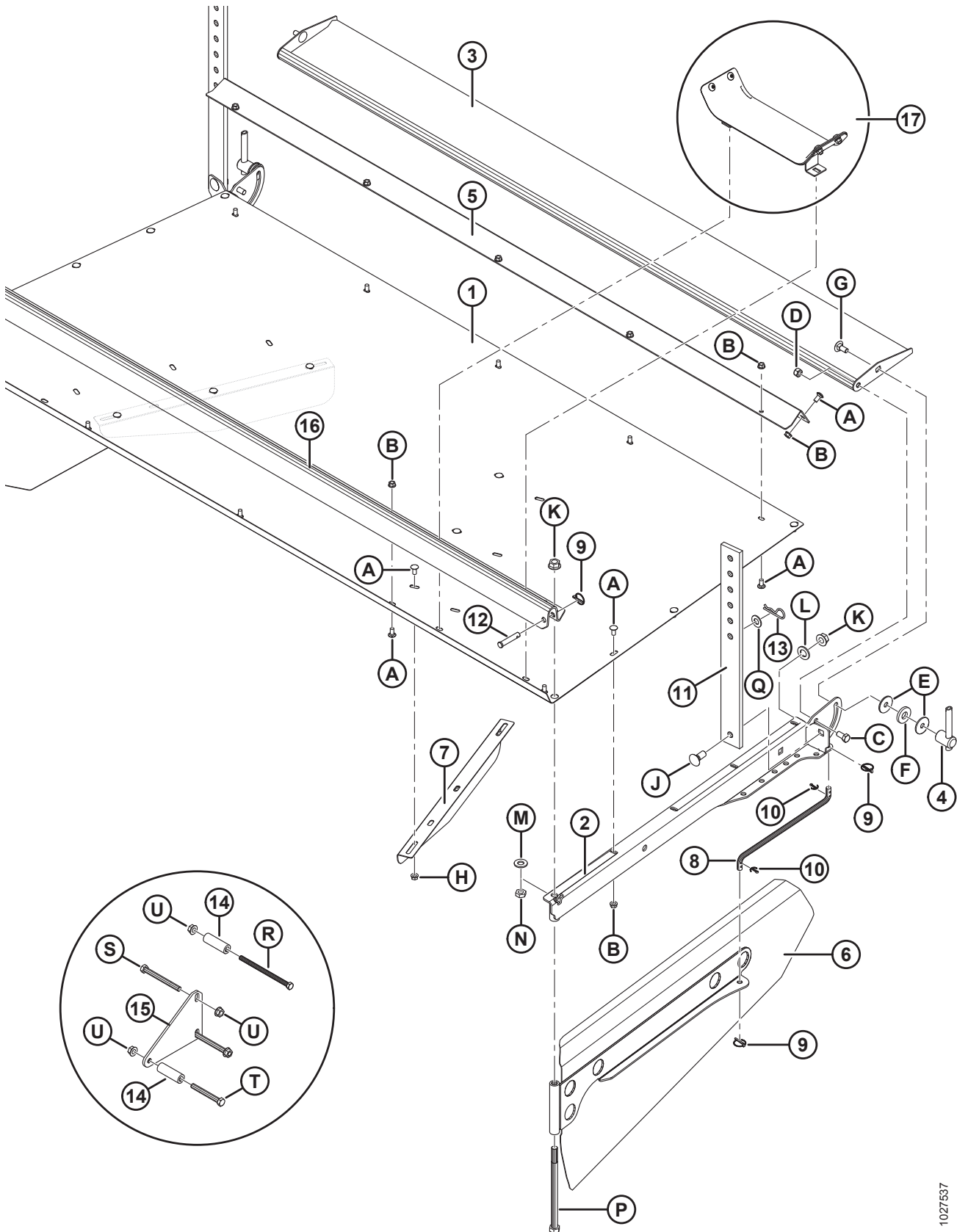


1006412

SELF-PROPELLED HEADER FORMING SHIELDS – 2015 AND PRIOR

Ref	Part Number	Description	Qty	Serial Number
L	21345	NUT – HEX JAM, 5/8 NC		
M	18601	WASHER – FLAT, 13/16 IN. I.D.		
N	18697	NUT – LOCK, 1/2 NC, DISTORTED THREAD		
P	136686	BOLT – HEX HD 1/2 NC X 5.25 GR 5 ZP		
Q	21589	BOLT – HH 1/2 X 4.0 LG GR 5 ZP		
R	42592	WASHER – FLAT, 13.5 MM I.D., 47 MM O.D., 3 MM THICK		
S	42045	WASHER – RUBBER		
T	193182	BOLT – HEX HEAD, 5/8 NC X 7 IN. GR 8		
U	30441	WASHER – FLAT HARDENED		

35 Self-Propelled Header Forming Shields – 2016 and Later



1027537

SELF-PROPELLED HEADER FORMING SHIELDS – 2016 AND LATER

NOTE:

All parts listed are available as service parts only for model year 2016 and later self-propelled header forming shields. For model year 2015 and prior self-propelled header forming shields, refer to Section [34 Self-Propelled Header Forming Shields – 2015 and Prior, page 100](#).

Ref	Part Number	Description	Qty	Serial Number
	B6131	SP WINDROWER FORMING SHIELD ¹¹⁰		285420–301189
	B6268	SP WINDROWER FORMING SHIELD ¹¹¹		301190–
1	236902	COVER	1	285420–
2	272252	KIT – BRACKET WELDTS ¹¹²	1	285420–
3	272208	BAFFLE WELDT	1	285420–
4	247693	ASSEMBLY – HANDLE	2	285420–
5	325060	ANGLE	1	285420–
6	272205	DEFLECTOR – LH WELDT	1	285420–
	272206	DEFLECTOR – RH WELDT	1	285420–
7	325061	DEFLECTOR – LH	1	285420–
	325062	DEFLECTOR – RH	1	285420–
8	150018	ROD	2	285420–
9	50193	PIN – LYNCH	6	285420–
10	18648	PIN – COTTER 3/16 DIA X 1.25 ZP	4	285420–
11	272248	STRAP – RUBBER ¹¹³	2	285420–
12	19809	PIN – CLEVIS	2	285420–
13	13125	PIN – HAIR	2	285420–
14	149168	SPACER	2	285420–
15	149167	PLATE	2	285420–
16	325084	CHANNEL - FORMING SHIELD	1	285420–
17	REF	ASSEMBLY – HOSE SUPPORT (SP ONLY) ¹¹⁴		
A	21863	BOLT – RHSSN 3/8 NC X 0.75 LG GR 5 ZP		
B	30228	NUT – FLANGE DT SMOOTH FACE 0.375-16 UNC		
C	21575	BOLT – HH 1/2 NC X 1.0 LG GR 5 ZP		
D	18697	NUT – HEX LOCK DT .500-13 UNC		
E	42592	WASHER – FLAT		
F	42045	WASHER – RUBBER		
G	184667	BOLT – RHSN M12 X 1.75 X 30-8.8-A3L		

110. For 2016 model year units. Includes all listed parts and hardware. Kits available through Whole Goods only.

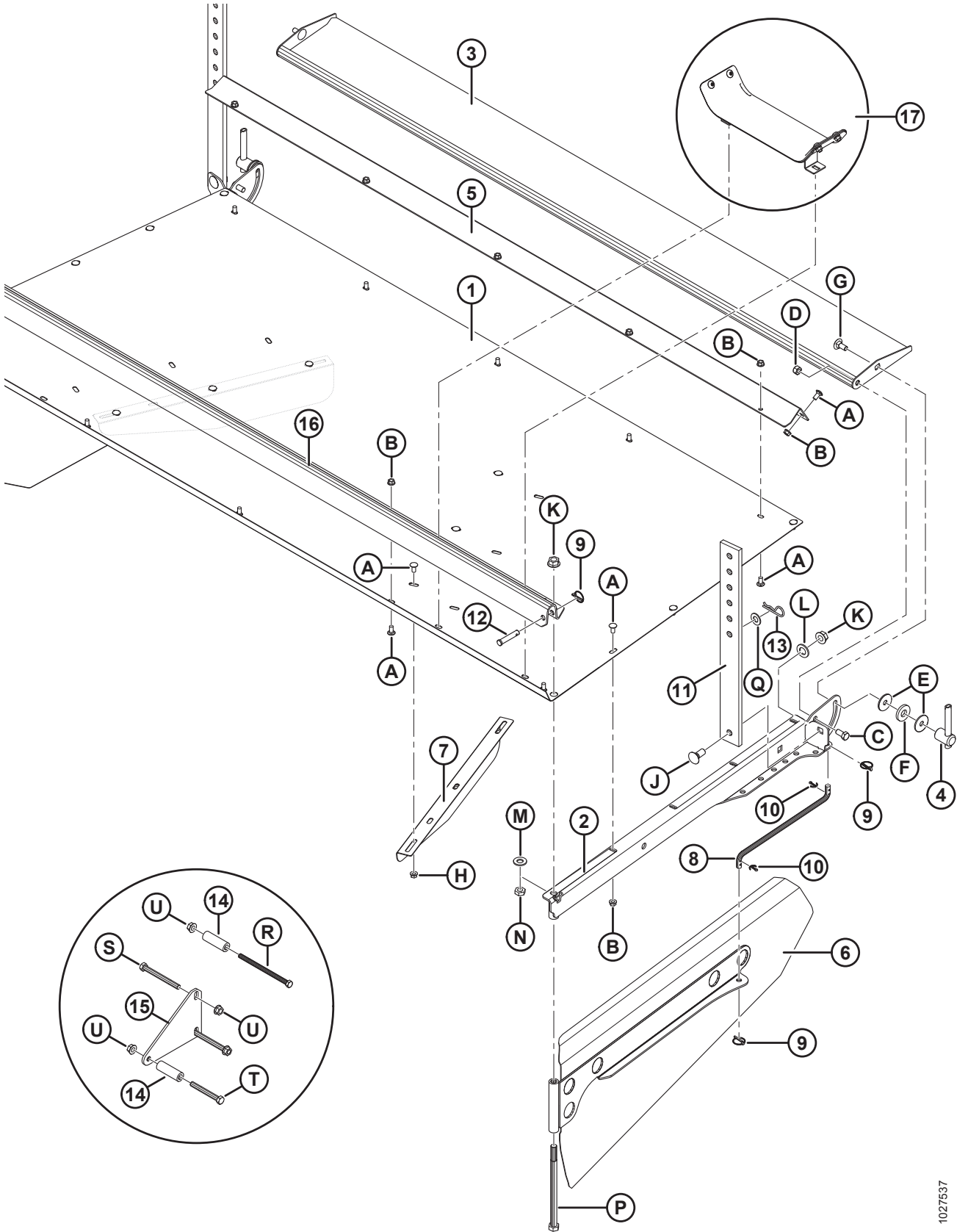
111. For 2017 and later model year units. Includes parts #1–15 and hardware. Kits available through Whole Goods only.

112. Kit includes left-hand and right-hand bracket weldments, which must be serviced as a pair.

113. Attaches to pin on windrower leg.

114. For service parts, refer to Section [18 Hydraulics, page 50](#).

SELF-PROPELLED HEADER FORMING SHIELDS – 2016 AND LATER

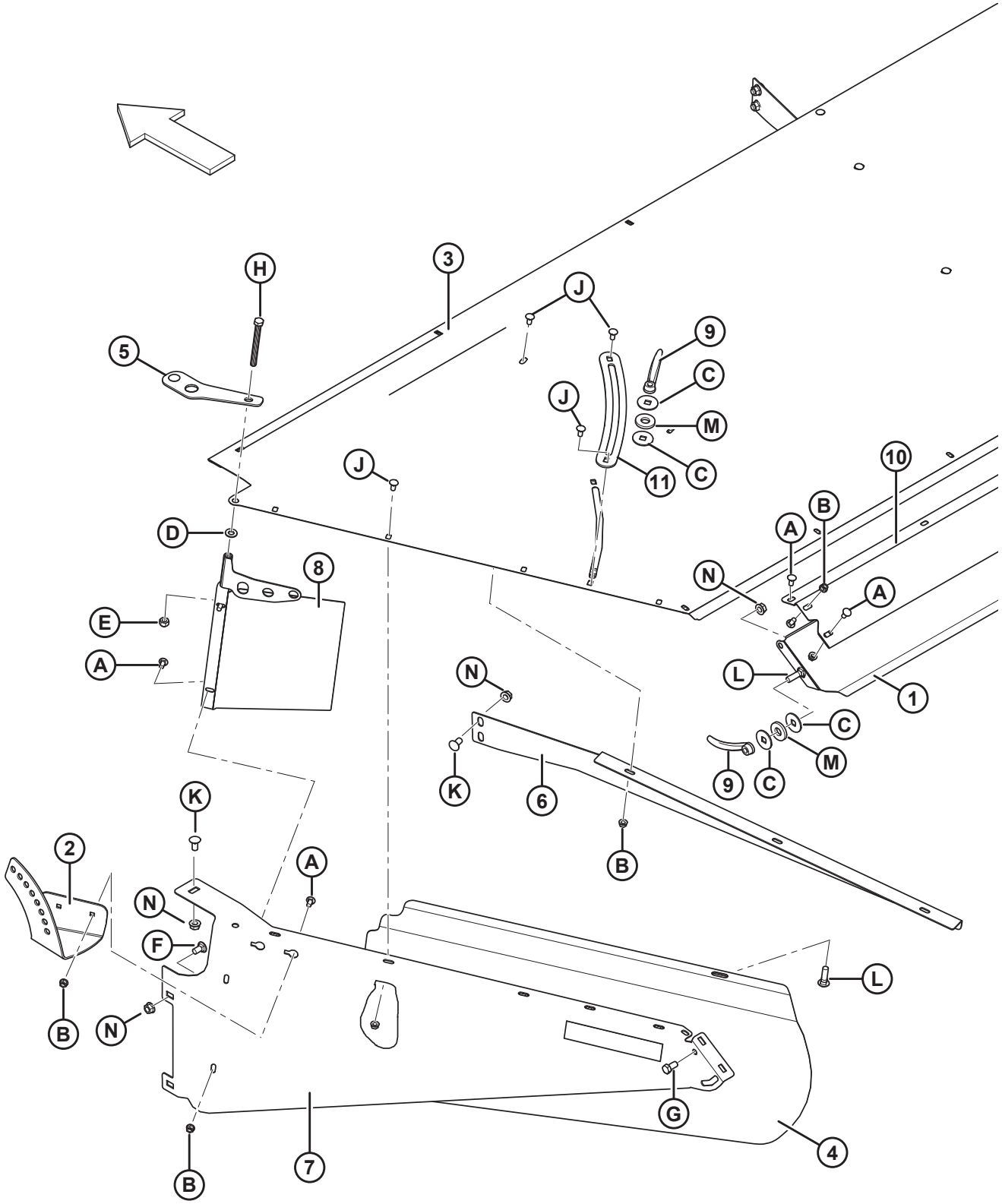


1027637

SELF-PROPELLED HEADER FORMING SHIELDS – 2016 AND LATER

Ref	Part Number	Description	Qty	Serial Number
H	135954	NUT – FLANGE SPINNER GRIP 0.375-16 UNC		
J	18523	BOLT – RHSN 5/8-11 X 1.5 GR 5 ZP		
K	50225	NUT – FLANGE DT SMOOTH FACE .625-11 UNC		
L	18601	WASHER – SAE FLAT 13/16 I.D. X 1.5 IN. O.D. ZP		
M	30441	WASHER – HARDENED		
N	21345	NUT – HEX JAM 5/8-11 UNC GR 5 ZP		
P	172339	BOLT – HEX HD 5/8 NC X 10 LG GR 8 ZP		
Q	18600	WASHER – SAE FLAT 21/32 I.D. X 1-5/16 IN. O.D. ZP		
R	135976	BOLT – HH 1/2 NC X 8 LG GR 5 ZP		
S	136686	BOLT – HEX HD 1/2 NC X 5.25 GR 5 ZP		
T	21589	BOLT – HH 1/2 NC X 4.0 LG GR 5 ZP		
U	50186	NUT – FLANGE LOCK SM FACE DT 0.500-13 UNC GR 5		

36 Pull-Type Forming Shields



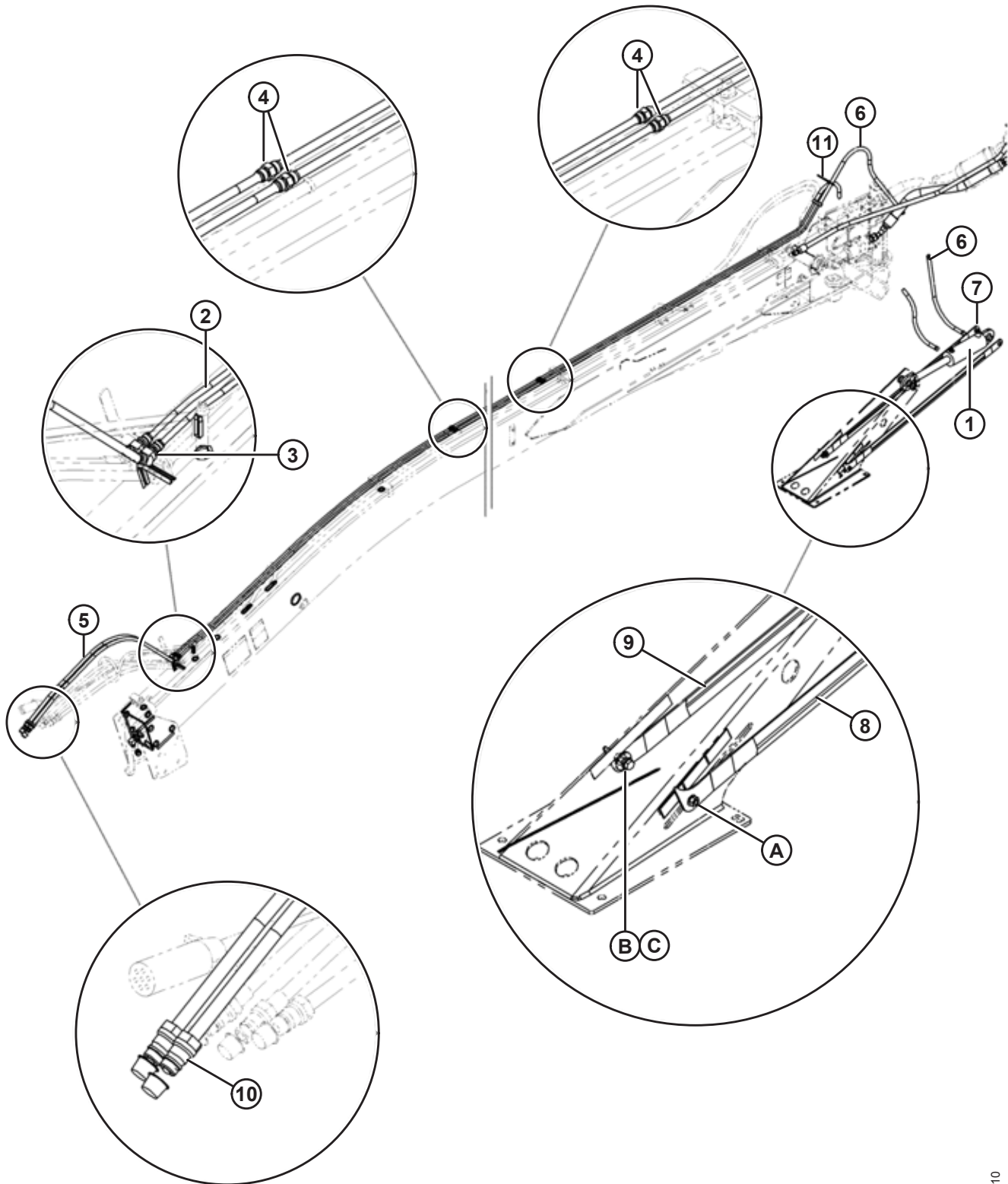
1002609

PULL-TYPE FORMING SHIELDS

Ref	Part Number	Description	Qty	Serial Number
1	149777	BAFFLE	1	
2	236782	BRACKET – SWATH BAFFLE	1	
3	146052	COVER – TOP FORMING SHIELD	1	
4	146055	DEFLECTOR – LH WELDT	1	
	146056	DEFLECTOR – RH WELDT	1	
5	146057	PLATE	2	
6	146059	DEFLECTOR – LH	1	
	146060	DEFLECTOR – RH	1	
7	146411	DEFLECTOR – LH, C/W REFLECTOR ¹¹⁵	1	
	146412	DEFLECTOR – RH, C/W REFLECTOR	1	
8	148893	DEFLECTOR – LH	1	
	148900	DEFLECTOR – RH	1	
9	149317	HANDLE	4	
10	149857	DEFLECTOR	1	
11	198826	PLATE – TOP COVER	2	
A	21863	BOLT – RHSSN 3/8 NC X 0.75 LG GR 5 ZP		
B	135954	NUT – FLANGE SPINNER GRIP 0.375-16 UNC		
C	150151	WASHER – FLAT		
D	18599	WASHER – SAE FLAT 17/32 I.D. X 1-1/16 IN. O.D. ZP		
E	18697	NUT – HEX LOCK DT .500-13 UNC		
F	21066	BOLT – RHSN 1/2 NC X 1 GR 5 ZP		
G	21575	BOLT – HH 1/2 NC X 1.0 LG GR 5 ZP		
H	21597	BOLT – HH 1/2 NC X 5.0 LG GR 5 ZP		
J	21863	BOLT – RHSSN 3/8 NC X 0.75 LG GR 5 ZP		
K	21868	BOLT – RHSSN 1/2 NC X 1.0 GR 5 ZP		
L	30515	BOLT – RHSN 1/2 NC X 1.75 LG GR 5 ZP		
M	42045	WASHER – RUBBER		
N	50186	NUT – FLANGE LOCK SM FACE DT 0.500-13 UNC GR 5		

115.Includes reflector (MD #115146).

37 Hydraulic Header Angle Kit

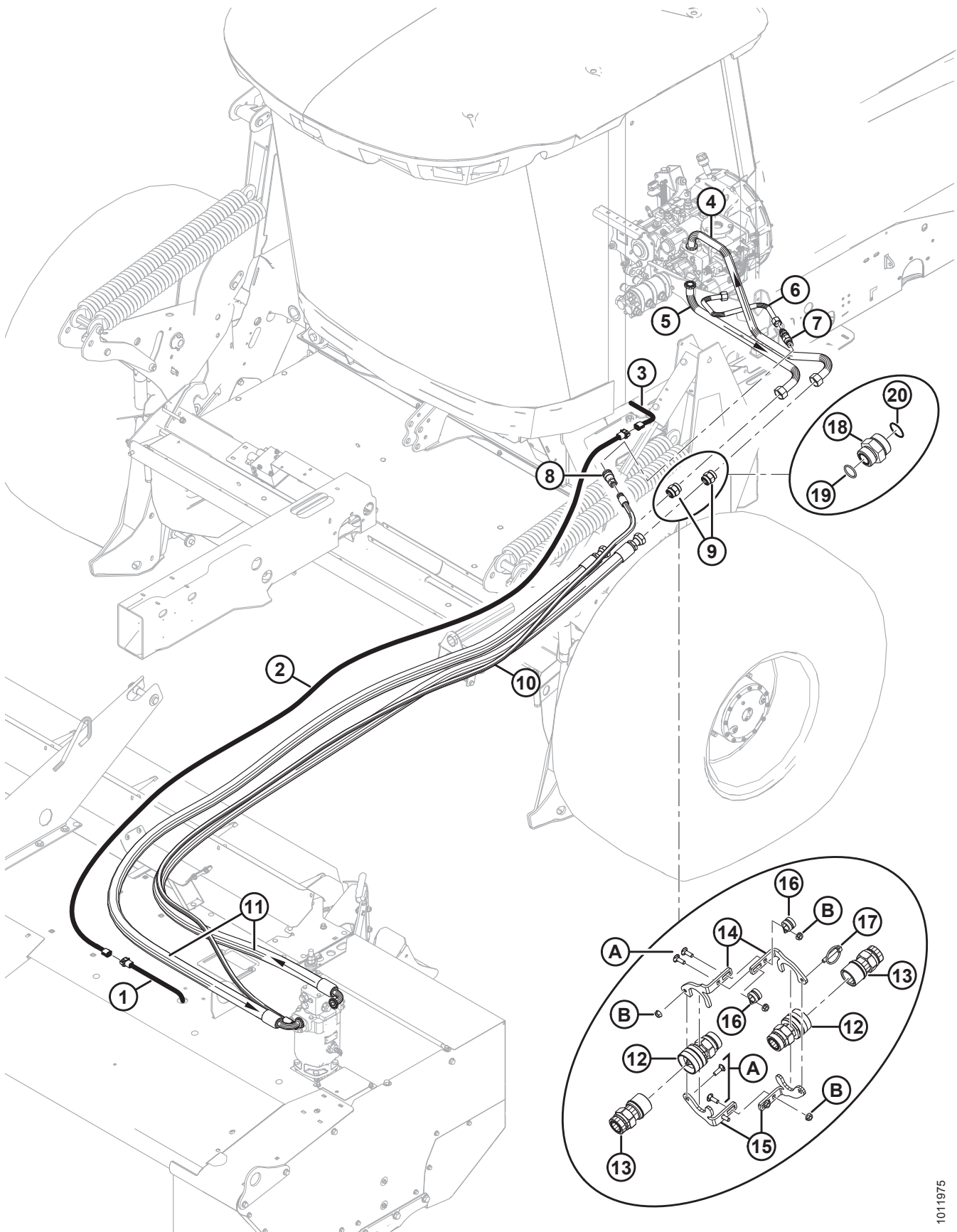


HYDRAULIC HEADER ANGLE KIT

Ref	Part Number	Description	Qty	Serial Number
	B5564	KIT – HYDRAULIC HEADER ANGLE, ROTARY PT ¹¹⁶		
1	149767	CYLINDER – HYDRAULIC	1	
	150519	SEAL KIT	1	
2	150124	LINE – HYDRAULIC (13-16 FT)	6	
	150483	LINE – HYDRAULIC (16 FT EXTENSION ONLY)	2	
3	150256	FITTING – ELBOW, BULKHEAD UNION HYD	2	
4	30375	FITTING – UNION HYD	6	
5	148968	HOSE	2	
6	150101	HOSE	2	
7	15903	FITTING – CONNECTOR HYD	2	
8	146044	LINK – INDICATOR, LH	1	
9	146045	LINK – INDICATOR, RH	1	
10	135563	FITTING – COUPLING HYD	2	
11	21763	FASTENER – CABLE TIE (BLACK)	1	
A	30228	NUT – FLANGE DT SMOOTH FACE 0.375-16 UNC		
B	135001	BOLT – SHOULDER .375-16 UNC		
C	150819	WASHER – PLASTIC		

116.Kits available through Whole Goods only.

38 R85 to M205 – Connections



R85 TO M205 – CONNECTIONS

Ref	Part Number	Description	Qty	Serial Number
	B5497	KIT – HYDRAULIC COUPLER LOCK ¹¹⁷		
1	236033	HARNESS – WIRING SP ROTARY DISC HEADER, 16 FT ¹¹⁸	1	-285419
	268274	HARNESS – WIRING SP ROTARY DISC HEADER, 16 FT ¹¹⁹	1	285420-
	134360	CONNECTOR – RECEPTACLE, DEUTSCH		
2	138709	HARNESS – M205, HEADER CONNECTION, DISC	1	
	134106	CONNECTOR – PLUG, DEUTSCH		
	134360	CONNECTOR – RECEPTACLE, DEUTSCH		
3	167865	HARNESS – CHASSIS, M SERIES (2018-LATER)	1	321190-
	183859	KIT – HARNESS, CHASSIS, M155/M205 (2017-PRIOR)	A/R	-321189
	134106	CONNECTOR – PLUG, DEUTSCH		
4	138762	LINE – HYDRAULIC, 1.25 IN.	1	
5	138764	LINE – HYDRAULIC, 1.25 IN.	1	
6	138766	LINE – HYDRAULIC, 3/4 IN.	1	
7	135236	COUPLING – MALE HYD 1/2 IN. FLAT FACE BULKHEAD	1	
8	135474	COUPLER – HYDRAULIC, 1/2 IN. FEMALE FF	1	
9	135708	FITTING – UNION SAE, 20 ORFS ¹²⁰	2	
10	138124	HOSE – HYD, 1/2 IN. I.D., 4650 MM LG, METAL REIN.	1	
11	138855	HOSE – HYD, 1-1/4 IN. I.D., 4400 MM LG, METAL REIN.	2	
12	138272	COUPLER – HYDRAULIC, 1 IN. MALE, 20 ORFS MALE ¹²¹	2	
13	138273	COUPLER – HYDRAULIC, 1 IN. FEMALE, 20 ORFS MALE	2	
14	139648	HOLDER – COUPLER	2	
15	139649	RETAINER – LOCK	2	
16	135709	CLAMP – INSULATED, 3/4 IN.	2	
17	135192	PIN – LYNCH, 5/16 IN.	1	
18	252232	FITTING – UNION SAE, 20 ORFS X 16 ORFS ¹²²	2	
19	135867	O-RING – #10 ORFS	1	
20	135869	O-RING – #20 ORFS	1	

117. Includes one of each coupler (MD #138272, 138273), two coupler holders (MD #139648), two lock retainers (MD #139649), two clamps (MD #135709), lynch pin (MD #135192), coupler-wrench (MD #139302), plug (MD #139521), cap (MD #139522), five bolts (MD #21282), five nuts (MD #30280), fasteners, and instructions. Two kits required to complete the connection for two hoses and lines (R85 to M205). Kits available through Whole Goods only.

118. For units made in model year 2015 and prior.

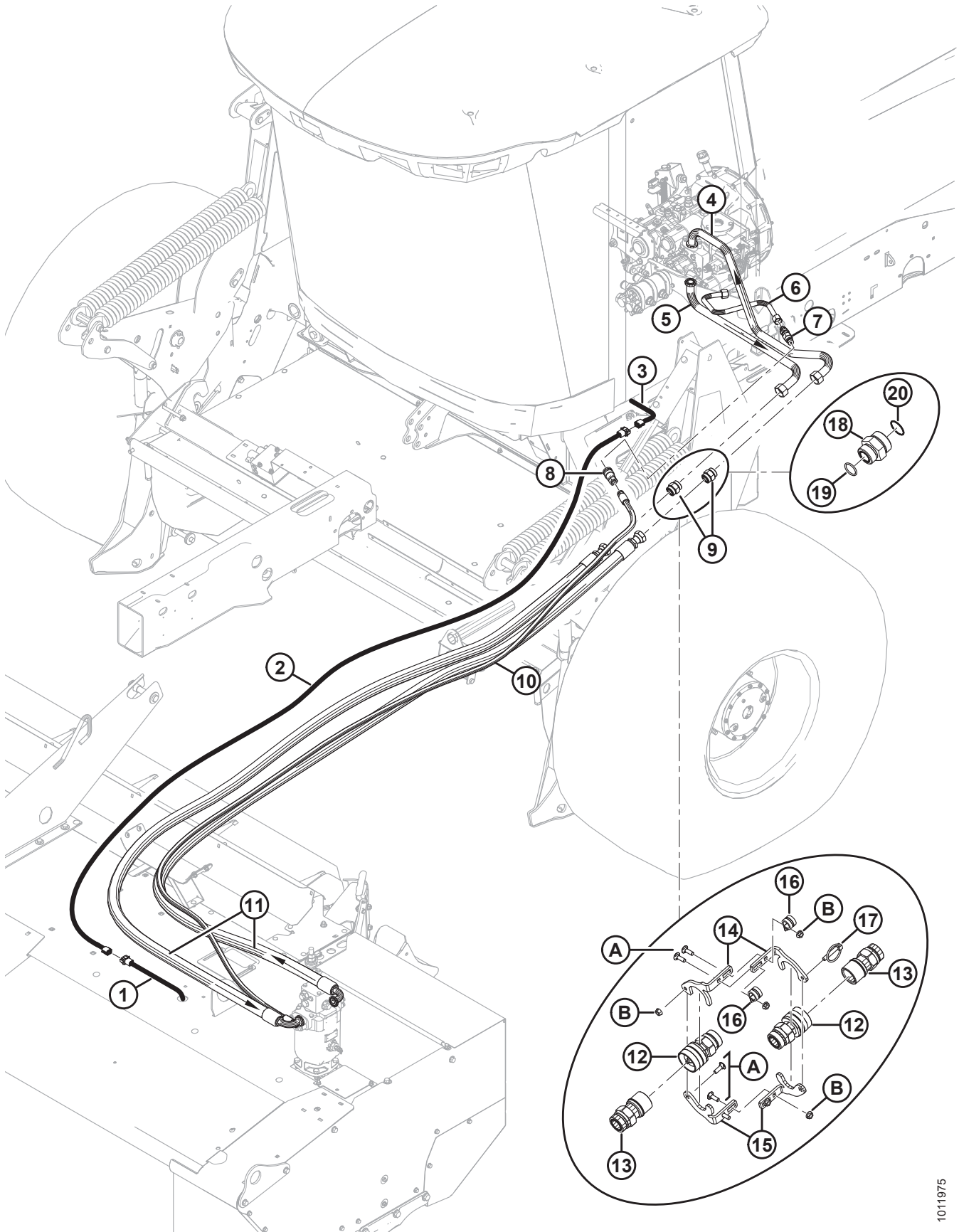
119. For units made in model year 2016 and later.

120. Fitting (MD #135708) used only if connecting R85 to M205.

121. Coupler used if connecting multiple header types.

122. Fitting (MD #252232) used only if connecting a knife header to a draper-configured M205. Includes O-rings (MD #135867, 135869). For complete kit and instructions, order M205 Draper Drive Fittings kit (MD #166844).

R85 TO M205 – CONNECTIONS

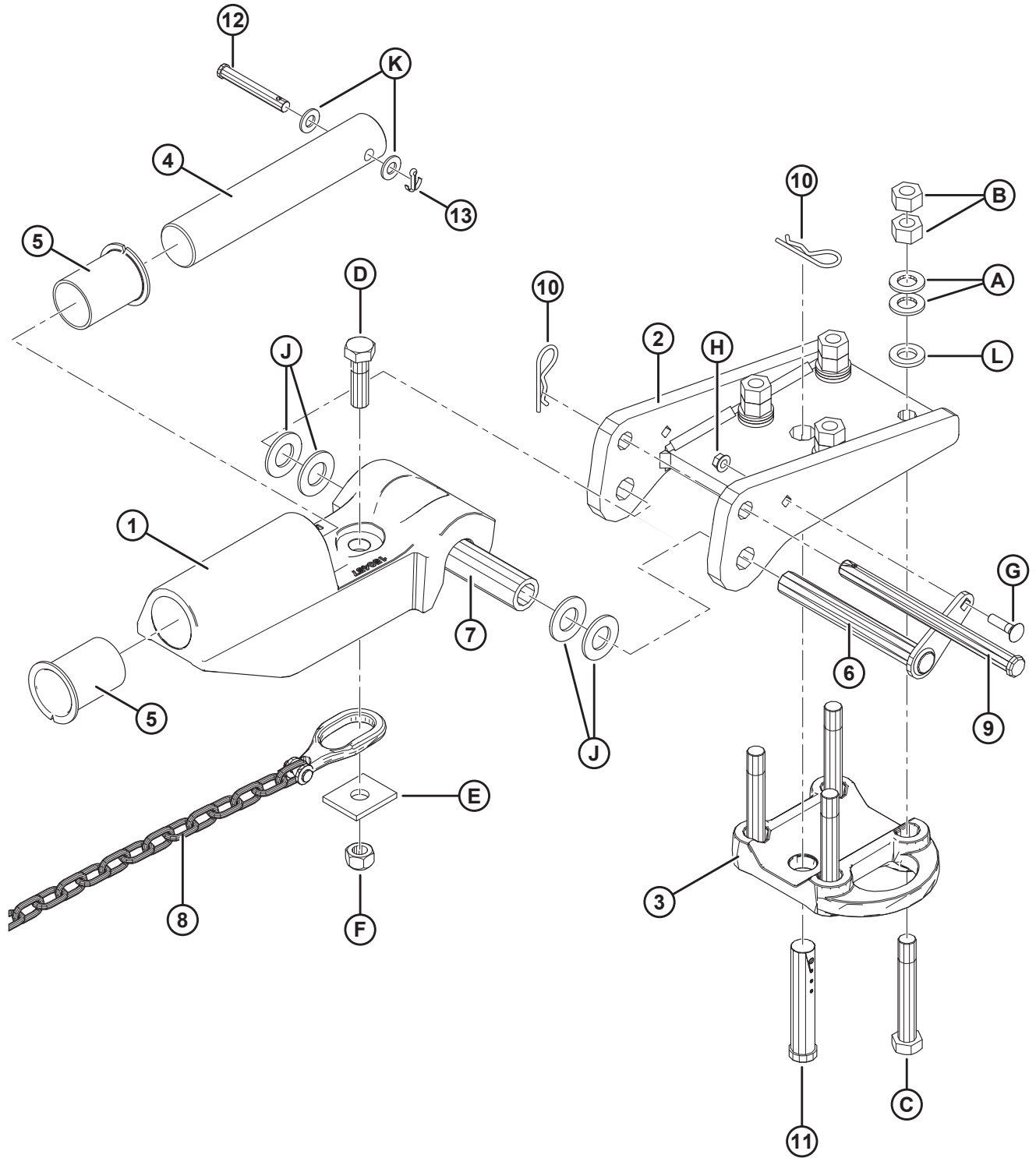


1011975

R85 TO M205 – CONNECTIONS

Ref	Part Number	Description	Qty	Serial Number
A	21282	BOLT – RHSN 5/16-18 X 1 GR 5 ZP		
B	30280	NUT – FLG SIDE LK SMTH FACE 5/16 NC GR 5 ZP		

39 (Option) Drawbar Hitch



(OPTION) DRAWBAR HITCH

Ref	Part Number	Description	Qty	Serial Number
	B4886	KIT – DRAWBAR HITCH ¹²³		
1	150457	ARM – PT HITCH	1	
2	148388	PLATE – DRAWBAR HITCH ADAPTER WELDT	1	
3	149655	CLAMP – CASTING	1	
4	150217	PIN – ROCKSHAFT	1	
5	31453	TUBE – FLARED	2	
6	149802	PIN WELDMENT	1	
7	150082	BUSHING	1	
8	21404	CHAIN – 59 LINKS	1	
9	135334	PIN – CLEVIS	1	
10	13125	PIN – HAIR	2	
11	135593	PIN – CLEVIS	1	
12	101007	PIN – CLEVIS	1	
13	18648	PIN – COTTER 3/16 DIA X 1.25 ZP	1	
A	18601	WASHER – SAE FLAT 13/16 I.D. X 1.5 IN. O.D. ZP		
B	18593	NUT – HEX 3/4-10 UNC GR 5 ZP		
C	135415	BOLT – HH 3/4 NC X 5.0 LG GR 8 ZP		
D	19957	BOLT – HH 3/4 NC X 2.5 LG GR 5 ZP		
E	29467	WASHER – FLAT RECTANGULAR		
F	18689	NUT – HEX LOCK DT .750-10 UNC		
G	21484	BOLT – RHSN 3/8 NC X 1.5 LG GR 5 ZP		
H	30228	NUT – FLANGE DT SMOOTH FACE 0.375-16 UNC		
J	18603	WASHER – SAE FLAT 1-1/16 I.D. X 2.0 IN. O.D. ZP		
K	18599	WASHER – SAE FLAT 17/32 I.D. X 1-1/16 IN. O.D. ZP		
L	21540	WASHER – HARDENED		

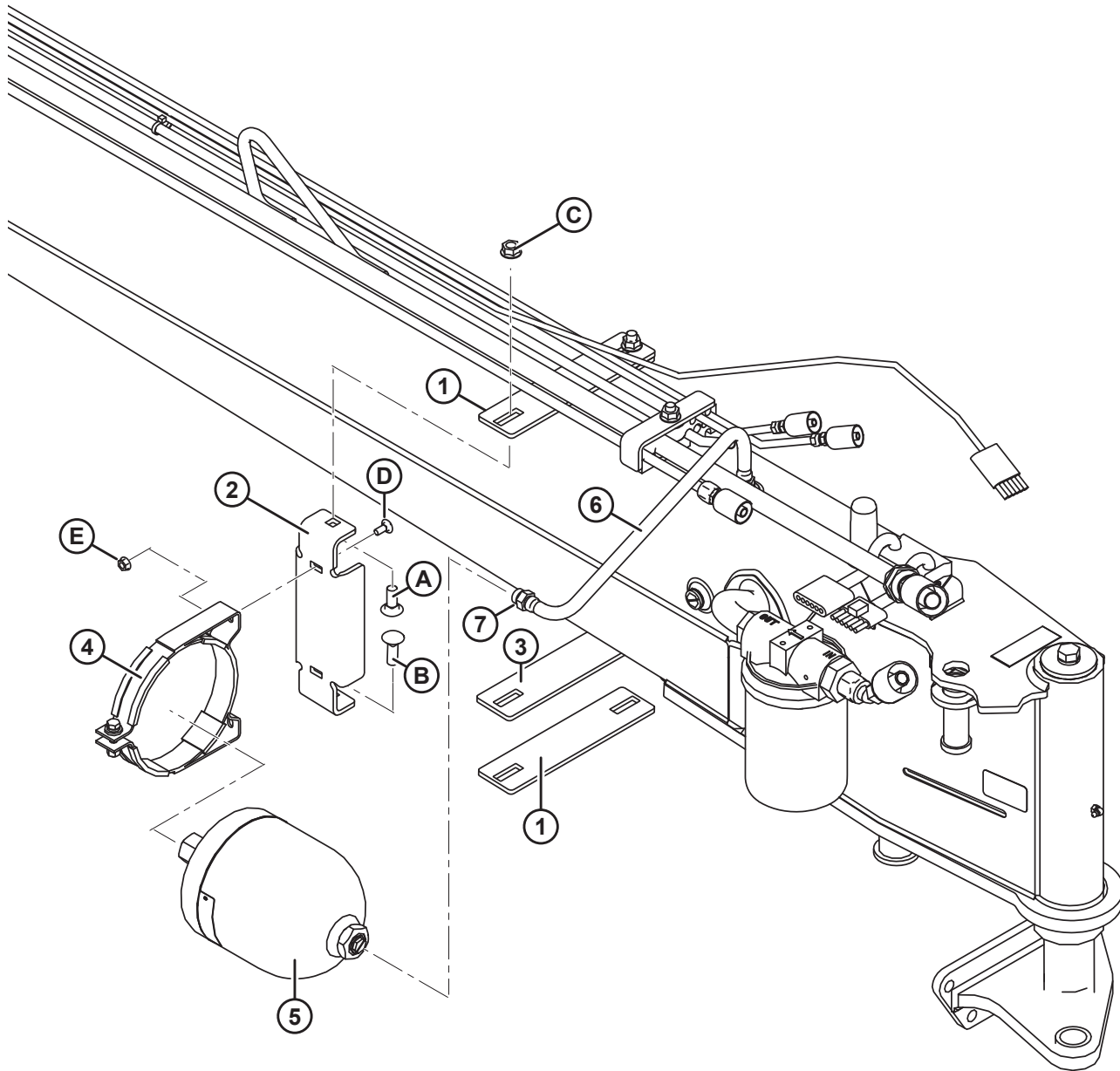
123.Kits available through Whole Goods only.

(OPTION) GAUGE ROLLERS

Ref	Part Number	Description	Qty	Serial Number
1	B5650	KIT – GAUGE ROLLERS ¹²⁴		
2	150902	BAR	2	
3	21859	BEARING – SPH O.D. EXT INNER RACE 1-3/16 BORE	4	
4	236255	BRACKET – GAUGE ROLLER WELDT	2	
5	49306	FLANGE	4	
6	21860	FLANGE – C/W LUBE FTG	4	
7	18626	PIN – CLEVIS	4	
8	50193	PIN – LYNCH	4	
9	236206	PLATE	4	
10	236246	PLATE – SHOE MOUNT	4	
11	170047	ROLLER – GAUGE WELDT	2	
A	19965	BOLT – RHSN 3/8 NC X 1.0 GR 5 ZP		
B	30228	NUT – FLANGE DT SMOOTH FACE 0.375-16 UNC		
C	21471	BOLT – RHSN 1/2 NC X 1.25 GR 5 ZP		
D	30368	BOLT – HH FLG (SER FACE) 1/2 NC X 1.25 GR 5 ZP		
E	50186	NUT – FLANGE LOCK SM FACE DT 0.500-13 UNC GR 5		
F	18599	WASHER – SAE FLAT 17/32 I.D. X 1-1/16 IN. O.D. ZP		
G	21760	BOLT – HH 1/2 NC X 2.5 LG GR 5 ZP		
J	136187	BOLT – HH 3/4 NC X 2.5 LG GR 5 ZP		
K	123517	NUT – HEX JAM		

124. Includes all listed parts and hardware. Kits available through Whole Goods only.

41 (Option) Header Drive Performance Improvement Kit

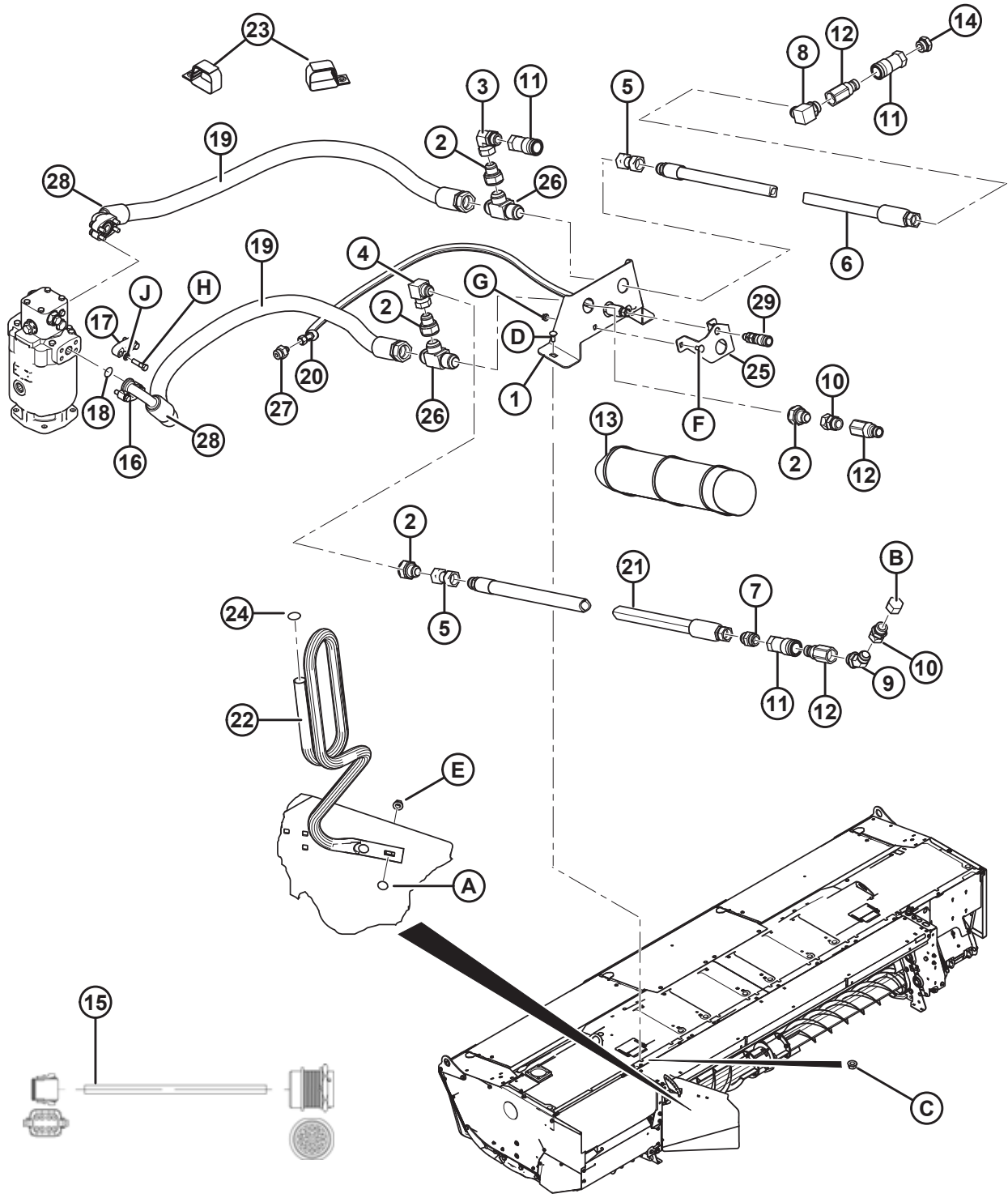


(OPTION) HEADER DRIVE PERFORMANCE IMPROVEMENT KIT

Ref	Part Number	Description	Qty	Serial Number
	B5662	KIT – HEADER DRIVE PERFORMANCE IMPROVEMENT ¹²⁵		
1	236267	PLATE	2	
2	236268	ANGLE – CLAMP MOUNT	2	
3	236465	SHIM – RUBBER	1	
4	236263	BRACKET – CLAMP ACCUMULATOR	1	
5	236264	ACCUMULATOR	1	
6	236282	HOSE – HYD ACCUMULATOR	1	
7	21030	FITTING – CONNECTOR HYD	2	
A	21471	BOLT – RHSN 1/2 NC X 1.25 GR 5 ZP		
B	21469	BOLT – RHSN 1/2 NC X 1.5 LG GR 5 ZP		
C	50186	NUT – FLANGE LOCK SM FACE DT 0.500-13 UNC GR 5		
D	21281	BOLT – RHSN 5/16 NC X 0.75 GR 5 ZP		
E	30280	NUT – FLG SIDE LK SMTH FACE 5/16 NC GR 5 ZP		

¹²⁵.Kits available through Whole Goods only.

42 (Option) M200–R85 Hydraulic Drive



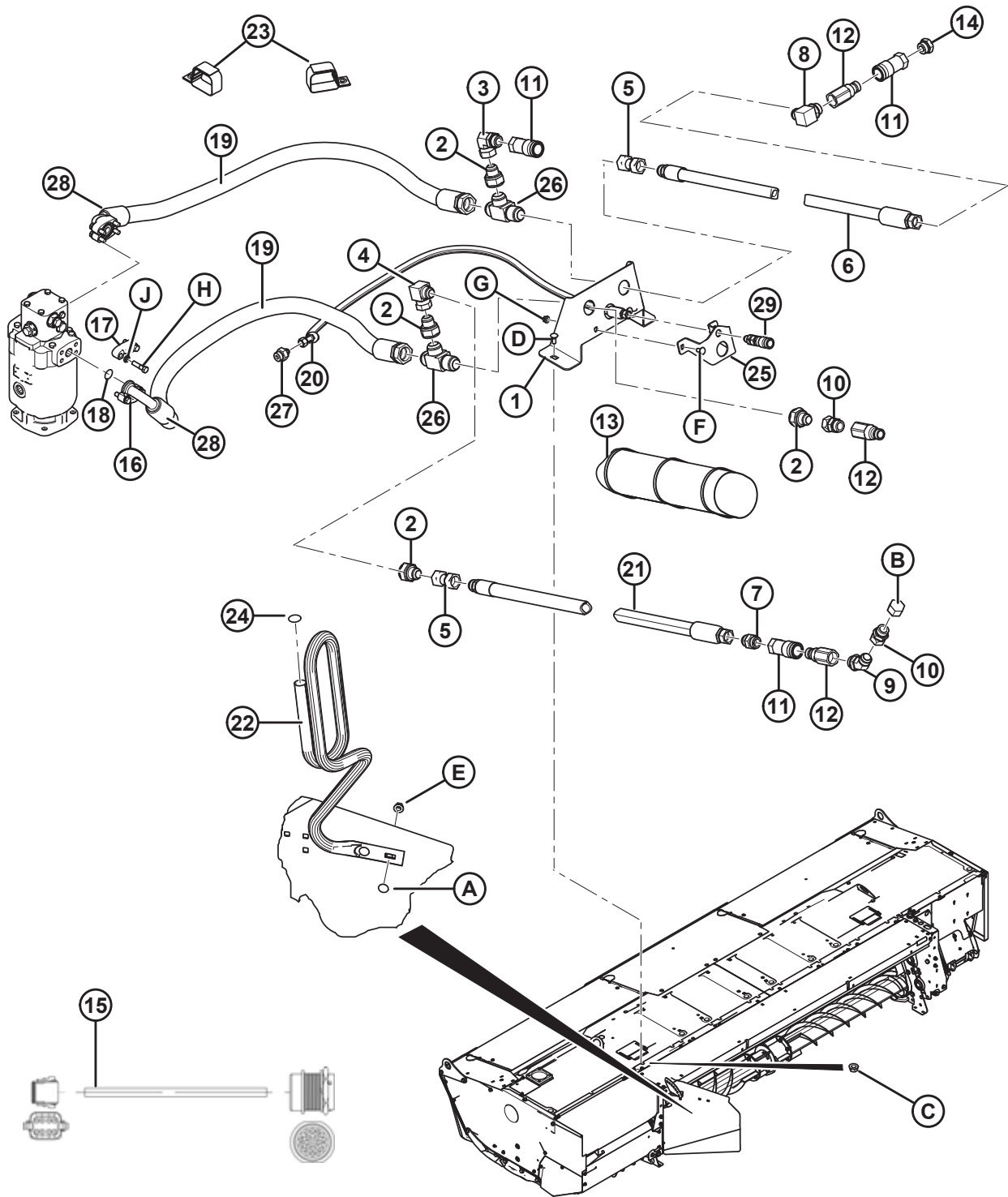
(OPTION) M200–R85 HYDRAULIC DRIVE

Ref	Part Number	Description	Qty	Serial Number
	B5455	KIT – M200/R85 SP HYDRAULIC DRIVE ¹²⁶		
1	198815	BRACKET – BULKHEAD	1	
2	135859	FITTING – REDUCER	4	
3	135727	FITTING – ELBOW 90° HYD	1	
4	21829	FITTING – ELBOW 90° HYD	1	
5	135858	FITTING – UNION	4	
6	149553	HOSE – 16 FT 40 GPM	1	
7	21828	FITTING – ADAPTER HYD	1	
8	21827	FITTING – ELBOW HYD	1	
9	112936	FITTING – ELBOW 45° HYD C/W O-RING	1	
10	135316	FITTING – ADAPTER HYD C/W O-RING	2	
11	135313	COUPLER – FEMALE HYD 3/4 IN. FLAT FACE	4	
12	135544	COUPLER – MALE HYD 3/4 IN. FLAT FACE 1 IN. THREAD	3	
	135479	SEAL KIT		
13	150311	SLEEVE	1	
14	156051	PLUG – #16 ORB	1	
15	139071	HARNESS – R85 TO M200	1	
	134009	CONNECTOR – RECEPT, DEUTSCH, 23 POSITION		
	134010	NUT – PANEL, DEUTSCH HD, SIZE 24		
	134011	WASHER – LOCK SPRING, DEUTSCH HD, SIZE 24		
	135365	CAP – WIRE HARNESS		
16	138127	ASSEMBLY – 1 IN. CODE 62 SPLIT FLANGE ¹²⁷	2	
17	194043	FLANGE	4	
18	112868	O-RING	2	
19	198694	HOSE – 1.25 IN. HYDRAULIC	2	
20	198814	HOSE – HYDRAULIC CASE DRAIN	1	
21	149554	HOSE – SECONDARY RETURN	2	
22	194365	GUIDE – HOSE SUPPORT	1	
23	163585	STRAP – VELCRO, HANGING	5	
24	194389	PLUG – TUBE FINISHING	1	
25	146231	BRACKET – WIRING BULKHEAD	1	
26	135856	FITTING – BULKHEAD	2	
27	30936	FITTING	1	
28	135910	FITTING – HYD 90° FLANGE TO JIC	2	
29	135213	COUPLING – FEMALE HYD 3/8 FLAT FACE BULKHEAD	1	

126.Kits available through Whole Goods only.

127.Includes two flanges (MD #194043), O-ring (MD #112868), four bolts (MD #21564), and four washers (MD #18652).

(OPTION) M200-R85 HYDRAULIC DRIVE

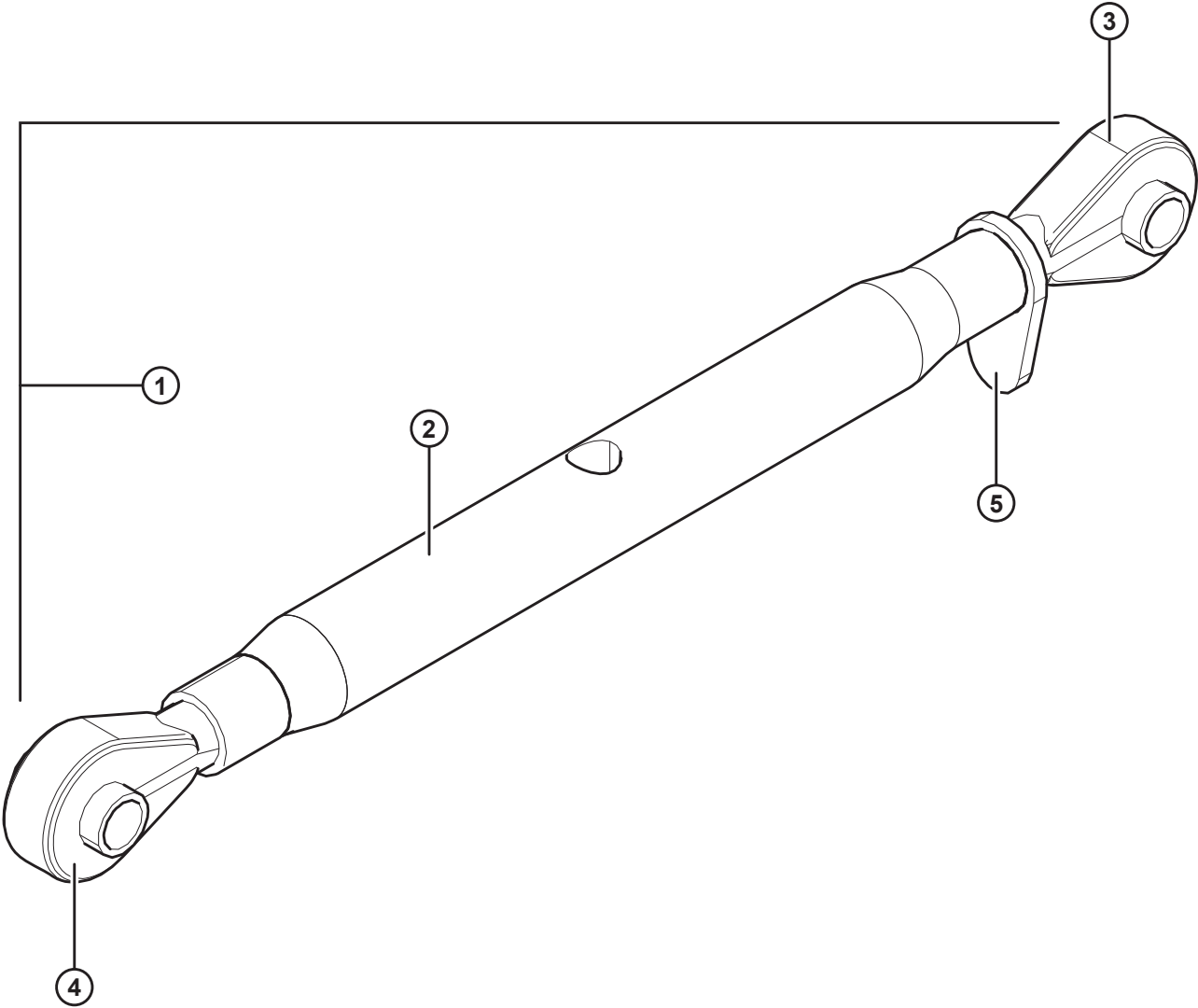


1027751

(OPTION) M200-R85 HYDRAULIC DRIVE

Ref	Part Number	Description	Qty	Serial Number
A	21066	BOLT – RHSN 1/2 NC X 1 GR 5 ZP		
B	30905	NUT – CAP, 1 IN. TUBE		
C	21383	NUT – FLANGE .500-13 UNC (SER FACE)		
D	19965	BOLT – RHSN 1/2 NC X 1 GR 5 ZP		
E	50186	NUT – FLANGE LOCK SM FACE DT 0.500-13 UNC GR 5		
F	21863	BOLT – RHSSN 3/8 NC X 0.75 LG GR 5 ZP		
G	30228	NUT – FLANGE DT SMOOTH FACE 0.375-16 UNC		
H	21564	BOLT – HH 7/16 NC X 1.75 LG GR 5 ZP		
J	18652	WASHER – REG. LOCK 7/16 IN. NOM. I.D. ZP		

43 (Option) Mechanical Header Angle

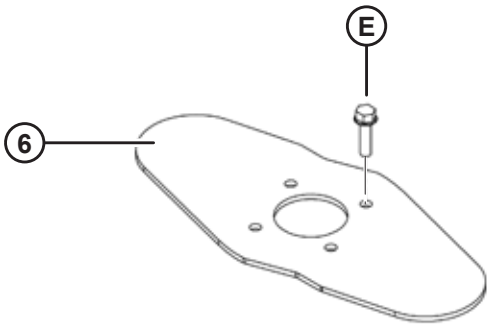
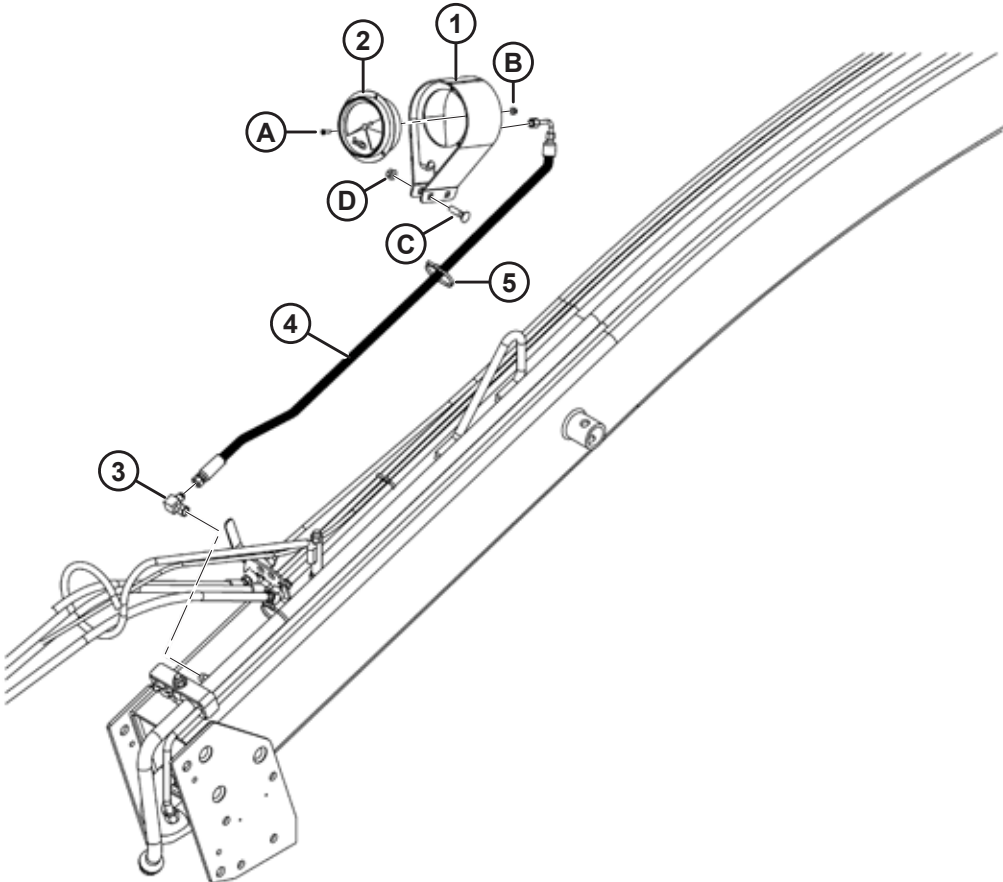


(OPTION) MECHANICAL HEADER ANGLE

Ref	Part Number	Description	Qty	Serial Number
	B4895	KIT – HEADER ANGLE, CENTER-LINK ¹²⁸		
1	42104	TOP LINK	1	
2	42434	TUBE – CENTER	1	
3	42432	JOINT – BALL RH THD	1	
4	42431	JOINT – BALL LH THD	1	
5	42433	COLLAR – LOCKING	1	

128.Kits available through Whole Goods only.

44 (Option) Pressure Gauge and Feed Plate

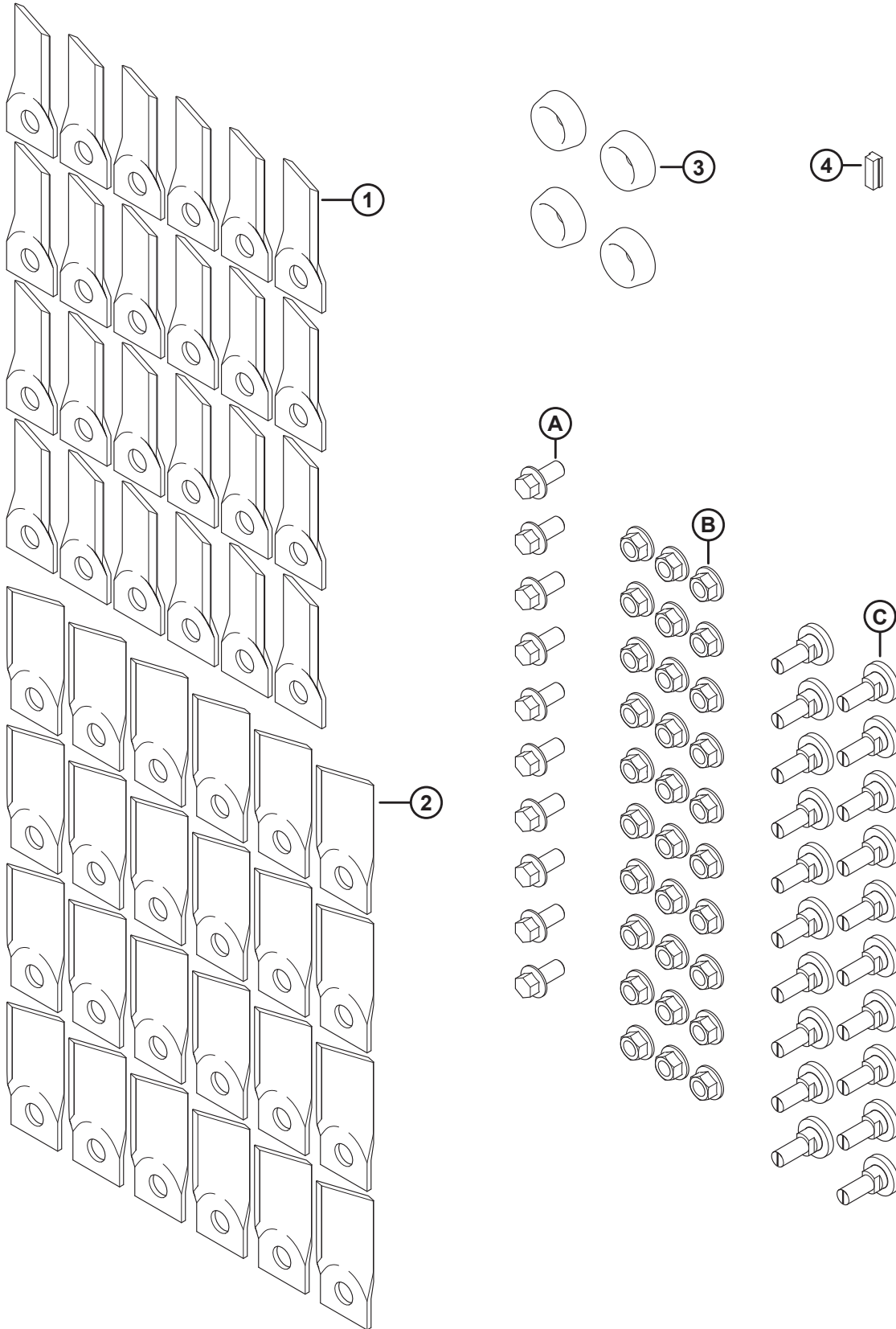


(OPTION) PRESSURE GAUGE AND FEED PLATE

Ref	Part Number	Description	Qty	Serial Number
	B4904	KIT – PULL-TYPE DRIVE PRESSURE GAUGE ¹²⁹		
1	194009	SUPPORT – GAUGE	1	
2	150453	INDICATOR – PRESSURE GAUGE	1	
3	106717	FITTING – 90° ELBOW HYDRAULIC	1	
4	194105	HOSE – HYDRAULIC	1	
5	21763	FASTENER – CABLE TIE	2	
A	21930	SCREW – HEX SOC CSK HD 10-24 X 3/4		
B	21492	NUT – FLANGE (SERRATED FACE), #10 NC GR 5 ZP		
C	21484	BOLT – RHSN, 3/8-16 UNC, 1.5 IN. LG, ZN PL, GR 5		
D	30228	NUT – LOCK, SMOOTH FLANGE, 3/8 NC DT		
	B4903	KIT – FEED ASSISTING PLATES		
6	148220	PLATE	2	
E	148799	BOLT – HH FLANGE M12 X 1.75 X 45 LG ZP		

129.Kits available through Whole Goods only.

45 (Option) R85 Service Kit

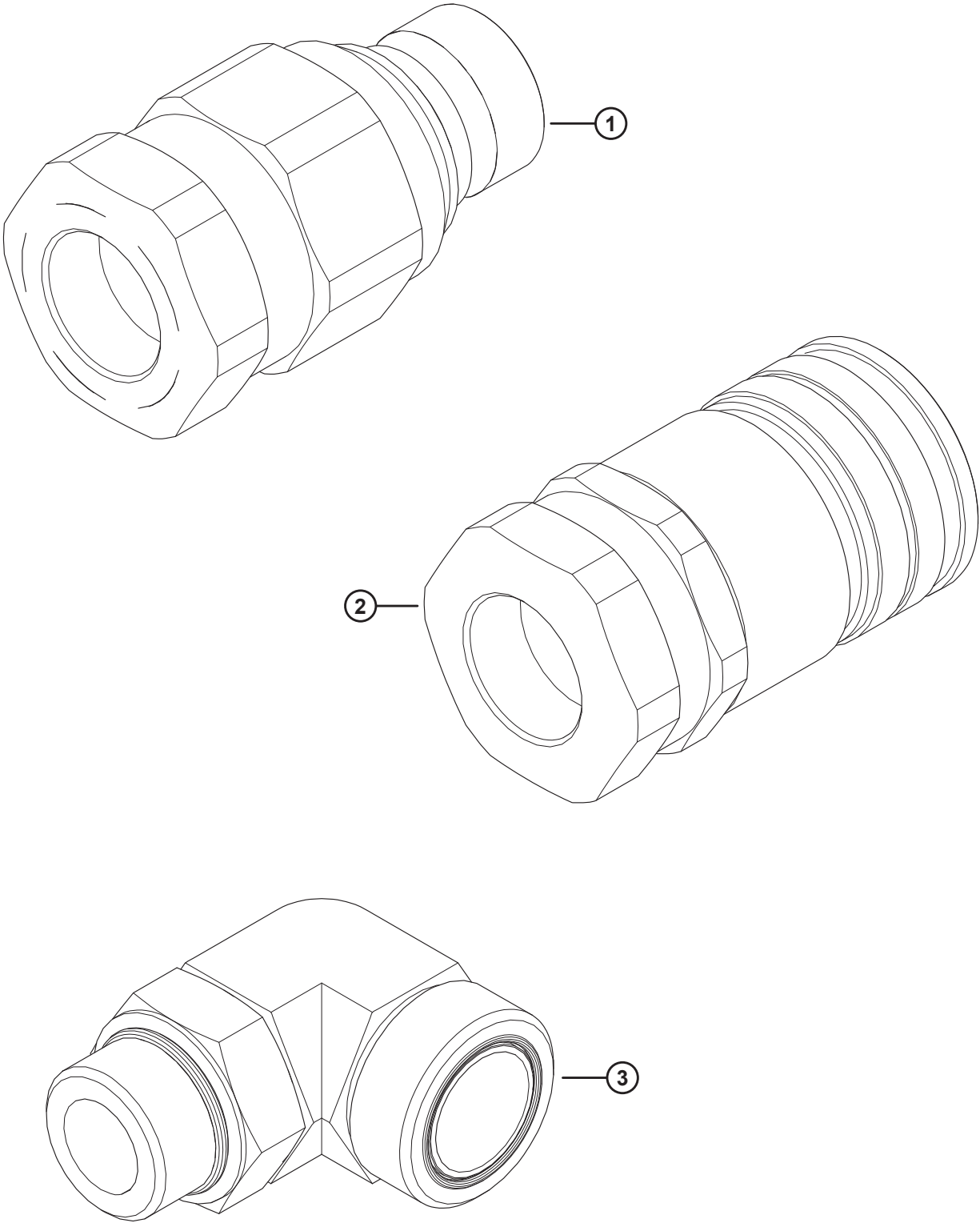


(OPTION) R85 SERVICE KIT

Ref	Part Number	Description	Qty	Serial Number
	268323	KIT – SERVICE R85 ¹³⁰		
1	268206	BLADE – CCW, 18° BEVEL DN (6 PACK)	4	
2	268204	BLADE – CW, 18° BEVEL DN (6 PACK)	4	
3	221530	SHIELD – NUT	4	
4	198280	KEY – SPINDLE SHEAR	1	
A	148800	BOLT – HEX FLG HD M12 X 1.75 X 25 X SPCL-10.9		
B	148645	NUT – HEX FLG STVR LK M12 X 1.75-10-AA1J		
C	148644	BOLT – SHOULDER, BLADE PIVOT		

130.Kit contains blades and hardware to fully service a 4.9 meter (16 foot) R85. Includes all listed parts.

46 (Option) R85 to M1240 – Rotary Quick Coupler Kit

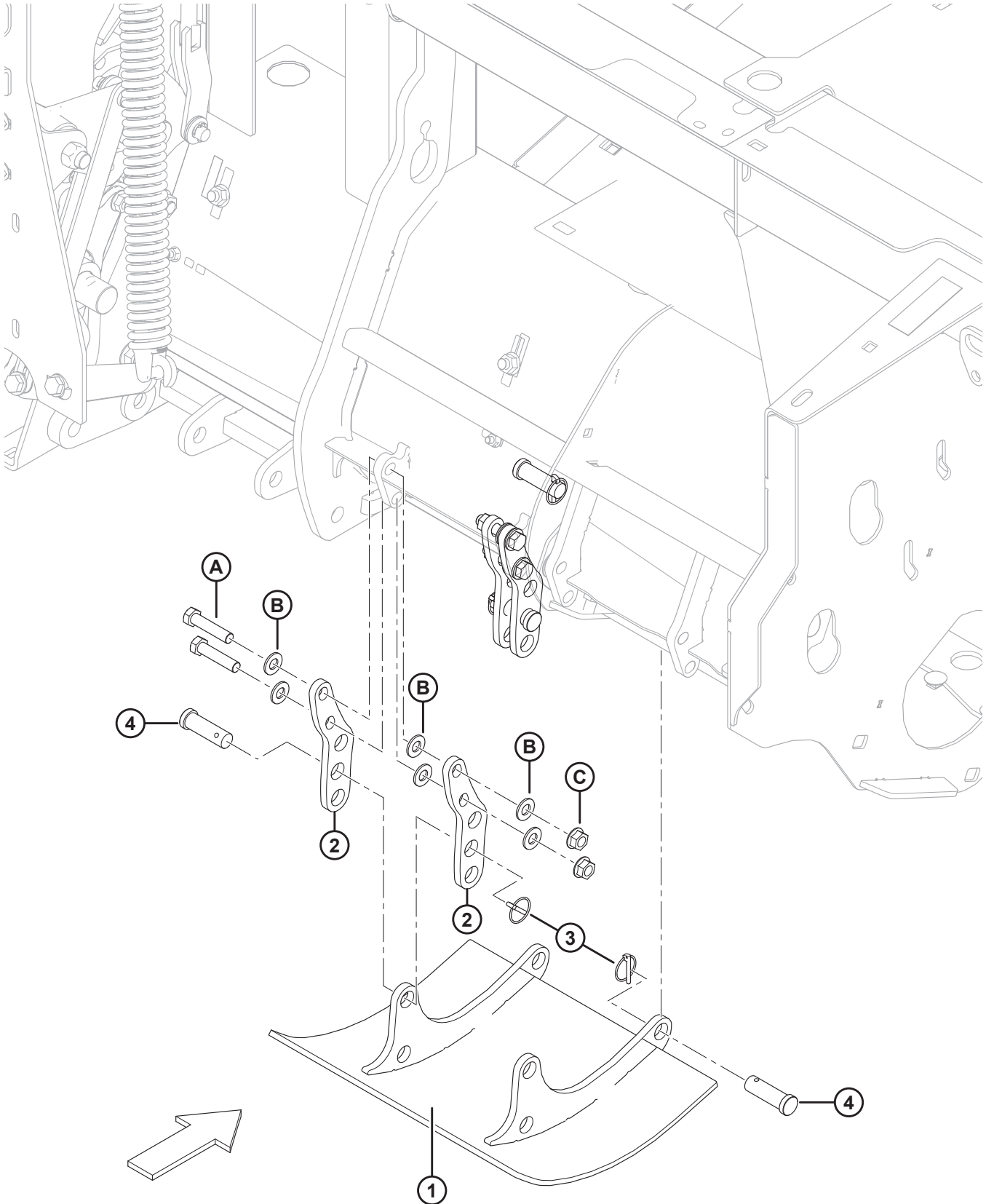


(OPTION) R85 TO M1240 – ROTARY QUICK COUPLER KIT

Ref	Part Number	Description	Qty	Serial Number
	B6277	KIT – ROTARY QUICK COUPLER ¹³¹		
1	136412	FITTING – COUPLING MALE 1 IN.	1	
2	136413	FITTING – COUPLING FEMALE 1 IN.	1	
3	136631	FITTING – ELBOW 90° HYD	2	

131.If quick coupler connection is desired; One kit (B6277) is required for quick coupler connection between rotary/drapper ready M1240 and an R85, as the windrower comes coupler ready. Two kits (B6277) are required for quick coupler connection between a rotary ready M1240 and an R85, one for the header and one for the windrower. Kit includes all listed parts. Kits available through Whole Goods only.

47 (Option) Skid Shoes



(OPTION) SKID SHOES

Ref	Part Number	Description	Qty	Serial Number
	B5660	KIT – SKID SHOES ¹³²		
1	196879	SHOE WELD'T ¹³³	2	-216509
	268008	SHOE WELD'T ¹³⁴	2	216510-
	196881	SHOE – PLATE ONLY ¹³⁵	2	
	NSS	KIT – 16 FT FRAME REPAIR, SHOE AND ROLLER LUGS ¹³⁶	A/R	
2	146063	PLATE – SHOE MOUNT	8	-216509
	236246	PLATE – SHOE MOUNT	8	216510-
3	50193	PIN – LYNCH	8	
4	18626	PIN – CLEVIS	8	
A	21760	BOLT – HH 1/2 NC X 2.5 LG GR 5 ZP		
B	18599	WASHER – SAE FLAT 17/32 I.D. X 1-1/16 IN. O.D. ZP		
C	50186	NUT – FLANGE LOCK SM FACE DT 0.500-13 UNC GR 5		

132.Kits available through Whole Goods only.

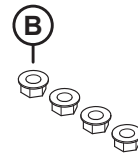
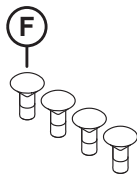
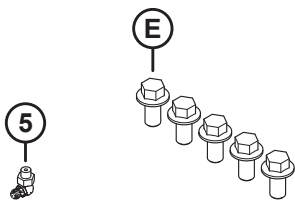
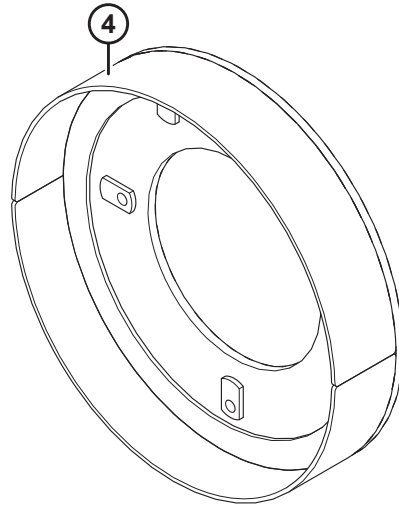
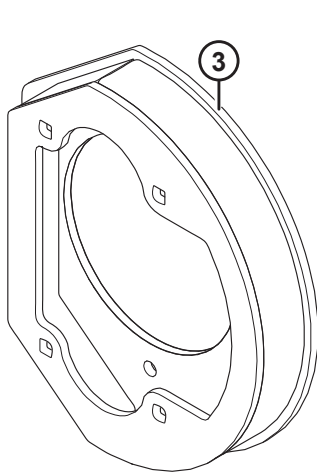
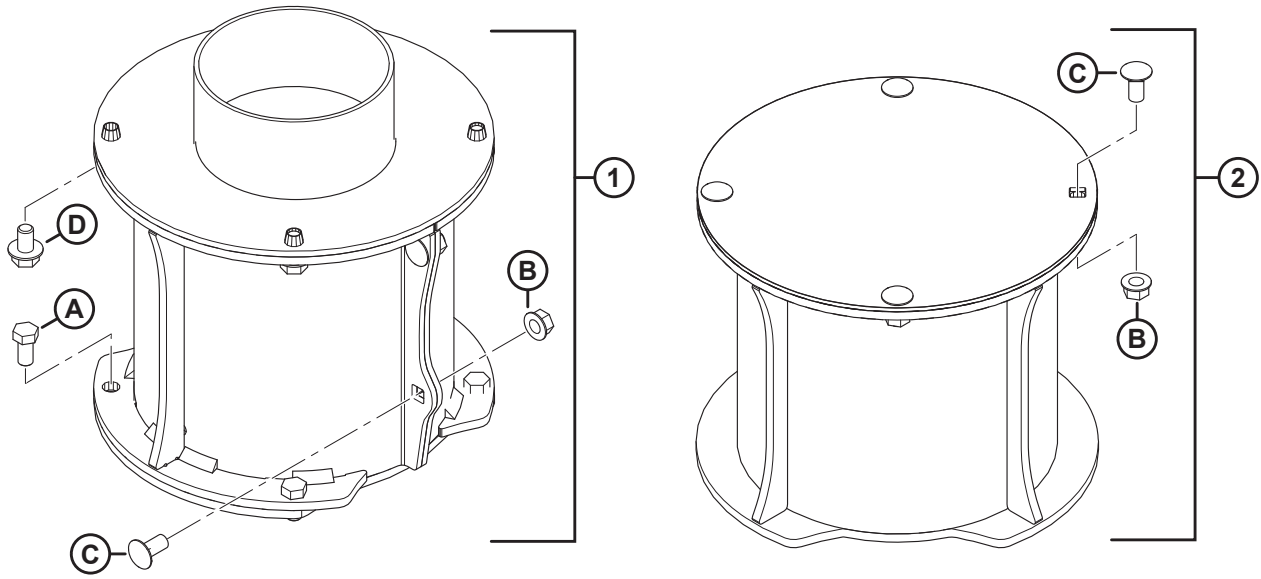
133.For units made in model year 2011 and prior.

134.For units made in model year 2012 and later.

135.Used on both shoe weld't (MD #196879 and 268008).

136.Kit not sold separately. Kit (MD #236327) includes left-hand support weldment, right-hand support weldment, and instructions. Kit is used to repair 4.9 meter (16 foot) R85 frame components that attach to skid shoes or gauge rollers. See your MacDon Dealer for more information.

48 (Option) Solid Drums and Shield

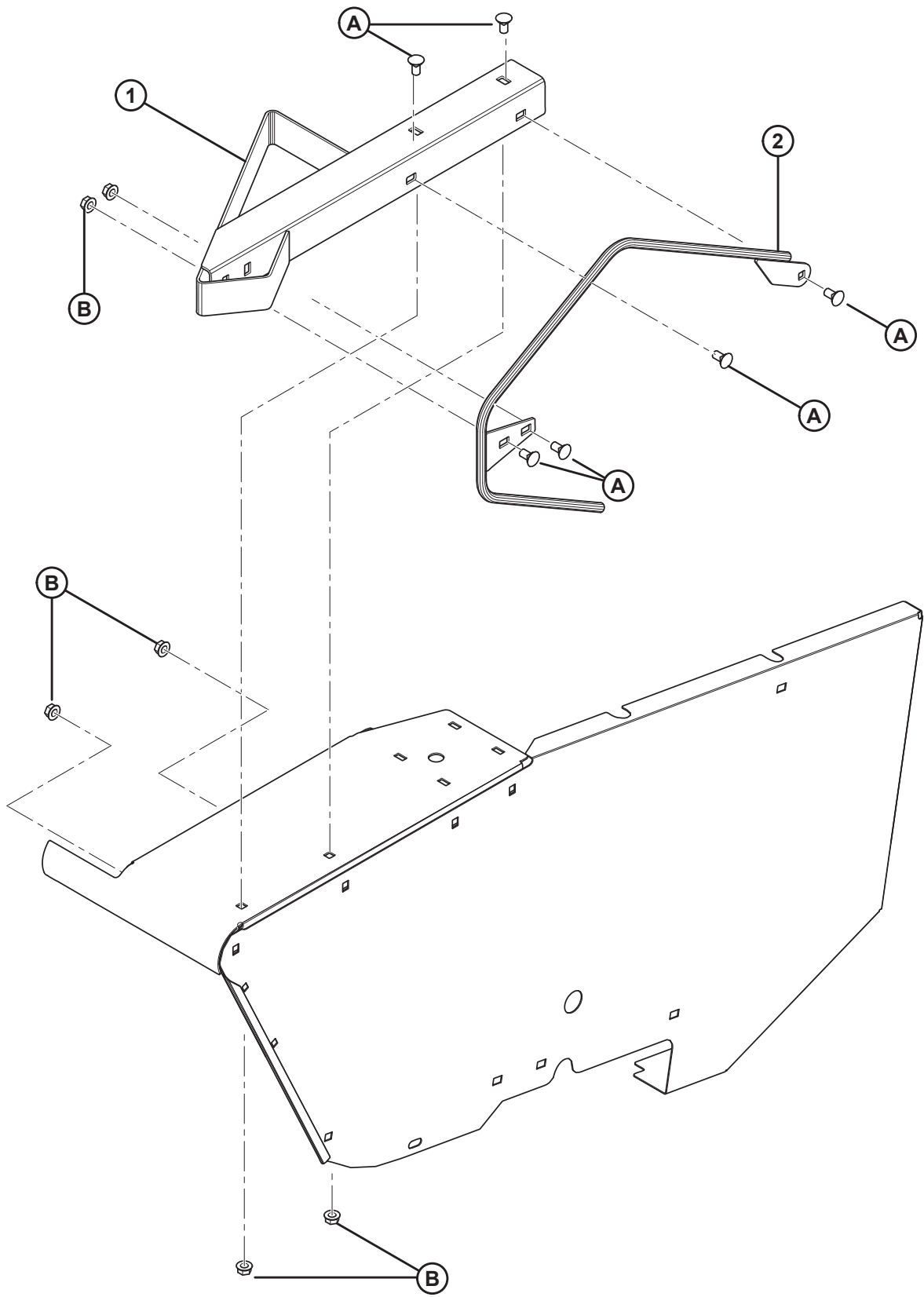


(OPTION) SOLID DRUMS AND SHIELD

Ref	Part Number	Description	Qty	Serial Number
	268223	KIT – SOLID DRUMS AND SHIELD ¹³⁷		
1	268069	DRUM – SPLIT ASSEMBLY	1	
2	268090	DRUM – SOLID ASSEMBLY	1	
3	268219	ASSEMBLY – SHIELD MOUNT	1	
4	268084	DRUM TOP	1	
5	21010	FITTING – LUBE 90° 1/4-28 TAPER THD	1	
A	21567	BOLT – HEX HD 3/8-16 X 0.75 GR5-AA1J		
B	30228	NUT – FLG DT SM FACE 3/8-16 UNC-GR5-AA1J		
C	21863	BOLT – RHSSN 3/8-16 X 0.75 LG GR5 AA1J		
D	136151	BOLT – HEX FLG HD TFL M10 X 1.5 X 16-8.8-AA1J		
E	152655	BOLT – HEX FLG HD M10 X 1.5 X 20-8.8-AA1J		
F	19965	BOLT – RHSN 3/8-16 X 1-GR5-AA1J		
G	135799	NUT – HEX FLG CTR LOC M10 X 1.5-10		

137.Kit reduces crop wrapping of the vertical shaft and feeds crop into conditioners more effectively. Includes all listed parts.

49 (Option) Tall Crop Dividers

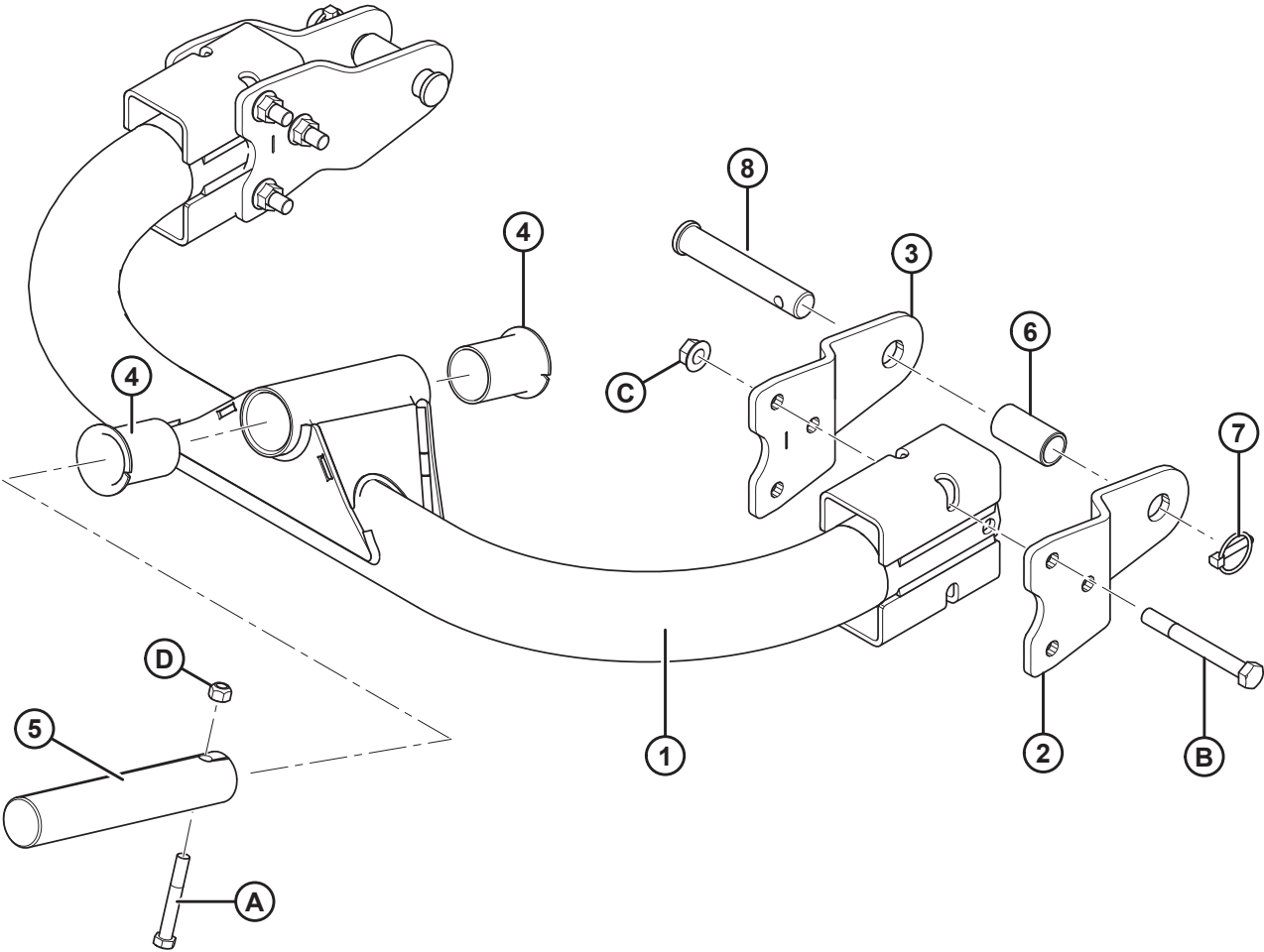


(OPTION) TALL CROP DIVIDERS

Ref	Part Number	Description	Qty	Serial Number
	B5509	KIT – TALL CROP DIVIDERS ¹³⁸		
1	198491	DIVIDER WELDMENT – LH	1	
	198492	DIVIDER WELDMENT – RH	1	
2	150881	ROD – WELDMENT, CROP DIVIDER	1	
A	21066	BOLT – RHSN 1/2 NC X 1 GR 5 ZP		
B	50186	NUT – FLANGE LOCK SM FACE DT 0.500-13 UNC GR 5		

138.Kits available through Whole Goods only.

50 (Option) Three-Point Hitch Adapter



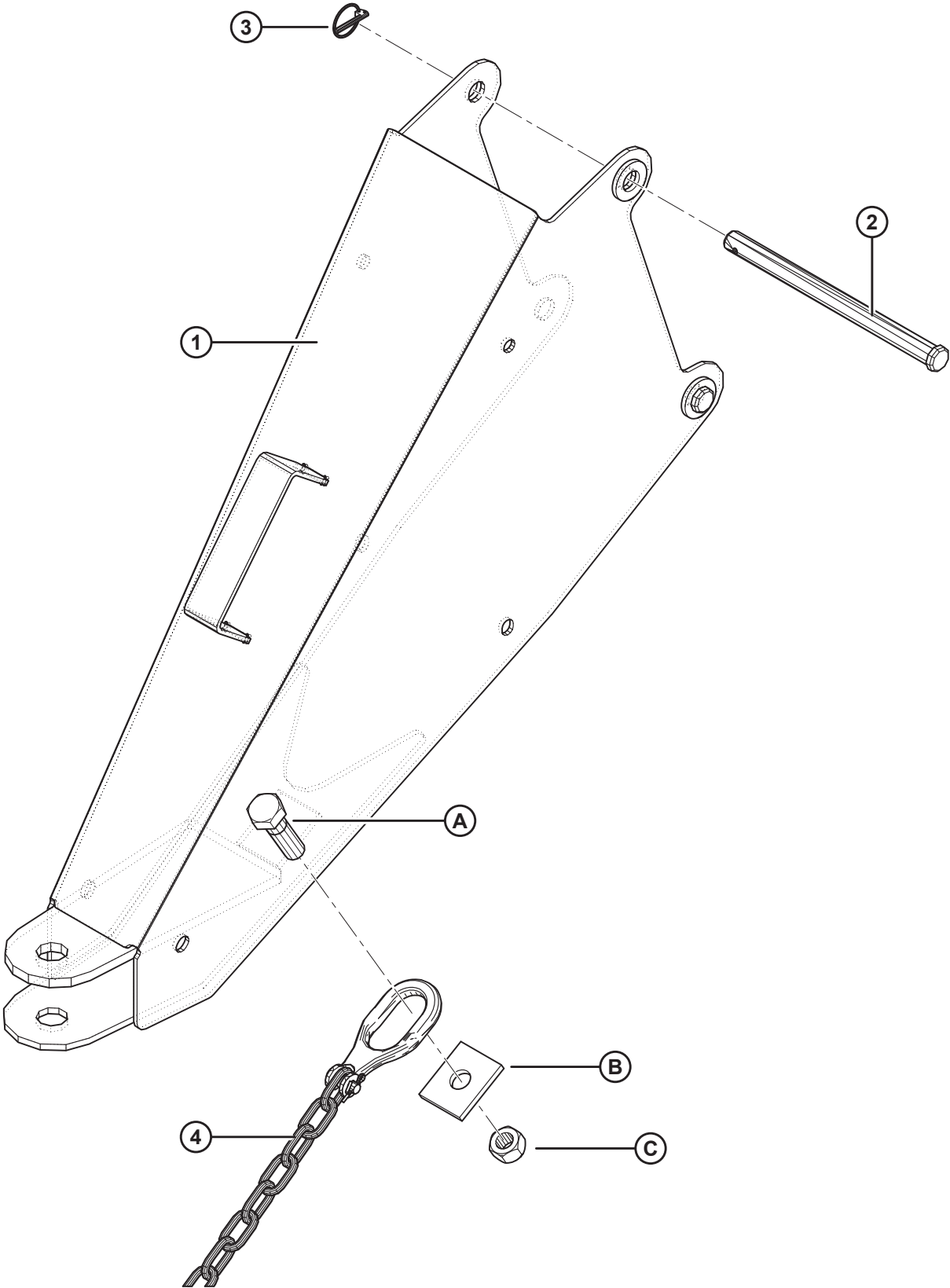
(OPTION) THREE-POINT HITCH ADAPTER

Ref	Part Number	Description	Qty	Serial Number
	B5439	KIT – THREE-POINT HITCH ADAPTER ¹³⁹		
1	196217	ADAPTER – THREE-POINT HITCH WELDT	1	
2	196219	ARM	2	
3	196240	ARM	2	
4	31453	TUBE – FLARED	2	
5	150217	PIN – ROCKSHAFT	1	
6	196261	BUSHING – CAT II TO III	2	
7	113561	PIN – LYNCH	2	
8	196228	PIN – CLEVIS	2	
	196231	HOSE – HYDRAULIC ¹⁴⁰	4	
	196232	HOSE – HYDRAULIC	1	
A	21581	BOLT – HH 1/2 NC X 3.5 LG GR 5 ZP		
B	50163	BOLT – HH 5/8 NC X 5.5 LG GR 5 ZP		
C	50225	NUT – FLANGE DT SMOOTH FACE .625-11 UNC		
D	18697	NUT – HEX LOCK DT .500-13 UNC		

139.Kits available through Whole Goods only.

140.Not illustrated.

51 (Option) Tractor Utility Hitch Adapter



(OPTION) TRACTOR UTILITY HITCH ADAPTER

Ref	Part Number	Description	Qty	Serial Number
	B4897	KIT – TRACTOR UTILITY HITCH ADAPTER ¹⁴¹		
1	150314	HITCH – TRANSPORT	1	
2	135334	PIN – CLEVIS	2	
3	50193	PIN – LYNCH	2	
4	21404	CHAIN – 59 LINKS	1	
A	19957	BOLT – HH 3/4 NC X 2.5 LG GR 5 ZP		
B	29467	WASHER – FLAT RECTANGULAR		
C	18689	NUT – HEX LOCK DT .750-10 UNC		

141.Kits available through Whole Goods only.

Index

795	37	19957	23, 117, 143
1113	19	19965	33, 49, 119, 125, 137
5113	57	19966	65
5734	25	20077	13, 71, 77
5735	25, 33, 37	20535	37
6006	89	21010	35, 89, 137
6647	13, 15	21024	25, 37
7536	11	21030	121
9213	37	21062	35
11142	15, 25, 33, 35	21066	15, 21, 23, 41, 43, 55, 61, 109, 125, 139
11847	55	21076	89
13125	55, 101, 105, 117	21087	39
15903	63, 85, 111	21102	57
18523	107	21151	37
18584	39	21153	59
18588	49	21264	47
18590	39, 99	21281	23, 121
18591	17, 21, 39	21282	115
18592	13, 39	21345	103, 107
18593	13, 67, 117	21383	23, 41, 43, 55, 125
18596	49, 61	21403	23
18597	39	21404	117, 143
18598	7, 47, 71, 77	21425	25, 37
18599	13, 27, 109, 117, 119, 135	21449	55
18600	13, 39, 57, 71, 77, 101, 107	21452	41, 47
18601	13, 39, 57, 59, 63, 67, 103, 107, 117	21455	57
18603	55, 117	21469	43, 101, 121
18608	59, 67	21471	13, 23, 57, 61, 71, 77, 119, 121
18609	55, 63, 85	21472	13, 25, 41, 43, 47, 53, 99
18619	11	21479	23
18626	119, 135	21484	117, 129
18629	59	21491	27, 33
18635	49	21492	129
18637	87	21540	13, 67, 117
18638	77	21560	71, 77
18639	87	21562	39
18648	11, 101, 105, 117	21564	53, 71, 125
18652	53, 71, 125	21565	77
18664	13	21567	21, 53, 55, 99, 137
18670	99	21573	33, 49
18671	59, 63, 69, 75	21575	39, 101, 105, 109
18689	13, 117, 143	21578	13, 99
18690	39	21581	23, 141
18697	87, 103, 105, 109, 141	21582	9, 57, 71, 77
18723	77	21587	23
18724	33, 49, 61	21589	103, 107
18770	55	21594	23, 43, 87
18916	59	21595	39
18963	57	21597	109
19809	101, 105	21599	13
19878	59	21760	39, 119, 135
19906	57	21763	85, 111, 129
		21791	35

INDEX

21804.....	85	30884.....	69, 75
21813.....	15, 19	30889.....	59
21821.....	27, 57, 61	30890.....	59
21827.....	123	30905.....	125
21828.....	123	30906.....	65
21829.....	123	30936.....	123
21830.....	83	30939.....	51
21859.....	119	30946.....	25
21860.....	119	31145.....	39
21863.....	13, 41, 47, 49, 57, 61, 101, 105, 109, 125, 137	31453.....	117, 141
21868.....	27, 109	31774.....	61
21880.....	13, 39, 99	32738.....	91
21881.....	75, 83	32879.....	97
21930.....	129	32880.....	97
21975.....	71, 77	36651.....	91
23164.....	91	38894.....	99
23165.....	91	40702.....	51
23950.....	97	42045.....	103, 105, 109
23957.....	97	42104.....	127
25579.....	63	42431.....	127
25991.....	97	42432.....	127
29467.....	117, 143	42433.....	127
30011.....	59	42434.....	127
30031.....	15, 19	42592.....	103, 105
30209.....	39	44207.....	89
30228.....	13, 27, 33, 43, 47, 49, 53, 55, 61, 65, 71, 77, 99, 101, 105, 111, 117, 119, 125, 129, 137	44209.....	89
30242.....	61	45427.....	41
30256.....	15, 35	47070.....	15, 19
30269.....	47	48050.....	71, 77
30280.....	115, 121	49306.....	119
30282.....	63	49341.....	55
30283.....	85	49464.....	87
30284.....	85	50004.....	45
30314.....	69	50009.....	55
30368.....	17, 61, 119	50022.....	63
30375.....	85, 111	50040.....	99
30441.....	17, 21, 41, 103, 107	50091.....	29
30463.....	67	50101.....	7
30512.....	57	50103.....	69, 75
30515.....	109	50163.....	39, 141
30576.....	15, 19	50182.....	19
30590.....	37	50186.....	13, 17, 21, 23, 27, 33, 39, 41, 43, 53, 55, 61, 71, 77, 87, 99, 101, 107, 109, 119, 121, 125, 135, 139
30627.....	7	50187.....	15, 19
30632.....	87	50188.....	15, 19
30636.....	71	50189.....	39
30693.....	47	50193.....	55, 101, 105, 119, 135, 143
30701.....	59	50197.....	99
30702.....	59	50220.....	51
30743.....	55	50222.....	89
30753.....	33	50225.....	17, 21, 23, 39, 43, 57, 71, 77, 101, 107, 141
30813.....	83	50226.....	39
30836.....	35	100456.....	41
30846.....	85	100577.....	37
30861.....	17, 19	101007.....	117

INDEX

101375	91	135233	49
102264	89	135236	113
103562	17, 21, 101	135313	123
103579	59	135316	123
103738	63	135334	117, 143
105010	45	135340	59
105066	25, 33, 61	135341	59
105136	21	135352	83
105137	43	135362	37
106622	39	135365	123
106717	129	135367	23, 55, 65
107201	89	135369	39, 99
109207	91	135374	85
109843	91	135400	75
111284	73	135408	55
111713	49	135414	63, 85, 89
112129	15	135415	117
112130	23, 57	135442	87
112624	47, 63	135474	51, 113
112868	51, 69, 123	135479	123
112936	123	135490	65
113482	93	135491	53
113561	141	135544	123
115074	25, 33, 37	135547	87
115100	91	135550	85
115145	91	135554	71, 75, 83
115146	91	135560	51
115147	91	135563	85, 111
115148	91	135576	55
115670	3	135577	63
118234	55, 59	135593	117
120365	15, 19	135607	87
120366	15, 19	135613	59
120416	59	135619	83
120901	23, 43, 71, 77	135708	51, 113
123517	119	135709	51, 113
124541	25, 35	135719	51
124767	77	135723	7
130529	39	135727	123
132117	91	135762	51
132898	91	135764	11
134009	123	135771	23
134010	123	135785	7
134011	123	135799	7, 137
134106	113	135800	7
134360	113	135818	51
135001	111	135856	123
135004	65	135858	123
135015	63, 85	135859	123
135020	85	135867	113
135021	85	135869	51, 113
135148	97	135875	75
135157	43, 53, 99	135881	75
135192	113	135906	13
135213	123	135910	123

INDEX

135946	51	142961	75
135954	101, 107, 109	142965	85
135955	77	143663	37
135962	41	143875	49
135963	43, 47, 53	146029	23
135965	19, 43	146044	111
135966	43, 49	146045	111
135976	53, 101, 107	146052	109
135981	71	146055	109
136065	39	146056	109
136067	25, 33	146057	109
136101	77	146059	109
136106	75	146060	109
136108	87	146063	135
136140	89	146085	23
136151	137	146093	37
136174	65	146231	123
136187	119	146240	63
136246	75	146241	63
136331	91	146243	95
136354	87	146250	55
136360	69, 75	146271	37
136412	51, 133	146279	37
136413	51, 133	146293	7
136631	51, 133	146351	69
136686	103, 107	146364	49
136792	17, 21	146365	49
136830	37	146367	79
137699	27, 33, 57	146371	7
138124	51, 113	146378	25
138127	51, 123	146380	25
138150	49	146384	39
138272	113	146385	43
138273	113	146391	85
138709	49, 113	146394	69
138762	113	146395	69
138764	113	146404	71, 75
138766	113	146405	69, 75
138855	51, 113	146411	109
139071	123	146412	109
139630	49	146420	55
139648	113	146430	99
139649	113	146464	43
140246	59	146471	47
140247	59	146474	51
140248	59	146476	43
140249	59	146481	99
140250	59	146485	99
140269	69, 75	146492	43
142376	63	146493	43
142895	95	146553	51
142896	95	146574	79
142908	91	146654	35
142909	91	146655	35
142912	91	146745	75

INDEX

146760	75	150256	85, 111
146925	3, 7	150287	83
146964	47	150298	63
146965	47	150306	63
148078	63	150307	63
148220	1, 129	150311	83, 123
148388	117	150314	143
148644	1, 131	150331	85
148645	1, 131	150338	63
148730	1	150339	63
148735	1	150381	39
148798	1, 77	150392	55
148799	1, 71, 129	150413	1
148800	1, 71, 131	150437	35
148829	91	150438	15, 19
148851	85	150453	129
148893	109	150454	55
148900	109	150457	117
148918	85	150475	85
148961	63	150476	85
148962	63	150483	111
148968	85, 111	150519	111
149077	25	150595	83, 85
149167	101, 105	150609	95
149168	101, 105	150630	69
149173	101	150632	69, 75
149183	35	150633	69, 75
149317	101, 109	150634	69, 77
149342	11, 55, 63	150651	91
149399	35	150662	59
149553	123	150692	69
149554	123	150713	83
149655	117	150714	83
149743	101	150715	83
149767	111	150730	25
149777	109	150732	83
149802	117	150734	1
149810	85	150819	111
149820	63	150821	25
149829	85	150823	95
149857	109	150826	3
149866	85	150827	5
149950	11	150828	5
150018	101, 105	150829	3
150075	85	150830	3
150082	117	150831	5
150093	87	150832	3
150101	85, 111	150833	3
150123	83	150834	3
150124	111	150835	3
150135	69, 75	150836	5
150138	69, 75	150837	3
150151	109	150838	3
150217	117, 141	150839	5
150255	85	150840	5

INDEX

150841.....	5	157334.....	11
150842.....	3	157380.....	11
150843.....	5	157381.....	11
150844.....	3	157549.....	55
150845.....	3	157946.....	7
150846.....	5	160358.....	63
150849.....	3	160359.....	59
150852.....	3	160360.....	63
150857.....	73	163585.....	123
150858.....	73	166466.....	93
150859.....	73	167865.....	113
150860.....	73	170047.....	119
150862.....	73	170281.....	91
150863.....	73	171029.....	91
150864.....	29, 73	171068.....	85
150865.....	73	171093.....	63
150867.....	73	171277.....	69, 79, 81
150868.....	73	171281.....	93
150869.....	73	171287.....	93
150870.....	73	171298.....	93
150871.....	29	172339.....	107
150872.....	29	174436.....	93
150873.....	29	183620.....	83
150874.....	29	183859.....	113
150875.....	29	184371.....	93
150877.....	29	184372.....	93
150878.....	29	184385.....	93
150879.....	51	184386.....	93
150881.....	139	184390.....	91
150886.....	69, 75, 79, 81	184600.....	77
150887.....	69	184665.....	7
150888.....	69, 75	184667.....	105
150889.....	69, 75, 79, 81	184669.....	71
150890.....	79, 81	184720.....	35
150891.....	79, 81	190546.....	93
150893.....	79, 81	193182.....	103
150894.....	79, 81	194004.....	83
150899.....	85	194009.....	129
150902.....	119	194021.....	91
150904.....	83	194026.....	85
150905.....	83	194039.....	69, 73
150906.....	83	194041.....	75
150907.....	83	194043.....	51, 69, 123
150934.....	35	194073.....	69
150959.....	63	194089.....	69
150971.....	63	194094.....	83
150996.....	59	194097.....	83
150997.....	59	194101.....	83
151974.....	83	194103.....	83
152655.....	137	194104.....	69
153291.....	67	194105.....	129
156051.....	123	194169.....	59
156501.....	11	194175.....	3
156696.....	89	194177.....	67
157202.....	7	194178.....	3

INDEX

194179	3	196495	75
194183	69	196783	7
194185	73	196796	23
194186	73	196797	23
194187	83	196846	35
194197	101	196848	35
194198	101	196877	43
194202	69, 75	196879	135
194211	73	196881	135
194212	73	196889	35
194365	123	196989	11
194389	123	198006	41
194419	59	198009	43
194463	93	198024	43
194464	93	198047	13
194465	93	198079	41
194466	93	198084	43
194468	91	198094	47
194476	89	198095	35
194521	93	198097	55
194525	69	198103	55
194526	81	198104	55
194527	81	198154	13
194531	69, 75	198157	43
194563	51	198173	47
194631	35	198203	11
194646	35	198204	11
194651	3	198278	3
194653	3	198280	3, 131
194699	35	198310	47
194827	15, 19	198329	35
194828	15, 19	198417	41
194865	15	198419	11
194910	59	198433	37
194920	15	198457	37
194921	15	198470	75
194937	15	198486	37
194942	15	198491	139
194943	15	198492	139
194959	39	198498	43
196195	35	198503	43
196217	141	198514	51
196219	141	198516	3
196228	141	198540	41
196231	141	198543	95
196232	141	198546	75
196240	141	198547	75
196261	141	198610	83
196279	13	198616	37
196285	11	198694	123
196287	47	198785	49
196294	11	198814	123
196393	47	198815	123
196438	43	198826	109
196476	75	198927	51

INDEX

198963	49	236667	15
198964	49	236668	15
198981	35	236684	83
207299	49, 51	236755	37
221279	35	236782	109
221530	1, 55, 131	236783	55
222705	3	236786	11, 47
235310	19	236790	11
235414	35	236794	11
235565	35	236796	11
235819	19	236815	79
235828	47	236816	79
236014	23	236828	81
236016	23	236829	81
236033	49, 113	236844	11
236034	25	236850	15, 19
236036	49	236851	15, 19
236046	25	236855	51
236050	47	236871	31
236055	47	236874	31
236080	43	236875	31
236081	43	236901	101
236118	11	236902	101, 105
236119	11	236914	35
236122	43	236917	35
236124	43	236926	37
236125	11	236930	19
236126	11	236933	15, 19
236164	47	236934	19
236206	119	236939	11
236212	63	236954	9
236218	63	236955	9
236223	59	236972	19
236246	119, 135	236974	19
236255	119	236975	19
236259	11	236985	25, 33
236263	121	236994	31
236264	121	247166	93
236267	121	247693	105
236268	121	247875	63, 85
236282	121	252232	113
236358	99	252669	9
236365	99	252849	87
236393	83	252850	87
236465	121	256046	55
236483	7	256047	55
236511	75	259058	93
236534	75	268008	135
236535	83	268023	33, 49
236538	83	268033	41
236568	13	268039	41
236579	15, 19	268049	33, 49
236634	83	268069	137
236639	101	268084	137
236662	11	268090	137

INDEX

268095.....	3	B4895.....	127
268096.....	3	B4897.....	143
268122.....	25, 33	B4903.....	129
268129.....	25, 33	B4904.....	129
268143.....	31	B4905.....	3
268144.....	29, 31	B5439.....	141
268145.....	31	B5455.....	123
268146.....	31	B5497.....	113
268147.....	31	B5509.....	139
268148.....	31	B5564.....	111
268149.....	31	B5650.....	119
268150.....	31	B5660.....	135
268151.....	31	B5662.....	121
268152.....	31	B6131.....	105
268153.....	31	B6268.....	105
268159.....	25, 31, 33	B6277.....	133
268163.....	37		
268181.....	43		
268182.....	43		
268187.....	43		
268204.....	1, 131		
268205.....	1		
268206.....	1, 131		
268207.....	1		
268212.....	43		
268219.....	137		
268223.....	137		
268255.....	25, 33		
268268.....	55		
268274.....	49, 113		
268285.....	43		
268321.....	27		
268322.....	25		
268323.....	131		
268332.....	15, 19		
268335.....	19		
268337.....	55		
268340.....	67		
272205.....	105		
272206.....	105		
272208.....	105		
272233.....	51		
272248.....	105		
272252.....	105		
281316.....	25		
281328.....	25		
302204.....	91		
325060.....	101, 105		
325061.....	101, 105		
325062.....	101, 105		
325084.....	105		

B

B4886.....	117
------------	-----

MacDon Industries Ltd.

680 Moray Street
Winnipeg, Manitoba
Canada R3J 3S3
t. (204) 885-5590 f. (204) 832-7749

MacDon, Inc.

10708 N. Pomona Avenue
Kansas City, Missouri
United States 64153-1924
t. (816) 891-7313 f. (816) 891-7323

MacDon Australia Pty. Ltd.

A.C.N. 079 393 721
P.O. Box 103 Somerton, Victoria, Australia
Australia 3061
t.+61 3 8301 1911 f.+61 3 8301 1912

MacDon Brasil Agribusiness Ltda.

Rua Grã Nicco, 113, sala 404, B. 04
Mossunguê, Curitiba, Paraná
CEP 81200-200 Brasil
t. +55 (41) 2101-1713 f. +55 (41) 2101-1699

LLC MacDon Russia Ltd.

123317 Moscow, Russia
10 Presnenskaya nab, Block C
Floor 5, Office No. 534, Regus Business Centre
t. +7 495 775 6971 f. +7 495 967 7600

MacDon Europe GmbH

Hagenauer Strasse 59
65203 Wiesbaden
Germany

CUSTOMERS

MacDon.com

DEALERS

Portal.MacDon.com

Trademarks of products are the marks of their
respective manufacturers and/or distributors.

Printed in Canada